

Over The Range Microwave Oven

User Manual



MWOTR24100SS

TINSEB---MRR0

beko

PLEASE READ THIS MANUAL FIRST!

Dear Customer,

Thank you for preferring a Beko product. We hope that you get the best results from your product which has been manufactured with high quality and state-of-the-art technology. Therefore, please read this entire user manual and all other accompanying documents carefully before using the product and keep it as a reference for future use. If you handover the product to someone else, give the user manual as well. Follow all warnings and information in the user manual.

Remember that this user manual is also applicable for several other models. Differences between the models are explicitly described in the manual.

PRECAUTIONS TO AVOID POSSIBLE EXPOSURE TO EXCESSIVE MICROWAVE ENERGY

- Do not attempt to operate this oven with the door open since open-door operation can result in harmful exposure to microwave energy. It is important not to defeat or tamper with the safety interlocks.
- Do not place any object between the oven front face and the door or allow soil or cleaner residue to accumulate on sealing surfaces.
- Do not operate the microwave oven if it is damaged. It is particularly important that the microwave oven door close properly and that there is no damage to the: (1) door (bent), (2) hinges and latches (broken or loosened), (3) door seals and sealing surfaces.
- The microwave oven should not be adjusted or repaired by anyone except properly qualified service personnel.

⚠ WARNING

This equipment generates and uses ISM frequency energy and if not installed and used properly, that is in strict accordance with the manufacturer's instructions, may cause interference to radio and television reception.

It has been type-tested and found to comply with limits for an ISM Equipment pursuant to part 18 of FCC Rules, which are designed to provide reasonable protection against such interference in a residential installation.

However, there is no guarantee that interference will not occur in a particular installation.

If this equipment does cause interference to radio or television reception, which can be determined by turning the equipment off and on, the user is encouraged to try to correct the interference by one or more of the following:

- Reorient the receiving antenna of radio or television.
- Relocate the Microwave oven with respect to the receiver.
- Move the microwave oven away from the receiver.
- Plug the microwave oven into a different outlet so that microwave oven and receiver are on different branch circuits.

THE MANUFACTURER is not responsible for any radio or TV interference caused by UNAUTHORIZED MODIFICATION to this microwave oven. It is the responsibility of the user to correct such interference.

CONTENTS

PRECAUTIONS TO AVOID POSSIBLE EXPOSURE TO EXCESSIVE MICROWAVE ENERGY	2
IMPORTANT REGULATORY INFORMATION	4
1 IMPORTANT SAFETY INSTRUCTIONS	4-5
2 INFORMATION YOU NEED TO KNOW	6-8
ABOUT UNPACKING AND EXAMINING YOUR MICROWAVE OVEN.....	6
GROUNDING INSTRUCTIONS	6
ABOUT YOUR MICROWAVE OVEN	6
ABOUT MICROWAVE COOKING	6
ABOUT UTENSILS AND COVERINGS.....	7
ABOUT CHILDREN AND THE MICROWAVE	7
ABOUT SAFETY	8
ABOUT FOODS	8
3 PART NAMES	9-10
4 BEFORE OPERATING	11
TO SET THE CLOCK	11
STOP/CLEAR.....	11
5 MICROWAVE OVEN COOKING	12-16
TIME COOKING	12
TO SET POWER LEVEL.....	12
SENSOR SETTINGS	12
SENSOR	13
DEFROST	15
MANUAL DEFROST	15
MORE MENUS.....	16
BEVERAGE REHEAT/HOT WATER/ HOT CEREAL.....	17
6 OTHER FEATURES	18-19
TIMER/CLOCK.....	18
SETTINGS	18
HELP	18
+30 SEC	18
CONTROL LOCK	19
LIGHT	19
VENT	19
7 CLEANING AND CARE	20-21
8 BEFORE YOU CALL FOR SERVICE	22
9 AUTO-TOUCH GUIDE	23

READ ALL INSTRUCTIONS BEFORE USING

IMPORTANT REGULATORY INFORMATION

⚠ WARNING Any changes or modifications to the appliance not expressly approved by the party responsible for compliance could void the user's authority to operate the appliance.

Note: This equipment has been tested and found to comply with the limits for a Class B digital device, pursuant to Part 15 of the FCC Rules. These limits are designed to provide reasonable protection against harmful interference in a residential installation. This equipment generates, uses and can radiate radio frequency energy and, if not installed and used in accordance with the instructions, may cause harmful interference to radio communications. However, there is no guarantee that interference will not occur in a particular installation. If this equipment does cause harmful interference to radio or television reception, which can be determined by turning the equipment off and on, the user is encouraged to try to correct the interference by one or more of the following measures:

- Reorient or relocate the receiving antenna.
- Increase the separation between the equipment and receiver.
- Connect the equipment to an outlet on a circuit different from that to which the receiver is connected.
- Consult the dealer or an experienced radio/TV technician for help.

When using the appliance, basic safety precautions should be followed, including the following:

⚠ WARNING To reduce the risk of burns, electric shock, fire, injury to persons or exposure to excessive microwave energy:

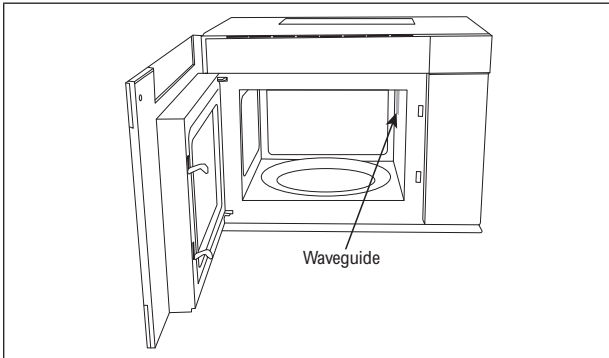
1. Read all instructions before using the appliance.
2. Read and follow instructions in PRECAUTIONS TO AVOID POSSIBLE EXPOSURE TO EXCESSIVE MICROWAVE ENERGY on page 2.
3. This appliance must be properly grounded. See GROUNDING INSTRUCTIONS on page 6.
4. Install or locate this appliance only in accordance with the provided Installation Manual.
5. Some products, such as whole eggs in shell and sealed containers like closed glass jars, can rupture and should not be heated in the appliance.
6. Use this appliance only for its intended use as described in this manual. Do not use corrosive chemicals or vapors in this appliance. This appliance is specifically designed to heat, cook or dry food. It is not designed for industrial or laboratory use.
7. As with any appliance, close supervision is necessary when used by children.
8. Do not operate this appliance if it has a damaged cord or plug, if it is not working properly or if it has been damaged or dropped.
9. This appliance should be serviced only by qualified service personnel. Contact nearest Beko Authorized Servicer for examination, repair or adjustment.
10. Do not cover or block any openings on the appliance.
11. Do not store or use this appliance outdoors. Do not use this product near water, such as near a kitchen sink, in a wet basement, near a swimming pool or similar locations.
12. Do not immerse cord or plug in water.
13. Keep cord away from heated surfaces.
14. Do not climb or sit on the appliance.
15. Keep fingers and other objects or materials away from the appliance opening when closing the appliance door.
16. Do not cook in the microwave oven without the turntable properly inserted. Be sure turntable and turntable ring support are properly installed before using the oven. Do not use a container that obstructs the rotation of the turntable. The turntable will turn both clockwise and counter-clockwise.
17. Be sure the food and container are smaller than the microwave cavity and fit properly on the turntable before closing the door.

18. When cleaning appliance sealing surfaces that come together on closing the door, use only mild, nonabrasive soaps or detergents applied with a sponge or soft cloth. Never use metal scouring pads to clean the Microwave Oven as pieces may break off of pad and cause electric shock if they come in contact with electrical parts. See **CLEANING AND CARE** on page 20.
19. To reduce the risk of fire in the appliance cavity:
- Do not overcook food. Carefully attend appliance when paper, plastic or other combustible materials are placed inside the appliance to facilitate cooking.
 - Remove wire twist-ties from paper or plastic bags before placing bag in appliance.
 - If materials inside the appliance ignite, keep appliance door closed, turn off appliance and shut off power at the fuse or circuit breaker panel.
 - Do not use the appliance for storage purposes. Do not leave paper products, cooking utensils or food in the appliance when not in use.
 - Clean ventilating hoods frequently. Grease should not be allowed to accumulate on hood or filter.
 - Never operate the fan or oven without the filters in place.
 - When flambéing foods under the hood, turn on the fan.
 - Never leave surface units unattended, especially if cooking with high heat, as smoke and spillovers from grease may ignite and spread if using the microwave vent fan.
 - In the event of a grease fire on the surface units below the microwave oven, smother a flaming pan by covering the pan completely with a lid, a cookie sheet or a flat tray.
 - Use care when cleaning the vent-hood filter. Corrosive cleaning agents, such as lye-based oven cleaners, may damage the filter.
20. Liquids, such as water, coffee or tea, are able to be overheated beyond the boiling point without appearing to be boiling due to surface tension of the liquid. Visible bubbling or boiling when the container is removed from the appliance is not always present. **THIS COULD RESULT IN VERY HOT LIQUIDS SUDDENLY BOILING OVER WHEN A SPOON OR OTHER UTENSIL IS INSERTED INTO THE LIQUID.**
- WARNING** To reduce the risk of injury to persons:
- Do not overheat the liquid.
 - Stir the liquid both before and halfway through heating it.
 - Do not use straight-sided containers with narrow necks. Use wide-mouthed containers.
 - After heating, allow the container to stand in the appliance at least for 20 seconds before removing the container.
 - Use extreme care when inserting a spoon or other utensil into the container.
 - Do not heat oil or fat for deep-frying. It is difficult to control the temperature of oil in microwave oven.

SAVE THESE INSTRUCTIONS

ABOUT UNPACKING AND EXAMINING YOUR MICROWAVE OVEN

1. Remove all packing materials from inside the microwave oven. **DO NOT REMOVE THE WAVEGUIDE COVER**, which is located on the side of the oven cavity inside of the microwave oven.



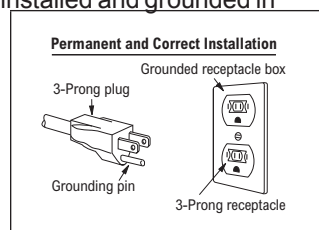
2. Check that there are Installation Instructions, Wall Template, Top Cabinet Template, Mounting Plate, Installation Hardware Accessories, Charcoal Filter, Grease Filters and Exhaust Damper Assembly. Read enclosures and save the Installation Instructions.
3. Remove the feature sticker, if there is one. Check the oven for any damage, such as misaligned or bent oven door, damaged oven seals and sealing surfaces, broken or loose door and dents inside the cavity or on the front side of the oven. If there is any damage, do not operate the microwave oven and contact your dealer or a Beko AUTHORIZED SERVICER.

RADIO OR TV INTERFERENCE

Should there be any interference caused by the microwave oven to your radio or TV, check that the microwave oven is on a different electrical circuit, relocate the radio or TV as far away from the microwave oven as feasible or check position and signal of receiving antenna.

GROUNDING INSTRUCTIONS

This appliance must be grounded. The microwave oven is equipped with a cord having a grounding wire with a grounding plug. The electrical requirements are a 120 volt 60 Hz, AC only, 20 amp. It must be plugged into a wall receptacle that is properly installed and grounded in accordance with the National Electrical Code and local codes and ordinances. In the event of an electrical short circuit, grounding reduces risk of electric shock by providing an escape wire for the electric current.



! WARNING Improper use of the grounding plug can result in a risk of electric shock. **DO NOT USE AN EXTENSION CORD.** If the power supply cord is too short, have a qualified electrician or serviceperson install an outlet near the appliance.

If you have any questions about the grounding or electrical instructions, consult a qualified electrician or serviceperson.

ABOUT YOUR MICROWAVE OVEN

ALWAYS have food in the microwave oven when it is on to absorb the microwave energy.

The vent under the microwave oven must not be blocked. During microwave cooking, steam may come from the left side lower vent (when facing the product).

When using the microwave oven at power levels below 100%, you may hear the magnetron cycling on and off. It is normal for the exterior of the microwave oven to be warm to the touch when cooking or reheating.

Condensation is a normal part of microwave cooking and the amount being vented is directly related to the moisture content of the food and room humidity. A cooler room will produce more condensation. Check the vented area after each use of the microwave oven and wipe it down if needed.

The microwave oven is for food preparation only. Do not use it to dry clothes or newspapers.

When using recipes or package directions, check food a minute or two before the minimum time and add time accordingly.

When opening or closing the microwave oven quickly, food in the microwave oven may be spilled. To clean, see **CLEANING AND CARE** on page 20.

ABOUT MICROWAVE COOKING

- Arrange food carefully. Place thickest areas toward outside of dish.
- Watch cooking time. Cook for the shortest amount of time indicated and add more as needed. Food severely overcooked can smoke or ignite.
- While cooking, cover foods with paper towels, wax paper, microwave plastic wrap or a lid. Check recipes or cookbooks for other suggestions. Covers prevent spattering and help cook foods evenly. For information about microwave safe covering materials, see **ABOUT UTENSILS AND COVERINGS** on page 7.
- Stir foods from outside to center of dish once or twice during cooking, if possible.
- For speedy and even cooking, turn foods once during microwave cooking of such foods as chicken and hamburgers. Large items like roasts must be turned over at least once.
- Rearrange foods such as meatballs halfway through cooking both from top to bottom and from right to left.

- Add standing time. Remove food from microwave oven and stir, if possible. Cover for standing time to allow the food to finish cooking without overcooking.
- Check for doneness. Look for signs indicating that cooking temperatures have been reached.

Doneness signs include:

- Food steams throughout, not just at edge.
- Center bottom of dish is very hot to the touch.
- Poultry thigh joints move easily.
- Meat and poultry show no pinkness.
- Fish is opaque and flakes easily with a fork.

ABOUT UTENSILS AND COVERINGS

It is not necessary to buy all new cookware. Many pieces already in your kitchen can be used successfully in your new microwave oven. Make sure the utensil does not touch the interior walls during cooking.

UTENSILS

Use these utensils for safe microwave cooking and reheating:

- glass ceramic (Pyroceram® or Corningware®)
- heat-resistant glass (Pyrex®)
- microwave safe plastics
- microwave safe paper plates
- microwave safe pottery, stoneware and porcelain
- browning dish (Do not exceed recommended preheating time. Follow manufacturer's directions.)

Wood, straw and wicker utensils can be used with short cook times when reheating foods with little or no fat or sugar content.

DO NOT USE

- metal pans and bakeware
- dishes with metallic trim
- non-heat-resistant glass
- non-microwave safe plastics (margarine tubs)
- recycled paper products
- brown paper bags
- food storage bags
- metal twist-ties
- aluminum foil

Should you wish to check if a dish is safe for microwave cooking, place the empty dish in the oven and microwave on HIGH for 30 seconds. A dish that becomes very hot is not safe for microwave cooking.

COVERINGS

The following coverings are ideal:

- Paper towels are good for covering foods for reheating and absorbing fat while cooking bacon.
- Wax paper can be used for cooking and reheating.
- Plastic wrap that is specially marked for microwave use can be used for cooking and reheating. DO NOT allow plastic wrap to touch food. Vent so steam can escape.
- Microwave safe lids are a good choice because heat is kept near the food to hasten cooking.
- Oven cooking bags are good for large meats or foods that need tenderizing. DO NOT use metal twist-ties. Vent so steam can escape.

ACCESSORIES

There are many microwave accessories available for purchase. Evaluate carefully before you purchase so they meet your needs. A microwave safe thermometer will assist you in determining correct doneness and assure your foods have been cooked to safe temperatures. Beko is not responsible for any damage to the microwave oven when accessories are used.

ABOUT CHILDREN AND THE MICROWAVE

Children under the age of 7 should use the microwave oven with a supervising person very near to them. Between the ages of 7 and 12, the supervising person should be in the same room. The child must be able to reach the microwave oven comfortably.

Never allow anyone to lean or swing on microwave oven.

Children should be taught all safety precautions:

- Use potholders.
- Remove coverings carefully.
- Pay special attention to packages that crisp food, as they may be extra hot.

Do not assume a child can cook everything in the microwave oven just because they have mastered one skill.

The Control Lock prevents unwanted oven operation, such as by small children. The microwave oven can be set so that the control panel is deactivated or locked. For instructions, see CONTROL LOCK on page 19.

ABOUT SAFETY

Cook foods to temperatures recommended by the United States Department of Agriculture (USDA).

145°F - Fish

160°F - Pork, ground beef/veal/lamb, egg dishes

165°F - Whole, pieces and ground turkey/chicken/duck

Leftover, ready-to-reheat refrigerated, deli and carry-out fresh food

To test for doneness, insert a meat thermometer in a thick or dense area away from fat or bone. NEVER leave the thermometer in the food during cooking, unless it is approved for microwave use.

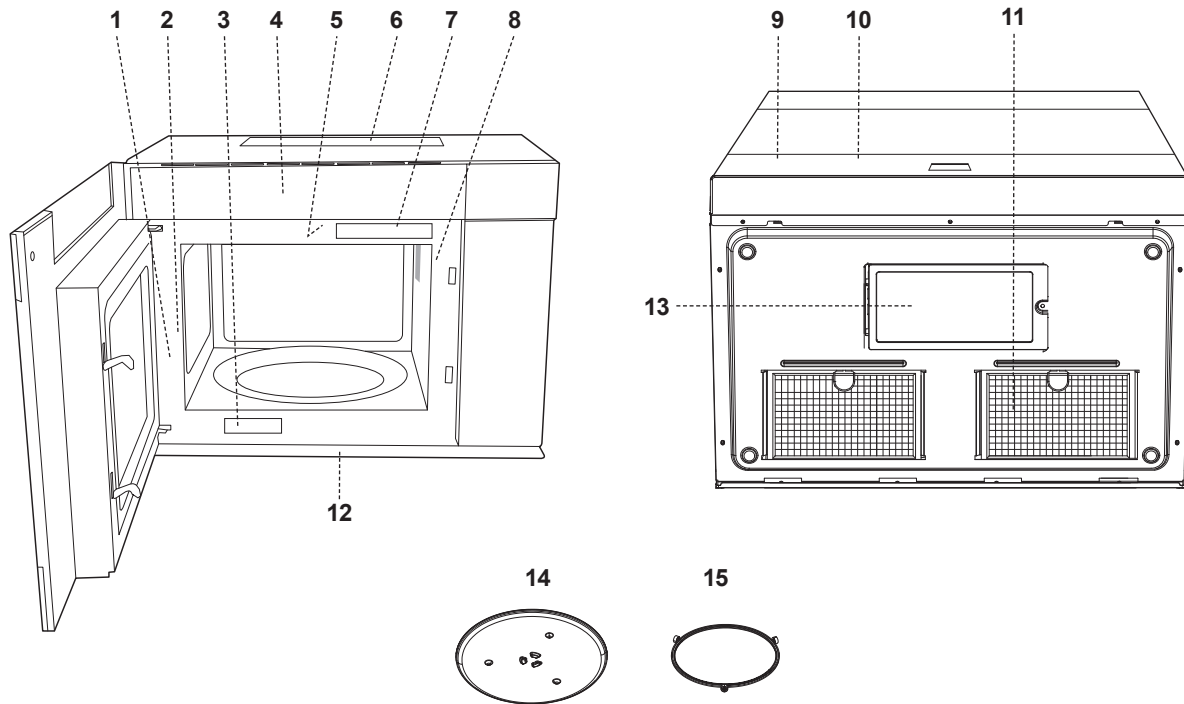
- ALWAYS use potholders to prevent burns when handling utensils in contact with hot food. Enough heat from the food can transfer through utensils to cause skin burns.

- Avoid steam burns by directing steam away from the face and hands. Slowly lift the farthest edge of a dish's covering and carefully open popcorn and oven cooking bags away from the face.
- Stay near the microwave oven and check cooking progress frequently to avoid overcooking food.
- NEVER use the microwave oven for storing cookbooks or other items.
- Select, store and handle food carefully to preserve its high quality and minimize the spread of foodborne bacteria.
- Keep waveguide cover clean. Food residue can cause arcing and/or fires. For more information on the waveguide cover, see CLEANING AND CARE on page 20.
- Use care when removing items from the oven so that utensils, clothes or accessories do not touch the safety door latches.

ABOUT FOODS

FOOD	DO	DON'T
Eggs, sausages, fruits & vegetables	<ul style="list-style-type: none"> • Puncture egg yolks before cooking to prevent bursting. • Pierce skins of potatoes, apples, squash, hot dogs and sausages so steam escapes. 	<ul style="list-style-type: none"> • Cook eggs in shells. • Reheat whole eggs. • Dry nuts or seeds in shells.
Popcorn	<ul style="list-style-type: none"> • Use specially bagged popcorn for the microwave. • Listen while popping corn for the popping to slow to 1 or 2 seconds between pops or use special POPCORN pad. 	<ul style="list-style-type: none"> • Pop popcorn in regular brown bags or glass bowls. • Exceed maximum time on popcorn package.
Baby food	<ul style="list-style-type: none"> • Transfer baby food to small dish and heat carefully, stirring often. Check temperature before serving. • Put nipples on bottles after heating and shake thoroughly. Test temperature on wrist before feeding. 	<ul style="list-style-type: none"> • Heat disposable bottles. • Heat bottles with nipples on. • Heat baby food in original jars.
General	<ul style="list-style-type: none"> • Cut baked goods with filling after heating to release steam and avoid burns. • Stir liquids briskly before and after heating to avoid eruption. • Use deep bowl when cooking liquids or cereals to prevent boilovers. • Be sure food and container are smaller than the microwave cavity and the turntable turns completely without obstruction from container. 	<ul style="list-style-type: none"> • Heat or cook in closed glass jars or airtight containers. • Use the microwave oven for canning, as harmful bacteria may not be destroyed. • Deep fat fry. • Dry wood, gourds, herbs or wet papers.

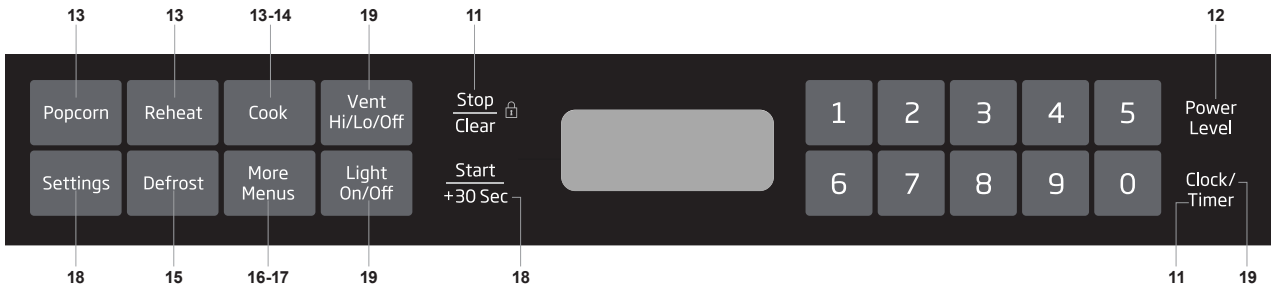
MICROWAVE OVEN



1. DOOR LATCHES
2. WINDOW with METAL SHIELD
3. MODEL NUMBER PLATE - On the front wall of the microwave oven
4. CHARCOAL FILTER - Behind Vent Grill
5. OVEN LIGHT
6. VENTILATION MOTOR - Designed for adaptation to the following three types of ventilation: recirculation ventilation system, vertical ventilation system and horizontal ventilation system
See the Installation Manual to select the type of ventilation required for your installation.
7. MENU LABEL - See details on page 10.

8. WAVEGUIDE COVER - Protects the microwave outlet from splashes of cooking foods
9. TOUCH CONTROL and DIGITAL DISPLAY - See details on page 10
10. HOOD CONTROLS - Touch VENT Hi/Lo/Off
11. GREASE FILTERS
12. HEAT DEFLECTOR
13. COOKTOP LIGHT
14. TURNTABLE/GLASS TRAY
15. GUIDE ROLLER RING - Placed in the bottom of the microwave oven to support the glass tray
Both the glass tray and the guide roller ring must be in place for microwave cooking.

TOUCH CONTROL



Numbers with this Glass Touch Control illustration indicate which pages include feature descriptions and usage information.

MENU LABEL

DEFROST		SENSOR COOK		MORE MENUS					
1	Ground Meat	1	Baked Potatoes	Melt	1	Butter	7	Beverage Reheat	
2	Steaks/Chops	2	Sweet Potatoes		2	Chocolate			8
3	Boneless Poultry	3	Fish/Seafood	Soften	3	Ice Cream			9
4	Bone-in Poultry	4	Brown Rice		4	Cream Cheese			
5	Roast	5	White Rice	Warm	5	Syrup			
6	Casserole or Soup	6	Quick Fresh Vegetables		6	Dessert Topping			
		7	Longer Fresh Vegetables						
		8	Frozen Vegetables						
		9	Ground Meat						
		10	Frozen Entrees						

TLAB-B146MIRRO

Before operating your new microwave oven, make sure you read and understand this operation manual completely. Follow these steps:

1. Plug in the microwave oven. *ENJOY YOUR MICROWAVE TOUCH CLEAR* will appear.
2. Touch the **STOP/CLEAR** pad. *:* will appear.
3. Set clock.

TO SET THE CLOCK

1. Touch **TIMER/CLOCK** two times. The display shows *TO SET CLOCK ENTER TIME*.
2. Touch number pads for correct time of day
3. Touch **START/+30 SEC**.

This is a 12 hour clock. If you attempt to enter an incorrect clock time, *ERROR* will appear in the display. Touch the **STOP/CLEAR** pad and re-enter the time.

- If the electrical power supply to your microwave oven should be interrupted, the display will intermittently show *ENJOY YOUR MICROWAVE TOUCH CLEAR* after the power is reinstated. If this occurs during cooking, the program will be erased. The time of day will also be erased. Simply touch **STOP/CLEAR** pad and reset the clock.

Note: Any program can be set on the microwave oven with the oven door open except for **START/+30 SEC**. The oven can be programmed while the door is opened, but it must be closed to begin cooking.

STOP/CLEAR

Touch the **STOP/CLEAR** pad to:

1. Erase if you make a mistake during programming.
2. Cancel timer.
3. Pause the oven during timed cooking. To restart the oven, close the door and touch **START/+30 SEC**.
4. Return the time of day to the display.
5. Cancel a program during cooking. Touch **STOP/CLEAR** 2 times to cancel timed cooking.

TIME COOKING

Your microwave oven can be programmed for 99 minutes 99 seconds (99.99). Always enter the seconds after the minutes, even if they are both zeros.

- Suppose you want to cook for 5 minutes at 100%.

1. Enter cooking time 5 0 0.
2. To cook at 100% power (High), touch **START/+30 SEC** pad.

TO SET POWER LEVEL

There are eleven preset power levels.

Using lower power levels increases the cooking time, which is recommended for foods such as cheese and milk and long slow cooking of meats. Consult a microwave cookbook or recipes for specific recommendations.

- Suppose you want to defrost for 5 minutes at 30%.

1. Enter defrost time 5 0 0.
2. Touch **POWER LEVEL** pad 8 times.
3. Touch **START/+30 SEC** pad.

TOUCH POWER LEVEL PAD NUMBER OF TIMES FOR DESIRED POWER	APPROXIMATE PERCENTAGE OF POWER	COMMON WORDS FOR POWER LEVELS
POWER LEVEL x 1	100%	High
POWER LEVEL x 2	90%	
POWER LEVEL x 3	80%	
POWER LEVEL x 4	70%	Medium High
POWER LEVEL x 5	60%	
POWER LEVEL x 6	50%	Medium
POWER LEVEL x 7	40%	
POWER LEVEL x 8	30%	Med Low/Defrost
POWER LEVEL x 9	20%	
POWER LEVEL x 10	10%	Low
POWER LEVEL x 11	0%	

SENSOR SETTINGS

Beko's Sensor is a semi-conductor device that detects the vapor (moisture and humidity) emitted from the food as it heats. The sensor adjusts the cooking times and power levels for various foods and quantities.

USING SENSOR SETTINGS:

1. After the microwave oven is plugged in, wait 2 minutes before using any Sensor setting.
2. Be sure the exterior of the cooking container and the interior of the microwave oven are dry. Wipe off any moisture with a dry cloth or paper towel.
3. The sensor works with foods at normal storage temperature. For example, popcorn would be at room temperature.
4. More or less food than the quantity listed in the charts should be cooked following the guidelines in any microwave cookbook.
5. During Sensor use, the food name will appear on the display. Do not open the microwave oven or touch **STOP/CLEAR** during the cycle. The measurement of vapor will be interrupted. If this occurs, an error message will appear. To continue cooking, touch the **STOP/CLEAR** pad and cook manually.
When the sensor detects the vapor emitted from the food, the remainder of cooking/reheating time will appear.
6. Except for Popcorn, if the sensor does not detect vapor properly when cooking other foods, *ERROR* will be displayed, and the microwave will turn off.
7. Check food temperature after cooking. If additional time is needed, continue to cook manually.
8. Each food on the menu label has a cooking hint. Touch the **SETTINGS** pad when the *HELP* indicator is illuminated in the display.

COVERING FOODS:

Some foods cook best when covered. Use the cover recommended in the charts for these foods. See charts beginning at the bottom of this page and continuing on the following pages. Refer to the hints by touching the **SETTINGS** pad. Recommended covers include:

1. Casserole lid.
2. Plastic wrap: Use plastic wrap recommended for microwave cooking. Cover dish loosely, allowing approximately 1/2 inch to remain uncovered to allow steam to escape. Plastic wrap should not touch food.
3. Wax paper: Cover dish completely, folding excess wrap under dish to secure. If dish is wider than paper, overlap two pieces at least one inch to cover.

Be careful when removing any covering to allow steam to escape away from you.

SENSOR

POPCORN, REHEAT, COOK

You can cook or reheat many foods and don't need to calculate cooking time or power level.

- Suppose you want to cook baked potatoes.

1. Touch **COOK** pad once.

2. See Menu Label. Select desired food by touching number pad. Ex: Touch 1 for baked potatoes.

3. Touch **START/+30 SEC** pad.

Note: To heat or cook other foods or foods above or below the quantity allowed on the chart, cook manually.

POPCORN, REHEAT CHART

FOOD	AMOUNT	PROCEDURES
POPCORN	Only 1 package at a time	Only cook one microwave popcorn package at a time with the appropriate side facing up. After cooking, remove and open carefully to allow steam to escape.
	2.85 - 3.5 oz (Regular/Regular light)	Touch POPCORN pad once.
	1.2 - 1.75 oz (Mini/Snack)	Touch POPCORN pad twice.
REHEAT	4 - 36 oz	Use microwave safe cookware and cover with lid, plastic wrap or wax paper. Note: The tighter the cover, the hotter the food will be. However, it is necessary to leave a small vent for the steam/moisture to escape from the food as it heats. After reheating, stir well, if possible. Re-cover and allow to stand 2 to 3 minutes.

COOK CHART

FOOD	AMOUNT	PROCEDURES															
1. Baked Potatoes	1 - 6 med	Pierce the potatoes at least 3 times each on the top, bottom and sides. Piercing allows steam to escape. Place on paper towel in microwave oven. After cooking, remove from microwave, wrap in aluminum foil and let stand 5 to 10 minutes.															
2. Sweet Potatoes	1 - 6 med																
3. Fish/Seafood	0.25 - 2.0 lb	Arrange fish or seafood in ring in shallow glass dish. Tuck thin edges of fillets underneath. Cover with vented plastic wrap. After cooking, let stand, covered, for 3 minutes.															
4. Brown Rice	0.5 - 2.0 cups	Place rice in a deep casserole and add double quantity of water. Cover with lid or plastic wrap. After cooking, stir, cover and let stand 3 to 5 minutes or until all liquid has been absorbed.															
5. White Rice	0.5 - 2.0 cups																
		<table> <thead> <tr> <th>Rice</th> <th>Water</th> <th>Size of casserole</th> </tr> </thead> <tbody> <tr> <td>0.5 cup</td> <td>1 cup</td> <td>1.5 quarts</td> </tr> <tr> <td>1 cup</td> <td>2 cups</td> <td>2 quarts</td> </tr> <tr> <td>1.5 cups</td> <td>3 cups</td> <td>2.5 or 3 quarts</td> </tr> <tr> <td>2 cups</td> <td>4 cups</td> <td>3 quarts or larger</td> </tr> </tbody> </table>	Rice	Water	Size of casserole	0.5 cup	1 cup	1.5 quarts	1 cup	2 cups	2 quarts	1.5 cups	3 cups	2.5 or 3 quarts	2 cups	4 cups	3 quarts or larger
Rice	Water	Size of casserole															
0.5 cup	1 cup	1.5 quarts															
1 cup	2 cups	2 quarts															
1.5 cups	3 cups	2.5 or 3 quarts															
2 cups	4 cups	3 quarts or larger															
6. Quick Fresh Vegetables		Wash and place in casserole. Add no water if vegetables have just been washed. Cover with lid for tender vegetables. Cover with plastic wrap for tender-crisp vegetables. After cooking, stir, if possible. Let stand, covered, for 2 to 5 minutes.															
Broccoli	0.25 - 2.0 lb																
Brussels sprouts	0.25 - 2.0 lb																
Cabbage	0.25 - 2.0 lb																
Cauliflower (flowerets)	0.25 - 2.0 lb																
Cauliflower (whole)	1 med.																
Spinach	0.25 - 1.0 lb																
Zucchini	0.25 - 2.0 lb																
Baked apples	2 - 4 med.																
7. Longer Fresh Vegetables		Place in casserole. Add 1 to 4 tablespoons water. Cover with lid for tender vegetables. Cover with plastic wrap for tender-crisp vegetables. After cooking, stir, if possible. Let stand, covered, for 2 to 5 minutes.															
Carrots, sliced	0.25 - 1.5 lb																
Corn on the cob	2 - 4 pcs																
Green beans	0.25 - 1.5 lb																
Winter squash:																	
diced	0.25 - 1.5 lb																
halves	1 - 2 pcs																
8. Frozen Vegetables	0.25 - 1.25 lb	Add no water. Cover with lid or plastic wrap. After cooking, stir and let stand, covered, for 3 minutes.															
9. Ground Meat	0.25 - 2.0 lb	Use this setting to cook ground beef or turkey as patties or in bulk to be added to other ingredients. Place patties on a microwave safe dish and cover with wax paper. Place ground meat in a casserole and cover with wax paper or plastic wrap. When microwave pauses, turn over patties or stir bulk meat to break up large pieces. Re-cover and touch START/ +30 SEC . After cooking, let stand, covered, for 2 to 3 minutes.															
10. Frozen Entrées	6 - 17 oz	Remove entrée from outer packaging and follow package directions for covering. After cooking, let stand, covered, for 1 to 3 minutes.															

DEFROST

Use this feature to defrost the foods shown in the DEFROST CHART below.

1. Touch **DEFROST** pad.
2. See Menu Label. Select desired food by touching the number pad. Ex: Touch 2 for steaks/chops.
3. Enter weight by touching number pads.
4. Touch **START/+30 SEC** pad. The oven will stop so the food can be checked.
5. After the audible signal, open the microwave and turn food over or break food apart. Close the microwave oven. Touch **START/+30 SEC** pad.

6. After each audible signal, turn food over or break food apart and touch **START/+30 SEC** again.
7. After defrost cycle ends, cover and let stand as indicated in the chart below.

Notes:

- To defrost other foods or foods above or below the weights allowed on the DEFROST CHART, see MANUAL DEFROST below.
- Check foods when oven signals. After final stage, small sections may still be icy. Let stand to continue thawing. Do not cook until all ice crystals are thawed.

DEFROST CHART

FOOD	AMOUNT	PROCEDURES
1. Ground Meat	0.5 - 2.0 lb	After each audible signal, remove any thawed pieces and touch START/+30 SEC again. After cooking, let stand, covered, for 5 to 10 minutes.
2. Steaks/Chops	0.5 - 3.0 lb	After each audible signal, turn food over and touch START/+30 SEC again. After cooking, let stand, covered, for 10 to 20 minutes.
3. Boneless Poultry	0.5 - 2.0 lb	After each audible signal, turn food over and touch START/+30 SEC again. After cooking, let stand, covered, for 10 to 20 minutes.
4. Bone-in Poultry	0.5 - 3.0 lb	After each audible signal, turn food over and touch START/+30 SEC again. After cooking, let stand, covered, for 10 to 20 minutes.
5. Roast	2.0 - 4.0 lb	After each audible signal, turn food over and touch START/+30 SEC again. After cooking, let stand, covered, for 30 to 60 minutes.
6. Casserole Soup	2 - 6 cups 1 - 6 cups	After each audible signal, break apart and remove any defrosted part. Touch START/+30 SEC again. After cooking, stir well and let stand, covered, for 5 to 10 minutes.

MANUAL DEFROST

If the food you wish to defrost is not listed on the DEFROST CHART or is above or below the limits in the AMOUNT column on the DEFROST CHART, you need to defrost manually.

You can defrost any frozen food, either raw or previously cooked, by using POWER LEVEL at 30%. For the 3-step procedure, see TO SET POWER LEVEL on page 12. Estimate defrosting time and touch **POWER LEVEL** pad eight times for 30% power.

For both raw and previously cooked frozen food, defrosting typically takes 4 minutes per pound of food. For example, defrost 4 minutes for 1 pound of frozen spaghetti sauce.

Always stop the oven periodically to remove or separate the defrosted portions. If food is not defrosted at the end of the estimated defrosting time, program the oven in 1 minute increments with POWER LEVEL at 30% until totally defrosted.

When using plastic containers from the freezer, defrost only long enough to remove from the plastic in order to place in a microwave safe dish.

MORE MENUS

MELT/SOFTEN/WARM

These features automatically compute the correct heating time and microwave power level for melting, softening and warming foods shown in the chart below.

1. Touch **MORE MENUS** pad once.
2. See Menu Label. Select desired food by touching number pad. Ex: Touch 2 for chocolate.
3. Repeat touching same number pad to select quantity.
Ex: Touch 2 two more times for 1 square.
4. Touch **START/+30 SEC** pad.

Note: To melt, soften or warm other food or foods above or below the quantity allowed on the MELT/SOFTEN/WARM CHART, use manual operation.

MELT/SOFTEN/WARM CHART

FOOD	AMOUNT	PROCEDURES
Melt		
Use a glass measuring cup. Cover with plastic wrap.		
1. Butter	2 tbsp 0.5 cup	After touching MORE MENUS , touch 1 two times for 2 tbsp. After touching MORE MENUS , touch 1 three times for 0.5 cup.
2. Chocolate	1 cup chips 1 square	After touching MORE MENUS , touch 2 two times for 1 cup chips. After touching MORE MENUS , touch 2 three times for 1 square.
Soften		
DO NOT COVER.		
3. Ice cream	1 pint 1.5 qt	After touching MORE MENUS , touch 3 two times for 1 pint. After touching MORE MENUS , touch 3 three times for 1.5 quarts.
4. Cream cheese	3 oz 8 oz	After touching MORE MENUS , touch 4 two times for 3 oz. After touching MORE MENUS , touch 4 three times for 8 oz.
Warm		
Use a glass measuring cup. DO NOT COVER.		
5. Syrup	0.25 cup 0.5 cup	After touching MORE MENUS , touch 5 two times for 0.25 cup. After touching MORE MENUS , touch 5 three times for 0.5 cup.
6. Dessert Topping	0.25 cup 0.5 cup	After touching MORE MENUS , touch 6 two times for 0.25 cup. After touching MORE MENUS , touch 6 three times for 0.5 cup.

BEVERAGE REHEAT/HOT WATER/HOT CEREAL

These features enable you to reheat coffee or tea to restore to a more suitable drinking temperature or to make instant coffee, tea or hot cereal.

- Suppose you want to make 2 cups of coffee.

1. Touch **MORE MENUS** pad once.
2. See Menu Label. Select desired selection by touching number pad. Ex: Touch 8 to make coffee.

3. Repeat touching same number pad to select quantity.
Ex: Touch 8 two more times for 2 cups of coffee.

4. Touch **START/+30 SEC** pad.

BEVERAGE REHEAT/HOT WATER/HOT CEREAL CHART

FOOD	AMOUNT	PROCEDURES
7. Beverage Reheat	0.5 - 2 cups	This setting is good for restoring a cooled beverage to a better drinking temperature. Touch number 7 pad for a 0.5 cup increase per touch. Stir after heating.
8. Hot Water	1 - 6 cups	Use this setting for heating COLD TAP WATER to a temperature somewhat below the boiling point to make instant coffee or tea. Touch number 8 pad for 1 cup increase per touch. Stir liquid briskly before and after heating to avoid eruption.
9. Hot Cereal	1 - 6 servings	Use individual packets or bulk cereal in your favorite variety: oatmeal, oat bran, cream of wheat, farina or wheatena. Follow the package directions for the correct amount of water or milk. To prevent boilovers, it is very important to choose a large container because microwave cooking of cereal causes high boiling. Touch number 9 pad for 1 serving increase per touch. If the oven is stopped, stir and touch START/+30 SEC . After cooking, stir and let stand, covered, for 2 minutes.

TIMER/CLOCK

If the electrical power supply to your microwave oven should be interrupted, the display will intermittently show *ENJOY YOUR MICROWAVE TOUCH CLEAR* after the power is reinstated. If this occurs, the **SETTINGS** option you input will be erased. Simply touch **STOP/CLEAR** pad and reset.

Note: For instructions on setting the clock, see **TO SET THE CLOCK** on page 11.

TIMER

1. Touch **TIMER/CLOCK** pad 1 time.
2. Enter time.
3. Touch **START/+30 SEC** pad.

To cancel timer, touch **STOP/CLEAR**.

SETTINGS

AUDIBLE SIGNAL ELIMINATION

At the end of timed cook, beeps will sound. The audible signal can be turned off if you prefer quiet operation.

TO TURN OFF SOUND

1. Touch **SETTINGS** pad 1 time.
2. Touch **START/+30 SEC** pad. The display shows *SOUND OFF*.

TO RESTORE SOUND

1. Touch **SETTINGS** pad 1 time.
2. Touch **START/+30 SEC** pad. The display shows *SOUND ON*.

END OF COOKING REMINDER

At end of timed cooking, the microwave will signal every 10 seconds for the first minute and then every 3 minutes for up to one hour until **STOP/CLEAR** pad is touched.

TO TURN OFF REMINDER

1. Touch **SETTINGS** pad 2 times. The display shows *REMIND SIGNAL OFF? TOUCH START*.
2. Touch **START/+30 SEC** pad. The display shows *REMIND SIGNAL OFF*.

TO RESTORE REMINDER SIGNAL

1. Touch **SETTINGS** pad 2 times. The display shows *REMIND SIGNAL ON? TOUCH START*.
2. Touch **START/+30 SEC** pad. The display shows *REMIND SIGNAL ON*.

DEMONSTRATION MODE

TO SELECT DEMO MODE

1. Touch **SETTINGS** pad 3 times. The display shows *DEMO ON? HOLD START 3 SEC*.
2. Hold **START/+30 SEC** pad for 3 seconds. The display shows *DEMO ON*.

TO CANCEL DEMO MODE

1. Touch **SETTINGS** pad 3 times. The display shows *DEMO OFF? HOLD START 3 SEC*.
2. Touch **START/+30 SEC** pad. The display shows *DEMO OFF*.

Note: In Demo Mode, the microwave oven doesn't heat and the timer display counts down quickly.

HELP

Each setting of Popcorn, Reheat, Cook, Defrost and Beverage has a cooking hint. If you wish to check, touch **SETTINGS** whenever **HELP** is illuminated in the Interactive Display for these and other manual operation hints.

+30 SEC

To cook for 30 seconds at 100% power, touch the **START/+30 SEC** pad.

TO USE +30 SEC

1. Within 3 minutes of the end of timed cooking, touch **START/+30 SEC** pad.
2. After closing the oven or touching the **STOP/CLEAR** pad once, touch **START/+30 SEC** pad.
3. During manual cooking, extend cooking time in multiples of 30 seconds by repeatedly touching the **START/+30 SEC** pad.

Note: **+30 SEC** cannot be used with **SENSOR**, **REHEAT**, **MORE MENUS** or **DEFROST**.

CONTROL LOCK

The Control Lock prevents unwanted oven operation, such as by small children. The microwave oven can be set so the control panel and the automatic oven mechanism are deactivated or locked.

TO LOCK CONTROL PANEL

Touch **STOP/CLEAR** pad and hold for 3 seconds. The display shows *LOCK ON*.

TO LOCK CONTROL PANEL

Touch **STOP/CLEAR** pad and hold for 3 seconds. The display shows *LOCK OFF*.

The Control Lock is canceled when the electrical power supply to your oven is interrupted. Set the Control Lock again when power to the oven is restored.

LIGHT

Touch **LIGHT** pad 1 time to turn on cooktop light. Touch **LIGHT** pad again to turn off cooktop light.

Note: The cooktop light will not turn off automatically. It must be turned off manually.

VENT

The microwave oven can be used as a range hood to remove steam, odors and grease from surface cooking. There are two fan speeds: HIGH and LOW.

TO USE VENT FAN

1. Touch **VENT** pad 1 time for HIGH SPEED fan.
2. Touch **VENT** pad 2 times for LOW SPEED fan.
3. Touch **VENT** pad a third time to turn off fan. The fan will not turn off automatically. It must be turned off manually.

Note: The Vent fan will automatically turn on to LOW SPEED setting after the microwave is in use for 18 minutes. Once microwave cooking has completed or has been cancelled, the Vent fan will turn off automatically. If the microwave is paused or the cooking session lasts longer than 18 minutes, the Vent fan will continue to run.

Be sure the microwave oven Control Lock feature is ON before cleaning. For instructions, see page 19.

EXTERIOR

The outside surface is precoated stainless steel, glass and plastic. Clean the outside with mild soap and water. Rinse and dry with a soft cloth. Do not use any type of household or abrasive cleaner.

STAINLESS STEEL SURFACE

The exterior should be wiped often with a soft damp cloth and polished with a soft dry cloth to maintain its beauty. There are also a variety of products designed especially for cleaning and shining the stainless exterior of the oven. We recommend that the cleaner be applied to a soft cloth and then carefully used on the stainless exterior rather than sprayed directly on it. Follow package directions carefully.

DOOR

Wipe the window on both sides with a soft damp cloth to remove any spills or splatters. Metal parts will be easier to maintain if wiped frequently with a soft damp cloth. Avoid the use of spray and other harsh cleaners as they may stain, streak or dull the oven surface.

CONTROL PANEL

Be sure Control Lock is ON. For instructions, see page 19. Wipe the panel with a cloth dampened slightly with water only. Dry with a soft cloth. Do not scrub or use any chemical cleaners. Close the door and turn OFF Control Lock if finished cleaning.

INTERIOR

Cleaning is easy because no heat is generated to interior surfaces of the oven, so spills and splatters are not baked in. To clean interior surfaces, wipe with a soft, damp cloth. For heavier soil, use mild soap and wipe clean with a soft, damp cloth. Never use abrasive or harsh cleaners or chemical oven cleaners.

Note: Never use metal scouring pads to clean the microwave oven as pieces may break off the pad and cause electric shock if they come in contact with electrical parts.

WAVEGUIDE COVER

ATTENTION DO NOT REMOVE THE WAVEGUIDE COVER.

The waveguide cover, located on the right side of the interior cavity, is made from mica, so it requires special care. Keep the waveguide cover clean to assure good microwave performance. Carefully wipe with a soft, damp cloth any food splatters from the surface of the cover immediately after they occur. Built-up splashes may overheat and cause smoke or possibly catch fire.

ODOR REMOVAL

Occasionally, cooking odor may remain in the microwave oven. To remove odor, combine 1 cup water, grated peel and juice of one lemon and several whole cloves in a 2-cup glass microwave safe measuring cup. Boil for several minutes using 100% power. Leave in the microwave oven until water cools. Wipe interior with a soft cloth.

TURNTABLE AND TURNTABLE SUPPORT

The turntable and turntable support can be removed for easy cleaning. The turntable can become hot during cooking. Let it cool before cleaning to prevent the glass from breaking.

The turntable and turntable support can be washed in a dishwasher in the upper rack or by hand with mild, sudsy water. Use a mild cleaner and non-abrasive scouring sponge for stubborn stains.

Note: The turntable motor shaft in the oven is not sealed. Excess water or spills must be wiped up immediately.

THE EXHAUST FEATURE

The Exhaust Hood feature is equipped with two grease filters. When the Vent fan is operated, air is drawn up through the filters and then discharged through the venting to the outside or recirculated through the charcoal filter if not vented to the outside.

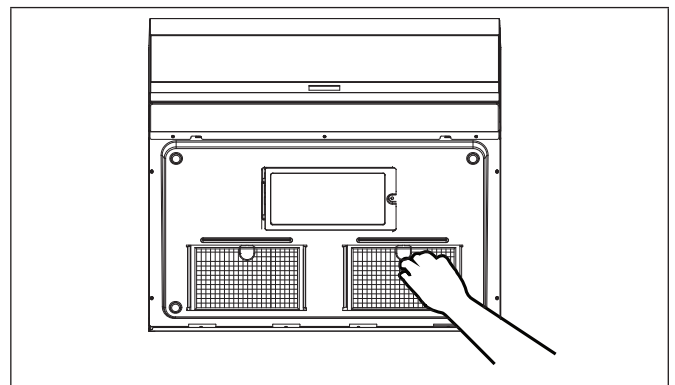
Note: Never operate the fan or oven without the filters in place.

REUSABLE GREASE FILTERS

The reusable grease filters should be cleaned at least once a month. In situations where flaming might occur on surfaces below the hood, filters will stop the entry of flames into the unit.

TO CLEAN GREASE FILTERS:

1. Turn ON Control Lock.
2. Pull down gently on the tab toward the front of the oven and remove the filter. Repeat for the other filter.



3. Soak the filters in a sink or pan filled with hot water and detergent. **DO NOT** use ammonia or products with ammonia, as this will darken the metal.
4. Use light brushing if necessary to remove any embedded residue.
5. Rinse thoroughly and shake dry to remove moisture before reinstalling.

- Replace the filters into the openings.
- Turn OFF Control Lock to use the oven.

COOKTOP LIGHTS

Clean off the grease and dust on the light compartment cover on the bottom side of the microwave oven often with warm water and detergent.

TO REPLACE COOKTOP LIGHT BULBS:

- Turn ON Control Lock.
- Remove the screw on the lamp cover with a Phillips-head screwdriver.
- Unscrew the light bulbs from sockets and replace with 30 Watt or lower wattage appliance bulbs. Do not exceed 30 Watt.
- Replace the lamp cover and reinstall the screw to secure the cover.
- Turn OFF Control Lock to use the oven.

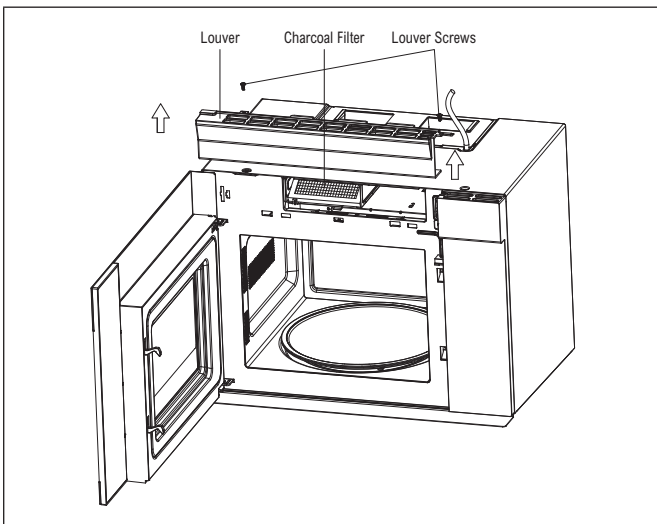
CAUTION If the lights are on, the lamp cover may be hot to the touch. Turn off the Cooktop Lights before replacing bulbs.

CHARCOAL FILTER

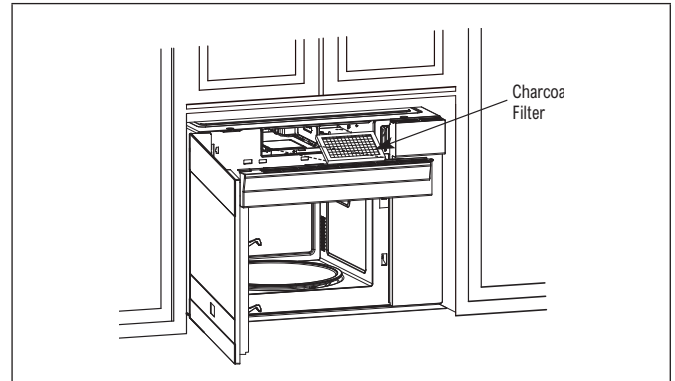
If your oven is vented inside, the charcoal filter should be replaced every 6 months.

TO REPLACE CHARCOAL FILTER:

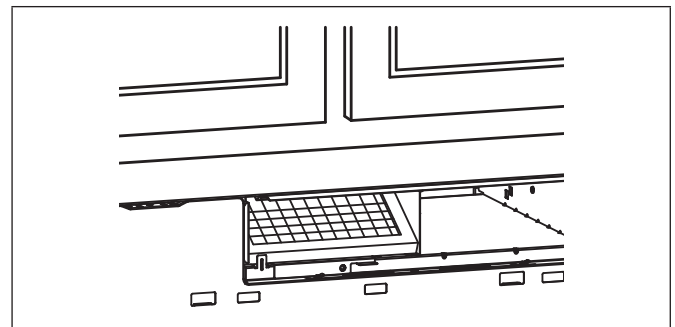
- Unplug the oven or turn off the power at the main power supply.
- Remove the 2 louver mounting screws and open the door.



- Slide louver to the left and pull it straight out.



- Push the charcoal filter backwards and remove it.
- Slide a new charcoal filter into place. The filter should rest at an angle.



- Replace the louver and 2 screws and close the door.
- Plug in the oven or turn on the power at the main power supply.

OVEN LIGHT

To remove and replace the Oven Light, the steps to remove the Charcoal Filter must be completed first. The filters don't have to be removed, but if the process will be easier if they are. **ALWAYS RETURN THE CHARCOAL FILTER** before operating the microwave oven if the oven has non-vented recirculation installation.

TO REPLACE OVEN LIGHT BULB:

- Turn ON Control Lock.
- Remove light cover screw with a Phillips-head screwdriver.
- Slide out the light cover carefully.
- Unscrew the bulb from the socket and replace it with a 30 Watt or lower wattage appliance light bulb. Do not exceed 30 Watt.
- Replace the light cover and reinstall the screw to secure.
- Replace Charcoal Filter.
- Turn OFF Control Lock to use the oven.

Please check the following before calling for service. It may save you time and expense.

PROBLEM	POSSIBLE CAUSE	SOLUTION
1. Part or all of microwave oven does not operate.	<ul style="list-style-type: none"> Power cord of microwave oven is not completely connected to the electrical outlet. Power outage. Fuse/circuit breaker at home doesn't work. Oven is in Demo Mode. 	<ul style="list-style-type: none"> Make sure the power cord is tightly connected to the outlet. Check house lights to be sure. Call your local electric company for service. Replace the fuse or reset the circuit breaker. See page 18.
2. Food in microwave oven is not heated.	<ul style="list-style-type: none"> No power to the appliance. Oven controls improperly set. Oven is in Demo Mode. 	<ul style="list-style-type: none"> See SOLUTION for PROBLEM 1. Check if the controls have been properly set. See page 18.
3. Microwave oven light or cooktop light does not work.	<ul style="list-style-type: none"> Light bulb is loose or burned out. 	<ul style="list-style-type: none"> See page 21.
4. Touch controls will not operate.	<ul style="list-style-type: none"> Control Lock is on. 	<ul style="list-style-type: none"> See page 19.
5. Display flashes <i>ENJOY YOUR MICROWAVE TOUCH CLEAR</i> .	<ul style="list-style-type: none"> Power failure. 	<ul style="list-style-type: none"> Touch CLEAR pad and reset the clock. If the microwave oven was in use, reset the cooking function.

For more complete information and safety precautions, refer to your Operation Manual.

SET CLOCK

1. Touch **TIMER/CLOCK** pad two times.
2. Touch number pads for correct time of day and touch **START/+30 SEC** pad.
3. If the electrical power supply to your microwave oven is interrupted, the display will intermittently show: *ENJOY YOUR MICROWAVE TOUCH CLEAR.*

TIME COOKING

High Power Cooking

1. Enter cooking time by touching number pads. (Ex: 5 0 0 minutes)
2. Touch **START/+30 SEC** pad.

Variable Power Cooking

1. Enter cooking time, then touch **POWER LEVEL** pad until desired power level is in the display.
2. Touch **START/+30 SEC** pad.

SENSOR

SENSOR automatically computes the correct time and power level to cook foods on the Menu Label perfectly.

1. Touch **COOK** pad once.
2. See Menu Label. Select desired food by touching number pad. Ex: Touch 1 for baked potatoes.
3. Touch **START/+30 SEC** pad.

+30 SEC

Touch **START/+30 SEC** to cook for 30 seconds at 100% power or to add 30 seconds during manual cooking. Touch repeatedly for additional increases of 30 seconds to cook time.

DEFROST

Use this feature to defrost the foods shown on the Menu Label.

1. Touch **DEFROST** pad.
2. See Menu Label. Select desired food by touching the number pad. Ex: Touch 2 for steaks/chops.
3. Enter weight by touching number pads.
4. Touch **START/+30 SEC** pad.
5. Microwave will stop to allow food to be turned over or broken up. Close the microwave oven. Touch **START/+30 SEC** pad.

MORE MENUS

MELT/SOFTEN/WARM

Use these features to melt, soften or warm the foods shown on the Menu Label.

1. Touch **MORE MENUS** pad once.
2. See Menu Label. Select desired food by touching the number pad. Ex: Touch 2 for chocolate.
3. Repeat touching same number pad to select quantity. Ex: touch 2 two more times for 1 square.
4. Touch **START/+30 SEC** pad.

BEVERAGE REHEAT/HOT WATER/HOT CEREAL

Use this feature to reheat coffee or tea or heat cereal.

1. Touch **MORE MENUS** pad.
2. See Menu Label. Select desired food by touching the number pad. Ex: Touch 8 for hot water.
3. Repeat touching same number pad to select quantity. Ex: touch 8 two more times for 2 cups.
4. Touch **START/+30 SEC** pad.

TIMER

1. Touch **TIMER/CLOCK** once.
 2. Enter time.
 3. Touch **START/+30 SEC** pad.
- To cancel timer, touch **STOP/CLEAR** pad.

SETTINGS

Touch **SETTINGS** pad

- 1 time for sound on/off.
- 2 times for End of Cooking Reminder on/off.
- 3 times for Demo Mode on/off.

CONTROL LOCK

The Control Lock prevents unwanted oven operation, such as by small children. The microwave oven can be set so that the control panel is deactivated or locked.

To Lock

Touch **STOP/CLEAR** pad and hold for 3 seconds.

To Unlock

Touch **STOP/CLEAR** pad and hold for 3 seconds.

TABLE DES MATIÈRES

ASSISTANCE À LA CLIENTÈ	2	AVANT L'UTILISATION	11
MESURES POUR ÉVITER UNE EXPOSITION POSSIBLE À UNE ÉNERGIE MICRO-ONDE EXCESSIVE	2	CUISSON AU MICRO-ONDES	12-17
CONSIGNES DE SÉCURITÉ IMPORTANTES	3-4	AUTRES FONCTIONS.....	18-19
INFORMATION QUE VOUS DEVEZ CONNAÎTRE .	5-8	NETTOYAGE ET ENTRETIEN	20-22
NOM DES PIÈCES.....	9-10	AVANT D'APPELER LE SERVICE	23
		DÉCLARATION DE GARANTIE LIMITÉE DE DEUX ANS 24-26	
		GUIDE DES TOUCHES AUTOMATIQUE	27

ASSISTANCE À LA CLIENTÈ

COMMENT FAIRE APPLIQUER LA GARANTIE

Pour faire appliquer la garantie, veuillez contacter le Service clients de Beko aux numéros cidessous en indiquant le numéro de modèle, le numéro de série et la date d'achat.

ENGLISH 866-905-0010 (est situé dans US, BC, B, Sk et MB)

FRANÇAIS 800 561 7265 (est situé dans ON, QC, PE, NU, NS, NL, NB)

Conserver les documents attestant l'achat original ou l'installation originale afin de déterminer la période de garantie. Le numéro de série du produit est reproduit au dos du manuel d'instructions.

MESURES POUR ÉVITER UNE EXPOSITION POSSIBLE À UNE ÉNERGIE MICRO-ONDE EXCESSIVE

1. Ne pas essayer de faire fonctionner ce four avec la porte ouverte puisque le fonctionnement avec la porte ouverte peut entraîner une exposition dangereuse à l'énergie micro-onde. Il est important de ne pas enlever ou modifier les verrouillages de sécurité.
2. Ne pas placer d'objet entre l'avant du four et la porte ou laisser s'accumuler de la saleté ou des résidus de nettoyant sur les surfaces d'étanchéité.
3. Ne pas faire fonctionner le four s'il est endommagé. Il est particulièrement important que la porte du four ferme bien et qu'il n'y ait pas de dommages: (1) à la tête du tiroir (tordue), (2) aux glissières et verrous (brisés ou avec du jeu), (3) aux joints et aux surfaces d'étanchéité du tiroir.
4. Seul du personnel qualifié

AVERTISSEMENT :

Cet équipement produit et utilise de l'énergie des bandes de fréquences ISM (industrielles, scientifiques et médicales); s'il n'est pas installé et utilisé correctement, c'est-à-dire rigoureusement selon les instructions du fabricant, il est susceptible de causer de l'interférence à la réception des ondes radio et de télévision.

Suite à des tests, il a été déterminé qu'il se conforme aux limites prescrites aux équipements ISM conformément à la section 18 des règles de la CFC, qui sont conçues pour offrir une protection raisonnable contre de telles interférences dans une installation résidentielle.

Cependant, il n'est pas garanti qu'aucune interférence ne se produira dans une installation particulière.

Si cet appareil cause de l'interférence à la réception des ondes radio ou de télévision, ce qui peut se vérifier en allumant et en éteignant l'appareil, nous encourageons l'utilisateur à tenter de corriger les interférences par l'une ou plusieurs des méthodes suivantes

- Réorienter l'antenne de réception de la radio ou du téléviseur.
- Déplacer le four à micro-ondes par rapport à l'appareil récepteur.
- Placer le four à micro-ondes plus loin de l'appareil récepteur.
- Brancher le four à micro-ondes dans une prise différente pour que le four à micro-ondes et l'appareil récepteur soient sur des circuits différents.

LE FABRICANT n'est pas responsable des interférences aux ondes radio ou de télévision causées par une MODIFICATION NON AUTORISÉE de ce four à micro-ondes. C'est la responsabilité de l'utilisateur de corriger cette interférence.

CONSIGNES DE SÉCURITÉ IMPORTANTES

LISEZ TOUTES LES INSTRUCTIONS AVANT L'UTILISATION

RENSEIGNEMENTS RÉGLEMENTAIRES IMPORTANTS

AVERTISSEMENT Tous changements ou modifications à l'appareil qui ne sont pas expressément approuvés par la partie responsable de la conformité pourraient annuler l'autorité de l'utilisateur à utiliser l'appareil.

Remarque : Cet équipement a été testé et est conforme avec les limites d'un appareil numérique de classe B, conformément à la section 15 des règles de la FCC. Ces limites sont conçues pour procurer une protection raisonnable contre les brouillages préjudiciables dans une installation résidentielle. Ce équipement génère, utilise et peut émettre de l'énergie de fréquence radio et, s'il n'est pas installé et utilisé selon les instructions, peut provoquer des brouillages préjudiciables aux communications radio. Cependant, il n'y a aucune garantie que l'interférence ne sera pas présente dans des installations particulières. Si cet équipement provoque des brouillages préjudiciables à la réception de la radio ou du téléviseur, ce qui peut être déterminé en mettant en marche et en arrêtant l'équipement, nous suggérons à l'utilisateur d'essayer de corriger l'interférence par l'une ou plusieurs des mesures suivantes :

- Réorientez ou repositionnez l'antenne de réception.
- Augmentez la séparation entre l'équipement et le récepteur.
- Connectez l'équipement à une prise de courant sur un circuit différent de celui sur lequel est branché le récepteur.
- Consultez le détaillant ou un technicien radio/télévision qualifié pour obtenir de l'aide.

Lorsque vous utilisez l'appareil, des mesures de sécurité de base doivent être suivies, incluant les suivantes :

AVERTISSEMENT Pour réduire le risque de brûlure, de décharge électrique, d'incendie, de blessure corporelle ou d'exposition excessive à l'énergie des micro-ondes :

1. Lisez toutes les instructions avant d'utiliser l'appareil.
2. Lisez et suivez les instructions spécifiques **PRÉCAUTIONS POUR ÉVITER UNE POSSIBLE EXPOSITION EXCESSIVE À L'ÉNERGIE DES MICRO-ONDES** à la page 2.
3. Cet appareil doit être correctement mis à la terre. Consultez la page 5 pour les **INSTRUCTIONS DE MISE À LA TERRE**.
4. Installez ou placez cet appareil uniquement selon le manuel d'installation fourni.
5. Certains produits comme les œufs entiers en coquille et les contenants scellés (par exemple, des bocaux de verres fermés) peuvent éclater et ne doivent pas être chauffés dans l'appareil.
6. Utilisez cet appareil uniquement pour l'utilisation prévue et décrite dans ce manuel. N'utilisez pas de produits chimiques corrosifs ou de vapeurs corrosives dans cet appareil. Cet appareil est spécialement conçu pour chauffer, cuire ou sécher les aliments. Il n'est pas conçu pour une utilisation commerciale ou en laboratoire.
7. Comme pour tout appareil, une étroite supervision est nécessaire lorsqu'il est utilisé par des enfants.
8. N'utilisez pas cet appareil si la fiche ou le cordon est endommagé, s'il ne fonctionne pas correctement ou s'il a été endommagé ou s'il est tombé.
9. Cet appareil doit être réparé uniquement par du personnel de service qualifié. Contactez le centre de service Beko autorisé le plus près pour une vérification, une réparation ou un réglage.
10. Ne couvrez ou ne bloquez pas les ouvertures sur l'appareil.
11. Ne rangez pas ou n'utilisez pas cet appareil à l'extérieur. N'utilisez pas ce produit près de l'eau, par exemple, près d'un évier de cuisine, dans un sous-sol humide, près d'une piscine ou dans des emplacements similaires.
12. N'immergez pas le cordon ou la fiche dans l'eau.
13. Gardez le cordon éloigné des surfaces chaudes.
14. Ne grimpez pas ou ne vous assoyez pas sur l'appareil.
15. Assurez-vous que des doigts ou d'autres objets ou matériels ne sont pas autour de l'ouverture de l'appareil lorsque l'appareil est fermé.

CONSIGNES DE SÉCURITÉ IMPORTANTES

16. N'utilisez pas le four à micro-ondes pour faire de la cuisson sans installer correctement le plateau tournant. Assurez-vous que le plateau tournant et l'anneau de support du plateau tournant sont correctement installés avant d'utiliser le four. N'utilisez pas de contenants qui peuvent nuire à la rotation du plateau tournant. Le plateau tournant tournera dans le sens des aiguilles d'une montre et dans le sens contraire des aiguilles d'une montre.
17. Assurez-vous que les aliments et le contenant sont plus petits que la cavité du micro-ondes et ne dépasse pas le plateau tournant avant de fermer la porte.
18. Lorsque vous nettoyez les surfaces d'étanchéité de l'appareil qui entrent en contact avec la porte fermée, utilisez uniquement des savons ou des détergents doux et non abrasifs en les appliquant avec une éponge ou un chiffon doux. N'utilisez jamais de tampons à récurer pour nettoyer le four à micro-ondes, car des morceaux peuvent se séparer du tampon et provoquer une décharge électrique en entrant en contact avec des composantes électriques. Voir NETTOYAGE ET ENTRETIEN à la page 20.
19. Pour réduire le risque d'incendie dans la cavité de l'appareil :
 - a. Ne faites pas trop cuire les aliments. Surveillez attentivement l'appareil si vous mettez du papier, du plastique ou autres matières combustibles à l'intérieur de l'appareil pour faciliter la cuisson.
 - b. Enlevez les attaches torsadées à fil métallique des sacs de papier ou de plastique avant de mettre le sac dans l'appareil.
 - c. Si les matériaux à l'intérieur de l'appareil s'allument, gardez la porte de l'appareil fermé, arrêtez le micro-ondes et coupez l'alimentation au niveau du tableau de disjoncteurs ou de fusible.
 - d. N'utilisez pas l'appareil à des fins de rangement. Ne laissez pas les produits de papier, les ustensiles de cuisson ou les aliments dans l'appareil lorsque vous ne l'utilisez pas.
 - e. **HOTTE À ÉVACUATION** : Nettoyez la hotte d'aspiration fréquemment; la graisse ne doit pas s'accumuler sur la hotte ou le filtre.
 - f. N'utilisez jamais le ventilateur ou le four sans que les filtres soient en place.
 - g. Lorsque vous faites flamber des aliments sous la hotte, mettez le ventilateur en marche.
 - h. Ne laissez jamais la surface des unités sans surveillance, spécialement si vous faites de la cuisson à haute intensité et que la fumée et les débordements de graisse peuvent s'enflammer et se répandre si vous utilisez le ventilateur du micro-ondes.
 - i. Dans le cas où de la graisse s'enflamme sur la surface des unités sous le four micro-ondes, étouffer le feu dans la poêle sur la surface de l'unité en couvrant la poêle complètement avec un couvercle, une plaque à pâtisserie ou un plateau lisse non inflammable.
 - j. Nettoyez le filtre de la hotte de ventilation avec soins. Des agents nettoyants corrosifs, comme les nettoyants pour le four à base de potasse, peuvent endommager le filtre.
20. Des liquides, comme l'eau, le café ou le thé peuvent être surchauffés au-delà du point d'ébullition sans sembler être en ébullition en raison de la tension superficielle du liquide. Des bulles ou de l'ébullition visibles ne sont pas toujours présentes lorsque vous enlevez le contenant de l'appareil. **LES LIQUIDES TRÈS CHAUDS POURRAIENT SOUDAINEMENT SE METTRE À BOUILLIR LORSQU'UNE CUILLÈRE OU UN AUTRE USTENSILE EST INSÉRÉ DANS LE LIQUIDE.**

AVERTISSEMENT Pour réduire le risque de blessures corporelles :

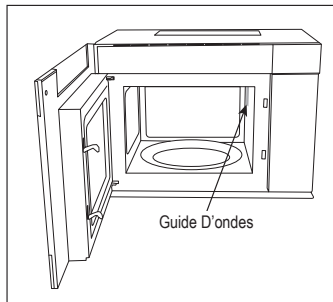
 - a. Ne faites pas surchauffer le liquide.
 - b. Remuez le liquide avant et au milieu du temps de chauffage.
 - c. N'utilisez pas de contenants à paroi droite avec une encolure étroite. Utilisez un contenant à large encolure.
 - d. Après la cuisson, laissez le contenant dans l'appareil au moins 20 secondes avant de retirer le contenant de l'appareil.
 - e. Soyez très prudent lorsque vous insérez une cuillère ou un autre ustensile dans le contenant.
 - f. Ne faites pas chauffer de l'huile ou du gras pour faire frire les aliments. Il est difficile de contrôler la température de l'huile dans un four à micro-ondes.

CONSERVEZ CES INSTRUCTIONS

INFORMATION QUE VOUS DEVEZ CONNAÎTRE

DÉBALLAGE ET VÉRIFICATION DE VOTRE FOUR À MICRO-ONDES

1. Enlevez tout le matériel d'emballage de l'intérieur du four à micro-ondes. **N'ENLEVEZ PAS LE COUVERCLE DU GUIDE D'ONDES** qui se situe sur le côté de la cavité intérieure du four à micro-ondes.



2. Vérifiez pour trouver les instructions d'installation, le gabarit d'installation murale, le gabarit d'armoire supérieur, la plaque de montage, les quincailleries d'installation, le filtre au charbon, les filtres à graisse et le registre de sortie pour l'installation. Lisez les documents joints et **CONSERVEZ** les instructions d'installation.

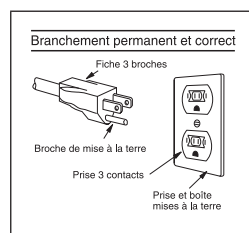
3. Enlevez l'autocollant de présentation, s'il y en a un. Vérifiez si le four est endommagé, par exemple, s'il y a une bosse ou que la porte est courbée, des joints d'étanchéité et des surfaces d'étanchéité endommagées, une porte brisée ou mal fixée ou s'il existe des irrégularités à l'intérieur de la cavité ou sur le devant du tiroir. Si vous constatez des dommages, n'utilisez pas le four à micro-ondes et contactez votre détaillant ou un **TECHNICIEN D'ENTRETIEN AUTORISÉ Beko**.

INTERFÉRENCE RADIO OU TÉLÉVISION

Si le four à micro-ondes provoque des interférences avec votre radio ou votre téléviseur, vérifiez que le four à micro-ondes est sur un circuit électrique différent, repositionnez la radio ou le téléviseur le plus loin possible du four à micro-ondes si possible ou vérifiez la position et le signal de l'antenne de réception.

INSTRUCTIONS POUR LA MISE À LA TERRE

Cet appareil doit être mis à la terre. Le four à micro-ondes est muni d'un cordon comportant un fil de mise à la terre et une fiche de mise à la terre. L'appareil exige un courant alternatif à 120 volts 60 Hz, 20 ampères, il doit être branché dans une prise de courant correctement raccordée et mise à la terre selon le Code national de l'électricité ainsi que les ordonnances et les codes locaux. Advenant un court-circuit, la mise à la terre permet de réduire le risque de décharge électrique en procurant un fil conducteur pour le courant électrique.



⚠ AVERTISSEMENT

Une utilisation inappropriée de la prise de mise à la terre peut entraîner un risque de décharge électrique. N'utilisez pas de rallonge électrique. Si le cordon d'alimentation est trop court, faites installer une prise de courant près de l'appareil par un électricien ou un technicien de service qualifié.

Si vous avez des questions au sujet de la mise à la terre ou des instructions électriques, consultez un électricien ou un technicien qualifié.

À PROPOS DE VOTRE FOUR À MICRO-ONDES

TOUJOURS faire fonctionner le micro-ondes avec de la nourriture à l'intérieur afin d'absorber l'énergie des micro-ondes.

L'ouverture d'aération sous le micro-ondes ne doit pas être bloquée. Pendant l'utilisation du four à micro-ondes, de la vapeur peut s'échapper de l'ouverture d'aération inférieure gauche (lorsque vous êtes face au produit).

Lorsque vous utilisez le four à micro-ondes à 100 % du niveau de puissance, vous pourrez entendre les cycles de marche/arrêt du magnétron. Il est normal que l'extérieur du four à micro-ondes soit chaud au touché lors de la cuisson ou du réchauffage.

La condensation est normale lors de la cuisson au micro-ondes et la quantité qui s'échappe par les ouvertures d'aération est directement proportionnelle avec le contenu d'humidité de la nourriture et l'humidité de la pièce. Une pièce plus froide produira plus de condensation. Vous devriez porter attention aux zones des ouvertures d'aération après chaque utilisation et les essuyer au besoin.

Le four à micro-ondes est pour la préparation de nourriture seulement. Il ne devrait pas être utilisé pour faire sécher des vêtements ou des journaux.

Lors de la cuisson d'aliment emballé ou de recettes, vérifiez l'aliment une minute ou deux avant le temps minimum et ajoutez du temps au besoin.

Lorsque vous ouvrez ou fermez le four à micro-ondes rapidement, les aliments dans le four à micro-ondes peuvent se répandre. Pour nettoyer, veuillez consulter la section **NETTOYAGE ET ENTRETIEN** à la page 20.

LA CUISSON AU MICRO-ONDES

- Disposez soigneusement les aliments. Placez les endroits plus épais vers l'extérieur du plat.
- Regardez le temps de cuisson. Faites votre cuisson avec le temps de cuisson le plus court indiqué et ajouté en plus au besoin. De la nourriture beaucoup trop cuite peut produire de la fumée ou s'enflammer.
- Recouvrez la nourriture pendant la cuisson. Regardez une recette ou un livre de cuisine pour obtenir des suggestions : essuie-tout, papier ciré, pellicule plastique ou couvercle allant au four à micro-ondes. Les

INFORMATION QUE VOUS DEVEZ CONNAÎTRE

couvercles empêchent les éclaboussures et aident les aliments à cuire plus uniformément. Consultez la section À PROPOS DES USTENSILES ET DES COUVERCLES à la page 6 pour plus d'information au sujet des matériaux de recouvrement qui sont sécuritaires pour être utilisés dans le four à micro-ondes.

- Remuez les aliments de l'extérieur vers le centre du plat une ou deux fois pendant la cuisson, si possible.
- Tournez les aliments une fois pendant la cuisson au micro-ondes pour accélérer la cuisson des aliments comme le poulet et les hamburgers. Les gros articles comme les rôtis doivent être tournés au moins une fois.
- Remuez pour replacer les aliments comme les boulettes de viande en mi-cuisson, en remuant du haut vers le bas et de gauche à droite.
- Ajoutez du temps de repos. Enlevez la nourriture du four à micro-ondes et remuez, si possible. Couvrez pour le temps de repos afin de permettre aux aliments de finir la cuisson sans trop cuire.
- Vérifiez la cuisson. Vérifiez si les températures de cuisson ont été atteintes.

Les différents moyens de vérifier la température sont :

- Les vapeurs qui sortent de tout l'aliment, pas seulement en périphérie.
- Le fond du plat au centre est très chaud au touché.
- Les joints de la volaille se déplacent facilement.
- La viande ou la volaille n'est plus de couleur rosée ou rouge.
- Le poisson est opaque et se défait facilement à la fourchette.

À PROPOS DES USTENSILES ET DES COUVERCLES

Il n'est pas nécessaire d'acheter de nouveaux ustensiles de cuisine. Plusieurs morceaux déjà présents dans votre cuisine peuvent être utilisés dans votre nouveau four à micro-ondes. Assurez-vous que l'ustensile ne touche pas aux parois intérieures du four pendant la cuisson.

UTILISEZ

Utilisez ces ustensiles pour une cuisson et du réchauffage sécuritaire au micro-ondes :

- vitrocérame (Pyroceram® comme Corningware®)
- verre réfractaire (Pyrex®)
- plastiques allant au micro-ondes
- assiette en papier allant au micro-ondes
- poterie, grès et porcelaine allant au micro-ondes
- plat brunisseur (Ne dépassez pas le temps de préchauffage recommandé. Suivez les directives du fabricant.)

Les ustensiles en bois, en paille et en osier peuvent être utilisés avec des temps de cuisson courts pour réchauffer des aliments avec peu ou pas de graisse ou de sucre.

N'UTILISEZ PAS

- les casseroles et ustensiles de pâtisserie en métal
- les plats avec des bordures en métal
- du verre non résistant à la chaleur
- des plastiques n'allant pas au micro-ondes (contenant de margarine)
- produits de papier recyclé
- sacs de papier brun
- sacs d'entreposage des aliments
- attaches torsadées métalliques
- papier d'aluminium

Si vous voulez vérifier si un plat peut aller au micro-ondes, placez le plat vide dans le four et mettez-le en marche au réglage ÉLEVÉ pendant 30 secondes. Un plat qui devient très chaud ne devrait pas être utilisé.

RECOUUREMENTS

Les recouvrements suivants sont idéals :

- Les essuie-tout sont parfaits pour recouvrir les aliments à réchauffer et pour absorber le gras lors de la cuisson du bacon.
- Le papier ciré peut être utilisé pour la cuisson et pour réchauffer.
- La pellicule plastique qui est spécialement conçue pour le micro-ondes peut être utilisée pour la cuisson et pour réchauffer. NE LAISSEZ PAS la pellicule plastique entrer en contact avec la nourriture. Faites un trou ou laissez un espace pour laisser échapper la vapeur.
- Les couvercles qui peuvent aller au micro-ondes sont un bon choix parce que la chaleur est conservée près des aliments et cela permet d'accélérer la cuisson.
- Les sacs de cuisson au micro-ondes sont parfaits pour les gros morceaux de viande ou les aliments qui doivent être attendris. N'UTILISEZ PAS d'attaches torsadées métalliques. N'oubliez pas de laisser une fente dans le sac pour laisser échapper la vapeur.

ACCESSOIRE

Il existe plusieurs accessoires pour la cuisson au micro-ondes que vous pouvez acheter chez les détaillants. Évaluez soigneusement l'accessoire avant d'acheter afin que celui-ci corresponde à vos besoins. Un thermomètre allant au micro-ondes vous aidera à déterminer le niveau de cuisson et vous permettra de vérifier si les aliments sont cuits à des températures sécuritaires. Beko n'est pas responsable des dommages au four à micro-ondes provoqué par l'utilisation d'accessoires inadéquats.

LES ENFANTS ET LE MICRO-ONDES

INFORMATION QUE VOUS DEVEZ CONNAÎTRE

Les enfants de moins de 7 ans devraient utiliser le four à micro-ondes sous la supervision très rapprochée d'une autre personne. Entre 7 à 12 ans, la personne qui supervise doit être dans la même pièce. L'enfant doit être en mesure d'atteindre le four à micro-ondes de manière sécuritaire et confortable.

Personne en aucun moment ne devrait se pencher ou se balancer sur le four à micro-ondes.

Les mesures de sécurité devraient être enseignées aux enfants : utilisez des poignées, enlevez soigneusement le couvercle, faites attention aux emballages qui rendent les aliments croustillant, car ils peuvent devenir très chauds.

N'assumez pas que lorsqu'un enfant peut faire cuire un aliment, il peut du même coup faire cuire différents aliments.

Les enfants doivent apprendre et savoir qu'un four à micro-ondes n'est pas un jouet. Voir la page 19 pour la fonction de verrouillage des commandes.

À PROPOS DE LA SÉCURITÉ

Vérifiez si les aliments sont cuits comme indiqué par les températures recommandées du United States Department of Agriculture.

63°C (145°F)	- Poisson
71°C (160°F) -	Porc, viande hachée/veau/agneau, plats à base d'œuf
74°C (165°F) -	Pour les aliments à réchauffer, les plats préparés et les aliments frais d'épicerie fine et plats raffinés. Dinde/poulet/canard hachée, en morceaux ou entier.

Pour vérifier le niveau de cuisson, insérez un

thermomètre à viande dans une partie épaisse ou dense loin du gras ou des os. Ne laissez JAMAIS le thermomètre dans les aliments pendant la cuisson, à moins qu'il ne soit homologué pour la cuisson à micro-ondes.

- Utilisez TOUJOURS des poignées pour éviter les brûlures lorsque vous manipulez des ustensiles qui sont en contact avec la nourriture chaude. La quantité de chaleur plus élevée dans les aliments peut se transférer aux ustensiles et provoquer des brûlures à la peau.
- Évitez les brûlures par la vapeur en dirigeant la vapeur en direction opposée de votre visage et de vos mains. Soulevez lentement le rebord le plus éloigné du couvercle d'un plat et ouvrez avec précautions les sacs de maïs soufflé et sac de cuisson au micro-ondes, le plus loin possible de votre visage.
- Restez près du four à micro-ondes pendant son fonctionnement et vérifiez souvent le progrès de la cuisson de manière à ne pas faire trop cuire les aliments.
- N'utilisez JAMAIS le micro-ondes pour ranger des livres de cuisine ou autres articles.
- Sélectionnez, rangez et manipulez les aliments avec soins pour préserver leur grande qualité et minimiser la propagation des bactéries alimentaires.
- Gardez le couvercle du guide d'ondes propre. Les résidus alimentaires peuvent provoquer des arcs et/ou des incendies. Consultez la page 20.
- Soyez prudent lorsque vous enlevez des articles du four, assurez-vous que les ustensiles, les vêtements ou les accessoires ne touchent pas aux loquets de sécurité de la porte.

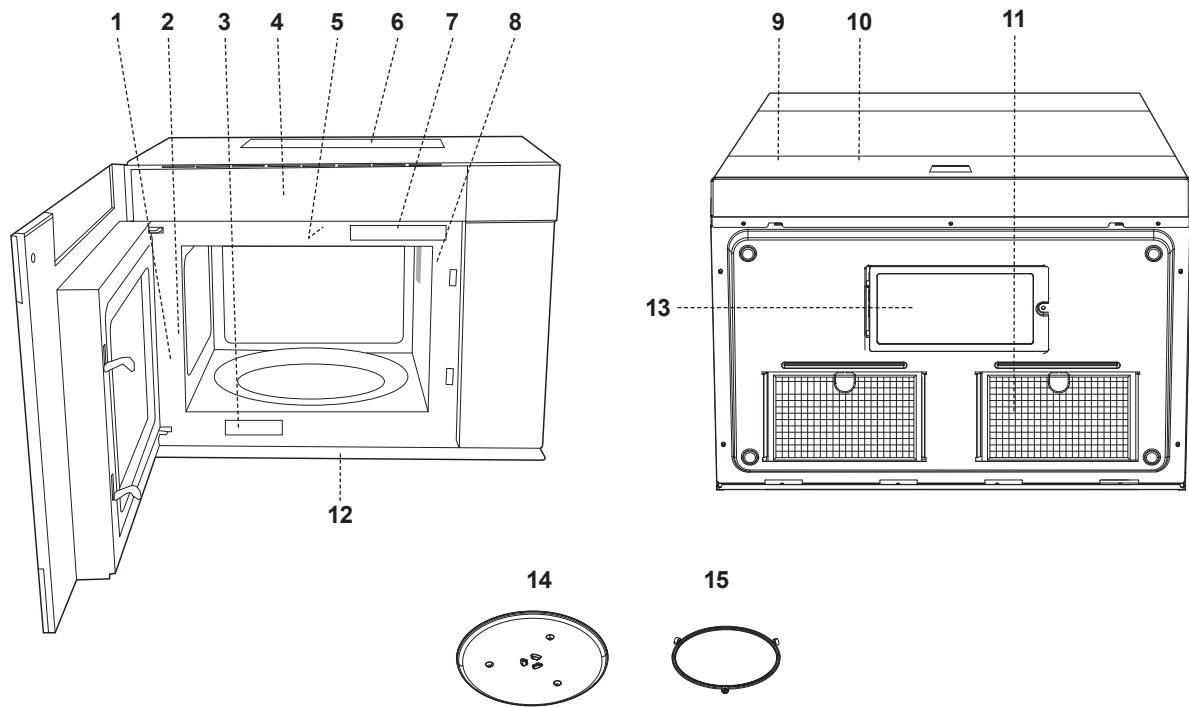
INFORMATION QUE VOUS DEVEZ CONNAÎTRE

À PROPOS DES ALIMENTS

ALIMENTS	À FAIRE	À NE PAS FAIRE
Œufs, saucisses, fruits et légumes	<ul style="list-style-type: none">• Percez les jaunes d'œufs avant la cuisson pour empêcher l'éclatement.• Percez la pelure des pommes de terre, des pommes, des courges, la partie qui recouvre les saucisses à hot-dog et les saucisses régulières pour faire évacuer la vapeur.	<ul style="list-style-type: none">• Cuisson des œufs entiers dans la coquille.• RÉCHAUFFER des œufs entiers.• Séchage des noix et des graines avec des cosses.
Maïs à éclater	<ul style="list-style-type: none">• Utilisez le maïs à éclater en sac spécialement conçu pour le micro-ondes.• Écoutez pour entendre si le maïs semble ralentir l'éclatement pendant 1 ou 2 secondes ou utilisez la touche spéciale POPCORN.	<ul style="list-style-type: none">• Maïs à éclater dans des sacs en papier brun régulier ou des bols en verre.• Dépasser le temps maximum recommandé sur l'emballage du maïs à éclater.
Aliments pour bébé	<ul style="list-style-type: none">• Transférez les aliments pour bébé dans des plats plus petits et chauffez avec précautions, en remuant souvent. Vérifiez la température avant de servir.• Placez la tétine sur les bouteilles après avoir chauffé le contenu et remuez vivement. Faites le test du poignet avant de nourrir le bébé.	<ul style="list-style-type: none">• Chauffer les bouteilles jetables.• Chauffer des bouteilles avec la tétine.• Chauffer des aliments pour bébé dans le plat original.
Général	<ul style="list-style-type: none">• Coupez les produits de boulangerie-pâtisserie après la cuisson pour faire évacuer la vapeur et prévenir les brûlures.• Remuez vivement les liquides avant et après la cuisson pour éviter les éclaboussures.• Utilisez un bol profond, lorsque vous faites cuire des liquides ou des céréales, pour prévenir les débordements par bouillonnement.• Assurez-vous que les aliments et le contenant sont plus petits que la cavité du micro-ondes et que le plateau tournant peut tourner complètement sans obstruction.	<ul style="list-style-type: none">• Chauffer ou cuire dans des bocaux en verre fermé ou des contenants hermétiques.• Est-ce que le micro-ondes possède des bactéries nuisibles qui ne peuvent pas être détruites.• La grande friture.• Sécher du bois, des courges, des herbes ou du papier humide.

NOM DES PIÈCES

FOUR À MICRO-ONDES

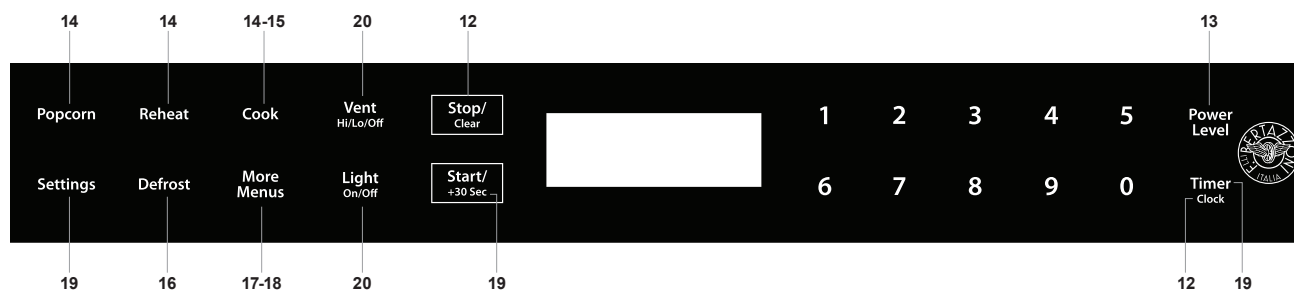


1. LOQUETS DE LA PORTE
2. FENÊTRE avec ÉCRAN MÉTALLIQUE
3. PLAQUE DU NUMÉRO DE MODÈLE - Située à l'avant du four à micro-ondes.
4. FILTRE AU CHARBON - Derrière la grille de ventilation
5. LUMIÈRE DU FOUR
6. MOTEUR DU VENTILATEUR - Votre four à micro-ondes est conçu pour s'adapter aux trois types de ventilation suivante: Circuit de recirculation/ventilation, système de ventilation vertical et système de ventilation horizontal. Consultez le manuel d'installation pour sélectionner le type de ventilation requis pour votre installation.
7. ÉTIQUETTE DU MENU
8. COUVERCLE DU GUIDE D'ONDES - Protège la sortie du micro-ondes des éclaboussures provenant de la cuisson des aliments.

9. COMMANDES TACTILE et AFFICHAGE NUMÉRIQUE - Pour les informations détaillées de chacune des fonctions, consultez la section Diagramme des fonctions.
10. COMANDES DE LA HOTTE - Appuyez sur la touche VENT Hi/Lo/Off
11. FILTRES POUR LA GRAISSE
12. DÉFLECTEUR THERMIQUE
13. LUMIÈRE DE CUISINIÈRE
14. PLATEAU TOURNANT/PLATEAU DE VERRE
15. ANNEAU DE SUPPORT DU PLATEAU - L'anneau de support du plateau est placé en premier dans le fond du micro-ondes et il supporte le plateau de verre. Les deux parties doivent être en place pour utiliser le four à micro-ondes.

NOM DES PIÈCES

COMMANDES TACTILES



Les chiffres à côté de l'illustration de la fenêtre de touche de commande à effleurement indiquent les pages sur lesquels vous trouverez les descriptions des fonctions et l'information d'utilisation.

ÉTIQUETTE DU MENU

DEFROST	SENSOR COOK		MORE MENUS	
1 Ground Meat	1 Baked Potatoes	6 Quick Fresh Vegetables	Melt 1 Butter	7 Beverage Reheat
2 Steaks/Chops	2 Sweet Potatoes	7 Longer Fresh Vegetables	2 Chocolate	8 Hot Water
3 Boneless Poultry	3 Fish/Seafood	8 Frozen Vegetables	3 Ice Cream	9 Hot Cereal
4 Bone-in Poultry	4 Brown Rice	9 Ground Meat	4 Cream Cheese	
5 Roast	5 White Rice	10 Frozen Entrees	5 Syrup	
6 Casserole or Soup			6 Dessert Topping	

TLAB-B1466MRRO

AVANT L'UTILISATION

Avant d'utiliser votre nouveau four à micro-ondes, assurez-vous de lire et comprendre complètement ce manuel d'utilisation.

- Avant de pouvoir utiliser le four à micro-ondes, suivez ces étapes :
1. Branchez le four à micro-ondes. *ENJOY YOUR MICROWAVE TOUCH CLEAR* s'affichera
 2. Appuyez sur la touche **STOP/CLEAR**. : s'affichera
 3. Réglez l'horloge

RÉGLAGE DE L'HORLOGE

1. Appuyez sur la touche **TIMER/CLOCK** à deux reprises. L'affichage affiche *TO SET CLOCK ENTER TIME*.
2. Entrez l'heure de la journée avec le pavé numérique, appuyez sur **START/ +30 SEC**.

C'est une horloge sur 12 heures. Si vous essayez d'entrer une heure incorrecte, le message *ERROR* s'affichera sur l'affichage. Appuyez sur la touche **STOP/CLEAR** et entrez à nouveau l'heure.

- Si l'alimentation principale électrique de votre micro-ondes est interrompue, l'affichage indiquera de manière intermittente *ENJOY YOUR MICROWAVE TOUCH CLEAR* après que le courant ait été rétabli. Si cela se produit pendant la cuisson, le programme sera effacé. L'heure de la journée sera aussi effacée. Appuyez simplement sur la touche **STOP/CLEAR** et réinitialisez l'horloge pour avoir la bonne heure de la journée.

Remarque : Le four à micro-ondes peut être programmé avec la porte ouverte sauf pour la fonction **START/+30 SEC**. Le four peut être programmé pendant que la porte est ouverte, mais elle doit être fermée pour commencer la cuisson.

STOP/CLEAR (ARRÊTER/EFFACER)

Appuyez sur la touche **STOP/CLEAR** pour :

1. Effacer la programmation si vous faites une erreur pendant la programmation.
2. Annuler une minuterie.
3. Arrêter le micro-ondes temporairement pendant un temps de cuisson programmé. Vous pouvez redémarrer le four en fermant la porte et en appuyant sur **START/+30 SEC**.
4. Pour réafficher l'heure sur l'affichage.
5. Annuler un programme pendant la cuisson, appuyez deux fois pour la cuisson minutée.

CUISSON AU MICRO-ONDES

CUISSON MINUTÉE

Votre four à micro-ondes peut être programmé pour 99 minutes et 99 secondes (99,99). Entrez toujours les secondes après les minutes, même si c'est deux zéros.

- Supposons que vous voulez faire une cuisson de 5 minutes à 100 %.

1. Entrez le temps de cuisson 5 0 0.
2. Pour une cuisson à une puissance de 100 % (élevé), appuyez sur la touche **START/+30 SEC.**

RÉGLER LE NIVEAU DE PUISSANCE

Il y a onze niveaux de puissance pré-réglés.

En utilisant des niveaux de puissance moins élevés, vous augmentez le temps de cuisson, ce qui est recommandé pour les aliments comme le fromage, le lait et les viandes à cuisson lente. Consultez un livre de cuisson ou de recette au micro-ondes pour des recommandations spécifiques.

- Supposons que vous voulez décongeler pendant 5 minutes à 30 %.

1. Entrez le temps de décongélation 5 0 0.
2. Appuyez sur la touche **POWER LEVEL** 8 fois.
3. Appuyez sur la touche **START/+30 SEC.**

APPUYEZ SUR LA TOUCHE POWER LEVEL LE NOMBRE DE FOIS NÉCESSAIRE POUR LE NIVEAU DÉSIRÉ	POURCENTAGE APPROXIMATIF DE PUISSANCE	MOTS HABITUELS POUR LES NIVEAUX DE PUISSANCE
POWER LEVEL x 1	100%	Élevée
POWER LEVEL x 2	90%	
POWER LEVEL x 3	80%	
POWER LEVEL x 4	70%	Moyenne/ élevée
POWER LEVEL x 5	60%	
POWER LEVEL x 6	50%	Moyenne
POWER LEVEL x 7	40%	
POWER LEVEL x 8	30%	Moyenne faible/ décongélation
POWER LEVEL x 9	20%	
POWER LEVEL x 10	10%	Faible
POWER LEVEL x 11	0%	

RÉGLAGES DU CAPTEUR

Le capteur Beko est un dispositif à semi-conducteur qui détecte la vapeur (buée et humidité) émise par les aliments lors de la cuisson. Le capteur ajuste le temps de cuisson et les niveaux de puissance selon les aliments et les quantités.

UTILISATION DES RÉGLAGES DU CAPTEUR

1. Une fois le four à micro-ondes branché, attendez 2 minutes avant d'utiliser l'un des réglages de cuisson par capteur.
2. Assurez-vous que l'extérieur du contenant de cuisson et l'intérieur du four à micro-ondes sont secs. Essuyez toute humidité avec un linge sec ou un essuie-tout.
3. Le capteur fonctionne avec les aliments à une température normale de rangement. Par exemple, le maïs à éclater sera à la température de la pièce.
4. Plus ou moins de nourriture que la quantité indiquée dans les tableaux doivent être cuits selon les directives dans les livres de cuisine au micro-ondes.
5. Pendant l'utilisation du capteur, le nom de la nourriture apparaîtra sur l'écran. N'ouvrez pas le four à micro-ondes ou ne touchez **STOP/CLEAR** pendant le cycle. La mesure de la vapeur sera interrompue. Si cela se produit, un message d'erreur apparaîtra. Pour continuer à cuisiner, touchez le coussin **STOP/CLEAR** et cuisez manuellement. Lorsque le capteur détecte la vapeur émise par la nourriture, le reste du temps de cuisson / réchauffage apparaîtra.
6. Sauf pour le maïs à éclater, si le capteur ne détecte pas la vapeur correctement lors de la cuisson des aliments, *ERROR* s'affichera sur l'affichage et le micro-ondes s'arrêtera.
7. Vérifiez la température des aliments après la cuisson. Si un temps de cuisson additionnel est nécessaire,
8. Chaque aliment à un indice de cuisson. Appuyez sur la touche **SETTINGS** lorsque l'indicateur **HELP** apparaît sur l'affichage.

CUISSON AU MICRO-ONDES

COUVRIR LES ALIMENTS :

Certains aliments cuisent mieux s'ils sont recouverts. Utilisez l'item recommandé dans les tableaux pour recouvrir ces aliments. Consultez les tableaux au début dans le bas de cette page et se continuent sur les pages suivantes.

Vous pouvez consulter les indices en appuyant sur la section **SETTINGS**.

1. Couvercle du plat.
2. Pellicule plastique : Utilisez une pellicule plastique recommandée pour l'utilisation au micro-ondes. Recouvrez le plat sans le fermer complètement; laissez environ 1/2 po (1,3 cm) d'espace afin de laisser la vapeur s'échapper. La pellicule plastique ne doit pas toucher aux aliments.
3. Papier ciré : Couvrez complètement le plat; pliez l'excès de papier sous le plat pour le maintenir en place. Si le plat est plus large que le papier, chevauchez deux morceaux sur au moins 1 po (2,5 cm) pour recouvrir.

Soyez prudent lorsque vous enlevez un couvercle ou un article qui recouvre un aliment, laissez échapper la vapeur en vous assurant qu'elle n'est pas en votre direction.

CAPTEUR

MAÏS À ÉCLATER, RÉCHAUFFER, CUISSON

Vous pouvez faire cuire ou réchauffer plusieurs aliments et vous n'avez pas à calculer le temps de cuisson ou le niveau de puissance.

- Supposons que vous voulez faire cuire des pommes de terre au four.
1. Appuyez sur la touche **COOK** à une reprise.
 2. Consultez l'étiquette du menu. Sélectionnez l'aliment désiré en appuyant sur touche numérique. Ex : Appuyez sur 1 pour les pommes de terre cuites au four.
 3. Appuyez sur la touche **START/+30 SEC**.

Remarque : Pour chauffer ou faire cuire d'autres aliments ou des aliments en plus grande ou en moins grande quantité que sur le tableau, faites une cuisson manuelle.

TABLEAU DU POPCORN (MAS ÉCLATÉ) ET DU REHEAT (RÉCHAUFFAG)

ALIMENTS	QUANTITÉ	PROCÉDURES
POPCORN	Uniquement 1 sachet à la fois	Placez uniquement un sac de maïs à éclater à la fois dans le micro-ondes avec le côté approprié vers le haut. Après la cuisson, enlevez et ouvrez soigneusement pour laisser la vapeur s'échapper.
	2,85 à 3,5 oz (régulier/régulier léger)	Appuyez sur la touche POPCORN à une reprise.
	1,2 à 1,75 oz (petit/collation)	Appuyez sur la touche POPCORN à deux reprises.
REHEAT	4 à 36 oz	Utilisez des ustensiles de cuisine allant au micro-ondes et couvrez avec un couvercle, une pellicule plastique ou du papier ciré. Remarque : Plus le couvercle est hermétique, plus la nourriture sera chaude; cependant, il est nécessaire de laisser un espace de ventilation pour laisser échapper la vapeur/humidité des aliments pendant la cuisson. Après avoir réchauffé, assurez-vous de bien remuer, si possible. Couvrez à nouveau et laissez reposer 2 à 3 minutes.

CUISSON AU MICRO-ONDES

TABLEAU DE COOK (CUISSON)

ALIMENTS	QUANTITÉ	PROCÉDURES															
1. Pomme de terre au four 2. Patate douce	1 - 6 moyennes 1 - 6 moyennes	Percez les pommes de terre au moins à trois reprises chacune sur le dessus, le fond et les côtés. En perçant la pelure, vous faites échapper la vapeur. Placez sur un essuie-tout dans le micro-ondes. Après la cuisson, retirez du micro-ondes, enveloppez dans du papier d'aluminium et laissez reposer de 5 à 10 minutes.															
3. Poisson/fruits de mer	0,25 - 2,0 lb	Disposez le poisson ou les fruits de mer autour d'un plat en verre peu profond (roulez les filets avec les rebords en dessous). Recouvrir avec une pellicule plastique avec un espace ou des trous pour ventiler. Après la cuisson, laissez reposer, à couvert, pendant 3 minutes.															
4. Riz brun 5. Riz blanc	0,5 - 2,0 tasses 0,5 - 2,0 tasses	Placez le riz dans un plat allant au micro-ondes et ajoutez le double de quantité d'eau. Recouvrez avec un couvercle ou une pellicule plastique. Après la cuisson, remuez, recouvrez et laissez reposer pendant 3 à 5 minutes ou jusqu'à ce que tout le liquide soit absorbé. <table border="1" style="margin-left: auto; margin-right: auto;"> <thead> <tr> <th>Riz</th> <th>Eau</th> <th>Dimension du plat</th> </tr> </thead> <tbody> <tr> <td>0,5 tasse</td> <td>1 tasse</td> <td>1,5 pinte</td> </tr> <tr> <td>1 tasse</td> <td>2 tasses</td> <td>2 pintes</td> </tr> <tr> <td>1,5 tasse</td> <td>3 tasses</td> <td>2,5 ou 3 pintes</td> </tr> <tr> <td>2 tasses</td> <td>4 tasses</td> <td>3 pintes ou plus</td> </tr> </tbody> </table>	Riz	Eau	Dimension du plat	0,5 tasse	1 tasse	1,5 pinte	1 tasse	2 tasses	2 pintes	1,5 tasse	3 tasses	2,5 ou 3 pintes	2 tasses	4 tasses	3 pintes ou plus
Riz	Eau	Dimension du plat															
0,5 tasse	1 tasse	1,5 pinte															
1 tasse	2 tasses	2 pintes															
1,5 tasse	3 tasses	2,5 ou 3 pintes															
2 tasses	4 tasses	3 pintes ou plus															
6. Légumes frais rapides Brocoli Choux de Bruxelles Chou Chou-fleur (petite fleur) Chou-fleur (entier) Épinard Courgette Pommes au four	0,25 - 2,0 lb 0,25 - 2,0 lb 0,25 - 2,0 lb 0,25 - 2,0 lb 1 moy. 0,25 - 1,0 lb 0,25 - 2,0 lb 2 - 4 moy.	Lavez et mettez dans un plat. N'ajoutez pas d'eau si les légumes viennent juste d'être lavés. Recouvrir avec un couvercle pour attendrir les légumes. Utilisez une pellicule plastique pour des légumes tendres et croquants. Après la cuisson, remuez, si possible. Laissez reposer, à couvert, pendant 2 à 5 minutes.															
7. Légumes frais longs Carottes, coupées en tranche Épis de maïs Haricots verts Courge d'hiver : Découpée en dés Demie	0,25 - 1,5 lb 2 - 4 0,25 - 1,5 lb 0,25 - 1,5 lb 1 - 2	Placez dans un plat. Ajoutez 1 à 4 cuillères à table d'eau. Recouvrir avec un couvercle pour attendrir les légumes. Utilisez une pellicule plastique pour des légumes tendre et croquant. Après la cuisson, remuez, si possible. Laissez reposer, à couvert, pendant 2 à 5 minutes.															
8. Légumes surgelés	0,25 - 1,25 lb	N'ajoutez pas d'eau Recouvrez avec un couvercle ou une pellicule plastique. Après la cuisson, remuez et laissez reposer, à couvert, pendant 3 minutes.															
9. Viande hachée	0,25 - 2,0 lb	Utilisez ce réglage pour faire cuire la viande hachée ou la dinde en galette ou dans un plat qui doit être ajouté à d'autres ingrédients. Placez les galettes dans un plat allant au micro-ondes et couvrir avec du papier ciré. Placez la viande hachée dans un plat et couvrez avec du papier ciré ou une pellicule plastique. Lorsque le micro-ondes s'arrête, tournez les galettes ou remuez le plat pour séparer les gros morceaux. Couvrez à nouveau et appuyez sur START/+30 SEC. Après la cuisson, laissez reposer, à couvert, pendant 2 à 3 minutes.															
10. Entrées surgelées	6 - 17 oz	Enlevez les entrées de leur emballage et suivez les directives sur l'emballage pour savoir comment recouvrir le plat. Après la cuisson, laissez reposer, à couvert, pendant 1 à 3 minutes.															

CUISSON AU MICRO-ONDES

DEFROST (DÉCONGÉLATION)

Utilisez cette fonction pour décongeler les aliments indiqués dans le TABLEAU DE DEFROST (DÉCONGÉLATION).

1. Appuyez sur la touche **DEFROST**.
2. Consultez l'étiquette du menu. Sélectionnez l'aliment désiré en appuyant sur une touche numérique.
Ex : Appuyez sur 2 pour steaks/côtelette.
3. Entrez le poids sur les touches numériques.
4. Appuyez sur la touche **START/+30 SEC**.

Le four s'arrêtera, vous pourrez alors vérifier la cuisson de l'aliment.

5. Après la première étape, ouvrez le four à micro-ondes et tournez les steaks. Fermez le four à micro-ondes.
Appuyez sur la touche **START/+30 SEC**.

6. Après chaque signal sonore, tournez les aliments et sélectionnez **START/+30 SEC** encore.
7. Après que le cycle de décongélation soit terminé, couvrez et laissez reposer comme indiqué dans le tableau ci-dessous.

Remarques :

- Pour décongeler d'autres aliments ou des aliments qui sont plus ou moins lourds que le poids permis dans le TABLEAU DE DEFROST (DÉCONGÉLATION), reportez-vous à la DÉCONGÉLATION MANUELLE ci-dessous.
- Regardez les aliments lorsque le four émet un signal sonore. Après l'étape finale, de petites sections peuvent encore être glacées. Laissez reposer pour continuer la décongélation. Ne faites pas cuire jusqu'à ce que tous les cristaux de glace soient fondus.

TABLEAU DE DEFROST (DÉCONGÉLATION)

ALIMENTS	QUANTITÉ	PROCÉDURES
1. Viande hachée	0,5 - 2,0 lb	Après chaque signal sonore, enlevez les morceaux décongelés et touchez START/+30 SEC encore. Après la cuisson, laissez reposer, à couvert, pendant 5 à 10 minutes.
2. Steaks/côtelettes	0,5 - 3,0 lb	Après chaque signal sonore, tournez les aliments et touchez START/+30 SEC encore. Après la cuisson, laissez reposer, à couvert, pendant 10 à 20 minutes.
3. Volaille sans os	0,5 - 2,0 lb	Après chaque signal sonore, tournez les aliments et touchez START/+30 SEC encore. Après la cuisson, laissez reposer, à couvert, pendant 10 à 20 minutes.
4. Volaille avec os	0,5 - 3,0 lb	Après chaque signal sonore, tournez les aliments et touchez START/+30 SEC encore. Après la cuisson, laissez reposer, à couvert, pendant 10 à 20 minutes.
5. Rôti	2,0 - 4,0 lb	Après chaque signal sonore, tournez les aliments et touchez START/+30 SEC encore. Après la cuisson, laissez reposer, à couvert, pendant 30 à 60 minutes.
6. Casserole Soupe	2 - 6 tasses 1 - 6 tasses	Après chaque signal sonore émis, séparez et enlevez tous les morceaux décongelés. Touchez START/+30 SEC encore. Après la cuisson, remuez complètement et laissez reposer, à couvert, pendant 5 à 10 minutes.

DÉCONGÉLATION MANUELLE

Si les aliments que vous désirez décongelés ne sont pas listés dans le TABLEAU DE DÉCONGÉLATION ou s'il est au-dessus ou en dessous de la limite dans la colonne QUANTITÉ du TABLEAU DÉCONGÉLATION, vous devez décongeler manuellement.

Vous pouvez décongeler n'importe quel aliment congelé, qu'il soit cru ou déjà cuit, en utilisant un NIVEAU DE PUISSANCE à 30 %. Suivez la procédure exacte en 3 étapes qui se trouve à la section RÉGLER LE NIVEAU DE PUISSANCE à la page 12. Estimez le temps de décongélation et appuyez sur la touche **POWER LEVEL** à huit reprises pour une puissance à 30 %.

Que ce soit pour un aliment congelé cru ou précuit, la règle est d'environ 4 minutes par livre (453 grammes).

Par exemple, la décongélation pour 453 grammes (1 lb) de sauce à spaghetti congelée est d'environ 4 minutes.

Arrêtez toujours le four périodiquement pour enlever ou séparer les parties qui sont décongelées. Si l'aliment n'est pas décongelé à la fin de la période de décongélation estimée, programmez le four par incrément de 1 minute à un NIVEAU DE PUISSANCE de 30 %, jusqu'à décongélation complète.

Lorsque vous utilisez des contenants de plastique qui proviennent du congélateur, décongelez assez longtemps pour enlever le contenu du contenant de plastique de manière à le placer dans un contenant allant au four à micro-ondes.

CUISSON AU MICRO-ONDES

MORE MENUS (PLUS DE MENUS)

FAIRE FONDRE/AMOLLIR/RÉCHAUFFER

Ces fonctions calculent automatiquement le temps de cuisson approprié et le niveau de puissance du micro-ondes pour faire fondre, amollir et réchauffer les aliments indiqués dans le tableau ci-dessous.

1. Appuyez sur la touche **MORE MENUS** à une reprise.
2. Consultez l'étiquette du menu. Sélectionnez l'aliment désiré en appuyant sur touche numérique. Ex : Appuyez sur 2 pour chocolat.
3. Répétez la même touche pour sélectionner la quantité. Ex : Appuyez sur 2 deux fois de plus pour 1 carré.
4. Appuyez sur la touche **START/+30 SEC.**

Remarque : Pour faire fondre, amollir ou réchauffer d'autres aliments ou des aliments qui sont en quantité inférieure ou supérieure à celles indiquées sur le TABLEAU FAIRE FONDRE/AMOLLIR/RÉCHAUFFER, utilisez la fonction manuelle.

TABLEAU FAIRE FONDRE/AMOLLIR/RÉCHAUFFER

ALIMENTS	QUANTITÉ	PROCÉDURES
Faire Fondre		Utilisez une tasse à mesurer en verre réfractaire. Recouvrir avec une pellicule plastique.
1. Beurre	2 c. - s. 0,5 tasse	Après avoir appuyé sur MORE MENUS , appuyez sur 1 à deux reprises pour 2 c. à s. Après avoir appuyé sur MORE MENUS , appuyez sur 1 à trois reprises pour 0,5 tasse.
2. Chocolat	1 tasse de pépites 1 carré	Après avoir appuyé sur MORE MENUS , appuyez sur 2 à deux reprises pour 1 tasse de pépites. Après avoir appuyé sur MORE MENUS , appuyez sur 2 à trois reprises pour 1 carré.
Amollir		NE RECOUVREZ PAS
3. Crème glacé	1 pinte 1,5 pinte	Après avoir appuyé sur MORE MENUS , appuyez sur 3 à deux reprises pour 1 pinte. Après avoir appuyé sur MORE MENUS , appuyez sur 3 à trois reprises pour 1,5 pinte.
4. Fromage à la crème	3 oz 8 oz	Après avoir appuyé sur MORE MENUS , appuyez sur 4 à deux reprises pour 3 oz. Après avoir appuyé sur MORE MENUS , appuyez sur 4 à trois reprises pour 8 oz.
Réchauffer		Utilisez une tasse à mesurer en verre réfractaire. NE RECOUVREZ PAS
5. Sirop	0,25 tasse 0,5 tasse	Après avoir appuyé sur MORE MENUS , appuyez sur 5 à deux reprises pour 0,25 tasse. Après avoir appuyé sur MORE MENUS , appuyez sur 5 à trois reprises pour 0,5 tasse.
6. Garniture à dessert	0,25 tasse 0,5 tasse	Après avoir appuyé sur MORE MENUS , appuyez sur 6 à deux reprises pour 0,25 tasse. Après avoir appuyé sur MORE MENUS , appuyez sur 6 à trois reprises pour 0,5 tasse.

CUISSON AU MICRO-ONDES

RÉCHAUFFER UNE BOISSON/EAU CHAUDE/CÉRÉALES CHAUDES

Ces fonctions vous permettent de réchauffer un café ou un thé pour lui donner une température plus appropriée à la consommation ou pour préparer un café, un thé ou des céréales chaudes.

- Supposons que vous voulez faire 2 tasses de café.
1. Appuyez sur la touche **MORE MENUS** à une reprise.
 2. Consultez l'étiquette du menu. Sélectionnez l'option désirée en appuyant sur une touche numérique. Ex : Appuyez sur 8 pour faire un café.

3. Répétez la même touche pour sélectionner la quantité. Ex : Appuyez sur 8 deux fois de plus pour 2 tasses de café.

4. Appuyez sur la touche **START/+30 SEC.**

TABLEAU RÉCHAUFFER UNE BOISSON/EAU CHAUDE /CÉRÉALES CHAUDES

ALIMENTS	QUANTITÉ	PROCÉDURES
7. Réchauffer une boisson	0,5 - 2 tasses	Ce réglage est approprié pour réchauffer une boisson qui a refroidi. Appuyez sur la touche 7 pour 0,5 tasse d'augmentation chaque fois que vous appuyez. Remuez après avoir réchauffé la boisson.
8. Eau chaude	1 - 6 tasses	Utilisez ce réglage pour chauffer de L'EAU FROIDE DU ROBINET à une température un peu sous le point d'ébullition pour préparer un café ou thé. Appuyez sur la touche 8 pour 1 tasse d'augmentation chaque fois que vous appuyez. Remuez vivement les liquides avant et après les avoir réchauffés pour éviter les éclaboussures.
9. Céréales chaudes	1 - 6 portions	Utilisez les sachets individuels ou les céréales en vrac que vous préférez : gruau, son d'avoine, crème de blé, semoule de blé ou wheatena. Suivez les directives sur l'emballage pour connaître la quantité d'eau ou de lait à ajouter. Pour éviter les débordements par bouillonnement, il est préférable de choisir un contenant plus grand, parce que la cuisson au micro-ondes de céréale provoque une grande ébullition. Appuyez sur la touche 9 pour augmenter de 1 portion à chaque fois. Si le four est arrêté, remuez et appuyez sur START/+30 SEC. Après la cuisson, remuez et laissez reposer, à couvert, pendant 2 minutes.

AUTRES FONCTIONS

TIMER/CLOCK (MINUTERIE/HORLOGE)

Si l'alimentation principale électrique de votre micro-ondes est interrompue, l'affichage indiquera de manière intermittente *ENJOY YOUR MICROWAVE TOUCH CLEAR* après que le courant ait été rétabli. Si cela se produit, les options de RÉGLAGES que vous avez entrées seront effacées. Appuyez simplement sur la touche **STOP/CLEAR** et réinitialisez.

Remarque : Consultez la section RÉGLAGE DE L'HORLOGE à la page 11 pour obtenir les instructions de réglage de l'horloge.

MINUTERIE

1. Appuyez sur la touche **TIMER/CLOCK** 1 fois.
2. Entrez le temps.
3. Appuyez sur la touche **START/+30 SEC.**

Pour annuler la minuterie, appuyez sur la touche **STOP/CLEAR**.

SETTINGS (RÉGLAGES)

ARRÊTER LES SIGNAUX SONORES

À la fin du temps de cuisson, des signaux sonores se feront entendre. Les signaux sonores peuvent être désactivés, si vous préférez un fonctionnement silencieux.

POUR DÉSACTIVER LES SIGNAUX SONORES

1. Appuyez sur la touche **SETTINGS** une fois.
2. Appuyez sur la touche **START/+30 SEC.** L'affichage indiquera *SOUND OFF*.

RÉACTIVER LE SON

1. Appuyez sur la touche **SETTINGS** une fois.
2. Appuyez sur la touche **START/+30 SEC.** L'affichage indiquera *SOUND ON*.

ARRÊT DU RAPPEL DE FIN DE CUISSON

À la fin du temps de cuisson, le micro-ondes émettra un signal à tout les 10 secondes pendant la première minute; et ensuite toutes les 3 minutes, pendant une heure, jusqu'à ce que vous appuyez sur la touche **STOP/CLEAR**.

POUR DÉSACTIVER LE RAPPEL

1. Appuyez sur la touche **SETTINGS** deux fois. L'affichage indiquera *REMIND SIGNAL OFF? TOUCH START*.
2. Appuyez sur la touche **START/+30 SEC.** L'affichage indiquera *REMIND SIGNAL OFF*.

POUR RÉACTIVER LE RAPPEL

1. Appuyez sur la touche **SETTINGS** deux fois. L'affichage indiquera *REMIND SIGNAL ON? TOUCH START*.
2. Appuyez sur la touche **START/+30 SEC.** L'affichage indiquera *REMIND SIGNAL ON*.

MODE DÉMONSTRATION

POUR SÉLECTIONNER LE MODE DÉMONSTRATION

1. Appuyez sur la touche **SETTINGS** trois fois. L'affichage indiquera *DEMO ON? HOLD START 3 SEC*.
2. Maintenez la touche **START/+30 SEC** pendant 3 secondes. L'affichage indiquera *DEMO ON*.

POUR ANNULER LE MODE DÉMONSTRATION

1. Appuyez sur la touche **SETTINGS** trois fois. L'affichage indiquera *DEMO OFF? HOLD START 3 SEC*.
2. Appuyez sur la touche **START/+30 SEC.** L'affichage indiquera *DEMO OFF*.

Remarques :

- Le micro-ondes ne chauffe pas dans le mode démonstration.
- L'affichage fait un compte à rebours rapide.

AIDE

Chaque réglage Popcorn, Reheat, Cook, Defrost et Beverage possède un indice de cuisson. Si vous désirez vérifier, appuyez sur la touche **SETTINGS** chaque fois que *HELP* est allumé dans l'affichage interactif pour ceux-ci et les autres indices de cuisson manuels.

+30 SEC

Pour cuire 30 secondes à 100 % de puissance, appuyez sur la touche **START/+30 SEC.**

A UTILISER +30 SEC

1. Dans les 3 minutes suivant la fin de la cuisson minutée, appuyez sur la touche **START/+30 SEC.**
2. Après avoir fermé le four ou appuyé une fois sur la touche **STOP/CLEAR**, appuyez sur la touche **START/+30 SEC.**
3. Pendant la cuisson manuelle, prolongez le temps de cuisson par multiples de 30 secondes en appuyant plusieurs fois sur la touche **START/+30 SEC.**

Remarque : **+30 SEC** ne peut pas être utilisé avec **SENSOR, REHEAT, MORE MENUS** ou **DEFROST**.

AUTRES FONCTIONS

VERROUILLAGE DES COMMANDES

Le verrouillage des commandes permet d'éviter le fonctionnement non souhaité, comme avec les petits enfants. Le micro-ondes peut être réglé de manière à ce que le panneau de commandes et les mécanismes automatiques du four soient désactivés ou verrouillés.

POUR VERROUILLER

Appuyez sur la touche **STOP/CLEAR** et maintenez-la pendant 3 secondes. L'affichage indiquera *LOCK ON*.

POUR DÉVEROULLER

Appuyez sur la touche **STOP/CLEAR** et maintenez-la pendant 3 secondes. L'affichage indiquera *LOCK OFF*.

Le Verrouillage des commandes est annulé lorsque l'alimentation électrique de votre four est interrompue. Réglez le Verrouillage des commandes à nouveau lorsque le four est alimenté à nouveau.

LIGHT (LUMIÈRE)

Appuyez sur la touche **LIGHT** une fois pour allumer la lumière de cuisinière ou deux fois pour éteindre la lumière de plaque de cuisson.

Remarque : La lumière de cuisinière ne s'éteindra PAS après une certaine période. Elle DOIT être éteinte manuellement.

VENT (VENTILATEUR)

Le four à micro-ondes peut être utilisé comme hotte de cuisine pour enlever la vapeur, les odeurs et la graisse des surfaces de cuisson. Il offre deux vitesses de ventilation : ÉLEVÉE et BASSE.

POUR UTILISER LE VENTILATEUR

1. Appuyez une fois sur la touche **VENT** pour le ventilateur HAUTE VITESSE.
2. Appuyez 2 fois sur la touche **VENT** pour le ventilateur FAIBLE VITESSE.
3. Appuyez sur la touche **VENT** 3 fois pour éteindre le ventilateur. Le ventilateur ne s'éteindra pas automatiquement. Il doit être désactivé manuellement.

Remarque : Le ventilateur de ventilation s'allumera automatiquement vers un réglage à BASSE VITESSE après que le micro-ondes soit utilisé pendant 18 minutes. Une fois la cuisine micro-ondes terminée ou annulée, le ventilateur de ventilation s'éteindra automatiquement. Si le micro-ondes est interrompu ou si la séance de cuisson dure plus de 18 minutes, le ventilateur de ventilation continuera à fonctionner.

NETTOYAGE ET ENTRETIEN

Assurez-vous que la fonction de **VERROUILLAGE DES COMMANDES** du four à micro-ondes est **ACTIVÉE** avant le nettoyage.

EXTÉRIEUR

La surface extérieure est en acier inoxydable prélaqué, en verre et en plastique. Nettoyez l'extérieur avec du savon doux et de l'eau; rincez et séchez avec un linge doux. N'utilisez aucun type de nettoyant ménager ou abrasif.

SURFACE EN ACIER INOXYDABLE

L'extérieur doit être essuyé souvent avec un linge doux humide et poli avec un linge sec et doux pour maintenir son éclat. Il y a aussi une variété de produits conçus spécialement pour nettoyer et polir l'extérieur du four en acier inoxydable. Nous recommandons que le nettoyant soit appliqué avec un linge doux et étendu sur l'extérieur en acier inoxydable au lieu d'être vaporisé directement sur la surface. Respectez les directives du produit de nettoyage.

PORTE

Essuyez la fenêtre des deux côtés avec un linge doux humide pour enlever les éclaboussures et les débordements. Les pièces de métal seront plus faciles à entretenir si elles sont essuyées fréquemment avec un linge doux humide. Évitez d'utiliser un vaporisateur et d'autres nettoyants corrosifs, car elles peuvent tacher, laisser des traces ou ternir la surface du four.

PANNEAU DE COMMANDE

Assurez-vous que le **VERROUILLAGE DES COMMANDES** est **ACTIVÉ**. Voir la page 19 pour obtenir l'information de cette fonction. Essuyez le panneau avec un linge légèrement humide avec de l'eau seulement. Séchez avec un linge doux. Ne récurer pas ou n'utilisez pas de nettoyants contenant des produits chimiques. Fermez la porte et suivez les instructions pour **DÉS-ACTIVER LE VERROUILLAGE DES COMMANDES**, si vous avez terminé le nettoyage.

INTÉRIEUR

Le nettoyage est facile parce qu'il n'a aucune chaleur de produite sur les surfaces intérieures; par conséquent, il n'y a pas d'éclaboussures ou de débordements durcis par la cuisson. Pour nettoyer les surfaces intérieures, essuyez avec un linge doux humide. N'utilisez jamais des tampons à récurer pour nettoyer le four à micro-ondes, car des morceaux peuvent se séparer du tampon et provoquer une décharge électrique en entrant en contact avec des composants électriques. **N'UTILISEZ PAS DE NETTOYANTS ABRASIFS OU CORROSIFS OU DE TAMPON À RÉCURER.** Pour les souillures plus tenaces, utilisez un savon doux; nettoyez avec un linge doux humide. N'utilisez pas de nettoyants contenant des produits chimiques.

COUVERCLE DU GUIDE D'ONDES

AVERTISSEMENT Le couvercle du guide d'ondes, situé du côté droit de la cavité intérieure, est fait de mica.

C'est pourquoi il nécessite un entretien particulier. Gardez le couvercle de guide d'ondes propre afin d'assurer une bonne performance du micro-ondes. Essayez soigneusement avec un linge doux humide les éclaboussures d'aliments de la surface du couvercle immédiatement lorsqu'il y en a. L'accumulation des éclaboussures peut surchauffer et provoquer de la fumée ou même s'enflammer. N'ENLEVEZ PAS LE COUVERCLE DE GUIDE D'ONDES.

ÉLIMINER LES ODEURS

Occasionnellement, des odeurs de cuisson peuvent rester présentes dans le four micro-ondes. Pour éliminer les odeurs, combinez 1 tasse d'eau, le zeste et le jus d'un citron et plusieurs clous de girofle entiers dans une tasse à mesurer (2 tasses) en verre allant au micro-ondes. Faites bouillir pendant plusieurs minutes à une puissance à 100 %. Laissez dans le micro-ondes jusqu'à ce que l'eau refroidisse. Essuyez l'intérieur avec un linge doux.

PLATEAU TOURNANT ET SUPPORT DU PLATEAU TOURNANT

Le plateau tournant et le support du plateau tournant peuvent être enlevés pour faciliter le nettoyage. Le plateau tournant peut devenir chaud pendant la cuisson; par conséquent, laissez-le refroidir avant le nettoyage pour éviter que le verre ne se brise.

Lavez le plateau tournant et le support du plateau tournant dans de l'eau douce savonneuse; pour les taches tenaces, utilisez un nettoyant doux et une éponge non abrasive comme décrite ci-dessus. Ils vont aussi au lave-vaisselle. Placez dans le panier supérieur du lave-vaisselle. L'arbre du moteur du plateau tournant dans le four n'est pas scellé, alors un excès d'eau ou un renversement doit être essuyé immédiatement.

LA FONCTION D'ÉVACUATION D'AIR

La hotte est munie de deux filtres pour la graisse. Lorsque le ventilateur de la hotte est en fonction, l'air circule à travers les filtres et peut être expulsé à l'extérieur par l'entremise du registre, ou circuler à travers le filtre au charbon si elle n'est pas acheminée à l'extérieur.

Remarque : N'utilisez jamais le ventilateur ou le four sans que les filtres soient en place.

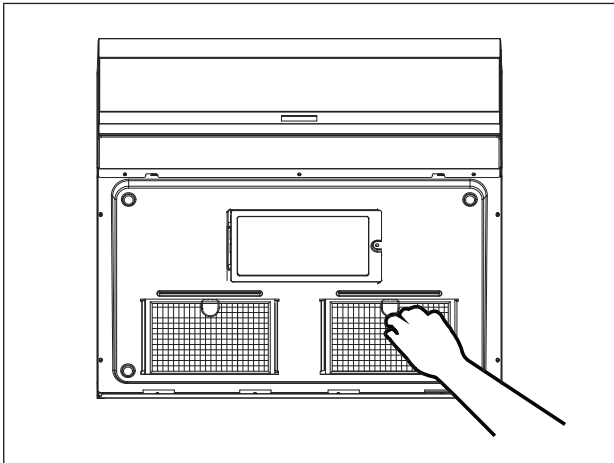
FILTRES RÉUTILISABLES POUR LA GRAISSE

Les filtres réutilisables pour la graisse doivent être nettoyés au moins une fois par mois. Dans les situations où des flammes peuvent se produire sur les surfaces sous la hotte, les filtres bloqueront l'entrée des flammes dans l'unité.

NETTOYAGE ET ENTRETIEN

POUR NETTOYER LES FILTRES POUR LA GRAISSE :

1. Activez le **VERROUILLAGE DES COMMANDES**.
2. Tirez lentement sur la languette vers l'avant du four et enlevez le filtre. Répétez pour l'autre filtre.



3. Faites tremper les filtres dans un évier ou un récipient avec de l'eau chaude et un détergent. N'utilisez PAS d'ammoniac ou de produit contenant de l'ammoniac; cela ferait noircir le métal.
4. Utilisez une brosse douce si nécessaire pour enlever la saleté incrustée.
5. Rincez complètement et remuez pour sécher et enlever l'humidité avant de réinstaller.
6. Remplacez les filtres dans les ouvertures.
7. Désactivez le **VERROUILLAGE DES COMMANDES** pour utiliser le four.

LUMIÈRES DE CUISINIÈRE

Nettoyez la graisse et la poussière sur le couvercle du compartiment de la lumière dans le côté inférieur du four à micro-ondes avec de l'eau chaude et un détergent.

POUR REMPLACER L'AMPOULE DE LA LUMIÈRE DE CUISINIÈRE :

1. Activez le **VERROUILLAGE DES COMMANDES**.
2. Enlevez la vis sur le couvercle de l'ampoule avec un tournevis étoile.
3. Dévissez les ampoules de leurs douilles et remplacez-les avec des ampoules de 30 watts ou avec un wattage plus faible. 30 watts maximum; ne pas dépasser.
4. Remplacez le couvercle de lampe et réinstallez la vis pour fixer le couvercle.
5. Désactivez le **VERROUILLAGE DES COMMANDES** pour utiliser le four.

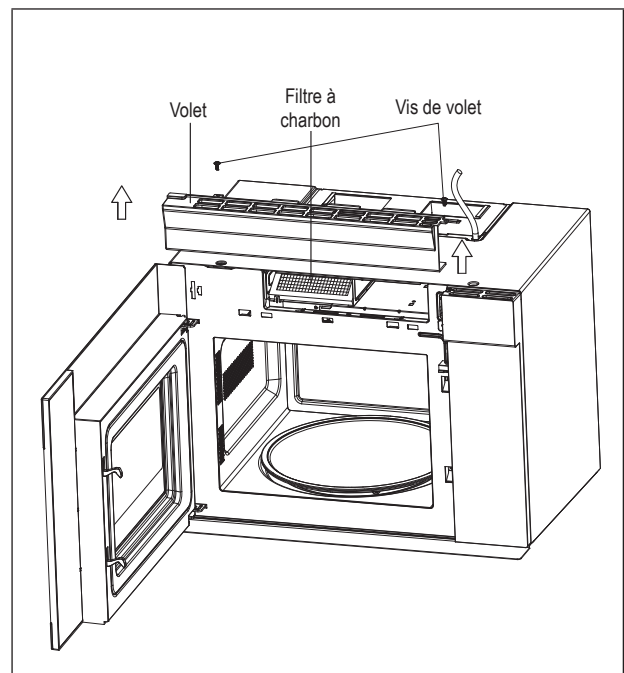
AVERTISSEMENT Si les lumières sont en MARCHÉ, le couvert de lumière peut être chaud au touché. Fermez les lumières de cuisinière avant de remplacer les ampoules.

INSTALLER/REPLACER LE FILTRE AU CHARBON

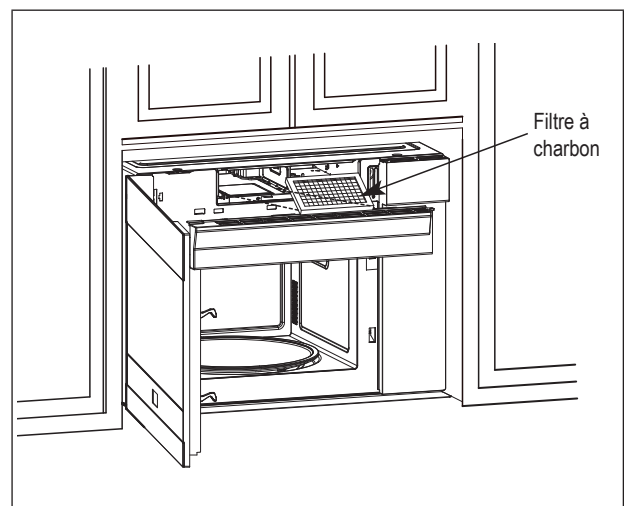
FILTRE AU CHARBON

Si votre four est ventilé à l'intérieur, le filtre au charbon devrait être remplacé tous les six mois.

1. Débranchez ou fermez l'alimentation principale du four.
2. Enlevez les vis du volet de montage (2) et ouvrez la porte.

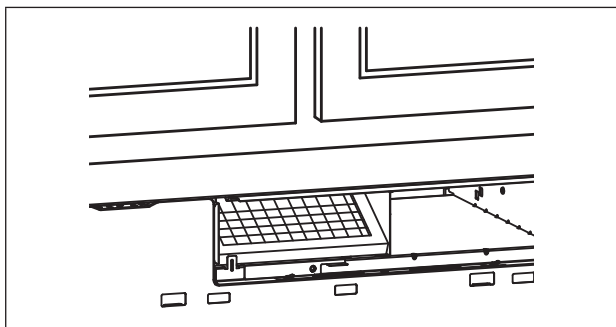


3. Glissez le volet vers la gauche, puis sortez en tirant dessus.



NETTOYAGE ET ENTRETIEN

4. Poussez sur le filtre au charbon vers l'arrière et enlevez-le.
5. Glissez le nouveau filtre au charbon en place. Le filtre doit être positionné en angle.



6. Remplacez le volet et deux trois vis et fermez la porte.
7. Branchez ou mettez en marche l'alimentation principale du four.

LUMIÈRE DU FOUR

Pour enlever et remplacer la lumière de four, les étapes pour enlever le filtre au charbon doivent être complétées en premier. Les filtres n'ont pas à être enlevés, mais le processus sera facilité s'ils sont enlevés. **REMETTEZ TOUJOURS LE FILTRE AU CHARBON** en place avant d'utiliser le four à micro-ondes, si le four est installé avec une installation de recirculation d'air.

POUR REMPLACER L'AMPOULE DE LA LUMIÈRE DE FOUR :

1. Activez le **VERROUILLAGE DES COMMANDES**.
2. Enlevez la vis du couvercle de lumière avec un tournevis étoile.
3. Glissez lentement le couvercle de la lumière pour le retirer.
4. Dévissez l'ampoule en la tournant dans le sens contraire aux aiguilles d'une montre pour la sortir de la douille et remplacez-la avec une ampoule de 30 watts ou une ampoule d'électroménager de wattage plus faible. 30 watts maximum; ne pas dépasser.
5. Remplacez le couvercle de lumière et réinstallez la vis pour fixer.
6. Remplacez le filtre au charbon.
7. Désactivez le **VERROUILLAGE DES COMMANDES** pour utiliser le four.

AVANT D'APPELER LE SERVICE

Veillez vérifier les éléments suivants avant d'appeler le centre de service. Ceci pourrait vous faire économiser du temps et de l'argent.

PROBLÈME	CAUSE POSSIBLE	SOLUTION
1. Une partie ou l'ensemble des composantes du four à micro-ondes ne fonctionnent pas.	<ul style="list-style-type: none">• Le cordon d'alimentation du four à micro-ondes n'est pas correctement inséré dans la prise électrique.• Panne de courant.• Le tableau de disjoncteurs ou de fusibles de la maison ne fonctionne pas.• Le micro-ondes est en mode démonstration.	<ul style="list-style-type: none">• Assurez-vous que le cordon d'alimentation est branché correctement dans la prise de courant.• Vérifiez le boîtier des lumières pour voir si tout est correct. Appelez votre compagnie d'électricité pour obtenir de l'aide.• Remplacez le fusible ou réinitialisez le disjoncteur.• Consultez la page 18.
2. Les aliments dans le micro-ondes ne chauffent pas.	<ul style="list-style-type: none">• Il n'y a pas d'alimentation électrique pour l'appareil.• Les commandes du four ne sont pas réglées correctement.• Le four est en mode démonstration.	<ul style="list-style-type: none">• Voir la SOLUTION pour le PROBLÈME 1.• Vérifiez si les commandes ont été correctement réglées.• Consultez la page 18.
3. La lumière du four à micro-ondes ou la lumière de cuisinière ne fonctionne pas.	<ul style="list-style-type: none">• L'ampoule est dévissée ou est brûlée.	<ul style="list-style-type: none">• Consultez la page 21.
4. Les commandes tactiles ne fonctionnent pas.	<ul style="list-style-type: none">• Le verrouillage des commandes est activé.	<ul style="list-style-type: none">• Consultez la page 18.
5. L'affichage clignote et indique <i>ENJOY YOUR MICROWAVE TOUCH CLEAR</i> .	<ul style="list-style-type: none">• Panne d'électricité.	<ul style="list-style-type: none">• Appuyez sur la touche STOP/CLEAR et réinitialisez l'horloge. Si le four à micro-ondes était en fonction, vous devez réinitialiser le programme de cuisson.

DÉCLARATION DE GARANTIE LIMITÉE DE DEUX ANS

COUVERTURE DE LA PRÉSENTE GARANTIE LIMITÉE

La garantie fournie par Beko Spa à travers le présent document s'applique exclusivement aux appareils et accessoires Beko vendus neufs au propriétaire d'origine par un distributeur, revendeur ou centre d'assistance autorisé par Beko, installé aux États-Unis ou au Canada. La garantie fournie dans ce document n'est pas cessible et entre en vigueur à la date d'installation.

La garantie fournie par Beko Spa (« Beko ») à travers le présent document s'applique exclusivement à l'appareil Beko d'origine (« Produit ») vendu au client (« Acheteur ») par un distributeur, revendeur ou détaillant autorisé par Beko, acheté et installé aux États-Unis, dans le District de Columbia, ou au Canada, qui est toujours resté dans le pays d'achat d'origine (États-Unis, District de Columbia, ou Canada).

La couverture de la garantie prend effet à compter de la date d'achat au détail d'origine du Produit et a une durée de **deux (2) ans**.

La couverture de la garantie n'est pas cessible.

En cas de remplacement de pièces ou de l'ensemble du produit, le Produit ou les pièces de remplacement sont protégés pendant le reste de la période de garantie d'origine sur présentation du document prouvant l'achat au détail du produit d'origine. La période de garantie n'est pas prolongée en cas de remplacement.

Beko S.p.A. réparera ou remplacera tout composant en panne ou défectueux du fait des matériaux et/ou de la fabrication pendant 2 ans à compter de la date d'achat au détail d'origine et uniquement dans le cadre d'un usage domestique normal et non commercial.

Les réparations ou remplacements ne seront pas facturés et comprennent la main-d'œuvre au taux standard et les frais de transport. L'acheteur a la responsabilité de rendre le Produit raisonnablement accessible en cas d'assistance. Les réparations doivent être réalisées par un prestataire de services de maintenance autorisé par Beko, aux heures de travail normales. Les heures de main-d'œuvre supplémentaires ou majorées ne sont pas couvertes par la Garantie.



IMPORTANT :

Conserver les documents attestant l'achat original afin de déterminer la période de garantie.

La responsabilité de Beko relative à toute demande ou réclamation, de quelque nature que ce soit, concernant les biens ou services fournis ne pourra en aucun cas dépasser la valeur des biens ou services, ou partie de ceux-ci, à l'origine de la réclamation.

Garantie esthétique de 30 jours

Au moment de la livraison, l'Acheteur doit inspecter le Produit.

Beko garantit que le Produit est dépourvu de tout défaut de fabrication du fait des matériaux et/ou de la main-d'œuvre pendant une période de trente (30) jours à compter de la date d'achat au détail d'origine du Produit.

Cette couverture inclut :

- Imperfections de la peinture.
- Éclats.
- Défauts superficiels macroscopiques.

La garantie esthétique NE COUVRE PAS :

- Les problèmes qui résultent d'un transport, d'une manipulation ou d'une installation incorrect(e) (par exemple les structures ou composants présentant des bosses, cassés, enfoncés ou déformés, ou les parties en verre brisées).
- Les légères différences de couleurs des éléments peints / émaillés.
- Les différences liées à l'éclairage naturel ou artificiel, l'emplacement ou d'autres facteurs similaires.
- Les taches, la corrosion et la décoloration causées par des substances externes ou des facteurs environnementaux.
- Les frais liés à la main-d'œuvre, l'écran, le sol, les articles d'occasion, les appareils déballés, les appareils vendus « en l'état » et les articles de démonstration.

COMMENT FAIRE INTERVENIR L'ASSISTANCE

Pour faire appliquer la garantie, l'Acheteur doit contacter l'Assistance Beko afin d'identifier les problèmes et de connaître les procédures à suivre.

Le numéro du modèle, le numéro de série et la date d'achat au détail d'origine lui seront demandés.



IMPORTANT :

Conserver les documents attestant l'achat original afin de déterminer la période de garantie.

En cas d'installation aux États-Unis :

866 905 0010

<https://us.Beko.com/more/support>

En cas d'installation au Canada :

800 561 7265

<https://ca.Beko.com/more/support>

DÉCLARATION DE GARANTIE LIMITÉE DE DEUX ANS

EXCLUSIONS DE GARANTIE - CE QUE LA GARANTIE NE COUVRE PAS

- Utilisation du Produit dans le cadre d'un usage non domestique, commercial.
- Utilisation du Produit différente de l'usage prévu.
- Réparations effectuées par un opérateur autre qu'un prestataire de services autorisé par Beko.
- Dommages ou réparations réalisés afin de corriger une réparation effectuée par une société non autorisée ou par l'utilisation de composants non autorisés.
- Installation non conforme à la réglementation en vigueur en matière de prévention des incendies, d'électricité, de gaz, de plomberie et de construction.
- Défauts ou dommages dus à un entreposage inapproprié du Produit.
- Défauts, dommages ou pièces manquantes concernant des produits vendus sans leur emballage d'origine ou des produits de démonstration.
- Interventions ou réparations visant à rectifier la mauvaise installation du produit et/ou de ses accessoires.
- Remplacements de composants / interventions visant à raccorder, convertir ou réparer le câblage électrique et/ou la conduite d'alimentation en gaz afin d'utiliser correctement le produit.
- Remplacements de composants / interventions visant à fournir des instructions sur l'utilisation du Produit.
- Remplacements de composants / interventions visant à corriger des problèmes résultant d'une utilisation du produit autre qu'une utilisation normale et habituelle dans le cadre domestique.
- Remplacements de composants / interventions liés à l'usure comme les joints, les molettes, les supports de casserole, les clayettes, les paniers à couverts, les boutons, les touches de l'écran, les surfaces vitrocéramiques rayées ou cassées.
- Remplacements de composants / interventions liés à l'absence d'entretien ou à un entretien inapproprié, par exemple : accumulation de résidus, taches, rayures, décoloration, corrosion.
- Remplacements de composants en verre et d'ampoules plus de 30 jours après la date d'achat au détail d'origine.
- Défauts et dommages résultant d'un accident, d'une modification, d'une mauvaise utilisation, d'un abus, d'une installation inappropriée.
- Défauts et dommages résultant du transport, de la logistique et de la manipulation du Produit. Le Produit doit être contrôlé au moment de la livraison. Tout problème lié à la manipulation, au transport ou à la logistique doit être signalé au vendeur / à la société de livraison après réception et inspection.
- Défauts et dommages résultant de facteurs externes échappant au contrôle de Beko SpA, incluant, sans s'y limiter, le vent, la pluie, le sable, les incendies, les inondations, les coulées de boue, le gel, une humidité excessive ou une exposition prolongée à l'humidité, les surtensions, la foudre, les défaillances structurales à proximité de l'appareil et toute autre catastrophe naturelle.

- Produits dont le numéro de série a été modifié, endommagé, altéré.

Beko ne pourra en aucun cas être tenue responsable de dommages aux biens environnants comme le mobilier, les meubles, le sol, les panneaux et autres structures à proximité du Produit.

Beko décline toute responsabilité relative au Produit si celui-ci est situé dans une région isolée ou dans une zone où des techniciens formés ne pourraient raisonnablement se rendre. L'Acheteur prendra à sa charge les frais d'expédition et de transport du Produit jusqu'au centre de maintenance autorisé le plus proche ou les frais de déplacement additionnels d'un technicien formé et certifié.

IL N'EXISTE AUCUNE AUTRE GARANTIE EXPLICITE QUE CELLES PRÉCITÉES, NI AUCUNE AUTRE GARANTIE EXPLICITE OU IMPLICITE, INCLUANT, MAIS SANS S'Y LIMITER, TOUTE GARANTIE IMPLICITE DE QUALITÉ MARCHANDE OU DE CONVENANCE À UNE FIN PARTICULIÈRE, APPLICABLE APRÈS LA PÉRIODE DE GARANTIE EXPLICITE SUSMENTIONNÉE, ET AUCUNE AUTRE GARANTIE EXPLICITE DONNÉE PAR UNE PERSONNE, UNE ENTREPRISE OU UNE SOCIÉTÉ CONCERNANT CE PRODUIT N'ENGAGE LA RESPONSABILITÉ DE Beko. Beko DÉCLINE TOUTE RESPONSABILITÉ EN CAS DE PERTE DE CHIFFRE D'AFFAIRES OU DE PROFITS, D'IMPOSSIBILITÉ DE RÉALISER DES ÉCONOMIES OU D'AUTRES BÉNÉFICES, ABSENCE DU TRAVAIL, REPAS, PERTE D'ALIMENTS OU DE BOISSONS, FRAIS DE DÉPLACEMENT OU D'HÉBERGEMENT, FRAIS DE LOCATION OU D'ACHAT D'ÉQUIPEMENTS, FRAIS DE RÉNOVATION / CONSTRUCTION DÉPASSANT LES DOMMAGES DIRECTS RÉSULTANT DE FAUTES EXCLUSIVEMENT IMPUTABLES À Beko, OU TOUT AUTRE DOMMAGE SPÉCIAL, ACCIDENTEL OU INDIRECT CAUSÉ PAR L'UTILISATION, LA MAUVAISE UTILISATION OU L'INCAPACITÉ À UTILISER LE PRODUIT, SANS ÉGARD POUR LA NATURE JURIDIQUE DU DROIT REVENDIQUÉ, ET CELA MÊME SI Beko A ÉTÉ INFORMÉE DE LA POSSIBILITÉ DE TELS DOMMAGES. AUCUN REMBOURSEMENT DEMANDÉ À Beko NE POURRA ÊTRE SUPÉRIEUR AU PRIX D'ACHAT DU PRODUIT VENDU PAR Beko AYANT CAUSÉ LES DOMMAGES EN QUESTION. SANS LIMITER LA PORTÉE DE CE QUI PRÉCÈDE, L'ACHETEUR ASSUME TOUS LES RISQUES ET LA RESPONSABILITÉ EN CAS DE PERTES, DE DOMMAGES OU DE BLESSURES À L'ACHETEUR OU À SES BIENS, AINSI QU'AUX TIERCES PERSONNES OU À LEURS BIENS, CAUSÉS PAR L'UTILISATION, LA MAUVAISE UTILISATION OU L'INCAPACITÉ À UTILISER LE PRODUIT VENDU PAR Beko, NON DIRECTEMENT CAUSÉS PAR LA NÉGLIGENCE DE Beko.

LA PRÉSENTE GARANTIE LIMITÉE NE S'ÉTEND À PERSONNE D'AUTRE QUE L'ACHETEUR ORIGINAL DE CE PRODUIT, ELLE N'EST PAS CESSIBLE ET REPRÉSENTE VOTRE UNIQUE RECOURS.

Beko décline toute responsabilité en cas de dommages indirects ou consécutifs à l'utilisation du

DÉCLARATION DE GARANTIE LIMITÉE DE DEUX ANS

produit. Certains états n'autorisent pas l'exclusion ou la limitation de responsabilité en cas de dommages indirects ou consécutifs ; par conséquent, la limitation ou l'exclusion susmentionnée pourrait ne pas s'appliquer à votre cas. La présente garantie vous confère des droits juridiques spécifiques. Vous pourriez également bénéficier d'autres droits, susceptibles de varier d'un état ou d'une province à l'autre.

Pour toute question concernant la présente Garantie limitée, veuillez contacter le Service clients Beko :

En cas d'installation aux États-Unis :

866 905 0010

<https://us.Beko.com/more/support>

En cas d'installation au Canada :

800 561 7265

<https://ca.Beko.com/more/support>

GUIDE DES TOUCHES AUTOMATIQUE

Pour obtenir des informations plus complètes et les mesures de sécurité, consultez votre manuel d'utilisation.

RÉGLAGE DE L'HORLOGE

1. Appuyez sur la touche **TIMER/CLOCK** deux fois.
2. Entrez l'heure de la journée avec le pavé numérique, appuyez sur la touche **START/+30 SEC.**
3. Si l'alimentation électrique de votre micro-ondes est interrompue, l'affichage indiquera de manière intermittente : *ENJOY YOUR MICROWAVE TOUCH CLEAR.*

CUISSON MINUTÉE

Cuisson à puissance élevée

1. Entrez le temps de cuisson sur les touches numériques. (Ex : 5 0 0 minutes)
2. Appuyez sur la touche **START/+30 SEC.**

Cuisson à puissance variable

3. Après l'étape 1 ci-dessous, appuyez sur la touche **POWER LEVEL** jusqu'à ce que vous ayez atteint le niveau de puissance désiré sur l'affichage.
4. Appuyez sur la touche **START/+30 SEC.**

CAPTEUR

Le capteur calculera automatiquement le temps de cuisson et le niveau de puissance approprié pour cuire parfaitement les aliments sur l'étiquette du menu.

1. Appuyez sur la touche **COOK** à une reprise.
2. Consultez l'étiquette du menu. Sélectionnez l'aliment désiré en appuyant sur touche numérique. Ex : Appuyez sur 1 pour les pommes de terre au four.
3. Appuyez sur la touche **START/+30 SEC.**

+30 SEC

Appuyez sur **START/+30 SEC** pour 30 secondes à 100 % de la puissance du micro-ondes ou pour ajouter 30 secondes pendant la cuisson manuelle. Continuez à appuyer pour ajouter 30 secondes de plus.

DEFROST (DÉCONGELER)

Utilisez cette fonction pour décongeler les aliments indiqués sur l'étiquette du menu.

1. Appuyez sur la touche **DEFROST.**
2. Consultez l'étiquette du menu. Sélectionnez l'aliment désiré en appuyant sur une touche numérique. Ex : Appuyez sur 2 pour steaks/côtelette.
3. Entrez le poids sur les touches numériques.
4. Appuyez sur la touche **START/+30 SEC.**
5. Le micro-ondes s'arrêtera pour permettre de tourner les aliments et/ou les enlever. Fermez le four à micro-ondes. Appuyez sur la touche **START/+30 SEC.**

MORE MENUS (PLUS DE MENUS)

FAIRE FONDRE/AMOLLIR/RÉCHAUFFER

Utilisez ces fonctions pour faire fondre, amollir ou réchauffer les aliments indiqués sur l'étiquette du menu.

1. Appuyez sur la touche **MORE MENUS** à une reprise.
2. Consultez l'étiquette du menu. Sélectionnez l'aliment désiré en appuyant sur une touche numérique. Ex : Appuyez sur 2 pour chocolat.
3. Répétez la même touche pour sélectionner la quantité. Ex : appuyez sur 2 deux fois de plus pour 1 carré.
4. Appuyez sur la touche **START/+30 SEC.**

RÉCHAUFFER UNE BOISSON/EAU CHAUDE /CÉRÉALES CHAUDES

Utilisez cette fonction pour chauffer ou réchauffer le café, le thé ou les céréales chaudes.

1. Appuyez sur la touche **MORE MENUS.**
2. Consultez l'étiquette du menu. Sélectionnez l'aliment désiré en appuyant sur une touche numérique. Ex : Appuyez 8 pour de l'eau chaude.
3. Répétez la même touche pour sélectionner la quantité. Ex : appuyez sur 8 deux fois de plus pour 2 tasses.
4. Appuyez sur la touche **START/+30 SEC.**

TIMER (MINUTERIE)

1. Appuyez sur **TIMER/CLOCK** une fois.
 2. Entrez le temps.
 3. Appuyez sur la touche **START/+30 SEC.**
- Pour annuler la minuterie, appuyez sur **STOP/CLEAR.**

SETTINGS (RÉGLAGES)

Appuyez sur la touche **SETTINGS:**

- 1 fois pour activer/arrêter le son.
- 2 fois pour activer/arrêter le rappel de fin de cuisson.
- 3 fois pour activer/arrêter le mode démonstration.

VERROUILLAGE DES COMMANDES

Le verrouillage des commandes permet d'éviter le fonctionnement non souhaité, comme avec les petits enfants. Le micro-ondes peut être réglé de manière à ce que le panneau de commandes soit désactivé ou verrouillé.

Pour verrouiller

Appuyez sur la touche **STOP/CLEAR** et maintenez-la pendant 3 secondes.

Pour déverrouiller

Appuyez sur la touche **STOP/CLEAR** et maintenez-la pendant 3 secondes.

