

BFBD30216SS



30" Counter-Depth Bottom Freezer Refrigerator, Right Hinge



GENERAL PROPERTIES

| | |
|---------------------------------|---|
| Type | Freestanding |
| Style | Counter-Depth Bottom Freezer |
| Finish | Fingerprint-Free Stainless Steel with Finished Gray Sides |
| Handles | Pro Handle - Rounded Stainless Steel |
| Metal Back Wall | Yes |
| Cooling System | AeroFlow™ |
| Control System | Electronic Controls |
| Control Display Type & Location | Digital LED Display on Front Top Trim |
| Connectivity | WiFi thru HomeWhiz™ |

CAPACITY

| | |
|-----------------------|---------------|
| Total Net Volume | 16.11 cu. ft. |
| Fresh Food Net Volume | 10.89 cu. ft. |
| Freezer Net Volume | 5.22 cu. ft. |

Also Available:
BFBD30216SSL - Left Hinge



CEE Tier 1



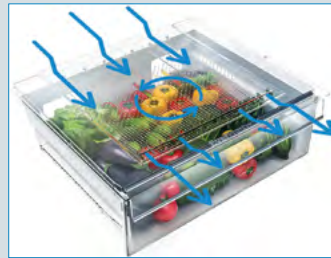
HomeWhiz™

PREMIUM TECHNOLOGY



HARVESTFRESH™

Proprietary 3-color light technology simulates the 24-hour cycle of the sun. By mimicking a full day of sunshine, produce has been proven to retain its vitamins and minerals for up to five days longer than ordinary refrigerators.



EVERFRESH+™

EverFresh+ technology keeps fresh food fresher three times longer than the average refrigerator – for up to 30 days! Meticulous temperature management and precise humidity control mean every stalk, head, or bunch you bought as a healthy option or key ingredient stays fresher longer.



FREEZE GUARD

Beko Freeze Guard technology uses an inverter compressor and electronic temperature control system to ensure the freezer continues to work in ambient temperatures as low as 5° F, without any loss of performance.*

*The fridge compartment will not work properly in low temperatures, so we recommend you only use the freezer compartment in low ambient temperatures.

30" Counter-Depth Bottom Freezer Refrigerator, Right Hinge

| PERFORMANCE | |
|-------------------------------|--|
| Fresh Food Temperature Range* | 33° F to 46° F |
| Freezer Temperature Range* | -11° F to 0° F |
| Environment Temperature Range | Operates in Temperatures Between 32° F and 110° F |
| Freeze Guard | Yes, Freezer Operates in Temperatures as Low as 5° F |
| Modes | On/Off Power, Temperature Control, Quick Freeze, Vacation, Sabbath |
| Compressor | Variable Speed VCC |
| ENERGY STAR® Certified | Yes - Most Efficient for 2023 |
| Annual Energy Consumption | 355 kWh/year |

| FRESH FOOD FEATURES | |
|------------------------------------|---|
| Water Filter with Alert (6 Months) | - |
| Crispers | 2 - Humidity Controlled |
| EverFresh+™ Crispers | Yes |
| HARVESTfresh™ Crisper(s) | Yes |
| Full-Width Deli Drawer | Yes |
| Shelves | 3 - Full-Depth, Safety Glass (2 Adjustable) |
| Total Number of Door Bins | 5 (4 Half-Width, 1 Full-Width) |
| Gallon-Sized Door Bins | 1 |
| Dairy Compartment | Yes |
| Odor Control Technology | FreshGuard™ |
| Sabbath Mode | Yes |
| Eco-Mode | - |
| Door Open Alarm | Yes |
| Interior Illumination | LED - On Ceiling |

| FREEZER FEATURES | |
|----------------------------------|----------------------|
| Freezer Configuration | Drawer |
| Freezer Drawers / Baskets / Bins | 1 Drawer, 1 Deep Bin |
| Freezer Interior Illumination | Yes |
| Automatic Ice Maker | - |
| Ice Maker Ready | - |
| Auto Defrost | Yes |

| TECHNICAL INFORMATION | |
|---------------------------|---------------|
| Volts / Frequency | 120 V / 60 Hz |
| Rated Current (A) | 2 A |
| Min. Circuit Breaker Size | 15 Amp |
| Sound Level | 43 dBA |
| Refrigerant Type | R600a |
| Plug Type | NEMA 3-Prong |
| Power Cord Length | 6 ft. |
| Reversible Doors | - |

| DIMENSIONS & WEIGHT | |
|--------------------------|--|
| Product (H x W x D) (in) | 69 ¹¹ / ₁₆ x 29 ³ / ₄ x 29 ¹³ / ₁₆ |
| Height With Hinge Cap | 69 ¹¹ / ₁₆ |
| Height Without Hinge Cap | 68 ¹ / ₂ |
| Depth With Handles | 29 ¹³ / ₁₆ |
| Depth Without Handles | 27 ⁹ / ₁₆ |
| Depth Without Doors | 24 ⁷ / ₁₆ |
| Carton (H x W x D) (in) | 73 x 32 x 30 ¹ / ₂ |
| Product Weight (lbs) | 208 |
| Shipping Weight (lbs) | 233 |

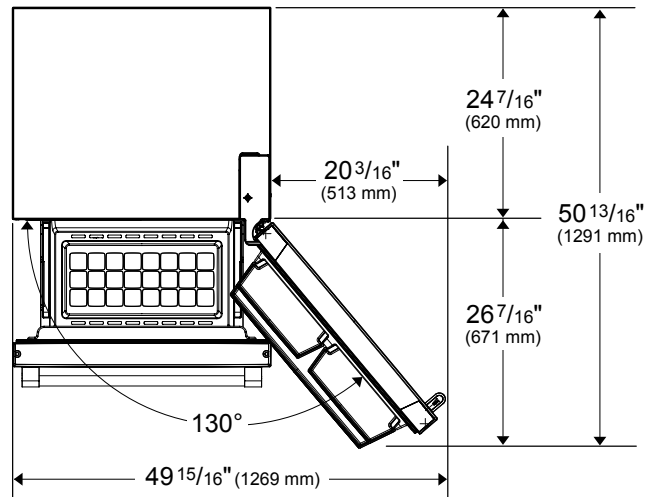
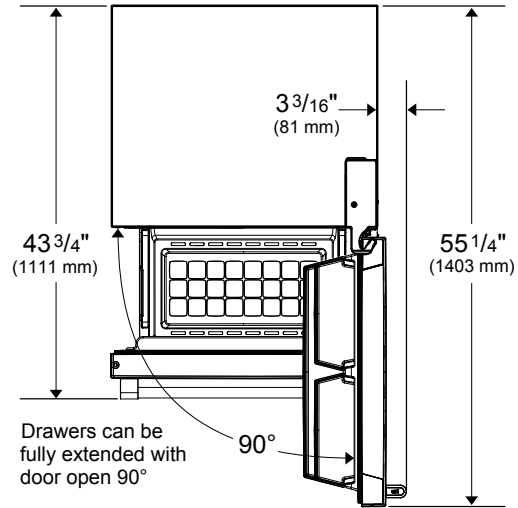
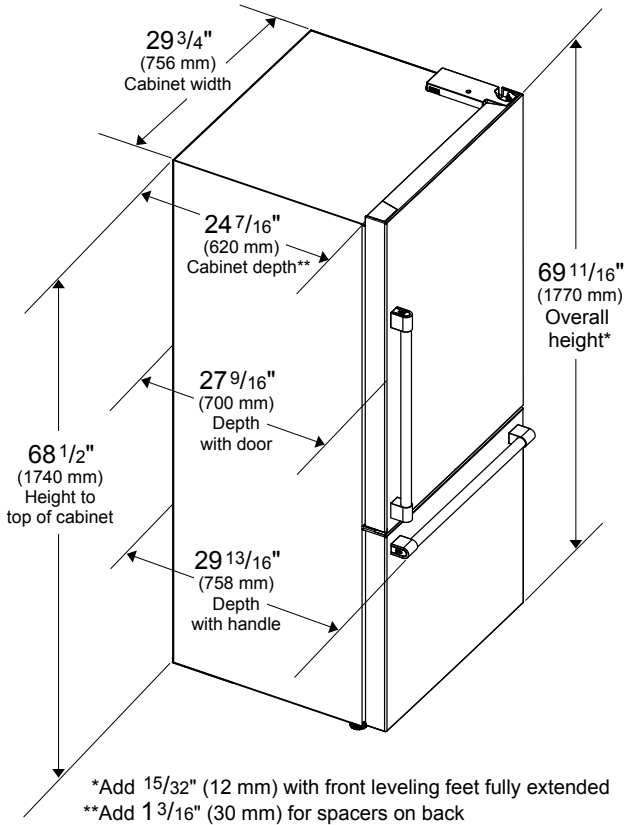
| WARRANTY | |
|----------------------------------|-------------------------|
| Entire Appliance (Parts & Labor) | 2-year Full Warranty |
| Sealed System (Parts Only) | 5-year Limited Warranty |

* Actual temperatures may vary with environment and other factors

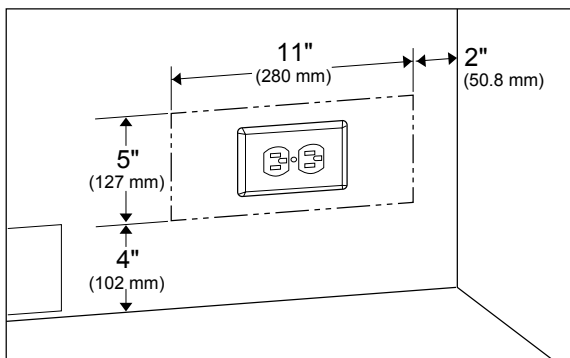
BFBD30216SS



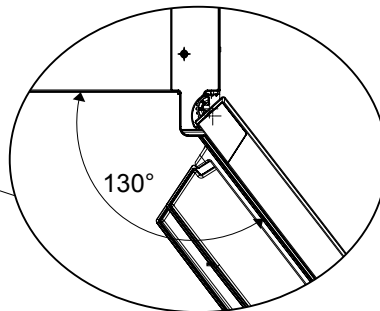
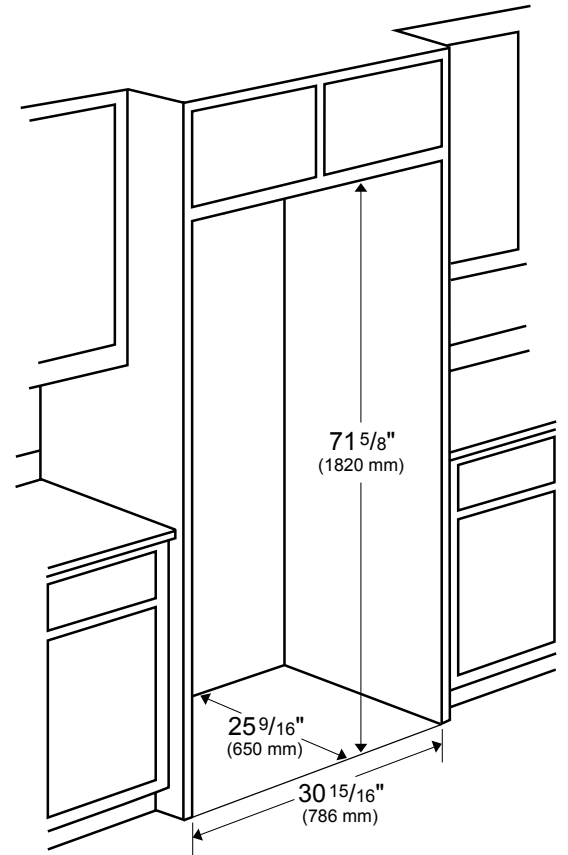
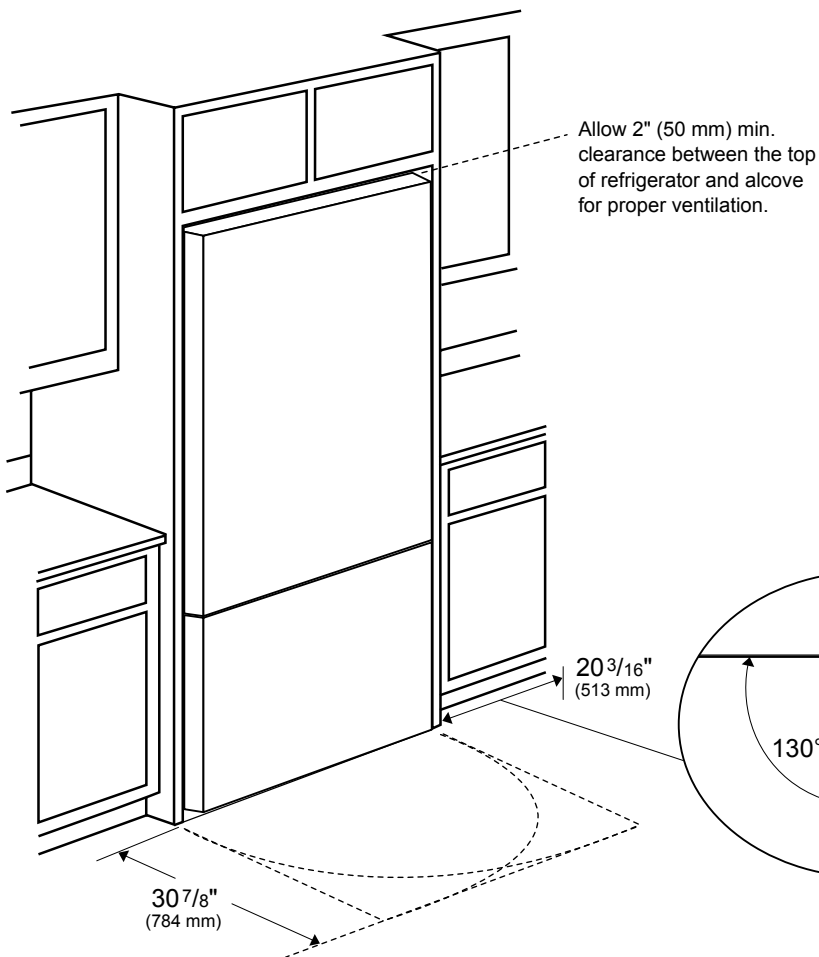
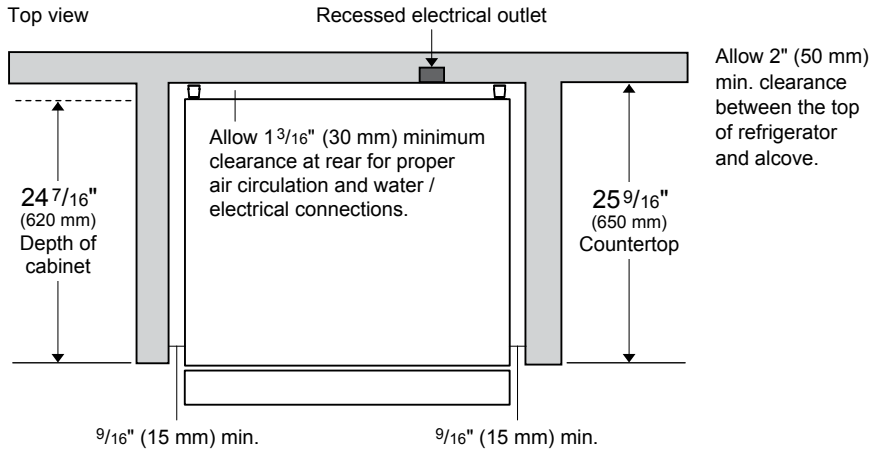
30" Counter-Depth Bottom Freezer Refrigerator, Right Hinge



Electrical Location



30" Counter-Depth Bottom Freezer Refrigerator, Right Hinge



NOTE TO THE INSTALLER: All height, width, and depth dimensions are shown in inches (as well as metric). Beko U.S., Inc. reserves the absolute and unrestricted right to change product materials and specifications, at any time, without notice. Please visit our website, www.BekoAppliances.com, or call 888.352.2356 to verify the latest specifications with final dimensional data and other details prior to installation and making a cutout. Applicable product limited warranty information may be found in accompanying product materials, or you may contact your account manager for further details. Proper installation is the responsibility of the installer. Product failure due to improper installation is not covered under the Limited Warranty.