

30" Slide-In Electric Range

Safety & Installation Instructions



WARNING: Read all safety instructions before using the product. If the information in this manual is not followed exactly, a fire or explosion may result causing property damage, personal injury or death.




SLER 30423SS



RECYCLED &
RECYCLABLE PAPER

TO PREVENT TIPPING: If the information in this manual is not followed exactly, a fire or explosion may result causing property damage, personal injury or death.

	<p style="text-align: center;">⚠ WARNING</p> <p style="text-align: center;"><u>Tip-Over Hazard</u></p> <p>A child or adult can tip the range and be killed.</p> <p>Install anti-tip device to range and/or structure per installation instructions.</p> <p>Engage the range to the anti-tip device installed to the structure.</p> <p>Re-engage anti-tip device if range is moved.</p> <p>Failure to follow these instructions can result in death or serious burns to children and adults.</p>
---	--

<p style="text-align: center;">⚠ WARNING</p> <p style="text-align: center;">DO NOT OPERATE THE RANGE WITHOUT ANTI-TIP DEVICE IN PLACE AND ENGAGED</p>

<p style="text-align: center;">⚠ WARNING</p> <p>This appliance is intended for normal household use only. It is not approved for outdoor or other non-household uses (including sea or air-going vessels). See the Statement of Limited Warranty. If you have any questions, contact the manufacturer.</p> <p>Do not repair or replace any part of the appliance unless specifically recommended in this manual. Refer all servicing to a factory authorized service center</p>
--

PLEASE READ THESE INSTRUCTIONS CAREFULLY BEFORE INSTALLATION OR USING YOUR APPLIANCE ! SAVE THESE INSTRUCTIONS

WARNING

Save these instructions for the local electrical inspectors use.

This product can only be used in the rooms which incorporates a properly adjusted and functioning Carbon Monoxide sensor. Make sure the Carbon Monoxide sensor works properly and its maintenance done frequently. Carbon Monoxide sensor should be installed maximum 6.5 feet away from the product.

THE INSTRUCTIONS WILL HELP YOU TO OPERATE THE APPLIANCE SAFELY !

•Upon delivery, please check that the appliance is not damaged. If you note any transport damage, please contact your point of sale immediately and do not connect and operate the appliance!

•Before you connect and start using the appliance, please read this manual and all enclosed documents. Please note in particular the safety instructions.

•Keep all documents so that you can refer to the information again later on.

Please keep your receipt for any repairs which may be required under warranty.

•When you pass on the appliance to another person, please provide all documents including original date of purchasing. Warranty is not valid if the product is sold second hand.

•If you should decide not to use this appliance any longer (or decide to substitute an older model), before disposing of it, it is recommended that it be made inoperative in an appropriate manner in accordance to health and environmental protection regulations, ensuring in particular that all potentially hazardous parts be made harmless, especially in relation to children who could play with old appliances. Remove the door and the warming drawer before disposal to prevent entrapment.

CONTENTS

Technical Information.....	4
Important Safety Information	5
Installation	12
Package Contents and Accessories	24

TECHNICAL INFORMATION

General	
Overall Height	36" (914 mm)
Overall Width	29 - 13/16" (757 mm)
Overall Depth	26 - 3/4" (679 mm)
Total electric power	12.6 kW / 9,5 kW
Electrical connection	120/240 V~;60 Hz 2AC~N
Cable type / Cross section / Fuse	SRDT 10/3 + 12/1 AWG / min. 40 A
Cable length	max. 6ft
Burners	
Rear left	Single-circuit cooking burner
Size	8 "
Power	2200 W
Front left	Dual-circuit cooking burner
Size	5-8 "
Power	750-2200 W
Front right	Dual-circuit cooking burner
Size	9-12 "
Power	1900-3000 W
Rear right	Single-circuit cooking burner
Size	6 "
Power	1200 W
Main oven	
Bake	2450 W
Broil	3550 W

This device corresponds to the following standards: UL 858 Household Electric Ranges directive.

IMPORTANT SAFETY INFORMATION

Be sure to observe all listed warnings and cautions. Look particularly for the icons with exclamation marks inside. The information icon will also provide important references.

- ▲ Warning: Indicates a potentially hazardous situation which, if not avoided, could result in death or serious injury.
- ! Caution: Indicates a potentially hazardous situation which, if not avoided, may result in injury. It may also be used to alert against unsafe practices.
- i Indicates a potentially hazardous situation which, if not avoided, may result in damage to the dishwasher, the table-ware, the equipment or the environment.

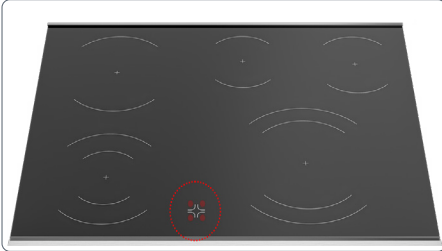
IMPORTANT SAFETY INSTRUCTIONS

- This appliance is not intended for use by persons (including children) with reduced physical, sensory or mental capabilities, or lack of experience and knowledge, unless they have been given supervision or instruction concerning use of appliance by a person responsible for their safety.
- Wear Proper Apparel – Loose-fitting or hanging garments should never be worn while using the appliance.
- Children should be supervised to ensure that they do not play with the appliance.
- Proper Installation – Be sure your appliance is properly installed and grounded by a qualified technician.

- If the supply cord damaged, it must be replaced by a special cord or assembly available from the manufacturer or its service agent or similarly qualified persons.
- ▲ Warning: Never use your appliance for warming or heating the room.
- User Servicing - **DO NOT** repair or replace any part of the appliance unless specifically recommended in the manual. All other servicing should be referred to a qualified technician.
- ! Caution: Clean only parts listed in this manual.
- ! Caution: Before Self-Cleaning the Oven – Remove broiler pan and other utensils.
- ! Caution: Do not use a protective coating to line the oven and do not use commercial oven cleaner unless Certified for use in a self-cleaning oven.
- ! Caution: Use proper pan size - this appliance is equipped with one or more surface units of different size. Select utensils having flat bottoms large enough to cover the surface unit heating element. The use of undersized utensils will expose a portion of the heating element to direct contact and may result in ignition of clothing. Proper relationship of utensil to heating element will also improve efficiency.
- ▲ Warning: Never modify or alter the construction of the range including by removing leveling legs, panels, wire covers, anti-tip brackets, or screws, or any other part of the appliance.

IMPORTANT SAFETY INFORMATION

- ▲ Warning: Depending on the usage, the hob surface may cool down at varying periods of time. Hob surface may be hot even if the indicator lamps are not illuminated. Make sure that the surface is cooled down before touching. Otherwise, you might burn your hand!



- ▲ Warning: Never leave surface units unattended at high heat settings. Boil over causes smoking and greasy spill overs that may ignite.
- ▲ Warning: Do not use aluminum foil to line drip pans or anywhere in the oven, except as described in this manual. Foil can trap heat or melt, resulting in damage to the product and a shock or fire hazard.
- ▲ Warning: Glazed cooking utensils - only certain types of glass, glass/ceramic, ceramic, earthenware, or other glazed utensils are suitable for range-top service without breaking due to the sudden change in temperature.
- ▲ Warning: Utensil handles should be turned inward and not extend over adjacent surface units - to reduce the risk of burns, ignition of flammable materials, and spillage due to unintentional contact with the utensil, the handle of a utensil should be positioned so that it is turned inward, and does not extend over adjacent surface units.
- The appliance is not intended to be operated by means of an external timer or separate remote-control system.

- ▲ Warning: Accessible parts may become hot during use. Young children should be kept away.
- ▲ Warning: Do not use harsh abrasive cleaners or sharp metal scrapers to clean the oven door glass since they can scratch the surface, which may result in shattering of the glass.
- ▲ Warning: This appliance can be used by children aged from 8 years and above and persons with reduced physical, sensory or mental capabilities or lack of experience and knowledge if they have been given supervision or instruction concerning use of the appliance in a safe way and understand the hazards involved.
- Children shall not play with the appliance. Cleaning and user maintenance shall not be made by children without supervision.
- ▲ Warning: The appliance and its accessible parts become hot during use. Care should be taken to avoid touching heating elements. Children less than 8 years of age shall be kept away unless continuously supervised.
- ▲ Warning: Appliance must be placed directly on the floor. It must not be placed onto a base or a pedestal.
- ▲ Warning: Rear surface of the oven gets hot when it is in use. Make sure that the electrical connection does not contact the rear surface; otherwise, connections can get damaged.
- ▲ Warning: Only use the connection cable specified in the "Technical specifications". If the supply cord damaged, it must be replaced by a special cord or assembly available from the manufacturer or its service agent or similarly qualified persons in order to avoid a hazard.
- ▲ Warning: During self-cleaning, surfaces may become hotter than with standard use. Keep children away.

IMPORTANT SAFETY INFORMATION

- ⚠ Warning: Metallic objects such as knives, forks, spoons and lids should not be placed on the hob surface since they can get hot.
- ⚠ Caution: Only use the temperature probe recommended for this oven.
- ⚠ Caution: Use care when opening door, let hot air or steam escape before removing or replacing food
- ⓘ Nickel is a component in all stainless steel and some other metal components.
- ⚠ Caution: Placement of oven racks: Always place oven racks in desired location while oven is cool. If rack must be moved while oven is hot, do not let potholder contact hot heating element in oven.
- ⚠ Caution: Use only dry potholders. Moist or damp potholders on hot surfaces may result in burns from steam. Do not let potholder touch hot heating elements. Do not use a towel or other bulky clothes.
- Your body accidentally can turn the knobs, please make sure that your body do not touch to knobs not for use.
- ⚠ Warning: Keep Oven Vent Ducts unobstructed.
- ⚠ Warning: Never cover the top of grates with any kind of cover. Use only cooking utensils with recommended diameters. Make sure ventilation and oven fume outlets shown below are not closed. Otherwise fire hazard can occur.
- Do Not Heat Unopened Food Containers build-up of pressure may cause container to burst and result in injury.
- ⚠ Warning: Food Poisoning Hazard: Do not let food sit in oven for more than 1 hour before or after cooking. Doing so can result in food poisoning or sickness.
- ⚠ Warning: To avoid permanent damage to the oven bottom finish do not line the oven bottom with any type of foil or liner.
- ⚠ Warning: Do not cook on broken cook-top. If cook-top should break, cleaning solutions and spillovers may penetrate the broken cook-top and create a risk of electric shock. Contact a qualified technician immediately.
- ⚠ Warning: Clean cooktop with caution. If a wet sponge or cloth is used to wipe spills on a hot cooking area, be careful to avoid steam burn. Some cleaners can produce noxious fumes if applied to a hot surface. Utensil handles should be turned inward and not extend over adjacent surface units. To reduce the risk of burns, ignition of flammable materials, and spillage due to unintentional contact with the utensil, the handle of a utensil should be positioned so that it is turned inward, and does not extend over adjacent surface units.



IMPORTANT SAFETY INFORMATION

- Ensure that no flammable materials are adjacent to the appliance as the sides become hot during use.

! Caution: Do not store or use flammable materials in an oven or near the cook top, including paper, plastic, pot holders, linens, wall coverings, curtains, drapes and gasoline or other flammable vapors and liquids.

▲ Warning: DO NOT TOUCH HEATING ELEMENTS OR INTERIOR SURFACES OF OVEN Heating elements may be hot even though they are dark in color. Interior surfaces of an oven become hot enough to cause burns. During and after use, do not touch, or let clothing or other flammable materials contact heating elements or interior surfaces of oven until they have had sufficient time to cool. Other surfaces of the appliance may become hot enough to cause burns - among these surfaces are oven vent openings and surfaces near these openings, interior surfaces of the oven cavity, oven doors, and window.

- Never use when judgment or coordination is impaired by the use of alcohol and/or drugs.
- Do not operate the appliance if it is defective or shows any visible damage.
- Do not carry out any repairs or modifications on the appliance. However, you may remedy some malfunctions; see Troubleshooting.
- Be careful when using alcoholic drinks in your dishes. Alcohol evaporates in high temperatures and may cause fire since it will catch fire when it gets in contact with hot surfaces.
- **Do Not Clean Door Gasket**
The door gasket is essential for a good seal. Care should be taken not to rub, damage, or move the gasket.
- **Do Not Soak Removable Heating Elements**
Heating elements should never be

immersed in water.

- Do not use the oven for a storage area. Items stored in an oven can ignite.
- ▲ Warning: Flammable materials should not be stored in an oven or near surface units.
- ▲ Warning: Do not use the drawer for non-cooking purposes such as drying clothes or storage. Use the drawer for cooking purposes only.
- ▲ Warning: Do not leave paper products, plastics, canned food or combustible materials in the drawer. They may ignite.
- ▲ Warning: **Fire risk!**
Do not store flammable material in the oven and/or in the warming drawer.
- ▲ Warning: Keep appliance area clear and free from combustible materials, gasoline, and other flammable vapors.
- ▲ Warning: **Do Not Use Water on Grease Fires** Smother fire or flame or use dry chemical or foam type extinguisher.
- ▲ Warning: Do not use water on grease fires. Never pick up a flaming pan. Turn the controls off. Smother a flaming pan on a surface unit by covering the pan completely with a well-fitting lid or a fire blanket, cookie sheet or flat tray. Use a multi-purpose dry chemical or foam-type fire extinguisher. If there is a fire in the oven during baking, smother the fire by closing the oven door and turning the oven off or by using a multi-purpose dry chemical or foam-type fire extinguisher.
- ▲ Warning: Keep the oven free from grease buildup. Grease in the oven may ignite.
- ▲ Warning: Do not use the oven to dry newspapers. If overheated, they can catch on fire.
- ▲ Warning: Do not leave paper products, cooking utensils or food in the oven when not in use.

IMPORTANT SAFETY INFORMATION

- Do not leave empty pots or pans on burners that are switched on. They might get damaged.
 - Since it may be hot, do not leave plastic or aluminum dishes on the surface of appliance. These kind of dishes should not be used to keep food either.
 - Do not place baking trays, dishes or aluminum foil directly onto the bottom of the oven. The heat accumulation might damage the bottom of the oven.
- ▲ **Warning:** After broiling, always take any broiler pan out of the oven and clean it. Leftover grease in a broiler pan can catch fire next time you use the pan.
- Check that all controls on the appliance are switched off after use.
- ▲ **Warning:** Keep all ventilation slots clear of obstructions.
- Only authorized replacement parts may be used in performing service on the range. Replacement parts are available from factory authorized parts distributors. Contact the nearest parts distributor in your area.
 - Rear surface of the oven gets hot when it is in use. Electric connection should not touch the rear surface, otherwise the main cable may get damaged. Do not trap the main cable between the hot oven door and frame. Do not route the main cable over the hot cooking section. Otherwise, cable insulation may melt and cause fire as a result of short circuit.

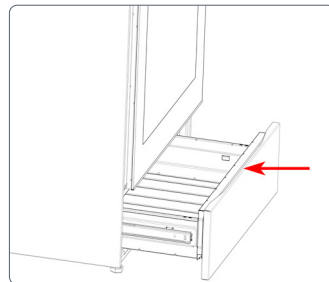
- ▲ **Warning:** Use this appliance for its intended purpose as described in this manual and owners manual.
- ▲ **Warning:** The manufacturer declines all liability for injury to persons or damage to property caused by incorrect or improper use of the appliance.
- ⚠ **Caution:** Always use heat-resistant gloves when putting or removing the dishes into/from your oven.
- ⚠ **Caution:** Always use Only Dry Potholders or heat-resistant gloves when putting or removing the dishes

into/from your oven. Do not let potholder touch hot heating elements.

- ▲ **Warning:** Never cover any slots, holes or passages in the oven bottom or cover an entire rack with materials such as aluminum foil. Doing so blocks airflow through the oven and may cause carbon monoxide poisoning. Aluminum foil linings may also trap heat, causing a fire hazard.
- Do not use the oven with front door glass removed or broken.
- ▲ **Warning:** Avoid scratching or impacting glass doors, cook tops or control panels. Doing so may lead to glass breakage. Do not cook on a product with broken glass. Shock, fire or cuts may occur.
- ▲ **Warning:** The manufacturer declines all liability for injury to persons or damage to property caused by incorrect or improper use of the appliance.
- ⚠ **Caution:** Call the authorized service for installation of the appliance to be used. After this procedure, guarantee period will be started.

Storage/Warming Drawer

- ▲ **Warning:** Do not store any material in the warming drawer/storage heavier than 20 lb.



- Slide open the drawer until it stops from the middle of drawer shown above.

IMPORTANT SAFETY INFORMATION

SAFETY FOR CHILDREN

- ▲ **Warning: Do Not leave children alone**
Children should not be left alone or unattended in area where appliance is in use. They should never be allowed to sit or stand on any part of the appliance.
- Stepping, leaning or sitting on the door or drawers of this range can result in serious injuries and also cause damage to the range. Do not allow children to climb or play around the range. The weight of a child on an open door may cause the range to tip, resulting in serious burns or other injury.
- Accessible parts may be hot when the broil is in use. Young children should be kept away.
- Surface units may be hot even though they are dark in color. Areas near surface units may become hot enough to cause burns. During and after use, do not touch or let clothing or other flammable materials contact surface units until they have had sufficient time to cool. Among these areas are for example, the cooktop and surfaces facing the cooktop.
- **Caution:** Do not store items of interest to children in the cabinets above the range or on back guard of a range. Children climbing on the range to reach items could be seriously injured.
- The packaging materials will be dangerous for children. Keep the packaging materials away from children. Please dispose of all parts of the packaging according to environmental standards.

SAFETY FOR ELECTRICITY

- ▲ **Warning:** Before installing, turn power OFF at the service panel. Lock service panel to prevent power from being turned ON accidentally.
- ▲ **Warning:** Personal injury or death from electrical shock may occur if the range is not installed by a qualified installer or electrician.
- Any additions, changes or conversions required in order for this appliance to satisfactorily meet the application needs must be made by a qualified technician.
- Before performing any service, unplug the range or disconnect the power supply at the household distribution panel by removing the fuse or switching off the circuit breaker.
- Ensure that the fuse rating is correct.
- Do not operate the appliance barefooted.
- Never touch the appliance with wet hands or feet.

INTENDED USE

- ▲ **Warning:** Use this appliance only for its intended use as described in this manual. **NEVER** use this appliance as a space heater to heat or warm a room. Doing so may result in carbon monoxide poisoning and overheating the appliance. Never use the appliance for storage.
- This appliance should not be used for warming the plates under the broil, hanging towels and dish cloths on the handles, for drying and the space heating purposes.
- All openings in the wall behind the appliance and in the floor under the appliance shall be sealed.

IMPORTANT SAFETY INFORMATION

- This appliance is not intended to use at mobile homes, recreational vehicles.

- ⚠ **Warning:** Do not obstruct the flow of ventilation air.
- The manufacturer shall not be held liable for any damage caused by improper use or handling errors.
- The appliance can be used for defrosting, baking, roasting and broiling food.

DISPOSAL

- ⚠ **Warning: Risk of suffocation by the packaging materials!**
Packing elements (i.e. plastic bags, polystyrene foam, nails, packing straps, etc.) should not be left around within easy reach of children, as these may cause serious injuries.
- The packaging material and transport locks are made from materials that are not harmful to the environment. Please dispose of all parts of the packaging according to environmental standards.
- This is beneficial to the environment.
- ⓘ **Caution:** If product will be given to someone for personal use or given to someone for second hand use, User manual, product labels, other related documents, mounting parts etc. should be given with product.

FUTURE TRANSPORTATION

- Do not carry out cleaning or maintenance operations on the appliance without having previously disconnected it from the electric power supply.
- ⓘ Do not place other items on the top of the appliance. The appliance must be transported upright.
- Store the appliance's original box and transport the appliance in its original carton. Follow the guidance marks that are printed on the carton.
- ⓘ Verify the general appearance of your equipment by identifying possible damage during the transportation.
- To prevent the wire shelf and tray inside the oven from damaging the oven door, place a strip of cardboard onto the inside of the oven door that lines up with the position of the trays. Tape the oven door to the side walls.
- If you do not have the original carton, pack the appliance in bubble wrap or thick cardboard and tape it securely in order to prevent damage during transportation.

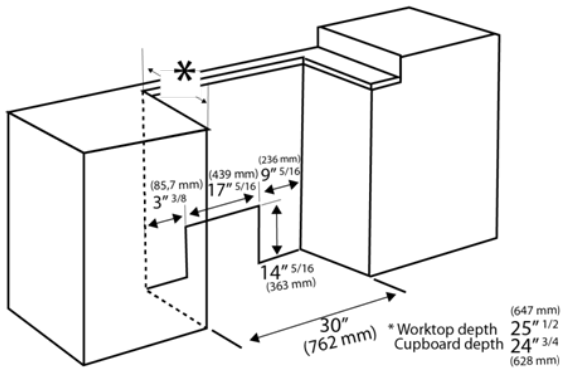
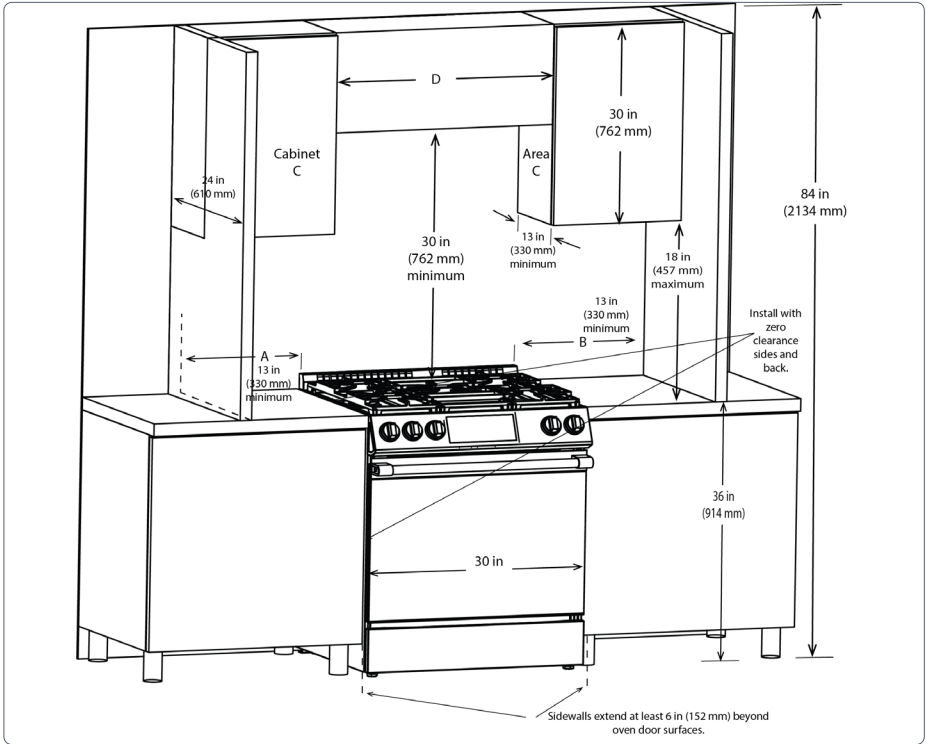
INSTALLATION

SAFETY FOR CHILDREN

INSTALLATION AND CONNECTION

Material damage! Material damage!
Clearances & Dimensions

INSTALLATION



INSTALLATION

I Caution: To eliminate the risk of burns or fire by reaching over heated surface units, cabinet storage space located above the surface units should be avoided. If cabinet storage is to be provided, the risk can be reduced by installing a range hood that projects horizontally a minimum of 5 inches (127mm) beyond the bottom of the cabinets.

I Caution: **Always keep this manual for future reference.**

- As when using any range generating heat, there are certain safety precautions you should follow. These are listed in the front of this manual. Read and follow carefully.
- Be sure your range is installed and grounded properly by a qualified installer or service technician.
- To eliminate the need to reach over the cook top, cabinet storage space above the cooktop should be avoided.

I Caution: Before installing the range in an area covered with linoleum or any other synthetic floor covering, make sure the floor covering can withstand heat at least 90°F (32.2°C) above room temperature without shrinking, warping or discoloring.

▲ Warning: Do not install the range over carpeting unless you place an insulating pad or sheet of 1/44 inch (0.64cm) thick plywood between the unit and carpeting.

ANTI-TIP STABILITY DEVICE INSTALLATION INSTRUCTIONS (1)

▲ Warning: Verify the anti-tip device has been properly installed and engaged.

- Ensure the anti-tip device is re-engaged when the range is moved.
- Do not operate the range without the anti-tip device in place and engaged.
- Failure to do so can result in death or serious burns to children or adults.

▲ Warning: Read carefully and follow the instructions below.

Bracket Installation Option 1

1. Adjust your oven feet according to your counter.
2. Fix the part2 of the bracket to the floor with 4 screws (5) in accordance with the dimensions and direction indicated in Figure 1.
3. Hook up part 1 of the bracket to the place on back side of the oven as shown as Figure2. Decide the hole on part 2 to which the part 1 will be secured. Complete the installation by tightening parts 3 and 4.
4. Position the appliance on its place after completing the installation.
5. Check whether the appliance is locked with bracket by gently lifting it up from rear side to front side.

INSTALLATION

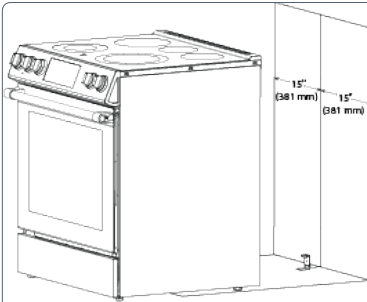


Figure 1

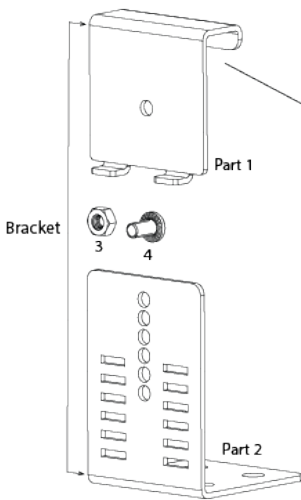
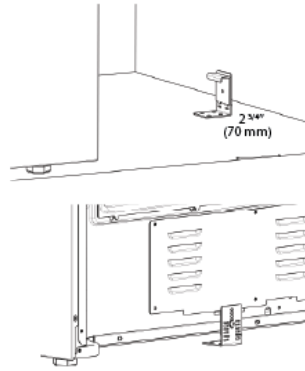
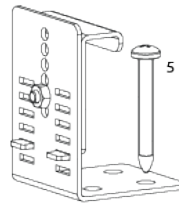


Figure 3



Figure 2



INSTALLATION

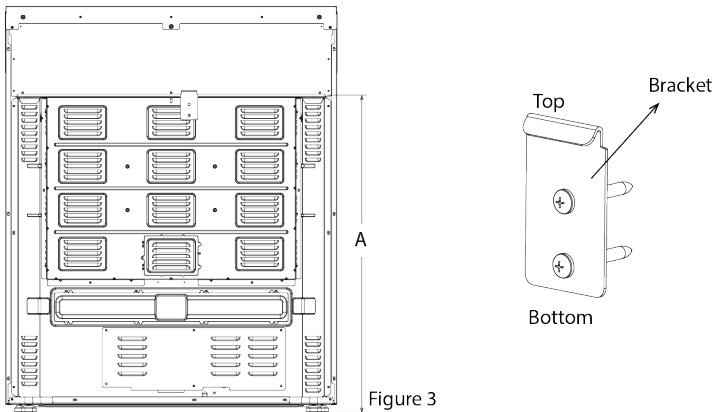
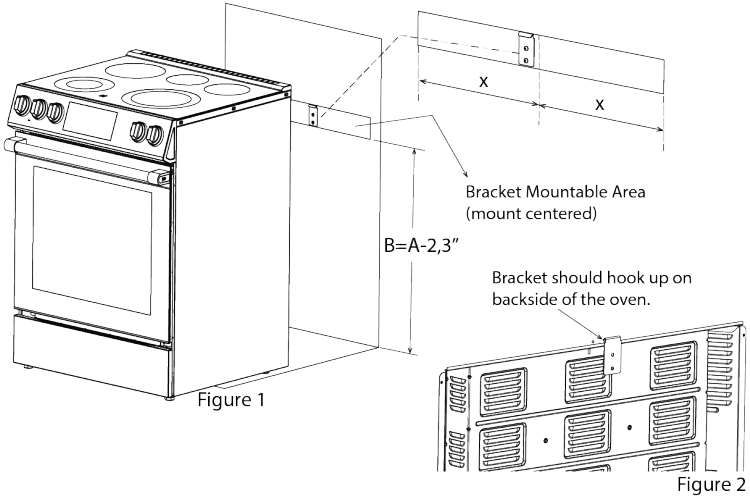
ANTI-TIP STABILITY DEVICE INSTALLATION INSTRUCTIONS (2)

- ▲ Warning: Verify the anti-tip device has been properly installed and engaged.
- Ensure the anti-tip device is re-engaged when the range is moved.
- Do not operate the range without the anti-tip device in place and engaged.
- Failure to do so can result in death or serious burns to children or adults.
- ▲ Warning: Read carefully and follow the instructions below.

Bracket Installation Option 2

1. Adjust your oven feet according to your counter.
2. Measure the dimension 'A' in Figure 3 .
3. Mount the bracket to the wall as mentioned in Figure 1. (Try to center bracket while mounting.) Distance (B) from the bottom of the bracket to the floor should be equal to the formula in Figure 1 (Formula is $B=A-2,3"$).
4. Position the appliance on its place after completing the installation.
5. Check the bracket hooked up to appliance properly as shown as Figure 2.

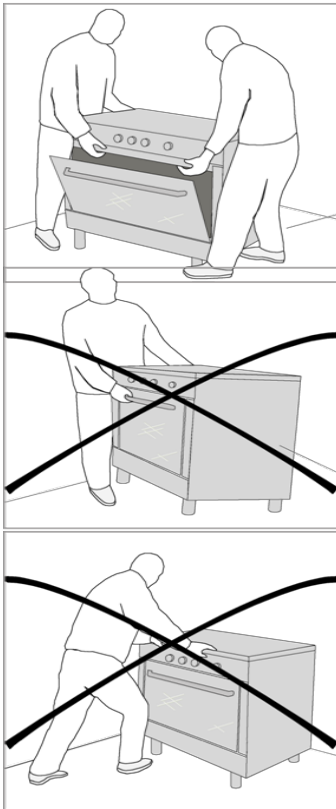
INSTALLATION



INSTALLATION

HOW TO MOVE THE APPLIANCE

- ① Movement of your appliance is most easily achieved by lifting the front as indicated in the drawing. Open the oven door sufficiently to allow a comfortable and safe grip on the underside of the oven roof avoid causing any damage to the grill element or any internal parts of the oven. Do not move by pulling on the door handle or knobs. Move the appliance a bit at a time until placed in the position required.



- ⚠ **Warning: Electrical shock hazard!**
Use extreme caution when drilling holes into the wall or floor. There may be concealed electrical wires located behind the wall or under the floor.
- ⚠ **Warning: Electrical shock hazard!**
Identify the electrical circuits that could be affected by the installation of the Anti Tip Device, then turn off power to these circuits. **Failure to follow these instructions may result in electrical shock or other personal injury.**
- ⚠ **Caution:** The California Safe Drinking Water and Toxic Enforcement Act requires the Governor of California to publish a list of substances known to the State of California to cause cancer, birthdefects, or other reproductive harm, and requires businesses to warn of potential exposure to such substances.
- ⚠ **Warning:** This product can expose you to chemicals including Nickel (Metallic) which is known to the State of California to cause cancer. For more information go to www.P65Warnings.ca.gov
Note: Nickel is a component in all stainless steel and some other metal components.
- The fibreglas insulation in self-clean ovens gives off a very small amount of carbon monoxide, benzene, formaldehyde and toluene during the cleaning cycle. Exposure can be minimized by venting with an open window or using ventilation fan or hood.

INSTALLATION

CONNECTION TO THE MAIN SUPPLY

▲ **Warning: Electrical shock hazard!**
Electrical installation must comply with national and local codes.

▲ **Warning:** This appliance must be grounded!

▲ **Warning:** Avoid fire hazard or electrical shock. Do not use an adapter plug, an extension cord, or remove grounding prong from electrical power cord, have a qualified electrician install an outlet near the appliance. Failure to follow this warning can cause serious injury, fire or death.

▲ **Warning:** Risk of Electric Shock or Fire. Grounding through the neutral conductor is prohibited for new branch circuit installations (1996 NEC), mobile homes, and recreational vehicles, or in an area where local codes prohibit grounding through the neutral conductor.

• Before starting any work the electrical installation, the electrical power to the range must be shut off while line connections are being made. Failure to follow these instructions can result in death, fire, or electrical shock.

Provide Electrical connection

• Install the junction box under the cabinet and run 120/240 or 120/208 Volt, AC wire from the main circuit panel. **DO NOT** connect the wire to the circuit panel at this time.

Provide Electrical connection

• This appliance must be supplied with the proper voltage and frequency and connected to an individual, properly grounded branch circuit, protected by a circuit breaker or fuse. A circuit breaker or fuse is required by your appliance. The circuit breaker or fuse amperage recommended for your appliance is 40A or 50A.

Observe all governing codes and local ordinances

• A 3 wire or 4 wire single phase 120/240 or 120/208 Volt, 60 Hz AC only electrical supply is required on a separate circuit fused on both sides of the line (red and black wires). A time-delay fuse or circuit breaker is recommended. **DO NOT** fuse neutral (white wire).

⚠ **Caution:** Wire sizes and connections must conform with the fuse size and rating of the appliance in accordance with the American National Electrical Code ANSI/ NFPA No. 70-latest edition.

ⓘ Our company shall not held responsible for any damage caused by using the appliance without grounded receptacle.

⚠ **Caution:** This range must be electrically grounded in accordance with local codes, or in their absence, with the National Electrical Code ANSI/NFPA No. 70-latest edition in United States. Installation should be made by a licensed electrician.

▲ **Warning: Risk of electric shock, short circuit or fire by damage of the main power supply!**

The main power supply lead must not be clamped, bent or trapped or come into contact with hot parts of the appliance. If the main power cable is damaged, it must be replaced by a qualified electrician.

• This range may be connected by means of permanent "hard wiring" (flexible armored or nonmetallic shielded copper or aluminum cable), or by means of a power supply cord kit. Only a power supply cord kit rated at 120/ 240 volts and 40 or 50 amperes terminating in tinned leads and marked for use with ranges shall be used. If a 50 Amper cord is used it must be marked for use with a 1 3/8 inches (35 mm) diameter opening.

INSTALLATION

- Amper cord is used it must be marked for use with a 1 3/8 inches (35 mm) diameter opening. Cord must have either 3 or 4 conductors to match electric receptacle (Use copper or Aluminum Conductors).

⚠ **Warning:** Risk of fire or electrical shock exists if an incorrect size appliance cord kit is used or the Installation manual or strain relief clamp are disregarded.

⚠ **Warning:** Do not loosen the nuts which secure the factory-installed range wiring to the terminal block while connecting range. Electrical failure or loss of electrical connection may occur.

- When installed where it is not permitted to ground through the neutral, a 4-conductor cord must be used or cable assembly. See manufacturer's instructions.

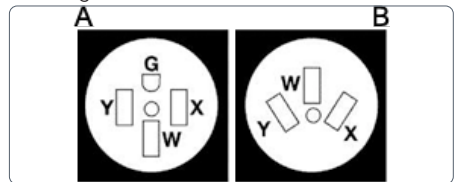
- The main supply data must correspond to the data specified on the rating label of the appliance. The rating plate is either seen when the door is opened.



3 & 4 -wire electrical wall receptacle types & recommended mounting orientation on wall

- Figure A illustrates 4-wire receptacle required for new branch circuit installation (1996 NEC) mobile homes, and recreational vehicles or where local codes do not allow grounding thru the neutral.

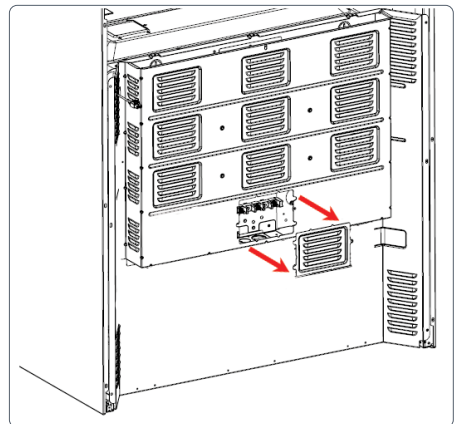
- Figure B illustrates 3-wire receptacle that is allowed in areas that allow grounding through neutral.



- A) 4-wire wall receptacle.

- B) 3-wire wall receptacle (10-50R)

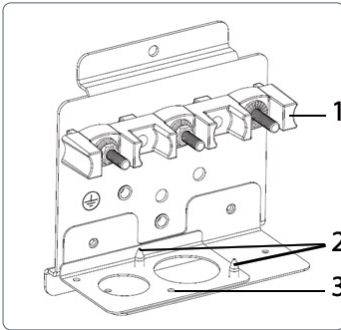
Access to terminal block



⚠ **Warning:** Read carefully and follow the instructions below.

- Loosen the one screw on terminal cover and take off as showing in picture.

INSTALLATION



- 1 Terminal block
- 2 Screws
- 3 Power cord / conduit plate

- After completing connections put terminal cover back to the original location and tighten the screw.

Power cord connections

- ▲ **Warning: Electrical shock hazard!** Frame grounded to neutral of appliance through a link. Grounding through the neutral conductor is prohibited for new branch-circuit installations (1996 NEC); mobile homes; and recreational vehicles, or in an area where local codes prohibit grounding through the neutral conductor. For installations where grounding through the neutral conductor is prohibited.

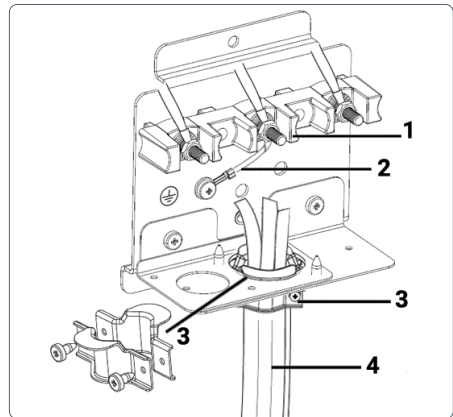
1. Disconnect the link from the neutral.
2. Use grounding terminal or lead to ground unit.
3. Connect neutral terminal or lead to branch circuit neutral in usual manner (when the appliance is to be connected by means of a cord kit, use 4-conductor cord or conduit for this purpose).

- ▲ **Warning:** Do not loosen the factory installed nut connections which secure the range wiring to terminal block. Electrical failure or loss of electrical connection may occur if these 3 nuts are loosened or removed.

Power cord strain relief installation

- Purchase a strain relief before installation.
1. Using the 1-1/8 in. or 7/8 in. diameter opening insert the strain relief and power cord through the opening and secure the strain relief as directed in this instructions.

- ▲ **Warning: DO NOT** install the power cord without a strain relief.



- 1 Terminal block
- 2 Grounding wire
- 3 Strain relief
- 4 Power cord

- ! **Caution:** The grounding wire is installed on this range which connects the enter terminal of the neutral terminal block to the range chassis. The grounding wire is connected to the range by the center, lowest screw. The grounding wire must not be removed unless National, State or Local Codes do not permit use of a ground strap.

- ! **Caution:** If the grounding wire is removed for any reason, a separate ground wire must be connected to the separate ground screw attached to the range chassis and to an adequate ground Instructions supplied with the strain relief clamp and install.

INSTALLATION

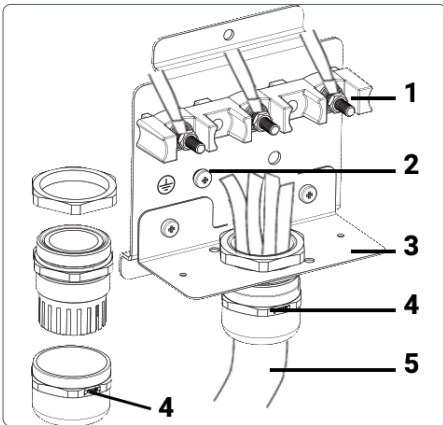
Conduit Installation

- Purchase a squeeze connector matching the diameter of the conduit and assemble it in the hole. Insert the conduit through the squeeze connector and tighten. Allow enough slack to easily attach the wires to the terminal block.

1. Remove the terminal block cover (on the back of the range) by removing the screw as described in **Access to terminal block** instructions. Do not discard screw.
2. Determine the size of conduit needed and if necessary remove the conduit plate or reverse the plate so that the proper size opening in conduit plate for your conduit is directly over the 1-3/8 in. opening in the range bracket.

! Caution: Retain this plate for future use in case the range is moved and re-wired.

3. Secure the power cord with using squeeze connector as shown in figure.
4. For 3 or 4 wire power connection installations follow next instructions.



- 1 Terminal block
- 2 Grounding screw
- 3 Range bracket
- 4 Squeeze connector
- 5 Power cord

3 & 4-wire permanent wire connections

▲ Warning: For 3-wire permanent connection read carefully and follow steps 2 and 5 below.

▲ Warning: For 4-wire permanent connection read carefully and follow all steps in the instructions below.

1. Follow the manufacturer's Installation Instructions supplied with the strain relief clamp and install.
2. Strip insulation away from the ends of the permanent wiring for line 1, line 2 and neutral; also strip ground wire on 4-wire connections. Tighten all 3 or 4-wire leads to the terminal block. Follow wire locations shown in .

▲ Warning: **Do not loosen** the factory installed at connections which secure the range wiring to the terminal block. Electrical failure or loss of electrical connection may occur if these 3 nuts are loosened or removed.

i For 3-wire permanent connection skip steps 3 and 4 and continue with step 5.

3. Disconnect the grounding wire. Remove the factory installed grounding screw and plate to release the factory installed grounding wire from frame of the range. Cut and discard the grounding wire from the terminal block. **KEEP** the grounding screw, grounding wire and go to step 4.

4. Connect the green grounding wire lead to the frame of the range using the grounding screw. Be sure to install using the same hole in the frame where the grounding screw was originally installed.

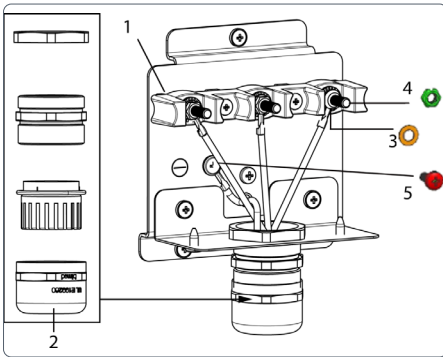
5. Make sure all connections are tightened securely and replace the rear access cover. see **Access to terminal block**.

▲ Warning: Non-terminated field wire compression connections must be set at approximately 90 in./lbs.

INSTALLATION

4 wire connection figure

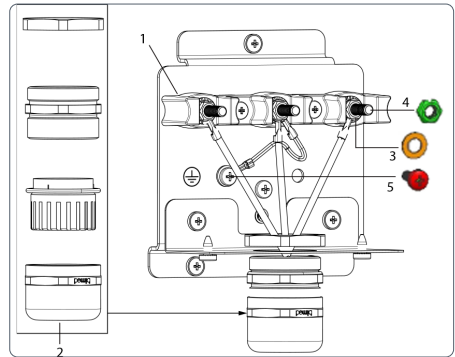
1. Terminal block
2. Squeeze connector
3. Washer
4. Nut
5. Grounding screw



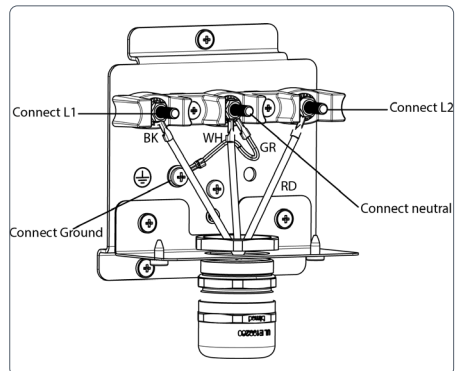
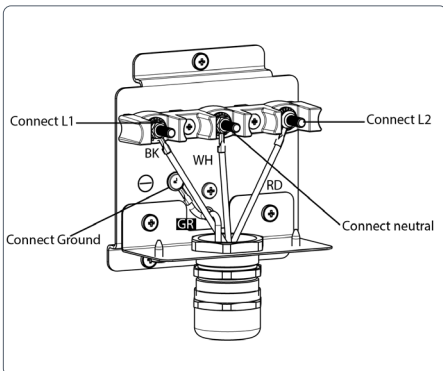
- BK. Black
- WH. White
- RD. Red
- GR. Green

3 wire connection figure

1. Terminal block
2. Squeeze connector
3. Washer
4. Nut
5. Grounding screw



- BK. Black
- WH. White
- RD. Red
- GR. Green



PACKAGE CONTENTS AND ACCESSORIES

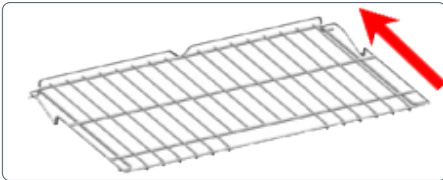
- ① Accessories supplied can vary depending on the product model. Not every accessory described in the user manual may exist on your product.

OWNER'S MANUAL

SAFETY AND INSTRUCTIONS MANUAL

WIRE SHELF

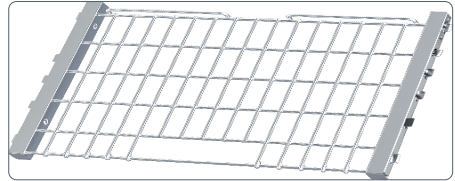
- Used for roasting and for placing the food to be baked, roasted or cooked in casserole dishes to the desired rack.



- It is crucial to place the wire shelf on the wire side shelves properly. While placing the wire grill on the desired shelf, the open section must be on the front. For better cooking, the wire grill must be secured on the wire shelf's stopping point. It must not pass over the stopping point to contact with the rear wall of the oven.

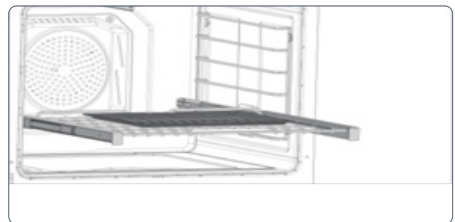
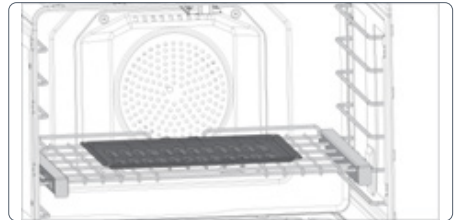
HEIGHT-ADJUSTABLE TELESCOPIC ROLLER-RACK WITH WIRE SHELF

- Used for roasting and for easily placing the food to be baked, roasted or cooked in casserole dishes to the desired rack.



Placing the wire shelf with telescopic roller-rack and tray onto the racks properly

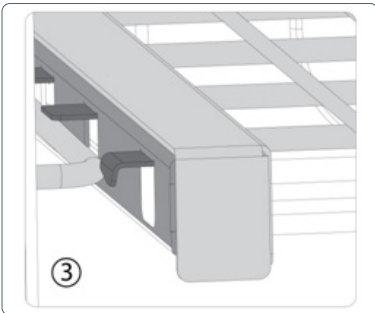
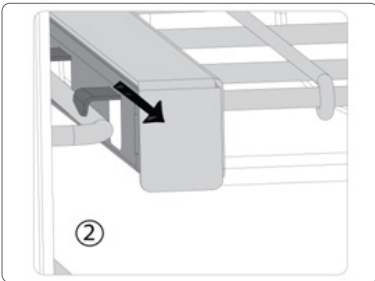
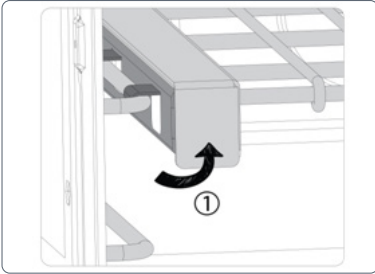
- Telescopic rails allow you to install and remove the trays and wire shelf easily.



PACKAGE CONTENTS AND ACCESSORIES

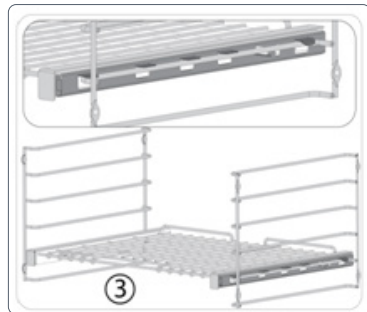
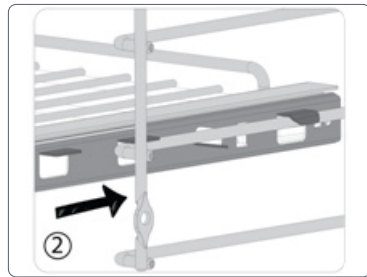
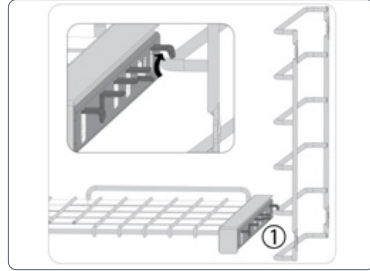
How to remove the wire shelf with telescopic roller-rack

- You can remove the wire self with telescopic rails by first lifting it up and then pulling it towards you.



How to reattach the wire shelf with telescopic roller-rack

- To reattach the wire self with telescopic rails, the procedures applied when removing it must be repeated from the end to the beginning, respectively.



NOTES



1-888-352 BEKO (2356)
beko.com/us-en