

PRIR34452SS



30" Pro-Style Electric Induction Range



GENERAL PROPERTIES

Type	Freestanding
Size	30"
Finish	Stainless Steel
Oven Control Type	Illuminated Metal Knobs
Cooktop Control Type	Illuminated Metal Knobs
Exterior Side Walls	Black
Fuel Type	Induction + Electric

OVEN FEATURES & FUNCTIONS

Capacity	5.7 cu. ft.
Convection Type	Dual Fan
Functions	5
Cooking Functions	Bake, Broil, Convection Bake, Convection Roast, AirFry
Pyrolytic Self-Cleaning	Yes

PREMIUM TECHNOLOGY



FASTER PREHEAT TIME

We have re-engineered our ranges to reduce the preheat time by 50% from our previous models. Enjoy more time cooking and less time waiting.



TWIN TURBO CONVECTION

Twin Turbo Convection technology uses two convection fans that each blow in a different direction within the oven. The increased airflow results in faster pre-heat time and up to 25% faster cooking time.



AIRFRY

AirFry delivers crispy food without the use of cooking oil, resulting in a healthy way to enjoy the taste of fried foods without the frying. AirFry also requires no pre-heat time. Faster and healthier cooking made easy!

PRIR34452SS



30" Pro-Style Electric Induction Range

OVEN FEATURES & FUNCTIONS CONTINUED

Sabbath Mode	Yes
Door Cooling System	4 Pane Heat-Resistant Glass (Fixed)
Interior Illumination	2 x Halogen Lights
Height-Adjustable Telescopic Roller-Rack	1
Oven Racks	2
Oven Rack Positions	6
Preheat Indicator (Audible Signal)	Yes

COOKTOP – FEATURES & PERFORMANCE

Zone Configuration	4 Induction
Front Left	9"-2,300 W / 3,700 W
Rear Left	6"-1,400 W / 2,200 W
Center	-
Front Right	6"-1,400 W / 2,200 W
Rear Right	11"-2,600 W / 3,700 W
Residual Heat Indicators	Yes

TECHNICAL INFORMATION

Volts / Frequency	220-240 V, 60 Hz
Min. Amps (A)	40 A
Power Cord	Required, Purchase Separately

DIMENSIONS & WEIGHT

Product (H x W x D) (in)	37 1/2-38 1/4 x 29 13/16 x 29 5/16
Depth (Incl. Handle) (in)	29 5/16
Depth (w/o Handle) (in)	26 3/4
Adjustable Leveling Feet	Yes
Required Cutout Size (H x W x D) (in)	36 x 30 x 25
Carton (H x W x D) (in)	32 3/4 x 45 3/8 x 27 9/16
Product Weight (lbs)	289
Shipping Weight (lbs)	315.26

ACCESSORIES (INCLUDED)

2-Piece Porcelain Broil Pan	1
Island Trim	Yes
Anti-Tip Bracket	Yes
AirFry Tray	Yes*

ACCESSORIES (OPTIONAL / NOT INCLUDED)

Side Trim Kit, Stainless Steel	OW3001
Side Trim Kit, Black	OW3002
Backguard	BG3004

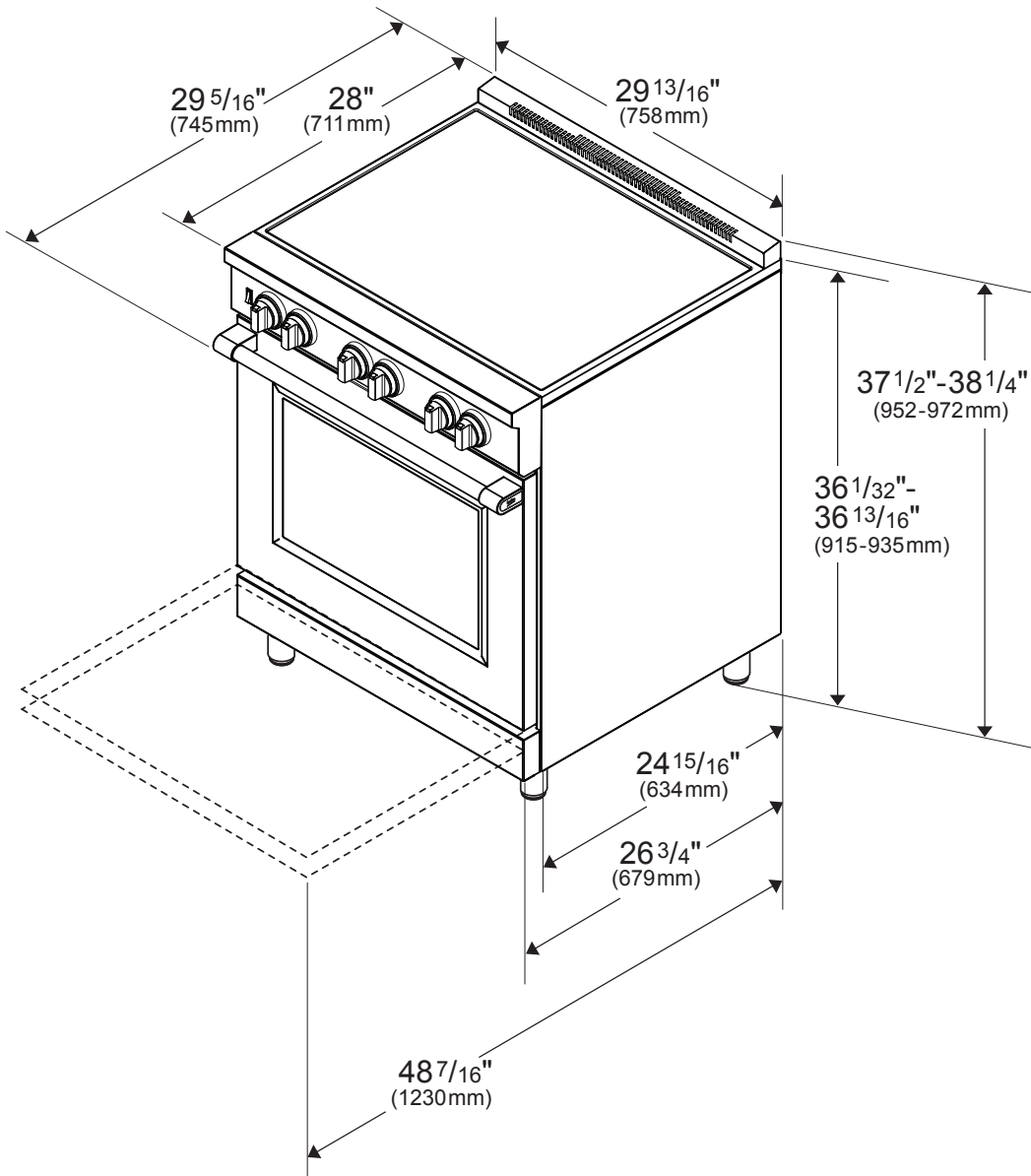
WARRANTY

Parts & Labor	2-Year Full Warranty
---------------	----------------------

*AirFry Tray will be available with 2023 production

PRIR34452SS

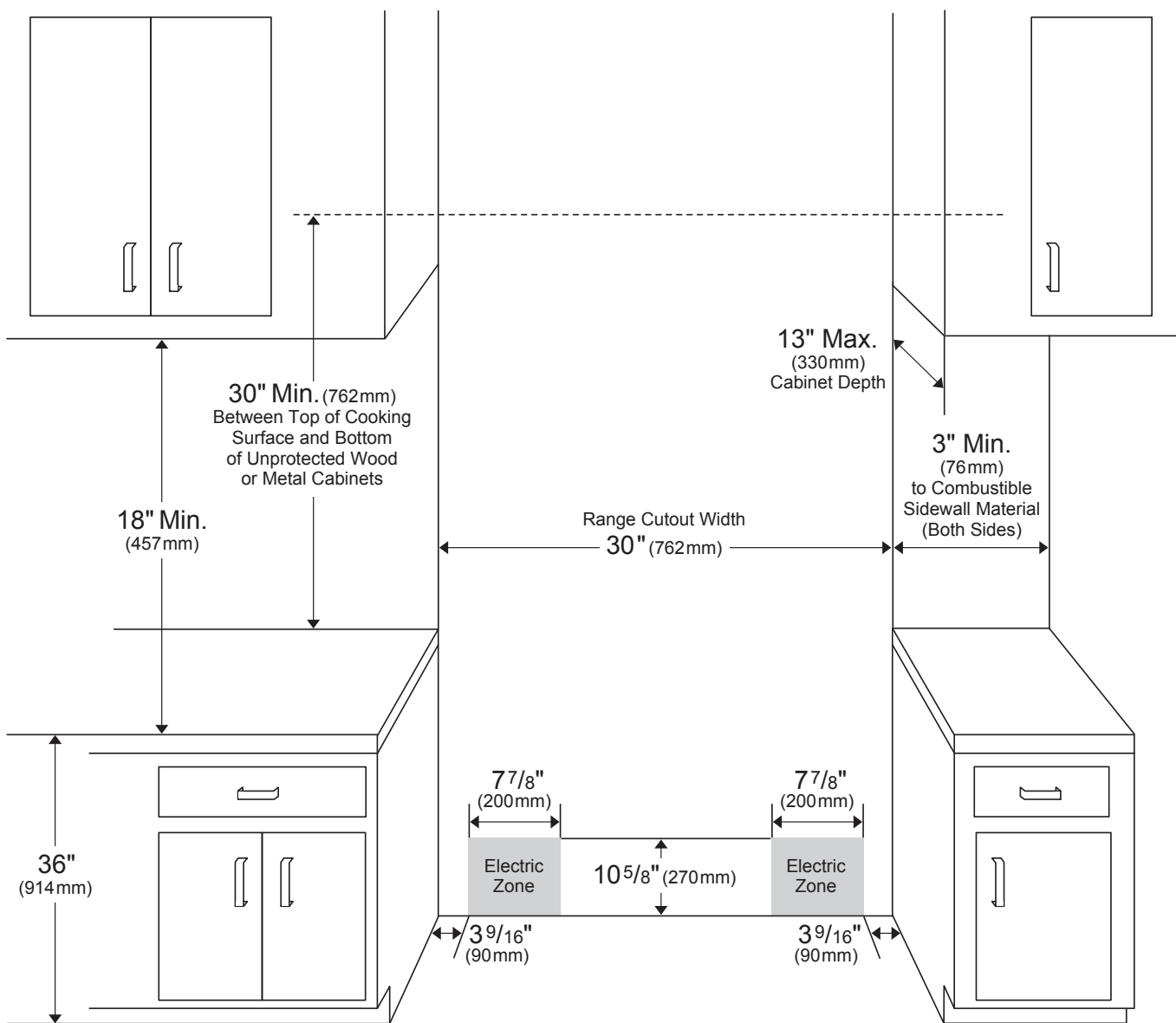
30" Pro-Style Electric Induction Range



PRIR34452SS



30" Pro-Style Electric Induction Range



NOTE TO THE INSTALLER: All height, width, and depth dimensions are shown in inches (as well as metric). Beko U.S., Inc. reserves the absolute and unrestricted right to change product materials and specifications, at any time, without notice. Please visit our website, www.BekoAppliances.com, or call 888.352.2356 to verify the latest specifications with final dimensional data and other details prior to installation and making a cutout. Applicable product limited warranty information may be found in accompanying product materials, or you may contact your account manager for further details. Proper installation is the responsibility of the installer. Product failure due to improper installation is not covered under the Limited Warranty.