

PRDF34552SS



30" Pro-Style Dual Fuel Range



GENERAL PROPERTIES

Type	Freestanding
Size	30"
Finish	Stainless Steel
Oven Control Type	Illuminated Metal Knobs
Cooktop Control Type	Illuminated Metal Knobs
Exterior Side Walls	Black
Fuel Type	Natural Gas + Electric

OVEN FEATURES & FUNCTIONS

Capacity	5.7 cu. ft.
Convection Type	Dual Fan
Functions	5
Cooking Functions	Bake, Broil, Convection Bake, Convection Roast, AirFry
Pyrolytic Self-Cleaning	Yes

PREMIUM TECHNOLOGY



FASTER PREHEAT TIME

We have re-engineered our ranges to reduce the preheat time by 50% from our previous models. Enjoy more time cooking and less time waiting.



TWIN TURBO CONVECTION

Twin Turbo Convection technology uses two convection fans that each blow in a different direction within the oven. The increased airflow results in faster pre-heat time and up to 25% faster cooking time.



AIRFRY

AirFry delivers crispy food without the use of cooking oil, resulting in a healthy way to enjoy the taste of fried foods without the frying. AirFry also requires no pre-heat time. Faster and healthier cooking made easy!

30" Pro-Style Dual Fuel Range

OVEN FEATURES & FUNCTIONS CONTINUED

Sabbath Mode	Yes
Door Cooling System	4 Pane Heat-Resistant Glass (Fixed)
Interior Illumination	2 x Halogen Lights
Height-Adjustable Telescopic Roller-Rack	1
Oven Racks	2
Oven Rack Positions	6
Preheat Indicator (Audible Signal)	Yes

COOKTOP – FEATURES & PERFORMANCE

Burner Configuration	5 Burners
Front Left	20,000 BTU Dual Ring
Rear Left	8,000 BTU
Center	10,000 BTU Oval
Front Right	20,000 BTU Dual Ring
Rear Right	8,000 BTU
Simmer Function	Yes
Grates	Cast Iron*
Electric Ignition with Auto Reignition	Yes

TECHNICAL INFORMATION

Volts / Frequency	220-240 V, 60 Hz
Min. Amps (A)	20 A
Power Cord	Required, Purchase Separately

DIMENSIONS & WEIGHT

Product (H x W x D) (in)	37 1/2-38 1/4 x 29 13/16 x 29 5/16
Depth (Incl. Handle) (in)	29 5/16
Depth (w/o Handle) (in)	26 3/4
Adjustable Leveling Feet	Yes
Required Cutout Size (H x W x D) (in)	36 x 30 x 25
Carton (H x W x D) (in)	32 3/4 x 45 3/8 x 27 9/16
Product Weight (lbs)	315.45
Shipping Weight (lbs)	341.71

ACCESSORIES (INCLUDED)

LP Conversion Kit	Yes
Cast Iron Wok Ring Attachment	Yes
2-Piece Porcelain Broil Pan	1
Island Trim	Yes
Anti-Tip Bracket	Yes
AirFry Tray	Yes**

ACCESSORIES (OPTIONAL / NOT INCLUDED)

Side Trim Kit, Stainless Steel	OW3001
Side Trim Kit, Black	OW3002
Backguard	BG3003
Griddle	G3002

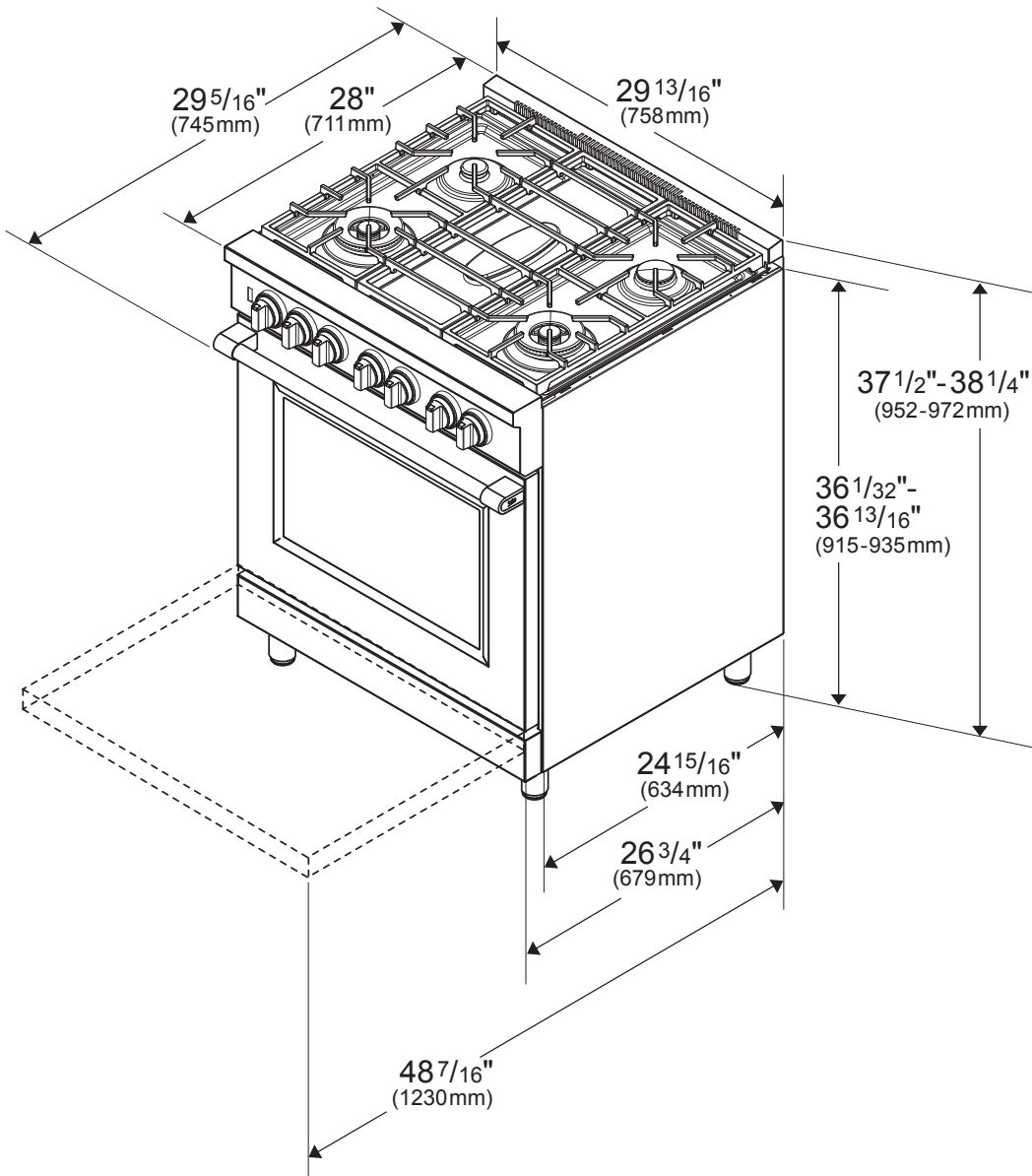
WARRANTY

Parts & Labor	2-Year Full Warranty
---------------	----------------------

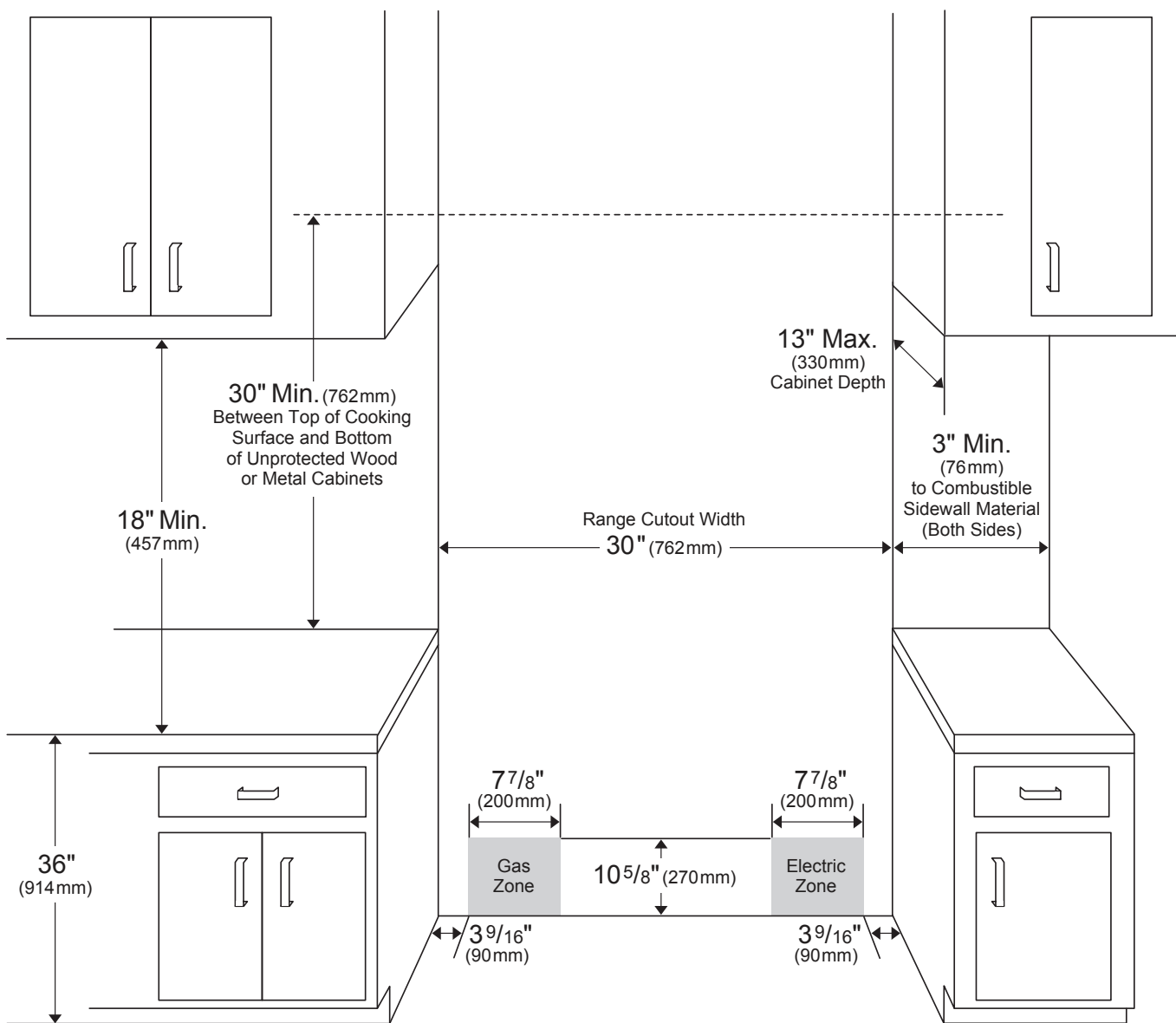
*Hand wash only; grates are not dishwasher-safe
 **AirFry Tray will be available with 2023 production

PRDF34552SS

30" Pro-Style Dual Fuel Range



30" Pro-Style Dual Fuel Range



NOTE TO THE INSTALLER: All height, width, and depth dimensions are shown in inches (as well as metric). Beko U.S., Inc. reserves the absolute and unrestricted right to change product materials and specifications, at any time, without notice. Please visit our website, www.BekoAppliances.com, or call 888.352.2356 to verify the latest specifications with final dimensional data and other details prior to installation and making a cutout. Applicable product limited warranty information may be found in accompanying product materials, or you may contact your account manager for further details. Proper installation is the responsibility of the installer. Product failure due to improper installation is not covered under the Limited Warranty.