

beko

Chest Freezer

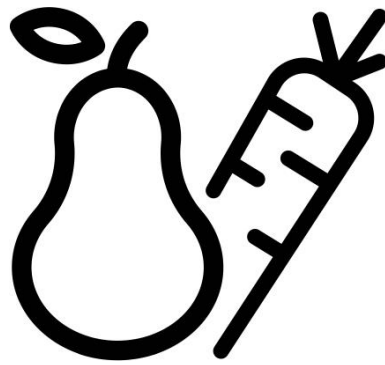
Instruction of use

Congélateur Horizontal

Notice d'utilisation

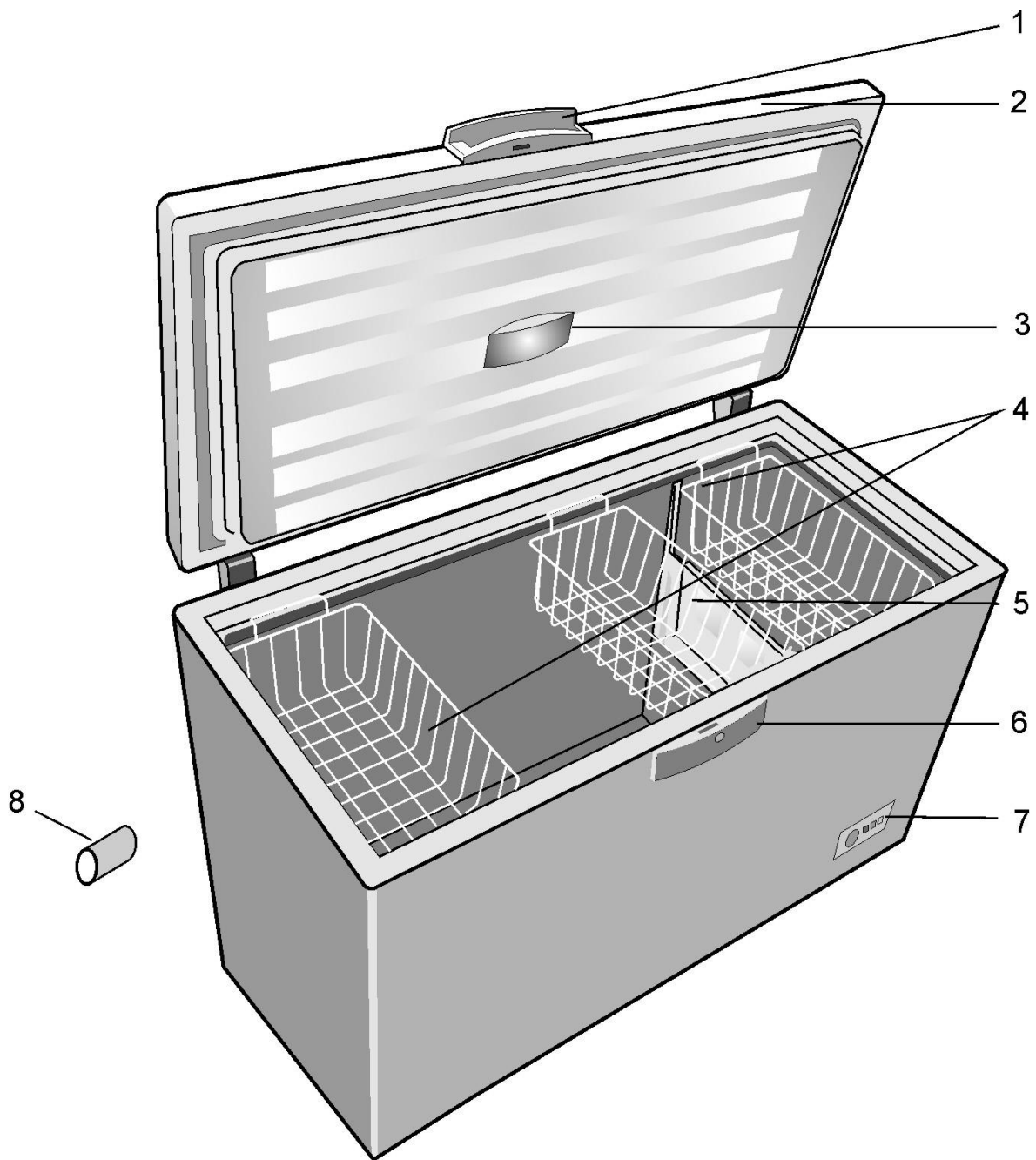
المجمد الصندوقي

تعليمات الاستخدام



HSA 40502 S

EN-FR-AR

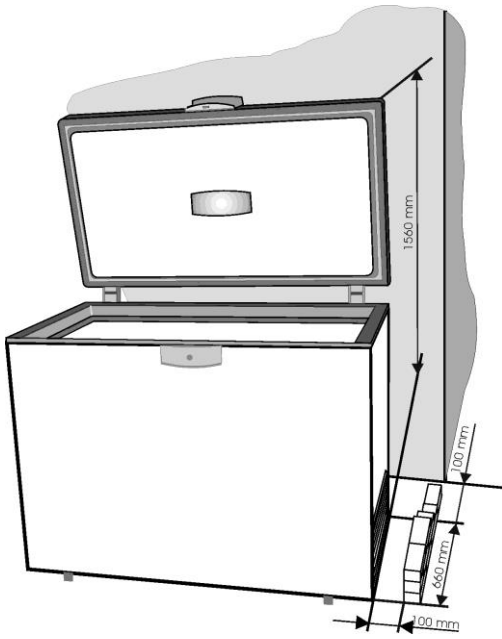


1

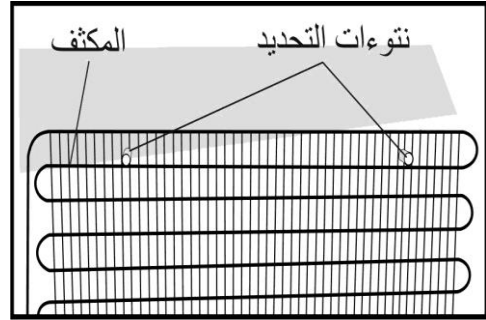
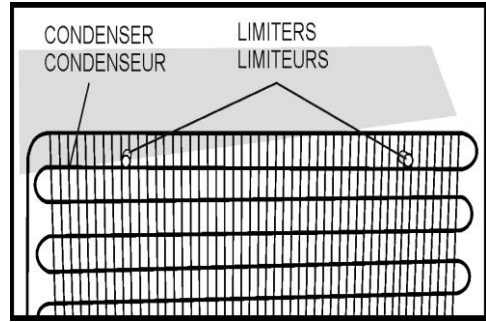
i Figures that take place in this instruction manual are schematic and may not correspond exactly with your product. If the subject parts are not included in the product you have purchased, then it is valid for other models.

i Les illustrations présentées dans cette notice d'utilisation sont schématiques et peuvent ne pas correspondre exactement à votre produit. Si des pièces présentées ne sont pas comprises dans le produit que vous avez acheté, elles sont valables pour d'autres modèles.

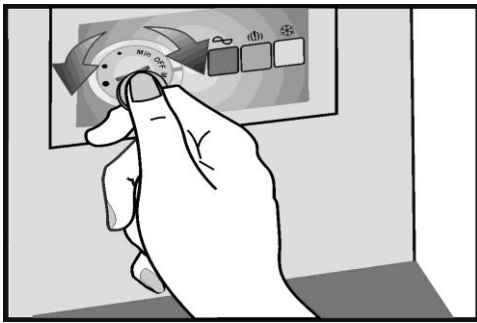
i الأشكال الواردة في دليل التعليمات هذا هي رسومات بيانية وقد لا تتطابق تمامًا مع المنتج
تتطابق تمامًا مع الجهاز. إذا لم تكن هذه القطع واردة في هذا الجهاز الذي اشتريته، فإنها مناسبة لأنواع أخرى.



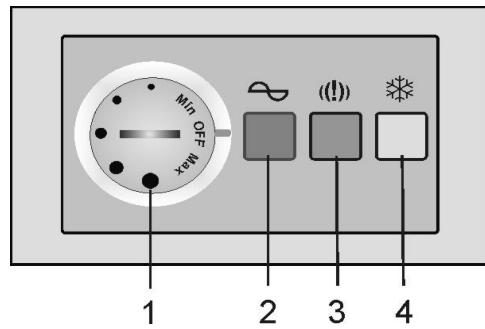
2



3



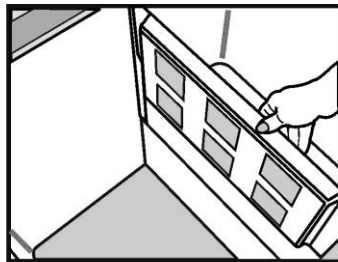
4



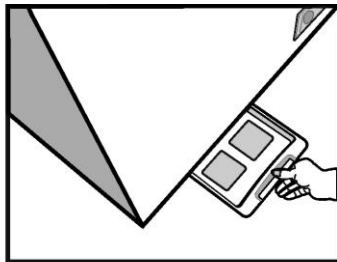
5



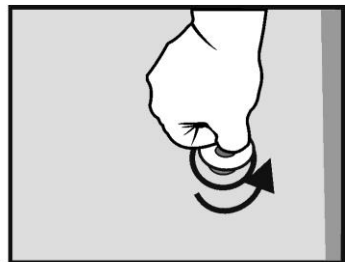
1



2



3



4

Advice for recycling of the old appliance /1
Packing Recycling /2
Transport instructions /2
Warnings and special advice /2
Setting up /3
Electric connection /3
Switching off /3
Appliance description /4
Freezer operation /4
Advice for food conservation /4
Defrosting of the appliance /5
Cleaning of the appliance /5
Replacing the interior light bulb /6
Defects finding guide /6

**WARNING!**

In order to ensure a normal operation of your refrigerating appliance, which uses a completely environmentally friendly refrigerant the R600a (flammable only under certain conditions) you must observe the following rules:

- ◆ Do not hinder the free circulation of the air around the appliance.
- ◆ Do not use mechanical devices in order to accelerate the defrosting, others than the ones recommended by the manufacturer.
- ◆ Do not destroy the refrigerating circuit.
- ◆ Do not use electric appliances inside the food keeping compartment, other than those that might have been recommended by the manufacturer.

Congratulations for your choice!

The chest freezer you have purchased is one in the BEKO products range and represents a harmonious joining between the refrigeration technique with the aestetical outlook. It has a new and attractive design and is built according to the European and national standards which guarantee its operation and safety features. At the same time, the used refrigerant, R600a, is environment-friendly and it does not affect the ozone layer.

In order to use the best your freezer, we advise you to read carefully the information in these user instructions.

Advice for recycling your old appliance

If your newly purchased appliance replaces an older appliance, you must consider a few aspects.

The old appliances are not valueless scrap. Their disposal, while preserving the environment, allows the recovery of important raw materials.

Make your old appliance useless :

- disconnect the appliance from the supply;
- remove the supply cord (cut it);
- remove the eventual locks on the door to avoid the blocking of children inside, while playing, and the endangering of their lives.

The refrigerating appliances contain insulating materials and refrigerants which require a proper recycling.

Original Spare parts will be provided for 10 years, following the product purchasing date.

This appliance is not intended for use by person with reduced physical, sensory or mental capabilities or lack of experience and knowledge unless they have been given supervision or instruction concerning use of the appliance by a person responsible for their safety. Children should be supervised to ensure that they do not play with the appliance.

Packing Recycling

WARNING!

Do not allow children to play with the packing or with parts of it. There is the risk of suffocation with parts of corrugated cardboard and with plastic film.

In order to get to you in good condition, the appliance was protected with a suitable packing. All the materials of the packing are compatible with the environment and recyclable. Please help us recycle the packing while protecting the environment !

IMPORTANT!

Before putting the appliance in operation, read carefully and entirely these instructions. They contain important information concerning the setting up, use and maintenance of the appliance.

The manufacturer is free of any responsibility if the information in this document are not observed. Keep the instructions in a safe place in order to reach them easily in case of need. They can also be useful subsequently by another user.

ATTENTION!

This appliance must be used only for its intended purpose, (household use), in suitable areas, far from rain, moisture or other weather conditions.

Transport instructions

The appliance must be transported, as much as possible, only in vertical position. The packing must be in perfect condition during transport.

If during transport the appliance was put in horizontal position (only according to the markings on the packing), it is advised that, before putting it into operation, the appliance is left to rest for 4 hours in order to allow the settling of the refrigerating circuit.

The failure to observe these instructions can cause the breakdown of the motorcompressor and the cancellation of its warranty.

Warnings and general advice

- Do not plug in the appliance if you noticed a failure.
- The repairs must be done only by qualified personnel.
- In the following situations please unplug the appliance from the mains:
 - when you defrost completely the appliance;
 - when you clean the appliance.

To unplug the appliance, pull by the plug, not by the cable!

- Ensure the minimum space between the appliance and the wall against which it is placed.
- Do not climb on the appliance.
- Do not allow the children to play or hide inside the appliance.
- Never use electric appliances inside the freezer, for defrosting.
- Do not use the appliance near heating appliances, cookers or other sources of heat and fire.
- Do not leave the freezer door open more than it is necessary to put in or take out the food.
- Do not leave the food in the appliance if it is not working.
- Do not keep inside products containing flammable or explosive gases.
- Do not keep inside fizzy drinks (juice, mineral water, champagne, etc.) in the freezer: the bottle can explode! Do not freeze drinks in plastic bottles.
- Do not eat ice cubes or icecream immediately after having taken them out of the freezer because they may cause „freezer burns“.
- Never touch cold metal parts or frozen food with wet hands because your hands can quickly freeze on the very cold surfaces.
- For the protection of the appliance during warehousing and transport, it is provided with spacers between the door and the cabinet (in the front and rear side). These spacers will be removed before putting the appliance into operation.

- Excess deposit of ice on the frame and the baskets should be removed regularly with the plastic scraper provided. Do not use any metal parts to remove the ice. The presence of this ice build-up makes impossible to close the door correctly.
- If you do not use your appliance for a few days, it is not advisable to switch it off. If you do not use it for a longer period, please proceed as follows :
 - unplug the appliance;
 - empty the freezer;
 - defrost it and clean it;
 - leave the door open to avoid the formation of unpleasant smells.
- If the supply cord is damaged, it must be replaced by the manufacturer, its service agent or similarly qualified persons in order to avoid a hazard.
- If your appliance has a lock, keep it locked and store the key in a safe place, out of the reach of children. If you are discarding an appliance with lock, make sure that, is made ineffective. This is very important so as to avoid children being trapped inside, which may cause their loss of life.

Setting up

This appliance was designed to operate at an ambient temperature between +10°C and +43°C (SN-T class). If the ambient temperature is above +43°C, inside the appliance the temperature can increase. Set up the appliance far from any source of heat and fire. Placing it in a warm room, the direct exposure to sunbeams or near a heat source (heaters, cookers, ovens), will increase the energy consumption and shorten the product life.

- Please observe the following minimum distances:
 - 100 cm from the cookers working with coal or oil;
 - 150 cm from the electric and gas cookers.

- Ensure the free circulation of the air around the appliance, by observing the distances shown in Item 2. Assemble on the condenser (in the rear side) the supplied spacers. (Item 3).
- Place the appliance in a perfectly even, dry and well ventilated place. Assemble the supplied accessories.

Electric connection

Your appliance is intended to operate at a single-phase voltage of 220-240V/50 Hz. Before plugging in the appliance, please make sure that the parameters of the mains in your house (voltage, correct type, frequency) comply to the operation parameters of the appliance.

- The information concerning the supply voltage and the absorbed power is given on the marking label placed in the back side of the freezer.
- The electric installation must comply with the law requirements.
- **The earthing of the appliance is compulsory. The manufacturer has no responsibility for any damage to persons, animals or goods which may arise from the failure to observe the specified conditions.**
- The appliance is endowed with a supply cord and a plug (European type, marked 10/16A) with double earthing contact for safety. If the socket is not the same type with the plug, please ask a specialised electrician to change it.
- Do not use extension pieces or multiple adapters.

Switching off

The switching off must be possible by taking the plug out of the socket or by means of a mains two-poles switch placed before the socket.

Operation

Before putting into operation, clean the inside of the appliance (see chapter „Cleaning“). After finishing this operation please plug in the appliance, adjust the thermostat knob to an average position. The green and red LEDs in the signalling block must light. Leave the appliance work for about 2 hours without putting food inside it.

The freezing of the fresh food is possible after min. 20 hours of operation.

Appliance description

(Item. 1)

1. Door handle
2. Door
3. Lamp housing
4. Basket
5. Tray
6. Lock housing
7. Thermostat box
8. Spacer for transport

Freezer operation

Temperature adjustment

The temperature of the freezer is adjusted by means of the knob assembled on the thermostat (item. 4), position „MAX“ being the lowest temperature.

The achieved temperatures can vary according to the conditions of use of the appliance, such as: place of the appliance, ambient temperature, frequency of door opening, extent of filling with food of the freezer. The position of the thermostat knob will change according to these factors. Normally, for an ambient temperature of approx. 32°C, the thermostat will be adjusted on an average position.

The signalling system is placed on the front side of the freezer (Item 5).

It includes:

1. Thermostat adjustment knob – the inside temperature is adjusted.
2. green LED – shows that the appliance is supplied with electric energy.

3. red LED – damage – lights if the temperature in the freezer is too high. The LED will operate 15-45 minutes after the putting into operation of the freezer, then it must go off. If the LED goes on during the operation, this means that defects have occurred.
4. Orange button– fast freeze – by pushing it the orange led goes on, showing that the appliance entered into the "fast freeze" mode . The exit of this mode is done by pushing the button again, and the orange led goes off.

The three LEDs give information about the mode of operation of the freezer.

Advice for food conservation

The freezer is intended to keep the frozen food for a long time, as well as to freeze fresh food.

One of the main elements for a successful food freezing is the packing.

The main conditions that the packing must fulfill are the following: to be airtight, to be inert towards the packed food, to resist to low temperatures, to be proof to liquids, grease, water vapours, smells, to be able to be washed.

These conditions are fulfilled by the following types of packings: plastic or aluminium film, plastic and aluminium vessels, waxed cardboard glasses or plastic glasses.

IMPORTANT!

- For freezing the fresh food please use the supplied baskets of the appliance.
- Do not place into the freezer a too large quantity of food at a time. The quality of the food is best kept if they are deeply frozen as quickly as possible. This is why it is advisable not to exceed the freezing capacity of the appliance specified in the "Product Fiche". In order to reduce the freezing time, push the button for „fast freeze“.
- The fresh food must not come into contact with the food already frozen.
- The frozen food you have bought can be placed into the freezer without having to adjust the thermostat.

- If the freezing date is not mentioned on the packing, please take into consideration a period of max. 3 months, as a general guide.
- The food, even partially defrosted, cannot be frozen again, it must be consumed immediately or cooked and then refrozen.
- The fizzy drinks will not be kept in the freezer.
- In case of a power failure, do not open the door of the appliance. The frozen food will not be affected if the failure lasts less than 36 hours.

DO NOT FORGET!

After 24 hours since the food was placed inside, please cancel the "fast freeze" mode by pushing again the button 4, when the orange led goes off.

Defrosting of the appliance

- We advise you to defrost the freezer at least twice a year or when the ice layer has an excessive thickness.
 - The ice build-up is a normal phenomenon.
 - The quantity and the rapidity of ice build-up depends on the ambient conditions and on the frequency of the door opening.
 - We advise you to defrost the appliance when the quantity of frozen food is the least.
 - Before defrosting, adjust the thermostat knob to a higher position so that the food stores more cold.
 - Unplug the appliance.
 - Take out the frozen food, wrap it in several sheets of paper and put them in refrigerator or a cool place.
- Take the separator panel and put it under the freezer in the direction of the dripping tube. Take out the obstructing plug. The water which results will be collected in the special tray (separator panel). After the melting of the ice and the run-off of the water please wipe with a cloth or with a sponge, then dry well. Put the obstruction plug back in its place. (Item. 6)
- For a fast thaw please leave the door open.
- Do not use sharp metal objects to remove the ice.**
- Do not use hairdriers or other electric heating appliances for defrosting.**

Inside cleaning

Before starting the cleaning, unplug the appliance from the mains.

- It is advisable to clean the appliance when you defrost it.
- Wash the inside with lukewarm water where you add some neutral detergent. Do not use soap, detergent, gasoline or acetone which can leave a strong odour.
- Wipe with a wet sponge and dry with a soft cloth.

During this operation, avoid the excess of water, in order to prevent its entrance into the thermal insulation of the appliance, which would cause unpleasant odours.

Do not forget to clean also the door gasket especially the bellow ribs, by means of a clean cloth.

Outside cleaning

- Clean the outside of the freezer by means of a sponge soaked in soapy warm water, wipe with a soft cloth and dry.
 - The cleaning of the outside part of the refrigerating circuit (motorcompressor, condenser, connection tubes) will be done with a soft brush or with the vacuum-cleaner. During this operation, please take care not to distort the tubes or detach the cables.
- Do not use scouring or abrasive materials!**
- After having finished the cleaning, replace the accessories at their places and plug in the appliance.

Replacing the interior light bulb

If the lamp burns out, disconnect the appliance from the mains. Take out the lamp trim. Make sure the lamp is screwed correctly. Plug in the appliance again. If the lamp still does not go on, replace it with another one model E14-15W. Mount back the lamp trim in its place.

The lamp(s) used in this appliance is not suitable for household room illumination. The intended purpose of this lamp is to assist the user to place foodstuffs in the refrigerator/freezer in a safe and comfortable way.

The lamps used in this appliance have to withstand extreme physical conditions such as temperatures below -20°C.

Defects finding guide

The appliance does not work.

- There is a power failure.
- The plug of the supply cord is not inserted well into the socket.
- The fuse is blown.
- The thermostat is in „OFF” position.

The temperatures are not low enough (red LED on).

- The food prevents the door closing.
- The appliance was not placed correctly.
- The appliance is placed too close to a heat source.
- The thermostat knob is not in the correct position.

Excessive ice build-up

- The door was not closed properly.

The inside lighting does not work

- The lamp is blown. Unplug the appliance from the mains, take out the lamp and replace it with a new one.

The following are not defects

- Possible noddings and cracks coming from the product: circulation of the refrigerant in the system.

Noises during operation

In order to keep the temperature at the value you have adjusted, the compressor of the appliance starts periodically.

The noises which can be heard in such situation are normal.

They are reduced as soon as the appliance reaches the operation temperature.


The humming noise is made by the compressor. It can become a little stronger when the compressor starts.

The bubbling and gurgling noises coming from the refrigerant circulating in the pipes of the appliance, are normal operating noises.

Warning !

Never try to repair yourself the appliance or its electric components. Any repair made by an unauthorised person is dangerous for the user and can result in the warranty cancellation.



The symbol  on the product or on packaging indicates that this product may not be treated as household waste. Instead it shall be handed over to the applicable collection point for the recycling of electrical and electronic equipment. By ensuring this product is disposed of correctly, you will help prevent potential negative consequences for the environment and human health, which could otherwise be caused by inappropriate waste handling of this product. For more detailed information about recycling of this product, please contact your local city office, your household waste disposal service or the shop where you purchased the product.

FR Table de matieres

Recyclage de votre ancien appareil /1
Recyclage de l'emballage /2
Instructions de transport /2
Avertissements et conseils /2
Installation /3
Raccordement au réseau électrique /3
Mise en fonctionnement /4
Description de l'appareil /4
Fonctionnement du congélateur /4
Conseils pour conserver les denrées /5
Dégivrage de l'appareil /5
Nettoyage de l'appareil /6
Remplacement de l'ampoule /6
Dysfonctionnements /7



ATTENTION!

Pour assurer un fonctionnement normal de votre appareil qui utilise un agent frigorigère complètement écologique, R600a (inflammable seulement dans certaines conditions) vous devez respecter les règles suivantes:

- N'empêchez pas la libre circulation de l'air autour de l'appareil.
- N'utilisez pas des dispositifs mécaniques pour accélérer le dégivrage, autres que ceux recommandés par le fabricant.
- Ne détruisez pas le circuit frigorigère.
- N'utilisez pas des appareils électriques à l'intérieur du compartiment pour conserver les denrées, apart celles qui sont éventuellement recommandés par le fabricant.

Félicitations pour votre choix!

Le congélateur que vous avez acheté est un des produits de la marque BEKO. Construit conformément aux standards européens et internationaux, cet appareil a été conçu dans le respect de l'environnement et la recherche de performances pour vous apporter la plus grande satisfaction.

Pour une meilleure utilisation de votre congélateur, nous vous conseillons de lire attentivement cette notice.

Recyclage de votre ancien appareil

Si l'appareil que vous venez d'acheter remplace un ancien appareil, vous devez tenir compte de ce qui suit pour vous en débarrasser.

Les anciens appareils ne sont pas des déchets sans valeur. Leur recyclage permet la récupération des matières premières importantes tout en préservant l'environnement.

Rendez inutilisable votre ancien appareil:

- débranchez l'appareil du réseau électrique;
- enlevez le câble d'alimentation (coupez-le);
- enlevez les éventuels blocages de la porte pour éviter que des enfants puissent restés enfermés dans le congélateur et mettre en danger leurs vies.

Les appareils frigorifiques contiennent des matériaux d'isolation et des agents frigorifiques qui ont besoin d'un recyclage adapté. Les pièces détachées d'origine sont disponibles pendant 10 ans, à compter de la date d'achat du produit.

Cet appareil ne sera pas utilisé par des personnes ayant capacités physiques, sensorielles ou mentales réduites, ou sans expérience concernant l'utilisation de l'appareil, si une personne responsable de leur sécurité ne les a pas instruites pour ce but.

Les enfants doivent être surveillés pour avoir la certitude qu'ils ne jouent pas avec l'appareil.

Recyclage de l'emballage

ATTENTION!

Ne laissez pas les enfants jouer avec l'emballage. Des pièces de carton ondulé ou film en plastique peuvent provoquer la suffocation.

Pour vous parvenir dans de bonnes conditions, l'appareil a été protégé avec un emballage approprié. Tous les matériaux de l'emballage sont compatibles avec l'environnement et recyclables. Respectez la collecte de déchets recyclables, en vous renseignant auprès des autorités locales.

Instructions de transport

L'appareil doit être transporté, si possible, en position verticale. L'emballage doit être en condition parfaite pendant le transport. Si pendant le transport l'appareil a été placé en position horizontale (conformément aux marquages sur l'emballage), nous vous recommandons de laisser reposer l'appareil durant 4 heures avant la mise en fonctionnement, pour permettre la stabilisation du circuit frigorifique. Si ces instructions ne sont pas respectées, cela peut provoquer le dérèglement du compresseur et l'annulation de la garantie.

Avertissements et conseils

IMPORTANT!

Avant la mise en fonctionnement de l'appareil, lisez attentivement et entièrement ces instructions. Elles contiennent des informations importantes concernant l'installation, l'utilisation et l'entretien de l'appareil. Le fabricant se dégage de toute responsabilité si les informations contenues dans ce document ne sont pas respectées. Gardez cette notice dans une place sûre pour le consulter en cas de besoin. Si l'appareil est cédé à une tierce personne, cette notice doit accompagner l'appareil.

ATTENTION!

Cet appareil doit être utilisé seulement dans le but pour lequel il a été conçu (utilisation domestique), dans des lieux adéquats, loin de la pluie et de l'humidité.

- Ne branchez pas l'appareil si vous avez constaté un défaut.
- Les réparations doivent être effectuées exclusivement par une personne qualifiée.
- Dans les situations suivantes nous vous prions de débrancher l'appareil:
 - quand vous dégivrez complètement l'appareil;
 - quand vous nettoyez l'appareil.

Pour débrancher l'appareil, tirez sur la fiche, non pas le câble!

- Assurez l'espace minimum entre l'appareil et le mur.
- Ne montez pas sur l'appareil.
- Ne permettez pas aux enfants de jouer ou se cacher dans l'appareil.
- N'utilisez en aucun cas d'appareils électriques dans le congélateur pour le dégivrage.
- N'installez pas le congélateur près des appareils de chauffage, cuisinières ou autres sources de chaleur.
- Ne laissez pas la porte du congélateur ouverte plus qu'il est nécessaire pour y introduire ou enlever des denrées.
- Ne laissez pas les denrées dans l'appareil s'il ne fonctionne pas.
- Ne mettez pas dans le congélateur de produits inflammables ou explosives.
- Ne mettez pas de boissons acidulées (jus, eau minérale, champagne, etc.) dans le congélateur; la bouteille peut exploser! Ne congelez pas de boissons dans des bouteilles en plastique.
- Ne mangez pas des cubes de glace ou de la glace immédiatement après les avoir sortis du congélateur.
- Ne touchez jamais les parties métalliques froides ou les denrées congelées avec les mains humides.
- Pour la protection de l'appareil pendant le stockage et le transport, il est prévu avec des pièces d'écartement entre la porte et le cabinet (dans la partie avant et arrière). Ces pièces d'écartement seront enlevées avant de mettre l'appareil en fonction.

- L'accumulation excessive de glace sur le cadre et sur les paniers doit être enlevée régulièrement à l'aide de la palette en plastique livrée avec l'appareil. Cette accumulation de glace a pour conséquence l'impossibilité de fermer correctement la porte.
- Si vous n'utilisez pas votre appareil sur une longue période, nous vous conseillons de procéder comme suit:
 - débranchez l'appareil;
 - videz l'appareil;
 - dégivrez-le et nettoyez-le;
 - laissez la porte ouverte pour éviter la formation d'odeurs désagréables.
- Si le cordon d'alimentation est endommagé, celui-ci doit être remplacé par le fabricant, ses agents agréés ou tout autre agent qualifié afin d'être à l'abri de tout danger.
- Gardez votre appareil fermé à clé et rangez la clé dans un lieu sûr, loin de la portée des enfants. Si vous recyclez un appareil avec une serrure, assurez-vous que le système de blocage soit inutilisable. Cela est très important pour éviter que des enfants puissent rester enfermés dedans.

Installation

Cet appareil a été conçu pour fonctionner à une température ambiante comprise entre +10°C et +43°C (classe SN/T). Si la température ambiante est supérieure à +43°C, la température peut augmenter à l'intérieur l'appareil.

Installez l'appareil loin de toute source de chaleur et de feu. L'installation dans une chambre chaude ou près d'une source de chaleur (réchauds, cuisinières, fours, etc.), ou encore l'exposition directe aux rayons du soleil vont augmenter la consommation d'énergie et raccourcir la durée de vie du congélateur.

- Nous vous prions de respecter les distances minimales suivantes (figure2):

- 100 cm des cuisinières à charbons ou à l'huile;
- 150 cm des cuisinières électriques ou à gaz.

Mettez sur le condenseur (dans la partie arrière) les limiteurs livrés avec l'appareil. (figure 3).

- Installez l'appareil sur un sol parfaitement plan et horizontal dans un lieu sec et bien aéré.

Montez les accessoires livrés.

Raccordement au réseau électrique

Votre appareil est conçu pour fonctionner à une tension monophasique de 220-240V/50 Hz. Avant de brancher l'appareil, vérifiez que les paramètres du réseau de votre maison (tension, type de courant, fréquence) correspondent aux paramètres de fonctionnement de l'appareil.

- Les informations concernant la tension d'alimentation et la puissance se trouvent sur la plaque signalétique située dans la partie arrière du congélateur.
- L'installation électrique doit être conforme à la réglementation.
- **La mise à la terre de l'appareil est obligatoire. Le fabricant ne peut être tenu pour responsable de tout incident sur les personnes, animaux ou biens, si ces conditions ne sont pas respectées.**
- L'appareil est muni d'un cordon d'alimentation et d'une fiche (type européen, marque 10/16A) avec un contact double de mise à la terre pour sécurité. Si la prise de courant n'est pas du même type que la fiche, nous vous recommandons de la faire remplacer par un électricien.
- N'utilisez pas de rallonge ou multiprise.
- La mise hors tension de l'appareil doit être possible en débranchant la fiche de la prise de courant ou par un interrupteur de réseau à deux pôles placé avant la prise.

Mise en fonctionnement

Avant la mise en fonctionnement, nettoyez l'intérieur de l'appareil (voir le chapitre "Nettoyage").

Branchez l'appareil, et réglez le bouton du thermostat à une position moyenne. Les voyants verts et rouges du bloc de signalisation doivent s'allumer. Laissez l'appareil fonctionner pendant environ 2 heures sans y mettre de denrées.

La congélation des denrées fraîches est possible après un minimum de 20 heures de fonctionnement.

Description de l'appareil

(fig. 1)

- 1 - Poigné de porte
- 2 - Porte
- 3 - Lampe
- 4 - Paniers
- 5 - Panneau de séparation
- 6 - Serrure
- 7 - Signalisations
- 8 - Écarteur pour le transport

Fonctionnement du congélateur

Réglage de la température

Le réglage de la température du congélateur se fait au moyen du bouton du thermostat (fig. 4), "MAX" étant la position pour une température la plus basse possible.

La température peut varier en fonction des conditions d'utilisation de l'appareil, comme la place de l'appareil, la température ambiante, la fréquence d'ouverture de la porte ou le niveau de remplissage. Positionnez le bouton du thermostat en tenant compte de ces facteurs, afin que la température interne reste inférieure ou égale à -18°C.

Le dispositif de signalisation se trouve à l'avant du congélateur (fig. 5).

1. Bouton de réglage du thermostat
2. Voyant vert – indique que l'appareil est sous tension.
3. Voyant rouge – s'allume si la température dans le congélateur est trop élevée. A la mise en fonctionnement, le voyant s'allume 15 à 45 minutes après. Il s'éteint lorsque l'appareil atteint une température de fonctionnement normale.
4. Bouton orange – congélation rapide. En appuyant sur ce bouton, vous sélectionnez un mode de fonctionnement qui permettra à l'appareil d'atteindre plus rapidement la température de réglage. Le voyant orange indique ce mode est actif. Appuyez à nouveau sur ce bouton pour arrêter le mode de "congélation rapide".

Conseils pour la conservation des denrées

Le congélateur sert à conserver les denrées congelées pour une longue période de temps, ainsi que pour congeler les denrées fraîches. Un des éléments principaux pour une bonne congélation des denrées est l'emballage. L'emballage doit être imperméable à l'air, aux liquides, graisses, vapeur d'eau et odeurs. Elle doit également être inerte pour les denrées emballées et résistante à des températures basses.

IMPORTANT!

- Pour placer les denrées fraîches, utilisez les paniers livrés avec l'appareil.
- Ne mettez pas dans le congélateur une quantité trop importante de denrées à la fois. La conservation des denrées est meilleure si elles sont congelées en profondeur et rapidement. Nous vous recommandons de ne pas dépasser la capacité de congélation de l'appareil, indiquée dans les "Fiche du Produit". Pour réduire le temps de congélation, appuyez le bouton orange de "congélation rapide".
- Les denrées fraîches ne doivent pas entrer en contact avec les denrées déjà congelées.
- Les denrées congelées achetées en magasin peuvent être mises dans le congélateur sans toucher au réglage du thermostat.
- Si la date de congélation n'est pas indiquée sur l'emballage, nous vous conseillons de considérer une période maximale de 3 mois pour la conservation.
- Les denrées, même partiellement décongelées, ne peuvent pas être congelées à nouveau. Elles doivent être consommées immédiatement ou préparées et ensuite congelées.
- En cas d'interruption du courant, n'ouvrez pas la porte de l'appareil. Les denrées congelées ne seront pas affectées si l'interruption dure moins de 36 heures.

N'OUBLIEZ PAS!

24 heures après l'introduction des denrées, annulez le mode de "congélation rapide".

Dégivrage de l'appareil

- Nous vous conseillons de dégivrer le congélateur au moins deux fois par an, ou quand la couche de glace est trop épaisse.
- La formation de glace est un phénomène normal.
- La quantité et la rapidité de formation de la glace dépend des conditions ambiantes et de la fréquence d'ouverture de la porte.
- Nous vous conseillons de dégivrer l'appareil quand la quantité de denrées est la faible.
- Avant le dégivrage, réglez le bouton du thermostat dans une position supérieure, pour permettre aux denrées d'accumuler plus de froid.

Débranchez l'appareil.

Enlevez les denrées congelées, enveloppez-les dans plusieurs feuilles de papier et mettez-les dans un réfrigérateur ou autre place froide.

Prenez le panneau de séparation et mettez-le sous le congélateur dans la direction du tube d'écoulement. Enlevez le bouchon d'obturation. L'eau qui résulte sera collectée dans le plateau spécial (panneau séparateur). Après la fonte de la glace et l'écoulement de l'eau, nous vous prions de l'essuyer avec un chiffon ou une éponge, ensuite séchez bien. Mettez à sa place le bouchon d'obturation (Fig. 6)

Pour une fonte rapide, laissez la porte ouverte.

N'employez pas des objets métalliques pointus pour enlever la glace.

N'utilisez pas de sècheurs électriques ou d'autres appareils de chauffage pour le dégivrage.

Nettoyage de l'intérieur

Avant de commencer le nettoyage, débranchez l'appareil.

- Nous vous recommandons de nettoyer l'appareil quand vous le dégivrez.
 - Nettoyez l'intérieur avec de l'eau tiède et du détergent neutre. N'utilisez pas du savon, du détergent, de l'essence, de l'acétone ou tout autre nettoyant qui pourrait laisser une odeur persistante.
 - Nettoyez avec une éponge humide et essuyez avec un chiffon mou.
- Durant cette opération, évitez l'excès d'eau. L'eau peut s'introduire dans l'isolation thermique de l'appareil et provoquer des odeurs désagréables.
- N'oubliez pas de nettoyer aussi le joint de la porte, et en particulier les nervures du soufflet avec un chiffon propre.

Nettoyage de l'extérieur

- Nettoyez l'extérieur du congélateur à l'aide d'une éponge avec de l'eau chaude et du savon. Essuyez ensuite avec un chiffon mou et sec.
- Le nettoyage de la partie extérieure du circuit frigorifique (compresseur, condenseur, tubes de connection) sera fait avec une brosse molle ou avec l'aspirateur. Pendant cette opération, nous vous prions de faire attention de ne pas déformer les tubes ou détacher les câbles.

N'utilisez pas de poudres abrasives!

- Après avoir fini le nettoyage, mettez les accessoires à leurs places et branchez l'appareil.

Remplacement de l'ampoule

Si la lampe est grillée, débranchez l'appareil. Détachez l'ornement de la lampe. Assurez-vous que la lampe soit vissée correctement. Branchez l'appareil. Si la lampe ne s'allume pas, remplacez-la avec une autre, modèle E14-15W. Mettez l'ornement de la lampe à sa place.

L'ampoule (s) utilisée dans cet appareil ne convient pas pour l'éclairage de la cuisine. Le but visé par cette ampoule est d'aider à l'utilisateur de placer les aliments dans le réfrigérateur / congélateur d'une manière sûre et confortable. Les voyants utilisés dans cet appareil doivent résister aux conditions physiques extrêmes telles que des températures inférieures à -20°C.

Dysfonctionnements

L'appareil ne fonctionne pas

- L'alimentation électrique a été coupée.
- La fiche du câble d'alimentation n'est pas bien introduite dans la prise de courant.
- Le fusible a sauté.
- Le thermostat est en position "OFF".

Les températures ne sont pas assez basses (le voyant rouge s'allume)

- Les denrées empêchent la porte de se fermer.
- L'appareil n'est pas placé correctement.
- L'appareil est placé trop près d'une source de chaleur.
- Le bouton du thermostat n'est pas dans la position correcte.

Formation excessive de glace

La porte n'a pas été bien fermée.

L'éclairage intérieure ne fonctionne pas

- La lampe est grillée. Procédez à son remplacement comme indiqué plus haut.

Bruits pendant le fonctionnement

Pour maintenir la température à la valeur que vous avez réglée, le compresseur de l'appareil se met en marche périodiquement. Les bruits que vous entendez dans cette situation sont normaux.

Ils diminuent en intensité à mesure que l'appareil atteint la température de fonctionnement.

Le bruit de bourdonnement est dû au compresseur. Il peut devenir un peu plus fort quand le compresseur démarre.

Les cliquetis de l'agent frigorigère qui circule dans les tubes de l'appareil, sont des bruits normaux.

Attention!

N'essayez jamais de réparer vous-même l'appareil ou tout composant électrique. Toute réparation effectuée par une personne qui n'est pas autorisée est dangereuse pour l'utilisateur et peut avoir comme conséquence l'annulation de la garantie.

Recyclage



Ce produit est marqué du symbole du tri sélectif, relatif aux déchets d'équipements électriques et électroniques. Cela signifie que ce produit doit être pris en charge par un système de collecte sélectif conformément à la directive européenne 2002/96/CE, afin de pouvoir être recyclé ou démantelé dans le but de réduire tout impact sur l'environnement. Attention les produits électroniques n'ayant pas fait l'objet d'un tri sélectif sont potentiellement dangereux pour l'environnement et la santé humaine en raison de la présence potentielle de substances dangereuses.

- نصائح لإعادة تدوير الجهاز القديم /1
- إعادة تدوير مواد التغليف /2
- إرشادات النقل /2
- التحذيرات ونصائح خاصة /2
- الإعداد /3
- التوصيل الكهربائي /3
- إيقاف التشغيل /4
- وصف الجهاز /4
- تشغيل المجمد /4
- نصائح لحفظ الأطعمة /5
- إزالة الثلج عن الجهاز /5
- تنظيف الجهاز /6
- استبدال مصباح الإضاءة الداخلي /6
- دليل التعرف على الأعطال /6



تحذير !

- لضمان التشغيل الطبيعي لجهاز التبريد لديك، والذي يستخدم سائل تبريد صديق للبيئة تمامًا (R600a قابل للاشتعال في ظروف معينة فقط)، يتعين عليك مراعاة القواعد التالية:
- ♦ لا تضع شيئاً معوقاً لحرية تدوير الهواء حول الجهاز.
 - ♦ لا تستخدم أدوات ميكانيكية لتسريع عملية إزالة الثلج، بخلاف الأدوات التي توصي بها الجهة المصنعة.
 - ♦ لا تعتمد إلى إتلاف دائرة التبريد.
 - ♦ لا تستخدم أدوات كهربائية داخل صندوق حفظ الطعام بالجهاز، بخلاف تلك الموصى بها من قبل الجهة المصنعة.

تهانينا لاختيارك!

المجمد الصندوقي الذي قمت بشراؤه هو أحد مجموعة منتجات **BEKO** ويمثل الربط المتناغم بين تقنية التبريد والمظهر الجمالي. فهو يتمتع بتصميم جديد وجذاب كما أن بنيته تتوافق مع المعايير الأوروبية والوطنية مما يضمن ميزات التشغيل والسلامة. وفي الوقت نفسه، يتميز سائل التبريد المستخدم، R600a ، بأنه صديق للبيئة وليس له تأثير على طبقة الأوزون. ولضمان الاستخدام الأمثل للمجمد، فإننا نصحك بقراءة المعلومات الواردة في تعليمات المستخدم هذه بعناية.

نصائح لإعادة تدوير الجهاز القديم

إذا كان الجهاز الذي قمت بشراؤه حديثًا سيستبدل جهازًا آخر قديم، فيجب مراعاة بضعة جوانب. الأجهزة القديمة ليست نفاية عديمة القيمة. التخلص منها، بالإضافة إلى كونه حفاظًا على البيئة، يسمح باسترداد المواد الخام ذات الأهمية. اجعل جهازك القديم عديم الفائدة:

- افصل الجهاز من المصدر الطاقة؛
- أزل سلك الطاقة (إقطعه)؛
- أزل الأقفال النهائية الموجودة بالباب لتجنب حبس الأطفال بداخله، أثناء اللعب، مما يعرض حياتهم للخطر .

تحتوي أجهزة التبريد على مواد عازلة وسوائل تبريد والتي تتطلب إعادة تدوير بطريقة صحيحة .

هذا الجهاز غير مخصص للاستخدام بواسطة أشخاص (بما في ذلك الأطفال) ذوي الحاجات الخاصة الجسدية أو الحسية أو الذهنية أو الذين يفتقرون إلى الخبرة والمعرفة ما لم يتم الإشراف عليهم أو إعطائهم تعليمات حول طريقة استخدام الجهاز بواسطة شخص مسئول عن سلامتهم . يجب الإشراف على الأطفال للتأكد من أنهم لا يعبتون بالجهاز.

إعادة تدوير مواد التغليف

التحذيرات ونصائح عامة

تحذير !

لا يسمح للأطفال باللعب بمواد التغليف أو بأجزاء منها .فقد يتعرضوا لخطر الاختناق بأجزاء من الكرتون المجعد والغشاء البلاستيكي.

لضمان وصول الجهاز إليك في حالة جيدة، تم حماية الجهاز بمواد تغليف مناسبة .جميع مواد التغليف متوافقة مع البيئة ويمكن إعادة استخدامها. الرجاء مساعدتنا في إعادة استخدام مواد التغليف وحماية البيئة!

هام !

قبل تشغيل الجهاز، اقرأ بعناية هذه التعليمات بالكامل .فهي تحتوي على معلومات هامة تتعلق بإعداد الجهاز واستخدامه وصيانته . لا تتحمل جهة الصنع أية مسؤولية في حالة عدم اتباع المعلومات الموجودة في هذه الوثيقة .احتفظ بهذه التعليمات في مكان آمن للوصول إليها بسهولة في حالة الضرورة .يمكن أيضاً أن تكون مفيدة لاحقاً لمستخدم آخر .

تنبيه !

يجب استخدام هذا الجهاز للغرض المعد له فقط، (الاستخدام المنزلي)، أو في المناطق المناسبة، أو بعيداً عن الأمطار، أو الرطوبة، أو ظروف الطقس الأخرى.

إرشادات النقل

يجب نقل هذا الجهاز، قدر الإمكان، في الوضع الرأسي فقط .يجب أن تكون مواد التغليف في حالة سليمة أثناء النقل . إذا تم وضع الجهاز في الوضع الأفقي أثناء النقل (وفقاً للعلامات على مواد التغليف فقط) ، ينصح بترك الجهاز، قبل تشغيله، لمدة 4 ساعة للسماح باستقرار دائرة التبريد. يكمن أن يتسبب الفشل في اتباع هذه التعليمات في عطل محرك الضاغط وإلغاء الضمان الخاص به.

- لا تقم بتوصيل الطاقة للجهاز في حالة ملاحظة وجود عطل.
- يجب إجراء الإصلاحات بواسطة شخص مؤهل فقط .
- يرجى فصل الجهاز عن مصدر الطاقة الرئيسي في المواقف التالية:

-عند إزالة الثلج عن الجهاز بالكامل؛
-عند تنظيف الجهاز.

لفصل الجهاز من الطاقة، اسحب القابس، وليس السلك!

- تأكد من توافر الحد الأدنى من المساحة بين الجهاز والجدار الموضوع أمامه الجهاز.
- لا تصعد فوق الجهاز.
- لا تسمح للأطفال باللعب بالجهاز أو الاختفاء بداخله.
- لا تستخدم أجهزة كهربائية للتجميد داخل المجمد مطلقاً.
- لا تستخدم الجهاز بالقرب من أجهزة التدفئة، أو المواقد أو مصادر الحرارة الأخرى أو النيران.
- لا تترك باب المجمد مفتوحاً أكثر من الضروري لإخراج الطعام أو إدخاله .
- لا تترك الطعام بالجهاز في حالة عدم تشغيله.
- ولا تترك بداخله المنتجات التي تحتوي على الغازات الملتهبة أو المتفجرة.
- لا تترك المشروبات الفوارة (العصائر، المياه الغازية، إلخ) داخل المجمد :يمكن أن تنفجر الزجاجات !لا تجمد المشروبات في الزجاجات البلاستيكية.
- لا تأكل مكعبات الثلج أو الآيس كريم مباشرة بعد إخراجها من المجمد لأنها قد تتسبب في "حروق تجميد."
- لا تلمس الأجزاء المعدنية الباردة أو الطعام المجمد بأيدي مبتلة لأن يديك قد تتجمد بسرعة عند ملامسة الأسطح شديدة البرودة.
- لحماية الجهاز أثناء التخزين والنقل، يتم وضع شيء للمحافظة على المسافة بين الباب والصندوق (في الجانب الأمامي والخلفي .) ويتم إزالة هذه الأشياء قبل تشغيل الجهاز.

التوصيل الكهربائي

- هذا الجهاز معد للتشغيل بجهد أحادي المرحلة 220-240 فولت / 50 هرتز. قبل توصيل الجهاز بالطاقة، يرجى التأكد من أن معايير المصدر الرئيسي للطاقة في المنزل (الجهد، نوع الدائرة، التردد) تتوافق مع معايير تشغيل الجهاز.
- المعلومات المتعلقة بجهد مصدر الطاقة والطاقة المستهلكة موضحة على الملصق على الجانب الخلفي من المجمد.
- يجب أن يتوافق التركيب الكهربائي مع المتطلبات القانونية.
- يجب تأريض الجهاز. لا تتحمل جهة الصنع أية مسؤولية تجاه أي ضرر يتعلق بالأشخاص أو الحيوانات أو البضائع والذي يمكن حدوثه من عدم اتباع الشروط الموضحة.
- الجهاز مزود بسلك وقابس (نوع أوروبي، بالعلامة 10/16 أمبير (مزودين بموصلين أرضيين للسلامة. إذا لم يكن المقيس من نفس نوع القابس، يرجى طلب تغييره من كهربائي متخصص).
- لا تستخدم قطع تمديد أو مهايئات متعددة.

- يجب إزالة كميات الثلج الزائدة على الإطار والسلات بانتظام باستخدام المكشطة البلاستيكية المرفقة بالجهاز. لا تستخدم أية قطع معدنية لإزالة الثلج.
- فوجود هذا الثلج المتراكم يمنع قفل الباب بالطريقة الصحيحة.
- في حالة عدم استخدام الجهاز لبضعة أيام، فلا ينصح بإيقافه. في حالة عدم استخدامه لمدة أطول، يرجى القيام بالتالي:
 - أفصل الجهاز؛
 - فرّغ المجمد؛
 - أزل الثلج منه ونظفه؛
 - اترك الباب مفتوحًا لتجنب تكون الروائح الكريهة.
- يمكن تغيير سلك الطاقة بواسطة الشخص المعتمد.
- إذا كان المجمد يحتوي على قفل، فاقفله واحتفظ بالمفتاح في مكان آمن، بعيدًا عن متناول الأطفال. إذا كنت تتخلص من جهاز يحتوي على قفل، فتأكد أنه غير مفعّل. وهذا ضروري لتجنب حبس الأطفال بداخله، مما قد يتسبب في موتهم.

الإعداد

- هذا الجهاز مصمم للتشغيل في درجة حرارة محيطية بين $+10^{\circ}$ درجة مئوية و $+43^{\circ}$ درجة مئوية (درجة الحرارة العادية الموسمية). إذا كانت درجة الحرارة المحيطية أعلى من $+43^{\circ}$ أعلى من، يمكن أن ترتفع درجة الحرارة داخل الجهاز.
- قم بإعداد الجهاز بعيدًا عن أي مصدر حرارة أو نيران. ففي حالة وضعه في غرفة ساخنة، أو بالتعرض المباشر لأشعة الشمس، أو بالقرب من مصدر حرارة (سخانات، مواقد، أفران)، فسوف يزيد هذا من استهلاك الطاقة ويقصر عمر المنتج.
- يرجى مراجعة الحد الأدنى من المسافات التالية:
 - 100 سم من المواقد التي تعمل بالفحم أو الزيت؛
 - 150 سم من المواقد الغازية أو الكهربائية.
- تأكد من تدوير الهواء بحرية حول الجهاز، من خلال المحافظة على المسافات الموضحة في العنصر 2.
- ركب قطع مباعد الجدار المتوفر مع الجهاز على المكثف (في الجانب الخلفي). (العنصر 3).
- ضع الجهاز في مكان مستو وجاف وجيد التهوية.
- ركب الملحقات المرفقة مع الجهاز.

إيقاف التشغيل

يجب أن يكون إيقاف التشغيل ممكنًا عن طريق سحب القابس من المقبس أو عن طريق المفتاح الرئيسي ثنائي القطب يتم تركيبه قبل المقبس .

التشغيل

قبل تشغيل الجهاز، قم بتنظيفه من الداخل (راجع فصل "التنظيف").

بعد الانتهاء من هذه العملية يرجى توصيل الجهاز، وضبط مقبض الترموستات على وضع متوسط. يجب أن يكون الضوءين الأخضر والأحمر في مجموعة الإشارة مضاءين. اترك الجهاز قيد التشغيل لمدة ساعتين دون وضع الطعام بداخله .

يتاح تجميد الطعام الطازج بعد 20 ساعة من التشغيل بحد أدنى.

وصف الجهاز

(العنصر 1).

1. مقبض الباب
2. الباب
3. مبيت المصباح
4. السلات
5. الصينية
6. مبيت القفل
7. علب الترموستات
8. مباعد الجدار للاستخدام في النقل

تشغيل المجمد

ضبط درجة الحرارة

يتم ضبط درجة حرارة المجمد عن طريق المقبض الموجود على الترموستات (العنصر 4)، مع كون الوضع ("MAX" أقصى) أقل درجة حرارة .

قد تتنوع درجات الحرارة التي تم الوصول إليها وفقًا لظروف استخدام الجهاز، مثل: موضع الجهاز، درجة الحرارة المحيطة، تكرار فتح الباب، مدى الامتلاء بالأطعمة. يتغير موضع مقبض الترموستات وفقًا لهذه العوامل. في الأحوال العادية، درجة الحرارة المحيطة 32⁰ درجة مئوية تقريبًا، يتم ضبط مقبض الترموستات على وضع متوسط.

نظام الإشارة موجود على الجانب الأمامي من المجمد (العنصر 5). ويتضمن:

1. مقبض ضبط الترموستات - لضبط درجة الحرارة الداخلية .
2. ضوء LED الأخضر - يوضح إمداد الجهاز بالطاقة الكهربائية.
3. ضوء LED الأحمر - عطل - يضيء عندما تكون درجة الحرارة داخل المجمد عالية جدًا. يضيء مصباح LED بعد 15-45 دقيقة من تشغيل المجمد، ثم ينطفئ. في حالة إضاءة مصباح LED أثناء التشغيل، فهذا يعني حدوث أعطال .
4. الزر البرتقالي - تجميد سريع - عند الضغط عليه يضيء المصباح البرتقالي، موضحًا أن الجهاز في وضع "التجميد السريع". يتم الخروج من هذا الوضع بالضغط على هذا الزر مرة أخرى وانطفاء المصباح.
- تعطي مصابيح LED الثلاثة معلومات عن وضع تشغيل المجمد.

نصائح لحفظ الأطعمة

يستخدم المجمد بغرض حفظ الطعام المجمد لفترة طويلة، بالإضافة إلى تجميد الطعام الطازج .
التغليف هو أحد أهم العناصر لنجاح تجميد الطعام .
الشروط الرئيسية التي يجب أن يستوفيهما التغليف هي الآتي :أن يكون محكمًا، أن يكون ملتصقًا بالطعام المغلف، أن يقاوم درجات الحرارة المنخفضة، أن يكون ضد السوائل والشحوم وأبخرة الماء والروائح، أن يكون قابلاً للغسيل.
تتوافر هذه الشروط في الأنواع التالية من التغليف :غشاء البلاستيك أو الألومينيوم، أو عية البلاستيك والألومينيوم، زجاجات الكرتون المعالج بالشمع أو الزجاجات البلاستيكية.

هام !

- لتجميد الطعام الطازج يرجى استخدام السلالات المرفقة مع الجهاز.
-لا تقم تضع كميات كبيرة من الطعام في المجمد في نفس الوقت .
يتم الاحتفاظ بجودة الطعام بشكل أفضل عند تجميده بطريقة صحيحة بالكامل في أسرع وقت ممكن .لذا ينصح بعدم تجاوز قدرة التجميد للجهاز الموضحة في "ورقة بيانات الجهاز ." لتقليل وقت التجميد، اضغط على زر "التجميد السريع ."
-يجب ألا يلامس الطعام الطازج الطعام المجمد.
-يمكن وضع الطعام المجمد الذي قمت بشرائه في المجمد دون الحاجة إلى ضبط الترموستات .
-في حالة عدم ذكر تاريخ التجميد على الغلاف، يرجى الأخذ في الاعتبار مدة 3 أشهر كفترة عامة.
-الطعام الذي تم إذابته، ولو جزئياً، لا يمكن تجميده مرة أخرى، ويجب استهلاكه على الفور أو طهيه وتجميده مرة أخرى.
-لا يتم الاحتفاظ بالمشروبات الفوارة في المجمد.
-في حالة توقف الطاقة، لا تفتح الباب .وحتى إذا استمر توقف الطاقة لمدة 36 ساعة، فإن الطعام المجمد لن يتأثر.

لا تنسى !

بعد 24 ساعة بعد وضع الطعام في المجمد، يرجى إلغاء وضع "التجميد السريع" بالضغط على الزر 4 مرة أخرى، حتى ينطفئ المصباح البرتقالي.

إزالة الثلج عن الجهاز

- إننا ننصح بإزالة الثلج من المجمد مرتين سنويًا على الأقل عندما تكون طبقة الثلج سميكة جدًا .
- تراكم الثلج ظاهرة عادية .
- تعتمد كمية الثلج المتراكمة وتكرارها على الظروف المحيطة وعلى تكرار فتح الباب.
- إننا ننصح بإزالة الثلج عن المجمد عندما تكون كمية الطعام المجمد قليلة .
- قبل إزالة الثلج، اضبط مقبض الترموستات على أعلى وضع حتى يكون الطعام المخزن أكثر برودة .
-افصل الجهاز .
-أخرج الطعام المجمد، وغلفه في عدة طبقات من الورق وضعه في الثلاجة أو في مكان بارد.
خذ لوحة الفصل وضعها تحت المجمد في اتجاه أنبوب التقطير .
انزع القابض العائق .سيتم جمع الماء الناتج في الصينية الخاصة (لوحة الفصل .) بعد تذويب الثلج وتصريف الماء يرجى مسح الجهاز بقطعة قماش أو أسفنجية، ثم جففه جيدًا .ضع القابض العائق في مكانه مرة أخرى.(العنصر 6 .)
لتسريع الذوبان يرجى ترك الباب مفتوحًا.

لا تستخدم أية أشياء معدنية حادة لإزالة الثلج.

لا تستخدم مجففات الشعر أو أي أجهزة تسخين أخرى لإذابة الثلج.

النظافة الداخلية

دليل التعرف على الأعطال

- قبل بدء التنظيف، افصل الجهاز عن مصدر الطاقة الرئيسي.
- يمكنك تنظيف الجهاز عند إزالة الثلج.
- غسل الداخل مع الماء الدافئ حيث يمكنك إضافة بعض المنظفات المتعادلة. لا تستخدم الصابون، المنظفات، البنزين أو الأسيتون لأنها قد تترك رائحة قوية .
- امسح بقطعة أسفنجية مبللة وجفف بقطعة قماش ناعمة .
- أثناء هذه العملية تجنب الماء الزائد لتجنب دخوله في العازل الحراري للجهاز، مما قد يتسبب في روائح كريهة.
- لا تنسى تنظيف حشية الباب وبخاصة الدعامة السفلية بقطعة قماش نظيفة .

النظافة الخارجية

- نظف المجمد من الخارج بأسفنجة مغمورة في الماء الدافئ والصابون، وامسح بقطعة قماش ناعمة وجففه.
- يتم تنظيف الجزء الخارجي من دائرة التبريد (محرك الضاغط، المكثف، أنابيب التصحيح) بفرشاة ناعمة أو بمكنسة كهربائية .
- أثناء هذه العملية، يرجى الانتباه إلى عدم تغيير مسار الأنابيب أو فصل الكبلات .
- لا تستخدم المواد الكاشطة أو المطهرة!
- بعد الانتهاء من التنظيف، أعد تركيب الملحقات في أماكنها وقم بتوصيل الجهاز.

استبدال مصباح الإضاءة الداخلي

- في حالة انفجار المصباح، يرجى فصل الجهاز عن مصدر الطاقة الرئيسي .انزع غطاء المصباح .تأكد من تثبيت المصباح بشكل صحيح .قم بتوصيل الجهاز مرة أخرى . إذا كان المصباح لا يزال لا يعمل، فاستبدله بأخر من طراز E14-15 واط .ركب غطاء المصباح في مكانه مرة أخرى.
- الجهاز هذا في المستخدمة (المصابيح) المصباح المنزلية الغرف في للإضاءة مناسبة غير المستخدم مساعدة هو المصباح لهذا الأساسي الغرض وأمنة سهلة بطريقة المجدد/الثلاجة في الطعام أدوات لوضع تتمثل تحمل قدرة لها الجهاز هذا في المستخدمة المصابيح مئوية درجة 20- من أقل الحرارة درجات في

الجهاز لا يعمل.

- انقطاع التيار الكهربائي.
- قابس الإمداد بالطاقة غير مثبت في المقبس على نحو صحيح.
- انفجر المصهر.
- الثرموستات في الوضع ("OFF" إيقاف).

درجات الحرارة غير منخفضة بالدرجة الكافية (ضوء LED الأحمر مضاء).

- الطعام يمنع إغلاق الباب.
- الجهاز ليس في الوضع الصحيح.
- الجهاز في موضع قريب جدًا من مصدر حرارة.
- مقبض الثرموستات ليس في الوضع الصحيح.
- تراكم الثلج بكمية زائدة
- لا يمكن غلق الباب بصورة صحيحة.
- الإضاءة الداخلية لا تعمل
- انفجر المصباح .افصل الجهاز من المصدر الرئيسي للطاقة، وانزع المصباح واستبدله بمصباح آخر جديد .

ما يلي ليس عيبًا

- الانحناءات والشقوق الممكنة من المنتج :تدوير سائل التبريد في النظام.

الأصوات أثناء التشغيل

للحفاظ على درجة الحرارة عند القيمة التي قمت بضبطها، فإن الضاغط يعمل من حين لآخر.

والأصوات التي يمكن سماعها في هذه الحالة عادية. وتقل بمجرد وصول الجهاز إلى درجة حرارة التشغيل.

صوت الطنين الذي يحدثه الضاغط .يمكن أن يكون أقوى قليلاً عندما يبدأ الضاغط بالعمل
صوات البقبة والقرقرة الناشئة عن تدوير سائل التبريد في أنابيب الجهاز، هي أصوات تشغيل عادية .

تحذير!

لا تحاول إصلاح الجهاز أو مكوناته الكهربائية بنفسك . أي إصلاح يقوم به شخص غير معتمد يكون خطرًا على المستخدم كما أنه يتسبب في إلغاء الضمان .



الرمز الموجود على المنتج أو العبوة يدل على أن هذا المنتج لا يمكن التعامل معه على أنه مخلفات منزلية .وبدلاً من ذلك يجب تسليمه إلى نقطة التجميع لإعادة تدوير المعدات الكهربائية والإلكترونية .ومن خلال التأكد من التخلص من هذا المنتج بشكل سليم، ستساعد على منع الآثار السلبية المحتملة للبيئة والصحة الإنسانية والتي قد تنتج بسبب التعامل غير السليم مع المنتج . للحصول على مزيد من المعلومات حول إعادة تدوير هذا المنتج، يرجى الاتصال ببلدية المدينة المحلية، وخدمة التخلص من المخلفات المنزلية أو المحل الذي اشترت منه هذا المنتج.

