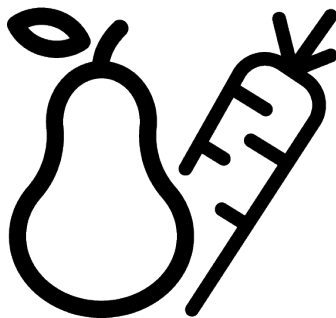


beko

Refrigerator / User Manual
Réfrigérateur / Manuel d'utilisation
Kühlschrank / Bedienungsanleitung



KG510

58 7819 0000/ EN/ FR/ DE/ AB_1/2/ 02.12.2022 11:45
7282944902



Please read this manual first!

Dear Customer

Please read this manual before using the product.

Thank you for choosing this Beko product. We would like you to achieve the optimal efficiency from this high quality product which has been manufactured with state of the art technology. To do this, carefully read this manual and any other documentation provided before using the product and keep it as a reference.

Heed all information and warnings in the user manual. This way, you will protect yourself and your product against the dangers that may occur.

Keep the user manual. Include this manual with the unit if you hand it over to someone else.

The following symbols are used in the user manual:



Hazard that may result in death or injury.



Important information or useful tips on operation.



Read the user manual.



Combustible material, warning against fire hazard.

NOTICE A hazard that may cause material damage to the product or its surroundings



SUPPLIER'S NAME

MODEL IDENTIFIER → (*)



The model information as stored in the product data base can be reached by entering following website and searching for your model identifier (*) found on energy label.

<https://eprel.ec.europa.eu/>

1	Safety Instructions.....	4
1.1	Intention of Use	4
1.2	Safety of Children, Vulnerable Persons and Pets	4
1.3	Electrical Safety.....	5
1.4	Handling Safety	6
1.5	Installation Safety.....	6
1.6	Operational Safety.....	8
1.7	Food Storage Safety.....	10
1.8	Maintenance and Cleaning Safety	10
2	Environmental Instructions.....	11
2.1	Compliance with the WEEE Dir- ective and Disposing of the Waste Product	11
3	Your Refrigerator	12
4	Installation	12
4.1	Right Place For Installation.....	12
4.2	Electrical Connection	13
4.3	Attaching the Plastic Wedges	13
4.4	Adjusting the Legs.....	14
4.5	Hot Surface Warning.....	14
5	Preparation.....	14
5.1	What to Do for Energy Saving.....	14
5.2	First Use	15
5.3	Climate Class and Definitions	15
6	Operating the Product.....	15
7	Use of Your Appliance.....	16
7.1	Control Panel of the Product	16
7.2	Storing Food in the Cooler Com- partment.....	17
7.3	Crisper	19
7.4	Dairy Products Cold Storage Area	20
7.5	Reversing the Door Opening Side.	20
7.6	Door Open Alert	20
7.7	Replacing the Illumination Lamp..	20
7.8	AeroFlow	20
7.9	Using the Water Dispenser	20
8	Maintenance and Cleaning	23
9	Troubleshooting	24

1 Safety Instructions

- This section includes the safety instructions necessary to prevent the risk of personal injury or material damage.
- Our company shall not be held responsible for damages that may occur if these instructions are not observed.



Always have installation and repair operations performed by manufacturer, authorized service or a person who will be described by importer company.



Use original spare parts and accessories only.



Do not repair or replace any component of the product unless it is clearly specified in the user manual.



Do not perform any modifications on the product.

1.1 Intention of Use

- This product is not suitable for commercial use and should not be used for a purpose other than its intended use.
- This product is intended for operating interiors, such as households or similar.

For example;

In the staff kitchens of the stores, offices and other working environments,

In farm houses,

In the units of hotels, motels or other resting facilities that are used by the customers,

In hostels, or similar environments,

In catering services and similar non-retail applications.

- This product shall not be used in open or enclosed external environments such as vessels, camper vans, balconies or terraces. Exposing the product to rain, snow, sunlight and wind may cause risk of fire.

1.2 Safety of Children, Vulnerable Persons and Pets



- This product may be used by children aged 8 years and older and persons with underdeveloped physical, sensory or mental capabilities or lack of experience and knowledge if they are being supervised or have been given instruction concerning use of the appliance in a safe way and the hazards involved.

- Children between 3 and 8 years are allowed to put and take out food into/from the cooler product.
- Electrical products are dangerous for children and pets. Children and pets must not play with, climb on, or enter the product.
- Cleaning and user maintenance should not be performed by children unless there is someone overseeing them.
- Keep the packaging materials away from children. Risk of injury and suffocation.

Before disposing of old products that shall not be used any more:

1. Unplug the power cord from the mains socket.
 2. Cut the power cable and remove it from the appliance together with the plug.
 3. Do not remove the racks and drawers from the product to prevent children from getting inside the appliance.
 4. Remove the doors.
 5. Store the product so that it shall not be tipped over.
 6. Do not allow children to play with the scrapped product.
- Do not dispose of the product by throwing it into fire. Risk of explosion.

- If there is a lock available on the product's door, keep the key out of children's reach.

1.3 Electrical Safety

- The product shall not be plugged into the outlet during installation, maintenance, cleaning, repair, and transportation operations.
- If the power cable is damaged, it shall only be replaced by authorized service to avoid any risks that may occur.
- Do not tuck the power cable under the product or to the rear of the product. Do not put heavy items on the power cable. The power cable should not be bent, crushed, and come into contact with any heat source.
- Do not use an extension cord, multi-plug or adaptor to operate your product.
- Portable multi-plugs or portable power supplies may overheat and cause fire. Thus, do not have a multi-plug, portable power sources behind or in the vicinity of the product.
- Do not plug the product's power cord in a loose or damaged power outlet. These types of connections may overheat and cause fire.

- The plug shall be easily accessible. If this is not possible, a mechanism that meets the electrical legislation and that disconnects all terminals from the mains (fuse, switch, main switch, etc.) shall be available on the electrical installation.
- Do not touch the plug with wet hands.
- When unplugging the appliance, don't hold the power cord, but the plug.

1.4 Handling Safety

- This product is heavy, do not handle it by yourself.
- Do not hold the product from its door while handling the product.
- Be careful not to damage the cooling system and the pipes while handling the product. Do not operate the product if the pipes are damaged, and contact an authorized service.

1.5 Installation Safety

- Contact the Authorized Service for the product's installation. To prepare the product for use, see the information in the user manual and make sure the electric and water utilities are as required. If not, call a qualified electrician and plumber to

arrange the utilities as necessary. Failure to do so may result in electric shock, fire, problems with the product, or injury.

- Check for any damage on the product before installing it. Do not have the product installed if it is damaged.
- Place the product on a clean, level and hard surface and balance it with the adjustable legs. Otherwise, the refrigerator may tip over and cause injuries.
- The product shall be installed in a dry and ventilated environment. Do not keep carpets, rugs or similar covers under the product. This may cause risk of fire as a result of inadequate ventilation!
- Do not block or cover ventilation holes. Otherwise, power consumption increases and your product may be damaged.
- The product must not be connected to supply systems such as solar power supply. Otherwise, your product may be damaged due to sudden voltage changes!
- When positioning the appliance, ensure the supply cord is not trapped or damaged.

- The more refrigerant a refrigerator contains, the bigger its installation room should be. In very small rooms, a flammable gas-air mixture may occur in case of a gas leak in the cooling system. At least 1 m³ of volume is required for each 8 grams of refrigerant. The amount of the refrigerant available in your product is specified in the Type Label.
- The installation place of the product shall not be exposed to direct sunlight and it shall not be in the vicinity of a heat source such as stoves, radiators, etc. If you cannot prevent installation of the product in the vicinity of a heat source, use a suitable insulation plate and make sure the minimum distance to the heat source is as specified below:
 - At least 30 cm away from heat sources such as stoves, ovens, heating units and heaters, etc.,
 - And at least 5 cm away from electrical ovens.
- Your product has the protection class of I.
- Plug the product in a grounded socket that conforms with the Voltage, Current and Frequency values specified in the type label. The socket must have a 10A – 16A fuse. Our firm will not assume responsibility for any damages due to usage without earthing and without power connection in compliance with local and national regulations.
- The product's power cable must be unplugged during installation. Otherwise, risk of electric shock and injury may occur!
- Do not plug the product's power cord in loose, dislocated, broken, dirty, oily power outlets which have a risk of water contact. These types of connections may cause overheating and fire.
- Place the power cable and hoses (if any) of the product so that they shall not cause a risk of tripping over.
- Penetration of humidity and liquid to live parts or to the power cord may cause short circuit. Thus, do not use the product in humid environments or in areas where water may splash (e.g. garage, laundry room, etc.) If the refrigerator is wet by water, unplug it and contact an authorized service.

- Do not ever connect your refrigerator to power saving devices. These systems are harmful for the product

1.6 Operational Safety

- Do not ever use chemical solvents on the product. These materials contain an explosion risk.
- In case of a failure of the product, unplug it and do not operate until it is repaired by the authorized service. There is a risk of electric shock!
- Do not place a source of flame (e.g. candles, cigarettes, etc.) on the product or in the vicinity of it.
- Do not get on the product. Risk of falling and injury!
- Do not cause damage to the pipes of the cooling system using sharp and piercing tools. The refrigerant that sprays out in case of puncturing the gas pipes, pipe extensions or upper surface coatings may cause irritation of skin and injury to the eyes.
- Do not place and operate electrical appliances inside the refrigerator/freezer unless it is advised by the manufacturer.
- Do not jam any parts of your hands or your body to the moving parts inside the product. Be careful to prevent jamming of your fingers between the refrigerator and its door. Be careful while opening or closing the door if there are children around.
- Do not put ice cream, ice cubes or frozen food to your mouth as soon as you take them out of the freezer. Risk of frostbite!
- Do not touch the inner walls, metal parts of the freezer or food kept inside the freezer with wet hands. Risk of frostbite!
- Do not place soda cans or cans and bottles that contain fluids that may be frozen to the freezer compartment. Cans or bottles may explode. Risk of injury and material damage!
- Do not use or place materials sensitive against temperature such as flammable sprays, flammable objects, dry ice or other chemical agents in the vicinity of the refrigerator. Risk of fire and explosion!
- Do not store explosive materials such as aerosol cans with flammable materials inside the product.

- Do not place cans containing fluids over the product an open state. Splashing of water on an electrical part may cause the risk of an electric shock or a fire.
- This product is not intended for storage and cooling of medicines, blood plasma, laboratory preparations or similar materials and products that are subject to the Medical Products Directive.
- If the product is used against its intended purpose, it may cause damage to or deterioration of the products kept inside.
- If your refrigerator is equipped with blue light, do not look at this light with optical devices. Do not stare directly at UV LED light for a long time. Ultraviolet rays may cause eye strain.
- Do not fill the product with more food than its capacity. Injuries or damages may occur if the contents of the refrigerator fall when the door is opened. Similar problems may also occur when an object is placed over the product.
- Ensure that you have removed any ice or water that may have fallen to the floor to prevent injuries.
- Change the locations of the racks/bottle racks on the door of your refrigerator only when the racks are empty. Danger of injury!
- Do not place objects that may fall/tip over on the product. These objects may fall while opening or closing the door and cause injuries and/or material damages.
- Do not hit or exert excessive pressure on glass surfaces. Broken glass may cause injuries and/or material damages.
- The cooling system in your product contains R600a refrigerant. The refrigerant type used in the product is specified in the type label. This gas is flammable. Therefore, be careful not to damage the cooling system and the pipes while operating the product. In case of damage to the pipes;
 1. Do not touch the product or the power cable.
 2. Keep the product away from potential sources of fire that may cause the product to catch fire.
 3. Ventilate the area where the product is placed. Do not use a fan.
 4. Contact Authorized Service.

5. If the product is damaged and you observe gas leak, please stay away from the gas. Gas may cause frostbite if it contacts your skin.

1.7 Food Storage Safety

Please pay attention to the following warnings to avoid food spoilage:

- Leaving the doors open for a long time may cause the temperature inside the product to rise.
- Regularly clean the accessible drainage systems in contact with food.
- Clean the water tanks that have not been used for 48 hours and mains-fed water systems that have not been used for more than 5 days.
- Store raw meat and fish products in appropriate compartments within the product. Thus, it does not drip on or come into contact with other foods.
- Two-star freezer compartments are used for storing pre-filled foods, making and storing ice and ice cream.
- One, two and three-star compartments are not appropriate for freezing fresh food.

- If the cooling product has been left empty for a long time, turn off the product, defrost, clean, and dry the product in order to protect the housing of the product.

1.8 Maintenance and Cleaning Safety

- Unplug the refrigerator before cleaning it or starting to perform maintenance.
- Do not pull by the door handle if you shall move the product for cleaning purposes. Handle may cause injuries if it is pulled too hard.
- Do not put your hands etc. under the refrigerator. Jamming may occur or any sharp edge may cause personal injuries.
- Do not clean the product by spraying or pouring water on the product and inside the product. Risk of electric shock and fire.
- When cleaning the product, do not use sharp and abrasive tools or household cleaning agents, detergent, gas, gasoline, thinner, alcohol, varnish, and similar substances. Use only cleaning and maintenance agents that are not harmful for food inside the product.

- Do not ever use steam or steamed cleaning materials for cleaning the product and thawing the ice inside it. Steam contacts the live areas in your refrigerator and causes short circuit or electric shock.
- Do not use any mechanical tools or any other tools than the recommendations of the manufacturer to speed up the defrost operation.
- Take care to keep water away from the ventilation holes, electronic circuits or lighting of the product.
- Use a clean, dry cloth to wipe the dust or foreign material on the tips of the plugs. Do not use a wet or damp piece of cloth to clean the plug. Otherwise, risk of fire or electric shock may occur.

2 Environmental Instructions

2.1 Compliance with the WEEE Directive and Disposing of the Waste Product



This product complies with EU WEEE Directive (2012/19/EU). This product bears a classification symbol for waste electrical and electronic equipment (WEEE).

This symbol indicates that this product shall not be disposed with other household wastes at the end of its service life. Used device must be returned to official collection point for recycling of electrical and electronic devices. To find these collection systems please contact to your local authorities or retailer where the product was purchased. Each household performs important role in recovering and recycling of old appliance. Appropriate disposal of used

appliance helps prevent potential negative consequences for the environment and human health.

Compliance with RoHS Directive

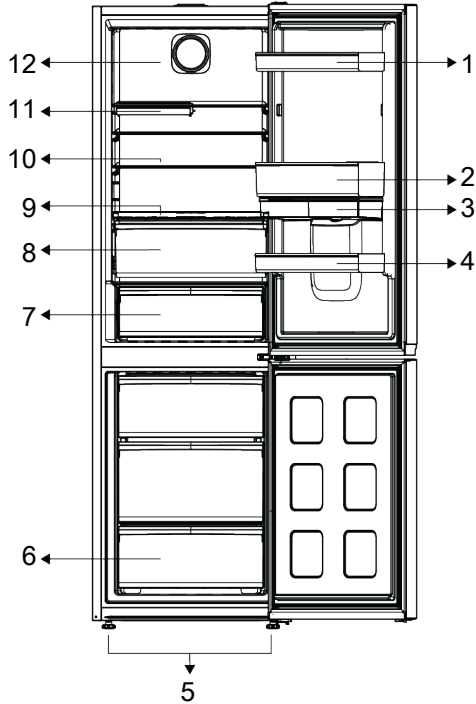
The product you have purchased complies with EU RoHS Directive (2011/65/EU). It does not contain harmful and prohibited materials specified in the Directive.



Package information

Packaging materials of the product are manufactured from recyclable materials in accordance with our National Environment Regulations. Do not dispose of the packaging materials together with the domestic or other wastes. Take them to the packaging material collection points designated by the local authorities.

3 Your Refrigerator



- | | |
|----------------------------|-------------------------|
| 1 * Adjustable Door Shelf | 2 Egg holder |
| 3 * Water dispenser | 4 Bottle Shelf |
| 5 Adjustable Legs | 6 * Freezer Compartment |
| 7 * Cold Storage Drawer | 8 * Crisper |
| 9 * VitaminZone | 10 Adjustable Shelves |
| 11 * Foldable Bottle Shelf | 12 Fan |

***Optional:** Figures in this user manual are schematic and may not exactly match your product. If your product does not comprise the relevant parts, the information pertains to other models.

4 Installation





Read the "Safety Instructions" section first!


4.1 Right Place For Installation

Contact the Authorized Service for the product's installation. To prepare the product for installation, see the information

in the user manual and make sure the electric and water utilities are as required. If not, call an electrician and plumber to arrange the utilities as necessary.


WARNING:
 The manufacturer assumes no responsibility for any damages caused by the work carried out by unauthorized persons.

WARNING:
 The product's power cable must be unplugged during installation. Failure to do so may result in death or serious injuries!


WARNING:
 If the door span is too narrow for the product to pass, remove the door and turn the product sideways; if this does not work, contact the authorized service.

- Place the product on a flat surface to avoid vibration.
- Place the product at least 30 cm away from the heater, stove and similar sources of heat and at least 5 cm away from electric ovens.
- Do not expose the product to direct sunlight or keep it in damp environments.
- Your product requires adequate air circulation to function efficiently. If the product will be placed in an alcove, remember to leave at least 5 cm clearance between the product and the ceiling, rear wall and the side walls.
- Check if the rear wall clearance protection component is present at its location (if provided with the product).
- If the component is not available, or if it is lost or fallen, position the product so that at least 5 cm clearance shall be left between the rear surface of the product and the wall of the room. The clearance at the rear is important for efficient operation of the product.

4.2 Electrical Connection

 Do not use extension or multi sockets in power connection.

 Damaged power cable must be replaced by Authorized Service.

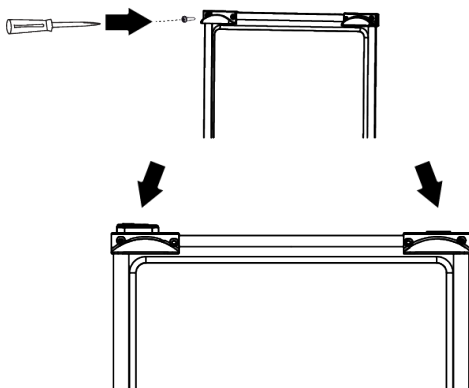
 When placing two coolers in adjacent position, leave at least 4 cm distance between the two units.

- Our firm will not assume responsibility for any damages due to usage without earthing and power connection in compliance with national regulations.
- The power cable plug must be easily accessible after installation.
- Do not use multi-group plug with or without extension cable between the wall socket and the refrigerator.

4.3 Attaching the Plastic Wedges

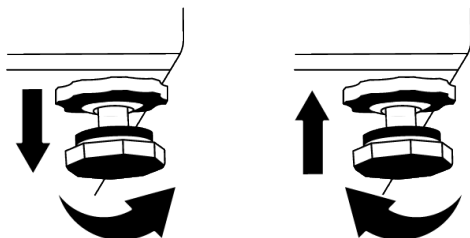
Use the plastic wedges provided with the product to maintain sufficient space for air circulation between the product and the wall.

1. To attach the wedges, remove the screws on the product and use the screws provided with the wedges.
2. Attach 2 plastic wedges on the ventilation cover as shown in the figure.



4.4 Adjusting the Legs

If the product is not in balanced position, adjust the front adjustable legs by rotating them to right or left.



4.5 Hot Surface Warning

The side walls of your product are equipped with cooler pipes to enhance the cooling system. High pressure fluid may flow through these surfaces, and cause hot surfaces on the side walls. This is normal and it does not require servicing. Be careful when you contact these areas.

5 Preparation



Read the "Safety Instructions" section first!

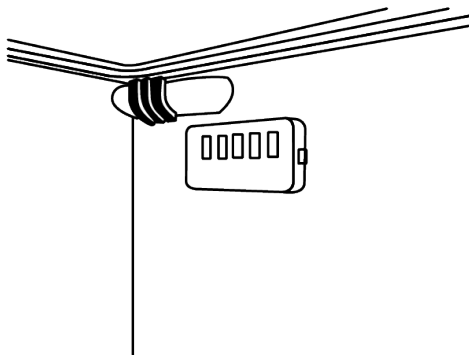
5.1 What to Do for Energy Saving



Connecting the product to electronic energy-saving systems is harmful, as it may damage the product.

- This refrigerating appliance is not intended to be used as a built in appliance.
- Do not keep the refrigerator doors open for long periods.
- Do not place hot food or beverages into the refrigerator.
- Do not overfill the refrigerator; blocking the internal air flow will reduce cooling capacity.
- In order to load the maximum quantity of food into the freezer compartment of your refrigerator, the upper drawers should be taken out and the food should be placed onto the wire/glass shelves. Net volume and energy consumption information declared in the energy label of your refrigerator was tested by taking out the upper drawers in the cooler department and the ice bucket, which is easily removable by hand.
- Using the below drawer when storing is strongly recommended.

- Depending on the product's features; defrosting frozen foods in the cooler compartment will ensure energy saving and preserve food quality.
- Make sure the foods are not in contact with the cooler compartment temperature sensor described below.



- If they are in contact with the sensor, energy consumption of the appliance might increase
- Food shall be stored using the drawers in the cooler compartment in order to ensure energy saving and protect food in better conditions.
- Food packages shall not be in direct contact with the temperature sensor located in the freezer compartment.

5.2 First Use

Before using your refrigerator, make sure the necessary preparations are made in line with the instructions in "Safety and Environmental Instructions" and "Installation" sections.

- Keep the product running without placing any food inside for 6 hours and do not open the door, unless absolutely necessary.
- The temperature change caused by opening and closing of the door while using the product may normally lead to condensation on door/body shelves and glassware placed in the product.



A sound will be heard when the compressor is engaged. It is normal for the product to make noise even if the compressor is not running, as fluid and gas may be compressed in the cooling system.



It is normal for the front edges of the refrigerator to be warm. These areas are designed to warm up in order to prevent condensation.



For some models, indicator panel turns off automatically 1 minute after the door closes. It will be re-activated when the door is opened or any button is pressed.

5.3 Climate Class and Definitions

Please refer to the Climate Class on the rating plate of your device. One of the following information is applicable to your device according to the Climate Class.

- **SN:** Long Term Temperate Climate: This cooling device is designed for use at ambient temperatures between 10 °C and 32 °C.
- **N:** Temperate Climate: This cooling device is designed for use at ambient temperatures between 16°C and 32 °C.
- **ST:** Subtropical Climate: This cooling device is designed for use at ambient temperatures between 16°C and 38°C.
- **T:** Tropical Climate: This cooling device is designed for use at ambient temperatures between 16°C and 43°C.

6 Operating the Product



Read the "Safety Instructions" section first!

- Do not use any mechanical tools or any other tools than the recommendations of the manufacturer to speed up the defrost operation.
- Do not use parts of your refrigerator such as the door or drawers as a support or a step. This may cause the product to trip over or its components to be damaged.
- The product shall be used for storing food only.

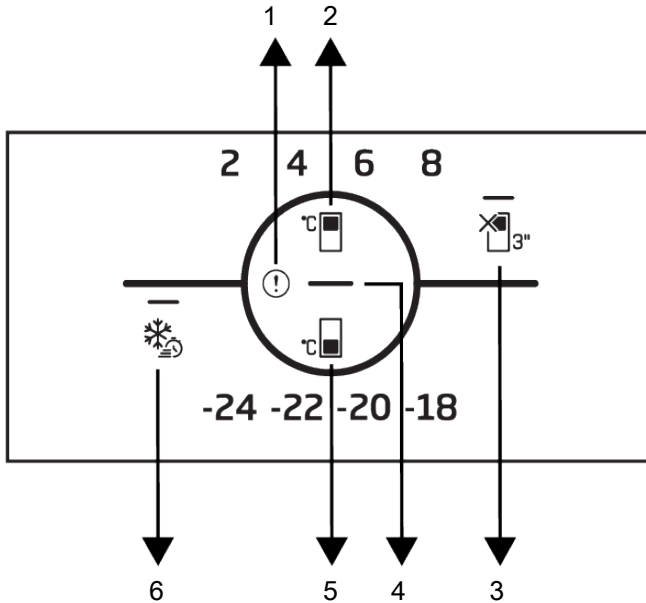
- Turn off the water valve if you will be away from home (e.g. at vacation) and you will not be using the Icematic or the water dispenser for a long period of time. Otherwise, water leaks may occur.

Unplugging the Product

- If you are not going to use the product for a long time, unplug the product from the socket.
- Remove the food to prevent odours,
- Wait for the ice to melt, clean the interior and let it dry, leave the doors open to avoid damaging the inner body plastics.

7 Use of Your Appliance

7.1 Control Panel of the Product



- | | |
|--|--|
| 1 Error Status Indicator | 2 Cooler Compartment Temperature Setting Key |
| 3 * Cooler Compartment OFF (Vacation) Function | 4 Energy Saving (Display Off) Indicator |
| 5 Freezer Compartment Temperature Setting Key | 6 Quick Freezing Key |



Read the "Safety Instructions" section first.

Auditory and visual functions on the indicator panel will assist you in using the refrigerator.

***Optional:** Shown functions are optional, there may be differences of shape and location in functions found on your appliance's indicator panel.

1. Error Condition Indicator

This indicator shall be active when your refrigerator cannot perform adequate cooling or in case of any sensor error. Exclamation

mark may be displayed when you load warm food to the freezer compartment or keep the door open for a long period of time. This is not a fault, this warning shall be removed when the food is cooled down or when any key is pressed.

2. Cooler Compartment Temperature Setting Key

Allows setting of temperature for cooler compartment. Pressing the key will enable the cooler compartment temperature to be set at 8 °C, 6 °C, 4 °C, and 2 °C.

3. Cooler Compartment Off (Vacation)

Function Key

Press the key for 3 seconds to activate the vacation function. Vacation mode is activated and the LED on the vacation symbol is illuminated. The cooler compartment does not perform active cooling function. You should not keep your food in the cooler compartment if you activate this function. The other compartments continue to cool according to temperatures set before. Press the key for 3 seconds again to cancel this function.

4. Energy Saving (Display Off) Indicator

When the doors are not opened and closed for an extended period of time, the energy saving mode is automatically enabled and the energy saving icon lights up. When the energy saving function is enabled, all icons other than the energy saving icon disappear on the screen. When the energy saving function is active, pressing any key or opening the door will deactivate the energy sav-

ing function and the display signals will return to normal. The energy-saving function is a function activated ex-factory and cannot be cancelled.

5. Freezer Compartment Temperature

Setting Key

Temperature setting is made for freezer compartment. Pressing the key will enable the freezer compartment temperature to be set at -18 °C, -20 °C, -22 °C, and -24 °C values.

6. Quick Freezing Key

When the quick freeze key is pressed, the LED on the quick freeze key is illuminated and the quick freeze function shall be activated. The freezer compartment temperature is set to -27 °C. Press the key again to cancel the function. The quick freezing function shall be automatically cancelled after a specified period. To freeze a large amount of fresh food, press the quick freezing key before placing the food in the freezer compartment.

7.2 Storing Food in the Cooler Compartment

Storing Food in the Cooler Compartment

- Compartment temperatures rise prominently if compartment door is opened and closed frequently and kept open for a long time, this can reduce the life span of the food and cause the food to spoil.
- In order not to cause odour and taste changes, the food should be stored in the closed containers.
- Do not store too much food in your refrigerator. To achieve a better and homogeneous cooling, place the food separately in a way that cold air can wander through them.
- Provide air flow by leaving a space between the food and internal wall. If you lean the food against the rear wall, the food may freeze.
- Bring cooked hot meals to the room temperature before placing them in the refrigerator. Then, you can place the tepid meal in the lower shelves of your refrigerator. Do not place the tepid meals close to the foods which may easily spoil.
- Defrost your frozen food in the fresh food compartment. Thereby, you can cool fresh food compartment by using frozen food and save energy.
- Storing unripe tropical fruits (mango, melon varieties, papaya, banana, pineapple) in the refrigerator may speed up the ripening process. This is not recommended because it will cause shorter storage time.
- You should store onions, garlics, gingers and other root vegetables in dark and cold room conditions, not in the refrigerator.
- If you notice that a food has spoiled in the refrigerator, throw away that food and clean the accessories which have come into contact with it.

- In order to cool the meals like soups and stews, which are cooked in the large pots, quickly, you can put them in the refrigerator by separating them into their own shallow containers.
- Do not place unpackaged food close to eggs.
- Keep the fruits and vegetables separately and store each variety together (for example; apples with apples, carrots with carrots)
- Take green vegetables out of the plastic bag and place them in the refrigerator after wrapping them in a paper towel or

drying cloth. If you wash this type of food before placing them in the refrigerator, remember to dry them.

- You can both create a damp environment and provide an air flow by keeping fruits and vegetables, which are prone to drying, in the perforated or unsealed plastic bags.
- Except the cases where extreme circumstances are available in the environment, if your product (on the recommended set values table) is set to the specified set values, the food keep their freshness for a longer time both in the fresh product compartment and freezer compartment.

Store Foods In The Different Places According To Their Properties:	
Food	Location
Egg	Door Shelf
Dairy products (butter, cheese)	If available, zero degree (for breakfast food) compartment
Fruits, vegetables and greenery	Fruit-vegetable compartment, crisper or EverFresh+ compartment (if available)
Fresh meat, poultry, fish, sausage etc. Cooked foods	If available, zero degree (for breakfast food) compartment
Ready to serve foods, packaged products, canned foods and pickles	Top shelves or door shelf
Beverages, bottles, spices and snacks	Door Shelf

Storing Food In The Freezer Compartment

- You can activate Quick Freezing function 4-6 hours before freezing function and perform a faster cooling.
- Bring hot meals to the room temperature before placing them in the freezer compartment.
- Foods to be frozen must be divided into portions according to a size to be consumed, and frozen in separate packages.
- It is recommended to pack the foods before placing them in the freezer.
- In order to prevent expiration of storage time, write the freezing date, time and name of the product on the package according to the storage times of different foods.

- Consume the foods you have defrosted quickly. Defrosted foods cannot be frozen again unless they are cooked. It is not safe to consume the refrozen fresh foods without cooking after they are defrosted.
- As you freeze fresh foods, do not bring them in contact with already frozen foods. Otherwise, frozen foods will be defrosted.

Storing The Foods, Which Are Sold Frozen

- Always follow the instructions of the producer in relation to the time during which you are required to store your foods. Do not exceed the time specified in these instructions!

- In order to protect the quality of the food, keep the time interval between purchasing transaction and storing as short as possible.
- Buy frozen food which are stored at -18°C or lower temperatures.
- Avoid buying foods whose packages are covered with ice etc. This means that the product could be partially defrosted and refrozen. Temperature impacts the quality of the food.
- Do not exceed the storing time recommended by the food producer. Remove only the food as much as you need from the freezer.
- Except the cases where extreme circumstances are available in the environment, if your product (on the recommended set values table) is set to the specified set values, the food keep their freshness for a longer time both in the fresh product compartment and freezer compartment.
- If fresh food compartment is set to a lower temperature, fresh fruits and vegetables may be partially frozen.

Freezer Details

As per the IEC 62552 standards, the freezer must have the capacity to freeze 4.5 kg of food items at -18°C or lower temperatures at 25°C room temperature in 24 hours for each 100 litres of freezer compartment volume.

Food products can only be preserved for extended periods at or below temperature of -18°C .

You can keep the foods fresh for months (in freezer at or below temperatures of -18°C).

The food products to be frozen must not contact the already-frozen food inside to avoid partial defrosting.

Boil the vegetables and filter the water to extend the frozen storage time. Place the food in air-tight packages after filtering and place in the freezer. Bananas, tomatoes, lettuce, celery, boiled eggs, potatoes and similar food items should not be frozen. In case these foods are frozen, only nutri-

tional values and eating qualities will be negatively affected. A rotting that would threaten human health is not in question.

Placing The Food

Freezer compartment shelves: Different frozen foods like meat, fish, ice cream, vegetables etc.

Cooler compartment shelves: Food items inside pots, capped plate and capped cases, eggs (in closed case)

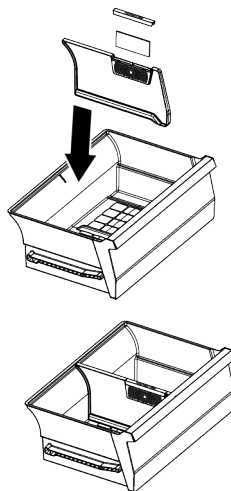
Cooler compartment door shelves: Small and packaged food or beverages

Crisper: Vegetables and fruits

Fresh food compartment: Delicatessen (breakfast food, meat products to be consumed in short time)

7.3 Crisper

The refrigerator's crisper is designed to keep vegetables fresh by preserving their humidity. For this purpose, the overall cold air circulation is intensified in the crisper. Keep fruits and vegetables in this compartment. Keep the green-leaved vegetables and fruits separately to prolong their life.



7.4 Dairy Products Cold Storage Area

Cold Storage Drawer

The Cold Storage Drawer can reach lower temperatures in the cooler compartment. Use this drawer for delicatessen products (salami, sausage, etc.) and dairy products that require colder storage conditions, or for meat, chicken or fish to be consumed quickly. It is not suitable to store fruits and vegetables in this drawer.

7.5 Reversing the Door Opening Side

The door opening side of your refrigerator can be reversed according to the place you put it. When you need this, you should definitely call the nearest Authorized Service.

7.6 Door Open Alert

An audible alert will be heard if the product's door remains open for 1 minute. The audible alert will stop when you close the cabinet door or press any button on the display (if available).

7.7 Replacing the Illumination Lamp

Call the Authorized Service when the Bulb/LED used for lighting in your refrigerator will be replaced.


Lamp(s) used in this appliance cannot be used for house lighting. Intended use of this lamp is to help the user place food into the refrigerator / freezer safely and comfortably.


7.8 AeroFlow

It is an air distribution system that provides homogeneous temperature distribution. With the air circulation, the homogeneous temperature distribution is ensured in the fresh food storage compartment, and the temperature fluctuations are kept at low levels. No direct air blowing over the food is realized and this helps to reduce moisture loss. It preserves the freshness of the food

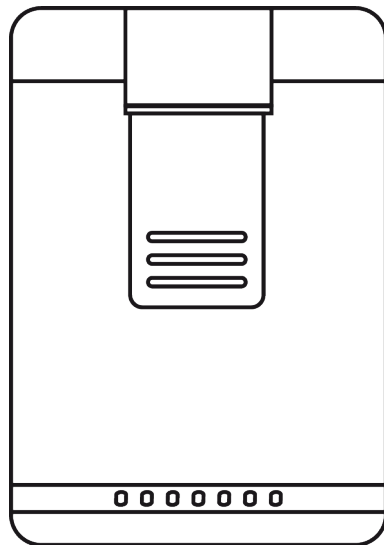
stored in the fresh food compartment of the refrigerator. In this way, your food is stored at more stable temperatures and the contact with air is reduced. The drying and shrinking of foods by losing moisture is prevented and freshness is provided for a longer time.

7.9 Using the Water Dispenser

 The first few glasses of water taken from the fountain will normally be warm.

 If you have not used the water dispenser for a long time, dispose of the first few glasses of water to get clean water.

1. Press on the arm of the water dispenser with your glass. It would be easier to press on the arm with your hand if you are using a soft plastic glass.
2. Release the arm after filling your glass with water as you desire.

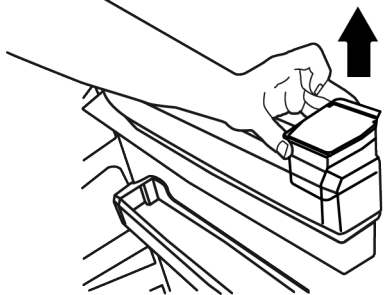
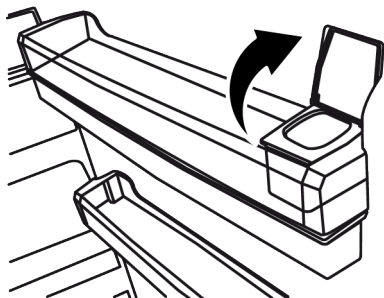
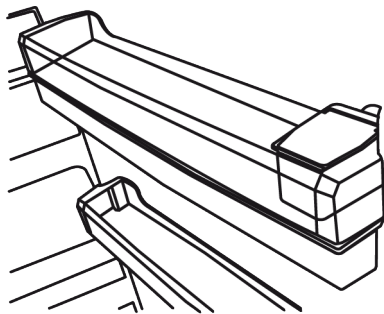
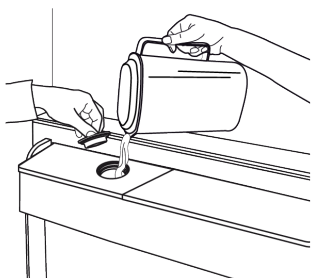




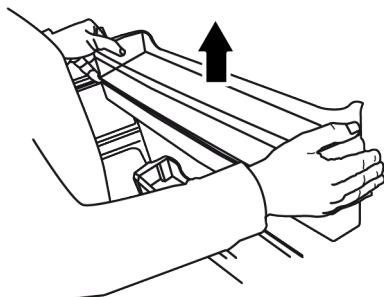
The amount of water flow from the fountain depends on the pressure you apply on the arm. Release the pressure on the arm slightly as the water level in your glass/container is increased to prevent overflow. Water shall drip if you press the arm slightly; this is normal and it is not a malfunction.

Filling the water tank of the water dispenser

1. Open the lid of the water tank as shown in the figure. Fill in pure and clean drinking water. Close the lid.



1. Detach by holding both sides of the door shelf.



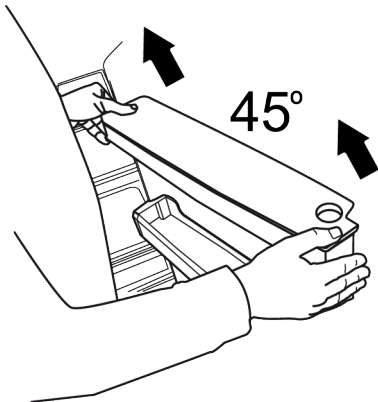
2. Hold both sides of the water tank and remove at 45° angle.



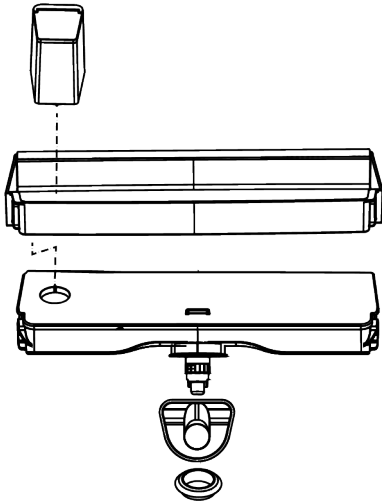
Water reservoir capacity is 3 litres, do not overfill.

Cleaning the water tank

1. Remove the water filling reservoir inside the door shelf.



3. Remove and clean the water tank lid.



Do not fill the water tank with fruit juice, fizzy beverages, alcoholic beverages or any other liquids incompatible for use in the water dispenser. Using such liquids will cause malfunction and irreparable damage in the water dispenser. Using the fountain in this way is not within the scope of warranty. Certain chemicals and additives in such beverages / liquids may cause material damage to the water tank.

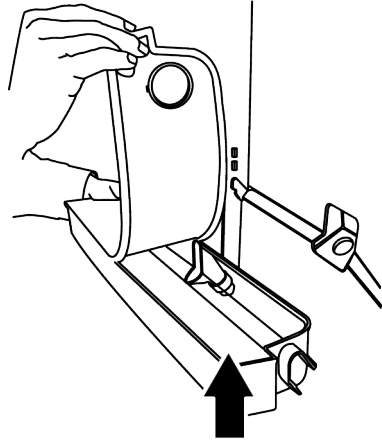


Use clean drinking water only.



NOTICE

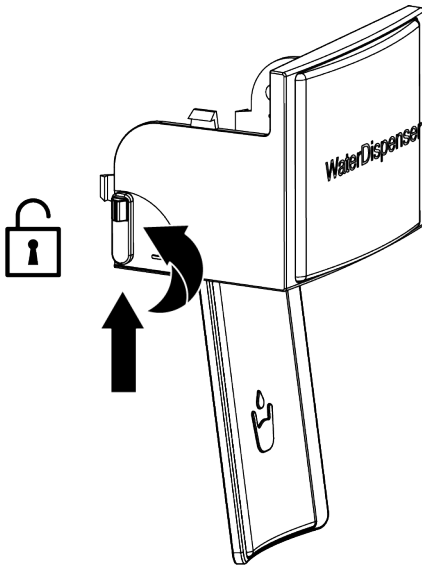
Do not wash the components of the water tank and water dispenser in the dishwasher.



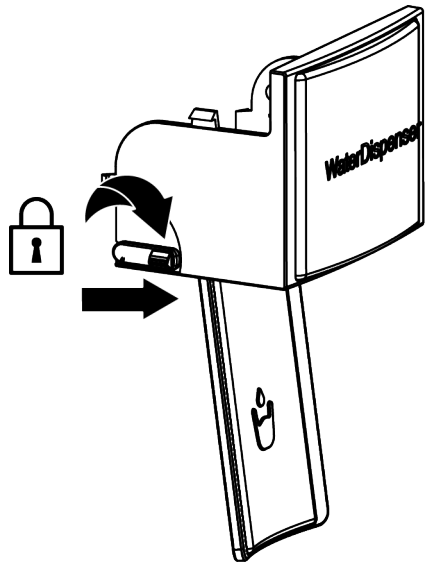
Before using the water dispenser in the product, check whether the Child Lock is active or not. Look at the information in the figures about the Child lock ON/OFF positions to check.

Make sure that the Child lock exactly closes as in the figure when it is turned OFF.

Child lock is on like this.



Child lock is off like this.



EN

8 Maintenance and Cleaning



WARNING:

Read the "Safety Instructions" section first.



WARNING:

Unplug the refrigerator before cleaning it.

- Do not use sharp or abrasive tools to clean the product. Do not use materials such as household cleaning agents, soap, detergents, gas, gasoline, thinner, alcohol, wax, etc.
- The dust shall be removed from the ventilation grill on the rear of the product at least once a year (without opening the cover). Clean the product with a dry cloth.
- Take care to keep water away from the lamp's cover and other electrical parts.
- Clean the door with a damp cloth. Remove all contents to remove the door and body racks. Remove the door racks by lifting them upwards. Clean and dry the shelves, then attach back in place by sliding from above.
- Do not use chlorinated water or cleaning products on the exterior surface and chrome-coated parts of the product. Chlorine will cause rust on such metallic surfaces.
- Do not use sharp and abrasive tools, soap, house cleaning materials, detergents, gas, gasoline, varnish and similar substances to prevent deformation of the plastic part and removal of prints on the part. Use warm water and a soft cloth for cleaning, and then dry it.
- On the products without a No-Frost feature, water droplets and icing up to a thickness of a finger may occur on the rear wall of the freezer compartment. Do not clean, and never apply oils or similar materials.
- Use a mildly dampened micro-fibre cloth to clean the external surface of the product. Sponges and other types of cleaning clothes may cause scratches.
- To clean all removable components during the cleaning of the interior surface of the product, wash these components with a mild solution consisting of soap,

water and carbonate. Wash and dry thoroughly. Prevent contact of water with illumination components and the control panel.



CAUTION:

Do not use vinegar, rubbing alcohol or other alcohol based cleaning agents on any interior surface.

Stainless Steel External Surfaces

Use a non-abrasive stainless steel cleaning agent and apply it with a soft lint-free cloth. To polish, gently wipe the surface with a micro-fibre cloth dampened with water and use dry polishing chamois. Always follow the veins of the stainless steel.

9 Troubleshooting

Check this list before contacting the service. Doing so will save you time and money. This list includes frequent complaints that are not related to faulty workmanship or materials. Certain features mentioned herein may not apply to your product.

The refrigerator is not working.

- The power plug is not fully settled. >>> Plug it in to settle completely into the socket.
- The fuse connected to the socket powering the product or the main fuse is blown. >>> Check the fuse.

Condensation on the side wall of the cooler compartment (MULTI ZONE, COOL CONTROL and FLEXI ZONE).

- The door is opened too frequently. >>> Take care not to open the product's door too frequently.
- The environment is too humid. >>> Do not install the product in humid environments.
- Foods containing liquids are kept in unsealed holders. >>> Keep the foods containing liquids in sealed holders.

Preventing Odours

The product is manufactured free of any odorous materials. However, keeping the food in inappropriate sections and improper cleaning of internal surfaces may lead to odours.

- To avoid this, clean the inside with carbonated water every 15 days.
- Keep the foods in sealed holders, as micro-organisms arising from foods kept in unsealed containers will cause bad odour.
- Do not keep expired and spoilt foods in the refrigerator.

Protecting Plastic Surfaces

Oil spilled on plastic surfaces may damage the surface and must be cleaned immediately with warm water.

- The product's door is left open. >>> Do not keep the product's door open for long periods.
- The thermostat is set to a very cool temperature. >>> Set the thermostat to an appropriate temperature.

Compressor is not working.

- In case of sudden power failure or pulling the power plug off and putting back on, the gas pressure in the product's cooling system is not balanced, which triggers the compressor thermic safeguard. The product will restart after approximately 6 minutes. If the product does not restart after this period, contact the service.
- Defrosting is active. >>> This is normal for a fully-automatic defrosting product. The defrosting is carried out periodically.
- The product is not plugged in. >>> Make sure the power cord is plugged in.
- The temperature setting is incorrect. >>> Select the appropriate temperature setting.
- The power is out. >>> The product will continue to operate normally once the power is restored.

The refrigerator's operating noise is increasing while in use.

- The product's operating performance may vary depending on the ambient temperature variations. This is normal and not a malfunction.

The refrigerator runs too often or for too long.

- The new product may be larger than the previous one. Larger products will run for longer periods.
- The room temperature may be high. >>> The product will normally run for long periods in higher room temperature.
- The product may have been recently plugged in or a new food item is placed inside. >>> The product will take longer to reach the set temperature when recently plugged in or a new food item is placed inside. This is normal.
- Large quantities of hot food may have been recently placed into the product. >>> Do not place hot food into the product.
- The doors were opened frequently or kept open for long periods. >>> The warm air moving inside will cause the product to run longer. Do not open the doors too frequently.
- The freezer or cooler door may be ajar. >>> Check that the doors are fully closed.
- The product may be set to a temperature that is too low. >>> Set the temperature to a higher degree and wait for the product to reach the adjusted temperature.
- The cooler or freezer door washer may be dirty, worn out, broken or not properly settled. >>> Clean or replace the gasket. Damaged / torn door washer will cause the product to run for longer periods to preserve the current temperature.

The freezer temperature is very low, but the cooler temperature is adequate.

- The freezer compartment temperature is set to a very low degree. >>> Set the freezer compartment temperature to a higher degree and check again.

The cooler temperature is very low, but the freezer temperature is adequate.

- The cooler compartment temperature is set to a very low degree. >>> Set the cooler compartment temperature to a higher degree and check again.

The food items kept in cooler compartment drawers are frozen.

- The cooler compartment temperature is set to a very low degree. >>> Set the cooler compartment temperature to a higher degree and check again.

The temperature in the cooler or the freezer is too high.

- The cooler compartment temperature is set to a very high degree. >>> Temperature setting of the cooler compartment has an effect on the temperature in the freezer compartment. Wait until the temperature of relevant parts reach the sufficient level by changing the temperature of cooler or freezer compartments.
- The doors were opened frequently or kept open for long periods. >>> Do not open the doors too frequently.
- The door may be ajar. >>> Fully close the door.
- The product may have been recently plugged in or a new food item is placed inside. >>> This is normal. The product will take longer to reach the set temperature when recently plugged in or a new food item is placed inside.
- Large quantities of hot food may have been recently placed into the product. >>> Do not place hot food into the product.

Shaking or noise.

- The surface is not flat or durable >>> If the product is shaking when moved slowly, adjust the stands to balance the product. Also make sure the ground is sufficiently durable to bear the product.
- Any items placed on the product may cause noise. >>> Remove any items placed on the product.
- The product is making noise of liquid flowing, spraying etc.

- The product's operating principles involve liquid and gas flows. >>> This is normal and not a malfunction.

There is sound of wind blowing coming from the product.

- The product uses a fan for the cooling process. This is normal and not a malfunction.

There is condensation on the product's internal walls.

- Hot or humid weather will increase icing and condensation. This is normal and not a malfunction.
- The doors were opened frequently or kept open for long periods. >>> Do not open the doors too frequently; if open, close the door.
- The door may be ajar. >>> Fully close the door.

There is condensation on the product's exterior or between the doors.

- The ambient weather may be humid, this is quite normal in humid weather. >>> The condensation will dissipate when the humidity is reduced.

The interior smells bad.

- The product is not cleaned regularly. >>> Clean the interior regularly using sponge, warm water and carbonated water.
- Certain holders and packaging materials may cause odour. >>> Use holders and packaging materials without free of odour.

- The foods were placed in unsealed holders. >>> Keep the foods in sealed holders. Microorganisms may spread out of unsealed food items and cause bad odour.
- Remove any expired or spoiled foods from the product.

The door is not closing.

- Food packages may be blocking the door. >>> Relocate any items blocking the doors.
- The product is not standing in full upright position on the ground. >>> Adjust the stands to balance the product.
- The surface is not flat or durable >>> Make sure the surface is flat and sufficiently durable to bear the product.

The crisper is jammed.

- The food items may be in contact with the upper section of the drawer. >>> Reorganize the food items in the drawer.

Temperature on the product surface.

- High temperature may be observed between two doors, on the side panels and on the rear grill area while your product is operated. This is normal and it does not require servicing.

Fan continues to operate when the door is opened.

- Fan may continue to operate when the freezer door is open.



WARNING: If the problem persists after following the instructions in this section, contact your vendor or an Authorized Service. Do not try to repair the product. This is normal.

DISCLAIMER / WARNING

Some (simple) failures can be adequately handled by the end-user without any safety issue or unsafe use arising, provided that they are carried out within the limits and in accordance with the following instructions (see the "Self-Repair" section).

Therefore, unless otherwise authorized in the "Self-Repair" section below, repairs shall be addressed to registered professional repairers in order to avoid safety issues. A registered Professional repairer is a professional repairer that has been granted access to the instructions and spare parts list of this product by the manufacturer ac-

cording to the methods described in legislative acts pursuant to Directive 2009/125/EC.

However, only the service agent (i.e. authorized professional repairers) that you can reach through the phone number given in the user manual/warranty card or through your authorized dealer may provide service under the guarantee terms. Therefore, please be advised that repairs by professional repairers (who are not authorized by) Beko shall void the guarantee.

Self-Repair

Self-repair can be done by the end-user with regard to the following spare parts: door handles, door hinges, trays, baskets and door gaskets (an updated list is also available support.beko.com as of 1st March 2021).

Moreover, to ensure product safety and to prevent risk of serious injury, the mentioned self-repair shall be done following the instructions in the user manual for self-repair or which are available in support.beko.com. For your safety, unplug the product before attempting any self-repair. Repair and repair attempts by end-users for parts not included in such list and/or not following the instructions in the user manuals for self-repair or which are available in support.beko.com, might give raise to safety issues not attributable to Beko, and will void the warranty of the product.

Therefore, it is highly recommended that end-users refrain from the attempt to carry out repairs falling outside the mentioned list of spare parts, contacting in such cases authorized professional repairers or registered professional repairers. On the contrary, such attempts by end-users may cause safety issues and damage the product and subsequently cause fire, flood, electrocution and serious personal injury to occur.

By way of example, but not limited to, the following repairs must be addressed to authorized professional repairers or registered professional repairers: compressor, cooling circuit, main board, inverter board, display board, etc.

The manufacturer/seller cannot be held liable in any case where end-users do not comply with the above.

The spare part availability of the refrigerator that you purchased is 10 years. During this period, original spare parts will be available to operate the refrigerator properly. The minimum duration of guarantee of the refrigerator that you purchased is 24 months.

This product is equipped with a lighting source of the "G" energy class.

The lighting source in this product shall only be replaced by Professional repairer.

See also

2 DISCLAIMER / WARNING [] 27]



Premièrement veuillez lire ce manuel !

Cher client, chère cliente,

Veuillez lire ce manuel avant d'utiliser l'appareil.

Nous vous remercions d'avoir choisi ce Bekoproduit. Nous aimerions que vous obteniez une efficacité optimale de ce produit de haute qualité qui a été fabriqué avec une technologie de pointe. À cette fin, lisez attentivement ce manuel et toute autre documentation fournie avant d'utiliser le produit et conservez-les comme référence.

Tenez compte de toutes les informations et de tous les avertissements figurant dans le manuel d'utilisation. De cette façon, vous vous protégez, vous et votre produit, contre les dangers qui peuvent survenir.

Conservez le manuel d'utilisation. Joignez ce guide à l'unité si vous le remettez à quelqu'un d'autre.

Les symboles suivants sont utilisés dans le manuel d'utilisation :



Il s'agit d'un danger qui peut entraîner la mort ou des blessures.



Informations importantes ou conseils utiles sur le fonctionnement.




Lisez le manuel d'utilisation.



Matériau combustible, mise en garde contre le risque d'incendie.

AVERTISSEMENT Un danger qui peut causer des dommages matériels au produit ou à son environnement

	Les informations sur le modèle, telles qu'elles sont enregistrées dans la base de données des produits, peuvent être obtenues en accédant au site web suivant et en recherchant l'identifiant du modèle (*) figurant sur l'étiquette énergétique. https://eprel.ec.europa.eu/
<p>SUPPLIER'S NAME MODEL IDENTIFIER → (*)</p> <p>A A</p>	

1	Consignes de sécurité.....	34
1.1	Intention d'utilisation.....	34
1.2	Sécurité des enfants, des personnes vulnérables et des animaux domestiques.....	34
1.3	Sécurité électrique.....	35
1.4	Sécurité de manipulation	36
1.5	Sûreté des installations	36
1.6	Sécurité de fonctionnement	38
1.7	Sécurité du stockage des aliments	41
1.8	Sécurité relative à l'entretien et au nettoyage	41
2	Instructions environnementales..	42
2.1	Conformité avec la directive DEEE et élimination des déchets..	42
3	Votre réfrigérateur	43
4	Installation	43
4.1	Lieu idéal d'installation	43
4.2	Branchement électrique.....	44
4.3	Fixation des cales en plastique	44
4.4	Réglages des pieds avant.....	45
4.5	Attention aux surfaces chaudes...	45
5	Préparation.....	45
5.1	Moyens d'économiser l'énergie....	45
5.2	Première utilisation	46
5.3	Classe climatique et définitions ...	46
6	Fonctionnement de l'appareil.....	46
7	Utilisation de votre appareil.....	47
7.1	Panneau de contrôle du produit ...	47
7.2	Stockage des aliments dans le compartiment réfrigérant.....	48
7.3	Bac à légumes	51
7.4	Zone d'entreposage frais des produits laitiers	51
7.5	Inversion du côté d'ouverture de la porte	51
7.6	Alerte de porte ouverte.....	51
7.7	Remplacement de la lampe d'éclairage.....	52
7.8	AeroFlow	52
7.9	Utilisation du distributeur d'eau....	52
8	Entretien et nettoyage.....	55

1 Consignes de sécurité

Cette section contient les instructions de sécurité nécessaires à la prévention des risques de dommage corporel ou de dommage matériel.

Notre entreprise ne peut être tenue pour responsable des dommages qui peuvent se produire si ces instructions ne sont pas respectées.

Les opérations d'installation et de réparation doivent être effectuées par un service agréé.

Utilisez uniquement des pièces de rechange et des accessoires d'origine.

Les pièces de rechange originales sont fournies pendant les 10 années suivant la date d'achat de l'appareil.

Évitez de réparer ou de remplacer tout composant de l'appareil sauf si cela est clairement spécifié dans le manuel d'utilisation.

Il ne faut pas effectuer de modifications sur l'appareil.

1.1 Intention d'utilisation

Ce produit ne convient pas à un usage commercial et ne doit pas être utilisé autrement que pour l'usage auquel il est destiné. Ce

produit est conçu pour être utilisé à l'intérieur, dans les foyers et dans des endroits similaires.

Par exemple ;

- cuisines du personnel des magasins, bureaux et autres environnements professionnels,
- les maisons de campagne,
- unités des hôtels, motels ou autres installations de repos utilisées par les clients,
- hôtels ou environnements similaires,
- services de restauration et les espaces semblables de vente en gros.

Ces appareils ne doivent pas être utilisés dans des environnements extérieurs ouverts ou clôturés tels que les bateaux, balcons ou terrasses. L'exposition de l'appareil à la pluie, à la neige, au soleil et au vent présente un risque d'incendie.

1.2 Sécurité des enfants, des personnes vulnérables et des animaux domestiques

- Cet appareil peut être utilisé par des enfants âgés d'au moins 8 ans, ainsi que par des personnes avec des capacités physiques, sensorielles ou

mentales réduites ou sans expérience et connaissances, si elles sont supervisées ou ont été formées à l'utilisation sécurisée de l'appareil et comprennent les risques relatifs.

- Les enfants de 3 à 8 ans sont autorisés à mettre les aliments dans la glacière et à les enlever.
- Les produits électriques sont dangereux pour les enfants et les animaux domestiques. Les enfants et les animaux domestiques ne doivent pas jouer avec le produit, ni grimper dessus, ni y entrer.
- Le nettoyage et l'entretien des utilisateurs ne doivent pas être effectués par des enfants, sauf s'il y a une personne qui les surveille.
- Tenez les emballages hors de la portée des enfants. Risque de blessure et d'asphyxie.

Avant de vous débarrasser des appareils usagés qui ne doivent plus être utilisés :

1. Débranchez le cordon d'alimentation de la prise de courant.
2. Coupez le cordon d'alimentation et retirez-le de l'appareil avec la prise.

3. Ne retirez pas les étagères et les tiroirs de l'appareil pour empêcher les enfants d'y pénétrer.
4. Démontage des portes.
5. Stockez l'appareil de façon à éviter qu'il se renverse.
6. Ne laissez pas les enfants jouer avec un appareil usagé.
 - Ne jetez pas l'appareil en le mettant au feu. Risque d'explosion.
 - Si une serrure est disponible dans la porte de l'appareil, gardez la clé hors de la portée des enfants.



1.3 Sécurité électrique

- Il ne faut pas brancher le produit dans la prise de courant pendant les opérations d'installation, d'entretien, de nettoyage, de réparation et de transport.
- Si le câble d'alimentation est endommagé, il doit être remplacé par un service agréé uniquement pour éviter tout risque qui pourrait survenir.
- Ne placez pas le câble d'alimentation sous l'appareil ou à l'arrière de celui-ci. Ne placez aucun objet lourd sur le câble d'alimentation. Le câble d'alimentation ne doit pas être plié, écrasé et entrer en contact avec une source de chaleur.

- N'utilisez pas de rallonge, de prise multiple ou d'adaptateur pour faire fonctionner votre appareil.
- Les prises multiples mobiles ou les blocs d'alimentation portatifs peuvent surchauffer et causer un incendie. Par conséquent, aucune prise multiple ne doit se trouver derrière ou à proximité de l'appareil.
- La prise doit être facilement accessible. Si cela n'est pas possible, l'installation électrique doit être dotée d'un mécanisme conforme à la réglementation en matière d'électricité et qui déconnecte toutes les bornes du réseau (fusible, interrupteur, commutateur principal, etc.).
- Évitez de toucher le cordon d'alimentation avec des mains humides.
- Lorsque vous débranchez l'appareil, ne tenez pas le cordon d'alimentation, mais la prise.

1.4 Sécurité de manipulation

- Cet appareil est lourd, ne le manipulez pas seul.
- Lors de la manipulation de l'appareil, évitez de le tenir par sa porte.

- Veillez à ne pas endommager le système de refroidissement et les tuyaux lorsque vous manipulez l'appareil. Évitez de faire fonctionner l'appareil si les tuyaux sont endommagés et contactez un service agréé.

1.5 Sûreté des installations

- Contactez le service agréé pour l'installation de votre réfrigérateur. Pour préparer l'installation du réfrigérateur, lisez attentivement les instructions du manuel d'utilisation et assurez-vous que les équipements électriques et d'approvisionnement d'eau sont installés convenablement. Si ce n'est pas le cas, appelez un électricien et un plombier pour faire le nécessaire pour les services publics. Le non-respect de cette consigne peut entraîner un choc électrique, un incendie, des problèmes avec le produit ou des blessures.
- Vérifiez que l'appareil n'est pas endommagé avant de l'installer. N'installez pas l'appareil lorsqu'il est endommagé.
- Placez l'appareil sur une surface plane et dure et équilibrez-le avec les pieds ré-

glables. Sinon, le réfrigérateur risque de se renverser et provoquer des blessures.

- Installez l'appareil dans un endroit sec et ventilé. Ne laissez pas de tapis, de moquettes ou d'autres revêtements de sol similaires sous l'appareil. Ils peuvent entraîner un risque d'incendie en raison d'une ventilation inadéquate !
- N'obstruez pas ou ne couvrez pas les orifices de ventilation. Sinon, la consommation d'énergie pourrait augmenter et votre appareil pourrait être endommagé.
- Le produit ne doit pas être connecté à des systèmes d'alimentation tels que l'alimentation solaire. Sinon, votre produit peut être endommagé en raison de changements soudains de tension !
- Plus un réfrigérateur contient de réfrigérant, plus grande doit être la pièce d'installation. Dans les très petites pièces, un mélange gaz-air inflammable peut se produire en cas de fuite de gaz dans le système de refroidissement. Au moins 1 m³ de volume est requis pour chaque 8 grammes de réfrigérant. La quantité de réfrigérant disponible dans votre appareil est indiquée sur la plaque signalétique.
- Le lieu d'installation du produit ne doit pas être exposé à la lumière directe du soleil et ne doit pas se trouver à proximité d'une source de chaleur telle qu'un poêle, un radiateur, etc. Si vous ne pouvez pas empêcher l'installation du produit à proximité d'une source de chaleur, vous devez utiliser une plaque isolante appropriée et la distance minimale par rapport à la source de chaleur doit être conforme aux spécifications ci-dessous.
 - À au moins 30 cm des sources de chaleur telles que les cuisinières, les appareils de chauffage, etc.
 - Et à au moins 5 cm des fours électriques.
- Votre produit a la classe de protection I.
- Branchez le produit dans une prise avec mise à la terre conforme aux valeurs de tension, de courant et de fréquence indiquées sur la plaque signalétique. La prise de courant doit être équipée d'un fusible de 10 à 16A. Notre entreprise ne sera pas tenue responsable de tout dommage résultant de l'utilisation de l'ap-

pareil sans prise de mise à la terre ou branchement électrique conforme aux normes locales et nationales en vigueur.

- Débranchez le câble d'alimentation du réfrigérateur pendant l'installation. Dans le cas contraire, vous risquez de vous électrocuter et de vous blesser !
- Ne branchez pas l'appareil sur des prises desserrées, cassées, sales, graisseuses ou qui sont sorties de leur logement ou sur des prises présentant un risque de contact avec l'eau.
- Placez le câble d'alimentation et les flexibles (si disponibles) de l'appareil de sorte qu'ils ne puissent pas provoquer de risque de trébuchement.
- La pénétration de l'humidité dans les pièces sous tension ou dans le cordon d'alimentation peut provoquer un court-circuit. Par conséquent, n'utilisez pas l'appareil dans des environnements humides ou dans des endroits où l'eau peut éclabousser (p. ex. les garages, les buanderies, etc.). Lorsque le réfrigérateur est

mouillé par l'eau, débranchez-le et contactez un service autorisé.

- Ne branchez jamais votre réfrigérateur sur des dispositifs d'économie d'énergie. Ces dispositifs peuvent être dangereux pour l'appareil



1.6 Sécurité de fonctionnement

- N'utilisez jamais de solvants chimiques sur le réfrigérateur. Ces matériaux présentent un risque d'explosion.
- En cas de panne de l'appareil, débranchez-le et ne l'utilisez pas avant sa réparation par le service autorisé. Il existe un risque d'électrocution !
- Ne placez pas une source de flamme (p. ex. des bougies, cigarettes, etc.) sur l'appareil ou à proximité de celui-ci.
- Ne montez pas sur l'appareil. Risque de chute et de blessure !
- N'endommagez pas les tuyaux du système de refroidissement avec des outils tranchants et perçants. Le réfrigérant qui s'échappe en cas de perforation des tuyaux à gaz, des tuyaux d'extension ou des revêtements de la surface supé-

rieure peut provoquer une irritation de la peau et des liaisons oculaires.

- Ne placez pas et n'utilisez pas d'appareils électriques à l'intérieur du réfrigérateur/congélateur, sauf avis contraire du fabricant.
- Ne coincez pas les parties de vos mains ou de votre corps sur les parties mobiles à l'intérieur de l'appareil. Faites attention à ne pas coincer vos doigts entre le réfrigérateur et sa porte. Soyez prudent lorsque vous ouvrez ou fermez la porte en présence des enfants.
- Ne mettez pas de crème glacée, de glaçons ou d'aliments congelés dans votre bouche immédiatement après les avoir sortis du congélateur. Risque de gelure !
- Ne touchez pas les parois intérieures, les parties métalliques du congélateur ou les aliments conservés dans le congélateur avec les mains mouillées. Risque de gelure !
- Ne placez pas de canettes de soda ou de bouteilles contenant des liquides pouvant être congelés dans le compartiment congélateur. Les canettes ou les bouteilles peuvent exploser. Risque de blessures et de dommages matériels !
- N'utilisez pas ou ne placez pas de matériaux sensibles à la température tels que des aérosols inflammables, des objets inflammables, de la glace sèche ou d'autres agents chimiques à proximité du réfrigérateur. Risque d'incendie ou d'explosion !
- Ne stockez pas de matières explosives telles que des aérosols contenant des matériaux inflammables à l'intérieur de l'appareil.
- Ne placez pas de canettes contenant des liquides sur l'appareil. L'éclaboussure d'eau sur une pièce électrique peut entraîner un risque d'électrocution ou d'incendie.
- Cet appareil n'est pas destiné au stockage et au refroidissement de médicaments, de plasma sanguin, de préparations de laboratoire ou de matériaux et produits similaires qui sont soumis à la directive sur les produits médicaux.
- Si l'appareil est utilisé à d'autres fins que celles pour lesquelles il a été conçu, il peut endommager ou détériorer les produits qu'il contient.

- Si votre réfrigérateur est équipé d'un voyant lumineux bleu, ne contemplez pas le voyant lumineux avec des instruments optiques. Ne fixez pas directement la lumière LED à UV pendant une longue période, car les rayons ultraviolets peuvent entraîner la fatigue oculaire.
- Ne remplissez pas l'appareil de nourriture dépassant sa capacité. Des blessures ou des dégâts peuvent survenir au cas où le contenu du réfrigérateur tombe lorsque la porte est ouverte. Des problèmes similaires peuvent survenir lorsqu'un objet est placé sur l'appareil.
- Pour éviter tout risque de blessures, rassurez-vous que vous avez retiré toute la glace ou toute l'eau qui auraient pu se verser au sol.
- Changez l'emplacement des casiers/porte-bouteilles sur la porte de votre réfrigérateur uniquement lorsqu'ils sont vides. Risque de blessures !
- Ne placez aucun objet qui pourrait tomber ou basculer sur l'appareil. Ces objets peuvent tomber lors de l'ouverture ou de la fermeture de la porte, et causer des blessures et/ou des dégâts matériels.
- Ne frappez ni n'exercez aucune pression excessive sur les surfaces en verre. Le verre brisé peut causer des blessures et/ou des dégâts matériels.
- Le système de refroidissement de votre produit contient du réfrigérant R600a Le type de réfrigérant utilisé dans le produit est spécifié sur la plaque signalétique. Ce gaz est inflammable. Par conséquent, veillez à ne pas endommager le système de refroidissement et les tuyaux pendant l'utilisation de l'appareil. Si les tuyaux sont endommagés :
 1. Ne touchez pas l'appareil ni le câble d'alimentation,
 2. Maintenez l'appareil éloigné des sources potentielles d'incendie qui pourraient causer l'incendie de l'appareil,
 3. Aérez la zone où l'appareil est placé, - N'utilisez pas de ventilateur,
 4. Contactez un centre de service agréé.
 5. Si l'appareil est endommagé et que vous observez une fuite de gaz, éloignez-vous du gaz. Le gaz peut causer des gelures lorsqu'il entre en contact avec votre peau.

1.7 Sécurité du stockage des aliments

Veillez prêter attention aux avertissements suivants afin d'éviter la détérioration des aliments :

- Laisser les portes ouvertes pendant une longue période peut entraîner une augmentation de la température à l'intérieur du produit.
- Nettoyez régulièrement les systèmes de drainage accessibles en contact avec les aliments.
- Nettoyez les réservoirs d'eau qui n'ont pas été utilisés pendant 48 heures et les systèmes d'alimentation en eau qui n'ont pas été utilisés pendant plus de 5 jours.
- Conservez les produits de viande et de poisson crus dans des compartiments appropriés à l'intérieur de l'appareil. Ainsi, ils ne coulent pas sur les autres aliments et n'entre pas en contact avec eux.
- Les compartiments de congélation à deux étoiles permettent de conserver les aliments pré-cuisinés, de préparer et de conserver la glace et la crème glacée.

- Les compartiments à une, deux et trois étoiles ne conviennent pas à la congélation des aliments frais.
- Si le produit réfrigérant est resté vide pendant une longue période, éteignez le produit, dégivrez, nettoyez et séchez le produit afin de protéger le boîtier de l'appareil.

1.8 Sécurité relative à l'entretien et au nettoyage

- Ne tirez pas sur la poignée de la porte si vous devez déplacer l'appareil pour le nettoyer. La poignée peut causer des blessures si vous la tirez trop fort.
- Ne nettoyez pas l'appareil en pulvérisant ou en versant de l'eau dessus et à l'intérieur. Risque de choc électrique et d'incendie.
- Lors du nettoyage de l'appareil, n'utilisez pas d'outils tranchants et abrasifs ni de produits de nettoyage ménagers, de détergents, d'essence, de diluant, d'alcool, de vernis et de substances similaires. Utilisez des produits de nettoyage et d'entretien qui ne sont pas nocifs pour les aliments uniquement à l'intérieur de l'appareil.

- N'utilisez jamais de vapeur ou de matériel de nettoyage à vapeur pour nettoyer l'appareil et faire fondre la glace qui s'y trouve. Lorsque la vapeur entre en contact avec les zones sensibles de votre réfrigérateur, elle peut provoquer un court-circuit ou un choc électrique.
- Veillez à éloigner l'eau des circuits électroniques ou de l'éclairage de l'appareil.
- Utilisez un torchon propre et sec pour essuyer la poussière ou les corps étrangers sur les extrémités des fiches. N'utilisez pas de torchon humide ou mouillé pour nettoyer la fiche. Ceci, pour éviter tout risque d'incendie ou de choc électrique.

2 Instructions environnementales

2.1 Conformité avec la directive DEEE et élimination des déchets



Cet appareil est conforme à la directive DEEE de l'Union européenne (2012/19/UE). Le produit possède un symbole de classification attribué aux déchets d'équipements élec-

triques et électroniques (DEEE).

Ce symbole indique que cet appareil ne doit pas être mis au rebut avec les ordures ménagères à la fin de sa durée de vie. Les appareils usagés doivent être retournés au point de collecte officiel pour le recyclage des dispositifs électriques et électroniques. Pour trouver ces systèmes de collecte, veuillez contacter les autorités locales ou le détaillant à l'endroit où l'appareil a été acheté. Chaque ménage joue un rôle important dans la récupération et le recyclage des vieux appareils ménagers. La mise au

rebut appropriée des appareils usagés permet de prévenir les conséquences négatives potentielles pour l'environnement et la santé humaine.

Conformité à la directive RoHS

Votre appareil est conforme à la directive RoHS de l'Union européenne (2011/65/UE). Il ne comporte pas de matériaux dangereux et interdits mentionnés dans la directive.

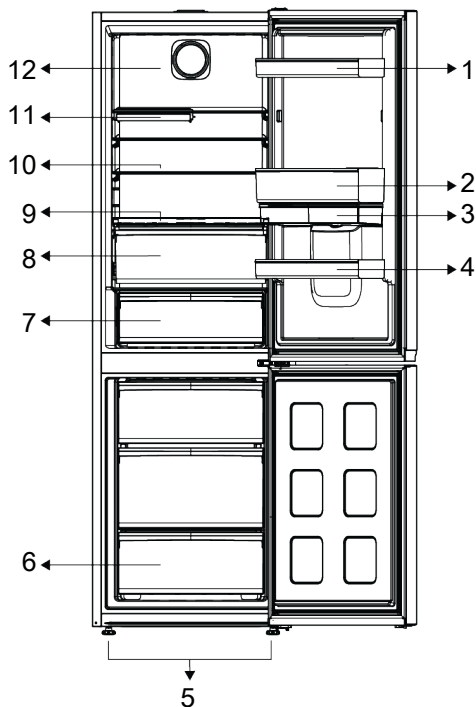


Informations sur l'emballage

Les matériaux d'emballage de cet appareil sont fabriqués à partir de matériaux recyclables, conformément à nos réglementations nationales en matière d'environnement. Ne mettez pas les matériaux d'emballage au rebut avec les ordures ménagères et d'autres déchets. Apportez-les aux points de collecte des matériaux d'emballage désignés par les autorités locales.

3 Votre réfrigérateur

FR



- | | |
|---|---------------------------------|
| 1 * Étagères de porte réglables | 2 Porte-œuf |
| 3 *Distributeur d'eau | 4 Étagère pour les bouteilles |
| 5 Pieds réglables | 6 * Compartiment de congélation |
| 7 * Tiroir de stockage du froid | 8 * Bac à légumes |
| 9 '*Compartiment fraîcheur des vitamines' | 10 Étagères réglables |
| 11 * Étagère pliable pour les bouteilles | 12 Ventilateur |

***En option :** Les illustrations présentées dans ce manuel d'utilisation sont schématiques et peuvent ne pas correspondre

exactement à votre produit. Si votre appareil ne présente pas les parties citées, alors l'information s'applique à d'autres modèles.

4 Installation



Lisez d'abord la section « Instructions de sécurité » !

4.1 Lieu idéal d'installation

Contactez le service agréé pour l'installation de votre réfrigérateur. Pour préparer l'installation du réfrigérateur, lisez attentivement les instructions du manuel d'utilisation et assurez-vous que les équipements

électriques et d'approvisionnement d'eau sont installés convenablement. Si ce n'est pas le cas, appelez un électricien et un plombier pour faire le nécessaire pour les services publics.



AVERTISSEMENT :

Le fabricant ne sera pas tenu responsable en cas de problèmes causés par des travaux effectués par des personnes non autorisées.



AVERTISSEMENT :

Débranchez le câble d'alimentation du réfrigérateur pendant l'installation. Le non-respect de cette consigne peut entraîner la mort ou des blessures graves !



AVERTISSEMENT :

Si le cadre de la porte est trop étroit pour laisser passer l'appareil, retirez la porte et faites passer l'appareil sur les côtés ; si cela ne fonctionne pas, contactez le service agréé.

- Placez l'appareil sur une surface plane pour éviter les vibrations.
- Placez le produit à 30 cm du chauffage, de la cuisinière et des autres sources de chaleur similaires et à au moins 5 cm des fours électriques.
- N'exposez pas le produit directement à lumière du soleil et ne le laissez pas dans des environnements humides.
- Votre produit nécessite une circulation d'air adéquate pour pouvoir fonctionner efficacement. S'il est placé dans une alcôve, n'oubliez pas de laisser un espace d'au moins 5 cm entre l'appareil, le plafond, la paroi arrière et les parois latérales.
- Vérifiez que l'élément de protection d'espace de la façade arrière est présent à son emplacement (au cas où il est fourni avec l'appareil).

- Si l'élément n'est pas disponible, perdu ou tombé, positionnez l'appareil de manière à laisser un espace d'au moins 5 cm entre la surface arrière de l'appareil et les murs de la pièce. L'espace prévu à l'arrière est important pour le fonctionnement efficace de l'appareil.

4.2 Branchement électrique



Ne branchez pas le réfrigérateur sur une rallonge ou une multiprise.



Les câbles d'alimentation endommagés doivent être remplacés par le service agréé.



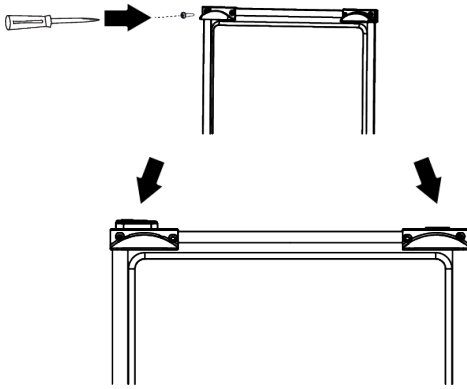
Lorsque deux réfrigérateurs sont installés côte à côte, laissez au moins 4 cm de distance entre les deux appareils

- Notre entreprise ne sera pas tenue responsable de tout dommage résultant de l'utilisation de l'appareil sans prise de mise à la terre ou branchement électrique conforme à la norme nationale en vigueur.
- Gardez la fiche du câble d'alimentation à portée de main après l'installation.
- N'utilisez pas de fiche multigroupe avec ou sans rallonge entre la prise murale et le réfrigérateur.

4.3 Fixation des cales en plastique

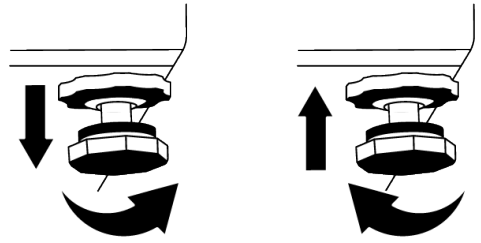
Utilisez les cales en plastiques fournies avec le réfrigérateur pour maintenir une circulation d'air suffisante entre le réfrigérateur et le mur.

1. Pour fixer les cales, retirez les vis du réfrigérateur et utilisez celles fournies avec les cales.
2. Fixez 2 cales en plastique sur le couvercle de ventilation tel qu'illustré par l'image.



4.4 Réglages des pieds avant

Si l'appareil n'est pas équilibré, réglez les pieds avant en les tournant vers la gauche ou la droite.



FR

4.5 Attention aux surfaces chaudes

Les parois latérales de votre produit sont équipées de tuyaux de refroidissement pour améliorer le système de refroidissement. Un fluide à haute pression peut s'écouler à travers ces surfaces, et provoquer des surfaces chaudes sur les parois latérales. C'est normal et cela ne nécessite pas d'entretien. Faites attention lorsque vous contactez ces zones.

5 Préparation



Lisez d'abord la section « Instructions de sécurité » !

5.1 Moyens d'économiser l'énergie



Il est dangereux de connecter l'appareil aux systèmes électroniques d'économie d'énergie, ils pourraient l'endommager.

- Cet appareil de réfrigération n'est pas conçu pour être utilisé comme un appareil encastré.
- Ne laissez pas la porte du réfrigérateur ouverte longtemps.
- Ne conservez pas des aliments ou des boissons chaud(e)s dans le réfrigérateur.
- Ne surchargez pas le réfrigérateur, l'obstruction du flux d'air interne réduira la capacité de réfrigération.
- Afin de charger la quantité maximale d'aliments dans le compartiment congélateur, vous devez retirer les tiroirs supérieurs et placer les aliments sur les clayettes métalliques/en verre. Les informations sur le volume net et la consom-

mation d'énergie déclarées sur l'étiquette énergétique de votre réfrigérateur ont été testées en sortant les tiroirs supérieurs du compartiment réfrigérateur et le bac à glaçons, que l'on peut facilement retirer à la main.

- Il est fortement recommandé d'utiliser le tiroir du bas pour le rangement.
- Selon les caractéristiques de l'appareil, le dégivrage des aliments congelés dans le compartiment réfrigérateur assurera l'économie d'énergie et la préservation de la qualité des aliments.
- Veuillez-vous assurer que les aliments ne sont pas en contact direct avec le capteur de température du compartiment réfrigérateur décrit ci-après.
- Les aliments sont stockés à l'aide des tiroirs du compartiment réfrigéré afin de garantir une économie d'énergie et de protéger les aliments dans de meilleures conditions.

- Les emballages de denrées alimentaires ne doivent pas être en contact direct avec le capteur de température situé dans le compartiment de congélation.
- En cas de contact avec le capteur, la consommation d'énergie de l'appareil peut augmenter

5.2 Première utilisation

Avant d'utiliser votre réfrigérateur, assurez-vous que les installations nécessaires sont conformes aux instructions des sections « Instructions en matière de sécurité et d'environnement » et « Installation ».

- Laissez l'appareil fonctionner à vide pendant 6 heures, et ne l'ouvrez pas sauf en cas de nécessité absolue.
- Le changement de température causé par l'ouverture et la fermeture de la porte pendant l'utilisation du produit peut normalement entraîner la formation de condensation sur les tablettes de la porte/du corps et sur les verres placés dans l'appareil.



Un son retentit à l'activation du compresseur. Il est normal que l'appareil fasse du bruit même si le compresseur ne fonctionne pas, car du fluide et du gaz peuvent être comprimés dans le système de refroidissement.



Il est normal que les bords avant du réfrigérateur soient chauds. Ces parties doivent en principe être chaudes afin d'éviter la condensation.



Pour certains modèles, le panneau indicateur s'éteint automatiquement 1 minute après la fermeture des portes. Il s'active à nouveau à l'ouverture de la porte ou lorsque vous appuyez sur n'importe quelle touche.

5.3 Classe climatique et définitions

Veillez vous référer à la classe climatique figurant sur la plaque signalétique de votre appareil. L'une des informations suivantes s'applique à votre appareil selon la classe climatique.

- **SN** : Climat tempéré à long terme : Ce dispositif de refroidissement est conçu pour être utilisé à une température ambiante comprise entre 10 °C et 32 °C.
- **N** : Climat tempéré : Ce dispositif de refroidissement est conçu pour être utilisé à une température ambiante comprise entre 16°C et 32 °C.
- **ST** : Climat subtropical : Ce dispositif de refroidissement est conçu pour être utilisé à une température ambiante comprise entre 16°C et 38°C.
- **T** : Climat tropical : Ce dispositif de refroidissement est conçu pour être utilisé à une température ambiante comprise entre 16°C et 43°C.

6 Fonctionnement de l'appareil



Lisez d'abord la section « Instructions de sécurité » !

- Il ne faut pas utiliser d'outils mécaniques ou autres que les recommandations du fabricant pour accélérer l'opération de décongélation.
- Évitez d'utiliser des parties de votre réfrigérateur, telles que la porte ou les tiroirs, comme support ou comme marchepied. Cela peut faire trébucher le produit ou endommager ses composants.
- Le produit ne doit être utilisé que pour la conservation des aliments.

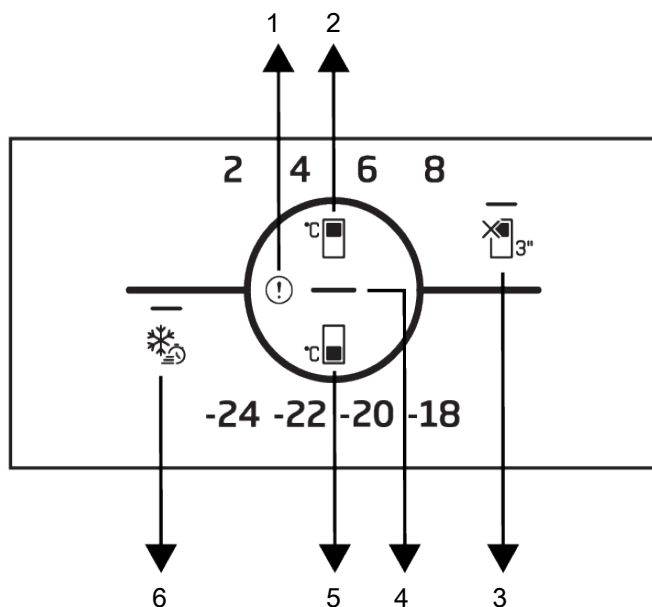
- Fermez le robinet d'eau si vous vous absentez de chez vous (par exemple, en vacances) et que vous n'utilisez pas le distributeur d'eau ou le distributeur de glace pendant une longue période. Dans le cas contraire, des fuites d'eau peuvent se produire.

Interruption du programme

- Si vous n'avez pas l'intention d'utiliser le produit pendant une longue période, débranchez-le de la prise de courant.
- Enlevez la nourriture pour éviter les odeurs.
- Attendez que la glace fonde, nettoyez l'intérieur et laissez-le sécher, laissez les portes ouvertes pour éviter d'endommager les plastiques intérieurs de la carrosserie.

7 Utilisation de votre appareil

7.1 Panneau de contrôle du produit



1 Indicateur de condition d'erreur

3 * Touche de fonction ARRÊT du compartiment réfrigéré (vacances)

5 Clé de réglage de la température du compartiment congélateur

2 * Clé de réglage de la température du compartiment de refroidissement

4 Indicateur d'économie d'énergie (affichage éteint)

6 Clé de congélation rapide



Lisez d'abord la section « Instructions de sécurité ».

Les fonctions sonores et visuelles dudit panneau vous aident à utiliser votre réfrigérateur.

***En option:** Les fonctions indiquées sont facultatives, il peut y avoir des différences de forme et d'emplacement au niveau des fonctions indiquées sur l'indicateur de votre appareil.

1. Indicateur de condition d'erreur

Cet indicateur doit être activé lorsque votre réfrigérateur ne peut pas assurer un refroidissement adéquat ou en cas d'erreur de capteur. Un point d'exclamation peut être affiché lorsque vous chargez des aliments chauds dans le compartiment de congélation ou que vous gardez la porte ouverte pendant une longue période. Il ne s'agit pas d'un défaut, cet avertissement disparaît lorsque l'aliment est refroidi ou lorsqu'on appuie sur une touche quelconque.

2. Clé de réglage de la température du compartiment de refroidissement

Permet de régler la température du compartiment de réfrigération. En appuyant sur la touche, la température du compartiment réfrigérant peut être réglée à 8 °C, 6 °C, 4 °C et 2 °C.

3. Touche de fonction Arrêt du compartiment réfrigéré (vacances)

Appuyez sur la touche pendant 3 secondes pour activer la fonction vacances. Le mode vacances est activé et la LED du symbole de vacances est allumée. Le compartiment de refroidissement n'assure pas la fonction de refroidissement actif. Vous ne devez pas conserver vos aliments dans le compartiment réfrigérateur lorsque cette fonction est activée. Les autres compartiments continuent à se refroidir en fonction des températures précédemment réglées. Il

suffit d'appuyer à nouveau sur la touche pendant 3 secondes pour annuler cette fonction.

4. Indicateur d'économie d'énergie (affichage éteint)

Lorsque les portes sont fermées pendant une longue période, le mode Économie d'énergie s'active automatiquement et l'icône d'économie d'énergie s'allume. Lorsque la fonction d'économie d'énergie est activée, toutes les icônes, excepté l'icône d'économie d'énergie, disparaissent de l'écran. Lorsque cette fonction est utilisée, la pression sur une touche quelconque ou l'ouverture de la porte entraîne sa désactivation et les voyants allumés retournent à la normale. La fonction d'économie d'énergie est une fonction activée départ usine et ne peut être annulée.

5. Clé de réglage de la température du compartiment Congélateur

Le réglage de la température est effectué pour le compartiment de congélation. Appuyez sur la touche pour régler la température du compartiment congélateur à des valeurs de -18 °C, -20 °C, -22 °C, -24 °C.

6. Touche de gel rapide

Dès que vous appuyez sur la touche d'arrêt rapide, le voyant LED de la touche s'allume et la fonction d'arrêt rapide est activée. La température du compartiment de congélation est réglée sur -27 °C. Appuyez à nouveau sur la touche pour annuler la fonction. La fonction de congélation rapide est automatiquement annulée après une période spécifique. Pour congeler une grande partie d'aliments frais, appuyez sur la touche de congélation rapide avant de mettre les aliments dans le compartiment congélateur.

7.2 Stockage des aliments dans le compartiment réfrigérant

Stockage des aliments dans le compartiment réfrigérant

- La température des compartiments augmente considérablement si la porte du compartiment est ouverte et fermée fré-

quemment et si elle reste ouverte pendant longtemps, ce qui peut réduire la durée de vie des aliments et les faire se gâter.

- Afin de ne pas provoquer de changements d'odeur et de goût, les aliments doivent être conservés dans des récipients fermés.
- Ne conservez pas de quantités excessives d'aliments dans votre réfrigérateur. Pour obtenir un refroidissement plus efficace et homogène, placez les aliments séparément de manière à ce que l'air froid puisse circuler.
- Assurez la circulation de l'air en laissant un espace entre l'aliment et la paroi interne. Si vous appuyez les aliments contre la paroi arrière, ils risquent de geler.
- Amenez les plats chauds cuisinés à la température ambiante avant de les placer dans le réfrigérateur. Ensuite, vous pouvez placer le repas tiède dans les étagères inférieures de votre réfrigérateur. Ne placez pas les repas tièdes à proximité des aliments qui peuvent facilement se gâter.
- Décongelez vos aliments congelés dans le compartiment des aliments frais. Ainsi, vous pouvez refroidir le compartiment des aliments frais en utilisant des aliments congelés et économiser de l'énergie.
- La conservation au réfrigérateur de fruits tropicaux non mûrs (mangue, variétés de melon, papaye, banane, ananas) peut accélérer le processus de maturation. Ce n'est pas recommandé car cela raccourcira la durée de conservation.
- Vous devez conserver les oignons, les aulx, les gingembres et les autres légumes-racines dans une pièce sombre et froide, et non au réfrigérateur.
- Si vous remarquez qu'un aliment a tourné dans le réfrigérateur, jetez-le et nettoyez les accessoires qui ont été en contact avec cet aliment.
- Pour refroidir rapidement les plats tels que les soupes et les ragoûts, qui sont cuits dans de grandes marmites, vous pouvez les mettre au réfrigérateur en les séparant dans leurs propres récipients peu profonds.
- Ne placez pas les aliments non emballés à proximité des œufs.
- Conservez les fruits et légumes séparément et stockez chaque variété ensemble (par exemple : les pommes avec les pommes, les carottes avec les carottes).
- Sortez les légumes verts du sac en plastique et placez-les au réfrigérateur après les avoir enveloppés dans une serviette en papier ou un linge sec. Si vous lavez ce type d'aliments avant de les placer dans le réfrigérateur, n'oubliez pas de les sécher.
- Vous pouvez à la fois créer un environnement humide et assurer une circulation d'air en conservant les fruits et légumes, qui ont tendance à sécher, dans des sacs en plastique perforés ou non fermés.
- Sauf en cas de circonstances extrêmes dans l'environnement, si votre produit (sur le tableau des valeurs de consigne recommandées) est réglé sur les valeurs de consigne spécifiées, les aliments conservent leur fraîcheur plus longtemps, aussi bien dans le compartiment des produits frais que dans celui du congélateur.

Rangez les aliments dans les différents endroits en fonction de leurs propriétés :	
Aliment	Lieux
OEuf	Balconnet
Produits laitiers (beurre, fromage)	Si disponible, compartiment zéro degré (pour les aliments du petit-déjeuner)
Fruits, légumes et verdure	Compartiment fruits-légumes, bac à légumes ou Compartiment EverFresh+ (si disponible)

Rangez les aliments dans les différents endroits en fonction de leurs propriétés :	
Aliment	Lieux
Viande fraîche, volaille, poisson, saucisses, etc. Aliments cuits	Si disponible, compartiment zéro degré (pour les aliments du petit-déjeuner)
Aliments prêts à consommer, produits emballés, conserves, produits marinés	Étagères supérieures ou balconnet
Boissons, bouteilles, épices et snacks	Balconnet

Stockage des aliments dans le compartiment congélateur

- Vous pouvez activer la fonction de congélation rapide 4 à 6 heures avant la fonction de congélation et effectuer un refroidissement plus rapide.
- Amenez les repas chauds à la température ambiante avant de les placer dans le compartiment congélateur.
- Les aliments à congeler doivent être divisés en portions en fonction de la taille à consommer, et congelés dans des emballages séparés.
- Il est recommandé d'emballer les aliments avant de les placer dans le congélateur.
- Afin de prévenir l'expiration du temps de conservation, inscrivez la date et l'heure de congélation ainsi que le nom du produit sur l'emballage, en fonction des temps de conservation des différents aliments.
- Consommez rapidement les aliments que vous avez décongelés. Les aliments décongelés ne peuvent être recongelés que s'ils sont cuits. Il n'est pas sûr de consommer les aliments frais recongelés sans cuisson après leur décongélation.
- Lorsque vous congelez des aliments frais, ne les mettez pas en contact avec des aliments déjà congelés. Sinon, les aliments congelés seront décongelés.

Stockage des aliments, qui sont vendus sous forme congelée

- Suivez toujours les instructions du producteur en ce qui concerne le temps pendant lequel vous devez conserver vos aliments. Ne dépassez pas le temps indiqué dans ces instructions !

- Afin de préserver la qualité des aliments, veillez à ce que l'intervalle de temps entre la transaction d'achat et le stockage soit aussi court que possible.
- Achetez les aliments congelés qui sont conservés à -18 °C ou à des températures inférieures.
- Évitez d'acheter des aliments dont l'emballage est recouvert de glace, etc. Cela signifie que le produit pourrait être partiellement décongelé et recongelé. La température a un impact sur la qualité des aliments.
- Ne dépassez pas la durée de conservation recommandée par le producteur de l'aliment. Ne sortez du congélateur que les aliments dont vous avez besoin.
- Sauf en cas de circonstances extrêmes dans l'environnement, si votre produit (sur le tableau des valeurs de consigne recommandées) est réglé sur les valeurs de consigne spécifiées, les aliments conservent leur fraîcheur plus longtemps, aussi bien dans le compartiment des produits frais que dans celui du congélateur.
- Si le compartiment des aliments frais est réglé sur une température inférieure, les fruits et légumes frais peuvent être partiellement congelés.

Détails du congélateur

Selon les normes IEC 62552, à une température ambiante de 25°C, le congélateur doit pouvoir congeler 4,5 kg de denrées alimentaires à -18°C ou à des températures inférieures en 24 heures pour chaque 100 litres de volume du compartiment congélateur.

Les aliments peuvent être préservés pour des périodes prolongées uniquement à des températures inférieures ou égales à -18 °C.

Vous pouvez garder les aliments frais pendant des mois (dans le congélateur à des températures inférieures ou égales à 18 °C).

Les aliments à congeler ne doivent pas être en contact avec ceux déjà congelés pour éviter un dégivrage partiel.

Faites bouillir les légumes et filtrez l'eau pour prolonger la durée de conservation à l'état congelé. Placez les aliments dans des emballages sous vide après les avoir filtrés et placez-les dans le congélateur. Les bananes, les tomates, les feuilles de laitue, le céleri, les œufs durs, les pommes de terre et les aliments similaires ne doivent pas être congelés. Au cas où cette nourriture pourrit, seules les valeurs nutritionnelles et les qualités alimentaires seront affectées négativement. Une pourriture menaçant la santé humaine n'est pas en cause.

Placer les aliments

Balconnets du compartiment congélateur : Différents aliments congelés comme la viande, le poisson, la crème glacée, les légumes, etc.

Étagères du compartiment réfrigérateur : Les aliments contenus dans des casseroles, des plats couverts, des gamelles et les œufs (dans des gamelles)

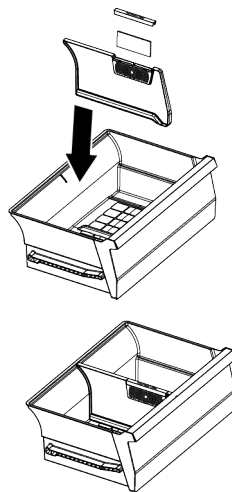
Balconnets de la porte du compartiment réfrigérateur : Aliments ou boissons de petite taille et emballés.

Bac à légumes : Légumes et fruits

Compartiment des aliments frais : Delicatessen (aliments pour le petit déjeuner, produits carnés à consommer dans un délai court).

7.3 Bac à légumes

Le bac à légumes du réfrigérateur est conçu pour conserver les légumes frais en préservant leur humidité. À cette fin, la circulation générale d'air froid est intensifiée dans le bac à légumes. Conservez les fruits et les légumes dans ce compartiment. Conservez séparément les légumes verts et les fruits pour prolonger leur durée de vie.



7.4 Zone d'entreposage frais des produits laitiers

Tiroir de stockage du froid

Le tiroir de stockage du froid peut atteindre des températures plus basses dans le compartiment réfrigérant. Utilisez ce tiroir pour les produits de charcuterie (salami, saucisse, etc.) et les produits laitiers qui nécessitent des conditions de stockage plus froides, ou pour la viande, le poulet ou le poisson à consommer rapidement. Il n'est pas possible de stocker des fruits et des légumes dans ce tiroir.

7.5 Inversion du côté d'ouverture de la porte

Le côté d'ouverture de la porte de votre réfrigérateur peut être inversé en fonction de l'endroit où vous le placez. En cas de besoin, vous devez absolument appeler le service agréé le plus proche.

7.6 Alerte de porte ouverte

Un signal sonore est émis si la porte de l'appareil reste ouverte pendant 1 minute. L'alerte sonore s'arrête lorsque vous fermez la porte de l'armoire ou appuyez sur n'importe quel bouton de l'écran (si disponible).

7.7 Remplacement de la lampe d'éclairage

Appelez le service autorisé lorsque l'ampoule/LED utilisée pour l'éclairage de votre réfrigérateur doit être remplacée.

La ou les lampes utilisées dans cet appareil ne peuvent pas être utilisées pour l'éclairage de la maison. L'objectif de cette lampe est d'aider l'utilisateur à placer les aliments dans le réfrigérateur/congélateur de manière sûre et confortable.

7.8 AeroFlow

C'est un système de distribution d'air qui assure une répartition homogène de la température. Grâce à la circulation de l'air, la distribution homogène de la température est assurée dans le compartiment de stockage des aliments frais, et les fluctuations de température sont maintenues à de faibles niveaux. Il n'y a pas de soufflage direct d'air sur les aliments, ce qui permet de réduire la perte d'humidité. Cela préserve la fraîcheur des aliments stockés dans le compartiment des aliments frais du réfrigérateur. De cette façon, vos aliments sont conservés à des températures plus stables et le contact avec l'air est réduit. Le séchage et le rétrécissement des aliments par perte d'humidité sont évités et la fraîcheur est assurée plus longtemps.

7.9 Utilisation du distributeur d'eau

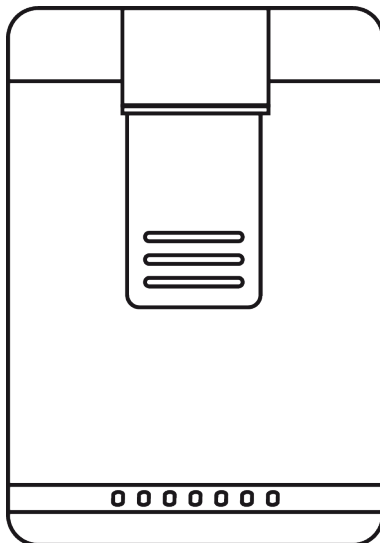


Les premiers verres d'eau obtenue du distributeur d'eau doivent normalement être chauds.



Lorsque le distributeur d'eau n'est pas utilisé pendant une longue durée, il faut jeter les premiers verres d'eau qu'il produit afin d'obtenir de l'eau propre.

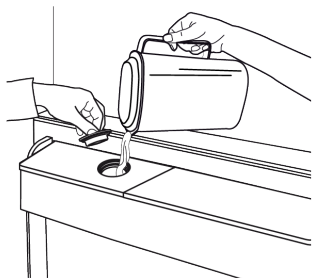
1. Poussez le bras du distributeur d'eau avec votre verre. Il serait plus facile de presser le bras avec la main si vous utilisez un verre en plastique souple.
2. Relâchez le bras après avoir rempli votre verre d'eau comme vous le souhaitez.



La quantité d'eau qui s'écoule de la fontaine dépend de la pression que vous exercez sur le bras. Relâchez légèrement la pression sur le bras lorsque le niveau d'eau dans votre verre/récipient augmente pour éviter le débordement. L'eau s'égoutte si vous appuyez légèrement sur le bras ; c'est normal et ce n'est pas un dysfonctionnement.

Remplir le réservoir du distributeur d'eau

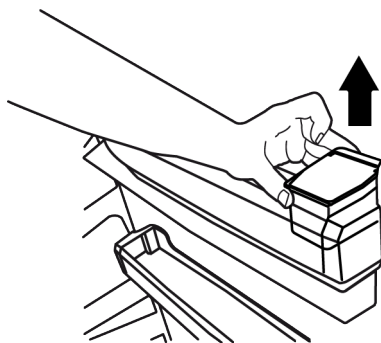
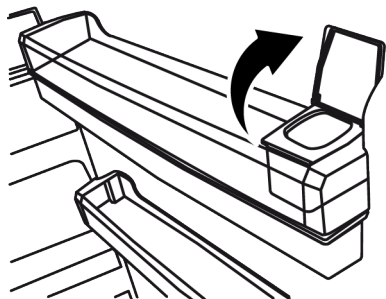
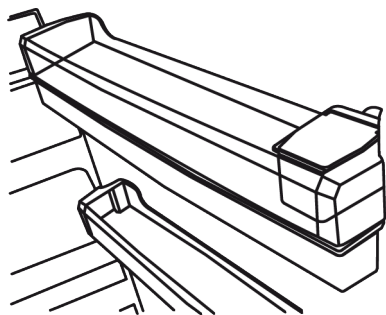
1. Ouvrez le couvercle du réservoir d'eau comme indiqué sur la figure. Remplissez-le d'eau pure et potable. Remplacez le couvercle.



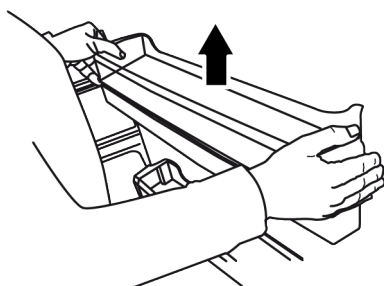
La capacité du réservoir d'eau est de 3 litres, ne le remplissez pas trop.

Nettoyage du réservoir d'eau

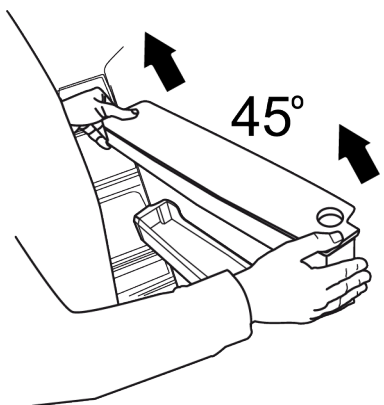
1. Retirez le réservoir d'eau à l'intérieur du balconnet.



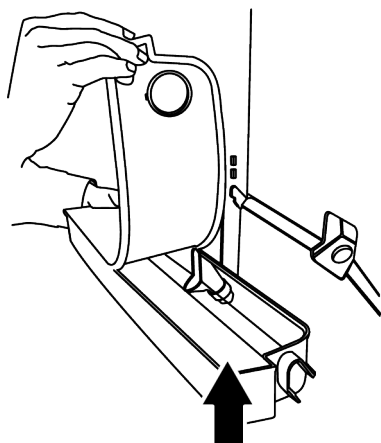
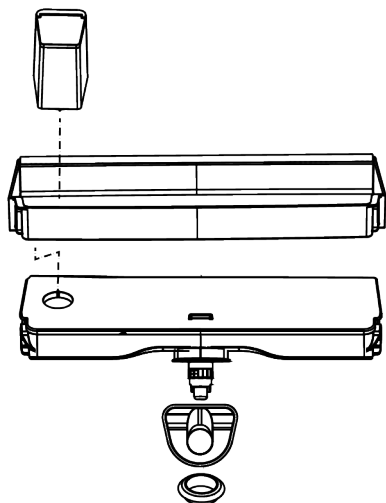
1. Détachez en tenant les deux côtés de l'étagère de la porte.



2. Tenez les deux côtés du réservoir et tirez-le dans un angle de 45°.



3. Retirez le couvercle du réservoir et nettoyez-le.



Ne remplissez pas le réservoir d'eau de jus de fruits, de boissons gazeuses, de boissons alcoolisées ou tout autre liquide inapproprié à l'utilisation du distributeur d'eau. L'utilisation de tels liquides pourrait causer un dysfonctionnement ou des dommages irréparables dans le distributeur. Cette utilisation du distributeur n'est pas couverte par la garantie. Certains produits chimiques et additifs contenus dans ces boissons / liquides peuvent causer des dommages matériels au réservoir d'eau.



Utilisez uniquement de l'eau potable propre.



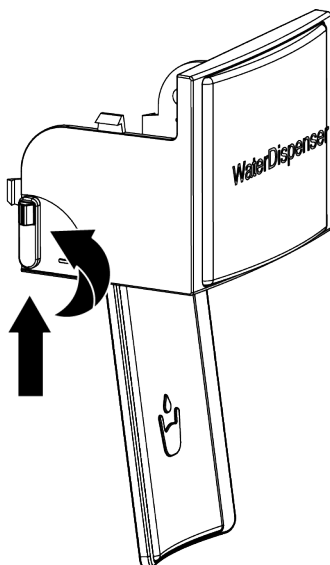
NOTIFICATION

Ne lavez pas les composants du réservoir d'eau et du distributeur d'eau dans le lave-vaisselle.

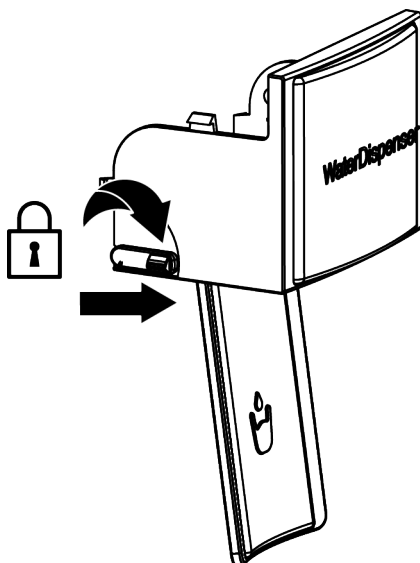


Avant d'utiliser le distributeur d'eau dans le produit, vérifiez si la sécurité enfant est active ou non. Regardez les informations dans les figures sur les positions ON/OFF de la sécurité enfant pour vérifier. Assurez-vous que la sécurité enfant se ferme exactement comme dans la figure lorsqu'elle est désactivée.

La sécurité enfant est activée comme ceci.



La sécurité enfant est désactivée
comme ceci.



FR

8 Entretien et nettoyage



AVERTISSEMENT :

Lisez d'abord la section « Instructions de sécurité ».




AVERTISSEMENT :

Débranchez le réfrigérateur avant le nettoyage.

- N'utilisez pas des objets pointus ou des produits de nettoyage abrasifs pour nettoyer l'appareil. Il ne faut pas utiliser de matériaux tels que des produits d'entretien ménager, du savon, des détergents, du gaz, de l'essence, un diluant, de l'alcool, de la cire, etc.
 - La poussière doit être enlevée de la grille de ventilation située à l'arrière du produit au moins une fois par an (sans ouvrir le couvercle). Nettoyez l'appareil avec un chiffon humide.
 - Veillez à ne pas mouiller le logement de la lampe ainsi que d'autres composants électriques.
 - Nettoyez la porte avec un chiffon humide. Retirez tout le contenu pour enlever la porte et les supports de carrosserie. Retirez les supports de porte en les sou-
- levant vers le haut. Nettoyez et séchez les étagères, puis refixez-les en les faisant glisser à partir du haut.
- N'utilisez pas d'eau contenant du chlore, ou des produits de nettoyage pour les surfaces externes et les pièces chromées de l'appareil. Le chlore entraîne la corrosion de ce type de surfaces métalliques.
 - Il ne faut pas utiliser d'outils tranchants et abrasifs, de savon, de produits d'entretien ménager, de détergents, de gaz, d'essence, de vernis et de substances similaires pour empêcher la déformation de la pièce en plastique et l'élimination des empreintes sur la pièce. Utilisez de l'eau chaude et un chiffon doux pour le nettoyage, puis séchez-le.
 - Sur les produits sans fonction « No-Frost », des gouttelettes d'eau et un givre pouvant atteindre l'épaisseur d'un doigt peuvent se former sur la paroi arrière du compartiment congélateur. Ne nettoyez pas et n'appliquez jamais d'huiles ou de produits similaires.

- Utilisez un chiffon en microfibres légèrement humidifié pour nettoyer la surface extérieure du produit. Les éponges et autres types de vêtements de nettoyage peuvent provoquer des éraflures.
- Afin de nettoyer tous les composants amovibles pendant le nettoyage de la surface intérieure du produit, il faut laver ces composants avec une solution douce composée de savon, d'eau et de carbonate. Lavez et séchez soigneusement. Évitez le contact de l'eau avec les composants d'éclairage et le panneau de contrôle.



ATTENTION :
N'utilisez pas de vinaigre, d'alcool à friction ni de produits nettoyants à base d'alcool sur les surfaces intérieures.

Surfaces extérieures en acier inoxydable

Utilisez un produit de nettoyage non abrasif pour l'acier inoxydable et appliquez-le avec un chiffon doux non pelucheux. Pour polir,

essuyez doucement la surface avec un chiffon en microfibres humidifié à l'eau et utilisez une peau de chamois sèche. Suivez toujours les veines de l'acier inoxydable.

Prévention des odeurs

À sa sortie d'usine, cet appareil ne contient aucun matériau odorant. Cependant, la conservation des aliments dans des sections inappropriées et le mauvais nettoyage de l'intérieur peuvent donner lieu aux mauvaises odeurs.

- Pour éviter cela, nettoyez l'intérieur à l'aide de carbonate dissout dans l'eau tous les 15 jours.
- Conservez les aliments dans des récipients scellés, car les micro-organismes provenant des aliments conservés dans des récipients non scellés provoquent une mauvaise odeur.
- Ne conservez pas d'aliments périmés ou avariés dans le réfrigérateur.

Protection des surfaces en plastique

Si de l'huile se répand sur les surfaces en plastique, il faut immédiatement les nettoyer avec de l'eau tiède, sinon elles seront endommagées.

9 Dépannage

Vérifiez la liste suivante avant de contacter le service après-vente. Cela devrait vous éviter de perdre du temps et de l'argent. Cette liste répertorie les plaintes fréquentes ne provenant pas de vices de fabrication ou des défauts de pièces. Certaines fonctionnalités mentionnées dans ce manuel peuvent ne pas exister sur votre modèle.

Le réfrigérateur ne fonctionne pas.

- La fiche électrique n'est pas correctement insérée. >>> Branchez-la en l'enfonçant complètement dans la prise.
- Le fusible branché à la prise qui alimente l'appareil ou le fusible principal est grillé. >>> Vérifiez les fusibles.

Condensation sur la paroi latérale du congélateur (MULTI ZONE, COOL, CONTROL et FLEXI ZONE).

- La porte a été ouverte trop fréquemment >>> Évitez d'ouvrir trop fréquemment la porte de l'appareil.
- L'environnement est trop humide. >>> N'installez pas l'appareil dans des endroits humides.
- Les aliments contenant des liquides sont conservés dans des récipients non fermés. >>> Conservez ces aliments dans des emballages scellés.
- La porte de l'appareil est restée ouverte. >>> Ne laissez pas la porte de l'appareil ouverte longtemps.
- Le thermostat est réglé sur une température très froide. >>> Réglez le thermostat à la température appropriée.

Le compresseur ne fonctionne pas.

- En cas de coupure soudaine de courant ou de débranchement intempestif, la pression du gaz dans le système de réfrigération de l'appareil n'est pas équilibrée, ce qui déclenche la fonction de conservation thermique du compresseur. L'appareil se remet en marche au bout de 6 minutes environ. Dans le cas contraire, veuillez contacter le service de maintenance.
- Le dégivrage est actif. >>> Ce processus est normal pour un appareil à dégivrage complètement automatique. Le dégivrage se déclenche périodiquement.
- L'appareil n'est pas branché. >>> Vérifiez que le cordon d'alimentation est branché.
- Le réglage de la température est incorrect. >>> Sélectionnez le réglage de température approprié.
- Absence d'énergie électrique. >>> Le produit continuera à fonctionner normalement une fois le courant rétabli.

Le bruit du réfrigérateur en fonctionnement s'accroît pendant son utilisation.

- Le rendement de l'appareil en fonctionnement peut varier en fonction des fluctuations de la température ambiante. Ceci est normal et ne constitue pas un dysfonctionnement.

Le réfrigérateur fonctionne fréquemment ou pendant de longues périodes.

- Il se peut que le nouvel appareil soit plus grand que l'ancien. Les appareils plus grands fonctionnent plus longtemps.
- La température de la pièce est peut-être trop élevée. >>> Il est normal que l'appareil fonctionne plus longtemps quand la température de la pièce est élevée.
- L'appareil vient peut-être d'être branché ou chargé de nouvelles denrées alimentaires. >>> L'appareil met plus longtemps à atteindre la température réglée s'il vient d'être branché ou récemment rempli de denrées. C'est normal.

- Il est possible que des quantités importantes d'aliments chauds aient été récemment placés dans l'appareil. >>> Ne mettez pas d'aliments chauds à l'intérieur de l'appareil.
- Les portes étaient ouvertes fréquemment ou sont restées longtemps ouvertes. >>> L'air chaud qui se déplace à l'intérieur permet à l'appareil de fonctionner plus longtemps. N'ouvrez pas les portes trop fréquemment.
- Il est possible que la porte du congélateur soit entrouverte. >>> Vérifiez que les portes sont complètement fermées.
- L'appareil peut être réglé à une température trop basse. >>> Réglez la température à un degré supérieur et attendez que l'appareil atteigne la nouvelle température.
- Le joint de la porte du congélateur peut être sale, usé, cassé, ou mal positionné. >>> Nettoyez ou remplacez le joint d'étanchéité. Si le joint du congélateur est endommagé ou arraché, l'appareil prendra plus longtemps à conserver la température actuelle.

La température du congélateur est très basse, alors que celle du réfrigérateur est appropriée.

- La température du compartiment congélateur est très basse. >>> Réglez la température du compartiment congélateur à un degré supérieur et vérifiez à nouveau.

La température du réfrigérateur est très basse, alors que celle du congélateur est appropriée.

- La température du compartiment réfrigérateur est très basse. >>> Réglez la température du compartiment de refroidissement à un degré supérieur et vérifiez à nouveau.

Les aliments conservés dans le compartiment réfrigérateur sont congelés.

- La température du compartiment réfrigérateur est très basse. >>> Réglez la température du compartiment de refroidissement à un degré supérieur et vérifiez à nouveau.

La température du compartiment réfrigérateur ou congélateur est très élevée.

- La température du compartiment réfrigérateur est réglée à un degré très élevé. >>> Le réglage de la température du compartiment réfrigérateur a une incidence sur la température du compartiment congélateur. Attendez jusqu'à ce que la température des pièces correspondantes atteigne le niveau d'efficacité requis en changeant la température des compartiments réfrigérateur ou congélateur.
- Les portes étaient ouvertes fréquemment ou sont restées longtemps ouvertes. >>> N'ouvrez pas les portes trop fréquemment.
- La porte peut être entrouverte. >>> Fermez complètement la porte.
- L'appareil vient peut-être d'être branché ou chargé de nouvelles denrées alimentaires. >>> Cela est normal. L'appareil met plus longtemps à atteindre la température réglée s'il vient d'être branché ou récemment rempli de denrées.
- Il est possible que des quantités importantes d'aliments chauds aient été récemment placées dans l'appareil. >>> Ne mettez pas d'aliments chauds à l'intérieur de l'appareil.

En cas de vibrations ou de bruits.

- La surface n'est pas plate ou durable >>> Si l'appareil balance lorsqu'il est déplacé doucement, ajustez les supports afin de le remettre en équilibre. Assurez-vous également que le sol est assez solide pour supporter l'appareil.
- Les éléments placés sur l'appareil peuvent être à l'origine du bruit. >>> Retirez tous les éléments placés sur l'appareil.
- L'appareil émet un bruit d'écoulement de liquide ou de pulvérisation, etc.
- Les principes de fonctionnement de l'appareil impliquent des écoulements de liquides et des émissions de gaz. >>> Ceci est normal et ne constitue pas un dysfonctionnement.

L'appareil émet un sifflement.

- L'appareil effectue le refroidissement à l'aide d'un ventilateur. Ceci est normal et ne constitue pas un dysfonctionnement.

Il y a de la condensation sur les parois internes de l'appareil.

- Un climat chaud ou humide accélère le processus de givrage et de condensation. Ceci est normal et ne constitue pas un dysfonctionnement.
- Les portes étaient ouvertes fréquemment ou sont restées longtemps ouvertes. >>> N'ouvrez pas les portes trop fréquemment ; fermez-les lorsqu'elles sont ouvertes.
- La porte peut être entrouverte. >>> Fermez complètement la porte.

Il y a de la condensation sur les parois externes ou entre les portes de l'appareil.

- Il se peut que le climat ambiant soit humide, auquel cas cela est normal. >>> La condensation se dissipera lorsque l'humidité sera réduite.

Présence d'une odeur désagréable dans l'appareil.

- L'appareil n'est pas nettoyé régulièrement. >>> Nettoyez régulièrement l'intérieur à l'aide d'une éponge, de l'eau tiède et du carbonate dissout dans l'eau.
- Certains récipients et matériaux d'emballage sont peut-être à l'origine des mauvaises odeurs. >>> Utilisez des récipients et des emballages exempts de toute odeur.
- Les aliments étaient placés dans des récipients ouverts. >>> Conservez les aliments dans des récipients fermés. Des micro-organismes peuvent se proliférer dans des récipients non fermés et émettre de mauvaises odeurs.
- Retirez tous les aliments périmés ou avariés de l'appareil.

La porte ne se ferme pas.

- Les paquets d'aliments peuvent bloquer la porte. >>> Déplacez tout ce qui bloque les portes.

- L'appareil ne se tient pas parfaitement droit sur le sol. >>> Ajustez les supports afin de remettre l'appareil en équilibre.
- La surface n'est pas plane ou durable >>> Assurez-vous que la surface est plane et suffisamment durable pour supporter le produit.

Le bac à légumes est bloqué.

- Il est possible que les aliments soient en contact avec la section supérieure du bac. >>> Reclassez les aliments dans le bac.

Température à la surface de l'appareil.

- Une température élevée peut être observée entre deux portes, sur les panneaux latéraux et sur la zone du grill arrière

lorsque votre produit est utilisé. C'est normal et cela ne nécessite pas d'entretien.

Le ventilateur continue de fonctionner lorsque la porte est ouverte.

- Le ventilateur peut continuer à fonctionner lorsque la porte du congélateur est ouverte.



AVERTISSEMENT : Si le problème persiste même après observation des instructions contenues dans cette partie, contactez votre fournisseur ou un service de maintenance agréé. N'essayez pas de réparer vous-même l'appareil. C'est normal.

CLAUSE DE NON-RESPONSABILITÉ / AVERTISSEMENT

Certaines défaillances (simples) peuvent être traitées de manière adéquate par l'utilisateur final sans qu'aucun problème de sécurité ou d'utilisation dangereuse ne survienne, à condition qu'elles soient effectuées dans les limites et conformément aux instructions suivantes (voir la section « Auto-réparation »).

Par conséquent, sauf autorisation contraire dans la section « Auto-réparation » ci-dessous, adressez-vous à des réparateurs professionnels agréés pour toutes réparations afin d'éviter des problèmes de sécurité. Un réparateur professionnel agréé est une personne à qui le fabricant a donné accès aux instructions et à la liste des pièces détachées de ce produit selon les méthodes décrites dans les actes législatifs en application de la directive 2009/125/CE

Toutefois, seul l'agent de service (c'est-à-dire les réparateurs professionnels agréés) que vous pouvez joindre au numéro de téléphone indiqué dans le manuel d'utilisation/la carte de garantie ou par l'intermédiaire de votre fournisseur agréé peut fournir un service conformément aux conditions de garantie. Par conséquent, veuillez noter que les réparations effectuées par des réparateurs

professionnels (qui ne sont pas autorisés par) Beko Marka annulent la garantie.

Auto-réparation

L'auto-réparation peut être effectuée par l'utilisateur final en ce qui concerne les pièces de rechange suivantes : poignées de porte, charnières de porte, plateaux, paniers et joints de porte (une liste mise à jour est également disponible sur support.beko.com à partir du 1er mars 2021).

En outre, pour garantir la sécurité du produit et éviter tout risque de blessure grave, ladite auto-réparation doit être effectuée en suivant les instructions du manuel d'utilisation pour l'auto-réparation ou celles disponibles sur support.beko.com. Pour votre sécurité, débranchez le produit avant de procéder à toute auto-réparation.

Les réparations et tentatives de réparation par les utilisateurs finaux pour des pièces ne figurant pas dans cette liste et/ou ne suivant pas les instructions des manuels d'utilisation pour l'auto-réparation ou celles disponibles sur support.beko.com, pourraient donner lieu à des problèmes de sécurité non imputables à Beko, et annuleront la garantie du produit.

Il est donc fortement recommandé aux utilisateurs finaux de s'abstenir de tenter d'effectuer des réparations ne figurant pas sur la liste des pièces de rechange mentionnée, mais de contacter dans de tels cas des réparateurs professionnels autorisés ou des réparateurs professionnels agréés. Au contraire, de telles tentatives de la part des utilisateurs finaux peuvent causer des problèmes de sécurité et endommager le produit et, par la suite, provoquer un incendie, une inondation, une électrocution et des blessures corporelles graves.

À titre d'exemple, mais sans s'y limiter, vous devez vous adresser à des réparateurs professionnels autorisés ou à des réparateurs professionnels agréés pour les réparations suivantes : compresseur, circuit de refroidissement, carte mère, carte d'inverseur, panneau d'affichage, etc.

Le fabricant/vendeur ne peut être tenu responsable dans tous les cas où les utilisateurs finaux ne se conforment pas à ce qui précède.

La disponibilité des pièces de rechange du réfrigérateur que vous avez acheté est de 10 ans. Pendant cette période, les pièces

de rechange d'origine seront disponibles pour faire fonctionner le réfrigérateur correctement.

La durée minimale de garantie du réfrigérateur que vous avez acheté est de 24 mois.

Cet appareil est équipé d'une source d'éclairage de classe énergétique « G ».

La source d'éclairage de cet appareil ne doit être remplacée que par des réparateurs professionnels.



Voir aussi

- 2 CLAUSE DE NON-RESPONSABILITÉ / AVERTISSEMENT [] 60]



Bitte lesen Sie zunächst dieses Handbuch

Lieber Kunde,

Bitte lesen Sie dieses Handbuch, bevor Sie das Produkt verwenden.

Vielen Dank, dass Sie sich für dieses Beko Produkt entschieden haben. Wir möchten, dass Sie mit diesem hochwertigen Produkt, das mit modernster Technologie hergestellt wurde, die optimale Effizienz erzielen. Lesen Sie dazu dieses Handbuch und alle anderen mitgelieferten Dokumentationen sorgfältig durch, bevor Sie das Produkt verwenden, und bewahren Sie sie als Referenz auf.

Beachten Sie alle Informationen und Warnungen im Bedienungsanleitung. Auf diese Weise schützen Sie sich und Ihr Produkt vor den Gefahren, die auftreten können.

Bewahren Sie das Bedienungsanleitung auf. Fügen Sie diese Anleitung dem Gerät bei, wenn Sie sie an eine andere Person übergeben.

In dieser Bedienungsanleitung werden folgende Symbole verwendet:



Gefahr, die zum Tod oder zu Verletzungen führen kann.



Wichtige Informationen oder nützliche Tipps zur Bedienung.







Lesen Sie die Bedienungsanleitung.



Brennbares Material, Warnung vor Brandgefahr.

HINWEIS Eine Gefahr, die zu Materialschäden am Produkt oder seiner Umgebung führen kann

	
SUPPLIER'S NAME	MODEL IDENTIFIER → (*)
	

Die in der Produktdatenbank gespeicherten Modellinformationen können über die folgende Website und die Suche nach Ihrer Modellkennung (*) auf dem Energieetikett abgerufen werden.

<https://eprel.ec.europa.eu/>

1	Sicherheitshinweise	68
1.1	Verwendungszweck	68
1.2	Sicherheit von Kindern, gefährdeten Personen und Haustieren	69
1.3	Elektrische Sicherheit.....	70
1.4	Handhabungssicherheit.....	70
1.5	Montagesicherheit	71
1.6	Betriebssicherheit	73
1.7	Sicherheit bei der Lagerung von Lebensmitteln	75
1.8	Wartungs- und Reinigungssicherheit.....	76
2	Umwelthinweise.....	77
2.1	Informationen zur Entsorgung:.....	77
3	Ihr Kühlschrank.....	78
4	Installation	78
4.1	Richtiger Ort für die Installation....	78
4.2	Elektrischer Anschluss.....	79
4.3	Anbringen der Kunststoffkeile.....	79
4.4	Einstellen der FüÙe.....	80
4.5	Warnung vor heißer Oberfläche!...	80
5	Vorbereitung.....	80
5.1	Was man zum Energiesparen tun kann.....	80
5.2	Erste Verwendung	81
5.3	Klimaklasse und Definitionen.....	81
6	Produktbedienung	82
7	Verwendung des Geräts.....	83
7.1	Bedienfeld des Geräts	83
7.2	Aufbewahrung von Lebensmitteln im Kühlfach.....	84
7.3	Gemüsefach	87
7.4	Kühlraum für Molkereiprodukte....	87
7.5	Umkehren der Türöffnungsseite ..	87
7.6	Alarm bei offener Tür	87
7.7	Auswechseln der Beleuchtungslampe	87
7.8	AeroFlow	87
7.9	Verwendung des Wasserspenders.....	88
8	Wartung und Reinigung	91
9	Fehlerbehebung	92

1 Sicherheitshinweise

- Dieser Abschnitt enthält die notwendigen Sicherheitshinweise, um die Gefahr von Personen- und Sachschäden zu vermeiden.
- Unser Unternehmen haftet nicht für Schäden, die bei Nichtbeachtung dieser Anweisungen entstehen können.



Lassen Sie Montage- und Reparaturarbeiten immer vom Hersteller, einem autorisierten Kundendienst oder einer Person, die von der einführenden Firma beschrieben wird, durchführen.



Verwenden Sie nur Originalersatzteile und Zubehör.



Reparieren oder ersetzen Sie keine Komponenten des Produkts, wenn dies nicht eindeutig in der Bedienungsanleitung angegeben ist.



Nehmen Sie keine Änderungen am Produkt vor.

1.1 Verwendungszweck

- Dieses Produkt ist nicht für den kommerziellen Gebrauch geeignet und sollte nicht für einen anderen als den vorgesehenen Zweck verwendet werden.

- Dieses Produkt ist für den Betrieb in Innenräumen, wie z.B. in Haushalten oder ähnlichem, vorgesehen.

Zum Beispiel;

In den Personalküchen von Geschäften, Büros und anderen Arbeitsumgebungen,

In Bauernhöfen,

In den Räumen von Hotels, Motels oder anderen Erholungseinrichtungen, die von Kunden genutzt werden,

In Herbergen oder ähnlichen Umgebungen,

In Catering-Diensten und ähnlichen Anwendungen außerhalb des Einzelhandels.

- Dieses Produkt darf nicht in offenen oder geschlossenen Außenbereichen wie Schiffen, Wohnmobile, Balkonen oder Terrassen verwendet werden. Wenn das Produkt Regen, Schnee, Sonnenlicht und Wind ausgesetzt wird, besteht Brandgefahr.



1.2 Sicherheit von Kindern, gefährdeten Personen und Haustieren

- Dieses Produkt kann von Kindern ab 8 Jahren und Personen mit unterentwickelten körperlichen, sensorischen oder geistigen Fähigkeiten oder mangelnder Erfahrung und Kenntnis verwendet werden, wenn sie beaufsichtigt werden oder eine Einweisung in den sicheren Gebrauch des Geräts und die damit verbundenen Gefahren erhalten haben.
 - Kinder zwischen 3 und 8 Jahren dürfen Lebensmittel in das Kühlerprodukt einlegen und aus ihr entnehmen.
 - Elektrische Produkte sind für Kinder und Haustiere gefährlich. Kinder und Haustiere dürfen nicht mit dem Produkt spielen, darauf klettern oder es betreten.
 - Reinigung und Benutzerwartung sollten nicht von Kindern durchgeführt werden, es sei denn, sie werden von jemandem beaufsichtigt.
 - Halten Sie Verpackungsmaterialien von Kindern fern! Es besteht Verletzungs- und Erstickengefahr.
- Bevor Sie alte Produkte entsorgen, die nicht mehr verwendet werden sollen:
1. Ziehen Sie den Stecker des Netzkabels aus der Steckdose.
 2. Schneiden Sie das Netzkabel ab und ziehen Sie es zusammen mit dem Stecker aus dem Gerät.
 3. Nehmen Sie die Ablagen und Schubladen nicht aus dem Gerät, um zu verhindern, dass Kinder in das Innere des Geräts gelangen können.
 4. Entfernen Sie die Türen.
 5. Bewahren Sie das Gerät so auf, dass es nicht umgestoßen werden kann.
 6. Erlauben Sie Kindern nicht, mit dem ausrangierten Produkt zu spielen.
- Entsorgen Sie das Gerät nicht, indem Sie es ins Feuer werfen. Es besteht Explosionsgefahr.
 - Wenn ein Schloss an der Tür des Geräts vorhanden ist, bewahren Sie den Schlüssel außerhalb der Reichweite von Kindern auf.



1.3 Elektrische Sicherheit

- Das Gerät darf während der Installation, Wartung, Reinigung, Reparatur und des Transports nicht an die Steckdose angeschlossen werden.
- Wenn das Netzkabel beschädigt ist, darf es nur von einem autorisierten Kundendienst ausgetauscht werden, um jegliche Risiken zu vermeiden, die auftreten können.
- Verlegen Sie das Netzkabel nicht unter dem Gerät oder an der Rückseite des Geräts. Stellen Sie keine schweren Gegenstände auf das Netzkabel. Das Netzkabel darf nicht geknickt oder gequetscht werden und nicht mit einer Wärmequelle in Berührung kommen.
- Verwenden Sie keine Verlängerungskabel, Mehrfachsteckdosen oder Adapter, um Ihr Gerät zu betreiben.
- Tragbare Mehrfachsteckdosen oder tragbare Netzteile können sich überhitzen und einen Brand verursachen. Stellen Sie daher keine tragbaren Stromquellen mit Mehrfachsteckdosen hinter oder in der Nähe des Geräts auf.

- Schließen Sie das Netzkabel des Geräts nicht an eine lose oder beschädigte Steckdose an. Derartige Verbindungen können überhitzen und einen Brand verursachen.
- Der Stecker muss leicht zugänglich sein. Wenn dies nicht möglich ist, muss die Elektroinstallation über einen Mechanismus verfügen, der den gesetzlichen Vorschriften entspricht und alle Anschlüsse vom Netz trennt (Sicherung, Schalter, Hauptschalter usw.).
- Berühren Sie den Stecker nicht mit nassen Händen!
- Fassen Sie beim Ausstecken des Geräts nicht das Netzkabel, sondern den Stecker an.



1.4 Handhabungssicherheit

- Dieses Produkt ist schwer, handhaben Sie es nicht selbst.
- Halten Sie das Gerät nicht an der Tür fest, während Sie es handhaben.
- Achten Sie beim Umgang mit dem Gerät darauf, dass das Kühlsystem und die Leitungen nicht beschädigt werden. Nehmen Sie das Gerät nicht in Betrieb, wenn die Leitungen be-

schädigt sind, und wenden Sie sich an einen autorisierten Kundendienst.

1.5 Montagesicherheit

- Wenden Sie sich für die Montage des Geräts an den autorisierten Kundendienst. Um das Gerät für die Verwendung vorzubereiten, lesen Sie die Informationen in der Bedienungsanleitung und stellen Sie sicher, dass die Strom- und Wasserleitungen den Anforderungen entsprechen. Wenn dies nicht der Fall ist, wenden Sie sich an einen qualifizierten Elektriker und einen Monteur, um die Versorgungsleitungen entsprechend zu installieren. Andernfalls kann es zu einem elektrischen Schlag, Brand, Problemen mit dem Gerät oder Verletzungen kommen.
- Überprüfen Sie das Gerät vor der Installation auf eventuelle Schäden. Lassen Sie das Gerät nicht installieren, wenn es beschädigt ist.
- Stellen Sie das Gerät auf eine saubere, ebene und stabile Fläche und balancieren Sie es mit den verstellbaren Füßen aus. Andernfalls kann der Kühlschrank umkippen und Verletzungen verursachen.
- Das Gerät muss in einer trockenen und belüfteten Umgebung aufgestellt werden. Legen Sie keine Teppiche, Vorleger oder ähnliche Beläge unter das Gerät. Dies kann zu Brandgefahr durch unzureichende Belüftung führen!
- Die Lüftungsöffnungen dürfen nicht blockiert oder abgedeckt werden. Andernfalls erhöht sich der Stromverbrauch und Ihr Produkt kann beschädigt werden.
- Das Produkt darf nicht an Stromversorgungssysteme wie z.B. Solarstrom angeschlossen werden. Andernfalls kann Ihr Gerät durch plötzliche Spannungsschwankungen beschädigt werden!
- Je mehr Kältemittel ein Kühlschrank enthält, desto größer sollte sein Aufstellraum sein. In sehr kleinen Räumen kann bei einem Gasaustritt im Kühlsystem ein brennbares Gas-Luft-Gemisch entstehen. Pro 8 Gramm Kältemittel wird mindestens 1 m³ Rauminhalt benötigt. Die Menge des in Ihrem Produkt verfügbaren Kältemittels ist auf dem Typenschild angegeben.
- Der Aufstellungsort des Produkts darf nicht der direkten Sonneneinstrahlung ausge-

setzt sein und sich nicht in der Nähe von Wärmequellen wie Öfen, Heizkörpern usw. befinden. Wenn Sie die Aufstellung des Produkts in der Nähe einer Wärmequelle nicht vermeiden können, verwenden Sie eine geeignete Isolierplatte und stellen Sie sicher, dass der Mindestabstand zur Wärmequelle wie unten angegeben ist:

- Mindestens 30 cm Abstand zu Wärmequellen wie Herden, Öfen, Heizgeräten und Heizkörpern usw.,
- Und mindestens 5 cm Abstand zu Elektroöfen.
- Ihr Produkt hat die Schutzklasse I.
- Schließen Sie das Gerät an eine geerdete Steckdose an, die mit den auf dem Typenschild angegebenen Werten für Spannung, Stromstärke und Frequenz übereinstimmt. Die Steckdose muss mit einer 10A - 16A Sicherung ausgestattet sein. Unser Unternehmen übernimmt keine Haftung für alle Schäden aufgrund einer Nutzung ohne Erdung oder ohne eines Stromanschlusses, der nicht den örtlichen und nationalen Vorschriften genügt.
- Während der Aufstellung muss der Gerätenetzstecker gezogen sein. Andernfalls besteht die Gefahr eines Stromschlags und von Verletzungen!
- Schließen Sie das Netzkabel des Geräts nicht an lose, verbogene, kaputte, schmutzige oder ölige Steckdosen an, die mit Wasser in Berührung kommen können. Derartige Anschlüsse können zu Überhitzung und Feuer führen.
- Verlegen Sie das Netzkabel und die Schläuche (falls vorhanden) des Geräts so, dass sie keine Stolpergefahr darstellen.
- Das Eindringen von Feuchtigkeit und Flüssigkeit in stromführende Teile oder in das Netzkabel kann einen Kurzschluss verursachen. Verwenden Sie das Gerät daher nicht in feuchten Umgebungen oder in Bereichen, in denen Wasser spritzen kann (z.B. Garage, Waschküche usw.). Wenn der Kühlschrank nass geworden ist, ziehen Sie den Stecker und wenden Sie sich an einen autorisierten Kundendienst.
- Schließen Sie Ihren Kühlschrank niemals an Energiespargeräte an. Solche Systeme sind schädlich für das Gerät.



1.6 Betriebssicherheit

- Verwenden Sie niemals chemische Lösungsmittel für das Gerät. Diese Stoffe bergen ein Explosionsrisiko.
- Im Falle eines Defekts ziehen Sie den Stecker aus der Steckdose und nehmen Sie das Gerät nicht in Betrieb, bis es von einem autorisierten Kundendienst repariert wurde. Es besteht die Gefahr eines Stromschlags.
- Stellen Sie keine Flammequelle (z.B. Kerzen, Zigaretten usw.) auf das Gerät oder in dessen Nähe.
- Steigen Sie nicht auf das Gerät. Sturz- und Verletzungsgefahr!
- Beschädigen Sie die Leitungen des Kühlsystems nicht mit scharfen und stechenden Werkzeugen. Das Kältemittel, das beim Durchstechen der Gasrohre, der Rohrverlängerungen oder der oberen Oberflächenbeschichtungen austritt, kann zu Hautreizungen und Verletzungen der Augen führen.
- Stellen Sie keine elektrischen Geräte im Inneren des Kühl-/Gefrierschranks auf und betreiben Sie sie nicht, es sei denn, dies wird vom Hersteller empfohlen.
- Klemmen Sie keine Teile Ihrer Hände oder Ihres Körpers in die beweglichen Teile im Inneren des Geräts ein. Achten Sie darauf, dass Ihre Finger nicht zwischen Kühlschrank und Tür eingeklemmt werden. Seien Sie vorsichtig beim Öffnen und Schließen der Tür, wenn Kinder in der Nähe sind.
- Nehmen Sie Eis, Eiswürfel oder gefrorene Lebensmittel nicht sofort in den Mund, wenn Sie sie aus dem Gefrierschrank nehmen. Frostbeulenrisiko!
- Berühren Sie die Innenwände, die Metallteile des Gefrierschranks oder die im Gefrierschrank aufbewahrten Lebensmittel nicht mit nassen Händen. Frostbeulenrisiko!
- Stellen Sie keine Getränkedosen oder Dosen und Flaschen, die Flüssigkeiten enthalten, die gefrieren können, in das Gefrierfach. Dosen oder Flaschen können explodieren. Verletzungsgefahr und Gefahr von Sachschäden!
- Verwenden oder lagern Sie keine temperaturempfindlichen Materialien wie brennbare Sprays, brennbare Gegenstände, Trockeneis oder andere

chemische Stoffe in der Nähe des Kühlschranks. Brand- und Explosionsgefahr!

- Bewahren Sie keine explosiven Materialien wie Spraydosen mit brennbaren Stoffen im Inneren des Geräts auf.
- Stellen Sie Dosen, die Flüssigkeiten enthalten, nicht im offenen Zustand auf das Produkt. Wenn Wasser auf ein elektrisches Teil spritzt, besteht die Gefahr eines elektrischen Schlags oder eines Brands.
- Dieses Produkt ist nicht für die Lagerung und Kühlung von Arzneimitteln, Blutplasma, Laborpräparaten oder ähnlichen Materialien und Produkten vorgesehen, die unter die Medizinprodukte-Richtlinie fallen.
- Wenn das Produkt nicht bestimmungsgemäß verwendet wird, kann es zu einer Beschädigung oder Beeinträchtigung der darin aufbewahrten Produkte kommen.
- Wenn Ihr Kühlschrank mit blauem Licht ausgestattet ist, dürfen Sie nicht mit optischen Geräten in dieses Licht blicken. Schauen Sie nicht über einen längeren Zeitraum direkt in das UV-LED-Licht. Ultraviolette Strahlen können die Augen überanstrengen.
- Befüllen Sie das Produkt nicht mit mehr Lebensmitteln als es aufnehmen kann. Es kann zu Verletzungen oder Schäden kommen, wenn der Inhalt des Kühlschranks beim Öffnen der Tür herunterfällt. Ähnliche Probleme können auch auftreten, wenn ein Gegenstand auf das Gerät gestellt wird.
- Vergewissern Sie sich, dass Sie jegliches Eis oder Wasser, das auf den Boden gefallen sein könnte, entfernt haben, um Verletzungen zu vermeiden.
- Ändern Sie die Position der Ablagen/Flaschenablagen an der Tür Ihres Kühlschranks nur, wenn die Ablagen leer sind. Es besteht Verletzungsgefahr!
- Stellen Sie keine Gegenstände auf das Produkt, die herunterfallen/umkippen können. Diese Gegenstände können beim Öffnen oder Schließen der Tür herunterfallen und Verletzungen und/oder Sachschäden verursachen.
- Schlagen Sie nicht auf Glasflächen und üben Sie keinen übermäßigen Druck darauf aus. Zerbrochenes Glas kann zu Verletzungen und/oder Sachschäden führen.

- Das Kühlsystem in Ihrem Produkt enthält das Kältemittel R600a. Der im Produkt verwendete Kältemitteltyp ist auf dem Typenschild angegeben. Das Gas ist entflammbar. Achten Sie deshalb beim Betrieb des Produkts darauf, dass das Kühlsystem und die Leitungen nicht beschädigt werden. Im Falle einer Beschädigung der Rohre;

1. Berühren Sie nicht das Produkt oder das Netzkabel.
2. Halten Sie das Gerät von potenziellen Feuerquellen fern, die das Gerät in Brand setzen könnten.
3. Belüften Sie den Bereich, in dem das Gerät aufgestellt ist. Verwenden Sie keinen Ventilator.
4. Wenden Sie sich an den autorisierten Kundendienst.
5. Wenn das Gerät beschädigt ist und Sie ein Gasleck feststellen, halten Sie sich bitte vom Gas fern. Gas kann Erfrigerungen verursachen, wenn es mit Ihrer Haut in Kontakt kommt.



1.7 Sicherheit bei der Lagerung von Lebensmitteln

Bitte beachten Sie die folgenden Warnhinweise, um den Verderb von Lebensmitteln zu vermeiden:

- Wenn Sie die Türen längere Zeit offen stehen lassen, kann die Temperatur im Inneren des Geräts ansteigen.
- Reinigen Sie regelmäßig die zugänglichen Abflusssysteme, die mit den Lebensmitteln in Berührung kommen.
- Reinigen Sie Wassertanks, die 48 Stunden lang nicht benutzt wurden, und Wasserversorgungssysteme, die mehr als 5 Tage lang nicht benutzt wurden.
- Lagern Sie rohe Fleisch- und Fischprodukte in geeigneten Fächern innerhalb des Produkts. So tropft es nicht auf andere Lebensmittel und kommt nicht mit ihnen in Berührung.
- Zwei-Sterne-Gefrierfächer werden für die Lagerung von vorgefüllten Lebensmitteln, die Herstellung und Lagerung von Eis und Speiseeis verwendet.
- Ein-, Zwei- und Drei-Sterne-Fächer sind nicht zum Einfrieren frischer Lebensmittel geeignet.

DE

- Wenn das Gefrierschrank längere Zeit nicht benutzt wurde, schalten Sie es aus, tauen Sie es ab, reinigen und trocknen Sie es, um das Gehäuse des Geräts zu schützen.



1.8 **Wartungs- und Reini- gungssicherheit**

- Ziehen Sie den Netzstecker des Kühlschranks, bevor Sie ihn reinigen oder Wartungsarbeiten durchführen.
- Ziehen Sie nicht am Türgriff, wenn Sie das Gerät zu Reinigungszwecken bewegen müssen. Ein zu starkes Ziehen am Griff kann zu Verletzungen führen.
- Halten Sie Ihre Hände usw. nicht unter den Kühlschrank. Es kann zu einem Einklemmen kommen oder scharfe Kanten können Verletzungen verursachen.
- Reinigen Sie das Gerät nicht, indem Sie Wasser auf das Gerät und in das Innere des Geräts sprühen oder gießen. Es besteht Stromschlag- und Brandgefahr.
- Verwenden Sie zum Reinigen des Produkts keine scharfen und scheuernden Werkzeuge

oder Haushaltsreiniger, Waschmittel, Gas, Benzin, Verdünner, Alkohol, Lacke und ähnliche Substanzen. Verwenden Sie nur Reinigungs- und Pflegemittel, die für die Lebensmittel im Inneren des Geräts unschädlich sind.

- Verwenden Sie zur Reinigung des Geräts und zum Auftauen des Eises im Inneren niemals Dampf oder dampfhaltige Reinigungsmittel. Dampf kommt mit den stromführenden Teilen Ihres Kühlschranks in Berührung und kann einen Kurzschluss oder Stromschlag verursachen.
- Achten Sie darauf, dass Wasser nicht in die Nähe der Lüftungsöffnungen, der elektronischen Schaltkreise oder der Beleuchtung des Geräts gelangt.
- Verwenden Sie ein sauberes, trockenes Tuch, um Staub oder Fremdkörper an den Stecker- spitzen abzuwischen. Verwenden Sie kein nasses oder feuchtes Tuch, um den Stecker zu reinigen. Andernfalls besteht die Gefahr eines Brands oder Stromschlags.

2 Umwelthinweise

2.1 Informationen zur Entsorgung:

Einhaltung der EEAG-Richtlinie und Entsorgung des Altgeräts:



Dieses Produkt entspricht der EEAG-Richtlinie (2012/19/EU). Dieses Produkt trägt das Klassifizierungssymbol für Elektro- und Elektronik-Altgeräte (EEAG).

Dieses Symbol gibt an, dass dieses Produkt am Ende seiner Lebensdauer nicht zusammen mit dem normalen Hausmüll entsorgt werden darf. Das gebrauchte Gerät muss zur Wiederverwertung von elektrischen und elektronischen Geräten an die offizielle Sammelstelle zurückgegeben werden. Um diese Sammelsysteme zu finden, wenden Sie sich bitte an Ihre örtlichen Behörden oder Händler, bei denen das Produkt gekauft wurde. Jedes Haushalt spielt eine wichtige Rolle bei der Rückgewinnung und dem Recycling von Altgeräten. Eine ord-

nungsgemäße Entsorgung gebrauchter Geräte trägt dazu bei, mögliche negative Folgen für die Umwelt und die menschliche Gesundheit zu vermeiden.

DE

Einhaltung der RoHS-Richtlinie:

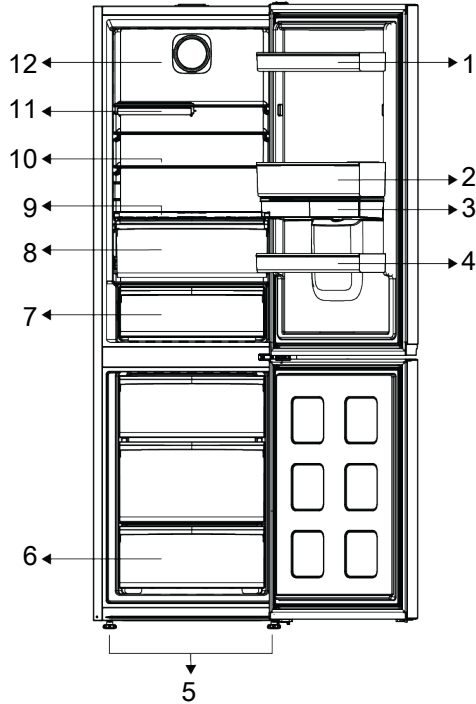
Das von Ihnen gekaufte Gerät entspricht der RoHS-Richtlinie der EU (2011/65/EU). Es enthält keinerlei Materialien, die gemäß der Richtlinie als schädlich oder verboten gelten.



Information zur Verpackung

Das Verpackungsmaterial für dieses Erzeugnis wurde aus Recyclingstoffen gemäß unseren nationalen Umweltschutzvorschriften hergestellt. Entsorgen Sie das Verpackungsmaterial nicht mit dem Hausmüll oder anderen Abfällen. Bringen Sie es zu einer von den örtlichen Behörden eingerichteten Sammelstelle für Verpackungsmaterial.

3 Ihr Kühlschrank



- | | |
|------------------------------|------------------------|
| 1 * Verstellbare Türregal | 2 Eierhalter |
| 3 * Wasserspender | 4 Flaschenablage |
| 5 Verstellbare Füße | 6 * Gefrierfach |
| 7 * Kühllagerschublade | 8 * Gemüsefach |
| 9 * Vitamin-Frischfach | 10 Verstellbare Regale |
| 11 * Faltbare Flaschenablage | 12 Lüfter |

***Optional:** Die Abbildungen in dieser Bedienungsanleitung sind schematisch und stimmen möglicherweise nicht genau mit Ihrem

Produkt überein. Wenn Ihr Produkt nicht die relevanten Teile enthält, beziehen sich die Informationen auf andere Modelle.

4 Installation



Lesen Sie zuerst den Abschnitt „Sicherheitshinweise“!

4.1 Richtiger Ort für die Installation

Wenden Sie sich für die Montage des Geräts an den autorisierten Kundendienst. Um das Gerät für die Installation vorzubereiten, lesen Sie die Informationen in der Bedienungsanleitung und stellen Sie sicher, dass

die Strom- und Wasserleitungen den Anforderungen entsprechen. Wenn dies nicht der Fall ist, wenden Sie sich an einen Elektriker und einen Monteur, um die Versorgungsleitungen entsprechend zu installieren.



WARNUNG:

Der Hersteller haftet nicht für alle Schäden, die entstehen, wenn diese Arbeiten von nicht dazu befugten Personen aufgeführt werden.



WARNUNG:

Während der Aufstellung muss der Gerätenetzstecker gezogen sein. Andernfalls besteht ein ernsthaftes Risiko für schwere Verletzungen mit Todesfolge.



WARNUNG:

Sollte die Eingangsöffnung am Aufstellungsort zu schmal für das Gerät sein, bauen Sie die Gerätetür ab und drehen Sie das Gerät auf die Seite. Wenden Sie sich an den zuständigen Kundendienst, wenn sich das Problem so nicht lösen lässt.

- Stellen Sie das Gerät auf eine ebene Fläche, um Vibrationen zu vermeiden.
- Stellen Sie das Produkt mindestens 30 cm von Heizung, Herd und ähnlichen Wärmequellen und mindestens 5 cm von Elektroöfen entfernt auf.
- Setzen Sie das Produkt keinem direkten Sonnenlicht aus und bewahren Sie es nicht in feuchten Umgebungen auf.
- Ihr Produkt benötigt eine ausreichende Luftzirkulation, um effizient zu funktionieren. Wenn das Produkt in eine Nische gestellt wird, denken Sie daran, mindestens 5 cm Abstand zwischen dem Produkt und der Decke, der Rückwand und den Seitenwänden zu lassen.
- Prüfen Sie, ob die Rückwand-Abstands-schutzkomponente an ihrem Standort vorhanden ist (falls mit dem Produkt geliefert).

- Wenn die Komponente nicht verfügbar ist oder verloren geht oder heruntergefallen ist, positionieren Sie das Produkt so, dass zwischen der Rückseite des Produkts und der Wand des Raums mindestens 5 cm Abstand verbleiben. Der Freiraum an der Rückseite ist wichtig für den effizienten Betrieb des Produkts.

4.2 Elektrischer Anschluss



Verwenden Sie für den Anschluss an des Stromnetz keine Verlängerungskabel oder Mehrfachsteckdosen.



Ein beschädigtes Kabel darf nur vom autorisierten Kundendienst ausgetauscht werden.



Wenn Sie zwei Kühlschränke nebeneinander aufstellen, müssen Sie einen Mindestabstand von wenigstens 4 cm zwischen beiden Geräten einhalten.

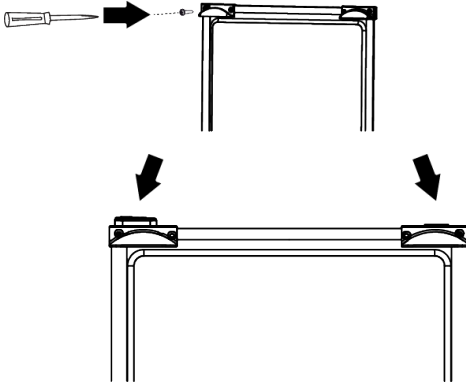
- Unser Unternehmen übernimmt keine Haftung für alle Schäden aufgrund einer Nutzung ohne Erdung oder eines Stromanschlusses, der nicht den örtlichen Vorschriften genügt.
- Das Netzkabel muss nach der Aufstellung gut zugänglich sein.
- Verwenden Sie keinen Mehrfachstecker mit oder ohne Verlängerungskabel zwischen der Steckdose und dem Kühlschrank.

4.3 Anbringen der Kunststoffkeile

Verwenden Sie die mit dem Gerät gelieferten Kunststoffkeile, um ausreichend Platz für die Luftzirkulation zwischen dem Gerät und der Wand zu schaffen.

1. Um die Keile zu befestigen, entfernen Sie die Schrauben an den jeweiligen Gerätestellen und verwenden die mit den Kunststoffkeilen gelieferten Schrauben.

2. Befestigen Sie 2 Kunststoffkeile an der Lüftungsabdeckung, so wie in der Abbildung dargestellt.



4.4 Einstellen der FüÙe

Wenn sich das Gerät nicht im Gleichgewicht befindet, stellen Sie die vorderen verstellbaren FüÙe ein, indem Sie sie nach rechts oder links drehen.

5 Vorbereitung



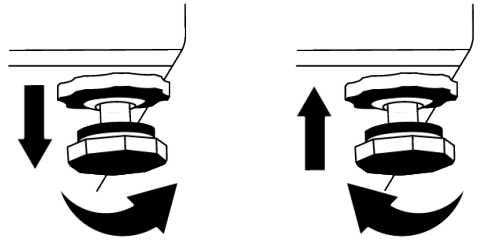
Lesen Sie zuerst den Abschnitt „Sicherheitshinweise“!

5.1 Was man zum Energiesparen tun kann



Der Anschluss des Produkts an elektronische Energiesparsysteme ist schädlich, da er das Produkt beschädigen kann.

- Dieses Kühlgerät ist nicht für die Verwendung als Einbaugerät vorgesehen
- Lassen Sie die Kühlschrantür nicht über längere Zeit hinweg offen.
- Stellen Sie keine heißen Speisen oder Getränke in den Kühlschrank.
- Überfüllen Sie den Kühlschrank nicht. Ein Blockieren der inneren Luftzirkulation verringert die Kühlleistung.

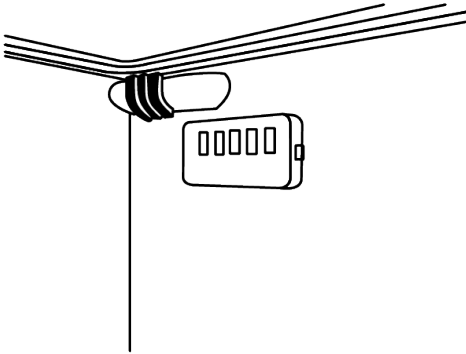


4.5 Warnung vor heißer Oberfläche!

Die Seitenwände Ihres Produkts sind mit Kühlerrohren ausgestattet, um das Kühlsystem zu verbessern. Hochdruckflüssigkeit kann durch diese Oberflächen fließen und heiÙe Oberflächen an den Seitenwänden verursachen. Dies ist normal und erfordert keine Wartung. Seien Sie vorsichtig, wenn Sie diese Bereiche kontaktieren.

- Um die maximale Menge an Lebensmitteln in das Gefrierfach Ihres Kühlschranks zu laden, sollten die oberen Schubladen herausgenommen und die Lebensmittel auf die Draht-/Glasböden gelegt werden. Die Angaben zum Nettovolumen und zum Energieverbrauch, die auf dem Energieetikett Ihres Kühlschranks angegeben sind, wurden getestet, indem die oberen Schubladen in der Kühlabteilung und der Eiskübel, der leicht von Hand herausgenommen werden kann, herausgenommen wurden.
- Es wird dringend empfohlen, bei der Lagerung die untere Schublade zu verwenden.
- Abhängig von den Eigenschaften des jeweiligen Modells kann das Auftauen von Tiefkühlware im Frischfach Energie sparen und die Qualität der auftauenden Lebensmittel bewahren.

- Achten Sie darauf, dass die Lebensmittel nicht mit dem unten beschriebenen Temperatursensor des Frischefachs in Berührung kommen.



- Wenn sie mit dem Sensor in Berührung kommen, kann der Energieverbrauch des Geräts steigen.
- Lebensmittel sind in den Schubladen im Kühlfach aufzubewahren, um Energie zu sparen und Lebensmittel unter besseren Bedingungen zu schützen.
- Lebensmittelverpackungen dürfen nicht in direktem Kontakt mit dem Temperatursensor im Gefrierfach stehen.

5.2 Erste Verwendung

Bevor Sie den Kühlschrank das erste Mal verwenden, achten Sie darauf, alle Vorbereitungen gemäß dieser Bedienungsanleitung, insbesondere wie in den Abschnitten „Wichtige Hinweise zur Sicherheit und zum Umweltschutz“ und „Aufstellung“ beschrieben, durchzuführen.

- Lassen Sie das leere Gerät mindesten 6 lang laufen und öffnen Sie dabei nicht Tür, sofern es nicht absolut notwendig sein sollte.
- Die Temperaturänderung, die durch das Öffnen und Schließen der Tür während der Verwendung des Produkts verursacht wird, kann normalerweise zu Kondenswasserbildung führen, die auf Tür-/Korpusregalen und Glaswaren in das Produkt gestellt werden.

i Wenn der Kompressor sich einschaltet, ist ein Geräusch zu hören. Es ist normal, dass das Produkt Geräusche macht, auch wenn der Kompressor nicht läuft, da im Kühlsystem Flüssigkeit und Gas komprimiert werden können.

i Es ist normal, dass die vorderen Ränder des Kühlschranks warm sind. Diese sind so gestaltet, dass sie erwärmen, um Kondensation zu vermeiden.

i Bei einigen Modellen schaltet sich die Anzeigetafel 1 Minuten nach dem Schließen der Tür automatisch aus. Sie wird wieder aktiviert, wenn die Tür offen ist oder eine beliebige Taste gedrückt wird.

5.3 Klimaklasse und Definitionen

Bitte beachten Sie die Klimaklasse auf dem Typenschild Ihres Geräts. Je nach Klimaklasse ist eine der folgenden Informationen auf Ihr Gerät anwendbar.

- **SN:** Langfristig gemäßigtes Klima: Dieses Kühlgerät ist für den Einsatz bei Umgebungstemperaturen zwischen 10 °C und 32 °C ausgelegt.
- **N:** Gemäßigtes Klima: Dieses Kühlgerät ist für den Einsatz bei Umgebungstemperaturen zwischen 16°C und 32 °C ausgelegt.
- **ST:** Subtropisches Klima: Dieses Kühlgerät ist für den Einsatz bei Umgebungstemperaturen zwischen 16°C und 38°C ausgelegt.
- **T:** Tropisches Klima: Dieses Kühlgerät ist für den Einsatz bei Umgebungstemperaturen zwischen 16°C und 43°C ausgelegt.

6 Produktbedienung



Lesen Sie zuerst den Abschnitt „Sicherheitshinweise“!

- Verwenden Sie keine mechanischen Werkzeuge oder andere Werkzeuge als die Empfehlungen des Herstellers, um den Auftauvorgang zu beschleunigen.
- Nutzen Sie Teile des Kühlschranks, wie z.B. die Tür oder die Schubladen nicht als Unterstützung oder als Trittbrett. Dies kann dazu führen, dass das Produkt umkippt oder seine Komponenten beschädigt werden.
- Das Gerät darf nur zur Aufbewahrung von Lebensmitteln verwendet werden.

- Schalten Sie das Wasserventil aus, wenn Sie nicht zu Hause sind (z.B. im Urlaub) und die Eismaschine oder den Wasserspender längere Zeit nicht benutzen. Andernfalls können Wasserlecks auftreten.

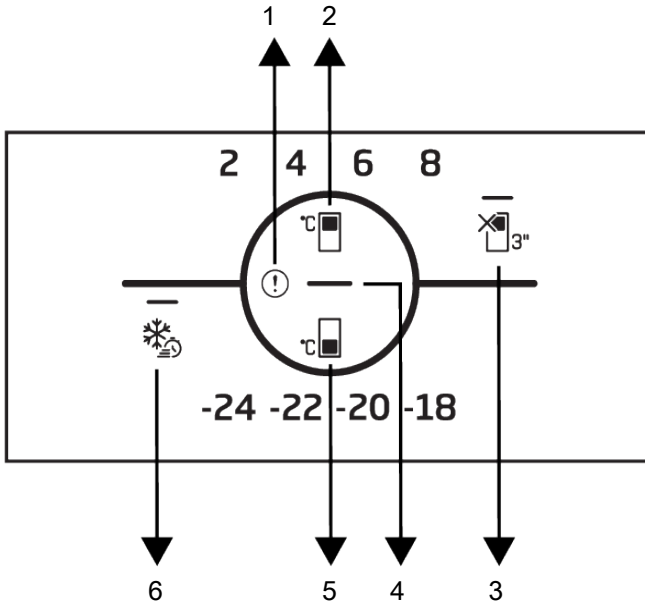
Pausieren des Programms

- Wenn Sie das Gerät für längere Zeit nicht benutzen, ziehen Sie den Stecker aus der Steckdose.
- Entfernen Sie die Lebensmittel, um Gerüche zu vermeiden.
- Warten Sie, bis das Eis geschmolzen ist, reinigen Sie den Innenraum und lassen Sie ihn trocknen; lassen Sie die Türen offen, um eine Beschädigung der inneren Kunststoffteile zu vermeiden.

7 Verwendung des Geräts

7.1 Bedienfeld des Geräts

DE



1 Fehlerzustandsanzeige

3 * Funktionstaste Kühlfach AUS (Urlaub)

5 * Temperatureinstellungstaste für das Gefrierfach

2 * Temperatureinstellungstaste für das Kühlfach

4 Anzeige für Energiesparen (Display aus)

6 Schnellgefriertaste



Lesen Sie zuerst den Abschnitt „Sicherheitshinweise“!

Die auditiven und visuellen Funktionen der Anzeigetafel erleichtert Ihnen die Nutzung des Kühlschranks.

***Optional:** Die angezeigten Funktionen sind optional, es können Form- und Lageunterschiede bei den Funktionen auf der Anzeige Ihres Geräts auftreten.

1. Fehlerzustandsanzeige

Diese Anzeige muss aktiv sein, wenn Ihr Kühlschrank keine ausreichende Kühlung durchführen kann oder wenn ein Sensorfehler vorliegt. Das Ausrufezeichen kann ange-

zeigt werden, wenn Sie warme Lebensmittel in das Gefrierfach laden oder die Tür längere Zeit offen halten. Dies ist kein Fehler. Diese Warnung wird erlöschen, wenn die Lebensmittel abgekühlt sind oder wenn eine Taste gedrückt wird.

2. Temperatureinstellungstaste für das Kühlfach

Ermöglicht die Einstellung der Temperatur für das Kühlfach. Durch das Drücken dieser Taste wird die Einstellung der Kühlfachtemperatur auf 8 °C, 6 °C, 4 °C und 2 °C möglich.

3. Funktionstaste Kühlfach Aus (Urlaub)



Drücken Sie die Taste 3 Sekunden lang, um die Urlaubsfunktion zu aktivieren. Der Urlaubsmodus ist aktiviert und die LED auf dem Urlaubssymbol leuchtet. Das Kühlfach führt keine aktive Kühlfunktion aus. Wenn Sie diese Funktion aktivieren, sollten Sie Ihre Lebensmittel nicht im Kühlfach aufbewahren. Die anderen Fächer kühlen entsprechend der zuvor eingestellten Temperaturen weiter. Drücken Sie die Taste erneut 3 Sekunden lang, um diese Funktion abzubrechen.

4. Energiesparanzeige (Anzeige aus)

Wenn die Türen längere Zeit nicht geöffnet und geschlossen werden, wird der Energiesparmodus automatisch aktiviert und das Energiesparsymbol () leuchtet. Wenn die Energiesparfunktion aktiviert ist, verschwinden alle Symbole außer dem Energiesparsymbol auf dem Bildschirm. Wenn Sie bei aktivierter Energiesparfunktion eine andere Taste drücken oder die Tür öffnen, stellt

7.2 Aufbewahrung von Lebensmitteln im Kühlfach

Aufbewahrung von Lebensmitteln im Kühlfach

- Die Temperatur des Fachs steigt stark an, wenn die Fachtür häufig geöffnet und geschlossen wird und lange Zeit offen bleibt; dies kann die Lebensdauer der Lebensmittel verkürzen und dazu führen, dass sie schlecht werden.
- Um Geruchs- und Geschmacksveränderungen zu vermeiden, sollten die Lebensmittel in geschlossenen Behältern aufbewahrt werden.
- Lagern Sie nicht zu viele Lebensmittel in Ihrem Kühlschrank. Um eine bessere und gleichmäßige Kühlung zu erreichen, legen Sie die Lebensmittel getrennt voneinander so ein, dass die kalte Luft durch sie hindurchströmen kann.

sich diese Funktion aus und die Symbole auf der Anzeige leuchten wieder auf. Die Energiesparfunktion ist eine ab Werk aktivierte Funktion und kann nicht abgebrochen werden.

5. Temperatureinstellungstaste für das

Gefrierfach

Die Temperatureinstellung erfolgt für das Gefrierfach. Durch das Drücken dieser Taste wird die Einstellung der Gefrierfachtemperatur auf die Werte -18 °C, -20 °C, -22 °C und -24 °C möglich.

6. Schnellgefrierstaste

Wenn die Schnellgefrierstaste gedrückt wird, leuchtet die LED auf der Schnellgefrierstaste und die Schnellgefrierfunktion muss aktiviert werden. Die Gefrierfachtemperatur ist auf -27 °C eingestellt. Drücken Sie die Taste erneut, um die Funktion abzubrechen. Die Schnellgefrierfunktion wird nach einem bestimmten Zeitraum automatisch abgebrochen. Um eine große Menge an frischen Lebensmitteln einzufrieren, drücken Sie die Schnellgefrierstaste, bevor Sie die Lebensmittel in das Gefrierfach legen.

- Sorgen Sie für Luftzirkulation, indem Sie einen Zwischenraum zwischen den Lebensmitteln und der Innenwand lassen. Wenn Sie die Lebensmittel an die Rückwand lehnen, können sie einfrieren.
- Bringen Sie gekochte warme Speisen auf Zimmertemperatur, bevor Sie sie in den Kühlschrank stellen. Dann können Sie die lauwarmen Speisen in die unteren Fächer des Kühlschranks stellen. Stellen Sie die lauwarmen Speisen nicht in die Nähe von Lebensmitteln, die leicht verderben können.
- Tauen Sie Ihre gefrorenen Lebensmittel im Frischhaltefach auf. Auf diese Weise können Sie das Frischhaltefach durch die Verwendung von Tiefkühlkost kühlen und Energie sparen.

- Lagern Sie unreife Südfrüchte (Mango, Melonen, Papaya, Banane, Ananas) im Kühlschrank, um den Reifeprozess zu beschleunigen. Dies ist nicht empfehlenswert, da sich dadurch die Lagerzeit verkürzt.
- Zwiebeln, Knoblauch, Ingwer und anderes Wurzelgemüse sollten Sie nicht im Kühlschrank, sondern in einem dunklen und kalten Raum aufbewahren.
- Wenn Sie feststellen, dass ein Lebensmittel im Kühlschrank verdorben ist, werfen Sie es weg und reinigen Sie das Zubehör, das mit dem Lebensmittel in Berührung gekommen ist.
- Um Speisen wie Suppen und Eintöpfe, die in großen Töpfen gekocht werden, schnell abzukühlen, können Sie sie in eigenen flachen Behältern in den Kühlschrank stellen.
- Stellen Sie unverpackte Lebensmittel nicht in die Nähe von Eiern.
- Bewahren Sie Obst und Gemüse getrennt auf und lagern Sie jede Sorte zusammen (z.B. Äpfel mit Äpfeln, Karotten mit Karotten).
- Nehmen Sie grünes Gemüse aus dem Plastikbeutel und legen Sie es in den Kühlschrank, nachdem Sie es in ein Papiertuch oder ein Trockentuch eingewickelt haben. Wenn Sie diese Art von Lebensmitteln waschen, bevor Sie sie in den Kühlschrank stellen, denken Sie daran, sie zu trocknen.
- Sie können sowohl eine feuchte Umgebung schaffen als auch für einen Luftstrom sorgen, indem Sie Obst und Gemüse, die zum Austrocknen neigen, in perforierten oder unverschlossenen Plastiktüten aufbewahren.
- Abgesehen von den Fällen, in denen in der Umgebung extreme Bedingungen herrschen, bleiben die Lebensmittel sowohl im Frischfach als auch im Gefrierfach länger frisch, wenn Sie Ihr Produkt (auf der Tabelle der empfohlenen Werte) auf die angegebenen Werte einstellen.

Lagern Sie Lebensmittel je nach ihren Eigenschaften an verschiedenen Orten:	
Essen	Platz
Eier	Türregal
Molkereiprodukte (Butter, Käse)	Falls verfügbar, Null-Grad-Fach (für Frühstücksnahrung)
Obst, Gemüse und Grünzeug	Obst-/Gemüsefach, Crisper oder EverFresh+-Fach (sofern vorhanden)
Frisches Fleisch, Geflügel, Fisch, Wurst usw. Gekochte Lebensmittel	Falls verfügbar, Null-Grad-Fach (für Frühstücksnahrung)
Servierfertige Lebensmittel, verpackte Produkte, Konserven und eingelegte Lebensmittel	Obere Regale oder Türregal
Getränke, Flaschen, Gewürze und Snacks	Türregal

Lagerung von Lebensmitteln im Gefrierfach

- Sie können die Schnellgefrierfunktion 4-6 Stunden vor dem Einfrieren aktivieren und eine schnellere Abkühlung vornehmen.
- Bringen Sie warme Speisen auf Raumtemperatur, bevor Sie sie in das Gefrierfach legen.
- Lebensmittel, die eingefroren werden sollen, müssen entsprechend der zu verzehrenden Größe in Portionen aufgeteilt und in separaten Verpackungen eingefroren werden.
- Es wird empfohlen, die Lebensmittel zu verpacken, bevor sie in den Gefrierfach gelegt werden.

- Um zu verhindern, dass die Lagerzeit abläuft, schreiben Sie das Einfrierdatum, die Uhrzeit und den Namen des Produkts auf die Verpackung, entsprechend der Lagerzeit der verschiedenen Lebensmittel.
- Verbrauchen Sie die aufgetauten Lebensmittel schnell. Aufgetaute Lebensmittel können nicht wieder eingefroren werden, es sei denn, sie werden gekocht. Es ist nicht sicher, die wieder eingefrorenen frischen Lebensmittel nach dem Auftauen ohne Kochen zu verzehren.
- Bringen Sie beim Einfrieren frischer Lebensmittel diese nicht mit bereits gefrorenen Lebensmitteln in Kontakt. Andernfalls werden die gefrorenen Lebensmittel aufgetaut.

Aufbewahrung der Lebensmittel, die tiefgekühlt verkauft werden

- Befolgen Sie stets die Anweisungen des Herstellers in Bezug auf die Zeit, in der Sie Ihre Lebensmittel aufbewahren müssen. Überschreiten Sie nicht die in diesen Anweisungen angegebene Zeit!
- Um die Qualität der Lebensmittel zu schützen, sollten Sie die Zeitspanne zwischen Kauf und Lagerung so kurz wie möglich halten.
- Kaufen Sie Tiefkühlkost, die bei -18 °C oder niedrigeren Temperaturen gelagert wird.
- Vermeiden Sie den Kauf von Lebensmitteln, deren Verpackungen mit Eis usw. bedeckt sind. Dies bedeutet, dass das Produkt teilweise aufgetaut und wieder eingefroren werden könnte. Die Temperatur wirkt sich auf die Qualität der Lebensmittel aus.
- Überschreiten Sie nicht die vom Lebensmittelhersteller empfohlene Lagerzeit. Nehmen Sie nur so viele Lebensmittel aus dem Gefrierschrank, wie Sie benötigen.
- Abgesehen von den Fällen, in denen in der Umgebung extreme Bedingungen herrschen, bleiben die Lebensmittel sowohl im Frischfach als auch im Gefrier-

- fach länger frisch, wenn Sie Ihr Produkt (auf der Tabelle der empfohlenen Werte) auf die angegebenen Werte einstellen.
- Wenn das Frischhaltefach auf eine niedrigere Temperatur eingestellt ist, kann frisches Obst und Gemüse teilweise gefroren sein.

Gefrierschrank Details

Gemäß den IEC 62552-Standards muss das Gefrierschrank über eine Kapazität zum Einfrieren von 4,5 kg an Lebensmitteln bei Temperaturen von -18°C oder niedriger von 25°C in 24 Stunden pro jeweils 100 Liter an Gefrierfachvolumen verfügen.

Lebensmittel können über eine längere Zeit hinweg nur bei Temperaturen von weniger als -18°C gelagert werden.

Sie können die Lebensmittel über Monate frisch halten (im Tiefkühler bei Temperaturen von oder niedriger als -18°C Grad).

Die einzufrierenden Lebensmittel dürfen nicht mit bereits tiefgekühlten Produkten in Berührung kommen, um ein teilweises Auftauen zu verhindern.

Blanchieren Sie das Gemüse und gießen Sie das Wasser ab, um die Lagerzeit bei Tiefkühlung zu verlängern. Legen Sie das Gefriergut nach dem Abgießen in luftdichte Verpackungen und dann in das Gefrierschrank. Bananen, Tomaten, Salat, Sellerie, gekochte Eier, Kartoffeln und vergleichbare Lebensmittel dürfen nicht eingepackt werden. Wenn diese Lebensmittel eingefroren werden, werden nur der Nährwert und die Verzehreigenschaften beeinträchtigt. Eine Verrottung, die die menschliche Gesundheit bedroht, kommt nicht in Frage.

Platzierung der Lebensmittel

Regale im Gefrierfach: Verschiedene Tiefkühlkost wie Fleisch, Fisch, Eiscreme, Gemüse usw.

Regale im Kühlfach: Lebensmittel in Töpfen, Behältern mit Deckeln und Verschlusskappen, sowie Eier (geschlossenen Gefäßen)

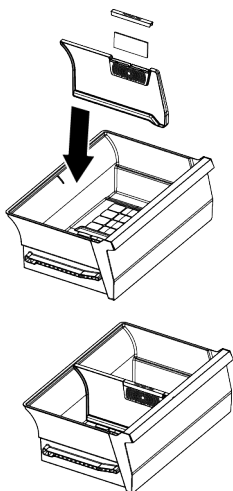
Kühlfachtürregale: Kleine und verpackte Lebensmittel oder Getränke

Gemüsefach: Gemüse und Obst

Fach für frische Lebensmittel: Feinkostprodukte (Brotaufstriche, Fleischprodukte für den raschen Verbrauch)

7.3 Gemüsefach

Das Gemüsefach im Kühlschrank hält das Gemüse frisch, indem ihre Feuchtigkeit erhalten bleibt. Für diesen Zweck ist die Zirkulation der Kaltluft im Gemüsefach intensiver. Lagern Sie Obst oder Gemüse in diesem Fach. Lagern grünblättriges Gemüse getrennt von Früchten, um deren Leben zu verlängern.



7.4 Kühlraum für Molkereiprodukte

Kühlagerschublade

Die Kühlschlade kann im Kühlfach niedrigere Temperaturen erreichen. Verwenden Sie diese Schlade für Feinkostprodukte (Salami, Wurst usw.) und Milchprodukte, die kältere Lagerbedingungen erfordern, oder für Fleisch, Hähnchen oder Fisch, die schnell verzehrt werden sollen. Es ist nicht geeignet, Obst und Gemüse in dieser Schlade aufzubewahren.

7.5 Umkehren der Türöffnungsseite

Die Türöffnungsseite Ihres Kühlschranks kann je nach Aufstellort umgedreht werden. Wenn Sie dies benötigen, sollten Sie unbedingt den nächsten autorisierten Service anrufen.

7.6 Alarm bei offener Tür

Ein Signalton ertönt, wenn die Gerätetür für länger als 1 Minute geöffnet ist. Der akustische Alarm stoppt, wenn Sie die Schranktür schließen oder eine beliebige Taste auf dem Display drücken (falls vorhanden).

7.7 Auswechseln der Beleuchtungslampe

Rufen Sie den autorisierten Kundendienst an, wenn die Glühbirne/LED für die Beleuchtung Ihres Kühlschranks ausgetauscht werden soll.

Die in diesem Gerät verwendeten Lampen können nicht für die Hausbeleuchtung verwendet werden. Die beabsichtigte Verwendung dieser Lampe soll dem Benutzer helfen, Lebensmittel sicher und bequem in den Kühl- / Gefrierschrank zu stellen.

7.8 AeroFlow

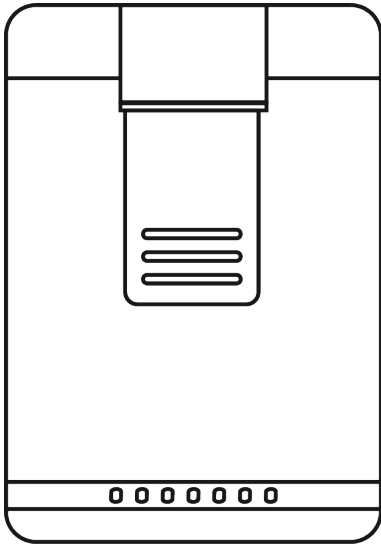
Es handelt sich um ein Luftverteilungssystem, das für eine gleichmäßige Temperaturverteilung sorgt. Durch die Luftzirkulation wird eine gleichmäßige Temperaturverteilung im Frischhaltefach gewährleistet, und die Temperaturschwankungen werden gering gehalten. Es wird keine direkte Luft über die Lebensmittel geblasen, was dazu beiträgt, den Feuchtigkeitsverlust zu verringern. Die Frische der im Frischfach des Kühlschranks gelagerten Lebensmittel bleibt erhalten. Auf diese Weise werden Ihre Lebensmittel bei stabileren Temperaturen gelagert und der Kontakt mit der Luft wird reduziert. Das Austrocknen und Schrumpfen von Lebensmitteln durch Feuchtigkeitsverlust wird verhindert und die Frische bleibt länger erhalten.

7.9 Verwendung des Wasserspenders

i Das Wasser in ersten Gläsern aus dem Wasserspender ist normalerweise warm.

i Wenn Sie den Wasserspender längere Zeit nicht benutzt haben, entsorgen Sie die ersten Gläser Wasser, um sauberes Wasser zu erhalten.

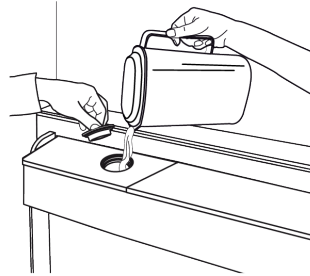
1. Drücken Sie mit Ihrem Glas auf den Arm des Wasserspenders. Es ist einfacher, den Arm mit der Hand zu drücken, wenn Sie ein weiches Plastikglas verwenden.
2. Lassen Sie den Arm los, nachdem Sie Ihr Glas nach Belieben mit Wasser gefüllt haben.



i Die Menge des Wasserflusses aus dem Spender hängt vom Druck ab, den Sie auf den Arm ausüben. Lassen Sie den Druck auf den Arm leicht ab, wenn der Wasserstand in Ihrem Glas/Behälter erhöht wird, um ein Überlaufen zu verhindern. Wenn Sie leicht auf den Arm drücken, wird Wasser tropfen. Dies ist normal und keine Fehlfunktion.

Füllen des Wassertanks des Wasserspenders

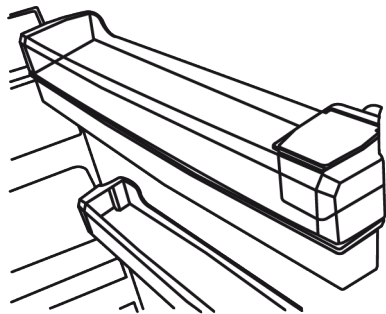
1. Öffnen Sie den Deckel des Wassertanks wie in der Abbildung gezeigt. Gießen Sie reines und sauberes Trinkwasser hinein. Schließen Sie den Deckel.



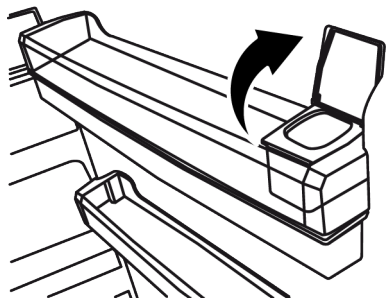
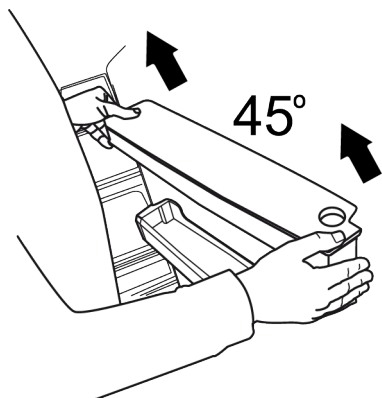
i Der Wassertank hat ein Fassungsvermögen von 3 Litern, überfüllen Sie ihn nicht.

Reinigung des Wassertanks

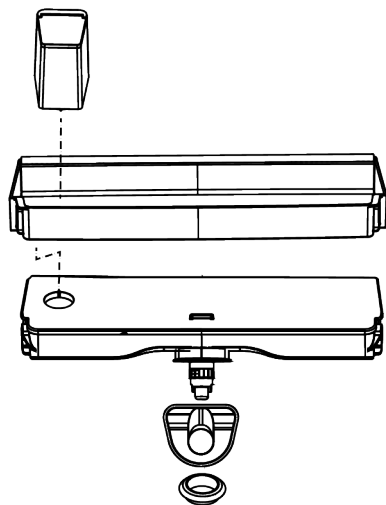
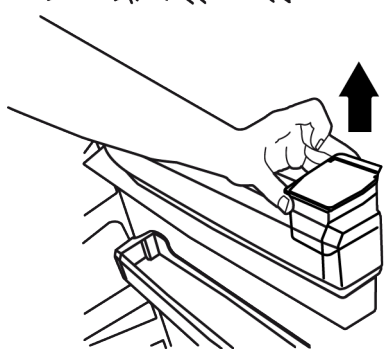
1. Nehmen Sie das Wassertankgehäuse in Inneren der Türeinlassung heraus.



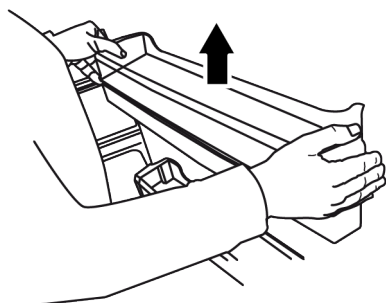
2. Halten Sie beide Seiten des Wassertanks in einem Winkel von 45° und nehmen Sie an.



3. Nehmen Sie den Wassertankdeckel zum Reinigen ab.



1. Lösen Sie das Regal, indem Sie beide Seiten der Tür festhalten.





Füllen Sie in den Wassertank niemals mit Fruchtsaft, Sprudelgetränken, Spirituosen oder anderen, nicht für die Verwendung in einem Wasserspender geeigneten Flüssigkeiten. Die Verwendung dieser Flüssigkeiten führt zu Funktionsausfällen und nicht reparablen Schäden am Wasserspender. Eine derartige Nutzung des Wasserspenders fällt nicht unter die Garantie. Bestimmte Chemikalien und Zusatzstoffe in solchen Getränken/Flüssigkeiten können den Wassertank erheblich beschädigen.

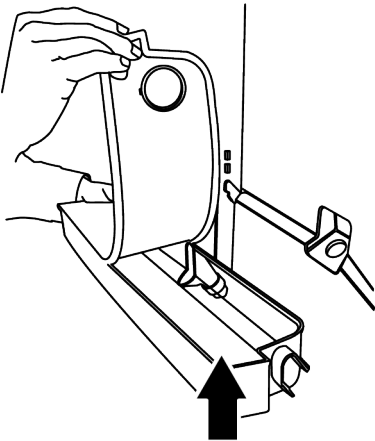


Verwenden Sie nur sauberes Trinkwasser.



HINWEIS

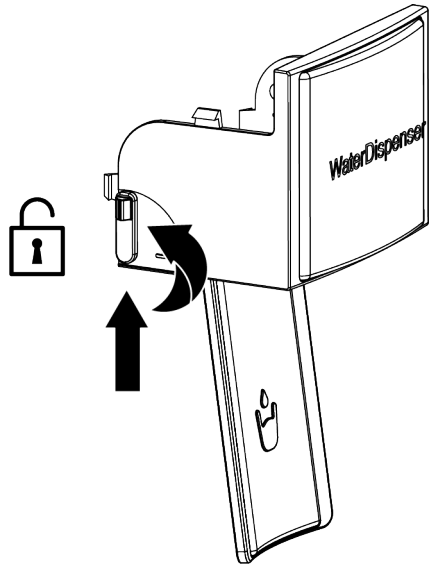
Waschen Sie die Teile des Wassertanks und des Wasserspenders nicht in der Spülmaschine.



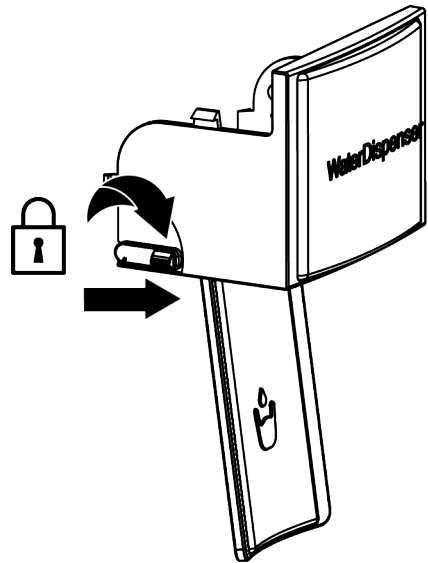
Bevor Sie den Wasserspender im Produkt benutzen, prüfen Sie ob die Kindersicherung aktiv ist. Beachten Sie die Informationen in den Abbildungen zu den EIN/AUS-Positionen der Kindersicherung an, um sie zu überprüfen.

Stellen Sie sicher, dass die Kindersicherung genau wie in der Abbildung geschlossen wird, wenn sie deaktiviert ist.

Die Kindersicherung ist so aktiviert.



Die Kindersicherung ist so deaktiviert.



DE

8 Wartung und Reinigung



WARNUNG:

Lesen Sie zuerst den Abschnitt „Sicherheitshinweise“!



WARNUNG:

Ziehen Sie den Netzstecker bevor Sie das Kühlschrank reinigen.

- Verwenden Sie zum Reinigen des Produkts keine scharfen oder scheuernden Werkzeuge. Verwenden Sie keine Materialien wie Haushaltsreiniger, Seifen, Reinigungsmittel, Gas, Benzin, Verdünner, Alkohol, Wachs usw.
- Der Staub muss mindestens einmal im Jahr vom Lüftungsgitter auf der Rückseite des Produkts entfernt werden (ohne die Abdeckung zu öffnen). Reinigen Sie das Produkt nur mit einem trockenen Tuch.
- Achten Sie darauf, dass die Abdeckung der Lampen und sonstige Elektroteile nicht mit Wasser in Kontakt kommen.
- Reinigen Sie die Tür nur mit einem feuchten Tuch. Entfernen Sie den gesamten Inhalt, um die Tür- und Gehäuseregale zu entfernen. Entfernen Sie die Türregale, indem Sie sie nach oben heben. Reinigen Sie die Türeinsätze gründlich und setzen Sie sie sodann wieder ein, indem Sie diese nach unten gleiten lassen.
- Verwenden Sie kein chlorhaltiges Wasser bzw. chlorhaltige Reinigungsmittel zur Reinigung der Außenflächen und chrombeschichteten Teile des Geräts. Chlor lässt metallische Oberflächen rosten.
- Verwenden Sie keine scharfen und abrasiven Werkzeuge, Seife, Reinigungsmittel, Reinigungsmittel, Gas, Benzin, Lacke und ähnliche Substanzen, um eine Verformung des Kunststoffteils und das Entfernen von Drucken auf dem Teil zu verhindern. Verwenden Sie zum Reinigen warmes Wasser und ein weiches Tuch und trocknen Sie es anschließend ab.
- Bei Produkten ohne Frostschutzfunktion können Wassertropfen und Eisbildung bis zu einer Fingerdicke an der Rückwand des Gefrierfachs auftreten. Nicht reinigen und niemals Öle oder ähnliche Materialien auftragen.

- Verwenden Sie ein leicht angefeuchtetes Mikrofasertuch, um die Außenfläche des Produkts zu reinigen. Schwämme und andere Arten von Reinigungskleidung können Kratzer verursachen.
- Um alle entfernbaren Komponenten während der Reinigung der Innenfläche des Produkts zu reinigen, waschen Sie diese Komponenten mit einer milden Lösung aus Seife, Wasser und Karbonat. Gründlich waschen und trocknen. Kontakt von Wasser mit Beleuchtungskomponenten und dem Bedienfeld verhindern.



VORSICHT:

Verwenden Sie auf keiner Innenfläche Essig, Reinigungsalkohol oder andere Reinigungsmittel auf Alkohobasis.

Außenflächen aus Edelstahl

Verwenden Sie ein nicht scheuerndes Reinigungsmittel aus rostfreiem Stahl und tragen Sie es mit einem weichen, fusselfreien Tuch auf. Wischen Sie zum Polieren die Oberfläche vorsichtig mit einem mit Was-

ser angefeuchteten Mikrofasertuch ab und verwenden Sie eine trockene Poliergämsse. Folgen Sie immer den Adern des Edelstahls.

Gerüche verhindern

Das Gerät wurde ohne die Verwendung von Geruch erzeugenden Materialien hergestellt. Jedoch kann die unsachgemäße Lagerung von Lebensmitteln wie auch eine unzureichende Reinigung der Innenräume zur Entstehung von Gerüchen führen.

- Um dies zu vermeiden, sollten Sie den Innenraum mit kohlenstoffhaltigem Wasser alle vierzehn Tage reinigen.
- Bewahren Sie die Lebensmittel in versiegelten Behältern auf, da Mikroorganismen, die von Lebensmitteln in nicht versiegelten Behältern stammen, einen schlechten Geruch verursachen.
- Bewahren Sie keine verdorbenen Lebensmittel bzw. solche mit abgelaufenem Haltbarkeitsdatum im Kühlschrank auf.

Schutz der Kunststoffoberflächen

Auf Kunststoffoberflächen ausgelaufenes Öl kann diese beschädigen. Reinigen Sie daher solche Verschmutzungen unverzüglich.

9 Fehlerbehebung

Prüfen Sie diese Liste, bevor Sie sich an den Kundendienst wenden. So sparen Sie Zeit und Geld. Diese Liste enthält häufige Beanstandungen, die nicht auf Verarbeitungs- oder Materialfehler zurückzuführen sind. Bestimmte hier aufgeführte Merkmale treffen möglicherweise nicht auf Ihr Produkt zu.

Der Kühlschrank funktioniert nicht.

- Der Netzstecker ist nicht vollständig eingesteckt. >>> Stecken Sie den Stecker vollständig in die Steckdose.
- Die Sicherung in der Steckdose, die das Produkt mit Strom versorgt, oder die Hauptsicherung ist durchgebrannt. >>> Prüfen Sie die Sicherung.

Kondenswasser an der Seitenwand des Kühlfachs (MULTI ZONE, COOL CONTROL und FLEXI ZONE).

- Die Tür wird zu häufig geöffnet. >>> Achten Sie darauf, die Tür des Geräts nicht zu häufig zu öffnen.
- Die Umgebung ist zu feucht. >>> Stellen Sie das Gerät nicht in feuchten Umgebungen auf.
- Flüssigkeitshaltige Lebensmittel werden in unverschlossenen Behältern aufbewahrt. >>> Bewahren Sie die Lebensmittel, die Flüssigkeiten enthalten, in versiegelten Behältern auf.
- Die Tür des Geräts steht offen. >>> Lassen Sie die Tür des Geräts nicht für längere Zeit offen.

- Der Thermostat ist auf eine sehr kühle Temperatur eingestellt. >>> Stellen Sie den Thermostat auf eine angemessene Temperatur ein.

Der Kompressor funktioniert nicht.

- Bei einem plötzlichen Stromausfall oder wenn der Netzstecker gezogen und wieder eingesteckt wird, ist der Gasdruck im Kühlsystem des Geräts nicht ausgeglichen, wodurch die thermische Sicherung des Kompressors ausgelöst wird. Das Gerät schaltet sich nach etwa 6 Minuten wieder ein. Wenn das Gerät nach diesem Zeitraum nicht wieder anläuft, wenden Sie sich an den Kundendienst.
- Die Abtauung ist aktiv. >>> Dies ist normal für ein vollautomatisches Abtauungsprodukt. Die Abtauung wird regelmäßig durchgeführt.
- Das Gerät ist nicht eingesteckt. >>> Vergewissern Sie sich, dass das Netzkabel eingesteckt ist.
- Die Temperatur ist falsch eingestellt. >>> Wählen Sie die richtige Temperatureinstellung.
- Der Strom ist ausgefallen. >>> Das Gerät arbeitet normal weiter, sobald die Stromversorgung wiederhergestellt ist.

Das Betriebsgeräusch des Kühlschranks nimmt während des Betriebs zu.

- Die Betriebsleistung des Geräts kann je nach den Schwankungen der Umgebungstemperatur variieren. Dies ist normal und stellt keine Fehlfunktion dar.

Der Kühlschrank läuft zu oft oder zu lange.

- Das neue Gerät ist möglicherweise größer als das vorherige. Größere Produkte sind länger in Betrieb.
- Die Raumtemperatur ist möglicherweise zu hoch. >>> Das Gerät läuft normalerweise über längere Zeit bei höherer Raumtemperatur.
- Das Gerät wurde möglicherweise vor kurzem eingesteckt oder es wurde ein neues Lebensmittel hineingelegt. >>> Das Gerät braucht länger, um die eingestellte Tem-

peratur zu erreichen, wenn es kürzlich eingesteckt wurde oder ein neues Lebensmittel hineingelegt wurde. Das ist normal.

- Möglicherweise wurden kürzlich große Mengen heißer Lebensmittel in das Gerät gelegt. >>> Legen Sie keine heißen Lebensmittel in das Gerät.
- Die Türen wurden häufig geöffnet oder für längere Zeit offen gehalten. >>> Die warme Luft, die sich im Inneren bewegt, lässt das Gerät länger laufen. Öffnen Sie die Türen nicht zu häufig.
- Die Tür des Gefrier- oder Kühlgeräts ist möglicherweise angelehnt. >>> Vergewissern Sie sich, dass die Türen vollständig geschlossen sind.
- Das Gerät ist möglicherweise auf eine zu niedrige Temperatur eingestellt. >>> Stellen Sie die Temperatur auf eine höhere Stufe und warten Sie, bis das Produkt die eingestellte Temperatur erreicht hat.
- Die Türdichtung des Kühl- oder Gefrierschranks ist möglicherweise verschmutzt, abgenutzt, kaputt oder nicht richtig eingesetzt. >>> Reinigen oder ersetzen Sie die Dichtung. Eine beschädigte/gerissene Türdichtung führt dazu, dass das Gerät länger laufen muss, um die aktuelle Temperatur zu halten.

Die Temperatur des Gefrierfachs ist sehr niedrig, aber die Temperatur des Kühlfachs ist ausreichend.

- Die Temperatur des Gefrierfachs ist auf eine sehr niedrige Temperatur eingestellt. >>> Stellen Sie die Temperatur des Gefrierfachs auf eine höhere Stufe und prüfen Sie erneut.

Die Temperatur im Kühlfach ist sehr niedrig, aber die Temperatur im Gefrierfach ist ausreichend.

- Die Temperatur des Kühlfachs ist sehr niedrig eingestellt. >>> Stellen Sie die Temperatur des Kühlfachs auf eine höhere Temperatur ein und überprüfen Sie sie erneut.

Die Lebensmittel in den Schubladen des Kühlfachs sind gefroren.

- Die Temperatur des Kühlfachs ist sehr niedrig eingestellt. >>> Stellen Sie die Temperatur des Kühlfachs auf eine höhere Temperatur ein und überprüfen Sie sie erneut.

Die Temperatur im Kühl- oder Gefrierfach ist zu hoch.

- Die Kühlfachtemperatur ist sehr hoch eingestellt. >>> Die Temperatureinstellung des Kühlfachs wirkt sich auf die Temperatur im Gefrierfach aus. Warten Sie, bis die Temperatur der betreffenden Teile ein ausreichendes Niveau erreicht hat, indem Sie die Temperatur der Kühl- oder Gefrierfächer ändern.
- Die Türen wurden häufig geöffnet oder für längere Zeit offen gehalten. >>> Öffnen Sie die Türen nicht zu häufig.
- Die Tür kann angelehnt sein. >>> Schließen Sie die Tür vollständig.
- Das Gerät wurde möglicherweise vor kurzem eingesteckt oder es wurde ein neues Lebensmittel hineingelegt. >>> Das ist normal. Das Gerät braucht länger, um die eingestellte Temperatur zu erreichen, wenn es kürzlich eingesteckt wurde oder ein neues Lebensmittel hineingelegt wurde.
- Möglicherweise wurden kürzlich große Mengen heißer Lebensmittel in das Gerät gelegt. >>> Legen Sie keine heißen Lebensmittel in das Gerät.

Schütteln oder Geräusche.

- Der Untergrund ist nicht eben oder nicht stabil >>> Wenn das Produkt bei langsamer Bewegung wackelt, stellen Sie die Ständer ein, um das Produkt auszubalancieren. Vergewissern Sie sich auch, dass der Boden ausreichend stabil ist, um das Gerät zu tragen.
- Auf dem Gerät abgestellte Gegenstände können Geräusche verursachen. >>> Entfernen Sie alle auf dem Gerät abgestellten Gegenstände.

- Das Gerät macht Geräusche von fließenden Flüssigkeiten, Sprühern usw.
- Die Funktionsweise des Produkts beinhaltet Flüssigkeits- und Gasströme. >>> Dies ist normal und stellt keine Fehlfunktion dar.

Aus dem Gerät kommt ein Windgeräusch.

- Das Produkt verwendet einen Ventilator für den Kühlprozess. Dies ist normal und stellt keine Fehlfunktion dar.

An den Innenwänden des Produkts bildet sich Kondenswasser.

- Heißes oder feuchtes Wetter führt zu verstärkter Vereisung und Kondensation. Dies ist normal und stellt keine Fehlfunktion dar.
- Die Türen wurden häufig geöffnet oder für längere Zeit offen gehalten. >>> Öffnen Sie die Türen nicht zu häufig; wenn sie offen sind, schließen Sie die Tür.
- Die Tür kann angelehnt sein. >>> Schließen Sie die Tür vollständig.

An der Außenseite des Geräts oder zwischen den Türen bildet sich Kondenswasser.

- Die Umgebungsluft kann feucht sein, dies ist bei feuchtem Wetter ganz normal. >>> Das Kondenswasser wird sich auflösen, wenn die Luftfeuchtigkeit reduziert wird.

Der Innenraum riecht schlecht.

- Das Produkt wird nicht regelmäßig gereinigt. >>> Reinigen Sie den Innenraum regelmäßig mit einem Schwamm, warmem Wasser und kohlenstoffhaltigem Wasser.
- Bestimmte Halterungen und Verpackungsmaterialien können Geruch verursachen. >>> Verwenden Sie geruchsneutrale Halterungen und Verpackungsmaterialien.
- Die Lebensmittel wurden in nicht verschlossenen Behältern gelagert. >>> Lagern Sie die Lebensmittel in geschlossenen Behältern. Mikroorganismen können

nen auf unverschlossene Lebensmittel überspringen und unangenehme Gerüche verursachen.

- Entfernen Sie alle abgelaufenen oder verdorbenen Lebensmittel aus dem Gerät.

Die Tür schließt nicht.

- Lebensmittelverpackungen können die Tür blockieren. >>> Entfernen Sie alle Gegenstände, die die Türen blockieren.
- Das Gerät steht nicht ganz aufrecht auf dem Boden. >>> Stellen Sie die Ständer so ein, dass das Gerät im Gleichgewicht ist.
- Die Oberfläche ist nicht eben oder nicht stabil >>> Vergewissern Sie sich, dass die Oberfläche eben und ausreichend stabil ist, um das Produkt zu tragen.

Das Gemüsefach ist eingeklemmt.

- Die Lebensmittel können mit dem oberen Teil der Schublade in Kontakt sein. >>> Ordnen Sie die Lebensmittel in der Schublade neu an.

Temperatur auf der Oberfläche des Produkts.

- Während des Betriebs Ihres Geräts kann zwischen zwei Türen, an den Seitenwänden und im hinteren Grillbereich eine hohe Temperatur festgestellt werden. Dies ist normal und erfordert keine Wartung.

Das Gebläse läuft weiter, wenn die Tür geöffnet wird.

- Das Gebläse kann weiterlaufen, wenn die Gefrierschranktür geöffnet ist.



WARNUNG: Wenn das Problem nach Befolgen der Anweisungen in diesem Abschnitt weiterhin besteht, wenden Sie sich an Ihren Händler oder einen autorisierten Kundendienst. Versuchen Sie nicht, das Gerät zu reparieren. Das ist normal.

HAFTUNGSAUSSCHLUSS / WARNUNG

Einige (einfache) Störungen können vom Endbenutzer in angemessener Weise behoben werden, ohne dass ein Sicherheitsproblem oder eine unsichere Verwendung entsteht, vorausgesetzt, sie werden innerhalb der Grenzen und in Übereinstimmung mit den folgenden Anweisungen durchgeführt (siehe Abschnitt „Selbstreparatur“).

Sofern im Abschnitt „Selbstreparatur“ nicht anders angegeben, müssen Reparaturen von registrierten Fachwerkstätten durchgeführt werden, um Sicherheitsprobleme zu vermeiden. Eine registrierte Fachwerkstatt ist eine Fachwerkstatt, die vom Hersteller gemäß den in den Rechtsakten gemäß der Richtlinie 2009/125/EG beschriebenen Methoden Zugang zu den Anweisungen und der Ersatzteilliste dieses Produkts erhalten hat.

Allerdings kann nur der Kundendienst (d.h. autorisierte Fachwerkstätten), den Sie über die in der Bedienungsanleitung/ Garantiekarte angegebene Telefonnummer oder über Ihren Vertragshändler er-

reichen können, Leistungen im Rahmen der Garantiebedingungen erbringen. Bitte beachten Sie daher, dass bei Reparaturen durch (die nicht autorisiert sind durch) Beko Fachwerkstätten die Garantie erlischt.

Selbstreparatur

Folgende Ersatzteile können vom Endverbraucher selbst repariert werden: Türgriffe, Türscharniere, Ablagen, Körbe und Türdichtungen (eine aktualisierte Liste ist ab dem 1. März 2021 auch unter support.beko.com verfügbar).

Um die Produktsicherheit zu gewährleisten und die Gefahr von schweren Verletzungen zu vermeiden, müssen die genannten Selbstreparaturen gemäß den Anweisungen in der Bedienungsanleitung für Selbstreparaturen oder auf support.beko.com durchgeführt werden. Ziehen Sie zu Ihrer Sicherheit den Netzstecker des Produkts, bevor Sie eine Selbstreparatur durchführen.

Reparatur- und Instandsetzungsversuche durch Endverbraucher für Teile, die nicht in dieser Liste enthalten sind, und/oder die nicht gemäß den Anweisungen in den Benutzerhandbüchern für die Selbstreparatur oder unter support.beko.com durchgeführt werden, können zu Sicherheitsproblemen führen, die nicht von Beko zu verantworten sind, und führen zum Erlöschen der Garantie für das Produkt.

Daher wird den Endnutzern dringend empfohlen, von Reparaturversuchen abzusehen, die nicht in der genannten Ersatzteilliste aufgeführt sind, und sich in solchen Fällen an autorisierte Fachwerkstätten oder registrierte Fachwerkstätten zu wenden. Im Gegenteil, solche Versuche können Sicherheitsprobleme verursachen und das Produkt beschädigen und in der Folge Feuer, Überschwemmungen, Stromschläge und schwere Personenschäden hervorrufen. Zum Beispiel, aber nicht ausschließlich, müssen die folgenden Reparaturen an autorisierte Fachwerkstätten oder registrierte

Fachwerkstätten gerichtet werden: Kompressor, Kühlkreislauf, Hauptplatine, Inverterplatine, Displayplatine, usw.

Der Hersteller/Verkäufer kann in keinem Fall haftbar gemacht werden, wenn der Endverbraucher die oben genannten Bestimmungen nicht einhält.

Die Ersatzteilverfügbarkeit des von Ihnen gekauften Kühlschranks beträgt 10 Jahre, während dieser Zeit sind Original-Ersatzteile für den ordnungsgemäßen Betrieb des Kühlschranks verfügbar.

Die Mindestgarantiedauer für den von Ihnen gekauften Kühlschrank beträgt 24 Monate.

Dieses Produkt ist mit einer Lichtquelle der Energieklasse „G“ ausgestattet.

Die Lichtquelle in diesem Produkt darf nur von autorisierte Fachwerkstätten ausgetauscht werden.

Siehe auch

- 2 CLAUSE DE NON-RESPONSABILITÉ / AVERTISSEMENT [; 60]



