

EN

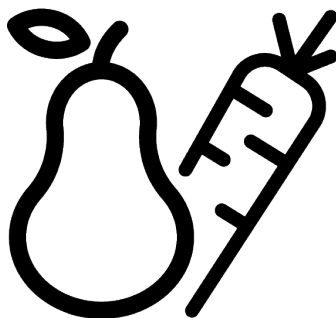
FR

IT

NL

beko

Refrigerator / User Manual
Réfrigérateur / Manuel d'utilisation
Frigorifero / Manuale Utente
Koelkast / Gebruikershandleiding



B5RCNE406LXBRW

58 8389 0000/ EN/ FR/ IT/ NL/ AB_1/2/ 12-9-2022 09:46
7282343703



Please read this manual first!

Dear Customer

Please read this manual before using the product.

Thank you for choosing this Beko product. We would like you to achieve the optimal efficiency from this high quality product which has been manufactured with state of the art technology. To do this, carefully read this manual and any other documentation provided before using the product and keep it as a reference.

Heed all information and warnings in the user manual. This way, you will protect yourself and your product against the dangers that may occur.

Keep the user manual. Include this manual with the unit if you hand it over to someone else.

The following symbols are used in the user manual:



Hazard that may result in death or injury.



Important information or useful tips on operation.






Read the user manual.



Combustible material, warning against fire hazard.

NOTICE A hazard that may cause material damage to the product or its surroundings

 <p>SUPPLIER'S NAME MODEL IDENTIFIER → (*)</p>  	<p>The model information as stored in the product data base can be reached by entering following website and searching for your model identifier (*) found on energy label.</p> <p>https://eprel.ec.europa.eu/</p>
---	--

1	Safety Instructions.....	4
1.1	Intention of Use	4
1.2	Safety of Children, Vulnerable Persons and Pets	4
1.3	Electrical Safety.....	5
1.4	Handling Safety	6
1.5	Installation Safety.....	6
1.6	Operational Safety.....	8
1.7	Food Storage Safety.....	10
1.8	Maintenance and Cleaning Safety	10
1.9	Technical Information About Bluetooth + Wi-fi.....	11
2	Environmental Instructions.....	11
2.1	Compliance with the WEEE Dir- ective and Disposing of the Waste Product	11
3	Your Refrigerator	12
4	Installation	13
4.1	Right Place For Installation.....	13
4.2	Electrical Connection	13
4.3	Attaching the Plastic Wedges	13
4.4	Adjusting the Legs.....	14
4.5	Hot Surface Warning.....	14
5	Preparation.....	14
5.1	What to Do for Energy Saving.....	14
5.2	First Use.....	15
5.3	Climate Class and Definitions	15
6	Operating the Product.....	15
7	Use of Your Appliance.....	16
7.1	Control Panel of the Product	16
7.2	Storing Food in the Cooler Com- partment.....	18
7.3	Photocatalytic Module (Fresh- Guard)	20
7.4	Dairy Products Cold Storage Area	21
7.5	Reversing the Door Opening Side.	21
7.6	Door Open Alert	21
7.7	Foldable Wine Rack.....	21
7.8	Replacing the Illumination Lamp..	21
7.9	AeroFlow.....	21
8	Maintenance and Cleaning	22
9	Troubleshooting.....	23

1 Safety Instructions

- This section includes the safety instructions necessary to prevent the risk of personal injury or material damage.
- Our company shall not be held responsible for damages that may occur if these instructions are not observed.



Always have installation and repair operations performed by manufacturer, authorized service or a person who will be described by importer company.



Use original spare parts and accessories only.



Do not repair or replace any component of the product unless it is clearly specified in the user manual.



Do not perform any modifications on the product.

1.1 Intention of Use

- This product is not suitable for commercial use and should not be used for a purpose other than its intended use.
- This product is intended for operating interiors, such as households or similar.

For example;

In the staff kitchens of the stores, offices and other working environments,

In farm houses,

In the units of hotels, motels or other resting facilities that are used by the customers,

In hostels, or similar environments,

In catering services and similar non-retail applications.

- This product shall not be used in open or enclosed external environments such as vessels, camper vans, balconies or terraces. Exposing the product to rain, snow, sunlight and wind may cause risk of fire.

1.2 Safety of Children, Vulnerable Persons and Pets



- This product may be used by children aged 8 years and older and persons with underdeveloped physical, sensory or mental capabilities or lack of experience and knowledge if they are being supervised or have been given instruction concerning use of the appliance in a safe way and the hazards involved.

- Children between 3 and 8 years are allowed to put and take out food into/from the cooler product.
- Electrical products are dangerous for children and pets. Children and pets must not play with, climb on, or enter the product.
- Cleaning and user maintenance should not be performed by children unless there is someone overseeing them.
- Keep the packaging materials away from children. Risk of injury and suffocation.

Before disposing of old products that shall not be used any more:

1. Unplug the power cord from the mains socket.
 2. Cut the power cable and remove it from the appliance together with the plug.
 3. Do not remove the racks and drawers from the product to prevent children from getting inside the appliance.
 4. Remove the doors.
 5. Store the product so that it shall not be tipped over.
 6. Do not allow children to play with the scrapped product.
- Do not dispose of the product by throwing it into fire. Risk of explosion.

- If there is a lock available on the product's door, keep the key out of children's reach.

1.3 Electrical Safety

- The product shall not be plugged into the outlet during installation, maintenance, cleaning, repair, and transportation operations.
- If the power cable is damaged, it shall only be replaced by authorized service to avoid any risks that may occur.
- Do not tuck the power cable under the product or to the rear of the product. Do not put heavy items on the power cable. The power cable should not be bent, crushed, and come into contact with any heat source.
- Do not use an extension cord, multi-plug or adaptor to operate your product.
- Portable multi-plugs or portable power supplies may overheat and cause fire. Thus, do not have a multi-plug, portable power sources behind or in the vicinity of the product.
- Do not plug the product's power cord in a loose or damaged power outlet. These types of connections may overheat and cause fire.

- The plug shall be easily accessible. If this is not possible, a mechanism that meets the electrical legislation and that disconnects all terminals from the mains (fuse, switch, main switch, etc.) shall be available on the electrical installation.
- Do not touch the plug with wet hands.
- When unplugging the appliance, don't hold the power cord, but the plug.

1.4 Handling Safety

- This product is heavy, do not handle it by yourself.
- Do not hold the product from its door while handling the product.
- Be careful not to damage the cooling system and the pipes while handling the product. Do not operate the product if the pipes are damaged, and contact an authorized service.

1.5 Installation Safety

- Contact the Authorized Service for the product's installation. To prepare the product for use, see the information in the user manual and make sure the electric and water utilities are as required. If not, call a qualified electrician and plumber to

arrange the utilities as necessary. Failure to do so may result in electric shock, fire, problems with the product, or injury.

- Check for any damage on the product before installing it. Do not have the product installed if it is damaged.
- Place the product on a clean, level and hard surface and balance it with the adjustable legs. Otherwise, the refrigerator may tip over and cause injuries.
- The product shall be installed in a dry and ventilated environment. Do not keep carpets, rugs or similar covers under the product. This may cause risk of fire as a result of inadequate ventilation!
- Do not block or cover ventilation holes. Otherwise, power consumption increases and your product may be damaged.
- The product must not be connected to supply systems such as solar power supply. Otherwise, your product may be damaged due to sudden voltage changes!
- The more refrigerant a refrigerator contains, the bigger its installation room should be. In very small rooms, a flammable

gas-air mixture may occur in case of a gas leak in the cooling system. At least 1 m³ of volume is required for each 8 grams of refrigerant. The amount of the refrigerant available in your product is specified in the Type Label.

- The installation place of the product shall not be exposed to direct sunlight and it shall not be in the vicinity of a heat source such as stoves, radiators, etc. If you cannot prevent installation of the product in the vicinity of a heat source, use a suitable insulation plate and make sure the minimum distance to the heat source is as specified below:
 - At least 30 cm away from heat sources such as stoves, ovens, heating units and heaters, etc.,
 - And at least 5 cm away from electrical ovens.
- Your product has the protection class of I.
- Plug the product in a grounded socket that conforms with the Voltage, Current and Frequency values specified in the type label. The socket must have a 10A – 16A fuse. Our firm will not assume responsibility for any damages due to usage without earthing and without power connection in compliance with local and national regulations.
- The product's power cable must be unplugged during installation. Otherwise, risk of electric shock and injury may occur!
- Do not plug the product's power cord in loose, dislocated, broken, dirty, oily power outlets which have a risk of water contact. These types of connections may cause overheating and fire.
- Place the power cable and hoses (if any) of the product so that they shall not cause a risk of tripping over.
- Penetration of humidity and liquid to live parts or to the power cord may cause short circuit. Thus, do not use the product in humid environments or in areas where water may splash (e.g. garage, laundry room, etc.) If the refrigerator is wet by water, unplug it and contact an authorized service.
- Do not ever connect your refrigerator to power saving devices. These systems are harmful for the product

1.6 Operational Safety

- Do not ever use chemical solvents on the product. These materials contain an explosion risk.
- In case of a failure of the product, unplug it and do not operate until it is repaired by the authorized service. There is a risk of electric shock!
- Do not place a source of flame (e.g. candles, cigarettes, etc.) on the product or in the vicinity of it.
- Do not get on the product. Risk of falling and injury!
- Do not cause damage to the pipes of the cooling system using sharp and piercing tools. The refrigerant that sprays out in case of puncturing the gas pipes, pipe extensions or upper surface coatings may cause irritation of skin and injury to the eyes.
- Do not place and operate electrical appliances inside the refrigerator/freezer unless it is advised by the manufacturer.
- Do not jam any parts of your hands or your body to the moving parts inside the product. Be careful to prevent jamming of your fingers between the refrigerator and its door. Be careful while opening or closing the door if there are children around.
- Do not put ice cream, ice cubes or frozen food to your mouth as soon as you take them out of the freezer. Risk of frostbite!
- Do not touch the inner walls, metal parts of the freezer or food kept inside the freezer with wet hands. Risk of frostbite!
- Do not place soda cans or cans and bottles that contain fluids that may be frozen to the freezer compartment. Cans or bottles may explode. Risk of injury and material damage!
- Do not use or place materials sensitive against temperature such as flammable sprays, flammable objects, dry ice or other chemical agents in the vicinity of the refrigerator. Risk of fire and explosion!
- Do not store explosive materials such as aerosol cans with flammable materials inside the product.
- Do not place cans containing fluids over the product an open state. Splashing of water on an electrical part may cause the risk of an electric shock or a fire.

- This product is not intended for storage and cooling of medicines, blood plasma, laboratory preparations or similar materials and products that are subject to the Medical Products Directive.
- If the product is used against its intended purpose, it may cause damage to or deterioration of the products kept inside.
- If your refrigerator is equipped with blue light, do not look at this light with optical devices. Do not stare directly at UV LED light for a long time. Ultraviolet rays may cause eye strain.
- Do not fill the product with more food than its capacity. Injuries or damages may occur if the contents of the refrigerator fall when the door is opened. Similar problems may also occur when an object is placed over the product.
- Ensure that you have removed any ice or water that may have fallen to the floor to prevent injuries.
- Change the locations of the racks/bottle racks on the door of your refrigerator only when the racks are empty. Danger of injury!
- Do not place objects that may fall/tip over on the product. These objects may fall while opening or closing the door and cause injuries and/or material damages.
- Do not hit or exert excessive pressure on glass surfaces. Broken glass may cause injuries and/or material damages.
- The cooling system in your product contains R600a refrigerant. The refrigerant type used in the product is specified in the type label. This gas is flammable. Therefore, be careful not to damage the cooling system and the pipes while operating the product. In case of damage to the pipes;
 1. Do not touch the product or the power cable.
 2. Keep the product away from potential sources of fire that may cause the product to catch fire.
 3. Ventilate the area where the product is placed. Do not use a fan.
 4. Contact Authorized Service.
 5. If the product is damaged and you observe gas leak, please stay away from the gas. Gas may cause frostbite if it contacts your skin.

1.7 Food Storage Safety

Please pay attention to the following warnings to avoid food spoilage:

- Leaving the doors open for a long time may cause the temperature inside the product to rise.
- Regularly clean the accessible drainage systems in contact with food.
- Clean the water tanks that have not been used for 48 hours and mains-fed water systems that have not been used for more than 5 days.
- Store raw meat and fish products in appropriate compartments within the product. Thus, it does not drip on or come into contact with other foods.
- Two-star freezer compartments are used for storing pre-filled foods, making and storing ice and ice cream.
- One, two and three-star compartments are not appropriate for freezing fresh food.
- If the cooling product has been left empty for a long time, turn off the product, defrost, clean, and dry the product in order to protect the housing of the product.

1.8 Maintenance and Cleaning Safety

- Unplug the refrigerator before cleaning it or starting to perform maintenance.
- Do not pull by the door handle if you shall move the product for cleaning purposes. Handle may cause injuries if it is pulled too hard.
- Do not put your hands etc. under the refrigerator. Jamming may occur or any sharp edge may cause personal injuries.
- Do not clean the product by spraying or pouring water on the product and inside the product. Risk of electric shock and fire.
- When cleaning the product, do not use sharp and abrasive tools or household cleaning agents, detergent, gas, gasoline, thinner, alcohol, varnish, and similar substances. Use only cleaning and maintenance agents that are not harmful for food inside the product.
- Do not ever use steam or steamed cleaning materials for cleaning the product and thawing the ice inside it. Steam con-

- tacts the live areas in your refrigerator and causes short circuit or electric shock.
- Take care to keep water away from the ventilation holes, electronic circuits or lighting of the product.

- Use a clean, dry cloth to wipe the dust or foreign material on the tips of the plugs. Do not use a wet or damp piece of cloth to clean the plug. Otherwise, risk of fire or electric shock may occur.

1.9 Technical Information About Bluetooth + Wi-fi

Frequency Band:	2.4GHz (Wi-fi or bluetooth function)
Max. Transferring Power:	< 100mW (Wi-fi or bluetooth function)
Software Details:	Quartz_WiFi.XXX

CE Declaration of Conformity:

Arçelik A.Ş. states that this product is in compliance with 2014/53/EU directive.

The entire EU declaration of conformity is available on the following website:

Products, the address: support.beko.com

The defined cybersecurity-related software update support period of the product is the warranty period of the product. After this period, cybersecurity-related software updates are not guaranteed.

2 Environmental Instructions

2.1 Compliance with the WEEE Directive and Disposing of the Waste Product



This product complies with EU WEEE Directive (2012/19/EU). This product bears a classification symbol for waste electrical and electronic equipment (WEEE).

This symbol indicates that this product shall not be disposed with other household wastes at the end of its service life. Used device must be returned to official collection point for recycling of electrical and

electronic devices. To find these collection systems please contact to your local authorities or retailer where the product was purchased. Each household performs important role in recovering and recycling of old appliance. Appropriate disposal of used appliance helps prevent potential negative consequences for the environment and human health.

Compliance with RoHS Directive

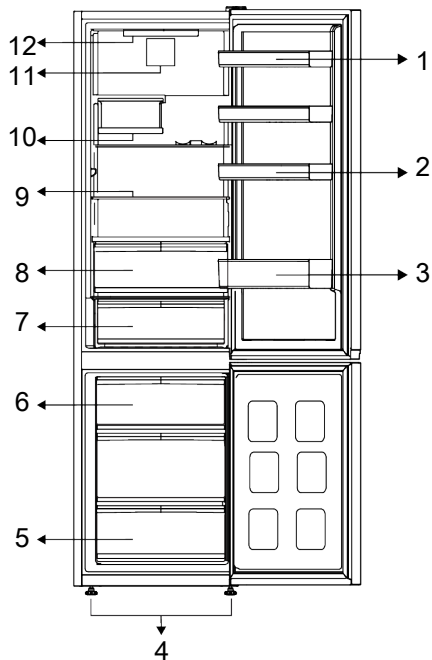
The product you have purchased complies with EU RoHS Directive (2011/65/EU). It does not contain harmful and prohibited materials specified in the Directive.



Package information

Packaging materials of the product are manufactured from recyclable materials in accordance with our National Environment Regulations. Do not dispose of the packaging materials together with the domestic or other wastes. Take them to the packaging material collection points designated by the local authorities.

3 Your Refrigerator



1 * Adjustable Door Shelves

3 * Bottle Shelf

5 * Freezer Compartment

7 * Cold Storage Drawer

9 * Adjustable Shelves

11 * Fan

2 * Egg Holders

4 * Adjustable Front Legs

6 * Ice Container

8 * Crisper

10 * Foldable Wine Bin

12 * Illumination Lamp

***Optional:** Figures in this user manual are schematic and may not exactly match your product. If your product does not comprise the relevant parts, the information pertains to other models.

4 Installation



Read the "Safety Instructions" section first!

4.1 Right Place For Installation

Contact the Authorized Service for the product's installation. To prepare the product for installation, see the information in the user manual and make sure the electric and water utilities are as required. If not, call an electrician and plumber to arrange the utilities as necessary.



WARNING:

The manufacturer assumes no responsibility for any damages caused by the work carried out by unauthorized persons.



WARNING:

The product's power cable must be unplugged during installation. Failure to do so may result in death or serious injuries!



WARNING:

If the door span is too narrow for the product to pass, remove the door and turn the product sideways; if this does not work, contact the authorized service.

- Place the product on a flat surface to avoid vibration.
- Place the product at least 30 cm away from the heater, stove and similar sources of heat and at least 5 cm away from electric ovens.
- Do not expose the product to direct sunlight or keep it in damp environments.
- Your product requires adequate air circulation to function efficiently. If the product will be placed in an alcove, re-

member to leave at least 5 cm clearance between the product and the ceiling, rear wall and the side walls.

- Check if the rear wall clearance protection component is present at its location (if provided with the product).
- If the component is not available, or if it is lost or fallen, position the product so that at least 5 cm clearance shall be left between the rear surface of the product and the wall of the room. The clearance at the rear is important for efficient operation of the product.

4.2 Electrical Connection



Do not use extension or multi sockets in power connection.



Damaged power cable must be replaced by Authorized Service.



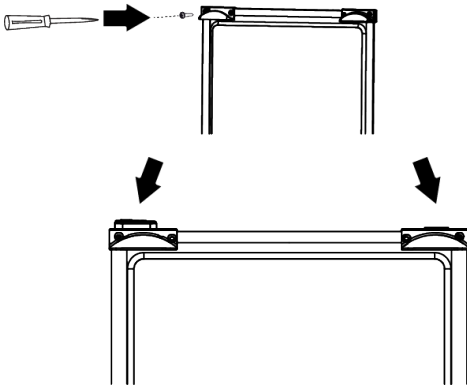
When placing two coolers in adjacent position, leave at least 4 cm distance between the two units.

- Our firm will not assume responsibility for any damages due to usage without earthing and power connection in compliance with national regulations.
- The power cable plug must be easily accessible after installation.
- Do not use multi-group plug with or without extension cable between the wall socket and the refrigerator.

4.3 Attaching the Plastic Wedges

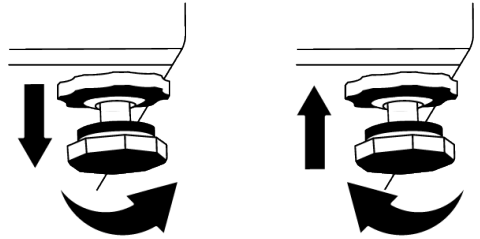
Use the plastic wedges provided with the product to maintain sufficient space for air circulation between the product and the wall.

1. To attach the wedges, remove the screws on the product and use the screws provided with the wedges.
2. Attach 2 plastic wedges on the ventilation cover as shown in the figure.



4.4 Adjusting the Legs

If the product is not in balanced position, adjust the front adjustable legs by rotating them to right or left.



4.5 Hot Surface Warning

The side walls of your product are equipped with cooler pipes to enhance the cooling system. High pressure fluid may flow through these surfaces, and cause hot surfaces on the side walls. This is normal and it does not require servicing. Be careful when you contact these areas.

5 Preparation



Read the "Safety Instructions" section first!

5.1 What to Do for Energy Saving

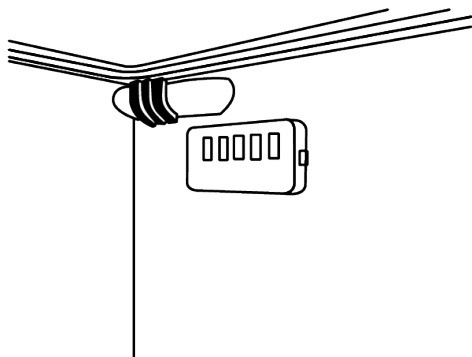


Connecting the product to electronic energy-saving systems is harmful, as it may damage the product.

- This refrigerating appliance is not intended to be used as a built in appliance.
- Do not keep the refrigerator doors open for long periods.
- Do not place hot food or beverages into the refrigerator.
- Do not overfill the refrigerator; blocking the internal air flow will reduce cooling capacity.
- In order to load the maximum quantity of food into the freezer compartment of your refrigerator, the upper drawers

should be taken out and the food should be placed onto the wire/glass shelves. Net volume and energy consumption information declared in the energy label of your refrigerator was tested by taking out the upper drawers in the cooler department and the ice bucket, which is easily removable by hand.

- Using the below drawer when storing is strongly recommended.
- Depending on the product's features; defrosting frozen foods in the cooler compartment will ensure energy saving and preserve food quality.
- Make sure the foods are not in contact with the cooler compartment temperature sensor described below.



- If they are in contact with the sensor, energy consumption of the appliance might increase
- Food shall be stored using the drawers in the cooler compartment in order to ensure energy saving and protect food in better conditions.
- Food packages shall not be in direct contact with the temperature sensor located in the freezer compartment.

5.2 First Use

Before using your refrigerator, make sure the necessary preparations are made in line with the instructions in "Safety and Environmental Instructions" and "Installation" sections.

- Keep the product running without placing any food inside for 6 hours and do not open the door, unless absolutely necessary.
- The temperature change caused by opening and closing of the door while using the product may normally lead to condensation on door/body shelves and glassware placed in the product.

6 Operating the Product



Read the "Safety Instructions" section first!

- Do not use any mechanical tools or any other tools than the recommendations of the manufacturer to speed up the thawing operation.



A sound will be heard when the compressor is engaged. It is normal for the product to make noise even if the compressor is not running, as fluid and gas may be compressed in the cooling system.



It is normal for the front edges of the refrigerator to be warm. These areas are designed to warm up in order to prevent condensation.



For some models, indicator panel turns off automatically 1 minute after the door closes. It will be re-activated when the door is opened or any button is pressed.

5.3 Climate Class and Definitions

Please refer to the Climate Class on the rating plate of your device. One of the following information is applicable to your device according to the Climate Class.

- **SN:** Long Term Temperate Climate: This cooling device is designed for use at ambient temperatures between 10 °C and 32 °C.
- **N:** Temperate Climate: This cooling device is designed for use at ambient temperatures between 16°C and 32 °C.
- **ST:** Subtropical Climate: This cooling device is designed for use at ambient temperatures between 16°C and 38°C.
- **T:** Tropical Climate: This cooling device is designed for use at ambient temperatures between 16°C and 43°C.

- Do not use parts of your refrigerator such as the door or drawers as a support or a step. This may cause the product to tip over or its components to be damaged.
- The product shall be used for storing food only.

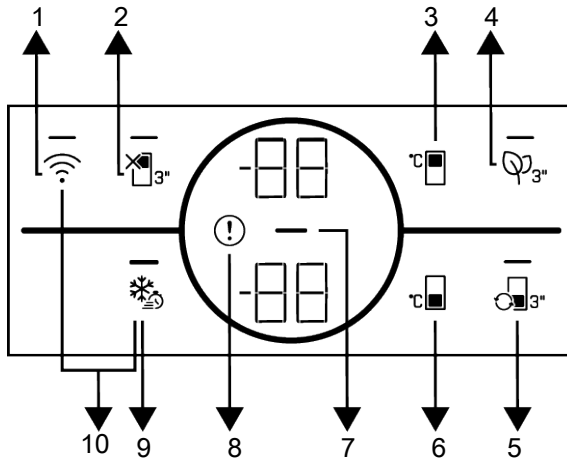
- Turn off the water valve if you will be away from home (e.g. at vacation) and you will not be using the Icematic or the water dispenser for a long period of time. Otherwise, water leaks may occur.

Unplugging the Product

- If you are not going to use the product for a long time, unplug the product from the socket.
- Remove the food to prevent odours,
- Wait for the ice to melt, clean the interior and let it dry, leave the doors open to avoid damaging the inner body plastics.

7 Use of Your Appliance

7.1 Control Panel of the Product



- | | |
|--|---|
| 1 * Wireless Key | 2 * Cooler Compartment OFF (Vacation) Function |
| 3 * Cooler Compartment Temperature Setting Key | 4 * Deodoriser Module Key |
| 5 * Compartment Conversion Key | 6 * Freezer Compartment Temperature Setting Key |
| 7 * Energy Saving (Display Off) Indicator | 8 * Error Status Indicator |
| 9 * Quick Freezing Key | 10 * Key for Resetting Wireless Connection Settings |



Read the "Safety Instructions" section first.

Auditory and visual functions on the indicator panel will assist you in using the refrigerator.

***Optional:** Shown functions are optional, there may be differences of shape and location in functions found on your appliance's indicator panel.

1. Wireless Key

This key is used to make a wireless connection with your product via HomeWhiz mobile

app. When you press the key for 3 seconds, the wireless connection symbol on the display/screen flashes slowly (with intervals of 0.5 seconds). The home network is initialized on the product this way. After achieving wireless connection with the product, wireless connection symbol illuminates continuously, you may activate/deactivate the connection with a short press on this key. The wireless connection icon flashes (with the interval of 0.2 seconds) until the connection is established. When the connection is active, LED will remain lit. If the connection cannot be established for a long period, check your connection settings and refer to the "Troubleshooting" section provided in the user manual. HomeWhiz application will be used for wireless connection. The steps for setup are explained through the application during setup. You can access the application by scanning the QR code on the HomeWhiz label on the appliance. The application can be obtained from App Store or from Play Store for Android devices. For details visit <https://www.homewhiz.com/> address.

2. Cooler Compartment Off (Vacation)

Function Key

Press the key for 3 seconds to activate the vacation function. Vacation mode is activated and the LED on the key is illuminated. "- -" shall be displayed on the Cooler Compartment temperature indicator and the cooler compartment does not actively perform cooling. You should not keep your food in the cooler compartment if you activate this function. The other compartments continue to cool according to temperatures set before. Press and hold the key for 3 seconds again to cancel this function.

3. Cooler Compartment Temperature

Setting Key

Allows setting of temperature for cooler compartment. Pressing the key will enable the cooler compartment temperature to be set at 8 °C, 7 °C, 6 °C, 5 °C, 4 °C, 3 °C, 2 °C, and 1 °C.

4.*Deodoriser Module Key

Press this key for 3 seconds to activate/deactivate the deodoriser feature. When the deodoriser feature is active, the LED on the respective key is illuminated. When the feature is active, the deodoriser module will be operated periodically.

5. Compartment Conversion Key


Pressing compartment conversion key for 3 seconds, the freezer section switches between cooler, off and freezer modes. If it is operated as the cooler compartment, the temperature of the compartment will be set as 4 °C. In the off mode, compartment temperature indicator shall display "- -".

6. Freezer Compartment Temperature

Setting Key

Temperature setting is made for freezer compartment. Pressing the key will enable the freezer compartment temperature to be set at -18 °C, -19 °C, -20 °C, -21 °C, -22 °C, -23 °C, and -24 °C.

7. Energy Saving (Display Off) Indicator



Energy saving function is enabled automatically and the energy saving symbol lights up when the door of the product is not opened or closed for some period of time. When the energy saving function is active, all symbols on the screen other than the energy saving symbol shall be turned off. When the energy saving function is active, pressing any key or opening the door will deactivate the energy saving function and the display signals will return to normal. The energy saving function is a function activated ex-factory and cannot be cancelled.

8. Error Status Indicator

This indicator shall be active when your refrigerator cannot perform adequate cooling or in case of any sensor error. On the freezer compartment temperature indicator the letter "E" and on the cooler compartment temperature indicator the numbers 1, 2, 3 will be displayed. These numbers on the indicator specify the service regarding the failure. If you place hot food in the freezer compartment or leave its door open for a prolonged time, an exclamation mark can be lit. This is not a fault, this warning shall be removed when the food is cooled down or when any key is pressed.

9. Quick Freezing Key

When the quick freezing key is pressed, the LED on the key is illuminated and the quick freezing function shall be activated. The

freezer compartment temperature is set to -27 °C. Press the key again to cancel the function. The quick freezing function will be automatically cancelled after 24 hours. To freeze a large amount of fresh food, press the quick freezing key before placing the food in the freezer compartment.

10. Key for Resetting Wireless Connection Settings +

To reset wireless connection settings, Quick freezing and Wireless connection keys should be pressed on simultaneously for 3 seconds. All user information recorded previously are removed on the product where wireless connection settings are reset/restored to factory defaults.

7.2 Storing Food in the Cooler Compartment

Storing Food in the Cooler Compartment

- Compartment temperatures rise prominently if compartment door is opened and closed frequently and kept open for a long time, this can reduce the life span of the food and cause the food to spoil.
- In order not to cause odour and taste changes, the food should be stored in the closed containers.
- Do not store too much food in your refrigerator. To achieve a better and homogeneous cooling, place the food separately in a way that cold air can wander through them.
- Provide air flow by leaving a space between the food and internal wall. If you lean the food against the rear wall, the food may freeze.
- Bring cooked hot meals to the room temperature before placing them in the refrigerator. Then, you can place the tepid meal in the lower shelves of your refrigerator. Do not place the tepid meals close to the foods which may easily spoil.
- Defrost your frozen food in the fresh food compartment. Thereby, you can cool fresh food compartment by using frozen food and save energy.
- Storing unripe tropical fruits (mango, melon varieties, papaya, banana, pineapple) in the refrigerator may speed up the ripening process. This is not recommended because it will cause shorter storage time.
- You should store onions, garlics, gingers and other root vegetables in dark and cold room conditions, not in the refrigerator.
- If you notice that a food has spoiled in the refrigerator, throw away that food and clean the accessories which have come into contact with it.
- In order to cool the meals like soups and stews, which are cooked in the large pots, quickly, you can put them in the refrigerator by separating them into their own shallow containers.
- Do not place unpackaged food close to eggs.

- Keep the fruits and vegetables separately and store each variety together (for example; apples with apples, carrots with carrots)
- Take green vegetables out of the plastic bag and place them in the refrigerator after wrapping them in a paper towel or drying cloth. If you wash this type of food before placing them in the refrigerator, remember to dry them.
- You can both create a damp environment and provide an air flow by keeping fruits and vegetables, which are prone to drying, in the perforated or unsealed plastic bags.
- Except the cases where extreme circumstances are available in the environment, if your product (on the recommended set values table) is set to the specified set values, the food keep their freshness for a longer time both in the fresh product compartment and freezer compartment.

Store Foods In The Different Places According To Their Properties:	
Food	Location
Egg	Door Shelf
Dairy products (butter, cheese)	If available, zero degree (for breakfast food) compartment
Fruits, vegetables and greenery	Fruit-vegetable compartment, crisper or EverFresh+ compartment (if available)
Fresh meat, poultry, fish, sausage etc. Cooked foods	If available, zero degree (for breakfast food) compartment
Ready to serve foods, packaged products, canned foods and pickles	Top shelves or door shelf
Beverages, bottles, spices and snacks	Door Shelf

Storing Food In The Freezer Compartment

- You can activate Quick Freezing function 4-6 hours before freezing function and perform a faster cooling.
- Bring hot meals to the room temperature before placing them in the freezer compartment.
- Foods to be frozen must be divided into portions according to a size to be consumed, and frozen in separate packages.
- It is recommended to pack the foods before placing them in the freezer.
- In order to prevent expiration of storage time, write the freezing date, time and name of the product on the package according to the storage times of different foods.
- Consume the foods you have defrosted quickly. Defrosted foods cannot be frozen again unless they are cooked. It is not safe to consume the refrozen fresh foods without cooking after they are defrosted.

- As you freeze fresh foods, do not bring them in contact with already frozen foods. Otherwise, frozen foods will be defrosted.

Storing The Foods, Which Are Sold Frozen

- Always follow the instructions of the producer in relation to the time during which you are required to store your foods. Do not exceed the time specified in these instructions!
- In order to protect the quality of the food, keep the time interval between purchasing transaction and storing as short as possible.
- Buy frozen food which are stored at -18°C or lower temperatures.
- Avoid buying foods whose packages are covered with ice etc. This means that the product could be partially defrosted and refrozen. Temperature impacts the quality of the food.

- Do not exceed the storing time recommended by the food producer. Remove only the food as much as you need from the freezer.
- Except the cases where extreme circumstances are available in the environment, if your product (on the recommended set values table) is set to the specified set values, the food keep their freshness for a longer time both in the fresh product compartment and freezer compartment.
- If fresh food compartment is set to a lower temperature, fresh fruits and vegetables may be partially frozen.

Freezer Details

As per the IEC 62552 standards, the freezer must have the capacity to freeze 4.5 kg of food items at -18 °C or lower temperatures at 25 °C room temperature in 24 hours for each 100 litres of freezer compartment volume.

Food products can only be preserved for extended periods at or below temperature of -18 °C.

You can keep the foods fresh for months (in freezer at or below temperatures of -18 °C).

The food products to be frozen must not contact the already-frozen food inside to avoid partial defrosting.

Boil the vegetables and filter the water to extend the frozen storage time. Place the food in air-tight packages after filtering and place in the freezer. Bananas, tomatoes, lettuce, celery, boiled eggs, potatoes and similar food items should not be frozen. In case these foods are frozen, only nutritional values and eating qualities will be negatively affected. A rotting that would threaten human health is not in question.

Placing The Food

Freezer compartment shelves: Different frozen foods like meat, fish, ice cream, vegetables etc.


Cooler compartment shelves: Food items inside pots, capped plate and capped cases, eggs (in closed case)


Cooler compartment door shelves: Small and packaged food or beverages

Crisper: Vegetables and fruits

Fresh food compartment: Delicatessen (breakfast food, meat products to be consumed in short time)

7.3 Photocatalytic Module (Fresh-Guard)

Thanks to this module, which is positioned behind the evaporator cover in the fresh food compartment, the air is actively passed over the titanium dioxide-coated photocatalytic filter and the cleaned air is circulated inside. In this way, bad odours are removed from the interior of the refrigerator before becoming permeated with the food surfaces, and at the same time, a hygienic air circulation is achieved via disinfected air. This feature is driven by the fresh food compartment fan located behind the evaporator cover, the UV-A LED and the titanium dioxide-coated odour filter. To activate/deactivate this module, which provides hygiene and odour-free air circulation in the refrigerator; press and hold the button  for 3 seconds and make sure

that the function indicator  appears on the screen when it is active, and disappears from the screen when it is deactivated.

Once the feature is activated as described, it works periodically without the need to press any key again. If the door of the fresh food compartment is opened while the module is active, the fan and UV-A LED will not operate temporarily, but will resume operation once the door is closed. In case of a power outage while the module is running, the module will resume operation from the point it stopped once the power is restored.

Note: To prevent bad odours that may occur with the mixture of odours from different types of food, we recommend you to store aromatic food such as cheese, olives and delicatessen in their packaging and with their lids closed. For the safety of other food stored, hygienic storage condi-

tions and to prevent bad odours, we recommend you to remove the food that you have observed to be spoiled from the refrigerator as soon as possible.

7.4 Dairy Products Cold Storage Area

Cold Storage Drawer

The Cold Storage Drawer can reach lower temperatures in the cooler compartment. Use this drawer for delicatessen products (salami, sausage, etc.) and dairy products that require colder storage conditions, or for meat, chicken or fish to be consumed quickly. It is not suitable to store fruits and vegetables in this drawer.

7.5 Reversing the Door Opening Side

The door opening side of your refrigerator can be reversed according to the place you put it. When you need this, you should definitely call the nearest Authorized Service.

7.6 Door Open Alert

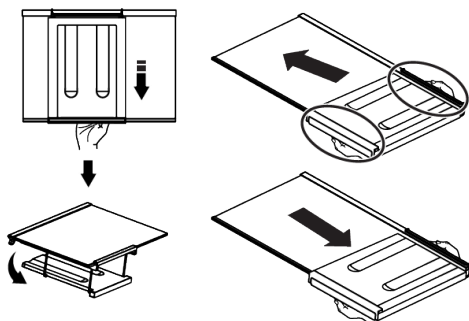
An audible alert will be heard if the product's door remains open for 1 minute. The audible alert will stop when you close the cabinet door or press any button on the display (if available).

7.7 Foldable Wine Rack

It allows the user to store wine bottles if necessary. To use the rack section, grasp the plastic part and gently pull it down. You can now use the foldable wine rack.



It is recommended to store a maximum of 2 wine bottles on the foldable wine rack.



To group the wine rack, first remove the glass shelf from the refrigerator. Place it on the glass shelf by pushing the plastic part through the front and back grooves as shown in the picture. The product will be ready to use with the foldable wine rack.

To remove the foldable wine rack, first remove the glass shelf from the refrigerator. Then grab the plastic part and pull it in any direction. You can now use the product without a foldable wine rack when needed.

7.8 Replacing the Illumination Lamp

Call the Authorized Service when the Bulb/LED used for lighting in your refrigerator will be replaced.

Lamp(s) used in this appliance cannot be used for house lighting. Intended use of this lamp is to help the user place food into the refrigerator / freezer safely and comfortably.

7.9 AeroFlow

It is an air distribution system that provides homogeneous temperature distribution. With the air circulation, the homogeneous temperature distribution is ensured in the fresh food storage compartment, and the temperature fluctuations are kept at low levels. No direct air blowing over the food is realized and this helps to reduce moisture loss. It preserves the freshness of the food stored in the fresh food compartment of the refrigerator. In this way, your food is stored at more stable temperatures and the contact with air is reduced. The drying and

shrinking of foods by losing moisture is prevented and freshness is provided for a longer time.

8 Maintenance and Cleaning



WARNING:

Read the "Safety Instructions" section first.



WARNING:

Unplug the refrigerator before cleaning it.

- Do not use sharp or abrasive tools to clean the product. Do not use materials such as household cleaning agents, soap, detergents, gas, gasoline, thinner, alcohol, wax, etc.
- The dust shall be removed from the ventilation grill on the rear of the product at least once a year (without opening the cover). Clean the product with a dry cloth.
- Take care to keep water away from the lamp's cover and other electrical parts.
- Clean the door with a damp cloth. Remove all contents to remove the door and body racks. Remove the door racks by lifting them upwards. Clean and dry the shelves, then attach back in place by sliding from above.
- Do not use chlorinated water or cleaning products on the exterior surface and chrome-coated parts of the product. Chlorine will cause rust on such metallic surfaces.
- Do not use sharp and abrasive tools, soap, house cleaning materials, detergents, gas, gasoline, varnish and similar substances to prevent deformation of the plastic part and removal of prints on the part. Use warm water and a soft cloth for cleaning, and then dry it.
- On the products without a No-Frost feature, water droplets and icing up to a thickness of a finger may occur on the rear wall of the freezer compartment. Do not clean, and never apply oils or similar materials.

- Use a mildly dampened micro-fibre cloth to clean the external surface of the product. Sponges and other types of cleaning clothes may cause scratches.
- To clean all removable components during the cleaning of the interior surface of the product, wash these components with a mild solution consisting of soap, water and carbonate. Wash and dry thoroughly. Prevent contact of water with illumination components and the control panel.



CAUTION:

Do not use vinegar, rubbing alcohol or other alcohol based cleaning agents on any interior surface.

Stainless Steel External Surfaces

Use a non-abrasive stainless steel cleaning agent and apply it with a soft lint-free cloth. To polish, gently wipe the surface with a micro-fibre cloth dampened with water and use dry polishing chamois. Always follow the veins of the stainless steel.

Preventing Odours

The product is manufactured free of any odorous materials. However, keeping the food in inappropriate sections and improper cleaning of internal surfaces may lead to odours.

- To avoid this, clean the inside with carbonated water every 15 days.
- Keep the foods in sealed holders, as micro-organisms arising from foods kept in unsealed containers will cause bad odour.
- Do not keep expired and spoilt foods in the refrigerator.

9 Troubleshooting

Check this list before contacting the service. Doing so will save you time and money. This list includes frequent complaints that are not related to faulty workmanship or materials. Certain features mentioned herein may not apply to your product.

The refrigerator is not working.

- The power plug is not fully settled. >>> Plug it in to settle completely into the socket.
- The fuse connected to the socket powering the product or the main fuse is blown. >>> Check the fuse.

Condensation on the side wall of the cooler compartment (MULTI ZONE, COOL CONTROL and FLEXI ZONE).

- The door is opened too frequently. >>> Take care not to open the product's door too frequently.
- The environment is too humid. >>> Do not install the product in humid environments.
- Foods containing liquids are kept in unsealed holders. >>> Keep the foods containing liquids in sealed holders.
- The product's door is left open. >>> Do not keep the product's door open for long periods.
- The thermostat is set to a very cool temperature. >>> Set the thermostat to an appropriate temperature.

Compressor is not working.

- In case of sudden power failure or pulling the power plug off and putting back on, the gas pressure in the product's cooling system is not balanced, which triggers the compressor thermic safeguard. The product will restart after approximately 6 minutes. If the product does not restart after this period, contact the service.

- Defrosting is active. >>> This is normal for a fully-automatic defrosting product. The defrosting is carried out periodically.
- The product is not plugged in. >>> Make sure the power cord is plugged in.
- The temperature setting is incorrect. >>> Select the appropriate temperature setting.
- The power is out. >>> The product will continue to operate normally once the power is restored.

The refrigerator's operating noise is increasing while in use.

- The product's operating performance may vary depending on the ambient temperature variations. This is normal and not a malfunction.

The refrigerator runs too often or for too long.

- The new product may be larger than the previous one. Larger products will run for longer periods.
- The room temperature may be high. >>> The product will normally run for long periods in higher room temperature.
- The product may have been recently plugged in or a new food item is placed inside. >>> The product will take longer to reach the set temperature when recently plugged in or a new food item is placed inside. This is normal.
- Large quantities of hot food may have been recently placed into the product. >>> Do not place hot food into the product.
- The doors were opened frequently or kept open for long periods. >>> The warm air moving inside will cause the product to run longer. Do not open the doors too frequently.
- The freezer or cooler door may be ajar. >>> Check that the doors are fully closed.

- The product may be set to a temperature that is too low. >>> Set the temperature to a higher degree and wait for the product to reach the adjusted temperature.
- The cooler or freezer door washer may be dirty, worn out, broken or not properly settled. >>> Clean or replace the gasket. Damaged / torn door washer will cause the product to run for longer periods to preserve the current temperature.

The freezer temperature is very low, but the cooler temperature is adequate.

- The freezer compartment temperature is set to a very low degree. >>> Set the freezer compartment temperature to a higher degree and check again.

The cooler temperature is very low, but the freezer temperature is adequate.

- The cooler compartment temperature is set to a very low degree. >>> Set the cooler compartment temperature to a higher degree and check again.

The food items kept in cooler compartment drawers are frozen.

- The cooler compartment temperature is set to a very low degree. >>> Set the cooler compartment temperature to a higher degree and check again.

The temperature in the cooler or the freezer is too high.

- The cooler compartment temperature is set to a very high degree. >>> Temperature setting of the cooler compartment has an effect on the temperature in the freezer compartment. Wait until the temperature of relevant parts reach the sufficient level by changing the temperature of cooler or freezer compartments.
- The doors were opened frequently or kept open for long periods. >>> Do not open the doors too frequently.
- The door may be ajar. >>> Fully close the door.
- The product may have been recently plugged in or a new food item is placed inside. >>> This is normal. The product

will take longer to reach the set temperature when recently plugged in or a new food item is placed inside.

- Large quantities of hot food may have been recently placed into the product. >>> Do not place hot food into the product.

Shaking or noise.

- The surface is not flat or durable >>> If the product is shaking when moved slowly, adjust the stands to balance the product. Also make sure the ground is sufficiently durable to bear the product.
- Any items placed on the product may cause noise. >>> Remove any items placed on the product.
- The product is making noise of liquid flowing, spraying etc.
- The product's operating principles involve liquid and gas flows. >>> This is normal and not a malfunction.

There is sound of wind blowing coming from the product.

- The product uses a fan for the cooling process. This is normal and not a malfunction.

There is condensation on the product's internal walls.

- Hot or humid weather will increase icing and condensation. This is normal and not a malfunction.
- The doors were opened frequently or kept open for long periods. >>> Do not open the doors too frequently; if open, close the door.
- The door may be ajar. >>> Fully close the door.

There is condensation on the product's exterior or between the doors.

- The ambient weather may be humid, this is quite normal in humid weather. >>> The condensation will dissipate when the humidity is reduced.

The interior smells bad.

- The product is not cleaned regularly. >>> Clean the interior regularly using sponge, warm water and carbonated water.
- Certain holders and packaging materials may cause odour. >>> Use holders and packaging materials without free of odour.
- The foods were placed in unsealed holders. >>> Keep the foods in sealed holders. Microorganisms may spread out of unsealed food items and cause bad odour.
- Remove any expired or spoilt foods from the product.

The door is not closing.

- Food packages may be blocking the door. >>> Relocate any items blocking the doors.
- The product is not standing in full upright position on the ground. >>> Adjust the stands to balance the product.

- The surface is not flat or durable >>> Make sure the surface is flat and sufficiently durable to bear the product.

The crisper is jammed.

- The food items may be in contact with the upper section of the drawer. >>> Reorganize the food items in the drawer.

Temperature on the product surface.

- High temperature may be observed between two doors, on the side panels and on the rear grill area while your product is operated. This is normal and it does not require servicing.

Fan continues to operate when the door is opened.

- Fan may continue to operate when the freezer door is open.



WARNING: If the problem persists after following the instructions in this section, contact your vendor or an Authorized Service. Do not try to repair the product. This is normal.

DISCLAIMER / WARNING

Some (simple) failures can be adequately handled by the end-user without any safety issue or unsafe use arising, provided that they are carried out within the limits and in accordance with the following instructions (see the "Self-Repair" section).

Therefore, unless otherwise authorized in the "Self-Repair" section below, repairs shall be addressed to registered professional repairers in order to avoid safety issues. A registered Professional repairer is a professional repairer that has been granted access to the instructions and spare parts list of this product by the manufacturer according to the methods described in legislative acts pursuant to Directive 2009/125/EC.

However, only the service agent (i.e. authorized professional repairers) that you can reach through the phone number given in the user manual/warranty card or through your authorized dealer may provide service under the guarantee

terms. Therefore, please be advised that repairs by professional repairers (who are not authorized by) Beko shall void the guarantee.

Self-Repair

Self-repair can be done by the end-user with regard to the following spare parts: door handles, door hinges, trays, baskets and door gaskets (an updated list is also available support.beko.com as of 1st March 2021).

Moreover, to ensure product safety and to prevent risk of serious injury, the mentioned self-repair shall be done following the instructions in the user manual for selfrepair or which are available in support.beko.com. For your safety, unplug the product before attempting any self-repair.

Repair and repair attempts by end-users for parts not included in such list and/or not following the instructions in the user manuals for self-repair or which are available in

support.beko.com, might give rise to safety issues not attributable to Beko, and will void the warranty of the product.

Therefore, it is highly recommended that end-users refrain from the attempt to carry out repairs falling outside the mentioned list of spare parts, contacting in such cases authorized professional repairers or registered professional repairers. On the contrary, such attempts by end-users may cause safety issues and damage the product and subsequently cause fire, flood, electrocution and serious personal injury to occur.

By way of example, but not limited to, the following repairs must be addressed to authorized professional repairers or registered professional repairers: compressor, cooling circuit, main board, inverter board, display board, etc.

The manufacturer/seller cannot be held liable in any case where end-users do not comply with the above.

The spare part availability of the refrigerator that you purchased is 10 years. During this period, original spare parts will be available to operate the refrigerator properly. The minimum duration of guarantee of the refrigerator that you purchased is 24 months.

This product is equipped with a lighting source of the "G" energy class.

The lighting source in this product shall only be replaced by Professional repairer.

See also

2 DISCLAIMER / WARNING [; 26]

Premièrement veuillez lire ce manuel !

Cher client, chère cliente,

Veuillez lire ce manuel avant d'utiliser l'appareil.

Nous vous remercions d'avoir choisi ce Bekoproduit. Nous aimerions que vous obteniez une efficacité optimale de ce produit de haute qualité qui a été fabriqué avec une technologie de pointe. À cette fin, lisez attentivement ce manuel et toute autre documentation fournie avant d'utiliser le produit et conservez-les comme référence.

Tenez compte de toutes les informations et de tous les avertissements figurant dans le manuel d'utilisation. De cette façon, vous vous protégez, vous et votre produit, contre les dangers qui peuvent survenir.

Conservez le manuel d'utilisation. Joignez ce guide à l'unité si vous le remettez à quelqu'un d'autre.

Les symboles suivants sont utilisés dans le manuel d'utilisation :



Il s'agit d'un danger qui peut entraîner la mort ou des blessures.



Informations importantes ou conseils utiles sur le fonctionnement.








Lisez le manuel d'utilisation.



Matériau combustible, mise en garde contre le risque d'incendie.

AVERTISSEMENT Un danger qui peut causer des dommages matériels au produit ou à son environnement

 ENERG 	
SUPPLIER'S NAME	MODEL IDENTIFIER → (*)
	

Les informations sur le modèle, telles qu'elles sont enregistrées dans la base de données des produits, peuvent être obtenues en accédant au site web suivant et en recherchant l'identifiant du modèle (*) figurant sur l'étiquette énergétique.

<https://eprel.ec.europa.eu/>

	7.8	Remplacement de la lampe d'éclairage	50
	7.9	AeroFlow	50
8		Entretien et nettoyage	50
9		Dépannage	51
<hr/>			
1		Consignes de sécurité.....	30
1.1		Intention d'utilisation.....	30
1.2		Sécurité des enfants, des per- sonnes vulnérables et des ani- maux domestiques.....	30
1.3		Sécurité électrique.....	31
1.4		Sécurité de manipulation	32
1.5		Sûreté des installations	32
1.6		Sécurité de fonctionnement	34
1.7		Sécurité du stockage des ali- ments	37
1.8		Sécurité relative à l'entretien et au nettoyage	37
1.9		Informations techniques sur Bluetooth + Wi-Fi	38
2		Instructions environnementales..	38
2.1		Conformité avec la directive DEEE et élimination des déchets..	38
3		Votre réfrigérateur	39
4		Installation	40
4.1		Lieu idéal d'installation	40
4.2		Branchement électrique.....	40
4.3		Fixation des cales en plastique	41
4.4		Réglages des pieds avant.....	41
4.5		Attention aux surfaces chaudes...	41
5		Préparation.....	41
5.1		Moyens d'économiser l'énergie....	41
5.2		Première utilisation	42
5.3		Classe climatique et définitions ...	42
6		Fonctionnement de l'appareil.....	43
7		Utilisation de votre appareil.....	44
7.1		Panneau de contrôle du produit ...	44
7.2		Stockage des aliments dans le compartiment réfrigérant.....	46
7.3		Module photocatalytique (Fresh- Guard)	48
7.4		Zone d'entreposage frais des pro- duits laitiers	49
7.5		Inversion du côté d'ouverture de la porte	49
7.6		Alerte de porte ouverte.....	49
7.7		Porte-bouteille pliable	49

1 Consignes de sécurité

Cette section contient les instructions de sécurité nécessaires à la prévention des risques de dommage corporel ou de dommage matériel.

Notre entreprise ne peut être tenue pour responsable des dommages qui peuvent se produire si ces instructions ne sont pas respectées.

Les opérations d'installation et de réparation doivent être effectuées par un service agréé.

Utilisez uniquement des pièces de rechange et des accessoires d'origine.

Les pièces de rechange originales sont fournies pendant les 10 années suivant la date d'achat de l'appareil.

Évitez de réparer ou de remplacer tout composant de l'appareil sauf si cela est clairement spécifié dans le manuel d'utilisation.

Il ne faut pas effectuer de modifications sur l'appareil.

1.1 Intention d'utilisation

Ce produit ne convient pas à un usage commercial et ne doit pas être utilisé autrement que pour l'usage auquel il est destiné. Ce

produit est conçu pour être utilisé à l'intérieur, dans les foyers et dans des endroits similaires.

Par exemple ;

- cuisines du personnel des magasins, bureaux et autres environnements professionnels,
- les maisons de campagne,
- unités des hôtels, motels ou autres installations de repos utilisées par les clients,
- hôtels ou environnements similaires,
- services de restauration et les espaces semblables de vente en gros.

Ces appareils ne doivent pas être utilisés dans des environnements extérieurs ouverts ou clôturés tels que les bateaux, balcons ou terrasses. L'exposition de l'appareil à la pluie, à la neige, au soleil et au vent présente un risque d'incendie.

1.2 Sécurité des enfants, des personnes vulnérables et des animaux domestiques

- Cet appareil peut être utilisé par des enfants âgés d'au moins 8 ans, ainsi que par des personnes avec des capacités physiques, sensorielles ou

mentales réduites ou sans expérience et connaissances, si elles sont supervisées ou ont été formées à l'utilisation sécurisée de l'appareil et comprennent les risques relatifs.

- Les enfants de 3 à 8 ans sont autorisés à mettre les aliments dans la glacière et à les enlever.
- Les produits électriques sont dangereux pour les enfants et les animaux domestiques. Les enfants et les animaux domestiques ne doivent pas jouer avec le produit, ni grimper dessus, ni y entrer.
- Le nettoyage et l'entretien des utilisateurs ne doivent pas être effectués par des enfants, sauf s'il y a une personne qui les surveille.
- Tenez les emballages hors de la portée des enfants. Risque de blessure et d'asphyxie.

Avant de vous débarrasser des appareils usagés qui ne doivent plus être utilisés :

1. Débranchez le cordon d'alimentation de la prise de courant.
2. Coupez le cordon d'alimentation et retirez-le de l'appareil avec la prise.

3. Ne retirez pas les étagères et les tiroirs de l'appareil pour empêcher les enfants d'y pénétrer.
4. Démontage des portes.
5. Stockez l'appareil de façon à éviter qu'il se renverse.
6. Ne laissez pas les enfants jouer avec un appareil usagé.
 - Ne jetez pas l'appareil en le mettant au feu. Risque d'explosion.
 - Si une serrure est disponible dans la porte de l'appareil, gardez la clé hors de la portée des enfants.



1.3 Sécurité électrique

- Il ne faut pas brancher le produit dans la prise de courant pendant les opérations d'installation, d'entretien, de nettoyage, de réparation et de transport.
- Si le câble d'alimentation est endommagé, il doit être remplacé par un service agréé uniquement pour éviter tout risque qui pourrait survenir.
- Ne placez pas le câble d'alimentation sous l'appareil ou à l'arrière de celui-ci. Ne placez aucun objet lourd sur le câble d'alimentation. Le câble d'alimentation ne doit pas être plié, écrasé et entrer en contact avec une source de chaleur.

- N'utilisez pas de rallonge, de prise multiple ou d'adaptateur pour faire fonctionner votre appareil.
- Les prises multiples mobiles ou les blocs d'alimentation portatifs peuvent surchauffer et causer un incendie. Par conséquent, aucune prise multiple ne doit se trouver derrière ou à proximité de l'appareil.
- La prise doit être facilement accessible. Si cela n'est pas possible, l'installation électrique doit être dotée d'un mécanisme conforme à la réglementation en matière d'électricité et qui déconnecte toutes les bornes du réseau (fusible, interrupteur, commutateur principal, etc.).
- Évitez de toucher le cordon d'alimentation avec des mains humides.
- Lorsque vous débranchez l'appareil, ne tenez pas le cordon d'alimentation, mais la prise.

1.4 Sécurité de manipulation

- Cet appareil est lourd, ne le manipulez pas seul.
- Lors de la manipulation de l'appareil, évitez de le tenir par sa porte.

- Veillez à ne pas endommager le système de refroidissement et les tuyaux lorsque vous manipulez l'appareil. Évitez de faire fonctionner l'appareil si les tuyaux sont endommagés et contactez un service agréé.

1.5 Sûreté des installations

- Contactez le service agréé pour l'installation de votre réfrigérateur. Pour préparer l'installation du réfrigérateur, lisez attentivement les instructions du manuel d'utilisation et assurez-vous que les équipements électriques et d'approvisionnement d'eau sont installés convenablement. Si ce n'est pas le cas, appelez un électricien et un plombier pour faire le nécessaire pour les services publics. Le non-respect de cette consigne peut entraîner un choc électrique, un incendie, des problèmes avec le produit ou des blessures.
- Vérifiez que l'appareil n'est pas endommagé avant de l'installer. N'installez pas l'appareil lorsqu'il est endommagé.
- Placez l'appareil sur une surface plane et dure et équilibrez-le avec les pieds ré-

glables. Sinon, le réfrigérateur risque de se renverser et provoquer des blessures.

- Installez l'appareil dans un endroit sec et ventilé. Ne laissez pas de tapis, de moquettes ou d'autres revêtements de sol similaires sous l'appareil. Ils peuvent entraîner un risque d'incendie en raison d'une ventilation inadéquate !
- N'obstruez pas ou ne couvrez pas les orifices de ventilation. Sinon, la consommation d'énergie pourrait augmenter et votre appareil pourrait être endommagé.
- Le produit ne doit pas être connecté à des systèmes d'alimentation tels que l'alimentation solaire. Sinon, votre produit peut être endommagé en raison de changements soudains de tension !
- Plus un réfrigérateur contient de réfrigérant, plus grande doit être la pièce d'installation. Dans les très petites pièces, un mélange gaz-air inflammable peut se produire en cas de fuite de gaz dans le système de refroidissement. Au moins 1 m³ de volume est requis pour chaque 8 grammes de réfrigérant. La quantité de réfrigérant disponible dans votre appareil est indiquée sur la plaque signalétique.
- Le lieu d'installation du produit ne doit pas être exposé à la lumière directe du soleil et ne doit pas se trouver à proximité d'une source de chaleur telle qu'un poêle, un radiateur, etc. Si vous ne pouvez pas empêcher l'installation du produit à proximité d'une source de chaleur, vous devez utiliser une plaque isolante appropriée et la distance minimale par rapport à la source de chaleur doit être conforme aux spécifications ci-dessous.
 - À au moins 30 cm des sources de chaleur telles que les cuisinières, les appareils de chauffage, etc.
 - Et à au moins 5 cm des fours électriques.
- Votre produit a la classe de protection I.
- Branchez le produit dans une prise avec mise à la terre conforme aux valeurs de tension, de courant et de fréquence indiquées sur la plaque signalétique. La prise de courant doit être équipée d'un fusible de 10 à 16A. Notre entreprise ne sera pas tenue responsable de tout dommage résultant de l'utilisation de l'ap-

pareil sans prise de mise à la terre ou branchement électrique conforme aux normes locales et nationales en vigueur.

- Débranchez le câble d'alimentation du réfrigérateur pendant l'installation. Dans le cas contraire, vous risquez de vous électrocuter et de vous blesser !
- Ne branchez pas l'appareil sur des prises desserrées, cassées, sales, graisseuses ou qui sont sorties de leur logement ou sur des prises présentant un risque de contact avec l'eau.
- Placez le câble d'alimentation et les flexibles (si disponibles) de l'appareil de sorte qu'ils ne puissent pas provoquer de risque de trébuchement.
- La pénétration de l'humidité dans les pièces sous tension ou dans le cordon d'alimentation peut provoquer un court-circuit. Par conséquent, n'utilisez pas l'appareil dans des environnements humides ou dans des endroits où l'eau peut éclabousser (p. ex. les garages, les buanderies, etc.). Lorsque le réfrigérateur est

mouillé par l'eau, débranchez-le et contactez un service autorisé.

- Ne branchez jamais votre réfrigérateur sur des dispositifs d'économie d'énergie. Ces dispositifs peuvent être dangereux pour l'appareil



1.6 Sécurité de fonctionnement

- N'utilisez jamais de solvants chimiques sur le réfrigérateur. Ces matériaux présentent un risque d'explosion.
- En cas de panne de l'appareil, débranchez-le et ne l'utilisez pas avant sa réparation par le service autorisé. Il existe un risque d'électrocution !
- Ne placez pas une source de flamme (p. ex. des bougies, cigarettes, etc.) sur l'appareil ou à proximité de celui-ci.
- Ne montez pas sur l'appareil. Risque de chute et de blessure !
- N'endommagez pas les tuyaux du système de refroidissement avec des outils tranchants et perçants. Le réfrigérant qui s'échappe en cas de perforation des tuyaux à gaz, des tuyaux d'extension ou des revêtements de la surface supé-

rieure peut provoquer une irritation de la peau et des liaisons oculaires.

- Ne placez pas et n'utilisez pas d'appareils électriques à l'intérieur du réfrigérateur/congélateur, sauf avis contraire du fabricant.
- Ne coincez pas les parties de vos mains ou de votre corps sur les parties mobiles à l'intérieur de l'appareil. Faites attention à ne pas coincer vos doigts entre le réfrigérateur et sa porte. Soyez prudent lorsque vous ouvrez ou fermez la porte en présence des enfants.
- Ne mettez pas de crème glacée, de glaçons ou d'aliments congelés dans votre bouche immédiatement après les avoir sortis du congélateur. Risque de gelure !
- Ne touchez pas les parois intérieures, les parties métalliques du congélateur ou les aliments conservés dans le congélateur avec les mains mouillées. Risque de gelure !
- Ne placez pas de canettes de soda ou de bouteilles contenant des liquides pouvant être congelés dans le compartiment congélateur. Les canettes ou les bouteilles peuvent exploser. Risque de blessures et de dommages matériels !
- N'utilisez pas ou ne placez pas de matériaux sensibles à la température tels que des aérosols inflammables, des objets inflammables, de la glace sèche ou d'autres agents chimiques à proximité du réfrigérateur. Risque d'incendie ou d'explosion !
- Ne stockez pas de matières explosives telles que des aérosols contenant des matériaux inflammables à l'intérieur de l'appareil.
- Ne placez pas de canettes contenant des liquides sur l'appareil. L'éclaboussure d'eau sur une pièce électrique peut entraîner un risque d'électrocution ou d'incendie.
- Cet appareil n'est pas destiné au stockage et au refroidissement de médicaments, de plasma sanguin, de préparations de laboratoire ou de matériaux et produits similaires qui sont soumis à la directive sur les produits médicaux.
- Si l'appareil est utilisé à d'autres fins que celles pour lesquelles il a été conçu, il peut endommager ou détériorer les produits qu'il contient.

- Si votre réfrigérateur est équipé d'un voyant lumineux bleu, ne contemplez pas le voyant lumineux avec des instruments optiques. Ne fixez pas directement la lumière LED à UV pendant une longue période, car les rayons ultraviolets peuvent entraîner la fatigue oculaire.
- Ne remplissez pas l'appareil de nourriture dépassant sa capacité. Des blessures ou des dégâts peuvent survenir au cas où le contenu du réfrigérateur tombe lorsque la porte est ouverte. Des problèmes similaires peuvent survenir lorsqu'un objet est placé sur l'appareil.
- Pour éviter tout risque de blessures, rassurez-vous que vous avez retiré toute la glace ou toute l'eau qui auraient pu se verser au sol.
- Changez l'emplacement des casiers/porte-bouteilles sur la porte de votre réfrigérateur uniquement lorsqu'ils sont vides. Risque de blessures !
- Ne placez aucun objet qui pourrait tomber ou basculer sur l'appareil. Ces objets peuvent tomber lors de l'ouverture ou de la fermeture de la porte, et causer des blessures et/ou des dégâts matériels.
- Ne frappez ni n'exercez aucune pression excessive sur les surfaces en verre. Le verre brisé peut causer des blessures et/ou des dégâts matériels.
- Le système de refroidissement de votre produit contient du réfrigérant R600a Le type de réfrigérant utilisé dans le produit est spécifié sur la plaque signalétique. Ce gaz est inflammable. Par conséquent, veillez à ne pas endommager le système de refroidissement et les tuyaux pendant l'utilisation de l'appareil. Si les tuyaux sont endommagés :
 1. Ne touchez pas l'appareil ni le câble d'alimentation,
 2. Maintenez l'appareil éloigné des sources potentielles d'incendie qui pourraient causer l'incendie de l'appareil,
 3. Aérez la zone où l'appareil est placé, - N'utilisez pas de ventilateur,
 4. Contactez un centre de service agréé.
 5. Si l'appareil est endommagé et que vous observez une fuite de gaz, éloignez-vous du gaz. Le gaz peut causer des gelures lorsqu'il entre en contact avec votre peau.



1.7 Sécurité du stockage des aliments

Veillez prêter attention aux avertissements suivants afin d'éviter la détérioration des aliments :

- Laisser les portes ouvertes pendant une longue période peut entraîner une augmentation de la température à l'intérieur du produit.
- Nettoyez régulièrement les systèmes de drainage accessibles en contact avec les aliments.
- Nettoyez les réservoirs d'eau qui n'ont pas été utilisés pendant 48 heures et les systèmes d'alimentation en eau qui n'ont pas été utilisés pendant plus de 5 jours.
- Conservez les produits de viande et de poisson crus dans des compartiments appropriés à l'intérieur de l'appareil. Ainsi, ils ne coulent pas sur les autres aliments et n'entre pas en contact avec eux.
- Les compartiments de congélation à deux étoiles permettent de conserver les aliments pré-cuisinés, de préparer et de conserver la glace et la crème glacée.

- Les compartiments à une, deux et trois étoiles ne conviennent pas à la congélation des aliments frais.
- Si le produit réfrigérant est resté vide pendant une longue période, éteignez le produit, dégivrez, nettoyez et séchez le produit afin de protéger le boîtier de l'appareil.



1.8 Sécurité relative à l'entretien et au nettoyage

- Ne tirez pas sur la poignée de la porte si vous devez déplacer l'appareil pour le nettoyer. La poignée peut causer des blessures si vous la tirez trop fort.
- Ne nettoyez pas l'appareil en pulvérisant ou en versant de l'eau dessus et à l'intérieur. Risque de choc électrique et d'incendie.
- Lors du nettoyage de l'appareil, n'utilisez pas d'outils tranchants et abrasifs ni de produits de nettoyage ménagers, de détergents, d'essence, de diluant, d'alcool, de vernis et de substances similaires. Utilisez des produits de nettoyage et d'entretien qui ne sont pas nocifs pour les aliments uniquement à l'intérieur de l'appareil.

- N'utilisez jamais de vapeur ou de matériel de nettoyage à vapeur pour nettoyer l'appareil et faire fondre la glace qui s'y trouve. Lorsque la vapeur entre en contact avec les zones sensibles de votre réfrigérateur, elle peut provoquer un court-circuit ou un choc électrique.
- Veillez à éloigner l'eau des circuits électroniques ou de l'éclairage de l'appareil.
- Utilisez un torchon propre et sec pour essuyer la poussière ou les corps étrangers sur les extrémités des fiches. N'utilisez pas de torchon humide ou mouillé pour nettoyer la fiche. Ceci, pour éviter tout risque d'incendie ou de choc électrique.

1.9 Informations techniques sur Bluetooth + Wi-Fi

Bande de Fréquence :	2,4 GHz (Wi-Fi ou Bluetooth opérationnel)
Puissance maximale de transmission :	< 100 mW (Wi-Fi ou Bluetooth opérationnel)
Détails du logiciel :	Quartz_WiFi.XXX

CE déclaration de conformité :

Arçelik A.Ş. affirme que ce produit est conforme à la directive 2014/53/EU.

Le texte intégral de la déclaration de conformité de l'EU est disponible à l'adresse Internet suivante :

Produits, l'adresse : support.be-ko.com

La période de support des mises à jour logicielles liées à la cybersécurité définie pour le produit est la période de garantie du produit. Passé ce délai, les mises à jour logicielles liées à la cybersécurité ne sont pas garanties.

2 Instructions environnementales

2.1 Conformité avec la directive DEEE et élimination des déchets



Cet appareil est conforme à la directive DEEE de l'Union européenne (2012/19/UE). Le produit possède un symbole de

classification attribué aux déchets d'équipements électriques et électroniques (DEEE).

Ce symbole indique que cet appareil ne doit pas être mis au rebut avec les ordures ménagères à la fin de sa durée de vie. Les appareils usagés doivent être retournés au point de collecte officiel pour le recyclage des dispositifs électriques et électroniques. Pour trouver ces systèmes de collecte,

veuillez contacter les autorités locales ou le détaillant à l'endroit où l'appareil a été acheté. Chaque ménage joue un rôle important dans la récupération et le recyclage des vieux appareils ménagers. La mise au rebut appropriée des appareils usagés permet de prévenir les conséquences négatives potentielles pour l'environnement et la santé humaine.

Conformité à la directive RoHS

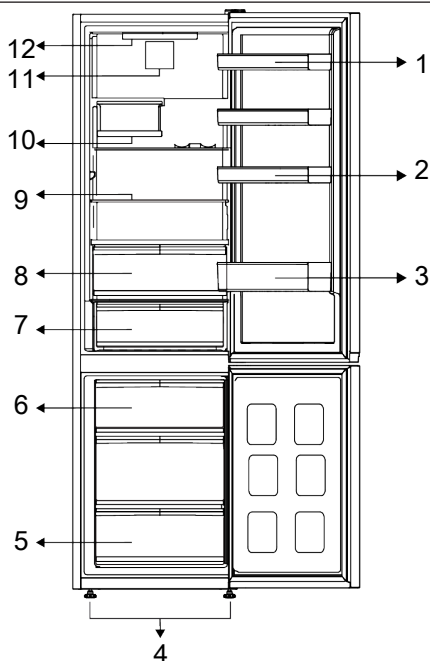
Votre appareil est conforme à la directive RoHS de l'Union européenne (2011/65/UE). Il ne comporte pas de matériaux dangereux et interdits mentionnés dans la directive.



Informations sur l'emballage

Les matériaux d'emballage de cet appareil sont fabriqués à partir de matériaux recyclables, conformément à nos réglementations nationales en matière d'environnement. Ne mettez pas les matériaux d'emballage au rebut avec les ordures ménagères et d'autres déchets. Apportez-les aux points de collecte des matériaux d'emballage désignés par les autorités locales.

3 Votre réfrigérateur



- | | |
|---------------------------------|-----------------------------|
| 1 * Étagères de porte réglables | 2 * Porte-œuf |
| 3 * Étagère pour les bouteilles | 4 * Pieds avant réglables |
| 5 * Compartiment de congélation | 6 * Récipient à glace |
| 7 * Tiroir de stockage du froid | 8 * Bac à légumes |
| 9 * Étagères réglables | 10 * Poubelle à vin pliable |
| 11 * Ventilateur | 12 * Lampe d'éclairage |

*En option : Les illustrations présentées dans ce manuel d'utilisation sont schématiques et peuvent ne pas correspondre

4 Installation



Lisez d'abord la section « Instructions de sécurité » !

4.1 Lieu idéal d'installation

Contactez le service agréé pour l'installation de votre réfrigérateur. Pour préparer l'installation du réfrigérateur, lisez attentivement les instructions du manuel d'utilisation et assurez-vous que les équipements électriques et d'approvisionnement d'eau sont installés convenablement. Si ce n'est pas le cas, appelez un électricien et un plombier pour faire le nécessaire pour les services publics.



AVERTISSEMENT :

Le fabricant ne sera pas tenu responsable en cas de problèmes causés par des travaux effectués par des personnes non autorisées.



AVERTISSEMENT :

Débranchez le câble d'alimentation du réfrigérateur pendant l'installation. Le non-respect de cette consigne peut entraîner la mort ou des blessures graves !



AVERTISSEMENT :

Si le cadre de la porte est trop étroit pour laisser passer l'appareil, retirez la porte et faites passer l'appareil sur les côtés ; si cela ne fonctionne pas, contactez le service agréé.

- Placez l'appareil sur une surface plane pour éviter les vibrations.
- Placez le produit à 30 cm du chauffage, de la cuisinière et des autres sources de chaleur similaires et à au moins 5 cm des fours électriques.

exactement à votre produit. Si votre appareil ne présente pas les parties citées, alors l'information s'applique à d'autres modèles.

- N'exposez pas le produit directement à lumière du soleil et ne le laissez pas dans des environnements humides.
- Votre produit nécessite une circulation d'air adéquate pour pouvoir fonctionner efficacement. S'il est placé dans une alcôve, n'oubliez pas de laisser un espace d'au moins 5 cm entre l'appareil, le plafond, la paroi arrière et les parois latérales.
- Vérifiez que l'élément de protection d'espace de la façade arrière est présent à son emplacement (au cas où il est fourni avec l'appareil).
- Si l'élément n'est pas disponible, perdu ou tombé, positionnez l'appareil de manière à laisser un espace d'au moins 5 cm entre la surface arrière de l'appareil et les murs de la pièce. L'espace prévu à l'arrière est important pour le fonctionnement efficace de l'appareil.

4.2 Branchement électrique



Ne branchez pas le réfrigérateur sur une rallonge ou une multiprise.



Les câbles d'alimentation endommagés doivent être remplacés par le service agréé.



Lorsque deux réfrigérateurs sont installés côte à côte, laissez au moins 4 cm de distance entre les deux appareils

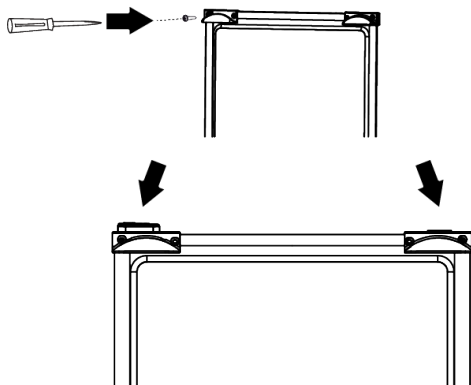
- Notre entreprise ne sera pas tenue responsable de tout dommage résultant de l'utilisation de l'appareil sans prise de mise à la terre ou branchement électrique conforme à la norme nationale en vigueur.

- Gardez la fiche du câble d'alimentation à portée de main après l'installation.
- N'utilisez pas de fiche multigroupe avec ou sans rallonge entre la prise murale et le réfrigérateur.

4.3 Fixation des cales en plastique

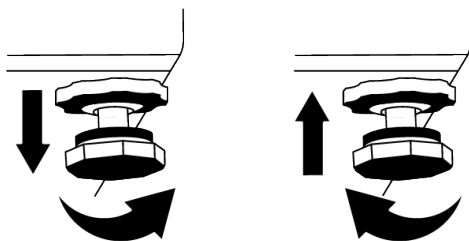
Utilisez les cales en plastiques fournies avec le réfrigérateur pour maintenir une circulation d'air suffisante entre le réfrigérateur et le mur.

1. Pour fixer les cales, retirez les vis du réfrigérateur et utilisez celles fournies avec les cales.
2. Fixez 2 cales en plastique sur le couvercle de ventilation tel qu'illustré par l'image.



4.4 Réglages des pieds avant

Si l'appareil n'est pas équilibré, réglez les pieds avant en les tournant vers la gauche ou la droite.




4.5 Attention aux surfaces chaudes

Les parois latérales de votre produit sont équipées de tuyaux de refroidissement pour améliorer le système de refroidissement. Un fluide à haute pression peut s'écouler à travers ces surfaces, et provoquer des surfaces chaudes sur les parois latérales. C'est normal et cela ne nécessite pas d'entretien. Faites attention lorsque vous contactez ces zones.

5 Préparation


 Lisez d'abord la section « Instructions de sécurité » !


5.1 Moyens d'économiser l'énergie


 Il est dangereux de connecter l'appareil aux systèmes électroniques d'économie d'énergie, ils pourraient l'endommager.

- Cet appareil de réfrigération n'est pas conçu pour être utilisé comme un appareil encastré.
- Ne laissez pas la porte du réfrigérateur ouverte longtemps.
- Ne conservez pas des aliments ou des boissons chaud(e)s dans le réfrigérateur.
- Ne surchargez pas le réfrigérateur, l'obstruction du flux d'air interne réduira la capacité de réfrigération.
- Afin de charger la quantité maximale d'aliments dans le compartiment congélateur, vous devez retirer les tiroirs supérieurs et placer les aliments sur les clayettes métalliques/en verre. Les informations sur le volume net et la consommation d'énergie déclarées sur l'étiquette énergétique de votre réfrigérateur ont été testées en sortant les tiroirs supérieurs du compartiment réfrigérateur et le bac à glaçons, que l'on peut facilement retirer à la main.

- Il est fortement recommandé d'utiliser le tiroir du bas pour le rangement.
- Selon les caractéristiques de l'appareil, le dégivrage des aliments congelés dans le compartiment réfrigérateur assurera l'économie d'énergie et la préservation de la qualité des aliments.
- Veuillez-vous assurer que les aliments ne sont pas en contact direct avec le capteur de température du compartiment réfrigérateur décrit ci-après.
- Les aliments sont stockés à l'aide des tiroirs du compartiment réfrigéré afin de garantir une économie d'énergie et de protéger les aliments dans de meilleures conditions.
- Les emballages de denrées alimentaires ne doivent pas être en contact direct avec le capteur de température situé dans le compartiment de congélation.
- En cas de contact avec le capteur, la consommation d'énergie de l'appareil peut augmenter

 Un son retentit à l'activation du compresseur. Il est normal que l'appareil fasse du bruit même si le compresseur ne fonctionne pas, car du fluide et du gaz peuvent être comprimés dans le système de refroidissement.

 Il est normal que les bords avant du réfrigérateur soient chauds. Ces parties doivent en principe être chaudes afin d'éviter la condensation.

 Pour certains modèles, le panneau indicateur s'éteint automatiquement 1 minute après la fermeture des portes. Il s'active à nouveau à l'ouverture de la porte ou lorsque vous appuyez sur n'importe quelle touche.

5.2 Première utilisation

Avant d'utiliser votre réfrigérateur, assurez-vous que les installations nécessaires sont conformes aux instructions des sections « Instructions en matière de sécurité et d'environnement » et « Installation ».

- Laissez l'appareil fonctionner à vide pendant 6 heures, et ne l'ouvrez pas sauf en cas de nécessité absolue.
- Le changement de température causé par l'ouverture et la fermeture de la porte pendant l'utilisation du produit peut normalement entraîner la formation de condensation sur les tablettes de la porte/du corps et sur les verres placés dans l'appareil.

5.3 Classe climatique et définitions

Veuillez vous référer à la classe climatique figurant sur la plaque signalétique de votre appareil. L'une des informations suivantes s'applique à votre appareil selon la classe climatique.

- **SN** : Climat tempéré à long terme : Ce dispositif de refroidissement est conçu pour être utilisé à une température ambiante comprise entre 10 °C et 32 °C.
- **N** : Climat tempéré : Ce dispositif de refroidissement est conçu pour être utilisé à une température ambiante comprise entre 16°C et 32 °C.
- **ST** : Climat subtropical : Ce dispositif de refroidissement est conçu pour être utilisé à une température ambiante comprise entre 16°C et 38°C.
- **T** : Climat tropical : Ce dispositif de refroidissement est conçu pour être utilisé à une température ambiante comprise entre 16°C et 43°C.

6 Fonctionnement de l'appareil



Lisez d'abord la section « Instructions de sécurité » !

- Il ne faut pas utiliser d'outils mécaniques ou autres que les recommandations du fabricant pour accélérer l'opération de décongélation.
- Évitez d'utiliser des parties de votre réfrigérateur, telles que la porte ou les tiroirs, comme support ou comme marchepied. Cela peut faire trébucher le produit ou endommager ses composants.
- Le produit ne doit être utilisé que pour la conservation des aliments.
- Fermez le robinet d'eau si vous vous absentez de chez vous (par exemple, en vacances) et que vous n'utilisez pas le dis-

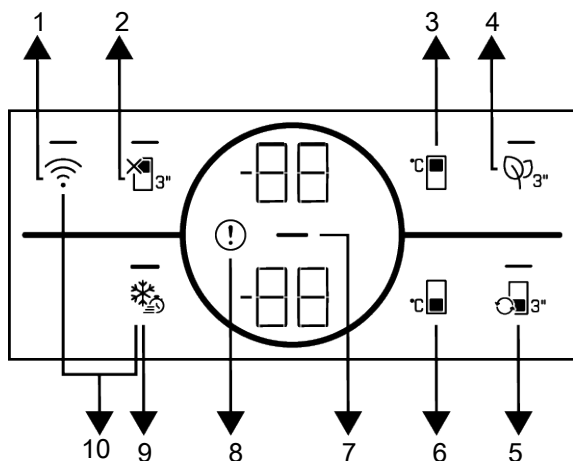
tributeur d'eau ou le distributeur de glace pendant une longue période. Dans le cas contraire, des fuites d'eau peuvent se produire.

Interruption du programme


- Si vous n'avez pas l'intention d'utiliser le produit pendant une longue période, débranchez-le de la prise de courant.
- Enlevez la nourriture pour éviter les odeurs.
- Attendez que la glace fonde, nettoyez l'intérieur et laissez-le sécher, laissez les portes ouvertes pour éviter d'endommager les plastiques intérieurs de la carrosserie.

7 Utilisation de votre appareil

7.1 Panneau de contrôle du produit



- 1 * Clé sans fil
- 2 * Touche de fonction ARRÊT du compartiment réfrigéré (vacances)
- 3 * Clé de réglage de la température du compartiment de refroidissement
- 4 * Clé du module désodorisant
- 5 * Clé de conversion des compartiments
- 6 * Clé de réglage de la température du compartiment congélateur
- 7 * Indicateur d'économie d'énergie (affichage éteint)
- 8 * Indicateur de condition d'erreur
- 9 * Clé de congélation rapide
- 10 * Clé pour la réinitialisation des paramètres de connexion sans fil

 Lisez d'abord la section « Instructions de sécurité ».

Les fonctions sonores et visuelles dudit panneau vous aident à utiliser votre réfrigérateur.

***En option:** Les fonctions indiquées sont facultatives, il peut y avoir des différences de forme et d'emplacement au niveau des fonctions indiquées sur l'indicateur de votre appareil.

1. Touche sans fil

Cette clé est utilisée pour établir une connexion sans fil avec votre appareil via l'application

mobile. Lorsque vous maintenez la touche enfoncée pendant 3 secondes, le symbole de connexion sans fil sur l'affichage/l'écran clignote lentement (à des intervalles de 0,5 seconde). Le réseau domestique est initialisé sur le produit de cette façon. Une fois la connexion sans fil établie avec l'appareil, le symbole de la connexion sans fil s'allume en permanence, vous pouvez activer/désactiver la connexion en appuyant brièvement sur cette touche. L'icône de connexion sans fil clignote (à un intervalle de 0,2 seconde) jusqu'à ce que la connexion soit établie. Lorsque la connexion est activée, la LED reste allumée. En cas d'impossibilité d'établir la

connexion pendant une longue période, vérifiez vos paramètres de connexion et reportez-vous à la section « Dépannage » fournie dans le manuel de l'utilisateur. L'application HomeWhiz doit être utilisée pour la connexion sans fil. Les étapes de la configuration sont décrites pendant la configuration de l'application. Vous pouvez accéder à l'application en scannant le code QR figurant sur l'étiquette HomeWhiz de l'appareil. Vous pouvez télécharger l'application sur App Store ou sur Play Store pour les appareils Android. Pour plus de détails, visitez le site <https://www.homewhiz.com/> adresse.

2. Touche de fonction Arrêt du compartiment de réfrigération (vacances)

Appuyez sur la touche pendant 3 secondes pour activer la fonction vacances. Le mode vacances est activé et la LED sur la touche est allumée. « - - » doit être affiché sur l'indicateur de température du compartiment de refroidissement et le compartiment de refroidissement n'effectue pas de refroidissement actif. Vous ne devez pas conserver vos aliments dans le compartiment réfrigérateur lorsque cette fonction est activée. Les autres compartiments continuent à se refroidir en fonction des températures précédemment réglées. Il suffit d'appuyer et de maintenir à nouveau sur la touche pendant 3 secondes pour annuler cette fonction.

3. * Clé de réglage de la température du compartiment de refroidissement

Permet de régler la température du compartiment de réfrigération. En appuyant sur la touche, la température du compartiment de réfrigération peut être réglée à 8 °C, 7 °C, 6 °C, 5 °C, 4 °C, 3 °C, 2 °C, et 1 °C.

4. Touche du module désodorisant

Appuyez sur cette touche pendant 3 secondes pour activer/désactiver la fonction désodorisante. Lorsque la fonction anti-odeur est activée, le voyant LED de la

touche correspondante s'allume. Lorsque la fonction est activée, le module désodorisant fonctionne périodiquement.

5. Touche de conversion des compartiments

En appuyant sur la touche de conversion du compartiment pendant 3 secondes, la section congélateur passe en mode réfrigération arrêt et congélation. S'il est utilisé comme compartiment réfrigérant, la température du compartiment sera réglée à 4 °C. En cas de mode arrêt, l'indicateur de température du compartiment affichera "- -".

6. Clé de réglage de la température du compartiment Congélateur

Le réglage de la température est effectué pour le compartiment de congélation. En appuyant sur cette touche, vous pourrez régler la température du compartiment congélateur à -18 °C, -19 °C, -20 °C, -21 °C, -22 °C, -23 °C et -24 °C.

7. Indicateur d'économie d'énergie (affichage éteint)

La fonction d'économie d'énergie est activée automatiquement et le symbole d'économie d'énergie s'affiche lorsque la porte du produit n'est pas ouverte ou fermée pendant un certain temps. Lorsque la fonction d'économie d'énergie est active, tous les symboles sur l'écran autres que le symbole d'économie d'énergie doivent être désactivés. Lorsque cette fonction est utilisée, la pression sur une touche quelconque ou l'ouverture de la porte entraîne sa désactivation et les voyants allumés retournent à la normale. La fonction d'économie d'énergie est une fonction activée départ en usine et ne peut être annulée.

8. Indicateur de condition d'erreur

Cet indicateur doit être activé lorsque votre réfrigérateur ne peut pas assurer un refroidissement adéquat ou en cas d'erreur de capteur. La lettre « E » s'affiche sur l'indicateur de température du compartiment congélateur et les chiffres 1, 2, 3 s'affichent sur l'indicateur de température du compar-

timent réfrigérateur. Ces chiffres qui s'affichent sur l'indicateur indiquent le service à contacter en cas de panne. Si vous placez des aliments chauds dans le compartiment congélateur ou si vous laissez sa porte ouverte pendant une période prolongée, un point d'exclamation peut s'allumer. Il ne s'agit pas d'un défaut, cet avertissement disparaît lorsque l'aliment est refroidi ou lorsqu'on appuie sur une touche quelconque.

9. Touche de gel rapide

Dès que vous appuyez sur la touche d'arrêt rapide, le voyant LED de la touche s'allume et la fonction d'arrêt rapide est activée. La température du compartiment congélateur est réglée sur -27 °C. Appuyez à nouveau sur la touche pour annuler la fonction. La fonction de congélation rapide sera auto-

matiquement annulée après 24 heures. Pour congeler une grande partie d'aliments frais, appuyez sur la touche de congélation rapide avant de mettre les aliments dans le compartiment congélateur.

10. Touche de réinitialisation des paramètres de connexion sans fil +

Pour réinitialiser les paramètres de connexion sans fil Congélation rapide et connexion sans fil, il est nécessaire d'appuyer sur les touches simultanément pendant 3 secondes. Toutes les informations utilisateur enregistrées précédemment sont supprimées sur un produit dont les paramètres de connexion sans fil sont réinitialisés/rétablis aux valeurs par défaut de l'usine.

7.2 Stockage des aliments dans le compartiment réfrigérant

Stockage des aliments dans le compartiment réfrigérant

- La température des compartiments augmente considérablement si la porte du compartiment est ouverte et fermée fréquemment et si elle reste ouverte pendant longtemps, ce qui peut réduire la durée de vie des aliments et les faire se gâter.
- Afin de ne pas provoquer de changements d'odeur et de goût, les aliments doivent être conservés dans des récipients fermés.
- Ne conservez pas de quantités excessives d'aliments dans votre réfrigérateur. Pour obtenir un refroidissement plus efficace et homogène, placez les aliments séparément de manière à ce que l'air froid puisse circuler.
- Assurez la circulation de l'air en laissant un espace entre l'aliment et la paroi interne. Si vous appuyez les aliments contre la paroi arrière, ils risquent de geler.
- Amenez les plats chauds cuisinés à la température ambiante avant de les placer dans le réfrigérateur. Ensuite, vous pouvez placer le repas tiède dans les étagères inférieures de votre réfrigérateur. Ne placez pas les repas tièdes à proximité des aliments qui peuvent facilement se gâter.
- Décongelez vos aliments congelés dans le compartiment des aliments frais. Ainsi, vous pouvez refroidir le compartiment des aliments frais en utilisant des aliments congelés et économiser de l'énergie.
- La conservation au réfrigérateur de fruits tropicaux non mûrs (mangue, variétés de melon, papaye, banane, ananas) peut accélérer le processus de maturation. Ce n'est pas recommandé car cela raccourcira la durée de conservation.
- Vous devez conserver les oignons, les aulx, les gingembres et les autres légumes-racines dans une pièce sombre et froide, et non au réfrigérateur.

- Si vous remarquez qu'un aliment a tourné dans le réfrigérateur, jetez-le et nettoyez les accessoires qui ont été en contact avec cet aliment.
- Pour refroidir rapidement les plats tels que les soupes et les ragoûts, qui sont cuits dans de grandes marmites, vous pouvez les mettre au réfrigérateur en les séparant dans leurs propres récipients peu profonds.
- Ne placez pas les aliments non emballés à proximité des œufs.
- Conservez les fruits et légumes séparément et stockez chaque variété ensemble (par exemple : les pommes avec les pommes, les carottes avec les carottes).
- Sortez les légumes verts du sac en plastique et placez-les au réfrigérateur après les avoir enveloppés dans une serviette en papier ou un linge sec. Si vous lavez ce type d'aliments avant de les placer dans le réfrigérateur, n'oubliez pas de les sécher.
- Vous pouvez à la fois créer un environnement humide et assurer une circulation d'air en conservant les fruits et légumes, qui ont tendance à sécher, dans des sacs en plastique perforés ou non fermés.
- Sauf en cas de circonstances extrêmes dans l'environnement, si votre produit (sur le tableau des valeurs de consigne recommandées) est réglé sur les valeurs de consigne spécifiées, les aliments conservent leur fraîcheur plus longtemps, aussi bien dans le compartiment des produits frais que dans celui du congélateur.

Rangez les aliments dans les différents endroits en fonction de leurs propriétés :	
Aliment	Lieux
OEuf	Balconnet
Produits laitiers (beurre, fromage)	Si disponible, compartiment zéro degré (pour les aliments du petit-déjeuner)
Fruits, légumes et verdure	Compartiment fruits-légumes, bac à légumes ou Compartiment EverFresh+ (si disponible)
Viande fraîche, volaille, poisson, saucisses, etc. Aliments cuits	Si disponible, compartiment zéro degré (pour les aliments du petit-déjeuner)
Aliments prêts à consommer, produits emballés, conserves, produits marinés	Étagères supérieures ou balconnet
Boissons, bouteilles, épices et snacks	Balconnet

Stockage des aliments dans le compartiment congélateur

- Vous pouvez activer la fonction de congélation rapide 4 à 6 heures avant la fonction de congélation et effectuer un refroidissement plus rapide.
- Amenez les repas chauds à la température ambiante avant de les placer dans le compartiment congélateur.
- Les aliments à congeler doivent être divisés en portions en fonction de la taille à consommer, et congelés dans des emballages séparés.
- Il est recommandé d'emballer les aliments avant de les placer dans le congélateur.
- Afin de prévenir l'expiration du temps de conservation, inscrivez la date et l'heure de congélation ainsi que le nom du produit sur l'emballage, en fonction des temps de conservation des différents aliments.
- Consommez rapidement les aliments que vous avez décongelés. Les aliments décongelés ne peuvent être recongelés que s'ils sont cuits. Il n'est pas sûr de consommer les aliments frais recongelés sans cuisson après leur décongélation.
- Lorsque vous congelez des aliments frais, ne les mettez pas en contact avec des aliments déjà congelés. Sinon, les aliments congelés seront décongelés.

Stockage des aliments, qui sont vendus sous forme congelée

- Suivez toujours les instructions du producteur en ce qui concerne le temps pendant lequel vous devez conserver vos aliments. Ne dépassez pas le temps indiqué dans ces instructions !
- Afin de préserver la qualité des aliments, veillez à ce que l'intervalle de temps entre la transaction d'achat et le stockage soit aussi court que possible.
- Achetez les aliments congelés qui sont conservés à -18 °C ou à des températures inférieures.
- Évitez d'acheter des aliments dont l'emballage est recouvert de glace, etc. Cela signifie que le produit pourrait être partiellement décongelé et recongelé. La température a un impact sur la qualité des aliments.
- Ne dépassez pas la durée de conservation recommandée par le producteur de l'aliment. Ne sortez du congélateur que les aliments dont vous avez besoin.
- Sauf en cas de circonstances extrêmes dans l'environnement, si votre produit (sur le tableau des valeurs de consigne recommandées) est réglé sur les valeurs de consigne spécifiées, les aliments conservent leur fraîcheur plus longtemps, aussi bien dans le compartiment des produits frais que dans celui du congélateur.
- Si le compartiment des aliments frais est réglé sur une température inférieure, les fruits et légumes frais peuvent être partiellement congelés.

Détails du congélateur

Selon les normes IEC 62552, à une température ambiante de 25°C, le congélateur doit pouvoir congeler 4,5 kg de denrées alimentaires à -18°C ou à des températures inférieures en 24 heures pour chaque 100 litres de volume du compartiment congélateur.

Les aliments peuvent être préservés pour des périodes prolongées uniquement à des températures inférieures ou égales à -18 °C.

Vous pouvez garder les aliments frais pendant des mois (dans le congélateur à des températures inférieures ou égales à 18 °C).

Les aliments à congeler ne doivent pas être en contact avec ceux déjà congelés pour éviter un dégivrage partiel.

Faites bouillir les légumes et filtrez l'eau pour prolonger la durée de conservation à l'état congelé. Placez les aliments dans des emballages sous vide après les avoir filtrés et placez-les dans le congélateur. Les bananes, les tomates, les feuilles de laitue, le céleri, les œufs durs, les pommes de terre et les aliments similaires ne doivent pas être congelés. Au cas où cette nourriture pourrit, seules les valeurs nutritionnelles et les qualités alimentaires seront affectées négativement. Une nourriture menaçant la santé humaine n'est pas en cause.

Placer les aliments

Balconnets du compartiment congélateur : Différents aliments congelés comme la viande, le poisson, la crème glacée, les légumes, etc.

Étagères du compartiment réfrigérateur : Les aliments contenus dans des casseroles, des plats couverts, des gamelles et les œufs (dans des gamelles)

Balconnets de la porte du compartiment réfrigérateur : Aliments ou boissons de petite taille et emballés.

Bac à légumes : Légumes et fruits

Compartiment des aliments frais : Delicatessen (aliments pour le petit déjeuner, produits carnés à consommer dans un délai court).

7.3 Module photocatalytique (Fresh-Guard)

Grâce à ce module, qui est positionné derrière le couvercle d'évaporateur dans le compartiment d'aliments frais, l'air traverse activement le filtre photocatalytique recouvert de dioxyde de titane et l'air nettoyé circule à l'intérieur. De cette façon, les mauvaises odeurs sont éliminées à l'intérieur du

réfrigérateur avant de s'imprégner sur les surfaces des aliments, et au même moment, l'air hygiénique circule grâce à l'air désinfecté. Cette fonctionnalité est activée par le ventilateur du compartiment d'aliments frais situé derrière le couvercle d'évaporateur, par la lampe LED UV-A et le filtre à odeur recouvert de dioxyde de titane. Pour activer/désactiver ce module, qui assure une circulation d'air hygiénique et sans odeur dans le réfrigérateur, ap-

puyez sur le bouton (P3) et maintenez-le enfoncé pendant 3 secondes et assurez-

vous que l'indicateur de la fonction (P3) s'affiche à l'écran lorsqu'il est activé, et disparaît de l'écran lorsqu'il est désactivé. Une fois la fonctionnalité activée comme indiqué, elle fonctionne périodiquement sans qu'il soit nécessaire d'appuyer à nouveau sur une touche. Si la porte du compartiment d'aliments frais est ouverte alors que le module est activé, le ventilateur et la lampe LED UV-A ne fonctionneront pas pendant un moment, mais reprendront leur fonctionnement une fois la porte fermée. En cas de panne de courant alors que le module est en marche, le module reprendra son fonctionnement à partir du point où il s'est arrêté une fois le courant rétabli.

Remarque : Il est recommandé de conserver les aliments aromatiques tels que le fromage, les olives et les charcuteries dans leur emballage et avec leur couvercle fermé, afin d'éviter les mauvaises odeurs qui peuvent se dégager du mélange d'odeurs provenant de différents types d'aliments. Pour la sécurité des autres aliments conservés, les conditions de stockage hygiéniques et pour éviter les mauvaises odeurs, nous vous recommandons de retirer le plus rapidement possible du réfrigérateur les aliments dont vous avez constaté l'altération.

7.4 Zone d'entreposage frais des produits laitiers

Tiroir de stockage du froid

Le tiroir de stockage du froid peut atteindre des températures plus basses dans le compartiment réfrigérant. Utilisez ce tiroir pour les produits de charcuterie (salami, saucisse, etc.) et les produits laitiers qui nécessitent des conditions de stockage plus froides, ou pour la viande, le poulet ou le poisson à consommer rapidement. Il n'est pas possible de stocker des fruits et des légumes dans ce tiroir.

7.5 Inversion du côté d'ouverture de la porte

Le côté d'ouverture de la porte de votre réfrigérateur peut être inversé en fonction de l'endroit où vous le placez. En cas de besoin, vous devez absolument appeler le service agréé le plus proche.

7.6 Alerte de porte ouverte

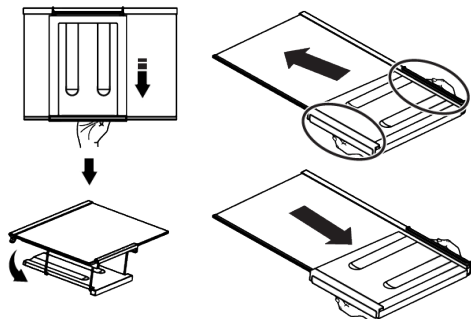
Un signal sonore est émis si la porte de l'appareil reste ouverte pendant 1 minute. L'alerte sonore s'arrête lorsque vous fermez la porte de l'armoire ou appuyez sur n'importe quel bouton de l'écran (si disponible).

7.7 Porte-bouteille pliable

Il permet à l'utilisateur de stocker des bouteilles de vin si nécessaire. Pour utiliser la section de la crémaillère, saisissez la partie en plastique et tirez-la doucement vers le bas. Vous pouvez maintenant utiliser le porte-bouteilles pliable.



Il est recommandé de stocker un maximum de 2 bouteilles de vin sur le porte-bouteilles pliable.



Pour regrouper le porte-bouteille, retirez premièrement la tablette en verre du réfrigérateur. Placez-le sur l'étagère en verre en poussant la partie en plastique dans les rainures avant et arrière, comme indiqué sur la photo. Le produit sera prêt à être utilisé avec le porte-vin pliable.

Pour retirer le porte-bouteilles pliable, premièrement, retirez la tablette en verre du réfrigérateur. Saisissez ensuite la partie en plastique et tirez-la dans n'importe quelle direction. Vous pouvez maintenant utiliser l'appareil sans porte-bouteilles pliable si nécessaire.

7.8 Remplacement de la lampe d'éclairage

Appelez le service autorisé lorsque l'ampoule/LED utilisée pour l'éclairage de votre réfrigérateur doit être remplacée.

8 Entretien et nettoyage



AVERTISSEMENT :

Lisez d'abord la section « Instructions de sécurité ».



AVERTISSEMENT :

Débranchez le réfrigérateur avant le nettoyage.

- N'utilisez pas des objets pointus ou des produits de nettoyage abrasifs pour nettoyer l'appareil. Il ne faut pas utiliser de matériaux tels que des produits d'entretien ménager, du savon, des détergents, du gaz, de l'essence, un diluant, de l'alcool, de la cire, etc.

La ou les lampes utilisées dans cet appareil ne peuvent pas être utilisées pour l'éclairage de la maison. L'objectif de cette lampe est d'aider l'utilisateur à placer les aliments dans le réfrigérateur/congélateur de manière sûre et confortable.

7.9 AeroFlow

C'est un système de distribution d'air qui assure une répartition homogène de la température. Grâce à la circulation de l'air, la distribution homogène de la température est assurée dans le compartiment de stockage des aliments frais, et les fluctuations de température sont maintenues à de faibles niveaux. Il n'y a pas de soufflage direct d'air sur les aliments, ce qui permet de réduire la perte d'humidité. Cela préserve la fraîcheur des aliments stockés dans le compartiment des aliments frais du réfrigérateur. De cette façon, vos aliments sont conservés à des températures plus stables et le contact avec l'air est réduit. Le séchage et le rétrécissement des aliments par perte d'humidité sont évités et la fraîcheur est assurée plus longtemps.

- La poussière doit être enlevée de la grille de ventilation située à l'arrière du produit au moins une fois par an (sans ouvrir le couvercle). Nettoyez l'appareil avec un chiffon humide.
- Veillez à ne pas mouiller le logement de la lampe ainsi que d'autres composants électriques.
- Nettoyez la porte avec un chiffon humide. Retirez tout le contenu pour enlever la porte et les supports de carrosserie. Retirez les supports de porte en les sou-

levant vers le haut. Nettoyez et séchez les étagères, puis refixez-les en les faisant glisser à partir du haut.

- N'utilisez pas d'eau contenant du chlore, ou des produits de nettoyage pour les surfaces externes et les pièces chromées de l'appareil. Le chlore entraîne la corrosion de ce type de surfaces métalliques.
- Il ne faut pas utiliser d'outils tranchants et abrasifs, de savon, de produits d'entretien ménager, de détergents, de gaz, d'essence, de vernis et de substances similaires pour empêcher la déformation de la pièce en plastique et l'élimination des empreintes sur la pièce. Utilisez de l'eau chaude et un chiffon doux pour le nettoyage, puis séchez-le.
- Sur les produits sans fonction « No-Frost », des gouttelettes d'eau et un givre pouvant atteindre l'épaisseur d'un doigt peuvent se former sur la paroi arrière du compartiment congélateur. Ne nettoyez pas et n'appliquez jamais d'huiles ou de produits similaires.
- Utilisez un chiffon en microfibrilles légèrement humidifié pour nettoyer la surface extérieure du produit. Les éponges et autres types de vêtements de nettoyage peuvent provoquer des éraflures.
- Afin de nettoyer tous les composants amovibles pendant le nettoyage de la surface intérieure du produit, il faut laver ces composants avec une solution douce composée de savon, d'eau et de carbonate. Lavez et séchez soigneusement. Évitez le contact de l'eau avec les composants d'éclairage et le panneau de contrôle.



ATTENTION :

N'utilisez pas de vinaigre, d'alcool à friction ni de produits nettoyants à base d'alcool sur les surfaces intérieures.

Surfaces extérieures en acier inoxydable

Utilisez un produit de nettoyage non abrasif pour l'acier inoxydable et appliquez-le avec un chiffon doux non pelucheux. Pour polir, essuyez doucement la surface avec un chiffon en microfibrilles humidifié à l'eau et utilisez une peau de chamois sèche. Suivez toujours les veines de l'acier inoxydable.

Prévention des odeurs

À sa sortie d'usine, cet appareil ne contient aucun matériau odorant. Cependant, la conservation des aliments dans des sections inappropriées et le mauvais nettoyage de l'intérieur peuvent donner lieu aux mauvaises odeurs.

- Pour éviter cela, nettoyez l'intérieur à l'aide de carbonate dissout dans l'eau tous les 15 jours.
- Conservez les aliments dans des récipients scellés, car les micro-organismes provenant des aliments conservés dans des récipients non scellés provoquent une mauvaise odeur.
- Ne conservez pas d'aliments périmés ou avariés dans le réfrigérateur.

Protection des surfaces en plastique

Si de l'huile se répand sur les surfaces en plastique, il faut immédiatement les nettoyer avec de l'eau tiède, sinon elles seront endommagées.

9 Dépannage

Vérifiez la liste suivante avant de contacter le service après-vente. Cela devrait vous éviter de perdre du temps et de l'argent. Cette liste répertorie les plaintes fréquentes ne provenant pas de vices de fabrication ou des défauts de pièces. Certaines fonctionnalités mentionnées dans ce manuel peuvent ne pas exister sur votre modèle.

Le réfrigérateur ne fonctionne pas.

- La fiche électrique n'est pas correctement insérée. >>> Branchez-la en l'enfonçant complètement dans la prise.
- Le fusible branché à la prise qui alimente l'appareil ou le fusible principal est grillé. >>> Vérifiez les fusibles.

Condensation sur la paroi latérale du congélateur (MULTI ZONE, COOL, CONTROL et FLEXI ZONE).

- La porte a été ouverte trop fréquemment >>> Évitez d'ouvrir trop fréquemment la porte de l'appareil.
- L'environnement est trop humide. >>> N'installez pas l'appareil dans des endroits humides.
- Les aliments contenant des liquides sont conservés dans des récipients non fermés. >>> Conservez ces aliments dans des emballages scellés.
- La porte de l'appareil est restée ouverte. >>> Ne laissez pas la porte de l'appareil ouverte longtemps.
- Le thermostat est réglé sur une température très froide. >>> Réglez le thermostat à la température appropriée.

Le compresseur ne fonctionne pas.

- En cas de coupure soudaine de courant ou de débranchement intempestif, la pression du gaz dans le système de réfrigération de l'appareil n'est pas équilibrée, ce qui déclenche la fonction de conservation thermique du compresseur. L'appareil se remet en marche au bout de 6 minutes environ. Dans le cas contraire, veuillez contacter le service de maintenance.
- Le dégivrage est actif. >>> Ce processus est normal pour un appareil à dégivrage complètement automatique. Le dégivrage se déclenche périodiquement.
- L'appareil n'est pas branché. >>> Vérifiez que le cordon d'alimentation est branché.
- Le réglage de la température est incorrect. >>> Sélectionnez le réglage de température approprié.
- Absence d'énergie électrique. >>> Le produit continuera à fonctionner normalement une fois le courant rétabli.

Le bruit du réfrigérateur en fonctionnement s'accroît pendant son utilisation.

- Le rendement de l'appareil en fonctionnement peut varier en fonction des fluctuations de la température ambiante. Ceci est normal et ne constitue pas un dysfonctionnement.

Le réfrigérateur fonctionne fréquemment ou pendant de longues périodes.

- Il se peut que le nouvel appareil soit plus grand que l'ancien. Les appareils plus grands fonctionnent plus longtemps.
- La température de la pièce est peut-être trop élevée. >>> Il est normal que l'appareil fonctionne plus longtemps quand la température de la pièce est élevée.
- L'appareil vient peut-être d'être branché ou chargé de nouvelles denrées alimentaires. >>> L'appareil met plus longtemps à atteindre la température réglée s'il vient d'être branché ou récemment rempli de denrées. C'est normal.
- Il est possible que des quantités importantes d'aliments chauds aient été récemment placés dans l'appareil. >>> Ne mettez pas d'aliments chauds à l'intérieur de l'appareil.
- Les portes étaient ouvertes fréquemment ou sont restées longtemps ouvertes. >>> L'air chaud qui se déplace à l'intérieur permet à l'appareil de fonctionner plus longtemps. N'ouvrez pas les portes trop fréquemment.
- Il est possible que la porte du congélateur soit entrouverte. >>> Vérifiez que les portes sont complètement fermées.
- L'appareil peut être réglé à une température trop basse. >>> Réglez la température à un degré supérieur et attendez que l'appareil atteigne la nouvelle température.
- Le joint de la porte du congélateur peut être sale, usé, cassé, ou mal positionné. >>> Nettoyez ou remplacez le joint d'étanchéité. Si le joint du congélateur est endommagé ou arraché, l'appareil prendra plus longtemps à conserver la température actuelle.

La température du congélateur est très basse, alors que celle du réfrigérateur est appropriée.

- La température du compartiment congélateur est très basse. >>> Réglez la température du compartiment congélateur à un degré supérieur et vérifiez à nouveau.

La température du réfrigérateur est très basse, alors que celle du congélateur est appropriée.

- La température du compartiment réfrigérateur est très basse. >>> Réglez la température du compartiment de refroidissement à un degré supérieur et vérifiez à nouveau.

Les aliments conservés dans le compartiment réfrigérateur sont congelés.

- La température du compartiment réfrigérateur est très basse. >>> Réglez la température du compartiment de refroidissement à un degré supérieur et vérifiez à nouveau.

La température du compartiment réfrigérateur ou congélateur est très élevée.

- La température du compartiment réfrigérateur est réglée à un degré très élevé. >>> Le réglage de la température du compartiment réfrigérateur a une incidence sur la température du compartiment congélateur. Attendez jusqu'à ce que la température des pièces correspondantes atteigne le niveau d'efficacité requis en changeant la température des compartiments réfrigérateur ou congélateur.
- Les portes étaient ouvertes fréquemment ou sont restées longtemps ouvertes. >>> N'ouvrez pas les portes trop fréquemment.
- La porte peut être entrouverte. >>> Fermez complètement la porte.
- L'appareil vient peut-être d'être branché ou chargé de nouvelles denrées alimentaires. >>> Cela est normal. L'appareil met plus longtemps à atteindre la température réglée s'il vient d'être branché ou récemment rempli de denrées.

- Il est possible que des quantités importantes d'aliments chauds aient été récemment placés dans l'appareil. >>> Ne mettez pas d'aliments chauds à l'intérieur de l'appareil.

En cas de vibrations ou de bruits.

- La surface n'est pas plate ou durable >>> Si l'appareil balance lorsqu'il est déplacé doucement, ajustez les supports afin de le remettre en équilibre. Assurez-vous également que le sol est assez solide pour supporter l'appareil.
- Les éléments placés sur l'appareil peuvent être à l'origine du bruit. >>> Retirez tous les éléments placés sur l'appareil.
- L'appareil émet un bruit d'écoulement de liquide ou de pulvérisation, etc.
- Les principes de fonctionnement de l'appareil impliquent des écoulements de liquides et des émissions de gaz. >>> Ceci est normal et ne constitue pas un dysfonctionnement.

L'appareil émet un sifflement.

- L'appareil effectue le refroidissement à l'aide d'un ventilateur. Ceci est normal et ne constitue pas un dysfonctionnement.

Il y a de la condensation sur les parois internes de l'appareil.

- Un climat chaud ou humide accélère le processus de givrage et de condensation. Ceci est normal et ne constitue pas un dysfonctionnement.
- Les portes étaient ouvertes fréquemment ou sont restées longtemps ouvertes. >>> N'ouvrez pas les portes trop fréquemment ; fermez-les lorsqu'elles sont ouvertes.
- La porte peut être entrouverte. >>> Fermez complètement la porte.

Il y a de la condensation sur les parois externes ou entre les portes de l'appareil.

- Il se peut que le climat ambiant soit humide, auquel cas cela est normal. >>> La condensation se dissipera lorsque l'humidité sera réduite.

Présence d'une odeur désagréable dans l'appareil.

- L'appareil n'est pas nettoyé régulièrement. >>> Nettoyez régulièrement l'intérieur à l'aide d'une éponge, de l'eau tiède et du carbonate dissout dans l'eau.
- Certains récipients et matériaux d'emballage sont peut-être à l'origine des mauvaises odeurs. >>> Utilisez des récipients et des emballages exempts de toute odeur.
- Les aliments étaient placés dans des récipients ouverts. >>> Conservez les aliments dans des récipients fermés. Des micro-organismes peuvent se proliférer dans des récipients non fermés et émettre de mauvaises odeurs.
- Retirez tous les aliments périmés ou avariés de l'appareil.

La porte ne se ferme pas.

- Les paquets d'aliments peuvent bloquer la porte. >>> Déplacez tout ce qui bloque les portes.
- L'appareil ne se tient pas parfaitement droit sur le sol. >>> Ajustez les supports afin de remettre l'appareil en équilibre.
- La surface n'est pas plane ou durable >>> Assurez-vous que la surface est plane et suffisamment durable pour supporter le produit.

Le bac à légumes est bloqué.

- Il est possible que les aliments soient en contact avec la section supérieure du bac. >>> Reclassez les aliments dans le bac.

Température à la surface de l'appareil.

- Une température élevée peut être observée entre deux portes, sur les panneaux latéraux et sur la zone du gril arrière lorsque votre produit est utilisé. C'est normal et cela ne nécessite pas d'entretien.

Le ventilateur continue de fonctionner lorsque la porte est ouverte.

- Le ventilateur peut continuer à fonctionner lorsque la porte du congélateur est ouverte.



AVERTISSEMENT : Si le problème persiste même après observation des instructions contenues dans cette partie, contactez votre fournisseur ou un service de maintenance agréé. N'essayez pas de réparer vous-même l'appareil. C'est normal.

CLAUDE DE NON-RESPONSABILITÉ / AVERTISSEMENT

Certaines défaillances (simples) peuvent être traitées de manière adéquate par l'utilisateur final sans qu'aucun problème de sécurité ou d'utilisation dangereuse ne survienne, à condition qu'elles soient effectuées dans les limites et conformément aux instructions suivantes (voir la section « Auto-réparation »).

Par conséquent, sauf autorisation contraire dans la section « Auto-réparation » ci-dessous, adressez-vous à des réparateurs professionnels agréés pour toutes réparations afin d'éviter des problèmes de sécurité. Un réparateur professionnel agréé est une personne à qui le fabricant a donné accès aux instructions et à la liste des pièces déta-

chées de ce produit selon les méthodes décrites dans les actes législatifs en application de la directive 2009/125/CE

Toutefois, seul l'agent de service (c'est-à-dire les réparateurs professionnels agréés) que vous pouvez joindre au numéro de téléphone indiqué dans le manuel d'utilisation/la carte de garantie ou par l'intermédiaire de votre fournisseur agréé peut fournir un service conformément aux conditions de garantie. Par conséquent, veuillez noter que les réparations effectuées par des réparateurs

professionnels (qui ne sont pas autorisés par) Beko Marka annulent la garantie.

Auto-réparation

L'auto-réparation peut être effectuée par l'utilisateur final en ce qui concerne les pièces de rechange suivantes : poignées de porte, charnières de porte, plateaux, paniers et joints de porte (une liste mise à jour est également disponible sur support.beko.com à partir du 1er mars 2021).

En outre, pour garantir la sécurité du produit et éviter tout risque de blessure grave, ladite auto-réparation doit être effectuée en suivant les instructions du manuel d'utilisation pour l'auto-réparation ou celles disponibles sur support.beko.com. Pour votre sécurité, débranchez le produit avant de procéder à toute auto-réparation.

Les réparations et tentatives de réparation par les utilisateurs finaux pour des pièces ne figurant pas dans cette liste et/ou ne suivant pas les instructions des manuels d'utilisation pour l'auto-réparation ou celles disponibles sur support.beko.com, pourraient donner lieu à des problèmes de sécurité non imputables à Beko, et annuleront la garantie du produit.

Il est donc fortement recommandé aux utilisateurs finaux de s'abstenir de tenter d'effectuer des réparations ne figurant pas sur la liste des pièces de rechange mentionnée, mais de contacter dans de tels cas des réparateurs professionnels autorisés ou des réparateurs professionnels agréés. Au contraire, de telles tentatives de la part des utilisateurs finaux peuvent causer des problèmes de sécurité et endommager le pro-

duit et, par la suite, provoquer un incendie, une inondation, une électrocution et des blessures corporelles graves.

À titre d'exemple, mais sans s'y limiter, vous devez vous adresser à des réparateurs professionnels autorisés ou à des réparateurs professionnels agréés pour les réparations suivantes : compresseur, circuit de refroidissement, carte mère, carte d'inverseur, panneau d'affichage, etc.

Le fabricant/vendeur ne peut être tenu responsable dans tous les cas où les utilisateurs finaux ne se conforment pas à ce qui précède.

La disponibilité des pièces de rechange du réfrigérateur que vous avez acheté est de 10 ans. Pendant cette période, les pièces de rechange d'origine seront disponibles pour faire fonctionner le réfrigérateur correctement.

La durée minimale de garantie du réfrigérateur que vous avez acheté est de 24 mois.

Cet appareil est équipé d'une source d'éclairage de classe énergétique « G ».

La source d'éclairage de cet appareil ne doit être remplacée que par des réparateurs professionnels.



Voir aussi

- 2 CLAUSE DE NON-RESPONSABILITÉ / AVERTISSEMENT [} 55]

Cortesemente leggi prima questo manuale!

Gentile Cliente,

Cortesemente leggi il presente manuale prima di iniziare ad usare il prodotto.

Ti ringraziamo per aver scelto questo prodotto Beko. Vorremmo che il prodotto, che è stato realizzato con la tecnologia più avanzata, ti possa offrire l'efficienza ottimale. Per questo, prima di utilizzare il prodotto leggi attentamente questo manuale e qualsiasi altra documentazione fornita e conservali per riferimenti futuri.

Presta particolare attenzione alle informazioni e alle avvertenze contenute nel manuale utente. In questo modo proteggerai te stesso e il tuo prodotto da possibili pericoli.

Conserva il manuale utente. Se dovessi consegnare il prodotto a qualcun altro, non dimenticare di includere questo manuale.

Nel manuale utente sono utilizzati i seguenti simboli:



Pericolo che potrebbe causare morte o lesioni.



Informazioni importanti o suggerimenti utili sul funzionamento.







Leggi il manuale utente.



Materiale combustibile, pericolo di incendio.

AVVISO Un pericolo che potrebbe causare danni materiali al prodotto o all'ambiente circostante

 	Le informazioni sul modello memorizzate nella banca dati del prodotto possono essere ottenute entrando nel seguente sito web e cercando il proprio identificatore di modello (*) che si trova sull'etichetta energetica. https://eprel.ec.europa.eu/
SUPPLIER'S NAME MODEL IDENTIFIER → (*)	
	

	7.9	AeroFlow	77
1 Istruzioni di sicurezza.....	58		
1.1		Uso previsto	58
1.2		Sicurezza dei bambini, dei disabili e degli animali domestici	58
1.3		Sicurezza elettrica	59
1.4		Manipolazione in sicurezza	60
1.5		Installazione in sicurezza.....	60
1.6		Funzionamento in sicurezza.....	62
1.7		Sicurezza nella conservazione degli alimenti	64
1.8		Manutenzione e pulizia in sicurezza.....	65
1.9		Informazioni tecniche su Bluetooth + Wi-fi.....	65
2 Istruzioni relative all'ambiente.....	66		
2.1		Conformità con la direttiva WEEE e con la normativa sullo smaltimento dei prodotti di scarico.	66
3 Il vostro frigorifero.....	67		
4 Installazione	67		
4.1		Luogo idoneo per l'installazione...	67
4.2		Collegamenti elettrici	68
4.3		Fissaggio dei cunei in plastica	68
4.4		Regolazione delle gambe.....	69
4.5		Avvertenza: superficie calda.....	69
5 Preparazione	69		
5.1		Cosa fare per risparmiare energia	69
5.2		Uso previsto.....	70
5.3		Classe climatica e definizioni.....	70
6 Funzionamento del prodotto	70		
7 Uso dell'apparecchio.....	71		
7.1		Pannello di controllo del prodotto	71
7.2		Conservare il cibo nello scomparto frigorifero.....	73
7.3		Modulo fotocatalitico (Fresh-Guard)	76
7.4		Area di conservazione a freddo dei prodotti lattiero-caseari	76
7.5		Inversione del lato di apertura della porta	76
7.6		Avviso di porta aperta	76
7.7		Ripiano porta-vino pieghevole	77
7.8		Sostituzione della lampada	77
8 Manutenzione e pulizia	77		
9 Guida alla risoluzione dei problemi	78		

1 Istruzioni di sicurezza

Questa sezione include le istruzioni sulla sicurezza necessarie per evitare il rischio di lesioni personali e danni materiali.

La nostra azienda non è da ritenersi responsabile per i danni causati dall'inosservanza delle presenti istruzioni.

Le operazioni di installazione e riparazione dovranno sempre essere eseguite da un servizio di assistenza autorizzato.

Servirsi unicamente di pezzi di ricambio e accessori originali.

I pezzi di ricambio originali saranno forniti per 10 anni dalla data di acquisto del prodotto.

Non riparare o sostituire alcun componente del prodotto a meno che ciò non venga chiaramente specificato nel manuale utente.

Non eseguire modifiche sul prodotto.

1.1 Uso previsto

Questo prodotto non è adatto all'uso commerciale e non dovrebbe essere usato per usi diversi da quelli previsti. Questo prodotto è progettato per essere usato in ambienti chiusi, in casa e in luoghi simili.

Ad esempio:

- Nelle cucine del personale di negozi, uffici e altri ambienti di lavoro,
- Nelle cascine,
- Nelle unità di alberghi, motel o altre strutture di riposo utilizzate dai clienti,
- In ostelli o ambienti simili,
- Nei servizi di catering e similari, purché in scenari non retail.

Questo prodotto non deve essere utilizzato in ambienti esterni aperti o chiusi, come navi, balconi o terrazze. L'esposizione del prodotto a pioggia, neve, luce solare e vento potrebbe causare rischi di incendio.

1.2 Sicurezza dei bambini, dei disabili e degli animali domestici

- Questo prodotto può essere utilizzato da bambini dagli 8 anni in su e da persone con capacità fisiche, sensoriali o mentali insufficienti o prive di esperienza e conoscenza purché supervisionati o abbiano ricevuto istruzioni sull'uso dell'apparecchio in modo sicuro e sui relativi pericoli connessi.

- I bambini tra i 3 e gli 8 anni sono autorizzati a mettere ed estrarre cibo da/nel prodotto raffreddato.
- I dispositivi elettrici sono pericolosi per i bambini e gli animali domestici. I bambini e gli animali domestici non devono giocare, salire o entrare nel prodotto.
- Gli interventi di pulizia e manutenzione non devono essere eseguiti dai bambini a meno che sotto la supervisione di una persona adulta.
- Tenere i materiali di imballaggio lontano dalla portata dei bambini. Pericolo di lesioni e soffocamento.

Prima di smaltire i vecchi prodotti che non devono più essere utilizzati:

1. Scollegare il cavo di alimentazione dalla presa di corrente.
2. Tagliare il cavo di alimentazione e rimuoverlo dall'apparecchio insieme alla spina.
3. Per evitare che i bambini entrino nell'apparecchio non rimuovere i ripiani e i cassetti dal prodotto.
4. Rimuovere le porte.
5. Conservare il prodotto in modo da non ribaltarlo.

6. Non permettere ai bambini di giocare con il prodotto anche se vecchio e non più utilizzato.

- Non smaltire il prodotto gettandolo nel fuoco. Pericolo di esplosione.
- Se la porta del prodotto dispone di serratura, tenere la chiave fuori dalla portata dei bambini.



1.3 Sicurezza elettrica

- Durante le operazioni di installazione, manutenzione, pulizia, riparazione e trasporto, il prodotto non deve essere collegato alla presa di corrente.
- Se il cavo di alimentazione è danneggiato, deve essere sostituito da un servizio di assistenza autorizzato, per evitare qualsiasi rischio.
- Non infilare il cavo di alimentazione sotto il prodotto o sul retro del prodotto. Non appoggiare oggetti pesanti sul cavo di alimentazione. Il cavo di alimentazione non deve essere piegato, schiacciato e non deve venire a contatto con alcuna fonte di calore.
- Non utilizzare prolunghe, multiple o adattatori per azionare il prodotto.
- Le multi prese portatili o gli alimentatori portatili possono surriscaldarsi e causare incen-

di. Pertanto, non disporre una presa multipla dietro o nelle vicinanze del prodotto.

- La spina deve essere facilmente accessibile. Se ciò non è possibile, sull'impianto elettrico deve essere disponibile un meccanismo che soddisfi la regolamentazione in materia di elettricità e che scolleghi tutti i terminali dalla rete elettrica (fusibile, interruttore, interruttore principale, ecc.).
- Non toccare la spina con le mani bagnate.
- Quando si scollega l'apparecchio, non tenere il cavo di alimentazione, ma la spina.



1.4 Manipolazione in sicurezza

- Il prodotto è pesante, non maneggiarlo da soli.
- Non tenere il prodotto dalla porta durante la manipolazione dello stesso.
- Fare attenzione a non danneggiare il sistema di raffreddamento e le tubazioni durante la manipolazione del prodotto. Non azionare il prodotto se i tubi sono danneggiati e contattare il servizio di assistenza autorizzato.



1.5 Installazione in sicurezza

- Rivolgersi al Servizio Autorizzato per l'installazione del prodotto. Per preparare il prodotto all'installazione, consultare le informazioni contenute nel manuale utente e accertarsi che le utenze elettriche e idriche siano conformi a quanto necessario. In caso contrario, chiamare un elettricista e un idraulico per sistemare le utenze come necessario. Il non rispetto di tali istruzioni potrebbe aumentare il rischio di scosse elettriche, incendi, danni al prodotto o lesioni.
- Controllare che non vi siano danni al prodotto prima di installarlo. Non far installare il prodotto se è danneggiato.
- Posizionare il prodotto su una superficie piana, solida e bilanciata coi piedini regolabili. In caso contrario, il frigorifero potrebbe ribaltarsi e causare lesioni.
- Il prodotto deve essere installato in un ambiente asciutto e ventilato. Non tenere tappeti, moquette, o simili sotto il prodotto. In caso contrario, la ventilazione inadeguata potrebbe determinare un rischio di incendio!

- Non bloccare o coprire i fori di ventilazione. In caso contrario, il consumo energetico potrebbe aumentare e il prodotto potrebbe danneggiarsi.
- Il prodotto non deve essere collegato a sistemi di alimentazione come l'alimentazione solare. Altrimenti, il prodotto potrebbe danneggiarsi a causa di improvvisi cambiamenti di tensione!
- Più refrigerante contiene un frigorifero, più grande deve essere lo spazio necessario per la sua installazione. In locali molto piccoli, in caso di perdita di gas nel sistema di raffreddamento potrebbe verificarsi una miscela gas-aria infiammabile. Per ogni 8 grammi di refrigerante è necessario almeno 1 m³ di volume. La quantità di refrigerante disponibile nel prodotto è specificata nella targhetta di identificazione.
- Il luogo di installazione del prodotto non dovrà essere esposto alla luce diretta del sole e non dovrà essere nelle vicinanze di una fonte di calore come stufe, radiatori, ecc. Se non è possibile evitare l'installazione del prodotto in prossimità di una fonte di calore, si dovrà utilizzare una piastra isolante adeguata e la distanza minima dalla fonte di calore dovrà essere come specificato di seguito.
- Almeno 30 cm di distanza da fonti di calore come stufe, termosifoni, radiatori, riscaldatori, ecc,
- Almeno 5 cm di distanza dai forni elettrici.
- Il prodotto ha la classe di protezione I.
- Inserire il prodotto in una presa con messa a terra conforme ai valori di tensione, corrente e frequenza specificati nella targhetta d'identificazione. La presa deve avere un fusibile da 10A - 16A. La nostra azienda non si assumerà alcuna responsabilità per gli eventuali danni dovuti ad un uso senza previa messa a terra e collegamento elettrico non conforme alle normative locali e nazionali.
- Durante l'installazione, il cavo di alimentazione del prodotto deve essere scollegato. In caso contrario sussiste il pericolo di scosse elettriche e lesioni!
- Non collegare il prodotto a prese allentate, rotte, sporche o piene di grasso, che fuoriescono dalla mascherina o prese a contatto con l'acqua.

- Collocare il cavo di alimentazione e i tubi flessibili (se disponibili) del prodotto in modo che non comportino il rischio di inciampare.
- La penetrazione dell'umidità nelle parti sotto tensione o nel cavo di alimentazione potrebbe causare un cortocircuito. Pertanto, non utilizzare il prodotto in ambienti umidi o in zone in cui l'acqua possa schizzare (ad esempio garage, lavanderia, ecc.) Se il frigorifero viene bagnato dall'acqua, staccare la spina e contattare il servizio di assistenza autorizzato.
- Non collegare mai il frigorifero a dispositivi di risparmio energetico. Questi sistemi sono dannosi per il prodotto
- Non collocare una fonte di fiamma (ad es. candele, sigarette, ecc.) sul prodotto o nelle sue vicinanze.
- Non salire sul prodotto. Pericolo di caduta e lesioni!
- Non danneggiare i tubi dell'impianto di raffreddamento con attrezzi affilati e perforanti. Il refrigerante spruzzato fuori in caso di foratura dei tubi del gas, prolunghe o rivestimenti superficiali potrebbe causare irritazione della pelle e lesioni agli occhi.
- Non collocare e mettere in funzione apparecchi elettrici all'interno dei frigoriferi/congelatore, a meno che non sia stato consigliato dal produttore.
- Non incastrare mani o parti del corpo nelle parti in movimento e all'interno del prodotto. Fare attenzione a non incastrare le dita tra il frigorifero e la sua porta. Prestare attenzione durante l'apertura o la chiusura della porta in presenza di bambini.
- Non mettere in bocca gelati, cubetti di ghiaccio o cibi surgelati non appena tolti dal congelatore. Pericolo di congelamento!

1.6 Funzionamento in sicurezza

- Non utilizzare mai solventi chimici sul prodotto. Questi materiali comportano un rischio di esplosione.
- In caso di guasto del prodotto, scollegare la spina e non far funzionare fino a quando non viene riparato dal servizio di assistenza autorizzato. In caso contrario, vi è il rischio di scossa elettrica!

- Non toccare con le mani bagnate le pareti interne, le parti metalliche del congelatore o gli alimenti conservati al suo interno. Pericolo di congelamento!
- Non collocare nello scomparto congelatore lattine o bottiglie contenenti liquidi che possono congelarsi. Lattine o bottiglie possono esplodere. Pericolo di lesioni e danni materiali!
- Non utilizzare o collocare materiali sensibili alla temperatura come spray infiammabili, oggetti infiammabili, ghiaccio secco o altri agenti chimici nelle vicinanze del frigorifero. Pericolo di incendio ed esplosione!
- Non conservare materiali esplosivi come bombolette spray assieme a materiali infiammabili all'interno del prodotto.
- Non collocare lattine contenenti liquidi sopra il prodotto. Gli spruzzi d'acqua su una parte elettrica possono causare il rischio di scosse elettriche o incendi.
- Questo prodotto non è destinato allo stoccaggio e al raffreddamento di medicinali, plasma sanguigno, preparati o materiali di laboratorio e prodotti simili, soggetti a direttive sui prodotti medici.
- Se il prodotto viene utilizzato in modo non conforme alla sua destinazione, può causare danni o deterioramento dei prodotti conservati al suo interno.
- Se il frigorifero è dotato di luce blu, non guardare questa luce con dispositivi ottici. Non guardare direttamente la luce UV LED per lungo tempo. I raggi ultravioletti possono causare affaticamento visivo.
- Non riempire il prodotto con più alimenti di quanto consentito dalla sua capacità. Potrebbero verificarsi lesioni o danni se il contenuto del frigorifero cade quando lo sportello è aperto. Problemi simili potrebbero verificarsi anche quando un oggetto viene posto sopra il prodotto.
- Assicurarsi di aver rimosso il ghiaccio o l'acqua che potrebbe essere caduta a terra per evitare lesioni.
- Cambiare la posizione dei ripiani/porta bottiglie sulla porta del frigorifero mentre i ripiani sono vuoti. Pericolo di lesioni fisiche!
- Non appoggiare oggetti che potrebbero cadere/ribaltarsi sul prodotto. Questi oggetti po-

trebbero cadere durante l'apertura o la chiusura della porta e causare lesioni e/o danni materiali.

- Non urtare e non esercitare una pressione eccessiva sulle superfici di vetro. La rottura del vetro potrebbe causare lesioni e/o danni materiali.
- Il sistema di raffreddamento del prodotto contiene refrigerante R600a Il tipo di refrigerante usato nel prodotto è specificato nella targhetta identificativa. Questo gas è infiammabile. Pertanto, fare attenzione a non danneggiare il sistema di raffreddamento e le tubazioni durante il funzionamento del prodotto. In caso di danni alle tubazioni:
 1. Non toccare il prodotto o il cavo di alimentazione.
 2. Tenere il prodotto lontano da potenziali fonti di calore che potrebbero causare il surriscaldamento e l'incendio del prodotto.
 3. Assicurare la ventilazione dell'area in cui è collocato il prodotto. Non utilizzare un ventilatore.
 4. Contattare il servizio di assistenza autorizzato.

5. Se il prodotto è danneggiato e si osservano perdite di gas, stare lontani dal gas. Il gas potrebbe causare congelamento se entra in contatto con la pelle.



1.7 Sicurezza nella conservazione degli alimenti

Per evitare il deterioramento degli alimenti, si prega di prestare attenzione alle seguenti avvertenze:

- Lasciare gli sportelli aperti per molto tempo potrebbe fare aumentare la temperatura all'interno del prodotto.
- Pulire regolarmente i sistemi di drenaggio accessibili a contatto con gli alimenti.
- Pulire i serbatoi d'acqua che non sono stati usati per 48 ore e i sistemi d'acqua alimentati dalla rete che non sono stati usati per più di 5 giorni.
- Conservare i prodotti crudi di carne e pesce in scomparti appropriati all'interno del prodotto. In tal modo, non sgoccioleranno e non entreranno in contatto con altri alimenti.

- Gli scomparti del congelatore a due stelle sono utilizzati per conservare gli alimenti precotti, fare e conservare il ghiaccio e i gelati.
- Gli scomparti a una, due e tre stelle non sono appropriati per congelare alimenti freschi.
- Se il congelatore è stato lasciato vuoto per molto tempo, spegnerlo, sbrinare, pulire e asciugare il prodotto per proteggere il suo alloggiamento.

1.8 Manutenzione e pulizia in sicurezza

- Non tirare la maniglia della porta se si deve spostare il prodotto per la pulizia. La maniglia potrebbe causare lesioni, se tirata troppo forte.
- Non pulire il prodotto spruzzando o versando acqua sul prodotto e al suo interno. Pericolo di scosse elettriche e incendi.
- Quando si pulisce il prodotto, non usare strumenti taglienti e abrasivi o detersivi domestici

- ci, detersivi, gas, benzina, diluente, alcol, vernice e sostanze simili. Utilizzare solo detersivi e agenti per la pulizia che non siano dannosi per gli alimenti contenuti nel prodotto.
- Non utilizzare mai detersivi a vapore o materiali per la pulizia a vapore per pulire il prodotto e scongelare il ghiaccio al suo interno. Il vapore che entra in contatto con le parti sotto tensione del frigorifero provoca cortocircuiti o scosse elettriche.
- Tenere l'acqua lontana dai circuiti elettronici o dal sistema di illuminazione del prodotto.
- Utilizzare un panno pulito e asciutto per rimuovere la polvere o un qualsiasi materiale estraneo sulle spine. Non utilizzare un panno umido o bagnato per pulire la spina. In caso contrario, vi è il rischio di incendio o scossa elettrica.

1.9 Informazioni tecniche su Bluetooth + Wi-fi

Banda di frequenza:	2,4 GHz (funzione Wi-fi o Bluetooth)
Potenza max di trasmissione	< 100 mW (funzione Wi-fi o Bluetooth)
Dettagli del software:	Quartz_WiFi.XXX

Dichiarazione di conformità CE:

Arçelik A.Ş. dichiara che questo prodotto è conforme alla direttiva 2014/53/UE.

La completa dichiarazione di conformità EU è disponibile al seguente indirizzo internet:

Prodotti, indirizzo:support.be-ko.com

2 Istruzioni relative all'ambiente

2.1 Conformità con la direttiva WEEE e con la normativa sullo smaltimento dei prodotti di scarico.



Questo prodotto è conforme alla direttiva WEEE dell'UE (2012/19/EU). Questo prodotto porta un simbolo di classificazione per la strumentazione elettrica ed elettronica di scar-

to (WEEE).

Questo simbolo indica che questo prodotto alla fine della sua vita utile non deve essere smaltito con altri rifiuti domestici. Il dispositivo usato deve essere restituito al punto di raccolta ufficiale per il riciclaggio dei dispositivi elettrici ed elettronici. Per trovare questi sistemi di raccolta si prega di contattare le autorità locali o il rivenditore presso il quale è stato acquistato il prodotto. Ogni famiglia svolge un ruolo importante nel re-

“Il periodo di supporto per l'aggiornamento del software relativo alla sicurezza informatica definito del prodotto è il periodo di garanzia del prodotto. Dopo questo periodo, gli aggiornamenti software relativi alla sicurezza informatica non sono garantiti”.

cupero e nel riciclaggio di vecchie apparecchiature. Un adeguato smaltimento dell'apparecchiatura usata aiuta a prevenire potenziali conseguenze negative per l'ambiente e la salute umana.

Conformità con la direttiva RoHS

Il prodotto acquistato è conforme con la Direttiva UE RoHS (2011/65/EU). Non contiene materiali dannosi e proibiti e indicati nella Direttiva.

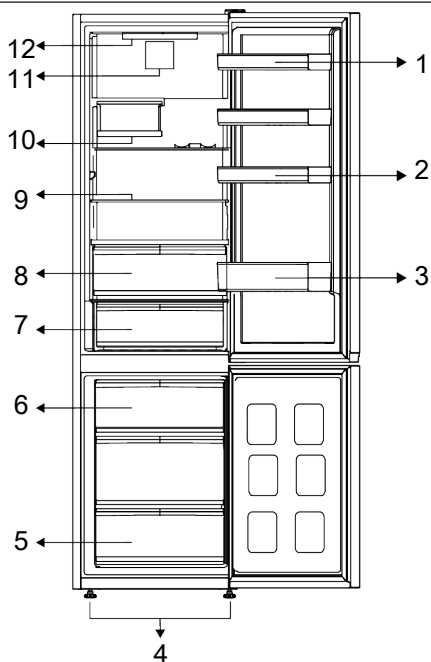


Informazioni sull'imballaggio

I materiali che compongono l'imballaggio del prodotto sono realizzati a partire da materiali riciclabili in conformità con le nostre Normative Ambientali Nazionali. Non smaltire i materiali dell'imballaggio congiuntamente ai rifiuti domestici o ad altri rifiuti. Portarli presso i punti di raccolta imballaggi indicati dalle autorità locali.

3 Il vostro frigorifero

IT




- 1 * Ripiani porta regolabili
- 2 * Porta uova
- 3 * Ripiano per bottiglie
- 4 * Gambe anteriori regolabili
- 5 * Scomparto congelatore
- 6 * Contenitore del ghiaccio
- 7 * Cassetto per la conservazione a freddo
- 8 * Crisper (Cassetto frutta e verdura)
- 9 * Ripiani regolabili
- 10 * Cestello porta-vino pieghevole
- 11 * Ventola
- 12 * Lampada di illuminazione

***Opzionale:** Le figure in questo manuale utente sono schematiche, e potrebbero non corrispondere esattamente al prodotto.

Qualora il prodotto non contenga le parti descritte, l'informazione riguarda altri modelli.

4 Installazione

 Leggere prima la sezione "Istruzioni di sicurezza"!

4.1 Luogo idoneo per l'installazione

Rivolgersi al Servizio Autorizzato per l'installazione del prodotto. Per preparare il prodotto all'installazione, consultare le in-

formazioni contenute nel manuale utente e accertarsi che le utenze elettriche e idriche siano conformi a quanto necessario. In caso contrario, chiamare un elettricista e un idraulico per sistemare le utenze come necessario.

**AVVERTENZA:**

Il produttore non si assume alcuna responsabilità per gli eventuali danni causati dagli interventi eseguiti da personale non autorizzato.

**AVVERTENZA:**

Durante l'installazione, il cavo di alimentazione del prodotto deve essere scollegato. Il mancato rispetto di queste istruzioni potrebbe provocare morte o altre gravi lesioni!

**AVVERTENZA:**

Qualora la porta fosse troppo stretta per consentire il passaggio del prodotto, togliere la porta e ruotarla; qualora ciò non funzioni, contattare il servizio autorizzato.

- Per evitare vibrazioni, posizionare il prodotto su una superficie piana.
- Collocare il prodotto ad almeno a 30 cm dal termosifone, dalla stufa e da altre fonti di calore e ad almeno 5 cm da eventuali forni elettrici.
- Non esporre il prodotto alla luce solare diretta e non tenerlo in ambienti umidi.
- Il prodotto necessita di adeguata ventilazione per un funzionamento efficiente. Se in prodotto viene collocato in una alcova, lasciare almeno 5 cm di spazio tra il prodotto, il soffitto, i muri laterali e il muro retrostante.
- Controllare se il componente di protezione della parete posteriore è presente e nel suo alloggiamento (se fornito con il prodotto).
- Se il componente non è disponibile, o se è stato smarrito o è caduto, posizionare il prodotto in modo tale da lasciare almeno 5 cm di spazio libero tra il retro del prodotto e le pareti del locale. Lo spazio libero nella parte posteriore è importante per il funzionamento efficiente del prodotto.

4.2 Collegamenti elettrici



Non usare prolunghes o multi prese per il collegamento elettrico.



I cavi di alimentazione danneggiati vanno sostituiti dal servizio autorizzato.



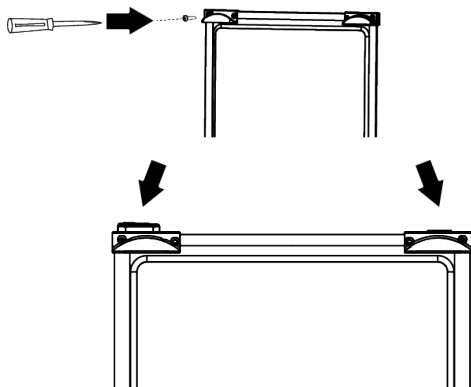
Quando vengono posizionati due frigoriferi l'uno a fianco dell'altro, lasciare una distanza di almeno 4 cm fra le due unità.

- La nostra azienda non si assume alcuna responsabilità per gli eventuali danni dovuti a un uso senza messa a terra e collegamento elettrico non conforme alle normative nazionali.
- Il cavo di corrente deve essere facilmente accessibile dopo l'installazione.
- Non utilizzare la spina multigruppo con o senza prolunga tra la presa a muro e il frigorifero.

4.3 Fissaggio dei cunei in plastica

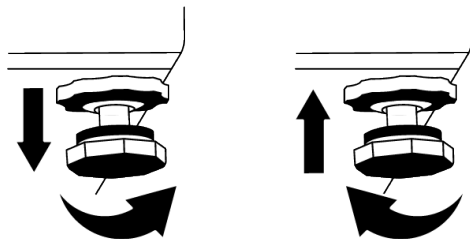
Per garantire una circolazione d'aria sufficiente fra il prodotto e la parete, servirsi dei cunei in plastica forniti in dotazione con il prodotto.

1. Per fissare i cunei, rimuovere le viti sul prodotto e usare le viti fornite in dotazione con i cunei.
2. Fissare 2 cunei in plastica sul coperchio della ventilazione, come indicato nella figura.



5.4 Regolazione delle gambe

Qualora il prodotto non fosse in equilibrio, regolare le gambe anteriori regolabili, ruotandole verso destra o verso sinistra.



IT

5.5 Avvertenza: superficie calda

Le pareti laterali del prodotto sono dotate di tubi di raffreddamento per migliorare il sistema generale di raffreddamento. L'elevata pressione del fluido potrebbe fluire attraverso queste superfici, causando il riscaldamento eccessivo delle superfici sulle pareti laterali. Ciò è normale e non richiede interventi di manutenzione. Fare attenzione quando si toccano queste aree.

5 Preparazione



Leggere prima la sezione "Istruzioni di sicurezza"!

5.1 Cosa fare per risparmiare energia

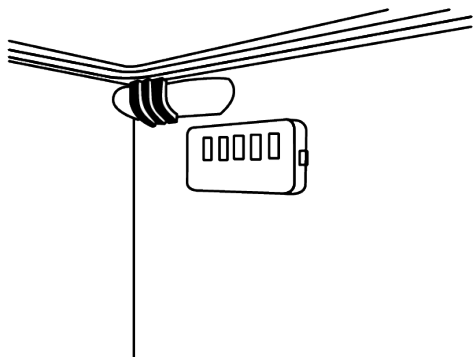


Collegare il prodotto a sistemi di risparmio energetico elettronici potrebbe danneggiare il prodotto.

- Questo apparecchio refrigerante non è destinato ad essere utilizzato come apparecchio da incasso.
- Non tenere aperte a lungo le porte del frigorifero.
- Non mettere alimenti caldi o bevande direttamente dentro al frigorifero.
- Non riempire eccessivamente il frigorifero; il blocco del flusso d'aria interno ne ridurrà la capacità di raffreddamento.
- Per poter caricare la massima quantità di cibo nello scomparto freezer del frigorifero, i cassetti superiori devono essere

estratti e il cibo deve essere collocato sui ripiani metallici/in vetro. Le informazioni sul volume netto e sul consumo energetico dichiarate nell'etichetta energetica del frigorifero sono state testate togliendo i cassetti superiori del reparto frigorifero e il secchiello del ghiaccio, facilmente rimovibile a mano.

- Per la conservazione, si raccomanda vivamente di utilizzare il cassetto sottostante.
- A seconda delle caratteristiche del prodotto, lo scongelamento degli alimenti surgelati nello scomparto raffreddatore garantirà un risparmio energetico preservando al tempo stesso la qualità degli alimenti.
- Accertarsi che gli alimenti non siano in contatto con il sensore di temperatura dello scomparto raffreddatore di seguito descritto.




- Il loro contatto con il sensore potrebbe aumentare, infatti, il consumo energetico dell'apparecchio
- Per garantire il risparmio energetico e tenere sempre gli alimenti nelle condizioni migliori, gli alimenti devono essere conservati utilizzando i cassetti dello scomparto raffreddatore.
- Le confezioni di alimenti non dovranno essere a diretto contatto con il sensore di calore situato nello scomparto freezer.


5.2 Uso previsto


Prima di iniziare a usare il frigorifero, accertarsi che tutti i preparativi necessari vengano eseguiti in conformità con le istruzioni contenute nelle sezioni "Istruzioni di sicurezza e relative all'ambiente" e "Installazione".


- Tenere il prodotto in funzione senza alimenti al suo interno per 6 ore e non aprire la porta a meno che ciò non sia assolutamente necessario.
- La variazione di temperatura causata dall'apertura e dalla chiusura della porta durante l'uso del prodotto potrebbe portare a normale formazione di condensa sul cibo posto sui ripiani della porta/del vano frigo e sui contenitori di vetro posti nel prodotto.

6 Funzionamento del prodotto

 Leggere prima la sezione "Istruzioni di sicurezza"!

 Si sentirà un suono quando viene attivato il compressore. È normale che il prodotto faccia rumore anche se il compressore non è in funzione, poiché il fluido e il gas potrebbero essere compressi nel sistema di raffreddamento.

 È normale che le estremità anteriori del frigorifero siano calde. Queste aree sono state progettate per riscaldarsi per evitare la condensa.

 Per alcuni modelli, il pannello indicatore si spegne automaticamente 1 minuto dopo la chiusura della porta. Si riattiva quando la porta è aperta o si preme un qualsiasi pulsante.

5.3 Classe climatica e definizioni

Si prega di fare riferimento alla classe climatica indicata sulla targhetta del dispositivo. Una delle seguenti informazioni è applicabile al proprio dispositivo secondo la classe climatica.

- **SN:** Clima temperato a lungo termine: Questo dispositivo di raffreddamento è progettato per l'uso a temperature ambiente tra 10 °C e 32 °C.
- **N:** Clima temperato: Questo dispositivo di raffreddamento è progettato per l'uso a temperature ambiente tra 16°C e 32 °C.
- **ST:** Clima subtropicale: Questo dispositivo di raffreddamento è progettato per l'uso a temperature ambiente tra 16°C e 38°C.
- **T:** Clima tropicale: Questo dispositivo di raffreddamento è progettato per l'uso a temperature ambiente tra 16°C e 43°C.

- Per accelerare le operazioni di scongelamento, non utilizzare attrezzi meccanici o altri utensili diversi da quelli raccomandati dal produttore.
- Non utilizzare mai parti del frigorifero, come la porta o i cassetti, come supporto o come gradini. Ciò potrebbe causare il ribaltamento del prodotto o il danneggiamento dei suoi componenti.
- Il prodotto dovrebbe essere usato unicamente per la conservazione di alimenti.
- Spegnerne la valvola dell'acqua se si è lontani da casa (ad esempio in vacanza) e si prevede di non utilizzare la macchinetta

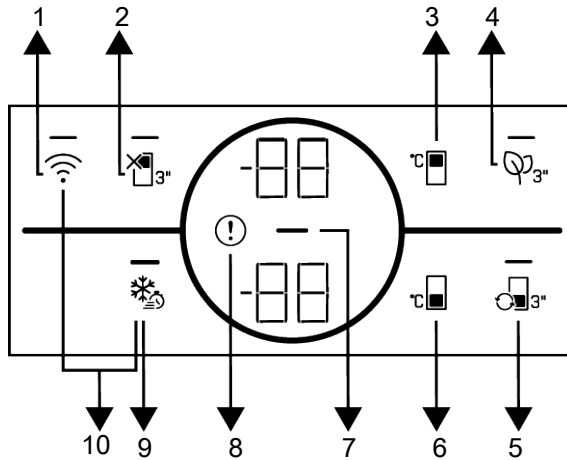
per il ghiaccio o l'erogatore d'acqua per un lungo periodo di tempo. In caso contrario, potrebbero verificarsi perdite d'acqua.

Messa in pausa del programma

- Se non si intende usare il prodotto per un lungo periodo, scollegarlo dalla presa.
- Rimuovere gli alimenti per evitare cattivi odori.
- Aspettare che il ghiaccio si sciogla, pulire l'interno e lasciarlo asciugare, lasciare le porte aperte per evitare di danneggiare le plastiche interne del corpo dell'apparecchio.

7 Uso dell'apparecchio

7.1 Pannello di controllo del prodotto



- | | |
|---|--|
| 1 * Tasto wireless | 2 * Funzione dello scomparto raffreddatore OFF (Vacanza) |
| 3 * Tasto di impostazione della temperatura dello scomparto raffreddatore | 4 * Tasto del modulo deodorante |
| 5 * Tasto di conversione dello scomparto | 6 * Tasto di impostazione della temperatura dello scomparto congelatore |
| 7 * Indicatore della funzione di risparmio energetico (display off) | 8 * Indicatore di stato d'errore |
| 9 * Tasto di congelamento rapido | 10 * Tasto per il ripristino delle impostazioni della connessione wireless |



Leggere prima la sezione "Istruzioni di sicurezza".

Le funzioni audio e video sul pannello indicatore assisteranno l'utente nell'utilizzo del frigorifero.

***Opzionale:** Le funzioni mostrate sono opzionali, ci potrebbero essere differenze di forma e posizione nelle funzioni che si trovano sul pannello indicatore dell'elettrodomestico.

1. Tasto wireless

Questo tasto viene utilizzato per effettuare una connessione wireless con il proprio prodotto tramite l'applicazione mobile HomeWhiz. Quando si preme il tasto per 3 secondi, sul display/schermo il simbolo di connessione wireless lampeggia lentamente (con intervalli di 0,5 secondi). A questo punto sul prodotto viene visualizzata la rete domestica. Dopo aver eseguito la connessione wireless con il prodotto, il simbolo della connessione wireless si illumina in modo fisso ed sarà possibile attivare/disattivare la connessione con una breve pressione su questo tasto. L'icona della connessione wireless lampeggia (con un intervallo di 0,2 secondi) fino a quando non viene stabilita la connessione. Quando la connessione è attiva, il LED rimane illuminato. Se la connessione non può essere stabilita per un lungo periodo di tempo, controllare le impostazioni per la connessione e consultare la sezione "Risoluzione dei problemi" del manuale utente. Per la connessione wireless sarà utilizzata l'applicazione HomeWhiz. I passaggi per eseguire la configurazione vengono spiegati attraverso l'applicazione durante il processo di configurazione. Sarà possibile accedere all'applicazione scansionando il codice QR sull'etichetta HomeWhiz dell'apparecchiatura. L'applicazione può essere scaricata dall'App Store o dal Play Store per dispositivi Android. Per i dettagli in merito visitare il sito <https://www.homewhiz.com/>.

2. Tasto funzione dello scomparto raffreddatore Off (Vacanza)

Per attivare la funzione vacanza premere il tasto per 3 secondi. La modalità vacanza è attivata e il LED sul tasto è illuminato. Sull'indicatore della temperatura dello scomparto di raffreddatore sarà visualizzato "-.-" e quindi non eseguirà il raffreddamento. Se viene attivata questa funzione, non si devono tenere gli alimenti nello scomparto raffreddatore. Gli altri scomparti continuano a raffreddare secondo le temperature impostate in precedenza. Tenere premuto nuovamente il tasto per 3 secondi per annullare questa funzione.

3. Tasto di impostazione della temperatura dello scomparto raffreddatore

Per lo scomparto raffreddatore è disponibile l'impostazione della temperatura. La pressione di questo tasto abiliterà l'impostazione della temperatura dello scomparto raffreddatore a 8 °C, 7 °C, 6 °C, 5 °C, 4 °C, 3 °C, 2 °C, e 1 °C.

4. Tasto del modulo deodorante

Premere questo tasto per 3 secondi per attivare/disattivare la funzione deodorante. Quando la funzione deodorante è attiva, il LED sul rispettivo tasto è illuminato. Quando la funzione è attiva, il modulo deodorante sarà azionato periodicamente.

5. Tasto di conversione dello scomparto

Premendo il tasto di conversione dello scomparto per 3 secondi, la sezione congelatore cambia modalità fra frigorifero/raffreddatore, off e congelatore (freezer). Quando funziona come scomparto frigorifero/raffreddatore, la temperatura dello scomparto sarà impostata a 4°C. In caso di modalità OFF, l'indicatore della temperatura dello scomparto visualizzerà "-.-".

6. Tasto di impostazione della temperatura dello scomparto Congelatore

L'impostazione della temperatura è disponibile per lo scomparto del congelatore. La pressione di questo tasto abiliterà l'impostazione della temperatura dello scomparto congelatore (freezer) a -18°C, -19°C, -20°C, -21°C, -22°C, -23°C e -24°C.

7. Indicatore della funzione di risparmio energetico (display off)

Quando la porta del prodotto non viene aperta o chiusa per un certo periodo di tempo, la funzione di risparmio energetico viene attivata automaticamente e il simbolo del risparmio energetico si illumina. Quando la funzione di risparmio energetico è attiva, tutti i simboli sul display, ad eccezione del simbolo del risparmio energetico, saranno spenti. Quando la funzione di risparmio energetico è attiva, la pressione di qualsiasi tasto o l'apertura della porta disattiverà la funzione di risparmio energetico e i segnali del display torneranno ai livelli normali. La funzione di risparmio energetico è una funzione attiva per impostazione predefinita e non può essere annullata.

8. Indicatore di stato d'errore

Questo indicatore sarà attivo quando il frigorifero non è in grado di eseguire un raffreddamento adeguato o in caso di errore del sensore. Sull'indicatore della temperatura dello scomparto congelatore verrà visualizzata la lettera "E"; sull'indicatore della temperatura dello scomparto refrigerante, invece, verranno visualizzati i numeri 1, 2, 3. Questi numeri sull'indicatore definiscono il

7.2 Conservare il cibo nello scomparto frigorifero

Conservare il cibo nello scomparto frigorifero

- Le temperature dello scomparto aumentano notevolmente se la porta dello scomparto viene aperta e chiusa frequentemente e tenuta aperta per molto tempo; questo può ridurre la durata degli alimenti e causare il loro precoce deterioramento.

tipo di intervento necessario per lo specifico guasto. Se viene messo cibo caldo nello scomparto congelatore o si lascia la porta aperta per un periodo tempo prolungato, si illumina un punto esclamativo. Non si tratta di un guasto, questa avvertenza dovrà essere rimossa quando il cibo viene raffreddato o quando viene premuto un tasto qualsiasi.

9. Tasto di congelamento rapido

Quando si preme il tasto di congelamento rapido, il LED del tasto si illumina e si attiva la funzione di congelamento rapido. La temperatura dello scomparto Congelatore è impostata a -27 °C. Premere nuovamente il tasto per annullare la funzione. La funzione di congelamento rapido sarà automaticamente annullata dopo 24 ore. Per congelare grandi quantitativi di alimenti freschi, premere il tasto di congelamento rapido prima di collocare gli alimenti all'interno dello scomparto congelatore.

10. Tasto per il ripristino delle impostazioni della connessione wireless



Per ripristinare le impostazioni di connessione wireless, i tasti Congelamento rapido e Connessione wireless devono essere premuti

simultaneamente per 3 secondi. Tutte le informazioni dell'utente registrate in precedenza vengono rimosse dal prodotto e le impostazioni della connessione wireless vengono ripristinate ai valori di fabbrica.

- Per non causare cambiamenti di odore e sapore, gli alimenti dovrebbero essere conservati in contenitori chiusi.
- Non conservare troppi alimenti nel frigorifero. Per ottenere un raffreddamento migliore e omogeneo, disporre gli alimenti separatamente in modo che l'aria fredda possa attraversarli.

- Garantire il flusso d'aria lasciando uno spazio tra gli alimenti e la parete interna. Se gli alimenti vengono appoggiati sulla parete posteriore potrebbero congelarsi.
- Portare i pasti caldi cotti a temperatura ambiente prima di metterli in frigorifero. Quindi, mettere il pasto tiepido nei ripiani inferiori del frigorifero. Non mettere i pasti tiepidi vicino agli alimenti che potrebbero facilmente deperirsi.
- Scongelare gli alimenti congelati nello scomparto degli alimenti freschi. In questo modo, è possibile raffreddare lo scomparto degli alimenti freschi utilizzando gli alimenti congelati così da risparmiare energia.
- Conservare la frutta tropicale acerba (mango, varietà di melone, papaya, banana, ananas) nel frigorifero potrebbe accelerare il processo di maturazione. Questo quindi non è raccomandato perché farà ridurre i tempi di conservazione.
- Cipolle, aglio, zenzero e altri ortaggi a radice dovrebbero essere conservati in condizioni di buio e freddo, non in frigorifero.
- Se si nota che un alimento si è deperito nel frigorifero, buttare via quell'alimento e pulire gli accessori che sono entrati in contatto con esso.
- Per raffreddare rapidamente zuppe e stufati, che sono cucinati in grandi pentole, è possibile metterli in frigorifero distribuendoli in contenitori poco profondi
- Non mettere gli alimenti non confezionati vicino alle uova.
- Conservare la frutta e la verdura separatamente e raggruppandola secondo la varietà (per esempio: mele con mele, carote con carote)
- Togliere le verdure verdi dal sacchetto di plastica e metterle in frigorifero dopo averle avvolte in un tovagliolo di carta o in un panno asciutto. Se prima di metterli in frigorifero questi alimenti sono stati lavati, ricordarsi di asciugarli.
- Per creare un ambiente umido e fornire un flusso d'aria a frutta e verdura, che sono inclini a seccarsi, conservarle nei sacchetti di plastica perforati o non sigillati.
- Tranne i casi in cui vi siano delle circostanze ambientali estreme, se il prodotto (sulla tabella dei valori nominali raccomandati) è impostato sui valori nominali specificati, gli alimenti manterranno la loro freschezza più a lungo sia nello scomparto prodotti freschi che nello scomparto congelatore.

Conservare gli alimenti in luoghi diversi a seconda delle loro proprietà:	
Alimenti	Posizione
Uova	Ripiano porta
Prodotti caseari (burro, formaggio)	Se disponibile, scomparto a zero gradi (per il cibo della colazione)
Frutta, vegetali e verdura a foglia verde	Scomparto per frutta e verdura, crisper o Scomparto EverFresh+ (se disponibile)
Carne fresca, pollame, pesce, salsicce, ecc. Cibi cotti	Se disponibile, scomparto a zero gradi (per il cibo della colazione)
Cibi pronti da servire, prodotti confezionati, cibi in scatola e sottaceti	Ripiani superiori o ripiano della porta
Bevande, bottiglie, spezie e snack	Ripiano porta

Conservare il cibo nello scomparto congelatore (freezer)

- È possibile attivare la funzione di congelamento rapido 4-6 ore prima della funzione di congelamento ed eseguire così un raffreddamento più rapido.
- Prima di metterli nello scomparto congelatore, portare i pasti caldi a temperatura ambiente.
- Gli alimenti da congelare vanno suddivisi in porzioni a seconda della dimensione da consumare e vanno congelati in pacchetti separati.
- Consigliamo di confezionare gli alimenti prima di riporli all'interno del congelatore.
- Al fine di evitarne la scadenza, annotare la data, l'ora di congelamento e il nome dell'alimento sulla confezione, in base ai periodi di conservazione dei diversi prodotti alimentari.
- Consumare rapidamente gli alimenti che sono stati scongelati. Gli alimenti scongelati non possono essere ricongelati, a meno che siano cotti. Non è sicuro consumare i cibi freschi ricongelati senza cottura dopo che sono stati scongelati.
- Quando vengono congelati alimenti freschi, evitare che gli stessi entrino in contatto con alimenti già congelati. Altrimenti, i cibi congelati si scongeleranno.

Conservare gli alimenti che sono venduti congelati

- Seguire sempre le istruzioni del produttore in relazione al tempo di conservazione degli alimenti. Non superare il tempo specificato in queste istruzioni!
- Per proteggere la qualità degli alimenti, mantenere l'intervallo di tempo tra l'acquisto e la conservazione il più breve possibile.
- Acquistare gli alimenti congelati che sono conservati a -18°C o a temperature inferiori.
- Evitare di acquistare alimenti le cui confezioni sono coperte di ghiaccio ecc. Questo significa che il prodotto potrebbe essere stato parzialmente scongelato e ricongelato. La temperatura influisce sulla qualità degli alimenti.

- Non superare il tempo di conservazione raccomandato dal produttore dell'alimento. Togliere dal congelatore solo il cibo di cui si ha bisogno.
- Tranne i casi in cui vi siano delle circostanze ambientali estreme, se il prodotto (sulla tabella dei valori nominali raccomandati) è impostato sui valori nominali specificati, gli alimenti manterranno la loro freschezza più a lungo sia nello scomparto prodotti freschi che nello scomparto congelatore.
- Se lo scomparto degli alimenti freschi è impostato su una temperatura più bassa, la frutta e la verdura fresche potrebbero subire il parziale congelamento.

Dettagli per il congelatore

Conformemente agli standard IEC 62552, il congelatore deve avere la capacità di congelare 4,5 kg di alimenti a -18°C o a temperature inferiori a 25°C in 24 ore per ogni 100 litri di volume dello scomparto congelatore. Gli alimenti possono essere preservati solo per lunghi periodi di tempo a temperature uguali o inferiori a -18°.

Sarà possibile conservare gli alimenti freschi per mesi, all'interno del congelatore a temperature uguali o inferiori a -18°).

Per evitare uno scongelamento parziale, gli alimenti da congelare non devono entrare in contatto con gli altri alimenti già congelati all'interno del congelatore.

Bollire le verdure e filtrare l'acqua per estendere il tempo di conservazione del congelato. Collocare gli alimenti in sacchetti ermetici, dopo aver eseguito il filtraggio e il posizionamento all'interno del congelatore. Banane, pomodori, lattuga, sedano, uova bollite, patate e altri alimenti simili non dovrebbero essere congelati. Nel caso in cui questi alimenti si congelino, solo i valori nutrizionali e le qualità alimentari ne risentiranno negativamente. Non si tratta di una minaccia per la salute umana.

Posizionamento degli alimenti

Ripiani dello scomparto congelatore: diversi alimenti congelati come carne, pesce, gelato, verdure ecc.



Ripiani dello scomparto raffreddato-
re:alimenti all'interno di pentole, piatti e contenitori con coperchio, uova (all'interno di un contenitore chiuso)

Ripiani della porta dello scomparto refrigerante:cibo o bevande piccole e confezionate

Crisper:Verdure e frutta

Scomparto alimenti freschi:prodotti di rosticceria (cibo per la colazione, prodotti a base di carne da consumare in breve tempo)

7.3 Modulo fotocatalitico (Fresh-Guard)

Grazie a questo modulo, che è posizionato dietro il coperchio dell'evaporatore nello scomparto degli alimenti freschi, l'aria viene fatta passare attivamente sul filtro fotocatalitico rivestito di biossido di titanio e l'aria pulita viene fatta circolare all'interno. In questo modo, prima di permearsi con le superfici degli alimenti, i cattivi odori vengono rimossi dall'interno del frigorifero, e allo stesso tempo, si ottiene una circolazione dell'aria igienica attraverso l'aria disinfettata. Questa funzione è guidata dalla ventola dello scomparto degli alimenti freschi situata dietro il coperchio dell'evaporatore, dal LED UV-A e dal filtro anti-odore rivestito di biossido di titanio. Per attivare/disattivare questo modulo, che garantisce l'igiene e la circolazione dell'aria senza odori nel frigorifero, premere e tenere premuto il pulsante  per 3 secondi e assicurarsi che l'indicatore di funzione  appaia sullo schermo quando è attivo, e scompaia dallo schermo quando è disattivo. Una volta attivata la funzione come descritto, essa opera periodicamente senza la necessità di premere nuovamente alcun tasto. Se lo sportello dello scomparto degli alimenti freschi viene aperto mentre il modulo è attivo, la ventola e il LED UV-A non funzioneranno temporaneamente, ma riprenderanno a funzionare una volta chiuso lo sportello. Nel caso di un'interruzione di corrente mentre il

modulo è in funzione, il modulo riprenderà a funzionare dal punto in cui si è fermato una volta ripristinata la corrente.

Nota: Per prevenire i cattivi odori che potrebbero determinarsi con la miscela di odori provenienti da diversi tipi di alimenti, si consiglia di conservare gli alimenti aromatici come formaggio, olive e salumi nelle loro confezioni e con i coperchi chiusi. Per la sicurezza degli altri alimenti conservati e per prevenire i cattivi odori, raccomandiamo di togliere il più presto possibile dal frigorifero gli alimenti che potrebbero apparire rovinati.

7.4 Area di conservazione a freddo dei prodotti lattiero-caseari

Cassetto per la conservazione a freddo

Nello scomparto frigorifero, il cassetto per la conservazione a freddo può raggiungere temperature più basse. Utilizzare questo cassetto per prodotti di rosticceria (salumi, salsicce, ecc.) e latticini che richiedono condizioni di conservazione più fredde, o per carne, pollo o pesce da consumare rapidamente. Non conservare frutta e verdura in questo cassetto.

7.5 Inversione del lato di apertura della porta


Il lato di apertura della porta del frigorifero può essere invertito secondo il posto in cui lo si sistema. Nel caso sia necessario invertire il lato di apertura della porta, chiamare il servizio assistenza autorizzato più vicino.

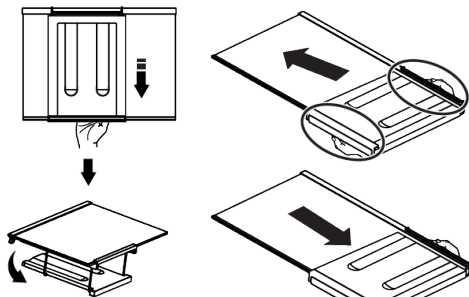
7.6 Avviso di porta aperta

Se la porta del prodotto rimane aperta per 1 minuto verrà emesso un allarme udibile. L'allarme sonoro si fermerà quando la porta dell'elettrodomestico viene chiusa oppure quando viene premuto qualsiasi pulsante sul display (se disponibile).

7.7 Ripiano porta-vino pieghevole

Permette all'utente di conservare le bottiglie di vino se necessario. Per utilizzare la sezione del ripiano, afferrare la parte in plastica e tirarla delicatamente verso il basso. Ora è possibile usare il porta-vino pieghevole.


 Si consiglia di riporre al massimo 2 bottiglie di vino sul ripiano porta-vino pieghevole.




Per raggruppare il ripiano porta-vino, rimuovere anzitutto il ripiano in vetro dal frigorifero. Posizionarlo sul ripiano in vetro spingendo la parte di plastica attraverso le scanalature anteriori e posteriori come mostrato nella foto. Il prodotto sarà pronto all'uso con il porta-vino pieghevole.

Per togliere il ripiano porta-vino pieghevole, rimuovere anzitutto il ripiano in vetro dal frigorifero. Quindi, tenere la parte in plastica e tirarla in una qualsiasi direzione. Ora è possibile utilizzare il prodotto anche senza il porta-vino pieghevole.

8 Manutenzione e pulizia

 **ATTENZIONE:**
Leggere prima la sezione "Istruzioni di sicurezza".

 **ATTENZIONE:**
Scollegare il frigorifero prima di pulirlo.

7.8 Sostituzione della lampada

Quando la lampadina/LED usata per l'illuminazione del frigorifero deve essere sostituita, chiamare il servizio assistenza autorizzato.

La lampada o le lampade utilizzate in questa apparecchiatura non possono essere utilizzate per l'illuminazione della casa. L'uso previsto di questa lampada è quello di aiutare l'utente a mettere il cibo nel frigorifero/congelatore in modo sicuro e confortevole.

7.9 AeroFlow

È un sistema di distribuzione dell'aria che fornisce una distribuzione omogenea della temperatura. La circolazione dell'aria assicura la distribuzione omogenea della temperatura nello scomparto di conservazione degli alimenti freschi, e le fluttuazioni di temperatura sono mantenute a livelli bassi. Non si verifica nessun soffio d'aria diretto sugli alimenti e questo aiuta a ridurre la perdita di umidità. Permette di mantenere la freschezza degli alimenti conservati nello scomparto degli alimenti freschi del frigorifero. In questo modo, gli alimenti sono conservati a temperature più stabili e il contatto con l'aria è ridotto. L'essiccazione e il restringimento degli alimenti a causa della perdita di umidità sono evitati per una maggiore e duratura freschezza.

- Non utilizzare utensili affilati o abrasivi per pulire il prodotto. Non usare materiali come detersivi domestici, sapone, detersivi, gas, benzina, diluenti, alcool, cera, ecc.
- La polvere deve essere rimossa dalla griglia di ventilazione sul retro del prodotto almeno una volta all'anno (senza aprire il coperchio). Pulire il prodotto servendosi di un panno asciutto.

- Fare attenzione a tenere l'acqua lontana dalla copertura delle lampade e dalle altre componenti elettriche.
- Pulire la porta servendosi di un panno umido. Per rimuovere la porta e i vari ripiani, rimuovere prima tutto il contenuto. Rimuovere i ripiani della porta sollevandoli verso l'alto. Pulire e asciugare i ripiani, poi fissare nuovamente in posizione facendo scorrere da sopra.
- Non usare acqua con cloro o prodotti detergenti sulla superficie esterna e sulle componenti rivestite in cromo. Il cloro provoca ruggine su queste superfici metalliche.
- Per evitare la deformazione della parte in plastica e rimuovere le impronte, non utilizzare utensili affilati e abrasivi, sapone, materiali per la pulizia della casa, detersivi, gas, benzina, vernice e sostanze simili. Per pulire, usare acqua tiepida e un panno morbido, quindi asciugare.
- Sui prodotti senza la funzione No-Frost, sulla parete posteriore dello scomparto congelatore potrebbero formarsi goccioline d'acqua e ghiaccio fino allo spessore di un dito. Non pulirla; non applicare mai olio o sostanze simili.
- Per pulire la superficie esterna del prodotto utilizzare un panno in micro-fibra leggermente inumidito. Spugne e altri tipi di panni per la pulizia potrebbero graffiare la superficie.
- Per pulire tutti i componenti rimovibili durante la pulizia della superficie interna del prodotto, lavare questi componenti con una soluzione delicata composta da sapone, acqua e carbonato. Risciacquare e

asciugare completamente. Evitare il contatto dell'acqua con i componenti dell'illuminazione e con il pannello di controllo.



ATTENZIONE:

Non utilizzare aceto, alcool o altri detersivi a base di alcool su nessuna delle superfici interne.

Superfici esterne in acciaio inossidabile

Utilizzare un detergente non abrasivo per acciaio inossidabile e applicarlo con un panno morbido privo di pelucchi. Per lucidare, strofinare delicatamente la superficie con un panno in micro-fibra inumidito con acqua e utilizzare una pelle di camoscio per lucidare a secco. Seguire sempre le venature in acciaio inossidabile.

Prevenzione dei cattivi odori

Il prodotto è stato realizzato con materiali che non emettono cattivi odori. Il posizionamento degli alimenti in sezioni non adeguate e la pulizia delle superfici interne effettuata in modo non corretto potrebbe provocare cattivi odori.

- A tal fine consigliamo di pulire l'interno con acqua gassata ogni 15 giorni.
- Conservare gli alimenti in contenitori sigillati, poiché i microrganismi derivanti da alimenti tenuti in contenitori non sigillati causano cattivi odori.
- Non conservare alimenti scaduti e marci all'interno del frigorifero.

Protezione delle superfici in plastica

L'olio rovesciato sulle superfici in plastica potrebbe danneggiare la superficie, e deve essere pulito immediatamente servendosi di acqua tiepida.

9 Guida alla risoluzione dei problemi

Controllare questo elenco prima di contattare il servizio clienti. Questa operazione vi consentirà di risparmiare soldi. Questo elenco contiene le lamentele più frequenti che non riguardano problemi a livello di ma-

nodopera o materiali. Alcune funzioni qui indicate potrebbero non essere valide per il prodotto in questione.

Il frigorifero non funziona.

- La presa di corrente non è stata inserita correttamente. >>> Spingerla fino a inserirla completamente nella presa.
- Il fusibile collegato alla presa che alimenta il prodotto, oppure il fusibile principale, è bruciato. >>> Controllare il fusibile.

Condensa sulla parete laterale dello scomparto raffreddatore (MULTI ZONE, COOL, CONTROL e FLEXI ZONE).

- La porta viene aperta troppo spesso. >>> Fare attenzione a non aprire troppo frequentemente la porta del prodotto.
- L'ambiente è troppo umido. >>> Non installare il prodotto in ambienti umidi.
- Gli alimenti contenenti liquidi sono conservati in contenitori non sigillati. >>> Tenere gli alimenti contenenti liquidi in contenitori sigillati.
- La porta del prodotto viene lasciata aperta. >>> Non tenere aperte a lungo le porte del frigorifero.
- Il termostato è impostato su una temperatura molto fredda. >>> Impostare il termostato su una temperatura adeguata.

Il compressore non funziona.

- In caso di improvviso black out, o nel caso in cui la spina venga tolta e poi reinserita, la pressione del gas nel sistema di raffreddamento del prodotto non è equilibrata, il che fa scattare la protezione termica del compressore. Il prodotto si riavvierà dopo circa 6 minuti. Qualora il prodotto non si riavvii dopo questo periodo, contattare l'assistenza.
- La modalità di scongelamento è attiva. >>> Si tratta di una condizione normale per un frigorifero con funzione di sbrinamento completamente automatica. Lo sbrinamento avviene a intervalli periodici.
- Il prodotto non è collegato. >>> Verificare che il cavo di alimentazione sia collegato.
- L'impostazione della temperatura è sbagliata. >>> Selezionare l'impostazione di temperatura adeguata.
- Non c'è corrente. >>> Il prodotto continuerà a funzionare normalmente quando verrà ripristinata la corrente elettrica.

Il rumore di funzionamento del frigorifero aumenta col passare del tempo.

- Le prestazioni del prodotto potrebbero variare a seconda delle variazioni della temperatura ambiente. Ciò è normale e non è un'anomalia di funzionamento.

Il frigorifero funziona troppo spesso o troppo a lungo.

- Il nuovo prodotto potrebbe essere più grande di quello precedente. I prodotti più grandi funzioneranno più a lungo.
- La temperatura della stanza potrebbe essere alta. >>> Il prodotto funzionerà normalmente per lunghi periodi di tempo con temperature ambiente superiori.
- Il prodotto potrebbe essere stato di recente collegato alla corrente, oppure al suo interno potrebbero essere stati recentemente aggiunti vari alimenti. >>> Al prodotto servirà più tempo per raggiungere la temperatura impostata, se collegato di recente, oppure nel caso in cui siano stati collocati nuovi alimenti al suo interno. Ciò è normale.
- Forse di recente sono state introdotte nel frigorifero grandi quantità di alimenti caldi. >>> Non mettere alimenti caldi direttamente dentro al frigorifero.
- Le porte sono state aperte frequentemente o tenute aperte a lungo. >>> L'aria calda che si muove all'interno provocherà un funzionamento più prolungato. Non aprire le porte con troppa frequenza.
- Le porte del congelatore o del raffreddatore potrebbero essere socchiuse. >>> Controllare che le porte siano totalmente chiuse.
- Il prodotto potrebbe essere impostato su una temperatura troppo bassa. >>> Impostare la temperatura su un livello più alto e attendere che il prodotto raggiunga la temperatura desiderata.
- La rondella della porta del raffreddatore o del congelatore potrebbe essere sporca, usurata, rotta o non correttamente configurata. >>> Pulire o sostituire la guarnizione. Le rondelle consumate e usurate faranno funzionare il prodotto più a lungo per conservare la temperatura attuale.

La temperatura del congelatore è molto bassa, ma la temperatura del raffreddatore è corretta.

- La temperatura dello scomparto congelatore è impostata su un livello molto basso. >>> Impostare la temperatura dello scomparto congelatore su un livello più alto, quindi eseguire un controllo.

La temperatura del raffreddatore è molto bassa, ma la temperatura del congelatore è corretta.

- Impostare la temperatura dello scomparto raffreddatore su un livello più alto, quindi eseguire un controllo. >>> Impostare la temperatura dello scomparto raffreddatore su un livello più alto, quindi eseguire un nuovo controllo.

Gli alimenti conservati nei cassetti dello scomparto raffreddatore sono congelati.

- Impostare la temperatura dello scomparto raffreddatore su un livello più alto, quindi eseguire un controllo. >>> Impostare la temperatura dello scomparto raffreddatore su un livello più alto, quindi eseguire un nuovo controllo.

La temperatura nello scomparto raffreddatore e congelatore è troppo alta.

- La temperatura dello scomparto raffreddatore è impostata su un livello molto alto. >>> L'impostazione della temperatura dello scomparto raffreddatore ha un effetto sulla temperatura dello scomparto congelatore. Attendere che la temperatura delle parti interessate raggiunga il livello sufficiente modificando la temperatura degli scomparti del raffreddatore o del congelatore.
- Le porte sono state aperte frequentemente o tenute aperte a lungo. >>> Non aprire le porte con troppa frequenza.
- La porta potrebbe essere socchiusa. >>> Chiudere completamente la porta.
- Il prodotto potrebbe essere stato di recente collegato alla corrente, oppure al suo interno potrebbero essere stati recentemente aggiunti vari alimenti. >>> Non si tratta di un'anomalia. >>> Al pro-

dotto servirà più tempo per raggiungere la temperatura impostata, se collegato di recente, oppure nel caso in cui siano stati collocati nuovi alimenti al suo interno.

- Forse di recente sono state introdotte nel frigorifero grandi quantità di alimenti caldi. >>> Non mettere alimenti caldi direttamente dentro al frigorifero.

Vibrazioni o rumore.

- >>> Se il prodotto vibra quando viene spostato lentamente, regolare i supporti per equilibrarlo. Verificare inoltre che la superficie di appoggio sia sufficientemente resistente per supportarne il peso.
- Gli eventuali oggetti collocati sul prodotto potrebbero causare rumori. >>> Togliere gli eventuali elementi collocati sul prodotto.
- Il prodotto emette rumori, come ad esempio liquido che scorre, spruzzo, eccetera
- I principi operativi del prodotto prevedono flussi di liquido e di gas. >>> Ciò è normale e non è un'anomalia di funzionamento.

C'è un rumore, simile a un soffio, che proviene dal prodotto.

- Il prodotto si serve di una ventola per il processo di raffreddamento. Ciò è normale e non è un'anomalia di funzionamento.

Si è formata condensa sulle pareti interne del prodotto.

- Le temperature calde o umide aumenteranno la formazione di ghiaccio e la condensa. Ciò è normale e non è un'anomalia di funzionamento.
- Le porte sono state aperte frequentemente o tenute aperte a lungo. >>> Non aprire le porte con troppa frequenza; se la porta è aperta, chiuderla.
- La porta potrebbe essere socchiusa. >>> Chiudere completamente la porta.

Si è formata condensa sulla superficie esterna del prodotto o fra le porte.

- Le condizioni ambientali potrebbero essere umide, e ciò è normale. >>> La condensa si dissiperà alla riduzione dell'umidità.

L'interno emette cattivi odori.

- Il prodotto non è stato pulito regolarmente. >>> Pulire la superficie interna a intervalli regolari servendosi di spugna, acqua tiepida, e acqua gassata.
- Alcuni supporti e materiali da confezionamento potrebbero causare cattivi odori. >>> Servirsi di supporti confezionamento che non emettano cattivi odori.
- Gli alimenti sono stati collocati in supporti non sigillati. >>> Tenere gli alimenti in contenitori sigillati. I microrganismi potrebbero fuoriuscire dagli alimenti non sigillati causando così cattivi odori.
- Rimuovere gli eventuali alimenti scaduti o rovinati dal prodotto.

La porta non si chiude correttamente.

- Le confezioni degli alimenti potrebbero bloccare la porta. >>> Trovare una nuova posizione per gli alimenti che bloccano le porte.
- Il prodotto non è in posizione verticale, appoggiato per terra. >>> Regolare i supporti per l'equilibrio del prodotto.

- La superficie non è piatta o resistente >>> Assicurarsi che la superficie sia piatta e sufficientemente resistente per sostenere il prodotto.

Il cassetto frutta e verdura è inceppato.

- Gli alimenti potrebbero entrare in contatto con la sezione superiore del cassetto. >>> Ri-organizzare gli alimenti nel cassetto.

Temperatura sulla superficie del prodotto.

- Mentre il prodotto è in funzione, potrebbero generarsi temperature elevate tra le due porte, sui pannelli laterali e sulla griglia posteriore. Ciò è normale e non richiede interventi di manutenzione.

La ventola continua a funzionare quando la porta è aperta.

- La ventola potrebbe continuare a funzionare quando la porta del congelatore è aperta.



ATTENZIONE: Qualora il problema persista dopo aver seguito le istruzioni contenute in questa selezione, contattare il proprio fornitore oppure un Servizio Autorizzato. Evitare in ogni caso di riparare il prodotto. Ciò è normale.

DISCLAIMER/AVVERTIMENTO

Alcuni guasti (semplici) possono essere gestiti adeguatamente dall'utente finale senza che si verifichino problemi di sicurezza o di utilizzo non sicuro, a condizione che vengano eseguiti entro i limiti e in conformità alle seguenti istruzioni (vedere la sezione "Autoriparazione").

Pertanto, se non diversamente autorizzato nella sezione "Autoriparazione", per evitare problemi di sicurezza, le riparazioni devono essere effettuate da riparatori professionisti registrati. Un riparatore professionale registrato è un riparatore professionale a cui il produttore ha concesso l'accesso alle istruzioni e all'elenco delle parti di ricambio

di questo prodotto secondo i metodi descritti negli atti legislativi ai sensi della direttiva 2009/125/CE.

Solo gli agenti di assistenza (cioè i riparatori professionali autorizzati) raggiungibili tramite il numero di telefono indicato nel manuale d'uso/scheda di garanzia o tramite il rivenditore autorizzato possono, tuttavia, fornire assistenza in base ai termini della garanzia. Pertanto, si ricorda che le riparazioni effettuate da riparatori professionisti (non autorizzati da) Beko annulleranno la garanzia.

Autoriparazione

L'utente finale può effettuare l'autoriparazione dei seguenti pezzi di ricambio: maniglie, cerniere, vassoi, cestini e guarnizioni dello sportello (un elenco aggiornato è disponibile anche su support.beko.com a partire dal 1° marzo 2021).

Inoltre, per garantire la sicurezza del prodotto e prevenire il rischio di gravi lesioni, l'autoriparazione menzionata deve essere eseguita seguendo le istruzioni contenute nel manuale d'uso per l'autoriparazione o disponibili su support.beko.com. Per la sicurezza dell'utente, prima di tentare qualsiasi riparazione, staccare la spina del prodotto.

I tentativi di riparazione da parte degli utenti finali per parti non incluse in tale elenco e/o non seguendo le istruzioni contenute nei manuali d'uso per l'autoriparazione o disponibili su support.beko.com, potrebbero causare problemi di sicurezza non imputabili a Beko e invalideranno la garanzia del prodotto.

Pertanto, si raccomanda vivamente agli utenti finali di astenersi dal tentare di effettuare riparazioni che non rientrano nell'elenco dei pezzi di ricambio indicati, rivolgendosi in questi casi a riparatori professionali autorizzati o registrati. Al contrario, tali tentativi da parte degli utenti finali potrebbero

causare problemi di sicurezza e danneggiare il prodotto, con conseguenti incendi, allagamenti, folgorazioni e gravi lesioni personali.

A titolo esemplificativo, ma non esaustivo, le seguenti riparazioni devono essere affidate a riparatori professionali autorizzati o registrati: compressore, circuito di raffreddamento, scheda principale, scheda inverter, scheda display, ecc.

Il produttore/venditore non può essere ritenuto responsabile in ogni caso di mancata osservanza di quanto sopra da parte degli utenti finali.

La disponibilità dei pezzi di ricambio del frigorifero acquistato è di 10 anni. Durante questo periodo, i pezzi di ricambio originali saranno disponibili per il corretto funzionamento del frigorifero.

La durata minima della garanzia del frigorifero acquistato è di 24 mesi.

Questo prodotto è dotato di una sorgente luminosa di classe energetica "G".

La sorgente luminosa di questo prodotto deve essere sostituita solo da un riparatore professionista

Vedi anche

2 CLAUSE DE NON-RESPONSABILITÉ /
AVERTISSEMENT [} 55]

Lees eerst deze handleiding!

Beste klant,

Lees deze handleiding voor u het product gebruikt.

Hartelijk dank voor uw keuze van dit Beko product. Wij willen dat u kunt genieten van een optimale efficiëntie van dit hoogwaardige product dat is vervaardigd met de nieuwste technologische snufjes. Lees hiervoor deze handleiding en alle andere documentatie zorgvuldig voor u het product in gebruik neemt en bewaar het voor eventuele raadpleging.

U moet alle informatie en waarschuwingen omvat in deze handleiding naleven. Zo beschermt u zichzelf en uw product tegen eventuele gevaren.

Bewaar de handleiding. U moet deze handleiding meegeven met het apparaat als u het aan iemand anders doorgeeft.

De volgende symbolen worden gebruikt in de handleiding:



Gevaar dat fataal kan aflopen of resulteren in letsels.



Belangrijke informatie en nuttige tips bij het gebruik.



Lees de handleiding.



Brandbaar materiaal, waarschuwing voor brand.

OPMERKING Een gevaar dat materiële schade kan veroorzaken aan het product of de omgeving

 SUPPLIER'S NAME MODEL IDENTIFIER → (*)  	<p>De informatie over het model zoals opgeslagen in de productdatabank is beschikbaar op de volgende website waar u kunt zoeken op de ID van het model (*) die vermeld staat op het typeplaatje.</p> <p>https://eprel.ec.europa.eu/</p>
---	---

1	Veiligheidsinstructies	86
1.1	Beoogd gebruik	86
1.2	Veiligheid van kinderen, kwetsbare personen en huisdieren	86
1.3	Elektrische veiligheid.....	87
1.4	Veiligheid bij de verplaatsing van het product.....	88
1.5	Veiligheid tijdens de installatie.....	88
1.6	Veiligheid tijdens de bediening.....	90
1.7	Veiligheid tijdens de bewaring van etenswaren	92
1.8	Veiligheid tijdens het onderhoud en de reiniging	93
1.9	Technische informatie over Bluetooth + wifi.....	94
2	Milieurichtlijnen.....	94
2.1	Conformiteit met de AEEA richtlijn betreffende afgedankte elektrische en elektronische apparatuur:	94
3	Uw koelkast.....	95
4	Installatie	95
4.1	Correcte plaatsing voor de installatie.....	95
4.2	Elektrische aansluiting.....	96
4.3	De plastic wiggen bevestigen.....	96
4.4	De poten aanpassen	97
4.5	Waarschuwing voor heet oppervlak	97
5	Vorbereiding.....	97
5.1	Wat u kunt doen om energie te besparen	97
5.2	Eerste gebruik.....	98
5.3	Klimaatklasse en definities.....	98
6	De bediening van he product.....	98
7	Het gebruik van uw apparaat	99
7.1	Bedieningspaneel van het product	99
7.2	Etenswaren bewaren in het koelvak	101
7.3	Fotokatalytische module (FreshGuard)	103

7.4	Zuivelproducten koude bewaarzone	104
7.5	De openingszijde van de deur om draaien.....	104
7.6	Deur open alarm	104
7.7	Vouwbaar wijnrek	104
7.8	De lamp vervangen	104
7.9	AeroFlow	105
8	Onderhoud en reiniging	105
9	Probleemoplossen	106

1 Veiligheidsinstructies

Dit hoofdstuk omvat de nodige veiligheidsinstructies om het risico van persoonlijke letsels of materiële schade te voorkomen.

Ons bedrijf kan niet aansprakelijk worden geteld voor schade die kan optreden als deze instructies niet worden nageleefd. De installatie- en reparatiewerken moeten altijd worden uitgevoerd door een geautoriseerde dienst.

Gebruik uitsluitend originele reserveonderdelen en accessoires.

Er worden originele reserveonderdelen geleverd gedurende een periode van 10 jaar vanaf de aankoopdatum van het product. U mag geen enkel onderdeel van het product repareren of vervangen tenzij dit duidelijk wordt aangegeven in de handleiding. Voer geen technische wijzigingen uit aan het product.

1.1 Beoogd gebruik

Dit product is niet geschikt voor commercieel gebruik en het mag enkel worden gebruikt voor het beoogde gebruik. Dit product is uitsluitend ontworpen voor gebruik binnen in huis en in gelijkaardige ruimten.

Bijvoorbeeld:

- In personeelskeukens van winkels, kantoren en andere werkomgevingen,
- In boerderijen,
- In de eenheden van hotels, motels of andere rustfaciliteiten die worden gebruikt door de klanten,
- In jeugdherbergen of gelijkaardige omgevingen,
- In catering en gelijkaardige niet-kleinhandel toepassingen.

Dit product mag niet buiten worden gebruikt in een open of afgesloten buitenomgeving zoals op een boot, balkon of terras. Het product blootstellen aan regen, sneeuw, zon of wind kan brand veroorzaken.

1.2 Veiligheid van kinderen, kwetsbare personen en huisdieren

- Dit product mag worden gebruikt door kinderen van 8 jaar en ouder en personen met een verminderde fysiek, gevoelsmatig en mentaal vermogen of een gebrek aan ervaring en kennis als ze onder toezicht staan of met betrekking instructies krijgen met betrek-

king tot het veilige gebruik van het apparaat en de betrokken risico's.

- Kinderen tussen 3 en 8 jaar oud mogen etenswaren uit het koelerproduct verwijderen of er in plaatsen.
- Elektrische producten zijn gevaarlijk voor kinderen en huisdieren. Kinderen en huisdieren mogen niet spelen met, klimmen op of binnendringen in het product.
- De reiniging en het onderhoud mogen niet worden uitgevoerd door kinderen tenzij ze onder toezicht staan.
- Houd het verpakkingsmateriaal uit de buurt van kinderen. Risico van letsels en verstikking.

Voor u ouder producten weggooit die niet meer mogen worden gebruikt:

1. Verwijder de stekker uit het stopcontact.
2. Snijd het netsnoer door en verwijder het van het apparaat bij de stekker.
3. Verwijder de rekken en laden van het product om te voorkomen dat kinderen kunnen geklemd raken in het apparaat.
4. Verwijder de deuren.
5. Bewaar het product zodat het niet kan omkantelen.

6. Laat kinderen niet spelen met het afgedankte product.
 - U mag het product niet verwijderen door het in vuur te gooien. Explosierisico.
 - Als er een slot aanwezig is op de deur van het product moet u de sleutel buiten het bereik van kinderen houden.



1.3 Elektrische veiligheid

- De stekker van het product mag niet in het stopcontact zitten tijdens de installatie, het onderhoud, de reiniging, reparaties en het vervoer van het product.
- Als het netsnoer beschadigd is, moet het worden vervangen door geautoriseerd personeel om alle mogelijke risico's te voorkomen.
- U mag het netsnoer niet onder of achter het product duwen. Plaats geen zware voorwerpen op het netsnoer. Het netsnoer mag niet worden gebogen, geklemd of in contact komen met een warmtebron.
- Gebruik geen verlengsnoer, multistekker of adapter om uw product in te schakelen.
- Draagbare multistekkers of draagbare voedingen kunnen oververhitten en brand veroorzaken.

zaken. U mag dus geen multi-stekker achter of in de buurt van het product bewaren.

- De stekker moet gemakkelijk bereikbaar zijn. Als dit niet mogelijk is, moet er een mechanisme beschikbaar zijn dat voldoet aan de elektrische wetgeving en die alle terminal loskoppelt van het netwerk (zekering, schakelaar, hoofdschakelaar, etc.).
- U mag de stekker niet aanraken met natte handen.
- Wanneer u de stekker van het apparaat verwijdert uit het stopcontact mag u niet aan het snoer zelf trekken maar enkel aan de stekker.

1.4 Veiligheid bij de verplaatsing van het product

- Dit is een zwaar product, u mag het niet zelf verplaatsen.
- Houd het product niet bij de deur wanneer u het product verplaatst.
- Zorg ervoor het koelsysteem en de leidingen niet te beschadigen tijdens de verplaatsing van het product. Gebruik het product niet als de leidingen beschadigd zijn. Neem contact op met de geautoriseerde dienst.



1.5 Veiligheid tijdens de installatie

- Neem contact op met de geautoriseerde service voor de installatie van het product. Om de installatie van het product voor te bereiden, verwijzen wij u naar de informatie in de handleiding. Zorg ervoor dat de elektrische en watervoorzieningen correct zijn uitgevoerd. Zo niet moet u een elektricien en loodgieter aanspreken om de voorzieningen correct uit te voeren. Zo niet bestaat er een risico van elektrische schokken, brand, problemen met het product of persoonlijke letsels.
- Inspecteer het product op schade voor u het installeert. Laat het apparaat niet installeren als het beschadigd is.
- Plaats het product op een vlak en stevig oppervlak en balanceer het met de verstelbare poten. Zo niet kan de koelkast kantelen en letsels veroorzaken.
- Het product moet worden geïnstalleerd in een droge en geventileerde omgeving. U mag geen tapijten of gelijkaardige vloerkleden onder het product plaatsen. Dit kan een brandrisico zijn.

co veroorzaken als het gevolg van een ontoereikende ventilatie!

- De ventilatieopeningen mogen niet worden geblokkeerd of afgedekt. Zo niet kan het energieverbruik verhogen en het product worden beschadigd.
- Het product moet worden verbonden met toevoersystemen zoals zonne-energie-installaties. Zo niet kan uw product worden beschadigd door plotse wijzigingen in de spanning!
- Hoe meer koelmiddel wordt toegevoegd aan een koelkast, hoe groter de installatielocatie moet zijn. In zeer kleine ruimten kan een brandbaar gasluchtmengsel optreden in het geval van een gaslek in het koelsysteem. Er is een minimum 1 m³ volume vereist voor elke 8 gram koelmiddel. De hoeveelheid koelmiddel die beschikbaar is in uw product staat vermeld op het typeplaatje.
- De installatielocatie van het product mag niet zijn blootgesteld aan direct zonlicht en het mag niet worden geplaatst in de buurt van een warmtebron zoals fornuizen, radiatoren, etc. Als u de installatie van het product in de buurt van een warmtebron niet kunt vermijden, moet u een gepaste isolatieplaat gebruiken en de minimumafstand met de warmtebron respecteren zoals hieronder aangegeven.
 - Ten minste 30 cm verwijderd van warmtebronnen zoals fornuizen, verwarmingseenheden en -toestellen, etc.
 - En minimum 5 cm verwijderd van elektrische ovens.
- Uw product heeft de beschermingsklasse van I.
- Voer de stekker van het product in een geaard stopcontact dat voldoet aan de spanning, stroom- en frequentiewaarden vermeld op het typeplaatje. De stekker moet worden voorzien van een 10A – 16A zekering. Ons bedrijf aanvaardt geen verantwoordelijkheid voor eventuele schade door het gebruik zonder aarding en stroomverbinding conform de lokale en nationale wetgeving.
- Het netsnoer van het product moet uit het stopcontact worden verwijderd tijdens de installatie. Zo niet bestaat er een risico van elektrische schokken en letsel!
- U mag de stekker van het product niet in losse, gebroken, vuile of vette stopcontacten steken of in stopcontacten die

uit hun zittingen zijn gekomen met een risico van contact met water.

- Plaats het netsnoer en de leidingen (indien beschikbaar) van het product zodanig dat niemand er over kan struikelen.
- Vochtpenetratie van onder spanning staande onderdelen of het netsnoer kan een kortsluiting veroorzaken. Gebruik het product dus niet in vochtige omgevingen of in zones waar water kan spatten (bijv. garage, wasruimte, etc.). Als de koelkast nat is met water moet u de stekker verwijderen en contact opnemen met de onderhoudsdienst.
- U mag uw koelkast nooit aansluiten op energiebesparende apparaten. Dergelijke systemen zijn schadelijk voor het product



1.6 Veiligheid tijdens de bediening

- Gebruik nooit chemische oplosmiddelen op het product. Dit materiaal kan een explosierisico inhouden.
- In het geval van een defect in het product moet u de stekker verwijderen uit het stopcontact en mag u het niet gebruiken tot

het is gerepareerd door de service geautoriseerde. Er bestaat een risico van elektrische schokken!

- Plaats geen vlammenbron (bijv. kaarsen, sigaretten, etc.) op het product of in de buurt.
- U mag niet klimmen op het product. Risico van valpartijen en letsels!
- U mag de leidingen van het koelsysteem niet beschadigen door scherpe en doorborende werktuigen te gebruiken. Het koelmiddel dat vrijkomt wanneer de gasleidingen, buisverlengingen of coatings van het bovenste oppervlak worden doorprikt kan irritatie van de huid en letsels van de ogen veroorzaken.
- Plaats en bedien geen elektrische apparaten in de koelkast-diepvriezer tenzij dit is geadviseerd door de fabrikant.
- Zorg ervoor uw handen of lichaam uit de buurt te houden van de bewegende delen in het product. Zorg ervoor dat uw vingers niet geklemd kunnen raken tussen de koelkast en de deur. Wees voorzichtig wanneer u de deur opent of sluit als er kinderen in de buurt zijn.

- Plaats geen roomijs, ijsblokjes of diepgevroren etenswaren in uw mond van zodra u ze uit de diepvriezer haalt. Risico van vrieswonden!
- Raak de binnenwanden, metalen onderdelen van de diepvriezer of etenswaren die worden bewaard in de diepvriezer niet aan met natte handen. Risico van vrieswonden!
- Plaats geen blikjes of flessen met vloeistof die kunnen bevriezen in het vriesvak. Blikjes of flessen kunnen ontploffen. Er bestaat een risico van letsels en materiële schade!
- Gebruik of plaats geen materiaal dat gevoelig is aan temperaturen zoals brandbare sprays, brandbare voorwerpen, droog ijs of andere chemische stoffen in de buurt van de koelkast. Risico van brand en explosie!
- U mag geen explosieve stoffen zoals een aerosol met een ontvlambaar materiaal opslaan in het product.
- Plaats geen blikjes met vloeistof bovenop het product. Waterspatten op een elektrisch onderdeel kunnen een risico inhouden van elektrische schokken of brand.
- Dit product is niet bedoeld om medicatie, bloedplasma, laboratoriumbereidingen of gelijkwaardige materiaal en producten te bewaren en te koelen die onderhevig zijn aan de richtlijn voor Medische producten.
- Als het product voor een ander dan het beoogde doeleinde wordt gebruikt, kan het schade veroorzaken aan de etenswaren in het product.
- Als uw koelkast is uitgerust met een blauwe lamp mag u niet naar deze lamp staren met optische apparaten. U mag niet langdurig rechtstreeks in de UV LED-lamp kijken. Ultraviolet stralen kunnen de ogen vermoeien.
- Vul het product niet op met meer etenswaren dat de capaciteit. Als de inhoud van de koelkast valt wanneer de deur wordt geopend, kan dit letsels of schade veroorzaken. Gelijkaardige problemen kunnen ook optreden als er een voorwerp op het product is geplaatst.
- Zorg ervoor dat u al het eventuele ijs of water hebt verwijderd dat op de vloer kan zijn gevallen om letsels te vermijden.

- Verander de locaties van de rekken/flessenrekken op de deur van uw koelkast enkel wanneer de rekken leeg zijn. Gevaar van letsels!
- Plaats geen voorwerpen die kunnen vallen/kantelen op het product. Dergelijke voorwerpen kunnen vallen wanneer de deur wordt geopend of gesloten en letsels en/of materiële schade veroorzaken.
- U mag niet te hard slaan op de glazen oppervlakken. Gebroken glas kan letsels en/of materiële schade veroorzaken.
- Het koelsysteem in uw product bevat R600a koelmiddel. Het type koelmiddel dat wordt gebruikt in het product staat vermeld op het typeplaatje. Dit gas is ontvlambaar. Zorg er dus voor het koelsysteem en de leidingen niet te beschadigen tijdens de bediening van het product. In het geval van schade aan de leidingen;
 1. Raak het product of het netsnoer niet aan.
 2. Houd het product uit de buurt van potentiële bronnen van brand die het product in brand kunnen doen schieten.
 3. Ventileer de ruimte waar het product is geplaatst. Gebruik geen ventilator.

4. Neem contact op met de geautoriseerde dienst.
5. Als het product is beschadigd en u een gaslek vaststelt, moet u uit de buurt blijven van het gas. Het gas kan de vrieswonden veroorzaken als het in contact komt met de huid.

1.7 Veiligheid tijdens de bewaring van etenswaren



Let op de volgende waarschuwingen om te vermijden dat uw etenswaren zouden bederven:

- De deur langdurig open laten kan de temperatuur in het product doen stijgen.
- Reinig de toegankelijke afvoersystemen die in contact komen met de etenswaren regelmatig.
- Reinig de waterreservoirs als ze niet zijn gebruikt gedurende 48 uur en systemen met een verbinding met het waternet die niet zijn gebruikt gedurende meer dan 5 dagen.
- Bewaar rauw vlees- en visproducten in de geschikte vakken in het product. Zo kunnen deze niet druppelen of in contact komen met andere etenswaren.

- Twee vriesvakken worden gebruikt om voorgevulde etenswaren te bewaren en om ijs en roomijs te maken en te bewaren.
- Een-, twee- en drie-sterren compartimenten zijn niet geschikt om verse etenswaren in te vriezen.
- Als het koelproduct gedurende een lange tijd leeg is gelaten, moet u het uitschakelen, ontdooien, reinigen en drogen om de behuizing van het product te beschermen.
- Tijdens de reiniging van het product mag u geen scherpe of schurende voorwerpen of huishoudelijke reinigingsmiddelen, oplosmiddelen, gas, benzine, verdunner, alcohol, lak en gelijkaardige stoffen gebruiken. Gebruik enkel reinigings- en onderhoudsmiddelen die niet schakelen zijn voor de etenswaren in het product.
- Gebruik geen stoom of stoomreinigers om het product te reinigen of om ijs in het product te ontdooien. Stoom komt in contact met de onderdelen van uw koelkast die onder spanning staan en dit veroorzaakt kortsluitingen of elektrische schokken.

1.8 Veiligheid tijdens het onderhoud en de reiniging

- Trek niet aan het handvat van de deur als u het product moet verplaatsen tijdens het reinigen. Het handvat kan letsels veroorzaken als u er te hard aan trekt.
- Reinig het product niet door water te verstuiven of te gieten op en in het product. Er is een risico van elektrische schokken of brand.
- Zorg ervoor water uit de buurt te houden van het elektronisch circuit of de verlichting van het product.
- Gebruik een schone, droge doek om vreemd materiaal of stof te verwijderen van de punten van de stekker. Gebruik geen natte of vochtige doek om de stekker te reinigen. Zo niet bestaat er een risico van brand of elektrische schokken.



1.9 Technische informatie over Bluetooth + wifi

Frequentieband:	2.4GHz (Wifi of bluetooth-functie)
Max. zendvermogen:	< 100mW (Wifi of bluetooth-functie)
Software details:	Quartz_WiFi.XXX

EG-verklaring van overeenstemming

Arçelik A.Ş. verklaart hierbij dat dit apparaat conform is met de 2014/53/EU richtlijn.

De volledige tekst van de EU verklaring van overeenstemming is beschikbaar op de volgende website:

Producten, het adres: support.beko.com

De gedefinieerde ondersteuningsperiode voor software-updates voor cyberbeveiliging van het product is de garantieperiode van het product. Na deze periode zijn cyberbeveiligingsgerelateerde software-updates niet gegarandeerd.

2 Milieuriichtlijnen

2.1 Conformiteit met de AEEA richtlijn betreffende afgedankte elektrische en elektronische apparatuur:



Dit product is conform met de EU WEEE-richtlijn (2012/19/EU). Dit product draagt een classificatiesymbool voor afval elektrische en elektronische apparatuur (WEEE).

Dit symbool wijst erop dat dit product niet mag worden verwijderd met ander huishoudelijk afval aan het einde van de levensduur. Een gebruikt apparaat moet naar een officieel inzamelpunt worden gebracht voor recycling van elektrische en elektronische apparaten. Neem contact op met uw lokale autoriteiten of detailhandelaar waar het product is gekocht om deze collectiesystemen te vinden. Elk gezin speelt een belangrijke rol in de recuperatie en recycling van oude

apparaten. De correcte verwijdering van gebruikte apparatuur helpt potentiële negatieve gevolgen voor het milieu en de volksgezondheid te voorkomen.

Naleving van de RoHS-richtlijn

Het product dat u hebt gekocht is conform met de Europese RoHS-richtlijn (2011/65/EU). Het bevat geen schadelijk en verboden materiaal zoals gespecificeerd in de Richtlijn.

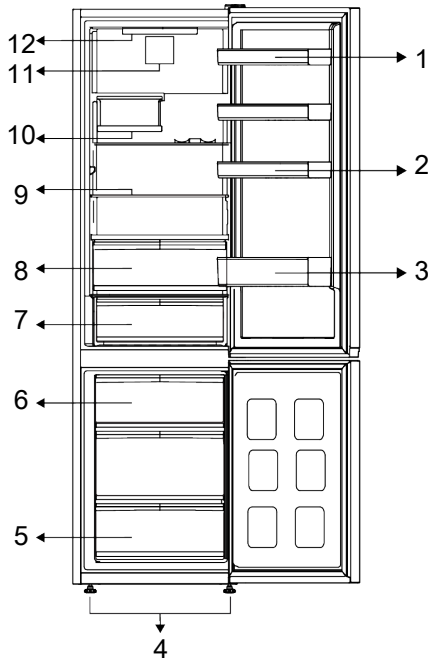


Informatie over de verpakking

Het verpakkingsmateriaal van het product is gefabriceerd van recyclebaar materiaal in overeenstemming met onze Nationale Milieuwetgeving. U mag het verpakkingsmateriaal niet samen met het huishoudelijke of ander afval weggooien.

Breng het naar de inzamelpunten voor verpakkingsmateriaal aangewezen door de lokale autoriteiten.

3 Uw koelkast



NL

- | | |
|----------------------------|-------------------------|
| 1 * Verstelbare deurvakken | 2 * Eierhouder |
| 3 * Flessenplank | 4 * Verstelbare voetjes |
| 5 * Vriesvak | 6 * IJscontainer |
| 7 * Koude bewaarlade | 8 * Crisper |
| 9 * Verstelbare planken | 10 * Vouwbaar wijnrek |
| 11 * Ventilator | 12 * Lamp |

***Optioneel:** De afbeeldingen in deze gebruikshandleiding zijn schematisch en stemmen mogelijk niet exact overeen met

uw product. Als de betrokken vakken niet aanwezig zijn in uw product verwijst de informatie naar andere modellen.

4 Installatie



Lees eerst het hoofdstuk "Veiligheidsinstructies"!

4.1 Correcte plaatsing voor de installatie

Neem contact op met de geautoriseerde service voor de installatie van het product. Om de installatie van het product voor te

bereiden, verwijzen wij u naar de informatie in de handleiding. Zorg ervoor dat de elektrische en watervoorzieningen correct zijn uitgevoerd. Zo niet moet u een elektricien en loodgieter aanspreken om de voorzieningen correct uit te voeren.



WAARSCHUWING!

De fabrikant aanvaardt geen verantwoordelijkheid voor eventuele schade veroorzaakt door werkzaamheden die worden uitgevoerd door niet-geautoriseerde personen.



WAARSCHUWING!

Het netsnoer van het product moet uit het stopcontact worden verwijderd tijdens de installatie. Zo niet kan dit fataal aflopen of resulteren in ernstige letsels!



WAARSCHUWING!

Als de deuropening te nauw is om het product door te laten, moet u de deur verwijderen en het product zijdelings draaien; als dit niet werkt, kunt u contact opnemen met de geautoriseerde dienst.

- Plaats het apparaat op een vlakke ondergrond om trillingen te vermijden.
- Plaats het product minimum 30 cm verwijderd van de radiator, het fornuis en gelijkaardige warmtebronnen en minimum 5 cm van elektrische ovens.
- Stel het apparaat niet bloot aan direct zonlicht en plaats het niet in een vochtige omgeving.
- Dit product vereist een goede luchtcirculatie om efficiënt te kunnen werken. Als het product in een muurnis wordt geplaatst, moet u ten minste 5 cm tussenruimte laten tussen het product en het plafond, de achterwand en de muren.
- Controleer of het tussenruimte beveiligingsonderdeel met de muur achteraan aanwezig is (indien geleverd met het product).
- Als dit onderdeel niet beschikbaar is, of als het verloren is gegaan of gevallen, moet u het product zodanig positioneren dat er ten minste 5 cm tussenruimte is tussen het product en de muren van de

kamer. De tussenruimte achteraan is belangrijk voor de efficiënte werking van het product.

4.2 Elektrische aansluiting



Gebruik geen verlengsnoer of meervoudige stopcontacten voor de stroomverbinding.



Een beschadigd netsnoer moet worden vervangen door een Geautoriseerde Dienst.



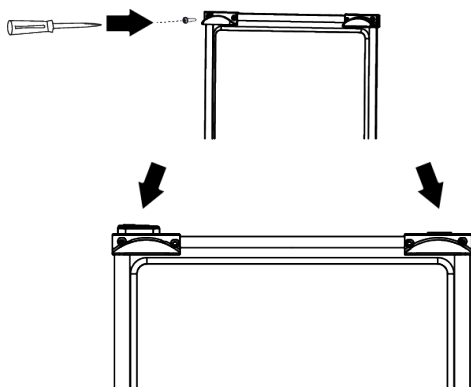
Als u twee koelers naast elkaar plaatst, moet u minimum 4 cm afstand laten tussen beide toestellen.

- Ons bedrijf aanvaardt geen verantwoordelijkheid voor eventuele schade door het gebruik zonder aarding en stroomverbinding conform de nationale wetgeving.
- De netstekker moet gemakkelijk toegankelijk blijven na de installatie.
- Gebruik geen multistekker met of zonder verlengsnoer tussen het stopcontact en de diepvriezer.

4.3 De plastic wiggen bevestigen

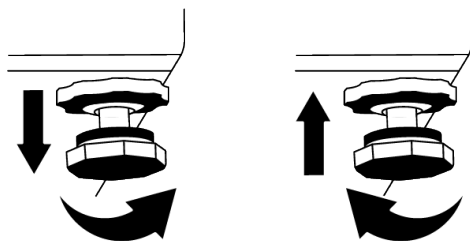
Gebruik de plastic spieën die worden geleverd met het product om voldoende ruimte te laten voor de luchtcirculatie tussen het product en de muur.

1. Om de spieën te bevestigen, verwijdert u de schroeven van het product en gebruikt u de schroeven die worden geleverd met de spieën.
2. Bevestig 2 plastic spieën op het ventilatiedeksel zoals aangetoond in de afbeelding.



4.4 De poten aanpassen

Als het product niet correct gebalanceerd is, moet u de instelbare voeten vooraan naar links of rechts draaien.



NL

4.5 Waarschuwing voor heet oppervlak

De zijwanden van uw product zijn uitgerust met koelmiddelleidingen om het koelsysteem te verbeteren. Vloeistof onder hoge druk kan door deze oppervlakken stromen en hete oppervlakten veroorzaken op de zijwanden. Dit is normaal en vereist geen interventie van het onderhoudspersoneel. Let op wanneer u in contact komt met deze zones.

5 Voorbereiding



Lees eerst het hoofdstuk "Veiligheidsinstructies"!

5.1 Wat u kunt doen om energie te besparen



Het product verbinden met elektronische energiebesparende systemen is schadelijk want het kan uw product beschadigen.

- Dit koelapparaat is niet bedoeld voor gebruik als een ingebouwd apparaat;.
- Houd de deur van de koelkast niet te lang open.
- Plaats geen warme dranken in de koelkast.
- U mag de koelkast niet te veel opvullen; als u de interne luchtcirculatie blokkeert, vermindert het koelvermogen.
- Om een maximale hoeveelheid etenswaren op te slaan in het koelvak van uw koelkast kunt u de bovenste laden verwijderen en de etenswaren op het rooster/glazen rek plaatsen. Het nettovolume en het energieverbruik vermeld op het energielabel van uw koelkast zijn getest door de bovenste laden te verwijderen uit het koelvak en de ijssemmer, die gemakkelijk kan worden verwijderd met de hand.
- Het is ten zeerste aangeraden de onderste lade te gebruiken om etenswaren te bewaren.
- Afhankelijk van de kenmerken van het product; ingevroren etenswaren ontdooien in het koelvak resulteert in energiebesparing en bewaart de kwaliteit van de etenswaren.
- Zorg ervoor dat de etenswaren niet in contact komen met de hieronder beschreven temperatuursensor van het koelvak.
- Etenswaren moeten worden bewaard op de laden in het koelvak om energie te besparen en etenswaren in betere omstandigheden te beschermen.
- Pakketten met etenswaren mogen niet in direct contact staan met de temperatuursensor in het vriesvak.

- Als ze in contact komen met de sensor kan het energieverbruik van het apparaat stijgen

5.2 Eerste gebruik

Voor u de koelkast in gebruik neemt, moet u ervoor zorgen dat u de nodige voorbereidingen treft in overeenstemming met de instructies vermeld in de “Veiligheids- en omgevingsinstructies” en “Installatie” secties.

- Schakel het product in zonder etenswaren en laat het werken gedurende 6 uur. Open de deur niet tenzij absoluut noodzakelijk.
- De temperatuurwijzigingen die worden veroorzaakt door het openen en sluiten van de deur tijdens het gebruik van het product zullen in normale omstandigheden resulteren in de vorming van condensatie op de deur/laden en het glas dat in het product wordt geplaatst.



Een geluidssignaal weerklinkt wanneer de compressor wordt ingeschakeld. Het is normaal dat het product lawaai maakt, zelfs als de compressor is ingeschakeld, aangezien vloeistof en gas kan worden samengedrukt in het koelsysteem.



Het is normaal dat de voorzijden van de koelkast warm zijn. Deze zones zijn ontworpen om op te warmen en condensatie te vermijden.



In sommige modellen schakelt het indicatorpaneel automatisch uit 1 minuten nadat de deur sluit. Ze wordt opnieuw ingeschakeld wanneer de deur geopend wordt of een toets ingedrukt wordt.

5.3 Klimaatklasse en definities

Raadpleeg de klimaatklasse op het typeplaatje van uw apparaat. Eén van de onderstaande situaties is van toepassing op uw apparaat naargelang de klimaatklasse.”

- **SN:** Lange termijn gematigd klimaat: Dit koelapparaat is ontworpen voor gebruik bij een omgevingstemperatuur tussen 10 °C en 32 °C.
- **N:** Gematigd klimaat: Dit koelapparaat is ontworpen voor gebruik bij een omgevingstemperatuur tussen 16 °C en 32 °C.
- **ST:** Subtropisch klimaat: Dit koelapparaat is ontworpen voor gebruik bij een omgevingstemperatuur tussen 16 °C en 38 °C.
- **Tel.:** Tropisch klimaat: Dit koelapparaat is ontworpen voor gebruik bij een omgevingstemperatuur tussen 16 °C en 43 °C.

6 De bediening van he product



Lees eerst het hoofdstuk “Veiligheidsinstructies”!

- Gebruik geen mechanische werktuigen of andere werktuigen dan de aanbevelingen van de fabrikant om de ontdooiing te versnellen.
- Gebruik geen onderdelen van uw koelkast zoals de deur of de laden als steun of trapje. Dit kan het product doen kantelen of de onderdelen beschadigen.
- Het product mag enkel worden gebruikt om etenswaren en dranken op te slaan.

- Sluit de waterkraan af als u weg gaat van huis (bijv. op vakantie vertrekt) en u de Icematic of de waterdispenser gedurende een lange periode niet zult gebruiken. Zo niet kunnen er waterlekken optreden.

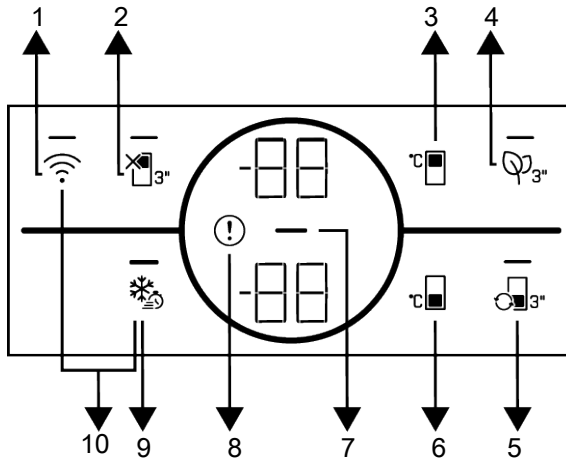
Het programma pauzeren

- Als u het product niet zult gebruiken gedurende een lange periode moet u stekker verwijderen uit het stopcontact.
- Verwijder de etenswaren om geurtjes te voorkomen.

- Wacht tot het ijs is gesmolten, reinig de binnenzijde en laat deze drogen. Laat de deuren open om schade aan het plastic in het product te voorkomen.

7 Het gebruik van uw apparaat

7.1 Bedieningspaneel van het product



- | | |
|---|---|
| 1 * Draadloze toets | 2 * Koelvak UIT (vakantie) functie |
| 3 * Koelvak temperatuurinstelling toets | 4 * Ontgeurdermodule toets |
| 5 * Vak conversieschakelaar | 6 * Vriesvak temperatuurinstelling toets |
| 7 * Energiebesparing (scherm uit) indicator | 8 * Foutstatus indicator |
| 9 * Snel invriezen toets | 10 * Toets om de instellingen van de draadloze verbinding opnieuw in te stellen |



Lees eerst het hoofdstuk "Veiligheidsinstructies".

De geluids- en visuele functies van het indicatorpaneel helpen bij het gebruik van de koelkast.

***Optioneel:** De weergegeven functies zijn optioneel; er kunnen verschillen zijn in de vorm en de locatie van de functies op het indicatorpaneel van uw apparaat.

1. Draadloos toets

Deze toets wordt gebruikt om een draadloze verbinding te maken met uw product via de HomeWhiz mobiele app. Als de toets gedurende 3 seconden wordt ingedrukt, zal het verbindingssymbool langzaam knipperen op het scherm (met een interval van 0,5 seconden). Het thuisnetwerk wordt op deze wijze geïnitieerd. Nadat de draadloze verbinding tot stand is gebracht, licht het draadloze verbinding pictogram () ononderbroken op. U kunt de verbinding in/uitschakelen door de-

ze toets kort in te drukken. Het draadloze netwerkpictogram knippert (met een interval van 0,2 seconde) terwijl de verbinding tot stand is gebracht. Als de verbinding actief is, blijft het LED lampje branden. Als de verbinding niet tot stand kan worden gebracht gedurende een lange periode moet u uw verbindinginstellingen controleren en het hoofdstuk "Probleemoplossing" raadplegen in de handleiding. De HomeWhiz app moet worden gebruikt voor de draadloze verbinding. De stappen voor de configuratie worden uitgelegd via de app tijdens de instelling. U krijgt toegang tot de app door de QR-code op het HomeWhiz label op het apparaat te scannen. De app is beschikbaar in de App Store of via de Play Store voor Android apparaten. Voor meer informatie verwijzen wij u naar <https://www.homewhiz.com/>

2. Koeler UIT (vakantie) functietoets

Druk op de toets gedurende 3 seconden om de vakantiefunctie in te schakelen. De vakantiemodus wordt ingeschakeld en de LED van de toets licht op. "- -" verschijnt op de Koelvak temperatuurindicator en het koelvak koelt niet actief af. Het is niet aanbevolen etenswaren te bewaren in het koelvak wanneer deze functie is ingeschakeld. De andere vakken blijven koelen op basis van de ingestelde temperatuur. Houd de toets opnieuw ingedrukt gedurende 3 seconden om deze functie te annuleren.

3. Koelvak temperatuurinstelling toets

Biedt de mogelijkheid de temperatuur in te stellen voor het koelvak. Als u deze knop indrukt, kan de temperatuur van het koelvak worden ingesteld op 8 °C, 7 °C, 6 °C, 5 °C, 4 °C, 3 °C, 2 °C en 1 °C.

4. *Ontgeurdermodule toets

Houd deze toets 3 seconden ingedrukt op de ontgeurdersfunctie in of uit te schakelen. Als de anti-geurfunctie is ingeschakeld,

licht de LED van de respectieve knop op. Als de functie actief is, wordt de ontgeurdermodule af en toe ingeschakeld.

5. Vak conversieschakelaar

Als de Vak conversieschakelaar 3 seconden lang wordt ingedrukt, schakelt het vriesvak tussen de koeler-, Uit- en de vriesmodi. Als het als toets koelvak wordt gebruikt, kan de temperatuur van het vak worden ingesteld op 4 °C. In de UIT-modus geeft de temperatuurindicator van dit vak "- -" weer.

6. Vriesvak temperatuurinstelling toets

De temperatuurinstelling is gemaakt voor het vriesvak. Als u deze knop indrukt, kan de temperatuur van het vriesvak worden ingesteld op -18 °C, -19 °C, -20 °C, -21 °C, -22 °C, -23 °C en -24 °C.

7. Energiebesparing (scherm uit) indicator

De energiebesparingsfunctie schakelt automatisch in en het energiebesparing pictogram licht op wanneer de deur van het product niet wordt geopend of gesloten gedurende een bepaalde periode. Wanneer de energiebesparingsfunctie is ingeschakeld, schakelen alle symbolen op het scherm uit, behalve het energiebesparingspictogram. Als u, wanneer de energiebesparingsfunctie ingeschakeld is, wordt de energiebesparingsfunctie uitgeschakeld als een knop wordt ingedrukt of als de deur wordt geopend en de symbolen op het scherm keren terug naar normaal. De energiebesparingsfunctie is een functie die wordt ingeschakeld in de fabriekinstellingen en ze kan niet worden geannuleerd.

8. Foutstatus indicator

Deze indicator schakelt in als uw koelkast onvoldoende koelt of in het geval van een sensorfout. De letter "E" verschijnt op temperatuurindicator van het vriesvak en de cijfers 1, 2, 3 verschijnen op de temperatuurindicator van het koelvak. Deze cijfers op de

indicator biedt de service informatie met betrekking tot de fout. Als u warme etenswaren in het vriesvak plaatst, of als u de deur lang open laat, kan een uitroepingsteek oplichten. Dit is geen fout; deze waarschuwing verdwijnt wanneer de etenswaren afkoelen of wanneer een toets wordt ingedrukt.

9. Snel invriezen toets

Als de snel invriezen toets wordt ingedrukt, licht de LED van de toets op en wordt de snel invriezen functie ingeschakeld. De temperatuur van het vriesvak is ingesteld op -27 °C. Druk opnieuw op deze toets om de functie te annuleren. De Snel invriezen functie wordt automatisch uitgeschakeld na 24 uur. Als u een grote hoeveelheid ver-

se etenswaren moet invriezen, drukt u op de Snel invriezen toets voor u etenswaren in het vriesvak plaatst.

10. Toets om de instellingen van de draadloze verbinding opnieuw in te stellen +

Om de instellingen van de draadloze verbinding opnieuw in te stellen, moet u de toetsen Snel invriezen en Draadloze verbinding gelijktijdig indrukken gedurende 3 seconden. Alle gebruikersgegevens die eerder zijn geregistreerd, worden verwijderd op een product waar de draadloze verbindinginstellingen opnieuw worden ingesteld/teruggedraaid naar de fabrieksinstellingen.

NL

7.2 Etenswaren bewaren in het koelvak

Etenswaren bewaren in het koelvak

- De temperatuur in de vakken stijgt aanzienlijk als de deur van de vakken vaak wordt geopend en gesloten of langdurig wordt open gehouden. Dit kan de levensduur van de etenswaren verminderen en deze doen bederven.
- Om onaangename geurtjes en veranderingen in de smaak te voorkomen, mogen de etenswaren niet worden opgeslagen in afgesloten containers.
- Bewaar geen al te grote hoeveelheden etenswaren in uw koelkast. Om een beter en homogeen koelresultaat te bereiken, plaatst u de etenswaren zodanig dat koude lucht door de etenswaren kan circuleren.
- Zorg voor voldoende luchtcirculatie door ruimte te laten tussen de etenswaren en de interne wanden. Als u de etenswaren tegen de achterwand plaatst, kunnen deze bevriezen.
- Laat bereide maaltijden afkoelen tot kamertemperatuur voor u ze in de koelkast plaatst. Daarna kunt u de lauwe maaltijd op de onderste laden van uw koelkast plaatsen. Plaats uw lauwe maaltijden niet in de buurt van etenswaren die gemakkelijk bederven.
- Ontdooi uw ingevroren etenswaren in het compartiment voor verse etenswaren. Zo kunt u het vak met verse etenswaren afkoelen door diepgevroren etenswaren te gebruiken en energie te besparen.
- Onrijp tropisch fruit (mango, meloenvariëteiten, papaya, bananen, ananas) bewaren in de koelkast kan het rijpingproces versnellen. Dit is niet aanbevolen omdat het de bewaartijd kan verkorten.
- Uien, look, gember en andere wortelgroenten moeten worden bewaard in donkere en koele kamercondities, niet in de koelkast.
- Als u opmerkt dat bepaalde etenswaren zijn bedorven in de koelkast moet u deze weggooien en de accessoires reinigen die in contact zijn gekomen met die etenswaren.
- Om maaltijden zoals soep en stoofpotjes, die in grote potten worden bereid, snel af te koelen, kunt u ze in de koelkast plaatsen door ze te verdelen in hun eigen ondiepe accessoires.
- Plaats de niet-verpakte etenswaren niet in de buurt van eieren.

- Houd fruit en groenten van elkaar gescheiden en bewaar elke variëteit samen (bijvoorbeeld: appels met appels, wortels met wortels)
- Verwijder groene groenten uit de plastic zak en plaats ze in de koelkast nadat u ze in papier of een theedoek hebt gewikkeld. Als u dergelijke etenswaren wilt wassen voor u ze in de koelkast plaatst, moet u ze eerst drogen.
- U kunt een vochtige omgeving creëren en lucht doen circuleren door fruit en groenten, die gemakkelijk uitdrogen, in doorboorde of niet afgesloten plastic zakken te bewaren.
- Met uitzondering van extreme omstandigheden in de omgeving, als uw product (op de aanbevolen ingestelde waardetabel) is ingesteld op de specifiek ingestelde waarden zullen de etenswaren langer vers blijven in het vak voor verse producten en het vriesvak.

Etenswaren moeten worden bewaard op uiteenlopende plaatsen op basis van hun eigenschappen:	
Etenswaren	Plaats
Eieren	Deurvak
Zuivelproducten (boter, kaas)	Indien beschikbaar, nul graden (voor ontbijt) vak
Fruit, groenten en salade	Fruit-groentevak, crispier of EverFresh+ vak (indien beschikbaar)
Vers vlees, gevogelte, vis, worsten, etc. Bereide etenswaren	Indien beschikbaar, nul graden (voor ontbijt) vak
Kant en klare etenswaren, verpakte producten, conserven en gepekelde producten	Bovenste vakken of deurvakken
Drank, flessen, kruiden en snacks	Deurvak

Etenswaren bewaren in het vriesvak

- U kunt de Snel invriezen functie 4-6 uur gebruiken voor het invriezen om sneller af te koelen.
- Laat bereide maaltijden afkoelen tot kamertemperatuur voor u ze in de vriesvak plaatst.
- De etenswaren die u wilt invriezen moeten worden onderverdeeld in porties naar gelang de hoeveelheid die u zult gebruiken en ze moeten worden ingevroren in afzonderlijke verpakkingen.
- Het is aanbevolen etenswaren te verpakken voor u ze in het vriesvak plaatst.
- Om te voorkomen dat de bewaartijden verstrijken, moet u de invriesdatum, tijds-limiet en de naam van de etenswaren no-teren op de verpakking in overeenstem-ming met de bewaartijden van verschil-lende etenswaren.
- Wacht niet te lang om de etenswaren die u hebt ontdooid te verbruiken. Ontdooide etenswaren mogen niet opnieuw worden ingevroren tenzij ze worden bereid. Het is

niet veilig opnieuw ingevroren verse etenswaren te verbruiken zonder ze te bereiden nadat ze zijn ontdooid.

- Wanneer u verse etenswaren invriest, moet u contact vermijden met al ingevroren etenswaren. Zo niet zullen deze ingevroren etenswaren ontdooiden.

Etenswaren bewaren die in bevroren vorm worden verkocht

- Volg altijd de instructies van de produ-cent in verhouding met de tijdsduur dat u uw etenswaren moet bewaren. U mag de tijd vermeld in deze instructies niet overschrijden!
- Om de kwaliteit van de etenswaren te be-schermen, moet u de tijdsinterval tussen de aankoop en de bewaring zo kort mo-gelijk houden.
- Koop ingevroren etenswaren die worden bewaard bij -18°C of lagere temperatu-ren.
- Koop geen etenswaren waarvan de ver-pakking bedekt is met ijs, etc. Dit bete-kent dat het product mogelijk gedeeltelijk

is ontdooid en daarna opnieuw ingevroren. De temperatuur heeft een impact op de kwaliteit van de etenswaren.

- U mag de bewaartijd die wordt aanbevolen door de voedingsfabrikant niet overschrijden. Verwijder enkel de etenswaren die u onmiddellijk zult verbruiken uit de diepvriezer.
- Met uitzondering van extreme omstandigheden in de omgeving, als uw product (op de aanbevolen ingestelde waardetabel) is ingesteld op de specifiek ingestelde waarden zullen de etenswaren langer vers blijven in het vak voor verse producten en het vriesvak.
- Als het vak voor verse etenswaren is ingesteld op een lagere temperatuur kunnen vers fruit en groenten gedeeltelijk worden ingevroren.

Diepvriezer details

Conform de IEC 62552 normen moet de diepvriezer 4,5 kg etenswaren kunnen invriezen bij -18°C of lagere temperaturen bij 25°C kamertemperatuur in 24 uur voor iedere 100 liter vriesvak volume.

Etenswaren kunnen enkel gedurende lange perioden worden bewaard bij een temperatuur van -18°C of lager.

U kunt etenswaren maanden lang vers houden (in de diepvriezer bij een temperatuur van 18°C of lager).

De in te vriezen etenswaren mogen niet in contact komen met reeds ingevroren etenswaren om gedeeltelijk ontdooiden te vermijden.

Kook de groenten en filter het water om de ingevroren bewaartijd te verlengen. Plaats de etenswaren in luchtdichte verpakkingen na het filteren en plaats ze in het vriesvak. Bananen, tomaten, sla, selderie, gekookte eieren, aardappelen en gelijkaardige etenswaren mogen nooit worden ingevroren. Als deze etenswaren bederven, heeft dit een negatieve impact op de voedingswaarden en kwaliteit van de etenswaren. Bederving die de gezondheid van de gebruiker in gevaar brengt, is niet mogelijk.

De etenswaren plaatsen

Vriesvak vakken: andere bevroren etenswaren zoals vlees, vis, roomijs, groenten, etc.

Vakken in het koelvak: Etenswaren in potten, afgedekte platen en containers, eieren (in een afgedekte container)

Koelvak deurvakken: kleine en verpakte etenswaren of drank

Crisper: groenten en fruit

Vak voor verse etenswaren: delicatessen (ontbijt etenswaren, vleesproducten die op korte termijn worden verbruikt)

7.3 Fotokatalytische module (Fresh-Guard)

Dankzij deze module, die zich achter het deksel van verdamper in het compartiment voor verse voedingsmiddelen bevindt, wordt de lucht actief over het titaniumdioxide-gecoate fotokatalytische filter geleid en de gezuiverde lucht wordt in de koelkast gecirculeerd. Zo worden onaangename geurtjes verwijderd uit de koelkast voor deze doordrongen raken door het oppervlak van de voedingsmiddelen en er wordt tegelijkertijd hygiënische lucht gecirculeerd via de ontsmette lucht. Deze functie wordt aangedreven door de ventilator in het compartiment voor verse voedingsmiddelen achter het deksel van de verdamper, de UV-A LED en het titaniumdioxide-gecoate geurfilter. Om deze module te activeren/deactiveren, die een hygiënische luchtcirculatie vrij van geurtjes mogelijk maakt in de koelkast,

houdt u de knop (P₃) ingedrukt gedurende 3 seconden. Zorg ervoor dat de functie-indicator (P) op het scherm verschijnt wanneer deze is actief is en van het scherm verdwijnt wanneer ze niet actief is. Als de functie wordt ingeschakeld zoals beschreven, werkt ze periodiek zonder dat de knop opnieuw moet worden ingedrukt. Als de deur van het compartiment voor verse voedingsmiddelen wordt geopend wanneer de module actief is, zullen de ventilator en de UV-A LED tijdelijk niet werken, maar zij zullen opnieuw inschakelen zodra de deur opnieuw wordt gesloten. In het geval van een

stroomstoring wanneer de module is ingeschakeld, begint de module opnieuw te werken vanaf het punt waarop ze is gestopt zodra de stroom wordt hersteld.

Opmerking: Om onaangename geurtjes te vermijden die kunnen optreden door de combinatie van de geuren van uiteenlopende voedingsmiddelen raden wij aan aromatische voedingsmiddelen zoals kaas, olijven en delicatessen in hun verpakking te bewaren met het deksel gesloten. Voor de veiligheid van de bewaarde voedingsmiddelen, de hygiënische bewaarcondities en om onaangename geurtjes te voorkomen, raden wij aan bedorven voedingsmiddelen zo snel mogelijk uit de koelkast te verwijderen.

7.4 Zuivelproducten koude bewaarzone

Koude bewaarlade

De koude bewaarlade kan lagere temperaturen bereiken in het koelvak. Gebruik deze lade voor delicatessen (salami, worst, etc.) en zuivelproducten die koudere koelvoorwaarden vereisen, of voor vlees, kip of vis die snel moeten worden verbruikt. Bewaar geen fruit en groenten in dit vak.

7.5 De openingszijde van de deur omdraaien

De openingszijde van de deur van uw koelkast kan worden omgedraaid in overeenstemming met de locatie waar u ze plaatst. Als u de deur wilt omdraaien, moet u zeker beroep doen op de dichtstbijzijnde geautoriseerde service.


7.6 Deur open alarm

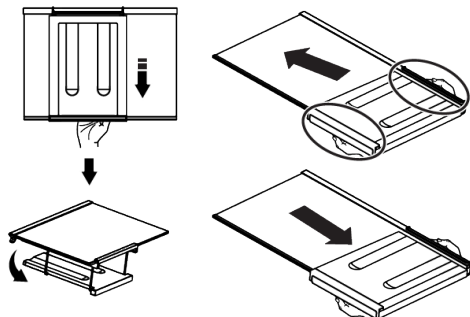
Deur open alarm

Een hoorbaar alarm weerklinkt als de deur van het product langer dan 1 minuut open blijft. Het hoorbare alarm stopt wanneer de deur wordt gesloten of wanneer een knop op het scherm (indien beschikbaar) wordt ingedrukt.

7.7 Vouwbaar wijnrek

Dit biedt de gebruiker de mogelijkheid wijnflessen te bewaren indien nodig. Als u het rek wenst te gebruiken, neemt u het plastic deel vast en trekt u het zachtjes omlaag. U kunt nu het vouwbaar wijnrek gebruiken.

 Het is raadzaam maximaal van 2 wijnflessen te bewaren in het vouwbare wijnrek.



Als u het wijnrek wilt groeperen, moet u eerst de glazen lade verwijderen uit de koelkast. Plaats het op de glazen plaat door het plastic deel door de groeven voor- en achteraan te duwen zoals weergegeven in de afbeelding. Het product is klaar voor gebruik met het vouwbaar wijnrek.

Als u het vouwbare wijnrek wilt verwijderen moet u eerst de glazen lade verwijderen uit de koelkast. Houd het plastic onderdeel vast en duw het in gelijk welke richting. U kunt u het product gebruiken zonder vouwbaar wijnrek indien nodig.

7.8 De lamp vervangen

Bel de geautoriseerde service als de lamp/led in uw koelkast moet worden vervangen. De lamp(en) in dit apparaat mogen niet worden gebruikt voor de verlichting van uw huis. Het beoogde gebruik van deze lamp is de gebruiker te helpen etenswaren veilig en comfortabel in de koelkast/diepvriezer te plaatsen.

7.9 AeroFlow

Dit is een luchtdistributiesysteem dat zorgt voor een homogene verspreiding van de temperatuur. De luchtcirculatie zorgt voor de gelijke verspreiding van de temperatuur in het vak van de verse etenswaren en de temperatuurschommelingen worden beperkt. Er wordt geen lucht rechtstreeks over de etenswaren geblazen en dit helpt het

vochtverlies te beperken. Het bewaard de versheid van de etenswaren bewaard in het vak voor verse etenswaren van de koelkast. Zo worden uw etenswaren aan een stabielere temperatuur bewaard en wordt het contact met de lucht beperkt. Het drogen en krimpen van etenswaren door vochtverlies wordt voorkomen en zo blijven ze lang vers.

8 Onderhoud en reiniging



WAARSCHUWING!

Lees eerst het hoofdstuk "Veiligheidsinstructies".



WAARSCHUWING!

Verwijder de stekker uit het stopcontact voor u de koelkast reinigt.

- Gebruik geen scherp of schurend gereedschap om het product te reinigen. Gebruik geen materiaal zoals huishoudelijke reinigingsmiddelen, zeep, schoonmaakmiddelen, gas, benzine, verdunner, alcohol, was, etc.
- Stof moet ten minste één maal per jaar van het ventilatierooster op de achterzijde van het product worden verwijderd (zonder het deksel te openen). Reinig het product met een vochtige doek.
- Zorg ervoor water uit de buurt van het lampdeksel en andere elektrische onderdelen te houden.
- Reinig de deur met een vochtige doek. Verwijder de inhoud om de deur en rekken te verwijderen. Verwijder de deurrekken door ze omhoog te tillen. Reinig en droog de laden en breng ze opnieuw aan door ze opwaarts te schuiven.
- Gebruik geen chloorwater of reinigingsproducten op de buitenzijde en de verchromde onderdelen van het product. Chloor veroorzaakt roest op dergelijke metalen oppervlakten.
- Gebruik geen scherpe en schurende middelen, zeep, huishoudelijke schoonmaakmiddelen, oplosmiddelen, gas, benzine, vernis en gelijkaardige stoffen om vervor-

mingen van het plastic onderdeel te voorkomen en de labels niet te verwijderen van het product. Gebruik warm water en een zachte doek om het te reinigen en droog het.

- Waterdruppels en ijsvorming tot een vinger dik kunnen voorkomen op de achterwand van het vriesvak op producten zonder een vorstvrije functie. Niet reinigen en breng geen olie of een gelijkaardig middel aan.
- Gebruik een licht vochtige microvezel doek om het externe oppervlak van het product te reinigen. Sponzen en andere soorten reinigingsdoeken kunnen het oppervlak krassen.
- Om alle verwijderbare onderdelen te reinigen tijdens de reiniging van de binnenzijde van het product moet u deze onderdelen wassen met een zachte oplossing van zeep, water en koolzuurzout. Grondig wassen en drogen. Vermijd contact van het water met de verlichting en het bedieningspaneel.



OPGELET:

Gebruik geen azijn, ontsmettingsalcohol of andere alcohol-gebaseerde middelen op de interne oppervlakken.

Roestvrij stalen externe oppervlakken

Gebruik een niet-schurend roestvrij staal reinigingsmiddelen en breng het aan met een zachte pluivrije doek. Om te poetsen, moet u het oppervlak zacht wrijven met een

in water bevochtigde microvezel doek en gebruik een droog zeemvel. Volg altijd de richting van het roestvrij staal.

Geurtjes voorkomen

Het product wordt gefabriceerd zonder slecht ruikend materiaal. Hoewel, als de etenswaren in incorrecte secties worden bewaard en een incorrecte reiniging van de interne oppervlakten kan resulteren in onaangename geurtjes.

- Om dit te vermijden, moet u de binnenzijde iedere 15 dagen reinigen met zuurhoudend water.

9 Probleemoplossen

Controleer deze lijst voor u contact opneemt met de service. Zo kunt u tijd en geld besparen. Deze lijst omvat vaak voorkomende klachten die niet zijn gerelateerd aan slecht vakmanschap of defect materiaal. Sommige functies die hier worden vermeld, zijn mogelijk niet van toepassing op uw product.

De koelkast werkt niet.

- De stekker is niet volledig correct ingebracht. >>> Steek de stekker volledig in het stopcontact.
- De zekering van de stekker van het product of de hoofdzekering is gesprongen. >>> Controleer de zekering.

Condensatie op de zijwanden van het koelvak (MULTI ZONE, COOL CONTROL en FLEXI ZONE).

- De deur wordt te vaak geopend. >>> Zorg ervoor de deur van het product niet te vaak te openen.
- De omgeving is te vochtig. >>> U mag uw product niet in een vochtige omgeving installeren.
- Etenswaren die vloeistof bevatten worden bewaard in niet-afgedekte containers. >>> Bewaar de etenswaren die vloeistof bevatten in afgedekte containers.
- De deur van het product wordt open gelaten. >>> Houd de deur van het product niet te lang open.

- Bewaar de etenswaren in afgedekte containers, want micro-organismen die ontsnappen uit niet-afgedekte containers zullen onaangename geurtjes veroorzaken.
- Bewaar geen verstreken en bedorven etenswaren in de koelkast.

Bescherming van plastic oppervlakten.

Oliespatten op plastic oppervlakten kunnen de oppervlakte beschadigen en moeten onmiddellijk worden verwijderd met warm water.

- De thermostaat is ingesteld op een zeer koude temperatuur. >>> Stel de thermostaat in op een gepaste temperatuur.

De compressor werkt niet.

- In het geval van een plotse stroomstoring of wanneer u de stekker uit het stopcontact verwijdert en opnieuw invoert, is de gasdruk van het koelsysteem van het product niet in evenwicht, wat de thermische beveiliging van de compressor activeert. Het product start opnieuw op na ca. 6 minuten. Als het product niet herstart na deze periode moet u contact opnemen met de service.
- Ontdooien is actief. >>> Dit is normaal voor een volledig automatisch ontdooid product. Af en toe wordt het product ontdooid.
- De stekker van het product zit niet in het stopcontact. >>> Zorg ervoor dat de stekker correct is aangebracht.
- De temperatuurinstelling is incorrect. >>> Selecteer de gepaste temperatuurinstelling.
- De stroom is uitgeschakeld. >>> Het product blijft normaal werken wanneer de stroom opnieuw wordt ingeschakeld.

De koelkast maakt meer lawaai wanneer de koelkast is ingeschakeld.

- De prestatie van het product kan variëren naargelang de schommelingen in de omgevingstemperatuur. Dit is normaal en is geen defect.

De koelkast schakelt te vaak of te lang in.

- Het nieuwe product kan groter zijn dan het vorige. Grotere producten werken gedurende langere perioden.
- De kamertemperatuur kan hoog zijn. >>> Het product werkt doorgaans gedurende lange perioden bij een hoge kamertemperatuur.
- Het is mogelijk dat de stekker nog niet lang in het stopcontact is gestoken of dat een nieuw voedsel item in het product is geplaatst. >>> Het duurt langer voor het product om de ingestelde temperatuur te bereiken of er is een nieuw voedsel item in het product geplaatst. Dit is normaal.
- Er zijn mogelijk grote hoeveelheden warme etenswaren in het product geplaatst. >>> Plaats geen warme etenswaren in het product.
- De deuren zijn vaak geopend of gedurende lange perioden open gehouden. >>> De warme lucht in het product zorgt ervoor dat het langer moet inschakelen. Open de deuren niet te vaak.
- De deur van de diepvriezer of koeler staat mogelijk op een kier. >>> Controleer of de deuren volledig gesloten zijn.
- Het product is mogelijk ingesteld op een te lage temperatuur. >>> Stel de temperatuur hoger in en wacht tot het product de aangepaste temperatuur heeft bereikt.
- De deurpakking van de koeler of diepvriezer kan vuil, versleten, gebroken zijn of niet correct aangebracht. >>> Reinig of vervang de pakking. Als de deurpakking beschadigd / gescheurd is, zal het product langer inschakelen om de huidige temperatuur te behouden.

De temperatuur van de diepvriezer is zeer laag, maar de koelertemperatuur is toereikend.

- De temperatuur van het vriesvak is zeer laag ingesteld. >>> Stel de temperatuur van het vriesvak hoger in en controleer opnieuw.

De temperatuur van de koeler is zeer laag, maar de temperatuur van de diepvriezer is toereikend.

- De temperatuur van het koelvak is zeer laag ingesteld. >>> Stel de temperatuur van het koelvak hoger in en controleer opnieuw.

De etenswaren in het koelvak zijn bevroren.

- De temperatuur van het koelvak is zeer laag ingesteld. >>> Stel de temperatuur van het koelvak hoger in en controleer opnieuw.

De temperatuur in de koeler of diepvriezer is te hoog.

- De temperatuur van het koelvak is zeer hoog ingesteld. >>> De temperatuurinstelling van het koelvak heeft een effect op de temperatuur in het vriesvak. Wacht tot de temperatuur van de relevante onderdelen het toereikende niveau bereikt door de temperatuur van het koel- of vriesvak te wijzigen.
- De deuren zijn vaak geopend of gedurende lange perioden open gehouden. >>> Open de deuren niet te vaak.
- De deur staat mogelijk op een kier. >>> Sluit de deur volledig.
- Het is mogelijk dat de stekker nog niet lang in het stopcontact is gestoken of dat een nieuw voedsel item in het product is geplaatst. >>> Dit is normaal. Het duurt langer voor het product om de ingestelde temperatuur te bereiken of er is een nieuw voedsel item in het product geplaatst.
- Er zijn mogelijk grote hoeveelheden warme etenswaren in het product geplaatst. >>> Plaats geen warme etenswaren in het product.

Schudden of lawaai.

- Het oppervlak is niet vlak of stevig >>> Als het product schudt wanneer het langzaam wordt verplaatst, kunt u de voetjes aanpassen om het product in evenwicht te brengen. Zorg er ook voor dat de bodem voldoende stevig is om het gewicht van het product te dragen.
- Alle voorwerpen die op het product worden geplaatst kunnen lawaai veroorzaken. >>> Verwijder alle voorwerpen die op het product zijn geplaatst.
- Het product maakt lawaai van stromende vloeistof, sprays, etc.
- De werking van het product omvat de stroom van vloeistoffen en gas. >>> Dit is normaal en is geen defect.

Er komt lawaai als blazende wind uit het product.

- Het product gebruikt een ventilator voor het koelproces. Dit is normaal en is geen defect.

Er is condensatie op de interne wanden van het product.

- Warm of vochtig weer verhoogt de vorming van ijs en condensatie. Dit is normaal en is geen defect.
- De deuren zijn vaak geopend of gedurende lange perioden open gehouden. >>> U mag de deuren niet te vaak openen; als ze open is, moet u de deur sluiten.
- De deur staat mogelijk op een kier. >>> Sluit de deur volledig.

Er is condensatie op de buitenzijde of tussen de deuren van het product.

- De weersomstandigheden kunnen vochtig zijn. Dit is normaal bij vochtig weer. >>> De condensatie verdwijnt wanneer de vochtigheidsgraad afneemt.

De binnenzijde ruikt niet lekker.

- Het product wordt niet regelmatig gereinigd. >>> Reinig de binnenzijde regelmatig met een spons, warm water en koolzuurhoudend water.

- Bepaalde containers en verpakkingen kunnen geurtjes afgeven. >>> Gebruik containers en verpakking dat geen geurtjes afgeeft.
- De etenswaren zijn in niet-afgedekte containers verpakt. >>> Bewaar de etenswaren in afgedekte containers. Micro-organismen kunnen zich verspreiden uit niet-afgedekte etenswaren en onaangename geurtjes veroorzaken.
- Verwijder alle verstreken of bedorven etenswaren uit het product.

De deur sluit niet.

- Er zijn mogelijk etenswaren die de deur blokkeren. >>> Verplaats eventuele etenswaren die de deur blokkeren.
- Het product staat niet loodrecht op de grond. >>> Pas de voetjes aan om het product in evenwicht te brengen.
- Het oppervlak is niet vlak of stevig >>> Zorg ervoor dat het oppervlak vlak is en voldoende stevig om het product te dragen.

De crisper is geblokkeerd.

- De etenswaren kunnen in contact staan met de bovenste sectie van de lade. >>> Herorganiseer de etenswaren in de lade.

De temperatuur op het oppervlak van het product.

- De hoge temperatuur wordt mogelijk gehandhaafd tussen beide deuren, op de zijpanelen en op het rooster achteraan terwijl het product is ingeschakeld. Dit is normaal en vereist geen interventie van het onderhoudspersoneel.

De ventilator blijft ingeschakeld wanneer de deur is geopend.

- De ventilator blijft ingeschakeld wanneer de deur van de diepvriezer is geopend.



WAARSCHUWING! Als het probleem aanhoudt nadat de instructies in dit hoofdstuk werden nageleefd, kunt u contact opnemen met uw verkoper of een geautoriseerde dienst. Probeer het product nooit zelf te repareren. Dit is normaal.

DISCLAIMER / WAARSCHUWING

Sommige (eenvoudige) defecten kunnen correct worden behandeld door de eindgebruiker zonder dat dit aanleiding geeft tot veiligheidsproblemen of een onveilig gebruik, op voorwaarde dat ze worden uitgevoerd binnen de limieten en in overeenstemming met de volgende instructies (zie het hoofdstuk "Zelf-reparatie").

Om die reden, tenzij anderzijds toegelaten in het onderstaande hoofdstuk 'Zelf-reparatie', moeten reparaties worden uitgevoerd door geregistreerde professionele monteurs om veiligheidsproblemen te voorkomen. Een geregistreerde professionele monteur is een professionele monteur die toegang heeft gekregen tot de instructies en de lijst met reserveonderdelen van dit product door de fabrikant, in overeenstemming met de methoden beschreven in wetsbesluiten in overeenstemming met Richtlijn 2009/125/EC.

Hoewel, de onderhouds- en reparatiewerken in het kader van de garantievoorwaarden mogen uitsluitend worden uitgevoerd door de gespecialiseerd vertegenwoordiger (m.a.w. geautoriseerde professionele monteurs) die u kunt bereiken via het telefoonnummer vermeld in de gebruikshandleiding/garantiekaart of via uw geautoriseerde verdeler. Om die reden zullen reparaties die worden uitgevoerd door professionele monteurs (die niet zijn geautoriseerd door) Beko de garantie nietig verklaren.

Zelf-reparatie

De eindgebruiker kan de volgende reserveonderdelen zelf repareren: deur handgrepen, scharnieren, schotels, manden en deuropakkingen (een bijgewerkte lijst is ook beschikbaar support.beko.com vanaf 1 maart 2021).

Bovendien, om de veiligheid van het product te garanderen en het risico van ernstig letsel te voorkomen, moet de vermelde zelf-reparatie worden uitgevoerd in overeenstemming met de instructies in de handleiding voor zelf-reparatie of die beschikbaar

zijn in support.beko.com . Uit veiligheidsoverwegingen moet u de stekker van het product loskoppelen voor u zelf-reparatie probeert uit te voeren.

Reparaties en pogingen tot reparaties door eindgebruikers van onderdelen die niet zijn omvat in deze lijst en/of waarbij de instructies in de handleiding voor zelf-reparatie of die beschikbaar zijn in support.beko.com niet worden nageleefd, kunnen resulteren in veiligheidsproblemen die niet kunnen worden toegewezen aan Beko en deze zullen de garantie van het product nietig verklaren.

Om die reden raden wij ten stelligste af dat eindgebruikers op eigen houtje reparaties proberen uit te voeren die buiten de vermelde lijst van reserveonderdelen vallen en in dergelijke situaties beroep doen op een geautoriseerde professionele monteur of geregistreerde professionele monteurs. Dergelijke pogingen van eindgebruikers kunnen daarentegen veiligheidsproblemen en schade aan het product veroorzaken en resulteren in brand, overstromingen, elektrische schokken en ernstig persoonlijk letsel.

Bijvoorbeeld, maar niet beperkt tot, moeten de volgende reparaties worden uitgevoerd door geautoriseerde of geregistreerde professionele monteurs: compressoren koelcircuit, moederbord, inverterbord, weergavepaneel,, etc.

De fabrikant/verkoper kan niet aansprakelijk worden gesteld wanneer eindgebruikers de bovenstaande instructies niet naleven.

De reserveonderdelen van uw koelkast die u hebt gekocht, zullen 10 jaar lang beschikbaar blijven. Tijdens deze periode zijn de originele reserveonderdelen beschikbaar voor de correcte werking van de koelkast. De minimale duur van de garantie van de koelkast die u hebt gekocht, is 24 maanden.

Dit product is uitgerust met een lichtbron van de "G"-energieklasse.

De lichtbron in dit product mag enkel worden vervangen door een professionele reparateur.

Zie ook

2 CLAUSE DE NON-RESPONSABILITÉ /
AVERTISSEMENT [} 55]
