



Microwave Oven

User Manual



MOC 20100 WFB - MOC 20100 BFB - MOC 20100 SFB

EN - FR



01M-8911113200-4222-02
01M-89111133200-4222-02
01M-89111143200-4222-02

CONTENTS

ENGLISH	3-15
FRANÇAIS	16-29

Please read this user manual first!





Dear Valued Customer,

Thank you for preferring this Beko appliance. We hope that you get the best results from your appliance which has been manufactured with high quality and state-of-the-art technology. For this reason, please read this entire user manual and all other accompanying documents carefully before using the appliance and keep it as a reference for future use. If you handover the appliance to someone else, give the user manual as well. Follow the instructions by paying attention to all the information and warnings in the user manual.

Remember that this user manual may also apply to other models. Differences between models are explicitly described in the manual.

Meanings of the Symbols

Following symbols are used in various sections of this user manual:

	Important information and useful hints about usage.
	Warnings for dangerous situations concerning the safety of life and property.
	Warning for electric shock.
	Warning for hot surfaces.

1 Important safety and environmental instructions

Important Safety Instructions Read Carefully And Keep For Future Reference

1.1 Safety warnings

This section contains safety instructions that will help protect from risk of fire, electric shock, exposure to leak microwave energy, personal injury or property damage. Failure to follow these instructions shall void any warranty.

- Beko Microwave Ovens comply with the applicable safety standards; therefore, in case of any damage on the appliance or power cable, it should be repaired or replaced by the dealer, service center or a specialist and authorized service alike to avoid any danger. Faulty or unqualified repair work may be dangerous and cause risk to the user.
- This appliance is intended to be used in household and similar applications such as:
 - Staff kitchen areas in shops, offices and other working environments;
 - Farm houses
 - By clients in hotels, and other residential type environments;
 - Bed and Breakfast type environments.
- It is not intended for industrial or laboratory use.
- Do not attempt to start the oven when its door is open; otherwise you may be exposed to harmful microwave energy. Safety locks should not be disabled or tampered with.
- The microwave oven is intended for heating food and beverages. Drying of food or clothing and heating of warming pads, slippers, sponges, damp cloth and similar may lead to risk of injury, ignition or fire.
- Do not place any object between the front side and the door of the oven. Do not allow dirt or cleaning agent remnants to build up on the closure surfaces.
- Any service works involving removal of the cover that provides

1 Important safety and environmental instructions

- protection against exposure to microwave energy must be performed by authorized persons/service. Any other approach is dangerous.
- Your product is intended for cooking, heating and defrost food at home. It must not be used for commercial purposes.
 - Your oven is not designed to dry any living being.
 - Do not use your appliance to dry clothes or kitchen towels.
 - Do not use this appliance outdoors, bathrooms, humid environments or in places where the it can get wet.
 - No responsibility or warranty claim shall be assumed for damages arising from misuse or improper handling of the appliance.
 - Never attempt to dismantle the appliance. No warranty claims are accepted for damage caused by improper handling.
 - Only use the original parts or parts recommended by the manufacturer.
 - Do not leave this appliance unattended while it is in use.
 - Always use the appliance on a stable, flat, clean dry, and non-slip surface.
 - The appliance should not be operated with an external clock timer or separate remote control system.
 - Before using the appliance for the first time, clean all parts. Please see the details given in the “Cleaning and Maintenance” section.
 - Operate the appliance for its intended purpose only as described in this manual.
 - Appliance becomes very hot while it is in use. Pay attention not to touch the hot parts inside the oven.
 - Do not operate the oven empty.
 - Cooking utensil may get hot due to the heat transferred from the heated food to the utensil. You may need oven gloves to hold the utensil.
 - Utensils shall be checked to ensure that they are suitable for

1 Important safety and environmental instructions

use in microwave ovens.

- Do not place the oven on stoves or other heat generating appliances. Otherwise, it may be damaged and the warranty becomes void.
- Steam may come out while opening the covers or the foil after cooking the food.
- The appliance and its accessible surfaces may be very hot when the appliance is in use.
- Door and outer glass may be very hot when the appliance is in use.
- Make sure that your mains power supply complies with the information supplied on the rating plate of the appliance.
- The only way to disconnect the appliance from the power supply is to remove the power plug from the power outlet.
- Use the appliance with a grounded outlet only.
- Never use the appliance if the power cable or the appliance itself is damaged.
- Do not use this appliance with an extension cord.
- Never touch the appliance or its plug with damp or wet hands.
- Place the appliance in a way so that the plug is always accessible.
- Prevent damage to the power cable by not squeezing, bending, or rubbing it on sharp edges. Keep the power cable away from hot surfaces and naked flame.
- Make sure that there is no danger that the power cable could be accidentally pulled or that someone could trip over it when the appliance is in use.
- Unplug the appliance before each cleaning and when the appliance is not in use.
- Do not pull the power cable of the appliance to disconnect it from its power supply and never wrap its power cable around the appliance.
- Do not immerse the appliance, power cable, or power plug in water or any other liquids. Do not hold it under running water.

1 Important safety and environmental instructions

- When heating food in plastic or paper containers, keep an eye on the oven due to the possibility of ignition.
- Remove the wire strings and/or metal handles of paper or plastic bags before placing bags to the oven.
- If smoke is observed, switch off or unplug the appliance if safe to do so and keep the door closed in order to stifle any flames.
- Do not use microwave oven for storage. Do not leave paper items, cooking material or food inside the oven when it is not being used.
- The contents of feeding bottles and baby food jars should be stirred or shaken and the temperature checked before consumption, in order to avoid burns.
- This appliance is a Group 2 Class B ISM equipment. Group 2 contains all ISM (Industrial, Scientific and Medical) equipment in which radio-frequency energy is intentionally generated and/or used in the form of electromagnetic radiation for the treatment of material, and spark erosion equipment.
- Class B equipment is suitable for use in domestic establishments and establishments directly connected to a low voltage power supply network.
- Do not use cooking oil in the oven. Hot oil may damage the components and materials of the oven, and it may even cause skin burns.
- Pierce food with thick crust such as potatoes, courgettes, apples and chestnuts.
- Appliance must be placed so that the rear side is facing the wall.
- Before moving the appliance, please secure the turntable to prevent damage.
- Eggs in their shell and whole hard-boiled eggs must not be heated in microwave ovens since they may explode, even after microwave heating has ended.

1 Important safety and environmental instructions

WARNING: If the door or door seals are damaged, the oven must not be operated until it has been repaired by a competent person.

WARNING: It is hazardous for anyone other than a competent person to carry out any service or repair operation which involves the removal of a cover which gives protection against exposure to microwave energy.

WARNING: Liquids and other foods must not be heated in sealed containers since they are liable to explode.

- The oven should be cleaned regularly and any food deposits removed.
- There should be min 20 cm free space above the top surface of the oven.
- Do not over-cook foods; otherwise, you may cause a fire.
- Do not use chemicals and steam assisted cleaners to clean the appliance.
- Extreme caution is advised when being used near children and persons who are restricted

in their physical, sensory or mental abilities.

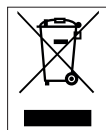
- This appliance can be used by the children who are at the age of 8 or over and by the people who have limited physical, sensory or mental capacity or who do not have knowledge and experience, as long as they are supervised with regard to safe use of the product or they are instructed accordingly or understand the risks of using the product. Children should not play with the appliance. Cleaning and user maintenance procedures should not be performed by children unless they are controlled by their elders.
- **Danger of choking!** Keep all the packaging materials away from children.
- Due to excessive heat that arises in grill and combination modes, children should only be allowed to use these modes under supervision of an adult.
- Keep the product and its power cable so that they are inaccessible by children under 8 years old.

1 Important safety and environmental instructions

- Do not cook food directly on the glass tray. Put the food in / on appropriate kitchen utensils before placing them in the oven.
- Metallic containers for food and beverages are not allowed during microwave cooking. Otherwise, sparking may occur.
- This product is not designed to be built-in. Do not place the product in a cabinet or box while it is in use.

1.2 Compliance with the WEEE Directive and Disposing of the Waste Product:

This product complies with EU WEEE Directive (2012/19/EU). This product bears a classification symbol for waste electrical and electronic equipment (WEEE).



This symbol indicates that this product shall not be disposed with other household wastes at the end of its service life. Used device must be returned to official collection point for recycling

of electrical and electronic devices. To find these collection systems please contact to your local authorities or retailer where the product was purchased. Each household performs important role in recovering and recycling of old appliance. Appropriate disposal of used appliance helps prevent potential negative consequences for the environment and human health.

1.3 Compliance with RoHS Directive

The product you have purchased complies with EU RoHS Directive (2011/65/EU). It does not contain harmful and prohibited materials specified in the Directive.

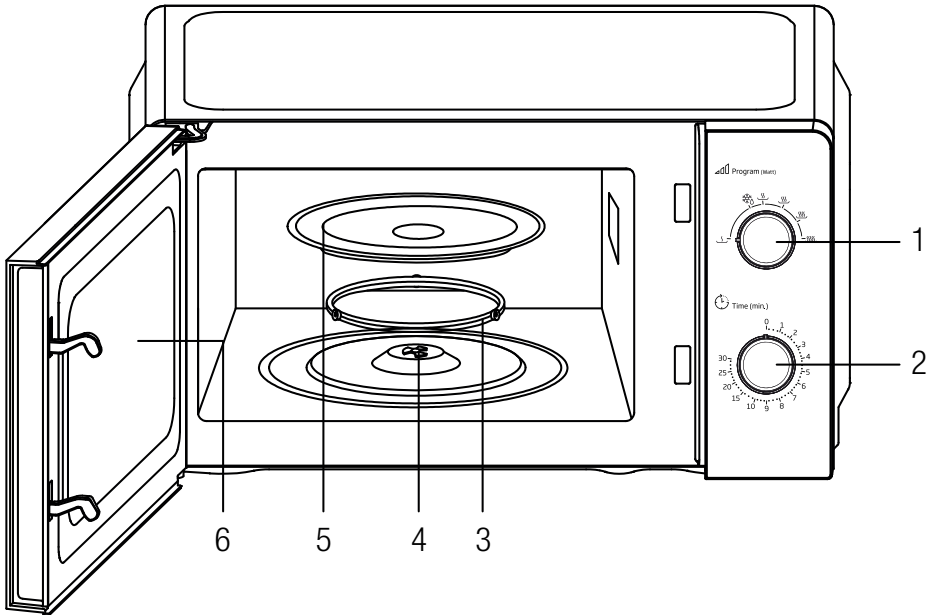
1.4 Package information



Packaging materials of the product are manufactured from recyclable materials in accordance with our National Environment Regulations. Do not dispose of the packaging materials together with the domestic or other wastes. Take them to the packaging material collection points designated by the local authorities.

2 Your microwave oven

2.1 Overview



Controls and parts

1. Power knob
2. Timer knob
3. Roller ring
4. Shaft
5. Glass tray
6. Oven window

2.2 Technical data

Rated Voltage	230-240V~,50Hz
Rated Input	1100W (Microwave)
Rated Output	700W
Microwave frequency	2450MHz
Microwave power level	6
Outside dimensions (H*W*D) mm	243*446*340 mm
Glass turntable	245 mm
Oven capacity	20 L
Net weight	10 kg
Color	White / Black / Silver

Technical and design modification rights are reserved.

Markings on the appliance or the values stated in other documents supplied with the product are values obtained under laboratory conditions as per relevant standards. These values may vary according to the usage of the appliance and ambient conditions.

3 Installation and connection

3.1 Installation

1. Make sure that all the packing materials are removed from the inside of the door.



WARNING: Check the oven for any damage, such as misaligned or bent door, damaged door seals and sealing surface, broken or loose door hinges and latches and dents inside the cavity or on the door. If there is any damage, do not operate the oven and contact qualified service personnel.

2. This microwave oven must be placed on a flat, stable surface to hold its weight and the heaviest food likely to be cooked in the oven.
3. Do not place the oven where heat, moisture, or high humidity are generated, or near combustible materials.
4. For correct operation, the oven must have sufficient airflow. Allow 20 cm of space above the oven, 10 cm at back and 5 cm at both sides. Do not cover or block any openings on the appliance. Do not remove feet.
5. Do not operate the oven without glass tray, roller support, and shaft in their proper positions.
6. Make sure that the power supply cord is undamaged and does not run under the oven or over any hot or sharp surface.
7. The socket must be readily accessible so that it can be easily unplugged in an emergency.
8. Do not use the oven outdoors.

3.2 Radio interference

Operation of the microwave oven can cause interference to your radio, TV, or similar equipment.

When there is interference, it may be reduced or eliminated by taking the following measures:

1. Clean door and sealing surface of the oven.
2. Reorient the receiving antenna of radio or television.

3. Relocate the microwave oven with respect to the receiver.
4. Move the microwave oven away from the receiver.
5. Plug the microwave oven into a different outlet so that microwave oven and receiver are on different branch circuits.

3.3 Microwave cooking principles

1. Arrange food carefully. Place thickest areas towards outside of dish.
2. Watch cooking time. Cook for the shortest amount of time indicated and add more as needed. Food severely overcooked can smoke or ignite.
3. Cover foods while cooking. Covers prevent spattering and help foods to cook evenly.
4. Turn foods over once during microwave cooking to speed cooking of such foods as chicken and hamburgers. Large items like roasts must be turned over at least once.
5. Rearrange foods such as meatballs halfway through cooking both from top to bottom and from the center of the dish to the outside.

3.4 Grounding instructions

This appliance must be grounded. This oven is equipped with a cord having a grounding wire with a grounding plug. It must be plugged into a wall receptacle that is properly installed and grounded. In the event of an electrical short circuit, grounding reduces risk of electric shock by providing an escape wire for the electric current. It is recommended that a separate circuit serving only the oven be provided. Using a high voltage is dangerous and may result in a fire or other accident causing oven damage.



WARNING: Improper use of the grounding plug can result in a risk of electric shock.

3 Installation and connection



If you have any questions about the grounding or electrical instructions, consult a qualified electrician or service person.



Neither the manufacturer nor the dealer can accept any liability for damage to the oven or personal injury resulting from failure to observe the electrical connection procedures.

The wires in this cable main are colored in accordance with the following code:

Green and Yellow = EARTH

Blue = NEUTRAL

Brown = LIVE

3.5 Utensils guide

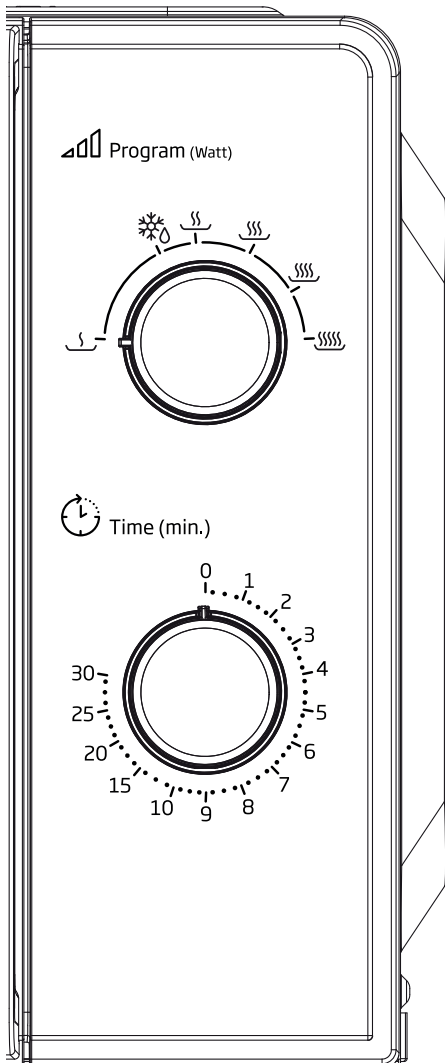
1. Microwave cannot penetrate metal. Only use utensils that are suitable for use in microwave ovens. Metallic containers for food and beverages are not allowed during microwave cooking. This requirement is not applicable if the manufacturer specifies size and shape of metallic containers suitable for microwave cooking.
2. Microwave cannot penetrate metal, so metal utensils or dishes with metallic trim should not be used.
3. Do not use recycled paper products when microwave cooking, as they may contain small metal fragments which may cause sparks and/or fires.
4. Round /oval dishes rather than square/oblong ones are recommend, as food in corners tends to overcook.
5. Narrow strips of aluminum foil may be used to prevent overcooking of exposed areas. But be careful don't use too much and keep a distance of 1 inch (2.54 cm) between foil and cavity.

The list below is a general guide to help you select the correct utensils.

Cookware	Microwave
Heat-Resistant Glass	Yes
Non Heat-Resistant Glass	No
Heat-Resistant Ceramics	Yes
Microwave-Safe Plastic Dish	Yes
Kitchen Paper	Yes
Metal Tray	No
Metal Rack	No
Aluminum Foil & Foil Containers	No

4 Operation

4.1 Control panel



The control panel consists of two function operators. One is a timer knob, and another a power knob.

Power knob

You use this power knob to choose a cooking power level. It is the first step to start a cooking session.

Timer knob

Offer visual timing settings at easy turn of your thumb to select a desired cooking time up to 30 minutes per cooking session.

Microwave cooking

For pure microwave cooking, there are six power levels from which to choose one as best fit to do the job at hand.

Power level increases with the knob turning clockwise. The power levels can be classified as the following:

	Power output	Description
1	100%	High
2	88%	M. High
3	73%	Med
4	52%	M. Low
5	42%	Defrost
6	20%	Low

4.2 Operation

To start a cooking session,

1. Place food in oven and close the door.
2. Turn power knob (1) to select a power level.
3. Use timer knob (2) to set a cooking time



As soon as the timer is turned, oven starts cooking. When selecting time for less than 2 minutes, turn timer past 2 minutes and then return to the correct time.



CAUTION: Always return timer back to zero position if food is removed from oven before the set cooking time is complete or when oven is not in use. To stop oven during cooking process, push the door release button or open the door by the handle.

5 Cleaning and care

5.1 Cleaning and care



WARNING: Never use gasoline, solvent, abrasive cleaning agents, metal objects or hard brushes to clean the appliance.



WARNING: Never immerse the appliance or its power cable in water or in any other liquid.

1. Turn off the oven and remove the power plug from the wall socket before cleaning.
2. Keep the inside of the oven clean. When food splatters or spilled liquids adhere to oven walls, wipe with a damp cloth. Mild detergent may be used if the oven gets very dirty. Avoid the use of spray and other harsh cleaners as they may stain, streak or dull the door surface.
3. The outside surfaces should be cleaned with a damp cloth. To prevent damage to the operating parts inside the oven, water should not be allowed to seep into the ventilation openings.
4. Wipe the both sides of the door and window, the door seals and adjacent parts frequently with a damp cloth to remove any spills or splatters. Do not use abrasive cleaner.
5. A steam cleaner is not be used.
6. Do not allow the control panel to become wet. Clean with a soft, damp cloth. When cleaning the control panel, leave oven door open to prevent oven from accidentally turning on.
7. If steam accumulates inside or around the outside of the oven door, wipe with a soft cloth. This may occur when the microwave oven is operated under high humidity condition. And it is normal.
8. It is occasionally necessary to remove the glass tray for cleaning. Wash the tray in warm sudsy water or in a dishwasher.
9. The roller ring and oven floor should be cleaned regularly to avoid excessive noise. Simply wipe the bottom surface of the oven with mild detergent. The roller ring may be washed in mild sudsy water or dishwasher. When removing the roller ring from cavity floor for cleaning, be sure to replace in the proper position.
10. Remove odors from your oven by combining a cup of water with the juice and skin of one lemon in a deep microwaveable bowl, microwave for 5 minutes. Wipe thoroughly and dry with a soft cloth.
11. When it becomes necessary to replace the oven light, please consult a dealer to have it replaced.
12. The oven should be cleaned regularly and any food deposits removed. Failure to maintain the oven in a clean condition could lead to deterioration of the surface that could adversely affect the life of the appliance and possibly result in a hazardous situation.
13. Please do not dispose this appliance into the domestic rubbish bin; it should be disposed to the particular disposal center provided by the municipalities.
14. When the microwave oven with grill function is first used, it may produce slight smoke and smell. This is a normal phenomenon because the oven is made of a steel plate coated with lubricating oil, and the new oven will produce fumes and odor generated by burning the lubricating oil. This phenomenon will disappear after a period of using.

5.2 Storage

- If you do not intend to use the appliance for a long time, please store it carefully.
- Please make sure that the appliance is unplugged, cooled down and totally dry.
- Store the appliance in a cool and dry place.
- Keep the appliance out of the reach of children

5 Cleaning and care

5.3 Handling and transportation

- During handling and transportation, carry the appliance in its original packaging. The packaging of the appliance protects it against physical damages.
- Do not place heavy loads on the appliance or the packaging. The appliance may be damaged.
- Dropping the appliance will render it non-operational or cause permanent damage.

6 Troubleshooting

Problem	Possible solution
If the oven fails to operate	Check to ensure that the oven is plugged in securely. If it is not, remove the plug from the outlet, wait 10 seconds, and plug it in again securely.
	Check for a blown circuit fuse or a tripped main circuit breaker. If these seem to be operating properly, test the outlet with another appliance.
	Check to ensure that the control panel is programmed correctly and the timer is set.
	Check to ensure that the door is securely closed engaging the door safety lock system. Otherwise, the microwave energy will not flow into the oven.
If none of the above rectifies the situation, then contact a qualified technician. Do not try to adjust or repair the oven yourself.	

Avant toute chose, veuillez lire ce manuel d'utilisation !

Chère cliente, cher client,


Merci d'avoir choisi cet appareil Beko. Nous espérons que cet appareil, fabriqué dans des installations modernes et soumis à un processus de contrôle qualité rigoureux, vous offre les meilleures performances possible. C'est pourquoi nous vous recommandons, avant d'utiliser l'appareil, de lire attentivement et complètement ce manuel d'utilisation ainsi que tous les autres documents fournis et de les conserver soigneusement pour une utilisation future. Si vous cédez l'appareil à quelqu'un d'autre, remettez-lui également le manuel d'utilisation. Suivez les instructions en accordant une attention particulière à toutes les informations et les avertissements contenus dans le manuel d'utilisation.

Notez que ce manuel d'utilisation peut également s'appliquer à d'autres modèles. Les différences entre les modèles sont clairement décrites dans le manuel.


Signification des symboles

Les pictogrammes suivants sont repris tout au long de ce manuel :

	Informations importantes et conseils utiles sur l'utilisation de l'appareil.
--	--

	Avertissement sur les situations dangereuses concernant la sécurité des biens et des personnes.
--	---

	Avertissement en cas de contact avec une surface brûlante.
--	--

	Avertissement en cas de choc électrique.
--	--



Points de collecte sur www.quefairedemesdechets.fr
Privilégiez la réparation ou le don de votre appareil !

1 Instructions importantes en matière de sécurité et d'environnement

Consignes de sécurité importantes à lire attentivement et à conserver pour référence ultérieure

1.1 Avertissements de sécurité

Cette section comprend les instructions de sécurité qui vous mettent à l'abri de tout risque d'incendie, de choc électrique, d'exposition à une fuite d'énergie micro-ondes, de toute blessure physique ou de tout dommage matériel. Le non-respect de ces instructions annule toute garantie.

- Les fours à micro-ondes Beko sont conformes aux normes de sécurité applicables ; par conséquent, en cas de dommage sur l'appareil ou le câble d'alimentation, celui-ci doit être réparé ou remplacé par le revendeur, le centre de service ou un service spécialisé et autorisé afin d'éviter tout danger. Lorsque les réparations sont mauvaises ou effectuées par un personnel non qualifié, elles peuvent être dangereuses et entraîner des risques pour l'utilisateur.
- Cet appareil est conçu pour être utilisé dans les maisons et les en-

droits similaires tels que :

- les cuisines du personnel des boutiques, des bureaux et autres environnements professionnels ;
 - les maisons de campagne ;
 - les cuisines pour clients dans les hôtels et autres lieux d'habitation ; et
 - les chambres d'hôtes.
- Il n'a pas été conçu à des fins industrielles ou pour les laboratoires.
 - N'essayez pas de démarrer le four lorsque sa porte est ouverte, sinon vous risquez d'être exposé à l'énergie nocive des micro-ondes. Les verrous de sécurité ne doivent pas être levés ou altérés.
 - Le four sert à réchauffer les aliments et les boissons. Le séchage des aliments et des chiffons humides, et le chauffage des coussins, pantoufles et éponges chauffantes, et autres dispositifs pourraient causer des dommages corporels, ou un incendie.
 - Ne placez aucun objet entre la face avant et la porte du four. Ne laissez pas la saleté ou les restes de produits de nettoyage s'accumuler sur les surfaces de fermeture.

1 Instructions importantes en matière de sécurité et d'environnement

- Tout travail de réparation impliquant le retrait du couvercle qui assure la protection contre l'exposition à l'énergie micro-ondes doit être effectué par des personnes/services autorisés. Toute autre approche est dangereuse.
- Votre appareil est destiné à la cuisson, au chauffage et à la décongélation des aliments à domicile. Il ne doit pas être utilisé à des fins commerciales.
- Votre four n'est pas conçu pour sécher un être vivant.
- N'utilisez pas votre appareil pour sécher les vêtements ou les torchons de cuisine.
- N'utilisez pas cet appareil à l'extérieur, dans les salles de bain, dans des environnements humides ou dans des endroits où il peut être mouillé.
- Aucune responsabilité ou garantie n'est assumée pour les dommages résultant d'une mauvaise utilisation ou d'une manipulation incorrecte de l'appareil.
- N'essayez jamais de démonter l'appareil. Aucune réclamation de garantie n'est acceptée pour les dommages causés par une mauvaise manipulation.
- Utilisez uniquement les pièces ou pièces d'origine recommandées par le fabricant.
- Ne laissez pas l'appareil sans surveillance lorsqu'il est utilisé.
- Utilisez toujours l'appareil sur une surface stable, plane, propre, sèche et antidérapante.
- L'appareil ne doit pas être utilisé avec une horloge externe ou un système de commande à distance séparé.
- Nettoyez toutes les pièces de l'appareil avant de l'utiliser pour la première fois. Veuillez consulter les détails donnés dans la section « Nettoyage et entretien ».
- N'utilisez l'appareil que pour l'usage auquel il est destiné, tel que décrit dans ce manuel.
- L'appareil devient brûlant lorsqu'il est utilisé. Faites attention à ne pas toucher les parties chaudes à l'intérieur du four.
- Ne faites pas fonctionner le four lorsqu'il est vide.
- La chaleur produite par les aliments peut être transmise aux ustensiles de cuisson et les faire chauffer. Vous aurez peut-être besoin de gants de cuisine pour tenir l'ustensile.

1 Instructions importantes en matière de sécurité et d'environnement

- Assurez-vous que les ustensiles sont adaptés à l'utilisation dans un four à micro-ondes.
- Ne placez pas le four sur des cuisinières ou d'autres appareils générant de la chaleur. Dans le cas contraire, il peut être endommagé, annulant ainsi la garantie.
- De la vapeur peut s'échapper lorsque vous ouvrez les couvercles ou le papier d'aluminium après la cuisson des aliments.
- L'appareil et ses surfaces accessibles peuvent être très chauds lorsque l'appareil fonctionne.
- La porte et le verre extérieurs peuvent être très chauds lorsque l'appareil fonctionne.
- Assurez-vous que votre alimentation électrique est conforme aux informations fournies sur la plaque signalétique de l'appareil.
- L'unique façon de déconnecter l'appareil de l'alimentation électrique est de retirer la fiche de la prise de courant.
- Utilisez l'appareil uniquement avec une prise mise à la terre.
- N'utilisez jamais l'appareil si le câble d'alimentation ou l'appareil lui-même est endommagé.
- N'utilisez pas cet appareil avec une rallonge.
- Ne touchez jamais l'appareil ou sa prise avec des mains humides.
- Placez l'appareil de manière à ce que la fiche soit toujours accessible.
- Évitez d'endommager le câble d'alimentation en ne pas le serrer, le plier ou le frotter sur des bords tranchants. Éloignez le câble d'alimentation de toute surface brûlante et des flammes.
- Assurez-vous qu'il n'y ait aucun danger de tension accidentelle sur le câble d'alimentation et que personne ne risque de trébucher sur le câble, lorsque l'appareil est en marche.
- Débranchez l'appareil avant chaque nettoyage et lorsque l'appareil n'est pas utilisé.
- Ne tirez pas le câble d'alimentation de l'appareil pour le débrancher de son alimentation électrique et n'enroulez jamais son câble d'alimentation autour de l'appareil.
- Ne plongez pas l'appareil, le câble d'alimentation ou la fiche dans de l'eau ou dans tout autre liquide. Ne le maintenez pas sous l'eau courante.

1 Instructions importantes en matière de sécurité et d'environnement

- Si vous chauffez les aliments dans un récipient en plastique ou en papier, gardez un œil sur le four pour éviter tout risque d'inflammation.
- Retirez les attaches et poignées métalliques des récipients/sacs en papier ou en plastique avant de la monter sur le four.
- Si vous remarquez de la fumée, débranchez l'appareil si cela peut se faire sans danger et maintenez la porte fermée pour étouffer les flammes.
- N'utilisez pas le four à micro-onde comme espace de rangement. Ne laissez pas des produits en papier, des ustensiles de cuisson ou des aliments dans la cavité du four lorsque vous ne l'utilisez pas.
- Le contenu des biberons et aliments pour bébé doit être remué ou agité et vérifiez la température avant de les consommer pour éviter tout risque de brûlure.
- Ce produit est un appareil ISM du groupe 2 et de classe B. Le groupe 2 comprend tous les appareils ISM (à usage industriel, scientifique et médical) dans lesquels une énergie à fréquence radio est produite de façon intentionnelle et/ou utilisée sous la forme de radiations électromagnétiques pour le traitement de matériau, ainsi que les appareils dont les pièces sont usinées par électroérosion.
- Les appareils de la classe B sont conçus pour être utilisés dans un environnement domestique et dans des établissements directement reliés à un réseau d'alimentation basse tension.
- N'utilisez pas des huiles de cuisine dans le four. L'huile chaude peut endommager les composants et les matériaux du four. Elle peut également provoquer des brûlures de la peau.
- Percez les aliments à la croûte épaisse comme les pommes de terre, les courgettes, les pommes et les châtaignes.
- Disposez l'appareil de sorte que la face arrière soit tournée vers le mur.
- Avant de déplacer l'appareil, veuillez sécuriser le plateau tournant pour éviter tout dommage.
- Ne chauffez pas les œufs en coquille et les œufs durs entiers dans les fours à micro-ondes, ils peuvent exploser même après que le four ait terminé de chauffer.

1 Instructions importantes en matière de sécurité et d'environnement

AVERTISSEMENT : Si la porte ou les joints de la porte sont endommagés, faites-les réparer par une personne qualifiée avant de continuer à utiliser le four.

AVERTISSEMENT : Il est dangereux pour toute personne non qualifiée d'effectuer les travaux d'entretien et de réparation nécessitant le démontage du couvercle servant à protéger contre l'énergie des ondes du four.

AVERTISSEMENT : Les liquides et autres aliments ne doivent pas être chauffés dans les récipients fermés, parce qu'ils peuvent exploser.

- Nettoyez le four régulièrement et enlevez tous les dépôts d'aliments dans le four.
- Vous devez laisser un espace de 20 cm au-dessus de la surface supérieure du four.
- Ne faites pas trop cuire les aliments, sinon vous risquez de provoquer un incendie.
- N'utilisez pas de nettoyeur à la vapeur pour nettoyer l'appareil.
- Des conditions de sécurité maximales sont requises lorsque l'appareil est utilisé près des enfants ou des personnes présentant des déficiences physiques, sensorielles

ou mentales.

- Cet appareil peut être utilisé par des enfants âgés d'au moins 8 ans et par des personnes ayant des capacités physiques, sensorielles ou mentales réduites ou dénuées d'expérience ou de connaissance, s'ils (si elles) sont correctement surveillé(es) ou si des instructions relatives à l'utilisation de l'appareil en toute sécurité leur ont été données et si les risques encourus ont été appréhendés. Les enfants ne doivent pas jouer avec l'appareil. Le nettoyage et l'entretien par l'utilisateur ne doivent pas être effectués par des enfants sans surveillance
- **Risque de suffocation !** Gardez tous les matériaux d'emballage hors de portée des enfants.
- En raison de l'excès de chaleur qui se produit en modes gril et combiné, les enfants ne doivent être autorisés à utiliser ces modes que sous la surveillance d'un adulte.
- Tenez l'appareil et son câble d'alimentation hors de la portée des enfants de moins de 8 ans.
- Ne faites pas cuire les aliments directement sur le plateau en verre. Mettez les aliments dans/sur les

1 Instructions importantes en matière de sécurité et d'environnement

ustensiles de cuisine appropriés avant de les placer dans le four.

- Les récipients métalliques pour les aliments et les boissons ne sont pas autorisés pendant la cuisson au micro-ondes. Sinon, cela pourrait produire une formation d'étincelles.
- Cet appareil n'est pas conçu pour être intégré. Ne le placez pas dans une armoire ou une boîte lorsqu'il est utilisé.

1.2 Conformité avec la directive DEEE et mise au rebut des déchets :

Ce produit est conforme à la directive DEEE (2012/19/UE) de l'Union européenne. Ce produit porte un symbole de classification pour la mise au rebut des équipements électriques et électroniques (DEEE).



Ce symbole indique que ce produit ne doit pas être jeté avec les déchets ménagers à la fin de sa vie utile. Les appareils usagés doivent être retournés au point de collecte officiel destiné

au recyclage des appareils électriques et électroniques. Pour trouver ces systèmes de collecte, veuillez contacter les autorités locales ou le détaillant auprès duquel vous avez acheté le produit.

Chaque ménage joue un rôle important dans la récupération et le recyclage des appareils ménagers usagés. L'élimination appropriée des appareils usagés aide à prévenir les conséquences négatives potentielles pour l'environnement et la santé humaine.

1.3 Conformité avec la directive LdSD :

L'appareil que vous avez acheté est conforme à la directive LdSD (2011/65/UE) de l'Union européenne. Il ne comporte pas les matériels dangereux et interdits mentionnés dans la directive.

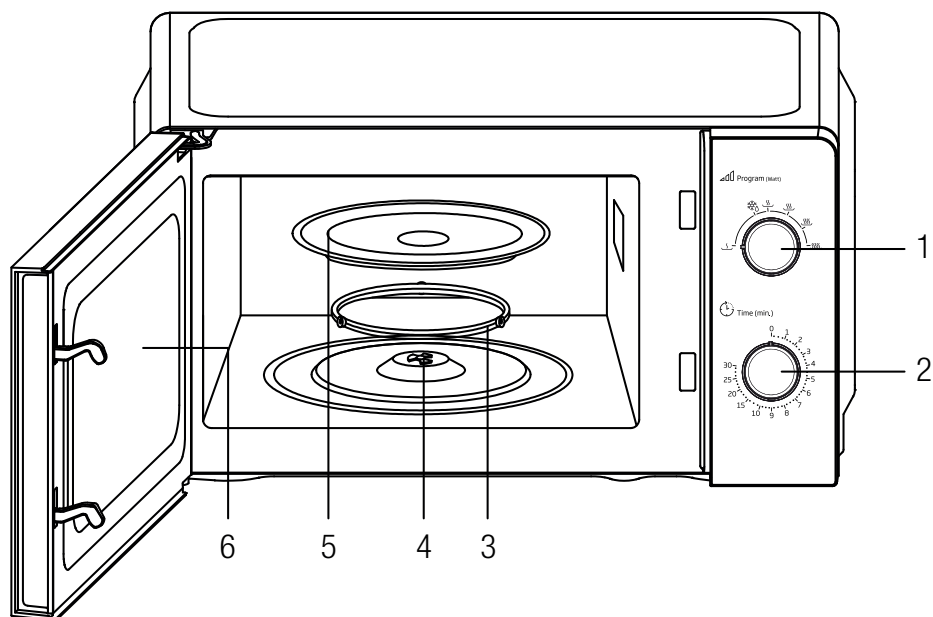
1.4 Information sur l'emballage



L'emballage du produit est composé de matériaux recyclables, conformément à notre réglementation nationale. Ne jetez pas les éléments d'emballage avec les déchets domestiques et autres déchets. Déposez-les dans un des points de collecte d'éléments d'emballage que vous indiquera l'autorité locale dont vous dépendez.

2 Votre four à micro-ondes

2.1 Aperçu



Commandes et pièces

1. Bouton d'alimentation
2. Bouton de minuterie
3. Anneau de rouлеau
4. Arbre
5. Plateau en verre
6. Fenêtre du four

2.2 Données techniques

Tension nominale	230-240V~,50Hz
Entrée nominale	1100W (Micro-ondes)
Puissance nominale	700W

Fréquence de fonctionnement	2450MHz
Niveau de puissance micro-ondes	6
Dimensions externes (H*W*D) mm	243*446*340 mm
Plateau tournant en verre	245 mm
Capacité du four	20 L
Poids net	10 kg
Couleur	Blanc / Noir / Argent

Modifications relatives à la technique et à la conception réservées.

Les inscriptions sur le produit ou les valeurs indiquées sur la documentation fournie avec le produit sont des valeurs obtenues dans des conditions de laboratoire conformément aux normes en vigueur. Ces valeurs peuvent varier selon l'utilisation de l'appareil et les conditions ambiantes.

3 Installation et raccordement

3.1 Installation

1. Assurez-vous de retirer tous les matériaux d'emballage sur la partie intérieure de la porte.



AVERTISSEMENT : Vérifiez que le four ne présente aucun dommage, notamment une porte mal alignée ou pliée, des joints de porte et une surface d'étanchéité endommagés, des charnières de porte brisées ou desserrées, des verrous et des bosses à l'intérieur de la cavité ou sur la porte. En cas de dommage, ne faites pas fonctionner le four et contactez un personnel qualifié.

2. Ce four à micro-ondes doit être placé sur une surface plane et stable pour supporter son poids et les aliments les plus lourds susceptibles d'être cuits au four.
3. Ne placez pas le four dans un endroit où la chaleur, l'humidité ou l'humidité élevée sont générées, ou près de matériaux combustibles.
4. Pour un fonctionnement correct, le four doit disposer d'un débit d'air suffisant. Laisser 20 cm d'espace au-dessus du four, 10 cm à l'arrière et 5 cm des deux côtés. Ne couvrez ou ne bloquez aucun orifice de l'appareil. Ne retirez pas les pieds.
5. Ne faites pas fonctionner le four tant que le plateau en verre, le support de rouleaux et l'axe ne sont pas dans leur position correcte.
6. Assurez-vous que le cordon d'alimentation n'est pas endommagé et qu'il ne passe pas sous le four ou sur une surface chaude ou tranchante.
7. La prise doit être facilement accessible afin de pouvoir aisément débrancher votre appareil en cas d'urgence.
8. N'utilisez pas le four à l'extérieur.

3.2 Interférences radio

Le fonctionnement du four à micro-ondes peut créer des interférences avec la radio, la télévision ou d'autres appareils similaires.

En cas d'interférences, il est possible de les réduire ou de les supprimer en prenant les mesures suivantes :

1. Nettoyez la porte et la surface d'étanchéité du four.
2. Réorientez l'antenne de réception de la radio ou de la télévision.
3. Déplacez le four à micro-ondes par rapport au récepteur.
4. Éloignez le four à micro-ondes du récepteur.
5. Branchez le four à micro-ondes sur une autre prise, de sorte que le four et le récepteur se trouvent sur des circuits de dérivation différents.

3.3 Instructions de mise à la terre

Cet appareil doit être branché à une borne de mise à la terre. Ce four est équipé d'un cordon muni d'un câble de masse et d'une fiche de mise à la terre. Branchez la fiche sur une prise correctement installée et mise à la terre. En cas de court-circuit électrique, la mise à la terre réduit le risque de choc électrique en offrant au courant électrique un fil d'évacuation. Il est recommandé de prévoir un circuit séparé desservant uniquement le four. L'utilisation d'une haute tension est dangereuse et peut provoquer un incendie ou tout autre accident causant des dommages au four.



AVERTISSEMENT : L'utilisation incorrecte de la fiche de mise à la terre peut entraîner un risque de choc électrique.



Si vous avez des questions relatives à la mise à la terre ou aux instructions en matière d'électricité, consultez un électricien qualifié ou un personnel de service.

3 Installation et raccordement



Ni le fabricant ni le revendeur ne peuvent être tenus responsables des dommages au four ou des blessures corporelles résultant du non-respect des procédures de raccordement électrique.

Les fils de ce câble principal sont colorés selon le code suivant :

Vert et jaune = MISE À LA TERRE

Bleu = NEUTRE

Marron = PHASE

3.4 Guide d'ustensiles

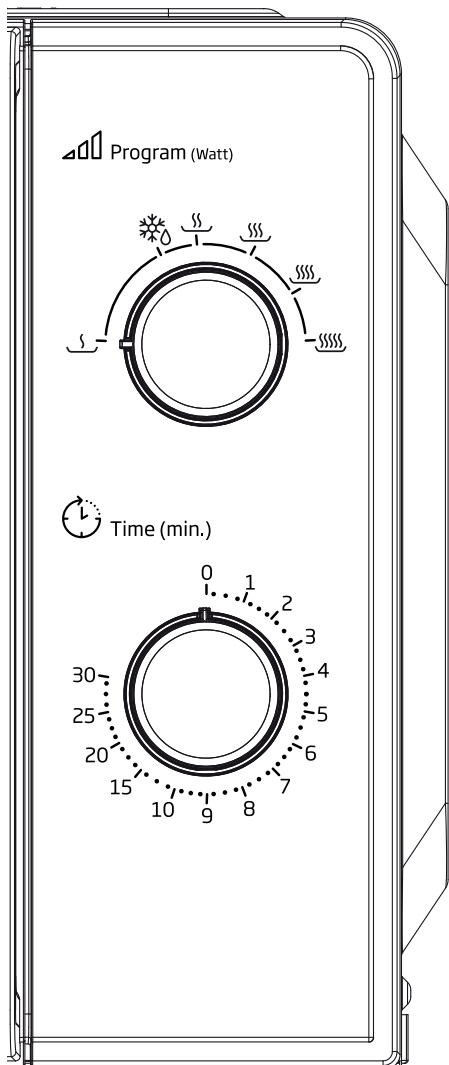
1. Les micro-ondes ne peuvent pas pénétrer le métal. Utilisez uniquement les ustensiles qui conviennent pour une utilisation au micro-ondes. Les récipients métalliques pour aliments et boissons sont interdits pendant la cuisson au micro-ondes. Cette exigence ne s'applique pas si le fabricant spécifie la taille et la forme des récipients métalliques qui conviennent pour la cuisson au micro-ondes.
2. Les micro-ondes ne traversent pas le métal, par conséquent n'utilisez pas d'ustensiles métalliques ou des plats avec des bordures métalliques.
3. Lorsque vous cuisinez au micro-ondes, n'utilisez pas des papiers recyclés car ils pourraient contenir de petits fragments métalliques pouvant causer des étincelles ou un incendie.
4. Il est recommandé d'utiliser des plats ronds ou ovales plutôt que des plats carrés ou allongés, car les aliments dans les coins ont tendance à trop cuire.
5. Vous pouvez utiliser des bandes étroites de papier d'aluminium pour éviter que les zones exposées ne cuisent trop. Mais faites attention à ne pas trop en utiliser et gardez une distance de 1 pouce (2,54 cm) entre le papier d'aluminium et la cavité.

La liste ci-dessous est un guide général pour vous aider à choisir les bons ustensiles.

Ustensiles de cuisine	Micro-ondes
Verre thermorésistant	Oui
Verre non thermorésistant	Non
Céramiques thermorésistantes	Oui
Plat en plastique pour le micro-ondes	Oui
Essuie-tout	Oui
Plateau métallique	Non
Support en métal	Non
Récipient en aluminium et papier d'aluminium	Non

4 Fonctionnement

4.1 Panneau de commande



Le panneau de commande comprend deux opérateurs de fonction. Le premier est un bouton de minuterie, et le second un bouton d'alimentation.

Bouton d'alimentation

Ce bouton de puissance est utilisé pour choisir un niveau de puissance de cuisson. Il s'agit de la première étape pour commencer une séance de cuisine.

Bouton de minuterie

Permet de régler visuellement le temps de cuisson en tournant simplement le pouce pour sélectionner le temps de cuisson souhaité, jusqu'à 30 minutes par session de cuisson.

Cuisson au four à micro-ondes

En ce qui concerne la cuisson pure au micro-ondes, il existe six niveaux de puissance parmi lesquels vous pouvez choisir celui qui convient le mieux à la tâche à accomplir.

Le niveau de puissance augmente lorsque le bouton est tourné dans le sens des aiguilles d'une montre. Les niveaux de puissance peuvent être classés comme suit :

	Puissance de sortie	Description
1	100%	Élevée
2	88%	M. élevée
3	73%	Moyen
4	52%	M. faible
5	42%	Dégivrage
6	20%	Faible

4.2 Fonctionnement

Pour démarrer une session de cuisson,

1. Placez les aliments dans le four et fermez la porte.
2. Tournez le bouton de puissance (1) pour sélectionner un niveau de puissance.
3. Utilisez le bouton de la minuterie (2) pour régler le temps de cuisson.

4 Funzionamento



Dès que la minuterie est tournée, le four commence à cuire. En sélectionnant une durée inférieure à 2 minutes, tournez la minuterie au-delà de 2 minutes, puis revenez à la durée correcte.



ATTENTION : Remettez toujours la minuterie à zéro si les aliments sont retirés du four avant la fin de la durée de cuisson programmée ou si le four n'est pas utilisé. Afin d'arrêter le four en cours de cuisson, appuyez sur le bouton d'ouverture de la porte ou ouvrez la porte par la poignée.

5 Pulizia e manutenzione

5.1 Nettoyage et entretien



AVERTISSEMENT : N'utilisez jamais d'essence, de solvants ou de nettoyeurs abrasifs, d'objets métalliques ou de brosses dures pour nettoyer l'appareil.



AVERTISSEMENT : Ne trempez jamais l'appareil ou son cordon d'alimentation dans de l'eau ou dans tout autre liquide.

1. Éteignez le four et débranchez la fiche d'alimentation de la prise murale avant le nettoyage.
2. Maintenez l'intérieur du four propre. Lorsque des éclaboussures d'aliments ou des liquides renversés se déposent sur les parois du four, essuyez-les à l'aide d'un chiffon humide. Utilisez un détergent doux si le four est très sale. Évitez l'utilisation d'aérosol et d'autres nettoyeurs abrasifs, car ils peuvent tacher, rayer ou ternir la surface de la porte.
3. Nettoyez les surfaces extérieures avec un chiffon humide. Pour éviter d'endommager les pièces fonctionnelles à l'intérieur du four, ne laissez pas l'eau s'infiltrer par les orifices de ventilation.
4. Essuyez régulièrement les deux côtés de la porte et de la fenêtre, les joints d'étanchéité de la porte et les pièces adjacentes avec un chiffon humide pour nettoyer tout déversement ou toute éclaboussure. N'utilisez pas de nettoyeurs abrasifs.
5. Utilisez un nettoyeur à la vapeur.
6. Ne laissez pas le panneau de commande se mouiller. Nettoyez avec un chiffon humide et doux. Lorsque vous nettoyez le panneau de commande, laissez la porte du four ouverte pour éviter que le four ne s'allume accidentellement.
7. Si de la vapeur s'accumule à l'intérieur ou autour de la porte du four, essuyez-la à l'aide d'un chiffon doux. Cela se produit lorsque le four à micro-ondes fonctionne dans des conditions d'extrême humidité. Ce phénomène est normal.
8. Il est parfois nécessaire de retirer le plateau en verre pour le nettoyer. Lavez le plateau dans de l'eau tiède savonneuse ou au lave-vaisselle.
9. Nettoyez régulièrement l'anneau de rouleau et le plancher du four pour éviter des bruits excessifs. Essuyez simplement la surface inférieure du four à l'aide d'un détergent doux. Vous pouvez laver l'anneau de rouleau dans de l'eau tiède savonneuse ou au lave-vaisselle. Lorsque vous retirez l'anneau de rouleau du fond de la cavité pour le nettoyer, veillez à le replacer dans la bonne position.
10. Pour éliminer les odeurs de votre four, mélangez une tasse d'eau avec le jus et le zeste d'un citron dans un bol profond utilisable au micro-ondes et placez le bol dans le four pendant 5 minutes. Nettoyez soigneusement et séchez ensuite en vous servant d'un chiffon doux.
11. Lorsqu'il est nécessaire de remplacer la lampe du four, veuillez consulter un vendeur pour la faire remplacer.
12. Le four doit être régulièrement nettoyé et tous les dépôts d'aliments doivent être retirés. Tout défaut de conservation du four dans un état propre peut entraîner la détérioration de sa surface, ce qui en retour pourrait affecter la durée de vie de l'appareil et éventuellement des situations dangereuses.
13. Ne jetez pas cet appareil avec les ordures ménagères ; il doit être mis au rebut dans le centre de collecte prévu à cet effet par les autorités municipales.

5 Pulizia e manutenzione

14. Lorsque vous utilisez le four à micro-ondes avec fonction gril pour la première fois, il peut produire de légères fumées et odeurs. Ce phénomène est normal, car le four comporte une plaque d'acier recouverte d'huile de lubrification, et lorsqu'il est neuf, il produit des fumées et des odeurs générées par la combustion de l'huile de lubrification. Ce phénomène disparaît après une période d'utilisation.

5.2 Rangement

- Si vous ne comptez pas utiliser votre appareil pendant un certain temps, veuillez le ranger soigneusement.
- Veuillez également à ce que l'appareil soit débranché, complètement refroidi et entièrement sec.
- Conservez l'appareil dans un endroit frais et sec.
- Tenez l'appareil hors de la portée des enfants.

5.3 Manipulation et transport

- Pendant la manipulation et le transport, portez toujours l'appareil dans son emballage d'origine. L'emballage de l'appareil le protège des dommages physiques.
- Ne placez pas de charges lourdes sur l'appareil ou sur l'emballage. Cela pourrait l'endommager.
- Toute chute de l'appareil peut le rendre non opérationnel ou l'endommager de façon permanente.

6 Dépannage

Problème	Solutions possibles
Si le four ne fonctionne pas	Vérifiez si le four est branché correctement. Si tel n'est pas le cas, débranchez la fiche de la prise, patientez 10 secondes, puis rebranchez correctement la fiche.
	Vérifiez si le fusible est grillé ou si le disjoncteur principal a déclenché. S'ils fonctionnent correctement, vérifiez le bon état de la prise en branchant un autre appareil.
	Vérifiez que vous avez correctement programmé le panneau de commande et réglé la minuterie.
	Vérifiez que la porte est hermétiquement fermée en enclenchant le système de verrouillage de sécurité de la porte. Dans le cas contraire, la diffusion des micro-ondes dans le four s'en verra empêchée.
Au cas où aucune des mesures ci-dessus ne permettrait de résoudre le problème, contactez un technicien qualifié. Évitez d'essayer de régler ou de réparer le four vous-même.	

Arçelik A.Ş.
Karaağaç Caddesi No: 2-6, 34445,
Sütlüce, İstanbul, Türkiye

www.beko.com