

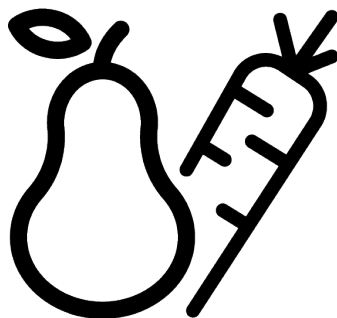
beko

Refrigerator / User Manual

Frigorifero / Manuale Utente

Chłodziarko - zamrażarka / Instrukcja obsługi

Lednice / Návod k obsluze



B5RCNE565HGB
K70561NE

11 5075 5200/1/3_ EN/ IT/ PL/ CS/ AA/ 13/12/23 11:38
7295843704



Please read this manual first!

Dear Customer

Please read this manual before using the product.

Thank you for choosing this Beko product. We would like you to achieve the optimal efficiency from this high quality product which has been manufactured with state of the art technology. To do this, carefully read this manual and any other documentation provided before using the product and keep it as a reference.

Heed all information and warnings in the user manual. This way, you will protect yourself and your product against the dangers that may occur.

Keep the user manual. Include this manual with the unit if you hand it over to someone else.

The following symbols are used in the user manual:



Hazard that may result in death or injury.



Important information or useful tips on operation.



Read the user manual.



Combustible material, warning against fire hazard.

NOTICE A hazard that may cause material damage to the product or its surroundings



SUPPLIER'S NAME

MODEL IDENTIFIER → (*)



The model information as stored in the product data base can be reached by entering following website and searching for your model identifier (*) found on energy label.

<https://eprel.ec.europa.eu/>

1	Safety Instructions.....	4
1.1	Intention of Use	4
1.2	Safety of Children, Vulnerable Persons and Pets	4
1.3	Electrical Safety.....	5
1.4	Handling Safety	5
1.5	Installation Safety.....	6
1.6	Operational Safety.....	8
1.7	Food Storage Safety.....	10
1.8	Maintenance and Cleaning Safety	11
1.9	Disposal of the Old Product.....	12
2	Environmental Instructions.....	12
2.1	Compliance with the WEEE Dir- ective and Disposing of the Waste Product	12
3	Your Refrigerator	13
4	Installation	13
4.1	Right Place For Installation.....	14
4.2	Electrical Connection	14
4.3	Adjusting the Legs.....	14
4.4	Hot Surface Warning.....	14
5	Preparation.....	15
5.1	What To Do For Energy Saving	15
5.2	First Use	15
5.3	Climate Class and Definitions	16
6	Operating the Product.....	16
7	Use of Your Appliance.....	17
7.1	Control Panel of the Product	17
7.2	Storing Food in the Cooler Com- partment.....	19
7.3	Crisper	23
7.4	Humidity Controlled Crisper	24
7.5	Crisper Technologies	24
7.6	Dairy Products Cold Storage Area	24
7.7	The ice storage area.....	24
7.8	Reversing the Door Opening Side.	25
7.9	Door Open Alert	25
7.10	Replacing the Illumination Lamp..	25
7.11	AeroFlow	25
7.12	Fan.....	25
7.13	Egg holder	25
8	Maintenance and Cleaning	26
9	Troubleshooting.....	27

1 Safety Instructions

- This section includes the safety instructions necessary to prevent the risk of personal injury or material damage.
- Our company shall not be held responsible for damages that may occur if these instructions are not observed.



Always have installation and repair operations performed by manufacturer, authorized service or a person who will be described by importer company.



Use original spare parts and accessories only.



Do not repair or replace any component of the product unless it is clearly specified in the user manual.



Do not perform any modifications on the product.

1.1 Intention of Use

- This product is not suitable for commercial use and should not be used for a purpose other than its intended use.
- This product is intended for operating interiors, such as households or similar.

For example;

In the staff kitchens of the stores, offices and other working environments,

In farm houses,
In the units of hotels, motels or other resting facilities that are used by the customers,
In hostels, or similar environments,
In catering services and similar non-retail applications.

- This product shall not be used in open or enclosed external environments such as vessels, camper vans, balconies or terraces. Exposing the product to rain, snow, sunlight and wind may cause risk of fire.



1.2 Safety of Children, Vulnerable Persons and Pets

- This product may be used by children aged 8 years and older and persons with underdeveloped physical, sensory or mental capabilities or lack of experience and knowledge if they are being supervised or have been given instruction concerning use of the appliance in a safe way and the hazards involved.
- Children between 3 and 8 years are allowed to put and take out food into/from the cooler product.

- Children and pets must not play with, climb on, or get inside the product.
- Children and pets must be kept away from the cabin area (compressor) where electrical parts are located.
- Cleaning and user maintenance must not be performed by children unless there is someone overseeing them.
- Keep the packaging materials away from children. Risk of injury and suffocation.

 **1.3 Electrical Safety**

- The product shall not be plugged into the outlet during installation, maintenance, cleaning, repair, and transportation operations.
- If the power cable is damaged, it shall only be replaced by authorized service to avoid any risks that may occur.
- Do not tuck the power cable under the product or to the rear of the product. Do not put heavy items on the power cable. The power cable should not be bent, crushed, and come into contact with any heat source.
- Do not use an extension cord, multi-plug or adaptor to operate your product.

- Portable multi-plugs or portable power supplies may overheat and cause fire. Thus, do not have a multi-plug, portable power sources behind or in the vicinity of the product.
- Do not plug the product's power cord in a loose or damaged power outlet. These types of connections may overheat and cause fire.
- The plug shall be easily accessible. If this is not possible, a mechanism that meets the electrical legislation and that disconnects all terminals from the mains (fuse, switch, main switch, etc.) shall be available on the electrical installation.
- The product must not be operated with an external switching device such as a timer, or a remote controlled system.
- Do not use the product when your feet are bare or your body is wet.
- Do not touch the plug with wet hands.
- When unplugging the appliance, don't hold the power cord, but the plug.

 **1.4 Handling Safety**

- Make sure to unplug the appliance before carrying the product.

- This product is heavy, do not handle it by yourself. Injuries may occur if the product falls on you. Do not bump into places or drop the product while transporting it.
- Always close the doors and do not hold the product by its doors while transporting it.
- Be careful not to damage the cooling system and the pipes while handling the product. Do not operate the product if the pipes are damaged, and contact an authorized service.
- Check for any damage on the product before installing it. Do not have the product installed if it is damaged.
- Always use personal protective equipment (gloves, etc.) during product installation, maintenance and repair. Risk of Injury!
- Place the product on a clean, level and hard surface and balance it with the adjustable legs (by rotating the front feet to the right or left). Otherwise, the refrigerator may tip over and cause injuries.

1.5 Installation Safety

- Contact the Authorized Service for the product's installation. To prepare the product for use, see the information in the user manual and make sure the electric and water utilities are as required. If not, call a qualified electrician and plumber to arrange the utilities as necessary. Failure to do so may result in electric shock, fire, problems with the product, or injury.
- This product is designed for use at a maximum altitude of 2000 metres above sea level.
- Keep children away from installation area.
- The product shall be installed in a dry and ventilated environment. Do not keep carpets, rugs or similar covers under the product. This may cause risk of fire as a result of inadequate ventilation!
- Do not block or cover ventilation holes. Otherwise, power consumption increases and your product may be damaged.
- When placing the product, make sure that the supply cable is not damaged or pinched.
- The product must not be connected to supply systems and power sources which may cause sudden voltage changes (i.e. a portable solar-energy power source). Otherwise,

damage to your product may occur as a result of the abrupt voltage fluctuations!

- The more refrigerant a refrigerator contains, the bigger its installation room shall be. In very small rooms, a flammable gas-air mixture may occur in case of a gas leak in the cooling system. At least 1 m³ of volume is required for each 8 grams of refrigerant. The amount of the refrigerant available in your product is specified in the Type Label.
- The product must never be placed in such a way that power cables, the metal hose of the gas stove, metal gas or water pipes come into contact with the product's rear wall (or the condenser).
- The installation place of the product must not be exposed to direct sunlight and it shall not be in the vicinity of a heat source such as stoves, radiators, etc. If you cannot prevent installation of the product in the vicinity of a heat source, use a suitable insulation plate and make sure the minimum distance to the heat source is as specified below:
 - At least 30 cm away from heat sources such as stoves, ovens, heating units and heaters, etc.,
 - And at least 5 cm away from electrical ovens.
- Your product has the protection class of I.
- Plug the product in a grounded socket that conforms with the Voltage, Current and Frequency values specified in the type label. The socket must have a 10A – 16A fuse. Our firm will not assume responsibility for any damages due to usage without earthing and without power connection in compliance with local and national regulations.
- The product's power cable must be unplugged during installation. Otherwise, risk of electric shock and injury may occur!
- Do not plug the product's power cord in loose, dislocated, broken, dirty, oily power outlets which have a risk of water contact. These types of connections may cause overheating and fire.
- Place the power cable and hoses (if any) of the product so that they shall not cause a risk of tripping over.

- Penetration of humidity and liquid to live parts or to the power cord may cause short circuit. Thus, do not use the product in humid environments or in areas where water may splash (e.g. garage, laundry room, etc.) If the refrigerator is wet by water, unplug it and contact an authorized service.
- Do not ever connect your refrigerator to power saving devices. These systems are harmful for the product.
- There is a risk of contact with electrical parts when removing the electronic board cover and the compressor rear cover (if fitted). Do not remove the electronic board cover and the compressor rear cover (if fitted). There is a risk of electrocution!
- Do not place a source of flame (e.g. candles, cigarettes, etc.) on the product or in the vicinity of it.
- Do not get on the product. Risk of falling and injury!
- Do not cause damage to the pipes of the cooling system using sharp and piercing tools. The refrigerant that sprays out in case of puncturing the gas pipes, pipe extensions or upper surface coatings may cause irritation of skin and injury to the eyes.
- Do not place and operate electrical appliances inside the refrigerator/freezer unless it is advised by the manufacturer.
- Do not jam any parts of your hands or your body to the moving parts inside the product. Be careful to prevent jamming of your fingers between the refrigerator and its door. Be careful while opening or closing the door if there are children around.
- Do not put ice cream, ice cubes or frozen food to your mouth as soon as you take them out of the freezer. Risk of frostbite!

1.6 Operational Safety

- Do not ever use chemical solvents on the product. These materials contain an explosion risk.
- In case of a failure of the product, unplug it and do not operate until it is repaired by the authorized service. There is a risk of electric shock!

- Do not touch the inner walls, metal parts of the freezer or food kept inside the freezer with wet hands. Risk of frost-bite!
- Do not place soda cans or cans and bottles that contain fluids that may be frozen to the freezer compartment. Cans or bottles may explode. Risk of injury and material damage!
- Do not use or place materials sensitive against temperature such as flammable sprays, flammable objects, dry ice or other chemical agents in the vicinity of the refrigerator. Risk of fire and explosion!
- Do not store explosive materials such as aerosol cans with flammable materials inside the product.
- Do not place cans containing fluids over the product an open state. Splashing of water on an electrical part may cause an electric shock or a fire.
- Due to risk of breaking, do not store glass containers with liquid inside in the freezer compartment.
- This product is not intended for storage and cooling of medicines, blood plasma, laboratory preparations or similar materials and products that are subject to the Medical Products Directive.
- If the product is used against its intended purpose, it may cause damage to or deterioration of the products stored inside.
- If your refrigerator is equipped with blue light, do not look at this light with optical devices. Do not stare directly at UV LED light for a long time. Ultraviolet rays may cause eye strain.
- Do not fill the product with more contents than its capacity. Injuries or damages may occur if the contents of the refrigerator fall when the door is opened. Similar problems may also occur when an object is placed over the product.
- Ensure that you have removed any ice or water that may have fallen to the floor to prevent injuries.
- Change the locations of the racks/bottle racks on the door of your refrigerator only when the racks are empty. Danger of injury!
- Do not place objects that may fall/tip over on the product. These objects may fall while opening or closing the door and cause injuries and/or material damages.

- Do not hit or exert excessive pressure on glass surfaces. Broken glass may cause injuries and/or material damages.
- The cooling system in your product contains R600a refrigerant. The refrigerant type used in the product is specified in the type label. This gas is flammable. Therefore, be careful not to damage the cooling system and the pipes while operating the product. In case of damage to the pipes;
 1. Do not touch the product or the power cable.
 2. Keep the product away from potential sources of fire that may cause the product to catch fire.
 3. Ventilate the area where the product is placed. Do not use a fan.
 4. Contact Authorized Service.If the product is damaged and you observe gas leak, please stay away from the gas. Gas may cause frostbite if it contacts your skin.

Before disposing of old products that shall not be used any more:

 1. Unplug the power cord from the mains socket.
 2. Cut the power cable and remove it from the appliance together with the plug.
- 3. Do not remove the racks and drawers from the product to prevent children from getting inside the appliance.
- 4. Remove the doors.
- 5. Store the product so that it shall not be tipped over.
- 6. Do not allow children to play with the scrapped product.
- Do not dispose of the product by throwing it into fire. Risk of explosion.
- If there is a lock available on the product's door, keep the key out of children's reach.



1.7 Food Storage Safety

Please pay attention to the following warnings to avoid food spoilage:

- Leaving the doors open for a long time may cause the temperature inside the product to rise.
- Regularly clean the accessible drainage systems in contact with food.
- Clean the water tanks that have not been used for 48 hours and mains-fed water systems that have not been used for more than 5 days.
- Store raw meat and fish products in appropriate compartments within the product.

Thus, it does not drip on or come into contact with other foods.

- Two-star freezer compartments are used for storing pre-filled foods, making and storing ice and ice cream.
- One, two and three-star compartments are not appropriate for freezing fresh food.
- If the cooling product has been left empty for a long time, turn off the product, defrost, clean, and dry the product in order to protect the housing of the product.



1.8 Maintenance and Cleaning Safety

- Unplug the refrigerator before cleaning it or starting to perform maintenance.
- Do not pull by the door handle if you shall move the product for cleaning purposes. Handle may cause injuries if it is pulled too hard.
- Do not put your hands etc. under the refrigerator. Jamming may occur or any sharp edge may cause personal injuries.
- Do not clean the product by spraying or pouring water on the product and inside the product. Risk of electric shock and fire.
- When cleaning the product, do not use sharp and abrasive tools or household cleaning agents, detergent, gas, gasoline, thinner, alcohol, varnish, and similar substances. Use only cleaning and maintenance agents that are not harmful for food inside the product.
- Do not ever use steam or steamed cleaning materials for cleaning the product and thawing the ice inside it. Steam contacts the live areas in your refrigerator and causes short circuit or electric shock.
- Do not use any mechanical tools or any other tools than the recommendations of the manufacturer to speed up the defrost operation.
- Take care to keep water away from the ventilation holes, electronic circuits or lighting of the product.
- Use a clean, dry cloth to wipe the dust or foreign material on the tips of the plugs. Do not use a wet or damp piece of cloth to clean the plug. Otherwise, risk of fire or electric shock may occur.

1.9 Disposal of the Old Product

When disposing of your old product follow the instructions below:

- To prevent children from accidentally locking themselves into the product, if there is door lock, disable it.
- Splash of coolant is harmful to the eyes. Do not damage any part of the cooling system while disposing of the product.

- It may be fatal if the compressor oil is swallowed or if it penetrates the respiratory tract.
- Cooling system of your product includes R600a gas as specified in the type label. This gas is flammable. Do not dispose of the product by throwing it into fire. Risk of explosion!
- C-Pentane is used as a blowing agent in insulation foam and it is a flammable substance. Do not dispose of the product by throwing it into fire.

2 Environmental Instructions

2.1 Compliance with the WEEE Directive and Disposing of the Waste Product



This product complies with EU WEEE Directive (2012/19/EU). This product bears a classification symbol for waste electrical and electronic equipment (WEEE).

This symbol indicates that this product shall not be disposed with other household wastes at the end of its service life. Used device must be returned to official collection point for recycling of electrical and electronic devices. To find these collection systems please contact to your local authorities or retailer where the product was purchased. Each household performs important role in recovering and recycling of old appliance. Appropriate disposal of used

appliance helps prevent potential negative consequences for the environment and human health.

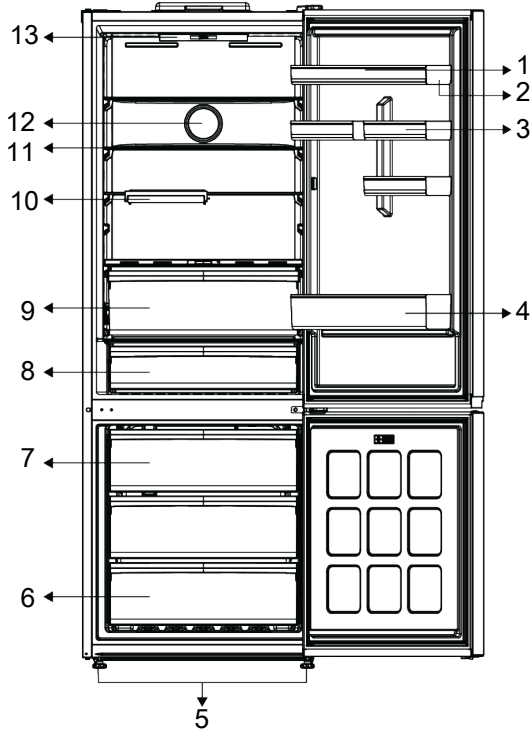
Compliance with RoHS Directive

The product you have purchased complies with EU RoHS Directive (2011/65/EU). It does not contain harmful and prohibited materials specified in the Directive.



Package information


Packaging materials of the product are manufactured from recyclable materials in accordance with our National Environment Regulations. Do not dispose of the packaging materials together with the domestic or other wastes. Take them to the packaging material collection points designated by the local authorities.



- 1 Egg holder
- 2 Adjustable Door Shelf
- 3 * Small Door Shelf
- 4 Bottle Shelf
- 5 Adjustable Stands
- 6 Freezer Compartment
- 7 Icebox container
- 8 Cold Storage Drawer
- 9 Crisper
- 10 * Foldable shelf
- 11 Adjustable Shelf
- 12 Fan
- 13 Lighting

***Optional:** Figures in this user manual are schematic and may not exactly match your product. If your product does not comprise the relevant parts, the information pertains to other models.

4 Installation

 Read the "Safety Instructions" section first!

4.1 Right Place For Installation

Contact the Authorized Service for the product's installation. To prepare the product for installation, see the information in the user manual and make sure the electric and water utilities are as required. If not, call an electrician and plumber to arrange the utilities as necessary.



WARNING:

The manufacturer assumes no responsibility for any damages caused by the work carried out by unauthorized persons.



WARNING:

The product's power cable must be unplugged during installation. Failure to do so may result in death or serious injuries!



WARNING:

If the door span is too narrow for the product to pass, remove the door and turn the product sideways; if this does not work, contact the authorized service.

- Place the product on a flat surface to avoid vibration.
- Place the product at least 30 cm away from the heater, stove and similar sources of heat and at least 5 cm away from electric ovens.
- Do not expose the product to direct sunlight or keep it in damp environments.
- Your product requires adequate air circulation to function efficiently. If the product will be placed in an alcove, remember to leave at least 5 cm clearance between the product and the ceiling, rear wall and the side walls.
- Check if the rear wall clearance protection component is present at its location (if provided with the product).
- If the component is not available, or if it is lost or fallen, position the product so that at least 5 cm clearance shall be left between the rear surface of the product

and the wall of the room. The clearance at the rear is important for efficient operation of the product.

4.2 Electrical Connection



Do not use extension or multi sockets in power connection.



Damaged power cable must be replaced by Authorized Service.

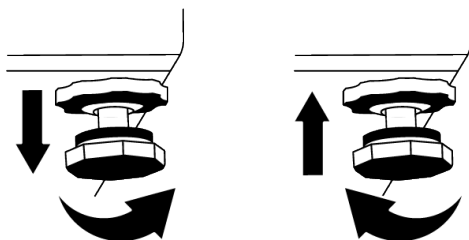


When placing two coolers in adjacent position, leave at least 4 cm distance between the two units.

- Our firm will not assume responsibility for any damages due to usage without earthing and power connection in compliance with national regulations.
- The power cable plug must be easily accessible after installation.
- Do not use multi-group plug with or without extension cable between the wall socket and the refrigerator.

4.3 Adjusting the Legs

If the product is not in balanced position, adjust the front adjustable legs by rotating them to right or left.



4.4 Hot Surface Warning

The side walls of your product are equipped with cooler pipes to enhance the cooling system. High pressure fluid may flow through these surfaces, and cause hot surfaces on the side walls. This is normal and it does not require servicing. Be careful when you contact these areas.

5 Preparation



Read the "Safety Instructions" section first!

5.1 What To Do For Energy Saving



Connecting the product to electronic energy-saving systems is harmful, as it may damage the product.

- This refrigerating appliance is not intended to be used as a built in appliance.
- Do not keep the refrigerator doors open for long periods.
- Do not place hot food or beverages into the refrigerator.
- Do not overfill the refrigerator; blocking the internal air flow will reduce cooling capacity.
- Since hot and humid air will not directly penetrate into your product when the doors are not opened, your product will optimize itself in conditions sufficient to protect your food. Under these circumstances, functions and components such as compressor, fan, heater, defrost, lighting, display and so on will operate according to the needs by consuming minimum energy.
- In case that multiple options are present, glass shelves must be placed so that the air outlets at the rear wall are not blocked and preferably, in a way that air outlets remain below the glass shelf. This combination may help improving air distribution and energy efficiency.
- Using the below drawer when storing is strongly recommended.
- Depending on the product's features; defrosting frozen foods in the cooler compartment will ensure energy saving and preserve food quality.

- In order to load the maximum quantity of food into the freezer compartment of your refrigerator, the upper drawers may be taken out and the food should be placed onto the wire/glass shelves.
- Food shall be stored using the drawers in the cooler compartment in order to ensure energy saving and protect food in better conditions.
- Food packages shall not be in direct contact with the temperature sensor located in the freezer compartment.

5.2 First Use

Before using your refrigerator, make sure the necessary preparations are made in line with the instructions in "Safety and Environmental Instructions" and "Installation" sections.

- Keep the product running without placing any food inside for 6 hours and do not open the door, unless absolutely necessary.
- The temperature change caused by opening and closing of the door while using the product may normally lead to condensation on door/body shelves and glassware placed in the product.



A sound will be heard when the compressor is engaged. It is normal for the product to make noise even if the compressor is not running, as fluid and gas may be compressed in the cooling system.



It is normal for the front edges of the refrigerator to be warm. These areas are designed to warm up in order to prevent condensation.



For some models, indicator panel turns off automatically 1 minute after the door closes. It will be re-activated when the door is opened or any button is pressed.

5.3 Climate Class and Definitions

Please refer to the Climate Class on the rating plate of your device. One of the following information is applicable to your device according to the Climate Class.

- **SN:** Long Term Temperate Climate: This cooling device is designed for use at ambient temperatures between 10 °C and 32 °C.
- **N:** Temperate Climate: This cooling device is designed for use at ambient temperatures between 16°C and 32 °C.
- **ST:** Subtropical Climate: This cooling device is designed for use at ambient temperatures between 16°C and 38°C.
- **T:** Tropical Climate: This cooling device is designed for use at ambient temperatures between 16°C and 43°C.

6 Operating the Product



Read the "Safety Instructions" section first!

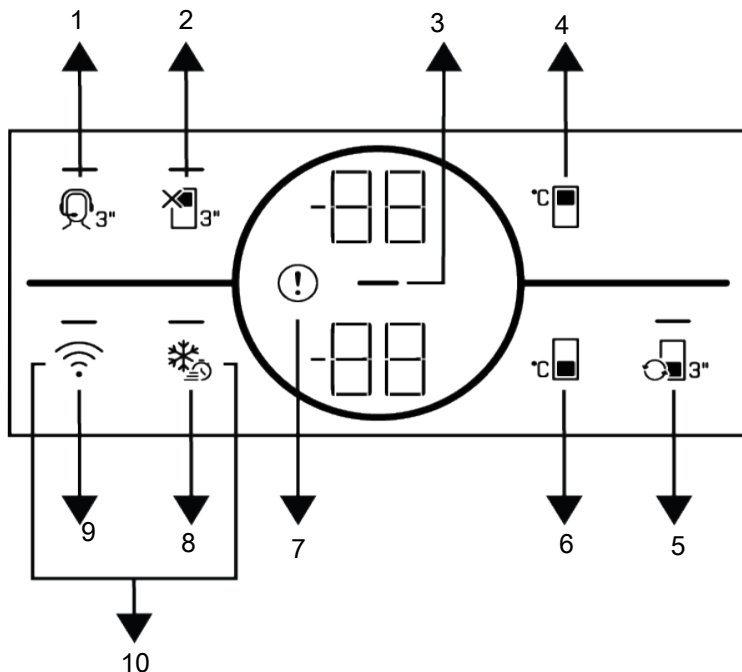
- Do not use any mechanical tools or any other tools than the recommendations of the manufacturer to speed up the defrost operation.
- Do not use parts of your refrigerator such as the door or drawers as a support or a step. This may cause the product to trip over or its components to be damaged.
- The product shall be used for storing food only.

- Turn off the water valve if you will be away from home (e.g. at vacation) and you will not be using the Icematic or the water dispenser for a long period of time. Otherwise, water leaks may occur.

Unplugging the Product

- If you are not going to use the product for a long time, unplug the product from the socket.
- Remove the food to prevent odours,
- Wait for the ice to melt, clean the interior and let it dry, leave the doors open to avoid damaging the inner body plastics.

7.1 Control Panel of the Product



- | | |
|---|--|
| 1 *Support Service Key | 2 Cooler Compartment Off (Vacation) Function Key |
| 3 Energy Saving (Display Off) Indicator | 4 *Cooler Compartment Temperature Setting Key |
| 5 *Compartment Conversion Key | 6 Freezer Compartment Temperature Setting Key |
| 7 Error Status Indicator | 8 Quick Freezing Key/Handle Light Function Setting Key |
| 9 *Wireless Key | 10 *Key for Resetting Wireless Connection Settings |

 Read the "Safety Instructions" section.

*Optional: Shown functions are optional, there may be differences of shape and location in functions found on your appliance's indicator panel.

Auditory and visual functions on the indicator panel will assist you in using the refrigerator.

1. *Support Service Key

Press this button for 3 seconds to activate the support service. Detailed information on the support service is provided in the "Support Service Feature" section.

2. Cooler Compartment Off (Vacation)

Function Key

Press the key for 3 seconds to activate the vacation function. Vacation mode is activated and the vacation symbol is illuminated. "--" shall be displayed on the Cooler Compartment temperature indicator and the cooler compartment does not actively perform cooling.

You should not keep your food in the cooler compartment if you activate this function. The other compartments continue to cool according to temperatures set before. Press the key for 3 seconds again to cancel this function.

3. Energy Saving (Display Off) Indicator

Energy saving function is enabled automatically and the energy saving symbol lights up when the door of the product is not opened or closed for some period of time. When the energy saving function is active, all symbols on the screen except the energy saving symbol will be turned off. When the energy saving function is active, if you press any key or open the door, the energy saving function will be deactivated and the symbols on the screen will return to normal. The energy saving function is a function activated ex-factory and cannot be cancelled.

4. *Cooler Compartment Temperature

Setting Key

Allows setting of temperature for cooler compartment. Pressing this key will enable the cooler compartment temperature to be set at 8, 7, 6, 5, 4, 3, 2 and 1 °C.

5. *Compartment Conversion Key

Pressing compartment conversion key for 3 seconds, the freezer section switches between cooler, off and freezer modes.

If it is operated as the cooler compartment, the temperature of the compartment will be set as 4 °C. In the off mode, compartment temperature indicator shall display "--".

7. Error Condition Indicator

This indicator will be active when your refrigerator cannot perform adequate cooling or in case of any sensor error. "E" will be displayed on the freezer compartment temperature indicator and figures such as 1,2,3... will be displayed on the cooler compartment temperature indicator. These figures provide information to the authorized service on the error that has occurred.

Exclamation mark may be displayed for a while when you load warm food to the freezer compartment or keep the door open for a long period of time. This is not a fault, this warning will be removed when the food is cooled down or when any key is pressed.

8.Quick Freezing Key

When the quick freezing key is pressed the quick freezing symbol shall be illuminated and the quick freezing function shall be activated. The freezer compartment temperature is set to -27 °C. Press the key again to cancel the function. The quick freezing function will be cancelled automatically. To freeze a large amount of fresh food, press the quick freezing key before placing the food in the freezer compartment.

*Handle Light Function Setting Key

Handle light function might be switched between open and closed modes by pressing the quick freezing key for 3 seconds. In the closed mode, the handle light is only activated when the appliance door is opened and it goes out after a while after the door is closed. In the open mode, the handle light is activated when the appliance door is opened, the handle light stays on dimly after a while after the door is closed. The handle light function is set to the ex-factory closed mode.

9. *Wireless Key

When the key is pressed for a long period (3 seconds), the wireless connection symbol on the display/screen flashes slowly (at 0.5 second intervals). The home network is initialized on the product this way.

After achieving wireless connection with the product, wireless connection symbol illuminates continuously.

When the initial connection is established, you may activate/deactivate the connection with a short press on this key. The wireless connection symbol will flash quickly (at 0.2 second intervals) until the connection is established. When the connection is active, the wireless network symbol will illuminate continuously.

If the connection cannot be established for a long period, check your connection settings and refer to the "Troubleshooting" section provided in the user manual.

7.2 Storing Food in the Cooler Compartment

Storing Food in the Cooler Compartment

- Compartment temperatures rise prominently if compartment door is opened and closed frequently and kept open for a long time, this can reduce the life span of the food and cause the food to spoil.
- In order not to cause odour and taste changes, the food should be stored in the closed containers.
- Do not store too much food in your refrigerator. To achieve a better and homogeneous cooling, place the food separately in a way that cold air can wander through them.
- Provide air flow by leaving a space between the food and internal wall. If you lean the food against the rear wall, the food may freeze.
- Bring cooked hot meals to the room temperature before placing them in the refrigerator. Then, you can place the tepid meal in the lower shelves of your refrigerator. Do not place the tepid meals close to the foods which may easily spoil.

HomeWhiz application will be used for wireless connection. The installation steps are described on the application during installation.

You may access the application by reading the QR code available on the HomeWhiz label on the product. Application is offered through App Store for IOS devices, and through Play Store for Android devices. Visit <https://www.homewhiz.com/> address for detailed information.

10. *Key for Resetting Wireless Connection Settings

To reset the wireless connection settings, press on Quick freezing and Wireless connection keys simultaneously for 3 seconds. All user information recorded previously are removed on a product where wireless connection settings are reset/restored to factory defaults.

- Especially pay attention not to mix the foods sold as frozen with the fresh foods.
- Defrost your frozen food in the fresh food compartment. Thereby, you can cool fresh food compartment by using frozen food and save energy.
- Storing unripe tropical fruits (mango, melon varieties, papaya, banana, pineapple) in the refrigerator may speed up the ripening process. This is not recommended because it will cause shorter storage time.
- You should store onions, garlics, gingers and other root vegetables in dark and cold room conditions, not in the refrigerator.
- If you notice that a food has spoiled in the refrigerator, throw away that food and clean the accessories which have come into contact with it.
- In order to cool the meals like soups and stews, which are cooked in the large pots, quickly, you can put them in the refrigerator by separating them into their own shallow containers.

- Do not place unpackaged food close to eggs.
- Keep the fruits and vegetables separately and store each variety together (for example; apples with apples, carrots with carrots).
- Take green vegetables out of the plastic bag and place them in the refrigerator after wrapping them in a paper towel or drying cloth. If you wash this type of food before placing them in the refrigerator, remember to dry them.
- You can both create a damp environment and provide an air flow by keeping fruits and vegetables, which are prone to drying, in the perforated or unsealed plastic bags.
- Except the cases where extreme circumstances are available in the environment, if your product (on the recommended set values table) is set to the specified set values, the food keep their freshness for a longer time both in the fresh product compartment and freezer compartment.

Store Foods In The Different Places According To Their Properties:	
Food	Location
Egg	Door Shelf
Dairy products (butter, cheese)	If available, zero degree (for breakfast food) compartment
Fruits, vegetables and greenery	Fruit-vegetable compartment, crisper or EverFresh+ compartment (if available)
Fresh meat, poultry, fish, sausage etc. Cooked foods	If available, zero degree (for breakfast food) compartment
Ready to serve foods, packaged products, canned foods and pickles	Top shelves or door shelf
Beverages, bottles, spices and snacks	Door Shelf

Storing Food In The Freezer Compartment

- You can activate Quick Freezing function 4-6 hours before freezing function and perform a faster cooling.
- Bring hot meals to the room temperature before placing them in the freezer compartment.
- Foods to be frozen must be divided into portions according to a size to be consumed, and frozen in separate packages.
- It is recommended to pack the foods before placing them in the freezer.
- In order to prevent expiration of storage time, write the freezing date, time and name of the product on the package according to the storage times of different foods.
- Consume the foods you have defrosted quickly. Defrosted foods cannot be frozen again unless they are cooked. It is not safe to consume the refrozen fresh foods without cooking after they are defrosted.

- As you freeze fresh foods, do not bring them in contact with already frozen foods. Otherwise, frozen foods will be defrosted.

Storing The Foods, Which Are Sold Frozen

- Always follow the instructions of the producer in relation to the time during which you are required to store your foods. Do not exceed the time specified in these instructions!
- In order to protect the quality of the food, keep the time interval between purchasing transaction and storing as short as possible.
- Buy frozen food which are stored at -18°C or lower temperatures.
- Avoid buying foods whose packages are covered with ice etc. This means that the product could be partially defrosted and refrozen. Temperature impacts the quality of the food.

- Do not exceed the storing time recommended by the food producer. Remove only the food as much as you need from the freezer.
- Except the cases where extreme circumstances are available in the environment, if your product (on the recommended set values table) is set to the specified set values, the food keep their freshness for a longer time both in the fresh product compartment and freezer compartment.
- If fresh food compartment is set to a lower temperature, fresh fruits and vegetables may be partially frozen.
- The two-star compartments are suitable for pre-frozen food. Ice cream and ice cubes can be stored.
- Do not freeze food in compartments with one, two and three-stars.

Meat and Fish		Preparation	Longest storage time (month)	
Meat Products	Veal	Steak	By cutting them 2 cm thick and placing foil between them or wrapping tightly with stretch	6-8
		Roast	By packing the pieces of meat in a refrigerator bag or wrapping them tightly with stretch	6-8
		Cubes	In small pieces	6-8
		Schnitzel, chops	By placing foil between cut slices or wrapping individually with stretch	6-8
	Mutton	Chops	By placing foil between meat pieces or wrapping individually with stretch	4-8
		Roast	By packing the pieces of meat in a refrigerator bag or wrapping them tightly with stretch	4-8
		Cubes	By packing the shredded meats in a refrigerator bag or wrapping them tightly with stretch	4-8
	Beef	Roast	By packing the pieces of meat in a refrigerator bag or wrapping them tightly with stretch	8-12
		Steak	By cutting them 2 cm thick and placing foil between them or wrapping tightly with stretch	8-12
		Cubes	In small pieces	8-12
		Boiled meat	By packaging in small pieces in a refrigerator bag	8-12
	Mince		Without seasoning, in flat bags	1-3
	Offal (piece)		In pieces	1-3
	Fermented sausage - Salami		It should be packaged even if it has casing.	1-3
Jambon		By placing foil between cut slices	2-3	
Poultry and hunting animals	Chicken and Turkey		By wrapping in foil	4-6
	Goose		By wrapping in foil (portions should not exceed 2.5 kg)	4-6
	Duck		By wrapping in foil (portions should not exceed 2.5 kg)	4-6
	Deer, Rabbit, Roe Deer		By wrapping in foil (portions should not exceed 2.5 kg, and their bones should be separated)	6-8

Meat and Fish		Preparation	Longest storage time (month)
Fish and sea-food	Freshwater fish (Trout, Carp, Crane, Catfish)	After thoroughly cleaning the inside and scales, it should be washed and dried, and the tail and head parts should be cut when necessary.	2
	Lean fish (Sea bass, Turbot, Sole)		4-6
	Fatty fish (Bonito, Mackereel, Bluefish, Red Mullet, Anchovy)		2-4
	Shellfish	Cleaned and in bags	4-6
	Caviar	In its packaging, in an aluminium or plastic container	2-3

"The storage times specified in the table are based on the storage temperature of -18°C. "

Fruits and Vegetables	Preparation	Longest storage time (month)
String bean and Pole bean	By shock boiling for 3 minutes after washing and cutting into small pieces	10-13
Green pea	By shock boiling for 2 minutes after shelling and washing	10-12
Cabbage	By shock boiling for 1-2 minute(s) after cleaning	6-8
Carrot	By shock boiling for 3-4 minutes after cleaning and cutting into slices	12
Pepper	By boiling for 2-3 minutes after cutting the stem, dividing into two and separating the seeds	8-10
Spinach	By shock boiling for 2 minutes after washing and cleaning	6-9
Leek	By shock boiling for 5 minutes after chopping	6-8
Cauliflower	By shock boiling in a little lemon water for 3-5 minutes after separating the leaves, cutting the core into pieces	10-12
Eggplant	By shock boiling for 4 minutes after washing and cutting into 2cm pieces	10-12
Squash	By shock boiling for 2-3 minutes after washing and cutting into 2cm pieces	8-10
Mushroom	By lightly sauteing in oil and squeezing lemon on it	2-3
Corn	By cleaning and packing in cob or granular	12
Apple and Pear	By shock boiling for 2-3 minutes after peeling and slicing	8-10
Apricot and Peach	Divide in half and extract the seeds	4-6
Strawberry and Raspberry	By washing and shelling	8-12
Baked fruit	By adding 10% sugar in the container	12
Plum, Cherry, Sour Cherry	By washing and shelling the stalks	8-12

"The storage times specified in the table are based on the storage temperature of -18°C. "

Dairy Products	Preparation	Longest Storage Time (Month)	Storage Conditions
Cheese (except feta cheese)	By placing foil therebetween, in slices	6-8	It can be left in its original packaging for short term storage. For long-term storage it should also be wrapped in aluminium or plastic foil.
Butter, margarine	In its own packaging	6	In its own packaging or in plastic containers

"The storage times specified in the table are based on the storage temperature of -18°C."

"The amount of fresh food that can be frozen for a certain period of time is specified on the type label."

Freezer Compartment Setting	Cooler Compartment Setting	Remarks
-20°C	4°C	This is the default, recommended setting. This setting is recommended if ambient temperature is below 30°C.
-22 or -24 °C	4°C	These settings are recommended for ambient temperatures exceeding 30°C.
Quick Freeze	4°C	Use when you want to freeze your food in a short time. When the process ends, the product's settings will return to previous position.
-18°C or colder	2°C	Use these settings if you believe the cooler compartment is not cold enough due to ambient temperature or frequently opening the door.

Freezer Details

As per the IEC 62552 standards, the freezer must have the capacity to freeze 4,5 kg of food items at -18°C or lower temperatures at 25°C room temperature in 24 hours for each 100 litres of freezer compartment volume.

Food products can only be preserved for extended periods at or below temperature of -18 °C.

You can keep the foods fresh for months (in freezer at or below temperatures of -18 °C).

The food products to be frozen must not contact the already-frozen food inside to avoid partial defrosting.

Boil the vegetables and filter the water to extend the frozen storage time. Place the food in air-tight packages after filtering and place in the freezer. Bananas, tomatoes, lettuce, celery, boiled eggs, potatoes and similar food items should not be frozen. In case these foods are frozen, only nutri-

tional values and eating qualities will be negatively affected. A rotting that would threaten human health is not in question.

Placing The Food

Freezer compartment shelves: Different frozen foods like meat, fish, ice cream, vegetables etc.

Cooler compartment shelves: Food items inside pots, capped plate and capped cases, eggs (in closed case)

Cooler compartment door shelves: Small and packaged food or beverages

Crisper: Vegetables and fruits

Fresh food compartment: Delicatessen (breakfast food, meat products to be consumed in short time)

7.3 Crisper

The refrigerator's crisper is designed to keep vegetables fresh by preserving their humidity. For this purpose, the overall cold air circulation is intensified in the crisper.

Keep fruits and vegetables in this compartment. Keep the green-leaved vegetables and fruits separately to prolong their life.

7.4 Humidity Controlled Crisper

Everfresh

With the humidity controlled crisper feature, the humidity of vegetables and fruits is kept under control and the food is kept fresh for a longer period of time.

We recommend that you place leafy vegetables such as lettuce, spinach and similar vegetables that are sensitive to moisture loss in the crisper, not upright on their roots, but as horizontally as possible.

When placing the vegetables, place heavy and hard vegetables at the bottom and light and soft ones on the top, taking into account the specific weights of vegetables. Never leave vegetables in plastic bags in the crisper. Leaving them in plastic bags causes vegetables to rot in a short time.

In situations where contact with other vegetables is not preferred, use packaging materials such as paper that has a certain level of porosity in terms of hygiene.

Do not put fruits that have a high ethylene gas production such as pear, apricot, peach and particularly apple in the same crisper with other vegetables and fruits. The ethylene gas coming out of these fruits might cause other vegetables and fruits to mature faster and rot in a shorter period of time.

7.5 Crisper Technologies

Blue Light

Fruits and vegetables stored in the crispers that are illuminated with a blue light continue their photosynthesis by means of the wavelength effect of blue light and thus preserve their vitamin content.

HarvestFresh

Fruits and vegetables stored in crispers illuminated with the HarvestFresh technology preserve their vitamins for a longer time thanks to the blue, green, red lights and dark cycles, which simulate a day cycle.

When the door of your refrigerator is opened during the dark period of the HarvestFresh technology, your refrigerator shall sense this automatically and illuminate the crisper with one of the blue, green or red lights respectively for your convenience. After you have closed the door of the refrigerator, the dark period will continue, representing the night time in a day cycle.

7.6 Dairy Products Cold Storage Area

Cold Storage Drawer

The Cold Storage Drawer can reach lower temperatures in the cooler compartment. Use this drawer for delicatessen products (salami, sausage, etc.) and dairy products that require colder storage conditions, or for meat, chicken or fish to be consumed quickly. It is not suitable to store fruits and vegetables in this drawer.

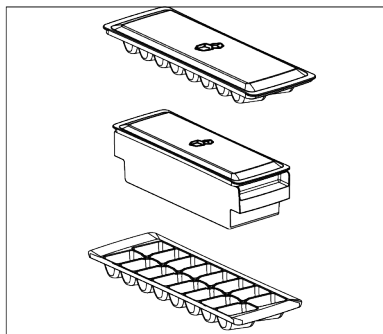
7.7 The ice storage area

Ice Container

Ice bucket allows you take ice easily from the refrigerator.

Using the ice bucket

1. Take the ice bucket out of the freezer compartment.
2. Fill the ice bucket with water.
3. Place the ice bucket into the freezer compartment. The ice will be ready after approximately two hours.
4. Take the ice bucket from the freezer compartment and bend in slightly over the holder that you are going to serve. Ice will easily pour into the serving holder.



7.8 Reversing the Door Opening Side

The door opening side of your refrigerator can be reversed according to the place you put it. When you need this, you should definitely call the nearest Authorized Service.

7.9 Door Open Alert

The door open alert system of your refrigerator may differ depending on the model.

Version 1;

If the door of the product remains open for a certain time (between 60 s and 120 s), an audio warning signal sounds; depending on the product model, a visual warning signal (light flash) can also be displayed. If you close the door of the device or press a button on the screen of the device, if any, the warning sound will stop.

Version 2;

If the door of the device remains open for a certain period of time (between 60 s and 120 s), the door open alert is sounded. The door open alert is sounded gradually. First, an audible warning starts to sound. After 4 minutes, if the door is still not closed, a visual warning (lighting flash) is activated. The door open alert will be delayed for a certain period of time (between 60 s and 120 s) when any key on the product screen, if any, is pressed. Then the process will start again. When the device door is closed, the door open alert will be cancelled.

7.10 Replacing the Illumination Lamp

Call the Authorized Service when the Bulb/LED used for lighting in your refrigerator will be replaced.

Lamp(s) used in this appliance cannot be used for house lighting. Intended use of this lamp is to help the user place food into the refrigerator / freezer safely and comfortably.

7.11 AeroFlow

It is an air distribution system that provides homogeneous temperature distribution. With the air circulation, the homogeneous temperature distribution is ensured in the fresh food storage compartment, and the temperature fluctuations are kept at low levels. No direct air blowing over the food is realized and this helps to reduce moisture loss. It preserves the freshness of the food stored in the fresh food compartment of the refrigerator. In this way, your food is stored at more stable temperatures and the contact with air is reduced. The drying and shrinking of foods by losing moisture is prevented and freshness is provided for a longer time.

7.12 Fan

The fan is designed to ensure that the cold air is distributed and circulates homogeneously in it. The operating time of the fan may change according to the feature of the product.

Whereas, in some of the products, the fan only operates with the compressor, in the other products, the control system determines the time the fan will operate according to the cooling need.

7.13 Egg holder

You can place the egg holder on the door or body shelf you wish.

If the egg holder is to be placed on the body shelf, we recommend you to choose colder lower shelves.



Never place the egg holder on the freezer compartment

8 Maintenance and Cleaning



WARNING:

Read the "Safety Instructions" section first.



WARNING:

Unplug the refrigerator before cleaning it.

- Do not use sharp or abrasive tools to clean the product. Do not use materials such as household cleaning agents, soap, detergents, gas, gasoline, thinner, alcohol, wax, etc.
- The dust shall be removed from the ventilation grill on the rear of the product at least once a year (without opening the cover). Clean the product with a dry cloth.
- Take care to keep water away from the lamp's cover and other electrical parts.
- Clean the door with a damp cloth. Remove all contents to remove the door and body racks. Remove the door racks by lifting them upwards. Clean and dry the shelves, then attach back in place by sliding from above.
- Do not use chlorinated water or cleaning products on the exterior surface and chrome-coated parts of the product. Chlorine will cause rust on such metallic surfaces.
- Do not use sharp and abrasive tools, soap, house cleaning materials, detergents, gas, gasoline, varnish and similar substances to prevent deformation of the plastic part and removal of prints on the part. Use warm water and a soft cloth for cleaning, and then dry it.
- On the products without a No-Frost feature, water droplets and icing up to a thickness of a finger may occur on the rear wall of the freezer compartment. Do not clean, and never apply oils or similar materials.

- Use a mildly dampened micro-fibre cloth to clean the external surface of the product. Sponges and other types of cleaning clothes may cause scratches.
- To clean all removable components during the cleaning of the interior surface of the product, wash these components with a mild solution consisting of soap, water and carbonate. Wash and dry thoroughly. Prevent contact of water with illumination components and the control panel.



CAUTION:

Do not use vinegar, rubbing alcohol or other alcohol based cleaning agents on any interior surface.

Stainless Steel External Surfaces

Use a non-abrasive stainless steel cleaning agent and apply it with a soft lint-free cloth. To polish, gently wipe the surface with a micro-fibre cloth dampened with water and use dry polishing chamois. Always follow the veins of the stainless steel.

Cleaning of the Products with Glass Doors

Remove the protective foil on the glasses. There is a coating on the surface of the glasses. This coating minimizes formation of stains and provides easy cleaning of the stains and dirt that have been formed. Glass without protective coating can quickly and easily become permanently bonded by organic or inorganic air and water-borne contaminants such as limestone, mineral salts, unburned hydrocarbons, metal oxides and silicones that cause staining and physical damage. Despite regular cleaning, keeping the glass clean becomes very difficult, even if not impossible. As a result, the clarity and appearance of the glass deteriorates. Harsh and abrasive

cleaning methods and compounds further exacerbate these defects and accelerate the degradation process.

For routine cleaning processes, *non-alkaline and non-corrosive water based cleaning agents shall be used.

A tempering process is applied to increase the resistance of these glasses against impacts and breakage.

As an additional safety precaution, a safety film has been applied to the rear surface of these glasses to prevent harm to the environment in case it breaks.

Preventing Odours

The product is manufactured free of any odorous materials. However, keeping the food in inappropriate sections and improper cleaning of internal surfaces may lead to odours.

- To avoid this, clean the inside with carbonated water every 15 days.
- Keep the foods in sealed holders, as micro-organisms arising from foods kept in unsealed containers will cause bad odour.
- Do not keep expired and spoiled foods in the refrigerator.

Protecting Plastic Surfaces

Oil spilled on plastic surfaces may damage the surface and must be cleaned immediately with warm water.

9 Troubleshooting

Check this list before contacting the service. Doing so will save you time and money. This list includes frequent complaints that are not related to faulty workmanship or materials. Certain features mentioned herein may not apply to your product.

The refrigerator is not working.

- The power plug is not fully settled. >>> Plug it in to settle completely into the socket.
- The fuse connected to the socket powering the product or the main fuse is blown. >>> Check the fuse.

Condensation on the side wall of the cooler compartment (MULTI ZONE, COOL CONTROL and FLEXI ZONE).

- The door is opened too frequently. >>> Take care not to open the product's door too frequently.
- The environment is too humid. >>> Do not install the product in humid environments.
- Foods containing liquids are kept in unsealed holders. >>> Keep the foods containing liquids in sealed holders.

- The product's door is left open. >>> Do not keep the product's door open for long periods.
- The thermostat is set to a very cool temperature. >>> Set the thermostat to an appropriate temperature.

Compressor is not working.

- In case of sudden power failure or pulling the power plug off and putting back on, the gas pressure in the product's cooling system is not balanced, which triggers the compressor thermic safeguard. The product will restart after approximately 6 minutes. If the product does not restart after this period, contact the service.
- Defrosting is active. >>> This is normal for a fully-automatic defrosting product. The defrosting is carried out periodically.
- The product is not plugged in. >>> Make sure the power cord is plugged in.
- The temperature setting is incorrect. >>> Select the appropriate temperature setting.
- The power is out. >>> The product will continue to operate normally once the power is restored.

The refrigerator's operating noise is increasing while in use.

- The product's operating performance may vary depending on the ambient temperature variations. This is normal and not a malfunction.

The refrigerator runs too often or for too long.

- The new product may be larger than the previous one. Larger products will run for longer periods.
- The room temperature may be high. >>> The product will normally run for long periods in higher room temperature.
- The product may have been recently plugged in or a new food item is placed inside. >>> The product will take longer to reach the set temperature when recently plugged in or a new food item is placed inside. This is normal.
- Large quantities of hot food may have been recently placed into the product. >>> Do not place hot food into the product.
- The doors were opened frequently or kept open for long periods. >>> The warm air moving inside will cause the product to run longer. Do not open the doors too frequently.
- The freezer or cooler door may be ajar. >>> Check that the doors are fully closed.
- The product may be set to a temperature that is too low. >>> Set the temperature to a higher degree and wait for the product to reach the adjusted temperature.
- The cooler or freezer door washer may be dirty, worn out, broken or not properly settled. >>> Clean or replace the gasket. Damaged / torn door washer will cause the product to run for longer periods to preserve the current temperature.

The freezer temperature is very low, but the cooler temperature is adequate.

- The freezer compartment temperature is set to a very low degree. >>> Set the freezer compartment temperature to a higher degree and check again.

The cooler temperature is very low, but the freezer temperature is adequate.

- The cooler compartment temperature is set to a very low degree. >>> Set the cooler compartment temperature to a higher degree and check again.

The food items kept in cooler compartment drawers are frozen.

- The cooler compartment temperature is set to a very low degree. >>> Set the cooler compartment temperature to a higher degree and check again.

The temperature in the cooler or the freezer is too high.

- The cooler compartment temperature is set to a very high degree. >>> Temperature setting of the cooler compartment has an effect on the temperature in the freezer compartment. Wait until the temperature of relevant parts reach the sufficient level by changing the temperature of cooler or freezer compartments.
- The doors were opened frequently or kept open for long periods. >>> Do not open the doors too frequently.
- The door may be ajar. >>> Fully close the door.
- The product may have been recently plugged in or a new food item is placed inside. >>> This is normal. The product will take longer to reach the set temperature when recently plugged in or a new food item is placed inside.
- Large quantities of hot food may have been recently placed into the product. >>> Do not place hot food into the product.

Shaking or noise.

- The surface is not flat or durable >>> If the product is shaking when moved slowly, adjust the stands to balance the product. Also make sure the ground is sufficiently durable to bear the product.
- Any items placed on the product may cause noise. >>> Remove any items placed on the product.
- The product is making noise of liquid flowing, spraying etc.

- The product's operating principles involve liquid and gas flows. >>> This is normal and not a malfunction.

There is sound of wind blowing coming from the product.

- The product uses a fan for the cooling process. This is normal and not a malfunction.

There is condensation on the product's internal walls.

- Hot or humid weather will increase icing and condensation. This is normal and not a malfunction.
- The doors were opened frequently or kept open for long periods. >>> Do not open the doors too frequently; if open, close the door.
- The door may be ajar. >>> Fully close the door.

There is condensation on the product's exterior or between the doors.

- The ambient weather may be humid, this is quite normal in humid weather. >>> The condensation will dissipate when the humidity is reduced.

The interior smells bad.

- The product is not cleaned regularly. >>> Clean the interior regularly using sponge, warm water and carbonated water.
- Certain holders and packaging materials may cause odour. >>> Use holders and packaging materials without free of odour.
- The foods were placed in unsealed holders. >>> Keep the foods in sealed holders. Microorganisms may spread out of unsealed food items and cause bad odour.

DISCLAIMER / WARNING

Some (simple) failures can be adequately handled by the end-user without any safety issue or unsafe use arising, provided that they are carried out within the limits and in accordance with the following instructions (see the "Self-Repair" section).

- Remove any expired or spoiled foods from the product.

The door is not closing.

- Food packages may be blocking the door. >>> Relocate any items blocking the doors.
- The product is not standing in full upright position on the ground. >>> Adjust the stands to balance the product.
- The surface is not flat or durable >>> Make sure the surface is flat and sufficiently durable to bear the product.

The crisper is jammed.

- The food items may be in contact with the upper section of the drawer. >>> Reorganize the food items in the drawer.

Temperature on the product surface.

- High temperature may be observed between two doors, on the side panels and on the rear grill area while your product is operated. This is normal and it does not require servicing.

Fan continues to operate when the door is opened.

- Fan may continue to operate when the freezer door is open.



WARNING: If the problem persists after following the instructions in this section, contact your vendor or an Authorized Service. Do not try to repair the product. This is normal.

Packaging sorting information

Please scan the QR code which places on the outer packaging of the product to find all the information relating to the packaging and how to manage the packaging waste.

Therefore, unless otherwise authorized in the "Self-Repair" section below, repairs shall be addressed to registered professional repairers in order to avoid safety issues. A registered Professional repairer is a professional repairer that has been granted access to the instructions and spare parts list of this product by the manufacturer ac-

according to the methods described in legislative acts pursuant to Directive 2009/125/EC.

However, only the service agent (i.e. authorized professional repairers) that you can reach through the phone number given in the user manual/warranty card or through your authorized dealer may provide service under the guarantee terms. Therefore, please be advised that repairs by professional repairers (who are not authorized by) Beko shall void the guarantee.

Self-Repair

Self-repair can be done by the end-user with regard to the following spare parts: door handles, door hinges, trays, baskets and door gaskets (an updated list is also available support.beko.com as of 1st March 2021).

Moreover, to ensure product safety and to prevent risk of serious injury, the mentioned self-repair shall be done following the instructions in the user manual for self-repair or which are available in support.beko.com. For your safety, unplug the product before attempting any self-repair. Repair and repair attempts by end-users for parts not included in such list and/or not following the instructions in the user manuals for self-repair or which are available in

support.beko.com, might give rise to safety issues not attributable to Beko, and will void the warranty of the product.

Therefore, it is highly recommended that end-users refrain from the attempt to carry out repairs falling outside the mentioned list of spare parts, contacting in such cases authorized professional repairers or registered professional repairers. On the contrary, such attempts by end-users may cause safety issues and damage the product and subsequently cause fire, flood, electrocution and serious personal injury to occur.

By way of example, but not limited to, the following repairs must be addressed to authorized professional repairers or registered professional repairers: compressor, cooling circuit, main board, inverter board, display board, etc.

The manufacturer/seller cannot be held liable in any case where end-users do not comply with the above.

The spare part availability of the refrigerator that you purchased is 10 years. During this period, original spare parts will be available to operate the refrigerator properly. The minimum duration of guarantee of the refrigerator that you purchased is 24 months.

This product is equipped with a lighting source of the "G" energy class.

The lighting source in this product shall only be replaced by Professional repairer.

Cortesemente leggi prima questo manuale!

Gentile Cliente,

Cortesemente leggi il presente manuale prima di iniziare ad usare il prodotto.

Ti ringraziamo per aver scelto questo prodotto Beko. Vorremmo che il prodotto, che è stato realizzato con la tecnologia più avanzata, ti possa offrire l'efficienza ottimale. Per questo, prima di utilizzare il prodotto leggi attentamente questo manuale e qualsiasi altra documentazione fornita e conservali per riferimenti futuri.

Presta particolare attenzione alle informazioni e alle avvertenze contenute nel manuale utente. In questo modo proteggerai te stesso e il tuo prodotto da possibili pericoli.

Conserva il manuale utente. Se dovessi consegnare il prodotto a qualcun altro, non dimenticare di includere questo manuale.

Nel manuale utente sono utilizzati i seguenti simboli:



Pericolo che potrebbe causare morte o lesioni.



Informazioni importanti o suggerimenti utili sul funzionamento.






Leggi il manuale utente.



Materiale combustibile, pericolo di incendio.

AVVISO Un pericolo che potrebbe causare danni materiali al prodotto o all'ambiente circostante

  SUPPLIER'S NAME MODEL IDENTIFIER → (*)  	Le informazioni sul modello memorizzate nella banca dati del prodotto possono essere ottenute entrando nel seguente sito web e cercando il proprio identificatore di modello (*) che si trova sull'etichetta energetica. https://eprel.ec.europa.eu/
--	---

	7.10 Sostituzione della lampada.....	59
	7.11 AeroFlow	59
	7.12 Ventola	59
	7.13 Porta uova	59
1 Istruzioni di sicurezza.....	36	
1.1	Uso previsto	36
1.2	Sicurezza dei bambini, dei disabili e degli animali domestici	36
1.3	Sicurezza elettrica	37
1.4	Manipolazione in sicurezza	38
1.5	Installazione in sicurezza.....	38
1.6	Funzionamento in sicurezza.....	40
1.7	Sicurezza nella conservazione degli alimenti	43
1.8	Manutenzione e pulizia in sicurezza.....	44
1.9	Smaltimento del vecchio prodotto.....	44
2 Istruzioni relative all'ambiente.....	45	
2.1	Conformità con la direttiva WEEE e con la normativa sullo smaltimento dei prodotti di scarico.	45
3 Il vostro frigorifero.....	46	
4 Installazione	46	
4.1	Luogo idoneo per l'installazione...	46
4.2	Collegamenti elettrici	47
4.3	Regolazione delle gambe.....	47
4.4	Avvertenza: superficie calda.....	47
5 Preparazione	48	
5.1	Cosa fare per risparmiare energia	48
5.2	Primo utilizzo.....	48
5.3	Classe climatica e definizioni.....	49
6 Funzionamento del prodotto	49	
7 Uso dell'apparecchio.....	50	
7.1	Pannello di controllo del prodotto	50
7.2	Conservare il cibo nello scomparto frigorifero.....	52
7.3	Cassetto frutta e verdura	57
7.4	Crisper a umidità controllata	57
7.5	Tecnologie del Crisper	58
7.6	Area di conservazione a freddo dei prodotti lattiero-caseari	58
7.7	L'area di conservazione del ghiaccio.....	58
7.8	Inversione del lato di apertura della porta	59
7.9	Avviso di sportello aperto	59
	8 Manutenzione e pulizia	60
	9 Guida alla risoluzione dei problemi	61

1 Istruzioni di sicurezza

Questa sezione include le istruzioni sulla sicurezza necessarie per evitare il rischio di lesioni personali e danni materiali.

La nostra azienda non è da ritenersi responsabile per i danni causati dall'inosservanza delle presenti istruzioni.

Le operazioni di installazione e riparazione dovranno sempre essere eseguite da un servizio di assistenza autorizzato.

Servirsi unicamente di pezzi di ricambio e accessori originali.

I pezzi di ricambio originali saranno forniti per 10 anni dalla data di acquisto del prodotto.

Non riparare o sostituire alcun componente del prodotto a meno che ciò non venga chiaramente specificato nel manuale utente.

Non eseguire modifiche sul prodotto.

1.1 Uso previsto

Questo prodotto non è adatto all'uso commerciale e non dovrebbe essere usato per usi diversi da quelli previsti. Questo prodotto è progettato per essere usato in ambienti chiusi, in casa e in luoghi simili.

Ad esempio:

- Nelle cucine del personale di negozi, uffici e altri ambienti di lavoro,
- Nelle cascine,
- Nelle unità di alberghi, motel o altre strutture di riposo utilizzate dai clienti,
- In ostelli o ambienti simili,
- Nei servizi di catering e similari, purché in scenari non retail.

Questo prodotto non deve essere utilizzato in ambienti esterni aperti o chiusi, come navi, balconi o terrazze. L'esposizione del prodotto a pioggia, neve, luce solare e vento potrebbe causare rischi di incendio.

1.2 Sicurezza dei bambini, dei disabili e degli animali domestici

- Questo prodotto può essere utilizzato da bambini dagli 8 anni in su e da persone con capacità fisiche, sensoriali o mentali insufficienti o prive di esperienza e conoscenza purché supervisionati o abbiano ricevuto istruzioni sull'uso dell'apparecchio in modo sicuro e sui relativi pericoli connessi.

- I bambini tra i 3 e gli 8 anni sono autorizzati a mettere ed estrarre cibo da/nel prodotto raffreddato.
- I bambini e gli animali domestici non devono giocare, salire o entrare nel prodotto.
- I bambini e gli animali domestici devono essere tenuti lontani dalla zona cabina (compressore) dove sono ubicate le parti elettriche.
- Gli interventi di pulizia e manutenzione non devono essere eseguiti dai bambini a meno che sotto la supervisione di una persona adulta.
- Tenere i materiali di imballaggio lontano dalla portata dei bambini. Pericolo di lesioni e soffocamento.



1.3 Sicurezza elettrica

- Durante le operazioni di installazione, manutenzione, pulizia, riparazione e trasporto, il prodotto non deve essere collegato alla presa di corrente.
- Se il cavo di alimentazione è danneggiato, deve essere sostituito solo dall'assistenza autorizzata, per evitare qualsiasi rischio.
- Non infilare il cavo di alimentazione sotto il prodotto o sul retro del prodotto. Non appoggiare oggetti pesanti sul cavo di alimentazione. Il cavo di alimentazione non deve essere piegato, schiacciato e non deve venire a contatto con alcuna fonte di calore.
- Non utilizzare prolunghe, multiple o adattatori per azionare il prodotto.
- Le multi prese portatili o gli alimentatori portatili potrebbero surriscaldarsi e causare incendi. Pertanto, non disporre una presa multipla, fonti di alimentazioni portatili dietro o nelle vicinanze del prodotto.
- Non inserire il cavo di alimentazione del prodotto in una presa di corrente allentata o danneggiata. Questi tipi di collegamenti potrebbero causare surriscaldamento e incendi.
- La spina deve essere facilmente accessibile. Se ciò non è possibile, sull'impianto elettrico deve essere disponibile un meccanismo che soddisfi la regolamentazione in materia di elettricità e che scolleghi tutti i terminali dalla rete elettrica (fusibile, interruttore, interruttore principale, ecc.).
- Il prodotto non deve essere utilizzato con un dispositivo di commutazione esterno come un timer o un sistema telecomandato.

- Non utilizzare il prodotto quando i piedi sono nudi o il corpo è bagnato.
- Non toccare la spina con le mani bagnate.
- Quando si scollega l'apparecchio, non tenere il cavo di alimentazione, ma la spina.

1.4 Manipolazione in sicurezza

- Prima di trasportare il prodotto, assicurarsi di scollegare l'apparecchio.
 - Il prodotto è pesante, non maneggiarlo da soli. La caduta del prodotto potrebbe provocare lesioni. Non urtare o far cadere il prodotto durante il trasporto.
 - Chiudere sempre le porte e non tenere il prodotto dalle porte durante il trasporto.
 - Fare attenzione a non danneggiare il sistema di raffreddamento e le tubazioni durante la manipolazione del prodotto. Non azionare il prodotto se i tubi sono danneggiati e contattare il servizio di assistenza autorizzato.
- Questo prodotto è progettato per l'uso in aree ad un massimo di 2000 metri sul livello del mare.
 - Tenere i bambini lontani dall'area di installazione.
 - Controllare che non vi siano danni al prodotto prima di installarlo. Non far installare il prodotto se è danneggiato.
 - Utilizzare sempre i dispositivi di protezione individuale (guanti, ecc.) durante l'installazione, la manutenzione e la riparazione del prodotto. Rischio di lesioni!
 - Posizionare il prodotto su una superficie pulita, piana e dura e bilanciarlo con le gambe regolabili (ruotando i piedini anteriori a destra o a sinistra). In caso contrario, il frigorifero potrebbe ribaltarsi e causare lesioni.

1.5 Installazione in sicurezza

- Rivolgersi al Servizio Autorizzato per l'installazione del prodotto. Per preparare il prodotto all'uso, consultare le informazioni contenute nel manuale

- Il prodotto deve essere installato in un ambiente asciutto e ventilato. Non tenere tappeti, moquette, o coperture simili sotto il prodotto. In caso contrario, la ventilazione inadeguata potrebbe determinare un rischio di incendio!
- Non bloccare o coprire i fori di ventilazione. In caso contrario, il consumo di energia aumenta e il prodotto potrebbe danneggiarsi.
- Quando si posiziona il prodotto, assicurarsi che il cavo di alimentazione non sia danneggiato o schiacciato.
- Il prodotto non deve essere collegato a sistemi di alimentazione e fonti di alimentazione che potrebbero causare sbalzi di tensione (ad esempio una fonte di energia solare portatile). In caso contrario, il prodotto potrebbe subire danni a causa delle brusche fluttuazioni di tensione!
- Più refrigerante contiene un frigorifero, più grande sarà lo spazio necessario per la sua installazione. In locali molto piccoli, in caso di perdita di gas nel sistema di raffreddamento potrebbe verificarsi una miscela gas-aria infiammabile. Per ogni 8 grammi di refrigerante è necessario almeno 1 m³ di volume. La quantità di refrigerante disponibile nel prodotto è specificata nella targhetta di identificazione.
- Il prodotto non deve mai essere posizionato in modo tale che i cavi di alimentazione, il tubo metallico del fornello a gas, i tubi metallici del gas o dell'acqua entrino in contatto con la parete posteriore del prodotto (o con il condensatore).
- Il luogo di installazione del prodotto non dovrà essere esposto alla luce diretta del sole e non dovrà essere nelle vicinanze di una fonte di calore come stufe, radiatori, ecc. Se non è possibile evitare l'installazione del prodotto in prossimità di una fonte di calore, utilizzare una piastra isolante adeguata e assicurarsi che la distanza minima dalla fonte di calore sia quella specificata di seguito:
 - Almeno 30 cm di distanza da fonti di calore come stufe, forni, radiatori, riscaldatori, ecc,
 - Almeno 5 cm di distanza dai forni elettrici.
- Il prodotto ha la classe di protezione I.

- Inserire il prodotto in una presa con messa a terra conforme ai valori di tensione, corrente e frequenza specificati nella targhetta d'identificazione. La presa deve avere un fusibile da 10A - 16A. La nostra azienda non si assumerà alcuna responsabilità per gli eventuali danni dovuti ad un uso senza previa messa a terra e con collegamento elettrico non conforme alle normative locali e nazionali.
- Durante l'installazione, il cavo di alimentazione del prodotto deve essere scollegato. In caso contrario sussiste il pericolo di scosse elettriche e lesioni!
- Non collegare il cavo di alimentazione del prodotto a prese di corrente allentate, dislocate, rotte, sporche, oleose e a rischio di contatto con l'acqua. Questi tipi di collegamenti potrebbero causare surriscaldamento e incendi.
- Collocare il cavo di alimentazione e i tubi flessibili (se disponibili) del prodotto in modo che non comportino il rischio di inciampare.
- La penetrazione dell'umidità e liquidi nelle parti sotto tensione o nel cavo di alimentazione potrebbe causare un cortocircuito. Pertanto, non utilizzare il prodotto in ambienti umidi o in zone in cui l'acqua possa schizzare (ad esempio garage, lavanderia, ecc.) Se il frigorifero viene bagnato dall'acqua, staccare la spina e contattare il servizio di assistenza autorizzato.
- Non collegare mai il frigorifero a dispositivi di risparmio energetico. Questi sistemi sono dannosi per il prodotto.
- La rimozione del coperchio della scheda elettronica e del coperchio posteriore del compressore (se presente) comporta il rischio di contatto con parti elettriche. Non rimuovere il coperchio della scheda elettronica e il coperchio posteriore del compressore (se presente). Sussiste il rischio di elettrocuzione!

1.6 Funzionamento in sicurezza

- Non utilizzare mai solventi chimici sul prodotto. Questi materiali comportano un rischio di esplosione.
- In caso di guasto del prodotto, scollegare la spina e non far funzionare fino a quando non viene riparato dal servizio di

- assistenza autorizzato. In caso contrario, vi è il rischio di scossa elettrica!
- Non collocare una fonte di fiamma (ad es. candele, sigarette, ecc.) sul prodotto o nelle sue vicinanze.
 - Non salire sul prodotto. Pericolo di caduta e lesioni!
 - Non danneggiare i tubi dell'impianto di raffreddamento con attrezzi affilati e perforanti. Il refrigerante spruzzato fuori in caso di foratura dei tubi del gas, prolunghe o rivestimenti superficiali potrebbe causare irritazione della pelle e lesioni agli occhi.
 - Non collocare e mettere in funzione apparecchi elettrici all'interno dei frigoriferi/congelatore, a meno che non sia stato consigliato dal produttore.
 - Non incastrare mani o parti del corpo nelle parti in movimento e all'interno del prodotto. Fare attenzione a non incastrare le dita tra il frigorifero e la sua porta. Prestare attenzione durante l'apertura o la chiusura della porta in presenza di bambini.
 - Non mettere in bocca gelati, cubetti di ghiaccio o cibi surgelati non appena tolti dal congelatore. Pericolo di congelamento!
 - Non toccare con le mani bagnate le pareti interne, le parti metalliche del congelatore o gli alimenti conservati al suo interno. Pericolo di congelamento!
 - Non collocare nello scomparto congelatore lattine o bottiglie contenenti liquidi che possono congelarsi. Lattine o bottiglie possono esplodere. Pericolo di lesioni e danni materiali!
 - Non utilizzare o collocare materiali sensibili alla temperatura come spray infiammabili, oggetti infiammabili, ghiaccio secco o altri agenti chimici nelle vicinanze del frigorifero. Pericolo di incendio ed esplosione!
 - Non conservare materiali esplosivi come bombolette spray assieme a materiali infiammabili all'interno del prodotto.
 - Non collocare lattine aperte contenenti liquidi sopra il prodotto. Gli spruzzi d'acqua su una parte elettrica potrebbero causare scosse elettriche o incendi.
 - A causa del rischio di rottura, non conservare contenitori di vetro con liquidi all'interno nel vano congelatore.

- Questo prodotto non è destinato allo stoccaggio e al raffreddamento di medicinali, plasma sanguigno, preparati o materiali di laboratorio e prodotti simili, soggetti a direttive sui prodotti medici.
- Se il prodotto viene utilizzato in modo non conforme alla sua destinazione, può causare danni o deterioramento dei prodotti conservati al suo interno.
- Se il frigorifero è dotato di luce blu, non guardare questa luce con dispositivi ottici. Non guardare direttamente la luce UV LED per lungo tempo. I raggi ultravioletti possono causare affaticamento visivo.
- Non riempire il prodotto più di quanto consentito dalla sua capacità. Potrebbero verificarsi lesioni o danni se il contenuto del frigorifero cade quando lo sportello è aperto. Problemi simili potrebbero verificarsi anche quando un oggetto viene posto sopra il prodotto.
- Assicurarsi di aver rimosso il ghiaccio o l'acqua che potrebbe essere caduta a terra per evitare lesioni.
- Cambiare la posizione dei ripiani/porta bottiglie sulla porta del frigorifero solo quando i ripiani sono vuoti. Pericolo di lesioni fisiche!
- Non appoggiare oggetti che potrebbero cadere/ribaltarsi sul prodotto. Questi oggetti potrebbero cadere durante l'apertura o la chiusura della porta e causare lesioni e/o danni materiali.
- Non urtare e non esercitare una pressione eccessiva sulle superfici di vetro. La rottura del vetro potrebbe causare lesioni e/o danni materiali.
- Il sistema di raffreddamento del prodotto contiene refrigerante R600a. Il tipo di refrigerante utilizzato nel prodotto è specificato nella targhetta d'identificazione. Questo gas è infiammabile. Pertanto, fare attenzione a non danneggiare il sistema di raffreddamento e le tubazioni durante il funzionamento del prodotto. In caso di danni alle tubazioni:
 1. Non toccare il prodotto o il cavo di alimentazione.
 2. Tenere il prodotto lontano da potenziali fonti di calore che potrebbero causare il surriscaldamento e l'incendio del prodotto.
 3. Assicurare la ventilazione dell'area in cui è collocato il prodotto. Non utilizzare un ventilatore.
 4. Contattare il servizio di assistenza autorizzato.

Se il prodotto è danneggiato e si osservano perdite di gas, stare lontani dal gas. Il gas potrebbe causare congelamento se entra in contatto con la pelle.

Prima di smaltire i vecchi prodotti che non devono più essere utilizzati:

1. Scollegare il cavo di alimentazione dalla presa di corrente.
 2. Tagliare il cavo di alimentazione e rimuoverlo dall'apparecchio insieme alla spina.
 3. Per evitare che i bambini entrino nell'apparecchio non rimuovere i ripiani e i cassetti dal prodotto.
 4. Rimuovere le porte.
 5. Conservare il prodotto in modo da non ribaltarlo.
 6. Non permettere ai bambini di giocare con il prodotto anche se vecchio e non più utilizzato.
- Non smaltire il prodotto gettandolo nel fuoco. Pericolo di esplosione.
 - Se la porta del prodotto dispone di serratura, tenere la chiave fuori dalla portata dei bambini.



1.7 Sicurezza nella conservazione degli alimenti

Per evitare il deterioramento degli alimenti, si prega di prestare attenzione alle seguenti avvertenze:

- Lasciare gli sportelli aperti per molto tempo potrebbe fare aumentare la temperatura all'interno del prodotto.
- Pulire regolarmente i sistemi di drenaggio accessibili a contatto con gli alimenti.
- Pulire i serbatoi d'acqua che non sono stati usati per 48 ore e i sistemi d'acqua alimentati dalla rete che non sono stati usati per più di 5 giorni.
- Conservare i prodotti crudi di carne e pesce in scomparti appropriati all'interno del prodotto. In tal modo, non sgoccioleranno e non entreranno in contatto con altri alimenti.
- Gli scomparti del congelatore a due stelle sono utilizzati per conservare gli alimenti precotti, fare e conservare il ghiaccio e i gelati.
- Gli scomparti a una, due e tre stelle non sono appropriati per congelare alimenti freschi.

- Se il congelatore è stato lasciato vuoto per molto tempo, spegnerlo, sbrinare, pulire e asciugare il prodotto per proteggere il suo alloggiamento.

1.8 **Manutenzione e pulizia in sicurezza**

- Non tirare la maniglia della porta se si deve spostare il prodotto per la pulizia. La maniglia potrebbe causare lesioni, se tirata troppo forte.
- Non pulire il prodotto spruzzando o versando acqua sul prodotto e al suo interno. Pericolo di scosse elettriche e incendi.
- Quando si pulisce il prodotto, non usare strumenti taglienti e abrasivi o detersivi domestici, detersivi, gas, benzina, diluente, alcol, vernice e sostanze simili. Utilizzare solo detersivi e agenti per la pulizia che non siano dannosi per gli alimenti contenuti nel prodotto.
- Non utilizzare mai detersivi a vapore o materiali per la pulizia a vapore per pulire il prodotto e scongelare il ghiaccio al suo interno. Il vapore che entra in contatto con le parti sotto tensione del frigorifero provoca cortocircuiti o scosse elettriche.

- Tenere l'acqua lontana dai circuiti elettronici o dal sistema di illuminazione del prodotto.
- Utilizzare un panno pulito e asciutto per rimuovere la polvere o un qualsiasi materiale estraneo sulle spine. Non utilizzare un panno umido o bagnato per pulire la spina. In caso contrario, vi è il rischio di incendio o scossa elettrica.

1.9 **Smaltimento del vecchio prodotto**

Quando smaltisci il tuo vecchio prodotto segui le istruzioni riportate di seguito:

- Per evitare che i bambini si blocchino accidentalmente nel prodotto, nel caso in cui sia presente la serratura della porta, disattivarla.
- Gli schizzi di fluido refrigerante sono pericolosi per gli occhi. Non danneggiare alcuna parte dell'impianto di raffreddamento durante lo smaltimento del prodotto.
- Potrebbe essere fatale se l'olio del compressore venisse ingerito o se penetrasse nel tratto respiratorio.
- L'impianto di raffreddamento del prodotto include il gas R600 come specificato nell'etichetta informativa. Questo gas

è infiammabile. Non smaltire il prodotto gettandolo nel fuoco. Rischio di esplosione!

- Il C-pentano è utilizzato come agente espandente nella schiuma isolante ed è una sostanza infiammabile. Non smaltire il prodotto gettandolo nel fuoco.

2 Istruzioni relative all'ambiente

2.1 Conformità con la direttiva WEEE e con la normativa sullo smaltimento dei prodotti di scarico.



Questo prodotto è conforme alla direttiva WEEE dell'UE (2012/19/EU). Questo prodotto porta un simbolo di classificazione per la strumentazione elettrica ed elettronica di scar-

to (WEEE).

Questo simbolo indica che questo prodotto alla fine della sua vita utile non deve essere smaltito con altri rifiuti domestici. Il dispositivo usato deve essere restituito al punto di raccolta ufficiale per il riciclaggio dei dispositivi elettrici ed elettronici. Per trovare questi sistemi di raccolta si prega di contattare le autorità locali o il rivenditore presso il quale è stato acquistato il prodotto. Ogni famiglia svolge un ruolo importante nel re-

cupero e nel riciclaggio di vecchie apparecchiature. Un adeguato smaltimento dell'apparecchiatura usata aiuta a prevenire potenziali conseguenze negative per l'ambiente e la salute umana.

Conformità con la direttiva RoHS

Il prodotto acquistato è conforme con la Direttiva UE RoHS (2011/65/EU). Non contiene materiali dannosi e proibiti e indicati nella Direttiva.

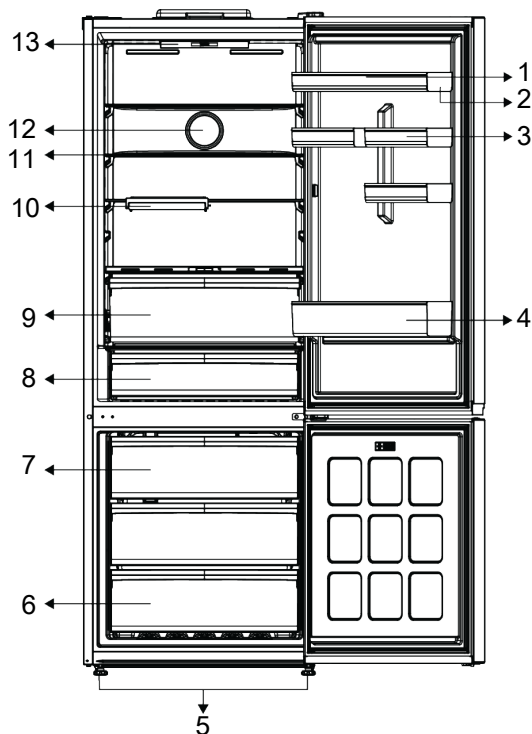


Informazioni sull'imballaggio

I materiali che compongono l'imballaggio del prodotto sono realizzati a partire da materiali riciclabili in conformità con le nostre Normative Ambientali Nazionali. Non smaltire i materiali dell'imballaggio congiuntamente ai rifiuti domestici o ad altri rifiuti. Portarli presso i punti di raccolta imballaggi indicati dalle autorità locali.

3 Il vostro frigorifero

IT



1 Porta uova

3 * Ripiano sportello piccolo

5 Supporti regolabili

7 Contenitore per il ghiaccio

9 Cassetto frutta e verdura

11 Ripiano regolabile

13 Illuminazione

2 Ripiano porta regolabile

4 Ripiano per bottiglie

6 Scomparto congelatore

8 Cassetto per la conservazione a freddo

10 * Ripiano ripiegabile

12 Ventola

***Opzionale:** Le figure contenute in questo manuale d'uso sono schematiche, e potrebbero non corrispondere esattamente al pro-

dotto. Qualora il prodotto non contenga le parti descritte, l'informazione riguarda altri modelli.

4 Installazione



Leggere prima la sezione "Istruzioni di sicurezza"!

4.1 Luogo idoneo per l'installazione

Rivolgersi al Servizio Autorizzato per l'installazione del prodotto. Per preparare il prodotto all'installazione, consultare le in-

formazioni contenute nel manuale utente e accertarsi che le utenze elettriche e idriche siano conformi a quanto necessario. In caso contrario, chiamare un elettricista e un idraulico per sistemare le utenze come necessario.



AVVERTENZA:

Il produttore non si assume alcuna responsabilità per gli eventuali danni causati dagli interventi eseguiti da personale non autorizzato.



AVVERTENZA:

Durante l'installazione, il cavo di alimentazione del prodotto deve essere scollegato. Il mancato rispetto di queste istruzioni potrebbe provocare morte o altre gravi lesioni!



AVVERTENZA:

Qualora la porta fosse troppo stretta per consentire il passaggio del prodotto, togliere la porta e ruotarla; qualora ciò non funzioni, contattare il servizio autorizzato.

- Per evitare vibrazioni, posizionare il prodotto su una superficie piana.
- Collocare il prodotto ad almeno a 30 cm dal termosifone, dalla stufa e da altre fonti di calore e ad almeno 5 cm da eventuali forni elettrici.
- Non esporre il prodotto alla luce solare diretta e non tenerlo in ambienti umidi.
- Il prodotto necessita di adeguata ventilazione per un funzionamento efficiente. Se in prodotto viene collocato in una alcova, lasciare almeno 5 cm di spazio tra il prodotto, il soffitto, i muri laterali e il muro retrostante.
- Controllare se il componente di protezione della parete posteriore è presente e nel suo alloggiamento (se fornito con il prodotto).
- Se il componente non è disponibile, o se è stato smarrito o è caduto, posizionare il prodotto in modo tale da lasciare almeno 5 cm di spazio libero tra il retro del pro-

dotto e le pareti del locale. Lo spazio libero nella parte posteriore è importante per il funzionamento efficiente del prodotto.

4.2 Collegamenti elettrici



Non usare prolunghe o multi prese per il collegamento elettrico.



I cavi di alimentazione danneggiati vanno sostituiti dal servizio autorizzato.

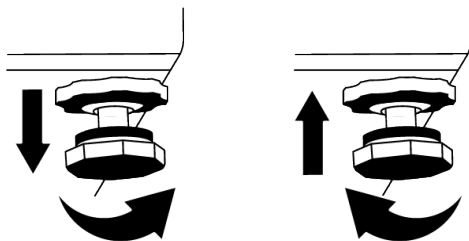


Quando vengono posizionati due frigoriferi l'uno a fianco dell'altro, lasciare una distanza di almeno 4 cm fra le due unità.

- La nostra azienda non si assume alcuna responsabilità per gli eventuali danni dovuti a un uso senza messa a terra e collegamento elettrico non conforme alle normative nazionali.
- Il cavo di corrente deve essere facilmente accessibile dopo l'installazione.
- Non utilizzare la spina multigruppo con o senza prolunga tra la presa a muro e il frigorifero.

4.3 Regolazione delle gambe

Qualora il prodotto non fosse in equilibrio, regolare le gambe anteriori regolabili, ruotandole verso destra o verso sinistra.



4.4 Avvertenza: superficie calda

Le pareti laterali del prodotto sono dotate di tubi di raffreddamento per migliorare il sistema generale di raffreddamento. L'elevata pressione del fluido potrebbe fluire at-

traverso queste superfici, causando il riscaldamento eccessivo delle superfici sulle

pareti laterali. Ciò è normale e non richiede interventi di manutenzione. Fare attenzione quando si toccano queste aree.

5 Preparazione



Leggere prima la sezione "Istruzioni di sicurezza"!

5.1 Cosa fare per risparmiare energia



Collegare il prodotto a sistemi di risparmio energetico elettronici potrebbe danneggiare il prodotto.

- Questo apparecchio refrigerante non è destinato ad essere utilizzato come apparecchio da incasso.
- Non tenere aperte a lungo le porte del frigorifero.
- Non mettere alimenti caldi o bevande direttamente dentro al frigorifero.
- Non riempire eccessivamente il frigorifero; il blocco del flusso d'aria interno ne ridurrà la capacità di raffreddamento.
- L'aria calda e umida, non penetrando direttamente nel prodotto quando le porte non sono aperte, permetterà al prodotto di ottimizzare la funzione di protezione degli alimenti. In queste circostanze, funzioni e componenti come il compressore, la ventola, il riscaldatore, lo sbrinamento, l'illuminazione, il display e così via funzioneranno in base alle esigenze di consumo minimo di energia.
- Nel caso in cui siano presenti più opzioni, i ripiani in vetro devono essere posizionati in modo da non bloccare le uscite d'aria sulla parete posteriore e, preferibilmente, in modo che le uscite d'aria rimangano al di sotto del ripiano in vetro. Questa combinazione potrebbe aiutare a migliorare la distribuzione dell'aria e l'efficienza energetica.
- Per la conservazione, si raccomanda vivamente di utilizzare il cassetto sottostante.

- A seconda delle caratteristiche del prodotto, lo scongelamento degli alimenti surgelati nello scomparto raffreddatore garantirà un risparmio energetico preservando al tempo stesso la qualità degli alimenti.
- Per poter caricare la massima quantità di alimenti nello scomparto freezer del frigorifero, i cassetti superiori devono essere estratti e gli alimenti disposti sui ripiani metallici/in vetro.
- Per garantire il risparmio energetico e tenere sempre gli alimenti nelle condizioni migliori, gli alimenti devono essere conservati utilizzando i cassetti dello scomparto raffreddatore.
- Le confezioni di alimenti non dovranno essere a diretto contatto con il sensore di calore situato nello scomparto freezer.

5.2 Primo utilizzo

Prima di iniziare a usare il frigorifero, accertarsi che tutti i preparativi necessari vengano eseguiti in conformità con le istruzioni contenute nelle sezioni "Istruzioni di sicurezza e relative all'ambiente" e "Installazione".

- Tenere il prodotto in funzione senza alimenti al suo interno per 6 ore e non aprire la porta a meno che ciò non sia assolutamente necessario.
- La variazione di temperatura causata dall'apertura e dalla chiusura della porta durante l'uso del prodotto potrebbe portare a normale formazione di condensa sul cibo posto sui ripiani della porta/del vano frigo e sui contenitori di vetro posti nel prodotto.



Si sentirà un suono quando viene attivato il compressore. È normale che il prodotto faccia rumore anche se il compressore non è in funzione, poiché il fluido e il gas potrebbero essere compressi nel sistema di raffreddamento.



È normale che le estremità anteriori del frigorifero siano calde. Queste aree sono state progettate per riscaldarsi per evitare la condensa.



Per alcuni modelli, il pannello indicatore si spegne automaticamente 1 minuto dopo la chiusura della porta. Si riattiva quando la porta è aperta o si preme un qualsiasi pulsante.

5.3 Classe climatica e definizioni

Si prega di fare riferimento alla classe climatica indicata sulla targhetta del dispositivo. Una delle seguenti informazioni è applicabile al proprio dispositivo secondo la classe climatica.

- **SN:** Clima temperato a lungo termine: Questo dispositivo di raffreddamento è progettato per l'uso a temperature ambiente tra 10 °C e 32 °C.
- **N:** Clima temperato: Questo dispositivo di raffreddamento è progettato per l'uso a temperature ambiente tra 16°C e 32 °C.
- **ST:** Clima subtropicale: Questo dispositivo di raffreddamento è progettato per l'uso a temperature ambiente tra 16°C e 38°C.
- **T:** Clima tropicale: Questo dispositivo di raffreddamento è progettato per l'uso a temperature ambiente tra 16°C e 43°C.

6 Funzionamento del prodotto



Leggere prima la sezione "Istruzioni di sicurezza"!

- Per accelerare le operazioni di scongelamento, non utilizzare attrezzi meccanici o altri utensili diversi da quelli raccomandati dal produttore.
- Non utilizzare mai parti del frigorifero, come la porta o i cassetti, come supporto o come gradini. Ciò potrebbe causare il ribaltamento del prodotto o il danneggiamento dei suoi componenti.
- Il prodotto dovrebbe essere usato unicamente per la conservazione di alimenti.
- Spegnerne la valvola dell'acqua se si è lontani da casa (ad esempio in vacanza) e si prevede di non utilizzare la macchinetta

per il ghiaccio o l'erogatore d'acqua per un lungo periodo di tempo. In caso contrario, potrebbero verificarsi perdite d'acqua.

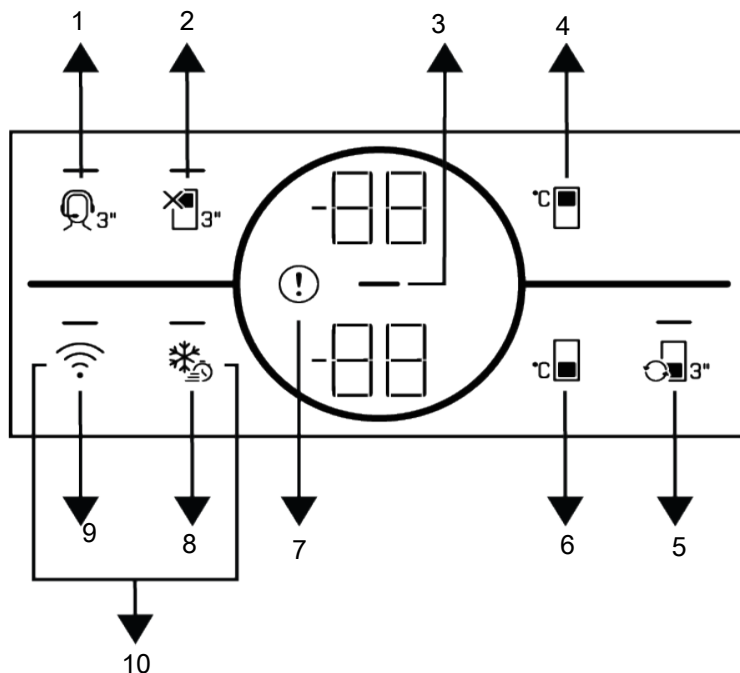
Messa in pausa del programma

- Se non si intende usare il prodotto per un lungo periodo, scollegarlo dalla presa.
- Rimuovere gli alimenti per evitare cattivi odori.
- Aspettare che il ghiaccio si sciogla, pulire l'interno e lasciarlo asciugare, lasciare le porte aperte per evitare di danneggiare le plastiche interne del corpo dell'apparecchio.

7 Uso dell'apparecchio

7.1 Pannello di controllo del prodotto

IT



1 *Tasto del servizio di assistenza

3 Indicatore della funzione di risparmio energetico (Display Spento)

5 * Tasto di conversione dello scomparto

7 Indicatore di stato d'errore

9 * Tasto wireless

2 Tasto funzione dello scomparto raffreddatore Off (funzione vacanza)

4 * Tasto di impostazione della temperatura dello scomparto raffreddatore

6 * Tasto di impostazione della temperatura dello scomparto congelatore

8 Tasto di congelamento rapido/Tasto di impostazione della funzione luce della maniglia

10 *Tasto per il ripristino delle impostazioni della connessione wireless



Leggere la sezione "Istruzioni di sicurezza".

*Opzionale: Le funzioni mostrate sono opzionali, ci potrebbero essere differenze di forma e posizione nelle funzioni che si trovano sul pannello indicatore dell'elettrodomestico.

Le funzioni audio e video sul pannello indicatore assisteranno l'utente nell'utilizzo del frigorifero.

1. *Tasto del servizio di assistenza

Premere il pulsante blocco tasti per 3 secondi, per attivare il servizio assistenza. Informazioni dettagliate sul servizio di assistenza sono fornite nella sezione "Funzionalità Servizio Assistenza".

2. Tasto funzione dello scomparto raffreddatore Off (funzione vacanza)

Per attivare la funzione vacanza premere il tasto per 3 secondi. Viene attivata la modalità vacanza e il simbolo della vacanza si illumina. Sull'indicatore della temperatura dello scomparto di raffreddatore sarà visualizzato "--" e quindi non eseguirà il raffreddamento.

Se viene attivata questa funzione, non si devono tenere gli alimenti nello scomparto raffreddatore. Gli altri scomparti continuano a raffreddare secondo le temperature impostate in precedenza. Per annullare questa funzione, premere di nuovo il tasto per 3 secondi.

3. Indicatore della funzione di risparmio energetico (Display Spento)

Quando la porta del prodotto non viene aperta o chiusa per un certo periodo di tempo, la funzione di risparmio energetico viene attivata automaticamente e il simbolo del risparmio energetico si illumina. Quando la funzione di risparmio energetico è attiva, tutti i simboli sullo schermo, ad eccezione del simbolo del risparmio energetico, dovranno essere spenti. Quando la funzione di risparmio energetico è attiva, se si preme un tasto qualsiasi o si apre lo sportello, la funzione di risparmio energetico del frigorifero verrà disattivata e i simboli sullo schermo torneranno normali. La funzione di risparmio energetico è una funzione attiva per impostazione predefinita e non può essere annullata.

4. *Tasto di impostazione della temperatura dello scomparto raffreddatore

Per lo scomparto raffreddatore è disponibile l'impostazione della temperatura. La pressione di questo tasto abiliterà l'impostazione della temperatura dello scomparto raffreddatore a 8, 7, 6, 5,4,3, 2 e 1°C.

5. *Tasto di conversione dello scomparto


Premendo il tasto di conversione dello scomparto per 3 secondi, la sezione congelatore cambia modalità fra frigorifero/raffreddatore, off e congelatore (freezer).

Quando funziona come scomparto frigorifero/raffreddatore, la temperatura dello scomparto sarà impostata a 4°C. In caso di modalità OFF, l'indicatore della temperatura dello scomparto visualizzerà "--".

7. Indicatore di condizione di errore

Questo indicatore sarà attivo quando il frigorifero non è in grado di eseguire un raffreddamento adeguato o in caso di errore del sensore. La lettera "E" sarà visualizzata sull'indicatore della temperatura dello scomparto congelatore e cifre come 1,2,3... saranno visualizzate sull'indicatore della temperatura dello scomparto raffreddatore. Queste cifre forniscono informazioni al servizio autorizzato sull'errore verificatosi. Quando si caricano alimenti caldi nello scomparto freezer o si tiene aperto lo sportello per un lungo periodo di tempo potrebbe visualizzarsi per un po' un punto esclamativo. Non si tratta di un guasto, questa avvertenza sarà rimossa quando il cibo viene raffreddato o quando viene premuto un tasto qualsiasi.

8. Tasto di congelamento rapido

Quando si preme il tasto di congelamento rapido, il simbolo del congelamento rapido  si illumina e si attiva la funzione di congelamento rapido. La temperatura dello scomparto Congelatore è impostata a -27°C. Premere nuovamente il tasto per annullare la funzione. La funzione di congelamento rapido sarà automaticamente annul-

lata. Per congelare grandi quantitativi di alimenti freschi, premere il tasto di congelamento rapido prima di collocare gli alimenti all'interno dello scomparto congelatore.

Tasto di impostazione della funzione luce della maniglia

La funzione della luce della maniglia potrebbe essere commutata tra le modalità aperta e chiusa premendo il tasto di congelamento rapido per 3 secondi. In modalità chiusa, la luce della maniglia si attiva solo quando la porta dell'apparecchio viene aperta e si spegne un po' di tempo dopo la chiusura della porta. In modalità aperta, la luce della maniglia si attiva quando la porta dell'apparecchio viene aperta, la luce della maniglia rimane debolmente accesa un po' di tempo dopo la chiusura della porta. La modalità chiusa è l'impostazione predefinita in fabbrica della funzione luce della maniglia.

9. *Tasto wireless

Quando si preme il tasto per un lungo periodo (3 secondi), sul display/schermo il simbolo di connessione wireless lampeggia lentamente (ad intervalli di 0,5 secondi). A questo punto sul prodotto viene visualizzata la rete domestica.

Dopo aver raggiunto la connessione wireless con il prodotto, il simbolo di connessione wireless si illumina continuamente (fisso).

Una volta stabilita la connessione iniziale, è possibile attivare/disattivare la connessione con una breve pressione di questo tasto.

7.2 Conservare il cibo nello scomparto frigorifero

Conservare il cibo nello scomparto frigorifero

- Le temperature dello scomparto aumentano notevolmente se la porta dello scomparto viene aperta e chiusa frequentemente e tenuta aperta per molto tempo; questo può ridurre la durata degli alimenti e causare il loro precoce deterioramento.

Il simbolo della connessione wireless lampeggerà rapidamente (a intervalli di 0,2 sec.) fino a quando non viene stabilita la connessione. Quando la connessione è attiva, il simbolo della connessione wireless si illuminerà in maniera continua (fisso).

Se la connessione non può essere stabilita per un lungo periodo di tempo, controllare le impostazioni per la connessione e consultare la sezione "Risoluzione dei problemi" del manuale utente.

Per la connessione wireless sarà utilizzata l'applicazione HomeWhiz. Le varie fasi di installazione sono descritte sull'applicazione durante l'installazione.

È possibile accedere all'applicazione leggendo il codice QR disponibile sull'etichetta HomeWhiz del prodotto. L'applicazione è offerta attraverso App Store per i dispositivi IOS e attraverso Play Store per i dispositivi Android.

Visitare l'indirizzo <https://www.homewhiz.com/> per informazioni dettagliate.

10. *Tasto per il ripristino delle impostazioni della connessione wireless



Per ripristinare le impostazioni della connessione wireless, premere contemporaneamente i tasti Congelamento rapido e connessione wireless per 3 secondi. Tutte le informazioni dell'utente registrate in precedenza vengono annullate e le impostazioni della connessione wireless vengono ripristinate/resettate ai valori predefiniti di fabbrica.

- Per non causare cambiamenti di odore e sapore, gli alimenti dovrebbero essere conservati in contenitori chiusi.
- Non conservare troppi alimenti nel frigorifero. Per ottenere un raffreddamento migliore e omogeneo, disporre gli alimenti separatamente in modo che l'aria fredda possa attraversarli.

- Garantire il flusso d'aria lasciando uno spazio tra gli alimenti e la parete interna. Se gli alimenti vengono appoggiati sulla parete posteriore potrebbero congelarsi.
- Portare i pasti caldi cotti a temperatura ambiente prima di metterli in frigorifero. Quindi, mettere il pasto tiepido nei ripiani inferiori del frigorifero. Non mettere i pasti tiepidi vicino agli alimenti che potrebbero facilmente deperirsi.
- In particolare, prestare attenzione a non mescolare gli alimenti venduti come surgelati con quelli freschi.
- Scongelare gli alimenti congelati nello scomparto degli alimenti freschi. In questo modo, è possibile raffreddare lo scomparto degli alimenti freschi utilizzando gli alimenti congelati così da risparmiare energia.
- Conservare la frutta tropicale acerba (mango, varietà di melone, papaya, banana, ananas) nel frigorifero potrebbe accelerare il processo di maturazione. Questo non è consigliabile, perché causa una riduzione dei tempi di conservazione.
- Cipolle, aglio, zenzero e altri ortaggi a radice dovrebbero essere conservati in condizioni di buio e freddo, non in frigorifero.
- Se si nota che un alimento si è deperito nel frigorifero, buttare via quell'alimento e pulire gli accessori che sono entrati in contatto con esso.
- Per raffreddare rapidamente zuppe e stufati, che sono cucinati in grandi pentole, è possibile metterli in frigorifero distribuendoli in contenitori poco profondi
- Non mettere gli alimenti non confezionati vicino alle uova.
- Conservare la frutta e la verdura separatamente e raggruppandola secondo la varietà (per esempio: mele con mele, carote con carote).
- Togliere le verdure verdi dal sacchetto di plastica e metterle in frigorifero dopo averle avvolte in un tovagliolo di carta o in un panno asciutto. Se prima di metterli in frigorifero questi alimenti sono stati lavati, ricordarsi di asciugarli.
- Per creare un ambiente umido e fornire un flusso d'aria a frutta e verdura, che sono inclini a seccarsi, conservarle nei sacchetti di plastica perforati o non sigillati.
- Tranne i casi in cui vi siano delle circostanze ambientali estreme, se il prodotto (sulla tabella dei valori nominali raccomandati) è impostato sui valori nominali specificati, gli alimenti manterranno la loro freschezza più a lungo sia nello scomparto prodotti freschi che nello scomparto congelatore.

Conservare gli alimenti in luoghi diversi a seconda delle loro proprietà:	
Alimenti	Ubicazione
Uova	Ripiano porta
Prodotti caseari (burro, formaggio)	Se disponibile, scomparto a zero gradi (per il cibo della colazione)
Frutta, vegetali e verdura a foglia verde	Scomparto per frutta e verdura, crisper o Scomparto EverFresh+ (se disponibile)
Carne fresca, pollame, pesce, salsicce, ecc. Cibi cotti	Se disponibile, scomparto a zero gradi (per il cibo della colazione)
Cibi pronti da servire, prodotti confezionati, cibi in scatola e sottaceti	Ripiani superiori o ripiano della porta
Bevande, bottiglie, spezie e snack	Ripiano porta

Conservare il cibo nello scomparto congelatore (freezer)

- È possibile attivare la funzione di congelamento rapido 4-6 ore prima della funzione di congelamento ed eseguire così un raffreddamento più rapido.
- Prima di metterli nello scomparto congelatore, portare i pasti caldi a temperatura ambiente.
- Gli alimenti da congelare vanno suddivisi in porzioni a seconda della dimensione da consumare e vanno congelati in pacchetti separati.
- Consigliamo di confezionare gli alimenti prima di riporli all'interno del congelatore.
- Al fine di evitarne la scadenza, annotare la data, l'ora di congelamento e il nome dell'alimento sulla confezione, in base ai periodi di conservazione dei diversi prodotti alimentari.
- Consumare rapidamente gli alimenti che sono stati scongelati. Gli alimenti scongelati non possono essere ricongelati, a meno che siano cotti. Non è sicuro consumare i cibi freschi ricongelati senza cottura dopo che sono stati scongelati.
- Quando vengono congelati alimenti freschi, evitare che gli stessi entrino in contatto con alimenti già congelati. Altrimenti, i cibi congelati si scongeleranno.

Conservare gli alimenti che sono venduti congelati

- Seguire sempre le istruzioni del produttore in relazione al tempo di conservazione degli alimenti. Non superare il tempo specificato in queste istruzioni!
- Per proteggere la qualità degli alimenti, mantenere l'intervallo di tempo tra l'acquisto e la conservazione il più breve possibile.
- Acquistare gli alimenti congelati che sono conservati a -18°C o a temperature inferiori.
- Evitare di acquistare alimenti le cui confezioni sono coperte di ghiaccio ecc. Questo significa che il prodotto potrebbe essere stato parzialmente scongelato e ricongelato. La temperatura influisce sulla qualità degli alimenti.
- Non superare il tempo di conservazione raccomandato dal produttore dell'alimento. Togliere dal congelatore solo il cibo di cui si ha bisogno.
- Tranne i casi in cui vi siano delle circostanze ambientali estreme, se il prodotto (sulla tabella dei valori nominali raccomandati) è impostato sui valori nominali specificati, gli alimenti manterranno la loro freschezza più a lungo sia nello scomparto prodotti freschi che nello scomparto congelatore.
- Se lo scomparto degli alimenti freschi è impostato su una temperatura più bassa, la frutta e la verdura fresche potrebbero subire il parziale congelamento.
- Gli scomparti a due stelle sono adatti per gli alimenti pre-congelati. Al loro interno sarà possibile conservare gelato e cubetti di ghiaccio.
- Non congelare alimenti all'interno degli scomparti con una, due e tre stelle.

Carne e pesce		Preparazione	Tempo di conservazione più lungo (mese)	
Prodotti di carne	Vitello	Bistecca	Tagliandoli con uno spessore di 2 cm e ponendo tra di loro della pellicola o avvolgendoli strettamente con un elastico	6-8
		Arrosto	Confezionando i pezzi di carne in un sacchetto da frigorifero oppure avvolgendoli strettamente con un elastico	6-8
		Cubetti	A pezzettini	6-8
		Cotolette, bracioline	Mettendo della pellicola tra le fette tagliate o avvolgendo singolarmente con un elastico	6-8
	Carne di montone	Bracioline	Mettendo della pellicola tra i pezzi di carne o avvolgendo singolarmente con un elastico	4-8
		Arrosto	Confezionando i pezzi di carne in un sacchetto da frigorifero oppure avvolgendoli strettamente con un elastico	4-8
		Cubetti	Confezionando la carne sminuzzata in un sacchetto da frigorifero oppure avvolgendoli strettamente con un elastico	4-8
	Manzo	Arrosto	Confezionando i pezzi di carne in un sacchetto da frigorifero oppure avvolgendoli strettamente con un elastico	8-12
		Bistecca	Tagliandoli con uno spessore di 2 cm e ponendo tra di loro della pellicola o avvolgendoli strettamente con un elastico	8-12
		Cubetti	A pezzettini	8-12
		Carne bollita	Confezionando i pezzettini in un sacchettino da frigorifero	8-12
	Macinato		Senza condimento, in sacchetti piatti	1-3
	Frattaglie (pezzi)		A pezzi	1-3
	Salsiccia fermentata - Salame		Deve essere confezionato anche se ha il budello.	1-3
	Prosciutto		Mettendo della pellicola tra le fettine tagliate	2-3
	Pollame e animali da caccia	Pollo e tacchino	Avvolgendo con pellicola	4-6
		Oca	Avvolgendo con pellicola (le porzioni non dovrebbero superare i 2,5 kg)	4-6
Anatra		Avvolgendo con pellicola (le porzioni non dovrebbero superare i 2,5 kg)	4-6	
Cervo, coniglio, capriolo		Avvolgendo con pellicola (le porzioni non dovrebbero superare i 2,5 kg, e le ossa dovrebbero essere conservate separatamente)	6-8	
Pesce e frutti di mare	Pesce d'acqua dolce (Trota, Carpa, Gru, Pesce gatto)	Dopo aver pulito in modo accurato l'interno e le squame, deve essere lavato e asciugato, e le parti della coda e della testa vanno tagliate all'occorrenza.	2	
	Pesce magro (Branzino, Rombo, Sogliola)		4-6	
	Pesce grasso (Bonito, Sgombro, Pesce azzurro, Triglia, Acciuga)		2-4	
	Crostacei	Puliti e in sacchetti	4-6	
	Caviale	Nella sua confezione, in un contenitore di alluminio o di plastica	2-3	

"I tempi di conservazione indicati nella tabella si basano sulla temperatura di conservazione di -18°C. "

Frutta e verdura	Preparazione	Tempo di conservazione più lungo (mese)
Fagiolini e fagioli di Spagna	Sbollentare per 3 minuti dopo il lavaggio e il taglio in piccoli pezzi	10-13
Piselli verdi	Bollire per 2 minuti dopo averli sgranati e lavati	10-12
Cavoli	Bollire per 1-2 minuti dopo averli puliti	6-8
Carote	Sbollentare per 3-4 minuti dopo la pulizia e il taglio a fette	12
Peperoni	Bollire per 2-3 secondi dopo aver tagliato lo stelo, suddividere in due e togliere i semi	8-10
Spinaci	Sbollentare per 2 minuti dopo il lavaggio e la pulizia	6-9
Porri	Sbollentare per 5 minuti dopo il taglio a pezzi	6-8
Cavolfiore	Sbollentare in un po' di acqua e limone per 3-5 minuti dopo aver separato le foglie, tagliando il torsolo a pezzi	10-12
Melanzana	Sbollentare per 4 minuti dopo il lavaggio e il taglio a pezzettini da 2cm	10-12
Belleville di zucca	Dopo averli lavati e tagliati a pezzi di 2 cm, sbollentare per 2-3 minuti.	8-10
Funghi	Saltare delicatamente in olio e spruzzare del limone	2-3
Mais	Pulire o confezionare come pannocchia o in forma granulare	12
Mele e pere	Sbollentare per 2-3 minuti dopo averle sbucciate e tagliate a fette	8-10
Albicocca e pesca	Dividere a metà ed estrarre i semi	4-6
Fragola e lampone	Per lavare e sgusciare	8-12
Frutta al forno	Aggiungere il 10% di zucchero al contenitore	12
Prugne, ciliegie, amarene	Per lavare e sgusciare i gambi	8-12

"I tempi di conservazione indicati nella tabella si basano sulla temperatura di conservazione di -18°C. "

Prodotti lattiero-caseari	Preparazione	Tempo di conservazione più lungo (mese)	Condizioni di conservazione
Formaggio (eccetto la feta)	Mettendo della pellicola tra le fettine tagliate	6-8	Può essere lasciato nel suo imballaggio originale per la conservazione a breve termine. Per la conservazione a lungo termine dovrebbe anche essere avvolto in un foglio di alluminio o di plastica.
Burro, margarina	Nella propria confezione	6	Nella propria confezione o in contenitori di plastica

"I tempi di conservazione indicati nella tabella si basano sulla temperatura di conservazione di -18°C. "

"La quantità di alimenti freschi che è possibile congelare per un certo periodo di tempo è indicata sull'etichetta del tipo".

Scomparto congelatore Impostazione	Scomparto frigorifero Impostazione	Consigli
-20°C	4°C	Questa è l'impostazione predefinita consigliata. Questa impostazione è raccomandata se la temperatura ambiente è inferiore a 30°C.
-22 o -24 °C	4°C	Queste impostazioni sono consigliate quando la temperatura ambiente supera i 30°C.
Congelamento rapido	4°C	Usare quando si desidera congelare alimenti in modo rapido. Al termine del processo, le impostazioni del prodotto torneranno a quelle precedenti.
-18°C o inferiore	2°C	Usare queste impostazioni se si ritiene che lo scomparto del congelatore non sia sufficientemente freddo, a causa della temperatura ambiente, o a causa delle frequenti aperture della porta.

Dettagli per il congelatore

Conformemente agli standard IEC 62552, il congelatore deve avere la capacità di congelare 4,5 kg di alimenti a -18°C o a temperature inferiori a 25°C in 24 ore per ogni 100 litri di volume dello scomparto congelatore. Gli alimenti possono essere conservati solo per lunghi periodi di tempo a temperature uguali o inferiori a -18°.

Sarà possibile conservare gli alimenti freschi per mesi (all'interno del congelatore a temperature uguali o inferiori a -18°).

Per evitare uno scongelamento parziale, gli alimenti da congelare non devono entrare in contatto con gli altri alimenti già congelati all'interno del congelatore.

Bollire le verdure e filtrare l'acqua per estendere il tempo di conservazione del congelato. Collocare gli alimenti in sacchetti ermetici, dopo aver eseguito il filtraggio e il posizionamento all'interno del congelatore. Banane, pomodori, lattuga, sedano, uova bollite, patate e altri alimenti simili non dovrebbero essere congelati. Nel caso in cui questi alimenti si congelino, solo i valori nutrizionali e le qualità alimentari ne risentiranno negativamente. Non si tratta di una minaccia per la salute umana.

Posizionamento degli alimenti

Ripiani dello scomparto congelatore: diversi alimenti congelati come carne, pesce, gelato, verdure ecc.

Ripiani dello scomparto refrigerante: alimenti all'interno di vasi, piatti e contenitori chiusi, uova (in contenitori chiusi)

Ripiani dello sportello dello scomparto refrigerante: alimenti o bevande di piccole dimensioni e confezionati

Crisper: Verdure e frutta

Scomparto alimenti freschi: Delicatessen (alimenti per la prima colazione, prodotti a base di carne da consumare in poco tempo)

7.3 Cassetto frutta e verdura

Il cassetto frutta e verdura del frigorifero è stato pensato per tenere fresche le verdure preservando al tempo stesso il loro grado di umidità. A tal fine, all'interno del cassetto, la circolazione complessiva dell'aria fredda è più intensa. Consigliamo di tenere frutta e verdura all'interno di questo scomparto. Tenere le verdure con foglie verdi e i frutti in luoghi separati, al fine di prolungarne la durata.

7.4 Crisper a umidità controllata

Everfresh

Con la funzione crisper a umidità controllata, l'umidità delle verdure e della frutta è tenuta sotto controllo e il cibo è mantenuto fresco per un periodo di tempo più lungo.

Raccomandiamo di mettere le verdure a foglia come la lattuga, gli spinaci e altre verdure simili che sono sensibili alla perdita di umidità nel crisper, non in verticale sulle loro radici, ma il più orizzontalmente possibile.

Quando si posizionano le verdure, sistemare quelle pesanti e dure in basso e quelle leggere e morbide in alto, tenendo conto del loro peso specifico.

Non lasciare mai le verdure in sacchetti di plastica nel crisper. Lasciare quel tipo di alimenti in sacchetti di plastica farà marcire le verdure in breve tempo.

In situazioni in cui è preferibile non mettere in contatto diversi tipi di verdure, utilizzare materiali da imballaggio come la carta che abbia un certo grado di porosità in termini di igiene.

Non mettere la frutta che ha un'alta produzione di gas etilene come la pera, l'albicocca, la pesca e in particolare la mela nello stesso cassetto con altre verdure e frutti. Il gas etilene che fuoriesce da questi frutti potrebbe far maturare più velocemente altri ortaggi e frutti e farli marcire in un periodo di tempo più breve.

7.5 Tecnologie del Crisper

Luce blu

Frutta e verdura conservate nei cassette illuminati con luce blu continuano la loro fotosintesi grazie all'effetto della lunghezza d'onda della luce blu e conservano così il loro contenuto di vitamine.

HarvestFresh

Frutta e verdura conservate in cassette illuminate con la tecnologia HarvestFresh conservano le loro vitamine più a lungo grazie alle luci blu, verdi, rosse e ai cicli di buio che simulano un ciclo diurno.

Quando la porta del frigorifero viene aperta durante il periodo di buio della tecnologia HarvestFresh, il frigorifero lo percepirà automaticamente e illuminerà il cassetto (crisper) con una delle luci blu, verdi o rosse a seconda della situazione. Dopo aver chiuso

lo sportello del frigorifero, il periodo di buio continuerà, come fosse il periodo notturno in un ciclo diurno.

7.6 Area di conservazione a freddo dei prodotti lattiero-caseari

Cassetto per la conservazione a freddo

Nello scomparto frigorifero, il cassetto per la conservazione a freddo può raggiungere temperature più basse. Utilizzare questo cassetto per prodotti di rosticceria (salumi, salsicce, ecc.) e latticini che richiedono condizioni di conservazione più fredde, o per carne, pollo o pesce da consumare rapidamente. Non conservare frutta e verdura in questo cassetto.

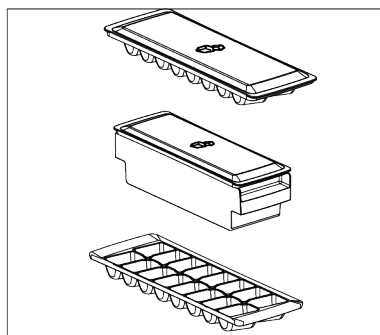
7.7 L'area di conservazione del ghiaccio

Contenitore del ghiaccio

La vaschetta del ghiaccio permette di prendere il ghiaccio facilmente dal frigorifero.

Utilizzo della vaschetta del ghiaccio

1. Estrarre il secchiello del ghiaccio dallo scomparto congelatore.
2. Riempire con acqua la vaschetta del ghiaccio.
3. Posizionare la vaschetta del ghiaccio nello scomparto congelatore. Il ghiaccio sarà pronto all'incirca dopo due ore.
4. Prendere la vaschetta del ghiaccio dallo scomparto congelatore e piegare leggermente sopra il contenitore che si utilizzerà. Il ghiaccio si verserà facilmente.



7.8 Inversione del lato di apertura della porta

Il lato di apertura della porta del frigorifero può essere invertito secondo il posto in cui lo si sistema. Nel caso sia necessario invertire il lato di apertura della porta, chiamare il servizio assistenza autorizzato più vicino.

7.9 Avviso di sportello aperto

Il sistema di avviso di sportello aperto del frigorifero può differire a seconda del modello.

Versione 1;

Se lo sportello del prodotto rimane aperto per un determinato periodo di tempo (tra 60 e 120 secondi), viene emesso un segnale acustico di avviso; a seconda del modello di prodotto, può essere visualizzato anche un segnale di avvertimento visivo (luce lampeggiante). Se si chiude lo sportello del dispositivo o se si preme un pulsante sullo schermo del dispositivo, se presente, l'avviso sonoro si arresterà.

Versione 2;

Se lo sportello del dispositivo resta aperto per un determinato periodo di tempo (tra 60 e 120 secondi) viene emesso l'avviso porta aperta. L'avviso di porta aperta viene emesso gradualmente. Prima un avviso udibile inizia a suonare. Dopo 4 minuti, se lo sportello non è ancora stato chiuso, si attiva un avviso visivo (luce lampeggiante). L'avviso di sportello aperto verrà ritardato per un certo periodo di tempo (tra 60 s e 120 s) quando si preme un qualsiasi tasto sullo schermo del prodotto, se presente. Quindi il processo ricomincerà. Quando lo sportello del dispositivo è chiuso, l'avviso di sportello aperto verrà annullato.

7.10 Sostituzione della lampada

Quando la lampadina/LED usata per l'illuminazione del frigorifero deve essere sostituita, chiamare il servizio assistenza autorizzato.

La lampada o le lampade utilizzate in questa apparecchiatura non possono essere utilizzate per l'illuminazione della casa.

L'uso previsto di questa lampada è quello di aiutare l'utente a mettere il cibo nel frigorifero/congelatore in modo sicuro e confortevole.

7.11 AeroFlow

È un sistema di distribuzione dell'aria che fornisce una distribuzione omogenea della temperatura. La circolazione dell'aria assicura la distribuzione omogenea della temperatura nello scomparto di conservazione degli alimenti freschi, e le fluttuazioni di temperatura sono mantenute a livelli bassi. Non si verifica nessun soffio d'aria diretto sugli alimenti e questo aiuta a ridurre la perdita di umidità. Permette di mantenere la freschezza degli alimenti conservati nello scomparto degli alimenti freschi del frigorifero. In questo modo, gli alimenti sono conservati a temperature più stabili e il contatto con l'aria è ridotto. L'essiccazione e il restringimento degli alimenti a causa della perdita di umidità sono evitati per una maggiore e duratura freschezza.

7.12 Ventola

La ventola è progettata per garantire la distribuzione e la circolazione omogenea dell'aria fredda. Il tempo di funzionamento della ventola potrebbe variare in base alle caratteristiche del prodotto.

Mentre in alcuni prodotti la ventola funziona solo con il compressore, in altri è il sistema di controllo che determina il tempo di funzionamento della ventola in base alle esigenze di raffreddamento.

7.13 Porta uova

È possibile posizionare il portauovo sullo sportello o sul ripiano del corpo/struttura che si desidera.

Se il portauovo deve essere posizionato sul ripiano del corpo, si consiglia di scegliere ripiani inferiori più freddi.



Non collocare mai il portauova sullo scomparto congelatore

8 Manutenzione e pulizia

IT



ATTENZIONE:

Leggere prima la sezione "Istruzioni di sicurezza".



ATTENZIONE:

Scollegare il frigorifero prima di pulirlo.

- Non utilizzare utensili affilati o abrasivi per pulire il prodotto. Non usare materiali come detersivi domestici, sapone, detersivi, gas, benzina, diluenti, alcool, cera, ecc.
- La polvere deve essere rimossa dalla griglia di ventilazione sul retro del prodotto almeno una volta all'anno (senza aprire il coperchio). Pulire il prodotto servendosi di un panno asciutto.
- Fare attenzione a tenere l'acqua lontana dalla copertura delle lampade e dalle altre componenti elettriche.
- Pulire la porta servendosi di un panno umido. Per rimuovere la porta e i vari ripiani, rimuovere prima tutto il contenuto. Rimuovere i ripiani della porta sollevandoli verso l'alto. Pulire e asciugare i ripiani, poi fissare nuovamente in posizione facendo scorrere da sopra.
- Non usare acqua con cloro o prodotti detersivi sulla superficie esterna e sulle componenti rivestite in cromo. Il cloro provoca ruggine su queste superfici metalliche.
- Per evitare la deformazione della parte in plastica e rimuovere le impronte, non utilizzare utensili affilati e abrasivi, sapone, materiali per la pulizia della casa, detersivi, gas, benzina, vernice e sostanze simili. Per pulire, usare acqua tiepida e un panno morbido, quindi asciugare.
- Sui prodotti senza la funzione No-Frost, sulla parete posteriore dello scomparto congelatore potrebbero formarsi goccioline d'acqua e ghiaccio fino allo spessore di un dito. Non pulirla; non applicare mai olio o sostanze simili.

- Per pulire la superficie esterna del prodotto utilizzare un panno in micro-fibra leggermente inumidito. Spugne e altri tipi di panni per la pulizia potrebbero graffiare la superficie.
- Per pulire tutti i componenti rimovibili durante la pulizia della superficie interna del prodotto, lavare questi componenti con una soluzione delicata composta da sapone, acqua e carbonato. Risciacquare e asciugare completamente. Evitare il contatto dell'acqua con i componenti dell'illuminazione e con il pannello di controllo.



ATTENZIONE:

Non utilizzare aceto, alcool o altri detersivi a base di alcool su nessuna delle superfici interne.

Superfici esterne in acciaio inossidabile

Utilizzare un detersivo non abrasivo per acciaio inossidabile e applicarlo con un panno morbido privo di pelucchi. Per lucidare, strofinare delicatamente la superficie con un panno in micro-fibra inumidito con acqua e utilizzare una pelle di camoscio per lucidare a secco. Seguire sempre le venature in acciaio inossidabile.

Pulizia dei prodotti con porte in vetro

Rimuovere la pellicola di protezione sui vetri.

Sulla superficie in vetro è presente un rivestimento. Questo rivestimento riduce al minimo la formazione di macchie e consente una facile pulizia delle macchie stesse e della sporcizia formatasi. Il vetro senza rivestimento protettivo può rapidamente, facilmente, nonché in modo permanente essere attaccato da contaminanti organici o inorganici dell'aria e dell'acqua come calcare, sali minerali, idrocarburi incombusti, ossidi di metallo e silicani che causano macchie e danni fisici. Nonostante la pulizia regolare, mantenere il vetro pulito diventa molto difficile, anche se non impossibile. Di conseguenza, la chiarezza e il bell'aspetto

del vetro si riducono. Metodi e composti di pulizia duri e abrasivi aumentano ulteriormente questi difetti e accelerano il processo di degradazione.

Per i processi di pulizia di routine, devono essere utilizzati prodotti di pulizia non alcalini e non corrosivi a base di acqua.

Per aumentare la resistenza di questi vetri contro gli urti e le rotture viene applicato un processo di tempra.

Come ulteriore precauzione di sicurezza, sulla superficie posteriore di questi vetri è stata applicato un film di sicurezza per evitare danni all'ambiente in caso di rottura.

Prevenzione dei cattivi odori

Il prodotto è stato realizzato con materiali che non emettono cattivi odori. Il posizionamento degli alimenti in sezioni non adegua-

te e la pulizia delle superfici interne effettuata in modo non corretto potrebbe provocare cattivi odori.

- A tal fine consigliamo di pulire l'interno con acqua gassata ogni 15 giorni.
- Conservare gli alimenti in contenitori sigillati, poiché i microrganismi derivanti da alimenti tenuti in contenitori non sigillati causano cattivi odori.
- Non conservare alimenti scaduti e marci all'interno del frigorifero.

Protezione delle superfici in plastica

L'olio rovesciato sulle superfici in plastica potrebbe danneggiare la superficie, e deve essere pulito immediatamente servendosi di acqua tiepida.

9 Guida alla risoluzione dei problemi

Controllare questo elenco prima di contattare il servizio clienti. Questa operazione vi consentirà di risparmiare soldi. Questo elenco contiene le lamentele più frequenti che non riguardano problemi a livello di manodopera o materiali. Alcune funzioni qui indicate potrebbero non essere valide per il prodotto in questione.

Il frigorifero non funziona.

- La presa di corrente non è stata inserita correttamente. >>> Spingerla fino a inserirla completamente nella presa.
- Il fusibile collegato alla presa che alimenta il prodotto, oppure il fusibile principale, è bruciato. >>> Controllare il fusibile.

Condensa sulla parete laterale dello scomparto raffreddatore (MULTI ZONE, COOL, CONTROL e FLEXI ZONE).

- La porta viene aperta troppo spesso. >>> Fare attenzione a non aprire troppo frequentemente la porta del prodotto.
- L'ambiente è troppo umido. >>> Non installare il prodotto in ambienti umidi.
- Gli alimenti contenenti liquidi sono conservati in contenitori non sigillati. >>> Tenere gli alimenti contenenti liquidi in contenitori sigillati.

- La porta del prodotto viene lasciata aperta. >>> Non tenere aperte a lungo le porte del frigorifero.
- Il termostato è impostato su una temperatura molto fredda. >>> Impostare il termostato su una temperatura adeguata.

Il compressore non funziona.

- In caso di improvviso black out, o nel caso in cui la spina venga tolta e poi reinserita, la pressione del gas nel sistema di raffreddamento del prodotto non è equilibrata, il che fa scattare la protezione termica del compressore. Il prodotto si riavvierà dopo circa 6 minuti. Qualora il prodotto non si riavvii dopo questo periodo, contattare l'assistenza.
- La modalità di scongelamento è attiva. >>> Si tratta di una condizione normale per un frigorifero con funzione di sbrinamento completamente automatica. Lo sbrinamento avviene a intervalli periodici.
- Il prodotto non è collegato. >>> Verificare che il cavo di alimentazione sia collegato.
- L'impostazione della temperatura è sbagliata. >>> Selezionare l'impostazione di temperatura adeguata.

- Non c'è corrente. >>> Il prodotto continuerà a funzionare normalmente quando verrà ripristinata la corrente elettrica.

Il rumore di funzionamento del frigorifero aumenta col passare del tempo.

- Le prestazioni del prodotto potrebbero variare a seconda delle variazioni della temperatura ambiente. Ciò è normale e non è un'anomalia di funzionamento.

Il frigorifero funziona troppo spesso o troppo a lungo.

- Il nuovo prodotto potrebbe essere più grande di quello precedente. I prodotti più grandi funzioneranno più a lungo.
- La temperatura della stanza potrebbe essere alta. >>> Il prodotto funzionerà normalmente per lunghi periodi di tempo con temperature ambiente superiori.
- Il prodotto potrebbe essere stato di recente collegato alla corrente, oppure al suo interno potrebbero essere stati recentemente aggiunti vari alimenti. >>> Al prodotto servirà più tempo per raggiungere la temperatura impostata, se collegato di recente, oppure nel caso in cui siano stati collocati nuovi alimenti al suo interno. Ciò è normale.
- Forse di recente sono state introdotte nel frigorifero grandi quantità di alimenti caldi. >>> Non mettere alimenti caldi direttamente dentro al frigorifero.
- Le porte sono state aperte frequentemente o tenute aperte a lungo. >>> L'aria calda che si muove all'interno provocherà un funzionamento più prolungato. Non aprire le porte con troppa frequenza.
- Le porte del congelatore o del raffreddatore potrebbero essere socchiusi. >>> Controllare che le porte siano totalmente chiuse.
- Il prodotto potrebbe essere impostato su una temperatura troppo bassa. >>> Impostare la temperatura su un livello più alto e attendere che il prodotto raggiunga la temperatura desiderata.
- La rondella della porta del raffreddatore o del congelatore potrebbe essere sporca, usurata, rotta o non correttamente configurata. >>> Pulire o sostituire la guarni-

zione. Le rondelle consumate e usurate faranno funzionare il prodotto più a lungo per conservare la temperatura attuale.

La temperatura del congelatore è molto bassa, ma la temperatura del raffreddatore è corretta.

- La temperatura dello scomparto congelatore è impostata su un livello molto basso. >>> Impostare la temperatura dello scomparto congelatore su un livello più alto, quindi eseguire un controllo.

La temperatura del raffreddatore è molto bassa, ma la temperatura del congelatore è corretta.

- Impostare la temperatura dello scomparto raffreddatore su un livello più alto, quindi eseguire un controllo. >>> Impostare la temperatura dello scomparto raffreddatore su un livello più alto, quindi eseguire un nuovo controllo.

Gli alimenti conservati nei cassetti dello scomparto raffreddatore sono congelati.

- Impostare la temperatura dello scomparto raffreddatore su un livello più alto, quindi eseguire un controllo. >>> Impostare la temperatura dello scomparto raffreddatore su un livello più alto, quindi eseguire un nuovo controllo.

La temperatura nello scomparto raffreddatore e congelatore è troppo alta.

- La temperatura dello scomparto raffreddatore è impostata su un livello molto alto. >>> L'impostazione della temperatura dello scomparto raffreddatore ha un effetto sulla temperatura dello scomparto congelatore. Attendere che la temperatura delle parti interessate raggiunga il livello sufficiente modificando la temperatura degli scomparti del raffreddatore o del congelatore.
- Le porte sono state aperte frequentemente o tenute aperte a lungo. >>> Non aprire le porte con troppa frequenza.
- La porta potrebbe essere socchiusa. >>> Chiudere completamente la porta.
- Il prodotto potrebbe essere stato di recente collegato alla corrente, oppure al suo interno potrebbero essere stati re-

centemente aggiunti vari alimenti. >>> Non si tratta di un'anomalia. >>> Al prodotto servirà più tempo per raggiungere la temperatura impostata, se collegato di recente, oppure nel caso in cui siano stati collocati nuovi alimenti al suo interno.

- Forse di recente sono state introdotte nel frigorifero grandi quantità di alimenti caldi. >>> Non mettere alimenti caldi direttamente dentro al frigorifero.

Vibrazioni o rumore.

- >>> Se il prodotto vibra quando viene spostato lentamente, regolare i supporti per equilibrarlo. Verificare inoltre che la superficie di appoggio sia sufficientemente resistente per supportarne il peso.
- Gli eventuali oggetti collocati sul prodotto potrebbero causare rumori. >>> Togliere gli eventuali elementi collocati sul prodotto.
- Il prodotto emette rumori, come ad esempio liquido che scorre, spruzzo, eccetera
- I principi operativi del prodotto prevedono flussi di liquido e di gas. >>> Ciò è normale e non è un'anomalia di funzionamento.

C'è un rumore, simile a un soffio, che proviene dal prodotto.

- Il prodotto si serve di una ventola per il processo di raffreddamento. Ciò è normale e non è un'anomalia di funzionamento.

Si è formata condensa sulle pareti interne del prodotto.

- Le temperature calde o umide aumenteranno la formazione di ghiaccio e la condensa. Ciò è normale e non è un'anomalia di funzionamento.
- Le porte sono state aperte frequentemente o tenute aperte a lungo. >>> Non aprire le porte con troppa frequenza; se la porta è aperta, chiuderla.
- La porta potrebbe essere socchiusa. >>> Chiudere completamente la porta.

Si è formata condensa sulla superficie esterna del prodotto o fra le porte.

- Le condizioni ambientali potrebbero essere umide, e ciò è normale. >>> La condensa si dissiperà alla riduzione dell'umidità.

L'interno emette cattivi odori.

- Il prodotto non è stato pulito regolarmente. >>> Pulire la superficie interna a intervalli regolari servendosi di spugna, acqua tiepida, e acqua gassata.
- Alcuni supporti e materiali da confezionamento potrebbero causare cattivi odori. >>> Servirsi di supporti confezionamento che non emettano cattivi odori.
- Gli alimenti sono stati collocati in supporti non sigillati. >>> Tenere gli alimenti in contenitori sigillati. I microrganismi potrebbero fuoriuscire dagli alimenti non sigillati causando così cattivi odori.
- Rimuovere gli eventuali alimenti scaduti o rovinati dal prodotto.

La porta non si chiude correttamente.

- Le confezioni degli alimenti potrebbero bloccare la porta. >>> Trovare una nuova posizione per gli alimenti che bloccano le porte.
- Il prodotto non è in posizione verticale, appoggiato per terra. >>> Regolare i supporti per l'equilibrio del prodotto.
- La superficie non è piatta o resistente >>> Assicurarsi che la superficie sia piatta e sufficientemente resistente per sostenere il prodotto.

Il cassetto frutta e verdura è inceppato.

- Gli alimenti potrebbero entrare in contatto con la sezione superiore del cassetto. >>> Ri-organizzare gli alimenti nel cassetto.

Temperatura sulla superficie del prodotto.

- Mentre il prodotto è in funzione, potrebbero generarsi temperature elevate tra le due porte, sui pannelli laterali e sulla griglia posteriore. Ciò è normale e non richiede interventi di manutenzione.

La ventola continua a funzionare quando la porta è aperta.

- La ventola potrebbe continuare a funzionare quando la porta del congelatore è aperta.



ATTENZIONE: Qualora il problema persista dopo aver seguito le istruzioni contenute in questa selezione, contattare il proprio fornitore oppure un Servizio Autorizzato. Evitare in ogni caso di riparare il prodotto. Ciò è normale.

DISCLAIMER/AVVERTIMENTO

Alcuni guasti (semplici) possono essere gestiti adeguatamente dall'utente finale senza che si verifichino problemi di sicurezza o di utilizzo non sicuro, a condizione che vengano eseguiti entro i limiti e in conformità alle seguenti istruzioni (vedere la sezione "Autoriparazione").

Pertanto, se non diversamente autorizzato nella sezione "Autoriparazione", per evitare problemi di sicurezza, le riparazioni devono essere effettuate da riparatori professionisti registrati. Un riparatore professionale registrato è un riparatore professionale a cui il produttore ha concesso l'accesso alle istruzioni e all'elenco delle parti di ricambio di questo prodotto secondo i metodi descritti negli atti legislativi ai sensi della direttiva 2009/125/CE.

Solo gli agenti di assistenza (cioè i riparatori professionali autorizzati) raggiungibili tramite il numero di telefono indicato nel manuale d'uso/scheda di garanzia o tramite il rivenditore autorizzato possono, tuttavia, fornire assistenza in base ai termini della garanzia. Pertanto, si ricorda che le riparazioni effettuate da riparatori professionisti (non autorizzati da) Beko annulleranno la garanzia.

Autoriparazione

L'utente finale può effettuare l'autoriparazione dei seguenti pezzi di ricambio: maniglie, cerniere, vassoi, cestini e guarnizioni

Informazioni sulla classificazione dell'imballaggio

Scansiona il Qrcode che si trova sull'imballo del prodotto per trovare tutte le informazioni relative all'imballo e come gestirne il suo corretto smaltimento.

dello sportello (un elenco aggiornato è disponibile anche su support.beko.com a partire dal 1° marzo 2021).

Inoltre, per garantire la sicurezza del prodotto e prevenire il rischio di gravi lesioni, l'autoriparazione menzionata deve essere eseguita seguendo le istruzioni contenute nel manuale d'uso per l'autoriparazione o disponibili su support.beko.com. Per la sicurezza dell'utente, prima di tentare qualsiasi riparazione, staccare la spina del prodotto.

I tentativi di riparazione da parte degli utenti finali per parti non incluse in tale elenco e/o non seguendo le istruzioni contenute nei manuali d'uso per l'autoriparazione o disponibili su support.beko.com, potrebbero causare problemi di sicurezza non imputabili a Beko e invalideranno la garanzia del prodotto.

Pertanto, si raccomanda vivamente agli utenti finali di astenersi dal tentare di effettuare riparazioni che non rientrano nell'elenco dei pezzi di ricambio indicati, rivolgendosi in questi casi a riparatori professionali autorizzati o registrati. Al contrario, tali tentativi da parte degli utenti finali potrebbero causare problemi di sicurezza e danneggiare il prodotto, con conseguenti incendi, allagamenti, folgorazioni e gravi lesioni personali.

A titolo esemplificativo, ma non esaustivo, le seguenti riparazioni devono essere affidate a riparatori professionali autorizzati o

registrati: compressore, circuito di raffreddamento, scheda principale, scheda inverter, scheda display, ecc.

Il produttore/venditore non può essere ritenuto responsabile in ogni caso di mancata osservanza di quanto sopra da parte degli utenti finali.

La disponibilità dei pezzi di ricambio del frigorifero acquistato è di 10 anni. Durante questo periodo, i pezzi di ricambio originali saranno disponibili per il corretto funzionamento del frigorifero.

La durata minima della garanzia del frigorifero acquistato è di 24 mesi.

Questo prodotto è dotato di una sorgente luminosa di classe energetica "G".

La sorgente luminosa di questo prodotto deve essere sostituita solo da un riparatore professionista

Proszę najpierw przeczytać tę instrukcję obsługi!

Drogi kliencie,

Przed użyciem produktu dokładnie przeczytaj instrukcję obsługi.

Dziękujemy za wybranie produktu Beko . Chcielibyśmy, abyś mógł wykorzystać optymalną wydajność tego wysokiej jakości produkt, który został wykonany przy użyciu najnowocześniejszej technologii. Aby to zrobić, przeczytaj uważnie niniejszą instrukcję i wszelkie inne dokumenty dostarczone z produktem, przed jego użyciem i zachowaj je.

Przeznaczaj wszystkich informacji i ostrzeżeń zawartych w instrukcji obsługi. W ten sposób zabezpieczysz siebie i swój produkt przed zagrożeniami, które mogą wystąpić.

Zachowaj instrukcję obsługi. W przypadku sprzedaży produktu należy dołączyć do niego instrukcję obsługi.

W tej instrukcji użytkownika są używane następujące symbole:



Zagrożenie, które może spowodować śmierć lub obrażenia.



Ważne informacje lub przydatne wskazówki dotyczące obsługi.







Przeczytaj instrukcję obsługi.



Materiał łatwopalny, ostrzeżenie przed zagrożeniem pożarowym.


UWAGA Zagrożenie, które może spowodować uszkodzenie produktu lub jego otoczenia


		<p>Informacje o modelu przechowywane w bazie danych produktu można uzyskać na następującej stronie internetowej, wyszukując identyfikator modelu (*) znajdujący się na etykiecie energetycznej.</p> <p>https://eprel.ec.europa.eu/</p>
SUPPLIER'S NAME	MODEL IDENTIFIER → (*)	
		


1 Instrukcje bezpieczeństwa	72	7.7 Miejsce przechowywania lodu.....	93
1.1 Przeznaczenie	72	7.8 Odwracanie strony otwierania drzwi	94
1.2 Bezpieczeństwo dzieci, osób wy- magających szczególnego trakto- wania i zwierząt domowych	72	7.9 Alarm otwarcia drzwi.....	94
1.3 Bezpieczeństwo elektryczne	73	7.10 Wymiana lampki oświetlenia	94
1.4 Bezpieczeństwo obsługi	74	7.11 AeroFlow	94
1.5 Bezpieczeństwo instalacji	74	7.12 Wentylator	95
1.6 Bezpieczeństwo operacyjne	76	7.13 Pojemnik na jajka.....	95
1.7 Bezpieczeństwo przechowywania żywności	79	8 Konserwacja i utrzymywanie w czystości	95
1.8 Bezpieczeństwo konserwacji i czyszczenia	79	9 Rozwiązywanie problemów.....	96
1.9 Utylizacja Starego Produktu	80		
2 Instrukcje dotyczące ochrony środowiska	81		
2.1 Zgodność z dyrektywą WEEE do- tyczącą usuwania odpadów	81		
3 Twoja lodówka	82		
4 Instalacja	82		
4.1 Odpowiednie miejsce instalacji....	82		
4.2 Podłączenie elektryczne	83		
4.3 Regulacja nóżek	83		
4.4 Ostrzeżenie o gorącej powierzch- ni	84		
5 Przygotowanie	84		
5.1 Co robić, aby zaoszczędzić ener- gię.....	84		
5.2 Pierwsze użycie	84		
5.3 Klasa klimatyczna i definicje	85		
6 Obsługa urządzenia	85		
7 Korzystanie z urządzenia	86		
7.1 Panel sterowania urządzenia	86		
7.2 Przechowywanie żywności w ko- morze chłodziarki	88		
7.3 Pojemnik na świeże owoce i wa- rzywa	93		
7.4 Pojemnik na owoce i warzywa z kontrolą wilgotności.....	93		
7.5 Technologie pojemnika na owoce i warzywa	93		
7.6 Obszar lodówki do przechowywa- nia nabiału	93		


1 Instrukcje bezpieczeństwa

- Ten rozdział zawiera instrukcje dotyczące bezpieczeństwa służące unikaniu obrażeń i szkód materialnych.
- Nasza firma nie ponosi odpowiedzialności za szkody, które mogą wystąpić w przypadku nieprzestrzegania instrukcji.

 Czynności montażowe i naprawcze zawsze zlecaj producentowi, autoryzowanemu serwisowi lub osobie wskazanej przez firmę importującą.

 Używaj tylko oryginalnych części zamiennych i akcesoriów.

 Nie należy naprawić lub wymienić żadnych części produktu, chyba że jest to jasno określone w instrukcji obsługi.

 Nie wolno modyfikować produktu.

1.1 Przeznaczenie

- Ten produkt nie nadaje się do użytku komercyjnego i nie powinien być używany do celów innych niż jego przeznaczenie.
- Urządzenie to jest przeznaczone do obsługi wewnątrz, tj. w gospodarstwach domowych lub podobnych.

Na przykład w:

kuchniach pracowników sklepów, biur i innych środowisk pracy,

gospodarstwach rolnych, hotelach, motelach lub innych obiektach wypoczynkowych, z których korzystają klienci, Schroniskach i podobnych miejscach, firmach cateringowych i do podobnych zastosowań innych niż handel detaliczny.

- Produktu nie należy używać w otwartych lub zamkniętych środowiskach zewnętrznych, takich jak statki, samochody kempingowe, balkony lub tarasy. Narażenie produktu na deszcz, śnieg, bezpośrednie promienie słoneczne i wiatr spowoduje zagrożenie pożarem.

1.2 Bezpieczeństwo dzieci, osób wymagających szczególnego traktowania i zwierząt domowych



- Urządzenie to może być używane przez dzieci w wieku lat 8 lub starsze, osoby z obniżoną sprawnością fizyczną, zmysłową lub umysłową, osoby z brakiem doświadczenia i wiedzy, jeśli są one nadzorowane lub gdy je poinstruowano jak korzystać z tego urządzenia w

bezpieczny sposób, i gdy zdają sobie sprawę z istniejących niebezpieczeństw.

- Dzieci w wieku od 3 do 8 lat mogą wkładać jedzenia do lodówki i go z niej wyjmować.
- Dzieci i zwierzęta nie mogą bawić się, wspinać ani wchodzić do wnętrza produktu.
- Dzieci i zwierzęta domowe należy trzymać z dala od kabiny (sprężarki), w której znajdują się części elektryczne.
- Czyszczenie i konserwacja nie powinny być wykonywane przez dzieci, chyba że zapewniono im nadzór.
- Wszystkie opakowania należy przechowywać poza zasięgiem dzieci. Ryzyko obrażeń i uduszenia!



1.3 Bezpieczeństwo elektryczne

- Produktu nie wolno podłączać do gniazdka podczas instalacji, konserwacji, czyszczenia, naprawy i transportu.
- Jeżeli kabel zasilania jest uszkodzony, powinien zostać wymieniony przez autoryzowany serwis, aby uniknąć ryzyka, które może wystąpić.
- Nie chowaj przewodu zasilania pod produktem lub z tyłu produktu. Nie kładź ciężkich przedmiotów na przewodzie

zasilania. Przewód zasilania nie powinien być skręcony, zgnieciony i nie powinien stykać się z żadnym źródłem ciepła.

- Nie używaj przedłużacza, wtyczki lub adaptera do obsługi produktu.
- Przenośne multi-wtyczki lub przenośne zasilacze mogą się przegrzać i spowodować pożar. Dlatego nie należy umieszczać przenośnych źródeł zasilania z wieloma wtyczkami za lub w pobliżu produktu.
- Nie podłączaj przewodu zasilającego produktu do luźnego lub uszkodzonego gniazdka elektrycznego. Tego typu połączenia mogą się przegrzewać i spowodować pożar.
- Wtyczka powinna być łatwo dostępna. Jeśli nie jest to możliwe, w instalacji elektrycznej powinien być dostępny mechanizm spełniający przepisy elektryczne i odłączający wszystkie zaciski od sieci (bezpiecznik, wyłącznik, wyłącznik główny itp.).
- Nie należy używać produktu z zewnętrznym urządzeniem przełączającym, takim jak wyłącznik czasowy lub zdalnie sterowany system.

- Nie należy używać produktu z gołymi stopami lub mokrym ciałem.
- Nie wolno dotykać wtyczki mokrymi rękami!
- Podczas odłączania urządzenia nie trzymaj przewodu zasilającego, tylko wtyczkę.

1.4 **Bezpieczeństwo obsługi**

- Pamiętaj, żeby przed przeniesieniem produktu odłączyć go od zasilania.
- Produkt ten jest ciężki, nie przenoś go sam. Może dojść do obrażeń, jeśli produkt spadnie na Ciebie. Nie uderzaj nim ani nie upuszczaj produktu podczas transportu.
- Zawsze zamykaj drzwi i nie trzymaj produktu za drzwi podczas transportu.
- Uważaj, aby nie uszkodzić układu chłodzenia i rur podczas przenoszenia produktu. Nie używaj produktu, jeśli rury są uszkodzone. Skontaktuj się z autoryzowanym serwisem.

1.5 **Bezpieczeństwo instalacji**

- Skontaktuj się z autoryzowanym serwisem w sprawie instalacji produktu. Aby przygotować produkt do użycia, zapoznaj się z informacjami w instrukcji użytkownika i upewnij

się, że zasilanie elektryczne i wodne są zgodne z wymaganiami. Jeśli nie, wezwij wykwalifikowanego elektryka i hydraulika, aby dostosowali zasilanie do wymagań. W przeciwnym razie może dojść do porażenia prądem, pożaru, problemów z produktem lub obrażeń ciała.

- Ten produkt jest przeznaczony do użytku na maksymalnej wysokości 2000 metrów nad poziomem morza.
- Trzymaj dzieci z dala od miejsca instalacji.
- Przed zainstalowaniem sprawdź, czy produkt nie jest uszkodzony. Nie podłączaj produktu, jeśli jest uszkodzony.
- Zawsze używaj środków ochrony osobistej (rękawic itp.) podczas instalacji, konserwacji i naprawy produktu. Ryzyko obrażeń!
- Umieść produkt na czystej, równej i twardej powierzchni i zrównoważ go za pomocą regulowanych nóżek (obracaając przednie nóżki w prawo lub w lewo). W przeciwnym razie lodówka może się przewrócić i spowodować obrażenia.
- Produkt powinien być zainstalowany w suchym i wentylowanym otoczeniu. Nie trzymaj

pod produktem dywanów, chodników lub podobnych wykładzin podłogowych. Może to spowodować ryzyko pożaru w wyniku nieodpowiedniej wentylacji!

- Nie blokuj ani nie zakrywaj otworów wentylacyjnych. W przeciwnym razie zużycie energii wzrośnie, a produkt może ulec uszkodzeniu.
- Podczas umieszczania produktu upewnij się, że przewód zasilający nie jest uszkodzony lub ściśnięty.
- Nie należy podłączać produktu do systemów zasilania i źródeł zasilania, które mogą powodować nagłe zmiany napięcia (np. przenośne źródło energii słonecznej). W przeciwnym razie może dojść do uszkodzenia urządzenia w wyniku nagłych wahań napięcia!
- Im więcej czynnika chłodniczego zawiera lodówka, tym większe będzie potrzebne pomieszczenie do instalacji. W bardzo małych pomieszczeniach może wystąpić łatwopalna mieszanina gaz-powietrze w przypadku wycieku gazu w układzie chłodzenia. Wymagane jest co najmniej 1 m³ objętości na każde 8 gramów czynnika chłodniczego. Ilość czynnika

chłodniczego dostępnego w twoim produkcie jest określona na etykiecie typu.

- Nigdy nie umieszczaj produktu w taki sposób, aby kable zasilające, metalowy wąż kuchenki gazowej, metalowe rury gazowe lub wodne stykały się z tylną ścianą produktu (lub skraplaczem).
- Nie należy wystawiać miejsca instalacji produktu na bezpośrednie działanie promieni słonecznych i nie może znajdować się w pobliżu źródła ciepła, takiego jak piec, grzejniki itp. Jeżeli nie można zapobiec instalacji produktu w pobliżu źródła ciepła, należy użyć odpowiedniej płyty izolacyjnej, a minimalna odległość od źródła ciepła powinna być taka, jak określono:
 - Co najmniej 30 cm od źródeł ciepła, takich jak piec, piekarniki, jednostki grzejące, grzejniki itp.,
 - I co najmniej 5 cm od piekarników elektrycznych.
- Produkt ma klasę ochrony I.
- Podłącz urządzenie do uzziemionego gniazda, które jest zgodne z wartościami napięcia, prądu i częstotliwości określonymi na etykiecie. Gniazdko musi być wyposażone w bezpiecznik 10 A – 16 A.

Nasza firma nie ponosi żadnej odpowiedzialności za jakiegokolwiek szkody wynikłe z używania bez uziemienia i bez zasilania odpowiadającym przepisom krajowym.

- Podczas instalacji kabel zasilania urządzenia musi być odłączony. W przeciwnym razie może wystąpić ryzyko porażenia prądem i obrażeń!
- Nie podłączaj przewodu zasilającego produktu do luźnych, przemieszczonych, pękniętych, brudnych lub zaolejonych gniazdek elektrycznych, które mogą mieć kontakt z wodą. Tego typu połączenia mogą spowodować przegrzanie i pożar.
- Umieść przewód zasilania i węże (jeśli są dostępne) produktu tak, aby nie stwarzały ryzyka potknięcia się.
- Penetracja wilgoci i cieczy do części pod napięciem lub do przewodu zasilającego może spowodować zwarcie. Dlatego nie należy używać produktu w wilgotnym otoczeniu lub w miejscach, w których może chlapnąć woda (np. garaż, pralnia itp.) Jeśli lodówka jest mokra od wody, odłącz ją od zasilania i skontaktuj się z autoryzowanym serwisem.

- Nie podłączaj lodówki do urządzeń oszczędzających energię. Systemy te są szkodliwe dla produktu.
- Podczas zdejmowania osłony płytki elektronicznej i tylnej osłony sprężarki (jeśli jest zamontowana) istnieje ryzyko kontaktu z częściami elektrycznymi. Nie zdejmuj osłony płytki elektronicznej i tylnej osłony sprężarki (jeśli jest zamontowana). Grozi to porażeniem prądem elektrycznym!



1.6 Bezpieczeństwo operacyjne

- Nie używaj rozpuszczalników chemicznych na produkcie. Materiały te wiążą się z ryzykiem wybuchu.
- W przypadku awarii produktu należy odłączyć go od zasilania i nie uruchamiać, dopóki nie zostanie naprawiony przez autoryzowany serwis. Grozi to porażeniem prądem elektrycznym.
- Nie umieszczaj źródła ognia (np. świec, papierosów itp.) na produkcie lub w jego pobliżu.
- Nie wchodź na produkt. Niebezpieczeństwo upadku i obrażeń!
- Niebezpieczeństwo upadku i obrażeń! Czynniki chłodnicze, który rozpyla się w przypadku

- przebicia rur gazowych, przedłużeń rur lub powłok górnych powierzchni, może powodować podrażnienie skóry i obrażenia oczu.
- Nie należy umieszczać i obsługiwać urządzeń elektrycznych w lodówkach/zamrażarkach, chyba że zaleci to producent.
 - Należy uważać, aby uniknąć pochwycenia ręki lub innej części ciała przez ruchome części wewnątrz produktu. Uważaj, aby nie zakleszczyć palców między lodówką a drzwiami. Zachowaj ostrożność podczas otwierania lub zamykania drzwi, jeśli w pobliżu są dzieci.
 - Nie wkładaj do ust lodów, kostek lodu ani mrożonek, zaraz po wyjęciu z zamrażarki. Grozi to odmrożeniem!
 - Nie dotykaj wewnętrznych ścian, metalowych części zamrażarki ani potraw przechowywanych w zamrażalniku mokrymi rękami. Grozi to odmrożeniem!
 - Nie umieszczaj puszek z napojem lub puszek i butelek zawierających płyny, które mogą zostać zamrożone w komorze zamrażarki. Puszki lub butelki mogą wybuchnąć. Grozi to obrażeniami i uszkodzeniami materiałowymi!
 - Nie należy używać ani umieszczać materiałów wrażliwych na temperaturę, takich jak łatwopalne spraye, łatwopalne przedmioty, suchy lód lub inne środki chemiczne w pobliżu lodówki. Grozi to pożarem i wybuchem!
 - Nie przechowuj w tym urządzeniu materiałów wybuchowych, takich jak puszki z aerozolem, który zawiera łatwopalny materiał.
 - Nie umieszczaj puszek zawierających płyny nad produktem w stanie otwartym. Rozpryskiwanie wody na części elektryczne może spowodować porażenie prądem lub pożar.
 - Ze względu na ryzyko stłuczenia, nie należy przechowywać szklanych pojemników z płynem w komorze zamrażarki.
 - Produkt nie jest przeznaczony do przechowywania i chłodzenia leków, osocza krwi, preparatów laboratoryjnych lub podobnych materiałów i produktów, które podlegają dyrektywie w sprawie produktów medycznych.
 - Jeśli produkt będzie używany niezgodnie ze swoim przeznaczeniem, może spowodować uszkodzenie lub pogorszenie jakości produktów przechowywanych w środku.

- Jeśli Twoja lodówka jest wyposażona w niebieskie światło, nie patrz na to światło za pomocą urządzeń optycznych. Nie patrz przez długi czas bezpośrednio w światło UV LED. Promienie ultrafioletowe mogą powodować zmęczenie oczu.
- Nie należy napełniać produktu większą zawartością niż jego pojemność. Mogą wystąpić obrażenia lub szkody, jeśli zawartość lodówki wypadnie po otwarciu drzwi. Podobne problemy mogą wystąpić, gdy jakiś przedmiot zostanie umieszczony nad produktem.
- Aby zapobiec obrażeniom, upewnij się, że usunąłeś lód lub wodę, które mogą spaść na podłogę.
- Zmień położenie stojaków/stojaków na butelki na drzwiach lodówki, gdy stojaki są puste. Ryzyko obrażeń!
- Nie kładź na produkcie przedmiotów, które mogą spaść/przewrócić się. Przedmioty te mogą spaść podczas otwierania lub zamykania drzwi i powodować obrażenia i/lub szkody materialne.
- Nie uderzaj ani nie wywieraj nadmiernego nacisku na szklane powierzchnie. Rozbite szkło może spowodować obrażenia i/lub szkody materialne.
- Układ chłodzenia w twoim produkcie zawiera czynnik chłodniczy R600a. Rodzaj czynnika chłodniczego zastosowanego w produkcie jest określony na etykiecie typu. Ten gaz jest łatwopalny. Dlatego należy uważać, aby nie uszkodzić układu chłodzenia i rur podczas obsługi produktu. W przypadku uszkodzenia rur;
 1. Nie dotykaj produktu ani przewodu zasilania.
 2. Trzymaj produkt z dala od potencjalnych źródeł ognia, które mogą spowodować jego zapalenie się.
 3. Wietrz obszar, w którym znajduje się produkt. Nie używaj wentylatora.
 4. Skontaktuj się z autoryzowanym serwisem.Jeśli produkt jest uszkodzony i zaobserwujesz wyciek gazu, trzymaj się od niego z dala. Gaz może powodować odmrożenia, jeśli zetknie się ze skórą. Przed zutylizowaniem starych produktów, które nie będą już używane:
 1. Odłącz przewód zasilający od gniazdka sieciowego.
 2. Odetnij przewód zasilający i usuń go z urządzenia wraz z wtyczką.

3. Nie wyjmuj stojaków i szuflad z produktu, aby uniemożliwić dzieciom dostanie się do wnętrza urządzenia.
 4. Zdejmij drzwi.
 5. Produkt należy ustawić tak, aby się nie przewrócił.
 6. Nie wolno pozwalać dzieciom na zabawę uszkodzonym produktem.
- Nie należy pozbywać się urządzenia poprzez jego spalanie. Ryzyko wybuchu.
 - Jeśli w drzwiach produktu znajduje się zamek, trzymaj klucz w miejscu niedostępnym dla dzieci.

1.7 **Bezpieczeństwo przechowywania żywności**

Aby uniknąć zepsucia się żywności, należy zwracać uwagę na następujące ostrzeżenia:

- Pozostawianie otwartych drzwi przez dłuższy czas może spowodować wzrost temperatury wewnątrz urządzenia.
- Regularnie czyść dostępne systemy odwadniające w kontakcie z żywnością.
- Wyczyść zbiorniki wody, które nie były używane przez 48 godzin, oraz systemy wody zasilane z sieci, które nie były używane przez okres dłuższy niż 5 dni.

- Przechowuj surowe mięso i produkty rybne w odpowiednich przedziałach wewnątrz produktu. W ten sposób nie kapie ani nie styka się z innymi produktami spożywczymi.
- Dwugwiazdkowe komory zamrażarki służą do przechowywania wstępnie napełnionych produktów spożywczych, wytwarzania i przechowywania lodu i lodów.
- Komory jedno-, dwu- i trzygwiazdkowe nie nadają się do zamrażania świeżej żywności.
- Jeśli produkt chłodzący pozostał pusty przez dłuższy czas, wyłącz go, rozmróż, wyczyść i osusz, aby zabezpieczyć obudowę urządzenia.

1.8 **Bezpieczeństwo konserwacji i czyszczenia**

- Odłącz lodówkę przed czyszczeniem lub rozpoczęciem konserwacji.
- Nie ciągnij za uchwyt drzwi, jeśli chcesz przenieść produkt w celu czyszczenia. Uchwyt może spowodować obrażenia, jeśli zostanie pociągnięty zbyt mocno.

- Nie wkładaj rąk itp. pod lodówkę. Może wystąpić zakleszczenie lub jakakolwiek ostra krawędź może spowodować obrażenia ciała.
- Nie należy czyścić produktu przez spryskiwanie lub polewanie wodą produktu i wnętrza produktu. Grozi to porażeniem prądem elektrycznym lub pożarem.
- Podczas czyszczenia produktu nie należy używać ostrych i ściernych narzędzi ani środków czyszczących do użytku domowego, detergentów, gazu, benzyny, rozcieńczalników, alkoholu, lakieru i podobnych substancji. Wewnątrz produktu używaj wyłącznie środków czyszczących i konserwujących, które nie są szkodliwe dla żywności.
- Do czyszczenia lodówki i topienia lodu w jej wnętrzu nie wolno używać pary ani parowanych materiałów czyszczących. Para przenika do obszarów pod napięciem w lodówce i powoduje zwarcie lub porażenie.
- W celu przyspieszenia rozmrażania nie należy używać żadnych narzędzi mechanicznych ani innych narzędzi niż zalecane przez producenta.
- Uważaj, aby nie dopuścić do przedostania się wody do otworów wentylacyjnych, obwodów elektronicznych lub oświetlenia produktu.
- Za pomocą czystej, suchej szmatki wytrzyj kurz lub ciała obce z końcówek wtyczek. Do czyszczenia wtyczki nie używaj mokrej lub wilgotnej szmatki. W przeciwnym razie może wystąpić ryzyko pożaru lub porażenia prądem.

1.9 Utylizacja Starego Produktu

Podczas utylizacji starego produktu postępuj zgodnie z poniższymi instrukcjami:

- Aby zapobiec przypadkowemu zamknięciu się dzieci w produkcie, należy wyłączyć blokadę drzwi.
- Rozprysk płynu chłodzącego jest szkodliwy dla oczu. Nie uszkodzić żadnej części układu chłodzenia podczas utylizacji produktu.
- Połknięcie oleju sprężarkowego lub przedostanie się do dróg oddechowych może być śmiertelne.
- Układ chłodzenia tego produktu zawiera gaz R600a, jak określono na tabliczce znamionowej. Ten gaz jest łatwopalny.

Nie należy pozbywać się urządzenia poprzez jego spalanie.
Ryzyko wybuchu!

- Cyklopentan jest stosowany jako środek porotwórczy w piance izolacyjnej i jest substancją

łatwopalną. Nie należy pozbywać się urządzenia poprzez jego spalanie.

2 Instrukcje dotyczące ochrony środowiska

2.1 Zgodność z dyrektywą WEEE dotyczącą usuwania odpadów



Ten produkt jest zgodny z Dyrektywą UE WEEE (2012/19/UE). Produkt nosi symbol klasyfikacyjny dla zużytego sprzętu elektrycznego i elektronicznego (WEEE).

Oznaczenie to wskazuje, że produkt ten nie powinien być utylizowany z innymi odpadkami domowymi po zakończeniu eksploatacji. Zużyte urządzenie należy zwrócić do oficjalnego punktu skupu i recyklingu urządzeń elektrycznych i elektronicznych. Aby znaleźć te punkty skupu, skontaktuj się z lokalnymi władzami lub sprzedawcą, u którego zakupiono urządzenie. Każde gospodarstwo domowe odgrywa ważną rolę w odzyskiwaniu i recyklingu starego urządzenia. Właściwa utylizacja zużytego urządzenia

pomaga zapobiegać potencjalnym negatywnym konsekwencjom dla środowiska i zdrowia ludzi.

Zgodność z dyrektywą RoHS

Produkt jest zgodny z Dyrektywą UE RoHS (2011/65/UE). Nie zawiera on szkodliwych ani zakazanych materiałów wymienionych w dyrektywie.

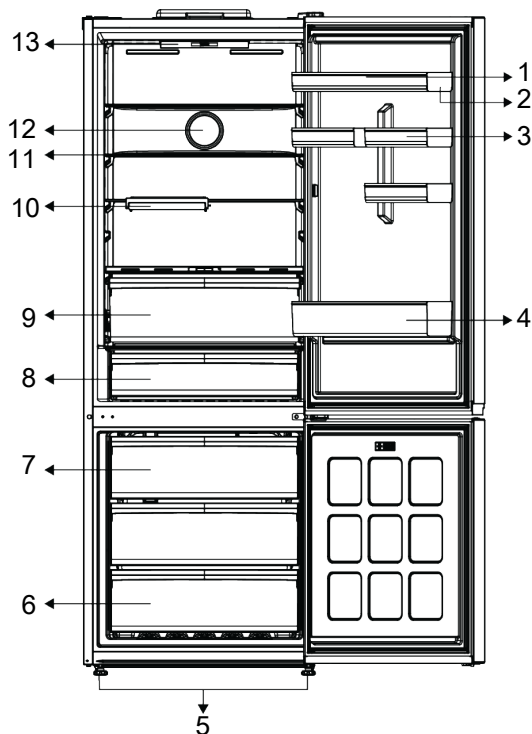


Informacje o opakowaniu

Opakowanie urządzenia jest wytwarzane z materiałów nadających się do recyklingu zgodnie z naszymi krajowymi przepisami ochrony środowiska. Materiałów opakowaniowych nie należy wyrzucać wraz z normalnymi odpadami domowymi itp. Należy je dostarczyć do punktów odbioru materiałów opakowaniowych wyznaczonych przez władze lokalne.

3 Twoja lodówka

PL



- | | |
|--------------------------------------|------------------------------------|
| 1 Pojemnik na jajka | 2 Regulowane półki na drzwiach |
| 3 * Mała półka na drzwi | 4 Półka na butelki |
| 5 Regulowane nóżki | 6 Komora zamrażarki |
| 7 Pojemnik na lód | 8 Szuflada przechowywania w zimnie |
| 9 Pojemnik na świeże owoce i warzywa | 10 * Składana półka |
| 11 Regulowana półka | 12 Wentylator |
| 13 Podświetlenie | |

***Opcjonalne:** Rysunki w niniejszej Instrukcji instrukcji są schematyczne i mogą nie pasować dokładnie do konkretnego urządzenia.

Jeśli posiadany produkt nie zawiera odpowiednich części, informacje dotyczące innych modeli.

4 Instalacja



Najpierw należy przeczytać rozdział „Instrukcje bezpieczeństwa”

4.1 Odpowiednie miejsce instalacji

Skontaktuj się z autoryzowanym serwisem w sprawie instalacji produktu. Aby przygotować produkt do instalacji, zapoznaj się z informacjami w instrukcji użytkownika i

upewnij się, że zasilanie elektryczne i wodne są zgodne z wymaganiami. Jeśli nie, wezwij elektryka i hydraulika, aby dostosowali zasilanie do wymagań.



OSTRZEŻENIE:

Producent nie bierze odpowiedzialności za jakiegokolwiek uszkodzenia spowodowane przez prace wykonane przez nieuprawnione osoby.



OSTRZEŻENIE:

Podczas instalacji kabel zasilania produktu musi być odłączony. Niespełnienie tego warunku może doprowadzić do śmierci lub poważnych obrażeń!



OSTRZEŻENIE:

Jeśli otwór drzwiowy jest za wąski i produkt się nie mieści, zdejmij drzwi i obróć produkt na bok, a jeśli i to nie pomoże, skontaktuj się z autoryzowanym serwisem.

- Produkt należy umieścić na płaskiej powierzchni, aby uniknąć wibracji.
- Produkt należy umieścić w odległości przynajmniej 30 cm od grzejnika, kucharki i podobnych źródeł ciepła i przynajmniej 5 cm od piekarników elektrycznych.
- Produktu nie należy narażać na działanie bezpośredniego światła słonecznego ani trzymać go w wilgotnym otoczeniu.
- Produkt wymaga odpowiedniej cyrkulacji powietrza, aby mógł działać skutecznie. Jeśli produkt zostanie umieszczony we wnęcie, pamiętaj o pozostawieniu co najmniej 5 cm odstępu między produktem a sufitem, ścianą tylną i ścianami bocznymi.
- Sprawdź, czy element zabezpieczający tylną ścianę znajduje się na swoim miejscu (jeśli został dostarczony z produktem).
- Jeśli element nie jest dostępny lub został zgubiony, lub upadł, ustaw produkt w taki sposób, aby pozostawić przynajmniej 5 cm odstępu między przestrzenią za pro-

duktem a ścianami. Odstęp z tyłu jest ważny dla efektywnego działania produktu.

4.2 Podłączenie elektryczne



Do połączeń elektrycznych nie należy używać przedłużaczy ani listew zasilających.



Uszkodzony kabel zasilania musi zostać wymieniony przez autoryzowany serwis.

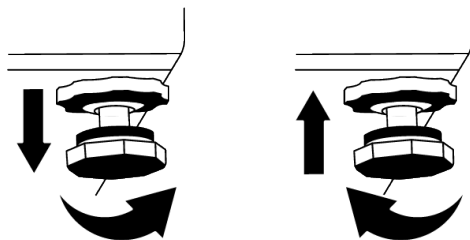


W razie umieszczenia dwóch chłodziarek obok siebie należy zostawić między nimi przynajmniej 4 cm.

- Nasza firma nie ponosi żadnej odpowiedzialności za jakiegokolwiek szkody wynikłe z używania bez połączenia uziemienia i zasilania odpowiadających przepisom krajowym.
- Po instalacji wtyk zasilania powinien być łatwo dostępny.
- Nie należy używać rozgałęźników z przedłużaczem lub bez niego między gniazdkiem elektrycznym a lodówką.

4.3 Regulacja nóżek

Jeśli produkt nie znajduje się w równowadze, dostosuj przednie regulowane nóżki, obracając je w prawo lub w lewo.



4.4 Ostrzeżenie o gorącej powierzchni

Ściany boczne produktu są wyposażone w chłodniejsze rury, aby usprawnić system chłodzenia. Płyn pod wysokim ciśnieniem

może przepływać przez te powierzchnie i je nagrzewać. Jest to zjawisko normalne i nie wymaga żadnej obsługi technicznej. Zachować ostrożność podczas kontaktu z tymi obszarami.

PL

5 Przygotowanie



Najpierw należy przeczytać rozdział „Instrukcje bezpieczeństwa”

5.1 Co robić, aby zaoszczędzić energię



Podłączenie produktu do elektronicznych układów oszczędzania energii jest szkodliwe, ponieważ może uszkodzić produkt.

- Lodówka nie jest przeznaczona do użytku jako urządzenie do zabudowy.
- Nie wolno pozostawiać otwartych drzwi lodówki przez długi czas.
- Do lodówki nie wolno wkładać gorącej żywności ani napojów.
- Nie wolno przepelniać lodówki – blokowanie wewnętrznego przepływu powietrza zmniejsza wydajność chłodzenia.
- Ponieważ gorące i wilgotne powietrze nie przedostaje się bezpośrednio do urządzenia, gdy drzwiczki nie są otwarte, urządzenie zoptymalizuje się w warunkach wystarczających do ochrony żywności. W takich okolicznościach funkcje i komponenty, takie jak sprężarka, wentylator, grzałka, odszranianie, oświetlenie, wyświetlacz itd. będą działać zgodnie z potrzebami, zużywając minimalną ilość energii.
- W przypadku, gdy dostępnych jest wiele opcji, szklane półki należy umieścić tak, aby wyloty powietrza znajdujące się na tylnej ścianie nie były zablokowane, a najlepiej w taki sposób, aby wyloty powietrza pozostawały poniżej szklanej półki. Takie połączenie może pomóc w poprawieniu dystrybucji powietrza i efektywności energetycznej.

- Do przechowywania żywności zdecydowanie zaleca się korzystanie z dolnej szuflady.
- W zależności od funkcji produktu rozmrażanie zamrożonej żywności w komorze lodówki zapewni oszczędność energii i zachowanie jakości żywności.
- Aby załadować maksymalną ilość żywności do komory zamrażarki lodówki, należy wyjąć górne szuflady, a żywność umieścić na półkach z drutu/szkła.
- Aby zapewnić oszczędność energii i przechowywanie żywności w lepszych warunkach, należy ją przechowywać w szufladach wewnątrz komory lodówki.
- Opakowania żywności nie powinny dotykać czujnika temperatury znajdującym się w komorze się w zamrażalniku.

5.2 Pierwsze użycie

Przed użyciem lodówki należy się upewnić, że zostały wykonane niezbędne przygotowania podane w rozdziałach „Instrukcje dotyczące bezpieczeństwa i środowiska” oraz „Instalacja”.

- Włączone urządzenie bez żywności wewnątrz należy pozostawić na 6 godzin i nie otwierać drzwi, o ile nie jest to bezwzględnie konieczne.
- Zmiana temperatury spowodowana otwarciem i zamknięciem drzwi podczas korzystania z produktu może zwykle prowadzić do skraplania się pary wodnej na półkach drzwiowych i wewnętrznych i szklanych opakowaniach.



Będzie słyhać dźwięk włączenia sprężarki. Jest to normalne zjawisko, że urządzenie wydaje dźwięki nawet wtedy, gdy sprężarka nie pracuje, ponieważ płyn i gaz mogą być sprężane w układzie chłodzenia.



Normalnym zjawiskiem jest nagrzewanie się przednich krawędzi lodówki. Te obszary nagzewają się celowo, aby zapobiec kondensacji.



W niektórych modelach panel wskaźników wyłącza się automatycznie po 1 minucie od zamknięcia drzwi. Panel włączy się ponownie po otwarciu drzwi lub naciśnięciu dowolnego przycisku.

5.3 Klasa klimatyczna i definicje

Klasa klimatyczna jest podana na tabliczce znamionowej urządzenia. Jedną z poniższych informacji dotyczy Twojego urządzenia, zgodnie z klasą klimatyczną.

- **SN:** Długoterminowy klimat umiarkowany: Urządzenie to przeznaczone jest do stosowania przy temperaturze otoczenia od 10°C do 32°C.
- **N:** Klimat umiarkowany: Urządzenie to przeznaczone jest do stosowania przy temperaturze otoczenia od 16°C do 32°C.
- **ST:** Klimat subtropikalny: Urządzenie to przeznaczone jest do stosowania przy temperaturze otoczenia od 16°C do 38°C.
- **Tel.:** Klimat tropikalny: Urządzenie to przeznaczone jest do stosowania przy temperaturze otoczenia od 16°C do 43°C.

6 Obsługa urządzenia



Najpierw należy przeczytać rozdział „Instrukcje bezpieczeństwa”

- W celu przyspieszenia rozmrażania nie należy używać żadnych narzędzi mechanicznych ani innych narzędzi niż zalecane przez producenta.
- Nie używać części lodówki, takich jak drzwiczki lub szuflady, jako podpory lub stopnia. Może to spowodować przewrócenie się produktu lub uszkodzenie jego elementów.
- Produkt powinien być używany jedynie do przechowywania żywności.

- Zakręć zawór wody, jeśli będziesz poza domem (np. na wakacjach) i nie będziesz używać kostkarki ani dystrybutora wody przez dłuższy czas. W przeciwnym razie woda może zacząć wyciekać.

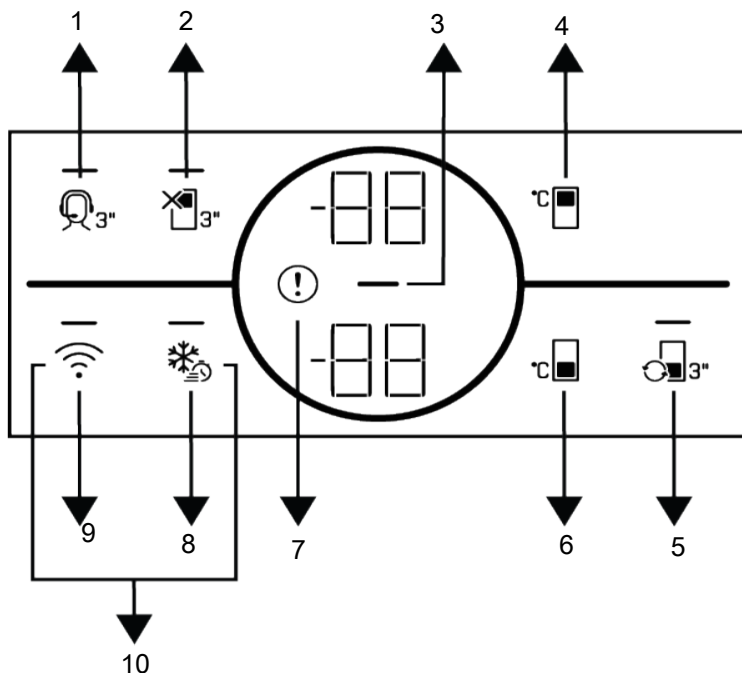
Wstrzymanie programu

- Jeśli urządzenie nie będzie używane przez dłuższy czas, wyciągnij wtyczkę z gniazdka.
- Wyjmij żywność, aby zapobiec powstawaniu brzydkich zapachów.
- Poczekaj, aż lód się roztopi, wyczyść wnętrze i pozostaw do wyschnięcia, pozostaw otwarte drzwi, aby uniknąć uszkodzenia plastiku wewnętrznego korpusu.

7 Korzystanie z urządzenia

7.1 Panel sterowania urządzenia

PL



- | | |
|---|---|
| 1 * Przycisk usługi pomocy technicznej | 2 Przycisk funkcyjny wyłączenia lodówki (wakacje) |
| 3 Wskaźnik funkcji oszczędzania energii (wyłączenie wyświetlacza) | 4 *Przycisk ustawiania temperatury komory lodówki |
| 5 *Przycisk zmiany funkcji komory | 6 Przycisk regulacji temperatury zamrażarki |
| 7 Wskaźnik stanu błędu | 8 Przycisk szybkiego zamrażania/przycisk anulowania funkcji oświetlenia uchwyty |
| 9 *Przycisk sieci bezprzewodowej | 10 *Przycisk resetowania ustawień połączenia bezprzewodowego |



Read the "Safety Instructions" section.

*Optional: Shown functions are optional, there may be differences of shape and location in functions found on your appliance's indicator panel.

Auditory and visual functions on the indicator panel will assist you in using the refrigerator.

1. *Support Service Key

Press this button for 3 seconds to activate the support service. Detailed information on the support service is provided in the "Support Service Feature" section.

2. Cooler Compartment Off (Vacation)

Function Key

Press the key for 3 seconds to activate the vacation function. Vacation mode is activated and the vacation symbol is illuminated. "-." shall be displayed on the Cooler Compartment temperature indicator and the cooler compartment does not actively perform cooling.

You should not keep your food in the cooler compartment if you activate this function. The other compartments continue to cool according to temperatures set before. Press the key for 3 seconds again to cancel this function.

3. Energy Saving (Display Off) Indicator

Energy saving function is enabled automatically and the energy saving symbol lights up when the door of the product is not opened or closed for some period of time.

When the energy saving function is active, all symbols on the screen except the energy saving symbol will be turned off. When the energy saving function is active, if you press any key or open the door, the energy saving function will be deactivated and the symbols on the screen will return to normal. The energy saving function is a function activated ex-factory and cannot be cancelled.

4. *Cooler Compartment Temperature

Setting Key

Allows setting of temperature for cooler compartment. Pressing this key will enable the cooler compartment temperature to be set at 8, 7, 6, 5, 4, 3, 2 and 1 °C.

5. *Compartment Conversion Key

Pressing compartment conversion key for 3 seconds, the freezer section switches between cooler, off and freezer modes.

If it is operated as the cooler compartment, the temperature of the compartment will be set as 4 °C. In the off mode, compartment temperature indicator shall display "-."

7. Error Condition Indicator

This indicator will be active when your refrigerator cannot perform adequate cooling or in case of any sensor error. "E" will be displayed on the freezer compartment temperature indicator and figures such as 1,2,3... will be displayed on the cooler compartment temperature indicator. These figures provide information to the authorized service on the error that has occurred.

Exclamation mark may be displayed for a while when you load warm food to the freezer compartment or keep the door open for a long period of time. This is not a fault, this warning will be removed when the food is cooled down or when any key is pressed.

8.Quick Freezing Key

When the quick freezing key is pressed the quick freezing symbol shall be illuminated and the quick freezing function shall be activated. The freezer compartment temperature is set to -27 °C. Press the key again to cancel the function. The quick freezing function will be cancelled automatically. To freeze a large amount of fresh food, press the quick freezing key before placing the food in the freezer compartment.

*Handle Light Function Setting Key

Handle light function might be switched between open and closed modes by pressing the quick freezing key for 3 seconds. In the closed mode, the handle light is only activated when the appliance door is opened and it goes out after a while after the door is closed. In the open mode, the handle light is activated when the appliance door is opened, the handle light stays on dimly after a while after the door is closed. The handle light function is set to the ex-factory closed mode.

9. *Wireless Key

When the key is pressed for a long period (3 seconds), the wireless connection symbol on the display/screen flashes slowly (at 0.5 second intervals). The home network is initialized on the product this way.

After achieving wireless connection with the product, wireless connection symbol illuminates continuously.

When the initial connection is established, you may activate/deactivate the connection with a short press on this key. The wireless connection symbol will flash quickly (at 0.2 second intervals) until the connection is established. When the connection is active, the wireless network symbol will illuminate continuously.

If the connection cannot be established for a long period, check your connection settings and refer to the "Troubleshooting" section provided in the user manual.

HomeWhiz application will be used for wireless connection. The installation steps are described on the application during installation.

You may access the application by reading the QR code available on the HomeWhiz label on the product. Application is offered through App Store for IOS devices, and through Play Store for Android devices. Visit <https://www.homewhiz.com/> address for detailed information.

10. *Key for Resetting Wireless Connection Settings

To reset the wireless connection settings, press on Quick freezing and Wireless connection keys simultaneously for 3 seconds. All user information recorded previously are removed on a product where wireless connection settings are reset/restored to factory defaults.

7.2 Przechowywanie żywności w komorze chodziarki

Przechowywanie żywności w komorze chodziarki

- Temperatury w komorze rosną w sposób widoczny, jeśli drzwi komory są często otwierane i zamykane lub przez długi czas utrzymywane w położeniu otwartym, może to skrócić termin przydatności żywności i doprowadzić do jej zepsucia.
- Aby nie powodować zmian zapachu i smaku, żywność należy przechowywać w zamkniętych pojemnikach.
- Nie umieszczaj za dużo jedzenia w lodówce. Aby uzyskać lepsze i jednorodne chłodzenie, należy umieścić jedzenie oddzielnie w taki sposób, aby chłodne powietrze mogło wokół niego opływać.
- Zapewnij przepływ powietrza, pozostaw wolną przestrzeń między żywnością a wewnętrzną ścianką. W przypadku gdy jedzenie dotyka tylnej ścianki, może ono do niej przymarznąć.
- Przed umieszczeniem gotowanych gorących posiłków w lodówce, ostudź je do temperatury pokojowej. Następnie można umieścić letnią żywność na dolnych półkach lodówki. Nie umieszczaj ciepłych posiłków w pobliżu żywności, która może się łatwo popsuć.
- Zwróć szczególną uwagę, aby nie mieszać żywności sprzedawanej jako mrożona ze świeżą.
- Rozmrażaj zamrożone produkty w komorze świeżej żywności. W ten sposób można schłodzić komorę na świeże jedzenie za pomocą zamrożonej żywności i zaoszczędzić energię.
- Przechowywanie w lodówce niedojrzałych owoców (mango, różne odmiany melona, papaja, banany, ananasy) może przyspieszyć proces ich dojrzewania, co nie jest zalecane, ponieważ spowoduje skrócenie czasu ich przechowywania.
- Cebulę, czosnek, imbir i inne warzywa korzeniowe należy przechowywać w ciemnym i chłodnym pomieszczeniu, a nie w lodówce.
- Jeśli zauważysz, że żywność zepsuła się w lodówce, wyrzuć ją i wyczyść akcesoria, które miały z nią kontakt.

- W celu szybkiego schłodzenia posiłków, takich jak zupy i gulasze, które są gotowane w dużych garnkach, można je umieścić w lodówce, rozdzielając je do osobnych, płtych pojemników.
- Nie umieszczaj nieopakowanej żywności w pobliżu jajek.
- Owoce i warzywa przechowuj oddzielnie w grupach (np.: jabłka z jabłkami, marchew z marchewką)..
- Wyjmij zielone warzywa z plastikowej torebki i umieść je w lodówce po zapakowaniu w papierowy ręcznik lub ściereczkę. W przypadku mycia tego typu żywności przed umieszczeniem jej w lodówce należy pamiętać o ich wysuszeniu.
- Można stworzyć zarówno wilgotne środowisko jak i zapewnić przepływ powietrza, utrzymując owoce i warzywa, które są podatne na suszenie, w perforowanych lub nieuszczelnionych plastikowych torebkach.
- Z wyjątkiem przypadków skrajnych warunków środowiskowych, jeśli przechowywanie produktu (w tabeli zalecanych wartości) jest szczegółowo określone, żywność zachowuje świeżość przez dłuższy czas, zarówno w komorze na świeżą żywność, jak i w komorze zamrażarki.

Przechowuj żywność w różnych miejscach zgodnie z ich właściwościami:	
Żywność	Lokalizacja
Jajko	Półki na drzwiach
Produkty mleczne (masło, ser)	Jeśli jest to możliwe, komora o zerowej temperaturze (na jedzenie śniadaniowe)
Owoce, warzywa i zielenina	Pojemnik na owoce i warzywa lub Komora EverFresh+ (jeśli jest dostępna)
Świeże mięso, drób, ryby, kielbasy itd., gotowane jedzenie	Jeśli jest to możliwe, komora o zerowej temperaturze (na jedzenie śniadaniowe)
Produkty gotowe do spożycia, produkty w paczkach, produkty w puszkach i produkty marynowane	Półki górne lub półka drzwiowa
Napoje, butelki, przyprawy i przekąski	Półki na drzwiach

Przechowywanie żywności w komorze zamrażarki

- Funkcję szybkiego zamrażania można włączyć na 4-6 godzin przed zamrożeniem i przyspieszyć chłodzenie.
- Przed umieszczeniem gorących posiłków w komorze zamrażarki należy je ostudzić do temperatury pokojowej.
- Żywność przeznaczoną do zamrożenia należy podzielić na porcje i zamrozić w osobnych opakowaniach.
- Zaleca się zapakowanie jedzenia przed włożeniem go do zamrażarki.
- W celu uniknięcia przekroczenia czasu przechowywania, należy zapisać datę zamrożenia, termin przydatności do spożycia i nazwę produktu na opakowaniu, zgodnie z okresem przechowywania różnych rodzajów żywności.
- Należy szybko spożyć rozmrożoną żywność. Rozmrożonej żywności nie można ponownie zamrozić chyba, że zostanie ugotowana. Nie można bezpiecznie spożywać ponownie zamrożonej żywności bez jej ugotowania po rozmrożeniu.
- Podczas zamrażania świeżych produktów, nie powinny one dotykać już zamrożonych produktów. W przeciwnym razie zamrożone produkty zostaną rozmrożone.

Przechowywanie żywności, która jest sprzedawana w stanie zamrożonym

- Zawsze postępuj zgodnie z instrukcjami producenta dotyczącymi czasu przechowywania żywności. Nie przekraczaj terminu przydatności w nich podanego!

- W celu ochrony jakości żywności należy zachować możliwie najkrótszy odstęp czasu między jej zakupem, a włożeniem do zamrażarki.
- Kupuj mrożoną żywność przechowywaną w temperaturze -18°C lub niższej.
- Należy unikać kupowania żywności, której opakowania są pokryte lodem itp. - oznacza to, że produkt mógł być częściowo rozmrożony i ponownie zamrożony. Temperatura ma wpływ na jakość żywności.
- Nie należy przekraczać czasu przechowywania zalecanego przez producenta żywności. Wyjmuj z zamrażarki tylko tyle jedzenia, ile potrzebujesz.
- Z wyjątkiem przypadków skrajnych warunków środowiskowych, jeśli przechowywanie produktu (w tabeli zalecanych wartości) jest szczegółowo określone, żywność zachowuje świeżość przez dłuższy czas, zarówno w komorze na świeżą żywność, jak i w komorze zamrażarki.
- Jeśli komora na świeże jedzenie jest ustawiona na niższą temperaturę, świeże owoce i warzywa mogą zostać częściowo zamrożone.
- Dwuwieżowe komory są odpowiednie do wstępnie zamrożonej żywności. Można przechowywać lody i kostki lodu.
- Nie zamrażać żywności w komorach z jedną, dwiema i trzema gwiazdkami.

Mięso i ryby		Przygotowanie		Maksymalny czas przechowywania (miesiąc)
Produkty mięsne	Cielęcina	Stek	Pokroić na kawałki o grubości 2 cm i umieścić między nimi folię lub szczelnie owijając rozciągnij je	6-8
		Pieczeń	Umieść kawałki mięsa w woreczku do mrożenia lub szczelnie owijając rozciągnij je	6-8
		Kostki	W małych kawałkach	6-8
		Sznycele, kotlety	Umieszczając folię pomiędzy pokrojonymi plastrami lub owiń pojedynczo rozciągając je	6-8
	Baranina	Kotlety	Umieszczając folię pomiędzy pokrojonymi plastrami lub owiń pojedynczo rozciągając je	4-8
		Pieczeń	Umieść kawałki mięsa w woreczku do mrożenia lub szczelnie owijając rozciągnij je	4-8
		Kostki	Umieść kawałki mięsa w woreczku do mrożenia lub szczelnie owijając rozciągnij je	4-8
	Wołowina	Pieczeń	Umieść kawałki mięsa w woreczku do mrożenia lub szczelnie owijając rozciągnij je	8-12
		Stek	Pokroić na kawałki o grubości 2 cm i umieścić między nimi folię lub szczelnie owijając rozciągnij je	8-12
		Kostki	W małych kawałkach	8-12
		Gotowane mięso	Małe kawałki zapakuj w woreczek do mrożenia	8-12
	Mięso mielone	Bez przypraw, w płaskich woreczkach		1-3
	Podroby (kawałek)	W kawałkach		1-3
	Kiełbasa fermentowana - Salami	Powinna być zapakowana, nawet jeśli ma osłonę.		1-3
Szynka	Umieść folię między plasterkami		2-3	
Drób i dziczyzna	Kurczak i indyk	W folii		4-6
	Gęś	W folii (porcja nie powinna przekraczać 2,5 kg)		4-6
	Kaczka	W folii (porcja nie powinna przekraczać 2,5 kg)		4-6
	Jeleń, królik, sarna	W folii (porcja nie powinna przekraczać 2,5 kg; oddzielić kości)		6-8

Mięso i ryby		Przygotowanie	Maksymalny czas przechowywania (miesiąc)
Ryby i owoce morza	Ryby słodkowodne (pstrąg, karp, szczupak, sum)	Po dokładnym oczyszczeniu wnętrza i łusek należy umyć i wysuszyć, a ogon i części głowy wyciąć w razie potrzeby.	2
	Chude ryby (okoń morski, turbot, sola)		4-6
	Ryby tłuste (bonito, makreła, lufar, barwena, sardela)		2-4
	Małże	Oczyszczone i w woreczkach	4-6
	Kawior	W opakowaniu, w aluminiowym lub plastikowym pojemniku	2-3

„Czasy przechowywania podane w tabeli są oparte na temperaturze przechowywania -18°C.”

Owoce i warzywa	Przygotowanie	Maksymalny czas przechowywania (miesiąc)
Fasolka szparagowa i fasola tyczna	Gotowanie szokowe przez 3 minuty po umyciu i pokrojeniu na małe kawałki	10-13
Groszek	Gotowanie szokowe przez 2 minuty po obraniu i umyciu	10-12
Kapusta	Gotowanie szokowe przez 1-2 minuty po umyciu	6-8
Marchewka	Gotowanie szokowe przez 3-4 minuty po umyciu i pokrojeniu na małe kawałki	12
Papryka	Gotowanie przez 2-3 minuty po przecięciu łodygi, podzieleniu na dwie części i oddzieleniu nasion	8-10
Szpinak	Gotowanie szokowe przez 2 minuty po umyciu	6-9
Por	Gotowanie szokowe przez 5 minuty po posiekaniu	6-8
Kalafior	Gotowanie szokowe w małej ilości wody z cytryną przez 3-5 minut po oddzieleniu liści, i pocięciu różyczek na kawałki	10-12
Bakłażan	Gotowanie szokowe przez 4 minuty po umyciu i pokrojeniu na 2 cm kawałki	10-12
Kabaczek	Gotowanie szokowe przez 2-3 minuty po umyciu i pokrojeniu na 2 cm kawałki	8-10
Grzyby	Lekko podsmażyć na oleju i wyciskając na nie cytrynę	2-3
Kukurydza	Oczyszczając i pakując w kolby lub granulki	12
Jabłko i gruszka	Gotowanie szokowe przez 2-3 minuty po obraniu i pokrojeniu	8-10
Morela i brzoskwinia	Podzielić na pół i wyjąć pestki	4-6
Truskawka i malina	Po umyciu i obraniu	8-12
Pieczone owoce	Po dodaniu 10% cukru do pojemnika	12
Śliwka, wiśnia, czereśnia	Po umyciu i obraniu	8-12

„Czasy przechowywania podane w tabeli są oparte na temperaturze przechowywania -18°C.”

Nabiał	Przygotowanie	Maksymalny czas przechowywania (miesiąc)	Warunki przechowywania
Ser (oprócz sera feta)	Umieść folię między plasterkami	6-8	Można go pozostawić w oryginalnym opakowaniu do krótkotrwałego przechowywania. W przypadku długotrwałego przechowywania powinny być również zawinięty w folię aluminiową lub plastikową.
Masło, margaryna	W oryginalnym opakowaniu	6	W oryginalnym opakowaniu lub plastikowym pojemniku

„Czasy przechowywania podane w tabeli są oparte na temperaturze przechowywania -18°C.”

„Ilość świeżej żywności, która może być zamrożona przez określony czas, jest podana na etykiecie”

Komora zamrażarki Ustawienie	Komora lodówki Ustawienie	Uwagi
-20°C	4°C	Jest to domyślne zalecane ustawienie. To ustawienie jest zalecane, jeśli temperatura otoczenia jest niższa niż 30°C.
-22 lub -24 °C	4°C	Te ustawienia są zalecane dla temperatur otoczenia powyżej 30°C.
Szybkie zamrażanie	4°C	Przydaje się, gdy chcesz szybko zamrozić żywność. Po zakończeniu procesu urządzenie powróci do poprzedniego trybu pracy.
-18°C lub mniej	2°C	Tych ustawień należy użyć, jeśli komora chłodzenia nie jest wystarczająco schłodzona ze względu na temperaturę otoczenia lub częste otwieranie drzwi.

Szczegóły dotyczące zamrażarki

Zgodnie z normą IEC 62552, zamrażarka musi być w stanie zamrozić 4,5 kg żywności do temperatury -18°C lub niższej, przy temperaturze otoczenia 25°C, w ciągu 24 godzin, na każde 100 litrów pojemności komory zamrażarki.

Żywność można przechowywać przez dłuższy czas tylko w temperaturze równej -18°C lub niższej.

Żywność może zachować świeżość miesiącami (w temperaturze przynajmniej -18°C). Żywność przeznaczona do zamrożenia nie może się stykać z wcześniej zamrożoną żywnością, aby uniknąć częściowego jej rozmrożenia.

Warzywa należy zagotować i odcedzić wodę, aby wydłużyć czas zamrażania. Umieść żywność w hermetycznych opakowaniach po odfiltrowaniu i włóż do zamrażarki. Ba-

nany, pomidory, sałata, seler, gotowane jajka, kartofle i podobna żywność nie powinna być mrożona. W przypadku zamrożenia tych produktów będzie to miało negatywny wpływ tylko na wartości odżywcze i walory żywieniowe. Nie ma jednak mowy o gniciu, które zagrażałoby zdrowiu człowieka.

Umieszczanie żywności

Półki zamrażarki: różne mrożonki, takie jak mięso, ryby, lody, warzywa itp.

Półki w komorze chłodziarki: artykuły spożywcze w garnkach, zakrytych talerzach i zakrytych pojemnikach, jajka (w zamkniętym pojemniku)

Półki na drzwiach komory chłodziarki: niewielkie ilości zapakowanej żywności lub napoje

Pojemnik na owoce i warzywa: warzywa i owoce

Komora świeżej żywności: artykuły spożywcze (żywność na śniadanie, produkty mięsne do spożycia w krótkim czasie)

7.3 Pojemnik na świeże owoce i warzywa

Pojemnik na świeże owoce i warzywa jest przeznaczony do zachowania świeżości warzyw dzięki zachowywaniu ich wilgotności. W tym celu w pojemniku na świeże owoce i warzywa został zintensyfikowany ogólny obieg zimnego powietrza. W tej komorze należy przechowywać owoce i warzywa. Zielone warzywa liściaste i owoce należy przechowywać oddzielnie w celu przedłużenia ich trwałości.

7.4 Pojemnik na owoce i warzywa z kontrolą wilgotności

Everfresh

Dzięki funkcji pojemnika na owoce i warzywa z kontrolą wilgotności, wilgotność warzyw i owoców jest kontrolowana, a żywność jest przechowywana w stanie świeżym przez dłuższy czas.

Zalecamy umieszczenie warzyw liściastych, takich jak sałata, szpinak i podobne warzywa, które są wrażliwe na utratę wilgoci w tym pojemniku, nie pionowo na ich korzeniach, ale jak najbardziej poziomo.

Podczas umieszczania warzywa, umieść ciężkie i twarde warzywa na dole i lekkie i miękkie na górze.

Nigdy nie pozostawiaj warzyw w plastikowych woreczkach w pojemniku na owoce i warzywa z kontrolą wilgotności. Pozostawianie warzyw w woreczkach z tworzywa sztucznego spowoduje ich szybsze popsućcie się.

W sytuacjach, w których kontakt z innymi warzywami jest niekorzystny, użyj materiałów opakowaniowych, takich jak papier, który posiada pewną porowatość.

Nie wkładaj owoców produkujących dużo etylenu, takich jak gruszki, morele, brzoskwinie, a zwłaszcza jabłka, do tego samego pojemnika, co inne warzywa i owoce. Gaz etylenowy pochodzący z tych owoców

może spowodować szybsze dojrzewanie innych warzyw i owoców oraz ich szybsze psucie się.

7.5 Technologie pojemnika na owoce i warzywa

Niebieskie światło

Owoce i warzywa przechowywane w pojemnikach oświetlonych niebieskim światłem dalej wytwarzają fotosyntezę. Dzieje się tak dzięki efektowi długości fali niebieskiego światła, a tym samym zachowują one witaminy.

HarvestFresh

Owoce i warzywa przechowywane w pojemnikach oświetlonych technologią HarvestFresh dłużej zachowują witaminy dzięki cykлом niebieskiego, zielonego, czerwonego światła oraz ciemności, które symulują cykl dzienny.

Kiedy drzwi lodówki zostaną otwarte w ciemności, technologia HarvestFresh automatycznie to wykryje i oświetli pojemnik na żywność odpowiednio jednym z kolorów: niebieskim, zielonym lub czerwonym. Po zamknięciu drzwi lodówki cykl ciemności będzie kontynuowany, symulując noc w cyklu dziennym.

7.6 Obszar lodówki do przechowywania nabiału

Szuflada przechowywania w zimnie

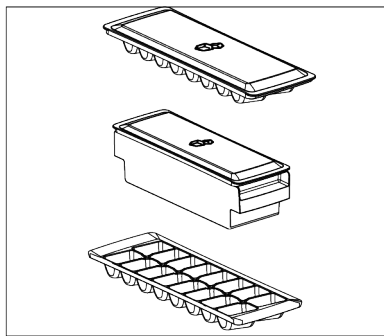
Szuflada do przechowywania w niskich temperaturach może osiągnąć niższe temperatury w lodówce. Użyj tej szuflady do produktów delikatesowych (salami, kiełbasa itp.) i produktów mlecznych, które wymagają chłodniejszych warunków przechowywania lub mięsa, kurczaka lub ryb przeznaczonych do szybkiego spożycia. W tej szufladzie nie należy przechowywać owoców ani warzyw.

7.7 Miejsce przechowywania lodu Pojemnik na lód

Pojemnik na lód umożliwia łatwe wyjmowanie lodu z chłodziarki.

Stosowanie pojemnika na lód

1. Wyjmij pojemnik na lód z komory zamrażarki.
2. Napełnij pojemnik na lód wodą.
3. Umieść pojemnik na lód w komorze zamrażarki. Lód będzie gotowy po około dwóch godzinach.
4. Wyjmij pojemnik z lodem z komory zamrażarki i wygnij go nieznacznie nad naczyniem, w którym ma być podany lód. Lód łatwo wysypie się do naczynia.



7.8 Odwracanie strony otwierania drzwi

Stronę otwierania lodówki można odwrócić w zależności od miejsca, w którym ją umieścisz. Gdy zajdzie taka potrzeba, należy skontaktować się z najbliższym autoryzowanym serwisem.

7.9 Alarm otwarcia drzwi

System ostrzegania o otwartych drzwiach lodówki może się różnić w zależności od modelu.

Wersja 1;

Jeśli drzwi urządzenia pozostaną otwarte przez określony czas (między 60 sek. a 120 sek.), włączy się dźwiękowy sygnał ostrzegawczy; w zależności od modelu urządzenia może być również wyświetlany wizualny sygnał ostrzegawczy (błysk światła). Jeśli zamkniesz drzwi urządzenia lub naciśniesz przycisk na ekranie urządzenia, jeśli taki istnieje, dźwięk ostrzegawczy ustanie.

Wersja 2;

Jeśli drzwi urządzenia pozostają otwarte przez określony czas (od 60 sek. do 120 sek.), włącza się alarm otwarcia drzwi. Alarm otwarcia drzwi jest emitowany stopniowo. Najpierw zaczyna rozbrzmiewać ostrzeżenie dźwiękowe. Po 4 minutach, jeśli drzwi nadal nie są zamknięte, włącza się ostrzeżenie wizualne (błysk oświetlenia). Alarm otwarcia drzwi zostanie opóźniony o określony czas (między 60 sek. a 120 sek.), gdy zostanie naciśnięty dowolny klawisz na ekranie produktu, jeśli taki istnieje. Wtedy proces rozpocznie się od nowa. Gdy drzwi urządzenia zostaną zamknięte, alarm otwarcia drzwi zostanie anulowany.

7.10 Wymiana lampki oświetlenia

W przypadku konieczności wymiany żarówki/LED używanej do oświetlenia lodówki należy skontaktować się z autoryzowanym serwisem.

Lampa lub lampy stosowane w tym urządzeniu nie mogą być stosowane w oświetleniu domu. Przeznaczeniem tej lampy jest pomóc użytkownikowi włożyć jedzenie do lodówki/zamrażarki bezpiecznie i wygodnie.

7.11 AeroFlow

Jest to system rozdziału powietrza zapewniający jednorodny rozkład temperatury. Dzięki cyrkulacji powietrza zapewniony jest jednorodny rozkład temperatury w komorze do przechowywania świeżych produktów spożywczych, a wahania temperatury są utrzymywane na niskim poziomie. Nie ma bezpośredniego nadmuchu powietrza nad żywnością, co pomaga zmniejszyć utratę wilgoci. Zachowuje to świeżość żywności przechowywanej w komorze na świeżą żywność w lodówce. W ten sposób żywność jest przechowywana w bardziej stabilnych temperaturach, a kontakt z powietrzem jest ograniczony. Zapobiega się suszeniu i kurczeniu się żywności przez utratę wilgoci, a świeżość zostaje zachowana przez dłuższy czas.

7.12 Wentylator

Wentylator został zaprojektowany tak, aby zapewnić równomierne rozprowadzanie i cyrkulację zimnego powietrza. Czas pracy wentylatora może się zmieniać w zależności od funkcji urządzenia.

Podczas gdy w niektórych urządzeniach wentylator działa tylko ze sprężarką, w innych urządzeniach system sterowania określa czas pracy wentylatora w zależności od zapotrzebowania na chłodzenie.

7.13 Pojemnik na jajka

Pojemnik na jajka możesz umieścić na którejkolwiek półce na drzwiach lub korpusu. Jeśli pojemnik na jajka ma być umieszczony na półce korpusu, polecamy wybrać chłodniejsze dolne półki.



Nigdy nie umieszczaj pojemnika na jajka w komorze zamrażarki

8 Konserwacja i utrzymywanie w czystości



OSTRZEŻENIE:

Najpierw należy przeczytać rozdział „Instrukcje bezpieczeństwa”



OSTRZEŻENIE:

Przed czyszczeniem urządzenie należy odłączyć od prądu.

- Nie używaj ostrych lub szorstkich narzędzi do czyszczenia produktu. Nie używaj materiałów takich jak domowe środki czyszczące, mydła, detergentów, gazu, benzyny, alkoholu, wosku itp.
- Kurz należy usuwać z kratki wentylacyjnej znajdującej się z tyłu produktu przynajmniej raz w roku (bez otwierania osłony). Czyść produkt suchą ściereczką.
- Wodę należy trzymać z dala od pokrywy lampy i innych części elektrycznych.
- Wyczyść drzwi zwilżoną ściereczką. Wyjmij całą zawartość z półek i drzwi. Wyjmij półki drzwiowe, unosząc je do góry. Oczyszć i wysusz półki, a następnie zamocuj je z powrotem na miejscu, wsuwając je od góry.
- Do powierzchni zewnętrznej i części chromowanych produktu nie wolno używać wody chlorowanej ani środków czyszczących. Chlor spowoduje rdzewienie powierzchni metalowych.
- Nie używaj ostrych i ściernych narzędzi, mydła, domowych środków czyszczących, detergentów, gazu, benzyny, lakieru i podobnych substancji, aby zapobiec odkształceniu plastikowej części i usunięciu

odcisków na części. Należy je wyczyścić letnią wodą i miękką ściereczką, a następnie wytrzeć do sucha.

- Na produktach bez funkcji No-Frost na tylnej ścianie komory zamrażarki mogą pojawić się krople wody i oblodzenie o grubości nawet jednego palca. Nie czyścić i nigdy nie wlewać olejów ani podobnych materiałów.
- Do czyszczenia zewnętrznej powierzchni produktu używaj lekko zwilżonej ściereczki z mikrofibry. Gąbki i inne rodzaje szmatek do czyszczenia mogą powodować zarysowania.
- Aby wyczyścić wszystkie wszystkie wymienione elementy podczas czyszczenia wewnętrznej powierzchni produktu, należy je przemyć łagodnym roztworem mydła, wody i sody oczyszczonej. Dokładnie umyj i wysusz. Elementami oświetlenia i panelem sterowania nie powinny mieć styczności z wodą.



ZACHOWAJ OSTROŻNOŚĆ

Nie używaj octu, alkoholu do wycierania lub innych środków czyszczących na bazie alkoholu na żadnej wewnętrznej powierzchni.

Powierzchnie zewnętrzne ze stali nierdzewnej

Użyj nieściernego środka do czyszczenia stali nierdzewnej i nałóż go miękką nieścierną szmatką. Aby wypolerować

powierzchnię delikatnie przetrzyj ją ściereczką z mikrofibry zwilżoną wodą i użyj suchej irchy polskiej. Należy podążać za śladami stali nierdzewnej.

Czyszczenie produktów ze szklanymi drzwiami

Z szyb należy zdjąć folię ochronną.

Na powierzchni szyby znajduje się powłoka. Powłoka ta minimalizuje powstawanie plam i zapewnia łatwe czyszczenie powstałych plam i zabrudzeń. Szkło bez powłoki ochronnej może szybko i łatwo zostać trwale połączone z organicznymi lub nieorganicznymi zanieczyszczeniami powierzchni i wody, takimi jak wapień, sole mineralne, niespalone węglowodory, tlenki metali i silikon, które powodują przebarwienie i uszkodzenia fizyczne. Pomimo regularnego czyszczenia, utrzymywanie szkła w czystości staje się bardzo trudne, a nawet niemożliwe. W rezultacie pogarsza się przezroczystość i wygląd szkła. Twarde i ścierne metody i środki czyszczące dodatkowo zwiększają te wady i przyspieszają proces niszczenia.

W przypadku rutynowego czyszczenia, należy stosować *niealkaliczne i niekorozyjne środki czyszczące na bazie wody.

9 Rozwiązywanie problemów

Przed skontaktowaniem się z serwisem należy sprawdzić tę listę. Umożliwi to zaoszczędzenie czasu i pieniędzy. Ta lista zawiera często spotykane problemy niezwiązane z wadami jakości wykonania lub materiałów. Pewne wymienione tutaj funkcje mogą nie dotyczyć posiadanego produktu.

Lodówka nie działa.

- Wtyk zasilania nie jest włożony do końca. >>> Dociśnij go do końca w gniazdku.
- Bezpiecznik podłączony do gniazda zasilającego produkt lub bezpiecznik główny jest przepalony. >>> Sprawdź bezpiecznik.

W celu zwiększenia odporności szyb na uderzenia i pęknięcia stosuje się proces hartowania.

Jako dodatkowy środek ostrożności, na tylną powierzchnię szyb nałożono folię zabezpieczającą, aby zapobiec uszkodzeniu środowiska w przypadku pęknięcia.

Zapobieganie powstawaniu nieprzyjemnych zapachów

Wyprodukowany produkt jest wolny od wszelkich materiałów zapachowych. Jednak przechowywanie żywności w nieodpowiednich komorach i niepoprawne czyszczenie powierzchni wewnętrznych może wywoływać nieprzyjemne zapachy.

- Aby tego uniknąć, należy czyścić wnętrze wodą z sodą oczyszczoną co 15 dni.
- Przechowuj żywność w zamkniętych pojemnikach, ponieważ drobnoustroje pochodzące z żywności przechowywanej w niezamkniętych pojemnikach będą powodować nieprzyjemny zapach.
- W lodówce nie należy przechowywać przeterminowanej ani zepsutej żywności.

Ochrona powierzchni plastikowych

Olej rozlany na powierzchnie plastikowe może je uszkadzać i należy go natychmiast usunąć ciepłą wodą.

Kondensacja na bocznej ścianie komory chłodziarki (WIELOSTREFOWE, KONTROLA CHŁODZENIA I FLEXI ZONE).

- Drzwi są otwierane zbyt często. >>> Należy uważać, aby nie otwierać zbyt często drzwi urządzenia.
- Środowisko jest za wilgotne. >>> Produktu nie należy instalować w wilgotnych środowiskach.
- Żywność zawierająca płyny jest przechowywana w nieszczelnych opakowaniach. >>> Żywność zawierająca płyny należy przechowywać w zamkniętych opakowaniach.
- Drzwi produktu pozostały otwarte. >>> Nie wolno pozostawiać otwartych drzwi produktu przez długi czas.

- Termostat jest ustawiony na bardzo niską temperaturę. >>> Ustaw termostat na odpowiednią temperaturę.

Sprężarka nie działa.

- W przypadku nagłej awarii zasilania lub wyciągnięcia kabla zasilającego z gniazda i podłączenia go z powrotem ciśnienie gazu w układzie chłodzenia produktu jest niezrównoważone, co wyzwała zabezpieczenie termiczne sprężarki. Produkt ponownie się uruchomi po około 6 minutach. Jeśli produkt nie uruchomi się po tym czasie, skontaktuj się z serwisem.
- Odmrażanie jest aktywne. >>> To jest normalne w przypadku produktu z całkowicie zautomatyzowanym odmrażaniem. Odmrażanie odbywa się okresowo.
- Produkt nie jest podłączony. >>> Upewnij się, że kabel zasilania jest podłączony.
- Nastawa temperatury jest niepoprawna. >>> Wybierz poprawną nastawę temperatury.
- Brak zasilania. >>> Po przywróceniu zasilania produkt będzie kontynuował normalną pracę.

Hałas pracy lodówki zwiększa się podczas używania.

- Wydajność robocza produktu może się zmieniać w zależności od zmian temperatury otoczenia. To jest sytuacja normalna, a nie awaria.

Lodówka włącza się za często lub na zbyt długo.

- Nowy produkt może być większy niż poprzedni. Większe produkty pracują dłużej.
- Temperatura w pomieszczeniu może być wysoka. >>> Produkt będzie normalnie działał przed dłuższy czas przy wyższej temperaturze w pomieszczeniu.
- Produkt mógł zostać niedawno podłączony lub do środka została włożona nowa porcja żywności. >>> Produkt będzie potrzebował więcej czasu na osiągnięcie ustawionej temperatury, jeśli został niedawno podłączony lub do środka została włożona nowa porcja żywności. To jest normalne.

- Do produktu włożono ostatnio dużą ilość gorącej żywności. >>> Do produktu nie wolno wkładać gorącej żywności.
- Drzwi były często otwierane lub były otwarte przez dłuższy czas. >>> Ciepłe powietrze przedostające się do środka spowoduje wydłużenie pracy produktu. Nie należy za często otwierać drzwi.
- Drzwi zamrażarki lub lodówki mogą być uchylone. >>> Sprawdź, czy drzwi są całkowicie zamknięte.
- Urządzenie może być ustawione na zbyt niską temperaturę. >>> Ustaw wyższą temperaturę i poczekaj aż produkt ją osiągnie.
- Uszczelka drzwi lodówki lub zamrażarki może być zabrudzona, zużyta, uszkodzona lub niepoprawnie ułożona. >>> Oczyszcz lub wymień uszczelkę. Uszkodzona/podarta uszczelka drzwi spowoduje wydłużenie działania produktu w celu utrzymania bieżącej temperatury.

Temperatura zamrażarki jest bardzo niska, ale temperatura lodówki jest odpowiednia.

- Temperatura komory zamrażarki jest ustawiona bardzo nisko. >>> Ustaw wyższą temperaturę komory zamrażarki i sprawdź ponownie.

Temperatura lodówki jest bardzo niska, ale temperatura zamrażarki jest odpowiednia.

- Temperatura komory chłodziarki jest ustawiona bardzo nisko. >>> Ustaw wyższą temperaturę lodówki i sprawdź ponownie.

Żywność przechowywana w szufladach komory lodówki jest zamrożona.

- Temperatura komory chłodziarki jest ustawiona bardzo nisko. >>> Ustaw wyższą temperaturę lodówki i sprawdź ponownie.

Temperatura lodówki lub zamrażarki jest za wysoka.

- Temperatura komory lodówki jest ustawiona bardzo wysoko. >>> Ustawienie temperatury komory chłodzenia ma wpływ na temperaturę w zamrażarce. Po-

czekaj, aż temperatura odpowiednich części osiągnie wystarczający poziom, zmieniając temperaturę lodówki lub zamrażarki.

- Drzwi były często otwierane lub były otwarte przez dłuższy czas. >>> Nie należy za często otwierać drzwi.
- Drzwi mogą być uchylone. >>> Całkowicie zamknij drzwi.
- Produkt mógł zostać niedawno podłączony lub do środka została włożona nowa porcja żywności. >>> To jest normalne. Produkt będzie potrzebował więcej czasu na osiągnięcie ustawionej temperatury, jeśli został niedawno podłączony lub do środka została włożona nowa porcja żywności.
- Do produktu włożono ostatnio dużą ilość gorącej żywności. >>> Do produktu nie wolno wkładać gorącej żywności.

Wstrząsy lub hałas.

- Powierzchnia nie jest płaska lub trwała >>> Jeśli produkt się kołysze, wyreguluj podstawki, aby wypoziomować produkt. Upewnij się też, że podłoże jest wystarczająco wytrzymałe i uniesie produkt.
- Wszelkie przedmioty umieszczone na produkcie mogą powodować hałas. >>> Zdejmij wszelkie przedmioty umieszczone na produkcie.
- Produkt wytwarza dźwięki przepływającego płynu, rozpryskiwania itd.
- Zasada działania produktu obejmuje przepływy płynu i gazu. >>> To jest sytuacja normalna, a nie awaria.

Z produktu słychać odgłos dmuchającego wiatru.

- Produkt używa wentylatora w procesie chłodzenia. To jest sytuacja normalna, a nie awaria.

Na wewnętrznych ścianach urządzenia dochodzi do skraplania.

- Gorąca lub zimna pogoda zwiększy zalodzenie i kondensację. To jest sytuacja normalna, a nie awaria.

- Drzwi były często otwierane lub były otwarte przez dłuższy czas. >>> Nie należy otwierać drzwi za często, a jeśli są otwarte należy je zamknąć.
- Drzwi mogą być uchylone. >>> Całkowicie zamknij drzwi.

Na powierzchni zewnętrznej lub między drzwiami produktu występuje kondensacja.

- Pogoda może być wilgotna i to zjawisko jest normalne w takich warunkach. >>> Po zmniejszeniu wilgotności kondensacja zniknie.

Nieprzyjemny zapach we wnętrzu.

- Produkt nie jest regularnie czyszczony. >>> Czyść wnętrze regularnie za pomocą gąbki, ciepłej wody i wody z sodą oczyszczoną.
- Niektóre pojemniki i opakowania mogą wywoływać nieprzyjemne zapachy. >>> Należy używać pojemników i opakowań z materiałów niewydzielających zapachów.
- Żywność została umieszczona w nieuszczelnionych pojemnikach. >>> Żywność należy przechowywać w zamkniętych opakowaniach. Drobnoustroje mogą rozprzestrzeniać się z niezamkniętych produktów spożywczych i powodować nieprzyjemny zapach.
- Z urządzenia należy usunąć wszelką przeterminowaną i zepsutą żywność.

Drzwi się nie zamykają.

- Opakowania żywności mogą blokować drzwi. >>> Przesuń przedmioty blokujące drzwi.
- Produkt nie stoi całkowicie pionowo na ziemi. >>> Wyreguluj nóżki, aby zrównoważyć produkt.
- Powierzchnia nie jest płaska lub trwała >>> Upewnij się, że powierzchnia jest płaska i wystarczająco wytrzymała, aby udźwignąć urządzenie.

Pojemnik na owoce i warzywa z regulacją wilgotności jest zablokowany.

- Żywność może się stykać z górną częścią szuflady. >>> Zmień ułożenie żywności w szufladzie.

Temperatura na powierzchni produktu.

- podczas działania produktu można zaobserwować wysoką temperaturę między dwójgmem drzwi, na panelach bocznych i na tylnej części grilla. Podczas pracy urządzenia wysokie temperatury można poczuć między dwoma skrzydłami drzwi, na ścianach bocznych i na kratce z tyłu. Jest to zjawisko normalne i nie wymaga żadnej obsługi technicznej.

Po otwarciu drzwi wentylator nadal pracuje.

- Wentylator może nadal działać, gdy drzwi zamrażarki są otwarte.



OSTRZEŻENIE: Jeśli problem nie zniknie po wykonaniu instrukcji podanych w tym rozdziale, skontaktuj się ze sprzedawcą lub autoryzowanym serwisem. Nie próbuj naprawiać produktu. To jest normalne.

ZRZECZENIE SIĘ/OSTRZEŻENIE

Niektóre (proste) awarie mogą być odpowiednio naprawione przez użytkownika końcowego bez żadnych problemów związanych z bezpieczeństwem lub wynikającym z tego niebezpiecznego użytkowania, pod warunkiem, że zostaną wykonane w określonych granicach i zgodnie z poniższymi instrukcjami (patrz: część „Naprawa samodzielna”).

Dlatego, o ile nie określono inaczej w części „Naprawa samodzielna” poniżej, naprawy powinny być kierowane do zarejestrowanych warsztatów w celu uniknięcia problemów związanych z bezpieczeństwem. Zarejestrowany profesjonalny podmiot zajmujący się naprawami to warsztat, któremu producent przyznał dostęp do instrukcji i wykazu części zamiennych tego produktu zgodnie z metodami opisanymi w aktach prawnych zgodnie z dyrektywą 2009/125/WE.

Jednak tylko agent serwisowy (tj. autoryzowane profesjonalne warsztaty), z którym można skontaktować się pod numerem telefonu podanym w instrukcji obsługi/karcie gwarancyjnej lub za pośrednictwem autoryzowanego sprzedawcy, może świadczyć usługi na warunkach gwarancji. Dlatego informujemy, że naprawy wykonywane w warsztatach profesjonalnych (nieautoryzowanych przez) Beko powodują utratę gwarancji.

Naprawa samodzielna

Użytkownik końcowy może dokonać samodzielnej naprawy następujących części zamiennych: rączek drzwi, zawiasów, półek, koszyków i uszczelek drzwi (zaktualizowana lista jest również dostępna support.beko.com od 1 marca 2021).

Ponadto, aby zapewnić bezpieczeństwo produktu i zapobiec ryzyku poważnych obrażeń, wspomnianą samodzielną naprawę należy przeprowadzić zgodnie z instrukcjami zawartymi w instrukcji samodzielnej naprawy lub dostępnymi na support.beko.com. Dla własnego bezpieczeństwa odłącz produkt od zasilania przed przystąpieniem do samodzielnej naprawy.

Próby naprawy i naprawy części, które nie zostały wymienione na liście i/lub nie zostały opisane w instrukcjach użytkownika dotyczących naprawy własnej lub które są dostępne w support.beko.com, mogą stanowić naruszenie zasad bezpieczeństwa, których nie można przypisać Beko, i powodują unieważnienie gwarancji na produkt.

W związku z tym zdecydowanie zaleca się, aby użytkownicy końcowi powstrzymali się od podejmowania prób wykonywania napraw spoza wymienionego wykazu części zamiennych, kontaktując się w takich przypadkach z autoryzowanymi warsztatami lub zarejestrowanymi warsztatami. Wręcz przeciwnie, takie próby przeprowadzone przez użytkowników końcowych mogą spowodować problemy z bezpieczeństwem i uszkodzić produkt, a następnie spowodować pożar, powódź, porażenie prądem i poważne obrażenia ciała.

Na przykład, ale nie ograniczając się do niego, następujące naprawy muszą być skierowane do autoryzowanych warsztatów profesjonalnych lub zarejestrowanych warsztatów profesjonalnych: sprężarka, obwód chłodzenia, płyta główna, płyta inwertera, płyta wyświetlacza itp.

Producent/sprzedawca nie może być pociągnięty do odpowiedzialności w każdym przypadku, gdy użytkownicy końcowi nie zastosują się do powyższego.

Gwarancja jakości

Twój produkt marki BEKO posiada gwarancję jakości udzieloną przez Beko S.A z siedzibą w Warszawie ul. Puławska 366, 02-819 Warszawa (dalej Gwarant).

Gwarancja jakości udzielana jest wyłącznie na produkty marki BEKO wprowadzane do obrotu na terytorium Rzeczypospolitej Polskiej przez Gwaranta. Termin gwarancji wynosi 24 miesiące od daty zakupu produktu. Oświadczenie gwarancyjne określające warunki gwarancji znajdziesz na stronie internetowej www.beko.pl w sekcji serwis.

Warunkiem wykonywania uprawnień z gwarancji jest przedstawienie dowodu zakupu produktu lub zarejestrowanie produktu na stronie www.beko.pl w sekcji serwis .

Zarejestruj swój produkt.

Załącz konto oraz zarejestruj teraz swój produkt marki BEKO objęty gwarancją na naszej stronie internetowej www.beko.pl w

Dostępność części zamiennych zakupionej lodówki wynosi 10 lat. W tym okresie dostępne będą oryginalne części zamienne do prawidłowej obsługi lodówki

Minimalny okres gwarancji na zakupioną lodówkę wynosi 24 miesiące.

Ten produkt jest wyposażony w źródło światła klasy energetycznej „G”.

Źródło światła w tym produkcie może zostać wymienione wyłącznie przez specjalistę

sekcji serwis. Dzięki temu nie będziesz musiał się martwić w sytuacji gdy zgubisz dowód zakupu. Ponadto będziesz miał możliwość otrzymania oświadczenia gwarancyjnego w postaci „cyfrowej karty gwarancyjnej”.

Obsługa klienta – infolinia 22 250 14 14

W celu zgłoszenia reklamacji lub usterki produktu marki BEKO prosimy o kontakt telefoniczny z infolinią . Nasi konsultanci pomogą ci rozwiązać problem lub skierują do właściwego serwisu BEKO.

Infolinia czynna jest 7 dni w tygodniu od 8.00 do 20:00.

* Koszt połączenia jak za połączenie lokalne (z telefonu stacjonarnego) lub według stawek operatora sieci komórkowej

Podpis i pieczęć instalatora (z numerem uprawnienia) w przypadku montażu urządzeń gazowych lub płyt i piekarników elektrycznych

Aby otrzymać więcej informacji dotyczących serwisu BEKO np. gdzie kupić części zamienne lub akcesoria należy odwiedzić stronę internetową www.beko.pl i wybrać zakładkę serwis.

Nejdříve si přečtěte tento návod!

Vážení zákazníci

Před použitím produktu si pozorně přečtěte tento návod k obsluze.

Děkujeme, že jste si vybrali tento výrobek Beko. Byli bychom rádi, kdyby jste dosáhli optimální účinnost tohoto vysoce kvalitního výrobku, který byl vyroben pomocí nejmodernějších technologií. Před použitím produktu si pozorně přečtěte tento návod a veškerou dodanou dokumentaci a uschovejte ji jako referenci.

Dbejte na všechny informace a varování uvedené v uživatelské příručce. Tímto způsobem budete chránit sebe a svůj výrobek před možnými nebezpečími.

Uschovejte tento návod k obsluze. Přiložte tuto příručku k spotřebiči, pokud jej odevzdáte někomu jinému.

V uživatelské příručce jsou používány následující symboly:



Nebezpečí, které může mít za následek smrt nebo zranění.



Důležité informace nebo užitečné tipy na obsluhu.






Přečtěte si uživatelskou příručku.



Hořlavý materiál, upozornění na nebezpečí požáru.

UPOZORNĚNÍ Nebezpečí, které může způsobit materiální škody na produktu nebo v jeho okolí


 ENERG 		Informace o modelu uložené v databázi výrobků se dají získat zadáním následující webové stránky a vyhledáním identifikátoru vašeho modelu (*), který je uveden na energetickém štítku. https://eprel.ec.europa.eu/
SUPPLIER'S NAME	MODEL IDENTIFIER → (*)	
		


1	Bezpečnostní pokyny	106
1.1	Určené použití.....	106
1.2	Bezpečnost dětí, zranitelných osob a domácích zvířat.....	106
1.3	Elektrická bezpečnost.....	107
1.4	Bezpečnost při manipulaci	108
1.5	Bezpečnost při instalaci.....	108
1.6	Provozní bezpečnost.....	110
1.7	Bezpečnost skladování potravin ..	113
1.8	Bezpečnost údržby a čištění.....	113
1.9	Likvidace starého výrobku	114
2	Pokyny pro ochranu životního prostředí	114
2.1	Soulad se směrnicí WEEE a Odstranění odpadů výrobku.....	114
3	Vaše chladnička	115
4	Instalace	116
4.1	Správné místo pro instalaci	116
4.2	Elektrické připojení	116
4.3	Nastavení nožek	117
4.4	Výstraha před horkým povrchem ..	117
5	Příprava.....	117
5.1	Co udělat pro úsporu energie	117
5.2	První uvedení do provozu.....	117
5.3	Klimatická třída a definice	118
6	Provoz spotřebiče.....	118
7	Používání vašeho spotřebiče.....	119
7.1	Ovládací panel produktu	119
7.2	Ukládání potravin v chladícím prostoru.....	121
7.3	Nádoba na ovoce a zeleninu (Crisper)	126
7.4	Nádoba na ovoce a zeleninu (Crisper) s regulací vlhkosti	126
7.5	Technologie Crisper	126
7.6	Oblast chladicího prostoru mléčných výrobků.....	126
7.7	Prostor pro uskladnění ledu.....	126
7.8	Obrácení strany otevírání dveří.....	127
7.9	Upozornění na otevřené dveře.....	127
7.10	Výměna osvětlovací lampy	127
7.11	AeroFlow	127
7.12	Ventilátor.....	127


7.13	Držák na vejce.....	127
8	Údržba a čištění.....	128
9	Řešení problémů	129


1 Bezpečnostní pokyny

- Tato část obsahuje bezpečnostní pokyny potřebné pro zabránění nebezpečí zranění osob nebo věcných škod.
- Naše společnost neodpovídá za škody, které mohou vzniknout v případě nedodržení těchto pokynů.

 Instalaci a opravy vždy provádějte u výrobce, v autorizovaném servisu nebo u osoby, kterou popíše společnost dovozce.

 Používejte pouze originální náhradní díly a příslušenství.

 Neopravujte ani nevyměňujte žádné součásti spotřebiče, pokud to není výslovně uvedeno v návodu k obsluze.

 Na výrobku neprovádějte žádné úpravy.

1.1 Určené použití

- Tento výrobek není vhodný pro komerční použití a neměl by se používat pro jiné účely, než pro které je určen.
- Tento spotřebič je určen pro provoz v interiéru, jako jsou domácnosti nebo podobně.

Například:

V zaměstnaneckých kuchyních v obchodech, kancelářích a jiných pracovních prostředích,

Ve farmových domech,
V hotelových, motelovém jednotkách nebo v jiných rekreačních místech, které používají zákazníci,
V hostelech nebo v podobném prostředí,
V stravovacích službách a podobných neobchodních institucích.

- Tyto výrobky se nesmějí používat v otevřeném nebo uzavřeném venkovním prostředí, jako jsou plavidla, obytné vozy, balkony nebo terasy. Vystavení produktu dešti, sněhu, slunečnímu záření a větru může způsobit riziko požáru.

1.2 Bezpečnost dětí, zranitelných osob a domácích zvířat

- Tento výrobek mohou používat děti ve věku od 8 let a osoby s nedostatečně vyvinutými fyzickými, smyslovými nebo mentálními schopnostmi nebo s nedostatečnými zkušenostmi a znalostmi, pokud jsou pod dohledem nebo byly poučeny o bezpečném používání spotřebiče a o souvisejících nebezpečích.

- Děti ve věku od 3 do 8 let mohou do chladicího spotřebiče dávat a vybírat z něj jídlo.
- Děti a domácí zvířata se nesmí s výrobkem hrát, šplhat se na ně nebo vlézt do nich.
- Děti a domácí zvířata se musí držet mimo prostor kabiny (kompresoru), kde se nacházejí elektrické části.
- Čištění a uživatelskou údržbu nesmějí provádět děti, pokud nejsou pod dohledem.
- Obalové materiály uchovávejte mimo dosah dětí. Riziko poranění a udušení.
- Na provoz spotřebiče nepoužívejte prodlužovací kabel, rozdvojku ani adaptér.
- Přenosné zásuvky a přenosné napájecí zdroje se mohou přehřát a způsobit požár. Proto za výrobkem ani v jeho blízkosti nemějte přenosné zdroje napájení s rozdvojkami.



1.3 Elektrická bezpečnost

- Během instalace, údržby, čištění, oprav a přepravy výrobek nesmí být zapojen do zásuvky.
- Pokud je napájecí kabel poškozen, může jej vyměnit pouze autorizovaný servis, aby se předešlo jakémukoli riziku.
- Napájecí kabel nezasunujte pod výrobek ani za jeho zadní část. Na napájecí kabel nepokládejte těžké předměty. Napájecí kabel se nesmí ohýbat, drtit a nesmí přijít do kontaktu s žádným zdrojem tepla.
- Napájecí kabel výrobku nezapojujte do uvolněné nebo poškozené elektrické zásuvky. Tyto typy připojení se mohou přehřívat a způsobit požár.
- Zástrčka musí být snadno přístupná. Pokud to není možné, na elektrické instalaci musí být k dispozici mechanismus, který splňuje elektrické předpisy a který odpojuje všechny svorky od sítě (pojistka, vypínač, hlavní vypínač atd.).
- Výrobek se nesmí provozovat s externím spínacím zařízením, jako je časovač, nebo dálkově ovládaným systémem.
- Nepoužívejte výrobek, když máte bosé nohy nebo mokré tělo.
- Nedotýkejte se zástrčky mokřýma rukama!
- Při odpojování spotřebiče nedržte napájecí kabel, ale zástrčku.

1.4 Bezpečnost při manipulaci

- Před přenášením výrobku se ujistěte, že jste spotřebič odpojili ze zásuvky.
- Tento spotřebič je těžký, nemanipulujte s ním sami. Pokud na vás výrobek spadne, může dojít ke zranění. Během přepravy do výrobku nenarážejte a neupouštějte jej.
- Během přepravy vždy zavřete dvířka a nedržte výrobek za dvířka.
- Při manipulaci se spotřebičem buďte opatrní, abyste nepoškodili chladicí systém a potrubí. Výrobek nepoužívejte, pokud jsou poškozené potrubí, a kontaktujte autorizovaný servis.

1.5 Bezpečnost při instalaci

- Pro instalaci výrobku se obraťte na autorizovaný servis. Pro přípravu spotřebiče pro použití vyhledejte informace v uživatelské příručce a ujistěte se, že jsou k dispozici požadované elektrické a vodovodní nástroje. Pokud ne, pro uspořádání těchto nástrojů podle potřeby se obraťte na kvalifikovaného elektrikáře a vodoinstalatéři. V opačném případě může dojít k úrazu

elektrickým proudem, požáru, problémům s výrobkem nebo zranění.

- Tento výrobek je určen pro použití v maximální nadmořské výšce 2000 metrů nad mořem.
- Do prostoru instalace nepouštějte děti.
- Před instalací zkontrolujte případné poškození spotřebiče. Neinstalujte produkt, pokud je poškozen.
- Při instalaci, údržbě a opravách výrobku vždy používejte osobní ochranné prostředky (rukavice atd.). Nebezpečí úrazu!
- Položte výrobek na čistý, rovný a tvrdý povrch a vyvažujte jej pomocí nastavitelných nožiček (otáčením předních nožiček doprava nebo doleva). V opačném případě se chladnička může převrátit a způsobit zranění.
- Spotřebič instalujte v suchém a větraném prostředí. Pod výrobek nepokládejte koberce nebo podobné pokrývky. Může to způsobit riziko požáru v důsledku nedostatečného větrání!

- Neblokujte ani nezakrývejte větrací otvory. V opačném případě se zvýší spotřeba energie a váš produkt se může poškodit.
- Při umístování výrobku se ujistěte, že přívodní kabel není poškozen nebo stlačen.
- Výrobek nesmí být připojen k napájecím systémům a zdrojům energie, které mohou způsobit náhlé změny napětí (např. přenosný zdroj solární energie). V opačném případě může dojít k prudkému kolísání napětí!
- Čím více chladiva obsahuje, tím větší místnost potřebuje pro umístění. Ve velmi malých místnostech se v případě úniku plynu z chladicího systému může vyskytnout hořlavá směs plynu a vzduchu. Na každých 8 gramů chladiva je potřebný objem nejméně 1 m³. Množství chladiva dostupného ve vašem spotřebiči je uvedeno na typovém štítku.
- Výrobek nesmí být nikdy umístěn tak, aby se napájecí kabely, kovová hadice plynového sporáku, kovové plynové nebo vodovodní potrubí dostaly do kontaktu se zadní stěnou výrobku (nebo kondenzátorem).
- Místo instalace výrobku nesmí být vystaveno přímému slunečnímu záření a nesmí se nacházet v blízkosti zdroje tepla, jako jsou kamna, radiátory atp. Pokud nemůžete zabránit instalaci výrobku v blízkosti tepelného zdroje, použijte vhodnou izolační desku a ujistěte se, že minimální vzdálenost od tepelného zdroje je taková, jak je uvedeno níže:
 - Nejméně 30 cm od zdrojů tepla, jako jsou kamna, trouby, topná tělesa a ohřívače atd.,
 - A nejméně 5 cm od elektrických pecí.
- Váš spotřebič má stupeň ochrany I.
- Spotřebič zapojte do uzemněné zásuvky, která vyhovuje hodnotám napětí, proudu a frekvence uvedeným na typovém štítku. Zásuvka musí mít pojistku 10A - 16A. Naše společnost nepřebírá odpovědnost za škody způsobené používáním bez uzemnění a bez připojení k elektrické síti v souladu s místními a národními předpisy.

- V průběhu instalace musí být napájecí kabel tohoto výrobku odpojen. V opačném případě může dojít k úrazu elektrickým proudem a zranění!
- Napájecí kabel výrobku nezapojte do volných, vykloubených, poškozených, znečištěných, zaolejovaných zásuvek, u kterých hrozí riziko kontaktu s vodou. Tyto typy spojení mohou způsobit přehřátí a požár.
- Napájecí kabel a hadice (pokud existují) umístěte tak, aby nezpůsobovaly riziko zakopnutí.
- Pronikání vlhkosti a tekutin do částí pod napětím nebo do napájecího kabelu může způsobit zkrat. Proto spotřebič nepoužívejte ve vlhkém prostředí ani v prostorách, kde může stříkat voda (např. v garáži, prádelně atd.) Pokud je chladnička chlazená vodou, odpojte ji a obraťte se na autorizovaný servis.
- Nikdy nepřipojujte chladničku k zařízením šetřícím energii. Tyto systémy jsou pro výrobek škodlivé.
- Při demontáži krytu elektronické desky a zadního krytu kompresoru (je-li namontován) hrozí nebezpečí kontaktu s elektrickými částmi.

Neodstraňujte kryt elektronické desky a zadní kryt kompresoru (je-li namontován). Nebezpečí úrazu elektrickým proudem!

1.6 Provozní bezpečnost

- Nikdy na výrobek nepoužívejte chemická rozpouštědla. Tyto materiály představují riziko výbuchu.
- V případě poruchy spotřebiče jej odpojte a neprovozujte ho až do jeho opravy autorizovaným servisem. Nebezpečí úrazu elektrickým proudem!
- Na spotřebič ani do jeho blízkosti neumísťujte zdroj ohně (např. svíčky, cigarety atd.).
- Nevylézejte na výrobek. Riziko pádu a zranění!
- Použitím ostrých a špičatých nástrojů nezpůsobte poškození potrubí chladicího systému. Chladivo, které se v případě propíchnutí plynových potrubí prodloužení potrubí nebo vrchních povrchových vrstev rozstříkne, může způsobit podráždění kůže a poranění očí.

- Uvnitř chladniček / mrazniček neumisťujte a nepoužívejte elektrické spotřebiče, pokud to nedoporučí výrobce.
- Nedotýkejte se žádnými částmi rukou nebo těla pohyblivých částí uvnitř produktu. Dávejte pozor, abyste si nezachytili prsty mezi chladničku a její dveřmi. Při otevírání a zavírání dveří buďte opatrní, pokud jsou v blízkosti děti.
- Nevkládejte do svých úst zmrzlinu, kostky ledu ani mražené jídlo, po okamžitém výběru z mrazničky. Riziko omrzlin!
- Nedotýkejte se vnitřních stěn, kovových částí mrazničky ani potravin uvnitř chladničky mokřýma rukama. Riziko omrzlin!
- Do mrazicích přihrádky nepokládejte plechovky na sody nebo plechovky a lahve, které obsahují tekutiny, které mohou zamrznout. Plechovky nebo lahve mohou explodovat. Riziko poranění a věcných škod!
- V blízkosti chladničky nepoužívejte ani neumisťujte materiály citlivé na teplotu, jako jsou hořlavé spreje, hořlavé předměty, suchý led nebo jiné chemické látky. Nebezpečí požáru a výbuchu!
- Uvnitř produktu neskladujte výbušné materiály, jako jsou aerosolové plechovky, s hořlavými materiály.
- Neumisťujte plechovky s tekutinami nad výrobek v otevřeném stavu. Stríkájící voda na elektrické části může způsobit úraz elektrickým proudem nebo požár.
- Z důvodu rizika rozbití neukládejte v mrazicím prostoru skleněné nádoby s tekutinou uvnitř.
- Tento spotřebič není určen pro skladování a chlazení léků, krevní plazmy, laboratorních přípravků nebo podobných materiálů a výrobků, na které se vztahuje směrnice o zdravotnických výrobcích.
- Pokud se výrobek nepoužívá na stanovený účel, může způsobit poškození nebo poškození výrobků uchovávaných uvnitř.
- Pokud je vaše chladnička vybavena modrým světlem, nedívejte se na toto světlo pomocí optických zařízení. Nedívejte se dlouho přímo na UV LED světlo. Ultrafialové paprsky mohou způsobit namáhání očí.

- Výrobek nenaplňujte větším množstvím obsahu, než je jeho kapacita. Pokud po otevření dvířek obsah chladničky vypadne, může dojít ke zranění nebo poškození. Podobné problémy se též mohou vyskytnout při umístění předmětu na spotřebič.
- Ujistěte se, že jste odstranili všechny led nebo vodu, které se mohly vylít na zem, abyste předešli zraněním.
- Místo stojanů / stojanů na láhve ve dveřích chladničky vyměňujte pouze tehdy, když jsou stojany prázdné. Nebezpečí úrazu!
- Na výrobek nepokládejte předměty, které by mohly spadnout nebo se převrátit. Tyto předměty mohou spadnout při otevírání nebo zavírání dveří a způsobit zranění nebo materiální škody.
- Na skleněné povrchy nevystavujte nadměrný tlak. Rozbité sklo může způsobit zranění nebo materiální škody.
- Chladicí systém ve vašem spotřebiči obsahuje chladivo R600a. Typ chladiva použitého ve spotřebiči je uveden na typovém štítku. Tento plyn je hořlavý. Z toho důvodu při manipulaci se spotřebičem buďte opatrní, abyste nepoškodili chladicí systém a potrubí. V případě poškození potrubí;
 1. Nedotýkejte se produktu ani napájecího kabelu,
 2. Chraňte spotřebič před potenciálními zdroji ohně, které mohou způsobit vzplanutí produktu.
 3. Větrejte prostor, kde je výrobek umístěn. Nepoužívejte ventilátor.
 4. Kontaktujte autorizovaný servis.

Pokud je výrobek poškozen a zjistíte únik plynu, držte se dál od plynu. Plyn může způsobit omrzliny, pokud se dostane do kontaktu s pokožkou. Před likvidací starých spotřebičů, které se již nebudou dále používat:

 1. Odpojte napájecí kabel ze zásuvky.
 2. Odřízněte napájecí kabel a vyjměte ho ze spotřebiče spolu se zástrčkou.
 3. Nevybírejte stojany a zásuvky ze spotřebiče, abyste zabránili vniknutí dětí do zařízení.
 4. Odstraňte dveře.
 5. Spotřebič skladujte tak, aby se nemohl převrátit.
 6. Nedovolte dětem hrát si s vyřazeným spotřebičem.

- Nevyhazujte spotřebič do ohně. Nebezpečí exploze.
- Pokud je ve dveřích spotřebiče k dispozici zámek, uchovávejte klíč mimo dosah dětí.

1.7 Bezpečnost skladování potravin

Dbejte na následující upozornění, abyste zabránili znehodnocení potravin:

- Dlouhodobé ponechání otevřených dvířek může způsobit zvýšení teploty uvnitř výrobku.
- Pravidelně čistěte přístupné odtokové systémy, které přicházejí do styku s potravinami.
- Vyčistěte nádrže na vodu, které se nepoužívaly 48 hodin, a vodovodní systémy, které se nepoužívaly více než 5 dní.
- Syrové masné a rybí výrobky skladujte ve vhodných přihrádkách v rámci výrobku. Proto nekape na jiné potraviny ani s nimi nepřichází do kontaktu.
- Dvouhvězdičkové mrazící přihrádky se používají pro skladování předem naplněných potravin, výrobu a skladování ledu a zmrzliny.

- Přihrádky s jednou, dvěma a třemi hvězdičkami nejsou vhodné pro zmrazování čerstvých potravin.
- Pokud chladicí výrobek zůstal delší dobu prázdný, vypněte jej, rozmrazte, vyčistěte a vysušte, abyste ochránili kryt výrobku.

1.8 Bezpečnost údržby a čištění

- Před čištěním nebo zahájením údržby chladničku odpojte od elektrické sítě.
- Pokud produkt přemísťujete za účelem čištění, netahejte za kliku dveří. Pokud je rukojeť přitažená příliš silně, může způsobit zranění.
- Nevkládejte své ruce a pod chladničku. Může dojít k zaseknutí nebo jakákoli ostrá hrana může způsobit poranění osob.
- Nečistěte výrobek stříkáním nebo vylitím vody na produkt a do něj. Nebezpečí úrazu elektrickým zásahem a ohněm.
- Při čištění výrobku nepoužívejte ostré a abrazivní nástroje ani domácí čistící prostředky, saponáty, plyn, benzín, ředidlo, alkohol, lak a podobné látky. Uvnitř produktu

používejte pouze čisticí a údržbářské prostředky, které nejsou škodlivé pro potraviny.

- Nikdy nepoužívejte páru nebo čisticí prostředky s párou pro spotřebiče a tání ledu uvnitř. Pára přichází do styku s živými částmi chladničky a způsobuje zkrat nebo úraz elektrickým proudem!
- Dbejte na to, aby se voda nedostala do větracích otvorů, elektronických obvodů nebo osvětlení výrobku.
- Použijte čistý suchý hadřík na otření prachu nebo cizích materiálů z koncovek zástrček. K čištění zástrčky nepoužívejte navlhčený hadřík nebo látku. V opačném případě může dojít k požáru nebo úrazu elektrickým proudem.



1.9 Likvidace starého výrobku

Při likvidaci starého výrobku postupujte podle níže uvedených pokynů:

- Abyste zabránili náhodnému uzamčení dětí ve výrobku, pokud je k dispozici zámek dveří, zneškodněte jej.
- Stříkající chladicí kapalina je škodlivá pro oči. Při likvidaci výrobku nepoškozujte žádnou část chladicího systému.
- Požití kompresorového oleje nebo jeho vniknutí do dýchacích cest může mít smrtelné následky.
- Chladicí systém vašeho výrobku obsahuje plyn R600a, jak je uvedeno na typovém štítku. Tento plyn je hořlavý. Nevyhazujte spotřebič do ohně. Nebezpečí exploze!
- C-Pentan se používá jako nadouvadlo v izolační pění a je to hořlavá látka. Nevyhazujte spotřebič do ohně.

CS

2 Pokyny pro ochranu životního prostředí

2.1 Soulad se směrnicí WEEE a Odstranění odpadů výrobku



Tento výrobek splňuje požadavky směrnice WEEE EU (2012/19 / EU). Na tomto produktu je zobrazen symbol klasifikace odpadu elektrických a elektronických zařízení

(OEEZ).

Tento symbol znamená, že na konci své životnosti se tento výrobek nesmí likvidovat spolu s ostatním domovním odpadem. Použité zařízení se musí odnést na oficiální sběrné místo pro recyklaci elektrických a elektronických zařízení. Chcete-li najít tato místa sběru, obraťte se na místní úřady nebo na prodejce, u kterého byl produkt zakoupen. Každá domácnost plní důležitou úlohu při zhodnocování a recyklaci starých zařízení. Správná likvidace použitého

spotřebiče pomáhá předcházet možným negativním následkům pro životní prostředí a lidské zdraví.

Soulad se směrnicí RoHS:

Výrobek, který jste si zakoupili, je v souladu se směrnicí EU RoHS (2011/65/EU).

Neobsahuje škodlivé a zakázané látky uvedené ve směrnici.

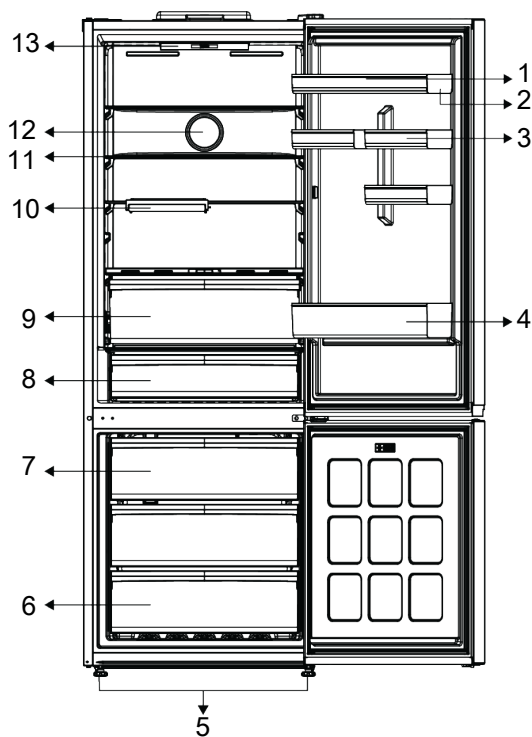


Informace o obalu

Obalové materiály výrobku jsou vyrobeny z recyklovatelných materiálů v souladu s našimi národními předpisy o životním prostředí. Nevyhazujte obalové materiály spolu s domácími nebo jinými odpady. Vezměte je do sběrných míst pro obalové materiály určené místními orgány.

CS

3 Vaše chladnička



- | | |
|--------------------------------|-------------------------------|
| 1 Držák na vejce | 2 Nastavitelná dvevní polička |
| 3 * Malá dvevní polička | 4 Držák na láhve |
| 5 Nastavitelné stojany | 6 Části mrazáku |
| 7 Nádobice Icebox | 8 Chladicí zásuvka |
| 9 Nádobice na ovoce a zeleninu | 10 * Sklopná police |
| 11 Nastavitelná police | 12 Ventilátor |
| 13 Světlo | |

***Volitelně:** Údaje v této uživatelské příručce jsou schematické a nemusí přesně odpovídat vašemu výrobku. Pokud váš výrobek neobsahuje příslušné části, tyto informace se vztahují na ostatní modely.

4 Instalace



Nejdříve si přečtěte část "Bezpečnostní pokyny"!

4.1 Správné místo pro instalaci

Pro instalaci výrobku se obraťte na autorizovaný servis. Pro přípravu spotřebiče pro instalaci vyhledejte informace v uživatelské příručce a ujistěte se, že jsou k dispozici požadované elektrické a vodovodní nástroje. Pokud ne, pro uspořádání těchto nástrojů podle potřeby se obraťte na elektrikáře a vodoinstalatéry.



UPOZORNĚNÍ:

Výrobce nenese žádnou odpovědnost za škodu způsobené prací vykonanou neoprávněnými osobami.



UPOZORNĚNÍ:

V průběhu instalace musí být napájecí kabel tohoto výrobku odpojen. Pokud tak neučiníte, může to mít za následek smrt nebo vážné zranění!



UPOZORNĚNÍ:

Pokud je rozpětí dveří příliš úzké pro přenesení výrobku, odmontujte dveře a otočte produkt na bok, pokud to nefunguje, obraťte se na autorizovaný servis.

- Pro zabránění vibracím umístěte výrobek na rovný povrch.
- Umístěte výrobek alespoň 30 cm od radiátorů, kamen a podobných tepelných zdrojů a alespoň 5 cm od elektrických trub

- Nevystavujte výrobek přímému slunečnímu záření nebo jej neponechávejte ve vlhkém prostředí.
- Aby Váš výrobek účinně fungoval, vyžaduje dostatečný oběh vzduchu. Pokud bude výrobek umístěn ve výklenku, nezapomeňte mezi výrobkem a stropem, zadní stěnou a bočními stěnami ponechat volný prostor nejméně 5 cm.
- Zkontrolujte, zda je na svém místě součástka zajišťující ochranný odstup od zdi (pokud je dodána s výrobkem).
- Pokud součástka není k dispozici, nebo pokud se ztratila nebo upadla, umístěte výrobek tak, aby mezi zadní stěnou výrobků a stěnou místnosti zůstal volný prostor nejméně 5 cm. Volný prostor vzadu je důležitý pro účinný provoz výrobku.

4.2 Elektrické připojení



Pro napájení nepoužívejte rozšířené nebo sdružené zásuvky.



Poškozený napájecí kabel musí být vyměněn autorizovaným servisem.

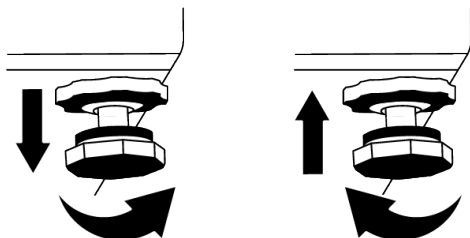


Při umístění dvou chladniček v přilehlé pozici, mezi dvěma jednotkami nechejte vzdálenost nejméně 4 cm.


- Naše společnost nenese zodpovědnost za případné škody vzniklé v důsledku použití bez uzemnění a připojení napájení v nesouladu s vnitrostátními předpisy.
- Zásuvka napájecího kabelu musí být snadno přístupná i po instalaci.
- Mezi zásuvkou a ledničkou nepoužívejte rozvodjku nebo prodlužovací kabel.

4.3 Nastavení nožek


Pokud výrobek není v rovnovážné poloze, nastavte přední nastavitelné stojany jejich otáčením směrem doprava nebo doleva.



5 Příprava

 Nejdříve si přečtěte část "Bezpečnostní pokyny"!

5.1 Co udělat pro úsporu energie

 Připojení výrobku k elektronickým systémům pro úsporu energie je škodlivé, protože může dojít k poškození výrobku.

- Tento chladicí spotřebič není určen k používání jako vestavný spotřebič.
- Nenechávejte dveře chladničky otevřeny po delší dobu.
- Nevkládejte do chladničky horké potraviny nebo nápoje.
- Nepřepíňujte chladničku; blokování vnitřního toku vzduchu sníží chladicí kapacitu.
- Protože horký a vlhký vzduch se nedostane přímo do vašeho výrobku, když nejsou dvířka zavřena, výrobek se optimalizuje ve stávajících podmínkách tak, aby jídlo uvnitř bylo bezpečně chráněno. Za těchto okolností budou funkce a součásti, jako jsou kompresor, ventilátor, ohřívač, rozmrazovač, osvětlení, displej atd., pracovat podle potřeb s minimální spotřebou energie.
- V případě, že je k dispozici více možností, skleněné police musí být umístěny tak, aby nebyly blokovány výstupy vzduchu na zadní stěně a nejlépe tak, aby výstupy vzduchu zůstaly pod skleněnou polici.

4.4 Výstraha před horkým povrchem

Boční stěny vašeho produktu jsou vybaveny trubkami chlazení, které vylepšují chladicí systém. Přes tyto povrchy může téct vysokotlaká kapalina, která může způsobit ohřev bočních stěn. Je to normální a nevyžaduje to údržbu. Při kontaktu s těmito oblastmi buďte opatrní.

CS

Tato kombinace může pomoci zlepšit distribuci vzduchu a energetickou účinnost.

- Při skladování důrazně doporučujeme použití spodní zásuvky.
- V závislosti na funkcích tohoto výrobku; rozmrazování zmrazených potravin v chladnějším prostoru zajistí úsporu energie a zachování kvality potravin.
- Chcete-li do mrazicího prostoru chladničky vložit maximální množství potravin, je třeba vyjmout horní zásuvky a potraviny umístit na drátěné/skleněné police.
- Jídlo ukládejte pomocí použití zásuvek v chladicím prostoru, s cílem zajištění úspory energie a ochrany potravin v lepších podmínkách.
- Balení potravin nesmí být v přímém kontaktu se snímačem teploty umístěným v mrazicím prostoru.

5.2 První uvedení do provozu

Před použitím chladničky se ujistěte, že byly provedeny všechny nezbytné přípravy v souladu s pokyny uvedenými v kapitolách "Bezpečnostní pokyny a životní prostředí" a "Instalace".

- Nechte výrobek běžet bez vloženého jídla v jeho nitru po dobu 6 hodin a neotvírejte dveře, pokud to není nezbytné.

- Změna teploty způsobená otevřením a zavíráním dvířek během používání výrobku může běžně vést ke kondenzaci na dveřích/policích a skleněných nádobách umístěných ve výrobku.



Když se kompresor zapne, uslyšíte zvuk. Je normální, že výrobek vydává hluk, i když kompresor není v provozu, protože v chladicím systému se může stlačovat kapalina a plyn.



Je normální, že se přední hrany chladničky ohřejí. Tyto oblasti jsou navrženy tak, aby se zahřál, s cílem zabránění kondenzace.



U některých modelů se panel indikátoru automaticky vypne po 1 minutách po zavření dveří. Znovu se aktivuje když se dveře otevřou nebo po stisknutí tlačítka.

6 Provoz spotřebiče



Nejdříve si přečtěte část "Bezpečnostní pokyny"!

- Na urychlení procesu rozmrazování nepoužívejte žádné mechanické nářadí ani jiné nářadí, jako jsou doporučené výrobcem.
- Nepoužívejte části chladničky, jako jsou dveře nebo zásuvky, jako podpěru nebo stupínek. Může to způsobit zakopnutí do produktu nebo poškození jeho komponent.
- Výrobek se používá pouze pro skladování potravin.

5.3 Klimatická třída a definice

Prohlédněte si klimatickou třídu na typovém štítku zařízení. Podle klimatické třídy se na vaše zařízení vztahuje jedna z následujících informací.

- **SN:** Dlouhodobé mírné podnebí: Toto chladicí zařízení je určeno k používání při teplotách okolí od 10 °C do 32 °C.
- **N:** Mírné podnebí: Toto chladicí zařízení je určeno k používání při teplotách okolí od 16 °C do 32 °C.
- **ST:** Subtropické podnebí: Toto chladicí zařízení je určeno k používání při teplotách okolí od 16 °C do 38 °C.
- **T:** Tropické podnebí: Toto chladicí zařízení je určeno k používání při teplotách okolí od 16 °C do 43 °C.

CS

- Pokud nebudete doma (např. dovolená) a nebudete delší dobu používat výrobek ledu Icematic nebo dávkovač vody, vypněte ventil vody. V opačném případě může dojít k úniku vody.

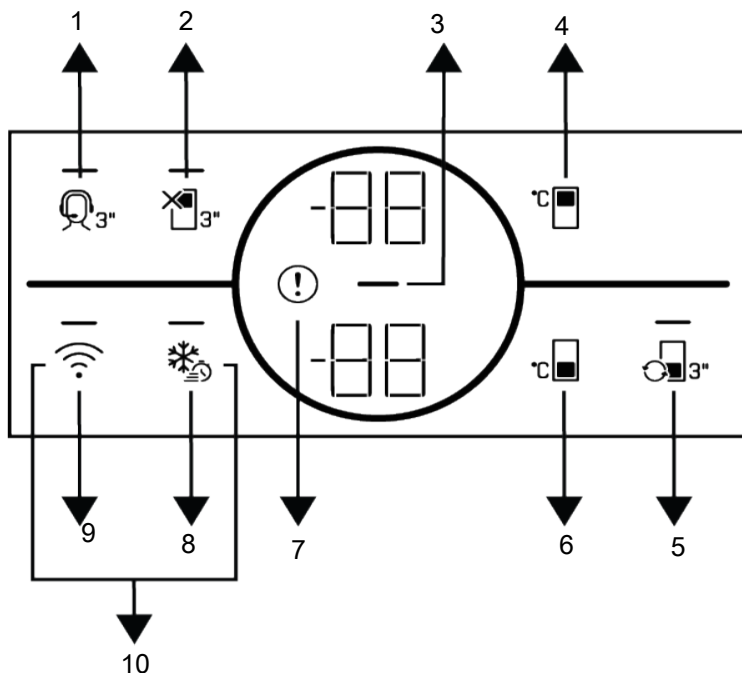
Odpojení výrobku od sítě

- Pokud výrobek nebudete delší dobu používat, odpojte jej ze zásuvky.
- Odstraňte něj jídlo, z důvodu zabránění zápachu,
- Počkejte, až led roztaje, vyčistěte interiér a nechte jej vyschnout, dveře nechte otevřené, aby se nepoškodily vnitřní plasty tělesa.

7 Používání vašeho spotřebiče

7.1 Ovládací panel produktu

CS



- | | |
|--|--|
| 1 * Tlačítko Podpůrné služby | 2 Funkční tlačítko vypnutí (Prázdniny) chladicího prostoru |
| 3 Kontrolka úspory energie (displej vypnutý) | 4 *Tlačítko nastavení teploty chladicího prostoru |
| 5 * Tlačítko přepínání prostoru | 6 Tlačítko nastavení teploty mrazicí části |
| 7 Indikátor poruchového stavu | 8 Tlačítko rychlého zmrazení / tlačítko nastavení funkce světla rukojeti |
| 9 * Bezdrátové tlačítko | 10 *Tlačítko resetování nastavení bezdrátového připojení |



Read the "Safety Instructions" section.

*Optional: Shown functions are optional, there may be differences of shape and location in functions found on your appliance's indicator panel.

Auditory and visual functions on the indicator panel will assist you in using the refrigerator.

1. *Support Service Key

Press this button for 3 seconds to activate the support service. Detailed information on the support service is provided in the "Support Service Feature" section.

2. Cooler Compartment Off (Vacation)

Function Key

Press the key for 3 seconds to activate the vacation function. Vacation mode is activated and the vacation symbol is illuminated. "-.-" shall be displayed on the Cooler Compartment temperature indicator and the cooler compartment does not actively perform cooling.

You should not keep your food in the cooler compartment if you activate this function. The other compartments continue to cool according to temperatures set before. Press the key for 3 seconds again to cancel this function.

3. Energy Saving (Display Off) Indicator

Energy saving function is enabled automatically and the energy saving symbol lights up when the door of the product is not opened or closed for some period of time. When the energy saving function is active, all symbols on the screen except the energy saving symbol will be turned off. When the energy saving function is active, if you press any key or open the door, the energy saving function will be deactivated and the symbols on the screen will return to normal. The energy saving function is a function activated ex-factory and cannot be cancelled.

4. *Cooler Compartment Temperature Setting Key

Allows setting of temperature for cooler compartment. Pressing this key will enable the cooler compartment temperature to be set at 8, 7, 6, 5, 4, 3, 2 and 1 °C.

5. *Compartment Conversion Key

Pressing compartment conversion key for 3 seconds, the freezer section switches between cooler, off and freezer modes.

If it is operated as the cooler compartment, the temperature of the compartment will be set as 4 °C. In the off mode, compartment temperature indicator shall display "-.-".

7. Error Condition Indicator

This indicator will be active when your refrigerator cannot perform adequate cooling or in case of any sensor error. "E" will be displayed on the freezer compartment temperature indicator and figures such as 1,2,3... will be displayed on the cooler compartment temperature indicator. These figures provide information to the authorized service on the error that has occurred.

Exclamation mark may be displayed for a while when you load warm food to the freezer compartment or keep the door open for a long period of time. This is not a fault, this warning will be removed when the food is cooled down or when any key is pressed.

8.Quick Freezing Key

When the quick freezing key is pressed the quick freezing symbol shall be illuminated and the quick freezing function shall be activated. The freezer compartment temperature is set to -27 °C. Press the key again to cancel the function. The quick freezing function will be cancelled automatically. To freeze a large amount of fresh food, press the quick freezing key before placing the food in the freezer compartment.

*Handle Light Function Setting Key

Handle light function might be switched between open and closed modes by pressing the quick freezing key for 3 seconds. In the closed mode, the handle light is only activated when the appliance door is opened and it goes out after a while after the door is closed. In the open mode, the handle light is activated when the appliance door is opened, the handle light stays on dimly after a while after the door is closed. The handle light function is set to the ex-factory closed mode.

9. *Wireless Key

When the key is pressed for a long period (3 seconds), the wireless connection symbol on the display/screen flashes slowly (at 0.5 second intervals). The home network is initialized on the product this way.

After achieving wireless connection with the product, wireless connection symbol illuminates continuously.

When the initial connection is established, you may activate/deactivate the connection with a short press on this key. The wireless connection symbol will flash quickly (at 0.2 second intervals) until the connection is established. When the connection is active, the wireless network symbol will illuminate continuously. If the connection cannot be established for a long period, check your connection settings and refer to the "Troubleshooting" section provided in the user manual.

7.2 Ukládání potravin v chladícím prostoru

Ukládání potravin v chladícím prostoru

- Pokud se dveře přihrádky často otevírají a zavírají a zůstávají dlouho otevřené, teplota v přihrádce se výrazně zvýší, což může snížit životnost potravin a způsobit jejich znehodnocení.
- Aby nedošlo ke změně zápachu a chuti, potraviny by měly být skladovány v uzavřených nádobách.
- V chladničce neskladujte příliš mnoho potravin. Chcete-li dosáhnout lepšího a homogennějšího chlazení, umístěte potraviny odděleně tak, aby jimi mohl proudit studený vzduch.
- Zajistěte proudění vzduchu ponecháním prostoru mezi potravinami a vnitřní stěnou. Pokud potraviny opřete o zadní stěnu, mohou zamrznout.
- Uvařená teplá jídla před uložením do chladničky zchladte na pokojovou teplotu. Potom můžete vlažný pokrm umístit do spodních polic chladničky. Vlažnou stravu neumísťujte do blízkosti potravin, které se mohou snadno pokazit.

HomeWhiz application will be used for wireless connection. The installation steps are described on the application during installation.

You may access the application by reading the QR code available on the HomeWhiz label on the product. Application is offered through App Store for IOS devices, and through Play Store for Android devices. Visit <https://www.homewhiz.com/> address for detailed information.

10. *Key for Resetting Wireless

Connection Settings

To reset the wireless connection settings, press on Quick freezing and Wireless connection keys simultaneously for 3 seconds. All user information recorded previously are removed on a product where wireless connection settings are reset/restored to factory defaults.

- Dávejte pozor zejména na to, abyste nemíchali potraviny prodávané jako zmrazené s čerstvými potravinami.
- Mražené potraviny rozmrazujte v přihrádce pro čerstvé potraviny. Tímto způsobem můžete chladit přihrádku na čerstvé potraviny pomocí mražených potravin a šetřit energii.
- Skladování nezralého tropického ovoce (mango, melouny, papája, banány, ananas) v chladničce může urychlit proces zrání. To se nedoporučuje, protože se tím zkrátí doba skladování.
- Cibuli, česnek, zázvor a jinou kořenovou zeleninu skladujte v tmavých a chladných prostorech, nikoli v chladničce.
- Pokud zjistíte, že se v chladničce pokazila nějaká potravina, vyhodte ji a vyčistěte příslušenství, které s ní přišlo do kontaktu.
- Abyste jídla, jako jsou polévky a dušená jídla, která se vaří ve velkých hrncích, rychle ochladila, můžete je dát do chladničky tak, že je rozdělíte do vlastních mělkých nádob.

- Neumisťujte nebalené potraviny do blízkosti vajec.
- Ovoce a zeleninu skladujte odděleně a jednotlivé druhy skladujte spolu (například jablka s jablky, mrkev s mrkví).
- Zelenou zeleninu vyjměte z plastového sáčku a po zabalení do papírového ručníku nebo sušící utěrky ji vložte do chladničky. Pokud tento typ potravin před uložením do chladničky omyjete, nezapomeňte je vysušit.
- Vlhké prostředí a zároveň proudění vzduchu vytvoříte tak, že ovoce a zeleninu, které jsou náchylné k vysychání, budete uchovávat v perforovaných nebo neuzavřených plastových sáčcích.
- Pokud je váš výrobek (v tabulce doporučených nastavených hodnot) nastaven na uvedené nastavené hodnoty, potraviny si kromě případů, kdy jsou v prostředí extrémní okolnosti, zachovají svou čerstvost delší dobu ve složce pro čerstvé výrobky i ve složce mrazničky.

Ukládejte potraviny na různá místa podle jejich vlastností:	
Potraviny	Umístění
Vajíčka	Polička ve dveřích
Mléčné výrobky (máslo, sýr)	Pokud je k dispozici, přihrádka s nulovým stupněm (pro snídani)
Ovoce, zelenina a zeleň	Přihrádka na ovoce a zeleninu, nádoba na ovoce a zeleninu (Crisper) nebo Přihrádka EverFresh+ (je-li k dispozici)
Čerstvé maso, drůbež, ryby, klobásy atp. Vařené potraviny	Pokud je k dispozici, přihrádka s nulovým stupněm (pro snídani)
Potraviny připravené k podávání, balené výrobky, konzervované potraviny a okurky	Horní police nebo dveřní polička
Nápoje, láhve, pepř a občerstvení	Polička ve dveřích

Ukládání potravin v mrazicím prostoru

- Funkci rychlého zmrazování můžete aktivovat 4-6 hodin před funkcí zmrazování a provést rychlejší chlazení.
- Teplé pokrmy před vložením do mrazicího prostoru zahřejte na pokojovou teplotu.
- Potraviny, které se mají zmrazit, rozdělte na porce s velikostí které lze konzumovat, a zmrazte je v samostatných balíčcích.
- Před vložením potravin do mrazničky se doporučuje jejich zabalení.
- Abyste zabránili uplynutí doby skladování, napište na obal datum, čas a název výrobku podle doby skladování různých potravin.
- Potraviny, které jste rozmrazili, rychle zkonzumujte. Rozmražené potraviny nelze znovu zmrazit, pokud nejsou tepelně zpracovány. Po rozmrazení není

bezpečné konzumovat opětovně zmražené čerstvé potraviny bez tepelné úpravy.

- Při zmrazování čerstvých potravin je nedávejte do kontaktu s již zmraženými potravinami. V opačném případě se zmražené potraviny rozmrazí.

Skladování potravin, které se prodávají zmražené

- Pokud jde o dobu, po kterou musíte potraviny skladovat, vždy se řiďte pokyny výrobce. Nepřekračujte čas uvedený v těchto pokynech!
- V zájmu ochrany kvality potravin dodržujte co nejkratší časový interval mezi nákupní transakcí a skladováním.
- Kupujte mražené potraviny, které jsou skladovány při teplotě -18 °C nebo nižší.
- Vyhněte se nákupu potravin, jejichž obaly jsou pokryty ledem atp. To znamená, že výrobek mohl být částečně rozmražen a znovu zmražen. Teplota ovlivňuje kvalitu potravin.

- Nepřekračujte dobu skladování doporučenou výrobcem potravin. Z mrazničky vyjměte jen tolik potravin, kolik potřebujete.
- Pokud je váš výrobek (v tabulce doporučených nastavených hodnot) nastaven na uvedené nastavené hodnoty, potraviny si kromě případů, kdy jsou v prostředí extrémní okolnosti, zachovají svou čerstvost delší dobu ve složce pro čerstvé výrobky i ve složce mrazničky.
- Pokud je přihrádka na čerstvé potraviny nastavena na nižší teplotu, čerstvé ovoce a zelenina mohou být částečně zmrazeny.
- Dvuhvězdičkové přihrádky jsou vhodné pro předmražené potraviny. Lze v nich skladovat zmrzlinu a kostky ledu.
- Nezmrazujte potraviny v přihrádkách s jednou, dvěma a třemi hvězdičkami.

Maso a ryby		Příprava	Nejdelší doba skladování (měsíce)	
Masné výrobky	Telecí	Steak	Nakrájejte je o tloušťce 2 cm a položte mezi ně fólii nebo jejich pevně obalte strečovou fólií	6-8
		Vyprážení	Zabalte kousky masa nebo jejich pevně obalte strečovou fólií	6-8
		Kostky	Na malé kousky	6-8
		Řízky, kotlety	Umístěním fólie mezi nakrájené plátky nebo jejich pevně obalte strečovou fólií	6-8
	Ovčí maso	Kotlety	Umístěním fólie mezi kousky masa nebo je speciálně obalte strečovou fólií	4-8
		Vyprážení	Zabalte kousky masa nebo jejich pevně obalte strečovou fólií	4-8
		Kostky	Zabalte mleté maso do mrazicího sáčku, nebo jej pevně obalte strečovou fólií	4-8
	Hovězí maso	Vyprážení	Zabalte kousky masa nebo jejich pevně obalte strečovou fólií	8-12
		Steak	Nakrájejte je o tloušťce 2 cm a položte mezi ně fólii nebo jejich pevně obalte strečovou fólií	8-12
		Kostky	Na malé kousky	8-12
		Vařené maso	Zabalte ho v malých kouscích do kapsy na mrazení	8-12
	Mleté maso	Bez koření, v plochých pytlích	1-3	
	Droby (kusy)	V kouscích	1-3	
	Fermentovaná klobása - salám	Je třeba je zabalit, i když mají vlastní obal.	1-3	
	Šunka	Umístěním fólie mezi nakrájené plátky	2-3	
Drůbež a zvěřina	Kuřecí a krůtí maso	Zabalením do fólie	4-6	
	Hus	Zabalením do fólie (porce by neměly přesáhnout 2,5 kg)	4-6	
	Kachna	Zabalením do fólie (porce by neměly přesáhnout 2,5 kg)	4-6	
	Jelen, králík, srnka	Zabalením do fólie (porce by neměly přesáhnout 2,5 kg a jejich kosti musí být odděleny)	6-8	

Maso a ryby		Příprava	Nejdelší doba skladování (měsíce)	
Ryby a mořské plody	Sladkovodní ryby (pstruh, kapr, jeřáb, sumec)	Po důkladném vyčištění vnitřností a šupin jejich omyté a vysušte a v případě potřeby jim odříznete ocasní a hlavové části.	2-	
	Libové ryby (mořský vlk, pakambala velká, mořský jazyk)		4-6	
	Mastné ryby (bonito, makrela, lufara, parma, ančovičky)		2-4	
	Měkkýši		Vyčištěné a v pytlích	4-6
	Kaviár		Ve vlastním obalu, v hliníkových nebo plastových nádobách	2-3

CS

"Čas skladování uvedený v tabulce je založen na skladovací teplotě -18 °C."

Ovoce a zelenina	Příprava	Nejdelší doba skladování (měsíce)
Fazole	Po umytí a nakrájení na malé kousky šokovým varem po dobu 3 minuty	10-13
Zelený hrách	Po vyloupení a umytí šokovým varem 2 minuty	10-12
Zelí	Po vyčištění šokovým varem 1 - 2 minuty	6-8
Mrkev	Po umytí a nakrájení na malé kousky šokovým varem po dobu 3-4 minuty	12-
Pepř	Po odříznutí stonky, rozdělením na dvě části a oddělením semen vařením po dobu 2 - 3 minuty	8-10
Špenát	Po umytí a očištění šokovým varem 2 minuty	6-9
Pór	Po nasekáním a vyčištění šokovým varem 5 minut	6-8
Květák	Po oddělení listů a nakrájení jádra na kousky šokovým varem v troše citrónové vody po dobu 3 - 5 minut	10-12
Lilek	Po umytí a nakrájení na 2 cm kousky šokovým varem po dobu 4 minuty	10-12
Dýně	Po umytí a nakrájení na 2 cm kousky šokovým varem po dobu 2- 3 minuty	8-10
Hřibý	Zlehka osmahneme na oleji a vytlačíme na něm citron	2-3
Kukuřice	Očištěním a zabalením jako palice nebo zrno	12-
Jablka a hrušky	Po očištění a nakrájení šokovým varem po dobu 2-3 minuty	8-10
Meruňky a broskve	Rozdělíme na polovinu a vybereme pecky	4-6
Jahody a maliny	Po umytí a oloupání	8-12
Pečené ovoce	Přidáním 10% cukru do nádoby	12-
Švestky, třešně, višně	Po umytí a odstranění stopek	8-12

"Čas skladování uvedený v tabulce je založen na skladovací teplotě -18 °C."

Mléčné výrobky.	Příprava	Nejdelší doba skladování (měsíce)	Podmínky skladování
Sýr (kromě sýra feta)	Umístěním fólie mezi nakrájené plátky	6-8	Může být ponechán v původním obalu na krátkodobé uskladnění. Na dlouhodobé skladování zabalte do alobalu nebo plastové fólie.
Máslo, margarín	Ve vlastním obalu	6-	Ve vlastním obalu nebo v plastových nádobách

"Čas skladování uvedený v tabulce je založen na skladovací teplotě -18 °C."

"Množství čerstvých potravin, které lze zmrazit po určité době, je uvedeno na typovém štítku."

Mrazicí prostor Nastavení	Chladicí prostor Nastavení	Poznámky
-20°C	4°C	Toto je výchozí, doporučené nastavení. Toto nastavení se doporučuje, pokud je okolní teplota nižší než 30°C.
-22 nebo -24 °C	4°C	Tyto nastavení se doporučují pro teploty nad 30 ° C.
Quick Freeze - Rychlé mrazení	4°C	Použijte, když chcete zmrazit vaše potraviny krátké době. Po skončení procesu se nastavení výrobku vrátí do předchozí polohy.
-18°C nebo nižší	2°C	Použijte toto nastavení, pokud si myslíte, že chladicí prostor není dostatečně studený vzhledem k teplotě prostředí nebo časté otevírání dveří.

Podrobnosti o mrazničce

Podle normy IEC 62552 musí mít mraznička kapacitu pro zmrazení 4,5 kg potravin při teplotě -18°C nebo nižší při pokojové teplotě 25°C za 24 hodin na každých 100 litrů objemu mrazicího prostoru.

Potraviny mohou být zachovány po delší dobu pouze při teplotě do teploty -18 °C. Potraviny můžete udržovat čerstvé po dobu několika měsíců (v mrazničce na nebo pod teplotou -18 °C).

Potraviny které mají být zmrazeny nesmí přijít do kontaktu s již zmrazenými potravinami uvnitř mrazničky z důvodu zabránění jejich částečnému rozmrazení. Zeleninu uvařte a vodu odfiltrujte pro prodloužení doby zmrazeného skladování. Po filtraci dejte jídlo do vzduchotěsných balení a umístěte jej v mrazničce. Banány, rajčata, hlávkový salát, celer, vařené vejce, brambory a podobné potraviny

nezmrazujte. V případě, že jsou tyto potraviny zmrazeny, negativně to ovlivní jen jejich výživové hodnoty a konzumní vlastnosti. Nejedná se o hnilobu, která by ohrožovala lidské zdraví.

Umístění potravin

Police v mrazicím prostoru: Různé mražené potraviny jako maso, ryby, zmrzlina, zelenina atp.

Police v chladicím prostoru: Potraviny uvnitř hrnců, talíře s uzávěrem a obaly s uzávěrem, vejce (v uzavřeném obalu)

Poličky na dveřích chladicího prostoru: Malé a balené potraviny nebo nápoje

Crisper: Zelenina a ovoce

Příhrádka na čerstvé potraviny: Lahůdky (snídaně, masné výrobky spotřebované v krátkém čase)

7.3 Nádoba na ovoce a zeleninu (Crisper)

Nádoba na ovoce a zeleninu (Crisper) je navržena tak, aby udržovala zeleninu čerstvou díky zachování její vlhkosti. Za tímto účelem je celková cirkulace chladného vzduchu v nádobě na ovoce a zeleninu (Crisper) intenzivnější. Skladujte ovoce a zeleninu v tomto prostoru. Udržujte zelené, listnaté zeleniny a ovoce odděleně, aby se prodloužila jejich životnost.

7.4 Nádoba na ovoce a zeleninu (Crisper) s regulací vlhkosti

Everfresh

Díky funkci Crisper s regulací vlhkosti se vlhkost zeleniny a ovoce udržuje pod kontrolou a potraviny zůstávají déle čerstvé.

Listovou zeleninu, jako je salát, špenát a podobná zelenina, která je citlivá na ztrátu vlhkosti, doporučujeme umístit do nádoby na ovoce a zeleninu (Crisper) ne svisle na kořenech, ale co nejvíce vodorovně.

Při umísťování zeleniny, uložte těžkou a tvrdou zeleninu na dno a lehkou a měkkou na vrchol, s přihlédnutím na specifické hmotnosti zeleniny.

Nikdy nenechávejte zeleninu v plastových sáčcích v nádobě na ovoce a zeleninu (Crisper). Ponechání v igelitových sáčcích způsobí, že zelenina shnije v krátké době.

V situacích, kde kontakt s ostatní zeleninou není vhodný, použijte obalový materiál, jako je papír, který má určitou pórovitost v souladu s hygienou.

Nedávejte plody, které mají vysokou produkci plynu ethylenu, jako jsou hrušky, meruňky, broskve a zejména jablka do společného zeleninového zásobníku s jinou zeleninou a ovocem. Plyn etylen vycházející z těchto plodů může způsobit, že ostatní zelenina a ovoce budou zrást rychleji a začnou hnit v kratším časovém období.

7.5 Technologie Crisper

Modré světlo

Ovoce a zelenina uložené v přihrádce na ovoce a zeleninu, které jsou osvětleny modrým světlem, pokračují ve své fotosyntéze účinkem vlnové délky modrého světla a zachovávají si tak obsah vitamínů.

HarvestFresh

Ovoce a zelenina uložené v přihrádce na ovoce a zeleninu které jsou osvětleny technologií HarvestFresh si zachovávají své vitamíny déle díky cyklu s modrým, zeleným, červeným světlem a tmou, které simulují denní cyklus.

Když jsou dveře vaší chladničky otevřeny během tmavého období technologie HarvestFresh, vaše chladnička to automaticky rozpozná a pro vaše pohodlí rozsvítí ostřejší jedno z modrých, zelených nebo červených světél. Po zavření dvířek chladničky bude tmavá perioda pokračovat a bude představovat noční čas v denním cyklu.

7.6 Oblast chladicího prostoru mléčných výrobků

Chladicí zásuvka

V Chladicí zásuvce lze dosáhnout nižších teplot. Tuto zásuvku používejte na lahůdkářské výrobky (salámy, klobásy atd.) a mléčné výrobky, které vyžadují chladnější skladovací podmínky, nebo na maso, kuřecí maso nebo ryby, které mají být rychle spotřebovány. V této zásuvce není vhodné skladovat ovoce a zeleninu.

7.7 Prostor pro uskladnění ledu

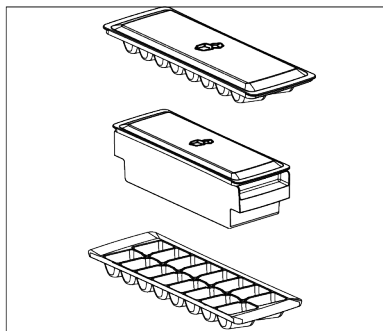
Nádoba na led

Kbelík na led vám umožní snadno vyjmout led z chladničky.

Používání kbelíku s ledem

1. Vyjměte kbelík s ledem z mrazicího prostoru.
2. Naplňte nádobu na led vodou.
3. Vložte nádobu na led do mrazničky. Led bude připraven asi po dvou hodinách.

4. Vezměte nádobu na led z mrazáku a opatrně ji ohněte nad držákem, který budete podávat. Led se lehce nasype do držáku na servírování.



7.8 Obrácení strany otevírání dveří

Strana otevírání dveří chladničky může být otočena podle místa, na které ji umístíte. Pokud to potřebujete udělat, vždy zavolejte nejbližší autorizovaný servis.

7.9 Upozornění na otevřené dveře

Systém upozornění na otevřené dveře chladničky se může lišit v závislosti na modelu.

Verze 1;

Pokud dveře výrobku zůstanou otevřené určitou dobu (od 60 s do 120 s), zazní zvukový výstražný signál; v závislosti na modelu výrobku se může zobrazit také vizuální výstražný signál (světelný záblesk). Pokud zavřete dveře zařízení nebo stisknete tlačítko na obrazovce zařízení, pokud takové je, výstražný zvuk se zastaví.

Verze 2;

Pokud dveře zařízení zůstanou otevřené určitou dobu (od 60 s do 120 s), zazní upozornění na otevřené dveře. Upozornění na otevřené dveře se ozývá postupně. Nejprve se spustí zvukové varování. Pokud dveře stále nejsou zavřené, po 4 minutách se aktivuje vizuální upozornění (světelný záblesk). Upozornění na otevřené dveře se zpozdí o určitý čas (od 60 s do 120 s), když se stiskne libovolné tlačítko na obrazovce produktu, pokud takové je. Potom se

proces začne znovu. Když jsou dveře zařízení zavřené, upozornění na otevřené dveře se zruší.

7.10 Výměna osvětlovací lampy

Při výměně žárovky/LED, která se používá k osvětlení v chladničce, zavolejte autorizovaný servis.

Lampa/y, použité v tomto zařízení není možné použít pro osvětlení domu. Účel použití tohoto světla je pomoci uživateli umístit potraviny do chladničky / mrazničky bezpečně a pohodlně.

7.11 AeroFlow

Jedná se o systém distribuce vzduchu, který zajišťuje homogenní rozložení teploty. Díky cirkulaci vzduchu je v prostoru pro skladování čerstvých potravin zajištěno homogenní rozložení teploty a výkyvy teploty se udržují na nízké úrovni. Nad potravinami nefouká přímý vzduch, což pomáhá snižovat ztráty vlhkosti. Zachovává čerstvost potravin uložených v přihrádce na čerstvé potraviny v chladničce. Takto se potraviny skladují při stabilnějších teplotách a snižuje se jejich kontakt se vzduchem. Zabraňuje se vysušování a smršňování potravin ztrátou vlhkosti a zajišťuje se jejich delší čerstvost.

7.12 Ventilátor

Ventilátor je navržen tak, aby v něm byl studený vzduch distribuován rovnoměrně a také rovnoměrně cirkuloval. Provozní doba ventilátoru se může měnit v závislosti na vlastnostech výrobku.

Zatímco u některých výrobků ventilátor pracuje pouze s kompresorem, u jiných výrobků je doba, po kterou ventilátor pracuje, určena řídicím systémem, a to podle potřeby chlazení.

7.13 Držák na vejce

Držák na vajíčka můžete umístit na dveře nebo policičku na korpusu dle vlastního uvážení.

Pokud má být držák na vejce umístěn na polici korpusu, doporučujeme vám vyjmout chladnější spodní police.



Nikdy neumisťujte držák na vejce do mrazicího prostoru

8 Údržba a čištění



UPOZORNĚNÍ:

Nejdříve si přečtěte část "Bezpečnostní pokyny"!



UPOZORNĚNÍ:

Před čištěním chladničku odpojte od elektrické sítě.

- K čištění produktu nepoužívejte ostré ani drsné nástroje. Nepoužívejte materiály, jako jsou čisticí prostředky pro domácnost, mýdlo, čisticí prostředky, plyn, benzín, ředidlo, alkohol, vosk atd.
- Prach se musí z ventilační mřížky na zadní straně produktu odstranit nejméně jednou ročně (bez otevření krytu). Výrobek čistěte suchým hadříkem.
- Dávejte pozor, aby se voda nedostala do krytu lampy a jiných elektrických částí.
- Očistěte dveře pomocí vlhkého hadříku. Odstraňte veškerý obsah, abyste odstranili dveře a poličky. Zvednutím nahoru vyberte poličky ve dveřích. Vyčistěte a osušte police, pak je umístěte zpět na jejich místo zasunutím shora.
- Nepoužívejte chlorovanou vodu nebo čisticí prostředky na vnějším povrchu a pochromovaných částech výrobku. Chlor může na takových kovových površích způsobit korozi.
- Nepoužívejte ostré a abrazivní nástroje, mýdlo, čisticí prostředky, čisticí prostředky, plyn, benzín, laky a podobné látky, abyste zabránili deformaci plastové části a odstranění otisků na ní. K čištění použijte teplou vodu a měkký hadřík a usušte do sucha.
- Na výrobcích bez funkce No-Frost se mohou na zadní stěně mrazničky nacházet kapky vody a námraza až do tloušťky prstu. Nečistěte a nikdy nenanášejte oleje ani podobné materiály.

- K čištění vnějšího povrchu výrobku používejte mírně navlhčený hadřík z mikrovlákna. Houby a jiné druhy čisticích oděvů mohou způsobit škrábance.
- Chcete-li během čištění vnitřního povrchu výrobku vyčistit všechny odnímatelné komponenty, omyjte tyto komponenty slabým roztokem sestávajícím z mýdla, vody a uhličitanu. Umyjte a důkladně osušte. Zabraňte kontaktu vody s prvky osvětlení a ovládacího panelu.



UPOZORNĚNÍ:

Na žádný vnitřní povrch nepoužívejte ocet, líh nebo jiné čisticí prostředky na bázi alkoholu.

Vnější povrchy z nerezavějící oceli

Na nerezovou ocel použijte neabrazivní čisticí prostředek a naneste ho měkkým hadříkem, který nepouští vlákna. Pro leštění, povrch jemně otřete hadříkem z mikrovlákna navlhčeným ve vodě a použijte suchou jelení kůži. Vždy sledujte žíly nerezavějící oceli.

Čištění výrobků se skleněnými dveřmi

Ze skel odstraňte ochrannou fólii.

Na vnitřním povrchu bubnu je povlak. Tento povlak minimalizuje tvorbu skvrn a poskytuje snadné čištění od vzniklých skvrn a nečistot. Na sklo bez ochranného nátěru se mohou rychle a snadno natrvalo navázat organické nebo anorganické nečistoty přenášené vzduchem a vodou, jako jsou vápenc, minerální soli, nespálené uhlovodíky, oxidy kovů a silikony, které způsobují skvrny a fyzické poškození. Navzdory pravidelnému čištění je udržování čistoty skla velmi obtížné, ne-li nemožné. V důsledku toho se zhoršuje průhlednost a

CS

vzhled skla. Drsné a abrazivní čisticí metody a směsi tyto defekty ještě zhoršují a urychlují proces degradace.

Pro běžné čisticí procesy se používají * zásadité a nekorozivní čisticí prostředky na bázi vody.

Pro zvýšení odolnosti těchto skel proti nárazům a rozbití se používá proces temperování.

Jako další bezpečnostní opatření, na zadních površích těchto skel byly aplikovány bezpečnostní fólie aby se zabránilo poškození životního prostředí v případě, že se rozbijí.

Předcházení zápachům

Výrobek je vyroben bez jakýchkoliv pachových látek. Nicméně, udržování jídla v nesprávných částech a nesprávné čištění vnitřních povrchů může vést k zápachu.

- Aby k tomu nedošlo, očistěte vnitřek se sodovou vodou každých 15 dní.
- Potraviny uchovávejte v uzavřených nádobách, protože mikroorganismy vznikající z potravin uchovávaných v neuzavřených nádobách způsobují nepříjemný zápach.
- Nenechávejte potraviny se zašlým datem spotřeby a zkažené potraviny v chladničce.

Ochrana plastových povrchů

Olaj vyteklý na plastové povrchy může poškodit povrch a musí být ihned umytý teplou vodou.

9 Řešení problémů

Než se obrátíte na servis, viz následující seznam. Může Vám to ušetřit čas i peníze. Tento seznam obsahuje časté stížnosti, které nejsou spojeny s vadným zpracováním nebo poškozením materiálu. Některé funkce uvedené v tomto dokumentu se nemusí vztahovat na váš produkt.

Chladnička nefunguje.

- Zástrčka není úplně nasazena. >>> Zapojte ji úplně do zásuvky.
- Pojistka připojená do zásuvky která napájí produkt nebo hlavní pojistka je spálená. >>> Zkontrolujte pojistku.

Kondenzace na boční stěně chladicího prostoru (MULTI ZÓNA, CHLADÍCÍ, KONTROLNÍ a FLEXI ZÓNA).

- Dveře se otevírají příliš často. >>> Dbejte na to, abyste dveře výrobku neotevírali příliš často.
- Prostředí je příliš vlhké. >>> Neinstalujte výrobek ve vlhkém prostředí.
- Potraviny obsahující tekutiny jsou uchovávány v neuzavřených nádobách. >>> Uchovávejte potraviny, které obsahují tekutiny v uzavřených nádobách.

- Dveře výrobku byly ponechány otevřené. >>> Nenechávejte dveře chladničky otevřeny po delší dobu.
- Termostat je nastaven na velmi nízkou teplotu. >>> Nastavte termostat na vhodnou teplotu.

Kompresor nepracuje.

- V případě náhlého výpadku proudu nebo vytažení napájecího kabelu a po jeho opětovném připojení tlak plynu v chladicím systému výrobku není vyvážený, což spustí tepelný jistič kompresoru. Produkt se restartuje po přibližně 6 minutách. Když se výrobek po uplynutí této doby nerestartuje, obraťte se na servis.
- Je aktivní rozmrazování. >>> To je normální pro chladničku s plně automatickým rozmrazováním. Rozmrazování se provádí pravidelně.
- Produkt není zapojen do elektrické sítě >>> Ujistěte se, že napájecí kabel je zapojen.
- Nastavení teploty je nesprávné. >>> Zvolte odpovídající nastavení teploty.
- Není proud. >>> Produkt bude nadále fungovat normálně po obnovení napájení.

Provozní hluk chladničky se při používání zvyšuje.

- Provozní výsledky tohoto výrobku se mohou lišit v závislosti na změnách teploty okolního prostředí. To je normální a nejedná se o závadu.

Chladnička běží příliš často nebo příliš dlouho.

- Nový výrobek může být větší než ten předchozí. Větší výrobky budou pracovat po delší dobu.
- Teplota v místnosti může být vysoká. >>> Výrobek bude v místnosti s vyšší teplotou spuštěn po delší dobu.
- Výrobek mohl být zapojen pouze nedávno nebo v něm byly umístěny nové položky potravin. >>> Výrobek dosáhne nastavené teploty déle, když byl jen právě zapojen nebo do něj byly umístěny nové potraviny. To je normální.
- Do výrobku bylo v poslední době umístěno velké množství teplého jídla. >>> Nepokládejte horké jídlo do výrobku.
- Dveře byly často otevřeny nebo zůstaly otevřeny po delší dobu. >>> Teplý vzduch pohybující se uvnitř způsobí, že výrobek bude v provozu déle. Neotvírejte dveře chladničky příliš často.
- Dveře mrazničky nebo chladničky mohly zůstat pootevřené. >>> Zkontrolujte, zda jsou dveře úplně zavřené.
- Výrobek může být nastaven na příliš nízkou teplotu. >>> Nastavte teplotu na vyšší stupeň a počkejte, až výrobek dosáhne nastavené teploty.
- Podložky dveří ledničky nebo mrazničky mohou být špinavé, opotřebované, rozbité nebo nesprávně nasazené. >>> Vyčistěte nebo vyměňte těsnění. Poškozené / roztrhané podložky dveří způsobí, že výrobek bude běžet delší dobu pro zachování aktuální teploty.

Teplota mražení je velmi nízká, ale teplota chladiče je dostačující.

- Teplota prostoru mrazničky je nastavena na velmi nízký stupeň. >>> Nastavte teplotu v mrazničce na vyšší stupeň a znovu zkontrolujte.

Teplota chlazení je velmi nízká, ale teplota mrazničky je dostačující.

- Teplota prostoru chladničky je nastavena na velmi nízký stupeň. >>> Nastavte teplotu v mrazničce na vyšší stupeň a znovu zkontrolujte.

Potraviny uchovávané v chladnějším zásuvek prostor jsou zmrazeny.

- Teplota prostoru chladničky je nastavena na velmi nízký stupeň. >>> Nastavte teplotu v mrazničce na vyšší stupeň a znovu zkontrolujte.

Teplota v chladničce nebo v mrazničce je příliš vysoká.

- Teplota prostoru chladničky je nastavena na velmi vysoký stupeň. >>> Nastavení teploty chladičím prostoru má vliv na teplotu v mrazicím prostoru. Počkejte, až teplota příslušných částí dosáhne dostatečnou úroveň změnou teploty chladičím nebo mrazicím prostoru.
- Dveře byly často otevřeny nebo zůstaly otevřeny po delší dobu. >>> Neotvírejte dveře chladničky příliš často.
- Dveře mohou být pootevřené. >>> Zcela zavřete dveře.
- Výrobek mohl být zapojen pouze nedávno nebo v něm byly umístěny nové položky potravin. >>> To je normální. Výrobek dosáhne nastavenou teplotu déle, když byl jen právě zapojen nebo do něj byly umístěny nové potraviny.
- Do výrobku bylo v poslední době umístěno velké množství teplého jídla. >>> Nepokládejte horké jídlo do výrobku.

Třese se nebo vydává hluk.

- Povrch není rovný nebo odolný >>> Pokud se výrobek při pomalém pohybu třese, upravte stojany, abyste výrobek vyvážili. >>> Ujistěte se také, že podlaha je dostatečně odolná k tomu, aby unesla produkt.
- Všechny položky umístěné na výrobku může způsobit hluk. >>> Odstraňte všechny položky umístěné na výrobku.
- Výrobek vytváří hluk tekoucí, stříkající kapaliny apod.

- Princip fungování tohoto výrobku je založen na toku kapalin a plynu. >>> To je normální a nejedná se o závadu.

Z výrobku zní zvuk jako vanoucí vítr.

- Výrobek pro proces chlazení používá ventilátor. To je normální a nejedná se o závadu.

Na vnitřních stěnách výrobku se vytvoří kondenzát.

- Horké nebo vlhké počasí zvýší námrazu a kondenzaci. To je normální a nejedná se o závadu.
- Dveře byly často otevřeny nebo zůstaly otevřeny po delší dobu. >>> Neotvírejte dveře příliš často, pokud zůstaly otevřené, zavřete je.
- Dveře mohou být pootevřené. >>> Zcela zavřete dveře.

Vytváří se kondenzát na vnější straně výrobku nebo mezi dveřmi.

- Okolní prostředí může být vlhké, je to naprosto normální ve vlhkém počasí. >>> Kondenzace se rozptýlí, když se sníží vlhkost.

Interiér zapáchá.

- Produkt není pravidelně čištěn. >>> Pravidelně čistěte vnitřek pomocí houbičky, teplé vody a sycené vody.
- Některé balení a obalové materiály můžou způsobit zápach. >>> Používejte balení a obalové materiály bez zápachu.
- Potraviny byly umístěny v neuzavřených baleních. >>> Uchovávejte potraviny v uzavřených baleních. Mikroorganismy se mohou šířit z neuzavřených potravin a způsobovat nepříjemný zápach.

- Z výrobku odstraňte všechny potraviny se zašlým datem spotřeby a zkažené potraviny.

Dveře se nezavírají.

- Balíčky s potravinami mohou blokovat dveře. >>> Přemístěte předměty blokující dveře.
- Produkt nestojí v zcela svislé poloze na zemi. >>> Nastavte stojany pro uvedení výrobku do svislé polohy.
- Povrch není rovný nebo odolný >>> Ujistěte se, že povrch je rovný a dostatečně odolný, aby unesl výrobek.

Příhrádka (Crisper) je zaseknutá.

- Potraviny mohou být v kontaktu s horní částí zásobníku. >>> Znovu uspořádejte potraviny v šuplíku.

Teplota na povrchu výrobku.

- Během provozu vašeho výrobku může být mezi dvěma dveřmi, na bočních panelech a na zadní části mířky pozorována vysoká teplota. Je to normální a nevyžaduje to údržbu.

Ventilátor pokračuje v provozu i po otevření dveří.

- Ventilátor může pokračovat v činnosti, když jsou dveře mrazničky otevřené.



UPOZORNĚNÍ: Pokud problém přetrvává i po provedení pokynů v této části, obraťte se na svého prodejce nebo na autorizovaný servis. Nepokoušejte se opravit produkt. To je normální.

LYLOUČENÍ ODPOVĚDNOSTI / UPOZORNĚNÍ

Některé (jednoduché) poruchy může koncový uživatel adekvátně vyřešit bez jakýchkoli bezpečnostních rizik nebo nebezpečného použití, pokud se tyto chyby opraví v mezích stanovených limity a v souladu s následujícími pokyny (viz část „Samoprava“).

Proto, pokud není v níže uvedené části „Samoprava“ povoleno něco jiného, opravy budou adresovány registrovaným

profesionálním opravnám, a z důvodu předcházení problémům s bezpečností. Registrovaný profesionální opravář je profesionální opravář, jemuž výrobce udělil přístup k pokynům a seznamu náhradních dílů tohoto produktu v souladu s metodami popsánými v legislativních aktech podle směrnice 2009/125/ES.

Ovšem záruční opravy může provádět pouze ten servis (tedy oprávněná odborná opravna), jehož telefonní číslo naleznete v návodu/v záručním listě nebo získáte u svého autorizovaného prodejce. Upozorňujeme tedy, že opravy provedené odbornými servisy (které nejsou společností Beko oprávněni) vedou k porušení záruky.

Samooprava

Koncový uživatel si může sám opravit následující náhradní díly: kliky dveří, závěsy dveří, zásobníky, koše a těsnění dveří (aktualizovaný seznam je k dispozici na support.beko.com od 1. března 2021). Kromě toho, aby se zajistila bezpečnost výrobku a předešlo se riziku vážného poranění, musí být tato samooprava provedena podle pokynů uvedených v návodu k použití pro samoopravu nebo pokynů dostupných na stránce support.beko.com. V zájmu vaší bezpečnosti odpojte výrobek od elektrické sítě dříve, než se pokusíte o vlastní opravu. Opravy nebo pokusy o opravu provedené koncovými uživateli u dílů, které nejsou součástí tohoto soupisu, nebo které nejsou v souladu s pokyny v návodu pro vlastní opravy nebo s pokyny, které jsou k dispozici na support.beko.com, , mohou vést ke vzniku bezpečnostních rizik, která nespádají do odpovědnosti společnosti Beko, a vedou k propadnutí záruky na výrobek.

Proto se důrazně doporučuje, aby se koncoví uživatelé zdrželi pokusů o provedení oprav, které nespádají do uvedeného seznamu náhradních dílů, a v takovém případě kontaktujte autorizované profesionální opravny nebo registrované profesionální opravny. Naopak, takové pokusy koncových uživatelů mohou způsobit problémy s bezpečností a poškodit produkt a následně způsobit požár, vytopení, elektrický zásah a vážné zranění osob.

Například, ale ne výlučně, následující opravy musí být adresovány autorizovaným odborným servisem nebo registrovaným odborným servisem: kompresor, chladicí okruh, hlavní deska, deska měniče, deska displeje atp.

Výrobce/prodávající nemůže být v žádném případě odpovědný za případ, kdy koncoví uživatelé nedodrží výše uvedená ustanovení.

Dostupnost náhradních dílů pro chladničku, kterou jste si zakoupili, je 10 let. Během tohoto období budou k dispozici originální náhradní díly pro správný provoz chladničky. Minimální záruční doba na vámi zakoupenou ledničku je 24 měsíců.

Tento výrobek je vybaven světelným zdrojem energetické třídy "G". Světelný zdroj v tomto výrobku může vyměnit pouze odborný servis