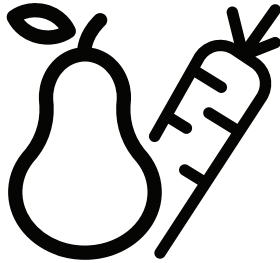


beko

Refrigerator

User manual

الثلاجة
دليل المُستخدم



TS190210 - TS190210 S - TS190210 B

CE

EN / AR /

57 2075 0000/A0

Please read this user manual first!

Dear Customer,

We hope that your product, which has been produced in modern plants and checked under the most meticulous quality control procedures, will provide you an effective service.

Therefore, read this entire user manual carefully before using the product and keep it as a reference. If you handover the product to someone else, give the user manual as well.

The user manual will help you use the product in a fast and safe way.

- Read the manual before installing and operating the product.
- Make sure you read the safety instructions.
- Keep the manual in an easily accessible place as you may need it later.
- Read the other documents given with the product.

Remember that this user manual is also applicable for several other models. Differences between models will be identified in the manual.

Explanation of symbols

Throughout this user manual the following symbols are used:

 Important information or useful tips.

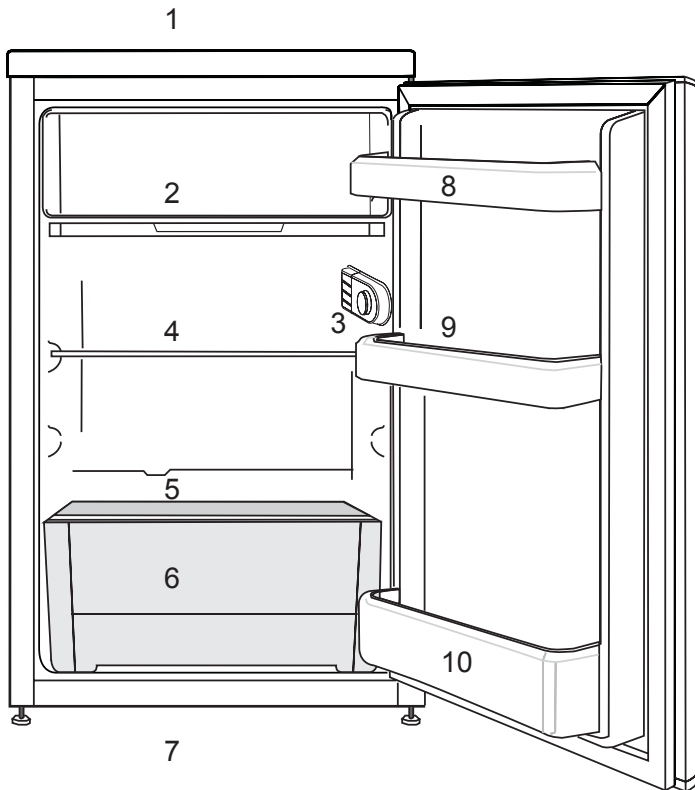
 Warning against dangerous conditions for life and property.

 Warning against electric voltage.

CONTENTS

1 Your refrigerator	3	4 Preparation	14
2 Important Safety Warnings	4	5 Using your refrigerator	15
Intended use	4	Defrosting of the appliance	16
General safety	4	Cooling	16
For products with a	7	Food storage	16
water dispenser;	7	6 Maintenance and cleaning	18
Child safety	7	Protection of plastic surfaces	18
Compliance with WEEE Directive and Disposing of the Waste Product:	8	7 Troubleshooting	19
Package information	8		
HC warning.....	8		
Things to be done for energy saving	9		
3 Installation	10		
Points to be paid attention to when the relocation of the refrigerator	10		
Electrical connection	10		
Disposing of the packaging.....	11		
Disposing of your old refrigerator	11		
Placing and Installation.....	11		
Adjusting the legs	12		
Changing the illumination lamp	12		
Reversing the doors.....	13		

1 Your refrigerator



- | | |
|-------------------------------------|--------------------------|
| 1. Top trim | 6. Crisper |
| 2. Drain tray | 7. Adjustable front feet |
| 3. Interior light & Thermostat knob | 8. Door shelves |
| 4. Movable shelf | 9. Egg tray |
| 5. Crisper cover | 10. Bottle shelf |





I Figures that take place in this instruction manual are schematic and may not correspond exactly with your product. If the subject parts are not included in the product you have purchased, then it is valid for other models.

2 Important Safety Warnings

Please review the following information. Failure to observe this information may cause injuries or material damage. Otherwise, all warranty and reliability commitments will become invalid.

Original spare parts will be provided for 10 years, following the product purchasing date.

Intended use

	WARNING: Keep ventilation openings, in the appliance enclosure or in the built-in structure, clear of obstruction.
	WARNING: Do not use mechanical devices or other means to accelerate the defrosting process, other than those recommended by the manufacturer.
	WARNING: Do not damage the refrigerant circuit.
	WARNING: Do not use electrical appliances inside the food storage compartments of the appliance, unless they are of the type recommended by the manufacturer.

WARNING:



Do not store explosive substances such as aerosol cans with a flammable propellant in this appliance.

This appliance is intended to be used in household and similar applications such as

- staff kitchen areas in shops, offices and other working environments;
- farm houses and by clients in hotels, motels and other residential type environments;
- bed and breakfast type environments;
- catering and similar non-retail applications.

General safety

- When you want to dispose/ scrap the product, we recommend you to consult the authorized service in order to learn the required information and authorized bodies.
- Consult your authorized service for all your questions and problems related to the refrigerator. Do not intervene or let someone intervene to the refrigerator without notifying the authorised services.
- For products with a freezer compartment; Do not eat cone ice cream and ice cubes immediately after you take them out of the

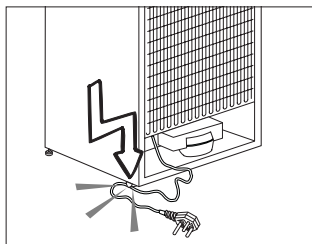
freezer compartment! (This may cause frostbite in your mouth.)

- For products with a freezer compartment; Do not put bottled and canned liquid beverages in the freezer compartment. Otherwise, these may burst.
- Do not touch frozen food by hand; they may stick to your hand.
- Unplug your refrigerator before cleaning or defrosting.
- Vapor and vaporized cleaning materials should never be used in cleaning and defrosting processes of your refrigerator. In such cases, the vapor may get in contact with the electrical parts and cause short circuit or electric shock.
- Never use the parts on your refrigerator such as the door as a means of support or step.
- Do not use electrical devices inside the refrigerator.
- Do not damage the parts, where the refrigerant is circulating, with drilling or cutting tools. The refrigerant that might blow out when the gas channels of the evaporator, pipe extensions or surface coatings are punctured causes skin irritations and eye injuries.
- Do not cover or block the ventilation holes on your refrigerator with any material.
- Electrical devices must be repaired by only authorised persons. Repairs performed by incompetent persons create a risk for the user.
- In case of any failure or during a maintenance or repair work, disconnect your refrigerator's mains supply by either turning off the relevant fuse or unplugging your appliance.
- Do not pull by the cable when pulling off the plug.
- Ensure highly alcoholic beverages are stored securely with the lid fastened and placed upright.
- Never store spray cans containing flammable and explosive substances in the refrigerator.
- Do not use mechanical devices or other means to accelerate the defrosting process, other than those recommended by the manufacturer.
- This product is not intended to be used by persons with physical, sensory or mental disorders or unlearned or inexperienced people (including children) unless they are attended by a person who will be responsible for their safety or who will instruct them accordingly for use of the product
- Do not operate a damaged refrigerator. Consult with the service agent if you have any concerns.
- Electrical safety of your refrigerator shall be guaranteed only if the earth

system in your house complies with standards.

- Exposing the product to rain, snow, sun and wind is dangerous with respect to electrical safety.
- Contact authorized service when there is a power cable damage to avoid danger.
- Never plug the refrigerator into the wall outlet during installation. Otherwise, risk of death or serious injury may arise.
- This refrigerator is intended for only storing food items. It must not be used for any other purpose.
- Label of technical specifications is located on the left wall inside the refrigerator.
- Never connect your refrigerator to electricity-saving systems; they may damage the refrigerator.
- If there is a blue light on the refrigerator, do not look at the blue light with optical tools.
- For manually controlled refrigerators, wait for at least 5 minutes to start the refrigerator after power failure.
- This operation manual should be handed in to the new owner of the product when it is given to others.
- Avoid causing damage on power cable when transporting the refrigerator.

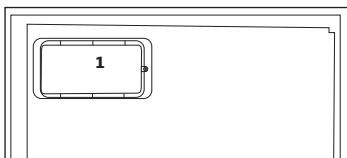
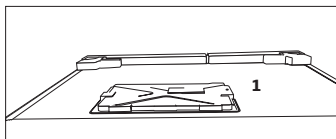
Bending cable may cause fire. Never place heavy objects on power cable. Do not touch the plug with wet hands when plugging the product



- Do not plug the refrigerator if the wall outlet is loose.
- Water should not be sprayed on inner or outer parts of the product for safety purposes.
- Do not spray substances containing inflammable gases such as propane gas near the refrigerator to avoid fire and explosion risk.
- Never place containers filled with water on top of the refrigerator; in the event of spillages, this may cause electric shock or fire.
- Do not overload the refrigerator with food. If overloaded, the food items may fall down and hurt you and damage refrigerator when you open the door.
- Never place objects on top of the refrigerator; otherwise, these objects may fall down when you open or close the refrigerator's door.
- As they require a precise temperature, vaccines, heat-sensitive medicine and

scientific materials and etc. should not be kept in the refrigerator.

- If not to be used for a long time, refrigerator should be unplugged. A possible problem in power cable may cause fire.
- Refrigerator may move if adjustable legs are not properly secured on the floor. Properly securing adjustable legs on the floor can prevent the refrigerator to move.
- When carrying the refrigerator, do not hold it from door handle. Otherwise, it may be snapped.
- When you have to place your product next to another refrigerator or freezer, the distance between devices should be at least 8cm. Otherwise, adjacent side walls may be humidified.
- The product shall never be used while the compartment which is located at the top or back of your product and in which electronic boards are available (electronic board box cover) (1) is open.



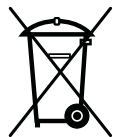
For products with a water dispenser;

- Pressure for cold water inlet shall be maximum 90 psi (6.2 bar). If your water pressure exceeds 80 psi (5.5 bar), use a pressure limiting valve in your mains system. If you do not know how to check your water pressure, ask for the help of a professional plumber.
- If there is risk of water hammer effect in your installation, always use a water hammer prevention equipment in your installation. Consult Professional plumbers if you are not sure that there is no water hammer effect in your installation.
- Do not install on the hot water inlet. Take precautions against of the risk of freezing of the hoses. Water temperature operating interval shall be 33°F (0.6°C) minimum and 100°F (38°C) maximum.
- Use only potable water.

Child safety

- If the door has a lock, the key should be kept away from reach of children.
- Children must be supervised to prevent them from tampering with the product.

Compliance with WEEE Directive and Disposing of the Waste Product:



This product complies with EU WEEE Directive (2012/19/EU). This product bears a classification symbol for waste electrical and electronic equipment (WEEE).

This product has been manufactured with high quality parts and materials which can be reused and are suitable for recycling. Therefore, do not dispose the product with normal domestic waste at the end of its service life. Take it to a collection point for the recycling of electrical and electronic equipment. Please consult your local authorities to learn the nearest collection point. Help protect the environment and natural resources by recycling used products. For children's safety, cut the power cable and break the locking mechanism of the door, if any, so that it will be non-functional before disposing of the product.

Package information

Packaging materials of the product are manufactured from recyclable materials in accordance with our National Environment Regulations. Do not dispose of the packaging materials together with the domestic or other wastes. Take them to the packaging material

collection points designated by the local authorities.

Do not forget...

Any recycled substance is an indispensable matter for nature and our national asset wealth.

If you want to contribute to the re-evaluation of the packaging materials, you can consult to your environmentalist organizations or the municipalities where you are located.

HC warning

If your product's cooling system contains R600a:

This gas is flammable. Therefore, pay attention to not damaging the cooling system and piping during usage and transportation. In the event of damage, keep your product away from potential fire sources that can cause the product catch a fire and ventilate the room in which the unit is placed.

Ignore this warning if your product's cooling system contains R134a.

Type of gas used in the product is stated in the type label which is on the left wall inside the refrigerator.

Never throw the product in fire for disposal.

Things to be done for energy saving

- Do not leave the doors of your refrigerator open for a long time.
 - Do not put hot food or drinks in your refrigerator.
 - Do not overload your refrigerator so that the air circulation inside of it is not prevented.
 - Do not install your refrigerator under direct sunlight or near heat emitting appliances such as ovens, dishwashers or radiators. Keep your refrigerator at least 30cm away from heat emitting sources and at least 5cm from electrical ovens.
 - Pay attention to keep your food in closed containers.
 - For products with a freezer compartment; You can store maximum amount of food items in the freezer when you remove the shelf or drawer of the freezer. Energy consumption value stated for your refrigerator has been determined by removing freezer shelf or drawer and under maximum load. There is no harm to use a shelf or drawer according to the shapes and size of food to be frozen.
- Thawing frozen food in fridge compartment will both provide energy saving and preserve the food quality.

3 Installation

⚠ In case the information which are given in the user manual are not taken into account, manufacturer will not assume any liability for this.

Points to be paid attention to when the relocation of the refrigerator

1. Your refrigerator should be unplugged. Before transportation of your refrigerator, it should be emptied and cleaned.

2. Before it is re-packaged, shelves, accessories, crisper, etc. inside your refrigerator should be fixed with adhesive tape and secured against impacts. Package should be bound with a thick tape or sound ropes and the transportation rules on the package should be strictly observed.

3. Original packaging and foam materials should be kept for future transportations or moving.

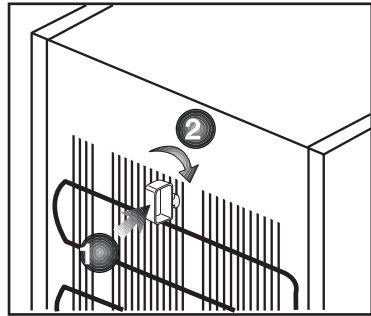
Before you start the refrigerator, **Check the following before you start to use your refrigerator:**

1. Attach 2 plastic wedges as illustrated below. Plastic wedges are intended to keep the distance which will ensure the air circulation between your refrigerator and the wall. (The picture is drawn up as a representation and it is not identical with your product.)

2. Clean the interior of the refrigerator as recommended in the "Maintenance and cleaning" section.

3. Connect the plug of the refrigerator to the wall socket. When the fridge door is opened, fridge internal lamp will turn on.

4. When the compressor starts to operate, a sound will be heard. The liquid and gases sealed within the refrigeration system may also give



rise to noise, even if the compressor is not running and this is quite normal.

5. Front edges of the refrigerator may feel warm. This is normal. These areas are designed to be warm to avoid condensation.

Electrical connection

Connect your product to a grounded socket which is being protected by a fuse with the appropriate capacity.

Important:

The connection must be in compliance with national regulations.

- The power plug must be easily accessible after installation.
- Electrical safety of your refrigerator shall be guaranteed only if the earth system in your house complies with standards.

- The voltage stated on the label located at left inner side of your product should be equal to your network voltage.
 - Extension cables and multi plugs must not be used for connection.
- ⚠ A damaged power cable must be replaced by a qualified electrician.

⚠ Product must not be operated before it is repaired! There is the risk of electric shock!

Disposing of the packaging

The packing materials may be dangerous for children. Keep the packing materials out of the reach of children or dispose of them by classifying them in accordance with the waste instructions stated by your local authorities. Do not throw away with regular house waste, throw away on packaging pick up spots designated by the local authorities.

The packing of your refrigerator is produced from recyclable materials.

Disposing of your old refrigerator

Dispose of your old refrigerator without giving any harm to the environment.

- You may consult your authorized dealer or waste collection center of your municipality about the disposal of your refrigerator.

Before disposing of your refrigerator, cut out the electric plug and, if there are any locks on the door, make them inoperable in order to protect children against any danger.

Placing and Installation

⚠ If the entrance door of the room where the refrigerator will be installed is not wide enough for the refrigerator to pass through, then call the authorized service to have them remove the doors of your refrigerator and pass it sideways through the door.

1. Install your refrigerator to a place that allows ease of use.

2. Keep your refrigerator away from heat sources, humid places and direct sunlight.

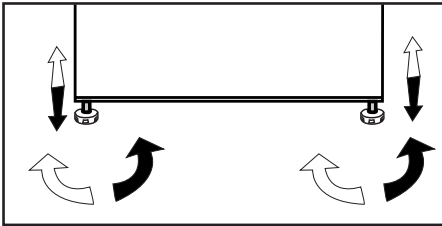
3. There must be appropriate air ventilation around your refrigerator in order to achieve an efficient operation. If the refrigerator is to be placed in a recess in the wall, there must be at least 5 cm distance with the ceiling and at least 5 cm with the wall. Do not place your product on the materials such as rug or carpet.

4. Place your refrigerator on an even floor surface to prevent jolts.

Adjusting the legs

If your refrigerator is unbalanced;

You can balance your refrigerator by turning its front legs as illustrated in the figure. The corner where the leg exists is lowered when you turn in the direction of black arrow and raised when you turn in the opposite direction. Taking help from someone to slightly lift the refrigerator will facilitate this process.



Changing the illumination lamp

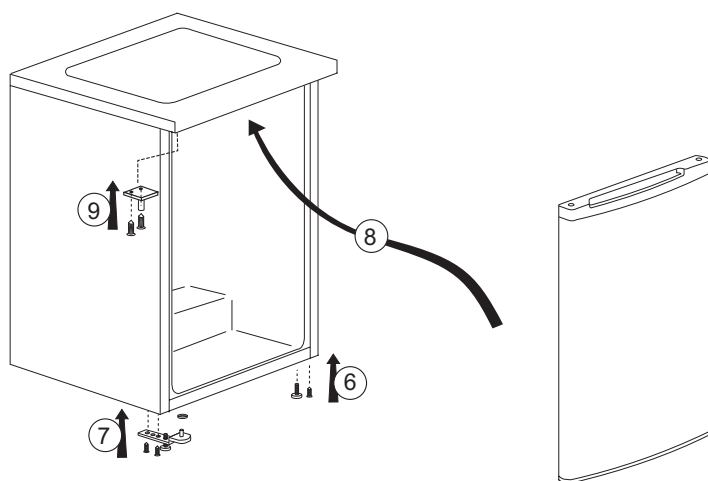
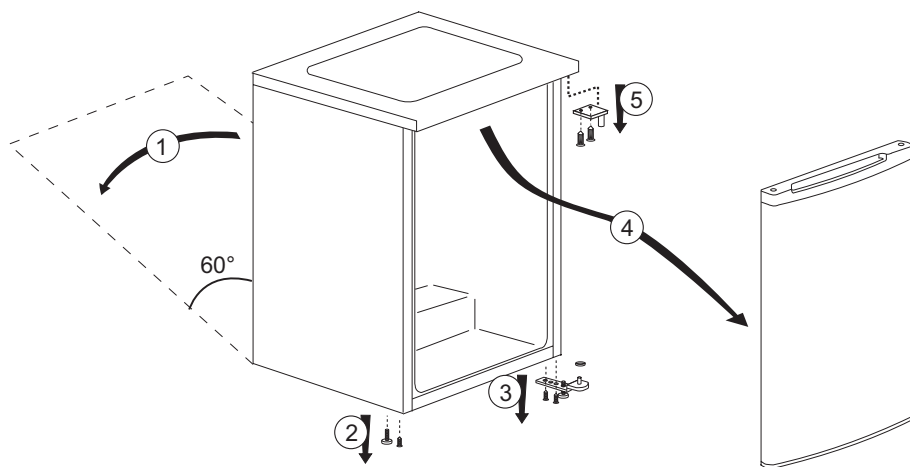
To change the Bulb/LED used for illumination of your refrigerator, call your AuthorisedService.

The lamp(s) used in this appliance is not suitable for household room illumination. The intended purpose of this lamp is to assist the user to place foodstuffs in the refrigerator/freezer in a safe and comfortable way. The lamps used in this appliance have to withstand extreme physical conditions such as temperatures below -20°C .

(only chest and upright freezer)

Reversing the doors

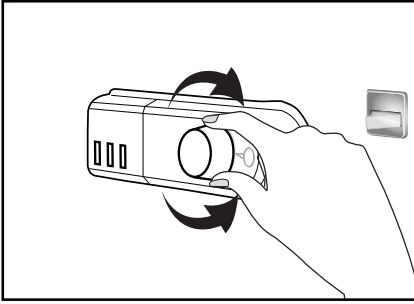
Proceed in numerical order



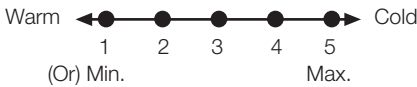
4 Preparation

- Your refrigerator should be installed at least 30 cm away from heat sources such as hobs, ovens, central heater and stoves and at least 5 cm away from electrical ovens and should not be located under direct sunlight.
- The ambient temperature of the room where you install your refrigerator should at least be 10°C. Operating your refrigerator under cooler conditions is not recommended with regard to its efficiency.
- Please make sure that the interior of your refrigerator is cleaned thoroughly.
- If two refrigerators are to be installed side by side, there should be at least 2 cm distance between them.
- When you operate your refrigerator for the first time, please observe the following instructions during the initial six hours.
- The door should not be opened frequently.
- It must be operated empty without any food in it.
- Do not unplug your refrigerator. If a power failure occurs out of your control, please see the warnings in the "Recommended solutions for the problems" section.
- Original packaging and foam materials should be kept for future transportations or moving.
- The baskets/drawers that are provided with the chill compartment must always be in use for low energy consumption and for better storage conditions.
- Food contact with the temperature sensor in the freezer compartment may increase energy consumption of the appliance. Thus any contact with the sensor(s) must be avoided.
- In some models, the instrument panel automatically turns off 5 minutes after the door has closed. It will be reactivated when the door has opened or pressed on any key.
- Due to temperature change as a result of opening/closing the product door during operation, condensation on the door/body shelves and the glass containers is normal

5 Using your refrigerator



The operating temperature is regulated by the temperature control.



**1 = Lowest cooling setting
(Warmest setting)**

**5 = Highest cooling setting
(Coldest setting)**

(Or)

**Min. = Lowest cooling setting
(Warmest setting)**

**Max. = Highest cooling setting
(Coldest setting)**

The average temperature inside the fridge should be around +5°C.

Please choose the setting according to the desired temperature.

You can stop operation of your appliance by turning the thermostat knob to "0" position.

Please note that there will be different temperatures in the cooling area.

The coldest region is immediately above the vegetable compartment.

The interior temperature also depends on ambient temperature, the frequency with which the door is opened and the amount of food kept inside.

At ambient temperature higher than 30°C, remove the drain tray for better cooling performance.

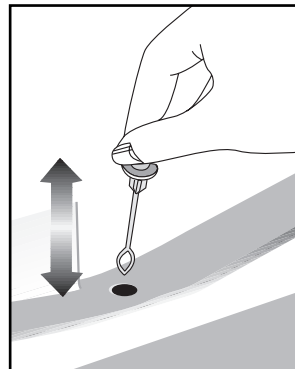
Frequently opening the door causes the interior temperature to rise.

For this reason, it is recommended to close the door again as soon as possible after use.

The coldest region is immediately below the ice making compartment.

Under high humidity, condensation may occur on your refrigerator; this is not a failure. It can be wiped with a dry cloth according to safety instructions. Icing, frosting and condensation are normal for icebox compartment and water drain container.

Check regularly to see if the drain pipe is clogged or not and clear it with the stick in the hole when necessary.



Defrosting of the appliance

Excessive build-up of ice will affect the cooling performance of your device.

It is therefore recommended that you defrost your appliance at least twice a year, or whenever the ice build-up exceeds 7 mm.

Defrost your device when there is only little or no food in it.

Take out the food. Wrap the food in several layers of paper, or a blanket, and keep it in a cold place.

Unplug the appliance or switch off the circuit breaker to start the defrosting process.

Take out the accessories (like shelf, drawer etc.) from the appliance and use a suitable container to collect the thawing water.

Use a sponge or a soft cloth to remove thawing water if necessary at the compartments.

Keep the door open during defrosting.

For quicker defrosting, place containers with warm water inside the appliance.

Never use electrical devices, defrosting sprays or pointed or sharp-edged objects such as knives or forks to remove the ice.

After the defrosting is done, clean the inside.

Reconnect the appliance to the mains. Place the frozen food into the drawers and slide the drawers into the freezer.

Switch off the circuit breaker and unplug the appliance for your safety to start the defrosting process.

During defrost, evaporation tray damper should be positioned as in the winter mode. After defrost, it can be positioned with respect to summer or winter mode, as needed.

Cooling

Food storage

The fridge compartment is for the short-term storage of fresh food and drinks.

Store milk products in the intended compartment in the refrigerator.

Bottles can be stored in the bottle holder or in the bottle shelf of the door.

Raw meat is best kept in a polyethylene bag in the compartment at the very bottom of the refrigerator.

Allow hot food and beverages to cool to room temperature prior to placing them in the refrigerator.

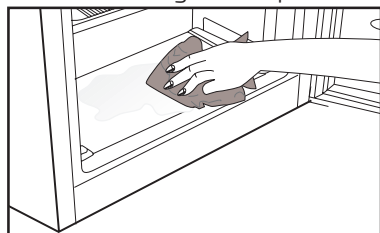
• Attention

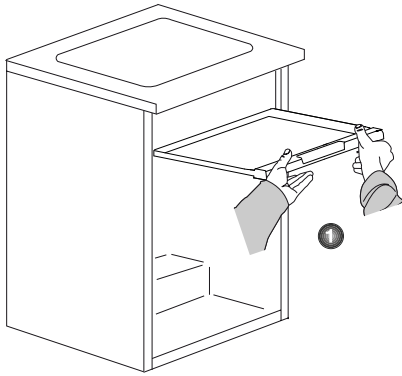
Store concentrated alcohol in a container only standing upright and tightly closed.

• Attention

Do not store explosive substances or containers with flammable propellant gases (canned cream, spray cans etc.) in the appliance.

There is a danger of explosion.





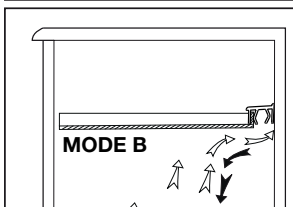
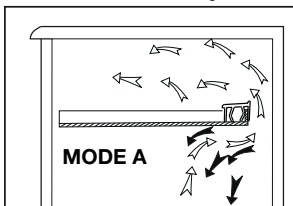
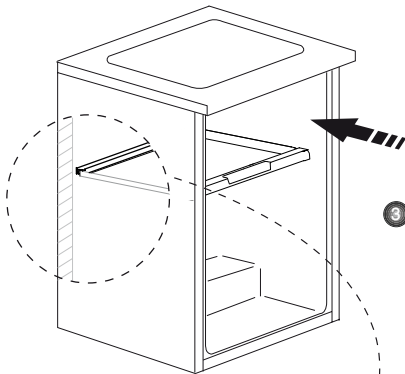
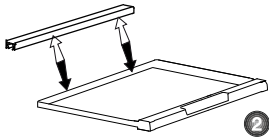
Evaporation tray damper should be used as described below to maintain desired compartment temperature depending on the ambient temperature, such as winter mode for cold ambient temperature and summer mode for hot ambient temperature.

SUMMER MODE (MODE A)

When cooler compartment temperature is required...

WINTER MODE (MODE B)

(When warmer compartment temperature is required and defrosting.)



6 Maintenance and cleaning

- ⚠ Never use gasoline, benzene or similar substances for cleaning purposes.
- ⚠ We recommend that you unplug the appliance before cleaning.
- ⚠ Never use any sharp abrasive instrument, soap, household cleaner, detergent and wax polish for cleaning.
- ⚠ In producten die geen No Frost hebben ontstaan er op de achterwand van het koelvak waterdruppels en een vingerdikke ijslaag. Maak het niet schoon; doe er nooit olie op soortgelijke middelen op.
- ⚠ Gebruik uitsluitend licht vochtige microvezeldoeken om de buitenkant van het product schoon te maken. Sponzen en andere soorten schoonmaakdoeken kunnen het oppervlak krassen.
- ⚠ For non-No Frost products, water drops and frosting up to a fingerbreadth occur on the rear wall of the Fridge compartment. Do not clean it; never apply oil or similar agents on it.
- ⚠ Only use slightly damp microfiber cloths to clean the outer surface of the product. Sponges and other types of cleaning cloths may scratch the surface.
- ℹ Use lukewarm water to clean the cabinet of your refrigerator and wipe it dry.
- ℹ Use a damp cloth wrung out in a solution of one teaspoon of bicarbonate of soda to one pint of water to clean the interior and wipe it dry.
- ⚠ Make sure that no water enters the lamp housing and other electrical items.
- ⚠ If your refrigerator is not going to be used for a long period of time, unplug the power cable, remove all food, clean it and leave the door ajar.
- ℹ Check door seals regularly to ensure they are clean and free from food particles.
- ⚠ To remove door racks, remove all the contents and then simply push the door rack upwards from the base.
- ⚠ Never use cleaning agents or water that contain chlorine to clean the outer surfaces and chromium coated parts of the product. Chlorine causes corrosion on such metal surfaces.
- ⚠ Do not use sharp, abrasive tools, soap, household cleaning agents, detergents, kerosene, fuel oil, varnish etc. to prevent removal and deformation of the prints on the plastic part. Use lukewarm water and a soft cloth for cleaning and then wipe it dry.

Protection of plastic surfaces

- ℹ Do not put the liquid oils or oil-cooked meals in your refrigerator in unsealed containers as they damage the plastic surfaces of your refrigerator. In case of spilling or smearing oil on the plastic surfaces, clean and rinse the relevant part of the surface at once with warm water.

7 Troubleshooting

Please review this list before calling the service. It will save your time and money. This list includes frequent complaints that are not arising from defective workmanship or material usage. Some of the features described here may not exist in your product.

The refrigerator does not operate.

- The plug is not inserted into the socket correctly. >>> Insert the plug into the socket securely.
- The fuse of the socket which your refrigerator is connected to or the main fuse have blown out. >>> Check the fuse.

Condensation on the side wall of the fridge compartment (MULTIZONE, COOL CONTROL and FLEXI ZONE).

- Door has been opened frequently. >>> Do not open and close the door of refrigerator frequently.
- Ambient is very humid. >>> Do not install your refrigerator into highly humid places.
- Food containing liquid is stored in open containers. >>> Do not store food with liquid content in open containers.
- Door of the refrigerator is left ajar. >>> Close the door of the refrigerator.
- Thermostat is set to a very cold level. >>> Set the thermostat to a suitable level.

- Compressor is not running

- Protective thermic of the compressor will blow out during sudden power failures or plug-out plug-ins as the refrigerant pressure in the cooling system of the refrigerator has not been balanced yet. The refrigerator will start running approximately after 6 minutes. Please call the service if the refrigerator does not startup at the end of this period.
- The fridge is in defrost cycle. >>> This is normal for a full-automatically defrosting refrigerator. Defrosting cycle occurs periodically.
- The refrigerator is not plugged into the socket. >>> Make sure that the plug is fit into the socket.
- Temperature settings are not made correctly. >>> Select the suitable temperature value.
- There is a power outage. >>> Refrigerator returns to normal operation when the power restores.

The operation noise increases when the refrigerator is running.

- The operating performance of the refrigerator may change due to the changes in the ambient temperature. It is normal and not a fault.

The refrigerator is running frequently or for a long time.

- New product may be wider than the previous one. Larger refrigerators operate for a longer period of time.
- The room temperature may be high. >>> It is normal that the product operates for longer periods in hot ambient.
- The refrigerator might be plugged in recently or might be loaded with food. >>> When the refrigerator is plugged in or loaded with food recently, it will take longer for it to attain the set temperature. This is normal.
- Large amounts of hot food might be put in the refrigerator recently. >>> Do not put hot food into the refrigerator.
- Doors might be opened frequently or left ajar for a long time. >>> The warm air that has entered into the refrigerator causes the refrigerator to run for longer periods. Do not open the doors frequently.
- Freezer or fridge compartment door might be left ajar. >>> Check if the doors are closed completely.
- The refrigerator is adjusted to a very low temperature. >>> Adjust the refrigerator temperature to a warmer degree and wait until the temperature is achieved.
- Door seal of the fridge or freezer may be soiled, worn out, broken or not properly seated. >>> Clean or replace the seal. Damaged/ broken seal causes the refrigerator to run for a longer period of time in order to maintain the current temperature.

Freezer temperature is very low while the fridge temperature is sufficient.

- The freezer temperature is adjusted to a very low value. >>> Adjust the freezer temperature to a warmer degree and check.

Fridge temperature is very low while the freezer temperature is sufficient.

- The fridge temperature is adjusted to a very low value. >>> Adjust the fridge temperature to a warmer degree and check.

Food kept in the fridge compartment drawers is frozen.

- The fridge temperature is adjusted to a very high value. >>> Adjust the fridge temperature to a lower value and check.

Temperature in the fridge or freezer is very high.

- The fridge temperature is adjusted to a very high value. >>> Fridge compartment temperature setting has an effect on the temperature of the freezer. Change the temperatures of the fridge or freezer and wait until the relevant compartments attain a sufficient temperature.
- Doors are opened frequently or left ajar for a long time. >>> Do not open the doors frequently.
- Door is ajar. >>> Close the door completely.
- The refrigerator is plugged in or loaded with food recently. >>> This is normal. When the refrigerator is plugged in or loaded with food recently, it will take longer for it to attain the set temperature.
- Large amounts of hot food might be put in the refrigerator recently. >>> Do not put hot food into the refrigerator.
- Vibrations or noise.

- The floor is not level or stable.
>>> If the refrigerator rocks when moved slowly, balance it by adjusting its feet. Also make sure that the floor is strong enough to carry the refrigerator, and level.
- The items put onto the refrigerator may cause noise. >>> Remove the items on top of the refrigerator.

There are noises coming from the refrigerator like liquid flowing, spraying, etc.

- Liquid and gas flows occur in accordance with the operating principles of your refrigerator. It is normal and not a fault.

Whistle comes from the refrigerator.

- Fans are used in order to cool the refrigerator. It is normal and not a fault.

Condensation on the inner walls of refrigerator.

- Hot and humid weather increases icing and condensation. It is normal and not a fault.
- Doors are opened frequently or left ajar for a long time. >>> Do not open the doors frequently. Close them if they are open.
- Door is ajar. >>> Close the door completely.

Humidity occurs on the outside of the refrigerator or between the doors.

- There might be humidity in the air; this is quite normal in humid weather. When the humidity is less, condensation will disappear.

Bad odour inside the refrigerator.

- No regular cleaning is performed.
>>> Clean the inside of the refrigerator regularly with a sponge, lukewarm water or carbonate dissolved in water.
- Some containers or package materials may cause the smell.
>>> Use a different container or different brand packaging material.
- Food is put into the refrigerator in uncovered containers. >>> Keep the food in closed containers. Microorganisms spreading out from uncovered containers can cause unpleasant odours.
- Remove the foods that have expired best before dates and spoiled from the refrigerator.

The door is not closing.

- Food packages are preventing the door from closing. >>> Replace the packages that are obstructing the door.
- The refrigerator is not completely even on the floor. >>> Adjust the feet to balance the refrigerator.
- The floor is not level or strong. >>> Make sure that the floor is level and capable to carry the refrigerator.

Crispers are stuck.

- The food is touching the ceiling of the drawer. >>> Rearrange food in the drawer.

If The Surface Of The Product Is Hot.

- High temperatures may be observed between the two doors, on the side panels and at the rear grill while the product is operating. This is normal and does not require service maintenance!

تجمد الطعام المحفوظ في أدراج صندوق الثلاجة.
<ul style="list-style-type: none"> تم ضبط الثلاجة على درجة باردة جدًا. اضبط درجة حرارة الثلاجة على درجة أعلى ثم تحقق ثانية.
درجة حرارة الثلاجة أو الفريزر عالية جدًا.
<ul style="list-style-type: none"> تم ضبط الثلاجة على درجة حرارة عالية جدًا. يؤثر ضبط الثلاجة على درجة حرارة الفريزر. غير درجة حرارة الثلاجة أو الفريزر حتى تصل إلى مستوى مناسب. قد يكون الباب مفتوح جزئيًا. أغلق الباب تمامًا. قد تكون هناك كميات كبيرة من الطعام الساخن تم وضعها في الثلاجة مؤخرًا. انتظر حتى تصل الثلاجة أو الفريزر إلى درجة الحرارة المطلوبة. تم توصيل الثلاجة بالكهرباء مؤخرًا. فتبريد الثلاجة تمامًا يستغرق وقتًا بسبب الحجم.
تشبه الضوضاء الناتجة عن الثلاجة صوت الثواني الذي تصدره ساعة.
<ul style="list-style-type: none"> تصدر هذه الضوضاء من صمام اللولبي للثلاجة. يعمل هذا الصمام بغرض ضمان تبريد المسار عبر الصندوق والذي يمكن ضبطه على درجات حرارة التبريد أو التجميد. كما أنه يقوم بوظائف التبريد. وهذا أمر طبيعي وليس عيبًا.
ترتفع ضوضاء التشغيل عند تشغيل الثلاجة.
<ul style="list-style-type: none"> قد تتغير سمات أداء الثلاجة تبعًا للتغيرات في درجة الحرارة المحيطة بالثلاجة. وهذا طبيعي ولا يعد ذلك عيبًا.
اهتزازات أو ضوضاء.
<ul style="list-style-type: none"> الأرض ليست مستوية أو ليست صلبة. تهتز الثلاجة عند تحريكها ببطء. تأكد من أن الأرض مستوية وقوية وتحمل الثلاجة. قد يصدر صوت من الأشياء الموضوعة على الثلاجة. يجب إزالة هذه الأشياء من على سطح الثلاجة.
تصدر ضوضاء مثل صوت انسكاب سائل أو رشه.
<ul style="list-style-type: none"> تنساب السوائل والغازات وفقًا لقواعد تشغيل الثلاجة. وهذا طبيعي ولا يعد ذلك عيبًا.
تحدث ضوضاء شبيهة بصفير الرياح.
<ul style="list-style-type: none"> تستخدم منشطات الهواء (المراوح) للسماح للثلاجة بالتبريد بشكل فعال. وهذا طبيعي ولا يعد ذلك عيبًا.

تكاثف في الحوائط الداخلية للثلاجة.
<ul style="list-style-type: none"> يزيد الطقس الحار والرطب من التثليج والتكاثف. وهذا طبيعي ولا يعد ذلك عيبًا. الأبواب مفتوحة جزئيًا. تأكد أن الأبواب مغلقة تمامًا. قد تكون الأبواب مفتوحة بصورة متكررة جدًا أو قد تكون متروكة مفتوحة لفترة طويلة. افتح الأبواب بتكرار أقل.
تحدث الرطوبة في الإطار الخارجي للثلاجة أو بين الأبواب.
<ul style="list-style-type: none"> قد يكون الطقس رطبًا. هذا شيء طبيعي جدًا في الأجواء الرطبة. وعندما تكون الرطوبة أقل: يختفي التكثف.
توجد رائحة كريهة داخل الثلاجة.
<ul style="list-style-type: none"> يجب تنظيف الجزء الداخلي من الثلاجة. نظف داخل الثلاجة بقطعة أسفنجية وماء دافئ أو ماء مكرين. قد تتسبب بعض الأوعية أو مواد التعبئة في هذه الرائحة. استخدم وعاء مختلف أو مواد تعبئة مختلفة.
الباب (الأبواب) لا يغلق.
<ul style="list-style-type: none"> عبوات الطعام قد تمنع إغلاق الباب. غير وضع عبوات الطعام التي تعيق الباب. الثلاجة ليست عموديًا تمامًا على الأرض وقد تهتز عند تحريكها قليلاً لضبط مسامير الارتفاع. الأرض ليست مستوية أو قوية. تأكد من أن الأرض مستوية وتحمل الثلاجة.
الأدراج عالقة.
<ul style="list-style-type: none"> قد يكون الطعام ملامسًا لسقف الدرج. أعد ترتيب الطعام في الدرج.
إذا كان سطح المنتج ساخنًا
<ul style="list-style-type: none"> قد يلاحظ ارتفاع درجات الحرارة بين البابين، وعلى الألواح الجانبية والشوابة الخلفية أثناء تشغيل المنتج. وهذا طبيعي ولا يعد ذلك عيبًا يتطلب الصيانة. كن حذرًا عند لمس هذه الأماكن.

تعمل الثلاجة بصورة متكررة أو لوقت طويل.
<ul style="list-style-type: none"> • قد تكون الثلاجة الجديدة أكبر من القديمة، هذا شيء طبيعي تمامًا، الثلاجات الكبيرة تعمل لفترات أطول. • قد تكون درجة الحرارة المحيطة عالية، وهذا أمر طبيعي جداً. • الثلاجة متصلة بالكهرباء منذ قليل أو مليئة بالطعام، قد يستمر تبريد الثلاجة كليةً لساعات أطول. • قد تكون هناك كميات كبيرة من الطعام الساخن تم وضعها في الثلاجة مؤخرًا، يتسبب الطعام الساخن في تشغيل الثلاجة حتى يصل إلى درجة حرارة التخزين الآمنة. • قد تكون الأبواب مفتوحة بصورة متكررة أو مفتوحة جزئيًا لفترة طويلة، يتسبب الهواء الساخن الذي دخل الثلاجة في تشغيل الثلاجة لفترة أطول، افتح الأبواب عددًا أقل من المرات. • قد يكون باب صندوق الفريزر أو الثلاجة مفتوح جزئيًا، تأكد أن الأبواب مغلقة تمامًا. • تم ضبط الثلاجة على درجة باردة جدًا، اضبط درجة حرارة الفريزر على أعلى درجة وأنتظر حتى تصل إلى درجة الحرارة المطلوبة. • قد يكون عازل باب الثلاجة أو الفريزر متسخًا أو باليًا أو متهتكًا أو مثبت بطريقة غير صحيحة، نظف العازل أو استبدله، لأن العازل التالف أو المتهتك يتسبب في أن تعمل الثلاجة لفترات أطول للحفاظ على درجة الحرارة الحالية.
درجة حرارة الفريزر منخفضة جدًا بينما درجة حرارة الثلاجة غير كافية.
<ul style="list-style-type: none"> • تم ضبط الفريزر على درجة باردة جدًا، اضبط درجة حرارة الفريزر على أعلى درجة ثم تأكد ثانية.
درجة حرارة الثلاجة منخفضة جدًا بينما درجة حرارة الفريزر غير كافية.
<ul style="list-style-type: none"> • تم ضبط الثلاجة على درجة باردة جدًا، اضبط درجة حرارة الثلاجة على أعلى درجة ثم تحقق ثانية.

يرجى مراجعة هذه القائمة قبل الاتصال بمركز الخدمة، فقد يوفر عليك وقتًا ومالًا. تشمل هذه القائمة الشكاوى التي لم تنتج عن عيوب صناعة أو المواد المستخدمة، قد لا تتوافر بعض الميزات الواردة في هذا الدليل في المنتج الخاص بك.

الثلاجة لا تعمل
<ul style="list-style-type: none"> • هل الثلاجة متصلة بالتيار الكهربائي؟ توصيل القابس بمنفذ الكهرباء بالحائط. • هل احترق منصهر القابس المتصلة به الثلاجة أو المنصهر الرئيسي؟ افحص المنصهر.
تكثف في جانب صندوق الثلاجة. (المنطقة المتعددة التحكم في التبريد، والمنطقة المرنة)
<ul style="list-style-type: none"> • الظروف المحيطة باردة جدًا، فتح الأبواب وغلقتها بشكل متكرر، الظروف المحيطة عالية الرطوبة، تخزين طعام يحتوي على سائل في أوعية مفتوحة، ترك الباب مفتوح جزئيًا، تغيير وضع الترموستات إلى الدرجة أكثر برودة، تقليل الوقت الذي ترك الباب فيه مفتوحًا أو استخدامه بصورة أقل، تغطية الطعام المخزن في حاويات مفتوحة بمادة مناسبة، مسح التكثف بقطعة قماش جافة والتحقق من بقاءه.
جهاز ضغط الهواء لا يعمل
<ul style="list-style-type: none"> • سينصهر العازل الحراري لجهاز ضغط الهواء أثناء الانقطاع المفاجئ للتيار الكهربائي أو توصيل قابس الثلاجة بالتيار الكهربائي أو فصله، لأن ضغط الثلاجة في نظام تبريد الثلاجة لم يتوازن بعد. • ستبدأ الثلاجة في العمل بعد 6 دقائق تقريبًا، يرجى الاتصال بمركز الصيانة إذا لم تبدأ الثلاجة في العمل بعد انتهاء هذه المدة. • الثلاجة في دورة إزالة الثلج، هذا أمر عادي لكل الثلاجات الأوتوماتيكية التي تزيل الثلج، تحدث عملية إزالة الثلج دوريًا. • الثلاجة غير متصلة بالقابس، تأكد أن القابس موضوع بإحكام في مقبس الحائط. • هل تم ضبط درجة الحرارة بشكل صحيح؟ انقطع التيار الكهربائي، اتصل بشركة الكهرباء.

⚠ لا تستخدم الجازولين أو البنزين أو أي مواد مشابهة لأغراض التنظيف.

⚠ نوصي بفصل الجهاز عن التيار الكهربائي قبل تنظيفه.

⚠ لا تستخدم أبداً أي مواد كاشطة أو صابون أو منظفات منزلية أو منظفات غسيل أو شمع التلميع عند التنظيف.

⚠ في غير المنتجات التي تمنع تكون الثلج (No Frost)، يتساقط الماء ويمكن أن يتراكم الثلج بمقدار يصل إلى عرض الإصبع على الجدار الخلفي الداخلي لصندوق الثلاجة. لا تنظفه، ولا تستعمل مطفأ النفت أو عوامل مماثلة عليه.

⚠ استخدم فقط قطعة قماش من الأنسجة دقيقة رطبة قليلاً لتنظيف السطح الخارجي للمنتج. قد يخدش الإسفنج والأنواع الأخرى من أقمشة التنظيف سطح المنتج.

ⓘ استخدم المياه الفاترة لتنظيف صندوق الثلاجة ثم امسحه ليحف.

ⓘ استخدم قطعة من القماش الملتوية والرطبة مع ملء ملعقة شاي من بيكربونات الصودا مضافة لجالون من الماء لتنظيف الداخل ثم يجفف.

ⓘ تأكد من عدم دخول المياه إلى مبيت المصباح وغيره من العناصر الكهربائية.

ⓘ إذا كانت الثلاجة لن تستعمل لفترة زمنية طويلة، فافصل كابل التيار الكهربائي ثم أفرغ جميع الأطعمة ثم نظفها واترك الباب مفتوح جزئياً.

ⓘ قم بفحص عوازل التبريد في الباب بانتظام للتأكد من سلامتها وخلوها من جزيئات الطعام.

ⓘ لإزالة أرفف الباب، أخرج جميع المحتويات ثم ادفع رف الباب لأعلى بعيداً عن القاعدة.

ⓘ لا تستخدم أبداً مواد التنظيف أو المياه التي تحتوي على الكلورين لتنظيف الأسطح الخارجية والأجزاء المطلية بالكروم من المنتج. فالكلورين يتسبب في تآكل هذه الأسطح المعدنية.

ⓘ لا تستخدم الأدوات الحادة والكاشطة أو الصابون، أو مواد التنظيف المنزلية، المنظفات، البنزين، الشمع، الخ، وإلا ستزول الأختام على الأجزاء البلاستيكية ويحدث تشوه. استخدم ماء فاترًا وقماشة ناعمة للتنظيف والتجفيف.

حماية الأسطح البلاستيكية

ⓘ لا تضع زيوتاً سائلة أو وجبات مطبوخة بالزيت في الثلاجة في علب غير معزولة، إذ قد تتسبب في تلف الأسطح البلاستيكية للثلاجة. في حالة انسكاب زيت أو تسربه على الأسطح البلاستيكية، نظف هذا الجزء واشطفه فوراً بماء دافئ.

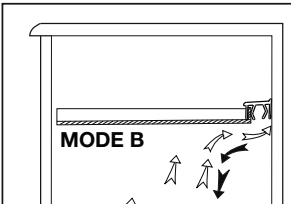
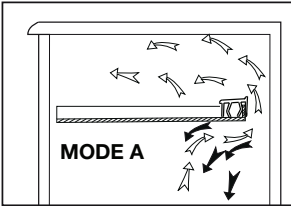
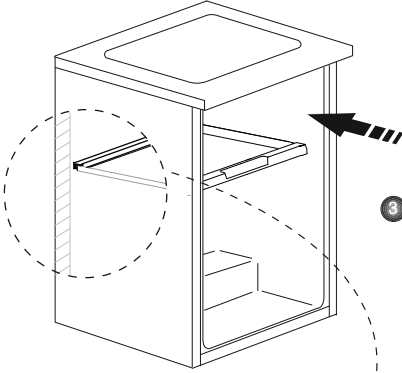
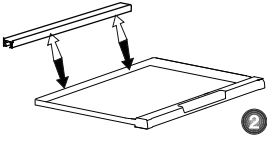
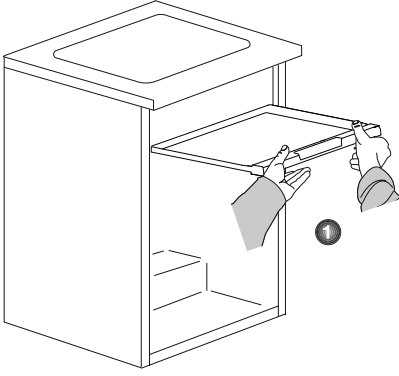
يتم استخدام مرطب صينية التبخير على النحو المشار إليه أدناه للحفاظ على درجة الحرارة المرغوبة للمقصورة وفقاً لدرجة الحرارة المحيطة، مثل نمط الشتاء لدرجة حرارة محيطية باردة، ونمط الصيف لدرجة حرارة محيطية ساخنة.

نمط الصيف (نمط A)

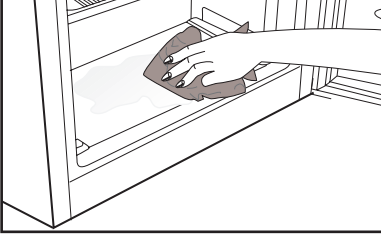
عند الحاجة لدرجة حرارة باردة في المقصورة.

نمط الشتاء (نمط B)

عند الحاجة لدرجة حرارة أكثر دفئاً في المقصورة.



إزالة الثلج عن الجهاز



يقوم تجويف الثلجة بفك التجميد تلقائيًا. تتدفق المياه الذائبة خلال قناة التصريف إلى وعاء تجميع في الجزء الخلفي من الجهاز.

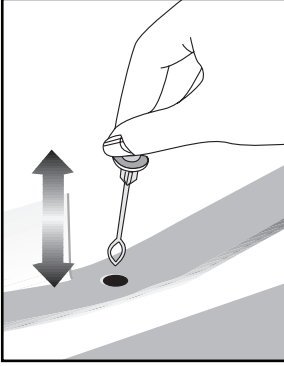
أثناء إزالة الثلج، تتكون قطرات المياه على الحائط الموجود خلف الثلجة نتيجة التبخر.

إذا لم تتسرب كل هذه القطرات إلى أسفل، فقد تتجمد

مرة أخرى بعد اكتمال إزالة الثلج. قم بإزالة هذه

القطرات باستخدام قطعة قماش ناعمة مبللة بالمياه

الدافئة. لا تستخدم الأشياء الصلبة أو الحادة.



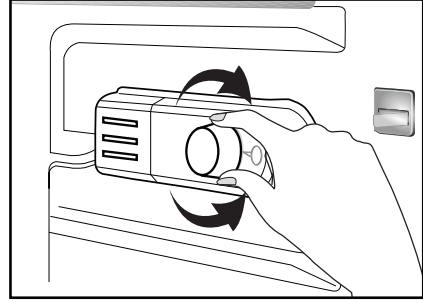
افحص تدفق المياه الذائبة بين الحين والآخر. قد

تتعرض للانسداد أحيانًا. قم بتنظيفها باستخدام منظف

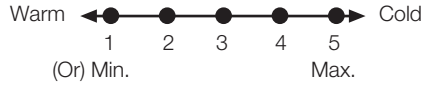
الأنابيب أو الأدوات المشابهة.

بعد إتمام إزالة الثلج، قم بتنظيف داخل الثلاجة. عندما تكون درجة الحرارة المحيطة أعلى من 30 درجة مئوية، قم بإزالة درج الصرف للحصول على أداء أفضل. للتبريد أعد توصيل الجهاز بالأجزاء الرئيسية. ضع الطعام المجمد في الأدراج ثم أدخل الأدراج في الفريزر.

التبريد



يتم تنظيم درجة حرارة التشغيل من خلال زر التحكم في درجة الحرارة.



1 = أقل ضبط تبريد (أعلى ضبط تدفئة)
5 = أعلى ضبط تبريد (أعلى ضبط تدفئة)

(أو)

الحد الأدنى = أقل ضبط تبريد

(أعلى ضبط تدفئة)

الحد الأقصى = أعلى ضبط تبريد

(أعلى ضبط تدفئة)

يجب أن يكون متوسط درجة الحرارة داخل الثلاجة نحو +5 درجة مئوية.

يرجى اختيار الضبط حسب درجة الحرارة المطلوبة.

يمكنك إيقاف تشغيل الجهاز عن طريق لف مقبض

الترموستات إلى الموضع "0".

اترك الباب مفتوحاً أثناء إزالة الثلج.

لإزالة الثلج بسرعة، ضع إناءً به ماء دافئ في الجهاز.

لا تستخدم أبداً أجهزة كهربائية أو رزاز إزالة الثلج

أو أدوات ذات شفرة أو حافة حادة مثل السكاكين أو

الأشواك لإزالة الثلج.

تخزين الأغذية

يتم استخدام تجويف الثلاجة لتخزين الأغذية الطازجة والمشروبات لفترة قصيرة.

قم بتخزين منتجات الألبان في التجويف المخصص لذلك بالثلاجة.

يمكن تخزين الزجاج في حمالة الزجاج أو لوح الزجاج الموجود بالباب.

يُفضل تخزين اللحم النيئ في كيس من البوليثلين في التجويف الذي يوجد في الجزء السفلي للثلاجة.

ينبغي تبريد الأغذية والمشروبات الساخنة في درجة حرارة الغرفة قبل وضعها في الثلاجة.

• تنبيه

قم بتخزين العصائر المركزة في الوعاء المحمول لأعلى والمعلق بإحكام فقط.

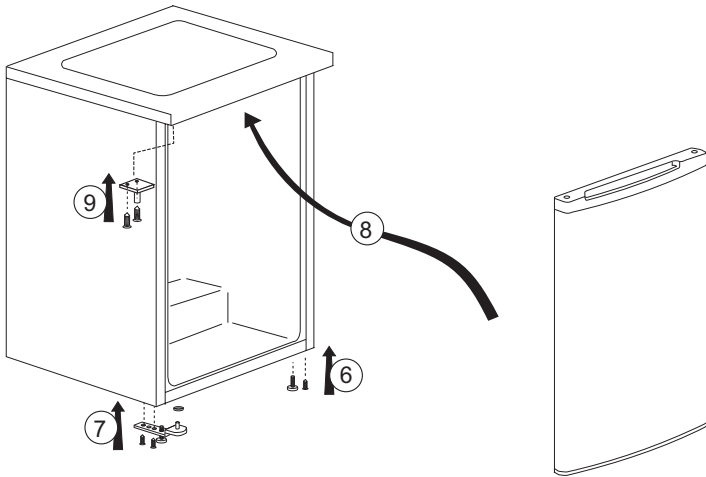
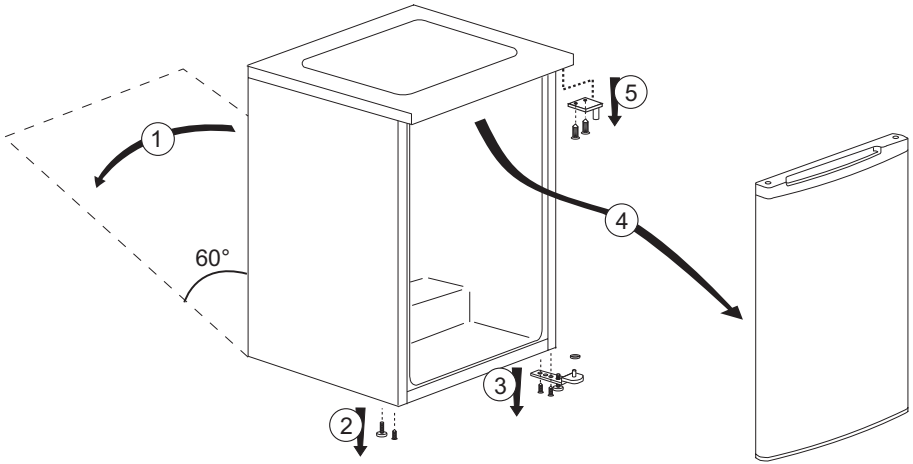
• تنبيه

لا تقم بتخزين مواد قابلة للانفجار أو عبوات تحتوي على غازات مضغوطة قابلة للاشتعال (عبوات الكريم

و عبوات الإسبراي... الخ.) في الجهاز.

هناك خطر انفجار.

عكس الأبواب
اتبع الترتيب الرقمي



- ❗ يجب تركيب الثلاجة على بعد 30 سم على الأقل من مصادر الحرارة مثل المواقد والأفران والسخان المركزي والمواقف وعلى بعد 5 سم على الأقل من الأفران الكهربائية ويجب عدم وضعها في ضوء الشمس المباشر.
- ❗ يجب أن تكون درجة الحرارة المحيطة للغرفة التي تضع فيها الثلاجة 10 درجة مئوية على الأقل. ولا يُوصى بتشغيل الثلاجة في ظروف درجة حرارة أقل من ذلك تحقيقاً لكفاءتها.
- ❗ يُرجى التأكد من تنظيف الثلاجة من الداخل بعناية.
- ❗ إذا كنت بصدد تركيب ثلاجتين جنباً إلى جنب، فيجب المباعرة بينهما بمسافة 2 سم على الأقل.
- ❗ عند تشغيل الثلاجة للمرة الأولى، يُرجى مراعاة التعليمات التالية أثناء الساعات الستة الأولى.
- يجب عدم فتح الباب بصورة متكررة.
 - يجب تشغيلها وهي خاوية بدون أي أطعمة داخلها.
 - لا تنزع قابس التيار الكهربائي للثلاجة. إذا توقف التيار الكهربائي رغباً عنك، فيرجى قراءة التحذيرات الواردة في قسم "حلول مقترحة للمشكلات".
- ❗ يجب الحفاظ على العبوة الأصلية ومواد التغليف المصاحبة لأغراض النقل المستقبلي أو الانتقال.

الوضع والتركيب

⚠ إذا كان باب الحجرة التي ستوضع بها الثلاجة ضيق بدرجة لا تسمح بمرور الثلاجة من خلاله، فاتصل بمركز الصيانة المعتمد لإزالة أبواب الثلاجة وتمريها وهي مائلة من الباب.

1. ركب الثلاجة في مكان يسمح بسهولة الاستخدام.
2. ضع الثلاجة بعيدًا عن مصادر الحرارة والمناطق الرطبة وأشعة الشمس المباشرة.
3. يجب أن تتوفر التهوية المناسبة حول الثلاجة للحصول على تشغيل يتسم بالكفاءة. إذا كانت الثلاجة ستوضع في تجويف داخل الحائط، فيجب أن يكون يترك 5 سم على الأقل بينها وبين السقف و 5 سم على الأقل بينها وبين الحائط. لا تضع ثلاجتك على مواد مثل السجاد أو الموكيت.
4. ضع الثلاجة على سطح مستو لمنع الحركة المفاجئة.

تغيير مصباح الإضاءة

لتغيير المصباح/مصباح الإضاءة الخلفية (LED) المستخدم في إضاءة الثلاجة، يرجى الاتصال بمركز الصيانة المعتمد.

المصباح (المصابيح) المستخدمة في هذا

الجهاز غير مناسبة للإضاءة في الغرف

المنزلية. الغرض الأساسي لهذا المصباح هو

مساعدة المستخدم لوضع أدوات الطعام في

الثلاجة/المجمّد بطريقة سهلة وآمنة

المصابيح المستخدمة في هذا الجهاز لها قدرة

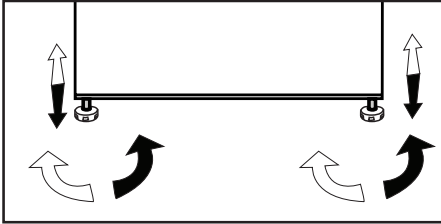
تحمل تتمثل في درجات الحرارة أقل من 20-

درجة مئوية.

ضبط القدم

إذا كانت الثلاجة غير متزنة؛

يمكن ضبط اتزان الثلاجة بتدوير الأقدام الأمامية كما هو موضح بالشكل. يتم خفض الركن الموجود به القدم عند التدوير باتجاه السهم الأسود ويرتفع عند التدوير في الاتجاه المعاكس. ستساعد الاستعانة بشخص آخر في رفع الثلاجة قليلاً في إنجاز هذه العملية.



التوصيل الكهربائي

صل المنتج بمنفذ توصيل أرضي محمي بمنصهر ذي سعة مناسبة.

هام:

- يجب أن يتوافق التوصيل مع اللوائح الوطنية.
- يجب أن يكون قابس التيار في مكان يسهل الوصول إليه بعد التركيب.
- يمكن ضمان السلامة الكهربائية للثلاجة فقط إذا كان نظام التوصيل الأرضي في منزلك يتوافق مع المعايير.
- جهد التيار الكهربائي المذكور على الملصق الموجود على الجانب الداخلي الأيسر من المنتج يجب أن يكون مساوياً لجهد الشبكة لديك.
- يجب عدم استخدام الوصلات الكهربائية والمقابس متعددة المسالك للتوصيل.

⚠ يجب أن يتم استبدال كابل التيار التالف بواسطة فني الكهرباء المعتمد.

⚠ يجب ألا يتم تشغيل المنتج قبل إصلاحه! حيث يوجد خطر يكمن في التعرض لصدمة كهربائية!

التخلص من عبوة المنتج

قد تكون مواد التغليف خطرة على الأطفال. احتفظ بمواد التغليف بعيداً عن متناول الأطفال أو تخلص منها بتصنيفها وفقاً لتعليمات التخلص من المخلفات المحددة من السلطات المحلية. لا تتخلص من المخلفات مع مخلفات المنزل العادية، قم بالتخلص منها من خلال نقاط التقاط مواد التعبئة والتغليف المحددة من السلطات المحلية.

يتم تصنيع حزمة تعبئة الثلاجة من مواد قابلة لإعادة التدوير.

التخلص من الثلاجة القديمة

تخلص من الجهاز القديم دون إحداث أي ضرر بالبيئة.

- يمكنك استشارة الوكيل المعتمد لديك أو مركز تجميع النفايات بمدينتك حول التخلص من الثلاجة القديمة. قبل التخلص من الثلاجة، اقطع القابض الكهربائي، وفي حالة وجود أي أقفال على باب الثلاجة، اجعلها غير قابلة للتشغيل لحماية الأطفال من أي خطر.

⚠ في حالة عدم الأخذ بالمعلومات الواردة بدليل المستخدم في الإعتبار، لا يتحمل المصنع أي مسؤولية نتيجة لهذا.

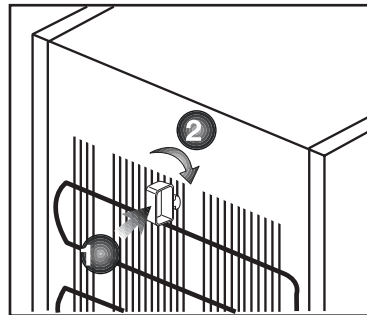
نقاط يجب الإهتمام بها عند الثلاجة.

1. يجب نزع القابض. قبل نقل الثلاجة بالموصلات يجب تفرغها وتنظيفها.
2. قبل إعادة تعيبتها، يجب تثبيت الأرفف والملحقات والدرج... الخ، داخل الثلاجة بشرط لاصق وتأمينها ضد الصدمات. يجب لف عبوة الثلاجة بشرط سميكة أو بحبال سليمة ويجب الالتزام بقواعد نقل عبوة الثلاجة بصرامة.
3. يجب الحفاظ على العبوة الأصلية ومواد التغليف المصاحبة لأغراض النقل المستقبلي أو الانتقال.

قبل بدأ تشغيل الثلاجة،

تحقق من التالي قبل بدأ تشغيل الثلاجة:

1. أرفق الأسافين البلاستيكية كما هو موضح أدناه. يتم استخدام الأسافين البلاستيكية للحفاظ على وجود مسافة والتي ستؤكد على تدوير الهواء بين الثلاجة والحائط. (وضعت هذه الصورة كوصف تصويري ولا تتطابق بالكامل مع المنتج الخاص بك.)
2. نظف الجزء الداخلي للثلاجة كما هو موصى به في قسم "الصيانة والتنظيف".
3. قم بتوصيل قابس الثلاجة مع مقيس الحائط. عند فتح باب الثلاجة، سيضيء المصباح الداخلي.
4. عندما يبدأ المكثف بالعمل، ستسمع صوتاً. قد تؤدي السوائل والغازات المتسربة من جهاز الثلاجة إلى إحداث ضوضاء، حتى إن كان جهاز ضغط الهواء لا يعمل وهذا أمر طبيعي.
5. قد يكون ملمس الحواف الأمامية للثلاجة دافئاً. هذا شيء طبيعي. حيث تم تصميم هذه المناطق حتى تكون دافئة تجنباً للتكاثف.



بيانات التغليف

الطاقة المذكورة والخاص بالثلاجة تم تحديده أثناء إخراج الرف والدرج من الفريزر وتحميله بالحد الأقصى للحمولة. ولا توجد خطورة من استخدام الرف أو الدرج وفقاً للأشكال وأحجام الأطعمة المطلوب تجميدها.
إذابة الطعام المجمد في مقصورة الثلاجة ستوفر الطاقة وتحفظ جودة الطعام.

تم تصنيع مواد التغليف الخاصة بهذا المنتج من مواد قابلة لإعادة التصنيع وفقاً للوائح البيئية المحلية الخاصة بنا. لا تتخلص من مواد التغليف مع النفايات المنزلية أو النفايات الأخرى. بل تخلص منها في نقاط تجميع مواد التغليف المعينة من قبل السلطات المحلية.
لا تنسى...

يجب عدم التخلص من أية مواد قابلة لإعادة التدوير حفاظاً على الطبيعة ووفرة الموارد القومية.
إذا كانت تريد أن تشارك في إعادة تقييم مواد التعبئة، يمكنك استشارة منظمات البيئة أو المجالس البلدية التي بجوارك.

تحذير الحرارة والتبريد والتهوية (HC)

إذا كان المنتج مزوداً بنظام تبريد يحتوي على

R600a

هذا الغاز قابل للاشتعال. ولذا، يجب توخي الحذر حتى لا يتم إتلاف نظام التبريد والأبواب أثناء الاستخدام والنقل. في حالة التلف، لا تتخلص من المنتج بإلقائه في النيران، واحتفظ به بعيداً عن مصادر النيران المحتملة والتي يمكن أن تتسبب في نشوب النيران بالمنتج واحرص على تهوية الحجرة التي تحتفظ بالمنتج فيها.

إذا كان المنتج مزوداً بنظام تبريد يحتوي على

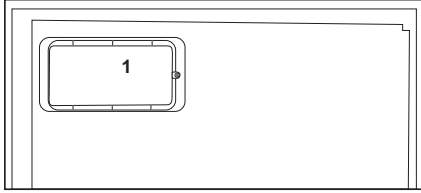
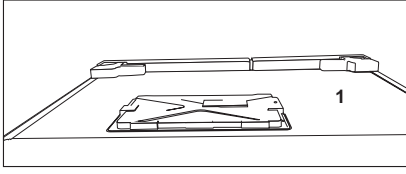
R134a

نوع الغاز المستخدم في هذا المنتج مذكور على ملصق النوع الموجودة على الجانب الأيسر الداخلي للثلاجة.

لا تتخلص من المنتج مطلقاً بإلقائه في النيران.

أشياء يجب عملها لتوفير الطاقة

- لا تترك أبواب الثلاجة مفتوحة لفترة طويلة.
- لا تضع الأطعمة أو الخضروات الساخنة في الثلاجة.
- لا تزيد حمل الثلاجة بحيث لا تمنع دورة الهواء داخلها.
- لا تركب الثلاجة تحت أشعة الشمس المباشرة أو بالقرب من أجهزة تنبعث من حرارة مثل الفرن أو غسالة الأطباق أو المشع. يجب وضع الثلاجة على بعد 30 سم على الأقل من مصادر الحرارة المنبعثة وعلى الأقل 5 سم من المواقد الكهربائية.
- يجب وضع الطعام في علب مغلقة.
- بالنسبة للمنتجات المزودة بمقصورة فريزر، يمكنك تخزين الحد الأقصى من كمية الطعام في الفريزر عندما تقوم بإخراج الرفوف أو الأدراج منه. استهلاك



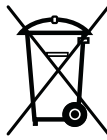
تأمين سلامة الأطفال

- إذا كان الباب مزوداً بقل، فينبغي الاحتفاظ بالمفتاح بعيداً عن متناول الأطفال.
- يجب رقابة الأطفال حتى لا يعيثوا بالمنتجات.

متوافق مع تشريعات WEEE في التخلص من المنتجات التالفة.

هذا الجهاز لا يحتوي على مواد مؤذية أو محرمة من تلك المشار إليها في "تشريعات الرقابة على نفايات الأجهزة الكهربائية والإلكترونية" المصدرة من وزارة البيئة وتخطيط المدن التركية. متوافق مع تشريعات WEEE.

تم تصنيع هذا الجهاز بأجزاء ومواد عالية الجودة يمكن إعادة استخدامها وهي مناسبة لإعادة التدوير. وعلى ذلك، لا تتخلص من الجهاز مع النفايات المنزلية العادية في نهاية فترة حياته. عليك أخذه إلى نقطة التجميع لإعادة تدوير المعدات



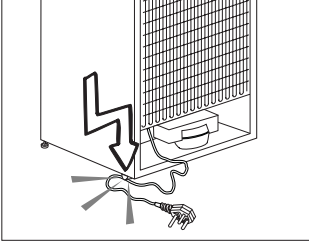
الكهربائية والإلكترونية. يرجى التشاور مع السلطات المحلية لمعرفة أقرب نقطة تجميع. ساعد في حماية البيئة والموارد الطبيعية عبر إعادة تدوير المنتجات المستخدمة. لسلامة الأطفال، اقطع كابل الطاقة واكسر آلية القفل للباب، إن وجدت، حتى لا يمكن استخدامها قبل التخلص من الجهاز.

التوافق مع توجيهات RoHS:

يتوافق المنتج الذي قمت بشرائه مع توجيهات RoHS للاتحاد الأوروبي (EU/2011/65). لا يحتوي على مواد ضارة أو محظورة مشار إليها في التوجيهات.

- لا تزيد من حمولة الثلاجة بالطعام. إذا كانت الثلاجة بها حمل زائد، فقد يسقط الطعام ويصيبك ويتلف الثلاجة عند فتح الباب.
- لا تضع أشياء ثقيلة أعلى الثلاجة حيث قد تقع عند فتح باب الثلاجة أو غلقه.
- ينبغي عدم حفظ المنتجات التي تحتاج إلى تحكم دقيق في درجات الحرارة (الأمصال أو الأدوية ذات الحساسية للحرارة أو المواد العلمية أو ما شابه) في الثلاجة.
- إذا لن يتم استخدام الثلاجة لفترة طويلة، فيجب فصلها عن التيار الكهربائي. قد تتسبب أي مشكلة في عزل الكابل في نشوب حريق.
- من الممكن أن تتحرك الثلاجة إذا لم يتم تثبيتها بإحكام على الأرض. يمكن للأقدام القابلة للضبط المثبتة بإحكام على الأرض أن تثبت الثلاجة في مكانها ولا تتحرك.
- عند حمل الثلاجة، لا تمسكها من مقبض الباب. وإلا فيكسر.
- يجب أن يكون ضغط مدخل الماء البارد 90psi كحد أقصى (620 kPa). إذا تجاوز ضغط الماء 80 psi (550 kPa) (بار)، استخدم صمام حد الضغط في نظامك الرئيسي. إذا كنت لا تعلم كيف تفحص ضغط الماء الخاص بك، اطلب المساعدة من سمكري متخصص.
- إذا ظهر خطر تأثير الطرق المائي أثناء التركيب، استخدم معدات منع الطرق المائي في التركيب دائماً. استشر سمكري متخصص إن لم تكن متأكداً من عدم وجود تأثير للطرق المائي في التركيب.
- لا تركبه على مدخل الماء الساخن. يجب أخذ الحبطة من خطر تجمد الخرطوم. يجب أن تكون درجة حرارة الماء 33 ف (0.6 م) كحد أدنى و100 ف (38 م) كحد أقصى.
- لا تستخدم الجهاز إذا كان القسم الموجود على سطح الجهاز أو على ظهره الذي يحوي ألواحاً إلكترونية مطبوعة في الداخل مفتوحاً (غطاء
- وح الدائرة الإلكترونية المطبوعة) (1).

- اتصل بفني خدمة مؤهل في حالة وجود تلف بكابل الطاقة لتجنب المخاطر.
- لا تقم بتوصيل التلاجة بمنفذ الحائط أبدًا أثناء عملية التركيب. وإلا، فهناك خطر أن تلقى مصراعك أو تلحق بك إصابة خطيرة.
- تم تصميم هذه التلاجة فقط لحفظ الطعام. يجب ألا تستخدم لأية أغراض أخرى.
- يوجد ملصق التصنيف الذي يحتوي على المواصفات الفنية للمنتج في الجزء الأيسر الداخلي للتلاجة.
- لا تصل التلاجة بأي نظم إلكترونية لتوفير الطاقة فقد يتلف المنتج.
- إذا كانت التلاجة بها لون أزرق، فلا تنتظر إلى اللون الأزرق من خلال أجهزة بصرية. إذا كان هناك ضوء أزرق على التلاجة، لا تنتظر إليه بالعين المجردة أو بالأدوات البصرية لفترة طويلة.
- ينبغي تسليم دليل التشغيل هذا إلى المالك الجديد للتلاجة عند بيعها للآخرين.
- تجنب تلف كابل الطاقة أثناء نقل التلاجة. قد يتسبب الكابل المثني في نشوب حريق. لا تضع أي أشياء ثقيلة على كابل الطاقة.
- لا تقم بلمس القابس بأيدي مبتلة عند توصيل قابس التلاجة.



- تصل التلاجة إذا كان منفذ التيار الكهربائي غير محكم.
- ينبغي عدم نثر الماء على الأجزاء الداخلية أو الخارجية للتلاجة لوعي السلامة.
- لا ترش مواد قابلة للاشتعال مثل غاز البروبين بالقرب من التلاجة بسبب مخاطر نشوب النيران والانفجار.
- لا تضع أشياء مملوئة بالماء أعلى التلاجة، ففي حالة إنسكابها، فقد تؤدي إلى صدمة كهربائية أو نشوب حريق.

- الأنابيب أو طلاءات السطح، وقد يتسبب ذلك في حدوث اعتلال للجلد وإصابات للعين.
- لا تخط فتحات تهوية التلاجة أو تسدها بأي مواد.
- يجب إجراء الإصلاحات بواسطة شخص مؤهل فقط. فعمليات الإصلاح التي يقوم بها أشخاص غير مؤهلين قد تمثل خطورة على المستخدم.
- في حالة وقوع أي عطل أو أثناء أي عملية صيانة أو أعمال إصلاح، افصل التلاجة عن مصدر التيار الكهربائي الرئيسي إما بإغلاق المنصهر المعني أو بنزع قابس التيار الكهربائي الخاص بالجهاز.
- لا تجذب الكابل - بل اجذب من المقبس.
- تحقق من أن المشروبات الكحولية مخزنة بشكل آمن، محكمة الإغلاق و في وضع رأسي.
- يجب عدم الاحتفاظ في التلاجة بالمواد القابلة للاشتعال أو المنتجات التي تحتوي على غازات قابلة للاشتعال (مثل الإسبراي) وكذلك المواد القابلة للانفجار.
- يجب عدم استخدام أدوات ميكانيكية أو أية وسائل أخرى للتسريع من عملية إزالة التجميد، بخلاف الأدوات التي توصي بها الجهة المصنعة.
- هذا الجهاز غير مُعد للاستخدام بواسطة الأفراد (بما في ذلك الأطفال) ذوي القدرات الجسدية والحسية والذهنية المحدودة، أو الأفراد الذين يفتقدون للخبرة والمعرفة ما لم يتم الإشراف عليهم أو إعطائهم تعليمات استخدام الجهاز بواسطة شخص مسئول عن سلامتهم أو الشخص الذي سيقوم بإعطائهم التعليمات الخاصة باستخدام المنتج.
- لا تقم بتشغيل التلاجة وهي تالفة. استشر مركز الصيانة إذا لديك أي شك.
- يمكن ضمان السلامة الكهربائية للتلاجة فقط إذا كان نظام التوصيل الأرضي في منزلك يتوافق مع المعايير.
- إن تعريض الجهاز للأمطار والثلج و الشمس والرياح يمثل خطورة فيما يتعلق بالسلامة الكهربائية.

هذا الجهاز مصمم للاستخدام المنزلي والتطبيقات المماثلة مثل

- مناطق كادر الطبخ في المتاجر والمكاتب وبيئات العمل الأخرى؛
- المزارع و النزلاء في الفنادق وفنادق الطرق والبيئات السكنية المماثلة؛ أماكن المبيت والإفطار؛
- أماكن المبيت والإفطار؛
- عمليات التموين والتطبيقات المماثلة في غير محلات التجزئة.

السلامة العامة

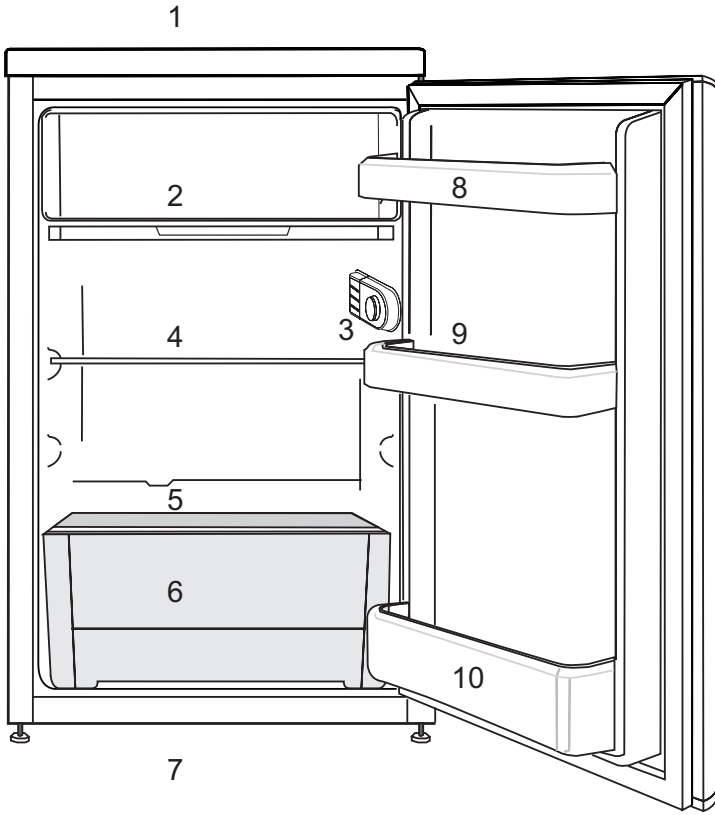
- إذا أردت التخلص من الجهاز، فيوصي باستشارة مركز الصيانة المعتمد لمعرفة المعلومات المطلوبة والهيئات المعتمدة.
- استشر مركز الصيانة المعتمد حول كل الاستفسارات والمشكلات المتعلقة بالثلاجة. لا تتدخل ولا تدع أحدًا يتدخل في صيانة الجهاز دون إخبار مراكز الصيانة المعتمدة.
- بالنسبة للمنتجات المزودة بمقصورة فريزر، لا تأكل بسكويت الأيس كريم ومكعبات الثلج مباشرة بعد إخراجها من صندوق الفريزر. (فقد يسبب هذا لسعة صقيع داخل فمك.)
- بالنسبة للمنتجات المزودة بمقصورة فريزر، لا تضع المشروبات السائلة المعلبة أو الموضوع في زجاجات في صندوق الفريزر. وإلا، فقد تنفجر.
- لا تلمس الطعام المجمد باليد، فقد يلتصق بيديك.
- افصل قلبس التيار الكهربائي قبل تنظيف الثلاجة أو إزالة الثلج.
- لا يجب استخدام البخار أو مواد التنظيف بالبخار أبدًا في تنظيف أو عمليات إزالة الثلج من الثلاجة. ففي مثل هذه الحالة، قد يتفاعل البخار مع القطع الكهربائية ويؤدي إلى قطع التيار الكهربائي أو وقوع صدمة كهربائية.
- لا تستخدم مطلقاً قطع الثلجة، مثل الباب كوسيلة دعم أو للوقوف عليه.
- لا تستخدم أي أجهزة كهربائية داخل الثلاجة.
- لا تتلف الأجزاء حيث يتم تدوير الهواء البارد بأدوات حفر أو قطع. فقد ينفجر المبرد عند ثقب قنوات الغاز أو المبخر أو وصلات

يرجى فحص المعلومات التالية. ربما يؤدي الإخفاق في اتباع هذه المعلومات إلى إصابات أو تلف للممتلكات. ومن ثم، قد تصبح كل التزامات الفعالية والضمان غير سارية.

- سيتم توفير قطع غيار أصلية لمدة 10 أعوامًا، بعد تاريخ الشراء المنتج.

الغرض المخصص

تحذير: حافظ على فتحات التهوية في تجويف الجهاز أو في البنية المدمجة خالية من الانسداد.	⚠
تحذير: لا تستخدم الأجهزة الميكانيكية أو الوسائل الأخرى لتسريع عملية إزالة الصقيع غير تلك التي يوصي بها المصنع.	⚠
تحذير: لا تتلف الدائرة الكهربائية لمادة التبريد.	⚠
تحذير: لا تستخدم الأجهزة الكهربائية في حجرة المؤن في الجهاز إلا إذا كانت من النوع الذي يوصي بها المصنع.	⚠
تحذير: لا تقم بتخزين المواد المتفجرة مثل علب الهباء الجوي مع بالوقود قابل للاشتعال في هذا الجهاز	⚠



6- هش قدم جبهة

7- قابل للتعديل

8 الباب الرفوف

9- البيض صينية

10- زجاجة الرف

1 - تقليم الأعلى

2 - تصفى صينية

3- الداخلية الضوء والحرارة مقبض الباب

4- المنقول الرف

5 هش الغطاء

① الأشكال الواردة في دليل التعليمات هذا هي رسومات بيانية وقد لا تتطابق تمامًا مع المنتج. إذا لم تكن هذه القطع واردة في هذا الجهاز الذي اشتريته، فإنها مناسبة لأنواع أخرى.

1 ثلاجتك**3****2 تحذيرات السلامة المهمة****4**

- 4 الغرض المخصص
- 4 السلامة العامة
- 6 تأمين سلامة الأطفال
- 6 متوافق مع تشريعات WEEE في التخلص من المنتجات التالفة
- 6 التوافق مع توجيهات RoHS
- 7 بيانات التغليف
- 7 تحذير الحرارة والتبريد والتهوية (HC)
- 7 أشياء يجب عملها لتوفير الطاقة

3 التركيب**8**

- 8 نقاط يجب الإهتمام بها عند الثلاجة
- 8 قبل بدأ تشغيل الثلاجة
- 8 التوصيل الكهربائي
- 8 التخلص من عبوة المنتج
- 8 التخلص من الثلاجة القديمة
- 9 الوضع والتركيب
- 9 تغيير مصباح الإضاءة
- 9 ضبط القدم

4 الإعداد**10**

- 11 عكس الأبواب

5 استخدام ثلاجتك**12**

- 12 التبريد
- 12 تخزين الأغذية
- 13 إزالة الثلج عن الجهاز

6 الصيانة والتنظيف**15**

- 15 حماية الأسطح البلاستيكية

7 حلول مقترحة للمشكلات**16**

يرجى قراءة هذا الدليل أولاً!

عملينا العزيز،

نأمل أن هذا المنتج والذي تم إنتاجه في مصانع حديثة وفحصه بإجراءات صارمة لرقابة الجودة سيقدم لكم خدمة فعالة.




ولذلك فنحن نوصي بقراءة هذا الدليل بالكامل بعناية قبل استخدامه وحفظه للرجوع إليه في المستقبل.

هذا الدليل

- سيساعدك على استخدام الجهاز بسرعة وبطريقة مأمونة.
- يرجى قراءة هذا الدليل قبل تركيب المنتج وتشغيله.
- يرجى اتباع الإرشادات، خاصة تلك المتعلقة بالسلامة.
- احتفظ بهذا الدليل في مكان يسهل الوصول إليه عند الحاجة إليه في المستقبل.
- وبالإضافة إلى ذلك، يرجى قراءة المستندات الأخرى المرفقة مع المنتج.
- يرجى ملاحظة أن هذا الدليل قد يكون صالحاً لأنواع أخرى أيضاً.

الرموز ومعانيها.

يحتوي دليل التعليمات هذا على الرموز التالية.

- | | |
|--|---|
| معلومات مهمة أو تعليمات استخدام مفيدة. |  |
| تحذير ضد الأحوال الخطرة على حياة البشر والممتلكات. |  |
| تحذير ضد الفولتية الكهربائية. |  |