

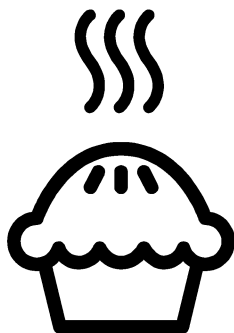


Oven

User Manual

Плита

Руководство пользователя



FCS 46000

EN / RU

585.3003.77/R.AB/15.11.2019

7715288343

Please read this user manual first!

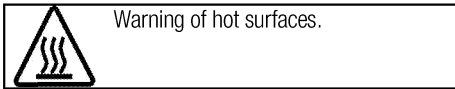
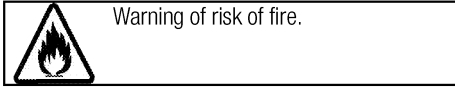
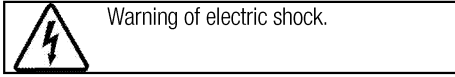
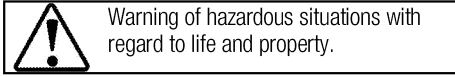
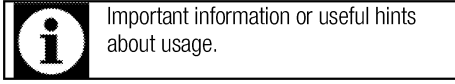
Dear Customer,

Thank you for purchasing this Beko product. We hope that you get the best results from your product which has been manufactured with high quality and state-of-the-art technology. Therefore, please read this entire user manual and all other accompanying documents carefully before using the product and keep it as a reference for future use. If you handover the product to someone else, give the user manual as well. Follow all warnings and information in the user manual.

Remember that this user manual is also applicable for several other models. Differences between models will be identified in the manual.

Explanation of symbols

Throughout this user manual the following symbols are used:



Arçelik A.Ş.
Karaağaç caddesi No:2-6
34445 Sütlüce/İstanbul/TURKEY
Made in TURKEY



This product was manufactured using the latest technology in environmentally friendly conditions.

TABLE OF CONTENTS

1 Important instructions and warnings for safety and environment 4

General safety	4
Electrical safety	4
Product safety	5
Intended use	7
Safety for children.....	8
Disposing of the old product.....	8
Package information	8
Future Transportation.....	8

2 General information 9

Overview	9
Package contents	10
Technical specifications	11

3 Installation 12

Before installation	12
Installation and connection	13

4 Preparation 15

Tips for saving energy	15
Initial use.....	15
First cleaning of the appliance	15
Initial heating.....	15

5 How to use the hob 16

General information about cooking	16
Using the hobs.....	16

6 How to operate the oven 17

General information on baking, roasting and grilling.....	17
How to operate the electric oven	17
Operating modes.....	17
Cooking times table.....	18

7 Maintenance and care 19

General information.....	19
Cleaning the hob.....	19
Cleaning the control panel	19
Cleaning the oven	19
Removing the oven door	20
Removing the door inner glass	20

8 Troubleshooting 22

1 Important instructions and warnings for safety and environment

This section contains safety instructions that will help protect from risk of personal injury or property damage. Failure to follow these instructions shall void any warranty.

General safety

- This appliance can be used by children aged from 8 years and above and persons with reduced physical, sensory or mental capabilities or lack of experience and knowledge if they have been given supervision or instruction concerning use of the appliance in a safe way and understand the hazards involved.

Children shall not play with the appliance. Cleaning and user maintenance shall not be made by children without supervision.

- The appliance is not to be used by persons (including children) with reduced physical, sensory or mental capabilities, or lack of experience and knowledge, unless they have been given supervision or instruction. Children should be supervised and ensure they do not play with the appliance
- If the product is handed over to someone else for personal use or second-hand use purposes, the

user manual, product labels and other relevant documents and parts should be also given.

- Never place the product on a carpet-covered floor. Otherwise, lack of airflow beneath the product will cause electrical parts to overheat. This will cause problems with your product.
- Installation and repair procedures must always be performed by Authorised Service Agents. The manufacturer shall not be held responsible for damages arising from procedures carried out by unauthorised persons which may also void the warranty. Before installation, read the instructions carefully.
- Do not operate the product if it is defective or has any visible damage.
- Ensure that the product function knobs are switched off after every use.

Electrical safety

- If the product has a failure, it should not be operated unless it is repaired by an Authorised Service Agent. There is the risk of electric shock!
- Only connect the product to a grounded outlet/line with the

voltage and protection as specified in the “Technical specifications”. Have the grounding installation made by a qualified electrician while using the product with or without a transformer. Our company shall not be liable for any problems arising due to the product not being earthed in accordance with the local regulations.

- Never wash the product by spreading or pouring water onto it! There is the risk of electric shock!
- The product must be disconnected during installation, maintenance, cleaning and repairing procedures.
- If the power connection cable for the product is damaged, it must be replaced by the manufacturer, its service agent or similarly qualified persons in order to avoid a hazard.
- Only use the connection cable specified in the “Technical specifications”.
- The appliance must be installed so that it can be completely disconnected from the mains supply. The separation must be provided by a switch built into the fixed electrical installation, according to construction regulations.

- Rear surface of the oven gets hot when it is in use. Make sure that the electrical connection does not contact the rear surface; otherwise, connections can get damaged.
- Do not trap the mains cable between the oven door and frame and do not route it over hot surfaces. Otherwise, cable insulation may melt and cause fire as a result of short circuit.
- Any work on electrical equipment and systems should only be carried out by authorised and qualified persons.
- In case of any damage, switch off the product and disconnect it from the mains. To do this, turn off the fuse at home.
- Make sure that fuse rating is compatible with the product.

Product safety

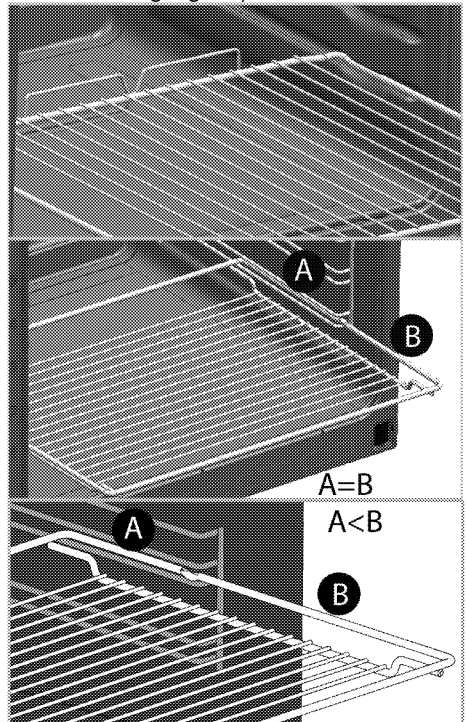
- **WARNING:** The appliance and its accessible parts become hot during use. Care should be taken to avoid touching heating elements. Children less than 8 years of age shall be kept away unless continuously supervised.
- Never use the product when your judgment or coordination is impaired by the use of alcohol and/or drugs.
- Be careful when using alcoholic drinks in your dishes. Alcohol

evaporates at high temperatures and may cause fire since it can ignite when it comes into contact with hot surfaces.

- Food Poisoning Hazard: Do not let food sit in oven for more than 1 hour before or after cooking. Doing so can result in food poisoning or sickness.
- Do not place any flammable materials close to the product as the sides may become hot during use.
- During use the appliances becomes hot. Care should be taken to avoid touching heating elements inside the oven.
- Keep all ventilation slots clear of obstructions.
- Do not heat closed tins and glass jars in the oven. The pressure that would build-up in the tin/jar may cause it to burst.
- Do not place baking trays, dishes or aluminium foil directly onto the bottom of the oven. The heat accumulation might damage the bottom of the oven.
- Do not use harsh abrasive cleaners or sharp metal scrapers to clean the oven door glass since they can scratch the surface, which may result in shattering of the glass.

- Do not use steam cleaners to clean the appliance as this may cause an electric shock.
- (Varies depending on the product model.)

Placing the wire shelf and tray onto the wire racks properly
It is important to place the wire shelf and/or tray onto the rack properly. Slide the wire shelf or tray between 2 rails and make sure that it is balanced before placing food on it (Please see the following figure).



- Do not use the product if the front door glass removed or cracked.
- Always use heat resistant oven gloves when putting in or

removing dishes into/from the hot oven.

- Place the baking paper into the cooking pot or on to the oven accessory (tray, wire grill etc) together with the food and then insert all into the preheated oven. Remove the excess parts of the baking paper overflowing from the accessory or the pot in order to prevent the risk of touching the oven's heating elements. Never use the baking paper in an operating temperature higher than the indicated value for the baking paper. Do not place the baking paper directly on the base of the oven.
- The appliance must not be installed behind a decorative door in order to avoid overheating.
- Product must be placed directly on the floor. It must not be placed onto a base or a pedestal.
- **WARNING:** Unattended cooking on a hob with fat or oil can be dangerous and may result in fire. NEVER try to extinguish a fire with water, but switch off the appliance and then cover flame e.g. with a lid or a fire blanket.
- **CAUTION:** The cooking process has to be supervised. A short term cooking process has to be supervised continuously.

- **WARNING:** Danger of fire: Do not store items on the cooking surfaces.
- The appliance is not intended to be operated by means of an external timer or separate remote-control system.
- **WARNING:** Use only hob guards designed by the manufacturer of the cooking appliance or indicated by the manufacturer of the appliance in the instructions for use as suitable or hob guards incorporated in the appliance. The use of inappropriate guards can cause accidents.

Prevention against possible fire risk!

- Ensure all electrical connections are secure and tight to prevent risk of arcing.
- Do not use damaged cables or extension cables.
- Ensure liquid or moisture is not accessible to the electrical connection point.

Intended use

- This product is designed for domestic use. Commercial use will void the guarantee.
- This appliance is for cooking purposes only. It must not be used for other purposes, for example room heating.
- The manufacturer shall not be liable for any damage caused by improper use or handling errors.

- The oven can be used for defrosting, baking, roasting and grilling food.

Safety for children

- **WARNING:** Accessible parts may become hot during use. Young children should be kept away.
- The packaging materials will be dangerous for children. Keep the packaging materials away from children. Please dispose of all parts of the packaging according to environmental standards.
- Electrical products are dangerous to children. Keep children away from the product when it is operating and do not allow them to play with the product.
- Do not place any items above the appliance that children may reach for.
- When the door is open, do not load any heavy object on it and do not allow children to sit on it. It may overturn or door hinges may get damaged.

Disposing of the old product

Compliance with the WEEE Directive and Disposing of the Waste Product:



This product complies with EU WEEE Directive (2012/19/EU). This product bears a classification symbol for waste electrical and electronic equipment (WEEE).

This product has been manufactured with high quality parts and materials which can be reused and are suitable for recycling. Do not dispose of the waste product with normal domestic and other wastes at the end of its service life. Take it to the collection center for the recycling of electrical and electronic equipment. Please consult your local authorities to learn about these collection centers.

Compliance with RoHS Directive:

The product you have purchased complies with EU RoHS Directive (2011/65/EU). It does not contain harmful and prohibited materials specified in the Directive.

Package information

- Packaging materials of the product are manufactured from recyclable materials in accordance with our National Environment Regulations. Do not dispose of the packaging materials together with the domestic or other wastes. Take them to the packaging material collection points designated by the local authorities.

Future Transportation

- Keep the product's original carton and transport the product in it. Follow the instructions on the carton. If you do not have the original carton, pack the product in bubble wrap or thick cardboard and tape it securely.
- To prevent the wire grill and tray inside the oven from damaging the oven door, place a strip of cardboard onto the inside of the oven door that lines up with the position of the trays. Tape the oven door to the side walls.
- Do not use the door or handle to lift or move the product.



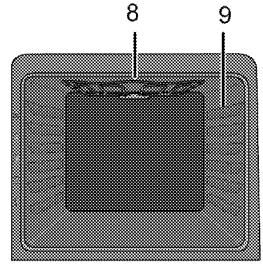
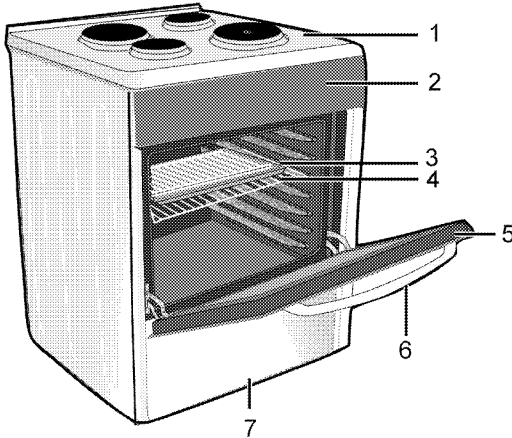
Do not place any objects onto the product and move it in upright position.



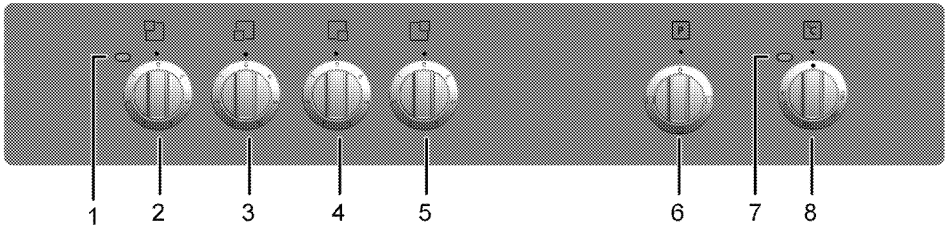
Check the general appearance of your product for any damages that might have occurred during transportation.

2 General information

Overview



- | | | | |
|---|---------------|---|---------------------|
| 1 | Burner plate | 6 | Handle |
| 2 | Control panel | 7 | Lower part |
| 3 | Wire shelf | 8 | Top heating element |
| 4 | Tray | 9 | Shelf positions |
| 5 | Front door | | |



- | | | | |
|---|----------------------|---|---------------------|
| 1 | Warning lamp | 5 | Hotplate Rear right |
| 2 | Hotplate Rear left | 6 | Oven knob |
| 3 | Hotplate Front left | 7 | Thermostat lamp |
| 4 | Hotplate Front right | 8 | Thermostat knob |

Package contents

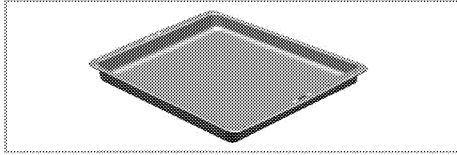


Accessories supplied can vary depending on the product model. Not every accessory described in the user manual may exist on your product.

1. **User manual**

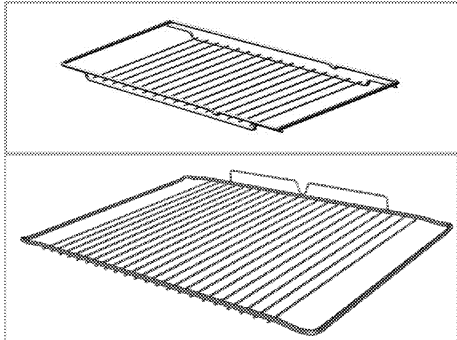
2. **Oven tray**

Used for pastries, frozen foods and big roasts.



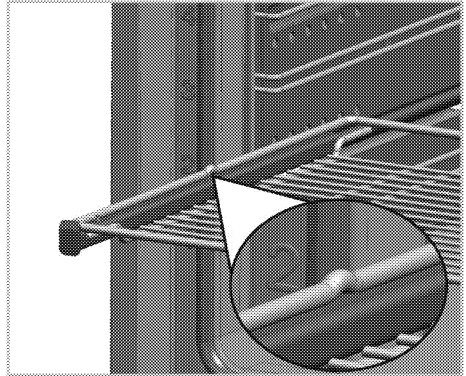
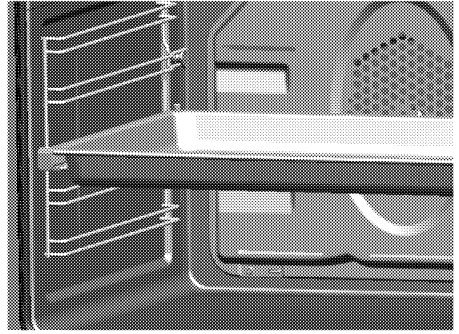
3. **Wire Shelf**

Used for roasting and for placing the food to be baked, roasted or cooked in casserole dishes to the desired rack.



4. **Placing the wire shelf and tray onto the telescopic racks properly**
(This feature is optional. It may not exist on your product.)

Telescopic racks allow you to install and remove the trays and wire shelf easily. When using the tray and wire shelf with telescopic racks, make sure that the pins at the rear section of the telescopic rack stands against the edges of the wire shelf and tray.



Technical specifications

GENERAL	
External dimensions (height / width / depth)	850 mm/500 mm/500 mm
Voltage / frequency	220-240 V / 380-415 V 3 N ~ 50 Hz
Total power consumption	7.4 kW
Fuse	min. 16 A x 3 / 25 A
Cable type / section	min.H05VV-F 5 x 1,5 mm ² / 3 x 2,5 mm ²
HOB	
Burners	
Rear left	Hotplate
Dimension	145 mm
Power	1000 W
Front left	Hotplate
Dimension	180 mm
Power	2000 W
Front right	Hotplate
Dimension	145 mm
Power	1000 W
Rear right	Hotplate
Dimension	180 mm
Power	1500 W
OVEN/GRILL	
Main oven	Conventional oven

Basics: Information on the energy label of electrical ovens is given in accordance with the EN 60350-1 / IEC 60350-1 standard. Those values are determined under standard load with bottom-top heater or fan assisted heating (if any) functions.
 Energy efficiency class is determined in accordance with the following prioritization depending on whether the relevant functions exist on the product or not. 1-Cooking with eco-fan, 2- Turbo slow cooking, 3- Turbo cooking, 4- Fan assisted bottom/top heating, 5-Top and bottom heating.



Technical specifications may be changed without prior notice to improve the quality of the product.




Figures in this manual are schematic and may not exactly match your product.





Values stated on the product labels or in the documentation accompanying it are obtained in laboratory conditions in accordance with relevant standards. Depending on operational and environmental conditions of the product, these values may vary.

3 Installation

Product must be installed by a qualified person in accordance with the regulations in force. The manufacturer shall not be held responsible for damages arising from procedures carried out by unauthorized persons which may also void the warranty.

 Preparation of location and electrical installation for the product is under customer's responsibility.

 **DANGER:**
The product must be installed in accordance with all local electrical regulations.

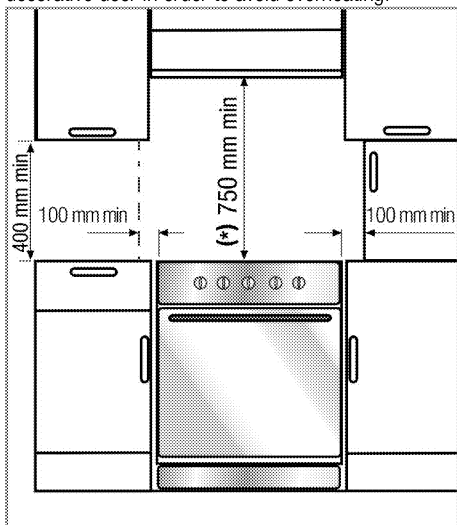
 **DANGER:**
Prior to installation, visually check if the product has any defects on it. If so, do not have it installed.
Damaged products cause risks for your safety.

Before installation

To ensure that critical air gaps are maintained under the appliance, we recommend that this appliance is mounted on a solid base and that the feet do not sink into any carpet or soft flooring.

The kitchen floor must be able to carry the weight of the appliance plus the additional weight of cookware and bakeware and food.

If the range is placed on a base, measures have to be taken to prevent the appliance slipping from the base. The appliances must not be installed behind a decorative door in order to avoid overheating.

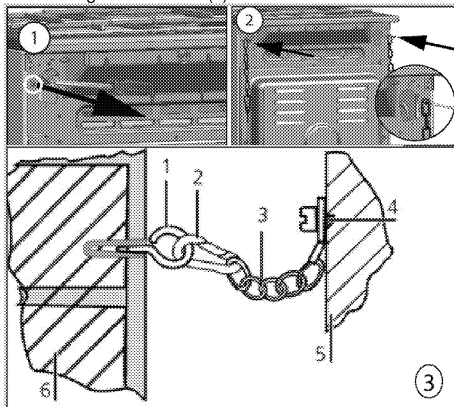


- It can be used with cabinets on either side but in order to have a minimum distance of 400mm above hotplate level allow a side clearance of 65mm between the appliance and any wall, partition or tall cupboard.
- It can also be used in a free standing position. Allow a minimum distance of 750 mm above the hob surface.
- (*) If a cooker hood is to be installed above the cooker, refer to cooker hood manufacturer' instructions regarding installation height (min 650 mm).
- The appliance corresponds to device class 1, i.e. it may be placed with the rear and **one** side to kitchen walls, kitchen furniture or equipment of any size. The kitchen furniture or equipment on the **other** side may only be of the same size or smaller.
- Any kitchen furniture next to the appliance must be heat-resistant (100 °C min.).

Safety chain

If your product has 2 safety chains;

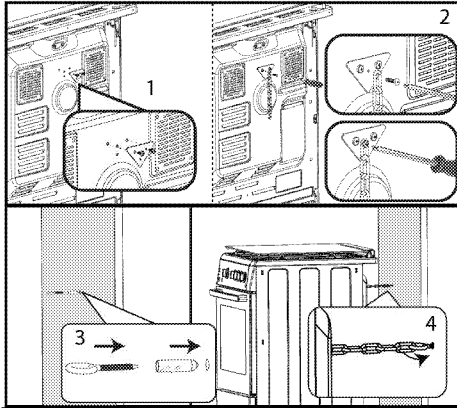
The appliance must be secured against overbalancing by using the supplied two safety chains on your oven. Fasten hook (1) by using a proper peg to the kitchen wall (6) and connect safety chain (3) to the hook via the locking mechanism (2).



- 1 Stability hook
- 2 Locking mechanism
- 3 Safety chain (supplied and mounted to oven)
- 4 Firmly fix chain to cooker rear
- 5 Rear of cooker
- 6 Kitchen wall

If your product has 1 safety chain;

The appliance must be secured against overbalancing by using the supplied one safety chain on your oven. Follow below steps in the picture to secure the safety chain to your product.



i Stability chain to be as short as practicable to avoid oven tilting forward and diagonal to avoid oven side tilting.

Cooker stability chain for cookers is not designed with bracket engagement slot.

Installation and connection

Product can only be installed and connected in accordance with the statutory installation rules.

i Do not install the product next to refrigerators or freezers. The heat emitted by the product will increase the energy consumption of cooling appliances.

- Carry the product with at least two persons.
- Product must be placed directly on the floor. It must not be placed onto a base or a pedestal.

i Do not use the door and/or handle to carry or move the product. The door, handle or hinges get damaged.

Electrical connection

Connect the product to a grounded outlet/line protected by a miniature circuit breaker of suitable capacity as stated in the "Technical specifications" table. Have the grounding installation made by a qualified electrician while using the product with or without a transformer. Our company shall not be liable for any damages that will arise due to using the product without a grounding installation in accordance with the local regulations.



DANGER:

The product must be connected to the mains supply only by an authorised and qualified person. The product's warranty period starts only after correct installation. Manufacturer shall not be held responsible for damages arising from procedures carried out by unauthorised persons.



DANGER:

The power cable must not be clamped, bent or trapped or come into contact with hot parts of the product. A damaged power cable must be replaced by a qualified electrician. Otherwise, there is risk of electric shock, short circuit or fire!

The mains supply data must correspond to the data specified on the type label of the product. The rating plate is either seen when the door or the lower cover is opened or it is located at the rear wall of the unit depending on the unit type. Power cable of your product must comply with the values in "Technical specifications" table.



DANGER:

Before starting any work on the electrical installation, disconnect the product from the mains supply. There is the risk of electric shock!

Connecting the power cable



While performing the wiring, you must apply with the national/local electrical regulations and must use the appropriate socket outlet/line and plug for oven. In case of the product's power limits are out of current carrying capability of plug and socket outlet/line, the product must be connected through fixed electrical installation directly without using plug and socket outlet/line.

1. If a power cable is not supplied together with your product, a power cable that you would select from the table (*Technical specifications, page 10*) in accordance with the electrical installation at your home must be connected to your product by following the instructions in cable diagram.

If it is not possible to disconnect all poles in the supply power, a disconnection unit with at least 3 mm contact clearance (fuses, line safety switches, contactors) must be connected and all the poles of this disconnection unit must be adjacent to (not above) the product in accordance with IEE directives. Failure to obey this instruction may cause operational problems and invalidate the product warranty.

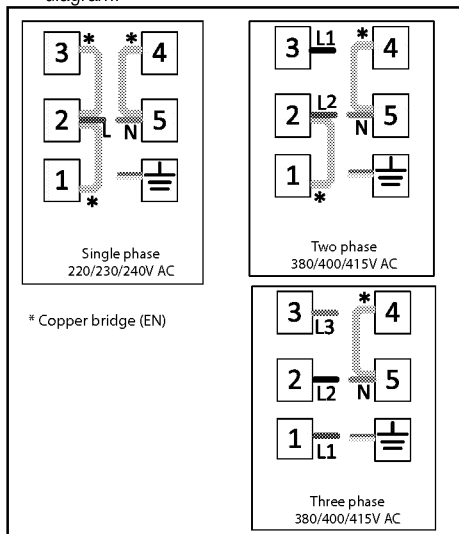


Additional protection by a residual current circuit breaker is recommended.



Power cable must not be longer than 2m because of safety reasons.

2. Open the terminal block cover with a screwdriver.
3. Insert the power cable through the cable clamp below the terminal and secure it to the main body with the integrated screw on cable clamping component.
4. Connect the cables according to the supplied diagram.



- Push the product towards the kitchen wall.
- **Adjusting the feet of oven**
Vibrations during use may cause cooking vessels to move. This dangerous situation can be avoided if the product is level and balanced. For your own safety please ensure the product is level by adjusting the four feet at the bottom by turning left or right and align level with the work top.

Final check

1. Reconnect the product to the mains.
2. Check electrical functions.

5. After completing the wire connections, close the terminal block cover.
6. Route the power cable so that it will not contact the product and get squeezed between the product and the wall.

4 Preparation

Tips for saving energy

The following information will help you to use your appliance in an ecological way, and to save energy:

- Use dark coloured or enamel coated cookware in the oven since the heat transmission will be better.
- While cooking your dishes, perform a preheating operation if it is advised in the user manual or cooking instructions.
- Do not open the door of the oven frequently during cooking.
- Try to cook more than one dish in the oven at the same time whenever possible. You can cook by placing two cooking vessels onto the wire shelf.
- Cook more than one dish one after another. The oven will already be hot.
- You can save energy by switching off your oven a few minutes before the end of the cooking time. Do not open the oven door.
- Defrost frozen dishes before cooking them.
- Use pots/pans with cover for cooking. If there is no cover, energy consumption may increase 4 times.
- Select the burner which is suitable for the bottom size of the pot to be used. Always select the correct pot size for your dishes. Larger pots require more energy.
- Pay attention to use flat bottom pots when cooking with electric hobs. Pots with thick bottom will provide a better heat conduction. You can obtain energy savings up to 1/3.
- Vessels and pots must be compatible with the hotplates. Bottom of the vessels or pots must not be smaller than the hotplate.
- Keep the hotplates and bottom of the pots clean. Dirt will decrease the heat conduction between the hotplate and bottom of the pot.
- For long cookings, turn off the hotplate 5 or 10 minutes before the end of cooking time. You can obtain energy savings up to 20% by using the residual heat.

Initial use

First cleaning of the appliance



The surface might get damaged by some detergents or cleaning materials.

Do not use aggressive detergents, cleaning powders/creams or any sharp objects during cleaning.

Do not use harsh abrasive cleaners or sharp metal scrapers to clean the oven door glass since they can scratch the surface, which may result in shattering of the glass.

1. Remove all packaging materials.
2. Wipe the surfaces of the appliance with a damp cloth or sponge and dry with a cloth.

Initial heating

Heat up the product for about 30 minutes and then switch it off. Thus, any production residues or layers will be burnt off and removed.



WARNING

Hot surfaces cause burns!

Product may be hot when it is in use. Never touch the hot burners, inner sections of the oven, heaters and etc. Keep children away. Always use heat resistant oven gloves when putting in or removing dishes into/from the hot oven.

Electric oven

1. Take all baking trays and the wire grill out of the oven.
2. Close the oven door.
3. Select Static position.
4. Select the highest grill power; See *How to operate the electric oven, page 17*.
5. Operate the oven for about 30 minutes.
6. Turn off your oven; See *How to operate the electric oven, page 17*

Hot plate

1. Any production residues or conservation layers must be burnt before the first use. Operate the hotplate at middle temperature level for 8 minutes without any vessel on it. No pots or containers should be placed onto the hotplate during this procedure.



Smoke and smell may emit for a couple of hours during the initial operation. This is quite normal. Ensure that the room is well ventilated to remove the smoke and smell. Avoid directly inhaling the smoke and the smell that emits.

5 How to use the hob

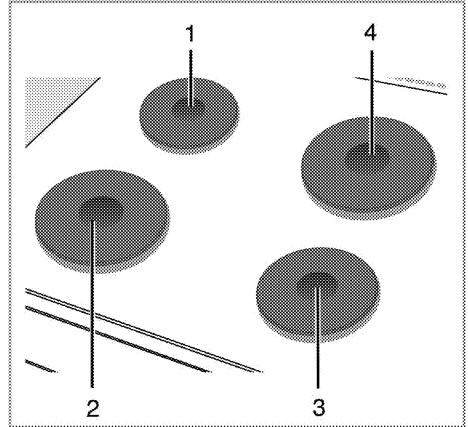
General information about cooking



Never fill the pan with oil more than one third of it. Do not leave the hob unattended when heating oil. Overheated oils bring risk of fire. **Never attempt to extinguish a possible fire with water!** When oil catches fire, cover it with a fire blanket or damp cloth. Turn off the hob if it is safe to do so and call the fire department.

- Before frying foods, always dry them well and gently place into the hot oil. Ensure complete thawing of frozen foods before frying.
- Do not cover the vessel you use when heating oil.
- Place the pans and saucepans in a manner so that their handles are not over the hob to prevent heating of the handles. Do not place unbalanced and easily tilting vessels on the hob.
- Do not place empty vessels and saucepans on cooking zones that are switched on. They might get damaged.
- Operating a cooking zone without a vessel or saucepan on it will cause damage to the product. Turn off the cooking zones after the cooking is complete.
- As the surface of the product can be hot, do not put plastic and aluminum vessels on it. Such vessels should not be used to keep foods either.
- Use flat bottomed saucepans or vessels only.
- Put appropriate amount of food in saucepans and pans. Thus, you will not have to make any unnecessary cleaning by preventing the dishes from overflowing.
Do not put covers of saucepans or pans on cooking zones.
Place the saucepans in a manner so that they are centered on the cooking zone. When you want to move the saucepan onto another cooking zone, lift and place it onto the cooking zone you want instead of sliding it.

Using the hobs



- 1 Hotplate 14-16 cm
- 2 Hotplate 18-20 cm
- 3 Hotplate 14-16 cm
- 4 Hotplate 18-20 cm is list of advised diameter of pots to be used on related burners.

Using hotplates

Hob knobs can be turned in both directions in a way that will provide temperature control in steps.



If the hob is equipped with hotplates featuring Booster function, relevant hotplate will be marked with a red dot.

Overheating protection

Hotplates that have a power above 1000 W are equipped with an overheating protection. Overheating protection decreases the power of the hotplate in following cases:

- There is no vessel or saucepan on the hotplate.
- There is an empty vessel or saucepan on the hotplate.
- The bottom of the vessel or saucepan is not flat.

Turning on the hotplates

Use hotplate knobs to operate the hotplates. Move the hotplate knobs to the relevant level in order to obtain the desired cooking level.

Cooking level	1	2 — 3	4 — 6
	warming	stewing, simmering	cooking, roasting, boiling

Turning off the hotplates

Turn the hotplate knob to OFF (upper) position.

6 How to operate the oven

General information on baking, roasting and grilling



WARNING

Hot surfaces cause burns!
Product may be hot when it is in use. Never touch the hot burners, inner sections of the oven, heaters and etc. Keep children away. Always use heat resistant oven gloves when putting in or removing dishes into/from the hot oven.



DANGER:

Be careful when opening the oven door as steam may escape.
Exiting steam can scald your hands, face and/or eyes.

Tips for baking

- Use non-sticky coated appropriate metal plates or aluminum vessels or heat-resistant silicone moulds.
- Make best use of the space on the rack.
- Place the baking mould in the middle of the shelf.
- Select the correct rack position before turning the oven or grill on. Do not change the rack position when the oven is hot.
- Keep the oven door closed.

Tips for roasting

- Treating whole chicken, turkey and large piece of meat with dressings such as lemon juice and black pepper before cooking will increase the cooking performance.
- It takes about 15 to 30 minutes longer to roast meat with bones when compared to roasting the same size of meat without bones.
- Each centimeter of meat thickness requires approximately 4 to 5 minutes of cooking time.
- Let meat rest in the oven for about 10 minutes after the cooking time is over. The juice is better distributed all over the roast and does not run out when the meat is cut.
- Fish should be placed on the middle or lower rack in a heat-resistant plate.

How to operate the electric oven

Select temperature and operating mode



- 1 Function knob
- 2 Thermostat knob

1. Set the Function knob to the desired operating mode.
2. Set the Temperature knob to the desired temperature.

» Oven heats up to the adjusted temperature and maintains it. During heating, temperature lamp stays on.

Switching off the electric oven

Turn the function knob and temperature knob to off (upper) position.

Operating modes

The order of operating modes shown here may be different from the arrangement on your product.

Top and bottom heating



Top and bottom heating are in operation. Food is heated simultaneously from the top and bottom. For example, it is suitable for cakes, pastries, or cakes and casseroles in baking moulds. Cook with one tray only.

Top heating



Only top heating is in operation. For example, it is suitable for cakes with bright surface and food which you desire to have browned from the top.

Bottom heating



Only bottom heating is in operation. It is suitable for pizza and for subsequent browning of food from the bottom.



This function must be used for easy steam cleaning as well.

Cooking times table






The timings in this chart are meant as a guide. Timings may vary due to temperature of food, thickness, type and your own preference of cooking.

Baking and roasting



1st rack of the oven is the **bottom** rack.

Dish	Cooking vessel	Rack position	Temperature (°C)	Cooking time (approx. in min.)
				
Cakes in tray	Oven tray 24 ... 26 cm	3	170 ... 180	25 ... 35
Cakes in mould	Cake mould 18 ... 22 cm	3	170 ... 180	35 ... 45
Cookies	Oven tray	3	170 ... 190	25 ... 35
Crispy mille-feuille	Oven tray	3	180 ... 190	25 ... 35
Donut	Oven tray	3	160 ... 180	25 ... 35
Pastries	Oven tray	3	200	40 ... 50
Leaven	Roasting tray	3	200	35 ... 45
Rich pastry	Oven tray	3	180 ... 190	25 ... 35
Dough pastry	Oven tray	3	180 ... 190	40 ... 50
Lasagna	Deep tray	3	170 ... 180	40 ... 50
Pizza	Oven tray	3	200 ... 220	15 ... 20
Steak	Oven tray	3	15 min. 250/max *	110 ... 120
Leg of lamb	Oven tray	3	15 min. 250/max *	70 ... 90
Roasted chicken	Oven tray	3	15 min. 250/max *	60 ... 70
Turkey (5.5 kg)	Oven tray	3	25 min. 220 *	180 ... 240
Fish	Oven tray	3	200 * then 150	15 ... 25

7 Maintenance and care

General information

Service life of the product will extend and the possibility of problems will decrease if the product is cleaned at regular intervals.



DANGER:

Disconnect the product from mains supply before starting maintenance and cleaning works.

There is the risk of electric shock!



DANGER:

Allow the product to cool down before you clean it.

Hot surfaces may cause burns!

- Clean the product thoroughly after each use. In this way it will be possible to remove cooking residues more easily, thus avoiding these from burning the next time the appliance is used.
- No special cleaning agents are required for cleaning the product. Use warm water with washing liquid, a soft cloth or sponge to clean the product and wipe it with a dry cloth.
- Always ensure any excess liquid is thoroughly wiped off after cleaning and any spillage is immediately wiped dry.
- Do not use cleaning agents that contain acid or chloride to clean the stainless or inox surfaces and the handle. Use a soft cloth with a liquid detergent (not abrasive) to wipe those parts clean, paying attention to sweep in one direction.



The surface might get damaged by some detergents or cleaning materials.

Do not use aggressive detergents, cleaning powders/creams or any sharp objects during cleaning.

Do not use harsh abrasive cleaners or sharp metal scrapers to clean the oven door glass since they can scratch the surface, which may result in shattering of the glass.



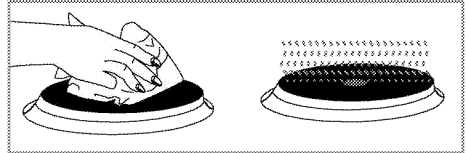
Do not use steam cleaners to clean the appliance as this may cause an electric shock.

Cleaning the hob

Electric hobs

1. Turn off the hotplates and wait until they cool down.

2. If necessary, clean the plates with a cleaning agent (you can obtain cleaners/softeners from specialty stores).
3. Warm only for a few minutes after cleaning in order to have their top section dried.
4. Apply a thin layer of machine oil onto the top surface of the hob regularly in order to protect it.



Cleaning the control panel

Clean the control panel and knobs with a damp cloth and wipe them dry.



If your product is equipped with buttons/knobs do not remove the control buttons/knobs to clean the control panel.

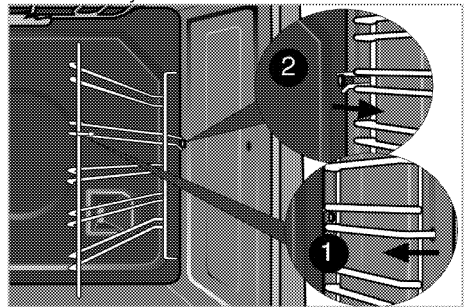
Control panel may get damaged!

Cleaning the oven

To clean the side wall (Varies depending on the product model.)

(This feature is optional. It may not exist on your product.)

1. Remove the front section of the side rack by pulling it in the opposite direction of the side wall.
2. Remove the side rack completely by pulling it towards you.

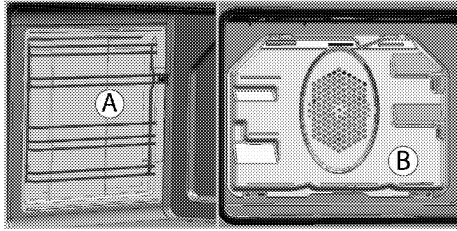


Catalytic walls

(This feature is optional. It may not exist on your product.)

The inner side walls (A) and/or the rear wall (B) of your product may be coated with catalytic enamel. Catalytic walls have a light matte colour and a porous surface. Catalytic walls of the oven should not be cleaned. Porous surfaces of the catalytic walls are automatically

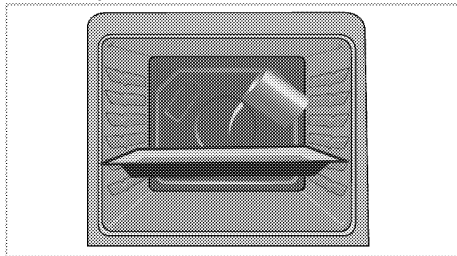
cleaned by absorbing and converting the spilled oil (steam and carbon dioxide).



Easy Steam Cleaning

It ensures easy cleaning because the dirt (having waited not for too long) is softened with the steam that forms inside the oven and the water drops condensing on the inner surfaces of the oven.

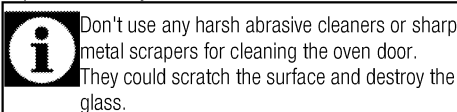
1. Remove all accessories inside the oven.
2. Pour 500 ml of water into the oven tray and place the tray at the 2nd rack of the oven.



3. Set the oven to easy steam cleaning mode and run at 100°C for 25 minutes.
4. Open the door and wipe the inner surfaces of the oven with a damp sponge or cloth.
5. Use warm water with washing liquid, a soft cloth or sponge to clean the persistent dirt and wipe it with a dry cloth.

Clean oven door

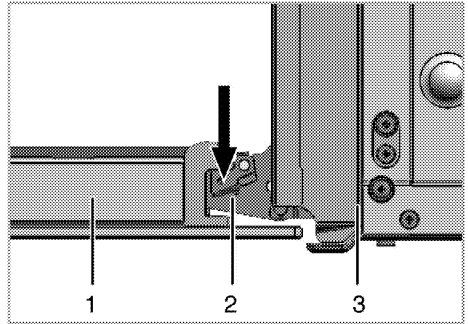
To clean the oven door, use warm water with washing liquid, a soft cloth or sponge to clean the product and wipe it with a dry cloth.



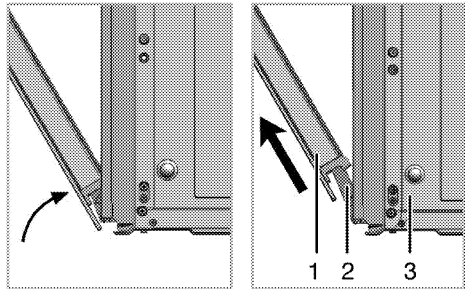
Don't use any harsh abrasive cleaners or sharp metal scrapers for cleaning the oven door. They could scratch the surface and destroy the glass.

Removing the oven door

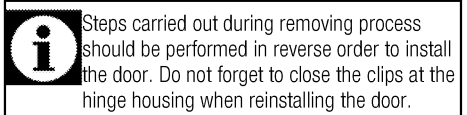
1. Open the front door (1).
2. Open the clips at the hinge housing (2) on the right and left hand sides of the front door by pressing them down as illustrated in the figure.



- 1 Front door
- 2 Hinge
- 3 Oven



3. Move the front door to half-way.
4. Remove the front door by pulling it upwards to release it from the right and left hinges.



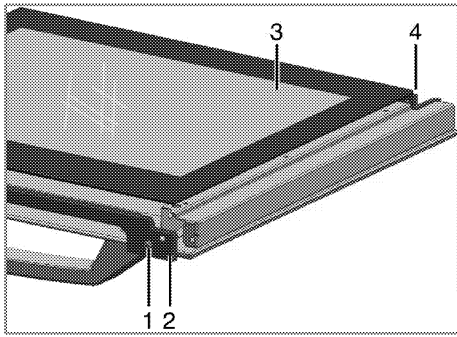
Steps carried out during removing process should be performed in reverse order to install the door. Do not forget to close the clips at the hinge housing when reinstalling the door.

Removing the door inner glass

(This feature is optional. It may not exist on your product.)

The inner glass panel of the oven door can be removed for cleaning.

1. Open the oven door.



- 1 Screw
 - 2 Profile
 - 3 Inner glass pane
 - 4 Plastic slot
2. Take out the screw(1) with a screwdriver
 3. Take out the profile (2) than hold up to inner glass (3).
 4. Then group the door again, put the glass pane (3) to the plastic slots (4) and group the profile.

8 Troubleshooting

Oven emits steam when it is in use.

- It is normal that steam escapes during operation. >>> *This is not a fault.*

Product emits metal noises while heating and cooling.

- When the metal parts are heated, they may expand and cause noise. >>> *This is not a fault.*

Product does not operate.

- The mains fuse is defective or has tripped. >>> *Check fuses in the fuse box. If necessary, replace or reset them.*
- Product is not plugged into the (grounded) socket. >>> *Check the plug connection.*

Oven light does not work.

- Oven lamp is defective. >>> *Replace oven lamp.*
- Power is cut. >>> *Check if there is power. Check the fuses in the fuse box. If necessary, replace or reset the fuses.*

Oven does not heat.

- Might not be set to a certain cooking function and/or temperature. >>> *Set the oven to a certain cooking function and/or temperature.*
- Power is cut. >>> *Check if there is power. Check the fuses in the fuse box. If necessary, replace or reset the fuses.*



Consult the Authorised Service Agent or technician with licence or the dealer where you have purchased the product if you can not remedy the trouble although you have implemented the instructions in this section. Never attempt to repair a defective product yourself.

Arcelik A.S.

Karaağaç Caddesi No:2-6 Sütlüce, 34445, Turkey
Made in TURKEY

Importer in Russia: «BEKO LLC»

Address: Selskaya street, 49, Fedorovskoe village, Pershinskoe rural settlement, Kirzhach district, Vladimir region, Russian Federation 601021

The manufacture date is included in the serial number of a product specified on rating label, which is located on a product, namely: first two figures of serial number indicate the year of manufacture, and last two – the month.

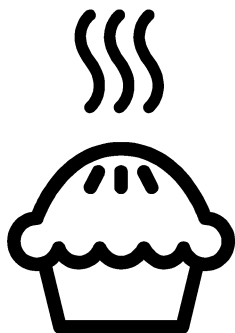
For example, "10- 100001-05» indicates that the product was produced in May, 2010.

You can ask for certification number from our Call Center 8-800-200-23-56 The manufacturer reserves the right for making changes in modification, design and specification of an electric device.



Плита

Руководство пользователя



RU

Перед началом эксплуатации прочитайте это руководство пользователя!

Уважаемый покупатель!

Спасибо за то, что отдали предпочтение продукции компании «Веко». Надеемся, что это высококачественное изделие, изготовленное с применением самых современных технологий, будет демонстрировать наилучшие результаты эксплуатации. Для этого перед началом эксплуатации внимательно прочитайте это руководство и всю сопутствующую документацию и используйте его в дальнейшем в качестве справочника. Если вы передаете изделие новому владельцу, передайте ему и руководство пользователя. Придерживайтесь всех предупреждений и информации, содержащихся в руководстве.

Помните, что данное руководство пользователя также может быть применимо к некоторым другим моделям. Различия между моделями будут указаны в руководстве.

Пояснения к символам

В данном руководстве пользователя используются следующие символы:



Важная информация или полезные советы по использованию.



Предупреждение о ситуациях, опасных для жизни людей и имущества.



Предупреждение об опасности поражения электрическим током.



Предупреждение об опасности пожара.



Предупреждение о горячих поверхностях.

1 Важные инструкции и предупреждения по технике безопасности и охране окружающей среды **4**

Общие правила техники безопасности	4
Электробезопасность	5
Безопасность изделия	6
Использование по назначению	9
Безопасность детей	9
Утилизация старого изделия	10
Утилизация упаковочных материалов	10
Для будущей транспортировки	10

2 Общие сведения **11**

Обзор	11
Содержание упаковки	12
Технические характеристики	13

3 Установка **14**

До начала установки	14
Установка и подключение	15

4 Подготовка к эксплуатации **18**

Рекомендации по экономии электроэнергии	18
Подготовка к эксплуатации	18
Очистка прибора перед началом эксплуатации	18
Первоначальный прогрев	18

5 Правила эксплуатации варочной панели **20**

Общие сведения о приготовлении пищи	20
Эксплуатация варочных панелей	20

6 Правила эксплуатации духовки **22**

Общие сведения о выпекании, жарении и приготовлении с грилем	22
Правила эксплуатации электрической духовки	22
Режимы работы	22
Время приготовления блюд	23

7 Уход и техническое обслуживание **24**

Общие сведения	24
Чистка варочной панели	24
Чистка панели управления	24
Чистка духовки	24
Снятие дверцы духового шкафа	25
Снятие внутреннего стекла дверцы	26

8 Поиск и устранение неисправностей **27**

1 Важные инструкции и предупреждения по технике безопасности и охране окружающей среды

В данном разделе содержатся инструкции по технике безопасности, которые помогут вам избежать травм и повреждений. При несоблюдении этих правил все гарантийные обязательства аннулируются.

Общие правила техники безопасности

- Это изделие может эксплуатироваться детьми старше 8 лет и людьми с ограниченными физическими, сенсорными или умственными способностями, а также лицами, не имеющими достаточного опыта и знаний, только в том случае, если они находятся под наблюдением лиц, ответственных за их безопасность, или проинструктированы на предмет безопасного использования изделия и осознают связанные с этим риски. Следите за тем, чтобы дети не играли с устройством. Дети могут чистить и обслуживать устройство только под наблюдением.
- Прибор не должен использоваться лицами

(включая детей) с ограниченными физическими, сенсорными или умственными способностями или недостатком опыта и знаний, за исключением случаев, когда использование происходит под непосредственным контролем или в соответствии с указаниями.

Следите за детьми, чтобы они не играли с прибором.

- В случае передачи изделия третьему лицу в личное пользование или в целях вторичного использования необходимо также передать руководство пользователя, наклейки изделия, а также другие связанные с ним документы и компоненты.
- Не устанавливайте устройство на ковровом покрытии. Недостаточная вентиляция под днищем устройства может привести к перегреву электрических деталей и проблемам в работе изделия.
- Работы по установке и ремонту должны выполняться только представителями авторизованной сервисной службы. Производитель не

несет ответственности за повреждения в результате выполнения работ лицами, не имеющими соответствующей квалификации. Это также может привести к аннулированию гарантии. Перед установкой внимательно прочтите инструкции.

- Не пользуйтесь неисправным изделием, а также при наличии на нем заметных повреждений.
- Проверяйте, чтобы после каждого использования переключатели функций изделия были выключены.

Электробезопасность

- В случае неисправности следует прекратить эксплуатацию изделия, пока оно не будет отремонтировано в авторизованном сервисном центре. Существует риск поражения электрическим током!
- Изделие можно подключать только к заземленной розетке/линии, напряжение и уровень защиты которой соответствуют параметрам, указанным в разделе «Технические характеристики». Установку заземления должен выполнять

квалифицированный специалист (при использовании прибора с трансформатором или без него). Наша компания не несет ответственности за какие-либо проблемы, возникшие вследствие использования изделия без заземления, выполненного в соответствии с местными нормами и правилами.

- Никогда не лейте воду на изделие во время мытья! Существует риск поражения электрическим током!
- Прежде чем приступить к установке, техническому обслуживанию, чистке и ремонту, изделие необходимо отключить от электросети.
- Во избежание несчастных случаев при повреждении кабеля питания его замену должен выполнять производитель, его специалист по сервису или лицо, имеющее аналогичную квалификацию.
- Следует использовать только соединительный кабель, указанный в разделе «Технические характеристики».
- Электроприбор следует устанавливать таким образом, чтобы его можно было полностью отсоединить от

сети электропитания.

Отсоединение должно осуществляться с помощью штепсельной вилки или выключателя, встроеного в фиксированную сеть электропитания, в соответствии со строительными нормативами и правилами.

- Задняя стенка духового шкафа во время работы сильно нагревается. Следите за тем, электрические провода не соприкасались с задней стенкой, так как это может привести к их повреждению.
- Следите за тем, чтобы шнур питания не был зажат между рамой и дверцей духового шкафа, и не прокладывайте его по горячим поверхностям. В противном случае изоляция кабеля может расплавиться, что приведет к короткому замыканию и пожару.
- Все работы с электрическим оборудованием и системами должны выполняться только квалифицированными специалистами, допущенными к выполнению таких работ.
- В случае какого-либо повреждения выключите прибор и отсоедините его от электросети. Для этого

выключите общий предохранитель в доме.

- Проверьте, соответствуют ли изделию номинальные характеристики предохранителя.

Безопасность изделия

- **ВНИМАНИЕ:** Данное изделие и его внешние части нагреваются в процессе использования. Будьте осторожны, не касайтесь нагревательных элементов. Детей младше 8 лет следует допускать к духовому шкафу только под постоянным присмотром взрослых.
- Не пользуйтесь прибором, находясь под воздействием алкоголя или лекарственных препаратов, снижающих скорость реакции или нарушающих координацию движений.
- Будьте осторожны при использовании спиртных напитков в приготавливаемых блюдах. При высокой температуре спирт испаряется и при соприкосновении с горячими поверхностями может загореться и вызвать пожар.
- Не располагайте рядом с прибором

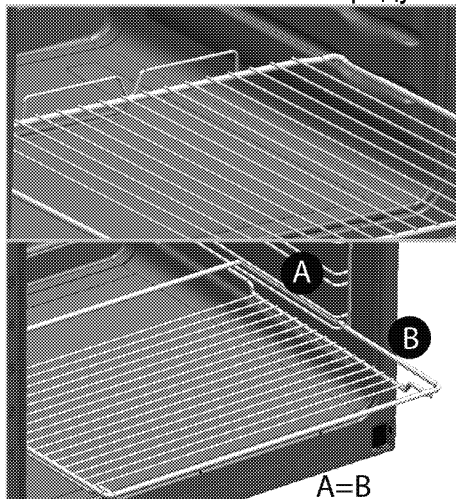
легковоспламеняющиеся материалы, так как во время работы его боковые поверхности могут сильно нагреваться.

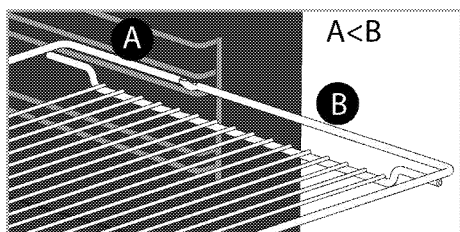
- Во время работы устройство может нагреваться. Будьте осторожны, не касайтесь нагревательных элементов внутри духового шкафа.
- Следите за тем, чтобы вентиляционные отверстия были полностью открыты.
- Не разогревайте в духовом шкафу продукты в закрытых жестяных или стеклянных банках. Внутри банок может повыситься давление, что приведет к взрыву.
- Не ставьте противни или посуду непосредственно на дно духового шкафа, а также не кладите на него алюминиевую фольгу. Избыточное тепло может привести к повреждению дна духового шкафа.
- Не используйте для чистки стеклянной дверцы духового шкафа грубые абразивные чистящие средства или острые металлические скребки, чтобы не поцарапать поверхность, поскольку это может привести к разрушению стекла.

- Не используйте для чистки устройства пароочистители, поскольку это может привести к поражению электрическим током.

- (Может отличаться в зависимости от модели изделия.)

Правильное расположение проволочной решетки и противня на направляющих
Проволочную решетку и/или противень следует правильно устанавливать на направляющие. Вставьте проволочную решетку или противень между 2 направляющими и проверьте, устойчиво ли держится решетка или противень (см. рисунок). Только после этого можно класть на них продукты.





- Не пользуйтесь духовым шкафом, если стекло в передней дверце потрескалось или вынуто.
- Помещая продукты в горячий духовой шкаф или вынимая их оттуда, обязательно пользуйтесь термостойкими рукавицами.
- Положите бумагу для выстилания пекарных форм в горшок для варки или на противень, решетку и т.д. вместе с приготавливаемыми пищевыми продуктами, и поместите все в предварительно нагретую печь. Удалите излишки бумаги, выступающие за пределы противня или горшка, чтобы они не смогли соприкоснуться с нагревательными элементами. Не используйте бумагу для выстилания пекарных форм, рабочая температура которой ниже температуры в печи. Не кладите бумагу непосредственно на основание печи.
- Прибор не следует устанавливать за декоративной дверцей, поскольку это может привести к перегреву.
- Прибор следует устанавливать прямо на пол. Не устанавливайте прибор на подставку или стойку.
- **ВНИМАНИЕ:** При приготовлении пищи с жиром или маслом не оставляйте варочную панель без присмотра, поскольку это может привести к возгоранию. Категорически **ЗАПРЕЩАЕТСЯ** гасить такое пламя водой; следует выключить устройство и накрыть огонь, например, крышкой или противопожарным покрытием.
- **ОСТОРОЖНО:** За процессом приготовления пищи необходимо следить. За кратковременным процессом приготовления пищи необходимо следить постоянно.
- **ВНИМАНИЕ:** Опасность пожара: не храните предметы на конфорках.
- Конструкция данного устройства не предусматривает управление им с помощью внешнего таймера или отдельной

системы дистанционного управления.

- **ВНИМАНИЕ:** Используйте только защитные ограждения для плиты, разработанные производителем вашего кухонного оборудования или указанные производителем в руководстве пользователя вашего оборудования как подходящие для него, либо же защитные ограждения, встроенные в ваше кухонное оборудование производителем. Использование несоответствующих защитных ограждений может привести к несчастному случаю.

Для обеспечения пожарной безопасности изделия соблюдайте нижеуказанные правила.

- Убедитесь, что вилка плотно вставлена в розетку и не искрит.
- Запрещается использовать поврежденный либо обрезанный кабель, а также удлинитель; можно пользоваться только оригинальным кабелем.
- Убедитесь, что в розетке, к которой подключается изделие, отсутствуют жидкость или влага.

Использование по назначению

- Данное изделие предназначено исключительно для бытового использования. Запрещается использовать прибор в коммерческих целях.
- Данное изделие предназначено исключительно для приготовления пищи. Его запрещено использовать для других целей, например, для обогрева помещения."
- Производитель не несет ответственности за повреждения в результате использования изделия не по назначению или неправильного обращения с ним.
- Духовой шкаф можно использовать для размораживания, выпекания, жарения и приготовления продуктов на гриле.

Безопасность детей

- **ВНИМАНИЕ:** Доступные части прибора могут сильно нагреваться при использовании. Не допускайте к ним детей.
- Упаковочные материалы опасны для детей. Храните упаковочные материалы в недоступном для детей месте. Утилизируйте все упаковочные

материалы в соответствии с нормами по охране окружающей среды.

- Электрическое оборудование представляют опасность для детей. Во время работы духового шкафа не допускайте к нему детей, а также не разрешайте им играть с ним.
- Не размещайте над прибором предметы, которые дети могут попытаться достать.
- Не ставьте на открытую дверцу тяжелые предметы и не позволяйте детям садиться на нее, Духовой шкаф может перевернуться, а также могут быть повреждены петли дверцы.

Утилизация старого изделия

Соответствие Директиве ЕС об утилизации электрического и электронного оборудования (WEEE) и утилизация вышедшего из употребления оборудования:



Данное изделие соответствует Директиве ЕС об утилизации электрического и электронного оборудования (2012/19/EU). Данное изделие имеет маркировку, указывающую на утилизацию его как электрического и электронного оборудования (WEEE).

Это изделие произведено из высококачественных деталей и материалов, которые подлежат повторному использованию и переработке. Поэтому не выбрасывайте изделие с обычными бытовыми отходами после завершения его эксплуатации. Его следует сдать в соответствующий центр по утилизации

электрического и электронного оборудования. О местонахождении таких центров вы можете узнать в местных органах власти.

Соответствие Директиве ЕС об ограничении содержания вредных веществ (RoHS):

Приобретенное вами изделие соответствует Директиве ЕС о правилах ограничения содержания вредных веществ (2011/65/EU). Оно не содержит вредных и запрещенных материалов, указанных в Директиве.

Утилизация упаковочных материалов

- Упаковочные материалы опасны для детей. Храните упаковочные материалы в безопасном и недоступном для детей месте. Упаковочные материалы изделия изготовлены из материалов, подлежащих вторичной переработке. Утилизируйте их соответствующим образом и сортируйте согласно инструкций по обращению с отходами, подлежащими вторичной переработке. Не утилизируйте их вместе с обычными бытовыми отходами.

Для будущей транспортировки

- Сохраните оригинальную упаковочную коробку и перевозите прибор в ней. Следуйте указаниям, нанесенным на упаковке. Если оригинальная упаковочная коробка не сохранилась, заверните изделие в пузырчатую упаковку или поместите в плотный картон. Надежно заклейте клейкой лентой.
- Чтобы проволочная решетка и противень, которые хранятся внутри духовки, не повредили дверцу, поместите с внутренней стороны дверцы картонную полоску вровень с противнями. Прикрепите дверцу духового шкафа к боковым стенкам клейкой лентой.
- Не поднимайте и не передвигайте духовой шкаф, держась за дверцу или за ручку дверцы.



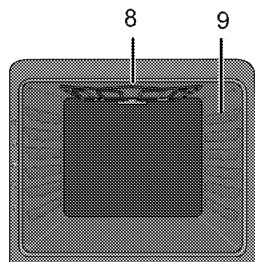
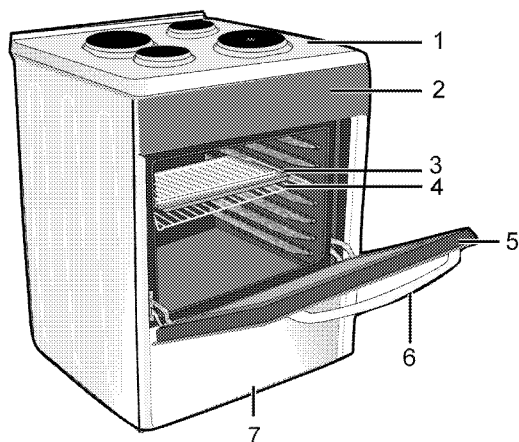
Не размещайте на приборе никаких предметов и не ставьте его вертикально.



Осмотрите прибор снаружи на предмет возможных повреждений при транспортировке.

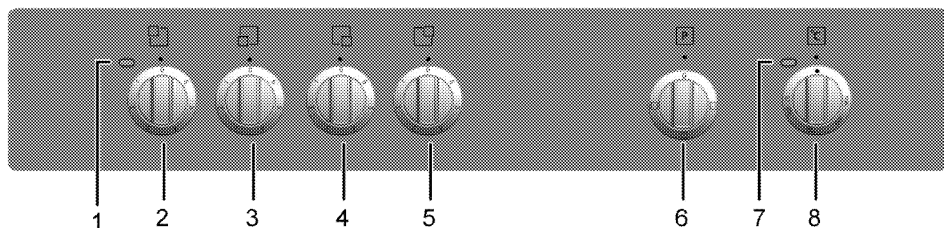
2 Общие сведения

Обзор



- 1 Крышка конфорки
- 2 Панель управления
- 3 Проволочная решетка
- 4 Противень
- 5 Передняя дверца

- 6 Ручка дверцы
- 7 Нижняя часть
- 8 Верхний нагревательный элемент
- 9 Положения полок



- 1 Сигнальная лампочка
- 2 Электроконфорка Задняя левая
- 3 Электроконфорка Передняя левая
- 4 Электроконфорка Передняя правая

- 5 Электроконфорка Задняя правая
- 6 Ручка духового шкафа
- 7 Лампочка термостата
- 8 Ручка термостата

Содержание упаковки

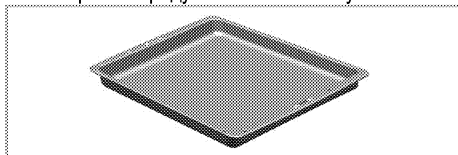


Изделие комплектуется различным набором дополнительных принадлежностей в зависимости от модели. Некоторые дополнительные принадлежности, описанные в руководстве пользователя, в комплекте этого изделия могут отсутствовать.

1. Руководство пользователя

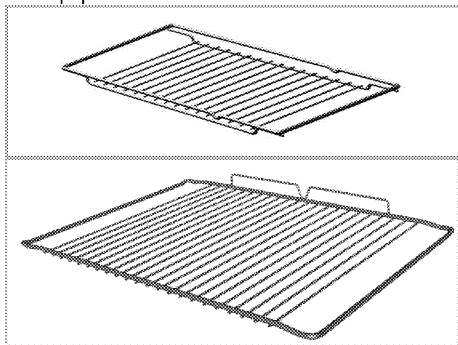
2. Противень

Предназначен для выпечки изделий из теста, размораживания замороженных продуктов и жарения продуктов большими кусками.



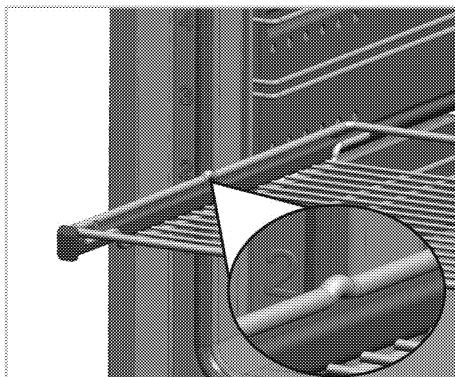
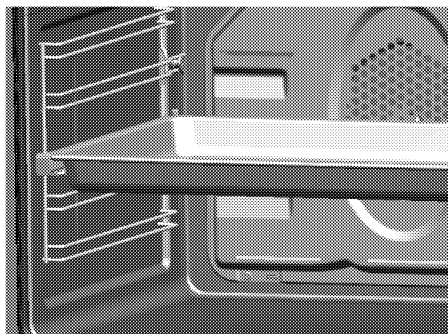
3. Проволочная решетка

Предназначена для жарения, а также для размещения продуктов на нужной полке при выпечке, жарении или приготовлении в формах.



4. Правильное расположение проволочной решетки на выдвигаемых направляющих (Данная функция — дополнительная. Она может отсутствовать в вашем изделии.)

Благодаря наличию выдвигаемых направляющих можно легко устанавливать и выдвигать противни и проволочную решетку. При установке противней или проволочной решетки следите за тем, чтобы края противня или решетки опирались на штырьки, расположенные на задней части выдвигаемых направляющих.



Технические характеристики



ОБЩИЕ СВЕДЕНИЯ	
Габариты (высота / ширина / глубина)	850 мм/500 мм/500 мм
Напряжение/частота	220-240 В / 380-415 В 3 N ~ 50 Гц
Общая потребляемая мощность	7,4 кВт
Предохранитель	мин. 16 А x 3 / 25 А
Тип кабеля/сечение	мин. H05VV-F 5 x 1,5 мм ² / 3 x 2,5 мм ²
ВАРОЧНАЯ ПАНЕЛЬ	
Конфорки	
Задняя левая	Электроконфорка
Размеры	145 мм
Мощность	1000 Вт
Передняя левая	Электроконфорка
Размеры	180 мм
Мощность	2000 Вт
Передняя правая	Электроконфорка
Размеры	145 мм
Мощность	1000 Вт
Задняя правая	Электроконфорка
Размеры	180 мм
Мощность	1500 Вт
ДУХОВКА/ГРИЛЬ	
Главный духовой шкаф	Обычный духовой шкаф
Класс защиты -1	


Степень защиты IP 44

Основные сведения Данные на паспортной табличке энергопотребления электрических духовых шкафов приведены в соответствии со стандартом EN 60350-1 / IEC 60350-1. Эти данные определены при стандартной нагрузке с функциями нижнего-верхнего нагревательного элемента или нагрева с помощью вентилятора (при наличии).

Класс энергетической эффективности определен в соответствии с приведенными ниже приоритетами в зависимости от наличия или отсутствия соответствующих функций в изделии. 1 - Приготовление с вентилятором - экономичный режим, 2 - Медленное приготовление в турборежиме, 3 - Приготовление в турборежиме, 4 - Нагрев сверху и снизу с вентилятором, 5 - Нагрев сверху и снизу.

«Этикетка энергоэффективности представлена на продукте»

	При усовершенствовании качества продукции технические характеристики могут быть изменены без предварительного уведомления.
	Иллюстрации в данном руководстве являются схематичными и могут несколько отличаться от конкретного изделия.

	Значения, указанные на этикетках изделия или в сопроводительной документации, получены в лабораторных условиях согласно соответствующим стандартам. Эти данные могут быть иными в зависимости от условий эксплуатации изделия.
---	--

3 Установка

Прибор должен устанавливаться квалифицированным специалистом в соответствии с действующими нормами и правилами. В противном случае гарантия аннулируется. Производитель не несет ответственности за повреждение в результате выполнения работ лицами, не имеющими соответствующей квалификации. Это может привести к аннулированию гарантии.



Подготовка места установки, электрического оборудования обеспечивается покупателем.



ОПАСНО:

Бытовой прибор следует устанавливать в соответствии со всеми местными нормами по подключению газового и/или электрического оборудования.

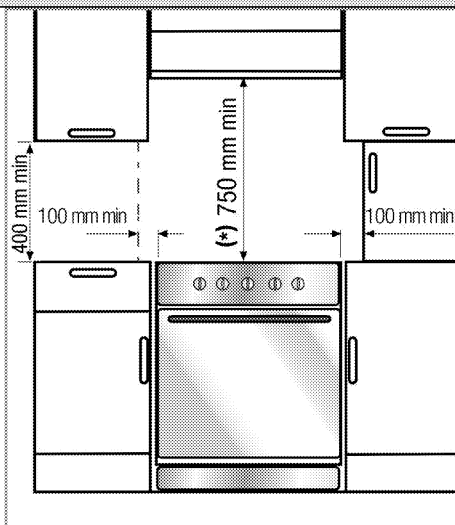


ОПАСНО:

Прежде чем приступить к установке, визуально проверьте отсутствие внешних дефектов духового шкафа. При наличии дефектов не устанавливайте его. Поврежденные электроприборы представляют собой угрозу вашей безопасности.

До начала установки

Для того чтобы обеспечить наличие необходимых зазоров для циркуляции воздуха под плитой, рекомендуем устанавливать ее на твердом основании так, чтобы ножки не погружались в ковер или мягкое напольное покрытие. Кухонный пол должен выдерживать вес прибора с учетом веса посуды и продуктов.



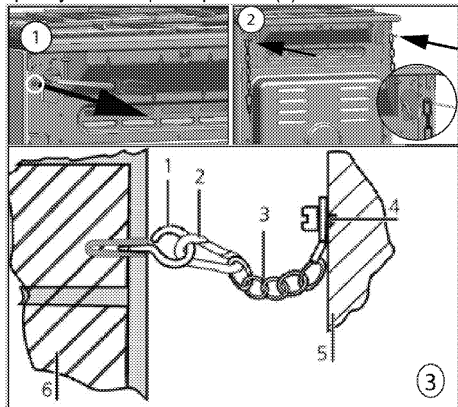
- Ее можно использовать с кухонными шкафами с обеих сторон, однако следует оставить свободное пространство минимум 400 мм над уровнем конфорок, а также боковое свободное пространство не менее 65 мм между плитой и стеной, перегородкой или высоким кухонным шкафом.
- Плита может также стоять отдельно. Обеспечьте свободное расстояние не менее 750 мм от поверхности плиты до поверхностей над ней.
- В случае установки надплитного воздухоочистителя соблюдайте инструкции его производителя в отношении высоты монтажа устройства (мин. 650 мм).
- Это устройство соответствует требованиям к приборам класса 1, и его можно устанавливать так, чтобы задняя и **одна** из боковых стенок примыкали к стенам помещения, стенкам кухонных шкафчиков или бытовых приборов любой высоты. Кухонная мебель или бытовые приборы, примыкающие с **другой** стороны, должны быть не выше прибора.
- Вся кухонная мебель, рядом с которой устанавливается устройство, должна быть термостойкой (не менее 100 °С).

Предохранительная цепь

Если изделие оснащено двумя предохранительными цепями(2);

Для обеспечения устойчивости изделия его необходимо закрепить с помощью двух предохранительных цепей, входящих в комплект поставки.

С помощью соответствующего дюбеля установите крючок (1) в стене кухни (6), а затем подсоедините предохранительную цепь (3) к крючку с помощью карабина (2).

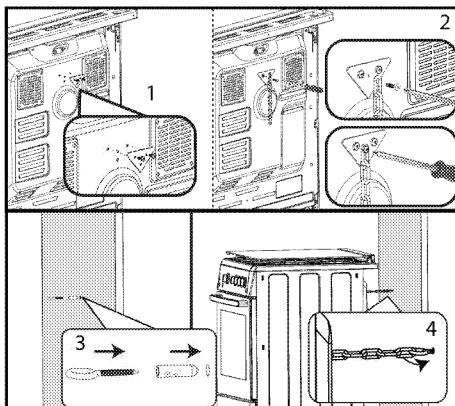


- 1 Крючок
- 2 Карабин
- 3 Предохранительная цепь
- 4 Прочно закрепите цепь с задней стороны плиты
- 5 Задняя сторона плиты
- 6 Стена кухни

Если изделие оснащено одной предохранительной цепью(1);

Для обеспечения устойчивости изделия его необходимо закрепить с помощью входящей в комплект поставки предохранительной цепи на духовом шкафу.

Следуйте указаниям на рисунке ниже для крепления предохранительной цепи к изделию.



i Предохранительная цепь должна быть как можно короче, чтобы исключить опрокидывание изделия как вперед, так и в сторону.

В конструкции предохранительной цепи для плиты нет гнезда для крепления скобы.

Установка и подключение

Прибор следует устанавливать и подключать в соответствии с действующими нормами и правилами.

i Не устанавливайте изделие рядом с холодильником или морозильной камерой. Поскольку духовой шкаф излучает тепло, холодильники будут потреблять больше электроэнергии.

- Переносить прибор должны не менее двух человек.
- Прибор следует устанавливать прямо на пол. Не устанавливайте прибор на подставки.

i Не перемещайте устройство, держась за дверцу и/или за ручку дверцы. Дверца, ручка или петли могут повредиться.

Подключение к электросети

Подключайте изделие к розетке или линии с заземлением, защищенной миниатюрным автоматическим выключателем с соответствующим номиналом, который указан в таблице «Технические характеристики». Установку заземления должен выполнять квалифицированный электрик (при использовании изделия с трансформатором или без него). Наша компания не несет ответственности за ущерб, понесенный вследствие использования изделия без заземления, выполненного в соответствии с местными нормами и правилами.



ОПАСНО:

Подключение прибора к электросети должен выполнять квалифицированный специалист, имеющий право на выполнение таких работ. Гарантийный период начинается только после правильной установки. Производитель не несет ответственности за повреждения в результате выполнения работ лицами, не имеющими соответствующей квалификации.



ОПАСНО:

Шнур питания не должен быть сдавлен, изогнут или зажат, а также не должен соприкасаться с нагревающимися компонентами изделия. Замену поврежденного шнура питания должен выполнять квалифицированный электрик. В противном случае это может привести к поражению электрическим током, короткому замыканию или возгоранию!

Параметры электрической сети должны соответствовать данным, указанным на паспортной табличке прибора. Паспортную табличку можно увидеть либо при открытой дверце или нижней крышке, либо на задней стенке прибора, в зависимости от типа прибора. Шнур питания прибора должен соответствовать параметрам, указанным в таблице "Технические характеристики".



ОПАСНО:

Перед выполнением каких-либо электромонтажных работ отключите прибор от электрической сети. Существует риск поражения электрическим током!

Подключение кабеля питания



При монтаже проводки необходимо соблюдать национальные/местные электротехнические правила и нормы, а также использовать соответствующие розетки/штепсельные вилки и вилку для духовки. В случае если предельные значения мощности продукции превышают допустимую нагрузку на вилку и розетку, изделие должно быть подключено через стационарное электрическое оборудование напрямую без использования вилки и розетки.

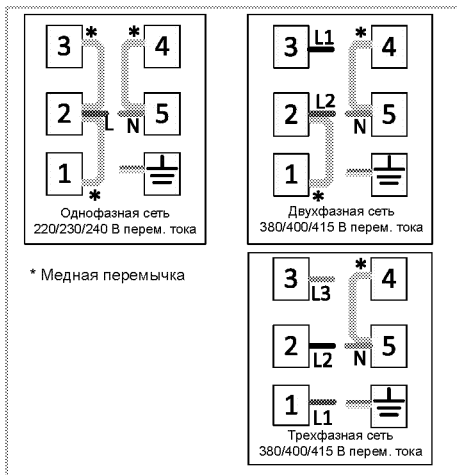
1. **Если кабель питания не входит в комплект поставки**, необходимо выбрать кабель питания по таблице (*Технические характеристики, стр. 13*) соответственно типу электрической сети в вашем доме и выполнить подключение в соответствии с приведенной схемой.


Если нет возможности установить автоматический выключатель на все контакты, то в соответствии с директивами МЭК следует использовать для подключения размыкатели с контактным зазором не менее 3 мм (плавкие предохранители, защитные сетевые выключатели, замыкатели). Место подключения должно находиться рядом с прибором, но не над плитой. Несоблюдение этих указаний может вызвать проблемы в процессе эксплуатации, а также привести к аннулированию гарантии на прибор.



В качестве дополнительной меры безопасности рекомендуется использовать устройство защитного отключения.

2. Снимите крышку клеммной коробки с помощью отвертки.
3. Вставьте кабель питания под клеммный зажим под клеммами и закрепите его с помощью винта, вставленного в этот зажим.
4. Присоединяйте провода согласно приведенной схеме.



 По причинам безопасности длина кабеля питания не должна превышать 2 м.

- Придвиньте прибор к стене кухни.
- **Регулирование ножек духовки**
При наличии вибрации посуда во время приготовления может сдвигаться. Для предотвращения опасных ситуаций необходимо, чтобы прибор стоял ровно и устойчиво.
В целях безопасности, выровняйте прибор с помощью 4 регулируемых ножек ножки. Для этого поворачивайте их влево и вправо до тех пор, пока прибор не будет ровно стоять на столешнице.

Окончательная проверка

1. Включите прибор в сеть.
2. Проверьте, работают ли электрические компоненты.

5. После подсоединения проводов закройте крышку клеммной коробки.
6. Следите за тем, чтобы подключенный кабель питания не прикасался к прибору и не был зажат между прибором и стеной.

4 Подготовка к эксплуатации

Рекомендации по экономии электроэнергии

Эти рекомендации помогут вам использовать изделие экологически чистым способом и экономить электроэнергию.

- Используйте в духовом шкафу темную или эмалированную посуду: это позволит улучшить теплопередачу.
- Прогревайте духовой шкаф перед приготовлением пищи, если это рекомендуется в руководстве пользователя или в инструкциях по приготовлению продуктов.
- Во время приготовления пищи не открывайте дверцу духового шкафа слишком часто.
- По возможности старайтесь готовить в духовом шкафу несколько блюд одновременно. При приготовлении пищи на решетку можно устанавливать по две емкости с продуктами.
- Готовьте блюда одно за другим. Духовой шкаф уже будет прогрет.
- Для экономии электроэнергии можно выключать духовой шкаф за несколько минут до окончания приготовления блюда. Не открывайте дверцу духового шкафа.
- Размораживайте замороженные продукты перед приготовлением.
- Готовьте пищу в закрытой посуде. При приготовлении в открытой посуде энергопотребление может возрасти в 4 раза.
- Выбирайте конфорку соответственно размеру дна посуды. Обязательно выбирайте посуду соответственно объему приготовляемого блюда. Чем больше объем посуды, тем выше энергопотребление.
- Для приготовления пищи на электрических конфорках используйте посуду только с плоским дном.
Посуда с толстым дном лучше проводит тепло, что позволяет на треть сократить потребление энергии.
- Размер посуды должен соответствовать размеру электрической конфорки. Не следует использовать посуду с дном меньшего диаметра, чем диаметр конфорки.
- Следите за тем, чтобы конфорки и дно посуды были чистыми. Загрязнения

ухудшают теплопередачу между конфоркой и дном посуды.

- Если блюдо готовится долго, выключайте конфорку за 5-10 минут до окончания приготовления. Использование остаточного тепла позволяет сэкономить до 20% электроэнергии.

Подготовка к эксплуатации

Очистка прибора перед началом эксплуатации



Некоторые моющие средства и чистящие материалы могут повредить поверхность. Не используйте для чистки агрессивные моющие средства, чистящие порошки/кремы, а также острые предметы.

1. Снимите все упаковочные материалы.
2. Протрите поверхность прибора влажной тканью или губкой и вытрите насухо.

Первоначальный прогрев

Прогрейте прибор в течение 30 минут, а затем выключите. Это обеспечит выгорание и удаление производственных загрязнений и покрытий.



ПРЕДУПРЕЖДЕНИЕ!

Горячие поверхности могут причинить ожоги!

Во время работы прибор может сильно нагреваться. Не прикасайтесь к горячим конфоркам, внутренним частям духового шкафа, нагревательным элементам и т.п. Не разрешайте детям приближаться к нему.

Помещая продукты в горячий духовой шкаф или вынимая их оттуда, обязательно пользуйтесь термостойкими перчатками.

Электрический духовой шкаф

1. Выньте из духового шкафа все противни и решетку.
2. Закройте дверцу духового шкафа.
3. Выберите положение Static (Статический)
4. Включите гриль на максимальную мощность (см. раздел *Правила эксплуатации электрической духовки, стр. 22*).
5. Дайте духовому шкафу поработать около 30 минут.
6. Затем выключите духовой шкаф (см. раздел *Правила эксплуатации электрической духовки, стр. 22*).

Конфорка

1. Перед началом эксплуатации необходимо прокалить прибор, чтобы удалить все производственные загрязнения и защитные покрытия. Включите конфорку и прогрейте ее в течение 8 минут при средней температуре без посуды. Во время этой процедуры ничего не ставьте на конфорку.



При первом включении в течение нескольких часов возможно выделение дыма и запаха. Это вполне нормально.

Убедитесь, что кухня хорошо проветривается, чтобы удалить дым и запах. Не вдыхайте выделяющиеся дым и запахи.

5 Правила эксплуатации варочной панели

Общие сведения о приготовлении пищи

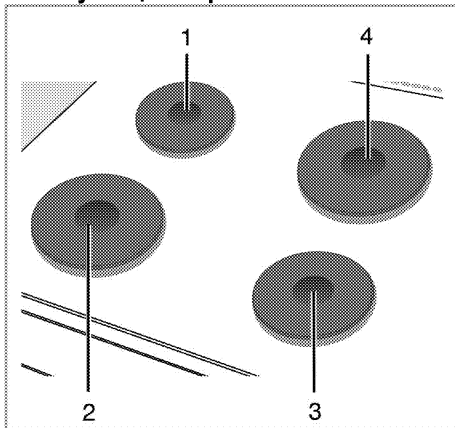


Не заполняйте кастрюлю растительным маслом более чем на одну треть. При нагревании масла не оставляйте варочную панель без присмотра. Остерегайтесь возгорания раскаленных масел. **Не тушите огонь водой!** При возгорании масла накройте посуду одеялом или влажной тканью. По возможности выключите варочную панель и позвоните в пожарную службу.

- Перед жареньем продукты нужно обязательно обсушивать. Опускайте продукты в горячий жир с осторожностью. Замороженные продукты перед жареньем следует полностью разморозить.
- Посуду, в которой разогревается жир, накрывать нельзя.
- Посуду следует ставить на плиту таким образом, чтобы ручки не нагревались над горячей поверхностью плиты. Не ставьте на плиту неустойчивую посуду, которая легко опрокидывается.
- Не ставьте на включенные конфорки пустую посуду – это может привести к ее повреждению.
- Не оставляйте включенными конфорки, на которых нет посуды – это может привести к повреждению плиты. Обязательно выключайте конфорки после окончания приготовления пищи.
- Не ставьте на плиту пластмассовую или алюминиевую посуду, так как на горячей поверхности они могут расплавиться. Такую посуду также не следует использовать для хранения пищевых продуктов.
- Можно использовать только посуду с плоским дном.
- Размер посуды должен соответствовать количеству продуктов. Тогда продукты не будут выплескиваться из посуды, и не придется лишний раз мыть плиту.

Не кладите на конфорки крышки кастрюль. Размещайте посуду по центру конфорки. Если нужно переместить посуду на другую конфорку, поднимите ее и переставьте. Ни в коем случае не передвигайте посуду по поверхности плиты.

Эксплуатация варочных панелей



- 1 Электроконфорка 14-16 см
- 2 Электроконфорка 18-20 см
- 3 Электроконфорка 14-16 см
- 4 Электроконфорка 18-20 см список рекомендованных диаметров посуды для использования на соответствующих конфорках.

Использование конфорок

Регуляторы варочной панели можно поворачивать в любом направлении. Регулирование температуры выполняется ступенчато.



Если варочная панель оснащена конфорками с режимом ускоренного нагрева, соответствующие конфорки обозначаются красной точкой.

Защита от перегрева

Конфорки мощностью более 1000 Вт оснащены устройством защиты от перегрева. Устройство защиты от перегрева снижает мощность конфорки в таких случаях:

- на конфорке нет посуды;
- посуда на конфорке пустая;
- дно посуды неровное.

Включение конфорок

Управление конфорками осуществляется с помощью регуляторов. Чтобы установить нужный уровень мощности, переведите регулятор конфорки в соответствующее положение.

Уровень мощности	1	2 – 3	4 – 6
	разогревание	кипячение, выдерживание	варка, жарение

Выключение конфорок

Поверните регулятор конфорки в положение «ВЫКЛ.» (вверх).

6 Правила эксплуатации духовки

Общие сведения о выпекании, жарении и приготовлении с грилем



ПРЕДУПРЕЖДЕНИЕ!

Горячие поверхности могут причинить ожоги!

Во время работы прибор может сильно нагреваться. Не прикасайтесь к горячим конфоркам, внутренним частям духового шкафа, нагревательным элементам и т.п. Не разрешайте детям приближаться к нему.

Помещая продукты в горячий духовой шкаф или вынимая их оттуда, обязательно пользуйтесь термостойкими рукавицами.



ОПАСНО:

Будьте осторожны, открывая дверцу духового шкафа, так как наружу может выходить пар.

Выпускаемый пар может обжечь вам руки, лицо и/или глаза.

Советы по выпеканию

- Используйте антипригарные металлические тарелки или алюминиевые контейнеры с соответствующим покрытием, либо термостойкие силиконовые формы.
- Рационально используйте площадь решетки.
- Устанавливайте форму для выпекания в середине решетки.
- Выбирайте правильное положение решетки перед включением духового шкафа или гриля. Не изменяйте положение решетки, когда духовой шкаф горячий.
- Держите закрытой дверцу шкафа.

Советы по приготовлению жареных блюд

- Тушку курицы или индейки и большие куски мяса перед приготовлением рекомендуется сбрызнуть лимонным соком и посыпать черным перцем. Тогда готовое блюдо будет вкуснее.
- Мясо с костями следует жарить на 15-30 минут дальше, чем такое же количества мяса без костей.
- На каждый сантиметр толщины мяса требуется приблизительно 4-5 минут времени приготовления.
- По истечении времени приготовления мяса оставьте его в духовом шкафу примерно на 10 минут. Сок лучше распределится внутри

куска жареного мяса и не будет вытекать, когда вы будете разрезать мясо.

- Рыбу в термостойкой посуде следует готовить на решетке, установленной на средний или нижний уровень.

Правила эксплуатации электрической духовки

Выберите температуру и режим работы



1 Ручка выбора функции

2 Ручка термостата

1. Установите нужный режим работы с помощью ручки выбора функций.
2. Установите нужную температуру с помощью регулятора температуры.

» После нагрева духовки в ней будет поддерживаться заданная температура. Во время нагрева будет светиться индикатор температуры.

Выключение электрической духовки

Поверните ручку выбора функций и регулятор температуры в положение отключения (вверх).

Режимы работы

Приведенная здесь последовательность режимов работы может отличаться от вашей модели.

Нагрев сверху и снизу



Работают оба нагревательных элемента — и верхний, и нижний.

Продукты подогреваются одновременно сверху и снизу. Этот режим подходит, например, для тортов, разной выпечки, а также кексов и запеканок в формах.. Готовьте только с одним противнем.

Нагрев сверху



Работает только верхний нагревательный элемент. Этот режим подходит, например, для выпечки пирогов с румяной корочкой, а также для других блюд, которые нужно запечь сверху.

Нагрев снизу



Работает только нижний нагревательный элемент. Подходит для выпечки пиццы и дополнительного обжаривания продуктов с нижней стороны. Эта функция также упрощает очистку паром.



Время приготовления блюд



Значения времени в этой таблице следует считать справочными. Они могут изменяться в зависимости от температуры продуктов, толщины, вида и ваших кулинарных предпочтений.

Выпечка и жарение



1-й полкой духового шкафа является нижняя полка.



Блюдо	Посуда	Уровень размещения	Температура (°C)	Примерное время приготовления (мин.)
Выпечка на противне	Противень 24 - 26 см	3	170 ... 180	25 ... 35
Выпечка в форме	Форма для выпечки 18 - 22 см	3	170 ... 180	35 ... 45
Печенье	Противень	3	170 ... 190	25 ... 35
Слоеное тесто	Противень	3	180 ... 190	25 ... 35
Пончики	Противень	3	160 ... 180	25 ... 35
Мучные кондитерские изделия	Противень	3	200	40 ... 50
Закваска	Противень для жарения	3	200	35 ... 45
Сдобная выпечка	Противень	3	180 ... 190	25 ... 35
Изделия из теста	Противень	3	180 ... 190	40 ... 50
Лазанья	Глубокий противень	3	170 ... 180	40 ... 50
Пицца	Противень	3	200 ... 220	15 ... 20
Мясо порционное	Противень	3	15 мин. 250/макс.*	110 ... 120
Баранья нога	Противень	3	15 мин. 250/макс.*	70 ... 90
Жареная курица	Противень	3	15 мин. 250/макс.*	60 ... 70
Индейка (5,5 кг)	Противень	3	25 мин. 220 *	180 ... 240
Рыба	Противень	3	200	15 ... 25

* затем 150



7 Уход и техническое обслуживание

Общие сведения

Регулярно выполняйте чистку прибора. Это позволит продлить срок его службы, а также избежать многих проблем.

	ОПАСНО: Перед выполнением работ по обслуживанию и чистке отключите прибор от электрической сети. Существует риск поражения электрическим током!
	ОПАСНО: Дайте изделию остыть, прежде чем приступать к чистке. Горячие поверхности могут причинить ожоги!

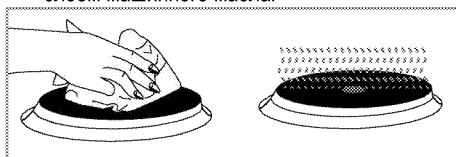
- Прибор следует тщательно чистить после каждого использования. Так легче удалять остатки пищи, которые могут пригореть при следующем использовании прибора.
- Для чистки прибора не требуются специальные чистящие средства. Прибор можно вымыть теплой водой с добавлением жидким моющего средства, используя мягкую ткань или губку. А затем протереть сухой тканью.
- Обязательно протирайте прибор насухо после чистки и сразу же удаляйте попавшую на него жидкость.
- Не используйте для чистки ручки и поверхностей из нержавеющей стали чистящие средства, содержащими кислоту или хлор. Эти детали можно протирать мягкой тканью, смоченной в жидком моющем средстве (без абразивных добавок), стараясь тереть в одном направлении.

	Некоторые моющие средства и чистящие материалы могут повредить поверхность. Не используйте для чистки агрессивные моющие средства, чистящие порошки/кремы, а также острые предметы.
	Не используйте для чистки устройства парочистители, поскольку это может привести к поражению электрическим током.

Чистка варочной панели


Электрические варочные панели

1. Выключите все конфорки и дождитесь, пока они остынут.
2. При необходимости очистите конфорки каким-либо моющим средством (такие средства можно приобрести в специализированных магазинах).
3. После чистки включите конфорки на несколько минут для просушки.
4. Для защиты от ржавчины регулярно смазывайте поверхность конфорок тонким слоем машинного масла.



Чистка панели управления

Очистьте панель управления и ручки-регуляторы влажной тканью и вытрите насухо.

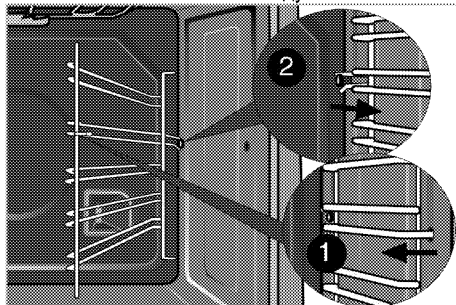
	Если ваш прибор оснащен кнопками/ручками, не снимайте ручки-регуляторы для чистки панели управления. Так можно повредить панель управления!
---	--

Чистка духовки

Чистка боковых стенок(Может отличаться в зависимости от модели изделия.)

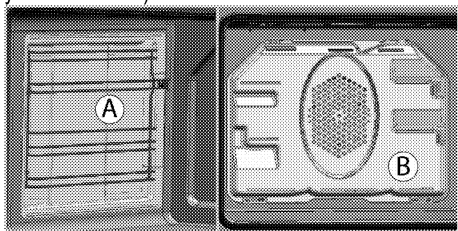
(Данная функция — дополнительная. Она может отсутствовать в вашем изделии.)

1. Снимите переднюю часть боковой решетки, оттянув ее от боковой стенки.
2. Потяните боковую решетку к себе и полностью выньте ее из духовки.



**Стенки с каталитическим покрытием
(Данная функция — дополнительная. Она
может отсутствовать в вашем изделии.)**

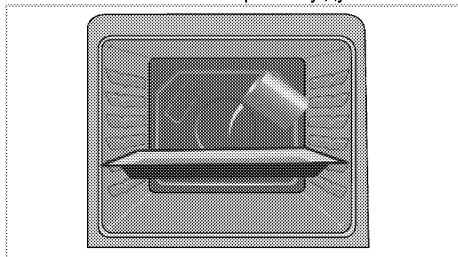
Внутренние боковые стенки (А) и (или) задняя стенка (В) вашего изделия могут быть покрыты каталитической эмалью. Стенки с каталитическим покрытием имеют светлую матовую пористую поверхность. Стенки духовки, имеющие каталитическое покрытие, не следует чистить. Пористые поверхности стенок с каталитическим покрытием самоочищаются путем впитывания и разложения пролитого жира (на воду и углекислый газ).



Простая очистка паром

Это упрощает чистку, поскольку грязь (после кратковременного ожидания) смягчается паром, образующимся в духовом шкафу, и каплями воды, конденсирующимися на внутренних поверхностях духового шкафа.

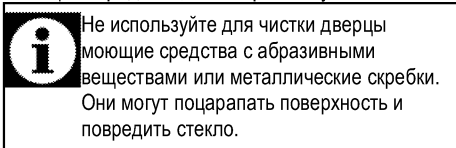
1. Выньте из духового шкафа все принадлежности.
2. Налейте в противень 500 мл воды и поместите его на 2-ю решетку духовки.



3. Установите духовку до легкого режима очистки паром и работайте на 100 °С в течение 25 минут.
4. Откройте дверцу и протрите внутренние поверхности духового шкафа влажной губкой или тканью.
5. Стойкую грязь следует удалять теплой водой с жидким моющим средством, используя мягкую ткань или губку, а после чистки следует вытирать прибор сухой тканью.

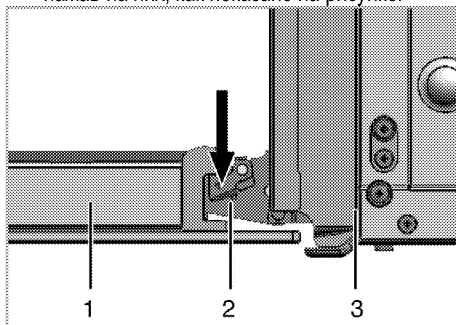
Чистка дверцы духовки

Мойте дверцу духовки мягкой тканью или губкой, смоченной в теплой воде с добавлением жидкого мощного средства, и вытирайте сухой тканью.

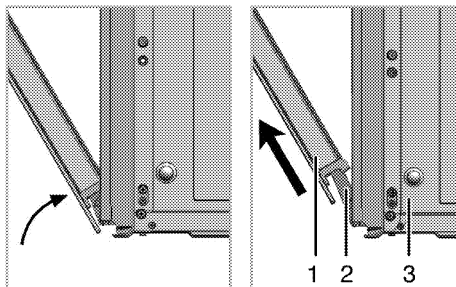


Снятие дверцы духового шкафа

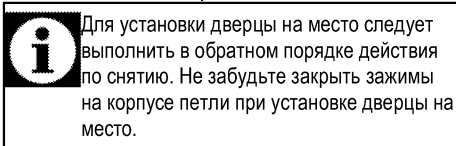
1. Откройте переднюю дверцу (1).
2. Откройте зажимы на корпусе петли (2) с правой и левой стороны передней дверцы, нажав на них, как показано на рисунке.



- 1 Передняя дверца
- 2 Петля
- 3 Духовый шкаф



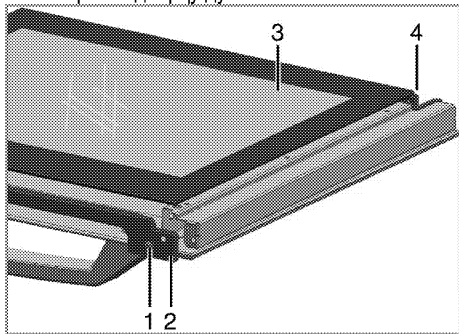
3. Откройте переднюю дверцу наполовину.
4. Снимите переднюю дверцу, потянув ее вверх и освободив от правой и левой петли.



Снятие внутреннего стекла дверцы (Данная функция — дополнительная. Она может отсутствовать в вашем изделии.)

Внутреннее стекло панели дверцы духового
шкафа можно снять для чистки.

1. Откройте дверцу духовки.



- 1 Винт
- 2 Профиль

- 3 Внутреннее стекло
 - 4 Пластмассовый держатель
2. Открутите отверткой винт (1)
 3. Выньте профиль (2), а затем внутреннее
стекло (3).
 4. После чего соберите дверь, установив стекло
(3) в пластмассовые держатели (4) и
сгруппировав профиль.

8 Поиск и устранение неисправностей

Во время работы из духового шкафа выделяется пар.

- Вполне нормально, если пар выделяется во время работы. >>> *Это не является неисправностью.*

При нагревании и охлаждении прибор издает металлические шумы.

- При нагревании металлические детали могут расширяться и издавать звуки. >>> *Это не является неисправностью.*

Прибор не работает

- Плавкий предохранитель неисправен или сработал. >>> *Проверьте плавкие предохранители в блоке предохранителей. При необходимости замените их или включите.*
- Духовой шкаф не включен в (заземленную) розетку электросети. >>> *Проверьте соединение штепсельной вилки.*

Освещение духовки не работает.

- Лампочка освещения духового шкафа неисправна. >>> *Замените лампочку освещения шкафа.*
- Нет электропитания. >>> *Проверьте наличие электропитания. Проверьте предохранители в блоке предохранителей. При необходимости замените или включите предохранители.*

Духовка не нагревается.

- Не задана функция или температура. >>> *Выберите функцию и установите температуру с помощью переключателя функций и (или) регулятора температуры.*
- Нет электропитания. >>> *Проверьте наличие электропитания. Проверьте предохранители в блоке предохранителей. При необходимости замените или включите предохранители.*



Если вы не можете устранить неполадки, несмотря на выполнение инструкций, приведенных в данном разделе, обратитесь к представителю авторизованной сервисной службы. Не пытайтесь самостоятельно отремонтировать неисправный электроприбор.

Изготовитель: «Arcelik A.S.»

Юридический адрес: Караач Джаддеси № 2-6 34445 Сютлюдже Стамбул, Турция
(Karaağaç Caddesi No:2-6 Sütlüce, 34445, Turkey)

Произведено в Турции

Импортер на территории РФ: ООО «БЕКО»

Юридический адрес: 601021 Россия, Владимирская обл., Киржачский р-н, МОСП Першинское, дер. Федоровское, ул. Сельская, д. 49.

Информацию о сертификации продукта Вы можете уточнить, позвонив на горячую линию 8-800-200-23-56.

Дата производства включена в серийный номер продукта, указанный на этикетке, расположенной на продукте, а именно: первые две цифры серийного номера обозначают год производства, а последние две – месяц. Например, "10-100001-05" обозначает, что продукт произведен в мае 2010 года.

Изготовитель оставляет за собой право на внесение изменений в конструкцию, дизайн и комплектацию электроприбора.

