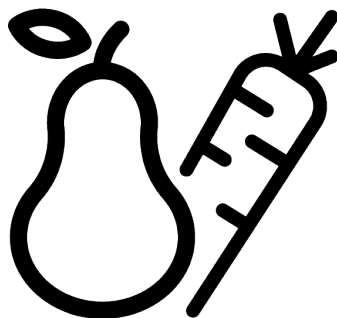




Refrigerator / User Manual
Kühlschrank / Bedienungsanleitung
Frigider / Manual de utilizare



B3RGNE664ZDXB_GN166140LXBR

58 9044 0000/ EN/ DE/ RO/ AB/ 20.01.2023 11:12
7287548798_7287548787



Please read this manual first!

Dear Customer

Please read this manual before using the product.

Thank you for choosing this Beko product. We would like you to achieve the optimal efficiency from this high quality product which has been manufactured with state of the art technology. To do this, carefully read this manual and any other documentation provided before using the product and keep it as a reference.

Heed all information and warnings in the user manual. This way, you will protect yourself and your product against the dangers that may occur.

Keep the user manual. Include this manual with the unit if you hand it over to someone else.

The following symbols are used in the user manual:



Hazard that may result in death or injury.



Important information or useful tips on operation.






Read the user manual.



Combustible material, warning against fire hazard.

NOTICE A hazard that may cause material damage to the product or its surroundings

  SUPPLIER'S NAME  MODEL IDENTIFIER → (*) 	<p>The model information as stored in the product data base can be reached by entering following website and searching for your model identifier (*) found on energy label.</p> <p>https://eprel.ec.europa.eu/</p>
---	--

1	Safety Instructions.....	4
1.1	Intention of Use	4
1.2	Safety of Children, Vulnerable Persons and Pets	4
1.3	Electrical Safety.....	5
1.4	Handling Safety	6
1.5	Installation Safety.....	6
1.6	Operational Safety.....	8
1.7	Food Storage Safety.....	10
1.8	Maintenance and Cleaning Safety	11
1.9	Disposal of the Old Product.....	12
2	Environmental Instructions.....	12
2.1	Compliance with the WEEE Dir- ective and Disposing of the Waste Product	12
3	Your Refrigerator	13
4	Installation	14
4.1	Electrical Connection	15
5	Preparation.....	16
5.1	What To Do For Energy Saving	16
5.2	First Use	16
5.3	Climate Class and Definitions	17
6	Operating the Product.....	17
7	Control Panel of the Product.....	17
8	Using The Product.....	19
8.1	Replacing the Illumination Lamp..	22
8.2	Door Open Alert	22
9	Product Features	22
9.1	The ice storage area.....	22
9.2	Egg holder	24
9.3	Crisper	24
9.4	Crisper Technologies	24
9.5	Dairy Products Cold Storage Area	25
9.6	Humidity Controlled Crisper	25
9.7	Water connection	25
10	Maintenance and Cleaning	30
11	Troubleshooting.....	32

1 Safety Instructions

- This section includes the safety instructions necessary to prevent the risk of personal injury or material damage.
- Our company shall not be held responsible for damages that may occur if these instructions are not observed.



Always have installation and repair operations performed by manufacturer, authorized service or a person who will be described by importer company.



Use original spare parts and accessories only.



Do not repair or replace any component of the product unless it is clearly specified in the user manual.



Do not perform any modifications on the product.

1.1 Intention of Use

- This product is not suitable for commercial use and should not be used for a purpose other than its intended use.
- This product is intended for operating interiors, such as households or similar.

For example;

In the staff kitchens of the stores, offices and other working environments,

In farm houses,

In the units of hotels, motels or other resting facilities that are used by the customers,

In hostels, or similar environments,

In catering services and similar non-retail applications.

- This product shall not be used in open or enclosed external environments such as vessels, camper vans, balconies or terraces. Exposing the product to rain, snow, sunlight and wind may cause risk of fire.

1.2 Safety of Children, Vulnerable Persons and Pets



- This product may be used by children aged 8 years and older and persons with underdeveloped physical, sensory or mental capabilities or lack of experience and knowledge if they are being supervised or have been given instruction concerning use of the appliance in a safe way and the hazards involved.

- Children between 3 and 8 years are allowed to put and take out food into/from the cooler product.
- Electrical products are dangerous for children and pets. Children and pets must not play with, climb on, or enter the product.
- Cleaning and user maintenance should not be performed by children unless there is someone overseeing them.
- Keep the packaging materials away from children. Risk of injury and suffocation.

Before disposing of old products that shall not be used any more:

1. Unplug the power cord from the mains socket.
 2. Cut the power cable and remove it from the appliance together with the plug.
 3. Do not remove the racks and drawers from the product to prevent children from getting inside the appliance.
 4. Remove the doors.
 5. Store the product so that it shall not be tipped over.
 6. Do not allow children to play with the scrapped product.
- Do not dispose of the product by throwing it into fire. Risk of explosion.

- If there is a lock available on the product's door, keep the key out of children's reach.

1.3 Electrical Safety

- The product shall not be plugged into the outlet during installation, maintenance, cleaning, repair, and transportation operations.
- If the power cable is damaged, it shall only be replaced by authorized service to avoid any risks that may occur.
- Do not tuck the power cable under the product or to the rear of the product. Do not put heavy items on the power cable. The power cable should not be bent, crushed, and come into contact with any heat source.
- Do not use an extension cord, multi-plug or adaptor to operate your product.
- Portable multi-plugs or portable power supplies may overheat and cause fire. Thus, do not have a multi-plug, portable power sources behind or in the vicinity of the product.
- Do not plug the product's power cord in a loose or damaged power outlet. These types of connections may overheat and cause fire.

- The plug shall be easily accessible. If this is not possible, a mechanism that meets the electrical legislation and that disconnects all terminals from the mains (fuse, switch, main switch, etc.) shall be available on the electrical installation.
- Do not touch the plug with wet hands.
- When unplugging the appliance, don't hold the power cord, but the plug.

1.4 Handling Safety

- This product is heavy, do not handle it by yourself.
- Do not hold the product from its door while handling the product.
- Be careful not to damage the cooling system and the pipes while handling the product. Do not operate the product if the pipes are damaged, and contact an authorized service.

1.5 Installation Safety

- Contact the Authorized Service for the product's installation. To prepare the product for use, see the information in the user manual and make sure the electric and water utilities are as required. If not, call a qualified electrician and plumber to

arrange the utilities as necessary. Failure to do so may result in electric shock, fire, problems with the product, or injury.

- Check for any damage on the product before installing it. Do not have the product installed if it is damaged.
- Place the product on a clean, level and hard surface and balance it with the adjustable legs. Otherwise, the refrigerator may tip over and cause injuries.
- The product shall be installed in a dry and ventilated environment. Do not keep carpets, rugs or similar covers under the product. This may cause risk of fire as a result of inadequate ventilation!
- Do not block or cover ventilation holes. Otherwise, power consumption increases and your product may be damaged.
- The product must not be connected to supply systems such as solar power supply. Otherwise, your product may be damaged due to sudden voltage changes!
- When positioning the appliance, ensure the supply cord is not trapped or damaged.

- The more refrigerant a refrigerator contains, the bigger its installation room should be. In very small rooms, a flammable gas-air mixture may occur in case of a gas leak in the cooling system. At least 1 m³ of volume is required for each 8 grams of refrigerant. The amount of the refrigerant available in your product is specified in the Type Label.
- The installation place of the product shall not be exposed to direct sunlight and it shall not be in the vicinity of a heat source such as stoves, radiators, etc. If you cannot prevent installation of the product in the vicinity of a heat source, use a suitable insulation plate and make sure the minimum distance to the heat source is as specified below:
 - At least 30 cm away from heat sources such as stoves, ovens, heating units and heaters, etc.,
 - And at least 5 cm away from electrical ovens.
- Your product has the protection class of I.
- Plug the product in a grounded socket that conforms with the Voltage, Current and Frequency values specified in the type label. The socket must have a 10A – 16A fuse. Our firm will not assume responsibility for any damages due to usage without earthing and without power connection in compliance with local and national regulations.
- The product's power cable must be unplugged during installation. Otherwise, risk of electric shock and injury may occur!
- Do not plug the product's power cord in loose, dislocated, broken, dirty, oily power outlets which have a risk of water contact. These types of connections may cause overheating and fire.
- Place the power cable and hoses (if any) of the product so that they shall not cause a risk of tripping over.
- Penetration of humidity and liquid to live parts or to the power cord may cause short circuit. Thus, do not use the product in humid environments or in areas where water may splash (e.g. garage, laundry room, etc.) If the refrigerator is wet by water, unplug it and contact an authorized service.

- Do not ever connect your refrigerator to power saving devices. These systems are harmful for the product



1.6 Operational Safety

- Do not ever use chemical solvents on the product. These materials contain an explosion risk.
- In case of a failure of the product, unplug it and do not operate until it is repaired by the authorized service. There is a risk of electric shock!
- Do not place a source of flame (e.g. candles, cigarettes, etc.) on the product or in the vicinity of it.
- Do not get on the product. Risk of falling and injury!
- Do not cause damage to the pipes of the cooling system using sharp and piercing tools. The refrigerant that sprays out in case of puncturing the gas pipes, pipe extensions or upper surface coatings may cause irritation of skin and injury to the eyes.
- Do not place and operate electrical appliances inside the refrigerator/freezer unless it is advised by the manufacturer.
- Do not jam any parts of your hands or your body to the moving parts inside the product. Be careful to prevent jamming of your fingers between the refrigerator and its door. Be careful while opening or closing the door if there are children around.
- Do not put ice cream, ice cubes or frozen food to your mouth as soon as you take them out of the freezer. Risk of frostbite!
- Do not touch the inner walls, metal parts of the freezer or food kept inside the freezer with wet hands. Risk of frostbite!
- Do not place soda cans or cans and bottles that contain fluids that may be frozen to the freezer compartment. Cans or bottles may explode. Risk of injury and material damage!
- Do not use or place materials sensitive against temperature such as flammable sprays, flammable objects, dry ice or other chemical agents in the vicinity of the refrigerator. Risk of fire and explosion!
- Do not store explosive materials such as aerosol cans with flammable materials inside the product.

- Do not place cans containing fluids over the product an open state. Splashing of water on an electrical part may cause the risk of an electric shock or a fire.
- This product is not intended for storage and cooling of medicines, blood plasma, laboratory preparations or similar materials and products that are subject to the Medical Products Directive.
- If the product is used against its intended purpose, it may cause damage to or deterioration of the products kept inside.
- If your refrigerator is equipped with blue light, do not look at this light with optical devices. Do not stare directly at UV LED light for a long time. Ultraviolet rays may cause eye strain.
- Do not fill the product with more food than its capacity. Injuries or damages may occur if the contents of the refrigerator fall when the door is opened. Similar problems may also occur when an object is placed over the product.
- Ensure that you have removed any ice or water that may have fallen to the floor to prevent injuries.
- Change the locations of the racks/bottle racks on the door of your refrigerator only when the racks are empty. Danger of injury!
- Do not place objects that may fall/tip over on the product. These objects may fall while opening or closing the door and cause injuries and/or material damages.
- Do not hit or exert excessive pressure on glass surfaces. Broken glass may cause injuries and/or material damages.
- The cooling system in your product contains R600a refrigerant. The refrigerant type used in the product is specified in the type label. This gas is flammable. Therefore, be careful not to damage the cooling system and the pipes while operating the product. In case of damage to the pipes;
 1. Do not touch the product or the power cable.
 2. Keep the product away from potential sources of fire that may cause the product to catch fire.
 3. Ventilate the area where the product is placed. Do not use a fan.
 4. Contact Authorized Service.

5. If the product is damaged and you observe gas leak, please stay away from the gas. Gas may cause frostbite if it contacts your skin.

For Products with Water Dispenser / Icematic

- Use only drinking water. Do not fill the water tank with fruit juice, milk, fizzy beverages, alcoholic beverages or any other liquids incompatible for use in the water dispenser. This may cause risk to your health and safety.
- Do not allow the children to play with the water dispenser or icematic to prevent accidents and injuries.
- Do not insert your hands, fingers or other objects inside the hole of the water dispenser, ice channel or inside the container of the icematic. This may cause injuries or material damages.
- The hose sets supplied with the product shall be used. Do not use the old hose sets. Do not extend the hoses!
- Always connect your product to cold water inlet. Do not perform installation on the hot water inlet. The pressure for the cold water inlet shall be 80 PSi (550 kPa) maximum. If

your water pressure exceeds 80PSi or has a water impact effect, use a pressure limiting valve on your mains system. Ask help from professional plumbers if you do not know how to control your water pressure.

- High pressure may cause damage to the hose connections and pose a risk of flooding.
- Take required precautions against the risk of freezing of hoses. The operating water temperature interval shall be 0.6°C (33°F) minimum and 38°C (100°F) maximum. There is a risk of flooding if the hose is cracked/perforated.

1.7 Food Storage Safety

Please pay attention to the following warnings to avoid food spoilage:

- Leaving the doors open for a long time may cause the temperature inside the product to rise.
- Regularly clean the accessible drainage systems in contact with food.

- Clean the water tanks that have not been used for 48 hours and mains-fed water systems that have not been used for more than 5 days.
- Store raw meat and fish products in appropriate compartments within the product. Thus, it does not drip on or come into contact with other foods.
- Two-star freezer compartments are used for storing pre-filled foods, making and storing ice and ice cream.
- One, two and three-star compartments are not appropriate for freezing fresh food.
- If the cooling product has been left empty for a long time, turn off the product, defrost, clean, and dry the product in order to protect the housing of the product.
- Do not put your hands etc. under the refrigerator. Jamming may occur or any sharp edge may cause personal injuries.
- Do not clean the product by spraying or pouring water on the product and inside the product. Risk of electric shock and fire.
- When cleaning the product, do not use sharp and abrasive tools or household cleaning agents, detergent, gas, gasoline, thinner, alcohol, varnish, and similar substances. Use only cleaning and maintenance agents that are not harmful for food inside the product.
- Do not ever use steam or steamed cleaning materials for cleaning the product and thawing the ice inside it. Steam contacts the live areas in your refrigerator and causes short circuit or electric shock.



1.8 Maintenance and Cleaning Safety

- Unplug the refrigerator before cleaning it or starting to perform maintenance.
- Do not pull by the door handle if you shall move the product for cleaning purposes. Handle may cause injuries if it is pulled too hard.
- Do not use any mechanical tools or any other tools than the recommendations of the manufacturer to speed up the defrost operation.
- Take care to keep water away from the ventilation holes, electronic circuits or lighting of the product.
- Use a clean, dry cloth to wipe the dust or foreign material on the tips of the plugs. Do not

use a wet or damp piece of cloth to clean the plug. Otherwise, risk of fire or electric shock may occur.

1.9 Disposal of the Old Product

When disposing of your old product follow the instructions below:

- To prevent children from accidentally locking themselves into the product, if there is door lock, make it deactivated.

2 Environmental Instructions

2.1 Compliance with the WEEE Directive and Disposing of the Waste Product



This product complies with EU WEEE Directive (2012/19/EU). This product bears a classification symbol for waste electrical and electronic equipment (WEEE).

This symbol indicates that this product shall not be disposed with other household wastes at the end of its service life. Used device must be returned to official collection point for recycling of electrical and electronic devices. To find these collection systems please contact to your local authorities or retailer where the product was purchased. Each household performs important role in recovering and recycling of old appliance. Appropriate disposal of used

- Splash of coolant is harmful to the eyes. Do not damage any part of the cooling system while disposing of the product.
- It may be fatal if the compressor oil is swallowed or if it penetrates the respiratory tract.
- Cooling system of your product includes R600a gas as specified in the type label. This gas is flammable. Do not dispose of the product by throwing it into fire. Risk of explosion!

appliance helps prevent potential negative consequences for the environment and human health.

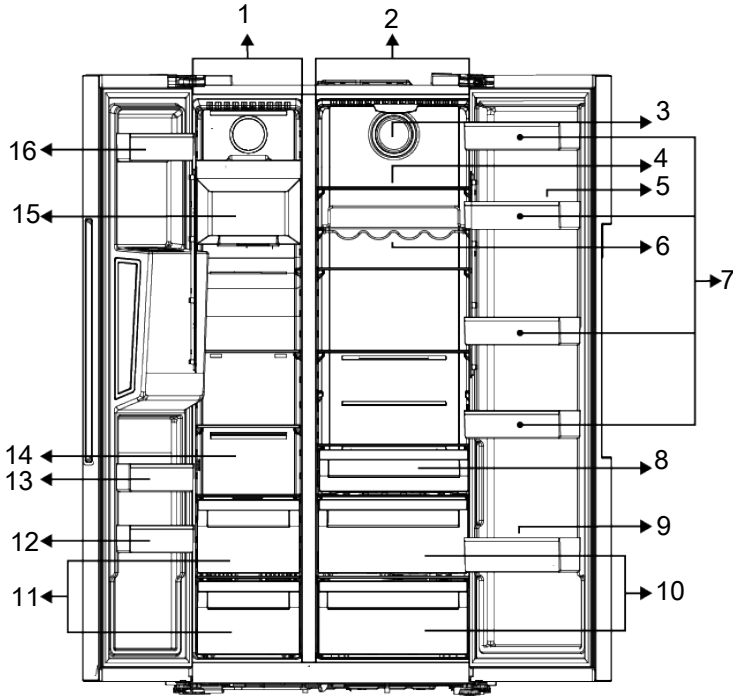
Compliance with RoHS Directive

The product you have purchased complies with EU RoHS Directive (2011/65/EU). It does not contain harmful and prohibited materials specified in the Directive.



Package information

Packaging materials of the product are manufactured from recyclable materials in accordance with our National Environment Regulations. Do not dispose of the packaging materials together with the domestic or other wastes. Take them to the packaging material collection points designated by the local authorities.



- | | |
|--------------------------------------|---|
| 1 Freezer compartment | 2 Cooler compartment |
| 3 Fan | 4 *Cooler compartment glass shelves |
| 5 Egg holder | 6 *Bottle shelf |
| 7 *Cooler compartment door shelves | 8 *Dairy (cold storage) bin |
| 9 *Bottle shelf | 10 *Crispers |
| 11 Frozen food storing compartments | 12 *Freezer compartment door shelves |
| 13 *Freezer compartment door shelves | 14 Frozen food storing compartments and glass shelf |
| 15 *Ice machine | 16 *Freezer compartment door shelves |

***Optional:** Figures in this user manual are schematic and may not exactly match your product. If your product does not comprise the relevant parts, the information pertains to other models.

4 Installation

Right place for installation



Read the "Safety Instructions" section first!

Your product requires adequate air circulation to function efficiently. If the product will be placed in an alcove, remember to leave at least 5 cm clearance between the product and the ceiling, rear wall and the side walls. Check if the rear wall clearance protection component is present at its location (if provided with the product). If the component is not available, or if it is lost or fallen, position the product so that at least 5 cm clearance shall be left between the rear surface of the product and the wall of the room. The clearance at the rear is important for efficient operation of the product.

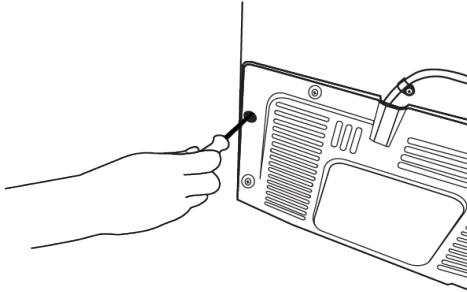


Do not use extension or multi sockets in the power connection.

Attaching the plastic wedges

Use the plastic wedges provided with the product to maintain sufficient space for air circulation between the product and the wall.

- Remove the screws on the product and mount the screws provided with the wedges.



- Attach 2 plastic wedges on the ventilation cover as shown in the figure.



The manufacturer assumes no responsibility for any damage caused by the work carried out by unauthorized persons.

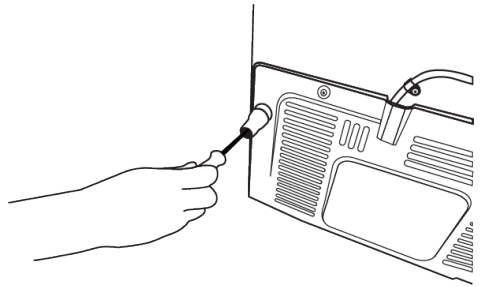


The product's power cable must be unplugged during installation. Failure to do so may result in death or serious injuries!



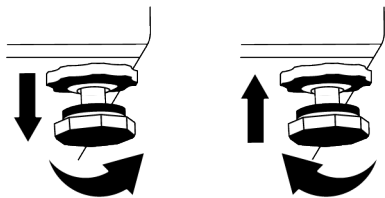
If the door span is too narrow for the product to pass, remove the door and turn the product sideways; if this does not work, contact the authorized service.

- Place the product on a flat surface to avoid vibration
- Place the product at least 30 cm away from the heater, stove and similar sources of heat and at least 5 cm away from electric ovens.
- Do not expose the product to direct sunlight or keep in damp environments.



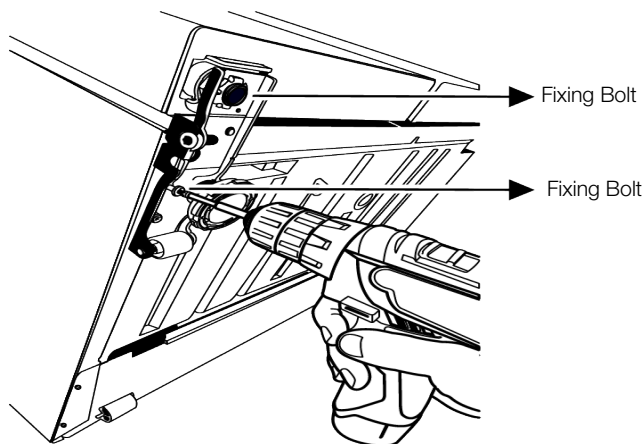
Adjusting the Legs

If the product is not in a balanced position, you can adjust the balance of the product by rotating the stands on the front right or left.



For adjusting the doors vertically,

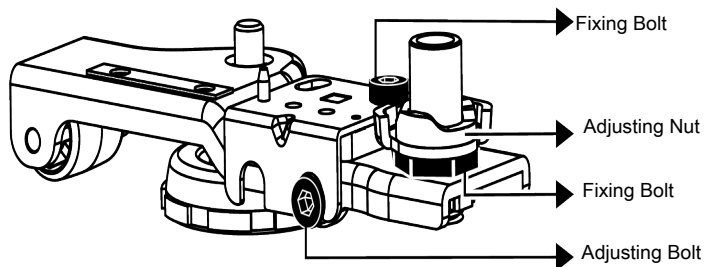
Loosen the fixing bolt at the bottom. Turn the adjusting bolt towards the position (clockwise/counter clockwise) of the door. Tighten the fixing bolt to immobilize the position.



For adjusting the doors horizontally,

Loosen the fixing bolt at the bottom. Loosen the fixing bolt at the top. Turn the adjusting bolt on the side towards the posi-

tion (clockwise/counter clockwise) of the door. In order to immobilize the position, tighten the fixing bolt at the top. Tighten the fixing bolt at the bottom.



4.1 Electrical Connection



WARNING: Do not use extension or multi sockets in power connection.



WARNING: Damaged power cable must be replaced by Authorized Service.

- Our firm will not assume responsibility for any damages due to usage without earthing and power connection in compliance with national regulations.

- The power cable plug must be easily accessible after installation.



Hot surface warning!

The side walls of your product are equipped with cooler pipes to enhance the cooling system. High pressure fluid may flow through these surfaces, and cause hot surfaces on the side walls. This is normal and it does not require servicing. Be careful when you contact these areas.

5 Preparation



Read the "Safety Instructions" section first!

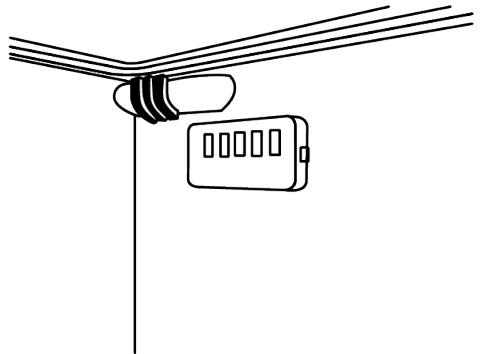
5.1 What To Do For Energy Saving



Connecting the product to electronic energy-saving systems is harmful, as it may damage the product.

- This refrigerating appliance is not intended to be used as a built in appliance.
- Do not keep the refrigerator doors open for long periods.
- Do not place hot food or beverages into the refrigerator.
- Do not overfill the refrigerator; blocking the internal air flow will reduce cooling capacity.
- Since hot and humid air will not directly penetrate into your product when the doors are not opened, your product will optimize itself in conditions sufficient to protect your food. Under these circumstances, functions and components such as compressor, fan, heater, defrost, lighting, display and so on will operate according to the needs by consuming minimum energy.
- In case that multiple options are present, glass shelves must be placed so that the air outlets at the rear wall are not blocked and preferably, in a way that air outlets remain below the glass shelf. This combination may help improving air distribution and energy efficiency.

- Using the below drawer when storing is strongly recommended.
- Make sure the foods are not in contact with the cooler compartment temperature sensor described below.



- If they are in contact with the sensor, energy consumption of the appliance might increase
- Food shall be stored using the drawers in the cooler compartment in order to ensure energy saving and protect food in better conditions.

5.2 First Use

Before using your refrigerator, make sure the necessary preparations are made in line with the instructions in "Safety and Environmental Instructions" and "Installation" sections.

- Keep the product running without placing any food inside for 6 hours and do not open the door, unless absolutely necessary.

- The temperature change caused by opening and closing of the door while using the product may normally lead to condensation on door/body shelves and glassware placed in the product.



A sound will be heard when the compressor is engaged. It is normal for the product to make noise even if the compressor is not running, as fluid and gas may be compressed in the cooling system.



It is normal for the front edges of the refrigerator to be warm. These areas are designed to warm up in order to prevent condensation.



For some models, indicator panel turns off automatically 1 minute after the door closes. It will be re-activated when the door is opened or any button is pressed.

5.3 Climate Class and Definitions

Please refer to the Climate Class on the rating plate of your device. One of the following information is applicable to your device according to the Climate Class.

- **SN:** Long Term Temperate Climate: This cooling device is designed for use at ambient temperatures between 10 °C and 32 °C.
- **N:** Temperate Climate: This cooling device is designed for use at ambient temperatures between 16°C and 32 °C.
- **ST:** Subtropical Climate: This cooling device is designed for use at ambient temperatures between 16°C and 38°C.
- **T:** Tropical Climate: This cooling device is designed for use at ambient temperatures between 16°C and 43°C.

6 Operating the Product



Read the “Safety Instructions” section first!

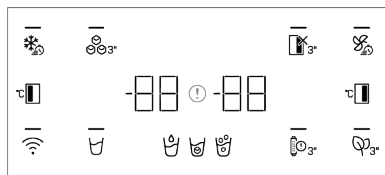
- Do not use any mechanical tools or any other tools than the recommendations of the manufacturer to speed up the defrost operation.
- Do not use parts of your refrigerator such as the door or drawers as a support or a step. This may cause the product to trip over or its components to be damaged.
- The product shall be used for storing food only.

- Turn off the water valve if you will be away from home (e.g. at vacation) and you will not be using the Icematic or the water dispenser for a long period of time. Otherwise, water leaks may occur.

Unplugging the Product

- If you are not going to use the product for a long time, unplug the product from the socket.
- Remove the food to prevent odours,
- Wait for the ice to melt, clean the interior and let it dry, leave the doors open to avoid damaging the inner body plastics.

7 Control Panel of the Product



Read the “Safety Instructions” section first.

*Optional: Shown functions are optional, there may be differences of shape and location in functions found on your appliance's indicator panel.

Auditory and visual functions on the indicator panel will assist you in using the refrigerator.

Quick Freezing Key

When the quick freezing key is pressed, the LED on the key is illuminated and the quick freezing function will be activated. Freezer compartment temperature is set to -27 Celsius. Press the key again to cancel the function. The quick freezing function will be automatically cancelled after 24 hours. To freeze a large amount of fresh food, press the quick freezing key before placing the food in the freezer compartment.

Icematic On/Off Button

Pressing this key for 3 seconds activates the ice making process and the LED on the key lights up. Pressing the key for 3 seconds again cancels the ice making process and the ice cubes that have been created before can be used even though the function is cancelled.

Error Status Indicator

This indicator shall be active when your refrigerator cannot perform adequate cooling or in case of any sensor error. "E" will be displayed on the freezer compartment temperature indicator and figures such as 1,2,3... will be displayed on the cooler compartment temperature indicator.

These figures provide information to the authorized service on the error that has occurred.

Exclamation mark may be displayed when you load warm food to the freezer compartment or keep the door open for a long period of time. This is not a fault, this warning will be removed when the food is cooled down or when any key is pressed.

Cooler Compartment Off (Vacation) Function Key

To activate the vacation function, press on the key for 3 seconds.

The vacation mode will be activated and the LED on the key will be illuminated. "- -" shall be displayed on the Cooler Compartment temperature indicator and the cooler compartment does not actively perform cooling. You should not keep your food in the cooler compartment if you activate this function. The other compartments continue to cool according to temperatures set before. Press and hold the key for 3 seconds again to cancel this function.

Quick Cooling Key

When you press the quick cooling key, the LED on the key is illuminated and the quick cooling function shall be activated. Cooler compartment temperature is set to 1 Celsius. Press the key again to cancel the function. The quick freezing function will be cancelled automatically when the cooling is done.

Cooler Compartment Temperature Setting Key

Allows setting of temperature for cooler compartment. Pressing this key will enable the cooler compartment temperature to be set at 8,7,6,5,4,3,2 and 1 Celsius.

Deodoriser Module Key

Press this key for 3 seconds to activate/deactivate the deodoriser feature. When the deodoriser feature is active, the LED on the respective key is illuminated. When the feature is active, the deodoriser module will be operated periodically.

Filter Replacement Warning Key

The water inlet filter of the refrigerator should be changed in regular intervals. Your refrigerator automatically calculates this time. When the filter lifespan has expired, the LED on the filter replacement warning key lights up. After changing the filter, press and hold the button for 3 seconds to turn off the filter replacement warning LED.

Water, Ice Cube, Crashed Ice Selection

Key

This key allows you to switch between water, ice cube and crashed ice selections. When you activate the feature, light on the key shall remain lit.

Wireless Key

This key is used to make a wireless connection with your product via HomeWhiz mobile app.

When you press the key for 3 seconds, the LED on the key flashes slowly (at intervals of 0.5 seconds). The home network is initialized on the product this way.

After achieving wireless connection with the product, the LED on the key illuminates permanently.

When the initial connection is established, you may activate/deactivate the connection with a short press on this key. The LED on the key shall flash quickly (at intervals of

0.2 seconds) till your appliance is connected. When the connection is active, LED will remain lit.

If the connection cannot be established for a long period, check your connection settings and refer to the “Troubleshooting” section provided in the user manual.

HomeWhiz application will be used for wireless connection. The installation steps are described on the application during installation. You may access the application by reading the QR code available on the HomeWhiz label on the product. Application is offered through App Store for IOS devices, and through Play Store for Android devices.

Visit <https://www.homewhiz.com/> address for detailed information.

Freezer Compartment Temperature Setting Key

Temperature setting is made for freezer compartment. Pressing this key will enable the freezer compartment temperature to be set at -16,-17,-18,-19,-20,-21,-22 Celsius.

8 Using The Product



Read the “Safety Instructions” section first!

Storing food in the freezer compartment

- You can activate Quick Freezing function 4-6 hours before freezing function and perform a faster cooling.
- Bring hot meals to the room temperature before placing them in the freezer compartment.
- Foods to be frozen must be divided into portions according to a size to be consumed, and frozen in separate packages.
- It is recommended to pack the foods before placing them in the freezer.
- In order to prevent expiration of storage time, write the freezing date, time and name of the product on the package according to the storage times of different foods.

- Consume the foods you have defrosted quickly. Defrosted foods cannot be frozen again unless they are cooked. It is not safe to consume the refrozen fresh foods without cooking after they are defrosted.
- As you freeze fresh foods, do not bring them in contact with already frozen foods. Otherwise, frozen foods will be defrosted.

Storing the foods, which are sold frozen

- Always follow the instructions of the producer in relation to the time during which you are required to store your foods. Do not exceed the time specified in these instructions!
- In order to protect the quality of the food, keep the time interval between purchasing transaction and storing as short as possible.
- Buy frozen food which are stored at -18 °C or lower temperatures.

- Avoid buying foods whose packages are covered with ice etc. This means that the product could be partially defrosted and refrozen. Temperature impacts the quality of the food.
- Do not exceed the storing time recommended by the food producer. Remove only the food as much as you need from the freezer.
- Except the cases where extreme circumstances are available in the environment, if your product (on the recommended set values table) is set to the specified set values, the food keep their freshness for a longer time both in the fresh product compartment and freezer compartment.
- If fresh food compartment is set to a lower temperature, fresh fruits and vegetables may be partially frozen.

Recommended set values table

Freezer Compartment Setting	Fridge Compartment Setting	Remarks
-18 °C	4 °C	This is the default, recommended setting. This setting is recommended if ambient temperature is below 30 °C.
-20, -22 or -24 °C	4 °C	These settings are recommended for ambient temperatures exceeding 30 °C.
Quick Freeze	4 °C	Use when you want to freeze your food in a short time. When the process ends, the product's settings will return to previous position.
-18 °C or colder	2 °C	Use these settings if you believe the cooler compartment is not cold enough due to ambient temperature or frequently opening the door.

Quick freezing

1. Activate the quick freezing function 24 hours before placing your fresh foods.
2. After 24 hours after pressing the button, place your food that you want to freeze in the third or fourth drawers with higher freezing capacity.
3. The quick freezing function will be automatically deactivated after 24 hours.

Freezer details

As per the IEC 62552 standards, the freezer must have the capacity to freeze 4.5 kg of food items at -18 °C or lower temperatures at 25 °C room temperature in 24 hours for each 100 litres of freezer compartment volume.

Food products can only be preserved for extended periods at or below temperature of -18 °C.

You can keep the foods fresh for months (in freezer at or below temperatures of -18 °C).

The food products to be frozen must not contact the already-frozen food inside to avoid partial defrosting.

Boil the vegetables and filter the water to extend the frozen storage time. Place the food in air-tight packages after filtering and place in the freezer. Bananas, tomatoes, lettuce, celery, boiled eggs, potatoes and similar food items should not be frozen. In case these foods are frozen, only nutritional values and eating qualities will be negatively affected. A rotting that would threaten human health is not in question.

Placing the food

Freezer compartment shelves: Different frozen foods like meat, fish, ice cream, vegetables etc.

Cooler compartment shelves: Food items inside pots, capped plate and capped cases, eggs (in closed case)

Cooler compartment door shelves: Small and packaged food or beverages

Crisper: Vegetables and fruits

Fresh food compartment: Delicatessen (breakfast food, meat products to be consumed in short time)

Storing food in the cooler compartment

- Compartment temperatures rise prominently if compartment door is opened and closed frequently and kept open for a long time, this can reduce the life span of the food and cause the food to spoil.
- In order not to cause odour and taste changes, the food should be stored in the closed containers.
- Do not store too much food in your refrigerator. To achieve a better and homogeneous cooling, place the food separately in a way that cold air can wander through them.
- Provide air flow by leaving a space between the food and internal wall. If you lean the food against the rear wall, the food may freeze.
- Bring cooked hot meals to the room temperature before placing them in the refrigerator. Then, you can place the tepid meal in the lower shelves of your refrigerator. Do not place the tepid meals close to the foods which may easily spoil.
- Defrost your frozen food in the fresh food compartment. Thereby, you can cool fresh food compartment by using frozen food and save energy.
- Storing unripe tropical fruits (mango, melon varieties, papaya, banana, pineapple) in the refrigerator may speed up the ripening process. This is not recommended because it will cause shorter storage time.
- You should store onions, garlics, gingers and other root vegetables in dark and cold room conditions, not in the refrigerator.
- If you notice that a food has spoiled in the refrigerator, throw away that food and clean the accessories which have come into contact with it.
- In order to cool the meals like soups and stews, which are cooked in the large pots, quickly, you can put them in the refrigerator by separating them into their own shallow containers.
- Do not place unpackaged food close to eggs.
- Keep the fruits and vegetables separately and store each variety together (for example; apples with apples, carrots with carrots)
- Take green vegetables out of the plastic bag and place them in the refrigerator after wrapping them in a paper towel or drying cloth. If you wash this type of food before placing them in the refrigerator, remember to dry them.
- You can both create a damp environment and provide an air flow by keeping fruits and vegetables, which are prone to drying, in the perforated or unsealed plastic bags.
- Except the cases where extreme circumstances are available in the environment, if your product (on the recommended set values table) is set to the specified set values, the food keep their freshness for a longer time both in the fresh product compartment and freezer compartment.

Store different food in different places according to their properties.

Food	Location
Egg	Door Shelf
Dairy products (butter, cheese)	If available, zero degree (for breakfast food) compartment
Fruits, vegetables and greenery	Fruit-vegetable compartment, crisper or EverFresh+ compartment (if available)

Food	Location
Fresh meat, poultry, fish, sausage etc. Cooked foods	If available, zero degree (for breakfast food) compartment
Ready to serve foods, packaged products, canned foods and pickles	Top shelves or door shelf
Beverages, bottles, spices and snacks	Door Shelf

8.1 Replacing the Illumination Lamp

Call the Authorized Service when the Bulb/LED used for lighting in your refrigerator will be replaced.

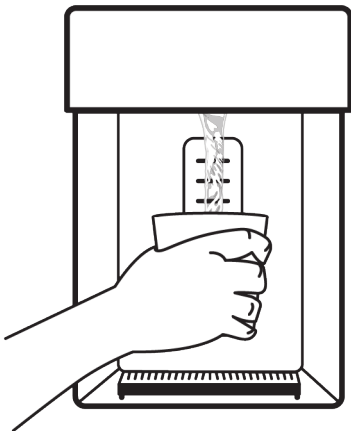
Lamp(s) used in this appliance cannot be used for house lighting. Intended use of this lamp is to help the user place food into the refrigerator / freezer safely and comfortably.

9 Product Features

9.1 The ice storage area

Ice/Water Taking

Select the related option by using the display in order to take water (🍵) / ice cube (🧊) / crushed ice (🧊). Push forward the trigger on the water dispenser in order to take water/ice. When you switch between ice cube (🧊) / crushed ice (🧊) options, ice type remaining from the previous selection can be given in the first few takings.



8.2 Door Open Alert

An audible alert will be heard if the product's door remains open for 1 minute. The audible alert will stop when you close the cabinet door or press any button on the display (if available).

- In order to take ice from ice / water dispenser for the first time, you have to wait approximately for 12 hours. In the event that there is not sufficient ice in the ice container, you cannot take ice from the dispenser.
- Do not consume the ice cubes (3-4 litres) after first running.
- If a power failure or temporary malfunction arises while the product is running, ices may melt a little and refreeze. In this case, ices may stick to each other. In the event that the power failure or the malfunction goes on, ices may melt and cause a water leakage. When such a problem exists, clean the ice container by pouring the ices left in the ice container.



WARNING

The water system of the product should only be connected to **cold water line**. It should not be connected to the hot water line.

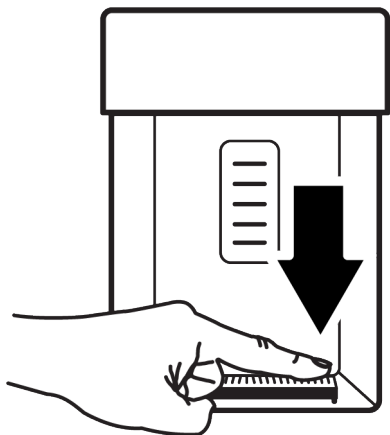
- Water may not be taken during the first operation of the product. This is because there is air in the system. You have to discharge the air in the system. For this purpose, press on the trigger of the dispenser for 1-2 minutes until the water

comes from the water dispenser. At the beginning, the water flow may be irregular. Water flow will return to normal after the air in the system is discharged.

- A blurry water may come out when the filter is used for the first time. The first 10 glasses of water should not be consumed.
- When the product is set up for the first time, approximately 12 hours should be passed for the water to cool.
- The water system of the product has been designed in a way that it can only work with clean water. Do not use any beverage except water.
- If you will not use the product for a long time for the reasons of vacation etc., we recommend you to cancel the water connection. When the water dispenser is not used for a long time, the first 1-2 glasses of water may come out hot.

Drip tray

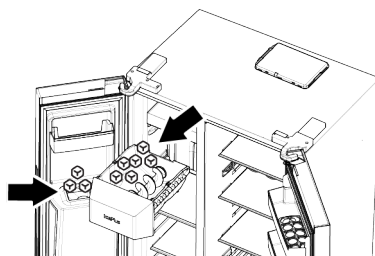
The water dripping from the water dispenser accumulates on the drip tray, there is not a water outlet. You can take out the drip tray by pulling it toward yourself or pressing on its edge. You can clean the water in the drip tray in this way.



Ice Machine

Ice machine is on the upper section of the freezer body.

By grabbing the handle under the front part, pull the ice storage bin towards yourself to remove.



To remove the ice storage bin

Grab the handle on the bottom of the bin and pull it towards yourself.

To reinstall the ice storage bin

Put the bin to its slot and push it back holding parallel to the ground. Please make sure that no space will be left between the bin and the ice maker compartment.

In case you cannot get all the ice cubes produced

Ice cubes remaining in the storage bin for a long time may stick together and form large ice blocks. In this case, remove the ice storage bin as described in the manual, separate ice cubes, remove the ones that cannot be separated from the bin and put the remaining cubes back into the bin. If the problem persists, please check the ice channel, and clear if it is blocked.

When using the ice machine for the first time or after a long period

Ice cubes may get smaller due to the residual air in the water system. The air will be automatically discharged after being used for some time.

Do not use the ice cubes produced on the first day so that you can refresh all remaining water in the system.



WARNING

Do not insert your hand or any other object into the ice channel and ice crushing blades while the refrigerator is operating.

Do not allow kids to hang onto the ice machine, ice storage bin or water/ice dispenser.

Grasp the ice storage bin firmly with both hands so as not to drop it.

When you close the door of your appliance fast, the water in the ice maker may splash into the ice storage bin.

Do not disassemble the ice storage bin unless necessary.

In case of a jam (appliance does not drop ice) while getting crushed ice, try getting ice cube.

Then you can retry getting crushed ice.

When getting crushed ice, the appliance may produce ice cubes first. It is possible for the appliance to produce ice cubes when getting crushed ice.

The freezer door of the ice machine may be covered by a light frost and a film layer.

This is normal and we recommend you to immediately clean it.

After some time, water may fill in the grid which is at the bottom of the water dispenser.

We recommend you to remove the water in the grid regularly.

It is normal to hear a sound when ice cubes are falling down from the ice storage bin.

This does not mean any malfunction.

The blade mechanism of the ice bin is sharp and may injure your hand.

If ice cubes aren't released from the ice dispenser, it means that the ice cubes may be stuck together. You need to clean the bin to continue to get ice cubes.

When the trigger is pressed to get ice (Indicator etc.), ice type cannot be changed. You should release the trigger (Indicator etc.), change the ice type and take ice

again. For this purpose, you can take ice again after changing the ice type on the indicator.

9.2 Egg holder

You can place the egg holder on the door or body shelf you wish.

If the egg holder is to be placed on the body shelf, we recommend you to choose colder lower shelves.



Never place the egg holder on the freezer compartment

9.3 Crisper

The refrigerator's crisper is designed to keep vegetables fresh by preserving their humidity. For this purpose, the overall cold air circulation is intensified in the crisper. Keep fruits and vegetables in this compartment. Keep the green-leaved vegetables and fruits separately to prolong their life.

9.4 Crisper Technologies

Blue Light

Fruits and vegetables stored in the crispers that are illuminated with a blue light continue their photosynthesis by means of the wavelength effect of blue light and thus preserve their vitamin content.

HarvestFresh

Fruits and vegetables stored in crispers illuminated with the HarvestFresh technology preserve their vitamins for a longer time thanks to the blue, green, red lights and dark cycles, which simulate a day cycle. When the door of your refrigerator is opened during the dark period of the HarvestFresh technology, your refrigerator shall sense this automatically and illuminate the crisper with one of the blue, green or red lights respectively for your convenience. After you have closed the door of the refrigerator, the dark period will continue, representing the night time in a day cycle.

9.5 Dairy Products Cold Storage Area

Cold Storage Drawer

The Cold Storage Drawer can reach lower temperatures in the cooler compartment. Use this drawer for delicatessen products (salami, sausage, etc.) and dairy products that require colder storage conditions, or for meat, chicken or fish to be consumed quickly. It is not suitable to store fruits and vegetables in this drawer.

9.6 Humidity Controlled Crisper

Everfresh

With the humidity controlled crisper feature, the humidity of vegetables and fruits is kept under control and the food is kept fresh for a longer period of time.

We recommend that you place leafy vegetables such as lettuce, spinach and similar vegetables that are sensitive to moisture loss in the crisper, not upright on their roots, but as horizontally as possible.

When placing the vegetables, place heavy and hard vegetables at the bottom and light and soft ones on the top, taking into account the specific weights of vegetables.

Never leave vegetables in plastic bags in the crisper. Leaving them in plastic bags causes vegetables to rot in a short time.

In situations where contact with other vegetables is not preferred, use packaging materials such as paper that has a certain level of porosity in terms of hygiene.

Do not put fruits that have a high ethylene gas production such as pear, apricot, peach and particularly apple in the same crisper with other vegetables and fruits. The ethylene gas coming out of these fruits might cause other vegetables and fruits to mature faster and rot in a shorter period of time.

9.7 Water connection

(This feature is optional)



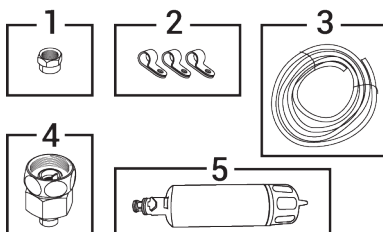
WARNING

The product and the water pump, if any, must be unplugged during connection.

The mains, filter and carboy connections of your product must be made by an authorized service center.

Depending on the model, you can connect your product to a carboy or directly to the water network. To make this connection, you must first connect the water hose to the product.

Depending on the model of your product, check whether the following parts are included with the product:

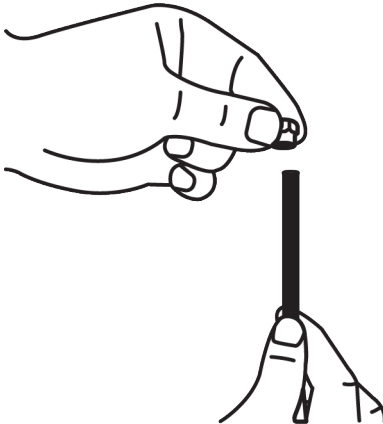
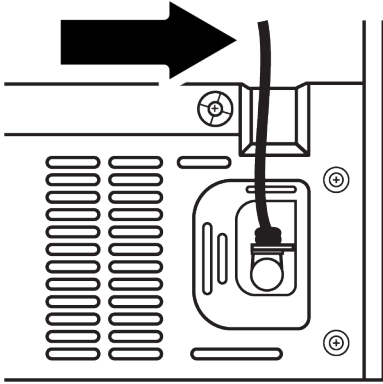


1. Union (1 piece) : Used for attaching the water hose to the back of the product.
2. Hose clip (3 pieces) : Used for fixing the water hose to the wall.
3. Water hose (1 piece, 5 meters diameter 1/4 inch): Used for making water connections.
4. Faucet adapter (1 piece) : Used for cold water mains line connection with porous filter.
5. Water filter (1 piece *Optional): It is used to connect the mains water to the product. If there is a carboy connection; there is no need to use a water filter.

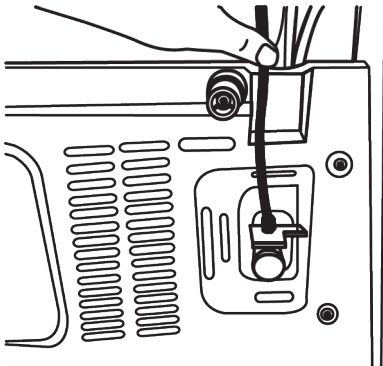
Connecting the water hose to the product

Follow the instructions below to connect the water hose to the product.

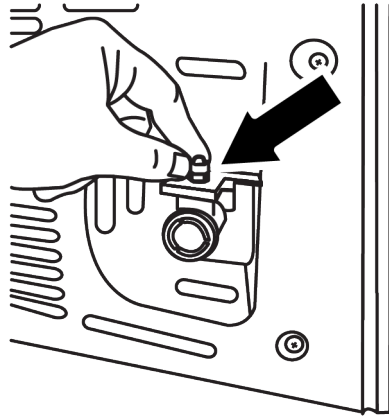
1. Remove the fitting from the hose end adapter attached to the back of the product, thread the fitting onto the water hose.



2. Attach the water hose to the hose-end adapter by pressing down firmly.



3. Secure the union to the hose-end adapter by hand tightening. You can tighten the union using a pipe wrench or pliers.

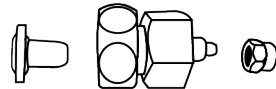


Connecting to mains water

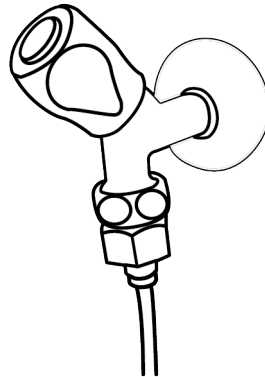
(This feature is optional)

If you are going to use the product by connecting it to the cold water line, you need to install a standard 1/2" valve fitting on the cold water network in your home. If this fitting is not available and you are not sure, consult a qualified plumber.

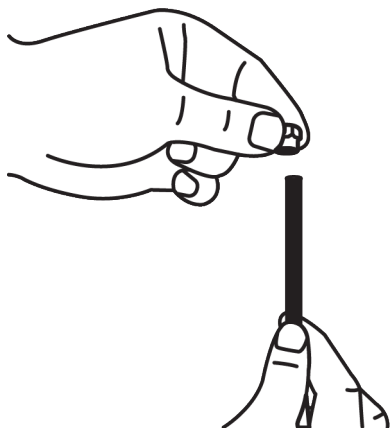
1. Disconnect the union from the faucet adapter.



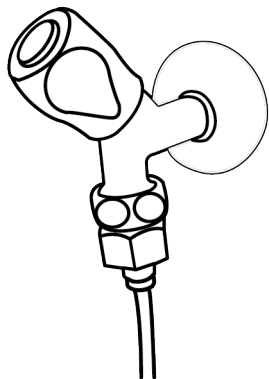
2. Connect the faucet adapter to the mains line valve.



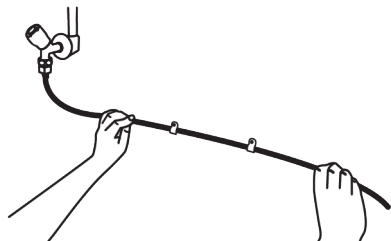
3. Thread the union onto the water hose.



4. Thread the union onto the faucet adapter and tighten by hand/tool.



5. Secure the water hose in suitable places with the clips provided to prevent damage, slipping or accidental dislodging.



WARNING

After opening the faucet, make sure that there is no water leakage at both joints of the water hose. In case of leakage, close the valve immediately and tighten all joints with a pipe wrench or pliers.

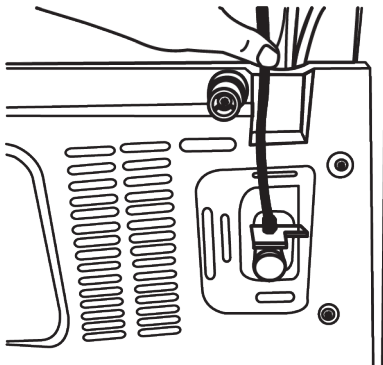
For products to be used in carboys;

(This feature is optional)

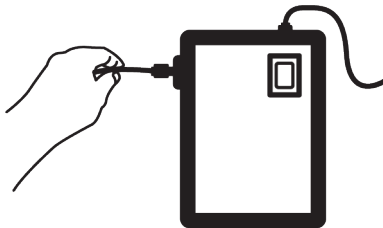
In order to connect carboy water to the product, the water pump recommended by the authorized service is required.

In order to connect carboy water to the product, the water pump recommended by the authorized service is required.

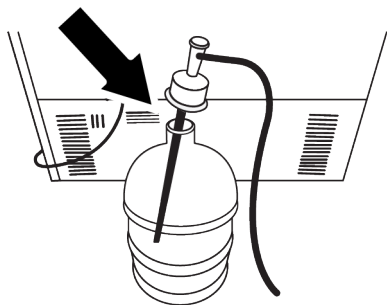
1. After connecting one end of the water hose from the pump to the product, follow the instructions below.



2. Make the connection by pushing the other end of the water hose into the water hose inlet of the pump.



3. Secure the pump hose by placing it into the carboy.



4. After completing the connection, plug the pump into the socket and start the pump.

i After starting the pump, wait 2-3 minutes for it to reach the desired efficiency.

i Refer to the instruction manual of the pump while making the water connection.

i If carboy will be used, there is no need to use a water filter.

Water filter

(This feature is optional)

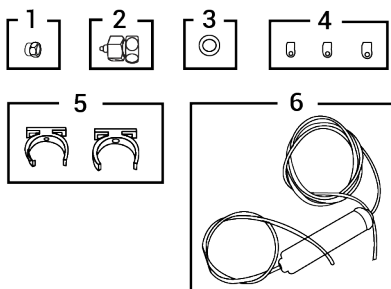
Depending on the model, your product may have an external or internal filter. To install the water filter, follow the instructions below.

Mounting the external filter on the wall

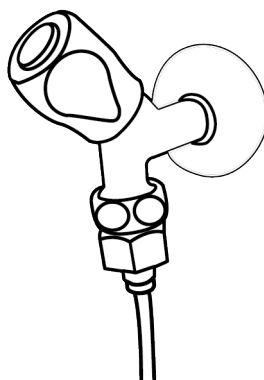
(This feature is optional)

! WARNING
Do not install the filter on the product.

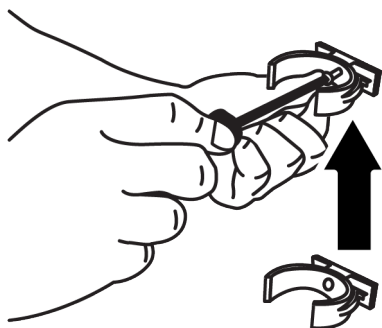
Depending on the model of your product, check whether the following parts are included with the product:



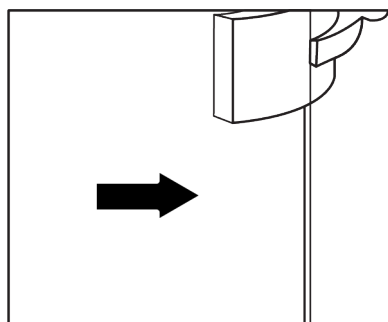
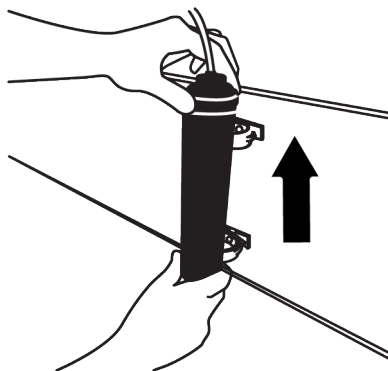
1. Union (1 piece) : Used for attaching the water hose to the back of the product.
2. Faucet adapter (1 piece) : Used for cold water mains line connection.
3. Porous filter (1 piece)
4. Hose clip (3 pieces) : Used for fixing the water hose to the wall.
5. Filter connection apparatus (2 pieces) : Used for mounting the filter on the wall.
6. Water filter (1 piece): It is used to connect the mains water to the product. If there is a carboy connection; there is no need to use a water filter.
7. Connect the faucet adapter to the mains line valve.
8. Determine the place where the external filter will be fixed. Mount the filter connection apparatus (5) on the wall.
9. Attach the filter perpendicularly to the filter bracket as indicated on the label. (6).



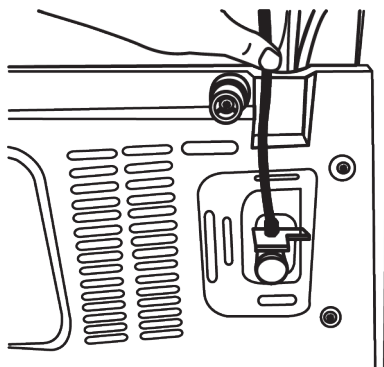
10. Connect the water hose coming out of the top of the filter to the water connection adapter of the product.



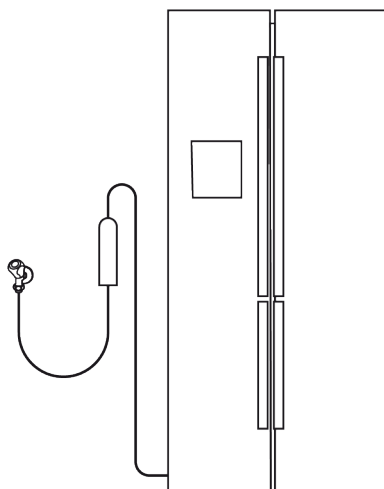
11. After the connection is completed, the image should be as shown below.



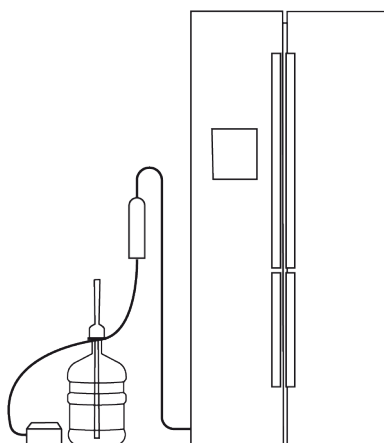
Since the internal filter that comes in the product does not come installed, the necessary procedures for its preparation are as follows:



Water line



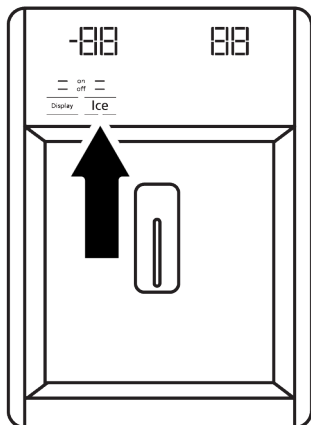
Carboy line:





Do not use the first 10 glasses of water after connecting the filter.

1. For filter installation, the **"Ice Off"** indicator must be active. Switching between ON and OFF indicators on the display is done by pressing the **"Ice"** button.

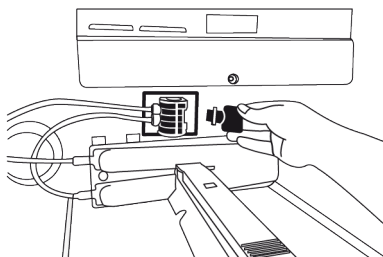


2. Remove the crisper compartment to access the water filter.
3. Remove the water filter by-pass cover by pulling it towards you.

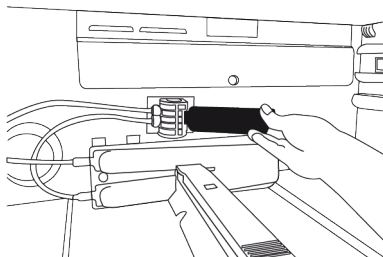


It is normal for a few drops of water to come out after the cover is removed.

4. Insert the water filter cover into the mechanism and push it forward to lock it in place.



5. Exit the **"Ice Off"** mode by pressing the **"Ice"** button on the display again.



The water filter removes some foreign particles from the water. It does not purify the water from microorganisms.

10 Maintenance and Cleaning



WARNING:

Read the "Safety Instructions" section first.



WARNING:

Unplug the refrigerator before cleaning it.

- Do not use sharp or abrasive tools to clean the product. Do not use materials such as household cleaning agents, soap, detergents, gas, gasoline, thinner, alcohol, wax, etc.
- The dust shall be removed from the ventilation grill on the rear of the product at least once a year (without opening the cover). Clean the product with a dry cloth.

For products with Water Dispenser / Ice Maker

- If the water in the water tank has waited for 2-3 weeks, it shall be replaced.
- The water tank and the components of the water dispenser shall not be washed in dishwashers.
- Melt a teaspoonful of carbonate in the water. Moisten a piece of cloth in the water and wring out. Wipe the device with this cloth and dry off thoroughly.
- Take care to keep water away from the lamp's cover and other electrical parts.
- Clean the door with a damp cloth. Remove door and body racks, as well as all contents within the refrigerator. Remove the door racks by lifting them upwards. Clean and dry the racks, then attach back in place by sliding from above.
- Do not use chlorinated water or cleaning products on the exterior surface and chrome-coated parts of the product. Chlorine will cause rust on such metallic surfaces.
- Do not use sharp and abrasive tools, soap, house cleaning materials, detergents, gas, gasoline, varnish and similar substances to prevent deformation of the plastic part and removal of prints on the part. Use warm water and a soft cloth for cleaning, and then dry it.

On the products without a No-Frost feature;

- Water droplets and icing up to a thickness of a finger may occur on the rear wall of the freezer compartment. Do not clean, and never apply oils or similar materials.
- Use a mildly dampened micro-fibre cloth to clean the external surface of the product. Sponges and other types of cleaning clothes may cause scratches.
- To clean all removable components during the cleaning of the interior surface of the product, wash these components with a mild solution consisting of soap, water and carbonate. Wash and dry thor-

oughly. Prevent contact of water with illumination components and the control panel.

- Take care to keep water away from the lamp's cover and other electrical parts.
- Clean the door with a damp cloth. Remove all contents to remove the door and body racks. Remove the door racks by lifting them upwards. Clean and dry the shelves, then attach back in place by sliding from above.
- Do not use chlorinated water or cleaning products on the exterior surface and chrome-coated parts of the product. Chlorine will cause rust on such metallic surfaces.
- Do not use sharp and abrasive tools, soap, house cleaning materials, detergents, gas, gasoline, varnish and similar substances to prevent deformation of the plastic part and removal of prints on the part. Use warm water and a soft cloth for cleaning, and then dry it.
- On the products without a No-Frost feature, water droplets and icing up to a thickness of a finger may occur on the rear wall of the freezer compartment. Do not clean, and never apply oils or similar materials.
- Use a mildly dampened micro-fibre cloth to clean the external surface of the product. Sponges and other types of cleaning clothes may cause scratches.
- To clean all removable components during the cleaning of the interior surface of the product, wash these components with a mild solution consisting of soap, water and carbonate. Wash and dry thoroughly. Prevent contact of water with illumination components and the control panel.



CAUTION:

Do not use vinegar, rubbing alcohol or other alcohol based cleaning agents on any interior surface.

Stainless Steel External Surfaces

Use a non-abrasive stainless steel cleaning agent and apply it with a soft lint-free cloth. To polish, gently wipe the surface with a micro-fibre cloth dampened with water and use dry polishing chamois. Always follow the veins of the stainless steel.

Preventing Odours

The product is manufactured free of any odorous materials. However, keeping the food in inappropriate sections and improper cleaning of internal surfaces may lead to odours.

11 Troubleshooting

Check this list before contacting the service. Doing so will save you time and money. This list includes frequent complaints that are not related to faulty workmanship or materials. Certain features mentioned herein may not apply to your product.

The refrigerator is not working.

- The power plug is not fully settled. >>> Plug it in to settle completely into the socket.
- The fuse connected to the socket powering the product or the main fuse is blown. >>> Check the fuse.

Condensation on the side wall of the cooler compartment (MULTI ZONE, COOL CONTROL and FLEXI ZONE).

- The door is opened too frequently. >>> Take care not to open the product's door too frequently.
- The environment is too humid. >>> Do not install the product in humid environments.
- Foods containing liquids are kept in unsealed holders. >>> Keep the foods containing liquids in sealed holders.
- The product's door is left open. >>> Do not keep the product's door open for long periods.
- The thermostat is set to a very cool temperature. >>> Set the thermostat to an appropriate temperature.

- To avoid this, clean the inside with carbonated water every 15 days.
- Keep the foods in sealed holders, as micro-organisms arising from foods kept in unsealed containers will cause bad odour.
- Do not keep expired and spoilt foods in the refrigerator.

Protecting Plastic Surfaces

Oil spilled on plastic surfaces may damage the surface and must be cleaned immediately with warm water.

Compressor is not working.

- In case of sudden power failure or pulling the power plug off and putting back on, the gas pressure in the product's cooling system is not balanced, which triggers the compressor thermic safeguard. The product will restart after approximately 6 minutes. If the product does not restart after this period, contact the service.
- Defrosting is active. >>> This is normal for a fully-automatic defrosting product. The defrosting is carried out periodically.
- The product is not plugged in. >>> Make sure the power cord is plugged in.
- The temperature setting is incorrect. >>> Select the appropriate temperature setting.
- The power is out. >>> The product will continue to operate normally once the power is restored.

The refrigerator's operating noise is increasing while in use.

- The product's operating performance may vary depending on the ambient temperature variations. This is normal and not a malfunction.

The refrigerator runs too often or for too long.

- The new product may be larger than the previous one. Larger products will run for longer periods.

- The room temperature may be high. >>> The product will normally run for long periods in higher room temperature.
- The product may have been recently plugged in or a new food item is placed inside. >>> The product will take longer to reach the set temperature when recently plugged in or a new food item is placed inside. This is normal.
- Large quantities of hot food may have been recently placed into the product. >>> Do not place hot food into the product.
- The doors were opened frequently or kept open for long periods. >>> The warm air moving inside will cause the product to run longer. Do not open the doors too frequently.
- The freezer or cooler door may be ajar. >>> Check that the doors are fully closed.
- The product may be set to a temperature that is too low. >>> Set the temperature to a higher degree and wait for the product to reach the adjusted temperature.
- The cooler or freezer door washer may be dirty, worn out, broken or not properly settled. >>> Clean or replace the gasket. Damaged / torn door washer will cause the product to run for longer periods to preserve the current temperature.

The freezer temperature is very low, but the cooler temperature is adequate.

- The freezer compartment temperature is set to a very low degree. >>> Set the freezer compartment temperature to a higher degree and check again.

The cooler temperature is very low, but the freezer temperature is adequate.

- The cooler compartment temperature is set to a very low degree. >>> Set the cooler compartment temperature to a higher degree and check again.

The food items kept in cooler compartment drawers are frozen.

- The cooler compartment temperature is set to a very low degree. >>> Set the cooler compartment temperature to a higher degree and check again.

The temperature in the cooler or the freezer is too high.

- The cooler compartment temperature is set to a very high degree. >>> Temperature setting of the cooler compartment has an effect on the temperature in the freezer compartment. Wait until the temperature of relevant parts reach the sufficient level by changing the temperature of cooler or freezer compartments.
- The doors were opened frequently or kept open for long periods. >>> Do not open the doors too frequently.
- The door may be ajar. >>> Fully close the door.
- The product may have been recently plugged in or a new food item is placed inside. >>> This is normal. The product will take longer to reach the set temperature when recently plugged in or a new food item is placed inside.
- Large quantities of hot food may have been recently placed into the product. >>> Do not place hot food into the product.

Shaking or noise.

- The surface is not flat or durable >>> If the product is shaking when moved slowly, adjust the stands to balance the product. Also make sure the ground is sufficiently durable to bear the product.
- Any items placed on the product may cause noise. >>> Remove any items placed on the product.
- The product is making noise of liquid flowing, spraying etc.
- The product's operating principles involve liquid and gas flows. >>> This is normal and not a malfunction.

There is sound of wind blowing coming from the product.

- The product uses a fan for the cooling process. This is normal and not a malfunction.

There is condensation on the product's internal walls.

- Hot or humid weather will increase icing and condensation. This is normal and not a malfunction.
- The doors were opened frequently or kept open for long periods. >>> Do not open the doors too frequently; if open, close the door.
- The door may be ajar. >>> Fully close the door.

There is condensation on the product's exterior or between the doors.

- The ambient weather may be humid, this is quite normal in humid weather. >>> The condensation will dissipate when the humidity is reduced.

The interior smells bad.

- The product is not cleaned regularly. >>> Clean the interior regularly using sponge, warm water and carbonated water.
- Certain holders and packaging materials may cause odour. >>> Use holders and packaging materials without free of odour.
- The foods were placed in unsealed holders. >>> Keep the foods in sealed holders. Microorganisms may spread out of unsealed food items and cause bad odour.

DISCLAIMER / WARNING

Some (simple) failures can be adequately handled by the end-user without any safety issue or unsafe use arising, provided that they are carried out within the limits and in accordance with the following instructions (see the "Self-Repair" section).

Therefore, unless otherwise authorized in the "Self-Repair" section below, repairs shall be addressed to registered professional repairers in order to avoid safety is-

- Remove any expired or spoiled foods from the product.

The door is not closing.

- Food packages may be blocking the door. >>> Relocate any items blocking the doors.
- The product is not standing in full upright position on the ground. >>> Adjust the stands to balance the product.
- The surface is not flat or durable >>> Make sure the surface is flat and sufficiently durable to bear the product.

The crisper is jammed.

- The food items may be in contact with the upper section of the drawer. >>> Reorganize the food items in the drawer.

Temperature on the product surface.

- High temperature may be observed between two doors, on the side panels and on the rear grill area while your product is operated. This is normal and it does not require servicing.

Fan continues to operate when the door is opened.

- Fan may continue to operate when the freezer door is open.



WARNING: If the problem persists after following the instructions in this section, contact your vendor or an Authorized Service. Do not try to repair the product. This is normal.

ues. A registered Professional repairer is a professional repairer that has been granted access to the instructions and spare parts list of this product by the manufacturer according to the methods described in legislative acts pursuant to Directive 2009/125/EC.

However, only the service agent (i.e. authorized professional repairers) that you can reach through the phone number

given in the user manual/warranty card or through your authorized dealer may provide service under the guarantee terms. Therefore, please be advised that repairs by professional repairers (who are not authorized by) Beko shall void the guarantee.

Self-Repair

Self-repair can be done by the end-user with regard to the following spare parts: door handles, door hinges, trays, baskets and door gaskets (an updated list is also available support.beko.com as of 1st March 2021).

Moreover, to ensure product safety and to prevent risk of serious injury, the mentioned self-repair shall be done following the instructions in the user manual for selfrepair or which are available in support.beko.com . For your safety, unplug the product before attempting any self-repair.

Repair and repair attempts by end-users for parts not included in such list and/or not following the instructions in the user manuals for self-repair or which are available in support.beko.com, might give raise to safety issues not attributable to Beko, and will void the warranty of the product.

Therefore, it is highly recommended that end-users refrain from the attempt to carry out repairs falling outside the mentioned

list of spare parts, contacting in such cases authorized professional repairers or registered professional repairers. On the contrary, such attempts by end-users may cause safety issues and damage the product and subsequently cause fire, flood, electrocution and serious personal injury to occur.

By way of example, but not limited to, the following repairs must be addressed to authorized professional repairers or registered professional repairers: compressor, cooling circuit, main board, inverter board, display board, etc.

The manufacturer/seller cannot be held liable in any case where end-users do not comply with the above.

The spare part availability of the refrigerator that you purchased is 10 years. During this period, original spare parts will be available to operate the refrigerator properly. The minimum duration of guarantee of the refrigerator that you purchased is 24 months.

This product is equipped with a lighting source of the "G" energy class.

The lighting source in this product shall only be replaced by Professional repairer.

See also

2 DISCLAIMER / WARNING [] 35]

Bitte lesen Sie zunächst dieses Handbuch

Lieber Kunde,

Bitte lesen Sie dieses Handbuch, bevor Sie das Produkt verwenden.

Vielen Dank, dass Sie sich für dieses Beko Produkt entschieden haben. Wir möchten, dass Sie mit diesem hochwertigen Produkt, das mit modernster Technologie hergestellt wurde, die optimale Effizienz erzielen. Lesen Sie dazu dieses Handbuch und alle anderen mitgelieferten Dokumentationen sorgfältig durch, bevor Sie das Produkt verwenden, und bewahren Sie sie als Referenz auf.

Beachten Sie alle Informationen und Warnungen im Bedienungsanleitung. Auf diese Weise schützen Sie sich und Ihr Produkt vor den Gefahren, die auftreten können.

Bewahren Sie das Bedienungsanleitung auf. Fügen Sie diese Anleitung dem Gerät bei, wenn Sie sie an eine andere Person übergeben.

In dieser Bedienungsanleitung werden folgende Symbole verwendet:



Gefahr, die zum Tod oder zu Verletzungen führen kann.



Wichtige Informationen oder nützliche Tipps zur Bedienung.







Lesen Sie die Bedienungsanleitung.



Brennbares Material, Warnung vor Brandgefahr.

HINWEIS Eine Gefahr, die zu Materialschäden am Produkt oder seiner Umgebung führen kann

	
SUPPLIER'S NAME	MODEL IDENTIFIER → (*)
	

Die in der Produktdatenbank gespeicherten Modellinformationen können über die folgende Website und die Suche nach Ihrer Modellkennung (*) auf dem Energieetikett abgerufen werden.

<https://eprel.ec.europa.eu/>

1	Sicherheitshinweise	40
1.1	Verwendungszweck	40
1.2	Sicherheit von Kindern, gefährdeten Personen und Haustieren	41
1.3	Elektrische Sicherheit.....	42
1.4	Handhabungssicherheit.....	42
1.5	Montagesicherheit	43
1.6	Betriebssicherheit	45
1.7	Sicherheit bei der Lagerung von Lebensmitteln.....	48
1.8	Wartungs- und Reinigungssicherheit.....	48
1.9	Entsorgung des alten Produkts	49
2	Umwelthinweise.....	50
2.1	Informationen zur Entsorgung:.....	50
3	Ihr Kühlschrank.....	52
4	Aufstellung	52
4.1	Elektrischer Anschluss.....	54
5	Vorbereitung.....	55
5.1	Was man zum Energiesparen tun kann.....	55
5.2	Erste Verwendung	55
5.3	Klimaklasse und Definitionen	56
6	Produktbedienung	56
7	Bedienfeld des Geräts.....	57
8	Nutzung des Gerätes.....	58
8.1	Auswechseln der Beleuchtungslampe	61
8.2	Alarm bei offener Tür	61
9	Produktmerkmale	62
9.1	Der Eisspeicherraum	62
9.2	Eierhalter	64
9.3	Gemüsefach	64
9.4	Gemüsefach-Technologien.....	64
9.5	Kühlraum für Molkereiprodukte....	64
9.6	Feuchtigkeitsregulierter Gemüsefach	65
9.7	Wasseranschluss	65
10	Wartung und Reinigung	71
11	Fehlerbehebung	72

1 Sicherheitshinweise

- Dieser Abschnitt enthält die notwendigen Sicherheitshinweise, um die Gefahr von Personen- und Sachschäden zu vermeiden.
- Unser Unternehmen haftet nicht für Schäden, die bei Nichtbeachtung dieser Anweisungen entstehen können.



Lassen Sie Montage- und Reparaturarbeiten immer vom Hersteller, einem autorisierten Kundendienst oder einer Person, die von der einführenden Firma beschrieben wird, durchführen.



Verwenden Sie nur Originalersatzteile und Zubehör.



Reparieren oder ersetzen Sie keine Komponenten des Produkts, wenn dies nicht eindeutig in der Bedienungsanleitung angegeben ist.



Nehmen Sie keine Änderungen am Produkt vor.

1.1 Verwendungszweck

- Dieses Produkt ist nicht für den kommerziellen Gebrauch geeignet und sollte nicht für einen anderen als den vorgesehenen Zweck verwendet werden.

- Dieses Produkt ist für den Betrieb in Innenräumen, wie z.B. in Haushalten oder ähnlichem, vorgesehen.

Zum Beispiel;

In den Personalküchen von Geschäften, Büros und anderen Arbeitsumgebungen,

In Bauernhöfen,

In den Räumen von Hotels, Motels oder anderen Erholungseinrichtungen, die von Kunden genutzt werden,

In Herbergen oder ähnlichen Umgebungen,

In Catering-Diensten und ähnlichen Anwendungen außerhalb des Einzelhandels.

- Dieses Produkt darf nicht in offenen oder geschlossenen Außenbereichen wie Schiffen, Wohnmobile, Balkonen oder Terrassen verwendet werden. Wenn das Produkt Regen, Schnee, Sonnenlicht und Wind ausgesetzt wird, besteht Brandgefahr.

1.2 Sicherheit von Kindern, gefährdeten Personen und Haustieren



- Dieses Produkt kann von Kindern ab 8 Jahren und Personen mit unterentwickelten körperlichen, sensorischen oder geistigen Fähigkeiten oder mangelnder Erfahrung und Kenntnis verwendet werden, wenn sie beaufsichtigt werden oder eine Einweisung in den sicheren Gebrauch des Geräts und die damit verbundenen Gefahren erhalten haben.
 - Kinder zwischen 3 und 8 Jahren dürfen Lebensmittel in das Kühlerprodukt einlegen und aus ihr entnehmen.
 - Elektrische Produkte sind für Kinder und Haustiere gefährlich. Kinder und Haustiere dürfen nicht mit dem Produkt spielen, darauf klettern oder es betreten.
 - Reinigung und Benutzerwartung sollten nicht von Kindern durchgeführt werden, es sei denn, sie werden von jemandem beaufsichtigt.
 - Halten Sie Verpackungsmaterialien von Kindern fern! Es besteht Verletzungs- und Erstickengefahr.
- Bevor Sie alte Produkte entsorgen, die nicht mehr verwendet werden sollen:
1. Ziehen Sie den Stecker des Netzkabels aus der Steckdose.
 2. Schneiden Sie das Netzkabel ab und ziehen Sie es zusammen mit dem Stecker aus dem Gerät.
 3. Nehmen Sie die Ablagen und Schubladen nicht aus dem Gerät, um zu verhindern, dass Kinder in das Innere des Geräts gelangen können.
 4. Entfernen Sie die Türen.
 5. Bewahren Sie das Gerät so auf, dass es nicht umgestoßen werden kann.
 6. Erlauben Sie Kindern nicht, mit dem ausrangierten Produkt zu spielen.
- Entsorgen Sie das Gerät nicht, indem Sie es ins Feuer werfen. Es besteht Explosionsgefahr.
 - Wenn ein Schloss an der Tür des Geräts vorhanden ist, bewahren Sie den Schlüssel außerhalb der Reichweite von Kindern auf.



1.3 Elektrische Sicherheit

- Das Gerät darf während der Installation, Wartung, Reinigung, Reparatur und des Transports nicht an die Steckdose angeschlossen werden.
- Wenn das Netzkabel beschädigt ist, darf es nur von einem autorisierten Kundendienst ausgetauscht werden, um jegliche Risiken zu vermeiden, die auftreten können.
- Verlegen Sie das Netzkabel nicht unter dem Gerät oder an der Rückseite des Geräts. Stellen Sie keine schweren Gegenstände auf das Netzkabel. Das Netzkabel darf nicht geknickt oder gequetscht werden und nicht mit einer Wärmequelle in Berührung kommen.
- Verwenden Sie keine Verlängerungskabel, Mehrfachsteckdosen oder Adapter, um Ihr Gerät zu betreiben.
- Tragbare Mehrfachsteckdosen oder tragbare Netzteile können sich überhitzen und einen Brand verursachen. Stellen Sie daher keine tragbaren Stromquellen mit Mehrfachsteckdosen hinter oder in der Nähe des Geräts auf.

- Schließen Sie das Netzkabel des Geräts nicht an eine lose oder beschädigte Steckdose an. Derartige Verbindungen können überhitzen und einen Brand verursachen.
- Der Stecker muss leicht zugänglich sein. Wenn dies nicht möglich ist, muss die Elektroinstallation über einen Mechanismus verfügen, der den gesetzlichen Vorschriften entspricht und alle Anschlüsse vom Netz trennt (Sicherung, Schalter, Hauptschalter usw.).
- Berühren Sie den Stecker nicht mit nassen Händen!
- Fassen Sie beim Ausstecken des Geräts nicht das Netzkabel, sondern den Stecker an.



1.4 Handhabungssicherheit

- Dieses Produkt ist schwer, handhaben Sie es nicht selbst.
- Halten Sie das Gerät nicht an der Tür fest, während Sie es handhaben.
- Achten Sie beim Umgang mit dem Gerät darauf, dass das Kühlsystem und die Leitungen nicht beschädigt werden. Nehmen Sie das Gerät nicht in Betrieb, wenn die Leitungen be-

schädigt sind, und wenden Sie sich an einen autorisierten Kundendienst.

1.5 Montagesicherheit

- Wenden Sie sich für die Montage des Geräts an den autorisierten Kundendienst. Um das Gerät für die Verwendung vorzubereiten, lesen Sie die Informationen in der Bedienungsanleitung und stellen Sie sicher, dass die Strom- und Wasserleitungen den Anforderungen entsprechen. Wenn dies nicht der Fall ist, wenden Sie sich an einen qualifizierten Elektriker und einen Monteur, um die Versorgungsleitungen entsprechend zu installieren. Andernfalls kann es zu einem elektrischen Schlag, Brand, Problemen mit dem Gerät oder Verletzungen kommen.
- Überprüfen Sie das Gerät vor der Installation auf eventuelle Schäden. Lassen Sie das Gerät nicht installieren, wenn es beschädigt ist.
- Stellen Sie das Gerät auf eine saubere, ebene und stabile Fläche und balancieren Sie es mit den verstellbaren Füßen aus. Andernfalls kann der Kühlschrank umkippen und Verletzungen verursachen.
- Das Gerät muss in einer trockenen und belüfteten Umgebung aufgestellt werden. Legen Sie keine Teppiche, Vorleger oder ähnliche Beläge unter das Gerät. Dies kann zu Brandgefahr durch unzureichende Belüftung führen!
- Die Lüftungsöffnungen dürfen nicht blockiert oder abgedeckt werden. Andernfalls erhöht sich der Stromverbrauch und Ihr Produkt kann beschädigt werden.
- Das Produkt darf nicht an Stromversorgungssysteme wie z.B. Solarstrom angeschlossen werden. Andernfalls kann Ihr Gerät durch plötzliche Spannungsschwankungen beschädigt werden!
- Je mehr Kältemittel ein Kühlschrank enthält, desto größer sollte sein Aufstellraum sein. In sehr kleinen Räumen kann bei einem Gasaustritt im Kühlsystem ein brennbares Gas-Luft-Gemisch entstehen. Pro 8 Gramm Kältemittel wird mindestens 1 m³ Rauminhalt benötigt. Die Menge des in Ihrem Produkt verfügbaren Kältemittels ist auf dem Typenschild angegeben.
- Der Aufstellungsort des Produkts darf nicht der direkten Sonneneinstrahlung ausge-

setzt sein und sich nicht in der Nähe von Wärmequellen wie Öfen, Heizkörpern usw. befinden. Wenn Sie die Aufstellung des Produkts in der Nähe einer Wärmequelle nicht vermeiden können, verwenden Sie eine geeignete Isolierplatte und stellen Sie sicher, dass der Mindestabstand zur Wärmequelle wie unten angegeben ist:

- Mindestens 30 cm Abstand zu Wärmequellen wie Herden, Öfen, Heizgeräten und Heizkörpern usw.,
- Und mindestens 5 cm Abstand zu Elektroöfen.
- Ihr Produkt hat die Schutzklasse I.
- Schließen Sie das Gerät an eine geerdete Steckdose an, die mit den auf dem Typenschild angegebenen Werten für Spannung, Stromstärke und Frequenz übereinstimmt. Die Steckdose muss mit einer 10A - 16A Sicherung ausgestattet sein. Unser Unternehmen übernimmt keine Haftung für alle Schäden aufgrund einer Nutzung ohne Erdung oder ohne eines Stromanschlusses, der nicht den örtlichen und nationalen Vorschriften genügt.
- Während der Aufstellung muss der Gerätenetzstecker gezogen sein. Andernfalls besteht die Gefahr eines Stromschlags und von Verletzungen!
- Schließen Sie das Netzkabel des Geräts nicht an lose, verbogene, kaputte, schmutzige oder ölige Steckdosen an, die mit Wasser in Berührung kommen können. Derartige Anschlüsse können zu Überhitzung und Feuer führen.
- Verlegen Sie das Netzkabel und die Schläuche (falls vorhanden) des Geräts so, dass sie keine Stolpergefahr darstellen.
- Das Eindringen von Feuchtigkeit und Flüssigkeit in stromführende Teile oder in das Netzkabel kann einen Kurzschluss verursachen. Verwenden Sie das Gerät daher nicht in feuchten Umgebungen oder in Bereichen, in denen Wasser spritzen kann (z.B. Garage, Waschküche usw.). Wenn der Kühlschrank nass geworden ist, ziehen Sie den Stecker und wenden Sie sich an einen autorisierten Kundendienst.
- Schließen Sie Ihren Kühlschrank niemals an Energiespargeräte an. Solche Systeme sind schädlich für das Gerät.



1.6 Betriebssicherheit

- Verwenden Sie niemals chemische Lösungsmittel für das Gerät. Diese Stoffe bergen ein Explosionsrisiko.
- Im Falle eines Defekts ziehen Sie den Stecker aus der Steckdose und nehmen Sie das Gerät nicht in Betrieb, bis es von einem autorisierten Kundendienst repariert wurde. Es besteht die Gefahr eines Stromschlags.
- Stellen Sie keine Flammequelle (z.B. Kerzen, Zigaretten usw.) auf das Gerät oder in dessen Nähe.
- Steigen Sie nicht auf das Gerät. Sturz- und Verletzungsgefahr!
- Beschädigen Sie die Leitungen des Kühlsystems nicht mit scharfen und stechenden Werkzeugen. Das Kältemittel, das beim Durchstechen der Gasrohre, der Rohrverlängerungen oder der oberen Oberflächenbeschichtungen austritt, kann zu Hautreizungen und Verletzungen der Augen führen.
- Stellen Sie keine elektrischen Geräte im Inneren des Kühl-/Gefrierschranks auf und betreiben Sie sie nicht, es sei denn, dies wird vom Hersteller empfohlen.
- Klemmen Sie keine Teile Ihrer Hände oder Ihres Körpers in die beweglichen Teile im Inneren des Geräts ein. Achten Sie darauf, dass Ihre Finger nicht zwischen Kühlschrank und Tür eingeklemmt werden. Seien Sie vorsichtig beim Öffnen und Schließen der Tür, wenn Kinder in der Nähe sind.
- Nehmen Sie Eis, Eiswürfel oder gefrorene Lebensmittel nicht sofort in den Mund, wenn Sie sie aus dem Gefrierschrank nehmen. Frostbeulenrisiko!
- Berühren Sie die Innenwände, die Metallteile des Gefrierschranks oder die im Gefrierschrank aufbewahrten Lebensmittel nicht mit nassen Händen. Frostbeulenrisiko!
- Stellen Sie keine Getränkedosen oder Dosen und Flaschen, die Flüssigkeiten enthalten, die gefrieren können, in das Gefrierfach. Dosen oder Flaschen können explodieren. Verletzungsgefahr und Gefahr von Sachschäden!
- Verwenden oder lagern Sie keine temperaturempfindlichen Materialien wie brennbare Sprays, brennbare Gegenstände, Trockeneis oder andere

chemische Stoffe in der Nähe des Kühlschranks. Brand- und Explosionsgefahr!

- Bewahren Sie keine explosiven Materialien wie Spraydosen mit brennbaren Stoffen im Inneren des Geräts auf.
- Stellen Sie Dosen, die Flüssigkeiten enthalten, nicht im offenen Zustand auf das Produkt. Wenn Wasser auf ein elektrisches Teil spritzt, besteht die Gefahr eines elektrischen Schlags oder eines Brands.
- Dieses Produkt ist nicht für die Lagerung und Kühlung von Arzneimitteln, Blutplasma, Laborpräparaten oder ähnlichen Materialien und Produkten vorgesehen, die unter die Medizinprodukte-Richtlinie fallen.
- Wenn das Produkt nicht bestimmungsgemäß verwendet wird, kann es zu einer Beschädigung oder Beeinträchtigung der darin aufbewahrten Produkte kommen.
- Wenn Ihr Kühlschrank mit blauem Licht ausgestattet ist, dürfen Sie nicht mit optischen Geräten in dieses Licht blicken. Schauen Sie nicht über einen längeren Zeitraum direkt in das UV-LED-Licht. Ultraviolette Strahlen können die Augen überanstrengen.
- Befüllen Sie das Produkt nicht mit mehr Lebensmitteln als es aufnehmen kann. Es kann zu Verletzungen oder Schäden kommen, wenn der Inhalt des Kühlschranks beim Öffnen der Tür herunterfällt. Ähnliche Probleme können auch auftreten, wenn ein Gegenstand auf das Gerät gestellt wird.
- Vergewissern Sie sich, dass Sie jegliches Eis oder Wasser, das auf den Boden gefallen sein könnte, entfernt haben, um Verletzungen zu vermeiden.
- Ändern Sie die Position der Ablagen/Flaschenablagen an der Tür Ihres Kühlschranks nur, wenn die Ablagen leer sind. Es besteht Verletzungsgefahr!
- Stellen Sie keine Gegenstände auf das Produkt, die herunterfallen/umkippen können. Diese Gegenstände können beim Öffnen oder Schließen der Tür herunterfallen und Verletzungen und/oder Sachschäden verursachen.
- Schlagen Sie nicht auf Glasflächen und üben Sie keinen übermäßigen Druck darauf aus. Zerbrochenes Glas kann zu Verletzungen und/oder Sachschäden führen.

- Das Kühlsystem in Ihrem Produkt enthält das Kältemittel R600a. Der im Produkt verwendete Kältemitteltyp ist auf dem Typenschild angegeben. Das Gas ist entflammbar. Achten Sie deshalb beim Betrieb des Produkts darauf, dass das Kühlsystem und die Leitungen nicht beschädigt werden. Im Falle einer Beschädigung der Rohre;
 1. Berühren Sie nicht das Produkt oder das Netzkabel.
 2. Halten Sie das Gerät von potenziellen Feuerquellen fern, die das Gerät in Brand setzen könnten.
 3. Belüften Sie den Bereich, in dem das Gerät aufgestellt ist. Verwenden Sie keinen Ventilator.
 4. Wenden Sie sich an den autorisierten Kundendienst.
 5. Wenn das Gerät beschädigt ist und Sie ein Gasleck feststellen, halten Sie sich bitte vom Gas fern. Gas kann Erfrigerungen verursachen, wenn es mit Ihrer Haut in Kontakt kommt.
- Erlauben Sie Kindern nicht, mit dem Wasserspender oder dem Eiswürfelbereiter zu spielen, um Unfälle und Verletzungen zu vermeiden.
- Stecken Sie Ihre Hände, Finger oder andere Gegenstände nicht in die Öffnung des Wasserspenders, den Eiskanal oder in den Behälter der Eismaschine. Dies kann zu Verletzungen oder Sachschäden führen.
- Verwenden Sie die mit dem Produkt gelieferten Schlauchsets. Verwenden Sie keine alten Schlauchsets. Verlängern Sie die Schläuche nicht!
- Schließen Sie Ihr Produkt immer an den Kaltwasserzulauf an. Führen Sie die Installation nicht am Warmwasserzulauf durch. Der Druck für den Kaltwasserzulauf darf maximal 80 PSI (550 kPa) betragen. Wenn Ihr Wasserdruck 80 PSI übersteigt oder einen Wassereinfluss hat, verwenden Sie ein Druckbegrenzungsventil in Ihrem Leitungsnetz. Bitten Sie einen professionellen Installateur oder anderen, nicht für die Verwendung in einem Wasserspender geeigneten Flüssigkeiten. Dies kann Ihre Gesundheit und Sicherheit gefährden.

Für Produkte mit Wasserspender/Eiswürfelbereiter

- Verwenden Sie nur Trinkwasser. Füllen Sie in den Wassertank niemals mit Fruchtsaft, Milch, Sprudelgetränken, Spiri-

teur um Hilfe, wenn Sie nicht wissen, wie Sie Ihren Wasserdruck regeln können.

- Hoher Druck kann zu Schäden an den Schlauchverbindungen führen und die Gefahr von Überschwemmungen mit sich bringen.
- Treffen Sie die erforderlichen Vorkehrungen gegen die Gefahr des Einfrierens von Schläuchen. Die Betriebstemperatur des Wassers muss mindestens 0,6°C (33°F) und höchstens 38°C (100°F) betragen. Bei rissigen/perforierten Schläuchen besteht die Gefahr einer Überschwemmung.



1.7 Sicherheit bei der Lagerung von Lebensmitteln

Bitte beachten Sie die folgenden Warnhinweise, um den Verderb von Lebensmitteln zu vermeiden:

- Wenn Sie die Türen längere Zeit offen stehen lassen, kann die Temperatur im Inneren des Geräts ansteigen.
- Reinigen Sie regelmäßig die zugänglichen Abflusssysteme, die mit den Lebensmitteln in Berührung kommen.

- Reinigen Sie Wassertanks, die 48 Stunden lang nicht benutzt wurden, und Wasserversorgungssysteme, die mehr als 5 Tage lang nicht benutzt wurden.
- Lagern Sie rohe Fleisch- und Fischprodukte in geeigneten Fächern innerhalb des Produkts. So tropft es nicht auf andere Lebensmittel und kommt nicht mit ihnen in Berührung.
- Zwei-Sterne-Gefrierfächer werden für die Lagerung von vorgefüllten Lebensmitteln, die Herstellung und Lagerung von Eis und Speiseeis verwendet.
- Ein-, Zwei- und Drei-Sterne-Fächer sind nicht zum Einfrieren frischer Lebensmittel geeignet.
- Wenn das Gefrierschrank längere Zeit nicht benutzt wurde, schalten Sie es aus, tauen Sie es ab, reinigen und trocknen Sie es, um das Gehäuse des Geräts zu schützen.



1.8 Wartungs- und Reinigungssicherheit

- Ziehen Sie den Netzstecker des Kühlschranks, bevor Sie ihn reinigen oder Wartungsarbeiten durchführen.

- Ziehen Sie nicht am Türgriff, wenn Sie das Gerät zu Reinigungszwecken bewegen müssen. Ein zu starkes Ziehen am Griff kann zu Verletzungen führen.
- Halten Sie Ihre Hände usw. nicht unter den Kühlschrank. Es kann zu einem Einklemmen kommen oder scharfe Kanten können Verletzungen verursachen.
- Reinigen Sie das Gerät nicht, indem Sie Wasser auf das Gerät und in das Innere des Geräts sprühen oder gießen. Es besteht Stromschlag- und Brandgefahr.
- Verwenden Sie zum Reinigen des Produkts keine scharfen und scheuernden Werkzeuge oder Haushaltsreiniger, Waschmittel, Gas, Benzin, Verdüner, Alkohol, Lacke und ähnliche Substanzen. Verwenden Sie nur Reinigungs- und Pflegemittel, die für die Lebensmittel im Inneren des Geräts unschädlich sind.
- Verwenden Sie zur Reinigung des Geräts und zum Auftauen des Eises im Inneren niemals Dampf oder dampfhaltige Reinigungsmittel. Dampf kommt mit den stromführenden Teilen Ihres Kühlschranks in Berührung und kann einen Kurzschluss oder Stromschlag verursachen.
- Achten Sie darauf, dass Wasser nicht in die Nähe der Lüftungsöffnungen, der elektronischen Schaltkreise oder der Beleuchtung des Geräts gelangt.
- Verwenden Sie ein sauberes, trockenes Tuch, um Staub oder Fremdkörper an den Stecker- spitzen abzuwischen. Verwenden Sie kein nasses oder feuchtes Tuch, um den Stecker zu reinigen. Andernfalls besteht die Gefahr eines Brands oder Stromschlags.



1.9 Entsorgung des alten Produkts

Befolgen Sie bei der Entsorgung Ihres alten Produkts die nachstehenden Anweisungen:

- Um zu verhindern, dass sich Kinder versehentlich in das Gerät einschließen, deaktivieren Sie die Türverriegelung, falls sie vorhanden ist.
- Spritzer von Kühlmittel sind schädlich für die Augen. Beschädigen Sie beim Entsorgen des Geräts keine Teile des Kühlsystems.

- Es kann tödlich sein, wenn das Kompressoröl verschluckt wird oder in die Atemwege eindringt.
- Das Kühlsystem Ihres Produkts enthält R600a-Gas, wie auf dem Typenschild angegeben.

ben. Das Gas ist entflammbar. Entsorgen Sie das Gerät nicht, indem Sie es ins Feuer werfen. Es besteht Explosionsgefahr!

2 Umwelthinweise

2.1 Informationen zur Entsorgung:



Ihre Pflichten als Endnutzer

Dieses Elektro- bzw. Elektronikgerät ist mit einer durchgestrichenen Abfalltonne auf Rädern gekennzeichnet. Das Gerät darf deshalb nur getrennt vom unsortierten Siedlungsabfall gesammelt und zurückgenommen werden. Es darf somit nicht in den Hausmüll gegeben werden.

Das Gerät kann z.B. bei einer kommunalen Sammelstelle oder ggf. bei einem Vertreiber (siehe unten zu deren Rücknahmepflichten in Deutschland) abgegeben werden.

Das gilt auch für alle Bauteile, Unterbaugruppen und Verbrauchsmaterialien des zu entsorgenden Altgeräts.

Bevor das Altgerät entsorgt werden darf, müssen alle Altbatterien und Altakkumulatoren vom Altgerät getrennt werden, die nicht vom Altgerät umschlossen sind. Das gleiche gilt für Lampen, die zerstörungsfrei aus dem Altgerät entnommen werden können. Der Endnutzer ist zudem selbst dafür verantwortlich, personenbezogene Daten auf dem Altgerät zu löschen.



Hinweise zum Recycling

Helfen Sie mit, alle Materialien zu recyceln, die mit diesem Symbol gekennzeichnet sind. Entsorgen Sie solche Materialien, insbesondere Verpackungen, nicht im Hausmüll, sondern über die bereitgestellten Recyclingbehälter oder die entsprechenden örtlichen Sammelsysteme. Recyceln Sie zum Umwelt- und Gesundheitsschutz elektrische und elektronische Geräte.

Rücknahmepflichten der Vertreiber

Wer auf mindestens 400 m² Verkaufsfläche Elektro- und Elektronikgeräte vertreibt oder diese gewerblich an Endnutzer abgibt, ist verpflichtet, bei Abgabe eines neuen Gerätes, ein Altgerät des Endnutzers der gleichen Geräteart, das im Wesentlichen die gleichen Funktionen wie das neue Gerät erfüllt, am Ort der Abgabe oder in unmittelbarer Nähe, unentgeltlich zurückzunehmen. Das gilt auch für Vertreiber von Lebensmitteln mit einer Gesamtverkaufsfläche von mindestens 800 m², die mehrmals im Kalenderjahr oder dauerhaft Elektro- und Elektronikgeräte anbieten und auf dem Markt bereitstellen. Solche Vertreiber müssen zudem auf Verlangen des Endnutzers Altgeräte, die in keiner äußeren Abmessung größer als 25 cm sind, (kleine Elektrogeräte) im Einzelhandelsgeschäft oder in unmittelbarer Nähe hierzu unentgeltlich zurückzunehmen; die Rücknahme darf in diesem Fall

nicht an den Kauf eines Elektro- oder Elektronikgerätes verknüpft, kann aber auf drei Altgeräte pro Geräteart beschränkt werden. Ort der Abgabe ist auch der private Haushalt, wenn das neue Elektro- oder Elektronikgerät dorthin geliefert wird; in diesem Fall ist die Abholung des Altgerätes für den Endnutzer kostenlos.

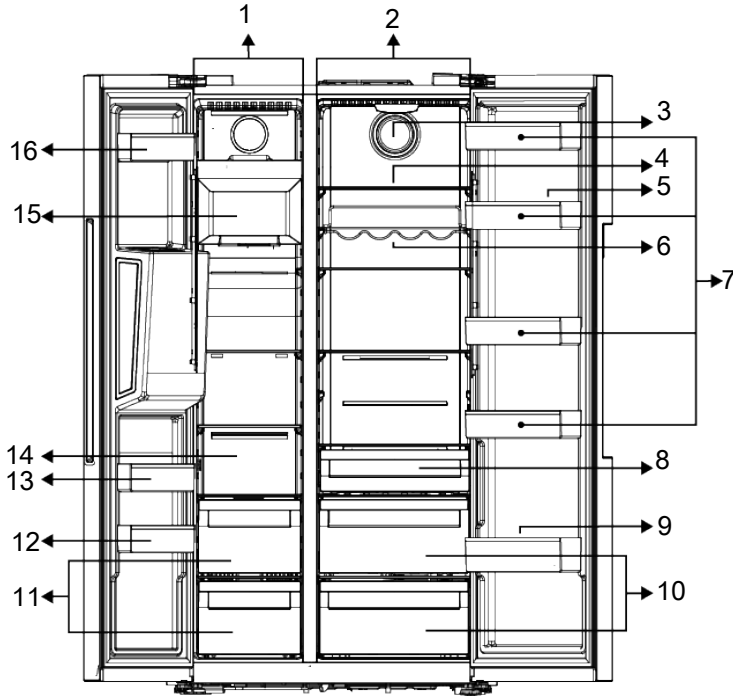
Die vorstehenden Pflichten gelten auch für den Vertrieb unter Verwendung von Fernkommunikationsmitteln, wenn die Vertreiber Lager- und Versandflächen für Elektro- und Elektronikgeräte bzw. Gesamtlager und Versandflächen für Lebensmittel beinhalten, die den oben genannten Verkaufsflächen entsprechen. Die unentgeltliche Abholung von Elektro- und Elektronikgeräten ist dann aber auf Wärmeüberträger (z.B. Kühl-

schränk), Bildschirme, Monitore und Geräte, die Bildschirme mit einer Oberfläche von mehr als 100 cm² enthalten und Geräte beschränkt, bei denen mindestens eine der äußeren Abmessungen mehr als 50 cm beträgt. Für alle übrigen Elektro- und Elektronikgeräte muss der Vertreiber geeignete Rückgabemöglichkeiten in zumutbarer Entfernung zum jeweiligen Endnutzer gewährleisten; das gilt auch für kleine Elektrogeräte (s.o.), die der Endnutzer zurückgeben möchte, ohne ein neues Gerät zu erwerben.

Einhaltung der RoHS-Richtlinie:

Das von Ihnen gekaufte Gerät entspricht der RoHS-Richtlinie der EU (2011/65/EU). Es enthält keinerlei Materialien, die gemäß der Richtlinie als schädlich oder verboten gelten.

3 Ihr Kühlschrank



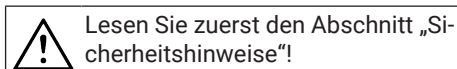
- | | |
|---------------------------------|------------------------------------|
| 1 Gefrierfach | 2 Kühlfach |
| 3 Lüfter | 4 *Glaszwischenboden für Kühlfachs |
| 5 Eierhalter | 6 *Flaschenablage |
| 7 *Türeinschübe im Kühlfach | 8 *Milchbehälter (Kühlagerung) |
| 9 *Flaschenablage | 10 *Gemüsefächer |
| 11 Tiefkühlfächer | 12 *Türeinschübe im Gefrierfach |
| 13 *Türeinschübe im Gefrierfach | 14 Tiefkühlfächer und Glasregale |
| 15 *Eismaschine | 16 *Türeinschübe im Gefrierfach |

***Optional:** Die Abbildungen in dieser Bedienungsanleitung sind schematisch und stimmen möglicherweise nicht genau mit Ihrem

Produkt überein. Wenn Ihr Produkt nicht die relevanten Teile enthält, beziehen sich die Informationen auf andere Modelle.

4 Aufstellung

Richtiger Ort für die Installation



Ihr Produkt benötigt eine ausreichende Luftzirkulation, um effizient zu funktionieren. Wenn das Produkt in eine Nische gestellt wird, denken Sie daran, mindestens 5

cm Abstand zwischen dem Produkt und der Decke, der Rückwand und den Seitenwänden zu lassen. Prüfen Sie, ob die Rückwand-Abstandsschutzkomponente an ihrem Standort vorhanden ist (falls mit dem Produkt geliefert). Wenn die Komponente nicht verfügbar ist oder verloren geht oder heruntergefallen ist, positionieren Sie das Produkt so, dass zwischen der Rückseite des Produkts und der Wand des Raums mindestens 5 cm Abstand verbleiben. Der Freiraum an der Rückseite ist wichtig für den effizienten Betrieb des Produkts.



Verwenden Sie für den Anschluss an des Stromnetz keine Verlängerungskabel oder Mehrfachsteckdosen.



Der Hersteller haftet nicht für alle Schäden, die entstehen, wenn diese Arbeiten von nicht dazu befugten Personen aufgeführt werden.



Während der Aufstellung muss der Gerätenetzstecker gezogen sein. Bei Nichtbeachtung können Tod oder schwere Verletzungen die Folge sein!



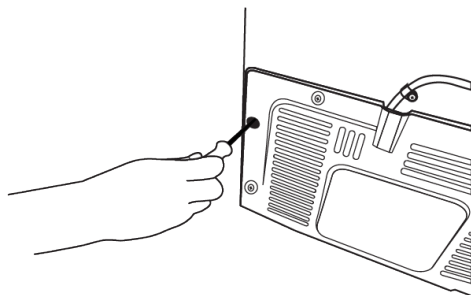
Sollte die Eingangsöffnung am Aufstellungsort zu schmal für das Gerät sein, bauen Sie die Gerätetür ab und drehen Sie das Gerät auf die Seite. Wenden Sie sich an den zuständigen Kundendienst, wenn sich das Problem so nicht lösen lässt.

- Stellen Sie das Gerät auf eine ebene Fläche, um Vibrationen zu vermeiden.
- Stellen Sie das Produkt mindestens 30 cm von Heizung, Herd und ähnlichen Wärmequellen und mindestens 5 cm von Elektroöfen entfernt auf.
- Setzen Sie das Produkt keinem direkten Sonnenlicht aus und bewahren Sie es nicht in feuchten Umgebungen auf.

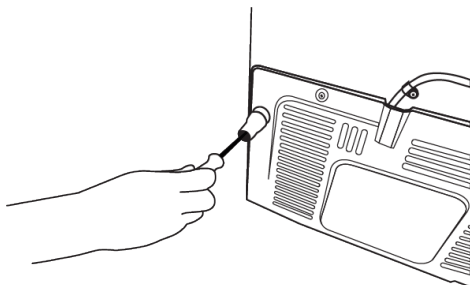
Anbringen der Kunststoffkeile

Verwenden Sie die mit dem Gerät gelieferten Kunststoffkeile, um ausreichend Platz für die Luftzirkulation zwischen dem Gerät und der Wand zu schaffen.

- Entfernen Sie die Schrauben an den jeweiligen Gerätestellen und montieren die mit den Kunststoffkeilen gelieferten Schrauben.

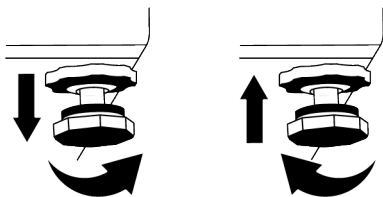


- Befestigen Sie 2 Kunststoffkeile an der Lüftungsabdeckung, so wie in der Abbildung dargestellt.



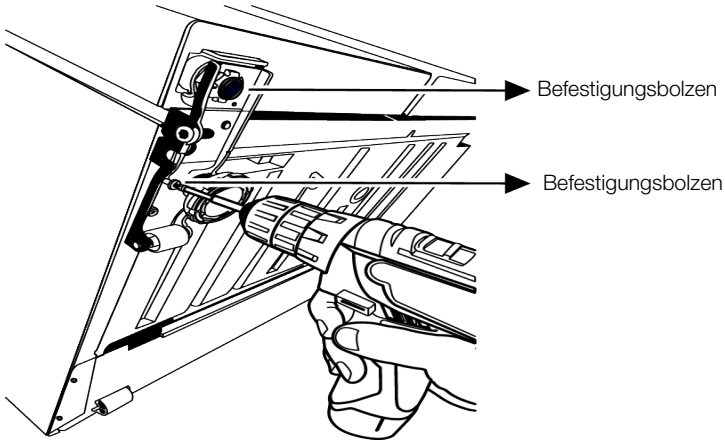
Einstellen der FüÙe

Wenn sich das Produkt nicht im Gleichgewicht befindet, können Sie das Gleichgewicht des Produkts einstellen, indem Sie die Ständer an der Vorderseite nach rechts oder links drehen.



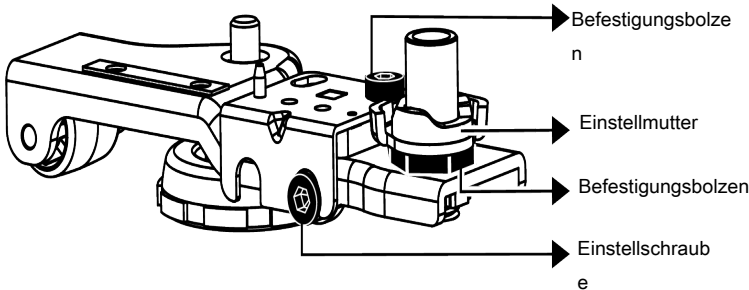
So stellen Sie die Türen vertikal ein,
Lösen Sie die Befestigungsschraube an der Unterseite. Drehen Sie die Einstellschraube in Richtung der Position der Tür (im/gegen

den Uhrzeigersinn). Ziehen Sie die Befestigungsschraube an, um die Position zu arretieren.



Zum horizontalen Einstellen der Türen,
Lösen Sie die Befestigungsschraube an der Unterseite. Lösen Sie die Befestigungsschraube an der Oberseite. Drehen Sie die Einstellschraube auf der Seite in Richtung

der Position (im Uhrzeigersinn/gegen den Uhrzeigersinn) der Tür. Um die Position zu fixieren, ziehen Sie die obere Befestigungsschraube an. Ziehen Sie die untere Befestigungsschraube fest.



4.1 Elektrischer Anschluss



WARNUNG: Verwenden Sie für den Anschluss an des Stromnetz keine Verlängerungskabel oder Mehrfachsteckdosen.



WARNUNG: Ein beschädigtes Kabel darf nur vom autorisierten Kundendienst ausgetauscht werden.

- Unser Unternehmen übernimmt keine Haftung für alle Schäden aufgrund einer Nutzung ohne Erdung oder eines Stromanschlusses, der nicht den örtlichen Vorschriften genügt.
- Das Netzkabel muss nach der Aufstellung gut zugänglich sein.



Warnung vor heißer Oberfläche!
Die Seitenwände Ihres Produkts sind mit Kühlerrohren ausgestattet, um das Kühlsystem zu verbessern. Hochdruckflüssigkeit kann durch diese Oberflächen fließen und heiße Oberflächen an den Seitenwänden verursachen. Dies ist normal und erfordert keine Wartung. Seien Sie vorsichtig, wenn Sie diese Bereiche kontaktieren.

5 Vorbereitung



Lesen Sie zuerst den Abschnitt „Sicherheitshinweise“!

5.1 Was man zum Energiesparen tun kann

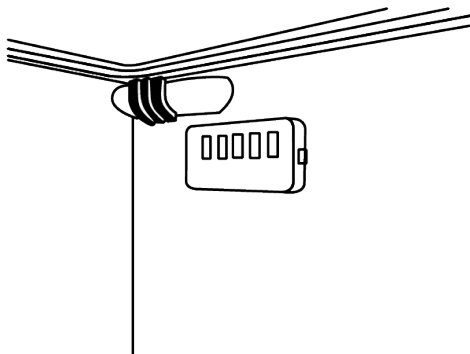


Der Anschluss des Produkts an elektronische Energiesparsysteme ist schädlich, da er das Produkt beschädigen kann.

- Dieses Kühlgerät ist nicht für die Verwendung als Einbaugerät vorgesehen
- Lassen Sie die Kühlschranktür nicht über längere Zeit hinweg offen.
- Stellen Sie keine heißen Speisen oder Getränke in den Kühlschrank.
- Überfüllen Sie den Kühlschrank nicht. Ein Blockieren der inneren Luftzirkulation verringert die Kühlleistung.
- Da heiße und feuchte Luft nicht direkt in Ihr Produkt eindringt, wenn die Türen nicht geöffnet werden, optimiert sich Ihr Produkt unter Bedingungen, die zum Schutz Ihrer Lebensmittel ausreichen. Unter diesen Umständen arbeiten Funktionen und Komponenten wie Kompressor, Lüfter, Heizung, Abtauung, Beleuchtung, Display usw. bedarfsgerecht und mit minimalem Energieverbrauch.
- Falls mehrere Optionen vorhanden sind, müssen Glasböden so platziert werden, dass die Luftauslässe an der Rückwand nicht blockiert werden und vorzugsweise so, dass die Luftauslässe unterhalb des

Glasbodens bleiben. Diese Kombination kann dazu beitragen, die Luftverteilung und die Energieeffizienz zu verbessern.

- Es wird dringend empfohlen, bei der Lagerung die untere Schublade zu verwenden.
- Achten Sie darauf, dass die Lebensmittel nicht mit dem unten beschriebenen Temperatursensor des Frischefachs in Berührung kommen.



- Wenn sie mit dem Sensor in Berührung kommen, kann der Energieverbrauch des Geräts steigen.
- Lebensmittel sind in den Schubladen im Kühlfach aufzubewahren, um Energie zu sparen und Lebensmittel unter besseren Bedingungen zu schützen.

5.2 Erste Verwendung

Bevor Sie den Kühlschrank das erste Mal verwenden, achten Sie darauf, alle Vorbereitungen gemäß dieser Bedienungsanleitung, insbesondere wie in den Abschnitten „Wich-

tige Hinweise zur Sicherheit und zum Umweltschutz“ und „Aufstellung“ beschrieben, durchzuführen.

- Lassen Sie das leere Gerät mindesten 6 lang laufen und öffnen Sie dabei nicht Tür, sofern es nicht absolut notwendig sein sollte.
- Die Temperaturänderung, die durch das Öffnen und Schließen der Tür während der Verwendung des Produkts verursacht wird, kann normalerweise zu Kondenswasserbildung führen, die auf Tür-/Korpusregalen und Glaswaren in das Produkt gestellt werden.



Wenn der Kompressor sich einschaltet, ist ein Geräusch zu hören. Es ist normal, dass das Produkt Geräusche macht, auch wenn der Kompressor nicht läuft, da im Kühlsystem Flüssigkeit und Gas komprimiert werden können.



Es ist normal, dass die vorderen Ränder des Kühlschranks warm sind. Diese sind so gestaltet, dass sie erwärmen, um Kondensation zu vermeiden.



Bei einigen Modellen schaltet sich die Anzeigetafel 1 Minuten nach dem Schließen der Tür automatisch aus. Sie wird wieder aktiviert, wenn die Tür offen ist oder eine beliebige Taste gedrückt wird.

5.3 Klimaklasse und Definitionen

Bitte beachten Sie die Klimaklasse auf dem Typenschild Ihres Geräts. Je nach Klimaklasse ist eine der folgenden Informationen auf Ihr Gerät anwendbar.

- **SN:** Langfristig gemäßigtes Klima: Dieses Kühlgerät ist für den Einsatz bei Umgebungstemperaturen zwischen 10 °C und 32 °C ausgelegt.
- **N:** Gemäßigtes Klima: Dieses Kühlgerät ist für den Einsatz bei Umgebungstemperaturen zwischen 16°C und 32 °C ausgelegt.
- **ST:** Subtropisches Klima: Dieses Kühlgerät ist für den Einsatz bei Umgebungstemperaturen zwischen 16°C und 38°C ausgelegt.
- **T:** Tropisches Klima: Dieses Kühlgerät ist für den Einsatz bei Umgebungstemperaturen zwischen 16°C und 43°C ausgelegt.

6 Produktbedienung



Lesen Sie zuerst den Abschnitt „Sicherheitshinweise“!

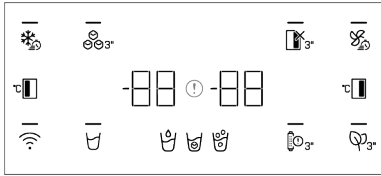
- Verwenden Sie keine mechanischen Werkzeuge oder andere Werkzeuge als die Empfehlungen des Herstellers, um den Auftauvorgang zu beschleunigen.
- Nutzen Sie Teile des Kühlschranks, wie z.B. die Tür oder die Schubladen nicht als Unterstüzung oder als Trittbrett. Dies kann dazu führen, dass das Produkt umkippt oder seine Komponenten beschädigt werden.
- Das Gerät darf nur zur Aufbewahrung von Lebensmitteln verwendet werden.

- Schalten Sie das Wasserventil aus, wenn Sie nicht zu Hause sind (z.B. im Urlaub) und die Eismaschine oder den Wasserspender längere Zeit nicht benutzen. Andernfalls können Wasserlecks auftreten.

Pausieren des Programms

- Wenn Sie das Gerät für längere Zeit nicht benutzen, ziehen Sie den Stecker aus der Steckdose.
- Entfernen Sie die Lebensmittel, um Gerüche zu vermeiden.
- Warten Sie, bis das Eis geschmolzen ist, reinigen Sie den Innenraum und lassen Sie ihn trocknen; lassen Sie die Türen offen, um eine Beschädigung der inneren Kunststoffteile zu vermeiden.

7 Bedienfeld des Geräts



Lesen Sie zuerst den Abschnitt „Sicherheitshinweise“.

*Optional: Die angezeigten Funktionen sind optional, es können Form- und Lageunterschiede bei den Funktionen auf der Anzeige Ihres Geräts auftreten.

Die auditiven und visuellen Funktionen der Anzeigetafel erleichtert Ihnen die Nutzung des Kühlschranks.

Schnellgefriertaste

Wenn die Schnellgefriertaste gedrückt wird, leuchtet die LED auf der Taste und die Schnellgefrierfunktion wird aktiviert. Die Temperatur des Gefrierfachs ist auf -27 Grad Celsius eingestellt. Drücken Sie erneut auf die Taste, um die Funktion abzubrechen. Die Schnellgefrierfunktion wird nach 24 Stunden automatisch abgebrochen. Um eine große Menge an frischen Lebensmitteln einzufrieren, drücken Sie die Schnellgefriertaste, bevor Sie die Lebensmittel in das Gefrierfach legen.

Icematic Ein-/Aus-Taste

Wenn Sie diese Taste 3 Sekunden lang drücken, wird der Eisbereitungsvorgang aktiviert und die LED auf der Taste leuchtet. Durch erneutes Drücken der Taste für 3 Sekunden wird der Eisbereitungsvorgang abgebrochen und die zuvor hergestellten Eiswürfel können verwendet werden, obwohl die Funktion abgebrochen wird.

Fehlerzustandsanzeige

Diese Anzeige -muss aktiv sein, wenn Ihr Kühlschrank keine ausreichende Kühlung durchführen kann oder wenn ein Sensorfehler vorliegt. Auf der Temperaturanzeige des

Gefrierfachs wird "E" angezeigt und auf der Temperaturanzeige des Kühlfachs werden Zahlen wie 1, 2, 3 ... angezeigt.

Diese Zahlen geben dem autorisierten Dienst Auskunft über den aufgetretenen Fehler.

Das Ausrufezeichen kann angezeigt werden, wenn Sie warme Lebensmittel in das Gefrierfach laden oder die Tür längere Zeit offen halten. Dies ist kein Fehler. Diese Warnung wird erlöschen, wenn die Lebensmittel abgekühlt sind oder wenn eine Taste gedrückt wird.

Funktionstaste Kühlfach Aus (Urlaub)

Um die Urlaubsfunktion zu aktivieren, drücken Sie die Taste für 3 Sekunden. Der Urlaubsmodus wird aktiviert und die LED der Taste leuchtet auf. Auf der Temperaturanzeige des Kühlfachs muss „-“ angezeigt werden, und der Kühlfach führt keine aktive Kühlung durch. Wenn Sie diese Funktion aktivieren, sollten Sie Ihre Lebensmittel nicht im Kühlfach aufbewahren. Die anderen Fächer kühlen entsprechend der zuvor eingestellten Temperaturen weiter. Drücken und halten Sie die Taste erneut 3 Sekunden lang, um diese Funktion abzubrechen.

Schnellkühltaste

Wenn Sie die Schnellkühltaste drücken, leuchtet die LED auf der Taste und die Schnellkühlfunktion soll aktiviert werden. Die Temperatur des Kühlfachs ist auf 1 Grad Celsius eingestellt. Drücken Sie erneut auf die Taste, um die Funktion abzubrechen. Die Schnellgefrierfunktion wird nach dem Abkühlen automatisch abgebrochen.

Temperatureinstellungstaste für das Kühlfach

Ermöglicht die Einstellung der Temperatur für das Kühlfach. Durch das Drücken dieser Taste wird die Einstellung der Gefrierfachtemperatur auf 8, 7, 6, 5, 4, 3, 2 und 1 Grad Celsius möglich.

Desodorierungsmodul-Schlüssel

Drücken Sie diese Taste 3 Sekunden lang, um die Desodorierungsfunktion zu aktivieren/deaktivieren. Wenn die Desodorierungsfunktion aktiv ist, leuchtet die LED der jeweiligen Taste. Wenn die Funktion aktiv ist, wird das Desodorierungsmodul periodisch betrieben.

Warnungstaste zum Filteraustausch

Der Wasserzulaufilter des Kühlschranks sollte in regelmäßigen Abständen gewechselt werden. Ihr Kühlschrank rechnet diese Zeit automatisch ab. Wenn die Filterlebensdauer abgelaufen ist, leuchtet die LED über der Filterwechsel-Warntaste. Halten Sie nach dem Filterwechsel die Taste 3 Sekunden lang gedrückt, um die Warn-LED für den Filterwechsel auszuschalten.

Wasser, Eiswürfel, gebrochenes Eis-

Auswahl taste

Mit dieser Taste können Sie zwischen Wasser, Eiswürfel und gebrochenes Eis-Auswahl wechseln. Wenn Sie die Funktion aktivieren, bleibt das Licht auf der Taste an.

Kabellose Taste

Dieser Schlüssel wird verwendet um über die mobile HomeWhiz-App eine drahtlose Verbindung mit Ihrem Produkt herzustellen. Wenn Sie die Taste 3 Sekunden lang drücken, blinkt die LED auf der Taste langsam (in Abständen von 0,5 Sekunden). Das Heimnetzwerk wird auf diese Weise auf dem Produkt initialisiert.

8 Nutzung des Gerätes



Lesen Sie zuerst den Abschnitt „Sicherheitshinweise“!

Lagerung von Lebensmitteln im Gefrierfach

- Sie können die Schnellgefrierfunktion 4-6 Stunden vor dem Einfrieren aktivieren und eine schnellere Abkühlung vornehmen.

Nachdem die drahtlose Verbindung mit dem Produkt hergestellt wurde, leuchtet die LED auf der Taste kontinuierlich.

Wenn die erste Verbindung hergestellt ist, können Sie die Verbindung durch kurzes Drücken dieser Taste aktivieren/deaktivieren. Die LED auf der Taste blinkt schnell (in Abständen 0,2 Sekunden), bis Ihr Gerät angeschlossen ist. Wenn die Verbindung aktiv ist, leuchtet die LED.

Wenn die Verbindung über einen längeren Zeitraum nicht hergestellt werden kann, überprüfen Sie Ihre Verbindungseinstellungen und lesen Sie den Abschnitt „Fehlerbehebung“ im Bedienungsanleitung.

Die HomeWhiz-Anwendung wird für die drahtlose Verbindung verwendet werden. Die Installationsschritte werden in der Anwendung während der Installation beschrieben. Sie können auf die Anwendung zugreifen, indem Sie den QR-Code lesen, der auf dem HomeWhiz-Etikett des Produkts verfügbar ist. Die Anwendung wird über den App Store für iOS-Geräte und über den Play Store für Android-Geräte angeboten.

Besuchen Sie die Adresse <https://www.homewhiz.com/> für detaillierte Informationen.

Temperatureinstellungstaste für das Gefrierfach

Die Temperatureinstellung erfolgt für das Gefrierfach. Durch das Drücken dieser Taste wird die Einstellung der Gefrierfachtemperatur auf -16, -17, -18, -19, -20, -21, -22 Grad Celsius möglich.

- Bringen Sie warme Speisen auf Raumtemperatur, bevor Sie sie in das Gefrierfach legen.
- Lebensmittel, die eingefroren werden sollen, müssen entsprechend der zu verzehrenden Größe in Portionen aufgeteilt und in separaten Verpackungen eingefroren werden.

- Es wird empfohlen, die Lebensmittel zu verpacken, bevor sie in den Gefrierschrank gelegt werden.
- Um zu verhindern, dass die Lagerzeit abläuft, schreiben Sie das Einfrierdatum, die Uhrzeit und den Namen des Produkts auf die Verpackung, entsprechend der Lagerzeit der verschiedenen Lebensmittel.
- Verbrauchen Sie die aufgetauten Lebensmittel schnell. Aufgetaute Lebensmittel können nicht wieder eingefroren werden, es sei denn, sie werden gekocht. Es ist nicht sicher, die wieder eingefrorenen frischen Lebensmittel nach dem Auftauen ohne Kochen zu verzehren.
- Bringen Sie beim Einfrieren frischer Lebensmittel diese nicht mit bereits gefrorenen Lebensmitteln in Kontakt. Andernfalls werden die gefrorenen Lebensmittel aufgetaut.
- Um die Qualität der Lebensmittel zu schützen, sollten Sie die Zeitspanne zwischen Kauf und Lagerung so kurz wie möglich halten.
- Kaufen Sie Tiefkühlkost, die bei -18 °C oder niedrigeren Temperaturen gelagert wird.
- Vermeiden Sie den Kauf von Lebensmitteln, deren Verpackungen mit Eis usw. bedeckt sind. Dies bedeutet, dass das Produkt teilweise aufgetaut und wieder eingefroren werden könnte. Die Temperatur wirkt sich auf die Qualität der Lebensmittel aus.
- Überschreiten Sie nicht die vom Lebensmittelhersteller empfohlene Lagerzeit. Nehmen Sie nur so viele Lebensmittel aus dem Gefrierschrank, wie Sie benötigen.
- Abgesehen von den Fällen, in denen in der Umgebung extreme Bedingungen herrschen, bleiben die Lebensmittel sowohl im Frischfach als auch im Gefrierfach länger frisch, wenn Sie Ihr Produkt (auf der Tabelle der empfohlenen Werte) auf die angegebenen Werte einstellen.
- Wenn das Frischhaltefach auf eine niedrigere Temperatur eingestellt ist, kann frisches Obst und Gemüse teilweise gefroren sein.

Aufbewahrung der Lebensmittel, die tiefgekühlt verkauft werden

- Befolgen Sie stets die Anweisungen des Herstellers in Bezug auf die Zeit, in der Sie Ihre Lebensmittel aufbewahren müssen. Überschreiten Sie nicht die in diesen Anweisungen angegebene Zeit!

Tabelle der empfohlenen Einstellwerte

Gefrierfacheinstellung	Gefrierfacheinstellung	Bemerkungen
-18 °C	4 °C	Das ist die standardmäßige, empfehlende Einstellung. Diese Einstellung wird empfohlen, wenn die Umgebungstemperatur unter 30 °C liegt.
$-20, -22$ oder -24 °C	4 °C	Diese Einstellungen werden für Umgebungstemperaturen empfohlen, die 30 °C überschreiten.
Schnelleinfrieren	4 °C	Verwenden Sie sie, wenn Sie Ihre Lebensmittel in kurzer Zeit einfrieren möchten. Nach Beendigung des Vorgangs werden die Einstellungen des Produkts auf die vorherige Position zurückgesetzt.
-18 °C oder kälter	2 °C	Verwenden Sie diese Einstellungen, wenn Sie überzeugt sind, dass das Frischfach, aufgrund der Umgebungstemperatur oder dem Öffnen der Tür nicht kalt genug sind.

Schnelleinfrieren

1. Aktivieren Sie die Schnellgefrierfunktion 24 Stunden vor dem Einlegen Ihrer frischen Lebensmittel.
2. Legen Sie die Lebensmittel, die Sie einfrieren möchten, 24 Stunden nach dem Drücken der Taste in die dritte oder vierte Schublade mit höherer Gefrierkapazität.
3. Die Schnellgefrierfunktion wird nach 24 Stunden automatisch deaktiviert.

Gefrierschrank Details

Gemäß den IEC 62552-Standards muss das Gefrierschrank über eine Kapazität zum Einfrieren von 4,5 kg an Lebensmitteln bei Temperaturen von -18 °C oder niedriger von 25 °C in 24 Stunden pro jeweils 100 Liter an Gefrierfachvolumen verfügen.

Lebensmittel können über eine längere Zeit hinweg nur bei Temperaturen von weniger als -18 °C gelagert werden.

Sie können die Lebensmittel über Monate frisch halten (im Gefrierschrank bei Temperaturen von oder niedriger als -18 °C Grad). Die einzufrierenden Lebensmittel dürfen nicht mit bereits tiefgekühlten Produkten in Berührung kommen, um ein teilweises Auftauen zu verhindern.

Blanchieren Sie das Gemüse und gießen Sie das Wasser ab, um die Lagerzeit bei Tiefkühlung zu verlängern. Legen Sie das Gefriergut nach dem Abgießen in luftdichte Verpackungen und dann in das Gefrierschrank. Bananen, Tomaten, Salat, Sellerie, gekochte Eier, Kartoffeln und vergleichbare Lebensmittel dürfen nicht eingepackt werden. Wenn diese Lebensmittel eingefroren werden, werden nur der Nährwert und die Verzehreigenschaften beeinträchtigt. Eine Verrottung, die die menschliche Gesundheit bedroht, kommt nicht in Frage.

Platzierung der Lebensmittel

Gefrierfacheinschübe: Diverse Gefriergut wie Fleisch, Fisch, Eiscreme, Gemüse usw.

Kühlfacheinschübe: Lebensmittel in Töpfen, Behältern mit Deckeln und Verschlusskappen, sowie Eier (geschlossenen Gefäßen)

Türeinschübe im Kühlfach: In kleinen Verpackungen befindliche Lebensmittel oder Getränke

Gemüsefach: Gemüse und Früchte

Fach für frische Lebensmittel: Feinkostprodukte (Brotaufstriche, Fleischprodukte für den raschen Verbrauch)

Aufbewahrung von Lebensmitteln im Kühlfach

- Die Temperatur des Fachs steigt stark an, wenn die Fachtür häufig geöffnet und geschlossen wird und lange Zeit offen bleibt; dies kann die Lebensdauer der Lebensmittel verkürzen und zum Verderben der Lebensmittel führen.
- Um Geruchs- und Geschmacksveränderungen zu vermeiden, sollten die Lebensmittel in geschlossenen Behältern aufbewahrt werden.
- Lagern Sie nicht zu viele Lebensmittel in Ihrem Kühlschranks. Um eine bessere und gleichmäßige Kühlung zu erreichen, legen Sie die Lebensmittel getrennt voneinander so ein, dass die kalte Luft durch sie hindurchströmen kann.
- Sorgen Sie für Luftzirkulation, indem Sie einen Zwischenraum zwischen den Lebensmitteln und der Innenwand lassen. Wenn Sie die Lebensmittel an die Rückwand lehnen, können sie einfrieren.
- Bringen Sie gekochte warme Speisen auf Zimmertemperatur, bevor Sie sie in den Kühlschranks stellen. Dann können Sie die lauwarmen Speisen in die unteren Fächer des Kühlschranks stellen. Stellen Sie die lauwarmen Speisen nicht in die Nähe von Lebensmitteln, die leicht verderben können.
- Tauen Sie Ihre gefrorenen Lebensmittel im Frischhaltefach auf. Auf diese Weise können Sie das Frischhaltefach durch die Verwendung von Tiefkühlkost kühlen und Energie sparen.
- Lagern Sie unreife Südfrüchte (Mango, Melonen, Papaya, Banane, Ananas) im Kühlschranks, um den Reifeprozess zu beschleunigen. Dies ist nicht empfehlenswert, da sich dadurch die Lagerzeit verkürzt.
- Zwiebeln, Knoblauch, Ingwer und anderes Wurzelgemüse sollten Sie nicht im Kühlschranks, sondern in einem dunklen und kalten Raum aufbewahren.

- Wenn Sie feststellen, dass ein Lebensmittel im Kühlschrank verdorben ist, werfen Sie es weg und reinigen Sie das Zubehör, das mit dem Lebensmittel in Berührung gekommen ist.
 - Um Speisen wie Suppen und Eintöpfe, die in großen Töpfen gekocht werden, schnell abzukühlen, können Sie sie in eigenen flachen Behältern in den Kühlschrank stellen.
 - Stellen Sie unverpackte Lebensmittel nicht in die Nähe von Eiern.
 - Bewahren Sie Obst und Gemüse getrennt auf und lagern Sie jede Sorte zusammen (z.B. Äpfel mit Äpfeln, Karotten mit Karotten)
 - Nehmen Sie grünes Gemüse aus dem Plastikbeutel und legen Sie es in den Kühlschrank, nachdem Sie es in ein Pa-
- piertuch oder ein Trockentuch eingewickelt haben. Wenn Sie diese Art von Lebensmitteln waschen, bevor Sie sie in den Kühlschrank stellen, denken Sie daran, sie zu trocknen.
- Sie können sowohl eine feuchte Umgebung schaffen als auch für einen Luftstrom sorgen, indem Sie Obst und Gemüse, die zum Austrocknen neigen, in perforierten oder unverschlossenen Plastiktüten aufbewahren.
 - Abgesehen von den Fällen, in denen in der Umgebung extreme Bedingungen herrschen, bleiben die Lebensmittel sowohl im Frischfach als auch im Gefrierfach länger frisch, wenn Sie Ihr Produkt (auf der Tabelle der empfohlenen Werte) auf die angegebenen Werte einstellen.

Lagern Sie verschiedene Lebensmittel je nach ihren Eigenschaften an unterschiedlichen Orten.

Essen	Standort
Eier	Türregal
Molkereiprodukte (Butter, Käse)	Falls verfügbar, Null-Grad-Fach (für Frühstücksnahrung)
Obst, Gemüse und Grünzeug	Obst-/Gemüsefach, Gemüse- oder EverFresh+-Fach (sofern vorhanden)
Frisches Fleisch, Geflügel, Fisch, Wurst usw. Gekochte Lebensmittel	Falls verfügbar, Null-Grad-Fach (für Frühstücksnahrung)
Servierfertige Lebensmittel, verpackte Produkte, Konserven und eingelegte Lebensmittel	Obere Regale oder Türregal
Getränke, Flaschen, Gewürze und Snacks	Türregal

8.1 Auswechseln der Beleuchtungslampe

Rufen Sie den autorisierten Kundendienst an, wenn die Glühbirne/LED für die Beleuchtung Ihres Kühlschranks ausgetauscht werden soll.

Die in diesem Gerät verwendeten Lampen können nicht für die Hausbeleuchtung verwendet werden. Die beabsichtigte Verwen-

dung dieser Lampe soll dem Benutzer helfen, Lebensmittel sicher und bequem in den Kühl- / Gefrierschrank zu stellen.

8.2 Alarm bei offener Tür

Ein Signalton ertönt, wenn die Gerätetür für länger als 1 Minute geöffnet ist. Der akustische Alarm stoppt, wenn Sie die Schranktür schließen oder eine beliebige Taste auf dem Display drücken (falls vorhanden).

9 Produktmerkmale

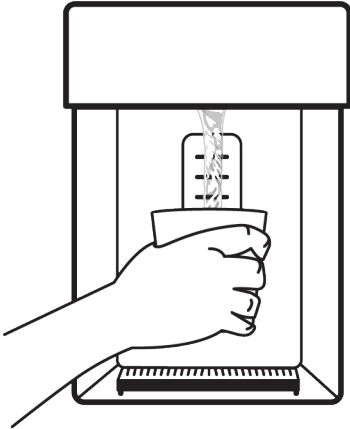
9.1 Der Eisspeicherraum

Eis-/Wasserentnahme

Wählen Sie die entsprechende Option über

das Display aus, um Wasser (👉) / Eiswürfel (👉) / gebrochenes Eis (👉) zu entnehmen. Drücken Sie den Auslöser am Wasserspender nach vorne, um Wasser/Eis zu entnehmen. Wenn Sie zwischen den Optionen

Eiswürfel (👉) / gebrochenes Eis (👉) umschalten, kann bei den ersten Entnahmen die von der vorherigen Auswahl übrig gebliebene Eissorte ausgegeben werden.



- Um zum ersten Mal Eis aus dem Eis-/Wasserspender zu entnehmen, müssen Sie etwa 12 Stunden warten. Sollte sich nicht genügend Eis im Eisbehälter befinden, können Sie kein Eis aus dem Spender entnehmen.
- Verbrauchen Sie die Eiswürfel (3-4 Liter) nicht nach dem ersten Durchlauf.
- Sollte es während des Betriebs zu einem Stromausfall oder einer vorübergehenden Störung kommen, kann das Eis ein wenig schmelzen und wieder gefrieren. In diesem Fall kann das Eis aneinander kleben bleiben. Wenn der Stromausfall oder die Störung anhält, kann das Eis schmelzen und ein Wasserleck verursachen. Wenn

ein solches Problem auftritt, reinigen Sie den Eisbehälter, indem Sie das im Eisbehälter verbliebene Eis ausschütten.



WARNUNG

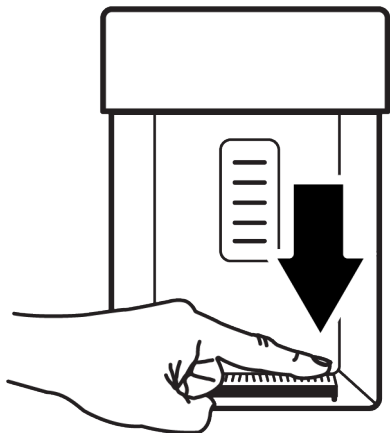
Das Wassersystem des Produkts sollte nur an die **Kaltwasserleitung** angeschlossen werden. **Es darf nicht an die Heißwasserleitung angeschlossen werden.**

- Bei der ersten Inbetriebnahme des Geräts darf kein Wasser entnommen werden. Das liegt daran, dass sich Luft im System befindet. Sie müssen die Luft im System ablassen. Drücken Sie zu diesem Zweck 1-2 Minuten lang auf den Abzug des Wasserspenders, bis Wasser aus dem Wasserspender kommt. Zu Beginn kann der Wasserfluss unregelmäßig sein. Der Wasserfluss wird sich normalisieren, nachdem die Luft im System abgelassen wurde.
- Wenn der Filter zum ersten Mal benutzt wird, kann es sein, dass verschwommenes Wasser austritt. Die ersten 10 Gläser Wasser sollten nicht getrunken werden.
- Wenn das Gerät zum ersten Mal in Betrieb genommen wird, sollten etwa 12 Stunden vergehen, bis das Wasser abgekühlt ist.
- Das Wassersystem des Geräts ist so konzipiert, dass es nur mit sauberem Wasser funktionieren kann. Verwenden Sie kein anderes Getränk als Wasser.
- Wenn Sie das Gerät über einen längeren Zeitraum nicht benutzen, z.B. wegen eines Urlaubs, empfehlen wir Ihnen, den Wasseranschluss zu unterbrechen. Wenn der Wasserspender längere Zeit nicht benutzt wird, können die ersten 1-2 Gläser Wasser heiß auslaufen.

Tropfschale

Das aus dem Wasserspender tropfende Wasser sammelt sich in der Tropfschale, es gibt keinen Wasserauslauf. Sie können die

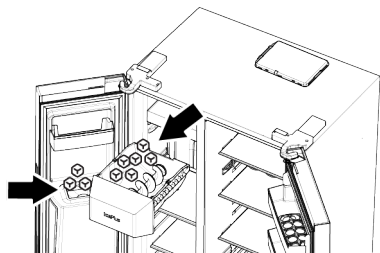
Tropfschale herausnehmen, indem Sie sie zu sich heranziehen oder auf ihren Rand drücken. Sie können das Wasser in der Tropfschale auf diese Weise reinigen.



Eisbereiter

Die Eismaschine befindet sich im oberen Bereich des Gefrierschranks.

Ziehen Sie den Eisbehälter zu sich, indem Sie den Griff unter dem vorderen Teil greifen, um ihn zu entfernen.



Um den Eisbehälter zu entfernen

Greifen Sie den Griff am Boden des Behälters und ziehen Sie ihn zu sich heran.

Um den Eisbehälter wieder zu montieren

Setzen Sie den Behälter in seine Aufnahme und schieben Sie ihn parallel zum Boden zurück. Bitte achten Sie darauf, dass zwischen dem Behälter und dem Fach des Eiswürfelbereiters kein Platz bleibt.

Falls Sie nicht alle Eiswürfel produziert bekommen können

Länger im Vorratsbehälter verbleibende Eiswürfel können zusammenkleben und große Eisblöcke bilden. Entfernen Sie in diesem

Fall den Eisvorratsbehälter wie in der Bedienungsanleitung beschrieben, trennen Sie die Eiswürfel, entnehmen Sie die nicht trennbaren Eiswürfel und geben Sie die restlichen Würfel wieder in den Behälter.

Wenn das Problem weiterhin besteht, überprüfen Sie bitte den Eiskanal, und beseitigen Sie ihn, falls er blockiert ist.

Wenn Sie die Eismaschine zum ersten Mal oder nach längerer Zeit wieder benutzen

Eiswürfel können aufgrund der Restluft im Wassersystem kleiner werden. Die Luft wird nach einiger Zeit automatisch abgelassen.

Verwenden Sie die am ersten Tag produzierten Eiswürfel nicht, damit Sie das restliche Wasser im System auffrischen können.



WARNUNG

Stecken Sie Ihre Hand oder andere Gegenstände nicht in den Eiskanal und die Eiszerkleinerungsmesser, während der Kühlschrank in Betrieb ist.

Lassen Sie Kinder nicht an der Eismaschine, dem Eisbehälter oder dem Wasser-/Eisspender hängen. Fassen Sie den Eisbehälter mit beiden Händen fest an, damit er nicht herunterfällt.

Wenn Sie die Tür Ihres Gerätes schnell schließen, kann das Wasser im Eiswürfelbereiter in den Eisbehälter spritzen.

Den Eisbehälter ausbauen nur, wenn dies erforderlich ist.

Im Falle einer Verstopfung (das Gerät lässt kein Eis fallen), während Sie gebrochenes Eis erhalten, versuchen Sie Eiswürfel zu holen.

Dann können Sie erneut versuchen, gebrochenes Eis zu erhalten.

Falls Sie das gebrochenes Eis entnommen haben, muss das Gerät zuerst Eiswürfel produzieren. Es ist möglich, dass das Gerät Eiswürfel produziert, wenn es gebrochenes Eis erhält.

Die Gefriertür der Eismaschine kann mit leichtem Reif und einer Folienschicht bedeckt sein.

Dies ist normal und wir empfehlen Ihnen, es sofort zu reinigen.

Nach einiger Zeit kann sich Wasser im Gitter am Boden des Wasserspenders füllen. Wir empfehlen Ihnen, das Wasser im Gitter regelmäßig zu entfernen.

Es ist normal, ein Geräusch zu hören, wenn Eisdwürfel aus dem Eisbehälter fallen. Dies bedeutet keine Fehlfunktion.

Der Klingenmechanismus des Eisbehälters ist scharf und kann Ihre Hand verletzen.

Wenn keine Eisdwürfel aus dem Eisspender gelöst werden, können die Eisdwürfel zusammenkleben. Sie müssen den Behälter reinigen, um weiterhin Eisdwürfel zu erhalten.

Wenn der Auslöser gedrückt wird, um Eis zu erhalten (Anzeige usw.), kann der Eistyp nicht geändert werden. Sie sollten den Auslöser (Anzeige usw.) loslassen, den Eistyp ändern und erneut Eis nehmen. Zu diesem Zweck können Sie erneut Eis entnehmen, nachdem Sie den Eistyp am Indikator geändert haben.

9.2 Eierhalter

Sie können den Eierhalter auf der Tür oder auf dem Gehäuseregal platzieren, wie Sie möchten.

Wenn Sie den Eierhalter auf der Hauptablage platzieren, empfehlen wir Ihnen, die kälteren unteren Ablagen zu wählen.



Stellen Sie den Eierhalter niemals auf das Gefrierfach

9.3 Gemüsefach

Das Gemüsefach im Kühlschrank hält das Gemüse frisch, indem ihre Feuchtigkeit erhalten bleibt. Für diesen Zweck ist die Zirkulation der Kaltluft im Gemüsefach intensiver. Lagern Sie Obst oder Gemüse in die-

sem Fach. Lagern grünblättriges Gemüse getrennt von Früchten, um deren Leben zu verlängern.

9.4 Gemüsefach-Technologien

Blaue Beleuchtung

Obst und Gemüse, die im Gemüsefach gelagert werden, das mit blaues Licht beleuchtet wird, setzen ihre Photosynthese durch den Wellenlängeneffekt des blauen Lichts fort und bewahren so ihren Vitamingehalt.

HarvestFresh

Obst und Gemüse, im Gemüsefach gelagert werden, das mit der HarvestFresh-Technologie beleuchtet wird, bewahren ihren Vitamingehalt länger dank der blauen, grünen, roten Lichter und dunklen Zyklen, die einen Tageszyklus simulieren.

Wenn die Tür Ihres Kühlschranks während der Dunkelperiode der HarvestFresh-Technologie geöffnet wird, erkennt Ihr Kühlschrank dies automatisch und beleuchtet das Gemüsefach jeweils für Ihre Zweckmäßigkeit mit einem der blauen, grünen oder roten Lichter. Nachdem Sie die Kühlschranktür geschlossen haben, wird die Dunkelumlauftzeit fortgesetzt, was die Nachtzeit in einem Tageszyklus darstellt.

9.5 Kühlraum für Molkereiprodukte

Kühlagerschublade

Die Kühlschublade kann im Kühlfach niedrigere Temperaturen erreichen. Verwenden Sie diese Schublade für Feinkostprodukte (Salami, Wurst usw.) und Milchprodukte, die kältere Lagerbedingungen erfordern, oder für Fleisch, Hähnchen oder Fisch, die schnell verzehrt werden sollen. Es ist nicht geeignet, Obst und Gemüse in dieser Schublade aufzubewahren.

9.6 Feuchtigkeitsregulierter Gemüsefach

Everfresh

Mit dem feuchtigkeitsregulierten Gemüsefach wird die Feuchtigkeit von Gemüse und Obst unter Kontrolle gehalten und die Lebensmittel bleiben länger frisch.

Wir empfehlen Ihnen, Blattgemüse wie Salat, Spinat und ähnliches Gemüse, das empfindlich auf Feuchtigkeitsverlust reagiert, nicht aufrecht auf den Wurzeln, sondern möglichst waagrecht in das Gemüsefach zu legen.

Wenn Sie das Gemüse platzieren, legen Sie schweres und hartes Gemüse unten und leichtes und weiches oben, wobei Sie das spezifische Gewicht des Gemüses berücksichtigen.

Lassen Sie Gemüse nie in Plastiktüten im Gemüsefach liegen. Wenn Sie sie in Plastiktüten lassen, verrottet das Gemüse in kurzer Zeit.

Verwenden Sie in Situationen, in denen der Kontakt mit anderem Gemüse nicht bevorzugt wird, Verpackungsmaterialien wie Papier mit einer bestimmten Porosität in Bezug auf die Hygiene.

Legen Sie Früchte mit einer hohen Ethylen gasproduktion wie Birne, Aprikose, Pfirsich und insbesondere Apfel nicht mit anderen Gemüse- und Obstsorten in das gleiche Gemüsefach. Das aus diesen Früchten austretende Ethylen gas kann dazu führen, dass anderes Gemüse und Obst schneller reift und in kürzerer Zeit verrottet.

9.7 Wasseranschluss

(Diese Funktion ist optional)



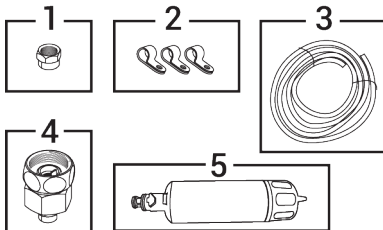
WARNUNG

Das Produkt und ggf. die Wasserpumpe müssen während des Anschlusses ausgesteckt sein.

Die Netz-, Filter- und Kanisteranschlüsse Ihres Produkts müssen von einem autorisierten Servicecenter durchgeführt werden.

Je nach Modell können Sie Ihr Produkt an eine Kanisteranschlusß oder direkt an das Wassernetz anschließen. Um diese Verbindung herzustellen, müssen Sie zuerst den Wasserschlauch an das Produkt anschließen.

Überprüfen Sie je nach Modell Ihres Produkts, ob die folgenden Teile im Lieferumfang des Produkts enthalten sind:

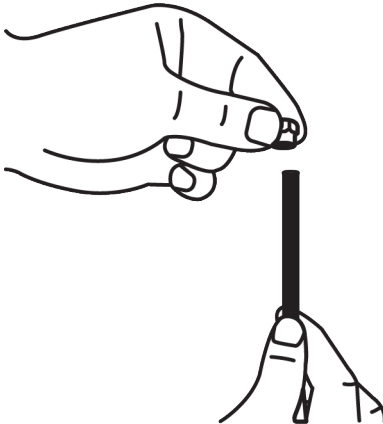
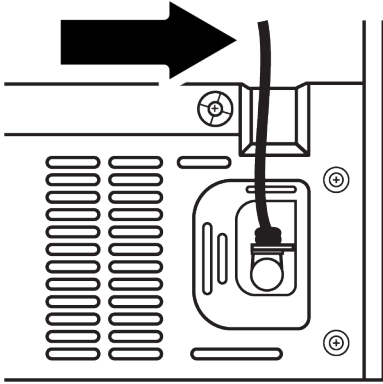


1. Anschlussstutzen (1 Stück): Wird verwendet, um den Wasserschlauch an der Rückseite des Geräts zu befestigen.
2. Schlauchschelle (3 Stück): Dient zur Befestigung des Wasserschlauchs an der Wand.
3. Wasserschlauch (1 Stück, 5 Meter Durchmesser 1/4 Zoll): Wird für den Wasseranschluss verwendet.
4. Wasserhahnadapter (1 Stück): Verwendet für den Anschluss der Kaltwasserleitung mit porösem Filter.
5. Wasserfilter (1 Stück *Optional): Wird für den Anschluss des Wassers an das Produkt verwendet. Wenn eine Kanisterverbindung vorhanden ist; Es ist nicht erforderlich, einen Wasserfilter zu verwenden.

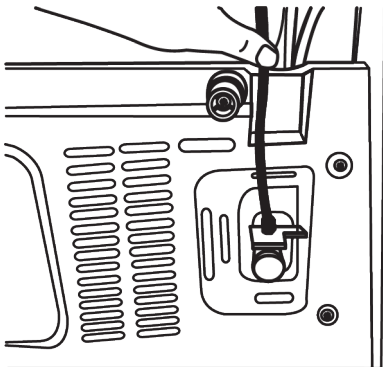
Anschluss des Wasserschlauchs an das Gerät

Befolgen Sie die nachstehenden Anweisungen, um den Wasserschlauch an das Produkt anzuschließen.

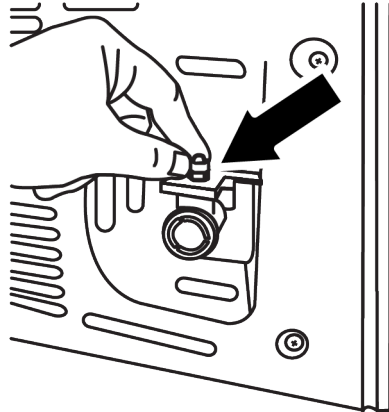
1. Entfernen Sie das Verbindungsstück vom Schlauchendadapter, der an der Rückseite des Produkts angebracht ist, und schrauben Sie das Verbindungsstück auf den Wasserschlauch.



2. Bringen Sie den Wasserschlauch am Schlauchendadapter an, indem Sie ihn fest nach unten drücken.



3. Sichern Sie den Anschlussstutzen am Schlauchendadapter, indem Sie sie handfest anziehen. Sie können den Anschlussstutzen auch mit einer Rohrzan-ge oder einer Zange festziehen.

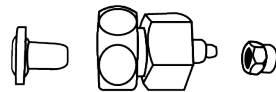


Anschluss an das Leitungswasser

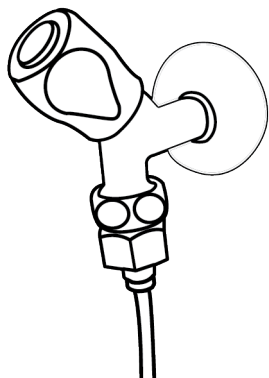
(Diese Funktion ist optional)

Wenn Sie das Produkt verwenden, indem Sie es an die Kaltwasserleitung anschließen, müssen Sie ein standardmäßiges 1/2-Zoll-Ventil am Kaltwassernetz Ihres Hauses montieren. Wenn dieses Verbindungsstück nicht verfügbar ist und Sie sich nicht sicher sind, wenden Sie sich an einen qualifizierten Monteur.

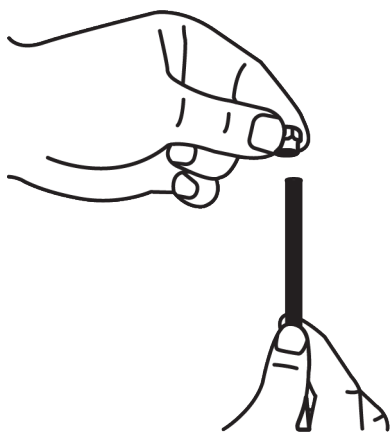
1. Trennen Sie den Anschlussstutzen vom Wasserhahnadapter.



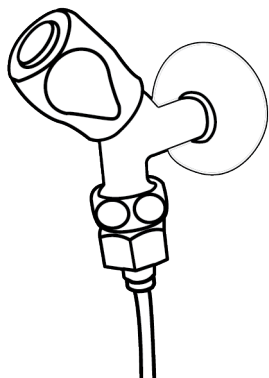
2. Schließen Sie den Wasserhahnadapter an das Wasserleitungsventil an.



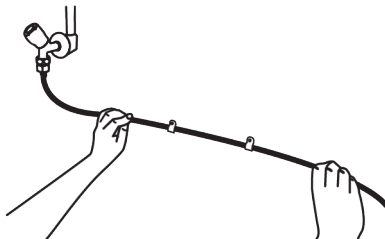
3. Befestigen Sie den Anschlussstutzen auf den Wasserschlauch.



4. Schrauben Sie den Anschlussstutzen auf den Wasserhahnadapter und ziehen Sie sie mit der Hand/dem Werkzeug fest.



5. Sichern Sie den Wasserschlauch an geeigneten Stellen mit den mitgelieferten Klemmen, um Beschädigungen, Verrutschen oder versehentliches Lösen zu vermeiden.



WARNUNG

Vergewissern Sie sich nach dem Öffnen des Wasserhahns, dass an beiden Enden des Wasserschlauchs kein Wasser austritt. Schließen Sie im Falle einer Leckage sofort das Ventil und ziehen Sie alle Anschlüsse mit einer Rohrzanze oder einer Zange fest.

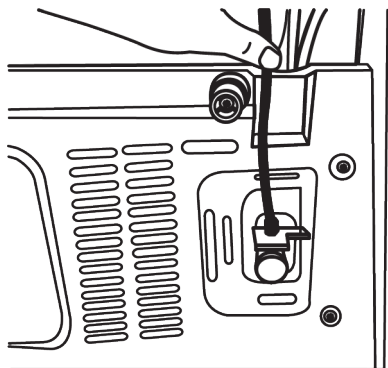
Für Produkte zur Verwendung in Kanister;

(Diese Funktion ist optional)

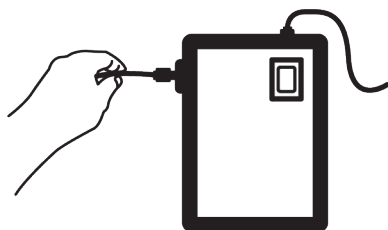
Um das Wasser aus dem Kanister an das Produkt anzuschließen, ist die vom autorisierten Service empfohlene Wasserpumpe erforderlich.

Um das Wasser aus dem Kanister an das Produkt anzuschließen, ist die vom autorisierten Service empfohlene Wasserpumpe erforderlich.

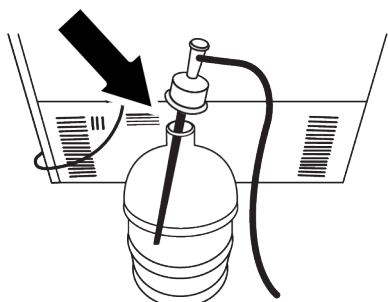
1. Nachdem Sie ein Ende des Wasserschlauchs von der Pumpe an das Produkt angeschlossen haben, befolgen Sie die folgenden Anweisungen.



2. Stellen Sie die Verbindung her, indem Sie das andere Ende des Wasser-schlauchs in den Wasserschlauchein-lass der Pumpe stecken.



3. Sichern Sie den Pumpenschlauch, in-dem Sie ihn in den Kanister stecken.



4. Stecken Sie nach dem Anschluss die Pumpe in die Steckdose und starten Sie die Pumpe.

i Warten Sie nach dem Starten der Pumpe 2-3 Minuten, bis die Pumpe gewünschte Effizienz erreicht.

i Beachten Sie beim Herstellen des Wasseranschlusses die Betriebsan-leitung der Pumpe.

i Wenn ein Kanister verwendet wer-den, muss kein Wasserfilter ver-wendet werden.

Wasserfilter

(Diese Funktion ist optional)

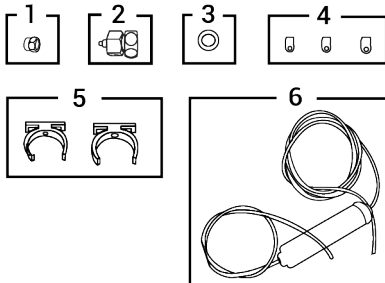
Je nach Modell verfügt Ihr Produkt mög-licherweise über einen Außen- oder Innenfil-ter. Um den Wasserfilter zu montieren, be-folgen Sie die nachstehenden Anweisun-gen.

Montage des Außenfilters an der Wand

(Diese Funktion ist optional)

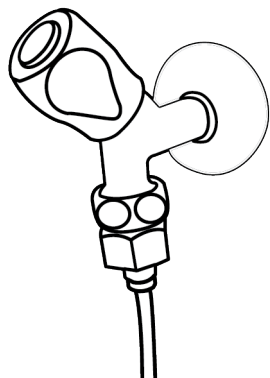
! WARNUNG
Befestigen Sie den Filter nicht am Produkt.

Überprüfen Sie je nach Modell Ihres Pro-dukts, ob die folgenden Teile im Lieferum-fang des Produkts enthalten sind:

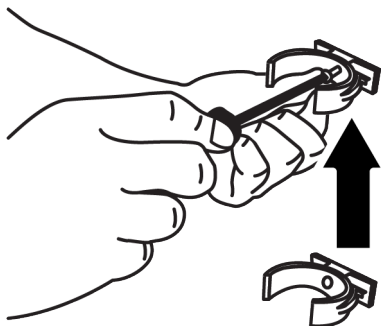


1. Anschlussstutzen (1 Stück): Wird ver-wendet, um den Wasserschlauch an der Rückseite des Geräts zu befesti-gen.
2. Wasserhahnadapter (1 Stück): Wird verwendet für den Anschluss der Kalt-wasserleitung.
3. Poröser Filter (1 Stück)
4. Schlauchschelle (3 Stück): Dient zur Befestigung des Wasserschlauchs an der Wand.

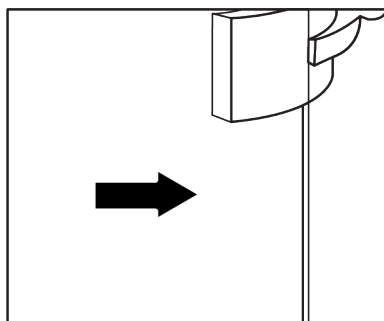
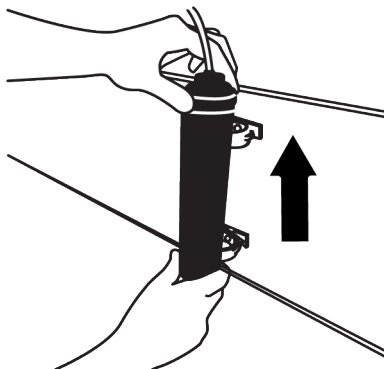
5. Filteranschlussvorrichtung (2 Stück): Dient zur Montage des Wasserfilters an der Wand.
6. Wasserfilter (1 Stück): Wird für den Anschluss des Wassers an das Produkt verwendet. Wenn eine Kanisterverbindung vorhanden ist; Es ist nicht erforderlich, einen Wasserfilter zu verwenden.
7. Schließen Sie den Wasserhahnadapter an das Wasserleitungsventil an.
8. Bestimmen Sie den Platz, an dem der Außenfilter befestigt wird. Montieren Sie die Anschlussvorrichtung des Filters (5) an der Wand.
9. Positionieren Sie den Filter senkrecht an der Filterhalterung an, wie auf dem Etikett angegeben. (6).



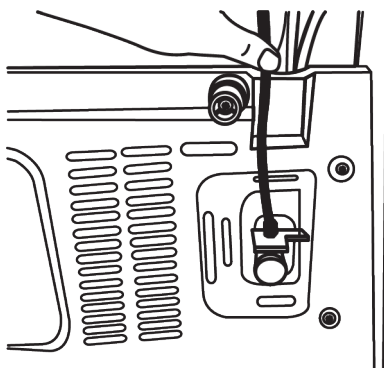
10. Verbinden Sie der von oben aus kommender Filter mit dem Wasseranschlussadapter des Produkts.



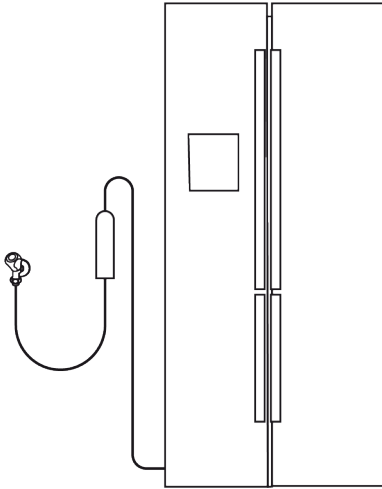
11. Nachdem die Verbindung hergestellt wurde, sollte das Bild wie unten gezeigt aussehen.



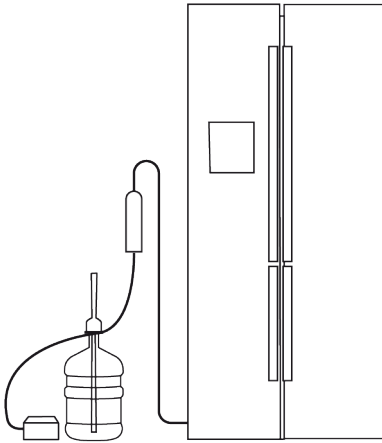
Da der mit dem Produkt gelieferte Innenfilter nicht montiert ist, sind die notwendigen Verfahren für seine Vorbereitung wie folgt:



Wasserleitung

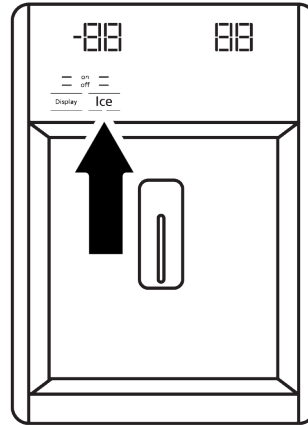


Behälterleitung:



i Verwenden Sie die ersten 10 Gläser Wasser nach dem Anschließen des Filters nicht.

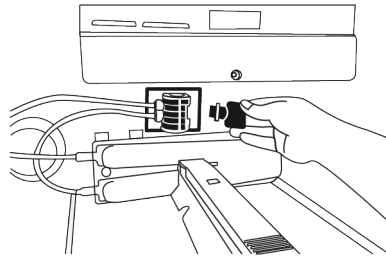
1. Für die Filtermontage muss die **„Ice Off“-Anzeige** aktiv sein. Das Umschalten zwischen EIN- und AUS-Anzeigen auf dem Display erfolgt durch Drücken der **„Ice“-Taste**.



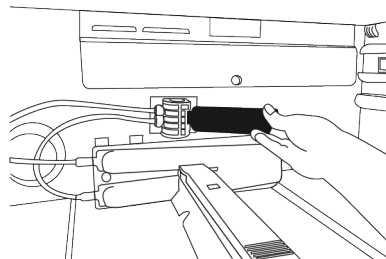
2. Entfernen Sie den Gemüsefach, um an den Wasserfilter zu gelangen.
3. Entfernen Sie die Bypass-Abdeckung des Wasserfilters, in dem Sie sie zu sich ziehen.

i Es ist normal, dass nach dem Entfernen der Abdeckung ein paar Wassertropfen austreten.

4. Bauen Sie die Wasserfilterabdeckung in den Mechanismus ein und drücken Sie sie, um sie zu verriegeln.



5. Verlassen Sie den **„Ice Off“-Modus** indem Sie erneut die **„Ice“-Taste** auf dem Display drücken.





Der Wasserfilter entfernt bestimmte Fremdpartikel im Wasser. Es reinigt das Wasser nicht von Mikroorganismen.

10 Wartung und Reinigung



WARNUNG:

Lesen Sie zuerst den Abschnitt „Sicherheitshinweise“!



WARNUNG:

Ziehen Sie den Netzstecker bevor Sie das Kühlschrankschrank reinigen.

- Verwenden Sie zum Reinigen des Produkts keine scharfen oder scheuernden Werkzeuge. Verwenden Sie keine Materialien wie Haushaltsreiniger, Seifen, Reinigungsmittel, Gas, Benzin, Verdünnern, Alkohol, Wachs usw.
- Der Staub muss mindestens einmal im Jahr vom Lüftungsgitter auf der Rückseite des Produkts entfernt werden (ohne die Abdeckung zu öffnen). Reinigen Sie das Produkt nur mit einem trockenen Tuch.

Für Produkte mit Wasserspender/Eiswürfelbereiter

- Wenn das Wasser im Wassertank 2-3 Wochen gestanden hat, muss es ausgetauscht werden.
- Der Wassertank und die Komponenten des Wasserspenders dürfen nicht in Geschirrspülern gewaschen werden.
- Lösen Sie einen Teelöffel Karbonat im Wasser auf. Feuchten Sie ein Tuch mit dem Wasser an und wringen Sie es aus. Wischen Sie das Gerät mit diesem Tuch ab und trocknen Sie es gründlich ab.
- Achten Sie darauf, dass die Abdeckung der Lampen und sonstige Elektroteile nicht mit Wasser in Kontakt kommen.
- Reinigen Sie die Tür nur mit einem feuchten Tuch. Nehmen Sie die Tür- und Gehäuseablagen sowie den gesamten Inhalt des Kühlschranks heraus. Entfernen Sie

die Türregale, indem Sie sie nach oben heben. Reinigen und trocknen Sie die Ablagen und befestigen Sie sie wieder, indem Sie sie von oben einschieben.

- Verwenden Sie kein chlorhaltiges Wasser bzw. chlorhaltige Reinigungsmittel zur Reinigung der Außenflächen und chrombeschichteten Teile des Geräts. Chlor lässt metallische Oberflächen rosten.
- Verwenden Sie keine scharfen und abrasiven Werkzeuge, Seife, Reinigungsmittel, Reinigungsmittel, Gas, Benzin, Lacke und ähnliche Substanzen, um eine Verformung des Kunststoffteils und das Entfernen von Drucken auf dem Teil zu verhindern. Verwenden Sie zum Reinigen warmes Wasser und ein weiches Tuch und trocknen Sie es anschließend ab.

Bei Produkten ohne Frostschutzfunktion

- können Wassertropfen und Eisbildung bis zu einer Fingerdicke an der Rückwand des Gefrierfachs auftreten. Nicht reinigen und niemals Öle oder ähnliche Materialien auftragen.
- Verwenden Sie ein leicht angefeuchtetes Mikrofasertuch, um die Außenfläche des Produkts zu reinigen. Schwämme und andere Arten von Reinigungskleidung können Kratzer verursachen.
- Um alle entfernbaren Komponenten während der Reinigung der Innenfläche des Produkts zu reinigen, waschen Sie diese Komponenten mit einer milden Lösung aus Seife, Wasser und Karbonat. Gründlich waschen und trocknen. Kontakt von Wasser mit Beleuchtungskomponenten und dem Bedienfeld verhindern.
- Achten Sie darauf, dass die Abdeckung der Lampen und sonstige Elektroteile nicht mit Wasser in Kontakt kommen.

- Reinigen Sie die Tür nur mit einem feuchten Tuch. Entfernen Sie den gesamten Inhalt, um die Tür- und Gehäuseregale zu entfernen. Entfernen Sie die Türregale, indem Sie sie nach oben heben. Reinigen Sie die Türeinsätze gründlich und setzen Sie sie sodann wieder ein, indem Sie diese nach unten gleiten lassen.
- Verwenden Sie kein chlorhaltiges Wasser bzw. chlorhaltige Reinigungsmittel zur Reinigung der Außenflächen und chrombeschichteten Teile des Geräts. Chlor lässt metallische Oberflächen rosten.
- Verwenden Sie keine scharfen und abrasiven Werkzeuge, Seife, Reinigungsmittel, Reinigungsmittel, Gas, Benzin, Lacke und ähnliche Substanzen, um eine Verformung des Kunststoffteils und das Entfernen von Drucken auf dem Teil zu verhindern. Verwenden Sie zum Reinigen warmes Wasser und ein weiches Tuch und trocknen Sie es anschließend ab.
- Bei Produkten ohne Frostschutzfunktion können Wassertropfen und Eisbildung bis zu einer Fingerdicke an der Rückwand des Gefrierfachs auftreten. Nicht reinigen und niemals Öle oder ähnliche Materialien auftragen.
- Verwenden Sie ein leicht angefeuchtetes Mikrofasertuch, um die Außenfläche des Produkts zu reinigen. Schwämme und andere Arten von Reinigungskleidung können Kratzer verursachen.
- Um alle entfernbaren Komponenten während der Reinigung der Innenfläche des Produkts zu reinigen, waschen Sie diese Komponenten mit einer milden Lösung aus Seife, Wasser und Karbonat. Gründlich waschen und trocknen. Kontakt von Wasser mit Beleuchtungskomponenten und dem Bedienfeld verhindern.



VORSICHT:

Verwenden Sie auf keiner Innenfläche Essig, Reinigungsalkohol oder andere Reinigungsmittel auf Alkohobasis.

Außenflächen aus Edelstahl

Verwenden Sie ein nicht scheuerndes Reinigungsmittel aus rostfreiem Stahl und tragen Sie es mit einem weichen, fusselfreien Tuch auf. Wischen Sie zum Polieren die Oberfläche vorsichtig mit einem mit Wasser angefeuchteten Mikrofasertuch ab und verwenden Sie eine trockene Poliergämsse. Folgen Sie immer den Adern des Edelstahls.

Gerüche verhindern

Das Gerät wurde ohne die Verwendung von Geruch erzeugenden Materialien hergestellt. Jedoch kann die unsachgemäße Lagerung von Lebensmitteln wie auch eine unzureichende Reinigung der Innenräume zur Entstehung von Gerüchen führen.

- Um dies zu vermeiden, sollten Sie den Innenraum mit kohlenensäurehaltigem Wasser alle vierzehn Tage reinigen.
- Bewahren Sie die Lebensmittel in versiegelten Behältern auf, da Mikroorganismen, die von Lebensmitteln in nicht versiegelten Behältern stammen, einen schlechten Geruch verursachen.
- Bewahren Sie keine verdorbenen Lebensmittel bzw. solche mit abgelaufenem Haltbarkeitsdatum im Kühlschrank auf.

Schutz der Kunststoffoberflächen

Auf Kunststoffoberflächen ausgelaufenes Öl kann diese beschädigen. Reinigen Sie daher solche Verschmutzungen unverzüglich.

11 Fehlerbehebung

Prüfen Sie diese Liste, bevor Sie sich an den Kundendienst wenden. So sparen Sie Zeit und Geld. Diese Liste enthält häufige Beanstandungen, die nicht auf Verarbeitungs- oder Materialfehler zurückzuführen

sind. Bestimmte hier aufgeführte Merkmale treffen möglicherweise nicht auf Ihr Produkt zu.

Der Kühlschrank funktioniert nicht.

- Der Netzstecker ist nicht vollständig eingesteckt. >>> Stecken Sie den Stecker vollständig in die Steckdose.
- Die Sicherung in der Steckdose, die das Produkt mit Strom versorgt, oder die Hauptsicherung ist durchgebrannt. >>> Prüfen Sie die Sicherung.

Kondenswasser an der Seitenwand des Kühlfachs (MULTI ZONE, COOL CONTROL und FLEXI ZONE).

- Die Tür wird zu häufig geöffnet. >>> Achten Sie darauf, die Tür des Geräts nicht zu häufig zu öffnen.
- Die Umgebung ist zu feucht. >>> Stellen Sie das Gerät nicht in feuchten Umgebung auf.
- Flüssigkeitshaltige Lebensmittel werden in unverschlossenen Behältern aufbewahrt. >>> Bewahren Sie die Lebensmittel, die Flüssigkeiten enthalten, in versiegelten Behältern auf.
- Die Tür des Geräts steht offen. >>> Lassen Sie die Tür des Geräts nicht für längere Zeit offen.
- Der Thermostat ist auf eine sehr kühle Temperatur eingestellt. >>> Stellen Sie den Thermostat auf eine angemessene Temperatur ein.

Der Kompressor funktioniert nicht.

- Bei einem plötzlichen Stromausfall oder wenn der Netzstecker gezogen und wieder eingesteckt wird, ist der Gasdruck im Kühlsystem des Geräts nicht ausgeglichen, wodurch die thermische Sicherung des Kompressors ausgelöst wird. Das Gerät schaltet sich nach etwa 6 Minuten wieder ein. Wenn das Gerät nach diesem Zeitraum nicht wieder anläuft, wenden Sie sich an den Kundendienst.
- Die Abtauung ist aktiv. >>> Dies ist normal für ein vollautomatisches Abtauungsprodukt. Die Abtauung wird regelmäßig durchgeführt.
- Das Gerät ist nicht eingesteckt. >>> Vergewissern Sie sich, dass das Netzkabel eingesteckt ist.

- Die Temperatur ist falsch eingestellt. >>> Wählen Sie die richtige Temperatureinstellung.
- Der Strom ist ausgefallen. >>> Das Gerät arbeitet normal weiter, sobald die Stromversorgung wiederhergestellt ist.

Das Betriebsgeräusch des Kühlschranks nimmt während des Betriebs zu.

- Die Betriebsleistung des Geräts kann je nach den Schwankungen der Umgebungstemperatur variieren. Dies ist normal und stellt keine Fehlfunktion dar.

Der Kühlschrank läuft zu oft oder zu lange.

- Das neue Gerät ist möglicherweise größer als das vorherige. Größere Produkte sind länger in Betrieb.
- Die Raumtemperatur ist möglicherweise zu hoch. >>> Das Gerät läuft normalerweise über längere Zeit bei höherer Raumtemperatur.
- Das Gerät wurde möglicherweise vor kurzem eingesteckt oder es wurde ein neues Lebensmittel hineingelegt. >>> Das Gerät braucht länger, um die eingestellte Temperatur zu erreichen, wenn es kürzlich eingesteckt wurde oder ein neues Lebensmittel hineingelegt wurde. Das ist normal.
- Möglicherweise wurden kürzlich große Mengen heißer Lebensmittel in das Gerät gelegt. >>> Legen Sie keine heißen Lebensmittel in das Gerät.
- Die Türen wurden häufig geöffnet oder für längere Zeit offen gehalten. >>> Die warme Luft, die sich im Inneren bewegt, lässt das Gerät länger laufen. Öffnen Sie die Türen nicht zu häufig.
- Die Tür des Gefrier- oder Kühlgeräts ist möglicherweise angelehnt. >>> Vergewissern Sie sich, dass die Türen vollständig geschlossen sind.
- Das Gerät ist möglicherweise auf eine zu niedrige Temperatur eingestellt. >>> Stellen Sie die Temperatur auf eine höhere Stufe und warten Sie, bis das Produkt die eingestellte Temperatur erreicht hat.

- Die Türdichtung des Kühl- oder Gefrier-schranks ist möglicherweise ver-schmutzt, abgenutzt, kaputt oder nicht richtig eingesetzt. >>> Reinigen oder er-setzen Sie die Dichtung. Eine beschädig-te/gerissene Türdichtung führt dazu, dass das Gerät länger laufen muss, um die aktuelle Temperatur zu halten.

Die Temperatur des Gefrierfachs ist sehr niedrig, aber die Temperatur des Kühl-fachs ist ausreichend.

- Die Temperatur des Gefrierfachs ist auf eine sehr niedrige Temperatur eingestellt. >>> Stellen Sie die Temperatur des Ge-frierfachs auf eine höhere Stufe und prü-fen Sie erneut.

Die Temperatur im Kühlfach ist sehr niedrig, aber die Temperatur im Gefrier-fach ist ausreichend.

- Die Temperatur des Kühlfachs ist sehr niedrig eingestellt. >>> Stellen Sie die Temperatur des Kühlfachs auf eine höhe-re Temperatur ein und überprüfen Sie sie erneut.

Die Lebensmittel in den Schubladen des Kühlfachs sind gefroren.

- Die Temperatur des Kühlfachs ist sehr niedrig eingestellt. >>> Stellen Sie die Temperatur des Kühlfachs auf eine höhe-re Temperatur ein und überprüfen Sie sie erneut.

Die Temperatur im Kühl- oder Gefrier-fach ist zu hoch.

- Die Kühlfachtemperatur ist sehr hoch ein-gestellt. >>> Die Temperatureinstellung des Kühlfachs wirkt sich auf die Tempe-ratur im Gefrierfach aus. Warten Sie, bis die Temperatur der betreffenden Teile ein ausreichendes Niveau erreicht hat, indem Sie die Temperatur der Kühl- oder Gefrier-fächer ändern.
- Die Türen wurden häufig geöffnet oder für längere Zeit offen gehalten. >>> Öff-nen Sie die Türen nicht zu häufig.
- Die Tür kann angelehnt sein. >>> Schlie-ßen Sie die Tür vollständig.

- Das Gerät wurde möglicherweise vor kur-zem eingesteckt oder es wurde ein neues Lebensmittel hineingelegt. >>> Das ist normal. Das Gerät braucht länger, um die eingestellte Temperatur zu erreichen, wenn es kürzlich eingesteckt wurde oder ein neues Lebensmittel hineingelegt wur-de.

- Möglicherweise wurden kürzlich große Mengen heißer Lebensmittel in das Gerät gelegt. >>> Legen Sie keine heißen Le-bensmittel in das Gerät.

Schütteln oder Geräusche.

- Der Untergrund ist nicht eben oder nicht stabil >>> Wenn das Produkt bei langsa-mer Bewegung wackelt, stellen Sie die Ständer ein, um das Produkt auszubalan-cieren. Vergewissern Sie sich auch, dass der Boden ausreichend stabil ist, um das Gerät zu tragen.
- Auf dem Gerät abgestellte Gegenstände können Geräusche verursachen. >>> Ent-fernen Sie alle auf dem Gerät abgestell-ten Gegenstände.
- Das Gerät macht Geräusche von fließe-nden Flüssigkeiten, Sprühern usw.
- Die Funktionsweise des Produkts bein-haltet Flüssigkeits- und Gasströme. >>> Dies ist normal und stellt keine Fehlfunk-tion dar.

Aus dem Gerät kommt ein Windge-räusch.

- Das Produkt verwendet einen Ventilator für den Kühlprozess. Dies ist normal und stellt keine Fehlfunktion dar.

An den Innenwänden des Produkts bil-det sich Kondenswasser.

- Heißes oder feuchtes Wetter führt zu ver-stärkter Vereisung und Kondensation. Dies ist normal und stellt keine Fehlfunk-tion dar.
- Die Türen wurden häufig geöffnet oder für längere Zeit offen gehalten. >>> Öff-nen Sie die Türen nicht zu häufig; wenn sie offen sind, schließen Sie die Tür.
- Die Tür kann angelehnt sein. >>> Schlie-ßen Sie die Tür vollständig.

An der Außenseite des Geräts oder zwischen den Türen bildet sich Kondenswasser.

- Die Umgebungsluft kann feucht sein, dies ist bei feuchtem Wetter ganz normal. >>> Das Kondenswasser wird sich auflösen, wenn die Luftfeuchtigkeit reduziert wird.

Der Innenraum riecht schlecht.

- Das Produkt wird nicht regelmäßig gereinigt. >>> Reinigen Sie den Innenraum regelmäßig mit einem Schwamm, warmem Wasser und kohlenensäurehaltigem Wasser.
- Bestimmte Halterungen und Verpackungsmaterialien können Geruch verursachen. >>> Verwenden Sie geruchsneutrale Halterungen und Verpackungsmaterialien.
- Die Lebensmittel wurden in nicht verschlossenen Behältern gelagert. >>> Lagern Sie die Lebensmittel in geschlossenen Behältern. Mikroorganismen können auf unverschlossene Lebensmittel überspringen und unangenehme Gerüche verursachen.
- Entfernen Sie alle abgelaufenen oder verdorbenen Lebensmittel aus dem Gerät.

Die Tür schließt nicht.

- Lebensmittelverpackungen können die Tür blockieren. >>> Entfernen Sie alle Gegenstände, die die Türen blockieren.

- Das Gerät steht nicht ganz aufrecht auf dem Boden. >>> Stellen Sie die Ständer so ein, dass das Gerät im Gleichgewicht ist.
- Die Oberfläche ist nicht eben oder nicht stabil >>> Vergewissern Sie sich, dass die Oberfläche eben und ausreichend stabil ist, um das Produkt zu tragen.

Das Gemüsefach ist eingeklemmt.

- Die Lebensmittel können mit dem oberen Teil der Schublade in Kontakt sein. >>> Ordnen Sie die Lebensmittel in der Schublade neu an.

Temperatur auf der Oberfläche des Produkts.

- Während des Betriebs Ihres Geräts kann zwischen zwei Türen, an den Seitenwänden und im hinteren Grillbereich eine hohe Temperatur festgestellt werden. Dies ist normal und erfordert keine Wartung.

Das Gebläse läuft weiter, wenn die Tür geöffnet wird.

- Das Gebläse kann weiterlaufen, wenn die Gefrierschranktür geöffnet ist.



WARNUNG: Wenn das Problem nach Befolgen der Anweisungen in diesem Abschnitt weiterhin besteht, wenden Sie sich an Ihren Händler oder einen autorisierten Kundendienst. Versuchen Sie nicht, das Gerät zu reparieren. Das ist normal.

HAFTUNGSAUSSCHLUSS / WARNUNG

Einige (einfache) Störungen können vom Endbenutzer in angemessener Weise behoben werden, ohne dass ein Sicherheitsproblem oder eine unsichere Verwendung entsteht, vorausgesetzt, sie werden innerhalb der Grenzen und in Übereinstimmung mit den folgenden Anweisungen durchgeführt (siehe Abschnitt „Selbstreparatur“).

Sofern im Abschnitt „Selbstreparatur“ nicht anders angegeben, müssen Reparaturen von registrierten Fachwerkstätten durchgeführt werden, um Sicherheitsprobleme zu vermeiden. Eine registrierte Fachwerkstatt ist eine Fachwerkstatt, die vom Hersteller

gemäß den in den Rechtsakten gemäß der Richtlinie 2009/125/EG beschriebenen Methoden Zugang zu den Anweisungen und der Ersatzteilliste dieses Produkts erhalten hat.

Allerdings kann nur der Kundendienst (d.h. autorisierte Fachwerkstätten), den Sie über die in der Bedienungsanleitung/ Garantiekarte angegebene Telefonnummer oder über Ihren Vertragshändler erreichen können, Leistungen im Rahmen der Garantiebedingungen erbringen. Bitte beachten Sie daher, dass bei Repara-

turen durch (die nicht autorisiert sind durch) Beko Fachwerkstätten die Garantie erlischt.

Selbstreparatur

Folgende Ersatzteile können vom Endverbraucher selbst repariert werden: Türgriffe, Türscharniere, Ablagen, Körbe und Türdichtungen (eine aktualisierte Liste ist ab dem 1. März 2021 auch unter support.beko.com verfügbar).

Um die Produktsicherheit zu gewährleisten und die Gefahr von schweren Verletzungen zu vermeiden, müssen die genannten Selbstreparaturen gemäß den Anweisungen in der Bedienungsanleitung für Selbstreparaturen oder auf support.beko.com durchgeführt werden. Ziehen Sie zu Ihrer Sicherheit den Netzstecker des Produkts, bevor Sie eine Selbstreparatur durchführen.

Reparatur- und Instandsetzungsversuche durch Endverbraucher für Teile, die nicht in dieser Liste enthalten sind, und/oder die nicht gemäß den Anweisungen in den Benutzerhandbüchern für die Selbstreparatur oder unter support.beko.com durchgeführt werden, können zu Sicherheitsproblemen führen, die nicht von Beko zu verantworten sind, und führen zum Erlöschen der Garantie für das Produkt.

Daher wird den Endnutzern dringend empfohlen, von Reparaturversuchen abzusehen, die nicht in der genannten Ersatzteilliste aufgeführt sind, und sich in solchen Fällen

an autorisierte Fachwerkstätten oder registrierte Fachwerkstätten zu wenden. Im Gegenteil, solche Versuche können Sicherheitsprobleme verursachen und das Produkt beschädigen und in der Folge Feuer, Überschwemmungen, Stromschläge und schwere Personenschäden hervorrufen. Zum Beispiel, aber nicht ausschließlich, müssen die folgenden Reparaturen an autorisierte Fachwerkstätten oder registrierte Fachwerkstätten gerichtet werden: Kompressor, Kühlkreislauf, Hauptplatine, Inverterplatine, Displayplatine, usw.

Der Hersteller/Verkäufer kann in keinem Fall haftbar gemacht werden, wenn der Endverbraucher die oben genannten Bestimmungen nicht einhält.

Die Ersatzteilverfügbarkeit des von Ihnen gekauften Kühlschranks beträgt 10 Jahre, während dieser Zeit sind Original-Ersatzteile für den ordnungsgemäßen Betrieb des Kühlschranks verfügbar.

Die Mindestgarantiedauer für den von Ihnen gekauften Kühlschrank beträgt 24 Monate.

Dieses Produkt ist mit einer Lichtquelle der Energieklasse „G“ ausgestattet.

Die Lichtquelle in diesem Produkt darf nur von autorisierte Fachwerkstätten ausgetauscht werden.

Siehe auch

2 DISCLAIMER / WARNING [] 35]

Vă rugăm ca mai întâi să citiți acest manual!

Stimate client/ă

Vă rugăm să citiți acest manual înainte de a utiliza produsul.

Vă mulțumim că ați ales acest Beko produs. Am dori să obțineți eficiența optimă din acest produs de înaltă calitate care a fost fabricat cu tehnologie de ultimă generație. Pentru a face acest lucru, citiți cu atenție acest manual și orice alte documente furnizate, înainte de a utiliza produsul și păstrați-l ca referință.

Respectați toate informațiile și avertismentele din manualul de utilizare. În acest fel, vă veți proteja pe dumneavoastră și produsul dumneavoastră împotriva pericolelor care pot apărea.

Păstrați manualul de utilizare. Includeți acest manual împreună cu unitatea dacă o predați altcuiva.

Următoarele simboluri sunt utilizate în manualul de utilizare:



Pericol care poate duce la deces sau vătămare.



Informații importante sau sfaturi utile privind funcționarea.




Citiți manualul de utilizare.



Material combustibil, avertizare împotriva pericolului de incendiu.

NOTIFICARE Un pericol care poate provoca daune produsului sau mediului înconjurător

		<p>Informațiile despre model, așa cum sunt stocate în baza de date despre produse, pot fi accesate pe următorul site web căutând identificatorul de model (*) aflat pe eticheta energetică.</p> <p>https://eprel.ec.europa.eu/</p>
SUPPLIER'S NAME	MODEL IDENTIFIER → (*)	
		

1	Instrucțiuni de siguranța	82
1.1	Utilizare destinată.....	82
1.2	Siguranța copiilor, a persoanelor vulnerabile și a animalelor de companie	82
1.3	Siguranța electrică	83
1.4	Manevrarea în siguranță	84
1.5	Siguranța instalației	84
1.6	Siguranța funcțională	86
1.7	Siguranța depozitării alimentelor ..	89
1.8	Siguranța legată de întreținere și curățare	90
1.9	Eliminarea produselor vechi	90
2	Instrucțiuni privind mediul	91
2.1	Conformitatea cu Directiva DEEE și eliminarea deșeurilor	91
3	Frigiderul dumneavoastră.....	92
4	Instalare	93
4.1	Conexiunea electrică.....	95
5	Pregătirea	95
5.1	Modalități de reducere a consumului de energie electrică ..	95
5.2	Prima utilizare.....	96
5.3	Clasa climatică și definiții.....	96
6	Operarea produsului.....	96
7	Panoul de control al produsului ..	97
8	Utilizarea produsului	98
8.1	Înlocuirea lămpii de iluminat	101
8.2	Alertă ușă deschisă.....	101
9	Caracteristicile produsului.....	102
9.1	Zona de depozitare a gheții	102
9.2	Suportul pentru ouă.....	104
9.3	Sertar pentru fructe și legume proaspete	104
9.4	Tehnologii sertar legume și fructe	104
9.5	Zona de depozitare la rece a produselor lactate	104
9.6	Sertar legume fructe cu control al umidității	105
9.7	Racordarea la apă	105
10	Întreținerea și curățarea.....	111
11	Depanare	112

1 Instrucțiuni de siguranța

Această secțiune include instrucțiunile de siguranță necesare pentru a preveni riscul de vătămare corporală sau daunele materiale.

Compania noastră nu răspunde de daunele care pot să apară dacă aceste instrucțiuni nu sunt respectate.

Operațiunile de instalare și reparare trebuie să fie realizate întotdeauna de către un service autorizat.

Utilizați doar piese de schimb și accesorii originale.

Piesele de schimb originale pentru 10 ani, după data de achiziție a produsului.

Nu reparați și nu înlocuiți nicio componentă a produsului, cu excepția cazului în care este specificat în mod expres în manualul de utilizare.

Nu efectuați nicio modificare asupra produsului.

1.1 Utilizare destinată

Acest produs nu este adecvat pentru uzul comercial și nu trebuie utilizat altfel decât pentru utilizarea prevăzută. Acest produs este conceput

pentru a fi utilizat în spații interioare, casă și în locuri similare.

De exemplu:

- În bucătăriile pentru personal ale magazinelor, birourilor și în alte medii de lucru,
- În ferme,
- În unitățile hotelurilor, motelurilor sau în alte facilități de cazare care sunt folosite de către clienți,
- În hosteluri sau alte medii similare,
- Pentru servicii de catering și alte aplicații non-retail similare.

Acest produs nu trebuie să fie folosit în medii deschise sau externe închise, precum nave, balcoane sau terase. Expunerea produsului la ploaie, zăpadă, lumina soarelui și vânt poate cauza un risc de incendiu.

1.2 Siguranța copiilor, a persoanelor vulnerabile și a animalelor de companie



- Acest produs poate să fie folosit de către copiii în vârstă de cel puțin 8 ani și de către persoanele cu capacități fizice,

senzoriale sau mentale subdezvoltate sau lipsite de experiență și cunoștințe numai dacă sunt supravegheate sau au fost instruite cu privire la folosirea aparatului într-un mod sigur pentru produs și în legătură cu pericolele asociate.

- Copiii cu vârste între 3 și 8 ani pot să scoată și să introducă produse din/în frigider.
- Produsele electrice sunt periculoase pentru copii și animalele de companie. Copiii și animalele de companie nu trebuie să se joace cu, să se urce pe produs sau să intre în produs.
- Curățarea și întreținerea de către utilizator nu trebuie efectuate de către copii, cu excepția cazului în care există cineva care îi supraveghează.
- Țineți ambalajele departe de copii. Risc de vătămare și sufocare.

Înainte de a elimina produsele vechi ce nu mai sunt folosite:

1. Scoateți ștecherul cablului de alimentare din priza de perete.
2. Tăiați cablul de alimentare și îndepărtați-l de aparat, împreună cu ștecărul.

3. Nu scoateți rafturile și sertarele din produs pentru a nu le permite copiilor să intre în acesta.
 4. Scoateți ușile.
 5. Depozitați produsul astfel încât să nu poată să se răstoarne.
 6. Nu permiteți copiilor să se joace cu produsul casat.
- Nu eliminați produsul aruncându-l pe foc. Risc de explozie.
 - Dacă există o încuietoare pe ușa produsului, nu lăsați cheia la îndemâna copiilor.



1.3 Siguranța electrică

- Produsul nu trebuie conectat la priză în timpul operațiunilor de instalare, întreținere, curățare, reparare și transport.
- În cazul în care cablul de alimentare este deteriorat, acesta trebuie să fie înlocuit numai de către un service autorizat, pentru a elimina riscurile care pot să apară.
- Nu strângeți cablul de alimentare sub produs sau în spatele produsului. Nu puneți obiecte grele pe cablul de alimentare. Cablul de alimentare nu trebuie îndoit, strivit și nu trebuie să intre în contact cu nicio sursă de căldură.

- Nu folosiți un prelungitor, un triplu ștecăr sau un adaptor pentru a utiliza produsul.
- Prizele multiple portabile sau sursele de alimentare portabile se pot supraîncălzi, cauzând un incendiu. De aceea, nu poziționați un triplu ștecăr în spatele sau în apropierea produsului.
- Priza trebuie să fie ușor accesibilă. Dacă acest lucru nu este posibil, un mecanism ce respectă legislația în domeniul electricității și care deconectează toate conexiunile de la rețeaua de alimentare (siguranță, comutator, comutator principal etc.) trebuie să existe în instalația electrică.
- Nu atingeți priza cu mâinile ude.
- Atunci când decuplați aparatul, nu țineți de cablul de alimentare, ci de ștecher.

1.4 **Manevrarea în siguranță**

- Acest produs este greu; nu îl manevrați singuri.
- În timp ce manevrați produsul, nu îl țineți de ușă.
- În timp ce manevrați produsul, aveți grijă să nu deteriorați sistemul de răcire și țevile. Nu

folosiți produsul dacă țevile sunt deteriorate; contactați un service autorizat.

1.5 **Siguranța instalației**

- Pentru instalarea produsului, contactați un service autorizat. Pentru a pregăti produsul pentru instalare, consultați informațiile din manualul de utilizare și asigurați-vă că racordarea la utilitățile de apă și electricitate este conformă. Dacă nu este conformă, contactați un electrician și un instalator. În caz contrar pot interveni situații de electrocutare, incendiu, probleme cu produsul sau vătămări.
- Verificați eventualele deteriorări ale produsului înainte de instalare. Înainte de a instala produsul, verificați dacă este deteriorat.
- Așezați produsul pe o suprafață dreaptă și rigidă și echilibrați-l de la piciorușele reglabile. În caz contrar, frigiderul poate să se răstoarne și să cauzeze vătămări.
- Produsul trebuie să fie instalat într-un loc uscat și bine ventilat. Sub produs, nu trebuie

să existe mochete, covoare sau alte articole de acoperit pardoseala. Din cauza ventilării insuficiente, acestea pot să cauzeze un incendiu!

- Nu blocați și nu acoperiți orificiile de ventilare. În caz contrar, consumul de putere poate să crească, iar produsul poate să se defecteze.
- Produsul nu trebuie conectat la sisteme de alimentare precum sistemul de energie solară. În caz contrar, produsul dumneavoastră poate fi deteriorat din cauza schimbărilor bruște de tensiune!
- Cu cât mai mult agent frigorific conține un frigider, cu atât mai mare trebuie să fie camera în care se află. În camerele foarte mici, poate să apară un amestec de aer și gaz inflamabil în cazul unei scurgeri de gaz din sistemul de răcire. Un volum de cel puțin 1 m³ este necesar pentru fiecare 8 grame de agent frigorific. Cantitatea disponibilă în produsul dumneavoastră este specificată în eticheta de tip.
- Locul de instalare a produsului nu trebuie expus la lumina directă a soarelui și nu trebuie să se afle în apropierea unei surse de căldură, cum ar fi soba, caloriferul etc. Dacă nu aveți altă posibilitate decât să instalați produsul în apropierea unei surse de căldură, trebuie să utilizați o placă izolatoare adecvată, iar distanța minimă până la sursa de căldură va fi cea specificată mai jos.
 - Cel puțin 30 cm de sursele de căldură precum sobe, unități de încălzire și radiatoare etc.,
 - Și cel puțin 5 cm de cuptoarele electrice.
- Produsul dumneavoastră are clasa de protecție I.
- Racordați produsul la o priză legată la pământ ce respectă valorile de tensiune, intensitate și frecvență specificate în eticheta de tip. Priza trebuie să aibă o siguranță de 10A – 16A. Firma noastră nu își va asuma responsabilitatea pentru niciun fel de avarii produse din cauza folosirii fără împământare sau conectare la alimentare în conformitate cu reglementările locale și naționale.
- Cablul de alimentare al produsului trebuie să fie scos din priză în timpul instalării. În caz contrar, pot să apară riscuri de electrocutare și vătămare!

- Nu introduceți produsul în prize desfăcute, sparte, murdare, unuroase sau în prize care au ieșit din suporturi sau socluri și există riscul de contact cu apa.
- Amplasați cablul de alimentare și furtunurile produsului (dacă există) astfel încât să nu producă un risc de împiedicare.
- Pătrunderea umidității în piesele sub tensiune sau în cablul de alimentare poate să cauzeze un scurtcircuit. De aceea, nu folosiți produsul în medii umede sau în zone în care apa poate să fie împrăscată (de exemplu, garaj, spălătorie etc.). Dacă frigiderul este udat cu apă, scoateți-l din priză și contactați un service autorizat.
- Nu racordați niciodată frigiderul la dispozitive de economisire a energiei. Aceste sisteme sunt dăunătoare pentru produs.
- În cazul defectării produsului, scoateți-l din priză și nu îl utilizați până când nu este reparat la un service autorizat. Risc de electrocutare!
- Nu așezați o sursă de flacără (de exemplu, lumânări, țigări etc.) pe produs sau în apropierea acestuia.
- Nu vă urcați pe produs. Risc de cădere și vătămare!
- Nu produceți stricăciuni țevilor sistemului de răcire folosind instrumente ascuțite și tăioase. Agentul frigorific care țâșnește în cazul străpungerii țevilor de gaz, extensiilor țevilor sau stratului de acoperire superior poate să cauzeze iritații ale pielii și vătămări ale ochilor.
- Nu introduceți și nu utilizați aparate electrice în interiorul frigiderelor/congelatoarelor decât la recomandarea producătorului.
- Aveți grijă să nu vă prindeți mâinile sau alte membre în piesele în mișcare din interiorul produsului. Aveți grijă să nu vă prindeți degetele între frigider și ușa sa. Dacă un copil se află în apropiere, aveți grijă atunci când deschideți sau închideți ușa.

1.6 Siguranța funcțională

- Nu folosiți niciodată solvenți chimici pe produs. Aceste materiale prezintă un risc de explozie.

- Nu introduceți în gură înghețată, cuburi de gheață sau alimente congelate imediat după ce le-ați scos din congelator. Risc de degerături!
- Nu atingeți cu mâinile ude pereții interiori, piesele din metal ale congelatorului sau alimentele din interiorul congelatorului. Risc de degerături!
- Nu introduceți cutii cu sucuri acidulate sau cutii și sticle ce conțin lichide care pot să fie congelate în compartimentul de congelare. Cutiile sau sticlele pot să explodeze. Risc de vătămare și daune materiale!
- Nu folosiți și nu amplasați materiale sensibile la temperatură, precum sprayuri inflamabile, obiecte inflamabile, zăpadă carbonică sau alți agenți chimici, în apropierea instalației frigorifice. Risc de incendiu și explozie!
- Nu depozitați materiale explozibile, precum cutiile cu aerosoli cu materiale inflamabile, în interiorul produsului.
- Nu așezați pe produs cutii care conțin lichide. Stropirea cu apă a pieselor electrice poate să ducă la riscuri de electrocutare sau incendii.
- Acest produs nu este destinat depozitării și răcirii medicamentelor, plasmei din sânge, preparatelor de laborator sau a altor materiale și produse similare care fac obiectul Directivei privind produsele medicale.
- Dacă produsul nu este folosit conform scopului destinat, poate să producă daune sau deteriorarea produselor păstrate în interiorul său.
- Dacă frigiderul este prevăzut cu lumină albastră, nu priviți această lumină cu dispozitive optice. Nu priviți direct spre ledul UV pentru o perioadă lungă de timp. Razele ultraviolete pot să afecteze ochii.
- Alimentele din interiorul produsului nu trebuie să depășească volumul recomandat. Pot să apară vătămări sau daune în cazul în care conținutul frigiderului cade atunci când ușa este deschisă. Probleme similare pot să apară de asemenea atunci când un obiect este așezat pe produs.

- Asigurați-vă că ați îndepărtat gheața sau apa care este posibil să fi căzut pe podea pentru a preveni vătămările.
- Schimbați poziția rafturilor/ rafurilor pentru sticle de pe ușa frigiderului numai atunci când acestea sunt goale. Pericol de accidentare!
- Nu așezați obiecte care pot să cadă/să se răstoarne pe produs. Aceste obiecte pot să cadă atunci când deschideți sau închideți ușa și să cauzeze vătămări și/sau daune materiale.
- Nu loviți și nu exercitați o presiune excesivă pe suprafețele din sticlă. Sticla spartă poate să cauzeze răniri și/sau daune materiale.
- Sistemul de răcire al produsului dumneavoastră conține agent frigorific R600a. Tipul de agent frigorific utilizat în produs este specificat în eticheta de tip. Acest gaz este inflamabil. De aceea, aveți grijă să nu deteriorați sistemul de răcire și țevile în timp ce utilizați produsul. În caz de deteriorare a țevilor:
 1. Nu atingeți produsul sau cablul de alimentare.
 2. Țineți produsul la distanță de potențialele surse de incendiu care pot să ducă la incendierea sa.
 3. Ventilați zona în care se află produsul. Nu folosiți un ventilator.
 4. Contactați un service autorizat.
 5. Dacă produsul este deteriorat și observați o scurgere de gaze, păstrați distanța față de gaz. Dacă intră în contact cu pielea, acesta poate să cauzeze degerături.

Pentru produsele cu dozator de apă/gheață

- Folosiți numai apă potabilă. Nu umpleți rezervorul de apă cu suc de fructe, lapte, băuturi carbogazoase, băuturi alcoolice sau orice alte lichide incompatibile cu folosirea într-un dozator de apă. Aceasta pot să ducă la riscuri legate de sănătate și securitate.
- Nu permiteți copiilor să se joace cu dozatorul de apă sau icematic pentru a preveni accidentele și rănirile.
- Nu introduceți degetele sau diferite obiecte în orificiul dozatorului de apă, în canalul pentru gheață sau în interiorul

recipientului icematic. Aceasta poate să cauzeze răni sau daune materiale.

- Utilizați seturile de furtunuri furnizate împreună cu produsul. Nu utilizați seturile de furtunuri vechi. Nu extindeți furtunurile!
- Conectați întotdeauna produsul la racordul de alimentare cu apă rece. Nu efectuați instalarea la racordul de alimentare cu apă caldă. Presiunea la racordul de alimentare cu apă rece trebuie să fie de maxim 80 psi (550 kPa). Dacă presiunea apei depășește 80Psi sau are un efect de impact asupra apei, utilizați o supapă de limitare a presiunii la sistemul de alimentare. Solicitați ajutorul instalatorilor profesioniști dacă nu știți cum să controlați presiunea apei.
- Presiunea ridicată poate cauza deteriorarea conexiunilor furtunului și poate prezenta un risc de inundare.
- Luați măsuri de precauție necesare împotriva riscului de înghețare a furtunurilor. Intervalul temperaturii de funcționare a apei trebuie să fie de minimum 0,6 °C (33 °F) și maximum 38 °C (100 °F) .

Există riscul de inundare în cazul în care furtunul este crăpat/perforat.



1.7 Siguranța depozitării alimentelor

Vă rugăm să acordați atenție următoarelor avertismente pentru a evita deteriorarea alimentelor:

- Lăsarea ușilor deschise pentru o perioadă lungă de timp poate duce la creșterea temperaturii din interiorul produsului.
- Curățați în mod regulat sistemele de drenaj accesibile care au contact cu alimentele.
- Curățați rezervoarele de apă care nu au fost folosite timp de 48 de ore și sistemele de apă alimentate de la rețea care nu au fost folosite de mai mult de 5 zile.
- Puneți carnea crudă și produsele din pește în compartimente adecvate din cadrul produsului. Astfel, acestea nu picură și nu intră în contact cu alte alimente.
- Compartimentele congelatorului cu două stele sunt folosite pentru alimentele preumplute, prepararea și depozitarea înghețatei și a înghețată.

- Compartimentele cu una, două și trei stele nu sunt adecvate pentru congelarea alimentelor proaspete.
- Dacă produsul de răcire a fost lăsat gol pentru o perioadă lungă de timp, opriți produsul, dezghețați-l, curățați-l și uscați-l pentru a proteja carcasa produsului.
- Nu folosiți aburi sau materiale de curățare cu aburi pentru curățarea produsului și topirea gheții din interiorul acestuia. Aburul intră în contact cu zonele sub tensiune din frigider și poate să ducă la electrocutări și scurtcircuite.
- Aveți grijă ca apa să nu intre în circuitele electrice sau în dispozitivele de iluminat ale produsului.

1.8 Siguranța legată de întreținere și curățare

- Dacă trebuie să mutați produsul pentru a-l curăța, nu trageți de mânerul ușii. Mânerul poate să producă vătămări dacă este tras prea tare.
- Nu curățați produsul pulverizând sau turnând apă pe produs și în interiorul produsului. Risc de electrocutare și incendiu.
- Când curățați produsul, nu utilizați unelte ascuțite și abrazive sau agenți de curățare de uz casnic, detergent, gaz, benzină, diluant, alcool, lac și substanțe similare. În interiorul produsului utilizați numai agenți de curățare și întreținere care nu sunt toxici pentru alimente.

1.9 Eliminarea produselor vechi

Atunci când eliminați produsul vechi, urmați instrucțiunile de mai jos:

- Pentru a preveni blocarea accidentală a copiilor în produs, dacă există un sistem de blocare a ușii, dezactivați-l.
- Stropii de lichid de răcire sunt dăunători pentru ochi. Nu deteriorați nicio parte a sistemului de răcire în timpul eliminării produsului.

- Poate fi fatal dacă uleiul din compresor este înghițit sau dacă acesta pătrunde în tractul respirator.
- Sistemul de răcire al produsului include gaz R600a, așa cum este specificat în

eticheta de tip. Acest gaz este inflamabil. Nu eliminați produsul aruncându-l pe foc.
Risc de explozie!

RO

2 Instrucțiuni privind mediul

2.1 Conformitatea cu Directiva DEEE și eliminarea deșeurilor



Acest produs este în conformitate cu Directiva UE privind DEEE (2012/19/UE). Produsul este prevăzut cu un simbol de clasificare pentru deșeuri de echipamente

electrice și electronice (WEEE).

Acest simbolul indică faptul că acest produs nu trebuie eliminat cu alte deșeuri domestice la terminarea duratei sale de viață. Aparatul uzat trebuie predat la punctul de colectare oficial pentru reciclarea dispozitivelor electrice și electronice. Pentru a găsi aceste sisteme de colectare, contactați autoritățile dvs. locale sau distribuitorul de unde a fost achiziționat produsul. Fiecare gospodărie joacă un rol important în recuperarea și reciclarea aparatelor vechi. Eliminarea

corespunzătoare a aparatelor uzate contribuie la prevenirea consecințelor potențial negative asupra mediului și sănătății umane.

Conformitatea cu Directiva RoHS

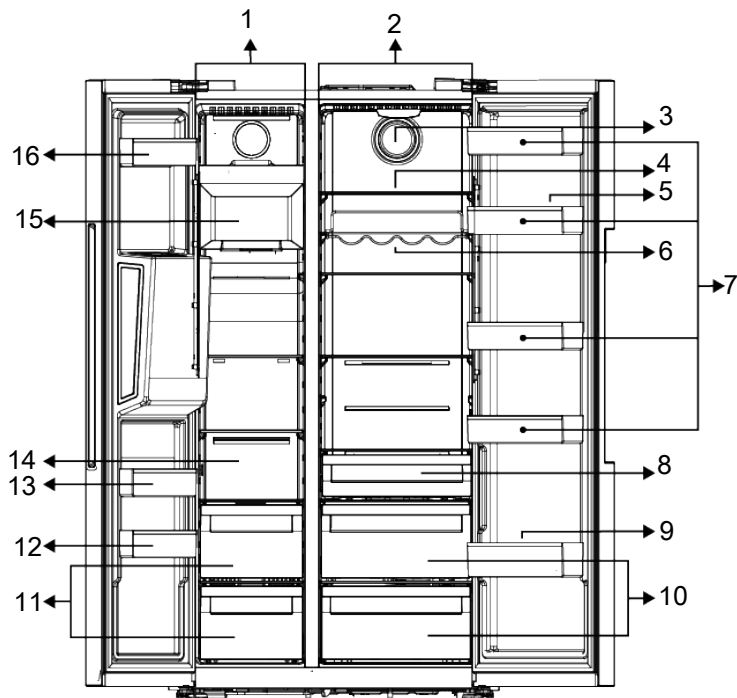
Produsul pe care l-ați achiziționat este în conformitate cu Directiva UE RoHS (65/2011/UE). Acesta nu conține materiale nocive și interzise specificate în Directivă.



Informații despre ambalaj

Materialele de ambalare ale produsului sunt fabricate din materiale reciclabile în conformitate cu Reglementările naționale privind mediul. Nu eliminați materialele de ambalare împreună cu deșeurile menajere sau alte deșeuri. Predați-le la punctele de colectare a ambalajelor desemnate de autoritățile locale.

3 Frigiderul dumneavoastră



1 Compartiment congelator

3 Ventilator

5 Suportul pentru ouă

7 *Rafturi ușă compartiment frigider

9 *Raft sticle

11 Compartimente pentru păstrarea alimentelor congelate

13 Rafturi ușă congelator

15 *Aparatul de gheață

2 Compartimentul frigorific

4 *Raftul de sticlă al compartimentului frigider

6 *Raft sticle

8 *Coș pentru lactate (păstrare la rece)

10 *Sertar pentru fructe și legume

12 Rafturi ușă congelator

14 Compartimente pentru depozitarea alimentelor congelate și raft de sticlă

16 Rafturi ușă congelator

***Opțional:** Cifrele din acest manual de utilizare sunt schematice și s-ar putea să nu corespundă exact cu produsul dvs. Dacă

produsul dumneavoastră nu conține componentele relevante, informațiile se referă la alte modele.

4 Instalare

Locul corect pentru instalare



Citiți mai întâi secțiunea „Instrucțiuni de siguranță”!

Produsul dumneavoastră, necesită o circulație adecvată a aerului pentru a funcționa eficient. Dacă produsul va fi plasat într-o nișă, nu uitați să lăsați o distanță de cel puțin 5 cm între produs și tavan, peretele din spate și pereții laterali. Verificați dacă elementul de protecție a spațiului la peretele din spate se află în locația sa (dacă este furnizat împreună cu produsul). Dacă elementul nu este disponibil sau dacă este pierdut sau căzut, poziționați produsul astfel încât să rămână o distanță de cel puțin 5 cm între suprafața din spate a produsului și pereții camerei. Spațiul din spate este important pentru funcționarea eficientă a produsului.



Nu utilizați prelungitoare sau prize multiple pentru alimentarea la rețeaua electrică.



Producătorul nu își asumă nicio responsabilitate pentru orice avarie suferită de lucrările efectuate de persoane neautorizate.



Cablul de alimentare al produsului trebuie să fie scos din priză în timpul instalării. În caz contrar, există pericol de moarte sau de vătămare gravă!



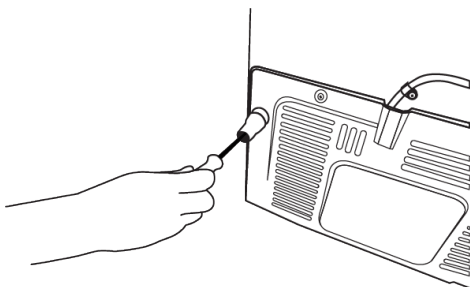
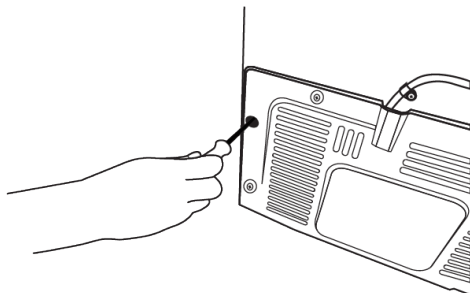
Dacă ușa încăperii este prea îngustă pentru a permite introducerea produsului, demontați ușa și răsuciți produsul în lateral; dacă acest lucru nu funcționează, contactați centrul de service autorizat.

- Dispuneți produsul pe o suprafață plată pentru a evita vibrațiile
- Așezați produsul la cel puțin 30 cm față de plite, cuptor și surse similare de căldură și la cel puțin 5 cm față de cuptoarele electrice.
- Nu expuneți produsul la lumina directă a soarelui și nu îl păstrați în medii umede.

Fixarea elementelor de fixare de tip pană din plastic

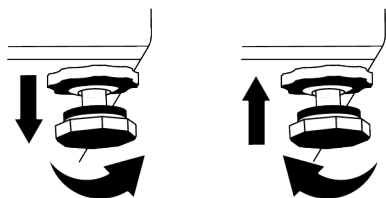
Folosiți penele de plastic furnizate împreună cu produsul pentru a asigura destul spațiu pentru circulația aerului între produs și perete.

- Îndepărtați șuruburile de pe produs și montați șuruburile furnizate împreună cu elementele de fixare de tip pană.



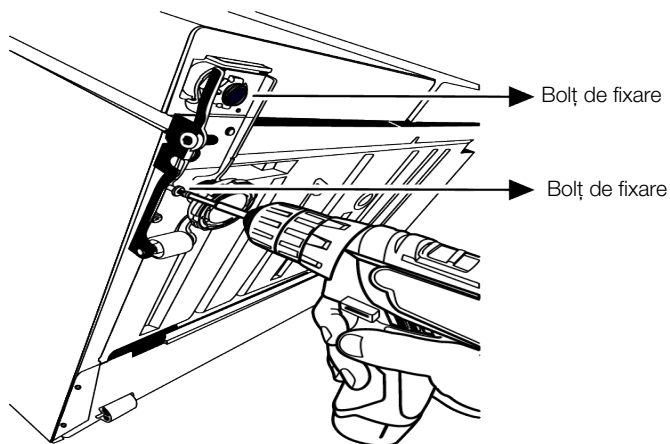
Ajustarea picioarelor frontale

Dacă produsul nu se află într-o poziție echilibrată, puteți regla echilibrul acestuia prin rotirea suporturilor frontale din partea dreapta sau stânga.



Pentru ajustarea verticală a ușilor,

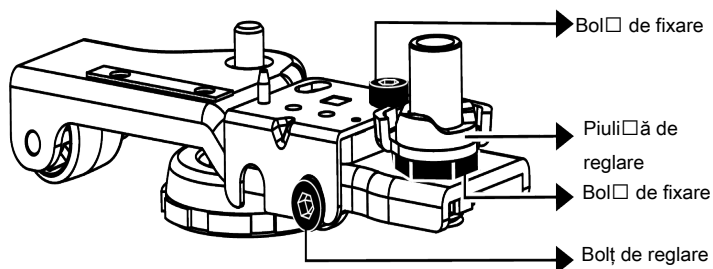
Slăbiți șurubul de fixare aflat în partea inferioară. Răsuciți bolțul de ajustare spre poziția ușii (în sensul/în sens invers acelor de ceasornic). Strângeți bolțul de fixare pentru a imobiliza poziția.



Pentru ajustarea orizontală a ușilor,

Slăbiți șurubul de fixare aflat în partea inferioară. Slăbiți bolțul de fixare aflat în partea superioară. Răsuciți bolțul de

ajustare în lateral spre poziția ușii (în sensul/în sens invers acelor de ceasornic). Pentru a imobiliza poziția, strângeți bolțul de fixare superior. Strângeți bolțul de fixare inferior.



4.1 Conexiunea electrică



AVERTISMENT: Nu utilizați prelungitoare sau prize multiple pentru alimentarea la rețeaua electrică.



AVERTISMENT: Cablul de alimentare deteriorat trebuie înlocuit de un centru de service autorizat.

- Firma noastră nu își va asuma responsabilitatea pentru niciun fel de avarii produse din cauza folosirii fără

împământare sau conectare la alimentare în conformitate cu reglementările naționale.

- Cablul de alimentare trebuie să fie ușor accesibil după instalare.

RO



Avertizare! Suprafață fierbinte! Pereții laterali ai produsului dvs. sunt echipați cu țevi de răcire pentru a îmbunătăți sistemul de răcire. Lichidul de înaltă presiune poate curge prin aceste suprafețe și poate cauza suprafețe fierbinți pe pereții laterali. Acest lucru este normal și nu necesită reparații. Aveți grijă când intrați în contact cu aceste zone.

5 Pregătirea



Citiți mai întâi secțiunea „Instrucțiuni de siguranță”!

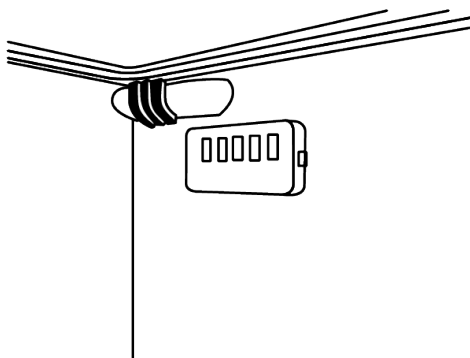
5.1 Modalități de reducere a consumului de energie electrică



Conectarea produsului la sisteme electronice de economisire a energiei este dăunătoare deoarece poate afecta produsul.

- Acest aparat frigorific nu este destinat utilizării ca aparat încorporat.
- Nu lăsați ușa frigiderului deschisă perioade îndelungate de timp.
- Nu puneți mâncare fierbinte sau băuturi în frigider.
- Nu supraîncărcați frigiderul; blocarea circulației aerului din interior va reduce capacitatea de răcire.
- Deoarece aerul cald și umed nu va pătrunde direct în produsul dvs. atunci când ușile nu sunt deschise, produsul dvs. se va optimiza în condiții suficiente pentru a vă proteja alimentele. Funcțiile și componentele, cum ar fi compresorul, ventilatorul, radiatorul, dezghețarea, iluminatul, afișajul și așa mai departe, vor funcționa în funcție de necesitățile de consum minim de energie.

- În cazul în care există mai multe opțiuni, rafturile din sticlă trebuie amplasate astfel încât intrările de aer de la peretele din spate să nu fie blocate, și este de preferat ca intrările de aer să rămână sub raftul de sticlă. Această combinație poate ajuta la îmbunătățirea distribuției de aer și eficienței energetice.
- Utilizarea sertarului inferior în timpul încărcării este recomandată cu tărie.
- Asigurați-vă că alimentele nu intră în contact cu senzorul de temperatură din compartimentul frigorific descris mai jos.



- Dacă sunt în contact cu senzorul, consumul de energie al aparatului ar putea crește.

- Alimentele se depozitează folosind sertarele din compartimentul frigorific pentru a asigura economisirea energiei și pentru a proteja alimentele în condiții mai bune.

5.2 Prima utilizare

Înainte de utilizarea frigiderului, asigurați-vă că ați realizat pregătirile necesare conform instrucțiunilor din capitolele „Instrucțiuni privind siguranța și mediul” și „Instalarea”.

- Lăsați frigiderul să funcționeze fără alimente timp de 6 ore și nu deschideți ușa, decât dacă este absolut necesar.
- Schimbarea de temperatură cauzată de deschiderea și închiderea ușii în timpul utilizării produsului poate duce în mod normal la condens pe rafturile ușii/ corpului și pe produsele de sticlă plasate în produs.



Se va auzi un sunet când compresorul este cuplat. Este normal ca produsul să facă zgomot chiar dacă compresorul nu funcționează, deoarece lichidul și gazul pot fi comprimate în sistemul de răcire.



Este normal ca marginile frontale ale frigiderului să fie calde. Aceste zone sunt proiectate să se încălzească pentru împiedicarea condensului.

6 Operarea produsului



Citiți mai întâi secțiunea „Instrucțiuni de siguranță”!

- Nu utilizați unelte mecanice sau alte unelte decât cele recomandate de producător pentru a accelera operațiunea de dezghețare.
- Nu folosiți părți ale frigiderului, cum ar fi ușa sau sertarele, ca suport sau treaptă. Acest lucru poate duce la răsturnarea produsului sau deteriorarea componentelor sale.



Pentru unele modele, panoul indicator se oprește automat la 1 minut după ce ușa este închisă. Va fi reactivat atunci când ușa este deschisă sau dacă este apăsat vreun buton.

5.3 Clasa climatică și definiții

Vă rugăm să consultați Clasa Climatică de pe plăcuța de identificare a aparatului. Una dintre următoarele informații este aplicabilă aparatului conform Clasei Climatice.

- **SN:** Clima temperată pe termen lung: Aparatul de răcire este proiectat pentru a fi utilizat la temperaturi ambientale cuprinse între 10 °C și 32 °C.
- **N:** Clima temperată: Aparatul de răcire este proiectat pentru a fi utilizat la temperaturi ambientale cuprinse între 16°C și 32 °C.
- **ST:** Climă subtropicală: Aparatul de răcire este proiectat pentru a fi utilizat la temperaturi ambientale cuprinse între 16°C și 38°C.
- **T:** Climă tropicală: Aparatul de răcire este proiectat pentru a fi utilizat la temperaturi ambientale cuprinse între 16°C și 43°C.

- Produsul se utilizează numai pentru depozitarea alimentelor.
- Închideți supapa de apă dacă vă veți afla departe de casă (de exemplu, în vacanță) și nu veți folosi icematic sau dozatorul de apă pentru o perioadă lungă de timp. În caz contrar, pot apărea scurgeri de apă.

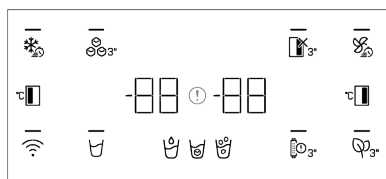
Înteruperea programului


- Dacă nu veți folosi produsul pentru o perioadă lungă de timp, deconectați produsul de la priză.

- Îndepărtați alimentele pentru a preveni mirosurile.

- Așteptați ca gheața să se topească, curățați interiorul și lăsați-l să se usuce, lăsați ușile deschise pentru a nu deteriora materialele plastice din interior.

7 Panoul de control al produsului



 Citiți mai întâi secțiunea „Instrucțiuni de siguranță”.

*Opțional: Funcțiile afișate sunt opționale, pot exista diferențe de formă și de locație ale funcțiilor de pe panoul indicator al aparatului.

Funcțiile audio și vizuale ale panoului indicator vă vor ajuta la folosirea frigiderului.

Tasta de congelare rapidă

Atunci când este apăsată tasta de congelare rapidă, LED-ul de pe tastă se aprinde și funcția de congelare rapidă este activată. Temperatura compartimentului de Congelator este setată la -27 grade Celsius. Apăsați din nou tasta pentru a anula funcția. Funcția de congelare rapidă se va anula automat după 24 de ore. Pentru a congela o cantitate mare de alimente proaspete, apăsați tasta de congelare rapidă înainte de amplasa alimentele în compartimentul frigorific.

Buton Pornit/Oprit (Pornit/ Oprit) Icematic

Apăsarea acestei taste timp de 3 secunde activează procesul de producere a gheții, iar LED-ul de pe tastă se aprinde. Dacă apăsați din nou tasta timp de 3 secunde, procesul de producere a gheții este anulat, iar cuburile de gheață care au fost create anterior pot fi utilizate chiar dacă funcția este anulată.

Indicatorul privind starea de eroare

Acest indicator trebuie să fie activ atunci când frigiderul nu poate efectua o răcire adecvată sau în cazul unei erori a senzorului. Pe indicatorul de temperatură al compartimentului de Congelator va fi afișat „E”, iar pe indicatorul de temperatură al compartimentului de răcire se afișează cifre precum 1,2,3...

Aceste cifre furnizează informații serviciului autorizat cu privire la defecțiunea care a intervenit.

Semnul exclamării poate fi afișat atunci când încărcăți alimente calde în compartimentul congelator sau păstrați ușa deschisă pentru o perioadă lungă de timp. Aceasta nu este o defecțiune, acest avertisment dispăre atunci când alimentul este răcit sau atunci când este apăsat orice buton.

Tastă funcțională (Vacanță) a compartimentului frigorific dezactivată

Pentru a activa funcția vacanță, apăsați tasta timp de 3 secunde.

Modul vacanță va fi activat, iar LED-ul de pe tastă se va ilumina. “- -” va fi afișat pe indicatorul temperaturii Compartimentului frigorific iar compartimentul frigorific nu efectuează răcirea în mod activ. Nu este recomandat să țineți alimente în compartimentul frigorific atunci când această funcție este activată. Celelalte compartimente continuă să se răcească în funcție de temperaturile stabilite anterior. Apăsați din nou tasta continuu timp de 3 secunde pentru a anula această funcție.

Tastă de răcire rapidă

Când apăsați tasta de răcire rapidă, LED-ul tastei este aprins, iar funcția de răcire rapidă va fi activată. Temperatura

compartimentului de răcire este setată la 1 grad Celsius. Apăsăți din nou tasta pentru a anula funcția. Funcția de congelare rapidă va fi anulată automat după finalizarea răcirii.

Tastă de setare a temperaturii compartimentului frigorific

Permite setarea temperaturii pentru compartimentul frigorific. Apăsarea acestei taste va permite setarea temperaturii compartimentului frigorific la 8,7,6,5,4,3,2 și 1 grade Celsius.

Tasta modului dezodorizant

Apăsăți această tastă timp de 3 secunde pentru a activa/dezactiva funcția dezodorizant. Când funcția de dezodorizare este activă, LED-ul tastei respective este aprins. Când funcția este activă, modulul dezodorizant va fi utilizat periodic.

Tasta avertizare înlocuire filtru

Filtrul de admisie a apei al frigiderului trebuie schimbat la intervale regulate. Frigiderul dumneavoastră calculează automat

aceste intervale. Când durata de viață a filtrului a expirat, LED-ul de pe tasta de avertizare pentru înlocuirea filtrului se aprinde. După schimbarea filtrului, apăsați continuu butonul timp de 3 secunde pentru a opri LED-ul de avertizare pentru înlocuirea filtrului.

Tasta de selectare apă, cuburi de

gheață, gheață zdrobită

Această tastă vă permite să comutați între apă, cuburi de gheață și gheață zdrobită. Când activați funcția, lumina de pe tastă va rămâne aprinsă.

Tasta wireless

Această tastă este utilizată pentru a realiza o conexiune wireless cu produsul dvs. prin aplicația mobilă HomeWhiz.

Când apăsați tasta timp de 3 secunde, LED-ul de pe tastă clipește încet (la intervale de 0,5 secunde). Rețeaua home este astfel inițializată pe produs.

După obținerea conexiunii wireless cu produsul, LED de pe tastă se aprinde permanent.

Când este stabilită conexiunea inițială, puteți activa/dezactiva conexiunea cu o apăsare scurtă pe această tastă. LED-ul de pe tastă va clipi rapid (la intervale de 0,2 secunde) până când aparatul dvs. este conectat. Când conexiunea este activă, LED-ul va rămâne aprins.

Dacă legătura nu poate fi stabilită pentru o perioadă lungă, verificați setările conexiunii și consultați secțiunea "Troubleshooting" din manualul de utilizare.

Aplicația HomeWhiz va fi utilizată pentru conexiunea wireless. Pașii de instalare sunt descriși în aplicație în timpul instalării. Puteți accesa aplicația citind codul QR disponibil pe eticheta HomeWhiz de pe produs. Aplicația este oferită prin App Store pentru dispozitive IOS și prin Play Store pentru dispozitive Android.

Accesați <https://www.homewhiz.com/> pentru informații detaliate.

Tasta de setare a temperaturii compartimentului congelator

Setarea temperaturii se face pentru compartimentul congelatorului. Apăsând această tastă, temperatura compartimentului congelatorului va fi setată la -16, -17, -18, -19, -20, -21, -22 grade Celsius.

8 Utilizarea produsului



Citiți mai întâi secțiunea „Instrucțiuni de siguranță”!

Păstrarea alimentelor în compartimentul congelator

- Puteți activa funcția Quick Freeze (Congelare rapidă) cu 4-6 ore înainte de funcția de congelare putând astfel efectua o răcire mai rapidă.
- Așteptați ca mâncarea fierbinte să ajungă la temperatura camerei înainte de a o pune în compartimentul congelator.
- Alimentele trebuie congelate în pachete separate împărțite în porții conform cantității consumate la o masă.
- Împachetarea alimentelor înainte de a le introduce în congelator este recomandată.
- Pentru a preveni expirarea termenului de păstrare, scrieți pe ambalaj data congelării, ora și denumirea produsului în funcție de termenii de păstrare a diferitelor alimente.
- Consumați rapid alimentele decongelate. Alimentele decongelate nu pot fi congelate din nou decât dacă sunt gătite. Nu este sănătos să consumați alimente proaspete recongelate fără a le găti după ce sunt decongelate.
- Atunci când congelați alimente proaspete, evitați contactul acestora cu alimentele deja congelate. În caz contrar, alimentele congelate se vor dezgheța.
- Pentru a proteja calitatea alimentelor, intervalul de timp între tranzacția de cumpărare și depozitare trebuie să fie cât mai scurt posibil.
- Cumpărați alimente congelate care sunt păstrate la $-18\text{ }^{\circ}\text{C}$ sau temperaturi mai scăzute.
- Evitați cumpărarea alimentelor ale căror ambalaje sunt acoperite cu gheață etc. Aceasta înseamnă că produsul ar putea fi parțial decongelat și apoi recongelat. Temperatura are impact asupra calității alimentelor.
- Nu depășiți termenul de păstrare recomandat de producătorul de alimente. Scoateți din congelator alimentele doar în cantitatea de care aveți nevoie.
- Înafara cazurilor în care în mediul înconjurător există circumstanțe extreme, dacă produsul dvs. (din tabelul cu valori setate recomandate) este păstrat la valorile setate specificate, el își va păstra prospețimea mai mult timp atât în compartimentul pentru produse proaspete, cât și în compartimentul congelator.
- În cazul în care compartimentul pentru alimente proaspete este setat la o temperatură mai scăzută, fructele și legumele proaspete se pot congela parțial.

Păstrarea alimentelor care sunt vândute gata congelate

- Urmați întotdeauna instrucțiunile producătorului cu privire la termenul de păstrare al alimentelor. Nu depășiți termenul specificat în aceste instrucțiuni!

Tabel valori setate recomandate

Setarea compartimentului de congelare	Setarea compartimentului frigider	Observații
$-18\text{ }^{\circ}\text{C}$	$4\text{ }^{\circ}\text{C}$	Aceasta este setarea implicită recomandată. Această setare este recomandată în cazul în care temperatura ambiantă este sub $30\text{ }^{\circ}\text{C}$.
$-20, -22$ sau $-24\text{ }^{\circ}\text{C}$	$4\text{ }^{\circ}\text{C}$	Aceste setări sunt recomandate pentru temperaturile ambiante care depășesc $30\text{ }^{\circ}\text{C}$.
Quick Freeze (Congelare rapidă)	$4\text{ }^{\circ}\text{C}$	Utilizați atunci când doriți să congelați alimentele într-un timp scurt. La încheierea procesului, produsul va reveni la poziția anterioară.
$-18\text{ }^{\circ}\text{C}$ sau mai rece	$2\text{ }^{\circ}\text{C}$	Utilizați aceste setări în cazul în care considerați că compartimentul răcitorului nu este suficient de rece din cauza temperaturii ambiante sau a deschiderii frecvente a ușii.

Congelare rapidă

1. Activați funcția de congelare rapidă cu 24 de ore înainte de așezarea alimentelor proaspete.
2. După 24 de ore de la apăsarea butonului, așezați alimentele care doriți să le congelați pe raftul al treilea sau al patrulea cu o capacitate de congelare mai mare.
3. Funcția de congelare rapidă va fi dezactivată în mod automat după 24 de ore.

Detalii congelator

Conform standardelor IEC 62552, congelatorul trebuie să aibă capacitatea de a îngheța 4,5 kg de alimente la -18 °C sau la temperaturi mai scăzute la 25 °C temperatura camerei în 24 de ore pentru fiecare 100 de litri din volumul compartimentului congelatorului.

Produsele alimentare se pot păstra pentru perioade îndelungate de timp numai la temperaturi de sau mai mici de -18°C. Puteți păstra alimentele proaspete cu lunile (în congelator sau la temperaturi sub 18°C). Produsele alimentare de congelat nu trebuie să ia contact cu alimentele deja congelate din interior, pentru a evita decongelarea parțială.

Fierbeți legumele și filtrați apa pentru a prelungi timpul de stocare în congelator. Puneți alimentele în ambalaje ermetice după filtrare și puneți-le în congelator. Bananele, roșiile, salata, țelina, ouăle fierte, cartofii și alte alimente similare nu trebuie congelate. În cazul în care aceste alimente îngheață, doar valorile nutriționale și calitățile alimentare vor fi afectate negativ. Nu se pune în discuție o putrefacție care ar amenința sănătatea umană.

Așezarea alimentelor

Rafturile compartimentului congelator:

Diferite alimente congelate precum carnea, peștele, înghețata, legumele etc.

Rafturi pentru compartimentul de răcire:

Alimente în recipiente, farfurii cu capac și recipiente cu capac, ouă (în recipient cu capac)

Rafturi ușă compartiment frigider:

Alimente mici și ambalate sau băuturi

Sertar pentru fructe și legume

proaspete: Legume și fructe

Compartiment pentru alimente

proaspete: Delicatese (alimente pentru micul dejun, produse din carne care trebuie consumate într-un timp scurt)

Păstrarea alimentelor în compartimentul frigider

- Dacă ușa compartimentului este deschisă și închisă frecvent și lăsată deschisă o perioadă lungă de timp, temperaturile din compartiment cresc vizibil iar acest lucru poate reduce durata de viață a alimentelor precum și la alterarea acestora.
- Pentru a nu provoca schimbări ale mirosului și gustului, alimentele trebuie păstrate în recipiente închise.
- Nu depozitați prea multe alimente în frigider. Pentru a asigura o răcire mai bună și omogenă, așezați alimentele separat, astfel încât aerul rece să poată circula printre ele.
- Asigurați circulația aerului lăsând spațiu între alimente și peretele interior. Dacă lipiți alimentele de peretele din spate, acestea pot îngheța.
- Așteptați ca mâncarea gătită și fierbinte să ajungă la temperatura camerei înainte de a o pune în frigider. Apoi, puteți pune mâncarea caldă în rafturile inferioare ale frigiderului. Nu așezați mâncarea caldă în apropierea alimentelor care se pot altera ușor.
- Dezghețați alimentele congelate în compartimentul pentru alimente proaspete. Astfel, puteți răci compartimentul pentru alimente proaspete folosind alimente congelate astfel putând economisi energie.

- Păstrarea fructelor tropicale neocapte (mango, soiuri de pepene galben, papaya, banane, ananas) în frigider poate accelera procesul de maturizare. Acest lucru nu este recomandat deoarece va duce la o perioada mai scurtă de păstrare.
- Păstrați ceapa, usturoiul, chimbirul și alte legume rădăcinoase în condiții de cameră întunecată și rece, nu în frigider.
- Dacă observați că în frigider s-a alterat un aliment, aruncați-l și curățați accesoriile care au intrat în contact cu el.
- Pentru a răci rapid mâncărurile precum supe și tocane, care se gătesc în cratițe mari, le puteți pune la frigider, separându-le în recipiente de mică adâncime.
- Nu așezați alimente neambalate lângă ouă.
- Păstrați fructele și legumele separat și fiecare soi împreună (de exemplu: mere cu mere, morcovi cu morcovi)
- Scoateți legumele verzi din pungă de plastic și puneți-le la frigider după ce le-ați înfășurat într-un prosop de hârtie sau o cârpă. Dacă spălați acest tip de alimente înainte de a le pune în frigider, nu uitați să le uscați.
- Puteți crea atât un mediu umed, cât și să permiteți circulația aerului păstrând fructele și legumele, care sunt predispuse la uscarea, în pungi de plastic perforate sau nesigilate.
- Înafara cazurilor în care în mediul înconjurător există circumstanțe extreme, dacă produsul dvs. (din tabelul cu valori setate recomandate) este păstrat la valorile setate specificate, el își va păstra prospețimea mai mult timp atât în compartimentul pentru produse proaspete, cât și în compartimentul congelator.

Păstrați diferite alimente în diferite locuri în funcție de proprietățile acestora.

Aliment	Locația
Ou	Raft de ușă
Produce lactate (unt, brânză)	Dacă există, compartimentul de zero grade (pentru alimentele de mic dejun)
Fructe, legume și verdeață	Compartimentul fructe-legume, sertar pentru fructe și legume sau Compartimentul EverFresh+ (dacă există)
Carnea proaspătă, carne de pui, pește, cârnați etc. Alimente gătite	Dacă există, compartimentul de zero grade (pentru alimentele de mic dejun)
Produce gata de servit, produse împachetate, produse conservă și murături	Rafturile superioare sau raftul de ușă
Băuturi, sticle, condimente și snackuri	Raft de ușă

8.1 Înlocuirea lămpii de iluminat

Luați legătura cu Service-ul autorizat atunci când becul/LED-ul utilizat pentru iluminarea frigiderului va fi schimbat.

Lampa (lămpile) utilizată (utilizate) în acest aparat nu poate (pot) fi utilizată (utilizate) pentru iluminatul locuințelor. Scopul

acestei lămpi este de a ajuta utilizatorul să introducă alimente în frigider/congelator în condiții de siguranță și confort.

8.2 Alertă ușă deschisă

O alertă audio se va auzi dacă ușa produsului rămâne deschisă pentru 1 minute. Alerta audio se va opri când ușa este închisă sau când apăsați orice buton de pe ecran (dacă e disponibil).

9 Caracteristicile produsului

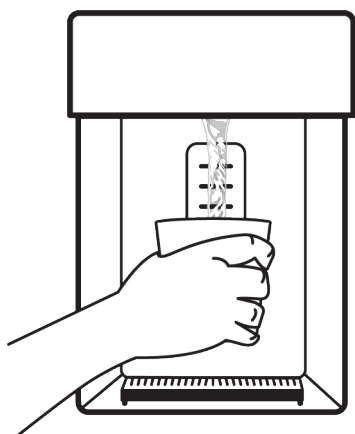
9.1 Zona de depozitare a gheții

Luarea de gheață/apă

Selectați opțiunea respectivă utilizând

afișajul pentru a prelua apă (🍵) / cuburi de gheață (🧊) / gheață spartă (🧊). Apăsăți declanșatorul de pe dozatorul de apă pentru a lua apă/gheață. Când comutați între opțiunile cuburi de gheață (🧊) /

gheață spartă (🧊), este posibil ca tipul de gheață de la selecția anterioară să fie livrat.



- Pentru a lua gheață din dozatorul de gheață/apă pentru prima dată, trebuie să așteptați aproximativ 12 ore. În cazul în care nu există suficientă gheață în recipientul pentru gheață, nu puteți lua gheață din dozator.
- Nu consumați cuburile de gheață (3-4 litri) după prima pornire produsului.
- În cazul unei pane de curent sau o defecțiune temporară în timpul funcționării produsului, gheața se poate topi puțin și îngheța din nou. În acest caz, cuburile de gheață se pot lipi unul de altul. În cazul în care întreruperea de curent sau defecțiunea continuă, gheața se poate topi și poate provoca scurgeri

de apă. Când apare o astfel de problemă, curățați recipientul de gheață aruncând gheața rămasă în recipientul cu gheață.



AVERTIZARE

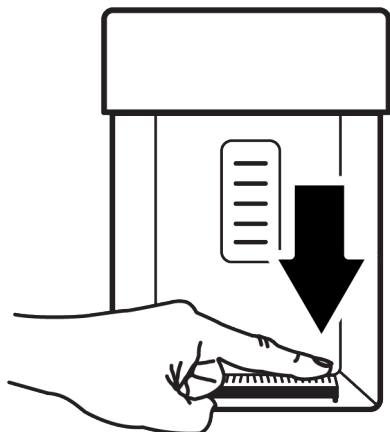
Sistemul de apă al produsului trebuie conectat numai la **conducta de apă rece. Acesta nu trebuie conectat la conducta de apă caldă.**

- Este posibil ca apa să nu poată fi luată în timpul primei funcționări a produsului. Motivul pentru aceasta este existența aerului în sistem. Va trebui să eliminați aerul din sistem. Pentru aceasta, apăsați pe declanșatorul dozatorului timp de 1-2 minute până când din dozatorul de apă vine apă. La început, apa poate curge neregulat. Debitul de apă va reveni la normal după ce aerul din sistem este eliminat.
- Când filtrul este folosit pentru prima dată, poate ieși o apă murdară. Nu consumați primele 10 pahare de apă.
- Când produsul este instalat pentru prima dată, trebuie să treacă aproximativ 12 ore pentru ca apa să se răcească.
- Sistemul de apă al produsului a fost proiectat astfel încât să poată funcționa numai cu apă curată. Nu utilizați altă băutură înafara apei.
- Dacă nu folosiți produsul o perioadă îndelungată cum ar fi atunci când sunteți în vacanță etc., vă recomandăm să anulați racordul de apă. Dacă dozatorul de apă nu este utilizat o perioadă îndelungată de timp, este posibil ca primele 1-2 pahare de apă să fie cu apă caldă.

Tava pentru captarea picăturilor

Apa care picură din dozator se acumulează pe tăviță de scurgere, nu există o scurgere pentru apă. Puteți scoate țavița de scurgere

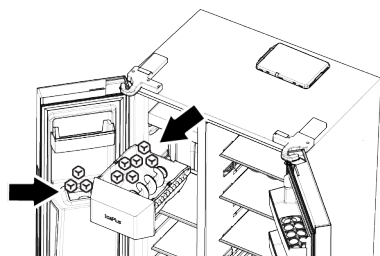
trăgând-o înspre dumneavoastră sau apăsând pe marginea ei. Astfel puteți curăța apa din tăvița de scurgere.



Aparatul de gheață

Aparatul pentru gheață se află în partea superioară a corpului congelatorului.

Apucând mânerul de sub partea frontală, trageți recipientul de depozitare cu gheață spre dvs. pentru a-l scoate.



Pentru a scoate recipientul de depozitare cu gheață

Apucați mânerul de la baza recipientului și trageți-l spre dvs.

Pentru a reinstala recipientul de depozitare cu gheață

Așezați recipientul în fanta sa și împingeți-l înapoi, ținând paralel cu solul. Vă rugăm să vă asigurați că nu va fi lăsat niciun spațiu liber între recipient și compartimentul aparatului de gheață.

În cazul în care nu puteți obține toate cuburile de gheață produse

Cuburile de gheață rămase în recipientul de depozitare pentru o perioadă lungă de timp se pot lipi între ele și pot forma blocuri mari de gheață. În acest caz, scoateți recipientul de depozitare cu gheață conform descrierii din manual, separați cuburile de gheață, scoateți-le pe cele care nu pot fi separate de recipient și puneți cuburile rămase înapoi în recipient.

Dacă problema persistă, verificați canalul pentru gheață și ștergeți-l dacă este blocat.

La prima utilizare a aparatului de gheață sau după o perioadă lungă

Cuburile de gheață se pot micșora din cauza aerului rezidual din sistemul de apă. Aerul va fi evacuat automat după o perioadă de timp de utilizare.

Nu folosiți cuburile de gheață produse în prima zi, astfel încât să puteți reîmprospăta toată apa rămasă în sistem.



AVERTIZARE

Nu introduceți mâna sau niciun alt obiect în canalul pentru gheață și în lamele de zdrobire a gheții în timpul funcționării frigiderului.

Nu permiteți copiilor să se agațe de aparatul de gheață, de recipientul de păstrare a gheții sau de dozatorul de apă/gheață.

Prindeți bine recipientul de depozitare cu gheață cu ambele mâini, pentru a nu cădea.

Când închideți rapid ușa aparatului, este posibil ca apa din aparatul de gheață să sară în recipientul de depozitare cu gheață.

Nu demontați recipientul de depozitare cu gheață dacă nu este necesar.

În cazul unui blocaj (aparatul nu eliberează gheață) în timp ce obțineți gheață zdrobită, încercați să obțineți cuburi de gheață.

Apoi, puteți încerca din nou să obțineți gheață zdrobită.

Când luați gheața zdrobită, aparatul poate produce mai întâi cuburi de gheață. Este posibil ca aparatul să producă cuburi de gheață atunci când luați gheață zdrobită. Ușa congelatorului aparatului de gheață poate fi acoperită de strat subțire de gheață și o peliculă.

Acest lucru este normal și vă recomandăm să îl curățați imediat.

După un anumit timp, apa se poate umple în grila care se află la baza dozatorului de apă.

Vă recomandăm să scoateți apa din grătar în mod regulat.

Este normal să auziți un sunet când cuburile de gheață cad din cutia dozatorului de gheață. Acest lucru nu înseamnă o defecțiune.

Mecanismul cu lamă al recipientului de gheață este ascuțit și vă poate răni mâna. Dacă cuburile de gheață nu sunt eliberate din dozatorul de gheață, înseamnă că cuburile de gheață pot fi lipite între ele.

Trebuie să curățați recipientul pentru a continua să obțineți cuburi de gheață.

Când este apăsată maneta pentru gheață (Indicator etc.), tipul de gheață nu poate fi schimbat. Trebuie să eliberați maneta (Indicator etc.), să schimbați tipul de gheață și să luați din nou gheață. Pentru aceasta, puteți lua din nou gheață după ce ați schimbat tipul de gheață de pe indicator.

9.2 Suportul pentru ouă

Puteți așeza suportul pentru ouă pe ușa sau pe raftul dorit.

Dacă suportul pentru ouă urmează să fie așezat pe raft, vă recomandăm să alegeți rafturi inferioare mai reci.



Nu așezați niciodată suportul pentru ouă în compartimentul congelatorului

9.3 Sertar pentru fructe și legume proaspete

Setarul pentru legume și fructe proaspete al frigiderului este conceput pentru a menține legumele proaspete prin păstrarea umidității. În acest scop, circularea totală a aerului rece este intensificată în cutia pentru legume și fructe. Păstrați fructele și legumele în acest compartiment. Păstrați legumele cu frunze verzi și fructele separat pentru a prelungi durata de viață.

9.4 Tehnologiile sertar legume și fructe

Lumina albastră

Fructele și legumele păstrate în compartimentele pentru legume și iluminate cu lumină albastră își continuă fotosinteza prin efectul frecvenței luminii albastre și, astfel, își păstrează conținutul de vitamine.

HarvestFresh

Fructele și legumele păstrate în compartimentele pentru legume și iluminate prin tehnologia HarvestFresh își păstrează vitaminele pentru o perioadă mai lungă datorită luminilor albastră, verde, roșie și a ciclurilor de lumină-întuneric care simulează un ciclu de zi.

Atunci când ușa frigiderului dvs. este deschisă în timpul perioadei de întuneric a tehnologiei HarvestFresh, frigiderul dvs. va simți acest lucru în mod automat și va ilumina sertarul cu una dintre luminile albastre, verzi sau roșii, pentru confortul dvs. După ce ați închis ușa frigiderului, perioada de întuneric va continua, reprezentând timpul de noapte într-un ciclu de zi.

9.5 Zona de depozitare la rece a produselor lactate

Sertar depozitare la rece

Sertarul de depozitare la rece poate atinge temperaturi mai scăzute în compartimentul frigorific. Utilizați acest sertar pentru a depozita delicatese (salam, cârnați,

produse lactate etc.) și produse lactate care necesită o temperatură de depozitare mai scăzută sau produse din carne, pui sau pește pentru consum imediat. Stocarea fructelor și legumelor în acest compartiment nu este recomandată.

9.6 Sertar legume fructe cu control al umidității

Everfresh

Cu funcția de sertar cu umiditate controlată, umiditatea legumelor și fructelor este ținută sub control, iar alimentele sunt păstrate proaspete pentru o perioadă mai lungă de timp.

Vă recomandăm să așezați legumele cu frunze precum salata verde, spanacul și legumele similare care sunt sensibile la pierderea umidității în sertar, nu în poziție verticală pe rădăcini, ci cât mai orizontal posibil.

La plasarea legumelor, așezați legumele grele și dure în partea de jos și cele ușoare și moi în partea de sus, luând în considerare greutatea specifică a legumelor.

Nu lăsați niciodată legumele în pungi în sertarul pentru legume și fructe. Lăsându-le în pungi de plastic, legumele putrezesc într-un timp scurt.

În situațiile în care nu se preferă contactul cu alte legume, utilizați materiale de ambalare, cum ar fi hârtia, care are un anumit nivel de porozitate din punct de vedere al igienei.

Nu așezați fructe care au o producție mare de gaze de etilenă, cum ar fi pere, caise, piersici și în special mere, în același sertar cu alte legume și fructe. Gazul de etilenă care provine din aceste fructe poate determina alte legume și fructe să se maturizeze mai repede și să putrezească într-o perioadă mai scurtă de timp.

9.7 Racordarea la apă

(Această caracteristică este opțională)



AVERTIZARE

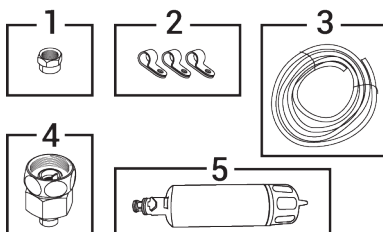
Produsul și pompa de apă, dacă există, trebuie să fie scoase din priză în timpul racordării.

RO

Conexiunile produsului dvs. la rețea, la filtru și la damigeană trebuie să fie efectuate de un service autorizat.

În funcție de model, puteți racorda produsul la o damigeană sau direct la rețeaua de apă. Pentru a face acest racord, mai întâi trebuie să conectați furtunul de apă la produs.

În funcție de modelul produsului dvs., verificați dacă următoarele piese sunt incluse cu produsul:

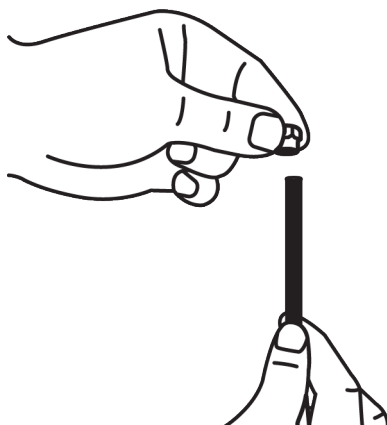
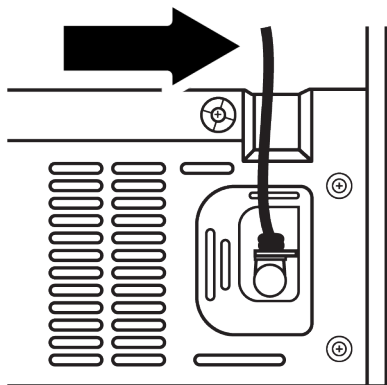


1. Racord (1 bucată) : Utilizat pentru fixarea furtunului de apă la partea din spate a produsului.
2. Clemă pentru furtun (3 bucăți) : Folosit pentru fixarea furtunului de apă pe perete.
3. Furtun de apă (1 bucată, 5 metri diametru 1/4 inch): Folosit pentru realizarea de racordări la apă.
4. Adaptor pentru robinet (1 bucată) : Utilizat pentru conectarea la rețeaua de apă rece cu filtru poros.
5. Filtru de apă (1 bucată *Opțional): Acesta este utilizat pentru a racorda produsul la rețeaua de apă. Dacă există un racord pentru damigeană, nu este nevoie să folosiți un filtru de apă.

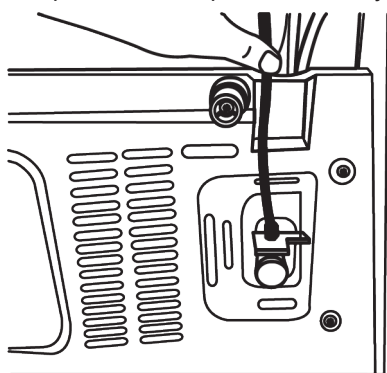
Racordarea furtunului de apă la produs

Urmați instrucțiunile de mai jos pentru a racorda furtunul de apă la produs.

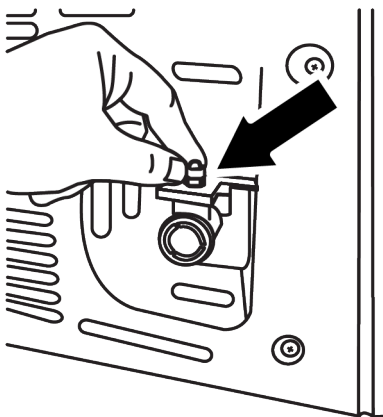
1. Îndepărtați fittingul de pe adaptorul de capăt de furtun atașat la partea din spate a produsului și înșurubați-l pe furtunul de apă.



2. Atașați furtunul de apă la adaptorul pentru furtun apăsând ferm în jos.



3. Fixați racordul la adaptorul pentru capăt de furtun prin strângere manuală. Puteți strânge racordul folosind o cheie pentru țevi sau un clește.

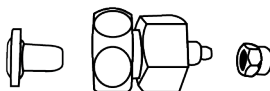


Racordarea la rețeaua de apă

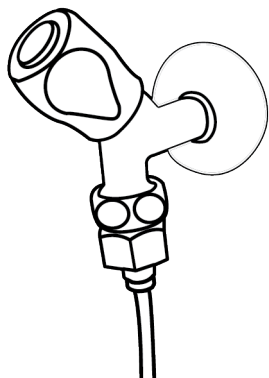
(Această caracteristică este opțională)

Dacă doriți să utilizați produsul prin racordarea acestuia la conducta de apă rece, trebuie să instalați un racord standard cu supapă de 1/2" pe rețeaua de apă rece din locuința dumneavoastră. Dacă acest fitting nu este disponibil și nu sunteți sigur, consultați un instalator calificat.

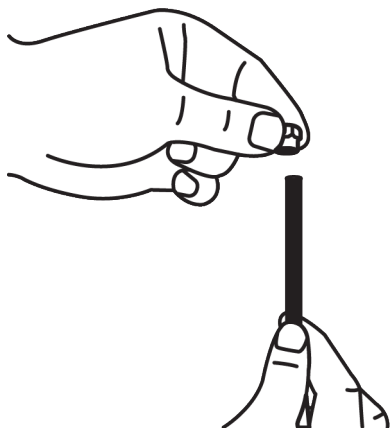
1. Deconectați racordul de la adaptorul robinetului.



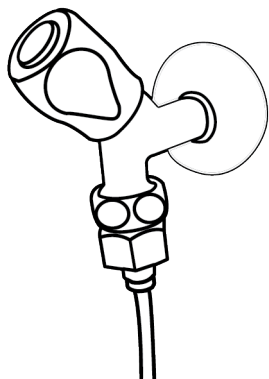
2. Conectați adaptorul pentru robinet la robinetul de rețea.



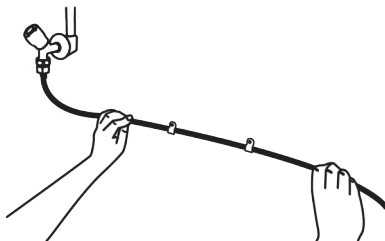
3. Înșurubați racordul pe furtunul de apă.



4. Înșurubați racordul pe adaptorul de robinet și strângeți-l cu mâna/cheia.



5. Fixați furtunul de apă în locuri adecvate cu ajutorul clemelor prevăzute pentru a preveni deteriorarea, alunecarea sau deplasarea accidentală.



AVERTIZARE

După deschiderea robinetului, asigurați-vă că nu există scurgeri de apă la ambele îmbinări ale furtunului de apă. În caz de scurgere, închideți imediat robinetul și strângeți toate îmbinările cu o cheie pentru țevi sau un clește.

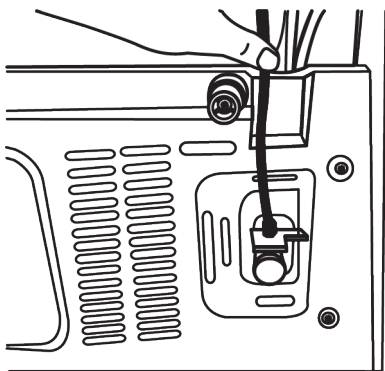
Pentru produsele care urmează să fie utilizate în damigene;

(Această caracteristică este opțională)

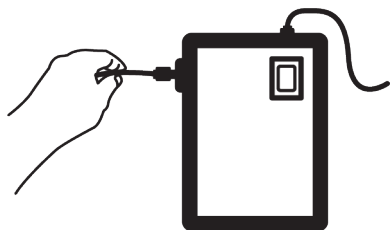
Pentru a racorda apa din damigeană la produs, este necesară pompa de apă recomandată de service-ul autorizat.

Pentru a racorda apa din damigeană la produs, este necesară pompa de apă recomandată de service-ul autorizat.

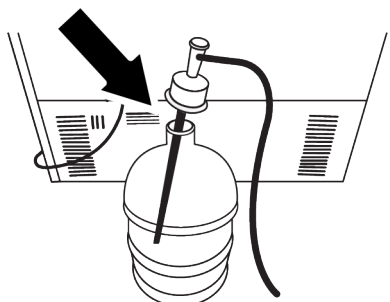
1. După ce ați racordat un capăt al furtunului de apă de la pompă la produs, urmați instrucțiunile de mai jos.



2. Efectuați racordul prin împingerea celui alt capăt al furtunului de apă în orificiul de intrare al furtunului de apă al pompei.



3. Fixați furtunul pompei prin introducerea acestuia în damigeană.



4. După finalizarea racordului, conectați pompa la priză și porniți pompa.

i După pornirea pompei, așteptați 2-3 minute pentru ca aceasta să atingă eficiența dorită.

i Consultați manualul de instrucțiuni al pompei în timp ce faceți racordul la apă.

i Dacă se va utiliza o damigeană, nu este nevoie să folosiți un filtru de apă.

Filtru de apă

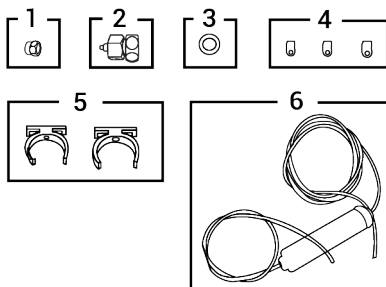
(Această caracteristică este opțională)
În funcție de model, produsul dumneavoastră poate avea un filtru exterior sau interior. Pentru a instala filtrul de apă, urmați instrucțiunile de mai jos.

Montarea filtrului exterior pe perete

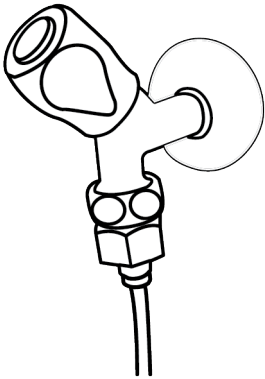
(Această caracteristică este opțională)

! **AVERTIZARE**
Nu instalați filtrul pe produs.

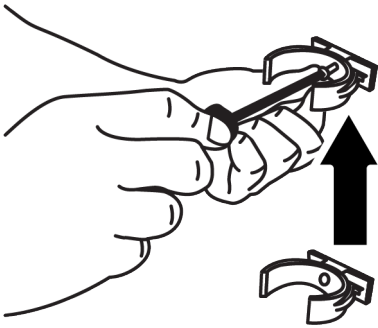
În funcție de modelul produsului dvs., verificați dacă următoarele piese sunt incluse cu produsul:



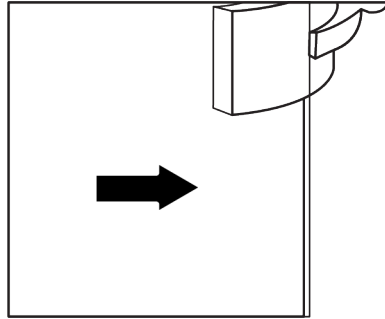
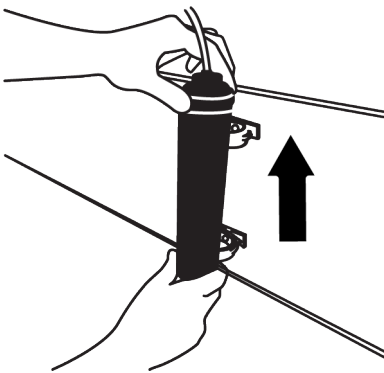
1. Racord (1 bucată) : Utilizat pentru fixarea furtunului de apă la partea din spate a produsului.
2. Adaptor pentru robinet (1 bucată) : Utilizat pentru racordarea la rețeaua de apă rece.
3. Filtru poros (1 bucată)
4. Clemă pentru furtun (3 bucăți) : Folosit pentru fixarea furtunului de apă pe perete.
5. Aparat de conectare a filtrului (2 bucăți): Utilizat pentru montarea filtrului pe perete.
6. Filtru de apă (1 bucată): Acesta este utilizat pentru a racorda produsul la rețeaua de apă. Dacă există un racord pentru damigeană, nu este nevoie să folosiți un filtru de apă.
7. Conectați adaptorul pentru robinet la robinetul de rețea.
8. Stabiliți locul în care va fi fixat filtrul exterior. Montați aparatul de racordare a filtrului (5) pe perete.
9. Atașați filtrul perpendicular pe suportul filtrului, așa cum este indicat pe etichetă. (6).



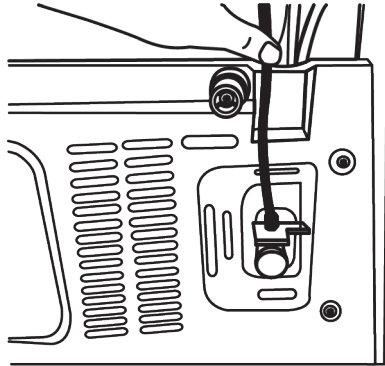
10. Racordați furtunul de apă care iese din partea superioară a filtrului la adaptorul produsului de racordare a apei.



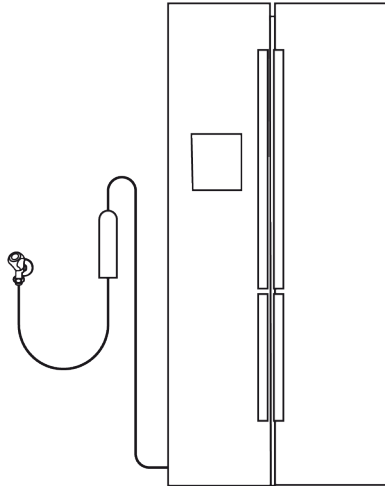
11. După ce racordarea este finalizată, imaginea ar trebui să fie cea prezentată mai jos.



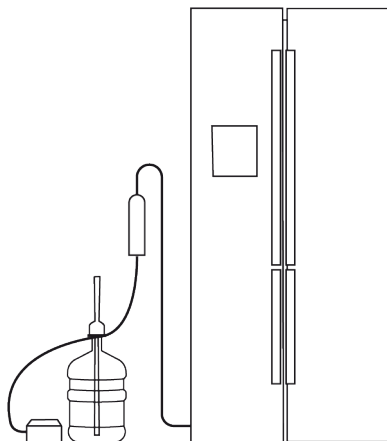
Deoarece filtrul intern care vine cu produsul nu este instalat, procedurile necesare pentru pregătirea acestuia sunt următoarele:



Conducta de apă

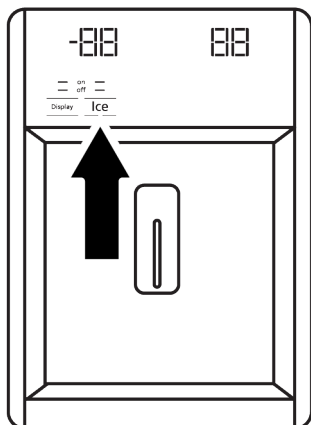


Conducta damigenei:



i Nu beți primele 10 pahare de apă după conectarea filtrului.

1. Pentru instalarea filtrului, **indicatorul "Ice Off"** trebuie să fie activ. Comutarea între indicatorii ON și OFF de pe afișaj se face prin apăsarea butonului **"Ice"**.

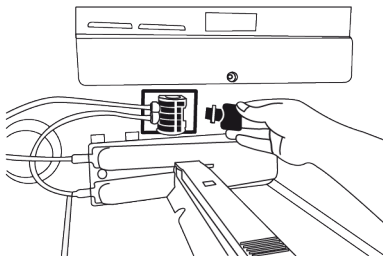


2. Scoateți compartimentul pentru legume pentru a avea acces la filtrul de apă.

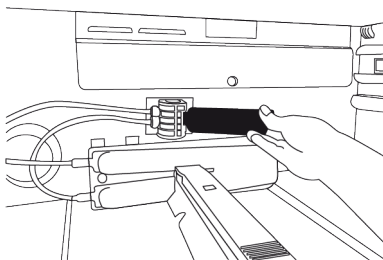
3. Scoateți capacul de by-pass al filtrului de apă trăgându-l spre dumneavoastră.

i Este normal să curgă câteva picături de apă după ce se scoate capacul.

4. Introduceți capacul filtrului de apă în mecanism și împingeți-l în față pentru a-l bloca în poziție.



5. Ieșiți din modul **"Ice Off"** apăsând din nou butonul **"Ice"** de pe afișaj.



i Filtrul de apă îndepărtează unele particule străine din apă. Acesta nu purifică apa de microorganisme.

10 Întreținerea și curățarea



AVERTISMENT:

Citiți mai întâi secțiunea „Instrucțiuni de siguranță”.



AVERTISMENT:

Scoateți frigiderul din priză înainte de a-l curăța.

- Nu folosiți instrumente ascuțite sau abrazive pentru a curăța produsul. Nu folosiți materiale precum agenți de curățare de uz domestic, săpun, detergenți, gaz, benzină, diluant, alcool, ceară etc.
- Praful trebuie îndepărtat de pe grilajul de ventilație din spatele produsului cel puțin o dată pe an (fără a deschide capacul). Curățați ușa cu o cârpă umedă.

Pentru produsele cu dozator de apă/gheață

- Dacă apa din rezervorul de apă are 2-3 săptămâni, aceasta trebuie înlocuită.
- Recipientul de apă și componentele dozatorului de apă nu trebuie spălate în mașini de spălat vase.
- Dizolvați o linguriță de bicarbonat de sodiu în apă. Umeziți o bucată de cârpă în apă și storceți-o. Ștergeți dispozitivul cu această cârpă și uscați bine.
- Asigurați-vă că nu intră apă în carcasa lămpii și în alte componente electrice.
- Curăța ușa cu o cârpă umedă. Scoateți ușile și suporturile corpului, precum și tot conținutul din frigider. Scoateți rafturile ușilor ridicându-le în sus. Curățați și uscați rafturile, apoi montați-le la loc glisând de sus.
- Nu utilizați apă clorurată sau produse de curățare pe suprafața exterioară și pe componentele cromate ale produsului. Clorul va cauza ruginirea suprafețelor metalice.
- Nu utilizați unelte ascuțite și abrazive, săpun, materiale de curățare a locuințelor, detergenți, gaz, benzină, lac și substanțe similare pentru a preveni deformarea părții din plastic și îndepărtarea amprentelor de pe piesă. Folosiți apă caldă și o cârpă moale pentru curățare și apoi uscați prin ștergere.

îndepărtarea amprentelor de pe piesă. Folosiți apă caldă și o cârpă moale pentru curățare și apoi uscați prin ștergere.

RO

Pe produse fără caracteristica no-frost;

- Pe peretele din spate al compartimentului congelatorului pot apărea picături de apă și formarea de gheață de grosimea unui deget. Nu curățați și nu aplicați niciodată uleiuri sau materiale similare.
- Utilizați o cârpă din microfibră ușor umezită pentru a curăța suprafața externă a produsului. Bureții și alte tipuri de haine de curățare pot provoca zgârieturi.
- Pentru a curăța toate componentele detașabile în timpul curățării suprafeței interioare a produsului, spălați aceste componente cu o soluție ușoară constând din săpun, apă și bicarbonat de sodiu. Spălați și uscați bine. Preveniți contactul apei cu componentele de iluminare și panoul de control.
- Asigurați-vă că nu intră apă în carcasa lămpii și în alte componente electrice.
- Curăța ușa cu o cârpă umedă. Scoateți tot conținutul pentru a scoate rafturile ușilor și ale corpului. Scoateți rafturile ușilor ridicându-le în sus. Curățați și uscați rafturile, apoi montați-le la loc glisând de sus.
- Nu utilizați apă clorurată sau produse de curățare pe suprafața exterioară și pe componentele cromate ale produsului. Clorul va cauza ruginirea suprafețelor metalice.
- Nu utilizați unelte ascuțite și abrazive, săpun, materiale de curățare a locuințelor, detergenți, gaz, benzină, lac și substanțe similare pentru a preveni deformarea părții din plastic și îndepărtarea amprentelor de pe piesă. Folosiți apă caldă și o cârpă moale pentru curățare și apoi uscați prin ștergere.

- Pe produsele fără caracteristica No-Frost, pe perețele din spate al compartimentului congelatorului pot apărea picături de apă și formarea gheții de grosimea unui deget. Nu curățați și nu aplicați niciodată uleiuri sau materiale similare.
- Utilizați o cârpă din microfibră ușor umezită pentru a curăța suprafața externă a produsului. Bureții și alte tipuri de haine de curățare pot provoca zgârieturi.
- Pentru a curăța toate componentele detașabile în timpul curățării suprafeței interioare a produsului, spălați aceste componente cu o soluție ușoară constând din săpun, apă și bicarbonat de sodiu. Spălați și uscați bine. Preveniți contactul apei cu componentele de iluminare și panoul de control.



ATENȚIE:

Nu folosiți oțet, alcool de frecare sau alți agenți de curățare pe bază de alcool pe orice suprafață interioară.

Suprafețe externe din oțel inoxidabil

Utilizați un agent de curățare neabraziv pentru oțel inoxidabil și aplicați-l cu o cârpă moale, care nu lasă scame. Pentru lustruire, ștergeți ușor suprafața cu o cârpă din microfibră umezită cu apă și folosiți o lavetă uscată pentru lustruire uscat. Urmați întotdeauna venele din oțel inoxidabil.

Prevenirea mirosurilor neplăcute

Produsul a fost fabricat fără să prezinte orice mirosuri neplăcute. Cu toate acestea, dacă păstrați alimentele în compartimentele inadecvate și curățați suprafețele interne în mod necorespunzător se pot acumula mirosuri neplăcute.

- Pentru a evita acest lucru, curățați interiorul cu apă cu bicarbonat de sodiu la fiecare 15 zile.
- Păstrați alimentele în suporturi sigilate, deoarece microorganismele care apar din alimentele păstrate în recipiente nesigilate vor provoca mirosuri neplăcute.
- Nu păstrați în frigider alimente expirate și alterate.

Protejarea suprafețelor din plastic

Dacă pe suprafețele din plastic se scurge ulei, acestea se pot deteriora; curățați-le imediat cu apă caldă.

11 Depanare

Verificați această listă înainte de a contacta departamentul de service. Puteți economisi timp și bani. Această listă include probleme frecvente care nu sunt provocate de defecte de material sau de manipulare. Este posibil ca unele funcții descrise aici să nu se aplice pentru produsul dvs.

Frigiderul nu funcționează.

- Cablul de alimentare nu este complet reglat. >>> Introduceți ștecherul în priză.
- Siguranța prizei la care este conectat frigiderul sau siguranța principală este arsă. >>> Verificați siguranța.

Condens pe perețele lateral al

compartimentului frigiderului (MULTI ZONE, COOL CONTROL și FLEXI ZONE).

- Ușa este deschisă prea frecvent. >>> Aveți grijă să nu deschideți ușa frigiderului prea frecvent.
- Mediul este prea umed. >>> Nu instalați produsul în medii umede.
- Alimentele lichide sunt păstrate în recipiente deschise. >>> Păstrați alimentele lichide în recipiente închise.
- Ușa produsului este lăsată deschisă. >>> Nu lăsați ușa frigiderului deschisă perioade îndelungate de timp.

- Termostatul este setat la o temperatură foarte rece. >>> Setați termostatul la o temperatură adecvată.

Compresorul nu funcționează.

- Sistemul de protecție termică a compresorului se va activa în cazul penelor de curent sau în cazul deconectării și reconectării la priză, întrucât presiunea din sistemul de răcire nu este încă echilibrată. Frigiderul va porni după circa 6 minute. Contactați un centru de service dacă frigiderul nu pornește după această perioadă.
- Dezghețare este activată. >>> Acest mod este normal pentru un frigider cu dezghețare automată. Ciclul de dezghețare are loc periodic.
- Frigiderul nu este conectat la priză.>>> Asigurați-vă că ștecherul este introdus corect în priză.
- Setarea de temperatură este incorectă. >>> Selectați temperatura adecvată.
- Nu este curent. >>> Frigiderul va continua să funcționeze normal după ce curentul revine.

În timpul funcționării frigiderului, zgomotul devine mai intens.

- Modul de funcționare a frigiderului se poate modifica în funcție de condițiile ambientale. Acesta este un fenomen normal și nu reprezintă o defecțiune.

Frigiderul pornește des sau funcționează perioade îndelungate de timp.

- Este posibil ca noul dvs. frigider să fie mai mare decât cel vechi. Frigiderele mari funcționează perioade îndelungate de timp.
- Temperatura încăperii poate fi ridicată. >>> De regulă, frigiderul funcționează perioade îndelungate de timp la temperaturi ridicate în încăpere.
- Este posibil ca frigiderul să fi fost conectat recent la priză sau să fi fost umplut recent cu alimente. >>> Dacă frigiderul a fost conectat recent la priză

sau a fost umplut cu alimente, va dura mai mult până frigiderul va atinge temperatura setată. Este un lucru normal.

- Este posibil ca în frigider să fi fost introduse recent cantități mari de alimente calde. >>> Nu introduceți alimente calde în frigider.
- Este posibil ca ușile să fi fost deschise frecvent sau lăsate întredeschise mai mult timp. >>> Aerul cald care pătrunde în frigider determină funcționarea pe perioade mai îndelungate de timp. Deschideți mai rar ușile.
- Este posibil ca ușa congelatorului sau frigiderului să fi fost lăsată întredeschisă. >>> Verificați dacă ușile sunt închise corect.
- Produsul poate fi setat la o temperatură foarte joasă. >>> Selectați o temperatură mai ridicată și așteptați ca aceasta să fie atinsă.
- Este posibil ca garnitura ușii frigiderului sau congelatorului să fie murdară, uzată, ruptă sau poziționată incorect. >>> Curățați sau înlocuiți garnitura. Garniturile deteriorate/defecte determină funcționarea pe perioade îndelungate de timp a frigiderului pentru a se asigura temperatura corectă.

Temperatura congelatorului este foarte joasă, iar temperatura frigiderului este adecvată.

- Ați selectat o temperatură foarte joasă a congelatorului. >>> Selectați o temperatură mai ridicată a congelatorului și verificați din nou.

Temperatura frigiderului este foarte joasă, iar temperatura congelatorului este adecvată.

- Ați selectat o temperatură foarte joasă a frigiderului. >>> Setați o temperatură mai ridicată a compartimentului frigorific și verificați din nou.

Alimentele din sertarele frigiderului sunt înghețate.

- Ați selectat o temperatură foarte joasă a frigiderului. >>> Setați o temperatură mai ridicată a compartimentului frigorific și verificați din nou.

Temperatura din frigider sau congelator este foarte mare.

- Ați selectat o temperatură foarte ridicată a frigiderului. >>> Setarea temperaturii compartimentului de răcire are un efect asupra temperaturii din compartimentul congelatorului. Așteptați până când temperatura pieselor relevante atinge nivelul suficient prin schimbarea temperaturii compartimentelor de răcire sau de congelare.
- Este posibil ca ușile să fi fost deschise frecvent sau lăsate întredeschise mai mult timp. >>> Deschideți mai rar ușile.
- Este posibil ca ușa să fi fost lăsată întredeschisă. >>> Închideți complet ușa.
- Este posibil ca frigiderul să fi fost conectat recent la priză sau să fi fost umplut recent cu alimente. >>> Acest lucru este normal. Dacă frigiderul a fost conectat recent la priză sau a fost umplut cu alimente, va dura mai mult până frigiderul va atinge temperatura setată.
- Este posibil ca în frigider să fi fost introduse recent cantități mari de alimente calde. >>> Nu introduceți alimente calde în frigider.

Vibrații sau zgomot.

- Suprafața nu este plană sau dură >>> Dacă frigiderul se clatină când este împins ușor, reglați picioarele pentru a echilibra frigiderul. De asemenea, asigurați-vă că podeaua este suficient de stabilă și poate susține frigiderul.
- Zgomotul poate fi provocat de obiectele amplasate pe frigider. >>> Aceste obiecte trebuie îndepărtate de pe frigider.
- Frigiderul emite zgomote asemănătoare curgerii sau pulverizării lichidelor etc.
- Funcționarea frigiderului se bazează pe circulația gazelor și lichidelor. >>> Acesta este un fenomen normal și nu reprezintă o defecțiune.

Frigiderul emite un zgomot similar cu suieratul vântului.

- Frigiderul este prevăzut cu un ventilator pentru răcire. Acesta este un fenomen normal și nu reprezintă o defecțiune.

Condens pe pereții interiori ai frigiderului.

- Mediile calde și umede favorizează formarea gheții și condensului. Acesta este un fenomen normal și nu reprezintă o defecțiune.
- Este posibil ca ușile să fi fost deschise frecvent sau lăsate întredeschise mai mult timp. >>> Deschideți mai rar ușile; dacă ușa este deschisă, închideți-o.
- Este posibil ca ușa să fi fost lăsată întredeschisă. >>> Închideți complet ușa.

Condens în exteriorul frigiderului sau între uși.

- Este posibil ca mediul să fie umed. Acest fenomen este normal în medii umede. >>> La reducerea umidității, condensul va dispărea.

Mirosuri neplăcute în frigider.

- Frigiderul nu este curățat în mod periodic. >>> Curățați periodic interiorul frigiderului folosind un burete, apă caldă și carbonată.
- Este posibil ca mirosul să fie cauzat de anumite recipiente și ambalaje. >>> Folosiți un recipient sau un ambalaj care nu prezintă mirosuri neplăcute.
- Alimentele au fost introduse în recipiente deschise. >>> Păstrați alimentele în recipiente închise. Alimentele neetanșate corespunzător pot răspândi microorganisme și cauzează mirosuri neplăcute.
- Aruncați toate alimentele expirate sau alterate din frigider.

Ușa nu se închide.

- Este posibil ca ambalajele alimentelor să blocheze ușa. >>> Mutați alimentele care împiedică închiderea ușii.
- Este posibil ca frigiderul să fie înclinat. >>> Reglați picioarele de pentru a echilibra frigiderul.

- Suprafața nu este plană sau dură >>>
Asigurați-vă că suprafața este plană și destul de dură pentru a susține produsul.

Cutia legume/fructe este blocată.

- Este posibil ca alimentele să atingă partea superioară a sertarului. >>>
Rearanjați alimentele în sertar.

Temperatura la suprafața produsului.

- Temperatura ridicată poate fi observată între două uși, pe panourile laterale și pe suprafața grilei din spate în timp ce produsul este pus în funcțiune. Acest lucru este normal și nu necesită reparații.

Ventilatorul continuă să funcționeze atunci când ușa este deschisă.

- Ventilatorul poate continua să funcționeze atunci când ușa congelatorului este deschisă.



AVERTISMENT: Dacă problema persistă după ce ați urmat instrucțiunile din acest capitol, contactați distribuitorul dvs. sau un centru de service autorizat. Nu încercați să reparați produsul. Este un lucru normal.

DECLINARE RESPONSABILITATE / AVERTIZARE

Unele defecțiuni (simple) pot fi tratate în mod adecvat de către utilizatorul final fără a apărea nicio problemă de siguranță sau utilizare nesigură, cu condiția ca acestea să fie efectuate în limitele și în conformitate cu următoarele instrucțiuni (consultați secțiunea „Auto-reparare”).

Prin urmare, dacă în secțiunea „Auto-reparare” de mai jos nu este autorizat altfel, reparațiile vor fi adresate mecanicilor profesioniști înregistrați pentru a evita problemele de siguranță. Un mecanic profesionist înregistrat este un mecanic profesionist cărui i s-a acordat acces la instrucțiunile și lista de piese de schimb ale acestui produs de către producător conform metodelor descrise în actele legislative în conformitate cu Directiva 125/2009/CE.

Cu toate acestea, numai agentul de service (adică mecanicii profesioniști autorizați) pe care îl puteți contacta de la numărul de telefon indicat în manualul de utilizare/cardul de garanție sau prin dealer-ul dumneavoastră autorizat poate asigura service-ul în condițiile garanției. Prin urmare, vă rugăm să rețineți că reparațiile efectuate de mecanici profesioniști (care nu sunt autorizați de) Beko vor duce la anularea garanției.

Auto-repararea

Auto-repararea poate fi efectuată de utilizatorul final cu privire la următoarele piese de schimb: mânere de uși, balamale uși, tăvi, coșuri și garnituri de ușa (o listă actualizată este disponibilă support.beko.com începând cu 1 martie 2021).

Mai mult, pentru a asigura siguranța produsului și pentru a preveni riscul de vătămare gravă, auto-repararea menționată se va face urmând instrucțiunile din manualul de utilizare pentru auto-reparare sau care sunt disponibile în support.beko.com. Pentru siguranța dumneavoastră, scoateți produsul din priză înainte de a încerca orice auto-reparare.

Reparațiile și încercarea de reparații ale utilizatorilor finali pentru piesele care nu sunt incluse în această listă și/sau care nu respectă instrucțiunile din manualele de utilizare pentru auto-reparare sau care sunt disponibile în support.beko.com, ar putea ridica probleme de siguranță care nu pot fi atribuite Beko, și ar putea duce la anularea garanției produsului.

Prin urmare, este recomandat cu tărie ca utilizatorii finali să se abțină de la încercarea de a efectua reparații care nu se încadrează în lista menționată de piese de schimb, contactând în astfel de cazuri mecanici profesioniști autorizați sau mecanici profesioniști înregistrați. În caz contrar, încercările de reparație efectuate

de utilizatorii finali pot cauza probleme legate de siguranță, pot deteriora produsul și pot cauza incendii, inundații, electrocutări și grave vătămări corporale.

Cu titlu de exemplu, dar fără a se limita la, următoarele reparații trebuie să fie adresate mecanicilor profesioniști autorizați sau mecanicilor profesioniști înregistrați: compresor, circuit de răcire, placa principală, placă invertor, placă de afișare etc.

Producătorul/vânzătorul nu poate fi tras la răspundere în niciun caz în care utilizatorii finali nu respectă cele de mai sus.

Disponibilitatea pieselor de schimb ale frigiderului pe care l-ați achiziționat este de 10 ani. În această perioadă, vor fi disponibile piese de schimb originale pentru ca frigiderul să funcționeze corect. Durata minimă a garanției pentru frigiderul pe care l-ați achiziționat este de 24 de luni. Acest produs este prevăzut cu o sursă de iluminare de clasă energetică „G”.

Sursa de iluminare a acestui produs trebuie înlocuită numai de mecanici profesioniști.

De asemenea vezi

2 DISCLAIMER / WARNING [} 35]

