



# Cordless Stick Vacuum Cleaner

User Manual



VRT 97325 VY

EN - TR - FR - IT - RO - PL - SR - HR - SK - MK - SQ



01M-8915681200-0924-01  
01M-8916683200-0924-01

# Please read this manual first!

Dear Customer,

Thank you for purchasing this Beko product. We want you to get the most out of this high-quality product made with the latest technology. Please read these instructions and attached documents fully before using it and keep them for reference. If you hand this appliance over to someone else, give them this manual as well. Heed all the warnings and information here and follow the instructions.

## Symbols and their meanings

These symbols are used in this manual:



Important information and useful tips for using the appliance.



**WARNING:** Warnings about dangerous situations concerning safety of life and property.



Electric shock protection class

## CONTENTS

<b>ENGLISH</b>	<b>03-26</b>
<b>TÜRKÇE</b>	<b>27-54</b>
<b>FRANÇAIS</b>	<b>55-78</b>
<b>HRVATSKI</b>	<b>79-102</b>
<b>ITALIANO</b>	<b>103-128</b>
<b>ROMÂNĂ</b>	<b>129-156</b>
<b>POLSKI</b>	<b>157-182</b>
<b>СРПСКИ</b>	<b>183-206</b>
<b>SLOVENČINA</b>	<b>207-230</b>
<b>МАКЕДОНСКИ</b>	<b>231-255</b>
<b>SHQIPTAR</b>	<b>256-280</b>

# 1 Important safety and environmental instructions

This section contains instructions for avoiding hazards that could result in injury or material damage.

Failure to follow these instructions will void all warranties for this appliance.

## 1.1 General safety

- This appliance complies with international safety standards.
- This appliance can be used by children aged 8 years and over and people with reduced physical, sensory, or mental capabilities if they are supervised or instructed how to use the appliance safely and understand the hazards involved. Children should not play with the appliance. Children must not clean or maintain the appliance unless they are supervised.
- Do not use the appliance if the power cord or the appliance is damaged. Contact the authorised service.
- Make sure the mains power matches the information on the appliance's rating plate/label.
- Do not use the appliance with an extension cord.
- To avoid damage to the power cord, prevent it from being pinched, crimped or rubbed against sharp edges.
- Do not handle the appliance or its plug with wet hands when plugged in.
- Do not pull on the cord while unplugging the appliance.
- Do not vacuum combustible materials and make sure that cigarette ashes are cold before you vacuum them.
- Do not vacuum water and other liquids.

# 1 Important safety and environmental instructions

- Protect the appliance from rain, moisture, and heat sources.
- Do not use the appliance in or near explosive or flammable environments and substances.
- Unplug the appliance before cleaning and maintenance.
- Do not clean the appliance or power cord by immersing in water.
- Do not disassemble the appliance.
- Use original parts or parts recommended by the manufacturer only.
- To prevent blocking the filter or damaging the motor, do not vacuum cement, plaster or fragments of compressed paper.
- Use the appliance only with the adapter provided.
- Do not use the appliance without filters otherwise it could get damaged.
- If you keep the packaging, keep it out of reach of children.
- This appliance is not intended to be used by persons, including children, with sensory or mental disabilities or lack of experience and knowledge unless they are supervised by the persons responsible for their safety and instructed in its use.
- Children must be supervised to prevent them from playing with the appliance.
- Remove the adaptor and battery group before cleaning and maintenance.
- Damaged adaptors should be replaced by the manufacturer, the authorised service centre or an authorised technician to avoid potential hazards.

# 1 Important safety and environmental instructions

- Keep your fingers, hair, and loose clothing away from the moving parts or openings when operating the vacuum cleaner.
- Remove the batteries before disposing of the appliance.
- Unplug the appliance before removing the battery.
- Dispose of used batteries in accordance with local laws and regulations.
- The batteries in the appliance should only be replaced by authorised persons.
- This appliance is not intended for commercial use. This appliance is intended for domestic and not commercial use as follows:
  - In the staff kitchens of stores, offices and other working environments
  - Farms
  - By guests in hotels, motels or other accommodation facilities
- In B&Bs and similar places.
- This appliance must not be used by persons with limited physical, sensory, and cognitive abilities or who lack experience and knowledge unless they are supervised or have been instructed in its operation.
- Children must be supervised to prevent them from playing with the appliance.
- Do not place the handset on the table; We recommend that you attach the wall-mounted charging base after cleaning.

# 1 Important safety and environmental instructions

## 1.2 Compliance with the WEEE Directive and Waste Disposal



This appliance complies with the EU's WEEE Directive (2012/19/EU). This appliance carries a Waste Electrical and Electronic Equipment (WEEE) classification symbol. This symbol shows that the appliance must not be disposed of along with other household waste at the end of its useful life. The appliance must be returned to an official collection site for the recycling of electrical and electronic equipment. Contact the local authorities or the retailer where you purchased the appliance to learn about collection systems. Every home has an important role to play in reclaiming or recycling old appliances. Proper disposal of your used appliance will help prevent potential adverse effects on the environment and human health.

## 1.3 Packaging information



The product's packaging is made of recyclable materials in accordance with the National Environment Legislation. Do not dispose of packaging materials along with household or other waste. Take these materials to the packaging materials collection points designated by the local authorities.

## 1.4 Information About Waste Batteries



This symbol found on batteries/rechargeable batteries or their packaging shows that the battery/rechargeable battery must not be mixed in with household waste. Certain batteries/rechargeable batteries may also carry a chemical symbol in addition to this symbol. The mercury (Hg) or lead (Pb) symbols are also added if the batteries/rechargeable batteries contain more than 0.0005% mercury or more than 0.004% lead.

Batteries/rechargeable batteries, including those without heavy metals, must not be disposed of together with household waste. Always dispose of used batteries in accordance with local environmental regulations. Learn the waste regulations in force where you live.

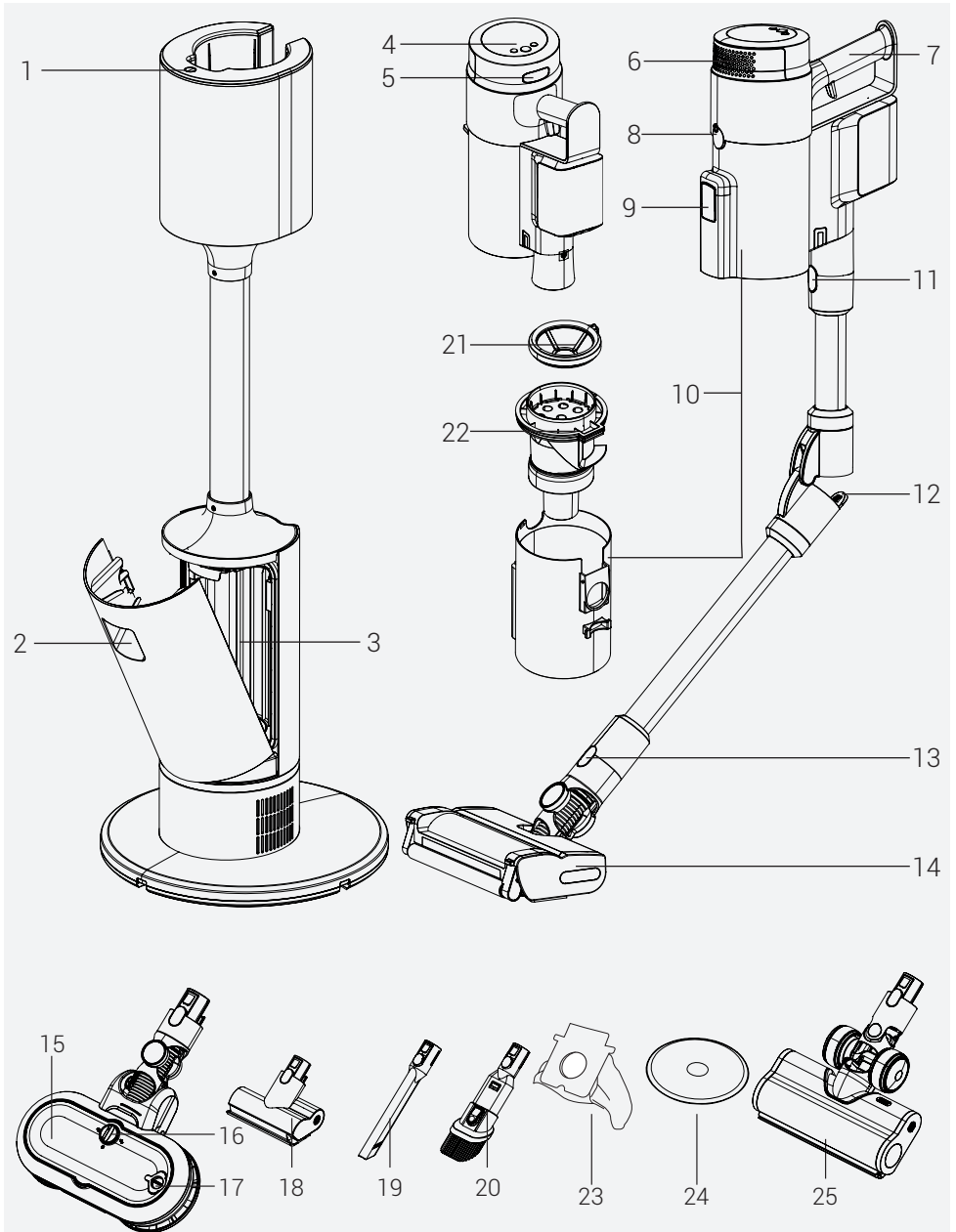
## 1.5 What you can do to save energy

- Use the speed setting most suitable for the surface to save energy when using your appliance.
- Under normal conditions, hard surfaces, curtains, and furniture require a low speed and carpets require a high speed.

## 1.6 Compliance with the RoHS Directive

The appliance you have purchased complies with the EU's RoHS Directive (2011/56/EU) It does not contain the harmful and forbidden substances specified in the directive.

## 2 Overview






## 2 Overview

### 2.1 Controls and components

1. Charging station control button
2. Dust bag cover opening handle
3. Dust bag container
4. LED display and control buttons
5. HEPA filter cover release button
6. HEPA filter cover
7. Handle
8. Dust container release button
9. Dust emptying cover
10. Dust cup
11. Wand release button
12. Wand bend button
13. Brush release button
14. Hard floor brush with dual roller for deep Cleaning
15. Turbo scrubbing brush
16. Water drip lock
17. Water filling cap
18. Pet hair brush
19. Crevice nozzle
20. Dust brush
21. Dust container front filter
22. Multi cyclone filter
23. Dust bag x 3
24. Mopping cloth x 4
25. Extra carpet brush

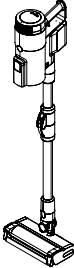
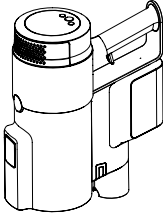
### 2.2 Technical data

<b>Nominal power</b>	450 W
<b>Automatic cleaning station nominal power</b>	900 W
<b>Automatic cleaning station power input</b>	220 - 240 V~ 50-60 Hz
<b>Automatic cleaning station power output</b>	30.7 V  0.8 A
<b>Charging time</b>	3-4 hours
<b>Operating time under max. power</b>	10 minutes
<b>Operating time under medium power</b>	30 minutes
<b>Operating time under min. power</b>	60 minutes

Manufacturer reserves the right to make technical and design changes.

Values supplied with the appliance or accompanying documentation are laboratory readings per relevant standards. These values may differ depending on operating and ambient conditions.

## 2 Overview

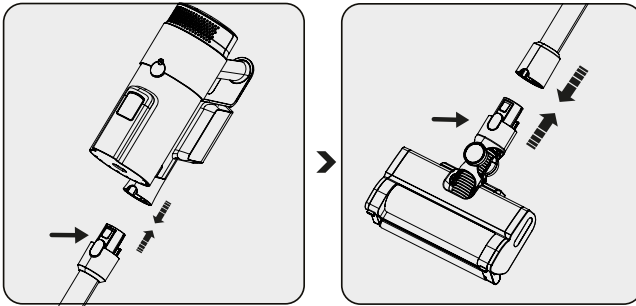
Usage Type	Speed	Operating time	
Upright vacuum cleaner mode	Minimum speed	Up to 38 minutes	
	Medium speed	Up to 25 minutes	
	Maximum speed	Up to 10 minutes	
Hand-held mode (With unpowered accessories)	Minimum speed	Up to 60 minutes	
	Medium speed	Up to 30 minutes	
	Maximum speed	Up to 10 minutes	

## 3 Operation

### 3.1 Intended use

The appliance is intended for home use only and is not suitable for professional use.

### 3.2 Attaching the body and brush



Press the wand release button and slot the wand into the body as shown by the arrow.

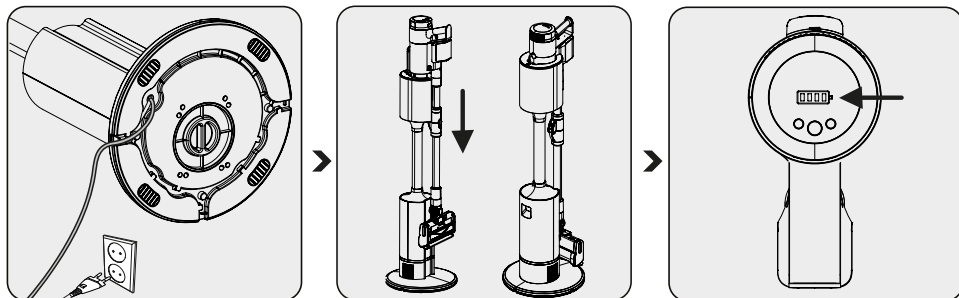
Press the electric turbo brush release button on the electric turbo brush and push it onto the wand as shown by the arrow.

## 3 Operation

### 3.3 Assembling and charging the automatic dust emptying station



**WARNING:** Charge the battery fully before using the appliance for the first time or if you haven't used it for a long time.



Plug in the automatic dust emptying charging station.

Place the appliance onto the charging dock.

The appliance will begin charging automatically as soon as it has finished cleaning.

Once charging begins, you can see the battery charge level on the display. When all the battery charge levels are lit, this means charging is complete.



You can press the charging station control button to stop the automatic cleaning process at any time.



The LED display will turn off after a while once charging is complete.



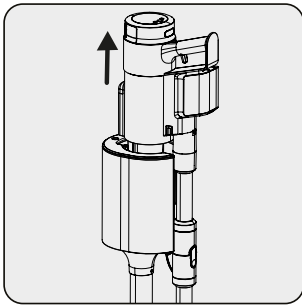
It takes up to 3 to 4 hours to charge the appliance completely. Do not use the appliance while it is charging.



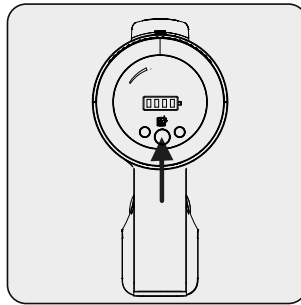
If the appliance is working, it will stop working as soon as you place it on the charging dock.

## 3 Operation

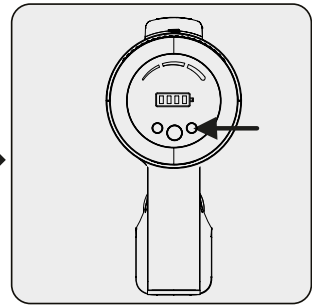
### 3.4 Operation



Lift the appliance up and away from the automatic dust emptying station.



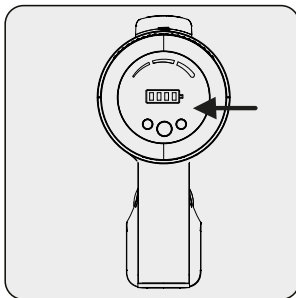
Press the on-off button to start the appliance. The appliance will start running at minimum speed when the on/off button is pressed.



Press the button to increase the speed. The suction mode you are using (low/medium/high) will be shown on the display. Press the “+” and “-” to change the speed.

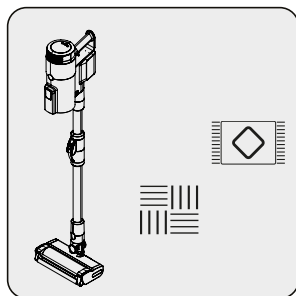


You can place the appliance onto the charging dock before the charge completely runs out. The appliance can stay on the charging dock until the next use.

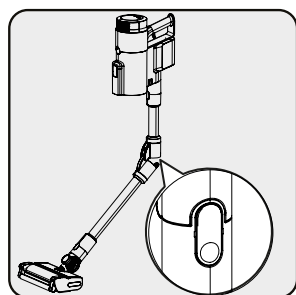


Watch the charge levels when using the appliance. The appliance will stop automatically when the charge runs out.

### 3 Operation



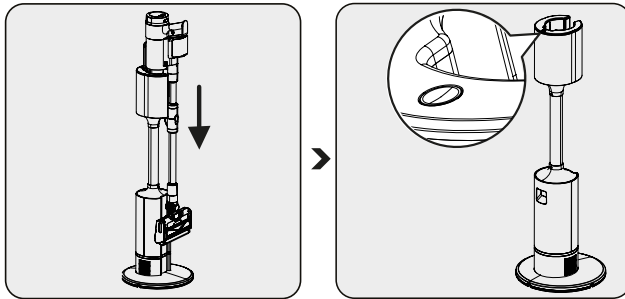
This appliance is suitable for use on carpets and hard surfaces.



You can bend the wand to reach easily under chairs and tables. Bend the wand by pressing the round button on the left.

## 3 Operation

### 3.5 Operating the automatic cleaning station



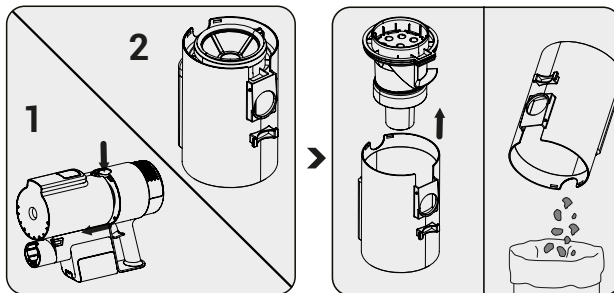
When you place the appliance onto the automatic cleaning station, the dust container will empty automatically.

The control button on the automatic dust emptying station will blink on and off while cleaning is in progress.

You can press the control button on the automatic dust emptying station to stop the dust emptying process at any time.



Dust, hair, thread and similar objects can get tangled around the multi cyclone filter preventing the container from emptying fully. In this case, you should manually clean the dust container as shown below.

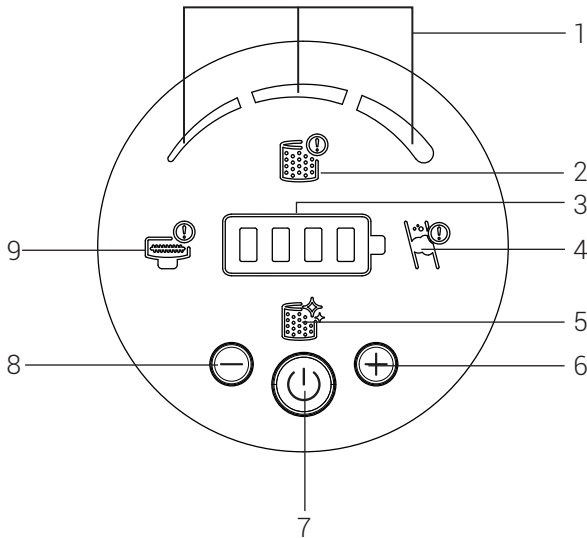


Press the dust container release button and remove the container.

Lift out the multi cyclone filter and clean out the dust in the dust container.

## 3 Operation

### 3.6 LED display indicators

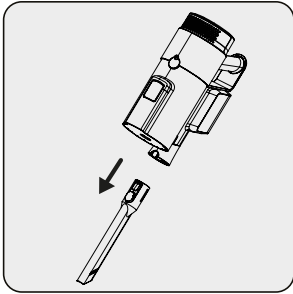


1. Suction mode
2. This symbol warns the user when the front filter is not attached and for its own protection, the appliance will not turn on until it is attached. Make sure you have attached the filter.
3. Battery charge level
4. This shows when there is an air blockage. Check inside the wand and the suction intake on the body to see if any foreign objects are causing an obstruction.
5. This shows when the front filter needs cleaning.
6. Speed button
7. On/Off switch
8. Speed adjustment button
9. This shows when the beater brush is stuck and needs cleaning.

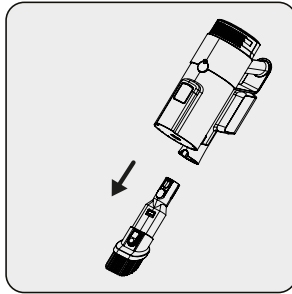


## 3 Operation

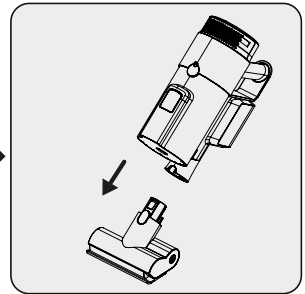
### 3.7 Accessories



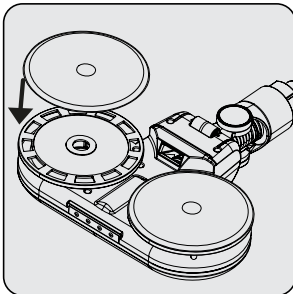
**Crevice nozzle:** Ideal for cleaning behind furniture, hard-to-reach and narrow spaces.



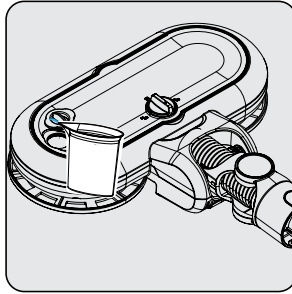
**Dust brush:** Ideal for cleaning curtains, sofas, varnished furniture, delicate and fragile objects.



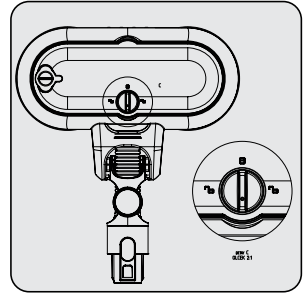
**Mini turbo brush:** Ideal for sweeping floors, stairs, inside cars, couches, and sofas. It is also used for picking up pet hair on such surfaces.



Affix the mop cloth underneath the brush.



Open the filler cap on the turbo scrubbing brush to fill it with water.



Turn the drip lock to wet the mopping cloths.

You can use the turbo scrubbing brush on hard surfaces.

### 3 Operation



**WARNING:** Do not use the mopping attachment on the carpet.



**WARNING:** Do not put bleach or very bubbly liquid detergents in the mop's water reservoir.



**WARNING:** Close the drip lock after use and remove the mopping attachment.



**WARNING:** Remove the mopping attachment as soon as you've finished using it to prevent damage to your wooden floors.



**WARNING:** Empty any remaining water from the mopping attachment's water reservoir once you've finished mopping and dry the reservoir.



The mopping cloths are machine washable.



**WARNING:** As water can spray out of the reservoir, do not lift the head or lean over it.

## 4 Cleaning and care

Turn off and unplug the appliance before cleaning it.

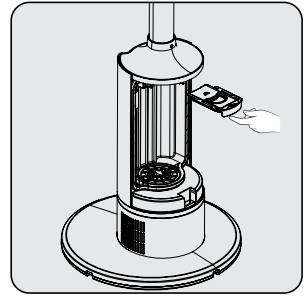
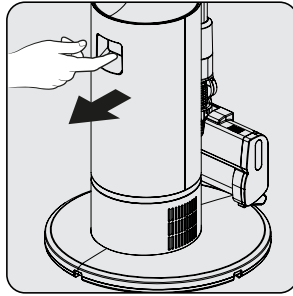
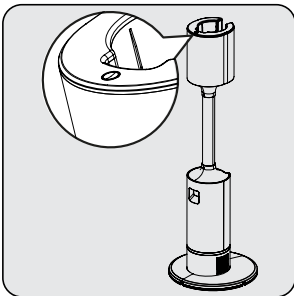


**WARNING:** Never use gasoline, solvents, abrasive cleaners, metal objects or hard brushes to clean the appliance.



**WARNING:** The filters can become deformed through use over time. Replace such filters to maintain performance. Contact customer service to order new filters.

### 4.1 Replacing the dust bag



When the red control button on the automatic dust emptying station shines red, check to see if the dust bag is full or not.

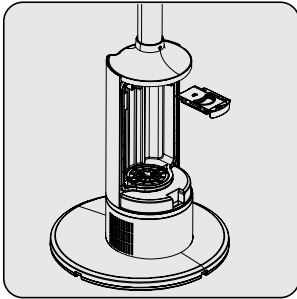
Open the dust cover on the automatic dust emptying station.

Pull the dust bag out of the container using the handle.

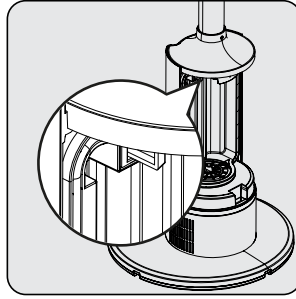


**WARNING:** If the dust bag is not full, check to see if something is stuck in the container, the wand, or on the brush.

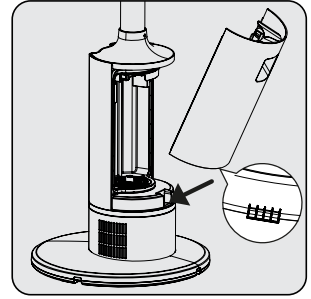
## 4 Cleaning and care



Replace the dust bag with a new one.



Slot the dust bag in using the handle and push.

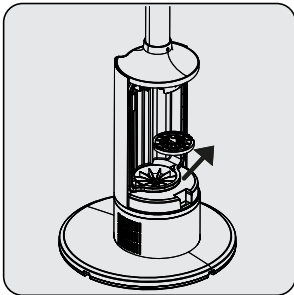


Close the dust cover on the automatic dust emptying station.

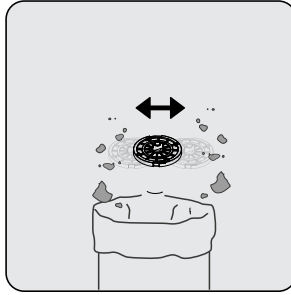


**WARNING:** Dust bags are not reusable.

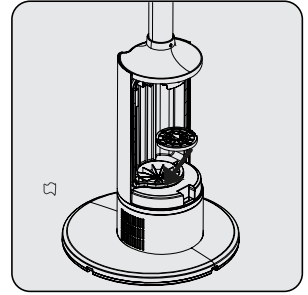
### 4.2 Cleaning the Dust container and Filters



Twist and remove the dust filter.



Clean the front filter by shaking it to clear away the dust.



Put the front filter back and twist to secure.

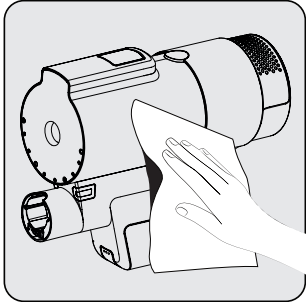


**WARNING:** Do not wash the HEPA Filter.

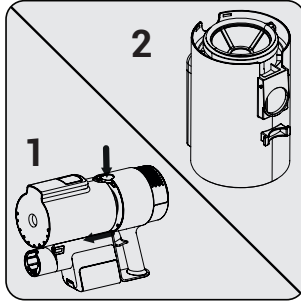


We recommend cleaning the dust container after each use.

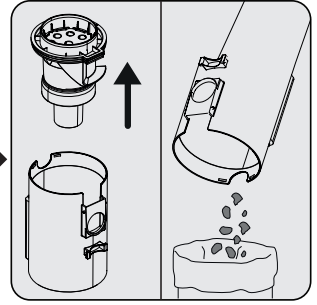
## 4 Cleaning and care



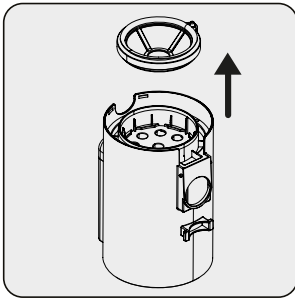
Wipe down the body of the appliance with a damp cloth.



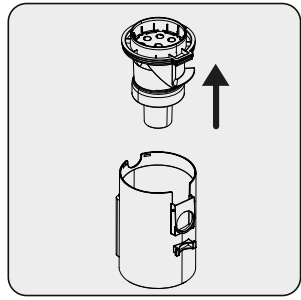
Press the dust container release button and remove the container.



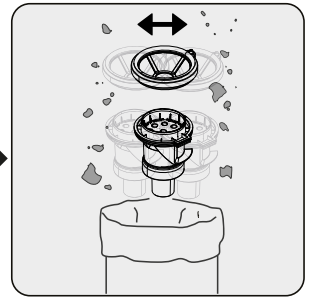
Lift out the multi cyclone filter and clean out the dust in the dust container.



To clean the filter more thoroughly, pull the front filter part up and remove it.

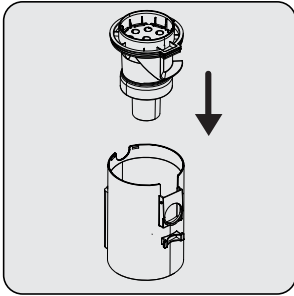


Pull the multi cyclone filter part up.

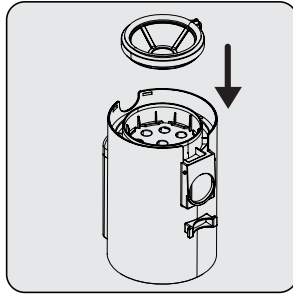


Clean the multi cyclone filter and front filter by shaking them to clear away the dust.

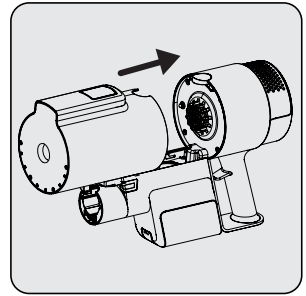
## 4 Cleaning and care



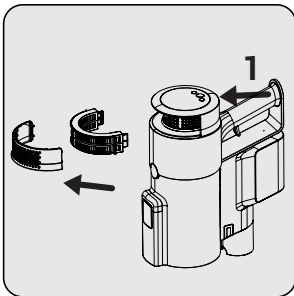
Attach the porous filter to the dust container.



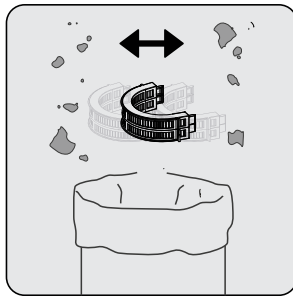
Attach the front filter to the porous filter.



For the back of the dust container to sit neatly onto the body, place the container into the body first and then into the button area.



To clean the EPA 12 filter, press button (1) and remove the filter part.



Clean the EPA 12 filter by shaking it to clear away the dust.

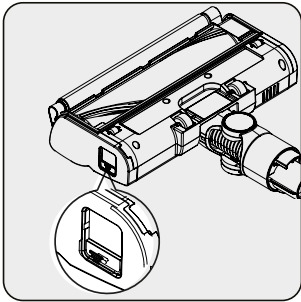
## 4 Cleaning and care

### 4.3 Cleaning of the brushes

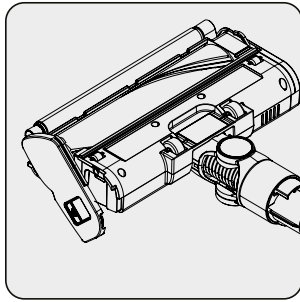
#### 4.3.1 Cleaning of the hard floor brush



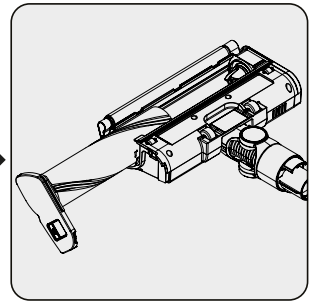
**WARNING:** Do not wash the turbo brush or the main roller.



Remove the roller brush plastic by pressing the button then sliding it out.



Tap the roller against a hard surface or use a brush to clear away the dust. Cut away any entangled hair etc.



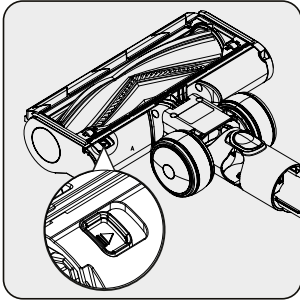
Push the roller back into place.

## 4 Cleaning and care

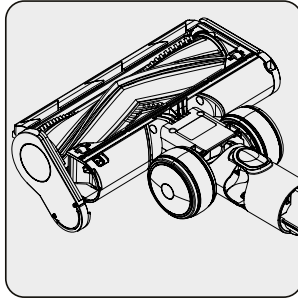
### 4.3.2 Cleaning of the extra carpet brush



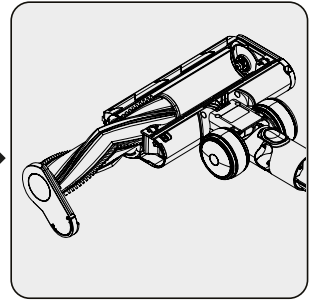
**WARNING:** Do not wash the turbo brush or the main roller.



Remove the roller brush plastic by pressing the button then sliding it out.



Tap the roller against a hard surface or use a brush to clear away the dust. Cut away any entangled hair etc.



Push the roller back into place.

### 4.4 Storage

- Store the appliance carefully if you do not intend to use it for a long time.
- Unplug the appliance.
- Make sure to keep the appliance out of reach of children.
- Store the battery on a non-conducting material, and do not allow the battery to come into direct contact with metal. Otherwise, the battery could get damaged.
- If you're not going to use it for a long time, store it with the charge at least half full. Do not fully charge or discharge the battery. You should charge the appliance at least once every 3 months.

### 4.5 Transportation and handling

- Transport the appliance in the original packaging. The packaging protects the appliance from physical damage.
- Do not place heavy objects on the appliance or its packaging. Otherwise, the appliance could get damaged.
- If the appliance is dropped, it might not work or it could sustain permanent damage.



## 5 Troubleshooting

PROBLEM	POSSIBLE CAUSE	SOLUTION
Does not work.	Battery is empty.	Charge it.
	Battery may be unseated.	Remove the battery and install it again.
	Vacuum connection is blocked.	Disassemble the appliance into body, brush and wand. Inspect and clean the connection points.
Suction power is low.	Dust container is full.	Clean the dust container and the filters.
	You may have reached the cleaning period of the filters.	Clean the filters.
	Filters may be deformed as a result of operation and their replacement period may have come.	Please contact the customer services to buy a new filter.
	Motor inlet foam has not been cleaned.	Clean the filters and recharge the appliance.
	The turbo brush doesn't spin. Hair and similar materials may have got tangled on the rotating roll on the turbo brush.	Clean the turbo brush roll.

## 5 Troubleshooting

There is disturbing noise from the motor.	Vacuum connection is blocked.	Disassemble the appliance into body, brush and wand. Inspect and clean the connection points.
	Something may have stuck between the dust reservoir and the filter.	Open the dust reservoir and inspect the filter area.
Cannot charge the vacuum cleaner.	The vacuum cleaner is not seated properly in the charging dock.	Put the vacuum cleaner onto the charging dock. Make sure that it is seated properly. Check the connection.
Operates for a very short time after charging.	It is not charged for the adequate period.	Charge for 3-4 hours as per the instructions.
	Motor inlet foam has not been cleaned.	Clean the filters and recharge the appliance.
	Battery life is deteriorated.	Contact the customer services to buy a new battery.
Automatic cleaning station does not work.	Might not be plugged in.	Make sure it's plugged in.
The automatic dust cleaning station stops as soon as it starts.	The dust bag is full.	Replace the dust bag with a new one.
	Might be time to clean the automatic cleaning station's motor input filter.	Clean the filter and press the automatic cleaning button.
	The vacuum cleaner's suction channel may be blocked.	Clean the dust container manually and check it.
The appliance makes loud and quiet noises when it is being cleaned.	It can make different noises depending on the material being cleaned.	Check the dust container once cleaning is complete.

# Lütfen önce bu kılavuzu okuyun!

Değerli Müşterimiz,

Bir Beko ürünü seçtiğiniz için teşekkür ederiz. En son teknoloji kullanılarak üretilen bu yüksek kaliteli ürünle optimum verimlilik elde etmenizi istiyoruz. Lütfen kullanmadan önce bu talimatları ve ek belgeleri tamamen okuyun ve referans olarak saklayın. Cihazı bir başkasına devredecekseniz, bu talimatları da cihazla birlikte veriniz. Burada yer alan tüm uyarıları ve bilgileri dikkate alın ve talimatlara uyun.

## Semboller ve anlamları

Bu semboller bu kılavuzda kullanılmaktadır:



Kullanımla ilgili önemli bilgiler ve faydalı ipuçları.



**UYARI:** Can ve mal güvenliğini tehdit eden tehlikeli durumlara karşı uyarılar.



Elektrik çarpması koruma sınıfı



# 1 Önemli güvenlik ve çevre talimatları

Bu bölümde, yaralanmalara veya maddi hasara neden olabilecek tehlikelerin önlenmesine yönelik güvenlik talimatları bulunmaktadır.

Bu talimatların uygulanmaması durumunda ürünle ilgili tüm garantiler geçersiz olacaktır.

## 1.1 Genel güvenlik

- Bu cihaz uluslararası güvenlik standartlarına uygundur.
- Bu cihaz 8 yaşının üstünde olan çocuklar, fiziksel, duyuşsal veya zihinsel engelleri bulunan bireyler ya da bilgi veya deneyim eksikliği bulunan kişiler tarafından, yalnızca bu kişilerin gözetim altında tutulması veya cihazın tehlikeleriyle ilgili bilgilendirilmesi koşuluyla kullanılabilir. Çocuklar cihazla oynamamalıdır. Temizlik ve kullanıcı bakımı, gözetim altında olmayan çocuklar tarafından yapılmamalıdır.

- Elektrik kablosu veya cihaz hasar görmüşse cihazı kullanmayın. Yetkili servise başvurun.
- Şebeke elektriğinin cihazın anma değeri plakasında-etiketinde yer alan bilgilerle uyumlu olduğundan emin olun.
- Cihazı uzatma kablosu ile kullanmayın.
- Elektrik kablosunun hasar görmesini önlemek için kablonun sıkışmasına, kıvrılmasına veya keskin yüzeylere sürtünmesine izin vermeyin.
- Cihazın fişini prize takılıyken nemli veya ıslak ellerle cihazın fişine dokunmayın.
- Cihazın fişini prizden çıkarırken kablosunu çekmeyin.
- Cihaza yanıcı maddeleri çekmeyin ve sigara küllerini çekmeden küllerin soğduğundan emin olun.
- Cihaza su ve diğer sıvıları çekmeyin.

## 1 Önemli güvenlik ve çevre talimatları

- Cihazı yağmurdan, nemden ve ısı kaynaklarından koruyun.
- Cihazı patlayıcı veya yanıcı ortamların ve maddelerin içinde veya yakınında kullanmayın.
- Temizlik ve bakım işlemlerinden önce cihazın fişini prizden çekin.
- Cihazı veya elektrik kablolarını temizlemek için suyun içine sokmayın.
- Cihazı parçalarına ayırmayın.
- Yalnızca orijinal parçaları veya üretici tarafından önerilen parçaları kullanın.
- Filtrenin tıkanmasını veya motorun hasar görmesini önlemek için çimento, alçı veya sıkıştırılmış kağıt parçalarını çekmeyin.
- Cihazı yalnızca cihazla birlikte temin edilen adaptör ile kullanın.
- Cihazı filtreleri olmadan kullanmayın, aksi takdirde cihaz hasar görebilir.
- Ambalaj malzemelerini saklıyorsanız, çocukların erişemeyeceği bir yerde saklayın.
- Bu cihaz, ilgili kişilerin güvenliğinden sorumlu olan kişilerin denetimi olmadan veya ilgili kişiler cihazın çalışmasına ilişkin bilgilendirilmeden; çocuklar dahil olmak üzere, duyuşsal ve zihinsel engelleri bulunan veya cihazın kullanımıyla ilgili yeterli bilgi ve deneyime sahip olmayan kişiler tarafından kullanılmak üzere tasarlanmamıştır.
- Çocuklar, cihazla oynamalarını engellemek için gözetim altında tutulmalıdır.
- Temizlik veya bakım çalışmalarından önce adaptörü ve batarya grubunu çıkarın.
- Olası tehlikelerin önlenmesi için hasarlı adaptörler üretici, üreticinin yetkili temsilcisi veya yetkili bir teknisyen tarafından değiştirilmelidir.

# 1 Önemli güvenlik ve çevre talimatları

- Süpürge çalışırken parmaklarınızı, saçlarınızı ve dökümlü kıyafetlerinizi hareketli parçalardan veya boşluklardan uzak tutun.
- Cihaz bertaraf edilmeden önce bataryaları çıkarılmalıdır.
- Bataryayı çıkarmadan önce cihazın fişini prizden çıkarın.
- Lütfen kullanılmış bataryaları yerel yasalar ve yönetmelikler uyarınca bertaraf edin.
- Bu cihazda bulunan bataryalar yalnızca yetkili kişiler tarafından değiştirilmelidir.
- Cihaz ticari amaçlarla kullanılmak üzere tasarlanmamıştır. Bu cihaz, ticari amaçlarla değil, evlerde kullanılmak üzere tasarlanmıştır ve aşağıdaki uygulamalarda kullanılır:
  - Dükkanlar, ofisler ve diğer çalışma ortamlarının personel mutfakları
  - Çiftlikler;
  - Oteller, moteller veya diğer konaklama tesislerindeki müşteriler tarafından
  - Pansiyonlar veya benzeri ortamlarda.
- Bu cihaz, gözetim altında olmadıkları veya cihazın çalışmasına ilişkin gerekli talimatları almadıkları sürece, çocuklar ve sınırlı fiziksel, duyuşsal ve bilişsel becerilere sahip bireyler veya deneyimsiz ve bilgisiz kişiler tarafından kullanılmamalıdır.
- Çocuklar, cihazla oynamalarını engellemek için gözetim altında tutulmalıdır.
- Gövdeyi masa üzerine koymayın, temizlik sonrası duvara monte şarj tabanına takın.

# 1 Önemli güvenlik ve çevre talimatları

## 1.2 AEEE Direktifine uygunluk ve atık ürünün bertarafı



Bu ürün AB AEEE Yönergesi (2012/19/EU) ile uyumludur. Bu üründe, atık elektrikli ve elektronik ekipmanlara (AEEE) ilişkin bir sınıflandırma sembolü bulunur. Bu sembol, ürünün kullanım ömrü sona erdiğinde diğer evsel atıklarla birlikte bertaraf edilmemesi gerektiğini gösterir. Kullanılmış cihaz elektriksel ve elektronik cihazların geri dönüşümü için resmi bir toplama noktasına iade edilmelidir. Bu toplama sistemlerini öğrenmek için, lütfen yerel yetkililerle veya ürünün satın alındığı perakendeci ile iletişime geçin. Her bir ev, eski cihazların geri kazanılması ve geri dönüşümünde önemli bir rol üstlenir. Kullanılmış cihazınız uygun bir şekilde bertaraf edilmesi, çevreye ve insan sağlığına verebileceği potansiyel negatif etkilerin engellenmesine yardımcı olacaktır.

## 1.3 Paketleme bilgileri



Ürünün ambalaj malzemeleri Ulusal Çevre Düzenlemelerimize uygun şekilde geri dönüştürülebilir malzemelerden üretilmiştir. Ambalaj malzemelerini evsel veya diğer atıklarla birlikte bertaraf etmeyin. Bu malzemeleri yerel yetkililer tarafından belirlenen ambalaj malzemesi toplama noktalarına götürün.

## 1.4 Atık Piller Hakkında Bilgilendirme



Piller/şarj edilebilir piller veya ambalajları üzerinde bulunan bu sembol, pilin/şarj edilebilir pilin evsel atıklara karıştırılmaması gerektiğini belirtir. Belirli piller/şarj edilebilir piller için bu sembole bir kimyasal sembol eklenebilir. Piller/şarj edilebilir piller %0,0005'ten daha fazla cıva veya %0,004'ten daha fazla kurşun içeriyorsa, cıva (Hg) veya kurşun (Pb) için semboller sağlanır.

Ağır metal içermeyen piller de dahil olmak üzere piller/şarj edilebilir piller evsel atıklar ile birlikte atılmamalıdır. Kullanılmış pilleri daima yerel çevre düzenlemelerine uygun olarak atın. Bulduğunuz bölgede yürürlükte olan atık mevzuatını öğrenin.

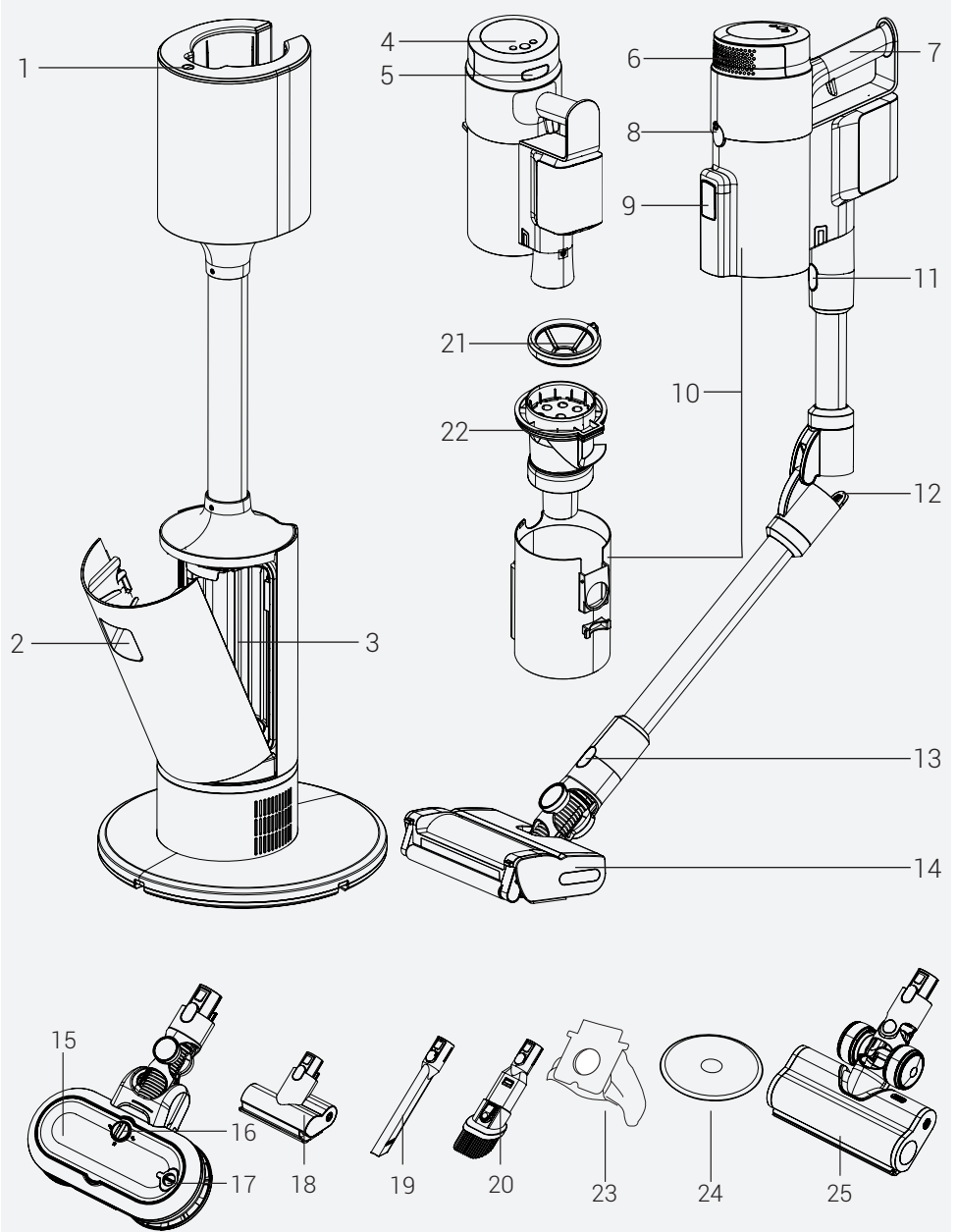
## 1.5 Enerji tasarrufu için yapılması gerekenler

- Cihazınızı kullanırken enerji tasarrufu sağlamak için devir ayarlarını yüzeye göre ayarlayın.
- Normal şartlar altında, sert yüzeyler, perdeler ve koltuklar temizlenirken düşük devirler; halılar temizlenirken yüksek devirler kullanılır.

## 1.6 RoHS Direktifine Uyum

Satın almış olduğunuz ürün AB RoHS Yönergesine (2011/65/EU) uygundur. Yönergede belirtilen zararlı ve yasak malzemeleri içermez.

## 2 Genel Bakış





## 2 Genel Bakış

### 2.1 Kontroller ve bileşenler

1. Şarj istasyonu kontrol düğmesi
2. Toz torbası kapağı açma tutamağı
3. Toz torbası haznesi
4. LED ekran ve kontrol tuşları
5. Hepa filtre kapağı çıkarma düğmesi
6. Hepa filtre kapağı
7. Tutma sapı
8. Toz haznesi ayırma düğmesi
9. Toz tahliye kapağı
10. Toz haznesi
11. Boru çıkarma düğmesi
12. Boru katlama düğmesi
13. Fırça ayırma düğmesi
14. Derin Temizlik için çift silindirli sert zemin fırçası
15. Turbo ovalama fırçası
16. Su damlatma kilidi
17. Su doldurma kapağı
18. Evcil hayvan fırçası
19. Dar ağızlı uç
20. Toz fırçası
21. Toz haznesi ön filtre
22. Çoklu siklon filtre
23. Toz torbası x3
24. Paspas bezi x4
25. Ekstra halı fırçası

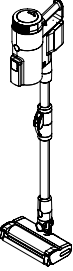
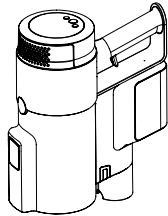
### 2.2 Teknik veriler

<b>Süpürge nominal gücü</b>	450 W
<b>Otomatik temizleme istasyonu nominal gücü</b>	900 W
<b>Otomatik temizleme istasyonu giriş</b>	220 - 240 V~ 50-60 Hz
<b>Otomatik temizleme istasyonu çıkış</b>	30.7 V  0.8 A
<b>Şarj süresi</b>	3-4 saat
<b>Maks. güçte çalışma süresi</b>	10 dk
<b>Orta güçte çalışma süresi</b>	30 dk
<b>Min. güçte çalışma süresi</b>	60 dk

Teknik ve tasarım değişiklikleri yapma hakkımız saklıdır.

Cihazla veya beraberindeki belgelerle birlikte verilen değerler, ilgili standartlara uygun laboratuvar okumalarıdır. Bu değerler kullanıma ve ortam koşullarına bağlı olarak farklılık gösterebilir.

## 2 Genel Bakış

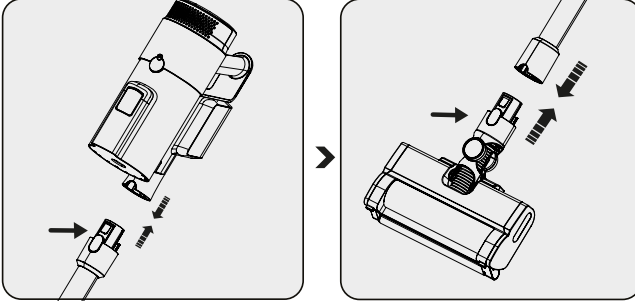
Kullanım Tipi	Hız Seviyesi	Kullanım Süresi	
Boru ve fırça ile kullanım	Minimum hız	38 dk' ya kadar	
	Orta hız	25 dk' ya kadar	
	Maksimum hız	10 dk' ya kadar	
El tipi (Motorsuz aksesuarlar ile)	Minimum hız	60 dk' ya kadar	
	Orta hız	30 dk' ya kadar	
	Maksimum hız	10 dk' ya kadar	

## 3 Kullanım

### 3.1 Kullanım amacı

Bu cihaz evde kullanılmak üzere tasarlanmıştır ve endüstriyel kullanım için uygun değildir.

### 3.2 Gövdenin ve fırçanın takılması



Boru ayırma düğmesine basarak boruyu gövdeye doğru ok yönünde itin.

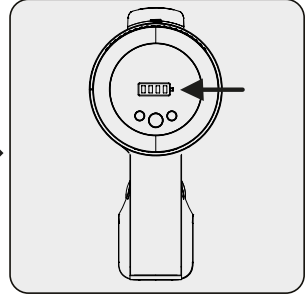
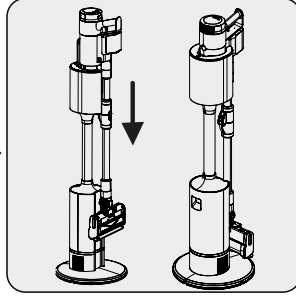
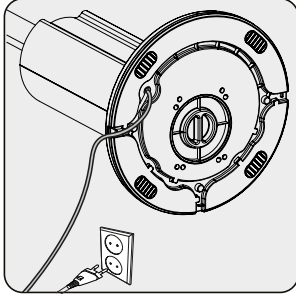
Elektrikli turbo fırçanın üzerinde bulunan elektrikli turbo fırça ayırma düğmesine basarak fırçayı boruya doğru ok yönünde itin.

## 3 Kullanım

### 3.3 Otomatik toz boşaltma istasyonunun kurulumu şarj edilmesi



**UYARI:** Cihazı ilk kez veya uzun bir aradan sonra kullanmadan önce bataryaları tamamen şarj edin.



Otomatik toz boşaltma şarj istasyonunu prize takın.

Cihazı şarj yuvasının üzerine yerleştirin.

Temizleme işlemi bittikten sonra cihaz otomatik şarj olmaya başlar.

Cihaz şarj olmaya başladığında ekranda bataryanın şarj seviyeleri gösterilir. Tüm batarya şarj seviyeleri sabit yanmaya başladığında şarj işlemi tamamlanır.



Otomatik temizleme işlemi sırasında temizleme işlemi durdurmak isterseniz şarj istasyonu kontrol düğmesine basabilirsiniz.



Şarj işlemi tamamlandığında bir süre sonra LED ekran söner.



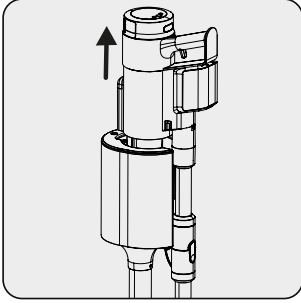
Cihazın tamamen şarj olması 3 ila 4 saat sürer. Cihaz şarj edilirken kullanılmamalıdır.



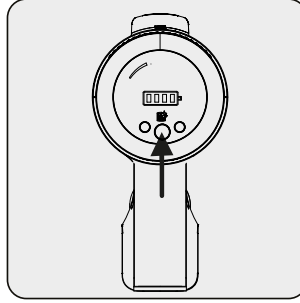
Cihaz çalışırken şarj istasyonuna yerleştirilirse otomatik olarak çalışmayı durdurur.

## 3 Kullanım

### 3.4 Çalıştırma

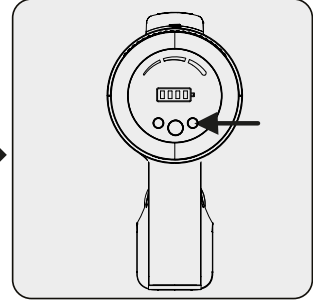


Cihazı otomatik toz boşaltma istasyonundan yukarı doğru çekin.



Cihazı çalıştırmak için açma/kapatma düğmesine basın.

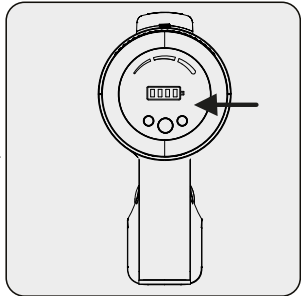
Açma/kapatma düğmesine basıldığında cihaz minimum hız ile çalışmaya başlar.



Hız seviyesini ayarlamak için düğmeye basın. Kullanılan emiş modu ekranda min (düşük), mid (orta) ve high (yüksek) şeklinde gösterilir. Hız seviyesi "+" ve "-" düğmelerine basılarak ayarlanabilir.

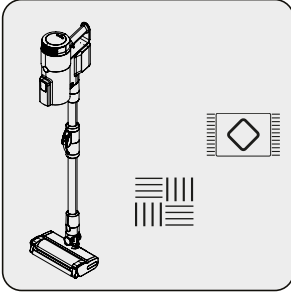


Cihaz, bataryasının şarjı tamamen bitmeden şarj yuvasına takılabilir. Cihaz, bir sonraki kullanıma kadar şarj yuvasında tutulabilir.

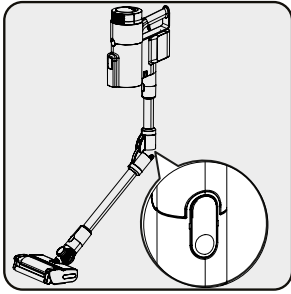


Cihazı kullanırken şarj seviyelerine dikkat edin. Cihazın şarjı bittiğinde cihaz otomatik olarak durur.

### 3 Kullanım



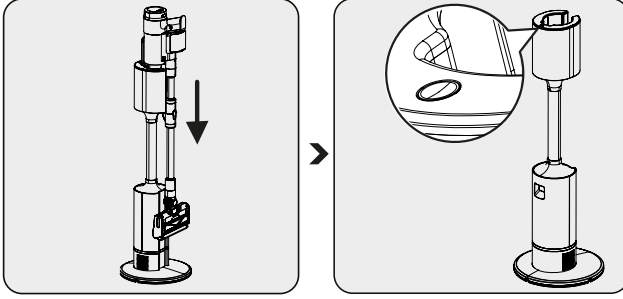
Bu cihaz, halılar ve sert yüzeyler üzerinde kullanıma uygundur.



Koltuk, masa altları gibi alanlara kolay erişim için boruyu katlayabilirsiniz. Sol taraftaki borunun katlanmasını sağlayan yuvarlak düğmeye basarak boruyu katlayabilirsiniz.

## 3 Kullanım

### 3.5 Otomatik temizleme istasyonunun çalışması



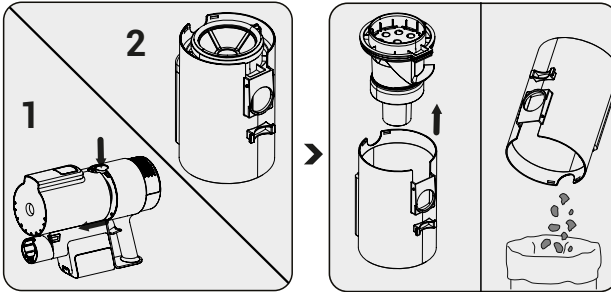
Cihazı otomatik toz boşaltma istasyonu üzerine koyduğumuzda cihazın toz haznesi otomatik boşaltılır.

Temizleme süresince otomatik toz boşaltma istasyonu kontrol düğmesi yanıp söner.

Otomatik toz boşaltma işlemini istediğiniz zaman başlatıp durdurmak için otomatik toz boşaltma istasyonu kontrol düğmesine basabilirsiniz.



Toz, saç, iplik vb. maddeler çoklu siklon çevresine dolanabilir ve toz haznesi tamamen boşaltılamayabilir. Bu durumda aşağıda gösterildiği şekilde toz haznesini manuel olarak temizleyin.

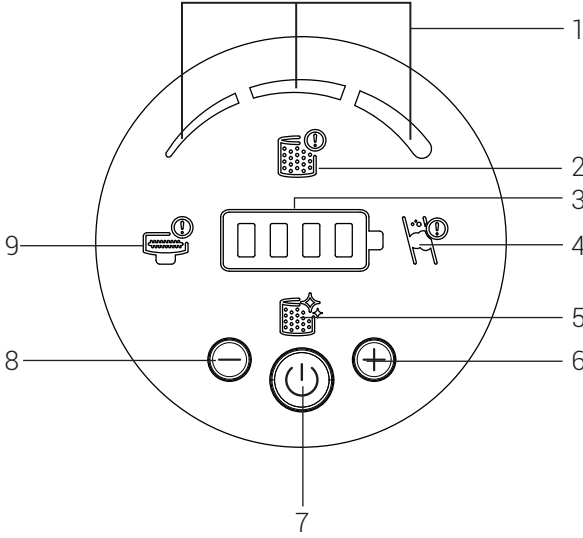


Toz haznesi ayırma düğmesine basın ve toz haznesini ayırın.

Çoklu siklon filtreyi yukarı doğru çekin ve toz haznesindeki tozları boşaltın.

## 3 Kullanım

### 3.6 LED ekran göstergeleri

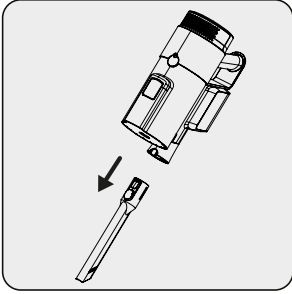


1. Emiş modu
2. Ön filtre cihaza takılmadığında bu simge kullanıcıyı uyarır ve cihazı korumak için ürün bu filtreler takılmadan açılmaz. Filtreleri taktığınızdan emin olun.
3. Batarya şarj seviyesi
4. Hava tıkanıklığı olduğunu gösterir. Borunun içini ve ürünün gövdesinin emiş ağzını kontrol ederek cihazda tıkanıklığa neden olan herhangi bir yabancı madde olup olmadığını kontrol edin.
5. Ön filtrenin temizlenmesi gerektiğini gösterir.
6. Hız artırma düğmesi
7. Açma/Kapama düğmesi
8. Hız azaltma düğmesi
9. Rulo fırçada takılma olduğunu ve temizlenmesi gerektiğini gösterir.

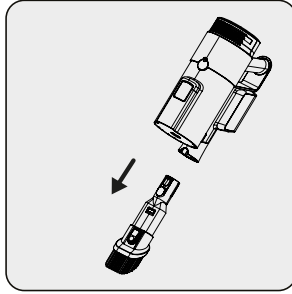


## 3 Kullanım

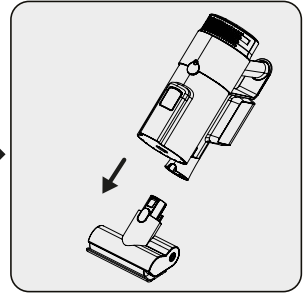
### 3.7 Aksesuarlar



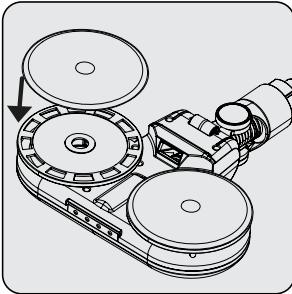
**Dar ağızlı uç:** Mobilyaların arkaları, ulaşılması zor alanlar ve dar alanların temizlenmesi için uygundur.



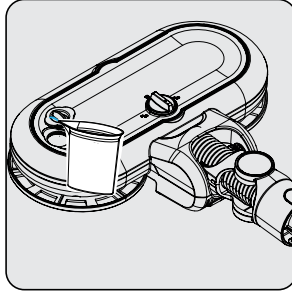
**Toz fırçası:** Perdeler, koltuklar, cilalı mobilyalar ve hassas ve kırılğan nesnelerin temizlenmesi için uygundur.



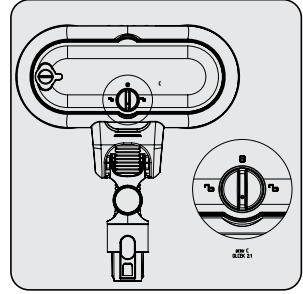
**Mini turbo evcil hayvan fırçası:** Zeminleri, merdiven basamaklarını, araç içlerini, kanepeleri ve koltukları süpürmek için uygundur. Ayrıca bu tür yüzeylerdeki evcil hayvan tüylerini süpürmek için de kullanılır.



Paspas bezini fırçanın altına yapıştırın.



Turbo ovalama fırçasına su doldurmak için su doldurma kapağını açın ve suyu doldurun.



Paspas bezlerini ıslatmak için su damlama kilidini çevirin.

Turbo ovalama fırçasını sert zeminler için kullanabilirsiniz.

### 3 Kullanım



**UYARI:** Paspas aparatını halı üzerinde kullanmayın.



**UYARI:** Paspas aparatı su haznesine; çamaşır suyu veya aşırı köpürebilen sıvı deterjan koymayın.



**UYARI:** Kullanım tamamlandıktan sonra su damlatma kilidini kapatın ve paspas aparatını çıkarın.



**UYARI:** Ahşap zeminlerinizin zarar görmesini önlemek için paspaslama işlemi tamamlandıktan hemen sonra paspas aparatını çıkarın.



**UYARI:** Paspaslama işlemi tamamlandıktan sonra paspas aparatı su haznesi içinde kalan suyu boşaltıp hazneyi kurulayın.



Paspas bezleri çamaşır makinesinde yıkanabilir.



**UYARI:** Su deposundan su fışkırabileceğinden başlığı kaldırmayın veya eğmeyin.

## 4 Temizlik ve bakım

Cihazı temizlemeden önce cihazı kapatın ve cihazın fişini prizden çıkarın.

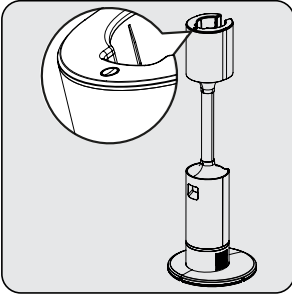


**UYARI:** Cihazı temizlemek için kesinlikle benzin, çözücü, aşındırıcı temizlik maddeleri, metal nesnelere veya sert fırçalar kullanmayın.

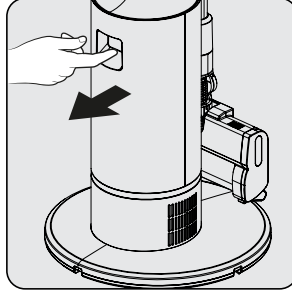


**UYARI:** Cihaz kullanıldıkça, zaman içinde filtreler deforme olabilir. Performans kaybını önlemek için ilgili filtreler değiştirilmelidir. Filtre siparişi vermek için müşteri hizmetleriyle iletişim geçin.

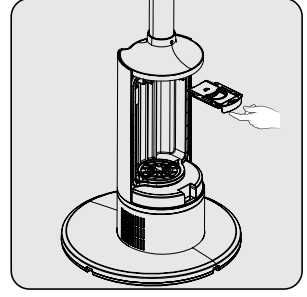
### 4.1 Toz torbasının değiştirilmesi



Otomatik toz boşaltma istasyonu üzerindeki kontrol düğmesi kırmızı renkte yandığında toz torbasının dolu olup olmadığını kontrol edin.



Otomatik toz boşaltma istasyonunun toz haznesinin kapağını açın.

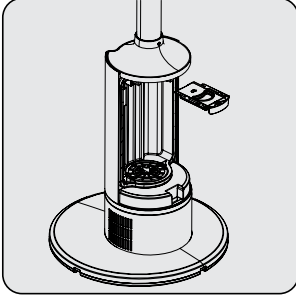


Toz torbasını tutamacından tutup çekerek çıkarın.

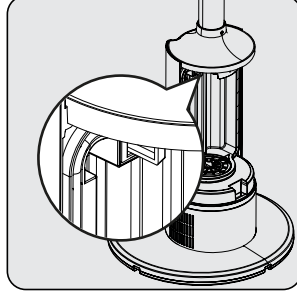


**UYARI:** Toz torbası dolu değilse, cihazın toz haznesinin, borunun veya fırçanın tıkalı olup olmadığını kontrol edin.

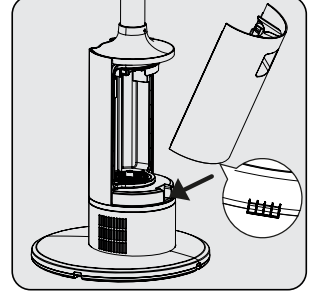
## 4 Temizlik ve bakım



Toz torbasını yenisi ile değiştirin.



Toz torbasını tutamacından yuvasına oturtun ve ittirin.

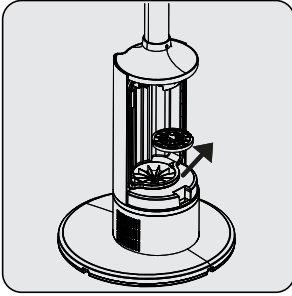


Otomatik toz boşaltma istasyonunun toz haznesinin kapağını kapatın.

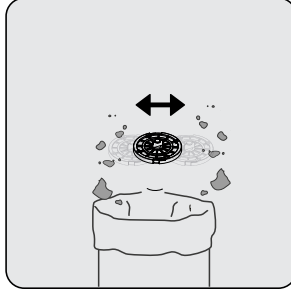


**UYARI:** Toz torbası yeniden kullanılabilir değildir.

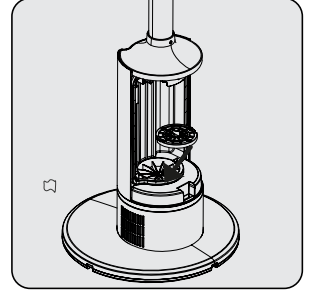
### 4.2 Toz haznesinin ve filtrelerin temizlenmesi



Ön filtreyi döndürerek çıkartın.



Ön filtreyi sallayarak temizleyin ve tozlardan arındırın.



Ön filtreyi yerine oturtun ve çevirerek sabitleyin.

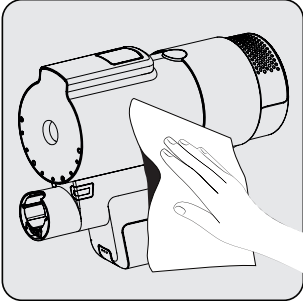


**UYARI:** Hepa filtreyi yıkamayın.

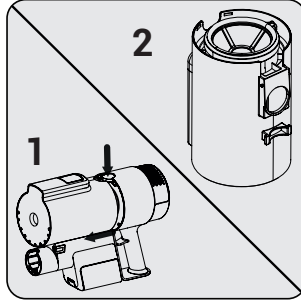


Toz haznesini her kullanımdan sonra temizlemenizi öneririz.

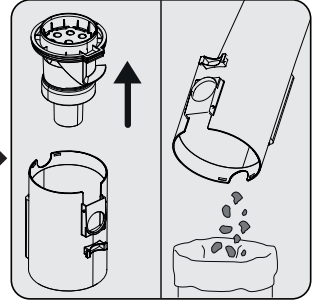
## 4 Temizlik ve bakım



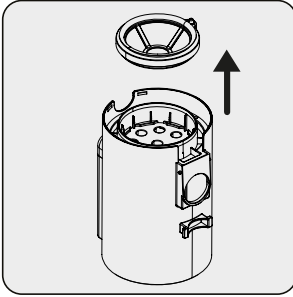
Cihazın gövdesinin yüzeyini nemli bir bezle silin.



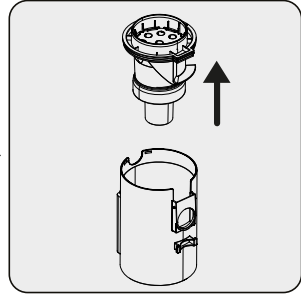
Toz haznesi ayırma düğmesine basın ve toz haznesini ayırın.



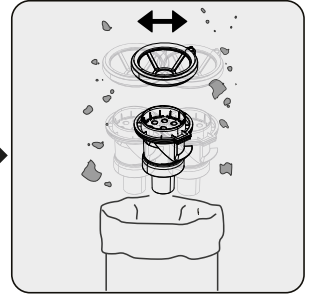
Çoklu siklon filtreyi yukarı doğru çekin ve toz haznesindeki tozları boşaltın.



Detaylı bir filtre temizliği için ön filtre parçasını yukarı doğru çekerek çıkarın.

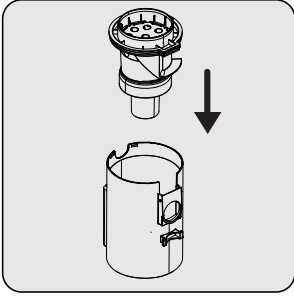


Çoklu siklon filtre parçasını yukarı doğru çekin.

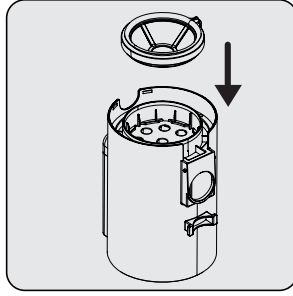


Çoklu siklon filtreyi ve ön filtreyi sallayarak temizleyin ve tozlardan arındırın.

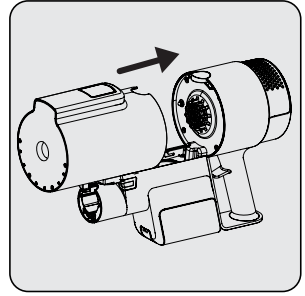
## 4 Temizlik ve bakım



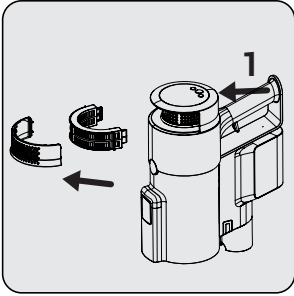
Gözenekli filtreyi toz haznesine takın.



Ön filtreyi gözenekli filtreye takın.



Toz haznesinin arka tarafının gövdeye oturması için toz haznesini önce ürünün gövdesine, daha sonra düğme alanına yerleştirin.



EPA E12 Filtreyi temizlemek için düğmeye (1) basın ve filtre parçasını çıkarın.



EPA E12 filtreyi sallayarak temizleyin ve tozlardan arındırın.

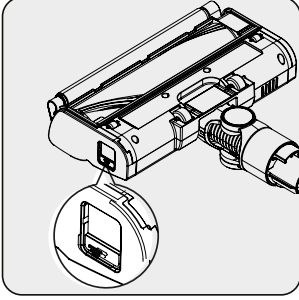
## 4 Temizlik ve bakım

### 4.3 Fırçaların temizlenmesi

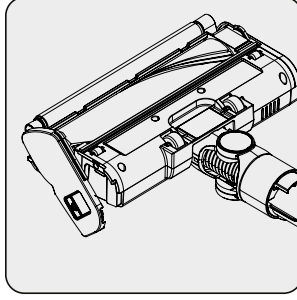
#### 4.3.1 Sert zemin fırçasının temizlenmesi



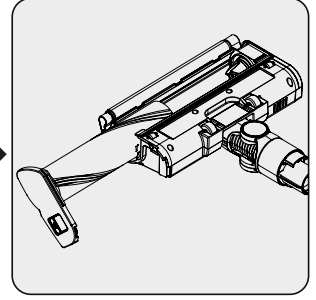
**UYARI:** Turbo fırçayı ve ana makarayı yıkamayın.



Tuşa basıldıktan sonra rulo fırça plastiğini kaydırarak çıkarın.



Makarayı sert bir yüzeye hafifçe vurarak veya bir fırçayla temizleyerek tozdan arındırın. Takılan/ dolaşan saç vb. nesnelere keserek temizleyin.



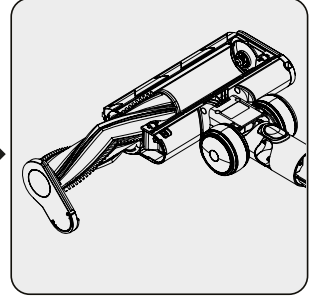
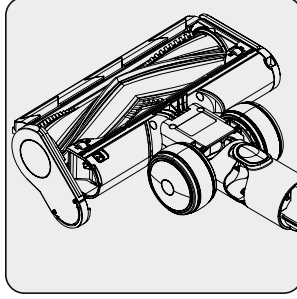
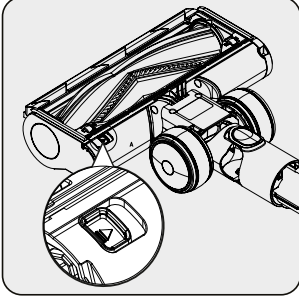
Makarayı iterek yerine oturtun.

## 4 Temizlik ve bakım

### 4.3.2 Ekstra halı fırçasının temizlenmesi



**UYARI:** Turbo fırçayı ve ana makarayı yıkamayın.



Tuşa basıldıktan sonra rulo fırça plastiğini kaydırarak çıkarın.

Makarayı sert bir yüzeye hafifçe vurarak veya bir fırçayla temizleyerek tozdan arındırın. Takılan/ dolaşan saç vb. nesnelere keserek temizleyin.

Makarayı iterek yerine oturtun.

### 4.4 Saklama

- Cihazı uzun süre kullanmayı düşünmüyorsanız dikkatli bir şekilde saklayın.
- Cihazı fişten çıkarınız.
- Cihazın çocukların erişemeyeceği bir yerde saklandığından emin olun.
- Bataryayı iletken olmayan bir malzemenin üstünde saklayın ve bataryanın metal malzemelere doğrudan temas etmesine izin vermeyin. Aksi takdirde batarya hasar görecektir.
- Ürün uzun bir süre kullanılmayacak ise; şarjı en az yarıya kadar dolu olacak şekilde saklayınız. Bataryayı tamamen şarj veya deşarj etmeyin. Ürün en az 3 ayda bir şarj edilmelidir.

### 4.5 Taşıma ve nakliye

- Taşıma ve nakliye esnasında cihazı orijinal ambalajıyla taşıyın. Cihazın ambalajı cihazı fiziksel hasarlara karşı korur.
- Cihazın ya da ambalajının üzerine ağır nesnelere koymayın. Aksi takdirde cihaz hasar görebilir.
- Cihaz düşürülürse çalışmayabilir veya cihazda kalıcı hasarlar oluşabilir.



## 5 Sorun giderme

SORUN	OLASI NEDEN	ÇÖZÜM
Çalışmıyor.	Pil bitmiştir.	Şarj edin.
	Bataryası oturmuyor olabilir.	Bataryayı söküp tekrar takın.
	Emiş bağlantısı tıkanmıştır.	Ürünü, gövde fırça ve boru olmak üzere ayırın. Bağlantı noktalarını kontrol edip temizleyin.
Emiş gücü azalıyor.	Toz haznesi doludur.	Toz haznesini ve filtreyi temizleyin.
	Filtrelerin temizlenme zamanı gelmiş olabilir.	Filtreleri temizleyin.
	Filtreler, kullanıma bağlı olarak deforme olmuş ve değiştirilme zamanı gelmiş olabilir.	Yeni filtre satın almak için lütfen müşteri hizmetleriyle iletişime geçin.
	Motor giriş süngeri temizlenmemiştir.	Filtreleri temizleyin ve tekrar şarj edin.
	Turbo fırçadaki (?) döner ruloya saç ve benzeri dolanmıştır.	Turbo fırça rulosunu temizleyin.
Rahatsız edici motor gürültüsü var.	Emiş bağlantısı tıkanmıştır.	Ürünü gövde, fırça ve boru olmak üzere ayırın. Bağlantı noktalarını kontrol edip temizleyin.
	Toz haznesi ve filtre arasında bir şey kaçmış olabilir.	Toz haznesini açarak, filtre bölgesini kontrol edin.

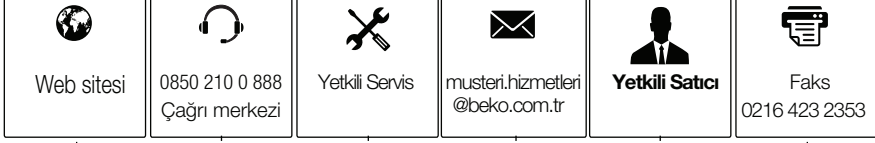
## 5 Sorun giderme

Süpürge şarj edilemiyor.	Süpürge şarj istasyonuna oturtulamamıştır.	Süpürgeyi şarj istasyonuna koyun. Tam oturduğundan emin olun. Bağlantıyı kontrol edin.
Şarjdan sonra çok kısa süre kullanılabilir.	Yeterli sürede şarj edilmemiştir.	Talimatlara uygun şekilde 3-4 saat şarj edin.
	Motor giriş süngeri temizlenmemiştir.	Filtreleri temizleyin ve tekrar şarj edin.
	Pil ömrü azalmıştır.	Yeni pil satın almak için müşteri hizmetleriyle iletişime geçin.
Otomatik temizleme istasyonu çalışmıyor.	Fişe takılı olmayabilir.	Fişin takılı olduğundan emin olun.
Otomatik temizleme istasyonu çalışmaya başlar başlamaz duruyor.	Toz torbası dolmuştur.	Toz torbasını yenisi ile değiştirin.
	Otomatik temizleme istasyonu motor giriş filtresi temizlenme zamanı gelmiş olabilir.	Filtreleri temizleyin ve otomatik temizleme tuşuna basın.
	Süpürge toz haznesi emiş kanalı tıkanmış olabilir.	Süpürge toz haznesini manuel olarak temizleyip, kontrol edin.
Otomatik temizleme süresince cihazın sesi artıp azalıyor.	Temizleme sırasındaki temizlenen maddeye göre ses değişkenlik gösterebilir.	Temizleme işlemi sonrasında süpürge toz haznesini kontrol edin.

## Hizmet talebinin değerlendirilmesi

1

### Müşteri Başvurusu



2

### Başvuru kaydı

Başvuru Konusu  
Müşteri Adı, Soyadı  
Müşteri Telefonu  
Müşteri Adresi

3

### Hizmet talebinin alınması

- Hizmet talebi analizi
- Hizmet hakkında müşterinin bilgilendirilmesi (Keşif,nakliye,montaj,bilgi,onarım,değişim vb.)
- Hizmet hakkında gerekli işlemin gerçekleştirilmesi

4

### Müşteri memnuniyetinin alınması

Memnun

Memnun  
değil

5

### Başvuru kaydının kapatılıp, bilgilerin saklanması

### Müşteri Memnuniyeti Politikası

- Müşterilerimizin istek ve önerilerini her kanaldan karşılamaktan mutluluk duyarız.

#### Kanallarımız:

\* **Çağrı Merkezimiz: 0850 210 0 888**

(Sabit telefonlardan veya cep telefonlarından alan kodu çevirmeden arayın\*)

\* **Diğer Numaramız: 0216 585 8 888**

- Çağrı Merkezimiz haftanın 7 günü 24 saat hizmet vermektedir.

- Çağrı Merkezimiz ile yaptığımız görüşmeler iletişim hizmeti aldığınız operatör firma tarafından sizin için tanımlanan tarifeye göre ücretlendirilir.

- Sabit veya cep telefonunuzdan alan kodu tuşlamadan çağrı merkezi numaramızı arayarak ürününüz ile ilgili arzu ettiğiniz hizmeti talep edebilirsiniz.

\* **Whatsapp Numaramız: 0544 444 0 888**

\* **Faks Numaramız: 0216-423-2353**

\* **Web Adresimiz:**

- [www.beko.com.tr](http://www.beko.com.tr)

\* **e-posta Adresimiz:**

- [musteri.hizmetleri@beko.com](mailto:musteri.hizmetleri@beko.com)

\* **Sosyal Medya Hesaplarımız:**

- <https://www.instagram.com/bekoturkiye/>

- [https://twitter.com/beko\\_tr](https://twitter.com/beko_tr)

- <https://www.facebook.com/bekoturkiye/>

- <https://www.youtube.com/user/BekoChannel>

\* **Posta Adresimiz:**

- Arçelik A.Ş. Karaağaç Caddesi No:2-6,  
34445, Sütüce / İSTANBUL

\* **Bayilerimiz,**

- <https://www.beko.com.tr/yetkili-saticilar>

\* **Yetkili Servislerimiz,**

- <https://www.beko.com.tr/yetkili-servis>

- Tüm yetkili servis istasyonu bilgilerimiz, Ticaret Bakanlığı tarafından oluşturulan "Servis Bilgi Sistemi"nde ([www.servis.gov.tr](http://www.servis.gov.tr)) yer almaktadır.  
- Yedek parça malzemeleri yetkili servislerimizden temin edilebilir.

- Online servis randevusu almak için,

- <http://digital.arcelik.com.tr>

- Müşterilerimizden iletilen istek ve önerilerin Beko'ya ulaştığı bilgisini, müşteri profili ayrımı yapılmaksızın kendilerine 24 saat içinde veririz.
- Müşteri Hizmetleri sürecimiz:  
Müşterilerimizin istek ve önerilerini;  
\* **İzlenebilir, raporlanabilir, şeffaf ve güvenli tek bir bilgi havuzunda toplarız.**  
\* **Yasal düzenlemelere uygun, objektif, adil ve gizlilik içinde ele alır ve değerlendiririz.**  
\* **Bu geri bildirimleri süreçlerimizin daha mükemmel hale getirilmesinde kullanırız.**
- Beko olarak, mükemmel müşteri deneyimini yaşatmayı ana ilke olarak kabul eder, müşteri odaklı bir yaklaşım benimseriz.
- Bütün süreçlerimizi yönetim sistemi ile entegre ederek birbirini kontrol eden bir yapı geliştirilmesini sağlarız.  
Yönetim hedeflerini de bu sistem üzerinden besleriz.

### Aşağıdaki önerilere uymanızı rica ederiz.

- Ürününüzü aldığınızda Garanti belgesini Yetkili Satıcınıza onaylattırınız.
- Ürününüzü kullanma kılavuzu esaslarına göre kullanınız.
- Ürününüz ile ilgili hizmet talebiniz olduğunda yukarıdaki telefon numaralarından Çağrı Merkezimize başvurunuz.
- Hizmet için gelen teknisyene "teknisyen kimlik kartı"nı sorunuz.
- İşiniz bittiğinde Yetkili servis teknisyeninden "Hizmet Fişi" istemeyi unutmayınız. alacağınız "Hizmet Fişi" , ilerde ürününüzde meydana gelebilecek herhangi bir sorunda size yarar sağlayacaktır.
- Ürünün kullanım ömrü: 10 yıldır. (Ürünün fonksiyonunu yerine getirebilmesi için gerekli yedek parça bulundurma süresi)

Bu kılavuzu okumadan ürününüzü çalıştırmayınız.

Ürününüz ile ilgili garanti şartları, kullanımı ve sorun giderme yöntemleri kılavuzda yer almaktadır.

Uygun Kullanım ve Garanti ile İlgili Dikkat Edilmesi Gereken Hususlar;

Aşağıda belirtilen sorunların giderilmesi ücret karşılığında yapılır. Bu durumlar için garanti şartları uygulanmaz;

1) Kullanım hatalarından kaynaklanan hasar ve arızalar,

2) Malın tüketiciye tesliminden sonraki yükleme, boşaltma, taşıma vb. sırasında oluşan hasar ve arızalar,

3) Malın kullanıldığı yerin elektrik (priz, gerilim, topraklama vb.), su (su basıncı, musluk vb.), doğalgaz, telefon, internet vb. şebekesi ve/veya altyapısı (gider, zemin, ortam vb.) kaynaklı meydana gelen hasar ve arızalar,

4) Doğa olayları ve yangın, su baskını vb. kaynaklı meydana gelen hasar ve arızalar,

5) Malın tanıtma ve kullanma kılavuzlarında yer alan hususlara aykırı kullanılmasından kaynaklanan hasar ve arızalar,

6) Malın, 6502 sayılı Tüketicinin Korunması Hakkındaki Kanununda tarif edilen şekli ile ticari veya mesleki amaçlarla kullanımı durumunda ortaya çıkan hasar ve arızalar,

7) Mala yetkisiz kişiler tarafından bakım, onarım veya başka bir nedenle müdahale edilmesi Durumlarında mala verilmiş garanti sona erecektir.

Garanti uygulaması sırasında değiştirilen malın süresi, satın alınan malın kalan garanti süresi ile sınırlıdır.

Ürününüz Arçelik A.Ş adına Shenzhen Silver Star Intelligent Group Co., Ltd.Room 1701, Silver Star Building No. 2, No. 1301-72, Guanguang Road, Guanlan Street, Longhua District,Shenzhen, Guangdong, China Tel: 86 755 36880958 tarafından üretilmiştir.

Türkiye için Üretici veya İthalatçı: Arçelik A.Ş. Karaağaç Cad. No:2-6, 34445 Sütlüce, İstanbul, Türkiye

Avrupa için Üretici veya İthalatçı: Beko Grundig Deutschland GmbH, Rahmannstraße 3, 65760, Eschborn

Menşei :P.R.C.

## GARANTİ ŞARTLARI

- Garanti süresi, malın teslim tarihinden itibaren başlar ve 2 yıldır.
- Malın tanıtma ve kullanma kılavuzunda gösterildiği şekilde kullanılması ve Arçelik A.Ş.'nin yetkili kıldığı servis çalışanları dışındaki şahıslar tarafından bakım, onarım veya başka bir nedenle müdahale edilmemiş olması şartıyla, malın bütün parçaları dahil olmak üzere tamamını; malzeme, işçilik ve üretim hatalarına karşı malın teslim tarihinden itibaren yukarıda belirtilen süre kadar garanti eder.
- Malın ayıplı olduğunun anlaşılması durumunda tüketici, 6502 sayılı Tüketicinin Korunması Hakkında Kanunun 11 inci maddesinde yer alan;  
a- Sözleşmeden dönme, c- Ücretsiz onarılmasını isteme,  
b- Satış bedelinden indirim isteme, ç- Satılanın ayıpsız bir misli ile değiştirilmesini isteme,  
haklarından birini kullanabilir.
- Tüketicinin bu haklardan ücretsiz onarım hakkını seçmesi durumunda satıcı; işçilik masrafı, değiştirilen parça bedeli ya da başka herhangi bir ad altında hiçbir ücret talep etmeksizin malın onarımını yapmak veya yaptırmakla yükümlüdür. Tüketici ücretsiz onarım hakkını üretici veya ithalatçıya karşı da kullanabilir. Satıcı, üretici ve ithalatçı tüketicinin bu hakkını kullanmasından müstesilen sorumludur.
- Tüketicinin, ücretsiz onarım hakkını kullanması halinde malın;  
- Garanti süresi içinde tekrar arızalanması,  
- Tamiri için gereken azami sürenin aşılması,  
- Tamirinin mümkün olmadığının, yetkili servis istasyonu, satıcı, üretici yada ithalatçı tarafından bir raporla belirlenmesi durumlarında;  
tüketici malın bedel iadesini, ayıp oranında bedel indirimini veya imkân varsa malın ayıpsız misli ile değiştirilmesini satıcıdan talep edebilir.  
Satıcı, tüketicinin talebini reddedemez. Bu talebin yerine getirilmemesi durumunda satıcı, üretici ile ithalatçı müstesilen sorumludur.
- İlgili mevzuatlarda belirlenen kullanım ömrü süresince malın azami tamir süresi 20 iş gününü, geçemez. Bu süre, garanti süresi içerisinde mala ilişkin arızanın yetkili servis istasyonuna veya satıcıya bildirim tarihi, garanti süresi dışında ise malın yetkili servis istasyonuna teslim tarihinden itibaren başlar. Garanti kapsamı içerisindeki malın arızasının 10 iş günü içerisinde giderilememesi halinde, üretici veya ithalatçı; malın tamiri tamamlanıncaya kadar, benzer özelliklere sahip başka bir malı tüketicinin kullanımına tahsis etmek zorundadır. Benzer özelliklere sahip başka bir malın tüketici tarafından istenmemesi halinde üretici veya ithalatçılar bu yükümlülüğünden kurtulur. Malın garanti süresi içerisinde arızalanması durumunda, tamirde geçen süre garanti süresine eklenir.
- Malın kullanma kılavuzunda yer alan hususlara aykırı kullanılmasından kaynaklanan hasar ve arızalar garanti kapsamı dışındadır.
- Tüketici, garantiden doğan haklarının kullanılmasına ile ilgili olarak çıkabilecek uyuşmazlıklarda yerleşim yerinin bulunduğu veya tüketici işleminin yapıldığı yerdeki Tüketici Hakem Heyetine veya Tüketici Mahkemesine başvurabilir.
- Satıcı tarafından bu Garanti Belgesinin verilmemesi durumunda, tüketici Ticaret Bakanlığı Tüketicinin Korunması ve Piyasa Gözetimi Genel Müdürlüğüne başvurabilir.

### Üretici veya İthalatçı Firmanın:

**Unvanı:** Arçelik A.Ş.  
**Adresi:** Arçelik A.Ş. Karaağaç Caddesi No:2-6,  
34445, Söğütözü / İSTANBUL  
**Telefonu:** (0-216) 585 8 888  
**Faks:** (0-216) 423 23 53  
**web adresi:** www.beko.com.tr

### Malın

**Markası:** Beko  
**Cinsi:** Şarjlı Dik Süpürge  
**Modeli:** VRT 97325 VY  
**Bandrol ve Seri No:**  
**Garanti Süresi:** 2 YIL  
**Azami Tamir Süresi:** 20 İş günü

GENEL MÜDÜR

*H. B. B.*

**Arçelik A.Ş.**

GENEL MÜDÜR YRD.

*C. B.*

### Satıcı Firmasının:

**Unvanı:**  
**Adresi:**  
**Telefonu:**  
**Faks:**  
**e-posta:**

**Fatura Tarih ve Sayısı:**  
**Teslim Tarihi ve Yeri:**  
**Yetkilinin İmzası:**  
**Firmanın Kaşesi:**

Bu bölümü, ürünü aldığımız Yetkili Satıcı imzalayacak ve kaşeyecektir.




# Veillez d'abord lire ce manuel !

Cher/Chère client(e),



Nous vous remercions d'avoir acheté cet appareil Beko. Nous voulons que vous obteniez une efficacité optimale de ce produit de haute qualité qui a été fabriqué à l'aide de technologies de pointe. Veuillez lire attentivement ces instructions et les documents complémentaires qui l'accompagnent avant d'utiliser l'appareil et pensez à les conserver pour une référence ultérieure. Si vous donnez l'appareil à une tierce personne, remettez-lui également ce manuel d'utilisation. Respectez tous les avertissements et informations contenus dans le présent document et suivez les instructions.


## Symboles et leurs significations



Les symboles suivants sont utilisés dans ce guide :

	Informations importantes et conseils utiles pour l'utilisation de l'appareil.
	<b>AVERTISSEMENT:</b> Avertissements sur les situations dangereuses concernant la sécurité des personnes et des biens.
	Classe de protection contre les chocs électriques

**FR**

 **ÉLÉMENTS PAPIER** 

 **FR** Cet appareil, ses accessoires, cordons et batteries se recyclent

À DÉPOSER EN MAGASIN  OU À DÉPOSER EN DÉCHÈTERIE 

Points de collecte sur [www.quefairedemesdechets.fr](http://www.quefairedemesdechets.fr)  
Privilégiez la réparation ou le don de votre appareil !

# 1 Consignes de sécurité et d'environnement importantes

Cette section contient des instructions visant à prévenir les dangers susceptibles d'entraîner des blessures ou des dommages matériels.

Le non-respect de ces instructions annule toutes les garanties de cet appareil.

## 1.1 Sécurité générale

- Cet appareil est conforme aux normes internationales de sécurité.
- Cet appareil peut être utilisé par des enfants âgés d'au moins 8 ans et par des personnes ayant des capacités physiques, sensorielles ou mentales réduites ou dénuées d'expérience ou de connaissance, s'ils (si elles) sont correctement surveillé(es) ou si des instructions relatives à l'utilisation de l'appareil en toute sécurité leur ont été données et si les risques encourus ont été appréhendés. Les enfants ne doivent pas jouer avec l'appareil. Les enfants ne doivent en aucun cas nettoyer ou entretenir l'appareil à moins d'être encadrés pour ce faire.
- N'utilisez pas l'appareil si le cordon d'alimentation ou l'appareil est endommagé. Contactez le service agréé.
- Veillez à ce que la puissance réseau corresponde aux informations disponibles sur la plaque signalétique ou l'étiquette de l'appareil.
- N'utilisez pas l'appareil avec une rallonge.
- Pour éviter que le cordon d'alimentation ne soit endommagé, assurez-vous qu'il ne soit pas coincé, plié ou en contact avec des bords tranchants.
- Ne touchez pas la fiche ou l'appareil s'il est branché lorsque vous avez les mains humides ou mouillées.
- Ne tirez pas le cordon pour débrancher l'appareil.



# 1 Consignes de sécurité et d'environnement importantes

- Abstenez-vous d'aspirer les matériaux inflammables et assurez-vous que les cendres de cigarette sont refroidies avant toute aspiration.
- N'aspirez pas d'eau et d'autres liquides.
- Protégez l'appareil de la pluie, de l'humidité et des sources de chaleur.
- N'utilisez pas l'appareil dans ou à proximité d'environnements et de substances explosives ou inflammables.
- Débranchez l'appareil avant le nettoyage et l'entretien.
- Évitez de nettoyer l'appareil ou le cordon d'alimentation en les plongeant dans l'eau.
- Ne démontez pas l'appareil.
- Utilisez uniquement les pièces d'origine ou celles recommandées par le fabricant.
- Pour éviter de bloquer le filtre ou d'endommager le moteur, n'aspirez pas le ciment, le plâtre ou les fragments de papier comprimé.
- Utilisez l'appareil seulement avec l'adaptateur fourni.
- N'utilisez pas l'appareil sans filtres sinon il pourrait être endommagé.
- Si vous conservez les matériaux d'emballage, gardez-les hors de portée des enfants.
- Le présent appareil n'a pas été mis au point pour être utilisé par des personnes, y compris des enfants, souffrant de handicaps sensoriels ou mentaux ou manquant d'expérience et de connaissances, à moins d'être surveillées par les personnes responsables de leur sécurité et ayant reçu des instructions relatives à son utilisation.
- Les enfants doivent être surveillés afin d'éviter qu'ils ne jouent avec l'appareil.

## 1 Consignes de sécurité et d'environnement importantes

- Retirez d'abord l'adaptateur et le groupe de piles avant tout nettoyage et entretien.
- Afin d'éviter tout risque potentiel, les adaptateurs endommagés doivent être remplacés exclusivement par le fabricant, le centre de service agréé ou un technicien agréé.
- Tenez vos doigts, cheveux et vêtements amples à l'écart des parties aspirantes pendant l'utilisation de l'aspirateur..
- Retirez les batteries avant de procéder à la mise au rebut de l'appareil.
- Débranchez l'appareil avant d'en sortir la batterie.
- Veuillez mettre au rebut les batteries usagées conformément aux lois et réglementations locales en vigueur.
- Les batteries de cet appareil doivent uniquement être remplacées par des personnes agréés.
- Cet appareil n'est pas destiné à un usage commercial. Il est par ailleurs destiné à un usage domestique et non commercial, et donc pour :
  - les cuisines du personnel de magasins, les bureaux et autres environnements de travail ;
  - les champs ;
  - par les clients dans les hôtels, les motels ou d'autres installations d'hébergement ;
  - les chambres d'hôtes et cadres semblables.
- Cet appareil ne doit pas être manipulé par des personnes dont les capacités physiques, sensorielles et cognitives sont limitées ou qui manquent d'expérience et de connaissances, à moins qu'elles ne soient encadrées ou aient reçu des consignes relatives à son fonctionnement.
- Les enfants doivent être surveillés afin d'éviter qu'ils ne jouent avec l'appareil.

# 1 Consignes de sécurité et d'environnement importantes

- Ne posez pas le combiné sur la table ; Nous vous recommandons de fixer la base de chargement murale après le nettoyage.

## 1.2 Respect de la directive WEEE et élimination des déchets



Ce produit est conforme à la directive WEEE de l'UE (2012/19/EU). Cet appareil porte un symbole de classification des déchets d'équipements électriques et électroniques (WEEE). Ce symbole indique que cet appareil ne doit pas être mis au rebut avec les ordures ménagères à la fin de sa durée de vie. L'appareil doit au contraire être retourné au point de collecte officiel pour le recyclage des pièces électriques et électroniques. Contactez les autorités locales ou le revendeur qui a vendu l'appareil pour vous renseigner au sujet des systèmes de collecte. Chaque ménage a un rôle important à jouer dans la récupération ou le recyclage de vieux appareils. La mise au rebut appropriée des appareils usagés permet de prévenir les conséquences négatives potentielles pour l'environnement et la santé humaine.

## 1.3 Informations sur l'emballage



L'emballage du produit est constitué de matériaux recyclables conformément à la législation nationale sur l'environnement. Ne mettez pas les matériaux d'emballage au rebut avec les ordures ménagères et d'autres déchets. Apportez-les plutôt aux points de collecte des matériaux d'emballage désignés par les autorités locales.

## 1.4 Informations sur les piles usagées



Visible sur les piles rechargeables et non rechargeables, ou encore sur leur emballage, ce symbole indique que les piles ne doivent pas être mélangées aux ordures ménagères. En plus de ce symbole, certaines piles (rechargeables) peuvent également porter un symbole chimique. Des symboles pour le mercure (Hg) ou le plomb (Pb) sont également prévus si les batteries (rechargeables) contiennent plus de 0,0005% de mercure ou plus de 0,004% de plomb.

Les batteries (rechargeables), y compris celles qui ne contiennent pas de métal lourd, ne peuvent pas être jetées avec les déchets ménagers. Mettez toujours les piles usagées au rebut conformément aux réglementations environnementales locales. Renseignez-vous sur la réglementation en vigueur concernant les déchets dans votre région.

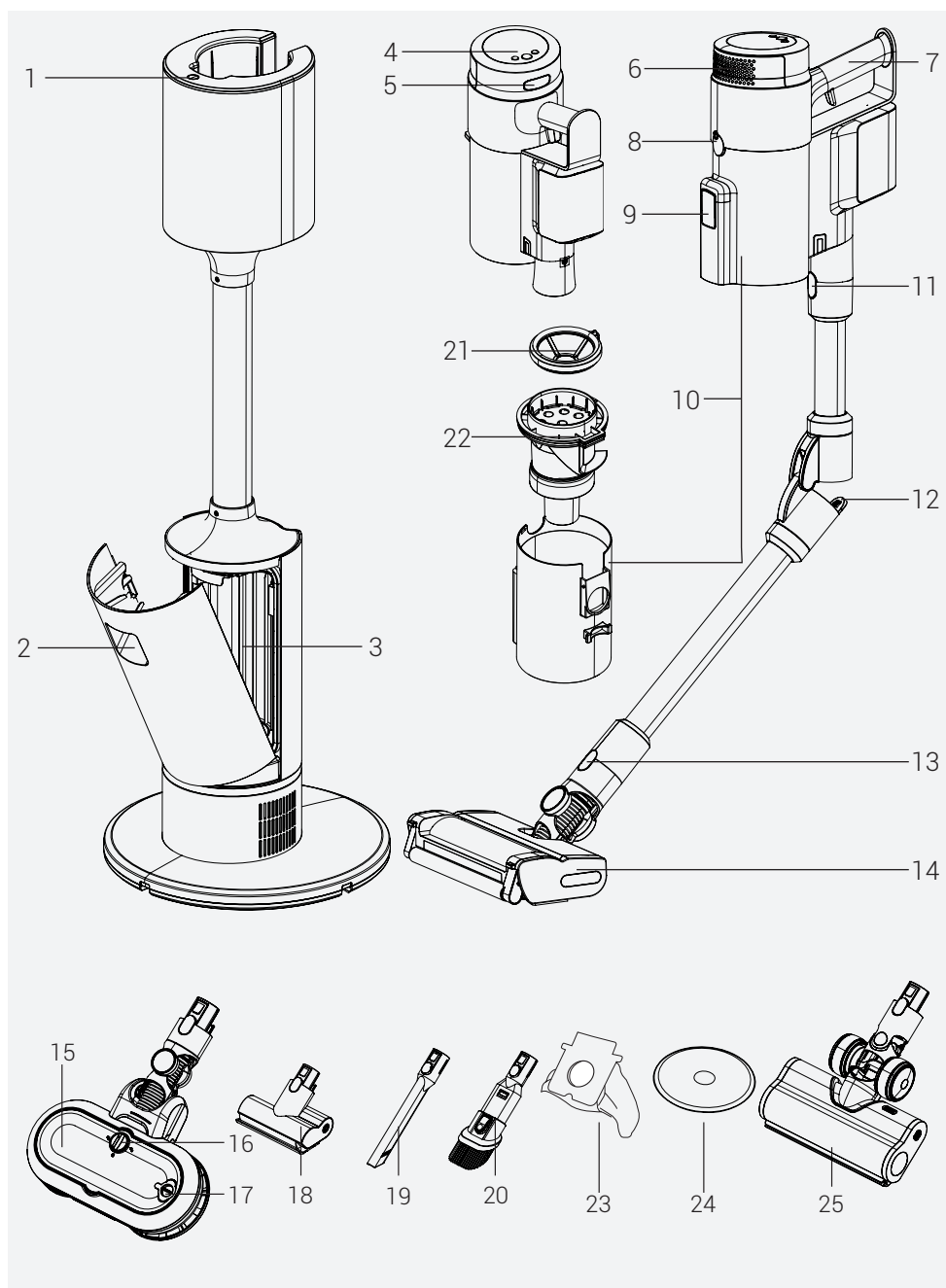
## 1.5 Dispositions à prendre pour économiser de l'énergie

- Recourez au réglage de vitesse le plus adapté à la surface pour économiser de l'énergie pendant l'utilisation de votre appareil.
- En principe, les surfaces dures, les rideaux et les meubles nécessitent une vitesse faible contrairement aux tapis qui ont quant à eux besoin d'une vitesse élevée.

## 1.6 Conformité avec la Directive RoHS

L'appareil que vous avez acheté respecte la directive RoHS de l'UE (2011/56/EU). En effet, il ne contient pas les substances nocives et interdites indiquées dans la directive.

## 2 Aperçu Général




## 2 Aperçu Général

### 2.1 Commandes et composants

1. Bouton de commande de la station de charge
2. Poignée d'ouverture du couvercle du sac à poussière
3. Réservoir à poussières
4. Affichage LED et boutons de commande
5. Bouton de déverrouillage du couvercle du filtre EPA
6. Couvercle du filtre EPA
7. Poignée
8. Bouton d'ouverture du conteneur à poussière
9. Couvercle anti-poussière
10. Bac à poussière
11. Bouton de déverrouillage du tube
12. Bouton de flexion du tube
13. Bouton de déverrouillage de la brosse
14. Brosse pour sols durs avec double rouleau pour un nettoyage en profondeur
15. Brosse à récurer Turbo
16. Dispositif anti-goutte
17. Bouchon de remplissage d'eau
18. Brosse à poils d'animaux
19. Suceur plat
20. Brosse à poussière
21. Filtre avant du réservoir à poussières
22. Filtre multi-cyclonique
23. 3 sacs à poussières
24. 4 chiffons de nettoyage
25. Brosse à tapis supplémentaire

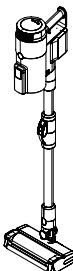
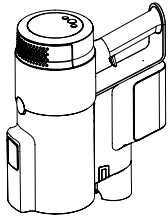
### 2.2 Données techniques

<b>Puissance nominale</b>	450 W
<b>Puissance nominale de la station de nettoyage automatique</b>	900 W
<b>Puissance d'entrée de la station de nettoyage automatique</b>	220 - 240 V~ 50-60 Hz
<b>Puissance de la station de nettoyage automatique</b>	30,7 V  0.8 A
<b>Temps de charge</b>	3-4 heures
<b>Durée de fonctionnement à puissance maximale</b>	10 minutes
<b>Durée de fonctionnement à puissance moyenne</b>	30 minutes
<b>Durée de fonctionnement à puissance minimale</b>	60 minutes

Le fabricant se réserve le droit d'apporter des modifications techniques et conceptuelles.

Les valeurs fournies avec l'appareil ou les documents qui l'accompagnent sont des relevés de laboratoire conformes aux normes en vigueur. Ces valeurs peuvent varier en fonction de l'utilisation et des conditions ambiantes.

## 2 Aperçu Général

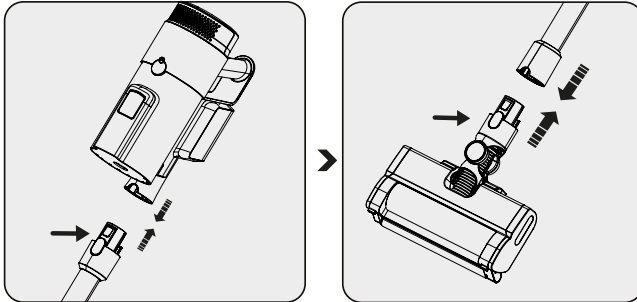
Type d'utilisation	Vitesse	Durée de fonctionnement	
Mode d'aspiration vertical	Vitesse minimale	Jusqu'à 38 minutes	
	Vitesse moyenne	Jusqu'à 25 minutes	
	Vitesse maximale	Jusqu'à 10 minutes	
Mode Portatif (Avec accessoires non alimentés)	Vitesse minimale	Jusqu'à 60 minutes	
	Vitesse moyenne	Jusqu'à 30 minutes	
	Vitesse maximale	Jusqu'à 10 minutes	

## 3 Fonctionnement

### 3.1 Utilisation prévue

L'appareil est destiné à un usage domestique uniquement, et il n'est pas adapté à un usage professionnel.

### 3.2 Mise en place du corps et de la brosse



Appuyez sur le bouton d'ouverture du tube et insérez cet dernier dans le corps comme indiqué par la flèche.

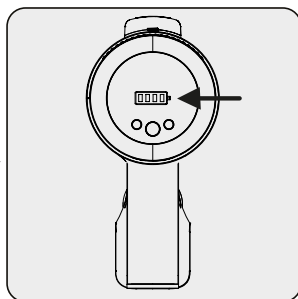
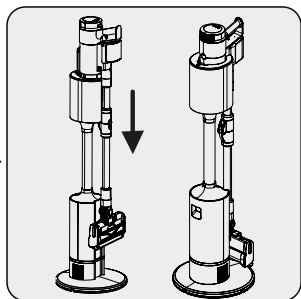
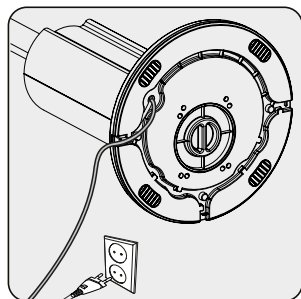
Appuyez sur le bouton de déverrouillage de la brosse motorisée et poussez-la dans le sens du tube conformément à la flèche.

## 3 Fonctionnement

### 3.3 Assemblage et chargement de la station de vidage automatique de la poussière



**AVERTISSEMENT:** Chargez complètement la batterie avant toute première utilisation ou si vous ne l'avez pas utilisé depuis un certain temps.



Branchez la station de recharge à vidange automatique des poussières.

Positionnez l'appareil sur la station de charge.

La recharge automatique de l'appareil démarre une fois le nettoyage terminé.

Lorsque la charge commence, vous pouvez voir le niveau de charge de la batterie à l'écran. Quand tous les niveaux de charge de la batterie sont allumés, cela veut dire que la charge est terminée.



Vous pouvez appuyer sur le bouton de commande de la station de charge pour interrompre le processus de nettoyage automatique à tout moment.



L'écran LED s'éteint au bout d'un moment à la fin de la charge.



Il faut entre 3 à 4 heures pour charger l'appareil complètement. Évitez d'utiliser l'appareil pendant la charge.

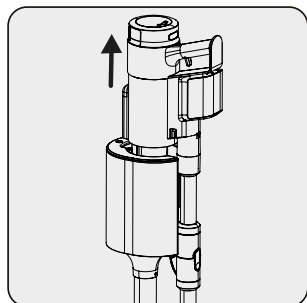


Lorsque l'appareil est placé sur la station de charge pendant son fonctionnement, il s'arrête automatiquement.

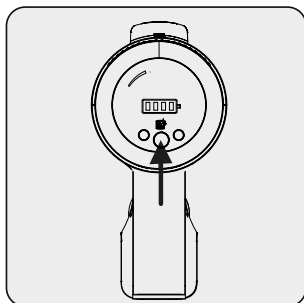


## 3 Fonctionnement

### 3.4 Fonctionnement

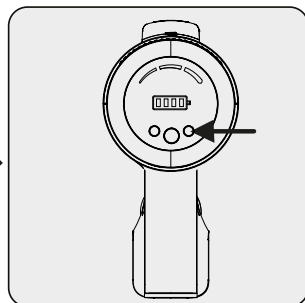


Soulevez l'appareil et éloignez-le de la station de vidage automatique de la poussière.



Appuyez sur le bouton Marche-Arrêt pour démarrer l'appareil.

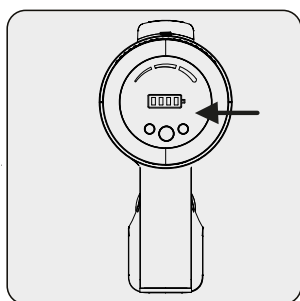
L'appareil commence à fonctionner à la vitesse minimale lorsque vous appuyez sur le bouton Marche/Arrêt.



Appuyez sur le bouton pour passer à une vitesse supérieure. Le mode d'aspiration que vous utilisez (faible/moyen/élevé) s'affiche à l'écran. Appuyez sur le bouton "+" et "-" pour changer de vitesse.

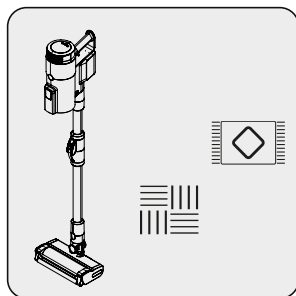


Vous pouvez positionner l'appareil sur la station d'accueil avant que la charge ne soit complètement épuisée. L'appareil peut être maintenu en charge en permanence sur la station de charge jusqu'à la prochaine utilisation.

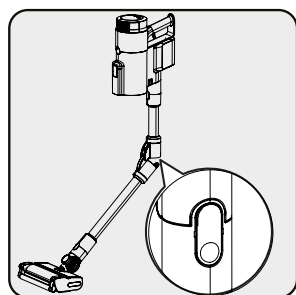


Contrôlez les niveaux de charge pendant l'utilisation de l'appareil. L'appareil s'immobilise automatiquement une fois la charge épuisée.

### 3 Fonctionnement



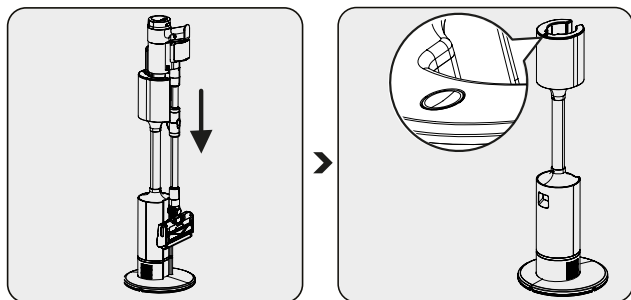
Cet appareil convient pour une utilisation sur les tapis et les surfaces dures.



Vous pouvez plier le tube afin de passer facilement sous les chaises et les tables. Pliez le tube en appuyant sur le bouton rond à gauche.

## 3 Fonctionnement

### 3.5 Fonctionnement de la station de nettoyage automatique



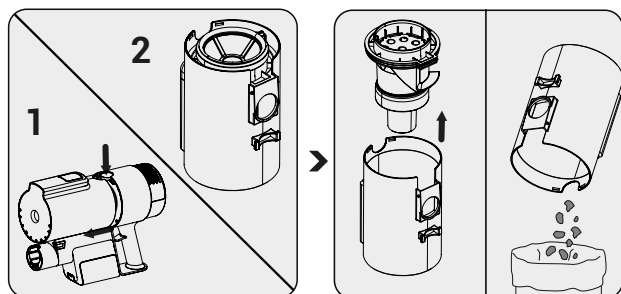
Quand vous placez l'appareil sur la station de nettoyage automatique, le bac à poussière se vide automatiquement.

Le bouton de commande de la station de vidage automatique de la poussière clignote pendant le nettoyage.

Vous pouvez appuyer sur le bouton de commande de la station de vidage automatique de la poussière pour interrompre le processus de dé poussiérage à tout moment.



La poussière, les cheveux, les fils et autres objets semblables peuvent s'emmêler autour du filtre multi-cyclonique et empêcher le vidage complet du récipient. Dans ce cas, vous devez procéder au nettoyage manuel du bac à poussière tel qu'indiqué ci-dessous.

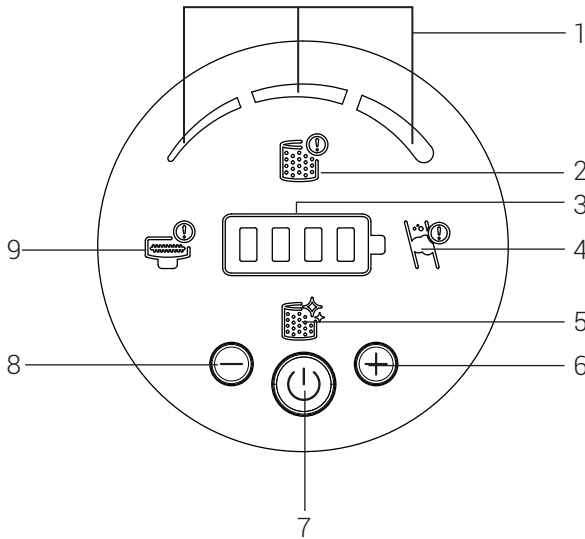


Appuyez sur le bouton d'ouverture du sac à poussière et retirez-le.

Soulevez le filtre multi-cyclonique et nettoyez la poussière qui se trouve dans le bac.

## 3 Fonctionnement

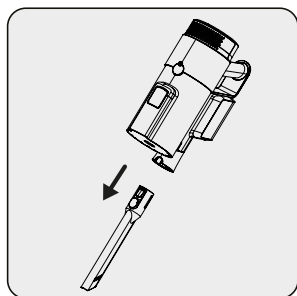
### 3.6 Indicateurs d'écran de LED



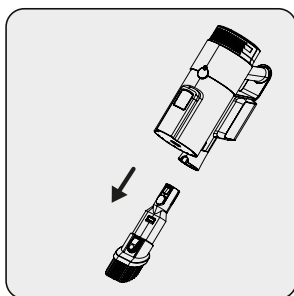
1. Mode d'aspiration
2. Ce symbole avertit l'utilisateur lorsque le filtre avant n'est pas fixé ; ainsi, pour sa propre protection, l'appareil ne s'allumera pas tant que ce problème ne sera pas résolu. Assurez-vous d'avoir inséré le filtre
3. Niveau de charge de la batterie
4. Ceci indique un éventuel blocage d'air Vérifiez l'intérieur de la tige et la prise d'aspiration sur le corps pour voir si des corps étrangers ne causent pas d'obstruction.
5. Indique le moment approprié pour le nettoyage du filtre.
6. Bouton Vitesse
7. Commutateur Marche/Arrêt
8. Bouton de réglage de la vitesse
9. Signale lorsque la brosse du batteur est coincée et nécessite un nettoyage.

## 3 Fonctionnement

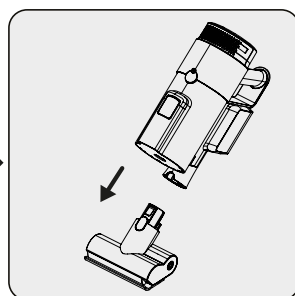
### 3.7 Accessoires



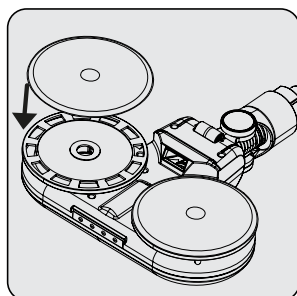
**Suceur plat :** Idéal pour nettoyer derrière les meubles, les endroits difficiles d'accès et les espaces étroits.



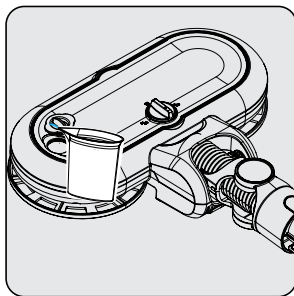
**Brosse à poussière :** Idéal pour nettoyer les rideaux, les canapés, les meubles vernis et les objets fragiles.



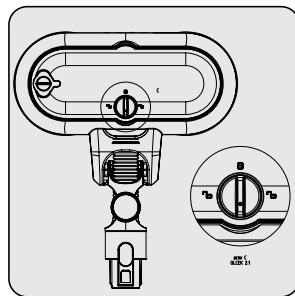
**Mini brosse turbo :** Idéal pour balayer les sols, les escaliers, l'intérieur des véhicules, les canapés et les sofas. Il sert également à l'élimination des poils d'animaux sur ces surfaces.



Fixer la serpillière sous la brosse.



Ouvrez le bouchon de remplissage de la brosse turbo pour le remplir d'eau.



Tournez le verrou pour mouiller les chiffons de nettoyage.

Utilisez la brosse à récurer Turbo sur les surfaces dures.

### 3 Fonctionnement



**AVERTISSEMENT:** N'utilisez pas la serpillière sur un tapis.



**AVERTISSEMENT:** Ne mettez ni de l'eau de Javel ni de détergents liquides très pétillants à l'intérieur du réservoir d'eau du balai.



**AVERTISSEMENT:** Fermez le dispositif anti-goutte après utilisation et retirez l'accessoire de lavage.



**AVERTISSEMENT:** Sortez l'accessoire de nettoyage après avoir fini de l'utiliser afin d'éviter d'endommager vos sols en bois.



**AVERTISSEMENT:** Videz toute eau restante dans le réservoir d'eau de l'accessoire de nettoyage à la fin du nettoyage et procédez au séchage.



Les chiffons de nettoyage sont lavables en machine.



**AVERTISSEMENT:** Puisque de l'eau peut jaillir du réservoir, évitez de lever la tête et de vous pencher au-dessus de cette tête.

## 4 Nettoyage et entretien

Éteignez et débranchez l'appareil avant de le nettoyer.

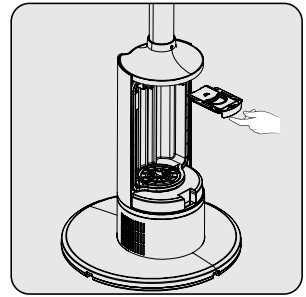
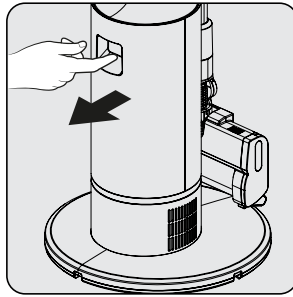
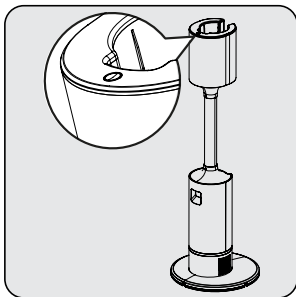


**AVERTISSEMENT:** N'utilisez jamais d'essence, de solvants, de nettoyants abrasifs, d'objets métalliques ou de brosses dures pour nettoyer l'appareil.



**AVERTISSEMENT:** Les filtres peuvent se déformer au fil du temps. Dans ce cas, procédez à leur remplacement pour une meilleure performance. Pour commander de nouveaux filtres, contactez le service clients.

### 4.1 Remplacement du sac à poussière



Lorsque le bouton de commande rouge de la station de dépoussiérage automatique brille, vérifiez le sac à poussière pour savoir s'il est plein ou non.

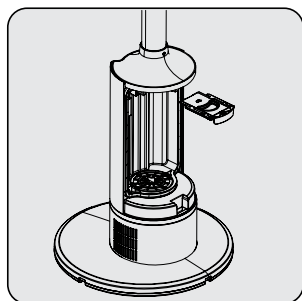
Ouvrez le couvercle de la station de vidage automatique de la poussière.

Sortez le sac à poussière du conteneur à l'aide de la poignée.

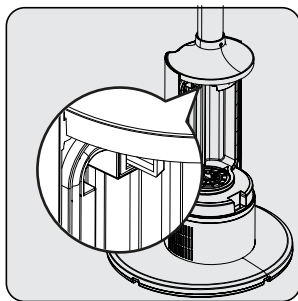


**AVERTISSEMENT:** Si le sac à poussière n'est pas plein, cherchez à savoir si quelque chose est coincé dans le bac, le tube ou sur la brosse.

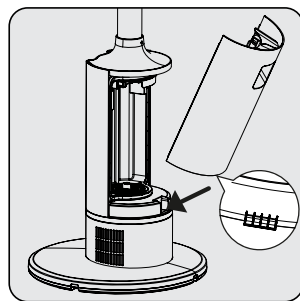
## 4 Nettoyage et entretien



Remplacez le sac à poussière par un autre.



Insérez le sac à poussière à l'aide de la poignée et poussez-le.

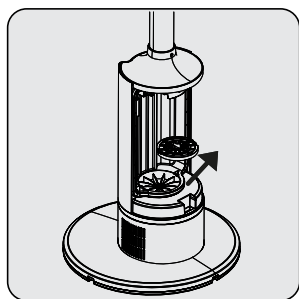


Fermez le couvercle de la station de vidage automatique de la poussière.

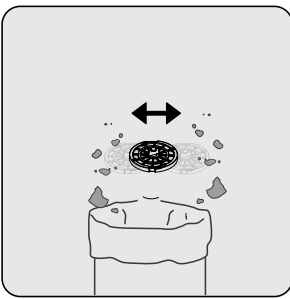


**AVERTISSEMENT:** Les sacs à poussière ne sont pas réutilisables.

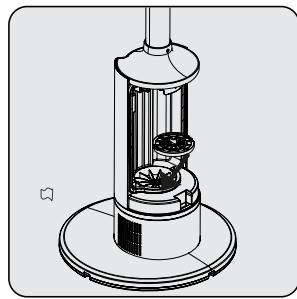
### 4.2 Nettoyage du récipient à poussière et des filtres



Tournez le filtre à poussière et retirez-le.



Nettoyez le filtre avant en l'agitant pour éliminer la poussière.



Remettez le filtre avant en place et tournez-le pour le sécuriser.



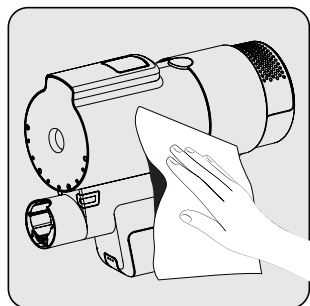
**AVERTISSEMENT:** Ne lavez pas les filtres HEPA.



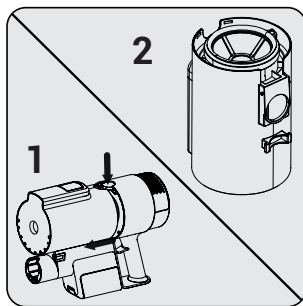
Nous vous recommandons de nettoyer le conteneur à poussière après chaque utilisation.



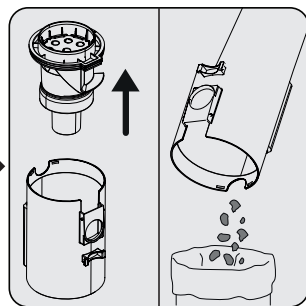
## 4 Nettoyage et entretien



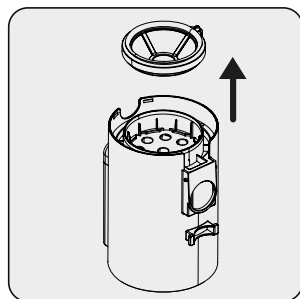
Nettoyez la carrosserie de l'appareil avec un chiffon humide.



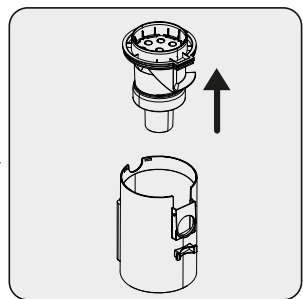
Appuyez sur le bouton d'ouverture du sac à poussière et retirez-le.



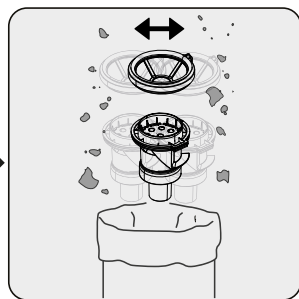
Soulevez le filtre multi-cyclonique et nettoyez la poussière qui se trouve dans le bac.



Pour nettoyer le filtre de fond en comble, tirez-en la partie avant vers le haut avant de la retirer.

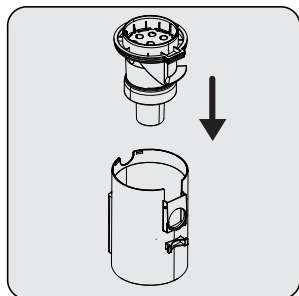


Tirez la partie du filtre multi-cyclonique vers le haut.

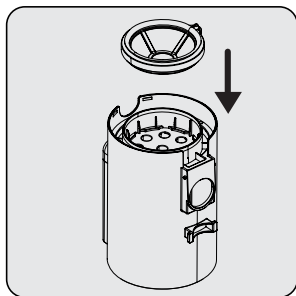


Nettoyez les filtres multi-cyclonique et avant en les agitant pour éliminer la poussière.

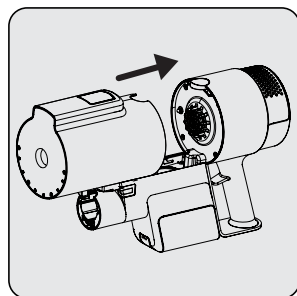
## 4 Nettoyage et entretien



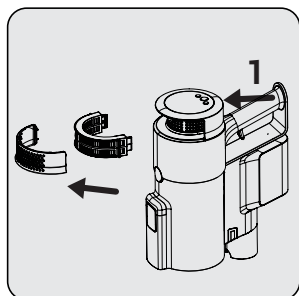
Fixez le filtre poreux au réservoir à poussière.



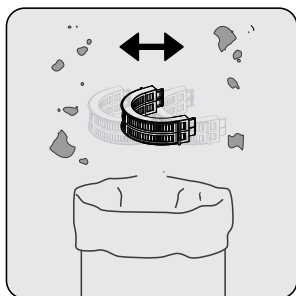
Fixez le filtre avant au filtre poreux.



Pour que la partie arrière du bac à poussière s'insère harmonieusement dans le corps, installez d'abord le bac dans ce dernier, puis dans la zone réservée aux boutons.



Pour nettoyer le filtre EPA 12, appuyez sur le bouton (1) pour retirer le filtre.



Nettoyez le filtre EPA 12 en l'agitant afin d'éliminer la poussière.

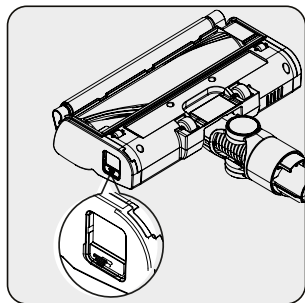
## 4 Nettoyage et entretien

### 4.3 Nettoyage des brosses

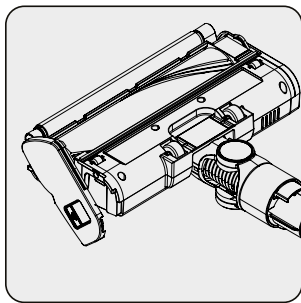
#### 4.3.1 Nettoyage de la brosse pour sols durs



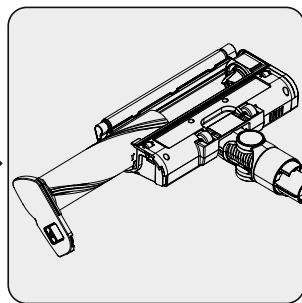
**AVERTISSEMENT:** Ne pas laver la turbo-brosse et le rouleau principal.



Retirez le plastique de la brosse à rouleau en appuyant sur le bouton, puis en le faisant glisser.



Appuyez le rouleau contre une surface dure ou utilisez une brosse pour éliminer la poussière. Coupez les poils emmêlés, etc.



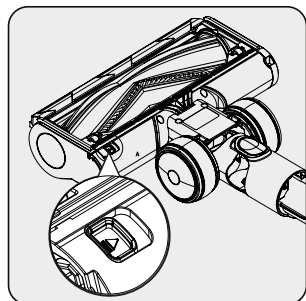
Remettez le rouleau en place.

## 4 Nettoyage et entretien

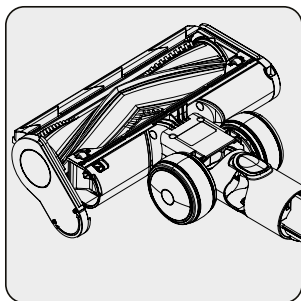
### 4.3.2 Nettoyage de la brosse à tapis supplémentaire



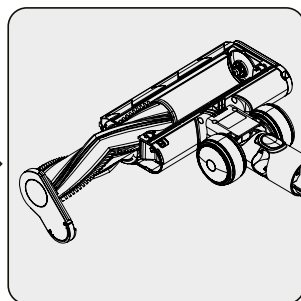
**AVERTISSEMENT:** Ne pas laver la turbo-brosse et le rouleau principal.



Retirez le plastique de la brosse à rouleau en appuyant sur le bouton, puis en le faisant glisser.



Appuyez le rouleau contre une surface dure ou utilisez une brosse pour éliminer la poussière. Coupez les poils emmêlés, etc.



Remettez le rouleau en place.

### 4.4 Stockage

- Si vous ne comptez pas utiliser l'appareil pendant un certain temps, conservez-le soigneusement.
- Débranchez l'appareil.
- Veillez à ce que l'appareil soit hors de la portée des enfants.
- Rangez la batterie sur un matériau non conducteur, et ne la laissez pas entrer en contact direct avec du métal. Si vous le faites, l'appareil risque d'être endommagé.
- Rangez l'appareil avec une charge à moitié pleine tout au moins si vous ne prévoyez pas l'utiliser pendant un certain temps. Évitez de la recharger ou de la décharger complètement. Vous devez recharger l'appareil au moins une fois par trimestre.

### 4.5 Transport et manipulation

- Transporter l'appareil dans son emballage d'origine. L'emballage le protège des dommages physiques.
- Ne posez pas d'objets lourds sur l'appareil ou son emballage. Si vous le faites, l'appareil risque d'être endommagé.
- Si l'appareil tombe, il risque de ne pas fonctionner ou d'être endommagé de façon permanente.

## 5 Dépannage

PROBLÈME	CAUSES PROBABLES	ACTION CORRECTIVE
Ne fonctionne pas.	La batterie est vide.	Chargez-la
	Il se peut que la batterie soit mal installée.	Retirez la batterie et réinstallez-la.
	Le raccordement d'aspiration est bloqué.	Démontez l'appareil en le séparant de son corps, de la brosse et du tube. Inspecte et nettoyez les points de raccordement.
Puissance d'aspiration faible.	Le conteneur à poussière est plein.	Vidangez le réservoir à poussière et nettoyez les filtres.
	C'est peut-être la période pour les filtres d'être nettoyés.	Nettoyez les filtres.
	Les filtres peuvent avoir été déformés par l'usage et il se peut qu'ils doivent être remplacés.	Veillez contacter le service client pour acheter un nouveau filtre.
	La mousse d'admission du moteur n'a pas été nettoyée.	Nettoyez les filtres et rechargez l'appareil.
	La brosse turbo n'essore pas. Il se peut que des poils ou des matériaux de même nature soient coincés sur le rouleau tournant de la brosse turbo.	Nettoyez le rouleau de la brosse turbo.
Le moteur émet un bruit désagréable.	Le raccordement d'aspiration est bloqué.	Démontez l'appareil en le séparant de son corps, de la brosse et du tube. Inspecte et nettoyez les points de raccordement.
	Il se peut que quelque chose soit coincé entre le réservoir à poussière et le filtre.	Ouvrez le réservoir à poussière et inspectez la zone du filtre.

## 5 Dépannage

Impossible de charger l'aspirateur.	L'aspirateur n'est pas correctement inséré dans sa station de charge.	Installez l'aspirateur sur sa station de charge. Assurez-vous qu'il est bien installé. Vérifiez le branchement.
L'appareil ne fonctionne que très peu de temps après avoir été chargé.	Il n'a pas chargé assez longtemps.	Chargez-le pendant 3 à 4 heures suivant les instructions.
	La mousse d'admission du moteur n'a pas été nettoyée.	Nettoyez les filtres et rechargez l'appareil.
	La batterie est arrivée en fin de vie.	Contactez le service client pour acheter une nouvelle batterie.
La station de nettoyage automatique ne fonctionne pas.	La fiche n'est peut être pas branchée.	Assurez-vous que ce soit le cas.
La station de dépoussiérage automatique s'arrête au démarrage.	Le sac à poussière est plein.	Remplacez le sac à poussière par un autre.
	Il est peut-être temps de procéder au nettoyage du filtre d'entrée du moteur de la station de nettoyage automatique.	Nettoyez le filtre et appuyez sur le bouton de nettoyage automatique.
	Le canal d'aspiration de peut être obstrué.	Vidangez manuellement le réservoir à poussière et nettoyez les filtres.
L'appareil émet des bruits plus ou moins assourdissants pendant le nettoyage.	Il peut émettre des bruits différents en fonction du matériau à nettoyer.	Vérifiez le bac à poussière à la fin du nettoyage.

# Prvo pročitajte ovaj priručnik!

Poštovani korisniče,

Zahvaljujemo na kupnji ovog proizvoda tvrtke Beko. Želimo postići optimalnu učinkovitost ovog visokokvalitetnog proizvoda koji je proizveden primjenom najmodernije tehnologije. Pročitajte ove upute i priložene dokumente u potpunosti prije upotrebe proizvoda i sačuvajte ih za buduću upotrebu. Ako proizvod odlučite proslijediti nekom drugom tada mu proslijedite i ovaj priručnik. Pridržavajte se svih ovdje navedenih upozorenja i informacija te slijedite upute.

## Simboli i njihovo značenje

Ovi simboli se koriste u priručniku:



Važne informacije i korisni savjetu u vezi s upotrebom uređaja.



**UPOZORENJE:** Upozorenja na opasne situacije koje se odnose na sigurnost života i imovine.



Razred zaštite od strujnog udara

# 1 Važne upute za sigurnost i očuvanje okoliša

Ovaj dio sadrži sigurnosne upute za sprječavanje opasnosti koje mogu rezultirati ozljedom ili oštećenjem imovine.

Ne pridržavanje ovih uputa poništiti će sva jamstva za ovaj proizvod.

## 1.1 Općenite sigurnosne informacije

- Ovaj uređaj sukladan je s međunarodnim sigurnosnim standardima.
- Ovaj uređaj mogu koristiti djeca starija od 8 godina te osobe sa smanjenim tjelesnim, osjetilnim ili mentalnim sposobnostima ili s nedostatnim iskustvom, ako su pod nadzorom osobe odgovorne za njihovu sigurnost ili ako im ona daje potrebne upute za rad s uređajem na siguran način te ako razumiju moguće opasnosti. Djeca se ne smiju igrati s uređajem. Djeca ne smiju čistiti niti obavljati održavanje uređaja osim ako nisu pod nadzorom.
- Nikada ne koristite uređaj ako su strujni kabel ili uređaj oštećeni. Kontaktirajte ovlaštenu servis.
- Pripazite odgovara li napajanje iz strujne mreže informacijama navedenim na nazivnoj ploči/naljepnici uređaja.
- Uređaj ne koristite s produžnim kabelom.
- Izbjegnite oštećenje strujnog kabela i pripazite da ga se ne gnječi, zavrće te da se ne trlja o oštre rubove.
- Ne rukujte uređajem ili njegovim utikačem mokrim ili vlažnim rukama kada je su ukopčani u strujnu utičnicu.
- Prilikom iskopčavanja uređaja iz strujne utičnice ne povlačite strujni kabel.
- Ne usisavajte zapaljive materijale i pripazite da pepeo cigareta bude hladan prije usisavanja.
- Ne usisavajte vodu i druge tekućine.



# 1 Važne upute za sigurnost i očuvanje okoliša

- Zaštitite uređaj od kiše, vlagu, izvora topline.
- Ne koristite uređaj u ili blizu eksplozivne ili zapaljive okoline ili tvari.
- Prije čišćenja i održavanja iskopčajte uređaj iz strujne utičnice.
- Ne čistite uređaj ili strujni kabel uranjanjem u vodu.
- Ne rastavljajte uređaj.
- Koristite samo originalne dijelove ili dijelove koje je preporučio proizvođač.
- Spriječite blokiranje filtra ili oštećenje motora i ne usisavajte cement, gips ili komade prešanog papira.
- Uređaj koristite samo s isporučanim adapterom.
- Ne koristite uređaj bez filtra, jer se može oštetiti.
- Ako čuvate ambalažni materijal, tada ga držite izvan dohvata djece.
- Ovaj uređaj nije namijenjen da ga koriste osobe, uključujući i djecu, sa smanjenim tjelesnim, osjetilnim ili mentalnim sposobnostima ili s nedostatnim iskustvom ili znanjem osim ako su pod nadzorom osobe odgovorne za njihovu sigurnost ili ako su dobili potrebne upute za rad s uređajem.
- Djeci se ne smije dozvoliti igrati s uređajem te stoga moraju biti pod nadzorom.
- Uklonite adapter i modul baterije prije čišćenja i održavanja.
- Oštećene adaptere treba zamijeniti proizvođač, ovlaštenu servis ili ovlaštenih tehničar i tako izbjeći moguće opasnosti.
- Držite prste, kosu i široku odjeću dalje od okretnih dijelova ili održavajte razmak dok usisavate.
- Prije odlaganja uređaja u otpad izvadite baterije.
- Prije uklanjanja baterije iskopčajte uređaj iz strujne utičnice.

## 1 Važne upute za sigurnost i očuvanje okoliša

- Iskorištene baterije zbrinite u skladu s lokalnim zakonima i propisima.
- Baterije u ovom uređaju može zamijeniti samo ovlaštene osobe.
- Ovaj uređaj nije namijenjen za komercijalnu uporabu. Ovaj uređaj namijenjen je samo za uporabu u kućanstvu, a ne za komercijalnu uporabu, npr.:
  - u kuhinjama za osoblje u trgovinama, uredima i drugim radnim prostorima
  - na poljoprivrednim imanjima
  - za goste hotela, motela i drugih oblika smještaja
  - u pansionima i sličnim mjestima.
- Ovim uređajem ne smiju rukovati osobe sa smanjenim fizičkim, osjetilnim i kognitivnim sposobnostima ili s nedostatni iskustvom i znanjem, osim ako nisu pod nadzorom osobe odgovorne za njihovu sigurnost ili ako nisu upoznati s načinom korištenja uređaja.
- Djeci se ne smije dozvoliti igra s uređajem te stoga moraju biti pod nadzorom.
- Ne stavljajte slušalicu na stol; Preporučujemo da nakon čišćenja pričvrstite zidnu bazu za punjenje.

# 1 Važne upute za sigurnost i očuvanje okoliša

## 1.2 Usklađenost s WEEE Direktivom i zbrinjavanje otpada



Ovaj uređaj usklađen je s WEEE direktivom EU (2012/19/EU). Na ovom uređaju nalazi se klasifikacijski simbol otpadne električne i elektroničke opreme (WEEE). Ovaj simbol označava kako se uređaj ne smije odlagati s ostalim komunalnim otpadom na kraju svog vijeka trajanja. Ovaj uređaj mora se vratiti u službeno, sabirno mjesto za recikliranje električnih i elektronskih uređaja. Kontaktirajte tijela lokalnih vlasti ili trgovinu u kojoj ste kupili uređaj i saznajte više o mjestima za zbrinjavanje. Svako kućanstvo igra važnu ulogu u obnavljanje ili recikliranje starih uređaja. Odgovarajuće zbrinjavanje rabljenih uređaja pomaže spriječiti potencijalne negativne posljedice za okoliš i zdravlje ljudi.

## 1.3 Informacije o pakiranju



Pakiranje proizvoda izrađeno je od materijala koji se može reciklirati u skladu s nacionalnim zakonom o zaštiti okoliša. Ne zbrinjajte ambalažni materijal zajedno s komunalnim ili drugim otpadom. Onesite ove materijale u sabirne centre za ambalažni materijal koje su odredila tijela lokalnih vlasti.

## 1.4 Informacije o otpadnim baterijama



Ovaj simbol koji se nalazi na baterijama/punjivim baterijama ili njihovom pakiranju pokazuje da se baterija/punjiva baterija ne smije miješati s komunalnim otpadom. Neke baterije/punjive baterije mogu na sebi imati i oznake kemijskih simbola, pored ovog simbola. Simboli žive (Hg) i olova (Pb) se, također, dodaju ako baterije/punjive baterije sadrže više od 0,0005 % udjela žive ili više od 0,004 % udjela olova.

Baterije/punjive baterije, uključujući i one koje sadrže teške metale, ne smiju se bacati zajedno s komunalnim otpadom. Uvijek zbrinite iskorištene baterije sukladno lokalnim propisima o zaštiti okoliša. Istražite lokalne važeće propise u zbrinjavanju otpada u mjestu u kojem živite.

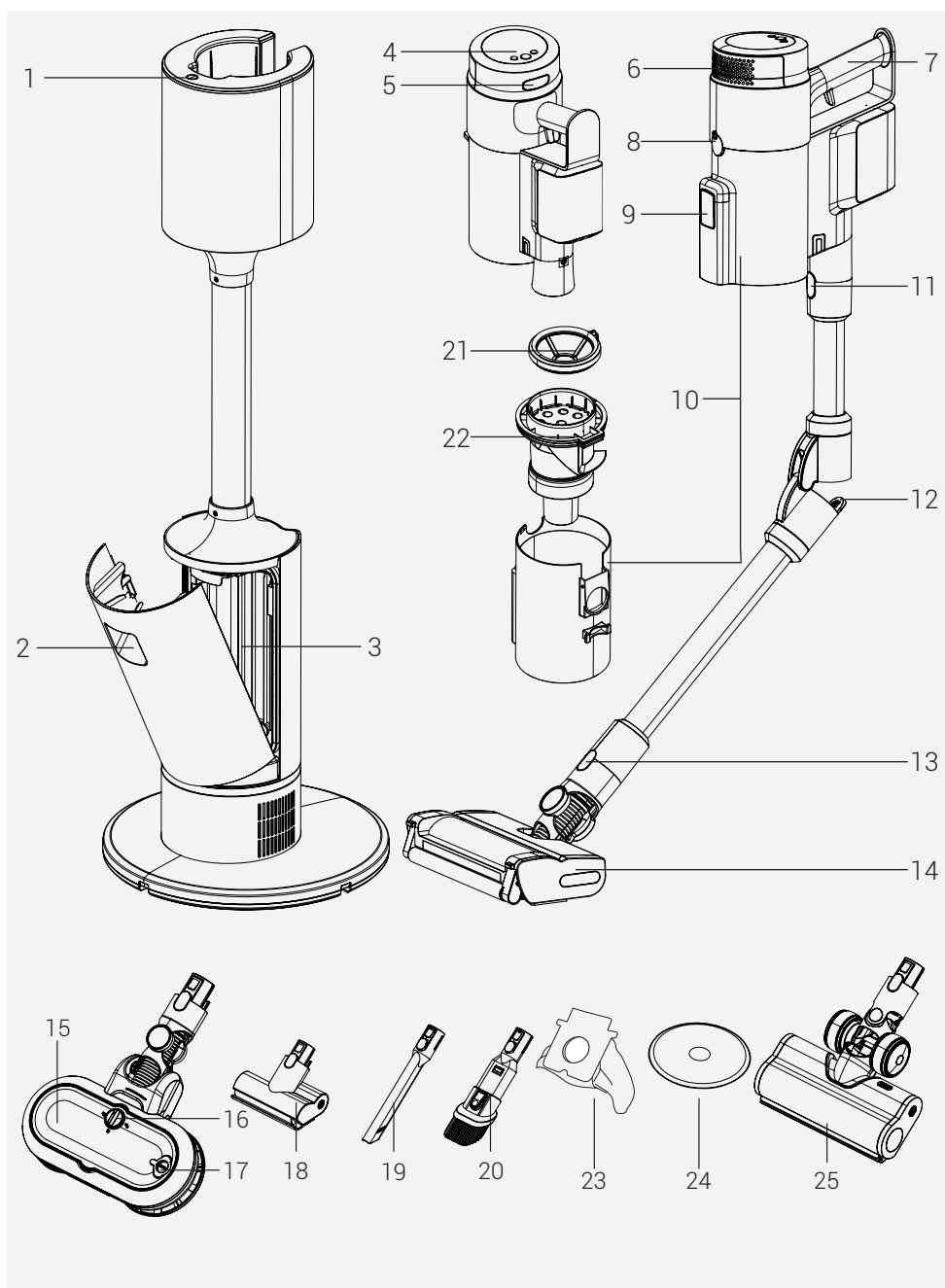
## 1.5 Što možete učiniti i uštedjeti energiju

- Koristiti postavku brzine koja najviše odgovara površini i tako uštedjeti na energiji prilikom korištenja uređaja.
- U normalnim uvjetima, tvrde površine, zavjese i namještaj zahtijevaju malu brzinu, dok tepisi zahtijevaju veliku brzinu.

## 1.6 Usklađenost sa RoHS direktivom:

Uređaj kojeg ste kupili sukladan je s Direktivom RoHS Europske Unije (2011/65/EU). Ne sadrži štetne i zabranjene tvari naznačene u Direktivi.

## 2 Pregled




## 2 Pregled

### 2.1 Upravljački elementi i dijelovi

1. Upravljački gumbi stanice za punjenje
2. Ručka za otvaranje poklopca vrećice za prašinu
3. Spremnik vrećice za prašinu
4. LED svjetlo zaslona i upravljački gumbi
5. Gumb odvajanja poklopca filtra HEPA
6. Poklopac filtra HEPA
7. Ručka
8. Gumb za otpuštanje spremnika za prašinu
9. Poklopac za pražnjenje prašine
10. Brava spremnika za prašinu
11. Gumb za odvajanje štapnog dijela
12. Gumb za savijanje štapnog dijela
13. Gumb za odvajanje četke
14. Četka za tvrde podove s dvostrukim valjkom za dubinsko čišćenje
15. Četka za turbo ribanje
16. Blokada za curenje vode
17. Posuda za punjenje vode
18. Četka za dlake kućnih ljubimaca
19. Uski nastavak
20. Četka za prašinu
21. Prednji filter spremnika za prašinu
22. Višestruki ciklonski filter
23. Vrećica za prašinu x 3
24. Krpe za brisanje poda x 4
25. Dodatna četka za tepih

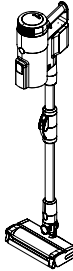
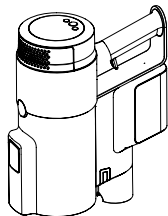
### 2.2 Tehnički podaci

<b>Nominalna snaga</b>	450 W
<b>Nominalna snaga stanice za automatsko čišćenje</b>	900 W
<b>Ulazna struja stanice za automatsko čišćenje</b>	220 - 240 V~ 50-60 Hz
<b>Izlazna snaga stanice za automatsko čišćenje</b>	30,7 V  0,8 A
<b>Vrijeme punjenja</b>	3-4 sati
<b>Vrijeme rada sa maksimalnom razinom snage</b>	10 minuta
<b>Vrijeme rada sa srednjom razinom snage</b>	30 minuta
<b>Vrijeme rada sa minimalnom razinom snage</b>	60 minuta

Proizvođač zadržava prava na tehničke promjene i promjene u dizajnu.

Vrijednosti navedene na uređaju ili u popratnoj dokumentaciji su laboratorijska očitavanja u skladu s važećim normama. Ove vrijednosti mogu se razlikovati ovisno u uvjetima rada i okoliša.

## 2 Pregled

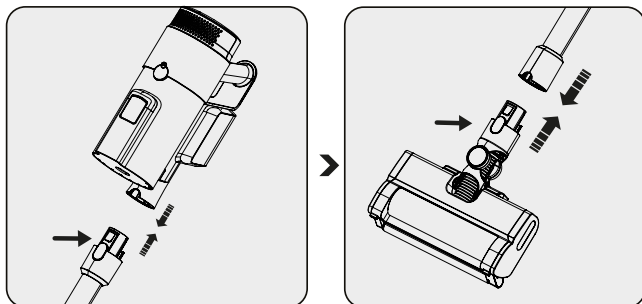
Vrsta upotrebe	Brzina	Vrijeme rada	
Način rada štapnog usisivača	Minimalna brzina	Do 38 minuta	
	Srednja brzina	Do 25 minuta	
	Maksimalna brzina	Do 10 minuta	
Ručni način rada (S bežičnim priborom)	Minimalna brzina	Do 60 minuta	
	Srednja brzina	Do 30 minuta	
	Maksimalna brzina	Do 10 minuta	

## 3 Rukovanje

### 3.1 Namjena

Ovaj uređaj namijenjen je samo za uporabu u kućanstvu te nije prikladan za profesionalnu uporabu.

### 3.2 Pričvršćivanje kućišta i četke



Pritisnite gumb za odvajanje štapnog dijela i umetnite štapni dio u kućište kao što prikazuje strelica.

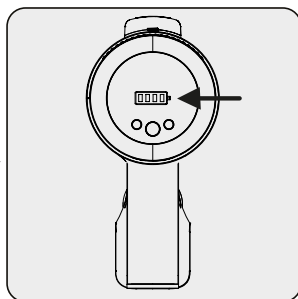
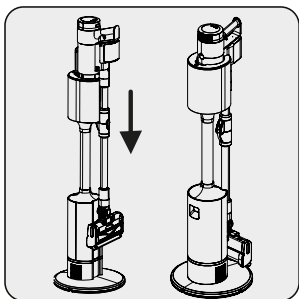
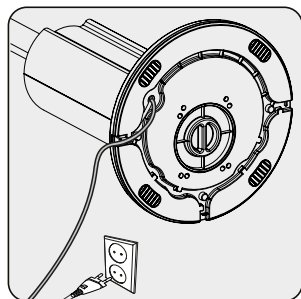
Pritisnite gumb za odvajanje električne turbo četke na električnoj turbo četki i gurnite ga u štapni dio kako prikazuje strelica.

## 3 Rukovanje

### 3.3 Sastavljanje i punjenje stanice za automatsko pražnjenje prašine



**UPOZORENJE:** Potpuno napunite bateriju prije prve upotrebe uređaja ili ako ga niste koristili duže vrijeme.



Priključite stanicu za automatsko pražnjenje prašine

Uređaj postavite na stanicu za punjenje.

Uređaj će se početi automatski puniti čim završi čišćenje.

Kada punjenje započne, na zaslonu ćete moći vidjeti razine napunjenosti baterije. Kada svijetle sve razine napunjenosti baterije, to znači kako je punjenje završeno.



Možete pritisnuti upravljački gumb stanice za punjenje i zaustaviti automatski postupak čišćenja u bilo kojem trenutku.



LED svjetlo zaslona prestat će svijetliti nakon nekog vremena kada se punjenje završi.



Treba približno 3-4 sati da bi se uređaj potpuno napunio. Ne koristite uređaj dok se puni.

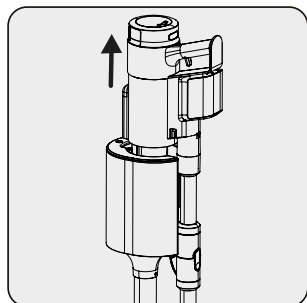


Ako uređaj radi, on će prestati s radom čim ga stavite na stanicu za punjenje.

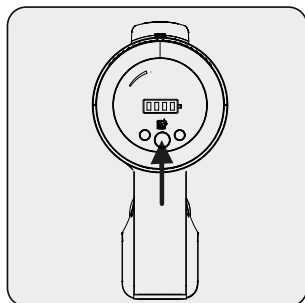


## 3 Rukovanje

### 3.4 Rukovanje

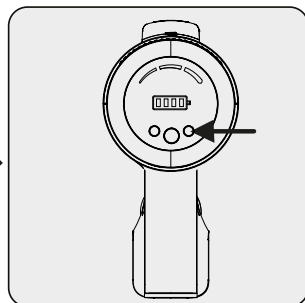


Podignite uređaj i udaljite ga od stanice za automatsko pražnjenje prašine.



Pritisnite gumb uključivanja/isključivanja i pokrenite uređaj.

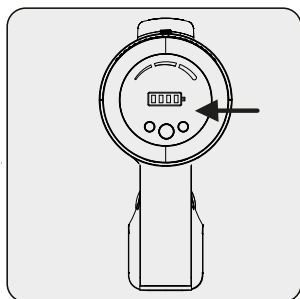
Uređaj počinje s radom na minimalnoj brzini kada se pritisne gumb uključivanja/isključivanja.



Pritisnite gumb i povećajte brzinu. Način usisavanja koji koristite (slab/srednji/jak) prikazat će se na zaslonu. Pritisnite „+“ i „-“ i promijenite brzinu.

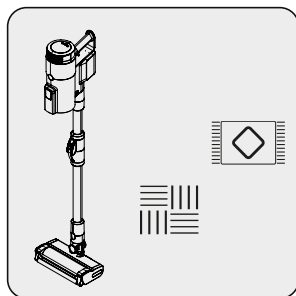


Uređaj možete staviti na stanicu za punjenje prije nego što se baterija potpuno istroši. Uređaj se može držati na stanici za punjenje do iduće upotrebe.

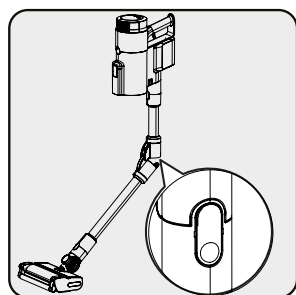


Kada koristite uređaj vodite računa o razinama napunjenosti baterije. Kada se baterija isprazni uređaj će se automatski zaustaviti.

### 3 Rukovanje



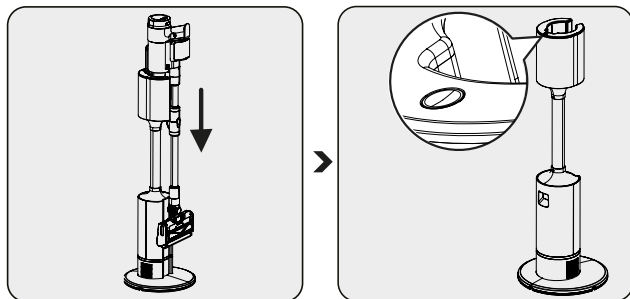
Ovaj uređaj prikladan je za uporabu na tepisima i tvrdim površinama.



Štapni dio možete savinuti i lako dosegnuti površinu ispod stolica i stolova. Štapni dio savinite pritiskom na okrugli gumb s lijeve strane.

## 3 Rukovanje

### 3.5 Rukovanje stanicom za automatsko čišćenje



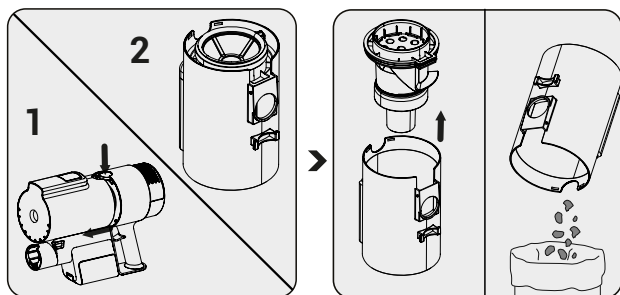
Kada uređaj stavite na stanicu za automatsko čišćenje, spremnik za prašinu automatski će se isprazniti.

Upravljački gumb na stanici za automatsko pražnjenje prašine treperit će dok se odvija postupak čišćenja.

Možete pritisnuti upravljački gumb na stanici za automatsko pražnjenje prašine i zaustaviti postupak pražnjenja prašine u bilo kojem trenutku.



Prašina, kosa, konac i slični predmeti mogu se zapetljati oko višestrukog ciklonskog filtra sprječavajući potpuno pražnjenje spremnika. U tom slučaju, trebate ručno očistiti spremnik za prašinu kako je prikazano u nastavku.

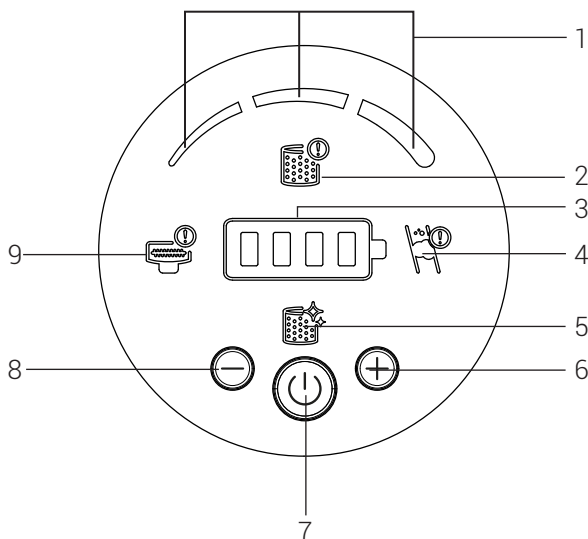


Pritisnite gumb za otpuštanje spremnika za prašinu i uklonite spremnik.

Izvadite višestruki ciklonski filter i očistite prašinu u spremniku za prašinu.

## 3 Rukovanje

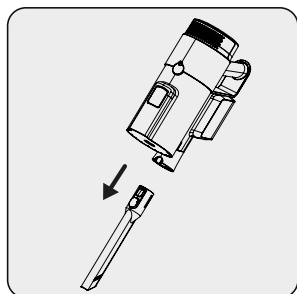
### 3.6 LED svjetla pokazatelja zaslona



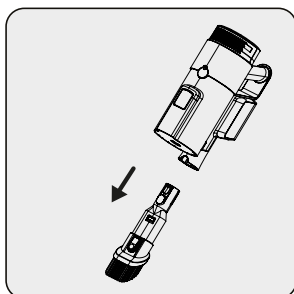
1. Način usisavanja
2. Ovaj simbol upozorava korisnika kada prednji filtar nije pričvršćen te zbog njegove vlastite sigurnosti, uređaj se neće uključiti dok ga se ne pričvrsti. Pripazite jeste li pričvrstili filtar.
3. Razina napunjenosti baterije
4. Ovo pokazuje kada postoji blokada zraka. Provjerite unutrašnjost štapnog dijela i usisni dio na kućištu te pogledajte postoje li stani predmeti koji izazivaju blokadu.
5. Ovo se pokazuje kada treba očistiti prednji filtar.
6. Gumb brzine
7. Prekidač uključeno/isključeno
8. Gumb podešavanja brzine
9. Ovo pokazuje kada je okretna četka zaglavljena i treba je očistiti.

## 3 Rukovanje

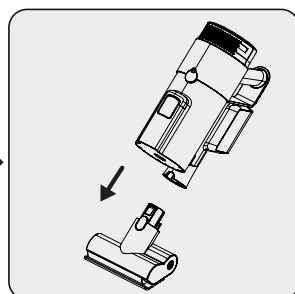
### 3.7 Pribor



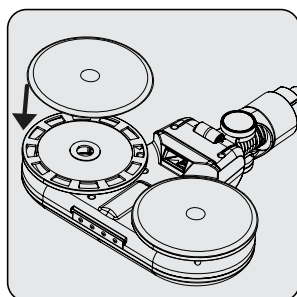
**Uski nastavak:** Idealan je za čišćenje prostora iza namještaja, teško dostupnih mjesta i uskih prostora.



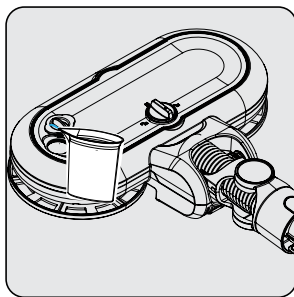
**Četka za prašinu:** Idealna je za čišćenje zavjesa, kauča, poliranog namještaja te osjetljivih i krhkih predmeta.



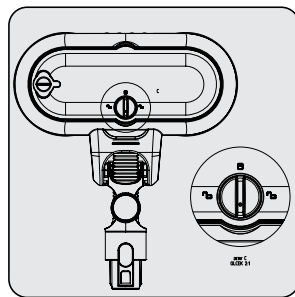
**Mini turbo četka za dlake kućnih ljubimaca:** Idealna je za metenje podova, stepenica, unutrašnjosti automobila, kauča i sofa. Koristi se i za kupljenje dlaka kućnih ljubimaca s ovih površina.



Pričvrstite krpu za brisanje poda ispod četke.



Otvorite poklopac dijela za ulijevanje vode na četki za turbo ribanje i ulijte vodu.



Okrenite blokadu za curenje vode kako bi se krpe za brisanje poda namočile vodom.

Četka za turbo ribanje možete koristiti na tvrdim površinama.

### 3 Rukovanje



**UPOZORENJE:** Na tepihu ne koristite nastavak s krpom za brisanje poda.



**UPOZORENJE:** U spremnik za vodu krpe za brisanje poda ne ulijevajte izbjeljivač ili deterdžente koji se jako pjene.



**UPOZORENJE:** Nakon upotrebe zatvorite blokadu za curenje vode i uklonite nastavak s krpom za brisanje poda.



**UPOZORENJE:** Nastavak s krpom za brisanje poda uklonite odmah nakon što se završi brisanje poda i tako spriječite oštećenje drvenih podnih obloga.



**UPOZORENJE:** Ispraznite svu preostalu vodu iz spremnika za vodu nastavka s krpom za brisanje poda kada završite s brisanjem poda i osušite spremnik.



Tkanina krpe za brisanje poda može se prati u perilici rublja.



**UPOZORENJE:** Kako voda može prskati iz spremnika, stoga ne podižite glavu niti se ne naginjite preko uređaja.

## 4 Čišćenje i održavanje

Prije čišćenja isključite i iskopčajte uređaj iz strujne utičnice.

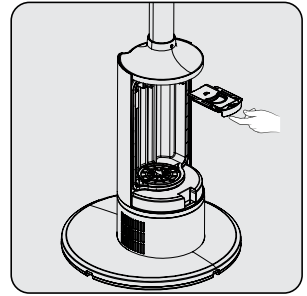
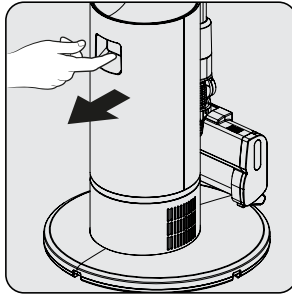
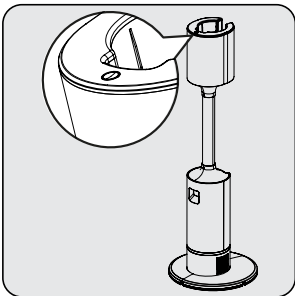


**UPOZORENJE:** Za čišćenje uređaja nikad ne koristite benzin, otapala, abrazivna sredstva za čišćenje, metalne predmete i tvrde četke.



**UPOZORENJE:** Zbog pretjerane upotrebe filtri se mogu izobličiti. Zamijenite takve filtre kako bi uređaj i dalje bio jednako učinkovit. Za naručivanje novih filtara kontaktirajte korisničku službu.

### 4.1 Zamjena vrećice za prašinu



Kada crveni upravljački gumb na stanici za automatsko pražnjenje prašine svijetli crvenim svjetlom, provjerite je li vrećica za prašinu puna.

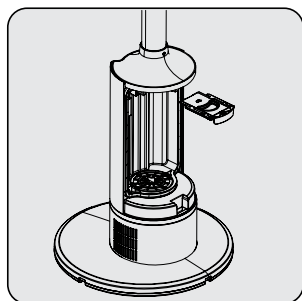
Otvorite poklopac za prašinu na stanici za automatsko pražnjenje prašine.

Izvučite vrećicu za prašinu iz spremnika pomoću ručke.

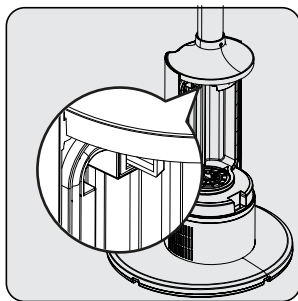


**UPOZORENJE:** Ako vrećica za prašinu nije puna, provjerite je li nešto zapelo u spremniku, štapnom dijelu ili na četki.

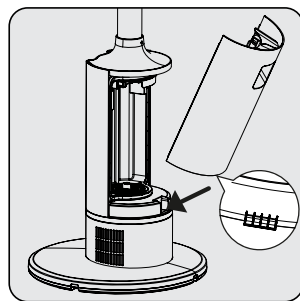
## 4 Čišćenje i održavanje



Zamijenite vrećicu za prašinu novom.



Stavite vrećicu za prašinu pomoću ručke i gurnite je.

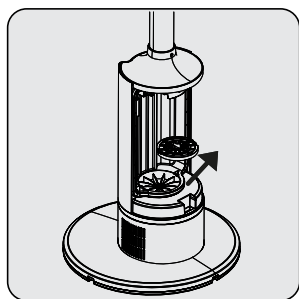


Zatvorite poklopac za prašinu na stanici za automatsko pražnjenje prašine.

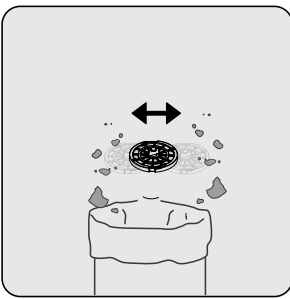


**UPOZORENJE:** Vrećice za prašinu ne mogu se ponovno koristiti.

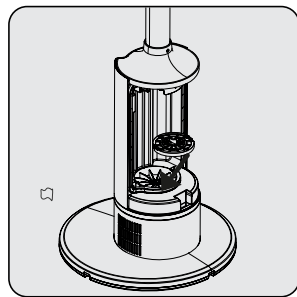
### 4.2 Čišćenje spremnik za prašinu i filtara



Okrenite i izvadite filtar prašine.



Očistite prednji filtar tako da ga protresete i s njega stresete prašinu.



Vratite prednji filtar na njegovo mjesto i okretanjem ga učvrstite.



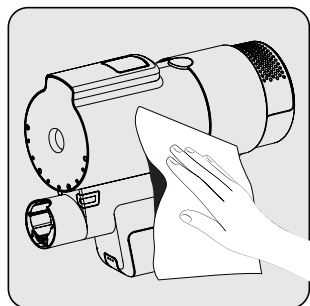
**UPOZORENJE:** Ne perite filtar HEPA.



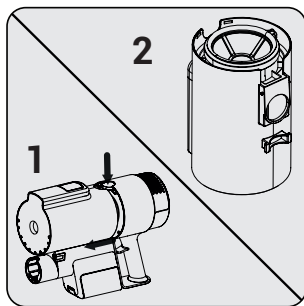
Preporučujemo čišćenje spremnika za prašinu nakon svake upotrebe.



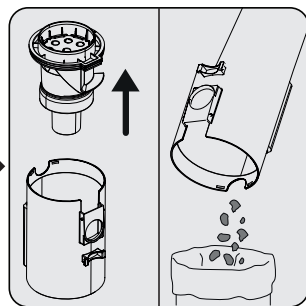
## 4 Čišćenje i održavanje



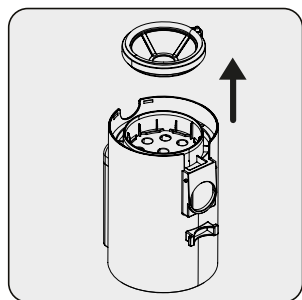
Obrišite kućište uređaja vlažnom krpom.



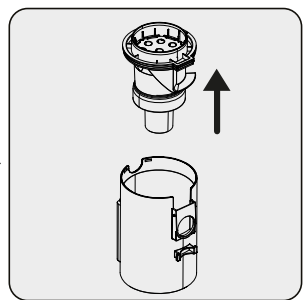
Pritisnite gumb za otpuštanje spremnika za prašinu i uklonite spremnik.



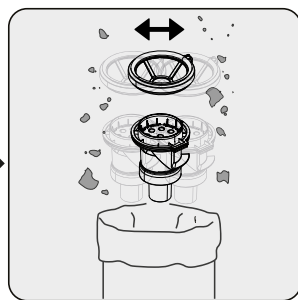
Izvadite višestruki ciklonski filtar i očistite prašinu u spremniku za prašinu.



Za detaljno čišćenje filtra izvucite dio prednjeg filtra i uklonite ga.

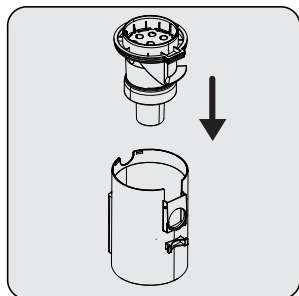


Izvučite dio višestrukog ciklonskog filtra.

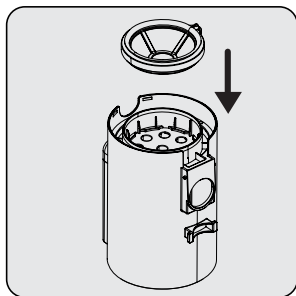


Očistite višestruki ciklonski filtar i prednji filtar tako da ih protresete i tako ih očistite od prašine.

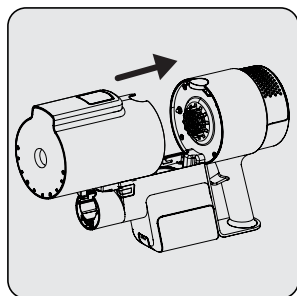
## 4 Čišćenje i održavanje



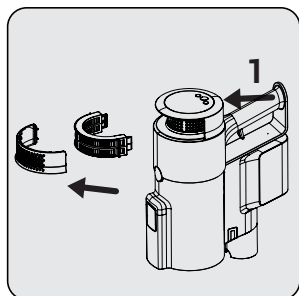
Pričvrstite porozni filtar na spremnik za prašinu.



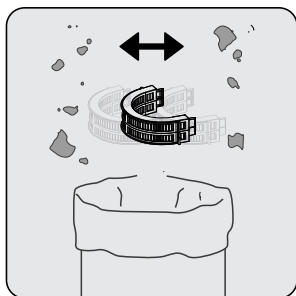
Pričvrstite prednji filtar na porozni filtar.



Kako bi stražnji dio spremnika za prašinu dobro nasjeo na kućište, prvo stavite spremnik na kućište a zatim u područje gumba.



Za čišćenje filtra EPA 12, pritisnite gumb (1) i uklonite dio s filtrom.



Očistite filtar EPA 12 tako da ga protresete i s njega stresete prašinu.

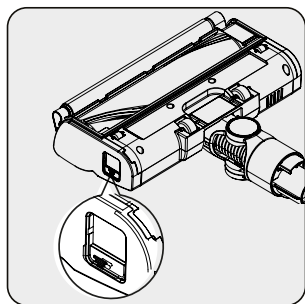
## 4 Čišćenje i održavanje

### 4.3 Čišćenje četkica

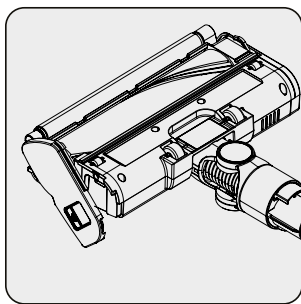
#### 4.3.1 Čišćenje četke za tvrde podove



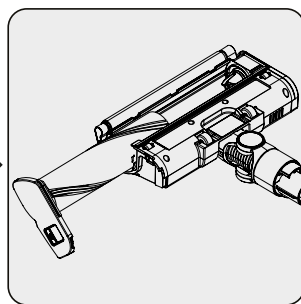
**UPOZORENJE:** Ne perite turbo četku ili glavnu okruglu četku.



Uklonite plastiku okrugle četke pritiskom na gumb i zatim je izvucite.



Lupnite okruglom četkom o tvrdi površinu ili koristite četku i očistite prašinu s nje. Izrežite sve zapetljane dlake, kosu, itd.



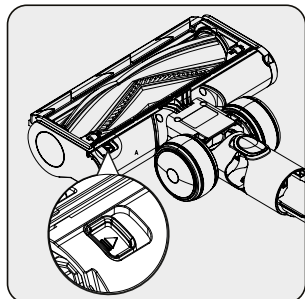
Vratite okruglu četku na-trag na njezino mjesto.

## 4 Čišćenje i održavanje

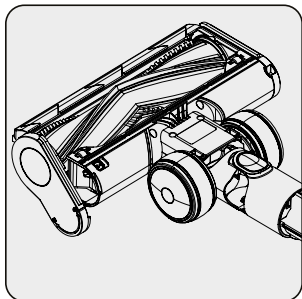
### 4.3.2 Čišćenje dodatne četke za tepihe



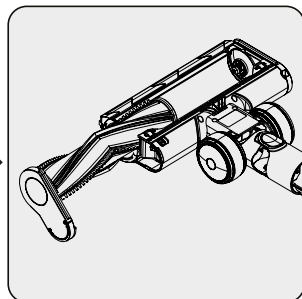
**UPOZORENJE:** Ne perite turbo četku ili glavnu okruglu četku.



Uklonite plastiku okrugle četke pritiskom na gumb i zatim je izvucite.



Lupnite okruglom četkom o tvrdu površinu ili koristite četku i očistite prašinu s nje. Izrežite sve zapetljane dlake, kosu, itd.



Vratite okruglu četku na trag na njezino mjesto.

## 4.4 Pohrana

- Pažljivo pohranite uređaj ako ga nećete koristiti dulje vrijeme.
- Iskopčajte uređaj iz strujne mreže.
- Uređaj čuvajte izvan dohvata djece.
- Bateriju čuvajte na materijalu koji nije provodljiv i ne dozvolite da baterija dođe u izravan dodir s metalom. U protivnom, baterija se može oštetiti.
- Ako je nećete koristiti dulje vrijeme, pohranite je tako da je barem do pola napunjena. Nemojte potpuno napuniti ili isprazniti bateriju. Uređaj trebate napuniti barem jednom u svaka 3 mjeseca.

## 4.5 Prijevoz i postupanje s proizvodom

- Uređaj transportirajte samo u originalnom pakiranju. Pakiranje štiti uređaj od fizičkih oštećenja.
- Ne stavljajte teške predmeta na uređaj ili na njegovo pakiranje. U protivnom, uređaj se može oštetiti.
- Ako se uređaj ispusti, možda neće raditi ili se može trajno oštetiti.

## 5 Rješavanje problema

PROBLEM	MOGUĆI UZROK	RJEŠENJE
Ne radi.	Baterija je prazna.	Napunite je.
	Baterija možda nije dobro stavljena.	Izvadite bateriju i ponovno je stavite na njezino mjesto.
	Vakuumski spoj je blokirani.	Rastavite uređaj na kućište, četku i štapni dio. Pregledajte i očistite spojne točke.
Usisna snaga je slaba.	Spremnik za prašinu je pun.	Očistite spremnik za prašinu i filtre.
	Možda je došlo vrijeme za čišćenje filtara.	Očistite filtre.
	Filtri su se možda izobličili zbog rada, a možda je došlo vrijeme da ih zamijenite.	Za kupnju novog filtra kontaktirajte korisničku službu.
	Spužva otvora za ulaz zraka motora nije očišćena.	Očistite filtre i ponovno napunite uređaj.
	Turbo četka se ne okreće. Kosa i slični materijali možda su se zapetljali oko okretnog valjka na turbo četki.	Očistite valjak turbo četke.

## 5 Rješavanje problema

Iz motora se čuje uznemirujući zvuk.	Vakuumski spoj je blokiran.	Rastavite uređaj na kućište, četku i štapni dio. Pregledajte i očistite spojne točke.
	Nešto se možda zaglavilo između spremnika za prašinu i filtra.	Otvorite spremnik za prašinu i provjerite područje filtra.
Usisivač se ne može napuniti.	Usisivač nije postavljen dobro na stanicu za punjenje.	Stavite usisivač na stanicu za punjenje. Pripazite je li ispravno stavljen. Provjerite priključak.
Radi kratko vrijeme nakon punjenja.	Nije se punio dovoljno dugo vremena.	Punite ga 3-4 sati prema uputama.
	Spužva otvora za ulaz zraka motora nije očišćena.	Očistite filtre i ponovno napunite uređaj.
	Smanjen je rok trajanja baterije.	Za kupnju nove baterije kontaktirajte korisničku službu.
Stanica za automatsko čišćenje ne radi.	Možda nije ukopčana u strujnu utičnicu.	Provjerite je li ukopčana u strujnu utičnicu.
Stanica za automatsko čišćenje prašine prestaje s radom čim se pokrene.	Vrećica za prašinu je puna.	Zamijenite vrećicu za prašinu novom.
	Možda je vrijeme da očistite ulazni filter motora stanice za automatsko čišćenje.	Očistite filter i pritisnite gumb automatskog čišćenja.
	Usisni kanal usisivača je možda blokiran.	Ručno očistite spremnik za prašinu i provjerite ga.
Uređaj proizvodi glasan zvuk i tih zvuk kada čisti.	Uređaj proizvodi različite zvukove ovisno o materijalu kojeg čisti.	Provjerite spremnik za prašinu kada završite s čišćenjem.

# Si prega di leggere questo manuale prima dell'uso!

Gentile Cliente,

Merci d'avoir choisi un produit Beko. Nous aimerions que vous obteniez une efficacité optimale de ce produit de haute qualité qui a été fabriqué avec une technologie de pointe. Assurez-vous d'avoir bien lu et compris ce guide et la documentation complémentaire avant d'utiliser l'aspirateur et conservez-les comme référence. Joignez ce guide à l'aspirateur si vous le remettez à quelqu'un d'autre. Respectez tous les avertissements et informations contenues dans le présent document et suivez les instructions.

## Simboli e loro significati

Nel presente manuale vengono utilizzati i seguenti simboli:



Informazioni importanti e consigli utili per l'utilizzo dell'apparecchiatura.



**AVVERTENZA:** Avvertenze relative a situazioni pericolose per la vita delle persone e l'integrità delle cose.



Classe di protezione dalle scosse elettriche

# 1 Importanti istruzioni di sicurezza e ambientali

Questa sezione contiene istruzioni per evitare pericoli che potrebbero causare lesioni o danni materiali.

La mancata osservanza di queste istruzioni invalida tutte le garanzie di questa apparecchiatura.

## 1.1 Sicurezza generale

- Questa apparecchiatura è conforme alle norme di sicurezza internazionali.
- Questa apparecchiatura può essere utilizzata da bambini di età pari o superiore a 8 anni e da persone con ridotte capacità fisiche, sensoriali o mentali per mancanza di esperienza, a condizione che queste persone siano sorvegliate o istruite in merito all'uso sicuro dell'apparecchiatura e che comprendano i rischi connessi. I bambini non devono giocare con l'apparecchiatura. I bambini non devono pulire o eseguire la manutenzione dell'apparecchiatura se non sotto la supervisione di persone adulte.
- Non utilizzare l'apparecchiatura se il cavo di alimentazione o l'apparecchiatura stessa sono danneggiati. Contattare l'assistenza autorizzata.
- Accertarsi che l'alimentazione di corrente corrisponda alle informazioni riportate sulla targhetta/etichetta dell'apparecchiatura.
- Non usare l'apparecchiatura con una prolunga.
- Affinchè il cavo di alimentazione non venga danneggiato, evitare che venga schiacciato, piegato o sfregato su bordi taglienti.
- Non maneggiare l'apparecchiatura o la spina con le mani bagnate quando è collegata alla rete.
- Non tirare il cavo mentre si scollega l'apparecchiatura.



## 1 Importanti istruzioni di sicurezza e ambientali

- Non aspirare materiali combustibili e accertarsi che la cenere di sigaretta sia fredda prima di aspirarla.
- Non aspirare acqua e altri liquidi.
- Proteggere l'apparecchiatura da pioggia, umidità e fonti di calore.
- Non utilizzare l'apparecchiatura in ambienti e sostanze esplosive o infiammabili o nelle loro vicinanze.
- Scollegare l'apparecchiatura prima della pulizia e della manutenzione.
- Non pulire l'apparecchiatura o il cavo di alimentazione immergendoli in acqua.
- Non smontare l'apparecchiatura.
- Utilizzare esclusivamente parti originali o consigliate dal produttore.
- Per evitare di bloccare il filtro o di danneggiare il motore, non aspirare cemento, gesso o frammenti di carta compressa.
- Utilizzare l'apparecchiatura unicamente con l'adattatore fornito in dotazione.
- Non utilizzare l'apparecchiatura senza filtri, altrimenti potrebbe danneggiarsi.
- Se viene conservata la confezione, tenerla fuori dalla portata dei bambini.
- Questa apparecchiatura non è destinata all'uso da parte di persone, compresi i bambini, con disabilità sensoriali o mentali o con mancanza di esperienza e conoscenza, a meno che le persone stesse non siano sorvegliate da altre persone responsabili della loro sicurezza e istruite in merito all'uso.

## 1 Importanti istruzioni di sicurezza e ambientali

- I bambini dovranno essere sorvegliati per evitare che giochino con l'apparecchiatura.
- Prima di procedere alla pulizia e alla manutenzione, rimuovere l'adattatore e il gruppo batteria.
- Gli adattatori danneggiati dovranno essere sostituiti dal produttore, dal centro assistenza autorizzato o da un tecnico autorizzato per evitare di correre potenziali rischi.
- Durante l'utilizzo dell'aspirapolvere, tenere le dita, i capelli e gli indumenti larghi lontani dalle parti in movimento o dalle aperture.
- Togliere le batterie prima di procedere allo smaltimento dell'apparecchiatura.
- Scollegare l'apparecchiatura prima di rimuovere la batteria.
- Smaltire le batterie usate in conformità alle leggi e alle normative locali.
- Le batterie dell'apparecchiatura devono essere sostituite unicamente da personale autorizzato.
- Questa apparecchiatura non è destinata a un uso commerciale. Questa apparecchiatura è destinata a un uso domestico e non commerciale, come indicato di seguito:
  - Nelle cucine del personale di negozi, uffici e altri ambienti di lavoro
  - Residenze rurali e casolari
  - Da parte degli ospiti di alberghi, motel o altre strutture ricettive
  - In B&B e luoghi simili.
- Questa apparecchiatura non deve essere utilizzata da persone con capacità fisiche, sensoriali e cognitive limitate o che non hanno esperienza e conoscenza, a meno che non siano sorvegliate o siano state istruite in merito al suo funzionamento.

# 1 Importanti istruzioni di sicurezza e ambientali

- I bambini dovranno essere sorvegliati per evitare che giochino con l'apparecchiatura.
- Non appoggiare il ricevitore sul tavolo; Si consiglia di collegare la base di ricarica a parete dopo la pulizia.

## 1.2 Conformità alla direttiva WEEE e smaltimento dei rifiuti



Questa apparecchiatura è conforme alla direttiva WEEE dell'UE (2012/19/UE). Questa apparecchiatura reca il simbolo di classificazione dei rifiuti di apparecchiature elettriche ed elettroniche (WEEE). Questo simbolo indica che l'apparecchiatura non deve essere smaltita insieme ad altri rifiuti domestici al termine della sua vita utile. L'apparecchiatura deve essere restituita presso un centro di raccolta ufficiale per il riciclaggio di apparecchiature elettriche ed elettroniche. Per informazioni sui sistemi di raccolta, contattare le autorità locali o il rivenditore presso il quale è stata acquistata l'apparecchiatura. Ogni nucleo domestico ha un ruolo importante nel processo di recupero o riciclaggio delle vecchie apparecchiature. Il corretto smaltimento dell'apparecchiatura usata consente di evitare potenziali effetti negativi sull'ambiente e sulla salute umana.

## 1.3 Informazioni sull'imballaggio



L'imballaggio del prodotto è realizzato con materiali riciclabili in conformità alla legislazione ambientale nazionale. Non smaltire i materiali di imballaggio congiuntamente ai rifiuti dome-

stici o di altro tipo. Portare questi materiali presso i punti di raccolta dei materiali di imballaggio designati dalle autorità locali.

## 1.4 Informazioni sui rifiuti di pile



Questo simbolo, presente sulle pile / batterie ricaricabili o sulla loro confezione, indica che la pila / batteria ricaricabile non deve essere mescolata ai rifiuti domestici. Alcune pile / batterie ricaricabili possono riportare anche un simbolo chimico oltre a questo simbolo. I simboli del mercurio (Hg) o del piombo (Pb) vengono aggiunti anche se le batterie/le pile ricaricabili contengono più dello 0,0005% di mercurio o più dello 0,004% di piombo.

Le pile / batterie ricaricabili, comprese quelle senza metalli pesanti, non devono essere smaltite congiuntamente ai rifiuti domestici. Smaltire sempre le batterie usate in conformità con le normative ambientali locali. Informatevi in merito alle norme in materia di rifiuti in vigore presso il proprio paese.

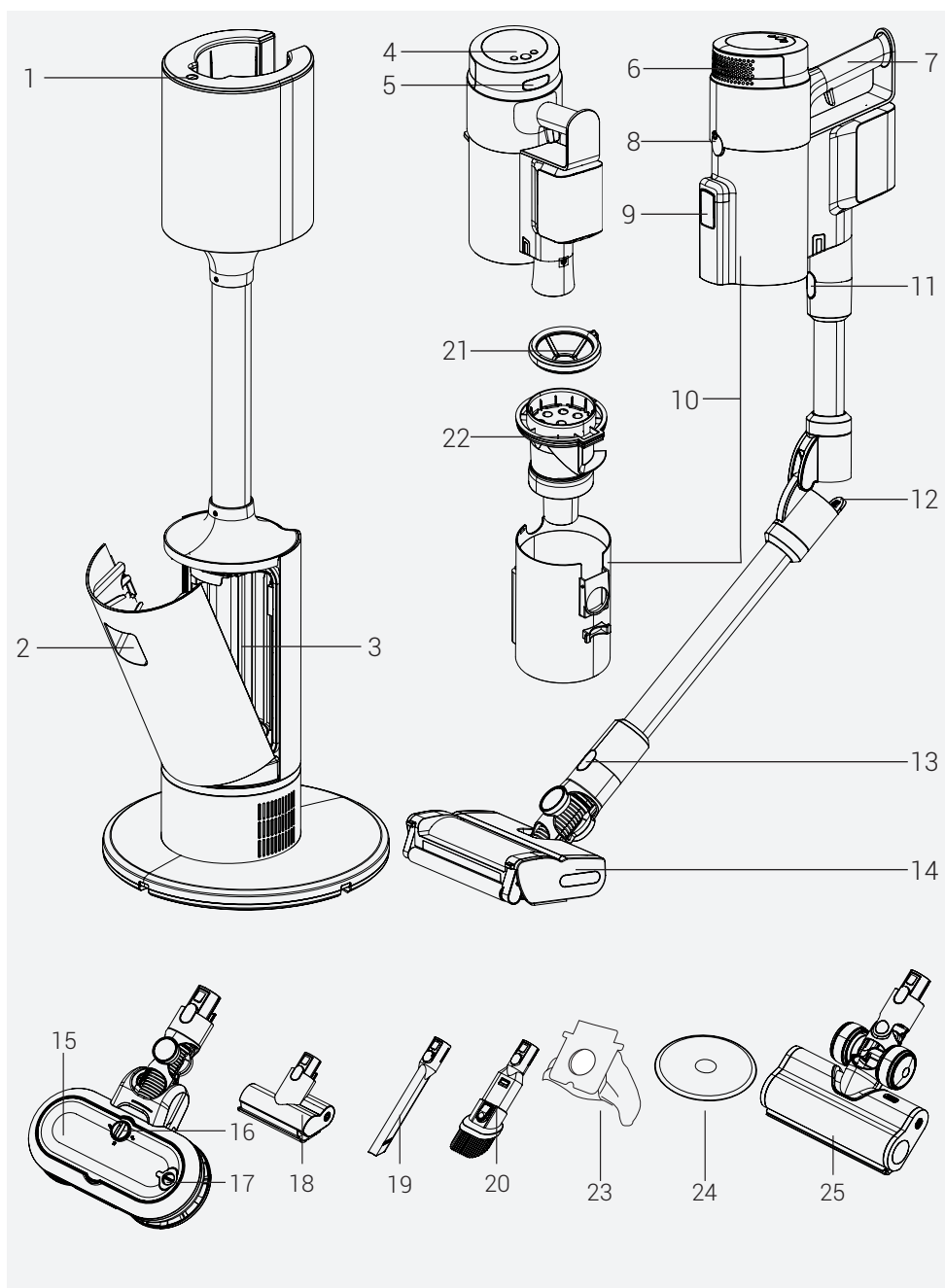
## 1.5 Cosa fare per risparmiare energia

- Per risparmiare energia durante l'uso dell'apparecchiatura, utilizzare l'impostazione di velocità più adatta alla superficie.
- In condizioni normali, le superfici rigide, le tende e i mobili richiedono una velocità bassa, mentre i tappeti richiedono una velocità alta.

## 1.6 Conformità alla direttiva RoHS

L'apparecchiatura acquistata è conforme alla direttiva RoHS dell'UE (2011/56/UE) e non contiene le sostanze nocive e vietate specificate nella direttiva.

## 2 Panoramica




## 2 Panoramica

### 2.1 Comandi e componenti

1. Pulsante di controllo della stazione di ricarica
2. Maniglia di apertura del coperchio del sacchetto della polvere
3. Contenitore del sacchetto della polvere
4. Display LED e pulsanti di controllo
5. Pulsante di rilascio del coperchio del filtro HEPA
6. Coperchio del filtro HEPA
7. Maniglia
8. Pulsante di rilascio del contenitore della polvere
9. Coperchio per lo svuotamento della polvere
10. Contenitore della polvere
11. Pulsante di rilascio del tubo
12. Pulsante di piegatura del tubo
13. Pulsante di rilascio delle setole
14. Spazzola per pavimenti duri con doppio rullo per una pulizia profonda
15. Spazzola turbo per la pulizia
16. Blocco anti-goccia
17. Tappo di riempimento dell'acqua
18. Spazzola per peli di animali domestici
19. Bocchetta per interstizi
20. Spazzola anti-polvere
21. Filtro anteriore del contenitore della polvere
22. Filtro multi-ciclone
23. Sacchetto della polvere x 3
24. Panno per pulire x 4
25. Spazzola per tappeti extra

### 2.2 Dati tecnici

<b>Potenza nominale</b>	450 W
<b>Potenza nominale della stazione di pulizia automatica</b>	900 W
<b>Alimentazione della stazione di pulizia automatica</b>	220 - 240 V~ 50-60 Hz
<b>Potenza della stazione di pulizia automatica</b>	30,7 V  0,8 A
<b>Tempo di ricarica</b>	3-4 ore
<b>Tempo di funzionamento - potenza massima</b>	10 minuti
<b>Tempo di funzionamento - potenza media</b>	30 minuti
<b>Tempo di funzionamento - potenza minima</b>	60 minuti

I valori forniti con l'apparecchiatura o la documentazione di accompagnamento sono letture di laboratorio secondo gli standard pertinenti. Questi valori possono variare a seconda delle condizioni di funzionamento e ambientali.

## 2 Panoramica

Il produttore si riserva il diritto di apportare modifiche tecniche e di design.

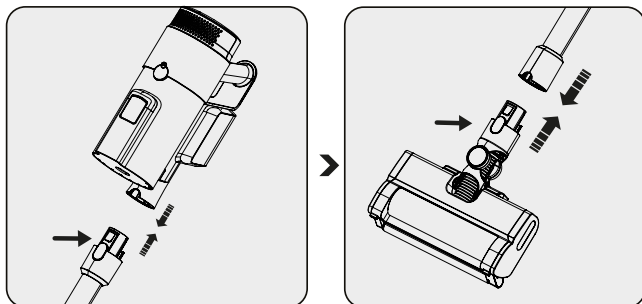
Tipo di utilizzo	Velocità	Tempo di funzionamento	
Modalità aspirapolvere con tubo e turbospazzola	Velocità minima	Fino a 38 minuti	
	Velocità media	Fino a 25 minuti	
	Velocità massima	Fino a 10 minuti	
Modalità aspirapolvere con accessori	Velocità minima	Fino a 60 minuti	
	Velocità media	Fino a 30 minuti	
	Velocità massima	Fino a 10 minuti	

## 3 Funzionamento

### 3.1 Uso previsto

L'apparecchiatura è destinata esclusivamente all'uso domestico e non è adatta per un uso professionale.

### 3.2 Collegamento del corpo e della spazzola



Premere il pulsante di rilascio del tubo e inserire il tubo nel corpo come indicato dalla freccia.

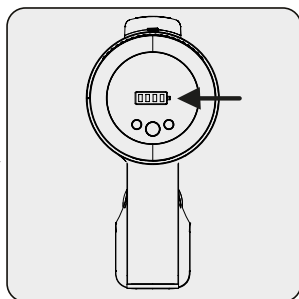
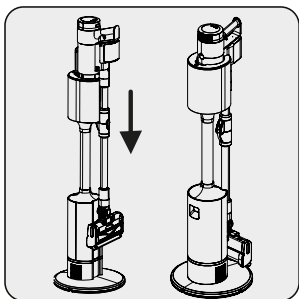
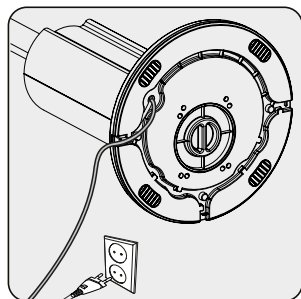
Premere il pulsante di rilascio della turbospazzola elettrica e spingerla sul tubo seguendo la direzione indicata dalla freccia.

## 3 Funzionamento

### 3.3 Montaggio e ricarica della stazione di svuotamento automatico della polvere



**AVVERTENZA:** Caricare completamente la batteria prima di utilizzare l'apparecchiatura per la prima volta o se viene usata da molto tempo.



Collegare la stazione di ricarica per lo svuotamento automatico della polvere.

Posizionare l'apparecchiatura sulla base di ricarica.

L'apparecchiatura inizierà a caricarsi automaticamente non appena avrà terminato il processo di pulizia.

Una volta iniziata la carica, il livello di carica della batteria viene visualizzato sul display. Quando tutti i livelli di carica della batteria sono accesi, significa che la carica è completa.



Sarà possibile premere il pulsante di controllo della stazione di ricarica per interrompere in qualsiasi momento il processo di pulizia automatica.



Una volta completata la carica, il display a LED si spegne dopo un po'.



Ci vogliono dalle 3 alle 4 ore per una ricarica completa dell'apparecchiatura. Non utilizzare l'apparecchiatura mentre è in corso l'operazione di ricarica.

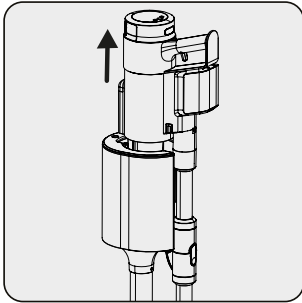


Se l'apparecchiatura è in funzione, smetterà di funzionare non appena verrà posizionata sulla base di ricarica.

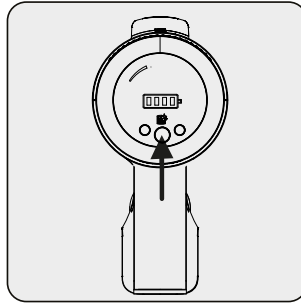


## 3 Funzionamento

### 3.4 Funzionamento

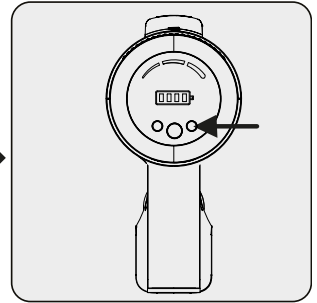


Sollevare l'apparecchiatura e allontanarla dalla stazione di svuotamento automatico della polvere.



Premere il pulsante di accensione e spegnimento per avviare l'apparecchiatura.

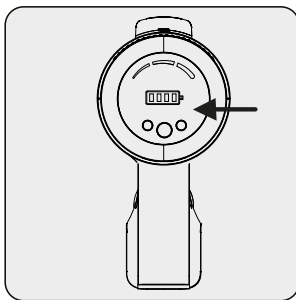
L'apparecchiatura inizia a funzionare alla velocità minima quando viene premuto il pulsante di accensione/spegnimento.



Premere il pulsante per aumentare la velocità. La modalità di aspirazione in uso (bassa/media/alta) viene visualizzata sul display. Premere i tasti "+" e "-" per modificare la velocità.

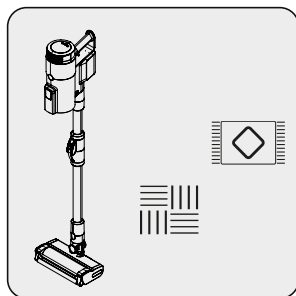


Sarà possibile posizionare l'apparecchiatura sulla base di ricarica prima che la carica si esaurisca completamente. L'apparecchiatura può rimanere sulla base di ricarica fino all'utilizzo successivo.

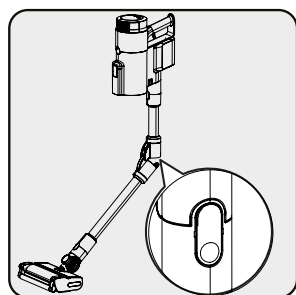


Osservare i livelli di carica durante l'uso dell'apparecchiatura. L'apparecchiatura smetterà automaticamente di funzionare quando la carica si esaurisce.

### 3 Funzionamento



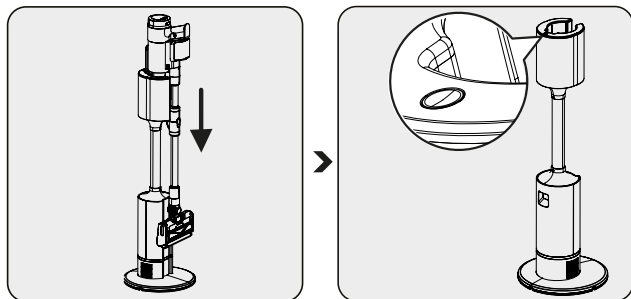
Questa apparecchiatura è adatta all'uso su tappeti e superfici rigide.



Il tubo può essere piegato per arrivare facilmente sotto sedie e tavoli. Piegare il tubo premendo il pulsante rotondo a sinistra.

## 3 Funzionamento

### 3.5 Funzionamento della stazione di pulizia automatica



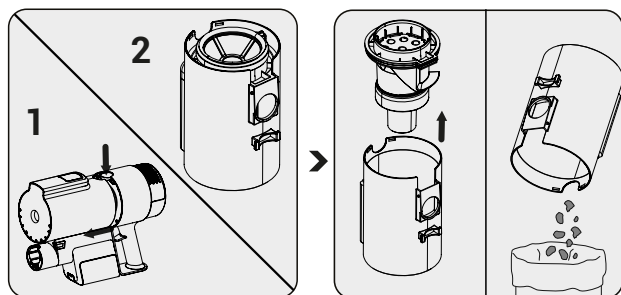
Quando si posiziona l'apparecchiatura sulla stazione di pulizia automatica, il contenitore della polvere si svuota automaticamente.

Il pulsante di controllo della stazione di svuotamento automatico della polvere lampeggia durante la pulizia.

Sarà possibile premere il pulsante di controllo della stazione di svuotamento automatico della polvere per interrompere il processo di svuotamento in qualsiasi momento.



Polvere, capelli, fili e oggetti simili possono aggrovigliarsi intorno al filtro multi-ciclone impedendo così al contenitore di svuotarsi completamente. In questo caso, è necessario pulire manualmente il contenitore della polvere come mostrato di seguito.

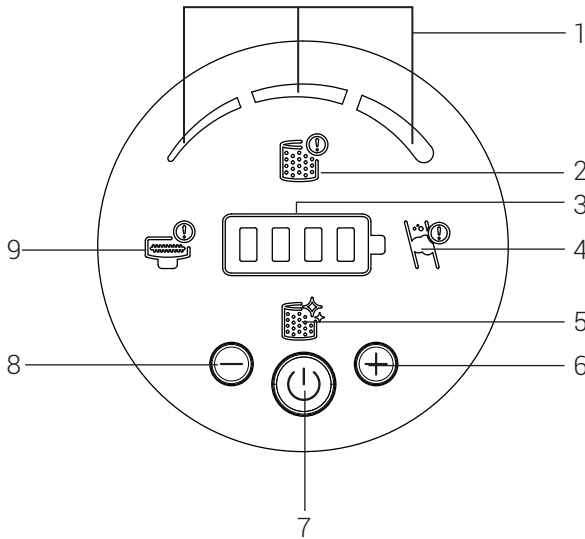


Premere il pulsante di rilascio del contenitore della polvere e togliere il contenitore.

Sollevare il filtro multi-ciclone e svuotare la polvere nel contenitore della polvere.

## 3 Funzionamento

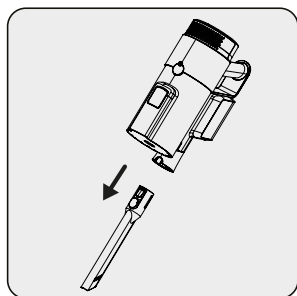
### 3.6 Spie display LED



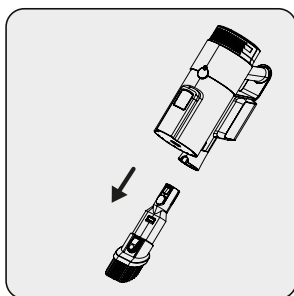
1. Modalità di aspirazione
2. Questo simbolo avverte l'utente quando il filtro anteriore non è montato e, per sua stessa protezione, l'apparecchiatura non si accenderà finché questo filtro non sarà montato. Accertarsi che il filtro sia collegato.
3. Livello di carica della batteria
4. Questo indica quando c'è un blocco d'aria. Controllare l'interno del tubo e la presa d'aspirazione sul corpo per verificare se eventuali corpi estranei causano un'ostruzione.
5. Questo indica quando è necessario pulire il filtro anteriore.
6. Pulsante velocità
7. Interruttore On/Off
8. Pulsante di regolazione della velocità
9. Questo indica quando la spazzola del battitore è bloccata e deve essere pulita.

## 3 Funzionamento

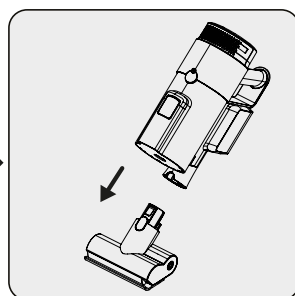
### 3.7 Accessori



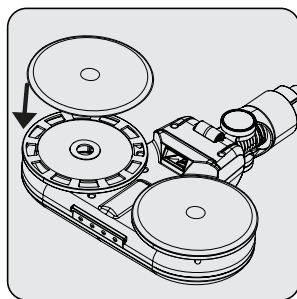
**Bocchetta per interstizi:**  
Ideale per la pulizia dietro i mobili, negli spazi stretti e difficili da raggiungere.



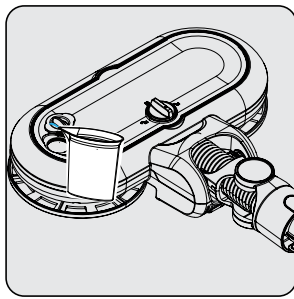
**Spazzola per la polvere:**  
Ideale per la pulizia di tende, divani, mobili verniciati, oggetti delicati e fragili.



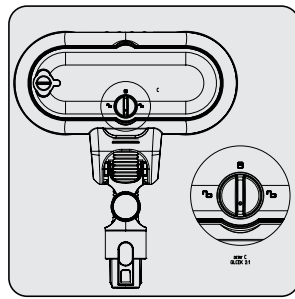
**Mini turbospazzola per peli di animali domestici:**  
Ideale per spazzare pavimenti, scale, interni di automobili, divani e sofà. Si usa anche per raccogliere i peli di animali domestici su tali superfici.



Applicare il panno per pulire sotto alla spazzola.



Aprire il tappo di riempimento della turbospazzola per riempirla d'acqua.



Ruotare il blocco anti-goccia per i panni per pulire.

Sarà possibile utilizzare la turbospazzola di lavaggio sulle superfici rigide.

### 3 Funzionamento



**AVVERTENZA:** Non utilizzare l'accessorio per la pulizia sul tappeto.



**AVVERTENZA:** Non mettere candeggina o detersivi liquidi molto frizzanti nel serbatoio dell'acqua del panno per pulire.



**AVVERTENZA:** Dopo l'uso, chiudere il blocco anti-goccia e rimuovere l'accessorio per la pulizia.



**AVVERTENZA:** Rimuovere l'accessorio per la pulizia non appena si è terminato di utilizzarlo per evitare di danneggiare i pavimenti in legno.



**AVVERTENZA:** Svuotare l'acqua residua dal serbatoio dell'attrezzo una volta finito di pulire e asciugare il serbatoio.



I panni per pulizia sono lavabili in lavatrice.



**AVVERTENZA:** Poiché l'acqua può fuoriuscire dal serbatoio, non sollevare la testina o sporgersi su di essa.

## 4 Pulizia e cura

Spegnere e scollegare l'apparecchiatura prima di pulirla.

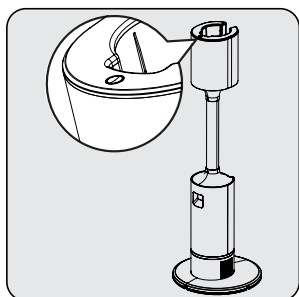


**AVVERTENZA:** Non utilizzare benzina, solventi, detergenti abrasivi, oggetti metallici o spazzole dure per pulire l'apparecchiatura.

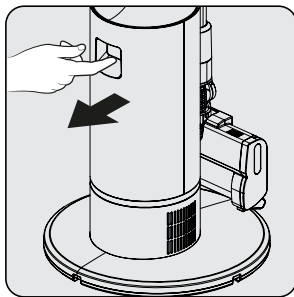


**AVVERTENZA:** I filtri possono deformarsi con l'uso nel tempo. Sostituire tali filtri per mantenere le prestazioni. Contattare il servizio clienti per ordinare nuovi filtri.

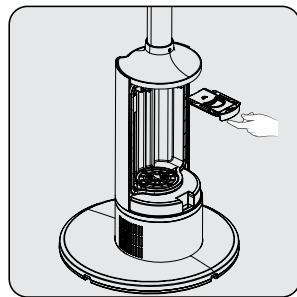
### 4.1 Sostituzione del sacchetto della polvere



Quando il pulsante di controllo rosso della stazione di svuotamento automatico della polvere si illumina, controllare se il sacchetto della polvere è pieno oppure no.



Aprire il coperchio della stazione di svuotamento automatico della polvere.

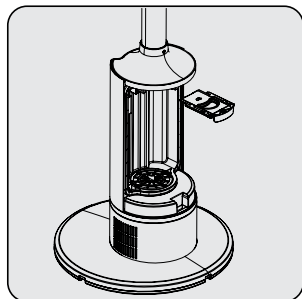


Estrarre il sacchetto della polvere dal contenitore utilizzando la maniglia.

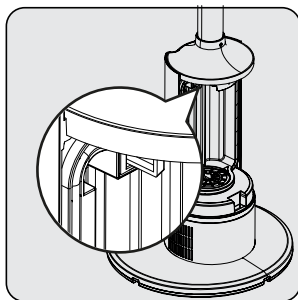


**AVVERTENZA:** Se il sacchetto della polvere non è pieno, verificare se qualcosa è rimasto incastrato nel contenitore, nella bacchetta o sulla spazzola.

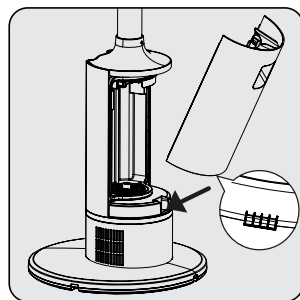
## 4 Pulizia e cura



Sostituire il sacchetto della polvere con uno nuovo.



Inserire il sacchetto della polvere utilizzando la maniglia e spingere.

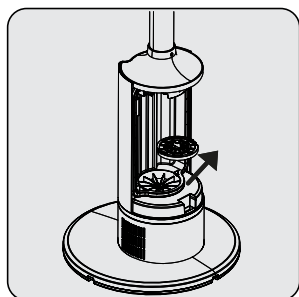


Chiudere il coperchio della stazione di svuotamento automatico della polvere.

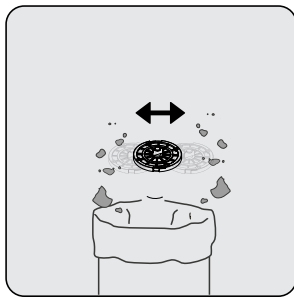


**AVVERTENZA:** I sacchetti della polvere non sono riutilizzabili.

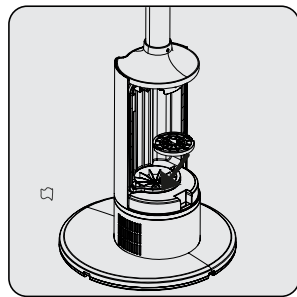
### 4.2 Pulizia del contenitore della polvere e dei filtri



Ruotare e rimuovere il filtro della polvere.



Pulire il filtro anteriore scuotendolo per eliminare la polvere.



Re-installare il filtro anteriore e ruotarlo per fissarlo.



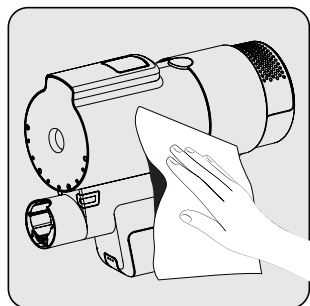
**AVVERTENZA:** Non lavare il filtro HEPA.



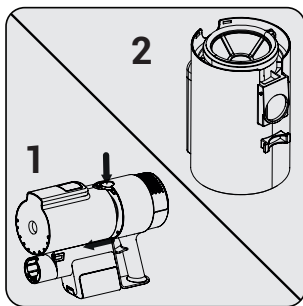
Consigliamo di pulire il contenitore della polvere dopo ogni utilizzo.



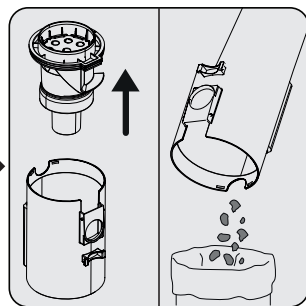
## 4 Pulizia e cura



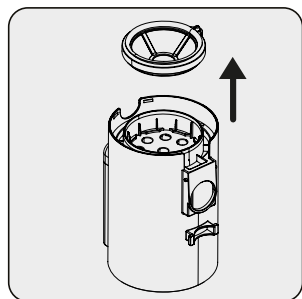
Pulire il corpo dell'apparecchiatura servendosi di un panno umido.



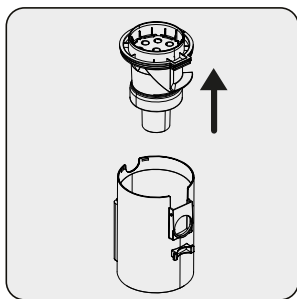
Premere il pulsante di rilascio del contenitore della polvere e togliere il contenitore.



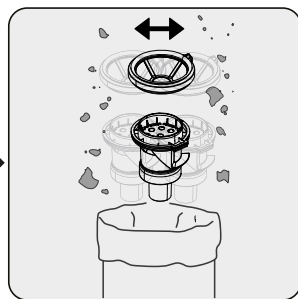
Sollevere il filtro multi-ciclone e svuotare la polvere nel contenitore della polvere.



Per pulire il filtro in modo più accurato, tirare la parte anteriore del filtro verso l'alto e rimuoverla.

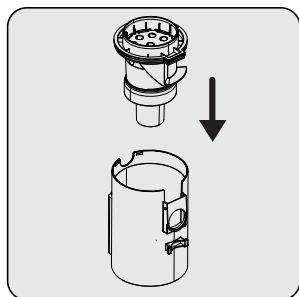


Estrarre la parte del filtro multi-ciclone.

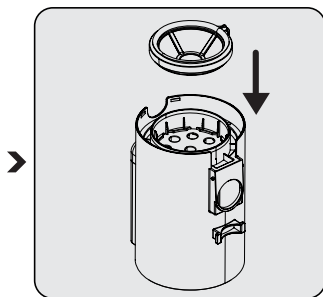


Pulire il filtro multi-ciclone e il filtro anteriore scuotendoli per eliminare la polvere.

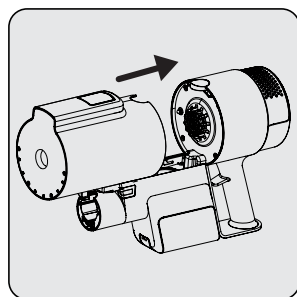
## 4 Pulizia e cura



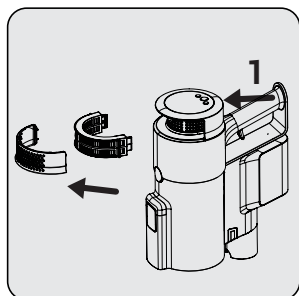
Fissare il filtro poroso al contenitore della polvere.



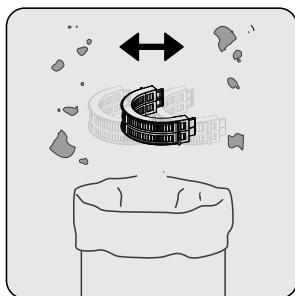
Fissare il filtro anteriore al filtro poroso.



Affinché il retro del contenitore della polvere si inserisca perfettamente nel corpo, inserire il contenitore prima nel corpo e poi nell'area dei pulsanti.



Per pulire il filtro EPA 12, premere il pulsante (1) e rimuovere la parte del filtro.



Pulire il filtro EPA 12 scuotendolo per eliminare la polvere.

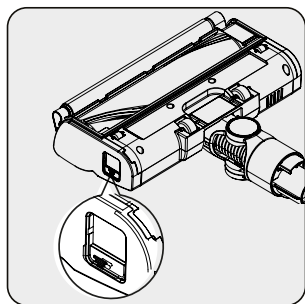
## 4 Pulizia e cura

### 4.3 Pulizia delle spazzole

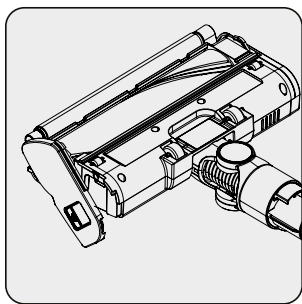
#### 4.3.1 Pulizia della spazzola per pavimenti duri



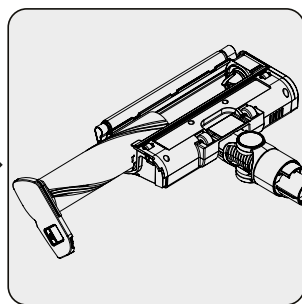
**AVVERTENZA:** Non lavare la turbospazzola o il rullo principale.



Rimuovere la plastica della spazzola a rullo premendo il pulsante e facendola scivolare fuori.



Battere il rullo contro una superficie dura o usare un pennello per rimuovere la polvere. Tagliare i capelli impigliati, ecc.



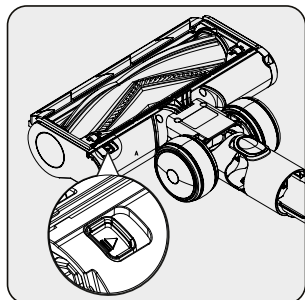
Spingere il rullo in posizione.

## 4 Pulizia e cura

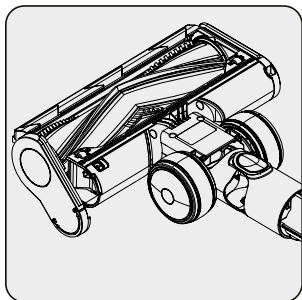
### 4.3.2 Pulizia della spazzola supplementare per tappeti



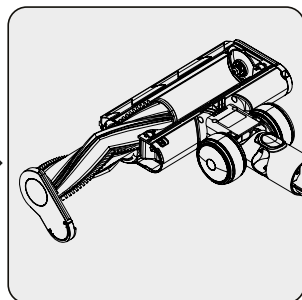
**AVVERTENZA:** Non lavare la turbospazzola o il rullo principale.



Rimuovere la plastica della spazzola a rullo premendo il pulsante e facendola scivolare fuori.



Battere il rullo contro una superficie dura o usare un pennello per rimuovere la polvere. Tagliare i capelli impigliati, ecc.



Spingere il rullo in posizione.

### 4.4 Conservazione

- Conservare con cura l'apparecchiatura se non si intende utilizzarla per lunghi periodi di tempo.
- Scollegare l'apparecchiatura.
- Accertarsi di tenere l'apparecchiatura fuori dalla portata dei bambini.
- Conservare la batteria su un materiale non conduttore e non lasciare che la batteria entri in contatto diretto con il metallo. In caso contrario, la batteria potrebbe danneggiarsi.
- Se l'apparecchiatura non viene usata per molto tempo, conservarla con la carica almeno a metà. Non caricare o scaricare completamente la batteria. L'apparecchiatura deve essere caricata o almeno una volta ogni 3 mesi.

### 4.5 Trasporto e manipolazione

- Trasportare l'apparecchiatura nell'imballaggio originale. L'imballaggio protegge l'apparecchiatura da danni fisici.
- Non appoggiare oggetti pesanti sull'apparecchiatura o sull'imballaggio. In caso contrario, l'apparecchiatura potrebbe danneggiarsi.
- Se l'apparecchiatura cade, potrebbe non funzionare o subire danni permanenti.

## 5 Guida alla risoluzione dei problemi

PROBLEMA	POSSIBILE CAUSA	SOLUZIONE
Non funziona.	La batteria è scarica.	Ricaricarla.
	La batteria potrebbe non essere nella giusta posizione.	Rimuovere la batteria e installarla di nuovo.
	La connessione dell'aspirapolvere è bloccata.	Smontare l'apparecchiatura nelle sue tre componenti: corpo, spazzola e tubo. Ispezionare e pulire i punti di connessione.
La potenza di aspirazione è bassa.	Il contenitore della polvere è pieno.	Pulire il contenitore della polvere e i filtri.
	Potrebbe essere necessario eseguire la pulizia dei filtri.	Pulire i filtri.
	I filtri potrebbero essersi deformati a causa del funzionamento e potrebbe essere necessario sostituirli.	Contattare il servizio clienti per acquistare un filtro nuovo.
	Il filtro in schiuma in ingresso del motore non è stato pulito.	Pulire i filtri e ricaricare l'apparecchiatura.
	La turbospazzola non gira. Capelli e materiali simili possono essersi impigliati nel rullo rotante della turbospazzola.	Pulire il rullo della turbospazzola.
Dal motore proviene un rumore fastidioso.	La connessione dell'aspirapolvere è bloccata.	Smontare l'apparecchiatura nelle sue tre componenti: corpo, spazzola e tubo. Ispezionare e pulire i punti di connessione.
	Si potrebbe essere incastrato qualcosa tra il serbatoio della polvere e il filtro.	Aprire il serbatoio della polvere e ispezionare l'area del filtro.

## 5 Guida alla risoluzione dei problemi

Impossibile ricaricare l'aspirapolvere.	L'aspirapolvere non è inserito correttamente sulla base di ricarica.	Mettere l'aspirapolvere sulla base di ricarica. Accertarsi che sia correttamente in posizione. Verificare la connessione.
Funziona per un tempo molto breve dopo la ricarica.	Non è stata ricaricata per un periodo di tempo adeguato.	Ricaricare per 3-4 ore come da istruzioni.
	Il filtro in schiuma in ingresso del motore non è stato pulito.	Pulire i filtri e ricaricare l'apparecchiatura.
	La durata della batteria è deteriorata.	Contattare il servizio clienti per comprare una nuova batteria.
La stazione di pulizia automatica non funziona.	L'apparecchiatura potrebbe non essere collegata.	Accertarsi che l'apparecchiatura sia collegata alla presa di corrente.
La stazione di pulizia automatica della polvere si arresta non appena si avvia.	Il sacchetto della polvere è pieno.	Sostituire il sacchetto della polvere con uno nuovo.
	Potrebbe essere giunto il momento di pulire il filtro di ingresso del motore della stazione di pulizia automatica.	Pulire il filtro e premere il pulsante di pulizia automatica.
	Il canale di aspirazione dell'aspirapolvere potrebbe essere ostruito.	Pulire manualmente il contenitore della polvere e controllarlo.
L'apparecchiatura emette rumori forti e insoliti durante la pulizia	Può emettere rumori diversi a seconda del materiale da pulire.	Al termine della pulizia, verificare il contenitore della polvere.

## CERTIFICATO DI GARANZIA

La presente garanzia convenzionale descrive le condizioni di garanzia offerte da BEKO Italy S.r.l. ("Beko") con riferimento ai propri prodotti. La presente garanzia convenzionale si intende come aggiuntiva e non sostitutiva della garanzia legale, di cui è responsabile il venditore, e non pregiudica qualsiasi altro diritto di cui gode il consumatore ai sensi del D.lgs. 206/05 ("Codice del Consumo").

Per consumatore si intende esclusivamente colui che utilizza il prodotto per scopi estranei all'attività imprenditoriale o professionale eventualmente svolta e che quindi ne fa un uso domestico/privato

Questo certificato non deve essere spedito per la convalida. È valido e operante solo se conservato assieme allo scontrino fiscale o altro documento di acquisto fiscalmente obbligatorio.

### Condizioni di Garanzia

1. BEKO garantisce il prodotto in relazione a difetti di fabbricazione per un periodo di 24 mesi dalla data di acquisto (in caso di acquisto da parte di consumatori) e di 12 mesi dalla data di acquisto (in caso di acquisto da parte di professionisti con fattura).
2. La garanzia è valida esclusivamente per prodotti venduti e installati sul territorio italiano, o sul territorio della Repubblica di San Marino e della Città del Vaticano, e deve essere comprovata da scontrino fiscale o fattura, che riporti il nominativo del venditore, la data di acquisto del prodotto nonché gli estremi identificativi dello stesso (tipo e modello).
3. Beko effettuerà a sua scelta la riparazione o sostituzione gratuita dei componenti difettosi o la sostituzione gratuita del prodotto con un prodotto uguale o con caratteristiche equivalenti o migliori. La gratuità degli interventi riguarda sia la manodopera sia i componenti di ricambio. La sostituzione del prodotto sarà effettuata solo in caso la riparazione risulti impossibile o eccessivamente onerosa.
4. L'intervento di riparazione sarà effettuato al domicilio dell'utente, fatto salvo i casi d'impossibilità oggettiva o di forza maggiore.
5. La riparazione o sostituzione dei componenti e la sostituzione del prodotto stesso non estendono la durata della garanzia, che rimane quindi di 24 o 12 mesi dalla data di acquisto del prodotto originale.
6. Non sono coperti dalla presente garanzia: manopole, lampade, parti in vetro e in plastica, tubazioni e accessori, tutte le parti asportarli, tutte le parti estetiche e tutti i materiali soggetti ad usura (quali, ad esempio, guarnizioni in gomma, cinghie, manicotti ecc.).
7. BEKO declina ogni responsabilità per eventuali danni che possano derivare, direttamente od indirettamente, a persone e cose come conseguenza del mancato rispetto da parte dell'utente delle istruzioni incluse nell'apposito manuale allegato a ciascun prodotto ed in particolar modo delle istruzioni relative alla installazione, all'uso ed alla manutenzione del prodotto stesso.
8. La garanzia non è operativa e conseguentemente gli interventi di assistenza saranno effettuati a pagamento da parte dell'utente nei seguenti casi:
  - a. Danni al prodotto dovuti al trasporto o alla movimentazione del prodotto stesso.
  - b. Interventi di installazione e montaggio e tutte le eventuali regolazioni, come la registrazione delle porte nei frigoriferi e/o l'inversione dell'apertura, il livellamento dei prodotti, l'eliminazione delle staffe di fissaggio vasca, la sostituzione degli ugelli e la regolazione del minimo su cucine e piani cottura.
  - c. Malfunzionamenti derivanti da installazione errata, imperfetta o incompleta del prodotto, incluse l'errata connessione o errata erogazione dalle reti di alimentazione e la mancanza di allacciamento alla presa di terra.

d. Interventi da effettuarsi in spazi eccessivamente ristretti per poter operare sui prodotti, in luoghi con eccessiva o scarsa temperatura dell'ambiente, o su prodotti installati ad oltre mt. 2,50 da un piano di lavoro stabile, o in posizioni disagiate e pericolose, che non possano garantire l'incolumità dell'operatore come stabilito dalle norme di legge sulla sicurezza sul lavoro.

e. Danni al prodotto causati da agenti atmosferici (fulmini, terremoti, incendi, alluvioni, ecc.) o da circostanze esterne che non siano riconducibili a difetti di fabbricazione del prodotto.

f. Riparazioni, modifiche o manomissioni effettuate da persone non autorizzate dal produttore o comunque per cause non dipendenti dal prodotto.

g. Mancanza dei documenti fiscali di acquisto del prodotto, oppure se gli stessi risultano contraffatti o non inerenti al prodotto, o se il numero di matricola del prodotto risulta asportato, cancellato o manomesso.

h. Uso improprio del prodotto o uso diverso da quanto stabilito dal produttore.

i. Guasti e malfunzionamenti dovuti a uso improprio del prodotto e/o a mancanza di regolare manutenzione, incuria e negligenza (ad esempio, mancata pulizia batterie condensanti, fori di drenaggio, filtri di scarico e filtri di entrata acqua, mancata eliminazione corpi estranei, insufficiente pulizia dei piani di cottura, ecc.) e in generale tutte le circostanze esterne che non siano riconducibili a difetti di fabbricazione del prodotto.

Beko si riserva la facoltà di addebitare all'utente il costo dell'intervento di assistenza nei casi in cui non sia stato riscontrato il difetto lamentato dall'utente, o nei casi di generici problemi di funzionamento correlati a errata impressione dell'utente (problemi di asciugatura, rumorosità, difetti di lavaggio, eccessiva formazione di schiuma, nonché problemi di centrifuga, di raffreddamento, di riscaldamento, ecc.).

Nei casi sopra citati in cui la garanzia non è operativa, si intendono a pagamento anche tutti gli eventuali trasporti necessari per lo svolgimento degli interventi di assistenza.

Il Servizio Assistenza di BEKO è l'unico autorizzato a riparare i prodotti a marchio BEKO sulla base della presente garanzia convenzionale.

Durante e dopo il periodo di garanzia, vi consigliamo di rivolgervi sempre ai nostri centri di assistenza autorizzati. Per contattare il Centro di Assistenza Tecnica Autorizzato operante nella vostra zona chiamate il numero unico per l'Italia:

**02.03.03 per i prodotti a marchio**

The Beko logo consists of the word "beko" in a lowercase, blue, sans-serif font. A horizontal blue line is positioned below the letters "e" and "o".

**02.06.06 per i prodotti a marchio**

The Grundig logo features the word "GRUNDIG" in a bold, uppercase, red, sans-serif font. A horizontal red line is positioned below the letters "I" and "G".

Prima di contattare l'assistenza tecnica, al fine di agevolare la gestione della chiamata, è necessario avere a portata di mano il modello del prodotto e il documento fiscale di acquisto.



# Citiți mai întâi acest manual de utilizare!

Stimate client,

Vă mulțumim că ați cumpărat acest produs Beko. Dorim să profitați din plin de acest produs de înaltă calitate conceput cu cea mai modernă tehnologie. Vă rugăm să citiți în întregime aceste instrucțiuni și documentele anexate înainte de a-l utiliza și să le păstrați pentru consultare ulterioară. Dacă predați acest aparat altcuiva, dați-i și acest manual. Țineți cont de toate avertizările și informațiile de aici și urmați instrucțiunile.

## Simboluri și semnificațiile lor

Simbolurile următoare sunt utilizate în acest manual:



Informații importante și sfaturi utile pentru utilizarea aparatului.



**AVERTIZARE:** Avertizări despre situații periculoase privind siguranța vieții și bunurilor.



Clasa de protecție împotriva electrocutării

# 1 Instrucțiuni importante referitoare la siguranță și mediul înconjurător

Acest capitol conține instrucțiuni pentru evitarea situațiilor de pericol care ar putea provoca vătămări sau daune materiale.

Nerespectarea acestor instrucțiuni va anula toate garanțiile pentru acest aparat.

## 1.1 Siguranță generală

- Acest aparat este conform cu standardele internaționale de siguranță.
- Acest aparat poate fi utilizat de copii cu vârsta de peste 8 ani și de persoane cu capacități fizice, senzoriale sau mentale reduse sau fără experiență, dacă acestea sunt supravegheate sau instruite cum să utilizeze aparatul în siguranță și dacă înțeleg care sunt riscurile implicate. Nu lăsați copiii să se joace cu aparatul. Copiii nu trebuie să curețe sau să facă operațiuni de întreținere a aparatului decât sub supraveghere.
- Nu utilizați aparatul dacă cablul de alimentare sau aparatul este deteriorat. Contactați service-ul autorizat.
- Asigurați-vă că alimentarea de la rețeaua electrică corespunde cu informațiile de pe plăcuța/eticheta nominală a aparatului.
- Nu utilizați aparatul cu un prelungitor.
- Pentru a evita deteriorarea cablului de alimentare, evitați prinderea, îndoirea sau frecarea acestuia de margini ascuțite.
- Nu manipulați aparatul sau ștecherul acestuia cu mâinile umede atunci când este în priză.
- Nu deconectați aparatul trăgând de cablu.
- Nu aspirați materiale combustibile și asigurați-vă că scrumul de țigară este rece înainte de a-l aspira.
- Nu aspirați apă sau alte lichide.

## 1 Instrucțiuni importante referitoare la siguranță și mediul înconjurător

- Protejați aparatul de ploaie, umiditate și surse de căldură.
- Nu utilizați aparatul în medii și substanțe explozive sau inflamabile sau în apropierea acestora.
- Înainte de curățare și întreținere, scoateți aparatul din priză.
- Nu curățați aparatul sau cablul de alimentare prin scufundare în apă.
- Nu dezasamblați aparatul.
- Utilizați doar componente originale sau componente recomandate de către producător.
- Pentru a preveni obturarea filtrului sau deteriorarea motorului, nu aspirați ciment, tencuială sau hârtie compactată.
- Utilizați aparatul doar cu adaptorul cu care a fost furnizat.
- Nu utilizați aparatul fără filtre deoarece se poate avaria.
- Dacă păstrați ambalajul, păstrați-l departe de copii.
- Acest aparat nu este destinat utilizării de către persoane, inclusiv copii, cu dizabilități senzoriale sau psihice sau lipsite de experiență și cunoștințe, cu excepția cazului în care acestea sunt supravegheate de persoanele responsabile de siguranța lor și instruite cu privire la utilizarea acestuia.
- Copiii trebuie să fie supravegheați pentru a nu se juca cu aparatul.
- Scoateți adaptorul și grupul de baterii înainte de curățare și întreținere.
- Pentru a evita eventualele pericole, adaptoarele deteriorate trebuie înlocuite de către producător, centrul de service autorizat sau un tehnician autorizat.

## 1 Instrucțiuni importante referitoare la siguranță și mediul înconjurător

- Țineți-vă degetele, părul și hainele largi la distanță de piesele în mișcare sau de deschideri atunci când folosiți aspiratorul.
- Scoateți bateriile înainte de a arunca aparatul.
- Scoateți aparatul din priză înainte de a îndepărta bateria.
- Eliminați bateriile în conformitate cu reglementările și legislația locală.
- Bateriile aparatului trebuie înlocuite numai de către persoane autorizate.
- Acest aparat nu este destinat utilizării comerciale. Acest aparat este destinat uzului casnic și nu uzului comercial, după cum urmează:
  - În bucătăriile personalului din magazine, birouri și alte spații de lucru
  - Ferme
  - De către musafirii din hoteluri, moteluri sau alte unități de cazare
- În pensiuni și alte locuri similare.
- Acest aparat nu trebuie să fie utilizat de persoane cu abilități fizice, senzoriale și cognitive limitate sau care nu au experiență și cunoștințe suficiente, cu excepția cazului în care acestea sunt supravegheate sau au fost instruite cu privire la utilizarea acestuia.
- Copiii trebuie să fie supravegheați pentru a nu se juca cu aparatul.
- Nu așezați receptorul pe masă; Vă recomandăm să atașați baza de încărcare montată pe perete după curățare.

# 1 Instrucțiuni importante referitoare la siguranță și mediul înconjurător

## 1.2 Conformitatea cu Directiva WEEE și eliminarea deșeurilor



Acest aparat este în conformitate cu Directiva WEEE a UE (2012/19/EU). Acest aparat poartă un simbol de clasificare pentru deșeurile de echipamente electrice și electronice (WEEE). Acest simbol indică faptul că aparatul nu trebuie eliminat împreună cu alte deșeurile menajere la sfârșitul duratei sale de viață utilitară. Aparatul trebuie să fie returnat la un loc de colectare autorizat pentru reciclarea echipamentelor electrice și electronice. Contactați autoritățile locale sau retailerul de unde ați cumpărat aparatul pentru a afla informații despre sistemele de colectare. Fiecare gospodărie joacă un rol important în recuperarea sau reciclarea aparatelor vechi. Eliminarea adecvată a aparatului dvs. uzat va contribui la prevenirea potențialelor efecte negative asupra mediului și sănătății umane.

## 1.3 Informații despre ambalaj



Ambalajul produsului este realizat din materiale reciclabile, în conformitate cu legislația națională privind mediul. Nu aruncați materialele de ambalare împreună cu deșeurile menajere sau cu alte deșeurile. Transportați aceste materiale la punctele de colectare a materialelor de ambalaj desemnate de autoritățile locale.

## 1.4 Informații despre bateriile consumate



Acest simbol care se găsește pe baterii/acumulatori sau pe ambalajul acestora arată că bateria/acumulatorul nu trebuie amestecat în deșeurile menajere. Anumite baterii/acumulatori pot purta, de asemenea, un simbol specific chimic în plus față de acest simbol. Simbolurile de mercur (Hg) sau de plumb (Pb) sunt, de asemenea, adăugate în cazul în care bateriile/acumulatorii conțin mai mult de 0,0005% mercur sau mai mult de 0,004% plumb.

Bateriile/acumulatorii, inclusiv cei fără metale grele, nu trebuie să fie eliminați împreună cu deșeurile menajere. Aruncați bateriile uzate în conformitate cu prevederile locale de mediu. Aflați care sunt reglementările în vigoare privind deșeurile în orașul în care locuiți.

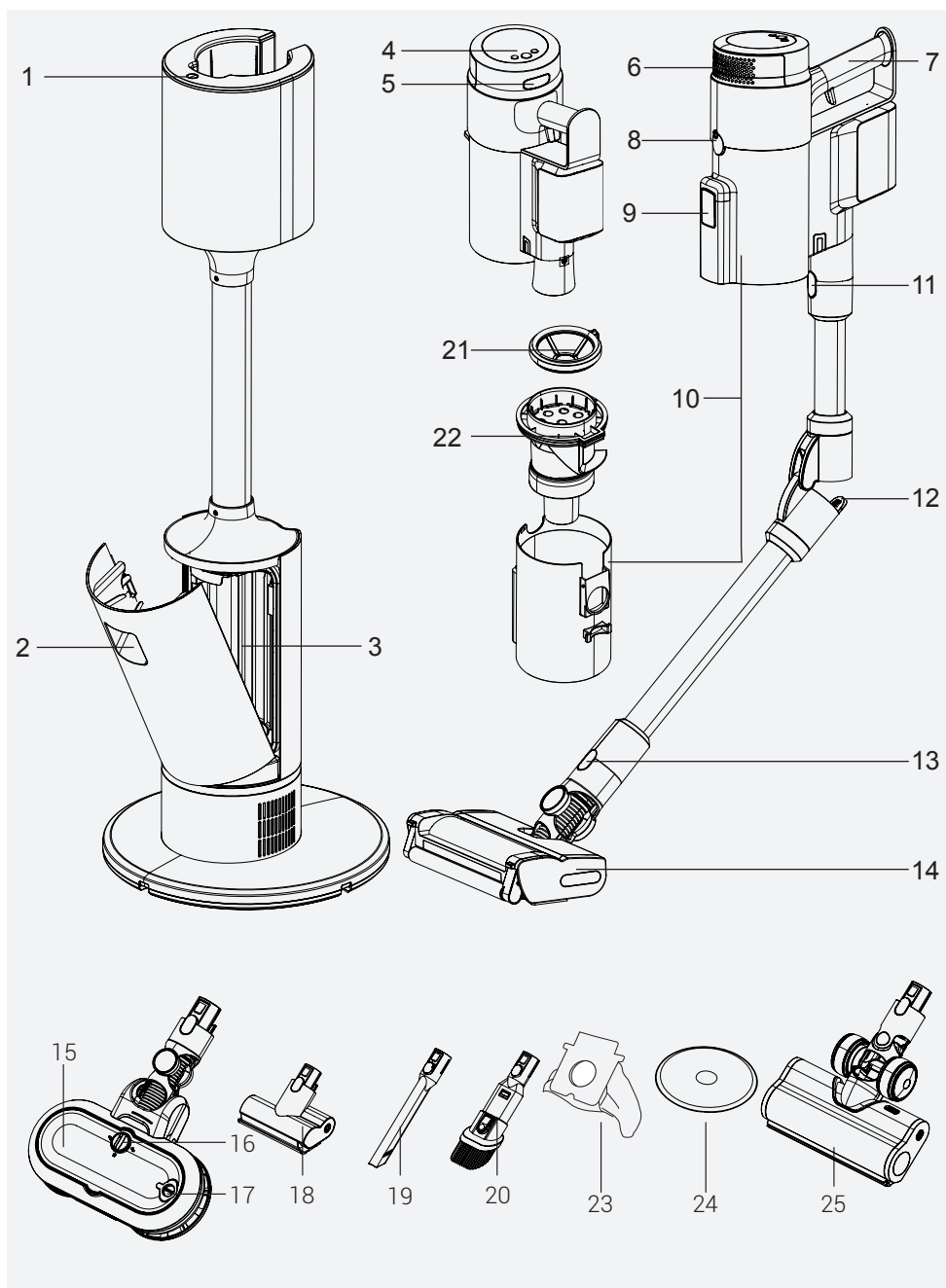
## 1.5 Ce puteți face pentru a economisi energie

- Utilizați setarea de viteză cea mai potrivită pentru suprafața aspirată pentru a economisi energie atunci când utilizați aparatul.
- În condiții normale, suprafețele dure, perdelele și mobilierul necesită o viteză mică, iar covoarele necesită o viteză mare.

## 1.6 Conformitatea cu Directiva RoHS

Aparatul pe care l-ați achiziționat este în conformitate cu Directiva RoHS a UE (2011/56/EU). Nu conține substanțele nocive și interzise specificate în directivă.

## 2 Prezentare generală



## 2 Prezentare generală

### 2.1 Comenzi și componente

1. Butonul de control al stației de încărcare
2. Mâner de deschidere a capacului sacului de praf
3. Recipient sac de praf
4. Ecran LED și butoane de control
5. Butonul pentru eliberarea capacului filtrului HEPA
6. Capacul filtrului HEPA
7. Mâner
8. Butonul pentru eliberarea recipientului de praf
9. Capac golire praf
10. Recipient pentru praf
11. Buton de eliberare a țevii
12. Buton de îndoire a țevii
13. Buton de eliberare a periei
14. Perie pentru podea tare cu rolă duală pentru curățare profundă
15. Perie turbo de frecare
16. Blocaj pentru picurare
17. Capacul de umplere cu apă
18. Perie pentru păr de animale de companie
19. Accesoriu lung pentru spații înguste
20. Perie 2in1 pentru tapiterie și praf
21. Filtru frontal al recipientului de praf
22. Filtru multi-ciclon
23. Sac coletare praf x 3
24. Laveta de rezervă pentru mop x 4
25. Perie suplimentară pentru covoare

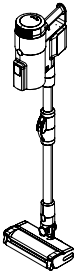
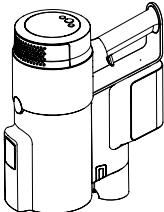
### 2.2 Date tehnice

<b>Putere nominală</b>	450 W
<b>Puterea nominală a stației de curățare automată</b>	900 W
<b>Puterea nominală de intrare a stației de curățare automată</b>	220 - 240 V~ 50-60 Hz
<b>Puterea nominală de ieșire a stației de curățare automată</b>	30,7 V $\approx$ 0,8 A
<b>Timp de încărcare</b>	3-4 ore
<b>Durata de funcționare la putere maximă</b>	10 minute
<b>Durata de funcționare la putere medie</b>	30 minute
<b>Durata de funcționare la putere minimă</b>	60 minute

Producătorul își rezervă dreptul de a face modificări tehnice și de design.

Valorile furnizate împreună cu aparatul sau cu documentația însoțitoare sunt măsurători de laborator conform standardelor relevante. Aceste valori pot varia în funcție de condițiile de utilizare și de mediu.

## 2 Prezentare generală

Tip de utilizare	Viteză	Timp de funcționare	
Mod aspirator vertical	Viteză minimă	Până la 38 minute	
	Viteză medie	Până la 25 minute	
	Viteză maximă	Până la 10 minute	
Modul portabil (Cu accesorii fără alimentare)	Viteză minimă	Până la 60 minute	
	Viteză medie	Până la 30 minute	
	Viteză maximă	Până la 10 minute	

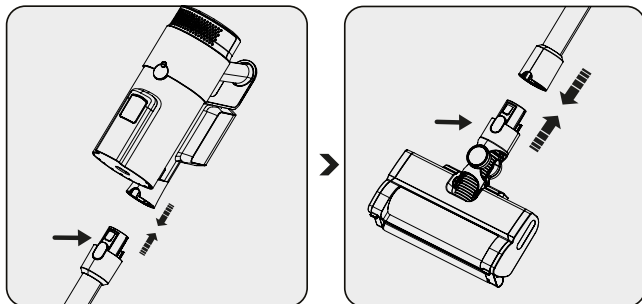


## 3 Funcționarea

### 3.1. Domeniul de utilizare

Aparatul este destinat numai pentru uzul casnic și nu este adecvat pentru uzul profesional.

### 3.2 Fixarea corpului și a periei



Apăsați butonul de eliberare a țevii și introduceți țeava în corp, așa cum indică săgeata.

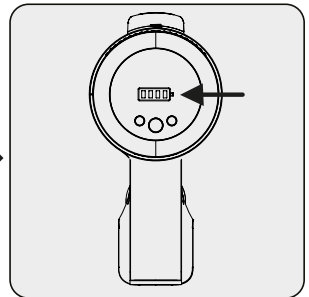
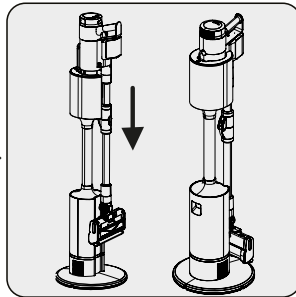
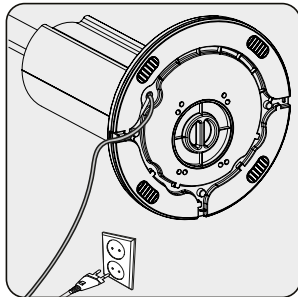
Apăsați butonul de eliberare a periei electrice turbo de pe peria electrică turbo și împingeți-o pe țeavă, așa cum indică săgeata.

## 3 Funcționarea

### 3.3 Asamblarea și încărcarea stației automate de golire a prafului



**AVERTIZARE:** Încărcați complet bateria înainte de a utiliza aparatul pentru prima dată sau dacă nu l-ați folosit pentru o perioadă lungă de timp.



Conectați stația de încărcare cu golire automată a prafului.

Puneți aparatul în stație de încărcare.

Aparatul va începe să se încarce automat imediat ce a terminat de curățat.

Odată ce încărcarea începe, puteți vedea nivelul de încărcare a bateriei pe ecran. Atunci când toate nivelurile de încărcare a bateriei sunt aprinse, înseamnă că încărcarea este completă.



Puteți apăsa oricând butonul de control al stației de încărcare pentru a opri procesul de curățare automată.



Afișajul LED se va stinge după un timp, odată ce încărcarea este completă.



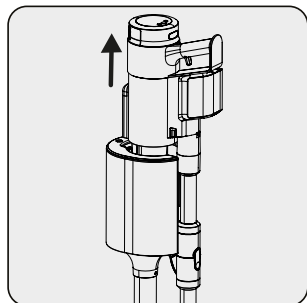
Sunt necesare 3 până la 4 ore pentru încărcarea completă a aparatului. Nu utilizați aparatul în timpul încărcării.



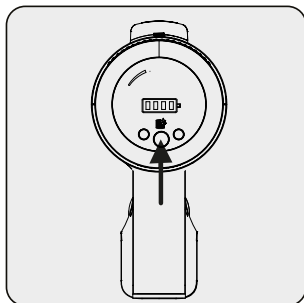
În cazul în care aparatul funcționează, acesta va înceta să funcționeze imediat ce îl așezați pe stația de încărcare.

## 3 Funcționarea

### 3.4 Funcționarea

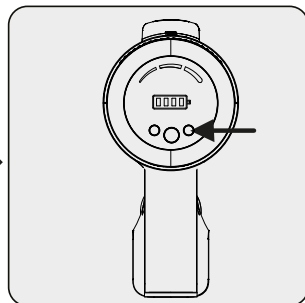


Ridicați aparatul și îndepărtați-l de stația automată de golire a prafului.



Apăsați butonul pornit-oprit pentru a porni aparatul.

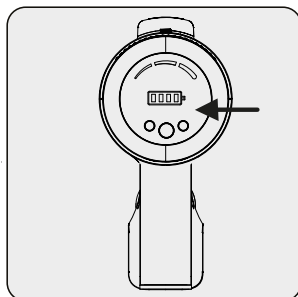
Aparatul va începe să funcționeze cu viteza minimă atunci când este apăsat butonul de pornire / oprire (on/off).



Apăsați butonul pentru a crește viteza. Modul de aspirare utilizat (scăzut/mediu/înalt) va fi afișat pe ecran. Apăsați "+" și "-" pentru a schimba viteza.

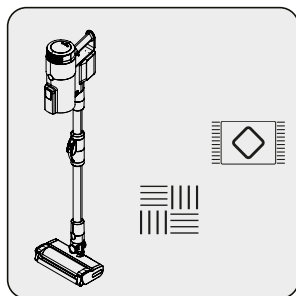


Puteți așeza aparatul pe stația de încărcare înainte ca bateria să fie complet descărcată. Aparatul poate rămâne pe stația de încărcare până la următoarea utilizare.

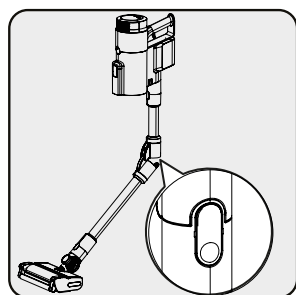


Urmăriți nivelurile de încărcare atunci când utilizați aparatul. Aparatul se va opri automat atunci când încărcarea se termină.

### 3 Funcționarea



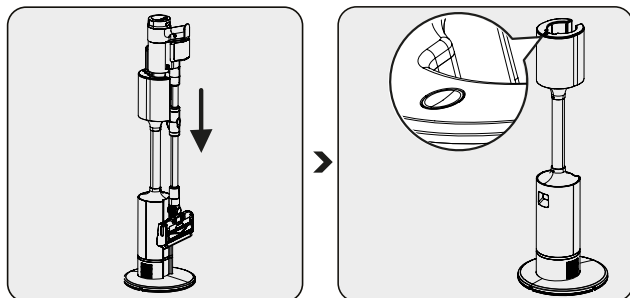
Acest aparat este potrivit pentru utilizarea pe mochete și suprafețe dure.



Puteți îndoi țeava astfel încât să ajungeți cu ușurință sub scaune și mese. Îndoiți țeava prin apăsarea butonului rotund din stânga.

## 3 Funcționarea

### 3.5 Utilizarea stației de curățare automată



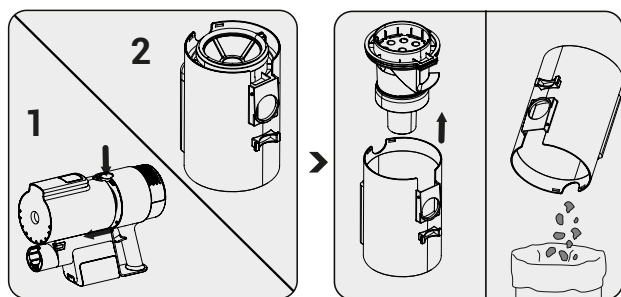
Când așezați aparatul pe stația de curățare automată, recipientul de praf se golește automat.

Butonul de control de pe stația de golire automată a prafului va clipi intermitent în timp ce curățarea este în desfășurare.

Puteți apăsa butonul de control de pe stația de golire automată a prafului pentru a opri în orice moment procesul de golire a prafului.



Praful, părul, firele de ață și alte obiecte similare se pot prinde în jurul filtrului multiclon, împiedicând golirea completă a recipientului. În acest caz, trebuie să curățați manual recipientul de praf, așa cum este indicat mai jos.

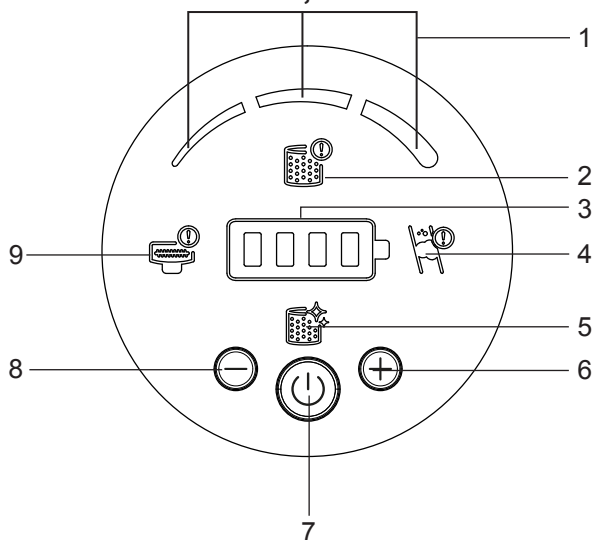


Apăsați butonul de eliberare a recipientului de praf și scoateți recipientul.

Ridicați filtrul multiclon și curățați praful din recipientul de praf.

## 3 Funcționarea

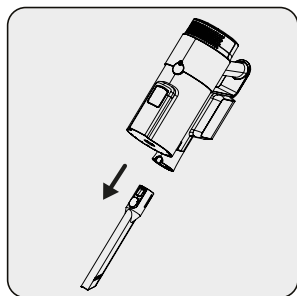
### 3.6 Indicatori de afișare cu LED-uri



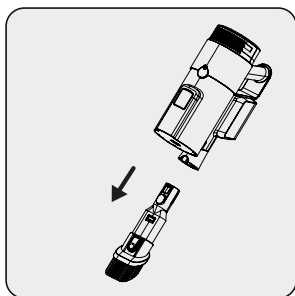
1. Mod de aspirare
2. Acest simbol avertizează utilizatorul atunci când filtrul frontal nu este montat și, pentru propria protecție, aparatul nu va porni până când acesta nu este montat. Asigurați-vă că ați montat filtrul.
3. Nivelul de încărcare a bateriei
4. Acesta apare atunci când există un blocaj de aer. Verificați în interiorul țevii și în priza de aspirare de pe corp pentru a vedea dacă există obiecte străine care cauzează o obstrucție.
5. Acesta indică momentul în care filtrul frontal trebuie curățat.
6. Butonul de viteză
7. Buton On/off (Pornire/Oprire)
8. Buton de reglare a vitezei
9. Acesta apare atunci când peria de bătut este blocată și trebuie curățată.

## 3 Funcționarea

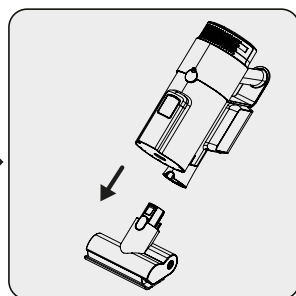
### 3.7 Accesorii



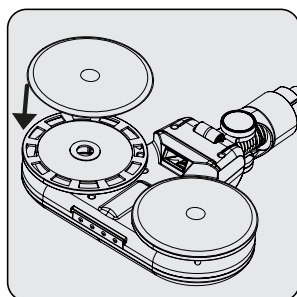
**Accesoriu lung pentru spații înguste:** Ideală pentru curățarea în spațiile mobilierului, a spațiilor greu accesibile și a spațiilor înguste.



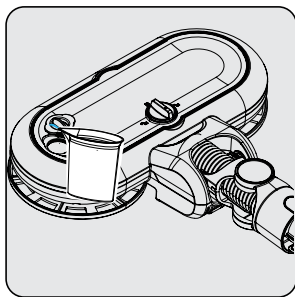
**Perie 2in1 pentru tapițerie și praf:** Ideal pentru curățarea perdelelor, a canapelelor, a mobilierului lăcuit, a obiectelor delicate și fragile.



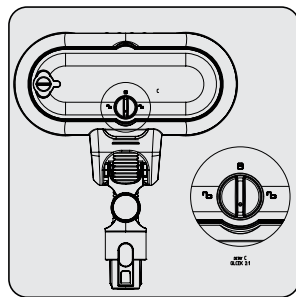
**Mini perie turbo pentru părul de animale de companie:** Ideală pentru măturat podele, scări, interiorul mașinilor, canapele și divanuri. Este, de asemenea, utilizată pentru a strânge părul animalelor de companie de pe astfel de suprafețe.



Atașați laveta de mop sub perie.



Deschideți capacul de umplere de pe peria de frecare turbo pentru a o umple cu apă.



Rotiți dispozitivul de blocare a picăturii pentru a umezi cârpele de mop. Puteți utiliza peria de frecare turbo pe suprafețele dure.

### 3 Funcționarea



**AVERTIZARE:** Nu utilizați pe covor accesoriul mop.



**AVERTIZARE:** Nu puneți înălbitor sau detergenți lichizi care fac spumă multă în rezervorul de apă al mopului.



**AVERTIZARE:** Închideți blocajul de scurgere după utilizare și scoateți accesoriul de mop.



**AVERTIZARE:** Îndepărtați dispozitivul de mop imediat ce ați terminat de folosit pentru a preveni deteriorarea podelelor din lemn.



**AVERTIZARE:** Goliți apa rămasă în rezervorul de apă al accesoriului de mop după ce ați terminat de curățat și uscați rezervorul.



Cârpele pentru mopuri se pot spăla la mașină.



**AVERTIZARE:** Deoarece apa poate fi pulverizată din rezervor, nu-l ridicați și nu vă aplecați deasupra acestuia.



## 4 Curățarea și întreținerea

Opriiți și deconectați aparatul înainte de a-l curăța.

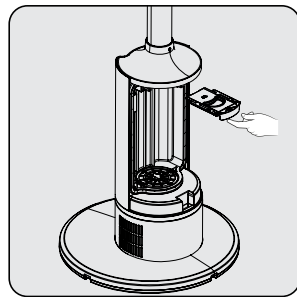
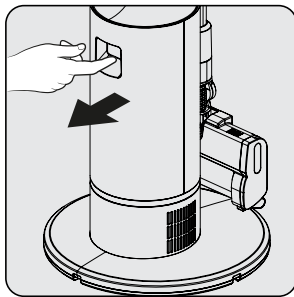
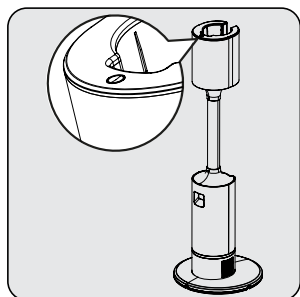


**AVERTIZARE:** Nu utilizați benzină, solvenți, agenți abrazivi de curățare, obiecte metalice sau perii dure pentru a curăța aparatul.



**AVERTIZARE:** Filtrele se pot deforma ca urmare a uzării în timp. Înlocuiți aceste filtre pentru a păstra performanța. Contactați serviciul clienți pentru a comanda filtre noi.

### 4.1 Înlocuirea sacului pentru praf



Când butonul de control roșu de pe stația de golire automată a prafului devine roșu, verificați dacă sacul de praf este plin sau nu.

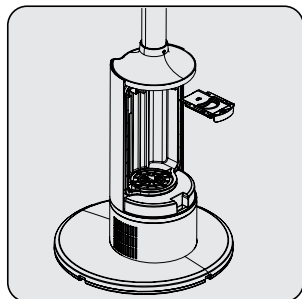
Deschideți capacul pentru praf de pe stația de golire automată a prafului.

Scoateți sacul de praf din recipient cu ajutorul mânerului.

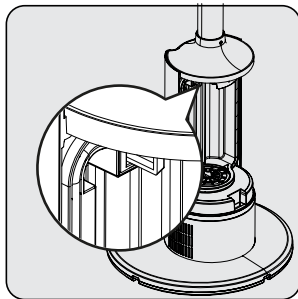


**AVERTIZARE:** Dacă sacul de praf nu este plin, verificați dacă în recipient, în țevă sau în perie nu s-a blocat ceva.

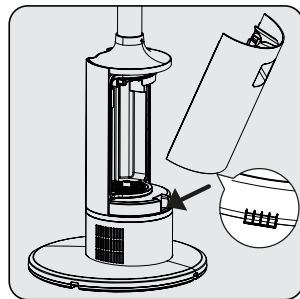
## 4 Curățarea și întreținerea



Înlocuiți sacul de praf cu unul nou.



Introduceți sacul de praf cu ajutorul mânerului și împingeți-l.

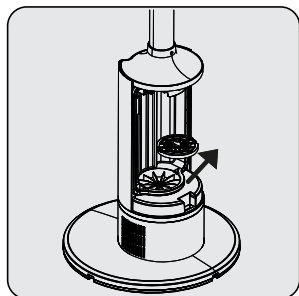


Închideți capacul pentru praf de pe stația de golire automată a prafului.

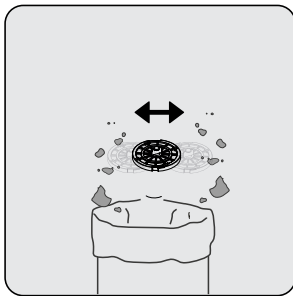


**AVERTIZARE:** Sacii de praf nu sunt refolosibili.

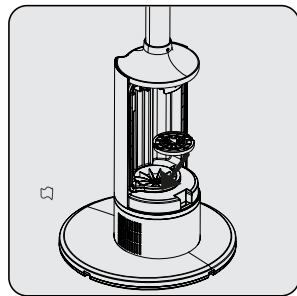
### 4.2 Curățarea filtrelor și a recipientului pentru praf



Răsuciți și scoateți filtrul de praf.



Curățați filtrul frontal scuturându-l pentru a îndepărta praful.



Puneți filtrul frontal la loc și răsuciți-l pentru a-l fixa.

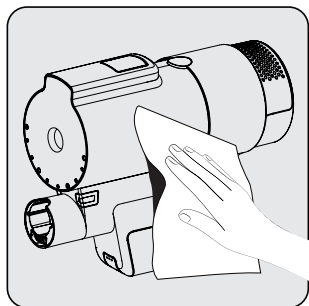


**AVERTIZARE:** Nu spălați filtrul HEPA.

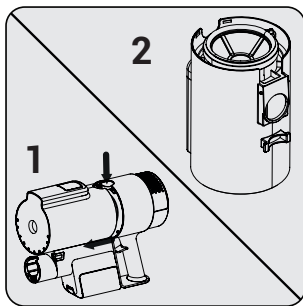


Vă recomandăm să curățați recipientul de praf după fiecare utilizare.

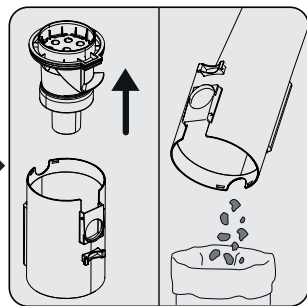
## 4 Curățarea și întreținerea



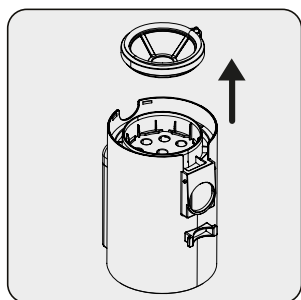
Ștergeți corpul aparatului cu o cârpă umedă.



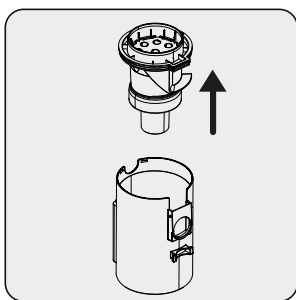
Apăsați butonul de eliberare a recipientului de praf și scoateți recipientul.



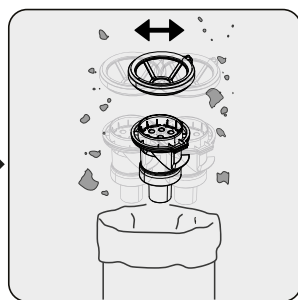
Ridicați filtrul multiciclon și curățați praful din recipientul de praf.



Pentru a curăța filtrul mai bine, trageți în sus partea din față a filtrului și îndepărtați-o.

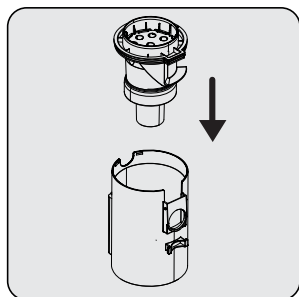


Trageți în sus partea cu filtru multi-ciclon.

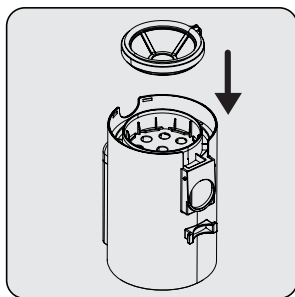


Curățați filtrul multiciclon și filtrul frontal scuturându-le pentru a îndepărta praful.

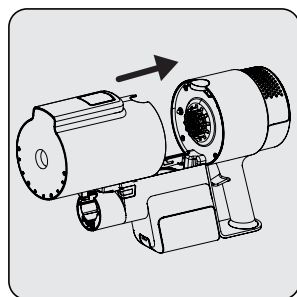
## 4 Curățarea și întreținerea



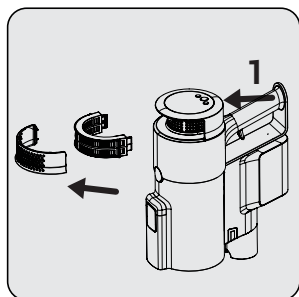
Atașați filtrul poros la recipientul de praf.



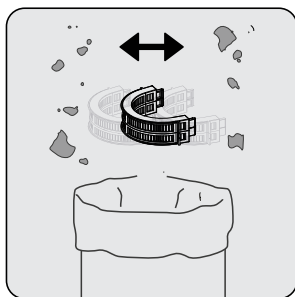
Atașați filtrul frontal la filtrul poros.



Pentru ca partea din spate a recipientului de praf să se așeze perfect pe corp, introduceți mai întâi recipientul în corp și apoi în zona butoanelor.



Pentru a curăța filtrul EPA E12, apăsați butonul (1) și scoateți filtrul.



Curățați filtrul EPA 12 scuturându-l pentru a îndepărta praful.

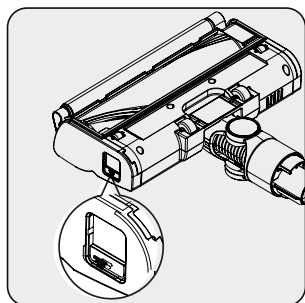
## 4 Curățarea și întreținerea

### 4.3 Curățarea periiilor

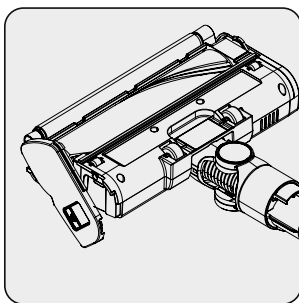
#### 4.3.1 Curățarea periei de podea tare



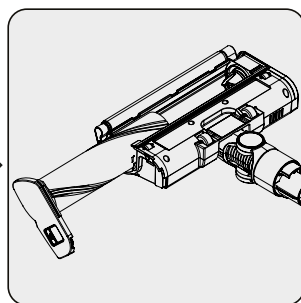
**AVERTIZARE:** Nu spălați peria turbo sau peria rotativă principală.



Îndepărtați plasticul periei cu role prin apăsarea butonului și apoi glisarea acestuia.



Bateți rola pe o suprafață dură sau folosiți o perie pentru a îndepărta praful. Tăiați firele de păr încurcate etc.



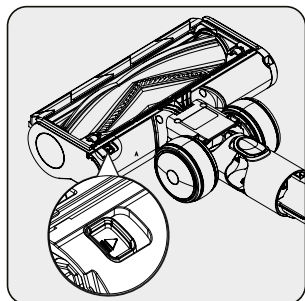
Împingeți rola înapoi la locul ei.

## 4 Curățarea și întreținerea

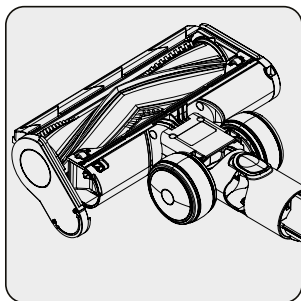
### 4.3.2 Curățarea periei suplimentare pentru covoare



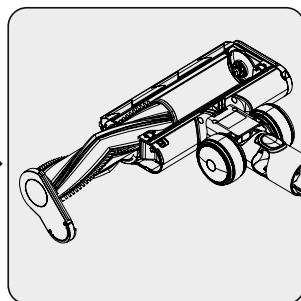
**AVERTIZARE:** Nu spălați peria turbo sau peria rotativă principală.



Îndepărtați plasticul periei cu role prin apăsarea butonului și apoi glisarea acestuia.



Bateți rola pe o suprafață dură sau folosiți o perie pentru a îndepărta praful. Tăiați firele de păr încurcate etc.



Împingeți rola înapoi la locul ei.

### 4.4 Depozitarea

- Depozitați aparatul cu grijă dacă nu intenționați să îl utilizați pentru o perioadă lungă de timp.
- Deconectați aparatul de la sursa de alimentare.
- Asigurați-vă că nu lăsați aparatul la îndemâna copiilor.
- Depozitați bateria pe un material neconductor și nu permiteți ca aceasta să intre în contact direct cu metalul. În caz contrar, bateria s-ar putea deteriora.
- Dacă nu aveți de gând să-l utilizați pentru o perioadă lungă de timp, păstrați-l astfel încât să fie încărcat cel puțin până la jumătate. Nu încărcați sau descărcați complet bateria. Trebuie să încărcați aparatul cel puțin o dată la 3 luni.

### 4.5 Transportul și manipularea

- Transportați aparatul în ambalajul original. Ambalajul protejează aparatul împotriva deteriorării fizice.
- Nu puneți obiecte grele pe produs sau pe ambalajul acestuia. În caz contrar, aparatul s-ar putea deteriora.
- Dacă aparatul este scăpat pe jos, s-ar putea să nu mai funcționeze sau ar putea suferi daune permanente.

## 5 Depanarea

PROBLEMĂ	CAUZĂ POSIBILĂ	SOLUȚIE
Nu funcționează.	Bateria este descărcată.	Încărcați-l.
	Bateria ar putea fi dezactivată.	Înlăturați bateria și introduceți-o din nou.
	Conexiunea de aspirare este blocată.	Demontați aparatul în corp, perie și țevă. Verificați și curățați punctele de contact.
Puterea de aspirare este redusă.	Recipientul pentru praf este plin.	Curățați recipientul de praf și filtrele.
	Probabil filtrele au ajuns la nivelul maxim de încărcare și trebuie curățate.	Curățați filtrele.
	Posibil ca filtrele să se fi deformat ca efect al perioadei de utilizare și este cazul să fie schimbate.	Contactați service-ul pentru clienți în scopul achiziționării de noi filtre.
	Buretele de admisie al motorului nu a fost curățat.	Curățați filtrele și reîncărcați aparatul.
	Peria turbo nu se învâрте. Păr sau materiale asemănătoare sunt încălcite pe roțile periei turbo.	Curățați roțile periei turbo.
Se aude un zgomot deranjant din motor.	Conexiunea de aspirare este blocată.	Demontați aparatul în corp, perie și țevă. Verificați și curățați punctele de contact.
	Posibil să existe ceva blocat între rezervorul de praf și filtru.	Deschideți rezervorul de praf și verificați zona filtrului.

## 5 Depanarea

Aspiratorul nu se încarcă.	Aspiratorul nu este așezat corect în stația de încărcare.	Așezați aspiratorul pe stația de încărcare. Asigurați-vă că este așezat corespunzător. Verificați conexiunea.
Funcționează foarte puțin timp după încărcare.	Nu a fost ținut la încărcat pentru o perioadă suficientă de timp.	Conform instrucțiunilor, timpul de încărcare este de 3-4 ore.
	Buretele de admisie al motorului nu a fost curățat.	Curățați filtrele și reîncărcați aparatul.
	Bateria este epuizată.	Contactați service-ul pentru clienți în scopul achiziționării unei baterii noi.
Stația de curățare automată nu funcționează.	Este posibil să nu fie conectată la priză.	Asigurați-vă că este conectată la priză.
Stația automată de curățare a prafului se oprește de îndată ce pornește.	Sacul de praf este plin.	Înlocuiți sacul de praf cu unul nou.
	S-ar putea să fie timpul să curățați filtrul de intrare al motorului de la stația de curățare automată.	Curățați filtrul și apăsați butonul de curățare automată.
	Este posibil ca canalul de aspirare al aspiratorului să fie blocat.	Curățați manual recipientul de praf și verificați-l.
Aparatul scoate zgomote puternice și silențioase atunci când este curățat.	Acesta poate scoate zgomote diferite în funcție de materialul care este curățat.	Verificați recipientul de praf după ce ați terminat curățarea.





# CERTIFICAT DE GARANȚIE

Tensiune de alimentare/frecvență: 220-240V~, 50-60Hz

Importator: ARCTIC S.A., Găești, Dâmbovița, str. 13 Decembrie nr. 210, email: office@arctic.ro

**TIP:**  Aspirator  Fier /Stație de călcat  Radiator electric  
 Aerotermă  Ventilator  Sterilizator UV  
 Umidificator  Convector electric

Model / Serie:.....

## VÂNZĂTOR

Nr. factură:.....Data: .....

Vânzător (firma, localitatea): .....

## CUMPĂRĂTOR

Nume .....Localitatea .....

Str. ....Nr. ....Bloc .....Sc. ....Et. ....Ap .....

Județ ..... Telefon .....E-mail .....

S-a efectuat proba de funcționare a aparatului, s-a prezentat modul de folosire, s-au predat instrucțiunile de utilizare și toate accesoriile. Am primit aparatul în perfectă stare de funcționare.

Stimați clienți,

La cumpărare vă recomandăm să solicitați efectuarea probei de funcționare și să verificați existența instrucțiunilor de utilizare și a accesoriilor.

Pentru a putea beneficia de toate avantajele produselor și serviciilor noastre vă rugăm:

- să citiți cu atenție și să respectați recomandările prezentate în "Instrucțiunile de utilizare".  
- să păstrați cu grijă acest certificat pentru a-l putea prezenta (împreună cu documentul fiscal de achiziție), personalului SERVICE ARCTIC, la orice sesizare efectuată în perioada de garanție.

Vă mulțumim că ați optat pentru cumpărarea unui produs Beko!

## Garanția legală de conformitate

**Durata medie de utilizare a produsului este de 5 ani!**

**Perioada de garanție legală de conformitate este de 2 ani de la livrarea produsului\*,**

\*prin „produs” se înțelege „bun” conform OUG nr. 140/2021<sup>1</sup>

Perioada de garanție legală de conformitate pentru conținutul digital sau serviciul digital în cazul bunurilor cu elemente digitale pentru care contractul de vânzare-cumpărare prevede furnizarea continuă de conținut digital sau a serviciului digital pe durată determinată este de:

- 2 ani de la livrare, respectiv de la livrarea bunului – pentru produse cu durata medie de utilizare de 5 ani (art. 9 (3) din OUG nr. 140/2021);
- 5 ani de la livrare, respectiv de la livrarea bunului – pentru produse cu durata medie de utilizare mai mare de 5 ani (art. 9 (3) din OUG nr. 140/2021);
- Pe tot parcursul perioadei de furnizare a conținutului / serviciului digital – pentru furnizare continuă a conținutului / serviciului digital pe o perioadă mai mare de 5 ani (art. 9 (4) din OUG nr. 140/2021).

<sup>1</sup>Ordonanță de urgență 140/2021 privind anumite aspecte referitoare la contractele de vânzare de bunuri





## **Remedii incluse în garanția legală de conformitate conform OUG nr. 140/2021** (vă rugăm să aveți în vedere prevederile de mai jos)

### **ARCTIC garantează toate drepturile legale prevăzute de OUG nr. 140/2021 în beneficiul consumatorilor cu privire la garanția legală de conformitate. Dispozițiile prezentului certificat de garanție legală de conformitate se completează, în mod corespunzător, cu dispozițiile OUG nr. 140/2021.**

În caz de neconformitate, consumatorul are dreptul de a beneficia de aducerea în conformitate a bunurilor, de a beneficia de o reducere proporțională a prețului sau de a obține încetarea contractului, în condițiile legii - art. 11 (1).

Consumatorii beneficiază de înlocuirea bunurilor în cazul în care neconformitatea acestora este constatată la scurt timp după livrare, fără a depăși 30 de zile calendaristice. Art.11(7)

Pentru ca bunurile să fie aduse în conformitate, consumatorul poate opta între reparație și înlocuire, cu excepția cazului în care măsura corectivă aleasă ar fi imposibilă sau, în comparație cu cealaltă măsură corectivă disponibilă, ar impune vânzătorului costuri care ar fi disproporționate, luând în considerare toate circumstanțele (ex. valoarea bunurilor în cazul în care nu ar fi existat neconformitatea, gravitatea neconformității sau dacă măsura corectivă alternativă ar putea fi executată fără vreun inconvenient semnificativ pentru consumator) - art. 11 (2).

#### **Instalarea incorectă a bunurilor (art. 7).**

Orice neconformitate cauzată de instalarea incorectă a bunurilor este considerată ca reprezentând o neconformitate a bunurilor, în oricare din următoarele situații:

- a) instalarea face parte din contractul de vânzare și a fost realizată de vânzător sau sub răspunderea vânzătorului;
- b) instalarea, destinată să fie realizată de consumator, a fost realizată de acesta și instalarea incorectă s-a datorat unor deficiențe în instrucțiunile de instalare furnizate de vânzător sau, în cazul bunurilor cu elemente digitale, de către vânzătorul sau furnizorul conținutului digital sau al serviciului digital.

#### **Proba neconformității.**

Orice neconformitate care este constatată în termen de un an de la data la care bunurile (inclusiv cele cu elemente digitale) au fost livrate este prezumată a fi existat deja în momentul livrării bunurilor până la proba contrarie sau cu excepția cazului în care această prezumție este incompatibilă cu natura bunurilor sau cu natura neconformității - art. 10 (1).

În cazul bunurilor cu elemente digitale pentru care contractul de vânzare prevede furnizarea continuă de conținut digital sau de servicii digitale pentru o anumită perioadă, sarcina probei cu privire la conformitatea conținutului digital sau a serviciului digital pe parcursul perioadelor de garanție legală îi revine vânzătorului în cazul unei neconformități care este constatată pe parcursul acestei perioade - art. 10 (3).

#### **Remediere prin reparație.**

În cazul în care neconformitatea este remediată prin reparație, termenele de garanție legală se prelungesc cu timpul de nefuncționare a bunului, din momentul la care a fost adusă la cunoștința vânzătorului lipsa de conformitate până la predarea efectivă a bunului în stare de utilizare normală către consumator - art. 12 (6).

## **Remediere prin înlocuire.**

În cazul în care neconformitatea este remediată prin înlocuire, pentru bunurile care înlocuiesc bunurile neconforme, termenele legale de garanție pentru produsul înlocuit încep să curgă de la data înlocuirii cu noul produs - art. 12 (7).

## **Reducerea prețului și încetarea contractului.**

Consumatorul are dreptul fie să obțină o reducere proporțională a prețului în conformitate cu legea, fie să obțină încetarea contractului de vânzare în condițiile legii, în oricare dintre următoarele cazuri - art. 11(4):

- a) vânzătorul nu a finalizat reparația sau înlocuirea sau, după caz, nu a finalizat reparația sau înlocuirea potrivit prevederilor legii sau vânzătorul a refuzat să aducă în conformitate bunurile potrivit prevederilor legii;
- b) se constată o neconformitate, în pofida eforturilor vânzătorului de a o remedia;
- c) neconformitatea este de o asemenea gravitate încât justifică o reducere de preț sau dreptul la încetarea imediată a contractului de vânzare;
- d) vânzătorul a declarat că nu va aduce bunurile în conformitate într-un termen rezonabil sau fără inconveniente semnificative pentru consumator ori acest lucru reiese clar din circumstanțele cazului.

Consumatorul are dreptul de a suspenda plata unei părți restante din prețul bunurilor sau a unei părți a acesteia până în momentul în care vânzătorul își va fi îndeplinit obligațiile care îi revin în temeiul legii - art. 11(6). Reducerea de preț este proporțională cu diminuarea valorii bunurilor primite de consumator în comparație cu valoarea pe care bunurile ar avea-o dacă ar fi în conformitate - art.13.

## **Încetarea contractului:**

- a) nu poate fi solicitată dacă vânzătorul dovedește că neconformitatea este minoră;
- b) poate fi solicitată pentru totalitatea bunurilor achiziționate și livrate, deși motivul de încetare vizează doar anumite bunuri, în cazul în care consumatorul nu i se poate pretinde în mod rezonabil să accepte să păstreze numai bunurile conforme;
- c) determină obligația consumatorului de a returna vânzătorului bunurile, pe cheltuiala vânzătorului;
- d) determină obligația vânzătorului de a rambursa consumatorului prețul plătit pentru bunuri la primirea bunurilor sau a unei dovezi prezentate de consumator că bunurile au fost returnate; vânzătorul va folosi aceleași modalități de plată ca și cele folosite de consumator pentru tranzacția inițială, cu excepția cazului în care consumatorul a fost de acord cu o altă modalitate de plată și cu condiția de a nu cădea în sarcina consumatorului plata de comisioane în urma rambursării.

Garanția legală pentru viciu ascuns este aplicabilă în condițiile legii, conform OG nr. 21/1992 (revizia 2) privind protecția consumatorului, OUG nr. 140/2021 și Codului Civil. Viciul ascuns reprezintă deficiența calitativă a unui produs livrat sau a unui serviciu prestat care nu a fost cunoscută și nici nu putea fi cunoscută de către consumator prin mijloacele obișnuite de verificare.



Service-ul acestui produs este asigurat de ARCTIC S.A. cu sediul în Găești, Dâmbovița, str. 13 Decembrie nr. 210. • \*9010 • www.arctic.ro • www.beko.ro • e-mail: service@arctic.ro  
Program Call Center: Luni - Vineri 08:30 - 20:00; Sâmbătă 08:30 - 17:00

## UNITĂȚILE SERVICE ALE ARCTIC S.A. EXECUTĂ REPARAȚII ÎN TERMENUL DE GARANȚIE ȘI ÎN AFARA ACESTUIA

Nr. crt.	Data Reclamației	Data primirii în reparație	Reparat			Prelungirea termenului de garanție	Efectuarea verificării	
			Programat	Data ridicării aparatului	Cauza întârzierii		Reparația curentă și/sau componenta înlocuit	SERVICE

### CONDIȚII SUPPLEMENTARE DE GARANȚIE LEGALĂ DE CONFORMITATE:

Pentru orice defecțiune aparută în perioada de garanție legală, apelați la vânzător (respectiv, prin magazinul de unde a fost achiziționat produsul sau direct prin Call Center Arctic). Prelungirea termenului de garanție se va înscrie în certificatul de garanție de către unitatea SERVICE care a efectuat reparația. Garanția acoperă repararea și/sau înlocuirea pieselor constatate ca neconforme în sensul OUG nr. 140/2021. (necauzate de consumator) de către tehnicienii Service Arctic.

Termenul de realizare a operațiilor de reparație, înlocuire sau întreținere este de 15 zile calendaristice de la data la care cumpărătorul a sesizat lipsa de conformitate către vânzător (respectiv, prin magazinul de unde a achiziționat produsul sau direct prin Call Center Arctic).

Reparațiile / înlocuirile se efectuează cu respectarea următoarelor condiții - art. 12(1)-(5) din OUG nr. 140/2021:

- a) fără costuri și fără vreun inconvenient semnificativ pentru consumator, ținând seama de natura bunurilor și de scopul pentru care consumatorul a solicitat bunurile în cauză;
- b) consumatorul pune bunurile la dispoziția vânzătorului, iar vânzătorul preia bunurile înlocuite pe propria cheltuială;
- c) obligația de a repara sau înlocui bunurile include, după caz, demontarea bunurilor neconforme și instalarea bunurilor de înlocuire sau a bunurilor reparate sau suportarea costurilor aferente demontării și instalării;

Consumatorul nu este obligat să plătească pentru utilizarea normală a bunurilor înlocuite în perioada care a precedat înlocuirea acestora.

**Reclamațiile referitoare la aspectele prevăzute mai jos, se rezolvă numai contra cost:**

- piesele și accesoriile care prezintă lovituri, zgârieturi, spărături sau deformări din vina exclusivă a consumatorului.

**PRODUSUL NU BENEFICIAZĂ DE GARANȚIE LEGALĂ DE CONFORMITATE ÎN URMĂTOARELE CAZURI:**

1. Nu au fost respectate instrucțiunile de transport, manipulare, instalare, utilizare și întreținere prescrite.
2. Subansamblurile și accesoriile casabile care se deteriorează în timpul transportului vor fi înlocuite de vânzător (în cazul în care transportul e asigurat de vânzător sau sub responsabilitatea acestuia).
3. Garanția nu se acordă subansamblelor și accesoriilor casabile ale produselor care suferă deteriorări din vina exclusivă a consumatorului.
4. Tensiunea de alimentare are valori care nu se încadrează în limitele prevăzute de standarde (SR EN 50160).
5. Instalația electrică a utilizatorului prezintă improvizații sau neconformități.
6. Produsul a fost folosit în alte scopuri decât cel pentru care a fost proiectat.
7. Produsul a suportat intervenții (reparații, modificări) din partea unor persoane neautorizate de producător.

**Drepturile consumatorului sunt cele prevăzute în OUG nr. 140/2021 și OG 21/1992 (repUBLICATĂ).**

În cadrul acestui proces, Arctic vă prelucrează date cu caracter personal, cu respectarea legilor aplicabile privind confidențialitatea și protecția datelor. Pentru informații complete despre modul în care vă prelucreăm datele, precum și despre drepturile dumneavoastră, vă rugăm să consultați secțiunea "Protecția datelor personale", accesând site-ul nostru la adresa <https://www.beko.ro/>.

# Przed rozpoczęciem użytkowania należy zapoznać się z instrukcją obsługi!

Szanowni Klienci,

Dziękujemy za zakup tego produktu Beko. Chcemy, abyś jak najlepiej wykorzystał ten wysokiej jakości produkt wykonany przy użyciu najnowszych technologii. Przed rozpoczęciem korzystania z urządzenia zapoznaj się z niniejszą instrukcją oraz załączonymi dokumentami i zachowaj je do wglądu. Jeśli przekazujesz to urządzenie innej osobie, przekaż jej również niniejszą instrukcję. Zwróć uwagę na wszystkie ostrzeżenia i informacje i postępuj zgodnie z instrukcjami.

## Symbole i ich znaczenie

W niniejszej instrukcji stosuje się następujące symbole:



Ważne informacje i przydatne wskazówki dotyczące korzystania z urządzenia.



**OSTRZEŻENIE:** Ostrzeżenia o niebezpiecznych sytuacjach dotyczących bezpieczeństwa życia i mienia.



Klasa ochrony przed porażeniem elektrycznym

# 1 Ważne instrukcje dotyczące bezpieczeństwa i ochrony środowiska

Ta sekcja zawiera instrukcje dotyczące unikania zagrożeń, które mogą spowodować obrażenia ciała lub szkody materialne.

Niezastosowanie się do tych instrukcji spowoduje unieważnienie wszystkich gwarancji na to urządzenie.

## 1.1 Ogólne zasady bezpieczeństwa

- Urządzenie jest zgodne z międzynarodowymi normami bezpieczeństwa.
- To urządzenie może być używane przez dzieci w wieku co najmniej 8 lat oraz osoby o ograniczonych zdolnościach fizycznych, sensorycznych lub umysłowych wynikających z braku doświadczenia, jeśli są one nadzorowane lub poinstruowane o bezpiecznym korzystaniu z urządzenia i rozumieją związane z tym zagrożenia. Dzieci nie mogą bawić się tym urządzeniem. Dzieciom nie wolno czyścić ani

konserwować urządzenia bez nadzoru.

- Nie używaj urządzenia, jeśli kabel zasilania lub wtyczka są uszkodzone. Skontaktuj się z autoryzowanym serwisem.
- Upewnij się, że zasilanie sieciowe jest zgodne z informacjami na tabliczce znamionowej/etykiecie urządzenia.
- Nie używaj przedłużaczy.
- Aby uniknąć uszkodzenia przewodu zasilającego, nie należy go ścisnąć, zaciskać ani ocierać o ostre krawędzie.
- Po podłączeniu do sieci elektrycznej nie dotykaj urządzenia ani jego wtyczki mokrymi rękami.
- Nie należy wyjmować wtyczki z gniazdka, ciągnąc za przewód zasilający.
- Nie odkurzaj materiałów łatwopalnych i przed rozpoczęciem odkurzania

## 1 Ważne instrukcje dotyczące bezpieczeństwa i ochrony środowiska

- upewnij się, że popiół z papierosów jest zimny.
- Nie odkurzać wody i innych cieczy.
  - Chronić urządzenie przed deszczem, wilgocią i źródłami ciepła.
  - Nie używaj urządzenia w otoczeniu lub w pobliżu materiałów wybuchowych lub łatwopalnych.
  - Przed przystąpieniem do czyszczenia i konserwacji urządzenia należy odłączyć je od zasilania.
  - Nie czyść urządzenia ani przewodu zasilającego poprzez zanurzenie w wodzie.
  - Nie demontuj urządzenia.
  - Stosuj wyłącznie oryginalne lub zalecane przez producenta części zamienne.
  - Aby zapobiec zatkaniu filtra lub uszkodzeniu silnika, nie odkurzaj cementu, tynku ani fragmentów prasowanego papieru.
  - Urządzenia należy używać wyłącznie z zasilaczem dostarczonym w zestawie.
  - Nie używaj urządzenia bez filtrów. Może to spowodować jego uszkodzenie.
  - Jeśli zachowasz opakowanie, przechowuj je w miejscu niedostępnym dla dzieci.
  - Urządzenie nie jest przeznaczone do użytku przez osoby, w tym dzieci, z upośledzeniem sensorycznym lub umysłowym, bądź nieposiadające doświadczenia i wiedzy, chyba że będą one nadzorowane przez osoby odpowiedzialne za ich bezpieczeństwo i zostaną poinstruowane w zakresie obsługi urządzenia.
  - Należy zapewnić nadzór nad dziećmi, aby nie bawiły się urządzeniem.
  - Przed czyszczeniem i konserwacją wyjmij adapter i zestaw akumulatorów.
  - Uszkodzone adaptory powinny zostać zastąpione

## 1 Ważne instrukcje dotyczące bezpieczeństwa i ochrony środowiska

przez producenta, autoryzowane centrum serwisowe lub autoryzowanego technika, aby uniknąć potencjalnych zagrożeń.

- Podczas używania odkurzacza trzymaj palce, włosy i luźne elementy odzieży za dala od jego ruchomych części i otworów.
- Przed utylizacją urządzenia wyjmij z niego akumulatory.
- Przed wyjęciem akumulatora odłącz urządzenie od zasilania.
- Zużyte akumulatory utylizuj zgodnie z lokalnymi przepisami i regulacjami.
- Akumulatory w urządzeniu powinny być wymieniane wyłącznie przez upoważnione osoby.
- Niniejsze urządzenie nie jest przeznaczone do użytku komercyjnego. Urządzenie przeznaczone jest wyłącznie do użytku domowego i nie nadaje się do zastosowań komercyjnych, takich jak:
  - w kuchniach pracowników sklepów, biur i innych środowisk pracy
  - na farmach
  - dla gości hotelowych, motelowych lub podobnych miejsc
  - W pensjonatach i podobnych miejscach.
- Urządzenie nie może być używane przez osoby o ograniczonych zdolnościach fizycznych, sensorycznych i poznawczych lub osoby nieposiadające doświadczenia i wiedzy, chyba że będą one nadzorowane lub zostaną poinstruowane w zakresie obsługi urządzenia.
- Należy zapewnić nadzór nad dziećmi, aby nie bawiły się urządzeniem.
- Nie kładź słuchawki na stole; Po czyszczeniu zalecamy przymocowanie ściennej podstawy ładującej.



# 1 Ważne instrukcje dotyczące bezpieczeństwa i ochrony środowiska

## 1.2 Zgodność z Dyrektywą WEEE i utylizacją odpadów



Urządzenie jest zgodne z Dyrektywą UE WEEE (2012/19/EU). Urządzenie posiada symbol klasyfikacji zużytego sprzętu elektrycznego i elektronicznego (WEEE). Ten symbol oznacza, że po zakończeniu okresu użytkowania urządzenia nie należy wyrzucać go razem z innymi odpadami domowymi. Urządzenie należy oddać do oficjalnego punktu zbiórki zajmującego się recyklingiem sprzętu elektrycznego i elektronicznego. Skontaktuj się z lokalnymi władzami lub sprzedawcą, u którego zakupiono urządzenie w celu uzyskania informacji na temat systemów zbierania odpadów. Każde gospodarstwo domowe ma do odegrania ważną rolę w odzyskiwaniu lub recyklingu starych urządzeń. Prawidłowa utylizacja zużytego urządzenia pomoże zapobiec potencjalnym negatywnym skutkom dla środowiska i zdrowia ludzkiego.

## 1.3 Opakowanie urządzenia



Opakowanie produktu jest wykonane z materiałów nadających się do recyklingu zgodnie z krajowymi przepisami środowiskowymi. Nie wyrzucaj materiałów opakowaniowych razem z odpadami domowymi lub innymi odpadami. Należy dostarczyć te materiały do punktów odbioru materiałów opakowaniowych wyznaczonych przez władze lokalne.

## 1.4 Informacje dotyczące zużytych akumulatorów



Ten symbol umieszczony na bateriach/akumulatorach lub ich opakowaniach oznacza, że baterii/akumulatorów nie należy mieszać z odpadami domowymi. Niektóre baterie/akumulatory oprócz tego symbolu mogą być również oznaczone symbolem chemicznym. Jeśli baterie/akumulatory zawierają więcej niż 0,0005% rtęci lub więcej niż 0,004% ołowiu, dodawane są również symbole rtęci (Hg) lub ołowiu (Pb).

Nie należy wyrzucać baterii/akumulatorów, w tym tych niezawierających metali ciężkich, razem z odpadami domowymi. Zawsze utylizuj zużyte baterie zgodnie z lokalnymi przepisami dotyczącymi ochrony środowiska. Zapoznaj się z przepisami dotyczącymi odpadów obowiązującymi w Twoim miejscu zamieszkania.

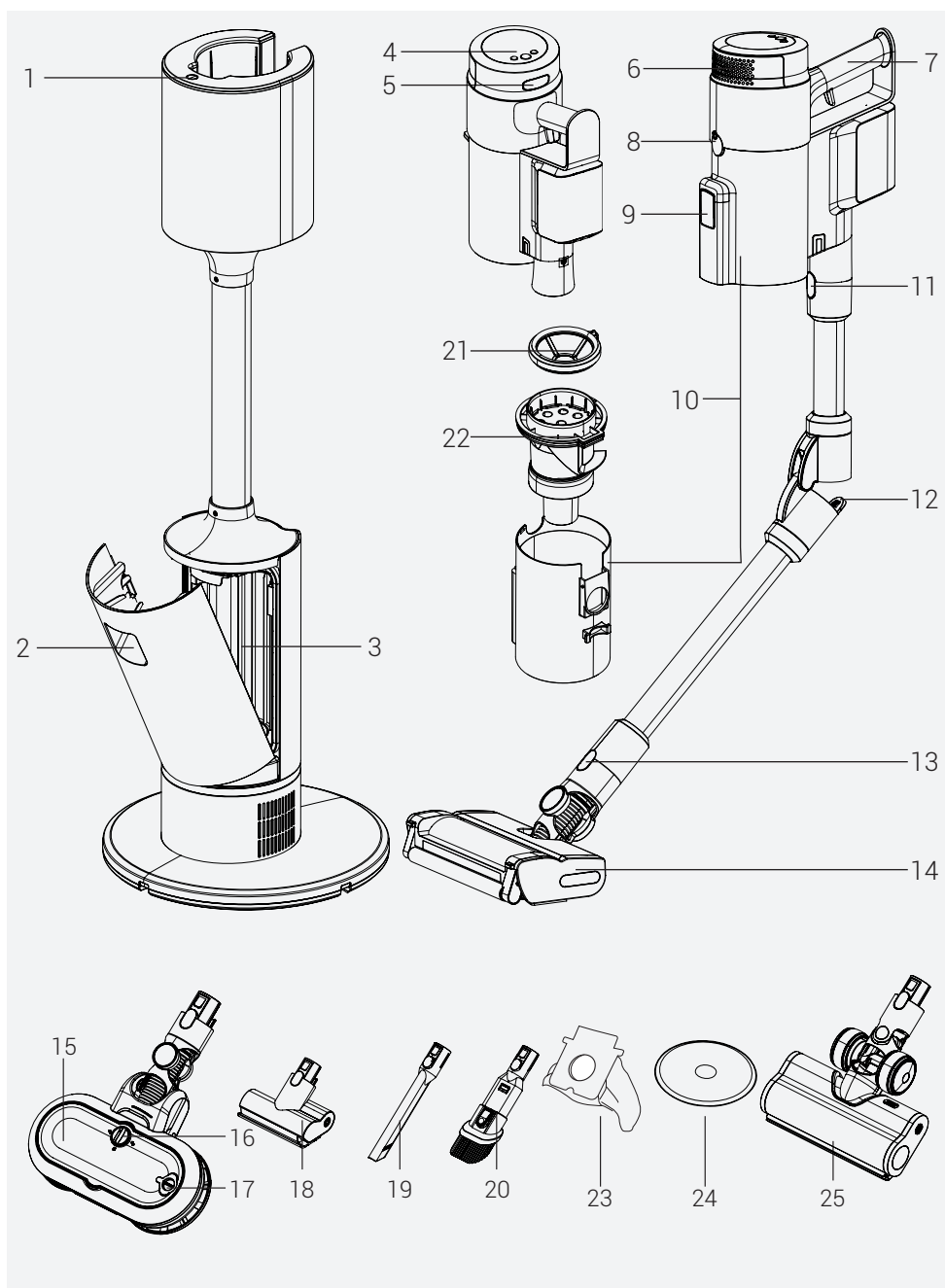
## 1.5 Jakie działania możesz podjąć, aby oszczędzać energię?

- Użyj ustawienia prędkości najbardziej odpowiedniego dla danej powierzchni, aby oszczędzać energię podczas korzystania z urządzenia.
- W normalnych warunkach twarde powierzchnie, zasłony i meble wymagają niskiej prędkości, natomiast dywany – wysokiej prędkości.

## 1.6 Zgodność z dyrektywą RoHS

Zakupione urządzenie jest zgodne z dyrektywą RoHS UE (2011/56/UE). Nie zawiera substancji szkodliwych ani zabronionych określonych w dyrektywie.

## 2 Omówienie

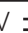


## 2 Omówienie

### 2.1 Elementy sterujące i komponenty

1. Przycisk sterowania stacją ładowania
2. Uchwyt do otwierania pokrywy worka na kurz
3. Pojemnik na worek na kurz
4. Wyświetlacz LED i przyciski sterujące
5. Przycisk zwalnający osłonę filtra HEPA
6. Osłona filtra HEPA
7. Uchwyt
8. Przycisk zwalniania pojemnika na kurz
9. Osłona przeciwpylowa
10. Pojemnik na kurz
11. Przycisk zwalniania rury
12. Przycisk zginania rury
13. Przycisk zwalniania szczotki
14. Twarda szczotka do podłóg z podwójnym wałkiem do dokładnego czyszczenia
15. Turboszczotka do mopowania
16. Blokada przed kapaniem wody
17. Dozownik
18. Mini turboszczotka PET
19. Ssawka szczelinowa
20. Szczotka do kurzu
21. Przedni filtr pojemnika na kurz
22. Filtr wielocyklonowy
23. Worek na kurz x 3
24. Ściereczka do mycia x 4
25. Dodatkowa szczotka do dywanów

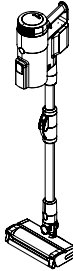
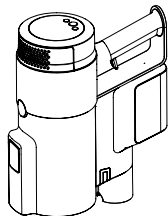
### 2.2 Dane techniczne

<b>Moc nominalna</b>	450 W
<b>Moc znamionowa automatycznej stacji czyszczącej</b>	900 W
<b>Moc wejściowa automatycznej stacji czyszczącej</b>	220-240 V~ 50-60 Hz
<b>Moc wyjściowa automatycznej stacji czyszczącej</b>	30,7 V  0,8 A
<b>Czas ładowania</b>	3-4 godziny
<b>Czas pracy przy maksymalnej mocy</b>	10 minut
<b>Czas pracy przy średniej mocy</b>	30 minut
<b>Czas pracy przy minimalnej mocy</b>	60 minut

Producent zastrzega sobie prawo do wprowadzania zmian technicznych i konstrukcyjnych.

Wartości dostarczone z urządzeniem lub dołączoną dokumentacją są odczytami laboratoryjnymi według odpowiednich norm. Wartości te mogą się różnić w zależności od warunków pracy i otoczenia.

## 2 Omówienie

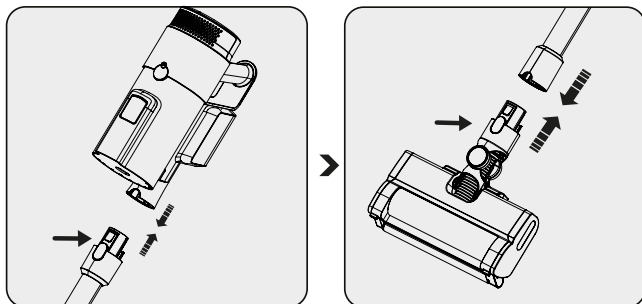
Rodzaj zastosowania	Prędkość	Czas pracy	
Tryb odkurzacza pionowego	Minimalna prędkość	Do 38 minut	
	Średnia prędkość	Do 25 minut	
	Maksymalna prędkość	Do 10 minut	
Tryb ręczny (z akcesoriami bez zasilania)	Minimalna prędkość	Do 60 minut	
	Średnia prędkość	Do 30 minut	
	Maksymalna prędkość	Do 10 minut	

## 3 Obsługa

### 3.1 Przeznaczenie

Urządzenie jest przeznaczone wyłącznie do użytku domowego i nie nadaje się do użytku profesjonalnego.

### 3.2 Mocowanie korpusu i szczotki



Naciśnij przycisk zwalnający rurę i włóż rurę do korpusu, zgodnie z ruchem strzałek.

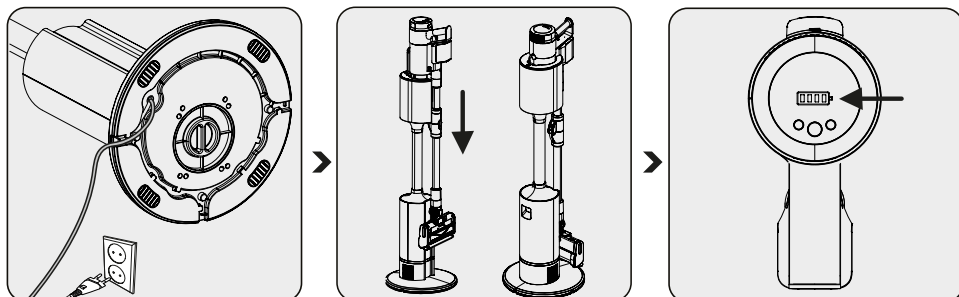
Naciśnij przycisk zwalnający umieszczony na turboszczotce elektrycznej i przymocuj ją do rury zgodnie z ruchem strzałek.

## 3 Obsługa

### 3.3 Składanie i ładowanie stacji automatycznego opróżniania



**OSTRZEŻENIE:** Przed pierwszym użyciem urządzenia lub jeśli nie korzystałeś z niego przez dłuższy czas, naładuj baterię do pełna.



Podłącz automatyczną stację ładującą odkurzacza.

Umieść urządzenie w stacji ładującej.

Urządzenie rozpocznie ładowanie automatycznie po zakończeniu czyszczenia.

Po rozpoczęciu ładowania możesz zobaczyć poziom naładowania akumulatora na wyświetlaczu. Gdy świecą się wszystkie poziomy naładowania akumulatora, oznacza to, że ładowanie zostało zakończone.



Możesz w dowolnym momencie nacisnąć przycisk sterujący stacją ładującą, aby zatrzymać proces automatycznego czyszczenia.



Po zakończeniu ładowania po chwili wyłączy się wyświetlacz LED.



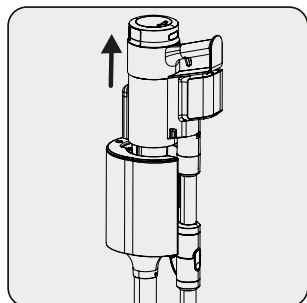
Naładowanie urządzenia do pełna zajmuje od 3 do 4 godzin. Nie używaj urządzenia podczas ładowania.



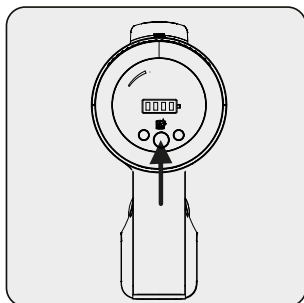
Jeśli urządzenie pracuje, przestanie działać natychmiast po umieszczeniu go w stacji dokującej.

## 3 Obsługa

### 3.4 Obsługa

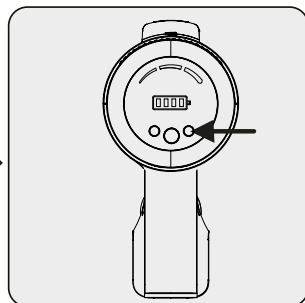


Podnieś urządzenie i odsuń je od stacji automatycznego opróżniania.



Naciśnij przycisk włączania/wyłączania, aby uruchomić urządzenie.

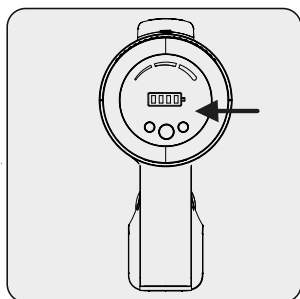
Po naciśnięciu przycisku włączania/wyłączania urządzenie zacznie pracować z minimalną prędkością.



Aby zwiększyć prędkość, naciśnij przycisk. Na wyświetlaczu pojawi się wybrany tryb ssania (niski/średni/wysoki). Aby zmienić prędkość, naciśnij „+” oraz „-”.

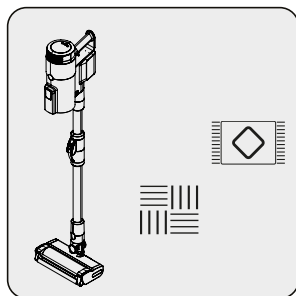


Możesz umieścić urządzenie w stacji dokującej przed całkowitym rozładowaniem. Urządzenie może pozostać w stacji dokującej do następnego użycia.

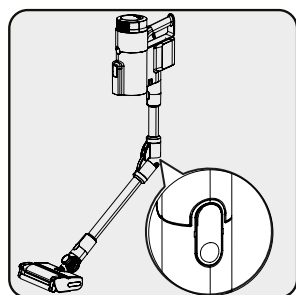


Korzystając z urządzenia, zwracaj uwagę na poziom naładowania. Po zakończeniu ładowania urządzenie wyłączy się automatycznie.

### 3 Obsługa



Urządzenie nadaje się do czyszczenia dywanów i twardej powierzchni.

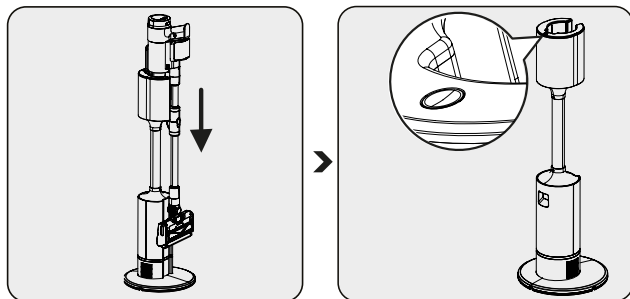


Możesz zginać rurę, aby łatwo docierać pod krzesła i stoły. Zegnij rurę, naciskając okrągły przycisk po lewej stronie.



## 3 Obsługa

### 3.5 Obsługa automatycznej stacji czyszczącej



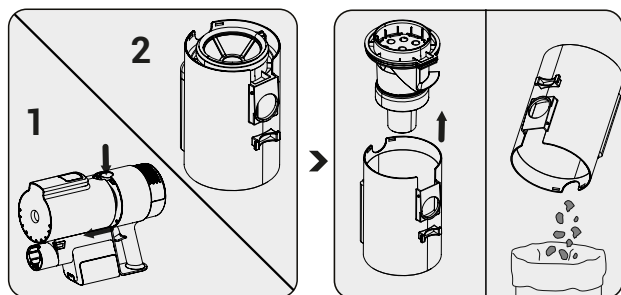
Po umieszczeniu urządzenia w automatycznej stacji czyszczącej pojemnik na kurz zostanie automatycznie opróżniony.

Podczas czyszczenia przycisk sterowania na stacji automatycznego usuwania kurzu będzie migać i zgaśnie.

Możesz w dowolnym momencie zatrzymać proces opróżniania, naciskając przycisk sterujący na stacji automatycznego opróżniania.



Wokół filtra multicyklonowego mogą zaplątać się kurz, włosy, nici i podobne przedmioty, uniemożliwiając całkowite opróżnienie pojemnika. W takim przypadku należy ręcznie wyczyścić pojemnik na kurz w sposób przedstawiony poniżej.

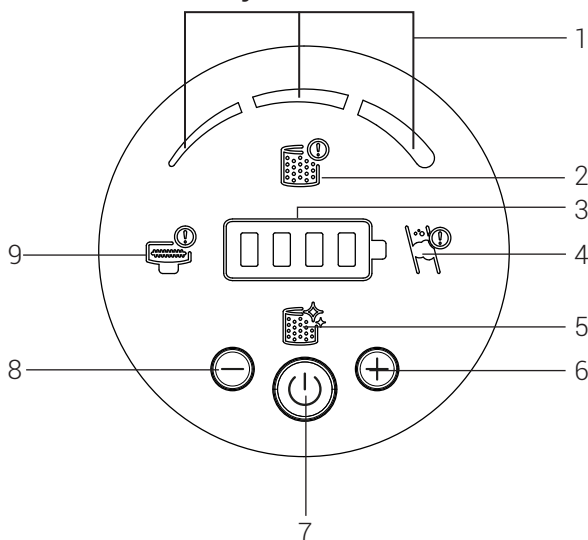


Naciśnij przycisk zwalniający pojemnik na kurz i wyjmij pojemnik.

Wymij filtr wielocyklonowy i wyczyść pojemnik na kurz.

## 3 Obsługa

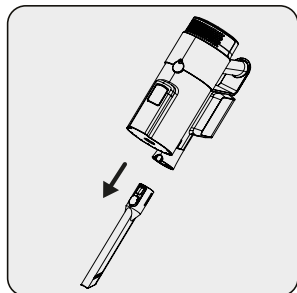
### 3.6 Wskaźniki wyświetlacza LED



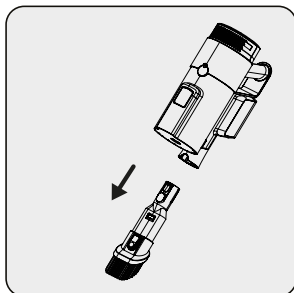
1. Tryb ssania
2. Ten symbol ostrzega użytkownika o tym, że przedni filtr nie jest założony i dla własnej ochrony urządzenie nie włączy się, dopóki filtr nie zostanie umieszczony w urządzeniu. Upewnij się, że podłączyłeś filtr.
3. Wskaźnik poziomu naładowania baterii
4. Wskazuje, że występuje blokada powietrza. Sprawdź, czy wewnątrz drążka i wlotu ssania na korpusie nie znajdują się ciała obce powodujące niedrożność.
5. Wskazuje, że filtr przedni wymaga czyszczenia.
6. Przycisk prędkości
7. Włącznik/Wyłącznik
8. Przycisk regulacji prędkości
9. Wskazuje, że szczotka trzepiąca jest zablokowana i wymaga czyszczenia.

## 3 Obsługa

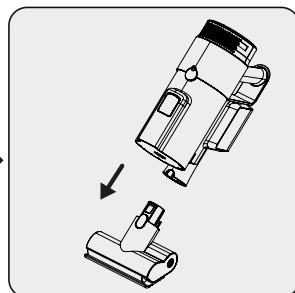
### 3.7 Akcesoria



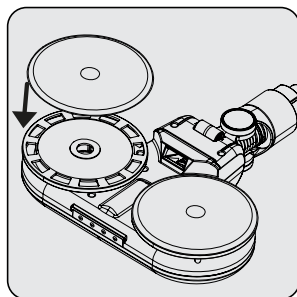
**Ssawka szczelinowa:** doskonała do czyszczenia miejsc za meblami, trudno dostępnych i wąskich przestrzeni.



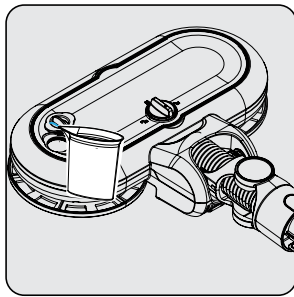
**Szczotka do kurzu:** idealna do czyszczenia zasłon, sof, lakierowanych mebli, delikatnych i kruchych przedmiotów.



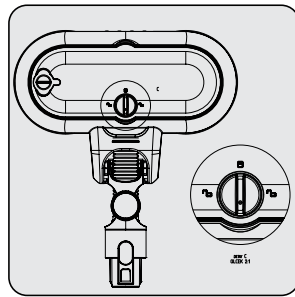
**Mini turboszczotka PET:** doskonała do zamiatania podłóg, schodów, wnętrza samochodów, kanap i sof. Służy również do zbierania z takich powierzchni sierści zwierząt domowych.



Zamocuj ściereczkę do mopa pod szczotką.



Aby napełnić turboszczotkę wodą, otwórz korek wlewu.



Aby zwilżyć ściereczki do mopa, przekręć blokadę kapania.

Możesz używać turboszczotki do szorowania na twardych powierzchniach.

### 3 Obsługa



**OSTRZEŻENIE:** Nie używaj nasadki do mopa na dywanie.



**OSTRZEŻENIE:** Nie wlewaj do zbiornika wody mopa wybielaczy ani silnie bąbelkujących detergentów w płynie.



**OSTRZEŻENIE:** Po użyciu zamknij blokadę kapania i zdejmij nasadkę do mopa.



**OSTRZEŻENIE:** Aby zapobiec uszkodzeniu drewnianych podłóg, zaraz po zakończeniu pracy zdejmij nakładkę do mopa.



**OSTRZEŻENIE:** Po zakończeniu mopowania opróżnij zbiornik na wodę z resztek wody i osusz go.



Ściereczki do mopa można prać w pralce.



**OSTRZEŻENIE:** Nie podnoś głowicy ani nie pochylaj się nad nią, ponieważ ze zbiornika może wytrysnąć woda.

## 4 Czyszczenie i konserwacja

Przed czyszczeniem należy wyłączyć urządzenie i wyciągnąć wtyczkę z gniazdka.

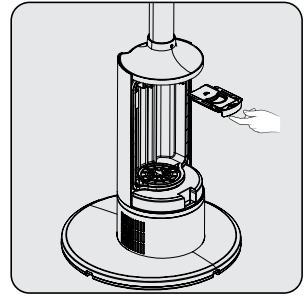
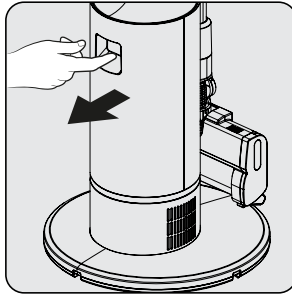
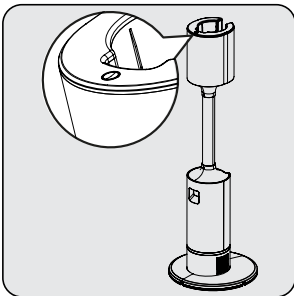


**OSTRZEŻENIE:** Do czyszczenia urządzenia nigdy nie używaj benzyny, rozpuszczalników, ściernych środków czyszczących, metalowych przedmiotów ani twardych szczotek.



**OSTRZEŻENIE:** Filtry mogą z czasem ulec deformacji w wyniku użytkowania. Aby utrzymać wydajność, wymieniaj zdeformowane filtry. Aby zamówić nowe filtry, skontaktuj się z działem obsługi klienta.

### 4.1 Wymiana worka na kurz



Gdy czerwony przycisk na stacji automatycznego usuwania kurzu zaświeci się na czerwono, sprawdź, czy worek na kurz jest pełny.

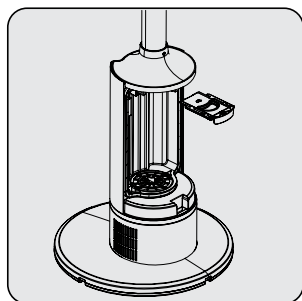
Otwórz pokrywę przeciwpyłową w stacji automatycznego opróżniania.

Wyciągnij worek na kurz z pojemnika za pomocą uchwytu.

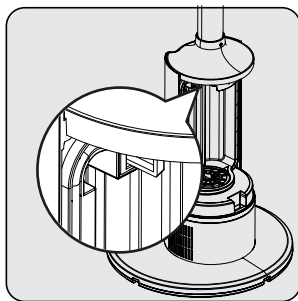


**OSTRZEŻENIE:** Jeśli worek na kurz nie jest pełny, sprawdź, czy coś nie utknęło w pojemniku, w drążku lub na szczotce.

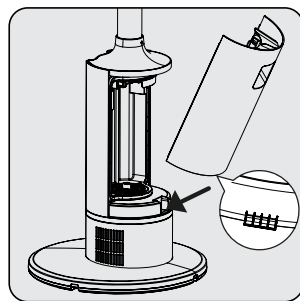
## 4 Czyszczenie i konserwacja



Wymień worek na kurz na nowy.



Wsuń worek na kurz za pomocą uchwytu i pochnij.

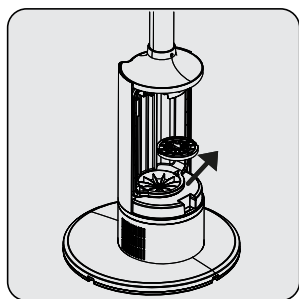


Zamknij pokrywę przeciwpylową w stacji automatycznego opróżniania.

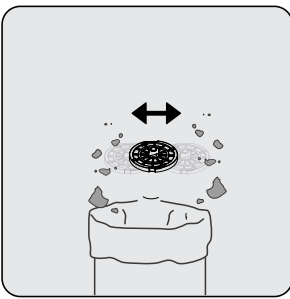


**OSTRZEŻENIE:** Worki na kurz są jednorazowe i nie nadają się do ponownego użycia.

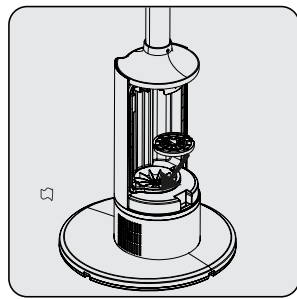
### 4.2 Czyszczenie pojemnika na kurz i filtrów



Przekręć i wyjmij filtr przeciwpylowy.



Wyczyść przedni filtr, potrząsając nim w celu usunięcia kurzu.



Aby dobrze zamocować przedni filtr, włóż go z powrotem i przekręć.

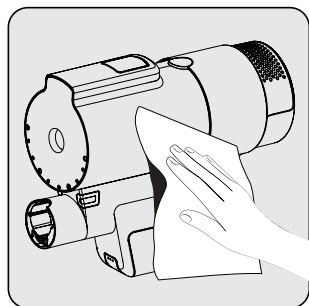


**OSTRZEŻENIE:** Nie wolno myć filtrów HEPA.

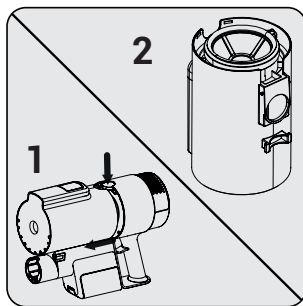


Zalecamy czyszczenie pojemnika na kurz po każdym użyciu.

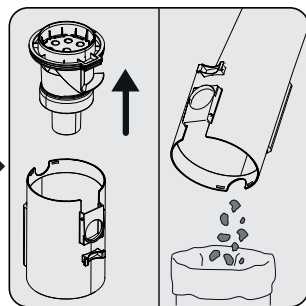
## 4 Czyszczenie i konserwacja



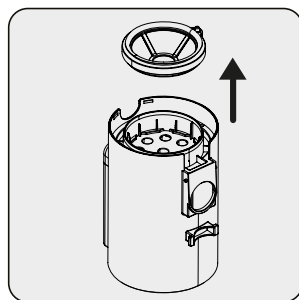
Wytrzyj obudowę urządzenia wilgotną szmatką.



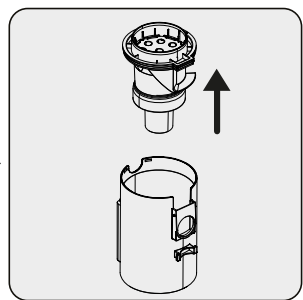
Naciśnij przycisk zwalnający pojemnik na kurz i wyjmij pojemnik.



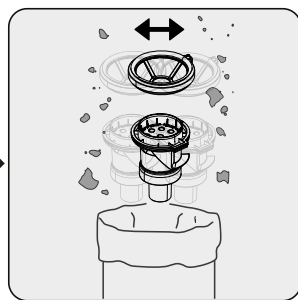
Wymij filtr wielocyklonowy i wyczyść pojemnik na kurz.



Aby dokładniej wyczyścić filtr, pociągnij przednią część filtra do góry i wyjmij ją.

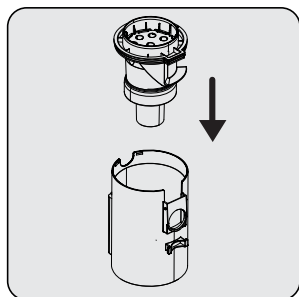


Pociągnij część filtra wielocyklonowego do góry.

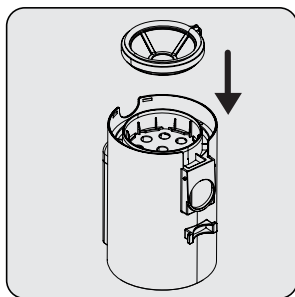


Wyczyść multicyklon i filtr przedni, potrząsając nimi w celu usunięcia kurzu.

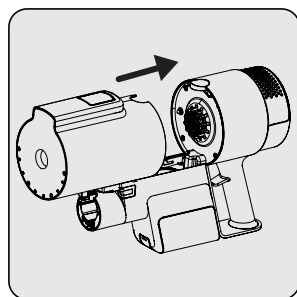
## 4 Czyszczenie i konserwacja



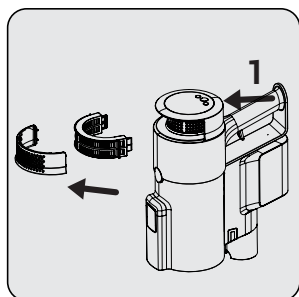
Przymocuj porowaty filtr do pojemnika na kurz.



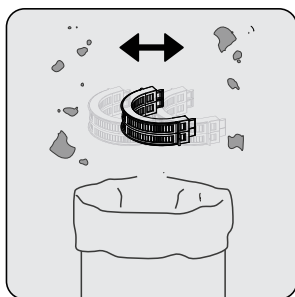
Przymocuj filtr przedni do filtra porowatego.



Aby tylna część pojemnika na kurz dobrze przylegała do korpusu, najpierw umieść pojemnik w korpusie, a następnie w obszarze przycisku.



Aby wyczyścić filtr EPA 12, naciśnij przycisk (1) i wyjmij część filtrującą.



Wyczyść filtr EPA 12, potrząsając nim w celu usunięcia kurzu.



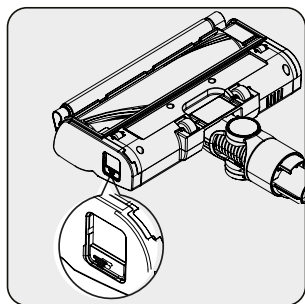
## 4 Czyszczenie i konserwacja

### 4.3 Czyszczenie szczotek

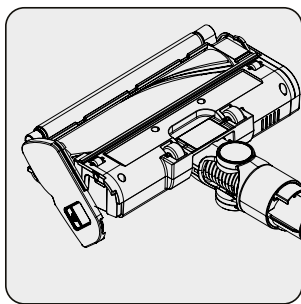
#### 4.3.1 Czyszczenie szczotki do twardej podłogi



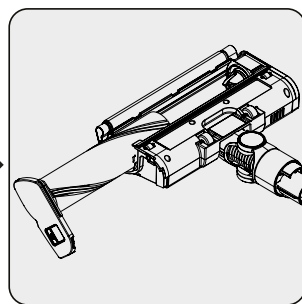
**OSTRZEŻENIE:** Nie myj turboszczotki ani głównej szczotki walcowej.



Aby zdjąć plastikową szczotkę rolkową, naciśnij przycisk i wysuń ją.



Aby usunąć kurz, uderz wałkiem o twardą powierzchnię lub użyj szczotki. Usuń wszystkie splątane włosy itp.



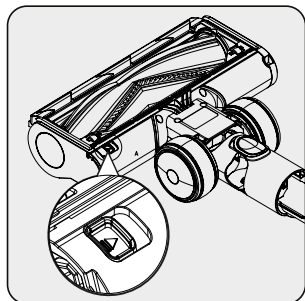
Wciśnij rolkę z powrotem na miejsce.

## 4 Czyszczenie i konserwacja

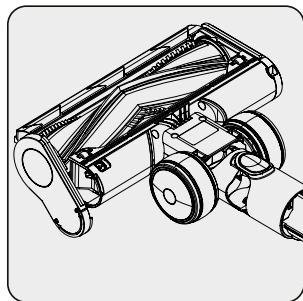
### 4.3.2 Czyszczenie dodatkowej szczotki do dywanów



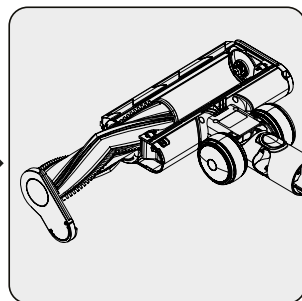
**OSTRZEŻENIE:** Nie myj turboszczotki ani głównej szczotki walcowej.



Aby zdjąć plastikową szczotkę rolkową, naciśnij przycisk i wysuń ją.



Aby usunąć kurz, uderz wałkiem o twardą powierzchnię lub użyj szczotki. Usuń wszystkie splątane włosy itp.



Wciśnij rolkę z powrotem na miejsce.

### 4.4 Przechowywanie

- Jeśli nie zamierzasz używać urządzenia przez dłuższy czas, schowaj je w bezpiecznym miejscu.
- Odłącz urządzenie od prądu.
- Trzymaj urządzenie poza zasięgiem dzieci.
- Przechowuj akumulator na nieprzewodzącym materiale i nie dopuszczaj do jego bezpośredniego kontaktu z metalem. W przeciwnym razie akumulator może ulec uszkodzeniu.
- Jeśli nie zamierzasz korzystać z urządzenia przez dłuższy czas, przechowuj je naładowane co najmniej do połowy. Nie ładuj ani nie rozładuj akumulatora do końca. Urządzenie należy ładować co najmniej raz na 3 miesiące.

### 4.5 Transport i obsługa

- Transportuj urządzenie w oryginalnym opakowaniu. Opakowanie chroni urządzenie przed uszkodzeniami fizycznymi.
- Nie należy umieszczać ciężkich przedmiotów na urządzeniu lub jego opakowaniu. W przeciwnym razie urządzenie może ulec uszkodzeniu.
- Upuszczenie urządzenia może spowodować jego awarię lub trwałe uszkodzenie.

## 5 Rozwiązywanie problemów

PROBLEM	MOŻLIWA PRZYCZYNA	ROZWIĄZANIE
Nie działa.	Akumulator jest rozładowany.	Naładuj go.
	Akumulator może być źle osadzony.	Wyjmij akumulator i zainstaluj go ponownie.
	Przyłącze odkurzacza jest zablokowane.	Rozłóż urządzenie na korpus, szczotkę i drążek. Sprawdź i wyczyść punkty połączeń.
Zbyt niska moc ssania.	Pojemnik na kurz jest pełny.	Wyczyść pojemnik na kurz i jego filtry.
	Być może minął już okres czyszczenia filtrów.	Wyczyść filtry.
	Filtry mogą być zdeformowane w wyniku eksploatacji i mógł nadejść okres ich wymiany.	Skontaktuj się z obsługą klienta w celu zakupu nowego filtra.
	Pianka wlotowa silnika nie została wyczyszczona.	Wyczyść filtry i ponownie naładuj urządzenie.
	Turboszczotka nie obraca się. Włosy i podobne materiały mogły zaplątać się na obracającym się wałku turboszczotki.	Wyczyść wałek turboszczotki.

## 5 Rozwiązywanie problemów

Z silnika dobiega niepokojący dźwięk.	Przyłącze odkurzacza jest zablokowane.	Rozłóż urządzenie na korpus, szczotkę i drążek. Sprawdź i wyczyść punkty połączeń.
	Coś mogło utknąć między pojemnikiem na kurz a filtrem.	Otwórz pojemnik na kurz i sprawdź obszar filtra.
Nie można naładować odkurzacza.	Odkurzacze nie zostały prawidłowo umieszczone w stacji dokującej.	Umieść odkurzacze w stacji dokującej. Upewnij się, że jest prawidłowo osadzony. Sprawdź połączenie.
Odkurzacze działają przez bardzo krótki czas po naładowaniu.	Nie jest ładowany przez odpowiedni okres.	Zgodnie z instrukcją ładuj urządzenie przez 3-4 godzin.
	Pianka wlotowa silnika nie została wyczyszczona.	Wyczyść filtry i ponownie naładuj urządzenie.
	Spada żywotność baterii.	Skontaktuj się z obsługą klienta w celu zakupu nowego akumulatora.
Automatyczna stacja czyszcząca nie działa.	Być może nie jest podłączona do zasilania.	Upewnij się, że jest podłączona.
Stacja automatycznego opróżniania zatrzymuje się zaraz po uruchomieniu.	Worek na kurz jest pełny.	Wymień worek na kurz na nowy.
	Być może nadszedł czas, aby wyczyścić filtr wejściowy silnika automatycznej stacji czyszczącej.	Wyczyść filtr i naciśnij przycisk automatycznego czyszczenia.
	Kanał ssący odkurzacza może być zablokowany.	Wyczyść ręcznie pojemnik na kurz i sprawdź go.
Podczas czyszczenia urządzenie wydaje głośne i ciche dźwięki.	W zależności od czyszczonego materiału mogą być emitowane różne dźwięki.	Po zakończeniu czyszczenia sprawdź pojemnik na kurz.

Droży Klienci,

Dziękujemy za zakup naszych produktów. Jesteśmy przekonani, że nasze urządzenia będą służyć przez lata. Każdy produkt firmy Beko jest objęty 2-letnim okresem gwarancji.

## **Warunki gwarancji Beko S.A. (małe urządzenia AGD)**

BEKO spółka akcyjna z siedzibą w Warszawie (02-819), przy ulicy Puławskiej 366, wpisana do rejestru przedsiębiorców prowadzonego przez Sąd Rejonowy dla m.st. Warszawy w Warszawie, XIII Wydział Gospodarczy Krajowego Rejestru Sądowego, pod numerem: 0000078147 (dalej: „BEKO”) udziela gwarancji jakości (dalej: „Gwarancja”) na wprowadzone przez BEKO do obrotu na terenie Polski produkty marki BEKO (dalej: „Urządzenia”) osobom, które nabyły te produkty („Użytkownik”) na następujących warunkach:

### **I. ZAKRES OCHRONY.**

BEKO gwarantuje, że Urządzenie zakupione przez Użytkownika jest wolne od wad produkcyjnych lub materiałowych, powstałych z przyczyn tkwiących w tym Urządzeniu (dalej: „Wada”), które ujawnią się w ciągu terminu określonego w części II. niniejszych Warunków Gwarancji (dalej: „Okres Gwarancyjny”).

W razie ujawnienia się Wady Produktu w trakcie Okresu Gwarancyjnego, zostanie ona usunięta na koszt BEKO w sposób uzależniony od właściwości wady, na zasadach i w zakresie określonym w niniejszych Warunkach Gwarancji.

BEKO zobowiązuje się do usunięcia Wady poprzez dokonanie nieodpłatnej naprawy lub wymiany Urządzenia, bądź też reklamacja zgłoszona na podstawie niniejszych Warunków Gwarancji zostanie rozpatrzona w inny sposób uzgodniony przez BEKO i Użytkownika.

Udzielona gwarancja jest ważna na terytorium Rzeczypospolitej Polskiej.

### **II. CZAS TRWANIA GWARANCJI.**

Okres Gwarancyjny wynosi 24 miesiące licząc od daty zakupu Urządzenia przez pierwszego Użytkownika.

### **III. PROCEDURA ZGŁOSZENIA REKLAMACYJNEGO.**

Wady Urządzenia ujawnione w Okresie Gwarancyjnym będą usuwane pod warunkiem przedstawienia przez Użytkownika dowodu zakupu tego Urządzenia zawierającego oznaczenia niezbędne do jego identyfikacji (model, datę zakupu).

Uprawnienia wynikające z niniejszych Warunków Gwarancji mogą być zrealizowane przez Użytkownika wyłącznie w Autoryzowanych Punktach Serwisowych BEKO (dalej: „Serwis”) po uprzednim dokonaniu zgłoszenia na Infolinii BEKO pod numerem telefonu: 22 250 14 14. Urządzenie powinno być odpowiednio zapakowane i zabezpieczone przez Użytkownika na czas transportu do punktu serwisowego Beko.

Wady Urządzenia będą usunięte w terminie 14 dni od daty zgłoszenia Wady na Infolinii BEKO.

Jeżeli część zamienna wymieniana w ramach uprawnień wynikających z niniejszych Warunków Gwarancji Urządzenia jest sprowadzana z zagranicy, termin naprawy, o którym mowa w punkcie 5 powyżej, może ulec wydłużeniu jednak, nie więcej niż do 30 dni

licząc odpowiednio od daty zgłoszenia Wady na Infolinii BEKO. Informacje o spodziewanych terminach napraw dostępne są na Infolinii BEKO pod numerem 22 250 14 14. Po usunięciu Wady, Urządzenie zostanie dostarczone Użytkownikowi na koszt BEKO.

#### **IV. WYŁĄCZENIA.**

Warunkiem skorzystania z niniejszych Warunków Gwarancji jest:

- użytkowanie Urządzenia zgodnie z Instrukcją Obsługi dołączoną do tego Urządzenia i jego przeznaczeniem, jak również odpowiednie czyszczenie i konserwacje Urządzenia;
- użytkowanie w warunkach indywidualnego gospodarstwa domowego. Urządzenie nie jest używane do celów prowadzenia działalności gospodarczej lub w zastosowaniach eksploatacji masowej, w szczególności w gastronomicznej działalności hoteli, restauracji i innych obiektów turystyczno-rekreacyjnych lub zbiorowego żywienia. Stosowanie osprzętu zalecanego przez producenta; brak ingerencji w Urządzenie przez osoby do tego nieupoważnione; brak ingerencji w tabliczkę znamionową z numerem seryjnym Urządzenia.

Udzielona przez Beko Gwarancja nie obejmuje:

- wad powstałych z przyczyn innych niż tkwiące w Urządzeniu;
- normalnego zużycia elementów eksploatacyjnych tj. akumulatory, baterie, noże, filtry, żarówki, szczotki, itp.;
- czynności przewidzianych w Instrukcji Obsługi, do wykonania których zobowiązany jest Użytkownik Urządzenia we własnym zakresie i na swój koszt, w tym: instruktażu dotyczącego obsługi Urządzenia, instalacji oraz regulacji urządzenia.
- usterek powstałych w wyniku nieprawidłowego lub niewłaściwego użytkowania, niedbalstwa, przypadkowego uszkodzenia Urządzenia, nieodpowiedniego napięcia prądu lub dokonania jakichkolwiek zmian, które mają wpływ na niewłaściwe działanie Urządzenia, i które naprawiane były przez osoby nieupoważnione, używania instalacji niezgodnych z odpowiednimi Polskimi Normami i innych niż wymienione w Instrukcji Obsługi Urządzenia;

uszkodzeń mechanicznych, termicznych, chemicznych, korozji, innych uszkodzeń spowodowanych działaniem lub zaniedbaniem Użytkownika lub powstałych na skutek działania sił zewnętrznych (do których zalicza się w szczególności wyładowania atmosferyczne, skoki napięcia, wszystkiego rodzaju awarie domowej instalacji wodno-kanalizacyjnej, itp.), a także powstałych na skutek przedostania się zanieczyszczeń lub ciał obcych do Urządzenia, zakamienienia (proces odkamieniania musi być przeprowadzany zgodnie z instrukcją obsługi z użyciem odpowiednich środków czyszczących) elementów ze szkła, plastiku oraz porcelany; odbarwień Urządzenia lub poszczególnych jego części;

- usterek powstałych na skutek przechowywania i użytkowania Urządzenia w warunkach, które są niezgodne z normalnymi warunkami domowymi określonymi wymaganiami powszechnie obowiązujących przepisów prawa i odpowiednich Polskich Norm;

#### **V. POZOSTAŁE POSTANOWIENIA.**

Niniejsze warunki gwarancji mają zastosowanie do Urządzeń zakupionych od dnia 01.03.2019 r. Gwarant oświadcza, że niniejsza Gwarancja jest udzielana Użytkownikowi dodatkowo i nie wyłącza, nie ogranicza ani nie zawiesza uprawnień Użytkownika wynikających z przepisów o rękojmi za wady rzeczy sprzedanej na podstawie Kodeksu cywilnego.

# Najpre pročitate ovaj priručnik!

Poštovani kupci,

Hvala vam što ste kupili ovaj Beko proizvod. Želimo da izvučete maksimum iz ovog visokokvalitetnog proizvoda napravljenog najnovijom tehnologijom. U potpunosti pročitate ova uputstva i priložene dokumente pre upotrebe i sačuvajte ih za referencu. Ako ovaj uređaj predate nekim drugim, priložite i ovo uputstvo za upotrebu. Pridržavajte se svih upozorenja i informacija datim ovde i sledite uputstva.

## Simboli i njihova značenja

Ovi simboli su upotrebljeni u ovom uputstvu:



Važne informacije i korisni saveti za korišćenje uređaja.



**UPOZORENJE:** Upozorenja na opasne situacije koje se odnose na bezbednost života i imovine.



Klasa zaštite od električnog udara

# 1 Važna uputstva za siguran rad i zaštitu prirodne sredine

Ovaj odeljak sadrži uputstva za sprečavanje opasnosti koje mogu dovesti do povreda ili materijalne štete. Nepoštovanje ovih uputstava poništava sve garancije za ovaj uređaj.

## 1.1 Opšta bezbednost

- Ovaj aparat je usklađen sa međunarodnim standardima bezbednosti.
- Ovaj uređaj mogu da koriste deca koja imaju 8 i više godina i osobe sa nepotpuno razvijenim telesnim, senzornim ili mentalnim sposobnostima ili osobe koje nemaju dovoljno potrebnog znanja i iskustva sve dok su pod nadzorom ili im se daju uputstva u pogledu bezbedne upotrebe uređaja i dok shvataju povezane rizike. Deca ne treba da se igraju s uređajem. Deca ne smeju da čiste ili održavaju uređaj, osim ako nisu pod nadzorom.
- Ne koristite uređaj ako je kabl za napajanje ili sam uređaj oštećen. Obratite se ovlašćenom servisu.
- Uverite se da mrežno napajanje odgovara podacima na natpisnoj pločici/nalepnici uređaja.
- Nemojte koristiti aparat s produžnim kablom.
- Da biste sprečili oštećenje kabla za napajanje, vodite računa da isti nije pritisnut, uvrnut ili nategnut preko oštih ivica.
- Ne rukujte uređajem ili njegovim utikačem mokrim rukama kada je uređaj uključen.
- Kada uređaj isključujete iz struje, ne vucite ga za kabl.
- Ne usisavajte zapaljive materijale i vodite računa da se pepeo cigareta ohladi pre nego što ga usisate.
- Ne usisavajte vodu ili druge tečnosti.
- Zaštitite uređaj od kiše, vlage i izvora toplote.



## 1 Važna uputstva za siguran rad i zaštitu prirodne sredine

- Ne koristite aparat u eksplozivnom ili zapaljivom okruženju ili u blizini istog.
- Izvucite utikač uređaja iz struje pre čišćenja i održavanja.
- Ne čistite uređaj ili kabl za napajanje uranjanjem u vodu.
- Nemojte rasklapati ovaj aparat.
- Koristite isključivo originalne delove ili delove koje preporučuje proizvođač.
- Da biste sprečili blokadu filtera ili oštećenje motora, ne usisavajte cement, gips ili fragmente komprimovanog papira.
- Koristite uređaj samo sa dobijenom adapterom.
- Ne koristite uređaj bez filtera, u suprotnom, može se oštetiti.
- Ako čuvate ambalažu, čuvajte je van domašaja dece.
- Ovaj uređaj nije namenjen da ga koriste osobe, uključujući decu, sa senzornim ili mentalnim poremećajima ili nedostatkom iskustva i znanja, osim ako nisu pod nadzorom lica odgovornih za njihovu bezbednost i ako nisu upućeni u njegovu upotrebu.
- Decu mora nadzirati kako bi se sprečilo da se igraju sa ovim uređajem.
- Uklonite adapter i grupu baterija pre čišćenja i održavanja.
- Oštećene adaptore treba da zameni proizvođač, ovlašćeni servisni centar ili ovlašćeni tehničar kako ne bi došlo do potencijalne opasnosti.

## 1 Važna uputstva za siguran rad i zaštitu prirodne sredine

- Prste, kosu i široku odeću držite podalje od pokretnih delova ili otvora dok koristite usisivač.
- Uklonite baterije pre nego što odložite uređaj.
- Izvucite utikač uređaja iz struje pre uklanjanja baterije.
- Bacite istrošene baterije u skladu sa lokalnim zakonima i propisima.
- Baterije u uređaju trebaju menjati samo ovlašćena lica.
- Ovaj uređaj nije namenjen za komercijalnu upotrebu. Ovaj uređaj je namenjen za kućnu, a ne komercijalnu upotrebu na sledeći način:
  - u kuhinjama zaposlenih prodavnica, kancelarija i drugih radnih okruženja
  - Farme
  - za goste u hotelima, motelima i drugim vrstama smeštajnih objekata
  - u pansionima i sličnim mestima.
- Ovaj uređaj ne smeju da koriste osobe sa ograničenim fizičkim, senzornim i kognitivnim sposobnostima ili osobe koje nemaju iskustva i znanja, osim ako nisu pod nadzorom ili su upućene u rad.
- Decu mora nadzirati kako bi se sprečilo da se igraju sa ovim uređajem.
- Ne stavljajte slušalicu na sto; Preporučujemo da nakon čišćenja pričvrstite zidnu bazu za punjenje.

# 1 Važna uputstva za siguran rad i zaštitu prirodne sredine

## 1.2 Usklađenost sa Direktivom o otpadnoj električnoj i elektronskoj opremi (WEEE) i odlaganju otpada



Ovaj proizvod je usaglašen sa Direktivom o otpadnoj električnoj i elektronskoj opremi (WEEE) Evropske unije (br. 2012/19/EU).

Ovaj uređaj nosi simbol klasifikacije otpadne električne i elektronske opreme (WEEE). Ovaj simbol označava da se ovaj uređaj ne sme odlagati zajedno s ostalim kućnim otpadom na kraju njegovog radnog veka. Korišćeni uređaj mora se vratiti na službeno mesto za sakupljanje za recikliranje električne i elektronske opreme. Obratite se lokalnim vlastima ili prodavcu kod kojeg ste kupili uređaj da biste saznali više o sistemima sakupljanja. Svaki dom ima važnu ulogu u vraćanju ili reciklaži starih uređaja. Odgovarajuće odlaganje korišćenog uređaja pomaže u sprečavanju potencijalnih negativnih posledica po životnu sredinu i ljudsko zdravlje.

## 1.3 Informacije o pakovanju



Ambalaža proizvoda je napravljena od materijala koji mogu da se recikliraju u skladu sa nacionalnim propisima o zaštiti životne sredine. Ne bacajte materijal pakovanja zajedno sa kućnim ili drugim otpadom. Odnosite ove materijale do sabirnih centara za ambalažu koji su određeni od strane lokalnih vlasti.

## 1.4 Informacije o iskorištenim baterijama



Ovaj simbol koji se nalazi na baterijama/punjivim baterijama ili njihovom pakovanju označava da se baterija/punjiva baterija ne sme mešati sa kućnim otpadom.

Određene baterije/punjive baterije takođe mogu imati hemijski simbol pored ovog simbola. I simboli žive (Hg) i olova (Pb) se takođe dodavaju ako baterije/punjive baterije sadrže više od 0,0005% žive i više od 0,004% olova.

Baterije/Punjive baterije, uključujući one koje ne sadrže teške metale, ne smeju se odlagati zajedno sa kućnim otpadom. Korišćene baterije uvek odlažite u skladu sa lokalnim ekološkim propisima. Saznajte važeće propise o otpadu u mestu gde živite.

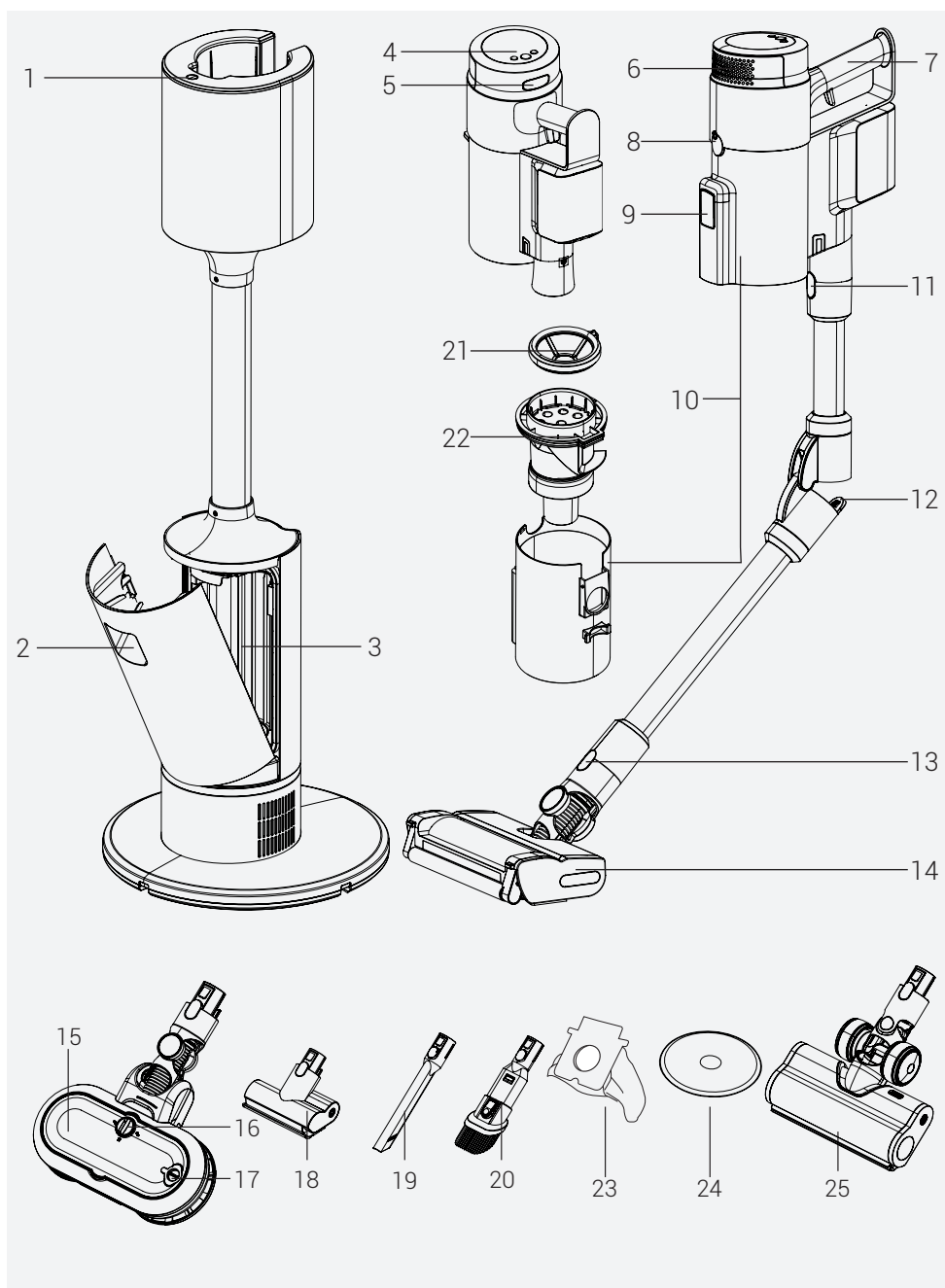
## 1.5 Šta možete učiniti da uštedite energiju

- Koristite postavku brzine koja je najprikladnija za površinu kako biste uštedeli energiju kada koristite uređaj.
- U normalnim uslovima, tvrde površine, zavese i nameštaj zahtevaju malu brzinu, a tepisi veliku brzinu.

## 1.6 Usklađenost sa Direktivom o ograničenju opasnih supstanci (RoHS)

Uređaj koji ste kupili je usklađen sa Direktivom o ograničenju opasnih supstanci (RoHS) Evropske unije (br. 2011/56/EU). Ne sadrži štetne i zabranjene supstance navedene u direktivi.

## 2 Pregled



## 2 Pregled

### 2.1 Kontrole i komponente

1. Kontrolno dugme stanice za punjenje
2. Ručka za otvaranje poklopca vrećice za prašinu
3. Posuda vrećice za sakupljanje prašine
4. LED ekran i kontrolna dugmad
5. Dugme za otpuštanje poklopca HEPA filtera
6. Poklopac HEPA filtera
7. Ručka
8. Dugme za otpuštanje posude za prašinu
9. Poklopac za pražnjenje prašine
10. Čaša za prašinu
11. Dugme za otpuštanje cevi
12. Dugme za savijanje cevi
13. Dugme za otpuštanje četke
14. Čvrsta četka za pod sa dvostrukim valjkom za dubinsko čišćenje
15. Turbo četka za ribanje
16. Brava za kapljanje vode
17. Otvor za punjenje vode
18. Četka za kosu kućnih ljubimaca
19. Mlaznica škrape
20. Četka za prašinu
21. Prednji filter posude za prašinu
22. Multiciklonski filter
23. Vrećica za sakupljanje prašine x 3
24. Krpa za brisanje x 4
25. Dodatna četka za tepihe

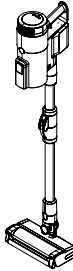
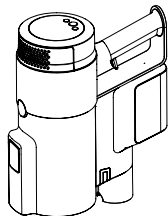
### 2.2 Tehnički podaci

<b>Nominalna snaga</b>	450 W
<b>Nominalna snaga automatske stanice za čišćenje</b>	900 W
<b>Ulazna snaga automatske stanice za čišćenje</b>	220 - 240 V~ 50-60 Hz
<b>Izlazna snaga automatske stanice za čišćenje</b>	30,7 V --- 0.8 A
<b>Vreme punjenja</b>	3-4 sati
<b>Vreme rada maksimalnom snagom</b>	10 minuta
<b>Vreme rada srednjom snagom</b>	30 minuta
<b>Vreme rada minimalnom snagom</b>	60 minuta

Proizvođač zadržava pravo tehničkih i dizajnerskih promena.

Vrednosti koje se isporučuju sa uređajem ili pratećom dokumentacijom su laboratorijska očitavanja prema relevantnim standardima. Ove vrednosti mogu se razlikovati u zavisnosti od korišćenja i ambijentalnih uslova.

## 2 Pregled

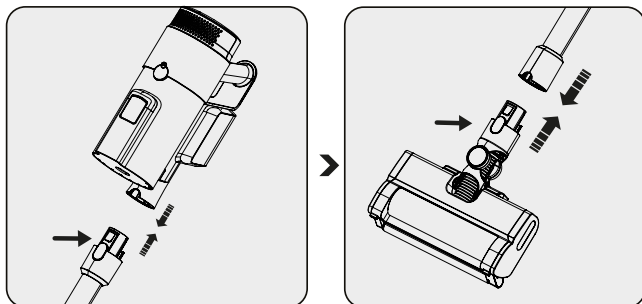
Tip upotrebe	Brzina	Vreme rada	
Režim uspravnog usisivača	Minimalna brzina	Do 38 minuta	
	Srednja brzina	Do 25 minuta	
	Maksimalna brzina	Do 10 minuta	
Ručni režim (Sa dodatnom opremom bez napajanja)	Minimalna brzina	Do 60 minuta	
	Srednja brzina	Do 30 minuta	
	Maksimalna brzina	Do 10 minuta	

## 3 Rad

### 3.1 Predviđena upotreba

Aparat je namenjen isključivo za kućnu upotrebu i nije pogodan za profesionalnu upotrebu.

### 3.2 Pričvršćivanje tela i četke



Pritisnite dugme za otpuštanje cevi i postavite cev u telo kao što je prikazano strelicom.

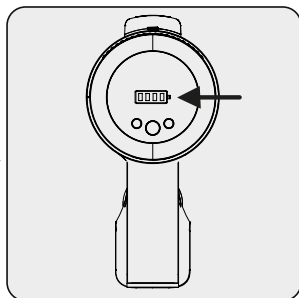
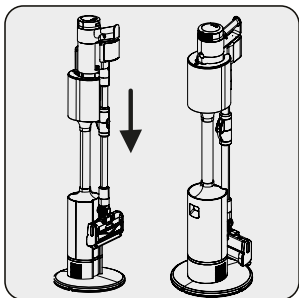
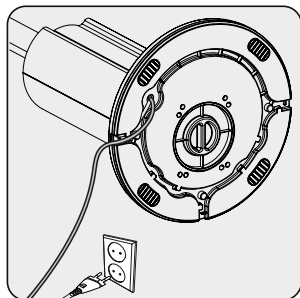
Pritisnite dugme za otpuštanje električne turbo četke koje se nalazi na električnoj turbo četki i pritisnite ga u cev kako što je prikazano strelicom.

## 3 Rad

### 3.3 Sastavljanje i punjenje stanice za automatsko pražnjenje prašine



**UPOZORENJE:** U potpunosti napunite bateriju pre prve upotrebe uređaja ili ako ga niste koristili duže vreme.



Uključite automatsku stanicu za punjenje za pražnjenje prašine.

Postavite uređaj na stanicu za punjenje.

Uređaj će početi sa automatskim punjenjem čim završi sa čišćenjem.

Kada punjenje počne, možete videti nivo napunjenosti baterije na ekranu. Kada su svi nivoi napunjenosti baterije upaljeni, to znači da je punjenje završeno.



Možete pritisnuti kontrolno dugme stanice za punjenje kako biste zaustavili proces automatskog čišćenja u bilo kom trenutku.



LED ekran će se isključiti nakon nekog vremena kada se punjenje završi.



Potpuno punjenje uređaja traje od 4 do 4 sati. Nemojte koristiti uređaj dok se puni.

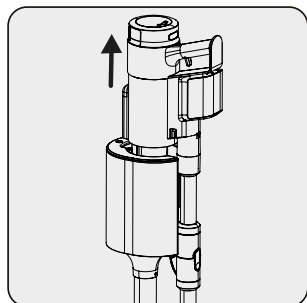


Ako uređaj radi, prestaće da radi čim ga stavite na priključnu stanicu za punjenje.

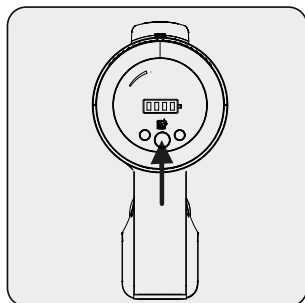


## 3 Rad

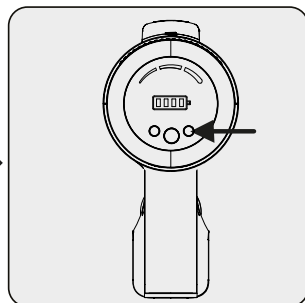
### 3.4 Rad



Podignite uređaj i udaljite ga od stanice za automatsko pražnjenje prašine.



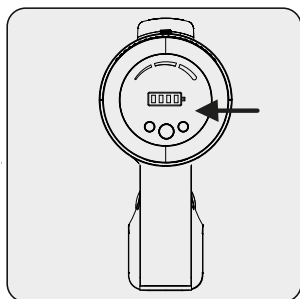
Pritisnite dugme za uključivanje- isključivanje da biste uključili uređaj. Uređaj počinje da radi sa minimalnom brzinom kada se pritisne dugme za uključivanje/isključivanje.



Pritisnite dugme da povećate brzinu. Režim usisavanja koji koristite (nisko/srednje/visoko nivo) biće prikazan na ekranu. Pritisnite „+“ i „-“ da promenite brzinu.

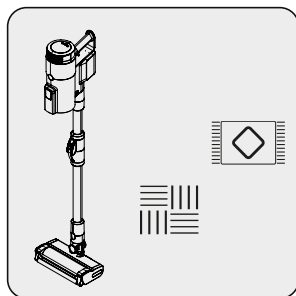


Uređaj možete postaviti na priključnu stanicu za punjenje pre nego što se baterija potpuno isprazni. Uređaj može ostati na stanici za punjenje do sledećeg korišćenja.

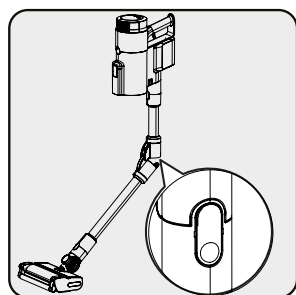


Pazite na nivoe napunjenosti kada koristite uređaj. Uređaj se automatski zaustavlja kada se baterija isprazni.

### 3 Rad



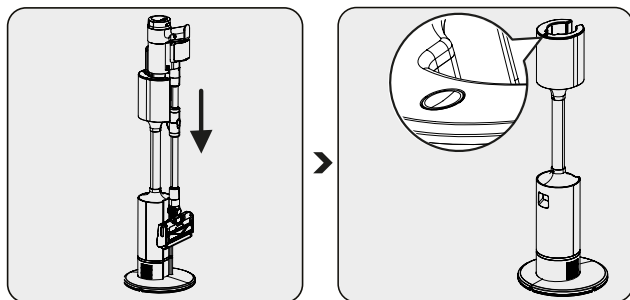
Ovaj uređaj je namenjen za upotrebu na tepisima i tvrdim podlogama.



Možete savijati cev kako biste lako dosegli ispod stolica i stolova. Savijte cev pritiskom na okruglo dugme sa leve strane.

## 3 Rad

### 3.5 Rad sa stanicom za automatsko čišćenje

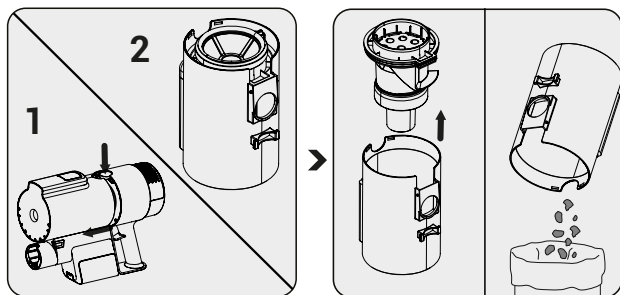


Kada postavite uređaj na stanicu za automatsko čišćenje, posuda za prašinu će se automatski isprazniti. Kontrolno dugme na stanici za automatsko pražnjenje prašine će treptati i isključivati se dok je čišćenje u toku.

Možete pritisnuti kontrolno dugme na stanici za automatsko pražnjenje prašine kako biste zaustavili proces pražnjenja u bilo kom trenutku.



Prašina, kosa, konac i slični predmeti mogu se zapetljati oko multiciklonskog filtera, sprečavajući da se posuda potpuno isprazni. U ovom slučaju, trebalo bi ručno da očistite posudu za prašinu kao što je prikazano u nastavku.

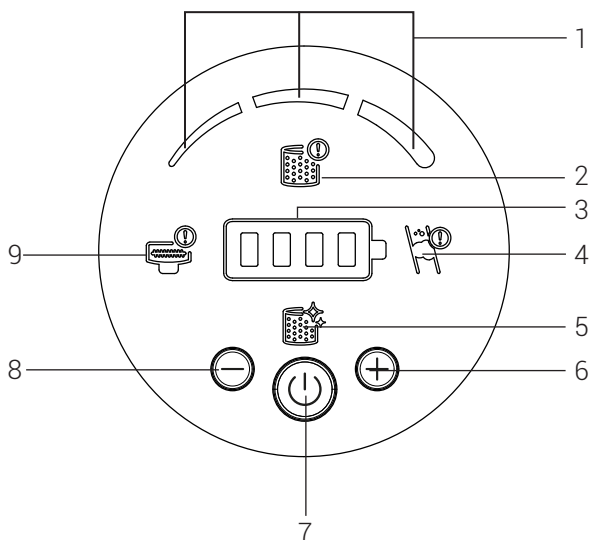


Pritisnite dugme za otpuštanje posude za prašinu i uklonite posudu.

Podignite multiciklonski filter i očistite prašinu u posudi za prašinu.

## 3 Rad

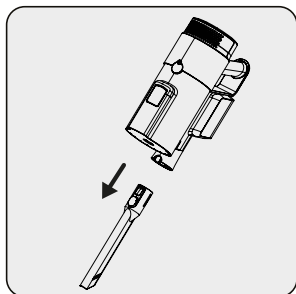
### 3.6 Indikatori LED ekrana



1. Režim usisavanja
2. Ovaj simbol upozorava korisnika kada prednji filter nije pričvršćen i radi sopstvene zaštite, uređaj se neće uključiti dok se ne pričvrsti. Proverite da li ste pričvrstili filter.
3. Nivo napunjenosti baterije
4. Ovo pokazuje kada postoji blokada vazduha. Proverite unutrašnjost cevi i usisni otvor na telu da vidite da li neki strani predmeti izazivaju opstrukciju.
5. Ovo pokazuje kada je potrebno čišćenje prednjeg filtera.
6. Dugme za brzinu
7. Prekidač za uključivanje/isključivanje
8. Dugme za prilagođavanje brzine
9. Ovo pokazuje kada je četka za mlevenje zaglavljena i treba je očistiti.

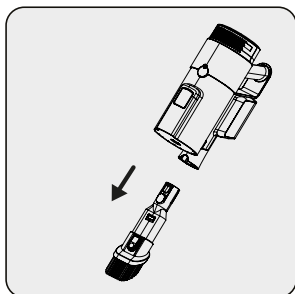
## 3 Rad

### 3.7 Dodatna oprema



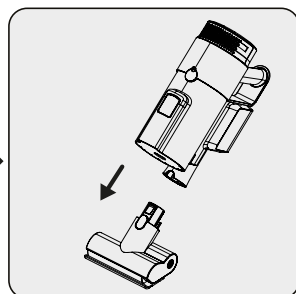
#### **Mlaznica škrape:**

Idealna za čišćenje iza nameštaja, teško dostupnih i uskih prostora.



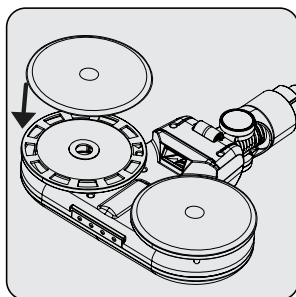
#### **Četka za prašinu:**

Pogodna za usisavanje zavesa, kauča, lakiranog nameštaja, osetljivih i lomljivih predmeta.

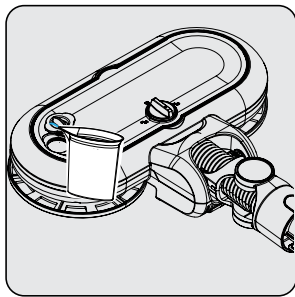


#### **Mini turbo četka za čišćenje dlaka kućnih ljubimaca:**

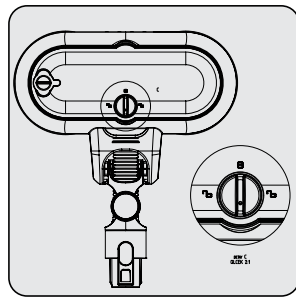
Idealna za čišćenje podova, stepenica, unutrašnjost automobila, kauča i sofa. Takođe se koristi za poklupanje dlake kućnih ljubimaca na takvim površinama.



Pričvrstite krpu za brisanje ispod četke.



Otvorite poklopac za punjenje na turbo četkici za čišćenje da biste je napunili vodom.



Okrenite bravu za kapanje da navlažite krpe za brisanje.

Turbo četku za ribanje možete koristiti na tvrdim podlogama.

### 3 Rad



**UPOZORENJE:** Ne koristite priključak za brisanje na tepisima.



**UPOZORENJE:** Nemojte stavljati izbjeljivač ili tečne deterdžente sa veoma penastim sadržajem u rezervoar za vodu za brisanje.



**UPOZORENJE:** Zatvorite bravu za kapanje nakon upotrebe i uklonite dodatak za brisanje.



**UPOZORENJE:** Uklonite dodatak za brisanje čim ga završite sa upotrebom kako biste sprečili oštećenje drvenih podova.



**UPOZORENJE:** Ispraznite preostalu vodu iz rezervoara za vodu dodatka za brisanje kada završite sa brisanjem i osušite rezervoar.



Krpe za brisanje se mogu prati u mašini.



**UPOZORENJE:** Pošto voda može prskati iz rezervoara, nemojte podizati glavu ili se nagnjati preko nje.

## 4 Čišćenje i održavanje

Isključite uređaj i izvucite utikač uređaja iz napajanja pre čišćenja.

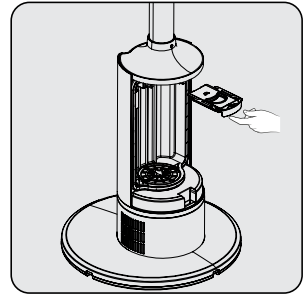
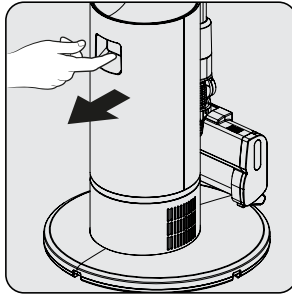
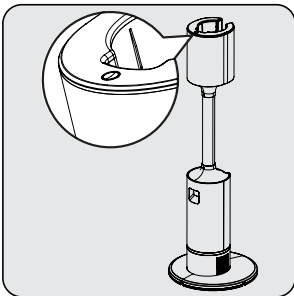


**UPOZORENJE:** Nikada ne koristite benzin, otapala, abrazivna sredstva za čišćenje, metalne predmete ili tvrde četke za čišćenje uređaja.



**UPOZORENJE:** Filteri se mogu deformisati tokom upotrebe. Zamenite te filtere da biste održali performanse. Obratite se korisničkoj službi da naručite nove filtere.

### 4.1 Zamena kesice za prašinu



Kada crveno kontrolno dugme na stanici za automatsko pražnjenje prašine zasvetli crveno, proverite da li je vreća za prašinu puna ili ne.

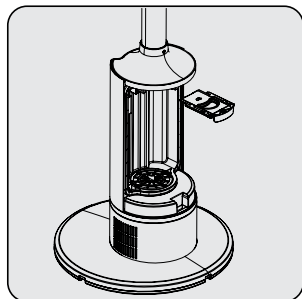
Otvorite poklopac za prašinu na stanici za automatsko pražnjenje prašine.

Izvucite kesu za prašinu iz posude pomoću ručke.

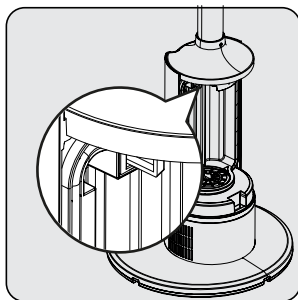


**UPOZORENJE:** Ako vrećica za prašinu nije puna, proverite da li se nešto zaglavilo u posudi, cevi ili na četkici.

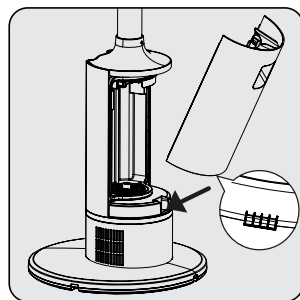
## 4 Čišćenje i održavanje



Zamjenite vrećicu za prašinu novom.



Postavite kesu za prašinu pomoću ručke i gurnite.

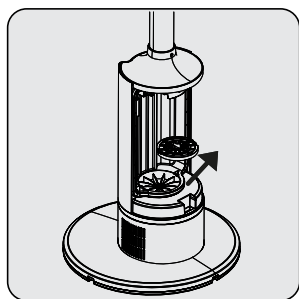


Zatvorite poklopac za prašinu na stanici za automatsko pražnjenje prašine.

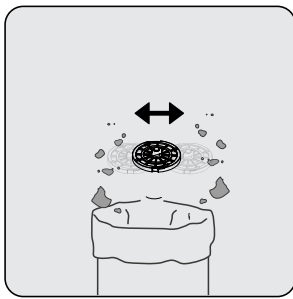


**UPOZORENJE:** Kесе za prašinu nisu za višekratnu upotrebu.

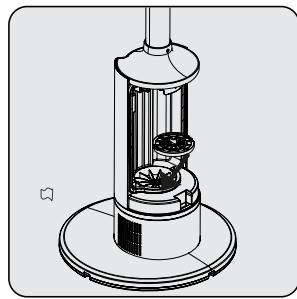
### 4.2 Čišćenje posude za prašinu i filtera



Okrenite i uklonite filter za prašinu.



Očistite prednji filter protresanjem da biste uklonili prašinu.



Vratite prednji filter nazad i okrenite kako biste ga pričvrstili.



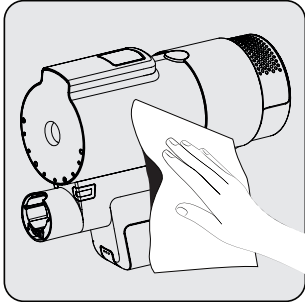
**UPOZORENJE:** Ne perite HEPA filter.



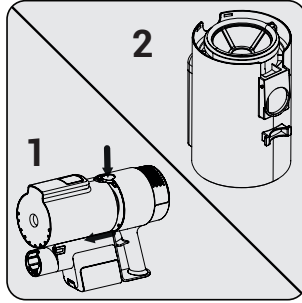
Preporučujemo da nakon svake upotrebe očistite posudu za prašinu.



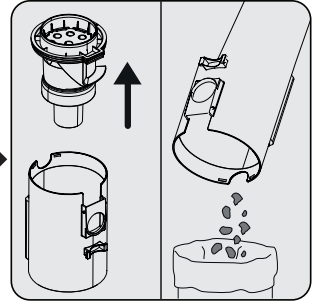
## 4 Čišćenje i održavanje



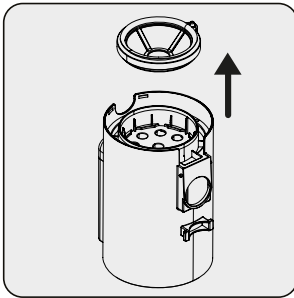
Očistite telo uređaja vlažnom krpom.



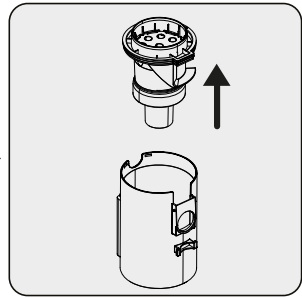
Pritisnite dugme za otpuštanje posude za prašinu i uklonite posudu.



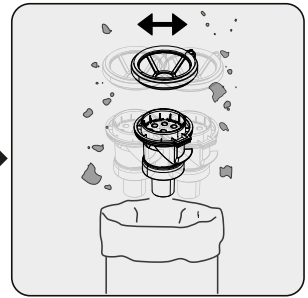
Podignite multiciklonski filter i očistite prašinu u posudi za prašinu.



Da biste temeljnije očistili filter, povucite prednji deo filtera nagore i uklonite ga.

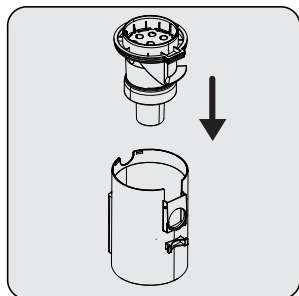


Povucite multiciklonskog deo filtera

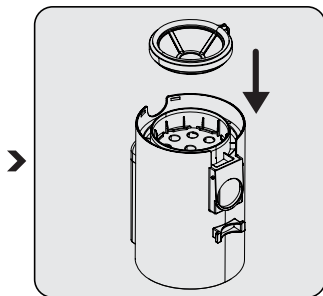


Očistite multiciklon i prednji filter protresanjem da biste uklonili prašinu.

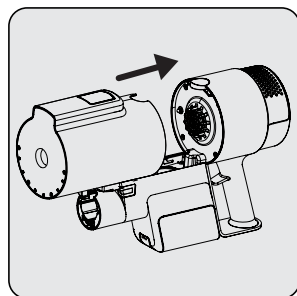
## 4 Čišćenje i održavanje



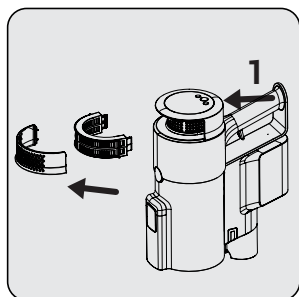
Pričvrstite porozni filter na posudu za prašinu.



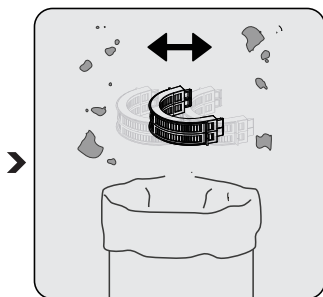
Pričvrstite prednji filter na porozni filter.



Da bi zadnji deo posude za prašinu uredno legao na telo, prvo stavite posudu u telo, a zatim u oblast dugmadi.



Da biste očistili EPA E12 filter, pritisnite dugme (1) i uklonite deo filtera.



Očistite EPA 12 filter protresanjem da biste očistili prašinu.

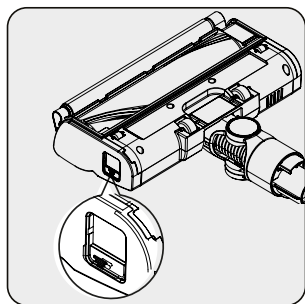
## 4 Čišćenje i održavanje

### 4.3 Čišćenje četkica

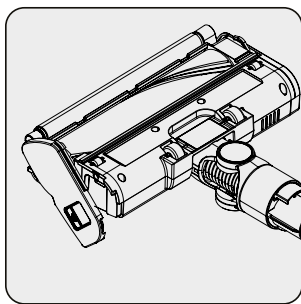
#### 4.3.1 Čišćenje četke za tvrdi pod



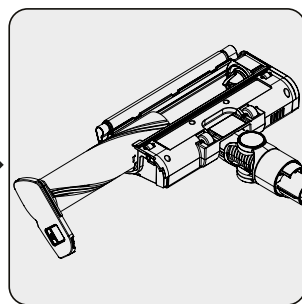
**UPOZORENJE:** Ne perite turbo četku i glavnu rolo-četku.



Uklonite plastičnu rolo-četku tako što ćete pritisnuti dugme, a zatim je izvući.



Udarite rolo-četku o tvrdu površinu ili koristite četku da uklonite prašinu. Odrežite svu zapetljanu kosu itd.



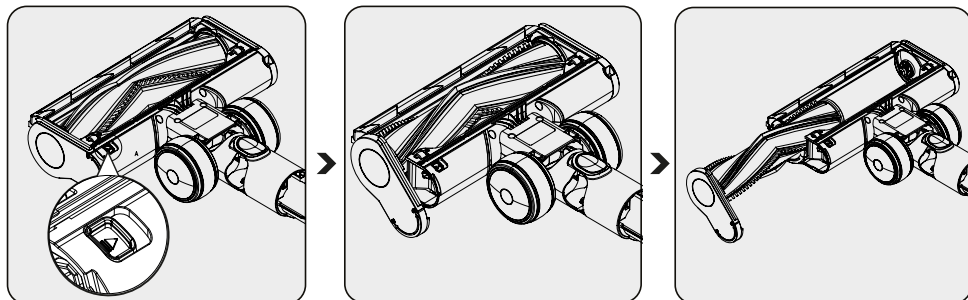
Vratite rolo-četku na mesto.

## 4 Čišćenje i održavanje

### 4.3.2 Čišćenje dodatne četke za tepihe



**UPOZORENJE:** Ne perite turbo četku i glavnu rolo-četku.



Uklonite plastičnu rolo-četku tako što ćete pritisnuti dugme, a zatim je izvući.

Udarite rolo-četku o tvrdi površinu ili koristite četku da uklonite prašinu. Odrežite svu zapetljanu kosu itd.

Vratite rolo-četku na mesto.

### 4.4 Skladištenje

- Pažljivo čuvajte uređaj ako ne nameravate da ga koristite duže vreme.
- Iskopčajte uređaj iz struje.
- Uređaj držite van domašaja dece.
- Čuvajte bateriju na neprovodnom materijalu i vodite računa da baterija ne bude u direktnom kontaktu s metalom. U suprotnom, baterija se može oštetiti.
- Ako ga ne nameravate koristiti duže vreme, čuvajte ga napunjenim bar do pola. Ne puniti i ne praznite bateriju do kraja. Uređaj treba da puniti najmanje jednom u 3 meseca.

### 4.5 Transport i rukovanje

- Transportujte uređaj u originalnoj ambalaži. Ambalaža štiti uređaj od fizičkih oštećenja.
- Ne stavljajte teške predmete na uređaj ili njegovu ambalažu. U suprotnom, uređaj se može oštetiti.
- Ako uređaj padne, možda neće raditi ili može se trajno oštetiti.

## 5 Rešavanje problema

PROBLEM	MOGUĆI UZROK	REŠENJE
Ne radi.	Baterija je prazna.	Napunite ga.
	Baterija možda nije postavljena.	Izvadite bateriju i ponovo je postavite.
	Vakumska veza je blokirana.	Rastavite uređaj na telo, četku i cev. Pregledajte i očistite priključne tačke.
Snaga usisavanja je na niskom nivou.	Posuda za prašinu je puna.	Očistite posudu za prašinu i filtere.
	Možda je došlo vrijeme da se očisti filter.	Očistite filtere.
	Filteri se mogu deformisati tokom rada i možda je došlo vreme da se filteri zamene.	Kontaktirajte korisničku službu da biste kupili novi filter.
	Ulazna mrežica motora nije očišćena.	Očistite filtere i napunite uređaj.
	Turbo četka se ne okreće. Kosa i slični materijali su se možda zapetljali na rotirajućem valjku turbo četke.	Očistite turbo četku.

## 5 Rešavanje problema

Iz motora se čuje uznemirujuća buka.	Vakumska veza je blokirana.	Rastavite uređaj na telo, četku i cev. Pregledajte i očistite priključne tačke.
	Nešto se možda zaglavilo između rezervoara za prašinu i filtera.	Otvorite rezervoar za prašinu i pregledajte područje filtra.
Ne možete da napunite usisivač.	Usisivač nije pravilno postavljen na stanicu za punjenje.	Postavite usisivač na stanicu za punjenje. Proverite da li je pravilno postavljen. Proverite priključak.
Radi vrlo kratko vreme nakon punjenja.	Uređaj nije napunjen za odgovarajući period.	Punite 3-4 sati prema uputstvima.
	Ulazna mrežica motora nije očišćena.	Očistite filtere i napunite uređaj.
	Životni vek baterije je narušen.	Kontaktirajte korisničku službu da biste kupili novu bateriju.
Stanica za automatsko čišćenje ne radi.	Možda nije uključena.	Uverite se da je uključena.
Stanica za automatsko čišćenje prašine se zaustavlja čim se pokrene.	Vrećica za prašinu je puna.	Zamenite vrećicu za prašinu novom.
	Možda je vreme da očistite ulazni filter motora na stanici za automatsko čišćenje.	Očistite filter i pritisnite dugme za automatsko čišćenje.
	Moguće je da je usisni kanal usisivača blokiran.	Ručno ocistite posudu za prašinu i proverite je.
Uređaj proizvodi glasne i tihe zvukove kada se čisti.	Može proizvoditi različite zvukove u zavisnosti od materijala koji se čisti.	Proverite posudu za prašinu kada je čišćenje završeno.

# Najskôr si prečítajte tento návod!

Vážení zákazníci,

Ďakujeme Vám, že ste si zvolili spotrebič Beko. Chceme, aby ste tento vysokokvalitný výrobok vyrobený pomocou najnovších technológií využívali čo najlepšie. Pred použitím si úplne prečítajte tieto pokyny a priložené dokumenty a uschovajte si ich pre neskoršie referencie. Ak tento spotrebič odovzdáte niekomu inému, odovzdajte mu aj tento návod. Dbajte na všetky upozornenia a informácie a postupujte podľa pokynov.

## Symbols and their meanings

V tejto príručke sa používajú tieto symboly:



Dôležité informácie a užitočné tipy pre používanie spotrebiča.



**VAROVANIE:** Upozornenia na nebezpečné situácie vzhľadom na bezpečnosť života a majetku.



Trieda ochrany pred úrazom elektrickým prúdom

# 1 Dôležité bezpečnostné a environmentálne pokyny

Táto časť obsahuje pokyny na predchádzanie nebezpečenstvám, ktoré by mohli mať za následok zranenie alebo materiálne škody.

V prípade nedodržania týchto pokynov zaniká platnosť všetkých záruk na tento spotrebič.

## 1.1 Všeobecné bezpečnostné pokyny

- Toto zariadenie je v súlade s medzinárodnými bezpečnostnými normami.
- Tento spotrebič môžu používať deti od 8 rokov a osoby so zníženými fyzickými, zmyslovými alebo mentálnymi schopnosťami z dôvodu nedostatku skúseností, ak sú pod dohľadom alebo sú poučené o tom, ako spotrebič bezpečne používať, a ak rozumujú nebezpečenstvám, ktoré s tým súvisia. S týmto spotrebičom sa nesmú hrať deti. Deti nesmú čistiť ani udržiavať spotrebič, ak nie sú pod dohľadom.

- Nepoužívajte spotrebič, ak je poškodený napájací kábel alebo spotrebič. Kontaktujte autorizovaný servis.
- Uistite sa, že napájanie zo siete zodpovedá údajom na typovom štítku/štítku spotrebiča.
- Nepoužívajte spotrebič s predlžovacím káblom.
- Aby ste zabránili poškodeniu napájacieho kábla, zabráňte jeho zovretiu, krimpovaniu alebo treniu o ostré hrany.
- Po zapojení do elektrickej siete nemanipulujte so spotrebičom alebo jeho zástrčkou mokrými rukami.
- Pri odpájaní prístroja zo zásuvky neťahajte za kábel.
- Nevysávajte horľavé materiály a pred vysávaním sa uistite, či je cigaretový popol studený.
- Nevysávajte vodu a iné tekutiny.
- Chráňte prístroj pred dažďom.



# 1 Dôležité bezpečnostné a environmentálne pokyny

- dom, vlhkosťou a zdrojmi tepla.
- Nepoužívajte prístroj v blízkosti výbušných alebo horľavých prostredí a látok alebo v ich blízkosti.
  - Pred čistením a údržbou spotrebič odpojte od elektrickej siete.
  - Spotrebič ani napájací kábel nečistite ponorením do vody.
  - Prístroj nerozoberajte.
  - Používajte originálne diely alebo diely odporúčané výrobcom.
  - Aby ste zabránili upchatiu filtra alebo poškodeniu motora, nevysávajte cement, sadru alebo úlomky stlačeného papiera.
  - Spotrebič používajte len s dodaným adaptérom.
  - Nepoužívajte prístroj bez filtrov; inak sa môže poškodiť.
  - Ak si obal ponecháte, uchovávajte ho mimo dosahu detí.
  - Tento spotrebič nie je určený na používanie osobami, vrátane detí, so zmyslovým alebo mentálnym postihnutím alebo s nedostatkom skúseností a znalostí, pokiaľ nie sú pod dohľadom osôb zodpovedných za ich bezpečnosť a neboli poučené o jeho používaní.
  - Na deti je potrebné dohliadať, aby sa im zabránilo hrať sa so spotrebičom.
  - Pred čistením a údržbou odstráňte adaptér a skupinu batérií.
  - Poškodené adaptéry by mal vymeniť výrobca, autorizované servisné stredisko alebo autorizovaný technik, aby sa predišlo možným rizikám.
  - Pri práci s vysávačom sa nepribližujte prstami, vlasmi a voľným odevom k pohyblivým častiam alebo otvorom.
  - Pred likvidáciou spotrebiča vyberte batérie.

# 1 Dôležité bezpečnostné a environmentálne pokyny

- Pred vybratím batérie odpojte spotrebič zo siete.
- Použité batérie zlikvidujte v súlade s miestnymi zákonmi a predpismi.
- Batérie v spotrebiči by mali vymieňať len oprávnené osoby.
- Toto zariadenie nie je určené na komerčné použitie. Tento spotrebič je určený na domáce a nie komerčné použitie:
  - V zamestnaneckých kuchyniach v obchodoch, kanceláriách a iných pracovných prostrediach
  - Farmy
  - Hostami v hoteloch, motelloch alebo iných ubytovacích zariadeniach
  - V penziónoch a podobných zariadeniach.
- Tento spotrebič nesmú používať osoby s obmedzenými fyzickými, zmyslovými a kognitívnymi schopnosťami alebo osoby s nedostatočnými skúsenosťami a znalosťami, pokiaľ nie sú pod dohľadom alebo neboli poučené o jeho obsluhu.
- Na deti je potrebné dohliadať, aby sa im zabránilo hrať sa so spotrebičom.
- Nekladte slúchadlo na stôl; Po vyčistení odporúčame pripevniť nástennú nabíjaciu základňu.

# 1 Dôležité bezpečnostné a environmentálne pokyny

## 1.2 Súlad s predpismi WEEE a s predpismi na likvidáciu odpadu



Tento spotrebič je v súlade so smernicou EÚ o WEEE (2012/19/EÚ). Tento spotrebič je označený symbolom klasifikácie odpadu z elektrických a elektronických zariadení (WEEE). Tento symbol upozorňuje, že spotrebič sa po skončení jeho životnosti nesmie likvidovať spolu s iným domovým odpadom. Spotrebič sa musí odovzdať na oficiálnom zbernom mieste na recykláciu elektrických a elektronických zariadení. Informácie o systémoch zberu vám poskytnú miestne úrady alebo predajca, u ktorého ste spotrebič zakúpili. Každá domácnosť zohráva dôležitú úlohu pri zhodnocovaní alebo recyklácii starých spotrebičov. Správna likvidácia použitého spotrebiča pomôže zabrániť prípadným nepriaznivým účinkom na životné prostredie a ľudské zdravie.

## 1.3 Informácie o balení



Obal tohto výrobku je vyrobený z recyklovateľných materiálov, v súlade s Národnou legislatívou pre životné prostredie. Obalové materiály nevyhadzujte spolu s domácim alebo iným odpadom. Tieto materiály odovzdajte na miestach zberu obalových materiálov určených miestnymi orgánmi.

## 1.4 Informácie o odpadových batériách



Tento symbol, ktorý sa nachádza na batériách/dobíjateľných batériách alebo ich obaloch, znamená, že batéria/dobíjateľná batéria sa nesmie miešať s domovým odpadom. Niektoré batérie/dobíjateľné batérie môžu mať okrem tohto symbolu aj chemický symbol. Symboly ortuti (Hg) alebo olova (Pb) sa pridávajú aj vtedy, ak batérie/dobíjateľné batérie obsahujú viac ako 0,0005 % ortuti alebo viac ako 0,004 % olova.

Batérie/dobíjateľné batérie vrátane tých, ktoré neobsahujú ťažké kovy, sa nesmú likvidovať spolu s domovým odpadom. Použité batérie vždy likvidujte v súlade s miestnymi predpismi o ochrane životného prostredia. Prečítajte si platné predpisy o odpadoch v mieste vášho bydliska.

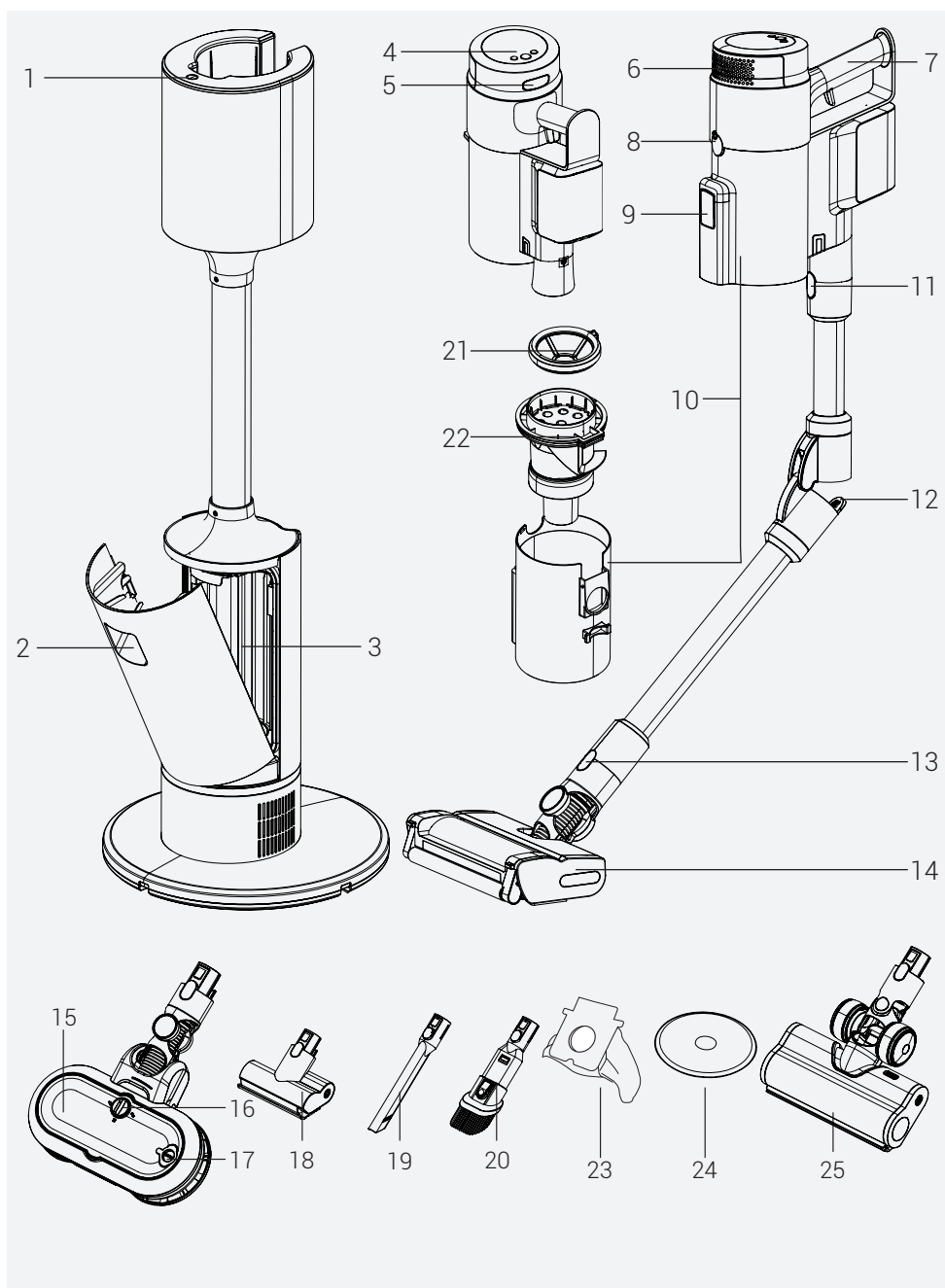
## 1.5 Čo môžete urobiť pre úsporu energie

- Pri používaní spotrebiča používajte nastavenie rýchlosti, ktoré je najvhodnejšie pre daný povrch, aby ste ušetrili energiu.
- Za normálnych podmienok tvrdé povrchy, záclony a nábytok vyžadujú nízku rýchlosť a koberce vyžadujú vysokú rýchlosť.

## 1.6 Súlad so smernicou RoHS

Spotrebič, ktorý ste si zakúpili, je v súlade so smernicou EÚ o obmedzení používania nebezpečných látok (2011/56/EÚ). Neobsahuje škodlivé a zakázané látky uvedené v tejto smernici.

## 2 Prehľad




## 2 Prehľad

### 2.1 Ovládacie prvky a komponenty

1. Ovládacie tlačidlo nabíjacej stanice
2. Rukoväť na otváranie krytu na vrecká na prach
3. Nádoba na vrecká na prach
4. LED displej a ovládacie tlačidlá
5. Uvoľňovacie tlačidlo krytu HEPA filtra
6. Kryt HEPA filtra
7. Rukoväť
8. Uvoľňovacie tlačidlo nádoby na prach
9. Kryt na vyprázdňovanie prachu
10. Prachová miska
11. Tlačidlo na uvoľnenie prútika
12. Tlačidlo na ohýbanie prútika
13. Tlačidlo uvoľnenia kefy
14. Kefa na tvrdé podlahy s dvojitém valcom na hĺbkové čistenie
15. Turbo kefa na drhnutie
16. Zámok na odkvapkávanie vody
17. Uzáver na plnenie vody
18. Kefa na chlpy domácich zvierat
19. Štrbinový nástavec
20. Prachová kefa
21. Predný filter nádoby na prach
22. Multicyklónový filter
23. Vrečko na prach x 3
24. Handrička na mopovanie x 4
25. Extra kefa na koberce

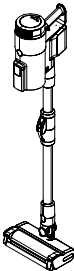
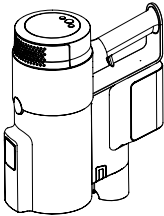
### 2.2 Technické údaje

<b>Menovitý výkon</b>	450 W
<b>Nominálny výkon automatickej čistiacej stanice</b>	900 W
<b>Príkon automatickej čistiacej stanice</b>	220 - 240 V~ 50-60 Hz
<b>Výkon automatickej čistiacej stanice</b>	30.7 V  0.8 A
<b>Doba nabíjania</b>	3-4 hodín
<b>Prevádzkový čas pri maximálnom výkone</b>	10 minút
<b>Prevádzkový čas pri strednom výkone</b>	30 minút
<b>Prevádzkový čas pri min. výkone</b>	60 minút

Výrobca si vyhradzuje právo na technické a konštrukčné zmeny.

Hodnoty dodané so spotrebičom alebo v sprievodnej dokumentácii sú laboratórne údaje podľa príslušných noriem. Tieto hodnoty sa môžu líšiť v závislosti prevádzky a od okolitých podmienok.

## 2 Prehľad

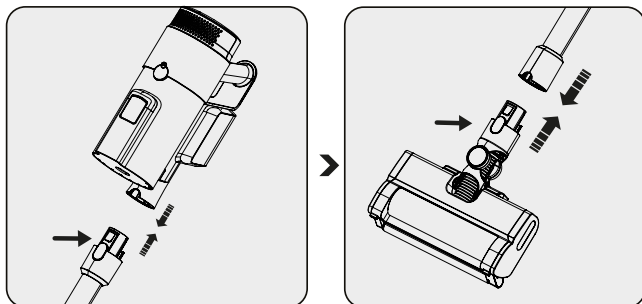
Typ použitia	Rýchlosť	Doba prevádzky	
Režim vertikálneho vysávača	Minimálna rýchlosť	Až 38 minút	
	Stredná rýchlosť	Až 25 minút	
	Maximálna rýchlosť	Až 10 minút	
Ručný režim (S nenapájaným príslušenstvom)	Minimálna rýchlosť	Až 60 minút	
	Stredná rýchlosť	Až 30 minút	
	Maximálna rýchlosť	Až 10 minút	

## 3 Prevádzka

### 3.1- Bežný účel použitia

Spotrebič je určený iba na domáce použitie, a nie je vhodný na profesionálne použitie.

### 3.2 Pripevnenie tela a kefy



Stlačte tlačidlo na uvoľnenie prútika a zasuňte prútik do tela tak, ako ukazuje šípka.

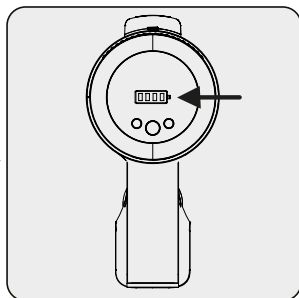
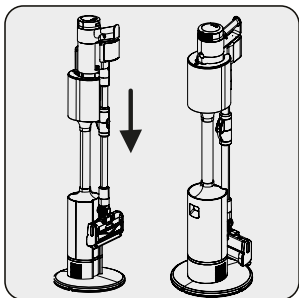
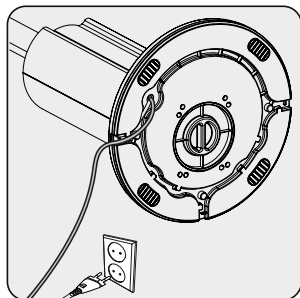
Stlačte uvoľňovacie tlačidlo elektrickej turbo kefy na elektrickej turbo kefy a zatlačte ju na tyč tak, ako ukazuje šípka.

## 3 Prevádzka

### 3.3 Montáž a nabíjanie automatickej stanice na vyprázdňovanie prachu



**VAROVANIE:** Pred prvým použitím spotrebiča alebo ak ste ho dlhší čas nepoužívali, batériu úplne nabite.



Zapojte nabíjajúcu stanicu s automatickým odstraňovaním prachu.

Spotrebič umiestnite na nabíjací dok.

Spotrebič sa začne automaticky nabíjať hneď po dokončení čistenia.

Po začatí nabíjania sa na displeji zobrazí úroveň nabitia batérie. Keď svietia všetky úrovne nabíjania batérie, znamená to, že nabíjanie je ukončené.



Proces automatického čistenia môžete kedykoľvek zastaviť stlačením ovládacieho tlačidla nabíjacej stanice.



Po dokončení nabíjania sa LED displej po chvíli vypne.



Úplné nabitie spotrebiča trvá až 3 až 4 hodín. Počas nabíjania spotrebič nepoužívajte.

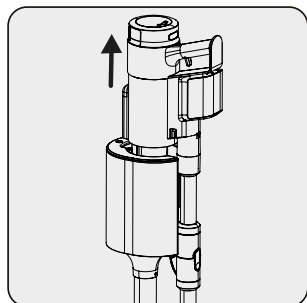


Ak je spotrebič funkčný, prestane fungovať hneď, ako ho položíte na nabíjací dok.

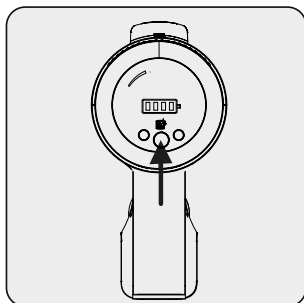


## 3 Prevádzka

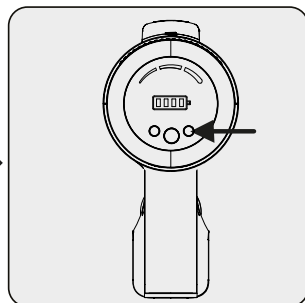
### 3.4 Prevádzka



Zdvihnute spotrebič nahor a preč od automatickej stanice na vyprázdňovanie prachu.



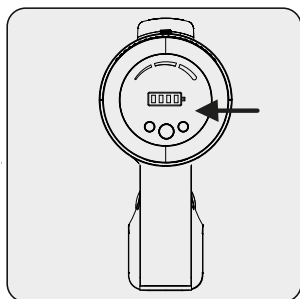
Stlačte tlačidlo zapnutia / vypnutia pre zapnutie spotrebiča.  
Po stlačení tlačidla zapnutia/vypnutia začne spotrebič pracovať pri minimálnych otáčkach.



Stlačením tlačidla zvýšite rýchlosť. Na displeji sa zobrazí režim odsávania, ktorý používate (nízky/stredný/vysoký). Stlačením tlačidiel "+" a "-" zmeníte rýchlosť.

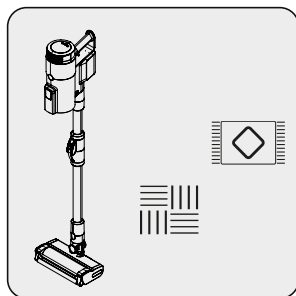


Spotrebič môžete umiestniť do nabíjacieho doku skôr, ako sa úplne vybije. Spotrebič môže zostať v nabíjacom doku až do ďalšieho použitia.

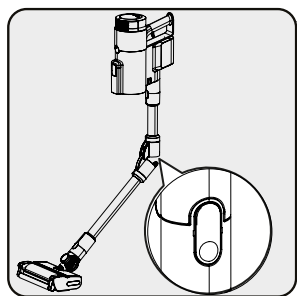


Pri používaní spotrebiča sledujte úroveň nabitia. Spotrebič sa automaticky zastaví, keď sa vybije.

### 3 Prevádzka



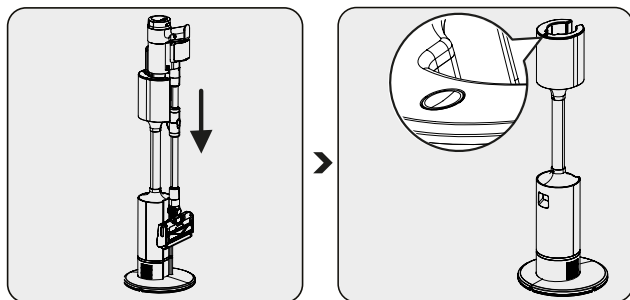
Tento prístroj je vhodný na použitie na kobercoch a tvrdých povrchoch.



Prúťik môžete ohnúť, aby ste sa ľahko dostali pod stoličky a stoly. Stlačením okrúhleho tlačidla na ľavej strane ohnete prúťik.

## 3 Prevádzka

### 3.5 Obsluha automatickej čistiacej stanice



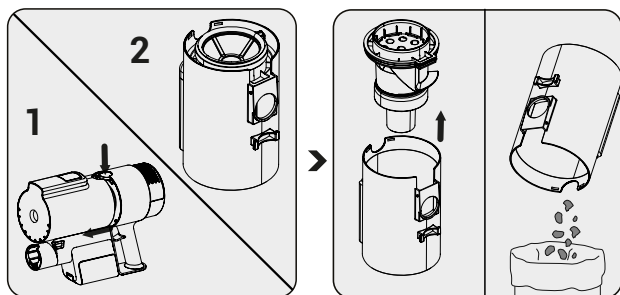
Keď spotrebič umiestnite na automatickú čistiacu stanicu, nádobu na prach sa automaticky vyprázdni.

Ovládacie tlačidlo na automatickej stanici na vyprázdňovanie prachu bude počas čistenia blikať.

Proces vyprázdňovania prachu môžete kedykoľvek zastaviť stlačením ovládacieho tlačidla na automatickej stanici na vyprázdňovanie prachu.



Prach, vlasy, nite a podobné predmety sa môžu zamotať okolo multicyklónového filtra a zabrániť úplnému vyprázdneniu nádoby. V takom prípade by ste mali nádobu na prach vyčistiť ručne, ako je znázornené nižšie.

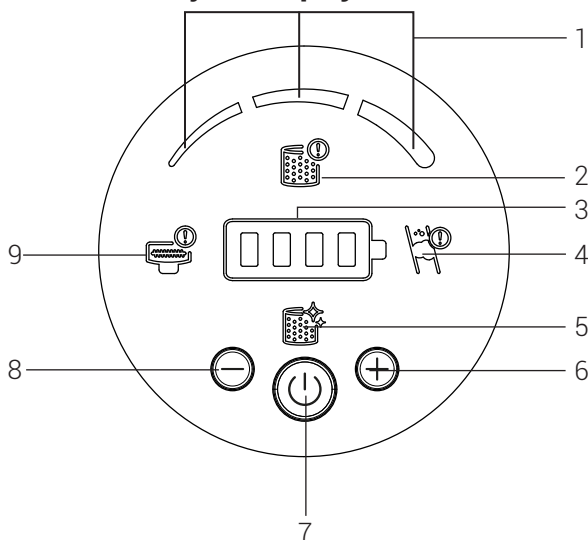


Stlačte tlačidlo uvoľnenia nádoby na prach a vyberte nádobu.

Vyberte multicyklónový filter a vyčistite prach v nádobe na prach.

## 3 Prevádzka

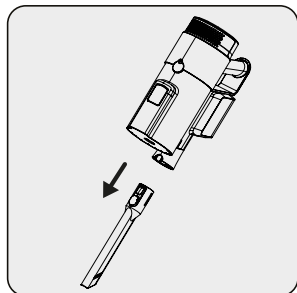
### 3.6 LED diódy na displeji



1. Režim odsávania
2. Tento symbol upozorňuje používateľa na to, že predný filter nie je nasadený, a z dôvodu vlastnej ochrany sa spotrebič nezapne, kým nie je nasadený. Skontrolujte, či ste pripojili filter.
3. Úroveň nabitia batérie
4. Zobazí sa, keď dôjde k zablokovaniu vzduchu. Skontrolujte, či vo vnútri tyče a v sacom otvore na telese nie sú prekážky spôsobené cudzími predmetmi.
5. To ukazuje, kedy je potrebné vyčistiť predný filter.
6. Tlačidlo rýchlosti
7. Tlačidlo Zapnutia/ vypnutia
8. Tlačidlo nastavenia rýchlosti
9. To ukazuje, kedy je šlahacia kefa zaseknutá a je potrebné ju vyčistiť.

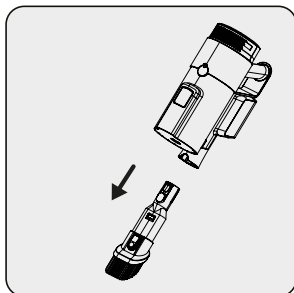
## 3 Prevádzka

### 3.7 Príslušenstvo

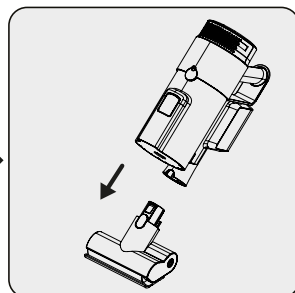


#### Štrbinový nástavec:

Ideálny na čistenie za nábytkom, v ťažko prístupných a úzkych priestoroch.

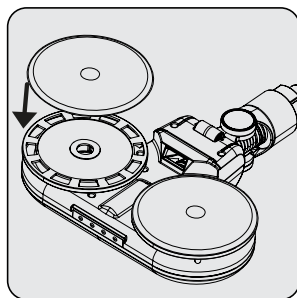


**Prachová kefa:** Ideálny na čistenie záclon, pohoviek, lakovaného nábytku, jemných a krehkých predmetov.

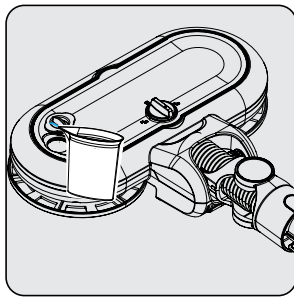


#### Mini turbo kefa na chlpy domácich zvierat:

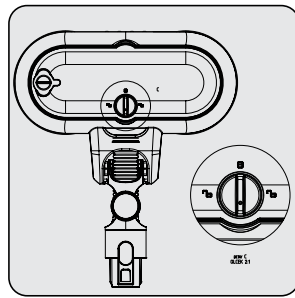
Ideálny na zametanie podláh, schodov, interiéru áut, pohoviek a gaučov. Používa sa aj na zbieranie chlpov domácich zvierat na takýchto povrchoch.



Pod kefu pripevnite handdričku na mop.



Otvorte plniaci uzáver turbo kefy a naplňte ju vodou.



Otočením zámku odkvapkávania navlhčíte utierky na mopovanie.

Turbokartáč môžete použiť na tvrdé povrchy.

### 3 Prevádzka



**VAROVANIE:** Nepoužívajte mopovací nadstavec na koberec.



**VAROVANIE:** Do zásobníka na vodu mopu nedávajte bielidlá ani veľmi bublinkové tekuté čistiace prostriedky.



**VAROVANIE:** Po použití zatvorte poistku proti odkvapkávaniu a vyberte mopovací nadstavec.



**VAROVANIE:** Odstráňte mopovací nadstavec hneď po skončení jeho používania, aby ste zabránili poškodeniu drevených podláh.



**VAROVANIE:** Po skončení vytierania vyprázdňte zvyšnú vodu zo zásobníka na vodu mopovacieho nástavca a zásobník vysušte.



Utierky na mopovanie je možné prať v práčke.



**VAROVANIE:** Keďže z nádržky môže striekať voda, nezdvíhajte hlavu ani sa nad ňu nenakláňajte.

## 4 Čistenie a starostlivosť

Pred čistením prístroj vypnite a odpojte od elektrickej siete.

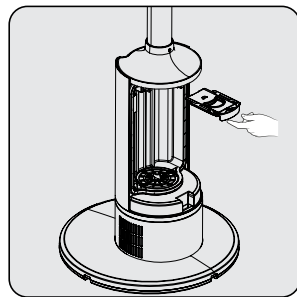
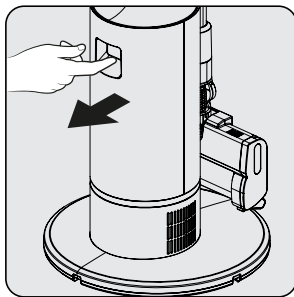
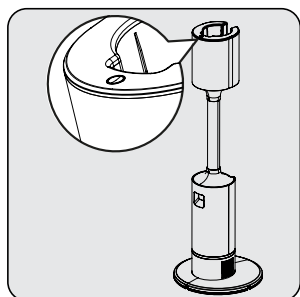


**VAROVANIE:** Na čistenie spotrebiča nikdy nepoužívajte benzín, rozpúšťadlá, abrazívne čistiace prostriedky, kovové predmety ani tvrdé kefy.



**VAROVANIE:** Filtre sa môžu používaním časom zdeformovať. Vymieňajte takéto filtre, aby sa zachoval ich výkon. Ak chcete objednať nové filtre, kontaktujte zákaznícky servis.

### 4.1 Výmena vrečka na prach



Keď červené kontrolné tlačidlo na automatickej stanici na vyprázdňovanie prachu svieti červeno, skontrolujte, či je vrečko na prach plné alebo nie.

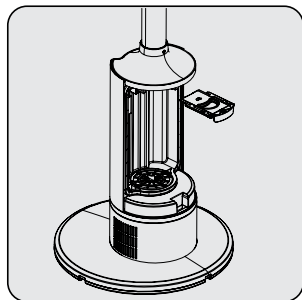
Otvorte kryt proti prachu na automatickej stanici na vyprázdňovanie prachu.

Vrečko na prach vytiahnite z nádoby pomocou rúkovače.

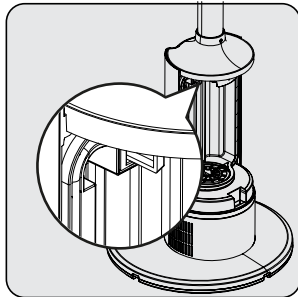


**VAROVANIE:** Ak nie je vrečko na prach plné, skontrolujte, či sa niečo nezaseklo v nádobe, v tyči alebo na kefe.

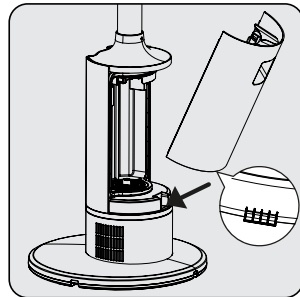
## 4 Čistenie a starostlivosť



Vymeňte vrecko na prach za nové.



Vrecko na prach zasuňte pomocou rukoväte a zatlačte.

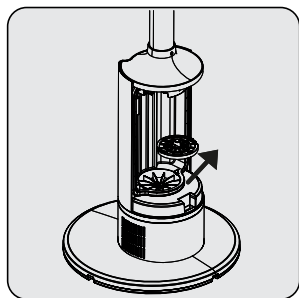


Zatvorte kryt proti prachu na automatickej stanici na vyprázdňovanie prachu.

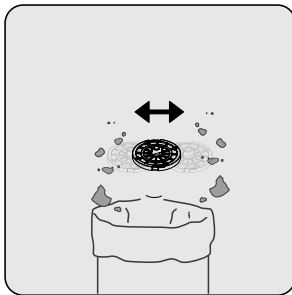


**VAROVANIE:** Vrecká na prach nie sú opakovane použiteľné.

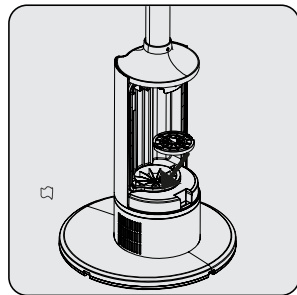
### 4.2 Čistenie nádoby na prach a filtrov



Otočte a vyberte prachový filter.



Predný filter vyčistite pretrepaním, aby ste odstránili prach.



Vložte predný filter späť a otočením ho zaistite.



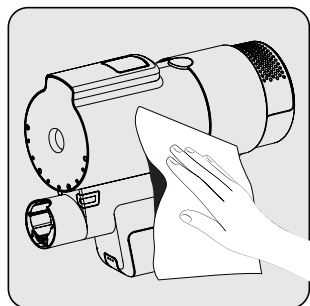
**VAROVANIE:** HEPA filter neumývajte.



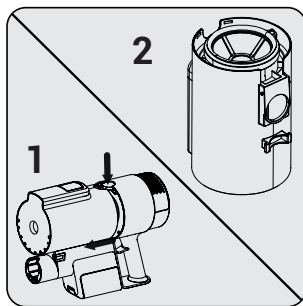
Odporúčame čistiť nádobu na prach po každom použití.



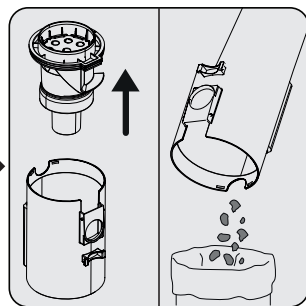
## 4 Čistenie a starostlivosť



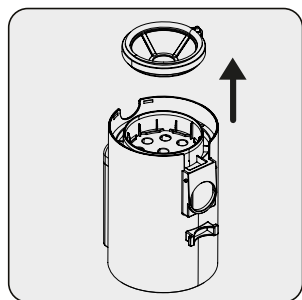
Telo spotrebiča utrite vlhkou handričkou.



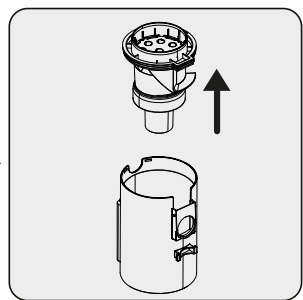
Stlačte tlačidlo uvoľnenia nádoby na prach a vyberte nádobu.



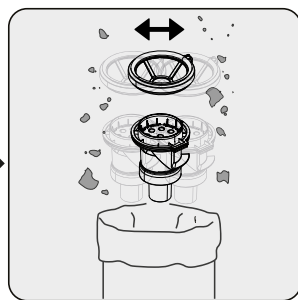
Vyberte multicyklónový filter a vyčistite prach v nádobe na prach.



Ak chcete filter vyčistiť dôkladnejšie, vytiahnite prednú časť filtra nahor a vyberte ju.

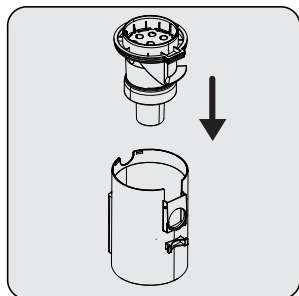


Vytiahnite časť multicyklónového filtra nahor.

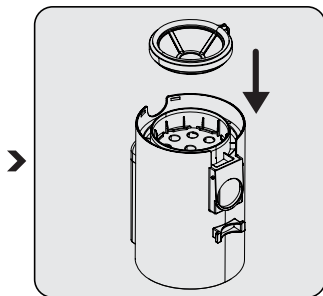


Multicyklón a predný filter vyčistite pretrepaním, aby sa odstránil prach.

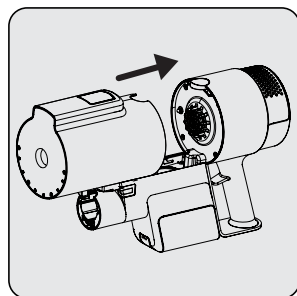
## 4 Čistenie a starostlivosť



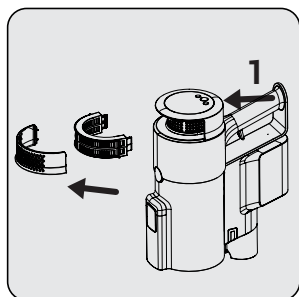
Pripevnite porézny filter k nádobe na prach.



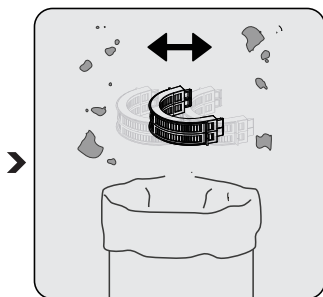
Pripevnite predný filter k poréznemu filteru.



Aby zadná časť nádoby na prach dobre sedela na telese, vložte nádobu najprv do tela a potom do oblasti tlačidla.



Ak chcete vyčistiť filter EPA 12, stlačte tlačidlo (1) a vyberte časť filtra.



Filter EPA 12 vyčistíte pretrepaním, aby sa z neho odstránil prach.

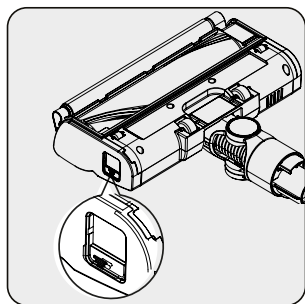
## 4 Čistenie a starostlivosť

### 4.3 Čistenie kief

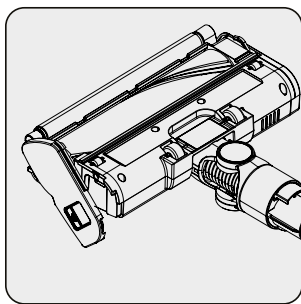
#### 4.3.1 Čistenie kefy na tvrdé podlahy



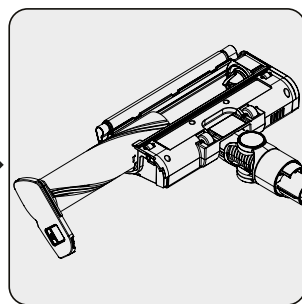
**VAROVANIE:** Neumývajte turbo kefu alebo hlavný valec.



Plastovú kefu valčeka odstráňte stlačením tlačidla a jej vysunutím.



Poklepte valčekom o tvrdý povrch alebo použite kefu na odstránenie prachu. Odstrihnite všetky zapletené vlasy atď.



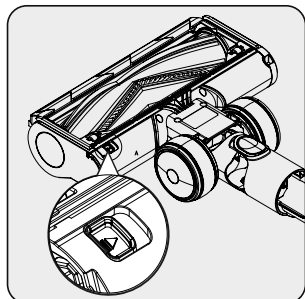
Zatlačte valček späť na miesto.

## 4 Čistenie a starostlivosť

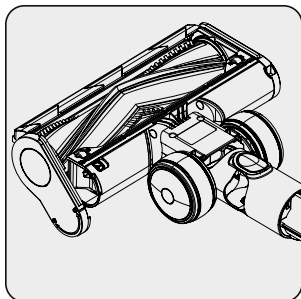
### 4.3.2 Čistenie prídavnej kefy na koberce



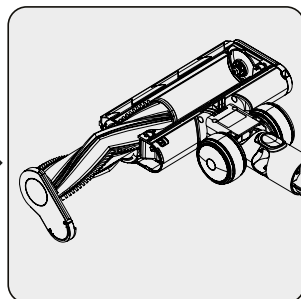
**VAROVANIE:** Neumývajte turbo kefu alebo hlavný valec.



Plastovú kefu valčeka odstráňte stlačením tlačidla a jej vysunutím.



Poklepte valčekom o tvrdý povrch alebo použite kefu na odstránenie prachu. Odstrihnite všetky zapletené vlasy atď.



Zatlačte valček späť na miesto.

### 4.4 Skladovanie

- Ak nemáte v úmysle spotrebič dlhší čas používať, starostlivo ho uskladnite.
- Odpojte spotrebič od elektrického napätia.
- Dbajte na to, aby bol spotrebič mimo dosahu detí.
- Batériu skladujte na nevodivom materiáli a nedovoľte, aby sa batéria dostala do priameho kontaktu s kovom. V opačnom prípade by sa batéria mohla poškodiť.
- Ak sa ho nechystáte dlhší čas používať, uložte ho s batériou nabitou aspoň do polovice. Batériu úplne nenabíjajte ani nevybíjajte. Spotrebič by ste mali nabíjať aspoň raz za 3 mesiace.

### 4.5 Preprava a manipulácia

- Spotrebič prepravujte v pôvodnom obale. Obal chráni spotrebič pred fyzickým poškodením.
- Na spotrebič alebo jeho obal nekladte ťažké predmety. V opačnom prípade by sa spotrebič mohol poškodiť.
- Ak spotrebič spadne, nemusí fungovať alebo môže dôjsť k jeho trvalému poškodeniu.

## 5 Riešenie problémov

PROBLÉM	MOŽNÁ PRÍČINA	RIEŠENIE
Nefunguje.	Batéria je vybitá.	Nabite ho.
	Batéria môže byť nesprávne vložená.	Vyberte batériu a znova ju nainštalujte.
	Sacie pripojenie je zablokované.	Rozložte spotrebič na telo, kefu a tyč. Skontrolujte a vyčistite pripojovacie body.
Sací výkon je nízky.	Zásobník na prach je plný.	Vyčistite prachovú nádobu a filtre.
	Možno ste dosiahli periódu čistenia filtrov.	Vyčistite filtre.
	Filtre sa môžu v dôsledku prevádzky zdeformovať a môže nastať doba ich výmeny.	Ak chcete kúpiť nový filter, obráťte sa na zákaznícky servis.
	Vstupná pena motora nebola vyčistená.	Vyčistite filtre a nabite prístroj.
	Turbokartáč sa netočí. Vlasy a podobné materiály sa mohli zamotať na rotujúcom valci turbo kefy.	Vyčistite valček turbo kefy.

## 5 Riešenie problémov

Z motora vychádza rušivý hluk.	Sacie pripojenie je zablokované.	Rozložte spotrebič na telo, kefu a tyč. Skontrolujte a vyčistite pripojovacie body.
	Niečo sa mohlo zaseknúť medzi zásobníkom prachu a filtrom.	Otvorte zásobník na prach a skontrolujte oblasť filtra.
Vysávač sa nedá nabiť.	Vysávač nie je správne usadený v nabíjacom doku.	Umiestnite vysávač do nabíjacieho doku. Uistite sa, že je správne usadený. Skontrolujte pripojenie.
Funguje veľmi krátko po nabití.	Za danú dobu sa nenabil.	Nabíjajte 3 - 4 hodín podľa pokynov.
	Vstupná pena motora nebola vyčistená.	Vyčistite filtre a nabite prístroj.
	Životnosť batérie je znížená.	Ak chcete kúpiť novú batériu, kontaktujte zákaznícky servis.
Automatická čistiaca stanica nefunguje.	Možno nie je zapojená.	Uistite sa, že je zapojená.
Automatická stanica na čistenie prachu sa zastaví hneď po spustení.	Vrecko na prach je plné.	Vymeňte vrecko na prach za nové.
	Možno je čas vyčistiť vstupný filter motora automatickej čistiacej stanice.	Vyčistite filter a stlačte tlačidlo automatického čistenia.
	Sací kanál vysávača môže byť zablokovaný.	Vyčistite nádobu na prach ručne a skontrolujte ju.
Spotrebič pri čistení vydáva hlasné a tiché zvuky.	Môže vydávať rôzne zvuky v závislosti od čisteného materiálu.	Po dokončení čistenia skontrolujte nádobu na prach.

# Ве молиме најнапред прочитајте го ова упатство!

Почитуван кориснику,

Ви благодариме што го купивте овој производ од марката Веко. Сакаме да го извлечете максимумот од овој висококвалитетен производ направен со најнова технологија. Целосно прочитајте ги овие упатства и приложените документи пред да ја користите и чувајте ги за да се повикате на нив во иднина. Ако производот го дадете на друго лице, дајте му го и ова упатство за употреба. Внимавајте на сите предупредувања и информации дадени во упатството и следете ги упатствата.

## Симболи и нивното значење

Овие симболи се користат во овој прирачник:



Важни информации и корисни совети за користење на апаратот.



**ПРЕДУПРЕДУВАЊЕ:** Предупредувања за опасни ситуации поврзани со безбедноста на човечкиот живот и на материјалниот имот.



Има заштита од електричен удар

# 1 Важни упатства за безбедноста и животната средина

Овој дел содржи упатства за да се избегнат опасности што можат да водат до физички повреди или оштетување на материјалниот имот.

Ако не ги следите овие упатства, сите гаранции за овој апарат ќе бидат поништени.

## 1.1 Општа безбедност

- Овој апарат е во согласност со меѓународните стандарди за безбедност.
- Овој уред може да го користат деца над 8 години, како и лица со намалени физички, сетилни или ментални способности или не се доволно искусни, но само ако се под надзор или се упатени како безбедно да го користат уредот и ги разбираат опасностите што се вклучени притоа. Децата не смеат да си играат

со апаратот. Децата не смеат да го чистат или одржуваат апаратот освен ако не се под надзор.

- Не го користете уредот ако електричниот кабел или самиот уред се оштетени. Јавете се во овластениот сервис.
- Проверете дали напојувањето се совпаѓа со информациите на табличката/етикетата со спецификации на апаратот.
- Апаратот не смее да се користи со продолжителен кабел.
- За да не се оштети електричниот кабел, внимавајте да не се притиска, превиткува или трие од остри рабови.
- Не ракувајте со апаратот или неговиот приклучок со мокри раце додека е вклучен во штекер.
- Не го влечете кабелот



## 1 Важни упатства за безбедноста и животната средина

- кога го вадите од штекер.
- Не ја користете правосмукалката за всмукување запаливи материјали и погрижете се пепелта од цигари да е изладена пред да ја исчистите со правосмукалката.
  - Не вшмукувајте вода и други течности.
  - Заштитете го апаратот од дожд, влага и извори на топлина.
  - Не го користете апаратот во или близу до експлозивни или запаливи средини и супстанции.
  - Пред да го чистите или одржувате апаратот, исклучете го од штекер.
  - Не чистете го апаратот или кабелот за напојување со потопување во вода.
  - Не го расклопувајте апаратот.
  - Користете оригинални делови или делови што ги препорачува производителот.
  - За да спречите блокирање на филтерот или оштетување на моторот, не всмукувајте цемент, малтер или делови од компримирана хартија.
  - Користете го апаратот само со приложениот адаптер.
  - Не го користете апаратот без филтри инаку може да се оштети.
  - Ако ја чувате амбалажата, нека биде вон дофат на деца.
  - Овој апарат не е наменет да го користат лица, вклучително и деца, со сензорни или ментални пречки или со недостаток на искуство и знаење, освен ако не се надгледувани од лица одговорни за нивната безбедност и не се поучени за неговата

# 1 Важни упатства за безбедноста и животната средина

употреба.

- Децата мора да се надгледуваат за да се спречат да си играат со апаратот.
- Отстранете ги адаптерот и групата батерии пред чистење и одржување.
- Оштетените адаптери треба да се заменат од производителот, овластениот сервисен центар или овластен техничар за да се избегнат потенцијални опасности.
- Држете ги прстите, косата и лежерната облека подалеку од подвижните делови или отворите кога ракувате со правосмукалката.
- Отстранете ги батериите пред да го фрлите апаратот.
- Пред да ја отстраните батеријата, исклучете го апаратот од штекер.
- Дотраените батерии фрлете ги во согласност со локалните закони и прописи.
- Батериите во апаратот смее да ги замени само овластено лице.
- Овој апарат не е наменет за комерцијална употреба. Овој апарат е наменет за домашна, а не за комерцијална употреба како што се:
  - Чајни кујни за вработените во продавници, канцеларии и други работни простории
  - Фарми
  - За гости во хотели, мотели и други објекти за сместување
  - „B&B“ хотели и слични места.
- Овој апарат не смее да го користат лица со ограничени физички, сетилни и когнитивни способности или на кои им недостига искуство и знаење, освен ако не се надгледувани или

# 1 Важни упатства за безбедноста и животната средина

упатени за неговото работење.

- Децата мора да се надгледуваат за да се спречат да си играат со апаратот.
- Не ставајте ја слушалката на масата; Ви препорачуваме да ја прикачите ѕидната основа за полнење по чистењето.

## 1.2 Усогласеност со Директивата за отпадна електрична и електронска опрема и фрлање на отпадниот производ



Овој апарат е во согласност со Директивата на ЕУ за отпадна електрична и електронска опрема (2012/19/EU). Овој апарат носи симбол за класификација на отпадна електрична и електронска опрема (WEEE). Овој симбол покажува дека апаратот не смее да се фрла со другиот отпад од домаќинството на крајот од неговиот животен век. Апаратот мора да се врати во официјален собирен пункт за рециклирање електрична и електронска опрема. Контакттирајте со општината или продавачот каде

што сте го купиле апаратот за да дознаете повеќе за системите за собирање. Секој дом има важна улога во враќањето или рециклирањето на старите апарати. Соодветното фрлање на користениот апарат помага да се спречат потенцијалните негативни последици по околината и по човечкото здравје.

## 1.3 Информации за амбалажата



Амбалажата на производот е направена од рециклирачки материјали во согласност со државните закони за животна средина. Не ги фрлајте материјалите од амбалажата заедно со отпадот од домаќинството или со друг отпад. Однесете ги овие материјали во пунктот за собирање материјали од амбалажа одреден од локалните надлежни органи.

# 1 Важни упатства за безбедноста и животната средина

## 1.4 Информации за отпадните батерии



Овој симбол што се наоѓа на батериите/батериите што може да се полнат или нивното пакување покажува дека батеријата/батеријата што може да се полни не смее да се меша со отпадот од домаќинството. Одредени батерии/батерии што може да се полнат може да носат и хемиски симбол покрај овој симбол. Исто така, симболите за жива (Hg) или олово (Pb) се наведени ако батериите/батериите што може да се полнат содржат повеќе од 0.0005% жива или повеќе од 0.004% олово.

Батериите/батериите што може да се полнат, вклучувајќи ги и оние без тешки метали, не смеат да се фрлаат заедно со отпадот од домаќинството. Секогаш фрлајте ги искористените батерии во согласност со локалните еколошки прописи. Дознајте ги важечките прописи за отпад каде што живеете.

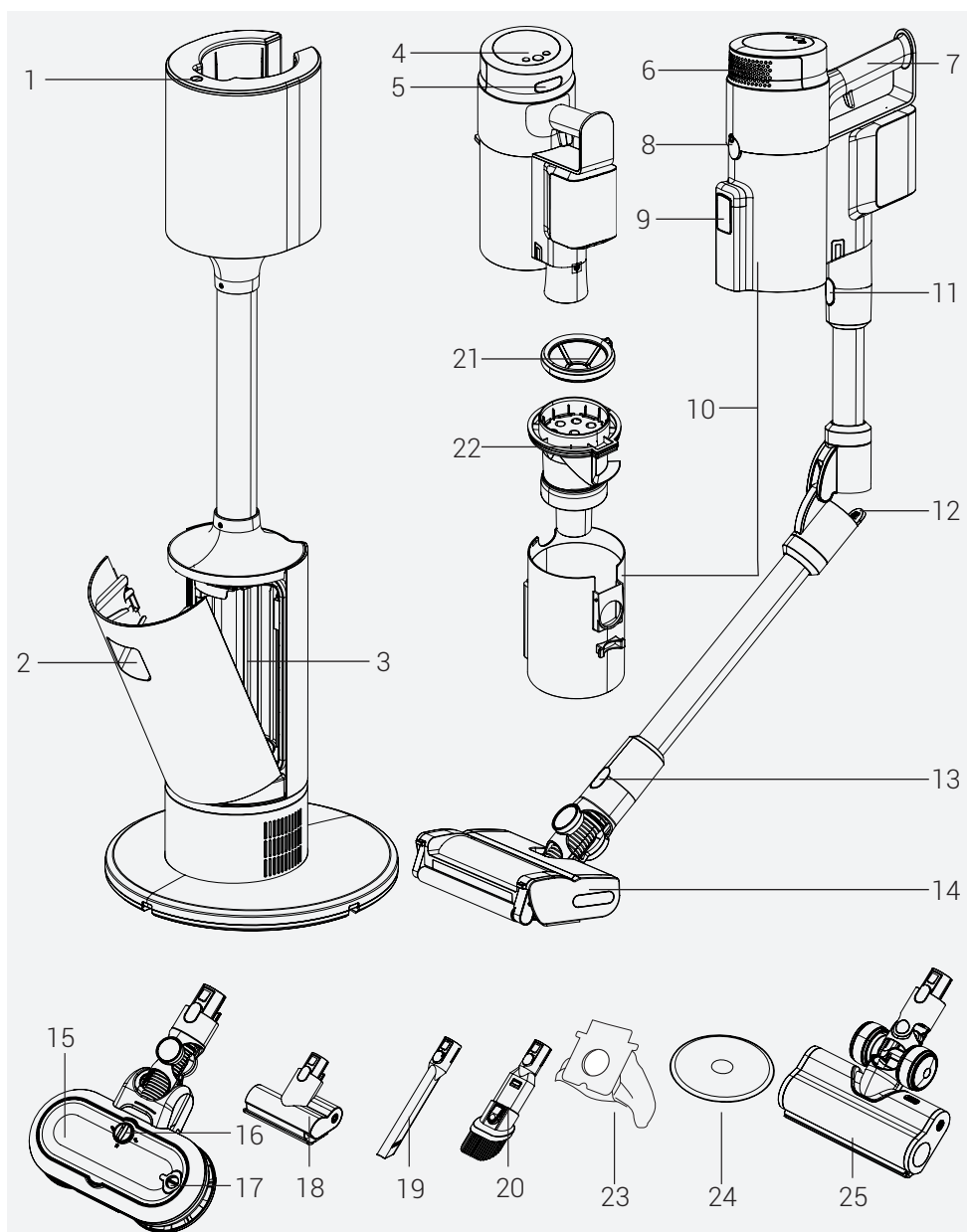
## 1.5 Што можете да направите за да заштедите енергија

- Користете ја поставката за брзина што е најсоодветна за површината за да заштедите енергија кога го користите апаратот.
- Во нормални услови, тврдите површини, завесите и мебелот бараат мала брзина, а теписите бараат голема брзина.

## 1.6 Усогласеност со Директивата за рестрикција на опасни супстанции (RoHS)

Апаратот што го купивте е во согласност со RoHS директивата на ЕУ (2011/56/EU) Не ги содржи штетните и забранетите супстанции наведени во директивата.

## 2 Преглед



## 2 Преглед

### 2.1 Контроли и компоненти

1. Копче за управување со станицата за полнење
2. Рачка за отворање на капакот на кесата за прав
3. Сад за кесата за прав
4. ЛЕД-екран и копчиња за управување
5. Копче за ослободување на капакот на хепа-филтерот
6. Капак за хепа-филтерот
7. Рачка
8. Копче за ослободување на садот за прав
9. Капак за празнење на правта
10. Чашка за правта
11. Копче за вадење на палката
12. Копче за искривување на палката
13. Копче за вадење на четката
14. Цврста подна четка со двоен валјак за длабоко чистење
15. Четка за турбо триење
16. Заклучување за капнување вода
17. Чашка за полнење вода
18. Четка за влакна од миленици
19. Додаток за кошови
20. Четка за прашина
21. Преден филтер за садот за прашина
22. Мултициклонски филтер
23. Кеса за прав x 3
24. Крпа за бришење x 4
25. Дополнителна четка за тепих

### 2.2 Технички податоци

<b>Номинална моќност</b>	450 W
<b>Номинална моќност на станицата за автоматско чистење</b>	900 W
<b>Влезна моќност на станицата за автоматско чистење</b>	220 - 240 V~ 50-60 Hz
<b>Излезна моќност на станицата за автоматско чистење</b>	30,7 V $\equiv$ 0,8 A
<b>Време на полнење</b>	3-4 часа
<b>Време на работење при максимална моќност</b>	10 минути
<b>Време на работење при средна моќност</b>	30 минути
<b>Време на работење при минимална моќност</b>	60 минути

Производителот го задржува правото да направи технички и дизајнерски промени.

Вредностите доставени со апаратот или придружната документација се лабораториски отчитувања според релевантните стандарди. Овие вредности може да се разликуваат во зависност од работењето и условите на околината.

## 2 Преглед

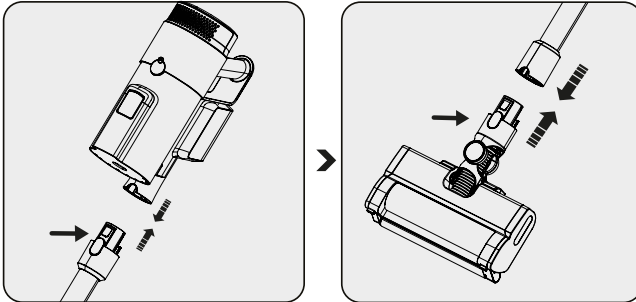
Тип на користење	Брзина	Време на работење	
Режим на вертикална правосмукалка	Минимална брзина	До 38 минути	
	Средна брзина	До 25 минути	
	Максимална брзина	До 10 минути	
Режим за правосмукалка што се држи во рака (Со додатоци без напојување)	Минимална брзина	До 60 минути	
	Средна брзина	До 30 минути	
	Максимална брзина	До 10 минути	

## 3 Работење со апаратот

### 3.1 Намена

Овој апарат е наменет само за домашна употреба и не е погоден за индустриска употреба.

### 3.2 Прицврстување на телото и четката



Притиснете го копчето за вадење на палката и вметнете ја палката во телото како што е прикажано со стрелката.

Притиснете го копчето за ослободување на електричната турбо четка на електричната турбо четка и турнете ја во палката како што е прикажано со стрелката.

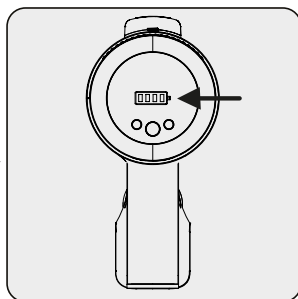
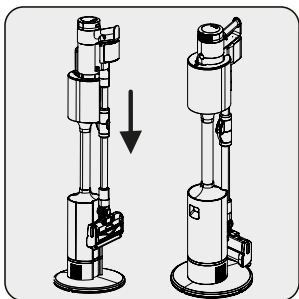
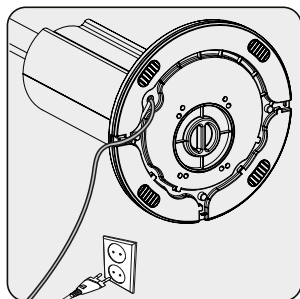


## 3 Работење со апаратот

### 3.3 Склопување и полнење на станицата за автоматско празнење прашина



**ПРЕДУПРЕДУВАЊЕ:** Наполнете ја батеријата целосно пред да го користите апаратот за прв пат или ако не сте го користеле долго време.



Приклучете ја станицата за полнење за автоматско празнење прашина.

Поставете го апаратот на подлогата за полнење.

Апаратот ќе почне да се полни автоматски штом ќе заврши со чистењето.

Штом ќе започне полнењето, на екранот можете да го видите нивото на полнење на батеријата. Кога сите нивоа на полнење на батеријата се осветлени, тоа значи дека полнењето е завршено.



Може да го притиснете копчето за управување со станицата за полнење за да го запрете автоматското чистење во секое време.



ЛЕД-екранот ќе се исклучи по некое време откако ќе заврши полнењето.



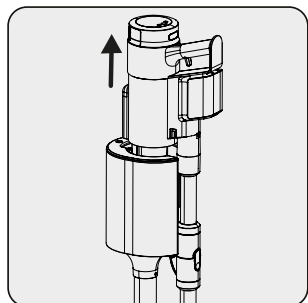
Потребни се 3 до 4 часа за апаратот целосно да се наполни. Не користете го апаратот додека се полни.



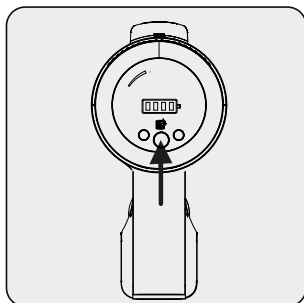
Ако апаратот работи, ќе престане да работи штом ќе го поставите на подлогата за полнење.

## 3 Работење со апаратот

### 3.4 Употреба

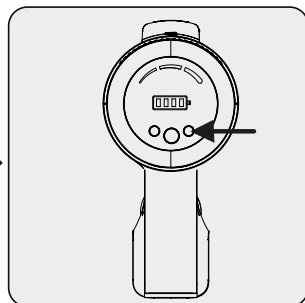


Подигнете го апаратот и оддалечете го од станицата за автоматско празнење прашина.



Притиснете го копчето за вклучување/исклучување за да го вклучите апаратот.

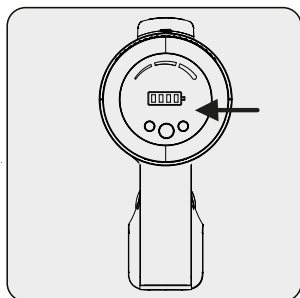
Кога ќе се притисне копчето за вклучување/исклучување, апаратот ќе почне да работи со минимална брзина.



Притиснете го копчето за да ја зголемите брзината. На екранот ќе се прикаже нивото на вшмукување што го користите (ниско/средно/високо). Притиснете на „+“ и „-“ за да ја зголемите брзината.

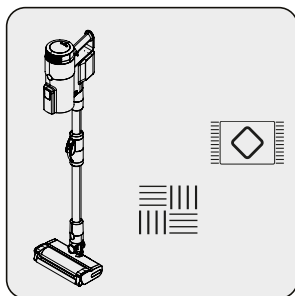


Можете да го поставите апаратот на подлогата за полнење пред целосно да се испразни. Апаратот може постојано да стои на подлогата за полнење до следното користење.

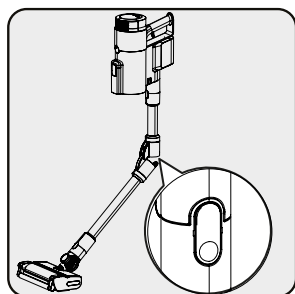


Внимавајте на нивоата на полнење кога го користите апаратот. Апаратот автоматски ќе престане кога ќе се потроши полнењето.

### 3 Работење со апаратот



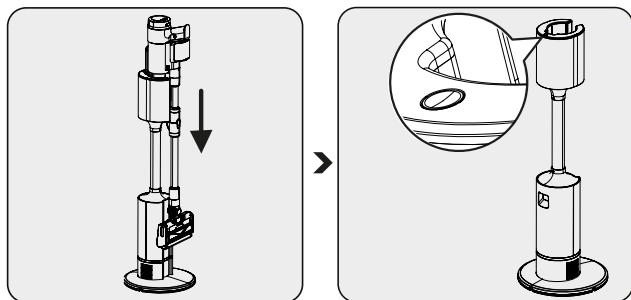
Овој апарат е погоден за чистење на теписи и цврсти површини.



Можете да ја свиткате палката за лесно да стигнете под столици и маси. Свиткајте ја палката со притискање на кружното копче лево.

## 3 Работење со апаратот

### 3.5 Ракување со станицата за автоматско чистење



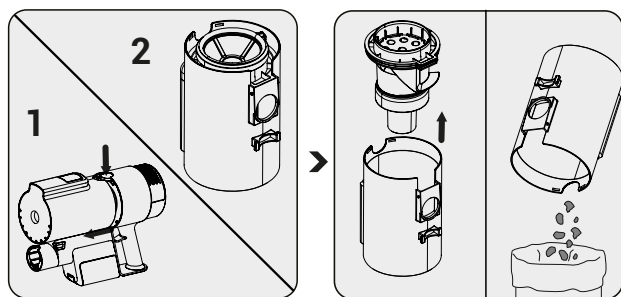
Кога ќе го ставите апаратот на станицата за автоматско чистење, садот за прашина автоматски ќе се испразни.

Копчето за управување на станицата за автоматско празнење прашина ќе трепка додека чистењето е во тек.

Можете да го притиснете копчето за управување на станицата за автоматско празнење прашина за да го запрете процесот на празнење прашина во секое време.



Прашина, коса, конци и слични предмети може да се заплеткаат околу мултициклонскиот филтер, спречувајќи го садот целосно да се испразни. Во овој случај, треба рачно да го исчистите садот за прашина како што е прикажано подолу.

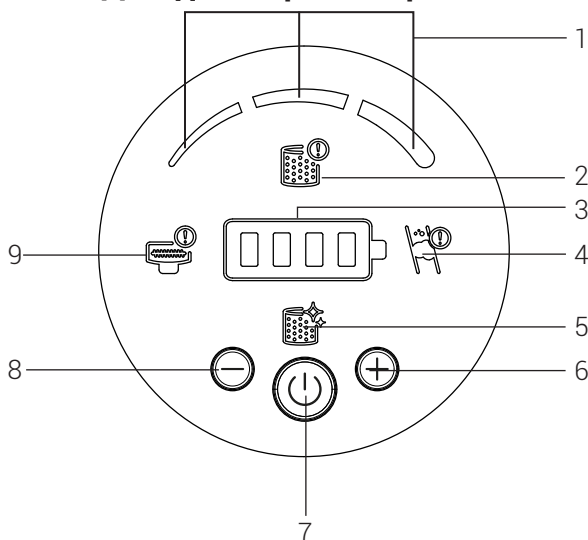


Притиснете го копчето за ослободување на садот за прашина и отстранете го садот.

Извадете го мултициклонскиот филтер и исчистете ја прашина во садот за прашина.

## 3 Работење со апаратот

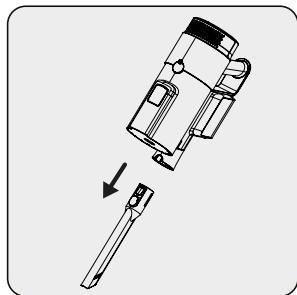
### 3.6 ЛЕД-индикатори на екранот



1. Ниво на всмукување
2. Овој симбол го предупредува корисникот кога предниот филтер не е прикачен и заради сопствена заштита, апаратот нема да се вклучи додека не се прикачи. Погрижете се филтерот да биде прикачен.
3. Ниво на полнење на батеријата
4. Ова покажува кога има затнување на воздухот. Проверете ја внатрешноста на палката и доводот за всмукување на телото за да видите дали некои непознати предмети предизвикуваат пречки.
5. Ова покажува кога предниот филтер треба да се исчисти.
6. Копче за брзина
7. Прекинувач Вклучено/Исклучено
8. Копче за приспособување на брзината
9. Ова покажува кога четката е заглавена и треба да се исчисти.

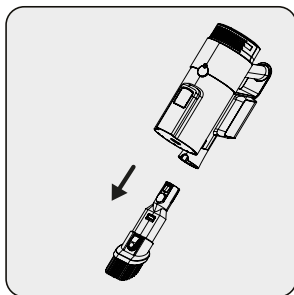
## 3 Работење со апаратот

### 3.7 Додатоци



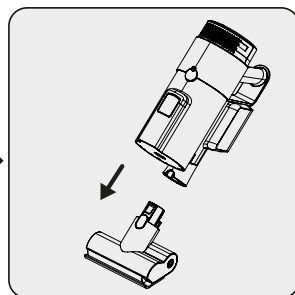
#### **Додаток за кошови:**

Погоден за чистење зад мебел, тешко достапни и тесни простори.



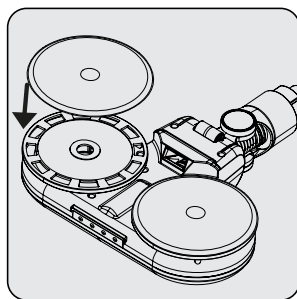
#### **Четка за прашина:**

Погодна за чистење завеси, софи, лакиран мебел и нежни и крвкли предмети.

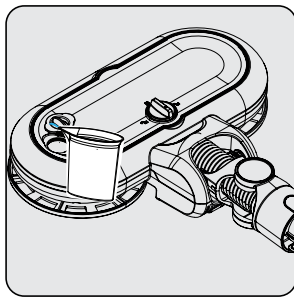


#### **Мини турбо четка за влакна од миленици:**

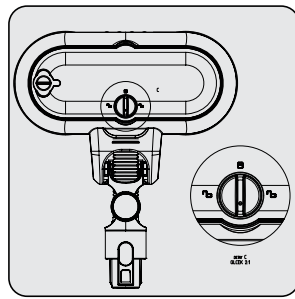
Погодна за метење подови, скали, внатрешни автомобили, каучи и софи. Се користи и за подигање влакна од миленици на такви површини.



Ставете ја крпата за џогер под четката.



Отворете го капачето за полнење на турбо четката за чистење за да ја наполните со вода.



Свртете ја бравата за капнување за да ги намокрите крпите за бришење.

Можете да ја користите четката за турбо триење на тврди површини.

### 3 Работење со апаратот



**ПРЕДУПРЕДУВАЊЕ:** Не користете го додатокот за џогирање на тепихот.



**ПРЕДУПРЕДУВАЊЕ:** Не ставајте белило или многу пенливи течни детергенти во резервоарот за вода на џогерот.



**ПРЕДУПРЕДУВАЊЕ:** Затворете ја бравата за капнување по употреба и извадете го додатокот за џогирање.



**ПРЕДУПРЕДУВАЊЕ:** Отстранете го додатокот за џогирање веднаш штом ќе завршите да го користите за да спречите оштетување на дрвените подови.



**ПРЕДУПРЕДУВАЊЕ:** Испразнете ја преостанатата вода од резервоарот за вода на додатокот за џогирање откако ќе завршите со џогирање и исушете го резервоарот.



Крпите за џогирање може да се перат во машина.



**ПРЕДУПРЕДУВАЊЕ:** Бидејќи водата може да испрска надвор од резервоарот, не ја кревајте главата и не се навалувајте над него.

## 4 Чистење и нега

Исклучете го апаратот и извадете го кабелот од штекер пред да го чистите.

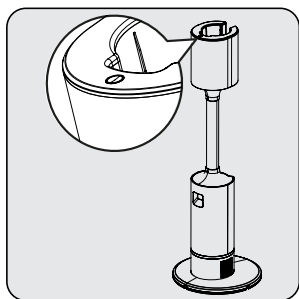


**ПРЕДУПРЕДУВАЊЕ:** Немојте да користите бензин, растворувачи, абразивни средства за чистење, метални предмети или тврди четки за да го исчистите апаратот.

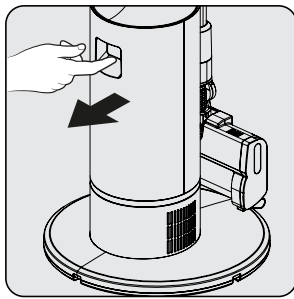


**ПРЕДУПРЕДУВАЊЕ:** Филтрите може да се деформираат со употреба со тек на време. Заменете ги таквите филтри за да ги одржите перформансите. Контактирајте со службата за корисници за да нарачате нови филтри.

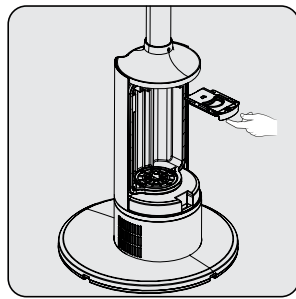
### 4.1 Менување на кесата за прашина



Кога црвеното копче за управување на станицата за автоматско празнење прашина свети црвено, проверете дали кесата за прашина е полна или не.



Отворете го капакот за прашина на станицата за автоматско празнење прашина.



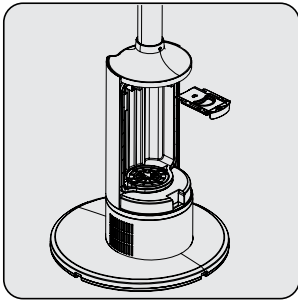
Извлечете ја вреќата за прашина од садот користејќи ја рачката.



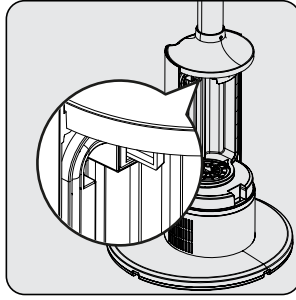
**ПРЕДУПРЕДУВАЊЕ:** Ако вреќата за прашина не е полна, проверете дали нешто е заглавено во садот, палката или на четката.



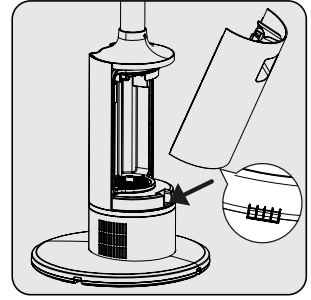
## 4 Чистење и нега



Заменете ја вреќата за прашина со нова вреќа.



Вметете ја вреќата за прашина користејќи ја рачката и турнете ја.

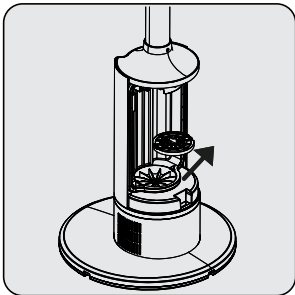


Затворете го капакот за прашина на станицата за автоматско празнење прашина.

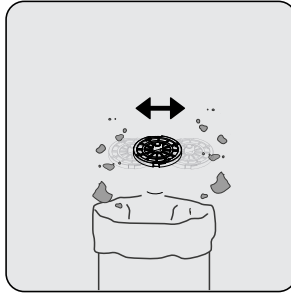


**ПРЕДУПРЕДУВАЊЕ:** Вреќите за прашина не се повеќекратно употребливи.

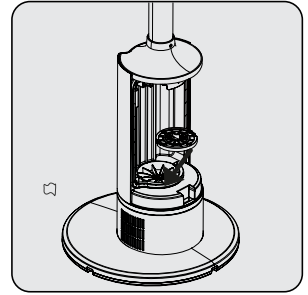
### 4.2 Чистење на садот за прашина и филтерите



Завртете и отстранете го филтерот за прашина.



Исчистете го предниот филтер со тресење за да ја исчистите прашината.



Ставете го предниот филтер назад и завртете го за да го прицврстите.

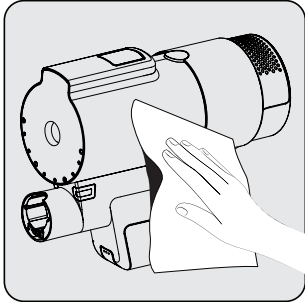


**ПРЕДУПРЕДУВАЊЕ:** Не мијте го ХЕПА филтерот.

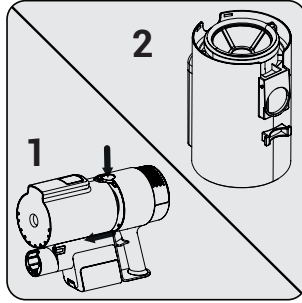


Ви препорачуваме да го чистите садот за прашина после секоја употреба.

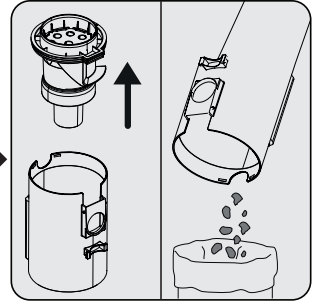
## 4 Чистење и нега



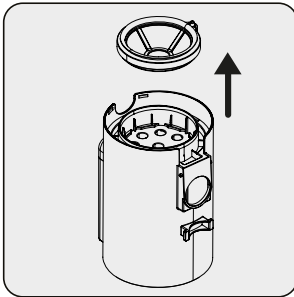
Избришете го телото на апаратот со влажна крпа.



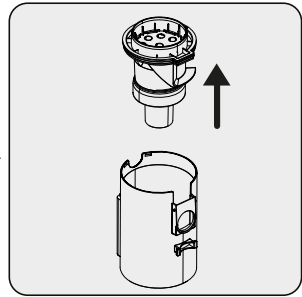
Притиснете го копчето за ослободување на садот за прашина и отстранете го садот.



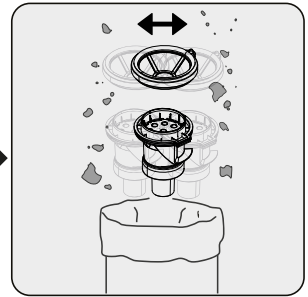
Извадете го мултициклонскиот филтер и исчистете ја прашина во садот за прашина.



За да го исчистите филтерот потемелно, повлечете го предниот дел од филтерот нагоре и извадете го.

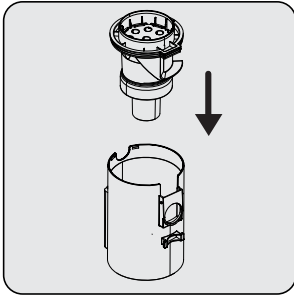


Повлечете го делот за мултициклонски филтер нагоре.

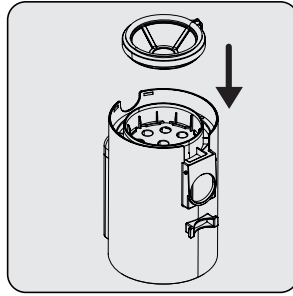


Исчистете го мултициклонскиот и предниот филтер со тресење за да ја исчистите прашина.

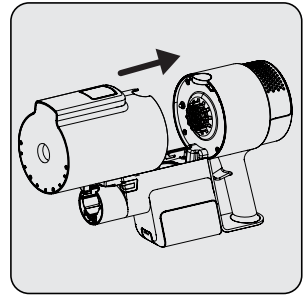
## 4 Чистење и нега



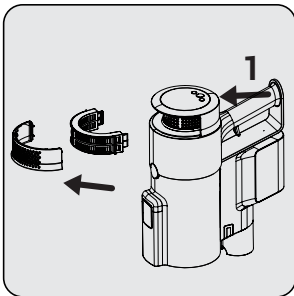
Прицврстете го порозниот филтер на садот за прашина.



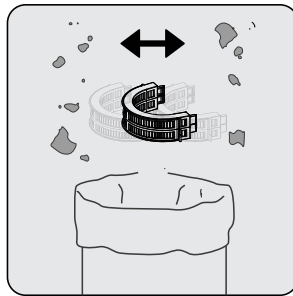
Прицврстете го предниот филтер на порозниот филтер.



За задниот дел од садот за прашина да седи уредно на телото, ставете го садот прво во телото, а потоа во областа на копчињата.



За да го исчистите филтерот EPA 12, притиснете го копчето (1) и извадете го делот за филтер.



Исчистете го филтерот EPA 12 со тресење за да ја исчистите прашина.

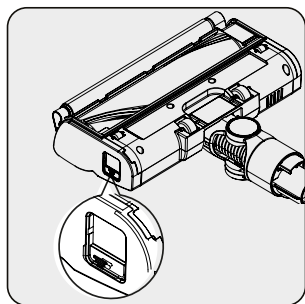
## 4 Чистење и нега

### 4.3 Чистење на четките

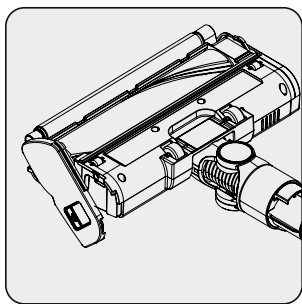
#### 4.3.1 Чистење на тврдиот под



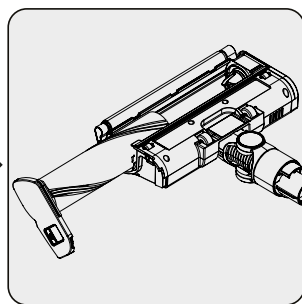
**ПРЕДУПРЕДУВАЊЕ:** Не мијте ја турбо четката или главниот валјак.



Отстранете ја пластиката на четката со валјаци со притискање на копчето, а потоа лизгајќи ја нанадвор.



Допрете го валјакот на тврда површина или користете четка за да ја исчистите прашината. Исечете ја заплетканата коса итн.



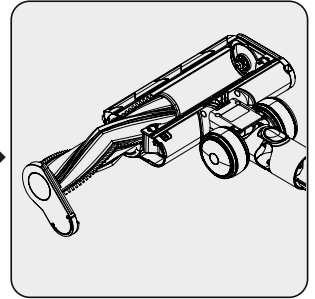
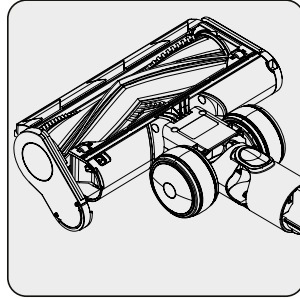
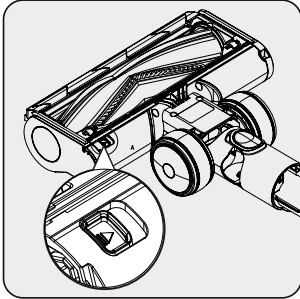
Турнете го валјакот назад на своето место.

## 4 Чистење и нега

### 4.3.2 Чистење на дополнителната четка за тепих



**ПРЕДУПРЕДУВАЊЕ:** Не мијте ја турбо четката или главниот валјак.



Отстранете ја пластиката на четката со валјаци со притискање на копчето, а потоа лизгајќи ја нанадвор.

Допрете го валјакот на тврда површина или користете четка за да ја исчистите прашината. Исечете ја заплетканата коса итн.

Турнете го валјакот назад на своето место.

### 4.4 Складирање

- Складирајте го апаратот внимателно ако немате намера да го користите долго време.
- Извадете го приклучокот од штекер.
- Погрижете се апаратот секогаш да биде вон дофат на деца.
- Складирајте ја батеријата врз материјал што не е проводник и не дозволувајте да дојде во директен допир со метал. Во спротивно, батеријата може да се оштети.
- Ако нема да го користите долго време, складирајте го наполнет барем до половина. Не ја полнете или празнете батеријата целосно. Треба да го полните апаратот најмалку еднаш на секои 3 месеци.

### 4.5 Транспортирање и носење

- Транспортирајте го апаратот во оригиналното пакување. Амбалажата ќе го заштити апаратот од физички оштетувања.
- Не ставајте тешки работи врз апаратот или врз амбалажата во која е спакуван. Во спротивно, апаратот може да се оштети.
- Ако апаратот падне, може да не работи или да претрпи трајно оштетување.

## 5 Решавање проблеми

ПРОБЛЕМ	МОЖНА ПРИЧИНА	РЕШЕНИЕ
Не работи.	Батеријата е празна.	Наполнете ја.
	Батеријата можеби е изместена.	Извадете ја батеријата и повторно наместете ја.
	Поврзувањето на правосмукалната е блокирано.	Расклопете го апаратот во куќиште, четка и палка. Проверете ги и исчистете ги местата каде што се спојуваат овие делови.
Силата на вшмукување е мала.	Садот за прашина е полн.	Исчистете ги садот за прашина и филтрите.
	Можеби дошло време за чистење на филтрите.	Исчистете ги филтрите.
	Филтрите можеби се деформирале од употреба и дошло време да се сменат.	Јавете се во сервисот за да купите нов филтер.
	Заштитната мека пена на моторот не е исчистена.	Исчистете ги филтрите и повторно наполнете го апаратот.
	Турбо четката не се врти. На ротациониот валјак на турбо четката можеби се заплеткале влакна и слични честички.	Исчистете ја ротационата турбо четка.
Од моторот се слуша чуден звук.	Поврзувањето на правосмукалната е блокирано.	Расклопете го апаратот во куќиште, четка и палка. Проверете ги и исчистете ги местата каде што се спојуваат овие делови.
	Можеби нешто се заглавило меѓу садот за прашина и филтерот.	Отворете го садот за прашина и проверете го местото каде што е филтерот.

## 5 Решавање проблеми

Правосмукалката не може да се наполни.	Правосмукалката не е соодветно ставена на подлогата за полнење.	Ставете ја правосмукалката на подлогата за полнење. Проверете дали е добро наместена. Проверете ја врската.
Работи само кратко време откако била наполнета.	Не се полнела соодветно време.	Полнете ја 3-4 часа, како што стои во упатството.
	Заштитната мека пена на моторот не е исчистена.	Исчистете ги филтрите и повторно наполнете го апаратот.
	Времетраењето на батеријата е намалено.	Јавете се во сервисот за да купите нова батерија.
Станицата за автоматско чистење не работи.	Можеби не е вклучена во штекер.	Погрижете се да е вклучена во штекер.
Станицата за автоматско чистење прашина запира веднаш што ќе се вклучи.	Вреќата за прашина е полна.	Заменете ја вреќата за прашина со нова вреќа.
	Можеби е време да се исчисти влезниот филтер на моторот на станицата за автоматско чистење.	Исчистете го филтерот и притиснете го копчето за автоматско чистење.
	Каналот за всмукување на правосмукалката може да е блокиран.	Исчистете го садот за прашина рачно и проверете го.
Апаратот испушта гласни и тивки звуци кога се чисти.	Може да испушта различни звуци во зависност од материјалот што се чисти.	Проверете го садот за прашина откако ќе заврши чистењето.

# Ju lutemi lexoni në fillim këtë manual!

I dashur klient,

Ju falënderojmë që keni blerë këtë produkt Beko. Ne dëshirojmë që të përfitoni sa më shumë nga ky produkt me cilësi të lartë i realizuar me teknologjinë më të fundit. Ju lutemi lexoni plotësisht këto udhëzime dhe dokumentet e bashkangjitura përpara se ta përdorni dhe mbajini ato për referencë. Nëse ia jepni dikujt tjetër këtë pajisje, jepini edhe këtë manual. Kini parasysh të gjitha paralajmërimet dhe informacionet që ndodhen në këtë manual dhe ndiqni udhëzimet.

## Simbolet dhe kuptimi i tyre

Këto simbole përdoren në këtë manual:



Informacione të rëndësishme dhe këshilla të dobishme për përdorimin e pajisjes.



**PARALAJMËRIM:** Paralajmërimet për situata të rrezikshme në lidhje me sigurinë e jetës dhe të pronës.



Klasa e mbrojtjes për goditjet elektrike





# 1 Udhëzime të rëndësishme për sigurinë dhe mjedisin

Kjo pjesë përmban udhëzime për shmangien e rreziqeve që mund të shkaktojnë lëndime ose dëmtime të pasurisë.

Mosndjekja e këtyre udhëzimeve do të anulojë të gjitha garancitë për këtë pajisje.

## 1.1 Siguria e përgjithshme

- Kjo pajisje është në përputhje me standardet ndërkombëtare të sigurisë.
- Kjo pajisje mund të përdoret nga fëmijët e moshës 8 vjeç e lart dhe nga personat me aftësi të kufizuara fizike, ndijore ose mendore të mungesës së përvojës, nëse ata mbikëqyren ose udhëzohen se si ta përdorin pajisjen në mënyrë të sigurt dhe të kuptojnë rreziqet e përfshira. Fëmijët nuk duhet të luajnë me pajisjen. Fëmijët nuk duhet të pastrojnë ose

mirëmbajnë pajisjen nëse nuk mbikëqyren.

- Mos e përdorni pajisjen nëse kabli i saj është i dëmtuar. Kontaktoni me shërbimin e autorizuar.
- Sigurohuni që energjia elektrike të përputhet me informacionin në pllakën/etiketën e të dhënave të pajisjes.
- Mos e përdorni pajisjen me një kabëll zgjatues.
- Për të shmangur dëmtimin e kordonit elektrik, parandaloni kapjen, shtrëngimin ose fërkimin e tij me skajet e mprehta.
- Mos e prekni pajisjen ose spinën e saj me duar të lagura kur e futni në prizë.
- Kur ta hiqni pajisjen nga priza, mos e tërhiqni nga kabli.
- Mos pastroni materiale të djegshme dhe sigurohuni që hiri i cigareve të jetë i ftohtë përpara se ta pastroni.

# 1 Udhëzime të rëndësishme për sigurinë dhe mjedisin

- Mos pastroni me fshesë ujë dhe lëngje të tjera.
- Mbrojeni pajisjen nga shiu, lagështia dhe burimet e nxehtësisë.
- Mos e përdorni pajisjen brenda ose afër mjediseve dhe substancave shpërthyesë ose të ndezshme.
- Hiqeni pajisjen nga priza para pastrimit dhe mirëmbajtjes.
- Mos e pastroni pajisjen ose kordonin elektrik duke e zhytur në ujë.
- Mos e çmontoni pajisjen.
- Përdorni vetëm pjesë origjinale ose pjesë të rekomanduara nga prodhuesi.
- Për të parandaluar bllokimin e filtrit ose dëmtimin e motorit, mos pastroni çimento, suva ose copa letre të ngjeshura.
- Përdoreni pajisjen vetëm me adaptorin e përfshirë.
- Mos e përdorni pajisjen pa filtrat, në rast të kundërt mund të dëmtohet.
- Nëse i mbani materialet e paketimit, ruajini ato në një vend larg fëmijëve.
- Kjo pajisje nuk është planifikuar për t'u përdorur nga persona, duke përfshirë fëmijë, me aftësi të kufizuara shqisore ose mendore ose me mungesë përvoja dhe njohurie, përveç rasteve kur ata mbikëqyren nga personat përgjegjës për sigurinë e tyre dhe udhëzohen për përdorimin e saj.
- Fëmijët duhet të mbikëqyren për të mos i lejuar të luajnë me pajisjen.
- Hiqni adaptorin dhe grupin e baterive përpara pastrimit dhe mirëmbajtjes.
- Adaptorët e dëmtuar duhet të zëvendësohen nga prodhuesi, qendra e autorizuar e shërbimit ose një teknik i autorizuar për të shmangur rreziqet e mundshme.

# 1 Udhëzime të rëndësishme për sigurinë dhe mjedisin

- Mbani gishtat, flokët dhe veshjet e lirshme larg pjesëve lëvizëse ose hapjeve kur përdorni fshesën me korrent.
- Hiqni bateritë përpara se ta hidhni pajisjen.
- Hiqeni pajisjen nga priza përpara se të hiqni baterinë.
- Hidhni bateritë e përdorura në përputhje me ligjet dhe rregulloret lokale.
- Bateritë në pajisje duhet të zëvendësohen vetëm nga persona të autorizuar.
- Kjo pajisje nuk është planifikuar për përdorim tregtar. Kjo pajisje është planifikuar për përdorim shtëpiak dhe jo komercial si më poshtë:
  - Në kuzhinat e personelit në dyqane, zyra dhe ambiente të tjera pune
  - Ferma
  - Nga klientët në hotele, motele dhe struktura të tjera akomoduese
- Në motele dhe vende të ngjashme.
- Kjo pajisje nuk duhet të përdoret nga persona me aftësi të kufizuara fizike, ndijore dhe njohëse ose të cilëve u mungon përvoja dhe njohuria, përveç rastit kur ata mbikëqyren ose janë udhëzuar në funksionimin e saj.
- Fëmijët duhet të mbikëqyren për të mos i lejuar të luajnë me pajisjen.
- Mos e vendosni celularin mbi tavolinë; Ne ju rekomandojmë të lidhni bazën e karikimit të montuar në mur pas pastrimit.

# 1 Udhëzime të rëndësishme për sigurinë dhe mjedisin

## 1.2 Përputhja me direktivën WEEE dhe asgjësimi i produktit



Kjo pajisje është në përputhje me direktivën e BE-së WEEE (2012/19/EU). Kjo pajisje ka një simbol klasifikimi për mbetjet e pajisjeve elektrike dhe elektronike (WEEE). Ky simbol tregon se kjo pajisje nuk duhet të hidhet pas përdorimit me mbeturina të tjera shtëpiake në fund të jetëgjatësisë së shërbimit. Pajisja duhet rikthyer në pikën zyrtare të grumbullimit për riciklimin e pajisjeve elektrike dhe elektronike. Kontaktoni me autoritetet lokale ose shitësin ku keni blerë pajisjen për të mësuar rreth sistemeve të grumbullimit. Çdo shtëpi ka një rol të rëndësishëm në rikuperimin ose riciklimin e pajisjeve të vjetra. Hedhja e pajisjes suaj të përdorur në mënyrën e duhur do të ndihmojë në parandalimin e efekteve të mundshme negative në mjedis dhe shëndetin e njeriut.

## 1.3 Informacione për paketimin



Paketimi i produktit është bërë me materiale të riciklueshme në përputhje me legjislacionin kombëtar. Mos i hidhni materialet e paketimit bashkë me mbeturinat familjare ose mbeturinat e tjera. Çojini këto materiale te pikat e grumbullimit për materialet e paketimit të përcaktuara nga autoritetet lokale.

## 1.4 Informacione për bateritë e përdorura



Ky simbol që gjendet tek bateritë/bateritë e rikarikueshme ose në paketimin e tyre tregon se bateria/bateria e rikarikueshme nuk duhet të përzihet me mbeturinat shtëpiake. Disa bateri/bateri të rikarikueshme mund të kenë gjithashtu një simbol kimik përveç këtij simboli. Simbolet e merkurit (Hg) ose plumbit (Pb) shtohen gjithashtu nëse bateritë/bateritë e rikarikueshme përmbajnë më shumë se 0,0005% merkur ose më shumë se 0,004% plumb.

Bateritë/bateritë e rikarikueshme, duke përfshirë ato pa metale të rënda, nuk duhet të hidhen së bashku me mbeturinat shtëpiake. Gjithmonë hidhni bateritë e përdorura në përputhje me rregulloret mjedisore lokale. Mësoni për rregulloret në fuqi për mbeturinat në vendin ku jetoni.

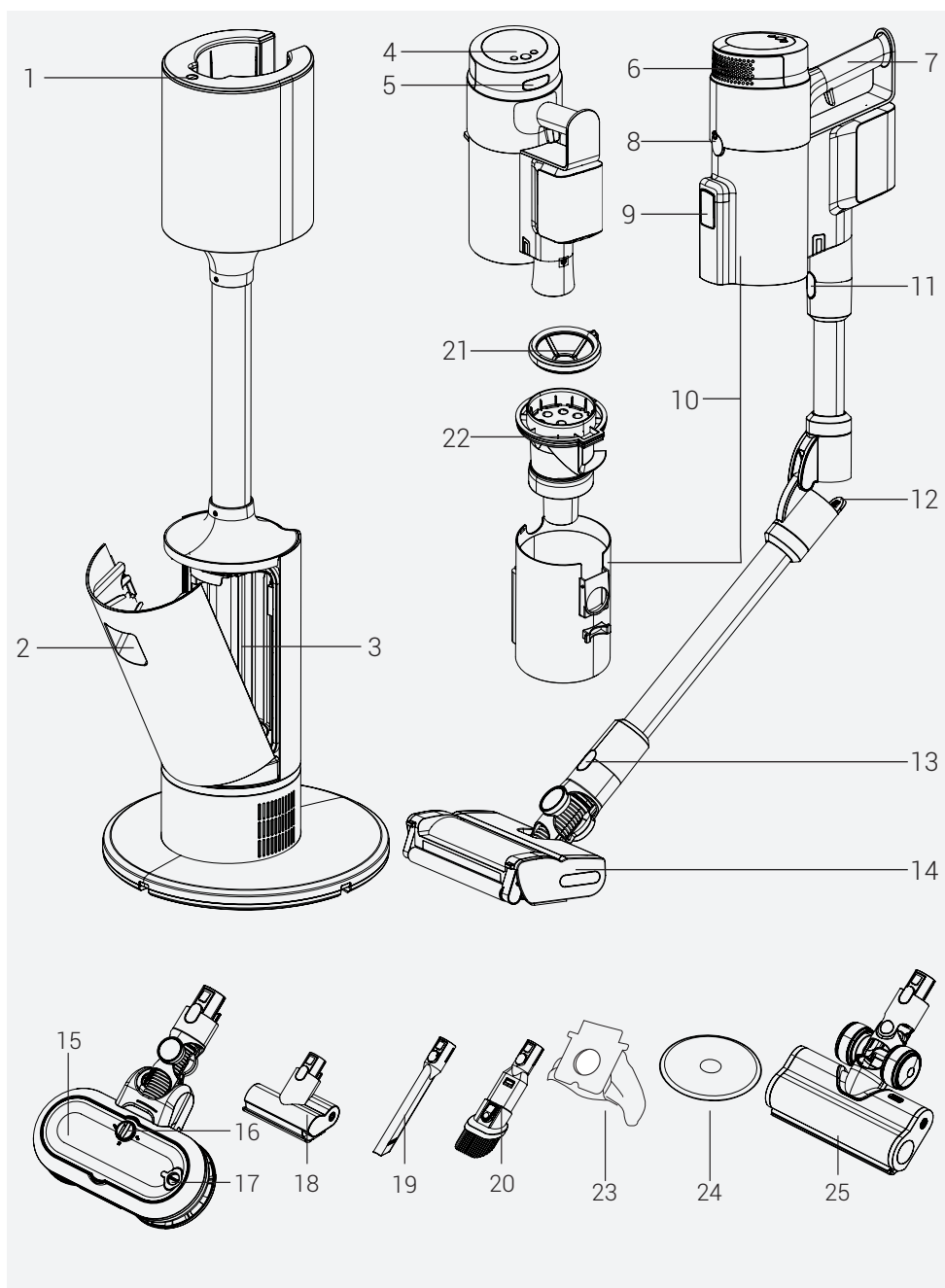
## 1.5 Çfarë mund të bëni për të kursyer energji

- Përdorni cilësimin e shpejtësisë më të përshtatshme për sipërfaqen për të kursyer energji kur përdorni pajisjen tuaj.
- Në kushte normale, sipërfaqet e forta, perdet dhe mobilet kërkojnë shpejtësi të ulët dhe tapetet kërkojnë shpejtësi të lartë.

## 1.6 Përputhja me Direktivën RoHS

Pajisja që keni blerë është në përputhje me Direktivën RoHS të BE-së (2011/56/EU). Ajo nuk përmban substanca të dëmshme dhe të ndaluara të specifikuara në direktivë.

## 2 Pamja e përgjithshme



## 2 Pamja e përgjithshme

### 2.1 Kontrollat dhe përbërësit

1. Butoni i kontrollit të stacionit të karikimit
2. Doreza e hapjes së kapakut të qeses së pluhurave
3. Mbajtësi i qeses së pluhurave
4. Ekran LED dhe butonat e kontrollit
5. Butoni i lëshimit të kapakut të filtrit HEPA
6. Kapaku i filtrit HEPA
7. Doreza
8. Butoni i lëshimit të kontejnerit të pluhurave
9. Kapaku për boshatisjen e pluhurave
10. Furçë dysHEMEJE e fortë me rul të dyfishtë për pastrim të thellë
11. Butoni i lëshimit të shkopit
12. Butoni i harkimit të shkopit
13. Butoni i lëshimit të furçës
14. Aksesori i furçës
15. Furça për pastrim turbo
16. Bllokimi për rrjedhjen e ujit
17. Kapaku për mbushjen me ujë
18. Furçë për qimet e kafshëve shtëpiake
19. Koka e cepave
20. Furçë për pluhura
21. Filtri i përparmë i kontejnerit të pluhurave
22. Filtri multi ciklon
23. Qese pluhurash x 3
24. Pecetë pastrimi x 4
25. Furçë shtesë për tapetin

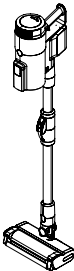
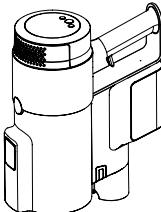
### 2.2 Të dhënat teknike

<b>Fuqia nominale</b>	450 W
<b>Fuqia nominale e stacionit të pastrimit automatik</b>	900 W
<b>Hyrja e fuqisë së stacionit të pastrimit automatik</b>	220 - 240 V~ 50-60 Hz
<b>Dalja e fuqisë së stacionit të pastrimit automatik</b>	30,7 V $\approx$ 0,8 A
<b>Koha e karikimit</b>	3-4 orë
<b>Periudha e përdorimit me fuqi maksimale</b>	10 minuta
<b>Periudha e përdorimit me fuqi mesatare</b>	30 minuta
<b>Periudha e përdorimit me fuqi minimale</b>	60 minuta

Prodhuesi rezervon të drejtën për të bërë ndryshime teknike dhe të projektimit.

Vlerat e dhëna me pajisjen ose dokumentacionin shoqërues janë lexime laboratorike sipas standardeve përkatëse. Këto vlera mund të ndryshojnë në varësi të funksionimit dhe kushteve të ambientit.

## 2 Pamja e përgjithshme

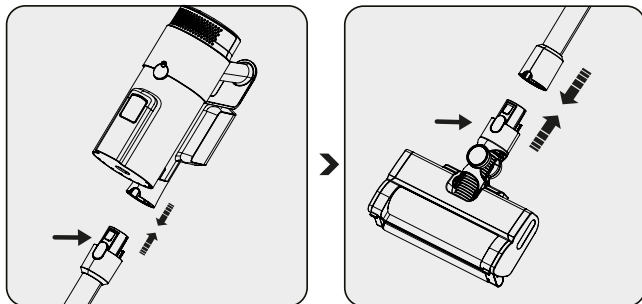
Lloji i përdorimit	Shpejtësia	Koha e përdorimit	
Modaliteti i fshesës me korrent vertikale	Shpejtësi minimale	Deri në 38 minuta	
	Shpejtësi mesatare	Deri në 25 minuta	
	Shpejtësi maksimale	Deri në 10 minuta	
Modaliteti manual (Me aksesorë pa energji)	Shpejtësi minimale	Deri në 60 minuta	
	Shpejtësi mesatare	Deri në 30 minuta	
	Shpejtësi maksimale	Deri në 10 minuta	

## 3 Përdorimi

### 3.1 Përdorimi i synuar

Pajisja është projektuar vetëm për përdorim në shtëpi dhe nuk është e përshtatshme për përdorim profesional.

### 3.2 Lidhja e trupit dhe furçës



Shtypni butonin e lëshimit të shkopi dhe futeni shkopin në trup siç tregohet nga shigjeta.

Shtypni butonin e lëshimit të furçës elektrike turbo në furçën elektrike turbo dhe shtyjeni atë te shkopi siç tregohet nga shigjeta.

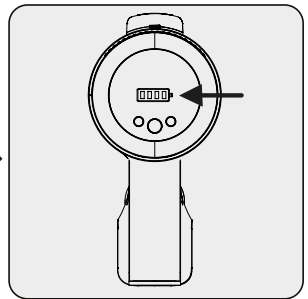
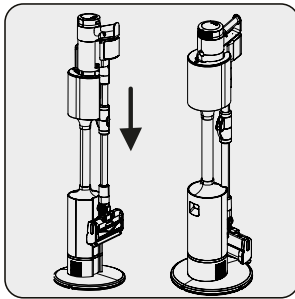
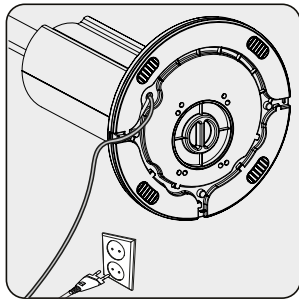


## 3 Përdorimi

### 3.3 Montimi dhe karikimi i stacionit me zbrazje automatike të pluhurave



**PARALAJMËRIM:** Karikoni plotësisht baterinë përpara se ta përdorni pajisjen për herë të parë ose nëse nuk e keni përdorur për një kohë të gjatë.



Lidhe stacionin automatik të karikimit për zbrazjen e pluhurit.

Vendoseni pajisjen te stacioni i karikimit.

Pajisja do të fillojë të karikohet automatikisht sapo të përfundojë pastrimi.

Pasi të fillojë karikimi, mund të shikoni nivelin e karikimit të baterisë në ekran. Kur të gjitha nivelet e karikimit të baterisë janë ndezur, kjo do të thotë se karikimi ka përfunduar.



Mund të shtypni butonin e kontrollit të stacionit të karikimit për të ndaluar procesin e pastrimit automatik në çdo kohë.



Ekranin LED do të fiket pas njëfarë kohe pasi të përfundojë karikimi.



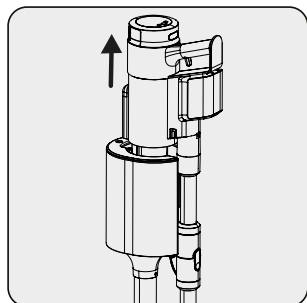
Duhet 3 deri në 4 orë për ta karikuar plotësisht pajisjen. Mos e përdorni pajisjen kur është në karikim.



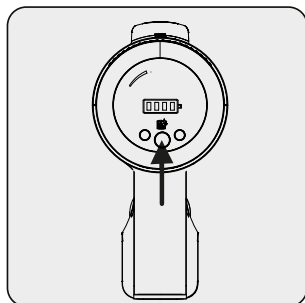
Nëse pajisja është duke punuar, ajo do të ndalojë së punuari sapo ta vendosni në stacionin e karikimit.

## 3 Përdorimi

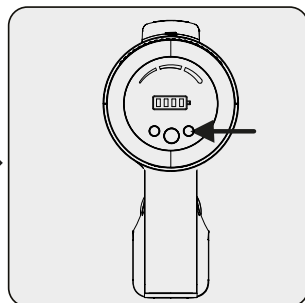
### 3.4 Përdorimi



Ngrini pajisjen lart dhe largojeni nga stacioni me zbrazje automatike të pluhurave.



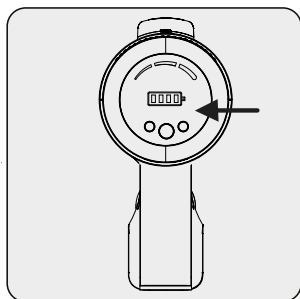
Shtypni butonin e ndezjes/fikjes për të vënë në punë pajisjen. Pajisja do të fillojë të funksionojë me shpejtësi minimale kur shtypet butoni i ndezjes/fikjes.



Shtypni butonin për të rritur shpejtësinë. Modaliteti i thithjes që po përdorni (i ulët/mesatar/i lartë) do të shfaqet në ekran. Shtypni "+" dhe "-" për të ndryshuar shpejtësinë.

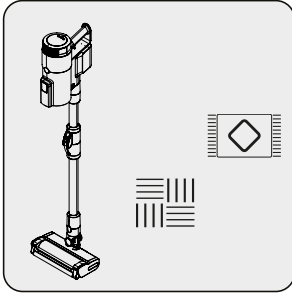


Mund ta vendosni pajisjen në stacionin e karikimit përpara se karikimi të mbarojë plotësisht. Pajisja mund të qëndrojë në stacionin e karikimit deri në përdorimin e radhës.

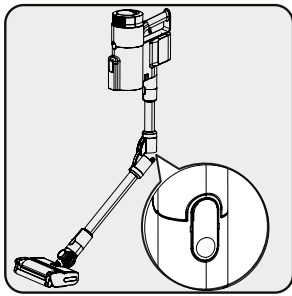


Shikoni nivelet e karikimit kur përdorni pajisjen. Pajisja do të ndalojë automatikisht kur të mbarojë karikimi.

### 3 Përdorimi



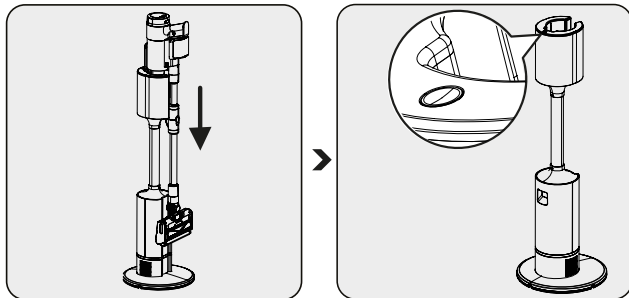
Kjo pajisje është e përshtatshme për përdorim mbi qilima dhe mbi sipërfaqe të forta.



Mund ta përkulni shkopin për të arritur me lehtësi nën karrige dhe tavolina. Përkulni shkopin duke shtypur butonin e rumbullakët në të majtë.

## 3 Përdorimi

### 3.5 Funksionimi i stacionit të pastrimit automatik

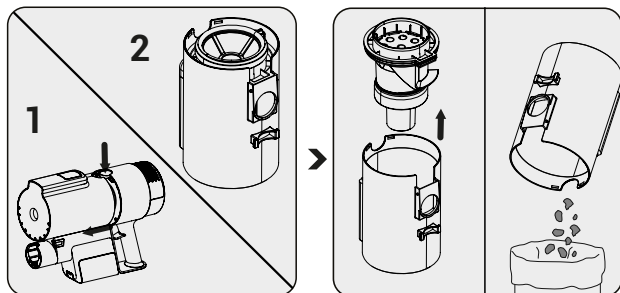


Kur e vendosni pajisjen në stacionin e pastrimit automatik, kutia e pluhurave do të zbrazet automatikisht. Butoni i kontrollit në stacionin e zbrazjes automatike të pluhurave do të pulsojë dhe fiket kur pastrimi është në proces.

Mund të shtypni butonin e kontrollit në stacionin e zbrazjes automatike të pluhurave për të ndaluar procesin e zbrazjes së pluhurit në çdo kohë.



Pluhuri, flokët, fjetet dhe objekte të ngjashme mund të ngatërrohen rreth filtrit multi ciklon, duke penguar zbrazjen e plotë të kontejnerit. Në këtë rast, duhet të pastroni manualisht kontejnerin e pluhurave siç tregohet më poshtë.

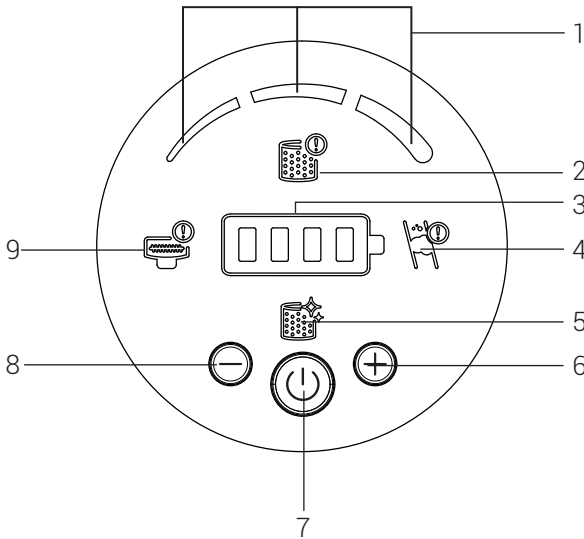


Shtypni butonin e lëshimit të kontejnerit të pluhurave dhe hiqni kontejnerin.

Ngrini filtrin multi ciklon dhe pastroni pluhurat në kontejnerin e pluhurave.

## 3 Përdorimi

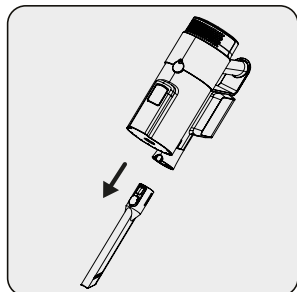
### 3.6 Treguesit e ekranit LED



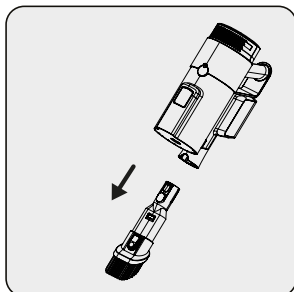
1. Modaliteti i thithjes
2. Ky simbol paralajmëron përdoruesin kur filtri i përparmë nuk është vendosur dhe, për mbrojtjen e tij, pajisja nuk do të ndizet derisa të jetë vendosur. Sigurohuni që të keni vendosur filtrin.
3. Niveli i karikimit të baterisë
4. Kjo tregon kur ka një bllokim ajri. Kontrolloni brenda shkoptit dhe hyrjen e thithjes në trup për të parë nëse ndonjë objekt i huaj po shkakton pengesë.
5. Kjo shfaqet kur filtri i përparmë ka nevojë për pastrim.
6. Butoni i shpejtësisë
7. Çelësi i ndezjes/fikjes
8. Butoni i rregullimit të shpejtësisë
9. Kjo shfaqet kur furça rrahëse ka ngecur dhe ka nevojë për pastrim.

## 3 Përdorimi

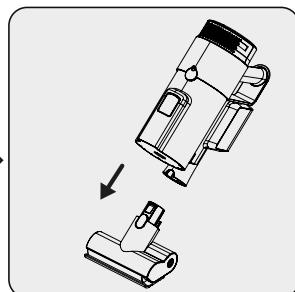
### 3.7 Aksesorët



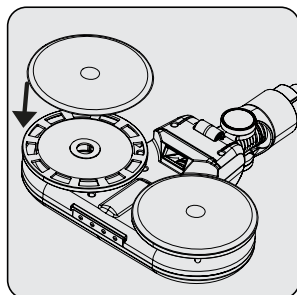
**Koka e cepave:** Ideale për pastrimin pas mobileve, hapësirave të ngushta dhe të vështira për t'u arritur.



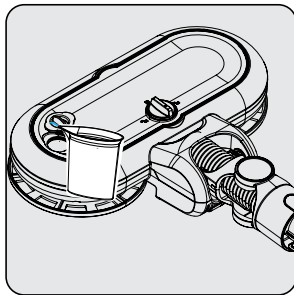
**Furçë për pluhura:** Ideale për pastrimin e perdeve, divaneve, mobileve me llak, objekteve delikate dhe të brishta.



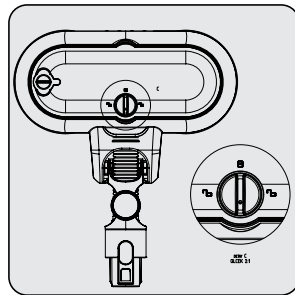
**Furçë flokësh miniturbo shtëpiake:** Ideale për pastrimin e dyshemeve, shkallëve, makinave të brendshme, divaneve dhe kolltuqeve. Përdoret gjithashtu për mbledhjen e qimeve të kafshëve shtëpiake në sipërfaqe të tilla.



Vendosni leckën e fshirjes poshtë furçës.



Hapni kapakun e mbushësit në furçën e pastrimit turbo për ta mbushur me ujë.



Ktheni bllokuesin e rrjedhjes për të lagur leckën e pastrimit.

Mund ta përdorni furçën e pastrimit turbo në sipërfaqe të forta.

### 3 Përdorimi



**PARALAJMËRIM:** Mos e përdorni pajisjen për pastrim në tapet.



**PARALAJMËRIM:** Mos vendosni zbardhues ose detergjentë të lëngshëm me filluska në depozitën e ujit të leckës.



**PARALAJMËRIM:** Mbyllni bllokuesin e rrjedhjes pas përdorimit dhe hiqni aksesoren e fshirjes.



**PARALAJMËRIM:** Hiqni aksesoren e fshirjes sapo të keni mbaruar me përdorimin e saj për të parandaluar dëmtimin e dysHEMEVE tuaja prej druri.



**PARALAJMËRIM:** Zbrazni ujin e mbetur nga depozita e ujit të aksesorit të pastrimit pasi të keni mbaruar me fshirjen dhe thani rezervuarin.



Leckat e pastrimit mund të lahen në lavatriçe.



**PARALAJMËRIM:** Meqenëse uji mund të spërkatet nga depozita, mos e ngrini kokën dhe mos u përkulni mbi të.

## 4 Pastrimi dhe kujdesi

Fikeni dhe hiqeni pajisjen nga priza para pastrimit të saj.

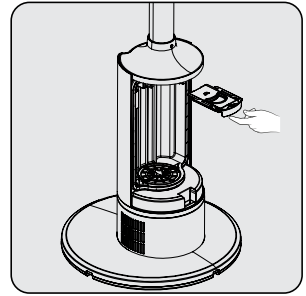
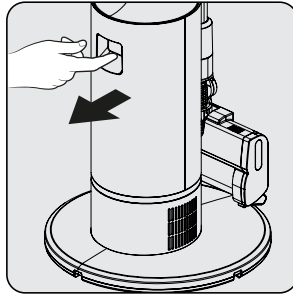
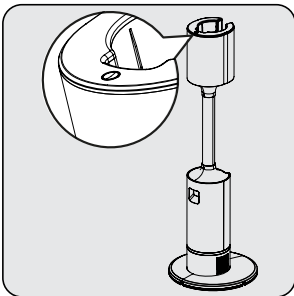


**PARALAJMËRIM:** Kurrë mos përdorni benzinë, hollues, pastrues gjërryes, objekte metalike ose furça të forta për të pastruar pajisjen.



**PARALAJMËRIM:** Filtrat mund të deformohen nga përdorimi me kalimin e kohës. Zëvendësoni filtra të tillë për të ruajtur performancën. Kontaktoni me shërbimin e klientit për të porositur filtra të rinj.

### 4.1 Zëvendësimi i qeses së pluhurave



Kur butoni i kuq i kontrollit në stacionin e shkarkimit automatik të pluhurave ndizet me ngjyrë të kuqe, kontrolloni nëse qesja e pluhurave është plot apo jo.

Hapni kapakun e pluhurave në stacionin e zbrazjes automatike të pluhurave.

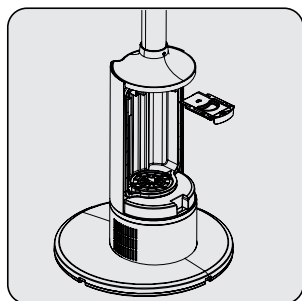
Tërhiqeni qesen e pluhurave nga depozita duke përdorur dorezën.



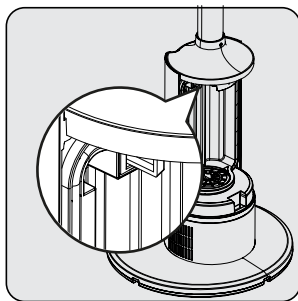
**PARALAJMËRIM:** Nëse qesja e pluhurave nuk është plot, kontrolloni nëse ka ngecur diçka në depozitë, shkop ose në furçë.



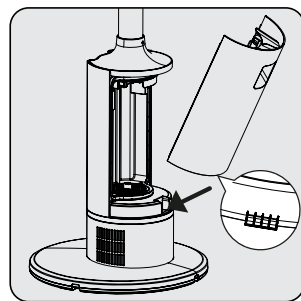
## 4 Pastrimi dhe kujdesi



Zëvendësojeni qesën e pluhurave me një të re.



Futni qesën e pluhurave duke përdorur dorezën dhe shtyjeni.

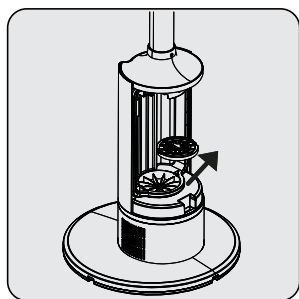


Mbyllni kapakun e pluhurave në stacionin e zbrazjes automatike të pluhurave.

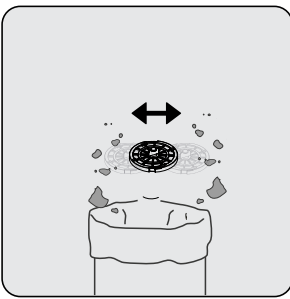


**PARALAJMËRIM:** Qeset e pluhurave nuk janë të ripërdorshme.

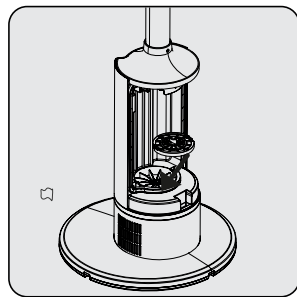
### 4.2 Pastrimi i mbajtësit të pluhurave dhe i filtrave



Rrotulloni dhe hiqni filtrin e pluhurave.



Pastroni filtrin e përpamë duke e tundur për të hequr pluhurat.



Vendoseni filtrin e përpamë prapa dhe rrotullojeni për ta siguruar.

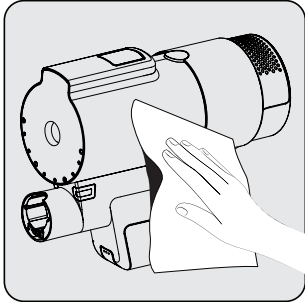


**PARALAJMËRIM:** Mos e lani filtrin HEPA.

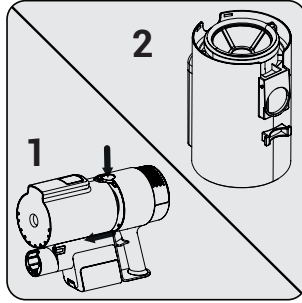


Ne rekomandojmë që të pastroni kontejnerin e pluhurave pas çdo përdorimi.

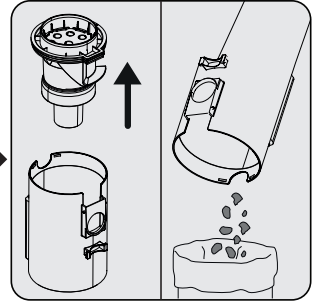
## 4 Pastrimi dhe kujdesi



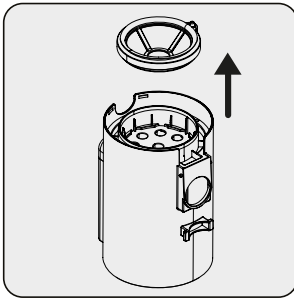
Fshijeni trupin e pajisjes me një pecetë të njomë.



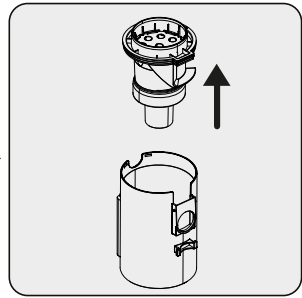
Shtypni butonin e lëshimit të kontejnerit të pluhurave dhe hiqni kontejnerin.



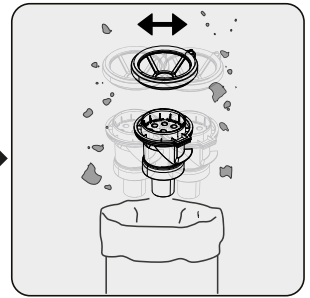
Ngrini filtrin multi ciklon dhe pastroni pluhurat në kontejnerin e pluhurave.



Për të pastruar më mirë filtrin, tërhiqeni pjesën e përparme të filtrit lart dhe hiqeni atë.

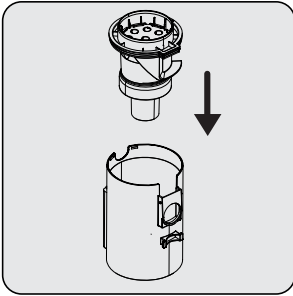


Tërhiqeni lart pjesën e filtrit multi ciklon.

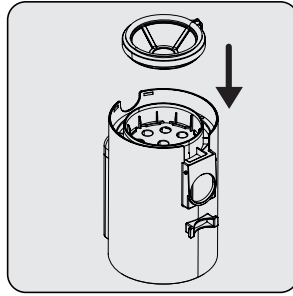


Pastroni multiciklonin dhe filtrin e përparme duke i tundur për të hequr pluhurat.

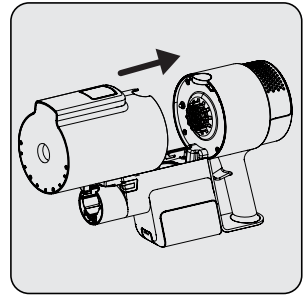
## 4 Pastrimi dhe kujdesi



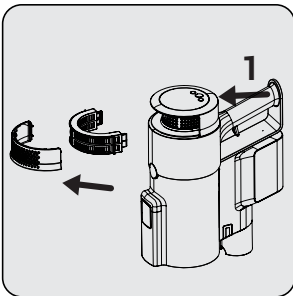
Vendosni filtrin poroz në kontejnerin e pluhurave.



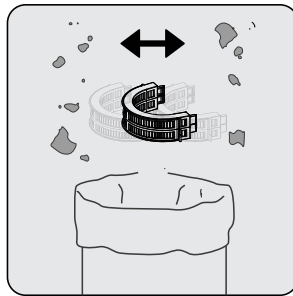
Vendosni filtrin e përparmë në filtrin poroz.



Që pjesa e pasme e kontejnerit të pluhurave të vendoset mirë mbi trup, vendoseni kontejnerin fillimisht në trup dhe më pas në zonën e butonit.



Për të pastruar filtrin EPA 12, shtypni butonin (1) dhe hiqni pjesën e filtrit.



Pastroni filtrin EPA 12 duke e tundur në mënyrë që të pastroni pluhurin.

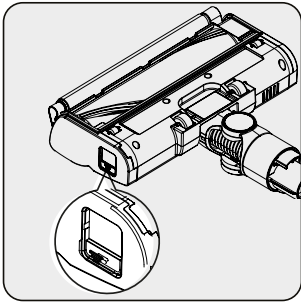
## 4 Pastrimi dhe kujdesi

### 4.3 Pastrimi i furçave

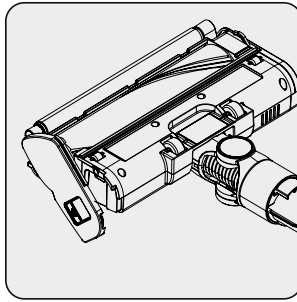
#### 4.3.1 Pastrimi i furçës së dyshemesë së fortë



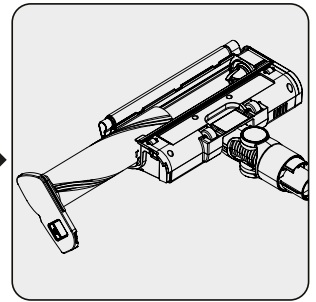
**PARALAJMËRIM:** Mos e lani furçën turbo ose furçën kryesore me rul.



Hiqni plastikën e furçës së rullit duke shtypur butonin dhe më pas duke e nxjerrë me rrëshqitje.



Prekni rulin në një sipërfaqe të fortë ose përdorni një furçë për të pastruar pluhurat. Prisni çdo qime të ngatërruar etj.



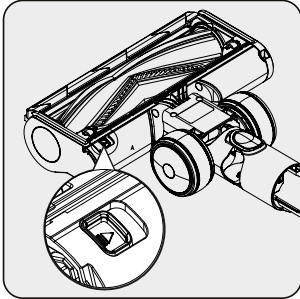
Shtyjeni rulin përsëri në vend.

## 4 Pastrimi dhe kujdesi

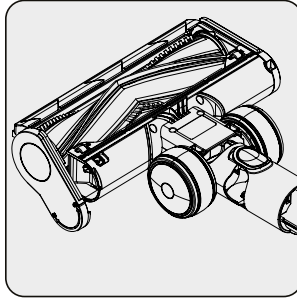
### 4.3.2 Pastrimi i furçës së dyshemesë së fortë



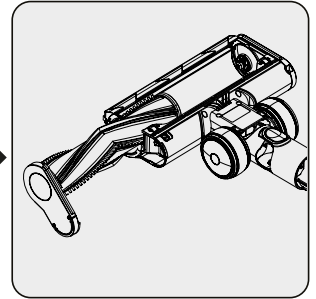
**PARALAJMËRIM:** Mos e lani furçën turbo ose furçën kryesore me rul.



Hiqni plastikën e furçës së rullit duke shtypur butonin dhe më pas duke e nxjerrë me rrëshqitje.



Prekni rulin në një sipërfaqe të fortë ose përdorni një furçë për të pastruar pluhurat. Prisni çdo qime të ngatërruar etj.



Shtyjeni rulin përsëri në vend.

### 4.4 Ruajtja

- Ruajeni pajisjen me kujdes nëse nuk keni në plan ta përdorni për një kohë të gjatë.
- Hiqeni pajisjen nga priza.
- Sigurohuni që ta mbani pajisjen larg fëmijëve.
- Ruajeni baterinë në një material jopërcjellës dhe mos lejoni që bateria të jetë në kontakt të drejtpërdrejtë me metalet. Përndryshe, bateria mund të dëmtohet.
- Nëse nuk do ta përdorni për një kohë të gjatë, ruajeni të karikuar, të paktën në gjysmë. Mos e karikoni ose shkarkoni plotësisht. Duhet ta karikoni pajisjen të paktën një herë në 3 muaj.

### 4.5 Transporti dhe lëvizja

- Transportojeni pajisjen në paketimin origjinal. Paketimi e mbron pajisjen nga dëmtimet fizike.
- Mos vendosni objekte të rënda mbi pajisje ose mbi paketimin e saj. Përndryshe, pajisja mund të dëmtohet.
- Nëse pajisja bie, mund të mos funksionojë ose mund të pësojë dëmtime të përhershme.

## 5 Zgjidhja e problemeve

PROBLEMI	SHKAKU I MUNDSHËM	ZGJIDHJA
Nuk punon.	Bateria është bosh.	Karikojeni.
	Bateria mund të mos jetë futur në vendin e vet.	Hiqeni baterinë dhe montojeni përsëri.
	Lidhja me vakum është bllokuar.	Çmontoni pajisjen në trup, furçë dhe shkop. Kontrolloni dhe pastroni pikat e bashkimit.
Fuqia e thithjes është e ulët.	Kontejneri i pluhurave është plot.	Pastroni kontejnerin e pluhurave dhe filtrat.
	Ju mund të keni arritur periudhën e pastrimit të filtrave.	Pastroni filtrat.
	Filtrat mund të deformohen si rezultat i funksionimit dhe periudha e zëvendësimit të tyre mund të ketë ardhur.	Ju lutemi kontaktoni me shërbimin e klientit për të blerë një filtër të ri.
	Sfungjeri i hyrjes i motorit nuk është pastruar.	Pastroni filtrat dhe rikarikoni pajisjen.
	Furça turbo nuk rrotullohet. Qime dhe materiale të ngjashme mund të kenë ngecur në rulin rrotullues të furçës turbo.	Pastroni rulin e furçës turbo.

## 5 Zgjidhja e problemeve

Ka një zhurmë shqetësuese nga motori.	Lidhja me vakum është bllokuar.	Çmontoni pajisjen në trup, furçë dhe shkop. Kontrolloni dhe pastroni pikat e bashkimit.
	Diçka mund të ketë ngecur midis rezervuarit të pluhurit dhe filtrit.	Hapni rezervuarin e pluhurit dhe kontrolloni zonën e filtrit.
Nuk mund të karikohet fshesa me korrent.	Fshesa me korrent nuk është vendosur si duhet në stacionin e karikimit.	Vendosni fshesën me korrent në stacionin e karikimit. Sigurohuni që është vendosur siç duhet. Kontrolloni lidhjen.
Funksionon për një kohë shumë të shkurtër pas karikimit.	Nuk karikohet për periudhën e duhur.	Karikoni për 3-4 orë sipas udhëzimeve.
	Sfungjeri i hyrjes i motorit nuk është pastruar.	Pastroni filtrat dhe rikarikoni pajisjen.
	Jetëgjatësia e baterisë është përkeqësuar.	Kontakti me shërbimin e klientit për të blerë një bateri të re.
Stacioni i pastrimit automatik nuk funksionon.	Mund të mos jetë në prizë.	Sigurohuni që të jetë në prizë.
Stacioni i pastrimit automatik të pluhurave ndalon sapo fillon.	Qesja e pluhurave është plot.	Zëvendësojeni qesen e pluhurave me një të re.
	Mund të jetë koha për të pastruar filtrin e hyrjes së motorit të stacionit të pastrimit automatik.	Pastroni filtrin dhe shtypni butonin e pastrimit automatik.
	Kanali i thithjes së fshesës me korrent mund të jetë i bllokuar.	Pastroni kontejnerin e pluhurave në mënyrë manuale dhe kontrollojeni.
Pajisja lëshon zhurma të forta dhe të lehta kur pastrohet.	Mund të bëjë zhurma të ndryshme në varësi të materialit që pastrohet.	Kontrolloni kontejnerin e pluhurave pasi të ketë përfunduar pastrimi.

Arçelik A.Ş. Karaağaç Caddesi No:2-6,  
34445, S tl ce, İSTANBUL, T RKİYE

[www.beko.com](http://www.beko.com)