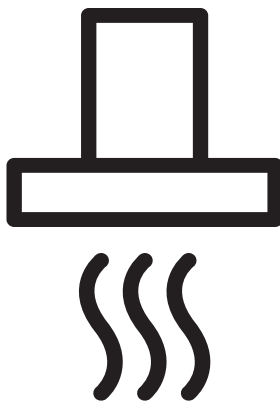




Cooker Hood

User Manual



HCA 62321 B

EN - PL - CS - ET - LT - LV - RO - SK - UA - FR



02M-8803373200-3421-08

Please read this user manual first!






Dear Valued Customer,

Thank you for preferring this Beko appliance. We hope that you get the best results from your appliance which has been manufactured with high quality and state-of-the-art technology. For this reason, please read this entire user manual and all other accompanying documents carefully before using the appliance and keep it as a reference for future use. If you handover the appliance to someone else, give the user manual as well. Follow the instructions by paying attention to all the information and warnings in the user manual.

Remember that this user manual may also apply to other models. Differences between models are explicitly described in the manual.

Meanings of the Symbols

Following symbols are used in various sections of this user manual:

	Important information and useful hints about usage.
	WARNING: Warnings against dangerous situations concerning the security of life and property.
	Warning for danger of fire.
	Warning for electric shock.
	Protection class against electric shock.



This appliance has been manufactured in environmentally friendly modern plants without giving any harm to the nature.

CONTENTS

ENGLISH	04-15
POLSKI	16-29
ČESKY	30-42
EESTI	43-55
LIETUVIŲ K	56-68
LATVIJAS	69-81
ROMÂNĂ	82-96
SLOVENSKÝ	97-109
УКРАЇНСЬКИЙ	110-123
FRANÇAIS	124-139

1 Important Safety and Environmental Instructions

1.1 General Safety

Important Safety Instructions Read Carefully And Keep For Future Reference This section contains safety instructions that will help protect from risk of fire, electric shock, exposure to leak microwave energy, personal injury or property damage. Failure to follow these instructions shall void any warranty.

- Beko products comply with the applicable safety standards; therefore, in case of any damage on the appliance or power cable, it should be repaired or replaced by the dealer, service center or a specialist and authorized service alike to avoid any danger. Faulty or unqualified repair work may be dangerous and cause risk to the user.
- This appliance is intended to be used in household and similar applications such as:
 - Staff kitchen areas in shops, offices and other working environments;
 - Farm houses
 - By clients in hotels, and other residential type environments;
 - Bed and Breakfast type environments.
- Operate the appliance for its intended purpose only as described in this manual.
- The manufacturer cannot be held liable for damages resulting from improper installation or misuse of the product.
- This appliance can be used by children aged from 8 years and above and persons with reduced physical, sensory or mental capabilities or lack of experience and knowledge if they have been given supervision or instruction concerning use of the appliance in a safe way and understand the hazards involved.
- Children shall not be allowed play with the appliance. Cleaning and user maintenance shall not be made by children without supervision.
- The minimum distance between the supporting surface for the cooking vessels on the hob and the lowest part of your product must be at least 65 cm
- If the instructions for installation for the gas hob specify a greater distance, this has to be taken into account.
- Make sure that your mains power

1 Important Safety and Environmental Instructions

supply complies with the information supplied on the rating plate of the appliance.

- Never use the appliance if the power cable or the appliance itself is damaged.
- Prevent damage to the power cable by not squeezing, bending, or rubbing it on sharp edges. Keep the power cable away from hot surfaces and naked flame.
- Use the appliance with a grounded outlet only.

WARNING: Do not connect the appliance to the mains until the installation is fully complete.

- Place the appliance in a way so that the plug is always accessible.
- Do not touch the lamps if they have operated for a long time. They can burn your hands since they will be hot.
- Follow the regulations set out by competent authorities on discharge of the exhaust air (this warning is not applicable for use without flue).
- Operate your appliance after putting a pot, pan etc. on the hob. Otherwise, high heat may cause deformation in some parts of your product.

- Turn off the hob before taking the pot, pan etc. from it.
- Do not leave hot oil on the hob. Pans with hot oil may cause self combustion.
- Pay attention to your curtains and covers since oil may catch fire while cooking food such as fries.
- Grease filter must be cleaned at least monthly. Carbon filter must be replaced at least every 3 months.
- Product shall be cleaned accordance with user manual. If cleaning was not carried out in accordance with user manual, there may be fire risk.
- Do not use non-fire-resistant filtering materials instead of the current filter.
- Only use the original parts or parts recommended by the manufacturer.
- Do not operate the product without the filter and do not remove the filters while the product is running.
- In the event of be started any flame, de-energize your product and cooking appliances.
- In the event of be started any flame, cover the flame and never

1 Important Safety and Environmental Instructions

use water to extinguish.

- Unplug the appliance before each cleaning and when the appliance is not in use.
- The negative pressure in the environment should not exceed 4 Pa (4 x 10 bar) while the hood for electric hob and appliances running on another type of energy but electricity operate simultaneously.
- In the environment where the appliance is being used, the exhaust of devices running on fuel oil or gas, such as room heater must be absolutely isolated or device must be hermetical type.
- When connecting the flue, use pipes with a diameter of 120 or 150 mm. Pipe connection must be as short as possible and have as few elbows as possible.

Danger of choking! Keep all the packaging materials away from children.

CAUTION: Accessible parts may become hot when used with cooking appliances.

- The product outlet must not be connected to air channels that include other smoke.
- The ventilation in the room may

be insufficient when the hood for electric hob is used simultaneously with the devices operating on gas or other fuels (this may not apply to appliances that only discharge the air back into the room).

- Objects placed on the product may fall. Do not place any objects on the product.
- Do not flambe under the your product.

WARNING: Before installing the Hood, remove the protective films.

- Never leave high naked flames under the hood when it is in operation
- Deep fat fryers must be continuously monitored during use: overheated oil can burst into flames.

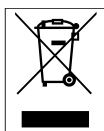
1 Important Safety and Environmental Instructions

1.2 Compliance with the WEEE Directive and Disposing of the Waste Product:

This product complies with EU WEEE Directive

(2012/19/EU). This product bears a classification

symbol for waste electrical and electronic equipment (WEEE).



This symbol indicates that this product shall not be disposed with other household wastes at the end of its service life. Used device must be returned to official collection point for recycling of electrical and electronic devices. To find these collection systems please contact to your local authorities or retailer where the product was purchased. Each household performs important role in recovering and recycling of old appliance. Appropriate disposal of used appliance helps prevent potential negative consequences for the environment and human health.

1.3 Compliance with RoHS Directive

The product you have purchased complies with EU RoHS Directive (2011/65/EU). It does not contain harmful and prohibited materials specified in the Directive.

1.4 Package Information



Packaging materials of the product are manufactured from recyclable materials in accordance with our National Environment Regulations. Do not dispose of the packaging materials together with the domestic or other wastes. Take them to the packaging material collection points designated by the local authorities.

2 General Appearance

2.1 Overview

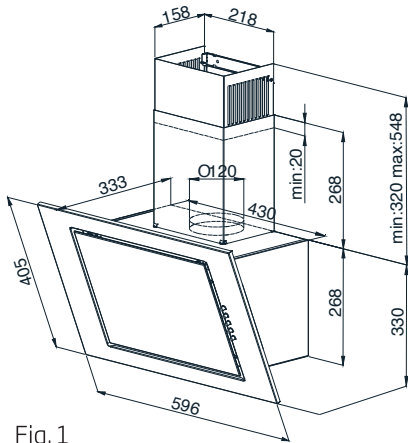


Fig. 1

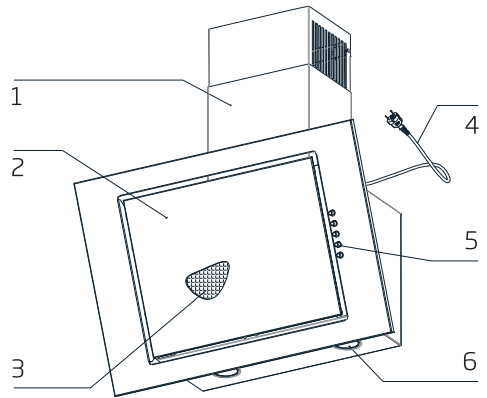


Fig. 2

1. Chimney
2. Glass
3. Grease filter
4. Power cord
5. Control panel
6. Lighting

2.2 Technical Data

Model	HCA62321B
Supply Voltage and Frequency	220-240 V 50 Hz
Lamp Power (W)	6 W
Motor Power (W)	115 W
Air Flow (m ³ /h) - 3. Level	310
Motor Insulation Class	Class F
Insulation Class	Class II

3 Using the Appliance

3.1 Use of the Rocker Switch

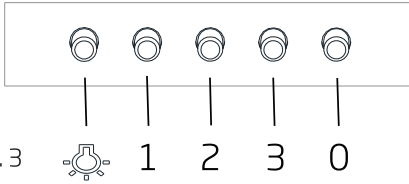


Fig. 3

The hood is equipped with a mechanical control.

- Pressing the "0" - disables the hood.
- Pressing the "1" - to turn the hood with a minimum speed.
- Pressing the "2" - turns the hood with an average speed.
- Pressing the "3" - turns the hood at maximum speed.

Higher speed means more air flow.

- Press the button  to turn on the lights. Repeat pressing the button to turn off the lighting.


3.2 Things to Do for Energy Saving

- Ensure sufficient air intake to make the hood operate efficiently and with low operation noise during cooking.
- Set the fan level according to the density of steam in kitchen. Use the high level only when needed. A lower fan level means less energy consumption.
- If dense smoke is expected in the kitchen, select a higher level of fan in advance. It is required to operate the hood much longer to remove the smoke already spread all over kitchen.
- Turn off the hood when not in use.
- Clean or replace the filter at intervals stated, thus, the efficiency of the ventilation is increased and the risk of fire is eliminated.

3.3 Operating the Hood

- Hood is equipped with a motor having various

speed settings.

- For a better performance, we advise you to use low speeds in normal conditions, and high speeds when smell and vapors are intensified.
- You can start the hood by pressing the desired speed level key.(1,2,3)
- You can illuminate the cooking area by pressing the light key.()

3.4 Lamp Replacement

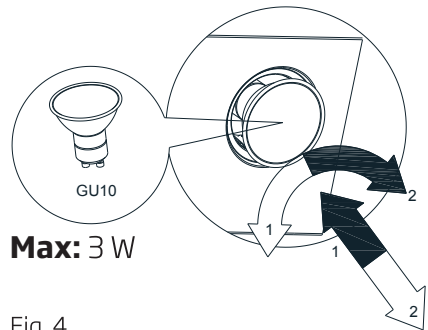



Fig. 4

Symbol  Bulb installation
Symbol  Bulb dismantling

Disconnect the hood from the mains supply. This appliance is equipped with 3 W spot LED lamps.

 Before replacing the light bulbs, disconnect the power supply of the hood.

 Do not touch the light bulbs when they are hot.

 Be careful not to touch the replaced light bulb directly with hands.

 You may procure lamps from Authorised Service Agents.

4 Cleaning and Maintenance

Prior to cleaning and maintenance, unplug the appliance or turn the main switch off or loosen the fuse that supplies the hood.



Failure to comply with the provisions relating to cleaning of the device and replacement of filters may cause fire risks. It is therefore recommended to comply with the guidelines given herein. The manufacturer is not liable for any damage to the engine or fires caused by improper use.

Clean using only a cloth dampened with neutral liquid detergent. Do not clean with tools or instruments. Do not use abrasive products. Do not use alcohol

4.1 Cleaning of Aluminium Grease Filter

This filter captures oil particles in the air. You are recommended to clean your filter every month under normal usage conditions. First remove the grease filters for this process. Wash the filters with liquid detergent and rinse them with water and install them back after they get dry. Aluminium grease filters may get discolored as they are washed; this is normal and you don't need to change your filter.

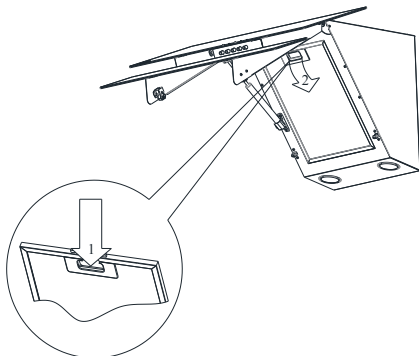


Fig. 5



You can wash the grease filter in the dishwasher

4.2 Changing of Carbon Filter (Air Circulation Mode)

The hood can be fitted with an active carbon filter. The carbon filter is applied only in case the hood is not connected to the vent duct.

In any case it is necessary to replace the carbon filter at least every three months.

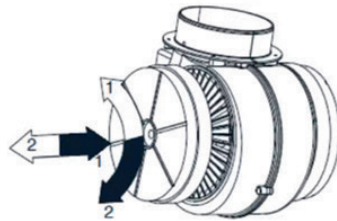


Fig. 6

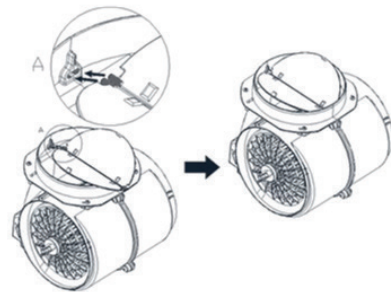


Fig. 7



WARNING: The carbon filter is never washed.



WARNING: Carbon filter is available from Authorized Services.

5 Setting Up the Device



WARNING

Please read safety instructions before setting up.



WARNING

Failure to install the screws or fixing device in accordance with these instructions may result in electrical hazards.

5.1 Installation Accessories

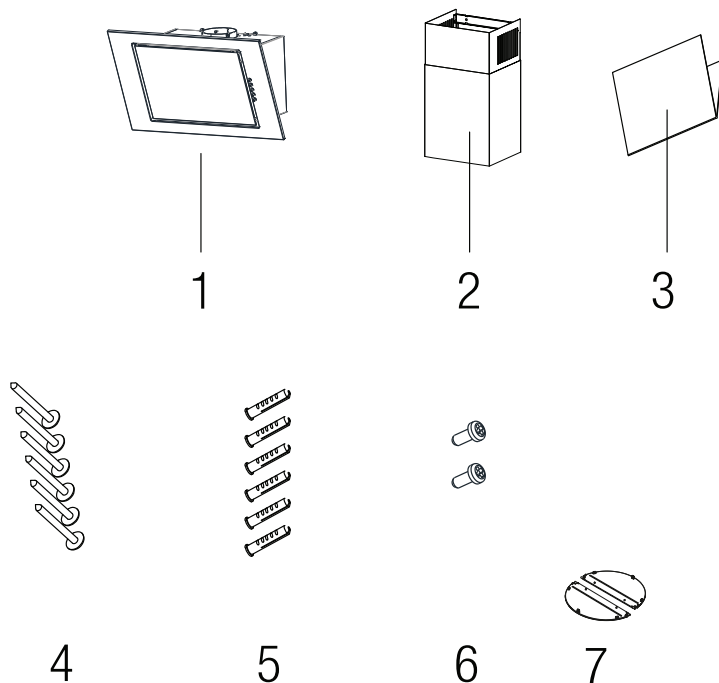


Fig. 8

- 1- Hood
- 2- Chimney
- 3- User Manual
- 4- 4 x Ø 5 x 45 Screw
- 5- 6 x Ø 8 x 40 Screw Plug
- 6- 2 x Ø 3,9 x 9,5 Screw
- 7- Back Pressure Valve

5 Setting Up the Device

5.2 Hood installation



The use of screws and fastening elements not specified in the Operation Manual may cause the electrical shock.

The minimum distance of hood hanging between the surface of kitchenware placement over the cooking range (gas, electric range), and lowest part of the hood (Fig.3) shall amount at least 65 cm for electric cooking ranges and at least 65 cm for gas cooking ranges. Should the cooking range operation manual provide the higher distance for hood installation, such higher distance requirement shall be maintained. The installation of the hood and chimney body is shown at the figures (Fig.4 - Fig.9). The hood is equipped with the fixing pins matching to the most part of walls and ceilings. In course of the assembly, observe the common rules for air exhaust from the premises.

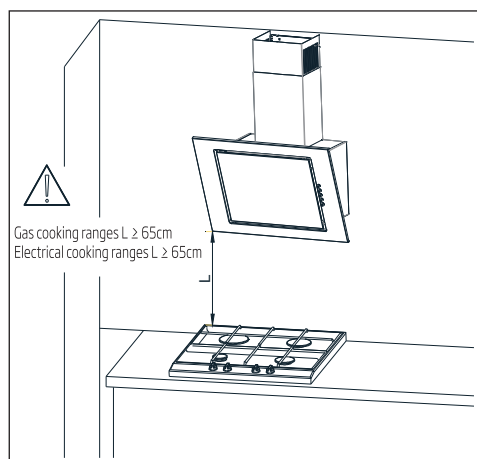


Fig.9 Recommended distances from the cooking range

Before starting the installation:

- Check if the purchased device dimensions match to the planned installation place.
- Disassembly and remove (if possible) any furniture remaining in the hood installation area, in order to ensure the easy access to ceiling or wall, where the hood shall be mounted. If it is not possible, protect the furniture elements remaining in the adjacent area.
- Check, if there is a socket near the mounting area, and control if the hood may be connected to the ventilation channel for vapours evacuation.
- Check if there are no cables (electrical, hydraulic, etc.) in places in which the drilling will be performed.
- Prepare the following tools: tape ruler, pencil, drill / electric screwdriver, drilling tool $\varnothing 8$, screwdriver, builder's level.

Assembly operation:

1. Define the axis of cooking range, and project it onto the wall, where the hood will be mounted. Sign all characteristic points of hood fastening. Make the openings with the drill. (Fig. 10)

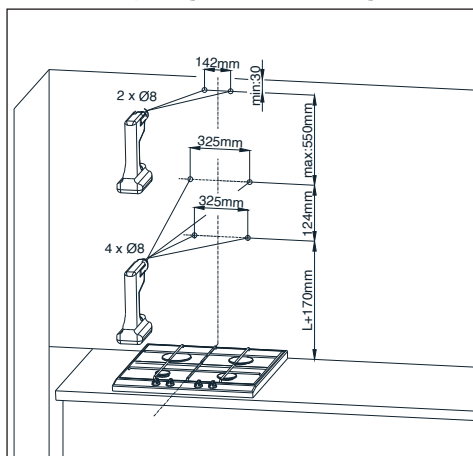


Fig.10 Assembly dimensions

2. Into the openings, insert the screw plugs. In two openings marked with A screw also the screws

5 Setting Up the Device

(leaving 7 mm of screw length outside the screw plug, Fig.11).

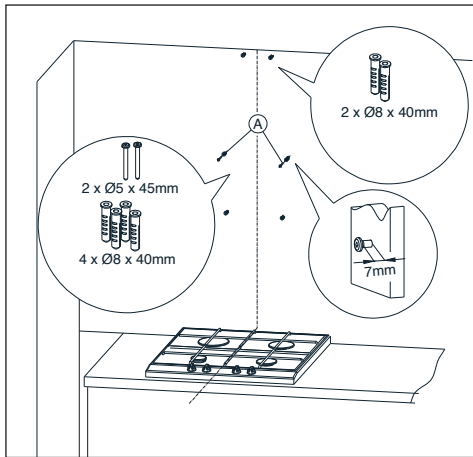


Fig.11 Screw plugs assembly

3. Screw the chimney body fastening element, hang the hood on two untightened screws (Fig. 12).

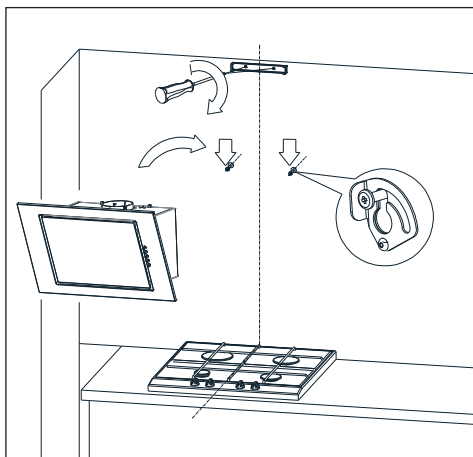


Fig.12 Hood hanging

4. Open the hood cover and remove the fat filter (Fig.13).

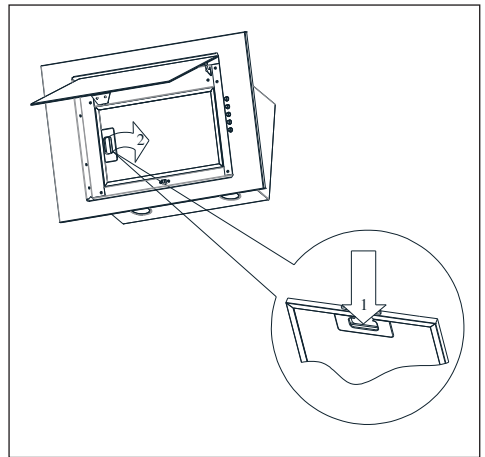


Fig.13 Aluminium fat filter removing

5. Place the level on the hood body. Rotating the element marked with A, adjust the hood level according the level's indications, and then tighten two screws previously screwed partially and screw in two remaining screws (Fig. 14).

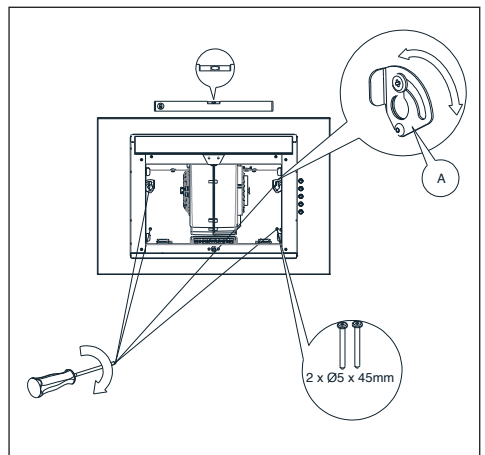


Fig.14 Range hood positioning

5 Setting Up the Device

Place the chimney body on the hood body. Then, draw delicately the hood part signed with B upwards, until it becomes possible to screw it to the fastening element previously attached to the wall (Fig. 15).

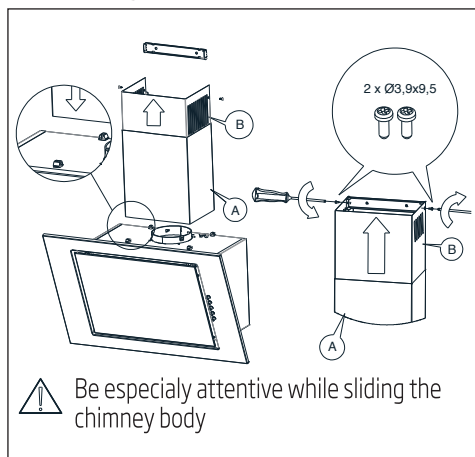


Fig.15 Chimney body assembly



This assembly operation shall be performed very carefully, in order to avoid the scratching of chimney body and hood itself.

5.3 Electrical connections

The network voltage shall correspond to the voltage indicated at the plate placed inside the hood. If the hood is equipped with a plug, insert it into the socket complying with the applicable requirements, and located in the easily accessible place. If the hood is not equipped with a plug, the hood installations shall be performed by a person having the required authorizations (such as electrician).

6 Troubleshooting

Symptoms	Cause	Repairing method
During hood operation, the pulsating letter „F” is displayed.	After 35 hours of operation the hood indicates the need for cleaning or replacing the grease filter.	Press and hold for about 8 sec. “-” on the touch control. The filter should be washed in the dishwasher or replace with a new one.
The display shows only the symbol “.-” (minus and dot in the right bottom corner), the hood does not respond to disabling.	The touch control has been locked - this feature facilitates the hood cleaning.	To disable the lock, press and hold for about 10 sec the field with the symbol of switching on.
No symbol is shown on the display, the hood does not respond to pressing the control fields.	The touch control is probably suspended.	Disconnect the hood from the power supply for about 15 sec. and switch it on again.
The display shows the symbol of one of the gears; the hood does not respond to pressing the control fields.	The touch control is probably suspended	Disconnect the hood from the power supply for about 15 sec. and switch it on again.
The hood turbine disconnects after 15 min of operation, the display shows a pulsating digit i.e. “1.” (current gear number and dot in the right bottom corner).	The automatic time switch of the touch control has been activated.	To deactivate the time switch, press and hold for about 10 sec the symbol „+” or disable the hood.
On fourth gear the digit “4” is pulsating on the display, after 5min the gear is changed into third.	The hood is equipped with a turbo mode, which automatically switches over into third gear after 5 min of operation to save energy.	The turbo gear shall be used only with intensive cooking.
The hood can be operated only with use of the control panel, it does not respond to the remote control.	The battery of the remote control is empty or the distance is too long.	Replace the battery with a new one.
The hood has very poor vapor suction.	Probably cause is dirty filters.	The grease filter must be cleaned in the dishwasher or replace with a new one. The carbon filter (if present) must be replaced with a new one.
One or more light points do not operate.	Defective halogen/ LED bulb.	The light bulb needs to be replaced with a new, compatible with the symbol specified in the instruction manual for the cooker hood.
The hood generated excessive noise and vibration.	This may be caused by an incorrect installation of the hood to the wall or kitchen cabinets. Not all provided screws have been used or screws are loosely fitted leaving clearance.	The hood must be mounted to a wall or cabinet by using all the points provided for by the manufacturer. After adjusting the position of the hood horizontally and vertically, tighten all mounting screws.
* applies to hoods with touch control.		
If the recommendations above do not solve the problem, contact an authorized home appliances service entitled to repair. Under no circumstances is the hood user entitled to independent repair. A list of service points is included in the warranty card and the website.		

Proszę najpierw przeczytać tę instrukcję obsługi!

Szanowny Kliencie,

dziękujemy za wybranie urządzenia marki Beko. Mamy nadzieję, że zakupione urządzenie, wyprodukowane z zapewnieniem wysokiej jakości przy użyciu najnowszych technologii, okaże się w pełni zadowalające. W tym celu przed użyciem urządzenia należy uważnie przeczytać całą instrukcję obsługi oraz dołączone dokumenty i zachować je do wglądu na przyszłość. Przekazując urządzenie innemu użytkownikowi, należy dołączyć również niniejszą instrukcję. Należy postępować zgodnie z instrukcjami, zwracając uwagę na wszystkie informacje i ostrzeżenia zamieszczone w niniejszym dokumencie.

Należy pamiętać, że niniejsza instrukcja może odnosić się także do innych modeli. Różnice pomiędzy modelami są wyraźnie opisane w instrukcji.

Znaczenie symboli

W różnych częściach niniejszej instrukcji obsługi stosowane są następujące symbole:



Ważne informacje i przydatne wskazówki dotyczące użytkowania.



OSTRZEŻENIE: Ostrzeżenia przed niebezpiecznymi sytuacjami zagrażającymi życiu i mieniu.



Niebezpieczeństwo pożaru.



Ostrzeżenie przed porażeniem prądem.



Urządzenie zostało wyprodukowane w przyjaznym środowisku, nowoczesnych zakładach bez negatywnego wpływu na przyrodę.

1 Ważne instrukcje dotyczące bezpieczeństwa i ochrony środowiska

1.1 Ogólne zasady dotyczące bezpieczeństwa

Ważne zasady dotyczące bezpieczeństwa. Przeczytaj je uważnie i zachowaj na przyszłość. Rozdział ten zawiera instrukcje zachowania bezpieczeństwa, które pomogą chronić się przed ryzykiem pożaru, porażenia prądem elektrycznym, wycieku mikrofal, obrażeniami ciała lub uszkodzami w mieniu. Nieprzestrzeganie tych instrukcji spowoduje unieważnienie gwarancji.

- Produkty firmy Beko spełniają wszystkie wymagania stosownych norm bezpieczeństwa. W przypadku jakiegokolwiek uszkodzenia urządzenia lub przewodu zasilającego, aby uniknąć wszelkich zagrożeń, należy oddać je do naprawy lub wymiany przez sprzedawcę, punkt serwisowy lub specjalistę albo autoryzowany serwis. Błędna lub niefachowa naprawa może być niebezpieczna i powodować zagrożenie dla użytkowników.
- To urządzenie jest przeznaczone do użytku domowego i podobnych zastosowań, na przykład:
 - na zapleczu kuchennym przez personel sklepów, biur i innych

miejsc pracy;

- w gospodarstwach rolnych;
- do użytku przez klientów hoteli i innych obiektów noclegowych;
- w pensjonatach.

- Urządzenie należy stosować tylko zgodnie z jego przeznaczeniem, w sposób opisany w niniejszej instrukcji.
- Producent nie ponosi odpowiedzialności za szkody powstałe w wyniku nieprawidłowej instalacji lub niewłaściwego stosowania produktu.
- Urządzenie może być obsługiwane przez dzieci w wieku 8 lat i starsze, osoby o ograniczonych możliwościach fizycznych, postrzegania lub umysłowych, a także osoby bez doświadczenia lub wiedzy w zakresie obsługi urządzenia, o ile będą one pod nadzorem lub zostaną szczegółowo poinstruowane o bezpiecznym korzystaniu z urządzenia i zrozumieją potencjalne zagrożenia.
- Nie należy pozwalać dzieciom bawić się urządzeniem. Dzieci nie mogą czyścić ani konserwować urządzenia bez nadzoru.

1 Ważne instrukcje dotyczące bezpieczeństwa i ochrony środowiska

- Minimalna odległość pomiędzy powierzchniami podpór garnków znajdującymi się na szczycie kuchenki a najniższą częścią produktu musi wynosić co najmniej 65 cm.
 - Jeżeli w instrukcji instalacji gazowej płyty kuchennej podano odległość większą, wówczas należy zastosować wskazaną wartość.
 - Zasilanie z domowej sieci elektrycznej musi być zgodne z informacjami podanymi na tabliczce znamionowej urządzenia.
 - Urządzenia nie wolno nigdy używać, jeśli przewód zasilający lub samo urządzenie są uszkodzone.
 - Aby zapobiec uszkodzeniu przewodu zasilającego, nie wolno dopuścić do jego ściskania, zginania lub ocierania o ostre krawędzie. Trzymaj przewód zasilający z dala od gorących powierzchni i otwartego ognia.
 - Urządzenia można używać tylko wtedy, gdy jest podłączone do gniazda ściennego z uziemieniem.
- OSTRZEŻENIE:** Podłącz urządzenie do zasilania dopiero po całkowitym zakończeniu montażu.
- Urządzenie ustaw tak, aby zawsze był możliwy dostęp do wtyczki.
 - Nie należy dotykać lamp, jeśli były włączone przez długi czas. Grozi to poparzeniem dłoni gorącą żarówką.
 - Należy stosować się do wymagań dotyczących odprowadzania powietrza wywiewanego (to ostrzeżenie nie dotyczy sytuacji korzystania z okapu bez przewodu spalinowego).
 - Okap należy uruchamiać po ustawieniu garnka, patelni itp. na płycie grzewczej. W przeciwnym wypadku wysoka temperatura może doprowadzić do zniekształcenia niektórych części produktu.
 - Okap należy wyłączać przed zdjęciem garnka, patelni itp. z płyty grzewczej.
 - Nie pozostawiać rozgrzanego oleju na płycie grzewczej. Garnki z gorącym olejem mogą się zapalić samoczynnie.
 - Należy uważać na zasłony i inne elementy osłaniające okna, ponieważ olej może zapalić się samoczynnie podczas smażenia np. frytek.
 - Filtr tłuszczu należy wymieniać co najmniej raz w miesiącu. Filtr wę-

1 Ważne instrukcje dotyczące bezpieczeństwa i ochrony środowiska

głowy należy wymieniać co najmniej raz na 3 miesiące.

- Produkt należy czyścić zgodnie z instrukcją obsługi. Czyszczenie w sposób niezgodny z instrukcją obsługi może prowadzić do ryzyka pożaru.
- Zabrania się stosowania materiałów filtracyjnych nieodpornych na ogień zamiast właściwych filtrów.
- Należy stosować wyłącznie oryginalne lub zalecane przez producenta części zamienne.
- Nie uruchamiać produktu bez zamontowanego filtra ani nie wyjmować filtrów z pracującego okapu.
- W razie pojawienia się płomieni odłączyć produkt oraz urządzenia kuchenne od zasilania.
- W razie pojawienia się płomieni przykryć płomień i w żadnym wypadku nie gasić go wodą.
- Przed każdym czyszczeniem urządzenia i gdy nie jest ono używane należy wyjąć wtyczkę z gniazdka ściennego.
- Podciśnienie w otoczeniu nie może przekraczać 4 Pa (4 × 10 barów) przy równoczesnym działaniu okapu nad elektryczną

płytą grzewczą i urządzeń AGD zasilanych elektrycznie prądem o innych parametrach.

- Jeśli w pomieszczeniu, w którym działa okap, są wykorzystywane urządzenia zasilane olejem opałowym lub gazem, jak np. ogrzewacze pomieszczeń, to wylot spalin z takich urządzeń musi być całkowicie odizolowany lub takie urządzenia muszą być hermetyczne.
- Jako przewody spalinowe należy stosować rury o średnicy 120 lub 150 mm. Rura łącząca musi być możliwie jak najkrótsza i mieć jak najmniej kolanek.

Niebezpieczeństwo zadławienia! Wszystkie materiały opakowaniowe należy trzymać z dala od dzieci.

1 Ważne instrukcje dotyczące bezpieczeństwa i ochrony środowiska

OSTRZEŻENIE: Jeśli jest to okap nad kuchnią, jego wystające części mogą się nagrzewać.

- Wylotu produktu nie wolno przyłączać do kanałów powietrznych, które odprowadzają inny dym.
- Wentylacja w pomieszczeniu może być niewystarczająca w przypadku równoczesnego korzystania z okapu nad elektryczną płytą grzewczą oraz urządzeń zasilanych gazem lub innymi paliwami (niniejsze ostrzeżenie może nie dotyczyć urządzeń, które odprowadzają powietrze z powrotem do pomieszczenia).
- Przedmioty znajdujące się na produkcie mogą spaść. Nie stawiać żadnych przedmiotów na produkcie.
- Nie flambiować bezpośrednio nad urządzeniem.

OSTRZEŻENIE: Przed zamontowaniem okapu usunąć folię ochronną.

- Nie wolno pozostawiać otwartego ognia pod działającym okapem
- Frytkownice trzeba stale obserwować w trakcie użytkowania; przegrzany olej może zająć się płomieniem.

1.2 Zgodność z dyrektywą WEEE i pozbywanie się zużytych wyrobów:

Wyrób ten jest zgodny z dyrektywą Unii Europejskiej w sprawie zużytego sprzętu elektrycznego i elektronicznego (WEEE) (2012/19/UE). Wyrób opatrzony jest symbolem klasyfikacyjnym dla zużytego sprzętu elektrycznego i elektronicznego (WEEE).



Symbol ten oznacza, że produktu nie należy utylizować z innymi domowymi śmieciami po zakończeniu okresu użytkowania. Zużyte urządzenie należy oddać do oficjalnego punktu odbioru zajmującego się recyklingiem urządzeń elektrycznych i elektronicznych. Aby odnaleźć tego typu miejsce, należy skontaktować się z lokalnymi władzami lub sprzedawcą, u którego zakupiono produkt. Każde gospodarstwo domowe odgrywa ważną rolę w odzyskiwaniu i recyklingu starych urządzeń.

Odpowiednia utylizacja zużytego urządzenia pomaga zapobiegać potencjalnie negatywnym konsekwencjom dla środowiska i zdrowia ludzi.

1 Ważne instrukcje dotyczące bezpieczeństwa i ochrony środowiska

1.3 Zgodność z dyrektywą RoHS

Zakupiony wyrób jest zgodny z dyrektywą RoHS Unii Europejskiej (2011/65/UE). Nie zawiera szkodliwych ani zakazanych materiałów wyszczególnionych w tej Dyrektywie.

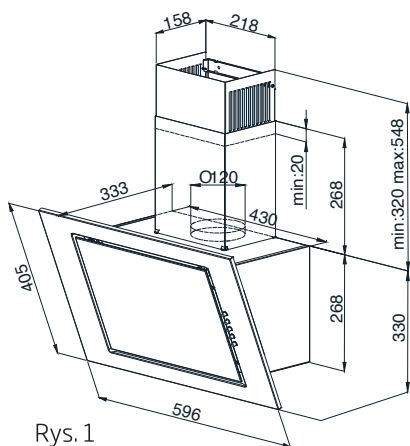
1.4 Informacje o opakowaniu



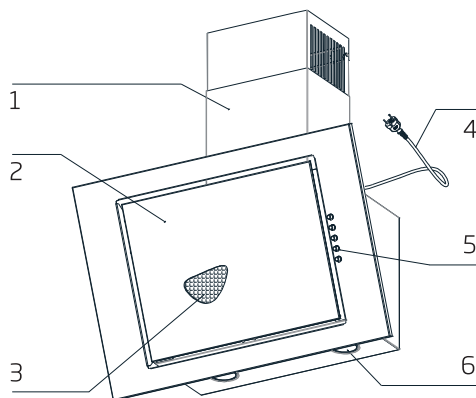
Materiały, w które opakowany jest produkt zostały wyprodukowane z surowców uzyskanych w procesie recyklingu zgodnie z krajowymi przepisami z zakresu ochrony środowiska. Nie należy utylizować materiałów opakowaniowych wraz z innymi odpadami domowymi. Należy oddać je w jednym z punktów zbiórki materiałów opakowaniowych wyznaczonych przez władze lokalne.

2 Ogólny wygląd

2.1 Przegląd



Rys. 1



Rys. 2

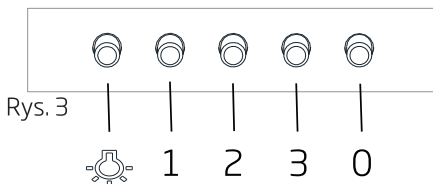
1. Komin
2. Szkło
3. Filtr przeciw tłuszczowy
4. Przewód zasilający
5. Panel sterowania
6. Oświetlenie

2.2 Dane techniczne

Model	HCA62321B
Napięcie i częstotliwość zasilania	220-240 V 50 Hz
Moc lampy (W)	6 W
Moc silnika (W)	115 W
Przepływ powietrza (m ³ /h) - 3. Poziom	310
Klasa izolacji silnika	Klasa F
Klasa izolacji	Klasa II

3 Korzystanie z urządzenia

3.1 Korzystanie z przełącznika kołkowego



Rys. 3

Okap jest wyposażony w mechanizm sterujący.

- Naciśnięcie „0” - wyłącza okap.
- Naciśnięcie „1” - powoduje włączenie okapu z minimalną prędkością.
- Naciśnięcie „2” - powoduje włączenie okapu ze średnią prędkością.
- Naciśnięcie „3” - powoduje włączenie okapu z maksymalną prędkością.


Większa prędkość oznacza większy przepływ powietrza.

- Naciśnij  - aby włączyć światło. Naciskanie ponownie, aby wyłączyć światło.

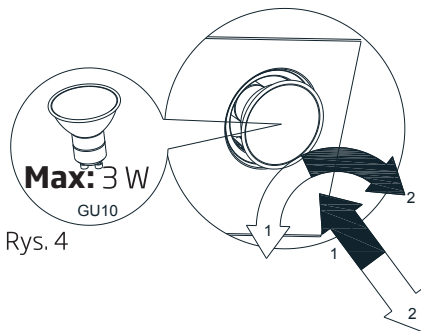
3.2 Jak zaoszczędzić energię?

- Upewnij się, że wlot powietrza jest wystarczający, aby okap działał sprawnie i przy niskim poziomie hałasu podczas gotowania.
- Ustaw poziom wentylatora zgodnie z gęstością pary w kuchni. Używaj najwyższego poziomu tylko w razie potrzeby. Niższy poziom oznacza mniejsze zużycie energii.
- Jeśli przewidujesz, że podczas gotowania wytworzy się gęsta para, wybierz wcześniej wyższy poziom wentylatora. Konieczne jest znacznie dłuższe działanie okapu, aby usunąć dym już rozprzestrzeniony w kuchni.
- Wyłącz okap, gdy nie jest używany.
- Filtr należy czyścić lub wymieniać w podanych odstępach czasu, co zwiększa wydajność wentylacji i eliminuje ryzyko pożaru.

3.3 Obsługa okapu

- Okap jest wyposażony w silnik o różnych prędkościach.
- Aby uzyskać lepszą wydajność, zalecamy używanie niskich prędkości w normalnych warunkach oraz dużych prędkości, gdy zapach i opary są nasilone.
- Możesz uruchomić okap, naciskając przycisk żądanego poziomu prędkości. (1,2,3)
- Możesz oświetlić obszar gotowania, naciskając przycisk lampy. ()

3.4 Wymiana lampy



Rys. 4

Symbol  Bulb installation
Symbol  Bulb dismantling

Odłączyć okap od zasilania. Urządzenie jest wyposażone w lampy LED o mocy 3 W.



Przed wymianą żarówek odłącz okap od zasilania.



Nie dotykaj gorących żarówek.



Uważaj, aby nie dotknąć wymienionej żarówki bezpośrednio rękami.



Należy zamawiać lampy od autoryzowanych przedstawicieli serwisowych.

4 Czyszczenie i konserwacja

Przed czyszczeniem i konserwacją należy odłączyć urządzenie od zasilania lub wyłączyć główny wyłącznik lub poluzować bezpiecznik zasilający okap.

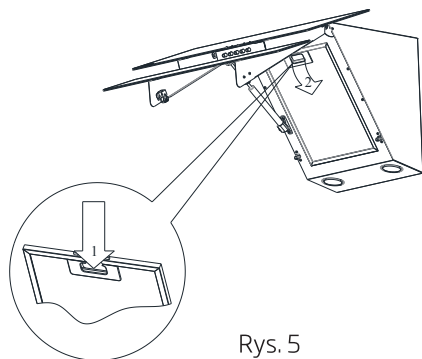


Nieprzestrzeganie przepisów dotyczących czyszczenia urządzenia i wymiany filtrów może powodować ryzyko pożaru. Dlatego zaleca się przestrzeganie podanych wytycznych. Producent nie ponosi odpowiedzialności za jakiegokolwiek uszkodzenia silnika lub pożary spowodowane niewłaściwym użytkowaniem.

Czyścić tylko szmatką zwilżoną neutralnym detergentem. Nie czyścić za pomocą narzędzi lub instrumentów. Nie używać produktów ściernych. Nie używać alkoholu

4.1 Czyszczenie aluminiowego filtra przeciwtłuszczowego

Filtr wychwytuje cząsteczki oleju w powietrzu. Zaleca się czyszczenie filtra co miesiąc przy normalnych warunkach użytkowania. Najpierw wyjmij filtry przeciwtłuszczowe. Umyj filtry detergentem, opłucz je wodą i zamontuj ponownie po wyschnięciu. Aluminiowe filtry przeciwtłuszczowe mogą się odbarwić podczas mycia; jest to normalne i nie musisz zmieniać filtra.



Rys. 5

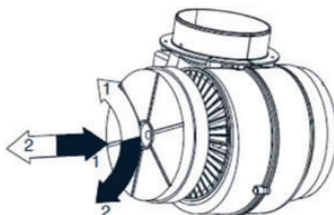


Filtr przeciwtłuszczowy można myć w zmywarce

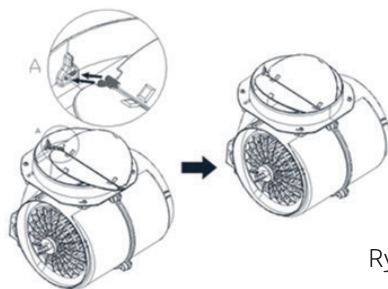
4.2 Wymiana filtra węglowego (tryb cyrkulacji powietrza)

Okap może być wyposażony w filtr z węglem aktywnym. Filtr węglowy jest stosowany tylko wtedy, gdy okap nie jest podłączony do kanału wentylacyjnego.

W każdym razie konieczna jest wymiana filtra węglowego co najmniej co 3 miesiące.



Rys. 6



Rys. 7



OSTRZEŻENIE: Filtru węglowego się nie myje.



OSTRZEŻENIE: Filtr węglowy jest dostępny w autoryzowanych serwisach.

5 Ustawienie urządzenia



OSTRZEŻENIE

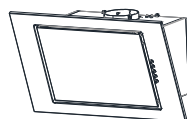
Przed ustawieniem przeczytaj instrukcję bezpieczeństwa.



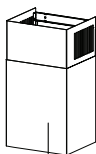
OSTRZEŻENIE

Niezainstalowanie śrub lub elementu mocującego zgodnie z niniejszą instrukcją może spowodować zagrożenie elektryczne.

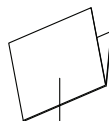
5.1 Instalacja akcesoriów



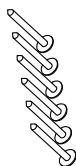
1



2



3



4



5



6

Rys. 8



7

- 1- Okap
- 2- Komin
- 3- Instrukcja obsługi
- 4- 4 x \emptyset 5 x 45 Śruba
- 5- 6 x \emptyset 8 x 40 Zaślepka gwintowana
- 6- 2 x \emptyset 3,9 x 9,5 Śruba
- 7- Klapa zwrotna

5 Ustawienie urządzenia

5.2 Instalacja okapu

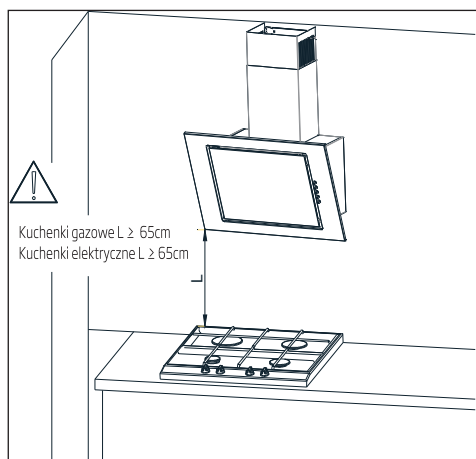


Niezgodne z instrukcją zastosowanie śrub lub elementów mocujących może grozić porażeniem prądem elektrycznym.

Minimalna odległość zawieszenia okapu między powierzchnią, na której znajdują się naczynia na urządzeniu grzewczym (kuchenka gazowa, elektryczna), a najniższą częścią okapu kuchennego (Rys.3) powinna wynosić, nie mniej niż 65 cm dla kuchenek o zasilaniu elektrycznym i nie mniej niż 65 cm dla kuchenek gazowych. Jeżeli w instrukcji obsługi urządzenia grzewczego podana jest większa odległość instalowania okapu kuchennego niż wskazana powyżej, należy dostosować się do takich wskazań. Montaż okapu i osłony kominowej okapu przedstawiony jest na rysunkach (Rys.4 - Rys.9). Okap wyposażony jest w kołki mocujące odpowiednie do większości ścian i sufitów. Podczas montażu należy przestrzegać ogólnie obowiązujących przepisów dotyczących odprowadzenia powietrza z pomieszczeń.

Przed przystąpieniem do instalacji należy:

- Sprawdzić, czy wymiary zakupionego produktu są dostosowane do wybranego miejsca docelowego.
- Odłączyć i usunąć (jeżeli istnieje taka możliwość) meble znajdujące się w obszarze instalacji okapu, aby uzyskać łatwy dostęp do sufitu lub ściany na której ma być zamontowany okap. Jeśli nie jest to możliwe należy zabezpieczyć elementy znajdujące się w pobliżu wykonywanych prac.
- Sprawdzić, czy w pobliżu strefy montowania okapu znajduje się gniazdko wtykowe i czy można podłączyć okap do przewodu wentylacyjnego odprowadzającego opary na zewnątrz.
- Sprawdzić, czy w miejscach w których będą wykonane wiercenia nie znajdują się przewody instalacyjne (elektryczne, hydrauliczne itp.).
- Wyposażyć się w następujące narzędzia: miarkę, ołówek, wiertarkę /wkrętarkę, wiertło $\varnothing 8$, śrubokręt, poziomicę.

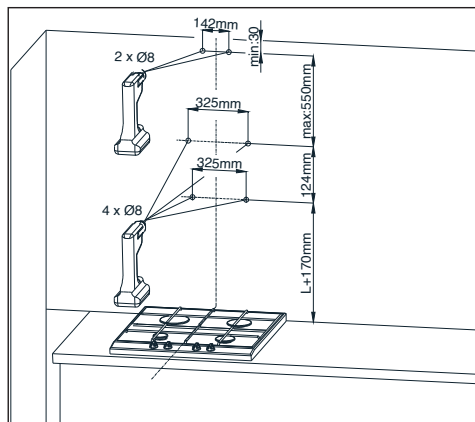


Rys.9 Sugerowana odległość od płyty grzewczej

5 Ustawienie urządzenia

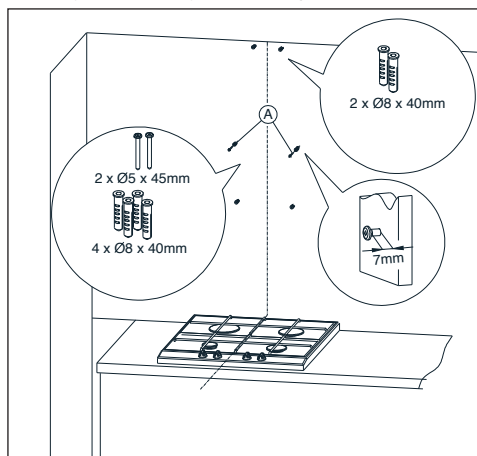
Czynności montażowe:

1. Wyznaczyć oś elementu grzewczego i przenieść ją na ścianę gdzie będzie zamontowany okap. Zaznaczyć wszystkie charakterystyczne punkty mocowań okapu. Użyć wiertarki i wywiercić otwory. (Rys.10)



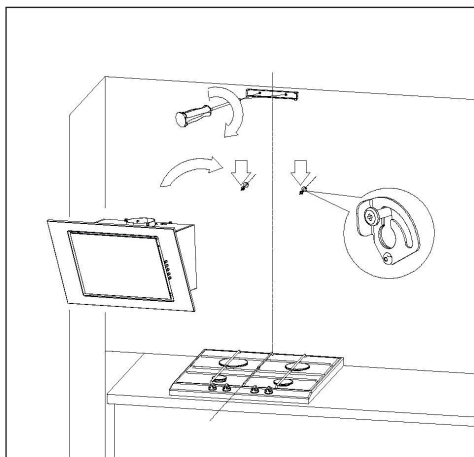
Rys.10 Wymiary montażowe

2. W wywiercone otwory włożyć kołki rozporowe. W dwa otwory oznaczone literą A również wkręcić wkręty pozostawiając 7 mm długości wkrętu na zewnątrz kołka (Rys.11).



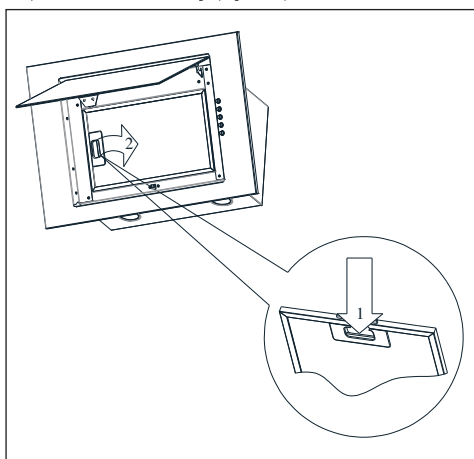
Rys.11 Montaż kołków rozporowych

3. Przykręcić uchwyt mocowania osłony kominowej, zawiesić okap kuchenny na dwóch niedokręconych wkrętach (Rys.12).



Rys.12 Zawieszanie okapu

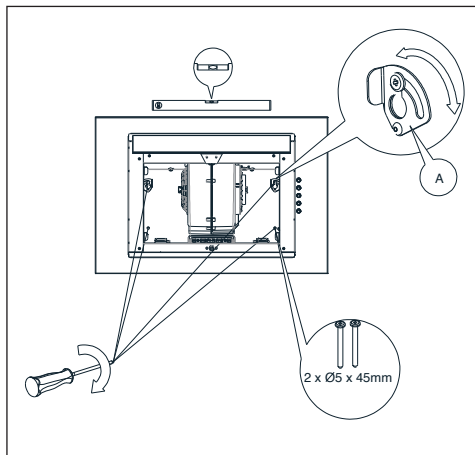
4. Otworzyć klapę okapu i wymontować filtr przeciw tłuszczowy (Rys.13).



Rys.13 Demontaż filtra aluminiowego przeciw tłuszczowego.

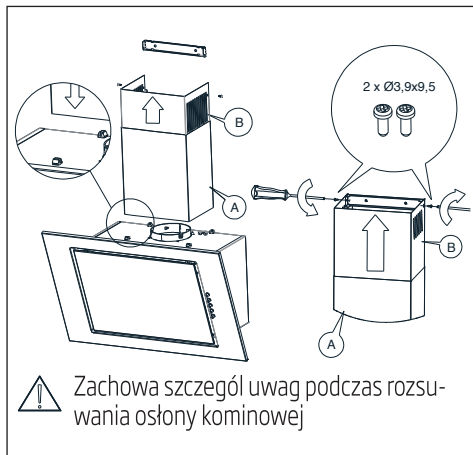
5 Ustawienie urządzenia

5. Umieścić poziomicę na korpusie okapu kuchennego. Obracając element oznaczony literą A ustawić okap w poziomie zgodnie ze wskazaniem poziomici, a następnie dokręcić dwa już wkręcone po części wkręty i wkręcić dwa pozostałe (Rys.14).



Rys.14 Ustawianie okapu kuchennego

6. Umieścić na korpusie osłonę kominową. Następnie delikatnie wysuwać część okapu oznaczoną literą B ku górze, do momentu aż będzie możliwość przykręcenia jej do uchwyty mocowania, wcześniej przymocowanego do ściany (Rys 15).



Rys.15 Montaż osłony kominowej.



Tę operację montażu należy przeprowadzić bardzo ostrożnie, aby nie porysować osłony kominowej i samego okapu.

5.3 Podłączenie elektryczne

Napięcie sieciowe musi odpowiadać napięciu wskazanemu na tabliczce umieszczonej w wewnętrznej części okapu. Jeżeli okap wyposażony jest we wtyczkę należy ją umieścić w gniazdku wtykowym spełniającym wymagania obowiązujących przepisów i znajdującym się w łatwo dostępnym miejscu. Jeżeli okap nie jest wyposażony we wtyczkę, instalację okapu należy powierzyć osobie z odpowiednimi uprawnieniami (np. elektrykowi).

6 Rozwiązywanie problemów

Rozwiązywanie problemów	Problem	Pomoc
Produkt nie działa.	Sprawdź bezpiecznik.	Bezpiecznik może być zablokowany, napraw to.
Produkt nie działa.	Sprawdź połączenie elektryczne.	Napięcie sieciowe powinno wynosić między 220-240 V.
Produkt nie działa.	Sprawdź połączenie elektryczne.	Sprawdź, czy inne przedmioty w Twojej kuchni działają, czy nie.
Oświetlenie nie działa.	Sprawdź połączenie elektryczne.	Napięcie sieciowe powinno wynosić między 220-240 V.
Oświetlenie nie działa.	Sprawdź włącznik oświetlenia.	Powinien się znajdować w pozycji „ON”
Oświetlenie nie działa.	Sprawdź lampy.	Lampy nie powinny być uszkodzone.
Pobór powietrza jest słaby.	Sprawdź filtr przeciw tłuszczowy.	Aluminiowy filtr przeciw tłuszczowy należy czyścić co najmniej raz w miesiącu przy normalnym użytkowaniu.
Pobór powietrza jest słaby.	Sprawdź kanał wentylacyjny.	Powinien się znajdować w pozycji „ON”
Pobór powietrza jest słaby.	Sprawdź filtr węglowy.	W przypadku produktów z filtrami węglowymi filtr należy wymieniać co 3 miesiące.

Nejprve si přečtěte tento návod k použití!

Vážený zákazníku,

Děkujeme, že jste si vybrali tento produkt značky Beko. Doufáme, že s tímto spotřebičem, který byl vyroben s využitím vysoce kvalitní a moderní technologie, dosáhnete těch nejlepších výsledků. Z tohoto důvodu si před použitím spotřebiče pečlivě přečtěte celý návod k použití a jakékoli doplňující dokumenty a uchovejte je pro budoucí použití. Pokud spotřebič předáte další osobě, rovněž jí předejte návod k použití. Dodržujte pokyny a věnujte pozornost všem informacím a varováním uvedeným v návodu k použití.

Nezapomeňte, že se tento návod může vztahovat i k několika jiným modelům. Rozdíly mezi modely jsou v návodu výslovně popsány.

Význam symbolů

V různých částech tohoto návodu k použití jsou použity následující symboly:



Důležité informace a užitečné tipy k použití.



VAROVÁNÍ: Upozornění na nebezpečné situace týkající se ohrožení života a majetku.



Varování před nebezpečím požáru.



Varování před úrazem elektrickým proudem.



Tento výrobek byl vyroben v ekologických a moderních zařízeních bez negativního dopadu na životní prostředí.

1.1 Obecné bezpečnostní pokyny

Důležité bezpečnostní pokyny, přečtěte si je pozorně a uchovejte pro pozdější použití

Tento oddíl obsahuje bezpečnostní pokyny, které vám pomohou ochránit před vznikem požáru, zásahem elektrickým proudem, následky unikající mikrovlnné energie, zraněním osob nebo poškozením majetku. Nedodržení těchto pokynů zruší platnost záruky.

- Výrobky značky Beko splňují platné bezpečnostní normy; proto v případě jakéhokoli poškození spotřebiče nebo napájecího kabelu musí být provedena oprava nebo výměna prodejcem, servisním centrem nebo odborníkem z autorizovaného servisu, aby se předešlo nebezpečí. Chybná nebo neodborná oprava může být nebezpečná pro uživatele.
- Toto zařízení je určeno pouze pro domácí a podobné použití, například:
 - v prostorách kuchyňského personálu v obchodech, kancelářích a dalších pracovních prostředích;
 - na farmách;
 - klienty v hotelech a dalších ty-

pech obytného prostředí;

- v prostředí typu Bed and Breakfast.

- Spotřebič používejte pouze k určenému účelu, jak je popsáno v tomto návodu.
- Výrobce nenes odpovědnost za žádné škody plynoucí z nesprávné instalace či nevhodného způsobu použití spotřebiče.
- Tento spotřebič mohou používat děti starší 8 let a osoby s omezenými tělesnými, smyslovými nebo mentálními schopnostmi anebo osoby bez příslušných znalostí a zkušeností, pokud jsou pod dozorem nebo byly poučeny o bezpečném užívání tohoto přístroje a chápou související nebezpečí.
- Děti si se spotřebičem nesmí hrát. Čištění a údržba nesmí být prováděny dětmi bez dohledu dospělé osoby.
- Minimální vzdálenost mezi nosnými plochami varných nádob na varné desce a nejnižší stranou výrobku musí být nejméně 65 cm.
- Pokud v návodu k instalaci plynové desky najdete větší vzdálenost, je nutno postupovat podle toho.
- Zkontrolujte, zda vaše napájení odpovídá informacím uvedeným

Důležité pokyny z hlediska bezpečnosti a životního prostředí

na štítku spotřebiče.

- Nikdy nepoužívejte spotřebič, pokud je poškozen napájecí kabel nebo spotřebič.
- Předejděte poškození napájecího kabelu zabráněním jeho zmáčknutí, ohnutí nebo odírání o ostré hrany. Napájecí kabel udržujte mimo horké povrchy a otevřený oheň.
- Spotřebič zapojte pouze do uzemněné zásuvky.

VAROVÁNÍ: Nezapojte spotřebič do sítě, dokud není instalace zcela dokončena.

- Spotřebič umístěte tak, aby byla zástrčka vždy přístupná.
- Nedotýkejte se žárovek, pokud jsou v provozu delší dobu. Mohou spálit ruce, protože budou horké.
- Dodržujte předpisy stanovené příslušnými úřady o vypouštění odpadního vzduchu (toto upozornění se nevztahuje na použití bez kouřovodu).
- Spusťte spotřebič po umístění hrnce, pánve apod. na varnou desku. V opačném případě může vysoká teplota způsobit deformaci některých částí výrobku.
- Před sejmutím hrnce, pánve apod. vypněte varnou desku.

- Nenechávejte na varné desce horký olej. Nádoby s horkým olejem mohou způsobit samovznícení.
- Dávejte pozor na záclony a závěsy, protože olej se může při smažení některých potravin, jako jsou hranolky, vznítit.
- Tukový filtr musí být vyměněn nejméně jednou měsíčně. Uhlíkový filtr musí být vyměněn nejméně každé 3 měsíce.
- Spotřebič musí být čištěn v souladu s návodem k použití. Pokud čištění nebylo provedeno v souladu s návodem k použití, může hrozit nebezpečí požáru.
- Namísto stávajícího filtru nepoužívejte filtrační materiály neodolné proti ohni.
- Používejte pouze originální části doporučené výrobcem.
- Neprovozujte spotřebič bez filtru a neodstraňujte filtry, když je spotřebič spuštěn.
- V případě, že dojde k zapálení plamene, vypněte napájení spotřebiče a vařičů.
- V případě, že dojde k zapálení plamene, plamen zakryjte a nikdy k jeho hašení nepoužívejte vodu.
- Spotřebič odpojte před každým

Důležité pokyny z hlediska bezpečnosti a životního prostředí

čištěním a v případě, že jej nepoužíváte.

- Podtlak v místnosti nesmí překročit 4 Pa (4 x 10 bar), zatímco digestoř pro elektrickou varnou desku a spotřebiče pracující na jiném typu energie, než je elektřina, pracují současně.
- V prostředí, kde je spotřebič používán, musí být odvětrávání zařízení běžících na topném oleji nebo plynu, jako je teplovzdušný ventilátor, naprosto izolováno nebo zařízení musí být hermetického typu.
- Při připojování kouřovodu použijte trubky o průměru 120 nebo 150 mm. Připojení trubek musí být co nejkratší a mít co nejméně záhybů.

Riziko zadušení! Všechny obaly uchovejte mimo dosah dětí.

UPOZORNĚNÍ: Přístupné součástky se mohou zahřát při použití s vařiči.

- Vývod spotřebiče nesmí být připojen ke vzduchovodům, do kterých je vyveden jiný kouř.
- Ventilace v místnosti může být nedostatečná, pokud je digestoř pro elektrickou varnou desku používána současně se zařízeními na plyn nebo jiná paliva (to neplatí pro spotřebiče, které vypouštějí

vzduch zpět do místnosti).

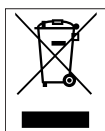
- Předměty umístěné na spotřebiči mohou spadnout. Na spotřebič neumísťujte žádné předměty.
- Pod spotřebičem nikdy neflamбуйте.

VAROVÁNÍ: Před instalací digestoře odstraňte ochranné fólie.

- Nikdy nenechávejte obnažený plamen pod digestoři, která je zapnutá.
- Pánve na smažení je nutno během používání stále sledovat: přehřátý olej může vzplanout.

1.2 Shoda se směrnicí OEEZ a likvidace výrobku:

Tento výrobek splňuje požadavky směrnice EU OEEZ (2012/19/EU). Tento výrobek je označen symbolem pro třídění elektrického a elektronického odpadu (OEEZ).



Tento symbol znamená, že příslušný výrobek na konci jeho životnosti nesmí být likvidován spolu s jiným domácím odpadem. Použité zařízení musíte odnést do oficiální sběrně pro recyklaci elektrických a elektronických zařízení. obraťte se na místní úřady nebo na prodejce, u kterého jste si zařízení zakoupili, a informujte se o umístění sběrných zaří-

zení. Každá domácnost hraje důležitou roli ve sběru a recyklaci starých zařízení.

Správná likvidace starého zařízení pomáhá předejít možným negativním následkům pro životní prostředí a lidské zdraví.

1.3 Dodržování směrnice RoHS

Výrobek, který jste zakoupili, splňuje požadavky směrnice EU RoHS (2011/65/EU). Neobsahuje škodlivé ani zakázané materiály specifikované ve směrnici.

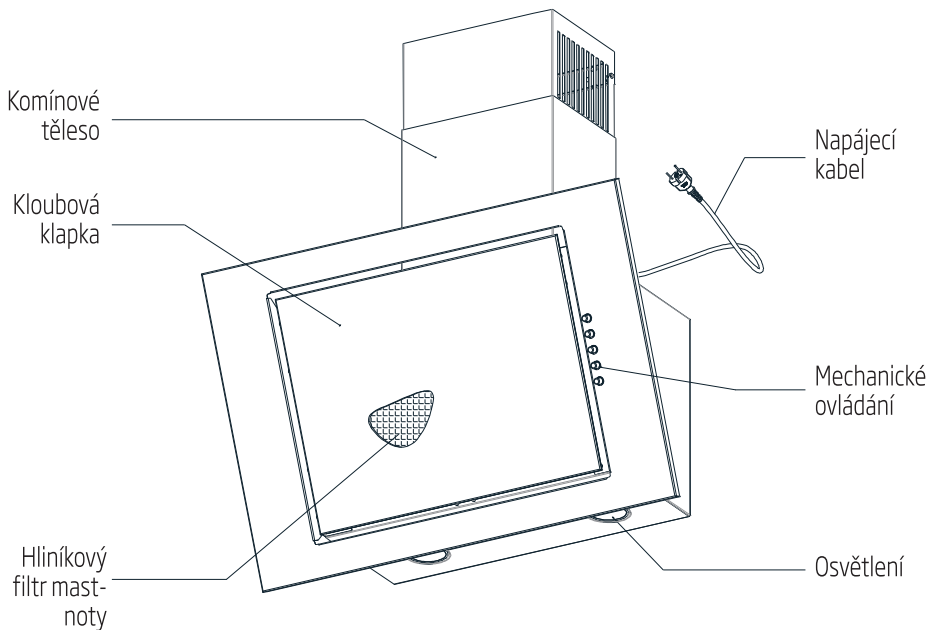
1.4 Informace o balení



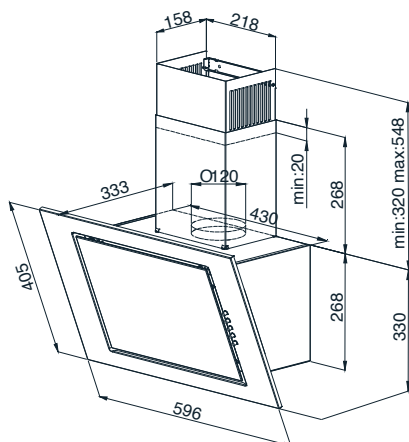
Obalové materiály produktu jsou vyrobeny z recyklovatelných materiálů v souladu s naší národní legislativou na ochranu životního prostředí. Obalové materiály nelikvidujte společně s domácím nebo jiným druhem odpadu. Odvezte je na sběrné místo obalových materiálů určené místními úřady.

2 Technické parametry

Technické údaje obsažené v této příručce a štítky umístěné na spotřebiči byly získány na základě měření a výpočtů v souladu s požadavky nařízení EU č. 65/2014 a 66/2014.



Obr. 1 Celkový pohled na kryt digestoře



Obr. 2 Kresba rozměrů

3.1 Provoz digestoře

Digestoř je určena k odsávání par během vaření jídla. Přístroj může pracovat ve dvou režimech:

Jako odsavač vzduchu: výpary jsou odváděny z místnosti přes trubku pro odpad. Trubka pro odpad není dodávána se zařízením a měla by být zakoupena samostatně.



- Je třeba použít nejkratší možnou trubku pro odsávání výparů.
- Použijte trubku s maximálně hladkým vnitřním povrchem (použití trubek typu Spiro se nedoporučuje).
- Použijte odtahový kanál s co nejmenším počtem ohybů (úhly ohybu nesmí přesáhnout 90°).
- Změny v částech odtahového kanálu nedoporučujeme (od vyššího až po spodní část, například změna z Ø150 mm na Ø120 mm).

Jako absorbér: výpary jsou vyčištěny od tuku a pachů předtím, než se vrátí zpět do místnosti přes mřížku v horní části komínového tělesa. Chcete-li, aby digestoř fungovala v režimu absorpce, nainstalujte uhlíkový filtr

(Obr. 10). Uhlíkový filtr není součástí standardního vybavení a měl by být zakoupen zvlášť.

3.2 Provoz digestoře

Digestoř je vybavena mechanickým kontrolním ovládním.

- Tlačítko **"0"** - ventilátor digestoře je vypnutý
- Tlačítko **"1"** - zapnutý ventilátor digestoře s minimální rychlostí
- Tlačítko **"2"** - zapnutý ventilátor digestoře se střední rychlostí
- Tlačítko **"3"** - zapnutý ventilátor digestoře s maximální rychlostí

Vyšší rychlost znamená vyšší cirkulaci vzduchu.

- Tlačítko  zapne světýlko. Chcete-li světlo vypnout, stiskněte tlačítko ještě jednou.

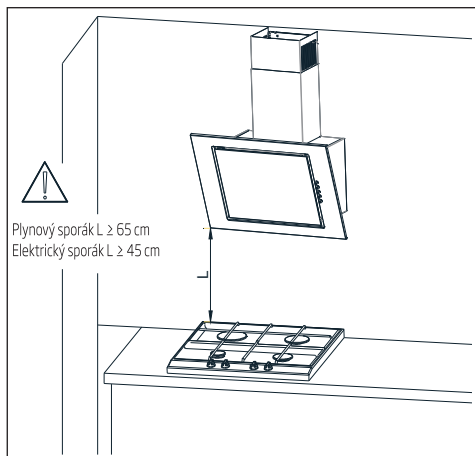
4 Instalace

4.1 Instalace digestoře



Použití šroubů a upevňovacích prvků, které nejsou uvedeny v návodu k použití, může způsobit úraz elektrickým proudem.

Minimální vzdálenost digestoře visící mezi plochou kuchyňské linky nad sporákem (plyn či elektrický sporák) a nejnižší částí digestoře (obr. 3) musí činit nejméně 45 cm u elektrického sporáku a nejméně 65 cm u plynového sporáku. Pokud je v návodu pro použití sporáku větší vzdálenost pro instalaci digestoře, musí být dodržena tato vyšší vzdálenost. Montáž digestoře a komínového tělesa je znázorněna na obrázcích (obr. 4 - obr. 9). Digestoř je vybavena upevňovacími kolíky, které jsou ve většině případů v souladu s barvou stěn a stropu. Během montáže dodržujte běžná pravidla pro odvod vzduchu z prostor.



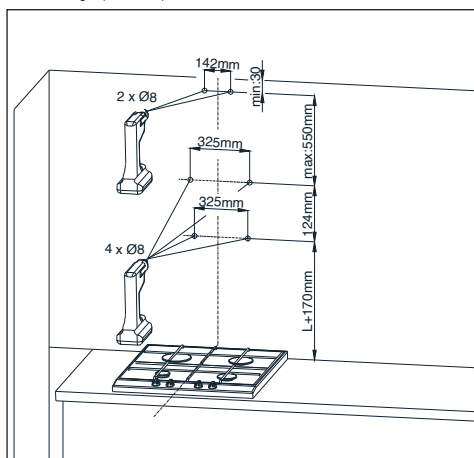
Obr. 3 Doporučené vzdálenosti od sporáku

Před zahájením instalace:

- Zkontrolujte, zda se rozměry zakoupeného zařízení shodují s plánovaným místem instalace.
- Demontujte a odstraňte (pokud je to možné) veškerý nábytek, který je v oblasti instalace krytu, aby byl zajištěn snadný přístup ke stropu nebo ke stěně, kde bude digestoř osazena. Pokud to není možné, zakryjte nábytkové prvky, které jsou v blízké oblasti.
- Zkontrolujte, zda je v blízkosti montážní oblasti zásuvka, a přesvědčte se, zda digestoř může být připojena k odtahovému kanálu pro odtah výparů.
- Zkontrolujte, zda v místech, kde bude provedeno vrtání, nejsou žádné kabely (elektrické, hydraulické apod.).
- Připravte si následující nástroje: pravítko, tužka, vrtačka/elektrická vrtačka, vrtací nástroj $\varnothing 8$, šroubovák, vodováha.

Montáž:

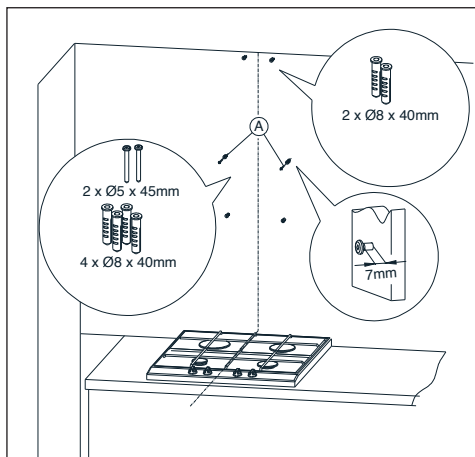
1. Určete osu sporáku a namalujte ji na stěnu, kde bude umístěna digestoř. Připravte všechny body připevnění digestoře. Vrtačkou vyvrtejte otvory. (Obr. 4)



Obr. 4 Rozměry montáže

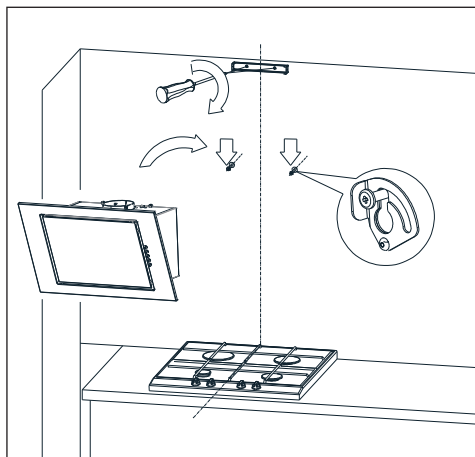
4 Instalace

2. Do otvorů zasuňte šroubové zátky. Ve dvou otvorech označených jako A našroubujte rovněž šrouby (ponechte délku šroubu 7 mm mimo šroubovací zátku, obr. 5).



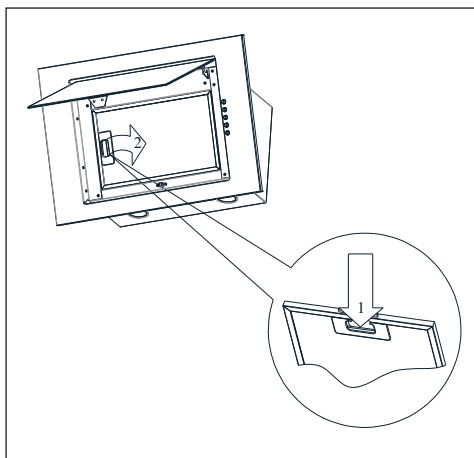
Obr. 5 Sestava šroubových spojů

3. Našroubujte upevňovací prvek komínového tělesa a zavěste digestoř na dva neutažené šrouby (obr. 6).



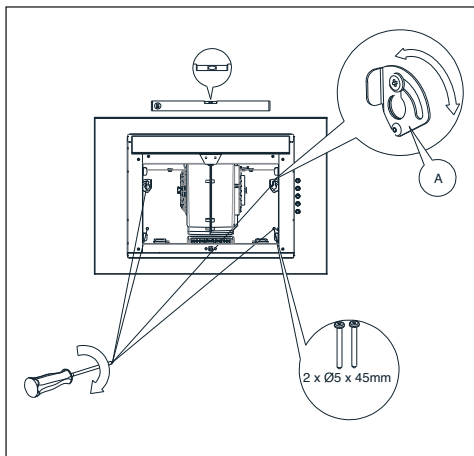
Obr. 6 Zavěšování digestoře

4. Otevřete klapku digestoře a vyjměte tukový filtr (obr. 7).



Obr. 7 Odstranění hliníkových tukových filtrů

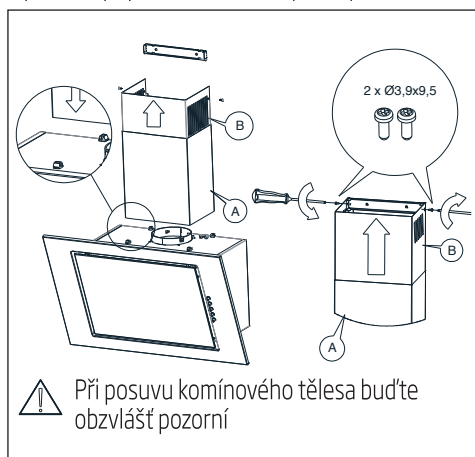
5. Změřte úroveň digestoře vodoměrem. Otočením prvku označeného písmenem A nastavte úroveň digestoře podle indikace na vodoměru a poté utáhněte dva šrouby, které byly předtím jen částečně našroubovány. Následně našroubujte dva zbývající šrouby (obr. 8).



Obr. 8 Umístění digestoře

4 Instalace

Připojte komínové těleso do digestoře. Poté jemně připojte část digestoře se znaménkem B směrem nahoru tak, aby bylo možné našroubovat ji k upevňovacímu prvku, který byl předtím připevněn ke stěně (obr. 9).



Obr. 9 Montáž komínového tělesa



Tato montáž musí být provedena velmi opatrně, aby nedošlo k poškrábání samotného komínového tělesa a digestoře.

4.2 Elektrické zapojení

Síťové napětí musí odpovídat napětí uvedenému na desce umístěné uvnitř digestoře. Pokud je digestoř vybavena zástrčkou, vložte ji do zásuvky, která splňuje příslušné požadavky, a umístěte ji na snadno přístupném místě. Pokud není digestoř vybavena zástrčkou, musí instalaci digestoře provádět osoba, která má požadovaná oprávnění (např. elektrikář).

5 Čištění a údržba

5.1 Čištění

- Prosím proveďte čištění digestoře ihned po smažení.
- K čištění vnějšího povrchu digestoře použijte měkký hadřík navlhčený v kapalném saponátu.
- K čištění nikdy nepoužívejte brusné ani hrubé materiály.
- Můžete používat čisticí prostředky běžně dostupné k odstranění odolné mastnoty atd., pokud dodržíte bezpečnostní pokyny a varování na výrobku. Abyste nepoškrábali těleso z broušené oceli, otírejte je ve stejném směru.
- Nepoužívejte čisticí prostředky s kyselinou uhlovodíkovou, škrob nebo brusný prášek, abyste zachovali kvalitu povrchu výrobku. Používejte hadřík navlhčený v mýdlovém roztoku nebo speciální čisticí sprej na nerezavějící ocel. Sejměte ochrannou fólii ze spotřebiče.



Pozor! Pokud nedodržíte pokyny týkající se čištění a výměny filtrů digestoře, můžete způsobit požár.

5.2 Tukový filtr

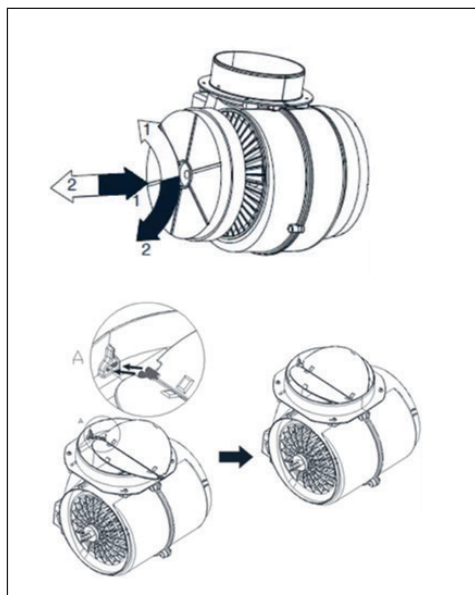
Digestoř je vybavena hliníkovým filtrem, který zastavuje částice tuku, které jsou v průběhu vaření vypouštěny. Chcete-li filtr vyjmout, přesuňte svorky ve směru šipky (obr. 7). Filtr musí být vyčištěn ručně ponořením do vody s tekutinou na mytí nádobí po dobu cca. 15 minut při teplotě 40 - 50°C. Po 15 minutách umyjte a opláchněte filtr. Filtr musí být před umístěním do digestoře suchý. Filtr můžete umýt také v myčce na nádobí. Během mytí se může změnit barva filtru, což neovlivňuje jeho filtrační vlastnosti. Pravidelné nevyčištění filtru snižuje výkon digestoře a může způsobit požár. Filtr by měl být čištěn nejméně po každých 35 hodinách provozu digestoře.

5.3 Uhlíkový filtr

Digestoř může být vybavena uhlíkovým filtrem. Uhlíkový filtr se používá, pokud digestoř není připojena k odtahovému kanálu. Filtr musí být nainstalován na tělese ventilátoru, jak je znázorněno na obrázku (obr. 10). Uhlíkový filtr je třeba vyměnit každých 6 měsíců.



Uhlíkový filtr nemyjte ani neregulujte.



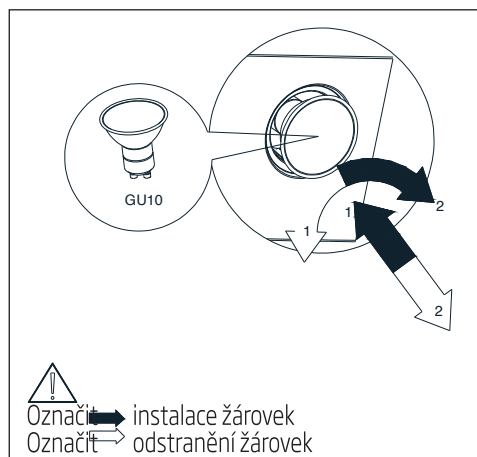
Obr. 10 Výměna uhlíkového filtru

5.4 Výměna osvětlení

Než začnete jakoukoli práci týkající se výměny osvětlení, vypněte napájení. Pokud byla digestoř zapnutá, počkejte, dokud nevychladne a poté proveďte výměnu. Výměna žárovek je znázorněna na obr. 11.



- Před výměnou žárovek vypněte digestoř.
- Nedotýkejte se žárovek, pokud jsou horké.
- Buďte opatrní, abyste se nedotkli nainstalované žárovky rukou.



Obr. 11 Výměna osvětlení

5.5 Jak snížit dopad vaření na životní prostředí

- Abyste snížili spotřebu energie, vařte v kuchyňském nádobí pod víkem.
- Hliníkové filtry digestoře musí být udržovány v čistotě (doporučená doba práce hliníkového filtru před jeho čištěním: max. 35 h provozu digestoře).
- Ventilací kanály nesmí být zablokovány.
- Rychlost provozu ventilátoru během vaření nastavte na minimální úroveň, která umožňuje odvádět páry, a vezměte v úvahu skutečnou intenzitu vaření.

Pokud musíte spotřebič přemístit:

- Uskladněte si originální balení spotřebiče. Spotřebič přepravujte v původním obalu a dodržujte značení pro přepravu v původním obalu.

Pokud nemáte původní obal:

- Na digestoř neumísťte žádné předměty.
- Ochraňte vnější plochu před nárazy.
- Zabalte spotřebič tak, aby se během přepravy nepoškodil.

6 Řešení problémů

Príznaky	Příčina	Způsob opravy
Během provozu digestoře se zobrazí blikající písmeno „F“.	Po 35 hodinách provozu signalizuje digestoř nutnost vyčištění nebo výměny tukového filtru.	Stiskněte a podržte „-“ na dotykovém ovladači po dobu asi 8 sekund. Filtr by měl být umyt v myčce nebo nahrazen novým.
Na displeji se zobrazí pouze symbol „-“ (Minus a tečka v pravém dolním rohu), digestoř nereaguje na vypnutí.	Dotykový ovladač byl zablokován - tato funkce usnadňuje čištění digestoře.	Chcete-li zámek odblokovat, stiskněte a podržte po dobu asi 10 sekund pole se symbolem zapnutí.
Na displeji se nezobrazuje žádný symbol, digestoř nereaguje na stisknutí ovládacích polí.	Dotykový ovladač je pravděpodobně blokován.	Odpojte digestoř od napájení na dobu asi 15 sekund a znovu ji zapněte.
Na displeji se zobrazí symbol jedné z rychlostí; digestoř nereaguje na stisknutí ovládacích polí.	Dotykový ovladač je pravděpodobně blokován	Odpojte digestoř od napájení na dobu asi 15 sekund a znovu ji zapněte.
Turbína digestoře se po 15 minutách provozu odpojí, na displeji se zobrazí pulzující číslice, např. „1.“ (aktuální stupeň rychlosti a tečka v pravém dolním rohu).	Byl aktivován automatický časový spínač dotykového ovládání.	Chcete-li časový spínač deaktivovat, stiskněte a podržte po dobu asi 10 sekund symbol „+“ nebo digestoř vypněte.
Na čtvrtém rychlostním stupni pulsuje na displeji číslice „4“, po 5 minutách se změni rychlost na stupeň tři.	Digestoř je vybavena režimem turbo, který po 5 minutách provozu automaticky přepne na třetí rychlostní stupeň, aby šetřil energii.	Režim turbo musí být používán pouze v kombinaci s intenzivním vařením.
Digestoř lze ovládat pouze pomocí ovládacího panelu, nereaguje na dálkové ovládání.	Baterie dálkového ovladače je vybitá nebo je vzdálenost příliš dlouhá.	Vyměňte baterii za novou.
Digestoř vykazuje velmi špatné nasávání par.	Pravděpodobnou příčinou jsou zanešené filtry.	Filtr mastnoty musí být umyt v myčce nebo nahrazen novým. Uhlíkový filtr (pokud je k dispozici) musí být nahrazen novým.
Jeden nebo více světelných bodů nefunguje.	Vadná halogenová / LED žárovka.	Žárovka musí být nahrazena novou, kompatibilní se symbolem určeným v návodu k použití digestoře.
Digestoř vytváří nadměrný hluk a vibrace.	To může být způsobeno nesprávnou instalací digestoře na stěnu nebo vibrací kuchyňské linky. Nebyly použity všechny dodané šrouby nebo jsou uchytceny volně a umožňují vůli.	Digestoř musí být namontována na stěnu nebo skříňku pomocí všech bodů, které poskytuje výrobce. Po nastavení horní a vertikální polohy digestoře utáhněte všechny upevňovací šrouby.
* týká se digestořů s dotykovým ovládáním.		
Pokud výše uvedená doporučení problém nevyřeší, obraťte se na autorizovaný servis pro domácí spotřebiče. Za žádných okolností není uživateli umožněna samostatná oprava. Seznam servisních center je součástí záručního listu a webových stránek.		

Palun lugege esmalt juhendit!





Lugupeetud kliendid!

Aitäh, et otsustasite Beko toote kasuks. Loodetavasti jääte selle kaasaegse tehnoloogia järgi valmistatud kvaliteetse toote tööga rahule. Selleks tutvuge enne toote kasutamist hoolikalt kasutusjuhendi ja kõigi kaasasolevate dokumentidega ja hoidke need alles. Kui annate toote üle uuele omanikule, pange kaasa ka kasutusjuhend. Järgige kõiki kasutusjuhendis toodud hoiatusi ja juhiseid.

Võtke arvesse, et see kasutusjuhend kehtib ka mitme muu mudeli jaoks. Mudelite vahelisi erinevusi on kasutusjuhendis selgelt kirjeldatud.

Sümbolite tähendused

Käesoleva juhendi erinevates jaotistes kasutatakse järgmisi sümboleid:

	Oluline teave ja kasulikud nõuanded kasutamisel
	HOIATUS! Hoiatused elule ja varale ohtlike olukordade kohta
	Hoiatus tulekahjuohu kohta
	Hoiatus elektrilöögi kohta



Toode on valmistatud keskkonnasõbralikes kaasaegsetes tehastes loodust kahjustamata.

1.1 Üldine ohutus

Olulised ohutusjuhised Lugege juhised hoolikalt läbi ja hoidke hilisemaks kasutamiseks alles

See jaotis sisaldab ohutusjuhiseid, mis aitavad teil vältida tuleohtu, elektrilööke, kokkupuutumist lekkinud mikrolaineenergiaga, kehavigastusi ja varalist kahju. Nende juhiste eiramisel garantii tühistatakse.

- Beko tooted vastavad kehtivatele ohutusstandarditele, seepärast tuleb ohu vältimiseks lasta edasimüüjal, teeninduskeskusel, spetsialistil või volitatud hoolduskeskusel seade alati parandada või välja vahetada, kui seadmel või selle toitejuhtmel on kahjustusi. Puudulikud või oskamatud parandustööd võivad olla ohtlikud ja põhjustada kasutajale ohtu.
- Seade on mõeldud kasutamiseks kodumajapidamistes ja järgmistes sarnastes kohtades, nt:
 - töötajate köögid poodides, kontorites ja teistes töökohtades;
 - maamajapidamised;
 - klientidele hotellides ja teistes majutusasutustes;
 - hommikusöögiga ööbimiskohtades.

- Kasutage seadet ainult ettenähtud eesmärkidel ja selle juhendi kohaselt.
- Tootja ei vastuta väärast paigaldamisest või toote valest kasutamisest tingitud kahju eest.
- Seda seadet tohivad kasutada vähemalt 8-aastased lapsed ning piiratud füüsiliste, sensoorsete või vaimsete võimetega või kogemuste ja teadmisteta isikud, kui neid on juhendatud seadet ohutult kasutama või nad teevad seda järelevalve all ja mõistavad seadme kasutamisega seotud ohte.
- Lapsed ei tohi seadmega mängida. Lapsed ei tohi seadet puhastada ja hooldada ilma järelevalveta.
- Minimaalne kaugus keedualal olevate keedunõude restide ja õhupuhasti madalaima osa vahel peab olema vähemalt 65 cm.
- Kui gaasipliidi paigaldamise juhistes on märgitud ülalnimetatust suurem vahekaugus, tuleb seda arvesse võtta.
- Veenduge, et teie toiteallikas vastaks seadme andmesildil toodud andmetele.
- Ärge kasutage seadet, kui toitejuhe või seade on kahjustatud.
- Toitejuhtme kahjustumise välti-

miseks hoiduge selle pigistamisest, murdmisest või hõõrumisest vastu teravaid servi. Hoidke toitejuhe eemal kuumadest pindadest ja lahtisest tulest.

- Kasutage seadet ainult koos maandatud pistikupesaga.

HOIATUS! Ärge ühendage seadet toitevõrku enne, kui paigaldus on täielikult lõpetatud.

- Paigutage seade nii, et pistikule oleks alati võimalik ligi pääseda.
- Ärge puudutage lampe, kui need on pikemat aega põlenud. Võite oma käsi põletada, sest lambid on kuumad.
- Järgige pädevate asutuste eeskirju õhu väljatõmbe kohta (see hoiatus ei kehti ilma lõõrita kasutamise korral).
- Lülitage seade tööle kohe pärast poti, panni jms asetamist pliidile. Muidu võivad seadme osad kuumuse tõttu deformeeruda.
- Enne poti, panni vms võtmist pliidilt lülitage see välja.
- Ärge jätke kuuma õli pliidile. Kuuma õliga pannid võivad süttida.
- Pöörake tähelepanu kardinatele ja katetele, sest näiteks friikartulite valmistamisel võib õli põlema minna.

- Rasvafiltrit tuleb vahetada vähemalt kord kuus. Söefiltrit tuleb vahetada vähemalt kord kolme kuu jooksul.
- Toodet tuleb puhastada kasutusjuhendi kohaselt. Kui seadet ei puhastata kasutusjuhendi kohaselt, tekib süttimisoht.
- Ärge kasutage originaalfiltri asemel materjale, mis ei ole tulekindlad.
- Kasutage ainult originaal- või valmistaja soovitatud osi.
- Ärge kasutage toodet ilma filtrita ja ärge eemaldage filtreid, kui toode töötab.
- Tule süttimise korral katkestage toote ja küpsetusseadme toide.
- Tule süttimise korral katke leek, aga ärge mingil juhul kasutage kustutamiseks vett.
- Enne igat puhastamist ja ajal, kui seadet ei kasutata, eemaldage toitejuhe vooluvõrgust.
- Negatiivne surve keskkonnas ei tohi ületada 4 Pa (4 × 10 baari), kui kasutate ühel ajal elektripliidi õhupuhastit ja seadmeid, millel on muu toiteallikas kui elekter.
- Seadme kasutuskeskkonnas peab õli- või gaasiseadmete, nagu ruumi soojendi väljatõmme olema täie-

likult isoleeritud või seade peab olema hermeetilist tüüpi.

- Kasutage lõõri ühendamiseks 120-150 mm läbimõõduga torusid. Toruühendus peab olema võimalikult lühike ja sellel peab olema minimaalselt torupõlvi.

Läbumisoht! Hoidke pakkematerjalid väljaspool laste käeulatus.

ETTEVAATUST! Seadme ligipääsetavad osad võivad koos küpsetusseadmetega kasutamisel kuumeneda.

- Toote äratõmmet ei tohi ühendada õhukanalitega, milles on suitsu.
- Tagage ruumi piisav ventilatsioon, kui elektripliidi õhupuhastit kasutatakse koos seadmetega, mis kasutavad gaasi või muid kütuseid (see ei kehti seadmete kohta, mis tõmbavad ainult õhku ruumi tagasi).
- Tootele asetatud esemed võivad kukkuda. Ärge asetage tootele esemeid.
- Ärge flambeerige toote all.

HOIATUS! Enne õhupuhasti paigaldamist eemaldage kaitsekiled.

- Töötava õhupuhasti all ei tohi kunagi olla lahtist kõrget leeki.
- Fritüüre tuleb küpsetamise ajal pidevalt jälgida: ülekuumenenud õli

võib leegiga põlema süttida.

1.2 WEEE-direktiivi täitmine ja kasutuskõlbmatute toodete kõrvaldamine

Toode vastab Euroopa Liidu elektri- ja elektroonikaseadmete jäätmete (WEEE) direktiivile (2012/19/EU). Sellel tootel on klassifitseerimise sümbol elektri- ja elektroonikaseadmete (WEEE) kohta.



See sümbol näitab, et seda toodet ei tohi pärast kasutuse lõppu kõrvaldada koos muu olmeprügiga.

Kasutatud seade tuleb saata

elektri- ja elektroonikaseadmete ametlikku kogumispunkti. Selliste kogumissüsteemide leidmiseks pöörduge kohaliku omavalitsuse või toote müünud jaemüüja poole. Igal majapidamisel on oluline osa vana seadme taastamisel ja ringlusse andmisel. Kasutatud seadme korrektne käitlemine aitab ära hoida negatiivseid tagajärgi keskkonnale ja tervisele.

1.3 Vastavus RoHS-direktiivile

Toode vastab Euroopa Liidu RoHS-direktiivile (2011/65/EL). See ei sisalda direktiivis mainitud kahjulikke ja keelatud materjale.

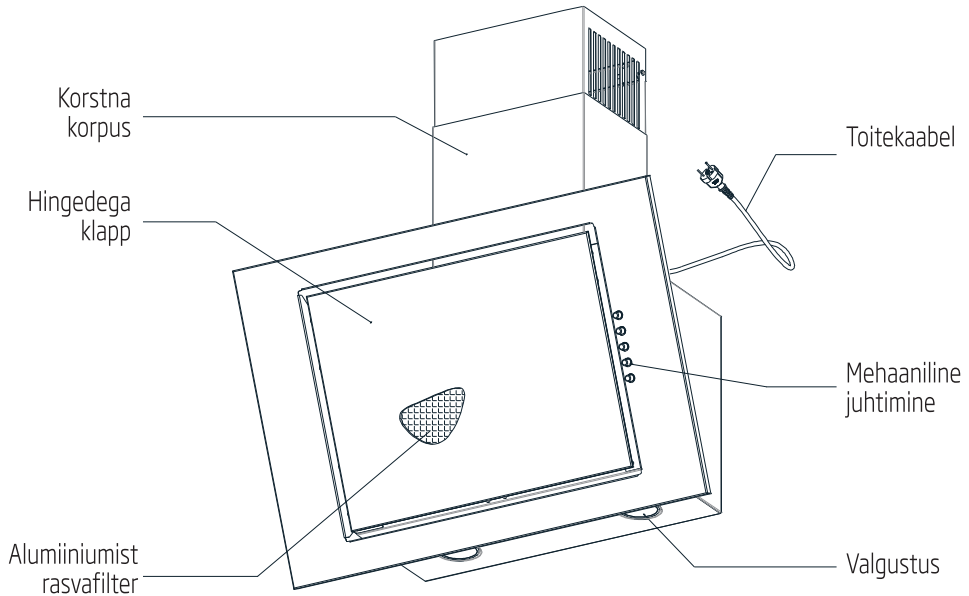
1.4 Teave pakendi kohta



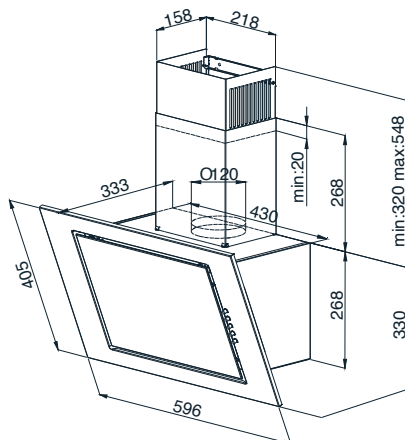
Toote pakkematerjalid on valmistatud ringlusse võetavatest materjalidest riiklike keskkonnanäeskirjade kohaselt. Ärge visake pakkematerjale tavalise olmeprügi või muude jäätmete hulka. Viige need kohaliku omavalitsuse määratud pakendikogumispunkti.

2 Toote tehnilised andmed

Käesolevas juhendis ja õhupuhasti külge kinnitatud siltidel sisalduvad tehnilised andmed on saadud mõõtmistest ja arvutustest vastavalt EL-i määruste nr 65/2014 ja 66/2014 nõuetele.



Joonis 1 Pliidi õhupuhasti üldvaade



Joonis 2 Mõõtjoonis

3 Käitamine

3.1 Õhupuhasti käitamine

Õhupuhasti on ette nähtud aurude sisseimemiseks toiduvalmistamise ajal. Seade võib töötada kahes järgmises režiimis.

Eemaldava õhupuhastina: aurud eemaldatakse ruumist eemaldustoru kaudu. Eemaldustoru ei kuulu seadme komplekti ja tuleb hankida eraldi.



- Tuleb kasutada võimalikult lühikest aurude eemalduskanalit.
- Kasutage maksimaalselt sileda sisepinnaga suitsutoru (Spiro tüüpi torude kasutamine pole soovitatav).
- Kasutage võimalikult väikese painete arvuga (paindenurgad ei tohi ületada 90°) suitsukanalit.
- Muutuva läbilõikega lõõri ei soovitata (suuremast läbilõikest väiksema läbilõikekeni, nt muutust Ø150 mm kuni Ø120 mm).

Absorberina: aurud puhastatakse rasvast ja lõhnast, enne kui need juhitakse korstna korpuse ülaosas asuva võre kaudu tagasi ruumi. Et seada õhupuhasti tööle absorbeerimisrežiimis, paigaldage söefilter


(Joonis 10). Söefilter ei kuulu standardvarustusse ja see tuleks osta eraldi.

3.2 Õhupuhasti töö juhtimine

Õhupuhasti on varustatud mehaanilise juhtimisüsteemiga.

- Nupp **"0"** - õhupuhasti ventilaator on välja lülitatud
- Nupp **"1"** - õhupuhasti ventilaator on sisse lülitatud, minimaalsele kiirusele
- Nupp **"2"** - õhupuhasti ventilaator on sisse lülitatud, keskmisele kiirusele
- Nupp **"3"** - õhupuhasti ventilaator on sisse lülitatud, maksimaalsele kiirusele

Suurem kiirus tähendab kiiremat õhuringlust.

- Nupuga  saab sisse lülitada valgustuse. Valgustuse väljalülitamiseks vajutage nuppu veel kord.

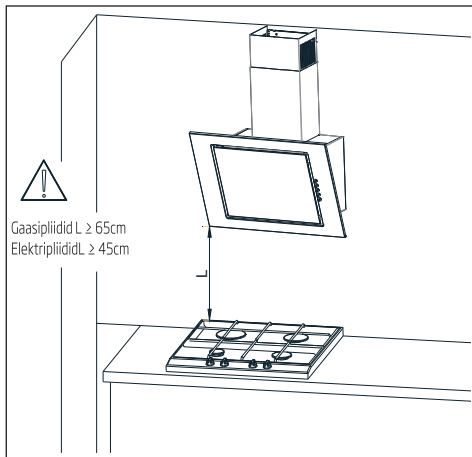
4 Paigaldamine

4.1 Õhupuhasti paigaldamine



Kasutusjuhendis nimetatava kruvide ja kinnitusdetailide kasutamine võib põhjustada elektrilöögi.

Keedunõude paigutamise pinna (gaasi-, elektripliit) ja õhupuhasti alumise osa (joonis 3) vaheline minimaalne kaugus peab olema elektripliitide korral vähemalt 45 cm ja gaasipliitide korral vähemalt 65 cm. Kui pliidi kasutusjuhendis on õhupuhasti paigaldamiseks ette nähtud suurem kaugus, tuleb järgida seda kaugusnõuet. Õhupuhasti ja korpuse paigaldamist on kujutatud joonistel (joonis 4 kuni joonis 9). Õhupuhasti on varustatud kinnitustihvtidega, mis sobivad enamiku seinte ja lagedega. Koostamisel järgige kasutatud õhu ruumist eemaldamise üldeeskirju.



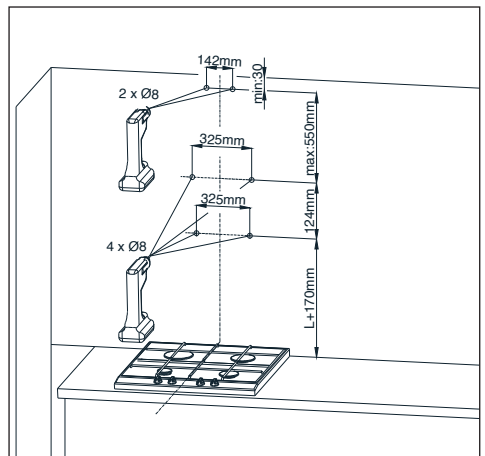
Joonis 3 Soovitavad kaugused pliidist

Enne paigaldamise algust.

- Kontrollige, kas ostetud seadme mõõdud sobivad kavandatud paigalduskohale.
- Lahutage ja eemaldage (kui võimalik) kogu mööbel, mis jääb õhupuhasti paigalduspiirkonda, et tagada juurdepääs laele või seinale, kuhu õhupuhasti paigaldatakse. Kui see ei ole võimalik, kaitske külgnevaid mööblielemente.
- Kontrollige, kas paigalduspiirkonna läheduses on pistikupesa ja kontrollige, kas õhupuhastit saab aurude eemaldamiseks ühendada ventilatsioonikanaliga.
- Kontrollige, kas puurimiskohtades on kaableid (elektrilisi, hüdrauililisi jne).
- Valmistage ette järgmised tööriistad: mõõdulint, pliats, trell/ elektriline kruvikeeraja, puur Ø8, kruvikeeraja, vaaderpass.

Koostetoiming

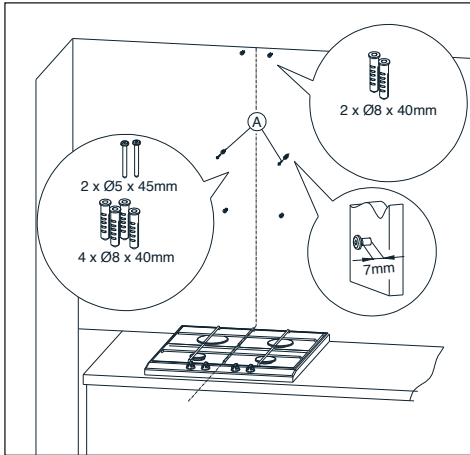
1. Määrake pliidi telg ja kandke see seinale, kuhu õhupuhasti paigaldatakse. Märkige seinale kõik õhupuhasti kinnituskohad. Puurige trelliga augud. (Joonis 4)



Joonis 4 Koostu mõõdud

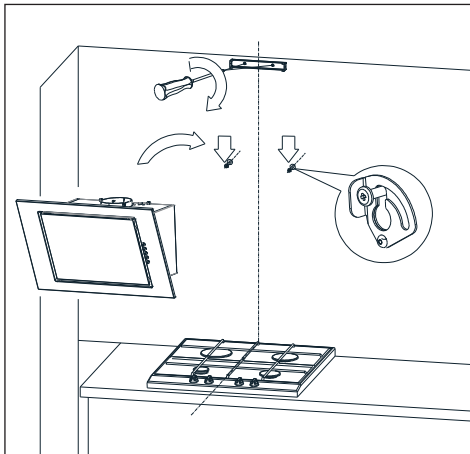
2. Asetage aukudesse tüüblid. Kahte auku, mis on tähistatud A-ga, kruvige kruvid (jättes 7 mm kruvi pikkusest tüüblist välja, joonis 5).

4 Paigaldamine



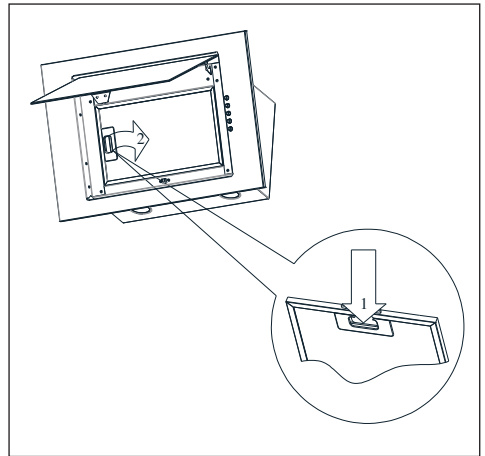
Joonis 5 Kruvitüüblite koost

3. Keerake kinni korstna korpuse kinnituselement, riputage õhupuhasti kahele pingutamata kruvile (joonis 6).



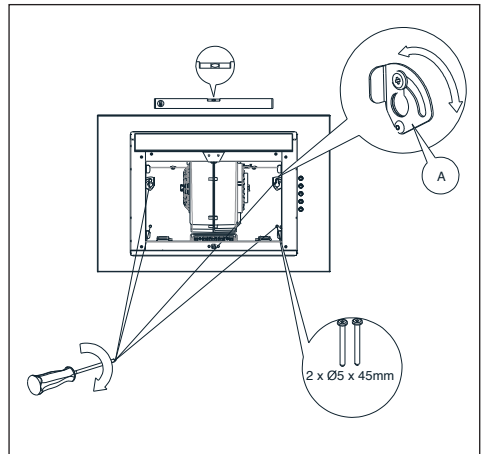
Joonis 6 Õhupuhasti riputamine

4. Avage õhupuhasti kate ja eemaldage rasvafilter (joonis 7)



Joonis 7 Alumiiniumist rasvafiltri eemaldamine

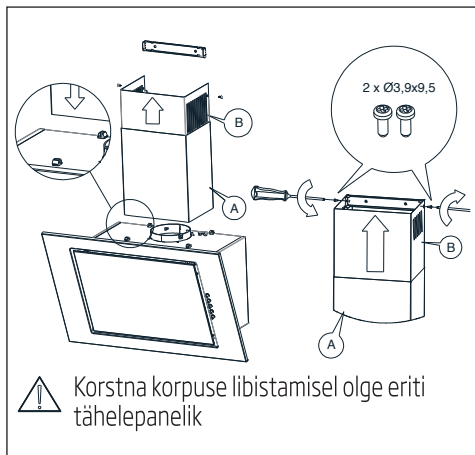
5. Pange õhupuhasti korpusele vaaderpass. Tähisega A märgitud elemendi keeramisega seadke õhupuhasti loodi järgi horisontaalseks, seejärel pingutage kaks eelnevalt sissekeeratud kruvi kinni ja keerake sisse kaks ülejäänud kruvi (joonis 8).



Joonis 8 Pliidis õhupuhasti paigutus

4 Paigaldamine

Paigutage korstna korpus õhupuhasti korpusele. Seejärel tõmmake ettevaatlikult tähisega B õhupuhasti osa ülespoole välja, kuni selle saab kruvida eelnevalt seinale kinnitatud kinnituselemendile (joonis 9).



Joonis 9 Korstna korpuse koost



Seda koostamist tuleb toimetada väga hoolikalt, et vältida korstna korpuse ja õhupuhasti enda kriimustamist.

4.2 Elektriühendused

Võrgupinge peab vastama õhupuhasti sees asu- vate andmeplaadile märgitud pingele. Kui õhupuhasti on varustatud pistikuga, sisestage see nõuetele vastavasse pesasse kergesti juurdepääsetavas kohas. Kui õhupuhasti ei ole varustatud pistikuga, peab õhupuhasti paigaldama volitatud isik (näiteks elektrik).

5 Puhastamine ja hooldus

5.1 Puhastamine

- Ärge kindlasti unustage õhupuhastit puhastada kohe pärast praadimist.
- Õhupuhasti välispinna puhastamiseks kasutage pehmet riidelappi, mida on niisutatud vedela pesuvahendiga.
- Ärge kunagi kasutage puhastamiseks abrasiivseid või kriimustusi tekitavad materjale.
- Võite kasutada kaubandusvõrgus saadaolevaid puhastusvahendeid raskesti eemaldatava rasva jaoks, kuid järgige seejuures tootel esitatud hoiatusi. Harjatud terasest korpuse kriimustamise vältimiseks pühkige harjamisjälgedega samas suunas.
- Toote pinnaomaduste säilitamiseks ärge kasutage puhastusvahendeid, mis sisaldavad vesinikkloriidhapet, valgendit või abrasiivseid pulbreid. Roostevabast terasest pindade puhul kasutage riidelappi, mida on niisutatud seebi-vee või spetsiaalse roostevaba terase puhastusaerosooliga. Eemaldage seadmelt kaitsekile.



Ettevaatust! Kui te ei järgi õhupuhasti puhastamist ja filtrite väljavahetamist käsitlevaid juhiseid, võite põhjustada tulekahju.

5.2 Rasvafilter

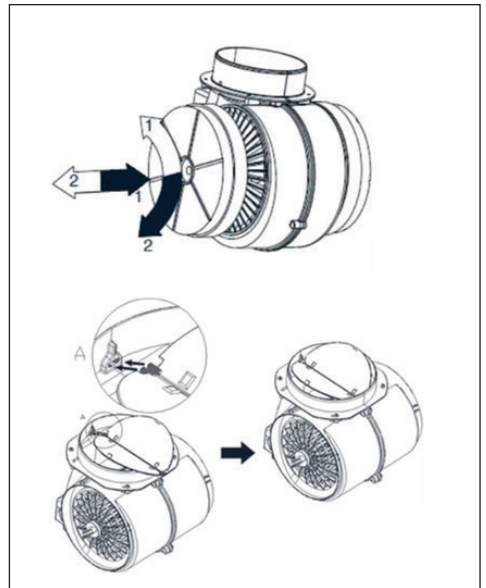
Õhupuhasti on varustatud alumiiniumfiltriga, mis eraldab toiduvalmistamisel lenduvad rasvaosakesed. Filtri eemaldamiseks liigutage klambreid noolega näidatud suunas (joonis 7). Filtrit puhastatakse käsitsi, leotades seda 15 minutit nõudepesuvahendis temperatuuril 40 kuni 50° C. 15 minuti pärast peske filter ja loputage korralikult. Enne paigaldamist õhupuhastisse peab filter olema kuiv. Samuti on võimalik pesta filtrit nõudepesumasinas. Pesemise ajal võib filtri värv muutuda, mis ei mõjuta selle filtreerimisomadusi. Kui filtrit korrapäraselt ei puhastata, vähendab see õhupuhasti jõudlust ja võib põhjustada tulekahju. Filtrit tuleb puhastada õhupuhasti vähemalt iga 35-tunnise tööaja järel.

5.3 Söefilter

Õhupuhasti võib olla varustatud söefiltriga. Söefiltrit kasutatakse ainult siis, kui õhupuhasti ei ole ühendatud ventilatsioonikanaliga. Filter paigaldatakse ventilatori korpusele, nagu on näidatud joonisel (joonis 10). Söefiltrit vahetatakse iga kuue kuu tagant.



Ärge söefiltrit peske ega taastage.



Joonis 10 Söefiltri vahetamine

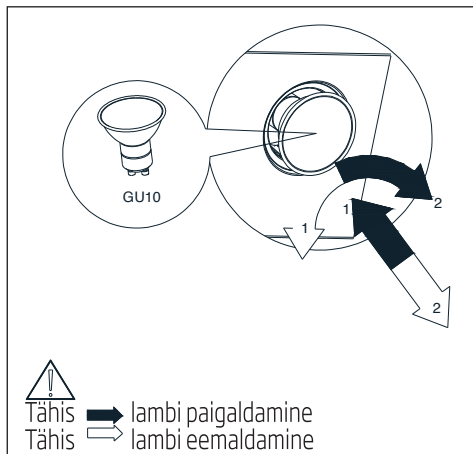
5 Puhastamine ja hooldus

5.4 Tule vahetamine

Enne tule vahetusega seotud tööde alustamist lülitage toide välja. Kui õhupuhasti oli sisse lülitatud, oodake kuni lambid jahtuvad ja seejärel alustage nende vahetamist. Lambi vahetamist on kujutatud joonisel 11.



- Enne lampide vahetamist lülitage õhupuhasti toide välja.
- Kui lambid on kuumad, ärge neid puudutage.
- Ärge paigaldatud lampi kätega puudutage.



Joonis 11 Tulede vahetamine

5.5 Kuidas vähendada toiduvalmistamise mõju keskkonnale

- Et vähendada energia tarbimist, valmistage toitu kaanetatud keedunõudes.
- Õhupuhasti alumiiniumfiltrid tuleb hoida puhtad (alumiiniumfiltri soovitatav tööaeg puhastamiste vahel: maksimaalselt 35 tundi õhupuhasti tööaega).
- Ventilatsioonikanalid ei tohi olla ummistunud.
- Toiduvalmistamise ajal peab ventilaatori töökiirus olema alati minimaalsel tasemel, mis

võimaldab eemaldada aurasid, võttes arvesse tegelikku toiduvalmistamise intensiivsust.

Kui seadet on vaja transportida.

- Hoidke seadme originaalpakend alles. Transportige seadet originaalpakendis ja järgige originaalpakendil esitatud transpordimärgistusi.

Kui originaalpakend pole säilinud.

- Ärge asetage õhupuhastile esemeid.
- Kaitske välispinda löökide eest.
- Pakendage seade nii, et see ei saa transportimisel kahjustusi.

6 Tõrkeotsing

Tunnused	Põhjus	Parandusmeetod
Õhupuhasti käitamise ajal vilgub täht „F“.	Pärast 35 töötundi möödumist osutab õhupuhasti rasvafiltri puhastamise või asendamise vajadusele.	Vajutage ja hoidke umbes 8 sekundit all tähist „-“ puutejuhtpaneelil. Filter tuleb pesta nõudepesumasinas või asendada uuega.
Ekraanil kuvatakse ainult sümbol „-“ (miinus ja punkt paremal all), õhupuhasti ei reageeri väljalülitamisele.	Puutejuhtimine on lukustatud - see funktsioon hõlbustab õhupuhasti puhastamist.	Lukustuse keelamiseks vajutage ja hoidke umbes 10 sekundit all sisselülitamise sümboliga välja.
Ekraanil ei kuvata ühtegi sümbolit, õhupuhasti ei vasta juhtimisväljade puudutamisele.	Puutejuhtimine on tõenäoliselt peatatud.	Lahutage õhupuhasti toitest umbes 15 sekundiks ja lülitage uuesti sisse.
Ekraanil kuvatakse ühte käigusümbolit, õhupuhasti ei vasta juhtimisväljade puudutamisele.	Puutejuhtimine on tõenäoliselt peatatud	Lahutage õhupuhasti toitest umbes 15 sekundiks ja lülitage uuesti sisse.
Õhupuhasti turbiin peatub 15 minuti pärast, ekraanil kuvatakse vilkuvat numbrit, st „1.“ (praeguse käigu numbrit ja paremal all punkti).	Puutejuhtkraani automaatne aeglüliti on aktiveeritud.	Aeglüliti inaktiveerimiseks puudutage ja hoidke umbes 10 sekundit sümbolit „+“ või lülitage õhupuhasti välja.
Neljanda käigu korral vilgub näidikul number „4“, 5 minuti pärast lülitatakse sisse kolmas käik.	Õhupuhasti on varustatud turborežiimiga, mis lülitub pärast 5-minutilise tööd energia säästmiseks automaatselt üle kolmandale käigule.	Turbokäiku tuleb kasutada ainult intensiivse toiduvalmistamise korral.
Õhupuhastit saab käitada ainult juhtpaneelilt, puhasti ei vasta kaugjuhtpuldile.	Kaugjuhtpuldil patarei on tühi või kaugus on liiga suur.	Vahetage patarei.
Õhupuhasti jõudlus on väike.	Arvatav põhjus on mustunud filtrid.	Rasvafilter tuleb pesta nõudepesumasinas või asendada uuega. Sõefilter (kui on olemas) tuleb asendada uuega.
Üks märgutuli või mitu märgutuld ei tööta.	Defektne halogeen/LED-lamp.	Lambipirn tuleb asendada uuega, mis vastab pliidil õhupuhasti juhendis märgitud sümbolile.
Õhupuhasti tekitas liigset müra ja vibratsiooni.	Selle põhjuseks võib olla õhupuhasti vale paigaldamine seinale või köögikappidele. Ei ole kasutatud kõiki kaasapandud kruvisid või kruvid on jäetud lõdvaks.	Õhupuhasti tuleb kinnitada seinale või kapile kõigist tootja poolt ettenähtud punktidest. Pärast õhupuhasti asendi horisontaalset ja vertikaalset reguleerimist pingutage kinni kõik kinnituskruvid.
* kehtib puutejuhtimisega õhupuhastite korral.		
Kui ülaltoodud soovitus ei lahenda probleemi, võtke ühendust kodumasinate parandamiseks volitatud teenistusega. Ühelgi juhul ei tohi õhupuhasti kasutaja seadet ise parandada. Teeninduspunktide loend on esitatud garantiikaardil ja veebisaidil.		

Pirmiausia perskaitykite šią naudojimo instrukciją!

Brangus kliente,

Dėkojame, kad pasirinkote šį „Beko“ prietaisą. Tikimės, kad šiuo prietaisu, kuris buvo pagamintas naudojant aukščiausios kokybės moderniausią technologiją, liksite patenkinti. Dėl to, prieš pradėdami naudoti šį prietaisą, perskaitykite visą šią naudojimo instrukciją bei prie jos pridėtus dokumentus ir juos pasilikite, jei prireiktų ateityje. Jeigu atiduotumėte šį prietaisą kam nors kitam, kartu atiduokite ir šią naudojimo instrukciją. Laikykitės naudojimo instrukcijoje pateiktų nurodymų, atkreipkite dėmesį į visą informaciją ir įspėjimus.

Atkreipkite dėmesį, kad ši naudojimo instrukcija gali būti taikoma ir kitiems modeliams. Modelių skirtumai yra aiškiai aprašyti šioje instrukcijoje.

Ženklų reikšmės

Įvairiuose šios naudojimo instrukcijos skyriuose naudojami šie simboliai:



Svarbi informacija ir naudingi patarimai, kaip naudoti prietaisą.



ĮSPĖJIMAS: Įspėjimai apie pavojingas situacijas, keliančias pavojų gyvybei ir turtui.



Įspėjimas dėl gaisro pavojaus.



Įspėjimas dėl elektros smūgio.



Šis prietaisas pagamintas moderniose ekologiškose gamyklose, nedarant žalos gamtai.

1.1 Bendrieji saugos reikalavimai

Svarbios saugos instrukcijos Atidžiai perskaitykite ir pasilikite ateičiai Šiame skyriuje pateikiama saugos informacija, kuri padės išvengti gaisro, elektros smūgio, mikrobangų krosnelės spinduliuojamos energijos poveikio pavojaus, susižeidimų ar materialinės žalos. Jei nesilaikysite šių instrukcijų, nebebus taikoma garantija.

- „Beko“ gaminiai atitinka galiojančius saugos standartus, todėl, jeigu prietaisas arba jo maitinimo laidas būtų pažeistas, jį privalo paleisti platintojas, aptarnavimo centras ar specialistas arba bet kuris kitas įgaliotasis atstovas, kad būtų išvengta bet kokių pavojų. Klaidingi arba netinkami remonto darbai gali kelti pavojų ir riziką vartotojui.
- Šis įrenginys yra skirtas naudoti buitiniams ir panašioms tikslams, pvz.:
 - darbuotojų valgomuosiuose, pavyzdžiui, parduotuvėse, biuruose ir kitoje darbo aplinkoje;
 - ūkininkų gyvenamuosiuose namuose;
 - klientams viešbučiuose ir kitoje

gyvenamojo aplinkoje;

- viešbučiuose, kuriose siūloma nakvynė su pusryčiais.
- Prietaisą naudokite tik pagal paskirtį, aprašytą šiose naudojimo instrukcijose.
- Gamintojas neatsako už žalą, patirtą dėl netinkamo gaminio įrengimo ar naudojimo.
- Šį prietaisą leidžiama naudoti vaikams nuo 8 metų amžiaus ir asmenims, turintiems fizinių, jutimo ar psichinių negalių, arba neturintiems patirties ir žinių, kaip naudoti šį prietaisą, su sąlyga, kad jie bus prižiūrimi arba išmokyti, kaip saugiai naudoti šį prietaisą, ir supras atitinkamus pavojus.
- Neleiskite vaikams žaisti su šiuo prietaisu. Neprižiūrimi vaikai negali atlikti valymo ir naudotojo atliekamų techninės priežiūros darbų.
- Mažiausias atstumas tarp kaitlentės virimo indų atraminio paviršiaus ir žemiausios gaminio dalies turi būti bent 65 cm.
- Jei dujinės kaitlentės montavimo instrukcijose nurodytas didesnis atstumas, reikia jį atsižvelgti.
- Pasirūpinkite, kad jūsų elektros tinklo duomenys atitiktų prietaiso

Svarbios saugos ir aplinkos apsaugos taisyklės

kategorijos plokštelėje nurodytus duomenis.

- Niekada nenaudokite prietaiso, jeigu šis yra sugadintas arba pažeistas jo maitinimo laidas.
- Saugokite maitinimo laidą, kad jis nebūtų suspaustas, užlenktas arba trinamas į aštirus kraštus. Saugokite maitinimo kabelį nuo įkaitusių paviršių ir atviros ugnies.
- Prietaisąjunkite tik prie įžeminto elektros lizdo.

ĮSPĖJIMAS: Nejunkite prietaiso prie elektros tinklo, kol jis nėra visiškai sumontuotas.

- Prietaisą pastatykite taip, kad elektros kištukas visada būtų pasiekiamas.
- Nelieskite lempučių, jeigu jos ilgai švietė. Jos bus karštos, dėl to galite nusideginti rankas.
- Laikykitės kompetentingų valdžios institucijų nustatytų taisyklių dėl ištraukiamojo oro išleidimo (šis įspėjimas netaikomas, jeigu prietaisas naudojamas be dūmtraukio).
- Įjunkite prietaisą po to, kai pastatysite ant kaitvietės puodą, keptuvę ir t.t. Priešingu atveju dėl didelio karščio kai kurios jūsų gaminio dalys gali deformuotis.

- Išjunkite kaitvietę prieš nuimdami nuo jos puodą, keptuvę ir t.t.
- Nepalikite ant kaitvietės karšto aliejaus. Keptuvės su karštu aliejumi gali tapti užsidegimo priežastimi.
- Atkreipkite dėmesį į užuolaidas ir uždangalus, nes kepant, pvz., bulvių šiaudelius, aliejus gali užsiliepsnoti.
- Riebalų filtrą reikia keisti bent kartą per mėnesį. Anglies filtrą reikia keisti bent kartą per 3 mėnesius.
- Gaminys turi būti valomas pagal naudojimo instrukciją. Jei valymas atliktas ne pagal naudojimo instrukciją, gali kilti gaisro pavojus.
- Vietoje dabartinio filtro nenaudokite ugniai neatsparių filtravimo medžiagų.
- Naudokite tik originalias arba gamintojo rekomenduojamas dalis.
- Nenaudokite prietaiso be filtro ir neišimkite filtrų iš veikiančio prietaiso.
- Atsiradus liepsnai, išjunkite gaminį ir maisto gaminimo prietaisus.
- Atsiradus liepsnai, ją uždenkite ir jokių būdu negesinkite vandeniu.
- Jeigu prietaiso nenaudojate arba prieš jį valydami, atjunkite jį nuo

Svarbios saugos ir aplinkos apsaugos taisyklės

elektros tinklo.

- Patalpoje, kurioje vienu metu veikia virš elektrinės kaitlentės montuojamas garų rinktuvas ir kiti, ne elektra maitinami prietaisai, neigiamas slėgis neturi viršyti 4 Pa (4 x 10 bar).
- Patalpoje, kurioje naudojamas prietaisas, mazutu arba dujomis kūrenamų prietaisų, pvz., šildytuvo, išmetamos dujos privalo būti visiškai izoliuotos arba tokie prietaisai privalo būti hermetiški.
- Dūmtraukiui prijungti naudokite 120 mm arba 150 mm skersmens vamzdžius. Vamzdžio jungtis turi būti kuo trumpesnė, o alkūnių skaičius - minimalus.

Pavojus uždusti! Visas pakuotės dalis laikykite vaikams nepasiekiamoje vietoje.

ATSARGIAI: Naudojant su maisto gaminimo prietaisais, liečiamos prietaiso dalys gali įkaisti.

- Gaminio išleidimo vamzdžio negalima jungti prie ortakių, kuriuose yra kitų dūmų.
- Vienu metu patalpoje naudojant virš elektrinės kaitlentės montuojamą garų rinktuvą ir dujomis arba kitu kuru kūrenamus prietaisus ventilacija gali būti nepakankama

(ši nuostata gali būti netaikoma prietaisams, kurie orą išleidžia tik atgal į patalpą).

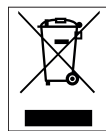
- Ant gaminio sudėti daiktai gali nukristi. Nedėkite jokių daiktų ant gaminio.
- Neuždeginėkite po gaminio.

ĮSPĖJIMAS: Prieš montuodami garų rinktuvą, nuimkite apsaugines plėveles.

- Niekada nepalikite atviros liepsnos po veikiančiu garų rinktuvu.
- Naudojant gruzdintuves, jas reikia nuolat prižiūrėti: per daug įkaitęs aliejus gali užsiliepsnoti.

1.2 Atitiktis EEJA direktyvai ir atitarnavusio gaminio sutvarkymas:

Šis gaminys atitinka ES EEJA direktyvą (2012/19/ES). Šis gaminys žymimas elektros ir elektroninės įrangos atliekų (EEJA) simboliu.



Šis simbolis reiškia, kad kai produktas tampa nebenaudojamas, jo negalima šalinti kartu su kitomis buitinėmis

atliekomis. Panaudotą prietaisą būtina pristatyti į elektros ir elektroninių prietaisų surinkimo ir perdirbimo punktą. Norėdami sužinoti, apie surinkimo ir perdirbimo punktus - susisiekite su vietos institucijomis

arba pardavėju. Kiekvienas atliekame svarbų vaidmenį saugodami gamtą ir perdirbdami senus buitinius prietaisus.

Atitinkamas panaudotų buitinių prietaisų šalinimas padeda išvengti neigiamos žalos gamtai ir žmogaus sveikatai.

1.3 Atitiktis RoHS direktyvai

Jūsų įsigytas gaminys atitinka ES RoHS direktyvą (2011/65/ES). Jame nėra direktyvoje nurodytų kenksmingų ar draudžiamų medžiagų.

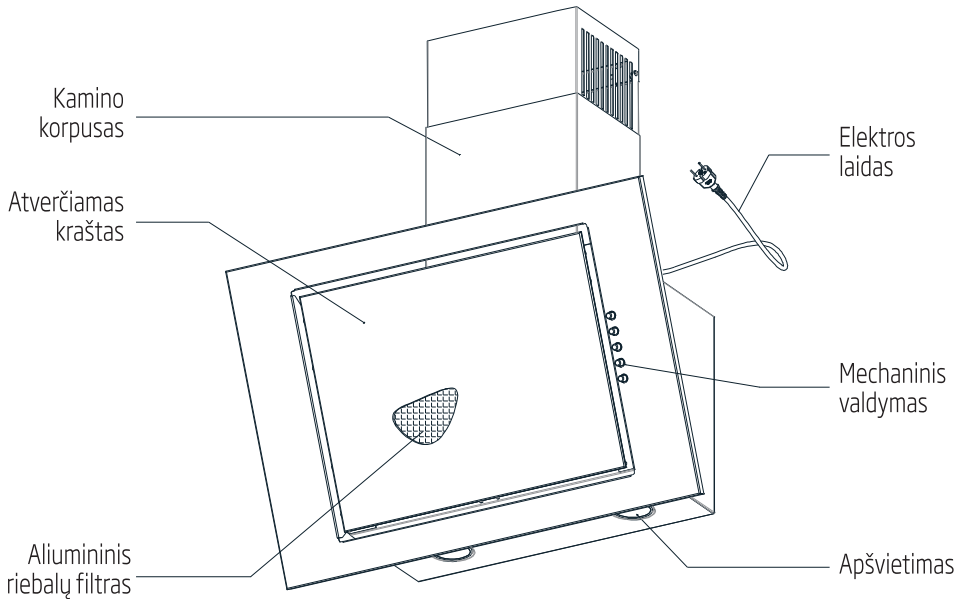
1.4 Informacija apie pakuotę



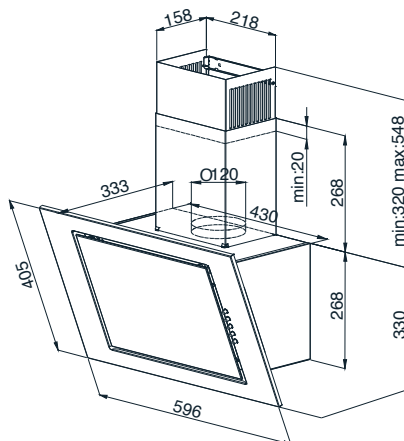
Šio gaminio pakavimo medžiagos pagamintos iš pakartotinai panaudojamų medžiagų, atsižvelgiant į mūsų nacionalinius aplinkosaugos reglamentus. Neišmeskite pakavimo medžiagų kartu su buitineis atliekomis arba kitomis šiukšlėmis. Jas atiduokite į vietinių valdžios institucijų nurodytus pakavimo medžiagų surinkimo punktus.

2 Techninės savybės

Techniniai duomenys, pateikiami šioje instrukcijoje ir prie garų rinktuvo pritvirtintose etiketėse, buvo parengti atliekant matavimus ir skaičiavimus pagal ES reglamentų Nr. 65/2014 ir 66/2014 reikalavimus.



1 pav. Bendras virtuvės garų rinktuvo vaizdas



2 pav. Brėžinys su matmenimis

3 Naudojimas

3.1 Garų rinktuvo naudojimas

Garų rinktuvas yra skirtas ištraukti gaminant maistą susidarancius garus. Prietaisas gali veikti dviem režimais:

Kaip ištraukiantis rinktuvas: garai ištraukiami iš patalpos per ištraukimo vamzdį. Ištraukimo vamzdis nepridėtas prie prietaiso, jį reikia įsigyti atskirai.



- Reikia naudoti kuo trumpesnį garų pašalinimo kelią.
- Naudokite dujotakį, kurio vidinis paviršius yra maksimaliai lygus (nerekomenduojame naudoti susukto tipo vamzdžių).
- Naudokite dujotakį su kiek galima mažiau sulenkimų (sulenkimo kampas neturi viršyti 90°).
- Nerekomenduojami pasikeitimai dujotakio dalyse (pokytis nuo aukščiau esančios prie žemiau esančios dalies, pvz., nuo Ø150 mm iki Ø120 mm).

Kaip sugėriklis: iš garų išvalomi riebalai ir kvapai, tuomet oras grąžinamas atgal į patalpą per grotelės kamino korpuso viršuje. Kad rinktuvas veiktų kaip sugėriklis, reikia įmontuoti anglies filtrą.

(10 pav.). Anglies filtras prie standartinio komplekto nepridedamas, jį reikia įsigyti atskirai.

3.2 Garų rinktuvo valdymas

Garų rinktuve yra mechaninė valdymo sistema.

- Mygtukas „0“ – garų rinktuvo ventiliatorius išjungtas
- Mygtukas „1“ – garų rinktuvo ventiliatorius įjungtas minimaliu greičiu
- Mygtukas „2“ – garų rinktuvo ventiliatorius įjungtas vidutiniu greičiu
- Mygtukas „3“ – garų rinktuvo ventiliatorius įjungtas maksimaliu greičiu

Didesnis greitis reiškia greitesnę oro cirkuliaciją.

- Mygtuku  įjungiama šviesa. Norėdami išjungti šviesą, paspauskite mygtuką dar kartą.

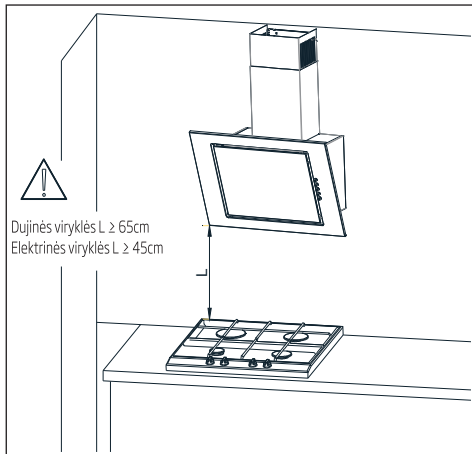
4 Montavimas

4.1 Garų rinktuvo montavimas



Naudojant instrukcijoje nenurodytus varžtus ir tvirtinamuosius elementus, galima patirti elektros smūgį.

Kabinant garų rinktuvą minimalus atstumas tarp viryklės (dujinės, elektrinės) paviršiaus, ant kurio dedami puodai ir keptuvės, ir apatinės rinktuvo dalies (3 pav.) turi būti ne mažiau kaip 45 cm elektrinių viryklių atveju ir ne mažiau kaip 65 cm dujinių viryklių atveju. Jei viryklės naudojimo instrukcija numato, kad garų rinktuvas turi būti montuojamas didesniu atstumu, reikia laikytis tokio reikalavimo dėl didesnio atstumo. Garų rinktuvo ir kamino korpuso montavimas pavaizduotas paveikslėliuose (4 - 9 pav.). Prie garų rinktuvo pridėti tvirtinimo kaiščiai, kurie tinka daugumai sienų ir lubų. Surinkimo metu laikykitės bendrųjų taisyklių dėl oro ištraukimo iš patalpų.



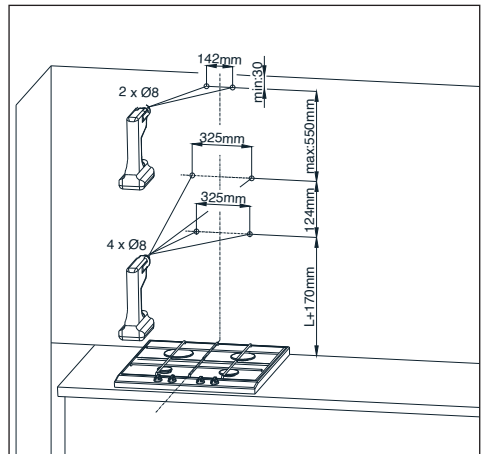
3 pav. Rekomenduojami atstumai nuo viryklės

Prieš pradėdant montavimą:

- Patikrinkite, ar nusipirkto prietaiso matmenys tinka numatytai montavimo vietai.
- Išmontuokite ir patraukite (jei įmanoma) baldus, likusius garų rinktuvo montavimo zonoje, kad galima būtų lengvai prieiti prie lubų ar sienos, prie kurių bus montuojamas rinktuvas. Jei tai neįmanoma, apsaugokite gretimose zonoje likusias baldų dalis.
- Patikrinkite, ar netoli montavimo zonos yra elektros lizdas ir ar garų rinktuvas gali būti prijungtas prie ventiliacijos kanalo garams pašalinti.
- Patikrinkite, ar tose vietose, kur numatoma gręžti, nėra kabelių (elektros, hidraulinių ir kt.).
- Pasiruoškite šiuos įrankius: ruletę, pieštuką, grąžtą / elektrinį atsuktuvą, gręžimo įrankį Ø8, atsuktuvą, gulsčiuką.

Surinkimas:

1. Nustatykite viryklės ašį ir suprojektuokite ją ant sienos, ant kurios bus montuojamas garų rinktuvas. Pasižymėkite visus svarbius garų rinktuvo tvirtinimo taškus. Išgręžkite angas grąžtu. (4 pav.)

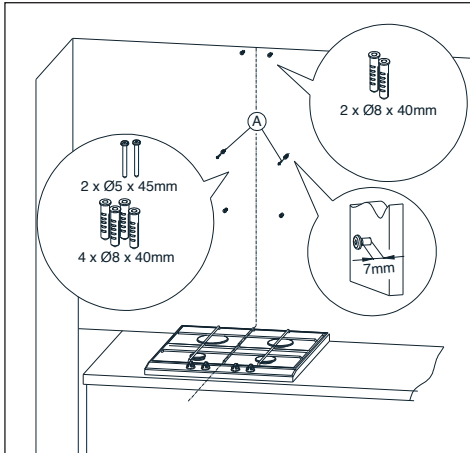


4 pav. Surinkimo matmenys

2. Į angas įkiškite varžtų kaiščius. Į dvi angas, pažymėtas A, įsukite varžtus (palikdami 7 mm

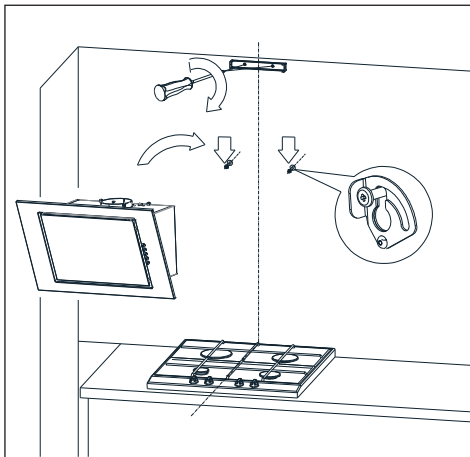
4 Montavimas

varžto ilgio už kaiščio ribų, 5 pav.).



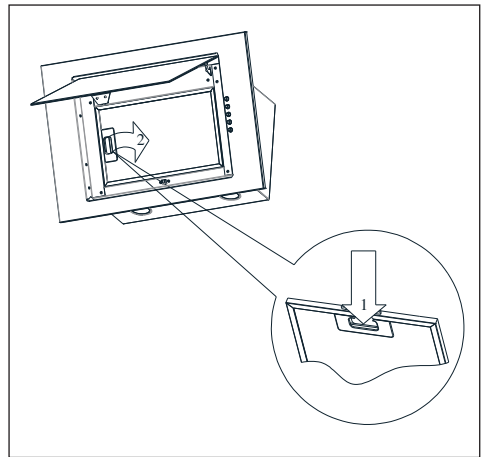
5 pav. Varžtų kaiščių montavimas

3. Įsukite kamino korpuso tvirtinimo elementą, pakabinkite garų rinktuvą ant dviejų iki galo prisuktų varžtų (6 pav.).



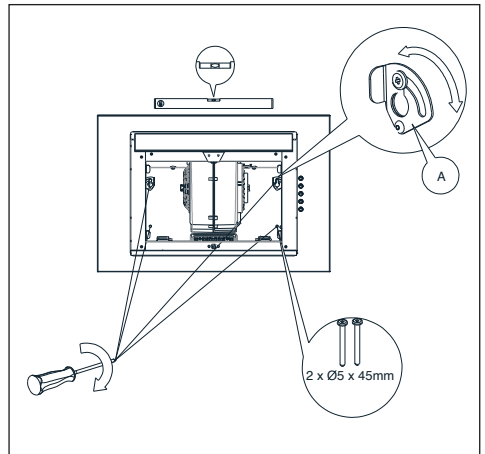
6 pav. Garų rinktuvo kabinimas

4. Atidarykite garų rinktuvo dangtį ir išimkite riebalų filtrą (7 pav.).



7 pav. Aliuminio riebalų filtro išėmimas

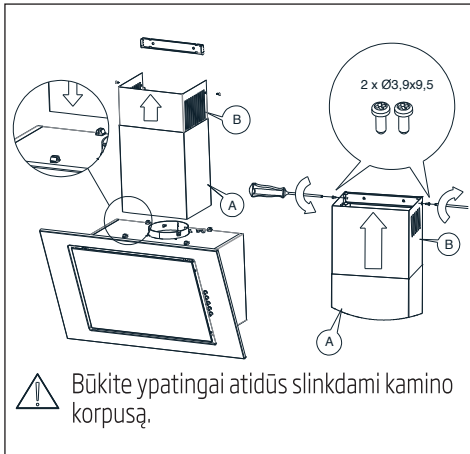
5. Pridėkite gulsčiuoką prie garų rinktuvo korpuso. Sukdami A raide pažymėtą elementą, nustatykite garų rinktuvo lygį pagal gulsčiuoko rodmenį, tuomet iki galo prisukite du varžtus, kurie anksčiau buvo įsukti tik iš dalies, ir įsukite du likusius varžtus (8 pav.).



8 pav. Viryklės garų rinktuvo padėties nustatymas

4 Montavimas

Uždėkite kamino korpusą ant garų rinktuvo korpuso. Tuomet švelniai traukite B raide pažymėtą garų rinktuvo dalį į viršų, kol taps įmanoma ją įsukti į tvirtinimo elementą, kuris anksčiau buvo pritvirtintas prie sienos (9 pav.).



9 pav. Kamino korpuso surinkimas



Šis surinkimo veiksmas turi būti atliekamas itin atidžiai, kad nebūtų subraižytas kamino korpusas ir pats garų rinktuvas.

4.2 Elektros prijungimas

Elektros tinklo įtampa turėtų atitikti įtampą, nurodytą ant garų rinktuvo viduje pritvirtintos plokštelės. Jei garų rinktuvas yra su kištuku, įkiškite jį į taikomus reikalavimus atitinkantį elektros lizdą, esantį lengvai pasiekiamoje vietoje. Jei garų rinktuvas kištuko neturi, garų rinktuvą prie elektros tinklo prijungia reikiamus įgaliojimus turintis asmuo (pvz., elektrikas).

5 Valymas ir priežiūra

5.1 Valymas

- Labai svarbu garų rinktuvą nuvalyti tuojau pat po maisto kepimo.
- Išorinį garų rinktuvo paviršių nuvalykite skystoje plovimo priemonėje pamirkyta minkšta šluoste.
- Niekuomet nevalykite šveičiančiomis ar braižančiomis priemonėmis.
- Sunkiai nusivalančius riebalus ir kitus nešvarumus galite pašalinti prekyboje esančiomis valymo priemonėmis, atsižvelgdami į ant jų pateiktus įspėjimus. Kad nesubraižytumėte sušveisto plieninio korpuso, jį šluostykite šveitimo pėdsakų kryptimi.
- Norėdami išsaugoti gaminio paviršiaus kokybę, nenaudokite valymo priemonių su druskos rūgštimi, balikliais ar šveitimo milteliais. Nerūdijančiojo plieno paviršius valykite muiluotame vandenyje sudrėkinta šluoste ar specialia purškiamąja priemone nerūdijančiajam plienui valyti. Nuo prietaiso nuimkite apsauginę plėvelę.



Dėmesio! Jeigu nesilaikysite nurodymų dėl garų rinktuvo valymo ir jo filtrų keitimo, gali kilti gaisras.

5.2 Riebalų filtras

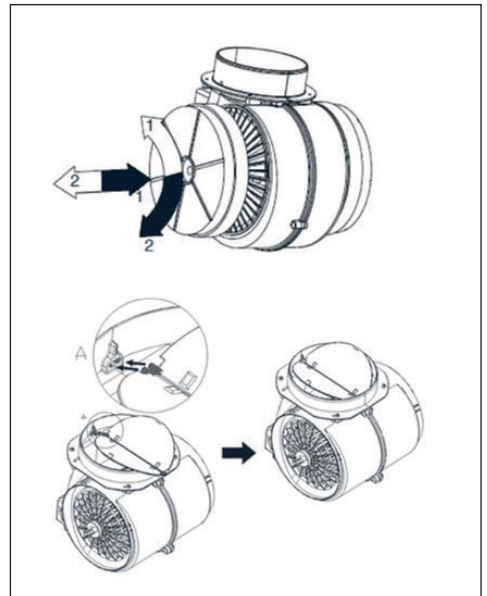
Garų rinktuve yra aliuminio filtras, sulaikantis maisto gaminimo metu pasklidusias riebalų daleles. Norėdami išimti filtrą, traukite gnybtus rodyklių kryptimi (7 pav.) Filtras valomas rankiniu būdu pamerkiant jį į vandenį su indų plovikliu maždaug 15 min. 40-50°C temperatūroje. Po 15 min. išplaukite ir kruopščiai išskalaukite filtrą. Išdžiovinkite filtrą prieš montuodami jį į garų rinktuvą. Filtrą galima plauti indaplovėje. Plovimo metu filtro spalva gali keistis, kas neturi įtakos jo filtravimo savybėms. Jei filtras reguliariai nevalomas, garų rinktuvas veikia prasčiau, be to, gali kilti gaisras. Filtras turi būti valomas bent kas 35 filtro naudojimo valandas.

5.3 Anglies filtras

Garų rinktuvas gali būti parduodamas su anglies filtru. Anglies filtras naudojamas, kai garų rinktas nėra prijungtas vien tik prie ventiliacijos kanalo. Filtras montuojamas ant ventiliatoriaus korpuso, kaip parodyta brėžinyje (10 pav.). Anglies filtras turi būti keičiamas kas 6 mėnesius.



Neplaukite arba nebandykite atnaujinti anglies filtro.



10 pav. Anglies filtro pakeitimas

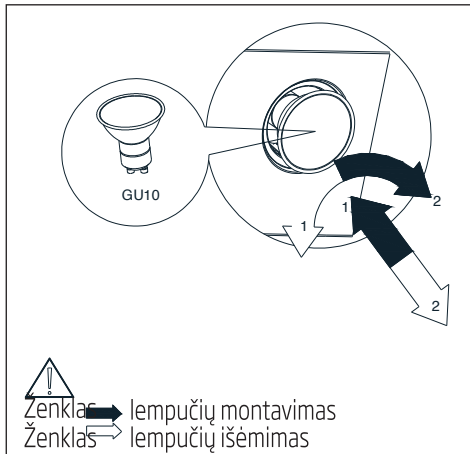
5 Valymas ir priežiūra

5.4 Lempučių keitimas

Prieš pradėdami bet kokius darbus, susijusius su lempučių keitimu, atjunkite elektrą. Jei garų rinktuvą prieš tai buvo įjungtas, palaukite, kol lemputės atvės, ir tik tada pradėkite jas keisti. Lempučių keitimas pavaizduotas 11 pav.



- Prieš keisdami lemputes, atjunkite garų rinktuvą nuo elektros tinklo.
- Nelieskite lempučių, kol jos karštos.
- Būkite atidūs, kad nepriliestumėte įmontuotos lemputės rankomis.



11 pav. Lempučių keitimas

5.5 Kaip sumažinti maisto gaminimo įtaką aplinkai

- Kad sumažintumėte energijos suvartojimą, gaminkite puoduose ir keptuvėse su dangčiu.
- Garų rinktuvo aliumininiai filtrai turi būti valomi (rekomenduojamas aliumininio filtro naudojimo laikas tarp valymų: ne daugiau kaip 35 garų rinktuvo naudojimo valandos).
- Ventiliacijos vamzdžiai neturi būti kaip nors užblokuoti.
- Maisto gaminimo metu visuomet turi būti nustatomas minimalus reikiamas ventiliatoriaus veikimo greitis, kas leistų ištraukti garus, atsižvelgiant į faktinį maisto gaminimo intensyvumą.

Jeigu prireikia pervežti prietaisą:

- Išsaugokite originalią prietaiso pakuotę. Prietaisą transportuokite jo originalioje pakuotėje ir laikykite ant originalios pakuotės esančių transportavimo ženklų.

Jeigu neturite originalios pakuotės:

- Nedėkite jokių daiktų ant garų rinktuvo.
- Išorinį paviršių saugokite nuo smūgių.
- Prietaisą supakuokite taip, kad transportavimo metu jo nepažeistumėte.

6 Trikčių šalinimas

Simptomai	Priežastis	Taisymo būdas
Veikiant garų rinktuvui, matoma blyksinti F raidė.	Po 35 valandų veikimo garų rinktuvas rodo, kad reikia išvalyti arba pakeisti riebalų filtrą.	Liečiamame valdiklyje paspauskite „-“ ir laikykite apie 8 sekundes. Filtras turėtų būti išplautas indaplovėje arba pakeistas nauju.
Ekране rodomas tik simbolis „-“ (minuso ženklas ir taškas dešiniajame apatiniame kampe), garų rinktuvas nereaguoja į išjungimą.	Liečiamas valdiklis užsirakino - ši savybė palengvina garų rinktuvo valymą.	Kad atšauktumėte užrakinimą, paspauskite ir apie 10 sekundžių laikykite laukelį su įjungimo simboliu.
Ekranas nerodo jokio simbolio, garų rinktuvas nereaguoja spaudinėjant valdiklio laukelius.	Galbūt sustojo liečiamo valdiklio veikimas.	Atjunkite garų rinktuvą nuo elektros tinklo maždaug 15 sekundžių ir vėl jį įjunkite.
Ekranas rodo vienos iš pavarų simbolį; garų rinktuvas nereaguoja spaudinėjant valdiklio laukelius.	Galbūt sustojo liečiamo valdiklio veikimas.	Atjunkite garų rinktuvą nuo elektros tinklo maždaug 15 sekundžių ir vėl jį įjunkite.
Garų rinktuvo turbina atsijungia po 15 minučių veikimo, ekrane matyti mirksintis skaičius, t. y. „1.“ (esamos pavaros skaičius ir taškas dešiniajame apatiniame kampe).	Aktyvavosi automatinis laiko perjungimas liečiamame valdiklyje.	Kad išjungtumėte laiko perjungimą, paspauskite ir apie 10 sekundžių laikykite „+“ simbolį arba išjunkite garų rinktuvą.
Esant ketvirtai pavarai ekrane mirksi skaičius „4“, po 5 minučių pavara persijungia į trečią.	Garų rinktuvas turi turbo režimą, kuris automatiškai perjungia į trečią pavarą po 5 minučių veikimo, kad būtų taupoma elektra.	Turbo pavara turėti būti naudojama tik intensyvaus maisto gaminimo metu.
Garų rinktuvas gali būti valdomas tik per valdiklio panelę, jis nereaguoja į nuotolinį valdymą.	Nuotolinio valdymo pultelio elementas baigėsi arba atstumas per didelis.	Įdėkite naują elementą.
Garų rinktuvas labai prastai traukia garus.	Greičiausiai taip yra dėl užsiterusių filtrų.	Riebalų filtras turi būti išplautas indaplovėje arba pakeistas nauju. Anglies filtras (jei toks yra) turi būti pakeistas nauju.
Neveikia viena arba daugiau lempučių.	Sugedo halogeninė / LED lemputė.	Lempuotę reikia pakeisti nauja, atitinkančia viryklės garų rinktuvo naudojimo instrukcijoje nurodytą simbolį.
Iš garų rinktuvo sklinda per didelės triukšmas ir vibracija.	Taip gali būti dėl neteisingo garų rinktuvo primontavimo prie sienos arba virtuvės spintelių. Panaudoti ne visi pateikti varžtai arba varžtai nepriveržti ir susidarė tarpai.	Garų rinktuvas turi būti montuojamas prie sienos arba spintelių panaudojant visus gamintojo numatytus kaiščius. Pakoregavę garų rinktuvo padėties horizontaliai ir vertikaliai, tvirtai prisukite visus montavimo varžtus.
* taikoma garų rinktuvams su liečiamu valdikliu.		
Jei pirmiau pateiktos rekomendacijos problemos neišsprendžia, kreipkitės į įgaliotą buitinės technikos servisą, turintį teisę atlikti remontą. Garų rinktuvo naudotojas jokiais aplinkybėmis neturi remontuoti rinktuvo pats. Servisų sąrašą galima rasti garantijos kortelėje ir tinklalapyje.		

Lūdzu, vispirms izlasiet šo lietotāja rokasgrāmatu.

Godātais klient!

Paldies, ka izvēlējāties šo „Beko” ierīci. Mēs ceram, ka šis produkts, kas ražots ar jaunāko augstas kvalitātes tehnoloģiju, jums sniegs vislabākos rezultātus. Tādēļ, pirms sākat to lietot, rūpīgi izlasiet visu lietotāja rokasgrāmatu un pārējo dokumentāciju un saglabājiet to lietošanai turpmāk. Ja jūs nododat izstrādājumu citai personai, kopā ar to nododiet arī šo lietotāja rokasgrāmatu. Rīkojieties atbilstoši norādījumiem, ņemot vērā visu lietotāja rokasgrāmatā sniegto informāciju un brīdinājumus.

Atcerieties, ka lietotāja rokasgrāmata var attiekties arī uz citiem modeļiem. Rokasgrāmatā ir skaidri aprakstītas modeļu atšķirības.

Simbolu nozīme

Dažādās šīs rokasgrāmatas nodaļās tiek izmantoti šie simboli:



Svarīga informācija un noderīgi padomi par lietošanu.



UZMANĪBU: Brīdinājumi par bīstamām situācijām, kas saistītas ar apdraudējumu dzīvībai un īpašumam.



Brīdinājums par ugunsbīstamību.



Brīdinājums par elektrošoku.



Šis izstrādājums ir ražots videi draudzīgās, mūsdienīgās ražotnēs, neradot kaitējumu dabai.

1.1. Vispārēja drošība

Svarīgi drošības norādījumi – rūpīgi izlasiet un uzglabājiet, lai lietotu nākotnē Šajā nodaļā doti drošības norādījumi, kas palīdzēs izvairīties no ugunsgrēka, elektrošoka, saskares ar mikroviļņu starojuma noplūdi, savainojumu un īpašuma bojājumu riska. Šo norādījumu neievērošana anulēs preces garantiju.

- „Beko” izstrādājumi atbilst piemērojamajiem drošības standartiem; tāpēc, lai novērstu jebkādas draudus, ierīces vai elektrības vada bojājuma gadījumā remonta vai aizvietošanas darbs ir jāveic izplatītājam, servisa centram vai speciālistam un apstiprinātam pakalpojumu sniedzējam. Kļūdainais vai nekvalificētais remonts var būt bīstams un lietotājam riskants.
- Šo ierīci ir paredzēts izmantot mājsaimniecībā un tai līdzīgos apstākļos, piemēram:
 - darbinieku virtuvēs veikalos, birojos un citos darba vides apstākļos;
 - lauku mājās;
 - viesnīcas viesu vajadzībām un citās dzīvojamās vidēs;
 - B&B tipa apstākļos.
- Lietojiet ierīci tikai tai šajā rokas-

grāmatā aprakstītajam nolūkam.

- Ražotājs nav atbildīgs par zaudējumiem, kas radušies nepareizas produkta uzstādīšanas vai nepareizas lietošanas dēļ.
- Šo ierīci drīkst lietot bērni no 8 gadu vecuma un personas ar ierobežotām fiziskām, uztveres vai garīgajām spējām, kā arī personas bez atbilstošas pieredzes un zināšanām, pie nosacījuma, ka tiek uzraudzītas vai informētas par ierīces drošu lietošanu un ar to saistītajiem riskiem.
- Neļaujiet bērniem spēlēties ar ierīci. Bērni nedrīkst bez uzraudzības veikt ierīces apkopi un tīrīt to.
- Minimālajam attālumam starp plīts gatavošanas trauku atbalsta virsmu un izstrādājuma zemāko daļu jābūt vismaz 65 cm.
- Ja gāzes plīts uzstādīšanas norādījumos ir norādīts lielāks attālums, tas ir jāņem vērā.
- Pārliedzinieties, vai jūsu elektrības padeve atbilst informācijai, kas sniegta ierīces nominālo parametru plāksnītē.
- Nekādā gadījumā neizmantojiet ierīci, ja elektrības vads vai pati ierīce ir bojāta.
- Lai nepieļautu bojājumus, ne-

spiediet, nelokiet un nerīvējiet elektrības vadu pret asām malām. Pārliedzinieties, ka elektrības vads neatrodas tuvu karstām virsmām vai atklātai liesmai.

- Izmantojiet ierīci tikai ar saņemtu kontaktligzdu.

UZMANĪBU: Nepievienojiet ierīci elektrotīklam, kamēr nav pabeigti uzstādīšanas darbi.

- Novietojiet ierīci tā, lai kontaktdakša būtu vienmēr pieejama.
- Nepieskarieties lampām, ja tās ir degušas ilgu laiku. Tās var apdedzināt jūsu rokas, jo ir ļoti karstas.
- Rīkojieties atbilstoši kompetento iestāžu noteikumiem par izplūdes gaisa izvadīšanu (šis brīdinājums neattiecas, ja ierīci izmanto bez dūmvada).
- Ierīci iedarbiniet pēc tam, kad uz plīts uzlikts katliņš, panna utt. Citādi liels karstums var deformēt dažas jūsu ierīces daļas.
- Pirms no plīts noņemat katlu, pannu utt., izslēdziet plīti.
- Neatstājiet uz plīts karstu eļļu. Pannas ar karstu eļļu var izraisīt pašaiizdeģšanos.
- Uzmaniet aizkarus un pārsegus, jo eļļa ēdiena, piemēram, eļļā vārītu kartupeļu, gatavošanas laikā var

aizdegties.

- Tauku filtrs jāmaina vismaz reizi mēnesī. Ogles filtrs jāmaina vismaz reizi 3 mēnešos.
- Ierīce ir jātīra saskaņā ar lietotāja rokasgrāmatu. Ja tīrīšana nav veikta saskaņā ar lietotāja rokasgrāmatu, pastāv aizdegšanās risks.
- Nelietojiet ugunsnedrošus filtra materiālus esošā filtra vietā.
- Lietojiet tikai oriģinālās vai ražotāja ieteiktās rezerves daļas.
- Nedarbiniet ierīci bez filtra, neizņemiet filtrus, kamēr ierīce darbojas.
- Aizdeģšanās gadījumā, atslēdziet savu ierīci un gatavošanas ierīces no elektrotīkla.
- Aizdeģšanās gadījumā, pārklājiet liesmas, bet nedzēsiet to ar ūdeni.
- Atvienojiet ierīci no kontaktligzdas, kad tā netiek lietota un pirms katras tīrīšanas.
- Darbinot tvaiku nosūcēju vienlaikus ar elektrisko plīti un ierīcēm ar citu enerģijas avotu, telpas negatīvajam spiedienam nevajadzētu pārsniegt 4 Pa (4 x 10 bar).
- Telpā, kurā izmanto ierīci, ierīcēm, kuras darbina ar degvielu vai gāzi, piemēram, sildītājiem, jābūt absolūti izolētiem, vai ierīcei jābūt hermētiskai.

- Pievienojot dūmvadam, izmantojiet 120 vai 150 mm diametra caurules. Caurules savienojumam ir jābūt pēc iespējas īsākam ar iespējami mazāko līkumu skaitu.

Nosmakšanas risks! Iepakojuma materiālus glabājiet bērniem nepieejamā vietā.

UZMANĪBU: Aizsniedzamās daļas var sakarst, kad darbina kopā ar gatavošanas ierīcēm.

- Ierīces izvadu nedrīkst pievienot gaisa kanāliem, pa kuriem plūst citi dūmi.
- Ja elektriskās plīts tvaika nosūcēju (tas neattiecas uz ierīcēm, kuras gaisu izvada atpakaļ telpā) lieto vienlaikus ar iekārtām, kuras darbina ar gāzi vai citiem kurināmajiem, telpā var nebūt pietiekama ventilācija.
- Priekšmeti, kas novietoti uz ierīces, var nokrist. Nelieciet uz ierīces nekādus priekšmetus.
- Nededziniet alkoholu zem ierīces.

UZMANĪBU: Pirms tvaika nosūcēja uzstādīšanas noņemiet aizsargplēvi.

- Tvaika nosūcēja darbības laikā zem tā nenovietojiet atklātu liesmu
- Izmantojot dzilās cepšanas ierīces, tās ir nepārtraukti jāuzrauga: pārkarseta eļļa var aizdegties.

1.2. Atbilstība EIEA direktīvai un izstrādājuma apsaimniekošanas noteikumiem:

Šis izstrādājums atbilst ES EIEA direktīvai (2012/19/EU). Šim izstrādājumam ir klasifikācijas simbols, kas norāda uz elektrisko un elektronisko iekārtu atkritumiem (EIEA).



Šis simbols norāda uz to, ka šo produktu pēc tā kalpošanas beigām nedrīkst izmest kopā ar mājsaimniecības atkritumiem. Nolietoto ierīci ir jānodod oficiālā savākšanas punktā, kurā pārstrādei pieņem elektriskās un elektroniskās ierīces. Lai atrastu šīs atkritumu savākšanas sistēmas, lūdzu, sazinieties ar vietējām iestādēm vai mazumtirgotāju, pie kura iegādājāties izstrādājumu. Katrai mājsaimniecībai ir būtiska loma vecu sadzīves iekārtu nodošanā un pārstrādē.

Pareiza sadzīves iekārtu utilizācija palīdz novērst potenciāli negatīvu ietekmi uz apkārtējo vidi un cilvēku veselību.

1.3. Atbilstība RoHS direktīvai

Produkts, ko jūs iegādājāties, atbilst ES RoHS direktīvai (2011/65/EU). Tas nesatur kaitīgos un aizliegtos

materiālus, kas minēti direktīvā.

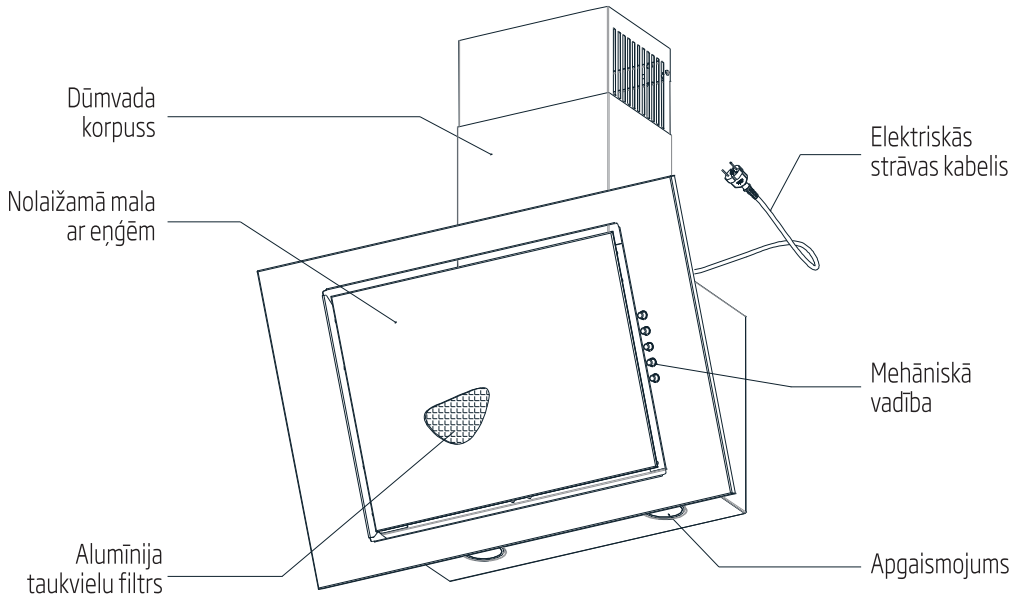
1.4. Informācija par iepakojumu



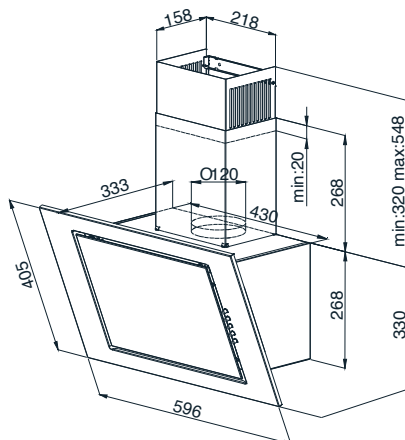
Iepakojuma materiāli ir ražoti no pārstrādātiem materiāliem saskaņā ar mūsu nacionālajām vides regulām. Neizmetiet iepakojuma materiālus kopā ar sadzīves vai citiem atkritumiem. Nogādājiet tos uz vietējo iestāžu noteiktajiem iepakojuma materiālu savākšanas punktiem.

2 Tehniskie dati

Šajā rokasgrāmātā ietvertie tehniskie dati un tvaika nosūcējam pievienotie marķējumi tika iegūti no mērījumiem un aprēķiniem saskaņā ar ES noteikumiem Nr. 65/2014 un 66/2014.



1. att. Tvaika nosūcēja kopskats



2. att. Attēls ar izmēriem

3 Eksploatācija

3.1. Tvaika nosūcēja darbība

Tvaika nosūcējs ir paredzēts tvaika nosūkšanai maltītes gatavošanas laikā. Ierīce var darboties divos režīmos:

Kā izvadīšanas ierīce: tvaiki tiek izvadīti no telpām caur izvades cauruli. Izvades caurule nav iekļauta ierīces komplektācijā, un tā ir jāiegādājas atsevišķi.



- Ir jāizmanto īsākais iespējamais tvaiku izvades kanāls.
- Izmantojiet dūmvada cauruli ar pēc iespējas gludāku iekšējo virsmu (nav ieteicamas Spiro tipa caurules).
- Izmantojiet dūmvada kanālu ar pēc iespējas mazāku līkumu skaitu (līkumu leņķis nedrīkst pārsniegt 90°).
- Izmainas dūmvada kanāla sekciju diametrā nav ieteicamas (no augstākas sekcijas uz zemāku sekciju, piemēram, pāreja no Ø150 mm uz Ø120 mm).

Kā absorbēšanas ierīce: tvaiki tiek attīrīti no taukvielām un aromātiem, un tad atgriezti telpā caur restēm dūmvada korpusa augšdaļā. Lai tvaika nosūcējs darbotos absorbēšanas režīmā, uzstādiet ogles filtru.


(10. att.). Ogles filtrs nav iekļauts standarta aprīkojumā, un tas ir jāiegādājas atsevišķi.

3.2. Tvaika nosūcēja darbības vadība

Tvaika nosūcējs ir aprīkots ar mehāniskas vadības sistēmu.

- Poga **"0"** - tvaika nosūcēja ventilators ir izslēgts
- Poga **"1"** - tvaika nosūcēja ventilators ir ieslēgts ar minimālu ātrumu
- Poga **"2"** - tvaika nosūcēja ventilators ir ieslēgts ar vidēju ātrumu
- Poga **"3"** - tvaika nosūcēja ventilators ir ieslēgts ar maksimālu ātrumu

Lielāks ātrums nozīmē ātrāku gaisa cirkulāciju.

-  poga paredzēta apgaismojuma ieslēgšanai. Lai apgaismojumu izslēgtu, vēlreiz nospiediet pogu.

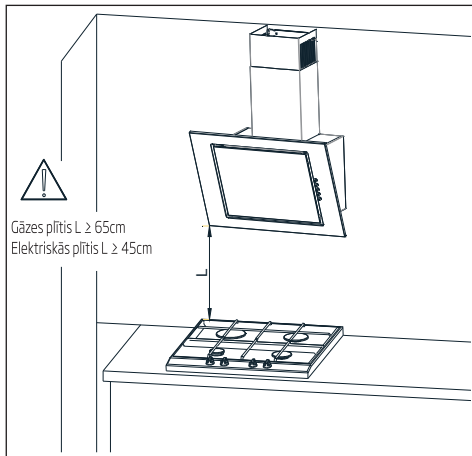
4 Uzstādīšana

4.1. Tvaika nosūcēja uzstādīšana



Skrūvju un citu stiprinājuma elementu izmantošana, kas nav norādīti lietotāja rokasgrāmatā, var izraisīt elektriskās strāvas triecienu.

Minimālais tvaika nosūcēja attālums no plīts virsmas, uz kuras tiek novietoti trauki (elektriskā vai gāzes plīts) un tvaika nosūcēja apakšējo malu (3. att.) jābūt vismaz 45 cm elektriskajām plītim un vismaz 65 cm gāzes plītim. Ja plīts lietošanas rokasgrāmatā norādīts lielāks tvaika nosūcēja uzstādīšanas attālums, šis nosacījums ir jāņem vērā. Tvaika nosūcēja un dūmvada korpusa uzstādīšana ir redzama attēlos (4. att. - 9. att.). Tvaika nosūcējs ir aprīkots ar stiprinājuma elementiem, kas pieskaņojami lielākajai daļai sienu un griestu. Montāžas gaitā ievērojiet parastos montāžas noteikumus par gaisa izvadi no telpām.



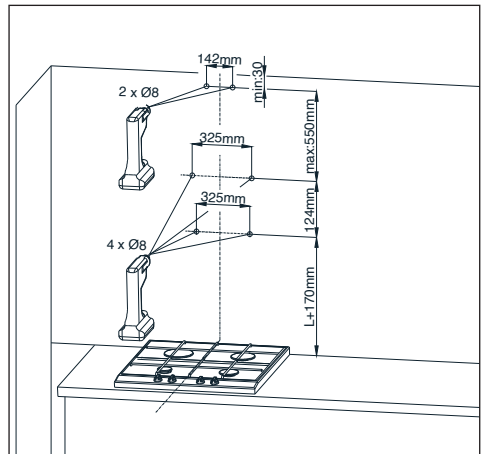
3. att. Ieteicamais attālums no plīts virsmas

Pirms uzstādīšanas:

- Pārbaudiet, vai iegādātās ierīces izmēri atbilst plānotajai uzstādīšanas vietai.
- Demontējiet un noņemiet (ja iespējams) mēbeles, kas atrodas tvaika nosūcēja uzstādīšanas zonā, lai būtu iespējams viegli piekļūt griestiem vai sienai, kur paredzēts uzstādīt tvaika nosūcēju. Ja tas nav iespējams, pasargājiet līdzās esošās mēbeles.
- Pārbaudiet, vai uzstādīšanas vietas tuvumā ir kontaktligzda, kā arī vai tvaika nosūcēju varēs pievienot ventilācijas kanālam, lai nodrošinātu tvaika izvadi.
- Pārbaudiet, vai paredzamās urbšanas vietās nav kabeļu (elektriskie, hidrauliskie, u.c.)
- Sagatavojiet šādus instrumentus: mērlenti, zīmuli, urbi / elektrisko skrūvgriezi, urbšanas instrumentu Ø8, skrūvgriezi, līmeņrādi.

Montāžas gaita:

1. Nosakiet plīts virsmas asi un projicējiet tās uz sienas, kur tiks uzstādīts tvaika nosūcējs. Atzīmējiet visus tvaika nosūcēja stiprinājumu punktus. Ar urbi izveidojiet caurumus. (4. att.)

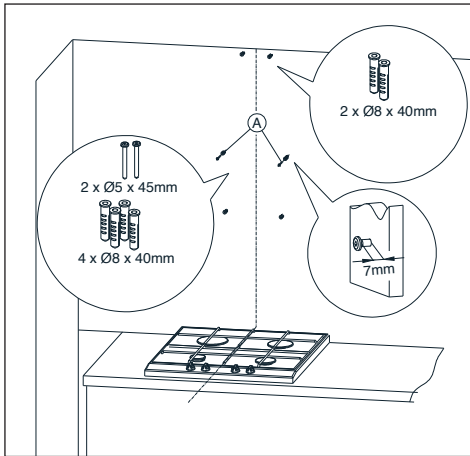


4. att. Montāžas izmēri

2. Ievietojiet caurumos skrūvju tapas. Divos caurumos, kas atzīmēti ar A skrūvi, arī skrūves

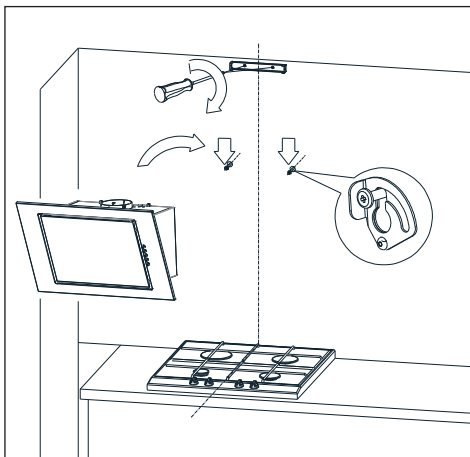
4 Uzstādīšana

(atstājot 7 mm skrūves garuma skrūves tapas ārpusē. 5. att.).



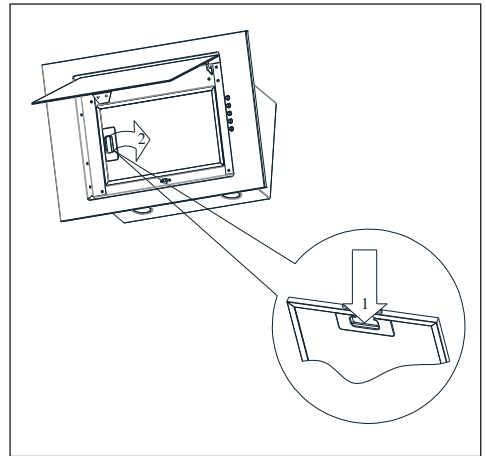
5. att. Skrūvju tapu montāža

3. Pieskrūvējiet skursteņa korpusa stiprinājuma elementu, iekariet tvaika nosūcēju uz divām nepievilktajām skrūvēm (6. att.).



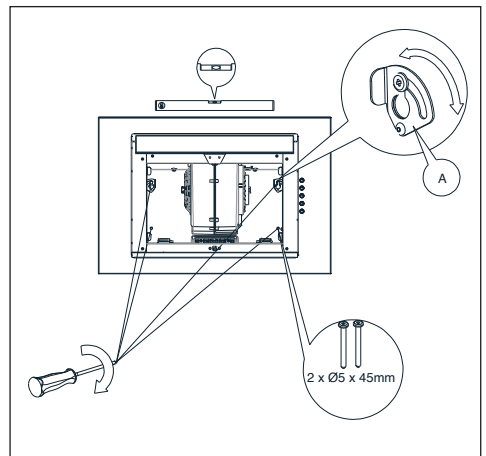
6. att. Tvaika nosūcēja iekāršana

4. Atveriet tvaika nosūcēja pārsegu un noņemiet taukvielu filtru (7. att.).



7. att. Alumīnija taukvielu filtra noņemšana

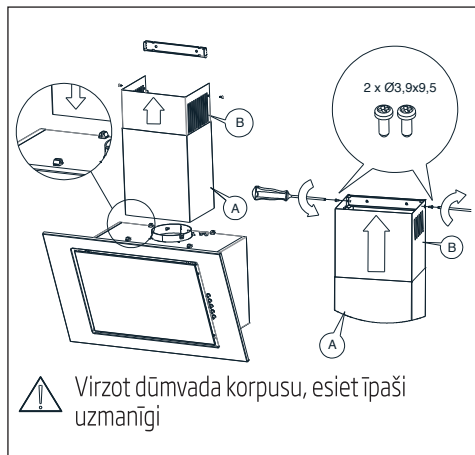
5. Novietojiet līmeņrādi uz tvaika nosūcēja korpusa. Grieziet elementu, kas apzīmēts ar A, nolīmeņojiet tvaika nosūcēju atbilstoši līmeņrāža rādījumiem, un pēc tam pievelciet abas iepriekš daļēji ieskrūvētās skrūves, kā arī ieskrūvējiet divas pārējās skrūves (8. att.).



8. att. Tvaika nosūcēja pievienošana

4 Uzstādīšana

Novietojiet dūmvada korpusu uz tvaika nosūcēja korpusa. Pēc tam uzmanīgi velciet augšup tvaika nosūcēja daļu, kas apzīmēta ar B, līdz to var pieskrūvēt stiprinājuma elementam, kas iepriekš nostiprināts pie sienas (9. att.).



9. att. Dūmvada korpusa montāža



Šī montāžas darbība jāveic ļoti uzmanīgi, lai nesaskrāpētu dūmvada korpusu vai pašu tvaika nosūcēju.

4.2. Elektriskie savienojumi

Elektroapgādes tīkla spriegumam ir jāatbilst tam, kas norādīts uz plāksnītes tvaika nosūcēja iekšpusē. Ja tvaika nosūcējs ir aprīkots ar spraudni, ievietojiet to nosacījumiem atbilstošā kontaktligzdā, kas novietota viegli pieejamā vietā. Ja tvaika nosūcējs nav aprīkots ar spraudni, tvaika nosūcēja uzstādīšanu jāveic personai ar atbilstošu kvalifikāciju (piemēram, elektriķim).

5 Tīrīšana un apk ope

5.1. Tīrīšana

- Īpašu uzmanību tvaika nosūcēja tīrīšanai pievērsiet uzreiz pēc cepšanas.
- Tvaika nosūcēja ārējās virsmas tīrīšanai izmantojiet mīkstu drānu, kas samitrināta ar šķidro mazgāšanas līdzekli.
- Tīrīšanai neizmantojiet abrazīvus vai skrāpējošus materiālus.
- Var izmantot tirgū pieejamos tīrīšanas līdzekļus, kas paredzēti noturīgu tauku tīrīšanai; ievērojiet brīdinājumus, kas sniegti uz izstrādājuma. Lai nesaskrāpētu matēto tērauda virsmu, veiciet slaucīšanas kustības matējuma virzienā.
- Lai nesabojātu izstrādājuma virsmu, neizmantojiet tīrīšanas līdzekļus, kas satur sāļsskābi, balinātāju vai abrazīvus pulverus. Nerūsējošā tērauda virsmu tīrīšanai izmantojiet drānu, kas samitrināta ziepjūdenī, vai īpašus aerosolus, kas paredzēti nerūsējošā tērauda tīrīšanai. Noņemiet ierīces aizsargplēvi.



Uzmanību! Ja netiek ievēroti norādījumi par tvaika nosūcēja tīrīšanu un filtra maiņu, pastāv risks izraisīt ugunsgrēku.

5.2. Taukvielu filtrs

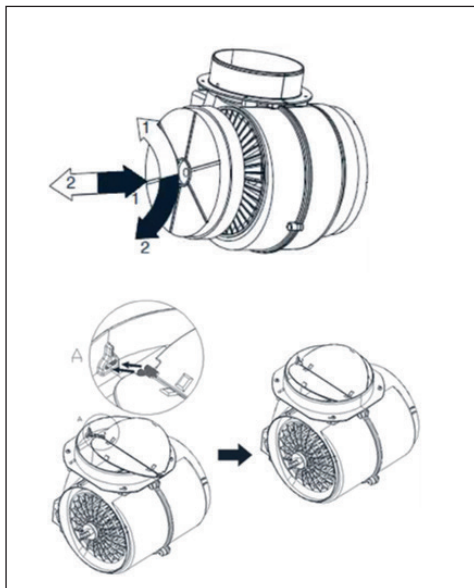
Tvaika nosūcējs ir aprīkots ar alumīnija filtru, kas aiztur ēdiena gatavošanas laikā radušās taukvielu daļiņas. Lai filtru izņemtu, pārvietojiet skavas bultiņu virzienā (7. att.). Filtrs ir jātīra ar rokām, uz apm. 15 minūtēm iemērcot to ūdenī, kam pievienots trauku mazgāšanas līdzeklis, 40-50°C temperatūrā. Pēc 15 minūtēm filtru izmazgājiet un rūpīgi izskalojiet. Pirms uzstādīšanas tvaika nosūcējā filtram ir jābūt sausam. Filtru drīkst mazgāt trauku mazgājamajās mašīnās. Mazgāšanas gaitā var mainīties filtra krāsa, tomēr tas neietekmē tā filtrēšanas īpašības. Ja filtrs netiek tīrīts regulāri, samazinās tvaika nosūcēja veiktspēja, un tas var izraisīt ugunsgrēku. Filtrs ir jātīra ne retāk kā ik pēc 35 tvaika nosūcēja darba stundām.

5.3. Ogles filtrs

Tvaika nosūcējs var būt aprīkots ar ogles filtru. Ogles filtru izmanto tikai tad, ja tvaika nosūcējs netiek pievienots ventilācijas kanālam. Filtrs ir jāuzstāda ventilatora korpusā, kā redzams attēlā (10. att.). Ogles filtrs ir jāmaina ik pēc 6 mēnešiem.



Ogles filtru nedrīkst mazgāt vai atjaunot.



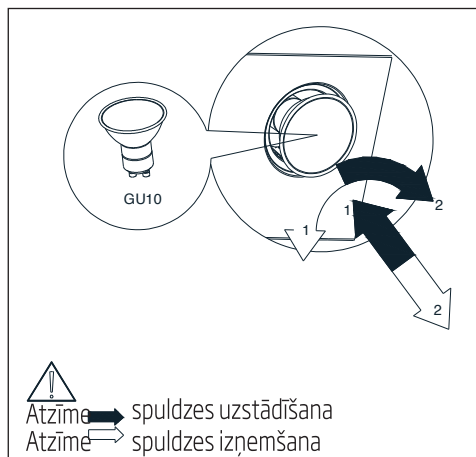
10. att. Ogles filtra maiņa

5.4. Gaismas ķermeņa nomaiņa

Pirms darbu uzsākšanas, kas saistīti ar gaismas ķermeņa nomaiņu, izslēdziet elektroapgādi. Ja tvaika nosūcējs iepriekš tika ieslēgts, pagaidiet, līdz spuldzes atdziest, un tikai tad sāciet nomaiņu. Spuldzes nomaiņa redzama 11. att.



- Pirms spuldžu maiņas, izslēdziet tvaika nosūcēja elektroapgādi.
- Nepieskarities spuldzēm, kad tās ir karstas.
- Veicot uzstādīšanu ar rokām, cietieties nepieskarties spuldzei.



11. att. Gaismas ķermeņu nomaiņa

5.5. Kā mazināt gatavošanas negatīvo ietekmi uz apkārtējo vidi

- Lai mazinātu enerģijas patēriņu, gatavojiet maltītes ar vāku nosēgtos traukos.
- Tvaika nosūcēja alumīnija filtriem ir jābūt tīriem (ieteicamais alumīnija filtra darba ilgums starp divām tīrīšanas reizēm: maks. 35 tvaika nosūcēja darba stundas).
- Ventilācijas kanāli nedrīkst būt bloķēti.
- Ventilatora darbības ātrums ēdiena gatavošanas laikā vienmēr jānoregulē zemākajā līmenī, kas ļauj izvadīt tvaikus, ņemot vērā faktisko gatavošanas intensitāti.

Ja ierīci nepieciešams transportēt:

- Saglabājiet ierīces oriģinālo iepakojumu. Transportējiet ierīci tās oriģinālajā iepakojumā un ievērojiet uz šī iepakojuma norādīto informāciju par transportēšanu.

Rīcība, ja nav oriģinālā iepakojuma:

- Nelieciet uz tvaika nosūcēja nekādus priekšmetus.
- Pasargājiet ārējo virsmu no triecieniem.
- Iesaiņojiet ierīci tā, lai tā transportēšanas laikā netiktu bojāta.

6 Traucējummeklēšana

Simptomi	Cēlonis	Remonta metode
Tvaika nosūcēja darbības laikā redzams mirgojošs burts „F”.	Pēc 35 darba stundām tvaika nosūcēja indikators norāda, ka vajadzīga tīrīšana, vai nepieciešams nomainīt gaisa filtru.	Vadības skārienekrānā nospiediet “-” un pieturiet apm. 8. sekundes. Filtrs ir jāmazgā trauku mazgājamajā mašīnā vai jānomaina pret jaunu.
Displejā redzams tikai simbols “-.” (mīnuss un punkts labajā apakšējā stūrī), tvaika nosūcējs nereaģē uz atspējošanu.	Vadības skārienekrāns ir bloķēts - šī funkcija atvieglo tvaika nosūcēja tīrīšanu.	Lai atspējotu bloķēšanu, nospiediet un apmēram 10 sekundes turiet nospiestu lauku, kurā atrodas ieslēgšanas simbols.
Displejā nav redzams neviens simbols, tvaika nosūcējs nereaģē, ja tiek nospiesti vadības ierīces lauki.	Iespējams, ka vadības skārienekrāna darbība ir apstājusies.	Atvienojiet tvaika nosūcēju no elektroapgādes tīkla uz apmēram 15 sekundēm un pēc tam ieslēdziet atkal.
Displejā redzams viena no ātrumiem simbols, tvaika nosūcējs nereaģē, ja tiek nospiesti vadības ierīces lauki.	Iespējams, ka vadības skārienekrāna darbība ir apstājusies	Atvienojiet tvaika nosūcēju no elektroapgādes tīkla uz apmēram 15 sekundēm un pēc tam ieslēdziet atkal.
Tvaika nosūcēja turbīna atvienojas pēc 15 minūšu darbības, displejā redzams mirgojošs cipars, piemēram, “1.” (pašreizējais ātrums un punkts apakšējā labajā stūrī).	Ir aktivizēts vadības skārienekrāna automātiskais laika slēdzis.	Lai deaktivizētu laika slēdzi, nospiediet un apmēram 10 sekundes pieturiet „+”, vai atspējojiet tvaika nosūcēju.
Ceturtajā ātrumā displejā redzams mirgojošs cipars “4”, pēc 5 minūtēm šis ātrums tiek nomainīts uz trešo.	Tvaika nosūcējs ir apriņķots ar turbo režīmu, kas pēc 5 min automātiski veic pārslēgšanu uz trešo ātrumu, lai taupītu enerģiju.	Turbo ātrumu jālieto tikai intensīvas ēdiena gatavošanas laikā.
Tvaika nosūcēju var vadīt tikai, izmantojot vadības paneli, tas nereaģē uz tālvadības pulti.	Tālvadības pults baterija ir izlādējusies vai attālums ir pārāk liels.	Nomainiet bateriju.
Tvaika nosūcējs darbojas ļoti vāji.	Iespējams, cēlonis ir netīri filtri.	Taukvielu filtrs ir jāmazgā trauku mazgājamajā mašīnā vai jānomaina pret jaunu. Oglekļa filtrs (ja ietilpst aprīkojumā) jānomaina pret jaunu.
Viens vai vairāki apgaismojuma punkti nedarbojas.	Bojāta halogēnā / LED spuldze.	Spuldze ir jānomaina pret tādu, kas saderīga ar tvaika nosūcēja lietošanas rokasgrāmatā norādīto simbolu.
Tvaika nosūcējs rada pārāk lielu troksni un vibrāciju.	Cēlonis var būt nepareiza tvaika nosūcēja uzstādīšana pie sienas vai virtuves skapīšiem. Nav izmantotas visas komplektā iekļautās skrūves, vai tās ir nostiprinātas vaļīgi, atstājot atstarpi.	Tvaika nosūcējs ir jāmontē pie sienas vai skapīša, izmantojot visas detaļas, ko ražotājs iekļāvis komplektā. Pēc tam, kad tvaika nosūcējs ir nolīmeņots gan horizontāli gan vertikāli, pievelciet visas montāžas skrūves.
* attiecas uz tvaika nosūcēju ar vadības skārienekrānu.		
Ja iepriekš minētie ieteikumi nepalīdz problēmu atrisināt, sazinieties ar autorizētu māsaimniecības ierīču servisa pakalpojumu punktu, kas drīkst veikt remontu. Tvaika nosūcēja remontu nekādā gadījumā nedrīkst veikt remontu saviem spēkiem. Servisa pakalpojumu punktu saraksts ir iekļauts garantijas kartē, kā arī skatāms tīmekļa vietnē.		

Vă rugăm să citiți mai întâi acest manual de utilizare!

Stimate client,

Vă mulțumim pentru că ați ales acest produs Beko. Sperăm să obțineți cele mai bune rezultate de la aparatul dumneavoastră, care a fost fabricat la o calitate înaltă și cu tehnologie performantă. Din acest motiv, vă rugăm să citiți cu atenție și în întregime acest manual de utilizare și toate celelalte documente însoțitoare înainte de a utiliza aparatul și să le păstrați pentru consultări ulterioare. Dacă transmiteți produsul altei persoane, oferiți-i și manualul de utilizare. Urmați instrucțiunile și acordați atenție tuturor informațiilor și avertismentelor din manualul de utilizare.

Nu uitați că acest manual de utilizare poate fi aplicat și altor modele. Diferențele dintre modele sunt descrise în manual în mod explicit.

Semnificația simbolurilor

Următoarele simboluri sunt utilizate în diverse părți ale acestui manual de utilizare:



Informații importante și sugestii utile cu privire la utilizare.



AVERTISMENT: Avertismente pentru situații periculoase referitoare la siguranța vieții și bunurilor.



Avertisment pentru pericol de incendiu.



Avertisment privind electrocutarea.



Acest produs a fost fabricat în fabrici moderne, ecologice, fără a dăuna naturii

1.1 Siguranță generală

Instrucțiuni importante cu privire la siguranță Citiți cu atenție și păstrați-le pentru consultare ulterioară Această secțiune conține instrucțiuni privind siguranța, care vă vor proteja împotriva riscului de incendiu, electrocutare, expunere la scurgeri de microunde, vătămare corporală și pagube materiale. Nerespectarea acestor instrucțiuni atrage anularea garanțiilor acordate.

- Produsele de la Beko sunt conforme standardelor de siguranță aplicabile; din acest motiv, în caz de defecțiune a produsului sau a cablului de alimentare, acestea trebuie reparate sau înlocuite de distribuitor, un centru de service sau un service similar specializat și autorizat, pentru evitarea oricărui pericol. Lucrările de reparații greșite sau efectuate de persoane necalificate pot cauza pericole sau riscuri utilizatorului.
- Acest aparat este destinat pentru a fi utilizat în scop casnic și aplicații similare cum ar fi:
 - Bucătării pentru personalul din magazine, birouri sau alte medii de lucru;

- Ferme

- De către clienți în hoteluri, moteluri sau alte medii de tip rezidențial;

- Medii de tip pensiune.

- Utilizați acest produs doar pentru uzul desemnat, așa cum este descris în acest manual.
- Producătorul nu își asumă răspunderea pentru daunele provocate de instalarea incorectă sau utilizarea greșită a produsului.
- Acest aparat poate fi utilizat de către copii cu vârsta minimă de 8 ani și de către persoanele cu capacități fizice, senzoriale sau mentale reduse sau lipsite de experiență și de cunoștințe, dacă aceștia au fost supravegheați sau instruiți cu privire la utilizarea produsului într-un mod sigur și dacă înțeleg pericolele implicate.
- Copiii nu trebuie să se joace cu aparatul. Operațiunile de curățare și întreținere nu trebuie să fie efectuate de către copii fără supraveghere.
- Distanța minimă dintre suprafețele de susținere pentru vasele de gătit de pe plită și partea cea mai joasă a hotei trebuie să fie de 65 cm.

Instrucțiuni importante cu privire la siguranță și mediu

- Dacă instrucțiunile de instalare a plitei cu gaz specifică distanțe mai mari decât cele de mai sus, se vor respecta instrucțiunile respective.
 - Asigurați-vă că tensiunea de alimentare corespunde cu informațiile furnizate pe plăcuța cu date tehnice a produsului.
 - Nu utilizați aparatul atunci când cablul de alimentare sau aparatul în sine este avariata.
 - Nu strângeți, nu îndoiți și nu frecăți cablul de alimentare de margini tăioase, pentru a preveni avariata acestuia. Feriți cablul de alimentare de suprafețele fierbinți și focul deschis.
 - Utilizați produsul doar cu o priză cu împământare.
- AVERTISMENT:** Nu conectați produsul la priza de alimentare înainte de finalizarea instalării.
- Amplasați aparatul astfel încât ștecherul să fie întotdeauna accesibil.
 - Nu atingeți lămpile dacă au funcționat mult timp. Vă pot arde mâinile, deoarece vor fi fierbinți.
 - Respectați reglementările stabilite de autoritățile competente privind evacuarea aerului rezidual (acest avertisment nu este valabil la utilizarea fără coșul de fum).
 - Folosiți produsul după ce ați pus o oală, o tigaie etc. pe plită. În caz contrar, căldura ridicată poate cauza deformări în unele părți ale produsului.
 - Opriți plita înainte de a lua oala, tigaia etc. de pe aceasta.
 - Nu lăsați ulei fierbinte pe plită. Tigaiele cu ulei fierbinte pot provoca auto-combustia.
 - Fiți atenți la perdele și huse, deoarece uleiul poate lua foc în timp ce gătiți alimente cum ar fi cartofi prăjiți.
 - Filtrul de grăsime trebuie înlocuit cel puțin lunar. Filtrul de carbon trebuie înlocuit cel puțin o dată la 3 luni.
 - Produsul trebuie curățat conform manualului de utilizare. În cazul în care curățarea nu a fost efectuată conform manualului de utilizare, există risc de incendiu.
 - Nu folosiți materiale de filtrare care nu sunt rezistente la foc, în locul filtrului actual.
 - Utilizați doar componentele originale sau componentele recomandate de către producător.
 - Nu folosiți produsul fără filtru și nu scoateți filtrele în timp ce produsul

funcționează.

- În cazul în care se produce o flacără, opriți alimentarea produsului și aparatele de gătit.
- În cazul în care se produce o flacără, acoperiți flacăra și nu utilizați apă pentru stingere.
- Înainte de fiecare curățare și atunci când produsul nu este folosit, scoateți-l din priză.
- Presiunea negativă în mediu nu trebuie să depășească 4 Pa (4 x 10 bari), în timp ce hota pentru plita electrică și aparatele care funcționează cu un alt tip de energie decât electricitatea funcționează simultan.
- În mediul în care este folosit produsul, evacuarea dispozitivelor care funcționează pe combustibil lichid sau motorină, cum ar fi radiatorul, trebuie să fie complet izolată sau dispozitivul trebuie să fie de tip ermetic.
- La conectarea coșului de evacuare, folosiți țevi cu diametrul de 120 sau 150 mm. Racordul țevelor trebuie să fie cât mai scurt posibil și să aibă cât mai puține coturi.

Pericol de sufocare! Păstrați materialele de ambalare la loc inaccesibil copiilor.

ATENȚIE: În timpul utilizării cu aparate de gătit, piesele accesibile se pot încinge.

- Evacuarea hotei nu trebuie să fie conectată la canalele de aer care includ alte tipuri de fum.
- Ventilația în cameră poate fi insuficientă atunci când hota pentru plita electrică este folosită simultan cu dispozitive care funcționează cu gaz sau alți combustibili (nu se aplică neapărat în cazul aparatelor care doar evacuează aerul înapoi în cameră).
- Obiectele plasate pe produs pot să cadă. Nu amplasați nici un obiect pe aparat.
- Nu flambați alimente sub produs.

AVERTISMENT: Îndepărtați foliile de protecție înainte de a instala hota.

- Nu lăsați niciodată focul deschis la intensitate mare sub hotă când aceasta funcționează.
- Friteuzele trebuie supravegheate permanent în timpul folosirii: uleiul supraîncălzit se poate aprinde.

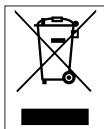
1.2 Conformitate cu Directiva DEEE și eliminarea deșeurilor:

Acest produs este conform cu Directiva DEEE a UE (2012/19/EU).

1

Instrucțiuni importante cu privire la siguranță și mediu

Acest produs poartă un simbol pentru deșeurile de echipamente electrice (DEEE).



Acest simbol indică faptul că acest produs nu trebuie eliminat împreună cu alte deșeurile menajere la sfârșitul duratei sale de utilizare.

Dispozitivul uzat trebuie returnat către un punct oficial de colectare pentru reciclarea dispozitivelor electrice și electronice. Pentru a găsi aceste sisteme de colectare contactați autoritățile locale sau distribuitorul de la care a fost achiziționat produsul. Fiecare gospodărie are un rol important în recuperarea și reciclarea electrocasnicelor vechi. Eliminarea corespunzătoare a electrocasnicelor uzate ajută la prevenirea posibilelor consecințe negative pentru mediu și sănătatea umană.

1.3 Conformitatea cu Directiva RoHS

Produsul pe care l-ați achiziționat este conform cu Directiva RoHS UE (2011/65/UE). Produsul nu conține materiale dăunătoare sau interzise specificate în Directivă.

1.4 Informații despre ambalaj



Ambalajul produsului este fabricat din materiale reciclabile, în conformitate cu reglementările naționale de mediu. Nu eliminați ambalajul împreună cu deșeurile menajere sau de alt tip. Transportați-le la punctele de colectare a ambalajelor desemnate de către autoritățile locale.

2 Specificații tehnice

Datele tehnice cuprinse în acest manual și înscrise pe etichetele lipite pe hotă au fost obținute prin măsurători și calcule în conformitate cu cerințele Regulamentelor UE nr. 65/2014 și 66/2014.

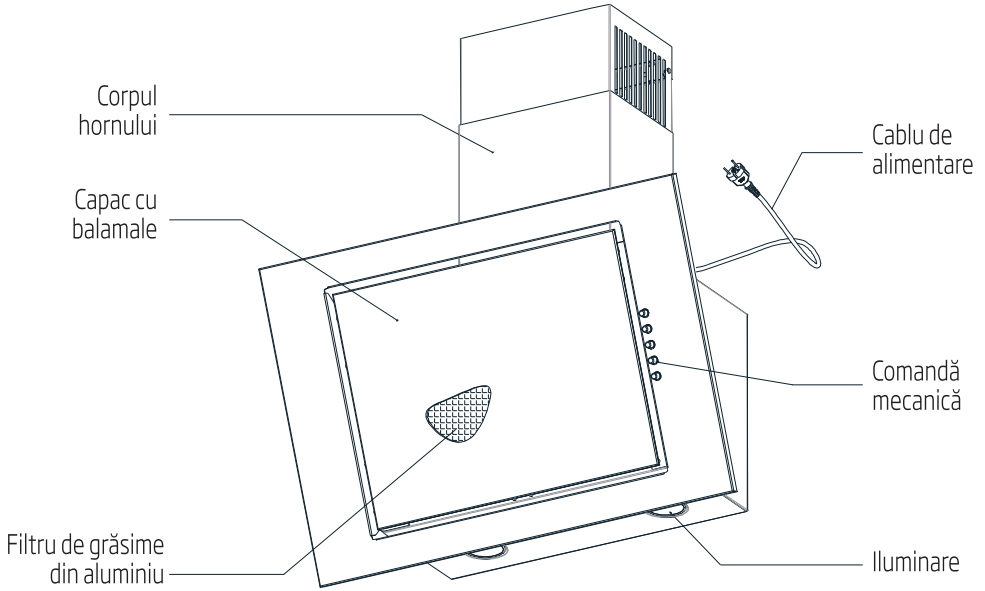


Fig. 1 Vedere de ansamblu a hotei

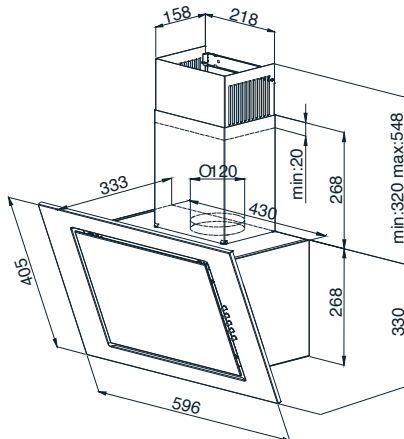


Fig.2 Desen cu dimensiuni

3 Funcționare

3.1 Funcționarea hotei

Hota este menită să aspire vaporii în timpul preparării mâncărilor. Produsul poate funcționa în 2 moduri:

Ca hotă de aspirare: vaporii sunt extrași din încăpere prin tubul de aspirare. Tubul de aspirare nu este furnizat cu produsul, și trebuie achiziționat separat.



- Trebuie folosit cel mai scurt canal de evacuare al vaporilor.
- Utilizați conducta de evacuare a fumului cu o suprafață interioară cât mai netedă (nu se recomandă utilizarea țevilor de tip Spiro).
- Utilizați canalul de evacuare a gazelor arse cu un număr cât mai redus de coturi (unghiurile de îndoire nu trebuie să depășească 90°).
- Modificările de secțiune la canalul de evacuare a fumului nu sunt recomandate (de la o secțiune superioară la o secțiune inferioară, de exemplu schimbarea de la Ø150 mm la Ø120 mm).

Ca dispozitiv de filtrare: vaporii sunt curățați de grăsimi și mirosuri, înainte ca aceștia să fie readuși în încăpere prin grilajul din partea superioară a corpului hornului. Instalați filtrul de cărbune, astfel încât hota să funcționeze ca dispozitiv de filtrare.

(Fig.10). Filtrul de cărbune nu este inclus în echipamentul standard, și trebuie achiziționat separat.

3.2 Funcționarea hotei

Hota este echipată cu o comandă mecanică.

- Butonul „0” - ventilatorul hotei este oprit.
- Butonul „1” - ventilatorul hotei este pornit la viteză minimă.
- Butonul „2” - ventilatorul hotei este pornit la viteză medie.
- Butonul „3” - ventilatorul hotei este pornit la viteză maximă.

Viteza mai mare înseamnă un debit mai mare de aer.

- Cu ajutorul butonului  se aprinde lumina. Pentru a stinge lumina, apăsați din nou pe buton.

4 Instalare

4.1 Instalarea hotei



Utilizarea de șuruburi și elemente de fixare nespecificate în Manualul de utilizare pot cauza electrocutarea.

Distanța minimă între suprafața de așezare a ustensilelor deasupra zonei de preparare (plită pe gaz, electrică) și partea inferioară a hotei suspendate (Fig.3) trebuie să fie de cel puțin 45 cm pentru plitele electrice și cel puțin 65 cm pentru cele pe gaz. În cazul în care manualul de utilizare al aparatului de preparare prevede o distanță mai mare pentru instalarea hotei, o astfel de distanță mai mare trebuie menținută. Instalarea hotei și a corpului hornului este prezentată în figurile (Fig.4 - Fig. 9). Hota este echipată cu tije de fixare care se potrivesc cu majoritatea pereților și tavanelor. La montare respectați regulile de evacuare a aerului din încăntă.

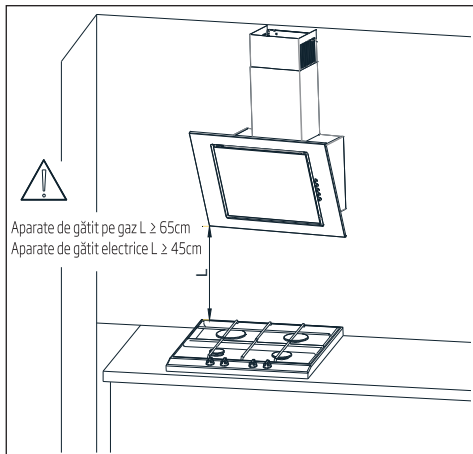


Fig. 3 Distanțe recomandate față de aparatul de gătit

Înainte de montare:

- Asigurați-vă că dimensiunile produsului achiziționat se potrivesc locului de montare stabil.
- Demontați și îndepărtați (în funcție de posibilitate) piesele de mobilier din jurul zonei de montare, pentru a asigura acces liber la peretele sau tavanul pe care va fi montată hota. Dacă nu este posibil, protejați piesele de mobilier din jurul zonei adiacente.
- Verificați dacă există o priză în apropierea zonei de montare și verificați dacă hota poate fi conectată la canalul de ventilație pentru evacuarea vaporilor.
- Asigurați-vă că nu există cabluri (electrice, hidraulice, etc.) în locurile în care se vor da găuri.
- Pregătiți următoarele unelte: ruletă, creion, bormașină / șurubelniță electrică, burghiu Ø8, șurubelniță, nivelă.

Asamblare:

1. Stabiliți axa aparatului de gătit și proiectați-o pe perete, acolo unde veți monta hota. Marcați toate punctele caracteristice ale fixării hotei. Faceți toate găurile cu burghiul. (Fig. 4)

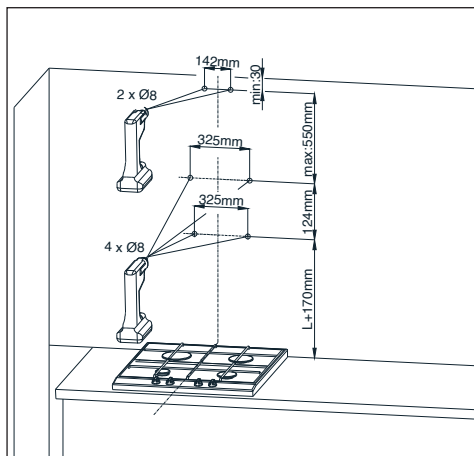


Fig. 4 Dimensiuni de montare

4 Instalare

2. Introduceți dibluri în toate găurile. În cele două găuri marcate cu A introduceți și șuruburile (lăsând o distanță de 7 mm în afara diblurilor, Fig. 5)

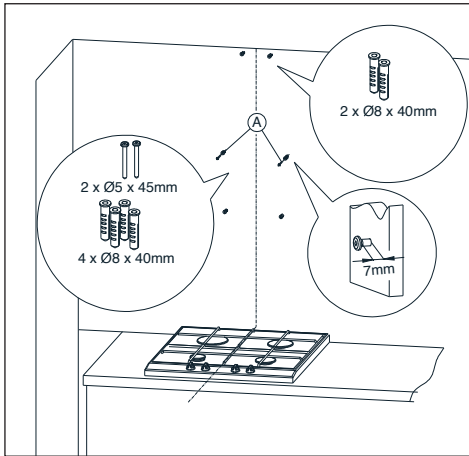


Fig. 5 Montarea diblurilor

3. Înșurubați elementul de fixare al corpului hornului, suspendați hota cu ajutorul șuruburilor nestrânse (Fig. 6).

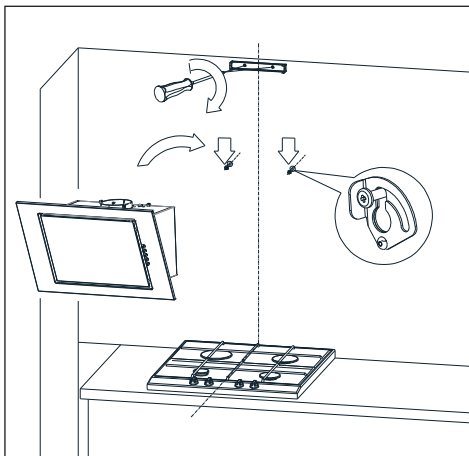


Fig. 6 Suspendarea hotei

4. Deschideți clapeta hotei și scoateți filtrul de grăsime (Fig. 7).

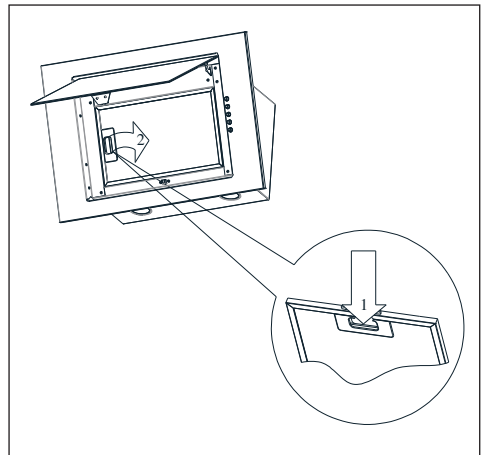


Fig. 7 Îndepărtarea filtrului de grăsime din aluminiu

5. Puneți nivela pe corpul hotei. Rotiți elementul marcat cu A, ajustați orizontalitatea hotei potrivit indicațiilor nivelei, și apoi înșurubați cele două șuruburi parțial înșurubate și înșurubați cele două șuruburi rămase. (Fig. 8)

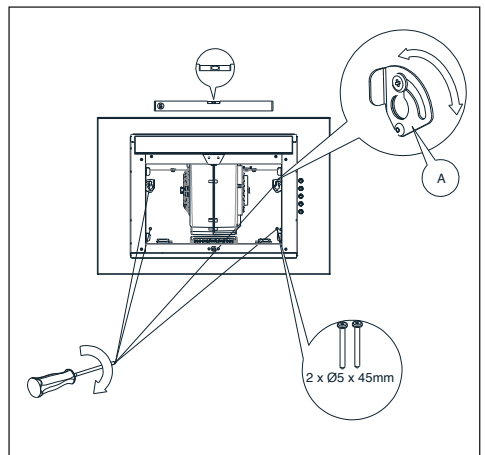


Fig. 8 Poziționarea hotei

4 Instalare

Puneți corpul hornului pe corpul hotei. Apoi, ridicați ușor partea hotei marcată cu B, până când poate fi înșurubat elementul de fixare atașat anterior pe perete (Fig. 9)

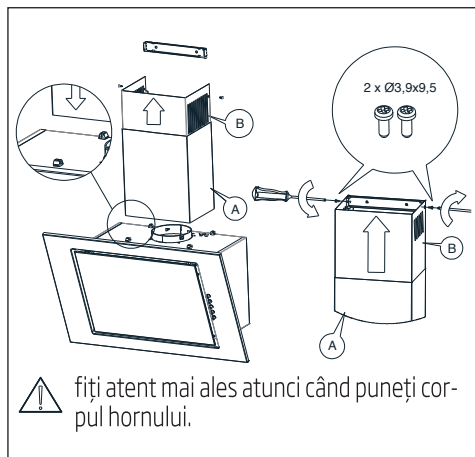


Fig.9 Montajul corpului coșului



Montajul trebuie făcut cu multă atenție, pentru a evita zgârierea corpului hornului sau a hotei.

4.2 Conexiuni electrice

Tensiunea rețelei trebuie să corespundă tensiunii indicate pe placa din interiorul hotei. Dacă hota este echipată cu o fișă, introduceți-o în priza conformă cu cerințele aplicabile și care se află într-un loc accesibil. Dacă hota nu are fișă, instalarea hotei trebuie făcută de o persoană care are calificarea necesară (de ex. electrician).

5 Curățarea și întreținerea

5.1 Curățarea

- Curățați hota cu regularitate, în special imediat după prăjire.
- Folosiți o lavetă moale înmuiată în detergent lichid pentru a curăța suprafața exterioară a hoteli.
- Nu folosiți niciodată materiale abrazive sau ascuțite pentru curățare.
- Puteți să folosiți substanțe de curățare a grăsimii persistente disponibile în comerț, respectând avertismentele de pe produs. Pentru a nu zgâria carcasa din oțel mat, ștergeți pe direcția modelului mat.
- Pentru a nu deteriora suprafața produsului, nu folosiți substanțe de curățare care conțin acid clorhidric, înălbitor sau praf abraziv. Folosiți o lavetă înmuiată în apă cu săpun sau un spray special pentru curățarea suprafețelor din oțel inoxidabil. Îndepărtați folia de protecție de pe aparat.



Atenție! Pericol de incendiu în cazul nerespectării instrucțiunilor de curățare și înlocuire a filtrelor hoteli.

5.2 Filtrul pentru grăsimi

Hota este echipată cu un filtru de aluminiu ce blochează particulele de grăsime emise în timpul gătirii. Pentru a îndepărta filtrul, rotiți clemele în direcția săgeților (Fig. 7). Filtrul trebuie curățat manual, prin cufundarea în apă cu detergent de vase timp de aproximativ 15 min., la o temperatură de 40-50°C. După 15 minute, spălați și clătiți filtrul. Filtrul trebuie să fie uscat înainte de a fi introdus în hotă. Filtrul poate fi spălat și în mașina de spălat vase. În timpul spălării, culoarea filtrului se poate schimba, dar acest lucru nu influențează proprietățile de filtrare. Dacă filtrul nu este curățat regulat performanța hoteli scade, și se poate provoca un incendiu. Filtrul trebuie curățat cel puțin după fiecare 35 de ore de funcționare a hoteli.

5.3 Filtru de cărbune

Hota poate fi echipată cu un filtru de cărbune. Filtrul de cărbune se folosește atunci când hota nu este conectată numai la conducta de ventilație. Filtrul trebuie instalat pe corpul ventilatorului, așa cum se arată în figură (Fig. 10) Filtrul de cărbune trebuie înlocuit o dată la 6 luni.



Nu spălați și nu regenerați filtrul de cărbune.

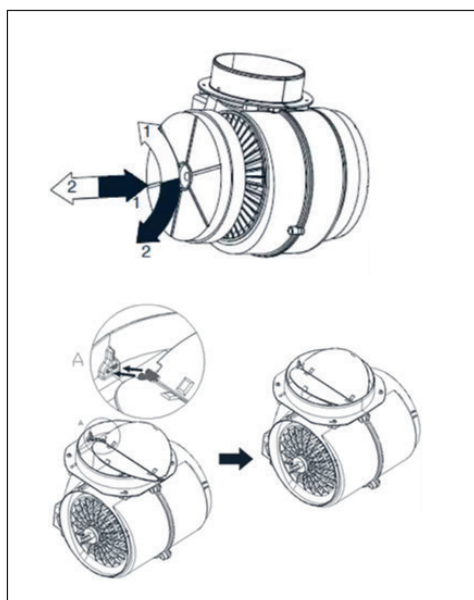


Fig. 10 Înlocuirea filtrului de cărbune

5 Curățarea și întreținerea

5.4 Schimbarea becului

Înainte de a începe orice operațiuni de schimbare a becului, opriți aparatul. Dacă hota a fost pornită înainte, așteptați până când becurile se răcesc, apoi le puteți înlocui. Înlocuirea becurilor este ilustrată în Fig. 11.



- Înainte de a înlocui becurile, opriți hota.
- Nu atingeți becurile atunci când sunt fierbinți.
- Fiți atent să nu atingeți becurile cu mâna.

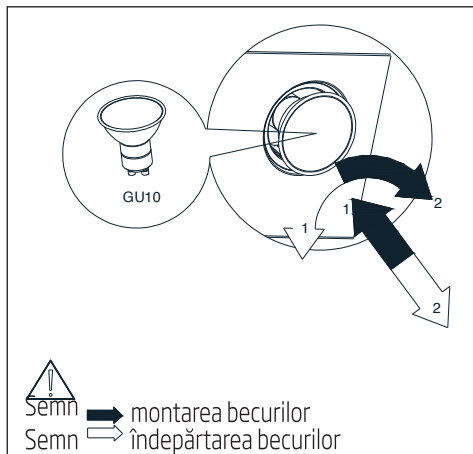


Fig. 11 Înlocuirea becurilor

5.5 cum să reduceți impactul gătitului asupra mediului

- Pentru a reduce consumul de energie, gătiți cu capac.
- Filtrele de aluminiu ale hotei trebuie menținute curate (timpul recomandat de utilizare a filtrelor de aluminiu între spălări: max. 35h de funcționare a hotei).
- Conductele de ventilație nu trebuie blocate.
- Viteza de funcționare a ventilatorului în timpul gătitului trebuie setată întotdeauna la nivelul minim care permite eliminarea vaporilor în contextul intensității gătitului.

Dacă trebuie să transportați aparatul:

- Păstrați ambalajul original al aparatului. Transportați aparatul în ambalajul său original și respectați indicațiile de transport de pe ambalajul original.

Dacă nu aveți ambalajul original:

- Nu așezați obiecte pe hotă.
- Protejați suprafața exterioară de lovituri.
- Ambalați aparatul astfel încât să nu se deterioreze în timpul transportului.

6 Depanarea

Simptome	Cauză	Metoda de reparare
În timpul funcționării hotei, se afișează intermitent litera „F”.	După 35 de ore de funcționare, hota indică necesitatea curățării sau înlocuirii filtrului de grăsime.	Țineți apăsat timp de aproximativ 8 sec. „-” de pe comanda tactilă. Filtrul trebuie spălat în mașina de spălat vase sau înlocuit cu unul nou.
Afișajul arată numai simbolul „-” (minus și punct în colțul din dreapta jos), hota nu răspunde la dezactivare.	Comanda tactilă a fost blocată - această caracteristică facilitează curățarea hotei.	Pentru a dezactiva blocarea, țineți apăsat timp de aproximativ 10 sec. câmpul cu simbolul de pornire.
Pe afișaj nu este afișat nici un simbol, hota nu răspunde la apăsarea câmpurilor de control.	Comanda tactilă este probabil suspendată.	Deconectați hota de la sursa de alimentare timp de aproximativ 15 sec. și reporniți-o.
Afișajul arată simbolul uneia dintre treptele de viteze; hota nu răspunde la apăsarea câmpurilor de comandă.	Comanda tactilă este probabil suspendată	Deconectați hota de la sursa de alimentare timp de aproximativ 15 sec. și reporniți-o.
Turbina hotei se deconectează după 15 min. de funcționare, pe afișaj apare o cifră intermitentă, adică „1.” (numărul vitezei curente și punct în colțul din dreapta jos).	A fost activat releul automat de timp al comenzii tactile.	Pentru a dezactiva releul de timp, țineți apăsat simbolul „+” timp de aproximativ 10 sec. sau dezactivați hota.
La treapta a patra, cifra „4” apare intermitent pe afișaj, iar după 5 min., viteza trece în treapta a treia.	Hota este echipată cu un mod turbo, care trece automat în treapta a treia după 5 minute de funcționare, pentru a economisi energie.	Treapta turbo va fi utilizată doar la gătit intensiv.
Hota poate fi acționată numai cu ajutorul panoului de comandă, nu răspunde la telecomandă.	Bateria telecomenzii este consumată sau distanța este prea mare.	Înlocuiți bateria cu una nouă.
Hota are o aspirație foarte scăzută de vapori.	Probabil cauza este reprezentată de filtrele murdare.	Filtrul de grăsime trebuie curățat în mașina de spălat vase sau înlocuit cu unul nou. Filtrul de carbon (dacă există) trebuie înlocuit cu unul nou.
Unul sau mai multe puncte de lumină nu funcționează.	Bec halogen/LED defect.	Becul trebuie înlocuit cu unul nou, compatibil cu simbolul specificat în manualul de instrucțiuni pentru hota aragazului.
Hota a generat zgomot și vibrații excesive.	Acest lucru poate fi cauzat de instalarea incorectă a hotei pe dulapurile de pe perete sau de bucătărie. Nu s-au folosit toate șuruburile furnizate sau șuruburile sunt montate slab, lăsând spațiu liber.	Hota trebuie montată pe perete sau pe dulap, folosind toate punctele prevăzute de producător. După reglarea poziției hotei orizontal și vertical, strângeți toate șuruburile de montare.
* se aplică la hote cu comandă tactilă.		
<p>Dacă recomandările de mai sus nu rezolvă problema, contactați un service autorizat pentru reparații de electrocasnice. În nici un caz utilizatorul hotei nu are dreptul la reparații independente. O listă de puncte de service este inclusă în cardul de garanție și pe pagina de internet.</p>		



CERTIFICAT DE GARANȚIE

Tensiune de alimentare/frecvență: 220-240V~, 50-60Hz

Importator: ARCTIC S.A., Găești, Dâmbovița, str. 13 Decembrie nr. 210, email: office@arctic.ro

TIP: Aragaz Cuptor încorporabil Plită încorporabilă Hotă

Model / Serie:

VÂNZĂTOR

Nr. factură: Data:

Vânzător (firma, localitatea):

CUMPĂRĂTOR

Nume Localitatea

Str. Nr. Bloc Sc. Et Ap.

Județ Telefon E-mail

S-a efectuat proba de funcționare a aparatului, s-a prezentat modul de folosire, s-au predat instrucțiunile de utilizare și toate accesoriile. Am primit aparatul în perfectă stare de funcționare.

Stimați clienți,

La cumpărare vă recomandăm să solicitați efectuarea probei de funcționare și să verificați existența instrucțiunilor de utilizare și a accesoriilor.

Pentru a putea beneficia de toate avantajele produselor și serviciilor noastre vă rugăm:

- să citiți cu atenție și să respectați recomandările prezentate în "Instrucțiunile de utilizare".
- să păstrați cu grijă acest certificat pentru a-l putea prezenta (împună cu documentul fiscal de achiziție), personalului SERVICE, la orice sesizare efectuată în perioada de garanție.

Vă mulțumim că ați optat pentru cumpărarea unui produs Beko!

Durata medie de utilizare a produsului este de 10 ani!

Perioada de garanție legală de conformitate este de 2 ani de la intrarea produsului în posesia consumatorului.

Art. 22, alin. 3-6, din L449/2003, modificata de OG 9/2016:

- (3) Timpul de nefuncționare din cauza lipsei de conformitate apărute în cadrul termenului de garanție prelungește termenul de garanție legală de conformitate și cel al garanției comerciale și curge, după caz, din momentul la care a fost adusă la cunoștința vânzătorului lipsa de conformitate a produsului sau din momentul prezentării produsului la vânzător/unitatea service până la aducerea produsului în stare de utilizare normală și, respectiv, al notificării în scris în vederea ridicării produsului sau predării efective a produsului către consumator.
- (4) Produsele de folosință îndelungată care înlocuiesc produsele defecte în cadrul termenului de garanție vor beneficia de un nou termen de garanție care curge de la data preschimbării produsului.
- (5) Produsele de folosință îndelungată defectate în termenul de garanție legală de conformitate, atunci când nu pot fi reparate sau când durata cumulată de nefuncționare din cauza deficiențelor apărute în termenul de garanție legală de conformitate depășește 10% din durata acestui termen, la cererea consumatorului, vor fi înlocuite de vânzător sau acesta va restitui consumatorului contravaloarea produsului respectiv.
- (6) Termenul de garanție curge de la data intrării bunului respectiv în posesia consumatorului, inclusiv pentru bunurile noi de folosință îndelungată, obținute prin tragere la sorți la tombole, câștigate la concursuri și similare sau acordate cu reducere de preț ori gratuit de către operatorii economici.

Garanția oferită de producător nu exclude garanția de viciu ascuns, conform OG 21/1992 (R2) privind protecția consumatorului și Codul Civil.



Service-ul acestui produs este asigurat de ARCTIC S.A. cu sediul în Găești, Dâmbovița, str. 13 Decembrie nr. 210. • *9010 • www.arctic.ro • www.beko.ro • e-mail: service@beko.ro
Program Call Center: Luni - Vineri 08:30 - 20:00; Sâmbătă 08:30 - 17:00

UNITĂȚILE SERVICE ALE ARCTIC S.A. EXECUTĂ REPARAȚII ÎN TERMENUL DE GARANȚIE ȘI ÎN AFARA ACESTUIA

Nr. crt.	Data Reclamației	Data primirii în reparație	Reparat			Reparația curentă și/sau componenta înlocuită	Prelungirea termenului de garanție	Efectuarea verificării	
			Programat	Data ridicării aparatului	Cauza întârzierii			SERVICE	CLIENT

CONDIȚII DE GARANȚIE LEGALĂ DE CONFORMITATE ȘI GARANȚIE COMERCIALĂ:

Pentru orice defecțiune apărută în perioada de garanție sau post garanție, apelați la magazinul de unde a fost achiziționat produsul sau direct la Call Center Arctic.

Prelungirea termenului de garanție se va înscrice în certificatul de garanție de către unitatea SERVICE care a efectuat reparația.

Garanția acoperă repararea și/sau înlocuirea pieselor constatate ca defecte (necauzate de consumator) de către tehnicienii Service.

Termenul de realizare a operațiilor de reparare, înlocuire sau întreținere este de 15 zile calendaristice de la data la care cumpărătorul a sesizat defecțiunea la magazinul de unde a achiziționat produsul sau direct la Call Center Arctic.

Reclamațiile referitoare la aspectele prevăzute mai jos, se rezolvă numai contra cost:

- a) nefuncționarea lămpilor de iluminare;
- b) accesoriile care nu au defecte ascunde de material constatate de tehnicienii Service;
- c) piesele și accesoriile care prezintă lovituri, zgârieturi, spărturi sau deformări.

PRODUSUL NU BENEFICIAZĂ DE GARANȚIE LEGALĂ DE CONFORMITATE ȘI DE GARANȚIE COMERCIALĂ ÎN URMĂTOARELE CAZURI:

1. Nu au fost respectate instrucțiunile de transport, manipulare, instalare, utilizare și întreținere prescise.
2. Subansamblurile și accesoriile casabile care se deteriorează în timpul transportului vor fi înlocuite de vânzător (în cazul în care asigură transportul).
3. Garanția nu se acordă subsansamblelor și accesoriilor casabile ale produselor care suferă deteriorări din vina consumatorului.
4. Tensiunea de alimentare are valori care nu se încadrează în limitele prevăzute de standarde (SR EN 50160).
5. Instalația electrică a utilizatorului prezintă improvizații sau neconformități.
6. Produsul a fost folosit în alte scopuri decât cel pentru care a fost proiectat.
7. Produsul a suportat intervenții (reparații, modificări) din partea unor persoane neautorizate de producător.

Drepturile consumatorului sunt cele prevăzute în Legea 449/2003 (republicată) și OG 21/1992 (republicată).

Najskôr si prečítajte túto používateľskú príručku!

Vážený zákazník,

Ďakujeme vám, že ste si vybrali tento spotrebič značky Beko. Dúfame, že s týmto spotrebičom, ktorý bol vyrobený vo vysokej kvalite a s najmodernejšími technológiami, dosiahnete tie najlepšie výsledky. Z tohto dôvodu si pred použitím spotrebiča pozorne prečítajte celú túto používateľskú príručku a všetky ostatné sprievodné dokumenty a uschovajte ich pre prípad potreby do budúcnosti. Ak dáte spotrebič niekomu inému, dajte mu tiež používateľskú príručku. Postupujte podľa pokynov a venujte pozornosť všetkým informáciám a varovaniam v používateľskej príručke.

Pamätajte, že sa táto používateľská príručka môže vzťahovať aj na iné modely. Rozdiely medzi modelmi budú v príručke výslovne popísané.

Význam symbolov

V rôznych častiach tejto používateľskej príručky sú použité nasledujúce symboly:



Dôležité informácie a užitočné tipy na použitie.



VAROVANIE: Upozornenia na nebezpečné situácie týkajúce sa ohrozenia života a majetku.



Upozornenia na nebezpečenstvo požiaru.



Varovanie pred zásahom elektrickým prúdom.



Tento produkt bol vyrobený v ekologicky šetrných a moderných zariadeniach bez poškodenia prírody.

Dôležité bezpečnostné pokyny a pokyny týkajúce sa životného prostredia

1.1 Všeobecná bezpečnosť

Dôležité bezpečnostné pokyny: Dôkladne si ich prečítajte a uschovajte pre nahládnutie v budúcnosti

Táto časť obsahuje bezpečnostné pokyny, ktoré pomôžu ochrániť pred zranením osôb, poškodením majetku, vznikom požiaru alebo pred zásahom elektrickým prúdom. Nedodržanie týchto pokynov zruší platnosť akejkoľvek záruky.

- Produkty Beko spĺňajú platné bezpečnostné štandardy. V prípade akéhokoľvek poškodenia spotrebiča alebo napájacieho kábla musí byť oprava alebo výmena vykonaná predajcom, servisným centrom alebo odborníkom z autorizovaného servisu, aby sa predišlo akémukoľvek nebezpečenstvu. Chybná alebo neodborná oprava môže pre užívateľa predstavovať nebezpečenstvo a riziko.
- Tento spotrebič je určený len na použitie v domácnostiach a podobných prostrediach, ako sú napríklad:
 - kuchynky pre zamestnancov v obchodoch, kanceláriách a iných pracovných prostrediach,
 - budovy na farmách,
 - priestory pre klientov v hoteloch,
- moteloch a ďalších obytných prostrediach,
- prostredia ubytovania typu Bed and Breakfast.
- Spotrebič používajte iba na určený účel, ako je popísané v tomto návode.
- Výrobca nenesie žiadnu zodpovednosť za žiadne škody spôsobené nesprávnou alebo nevhodnou inštaláciou alebo nevhodným používaním produktu.
- Tento spotrebič môžu používať deti staršie ako 8 rokov a osoby so zníženými fyzickými, vnemovými alebo mentálnymi schopnosťami, prípadne nedostatkom skúseností a vedomostí, pokiaľ sú počas prevádzky spotrebiča pod náležitým dozorom alebo sú im dané inštrukcie o bezpečnom používaní spotrebiča a sú si vedomí sprievodných rizík.
- Deťom nesmie byť dovolené hrať sa so spotrebičom. Deti bez dozoru nesmú vykonávať čistenie ani používateľskú údržbu.
- Minimálna vzdialenosť medzi varnými plochami sporáka a najnižšou časťou odsávača musí byť najmenej 65 cm.
- Ak sa v pokynoch pre plynový spo-

Dôležité bezpečnostné pokyny a pokyny týkajúce sa životného prostredia

rák uvádza väčšia vzdialenosť, musíte ju zohľadniť.

- Skontrolujte, či vaše napájanie zodpovedá informáciám uvedeným na štítku spotrebiča.
- Nikdy nepoužívajte spotrebič, ak je napájací kábel alebo samotný spotrebič poškodený.
- Zabráňte poškodeniu napájacieho kábla tým, že zabránite jeho pritlačeniu, ohýbaniu alebo odieraniu sa o ostré hrany. Napájací kábel udržiajte mimo horúcich povrchov a otvoreného ohňa.
- Spotrebič zapájajte iba do uzemnenej zásuvky.

VAROVANIE: Spotrebič nepripájajte k elektrickej sieti, kým úplne nedokončíte inštaláciu.

- Spotrebič umiestnite tak, aby bola zástrčka vždy prístupná.
- Nedotýkajte sa lúčov, ak boli v prevádzke po dlhý čas. Keďže sú horúce, mohli by ste si popáliť ruky.
- Dodržiavajte predpisy vydané kompetentnými úradmi týkajúce sa vypúšťania odsávaného vzduchu (toto neplatí pre použitie bez dymovodu).
- Váš spotrebič spustite len vtedy, ak je na varnej doske hrniec, panvica atď. V opačnom prípade môže

teplo spôsobiť deformáciu niektorých častí vášho spotrebiča.

- Varnú dosku vypnite pred tým, ako z nej zložíte hrniec, panvicu a pod.
- Na varnej doske nenechávajte horúci olej. Panvice s horúcim olejom môžu zapríčiniť samovznietenie.
- Dávajte pozor na závesy a prikrývky, keďže by olej pri tepelnej úprave mohol vzbĺknúť, napr. pri smažení.
- Filter mastnoty sa musí vymieňať aspoň raz mesačne. Uhlíkový filter sa musí vymieňať aspoň každé 3 mesiace.
- Spotrebič musí byť čistený v súlade s používateľskou príručkou. Ak čistenie nebolo vykonané v súlade s používateľskou príručkou, môže hroziť nebezpečenstvo požiaru.
- Súčasné filtre nenahrádzajte materiálmi, ktoré nie sú ohňovzdorné.
- Používajte len originálne časti odporúčané výrobcom.
- Spotrebič nespúšťajte bez filtra a filtre nevyberajte počas prevádzky spotrebiča.
- V prípade, ak sa na spotrebiči objaví plamene, odpojte spotrebič aj zariadenia určené na varenie od elektrickej siete.
- V prípade vzniku ohňa zakryte pla-

Dôležité bezpečnostné pokyny a pokyny týkajúce sa životného prostredia

mene a nikdy nepoužívajte vodné hasiace prístroje.

- Spotrebič odpojte pred každým čistením a v prípade, že ho nepoužívate.
- Negatívny tlak prostredia by nemal presiahnuť 4 Pa (4 x 10 bar), pokiaľ je digestor pre elektrickú varnú dosku v prevádzke súčasne so spotrebičmi fungujúcimi na inom type energie.
- V prostredí, kde je tento spotrebič používaný, musia byť výfuky zariadení fungujúcich na palivách, ako je olej alebo plyn, napr. izbové vykurovacie telesá, úplne oddelené alebo tieto zariadenia musia byť hermetického typu.
- Pri montáži dymovodu použite potrubie s priemerom 120 mm alebo 150 mm. Pripojenie cez potrubie musí byť čo najkratšie a mať čo najmenej kolien.

Nebezpečenstvo udusení!

Všetky obaly uchovajte mimo dosahu detí.

VÝSTRAHA: Prístupné časti sa počas súčasného používania so spotrebičmi na varenie môžu zahriať.

- Výfuk spotrebiča nesmie byť napojený na vzduchové potrubia,

ktoré obsahujú iný dym.

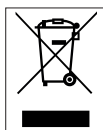
- Vetrание miestnosti môže byť nedostatočné, ak sa digestor pre elektrické varné dosky používa súčasne so zariadeniami využívajúcimi plyn alebo iné palivá (toto sa nevzťahuje na zariadenia, ktoré vypúšťajú vzduch späť do tej istej miestnosti).
- Predmety položené na spotrebič môžu spadnúť. Na spotrebič nekladte žiadne predmety.
- Pod spotrebičom neflambujte.

VAROVANIE: Pred inštaláciou digestora odstráňte ochranné fólie.

- Počas prevádzky pod digestorom nikdy nenechávajte vysoké priame plamene.
- Fritézy sa musia počas používania nepretržite monitorovať: prehriaty olej môže vzplanúť.

1.2 Súlad so smernicou o OEEZ a likvidácia vyradeného produktu:

Tento výrobok je v súlade so smernicou o OEEZ. (2012/19/EU). Tento výrobok je označený klasifikačným symbolom pre odpad z elektrických a elektronických zariadení (OEEZ).



Tento symbol znamená to, že tento výrobok sa na konci jeho životnosti nesmie likvidovať spolu s iným

domácim odpadom. Použité spotrebiče sa musia odovzdať na oficiálnych zberných miestach na recykláciu elektrických a elektronických zariadení. Obráťte sa na miestne úrady alebo na predajcu, u ktorého ste si výrobok zakúpili, a informujte sa o umiestnení zberných zariadení. Každá domácnosť zohráva dôležitú úlohu v obnove a recyklácii starých spotrebičov. Správna likvidácia starého spotrebiča pomáha predísť možným negatívnym následkom pre životné prostredie a ľudské zdravie.

1.3 Súlad so smernicou RoHS

Výrobok, ktorý ste si zakúpili, vyhovuje smernici EÚ RoHS (2011/65/EÚ). Neobsahuje škodlivé ani zakázané materiály špecifikované v tejto smernici.

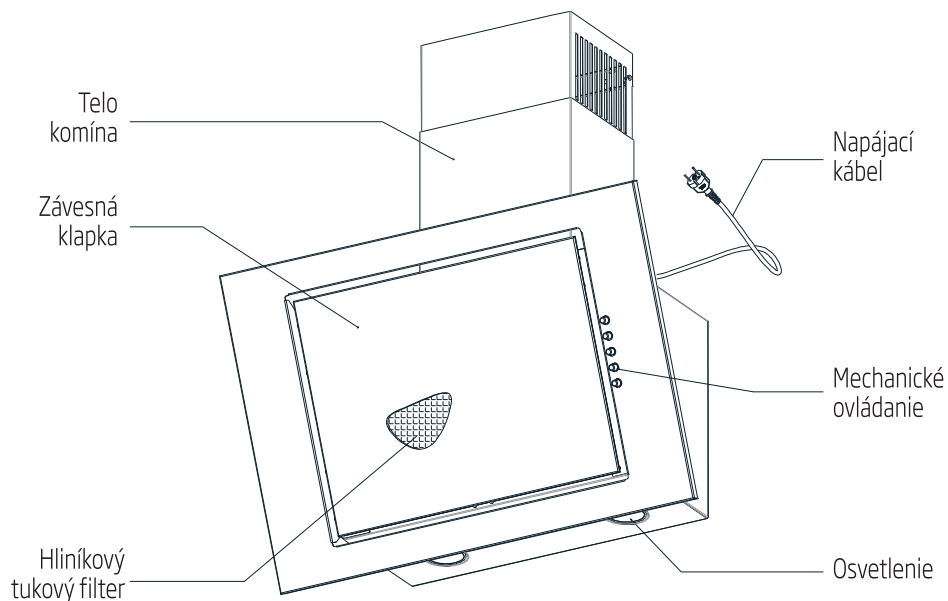
1.4 Informácie o balení



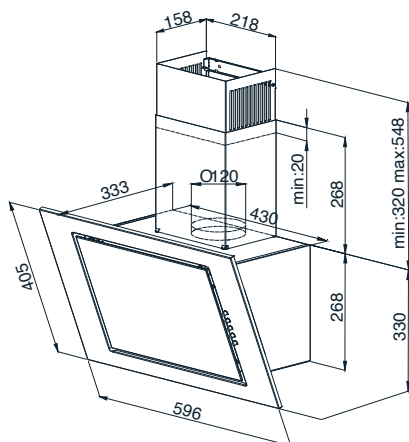
Obalové materiály tohto výrobku sú vyrobené z recyklovateľných materiálov v súlade s našimi Národnými environmentálnymi predpismi. Baliaci materiál nelikvidujte spolu s domovým odpadom alebo inými druhmi odpadu. Odneste ich na zberné miesto baliaceho materiálu, určené miestnymi úradmi.

2 Technické parametre

Technické údaje obsiahnuté v tejto príručke a štítky prilepené k digestoru boli získané z meraní a výpočtov v súlade s požiadavkami nariadenia EÚ č. 65/2014 a 66/2014.



Obr. 1 Celkový pohľad na digestor



Obr. 2 Rozmerový výkres

3.1 Prevádzka digestora

Digestor je určený na odsávanie výparov počas prípravy jedál. Zariadenie môže fungovať v dvoch režimoch:

Ako odsávací digestor: výpary sa odsávajú z priestorov cez odťahovú rúru. Odťahová rúra sa so zariadením nedodáva a musí sa získať samostatne.



- Mal by sa použiť čo najkratší kanál na vyťahovanie výparov.
- Použite dymovú rúru s maximálne hladkým vnútorným povrchom (používanie rúr typu spiro sa neodporúča).
- Použite dymový kanál s čo najmenším počtom ohybov (ohybové uhly nesmú presiahnuť 90°).
- Zmeny sekcií v dymovom kanáli sa neodporúčajú (z väčšej sekcie do menšej sekcie, napríklad zmena z Ø150 mm na Ø120 mm).

Ako pohlcovač: výpary sa pred vrátením do priestorov čistia od tuku a zápachov prostredníctvom roštov v hornej časti tela komína. Aby digestor fungoval v režime pohlcovača, namontujte uhlíkový filter.


(Obr.10) Uhlíkový filter nie je súčasťou štandardného vybavenia a musí sa získať samostatne.

3.2 Kontrola prevádzky digestora

Digestor je vybavený systémom mechanického ovládania.

- Tlačidlo „0“ – ventilátor digestora je vypnutý
- Tlačidlo „1“ – ventilátor digestora je zapnutý pri minimálnej rýchlosti
- Tlačidlo „2“ – ventilátor digestora je zapnutý pri strednej rýchlosti
- Tlačidlo „3“ – ventilátor digestora je zapnutý pri maximálnej rýchlosti

Vyššia rýchlosť znamená vyššiu cirkuláciu vzduchu.

- Tlačidlom  sa zapína svetlo. Na vypnutie tlačidlo stlačte ešte raz.

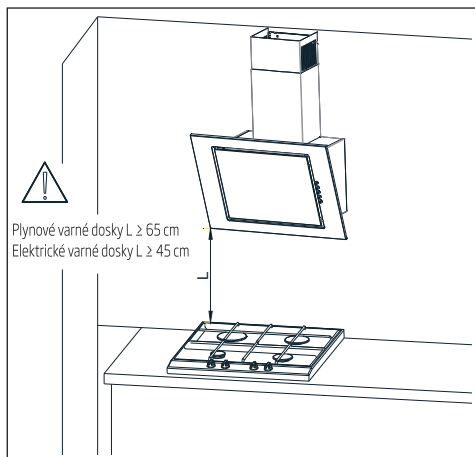
4 Inštalácia

4.1 Inštalácia digestora



Použitie skrutiek a upevňovacích prvkov neuvedených v návode na prevádzku môže spôsobiť zasiahnutie elektrickým prúdom.

Minimálna vzdialenosť digestora zaveseného nad varným povrchom kuchynského riadu umiestneného na doske (plynový, elektrický rozsah) a najnižšou časťou digestora (Obr. 3) musí byť aspoň 45 cm pri elektrických doskách a aspoň 65 cm pri plynových doskách. Ak príručka na prevádzku varnej dosky uvádza väčšiu vzdialenosť namontovania, musí sa dodržať táto väčšia vzdialenosť. Montáž digestora a tela komína je znázornená na obrázkoch (Obr. 4 - 9). Digestor je vybavený montážnymi kolíkmi, ktoré sú zhodné s väčšinou častí stien a stropov. V priebehu montáže dodržiavajte všeobecné pravidlá na odsávanie vzduchu z priestorov.



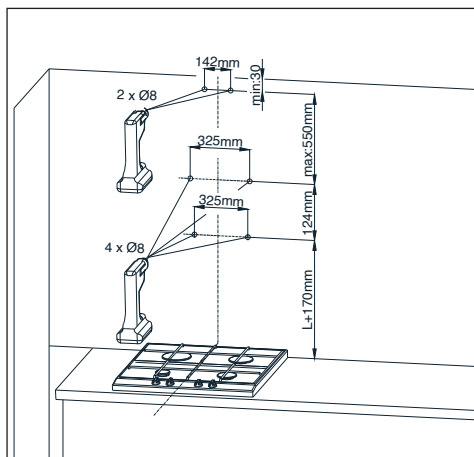
Obr. 3 Odporúčané vzdialenosti od varnej dosky

Pred začatím inštalácie:

- Skontrolujte, či sa rozmery zakúpeného zariadenia zhodujú s plánovaným montážnym umiestnením.
- Odmontujte a odnímite (ak je to možné) všetok nábytok, ktorý sa nachádza v priestore montáže digestora s cieľom zaistiť jednoduchosť montáže na strop alebo stenu, na ktoré sa má digestor montovať. Ak je to možné, chráňte zostávajúce prvky nábytku v okolitej oblasti.
- Skontrolujte, či sa v montážnom priestore nachádza zásuvka, a skontrolujte, či je možné digestor zapojiť do vetracieho kanálu na odvádzanie výparov.
- Skontrolujte, či sa na miestach vrtania nenachádzajú žiadne káble (elektrické, hydraulické atď).
- Pripravte si tieto nástroje: meter, ceruzu, vŕtačku/elektrickú uťahovačku, vrták s \varnothing , skrutkovač, vodováhu.

Vykonávanie montáže:

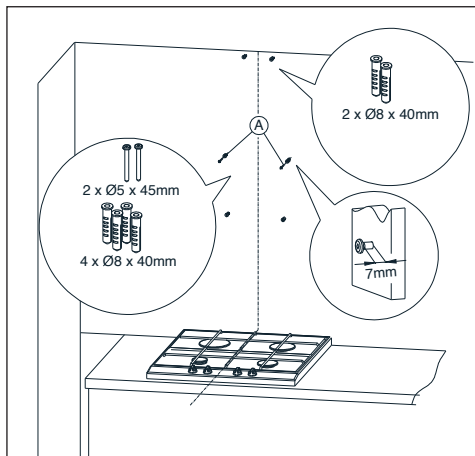
1. Určte os varného rozsahu a naplánujte ho na stenu, na ktorú sa má digestor montovať. Označte všetky charakteristické body upevnenia digestora. Vŕtačkou vyvŕtajte otvory. (Obr. 4)



Obr. 4 Montážne rozmery

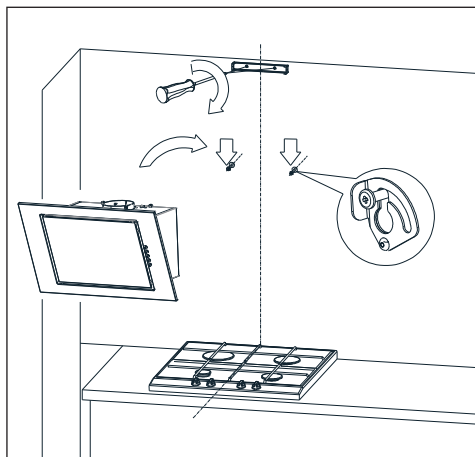
4 Inštalácia

2. Do otvorov osadíte zápusťné kolíky. Do dvoch označených otvorov A zakrúťte aj skrutky (ponechajte 7mm dĺžky skrutky mimo zápusťného kolíka, obr. 5).



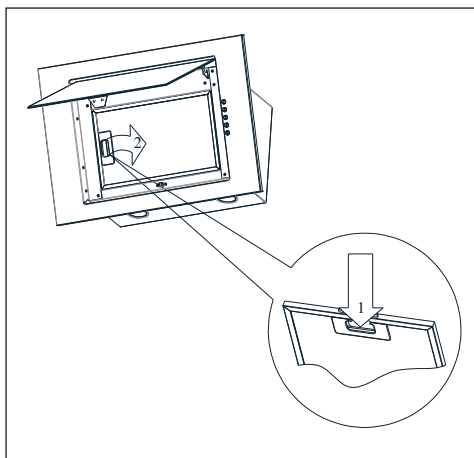
Obr. 5 Montáž zápusťných kolíkov

3. Priskrutkujte upevňovací prvok tela komína, digestor zaveste na dve neutiahnuté skrutky (Obr. 6).



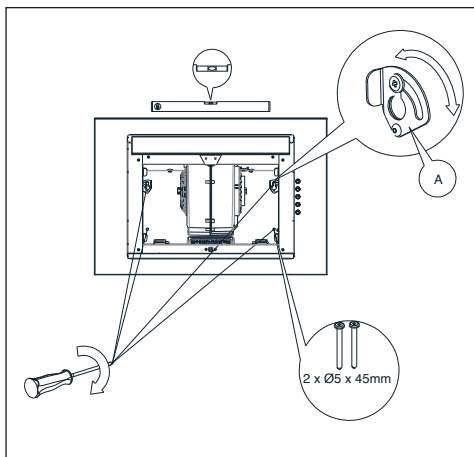
Obr. 6 Zavesenie digestora

4. Otvorte kryt digestora a odstráňte tukový filter (Obr. 7).



Obr. 7 Odňatie hliníkového tukového filtra

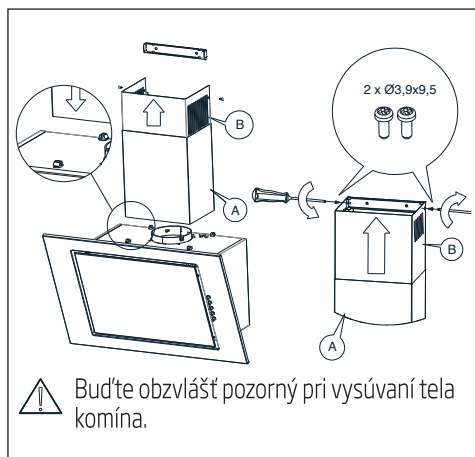
5. Na telo digestora položte vodováhu. Otáčaním prvku s označením A nastavte rovnováhu digestora podľa ukazovateľa rovnováhy, a potom obe predtým čiastočne zakrútené skrutky utiahnite a zakrúťte aj dve zostávajúce skrutky (Obr. 8).



Obr. 8 Polohovanie rozsahu digestora

4 Inštalácia

Na telo digestora umiestnite telo komína. Potom opatrne vyťahnite časť digestora s označením B nahor, pokiaľ ju nebude možné priskrutkovať k upevňovaciemu prvku, ktorý sa predtým pripevnil na stenu (obr. 9).



Obr. 9 Montáž tela komína



Táto montáž sa musí vykonávať veľmi opatrne, aby sa predišlo poškrabaniu tela komína a samotného digestora.

4.2 Elektrické pripojenie

Sieťové napätie musí zodpovedať napätiu uvedenému na štítku vnútri digestora. Ak je digestor vybavený zástrčkou, vložte ju do zásuvky, ktorá zodpovedá platným požiadavkám a je umiestnená na ľahko dostupnom mieste. Ak digestor nie je vybavený zástrčkou, jeho montáž musí vykonať osoba s požadovaným oprávnením (napr. elektrikár).

5 Čistenie a údržba

5.1 Čistenie

- Digestor nezabúdajte vyčistiť bezprostredne po dokončení smaženia.
- Vonkajší povrch digestora vyčistite jemnou tkaninou navlhčenou v tekutom detergente.
- Pri čistení nikdy nepoužívajte abrazívne alebo drsné materiály.
- Na odstránenie odolnej mastnoty môžete použiť komerčne dostupné čistiace prostriedky, pričom však dodržiavajte výstražné pokyny na produkte. Ak chcete zabrániť poškrabaniu tela z brúsenej ocele, utierajte v smere výbrusu.
- V záujme zachovania povrchovej kvality produktu nepoužívajte čistiace prostriedky s obsahom kyseliny chlorovodíkovej, bielidlo ani abrazívne prášky. Použite tkaninu navlhčenú v mydlovej vode alebo špeciálny sprej na čistenie nehrdzavejúcej ocele určený na tento typ povrchov. Zo spotrebiča odstráňte ochranný povlak.



Pozor! V prípade nedodržania pokynov na čistenie a výmenu filtrov v digestore môže dôjsť k vzniku požiaru.

5.2 Tukový filter

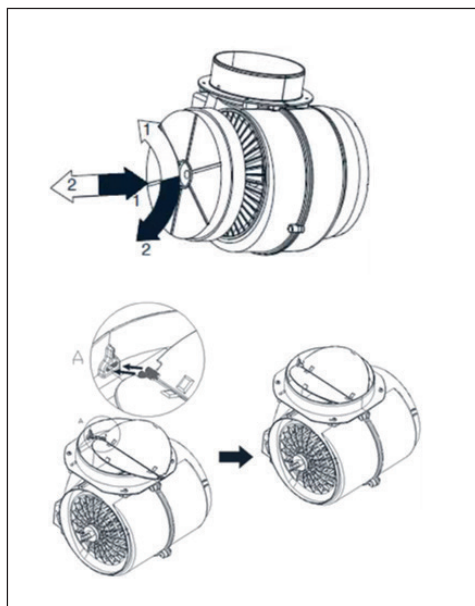
Digestor je vybavený hliníkovým filtrom na zastavenie častíc emitovaného tuku v priebehu varenia. Na odňatie filtra posuňte svorky v smere šípok (Obr. 7). Filter sa musí čistiť manuálne jeho ponorením do vody so saponátom na pribl. 15 minút s teplotou 40 - 50 °C. Po 15 minútach filter umyte a opláchnite. Pred umiestnením do digestora musí byť filter suchý. Filter je tiež možné umývať v umývačkách. Filter môže počas umývania zmeniť farbu, čo nemá vplyv na jeho filtračné vlastnosti. Ak sa filter nečistí pravidelne, znižuje to jeho výkon a môže to spôsobiť vznik požiaru. Filter by sa mal čistiť aspoň každých 35 hodín prevádzky digestora.

5.3 Uhlíkový filter

Digestor môže byť vybavený uhlíkovým filtrom. Uhlíkový filter sa používa vtedy, keď digestor nie je pripojený len k vetraciemu kanálu. Filter sa montuje na telo ventilátora podľa zobrazenia na obrázku (Obr. 10). Uhlíkový filter sa musí meniť každých 6 mesiacov.



Uhlíkový filter neumývajte ani neobnovujte.



Obr. 10 Výmena uhlíkového filtra

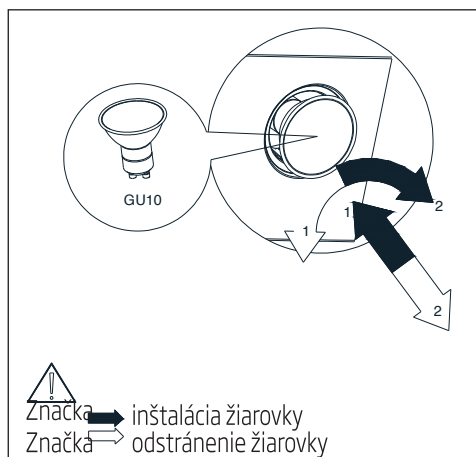
5 Čistenie a údržba

5.4 Výmena svetla

Pred začatím všetkých prác súvisiacich s výmenou svetla vypnite napájanie. Ak bol digestor predtým zapnutý, počkajte, pokiaľ žiarovka vychladne, a potom začnite s jej výmenou. Výmena žiarovky je zobrazená na obr. 11.



- Pred výmenou žiaroviek vypnite napájanie digestora.
- Nedotýkajte sa žiaroviek, keď sú horúce.
- Dajte si pozor, aby ste sa namontovanej žiarovky nedotkli rukami.



Obr. 11 Výmeny žiaroviek

5.5 Ako znížiť vplyv varenia na životné prostredie

- Na zníženie spotreby energie varte v kuchynskom riade pod pokrievkou.
- Hliníkové filtre digestora uchovávajte čisté (odporúčaná doba používania hliníkového filtra medzi jednotlivými čisteniami: max. 35 hod. prevádzky digestora).
- Vetrací kanál nesmie byť upchatý.
- Prevádzkovú rýchlosť ventilátora by sa počas varenia mala vždy nastaviť na minimálnu úroveň, ktorá umožňuje odsávať výpary vzhľadom na skutočnú intenzitu varenia.

Ak potrebujete spotrebič prepraviť:

- Ponechajte si originálny obal spotrebiča. Spotrebič prepravujte v pôvodnom obale a dodržiavajte pokyny vyplývajúce z významu prepravných značiek na pôvodnom obale.

Ak nemáte pôvodný obal:

- Na digestor neukladajte žiadne predmety.
- Vonkajšie povrchy chráňte pre nárazmi.
- Spotrebič zabalte tak, aby sa pri preprave nepoškodil.

6 Riešenie problémov

Príznamy	Príčina	Spôsob opravy
Počas prevádzky digestora sa zobrazí pulzujúce písmeno "F".	Po 35 hodinách prevádzky digestor indikuje potrebu čistenia alebo výmeny filtra tuku.	Stlačte a podržte približne 8 sekúnd „-“ na dotykovom ovládači. Filter by sa mal umývať v umývačke riadu alebo nahradiť novým.
Na displeji sa zobrazí iba symbol „-“ (mínus a bodka v pravom dolnom rohu), kryt nereaguje na vypnutie.	Dotykový ovládač bol uzamknutý - táto funkcia uľahčuje čistenie digestora.	Ak chcete zámok zablokovať, stlačte a podržte na približne 10 sekúnd pole so symbolom zapnutia.
Na displeji sa nezobrazuje žiadny symbol, digestor nereaguje na stlačenie ovládacích polí.	Dotykový ovládač je pravdepodobne pozastavený.	Odpojte digestor od napájacieho zdroja približne na 15 sekúnd a znovu ho zapnite.
Na displeji sa zobrazí symbol jedného z prevodových stupňov; digestor nereaguje na stlačenie ovládacích polí.	Dotykový ovládač je pravdepodobne pozastavený	Odpojte digestor od napájacieho zdroja približne na 15 sekúnd a znovu ho zapnite.
Po uplynutí 15 minút prevádzky sa odpojí turbína digestora, na displeji sa zobrazí pulzujúca číslica, t.j. „1.“ (aktuálne číslo prevodovky a bodka v pravom dolnom rohu).	Automatický časový spínač dotykového ovládania bol aktivovaný.	Ak chcete deaktivovať časový spínač, stlačte a podržte na približne 10 sekúnd symbol "+" alebo odpojte digestor.
Pri štvrtom prevodovom stupni na displeji pulzuje číslica „4“, po 5 minútach sa prevodovka zmení na trupeň.	Digestor je vybavený turbo módom, ktorý po 5 minútach prevádzky automaticky prepne na tretí prevodový stupeň, čím šetrí energiu.	Turbodúchadlo sa používa iba pri intenzívnom varení.
Digestor môže byť ovládaný iba pomocou ovládacieho panela, nereaguje na diaľkový ovládač.	Batéria diaľkového ovládača je prázdna alebo je vzdialenosť príliš dlhá.	Vymeňte batériu za novú.
Digestor má veľmi zlé odsávanie pary.	To pravdepodobne spôsobujú špinavé filtre.	Filtračný tuk musí byť umývaný v umývačke riadu alebo vymenený za nový. Uhlíkový filter (ak je k dispozícii) musí byť nahradený novým.
Jeden alebo viac svetelných bodov nefunguje.	Vadná halogénová / LED žiarovka.	Žiarovka sa musí nahradiť novou, kompatibilnou so symbolom uvedeným v návode na použitie digestora.
Digestor spôsobuje nadmerný hluk a vibrácie.	Môže to byť spôsobené nesprávnou inštaláciou digestora do nástennej alebo kuchynskej skrine. Neboli použité všetky sprevádzajúce skrutky alebo boli skrutky voľne namontované.	Digestor musí byť namontovaný na stenu alebo skrinku pomocou všetkých bodov, ktoré poskytuje výrobca. Po nastavení horizontálnej a vertikálnej polohy digestora upevnite všetky montážne skrutky.
* aplikujte u digestorov s dotykovým ovládaním.		
Ak vyššie uvedené odporúčania nevyriešia problém, obráťte sa na autorizovanú službu pre domáce spotrebiče oprávnenú na opravu. Za žiadnych okolností nie je užívateľ digestora oprávnený na nezávislú opravu. Zoznam servisných miest je súčasťou záručnej karty a webovej stránky.		

Перед використанням прочитайте цей посібник!

Вельмишановний клієнте!

Дякуємо за придбання цього приладу торгової марки Веко. Ми сподіваємося, що Ви отримаєте найкращі результати від використання приладу, виготовленого за найкращими стандартами якості з використанням найсучасніших технологій. Саме тому, будь ласка, уважно й повністю прочитайте цей посібник користувача й усі інші супровідні документи перед використанням виробу та збережіть посібник для довідки в майбутньому. Передавати прилад іншій особі треба разом з посібником користувача. Дотримуйтесь інструкцій, звертаючи увагу на всю інформацію й попередження в посібнику користувача.

Пам'ятайте, що цей посібник може також застосовуватися до інших моделей. Відмінності між моделями чітко описано в посібнику.

Значення символів

У різних розділах цього керівництва використовуються такі символи:



Важлива інформація й корисні рекомендації щодо використання.



УВАГА: Попередження про небезпечні ситуації, пов'язані з безпекою для життя й майна.



Попередження про небезпеку виникнення пожежі.



Попередження про ризик ураження електричним струмом.



Товар виготовлено на екологічно нешкідливому сучасному обладнанні, без нанесення шкоди навколишньому середовищу.

1.1. Загальні правила техніки безпеки

Важливі інструкції з техніки безпеки: уважно ознайомтеся та збережіть для подальшого використання. Цей розділ містить інструкції з техніки безпеки, дотримання яких допоможе виключити ризик виникнення пожежі, ураження електричним струмом, впливу витоків мікрохвильового випромінювання, отримання інших травм або заподіяння матеріальної шкоди. У разі недотримання цих інструкцій усі гарантійні зобов'язання анулюються.

- Продукція торгової марки Веко відповідає чинним стандартам безпеки; у разі пошкодження електроприладу або шнура живлення, щоб уникнути небезпечних ситуацій, ремонт або заміну повинні здійснювати дилер, сервісний центр, фахівець або авторизована служба. Неправильно або непрофесійно виконані ремонтні роботи можуть призвести до небезпечних для користувача ситуацій.
- Цей електроприлад призначено тільки для побутового й подібного застосування, а саме:
 - у кухонних зонах для персо-

налу в магазинах, офісах та інших робочих приміщеннях;

- на фермах

- у номерах готелів, мотелів тощо;

- у приміщеннях, що надаються для проживання на умовах напівпансіону.

- Використовуйте цей електроприлад тільки за його безпосереднім призначенням, як описано в цьому посібнику.
- Виробник не несе відповідальності за збитки, які виникли внаслідок неправильного встановлення або неналежного використання виробу.
- Цей прилад не призначено для використання дітьми віком до 8 років та особам з обмеженими фізичними, сенсорними або розумовими можливостями або особами, які не мають відповідного досвіду чи знань з використання приладу, за винятком випадків, коли вони перебувають під наглядом або проінструктовані щодо використання пристрою в безпечний спосіб і розуміють небезпеку.
- Використання дітьми виробу як іграшки заборонено. Очищення

Важливі інструкції щодо техніки безпеки та охорони навколишнього середовища

й обслуговування не мають здійснювати діти без нагляду.

- Мінімальна відстань між опорною поверхнею ємності для приготування їжі на варильній поверхні й найнижчою частиною виробу має бути не менше 65 см.
- Якщо інструкція щодо встановлення газової варильної поверхні визначає більшу відстань, такі рекомендації треба брати до уваги.
- Переконайтеся, що ваша електрична мережа відповідає вимогам, зазначеним на паспортній табличці приладу.
- У жодному разі не користуйтеся електроприладом, якщо шнур живлення або сам електроприлад пошкоджено.
- Намагайтеся запобігати пошкодженню кабелю живлення: уникайте його стискання, згинання або контакту з гострими предметами. Не тримайте кабель живлення біля гарячих поверхонь і відкритого вогню.
- Під'єднання приладу треба здійснювати виключно в розетку із заземлювальним контактом.

УВАГА: Не під'єднуйте прилад до

електромережі до цілковитого завершення монтажних робіт.

- Розташуйте прилад так, щоб вилка була завжди доступною.
- Не торкайтеся ламп після їх тривалої роботи. Вони мають високу температуру й можуть обпекти кінцівки.
- Дотримуйтеся визначених компетентними органами правил щодо відведення повітряних мас (це попередження не застосовується для використань без газовідводів).
- Експлуатація приладу здійснюється після розміщення на варильній поверхні каструлі, сковорідки тощо. Інакше висока температура може спричинити деформування деяких деталей виробу.
- Перед зняттям каструлі, сковорідки тощо вимкніть варильну поверхню.
- Не залишайте гарячу олію на варильній поверхні. Сковорідки із залишками гарячої олії можуть загорітися.
- Зверніть увагу на штори й чохла, оскільки олія може загорітися під час приготування їжі, наприклад картоплі фрі.

Важливі інструкції щодо техніки безпеки та охорони навколишнього середовища

- Заміну жировловлювального фільтра треба здійснювати щонайменше раз на місяць. Заміну вугільного фільтра треба здійснювати щонайменше раз на 3 місяці.
 - Чищення виробу треба виконувати відповідно до рекомендацій, зазначених у посібнику користувача. Якщо чищення виробу виконувалося не відповідно до рекомендацій посібника користувача, існує ризик виникнення пожежі.
 - Використання протипожежних фільтрувальних матеріалів замість поточного фільтра заборонено.
 - Використовуйте лише оригінальні деталі або ж деталі, рекомендовані виробником.
 - Використання виробу без фільтра й виймання фільтрів під час роботи виробу заборонено.
 - У разі виникнення пожежі вимкніть живлення виробу й кухонних приладів.
 - У разі виникнення пожежі накрийте полум'я та ніколи не використовуйте воду для його гасіння.
 - Від'єднуйте прилад від електромережі перед кожним чищенням, а також коли він не використовується.
 - Під час одночасної роботи витяжки для електричної варильної панелі або для приладів, що працюють на іншому виді енергії, відмінної від електрики, від'ємний тиск навколишнього середовища не повинен перевищувати 4 Па (4 x 10 бар).
 - У приміщенні, де використовується прилад, вихлопні гази пристроїв, що працюють на мазуті або газі, наприклад нагрівача приміщення, повинні бути абсолютно ізольованими або ж такий пристрій повинен мати герметичне виконання.
 - Під час під'єднання газовідводу використовуйте труби діаметром 120 або 150 мм. Трубопровід має бути якомога коротшим і мати якомога меншу кількість колін.
- Небезпека задухи!** Зберігайте пакувальні матеріали в недоступному для дітей місці.
- Обережно!** Під час використання кухонних приладів легкодоступні деталі можуть нагріватися.
- Випускний отвір виробу не можна під'єднувати до повітря-

Важливі інструкції щодо техніки безпеки та охорони навколишнього середовища

них каналів, де є інший дим.

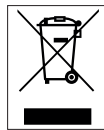
- Коли витяжка для електричної варильної панелі використовується одночасно з пристроями, що працюють на газі чи іншому паливі (це може не стосуватися приладів, які лише випускають повітря в приміщення), вентилявання в приміщенні може бути недостатнім.
- Розміщені на виробі предмети можуть упасти. Не розміщуйте на витяжці будь-які предмети.
- Фламбування страв, які розташовано під виробом, заборонено.

УВАГА: Перед установленням витяжки зніміть захисну плівку.

- Ніколи не залишайте джерела високого відкритого полум'я під витяжкою, яка працює
- Треба забезпечити постійний контроль фритюрниць під час їх роботи: перегріта олія може спалахнути.

1.2 Відповідність вимогам Директиви щодо утилізування відходів електричного й електронного обладнання (WEEE) та утилізування продукту:

Цей пристрій відповідає вимогам Директиви EU WEEE (2012/19/EU). Цей виріб має класифікаційний знак утилізування відходів електричного й електронного обладнання (WEEE).



Цей знак означає, що цей виріб після завершення строку служби не підлягає утилізуванню разом з іншими побутовими

приладами. Уживаний пристрій треба здавати до офіційного пункту утилізування електричного й електронного обладнання. Інформацію щодо розташування таких пунктів можна отримати в місцевих органах влади або в точці роздрібного продажу, де було придбано виріб. Кожне домоволодіння відіграє важливу роль у відновленні й переробці старих побутових приладів.

Належне утилізування використаних приладів сприяє запобіганню негативних наслідків для довкілля та здоров'я людини.

1.3 Відповідність вимогам Директиви ЄС щодо обмеження використання небезпечних речовин

Пристрій, який ви придбали, відповідає вимогам Директиви ЄС щодо обмеження використання небезпечних речовин (2011/65/EU). Пристрій не містить шкідливих і заборонених речовин, указаних у Директиві.

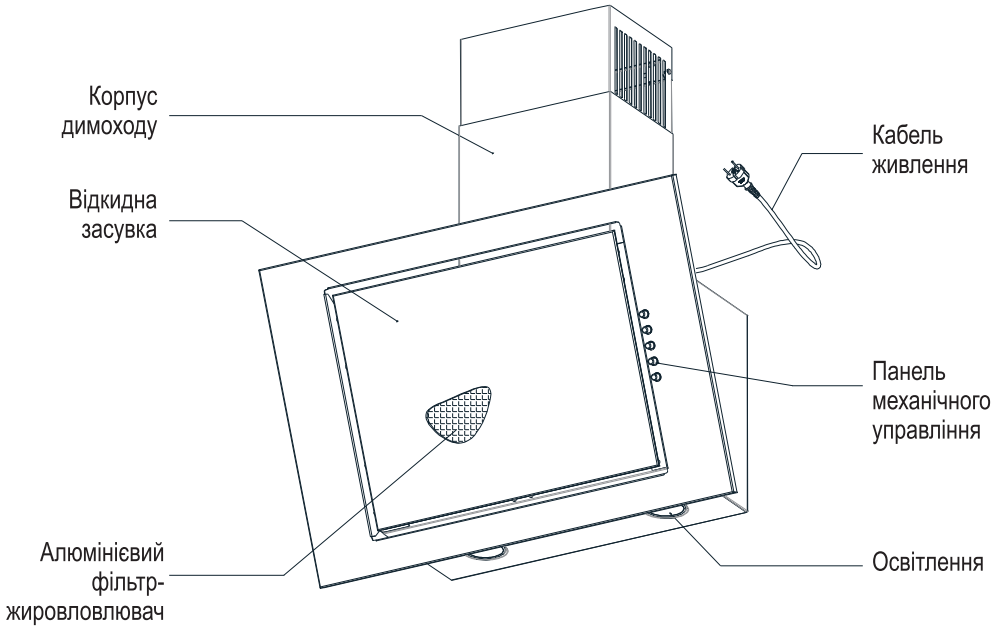
1.4 Інформація про пакування



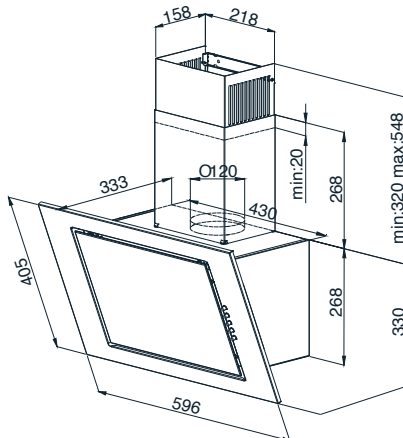
Пакувальні матеріали виробу виготовлені з матеріалів вторинної переробки, відповідно до наших Національних природоохоронних норм. Не утилізуйте пакувальні матеріали разом із побутовими й іншими відходами. Здавайте їх у спеціальні пункти приймання тари, споруджені місцевими службами.

2 Технічні характеристики виробу

Технічні характеристики, що містяться в цьому посібнику та на маркуванні, прикріпленому на витяжці, були отримані в результаті вимірювань і розрахунків відповідно до вимог Постанови ЄС № 65/2014 і 66/2014.



Мал.1 Загальний вигляд корпусу димохода



Мал. 2 Креслення з розмірами

3 Режим роботи

3.1 Режим роботи витяжки

Витяжка призначена для всмоктування парів під час приготування їжі. Пристрій може працювати в двох режимах:

Як витягувальна витяжка: пари витягуються з приміщення через вивідну трубку. Трубка для виведення не надається разом із пристроєм і повинна бути придбана окремо.



- Повинні використовуватися найкоротші канали для випаровування.
- Використовуйте трубу димоходу з максимально гладкою внутрішньою поверхнею (використання труб типу Spiro не рекомендується).
- Використовуйте канал димоходу з мінімальною кількістю вигинів (кути вигину не повинні перевищувати 90°).
- Зміни в секціях димоходу не рекомендуються (від верхньої секції до нижньої секції, наприклад, зміни з Ø150 мм до Ø120 мм).

Як поглинач: пари очищаються від жиру і запахів, перш ніж вони повертаються назад до приміщення через розрізи у верхній частині димоходу. Щоб витяжка працювала як поглинач, встановіть вугільний фільтр


(Мал. 10). Вугільний фільтр не включений у стандартне обладнання, і його потрібно придбати окремо.

3.2 Управління режимом роботи витяжки

Витяжка оснащена системою механічного управління.

- Кнопка “0” - вимкнення витяжки
- Кнопка “1” - ввімкнення витяжки, мінімальна швидкість
- Кнопка “2” - ввімкнення витяжки, середня швидкість
- Кнопка “3” - ввімкнення витяжки, максимальна швидкість

Вища швидкість означає більшу циркуляцію повітря.

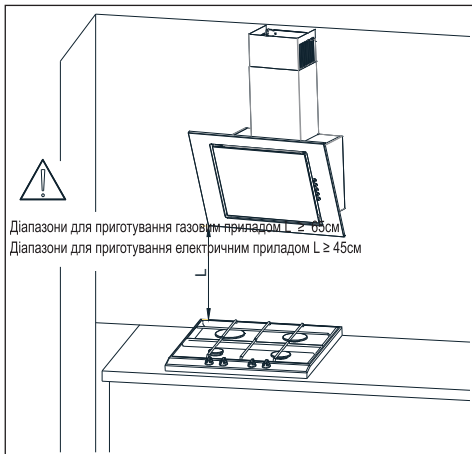
- Кнопка  ввімкнення світла. Щоб вимкнути світло, натисніть кнопку ще раз.

4.1. Встановлення витяжки



Використання шурупів та кріпильних елементів, не зазначених у Посібнику користувач, може спричинити ураження електричним струмом.

Мінімальна відстань витяжки, що висить до поверхні посуду та кухонного приладдя по діапазону кухонь (газ, електричний діапазон) та нижньої частини витяжки (Мал.3) повинна бути не менше 45 см для електричних діапазонів для приготування їжі та не менше 65 см для приготування на газу. Якщо посібник користувача пропонує більшу відстань діапазону кулінарної межі для встановлення витяжки, слід виконати цю вимогу. Встановлення корпусу dbnz;rb та димоходу показано на малюнках (мал.4 - мал.9). Витяжка оснащена кріпильними штифтами, що відповідають більшості стін та стель. Під час монтажу слід дотримуватися загальних правил витяжки повітря з приміщення.



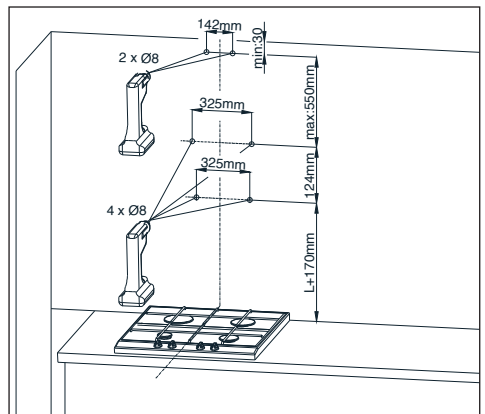
Мал.3 Рекомендовані відстані від діапазону приготування

Перед початком установки::

- Перевірте, чи придбані розміри пристрою відповідають планованому місцю установки.
- Проведіть демонтаж та зняття (якщо можливо) будь-якої меблі, що залишилися в зоні встановлення витяжки, для забезпечення легкого доступу до стелі або стіни, де встановлюється витяжка. Якщо це неможливо, огордіть елементи меблів, що залишаються в сусідній області.
- Перевірте, чи є гніздо поруч із монтажною зоною, і контролюйте, чи може бути підключена витяжка до вентиляційного каналу для виходу парів.
- Перевірте, чи немає кабелів (електричних, гідравлічних та ін.) у місцях, де буде проводитися свердління.
- Підготуйте наступні інструменти: рулетку, олівець, свердло / електричну викрутку, інструмент для свердління Ø8, викрутку, будівельний рівень.

Операція монтажу:

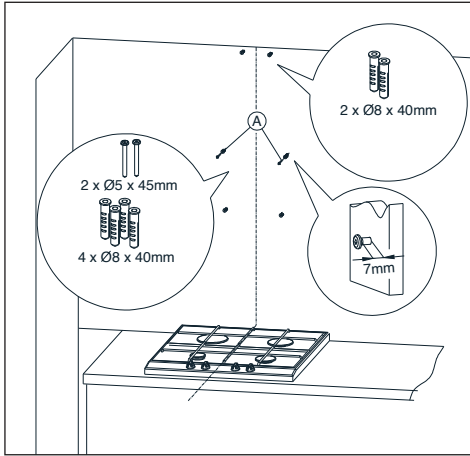
1. Визначте осі діапазону приготування їжі та прикладіть його на стіну, де буде встановлено витяжку. Зазначте всі характерні моменти кріплення витяжки. Зробіть отвори свердлом. (Мал. 4)



Мал.4 Розміри монтажу

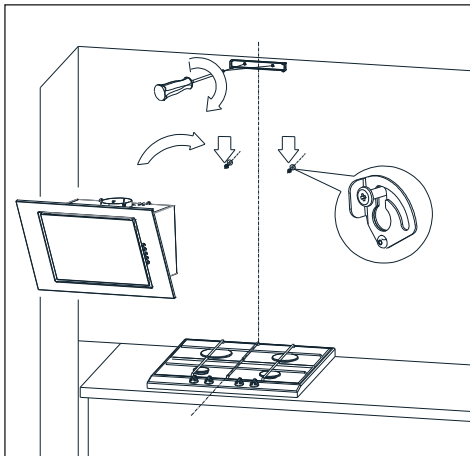
4 Встановлення

2. У отвори вставте гвинтові заглушки. У двох отворах, що позначені гвинтом А, також гвинти (залиште 7 мм довжини гвинта за гвинтовою пробкою, мал. 5).



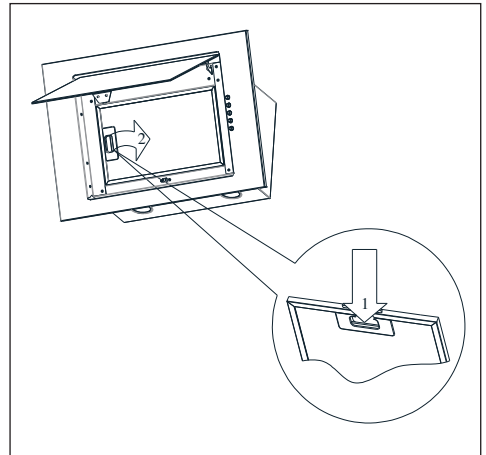
Мал.5 З'єднання гвинтових заглушок

3. Прикрутіть елемент кріплення корпусу димоходу, повісьте витяжку на два незатиснуті гвинти (мал. 6).



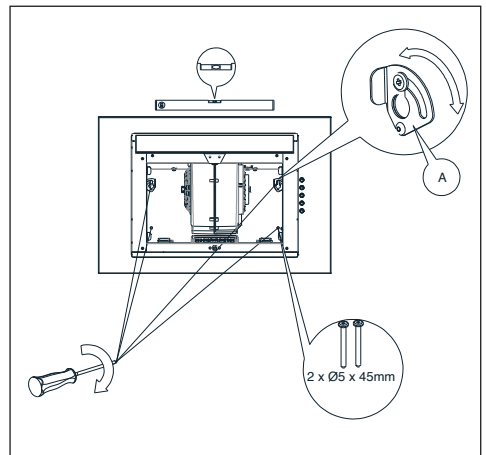
Мал.6 Підвішування витяжки

4. Відкрийте кришку витяжки та зніміть жировий фільтр (мал. 7).



Мал.7 Видалення алюмінієвого жирового фільтра

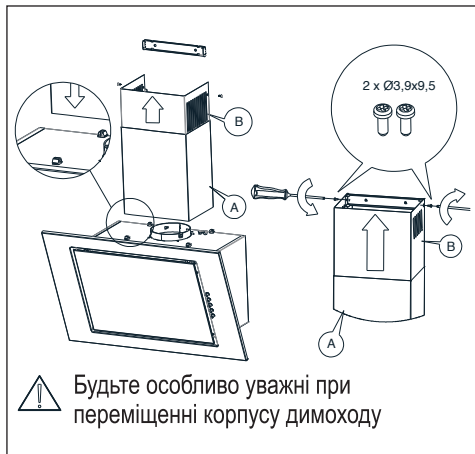
5. Помістіть рівень на корпус витяжки. Обертаючи елемент, позначений значком А, відрегулюйте рівень витяжки відповідно до вказівок рівня, а потім затягніть два гвинти, які раніше були частково загвинчені, і закріпіть два інших (Мал. 8).



Мал.8 Розміщення кухонної витяжки

4 Встановлення

Розмістіть корпус димоходу на корпус витяжки. Потім обережно підніміть частину витяжки, позначену буквою В зверху, поки не стане можливо пригвинтити його до кріпильного елемента, який раніше був прикріплений до стіни (мал.9).



Мал.9 Встановлення корпусу димоходу



Ця монтажна операція повинна виконуватися дуже ретельно, щоб уникнути подряпин димової труби і самої витяжки.

4.2 Електричні підключення

Напруга мережі повинна відповідати напрузі, зазначеній на пластині, розташованій всередині витяжки. Якщо витяжка оснащена штекером, вставте його в гніздо, що відповідає застосованим вимогам, і розташоване в легкодоступному місці. Якщо витяжка не оснащена штекером, установку витяжки виконує особа, яка має необхідні дозволи (наприклад, електрик).

5 Технічне обслуговування та очищення

5.1. Очищення

- Очищення витяжки необхідно здійснювати відразу ж після смаження.
- Для очищення зовнішньої поверхні витяжки використовуйте м'яку тканину, змочену рідким миючим засобом.
- Не використовуйте абразивні матеріали та матеріали, які можуть подряпати поверхню витяжки.
- У разі використання наявних у продажу миючих засобів, які підходять для зняття стійкого жиру, забруднення тощо, дотримуйтеся вказівок з використання такого миючого засобу. Щоб не подряпати матовий сталевий корпус приладу, витирайте витяжку у тому напрямку, у якому нанесено матове покриття.
- Щоб зберегти якість поверхні витяжки, не використовуйте миючі засоби, які містять соляну кислоту, відбілюючі речовини або абразивні порошки. Для поверхонь із нержавіючої сталі використовуйте тканину, змочену у мильній воді, або спеціальні спреї для очищення нержавіючої сталі. Зніміть захисну фольгу з приладу.



Увага! Недотримання інструкцій з очищення і заміни фільтрів витяжки може призвести до виникнення пожежі.

5.2 Жировий фільтр

Витяжка обладнана алюмінієвим фільтром, який зупиняє частинки жиру, що виділяються під час готування. Щоб зняти фільтр, перемістіть затискачі у напрямку стрілок (мал.7). Фільтр повинен бути очищений вручну шляхом його занурення в воду з допомогою миючого засобу приблизно на 15 хвилин, при температурі 40-50°C. Через 15 хвилин вимийте і обережно сполосніть фільтр. Перед встановленням у витяжку, фільтр повинен бути сухим. Також можна мити фільтр у

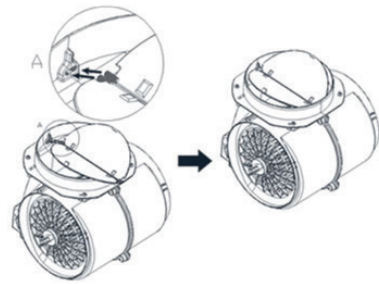
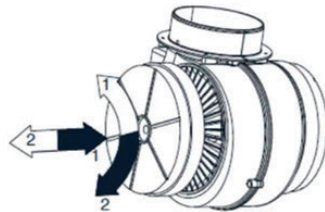
посудомийних машинах. Під час промивання колір фільтра може змінюватися, що не впливає на його фільтраційні характеристики. Нездатність чистити фільтр регулярно зменшує продуктивність витяжки, і може спричинити пожежу. Фільтр потрібно чистити принаймні кожні 35 годин роботи витяжки.

5.3 Вугільний фільтр

Витяжка може бути обладнана вугільним фільтром. Вугільний фільтр використовується, якщо витяжка під'єднана не лише до вентиляційного каналу. Фільтр повинен бути встановлений на корпусі витяжки, як показано на малюнку (Мал. 10). Вугільний фільтр потрібно замінювати кожні 6 місяців.



Не мийте і не відновлюйте вугільний фільтр.



Мал.10 Заміна вугільного фільтра

5 Технічне обслуговування та очищення

5.4 Заміна світла

Перед початком будь-яких робіт, пов'язаних із заміною світла, вимкніть живлення. Якщо витяжка була раніше включеною, зачекайте до тих пір, поки лампи не стануть холодними, а потім замініть їх. Заміна лампи показана на мал. 11.



- Перед заміною ламп вимкніть витяжку.
- Не торкайтесь ламп, доки вони гарячі.
- Будьте уважні, щоб не доторкатися до лампи, встановленої руками.



Мал.11 Заміна ламп освітлення

5.5. Як зменшити вплив приготування страв на навколишнє середовище

- Щоб зменшити споживання енергії, готуйте у посуді під кришкою.
- Алюмінієві фільтри витяжки повинні бути чисті (рекомендований час роботи алюмінієвого фільтра між його очищенням: максимум 35 годин роботи витяжки).
- Вентиляційні канали не повинні бути заблоковані.
- Швидкість роботи витяжки при готуванні завжди повинна бути встановлена на мінімальному рівні, що дозволяє поглинати пар з урахуванням фактичної інтенсивності приготування.

Під час транспортування приладу:

- Зберігайте оригінальну упаковку приладу. Транспортування приладу необхідно здійснювати у оригінальній упаковці та дотримуючись транспортного маркування на оригінальній упаковці.

Якщо оригінальна упаковка не збереглася.

- Не розміщуйте на витяжці будь-які предмети.
- Захистіть зовнішню поверхню витяжки від ударів.
- Упакуйте прилад таким чином, щоб він не пошкодився під час транспортування.

Ознаки	Причини	Спосіб ремонту
Під час роботи витяжки відображається блимаюча літера «F».	Після 35 годин роботи витяжка вказує на необхідність очищення чи заміни фільтра-жировловлювача.	Натисніть і утримуйте кнопку «-» на сенсорній панелі протягом 8 сек. Фільтр слід промити в посудомийній машині або замінити на новий.
На дисплеї відображається лише символ «-» (мінус та крапка у правому нижньому куті), витяжка не реагує на відключення.	Сенсорна панель заблокована — ця функція полегшує чищення витяжки.	Щоб вимкнути блокування, натисніть та утримуйте протягом 10 секунд сенсорну кнопку з символом увімкнення.
На дисплеї не відображається жодний символ, витяжка не реагує на натискання сенсорних кнопок управління.	Робота сенсорної панелі, ймовірно, призупинена.	Від'єднайте витяжку від мережі електроживлення приблизно на 15 сек. і знову приєднайте.
На дисплеї відображається символ однієї зі швидкостей; витяжка не реагує на натискання сенсорних кнопок управління.	Робота сенсорної панелі, ймовірно, призупинена.	Від'єднайте витяжку від мережі електроживлення приблизно на 15 сек. і знову приєднайте.
Турбіна витяжки відключається після 15 хвилин роботи, на дисплеї відображається блимаюча цифра, наприклад, «1.» (номер поточної швидкості та крапка у правому нижньому куті).	Увімкнено автоматичне реле часу сенсорної панелі.	Щоб вимкнути реле часу, натисніть та утримуйте протягом 10 секунд символ «+» або вимкніть витяжку.
Для четвертої швидкості на дисплеї блимає цифра «4», через 5 хв. швидкість змінюється на третю.	Витяжка оснащена турборежимом, який автоматично переключається на третю швидкість після 5 хвилин роботи, щоб заощадити енергію.	Турбошвидкість слід використовувати тільки при інтенсивному приготуванні їжі.
Витяжкою можна керувати тільки за допомогою панелі управління, вона не реагує на дистанційне управління.	Акумулятор пульта дистанційного управління розряджений або відстань занадто велика.	Замініть акумулятор на новий.
Витяжка погано втягує випари.	Ймовірно, причиною є забруднені фільтри.	Фільтр-жировловлювач потрібно очистити в посудомийній машині або замінити на новий. Вугільний фільтр (за наявності) потрібно замінити на новий.
Одна або декілька освітлювальних точок не працюють.	Несправна галогенна/світлодіодна лампа.	Лампу потрібно замінити на нову у відповідності з символом, вказаним в інструкції з експлуатації витяжки.
Витяжка працює з надмірним шумом і вібрацією.	Причиною цього може бути неправильна установка витяжки на стіну або в кухонних меблях. Встановлено не всі гвинти або зазори гвинтів, що виступають, занадто великі.	Витяжку слід встановити на стіну або в шафу, використовуючи всі точки, передбачені виробником. Після регулювання положення витяжки по горизонталі та вертикалі затягніть усі монтажні гвинти.
* застосовується до витяжок з сенсорною панеллю.		
Якщо не вдається вирішити проблему, дотримуючись наведених вище рекомендацій, зверніться до авторизованого сервісу побутової техніки, який має право виконувати ремонт. Користувачу категорично забороняється самостійно виконувати ремонт. Див. перелік сервісних пунктів на гарантійному талоні та на веб-сайті.		

Veillez d'abord lire ce manuel d'utilisation !

Chère cliente, cher client,

Nous vous remercions d'avoir préféré cet appareil Beko. Nous espérons que vous obtiendrez les meilleurs résultats de votre appareil qui a été fabriqué avec une technologie de pointe et de haute qualité. Pour cette raison, veuillez lire attentivement ce manuel d'utilisation et tous les autres documents fournis avant d'utiliser l'appareil et conservez-le comme référence pour une utilisation future. Si vous donnez l'appareil à une autre personne, donnez-lui également le manuel d'utilisation. Suivez les instructions en faisant attention à toutes les informations et avertissements du manuel d'utilisation.

Notez que ce manuel d'utilisation peut également s'appliquer à d'autres modèles. Les différences entre les modèles sont explicitement décrites dans le manuel.

Signification des symboles

les symboles suivants sont utilisés dans différentes sections de ce manuel :



Informations importantes et conseils utiles sur l'utilisation.



AVERTISSEMENT: Avertissements contre les situations dangereuses concernant la sécurité de la vie et des biens.



Avertissement lié au risque d'incendie.



Avertissement en cas de choc électrique.



Classe de protection contre les chocs électriques.



Cet appareil a été fabriqué dans des usines modernes respectueuses de l'environnement.

1.1 Sécurité générale

Instructions de sécurité importantes à lire attentivement et à conserver pour référence ultérieure. Cette section contient des instructions de sécurité qui aideront à protéger contre les risques d'incendie, de choc électrique, d'exposition à une fuite d'énergie micro-ondes, de blessures corporelles ou de dommages matériels. Le non-respect de ces instructions annule toute garantie.

- Les fours à micro-ondes Beko sont conformes aux normes de sécurité applicables ; par conséquent, en cas de dommage sur l'appareil ou le câble d'alimentation, celui-ci doit être réparé ou remplacé par le revendeur, le centre de service ou un service spécialisé et autorisé afin d'éviter tout danger. Lorsque les réparations sont mauvaises ou effectuées par un personnel non qualifié, elles peuvent être dangereuses et entraîner des risques pour l'utilisateur.
- Cet appareil est conçu pour être utilisé dans les maisons et les endroits similaires tels que :
 - Dans les cuisines du personnel des boutiques, des bureaux et autres environnements profes-

sionnels ;

- Dans les fermes
 - les cuisines pour clients dans les hôtels et autres lieux d'habitation ; et
 - Dans des chambres ou des salles de petit-déjeuner.
- N'utilisez l'appareil que pour l'usage auquel il est destiné, tel que décrit dans ce manuel.
 - Le fabricant ne peut être tenu responsable des dommages résultant d'une installation incorrecte ou d'une mauvaise utilisation du produit.
 - Cet appareil peut être utilisé par des enfants âgés de 8 ans et plus et des personnes ayant des capacités physiques, sensorielles ou mentales réduites ou un manque d'expérience et de connaissances s'ils ont reçu une supervision ou des instructions concernant l'utilisation de l'appareil de manière sûre et comprennent les dangers impliqués.
 - Les enfants ne sont pas autorisés à jouer avec l'appareil. Le nettoyage et l'entretien par l'utilisateur ne doivent pas être effectués par des enfants sans surveillance.

1 Instructions importantes en matière de sécurité et d'environnement

- Il faut que la distance minimale entre la surface d'appui des récipients de cuisson sur la plaque de cuisson et la partie la plus basse de votre produit soit d'au moins 65 cm
 - Dans le cas où les instructions d'installation de la plaque de cuisson au gaz indiquent une distance plus grande, il faut en tenir compte.
 - Assurez-vous que votre alimentation électrique est conforme aux informations fournies sur la plaque signalétique de l'appareil.
 - N'utilisez jamais l'appareil si le câble d'alimentation ou l'appareil lui-même est endommagé.
 - Évitez d'endommager le câble d'alimentation en ne pas le serrer, le plier ou le frotter sur des bords tranchants. Éloignez le câble d'alimentation de toute surface brûlante et des flammes.
 - Utilisez l'appareil uniquement avec une prise mise à la terre.
- AVERTISSEMENT:** Ne branchez pas l'appareil sur le secteur avant que l'installation ne soit complètement terminée.
- Placez l'appareil de manière à ce que la fiche soit toujours accessible.
 - Ne touchez pas les lampes si elles ont fonctionné pendant une longue période. Ils peuvent vous brûler les mains car ils seront chauds.
 - Il faut respecter les règles fixées par les autorités compétentes en matière d'évacuation de l'air vicié (cet avertissement ne s'applique pas à l'utilisation sans conduit de fumée).
 - Faites fonctionner votre appareil après avoir placé une casserole, une casserole, etc. sur la table de cuisson. Dans le cas contraire, une chaleur élevée peut entraîner une déformation de certaines parties de votre produit.
 - Éteignez la plaque de cuisson avant de retirer la casserole, la casserole, etc.
 - Évitez de laisser de l'huile chaude dans la plaque de cuisson. Les casseroles avec de l'huile chaude peuvent provoquer une auto-combustion.
 - Faites attention à vos rideaux et couvertures, car l'huile peut prendre feu pendant la cuisson des aliments tels que les frites.
 - Le filtre à graisse doit être rem-

1 Instructions importantes en matière de sécurité et d'environnement

placé au moins une fois par mois. Il faut remplacer le filtre à charbon au moins tous les trois mois.

- Le produit doit être nettoyé conformément au manuel d'utilisation. En cas de nettoyage non conforme au manuel d'utilisation, il peut y avoir un risque d'incendie.
- Évitez d'utiliser des matériaux filtrants non résistants au feu à la place du filtre actuel.
- Utilisez uniquement les pièces ou pièces d'origine recommandées par le fabricant.
- Ne faites pas fonctionner le produit sans filtre et ne retirez pas les filtres lorsque le produit est en marche.
- En cas d'allumage d'une flamme, mettez votre produit et vos appareils de cuisson hors tension.
- En cas d'allumage d'une flamme, couvrez la flamme et n'utilisez jamais d'eau pour l'éteindre.
- Débranchez l'appareil avant chaque nettoyage et lorsque l'appareil n'est pas utilisé.
- La pression négative dans l'environnement ne doit pas dépasser 4 Pa (4 x 10 bar) lorsque la hotte de la plaque de cuisson électrique et les appareils fonctionnant avec un

autre type d'énergie que l'électricité fonctionnent simultanément.

- Lorsque l'appareil est utilisé dans l'environnement, l'échappement des appareils fonctionnant au mazout ou au gaz, tels que les chauffe-eau, doit être absolument isolé ou l'appareil doit être de type hermétique.
- Pour le raccordement du conduit de fumée, utilisez des tuyaux d'un diamètre de 120 ou 150 mm. Le raccordement des tuyaux doit être aussi court que possible et comporter le moins de coudes possible.

Risque de suffocation ! Gardez tous les matériaux d'emballage hors de portée des enfants.

ATTENTION : Les pièces accessibles peuvent chauffer lorsqu'elles sont utilisées avec des appareils de cuisson »

- La sortie de la hotte ne doit pas être connectée aux conduits d'air utilisés à d'autres fins.
- La ventilation de la pièce peut être insuffisante lorsque la hotte de la plaque de cuisson électrique est utilisée simultanément avec les appareils fonctionnant au gaz ou à d'autres combustibles (cela peut

1 Instructions importantes en matière de sécurité et d'environnement

ne pas s'appliquer aux appareils qui ne font que rejeter l'air dans la pièce).

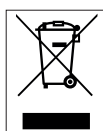
- Les objets placés sur le produit peuvent tomber. Ne placez aucun objet sur ce produit.
- Ne flambez pas sous votre produit.

AVERTISSEMENT: Avant d'installer la hotte, retirez les films protecteurs.

- Ne jamais laisser de grandes flammes nues sous le capot lorsque celui-ci est en fonctionnement
- Les friteuses doivent être surveillées en permanence pendant leur utilisation : une huile surchauffée peut s'enflammer.

1.2 Conformité avec la directive WEEE et élimination des déchets :

Ce produit est conforme à la directive européenne WEEE (2012/19/UE). Ce produit porte un symbole de classification pour les déchets d'équipements électriques et électroniques (WEEE).



Ce symbole indique que cet appareil ne doit pas être mis au rebut avec les autres ordures ménagères à la fin de sa durée de vie. Les appareils usagés doivent être retournés au point de collecte officiel pour le recyclage des dispositifs électriques et électroniques. Pour trouver ces systèmes de collecte, veuillez contacter les autorités locales ou le détaillant où le produit a été acheté. Chaque ménage joue un rôle important dans la récupération et le recyclage des anciens appareils. La mise au rebut appropriée des appareils usagés permet de prévenir les conséquences négatives potentielles pour l'environnement et la santé humaine.

1.3 Conformité avec la Directive RoHS

Votre appareil est conforme à la directive RoHS de l'Union européenne (2011/65/UE). Il ne comporte pas de matériaux dangereux et interdits mentionnés dans la directive.

1.4 Informations sur l'emballage



Les matériaux d'emballage de cet appareil sont fabriqués à partir de matériaux recyclables, conformément à nos réglementations nationales en matière d'environnement. Ne mettez pas les matériaux d'emballage au rebut avec les ordures ménagères et d'autres déchets. Déposez-les plutôt aux points de collecte des matériaux d'emballage, désignés par les autorités locales.

2 Apparence générale

2.1 Vue d'ensemble

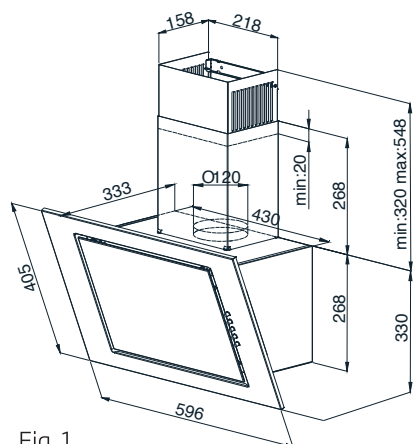


Fig. 1

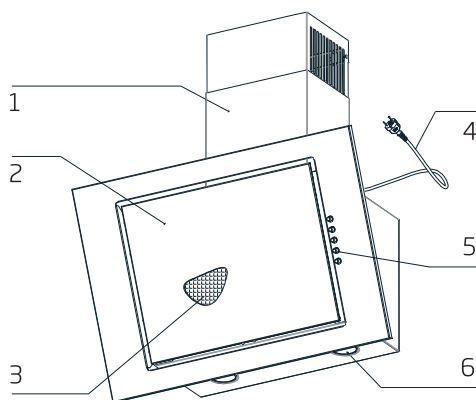


Fig. 2

1. Cheminée
2. Verre
3. Filtre à graisse
4. Cordon d'alimentation
5. Panneau de commande
6. Éclairage

2.2 Données techniques

Modèle	HCA62321B
Tension et fréquence d'alimentation	220-240 V~ 50 Hz
Puissance de la lampe (W)	6 W
Puissance du moteur (W)	115 W
Débit d'air (m ³ / h) - 3. Niveau	310
Classe d'isolation du moteur	Class F
Classe d'isolation	Classe II

3 Utilisation de l'appareil

3.1 Utilisation de l'interrupteur à bascule

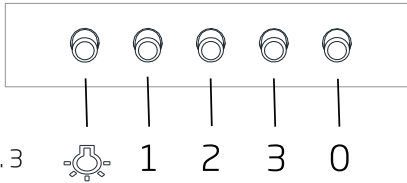



Fig. 3

La hotte est équipée d'une commande mécanique.

- Appuyer sur le «0» - désactive le capot.
- En appuyant sur le «1» - pour faire tourner la hotte avec une vitesse minimale.
- Appuyer sur le «2» - fait tourner le capot avec une vitesse moyenne.
- Appuyer sur le «3» - fait tourner le capot à la vitesse maximale.

Une vitesse plus élevée signifie plus de débit d'air.


- Appuyez sur le bouton pour allumer  les lumières. Répétez la pression sur le bouton pour éteindre l'éclairage.

3.2 Choses à faire pour économiser de l'énergie

- Veillez à ce que l'entrée d'air soit suffisante pour que la hotte fonctionne efficacement et avec un faible bruit de fonctionnement pendant la cuisson.
- Réglez le niveau du ventilateur en fonction de la densité de vapeur dans la cuisine. Utilisez le niveau élevé uniquement lorsque cela est nécessaire. Un niveau de ventilateur plus bas signifie moins de consommation d'énergie.
- Si une fumée dense est attendue dans la cuisine, sélectionnez à l'avance un niveau de ventilateur plus élevé. Il est nécessaire de faire fonctionner la hotte beaucoup plus longtemps pour éliminer la fumée déjà répandue dans toute la cuisine.
- Éteignez la hotte lorsqu'elle n'est pas utilisée.
- Nettoyez ou remplacez le filtre aux intervalles

indiqués, ainsi, l'efficacité de la ventilation est augmentée et le risque d'incendie est éliminé.

3.3 Fonctionnement de la hotte

- Le capot est équipé d'un moteur avec différents réglages de vitesse.
- Afin d'obtenir de meilleures performances, nous vous conseillons d'utiliser des vitesses basses dans des conditions normales, et des vitesses élevées lorsque les odeurs et les vapeurs sont intensifiées.
- Vous pouvez démarrer la hotte en appuyant sur la touche du niveau de vitesse souhaité. (1,2,3)
- Vous pouvez éclairer la zone de cuisson en appuyant sur la touche d'éclairage. ()

3.4 Remplacement de la lampe

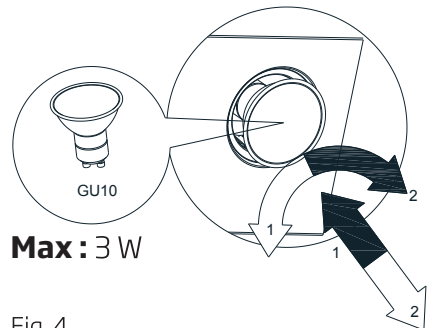




Fig. 4

Symbole  Installation d'ampoule
Symbole  Démontage d'ampoule

Débranchez le capot de l'alimentation électrique. Cet appareil est équipé de lampes LED spot de 3 W.

-  Avant de remplacer les ampoules, débranchez l'alimentation électrique de la hotte.
-  Ne touchez pas les ampoules lorsqu'elles sont chaudes.

3 Utilisation de l'appareil



Veillez à ne pas toucher l'ampoule remplacée directement avec les mains.



Vous pouvez vous procurer des lampes auprès d'agents de service agréés.

4 Nettoyage et entretien

Lors du nettoyage et de l'entretien, débranchez l'appareil, coupez l'interrupteur principal ou desserrez le fusible qui alimente la hotte.



Le non-respect des dispositions relatives au nettoyage de l'appareil et au remplacement des filtres peut entraîner des risques d'incendie. Il est donc recommandé de se conformer aux directives données ici. Le fabricant décline toute responsabilité en cas de dommages au moteur ou d'incendies causés par une utilisation incorrecte.

Nettoyez en utilisant uniquement un chiffon imbibé de détergent liquide neutre. Ne nettoyez pas avec des outils ou des instruments. N'utilisez pas des produits abrasifs. N'utilisez pas d'alcool.

4.1 Nettoyage du filtre à graisse en aluminium

Ce filtre capture les particules d'huile dans l'air. Il est recommandé de nettoyer votre filtre tous les mois dans des conditions d'utilisation normales. Retirez d'abord les filtres à graisse pour ce processus. Lavez les filtres avec un détergent liquide et rincez-les à l'eau et réinstallez-les une fois qu'ils sont secs. Les filtres à graisse en aluminium peuvent être découverts lors du lavage ; c'est normal et vous n'avez pas besoin de changer votre filtre.

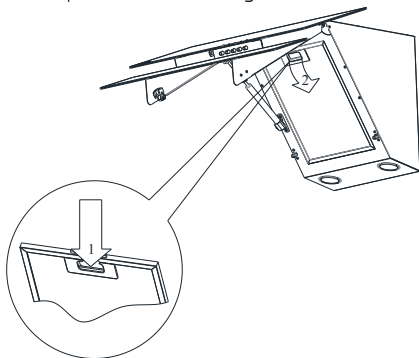


Fig. 5



Vous pouvez laver le filtre à graisse au lave-vaisselle

4.2 Remplacement du filtre à charbon (mode de circulation d'air)

La hotte peut être équipée d'un filtre à charbon actif. Le filtre à charbon est appliqué uniquement dans le cas où la hotte n'est pas connectée au conduit de ventilation.

Dans tous les cas, il est nécessaire de remplacer le filtre à charbon au moins tous les trois mois.

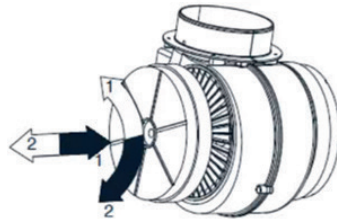


Fig. 6

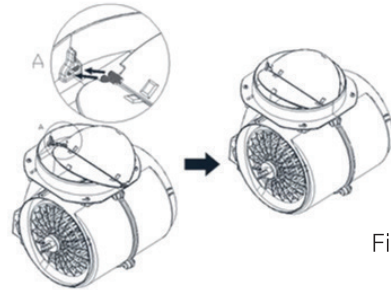


Fig. 7



AVERTISSEMENT: Le filtre à charbon n'est jamais lavé.



AVERTISSEMENT: Le filtre à charbon est disponible auprès des services agréés.

5 Mise en place de l'appareil



AVERTISSEMENT

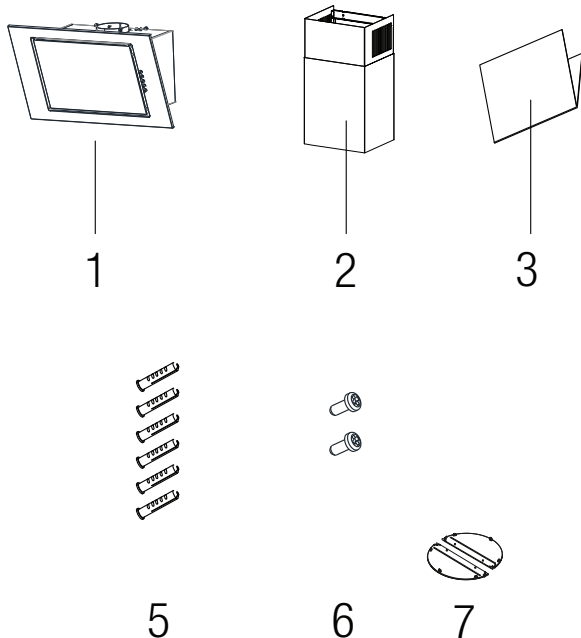
Veillez lire les consignes de sécurité avant l'installation.



AVERTISSEMENT

Tout manquement relatif à la mise en place des vis ou à la fixation de l'appareil conformément à ces instructions, peut entraîner des risques électriques.

5.1 Accessoires d'installation



1- Hotte

2- Cheminée

3- Manuel de l'utilisateur

4- 4 x \emptyset vis 5 x 45

5- 6 x Bouchon à vis \emptyset 8 x 40

6- 2 x vis \emptyset 3,9 x 9,5

7- Valve de contre-pressure

Fig. 8

5 Mise en place de l'appareil

5.2 Installation de la hotte



L'utilisation de vis et d'éléments de fixation non spécifiés dans le manuel d'utilisation peut provoquer un choc électrique.

La distance minimale de la hotte suspendue entre la surface de la batterie de cuisine placée au-dessus de la cuisinière (gaz, électrique) et la partie la plus basse de la hotte (Fig.3) doit être d'au moins 65 cm pour les cuisinières électriques et d'au moins 65 cm pour les cuisinières à gaz. Au cas où le manuel d'utilisation de la cuisinière prévoit une distance plus élevée pour l'installation de la hotte, cette exigence de distance plus élevée doit être maintenue. L'installation de la hotte et du corps de cheminée est illustrée sur les figures (Fig.4 - Fig.9). La hotte est équipée de broches de fixation correspondant à la plupart des murs et plafonds. Au cours de l'assemblage, respectez les règles communes pour l'évacuation de l'air des locaux.

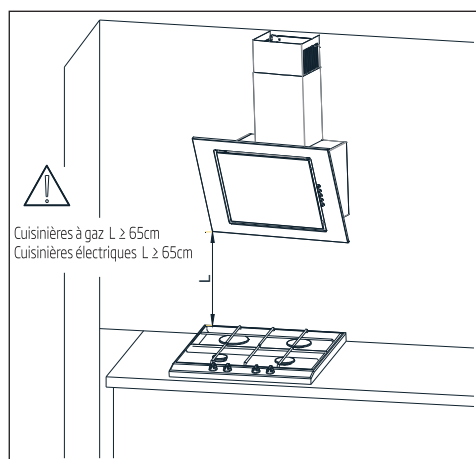


Fig.9 Distances recommandées par rapport à la cuisinière

Avant de commencer l'installation :

- Vérifiez si les dimensions de l'appareil acheté correspondent au lieu d'installation prévu.
- Le démontage et l'enlèvement (si possible) de tout meuble restant dans la zone d'installation de la hotte, afin de garantir un accès facile au plafond ou au mur, où la hotte doit être montée. Si ce n'est pas possible, protégez les éléments de mobilier restant dans la zone adjacente.
- Vérifiez s'il y a une prise près de la zone de montage et contrôlez si la hotte peut être connectée au canal de ventilation pour l'évacuation des vapeurs.
- Vérifiez s'il n'y a pas de câbles (électriques, hydrauliques, etc.) aux endroits où le forage sera effectué.
- Préparez les outils suivants : règle à ruban, crayon, perceuse / tournevis électrique, outil de perçage Ø8, tournevis, niveau à bulle.

Opérations d'assemblage :

1. Définissez l'axe de la cuisinière et projetez-le sur le mur, là où la hotte sera montée. Signez tous les points caractéristiques de la fixation du capot. Faites les ouvertures avec la perceuse. (Fig. 10)

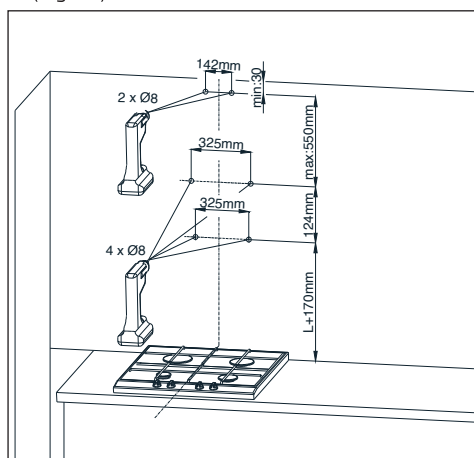


Fig.10 Dimensions de l'assemblage

5 Mise en place de l'appareil

2. Dans les ouvertures, insérez les bouchons à vis. Dans deux ouvertures marquées d'un A, vissez également les vis (laissant 7 mm de longueur de vis à l'extérieur du bouchon fileté, Fig.11).

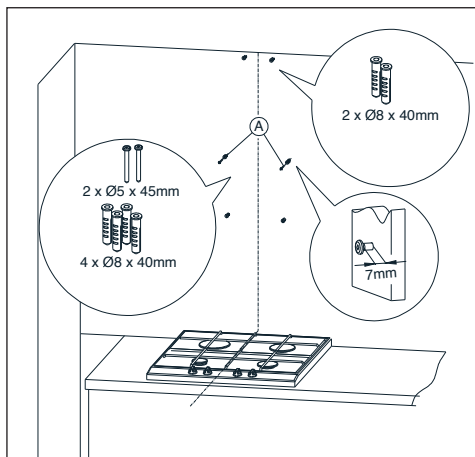


Fig.11 Assemblage des bouchons à vis

3. Vissez l'élément de fixation du corps de cheminée, accrochez la hotte sur deux vis non serrées (Fig. 12).

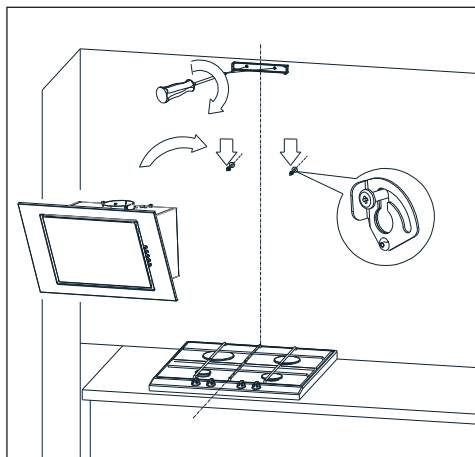


Fig.12 Suspension du capot

4. Ouvrez le couvercle de la hotte et retirez le filtre à graisse (Fig.13).

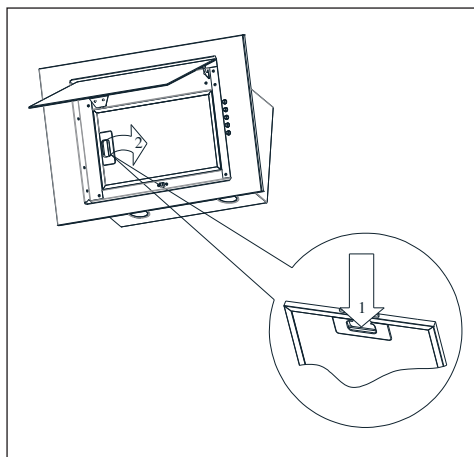


Fig.13 Dépose du filtre à graisse en aluminium

5. Placez le niveau sur le corps de la hotte. En faisant tourner l'élément marqué d'un A, ajustez le niveau de la hotte en fonction des indications du niveau, puis serrez deux vis vis partiellement vissées auparavant et vissez les deux vis restantes (Fig. 14).

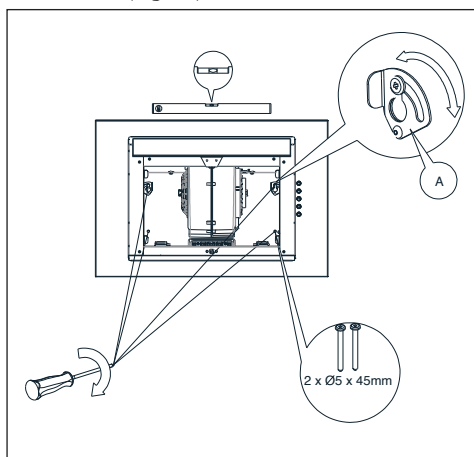


Fig.14 Positionnement de la hotte

5 Mise en place de l'appareil

Placez le corps de la cheminée sur le corps de la hotte. Ensuite déplacez délicatement la partie de la hotte marquée B vers le haut, jusqu'à ce qu'il soit possible de la visser sur l'élément de fixation préalablement fixé au mur (Fig. 15).

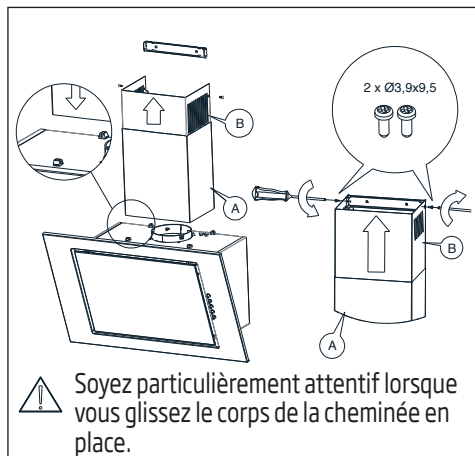


Fig. 15 Montage du corps de cheminée



Cette opération de montage doit être effectuée avec le plus grand soin, afin d'éviter de rayer le corps de la cheminée et la hotte elle-même.

5.3 Raccordement électriques

La tension du réseau doit correspondre à la tension indiquée sur la plaque placée à l'intérieur de la hotte. Si la hotte est équipée d'une fiche, insérez-la dans la prise répondant aux exigences applicables et située dans un endroit facilement accessible. Si la hotte n'est pas équipée d'une fiche, l'installation de la hotte doit être effectuée par une personne ayant les autorisations requises (comme un électricien).

6 Dépannage

Dépannage	Problème	Solution
L'appareil ne fonctionne pas.	Vérifiez le fusible.	Il se peut que votre fusible soit coupé; remettez-le en marche.
L'appareil ne fonctionne pas.	Vérifiez le branchement.	La tension du secteur doit être comprise entre 220 et 240 V.
L'appareil ne fonctionne pas.	Vérifiez le branchement.	Vérifiez si les autres appareils de votre cuisine fonctionnent ou pas.
L'ampoule ne fonctionne pas.	Vérifiez le branchement.	La tension du secteur doit être comprise entre 220 et 240 V.
L'ampoule ne fonctionne pas.	Vérifiez l'interrupteur de l'ampoule.	L'interrupteur de l'ampoule doit être en position « Allumé ».
L'ampoule ne fonctionne pas.	Vérifiez les ampoules.	Les ampoules de l'appareil ne doivent pas être défectueuses.
L'appareil n'aspire pas l'air correctement.	Vérifiez le filtre en aluminium.	L'aluminium du filtre doit être nettoyé au moins une fois par mois en conditions d'utilisation normales.
L'appareil n'aspire pas l'air correctement.	Vérifiez l'évent d'aération.	L'évent d'aération doit être en position « Marche ».
L'appareil n'aspire pas l'air correctement.	Vérifiez le filtre à charbon.	Pour les appareils dotés d'un filtre à charbon, celui-ci doit normalement être remplacé tous les 3 mois.

Arçelik A.Ş.
Karaağaç Caddesi No: 2-6, 34445,
Sütlüce, İstanbul, Türkiye

www.beko.com