

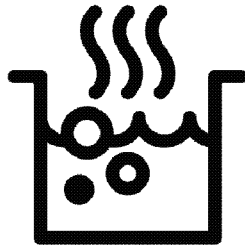


## **Built-in Hob**

User Manual

## **Table de cuisson encastrable**

Manuel d'utilisation



HCLW64222S

**EN / FR**

185.9289.87/R.AA/2.02.2022/2-1

7750186331

# Please read this user manual first!

Dear Customer,

Thank you for purchasing this Beko product. We hope that you get the best results from your product which has been manufactured with high quality and state-of-the-art technology. Therefore, please read this entire user manual and all other accompanying documents carefully before using the product and keep it as a reference for future use. If you handover the product to someone else, give the user manual as well. Follow all warnings and information in the user manual.

Remember that this user manual is also applicable for several other models.

Differences between models will be identified in the manual.

## Explanation of symbols

Throughout this user manual the following symbols are used:



Important information or useful hints about usage.



Warning of hazardous situations with regard to life and property.



Warning of electric shock.



Warning of risk of fire.



Warning of hot surfaces.



**Arçelik A.Ş.**  
Karaağaç caddesi No:2-6  
34445 Sütlüce/Istanbul/TURKEY  
Made in TURKEY

---

This product was manufactured using the latest technology in environmentally friendly conditions.

## TABLE OF CONTENTS

### **1 Important instructions and warnings for safety and environment 4**

General safety .....	4
Safety when working with gas .....	5
Electrical safety .....	6
Product safety.....	7
Intended use.....	8
Safety for children .....	8
Disposing of the old product .....	9
Package information.....	9

### **2 General information 10**

Overview .....	10
Technical specifications .....	11
Injector table.....	11

### **3 Installation 12**

Before installation .....	12
---------------------------	----

Installation and connection .....	14
Future Transportation.....	17

### **4 Preparation 19**

Tips for saving energy .....	19
Initial use.....	19
First cleaning of the appliance.....	19

### **5 How to use the hob 20**

General information about cooking.....	20
Using the hobs.....	20

### **6 Maintenance and care 22**

General information .....	22
Cleaning the hob .....	22
Cleaning the control panel.....	23

### **7 Troubleshooting 24**

## **1 Important instructions and warnings for safety and environment**

This section contains safety instructions that will help protect from risk of personal injury or property damage. Failure to follow these instructions shall void any warranty.

### **General safety**

- This appliance can be used by children aged from 8 years and above and persons with reduced physical, sensory or mental capabilities or lack of experience and knowledge if they have been given supervision or instruction concerning use of the appliance in a safe way and understand the hazards involved.

Children shall not play with the appliance. Cleaning and user maintenance shall not be made by children without supervision.

- The appliance is not to be used by persons (including children) with reduced physical, sensory or mental capabilities, or lack of experience and knowledge,

unless they have been given supervision or instruction.

Children should be supervised and ensure they do not play with the appliance

- If the product is handed over to someone else for personal use or second-hand use purposes, the user manual, product labels and other relevant documents and parts should be also given.
- Installation and repair procedures must always be performed by Authorised Service Agents. The manufacturer shall not be held responsible for damages arising from procedures carried out by unauthorised persons which may also void the warranty. Before installation, read the instructions carefully.
- Do not operate the product if it is defective or has any visible damage.
- Ensure that the product function knobs are switched off after every use.

## Safety when working with gas

- Any works on gas equipment and systems may only be carried out by authorised qualified persons who are Gas Safe registered.
- Prior to the installation, ensure that the local distribution conditions (nature of the gas and gas pressure) and the adjustment of the appliance are compatible.
- This appliance is not connected to a combustion products or evacuation device. It shall be installed and connected in accordance with current installation regulations. Particular attention shall be given to the relevant requirements regarding ventilation; See *Before installation, page 12*
- **CAUTION:** The use of gas cooking appliance results in the production of heat and moisture in the room in which it is installed. Ensure that the kitchen is well ventilated: keep natural ventilation holes open or install a mechanical ventilation device (mechanical extractor hood). Prolonged intensive use of the appliance may call for additional ventilation, for example increasing the level of the mechanical ventilation where present.
- Gas appliances and systems must be regularly checked for proper functioning. Regulator, hose and its clamp must be checked regularly and replaced within the periods recommended by its manufacturer or when necessary.
- Clean the gas burners regularly. The flames should be blue and burn evenly.
- This product should be used in a room which incorporates a properly adjusted and functioning Carbon Monoxide sensor. Make sure the Carbon Monoxide sensor works properly and is maintained frequently. Carbon Monoxide sensor should be installed maximum 2 meters away from the product.
- Good combustion is required in gas appliances. In case of incomplete combustion, carbon monoxide (CO) might develop. Carbon monoxide is

a colourless, odourless and very toxic gas, which has a lethal effect even in very small doses.

- Request information about gas emergency telephone numbers and safety measures in case of gas smell from your local gas provider.

### **What to do when you smell gas**

- Do not use open flame or do not smoke. Do not operate any electrical buttons (e.g. lamp button, door bell and etc.) Do not use fixed or mobile phones. Risk of explosion and toxication!
- Open doors and windows.
- Turn off all valves on gas appliances and gas meter at the main control valve, unless it's in a confined space or cellar.
- Check all tubes and connections for tightness. If you still smell gas leave the property.
- Warn the neighbours.
- Call the fire-brigade. Use a telephone outside the house.

- Do not re-enter the property until you are told it is safe to do so.

### **Electrical safety**

- If the product has a failure, it should not be operated unless it is repaired by an Authorised Service Agent. There is the risk of electric shock!
- Only connect the product to a grounded outlet/line with the voltage and protection as specified in the "Technical specifications". Have the grounding installation made by a qualified electrician while using the product with or without a transformer. Our company shall not be liable for any problems arising due to the product not being earthed in accordance with the local regulations.
- Never wash the product by spreading or pouring water onto it! There is the risk of electric shock!
- The product must be disconnected during installation, maintenance, cleaning and repairing procedures.

- If the power connection cable for the product is damaged, it must be replaced by the manufacturer, its service agent or similarly qualified persons in order to avoid a hazard.
  - Only use the connection cable specified in the “Technical specifications”.
  - The appliance must be installed so that it can be completely disconnected from the mains supply. The separation must be provided by a switch built into the fixed electrical installation, according to construction regulations.
  - Any work on electrical equipment and systems should only be carried out by authorised and qualified persons.
  - In case of any damage, switch off the product and disconnect it from the mains. To do this, turn off the fuse at home.
  - Make sure that fuse rating is compatible with the product.
- Product safety**
- **WARNING:** The appliance and its accessible parts become hot during use. Care should be taken to avoid touching heating elements. Children less than 8 years of age shall be kept away unless continuously supervised.
  - Never use the product when your judgment or coordination is impaired by the use of alcohol and/or drugs.
  - Be careful when using alcoholic drinks in your dishes. Alcohol evaporates at high temperatures and may cause fire since it can ignite when it comes into contact with hot surfaces.
  - Do not place any flammable materials close to the product as the sides may become hot during use.
  - Keep all ventilation slots clear of obstructions.
  - Do not use steam cleaners to clean the appliance as this may cause an electric shock.
  - **WARNING:** Unattended cooking on a hob with fat or oil can be dangerous and may result in fire. NEVER try to extinguish a fire with water, but switch off the appliance

and then cover flame e.g. with a lid or a fire blanket.

- **CAUTION:** The cooking process has to be supervised. A short term cooking process has to be supervised continuously.
- **WARNING:** Danger of fire: Do not store items on the cooking surfaces.
- **WARNING:** If the surface is cracked, switch off the appliance to avoid the possibility of electric shock.
- In case of hotplate glass breakage : Immediately shut off all burners and any electrical heating element and isolate the appliance from the power supply. Do not touch the appliance surface. Do not use the appliance.

Prevention against possible fire risk!

- Ensure all electrical connections are secure and tight to prevent risk of arcing.
- Do not use damaged cables or extension cables.
- Ensure liquid or moisture is not accessible to the electrical connection point.
- To prevent gas leakage ensure that the gas connection is sound.

## Intended use

- This product is designed for domestic use. Commercial use will void the guarantee.
- **CAUTION:** This appliance is for cooking purposes only. It must not be used for other purposes, for example room heating.
- The manufacturer shall not be liable for any damage caused by improper use or handling errors.

## Safety for children

- **WARNING:** Accessible parts may become hot during use. Young children should be kept away.
- The packaging materials will be dangerous for children. Keep the packaging materials away from children. Please dispose of all parts of the packaging according to environmental standards.
- Electrical and/or gas products are dangerous to children. Keep children away from the product when it is operating and do not allow them to play with the product.
- Do not place any items above the appliance that children may reach for.



## Disposing of the old product

### Compliance with the WEEE Directive and Disposing of the Waste Product:



This product complies with EU WEEE Directive (2012/19/EU). This product bears a classification symbol for waste electrical and electronic equipment (WEEE).

This product has been manufactured with high quality parts and materials which can be reused and are suitable for recycling. Do not dispose of the waste product with normal domestic and other wastes at the end of its service life. Take it to the collection center for the recycling of electrical and electronic equipment. Please consult your local

authorities to learn about these collection centers.

### Compliance with RoHS Directive:

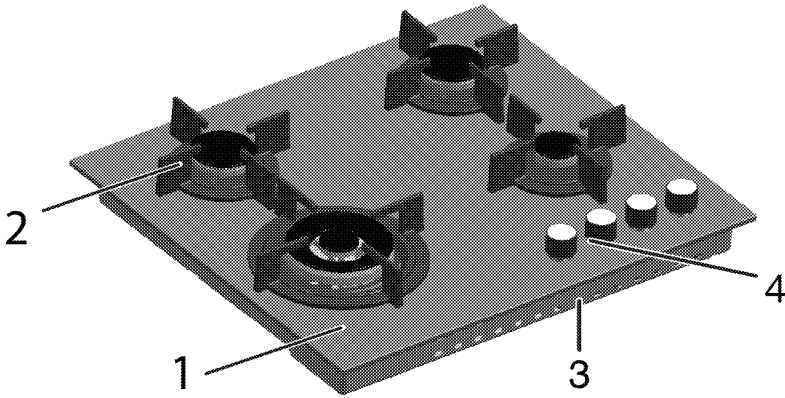
The product you have purchased complies with EU RoHS Directive (2011/65/EU). It does not contain harmful and prohibited materials specified in the Directive.

### Package information

- Packaging materials of the product are manufactured from recyclable materials in accordance with our National Environment Regulations. Do not dispose of the packaging materials together with the domestic or other wastes. Take them to the packaging material collection points designated by the local authorities.

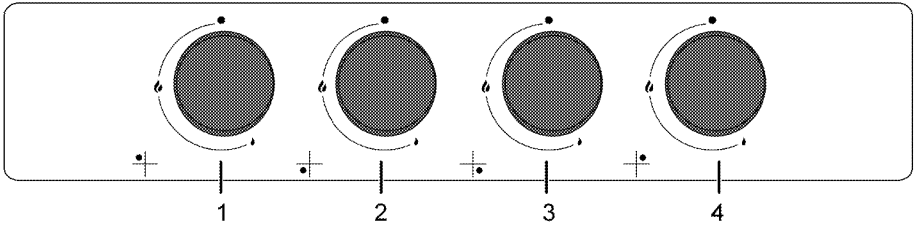
## 2 General information

### Overview



- 1 Tempered glass
- 2 Pan support

- 3 Base cover
- 4 Control panel



- 1 Normal burner Rear left
- 2 Wok burner Front left

- 3 Auxiliary burner Front right
- 4 Normal burner Rear right

## Technical specifications

Voltage / frequency	220-240 V ~ 50 Hz
Fuse	min. 3 A
Cable type / section	min.H05V2V2-F 3 x 0,75 mm <sup>2</sup> or equivalent
Gas type / pressure	LPG G 30/28-30 mbar
Total gas consumption	9.5 kW
External dimensions (height / width / depth)	46 mm/601 mm/531 mm
Installation dimensions (width / depth)	560 mm/480-490 mm
<b>Burners</b>	
Rear left	<b>Normal burner</b>
Power	1.75 kW
Front left	<b>Wok burner</b>
Power	5 kW
Front right	<b>Auxiliary burner</b>
Power	1 kW
Rear right	<b>Normal burner</b>
Power	1.75 kW

**i** Technical specifications may be changed without prior notice to improve the quality of the product.

**i** Figures in this manual are schematic and may not exactly match your product.

**i** Values stated on the product labels or in the documentation accompanying it are obtained in laboratory conditions in accordance with relevant standards. Depending on operational and environmental conditions of the product, these values may vary.

## Injector table

Position hob zone	1.75 kW Rear left	5 kW Front left	1 kW Front right	1.75 kW Rear right
Gas type / Gas pressure				
G 30/28-30 mbar	66	110	50	66

You can obtain the injectors which were not provided with your product, from the authorised service provider.

### 3 Installation

Product must be installed by a qualified person in accordance with the regulations in force. The manufacturer shall not be held responsible for damages arising from procedures carried out by unauthorized persons which may also void the warranty.

**i** Preparation of location and electrical and gas installation for the product is under customer's responsibility.

**!** The product must be installed in accordance with all local gas and/or electrical regulations.

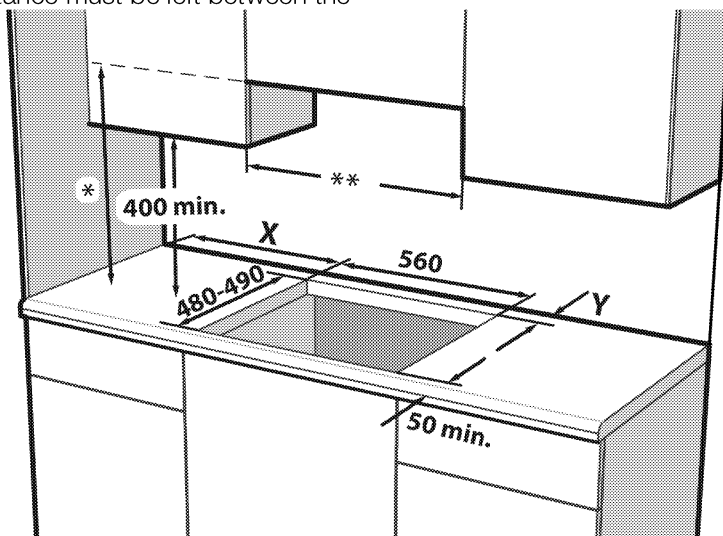
**!** Prior to installation, visually check if the product has any defects on it. If so, do not have it installed. Damaged products cause risks for your safety.

appliance and the kitchen walls and furniture. See figure (values in mm).

- It can also be used in a free standing position. Allow a minimum distance of 750 mm above the hob surface.
- (\*) If a cooker hood is to be installed above the cooker, refer to cooker hood manufacturer' instructions regarding installation height. If not defined any size in the hood manual, this height should be at least 650 mm.
- Remove packaging materials and transport locks.
- Surfaces, synthetic laminates and adhesives used must be heat resistant (100 °C minimum).
- The worktop must be aligned and fixed horizontally.
- Cut aperture for the hob in worktop as per installation dimensions.

#### Before installation

The hob is designed for installation into commercially available work tops. A safety distance must be left between the



- \* Minimum height to extractor as recommend in hood instruction manual. If not recommended in the hood instruction manual, this height should be at least 650 mm.
- \*\* Minimum distance between cabinetry must be equal to width of hob

**X** -Minimum distance between the cut-out and the side wall.

**Y** -Minimum distance between the rear edge of the cut-out and the rear wall.

Hob Control Type	Burner Plate Type	Hob Width (mm) #	X (mm)	Y (mm)
Side knob control	Metal	580 / 610	100	50
Side knob control	Glass	590 / 600 / 601 / 641 / 646	100	60
Front knob control	Metal /Glass	580 / 585 / 590 / 600 / 601 / 641 / 646	170	50 ***
Front knob control	Metal /Glass	750 / 751	170	70

\*\*\* This size will be 60mm in models using 9-steps gas taps.

# Refer to the width dimension in the technical specifications table of the user manual.

## Room ventilation

All rooms require an openable window, or equivalent, and some rooms will require a permanent vent as well. The air for combustion is taken from the room air and the exhaust gases are emitted directly into the room. Good ventilation is essential for safe operation of your appliance.

### Rooms with doors and/or windows which open directly to the outer environment

The doors and/or windows that open directly to the outer environment must have a total ventilation opening of the dimensions specified in the table below which is based on the total gas power of the appliance (total gas power consumption of the appliance is shown in the technical specification table of this user manual). If the doors and/or

windows do not have a total ventilation opening corresponding to the total gas consumption of the appliance as specified in the table below, then there must definitely be an additional fixed ventilation opening in the room to ensure that the total minimum ventilation requirements for the total gas consumption of the appliance is achieved. The fixed ventilation opening can include openings for existing airbricks, extraction hood ducting opening dimension etc.

Total gas consumption (kW)	min. Ventilation opening (cm <sup>2</sup> )
0-2	100
2-3	120
3-4	175
4-6	300
6-8	400

Total gas consumption (kW)	min. Ventilation opening (cm <sup>2</sup> )
8-10	500
10-11.5	600
11.5-13	700
13-15.5	800
15.5-17	900
17-19	1000
19-24	1250

### Rooms that do not have openable doors and/or windows that open directly to the outer environment

If the room where the appliance is installed does not have a door and/or a window that opens directly to the outer environment, other products shall be sought that definitely provide a fixed nonadjustable and non-closable ventilation opening which meets the total minimum ventilation opening requirements for the total gas consumption of the appliance as indicated in the above table. Also the appropriate building regulations advise should be followed.

Where a room or internal space contains more than one gas appliance, additional ventilation area shall be provided on top of the requirement given in the table above. Size of additional ventilation area shall be appropriate to regulations of other gas appliances.

There should also be a minimum clearance of 10mm on the bottom edge of the door that opens to the inner environment in the room where the appliance is installed. You must ensure that items such as carpets and other floorcoverings etc., do not affect the clearance when the door is closed.

The cooker may be located in a kitchen, kitchen/diner or a bed-sitting room, but not in a room containing a bath or a

shower. The cooker must not be installed in a bed-sitting room of less than 20m<sup>3</sup>.

Do not install this appliance in a room below ground level unless it is open to ground level on at least one side.

## Installation and connection

- The product must be installed in accordance with all local gas and electrical regulations.

### Electrical connection

Connect the product to a grounded outlet/line protected by a miniature circuit breaker of suitable capacity as stated in the "Technical specifications" table. Have the grounding installation made by a qualified electrician while using the product with or without a transformer. Our company shall not be liable for any damages that will arise due to using the product without a grounding installation in accordance with the local regulations.



The product must be connected to the mains supply only by an authorised and qualified person. The product's warranty period starts only after correct installation.

Manufacturer shall not be held responsible for damages arising from procedures carried out by unauthorised persons.



The power cable must not be clamped, bent or trapped or come into contact with hot parts of the product.

A damaged power cable must be replaced by a qualified electrician. Otherwise, there is risk of electric shock, short circuit or fire!

- Connection must comply with national regulations.

- The mains supply data must correspond to the data specified on the type label of the product. Type label is at the rear housing of the product.
- Power cable of your product must comply with the values in "Technical specifications" table.

**!** Before starting any work on the electrical installation, disconnect the product from the mains supply.  
There is the risk of electric shock!

### Connecting the power cable

1. If a power cable is not supplied together with your product, a power cable with a minimum requirement as stated in the Technical specifications table in accordance with the electrical installation at your home must be connected to your product by following the instructions in the cable diagram.

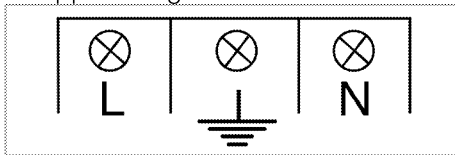
This product must only be connected by a qualified electrician such as a technician from the local electricity company or NICEIC registered contractor to a suitable double-pole control unit with a minimum contact clearance of 3 mm in all poles. This control unit must be installed accordance with the IEE regulation. Failure to obey this instruction may cause operational problems and invalidate the product warranty.

**i** Additional protection by a residual current circuit breaker is recommended.

2. Open the terminal block cover with a screwdriver.
3. Insert the power cable through the cable clamp below the terminal and secure it to the main body with the

integrated screw on cable clamping component.

4. Connect the cables according to the supplied diagram.



5. After completing the wire connections, close the terminal block cover.
6. Route the power cable so that it will not come into contact with the product and get squeezed between the product and the wall.

**i** Power cable must not be longer than 2 m because of safety reasons.

### Gas connection

**!** Product can be connected to gas supply system only by an authorised and qualified person or technician with licence.  
Risk of explosion or toxication due to unprofessional repairs!  
Manufacturer shall not be held responsible for damages arising from procedures carried out by unauthorised or unlicensed persons.

**!** Before starting any work on the gas installation, disconnect the gas supply.  
There is the risk of explosion!

- Gas adjustment conditions and values are stated on labels (or on type label).
- i** Your product is equipped for liquefied petroleum gas (LPG).

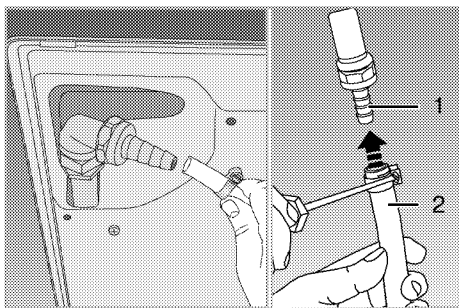
### Connecting the gas hose

- Have your product connected in a way that it will be close to the gas connection and not gas leakage will exist.

- Plastic hose to be used must not be longer than 125 cm.
- Install the clamp to the hose. Soak one end of the hose (15 mm inner diameter) into boiling water for one minute to soften it.
- Then, slip the softened end of the hose completely onto the sharp hose tip of your product. Finally, tighten the clamp completely with a screwdriver.
- Repeat the same procedure for the other end of the hose and complete the gas cylinder connection.
- Never forget to make the gas leakage control.

**!** Risk of explosion and suffocation!  
Do not keep LPG cylinders in home.

**!** If you need to use your product later with a different type of gas, you must consult the Authorised Service Agent for the related conversion procedure.



- 1 LPG hose tip  
2 Plastic hose

### Leakage check at the connection point

- Make sure that all knobs on the product are turned off. Make sure that the gas supply is open. Prepare soapy foam and apply it onto the connection point of the hose for gas leakage control.

- Soapy part will froth if there is a gas leakage. In this case, inspect the gas connection once again.
- Instead of soap, you can use commercially available sprays for gas leak check.

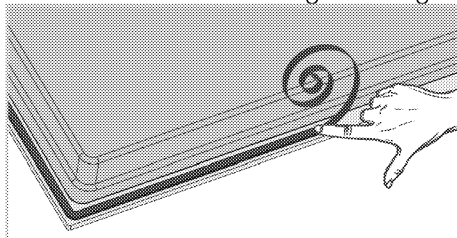
**i** Never use a match or lighter to make the gas leakage control.

**!** The flexible gas hose must be connected in a way that it does not contact the moving parts around it and is not trapped when the moving parts are travelling. (e.g. drawers). Besides, it should not be placed in spaces where it might get squeezed.

**!** The gas hose must not be clamped, bent or trapped or come into contact with hot parts of the product.  
There is the risk of explosion due to damaged gas hose.

### Installing the product

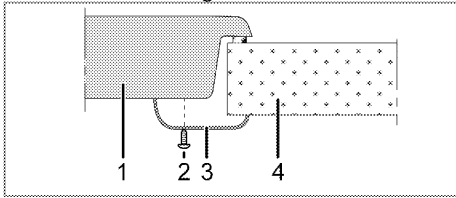
1. Remove burners, burner caps and grills on the hob from the product.
2. Turning the hob upside down, place it on a flat surface.
3. When installing the hob, apply the sealing gasket, which was provided in the packaging, around the hob as shown in the following picture, ensuring that it remains 1 to 2 mm inside from the outer edge of the glass.



4. Place the hob on the counter and align it.



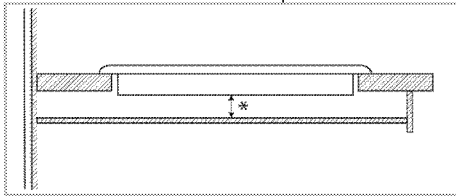
5. Using the installation clamps secure the hob by fitting through the holes on the lower casing.



- 1 Hob
- 2 Screw
- 3 Installation clamp
- 4 Counter

**i** When installing the hob onto a cabinet, a shelf must be installed in order to separate the cabinet from the hob as illustrated in the above figure. This is not required when installing onto a built-under oven.

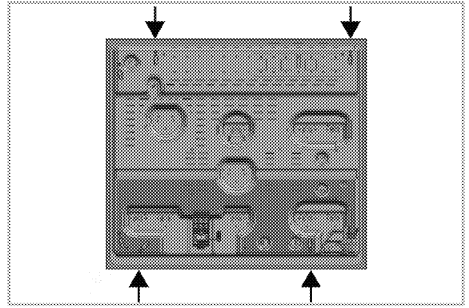
For example, if it is possible to touch the bottom of the product since it is installed onto a drawer, this section must be covered with a wooden plate.



\* min. 15 mm

### Rear view (connection holes)

**i** Location of the connection holes shown in the below figure are schematic, may vary depending on the product model. Fix them according to connection holes on your product.



Place the burner plates, burner plate caps and grills back to their seating after installation.

**!** Making connections to different holes is not a good practice in terms of safety since it can damage the gas and electrical system.

**!** There are gas and electrical components contained within this hob, therefore when fitting the mounting springs/clamps only attach the supplied fixings to the connection holes shown in this manual. Failure to observe this advise may lead to life and property safety

### Final check

1. Open gas supply.
2. Check gas installations for secure fitting and tightness.
3. Ignite burners and check appearance of the flame.


**i** Flame must be blue and have a regular shape. If the flame is yellowish, check if the burner cap is seated securely or clean the burner.

### Future Transportation

- Keep the product's original carton and transport the product in it. Follow the instructions on the carton. If you do not have the original carton, pack the

product in bubble wrap or thick cardboard and tape it securely.

- Secure the caps and pan supports with adhesive tape.

 Check the general appearance of your product for any damages that might have occurred during transportation.

## 4 Preparation

### Tips for saving energy

The following information will help you to use your appliance in an ecological way, and to save energy:

- Defrost frozen dishes before cooking them.
- Use pots/pans with cover for cooking. If there is no cover, energy consumption may increase 4 times.
- Select the burner which is suitable for the bottom size of the pot to be used. Always select the correct pot size for your dishes. Larger pots require more energy.
- Information on energy efficiency according to EU 66/2014 can be found on the product fiche given with the product.

### Initial use

#### First cleaning of the appliance

**i** The surface might get damaged by some detergents or cleaning materials.

Do not use aggressive detergents, cleaning powders/creams or any sharp objects during cleaning.

Do not use harsh abrasive cleaners or sharp metal scrapers to clean the oven door glass since they can scratch the surface, which may result in shattering of the glass.

1. Remove all packaging materials.
2. Wipe the surfaces of the appliance with a damp cloth or sponge and dry with a cloth.

## 5 How to use the hob

### General information about cooking



Never fill the pan with oil more than one third of it. Do not leave the hob unattended when heating oil. Overheated oils bring risk of fire. **Never attempt to extinguish a possible fire with water!**

When oil catches fire, cover it with a fire blanket or damp cloth. Turn off the hob if it is safe to do so and call the fire department.

- Before frying foods, always dry them well and gently place into the hot oil. Ensure complete thawing of frozen foods before frying.
- Do not cover the vessel you use when heating oil.
- Place the pans and saucepans in a manner so that their handles are not over the hob to prevent heating of the handles. Do not place unbalanced and easily tilting vessels on the hob.
- Do not place empty vessels and saucepans on cooking zones that are switched on. They might get damaged.
- Operating a cooking zone without a vessel or saucepan on it will cause damage to the product. Turn off the cooking zones after the cooking is complete.
- As the surface of the product can be hot, do not put plastic and aluminum vessels on it. Such vessels should not be used to keep foods either.
- Use flat bottomed saucepans or vessels only.
- Put appropriate amount of food in saucepans and pans. Thus, you will

not have to make any unnecessary cleaning by preventing the dishes from overflowing.

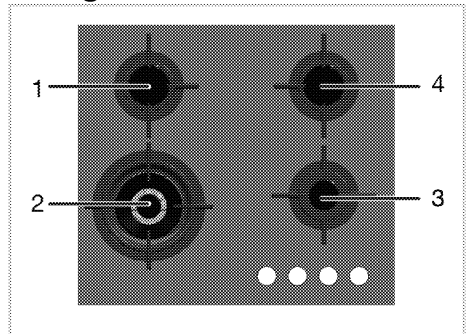
Do not put covers of saucepans or pans on cooking zones.

Place the saucepans in a manner so that they are centered on the cooking zone. When you want to move the saucepan onto another cooking zone, lift and place it onto the cooking zone you want instead of sliding it.

### Gas cooking

- Size of the vessel and the flame must match each other. Adjust the gas flames so that they will not extend the bottom of the vessel and center the vessel on saucepan carrier.
- Sudden temperature changes on the glass cooking surface may cause damage, be careful not to spill cold liquids during cooking.
- Do not use large pans/pots to cover more than one burner.

### Using the hobs



- 1 Normal burner 14-20 cm
- 2 Wok burner 22-30 cm
- 3 Auxiliary burner 12-18 cm
- 4 Normal burner 14-20 cm is list of advised diameter of pots to be used on related burners.



Do not use cooking pans beyond the dimension limits given above. Using larger pans causes risk of carbon monoxide poisoning, overheating of adjacent surfaces and control knobs. Using smaller pans causes your risk of being burned by the flame.

Large flame symbol indicates the highest cooking power and small flame symbol indicates the lowest cooking power. In turned off position (top), gas is not supplied to the burners.

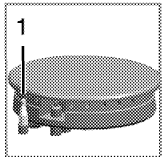
### Igniting the gas burners

1. Keep burner knob pressed.
  2. Turn it counter clockwise to large flame symbol.
- » Gas is ignited with the spark created.
3. Adjust it to the desired cooking power.

### Turning off the gas burners

Turn the knob to off (upper) position.

### Gas shut off safety system (in models with thermic component)



1. Gas shut off safety

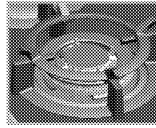
As a counter measure against blow out due to fluid overflows at burners, safety mechanism trips and shuts off the gas.

- Push the knob inwards and turn it counter clockwise to ignite.
- After the gas ignites, keep the knob pressed for 3-5 seconds more to engage the safety system.
- If the gas does not ignite after you press and release the knob, repeat the same procedure by keeping the knob pressed for 15 seconds.



Release the button if the burner is not ignited within 15 seconds. Wait at least 1 minute before trying again. There is the risk of gas accumulation and explosion!

### Wok burner





Wok burners help you to cook faster. Wok, which is particularly used in Asian kitchen is a kind of deep and flat fry-pan made of sheet metal, which is used to cook minced vegetable and meat at strong flame in a short time. Since meals are cooked at strong flame and in a very short time in such fry-pans that conduct the heat rapidly and evenly, the nutrition value of the food is preserved and vegetables remain crispy. You can use wok burner for regular saucepans as well.

## 6 Maintenance and care


### General information


Service life of the product will extend and the possibility of problems will decrease if the product is cleaned at regular intervals.

 Disconnect the product from mains supply before starting maintenance and cleaning works. There is the risk of electric shock!

 Allow the product to cool down before you clean it. Hot surfaces may cause burns!

- Clean the product thoroughly after each use. In this way it will be possible to remove cooking residues more easily, thus avoiding these from burning the next time the appliance is used.
- No special cleaning agents are required for cleaning the product. Use warm water with washing liquid, a soft cloth or sponge to clean the product and wipe it with a dry cloth.
- Always ensure any excess liquid is thoroughly wiped off after cleaning and any spillage is immediately wiped dry.
- Do not use cleaning agents that contain acid or chloride to clean the stainless or inox surfaces and the handle. Use a soft cloth with a liquid detergent (not abrasive) to wipe those parts clean, paying attention to sweep in one direction.

 The surface might get damaged by some detergents or cleaning materials. Do not use aggressive detergents, cleaning powders/creams or any sharp objects during cleaning. Do not use harsh abrasive cleaners or sharp metal scrapers to clean the oven door glass since they can scratch the surface, which may result in shattering of the glass.

 Do not use steam cleaners to clean the appliance as this may cause an electric shock.

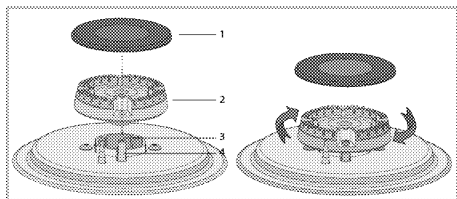
### Cleaning the hob

#### Cleaning the burner

1. Remove the saucepan carriers from the hob.
2. Remove all removable parts of the burner and clean only by hand with sponge, some detergent and hot water.
3. Clean the non-removable parts of the burner with a wet cloth.
4. Clean the plug and thermal element (in models with ignition and thermal element) with a slightly moist cloth. Afterwards, dry with a clean cloth. Make sure that flame holes and plug are totally dry. Otherwise, no spark occurs at the end of ignition.
5. When placing the pan supports, pay attention to place the pan supports so that the burners are centered.

#### Assembling the burner parts

After cleaning the burner, place the parts as shown below.



- 1 Burner cap
  - 2 Burner head
  - 3 Burner chamber
  - 4 Spark plug (in products with igniter)
1. Place the burner head ensuring that it passes through the burner spark plug (4). Turn the burner head right and left to make sure that it is seated in the burner chamber.
  2. Place the burner cap on the burner head.

### Glass ceramic surface

Wipe the glass ceramic surface (vitreoceramic) with cold water, paying attention to leave no residual cleaning agents, and dry with a soft cloth. Residues may cause damage on the glass ceramic surface when using the hob for the next time.

Dried residues on the glass ceramic surface (vitreoceramic) should under no circumstances be scraped with hook blades, steel wool or similar tools. Remove calcium stains (yellow stains) with commercially available lime remover or a small amount of lime remover such as vinegar or lemon juice.

If the surface is heavily soiled, apply the cleaning agent on a sponge and wait until it is absorbed well. Then, clean the surface of the hob with a damp cloth.

**i** Sugar-based foods such as thick cream and syrup must be cleaned promptly without waiting the surface to cool down. Otherwise, glass ceramic surface may get damaged permanently.

Slight color fading may occur on coatings or other surfaces in time. This does not affect the operation of the product.

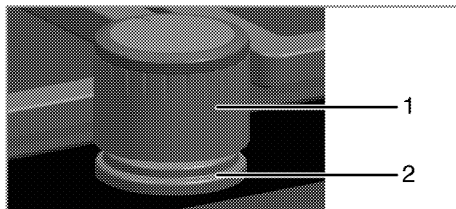
Color fading and stains on the glass ceramic surface is a normal condition, and not a defect.

### Cleaning the control panel

Clean the control panel and knobs with a damp cloth and wipe them dry.

**i** If your product is equipped with buttons/knobs do not remove the control buttons/knobs to clean the control panel.

Control panel may get damaged!



- 1 Knob
- 2 Sealing element

**i** Do not remove the sealing elements under the knobs for cleaning.

## 7 Troubleshooting

### **Product emits metal noises while heating and cooling.**

- When the metal parts are heated, they may expand and cause noise. >>> *This is not a fault.*

### **There is no ignition spark.**

- No current. >>> *Check fuses in the fuse box.*

### **There is no gas.**

- Main gas valve is closed. >>> *Open gas valve.*
- Gas pipe is bent. >>> *Install gas pipe properly.*

### **Burners are not burning properly or at all.**

- Burners are dirty. >>> *Clean burner components.*
- Burners are wet. >>> *Dry the burner components.*
- Burner cap is not mounted safely. >>> *Mount the burner cap properly.*
- Gas valve is closed. >>> *Open gas valve.*
- Gas cylinder is empty (when using LPG). >>> *Replace gas cylinder.*



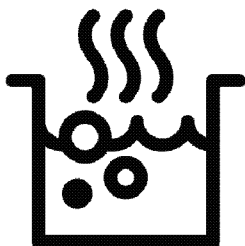
Consult the Authorised Service Agent or technician with licence or the dealer where you have purchased the product if you can not remedy the trouble although you have implemented the instructions in this section. Never attempt to repair a defective product yourself.





## **Table de cuisson encastrable**

Manuel d'utilisation



FR

# Avant de commencer, merci de bien vouloir lire ce manuel d'utilisation !

Chère cliente, cher client,

Nous vous remercions d'avoir porté votre choix sur un produit Beko. Nous espérons que vous tirerez le meilleur parti de votre produit, qui a été fabriqué dans des usines de pointe avec des matériaux de qualité. C'est pourquoi nous vous prions de lire attentivement le présent manuel et tous les autres documents connexes dans leur intégralité avant d'utiliser le produit et de les conserver. Si vous cédez l'appareil à une tierce personne, n'oubliez pas de lui fournir le Manuel d'utilisation. Respectez tous les avertissements et informations contenus dans le manuel d'utilisation.

Souvenez-vous que ce Manuel d'utilisation s'applique également à plusieurs autres modèles. Les différences entre les modèles seront identifiées dans le manuel.

## Explication des symboles

Vous trouverez les symboles suivants dans ce Manuel d'utilisation :



Informations importantes ou astuces utiles d'utilisation.



Avertissement de situations dangereuses relatives à la santé et aux biens.



Avertissement de risque de choc électrique.



Avertissement de risque d'incendie.



Avertissement de surfaces brûlantes.



**Arçelik A.Ş.**  
Karaağaç caddesi No:2-6  
34445 Sütlüce/Istanbul/TURKEY  
Made in TURKEY

**1 Instructions importantes et mises en garde relatives à la sécurité et à l'environnement 4**

Sécurité générale ..... 4  
Sécurité lors de l'installation du gaz ..... 5  
Sécurité électrique..... 6  
Sécurité du produit..... 7  
Utilisation prévue..... 9  
Sécurité des enfants..... 9  
Mise au rebut de l'ancien appareil..... 9  
Elimination des emballages ..... 10

**2 Généralités 11**

Vue d'ensemble ..... 11  
Caractéristiques techniques ..... 12  
Tableau des injecteurs ..... 12

**3 Installation 13**

Avant l'installation..... 13  
Installation et branchement ..... 16

Déplacement ultérieur ..... 20

**4 Préparation 21**

Conseils pour faire des économies d'énergie ..... 21  
Première utilisation..... 21  
Premier nettoyage de l'appareil..... 21

**5 Utilisation de la table de cuisson 22**

Généralités concernant la cuisson..... 22  
Utilisation des tables de cuisson ..... 23

**6 Maintenance et entretien 25**

Généralités..... 25  
Nettoyage du brûleur ..... 25  
Nettoyage du bandeau de commande .... 26

**7 Recherche et résolution des pannes 27**

## **1 Instructions importantes et mises en garde relatives à la sécurité et à l'environnement**

Ce chapitre contient les instructions de sécurité qui vous aideront à éviter les risques de blessure corporelle ou de dégâts matériels. Le non respect de ces instructions entraînera l'annulation de toute garantie.

### **Sécurité général**

- Cet appareil peut être utilisé par des enfants de 8 ans et plus et des personnes aux capacités physiques, sensorielles ou mentales réduites ou des personnes dénuées d'expérience ou de connaissance si elles ont pu bénéficier d'une surveillance ou d'instructions concernant l'utilisation de l'appareil en toute sécurité et comprennent les risques encourus. Les enfants ne doivent pas jouer avec l'appareil. Le nettoyage et l'entretien ne doivent pas être effectués par un enfant sans surveillance.
- Cet appareil n'est pas conçu pour être utilisé par des personnes (y compris les enfants) présentant des aptitudes physiques, sensorielles et mentales réduites, ou sans expérience et sans connaissances, à moins d'avoir été encadrées ou reçu des consignes d'utilisation. Les enfants bénéficiant d'un encadrement ne doivent pas jouer avec l'appareil.
- Si l'appareil est confié à une autre personne pour usage personnel ou vendu en seconde main, assurez-vous qu'il est toujours accompagné du manuel d'utilisation, des étiquettes, de tout autre document pertinent et des pièces.
- Les procédures d'installation et de réparation doivent être effectuées par des agents d'entretien qualifiés. Le fabricant ne sera pas responsable des dommages causés à la suite d'une utilisation faite par des personnes non qualifiées, situation susceptible d'annuler aussi la garantie. Avant l'installation, lisez attentivement les instructions.
- Ne faites pas fonctionner l'appareil s'il est défectueux ou présente des dégâts visibles.

- Assurez-vous que les boutons de fonctionnement de l'appareil sont en position d'arrêt après chaque utilisation.

## Sécurité lors de l'installation du gaz

- Toutes les opérations sur des équipements et des systèmes de gaz ne peuvent être réalisées que par des personnes habilitées et qualifiées.
- Avant l'installation, assurez-vous que les conditions de distribution locale (type et pression du gaz) sont compatibles aux réglages de l'appareil.
- Cet appareil n'est pas raccordé à un dispositif d'évacuation des produits de la combustion. Il doit être installé et raccordé conformément aux règles d'installation en vigueur. Une attention particulière sera accordée aux dispositions applicables en matière de ventilation.

*Avant l'installation, page 13.*

- **ATTENTION** : L'utilisation d'un appareil de cuisson au gaz conduit à la production de chaleur, d'humidité et de produits de combustion dans

- le local où il est installé. Veiller à assurer une bonne aération de la cuisine, notamment lors de l'utilisation de l'appareil : maintenir ouverts les orifices d'aération naturelle, ou installer un dispositif d'aération mécanique (hotte de ventilation mécanique). Une utilisation intensive et prolongée de l'appareil peut nécessiter une aération supplémentaire, par exemple en ouvrant une fenêtre, ou une aération plus efficace, par exemple en augmentant la puissance de la ventilation mécanique.
- Les appareils et les systèmes à gaz doivent être vérifiés régulièrement pour assurer leur fonctionnement correct. Le régulateur, le tuyau et son collier de serrage doivent être vérifiés régulièrement et remplacés à la fréquence recommandée par le fabricant ou lorsque nécessaire.
  - Nettoyez régulièrement les brûleurs à gaz. Les flammes doivent être bleues et brûler de manière uniforme.
  - Cet appareil doit être utilisé dans une pièce équipée d'un détecteur de monoxyde de carbone réglé et fonctionnant

correctement. Assurez-vous que le détecteur de monoxyde de carbone fonctionne correctement et est entretenu fréquemment. Le détecteur de monoxyde de carbone doit être installé à 2 mètres au maximum de l'appareil.

- Une bonne combustion est nécessaire dans les appareils à gaz. En cas de combustion incomplète, du monoxyde de carbone (CO) pourrait être généré. Le monoxyde de carbone est incolore, inodore et très toxique, pouvant être mortel même à très petites doses.
- Demandez les informations concernant les numéros de téléphone d'urgence et les mesures de sécurité à prendre en cas d'odeur de gaz auprès de votre fournisseur en gaz.

### **Que faire si vous sentez une odeur de gaz**

- N'utilisez pas de flamme nue et ne fumez pas. N'appuyez sur aucun bouton électrique (p. ex., bouton de l'ampoule, sonnette d'entrée, etc.)  
N'utilisez pas de téléphone

fixe ou de téléphone portable. Risque d'explosion et d'intoxication !

- Ouvrez les portes et fenêtres.
- Fermez toutes les valves sur les appareils à gaz et les compteurs de gaz.
- Vérifiez le branchement de tous les tuyaux et raccords. Si vous sentez toujours une odeur de gaz, quittez l'appartement.
- Avertissez les voisins.
- Contactez les pompiers. Utilisez un téléphone en-dehors de votre domicile.
- Ne rentrez pas dans votre domicile tant qu'on ne vous a pas indiqué que cela pouvait se faire en toute sécurité.

### **Sécurité électrique**

- Si le produit est en panne, ne l'utilisez pas, à moins qu'il ne soit réparé par un Agent d'entretien agréé. Vous risqueriez un choc électrique !
- Branchez l'appareil uniquement à une sortie/ligne avec mise à la terre ainsi que la tension et la protection spécifiées dans le chapitre « Spécifications techniques ». Faites installer la mise à la terre par un électricien quali-

- fié lorsque vous utilisez l'appareil avec ou sans transformateur. Notre entreprise décline sa responsabilité par rapport à tout problème consécutif à la non mise à la terre de l'appareil suivant la réglementation locale en vigueur.
- Ne lavez jamais l'appareil en y versant de l'eau. Vous risqueriez un choc électrique !
  - Débranchez l'appareil pendant les opérations d'installation, d'entretien, de nettoyage et de réparation.
  - Si le cordon d'alimentation est endommagé, il doit être remplacé par le fabricant, l'un de ses techniciens ou une personne de qualification similaire afin d'éviter tout risque.
  - N'utilisez que le câble d'alimentation spécifié dans le chapitre « Spécifications techniques ».
  - Installez l'appareil de sorte que l'on puisse le déconnecter complètement du réseau. La séparation doit être effectuée par une prise secteur ou un commutateur intégré à l'installation électrique fixe, suivant la réglementation en matière de construction.

- Toutes les opérations sur des équipements et des systèmes électriques ne peuvent être réalisées que par des personnes habilitées et qualifiées.
- En cas de dégâts, éteignez l'appareil et débranchez-le du secteur. Pour ce faire, coupez le fusible domestique.
- Vérifiez que la tension du fusible est compatible avec l'appareil.

### **Sécurité du produit**

- **AVERTISSEMENT** : Les parties accessibles de l'appareil deviennent chaudes au cours de son utilisation. Des mesures doivent être prises pour éviter de toucher aux éléments de chauffage. Les enfants de moins de 8 ans doivent être maintenus à l'écart, sauf s'ils sont continuellement surveillés.
- Ne jamais utiliser l'appareil sous l'emprise de l'alcool ou de toute autre drogue.
- Prenez garde lorsque vous utilisez des boissons alcoolisées dans vos plats. L'alcool s'évapore à températures élevées et peut provoquer un incendie étant donné qu'il

peut s'enflammer lorsqu'il entre en contact avec des surfaces chaudes.

- Assurez-vous qu'aucune substance inflammable ne soit placée à proximité de l'appareil étant donné que les côtés peuvent chauffer pendant son utilisation.
- Évitez d'obstruer les éventuelles sorties d'aération.
- N'utilisez pas de nettoyeurs à vapeur pour le nettoyage de l'appareil, car ceux-ci présentent un risque d'électrocution.
- **AVERTISSEMENT** : Le fait de cuire les aliments contenant de l'huile ou des matières grasses sur une table de cuisson sans surveillance peut s'avérer dangereux, au point de provoquer un incendie. N'essayez JAMAIS d'éteindre le feu avec de l'eau. Coupez plutôt l'alimentation de l'appareil, puis couvrez la flamme avec un couvercle ou une couverture pare-flammes.
- **ATTENTION** : Le processus de cuisson doit être encadré. Les processus de cuisson de courte durée doivent être continuellement encadrés.

- **AVERTISSEMENT** : Danger d'incendie : ne rien conserver sur les surfaces de cuisson.
- **AVERTISSEMENT** : En cas de fissure au niveau de la surface, mettre l'appareil hors tension pour être à l'abri d'une éventuelle électrocution.
- En cas de bris du verre de la plaque de cuisson : Éteignez immédiatement tous les brûleurs et les éventuels éléments chauffants électriques, et débranchez l'appareil de l'alimentation électrique. Évitez de toucher la surface de l'appareil. N'utilisez pas l'appareil.

Pour que votre appareil soit fiable:

- Veillez à ce que la fiche soit bien branchée dans la prise afin que des étincelles ne se produisent pas.
- Utilisez uniquement les câbles de rallonge d'origine, et veillez à ce qu'ils ne soient pas coupés ou autrement endommagés.
- Assurez-vous également que la prise ne contient pas de liquide ni de moisissure avant de brancher l'appareil.



- Veillez enfin à ce que votre connexion au gaz soit installée afin d'éviter toute fuite de gaz.

### Utilisation prévue

- Cet appareil est conçu pour un usage domestique. L'utilisation commerciale est interdite.
- **ATTENTION** : Cet appareil sert uniquement à des fins de cuisson. Il ne doit pas être utilisé à d'autres fins, par exemple le chauffage du local.
- Le fabricant ne saurait être tenu responsable des dégâts causés par une utilisation ou une manipulation incorrecte.
- Les pièces détachées d'origine sont disponibles pendant 10 ans, à compter de la date d'achat du produit .

### Sécurité des enfants

- **ATTENTION** : Les parties accessibles peuvent s'échauffer pendant l'utilisation. Les enfants doivent être tenus à l'écart.
- Les matériaux d'emballage peuvent présenter un danger pour les enfants. Gardez les matériaux d'emballage hors de portée des enfants. Veuillez jeter les pièces de l'em-

ballage en respectant les normes écologiques.

- Les appareils électriques et/ou à gaz sont dangereux pour les enfants. Tenez les enfants à l'écart de l'appareil lorsqu'il fonctionne et interdisez-leur de jouer avec.
- Ne rangez pas d'objets au dessus de l'appareil que les enfants pourraient atteindre.

### Mise au rebut de l'ancien appareil

#### Conformité avec la directive DEEE et mise au rebut des déchets :



Ce produit est conforme à la directive DEEE (2012/19/UE) de l'Union européenne). Ce produit porte un symbole de classification pour la mise au rebut des équipements électriques et électroniques (DEEE).

Le présent produit a été fabriqué avec des pièces et du matériel de qualité supérieure susceptibles d'être réutilisés et adaptés au recyclage. Par conséquent, nous vous conseillons de ne pas le mettre au rebut avec les ordures ménagères et d'autres déchets à la fin de sa durée de vie. Au contraire, rendez-vous dans un point de collecte pour le recyclage de tout matériel électrique et électronique. Veuillez vous rapprocher des autorités de votre localité pour plus d'informations concernant le point de collecte le plus proche.

#### Conformité avec la directive LdSD :

L'appareil que vous avez acheté est conforme à la directive LdSD

(2011/65/UE) de l'Union européenne. Il ne comporte pas les matériels dangereux et interdits mentionnés dans la directive.

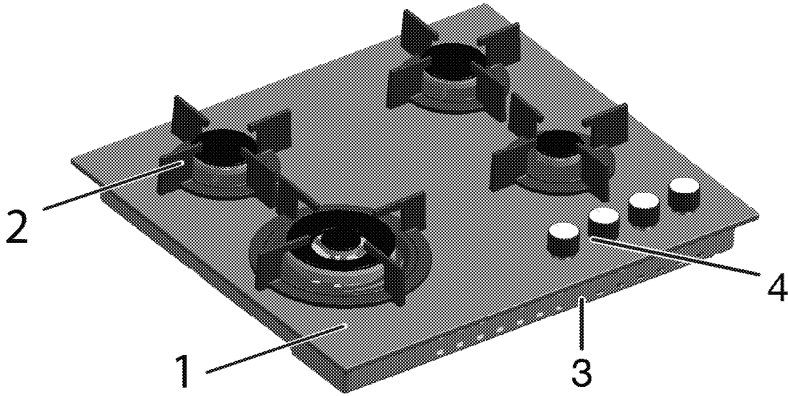
### **Elimination des emballages**

- Les emballages sont dangereux pour les enfants. Conservez les emballages en lieu sûr à l'écart des enfants. Les

emballages de l'appareil sont fabriqués à partir de matériaux recyclés. Éliminez-les de manière appropriée et triez-les en fonction des instructions de recyclage des déchets. Ne les jetez pas avec les déchets domestiques normaux.

## 2 Généralités

### Vue d'ensemble

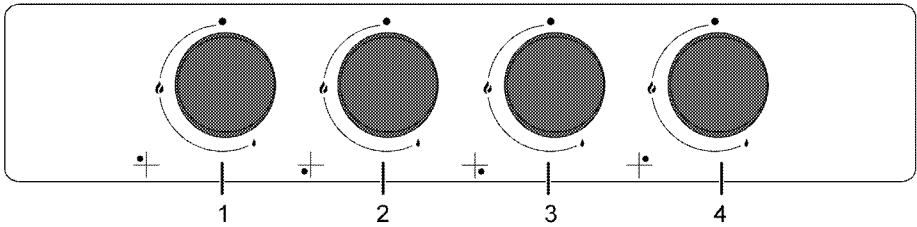


1 Verre trempé

2 Support de récipient

3 Fond

4 Bandeau de commande



1 Brûleur normal Arrière gauche

2 Brûleur à wok Avant gauche

3 Brûleur auxiliaire Avant droit

4 Brûleur normal Arrière droit

## Caractéristiques techniques

Tension/fréquence	220-240 V ~ 50 Hz
Type de câble/section	min.H05V2V2-F 3 x 0,75 mm <sup>2</sup>
Type /pression de gaz	LPG G 30/28-30 mbar
Consommation totale de gaz	9.5 kW
Dimensions extérieures (hauteur/longueur/profondeur)	46 mm/601 mm/531 mm
Dimensions d'installation (longueur/profondeur)	560 mm/480-490 mm
<b>Brûleurs</b>	
Arrière gauche	<b>Brûleur normal</b>
Puissance	1.75 kW
Avant gauche	<b>Brûleur à wok</b>
Puissance	5 kW
Avant droit	<b>Brûleur auxiliaire</b>
Puissance	1 kW
Arrière droit	<b>Brûleur normal</b>
Puissance	1.75 kW

**i** Les caractéristiques techniques peuvent changer sans avis préalable afin d'améliorer la qualité de l'appareil.

**i** Les illustrations comprises dans ce manuel sont schématiques et peuvent ne pas correspondre exactement à l'appareil.

**i** Les valeurs mentionnées sur les étiquettes de l'appareil ou dans la documentation qui l'accompagne sont obtenues dans des conditions de laboratoire conformément aux normes correspondantes. En fonction des conditions de fonctionnement et de l'environnement de l'appareil, ces valeurs peuvent varier.

## Tableau des injecteurs


Position de la zone de la table de cuisson	1.75 kW Arrière gauche	5 kW Avant gauche	1 kW Avant droit	1.75 kW Arrière droit
Type /pression de gaz				
G 30/28-30 mbar	66	110	50	66

Vuillet Vous pouvez vous procurer les injecteurs non fournis avec votre produit


auprès du service après-vente de votre revendeur.

### 3 Installation

Le produit doit être installé par une personne qualifiée conformément à la réglementation en vigueur. Dans le cas contraire, la garantie n'est pas valable. Le fabricant se sera pas tenu pour responsable des dégâts consécutifs à des procédures réalisées par des personnes non autorisées et pourra annuler la garantie dans ce cas.

 La préparation de l'emplacement et l'installation du gaz et de l'électricité pour l'appareil sont sous la responsabilité du client.

 Installez l'appareil conformément aux réglementations en matière de gaz et d'électricité en vigueur dans votre localité.

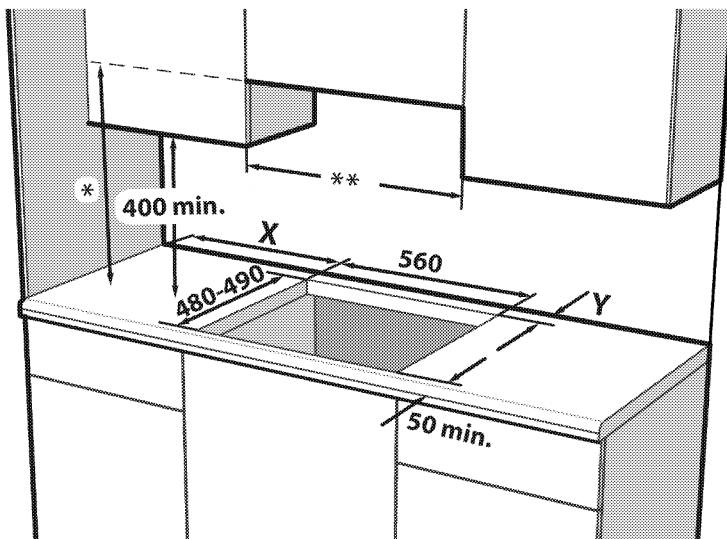
 Avant l'installation, regardez si l'appareil présente des défauts. Si tel est le cas, ne le faites pas installer. Les appareils endommagés présentent des risques pour votre sécurité.

#### Avant l'installation

Cette table de cuisson est destinée à être installée sur un plan de travail en

vente dans le commerce. Une distance de sécurité doit être laissée entre l'appareil et les parois de la cuisine et des meubles. Voir le schéma (valeurs en mm).

- Il peut aussi être utilisé en position debout, de manière autonome. Laissez une distance minimum de 750 mm au-dessus de la surface de la table de cuisson.
- (\*) S'il faut encastrer une hotte au-dessus de la cuisinière, reportez-vous aux consignes du fabricant de la hotte concernant la hauteur d'installation. Si aucune taille n'est définie dans le manuel de la hotte, cette hauteur doit être d'au moins 650 mm.
- Retirez les matériaux d'emballage et les sécurités de transport.
- Les surfaces, les feuilles laminées synthétiques et les adhésifs doivent résister à la chaleur (jusqu'à 100 °C min.).
- Le plan de travail doit être à niveau et fixé horizontalement.
- Découpez une ouverture pour la table de cuisson dans le plan de travail en fonction des dimensions d'installation.



\* Hauteur minimale pour l'extracteur telle que recommandée dans le manuel d'instructions de l'extracteur. Si ce n'est pas recommandé dans le manuel d'instructions de la hotte, cette hauteur doit être d'au moins min.650 mm.

\*\* La distance minimale entre le meuble doit être égale à la largeur de la table de cuisson.

X -Distance minimale entre la découpe et la paroi latérale.

Y -Distance minimale entre le bord arrière de la découpe et la paroi arrière.

Type de contrôle de la plaque de cuisson	Type de plaque de brûleur	Largeur de la plaque de cuisson (mm) #	X (mm)	Y (mm)
Bouton de commande latéral	Métal	600 / 610	100	50
Bouton de commande latéral	Verre	600 / 650	100	60
Bouton de commande frontal	Métal/verre	600	170	50 ***
Bouton de commande frontal	Métal/verre	750	170	70

\*\*\* Cette taille sera de 60 mm dans les modèles utilisant des robinets de gaz à 9 positions.

# Référez-vous à la dimension de la largeur dans la section du tableau technique du manuel d'utilisation.

## Ventilation de la pièce

Toutes les pièces nécessitent une fenêtre ouvrable, ou équivalent ; certaines pièces nécessiteront également un orifice d'aération permanent. L'air de combustion est prélevé dans l'air de la pièce. Les gaz émis sont directement rejetés dans la pièce. Une bonne ventilation est essentielle au fonctionnement en toute sécurité de votre appareil.

### Pièces avec des portes et/ou fenêtres qui s'ouvrent directement à l'extérieur

Les portes et/ou fenêtres qui s'ouvrent directement à l'extérieur doivent présenter une ouverture de ventilation totale aux dimensions spécifiées dans le tableau ci-dessous en fonction de la puissance aéraulique totale de l'appareil (la puissance aéraulique totale de l'appareil est mentionnée dans le tableau des spécifications techniques de ce manuel d'utilisation). Si les portes et/ou les fenêtres ne présentent pas d'ouverture de ventilation totale correspondant à la consommation totale de gaz tel que spécifié dans le tableau ci-dessous, il devrait certainement avoir une autre ouverture de ventilation fixe dans la pièce pour satisfaire aux exigences minimales de ventilation totale en matière de consommation totale de gaz de l'appareil. L'ouverture de ventilation fixe peut comprendre des ouvertures pour les briques creuses existantes, la dimension d'ouverture du conduit de la hotte d'extraction, etc.

Consommation totale de gaz (kW)	Ouverture de ventilation minimale (cm <sup>2</sup> )
8 - 10	500
10 - 11,5	600
11,5 - 13	700
13 - 15,5	800
15,5 - 17	900
17 - 19	1 000
19 - 24	1 250

### Pièces qui ne disposent pas de portes et/ou de fenêtres qui s'ouvrent directement à l'extérieur

Si la pièce dans laquelle l'appareil est installé ne dispose pas de porte ou de fenêtre qui s'ouvre directement à l'extérieur, vous devez absolument rechercher d'autres produits qui fournissent une ouverture de ventilation fixe et non ajustable, conforme aux exigences minimales de ventilation pour la consommation totale de gaz par l'appareil, tel qu'indiqué dans le tableau ci-dessus. En outre, vous devez scrupuleusement suivre la réglementation pertinente régissant les bâtiments.

Lorsque la pièce ou l'espace intérieur contient plus d'un appareil alimenté au gaz, vous devez prévoir une zone de ventilation supplémentaire, outre la recommandation du tableau ci-dessus. La dimension d'une zone de ventilation supplémentaire doit être conforme à la réglementation sur les autres appareils à gaz.

Assurez-vous également de prévoir un dégagement minimal de 10 mm sur le bord inférieur de la porte, qui s'ouvre à l'intérieur, dans la pièce dans laquelle le produit est installé. Vous devez vous assurer que les éléments tels que les tapis et autre revêtements de plancher, etc., n'obstruent pas le dégagement lorsque vous fermez la porte.

Consommation totale de gaz (kW)	Ouverture de ventilation minimale (cm <sup>2</sup> )
0 - 2	100
2 - 3	120
3 - 4	175
4 - 6	300
6 - 8	400

Vous pouvez installer votre cuisinière dans une cuisine, une salle à manger ou une chambre-salon, mais pas dans une pièce contenant une colonne de douche ou une baignoire. La cuisinière ne doit pas être installée dans une chambre-salon de moins de 20 m<sup>3</sup>.

Évitez d'installer cet appareil dans une pièce en dessous du niveau du sol à moins que cette pièce soit ouverte au niveau du sol sur l'un des côtés au moins.

## Installation et branchement

- Installez l'appareil conformément à toutes les réglementations en matière de gaz et d'électricité en vigueur.

### Raccordement électrique

Branchez l'appareil à une prise mise à la terre protégée par un disjoncteur miniature de capacité suffisante tel qu'indiqué dans le tableau « Caractéristiques techniques ». Faites installer la mise à la terre par un électricien qualifié lors de l'utilisation de l'appareil avec ou sans transformateur. Notre société ne sera pas tenue pour responsable des dégâts résultant de l'utilisation de l'appareil sans une installation de mise à la terre conforme aux réglementations locales en vigueur.



L'appareil doit uniquement être raccordé à l'alimentation électrique par une personne autorisée et qualifiée. La période de garantie de l'appareil démarre uniquement après son installation correcte.

Le fabricant se sera pas tenu pour responsable des dégâts consécutifs à des procédures réalisées par des personnes non autorisées.



Le câble d'alimentation ne doit pas être serré, plié ou pincé ou entrer en contact avec des pièces chaudes de l'appareil.

Un câble d'alimentation endommagé doit être remplacé par un électricien qualifié. Dans le cas contraire, il présente un risque d'électrocution, de court-circuit ou d'incendie !

- La connexion doit être conforme aux réglementations nationales en vigueur.
- Les valeurs de l'alimentation électrique doivent correspondre aux valeurs figurant sur la plaque signalétique de l'appareil. La plaque signalétique est à l'arrière du produit.
- Le câble d'alimentation de l'appareil doit être conforme aux valeurs du tableau "Caractéristiques techniques".



Avant d'effectuer tout travail sur l'installation électrique, l'appareil doit être débranché du réseau d'alimentation électrique. Vous risqueriez un choc électrique !

### Raccordement du câble d'alimentation

1. Si votre produit est fourni sans câble d'alimentation, vous devez brancher à votre produit un câble d'alimentation choisi à partir du tableau en conformité avec l'installation électrique de votre domicile, en suivant les instructions sur le diagramme du câble.

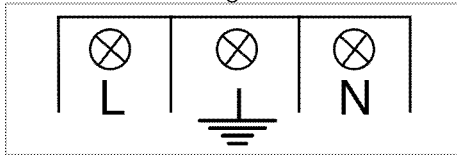
Ce produit doit être raccordé uniquement par un électricien qualifié, technicien de la compagnie électrique locale ou entrepreneur agréé NICEIC pour une unité de commande bipolaire adéquate dotée d'une ouverture minimale de 3 mm entre les pôles. Cette unité de commande doit être installée conformément



à la réglementation IEE. Le non respect de ces instructions risque de causer des problèmes de fonctionnement et d'invalidier la garantie du produit.

**i** Une protection supplémentaire par un disjoncteur de courant résiduel est recommandée.

2. Ouvrez le couvercle du boîtier de raccordement à bornes à l'aide d'un tournevis.
3. Insérez le câble d'alimentation dans le collier de serrage pour câble sous la borne et fixez-le au corps principal avec la vis intégrée sur le collier de serrage.
4. Branchez les câbles en respectant le schéma de câblage.



5. Après avoir effectué les connexions électriques, refermez le couvercle du boîtier de raccordement des bornes.
6. Dirigez le câble d'alimentation de sorte qu'il ne soit pas en contact avec le produit ni écrasé entre le produit et le mur.

**i** Le câble d'alimentation ne doit pas être plus long que 2 m pour des raisons de sécurité.

## Raccordement au gaz

**!** L'appareil doit être connecté au système d'alimentation en gaz uniquement par un technicien autorisé et qualifié.  
Risque d'explosion et d'intoxication causé par des réparations effectuées par des personnes non professionnelles !  
Le fabricant se sera pas tenu pour responsable des dégâts consécutifs à des procédures réalisées par des personnes non autorisées.

**!** Avant d'effectuer tout travail sur l'installation de gaz, l'appareil doit être débranché du réseau de distribution du gaz.  
Vous risqueriez une explosion !

- Les conditions et valeurs de réglages du gaz sont indiquées sur les plaques signalétiques ( ou plaques type ion)
- i** Votre produit est doté d'une alimentation en gaz de pétrole liquéfié (LPG).

## Raccordement du tuyau de gaz

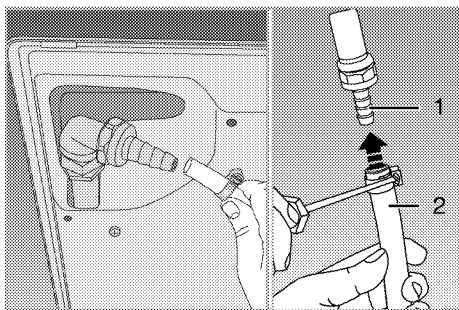
- Branchez votre appareil de manière à ce qu'il soit près du raccordement au gaz et que les fuites soient évitées.
- Le tuyau en plastique utilisé ne doit pas dépasser 125 cm de long.
- Installez le collier de serrage sur le tuyau. Trempez une extrémité du tuyau (15 mm de diamètre intérieur) dans de l'eau bouillante pendant une minute pour l'amollir.
- Puis installez l'extrémité amollie du tuyau sur l'embout dur de l'appareil, en poussant à fond. Enfin, serrez le collier de serrage à fond avec un tournevis.
- Répétez la même procédure pour l'autre extrémité du tuyau et branchez le raccord à la bonbonne de gaz.

- N'oubliez jamais de contrôler les fuites de gaz.

**!** Risque d'explosion et de suffocation !

Ne gardez pas les bonbonnes LPG à domicile.

**!** Si vous devez utiliser ultérieurement votre appareil avec un type de gaz différent, vous devez consulter le service agréé pour la procédure de conversion correspondante.



- 1 Embout du tuyau LPG
- 2 Support en plastique

### Contrôle des fuites au point de raccordement

- Vérifiez que toutes les manettes de l'appareil sont sur la position fermée. Vérifiez que l'alimentation en gaz est ouverte. Préparez une mousse savonneuse et appliquez-la sur les points de raccord du tuyau pour contrôler les fuites de gaz.
- Des bulles apparaîtront s'il y a une fuite de gaz. Si c'est le cas, inspectez le raccord de gaz de nouveau.
- Au lieu du savon, vous pouvez utiliser des aérosols disponibles sur le marché pour vérifier les fuites de gaz.

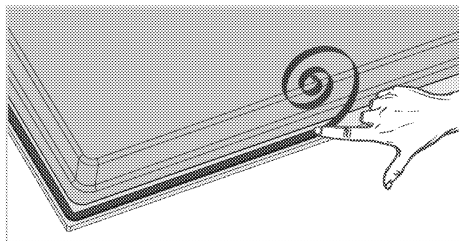
**i** N'utilisez jamais d'allumette ou de briquet pour effectuer le contrôle des fuites.

**!** Le tuyau à gaz flexible doit être raccordé de manière à ce qu'il n'entre pas en contact avec les pièces mobiles qui l'entourent et à ne pas le coincer lorsque ces pièces mobiles se déplacent. (exemple : tiroirs). De plus, vous ne devez pas le placer dans des espaces où il risque d'être écrasé.

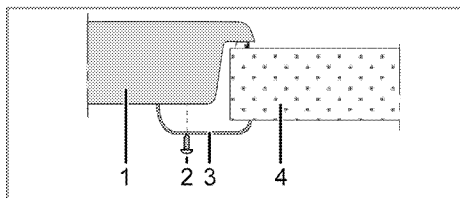
**!** Le tuyau de gaz ne doit pas être serré, plié ou pincé ou entrer en contact avec des pièces chaudes de l'appareil. Un tuyau de gaz endommagé vous expose à un risque d'explosion.

### Installation des produits

1. Enlevez de l'appareil les brûleurs, les couvercles des brûleurs et grills de la table de cuisson.
2. Retournez la table de cuisson et placez-la sur une surface plane.
3. Lors de l'installation de la table de cuisson, appliquez le joint d'étanchéité fourni dans l'emballage autour de la table de cuisson comme présenté dans l'illustration suivante, en s'assurant qu'il reste 1 à 2 mm à l'intérieur du bord extérieur du verre.



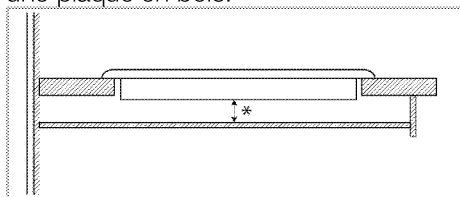
4. Placez la table de cuisson sur le plan de travail et alignez-la.
5. Utilisez des colliers d'installation fixe la plaque en ajustant les orifices sur l'emplacement inférieur.



- 1 Table de cuisson
- 2 Vis
- 3 Colliers de serrage de l'installation
- 4 Plan de travail

**i** Quand vous installez la table de cuisson sur un meuble encastré, vous devez mettre une planche pour séparer le meuble de la table de cuisson, comme illustré dans la figure suivante. Cela n'est pas nécessaire quand vous installez un four encastré.

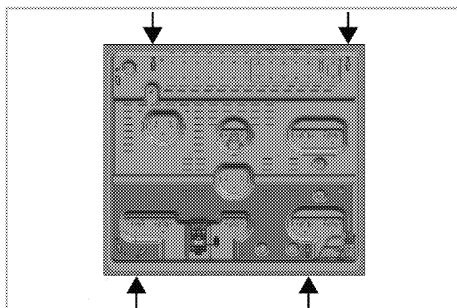
Par exemple, s'il est possible de toucher le bas du produit car il est installé sur un tiroir, cette partie doit être couverte par une plaque en bois.



\* min. 15 mm

### Vue de derrière (orifices de raccord)

**i** L'emplacement des orifices de raccord montrés dans la figure ci-dessous sont indicatifs et peuvent varier selon le modèle du produit. Fixez-les en fonction des orifices de raccord sur votre produit.



Placez les plaques des brûleurs, les couvercles des brûleurs et les grilles dans leurs emplacements après l'installation.

**!** La réalisation des raccords dans d'autres orifices n'est pas une pratique recommandée en termes de sécurité, car cela pourrait endommager le circuit de gaz ou le circuit électrique.


**!** La hotte comporte des éléments fonctionnant à l'électricité et au gaz. À cet effet, il convient de la fixer au plan de travail uniquement par les orifices de fixation, en utilisant seulement les éléments et vis de fixation fournis, et en suivant les instructions du manuel. Au cas contraire, la procédure présenterait des risques pour la sécurité des biens et des personnes.

### Vérification finale

1. Ouvrez le robinet de gaz.
2. Vérifiez les raccords de l'installation de gaz.
3. Allumez les brûleurs et vérifiez l'aspect de la flamme.

**i** La flamme doit être bleue et avoir une forme régulière. Si elle est jaunâtre, assurez-vous que le bouchon du brûleur est correctement installé et nettoyez le brûleur.

## Déplacement ultérieur

- Conservez le carton d'origine de l'appareil et utilisez-le pour déplacer le produit. Suivez les instructions figurant sur le carton. Si vous n'avez plus le carton original, emballez l'appareil dans du film à bulles ou du carton épais avec du ruban adhésif pour maintenir le tout.
  - Attachez les couvercles et grilles de support avec du ruban adhésif.
-  Inspectez l'aspect général de l'appareil pour déceler les dégâts potentiellement dus au transport.

## 4 Préparation

### Conseils pour faire des économies d'énergie


Les conseils suivants vous permettront d'utiliser votre appareil de façon écologique et d'économiser ainsi de l'énergie :

- Décongelez les plats surgelés avant de les cuire.
- Utilisez des récipients munis de couvercles. Sans couvercle, la consommation d'énergie peut être 4 fois plus importante.
- Sélectionnez le brûleur le mieux adapté à la taille du bas de la casserole utilisée. Sélectionnez toujours la casserole à la taille la plus appropriée pour vos plats. Les grandes casseroles nécessitent davantage d'énergie.
- Des informations sur l'efficacité énergétique selon EU 66/2014 peuvent

être trouvées sur la fiche produit fournie avec le produit.

### Première utilisation

#### Premier nettoyage de l'appareil

-  La surface pourrait être endommagée par certains détergents ou produits de nettoyage. N'utilisez pas de détergents agressifs, de poudre/crèmes de nettoyage ou d'objets tranchants pour le nettoyage.

1. Retirez tous les matériaux d'emballage.
2. Essuyez les surfaces de l'appareil à l'aide d'un chiffon humide ou d'une éponge et terminez avec un chiffon sec.

## 5 Utilisation de la table de cuisson

### Généralités concernant la cuisson



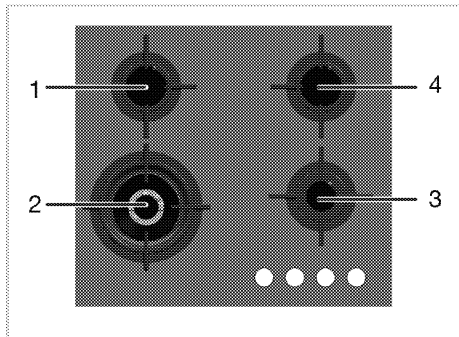
Ne remplissez jamais la poêle à plus d'un tiers. Ne laissez pas la table de cuisson sans surveillance lorsque vous chauffez de l'huile. Une huile surchauffée expose au risque d'incendie. **Ne tentez jamais d'éteindre un éventuel incendie avec de l'eau !** Lorsque l'huile s'enflamme, couvrez-la avec une couverture pare-flammes ou un chiffon humide. Éteignez la table de cuisson si cela ne pose aucun risque et appelez les sapeurs-pompier.

- Avant de faire frire des aliments, séchez-les toujours avant de les tremper dans l'huile chaude. Assurez-vous que les aliments surgelés soient bien décongelés avant de les faire frire.
- Ne couvrez pas le récipient lorsque vous faites chauffer de l'huile.
- Disposez les poêles et casseroles de manière à ce que leur poignée ne se trouve pas au-dessus de la table de cuisson afin d'éviter de faire chauffer les poignées. Ne placez pas de récipients instables et pouvant se renverser facilement sur la table de cuisson.
- Ne placez pas de récipients et de casseroles vides sur les foyers qui sont allumés. Ils pourraient être endommagés.
- Faire chauffer un foyer en l'absence d'un récipient ou d'une casserole peut entraîner des dommages pour l'appareil. Arrêtez les foyers de cuisson une fois la cuisson terminée.
- La surface de l'appareil peut être brûlante, évitez donc de poser des récipients en plastique ou en aluminium dessus. Évitez également d'utiliser ce type de récipients pour y conserver de la nourriture.
- N'utilisez que des casseroles à fond plat.
- Placez la quantité de nourriture appropriée dans les casseroles utilisées. Ainsi, vous n'aurez pas à effectuer un nettoyage superflu en évitant que vos plats ne débordent. Ne posez pas les couvercles de vos poêles et casseroles sur les foyers de cuisson. Placez les casseroles de manière à ce qu'elles soient centrées sur le foyer de cuisson. Lorsque vous voulez déplacer la casserole sur un autre foyer de cuisson, soulevez-la et placez-la sur le foyer de cuisson souhaité au lieu de la faire glisser.

### Cuisson au gaz

- La taille du récipient et celle de la flamme doivent correspondre. Réglez les flammes du gaz afin qu'elles ne dépassent pas du fond du récipient et centrez ce dernier sur la grille.
- Des changements soudains de température sur la surface de cuisson en verre peuvent causer des dommages, veillez à ne pas renverser de liquides froids pendant la cuisson.
- N'utilisez pas de grandes casseroles/pots pour couvrir plus d'un brûleur.

## Utilisation des tables de cuisson



- 1 Brûleur normal 14-20 cm
- 2 Brûleur à wok 22-30 cm
- 3 Brûleur auxiliaire 12-18 cm
- 4 Brûleur normal 14-20 cm (Les dimensions indiquées représentent les diamètres recommandés de poêles et casseroles à utiliser.)



Évitez d'utiliser les ustensiles de cuisine au-delà des dimensions maximales indiquées ci-dessus. L'utilisation des grandes casseroles présente un danger d'intoxication au monoxyde de carbone, de surchauffe des surfaces adjacentes et des boutons de commande. L'utilisation des petites casseroles représente un risque de brûlure par la flamme.

Le symbole représentant une grande flamme indique la puissance de cuisson la plus élevée et le symbole représentant une petite flamme indique la puissance de cuisson la moins élevée. En position OFF (indicateur vers le haut), les brûleurs ne sont pas alimentés en gaz.

### Allumage des brûleurs à gaz

1. Maintenez le bouton du brûleur approprié enfoncé.

2. Tournez-le dans le sens anti-horaire vers le symbole représentant la grande flamme.

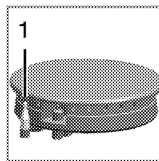
» Le gaz s'allume grâce à l'étincelle ainsi générée.

3. Réglez la puissance de cuisson souhaitée.

### Arrêt des brûleurs à gaz.

Tournez le bouton de la zone garde-à-chaud sur la position OFF (indicateur vers le haut).

### Système de coupure de sécurité du gaz (sur les modèles dotés d'un composant thermique)



1. Sécurité de coupure du gaz

Un mécanisme de sécurité fait office de contre-mesure et se déclenche pour couper l'arrivée de gaz en cas de débordement de liquide sur les brûleurs.

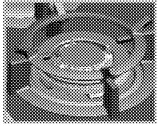
- Appuyez sur le bouton et tournez-le dans le sens anti-horaire pour allumer le gaz.
- Maintenez ensuite le bouton enfoncé pendant 3 à 5 secondes supplémentaires pour activer le système de sécurité.
- Si le gaz ne s'allume pas après avoir appuyé et relâché le bouton, répétez l'opération en maintenant le bouton enfoncé pendant une quinzaine de secondes.



Relâchez le bouton si le brûleur à gaz ne s'allume pas après 15 secondes.

Patientez au moins 1 minute avant de réessayer. Vous risqueriez une accumulation de gaz et une explosion !

## Brûleur à wok



Les brûleurs à wok vous permettent de cuire vos aliments plus rapidement. Le wok s'apparente à une poêle à frire profonde et plate en métal. Il est surtout utilisé dans la cuisine asiatique pour

cuire des légumes et de la viande émincés à feu vif en très peu de temps. Dans ce type de poêle à frire qui conduit la chaleur rapidement et de manière uniforme, les plats sont cuits à feu vif en très peu de temps, la valeur nutritionnelle des aliments est ainsi préservée et les légumes restent croquants. Vous pouvez également utiliser le brûleur à wok pour vos casseroles normales.



## 6 Maintenance et entretien

### Généralités

Un nettoyage régulier de l'appareil en rallongera la durée de vie et diminuera l'apparition de problèmes.



Débranchez l'appareil de la prise d'alimentation avant de commencer le nettoyage et l'entretien.

Vous risqueriez un choc électrique !



Laissez l'appareil refroidir avant de le nettoyer.

Les surfaces chaudes peuvent brûler !

- Nettoyez l'appareil après chaque utilisation. Il vous sera ainsi possible d'ôter plus facilement les résidus de nourriture éventuels, évitant ainsi qu'ils ne brûlent lors de l'utilisation suivante.
- Aucun produit nettoyant particulier n'est nécessaire pour nettoyer l'appareil. Utilisez de l'eau tiède avec du détergent, un chiffon doux ou une éponge pour nettoyer l'appareil et essuyez-le à l'aide d'un chiffon sec.
- Veillez toujours à bien essuyer les excès de liquide après le nettoyage et essuyez immédiatement tout déversement.
- N'utilisez pas de détergents contenant de l'acide ou du chlore pour nettoyer les surfaces en acier inoxydable et la poignée. Utilisez un chiffon doux avec un détergent liquide non abrasif pour nettoyer ces parties, en prenant soin de toujours frotter dans le même sens.



La surface pourrait être endommagée par certains détergents ou produits de nettoyage.

N'utilisez pas de détergents agressifs, de poudre/crèmes de nettoyage ou d'objets tranchants pour le nettoyage.



N'utilisez pas de nettoyeurs à vapeur pour le nettoyage de l'appareil, car ceux-ci présentent un risque d'électrocution.

### Nettoyage du brûleur

#### Nettoyage du brûleur

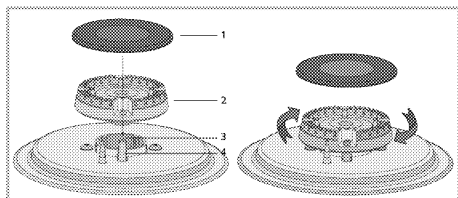
1. Retirez les grilles de la table de cuisson.
2. Retirez toutes les pièces amovibles du brûleur et nettoyez uniquement à la main à l'aide d'une éponge, un peu de détergent et de l'eau chaude.
3. Nettoyez les pièces fixes du brûleur avec un chiffon humide.
4. Nettoyez la fiche et l'élément thermique (pour les modèles avec systèmes d'allumage et thermique) à l'aide d'un chiffon légèrement humidifié. Puis, séchez en utilisant un chiffon propre. Assurez-vous que les trous pour flamme et la fiche ont bien séchés.

Dans le cas contraire, aucune étincelle ne se produira à la fin de l'allumage.

5. Lorsque vous installez les grilles supérieures, veillez à bien positionner les grilles afin de centrer les brûleurs.

#### Assemblez les pièces du brûleur

Après avoir nettoyé le brûleur, placez les pièces comme indiqué ci-dessous.



- 1 Couvercle du brûleur
- 2 Tête du brûleur
- 3 Chambre du brûleur
- 4 Bougie (produits internes avec allumeur)

1. Placez la tête du brûleur de telle sorte qu'elle passe à travers la bougie du brûleur (4). Tournez la tête du brûleur vers la droite et vers la gauche pour vous assurer qu'elle est bien en place dans la chambre du brûleur.
2. Placez le couvercle du brûleur sur la tête du brûleur.

### Surface vitrocéramique

Nettoyez la surface vitrocéramique avec de l'eau froide, faisant attention à ne pas laisser les résidus des produits nettoyants, puis séchez avec un chiffon doux. Les résidus peuvent endommager la surface vitrocéramique lors de l'utilisation suivante de la table de cuisson.

Les résidus séchés sur la surface vitrocéramique ne doivent en aucun cas être grattés au moyen de lames à crochet, de laine d'acier ou d'outils similaires.

Éliminez les traces de calcaire (tâches jaunâtres) avec un détartrant disponible sur le marché comme le vinaigre ou une petite quantité de jus de citron.

Si la surface est fortement souillée, appliquez le produit de nettoyage avec une éponge et attendez qu'il soit bien absorbé. Nettoyez ensuite la surface de la table de cuisson avec un chiffon humide.

**i** Les aliments sucrés, crèmes épaisses et sirops par exemple, doivent être nettoyés rapidement avant que la surface ne refroidisse. Dans le cas contraire, la surface vitrocéramique peut être endommagée de manière irréversible.

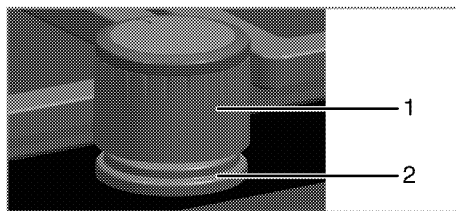
Avec le temps, une légère décoloration peut se produire sur les revêtements ou d'autres surfaces. Cela n'affecte en rien le fonctionnement du produit.

La surface vitrocéramique se décolore et se tâche dans des conditions normales d'utilisation, il ne s'agit pas d'un défaut.

### Nettoyage du bandeau de commande

Nettoyez le bandeau de commande et les boutons de commande avec un chiffon humide et essuyez-les.

**i** Si votre produit est équipé des boutons, ne retirez pas ceux de commande pour nettoyer le panneau de commande. Le panneau de commande pourrait être endommagé !



- 1 Manette
- 2 éléments d'étanchéité

**i** N'enlevez pas les éléments d'étanchéité se trouvant sous les manettes lorsque vous voulez les nettoyer.

## **7 Recherche et résolution des pannes**

### **Le appareil émet des bruits métalliques lors des phases de chauffage et de refroidissement.**

- Lorsque les pièces métalliques sont chauffées, elles peuvent se détendre et émettre ces bruits. >>> *Cela n'est pas un défaut.*

### **Il n'y a pas d'étincelle d'allumage.**

- Pas de courant. >>> *Vérifiez les fusibles dans la boîte à fusibles.*

### **Il n'y a pas de gaz.**

- Le robinet de gaz principal est fermé. >>> *Ouvrez le robinet du gaz.*
- Le tuyau du gaz est plié. >>> *Installez le tuyau du gaz correctement.*

### **Les brûleurs ne s'allument pas correctement ou pas du tout.**

- Les brûleurs sont sales. >>> *Nettoyez les composants des brûleurs.*
- Les brûleurs sont humides. >>> *Séchez les composants des brûleurs.*
- Le couvercle du brûleur n'est pas assemblé correctement. >>> *Assemblez le couvercle du brûleur correctement.*
- Le robinet de gaz principal est fermé. >>> *Ouvrez le robinet du gaz.*
- La bonbonne de gaz est vide (en cas d'utilisation du LPG). >>> *Remplacez la bonbonne du gaz.*



Consultez le technicien autorisé ou le revendeur qui vous a vendu l'appareil si vous ne parvenez pas à résoudre le problème après avoir suivi les instructions comprises dans ce chapitre. N'essayez jamais de réparer un appareil défectueux vous-même.

