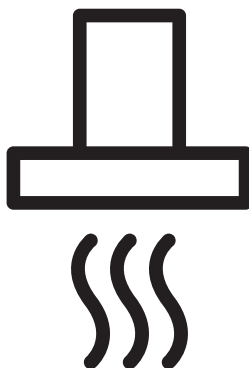




Cooker Hood

User Manual



BRH60 CX - BRH90CX

EN



01M-8864653200-3323-05
01M-8864663200-3323-05

CONTENTS

1 Important safety and environmental instructions 4

- 1.1 General Safety4
- 1.2 Compliance with the WEEE Directive and Disposing of the Waste Product:.....7
- 1.3 Compliance with RoHS Directive7
- 1.4 Package Information8

2 General appearance 9

- 2.1 Overview9
- 2.2 Technical data.....9

3 Operation of the appliance 10

- 3.1 Controlling the appliance10
- 3.2 Efficient use in terms of energy saving10
- 3.3 Operation of the hood.....10
- 3.4 Replacement of lamp10
- 3.5 Operation with flue connection10

4 Cleaning and maintenance 12

- 4.1 Cleaning of the grease filter12

5 Installation of appliance 13

- 5.1 Position of the appliance13
- 5.2 Installation works15
- 5.3 Electric connection18
- 5.4 Storage18
- 5.5 Handling and transportation.....18

6 Troubleshooting 19

Please read this user manual first!

Dear Valued Customer,

Thank you for preferring this Beko appliance. We hope that you get the best results from your appliance which has been manufactured with high quality and state-of-the-art technology. For this reason, please read this entire user manual and all other accompanying documents carefully before using the appliance and keep it as a reference for future use. If you handover the appliance to someone else, give the user manual as well. Follow the instructions by paying attention to all the information and warnings in the user manual.

Remember that this user manual may also apply to other models. Differences between models are explicitly described in the manual.

Meanings of the Symbols

Following symbols are used in various sections of this user manual:



Important information and useful hints about usage.



WARNING: Warnings against dangerous situations concerning the security of life and property.



WARNING: Warning for danger of fire.



WARNING: Warning for electric shock.



This appliance has been produced in environmentally friendly facilities without harming the nature.

1 Important safety and environmental instructions

1.1 General Safety

Important Safety Instructions Read Carefully And Keep For Future Reference This section contains safety instructions that will help protect from risk of fire, electric shock, exposure to leak microwave energy, personal injury or property damage. Failure to follow these instructions shall void any warranty.

- Beko products comply with the applicable safety standards; therefore, in case of any damage on the appliance or power cable, it should be repaired or replaced by the dealer, service center or a specialist and authorized service alike to avoid any danger. Faulty or unqualified repair work may be dangerous and cause risk to the user.
- This appliance is intended to be used in household and similar applications such as:
 - Staff kitchen areas in shops, offices and other working environments;
 - Farm houses
 - By clients in hotels, and other residential type environments;
 - Bed and Breakfast type environments.
- Operate the appliance for its intended purpose only as described in this manual.
- The manufacturer cannot be held liable for damages resulting from improper installation or misuse of the product.
- This appliance can be used by children aged from 8 years and above and persons with reduced physical, sensory or mental capabilities or lack of experience and knowledge if they have been given supervision or instruction concerning use of the appliance in a safe way and understand the hazards involved.
- Children shall not be allowed play with the appliance. Cleaning and user maintenance shall not be made by children without supervision.

1 Important safety and environmental instructions

- The minimum distance between the supporting surface for the cooking vessels on the hob and the lowest part of your product must be at least 65 cm.
 - If the instructions for installation for the gas hob specify a greater distance, this has to be taken into account.
 - Make sure that your mains power supply complies with the information supplied on the rating plate of the appliance.
 - Never use the appliance if the power cable or the appliance itself is damaged.
 - Prevent damage to the power cable by not squeezing, bending, or rubbing it on sharp edges. Keep the power cable away from hot surfaces and naked flame.
 - Use the appliance with a grounded outlet only.
- WARNING:** Do not connect the appliance to the mains until the installation is fully complete.
- Place the appliance in a way so that the plug is always accessible.
 - Do not touch the lamps if they have operated for a long time. They can burn your hands since they will be hot.
 - Follow the regulations set out by competent authorities on discharge of the exhaust air (this warning is not applicable for use without flue).
 - Operate your appliance after putting a pot, pan etc. on the hob. Otherwise, high heat may cause deformation in some parts of your product.
 - Turn off the hob before taking the pot, pan etc. from it.
 - Do not leave hot oil on the hob. Pans with hot oil may cause self combustion.
 - Pay attention to your curtains and covers since oil may catch fire while cooking food such as fries.
 - Grease filter must be cleaned at least monthly.

1 Important safety and environmental instructions

- Product shall be cleaned accordance with user manual. If cleaning was not carried out in accordance with user manual, there may be fire risk.
- Do not use non-fire-resistant filtering materials instead of the current filter.
- Only use the original parts or parts recommended by the manufacturer.
- Do not operate the product without the filter and do not remove the filters while the product is running.
- In the event of be started any flame, de-energize your product and cooking appliances.
- In the event of be started any flame, cover the flame and never use water to extinguish.
- Unplug the appliance before each cleaning and when the appliance is not in use.
- Be aware there can be health concerns by simultaneously operating vented rangehoods in an environment shared with other non-electric heating sources, such as an open or combustion fireplace or gas water heaters for example.
- The venting action of the rangehood can create a low pressure (maximum allowed negative pressure in this case is 4 Pa / 0.04 mbar) which can impede the standard venting operation of these other devices, such as smoke up a chimney. As such harmful fumes or low oxygen levels can occur within these rooms. To prevent this, it is recommended to provide another alternate source of ventilation to allow fresh air to be drawn into these rooms.
- In the environment where the appliance is being used, the exhaust of devices running on fuel oil or gas, such as room heater must be absolutely isolated or device must be hermetical type.
- When connecting the flue, use pipes with a diameter of 120 or 150 mm. Pipe connection must be as short as possible and have as few elbows as possible.
- Danger of choking! Keep all the packaging materials away from children.

1 Important safety and environmental instructions

CAUTION: Accessible parts may become hot when used with cooking appliances.

- The product outlet must not be connected to air channels that include other smoke.
- The ventilation in the room may be insufficient when the hood for electric hob is used simultaneously with the devices operating on gas or other fuels (this may not apply to appliances that only discharge the air back into the room).
- Objects placed on the product may fall. Do not place any objects on the product.
- Do not flambe under the your product.

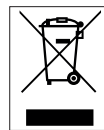
WARNING: Before installing the Hood, remove the protective films.

- Never leave high naked flames under the hood when it is in operation
- Deep fat fryers must be continuously monitored during use: overheated oil can burst into flames.
- Range Hoods and other cooking fume extractors may adversely

affect the safe operation of appliances burning gas or other fuels (including those in other rooms) due to lack of back flow of combustible gases. These gases can potentially result in carbon monoxide poisoning. After installation of a range hood or other cooking fume extractor, the operation of flued gas appliances should be tested by a competent person to ensure that back flow of combustion gases do not occur

1.2 Compliance with the WEEE Directive and Disposing of the Waste Product:

This product complies with EU WEEE Directive (2012/19/EU). This product bears a classification symbol for waste electrical and electronic equipment (WEEE).



This symbol indicates that this product shall not be disposed with other household wastes at the end of its service life. Used device must be returned to official collection point for recycling of electrical and electronic devices. To find these collection systems please contact to your local authorities or retailer where the product was purchased. Each household performs important role in recovering and recycling of old appliance. Appropriate disposal of used appliance helps prevent potential negative consequences for the environment and human health.

1 Important safety and environmental instructions

1.3 Compliance with RoHS Directive

The product you have purchased complies with EU RoHS Directive (2011/65/EU). It does not contain harmful and prohibited materials specified in the Directive.

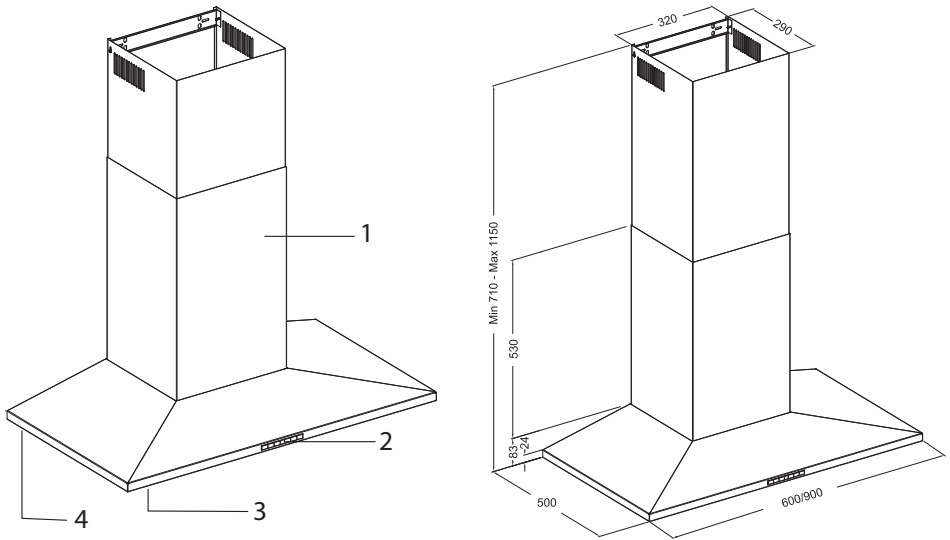
1.4 Package Information



Packaging materials of the product are manufactured from recyclable materials in accordance with our National Environment Regulations. Do not dispose of the packaging materials together with the domestic or other wastes. Take them to the packaging material collection points designated by the local authorities.

2 General appearance

2.1 Overview



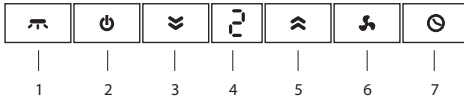
1. Chimney cover
2. Control panel
3. Baffle filter
4. Lighting

2.2 Technical data

Model	BRH60CX	BRH90CX
Supply voltage & frequency	220-240V ~ 50 Hz	
Control	Electronic tact switch with speed display	
Lamp power	2x2 W	
Motor power	240 W	
Total power	244 W	
Suction power	700 m ³ /h	
Width (mm)	600	900
Depth (mm)	500	
Height (mm)	min.710 - max.1150	
Net weight (kg)	14.4	16.3
Gross weight (kg)	17.6	20.5

3 Operation of the appliance

3.1 Controlling the appliance



Four speed panel - Digital display

1. Lighting on and off
2. Extractor fan on and off
3. Decrease extractor fan speed
4. Extractor fan speed display panel
5. Increase extractor fan speed
6. Enable extractor fan turbo speed
7. Enable and disable extractor fan timer

Timer: The extractor fan works for 5 min. at the current speed and another 5 min. at each if the lower speeds until it stops and the lighting switches off.

3.2 Efficient use in terms of energy saving

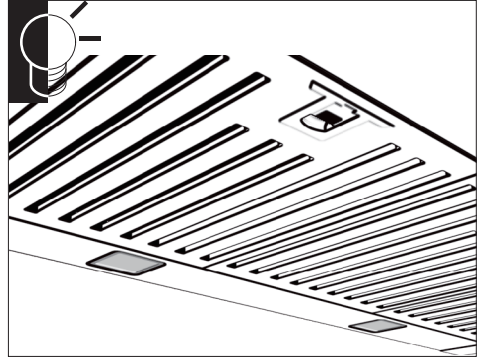
- When using your appliance, adjust the speed settings according to vapour and odour intensity, in order to save energy.
- Use low speeds (1-2) under normal conditions, and high speed (3) for intense odour and vapour.
- The lamps on the hood are placed for illuminating the cooking area.
- Using them for environmental lighting shall cause unnecessary energy expenditure and insufficient lighting.

3.3 Operation of the hood

- Your appliance contains a motor that has various speeds.
- For better performance, we recommend using low speeds under normal conditions and high speeds in cases of strong odours and intense vapour.

- You can start your appliance by pressing on the desired speed setting button.
- You can illuminate the cooking area by pressing the lamp.

3.4 Replacement of lamp



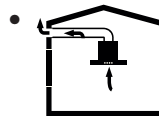
- Contact customer service for bulb replacement on specific model.
- Use new bulbs according to that indicated on the hood name plate.



Do not handle the bulbs until the electricity supply has been switched off and they have cooled.

On cooker hoods equipped with LED lamps, the lights should only be used during operation of the motor. They should not be left on permanently and use as a light source.

3.5 Operation with flue connection



Vapour is extracted through the flue duct, which is fastened to the connection head on the hood.

3 Operation of the appliance

- The diameter of the flue duct must be the same as the connection ring. In horizontal settings, the pipe has to have a slight upward slope (around 10°) so that the air can exit the room easily.

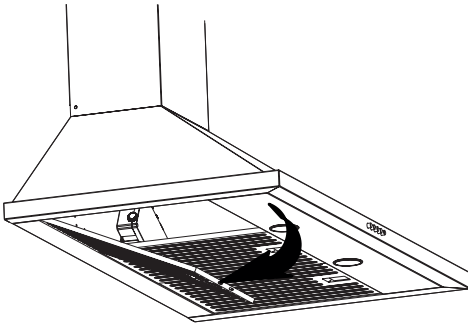
4 Cleaning and maintenance



Before cleaning and maintenance, unplug the product or turn off the switch.

4.1 Cleaning of the grease filter

Grease filter retains the oil particles in the air. Grease filters may change colour after repeated cleaning. This is normal and does not require replacement of filters.



- Push the grease filter lock forward.
- Then pull it slightly down and pull it out. Otherwise, you can bend the filter. Wash and rinse grease filters with liquid detergent and replace grease filters to their sockets by carrying out the steps specified above in reverse order. This filter retains the oil particles in the air.



You may wash your grease filters in the dishwasher.



CAUTION: In case of normal use, clean your filter once in a month.

5 Installation of appliance



WARNING: Before starting the installation, read the safety information on User Manual.



WARNING: Failure to install with screws and stabilizers in accordance with these instructions may result in electric shock.

For the installation of the hood, please contact the nearest Authorized Service.

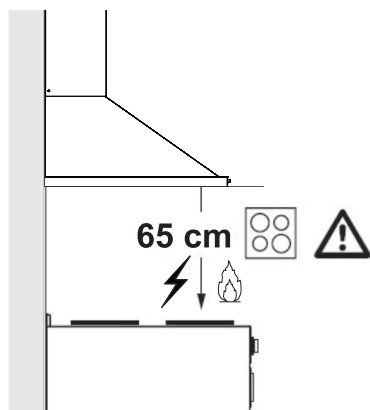
It is the customer's responsibility to prepare the location and electrical installation of the hood.



WARNING: The exhaust air must not be discharged into a flue which is used for exhausting fumes from other appliances burning gas or other fuels. Regulations concerning the discharge of air have to be fulfilled.

- Use a rigid PVC pipe with a min. \varnothing 120 mm to evacuate fumes outside.
- Install the hood in line with the instructions on the template

5.1 Position of the appliance

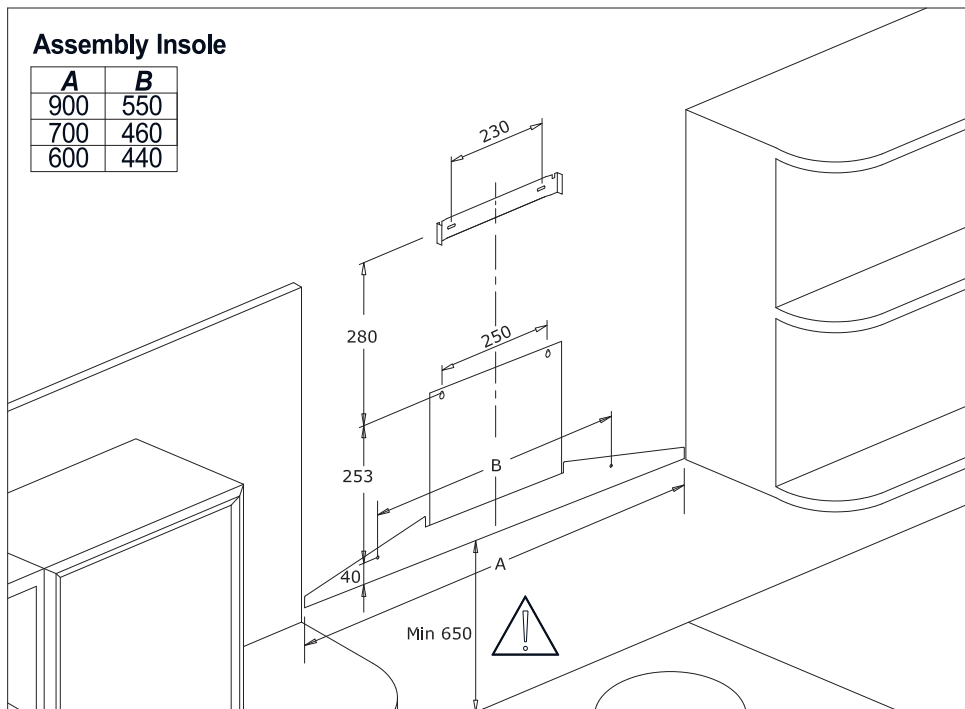


- Distance between the cooker and the cooker hood must be considered prior to assembly. This distance should be 65 cm.
- Distance must be measured from the surface of grate for gas cookers,
- From surface of glass for electric cookers.

5 Installation of appliance

Assembly Insole

A	B
900	550
700	460
600	440



Before installation, the following must be done:

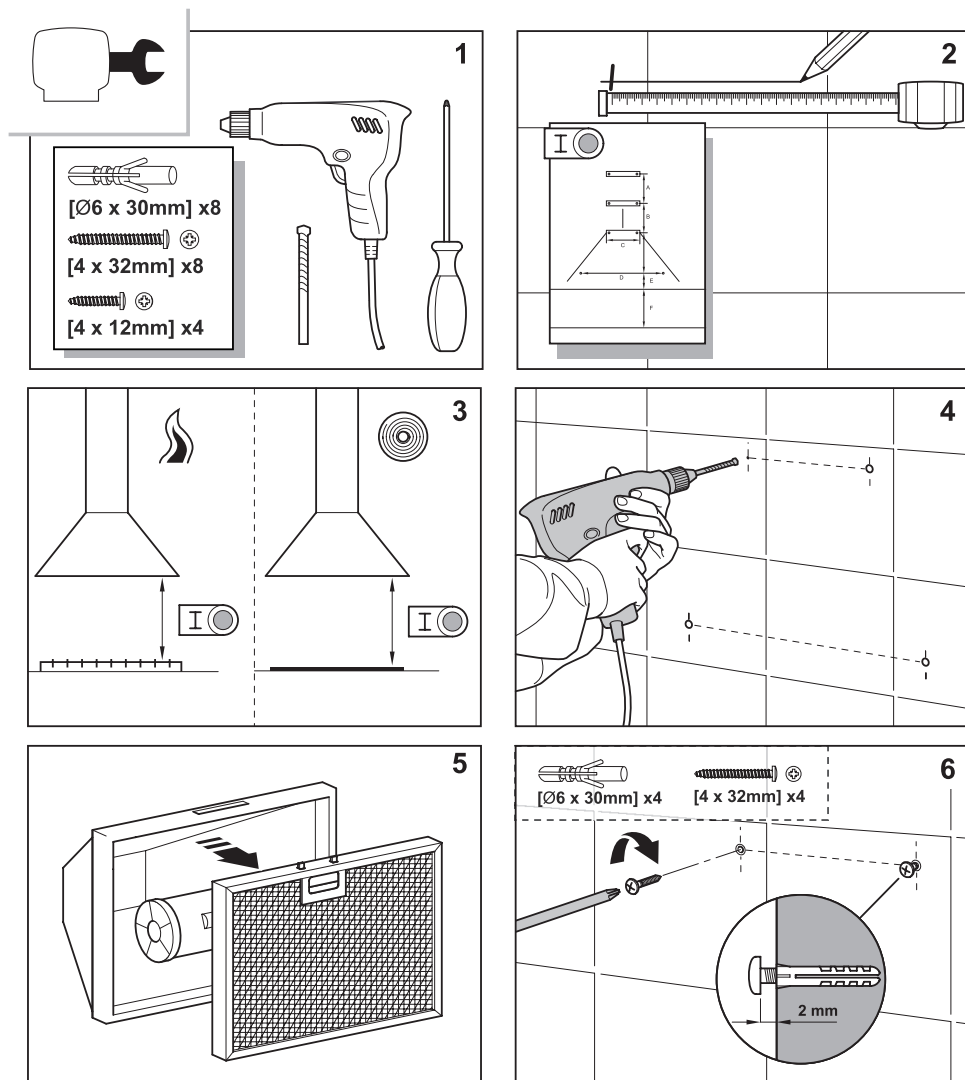
- Check that the dimensions of the purchased product are adapted to the selected target spot.
- Disconnect and remove (if possible) the furniture located in the installation area of the hood to get easy access to the ceiling or wall to which the hood is to be fitted. If this is not possible, the elements located near the working area must be secured.
- Verify if there is a plug socket close to the hood installation area and if it is possible to connect the hood to the vent pipe evacuating the vapors outside
- Verify if the drilling spots do not cover installation wires (electrical, hydraulic, etc.).
- Be equipped with the following tools: measuring tape, pencil, drill/ driver, drill Ø8, screwdriver, bubble level.



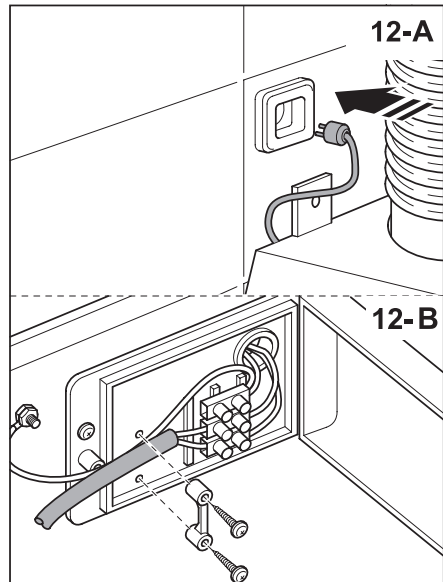
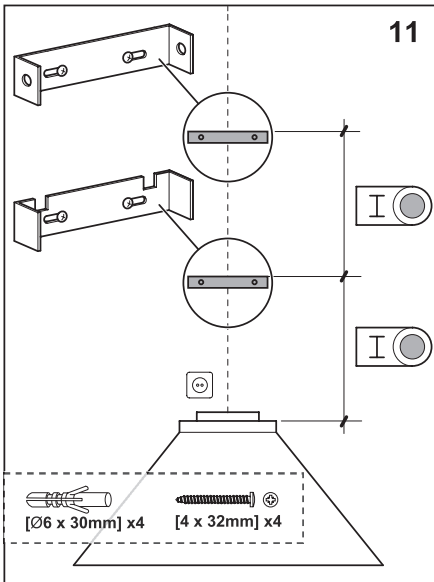
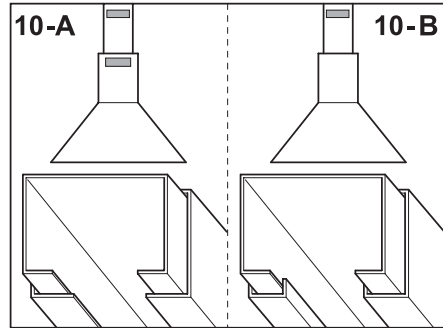
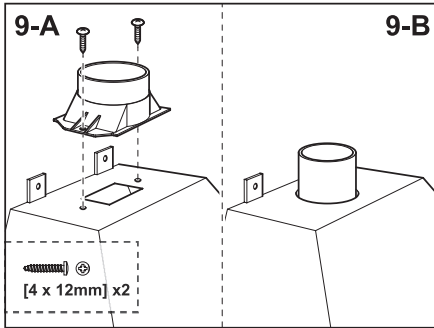
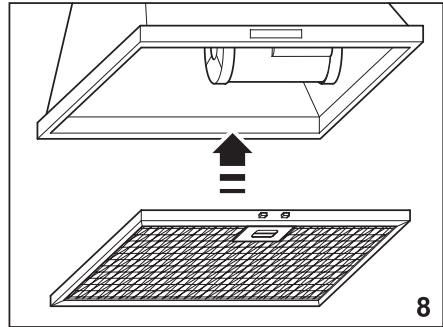
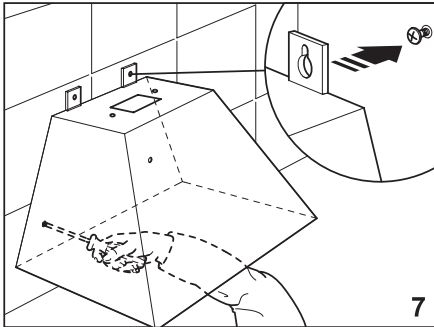
CAUTION: The installation must be carried out very carefully, so as not to scratch the chimney cover and the hood.

5 Installation of appliance

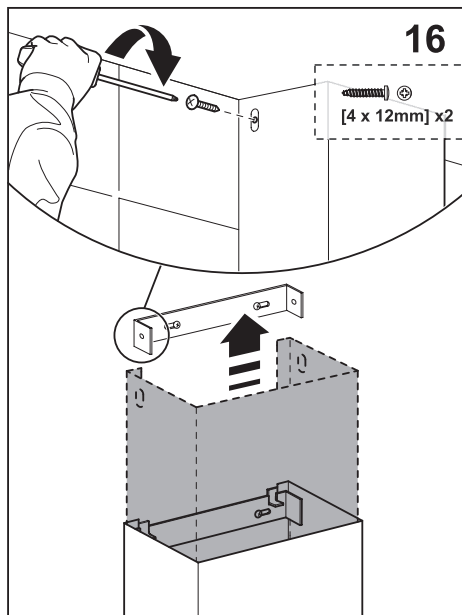
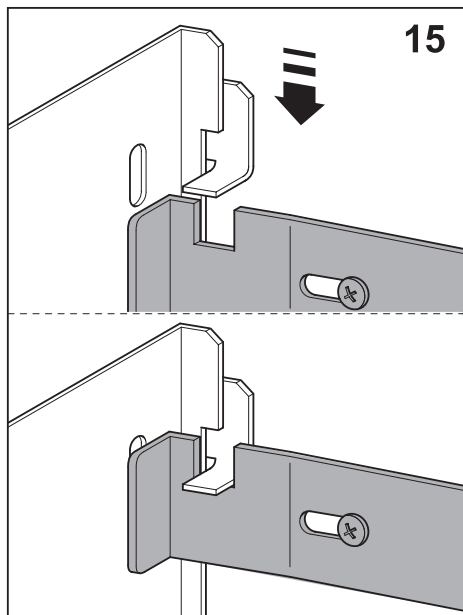
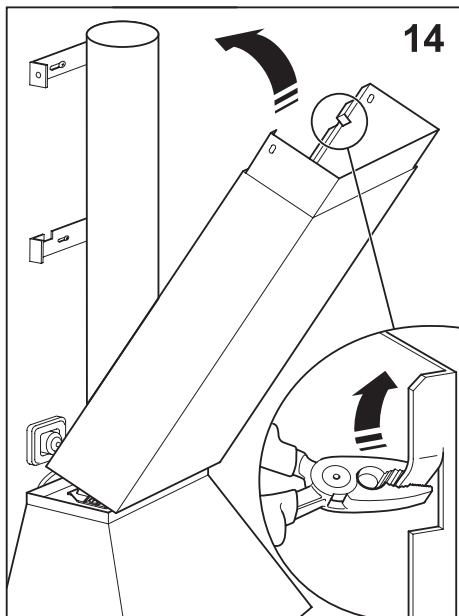
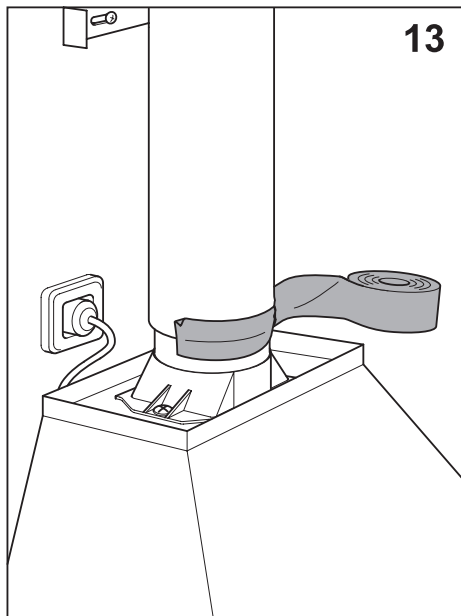
5.2 Installation works



5 Installation of appliance



5 Installation of appliance



5 Installation of appliance

5.3 Electric connection

The mains voltage must correspond to the voltage indicated on the rating plate affixed to the inside of the hood. If the kitchen hood is equipped with a plug, it should be put in a socket connector that meets the requirements of binding regulations and is located in an easily accessible place. If the hood is not fitted with a plug, the installation of the hood should be entrusted to someone with appropriate permissions (e.g. electrician).



Before connecting the hood: I switch off the electricity supply and check that the supplied voltage and frequency coincide with that indicated on the appliance nameplate.

If the extractor hood has a plug, connect it to a power socket in line with applicable regulations, located in an accessible area.

If the hood does not have a plug, connect it directly to the electrical grid, protected by a separator device accessible for disconnection, in line with local regulations.

5.4 Storage

- If you do not intend to use the appliance for a long time, please store it carefully.
- Please make sure that the appliance is unplugged, cooled down and totally dry.
- Store the appliance in a cool and dry place.
- Keep the appliance out of the reach of children

5.5 Handling and transportation

- During handling and transportation, carry the appliance in its original packaging. The packaging of the appliance protects it against physical damages.
- Do not place heavy loads on the appliance or the packaging. The appliance may be damaged.
- Dropping the appliance will render it non-operational or cause permanent damage.

6 Troubleshooting

Troubleshooting	Root Cause	Help
No symbol is shown on the display, the hood does not respond to pressing the control fields.	The touch control is probably suspended.	Disconnect the hood from the power supply for about 15 sec. and switch it on again.
The hood has very poor vapor suction.	Probably cause is dirty filters.	The grease filter must be cleaned in the dishwasher or replace with a new one.
One or more light points do not operate.	Defective halogen/LED bulb.	The light bulb needs to be replaced with a new, compatible with the symbol specified in the instruction manual for the cooker hood.
The hood generated excessive noise and vibration.	This may be caused by an incorrect installation of the hood to the wall or kitchen cabinets. Not all provided screws have been used or screws are loosely fitted leaving clearance.	The hood must be mounted to a wall or cabinet by using all the points provided for by the manufacturer. After adjusting the position of the hood hor
If the recommendations above do not solve the problem, contact an authorised service agent entitled to repair. Under no circumstances is the hood user entitled to independent repair.		



Manufacturer's Warranty

FOR SALES IN AUSTRALIA AND NEW ZEALAND

This document sets out the terms and conditions of the product warranties for Beko appliances, and it is an important document which you should keep safe together with your proof of purchase for future reference should there be a manufacturing defect in your appliance. This warranty is in addition to other rights you may have under Australian and New Zealand Consumer Laws.

1. In this warranty:

- a. 'Appliance' means any Beko product purchased by you and accompanied by this document;
 - b. 'ASC' means Beko authorised service centres;
 - c. 'Beko' means Beko Australia and New Zealand Pty Ltd of 55 Blanck Street, Ormeau, QLD 4208, Australia ABN 49 152 055 162 in respect of Appliances purchased in Australia and New Zealand;
 - d. 'Warranty Period' means the period specified in clause 3 of this manufacturer's guarantee;
 - e. 'you' means the purchaser of the Appliance not having purchased the Appliance for re-sale, and 'your' has a corresponding meaning.
- 2. Application:** This warranty only applies to new Appliances, purchased and used in Australia or New Zealand and is in addition to (and does not exclude, restrict or modify in any way) other rights and remedies under a law to which the Appliances relate, including any non-excludable statutory guarantees in Australia and New Zealand.
- 3. Warranty Period:** Subject to these terms and conditions this warranty continues for a period of 24 months following the date of original purchase of the Appliance. In addition, the Warranty Period is extended an additional 36 months if you register your Appliance on the Beko website shown below within 90 days following the date of original purchase.
- 4. Repair or Replace Warranty:** During the Warranty Period Beko or its ASC will, at no extra charge if your Appliance is readily accessible for service, without special equipment and subject to these terms and conditions, repair or replace any parts which it considers to be defective. Beko or its ASC may use refurbished parts to repair your Appliance. You agree that any replaced Appliances or parts become the property of Beko.
- 5. Travel and Transportation Costs:** Subject to clause 7 Beko will bear the reasonable cost of transportation, travel and delivery of the Appliance to and from Beko or its ASC. Travel and transportation will be arranged by Beko as part of any valid warranty claim.
- 6. Proof of Purchase:** Proof of purchase is required before you can make a claim under this warranty.
- 7. Exclusions:** You may not make a claim under this warranty unless the defect claimed is due to faulty or defective parts or workmanship. This warranty does not cover:
- a. light globes, batteries, filters or similar perishable or consumable parts;

- b. parts and Appliances not supplied by Beko;
- c. cosmetic damage which does not affect the operation of the Appliance;
- d. damage to the Appliance caused by:
 - i. negligence or accident;
 - ii. misuse or abuse, including failure to properly maintain or service;
 - iii. normal wear and tear;
 - iv. power surges, electrical storm damage or incorrect power supply;
 - v. incomplete or improper installation;
 - vi. incorrect, improper or inappropriate operation;
 - vii. insect or vermin infestation;
 - viii. failure to comply with any additional instructions supplied with the Appliance;

In addition, Beko is not liable under this warranty if:

- a. the Appliance has been, or Beko reasonably believes that the Appliance has been, used for purposes other than those for which the Appliance was intended, including where the Appliance has been used for any non-domestic purpose;
 - b. the Appliance is modified without authority from Beko in writing;
 - c. the Appliance's serial number or warranty seal has been removed or defaced;
 - d. the Appliance was serviced or repaired by anyone other than Beko, an authorised repairer or ASC.
- 8. How to Claim Under This Warranty:** To enquire about claiming under this warranty, please follow these steps:
- a. carefully check the operating instructions, user manual and the terms of this warranty;
 - b. have the model and serial number of the Appliance available;
 - c. have the proof of purchase (e.g. an invoice) available;
 - d. contact Beko using the contact details shown below.
- 9. Australia:** For Appliances and services provided by Beko in Australia, Beko goods come with a guarantee by Beko that cannot be excluded under the Australian Consumer Law. You are entitled to a replacement or refund for a major failure and for compensation for any other reasonably foreseeable loss or damage. You are also entitled to have the Appliance repaired or replaced if the Appliance fails to be of acceptable quality and the failure does not amount to a major failure. 'Acceptable quality' and 'major failure' have the same meaning as referred to in the Australian Consumer Law.
- 10. New Zealand:** For Appliances and services provided by Beko in New Zealand, the Appliances come with a guarantee by Beko pursuant to the provisions of the Consumer Guarantees Act, the Sales of Goods Act and the Fair Trading Act. Where the Appliance was purchased in New Zealand for commercial purposes the Consumer Guarantee Act does not apply.
- 11. Confidentiality:** You accept that if you make a warranty claim, Beko and its ASC may exchange information in relation to you to enable Beko to meet its obligations under this warranty.

Australia Service Contact Details:

<https://www.beko.com/au-en/support/help-center>

Toll Free 1300AUBEKO 1300 282 356

Email: beko.care@beko.com

Fax: (07) 5549 3546



New Zealand Service Contact Details:

<https://www.beko.com/nz-en/support/help-center>

Toll Free 0800NZBEKO 0800 69 2356

Email: beko.care@beko.com

Fax: (+617) 5549 3546



Arçelik A.Ş.
Karaağaç Caddesi No: 2-6, 34445,
Sütlüce, İstanbul, Türkiye

Beko A&NZ Pty Ltd
55 Blanck Street , Ormeau QLD, 4208 AUSTRALIA

www.beko.com