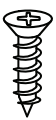

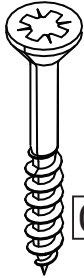
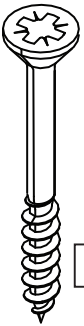





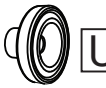

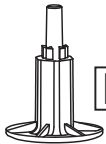

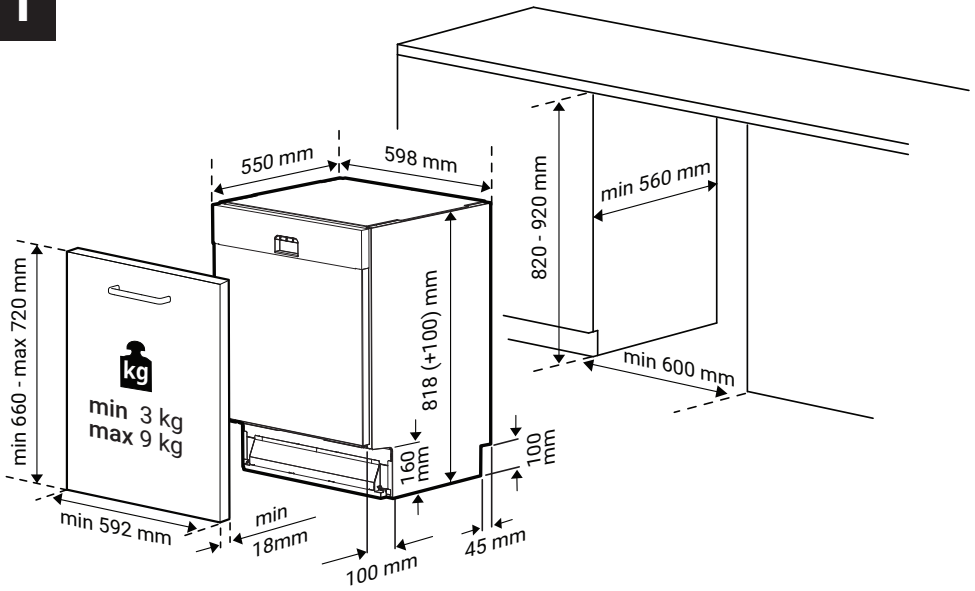
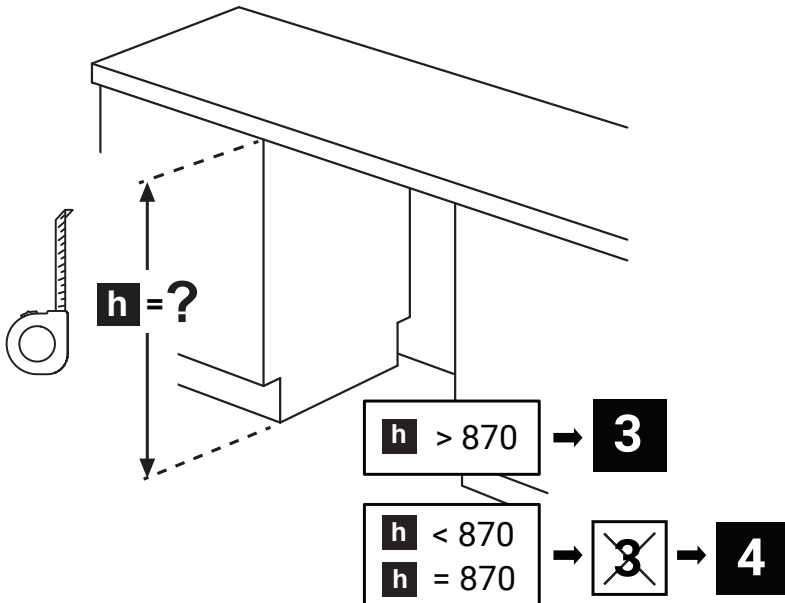


<p>Ø 4 x 13 mm</p>  <p>A</p> <p>4x</p>	<p>Ø 4 x 25 mm</p>  <p>B</p> <p>2x</p>	<p>Ø 4 x 36 mm</p>  <p>C</p> <p>4x</p>	<p>Ø 4 x 42 mm</p>  <p>D</p> <p>2x</p>	 <p>E</p> <p>2x</p>
 <p>H</p> <p>1x</p>	 <p>L</p> <p>1x</p>	 <p>R</p> <p>1x</p>	 <p>S</p> <p>1x</p>	 <p>U</p> <p>2x</p>
 <p>F</p> <p>4x</p>	 <p>K</p> <p>4x</p>	 <p>N</p> <p>1x</p>		

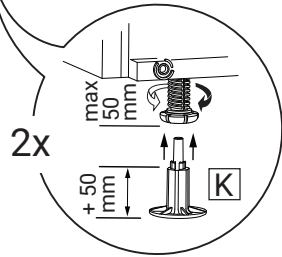
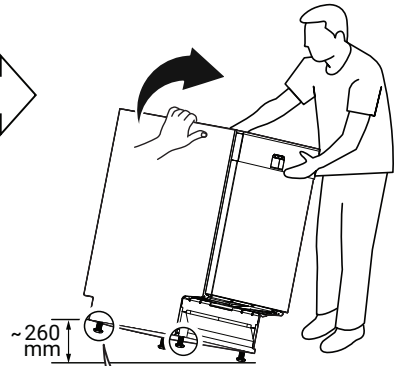
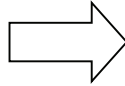
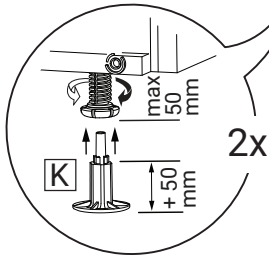
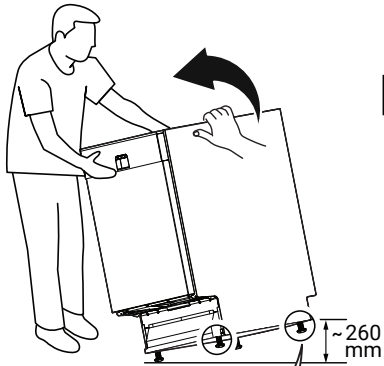
1



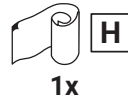
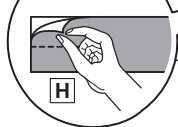
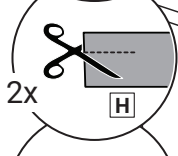
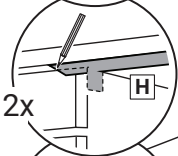
2



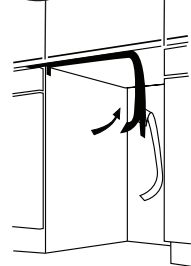
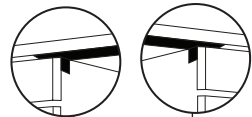
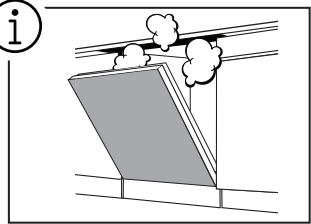
3



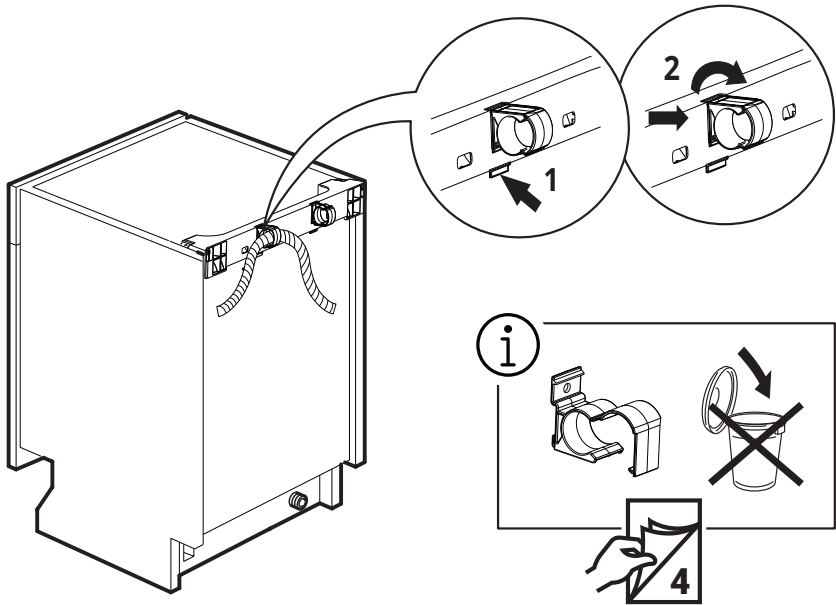
4



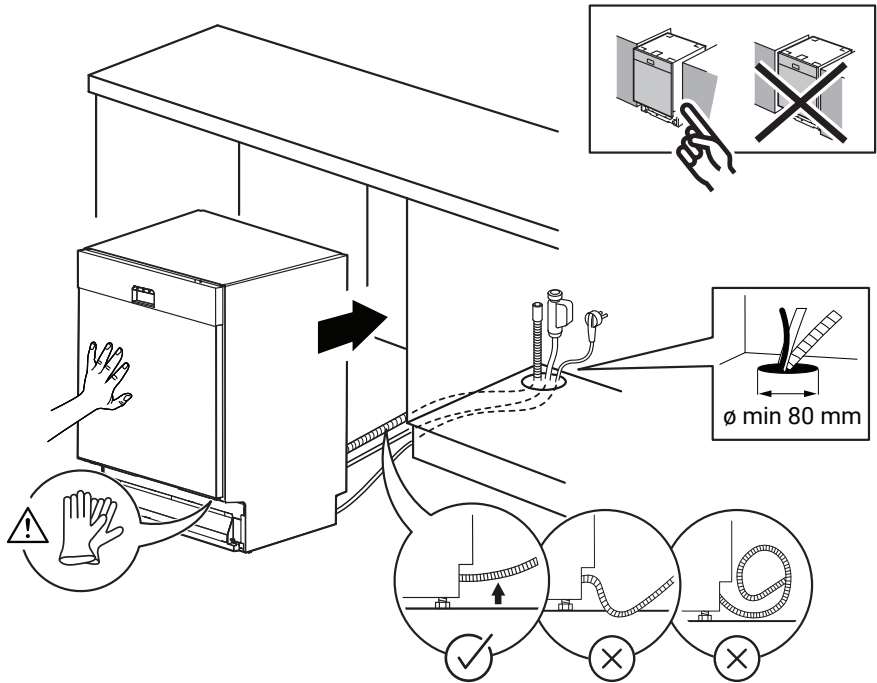
i



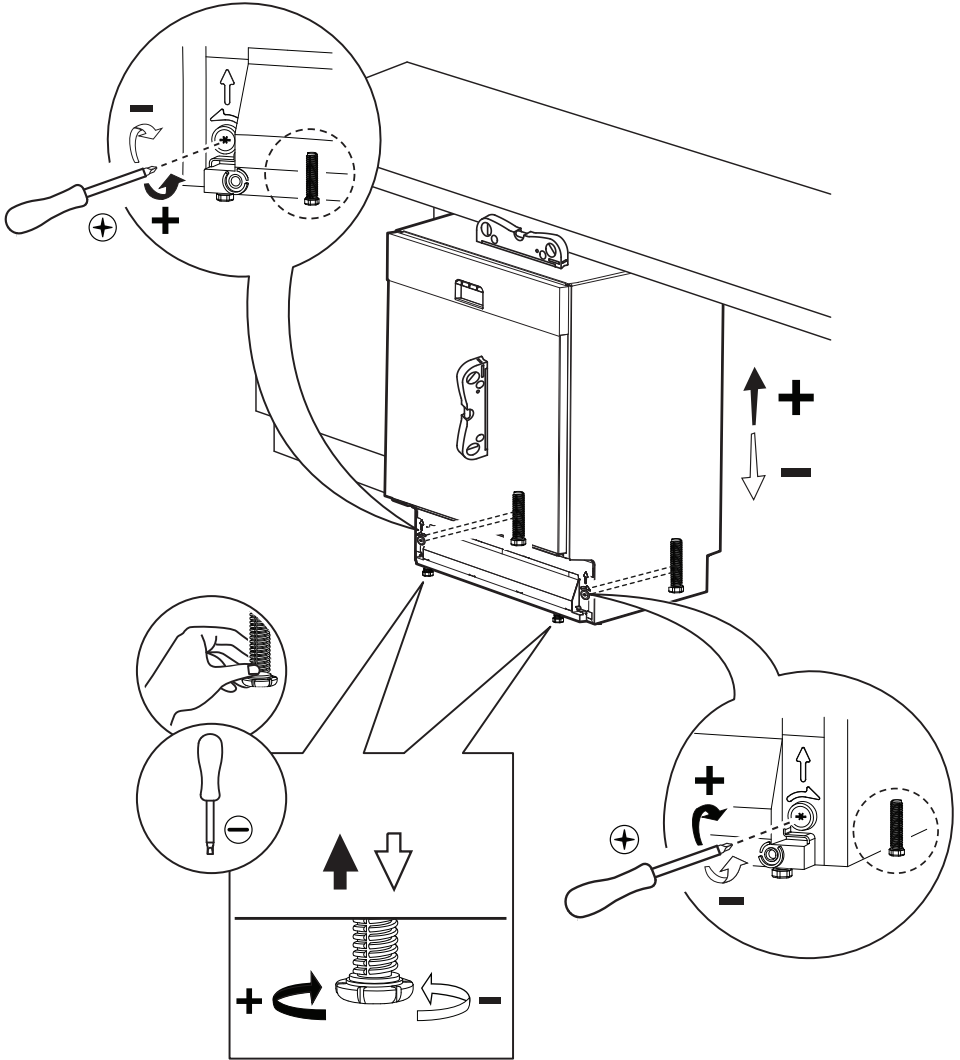
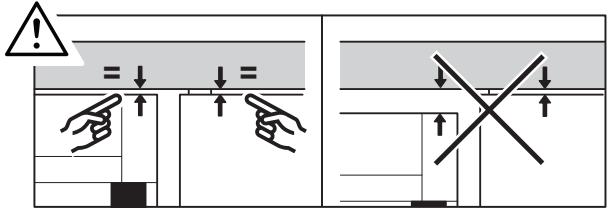
5



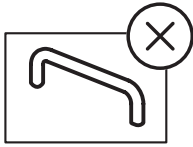
6



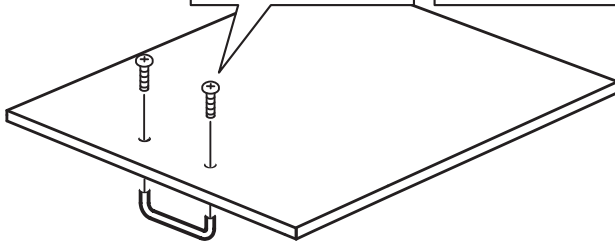
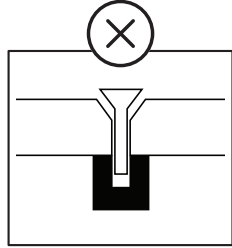
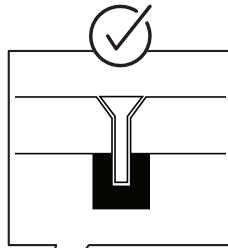
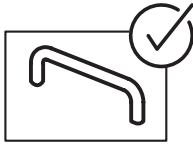
7



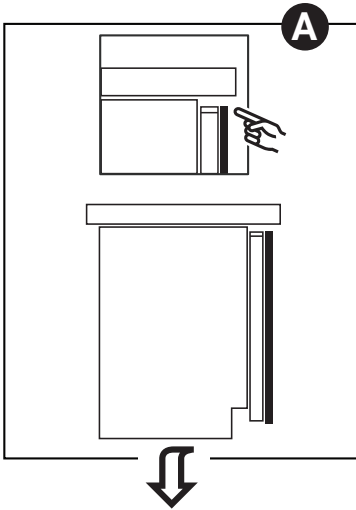
8



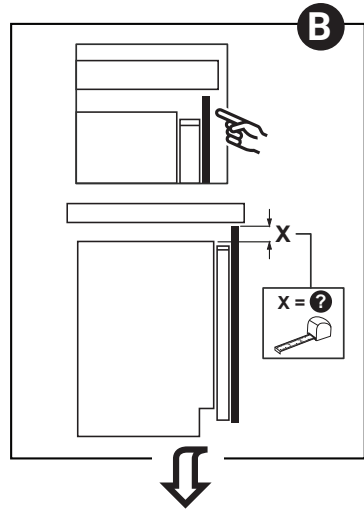
9



9

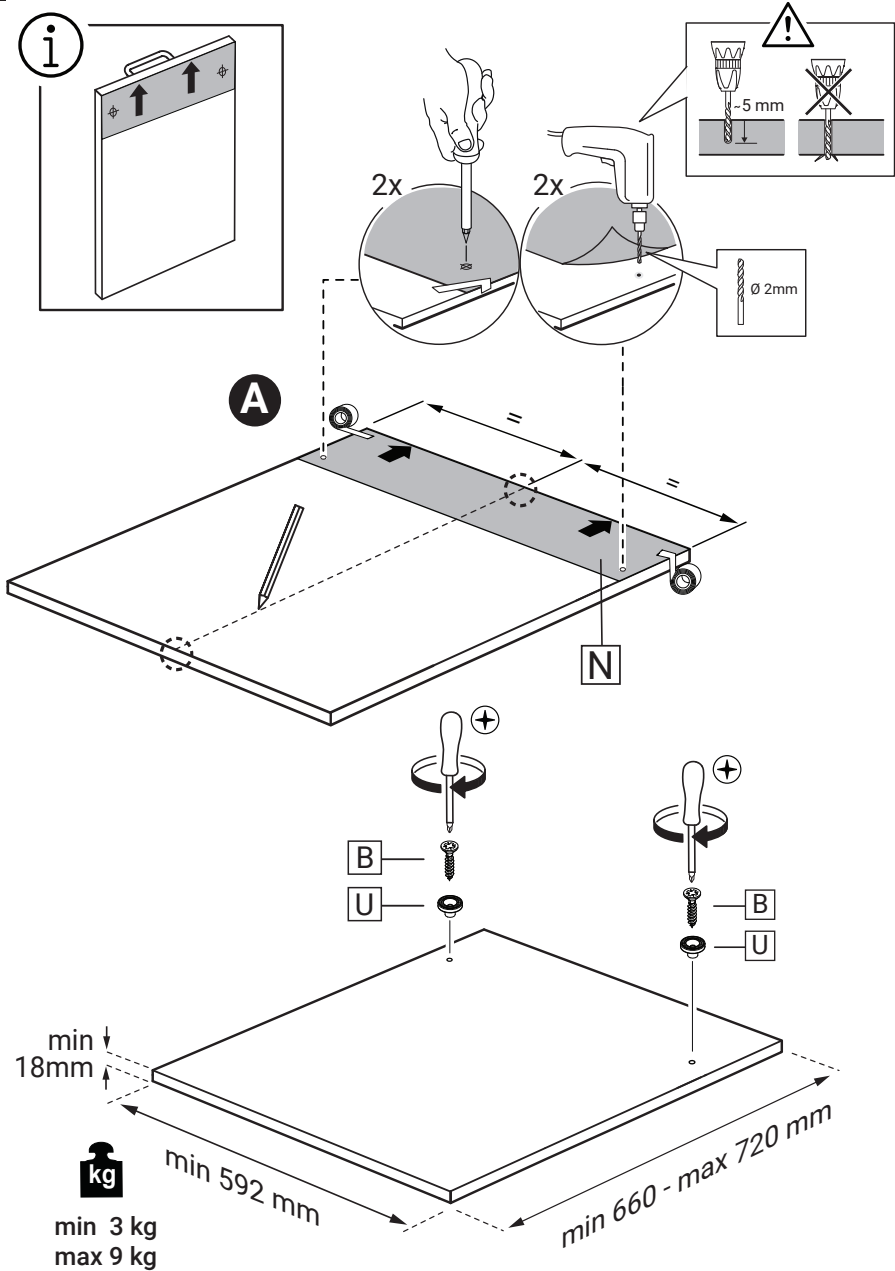


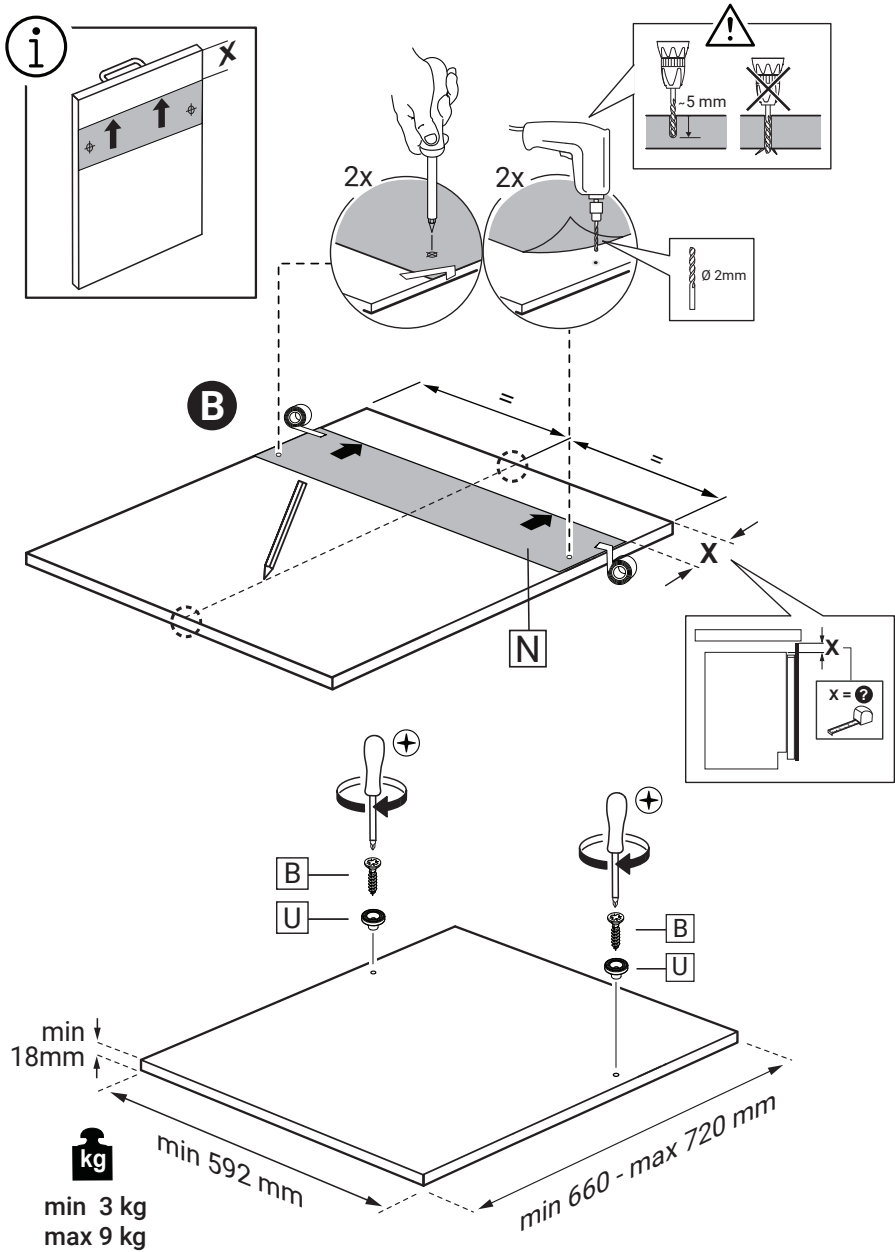
10



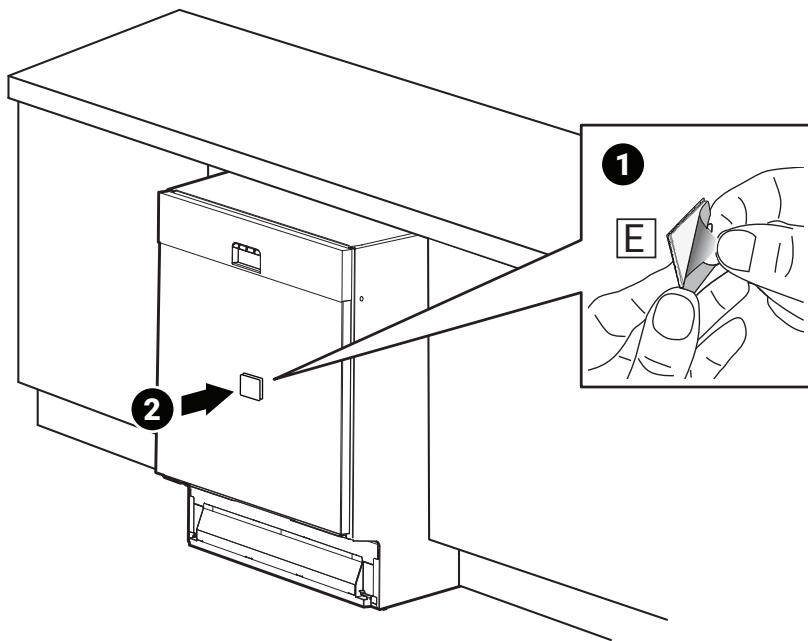
11

10

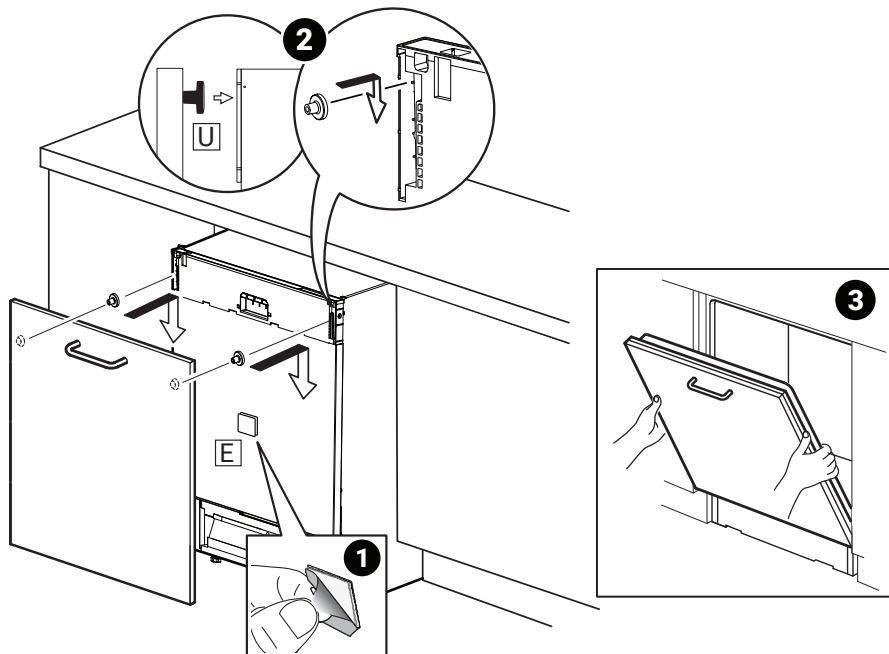




12

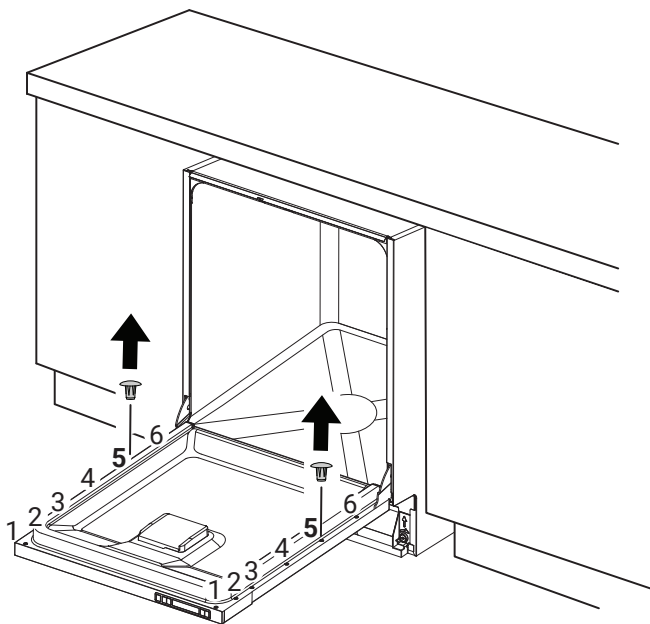
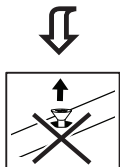


13

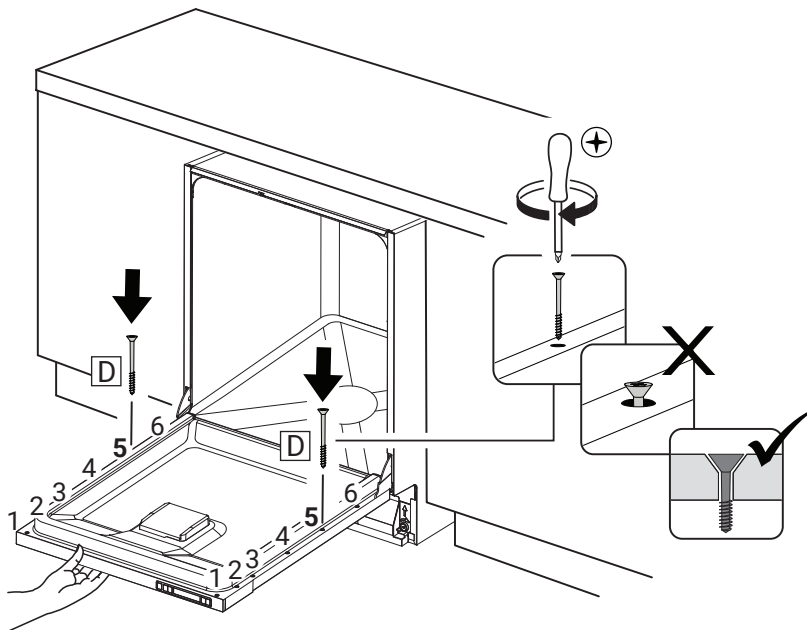


14

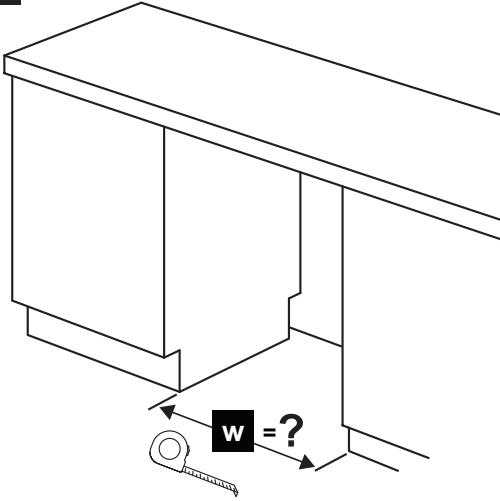
1-2-3-4-6



15



16



$w > 610$

↓

~~17~~ ~~18~~ 19

- 1x L
- 1x R
- 4x A
- ~~4x F~~
- ~~4x C~~

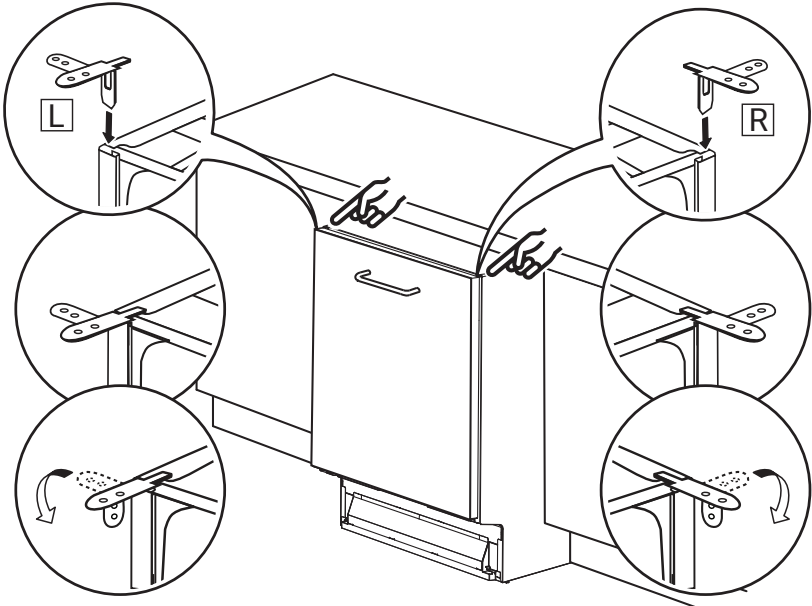
$w = 600 - 610$

↓

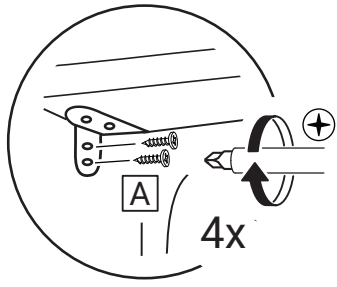
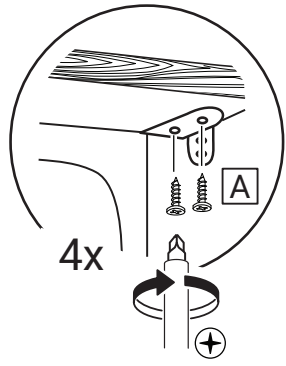
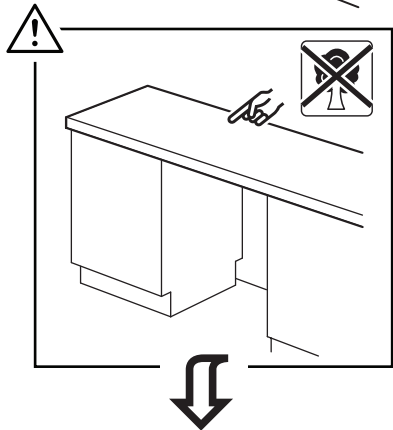
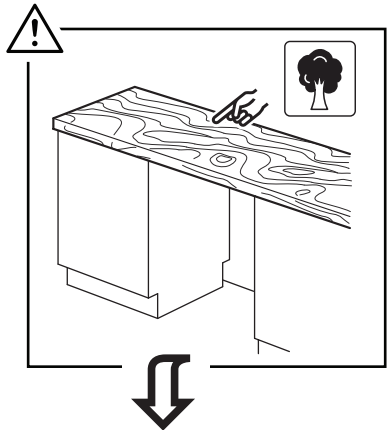
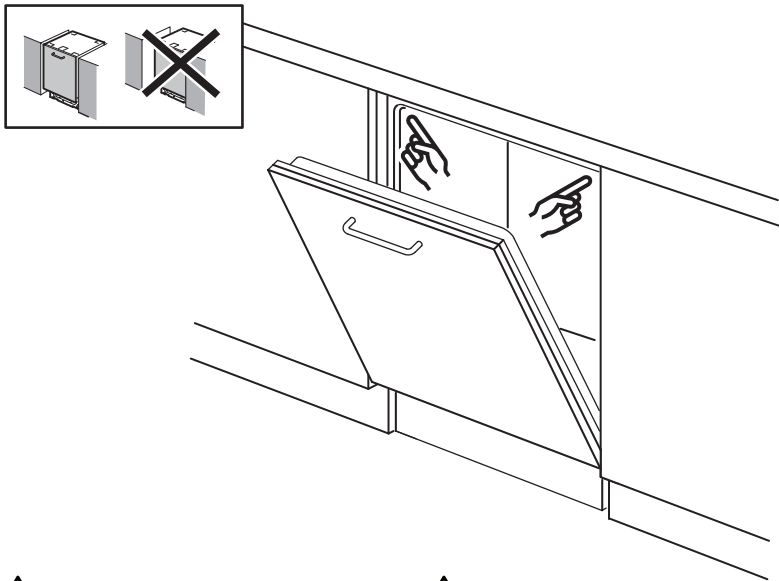
~~17~~ 18 → 19

- ~~1x L~~
- ~~1x R~~
- 4x A
- 4x F
- 4x C

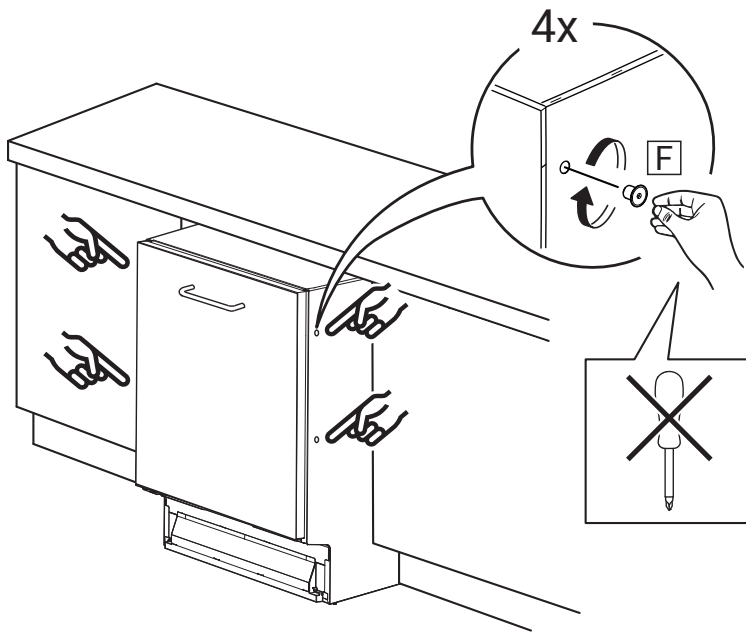
17
a



17
b



18
a



18
b

