

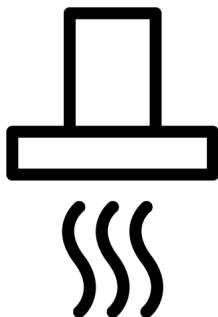
beko

Hood / User Manual

Dunstabzugshaube / Bedienungsanleitung

Hotte murale / Manuel d'utilisation

Afzuigkap / Gebruiker Handleiding



BHCB91622BXH

185732169_1/ EN/ DE/ FR/ NL/ R.AC/ 23-3-2023 17:27
7706331103



Welcome!

Dear Customer,

Thank you for choosing the Beko product. We want your product, manufactured with high quality and technology, to offer you the best efficiency. Therefore, carefully read this manual and any other documentation provided before using the product.

Keep in mind all the information and warnings stated in the user's manual. This way, you will protect yourself and your product against the dangers that may occur.

Keep the user's manual. If you give the product to someone else, give the manual with it. The warranty conditions, usage and troubleshooting methods for your product are provided in this manual.

The symbols and their descriptions in the user's manual:



Hazard that may result in death or injury.



Important information or useful usage tips.



Read the user's manual.



Hot surface warning.

NOTICE Hazard that may result in material damage to the product or its environment.

Arçelik A.Ş.

Karaağaç caddesi No:2-6
34445 Sütlüce/İstanbul/TURKEY

Made in TURKEY

Table of Contents

1	Safety Instructions.....	4
1.1	General Safety	4
1.2	Electrical Safety.....	5
1.3	Product Safety.....	6
1.4	Intended Use.....	8
1.5	Child, Vulnerable Persons and Pet Safety.....	8
1.6	Transportation Safety	8
2	Environmental Instructions.....	9
2.1	Waste Directive.....	9
2.1.1	Compliance with the WEEE Dir- ective and Disposing of the Waste Product	9
2.2	Package Information.....	9
3	Your product	10
3.1	Product Introduction	10
3.2	Product Accessories.....	10
3.3	Technical Specifications.....	12
4	Using the Hood	13
5	Maintenance and Cleaning	13
5.1	General Cleaning Information.....	13
5.2	Aluminium Filter	13
5.3	Hood Lamp	14
5.4	Carbon Filter (Usage without a flue)	14
6	Troubleshooting.....	14



1 Safety Instructions

- This section includes the safety instructions necessary to prevent the risk of personal injury or material damage.
- If the product is handed over to someone else for personal use or second-hand use purposes, the user's manual, product labels and other relevant documents and parts should also be given.
- Our company shall not be held responsible for damages that may occur if these instructions are not observed.
- Failure to follow these instructions shall void any warranty.
- Always have the installation and repair works made by the manufacturer, the authorised service or a person that the importer company shall designate.
- Use original spare parts and accessories only.
- Do not repair or replace any component of the product unless it is clearly specified in the user's manual.
- Do not make technical modifications on the product.



1.1 General Safety

- This product can be used by children 8 years of age and older, and people who are underdeveloped in physical, sensory or mental skills, or who have lack of experience and knowledge, as long as they are supervised or trained about the safe use and hazards of the product. Children should not play with the appliance. Cleaning and user maintenance must not be made by children without supervision.
- **Poisoning Danger!** While the appliance is operating, air is drawn from the whole house. If adequate ventilation is not provided, air flow occurs and the waste and toxic gases released as a result of combustion in the house are reabsorbed. Do not operate the product together with products that provide air circulation and may emit toxic gas (wood, gas, oil and coal stoves, boilers, water heaters, etc.).
- Have the adequacy of your building's ventilation and flue system checked by authorized persons.

- This product is not intended for use by persons (including children) with limited physical, sensory or mental capacity or without knowledge or experience, unless supervised or instructed by the individual responsible for their safety. Children should be supervised to ensure that they do not play with the product. Cleaning and user maintenance must not be made by children without supervision.
- Installation and repair procedures must always be performed by **Authorised Service Agents**. The manufacturer cannot be held responsible for any damages that may arise due to operations made by unauthorized persons.
- Do not operate the product if it is defective or has any visible damage.
- Ensure that the product function knobs are switched off after every use.
- If the product is handed over to someone else for personal use or second-hand use purposes, the user's manual, product labels and other relevant documents and parts should also be given.

- Call the authorized service for the installation of the product to be used. The warranty term starts after this process.
- Product must be installed by a qualified person in accordance with the regulations in force for the warranty to be applicable.

1.2 Electrical Safety

- To have your product ready for use, first provide the place of installation and have the electrical installation made. Then, call the nearest Authorised Service.
- If the product has a failure, it should not be operated unless it is repaired by an Authorised Service Agent. There is the risk of electric shock!
- Do not plug your hood in until it is mounted.
- If your product has plug, never touch the plug with wet hands! Never unplug by pulling on the cable, always pull out by holding the plug.
- The appliance power should be cut off during installation, maintenance, cleaning and repair processes.
- In order to prevent any hazard from occurring, in case of damage, the electrical cable must be replaced by the manu-

facturer, the manufacturer's service centre or a similar qualified person.

- If the cable is damaged, contact our nearest service centre and have a new one installed.
- If your product has plug, do not make electrical connections by disconnecting the plug during installation. Connections made by cutting off render the product warranty void and pose a danger to user safety.
- Do not install the mains cord near the heaters. The cable might melt, causing a fire.
- If your product does not have a cable, only use the connecting cable described in the "Technical specifications" section.
- Any work on electrical equipment and systems should only be carried out by authorised and qualified persons.
- In case of any damage, switch off the product and disconnect it from the mains. To do this, turn off the fuse at home.
- Make sure that fuse rating is compatible with the product.
- Never wash the appliance by spraying or pouring water on it! There is the risk of electric shock!



1.3 Product Safety

- Height between the bottom surface of your hood and the top surface of the oven should be no less than 650 mm.
- Do not touch the lamps of your hood after operating the hood for a long time. Hot lamps may burn your hand.
- Do not operate the appliance without an oil entrapment filter. Do not remove the filters while the appliance is operating.
- Do not create a high flame under the product. Otherwise, the oil in the oil trap filter may ignite, causing a fire.
- Run the product after placing the cooking pots, pans, etc. on the ovens. Otherwise, rising heat may deform some parts of your product.
- Turn off the oven before taking the cooking pots, pans, etc. from the ovens.
- Do not keep easily flammable materials under your hood.
- Do not expose the appliance to open flame. It may cause the oil accumulating in the filter to catch fire. Do not operate the appliance without a filter.

- Do not leave your cooker unattended while cooking fried foods, oils may catch fire while cooking, and hot oil may cause fire. Therefore pay attention to the clothes and curtains.
- If cleaning is not performed in a timely manner, the hood may present a risk of fire.
- (For Models A and B) Run your hood for another 15 minutes after the cooking or frying process to clean the kitchen air thoroughly of the odours and vapours generated during cooking.
- Adequate ventilation must be available in the room when gas or other fuel-burning appliances are used at the same time while the oven hood with a cooker is being used. (Not applicable for only the appliances that discharge air back into the room).
- Gas or fuel oil burning appliances, such as room heaters, which share the same environment with the hood, must be fully insulated from the exhaust of this product or they must be hermetical.
- If there is another appliance operating with fuel oil or gaseous fuels in the environment, adequate ventilation of the environment is required.
- If there is another appliance operating with energy other than electrical energy in the same environment with the hood, the negative pressure in the room should be at most 0.04 mbar so that the exhaust of the other appliance is not drawn back into the room by the hood.
- Do not connect to flues with heating stove connection, flues where waste gas is disposed from or flues with rising flames. Comply with local regulations on purging the out-flow.
- Use pipes with a diameter of 120 mm when connecting a flue to your product. The pipe connection should be as short as possible and with few bends.
- Easily flammable and combustible materials should not be hung on the hood handles.
- Our company shall not be responsible for problems that arise for not observing any of the warnings above.
- There is a risk of fire if cleaning is not carried out in accordance with the instructions.
- There should not be open fire under the hood. (for example: flambe)

- **Caution:** Accessible parts can heat up when used with a cooker.
- It is recommended to clean the filter once a month under normal usage.

1.4 Intended Use

- This product is designed for home use. Commercial use will void the guarantee.
- The manufacturer assumes no responsibility for any damage due to misuse or mishandling.
- The service life of the product you have purchased is 10 years. Manufacturer shall provide the required spare parts for the product to perform as defined during this period.

1.5 Child, Vulnerable Persons and Pet Safety

- Keep children away from the product when it is running.
- Children should not play with the product. Cleaning and user maintenance should not be performed by children unless there is someone overseeing them.
- This product should not be used by people with limited physical, sensory or mental capacity (including children), un-

less they are kept under supervision or receive the necessary instructions.

- The packaging materials are dangerous for children. Keep the packaging materials out of the reach of children or sort them into waste according to waste instructions.
- Electrical products are dangerous for children and pets. Keep children away from the product while it is operated and do not let them play with the product.

1.6 Transportation Safety

- Disconnect the product from the mains before transporting the product.
- Do not put other items on the product and carry the product upright.
- When you need to transport the product, wrap it with bubble wrap packaging material or thick cardboard and tape it tightly. Secure the product tightly with tape to prevent the removable or moving parts of the product and the product from getting damaged.

- Check the overall appearance of the product for any damage that may have occurred during transportation.

2 Environmental Instructions

2.1 Waste Directive

2.1.1 Compliance with the WEEE Directive and Disposing of the Waste Product

This product complies with EU WEEE Directive (2012/19/EU). This product bears a classification symbol for waste electrical and electronic equipment (WEEE).



This product has been manufactured with high quality parts and materials which can be reused and are suitable for recycling. Therefore, do not dispose of the waste product with normal domestic and other wastes at the end of its service life. Take it to a collection point for the recycling of electrical and electronic equipment. You can ask your local

administration about these collection points. Disposing of the appliance properly helps prevent negative consequences for the environment and human health.

Compliance with RoHS Directive:

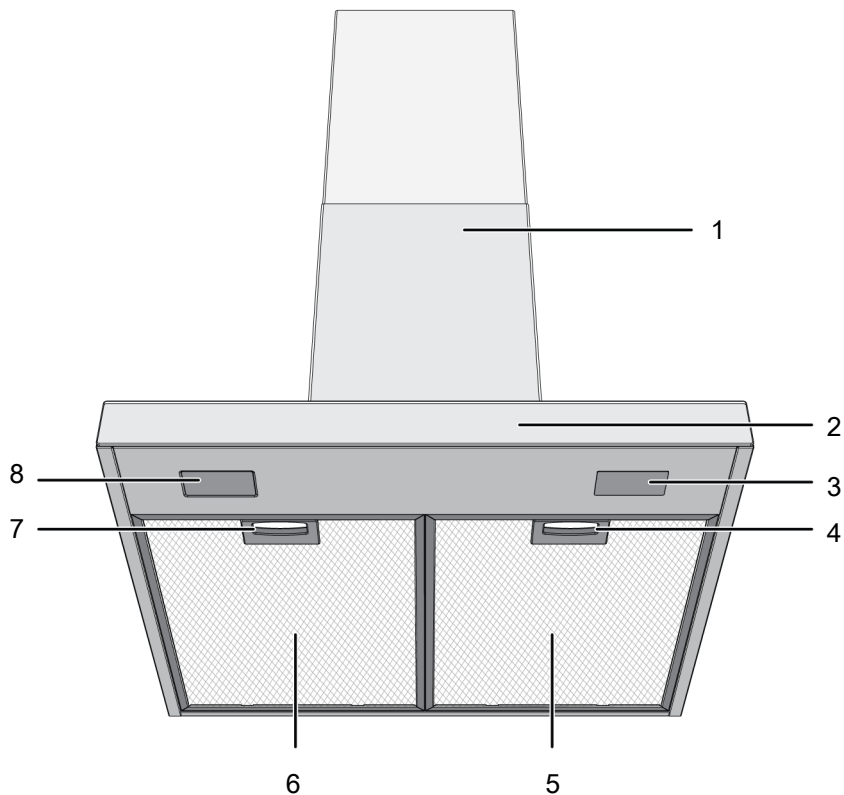
The product you have purchased complies with EU RoHS Directive (2011/65/EU). It does not contain harmful and prohibited materials specified in the Directive.

2.2 Package Information

Packaging materials of the product are manufactured from recyclable materials in accordance with our National Environment Regulations. Do not dispose of the packaging waste with the household or other wastes, take it to the packaging material collection points designated by the local authorities.

3 Your product

3.1 Product Introduction



1 Hood body

3 Lamp

5 Aluminium filter

7 Aluminium filter lock

2 Control panel

4 Aluminium filter lock

6 Aluminium filter

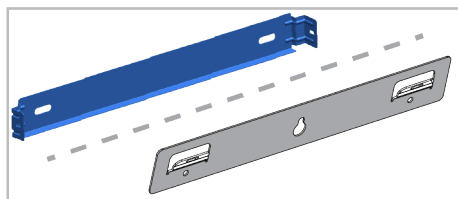
8 Lamp

* Dependent on the model. It may not be available on your product.

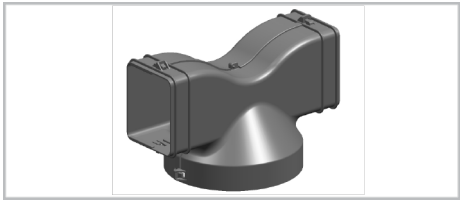
3.2 Product Accessories

Depending on the product model, the supplied accessory varies. All accessories described in the user's manual may not be available in your product.

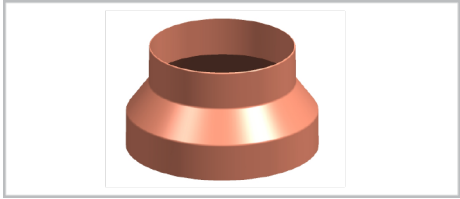
Wall mounting part



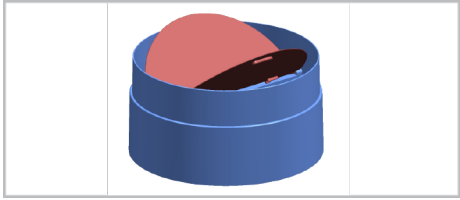
Air router



Flue connection adapter



Covers to prevent reverse airflow



3.3 Technical Specifications

Product external dimensions (height/width/depth) (mm)	min. 735 - max. 1025 /898 /505
Voltage/Frequency	220-240 V ~1N; 50 Hz
Total power consumption	max. 240 W
Suction power	605 m ³ /h
Diameter of air outlet pipe	120-150 mm

Control	
Model A	3 levels
Model B	3 levels + 1 booster
Model C	3 levels + 1 booster



Technical specifications may be changed without prior notice to improve the quality of the product.



Figures in this manual are schematic and may not exactly match your product.

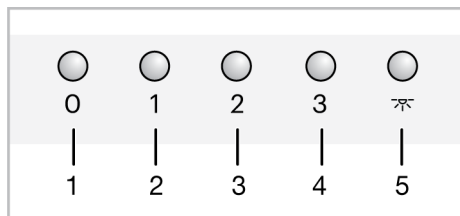


Values stated on the product labels or in the documentation accompanying it are obtained in laboratory conditions in accordance with relevant standards. Depending on operational and environmental conditions of the product, these values may vary.

4 Using the Hood

The hood has an engine with various speeds. For a good performance, we recommend using low speeds under normal conditions and high speeds in case of strong odour and vapour condensation.

MODEL A



- 1 Off button
- 2 Speed 1 button
- 3 Speed 2 button
- 4 Speed 3 button
- 5 Lamp button

5 Maintenance and Cleaning

5.1 General Cleaning Information

General warnings

- Service life of the product extends and frequently faced problems decrease if cleaned at regular intervals.
- Disconnect the product from the electrical connection before starting maintenance and cleaning operations. There is an electric shock hazard!
- Some detergents or cleaning agents may cause damage to the surface. Do not use abrasive detergents, cleaning powders, cleaning creams or sharp objects during cleaning.
- Do not use steam cleaning products for cleaning.

Product cleaning

- The product should be thoroughly cleaned after each use. Thus, food residues are easily cleaned and these residues are prevented from burning when the product is used again later.

Operating the hood

1. Press the speed level button you have selected to operate the hood.
 - ⇒ The hood starts to operate in the adjusted speed level.
2. You can press the other speed level buttons to change the speed level.

Turning off the hood

1. When your hood is operated at any level, press the off button.

Operating the lamp

1. Press the button to operate the lamp.
 - ⇒ Hood lamp lights.

Turning off the lamp

1. You can turn off the hood lamp by pressing the button again.

- No special cleaning agent is required for cleaning the product. Clean the product using dishwashing detergent, warm water and a soft cloth or sponge and dry it with a dry cloth.
- Do not use acid or chlorine-containing cleaning agents to clean stainless or inox surfaces and handles. Clean with a soft soapy cloth and liquid (non-scratching) detergent, taking care to wipe in one direction.
- There are sensors in the backside of the product's glass cover. Do not damage these sensors during cleaning. (For model C)

5.2 Aluminium Filter

This filter serves to retain oil particles in the air. **It is recommended to clean the filter once a month under normal usage.** To achieve this:

1. Remove the aluminium filters.
2. Wash the filters in water using liquid detergent and reinstall after drying.

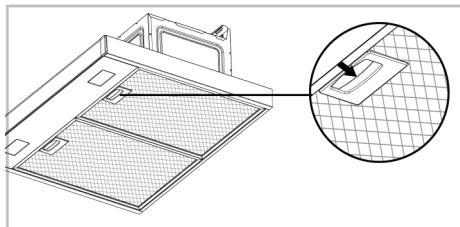
Aluminium filters may change colour as they are washed; this is normal and does not require replacing your filters.



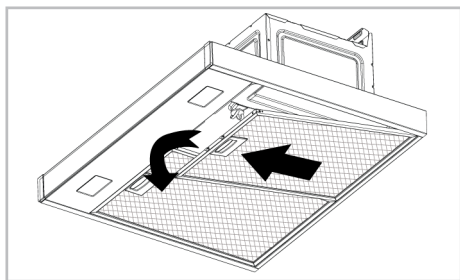
You can also wash the aluminium filter in the washing machine. (max. 70 °C)

Removing aluminium filters

1. Push the aluminium filter lock forward.



2. Lower the filter slightly and pull it forward. Otherwise, you can tilt the filter.



3. Reinstall the aluminium filter in its slot after flushing by following the above steps in reverse.

5.3 Hood Lamp

In the event of a lamp malfunction in the hood, contact your local dealer or the Customer Service, and ensure that the lamp is replaced.

6 Troubleshooting

If the problem persists after following the instructions in this section, contact your vendor or an Authorized Service. Never try to repair your product yourself.

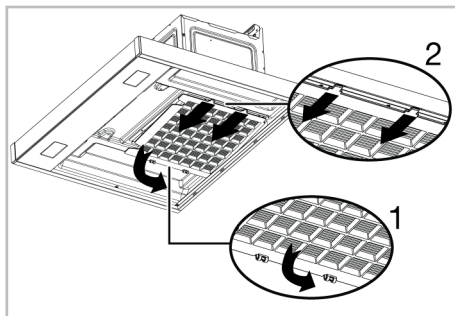
5.4 Carbon Filter (Usage without a flue)

General warnings

- If you have installed your product without a flue, you should replace your carbon filters every 4 months in normal use. You can obtain the carbon filter from Authorized Services.
- The carbon filter should never be washed.
- If you do not follow the rules for cleaning and replacing the filters of your hood, you may cause a fire.

Removing carbon filter

1. Remove the aluminium filters.
2. Release the locks of the carbon filter from their slots (1).



3. Remove the pins on the other end of the carbon filter from its socket and pull it out in the direction of the arrow (2).
4. Reverse this process, first insert the tabs into the slot of the new carbon filter and then push the locks upwards.
5. Install the aluminium filters.

Product is not working.

- Fuse may be faulty or blown. >>> Check the fuses in the fuse box. Change them if necessary or reactivate them.

- The product may not be plugged in. >>> Check if the product is plugged in to the outlet or not.
- The speed button may not be set. >>> Press/touch the desired speed button.
- There may be no electricity. >>> Ensure the mains is operational and check the fuses in the fuse box. Change the fuses if necessary or reactivate them.

Hood light is not on.

- Hood lamp may be faulty. >>> Contact your local dealer where you purchased your product or the Customer Service, and ensure that the lamp is replaced.
- There may be no electricity. >>> Ensure the mains is operational and check the fuses in the fuse box. Change the fuses if necessary or reactivate them.

Willkommen!

Sehr geehrter Kunde,

Vielen Dank, dass Sie sich für das Beko Produkt entschieden haben. Wir stellen Ihnen dieses Produkt vor, das mit hoher Qualität und Technologie hergestellt wurde, um Ihnen die beste Effizienz zu bieten. Lesen Sie deswegen dieses Handbuch und alle anderen mitgelieferten Dokumentationen sorgfältig durch, bevor Sie das Produkt verwenden.

Beachten Sie alle Informationen und Warnungen im Benutzerhandbuch. Auf diese Weise schützen Sie sich und Ihr Produkt vor den Gefahren, die auftreten können.

Bewahren Sie das Benutzerhandbuch auf. Wenn Sie das Produkt an eine andere Person weitergeben, geben Sie das Handbuch mit. Die Garantiebedingungen, Verwendungs- und Fehlerbehebungsmethoden für Ihr Produkt sind in der Bedienungsanleitung enthalten.

Die Symbole und ihre Beschreibungen in der Bedienungsanleitung:



Gefahr, die zum Tod oder zu Verletzungen führen kann.



Wichtige Informationen oder nützliche Anwendungstipps.



Bitte lesen Sie das Benutzerhandbuch.



Warnung vor heißer Oberfläche.

HINWEIS Gefahr, die zu materiellen Schäden am Produkt oder seiner Umgebung führen kann.

Arçelik A.Ş.

Karaağaç caddesi No:2-6
34445 Sütlüce/Istanbul/TURKEY

Made in TURKEY

Inhaltsverzeichnis

1	Sicherheitshinweise	18
1.1	Allgemeine Sicherheit	18
1.2	Sicherheitshinweise zu Elektrogeräten	19
1.3	Produktsicherheit	21
1.4	Verwendungszweck	22
1.5	Besondere Sicherheitshinweise rund um Kinder, schutzbedürftige Menschen und Haustiere.....	23
1.6	Sicherheit beim Transport	23
2	Hinweise zum Umweltschutz	24
2.1	Abfallrichtlinie.....	24
2.1.1	Informationen zur Entsorgung..	24
2.2	Paketinformationen.....	24
3	Ihr neues Gerät	25
3.1	Produkteinführung.....	25
3.2	Produktzubehör	25
3.3	Technische Spezifikationen.....	27
4	Nutzung der Dunstabzugshaube.	28
5	Wartung und Reinigung	28
5.1	Allgemeine Reinigungshinweise...	28
5.2	Aluminiumfilter	29
5.3	Haubenlampe	29
5.4	Kohlefilter (Verwendung ohne Rauchabzug)	29
6	Fehlerbehebung	30



1 Sicherheitshinweise

- Dieser Abschnitt enthält die Sicherheitshinweise, die erforderlich sind, um die Gefahr von Personen- oder Sachschäden zu vermeiden.
- Bei Weitergabe des Produkts an eine andere Person zum persönlichen Gebrauch oder zum Gebrauch aus zweiter Hand sind auch die Bedienungsanleitung, Produktetiketten und andere relevante Dokumente und Teile mitzugeben.
- Für Schäden, die bei Nichtbeachtung dieser Hinweise entstehen, übernimmt unser Unternehmen keine Haftung.
- Bei Nichtbeachtung dieser Anweisungen erlischt jegliche Garantie.
- Lassen Sie die Installations- und Reparaturarbeiten immer vom Hersteller, dem autorisierten Kundendienst oder einer vom Importeur zu benennenden Person durchführen.
- Verwenden Sie nur Originalersatzteile und Originalzubehör.
- Reparieren oder ersetzen Sie keine Komponenten des Produkts, es sei denn, dies ist im Benutzerhandbuch klar angegeben.
- Nehmen Sie keine technischen Veränderungen am Produkt vor.



1.1 Allgemeine Sicherheit

- Das Gerät darf nur dann von Kindern ab 8 Jahren und von Menschen, die unter körperlichen oder geistigen Einschränkungen leiden, bedient werden, wenn diese zuvor gründlich über die möglichen Gefahren des Gerätes und einen sicheren Umgang damit aufgeklärt wurden. Dies gilt natürlich auch für sämtliche sonstigen Leute, die sich mit solchen Geräten noch nicht auskennen. Lassen Sie Kinder nicht mit dem Gerät spielen. Reinigung und Benutzerwartung dürfen nicht von Kindern ohne Aufsicht durchgeführt werden.
- **Vergiftungsgefahr!** Während das Gerät in Betrieb ist, wird Luft aus dem ganzen Haus angesaugt. Wenn keine ausreichende Belüftung gewährleistet ist, kommt es zu einem Luftstrom und die durch die Verbrennung im Haus freigesetzten Abfälle und giftigen Gase werden resorbiert. Betreiben Sie das Produkt nicht zu

- sammen mit Produkten, die für Luftzirkulation sorgen und giftige Gase freisetzen können (Holz-, Gas-, Öl- und Kohleöfen, Boiler, Warmwasserbereiter usw.).
- Lassen Sie die Funktionsfähigkeit der Lüftungs- und Abgasystem Ihres Gebäudes von autorisierten Personen überprüfen.
 - Dieses Produkt ist nicht für die Verwendung durch Personen (einschließlich Kinder) mit eingeschränkten physischen, sensorischen oder geistigen Fähigkeiten oder ohne Wissen oder Erfahrung bestimmt, es sei denn, sie werden von der für ihre Sicherheit verantwortlichen Person beaufsichtigt oder angewiesen. Kinder sollten stets beaufsichtigt werden, damit sie nicht mit dem Gerät spielen. Reinigung und Benutzerwartung dürfen nicht von Kindern ohne Aufsicht durchgeführt werden.
 - Installations- und Reparaturverfahren müssen immer vom autorisierten **Kundendienst** durchgeführt werden. Der Hersteller kann nicht für Schäden verantwortlich gemacht werden, die durch den Betrieb durch nicht autorisierte Personen entstehen können.
 - Betreiben Sie das Produkt nicht, wenn es defekt ist oder sichtbare Schäden aufweist.
 - Stellen Sie sicher, dass die Produktfunktionsknöpfe nach jedem Gebrauch ausgeschaltet sind.
 - Bei Weitergabe des Produkts an eine andere Person zum persönlichen Gebrauch oder zum Gebrauch aus zweiter Hand sind auch die Bedienungsanleitung, Produktetiketten und andere relevante Dokumente und Teile mitzugeben.
 - Rufen Sie den autorisierten Service für die Installation des zu verwendenden Produkts an. Nach diesem Vorgang beginnt die Gewährleistungsfrist.
 - Das Produkt muss von einer qualifizierten Person gemäß den geltenden Vorschriften installiert werden, damit die Garantie gültig ist.



1.2 Sicherheitshinweise zu Elektrogeräten

- Um Ihr Produkt einsatzbereit zu machen, geben Sie zunächst den Aufstellort an und lassen Sie die Elektroinstallation durchführen. Rufen Sie dann den nächsten autorisierten Kundendienst an.

- Wenn das Produkt einen Fehler aufweist, sollte es nicht betrieben werden, es sei denn, es wurde von einem autorisierten Kundendienst repariert. Es besteht die Gefahr eines Stromschlags!
- Schließen Sie Ihre Dienstabzugsgaube erst an, wenn sie montiert ist.
- Wenn Ihr Produkt einen Stecker hat, berühren Sie den Stecker niemals mit nassen Händen! Niemals durch Ziehen am Kabel den Stecker ziehen, immer am Stecker festhalten.
- Während der Installations-, Wartungs-, Reinigungs- und Reparaturprozesse sollte die Stromversorgung des Geräts unterbrochen werden.
- Um Gefährdungen zu vermeiden, muss das Elektrokabel im Schadensfall vom Hersteller, der Servicestelle des Herstellers oder einer ähnlich qualifizierten Person ausgetauscht werden.
- Wenn das Kabel beschädigt ist, wenden Sie sich an unser nächstgelegenes Kundendienst und lassen Sie ein neues installieren.
- Wenn Ihr Produkt über einen Stecker verfügt, stellen Sie keine elektrischen Verbindungen her, indem Sie den Stecker während der Installation abziehen. Durch Trennen hergestellte Verbindungen führen zum Erlöschen der Produktgarantie und stellen eine Gefahr für die Benutzersicherheit dar.
- Verlegen Sie das Netzkabel nicht in der Nähe der Heizungen. Das Kabel könnte schmelzen und einen Brand verursachen.
- Verfügt Ihr Produkt über kein Kabel, verwenden Sie nur das im Kapitel „Technische Daten“ beschriebene Anschlusskabel.
- Alle Arbeiten an elektrischen Geräten und Anlagen dürfen nur von autorisierten und qualifizierten Personen durchgeführt werden.
- Schalten Sie das Produkt bei Beschädigungen aus und trennen Sie es vom Stromnetz. Schalten Sie dazu die Sicherung zu Hause aus.
- Stellen Sie sicher, dass der Sicherungswert mit dem Produkt kompatibel ist.
- Waschen Sie das Gerät niemals, indem Sie es mit Wasser bespritzen oder darüber ausgießen! Es besteht die Gefahr eines Stromschlags!



1.3 Produktsicherheit

- Die Höhe zwischen der Unterseite Ihrer Dunstabzugshaube und der Oberseite des Ofens sollte mindestens 650 mm betragen.
- Berühren Sie die Lampen Ihrer Dunstabzugshaube nicht, nachdem Sie die Dunstabzugshaube längere Zeit in Betrieb genommen haben. Heiße Lampen können Ihre Hand verbrennen.
- Betreiben Sie das Gerät nicht ohne Ölauffangfilter. Entfernen Sie die Filter nicht, während das Gerät in Betrieb ist.
- Keine große Flamme unter dem Produkt erzeugen. Andernfalls kann sich das Öl im Ölabscheiderfilter entzünden und einen Brand verursachen.
- Lassen Sie das Produkt laufen, nachdem Sie die Kochtöpfe, Pfannen usw. auf die Öfen gestellt haben. Andernfalls können einige Teile Ihres Produkts durch aufsteigende Hitze verformt werden.
- Schalten Sie den Backofen aus, bevor Sie Kochtöpfe, Pfannen usw. aus dem Backofen nehmen.
- Bewahren Sie keine leicht entflammbaren Materialien unter Ihrer Haube auf.
- Setzen Sie das Gerät keinem offenen Feuer aus. Dadurch kann sich das im Filter angesammelte Öl entzünden. Betreiben Sie das Gerät nicht ohne Filter.
- Lassen Sie Ihren Herd während des Garens von frittierten Speisen nicht unbeaufsichtigt, da Öle beim Kochen Feuer fangen und heißes Öl Feuer verursachen kann. Achten Sie daher auf Kleidung und Vorhänge.
- Bei nicht rechtzeitiger Reinigung besteht Brandgefahr an der Haube.
- (Für Modelle A und B) Lassen Sie Ihre Dunstabzugshaube nach dem Koch- oder Bratvorgang weitere 15 Minuten laufen, um die Küchenluft gründlich von Gerüchen und Dämpfen zu reinigen, die beim Kochen entstehen.
- Bei gleichzeitiger Verwendung von Gas- oder anderen brennstoffbetriebenen Geräten und gleichzeitiger Verwendung der Dunstabzugshaube mit Herd muss für eine ausreichende Belüftung des Raumes gesorgt werden. (Gilt nur nicht für Geräte, die Luft in den Raum zurückführen).
- Gas- oder Heizölverbrennungsgeräte, wie z.B. Raumheizgeräte, die die gleiche Umgebung

- mit der Dunstabzugshaube teilen, müssen vollständig gegen die Abgase dieses Produkts isoliert oder hermetisch sein.
- Befindet sich in der Umgebung ein anderes Gerät, das mit Heizöl oder gasförmigen Brennstoffen betrieben wird, ist eine ausreichende Belüftung der Umgebung erforderlich.
 - Wenn in der gleichen Umgebung mit Dunstabzugshaube ein anderes Gerät mit anderer Energie als elektrischer Energie betrieben wird, sollte der Unterdruck im Raum maximal 0,04 mbar betragen, damit die Abluft des anderen Geräts nicht durch die Belüftung in den Raum zurückgezogen wird.
 - Nicht an Kamine mit Heizofenanschluss, Kamine zur Abgasentsorgung oder Kamine mit aufsteigender Flamme anschließen. Beachten Sie die örtlichen Vorschriften zum Spülen des Abflusses.
 - Verwenden Sie Rohre mit einem Durchmesser von 120 mm, wenn Sie einen Rauchabzug an Ihr Produkt anschließen. Die Rohrverbindung sollte möglichst kurz und mit wenigen Bögen sein.
 - An den Haubengriffen dürfen keine leicht entzündlichen und brennbaren Materialien aufgehängt werden.
 - Unser Unternehmen ist nicht verantwortlich für Probleme, die durch die Nichtbeachtung einer der obigen Warnungen entstehen.
 - Bei nicht vorschriftsmäßiger Reinigung besteht Brandgefahr.
 - Unter der Haube darf kein offenes Feuer sein. (zum Beispiel: flambieren)
 - **Vorsicht:** Zugängliche Teile können sich bei Verwendung mit einem Herd erhitzen.
 - Es wird empfohlen, den Filter bei normalem Gebrauch einmal im Monat zu reinigen.



1.4 Verwendungszweck

- Dieses Produkt ist für den Heimgebrauch bestimmt. Kommerzielle Nutzung führt zum Erlöschen der Garantie.
- Der Hersteller übernimmt keine Verantwortung für Schäden aufgrund von Missbrauch oder falscher Handhabung.
- Die Lebensdauer des von Ihnen gekauften Produkts beträgt 10 Jahre. Der Hersteller stellt die erforderlichen Ersatzteile zur Verfügung, damit das

Produkt während dieses Zeitraums wie definiert funktioniert.

1.5 Besondere Sicherheitshinweise rund um Kinder, schutzbedürftige Menschen und Haustiere



- Halten Sie Kinder vom Produkt fern, wenn er in Betrieb ist.
- Lassen Sie Kinder nicht mit dem Gerät spielen. Reinigungs- und leichte Wartungstätigkeiten dürfen nur dann von Kindern erledigt werden, wenn sie dabei stets unter Aufsicht stehen.
- Das Gerät sollte nicht von Menschen bedient werden, die unter körperlichen oder geistigen Einschränkungen leiden, sofern diese nicht stets beaufsichtigt werden und gründlich mit der Bedienung des Gerätes vertraut gemacht wurden. Dies gilt natürlich auch für Kinder.
- Das Verpackungsmaterial ist für Kinder gefährlich. Bewahren Sie das Verpackungsmaterial außerhalb der Reichweite von Kindern auf oder entsorgen Sie es gemäß den Abfallanweisungen.

- Elektrogeräte können immer eine Gefahr für Kinder und Haustiere darstellen. Halten Sie Kinder während des Betriebs vom Produkt fern und lassen Sie sie nicht mit dem Produkt spielen.



1.6 Sicherheit beim Transport

- Trennen Sie das Gerät vollständig von der Stromversorgung, auch wenn es nur über sehr kurze Strecken transportiert, also nur umgesetzt wird.
- Legen Sie keine anderen Gegenstände auf das Produkt und tragen Sie das Produkt aufrecht.
- Hüllen Sie das Gerät vor dem Transportieren mit Luftpolsterfolie (die mit den kleinen Blasen) oder kräftigem Karton ein, anschließend mit Klebeband fixieren. Fixieren Sie auch entnehmbare oder bewegliche Teile des Gerätes großzügig mit Klebeband, damit nichts beschädigt wird.
- Prüfen Sie das Gerät nach dem Transport akribisch auf Transportschäden.

2 Hinweise zum Umweltschutz

2.1 Abfallrichtlinie

2.1.1 Informationen zur Entsorgung

Dieses Produkt entspricht der EU-WEEE-Richtlinie (2012/19/EU). Dieses Produkt trägt ein Klassifizierungssymbol für elektrische und elektronische Altgeräte (WEEE).



Dieses Produkt wurde Teilen und Materialien von hoher Qualität gefertigt, die wiederverwendet werden können und zum Recycling geeignet sind.

Entsorgen Sie das Abfallprodukt am Ende seiner Lebensdauer nicht mit dem normalen Hausmüll und anderen Abfällen. Bringen Sie es zu einer Recyclingstation für elektrische und elektronische Altgeräte. Diese Sammelstellen können Sie bei Ihrer örtlichen Verwaltung erfragen.

gen. Die ordnungsgemäße Entsorgung des Geräts trägt dazu bei, negative Folgen für die Umwelt und die menschliche Gesundheit zu vermeiden.

Einhaltung der RoHS-Richtlinie:

Das von Ihnen erworbene Produkt entspricht der EU-RoHS-Richtlinie (2011/65/EU). Es enthält keine schädlichen und verbotenen Materialien, die in der Richtlinie angegeben sind.

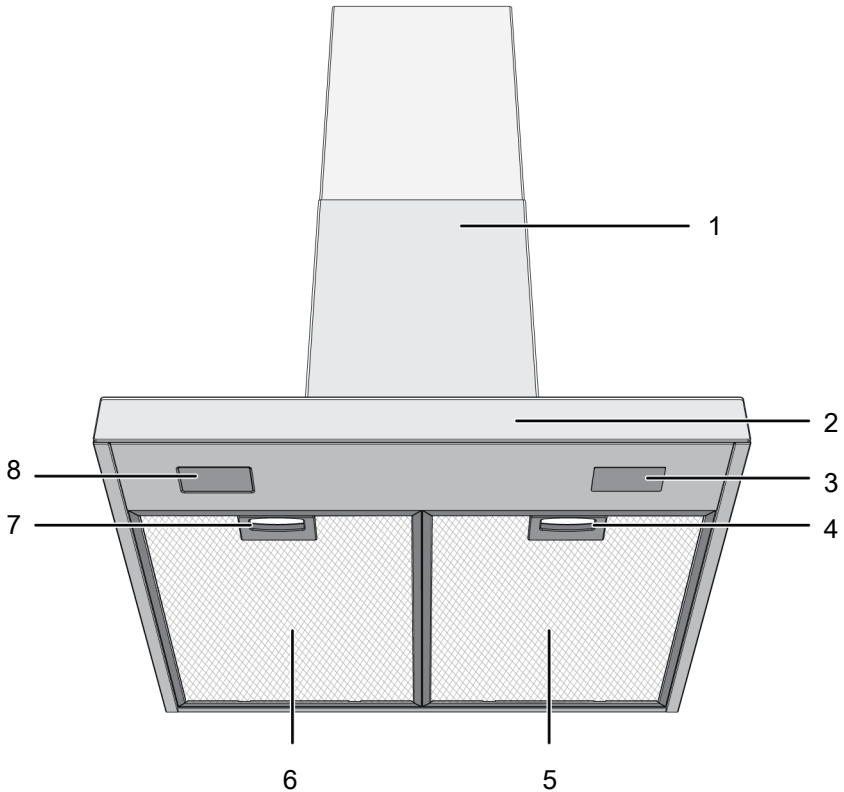
2.2 Paketinformationen

Verpackungsmaterialien des Produkts werden gemäß unseren nationalen Umweltvorschriften aus recycelbaren Materialien hergestellt. Entsorgen Sie den Verpackungsabfall nicht mit dem Hausmüll oder anderen Abfällen, sondern bringen Sie ihn zu den von den örtlichen Behörden vorgesehenen Sammelstellen für Verpackungsmaterial.

3 Ihr neues Gerät

3.1 Produkteinführung

DE



1 Haubenkörper

3 Lampe

5 Aluminiumfilter

7 Aluminiumfilterverschluss

2 Bedienfeld

4 Aluminiumfilterverschluss

6 Aluminiumfilter

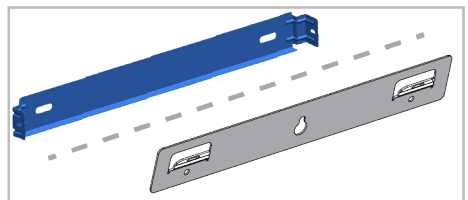
8 Lampe

* Abhängig vom Modell. Möglicherweise ist es auf Ihrem Produkt nicht verfügbar.

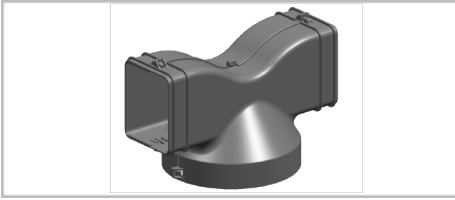
3.2 Produktzubehör

Je nach Gerätemodell wird unterschiedliches Zubehör angeboten. Eventuell ist nicht sämtliches in dieser Anleitung beschriebene Zubehör für Ihr Gerät erhältlich.

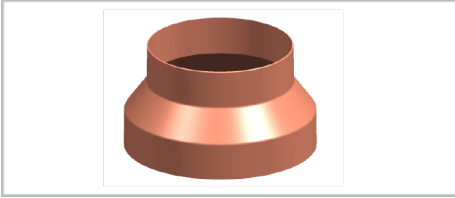
Wandmontage teil



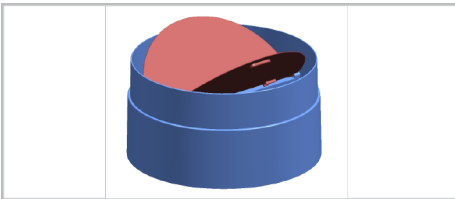
Luftrouter



Abgasanschlussadapter



Abdeckungen, um einen umgekehrten Luftstrom zu verhindern





3.3 Technische Spezifikationen


Produkt-Außenabmessungen (Höhe/Breite/Tiefe) (mm)	min. 735 - max. 1025 /898 /505
Spannung / Frequenz	220-240 V ~1N; 50 Hz
Gesamte Leistungsaufnahme	max. 240 W
Saugleistung	605 m ³ /h
Durchmesser des Luftauslassrohres	120-150 mm

DE

Steuerung	
Modell A	3 Ebenen
Modell B	3 Stufen + 1 Booster
Modell C	3 Stufen + 1 Booster

 Technische Spezifikationen können ohne vorherige Ankündigung geändert werden, um die Qualität des Produkts zu verbessern.

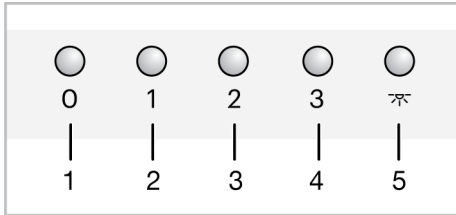
 Die Abbildungen in diesem Handbuch sind schematisch und entsprechen möglicherweise nicht genau Ihrem Produkt.

 Die auf den Produktetiketten oder in der Begleitdokumentation angegebenen Werte werden unter Laborbedingungen in Übereinstimmung mit den einschlägigen Normen ermittelt. Je nach Betriebs- und Umgebungsbedingungen des Produkts können diese Werte variieren.

4 Nutzung der Dunstabzugshaube

Die Dunstabzugshaube hat einen Motor mit verschiedenen Geschwindigkeiten. Für eine gute Leistung empfehlen wir, unter normalen Bedingungen niedrige Geschwindigkeiten und bei starker Geruchs- und Dampfkondensation hohe Geschwindigkeiten zu verwenden.

MODELL A



- 1 Aus-Taste
- 2 Geschwindigkeit 1-Taste
- 3 Geschwindigkeit 2 Taste
- 4 Geschwindigkeit 3 Taste
- 5 Lampentaste

Bedienung der Dunstabzugshaube

1. Drücken Sie die gewählte Geschwindigkeitsstufentaste, um die Dunstabzugshaube zu bedienen.
 - ⇒ Die Dunstabzugshaube beginnt in der eingestellten Geschwindigkeitsstufe zu laufen.
2. Sie können die anderen Geschwindigkeitsstufentasten drücken, um die Geschwindigkeitsstufe zu ändern.

Dunstabzugshaube ausschalten

1. Wenn Ihre Dunstabzugshaube auf einer beliebigen Stufe betrieben wird, drücken Sie die Aus-Taste.

Betrieb der Lampe

1. Drücken Sie die Taste, um die Lampe zu bedienen.
 - ⇒ Dunstabzugshaube leuchtet.

Ausschalten der Lampe

1. Sie können die Haubenlampe durch erneutes Drücken der Taste ausschalten.

5 Wartung und Reinigung

5.1 Allgemeine Reinigungshinweise

Allgemeine Vorsichtshinweise

- Durch regelmäßiges Reinigen verlängern Sie die Lebenserwartung Ihres Gerätes und beugen Fehlfunktionen vor.
- Trennen Sie das Produkt von elektrischen Anschluss, bevor Sie mit den Wartungs- und Reinigungsarbeiten beginnen. Es besteht die Gefahr eines Stromschlags!
- Einige Detergenzien oder Reinigungsmittel können die Oberfläche beschädigen. Verwenden Sie bei der Reinigung keine scheuernden Reinigungsmittel, Reinigungspulver, Reinigungscremes oder scharfe Gegenstände.
- Verwenden Sie zur Reinigung keine Dampf Reinigungsmittel.

Produktreinigung

- Am besten reinigen Sie das Gerät nach jedem Einsatz gründlich. So lassen sich Speisereste viel leichter entfernen und brennen beim nächsten Einsatz auch nicht hartnäckig ein.
- Zum Reinigen Ihres Gerätes brauchen Sie keine Spezialmittel. Reinigen Sie das Gerät mit Spülmittel, warmem Wasser und einem weichen Tuch oder Schwamm. Anschließend trocknen Sie alles mit einem trockenen Tuch gut ab.
- Verwenden Sie keine säure- oder chlorhaltigen Reinigungsmittel, um Oberflächen und Griffe aus Edelstahl oder Inox zu reinigen. Benutzen Sie ein mit etwas Wasser und Spülmittel (kein Scheuermittel) angefeuchtetes Tuch. Wischen Sie am besten immer nur in eine Richtung.

- Auf der Rückseite der Glasabdeckung des Produkts befinden sich Sensoren. Beschädigen Sie diese Sensoren während der Reinigung nicht. (Für Modell C)

5.2 Aluminiumfilter

Dieser Filter dient dazu, Ölpartikel in der Luft zurückzuhalten. **Es wird empfohlen, den Filter bei normalem Gebrauch einmal im Monat zu reinigen.** Um das zu erreichen:

1. Entfernen Sie die Aluminiumfilter.
2. Waschen Sie die Filter in Wasser mit flüssigem Reinigungsmittel und setzen Sie sie nach dem Trocknen wieder ein.

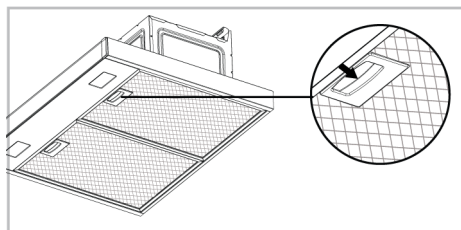
Aluminiumfilter können beim Waschen ihre Farbe ändern. Dies ist normal und erfordert keinen Austausch der Filter.



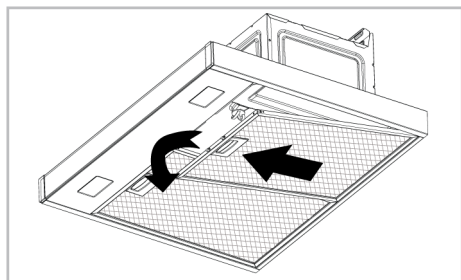
Sie können den Aluminiumfilter auch in der Waschmaschine waschen. (max. 70 °C)

Entfernen der Aluminiumfilter

1. Schieben Sie die Aluminiumfilterverriegelung nach vorne.



2. Senken Sie den Filter leicht ab und ziehen Sie ihn nach vorne. Andernfalls können Sie den Filter neigen.



3. Setzen Sie den Aluminiumfilter nach dem Spülen wieder in seinen Schlitz ein, indem Sie die obigen Schritte in umgekehrter Reihenfolge ausführen.

5.3 Haubenlampe

Bei einer Fehlfunktion der Lampe in der Dunstabzugshaube wenden Sie sich an Ihren Händler vor Ort oder den Kundendienst und sorgen Sie dafür, dass die Lampe ausgetauscht wird.

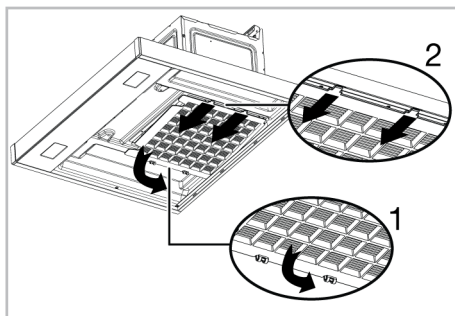
5.4 Kohlefilter (Verwendung ohne Rauchabzug)

Allgemeine Warnungen

- Wenn Sie Ihr Produkt ohne Rauchabzug installiert haben, sollten Sie Ihre Kohlefilter bei normalem Gebrauch alle 4 Monate austauschen. Sie können den Kohlefilter von autorisierten Kundendienststellen beziehen.
- Der Kohlefilter sollte niemals gewaschen werden.
- Wenn Sie die Regeln zum Reinigen und Ersetzen der Filter Ihrer Dunstabzugshaube nicht befolgen, können Sie einen Brand verursachen.

Kohlefilter ausbauen

1. Entfernen Sie die Aluminiumfilter.
2. Lösen Sie die Sperren des Kohlefilters aus ihren Schlitzen (1).



3. Entfernen Sie die Stifte am anderen Ende des Kohlefilters aus seiner Fassung und ziehen Sie ihn in Pfeilrichtung (2) heraus.

4. Führen Sie diesen Vorgang in umgekehrter Reihenfolge aus, stecken Sie zuerst die Laschen in den Schlitz des neuen Kohlefilters und drücken Sie dann die Riegel nach oben.
5. Installieren Sie die Aluminiumfilter.

6 Fehlerbehebung

Sollte das Problem nach dem Ausführen der hier gegebenen Anweisungen fortbestehen, wenden Sie sich bitte an den Kundendienst oder den Fachhändler. Versuchen Sie niemals ihr Gerät selbständig zu reparieren.

Gerät funktioniert nicht.

- Sicherung ist möglicherweise defekt oder durchgebrannt. >>> Überprüfen Sie die Sicherungen im Sicherungskasten. Falls nötig, ersetzen oder reaktivieren Sie sie.
- Das Produkt ist möglicherweise nicht eingesteckt. >>> Prüfen Sie, ob das Produkt an die Steckdose angeschlossen ist oder nicht.
- Die Geschwindigkeitstaste ist möglicherweise nicht eingestellt. >>> Drücken/berühren Sie die gewünschte Geschwindigkeitstaste.
- Möglicherweise gibt es keinen Strom. >>> Stellen Sie sicher, dass das Stromnetz betriebsbereit ist und überprüfen Sie die Sicherungen im Sicherungskasten. Tauschen Sie bei Bedarf die Sicherungen aus oder aktivieren Sie diese wieder.

Haubenlicht ist nicht an.

- Die Haubenlampe ist möglicherweise defekt. >>> Wenden Sie sich an Ihren Händler vor Ort, bei dem Sie Ihr Produkt gekauft haben, oder an den Kundendienst und stellen Sie sicher, dass die Lampe ausgetauscht wird.
- Möglicherweise gibt es keinen Strom. >>> Stellen Sie sicher, dass das Stromnetz betriebsbereit ist und überprüfen Sie die Sicherungen im Sicherungskasten. Tauschen Sie bei Bedarf die Sicherungen aus oder aktivieren Sie diese wieder.

Bienvenue !

Cher client, chère cliente

Nous vous remercions d'avoir choisi l'appareil Beko . Nous voulons que votre appareil de haute qualité et doté d'une technologie de pointe vous offre une efficacité optimale. Pour ce faire, lisez attentivement ce manuel et tout autre document fourni avant d'utiliser l'appareil.

Tenez compte de toutes les informations et avertissements figurant dans le manuel d'utilisation. Ainsi, vous vous protégerez, vous et votre produit, contre d'éventuels dangers.

Conservez le manuel d'utilisation. Si vous donnez l'appareil à quelqu'un d'autre, donnez également le manuel. Les conditions de garantie, les méthodes d'utilisation et de dépannage de votre appareil sont indiquées dans ce manuel.

Les symboles et leurs descriptions dans le manuel de l'utilisateur :



Danger pouvant entraîner la mort ou des blessures.



Informations importantes et conseils d'utilisation utiles.



Lisez le manuel d'utilisation.



Attention aux surfaces chaudes.

**RE-
MARQUE**

Danger pouvant entraîner des dommages matériels à l'appareil ou à son environnement.

Arçelik A.Ş.
Karaağaç caddesi No:2-6
34445 Sütlüce/Istanbul/TURKEY
Made in TURKEY

Table des matières

1	Consignes de sécurité.....	34
1.1	Consignes de sécurité générales .	34
1.2	Sécurité électrique.....	35
1.3	Sécurité de l'appareil.....	36
1.4	Utilisation prévue.....	38
1.5	Sécurité des enfants, des personnes vulnérables et des animaux domestiques.....	39
1.6	Sécurité des transports.....	39
2	Instructions relatives à l'environnement.....	40
2.1	Directive sur les déchets.....	40
2.1.1	Conformité avec la directive DEEE et élimination des déchets	40
2.2	Informations sur l'emballage.....	40
3	Votre appareil.....	41
3.1	Présentation de l'appareil	41
3.2	Accessoires de l'appareil	41
3.3	Spécifications techniques	43
4	Utilisation de la hotte	44
5	Entretien et nettoyage.....	44
5.1	Consignes de nettoyage générales.....	44
5.2	Filtre en aluminium.....	45
5.3	Lampe de la hotte.....	45
5.4	Filtre à charbon (utilisation sans conduit de fumée)	45
6	Dépannage	46

1 Consignes de sécurité

- Cette section contient les instructions de sécurité nécessaires à la prévention des risques de dommage corporel ou de dommage matériel.
- Si l'appareil est remis à une autre personne pour un usage personnel ou à des fins d'utilisation d'occasion, le manuel d'utilisation, les étiquettes de l'appareil et les autres documents et pièces pertinents doivent également être remis.
- Notre entreprise ne peut être tenue pour responsable des dommages qui peuvent se produire si ces instructions ne sont pas respectées.
- Le non-respect de ces instructions annule toute garantie.
- Faites toujours effectuer les travaux d'installation et de réparation par le fabricant, le service agréé ou une personne que l'entreprise importatrice désignera.
- Utilisez uniquement des pièces d'origine et des accessoires d'origine.
- Évitez de réparer ou de remplacer tout composant de l'appareil sauf si cela est clairement spécifié dans le manuel d'utilisation.
- N'apportez pas de modifications techniques au produit.

1.1 Consignes de sécurité générales

- Cet appareil peut être utilisé par des enfants de 8 ans et plus et par des personnes dont les aptitudes physiques, sensorielles ou mentales sont sous-développées, ou qui manquent d'expérience et de connaissances, à condition qu'ils soient encadrés ou formés à l'utilisation sécuritaire et aux dangers de l'appareil. Les enfants ne doivent pas jouer avec l'appareil. Le nettoyage et l'entretien par l'utilisateur ne doivent pas être effectués par les enfants sans surveillance.
- **Danger d'empoisonnement !** Pendant que l'appareil fonctionne, l'air est aspiré dans toute la maison. Si la ventilation n'est pas suffisante, le flux d'air, les déchets et les gaz toxiques libérés par la combustion dans la maison sont réabsorbés. Ne faites pas fonctionner l'appareil avec des appareils qui assurent la circulation de l'air et qui peuvent émettre des gaz toxiques

(bois, gaz, poêle à pétrole à charbon, chaudières, chauffe-eau, etc.)

- Faites vérifier l'adéquation du système de ventilation et de cheminée de votre bâtiment par des personnes agréées.
 - Cet appareil n'est pas destiné à être utilisé par des personnes (y compris des enfants) dont les capacités physiques, sensorielles ou mentales sont limitées ou qui n'ont pas de connaissances ou d'expérience, à moins qu'elles ne soient supervisées ou instruites par la personne responsable de leur sécurité. Les enfants doivent être surveillés afin de s'assurer qu'ils ne jouent pas avec l'appareil. Le nettoyage et l'entretien par l'utilisateur ne doivent pas être effectués par les enfants sans surveillance.
 - Les procédures d'installation et de réparation doivent être effectuées par des agents de service agréés. Le fabricant ne peut être tenu responsable des dommages qui pourraient survenir en raison d'opérations effectuées par des personnes non autorisées.
 - N'utilisez pas l'appareil s'il est défectueux ou présente des dommages visibles.
- Assurez-vous que les boutons de fonction de l'appareil sont éteints après chaque utilisation.
 - Si l'appareil est remis à une autre personne pour un usage personnel ou à des fins d'utilisation d'occasion, le manuel d'utilisation, les étiquettes de l'appareil et les autres documents et pièces pertinents doivent également être remis.
 - Appelez le service autorisé pour l'installation de l'appareil à utiliser. La durée de la garantie commence après ce processus.
 - L'appareil doit être installé par une personne qualifiée conformément à la réglementation en vigueur pour que la garantie s'applique.

1.2 Sécurité électrique

- Pour que votre appareil soit prêt à l'emploi, il faut premièrement indiquer le lieu d'installation et faire réaliser l'installation électrique. Appelez ensuite le service agréé le plus proche.
- En cas de panne, n'utilisez pas l'appareil jusqu'à ce qu'il soit réparé par un agent de service agréé. Il existe un risque d'électrocution !

- Ne branchez pas votre hotte avant qu'elle ne soit montée.
- Si votre appareil est équipé d'une fiche, ne touchez jamais la fiche avec des mains mouillées ! Ne la débranchez jamais en tirant le cordon. Veuillez toujours tenir à partir de la fiche.
- L'alimentation de l'appareil doit être coupée pendant les processus d'installation, d'entretien, de nettoyage et de réparation.
- Afin d'éviter tout danger, en cas de dommage, le câble électrique doit être remplacé par le fabricant, le centre de service du fabricant ou une personne qualifiée similaire.
- Si le câble est endommagé, contactez le centre de service le plus proche et faites-en installer un nouveau.
- Si votre appareil est équipé d'une fiche, n'effectuez pas de connexions électriques en débranchant la fiche pendant l'installation. Les connexions réalisées par coupure rendent la garantie du produit nulle et constituent un danger pour la sécurité de l'utilisateur.
- N'installez pas le cordon d'alimentation à proximité des appareils de chauffage. Le câble pourrait fondre et provoquer un incendie.
- Si votre appareil n'est pas équipé d'un câble, utilisez uniquement le câble de connexion décrit dans la section "Spécifications techniques".
- Tout travail sur les équipements et les systèmes électriques doit être effectué uniquement par des personnes autorisées et qualifiées.
- Éteignez l'appareil et débranchez-le du secteur en cas de dommage. Pour ce faire, il faut éteindre le fusible à la maison.
- Assurez-vous que le calibre du fusible soit compatible avec le l'appareil.
- Ne lavez jamais l'appareil par pulvérisation ou aspersion d'eau ! Il existe un risque d'électrocution !



1.3 Sécurité de l'appareil

- La hauteur entre la surface inférieure de votre hotte et la surface supérieure du four ne doit pas être inférieure à 650 mm.

- Ne touchez pas les lampes de votre hotte après avoir utilisé la hotte pendant une longue période. Sinon, vous risquez de vous brûler la main.
- Ne faites pas fonctionner l'appareil sans avoir lu ce manuel. Ne retirez pas les filtres lorsque l'appareil est en marche.
- Ne créez pas de flamme vive sous l'appareil. Sinon, l'huile contenue dans le filtre du piège à huile peut s'enflammer et provoquer un incendie.
- Faites fonctionner l'appareil après avoir placé les casseroles, poêles, etc. sur les fours. Sinon, la chaleur croissante peut déformer certaines parties de votre appareil.
- Éteignez le four avant de retirer les casseroles, poêles, etc. des fours.
- Ne gardez pas de matériaux facilement inflammables sous votre hotte.
- N'exposez pas l'appareil à une flamme nue. Cela peut provoquer un incendie de l'huile qui s'accumule dans le filtre. Ne faites pas fonctionner l'appareil sans filtre.
- Ne laissez pas votre cuisinière sans surveillance lorsque vous faites cuire des aliments frits, les huiles peuvent prendre feu pendant la cuisson et l'huile chaude peut provoquer un incendie. Faites donc attention aux vêtements et aux rideaux.
- Si le nettoyage n'est pas effectué en temps voulu, la hotte peut présenter un risque d'incendie.
- (Pour les modèles A et B) Faites fonctionner votre hotte pendant encore 15 minutes après le processus de cuisson ou de friture pour nettoyer complètement l'air de la cuisine des odeurs et des vapeurs générées pendant la cuisson.
- Une ventilation adéquate doit être disponible dans la pièce lorsque des appareils à gaz ou autres appareils à combustible sont utilisés en même temps que la hotte avec cuisinière. (Ne s'applique pas seulement aux appareils qui rejettent l'air dans la pièce).
- Les appareils fonctionnant au gaz ou au fioul, tels que les chauffages d'appoint, qui partagent le même environnement que la hotte, doivent être entièrement isolés de l'échappement de ce produit ou ils doivent être hermétiques.
- Si un autre appareil fonctionnant au fioul ou aux combustibles gazeux se trouve dans

l'environnement, une ventilation adéquate de l'environnement est nécessaire.

- Si un autre appareil fonctionnant avec une énergie autre qu'électrique se trouve dans le même environnement avec ventilation, la pression négative dans la pièce doit être au maximum de 0,04 mbar afin que les gaz d'échappement de l'autre appareil ne soient pas aspirés dans la pièce par la ventilation.
- Ne raccordez pas aux conduits d'évacuation des gaz de combustion, aux conduits d'évacuation des gaz résiduels ou aux conduits d'évacuation des flammes. Respectez les réglementations locales en matière de purge de l'écoulement.
- Utilisez des tuyaux d'un diamètre de 120 mm pour raccorder un conduit de fumée à votre appareil. Le raccordement des tuyaux doit être aussi court que possible et comporter peu de coudes.
- Les matériaux facilement inflammables et combustibles ne doivent pas être accrochés aux poignées de la hotte.

- Notre entreprise ne sera pas responsable des problèmes qui surviennent en cas de non-respect des avertissements ci-dessus.
- Il existe un risque d'incendie si le nettoyage n'est pas effectué conformément aux instructions.
- Il ne doit pas y avoir de feu ouvert sous le capot. (par exemple : flambé)
- **Mise en garde** : Les parties accessibles peuvent chauffer lorsqu'elles sont utilisées avec une cuisinière.
- Il est recommandé de nettoyer le filtre une fois par mois dans des conditions normales d'utilisation.

1.4 Utilisation prévue

- Ce produit est conçu pour un usage domestique. Une utilisation à des fins commerciales annule la garantie.
- Le fabricant n'assume aucune responsabilité pour tout dommage dû à une mauvaise utilisation ou à une mauvaise manipulation.
- La durée de vie de l'appareil que vous avez acheté est de 10 ans. Le fabricant doit fournir les pièces de rechange re-

quises pour que le produit fonctionne de la façon définie pendant cette période.

1.5 Sécurité des enfants, des personnes vulnérables et des animaux domestiques



- Tenez les enfants à l'écart de l'appareil lors de son fonctionnement.
- Les enfants ne doivent pas jouer avec l'appareil. Ne laissez pas les enfants effectuer le nettoyage et l'entretien de l'appareil, à moins qu'ils soient sous surveillance.
- Cet appareil ne doit pas être utilisé par des personnes ayant des capacités physiques, sensorielles ou mentales limitées (y compris les enfants), sauf si elles sont gardées sous surveillance ou reçoivent les instructions nécessaires.
- Les matériaux d'emballage sont dangereux pour les enfants. Conservez les matériaux d'emballage hors de portée des enfants ou triez-les dans les déchets conformément aux instructions relatives aux déchets.

- Les produits électriques sont dangereux pour les enfants et les animaux domestiques. Tenez les tout petits éloignés de l'appareil lorsqu'il fonctionne et ne les laissez pas jouer avec l'appareil.



1.6 Sécurité des transports

- Avant le nettoyage, débranchez le produit de l'alimentation électrique avant de porter l'appareil.
- Ne posez pas d'autres articles sur l'appareil et transportez-le en position verticale.
- Lorsque vous souhaitez transporter l'appareil, emballez-le avec du matériel d'emballage à bulles ou du carton épais et attachez-le avec du ruban adhésif. Fixez fermement l'appareil avec du ruban adhésif pour éviter d'éventuels dommages aux pièces amovibles ou mobiles de l'appareil et à l'appareil proprement dit.
- Vérifiez l'aspect général de l'appareil afin de détecter tout dommage qui aurait pu se produire lors du transport.

2 Instructions relatives à l'environnement

2.1 Directive sur les déchets

2.1.1 Conformité avec la directive DEEE et élimination des déchets

Cet appareil est conforme à la directive DEEE de l'Union européenne (2012/19/UE). Le produit possède un symbole de classification attribué aux déchets d'équipements électriques et électroniques (DEEE).



Ce produit a été fabriqué avec des pièces et matériaux de qualité supérieure, réutilisables et adaptés au recyclage. Par conséquent, ne le mettez pas au rebut avec les ordures ménagères et d'autres déchets à la fin de sa durée de vie. Rendez-vous dans un point de collecte pour le recyclage de tout matériel électrique et électronique. Vous pouvez demander à votre administration locale quels

sont ces points de collecte. L'élimination correcte de l'appareil permet d'éviter les conséquences négatives pour l'environnement et la santé humaine.

Conformité avec la directive RoHS :

Votre appareil est conforme à la directive RoHS de l'Union européenne (2011/65/UE). Il ne comporte pas de matériaux dangereux et interdits mentionnés dans la directive.

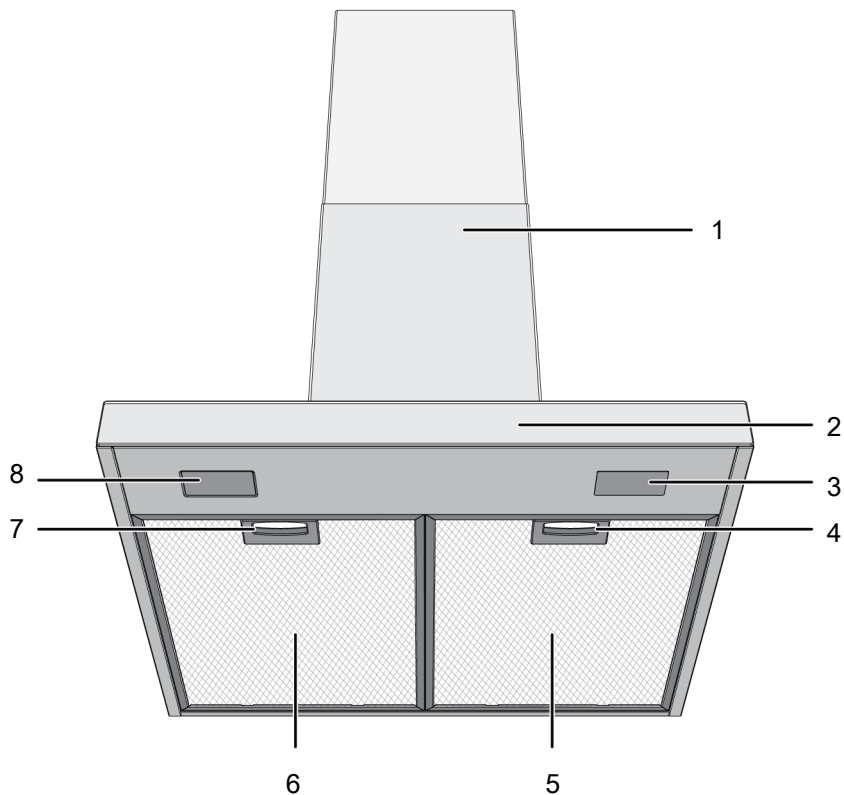
2.2 Informations sur l'emballage

Les matériaux d'emballage de cet appareil sont fabriqués à partir de matériaux recyclables, conformément à nos réglementations nationales en matière d'environnement. Ne jetez pas les déchets d'emballage avec les déchets ménagers ou autres, apportez-les aux points de collecte des matériaux d'emballage désignés par les autorités locales.

3 Votre appareil

3.1 Présentation de l'appareil

FR



1 Corps de la hotte

3 Lampe

5 Filtre en aluminium

7 Verrouillage du filtre en aluminium

2 Panneau de commande

4 Verrouillage du filtre en aluminium

6 Filtre en aluminium

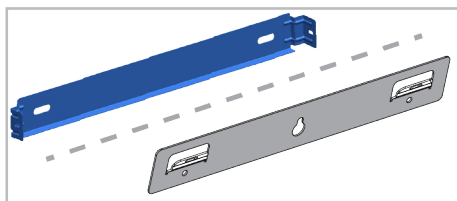
8 Lampe

* En fonction du modèle. Il se peut qu'il ne soit pas disponible pour votre appareil.

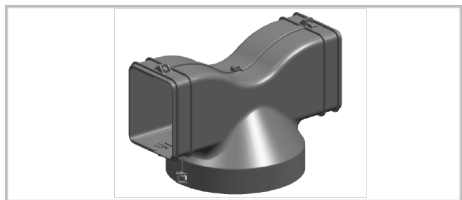
3.2 Accessoires de l'appareil

Selon le modèle de l'appareil, l'accessoire fourni varie. Tous les accessoires décrits dans le manuel d'utilisation peuvent ne pas être disponibles dans votre appareil.

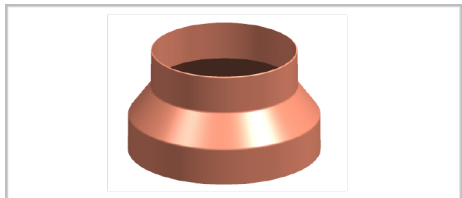
Pièce de fixation murale



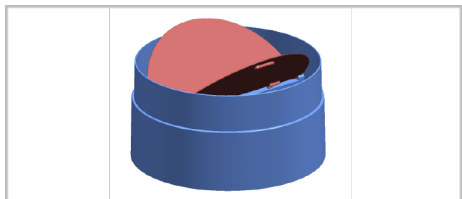
Routeur aérien



Adaptateur de raccordement au conduit de fumée



Protections pour empêcher l'inversion du flux d'air



3.3 Spécifications techniques

Dimension externe de l'appareil (hauteur/largeur/profondeur)(mm)	min. 735 - max. 1025 /898 /505
Tension/fréquence	220-240 V ~1N; 50 Hz
Consommation totale d'énergie	max. 240 W
Puissance d'aspiration	605 m3/h
Diamètre du tuyau de sortie d'air	120-150 mm

FR

Contrôle	
Modèle A	3 niveaux
Modèle B	3 niveaux + 1 booster
Modèle C	3 niveaux + 1 booster



Les spécifications techniques peuvent être modifiées sans préavis afin d'améliorer la qualité de l'appareil.



Les illustrations présentées dans ce manuel sont schématiques et peuvent ne pas correspondre exactement à votre appareil.

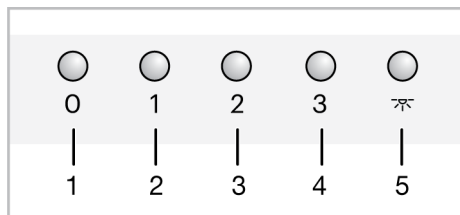


Les valeurs indiquées sur les étiquettes de l'appareil ou dans la documentation accompagnant l'appareil sont obtenues dans des conditions de laboratoire, en conformité avec les normes applicables. Ces valeurs peuvent varier en fonction des conditions d'utilisation et l'environnement de l'appareil.

4 Utilisation de la hotte

La hotte est équipée d'un moteur à plusieurs vitesses. Pour une bonne performance, nous recommandons d'utiliser des vitesses faibles dans des conditions normales et des vitesses élevées en cas de forte odeur et de condensation de la vapeur.

MODÈLE A



- 1 Bouton d'arrêt
- 2 Bouton de vitesse 1
- 3 Bouton de vitesse 2
- 4 Bouton de vitesse 3
- 5 Bouton de la lampe

Utilisation de la hotte

1. Appuyez sur le bouton du niveau de vitesse que vous avez sélectionné pour faire fonctionner la hotte.
 - ⇒ La hotte commence à fonctionner au niveau de vitesse réglé.
2. Vous pouvez appuyer sur les autres boutons de niveau de vitesse pour modifier le niveau de vitesse.

Désactivation de la hotte

1. Lorsque votre hotte est utilisée à n'importe quel niveau, appuyez sur le bouton d'arrêt.

Utilisation de la lampe

1. Appuyez sur la touche pour faire fonctionner la lampe,
 - ⇒ La lampe de la hotte s'allume.

Activation de la Lampe

1. Vous pouvez éteindre la lampe de la hotte en appuyant à nouveau sur le bouton.

5 Entretien et nettoyage

5.1 Consignes de nettoyage générales

Avertissements généraux

- Un nettoyage régulier de votre appareil prolonge sa durée de vie et réduit les problèmes fréquemment rencontrés.
- Débranchez l'appareil de la connexion électrique avant de commencer les opérations d'entretien et de nettoyage. Il existe un risque d'électrocution !
- Certains détergents ou agents de nettoyage peuvent endommager la surface. N'utilisez pas de détergents abrasifs, de poudres de nettoyage, de crèmes de nettoyage ou d'objets pointus pendant le nettoyage.
- N'utilisez pas de produits de nettoyage à vapeur pour le nettoyage.

Nettoyage de l'appareil

- L'appareil doit être nettoyé à fond après chaque utilisation. Ainsi, les résidus alimentaires sont faciles à nettoyer et ces résidus ne brûlent pas lorsque l'appareil est réutilisé ultérieurement.
- Aucun agent de nettoyage spécial n'est requis pour nettoyer le produit. Nettoyez l'appareil à l'aide d'un détergent à vaisselle, d'eau chaude et d'un chiffon doux ou d'une éponge et séchez-le à l'aide d'un chiffon sec.
- N'utilisez pas d'agents de nettoyage contenant de l'acide ou du chlore pour nettoyer les surfaces et les poignées en acier inoxydable ou en inox. Nettoyez à l'aide d'un chiffon doux savonneux et un détergent liquide (non abrasif), en prenant soin d'essuyer dans un sens.

- Des capteurs se trouvent à l'arrière du couvercle en verre de l'appareil. N'endommagez pas ces capteurs pendant le nettoyage. (Pour le modèle C)

5.2 Filtre en aluminium

Ce filtre capte les particules d'huile présentes dans l'air. **Il est recommandé de nettoyer le filtre une fois par mois dans des conditions normales d'utilisation.**

Pour y parvenir :

1. Retirez les filtres en aluminium.
2. Lavez les filtres dans l'eau avec un détergent liquide et réinstallez-les après séchage.

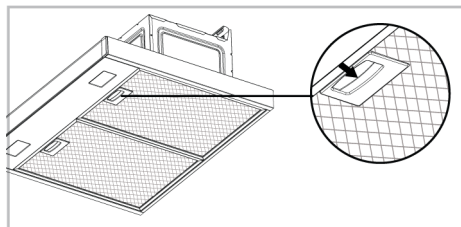
Les filtres en aluminium peuvent changer de couleur au cours du lavage ; ceci est normal et ne nécessite pas de remplacer vos filtres.



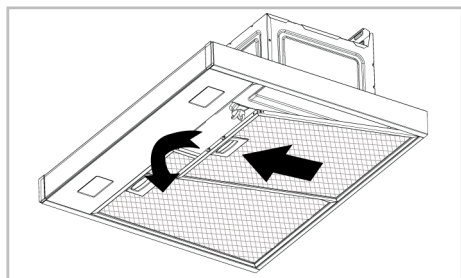
Vous pouvez également laver le filtre en aluminium dans le lave-vaisselle. (max. 70 °C)

Retrait des filtres en aluminium

1. Poussez le verrou du filtre en aluminium vers l'avant.



2. Abaissez légèrement le filtre et tirez-le vers l'avant. Sinon, vous risquez d'incliner le filtre.



3. Réinstallez le filtre en aluminium dans son emplacement après le rinçage en suivant les étapes ci-dessus en sens inverse.

5.3 Lampe de la hotte

En cas de dysfonctionnement de la lampe dans la hotte, contactez votre revendeur local ou le service clientèle, et veillez à ce que la lampe soit remplacée.

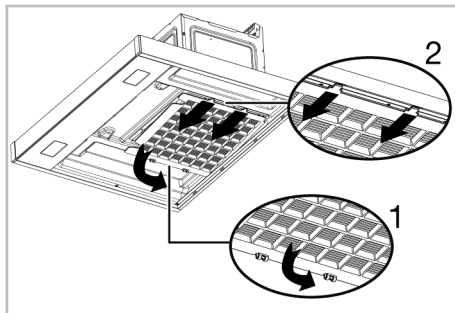
5.4 Filtre à charbon (utilisation sans conduit de fumée)

Avertissements généraux

- Si vous avez installé votre appareil sans conduit de fumée, vous devez remplacer vos filtres à charbon tous les 4 mois en utilisation normale. Vous pouvez vous procurer le filtre à charbon auprès des services agréés.
- Le filtre à charbon ne doit jamais être lavé.
- Si vous ne respectez pas les règles de nettoyage et de remplacement des filtres de votre hotte, vous risquez de provoquer un incendie.

Démontage du filtre à charbon

1. Retirez les filtres en aluminium.
2. Dégagez les verrous du filtre à charbon de leurs fentes (1).



3. Retirez les goupilles de l'autre extrémité du filtre à charbon de son support et tirez-le dans le sens de la flèche (2).

4. Inversez ce processus, insérez premièrement les languettes dans la fente du nouveau filtre à charbon, puis poussez les verrous vers le haut.

5. Installez les filtres en aluminium.

6 Dépannage

Si le problème persiste même après observation des instructions contenues dans cette partie, contactez votre fournisseur ou un service de maintenance agréé. N'essayez jamais de réparer votre appareil par vous-même.

L'appareil ne fonctionne pas.

- Le fusible peut être défilant ou grillé. >>> Vérifiez les fusibles dans la boîte à fusibles. Remplacez-les si nécessaire ou remettez-les en marche.
- Le produit n'est peut-être pas branché. >>> Vérifiez si le produit est branché à la prise ou non.
- Le bouton de vitesse peut ne pas être réglé. >>> Appuyez/touchez le bouton de vitesse souhaité.
- Il se peut qu'il n'y ait pas d'électricité. >>> Vérifiez que le réseau électrique est opérationnel et vérifiez les fusibles dans la boîte à fusibles. Changez les fusibles si nécessaire ou réactivez-les.

Le voyant de la hotte n'est pas allumé.

- La lampe de la hotte est peut-être défectueuse. >>> Contactez le revendeur local où vous avez acheté votre appareil ou le service clientèle, et veillez à ce que la lampe soit remplacée.
- Il se peut qu'il n'y ait pas d'électricité. >>> Vérifiez que le réseau électrique est opérationnel et vérifiez les fusibles dans la boîte à fusibles. Changez les fusibles si nécessaire ou réactivez-les.



Welkom!

Beste klant,

Hartelijk dank voor uw keuze van het Beko product. Wij willen dat uw product, vervaardigd met hoogwaardige technologie, u een optimale efficiëntie biedt. Lees hiervoor deze handleiding en alle andere documentatie zorgvuldig voor u het product in gebruik neemt.

Houd de informatie en waarschuwingen vermeld in de handleiding in gedachten. Zo beschermt u zichzelf en uw product tegen eventuele gevaren.

Bewaar de handleiding. Als u het product doorgeeft aan iemand anders mag u niet vergeten ook de handleiding mee te geven. De garantievoorwaarden, het gebruik en de probleemoplossingsmethoden voor uw product worden vermeld in deze handleiding.

De symbolen en hun beschrijvingen in de handleiding:



Gevaar dat fataal kan aflopen of resulteren in letsels.



Belangrijke informatie of handige tips.



Lees de handleiding.



Waarschuwing voor heet oppervlak.

**OPMER-
KING**

Gevaar dat kan resulteren in materiële schade aan het product of de omgeving.

Arçelik A.Ş.

Karaağaç caddesi No:2-6
34445 Sütlüce/Istanbul/TURKEY

Made in TURKEY

Inhoudsopgave

1	Veiligheidsinstructies	50
1.1	Algemene veiligheid	50
1.2	Elektrische veiligheid.....	51
1.3	Productveiligheid.....	53
1.4	Beoogd gebruik	54
1.5	Veiligheid van kinderen, kwetsbare personen en huisdieren	55
1.6	Veiligheid tijdens het transport.....	55
2	Milieurichtlijnen.....	56
2.1	Afvalrichtlijn	56
2.1.1	Conformiteit met de AEEA richtlijn betreffende afgedankte elektrische en elektronische apparatuur:	56
2.2	Informatie over de verpakking	56
3	Uw product.....	57
3.1	Inleiding van het product	57
3.2	Productaccessoires	57
3.3	Technische specificaties	59
4	Het gebruik van de afzuigkap.....	60
5	Onderhoud en reiniging	60
5.1	Algemene reinigingsinformatie	60
5.2	Aluminium filter	61
5.3	Lamp van de afzuigkap.....	61
5.4	Koolstoffilter (gebruik zonder afvoerkanaal)	61
6	Probleemoplossing	62



1 Veiligheidsinstructies

- Dit hoofdstuk omvat de nodige veiligheidsinstructies om het risico van persoonlijke letsels of materiële schade te voorkomen.
- Als het product wordt overhandigd aan iemand anders voor persoonlijk gebruik of tweedehands doeleinden moeten de handleiding, de productlabels en andere relevante documenten ook worden overhandigd.
- Ons bedrijf kan niet aansprakelijk worden geteld voor schade die kan optreden als deze instructies niet worden nageleefd.
- Het niet naleven van deze instructies resulteert in de nietigverklaring van de garantie.
- De installatie en alle reparaties moeten worden uitgevoerd door de fabrikant, de geautoriseerde dienst of een persoon die wordt aangeduid door de importeur.
- Gebruik uitsluitend originele reserveonderdelen en accessoires.
- U mag geen enkel onderdeel van het product repareren of vervangen tenzij dit duidelijk wordt aangegeven in de handleiding.
- Voer geen technische wijzigingen uit aan het product.



1.1 Algemene veiligheid

- Dit product mag worden gebruikt door kinderen van 8 jaar en ouder, net als personen met een onderontwikkelde fysieke, gevoelsmatige of mentale vaardigheden, of personen met een gebruik aan ervaring en kennis, op voorwaarde dat zij onder toezicht staan van of zijn opgeleid over het veilige gebruik en de gevaren van het product. Kinderen mogen niet spelen met het apparaat. De reiniging en het onderhoud door de gebruiker mogen niet worden uitgevoerd zonder toezicht.
- **Vergiftigingsgevaar!** Wanneer het apparaat is ingeschakeld, wordt lucht afgevoerd uit de volledige woning. Als er geen correcte ventilatie is voorzien, kan een luchtstroom ontstaan en worden het afval en de giftige gassen die worden vrijgegeven als resultaat van de verbranding in de woning opnieuw geabsorbeerd. U mag het product niet bedienen in combinatie met andere producten die

- lucht doen circuleren en giftige gassen kunnen vrijgeven (hout, gas, olie en koolverwarming, ketels, waterketels, etc.).
- U moet het ventilatie- en afvoersysteem van uw gebouw laten inspecteren door geautoriseerde personen.
 - Dit product is niet bedoeld voor gebruik door personen (inclusief kinderen) met een beperkt fysiek, gevoelsmatig of mentaal vermogen of zonder de nodige kennis of ervaring, tenzij ze onder toezicht staan of instructies hebben ontvangen van de persoon die verantwoordelijk is voor hun veiligheid. Kinderen moeten onder toezicht staan om zeker te zijn dat ze niet spelen met dit product. De reiniging en het onderhoud door de gebruiker mogen niet worden uitgevoerd zonder toezicht.
 - De installatie- en reparatieprocedures moeten altijd worden uitgevoerd door een **geautoriseerde dienst** agent. De fabrikant kan niet verantwoordelijk worden gehouden voor eventuele schade die kan voortkomen uit bewerkingen door niet-geautoriseerde personen.
 - U mag het product niet gebruiken als het defect is of als het zichtbare schade vertoont.
 - Zorg ervoor dat de functieknoppen van het product na elk gebruik zijn uitgeschakeld.
 - Als het product wordt overhandigd aan iemand anders voor persoonlijk gebruik of tweedehands doeleinden moeten de handleiding, de productlabels en andere relevante documenten ook worden overhandigd.
 - Bel de geautoriseerde service voor de installatie van het product dat u wilt gebruiken. De garantietermijn begint na dit proces.
 - Het product moet worden geïnstalleerd door een gekwalificeerd persoon in overeenstemming met de geldende regelgeving om de garantie te kunnen toepassen.



1.2 Elektrische veiligheid

- Om uw product gebruiksklaar te maken, moet u eerste installatielocatie voorzien en de elektrische installatie uitvoeren. Bel daarna de geautoriseerde dienst.
- Als het product een defect vertoont, mag het niet worden gebruikt tot het is gerepareerd door de geautoriseerde service agent. Er bestaat een risico van elektrische schokken!

- U mag de stekker van uw afzuigkap niet in het stopcontact steken tot ze is gemonteerd.
- Als uw product voorzien is van een stekker mag u de stekker nooit aanraken met natte handen! U mag nooit trekken aan de stekker bij de kabel. U moet altijd aan de stekker zelf trekken.
- De stroom van het product moet worden losgekoppeld tijdens de installatie, het onderhoud, de reiniging en reparaties van het product.
- Om gevaarlijke situaties te voorkomen, moet, in het geval van schade, het netsnoer worden vervangen door de fabrikant; het servicecentrum van de fabrikant of een gelijkaardig gekwalificeerde persoon.
- Als het netsnoer is beschadigd, moet u contact opnemen met onze dichtstbijzijnde servicecentrum en moet een nieuw snoer worden gemonteerd.
- Als uw product een stekker heeft, mag u geen elektrische aansluitingen uitvoeren door de stekker los te koppelen tijdens de installatie. De aansluitingen die worden gemaakt door ze af te snijden, maken de productgarantie nietig en dit vormt een gevaar voor uw veiligheid.
- U mag het netsnoer niet monteren in de buurt van warmtebronnen. Het snoer kan smelten en brand veroorzaken.
- Als uw product geen snoer heeft mag u enkel de verbindingkabel gebruiken die wordt beschreven in het hoofdstuk "Technische specificaties".
- Alle werkzaamheden aan elektrische apparatuur en systemen mogen enkel worden uitgevoerd door geautoriseerde en gekwalificeerde personen.
- In het geval van schade moet u het product uitschakelen en het loskoppelen van het elektrisch net. Schakel hiervoor de zekering uit bij u thuis.
- Zorg ervoor dat het vermogen van de zekering compatibel is met het product.
- U mag het apparaat nooit wassen door er water op te verstuiwen of te gieten! Er bestaat een risico van elektrische schokken!



1.3 Productveiligheid

- De hoogte tussen het bodemoppervlak van uw afzuigkap en het bovenste oppervlak van de oven mag niet minder zijn dan 650 mm.
- Raak de lampen niet aan als de afzuigkap lang heeft gewerkt. Warme lampen kunnen uw hand verbranden.
- U mag het apparaat niet gebruiken zonder een olie opvangfilter. Verwijder de filters niet wanneer het apparaat is ingeschakeld.
- Maak geen hoge vlammen onder het product. Zo niet kan de olie in het olie opvangfilter ontvlammen en brand veroorzaken.
- Schakel het product pas in nadat u kookpotten, pannen, etc. op de ovens hebt geplaatst. Zo niet kan temperatuurstijging sommige onderdelen van uw product vervormen.
- Schakel de oven uit voor u kookpotten, pannen, , etc. verwijdert uit de ovens.
- Bewaar geen brandbaar materiaal onder uw afzuigkap.
- U mag het apparaat niet blootstellen aan een open vlam. Dit kan resulteren in de accumulatie van olie in het filter en brand veroorzaken. Gebruik het apparaat niet zonder een filter.
- Laat uw fornuis niet zonder toezicht wanneer u etenswaren bakt. De olie kan namelijk in brand schieten tijdens de bereiding en dit kan brand veroorzaken. Let op kleding en gordijnen.
- Als de afzuigkap niet tijdig wordt gereinigd, kan deze een brandrisico inhouden.
- (Voor Modellen A en B) Schakel uw afzuigkap een bijkomende 15 minuten in na het kook- of frituurproces om de keukenlucht grondig te reinigen van de geurtjes en dampen die zijn gegenereerd tijdens de bereiding.
- Er moet voldoende ventilatie beschikbaar zijn in de kamer wanneer gas of andere brandstof-brandende apparaten tegelijkertijd worden gebruikt wanneer de afzuigkap van de oven wordt gebruikt met een fornuis. (Niet van toepassing op apparaten die lucht terugblazen in de ruimte).
- Apparaten die gas of brandstofolie verbranden, zoals verwarmingsinstallaties, die dezelfde ruimte delen met de afzuigkap moeten volledig geïso-

leerd worden van de uitlaat van dit product of ze moeten hermetisch afgesloten zijn.

- Als er een ander apparaat werkt met brandstof of gasvormige brandstoffen in de omgeving moet de omgeving op gepaste wijze worden geventileerd.
- Als er een ander apparaat aanwezig is dat werkt met een andere energie dan elektriciteit in dezelfde omgeving met de afzuigkap moet de negatieve druk in de ruimte maximaal 0,04 mbar bedragen zodat de uitlaat van het andere apparaat niet terug wordt gezogen in de kamer door de ventilatie.
- Sluit geen afvoerkanalen aan met een verbinding op een verwarmingstoestel, afvoerkanalen waar afvalgas wordt verwijderd of afvoerkanalen met stijgende vlammen. U moet de lokale regelgeving naleven met betrekking tot de zuivering van de uitlaat.
- Gebruik buizen met een diameter van 120 mm wanneer u het afvoerkanaal aansluit op uw product. De aansluiting van de leidingen moet zo kort mogelijk zijn met zo weinig mogelijk bochten.

- U mag geen gemakkelijk brandbaar en ontvlambaar materiaal op de handgrepen van de afzuigkap hangen.
- Ons bedrijf is niet verantwoordelijk voor problemen die optreden als resultaat van de niet naleving van de bovenstaande waarschuwingen.
- Er bestaat een brandrisico als de reiniging niet wordt uitgevoerd in overeenstemming met de instructies.
- Er mag geen open vuur zijn onder de afzuigkap. (bijvoorbeeld: flamberen)
- **Opgelet:** De toegankelijke onderdelen kunnen opwarmen indien gebruikt met een fornuis.
- Het is raadzaam het filter bij normaal gebruik één maal per maand te reinigen.



1.4 Beoogd gebruik

- Dit product is ontworpen voor huishoudelijk gebruik. Elk commercieel gebruik zal de garantie nietig verklaren.
- De fabrikant aanvaardt geen verantwoordelijkheid voor schade door misbruik of een incorrecte hantering.
- De levensduur van het product dat u hebt gekocht is 10 jaar. De fabrikant moet de vereiste reserveonderdelen leveren om

ervoor te zorgen dat het product werkt zoals gedefinieerd tijdens deze periode.

1.5 Veiligheid van kinderen, kwetsbare personen en huisdieren

- Houd kinderen uit de buurt van het product wanneer het is ingeschakeld.
- Kinderen mogen niet spelen met het product. De reiniging en het onderhoud mogen niet worden uitgevoerd door kinderen tenzij ze onder toezicht staan.
- Dit product mag niet worden gebruikt door personen met een beperkte fysiek, gevoelsmatig of mentaal vermogen (inclusief kinderen), tenzij zij onder toezicht staan of de nodige instructies hebben ontvangen.
- Het verpakkingsmateriaal is gevaarlijk voor kinderen. Houd het verpakkingsmateriaal buiten het bereik van kinderen of sorteer het volgens de afval sorteerinstructies.

- Elektrische producten zijn gevaarlijk voor kinderen en huisdieren. Houd kinderen uit de buurt van het product als het wordt bediend en laat ze niet spelen met het product.

1.6 Veiligheid tijdens het transport

- Ontkoppel het product van het elektrisch net voor u het product verplaatst.
- Plaats geen andere items op het product en draag het product rechtop.
- Als u het product moet verplaatsen, moet u het wikkelen in bubbelplastic verpakkingsmateriaal of dik karton en tape. Bevestig het product stevig met tape om de verwijderbare of bewegende onderdelen van het product en het product zelf te beschermen tegen schade.
- Inspecteer het algemene uiterlijk van het product op schade die mogelijk is opgetreden tijdens het transport.

2 Milieurichtlijnen

2.1 Afvalrichtlijn

2.1.1 Conformiteit met de AEEA richtlijn betreffende afgedankte elektrische en elektronische apparatuur:

Dit product is conform met de EU WEEE-richtlijn (2012/19/EU). Dit product draagt een classificatiesymbool voor afval elektrische en elektronische apparatuur (AEEA).



Dit product werd vervaardigd met kwalitatief hoogstaande onderdelen en materialen die opnieuw kunnen worden gebruikt en die geschikt zijn voor recycling. Om die reden mag u

het afvalproduct niet weggooien met normaal huishoudelijk of ander afval aan het einde van de levensduur. Neem het naar een inzamelcentrum voor de recyclage van elektrische en elektronische apparatuur. U

kunt ook uw lokale administratie informatie vragen over deze inzamelpunten. De correcte verwijdering van de apparatuur helpt negatieve gevolgen voor het milieu en de volksgezondheid te voorkomen.

Naleving van de RoHS-richtlijn:

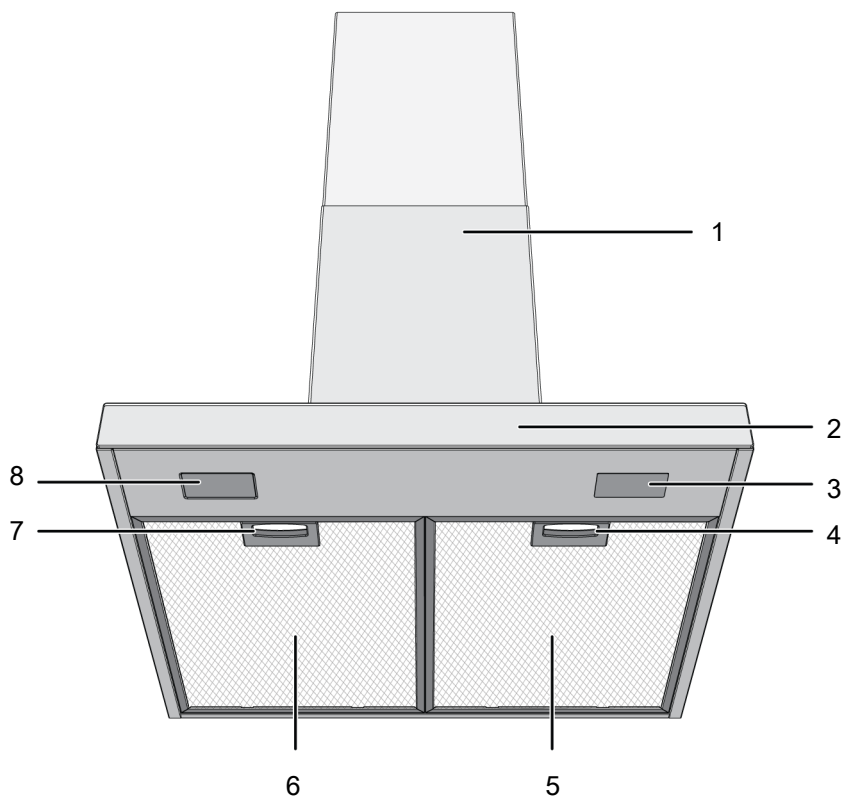
Het product dat u hebt gekocht is conform met de Europese RoHS-richtlijn (2011/65/EU). Het bevat geen schadelijk en verboden materiaal zoals gespecificeerd in de richtlijn.

2.2 Informatie over de verpakking

Het verpakkingsmateriaal van het product is gefabriceerd van recyclebaar materiaal in overeenstemming met onze Nationale Milieuwetgeving. Gooi het verpakkingsmateriaal niet weg bij het normale huisvuil of ander afval. Lever het in bij een door de overheid aangewezen inzamelpunt voor verpakkingsmateriaal.

3 Uw product

3.1 Inleiding van het product



1 Afzuigkap romp

3 Lamp

5 Aluminium filter

7 Aluminium filter vergrendeling

2 Bedieningspaneel

4 Aluminium filter vergrendeling

6 Aluminium filter

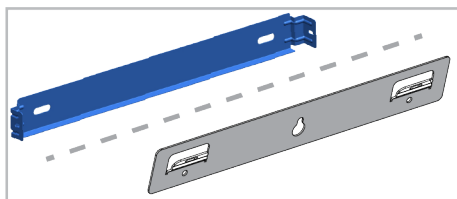
8 Lamp

* naargelang het model. Is mogelijk niet beschikbaar op uw model.

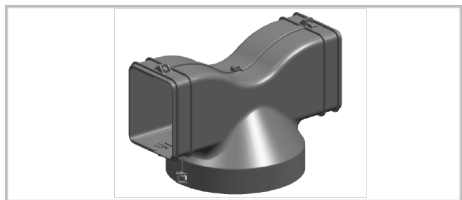
3.2 Productaccessoires

Het geleverde accessoire varieert naargelang het productmodel. Het is mogelijk dat niet alle accessoires beschreven in de handleiding beschikbaar zijn in uw product.

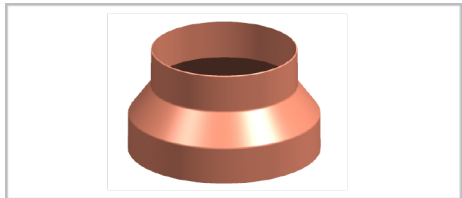
Muurbevestiging onderdeel



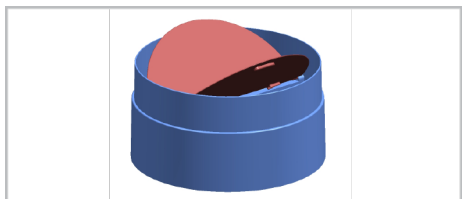
Luchtrouter



Afvoerkanaal adapter



Deksels om de omgekeerde luchtstroom te beletten



3.3 Technische specificaties

Externe afmetingen van het product (hoogte/breedte/diepte)(mm)	min. 735 - max. 1025 /898 /505
Spanning/Frequentie	220-240 V ~1N; 50 Hz
Totaal stroomverbruik	max. 240 W
Zuigvermogen	605 m3/h
Diameter van de luchtuitlaatbuis	120-150 mm

NL

Controle	
Model A	3 niveaus
Model B	3 niveaus + 1 booster
Model C	3 niveaus + 1 booster



De technische specificaties kunnen worden gewijzigd zonder voorafgaande kennisgeving om de kwaliteit van het product te verbeteren.



De afbeeldingen in deze gebruikshandleiding zijn schematisch en stemmen mogelijk niet exact overeen met uw product.

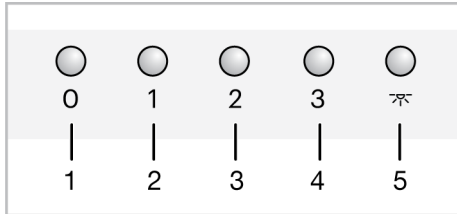


De waarden vermeld op de productlabels of in begeleidende de documentatie zijn verkregen in laboratoriumomstandigheden conform de relevante normen. Afhankelijk van de operationele en omgevingsomstandigheden van het product kunnen deze waarden variëren.

4 Het gebruik van de afzuigkap

De afzuigkap heeft een motor met verschillende snelheden. Voor een goede prestatie, raden wij aan een lage snelheid te gebruiken in normale omstandigheden en hoge snelheden in het geval van sterke geurtjes en condensatie.

MODEL A



- 1 Uit-knop
- 2 Snelheid 1 knop
- 3 Snelheid 2 knop
- 4 Snelheid 3 knop
- 5 Lampknop

De bediening van de afzuigkap

1. Raak het snelheidsniveau PERS dat u hebt geselecteerd om de afzuigkap te bedienen.
 - ⇒ De afzuigkap begint te werken aan het aangepaste snelheidsniveau.
2. U kunt de andere snelheidsniveautoet-sen aanraken om de snelheid te wijzigen.

De afzuigkap uitschakelen

1. Wanneer uw afzuigkap wordt bediend aan gelijk welk niveau drukt u op de Uit-knop.

De lamp bedienen

1. Raak de knop aan om de lamp te bedienen.
 - ⇒ De afzuigkaplamp licht op.

De lamp uitschakelen

1. U kunt de lamp van de afzuigkap uitschakelen door de knop opnieuw in te drukken.

5 Onderhoud en reiniging

5.1 Algemene reinigingsinformatie

Algemene waarschuwingen

- De levensduur van het product wordt verlengd en regelmatig voorkomende problemen worden verminderd als het regelmatig wordt gereinigd.
- Ontkoppel het product van het elektrisch net voor u onderhouds- en reinigingswerkzaamheden uitvoert. Er bestaat een risico van elektrische schokken!
- Bepaalde wasmiddelen of reinigingsmiddelen kunnen het oppervlak beschadigen. Gebruik geen schurende wasmiddelen, waspoeders, reinigende crèmes of scherpe voorwerpen tijdens de reiniging.
- Gebruik geen stoomreinigers voor de reiniging.

Reiniging van het product

- Het product moet grondig worden gereinigd na elk gebruik. Voedselresten kunnen dus gemakkelijk worden gereinigd en zodat deze resten niet in brand kunnen schieten wanneer het product de volgende keer wordt gebruikt.
- Er is geen speciaal reinigingsmiddel vereist om het product te reinigen. Reinig het product met een vaatwasmiddel, warm water en een zachte doe of spons en droog het met een droge doek.
- Gebruik geen reinigingsmiddelen met zuur of chloor om roestvrij stalen oppervlakken en handvaten te reinigen. Reinig met een doek in een zeepsopje en vloeibaar (niet-krassend) wasmiddel en zorg ervoor dat u in een richting blijft wrijven.

- Er zijn sensoren aanwezig op de achterzijde van het glazen deksel van het product. U mag deze sensoren niet beschadigen tijdens de reiniging. (Voor model C)

5.2 Aluminium filter

Dit filter dient om oliedeeltjes in de lucht op te vangen. **Het is raadzaam het filter bij normaal gebruik één maal per maand te reinigen.** U moet hiervoor:

1. Verwijder de aluminium filters.
2. Was de filters in water met vaatwasmiddel en breng ze opnieuw aan na het drogen.

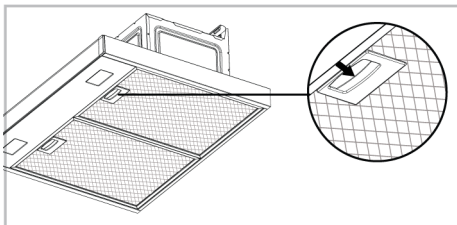
Aluminium kunnen verkleuren wanneer ze worden gewassen. Dit is normaal en u hoeft het filter niet te vervangen.



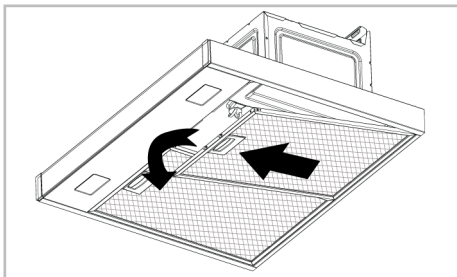
U mag het aluminium filter ook wassen in de wasmachine. (max. 70 °C)

De aluminium filters verwijderen

1. Duw de vergrendeling van het aluminium filter naar voor.



2. Laat het filter zachtjes zakken en trek het naar voor. Zo niet kan het filter kantelen.



3. Installeer het aluminium filter opnieuw in de sleuf nadat u het hebt afgespoeld door de stappen in de omgekeerde volgorde te volgen.

5.3 Lamp van de afzuigkap

Als de lamp van de afzuigkap defect is, moet u contact opnemen met uw lokale verkoper of de klantendienst en ervoor zorgen dat deze lamp wordt vervangen.

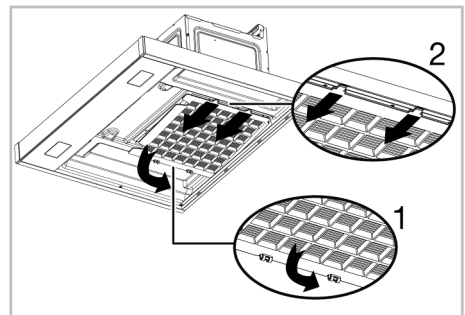
5.4 Koolstoffilter (gebruik zonder afvoerkanaal)

Algemene waarschuwingen

- Als u uw product hebt geïnstalleerd zonder een afvoerkanaal moet u uw koolstoffilters vervangen na 4 maanden normaal gebruik. U kunt het koolstoffilter verkrijgen van de geautoriseerde diensten.
- Het koolstoffilter mag nooit worden gewassen.
- Als u de regels voor de reiniging en vervangen van de filters van uw afzuigkap niet volgt, kan dit brand veroorzaken.

De koolstoffilters verwijderen

1. Verwijder de aluminium filters.
2. Ontgrendel de vergrendelingen van het koolstoffilter uit hun sleuven (1).



3. Verwijder de pinnen op het andere uiteinde van het koolstoffilter uit de sleuf en trek ze in de richting van de pijl (2).
4. Voer dit proces in de omgekeerde volgorde uit, voer de tabs in de sleuf van het nieuwe koolstoffilter en duw de vergrendelingen dan omhoog.
5. Installeer de aluminium filters.

6 Probleemoplossing

Als het probleem aanhoudt nadat de instructies in dit hoofdstuk werden nageleefd, kunt u contact opnemen met uw verkoper of een geautoriseerde dienst. Probeer nooit een defect product zelf te repareren.

Het product werkt niet.

- De zekering kan defect of gesprongen zijn. >>> Controleer de zekeringen in de zekeringenkast. Vervang ze indien nodig, of schakel ze opnieuw in.
- De stekker van het product zit mogelijk niet in het stopcontact. >>> Controleer of de stekker van het product is ingevoerd.
- De snelheidsknop is mogelijk niet ingesteld. >>> Druk op/raak de gewenste snelheidsknop aan.
- Er is mogelijk geen elektriciteit. >>> Zorg ervoor dat het elektrisch net werkt en controleer de zekeringen in de zekeringenkast. Vervang de zekeringen indien nodig, of schakel ze opnieuw in.

De lamp van de afzuigkap is niet ingeschakeld.

- De lamp van de afzuigkap is mogelijk defect. >>> Neem contact op met uw lokale detailhandelaar waar u uw product hebt gekocht of de klantendienst en zorg ervoor dat de lamp wordt vervangen.
- Er is mogelijk geen elektriciteit. >>> Zorg ervoor dat het elektrisch net werkt en controleer de zekeringen in de zekeringenkast. Vervang de zekeringen indien nodig, of schakel ze opnieuw in.

