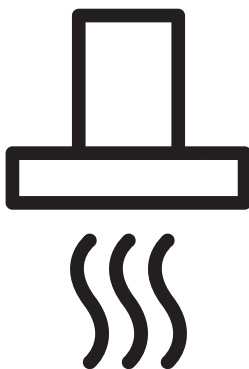




## Cooker Hood

User Manual



CFB 6432 X	CFB 6431 W
CFB 6432 W	CFB 5432 W
CFB 6432 XG	CFB 6437 W
CFB 6432 WH	
CFB 6432 XH-1	

EN - FR - RO - DE - ES - NL - PT - LT - CS - SK - HR - EL - TR - BG - LV - BS - RU -  
ID - AR



01M-8904980220-4722-07  
01M-8904880220-4722-07  
01M-8906530220-4722-07  
01M-8940711220-4722-07  
01M-8942993200-4722-07

01M-8904830220-4722-07  
01M-8905530220-4722-07  
01M-8904840220-4722-07

# CONTENTS

---

<b>ENGLISH</b>	<b>3-13</b>
<b>FRANÇAIS</b>	<b>14-25</b>
<b>ROMÂNĂ</b>	<b>235-40</b>
<b>DEUTSCH</b>	<b>41-53</b>
<b>ESPAÑOL</b>	<b>54-66</b>
<b>NEDERLANDS</b>	<b>67-77</b>
<b>PORTUGUÊS</b>	<b>78-90</b>
<b>LIETUVIŲ K</b>	<b>91-101</b>
<b>ČESKY</b>	<b>102-112</b>
<b>SLOVENSKÝ</b>	<b>113-123</b>
<b>HRVATSKI</b>	<b>124-134</b>
<b>ΕΛΛΗΝΙΚΑ</b>	<b>135-149</b>
<b>TÜRKÇE</b>	<b>150-164</b>
<b>БЪЛГАРСКИ</b>	<b>165-179</b>
<b>LATVIEŠU</b>	<b>180-190</b>
<b>BOSANSKI</b>	<b>191-201</b>
<b>РУССКИЙ</b>	<b>202-220</b>
<b>BAHASA INDONESIA</b>	<b>221-232</b>

# Please read this user manual first!

Dear Valued Customer,

Thank you for preferring this Beko appliance. We hope that you get the best results from your appliance which has been manufactured with high quality and state-of-the-art technology. For this reason, please read this entire user manual and all other accompanying documents carefully before using the appliance and keep it as a reference for future use. If you handover the appliance to someone else, give the user manual as well. Follow the instructions by paying attention to all the information and warnings in the user manual.

Remember that this user manual may also apply to other models. Differences between models are explicitly described in the manual.

## Meanings of the Symbols

Following symbols are used in various sections of this user manual:



Important information and useful hints about usage.



**WARNING:** Warnings against dangerous situations concerning the security of life and property.



**WARNING:** Warning for danger of fire.



**WARNING:** Warning for electric shock.



Protection class for electric shock.



# 1 Important safety and environmental instructions

## 1.1 General Safety

Important Safety Instructions Read Carefully And Keep For Future Reference This section contains safety instructions that will help protect from risk of fire, electric shock, exposure to leak microwave energy, personal injury or property damage. Failure to follow these instructions shall void any warranty.

- Beko products comply with the applicable safety standards; therefore, in case of any damage on the appliance or power cable, it should be repaired or replaced by the dealer, service center or a specialist and authorized service alike to avoid any danger. Faulty or unqualified repair work may be dangerous and cause risk to the user.
- This appliance is intended to be used in household and similar applications such as:
  - Staff kitchen areas in shops, offices and other working environments;
  - Farm houses
  - By clients in hotels, and other residential type environments;
  - Bed and Breakfast type environments.
- Operate the appliance for its intended purpose only as described in this manual.
- The manufacturer cannot be held liable for damages resulting from improper installation or misuse of the product.
- This appliance can be used by children aged from 8 years and above and persons with reduced physical, sensory or mental capabilities or lack of experience and knowledge if they have been given supervision or instruction concerning use of the appliance in a safe way and understand the hazards involved.
- Children shall not be allowed play with the appliance. Cleaning and user maintenance shall not be made by children without supervision.
- The minimum distance between the supporting surface for the

# 1 Important safety and environmental instructions

cooking vessels on the hob and the lowest part of your product must be at least 65 cm.

- If the instructions for installation for the gas hob specify a greater distance, this has to be taken into account.
- Make sure that your mains power supply complies with the information supplied on the rating plate of the appliance.
- Never use the appliance if the power cable or the appliance itself is damaged.
- Prevent damage to the power cable by not squeezing, bending, or rubbing it on sharp edges. Keep the power cable away from hot surfaces and naked flame.
- Use the appliance with a grounded outlet only.

**WARNING:** Do not connect the appliance to the mains until the installation is fully complete.

- Place the appliance in a way so that the plug is always accessible.
- Do not touch the lamps if they have operated for a long time.

They can burn your hands since they will be hot.

- Follow the regulations set out by competent authorities on discharge of the exhaust air (this warning is not applicable for use without flue).
- Operate your appliance after putting a pot, pan etc. on the hob. Otherwise, high heat may cause deformation in some parts of your product.
- Turn off the hob before taking the pot, pan etc. from it.
- Do not leave hot on the hob. Pans with hot may cause self combustion.
- Pay attention to your curtains and covers since may catch fire while cooking food such as fries.
- Grease filter must be cleaned at least monthly. Carbon filter must be replaced at least every 3 months.
- Product shall be cleaned accordance with user manual. If cleaning was not carried out in accordance with user manual, there may be fire risk.

# 1 Important safety and environmental instructions

- Do not use non-fire-resistant filtering materials instead of the current filter.
  - Only use the original parts or parts recommended by the manufacturer.
  - Do not operate the product without the filter and do not remove the filters while the product is running.
  - In the event of be started any flame, de-energize your product and cooking appliances.
  - In the event of be started any flame, cover the flame and never use water to extinguish.
  - Unplug the appliance before each cleaning and when the appliance is not in use.
  - The negative pressure in the environment should not exceed 4 Pa (4x10 bar) while the hood for electric hob and appliances running on another type of energy but electricity operate simultaneously.
  - In the environment where the appliance is being used, the exhaust of devices running on fuel or gas, such as room heater must be absolutely isolated or device must be hermetical type.
  - When connecting the flue, use pipes with a diameter of 120 or 150 mm. Pipe connection must be as short as possible and have as few elbows as possible.
  - Danger of choking! Keep all the packaging materials away from children.
- CAUTION:** Accessible parts may become hot when used with cooking appliances.
- The product outlet must not be connected to air channels that include other smoke.
  - The ventilation in the room may be insufficient when the hood for electric hob is used simultaneously with the devices operating on gas or other fuels (this may not apply to appliances that only discharge the air back into the room).
  - Objects placed on the product may fall. Do not place any objects on the product.
  - Do not flambe under the your product.

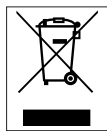
# 1 Important safety and environmental instructions

**WARNING:** Before installing the Hood, remove the protective films.

- Never leave high naked flames under the hood when it is in operation
- Deep fat fryers must be continuously monitored during use: overheated can burst into flames.

## 1.2 Compliance with the WEEE Directive and Disposing of the Waste Product:

This product complies with EU WEEE Directive (2012/19/EU). This product bears a classification symbol for waste electrical and electronic equipment (WEEE).



This symbol indicates that this product shall not be disposed with other household wastes at the end of its service life. Used device must be returned to official collection point for recycling of

electrical and electronic devices. To find these collection systems please contact to your local authorities or retailer where the product was purchased. Each household performs important role in recovering and recycling of old appliance. Appropriate disposal of used appliance helps prevent potential negative consequences for the environment and human health.

## 1.3 Compliance with RoHS Directive

The product you have purchased complies with EU RoHS Directive (2011/65/EU). It does not contain harmful and prohibited materials specified in the Directive.

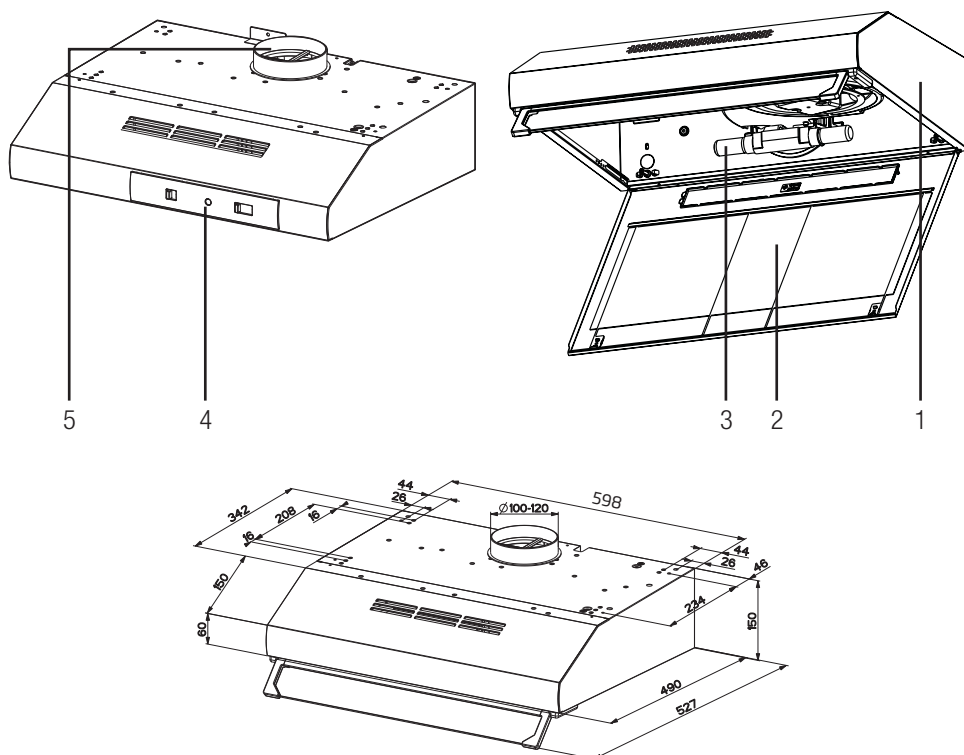
## 1.4 Package Information



Packaging materials of the product are manufactured from recyclable materials in accordance with our National Environment Regulations. Do not dispose of the packaging materials together with the domestic or other wastes. Take them to the packaging material collection points designated by the local authorities.

## 2 General appearance

### 2.1 Overview



1. Body
2. Grease filter
3. Lighting
4. Control panel
5. Chimney


### 2.2 Technical data

<b>Model</b>	CFB 6432 X CFB 6432 W CFB 6432 XG CFB 6432 WH CFB 6432 XH-1	CFB 6431 W CFB 5432 W CFB 6437 W
<b>Supply voltage &amp; frequency</b>	220-240V ~ 50 Hz	
<b>Lamp power</b>	2 x 4 W	
<b>Motor power</b>	2 x 115 W	
<b>Air flow – 3. Level</b>	380 m <sup>3</sup> /h	
<b>Motor Insulation Class</b>	Class F	
<b>Insulation class</b>	Class II	



## 3 Using the appliance

### 3.1 Controls panel

	
<b>L : Light on/off</b>	Switches the lighting system on and off.
<b>V : Speed button</b>	Sets the operating speed of the extractor: 0. Speed switches the extractor motor off. 1. Low speed, used for a continuous and silent air change in the presence of light cooking vapour. 2. Medium speed, suitable for most operating conditions given the optimum treated air flow/ noise level ratio. 3. Maximum speed, used for eliminating the highest cooking vapour emission, including long periods.

- The extractor hood has been designed exclusively for domestic use to eliminate kitchen smells.
- Never use the hood for purposes other than for which it has been designed.
- Never leave high naked flames under the hood when it is in operation.
- Adjust the flame intensity to direct it onto the bottom of the pan only, making sure that it does not engulf the sides.
- Deep fat fryers must be continuously monitored during use: overheated can burst into flames.

### 3.2 Efficient use in terms of energy saving

- When using your appliance, adjust the speed settings according to vapour and odour intensity, in order to save energy.
- Use low speeds (1-2) under normal conditions, and high speed (3) and boost mode for intense odour and vapour.
- The hood is equipped with lamps in order to illuminate the cooking area.
- Using them for environmental lighting shall cause unnecessary energy expenditure and insufficient lighting.
- For your device to consume less energy, run it at a low speed level.
- Your device will reduce energy consumption as it will run more efficiently when you provide sufficient air intake to it.
- Set your device to the intense suction power level before the formation of steam, in cases where you know that the dense steam will occur. So, you reduce energy consumption by using your device for a shorter time as it will have a sufficient air intake.
- Keep the lids of the cookware closed to reduce the steam evolving.

## 3 Using the appliance

### 3.3 Operating the Hood

- Hood is equipped with a motor having various speed settings.
- For a better performance, we advise you to use low speeds in normal conditions, and high speeds when smell and vapors are intensified.
- You can start the hood by pressing the desired speed level key.(V1,V2,V3 )
- You can illuminate the cooking area by pressing the light key (L)

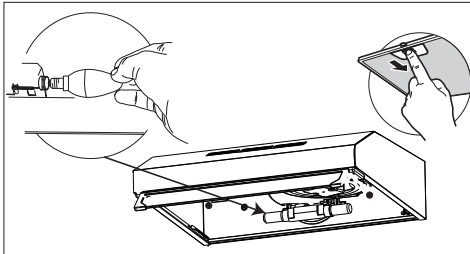
### 3.4 Lamp replacement



- Before replacing the light bulbs, disconnect the power supply of the hood.
- Do not touch the light bulbs when they are hot.
- Be careful not to touch the replaced light bulb directly with hands.



You may procure lamps from Authorised Service Agents.

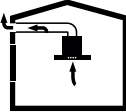


<b>Lamp</b>	
<b>Bulb power</b>	4 W
<b>Holder/Socket</b>	E14
<b>Bulb voltage</b>	220 - 240 V

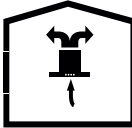
<b>ILCOS Code</b>	D R B B / F - 4 - 2 2 0 - 240-E14-35/100
<b>Size</b>	35x100 mm
<b>Luminous flux</b>	400 lm
<b>Correlated colour temperature</b>	3000 K

This product contains a light source of energy efficiency class "F".

### 3.5 Operation with flue connection

-  Vapour is extracted through the flue duct, which is fastened to the connection head on the hood.
- The diameter of the flue duct must be the same as the connection ring. In horizontal settings, the pipe has to have a slight upward slope (around 10°) so that the air can exit the room easily.

### 3.6 Operation without flue connection

-  Air is filtered through the carbon filter and recirculated in the room. Carbon filter is used when it is impossible to use a flue in the house.
- In flueless use, remove the flaps inside the flue adapter.
- Remove the oil filter. To install the carbon filter, fit the filter to the tabs by centring it on the plastic piece on both sides of the fan body. Tighten it by turning right or left.
- Replace aluminium oil filter.

## 4 Cleaning and maintenance

The device should be cleaned and maintained regularly. Failure to keep the device clean will adversely affect the service life of the device. For cleaning and maintenance, follow the instructions stated in the manual.



Before cleaning and maintenance, unplug the product or turn off the switch.



Non-compliance with the provisions associated with the cleaning of the device and replacement of the filters may result in a risk of fire. Therefore, it is recommended to follow the guidelines stated here. The manufacturer is not responsible for the engine damages or fires originating from the improper use.

Clean using only a cloth dampened with a neutral liquid detergent. Do not use abrasive products or alcohol.

### 4.1 Cleaning of grease filter

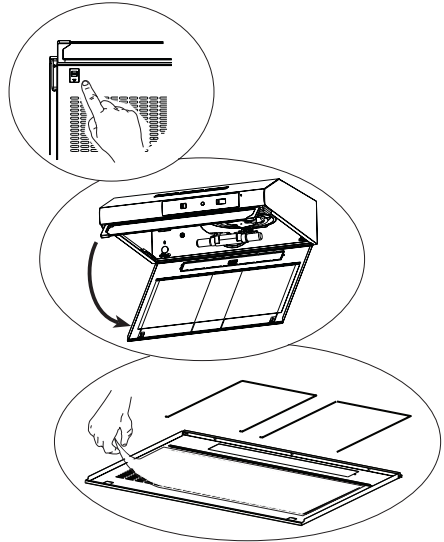
This filter captures particles in the air. You are recommended to clean your filter every month under normal usage conditions. First remove the grease filters for this process. Wash the filters with liquid detergent and rinse them with water and install them back after they get dry. Grease filters may get discolored as they are washed; this is normal and you don't need to change your filter.



You can wash the grease filter in the dishwasher

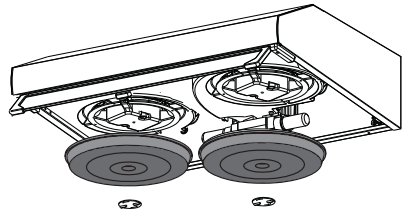


**CAUTION:** In case of normal use, clean your filter once in a month.



### 4.2 Changing of carbon filter (Air circulation mode)

The hood can be fitted with an active carbon filter. The carbon filter is applied only in case the hood is not connected to the vent duct.



#### **WARNING:**

- The carbon filter is never washed.
- Replace carbon filters once every 3 months.
- Carbon filter is available from Authorized Services.



## 5 Installation of appliance



**WARNING:** Before starting the installation, read the safety information on user manual.



**WARNING:** Failure to install with screws and stabilizers in accordance with these instructions may result in electric shock.

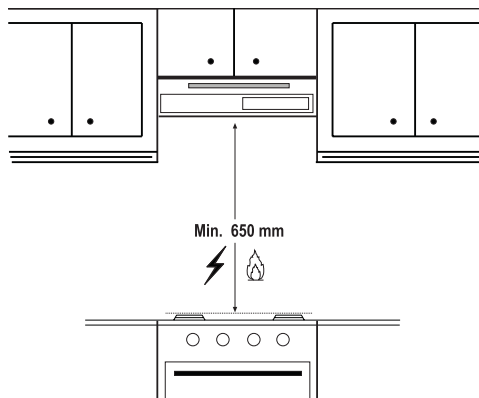


Please refer to page 235 for the installation guide.

For the installation of the hood, please contact the nearest Authorized Service.

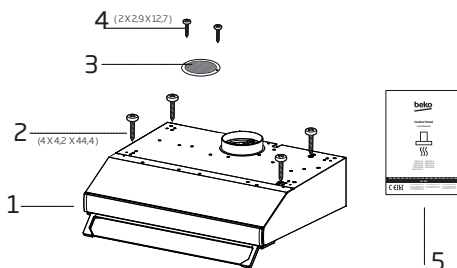
It is the customer's responsibility to prepare the location and electrical installation of the hood.

### 5.1 Position of the appliance



- Distance between the cooker and the cooker hood must be considered prior to assembly. This distance should be 65 cm.
- Distance must be measured from the surface of grate for gas cookers,
- from surface of glass for electric cookers.

### 5.2 Installation accessories



1. Hood
2. 4 X 4,2 x 44,4 screws
3. Air outlet grille
4. 2 X 2,9 x 12,7 screws
5. User manual

### 5.3 Storage

- If you do not intend to use the appliance for a long time, please store it carefully.
- Please make sure that the appliance is unplugged, cooled down and totally dry.
- Store the appliance in a cool and dry place.
- Keep the appliance out of the reach of children

### 5.4 Handling and transportation

- During handling and transportation, carry the appliance in its original packaging. The packaging of the appliance protects it against physical damages.
- Do not place heavy loads on the appliance or the packaging. The appliance may be damaged.
- Dropping the appliance will render it non-operational or cause permanent damage.

## 6 Troubleshooting

<b>Troubleshooting</b>	<b>Reason</b>	<b>Help</b>
The product does not work.	Check your fuse.	Your fuse might be closed, make it work.
The product does not work.	Check the electrical connection.	The mains voltage should be between 220-240 V.
The product does not work.	Check the electrical connection.	Check if the other products in your kitchen are working or not.
The lighting lamp does not work.	Check the electrical connection.	The mains voltage should be between 220-240 V.
The lighting lamp does not work.	Check the lamp switch.	The lamp switch should be in the "on" position.
The lighting lamp does not work.	Check the lamps.	The lamps of the product should not be faulty.
The air intake of the product is poor.	Check the aluminum filter.	The aluminum filter should be cleaned at least once a month under normal conditions.
The air intake of the product is poor.	Check the air vent flue.	The air vent flue should be in the "on" position.
The air intake of the product is poor.	Check the carbon filter.	For products with carbon filters, the filter should normally be changed every 3 months.

# Avant toute chose, veuillez lire ce manuel d'utilisation !

Chère cliente, cher client,

Merci d'avoir choisi cet appareil Beko. Nous espérons que cet appareil, fabriqué dans des installations modernes et soumis à un processus de contrôle qualité rigoureux, vous offre les meilleures performances possible. C'est pourquoi nous vous recommandons, avant d'utiliser l'appareil, de lire attentivement et complètement ce manuel d'utilisation ainsi que tous les autres documents fournis et de les conserver soigneusement pour une utilisation future. Si vous cédez l'appareil à quelqu'un d'autre, remettez-lui également le manuel d'utilisation. Suivez les instructions en accordant une attention particulière à toutes les informations et les avertissements contenus dans le manuel d'utilisation.

Notez que ce manuel d'utilisation peut également s'appliquer à d'autres modèles. Les différences entre les modèles sont clairement décrites dans le manuel.

## Signification des symboles

Les pictogrammes suivants sont repris tout au long de ce manuel :

 Informations importantes et conseils utiles concernant l'utilisation de l'appareil.

 **AVERTISSEMENT:** Avertissement sur les situations dangereuses concernant la sécurité des biens et des personnes.

 **AVERTISSEMENT:** Avertissement contre le risque d'incendie.

 **AVERTISSEMENT:** Avertissement contre le risque d'électrocution.

 Classe de protection contre les chocs électriques.



Points de collecte sur [www.quefairedemesdechets.fr](http://www.quefairedemesdechets.fr)  
Privilégiez la réparation ou le don de votre appareil !



# 1 Instructions importantes en matière de sécurité et d'environnement

## 1.1 Consignes générales de sécurité

Consignes de sécurité importantes - Lire attentivement et conserver pour référence ultérieure. Cette section contient les consignes de sécurité qui aident à se prémunir contre les risques d'incendie, d'électrocution, d'exposition aux fuites d'énergie à micro-ondes, de dommages corporels ou de dégâts matériels. Le non-respect de ces instructions entraînera l'annulation de toute garantie.

- Les produits Beko sont conformes aux normes de sécurité applicables. Par conséquent, en cas de dommage sur l'appareil ou son câble d'alimentation, le faire réparer ou remplacer par le revendeur, le centre SAV, un spécialiste ou des services habilités afin de prévenir tout danger. Des réparations défectueuses et non professionnelles peuvent être sources de danger et de risque pour l'utilisateur.
- Cet appareil est conçu pour un usage domestique et des utilisations similaires comme :
  - dans les coins cuisine du personnel dans les magasins, bureaux, et autres environnements de travail ;
  - les fermes
  - Par les clients des hôtels et autres types d'environnements résidentiels ;
  - et dans les chambres d'hôte.
- Utiliser l'appareil uniquement aux fins pour lesquelles il a été conçu, comme décrit dans les présentes instructions.
- Le fabricant n'est pas responsable des dommages résultant d'une mauvaise installation ou d'une mauvaise utilisation du produit.
- Cet appareil peut être utilisé par des enfants de 8 ans minimum, des personnes à capacités physiques, sensorielles ou mentales réduites et des personnes manquant d'expérience ou de connaissances suffisantes en la matière, à condition qu'elles

# 1 Instructions importantes en matière de sécurité et d'environnement

aient été préparées à un maniement sécurisé de l'appareil et qu'elles aient pleinement conscience des risques encourus.

- Les enfants n'ont pas le droit de jouer avec l'appareil. Le nettoyage et l'entretien de l'appareil ne doivent pas être effectués par des enfants laissés sans surveillance.
- La distance minimale entre la surface d'appui des récipients de cuisson sur la plaque de cuisson et la partie la plus basse de votre produit doit être d'au moins 65 cm.
- Si des instructions relatives à l'installation de la plaque à gaz exigent plus de distance, prenez-les en compte.
- S'assurer que la source d'alimentation électrique est conforme aux informations spécifiées sur la plaque signalétique de l'appareil.
- Ne jamais utiliser l'appareil si le câble d'alimentation ou l'appareil lui-même est endommagé.
- Pour éviter d'endommager le

câble d'alimentation, éviter de l'aplatir, de le plier ou même de le frotter contre des bords coupants. Éloigner le câble d'alimentation de toute surface brûlante et des flammes.

- Utilisez l'appareil uniquement avec une prise de terre.

**AVERTISSEMENT:** Ne branchez pas l'appareil sur le secteur avant la fin de l'installation.

- Placer l'appareil de sorte que la prise soit toujours accessible.
- Ne touchez pas les lampes si elles ont été utilisées pendant une longue période. Elles sont chaudes et risqueraient donc de provoquer des brûlures aux mains.
- Respectez la réglementation des autorités compétentes en matière d'évacuation de l'air évacué (cette mise en garde ne s'applique pas à l'utilisation sans conduit).
- Faites fonctionner votre appareil après avoir posé une casserole, une poêle, etc. sur la plaque de cuisson. Autrement, la



# 1 Instructions importantes en matière de sécurité et d'environnement

température élevée peut provoquer la déformation de certaines pièces de votre produit.

- Éteignez la plaque de cuisson avant d'en retirer la casserole, la poêle, etc.
- Ne laissez pas d'huile chaude sur la plaque de cuisson. Les casseroles contenant de l'huile chaude peuvent s'enflammer.
- Faites attention à vos rideaux et à vos couvertures, car l'huile peut prendre feu pendant la cuisson de certains aliments, comme les frites.
- Le filtre à graisse doit être remplacé au moins une fois par mois. Le filtre à charbon doit être remplacé au moins tous les 3 mois.
- Le produit doit être nettoyé conformément au manuel d'utilisation. Si le nettoyage n'a pas été effectué conformément au manuel d'utilisation, il peut y avoir un risque d'incendie.
- N'utilisez pas de matériaux filtrants ignifuges à la place des filtres actuels.
- Utilisez uniquement des pièces d'origine ou pièces recommandées par le fabricant.
- N'utilisez jamais l'appareil sans le filtre et ne retirez pas les filtres lorsque l'appareil est en marche.
- En cas d'apparition d'une flamme, éteignez votre produit et vos appareils de cuisson.
- En cas d'apparition d'une flamme, couvrez la flamme et n'utilisez jamais d'eau pour l'éteindre.
- Débranchez l'appareil avant chaque nettoyage et lorsque l'appareil n'est pas en cours d'utilisation.
- La pression négative dans l'environnement ne doit pas dépasser 4 Pa (4 x 10 bars) lorsque la hotte de la table de cuisson électrique et les appareils fonctionnant avec un autre type d'énergie que l'électricité fonctionnent simultanément.
- Dans l'environnement dans lequel l'appareil est utilisé, les gaz résiduels des appareils fonctionnant au fioul ou au gaz, tels

# 1 Instructions importantes en matière de sécurité et d'environnement

que le chauffage de la pièce, doivent être totalement isolés ou l'appareil doit être de type étanche.

- Pour le raccordement du conduit, utilisez des tuyaux d'un diamètre de 120 ou 150 mm. Le raccordement du tuyau doit être aussi court que possible et avoir le minimum de coudes que possible.
- Risque d'étranglement ! Conservez tous les emballages hors de portée des enfants.

**ATTENTION:** Les pièces accessibles peuvent devenir chaudes lorsqu'elles sont utilisées avec des appareils de cuisson.

- Ne connectez pas la prise du produit aux canaux d'air qui contiennent d'autres fumées.
- La ventilation de la pièce peut être insuffisante lorsque la hotte de la table de cuisson électrique est utilisée en même temps que les appareils fonctionnant au gaz ou avec d'autres combustibles (ceci peut ne pas s'appliquer aux appareils qui rejettent uniquement l'air dans la pièce).

- Les objets placés sur le produit peuvent tomber. Ne posez aucun objet sur le produit.

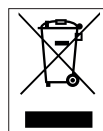
- Ne brûlez rien sous votre produit.

**AVERTISSEMENT:** Retirez les films protecteurs avant d'installer la hotte.

- Ne laissez jamais des grandes flammes nues sous la hotte lorsqu'elle est en fonctionnement.
- Gardez les friteuses en permanence sous surveillance pendant l'utilisation : de l'huile surchauffée peut prendre feu.
- Les pièces détachées d'origine sont disponibles pendant 12 ans, à compter de la date d'achat du produit.

## 1.2 Conformité avec la Directive DEEE et Mise au rebut des appareils usagés :

Cet appareil est conforme à la directive DEEE. (2012/19/UE). Cet appareil porte le symbole de classification pour les déchets des équipements électriques et électroniques (DEEE).



Ce symbole indique que ce produit ne doit pas être jeté avec les déchets ménagers à la fin de sa vie utile. Les appareils usagés doivent être retournés au point de collecte officiel pour le recyclage des appareils électriques et

# 1 Instructions importantes en matière de sécurité et d'environnement

électroniques. Pour trouver ces systèmes de collecte, veuillez contacter les autorités locales ou le détaillant auprès duquel vous avez acheté le produit. Chaque ménage joue un rôle important dans la récupération et le recyclage des appareils ménagers usagés. L'élimination appropriée des appareils usagés aide à prévenir les conséquences négatives potentielles pour l'environnement et la santé humaine.

## 1.3 Conformité avec la directive RoHS

L'appareil que vous avez acheté est conforme à la Directive RoHS de l'UE (2011/65/UE). Il ne contient pas de matières dangereuses et interdites spécifiées dans la directive.

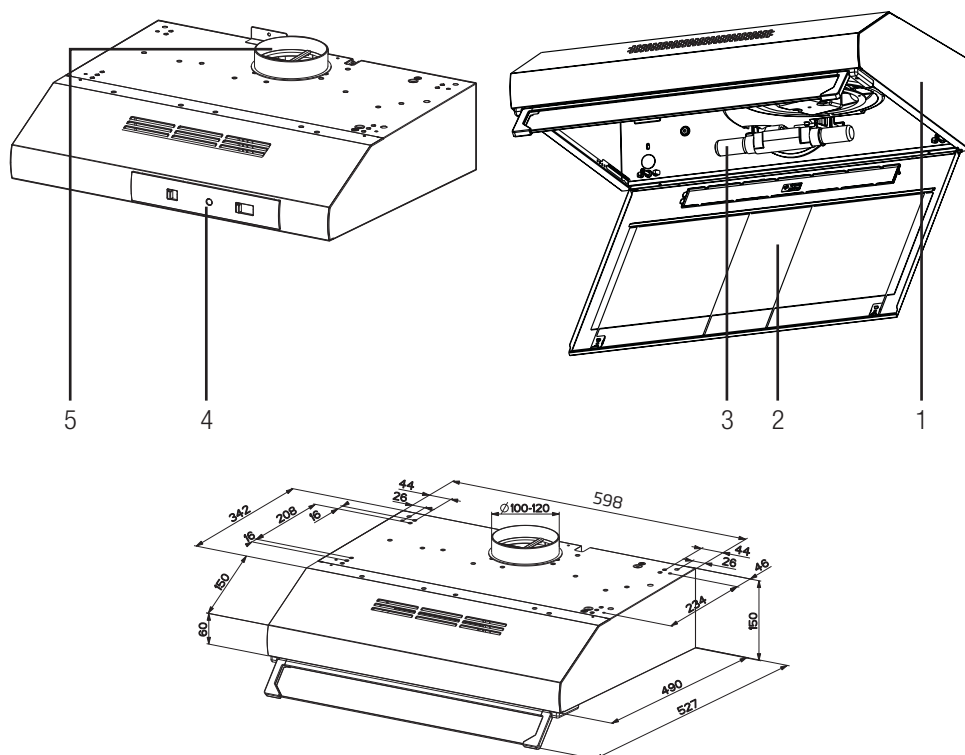
## 1.4 Informations concernant l'emballage



Les matériaux d'emballage du produit sont fabriqués à partir de matériaux recyclables conformément à notre réglementation nationale sur la protection de l'environnement. Ne jetez pas les matériaux d'emballage avec les déchets domestiques et autres déchets. Déposez-les dans l'un des points de collecte de matériaux d'emballage prévus par l'autorité locale.

## 2 Aspect général

### 2.1 Aperçu général




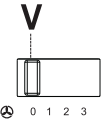
1. Corps principal
2. Filtre à graisse
3. Panneau de
4. Contrôle de l'éclairage
5. Cheminée

### 2.2 Données techniques

<b>Modèle</b>	CFB 6432 X CFB 6432 W CFB 6432 XG CFB 6432 WH CFB 6432 XH-1	CFB 6431 W CFB 5432 W CFB 6437 W
<b>Tension d'alimentation</b>	220-240V ~ 50 Hz	
<b>Puissance des lampes</b>	2 x 4 W	
<b>Puissance du moteur</b>	2 x 115 W	
<b>Débit d'air - 3 Niveau</b>	380 m <sup>3</sup> /h	
<b>Moteur de classe d'isolation</b>	Classe F	
<b>Classe d'isolation</b>	Classe II	

## 3 Utilisation de l'appareil

### 3.1 Panneau de commande

	
<b>L Lumières</b>	Allume et éteint l'éclairage.
<b>V Vitesses</b>	Détermine les vitesses d'exploitation ainsi subdivisées: 0. Allume et éteint le moteur aspiration 1. Vitesse minimale, pour un rechange d'air permanent particulièrement silencieux en cas de faibles vapeurs de cuisson. 2. Vitesse moyenne pour la plupart des conditions d'utilisation, étant donné le rapport optimal entre débit d'air traité et niveau sonore. 3. Vitesse maximum, pour faire face aux émissions maximum de vapeur de cuisson, même pendant des temps prolongés.

- La hotte aspirante a été conçue exclusivement pour un usage domestique afin d'éliminer les odeurs de cuisine.
- N'utilisez jamais la cagoule à d'autres fins que celles pour lesquelles elle a été conçue.
- Ne laissez jamais de grandes flammes nues sous le capot lorsqu'il est en fonctionnement.
- Réglez l'intensité de la flamme pour la diriger uniquement sur le fond de la casserole, en veillant à ce qu'elle n'engloutisse pas les parois.
- Les friteuses doivent être surveillées en permanence pendant leur utilisation : une huile surchauffée peut s'enflammer.


### 3.2 Fonctionnement efficace en termes d'économies d'énergie Utilisation

- Lorsque vous utilisez votre appareil, réglez la vitesse en fonction de l'intensité de la vapeur et de l'odeur afin d'économiser de l'énergie.
- Utilisez les vitesses basses (1-2) dans des conditions normales, et les vitesses élevées (3) pour

les odeurs et vapeurs intenses.

- Les lampes situées sur la hotte sont destinées à l'éclairage de la zone de cuisson.
- L'utilisation de ces lampes pour l'éclairage de la pièce entraîne une consommation d'énergie inutile et un éclairage insuffisant.
- Pour que votre appareil consomme moins d'énergie, faites-le fonctionner à basse vitesse.
- Votre appareil réduit la consommation d'énergie et fonctionne plus efficacement lorsque vous l'alimentez suffisamment en air.
- Configurez votre appareil pour un niveau de puissance d'aspiration intense avant la formation de la vapeur, dans le cas où vous prévoyez la production d'une vapeur dense. Vous réduisez donc la consommation d'énergie de votre appareil en l'utilisant pendant une durée plus courte, puisqu'il est suffisamment alimenté en air.
- Configurez votre appareil pour un niveau de puissance d'aspiration intense avant la formation de la vapeur, dans le cas où vous prévoyez la production d'une vapeur dense. Vous réduisez donc la consommation d'énergie de votre appareil en l'utilisant pendant une durée plus courte, puisqu'il est suffisamment alimenté en air.

### 3.3 Instructions d'utilisation

- Votre appareil contient un moteur qui a des vitesses différentes.
- Pour de meilleures performances, nous recommandons d'utiliser des vitesses basses dans des conditions normales et des vitesses élevées en cas fortes odeurs et de vapeur intense.
- Vous pouvez démarrer votre appareil en appuyant sur le bouton de réglage de la vitesse souhaitée. (V1, V2, V3)
- Vous pouvez éclairer la zone de cuisson en appuyant sur la lampe L (  ).

## 3 Utilisation de l'appareil

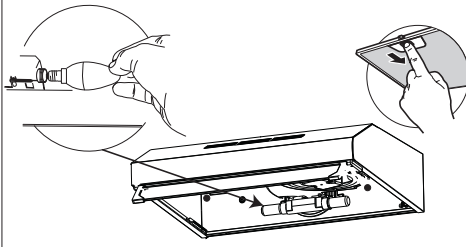
### 3.4 Remplacement des lampes




- Avant de remplacer les ampoules, débranchez l'alimentation électrique de la hotte.
- Ne touchez pas les ampoules lorsqu'elles sont chaudes.
- Faites attention à ne pas toucher l'ampoule remplacée directement avec les mains.



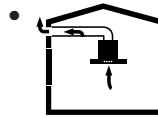
Vous pouvez vous procurer des lampes auprès d'agents de service agréés.



<b>Ampoule</b>	
<b>Absorption</b>	4 W
<b>Culot</b>	E14
<b>Voltage</b>	220 – 240
<b>Code ILCOS</b>	D R B B / F - 4 - 2 2 0 - 240-E14-35/100
<b>Dimensions</b>	35x100 mm
<b>Flux lumineux</b>	400 lm
<b>Température de couleur corrélée</b>	3000 K

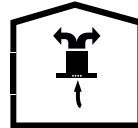
Ce produit contient une source lumineuse de classe d'efficacité énergétique "F".

### 3.5 Opération avec raccordement au conduit de fumée



- La vapeur est extraite par le conduit de fumée, qui est fixé à la tête de raccordement sur la hotte.
- Le diamètre du conduit de fumées doit être le même que celui de la bague de raccordement. En position horizontale, le tuyau doit avoir une légère pente ascendante (environ 10°) afin que l'air puisse sortir facilement de la pièce.

### 3.6 Fonctionnement sans raccordement au réseau d'évacuation des fumées



- L'air est filtré par le filtre à charbon et recirculé dans la pièce. Le filtre à charbon est utilisé lorsqu'il est impossible d'utiliser un conduit de fumée dans la maison.
- En cas d'utilisation sans conduit, retirez les rabats à l'intérieur de l'adaptateur de conduit.
- Retirez le filtre à huile. Pour installer le filtre à charbon, fixez le filtre sur les languettes en le centrant sur la pièce en plastique des deux côtés du corps du ventilateur. Resserrez-le en tournant à droite ou à gauche.
- Remplacez le filtre à huile en aluminium.

## 4 Nettoyage et entretien

Cet appareil doit être régulièrement nettoyé et entretenu. S'il n'est pas nettoyé, sa durée de vie utile peut être compromise. Pour le nettoyage et l'entretien, suivez les instructions contenues dans le manuel.



Avant de procéder au nettoyage et à l'entretien, débranchez le produit ou éteignez l'interrupteur.



Le non-respect des consignes de nettoyage de cet appareil et de remplacement de ses filtres vous expose à un risque d'incendie. Il est donc recommandé de respecter les consignes de ce manuel. Le fabricant décline toute responsabilité en cas de dommages au moteur ou d'incendie résultant d'une utilisation inappropriée de l'appareil.

Nettoyer en utilisant uniquement un chiffon humidifié avec un détergent liquide neutre. Ne nettoyez pas avec des outils ou des instruments. N'utilisez pas de produits abrasifs. N'utilisez pas d'alcool.

### 4.1 Nettoyage du filtre à graisse

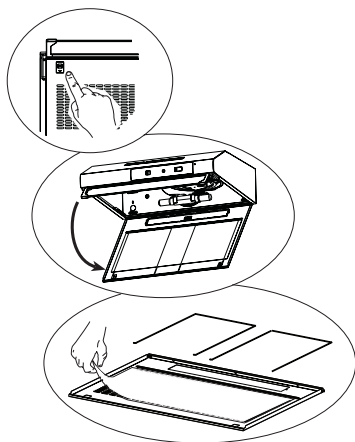
Ce filtre capte les particules d'huile présentes dans l'air. Il vous est recommandé de nettoyer votre filtre tous les mois dans des conditions normales d'utilisation. Pour ce faire, il faut d'abord retirer les filtres à graisse. Lavez les filtres avec un détergent liquide et rincez-les à l'eau, puis remettez-les en place une fois qu'ils sont secs. Les filtres à graisse peuvent se décolorer au lavage ; c'est normal et vous n'avez pas besoin de changer votre filtre.



Vous pouvez laver le filtre dans le lave-vaisselle



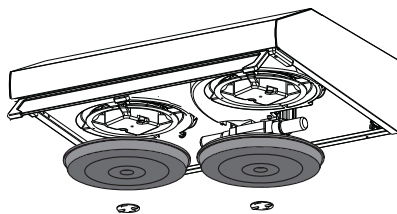
**ATTENTION:** En cas d'utilisation normale, nettoyez votre filtre une fois par mois.



### 4.2 Remplacement du filtre à carbone (mode de circulation de l'air)

La hotte peut être équipée d'un filtre à charbon actif. Le filtre à charbon est appliqué uniquement dans le cas où la hotte n'est pas reliée au conduit de ventilation.

Dans tous les cas, il est nécessaire de remplacer le filtre à charbon au moins tous les trois mois.



#### AVERTISSEMENT:



- Le filtre à charbon n'est jamais lavé.
- Remplacez les filtres à charbon une fois tous les 3 mois.
- Le filtre à charbon est disponible auprès des services autorisés.

## 5 Mise en place de l'appareil



**AVERTISSEMENT:** Veuillez lire les instructions de sécurité avant de vous installer.

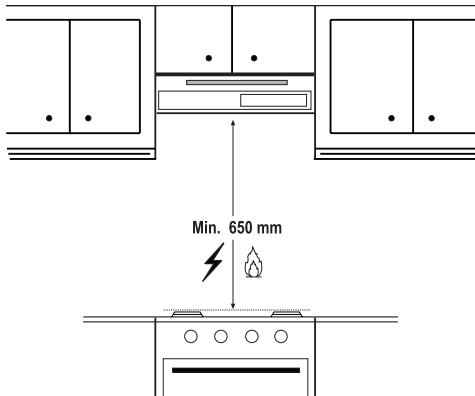


**ATTENTION:** Si l'installation n'est pas effectuée avec des vis et des stabilisateurs conformément à ces instructions, cela peut entraîner un choc électrique.



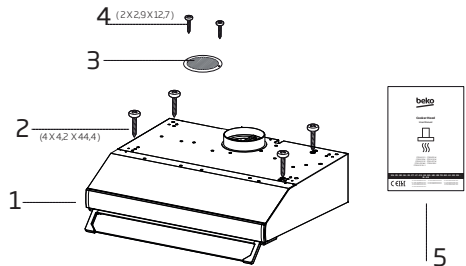
**REMARQUE:** Veuillez vous référer à la page 235 pour le guide d'installation

### 5.1 Position de l'appareil



- La distance entre le cuiseur et la hotte doit être prise en compte avant le montage. Cette distance doit être de 65 cm.
- La distance doit être mesurée à partir de la surface de la grille pour les cuisinières à gaz,
- à partir de la surface du verre pour les cuisinières électriques.

### 5.2 Installations des accessoires



1. Hotte
2. 4 X 4,2 x 44,4 vis
3. Grille de sortie d'air
4. 2 X 2,9 x 12,7 vis
5. Manuel d'utilisation

### 5.2 Stockage

- Si vous n'avez pas l'intention d'utiliser l'appareil pendant une longue période, conservez-le soigneusement.
- Veuillez également à ce que l'appareil soit débranché, refroidi et entièrement sec.
- Conservez l'appareil dans un endroit frais et sec.
- Tenez l'appareil hors de portée des enfants.

### 5.3 Manipulation et transport

- Lors de la manipulation et du transport, transportez l'appareil dans son emballage d'origine.
- L'emballage de l'appareil le protège des dommages physiques.
- Ne placez pas de charges lourdes sur l'appareil ou sur l'emballage. L'appareil peut être endommagé.



## 6 Dépannage

Dépannage	Problème	Solution
L'appareil ne fonctionne pas.	Vérifiez le fusible.	Il se peut que votre fusible soit coupé ; remettez-le en marche.
L'appareil ne fonctionne pas.	Vérifiez le branchement.	La tension du secteur doit être comprise entre 220 et 240 V.
L'appareil ne fonctionne pas.	Vérifiez le branchement.	Vérifiez si les autres appareils de votre cuisine fonctionnent ou pas.
L'ampoule ne fonctionne pas.	Vérifiez le branchement.	La tension du secteur doit être comprise entre 220 et 240 V.
L'ampoule ne fonctionne pas.	Vérifiez l'interrupteur de l'ampoule.	L'interrupteur de l'ampoule doit être en position « Allumé ».
L'ampoule ne fonctionne pas.	Vérifiez les ampoules.	Les ampoules de l'appareil ne doivent pas être défectueuses.
L'appareil n'aspire pas l'air correctement.	Vérifiez le filtre en aluminium.	L'aluminium du filtre doit être nettoyé au moins une fois par mois en conditions d'utilisation normales.
L'appareil n'aspire pas l'air correctement.	Vérifiez l'évent d'aération.	L'évent d'aération doit être en position « Marche ».
L'appareil n'aspire pas l'air correctement.	Vérifiez le filtre à charbon.	Pour les appareils dotés d'un filtre à charbon, celui-ci doit normalement être remplacé tous les 3 mois.

# Vă rugăm să citiți mai întâi acest manual de utilizare!

Stimate client,

Vă mulțumim pentru că ați ales acest produs Beko. Sperăm să obțineți cele mai bune rezultate de la aparatul dumneavoastră, care a fost fabricat la o calitate înaltă și cu tehnologie performantă. Din acest motiv, vă rugăm să citiți cu atenție și în întregime acest manual de utilizare și toate celelalte documente însoțitoare înainte de a utiliza aparatul și să le păstrați pentru consultări ulterioare. Dacă transmiteți produsul altei persoane, oferiți-i și manualul de utilizare. Urmați instrucțiunile și acordați atenție tuturor informațiilor și avertismentelor din manualul de utilizare.

Nu uitați că acest manual de utilizare poate fi aplicat și altor modele. Diferențele dintre modele sunt descrise în manual în mod explicit.

## Semnificația simbolurilor

Următoarele simboluri sunt utilizate în diverse părți ale acestui manual de utilizare:



Informații importante și sugestii utile cu privire la utilizare.



**AVERTISMENT:** Avertismente pentru situații periculoase referitoare la siguranța vieții și bunurilor.



**AVERTISMENT:** Avertisment pentru pericol de incendiu.



**AVERTISMENT:** Avertisment privind electrocutarea.



Clasă de protecție împotriva electrocutării.



# 1 Instrucțiuni importante cu privire la siguranță și mediu

## 1.1 Siguranță generală

Instrucțiuni importante cu privire la siguranță Citiți cu atenție și păstrați-le pentru consultare ulterioară Această secțiune conține instrucțiuni privind siguranța, care vă vor proteja împotriva riscului de incendiu, electrocutare, expunere la scurgeri de microunde, vătămare corporală și pagube materiale. Nerespectarea acestor instrucțiuni atrage anularea garanțiilor acordate.

- Produsele de la Beko sunt conforme standardelor de siguranță aplicabile; din acest motiv, în caz de defecțiune a produsului sau a cablului de alimentare, acestea trebuie reparate sau înlocuite de distribuitor, un centru de service sau un service similar specializat și autorizat, pentru evitarea oricărui pericol. Lucrările de reparații greșite sau efectuate de persoane necalificate pot cauza pericole sau riscuri utilizatorului.
- Acest aparat este destinat pentru a fi utilizat în scop casnic și aplicații similare cum ar fi:

- Bucătării pentru personalul din magazine, birouri sau alte medii de lucru;
- Ferme
- De către clienți în hoteluri, moteluri sau alte medii de tip rezidențial;
- Medii de tip pensiune.
- Utilizați acest produs doar pentru uzul desemnat, așa cum este descris în acest manual.
- Producătorul nu își asumă răspunderea pentru daunele provocate de instalarea incorectă sau utilizarea greșită a produsului.
- Acest aparat poate fi utilizat de către copii cu vârsta minimă de 8 ani și de către persoanele cu capacități fizice, senzoriale sau mentale reduse sau lipsite de experiență și de cunoștințe, dacă aceștia au fost supravegheați sau instruiți cu privire la utilizarea produsului într-un mod sigur și dacă înțeleg pericolele implicate.
- Copiii nu trebuie să se joace cu aparatul. Operațiunile de curățare și întreținere nu trebuie să fie efectuate de către copii fără

# 1 Instrucțiuni importante cu privire la siguranță și mediu

supraveghere.

- Distanța minimă dintre suprafețele de susținere pentru vasele de gătit de pe plită și partea cea mai joasă a hotei trebuie să fie de 65 cm.
- Dacă instrucțiunile de instalare a plitei cu gaz specifică distanțe mai mari decât cele de mai sus, se vor respecta instrucțiunile respective.
- Asigurați-vă că tensiunea de alimentare corespunde cu informațiile furnizate pe plăcuța cu date tehnice a produsului.
- Nu utilizați aparatul atunci când cablul de alimentare sau aparatul în sine este avariata.
- Nu strângeți, nu îndoiți și nu frecăți cablul de alimentare de margini tăioase, pentru a preveni avariata acestuia. Feriți cablul de alimentare de suprafețele fierbinți și focul deschis.
- Utilizați produsul doar cu o priză cu împământare.
- Amplasați aparatul astfel încât ștecherul să fie întotdeauna accesibil.
- Nu atingeți lămpile dacă au funcționat mult timp. Vă pot arde mâinile, deoarece vor fi fierbinți.
- Respectați reglementările stabilite de autoritățile competente privind evacuarea aerului rezidual (acest avertisment nu este valabil la utilizarea fără coșul de fum).
- Folosiți produsul după ce ați pus o oală, o tigaie etc. pe plită. În caz contrar, căldura ridicată poate cauza deformări în unele părți ale produsului.
- Opriti plita înainte de a lua oala, tigaia etc. de pe aceasta.
- Nu lăsați ulei fierbinte pe plită. Tigăile cu ulei fierbinte pot provoca auto-combustia.
- Fiți atenți la perdele și huse, deoarece uleiul poate lua foc în timp ce gătiți alimente cum ar fi cartofi prăjiți.
- Filtrul de grăsime trebuie înlocuit cel puțin lunar. Filtrul de carbon trebuie înlocuit cel puțin o dată

**AVERTISMENT:** Nu conectați produsul la priza de alimentare înainte de finalizarea instalării.

# 1 Instrucțiuni importante cu privire la siguranță și mediu

la 3 luni.

- Produsul trebuie curățat conform manualului de utilizare. În cazul în care curățarea nu a fost efectuată conform manualului de utilizare, există risc de incendiu.
- Nu folosiți materiale de filtrare care nu sunt rezistente la foc, în locul filtrului actual.
- Utilizați doar componentele originale sau componentele recomandate de către producător.
- Nu folosiți produsul fără filtru și nu scoateți filtrele în timp ce produsul funcționează.
- În cazul în care se produce o flacără, opriți alimentarea produsului și aparatele de gătit.
- În cazul în care se produce o flacără, acoperiți flacăra și nu utilizați apă pentru stingere.
- Înainte de fiecare curățare și atunci când produsul nu este folosit, scoateți-l din priză.
- Presiunea negativă în mediu nu trebuie să depășească 4 Pa (4 x 10 bari), în timp ce hota pentru plita electrică și aparatele care funcționează cu un alt tip de energie decât electricitatea funcționează simultan.
- În mediul în care este folosit produsul, evacuarea dispozitivelor care funcționează pe combustibil lichid sau motorină, cum ar fi radiatorul, trebuie să fie complet izolată sau dispozitivul trebuie să fie de tip ermetic.
- La conectarea coșului de evacuare, folosiți țevi cu diametrul de 120 sau 150 mm. Racordul țevelor trebuie să fie cât mai scurt posibil și să aibă cât mai puține coturi.
- Pericol de sufocare! Păstrați materialele de ambalare la loc inaccesibil copiilor.

**ATENȚIE:** În timpul utilizării cu aparate de gătit, piesele accesibile se pot încinge.

- Evacuarea hotei nu trebuie să fie conectată la canalele de aer care includ alte tipuri de fum.
- Ventilația în cameră poate fi insuficientă atunci când hota pentru plita electrică este folosită simultan cu dispozitive care funcționează cu gaz sau alți combustibili

# 1 Instrucțiuni importante cu privire la siguranță și mediu

(nu se aplică neapărat în cazul aparatelor care doar evacuează aerul înapoi în cameră).

- Obiectele plasate pe produs pot să cadă. Nu amplasați nici un obiect pe aparat.
- Nu flambați alimente sub produs.

**AVERTISMENT:** Îndepărtați foliile de protecție înainte de a instala hota.

- Nu lăsați niciodată focul deschis la intensitate mare sub hotă când aceasta funcționează.
- Friteuzele trebuie supravegheate permanent în timpul folosirii: uleiul supraîncălzit se poate aprinde.

## 1.2 Conformitate cu Directiva DEEE și eliminarea deșeurilor:

Acest produs este conform cu Directiva DEEE a UE (2012/19/EU). Acest produs poartă un simbol pentru deșeuri de echipamente electrice (DEEE).



Acest simbol indică faptul că acest produs nu trebuie eliminat împreună cu alte deșeuri menajere la sfârșitul duratei sale de utilizare. Dispozitivul uzat trebuie returnat către un punct

oficial de colectare pentru reciclarea dispozitivelor electrice și electronice. Pentru a găsi aceste sisteme de colectare contactați autoritățile locale sau distribuitorul de la care a fost achiziționat produsul. Fiecare gospodărie are un rol important în recuperarea și reciclarea electrocasnicelor vechi.

Eliminarea corespunzătoare a electrocasnicelor uzate ajută la prevenirea posibilelor consecințe negative pentru mediu și sănătatea umană.

## 1.3 Conformitatea cu Directiva RoHS

Produsul pe care l-ați achiziționat este conform cu Directiva RoHS UE (2011/65/UE). Produsul nu conține materiale dăunătoare sau interzise specificate în Directivă.

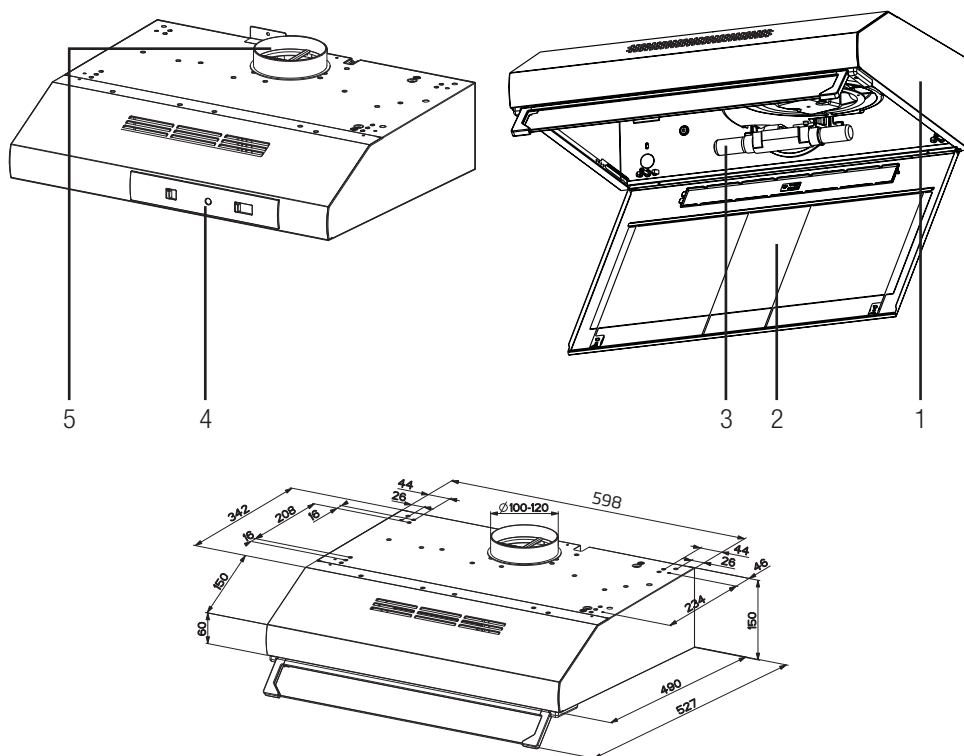
## 1.4 Informații despre ambalaj



Ambalajul produsului este fabricat din materiale reciclabile, în conformitate cu reglementările naționale de mediu. Nu eliminați ambalajul împreună cu deșeurile menajere sau de alt tip. Transportați-le la punctele de colectare a ambalajelor desemnate de către autoritățile locale.

## 2 Aspect general

### 2.1 Prezentare generală




1. Corp
2. Filtru de grăsime
3. Iluminat
4. Panou de control
5. Coș

### 2.2 Date tehnice

<b>Model</b>	CFB 6432 X CFB 6432 W CFB 6432 XG CFB 6432 WH CFB 6432 XH-1	CFB 6431 W CFB 5432 W CFB 6437 W
<b>Tensiune alimentare</b>	220-240V ~ 50 Hz	
<b>Alimentare lampă</b>	2 x 4 W	
<b>Putere motor</b>	2 x 115 W	
<b>Debit – 3. Nivel</b>	380 m <sup>3</sup> /h	
<b>Clasa de izolație a motorului</b>	Clasa F	
<b>Clasa de izolație</b>	Clasa II	

## 3 Funcționarea aparatului

### 3.1 Controlul aparatului

	
CHEIE	FUNCȚIE
<b>L : Lumină On / Off</b>	Aprinde și stinge instalația de iluminare.
<b>V : Buton de viteză</b>	Determină viteza de funcționare: 0. Aprinde și stinge motorul de aspirație. 1. Viteza minimă, adecvată pentru schimbarea continuă a aerului deosebit de silențioasă, în cazul în care sunt puțini aburi de la gătit. 2. Viteza medie, adecvată majorității condițiilor de utilizare, având în vedere raportul optim dintre aerul tratat și nivelul sonor. 3. Viteza maximă, adecvată a face față emisiunilor maxime de vapori de la gătit, și pe perioade îndelungate.

- Hota extractoare a fost proiectată exclusiv pentru uz domestic, pentru a elimina mirosurile din bucătărie.
- Nu utilizați niciodată hota în alte scopuri decât cele pentru care a fost proiectată.
- Nu lăsați niciodată flăcări deschise înalte sub hotă atunci când aceasta este în funcțiune.
- Ajustați intensitatea flăcării pentru a o direcționa numai spre partea inferioară a tigăii, asigurându-vă că nu învâluie marginile.
- Friteuzele cu grăsimi trebuie monitorizate în mod continuu în timpul utilizării: uleiul supraîncălzit poate izbucni în flăcări.

### 3.2 Funcționarea eficientă din punct de vedere energetic în termeni de economisire Folosire

- Când folosiți hota, ajustați setările de viteză conform vaporilor și intensității mirosului, pentru a economisi energie.
- Folosiți viteze mici (1-2) în condiții normale și viteze mari (3) pentru mirosuri intense și vapori.
- Lămpile de pe hotă sunt plasate pentru iluminarea zonei de gătit.
- Folosirea lor pentru lumina ambientală va produce consum de energie inutil și lumină insuficientă.
- Pentru ca aparatul să consume mai puțină energie, utilizați-l la o viteză redusă.
- Aparatul va consuma mai puțină energie, deoarece va funcționa mai eficient atunci când îi asigurați o admisie suficientă de aer.
- Setati aparatul la nivelul de aspirație puternică înainte de formarea aburului, în cazurile în care știți că se va forma mult abur. Așadar, reduceți consumul de energie folosind aparatul pentru o perioadă mai scurtă de timp, deoarece va avea o admisie suficientă de aer.
- Țineți capacele vaselor de gătit închise pentru a reduce degajarea aburului.



## 3 Funcționarea aparatului

### 3.3 Utilizarea hotei

- Hota este dotată cu un motor cu setări de viteză diferite.
- Pentru performanțe mai bune, vă recomandăm să utilizați vitezele reduse în condiții normale și vitezele mari în caz de mirosuri și vapori puternici.
- Puteți porni hota apăsând tasta de viteză dorită. (V1, V2, V3)
- Puteți ilumina zona de gătit apăsând butonul (L)

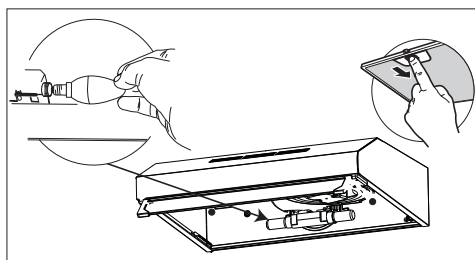
### 3.4 Înlocuirea becului



- Înainte de a înlocui becurile, deconectați hota de la sursa de alimentare.
- Nu atingeți becurile atunci când sunt fierbinți.
- Aveți grijă să nu atingeți becul înlocuit direct cu mâinile.



Puteți procura becuri de la agenții de service autorizați.

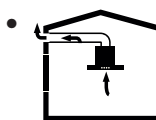


<b>Lampă</b>	
<b>Putere</b>	4 W
<b>Priză</b>	E14
<b>Voltaj</b>	220 - 240 V
<b>Dimensiune</b>	DRBB/F - 4 - 220 - 240-E14-35/100

<b>Codul ILCOS</b>	35x100 mm
<b>Flux de lumină</b>	400 lm
<b>Temperatură de culoare corespondentă</b>	3000 K

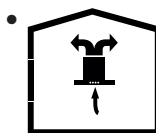
Acest produs conține o sursă de lumină din clasa de eficiență energetică "F".

### 3.5 Funcționare cu racordare la tubul de evacuare



- Vaporii sunt extrași prin conducta de evacuare, care este fixată pe capul de conectare de pe hotă.
- Diametrul conductei de evacuare trebuie să fie același cu cel al inelului de conectare. În setări orizontale, țeava trebuie să aibă o ușoară pantă ascendentă (aproximativ 10°), astfel încât aerul să poată ieși cu ușurință din cameră.

### 3.6 Funcționare fără racordare la tubul de evacuare



- Aerul este filtrat prin filtrul de carbon și recirculat în cameră. Filtrul de carbon este utilizat atunci când este imposibil de utilizat un tub în casă.
- În cazul utilizării fără tub de evacuare, îndepărtați clapetele din interiorul adaptorului pentru tubul de evacuare.
- Scoateți filtrul de ulei. Pentru a instala filtrul de carbon, montați filtrul pe clapete centrându-l pe piesa din plastic de pe ambele părți ale corpului ventilatorului. Strângeți-l prin rotirea spre dreapta sau spre stânga.
- Înlocuiți filtrul de ulei de aluminiu.

## 4 Curățarea și întreținerea

Dispozitivul trebuie curățat și întreținut în mod regulat. Dacă aparatul nu este păstrat curat durata de viață a acestuia va fi afectată negativ. Pentru curățare și întreținere, urmați instrucțiunile specificate în manual.



Înainte de curățare și întreținere, deconectați produsul sau opriți întrerupătorul.



Nerespectarea prevederilor legate de curățarea aparatului și înlocuirea filtrelor poate duce la producerea de incendii. Prin urmare, se recomandă să urmați instrucțiunile specificate aici. Producătorul nu este responsabil pentru defecțiunile motorului sau incendiile cauzate de utilizarea necorespunzătoare.

Curățați folosind o cârpă înmuiată în detergent lichid cu pH neutru. Nu curățați folosind ustensile sau instrumente. Nu folosiți produse abrazive. Nu folosiți alcool.

### 4.1 Curățarea filtrelor de ulei de aluminiu

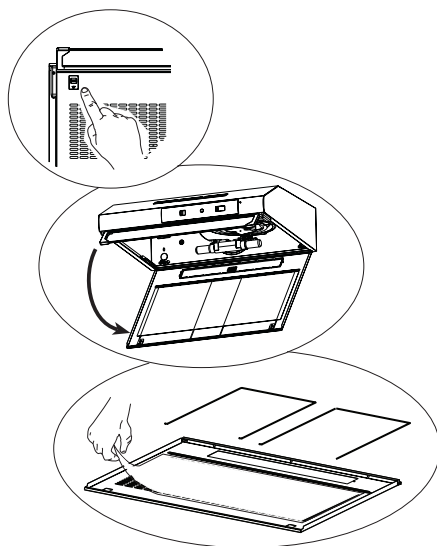
Filtrul de ulei din aluminiu este utilizat pentru a reține particulele de ulei din aer. Filtrele de aluminiu își pot schimba culoarea după curățarea repetată. Acest lucru este normal și filtrele nu trebuie înlocuite.



De asemenea, puteți spăla filtrele de ulei din aluminiu în mașina de spălat.

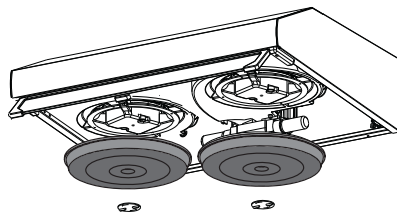


**ATENȚIE:** În caz de utilizare normală, curățați filtrul de ulei din aluminiu o dată pe lună.



### 4.2 Înlocuirea filtrelor de carbon (modul de circulație a aerului)

Hota poate fi echipată cu un filtru de cărbune activ. Filtrul de carbon se aplică numai în cazul în care hota nu este conectată la conducta de aerisire.



#### ATENȚIE

- Filtrul de carbon nu trebuie spălat niciodată.
- Înlocuiți filtrele de carbon o dată la 3 luni.
- Puteți obține filtrul de carbon de la vânzătorii autorizați.



## 5 Instalarea aparatului



**AVERTISMENT:** Înainte de a începe instalarea, citiți informațiile de siguranță din Manualul utilizatorului.



**AVERTISMENT:** Neinstalarea cu șuruburi și stabilizatori în conformitate cu aceste instrucțiuni poate duce la electrocutare.

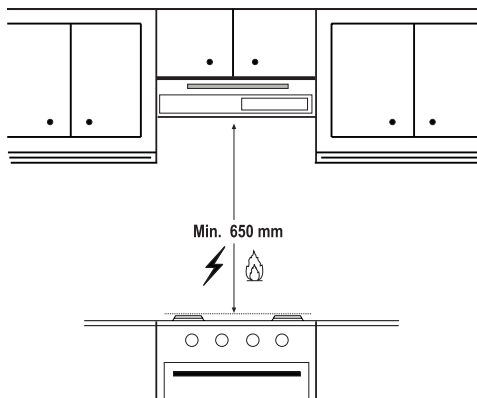


Vă rugăm să consultați pagina 235 pentru ghidul de instalare.

Pentru instalarea hotei, vă rugăm să contactați cel mai apropiat serviciu autorizat.

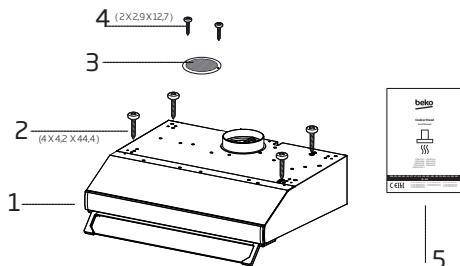
Este responsabilitatea clientului să pregătească locația și instalarea electrică a hotei.

### 5.1 Poziția aparatului



- Distanța dintre aragaz și hotă trebuie luată în considerare înainte de asamblare. Această distanță trebuie să fie de 65 cm.
- Distanța trebuie măsurată de la suprafața grătarului pentru aragazuri pe gaz,
- de la suprafața sticlei pentru aragazuri electrice.

### 5.1 Accesorii pentru montare



1. Hotă
2. Șuruburi 4 X 4,2 X 44,4
3. Grila de evacuare a aerului
4. Șuruburi 2 X 2,9 X 12,7
5. Manual de utilizare

### 5.2 Depozitarea

- Dacă nu doriți să utilizați aparatul pentru o perioadă lungă de timp, depozitați-l cu grijă.
- Asigurați-vă că aparatul este decuplat, că s-a răcit complet și că este perfect uscat.
- Depozitați aparatul într-un loc uscat și rece.
- Nu lăsați aparatul la îndemâna copiilor

### 5.3 Manevrarea și transportul

- În timpul manevrării și transportului, transportați produsul în ambalajul său original. Ambalajul aparatului îl protejează împotriva deteriorării fizice.
- Nu plasați obiecte grele pe aparat sau pe ambalaj. Aparatul poate fi deteriorat.
- Căderea aparatului îl poate face nefuncțional sau poate provoca daune permanente.

## 6 Depanarea

<b>Problemă</b>	<b>Cauză</b>	<b>Soluție</b>
Produsul nu funcționează.	Verificați siguranța dvs.	Dacă siguranța dvs. este închisă, deschideți-o.
Produsul nu funcționează.	Verificați conexiunea electrică.	Tensiunea rețelei trebuie să fie între 220 și 240 V.
Produsul nu funcționează.	Verificați conexiunea electrică.	Verificați dacă și celelalte aparate din bucătărie funcționează.
Lampa de iluminare nu funcționează.	Verificați conexiunea electrică.	Tensiunea rețelei trebuie să fie între 220 și 240 V.
Lampa de iluminare nu funcționează.	Verificați comutatorul lămpii.	Comutatorul pentru lampă trebuie să fie în poziția „on” (pornit).
Lampa de iluminare nu funcționează.	Verificați becurile.	Becurile produsului nu trebuie să fie defecte.
Admisia de aer a produsului este slabă.	Verificați filtrul de aluminiu.	În condiții normale de funcționare, filtrul de ulei din aluminiu trebuie curățat cel puțin o dată pe lună.
Admisia de aer a produsului este slabă.	Verificați tubul de evacuare a aerului.	Tubul de evacuare a aerului trebuie să fie în poziția „on” (pornit).
Admisia de aer a produsului este slabă.	Verificați filtrul de carbon.	Pentru produsele cu filtre de carbon, filtrul trebuie schimbat în mod normal la fiecare 3 luni.



# CERTIFICAT DE GARANȚIE

Tensiune de alimentare/frecvență: 220-240V~, 50-60Hz  
Importator: ARCTIC S.A., Găești, Dâmbovița, str. 13 Decembrie nr. 210, email: office@arctic.ro

**TIP:**  Aragaz  Cuptor încorporabil  Plită încorporabilă  Hotă

Model / Serie:.....

## VÂNZĂTOR

Nr. factură:.....Data: .....

Vânzător (firma, localitatea): .....

## CUMPĂRĂTOR

Nume .....Localitatea .....

Str. ....Nr. ....Bloc .....Sc. ....Et. ....Ap. ....

Județ ..... Telefon .....E-mail .....

S-a efectuat proba de funcționare a aparatului, s-a prezentat modul de folosire, s-au predat instrucțiunile de utilizare și toate accesoriile. Am primit aparatul în perfectă stare de funcționare.

Stimați clienți,

La cumpărare vă recomandăm să solicitați efectuarea probei de funcționare și să verificați existența instrucțiunilor de utilizare și a accesoriilor.

Pentru a putea beneficia de toate avantajele produselor și serviciilor noastre vă rugăm:

- să citiți cu atenție și să respectați recomandările prezentate în "Instrucțiunile de utilizare".

- să păstrați cu grijă acest certificat pentru a-l putea prezenta (împreună cu documentul fiscal de achiziție), personalului SERVICE ARCTIC, la orice sesizare efectuată în perioada de garanție.

Vă mulțumim că ați optat pentru cumpărarea unui produs Beko!

## Garanția legală de conformitate

**Durata medie de utilizare a produsului este de 10 ani!**

**Perioada de garanție legală de conformitate este de 2 ani de la livrarea produsului\*,**

\*prin „produs” se înțelege „bun” conform OUG nr. 140/2021<sup>1</sup>

Perioada de garanție legală de conformitate pentru conținutul digital sau serviciul digital în cazul bunurilor cu elemente digitale pentru care contractul de vânzare-cumpărare prevede furnizarea continuă de conținut digital sau a serviciului digital pe durată determinată este de:

a) 2 ani de la livrare, respectiv de la livrarea bunului – pentru produse cu durata medie de utilizare de 5 ani (art. 9 (3) din OUG nr. 140/2021);

b) 5 ani de la livrare, respectiv de la livrarea bunului – pentru produse cu durata medie de utilizare mai mare de 5 ani (art. 9 (3) din OUG nr. 140/2021);

c) Pe tot parcursul perioadei de furnizare a conținutului / serviciului digital – pentru furnizare continuă a conținutului / serviciului digital pe o perioadă mai mare de 5 ani (art. 9 (4) din OUG nr. 140/2021).

<sup>1</sup>Ordonanță de urgență 140/2021 privind anumite aspecte referitoare la contractele de vânzare de bunuri



Service-ul acestui produs este asigurat de ARCTIC S.A. cu sediul în Găești, Dâmbovița, str. 13 Decembrie nr. 210. • \*9010 • www.arctic.ro • www.beko.ro • e-mail: service@arctic.ro  
Program Call Center: Luni - Vineri 08:30 - 20:00; Sâmbătă 08:30 - 17:00



**Remedii incluse în garanția legală de conformitate conform OUG nr. 140/2021**  
(vă rugăm să aveți în vedere prevederile de mai jos)

**ARCTIC garantează toate drepturile legale prevăzute de OUG nr. 140/2021 în beneficiul consumatorilor cu privire la garanția legală de conformitate. Dispozițiile prezentului certificat de garanție legală de conformitate se completează, în mod corespunzător, cu dispozițiile OUG nr. 140/2021.**

În caz de neconformitate, consumatorul are dreptul de a beneficia de aducerea în conformitate a bunurilor, de a beneficia de o reducere proporțională a prețului sau de a obține încetarea contractului, în condițiile legii - art. 11 (1).

Consumatorii pot să opteze pentru o anumită măsură corectivă în cazul în care neconformitatea bunurilor este constatată la scurt timp după livrare, fără a depăși 30 de zile calendaristice - art. 11 (7).

Pentru ca bunurile să fie aduse în conformitate, consumatorul poate opta între reparație și înlocuire, cu excepția cazului în care măsura corectivă aleasă ar fi imposibilă sau, în comparație cu cealaltă măsură corectivă disponibilă, ar impune vânzătorului costuri care ar fi disproporționate, luând în considerare toate circumstanțele (ex. valoarea bunurilor în cazul în care nu ar fi existat neconformitatea, gravitatea neconformității sau dacă măsura corectivă alternativă ar putea fi executată fără vreun inconvenient semnificativ pentru consumator) - art. 11 (2).

#### **Instalarea incorectă a bunurilor (art. 7).**

Orice neconformitate cauzată de instalarea incorectă a bunurilor este considerată ca reprezentând o neconformitate a bunurilor, în oricare din următoarele situații:

- a) instalarea face parte din contractul de vânzare și a fost realizată de vânzător sau sub răspunderea vânzătorului;
- b) instalarea, destinată să fie realizată de consumator, a fost realizată de acesta și instalarea incorectă s-a datorat unor deficiențe în instrucțiunile de instalare furnizate de vânzător sau, în cazul bunurilor cu elemente digitale, de către vânzătorul sau furnizorul conținutului digital sau al serviciului digital.

#### **Proba neconformității.**

Orice neconformitate care este constatată în termen de un an de la data la care bunurile (inclusiv cele cu elemente digitale) au fost livrate este prezumată a fi existat deja în momentul livrării bunurilor până la proba contrarie sau cu excepția cazului în care această prezumție este incompatibilă cu natura bunurilor sau cu natura neconformității - art. 10 (1).

În cazul bunurilor cu elemente digitale pentru care contractul de vânzare prevede furnizarea continuă de conținut digital sau de servicii digitale pentru o anumită perioadă, sarcina probei cu privire la conformitatea conținutului digital sau a serviciului digital pe parcursul perioadelor de garanție legală îi revine vânzătorului în cazul unei neconformități care este constatată pe parcursul acestei perioade - art. 10 (3).

#### **Remediere prin reparație.**

În cazul în care neconformitatea este remediată prin reparație, termenele de garanție legală se prelungesc cu timpul de nefuncționare a bunului, din momentul la care a fost adusă la cunoștința vânzătorului lipsa de conformitate până la predarea efectivă a bunului în stare de utilizare normală către consumator - art. 12 (6).

## **Remediere prin înlocuire.**

În cazul în care neconformitatea este remediată prin înlocuire, pentru bunurile care înlocuiesc bunurile neconforme, termenele legale de garanție pentru produsul înlocuit încep să curgă de la data înlocuirii cu noul produs - art. 12 (7).

## **Reducerea prețului și încetarea contractului.**

Consumatorul are dreptul fie să obțină o reducere proporțională a prețului în conformitate cu legea, fie să obțină încetarea contractului de vânzare în condițiile legii, în oricare dintre următoarele cazuri - art. 11(4):

- a) vânzătorul nu a finalizat reparația sau înlocuirea sau, după caz, nu a finalizat reparația sau înlocuirea potrivit prevederilor legii sau vânzătorul a refuzat să aducă în conformitate bunurile potrivit prevederilor legii;
- b) se constată o neconformitate, în pofida eforturilor vânzătorului de a o remedia;
- c) neconformitatea este de o asemenea gravitate încât justifică o reducere de preț sau dreptul la încetarea imediată a contractului de vânzare;
- d) vânzătorul a declarat că nu va aduce bunurile în conformitate într-un termen rezonabil sau fără inconveniente semnificative pentru consumator ori acest lucru reiese clar din circumstanțele cazului.

Consumatorul are dreptul de a suspenda plata unei părți restante din prețul bunurilor sau a unei părți a acesteia până în momentul în care vânzătorul își va fi îndeplinit obligațiile care îi revin în temeiul legii - art. 11(6). Reducerea de preț este proporțională cu diminuarea valorii bunurilor primite de consumator în comparație cu valoarea pe care bunurile ar avea-o dacă ar fi în conformitate - art.13.

## **Încetarea contractului:**

- a) nu poate fi solicitată dacă vânzătorul dovedește că neconformitatea este minoră;
- b) poate fi solicitată pentru totalitatea bunurilor achiziționate și livrate, deși motivul de încetare vizează doar anumite bunuri, în cazul în care consumatorul nu i se poate pretinde în mod rezonabil să accepte să păstreze numai bunurile conforme;
- c) determină obligația consumatorului de a returna vânzătorului bunurile, pe cheltuiala vânzătorului;
- d) determină obligația vânzătorului de a rambursa consumatorului prețul plătit pentru bunuri la primirea bunurilor sau a unei dovezii prezentate de consumator că bunurile au fost returnate; vânzătorul va folosi aceleași modalități de plată ca și cele folosite de consumator pentru tranzacția inițială, cu excepția cazului în care consumatorul a fost de acord cu o altă modalitate de plată și cu condiția de a nu cădea în sarcina consumatorului plata de comisioane în urma rambursării.

Garanția legală pentru viciu ascuns este aplicabilă în condițiile legii, conform OG nr. 21/1992 (revizia 2) privind protecția consumatorului, OUG nr. 140/2021 și Codului Civil. Viciul ascuns reprezintă deficiența calitativă a unui produs livrat sau a unui serviciu prestat care nu a fost cunoscută și nici nu putea fi cunoscută de către consumator prin mijloacele obișnuite de verificare.



Service-ul acestui produs este asigurat de ARCTIC S.A. cu sediul în Găești, Dâmbovița, str.13 Decembrie nr. 210. • \*9010 • [www.arctic.ro](http://www.arctic.ro) • [www.beko.ro](http://www.beko.ro) • e-mail: [service@arctic.ro](mailto:service@arctic.ro)  
Program Call Center: Luni - Vineri 08:30 - 20:00; Sâmbătă 08:30 - 17:00

## UNITĂȚILE SERVICE ALE ARCTIC S.A. EXECUTĂ REPARAȚII ÎN TERMENUL DE GARANȚIE ȘI ÎN AFARA ACESTUIA

Nr. crt.	Data Reclamației	Data primirii în reparație	Reparat			Efectuarea verificării				
			Programat	Data ridicării aparatului	Cauza întârzierii		Reparația curentă și/sau componenta înlocuită	Prelungirea termenului de garanție	SERVICE	CLIENT

### CONDIIȚII SUPLEMENTARE DE GARANȚIE LEGALĂ DE CONFORMITATE:

Pentru orice defecțiune aparută în perioada de garanție legală, apelați la vânzător (respectiv, prin magazinul de unde a fost achiziționat produsul sau direct prin Call Center Arctic). Prelungirea termenului de garanție se va înscrice în certificatul de garanție de către unitatea SERVICE care a efectuat reparația. Garanția acoperă repararea și/sau înlocuirea pieselor constatate ca neconforme în sensul OUG nr. 140/2021. (necauzate de consumator) de către tehnicienii Service Arctic.

Termenul de realizare a operațiilor de reparație, înlocuire sau întreținere este de 15 zile calendaristice de la data la care cumpărătorul a sesizat lipsa de conformitate către vânzător (respectiv, prin magazinul de unde a achiziționat produsul sau direct prin Call Center Arctic).

Reparațiile /înlocuirile se efectuează cu respectarea următoarelor condiții - art. 12(1)-(5) din OUG nr. 140/2021:

- a) fără costuri și fără vreun inconvenient semnificativ pentru consumator, înănd seama de natura bunurilor și de scopul pentru care consumatorul a solicitat bunurile în cauză;
- b) consumatorul pune bunurile la dispoziția vânzătorului, iar vânzătorul preia bunurile înlocuite pe propria cheltuială;
- c) obligația de a repara sau înlocui bunurile include, după caz, demontarea bunurilor neconforme și instalarea bunurilor de înlocuire sau a bunurilor reparate sau suportarea costurilor aferente demontării și instalării;
- d) consumatorul nu este obligat să plătească pentru utilizarea normală a bunurilor înlocuite în perioada care a precedat înlocuirea acestora.

### Reclamațiile referitoare la aspectele prevăzute mai jos, se rezolvă numai contra cost:

- piesele și accesoriile care prezintă lovituri, zgârieturi, spărturi sau deformări din vina exclusivă a consumatorului.

### PRODUSUL NU BENEFCIAZĂ DE GARANȚIE LEGALĂ DE CONFORMITATE ÎN URMĂTOARELE CAZURI:

1. Nu au fost respectate instrucțiunile de transport, manipulare, instalare, utilizare și întreținere prescise.
2. Subansamblele și accesoriile casabile care se deteriorează în timpul transportului vor fi înlocuite de vânzător (în cazul în care transportul e asigurat de vânzător sau sub responsabilitatea acestuia).
3. Garanția nu se acordă subansamblelor și accesoriilor casabile ale produselor care suferă deteriorări din vina exclusivă a consumatorului.
4. Tensiunea de alimentare are valori care nu se încadrează în limitele prevăzute de standarde (SR EN 50160).
5. Instalația electrică a utilizatorului prezintă improvizații sau neconformități.
6. Produsul a fost folosit în alte scopuri decât cel pentru care a fost proiectat.
7. Produsul a suportat intervenții (reparații, modificări) din partea unor persoane neautorizate de producător.

### Drepturile consumatorului sunt cele prevăzute în OUG nr. 140/2021 și OG 21/1992 (republicată).

În cadrul acestui proces, Arctic vă prelucrează date cu caracter personal, cu respectarea legilor aplicabile privind confidențialitatea și protecția datelor. Pentru informații complete despre modul în care vă prelucreăm datele, precum și despre drepturile dumneavoastră, vă rugăm să consultați secțiunea "Protecția datelor personale"; accesând site-ul nostru la adresa <https://www.beko.ro/>.



# Bitte lesen Sie zunächst diese Anleitung!





Sehr geehrte Kundin, sehr geehrter Kunde,

Vielen Dank, dass Sie sich für dieses Gerät der Marke Beko entschieden haben. Wir sind überzeugt, dass Sie mit diesem Gerät, das mit den höchsten Qualitätsanforderungen und modernster Technologie hergestellt wurde, beste Ergebnisse erzielen werden. Bitte lesen Sie die gesamte Bedienungsanleitung und alle anderen Begleitdokumente aufmerksam, bevor Sie das Gerät verwenden; bewahren Sie sie zum künftigen Nachschlagen sicher auf. Wenn Sie das Gerät an jemanden weitergeben, händigen Sie ihm bitte auch diese Anleitung aus. Befolgen Sie die Anweisungen, indem Sie alle Informationen und Warnhinweise in der Bedienungsanleitung beachten.

Bitte denken Sie daran, dass diese Bedienungsanleitung eventuell für mehrere Modelle geschrieben wurde. Unterschiede zwischen den Modellen werden in der Anleitung klar und deutlich beschrieben.

## Bedeutung der Symbole

Folgende Symbole werden in den verschiedenen Abschnitten dieser Anleitung verwendet:

	Wichtige Informationen und nützliche Hinweise zur Verwendung.
	<b>WARNUNG:</b> Warnhinweise zu gefährlichen Situationen im Hinblick auf die Sicherheit von Leib, Leben und Eigentum.
	Warnung vor Brandgefahr.
	Warnung vor Stromschlägen.
	Schutzklasse gegen Stromschläge.



# 1 Wichtige Sicherheits- und Umwelanweisungen

## 1.1 Allgemeine Sicherheit

Wichtige Sicherheitsanweisungen sorgfältig lesen und zum künftigen Nachschlagen aufbewahren. Dieser Abschnitt enthält Sicherheitsanweisungen, die beim Schutz vor Personen- und Sachschäden, Bränden, Stromschlägen und dem Austreten von Mikrowellenenergie helfen. Bei Nichtbeachtung dieser Anweisungen erlischt die Gewährleistung.

- Beko-Produkte stimmen mit geltenden Sicherheitsstandards überein; daher sollten Gerät oder Netzkabel zur Vermeidung von Gefahren im Falle von Schäden durch den Händler, ein Kunden-center oder einen spezialisierten, autorisierten Serviceanbieter repariert oder ersetzt werden. Fehlerhafte oder unqualifizierte Reparaturen können Gefahren und Risiken für den Benutzer verursachen.
- Dieses Gerät ist für den Einsatz in Haushalten und ähnlichen Bereichen vorgesehen, wie:
  - In Betriebsküchen, Läden, Büros und anderen Arbeitsumgebungen;
  - Bauernhöfen;
  - Von Gästen in Hotels und anderen Wohnumgebungen;
  - Pensionen und Jugendherbergen.
- Das Gerät darf nur für seinen in dieser Anleitung beschriebenen vorgesehenen Zweck verwendet werden.
- Der Hersteller haftet nicht für Schäden, die auf unsachgemäße Installation oder fehlerhaften Gebrauch zurückzuführen sind.
- Das Gerät darf nur dann von Kindern ab 8 Jahren und Personen mit körperlichen oder geistigen Einschränkungen genutzt werden, wenn diese beaufsichtigt werden oder gründlich über den richtigen und sicheren Umgang mit dem Gerät aufgeklärt wurden und sich sämtlicher möglicher Gefahren bewusst sind.
- Kinder dürfen nicht mit dem Gerät spielen. Reinigungs- und Wartungsarbeiten dürfen nicht

# 1 Wichtige Sicherheits- und Umwelanweisungen

unbeaufsichtigt von Kindern ausgeführt werden.

- Der Abstand zwischen der Stützfläche für Kochgeschirr auf dem Kochfeld und dem niedrigsten Teil der Abzugshaube muss mindestens 65 cm betragen.
- Falls die Anweisungen zur Installation eines Gasherdes einen größeren Abstand angeben, ist dieser einzuhalten.
- Stellen Sie sicher, dass Ihre Stromversorgung mit den Angaben am Typenschild des Gerätes übereinstimmt.
- Benutzen Sie das Gerät niemals, wenn das Netzkabel oder das Gerät selbst beschädigt ist.
- Vermeiden Sie Schäden am Netzkabel, indem Sie es nicht quetschen, knicken oder über scharfe Kanten ziehen. Halten Sie das Netzkabel von heißen Oberflächen und offener Flamme fern.
- Verwenden Sie das Gerät nur mit einer geerdeten Steckdose.

**WARNUNG:** Schließen Sie das Gerät erst nach vollständig ab-

geschlossener Installation an das Stromnetz an.

- Stellen Sie das Gerät so auf, dass der Netzstecker immer zugänglich ist.
- Berühren Sie die Lampen nicht, falls sie lange Zeit in Betrieb waren. Sie könnten sich die Finger verbrennen, da die Lampen heiß werden.
- Befolgen Sie die von zuständigen Behörden festgelegten Richtlinien zum Abführen von Abluft (diese Warnung ist bei Einsatz ohne Abzug nicht zutreffend).
- Nehmen Sie Ihr Gerät erst in Betrieb, nachdem Sie ein Kochgeschirr auf das Kochfeld gestellt haben. Andernfalls könnte hohe Hitze zur Verformung von Teilen Ihres Geräts führen.
- Schalten Sie die Kochfelder ab, bevor Sie das Kochgeschirr herunternehmen.
- Lassen Sie kein heißes Öl auf das Kochfeld gelangen. Kochgeschirr mit heißem Öl kann sich selbst entzünden.

# 1 Wichtige Sicherheits- und Umwelanweisungen

- Achten Sie auf Vorhänge und Abdeckungen, da Öl beim Zubereiten von Lebensmitteln, wie Pommes frites, Feuer fangen kann.
- Der Fettfilter muss mindestens einmal im Monat ersetzt werden. Der Kohlefilter muss mindestens alle 3 Monate ersetzt werden.
- Das Produkt muss entsprechend der Bedienungsanleitung gereinigt werden. Falls die Reinigung nicht entsprechend der Bedienungsanleitung durchgeführt wird, besteht Brandgefahr.
- Verwenden Sie kein nicht feuerbeständiges Filtermaterial anstelle des aktuellen Filters.
- Verwenden Sie nur Originalteile und vom Hersteller empfohlene Teile.
- Verwenden Sie das Gerät nicht ohne Filter. Entfernen Sie die Filter nicht, während das Gerät läuft.
- Sollte sich etwas entzünden, unterbrechen Sie als erstes sofort die Energieversorgung.
- Ersticken Sie ein Feuer mit einer geeigneten Decke oder ähnlich, verwenden Sie zum Löschen niemals Wasser.
- Trennen Sie das Gerät vor jeder Reinigung und bei Nichtbenutzung von der Stromversorgung.
- Der Unterdruck in der Umgebung darf 4 Pa ( $4 \times 10^{-2}$  bar) nicht überschreiten, während die Dunstabzugshaube für das elektrische Kochfeld und Geräte mit einer anderen Energiequelle als Strom gleichzeitig laufen.
- Falls sich ein mit Heizöl oder Brenngasen betriebenes Gerät, z. B. Heizungen, in der Nähe der Dunstabzugshaube befindet, muss die Abluft dieses Gerätes vollständig getrennt abgeführt werden oder es muss hermetisch sein.
- Verwenden Sie zum Anschluss des Abzugs Rohre mit einem Durchmesser von 120 oder 150 mm. Der Rohranschluss muss möglichst kurz sein und sollte möglichst wenige Biegungen aufweisen.

# 1 Wichtige Sicherheits- und Umwelanweisungen

- **Verschluckungsgefahr!** Halten Sie alle Verpackungsmaterialien von Kindern fern.

**ACHTUNG:** Zugängliche Teile können bei Verwendung mit Kochgeräten heiß werden.

- Der Auslass des Produktes darf nicht an Luftkanäle angeschlossen werden, die auch andere Abluft abführen.
- Die Belüftung im Raum reicht möglicherweise nicht aus, wenn die Abzugshaube für das elektrische Kochfeld gemeinsam mit Geräten, die mit Gas oder anderen Kraftstoffen laufen, betrieben wird (dies trifft möglicherweise nicht auf Geräte zu, die Luft zurück in den Raum abgeben).
- Auf dem Produkt platzierte Gegenstände könnten herunterfallen. Stellen Sie keine Gegenstände auf das Produkt.
- Flambieren Sie nicht unter dem Gerät.

**WARNUNG:** Entfernen Sie vor Installation der Dunstabzugshaube die Schutzfolien.

- Achten Sie darauf, dass niemals hohe offene Flammen unter der Dunstabzugshaube entstehen, wenn diese in Betrieb ist.
- Fritteusen müssen während der Benutzung kontinuierlich überwacht werden; überhitztes Öl kann Feuer fangen.

## 1.2 Ihre Pflichten als Endnutzer



Dieses Produkt erfüllt die Vorgaben der EU-WEEE-Direktive (2012/19/EU). Das Produkt wurde mit einem Klassifizierungssymbol für elektrische und elektronische Altgeräte (WEEE) gekennzeichnet.

Dieses Elektro- bzw. Elektronikgerät ist mit einer durchgestrichenen Abfalltonne auf Rädern gekennzeichnet. Das Gerät darf deshalb nur getrennt vom unsortierten Siedlungsabfall gesammelt und zurückgenommen werden. Es darf somit nicht in den Hausmüll gegeben werden. Das Gerät kann z.B. bei einer kommunalen Sammelstelle oder ggf. bei einem Vertreter (siehe unten zu deren Rücknahmepflichten in Deutschland) abgegeben werden.

Das gilt auch für alle Bauteile, Unterbaugruppen und Verbrauchsmaterialien des zu entsorgenden Altgeräts.

Bevor das Altgerät entsorgt werden darf, müssen alle Altbatterien und Altakkumulatoren vom Altgerät getrennt werden, die nicht vom Altgerät umschlossen sind. Das gleiche gilt für Lampen, die zerstörungsfrei aus dem Altgerät entnommen werden können. Der Endnutzer ist zudem selbst dafür verantwortlich, personenbezogene Daten auf dem Altgerät zu löschen.

# 1 Wichtige Sicherheits- und Umwelanweisungen

Die ordnungsgemäße Entsorgung gebrauchter Geräte trägt dazu bei, mögliche negative Folgen für die Umwelt und die menschliche Gesundheit zu vermeiden.

## 1.3 Hinweise zum Recycling



Helfen Sie mit, alle Materialien zu recyceln, die mit diesem Symbol gekennzeichnet sind. Entsorgen Sie solche Materialien, insbesondere

Verpackungen, nicht im Hausmüll, sondern über die bereitgestellten Recyclingbehälter oder die entsprechenden örtlichen Sammelsysteme.

Recyceln Sie zum Umwelt- und Gesundheitsschutz elektrische und elektronische Geräte.

## 1.4 Rücknahmepflichten der Vertreiber

Wer auf mindestens 400 m<sup>2</sup> Verkaufsfläche Elektro- und Elektronikgeräte vertreibt oder diese gewerblich an Endnutzer abgibt, ist verpflichtet, bei Abgabe eines neuen Gerätes, ein Altgerät des Endnutzers der gleichen Geräteart, das im Wesentlichen die gleichen Funktionen wie das neue Gerät erfüllt, am Ort der Abgabe oder in unmittelbarer Nähe, unentgeltlich zurückzunehmen. Das gilt auch für Vertreiber von Lebensmitteln mit einer Gesamtverkaufsfläche von mindestens 800 m<sup>2</sup>, die mehrmals im Kalenderjahr oder dauerhaft Elektro- und Elektronikgeräte anbieten und auf dem Markt bereitstellen. Solche Vertreiber müssen zudem auf Verlangen des Endnutzers Altgeräte, die in keiner äußeren Abmessung größer als 25 cm sind, (kleine Elektrogeräte) im Einzelhandelsgeschäft oder in unmittelbarer Nähe hierzu unentgeltlich zurückzunehmen; die Rücknahme darf in diesem Fall nicht an den Kauf eines Elektro- oder Elektronikgerätes verknüpft, kann aber auf drei Altgeräte pro Geräteart beschränkt werden.

Ort der Abgabe ist auch der private Haushalt, wenn das neue Elektro- oder Elektronikgerät dorthin geliefert wird; in diesem Fall ist die Abholung des Altgerätes für den Endnutzer kostenlos.

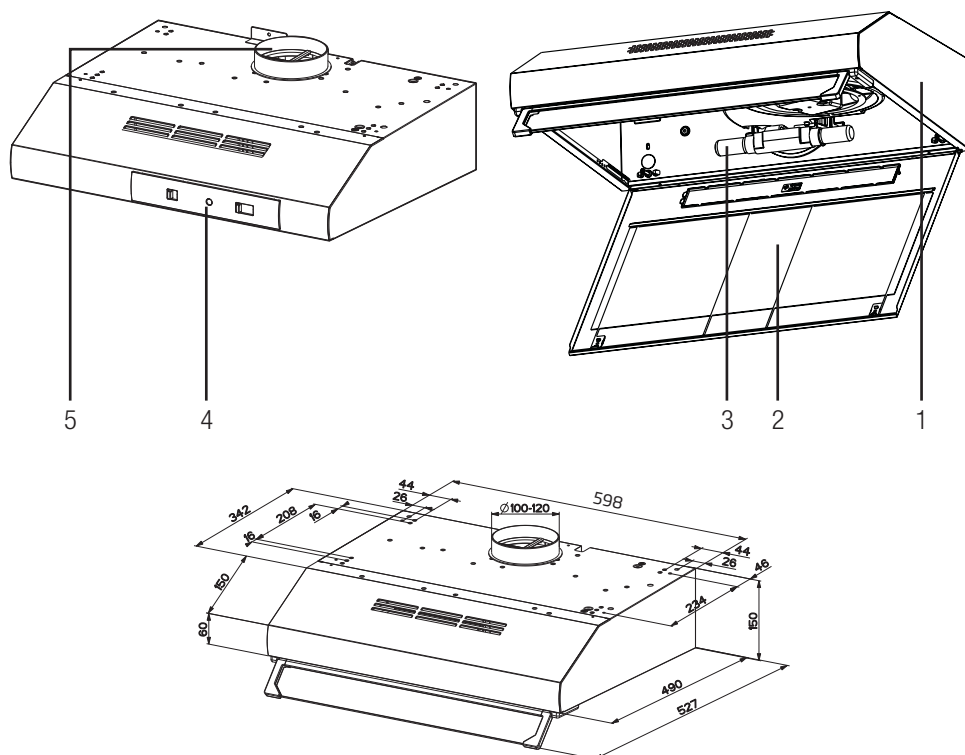
Die vorstehenden Pflichten gelten auch für den Vertrieb unter Verwendung von Fernkommunikationsmitteln, wenn die Vertreiber Lager- und Versandflächen für Elektro- und Elektronikgeräte bzw. Gesamtlager und Versandflächen für Lebensmittel beinhalten, die den oben genannten Verkaufsflächen entsprechen. Die unentgeltliche Abholung von Elektro- und Elektronikgeräten ist dann aber auf Wärmeüberträger (z.B. Kühlschrank), Bildschirme, Monitore und Geräte, die Bildschirme mit einer Oberfläche von mehr als 100 cm<sup>2</sup> enthalten und Geräte beschränkt, bei denen mindestens eine der äußeren Abmessungen mehr

## 1.5 Einhaltung von RoHS-Vorgaben

Das von Ihnen erworbene Produkt erfüllt die Vorgaben der EU-RoHS Richtlinie (2011/65/EU). Es enthält keine in der Richtlinie angegebenen gefährlichen und unzulässigen Materialien.

## 2 Allgemeines Erscheinungsbild

### 2.1 Übersicht



1. Körper
2. Fettfilter
3. Lampe
4. Steuertasten
5. Schornstein

### 2.2 Technische daten

<b>Modell</b>	CFB 6432 X CFB 6432 W CFB 6432 XG CFB 6432 WH CFB 6432 XH-1	CFB 6431 W CFB 5432 W CFB 6437 W
<b>Versorgungsspannung und Frequenz</b>	220-240V ~ 50 Hz	
<b>Lampenleistung</b>	2 x 4 W	
<b>Motorleistung</b>	2 x 115 W	
<b>Luftstrom – 3. Stufe</b>	380 m <sup>3</sup> /h	
<b>Motor-Isolationsklasse</b>	Klasse F	
<b>Isolationsklasse</b>	Klasse II	

# 3 Nutzung des Gerätes

## 3.1 Verwendung des Wippschalters

<b>L : Ein-/Aus des Lichts</b>	Schaltet die Beleuchtung ein und aus.
<b>V : Geschwindigkeit</b>	Steuert folgende Geschwindigkeitsstufen: 0. Schaltet den Gebläsemotor ein und aus 1. Geringste Gebläsestufe, diese Stufe ist für einen ständigen und besonders leisen Luftaustausch bei geringer Kochdunstenentwicklung geeignet; 2. Mittlere Gebläsestufe, eignet sich aufgrund des guten Verhältnisses zwischen Förderolumen und Geräuschentwicklung für die meisten Anwendungssituationen; 3. Höchste Gebläsestufe, eignet sich für starke Kochdunstenentwicklung, auch über längere Zeit hin.

- Die Dunstabzugshaube ist ausschließlich für die Nutzung in Privathaushalten zur Vermeidung von Küchengeruch vorgesehen.
- Die Haube darf keinesfalls aus anderen Gründen als denjenigen verwenden, für die sie entwickelt wurde.
- Entzünden Sie niemals eine offene Flamme unter Haube, wenn das Gerät in Betrieb ist.
- Stellen Sie die Stärke einer Flamme so ein, dass diese stets unter dem Boden von Pfannen und Töpfen verbleibt, und achten Sie darauf, dass die Flamme niemals an den Seiten hochschlägt.
- Fritteusen müssen während einer Verwendung ständig beaufsichtigt werden, da sich überhitztes Öl entzünden kann.

## 3.2 Effiziente und energiesparende Nutzung

- Wenn Sie Ihr Gerät benutzen, passen Sie die Geschwindigkeitseinstellungen je nach Dampf- und Geruchsintensität an, um Energie zu sparen.
- Verwenden die niedrige bzw. mittlere Stufe (1-2) unter Normalbedingungen und die höchste Stufe (3) bei intensiver Dunst- und Geruchsentwicklung.
- Die Lampen der Dunstabzugshaube sind so angebracht, dass sie den Herdbereich beleuchten.
- Ihr Nutzung für die Beleuchtung der Küche kann zu unnötigen zusätzlichen Stromkosten führen, ohne dass die Raumbeleuchtung ausreichend wäre.
- Damit Ihr Gerät weniger Energie verbraucht, sollten Sie es mit einer niedrigen Geschwindigkeit laufen lassen.
- Ihr Gerät reduziert den Energieverbrauch und arbeitet effizienter, wenn Sie für eine ausreichende Luftzufuhr sorgen.
- Stellen Sie Ihr Gerät auf eine Stufe mit starker Ansaugleistung, bevor sich Dämpfe entwickeln, wenn eine starke Dampfentwicklung zu erwarten ist. So reduzieren Sie den Energieverbrauch, weil Sie das Gerät weniger lange einsetzen müssen, da die Luftzufuhr ausreichend ist.
- Kochen Sie möglichst mit geschlossenem Deckel, sodass weniger Dampf entweichen kann.



# 3 Nutzung des Gerätes

## 3.3 Bedienung der Dunstabzugshaube

- Die Dunstabzugshaube ist mit einem Motor mit verschiedenen Geschwindigkeitseinstellungen ausgestattet.
- Für eine bessere Leistung empfehlen wir Ihnen, unter normalen Bedingungen niedrige Geschwindigkeiten und wenn Geruch und Dämpfe verstärkt werden, hohe Geschwindigkeiten zu verwenden.
- Sie können die Dunstabzugshaube starten, indem Sie die gewünschte Geschwindigkeitsstufe drücken. (V1, V2, V3)
- Durch Drücken der Lichttaste L können Sie die Kochstelle beleuchten. (L)

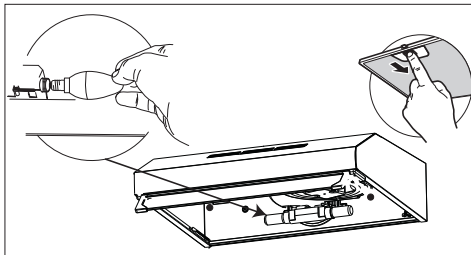
## 3.4 Lampenwechsel



- Vor dem Austausch der Leuchten müssen Sie die Stromzufuhr unterbrechen.
- Berühren Sie die Leuchten niemals im erhitzten Zustand.
- Achten Sie darauf, dass Sie die ausgetauschte Leuchte nicht mit den Händen berühren.



Sie können Leuchten über unsere vertraglichen Kundendienstanbieter beziehen.



Glühbirne



<b>Leistung der Lampe</b>	4 W
<b>Halter / Sockel</b>	E14
<b>Die Spannung der Glühbirne</b>	220 - 240 V
<b>Größe</b>	DRBB/F-4-220-240-E14-35/100
<b>ILCOS-Code</b>	35x100 mm
<b>Lichtstrom</b>	400 lm
<b>Korrelierte Farbtemperatur</b>	3000 K

Dieses Produkt enthält eine Lichtquelle der Energieeffizienzklasse "F".

## 3.5 Verwendung mit Abluftkanalanschluss

-  Der Dampf wird durch das Abluftrohr, der am Anschlusskopf der Abzugshaube auf dem Herd befestigt ist, abgeaugt.
- Der Durchmesser des Abluftrohrs muss dem Durchmesser des Anschlussrings entsprechen. Bei horizontaler Anordnung muss das Rohr ein leichtes Gefälle (ca. 10°) nach oben haben, damit die Luft leicht aus dem Raum austreten kann.

## 3.6 Verwendung ohne Abluftkanalanschluss

-  Die Luft wird durch den Kohlefilter gefiltert und im Raum recirkuliert. Der Kohlefilter wird verwendet, wenn es unmöglich ist, einen Rauchabzug im Haus zu benutzen.
- Im rauchgaslosen Betrieb sind die Klappen im Inneren des Rauchgasadapters zu entfernen.
- Entfernen Sie den Fettfilter. Zum Einbau des Kohlefilters den Filter auf die Laschen aufsetzen, indem Sie ihn auf dem Kunststoffteil auf beiden Seiten des Gebläsegehäuses zentrieren. durch Rechts- oder Linksdrehung festziehen.
- Fettfilter ersetzen.

## 4 Reinigung und wartung

Das Gerät sollte regelmäßig gereinigt und gewartet werden. Ein unzureichend gereinigtes Gerät hat negative Folgen für die Lebensdauer des Geräts. Für Transport und Wartung befolgen Sie bitte die Anweisungen in der Bedienungsanleitung.



Ziehen Sie vor der Reinigung und Wartung den Netzstecker oder schalten Sie den Schalter aus.



Die Nichteinhaltung der Reinigungsanweisungen für das Gerät und sowie der Anweisungen zum Filterwechsel kann zu akuter Brandgefahr führen. Daher wird dringend empfohlen, die hier gegebenen Anweisungen zu befolgen. Der Hersteller haftet nicht für Geräte- oder Brandschäden, die aus einer unsachgemäßen Verwendung herrühren.

Reinigen Sie das Gerät nur mit einem feuchten Tuch und einem neutralen Flüssigreiniger. Verwenden Sie keinesfalls Instrumente oder Werkzeuge für eine Reinigung. Verwenden Sie keine ätzenden oder scheuernden Reinigungsmittel. Verwenden Sie keine alkoholhaltigen Reinigungsmittel

### 4.1 Reinigung des Fettfilters

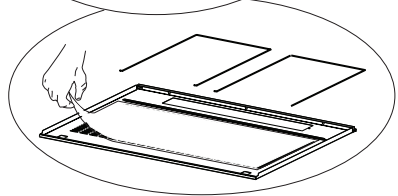
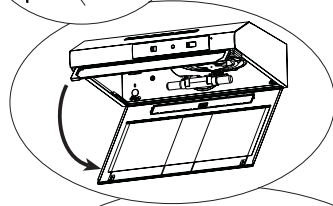
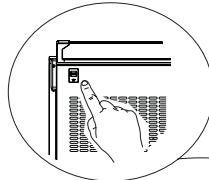
Der Fettfilter hält die Ölpartikel in der Luft zurück. Fettfilter können nach wiederholter Reinigung ihre Farbe ändern. Dies ist normal und erfordert keinen Filterwechsel.



Sie können den Fettfilter in der Spülmaschine waschen.

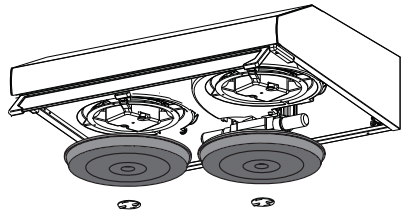


**WARNUNG:** Reinigen Sie Ihren Fettfilter bei normalem Gebrauch einmal pro Monat.



### 4.2 Austausch des Kohlefilters

Geruchsbeseitigende Filter enthalten Holzkohle (Aktivkohle). Aluminium-Fettfilter müssen in das Produkt eingebaut werden, unabhängig davon, ob Kohlenstofffilter verwendet werden.



#### WARNUNG



- Der Aktivkohlefilter darf niemals gewaschen werden.
- Ersetzen Sie die Kohlefilter einmal alle 3 Monate.
- Sie können den Aktivkohlefilter bei autorisierten Servicehändlern beziehen.

# 5 Installation des Gerätes



**WARNUNG:** Lesen Sie vor Beginn der Installation die Sicherheitshinweise im Benutzerhandbuch.



**WARNUNG:** Wenn Sie nicht mit Schrauben und Stabilisatoren gemäß diesen Anweisungen installieren, kann dies zu einem elektrischen Schlag führen.

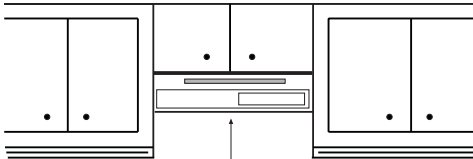


Lesen Sie dazu auch Seite 235 mit der Aufbauanleitung

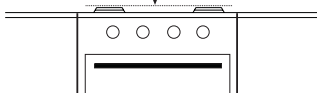
Um die Dunstabzugshaube zu installieren, wenden Sie sich bitte an den nächstgelegenen autorisierten Kundendienst.

Es liegt in der Verantwortung des Kunden, den Standort der Dunstabzugshaube und die elektrische Installation vorzubereiten.

## 5.1 Positionierung des Geräts



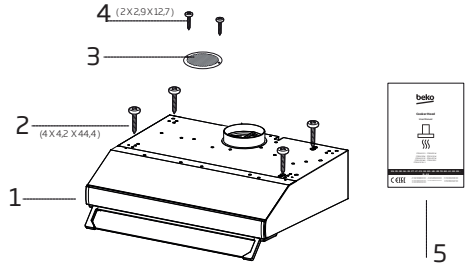
Min. 650 mm



- Der Abstand zwischen dem Herd und der Abzugshaube muss vor der Montage berücksichtigt werden. Dieser Abstand sollte 65 cm betragen.
- Der Abstand muss bei Gasherden von der Oberfläche des Rostes.

- Und bei Elektroherden von der Oberfläche des Glases gemessen werden.

## 5.2 Installationszubehör



1. Haube
2. 4 x 4,2 x 44,4 Schrauben
3. Luftauslassgitter
4. 2 x 2,9 x 12,7 Schrauben
5. Bedienungsanleitung

## 5.3 Lagerung

- Lagern Sie das Gerät sorgfältig, wenn Sie es längere Zeit nicht benutzen sollten.
- Sorgen Sie dafür, dass das Gerät vom Stromnetz getrennt, gänzlich abgekühlt und trocken ist.
- Lagern Sie das Gerät an einem kühlen, trockenen Ort.
- Halten Sie das Gerät von Kindern fern.

## 5.5 Handhabung und Transport

- Tragen Sie das Gerät während der Handhabung und des Transports in der Originalverpackung.
- Die Verpackung des Geräts schützt es vor physischen Schäden.
- Legen Sie keine schweren Lasten auf das Gerät oder auf die Verpackung. Das Gerät kann beschädigt werden.

## 6 Fehlerbehebung

Fehlerbehebung	Grund	Hilfe
Das Produkt funktioniert nicht.	Überprüfen Sie Ihre Sicherung	Ihre Sicherung könnte geschlossen sein, sorgen Sie dafür, dass sie funktioniert.
Das Produkt funktioniert nicht.	Überprüfen Sie die elektrische Verbindung.	Die Netzspannung sollte zwischen 220-240V liegen.
Das Produkt funktioniert nicht.	Überprüfen Sie die elektrische Verbindung.	Überprüfen Sie, ob die anderen Produkte in Ihrer Küche funktionieren oder nicht.
Die Beleuchtung Lampe funktioniert nicht.	Überprüfen Sie die elektrische Verbindung.	Die Netzspannung sollte zwischen 220-240V liegen.
Die Beleuchtung Lampe funktioniert nicht.	Überprüfen Sie den Lampenschalter.	Der Lampenschalter sollte sich in der Position "Ein/on" befinden.
Die Beleuchtung Lampe funktioniert nicht.	Überprüfen Sie die Lampen.	Die Lampen des Produkts sollten nicht defekt sein.
Die Luftzufuhr des Produkts ist schlecht.	Prüfen Sie den Aluminiumfilter.	Der Aluminium-Ölfilter sollte unter normalen Bedingungen mindestens einmal im Monat gereinigt werden.
Die Luftzufuhr des Produkts ist schlecht.	Überprüfen Sie den Abluftkamin.	Der Entlüftungskanal sollte sich in der "Ein" Stellung befinden.
Die Luftzufuhr des Produkts ist schlecht.	Überprüfen Sie den Kohlefilter.	Bei Produkten mit Kohlefilter sollte der Filter normalerweise alle 3 Monate gewechselt werden.

## Garantiebedingungen

### Anschrift:

Beko Grundig Deutschland GmbH  
Rahmannstraße 3  
65760 Eschborn

Kundendienst-Tel.: 06102-86 86 891

Fax: 01805-414 400 \*

E-Mail: Kundendienst@beko.com

Ersatzteile-Tel.: 01805-242 515 \*

Fax: 01805-345 001\*

E-Mail: ersatzteile@beko.com

Sehr geehrte Kundin, sehr geehrter Kunde,

wir gratulieren Ihnen zum neuen Gerät der Marke Beko und wünschen Ihnen viel Freude daran. Sollten Sie dennoch einmal einen Grund zu einer Reklamation erkennen, dann wenden Sie sich bitte an unseren Kundendienst. Geben Sie im Falle einer Störung Ihre genaue Anschrift, Telefonnummer und den GERÄTETYP (vom Typenschild des Gerätes) an.

### Hinweis für Kühl- und Gefriergeräte, Achtung!

Um voll funktionsfähig zu sein, benötigt Ihr Gerät nach dem Transport ca. 24 Stunden, in denen sich das Kühlmittel stabilisiert. Sofern es nicht vermeidbar ist und Sie das Gerät sofort nach Aufstellung mit Gefriergut bestücken wollen, müssen Sie damit rechnen, dass die rote Lampe bis zur Stabilisierung des Kühlkreislaufs aufleuchtet. Die Kühlleistung beginnt jedoch vom Augenblick des Anschlusses an sich auf zu bauen.

### Die Garantiezeit beträgt 24 Monate ab Kaufdatum.

#### Bedingungen:

Dieses Gerät wurde nach den modernsten Methoden hergestellt und geprüft. Der Hersteller leistet unabhängig von der gesetzlichen Gewährleistungsverpflichtung des Verkäufers / Händlers für die Dauer von 24 Monaten, gerechnet vom Tag des Kaufes, Garantie für einwandfreies Material und fehlerfreie Fertigung.

Der Garantieanspruch erlischt bei Eingriffen durch den Käufer oder durch Dritte, die vom Hersteller nicht für den Service autorisiert sind oder wenn das Gerät zu gewerblichen Zwecken eingesetzt wird. Schäden die durch unsachgemäße Behandlung oder Bedienung, durch falsches Aufstellen oder Aufbewahren, durch unsachgemäßen Anschluss, oder fehlerhafte Installationen sowie durch höhere Gewalt oder sonstige äußere Einflüsse entstehen, fallen nicht unter die Gewährleistung.

#### Abhilfemöglichkeiten:

Wir behalten uns vor, bei Reklamationen die defekten Teile auszubessern oder zu ersetzen oder das Gerät auszutauschen. Ausgetauschte Teile oder ausgetauschte Geräte gehen in unser Eigentum über. Nur wenn durch Nachbesserung(en) oder Umtausch des Gerätes die herstellereitig vorgesehene Nutzung endgültig nicht zu erreichen sein sollte, kann der Käufer aus Gewährleistung innerhalb von 24 Monaten, gerechnet vom Tag des Kaufes, Herabsetzung des Kaufpreises oder Aufhebung des Kaufvertrages verlangen. Nachbesserungen verlängern nicht die Gewährleistungszeit. Schadenersatzansprüche, auch hinsichtlich Folgeschäden, sind, soweit sie nicht auf Vorsatz oder grober Fahrlässigkeit beruhen, ausgeschlossen.

Bei unnötiger oder unberechtigter Beanspruchung des Kundendienstes berechnet dieser Zeit- und Wegeentgelt. Reklamationen sind unmittelbar nach Feststellung zu melden. Der Garantieanspruch ist vom Käufer, durch Vorlage der Kaufquittung, nachzuweisen. Bei Nicht-vorlage ist die Reparatur kostenpflichtig. Eine Rückerstattung – nach späterer Einsendung der Kaufquittung – kann nur innerhalb von einem Monat nach Rechnungsdatum gewährt werden.

**Diese Garantiezusage ist gültig innerhalb der Bundesrepublik Deutschland  
(\*) 0,14 EUR/Min. aus dem Festnetz der T-Com; Mobilfunk max. 0,42 EUR/Min. (nur für Deutschland)**

# ¡Lea el manual de usuario antes de utilizar el aparato!

Estimado cliente:

Gracias por elegir un aparato Beko. Esperamos que obtenga los mejores resultados de su aparato, ya que ha sido fabricado con gran calidad y con tecnología de última generación. Por esta razón, le aconsejamos que lea este manual de usuario y todos los demás documentos adjuntos con atención antes de utilizar el aparato y que los guarde para futuras consultas. Si entrega este aparato a otra persona, proporciónese también el manual de usuario. Siga las instrucciones prestando especial atención a toda la información y advertencias incluidas en el manual de usuario.

Recuerde que este manual de usuario también puede servir para otros modelos. En el manual se describen las diferencias entre los modelos explícitamente.

## Significado de los símbolos

Los siguientes símbolos se usan en las diversas secciones del presente manual de usuario:

	Información importante y consejos útiles sobre su uso.
	<b>ADVERTENCIA:</b> Advertencias de situaciones peligrosas sobre la seguridad de las personas y la propiedad.
	<b>ADVERTENCIA:</b> Advertencia de peligro de incendio.
	<b>ADVERTENCIA:</b> Advertencia sobre posibles descargas eléctricas.
	Clase de protección para descargas eléctricas.



# 1 Instrucciones importantes para la seguridad y el medio ambiente

## 1.1 Seguridad general

Lea las instrucciones importantes de seguridad y guárdelas para su futura consulta

Esta sección contiene instrucciones de seguridad que ayudarán a la protección contra los riesgos de incendio, descargas eléctricas, exposición a la energía de microondas, lesiones personales o daño a la propiedad. El incumplimiento de estas instrucciones anulará cualquier tipo de garantía.

- Los productos Beko cumplen con todas las normas de seguridad aplicables; por ello, si el cable o el aparato presentan daños, deberán ser reparados o sustituidos por el distribuidor, un servicio técnico o una persona cualificada y autorizada para evitar cualquier peligro. Los trabajos de reparación deficientes o realizados por personal no cualificado puede ser peligrosos y entrañar riesgos para el usuario.
- Este aparato está destinado al uso doméstico y aplicaciones parecidas, como por ejemplo:

- Cocinas para uso del personal de tiendas, oficinas y otros entornos laborales;
  - Casa rurales;
  - Por clientes en hoteles o cualquier otro tipo de entorno residencial;
  - Entornos de tipo «Habitación y desayuno» (Bed and Breakfast).
- Utilice este aparato únicamente para su uso previsto, tal como se describe en este manual.
  - El fabricante no se hace responsable de los daños provocados por una instalación incorrecta o un uso inapropiado del producto.
  - Este aparato puede ser utilizado por niños mayores de 8 años y por personas con capacidades físicas, sensoriales o mentales reducidas o con falta de experiencia y conocimientos, siempre que estén bajo supervisión o hayan recibido instrucciones pertinentes sobre el uso del aparato de manera segura y comprendan los peligros que conlleva.

# 1 Instrucciones importantes para la seguridad y el medio ambiente

- No deje que los niños jueguen con el aparato. La limpieza y mantenimiento del usuario no deben ser realizados por niños sin supervisión.
  - La distancia mínima entre la superficie de soporte de los recipientes para cocinar en los fogones y la parte más baja de su aparato debe ser de al menos 65 cm.
  - Si en las instrucciones de instalación de la placa de gas se indica una distancia superior, deberá tenerse en cuenta este hecho.
  - Asegúrese de que la fuente de alimentación cumpla con la información que se indica en la placa de datos del aparato.
  - Nunca utilice el aparato si está dañado el cable de alimentación o el mismo aparato.
  - Evite daños al cable procurando que no sufra tirones, no se doble y no roce con bordes afilados para evitar dañarlo. Mantenga el cable de corriente alejado de superficies calientes y llamas descubiertas.
  - Use el aparato únicamente con un enchufe con toma a tierra.
- ADVERTENCIA:** No conecte el aparato a la red eléctrica antes de que la instalación se haya realizado por completo.
- Coloque siempre el aparato de forma que el enchufe quede a mano.
  - No toque las lámparas si han estado en funcionamiento durante mucho tiempo. Pueden ocasionar quemaduras en las manos ya que estarán calientes.
  - Siga las normas establecidas por las autoridades competentes para la descarga del aire de salida (esta advertencia no es aplicable sin la conexión de la chimenea).
  - Encienda el aparato después de colocar una olla, una sartén, etc, en los fogones. De lo contrario, las altas temperaturas pueden provocar deformaciones en algunas partes del aparato.
  - Apague los fogones antes de retirar las ollas, los sartenes, etc.



# 1 Instrucciones importantes para la seguridad y el medio ambiente

- No deje aceite caliente en los fogones. Las sartenes con aceite caliente pueden ocasionar auto-combustión.
- Preste atención a las cortinas y los estores, ya que, al cocinar platos como patatas fritas, el aceite puede originar un incendio.
- El filtro antigrasa se debe reemplazar por lo menos una vez al mes. El filtro de carbón se debe reemplazar por lo menos cada 3 meses.
- El producto se debe limpiar siguiendo las instrucciones del manual de usuario. Si la limpieza no se ha llevado a cabo siguiendo el manual de usuario, puede haber riesgo de incendio.
- No use materiales filtrantes que no resistan el fuego en vez del filtro actual.
- Utilice únicamente accesorios originales o bien los que recomiende el fabricante.
- No use el aparato sin el filtro y no retire los filtros mientras el aparato esté en funcionamiento.
- En caso de fuego, desactive su producto y los aparatos de cocina.
- En caso de fuego, cubra la llama y nunca utilice agua para apagarlo.
- Desenchufe el aparato antes de cada limpieza y cuando no esté en uso.
- La presión negativa de la estancia no debe superar los 4 Pa (4 x 10 bar) cuando la campana para una placa eléctrica funcione simultáneamente con dispositivos de otro tipo de energía excepto la electricidad.
- En la estancia en donde se encuentra el aparato, el escape de equipos de combustible o gas, como calefactores, deben ser herméticos o estar absolutamente aislados.
- Para la conexión de la chimenea, use tuberías de 120 o 150 mm de diámetro. La conexión de las tuberías debe ser lo más corta posible y tener la menor cantidad de codos de tubería.

# 1 Instrucciones importantes para la seguridad y el medio ambiente

- ¡Peligro de descarga eléctrica! Mantenga todos los materiales de embalaje alejados de los niños.

**PRECAUCIÓN:** Las partes accesibles pueden alcanzar temperaturas elevadas al usarse con cocinas.

- El canal de salida del aparato no debe estar conectado a canales de aire por los que pasan humo.
- La ventilación de la estancia puede ser insuficiente cuando la campana extractora para placas eléctricas se utiliza al mismo tiempo que los aparatos que funcionan con gas u otros combustibles (esto puede no ser aplicable a los aparatos que solamente descargan el aire de nuevo en la estancia).
- Los objetos colocados encima del producto pueden caerse. No coloque ningún objeto encima del aparato.
- No flambear debajo del aparato.

**ADVERTENCIA:** Antes de instalar la campana, retire las películas protectoras.

- No dejar llamas altas descubiertas debajo de la campana extractora cuando está en funcionamiento
- Las freidoras se deberán vigilar continuamente durante su utilización: el aceite sobrecalentado es inflamable.

## 1.2 De conformidad con la Directiva RAEE y eliminación del producto al final de su vida útil:

Este producto cumple con la Directiva RAEE de la UE (2012/19/UE). Este producto lleva un símbolo de clasificación de residuos de aparatos eléctricos y electrónicos (RAEE).



Este símbolo indica que este producto no debe eliminarse con otros residuos domésticos al final de su vida útil. El aparato usado debe ser devuelto al punto de recogida oficial para el reciclaje de aparatos eléctricos y electrónicos. Para encontrar estos sistemas de recogida, por favor, póngase en contacto con las autoridades locales o con el distribuidor donde se compró el producto. Cada hogar desempeña un papel importante en la recuperación y el reciclaje de los aparatos viejos. La eliminación adecuada de los aparatos usados ayuda a prevenir las posibles consecuencias negativas para el medio ambiente y la salud humana.

# 1

## Instrucciones importantes para la seguridad y el medio ambiente

### 1.3 Conformidad con la Directiva RoHS

El producto que ha adquirido cumple con la Directiva RoHS de la UE (2011/65/UE). No contiene materiales peligrosos ni prohibidos especificados en la Directiva.

### 1.4 Información sobre el embalaje

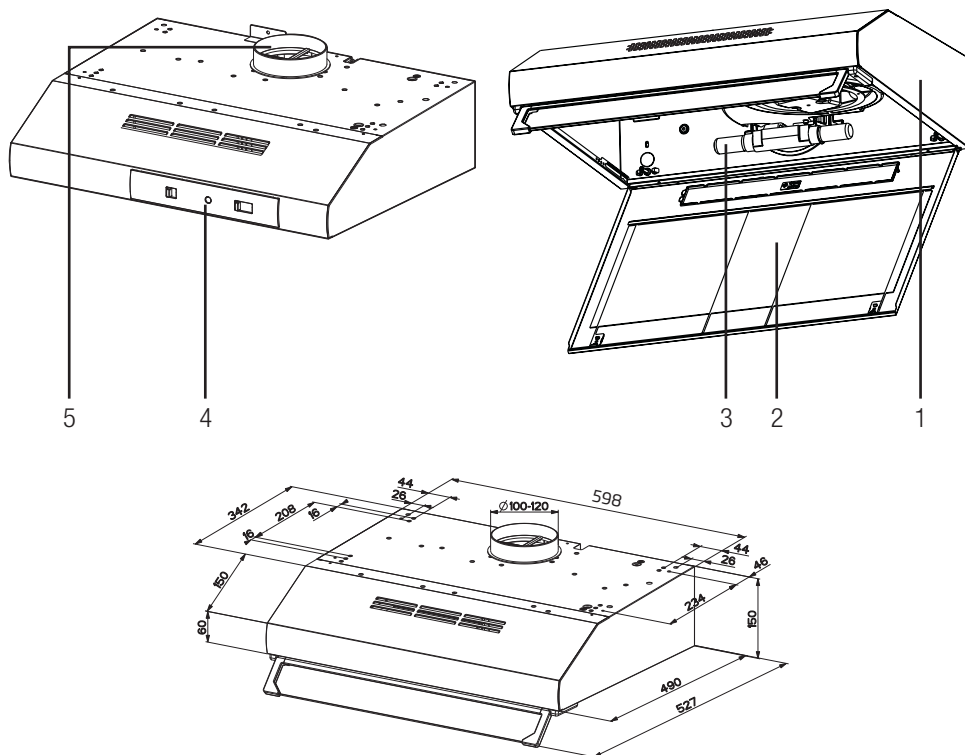


Los materiales de embalaje del producto están fabricados con materiales reciclables de acuerdo con nuestra Normativa Medioambiental Nacional.

No deseche los materiales de embalaje junto con los residuos domésticos o de otro tipo. Llévelos a los puntos de recogida de material de embalaje designados por las autoridades locales.

## 2 Apariencia general

### 2.1 Descripción general




1. Cuerpo
2. Filtros de aceite
3. Lámpara
4. Montaje de control
5. Chimenea

### 2.2 Datos técnicos

<b>Modelow</b>	CFB 6432 X CFB 6432 W CFB 6432 XG CFB 6432 WH CFB 6432 XH-1	CFB 6431 W CFB 5432 W CFB 6437 W
<b>Tensión</b>	220-240V ~ 50 Hz	
<b>Potencia iluminación</b>	2 x 4 W	
<b>Potencia motor</b>	2 x 115 W	
<b>Caudal - 3. Nivel</b>	380 m <sup>3</sup> /h	
<b>Clase de aislamiento del motor</b>	Class F	
<b>Clase de aislamiento</b>	Class II	

## 3 Funcionamiento de su aparato

### 3.1 Control del aparato

	
<b>L : Interruptor de encendido / apagado de la luz</b>	Enciende y apaga la instalación de iluminación.
<b>V : Botón de velocidad</b>	Determina las velocidades de ejercicio: 0. Enciende y apaga el motor de aspiración. 1. Velocidad mínima, indicada para un recambio de aire continuo muy silencioso, en presencia de pocos vapores de cocción. 2. Velocidad media, indicada para la mayor parte de las condiciones de uso, gracias a la óptima relación entre caudal de aire tratado y nivel de ruido. 3. Velocidad máxima, indicada para hacer frente a grandes cantidades de vapor de cocción, incluso para tiempos prolongados.

- La campana extractora ha sido diseñada exclusivamente para uso doméstico para eliminar los olores de la cocina.
- Nunca use la campana para otros propósitos que no sean para los que ha sido diseñada.
- Nunca deje fuentes de calor desatendidas bajo la campana cuando esta esté en funcionamiento.
- Ajuste la intensidad de la llama para dirigirla sólo al fondo de la sartén, asegurándose de que no alcance los lados.
- Las freidoras deben ser vigiladas en todo momento durante su uso: ya que el aceite caliente puede provocar llamas.

### 3.2 Funcionamiento eficiente y ahorro de energía uso

- Al utilizar su campana, ajuste la velocidad de acuerdo a la cantidad de vapores y olores existentes, para así ahorrar energía.
- Utilice velocidades bajas (1-2) en condiciones normales, y velocidades altas (3) para el olor y el vapor intensos.
- Las lámparas en la campana son colocadas para iluminar la superficie donde se cocina.
- Al usarlas como luces de ambientación se desperdiciará energía innecesariamente y dará una luz insuficiente.
- Para que el aparato consuma menos electricidad, hágalo funcionar a un nivel de velocidad bajo.
- El aparato reducirá el consumo eléctrico, ya que funcionará más eficazmente cuando le proporcione una entrada de aire suficiente.
- Ponga el aparato en el nivel de potencia de aspiración intensa antes de la formación de vapor, en los casos en que sepa que se producirá el vapor denso. Así, reducirá el consumo eléctrico utilizándolo durante menos tiempo, ya que tendrá una entrada de aire suficiente.
- Mantenga las tapas de las ollas cerradas para reducir la evolución del vapor.

## 3 Funcionamiento de su aparato

### 3.3 Instrucciones de funcionamiento

- Su campana contiene un motor con varias velocidades.
- Para un mejor rendimiento, recomendamos utilizar velocidades bajas en condiciones normales y velocidades altas en casos de olores fuertes y vapor intenso.
- Puede iniciar su campana pulsando el botón de la velocidad deseada. (V1, V2, V3)
- Puede iluminar el área de cocción presionando la lámpara (L).

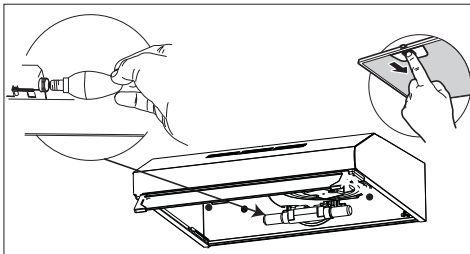
### 3.4 Reemplazo de la lámpara




- Antes de cambiar las bombillas, desconecte la fuente de alimentación de la campana.
- No toque las bombillas cuando estén calientes.
- No toque la bombilla sustituida directamente con las manos.



Puede adquirir las lámparas a través del servicio técnico autorizado.

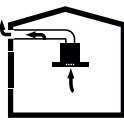


<b>Bombilla</b>	
<b>Potencia de la bombilla</b>	4 W
<b>Soporte/Enchufe</b>	E14

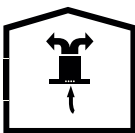
<b>Voltaje de la bombilla</b>	220 - 240 V
<b>Código ILCOS</b>	DRBB/F-4-220-240-E14-35/100
<b>Tamaño</b>	35x100 mm
<b>Flujo luminoso</b>	400 lm
<b>Temperatura de color correlativa</b>	3000 K

Este producto dispone de una fuente luminosa de clase de eficiencia energética "F".

### 3.5 Funcionamiento con conexión al conducto

-  El vapor se extrae a través del conducto de humo, que está sujeto a la cabeza de conexión en la campana.
- El diámetro del conducto de humos debe ser el mismo que el del anillo de conexión. En los entornos horizontales, el tubo tiene que tener una ligera inclinación hacia arriba (alrededor de 10°) para que el aire pueda salir fácilmente de la habitación.

### 3.6 Funcionamiento sin conexión al conducto

-  El aire se filtra a través del filtro de carbón y circula en la habitación. El filtro de carbón se utiliza cuando es imposible utilizar un conducto para humos en casa.
- Si el funcionamiento es sin conducto, quite las tapas dentro del adaptador del conducto.
- Retire el filtro de aceite. Para instalar el filtro de carbón, colóquelo en las pestañas centrándolo en la pieza de plástico a ambos lados del cuerpo del ventilador. Apriételo girando a la derecha o a la izquierda.
- Reemplace el filtro de aceite.

## 4 Limpieza y mantenimiento

Deberá limpiar y mantener el aparato regularmente. No mantener el aparato limpio afectará negativamente a la vida útil del mismo. Para la limpieza y el mantenimiento, siga las instrucciones indicadas en el manual.



Antes de la limpieza y el mantenimiento, desenchufe el producto o apague el interruptor.

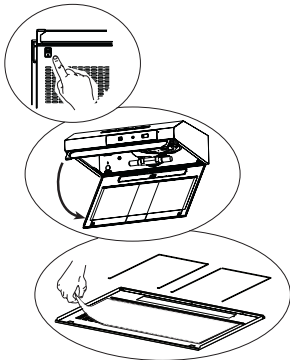


El incumplimiento de las disposiciones relativas a la limpieza del aparato y a la sustitución de los filtros puede suponer un riesgo de incendio. Por lo tanto, se recomienda seguir las directrices aquí indicadas. El fabricante no se hace responsable de los daños en el motor o de los incendios originados por un uso inadecuado.

Limpie el aparato usando sólo un paño humedecido con detergente líquido neutro. No lo limpie con herramientas o instrumentos. No utilice productos abrasivos. No use alcohol.

### 4.1 Limpieza del filtro de aceite de aluminio

Este filtro retiene las partículas de aceite en el aire. Los filtros de aceite de aluminio pueden cambiar de color al ser lavados; esto es normal y no requiere la sustitución de los mismos.



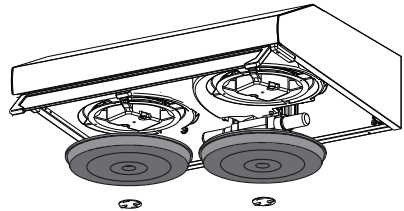
Puede lavar sus filtros de aceite de aluminio en el lavavajillas.



**PRECAUCIÓN:** En caso de uso normal, limpie su filtro una vez al mes.

### 4.2 Sustitución de los filtros de carbón

Los filtros de eliminación de olores contienen carbón (carbón activo). Los filtros de grasa deben estar instalados en el producto, sin importar si se utilizan filtros de carbón o no.



#### PRECAUCIÓN

- El filtro de carbón nunca será lavado.
- Reemplace los filtros de carbón una vez cada 3 meses.
- Puede obtener el filtro de carbón en los servicios técnicos autorizados.



## 5 Instalación del aparato



**¡ADVERTENCIA:** Antes de comenzar la instalación, lea la información de seguridad en el manual de usuario.



**¡ADVERTENCIA:** Si no se instalan los tornillos y estabilizadores de acuerdo con estas instrucciones, puede producirse una descarga eléctrica.

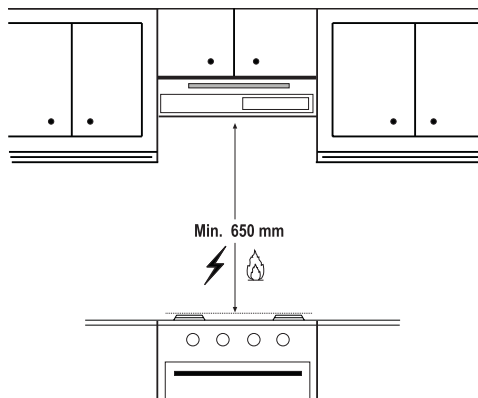


Por favor, consulte la página 235 para ver la guía de instalación

Para la instalación de la campana, por favor contacte con el servicio técnico autorizado más cercano.

Es responsabilidad del cliente proveer la ubicación e instalación eléctrica apropiadas para la campana.

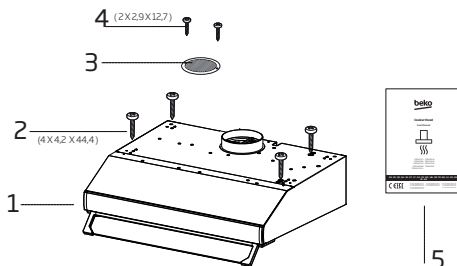
### 5.1 Posición del aparato



- La distancia entre la cocina y la campana extractora debe ser tenida en cuenta antes del montaje. Esta distancia debe ser de 65 cm.
- La distancia debe medirse desde la superficie de la rejilla para las cocinas de gas.

- y desde la superficie del vidrio para las cocinas eléctricas.

### 5.2 Accesorios de instalación



1. Producto
2. 4 tornillos X 4,2 x 44,4
3. Rejilla de salida de aire
4. 2 tornillos X 2,9 x 12,7
5. Manual de usuario

### 5.3 Almacenamiento

- Si no tiene intención de usar el aparato durante mucho tiempo, por favor, guárdelo con cuidado.
- Por favor, asegúrese de que el aparato esté desenchufado, enfriado y totalmente seco.
- Guarde el aparato en un lugar fresco y seco.
- Mantenga el aparato fuera del alcance de los niños.

### 5.4 Manipulación y transporte

- Durante el manejo y el transporte, lleve el aparato en su embalaje original. El embalaje del aparato lo protege de daños físicos.
- No coloque cargas pesadas sobre el aparato o el embalaje. El aparato puede dañarse.
- Si el aparato se cae, dejará de funcionar o causará daños permanentes.



## 6 Solución de problemas

<b>Solución de problemas</b>	<b>Causa principal</b>	<b>Ayuda</b>
El aparato no funciona.	Revise los fusibles.	El fusible puede estar fundido, revíselo y cámbielo, si es necesario.
El aparato no funciona.	Revise la conexión eléctrica.	El voltaje de la red debe ser entre 220 y 240 V.
El aparato no funciona.	Revise la conexión eléctrica.	Compruebe si funcionan otros aparatos en la cocina.
La bombilla de iluminación no funciona.	Revise la conexión eléctrica.	El voltaje de la red debe ser entre 220 y 240 V.
La bombilla de iluminación no funciona.	Revise el interruptor de la bombilla.	El interruptor de la bombilla debe estar en posición "on" (encendido).
La bombilla de iluminación no funciona.	Revise las bombillas.	Las bombillas del aparato se iluminarán.
La entrada de aire del aparato no es adecuada.	Revise el filtro.	En condiciones normales de funcionamiento, el filtro de grasa se limpiará al menos una vez al mes.
La entrada de aire del aparato no es adecuada.	Revise el conducto de descarga de aire.	El conducto de descarga de aire debe estar en posición "on" .
La entrada de aire del aparato no es adecuada.	Revise el filtro de carbón.	Los filtros de carbón serán reemplazados una vez cada 3 meses en condiciones normales.



**Contacto para asistencia técnica:  
902 877 665 / 932 992 581**

#### **CONDICIONES DE GARANTIA - ESPAÑA**

El presente certificado cubre la garantía de reparación de su electrodoméstico de gama blanca y PAE (\*) durante el periodo de garantía legal previsto en la ley, a partir de la fecha de venta, contra todo defecto de funcionamiento proveniente de fabricación o materiales; o de sustitución del aparato, salvo que una de estas opciones resulte imposible o desproporcionada respecto de la otra. Cuando usted detecte un defecto o anomalía en el aparato contacte de forma inmediata con nosotros para informarnos de la falta de conformidad. Los pequeños electrodomésticos (PAE) deberán ser entregados en el taller del servicio oficial de la marca para su revisión.

La presente garantía sólo será válida si se presenta factura, ticket de compra o el albarán de entrega correspondiente a la adquisición del producto. La presente garantía es válida en el territorio español y portugués para los aparatos distribuidos por Beko Electronics España S.L.. La garantía sólo tendrá validez sobre el primer comprador o adquirente del producto. La garantía será válida para aquellos aparatos cuya instalación sea correcta y estén ubicados en condiciones climáticas y medioambientales adecuadas para su correcto funcionamiento.

#### **EXCLUSIONES DE LA GARANTIA**

El coste de la reparación será a cargo del usuario en los siguientes casos:

- Los aparatos utilizados para uso profesional o no exclusivamente doméstico.
- Los aparatos desmontados o manipulados por personas ajenas a los servicios técnicos expresamente autorizados.
- Las instalaciones, transporte, sustitución de aparatos, puestas en marcha, cambio de sentido de puertas.
- Intervenciones de mantenimiento o de información sobre el uso de los aparatos.
- Cambio de inyectores en aparatos de gas.
- Las averías provocadas por falta de mantenimiento o limpieza o aquellas provocadas por un uso indebido, sobrecarga, abandono o de manera no conforme a las instrucciones de uso o de instalación de los aparatos.
- Las averías producidas por causas fortuitas, siniestros de fuerza mayor o derivados de instalación incorrecta y en general, averías por causas ajenas al propio aparato.
- Las averías provocadas por conexiones que puedan presentar fluctuaciones, irregularidades o falta de uniformidad en el suministro, por ejemplo: suministro de agua impulsado por grupos de presión, energía solar, energía eólica, generadores eléctricos, u otro tipo de suministro no normalizado.
- La sustitución de materiales rotos o deteriorados por desgaste o uso no normal del aparato, o materiales consumibles tales como: juntas, plásticos, gomas, correas, cristales, escobillas, bombillas, asas, tiradores, tapas de quemadores, filtros, rejillas, ánodos de sacrificio (magnesio o similares) de calentadores o calderas, etc.
- Los aparatos que presenten oxidación, o daños por corrosión en esmaltes o pinturas, que puedan ser provocados por efectos químicos o electroquímicos del agua o cualquier otra sustancia, o aceleradas por circunstancias ambientales o climáticas no propicias.
- Defectos estéticos en serigrafía o pintura.
- Los daños de transporte o manipulación, golpes, etc.
- Los aparatos deben instalarse de forma accesible para su reparación, debiendo asumir el usuario los costes necesarios para el acceso al aparato para su reparación y sustitución.

La presente garantía no afecta a los derechos de que dispone el consumidor conforme a lo previsto en la legislación vigente. El Servicio Oficial de Asistencia Técnica resolverá cualquier incidencia que pudiera precisar su electrodoméstico siempre que el aparato esté instalado de forma accesible.

Para asegurarse que su electrodoméstico va a ser intervenido por un técnico oficial autorizado, rogamos solicite el carnet avalado por ANFEL (Asociación Nacional de Fabricantes de Electrodomésticos) a nuestros técnicos.

Las marcas BEKO y GRUNDIG se distribuyen por Beko Electronics España S.L.

#### **DATOS APARATO (a rellenar por el Distribuidor):**

Titular:		Sello Establecimiento:
Modelo:	Núm. serie:	
Establecimiento:	Fecha de compra:	

**El garante e importador de su electrodoméstico es: BEKO ELECTRONICS ESPAÑA S.L. Calle Provenza nº 388  
3º Barcelona 08025, España.**

**Conózcanos mejor en nuestra página: [www.beko.com](http://www.beko.com) Conserve este documento, es importante para usted.**

(\*) Se consideran electrodomésticos de gama blanca, los aparatos de gran tamaño de cocina, limpieza, refrigeración y ventilación y el pequeño aparato electrodoméstico (PAE) aquellos aparatos de higiene personal, mantenimiento del hogar y preparación de alimentos.

## Lees eerst deze gebruikershandleiding!

Zeer gewaardeerde klant,

Bedankt voor uw voorkeur voor dit Beko-toestel. Wij hopen dat u de beste resultaten haalt uit uw toestel dat met hoge kwaliteit en de modernste technologie is geproduceerd. Lees daarom deze gehele gebruikershandleiding en alle andere bijgeleverde documenten zorgvuldig door voordat u het apparaat gaat gebruiken en bewaar deze ter referentie in de toekomst. Als u het product aan iemand anders geeft, overhandig dan ook de gebruikershandleiding. Volg de instructies op door op alle informatie en waarschuwingen te letten in de gebruikershandleiding.

Vergeet niet dat deze gebruikershandleiding ook van toepassing kan zijn op andere modellen. Verschillen tussen de modellen worden expliciet beschreven in de handleiding.

## Betekenis van de symbolen

De volgende symbolen worden gebruikt in de verschillende delen van deze handleiding:



Belangrijke informatie en nuttige tips over het gebruik.



**WAARSCHUWING:** Waarschuwingen voor levensgevaarlijke situaties en schade aan eigendommen.



**WAARSCHUWING:** Waarschuwing voor brandgevaar.



**WAARSCHUWING:** Gevaar voor elektrische schok.



Beschermingsklasse voor elektrische schokken.



# 1 Belangrijke veiligheids- en milieu-instructies

## 1.1 Algemene veiligheid

Belangrijke veiligheidsinstructies. Lees zorgvuldig en bewaar ter referentie in de toekomst Dit deel bevat veiligheidsinstructies die u beschermen tegen het risico op brand, elektrische schok, blootstelling aan lekkende magnetronstralen, persoonlijk letsel of materiële schade. Het niet opvolgen van deze instructies maakt elke garantie ongeldig.

- Beko-producten voldoen aan de van toepassing zijnde veiligheidsnormen; daarom moet in het geval van beschadiging aan het apparaat of het stroom snoer dit worden gerepareerd of vervangen door de dealer, het servicecentrum of een specialist en erkende service om elk gevaar te vermijden. Verkeerd of niet-gekwalificeerd reparatiewerk kan gevaarlijk zijn en een risico vormen voor de gebruiker.
- Dit apparaat is bedoeld voor huishoudelijk gebruik en vergelijkbare toepassingen zoals:
  - personeelskeukens in winkels, kantoren en andere werkomgevingen;
  - boerderijen;
  - bij klanten in hotels en andere types van overnachtingsomgevingen;
  - omgevingen van het type bed-and-breakfast.
- Gebruik dit apparaat uitsluitend voor het beoogde doel zoals beschreven in deze handleiding.
- De producent kan niet aansprakelijk worden gehouden voor schade die is ontstaan door ongeschikte installaties of onjuist gebruik van het product.
- Dit apparaat kan worden gebruikt door kinderen vanaf 8 jaar en personen met verminderde fysieke, zintuiglijke of mentale vermogens, of met een gebrek aan ervaring en kennis, als deze onder toezicht staan of instructies hebben gekregen betreffende het veilige gebruik van het apparaat en op de hoogte zijn van de betrokken gevaren.

# 1 Belangrijke veiligheids- en milieu-instructies

- Laat kinderen niet met het apparaat spelen. Reiniging en gebruikersonderhoud dienen niet zonder toezicht door kinderen uitgevoerd te worden.
  - De minimale afstand tussen het ondersteunende oppervlak voor het kookgerei op de kookplaat en het laagste gedeelte van uw product moet minstens 65 cm zijn.
  - Als de installatie-instructies voor het gasfornuis een grotere afstand aangeeft, dient hier rekening mee te worden gehouden.
  - Zorg ervoor dat uw netstroom overeenkomt met de informatie die staat op het typeplaatje van het apparaat.
  - Gebruik het apparaat nooit als de stroomkabel of het apparaat zelf beschadigd is.
  - Vermijd schade aan de stroomkabel door knijpen, buigen of wrijven langs scherpe randen. Houd de stroomkabel uit de buurt van hete oppervlakken en open vuur.
  - Gebruik het apparaat uitsluitend met een geaard stopcontact.
- WAARSCHUWING:** Sluit het apparaat niet op het stroomnetwerk aan totdat de installatie volledig is afgerond.
- Plaats het apparaat zodanig dat de stekker altijd toegankelijk is.
  - De verlichting na langdurige werking niet aanraken. De lampen zijn heet en kunnen uw handen verbranden.
  - Volg de voorschriften op die door de deskundige autoriteiten zijn bepaald wat betreft de luchtafvoer (deze waarschuwing is niet van toepassing bij gebruik zonder rookkanaal).
  - Zet het apparaat aan nadat er een pan op de kookplaat is gezet. Anders kan de hoge warmte in sommige delen van uw product vervorming veroorzaken.
  - Zet de kookplaat uit voordat u de pan van de kookplaat haalt.
  - Laat geen hete olie achter op de kookplaat. Pannen met hete olie kunnen in brand vliegen.
  - Let op uw gordijnen en andere afdekkingen, want olie kan bij de bereiding van bijvoorbeeld patat in brand vliegen.

# 1 Belangrijke veiligheids- en milieu-instructies

- Vetfilters moeten minstens eens per maand worden vervangen. Koolstoffilters moeten minstens eens per 3 maanden worden vervangen.
  - Het product moet worden gereinigd in overeenstemming met de gebruikershandleiding. Als bij reiniging de gebruikershandleiding niet wordt opgevolgd, kan er brandgevaar ontstaan.
  - Gebruik in plaats van het huidige filter geen filtermaterialen die niet vuurbestendig zijn.
  - Gebruik alleen de originele onderdelen of onderdelen aanbevolen door de fabrikant.
  - Gebruik het product niet zonder filter en verwijder de filters niet als het product in werking is.
  - In het geval er vlammen ontstaan, schakelt u uw apparaat en kooktoestellen uit.
  - Bedek de vlammen als deze ontstaan en blus ze nooit met water.
  - Trek de stekker van het apparaat uit het stopcontact vóór elke reiniging en wanneer het apparaat niet in gebruik is.
  - De negatieve druk in de ruimte mag niet hoger zijn dan 4 Pa (4 x 10 bar) als de afzuigkap voor de elektrische kookplaat en apparaten op een andere energiebron werken, maar de stroom tegelijkertijd in werking is.
  - In de ruimte waar het apparaat wordt gebruikt, moeten de uitlaten van apparaten die op olie of gas werken, zoals een kamerverwarming, volledig worden geïsoleerd of het apparaat moet van een hermetisch afgesloten type zijn.
  - Gebruik om het rookkanaal aan te sluiten pijpen met een diameter van 120 of 150 mm. De pijp aansluiting moet zo kort mogelijk zijn en zo min mogelijk ellebogen hebben.
  - Verstikkingsgevaar! Houd alle verpakkingsmaterialen uit de buurt van kinderen.
- LET OP:** Toegankelijke delen kunnen indien gebruikt met kookapparaten heet worden.
- De afvoer van het product mag niet worden aangesloten op luchtkanalen die een ander soort rook bevatten.

# 1 Belangrijke veiligheids- en milieu-instructies

- Er kan onvoldoende ventilatie in de ruimte zijn als de afzuigkap voor de elektrische kookplaat tegelijk wordt gebruikt met de toestellen die op gas of andere brandstoffen werken (dit is mogelijk niet van toepassing op apparaten die de lucht uitsluitend terug in de ruimte brengen).
- Op het product geplaatste voorwerpen kunnen vallen. Plaats geen voorwerpen op het product.
- Flambeer niet onder uw product.

**WAARSCHUWING:** Verwijder de beschermende folie voordat u de afzuigkap installeert.

- Zorg tijdens de werking dat er zich onder de afzuigkap nooit hoge vlammen bevinden.
- Frituurpannen moeten tijdens gebruik voortdurend onder toezicht staan: oververhitte olie kan in brand vliegen.

## 1.2 Naleving van de WEEE-norm en verwerking van afvalproducten:

Dit product voldoet aan de WEEE-norm van de EU (2012/19/EU). Dit product heeft een classificatiesymbool voor verwerking van elektrische en elektronische apparatuur (WEEE).



Dit symbool geeft aan dat dit product niet met ander huishoudelijk afval mag worden weggegooid aan het einde van zijn levensduur. Het gebruikte apparaat moet worden geretourneerd naar het officiële inzamelpunt voor recycling van elektrische en elektronische apparaten. Om deze inzamel punten te vinden kunt u contact opnemen met uw lokale autoriteiten of detailhandelaar waar het product werd verkocht. Ieder huishouden voert een belangrijke rol uit in terugwinnen en recycling van oude apparatuur. Een juiste afvalbehandeling levert een bijdrage ter voorkoming van de negatieve gevolgen voor het milieu en de volksgezondheid.

## 1.3 Naleving van de RoHS-richtlijn

Het door u aangekochte product voldoet aan de EU RoHS-norm (2011/65/EU). Het bevat geen schadelijke en verboden materialen die in de norm zijn vermeld.

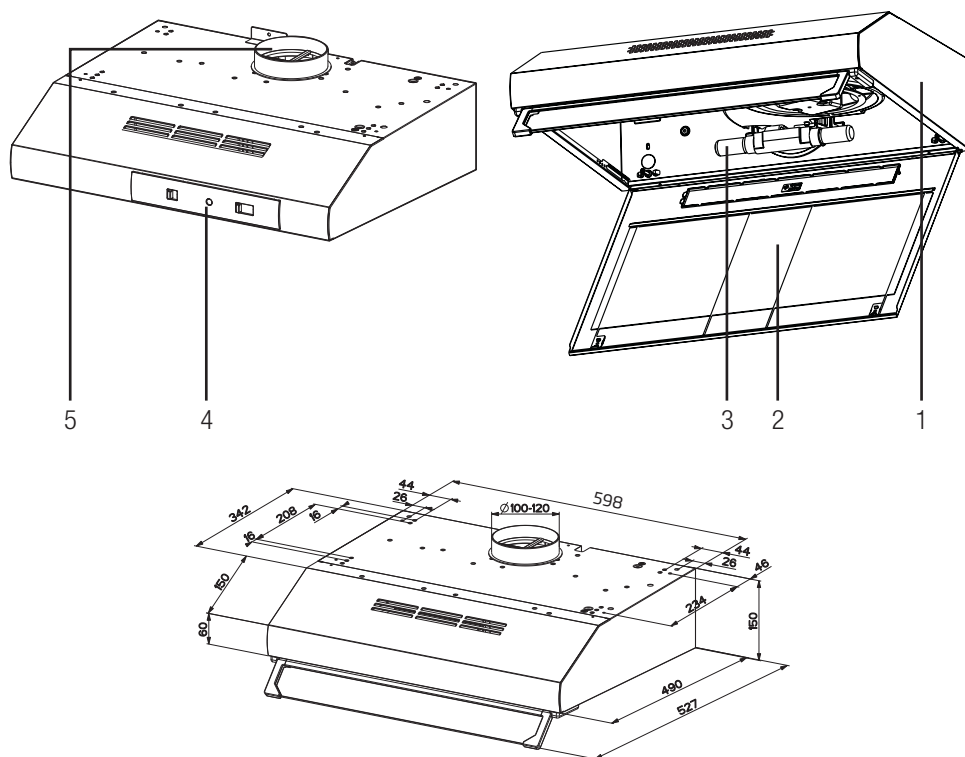
## 1.4 Verpakkingsinformatie



Verpakkingsmaterialen van het product zijn gemaakt uit recycleerbare materialen in overeenstemming met onze nationale milieuvorderingen. Gooi de verpakkingsmaterialen niet samen met het huishoudelijk afval of ander afval weg. Breng ze naar de inzamel punten voor verpakkingsmaterialen aangewezen door de lokale instanties.

## 2 Algemeen uiterlijk

### 2.1 Overzicht



1. Cialo
2. Oliefilters
3. Lamp
4. Panel sterowania
5. Komin


### 2.2 Technische gegevens

<b>Model</b>	CFB 6432 X	CFB 6431 W
	CFB 6432 W	CFB 5432 W
	CFB 6432 XG	CFB 6437 W
	CFB 6432 WH	
	CFB 6432 XH-1	
<b>Stroomvoltage</b>	220-240V ~ 50 Hz	
<b>Lampvermogen</b>	2 x 4 W	
<b>Motorvermogen</b>	2 x 115 W	
<b>Debiet – 3. Niveau</b>	380 m <sup>3</sup> /h	
<b>Isolatieklasse van de motor</b>	Class F	
<b>Isolatieklasse</b>	Class II	



## 3 Werking van het apparaat

### 3.1 Bediening van het toestel

	
Sleutel	Functie
<b>L : Aan/uit-knop verlichting</b>	Hiermee schakelt u de verlichting aan en uit
<b>V : Przycisk prędkości</b>	Instelling van de werkingssnelheid: 0. Hiermee schakelt u de afzuigmotor aan en uit 1. Minimumsnelheid, geschikt voor een continue en zeer stille luchtverversing, als er weinig kookdampen zijn. 2. Gemiddelde snelheid, geschikt voor de meeste gebruiksomstandigheden, gezien de uitstekende verhouding tussen de hoeveelheid behandelde lucht en het geluidsniveau. 3. Maximumsnelheid, geschikt om de grootste kookdampen tegen te gaan, ook voor langere tijd.

- De afzuigkap is exclusief ontworpen voor huishoudelijk gebruik om onaangename geurtjes in de keuken te vermijden.
- Gebruik de afzuigkap nooit voor andere dan de beoogde doeleinden.
- Laat de vlammen nooit hoog oplaaien onder de afzuigkap wanneer deze is ingeschakeld.
- Pas de intensiteit van de vlammen aan zodat deze enkel de onderzijde van de pannen verarmen en de pan niet omwikkelen aan de zijkanten.
- Frituurpannen moeten voortdurend onder toezicht staan tijdens gebruik: oververhitte olie kan in brand schieten.

### 3.2 Energie-efficiënt gebruik

- Wanneer u uw apparaat gebruikt, moet u de snelheidsinstellingen aanpassen aan de intensiteit van de damp en de geur, om energie te besparen.
- Gebruik lage snelheden (1-2) onder normale omstandigheden, en hoge snelheden (3) voor intense geur en damp.
- De lampen op de afzuigkap zijn geplaatst voor het verlichten van de kookzone.
- Het gebruik ervan voor milieuverlichting moet leiden tot onnodige energie-uitgaven en onvoldoende verlichting.
- Om uw apparaat minder energie te doen verbruiken, moet u het aan het laagste snelheidsniveau inschakelen.
- Uw apparaat zal het energieverbruik verminderen aangezien het efficiënter zal werken als u voldoende luchtinlaat voorziet.
- Stel uw apparaat in op het intense zuigvermogensniveaus voor de vorming van stoom, in situaties waar u weet dat er veel stoom zal ontstaan. U kunt uw energieverbruik dus verminderen door uw apparaat gedurende kortere perioden te gebruiken aangezien het voldoende luchtinlaat zal hebben.
- Houd de deksels van kookgerei gesloten om de evolutie van stoom te verminderen.

## 3 Werking van het apparaat

### 3.3 De bediening van de afzuigkap

- Uw toestel bevat een motor met verschillende snelheden.
- Voor betere prestaties raden wij aan om lage snelheden te gebruiken onder normale omstandigheden en hoge snelheden in geval van sterke geuren en intense dampen.
- U kunt uw apparaat starten door op de gewenste snelheidsinsteltoets te drukken. (V1, V2, V3).
- U kunt het kookgedeelte verlichten door op de lamp (L) te drukken.

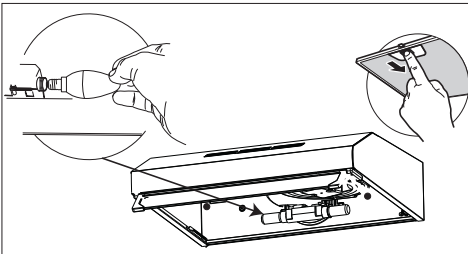
### 3.4 Vervanging van de lamp



- U moet de stroomtoevoer van de afzuigkap uitschakelen voor u de lampen vervangt.
- Raak de lampen niet aan als ze warm zijn.
- Zorg ervoor de vervangen lamp niet rechtstreeks aan te raken met de handen.



U kunt lampen kopen bij geautoriseerde service vertegenwoordigers.



<b>Lamp</b>	
<b>Lampvermogen</b>	4 W
<b>Houder / Stopcontact</b>	E14

<b>Lampspanning</b>	220 - 240 V
<b>ILCOS Code</b>	D R B B / F - 4 - 2 2 0 - 240-E14-35/100
<b>Afmeting</b>	35x100 mm
<b>Lichtstroom</b>	400 lm
<b>Gecorrleerde kleurtemperatuur</b>	3000 K

Dit product bevat een lichtbron van energie efficiëntieklasse "F".

### 3.5 Bediening met schouwaansluiting

-  De damp wordt afgezogen via het rookkanaal, dat aan de aansluitkop op de kap wordt bevestigd.
- De diameter van het rookkanaal moet gelijk zijn aan de aansluitring. Bij een horizontale opstelling moet de buis een lichte opwaartse helling hebben (ongeveer 10°), zodat de lucht gemakkelijk de ruimte kan verlaten.

### 3.6 Bediening zonder schouwaansluiting

-  De lucht wordt door het koolstoffilter gefilterd en in de ruimte gecirculeerd. Koolstoffilter wordt gebruikt wanneer het onmogelijk is om een rookgasafvoer in huis te gebruiken.
- Bij gebruik zonder afvoer verwijdert u de kleppen in de rookgasadapter.
- Het aluminium vetfilter verwijderen. Om het koolstoffilter te installeren, plaatst u het filter op de lipjes door het te centreren op het kunststofstuk aan beide zijden van het ventilatorhuis. draai het vast door naar rechts of naar links te draaien.
- Het aluminium vetfilter vervangen.

## 4 Reiniging en onderhoud

«Het apparaat moet regelmatig worden gereinigd en onderhouden. Als het apparaat niet schoon wordt gehouden, zal dit de nuttige levensduur van het apparaat beïnvloeden. Volg de instructies in de handleiding voor de reiniging en het onderhoud.»



Trek de stekker uit het stopcontact of zet de schakelaar uit voordat u het product reinigt en onderhoudt.



Niet-naleving van de voorzieningen geassocieerd met de reiniging van het apparaat en de vervanging van de filters kan resulteren in brandrisico. Om die reden is het aanbevolen de hier vermelde richtlijnen te volgen. De fabrikant is niet verantwoordelijk voor schade aan de motor of brand veroorzaakt door een incorrect gebruik.

Reinig uitsluitend met een doek die is vochtig gemaakt in een neutraal reinigingsmiddel. Niet reinigen met gereedschap of instrumenten. Gebruik geen schurende producten. Gebruik geen alcohol.

### 4.1 Reinigen van aluminium oliefilter

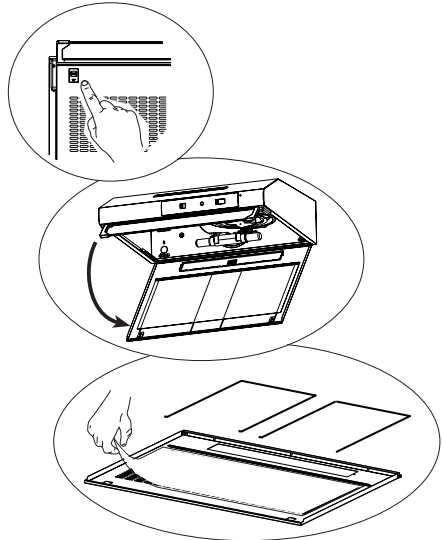
Dit filter houdt de oliedeeltjes in de lucht vast. Aluminium oliefilters kunnen van kleur veranderen als ze worden gewassen; dit is normaal en vereist geen vervanging van uw aluminium oliefilters.



U mag het aluminium vetfilter ook wassen in de wasmachine.

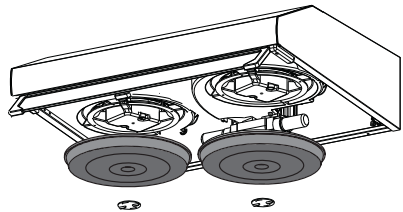


**OPGELET:** Bij normaal gebruik dient u uw aluminium vetfilter één keer per maand te reinigen.



### 4.2 Vervanging van de koolstoffilters

Geurverwijderende filters bevatten houtskool (actieve kool). Vetfilters moeten in het product worden geïnstalleerd, ongeacht of er al dan niet koolstoffilters worden gebruikt.



#### OPGELET

- Koolstoffilter mag nooit worden gewassen.
- Vervang de koolstoffilters eens in de 3 maanden.
- Het koolstoffilter is verkrijgbaar bij de geautoriseerde diensten.



## 5 Installatie van het apparaat



**WAARSCHUWING:** Lees de veiligheidsinformatie in de gebruikershandleiding voordat u met de installatie begint.



**WAARSCHUWING:** Het niet installeren met schroeven en stabilisatoren in overeenstemming met deze instructies kan leiden tot elektrische schokken.

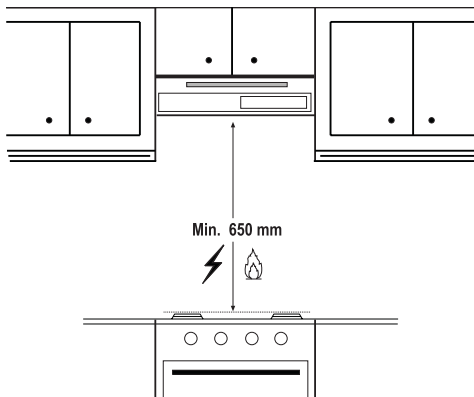


Raadpleeg pagina 235 voor de installatiegids

Neem voor de installatie van de kap contact op met de dichtstbijzijnde geautoriseerde service.

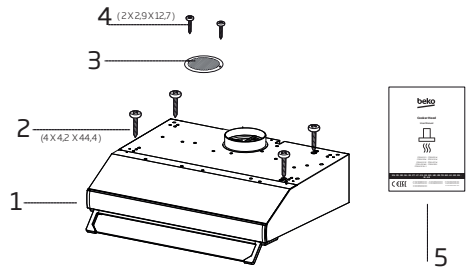
Het is de verantwoordelijkheid van de klant om de locatie en de elektrische installatie van de kap voor te bereiden.

### 5.1 Positie van het apparaat



- De afstand tussen het kooktoestel en de afzuigkap moet vóór de montage in acht worden genomen. Deze afstand moet 65 cm bedragen.
- Bij gasfornuizen moet de afstand tot het oppervlak van het rooster worden gemeten,
- Van het glazen oppervlak voor elektrische fornuizen.

### 5.2 Installatieaccessoires



1. Product
2. 4 x 4,2 x 44,4 śruby
3. Kratka wylotu powietrza
4. 2 x 2,9 x 12,7 śruby
5. Gebruikershandleiding

### 5.3 Opslag

- Als u van plan bent het apparaat gedurende een lange periode niet te gebruiken, ruim het dan zorgvuldig op.
- Zorg ervoor dat het apparaat los is van het stopcontact, volledig is afgekoeld en compleet droog is.
- Bewaar het apparaat op een koele en droge plaats.
- Bewaar het apparaat buiten het bereik van kinderen.

### 5.4 Hantering en transport

- Wanneer u het apparaat hanteert en verplaatst, moet u het in de originele verpakking dragen.
- De verpakking van het apparaat beschermt het tegen fysieke schade.
- Plaats geen zware lasten op het apparaat of op de verpakking. Het apparaat kan worden beschadigd.

## 6 Probleemoplossing

<b>Probleemoplossing</b>	<b>Reden</b>	<b>Help</b>
Het product werkt niet.	Controleer uw zekering.	Uw zekering is mogelijk afgesloten, schakel ze in.
Het product werkt niet.	Controleer de elektrische aansluiting.	De netspanning moet tussen 220-240 V bedragen.
Het product werkt niet.	Controleer de elektrische aansluiting.	Controleer of de andere producten in uw keuken werken.
De lamp werkt niet.	Controleer de elektrische aansluiting.	De netspanning moet tussen 220-240 V bedragen.
De lamp werkt niet.	Controleer de schakelaar van de lamp.	De lampschakelaar moet in de "Aan" positie staan.
De lamp werkt niet.	Controleer de lampen.	De lampen van het product mogen niet defect zijn.
De luchtinlaat van het product is slecht.	Controleer het aluminium filter.	Het aluminium oliefilter moet één maal per maand worden gewassen bij normaal gebruik.
De luchtinlaat van het product is slecht.	Controleer het luchtuitlaat rookkanaal.	Het luchtuitlaat rookkanaal moet in de "Aan" positie staan.
De luchtinlaat van het product is slecht.	Controleer het koolstoffilter.	Voor producten met koolstoffilters moet het filter normaal gezien elke drie maanden worden vervangen.

# Leia este manual do utilizador em primeiro lugar!

Prezado Cliente,

Obrigado por preferir este aparelho da Beko. Esperamos que obtenha os melhores resultados com o nosso aparelho, que foi fabricado com tecnologia avançada e de alta qualidade. Como tal, leia com atenção todo este manual do utilizador e os outros documentos que o acompanham antes de utilizar o aparelho e guarde-o como referência para uso futuro. Se passar o aparelho para outra pessoa, dê-lhe também este manual do utilizador. Siga as instruções estando atento às informações e avisos no manual do utilizador.

Lembre-se que este manual do utilizador também pode aplicar-se a outros modelos. As diferenças entre modelos são explicitamente descritas no manual.

## Significados dos símbolos

Os seguintes símbolos são usados em várias secções deste manual:



Informações importantes ou dicas úteis sobre a utilização.



AVISO: Avisos para situações perigosas relativas à segurança de pessoas e bens.



Aviso sobre perigo de incêndio.



Aviso de choque elétrico.



Classe de proteção para choque elétrico.



# 1 Instruções importantes sobre segurança e meio ambiente

## 1.1 Segurança geral

Instruções importantes sobre a segurança, leia com cuidado e mantenha para a referência futura. Esta secção contém instruções de segurança que ajudarão a protegê-lo(a) contra o risco de incêndio, exposição a energia de micro-ondas libertada acidentalmente, ferimentos pessoais ou danos à propriedade. O não cumprimento destas instruções invalida a garantia concedida.

- Os produtos Beko estão em conformidade com as normas de segurança aplicáveis; portanto, em caso de qualquer dano no aparelho ou cabo de alimentação, deve ser reparado ou substituído pelo revendedor, centro de assistência ou por uma assistência especializada e autorizada para evitar qualquer perigo. Reparações defeituosas ou não qualificadas podem ser perigosas e constituir riscos para o utilizador.
- Este aparelho destina-se à utilização doméstica e aplicações

semelhantes, como por exemplo:

- Áreas da cozinha dos funcionários em lojas, escritórios e outros ambientes de trabalho;
  - Casas de turismo rural;
  - Por clientes em hotéis, pensões e outros tipos de ambientes residenciais;
  - Alojamentos do tipo cama e pequeno-almoço.
- Use este aparelho apenas para os fins a que se destina e tal como descrito neste manual.
  - O fabricante não se responsabiliza por quaisquer danos resultantes de uma instalação incorreta ou imprópria.
  - Este equipamento pode ser usado por crianças com idade de 8 anos ou mais e por pessoas com capacidades físicas, sensoriais ou mentais reduzidas ou com falta de experiência e conhecimento se forem supervisionadas ou que lhes tenha sido dada instrução a respeito da utilização do equipamento de um modo

# 1 Instruções importantes sobre segurança e meio ambiente

seguro e que compreendam os perigos envolvidos.

- As crianças não devem brincar com o aparelho. A limpeza e a manutenção do utilizador não devem ser realizadas por crianças sem serem supervisionadas.
- A distância mínima entre a superfície de apoio para os recipientes na placa de cozinha e a parte inferior do produto deve ser de 65 cm, no mínimo.
- Se as instruções de instalação para a placa de cozinha a gás especificarem uma distância maior, esta deve ser tida em consideração.
- Certifique-se de que a alimentação elétrica está em conformidade com as informações fornecidas na placa de dados do aparelho.
- Nunca utilize o aparelho se o cabo de alimentação ou o próprio aparelho estiverem danificados.
- Evite danos ao cabo de alimentação, evitando apertá-lo, dobrá-lo ou arrastá-lo sobre extremidades pontiagudas.

Mantenha o cabo de alimentação afastado de superfícies quentes e chamas vivas.

- Apenas utilize o aparelho numa tomada com ligação à terra.

**AVISO:** Não ligue o aparelho à corrente até que a instalação esteja concluída.

- Coloque o aparelho de modo a que a ficha esteja sempre acessível.
- Não toque nas lâmpadas caso tenham estado acesas durante muito tempo. Estas podem queimar as suas mãos, dado que ficam quentes.
- Siga os regulamentos estabelecidos pelas autoridades competentes relativos ao ar de exaustão (este aviso não se aplica se o aparelho for utilizado sem chaminé).
- Utilize o aparelho apenas depois de colocar um tacho, uma frigideira, etc. na placa de cozinha. Caso contrário, o calor excessivo pode deformar algumas partes do aparelho.
- Desligue a placa de cozinha



# 1 Instruções importantes sobre segurança e meio ambiente

antes de retirar o tacho, a frigideira, etc.

- Não deixe óleo quente na placa de cozinha. As frigideiras com óleo quente podem entrar em combustão espontânea.
- Preste atenção às cortinas e tampas, pois o óleo pode incendiar-se enquanto se cozinha, por exemplo, batatas fritas.
- O filtro de gordura deve ser substituído, no mínimo, mensalmente. O filtro de carbono deve ser substituído, no mínimo, a cada 3 meses.
- O aparelho deve ser limpo de acordo com as instruções do manual do utilizador. Pode existir perigo de incêndio caso a limpeza não seja realizada de acordo com as instruções do manual do utilizador.
- Não utilize materiais de filtração que não sejam resistentes ao fogo além do filtro atual.
- Utilize apenas as peças originais ou peças recomendadas pelo fabricante.
- Não utilize o aparelho sem o filtro e não retire os filtros durante o funcionamento do aparelho.
- No caso de deflagrar uma chama, corte a alimentação elétrica do aparelho e dos eletrodomésticos.
- No caso de deflagrar uma chama, cubra-a e nunca use água para extingui-la.
- Desligue o aparelho antes de cada limpeza e quando este não estiver a ser utilizado.
- A pressão negativa no ambiente não deverá exceder 4 Pa (4 x 10 bar) enquanto o exaustor para a placa de cozinha elétrica e os aparelhos alimentados por outro tipo de energia além da eletricidade estiverem a funcionar em simultâneo.
- No ambiente em que o aparelho está a ser utilizado, a exaustão dos dispositivos que funcionam a óleo combustível ou gás, como é o caso dos aquecedores, deverá ficar totalmente isolada. Caso contrário, o aparelho terá de ser de tipo hermético.
- Ao fazer a ligação à chaminé,

# 1 Instruções importantes sobre segurança e meio ambiente

utilize tubos com 120 ou 150 mm de diâmetro. A ligação do tubo deve ser o mais curta possível e ter o menor número de curvas possível.

**Perigo de asfixia!** Mantenha todos os materiais da embalagem afastados das crianças.

**ATENÇÃO:** Partes acessíveis podem ficar quentes quando utilizadas com aparelhos de cozinha.

- A saída do exaustor não pode estar ligada aos canais de ar que incluem outros fumos.
- A ventilação na divisão poderá ser insuficiente quando se utilizar o exaustor para a placa de cozinha elétrica simultaneamente com os dispositivos que funcionam a gás ou outros combustíveis (isto poderá não se aplicar aos aparelhos que apenas fazem o retorno do ar para a divisão).
- Os objetos colocados em cima do aparelho podem cair. Não coloque quaisquer objetos em cima do aparelho.
- Não flambeie debaixo do aparelho.

**AVISO:** Remova as películas protetoras antes de instalar a Placa de cozinha.

- Nunca deixe chamas vivas altas sob o exaustor quando este estiver em funcionamento
- Mantenha as fritadeiras sob controlo durante a utilização: o óleo sobreaquecido pode inflamar-se.

## 1.2 Conformidade com a Diretiva REEE e eliminação do produto residual:

Este produto está em conformidade com a Diretiva REEE da UE (19/2012/UE). Este produto traz um símbolo de classificação para reciclagem de equipamentos elétricos e eletrónicos (REEE).



Este símbolo indica que o produto não deve ser eliminado juntamente com o lixo doméstico no fim da sua vida útil.

Os aparelhos usados devem ser levados para um ponto de recolha

oficial para a reciclagem de aparelhos elétricos e eletrónicos. Para encontrar estes sistemas de recolha, entre em contacto com as autoridades locais ou com o revendedor através do qual adquiriu o produto. Cada domicílio desempenha um papel fundamental na recolha e reciclagem de aparelhos antigos. A eliminação correta de aparelhos usados ajuda a prevenir potenciais efeitos negativos ao meio ambiente e à saúde humana.

## 1.3 Conformidade com a Diretiva RoHS

O produto adquirido está em conformidade com a Diretiva RoHS da UE (65/2011/UE). Não contém materiais prejudiciais ou proibidos especificados na Diretiva.

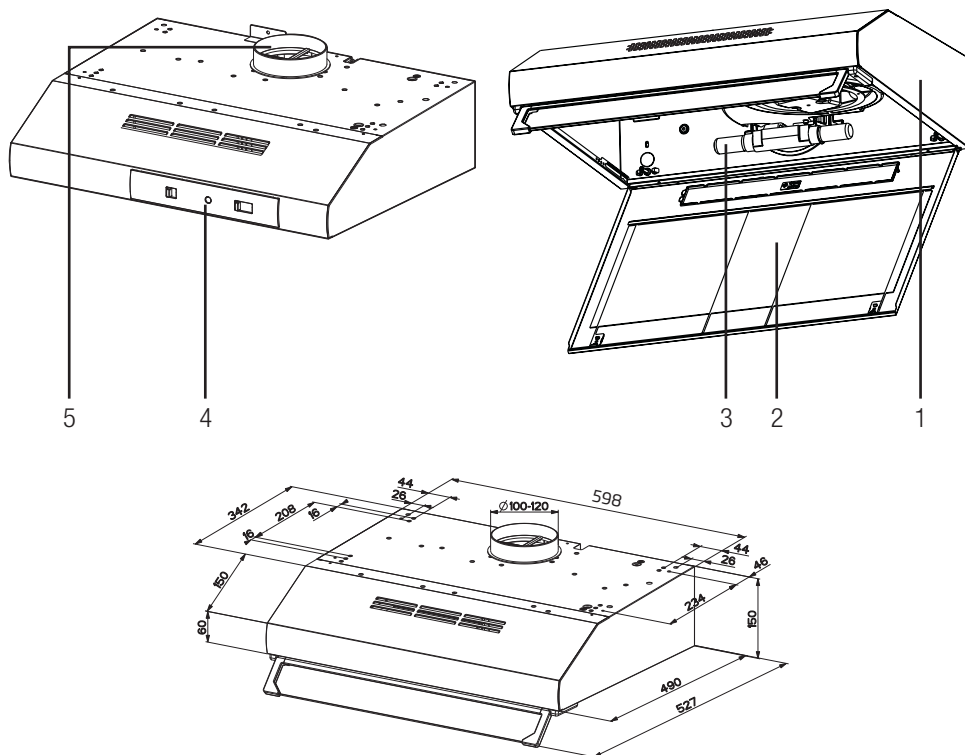
## 1.4 Informação de embalagem



Os materiais para embalagem do produto são fabricados a partir de materiais recicláveis, em conformidade com a nossa Regulamentação Nacional do Ambiente. Não elimine os materiais da embalagem juntamente com os resíduos domésticos ou outros tipos de resíduos. Leve-os para os pontos de recolha de materiais de embalagem designados pelas autoridades locais.

## 2 Aspeto geral

### 2.1 Generalidades




1. Corpo
2. Filtro de gorduras
3. Iluminação
4. Painel de Controlo
5. Chaminé

### 2.2 Dados técnicos

<b>Modelo</b>	CFB 6432 X CFB 6432 W CFB 6432 XG CFB 6432 WH CFB 6432 XH-1	CFB 6431 W CFB 5432 W CFB 6437 W
<b>Tensão de alimentação</b>	220-240V ~ 50 Hz	
<b>Potência da lâmpada</b>	2 x 4 W	
<b>Potência do motor</b>	2 x 115 W	
<b>Taxa de fluxo – 3. Nível</b>	380 m <sup>3</sup> /h	
<b>Classe de isolamento do motor</b>	Classe F	
<b>Classe de isolamento</b>	Classe II	

## 3 Funcionamento do aparelho

### 3.1 Controlar o aparelho

	
TECLA	FUNÇÃO
<b>L : Botão Luz acesa/apagada</b>	Liga e desliga a Iluminação
<b>V : Botão de velocidade</b>	Determina a velocidade de funcionamento: 0. Liga e desliga o motor de exaustão 1. Velocidade mínima, indicada para uma troca contínua do ar muito silenciosa, se os vapores de cozedura forem poucos. 2. Velocidade média, indicada para a maior parte das condições de uso vista a excelente relação entre o débito do ar tratado e o nível de ruído. 3. Velocidade máxima, indicada para enfrentar as máximas emissões de vapores de cozedura, mesmo durante períodos prolongados.

- O exaustor foi concebido exclusivamente para o uso doméstico, a fim de eliminar os odores da cozinha.
- Nunca utilizar o exaustor para outros fins para os quais não foi concebido.
- Nunca deixe alta chamas expostas sob o exaustor quando o mesmo estiver a funcionar.
- Ajustar a intensidade da chama para direccioná-la apenas para o fundo da panela, certificando-se de que a mesma não envolva os lados.
- Fritadeiras de gordura profunda devem ser monitorizadas continuamente durante a utilização: óleoso-breaquecido pode irromper em chamas.

### 3.2 Utilização eficiente em termos de Poupança de Energia

- Quando usar o seu aparelho, ajustar as definições da velocidade de acordo com a intensidade de vapor e de odor, de modo a economizar energia.
- Usar as velocidades reduzidas (1-2) em condições normais e a velocidade mais elevada (3) com vapor e odor intensos.
- As lâmpadas no exaustor são colocadas para iluminar a zona de cozedura.
- Se usar as mesmas para iluminação ambiente irá provocar consumo desnecessário de energia e iluminação insuficiente.
- Para que o seu exaustor consuma menos energia, deve colocá-lo a funcionar num nível de velocidade baixa.
- O seu exaustor irá reduzir o consumo de energia e funcionará de forma mais eficiente quando permitir a entrada de ar suficiente no mesmo..
- Definir o seu exaustor para um nível de potência de sucção intensa perante a formação de vapor, nos casos em que souber que irá ocorrer vapor denso. Portanto, reduza o consumo de energia utilizando o seu exaustor durante um período de tempo mais curto à medida que o mesmo tiver uma entrada de ar suficiente.

## 3 Funcionamento do aparelho

- Mantenha as tampas do recipiente fechadas para reduzir a libertação do vapor.

### 3.3 Funcionamento do exaustor

- O seu aparelho inclui um motor com várias velocidades.
- Para um melhor desempenho, recomendamos usar velocidades reduzidas em condições normais e velocidades elevadas no caso de odores fortes e de vapor intenso.
- Pode começar a usar o seu aparelho premindo no botão de definição da velocidade pretendida. (V1, V2, V3)
- Pode iluminar a zona de cozedura premindo a lâmpada. (L)

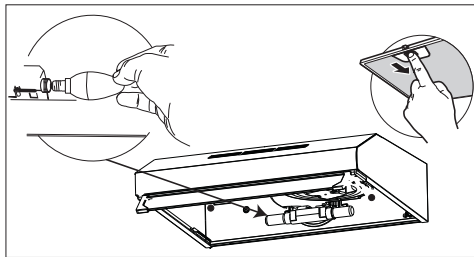
### 3.4 Substituição das lâmpadas



- Antes de substituir as lâmpadas, desligue a alimentação eléctrica do exaustor.
- Não tocar nas lâmpadas quando as mesmas estiverem quentes.
- Cuidado para não tocar com as mãos directamente na lâmpada substituída.



Pode comprar lâmpadas de agentes de serviço autorizados.



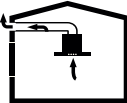
Lâmpada



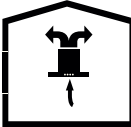
<b>Potência da lâmpada</b>	4 W
<b>Suporte / Tomada</b>	E14
<b>Tensão da lâmpada</b>	220 - 240 V
<b>Código ILCOS</b>	DRBB/F-4-220-240-E14-35/100
<b>Dimensão</b>	35x100 mm
<b>Fluxo luminoso</b>	400 lm
<b>Temperatura de cor relacionada</b>	3000 K

Este produto contém uma fonte de luz com a classe de eficiência energética "F".

### 3.5 Funcionamento com ligação à chaminé

-  O vapor é extraído através da conduta da chaminé, que é fixada à cabeça de ligação no exaustor.
- O diâmetro da conduta da chaminé tem de ser o mesmo do anel de ligação. Nas definições horizontais, o tubo tem de ter uma ligeira inclinação para cima (cerca de 10°) de modo a que o ar possa sair facilmente do espaço.

### 3.6 Funcionamento sem ligação à chaminé

-  O ar filtrado através do filtro de carvão e recirculado no espaço. O filtro de carvão é usado quando é impossível usar uma Chaminé dentro de casa.
- Na Chaminé com pouco uso, remover as abas no interior do adaptador da mesma.
- Retirar o filtro de gordura em alumínio. Para instalar o filtro de carvão, encaixar o filtro nas guias centrando o mesmo na peça de plástico nos dois lados da estrutura da ventoinha. Apertar o mesmo rodando-o para a direita ou para a esquerda.
- Voltar a colocar o filtro de gordura em alumínio.

## 4 Limpeza e manutenção

O exaustor deve ser mantido e limpo regularmente. Se não mantiver o exaustor limpo isso poderá afetar adversamente a duração do mesmo. Para a limpeza e para a manutenção, deve seguir as instruções indicadas no manual.



Antes de efetuar a limpeza e a manutenção, desligar o produto ou desligar o interruptor.



O incumprimento do estabelecido em relação à limpeza do exaustor e à substituição dos filtros pode resultar em risco de vida. Portanto, é recomendado seguir as orientações indicadas aqui. O fabricante não é responsável por danos no motor ou por incêndios provocado por um uso inadequado.

Limpar utilizando apenas um pano humedecido com detergente líquido neutro. Não limpar com ferramentas ou instrumentos. Não utilizar produtos abrasivos. Não usar álcool.

### 4.1 Limpeza do filtro de gordura em alumínio

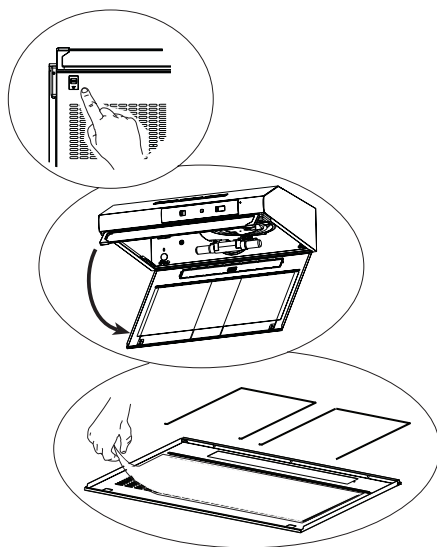
Este filtro retém as partículas do óleo existentes no ar. Os filtros de gordura em alumínio podem mudar de cor à medida que vão sendo lavados, isto é normal e não exige a substituição dos seus filtros de gordura em alumínio.



Pode lavar o filtro de gordura em alumínio na máquina de lavar loiça.

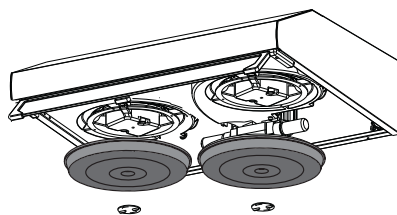


**CUIDADO:** Com uma utilização normal, limpar o filtro do óleo uma vez por mês.



### 4.2 Substituição dos filtros de carvão

Os filtros de eliminação de odores contêm carvão (Carvão ativo). Os filtros do óleo têm de ser instalados no produto, independentemente se forem usados filtros de carvão ou não.



#### CUIDADO



- O filtro de carvão nunca deve ser lavado.
- Substituir os filtros de carvão uma vez em cada 3 meses.
- Pode obter o filtro de carvão nos revendedores autorizados.

## 5 Instalação do aparelho



**ADVERTÊNCIA:** Antes de iniciar a instalação, deve ler a informação de segurança no Manual do Utilizador.



**ADVERTÊNCIA:** Não instalar com parafusos e estabilizadores de acordo com estas instruções pode resultar em choque elétrico.

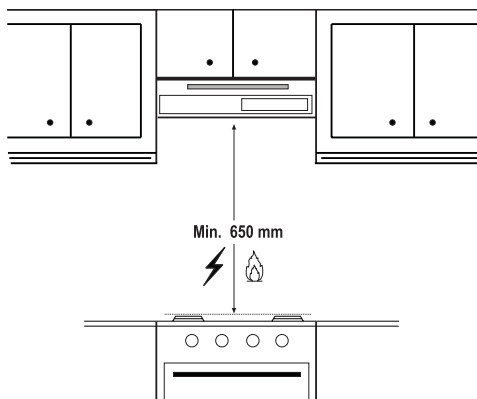


Consulte a página 235 para o guia de instalação

Para instalar o exaustor, deve contactar o Serviço Autorizado mais próximo.

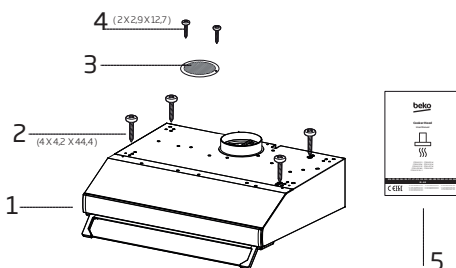
É da responsabilidade do cliente preparar a localização e a instalação elétrica do exaustor.

### 5.1 Posição do aparelho



- A distância entre o fogão e o exaustor tem de ser considerada antes da montagem.. Esta distância deve ser de 65 cm.
- A distância tem de ser medida a partir da superfície da grelha para os fogões a gás,
- a partir da superfície de vidro para os fogões elétricos.

### 5.2 Acessórios de instalação



1. Produto
2. 4 x 4,2 x 44,4 parafusos
3. Grelha de saída de ar
4. 2 x 2,9 x 12,7 parafusos
5. Manual do Utilizador

### 5.3 Depozitarea

- Dacă nu doriți să utilizați aparatul pentru o perioadă lungă de timp, depozitați-l cu grijă.
- Asigurați-vă că aparatul este decuplat, că s-a răcit complet și că este perfect uscat.
- Depozitați aparatul într-un loc uscat și rece.
- Nu lăsați aparatul la îndemâna copiilor

### 5.4 Manevrarea și transportul

- În timpul manevrării și transportului, transportați produsul în ambalajul său original. Ambalajul aparatului îl protejează împotriva deteriorării fizice.
- Nu plasați obiecte grele pe aparat sau pe ambalaj. Aparatul poate fi deteriorat.
- Căderea aparatului îl poate face nefuncțional sau poate provoca daune permanente.



## 6 Resolução de problemas

<b>Resolução de problemas</b>	<b>Causa Origem</b>	<b>Ajuda</b>
O aparelho não está a funcionar.	Verificar os fusíveis.	Os fusíveis podem ter rebentado, inspecionar e restaurar.
O aparelho não está a funcionar.	Verificar a instalação elétrica.	A tensão de corrente elétrica deve estar entre 220 e 240 V.
O aparelho não está a funcionar.	Verificar a instalação elétrica.	Verificar se outro aparelho na sua cozinha está a funcionar.
A lâmpada de iluminação não funciona	Verificar a instalação elétrica.	A tensão de corrente elétrica deve estar entre 220 e 240 V.
A lâmpada de iluminação não funciona	Verificar o interruptor da lâmpada.	O interruptor da lâmpada deve estar na posição "ligado".
A lâmpada de iluminação não funciona	Inspecionar as lâmpadas.	As lâmpadas do aparelho devem acender.
A entrada de ar do aparelho é inadequada.	Inspecionar o filtro de alumínio.	Em condições normais de funcionamento, o filtro de gordura em alumínio deve ser limpo pelo menos uma vez por mês.
A entrada de ar do aparelho é inadequada.	Verificar a descarga de ar da chaminé.	A descarga de ar da chaminé deve estar na posição "ligado".
A entrada de ar do aparelho é inadequada.	Inspecionar o filtro de carvão.	Nos filtros em que são utilizados filtros de carvão, o filtro de carvão deve ser substituído a cada 3 meses em condições normais.



**Contacte a assistência técnica:  
707 014 192 / 215 557 319**

### CONDIÇÕES DE GARANTIA - PORTUGAL

Este certificado cobre a garantia de reparação do seu eletrodoméstico da linha branca e pequeno eletrodoméstico (\*) durante o período de garantia legal determinado pela legislação em vigor a contar da data de compra, contra defeitos de funcionamento provenientes do fabrico ou dos materiais; ou de substituição do aparelho, a menos que uma dessas opções seja impossível ou desproporcionada em relação à outra. Quando detetar um defeito ou anomalia no aparelho entre imediatamente em contacto connosco para nos informar da não conformidade. Os pequenos eletrodomésticos devem ser entregues na oficina de serviço oficial da marca para a sua revisão.

Esta garantia só será válida se for apresentada a fatura, o recibo de compra, ou a nota de entrega correspondente a aquisição do produto. Esta garantia é válida em território espanhol e português para aparelhos distribuído pela Beko Home Appliances Portugal, Unipessoal, Lda. A garantia só é válida para o primeiro comprador ou adquirente do produto. A garantia será válida para os aparelhos cuja instalação esteja correta e que estejam localizados em condições climáticas e ambientais adequadas para o seu correto funcionamento.

### EXCLUSÕES DA GARANTIA

O custo da reparação será pago pelo utilizador nos seguintes casos:

- Aparelhos utilizados para uso profissional ou não exclusivamente doméstico.
- Os equipamentos desmontados ou manuseados por outras pessoas que não os serviços técnicos expressamente autorizados.
- Instalações, transporte, substituição de equipamento, colocação em funcionamento, alteração do sentido das portas.
- Intervenções de manutenção ou informações sobre a utilização dos aparelhos.
- Alteração de injetores em aparelhos a gás.
- As avarias causadas pela falta de manutenção ou limpeza, ou aquelas causadas por um uso inadequado, sobrecarga, abandono ou de uma forma a não respeitar as instruções de uso ou instalação dos aparelhos.
- As avarias provocadas por causas acidentais, sinistros de força maior ou resultantes de instalação inadequada e em geral, avarias por razões não relacionadas com o produto.
- As avarias causadas por ligações que podem apresentar flutuações, irregularidades ou falta de uniformidade no fornecimento, por exemplo: abastecimento de água impulsionado por grupos de pressão, energia solar, energia eólica, geradores de energia elétrica ou outro tipo de fornecimento não-padrão.
- A substituição de materiais quebrados ou danificados por desgaste ou uso não normal do aparelho, ou consumíveis tais como: juntas, plásticos, borracha, correias, vidros, pincéis, lâmpadas, asas, puxadores, tampas de queimadores, filtros, grelhas, ânodos de sacrifício (magnésio ou similares) de aquecedores ou caldeiras, etc.
- Os aparelhos que apresentem oxidação, ou danos por corrosão nos esmaltes ou na pintura, que possam ter sido causados por efeitos químicos ou eletroquímicos da água ou de qualquer outra substância, ou acelerados por circunstâncias ambientais ou climáticas desfavoráveis.
- Defeitos estéticos em serigrafia ou pintura.
- Os danos causados por transporte ou manuseio, colisões, etc.
- Os aparelhos devem ser instalados de forma acessível em caso de reparação, devendo o utilizador assumir os custos necessários para aceder ao aparelho para reparação e substituição.

A presente garantia não afeta os direitos de que o consumidor dispõe conforme o previsto na legislação em vigor. O Serviço Oficial de Assistência Técnica resolverá qualquer incidente que o seu aparelho possa necessitar, desde que o aparelho seja instalado de forma acessível.

As marcas BEKO e GRUNDIG são distribuídas por Beko Home Appliances Portugal, Unipessoal, Lda

### DADOS DO APARELHO (a ser preenchido pelo Distribuidor):

Detentor:		Carimbo do estabelecimento:
Modelo:	Nº série:	
Estabelecimento:	Data de compra:	

**O fiador e o importador do seu eletrodoméstico é: Beko Home Appliances Portugal, Unipessoal, Lda; Edifício Amoreiras Square; Rua Carlos Alberto da Mota Pinto, nº 17, 3ªA, Amoreiras 1070-313, Lisboa, Portugal.**

**Conheça-nos melhor na nossa página: [www.beko.com](http://www.beko.com) Conserve este documento, é importante para si.**

(\*) São considerados eletrodomésticos da linha branca, os aparelhos de cozinha, limpeza, refrigeração e ventilação de tamanho grande e pequenos eletrodomésticos, os de higiene pessoal, manutenção do lar e preparação de alimentos.

# Pirmiausia perskaitykite šią naudojimo instrukciją!

Brangus kliente,

Dėkojame, kad pasirinkote šį “Beko” prietaisą. Tikimės, kad šiuo prietaisu, kuris buvo pagamintas naudojant aukščiausios kokybės moderniausią technologiją, liksite patenkinti. Dėl to, prieš pradėdami naudoti šį prietaisą, perskaitykite visą šią naudojimo instrukciją bei prie jos pridėdamus dokumentus ir juos pasilikite, jei prireiktų ateityje. Jeigu atiduotumėte šį prietaisą kam nors kitam, kartu atiduokite ir šią naudojimo instrukciją. Laikykitės naudojimo instrukcijoje pateiktų nurodymų, atkreipkite dėmesį į visą informaciją ir įspėjimus.

Atkreipkite dėmesį, kad ši naudojimo instrukcija gali būti taikoma ir kitiems modeliams. Modelių skirtumai yra aiškiai aprašyti šioje instrukcijoje.

## Ženklių reikšmės

Įvairiuose šios naudojimo instrukcijos skyriuose naudojami šie simboliai:



Svarbi informacija ir naudingi patarimai, kaip naudoti prietaisą.



**ĮSPĖJIMAS:** Įspėjimai apie pavojingas situacijas, keliančias pavojų gyvybei ir turtui.



Įspėjimas dėl gaisro pavojaus.



Įspėjimas dėl elektros smūgio.



Elektros smūgio saugos klasė.



# 1 Svarbios saugos ir aplinkos apsaugos taisyklės

## 1.1 Bendrieji saugos reikalavimai

Svarbios saugos instrukcijos Atidžiai perskaitykite ir pasilikite ateičiai Šiame skyriuje pateikiama saugos informacija, kuri padės išvengti gaisro, elektros smūgio, mikrobangų krosnelės spinduliuojamos energijos poveikio pavojaus, susižeidimų ar materialinės žalos. Jei nesilaikysite šių instrukcijų, nebebus taikoma garantija.

- “Beko” gaminiai atitinka galiojančius saugos standartus, todėl, jeigu prietaisas arba jo maitinimo laidas būtų pažeistas, jį privalo paleisti platintojas, aptarnavimo centras ar specialistas arba bet kuris kitas įgaliotasis atstovas, kad būtų išvengta bet kokių pavojų. Klaidingi arba netinkami remonto darbai gali kelti pavojų ir riziką vartotojui.
- Šis įrenginys yra skirtas naudoti buitiniams ir panašioms tikslams, pvz.:
  - darbuotojų valgomouose, pavyzdžiui, parduotuvėse, biuruose ir kitoje darbo aplinkoje;

- ūkininkų gyvenamuosiuose namuose;
  - klientams viešbučiuose ir kitose gyvenamojoje aplinkoje;
  - viešbučiuose, kuriose siūloma nakvynė su pusryčiais.
- Prietaisą naudokite tik pagal paskirtį, aprašytą šiose naudojimo instrukcijose.
  - Gamintojas neatsako už žalą, patirtą dėl netinkamo gaminio įrengimo ar naudojimo.
  - Šį prietaisą leidžiama naudoti vaikams nuo 8 metų amžiaus ir asmenims, turintiems fizinių, jutimo ar psichinių negalių, arba neturintiems patirties ir žinių, kaip naudoti šį prietaisą, su sąlyga, kad jie bus prižiūrimi arba išmokyti, kaip saugiai naudoti šį prietaisą, ir supras atitinkamus pavojus.
  - Neleiskite vaikams žaisti su šiuo prietaisu. Neprižiūrimi vaikai negali atlikti valymo ir naudotojo atliekamų techninės priežiūros darbų.
  - Mažiausias atstumas tarp kaitlentės virimo indų atraminio paviršiaus ir žemiausios gaminio

# 1 Svarbios saugos ir aplinkos apsaugos taisyklės

dalies turi būti bent 65 cm.

- Jei dujinės kaitlentės montavimo instrukcijose nurodytas didesnis atstumas, reikia jį atsižvelgti.
- Pasirūpinkite, kad jūsų elektros tinklo duomenys atitiktų prietaiso kategorijos plokštelėje nurodytus duomenis.
- Niekada nenaudokite prietaiso, jeigu šis yra sugadintas arba pažeistas jo maitinimo laidas.
- Saugokite maitinimo laidą, kad jis nebūtų suspaustas, užlenktas arba trinamas į aštirus kraštus. Saugokite maitinimo kabelį nuo įkaitusių paviršių ir atviros ugnies.
- Prietaisąjunkite tik prie įžeminto elektros lizdo.

**ĮSPĖJIMAS:** Nejunkite prietaiso prie elektros tinklo, kol jis nėra visiškai sumontuotas.

- Prietaisą pastatykite taip, kad elektros kištukas visada būtų pasiekiamas.
- Nelieskite lempučių, jeigu jos ilgai švietė. Jos bus karštos, dėl to galite nusideginti rankas.
- Laikykitės kompetentingų valdžios institucijų nustatytų tai-

syklių dėl ištraukiamojo oro išleidimo (šis įspėjimas netaikomas, jeigu prietaisas naudojamas be dūmtraukio).

- Įjunkite prietaisą po to, kai pastatysite ant kaitvietės puodą, keptuvę ir t.t. Priešingu atveju dėl didelio karščio kai kurios jūsų gaminio dalys gali deformuotis.
- Išjunkite kaitvietę prieš nuimdami nuo jos puodą, keptuvę ir t.t.
- Nepalikite ant kaitvietės karšto aliejaus. Keptuvės su karštu aliejumi gali tapti užsidegimo priežastimi.
- Atkreipkite dėmesį į užuolaidas ir uždangalus, nes kepat, pvz., bulvių šiaudelius, aliejus gali užsiliepsnoti.
- Riebalų filtrą reikia keisti bent kartą per mėnesį. Anglies filtrą reikia keisti bent kartą per 3 mėnesius.
- Gaminys turi būti valomas pagal naudojimo instrukciją. Jei valymas atliktas ne pagal naudojimo instrukciją, gali kilti gaisro pavojus.

# 1 Svarbios saugos ir aplinkos apsaugos taisyklės

- Vietoje dabartinio filtro nenaudokite ugniai neatsparių filtravimo medžiagų.
- Naudokite tik originalias arba gamintojo rekomenduojamas dalis.
- Nenaudokite prietaiso be filtro ir neišimkite filtrų iš veikiančio prietaiso.
- Atsiradus liepsnai, išjunkite gaminį ir maisto gaminimo prietaisus.
- Atsiradus liepsnai, ją uždenkite ir jokių būdu negesinkite vandeniu.
- Jeigu prietaiso nenaudojate arba prieš jį valydami, atjunkite jį nuo elektros tinklo.
- Patalpoje, kurioje vienu metu veikia virš elektrinės kaitlentės montuojamas garų rinktuvas ir kiti, ne elektra maitinami prietaisai, neigiamas slėgis neturi viršyti 4 Pa (4 x 10 bar).
- Patalpoje, kurioje naudojamas prietaisas, mazutu arba dujomis kūrenamų prietaisų, pvz., šildytuvo, išmetamos dujos privalo būti visiškai izoliuotos arba tokie prietaisai privalo būti hermetiški.
- Dūmtraukiui prijungti naudokite 120 mm arba 150 mm skers-

mens vamzdžius. Vamzdžio jungtis turi būti kuo trumpesnė, o alkūnių skaičius – minimalus.

**Pavojus uždusti!** Visas pakuotės dalis laikykite vaikams nepasiekiamoje vietoje.

**ATSARGIAI:** Naudojant su maisto gaminimo prietaisais, liečiamos prietaiso dalys gali įkaisti.

- Gaminio išleidimo vamzdžio negalima jungti prie ortakių, kuriuose yra kitų dūmų.
  - Vienu metu patalpoje naudojant virš elektrinės kaitlentės montuojamą garų rinktuvą ir dujomis arba kitu kuru kūrenamus prietaisus ventiliacija gali būti nepakankama (ši nuostata gali būti netaikoma prietaisams, kurie orą išleidžia tik atgal į patalpą).
  - Ant gaminio sudėti daiktai gali nukristi. Nedėkite jokių daiktų ant gaminio.
  - Neuždeginėkite po gaminiu.
- ĮSPĖJIMAS:** Prieš montuodami garų rinktuvą, nuimkite apsaugines plėveles.
- Niekada nepalikite atviros liepsnos po veikiančiu garų rinktuvu.

# 1 Svarbios saugos ir aplinkos apsaugos taisyklės

- Naudojant gruzdintuves, jas reikia nuolat prižiūrėti: per daug įkaitęs aliejus gali užsiliepsnoti.

## 1.2 Atitiktis EEJA direktyvai ir atitarnavusio gaminio sutvarkymas:

Šis gaminys atitinka ES EEJA direktyvą (2012/19/ES). Šis gaminys žymimas elektros ir elektroninės įrangos atliekų (EEJA) simboliu.



Šis simbolis reiškia, kad, kai produktas tampa nebenaudojamas, jo negalima šalinti kartu su kitomis buitinėmis atliekomis. Panaudotą prietaisą būtina pristatyti į elektros ir elektroninių prietaisų surinkimo ir perdirbimo punktą.

Norėdami sužinoti, apie surinkimo ir perdirbimo punktus - susisiekite su vietos institucijomis arba pardavėju. Kiekvienas atliekame svarbų vaidmenį saugodami gamtą ir perdirbdami senus buitinius prietaisus. Atitinkamas panaudotų buitinių prietaisų šalinimas padeda išvengti neigiamos žalos gamtai ir žmogaus sveikatai.

## 1.3 Atitiktis RoHS direktyvai

Jūsų įsigytas gaminys atitinka ES RoHS direktyvą (2011/65/ES). Jame nėra direktyvoje nurodytų kenksmingų ar draudžiamų medžiagų.

## 1.4 Informacija apie pakuotę

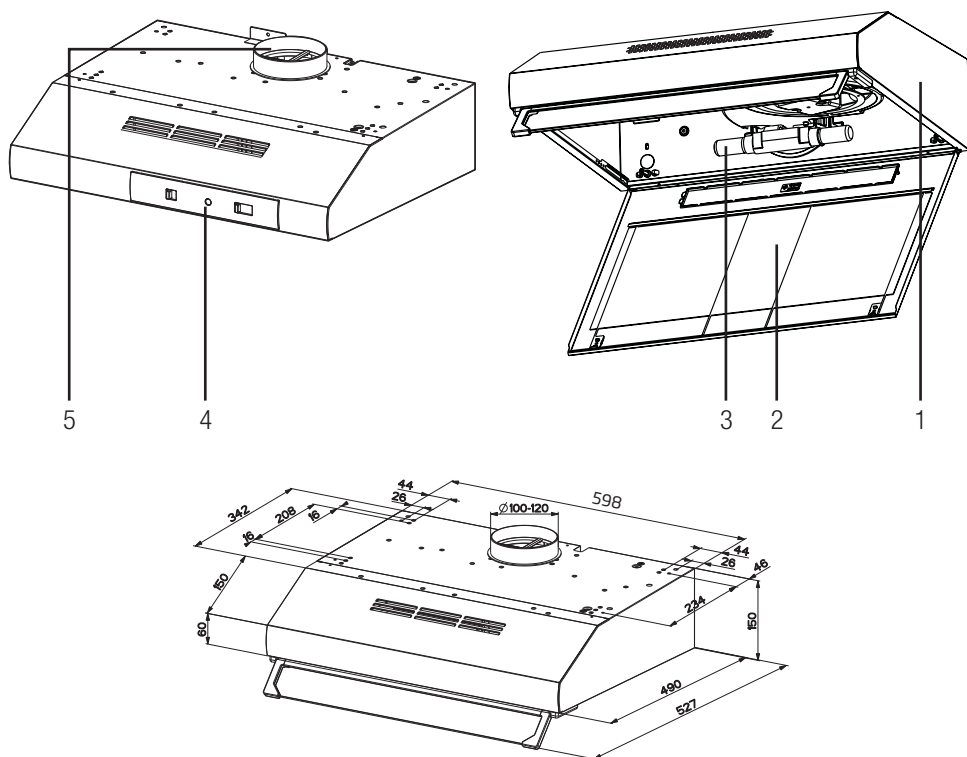


Šio gaminio pakavimo medžiagos pagamintos iš pakartotinai panaudojamų medžiagų, atsižvelgiant į mūsų nacionalinius aplinkosaugos reglamentus.

Neišmeskite pakavimo medžiagų kartu su buitinėmis atliekomis arba kitomis šiukšlėmis. Jas atiduokite į vietinių valdžios institucijų nurodytus pakavimo medžiagų surinkimo punktus.

## 2 Jūsų prietaiso techninės specifikacijos

### 2.1 Apžvalga



1. Kūnas
2. Riebalų filtras
3. Stiklo dangtis
4. Valdymo skydelis
5. Kaminas


### 2.2 Techniniai duomenys

	CFB 6432 X	CFB 6431 W
	CFB 6432 W	CFB 5432 W
	CFB 6432 XG	CFB 6437 W
	CFB 6432 WH	
	CFB 6432 XH-1	
<b>Tiekimo įtampa</b>	220-240V ~ 50 Hz	
<b>Lemputės galia</b>	2 x 4 W	
<b>Variklio galingumas</b>	2 x 115 W	
<b>Oro srautas – 3. lygis</b>	380 m <sup>3</sup> /h	
<b>Variklio izoliacijos klasė</b>	klasė F	
<b>Izoliacijos klasė</b>	klasė I	



## 3 Prietaiso naudojimas

### 3.1 Prietaiso valdymas

	
RAKTAS	FUNKCIJA
<b>L : Apšvietimo įjungimo ir išjungimo mygtukas</b>	Įjungia ir išjungia apšvietimą
<b>V : Greičio mygtukas</b>	Nustato gartraukio darbinį greitį: 0. Įjungia ir išjungia gartraukio variklį 1. Mažas greitis, naudojamas nuolatiniams ir tyliam oro pakeitimui esant nedideliame garų kiekiui. 2. Vidutinis greitis, tinkamas daugumai darbo sąlygų, užtikrina tinkamą ventiliuojamo oro srauto / triukšmo santykį. 3. Maksimalus greitis, naudojamas garams, susikaupusiems per ilgesnį laiko tarpą, šalinti.

- Ištraukiantis gartraukis skirtas naudoti tiktai namuose pašalinti kvapus iš virtuvės.
- Niekada nenaudokite jo jokiems kitiems tikslams negu jis yra skirtas.
- Nepalikite aukštos atviros liepsnos po veikiančiu gartraukiu.
- Reguluokite liepsnos aukštį taip, kad būtų kaitinama tik puodo apačia ir liepsna nekiltų puodo šonais.
- Gruzdintuvę ant liepsnos reikia visą laiką stebėti, nes perkaitęs aliejus gali užsiliepsnoti.

### 3.2 Energijos efektyvumas

- kai gartraukis veikia, reguliuokite greičio lygį pagal garų ir kvapo intensyvumą, kad gartraukis be reikalo nenaudotų energijos.
- Įprastomis sąlygomis rinkitės mažą greitį (1-2), o jei garai ir kvapai yra intensyvūs, nustatykite didesnį greitį (3).
- Lemputės gartraukyje yra skirtos apšviesti gaminimo zoną.
- Naudojant šias lemputes kaip virtuvės apšvietimą, bus be reikalo švaistoma energija ir apšvietimas bus netinkamas.
- Lai jūsu ierice patērētu mazāk enerģijas, izmantojiet tās zemāku ātrumu.
- Jūsu ierīces enerģijas patēriņš samazināsies, jo tā darbosies efektīvāk, kad tai ir nodrošināta pietiekama gaisa pieplūde.
- Ja ir gaidāms liels tvaika daudzums, iestatiet ierīcē augstu nosūces intensitāti jau pirms tvaika rašanās. Tas ļaus samazināt enerģijas patēriņu, jo pateicoties pietiekamai gaisa pieplūdei ierīci var ieslēgt uz īsāku laiku.
- Turiet virtuves trauku vākus aizvērtus, lai samazinātu tvaika daudzumu.

### 3.3 Gartraukio veikimas:

- Gartraukis turi kelias greičiais nustatomą ventiliatorių su varikliu.
- Kad gartraukis veiktų geriau, įprastomis sąlygomis rekomenduojame rinktis mažą greitį, o kai garų ir dūmų yra daug – didelį greitį.

## 3 Prietaiso naudojimas

- Gartraukį galima įjungti spaudžiant norimo greičio mygtuką (V1, V2, V3).
- Gaminimo zoną galima apšviesti spaudžiant apšvietimo mygtuką. (L)

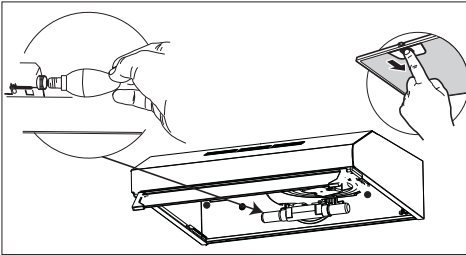
### 3.4 Lempučių pakeitimas




- Prieš pakeisdami lempuotę atjunkite gartraukį nuo maitinimo šaltinio.
- Nelieskite įkaitusių lempučių.
- Nelieskite tiesiai rankomis pakeistos lempuotės.



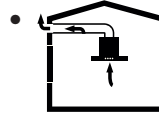
Lempučių galite įsigyti iš įgaliotųjų aptarnavimo atstovų.



<b>Elektros lempuotė</b>	
<b>Lempuotės galiosumas</b>	4 W
<b>Laikiklis / lizdas</b>	E14
<b>Lempuotės įtampa</b>	220 - 240 V
<b>ILCOS kodas</b>	DRBB/F-4-220-240-E14-35/100
<b>Dydis</b>	35x100 mm
<b>Šviesos srautas</b>	400 lm
<b>Susietoji spalvinė temperatūra</b>	3000 K

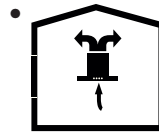
Šiame gaminyje yra "F" efektyvumo klasės energijos suvartojimo šviesos šaltinis.

### 3.5 Naudojimas su dūmtraukiu



- Garai yra pašalinami per dūmtraukio vamzdį, pritvirtintą prie gartraukio jungiamosios galvutės.
- Dūmtraukio skersmuo turi atitikti jungiamojo žiedo skersmenį. Kad oras būtų lengvai ištraukiamas iš patalpos per horizontaliai tvirtinamą vamzdį, vamzdį reikia sumontuoti šiek tiek pakreiptą į viršų (10° kampu).

### 3.6 Naudojimas be dūmtraukio



- Oras yra filtruojamas per anglies filtrą ir išmetamas atgal į patalpą. Jei namuose nėra dūmtraukio, naudojamas anglies filtras.
- Jei gartraukis bus naudojamas be dūmtraukio jungties, išimkite iš dūmtraukio adapterio nukreipiklius.
- Išimkite aliuminio filtrą. Norėdami sumontuoti anglies filtrą, į jį įstatykite centre tarp abiejų ventiliatoriaus korpuso dalių ir užfiksuokite spaustukus. Pritvirtinkite filtrą sukdami spaustukus į kairę arba į dešinę.
- Įstatykite aliuminio filtrą.

## 4 Valymas ir priežiūra

Ierīcei ir nepieciešama regulāra tīrīšana un apkope. Ja ierīce netiks regulāri tīrīta, tas negatīvi ietekmēs tās kalpošanas ilgumu. Sekojiet tīrīšanas un apkopes instrukcijām lietotāja rokasgrāmatā.



Priēš atlikdami valymo ir priežiūros darbus atjunkite prietaisā arba išjunkite pagrindinį maitinimo jungiklį, arba atsukite saugiklį, esantį gartraukyje.



Ja netiks ievērotas prasības par ierīces tīrīšanu un filtru maiņu, tas var radīt ugunsgrēka risku. Tāpēc iesakām sekot šajā sadaļā sniegtajām norādēm. Ražotājs nav atbildīgs par motora bojājumiem un ugunsgrēkiem, kas rodas nepareizas lietošanas rezultātā.

Valykite tik neutraliu valymo skysčiu sudrēkinta šluoste. Nevalykite su kitais įrankiais ar instrumentais. Nenaudokite braižančių produktų. Nenaudokite alkoholio.

### 4.1 Aliuminio filtrų išėmimas

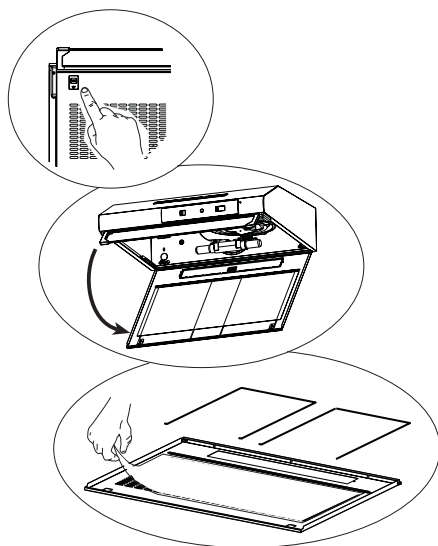
Šis filtras surenka riebalų daleles iš oro. Iš pradžių išimkite aliuminio filtrus. Nuplaukite filtrus su indų plovikliu ir išskalaukite vandeniu, kai išdžiūsta, įstatykite atgal. Aliumininiai riebalų filtrai gali pakeisti spalvą plaunant, tai normalu, filtro dėl to keisti nereikia.



Aliuminio filtrus taip pat galima plauti indaplovėje.

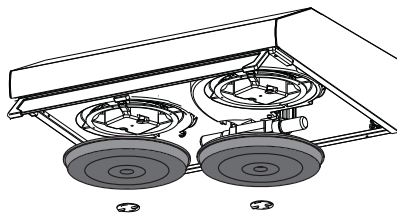


**DĖMESIO:** Rekomenduojama filtrą valyti kiekvieną mėnesį, kai jis naudojamas įprastu dažnumu.



### 4.2 Anglies filtro pakeitimas

Šis filtras pašalina gaminimo kvapus. Nuo kvapų apsaugančiuose filtruose yra anglies (aktyvintos anglies). Nepriklausomai nuo to, ar naudojate anglies filtrą, ar ne, visada turi būti įstatyti aliuminio filtrai. Nenaudokite prietaiso be šių aliuminio filtrų.



#### DĖMESIO

- Anglies filtrų negalima plauti.
- Juos reikia keisti kas maždaug 6 mėnesius.
- Anglies filtrų galite įsigyti iš įgaliotųjų aptarnavimo įmonių.

## 5 Prietaiso įrengimas



**DĖMESIO:** Prieš pradėdami montuoti perskaitykite naudotojo vadovo saugos informaciją.



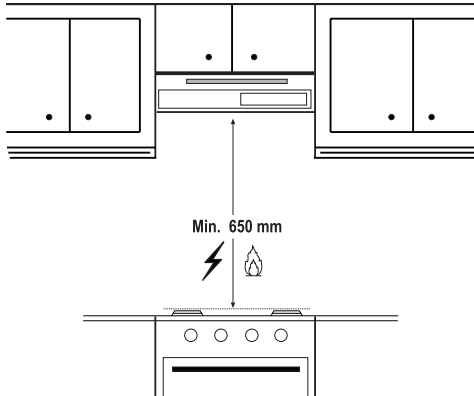
**DĖMESIO:** Nejstačius varžtų ir stabilizatorių pagal šias instrukcijas gali išstikti elektros smūgis.



Žr. montavimo vadovo 235 psl.

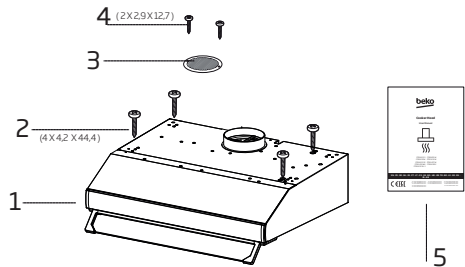
Dėl gartraukio sumontavimo kreipkitės į artimiausią įgaliotąjį techninio aptarnavimo centro atstovą. Vartotojas yra atsakingas už vietos, elektros ir dujų instaliacijos paruošimą šiam gaminiui.

### 5.1 Padėties nustatymas



- Atstumas tarp viryklės ir gartraukio turi būti įvertintas prieš pradėdant montavimo darbus. Jis turi sudaryti 65 cm.
- Atstumą reikia matuoti nuo gartraukio grotelių dujinėms viryklėms, nuo stiklinio paviršiaus elektrinėms viryklėms.

### 5.2 Montavimo priedai



1. Produktas
2. 4 x 4,2 x 44,4 varžtai
3. Oro išleidimo grotelės
4. 2 x 2,9 x 12,7 varžtai
5. Naudojimo instrukcija

### 5.3 Saugojimas

- Jeigu prietaiso ilgai nenaudosite, padėkite jį į saugią vietą.
- Patikrinkite, ar prietaisas yra atjungtas nuo elektros tinklo, atvėšęs ir visiškai sausas.
- Prietaisą laikykite vėsoje, sausoje vietoje.
- Saugokite prietaisą nuo vaikų.

### 5.4 Tvarkymas ir transportavimas

- Tvarkydami ir transportuodami prietaisą neškite originalioje pakuotėje. Prietaiso pakuotė apsaugo jį nuo fizinių pažeidimų.
- Nedėkite didelių apkrovų ant prietaiso ar pakuotės. Prietaisas gali būti sugadintas.
- Numetus prietaisą jis neveiks arba sugadins jį visam laikui.

## 6 Trikčių šalinimas

<b>Trikčių šalinimas</b>	<b>Priežastis</b>	<b>Pagalba</b>
Gaminys neveikia.	Patikrinkite saugiklį.	Saugiklis gali būti uždarytas, atidarykite jį.
Gaminys neveikia.	Patikrinkite elektros jungtį.	Tinklo įtampa turėtų būti 220 – 240 V.
Gaminys neveikia.	Patikrinkite elektros jungtį.	Patikrinkite, ar kiti jūsų virtuvės gaminiai veikia.
Apšvietimo lemputė neveikia.	Patikrinkite elektros jungtį.	Tinklo įtampa turėtų būti 220 – 240 V.
Apšvietimo lemputė neveikia.	Patikrinkite lemputės jungiklį.	Lemputės jungiklis turėtų būti įjungtas.
Apšvietimo lemputė neveikia.	Patikrinkite lemputes.	Gaminio lemputės neturėtų būti sugedusios.
Gaminio oro įsiurbimas prastas.	Patikrinkite aliuminio filtrą.	Aliuminio alyvos filtrą normaliomis sąlygomis reikia valyti bent kartą per mėnesį.
Gaminio oro įsiurbimas prastas.	Patikrinkite oro išleidimo angą.	Oro išleidimo dūmtakis turėtų būti „įjungtas“ padėtyje.
Gaminio oro įsiurbimas prastas.	Patikrinkite anglies filtrą.	Gaminiams su anglies filtrais paprastai filtrus reikia keisti kas 3 mėnesius.

# Nejprve si přečtěte tento návod k použití!

Vážený zákazníku,

Děkujeme, že jste si vybrali tento produkt značky Beko. Doufáme, že s tímto spotřebičem, který byl vyroben s využitím vysoce kvalitní a moderní technologie, dosáhnete těch nejlepších výsledků. Z tohoto důvodu si před použitím spotřebiče pečlivě přečtěte celý návod k použití a jakékoli doplňující dokumenty a uchovejte je pro budoucí použití. Pokud spotřebič předáte další osobě, rovněž jí předejte návod k použití. Dodržujte pokyny a věnujte pozornost všem informacím a varováním uvedeným v návodu k použití.

Nezapomeňte, že se tento návod může vztahovat i k několika jiným modelům. Rozdíly mezi modely jsou v návodu výslovně popsány.

## Význam symbolů

V různých částech tohoto návodu k použití jsou použity následující symboly:

	Důležité informace a užitečné tipy k použití.
	VAROVÁNÍ: Upozornění na nebezpečné situace týkající se ohrožení života a majetku.
	Varování před nebezpečím požáru.
	Varování před úrazem elektrickým proudem.
	Třída ochrany před zásahem elektrickým proudem.



# 1 Důležité pokyny z hlediska bezpečnosti a životního prostředí

## 1.1 Obecné bezpečnostní pokyny

Důležité bezpečnostní pokyny, přečtěte si je pozorně a uchovejte pro pozdější použití

Tento oddíl obsahuje bezpečnostní pokyny, které vám pomohou ochránit před vznikem požáru, zásahem elektrickým proudem, následky unikající mikrovlnné energie, zraněním osob nebo poškozením majetku. Nedodržení těchto pokynů zruší platnost záruky.

- Výrobky značky Beko splňují platné bezpečnostní normy; proto v případě jakéhokoli poškození spotřebiče nebo napájecího kabelu musí být provedena oprava nebo výměna prodejcem, servisním centrem nebo odborníkem z autorizovaného servisu, aby se předešlo nebezpečí. Chybná nebo neodborná oprava může být nebezpečná pro uživatele.
- Toto zařízení je určeno pouze pro domácí a podobné použití, například:

- v prostorách kuchyňského personálu v obchodech, kancelářích a dalších pracovních prostředích;
  - na farmách;
  - klienty v hotelech a dalších typech obytného prostředí;
  - v prostředí typu Bed and Breakfast.
- Spotřebič používejte pouze k určenému účelu, jak je popsáno v tomto návodu.
  - Výrobce nenes odpovědnost za žádné škody plynoucí z nesprávné instalace či nevhodného způsobu použití spotřebiče.
  - Tento spotřebič mohou používat děti starší 8 let a osoby s omezenými tělesnými, smyslovými nebo mentálními schopnostmi anebo osoby bez příslušných znalostí a zkušeností, pokud jsou pod dozorem nebo byly poučeny o bezpečném užívání tohoto přístroje a chápou související nebezpečí.
  - Děti si se spotřebičem nesmí hrát. Čištění a údržba nesmí být prováděny dětmi bez dohledu

# 1 Důležité pokyny z hlediska bezpečnosti a životního prostředí

dospělé osoby.

- Minimální vzdálenost mezi nosnými plochami varných nádob na varné desce a nejnižší stranou výrobku musí být nejméně 65 cm.
- Pokud v návodu k instalaci plynové desky najdete větší vzdálenost, je nutno postupovat podle toho.
- Zkontrolujte, zda vaše napájení odpovídá informacím uvedeným na štítku spotřebiče.
- Nikdy nepoužívejte spotřebič, pokud je poškozen napájecí kabel nebo spotřebič.
- Předejděte poškození napájecího kabelu zabráněním jeho zmáčknutí, ohnutí nebo odírání o ostré hrany. Napájecí kabel udržujte mimo horké povrchy a otevřený oheň.
- Spotřebič zapojte pouze do uzemněné zásuvky.
- **VAROVÁNÍ:** Nezapojte spotřebič do sítě, dokud není instalace zcela dokončena.
- Spotřebič umístěte tak, aby byla zástrčka vždy přístupná.
- Nedotýkejte se žárovek, pokud jsou v provozu delší dobu. Mohou spálit ruce, protože budou horké.
- Dodržujte předpisy stanovené příslušnými úřady o vypouštění odpadního vzduchu (toto upozornění se nevztahuje na použití bez kouřovodu).
- Spusťte spotřebič po umístění hrnce, pánve apod. na varnou desku. V opačném případě může vysoká teplota způsobit deformaci některých částí výrobku.
- Před sejmutím hrnce, pánve apod. vypněte varnou desku.
- Nenechávejte na varné desce horký olej. Nádobí s horkým olejem mohou způsobit samovznícení.
- Dávejte pozor na záclony a závěsy, protože olej se může při smažení některých potravin, jako jsou hranolky, vznítit.
- Tukový filtr musí být vyměněn nejméně jednou měsíčně. Uhlíkový filtr musí být vyměněn nejméně každé 3 měsíce.
- Spotřebič musí být čištěn v souladu s návodem k použití. Pokud



# 1 Důležité pokyny z hlediska bezpečnosti a životního prostředí

čištění nebylo provedeno v souladu s návodem k použití, může hrozit nebezpečí požáru.

- Namísto stávajícího filtru nepoužívejte filtrační materiály neodolné proti ohni.
- Používejte pouze originální části doporučené výrobcem.
- Neprovozujte spotřebič bez filtru a neodstraňujte filtry, když je spotřebič spuštěn.
- V případě, že dojde k zapálení plamene, vypněte napájení spotřebiče a vařičů.
- V případě, že dojde k zapálení plamene, plamen zakryjte a nikdy k jeho hašení nepoužívejte vodu.
- Spotřebič odpojte před každým čištěním a v případě, že jej nepoužíváte.
- Podtlak v místnosti nesmí překročit 4 Pa (4 x 10 bar), zatímco digestoř pro elektrickou varnou desku a spotřebiče pracující na jiném typu energie, než je elektrina, pracují současně.
- V prostředí, kde je spotřebič používán, musí být odvětrávání zařízení běžících na topném oleji

nebo plynu, jako je teplovzdušný ventilátor, naprosto izolováno nebo zařízení musí být hermetického typu.

- Při připojování kouřovodu použijte trubky o průměru 120 nebo 150 mm. Připojení trubek musí být co nejkratší a mít co nejméně záhybů.

**Riziko zadušení!** Všechny obaly uchovejte mimo dosah dětí.

**UPOZORNĚNÍ:** Přístupné součástky se mohou zahřát při použití s vařiči.

- Vývod spotřebiče nesmí být připojen ke vzduchovodům, do kterých je vyveden jiný kouř.
- Ventilace v místnosti může být nedostatečná, pokud je digestoř pro elektrickou varnou desku používána současně se zařízeními na plyn nebo jiná paliva (to neplatí pro spotřebiče, které vypouštějí vzduch zpět do místnosti).
- Předměty umístěné na spotřebiči mohou spadnout. Na spotřebič neumísťujte žádné předměty.

# 1 Důležité pokyny z hlediska bezpečnosti a životního prostředí

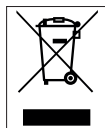
- Pod spotřebičem nikdy neřam- bujte.

**VAROVÁNÍ:** Před instalací digestoře odstraňte ochranné fólie.

- Nikdy nenechávejte obnažený plamen pod digestoří, která je zapnutá.
- Pánve na smažení je nutno během používání stále sledovat: přehřátý olej může vzplanout.

## 1.2 Shoda se směrnici OEEZ a likvidace výrobku:

Tento výrobek splňuje požadavky směrnice EU OEEZ (2012/19/EU). Tento výrobek je označen symbolem pro třídění elektrického a elektronického odpadu (OEEZ).



Tento symbol znamená, že příslušný výrobek na konci jeho životnosti nesmí být likvidován spolu s jiným domácím odpadem. Použité zařízení musíte odnést do oficiální sběrný pro recyklaci elektrických a elektronických zařízení. Obratťe se na místní úřady nebo na prodejce, u kterého jste si zařízení zakoupili, a informujte se o umístění sběrných zařízení. Každá domácnost hraje důležitou roli ve sběru a recyklaci starých zařízení.

Správná likvidace starého zařízení pomáhá předejít možným negativním následkům pro životní prostředí a lidské zdraví.

## 1.3 Dodržování směrnice RoHS

Výrobek, který jste zakoupili, splňuje požadavky směrnice EU RoHS (2011/65/EU). Neobsahuje škodlivé ani zakázané materiály specifikované ve směrnici.

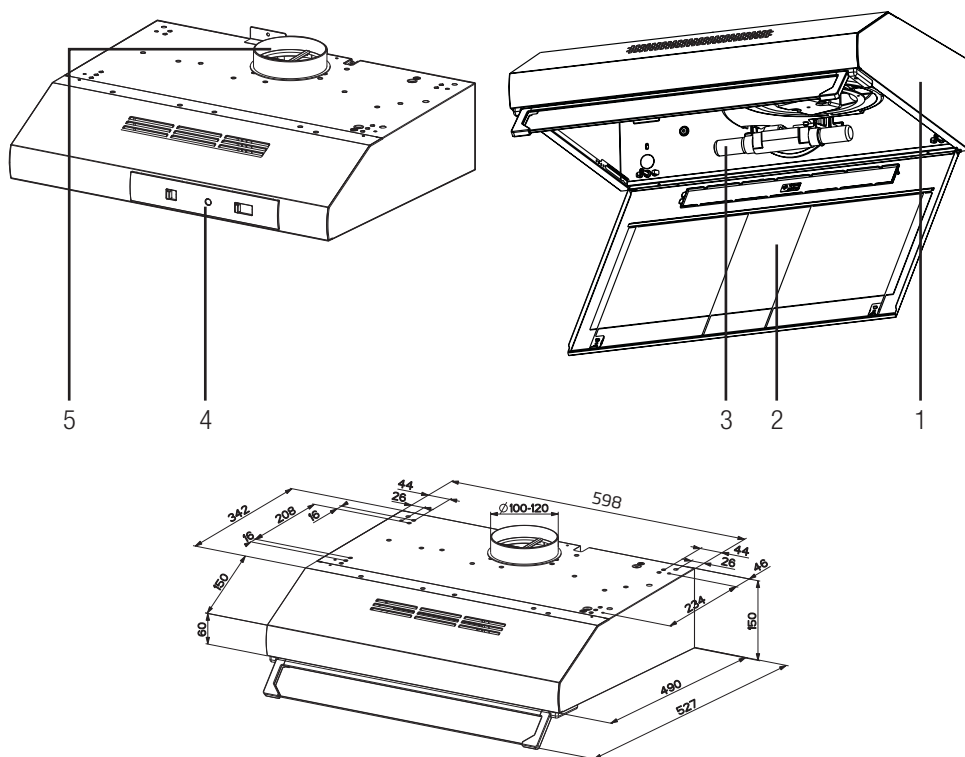
## 1.4 Informace o balení



Obalové materiály produktu jsou vyrobeny z recyklovatelných materiálů v souladu s naší národní legislativou na ochranu životního prostředí. Obalové materiály nelikvidujte společně s domácím nebo jiným druhem odpadu. Odveďte je na sběrné místo obalových materiálů určené místními úřady.

## 2 Celkový vzhled

### 2.1 Přehled




1. Tělo
2. Hliníkové olejové filtry
3. Osvětlení
4. Kontrolní panel
5. Komín

### 2.2 Technické údaje

<b>Modelka</b>	CFB 6432 X CFB 6432 W CFB 6432 XG CFB 6432 WH CFB 6432 XH-1	CFB 6431 W CFB 5432 W CFB 6437 W
<b>Napájecí napětí</b>	220-240V ~ 50 Hz	
<b>Výkon světla</b>	2 x 4 W	
<b>Výkon motoru</b>	2 x 115 W	
<b>Rychlost proudění – 3. úroveň</b>	380 m <sup>3</sup> /h	
<b>Třída izolace motoru</b>	Třída F	
<b>Třída izolace</b>	Třída II	

## 3 Používání spotřebiče

### 3.1 Ovládání spotřebiče

	
TLAČÍTKO	FUNKCE
<b>A : Zapnutí / vypnutí světla</b>	Zapíná a vypíná osvětlení.
<b>B : Tlačítko rychlosti</b>	Určuje provozní rychlost: 0. Zapíná a vypíná motor nasávání. 1. Minimální rychlost, vhodná k obzvlášť tiché nepřetržité výměně vzduchu, v případě malého množství výparů. 2. Prostřední rychlost, určená pro většinu použití, ideální poměr mezi průtokem čistěného vzduchu a hlučností. 3. Maximální rychlost, určená pro zpracování maximálního množství výparů i během dlouhého časového úseku.

- Odsavač par byl navržen výlučně pro použití v domácnosti, pro eliminování zápachu v kuchyni.
- Nikdy nepoužívejte odsavač par pro jiné účely, než na který byl navržen.
- Když je digestoř v provozu, nikdy nenechávejte pod digestoří vysoké plameny.
- Intenzitu plamene nastavte tak, aby směřovala pouze na spodní část pánve a ujistěte se, že nesaží na boky.
- Fritézy s obsahem tuku se během používání nepřetržitě monitorovat: přehřátý olej může vzplanout.

### 3.2 Energeticky účinný provoz z hlediska úspory Použití

- Při používání spotřebiče upravte nastavení rychlosti podle intenzity páry a zápachu, abyste ušetřili energii.
- Za normálních podmínek používejte nízké rychlosti (1–2) a vysokou rychlost (3) používejte pro intenzivní zápach a páry.
- Žárovky jsou na digestoři umístěny za účelem osvětlení oblasti vaření.
- Jejich používání na osvětlení většího prostoru povede ke zbytečné spotřebě energie a k nedostatečnému osvětlení.
- Chcete-li, aby zařízení spotřebovalo méně energie, spouštějte jej při nízkých otáčkách.
- Vaše zařízení sníží spotřebu energie, protože bude pracovat efektivněji, když mu zabezpečíte dostatečný přívod vzduchu.
- V případech, kdy víte, že dojde k vytvoření husté páry, nastavte zařízení na úroveň intenzivního sacího výkonu před vznikem páry. Spotřebu energie tak snížíte tím, že zařízení budete používat kratší dobu, protože bude mít dostatečný přívod vzduchu.
- Poklice nádobí nechte zakryté, abyste snížili vývoj páry.

## 3 Používání spotřebiče

### 3.3 Pokyny k použití

- Váš spotřebič má motor, který pracuje různými rychlostmi.
- Pro dosažení lepší výkonnosti doporučujeme za normálních podmínek používat nízké rychlosti a vysoké rychlosti používat v případě silných zápachů a intenzivních par.
- Spotřebič můžete zapnout stisknutím tlačítka požadované rychlosti. (V1, V2, V3)
- Oblast vaření osvětlíte stisknutím tlačítka osvětlení (L).

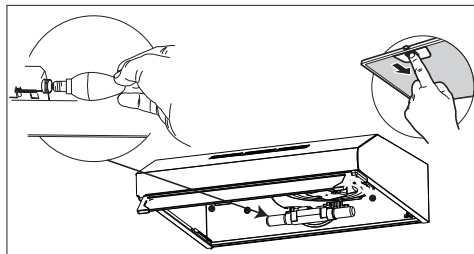
### 3.4 Výměna žárovky

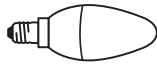


- Před výměnou žárovek odpojte napájení odsavače par.
- Nedotýkejte se žárovek, když jsou horké.
- Dávejte pozor, abyste nahrazené žárovky nedotýkaly přímo rukama.



Lampy si můžete pořídit u autorizovaných servisních zástupců.

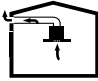


<b>Žárovka</b>	
<b>Příkon žárovky</b>	4 W
<b>Držák/objímka</b>	E14
<b>Napětí žárovky</b>	220 - 240 V

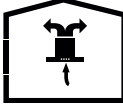
<b>Kód ILCOS</b>	D R B B / F - 4 - 2 2 0 - 240-E14-35/100
<b>Velikost</b>	35x100 mm
<b>Světelný tok</b>	400 lm
<b>Související teplota barvy</b>	3000 K

Tento výrobek obsahuje světelný zdroj třídy energetické účinnosti "F".

### 3.5 Používání s připojením ke kouřovodu

-  Pára je odsávána potrubím kouřovodu, které je upevněno k připojovací hlavě na digestoři.
- Průměr potrubí kouřovodu musí být stejný jako u připojovacího prstence. Při vodorovném nastavení musí mít potrubí mírný sklon směrem nahoru (kolem 10°), aby mohl vzduch snadněji odcházet z místnosti.

### 3.6 Používání bez připojení ke kouřovodu

-  Vzduch se filtruje přes uhlíkový filtr a recirkuluje v místnosti. Uhlíkový filtr se používá, když není v domě možné použít kouřovod.
- Při použití bez kouřovodu vyjměte klapky uvnitř adaptéru kouřovodu.
- Vyjměte olejový filtr. Chcete-li nainstalovat uhlíkový filtr, nasadte filtr na příchytky vystředěním na plastový díl na obou stranách tělesa ventilátoru. Utáhněte jej otáčením doprava nebo doleva.
- Vyměňte hliníkový olejový filtr.

## 4 Čištění a údržba

Zařízení by se mělo pravidelně čistit a udržovat. Pokud nebudete zařízení udržovat v čistotě, bude to mít negativní vliv na životnost zařízení. Při čištění a údržbě postupujte podle pokynů uvedených v příručce.



Před čištěním a údržbou výrobek odpojte nebo vypněte spínačem.



Neodržení ustanovení týkajících se čištění zařízení a výměny filtrů může mít za následek riziko požáru. Proto se doporučuje dodržovat zde uvedené pokyny. Výrobce neodpovídá za poškození motoru nebo za požáry vzniklé v důsledku nesprávného používání.

Čistěte pouze pomocí hadříku navlhčeného v neutrálním tekutém čisticím prostředku. Nečistěte pomocí přístrojů nebo nástrojů. Nepoužívejte abrazivní produkty. Nepoužívejte alkohol.

### 4.1 Čištění hliníkových olejových filtrů

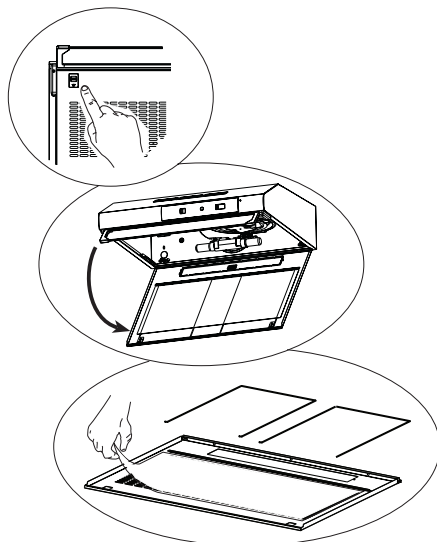
Tento filtr zadržuje částice oleje ve vzduchu. Hliníkové olejové filtry mohou při omývání změnit barvu. Je to normální a neznamená to potřebu výměny hliníkových olejových filtrů.



Hliníkové olejové filtry můžete také mýt v myčce.

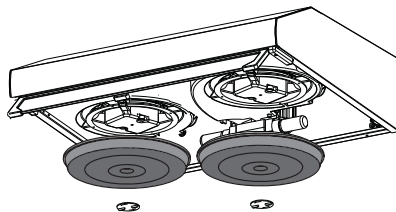


**UPOZORNĚNÍ:** V případě běžného používání hliníkový olejový filtr vyčistíte jednou za měsíc.



### 4.2 Výměna uhlíkových filtrů

Filtry pro odstranění zápachu obsahují aktivní uhlí. Ve výrobku musí být nainstalovány tukové filtry, bez ohledu na to, zda jsou nebo nejsou používány uhlíkové filtry.



#### UPOZORNĚNÍ

- Uhlíkový filtr se nesmí nikdy mýt.
- Uhlíkové filtry vyměňte jednou za 3 měsíce.
- Uhlíkový filtr můžete získat v autorizovaných servisech.

## 5 Instalace spotřebiče



**UPOZORNĚNÍ:** Před zahájením instalace si přečtěte bezpečnostní informace v uživatelské příručce.



**UPOZORNĚNÍ:** Pokud nebudete šrouby a stabilizátory instalovat podle těchto pokynů, může dojít k úrazu elektrickým proudem.

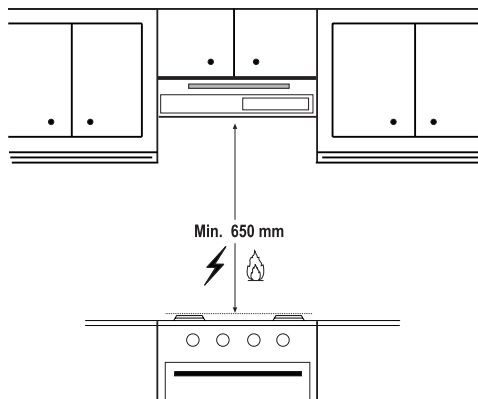


Instalační příručku najdete na straně 235.

Chcete-li si nechat digestoř nainstalovat, obraťte se na nejbližší autorizovaný servis.

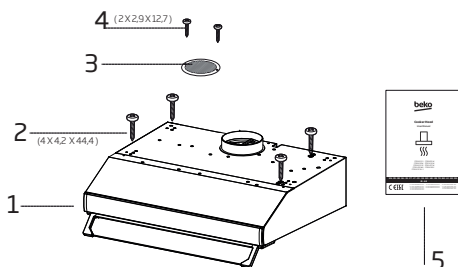
Za přípravu místa a elektrickou instalaci pro digestoř odpovídá zákazník.

### 5.1 Umístění spotřebiče



- Před instalací je nutno zvážit vzdálenost mezi sporákem a digestoří. Tato vzdálenost by měla být 65 cm.
- U plynových sporáků se vzdálenost musí měřit od povrchu roštu,
- u elektrických sporáků od povrchu skla.

### 5.2 Postup instalace



1. Výrobek
2. 4 x 4,2 x 44,4 šrouby
3. Mřížka výstupu vzduchu
4. 2 x 2,9 x 12,7 šrouby
5. Uživatelská příručka

### 5.3 Skladování

- Pokud nechcete přístroj používat delší dobu, patrně ho uložte.
- Ujistěte se, že je trouba odpojena od elektrické sítě, vychlazená a zcela suchá.
- Spotřebič skladujte na chladném a suchém místě.
- Držte přístroj mimo dosah dětí.

### 5.4 Zacházení a přeprava

- Během manipulace a přepravy uchovávejte přístroj v původním obalu. Balení chrání spotřebič před fyzickým poškozením.
- Na zařízení ani na obal nepokládejte těžká břemena. Může dojít k poškození spotřebiče.
- Pád přístroje může způsobit jeho nefunkčnost nebo trvalé poškození.

## 6 Řešení problémů

Řešení problémů	Důvod	Pomoc
Produkt nefunguje.	Zkontrolujte pojistky.	Vaše pojistka může být vybitá, zprovozněte ji.
Produkt nefunguje.	Zkontrolujte elektrické připojení.	Síťové napětí má být mezi 220-240 V.
Produkt nefunguje.	Zkontrolujte elektrické připojení.	Zkontrolujte, zda fungují ostatní výrobky v kuchyni.
Lampa osvětlení nefunguje.	Zkontrolujte elektrické připojení.	Síťové napětí má být mezi 220-240 V.
Lampa osvětlení nefunguje.	Zkontrolujte spínač lampy.	Spínač lampy musí být v poloze "zapnuto".
Lampa osvětlení nefunguje.	Zkontrolujte lampu.	Lampy produktu nesmí být vadné.
Přívod vzduchu do výrobku je slabý.	Zkontrolujte hliníkový filtr.	Hliníkový filtr na olej za obvyklého používání je třeba vyčistit alespoň jednou za měsíc.
Přívod vzduchu do výrobku je slabý.	Zkontrolujte kryt vzduchovodu.	Vzduchovod musí být v poloze "zapnuto".
Přívod vzduchu do výrobku je slabý.	Zkontrolujte uhlíkový filtr.	U výrobků s uhlíkovými filtry filtr obvykle vyměňujte každé 3 měsíce.



# Najskôr si prečítajte túto používateľskú príručku!

Vážený zákazník,

Ďakujeme vám, že ste si vybrali tento spotrebič značky Beko. Dúfame, že s týmto spotrebičom, ktorý bol vyrobený vo vysokej kvalite a s najmodernejšími technológiami, dosiahnete tie najlepšie výsledky. Z tohto dôvodu si pred použitím spotrebiča pozorne prečítajte celú túto používateľskú príručku a všetky ostatné sprievodné dokumenty a uschovajte ich pre prípad potreby do budúcnosti. Ak dáte spotrebič niekomu inému, dajte mu tiež používateľskú príručku. Postupujte podľa pokynov a venujte pozornosť všetkým informáciám a varovaniam v používateľskej príručke.

Pamätajte, že sa táto používateľská príručka môže vzťahovať aj na iné modely. Rozdiely medzi modelmi budú v príručke výslovne popísané.

## Význam symbolov

V rôznych častiach tejto používateľskej príručky sú použité nasledujúce symboly:



Dôležité informácie a užitočné tipy na použitie.



**VAROVANIE:** Upozornenia na nebezpečné situácie týkajúce sa ohrozenia života a majetku.



**VAROVANIE:** Upozornenia na nebezpečenstvo požiaru.



**VAROVANIE:** Varovanie pred zásahom elektrickým prúdom.



Trieda ochrany pred zásahom elektrickým prúdom.



# 1 Dôležité pokyny týkajúce sa bezpečnosti a životného prostredia

## 1.1 Všeobecná bezpečnosť

Dôležité bezpečnostné pokyny: Dôkladne si ich prečítajte a uschovejte pre nahliadnutie v budúcnosti. Táto časť obsahuje bezpečnostné pokyny, ktoré pomôžu ochrániť pred zranením osôb, poškodením majetku, vznikom požiaru alebo pred zásahom elektrickým prúdom. Nedodržanie týchto pokynov zruší platnosť akejkoľvek záruky.

- Produkty Beko spĺňajú platné bezpečnostné štandardy. V prípade akéhokoľvek poškodenia spotrebiča alebo napájacieho kábla musí byť oprava alebo výmena vykonaná predajcom, servisným centrom alebo odborníkom z autorizovaného servisu, aby sa predišlo akémukoľvek nebezpečenstvu. Chybná alebo neodborná oprava môže pre užívateľa predstavovať nebezpečenstvo a riziko.
- Tento spotrebič je určený len na použitie v domácnostiach a podobných prostrediach, ako sú napríklad:

- kuchynky pre zamestnancov v obchodoch, kanceláriách a iných pracovných prostrediach,
- budovy na farmách,
- priestory pre klientov v hoteloch, moteloch a ďalších obytných prostrediach,
- prostredia ubytovania typu Bed and Breakfast.
- Spotrebič používajte iba na určený účel, ako je popísané v tomto návode.
- Výrobca nenesie žiadnu zodpovednosť za žiadne škody spôsobené nesprávnou alebo nevhodnou inštaláciou alebo nevhodným používaním produktu.
- Tento spotrebič môžu používať deti staršie ako 8 rokov a osoby so zníženými fyzickými, vnemovými alebo mentálnymi schopnosťami, prípadne nedostatkom skúseností a vedomostí, pokiaľ sú počas prevádzky spotrebiča pod náležitým dozorom alebo sú im dané inštrukcie o bezpečnom používaní spotrebiča a sú si vedomí sprievodných rizík.

# 1 Dôležité pokyny týkajúce sa bezpečnosti a životného prostredia

- Deťom nesmie byť dovolené hrať sa so spotrebičom. Deti bez dozoru nesmú vykonávať čistenie ani používateľskú údržbu.
  - Minimálna vzdialenosť medzi varnými plochami sporáka a najnižšou časťou odsávača musí byť najmenej 65 cm.
  - Ak sa v pokynoch pre plynový sporák uvádza väčšia vzdialenosť, musíte ju zohľadniť.
  - Skontrolujte, či vaše napájanie zodpovedá informáciám uvedeným na štítku spotrebiča.
  - Nikdy nepoužívajte spotrebič, ak je napájací kábel alebo samotný spotrebič poškodený.
  - Zabráňte poškodeniu napájacieho kábla tým, že zabránite jeho pritlačeniu, ohýbaniu alebo odieraniu sa o ostré hrany. Napájací kábel udržiajte mimo horúcich povrchov a otvoreného ohňa.
  - Spotrebič zapájajte iba do uzemnenej zásuvky.
- VAROVANIE:** Spotrebič nepripájajte k elektrickej sieti, kým úplne nedokončíte inštaláciu.
- Spotrebič umiestnite tak, aby bola zástrčka vždy prístupná.
  - Nedotýkajte sa lúčov, ak boli v prevádzke po dlhý čas. Keďže sú horúce, mohli by ste si popáliť ruky.
  - Dodržiavajte predpisy vydané kompetentnými úradmi týkajúce sa vypúšťania odsávaného vzduchu (toto neplatí pre použitie bez dymovodu).
  - Váš spotrebič spustíte len vtedy, ak je na varnej doske hrniec, panvica atď. V opačnom prípade môže teplo spôsobiť deformáciu niektorých častí vášho spotrebiča.
  - Varnú dosku vypnite pred tým, ako z nej zložíte hrniec, panvicu a pod.
  - Na varnej doske nenechávajte horúci olej. Panvice s horúcim olejom môžu zapríčiniť samovznietenie.
  - Dávajte pozor na závesy a prikrývky, keďže by olej pri tepelnej úprave mohol vzbĺknuť, napr. pri smažení.
  - Filter mastnoty sa musí vymieňať aspoň raz mesačne. Uhlíkový

# 1 Dôležité pokyny týkajúce sa bezpečnosti a životného prostredia

filter sa musí vymieňať aspoň každé 3 mesiace.

- Spotrebič musí byť čistený v súlade s používateľskou príručkou. Ak čistenie nebolo vykonané v súlade s používateľskou príručkou, môže hroziť nebezpečenstvo požiaru.
- Súčasné filtre nenahrádzajte materiálmi, ktoré nie sú ohňovzdorné.
- Používajte len originálne časti odporúčané výrobcom.
- Spotrebič nespúšťajte bez filtra a filtre nevyberajte počas prevádzky spotrebiča.
- V prípade, ak sa na spotrebiči objavia plamene, odpojte spotrebič aj zariadenia určené na varenie od elektrickej siete.
- V prípade vzniku ohňa zakryte plamene a nikdy nepoužívajte vodné hasiace prístroje.
- Spotrebič odpojte pred každým čistením a v prípade, že ho nepoužívate.
- Negatívny tlak prostredia by nemal presiahnuť 4 Pa (4 x 10 bar), pokiaľ je digestor pre

elektrickú varnú dosku v prevádzke súčasne so spotrebičmi fungujúcimi na inom type energie.

- V prostredí, kde je tento spotrebič používaný, musia byť výfuky zariadení fungujúcich na palivách, ako je olej alebo plyn, napr. izbové vykurovacie telesá, úplne oddelené alebo tieto zariadenia musia byť hermetického typu.
- Pri montáži dymovodu použite potrubie s priemerom 120 mm alebo 150 mm. Pripojenie cez potrubie musí byť čo najkratšie a mať čo najmenej kolien.

## **Nebezpečenstvo udusení!**

Všetky obaly uchovajte mimo dosahu detí.

**VÝSTRAHA:** Prístupné časti sa počas súčasného používania so spotrebičmi na varenie môžu zahriať.

- Výfuk spotrebiča nesmie byť napačený na vzduchové potrubia, ktoré obsahujú iný dym.
- Vetranie miestnosti môže byť nedostatočné, ak sa digestor pre elektrické varné dosky používa súčasne so zariadeniami využíva-

# 1 Dôležité pokyny týkajúce sa bezpečnosti a životného prostredia

júcimi plyn alebo iné palivá (toto sa nevzťahuje na zariadenia, ktoré vypúšťajú vzduch späť do tej istej miestnosti).

- Predmety položené na spotrebič môžu spadnúť. Na spotrebič nekladte žiadne predmety.

- Pod spotrebičom neflambujte.

**VAROVANIE:** Pred inštaláciou digestora odstráňte ochranné fólie.

- Počas prevádzky pod digestorom nikdy nenechávajte vysoké priame plamene.
- Fritézy sa musia počas používania nepretržite monitorovať: prehriaty olej môže vzplanúť.

## 1.2 Súlad so smernicou o OEEZ a likvidácia vyradeného produktu:

Tento výrobok je v súlade so smernicou o OEEZ. (2012/19/EU). Tento výrobok je označený klasifikačným symbolom pre odpad z elektrických a elektronických zariadení (OEEZ).



Tento symbol znamená to, že tento výrobok sa na konci jeho životnosti nesmie likvidovať spolu s iným domácim odpadom.

Použitý spotrebič sa musia odovzdať na oficiálnych zberných miestach na recykláciu elektrických a elektronických zariadení. Obráťte sa na miestne úrady alebo na predajcu, u ktorého ste si výrobok zakúpili, a informujte sa o umiestnení zberných zariadení. Každá domácnosť zohráva

dôležitú úlohu v obnove a recyklácii starých spotrebičov. Správna likvidácia starého spotrebiča pomáha predísť možným negatívnym následkom pre životné prostredie a ľudské zdravie.

## 1.3 Súlad so smernicou RoHS

Výrobok, ktorý ste si zakúpili, vyhovuje smernici EÚ RoHS (2011/65/EÚ). Neobsahuje škodlivé ani zakázané materiály špecifikované v tejto smernici.

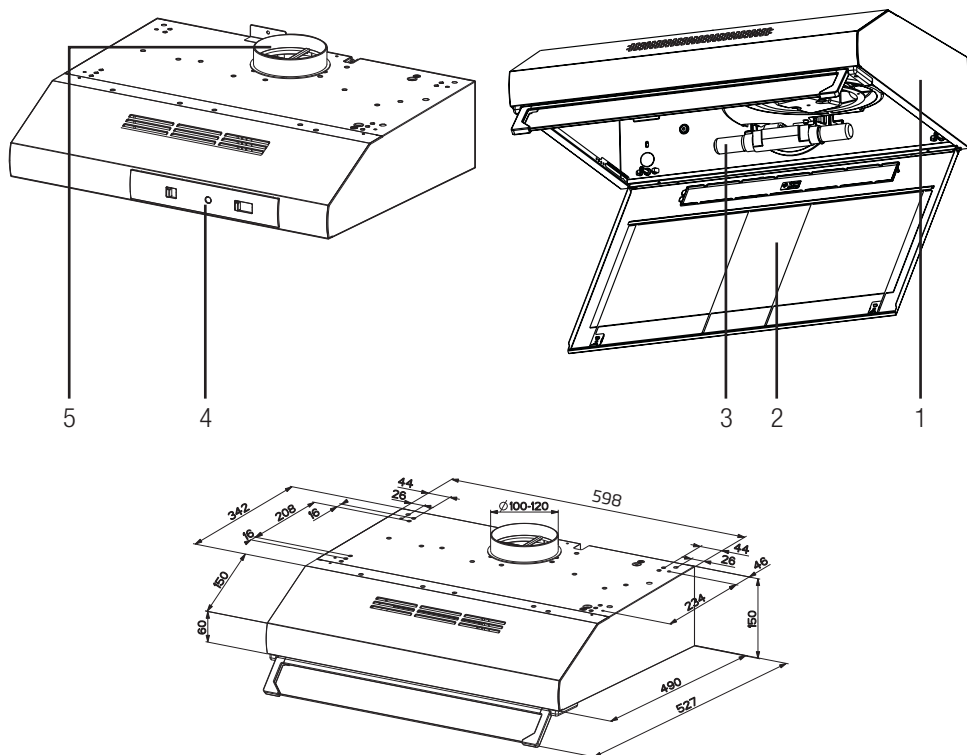
## 1.4 Informácie o balení



Obalové materiály tohto výrobku sú vyrobené z recyklovateľných materiálov v súlade s našimi Národnými environmentálnymi predpismi. Baliaci materiál nelikvidujte spolu s domovým odpadom alebo inými druhmi odpadu. Odnesť ich na zberné miesto baliaceho materiálu, určené miestnymi úradmi.

## 2 Všeobecný vzhľad

### 2.1 Prehľad




1. Telo
2. Tukový filter
3. Osvetlenie
4. Kontrolný panel
5. Komin

### 2.2 Technické údaje

<b>Model</b>	CFB 6432 X	CFB 6431 W
	CFB 6432 W	CFB 5432 W
	CFB 6432 XG	CFB 6437 W
	CFB 6432 WH	
	CFB 6432 XH-1	
<b>Prívádzané napätie</b>	220-240V ~ 50 Hz	
<b>Výkon žiarivky</b>	2 x 4 W	
<b>Výkon motora</b>	2 x 115 W	
<b>Stopnja pretoka – 3. stopnja</b>	380 m <sup>3</sup> /h	
<b>Izolacijski razred motorja</b>	Razred F	
<b>Izolacijski razred</b>	Razred II	

## 3 Prevádzka spotrebiča

### 3.1 Ovládanie zariadenia

	
KEY	FUNKCIE
<b>L : Tlačidlo zapnutia/ vypnutia žiarivky</b>	Zapína a vypína zariadenie osvetlenia.
<b>V : Tlačidlo rýchlosti</b>	Určuje pracovnú rýchlosť: 0. Zapína a vypína motor nasávania. 1. Minimálna rýchlosť, vhodná na nepretržitú výmenu vzduchu, chod je mimoriadne tichý, vhodná, ak sa pri varení tvorí málo pár. 2. Stredná rýchlosť, vhodná pre väčšinu pracovných podmienok vzhľadom na optimálny pomer prietoku ošetrovaného vzduchu a hladinu hlučnosti. 3. Maximálna rýchlosť, vhodná pri podmienkach maximálnej tvorby pár pri varení, aj dlhodobo.

- Odsávač pár bol navrhnutý výlučne na použitie v domácnosti, pre eliminovanie zápachu v kuchyni.
- Nikdy nepoužívajte odsávač pár na iné účely, ako na ktorý bol navrhnutý.
- Keď je digestor v prevádzke, nikdy nenechávajte pod digestorom vysoké plamene.
- Intenzitu plameňa nastavte tak, aby smerovala iba na spodnú časť panvice a uistite sa, že nesiahajú na boky.
- Fritézy s obsahom tuku sa musia počas používania nepretržite monitorovať: prehriaty olej môže vzplanúť.

### 3.2 Efektívne využitie z hľadiska Úspory energie

- Pri používaní spotrebiča, upravte nastavenie rýchlosti podľa intenzity pary a zápachov, z dôvodu šetrenia energie.
- Používajte nízku rýchlosť (1-2) za obvyklých podmienok a vysokú rýchlosť (3) pri intenzívnom zápachu a pary.
- Lampy na odsávači sú umiestnené pre osvetlenie priestoru na varenie.
- Ich používanie na osvetlenie priestoru bude viesť k zbytočným výdavkom energie a k nedostatočnému osvetleniu.
- Ak chcete, aby zariadenie spotrebovalo menej energie, spúšťajte ho pri nízkych otáčkach.
- Vaše zariadenie zníži spotrebu energie, pretože bude pracovať efektívnejšie, keď mu zabezpečíte dostatočný prívod vzduchu.
- V prípadoch, keď viete, že dôjde k vytvoreniu hustej pary, nastavte zariadenie na úroveň intenzívneho sacieho výkonu pred vznikom pary. Spotrebu energie tak znížite tým, že zariadenie budete používať kratší čas, pretože bude mať dostatočný prívod vzduchu.
- Pokrievky riadu nechajte zakryté, aby ste znížili vývin pary.

## 3 Prevádzka spotrebiča

### 3.3 Ovládanie Odsávača pár

- Váš spotrebič obsahuje motor, ktorý má premenlivú rýchlosť.
- Pre lepšiu výkonnosť odporúčame používať nízke rýchlosti za normálnych podmienok a vysoké rýchlosti v prípade silných zápachov a intenzívnych výparov.
- Spotrebič môžete spustiť stlačením tlačidla požadovaného nastavenia rýchlosti. (V1, V2, V3)
- Varnú zónu môžete osvetliť stlačením lampy. (L)

### 3.4 Výmena žiaroviek



- Pred výmenou žiaroviek odpojte napájanie odsávača pár.
- Nedotýkajte sa žiaroviek, keď sú horúce.
- Dávajte pozor, aby ste sa vymenenej žiarovky nedotýkali priamo rukami.

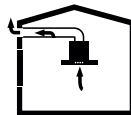


Lampy si môžete zaobstaráť u autorizovaných servisných zástupcov.

<b>Žiarovka</b>	
<b>Výkon žiarovky</b>	4 W
<b>Držiak / zásuvka</b>	E14
<b>Napätie žiarovky</b>	220 - 240 V
<b>ILCOS kód</b>	DRBB/F-4-220-240-E14-35/100
<b>Veľkosť</b>	35x100 mm
<b>Svetelný tok</b>	400 lm
<b>Súvisiaca teplota farby</b>	3000 K

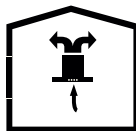
Tento výrobok obsahuje svetelný zdroj triedy energetickej účinnosti "F".

### 3.5 Prevádzka s komínom



- Para sa odvádza cez komínové potrubie, ktoré je pripojené k pripojovacej hlave na odsávači pár.
- Priemer komína musí byť rovnaký ako spojovací krúžok. V horizontálnych nastaveniach musí mať potrubie mierny sklon nahor (okolo 10 °), aby mohol vzduch ľahko unikať z miestnosti.

### 3.6 Prevádzka bez komína



- Vzduch sa filtruje cez uhlíkový filter a recirkuluje v miestnosti. Uhlíkový filter sa používa, keď nie je možné v dome použiť komín.
- Pri bezprúdovom používaní odstráňte klapky vo vnútri komínového adaptéra.
- Odstráňte hliníkové tukové kazety. Ak chcete nainštalovať uhlíkový filter, nasadte filter na úchytky centrovaním na plastový kus na oboch stranách tela ventilátora. Dotiahnite ho otočením doprava alebo doľava.
- Vymeňte hliníkový tukový filter.



## 4 Čistenie a údržba

Zariadenie by sa malo pravidelne čistiť a udržiavať. Ak nebudete zariadenie udržiavať v čistote, bude to mať negatívny vplyv na životnosť zariadenia. Pri čistení a údržbe postupujte podľa pokynov uvedených v príručke.



Pred čistením a údržbou výrobok odpojte alebo vypnite vypínač.



Nedodržanie ustanovení týkajúcich sa čistenia zariadenia a výmeny filtrov môže mať za následok riziko požiaru. Preto sa odporúča dodržiavať tu uvedené pokyny. Výrobca nezodpovedá za poškodenie motora alebo za požiare vzniknuté v dôsledku nesprávneho používania.

Čistite iba pomocou handričky navlhčenej v neutrálnom tekutom čistiacom prostriedku. Nečistite pomocou prístrojov alebo nástrojov. Nepoužívajte abrazívne prostriedky. Nepoužívajte alkohol.

### 4.1 Čistenie hliníkových tukových filtrov

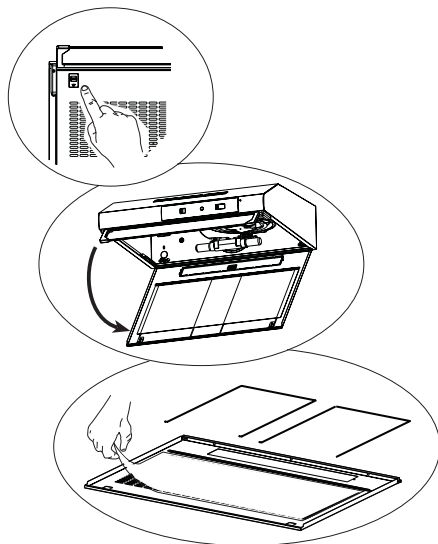
Tento filter zadržiava častice oleja zo vzduchu. Hliníkové tukové filtre môžu pri umývaní zmeniť farbu; je to normálne a nevyžaduje výmenu hliníkových tukových filtrov.



Hliníkové tukové filtre môžete umývať v umývačke riadu.

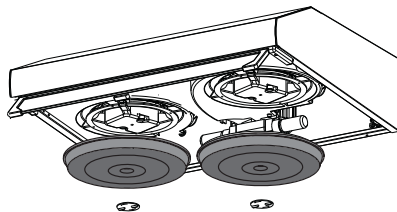


**VÝSTRAHA:** V prípade normálneho používania vyčistite filter raz za mesiac.



### 4.2 Výmena uhlíkových filtrov

Filtry na odstraňovanie zápachu obsahujú aktívne uhlie (aktívny karbón). V produkte musí byť inštalovaný tukový filter, bez ohľadu na to, či sú alebo nie sú používané filtry s aktívnym uhlím.



#### VÝSTRAHA

- Uhlíkový filter sa nesmie nikdy umývať.
- Vymeňte uhlíkové filtre raz za 3 mesiace.
- Uhlíkový filter môžete získať od autorizovaných servisov.



## 5 Inštalácia spotrebiča



**UPOZORNENIE:** Pred začatím inštalácie si prečítajte bezpečnostné pokyny v používateľskej príručke.



**UPOZORNENIE:** Neinštalovanie skrutiek a stabilizátorov podľa týchto pokynov môže mať za následok úraz elektrickým prúdom.

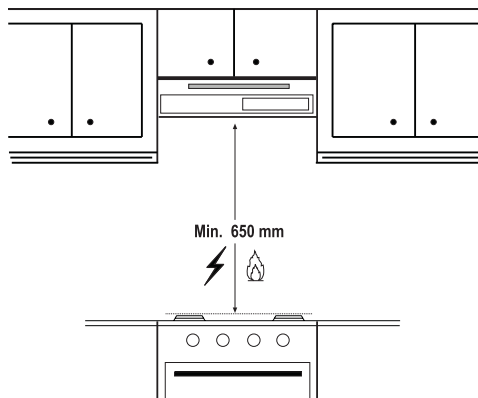


Inštaláciu príručku nájdete na strane 235.

Ak chcete nainštalovať odsávač pár, kontaktujte najbližšiu autorizovanú službu.

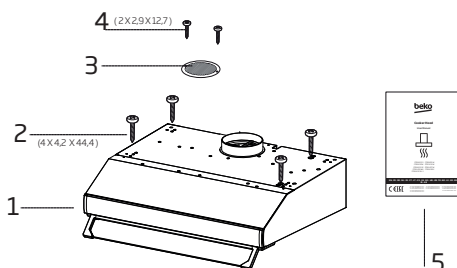
Zákazník je zodpovedný za prípravu umiestnenia a elektrickej inštalácie odsávača pár.

### 5.1 Pozícia spotrebiča



- Pred zmontovaním zväzte vzdialenosť medzi sporákom a odsávačom. Táto vzdialenosť musí byť aspoň 65 cm (obrázok 6).
- U plynových sporákov sa musí merať vzdialenosť od povrchu mriežky,
- pre elektrické sporáky od povrchu skla

### 5.2 Inštalčné príslušenstvo



1. Výrobok
2. 4 x 4,2 x 44,4 skrutky
3. Mriežka výstupu vzduchu
4. 2 x 2,9 x 12,7 skrutky
5. Používateľská príručka

### 5.3 Skladovanie

- Ak nechcete spotrebič dlhšiu dobu používať, dôkladne ho uskladnite.
- Skontrolujte, či je spotrebič odpojený, vychladnutý a úplne suchý.
- Spotrebič skladujte na suchom, chladnom mieste.
- Spotrebič skladujte mimo dosahu detí.

### 5.4 Zaobchádzanie a preprava

- Počas manipulácie a prepravy majte prístroj v pôvodnom obale. Balenie spotrebiča ho chráni pred fyzickým poškodením.
- Na zariadenie ani na obal nekladte ťažké bremená. Prístroj sa môže poškodiť.
- Pád prístroja môže spôsobiť jeho nefunkčnosť alebo trvalé poškodenie.

## 6 Odstraňovanie problémov

Odstraňovanie problémov	Príčina	Pomoc
Zariadenie nefunguje.	Skontrolujte svoje poistky.	Poistka môže byť vypálená, skontrolujte a obnovte ju.
Zariadenie nefunguje.	Skontrolujte elektrické pripojenie.	Sieťové napätie musí byť medzi 220 a 240 V.
Zariadenie nefunguje.	Skontrolujte elektrické pripojenie.	Skontrolujte, či vo vašej kuchyni funguje iný spotrebič.
Osvetľovacie svetlo nefunguje.	Skontrolujte elektrické pripojenie.	Sieťové napätie musí byť medzi 220 a 240 V.
Osvetľovacie svetlo nefunguje.	Skontrolujte spínač žiarovky.	Prepínač lampy musí byť v polohe "zapnuté".
Osvetľovacie svetlo nefunguje.	Skontrolujte žiarovky.	Svietidlá zariadenia sa musia rozsvietiť.
Prívod vzduchu do zariadenia nie je dostatočný.	Skontrolujte hliníkový filter.	Za normálnych prevádzkových podmienok sa musí hliníkový filter čistiť najmenej raz za mesiac.
Prívod vzduchu do zariadenia nie je dostatočný.	Skontrolujte vývod vzduchu z komína.	Komín pre odvod vzduchu musí byť v polohe „zapnutý“.
Prívod vzduchu do zariadenia nie je dostatočný.	Skontrolujte uhlíkový filter.	Filtre spotrebičov s uhlíkovými filtrami sa za normálnych podmienok vymieňajú raz za každé 3 mesiace.

# Molimo, prvo pročitajte ovaj priručnik!

Poštovani,

zahvaljujemo na odabir uređaja tvrtke Beko. Nadamo se da će vas ovaj uređaj koji je proizveden primjenom kvalitetne i najmodernije tehnologije dobro služiti. Zbog toga, molimo pažljivo pročitajte cijeli ovaj korisnički priručnik i ostale priložene dokumente prije korištenja uređaja te ga sačuvajte za buduću upotrebu. Ako uređaj predajete nekom drugom tada im dajte i korisnički priručnik. Pridržavajte se uputa tako da posvetite pažnju svim informacijama i upozorenjima u korisničkom priručniku.

Upamtite da se ovaj korisnički priručnik može odnositi i na druge modele. Razlike između modela izričito su opisane u priručniku.

## Značenje simbola

Sljedeći simboli koriste se u različitim dijelovima ovog korisničkog priručnika:

	Važne informacije i korisni savjeti za upotrebu.
	<b>UPOZORENJE:</b> Upozorenje na opasne situacije u vezi sa zaštitom života i imovine.
	Upozorenje na opasnost od požara.
	Upozorenje na električni udar.
	Razred zaštite od električnog udara.



# 1 Važne sigurnosne i ekološke upute

## 1.1. Opća sigurnost

Važne sigurnosne upute Pažljivo pročitajte i čuvajte za buduću upotrebu. Ovaj dio sadrži sigurnosne upute koji će vam pomoći u zaštiti od požara, električnog udara, izlaganja propuštanju mikrovalne energije, tjelesnih ozljeda i oštećenja imovine. Nepridržavanje ovih uputa poništiti će jamstvo.

- Proizvodi tvrtke Beko usklađeni su sa svim važećim sigurnosnim standardima, stoga, u slučaju bilo kakvog oštećenja uređaja ili strujnog kabela treba ih popraviti ili zamijeniti zastupnik, servis ili stručnjak i ovlašteni servis kako bi se izbjegle opasnosti. Neispravan ili neovlašteni popravak može biti opasan i predstavljati rizik za korisnika.
- Ovaj uređaj namijenjen je za upotrebu u kućanstvu i za slične primjene:
  - za kuhinje za osoblje u trgovinama, uredima i drugim radnim prostorima;
  - na farmama
- od strane gostiju u hotelima, motelima ili drugim vrstama sličnih uslužnih objekata;
- u uslužnim objektima poput pansiona.
- Uređaj koristite samo u svrhu za koju je namijenjen kako je opisano u ovom priručniku.
- Proizvođač nije odgovoran za štete nastale zbog neispravne instalacije ili neispravnog korištenja proizvoda.
- Ovaj uređaj mogu koristiti djeca od 8 godina ili starija te osobe sa smanjenim fizičkim, osjetilnim ili intelektualnim sposobnostima ili se nedovoljnim iskustvom i znanjem ako su pod nadzorom ili ako su upućeni u sigurnu upotrebu uređaja i razumiju moguće opasnosti.
- Djeci se ne smije dozvoliti da se igraju s uređajem. Djeca ne smiju obavljati čišćenje i održavanje bez nadzora.
- Minimalna udaljenost između potporne površine kuhinjskog posuđa i nape te najnižeg dijela proizvoda treba biti najmanje 65 cm.

# 1 Važne sigurnosne i ekološke upute

- Ako upute za instalaciju plinske ploče za kuhanje navode veći razmak tada to treba uzeti u obzir.
  - Pripazite odgovara li napajanje s informacijama navedenim na nazivnoj pločici uređaja.
  - Nikad ne koristite uređaj ako su strujni kabel ili uređaj oštećeni.
  - Spriječite oštećenje strujnog kabela tako da ga ne gnječite, savijte i da se ne povlači po oštrim rubovima. Strujni kabel držite podalje od vrućih površina i otvorenog plamena.
  - Uređaj koristite samo s uzemljenom utičnicom.
- UPOZORENJE:** Ne priključujte uređaj na strujno napajanje sve dok se instalacija potpuno ne završi.
- Uređaj postavite tako da je utikač uvijek dostupan.
  - Ne dirajte žarulje ako rade duže vrijeme. One vam mogu opečiti ruke jer će biti vruće.
  - Pridržavajte se propisa koje su donijela nadležna tijela u vezi s ispuštanjem ispusnog zraka (ovo upozorenje ne odnosi se na primjenu s dimnjakom).
  - Uređajem rukujte nakon što ste stavili lonac, tavu, itd. na ploču za kuhanje. U protivnom, velika toplina može izazvati deformacije nekih dijelova proizvoda.
  - Isključite ploču za kuhanje prije nego uklonite lonac, tavu, itd.
  - Ne ostavljajte vruće ulje na ploči za kuhanje. Lonci s vrućim uljem mogu se zapaliti.
  - Pripazite na zavjese i pokrivače jer se ulje može zapaliti prilikom kuhanja hrane poput prženih krumpirića.
  - Filtri masnoće moraju se zamijeniti barem jednom mjesečno. Ugljeni filter mora se zamijeniti barem svaka 3 mjeseca.
  - Proizvod se treba čistiti u skladu s korisničkim priručnikom. Ako se čišćenje nije obavilo u skladu s korisničkim priručnikom postoji opasnost od požara.
  - Ne koristite materijale za filtriranje koji nisu vatrootporni umjesto trenutnog filtra.
  - Koristite samo originalne dijelove ili dijelove koje je preporučio proizvođač.

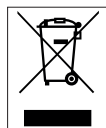
# 1 Važne sigurnosne i ekološke upute

- Ne rukujte proizvodom bez filtra i ne uklanjajte filtre dok proizvod radi.
- U slučaju požara proizvod i uređaje za kuhanje isključite iz struje.
- U slučaju požara prekrijte vatru, nikad ne koristite vodu za gašenje požara.
- Isključite uređaj iz strujne utičnice prije svakog čišćenja i kada se uređaj ne koristi.
- Negativni tlak u okruženje ne smije premašiti 4 Pa (4 x 10 bar) dok napa električne ploče za kuhanje i uređaja adi na drugoj vrsti energije ali električna energija radi istovremeno.
- U okruženju u kojem se uređaj koristi ispuh uređaja koji rade na lož ulje ili plin, poput grijalica, moraju se potpuno izolirati ili uređaj mora biti hermetičnog tipa.
- Prilikom spajanja na dimnjak koristite cijevi s pomjerom od 120 ili 150 mm. Spoj cijevi treba biti što kraći i sa što manje cijevnih koljena.
- **Opasnost od gušenja!** Sav ambalažni materijal držite podalje od djece.
- **OPREZ:** Dostupni dijelovi mogu postati vući kada se koriste s uređajima za kuhanje.
- Izlazni otvor proizvoda ne smije biti spojen na druge kanale za zrak koji uključuju drugi dim.
- Ventilacija prostorije može biti nedovoljna kada se napa za električnu kuhinjsku ploču koristi istovremeno s uređajima koji rade na plin ili druga goriva (ovo se možda ne odnosi na uređaje koji samo ispuštaju zrak natrag u prostoriju).
- Predmeti stavljeni na proizvod mogu pasti. Ne stavlajte nikakve predmete na proizvod.
- Ne flambirajte ispod proizvoda.
- **UPOZORENJE:** Prije instalacije nape uklonite zaštitne folije.
- Nikad ne ostavljajte visoki otvoreni plamen ispod nape dok ona radi.
- Friteze se trebaju neprekidno paziti tijekom upotrebe: pregrijano ulje može se zapaliti.

# 1 Važne sigurnosne i ekološke upute

## 1.2 Usklađeno s WEEE direktivom i zbrinjavanje otpada:

Ovaj proizvod usklađen je s WEEE direktivom EZ (2012/19/EZ). Ovaj proizvod nosi klasifikacijski simbol za električni i elektronički otpad (WEEE).



Ovaj simbol označava kako se ovaj proizvod ne smije zbrinjavati s drugim komunalnim otpadom na kraju svog vijeka trajanja. Iskorišteni uređaj treba se odnijeti u službeni sabirni centar za recikliranje električnih i elektroničkih uređaja. Za pronalazak ovih sustava prikupljanja kontaktirajte lokalna nadležna tijela ili trgovinu u kojoj ste kupili proizvod. Svako kućanstvo igra važnu ulogu u oporabi i recikliranju starih uređaja. Odgovarajuće zbrinjavanje iskorištenih proizvoda pomaže u sprječavanju mogućih negativnih posljedica na okoliš i ljudsko zdravlje.

## 1.3 Usklađenost s direktivom RoHS

Ovaj proizvod usklađen je s RoHS direktivom EZ (2011/65/EZ). On ne sadrži štetne i zabranjene materijale navedene u direktivi.

## 1.4 Informacije o pakiranju

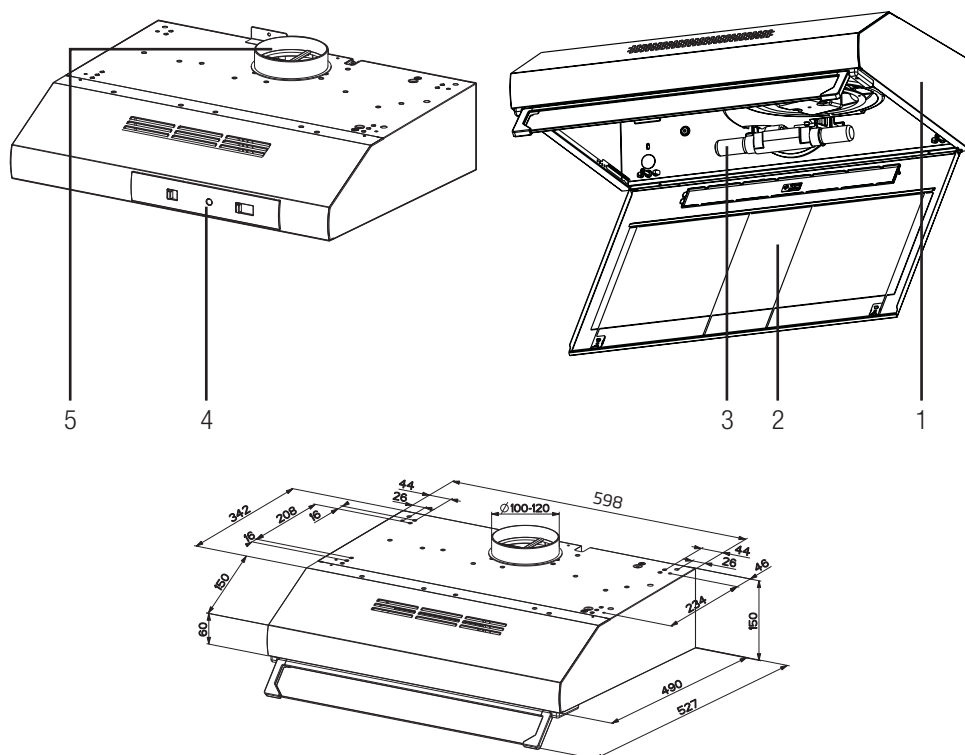


Ambalažni materijal proizvoda proizveden je od materijala koji se može reciklirati u skladu s našim nacionalnim ekološkim popisima. Ambalažni materijal ne zbrinjavajte zajedno s komunalnim i drugim otpadom. Odnosite ga u sabirne centre za ambalažni materijal koje su odredila lokalna nadležna tijela.



## 2 Opći izgled

### 2.1 Pregled




1. Tijelo
2. Filter za masnoću
3. Rasvjeta
4. Upravljačka ploča
5. Dimnjak

### 2.2 Tehnički podaci

<b>Model</b>	CFB 6432 X CFB 6432 W CFB 6432 XG CFB 6432 WH CFB 6432 XH-1	CFB 6431 W CFB 5432 W CFB 6437 W
<b>Napon napajanja</b>	220-240V ~ 50 Hz	
<b>Snaga žarulje</b>	2 x 4 W	
<b>Snaga motora</b>	2 x 115 W	
<b>Brzina protoka – 3. Razina</b>	380 m <sup>3</sup> /h	
<b>Razred izolacije motora</b>	RAZRED F	
<b>Razred izolacije</b>	RAZRED II	

## 3 Korištenje uređaja

### 3.1 Uporaba uređaja

	
KLJUČ	FUNKCIJA
<b>L : Svjetla</b>	Pali i gasi rasvjetni uređaj.
<b>V : Brzina</b>	Određuje brzinu rada: 0. Pali i gasi usisni motor. 1. Najmanja brzina, prikladna za stalnu izmjenu zraka, posebno tiha, kod male prisutnosti isparavanja od kuhanja. 2. Srednja brzina, prikladna za najveći dio uvjeta korištenja, budući da ima izvrstan odnos između dometa obrađenog zraka i zvučne razine. 3. Najveća brzina, prikladna za suočavanje s maksimalnim emisijama para od kuhanja, također na dulje vrijeme.

- Napa je dizajnirana isključivo za kućanstva za uklanjanje mirisa nastalih kuhanjem.
- Napu koristite samo u svrhu za koju je namijenjena.
- Nikad ne ostavljajte otvoreni plamen ispod nape dok ona radi.
- Prilagodite jačinu plamena kako bi se usmjerio na dno lonca pazeći da ne obuhvati strane lonca.
- Friteze se trebaju neprekidno paziti tijekom upotrebe: pregrijano ulje može se zapaliti.

### 3.2 Energetski učinkovita upotreba

- Kada koristite uređaj podesite postavke brzine u skladu s intenzitetom pare i mirisa i kako biste uštedjeli energiju.
- Sporije brzine (1-2) koristite u normalnim uvjetima, a veliku brzinu (3) koristite za intenzivne mirise i pare.
- Svjetla na napi služe za osvjetljavanje područja kuhanja.
- Ako ih koristite za rasvjetu okruženja tada će te potrošiti nepotrebnu energiju, a rasvjeta neće biti dovoljna.
- Da bi vaš uređaj trošio manje energije, pokrenite ga malom brzinom.
- Vaš uređaj će smanjiti potrošnju energije jer će raditi učinkovitije kada mu omogućite dovoljan dovod zraka.
- Postavite uređaj na intenzivnu razinu usisne snage prije stvaranja pare, u slučajevima kada znate da će se pojaviti gusta para. Dakle, smanjujete potrošnju energije tako što ćete svoj uređaj koristiti kraće vrijeme jer će imati dovoljan dovod zraka.
- Držite poklopce posuđa zatvorenim kako biste smanjili stvaranje pare.

## 3 Korištenje uređaja

### 3.3 Rukovanje napom

- Uređaj ima motor s različitim brzinama.
- Za bolju učinkovitost preporučujemo koristiti sporije brzine u normalnim uvjetima, a veću brzinu u slučaju jakih mirisa i intenzivne pare.
- Uređaj možete pokrenuti pritiskom na gumb željene postavke brzine. (V1, V2, V3)
- Pritiskom na gumb svjetla (L) možete osvjetliti područje kuhanja.

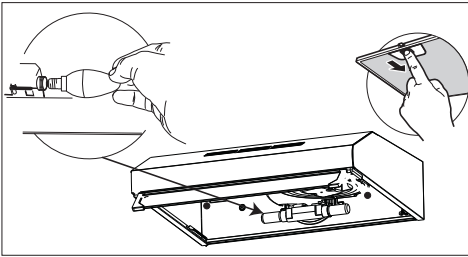
### 3.4 Zamjena svjetiljke




- Prije zamjene žarulje svjetla odspojite napajanje nape.
- Ne dirajte žarulje svjetla dok su vruće.
- Pazite i ne dirajte zamijenjenu žarulju svjetla s rukama.



Žarulje možete nabaviti u ovlaštenom servisu.

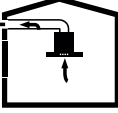


<b>Žarulja</b>	
<b>Snaga žarulje</b>	4 W
<b>Držač / utičnica</b>	E14
<b>Napon žarulje</b>	220 - 240 V

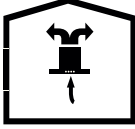
<b>ILCOS kod</b>	DRBB/F-4-220-240-E14-35/100
<b>Veličina</b>	35x100 mm
<b>Svjetlosni tok</b>	400 lm
<b>Odgovarajuća temperatura boje</b>	3000 K

Ovaj proizvod sadrži izvor svjetla klase energetske učinkovitosti E.

### 3.5 Rad s priključenim dimnjakom

-  Pare se uklanjaju kroz cijev ventilacijskog kanala koja je pričvršćena na priključnu glavu nape.
- Promjer cijevi ventilacijskog kanala isti je kao i spojni prsten. U vodoravnoj instalaciji, cijev treba imati lagani nagib prema gore (približno 10°) tako da zrak može lako izaći iz prostorije.

### 3.6 Rad bez priključenog dimnjaka

-  Zrak se filtrira kroz ugljeni filter i vraća se u prostoriju. Ugljeni filter koristi se kada se u kući ne može koristiti ventilacijski kanal.
  - Kod primjene bez ventilacijskog kanala, uklonite preklape unutar adaptera ventilacijskog kanala.
- Uklonite aluminijski filter masnoće. Za instalaciju ugljanog filtra pričvrstite filtre na kvačice centriranjem na plastičnom komadu s obje strane kućišta ventilatora, zategnite ih okretanjem desno ili lijevo.
- Zamijenite aluminijski filter masnoće.

## 4 Čišćenje i održavanje

Uređaj treba redovito čistiti i održavati. Neodržavanje uređaja čistim negativno će utjecati na vijek trajanja uređaja. Za čišćenje i održavanje slijedite upute navedene u priručniku.



Prije čišćenja i održavanja iskopčajte proizvod iz strujne utičnice ili isključite prekidač.



Non-compliance with the provisions associated with the cleaning of the device and replacement of the filters may result in a risk of fire. Therefore, it is recommended to follow the guidelines stated here. The manufacturer is not responsible for the engine damages or fires originating from the improper use.

Čistite koristeći se samo s krpom namočenom u neutralni tekući deterdžent. Ne koristite s alatom ili instrumentima. Ne koristite abrazivne proizvode. Ne koristite alkohol.

### 4.1. Čišćenje filtra masnoće

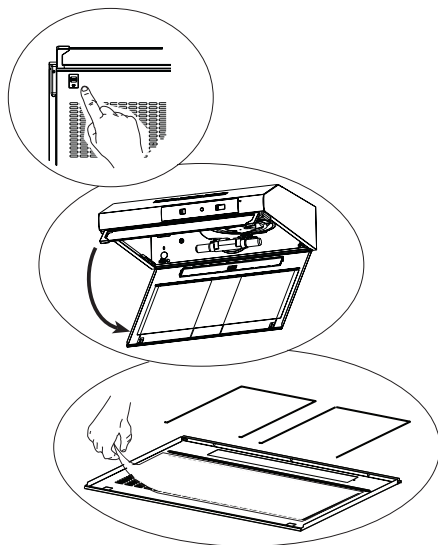
Filtar masnoće koristi se za hvatanje čestica ulja u zraku. Filtar masnoće mijenja boju nakon uzastopnog čišćenja. To je normalno i zbog toga ne trebate mijenjati filtre.



Filtar masnoće možete prati u perilici posuđa.

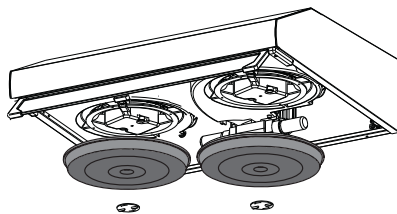


**OPREZ:** Prilikom normalne primjene filter masnoće očistite jednom mjesečno.



### 4.2 Zamjena ugljenih filtera

Filtri za uklanjanje mirisa sadrže ugljen (aktivni ugljen). Filtar masnoće mora se instalirati u proizvodu bez obzira koriste li se ugljeni filtri ili ne.



#### OPREZ

- Ugljeni filter nikad se ne smije prati.
- Ugljeni filter zamijenite svaka 3 mjeseca.
- Ugljeni filter možete nabaviti u ovlaštenom servisu.



## 5 Instalacija uređaja



**UPOZORENJE:** Prije početka instalacije, pročitajte sigurnosne informacije u korisničkom priručniku.



**UPOZORENJE:** Ako instalaciju ne instalirate s vijcima i stabilizatorima u skladu s ovim uputama, to može rezultirati strujnim udarom.

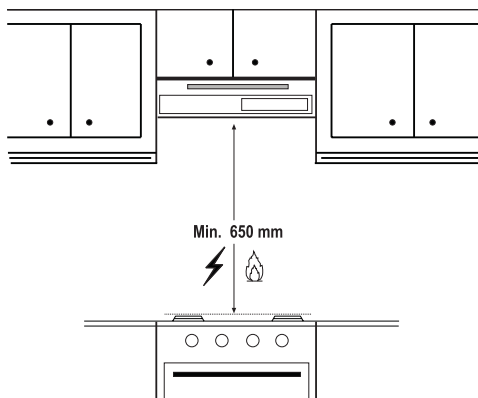


Upute za instalaciju pogledajte na stranici 235.

Za instalaciju nape kontaktirajte najbliži ovlaštenu servis.

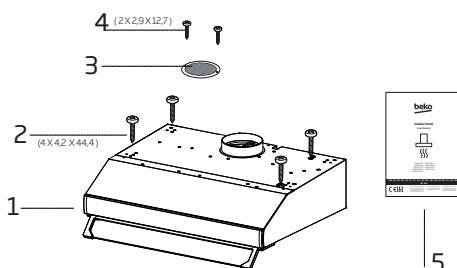
Kupac je odgovoran za pripremu mjesta instalacije i električnih instalacija nape.

### 5.1 Položaj uređaja



- Treba obratiti pozornost na rastojanje između ploče za kuhanje i nape prije instalacije. Ovo rastojanje treba biti 65 cm.
- Mjeru morate uzeti od površine grila na plinskim pločama za kuhanje i od staklene površine električnih ploča za kuhanje.

### 5.2 Sadržaj pakiranja



1. Napa
2. 4 X 4,2 x 44,4 vijka
3. Rešetka za izlaz zraka
4. 2 x 2,9 x 12,7 vijka
5. Korisnički priručnik

### 5.3 Pohrana

- Ako uređaj ne namjeravate koristiti duže vrijeme, pažljivo ga pohranite.
- Pripremite je li uređaj iskopčan iz strujne utičnice, je li se ohladi i je li potpuno suh.
- Uređaj čuvajte na hladnom i suhom mjestu.
- Uređaj držite izvan dohvata djece

### 5.4 Rukovanje i transport

- Za vrijeme rukovanja i transporta nosite uređaj u njegovom originalnom pakiranju. Pakiranje štiti uređaj od fizičkih oštećenja.
- Ne stavljajte teške predmete na uređaj ili pakiranje. Uređaj se može oštetiti.
- Ako isпустite uređaj to može učiniti neupotrebljivim ili izazvati trajno oštećenje.

## 6 Rješavanje problema

Rješavanje problema	Razlog	Pomoć
Proizvod nije u funkciji.	Provjerite osigurač.	Možda je vaš osigurač isključen, potrebno je da ga osposobite.
Proizvod nije u funkciji.	Provjerite priključak na napajanje električnom energijom.	Mrežni napon treba biti između 220-240 V.
Proizvod nije u funkciji.	Provjerite priključak na napajanje električnom energijom.	Provjerite da li su u funkciji ostali proizvodi u vašoj kuhinji.
Lampica za rasvjetu ne radi.	Provjerite priključak na napajanje električnom energijom.	Mrežni napon treba biti između 220-240 V.
Lampica za rasvjetu ne radi.	Provjerite prekidač za lampicu.	Prekidač za lampicu trebao bi biti u položaju "uključeno".
Lampica za rasvjetu ne radi.	Provjerite lampice.	Lampice proizvoda ne bi trebalo da budu neispravne.
Ulaz zraka u proizvod je slab.	Provjerite aluminijski filter.	Aluminijski filter za masnoću treba očistiti najmanje jednom mjesečno u normalnim uvjetima.
Ulaz zraka u proizvod je slab.	Provjerite odvodnik zraka.	Odvodnik zraka trebao bi biti u položaju "uključeno".
Ulaz zraka u proizvod je slab.	Provjerite karbonski filter.	Za proizvode s karbonskim filtrima, filter se obično treba mijenjati svaka 3 mjeseca.

# Παρακαλούμε διαβάστε πρώτα αυτές τις οδηγίες χρήσης!

Αξιότιμε πελάτη μας,

Ευχαριστούμε για την προτίμησή σας σε αυτή τη συσκευή Beko. Ελπίζουμε να έχετε τα καλύτερα αποτελέσματα από τη συσκευή της εταιρείας μας, η οποία έχει κατασκευαστεί με υψηλή ποιότητα και τεχνολογία αιχμής. Για το λόγο αυτόν, διαβάστε στην ολόκλητά τους και προσεκτικά αυτό το εγχειρίδιο χρήσης καθώς και όλα τα άλλα συνοδευτικά έγγραφα πριν χρησιμοποιήσετε αυτή τη συσκευή και φυλάξτε τη σαν αναφορά για μελλοντική χρήση. Αν παραδώσετε τη συσκευή σε κάποιον άλλον, παραδώστε και αυτό το εγχειρίδιο χρήσης. Ακολουθήστε τις οδηγίες προσέχοντας όλες τις πληροφορίες και τις προειδοποιήσεις που θα βρείτε στο εγχειρίδιο χρήσης.

Να έχετε υπόψη σας ότι αυτό το εγχειρίδιο χρήσης μπορεί να έχει εφαρμογή και σε άλλα μοντέλα. Οι διαφορές μεταξύ των μοντέλων περιγράφονται ρητά στο εγχειρίδιο.

## Σημασία των Συμβόλων

Τα σύμβολα που ακολουθούν χρησιμοποιούνται σε διάφορες ενότητες αυτού του εγχειριδίου χρήσης:



Σημαντικές πληροφορίες και χρήσιμες συμβουλές σχετικά με τη χρήση.



**ΠΡΟΕΙΔΟΠΟΙΗΣΗ:** Προειδοποιήσεις σχετικά με επικίνδυνες καταστάσεις σχετικά με την ασφάλεια της ζωής και της περιουσίας.



Προειδοποίηση για κίνδυνο φωτιάς.



**ΠΡΟΕΙΔΟΠΟΙΗΣΗ:** Προειδοποίηση για ηλεκτροπληξία.



Κλάση προστασίας από ηλεκτροπληξία.



## 1.1 Γενικά για την ασφάλεια

Σημαντικές Οδηγίες Ασφαλείας Διαβάστε τις Προσεκτικά και Φυλάξτε τις για Μελλοντική Αναφορά. Η ενότητα αυτή περιέχει οδηγίες ασφαλείας που θα βοηθήσουν στην προστασία από κίνδυνο φωτιάς, ηλεκτροπληξίας, έκθεσης σε διαρροή ενέργειας μικροκυμάτων, τραυματικό ή υλικές ζημιές. Η μη τήρηση των οδηγιών αυτών θα καταστήσει άκυρη κάθε εγγύηση.

- Τα προϊόντα Beko συμμορφώνονται με τα εφαρμοστέα πρότυπα ασφαλείας. Επομένως, σε περίπτωση οποιασδήποτε ζημιάς στη συσκευή ή στο καλώδιο ρεύματος, η επισκευή τους θα πρέπει να γίνεται από την αντιπροσωπεία, ένα κέντρο σέρβις ή ένα εξειδικευμένο και εξουσιοδοτημένο

σέρβις, για την αποφυγή κάθε κινδύνου. Τυχόν λανθασμένη ή ακατάλληλη εργασία επισκευής μπορεί να είναι επικίνδυνη και να προκαλέσει κίνδυνο στον χρήστη.

- Αυτή η συσκευή προορίζεται να χρησιμοποιείται σε οικιακές και παρόμοιες εφαρμογές, όπως:
  - Περιοχές κουζίνας προσωπικού για καταστήματα, γραφεία και άλλα περιβάλλοντα εργασίας.
  - Αγροικίες.
  - Από πελάτες σε ξενοδοχεία, και άλλα περιβάλλοντα οικιακού τύπου.
  - Περιβάλλοντα τύπου ε ν ο ι κ ι α ζ ό μ ε ν ο υ δωματίου με πρωινό.
- Χρησιμοποιείτε τη συσκευή μόνο για την προβλεπόμενη χρήση της όπως αυτή περιγράφεται



στο παρόν εγχειρίδιο.

- Ο κατασκευαστής δεν μπορεί να θεωρηθεί υπεύθυνος για οποιεσδήποτε ζημιές προκληθούν από ακατάλληλη εγκατάσταση ή κακή χρήση του προϊόντος.
- Αυτή η συσκευή μπορεί να χρησιμοποιηθεί από παιδιά από 8 ετών και άνω και από άτομα με μειωμένες σωματικές, αντιληπτικές ή διανοητικές ικανότητες ή με έλλειψη εμπειρίας και γνώσης, αν τους έχει δοθεί επιτήρηση ή εκπαίδευση σχετικά με την ασφαλή χρήση της συσκευής και κατανοούν τους ενεχόμενους κινδύνους.
- Τα παιδιά δεν πρέπει να επιτρέπεται να παίζουν με τη συσκευή. Ο καθαρισμός και η συντήρηση από το χρήστη δεν θα πρέπει να γίνεται από παιδιά χωρίς επίβλεψη.
- Η ελάχιστη απόσταση ανάμεσα στην επιφάνεια υποστήριξης για τα σκεύη μαγειρέματος στην εστία μαγειρέματος και στην κάτω πλευρά του προϊόντος πρέπει να είναι τουλάχιστον 65 cm.
- Αν οι οδηγίες εγκατάστασης της εστίας αερίου καθορίζουν μεγαλύτερη απόσταση, αυτό πρέπει να ληφθεί υπόψη.
- Βεβαιωθείτε ότι η παροχή σας ρεύματος δικτύου συμμορφώνεται με τις πληροφορίες που παρέχονται στην πινακίδα στοιχείων της συσκευής.
- Σε καμία περίπτωση μη χρησιμοποιήσετε τη συσκευή αν το καλώδιο ρεύματος ή η ίδια η συσκευή έχει υποστεί ζημιά.
- Προστατεύετε το καλώδιο ρεύματος από ζημιά, με το να μην το συμπιέζετε, λυγίζετε ή αφήνετε να

τρίβεται πάνω σε αιχμηρές ακμές. Κρατάτε το καλώδιο ρεύματος μακριά από καυτές επιφάνειες και γυμνή φλόγα.

- Χρησιμοποιείτε τη συσκευή μόνο με γειωμένη πρίζα.

**ΠΡΟΕΙΔΟΠΟΙΗΣΗ:** Μη συνδέσετε τη συσκευή στο ρεύμα δικτύου μέχρι να ολοκληρωθεί πλήρως η εγκατάστασή της.

- Τοποθετήστε τη συσκευή με τρόπο ώστε το φως της να είναι πάντα προσβάσιμο.
- Μην αγγίζετε τους λαμπτήρες αν έχουν λειτουργήσει για πολλή ώρα. Μπορεί να κάψουν τα χέρια σας, γιατί θα βρίσκονται σε υψηλή θερμοκρασία.
- Τηρείτε τους κανονισμούς που εκδίδουν οι αρμόδιες αρχές σχετικά με την εξαγωγή του εξαγόμενου αέρα (αυτή η προειδοποίηση δεν ισχύει

σε περίπτωση χρήσης χωρίς αγωγό εξαγωγής αέρα).

- Χρησιμοποιείτε τη συσκευή σας μόνο αφού τοποθετήσετε πάνω στην εστία μια κατσαρόλα, ένα τηγάνι κλπ. Διαφορετικά, η υψηλή θερμοότητα μπορεί να προκαλέσει την παραμόρφωση ορισμένων μερών του προϊόντος.
- Απενεργοποιείτε την εστία πριν αφαιρέσετε την κατσαρόλα, το τηγάνι κλπ. από την εστία.
- Μην αφήνετε καυτό λάδι πάνω στην εστία. Τα τηγάνια με καυτό λάδι μπορούν να προκαλέσουν αυτανάφλεξη.
- Προσέχετε τις κουρτίνες και τα καλύμματά σας επειδή το λάδι μπορεί να αναφλεγεί όταν μαγειρεύετε φαγητά όπως πατάτες.

- Το φίλτρο λίπους πρέπει να αντικαθίσταται τουλάχιστον κάθε μήνα. Το φίλτρο άνθρακα πρέπει να αντικαθίσταται τουλάχιστον κάθε 3 μήνες.
- Το προϊόν θα πρέπει να καθαρίζεται σύμφωνα με τις οδηγίες στο εγχειρίδιο χρήσης. Αν ο καθαρισμός δεν πραγματοποιήθηκε σύμφωνα με το εγχειρίδιο χρήσης, ενδέχεται να υπάρξει κίνδυνος φωτιάς.
- Μη χρησιμοποιείτε υλικά φιλτραρίσματος που δεν είναι ανθεκτικά στη φωτιά, αντί για το τρέχον φίλτρο.
- Χρησιμοποιείτε μόνο γνήσια ανταλλακτικά ή ανταλλακτικά που συνιστά ο κατασκευαστής.
- Μη χρησιμοποιείτε το προϊόν χωρίς το φίλτρο και μην αφαιρείτε τα φίλτρα ενώ είναι σε λειτουργία το προϊόν.
- Σε περίπτωση ανάφλεξης, απενεργοποιήστε το προϊόν και τις συσκευές μαγειρέματος.
- Σε περίπτωση ανάφλεξης, καλύψτε τη φλόγα και ποτέ μη χρησιμοποιήσετε νερό για να τη σβήσετε.
- Αποσυνδέετε τη συσκευή πριν από κάθε καθαρισμό και όταν δεν χρησιμοποιείται η συσκευή.
- Η αρνητική πίεση στο χώρο της συσκευής δεν πρέπει να υπερβαίνει τα 4 Pa (4 x 10 bar) ενώ λειτουργούν ταυτόχρονα ο απορροφητήρας για την ηλεκτρική εστία και συσκευές που λειτουργούν με άλλο τύπο ενέργειας.
- Στον χώρο όπου χρησιμοποιείται η συσκευή, η εξαγωγή αερίων από συσκευές που λειτουργούν με αέριο ή πετρέλαιο, όπως σόμπα δωματίου πρέπει να είναι πλήρως απομονωμένη ή η συσκευή πρέπει να είναι

ερμητικού τύπου.

- Όταν συνδέετε τον αγωγό εξαγωγής αέρα, χρησιμοποιείτε σωλήνες διαμέτρου 120 ή 150 mm. Η σωλήνωση πρέπει να είναι όσο το δυνατόν μικρότερου μήκους και να έχει όσο το δυνατόν μικρότερες γωνίες.
- Κίνδυνος ασφυξίας! Κρατάτε όλα τα υλικά συσκευασίας μακριά από παιδιά.

**ΠΡΟΣΟΧΗ:** Προσπελάσιμα μέρη της συσκευής μπορεί να αποκτήσουν υψηλή θερμοκρασία κατά τη χρήση με συσκευές μαγειρέματος.

- Η έξοδος του προϊόντος δεν πρέπει να συνδέεται με αγωγούς αέρα στους οποίους υπάρχουν άλλα απαέρια.
- Όταν ο απορροφητήρας για ηλεκτρική κουζίνα χρησιμοποιείται ταυτόχρονα με άλλες συσκευές που χρησιμοποιούν αέριο ή

άλλα καύσιμα, ενδέχεται να μην είναι επαρκής ο αερισμός στο δωμάτιο (ίσως να μην ισχύει για συσκευές που εξάγουν τον αέρα πάλι στο δωμάτιο).

- Αντικείμενα που τοποθετούνται πάνω στο προϊόν μπορεί να πέσουν. Μην τοποθετείτε κανένα αντικείμενο πάνω στο προϊόν.
- Μην παρασκευάζετε φαγητά με συνταγές φλαμπέ κάτω από το προϊόν.

**ΠΡΟΕΙΔΟΠΟΙΗΣΗ:** Πριν εγκαταστήσετε τον απορροφητήρα, αφαιρέστε τις προστατευτικές μεμβράνες.

- Ποτέ μην αφήνετε ψηλές γυμνές φλόγες κάτω από τον απορροφητήρα, όταν αυτός βρίσκεται σε λειτουργία
- Τα σκεύη τηγανίσματος με πολύ λάδι ή λίπος πρέπει να επιτηρούνται συνεχώς κατά τη χρήση: αν το λάδι

υπερθερμανθεί μπορεί να αναφλεγεί.

## 1.2 Συμμόρφωση με την Οδηγία περί αποβλήτων ηλεκτρικού και ηλεκτρονικού εξοπλισμού (ΑΗΗΕ) και τελική διάθεση του προϊόντος:

Το προϊόν αυτό συμμορφώνεται με την Οδηγία της Ευρωπαϊκής Ένωσης περί αποβλήτων ηλεκτρικού και ηλεκτρονικού εξοπλισμού (ΑΗΗΕ) (2012/19/ΕΕ). Το προϊόν φέρει σύμβολο ταξινόμησης για απόβλητα ηλεκτρικού και ηλεκτρονικού εξοπλισμού (ΑΗΗΕ).



Αυτό το σύμβολο υποδεικνύει ότι το προϊόν αυτό δεν πρέπει να απορριφθεί μαζί με τα υπόλοιπα οικιακά απορρίμματα στο τέλος της ωφέλιμης ζωής του. Η χρησιμοποιημένη συσκευή πρέπει να επιστραφεί σε επίσημο σημείο συλλογής για ανακύκλωση ηλεκτρικών και ηλεκτρονικών συσκευών. Για να βρείτε αυτά τα σημεία συλλογής επικοινωνήστε με τις τοπικές σας αρχές ή με το κατάστημα όπου αγοράσατε το προϊόν. Κάθε νοικοκυριό παίζει σημαντικό ρόλο στην ανάκτηση και την ανακύκλωση παλιών συσκευών. Η σωστή απόρριψη της χρησιμοποιημένης συσκευής συμβάλλει στην αποτροπή ενδεχόμενων αρνητικών συνεπειών για το περιβάλλον και την ανθρώπινη υγεία.

## 1.3 Συμμόρφωση με την Οδηγία περί περιορισμού χρήσης ορισμένων επικίνδυνων ουσιών (RoHS):

Το προϊόν που έχετε προμηθευτεί συμμορφώνεται με την Οδηγία της Ευρωπαϊκής ένωσης περί περιορισμού χρήσης ορισμένων επικίνδυνων ουσιών (RoHS) (2011/65/ΕΕ). Δεν περιέχει επικίνδυνα και απαγορευμένα υλικά που ορίζονται στην Οδηγία.

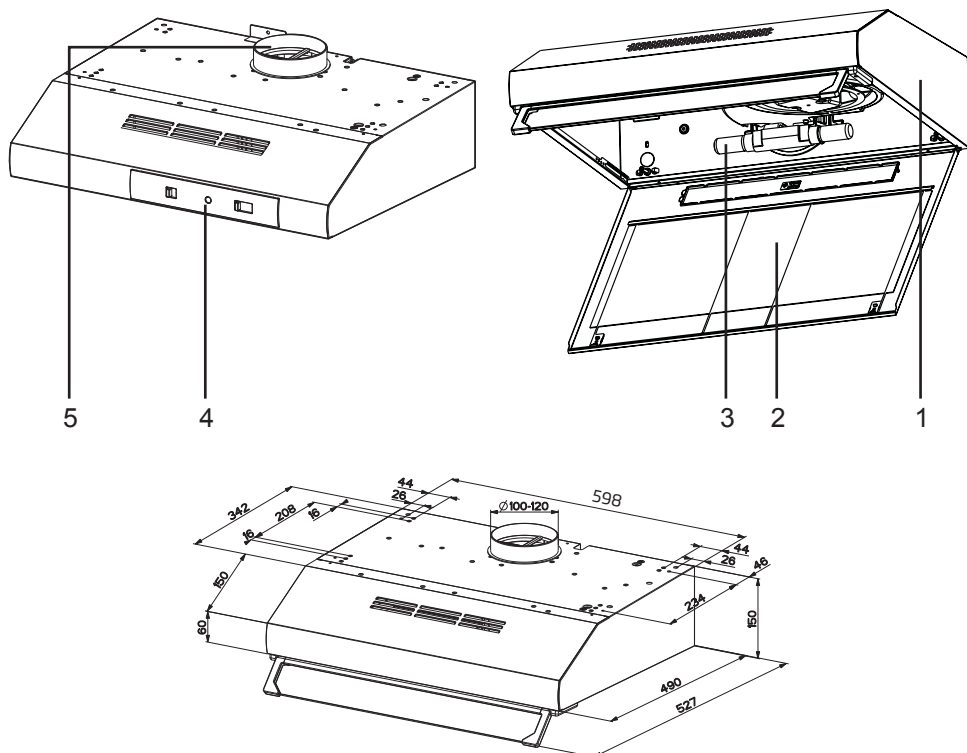
## 1.4 Πληροφορίες σχετικά με τη συσκευασία



Τα υλικά συσκευασίας του προϊόντος είναι κατασκευασμένα από ανακυκλώσιμα υλικά σύμφωνα με τους εθνικούς μας κανονισμούς προστασίας του περιβάλλοντος. Μην απορρίψετε τα υλικά συσκευασίας μαζί με τα οικιακά ή άλλα απορρίμματα. Παραδώστε τα στα σημεία συλλογής υλικών συσκευασίας που έχουν καθοριστεί από τις τοπικές αρχές.

## 2 Γενική εμφάνιση

### 2.1 σφαιρική εικόνα




1. Σώμα
2. Φίλτρο λίπους
3. Φωτισμός
4. Πίνακας Ελέγχου
5. Καμινάδα

### 2.2 Τεχνικά δεδομένα

<b>Μοντέλο</b>	CFB 6432 X CFB 6432 W CFB 6432 XG CFB 6432 WH CFB 6432 XH-1	CFB 6431 W CFB 5432 W CFB 6437 W
<b>Τάση τροφοδοσίας</b>	220-240V ~ 50 Hz	
<b>Ισχύς λαμπτήρων</b>	2 x 4 W	
<b>Ισχύς κινητήρα</b>	2 x 115 W	
<b>Ρυθμός ροής – 3. Επίπεδο</b>	380 m <sup>3</sup> /h	
<b>Κατηγορία μόνωσης κινητήρα</b>	Τάξη F	
<b>Κατηγορία μόνωσης</b>	Τάξη II	

## 3 Χειρισμός της συσκευής σας

### 3.1 Έλεγχος της συσκευής

	
<b>ΚΛΕΙΔΙ</b>	<b>ΛΕΙΤΟΥΡΓΙΑ</b>
<b>L : Πλήκτρο ενεργοποίησης/ απενεργοποίησης φωτισμού</b>	Ανάβει και σβήνει το φως.
<b>V : Κουμπί ταχύτητας</b>	Επιλέγει την ταχύτητα λειτουργίας: 0. Ανάβει και σβήνει το μοτέρ αναρρόφησης. 1. Ελάχιστη ταχύτητα, κατάλληλη για ιδιαίτερα αθόρυβη και συνεχή εναλλαγή του αέρα, με λίγους ατμούς από το μαγείρεμα. 2. Μέση ταχύτητα, κατάλληλη για την πλειοψηφία των συνθηκών χρήσης, με άριστη σχέση παροχής επεξεργασμένου αέρα και στάθμης θορύβου. 3. Μέγιστη ταχύτητα, κατάλληλη για μεγάλη παραγωγή ατμών από το μαγείρεμα, ακόμη και για μεγάλο χρονικό διάστημα.

- Ο απορροφητήρας έχει σχεδιαστεί αποκλειστικά για οικιακή χρήση, για να απομακρύνει τις οσμές της κουζίνας.
- Ποτέ μη χρησιμοποιείτε τον απορροφητήρα για σκοπούς διαφορετικούς από αυτούς για τους οποίους σχεδιάστηκε.
- Ποτέ μην αφήνετε ψηλές γυμνές φλόγες κάτω από τον απορροφητήρα, όταν αυτός βρίσκεται σε λειτουργία.
- Ρυθμίζετε την ένταση της φλόγας ώστε αυτή να κατευθύνεται μόνο στην κάτω επιφάνεια του δοχείου, εξασφαλίζοντας ότι δεν επεκτείνεται στα πλάγια.
- Τα σκεύη τηγανίσματος με πολύ λάδι ή λίπος πρέπει να επιτηρούνται συνεχώς κατά τη χρήση: αν το λάδι υπερθερμανθεί μπορεί να αναφλεγεί.

### 3.2 Ενεργειακά αποδοτική χρήση

- Όταν χρησιμοποιείτε τον απορροφητήρα, ρυθμίστε το επίπεδο ταχύτητας ανάλογα με το βαθμό επιβάρυνσης με οσμές και ατμούς, ώστε να αποφεύγετε άσκοπη κατανάλωση ενέργειας.
- Χρησιμοποιείτε χαμηλές ταχύτητες (1-2) σε κανονικές συνθήκες, και υψηλή ταχύτητα (3) όταν υπάρχει έντονη παραγωγή οσμών και ατμών.
- Οι λαμπτήρες στον απορροφητήρα προορίζονται για φωτισμό της περιοχής μαγειρέματος.
- Η χρήση τους για περιβαλλοντικό φωτισμό ή φωτισμό της κουζίνας θα επιφέρει άσκοπη κατανάλωση ενέργειας και ανεπαρκή φωτισμό.

## 3 Χειρισμός της συσκευής σας

- Για να καταναλώνει η συσκευή σας λιγότερη ενέργεια, χρησιμοποιείτε την σε χαμηλό επίπεδο ταχύτητας.
- Η συσκευή σας θα έχει μειωμένη κατανάλωση ενέργειας όταν της παρέχετε επαρκή εισαγωγή αέρα, επειδή θα λειτουργεί πιο αποδοτικά.
- Σε περιπτώσεις που γνωρίζετε ότι θα παραχθεί πυκνός ατμός, ρυθμίζετε τη συσκευή σας σε επίπεδο ισχύος εντατικής αναρρόφησης πριν τον σχηματισμό του ατμού. Με αυτόν τον τρόπο, μειώνετε την κατανάλωση ενέργειας χρησιμοποιώντας τη συσκευή σας για συντομότερο χρόνο, αφού θα έχετε επαρκή εισαγωγή αέρα.
- Διατηρείτε τα καπάκια των μαγειρικών σκευών κλειστά, για να μειώνετε τη δημιουργία ατμού.

### 3.3 Χειρισμός του απορροφητήρα

- Ο απορροφητήρας είναι εξοπλισμένος με κινητήρα ο οποίος διαθέτει έναν αριθμό ρυθμίσεων ταχύτητας.
- Για καλύτερες επιδόσεις σας συνιστούμε να χρησιμοποιείτε χαμηλές ταχύτητες σε κανονικές συνθήκες, και υψηλές ταχύτητας όταν υπάρχει έντονη παραγωγή οσμών και ατμών.
- Μπορείτε να θέσετε σε λειτουργία τον απορροφητήρα πατώντας το επιθυμητό πλήκτρο επιπέδου ταχύτητας (V1, V2, V3).
- Μπορείτε να φωτίσετε την περιοχή μαγειρέματος πατώντας το κουμπί φωτισμού. (L)

### 3.4 Αντικατάσταση των λαμπτήρων



- Πριν αντικαταστήσετε τους λαμπτήρες, αποσυνδέστε την τροφοδοσία ρεύματος του απορροφητήρα.
- Μην αγγίζετε τους λαμπτήρες όταν βρίσκονται σε υψηλή θερμοκρασία.
- Προσέχετε να μην αγγίζετε απευθείας με τα χέρια τους λαμπτήρες που αντικαθιστάτε.



Μπορείτε να προμηθευτείτε λαμπτήρες από εξουσιοδοτημένους εκπροσώπους σέρβις.

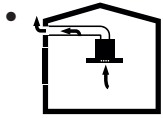
<b>Βολβός</b>	
<b>Ισχύς λαμπτήρα</b>	4 W
<b>Στήριγμα / Πρίζα</b>	E14
<b>Τάση λαμπτήρα</b>	220 - 240 V
<b>Κωδικός ILCOS</b>	DRBB/F-4-220-240-E14-35/100
<b>Μέγεθος</b>	35x100 mm
<b>Φωτεινή ροή</b>	400 lm
<b>Συσχετισμένη θερμοκρασία χρώματος</b>	3000 K

Αυτό το προϊόν περιέχει μια φωτεινή πηγή κλάσης ενεργειακής απόδοσης "F".



## 3 Χειρισμός της συσκευής σας

### 3.5 Χρήση με σύνδεση αγωγού εξαγωγής

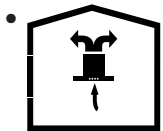


Οι ατμοί απομακρύνονται μέσω του σωλήνα αγωγού εξαγωγής ο οποίος στερεώνεται στην κεφαλή σύνδεσης πάνω

στον απορροφητήρα.

- Η διάμετρος του σωλήνα αγωγού εξαγωγής θα πρέπει να είναι ίση με τη διάμετρο του δακτυλίου σύνδεσης. Για να μπορεί να απομακρύνεται εύκολα ο αέρας από τον χώρο σε περιπτώσεις οριζόντιας διάταξης του αγωγού, ο σωλήνα πρέπει να έχει ελαφρά κλίση προς τα πάνω (περίπου  $10^\circ$ ).

### 3.6 Χρήση χωρίς συνδεδεμένο αγωγό εξαγωγής



Ο αέρας φιλτράρεται από το φίλτρο άνθρακα και επιστρέφει στο δωμάτιο. Το φίλτρο άνθρακα χρησιμοποιείται όταν δεν υπάρχει αγωγός εξαγωγής στο σπίτι.

- Αν ο απορροφητήρας πρόκειται να χρησιμοποιηθεί χωρίς σύνδεση αγωγού εξαγωγής, αφαιρέστε τους εκτροπείς από το εσωτερικό του προσαρμογέα αγωγού εξαγωγής.
- Αφαιρέστε το αλουμινένιο φίλτρο. Για να εγκαταστήσετε το φίλτρο άνθρακα, κεντράρετε το φίλτρο άνθρακα στο πλαστικό εξάρτημα και στις δύο πλευρές του κορμού ανεμιστήρα, και στερεώστε το πάνω στις ειδικές προεξοχές. Στερεώστε το φίλτρο περιστρέφοντας τις προεξοχές προς τα δεξιά ή αριστερά.
- Εγκαταστήστε το αλουμινένιο φίλτρο.

## 4 Καθαρισμός και συντήρηση

Η συσκευή θα πρέπει να καθαρίζεται και να συντηρείται τακτικά. Η μη τήρηση της καθαριότητας τη συσκευής θα επηρεάσει αρνητικά τη διάρκεια ζωής της συσκευής. Για τον καθαρισμό και τη συντήρηση, ακολουθείτε τις οδηγίες που αναφέρονται στο εγχειρίδιο.



Πριν τον καθαρισμό και τη συντήρηση, αποσυνδέστε τη συσκευή από την πρίζα ή απενεργοποιήστε τον γενικό διακόπτη ή λασκάρτε την ασφάλεια που τροφοδοτεί τον απορροφητήρα.



Η μη συμμόρφωση με τις οδηγίες σχετικά με τον καθαρισμό της συσκευής και την αντικατάσταση των φίλτρων μπορεί να επιφέρει κίνδυνο φωτιάς. Επομένως συνιστάται να ακολουθείτε τις οδηγίες που αναφέρονται εδώ. Ο κατασκευαστής δεν φέρει καμία ευθύνη για ζημιές κινητήρα ή φωτιές που προκύπτουν από ακατάλληλη χρήση.

Καθαρίζετε μόνο με ένα πανί που έχει υγρανθεί ελαφρά με ένα ουδέτερο υγρό απορρυπαντικό. Μην καθαρίζετε με εργαλεία ή όργανα. Μην χρησιμοποιείτε προϊόντα που χαράζουν. Μην χρησιμοποιείτε οινόπνευμα.

### 4.1 Καθαρισμός του φίλτρου λίπους

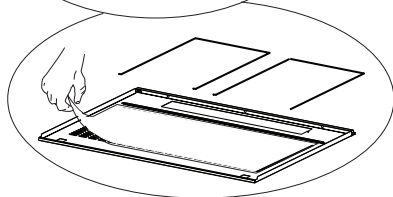
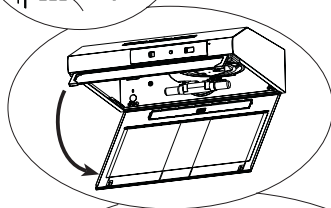
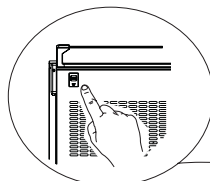
Αυτό το φίλτρο κατακρατεί τα σωματίδια λαδιού από τον αέρα. Μπορεί το χρώμα των αλουμινένιων φίλτρων να αλλοιωθεί καθώς πλένονται - αυτό είναι φυσιολογικό και δεν χρειάζεται να αντικαταστήσετε το φίλτρο για το λόγο αυτό.



Μπορείτε επίσης να πλύνετε τα αλουμινένια φίλτρα σε πλυντήριο πιάτων.

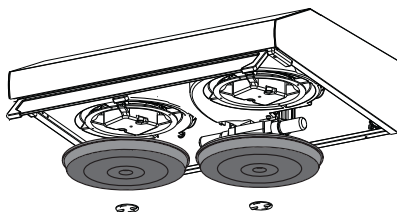


**ΠΡΟΣΟΧΗ:** Πρέπει να αντικαθίστανται σε περιόδους περίπου 1 μήνες.



### 4.2 Αντικατάσταση του φίλτρου άνθρακα

Τα φίλτρα κατά των οσμών περιέχουν ειδικό τύπο κάρβουνου (ενεργό άνθρακα). Ανεξάρτητα από τη χρήση φίλτρου άνθρακα ή όχι, τα αλουμινένια φίλτρα πρέπει να είναι πάντα εγκατεστημένα.



## 4 Καθαρισμός και συντήρηση



### Προσοχή!

- Το φίλτρο άνθρακα δεν πρέπει να πλένεται ποτέ.
- Αντικαταστήστε τα φίλτρα άνθρακα μία φορά κάθε 3 μήνες.
- Μπορείτε να προμηθευτείτε φίλτρα άνθρακα από εξουσιοδοτημένους εκπροσώπους σέρβις της.

## 5 Εγκατάσταση της συσκευής σας



**ΠΡΟΕΙΔΟΠΟΙΗΣΗ:** Πριν ξεκινήσετε την εγκατάσταση, διαβάστε τις πληροφορίες ασφαλείας στο εγχειρίδιο χρήσης.



**ΠΡΟΕΙΔΟΠΟΙΗΣΗ:** Η μη εγκατάσταση με βίδες και σταθεροποιητές σύμφωνα με αυτές τις οδηγίες μπορεί να προκαλέσει ηλεκτροπληξία.

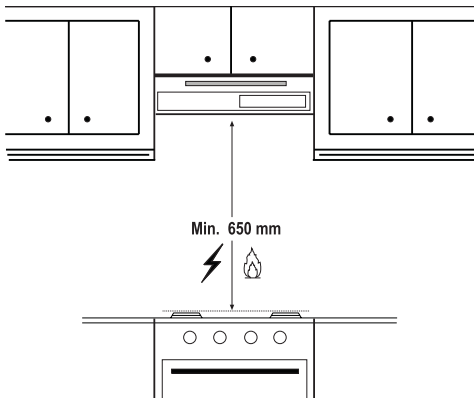


Παρακαλούμε ανατρέξτε στη σελίδα 235 για τις οδηγίες εγκατάστασης.

Παρακαλούμε συμβουλευτείτε τον πλησιέστερό σας εξουσιοδοτημένο εκπρόσωπο σέρβις για την εγκατάσταση του απορροφητήρα σας.

Η προετοιμασία της θέσης και της ηλεκτρικής εγκατάστασης για το προϊόν αποτελούν ευθύνη του πελάτη.

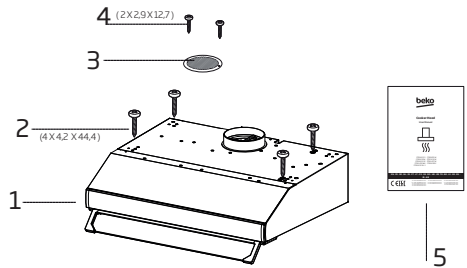
### 5.1 Θέση της συσκευής



- Η απόσταση ανάμεσα στην κάτω επιφάνεια του απορροφητήρα και την πάνω επιφάνεια της πλάκας εστιών θα πρέπει να είναι τουλάχιστον 65 cm.

- Η απόσταση πρέπει να μετράται από την επιφάνεια της σχάρας για κουζίνες υγραερίου,
- από επιφάνεια γυαλιού για ηλεκτρικές κουζίνες.

### 5.2 Εξαρτήματα εγκατάστασης



1. Προϊόν
2. 4 X 4,2 x 44,4 βίδες
3. Γρίλια εξόδου αέρα
4. 2 X 2,9 x 12,7 βίδες
5. Εγχειρίδιο χρήστη

### 5.3 Αποθήκευση

- Αν δεν σκοπεύετε να χρησιμοποιήσετε τη συσκευή για μεγάλο χρονικό διάστημα, αποθηκεύστε την προσεκτικά.
- Αποσυνδέστε τη συσκευή από την πρίζα και περιμένετε να κρυώσει τελείως πριν την αποθηκεύσετε.
- Αποθηκεύστε τη συσκευή σε δροσερό και στεγνό μέρος.
- Κρατάτε τη συσκευή μακριά από παι-διά.

### 5.4 Μετακίνηση και μεταφορά

- Μεταφέρετε τη συσκευή στην αρχική της συσκευασία κατά τη μετακίνηση και μεταφορά της. Η συσκευασία της συσκευής την προστατεύει από

## 5 Εγκατάσταση της συσκευής σας

φυσικές ζημιές.

- Μην τοποθετείτε βαριά αντικείμενα πάνω στη συσκευή ή στη συσκευασία. Η συσκευή μπορεί να υποστεί ζημιά.
- Τυχόν πτώση της συσκευής μπορεί να την καταστήσει μη λειτουργική ή να της προκαλέσει μόνιμη ζημιά..

## 6 Αντιμετώπιση προβλημάτων

Αντιμετώπιση προβλημάτων	Αιτία	Διορθωτική ενέργεια
Το προϊόν δεν λειτουργεί.	Ελέγξτε την ασφάλειά σας.	Η ασφάλειά σας μπορεί να έπεσε, ενεργοποιήστε την.
Το προϊόν δεν λειτουργεί.	Ελέγξτε την ηλεκτρική σύνδεση.	Η τάση ρεύματος δικτύου θα πρέπει να είναι 220-240 V.
Το προϊόν δεν λειτουργεί.	Ελέγξτε την ηλεκτρική σύνδεση.	Ελέγξτε αν οι άλλες συσκευές στην κουζίνα σας λειτουργούν ή όχι.
Η λάμπα φωτισμού δεν λειτουργεί.	Ελέγξτε την ηλεκτρική σύνδεση.	Η τάση ρεύματος δικτύου θα πρέπει να είναι 220-240 V.
Η λάμπα φωτισμού δεν λειτουργεί.	Ελέγξτε τον διακόπτη της λάμπας.	Ο διακόπτης της λάμπας πρέπει να είναι στη θέση "ενεργοποίησης".
Η λάμπα φωτισμού δεν λειτουργεί.	Ελέγξτε τις λάμπες.	Οι λάμπες του προϊόντος δεν πρέπει να έχουν βλάβη.
Η αναρρόφηση αέρα στο προϊόν είναι ανεπαρκής.	Ελέγξτε το αλουμινένιο φίλτρο.	Το αλουμινένιο φίλτρο λαδιού θα πρέπει να καθαρίζεται τουλάχιστον μία φορά το μήνα υπό κανονικές συνθήκες.
Η αναρρόφηση αέρα στο προϊόν είναι ανεπαρκής.	Ελέγξτε τον αγωγό εξαγωγής αέρα.	Ο αγωγός εξαγωγής αέρα θα πρέπει να είναι ρυθμισμένος στην "ενεργοποιημένη" θέση.
Η αναρρόφηση αέρα στο προϊόν είναι ανεπαρκής.	Ελέγξτε το φίλτρο άνθρακα.	Για προϊόντα με φίλτρα άνθρακα, το φίλτρο θα πρέπει κανονικά να αλλάζεται κάθε 3 μήνες.

## Lütfen önce bu kılavuzu okuyun!


Değerli Müşterimiz,


Beko ürününü tercih ettiğiniz için teşekkür ederiz. Yüksek kalite ve teknoloji ile üretilmiş olan ürününüzün size en iyi verimi sunmasını istiyoruz. Bunun için, bu kılavuzun tamamını ve verilen diğer belgeleri ürünü kullanmadan önce dikkatle okuyun ve bir başvuru kaynağı olarak saklayın. Ürünü başka birisine verirsiniz, kullanma kılavuzunu da birlikte verin. Kullanma kılavuzunda belirtilen tüm bilgi ve uyarıları dikkate alarak talimatlara uyun.

Bu kullanma kılavuzunun başka modeller için de geçerli olabileceğini unutmayın. Modeller arasındaki farklar kılavuzda açık bir şekilde belirtilmiştir.


### Sembollerin anlamları


Bu kullanma kılavuzunun çeşitli kısımlarında aşağıdaki semboller kullanılmıştır:

 Cihazın kullanımıyla ilgili önemli bilgiler ve faydalı tavsiyeler.

 **UYARI:** Can ve mal güvenliğiyle ilgili tehlikeli durumlar konusunda uyarılar.

 Elektrik çarpması uyarısı.

 Yangın tehlikesi uyarısı.

 Elektrik çarpmasına karşı koruma sınıfı.



**1.1 Güvenlik Talimatları**

Önemli Güvenlik Talimatları Dikkatle Okuyun ve Daha Sonra Başvurmak Üzere Saklayın.

Bu bölümde, yangın, elektrik çarpması, yaralanma ya da maddi hasar tehlikelerini önlemeye yardımcı olacak güvenlik talimatları yer almaktadır. Bu talimatlara uyulmaması halinde her türlü garanti geçersiz hale gelir.

- Beko ürünleri geçerli güvenlik standartlarıyla uyumludur. Bu nedenle ürün veya elektrik kablolu hasar görürse, tehlikeleri önlemek için bayi, servis merkezi veya uzman ve yetkili bir servis tarafından onarılmalı ya da değiştirilmelidir. Hatalı veya yetersiz onarım işlemleri, kullanıcı için tehlike ve risk oluşturabilir.
- Bu ürün ticari kullanım için tasarlanmamıştır, evde ve aşağıdakiler gibi uygulamalarda kullanılmak üzere tasarlanmıştır:
  - Dükkanların, ofislerin ve diğer çalışma ortamlarının personel mutfaklarında;
  - Çiftlik evlerinde;

- Otel, motel ve diğer konaklama mekânlarında müşteriler tarafından;
- Pansiyon türü mekanlarda.
- Ürünü yalnızca bu kılavuzda açıklanan kullanım amacı doğrultusunda çalıştırın.
- Ürünün yanlış montajı veya kullanımından doğacak olan hasarlardan üretici sorumlu tutulamaz.
- Bu cihaz, güvenli bir şekilde kullanılmasıyla ilgili kendilerine gözetim veya talimat verilmişse ve içermiş olduğu tehlikeler kendileri tarafından anlaşılmışsa 8 yaş ve üzeri çocuklar ve fiziksel, duyuşsal veya zihinsel yetenek eksikliği bulunmayan veya tecrübe ve bilgi eksikliği olmayan kişiler tarafından kullanılabilir.
- Çocuklar cihazla oynamamalıdır. Temizlik ve kullanıcı bakım işlemleri, başlarında bir büyük olmadığı sürece çocuklar tarafından yapılmamalıdır.
- Ürününüzün kurulumu tamamlandığında ürününüzün en alt noktası ile ocak üzerindeki pişirme kaplarının bulunduğu yüzey

arasında en az 65 cm mesafe olmalıdır.

- Gazlı ocağın montaj talimatları, yukarıda belirtilenden daha fazla bir mesafe olması gerektiğini belirtiyorsa, bu göz önünde bulundurulmalıdır.
- Şebeke güç kaynağınızın, ürün etiketinde belirtilen bilgilere uygun olduğundan emin olun.
- Elektrik kablosu veya ürün hasarlıysa ürünü asla kullanmayın.
- Elektrik kablosunun hasar görmesini önlemek için sıkışmasını, kıvrılmasını veya keskin kenarlara sürtünmesini engelleyin. Elektrik kablosunu sıcak yüzeylerden ve çıplak alevden uzak tutun.
- Ürünü yalnızca topraklı bir prizle kullanın.

**UYARI:** Ürünün montajı yapılmadan fişi prize takmayınız.

- Ürünü, elektrik fişine her zaman ulaşılabilir şekilde yerleştirin.
- Ürününüzün lambaları uzun süre çalıştığında dokunmayınız. Lambalar sıcak olacağından elinizi yakabilir.

- Çıkış havasının boşaltılması ile ilgili yetkili makamların kural yönergelerine uyunuz.(Bu uyarı bacasız kullanımlar için geçerli değildir.)
- Ocakların üzerine tencere, tava vb. koyduktan sonra ürününüzü çalıştırınız. Aksi halde yüksek ısı ürününüzün bazı parçalarının deforme olmasına sebep olabilir.
- Ocakların üzerinde tencere, tava vb. almadan önce ocağı kapatınız.
- Ocak üzerinde kızgın yağ bırakmayınız. İçinde kızgın yağ bulunan kaplar kendiliğinden tutuşmaya sebep olabilir.
- Kızartma cinsi vb. yemekler yaparken yağlar alev alabilir perde ve örtülerinize dikkat ediniz
- Yağ filtrelerini ayda bir kez yıkayınız. Karbon filtrelerini 3 ayda bir değiştiriniz.
- Temizlik periyodik zamanlara uygun yapılmaz ise ürününüz yangın riski oluşturabilir.
- Filtre yerine aleve dayanıksız filtreleme malzemeleri kullanmayınız.



- Yalnızca orijinal parçaları veya üretici tarafından önerilen parçaları kullanın.
- Ürününüzü filtresiz çalıştırmayınız, ürün çalışır durumdayken filtreleri çıkartmayınız.
- Herhangi bir alevlenme başlaması halinde, ürününüzün ve pişirme cihazlarının enerjisini kesiniz. (Cihazın fişini prizden çekiniz veya ana şarteli kapatınız).
- Bir alevlenme başlaması halinde, alevin üstünü kapatınız. Söndürmek için asla su kullanmayınız.
- Ürünü temizlemeden önce her zaman prizden çekin ve ürün kullanımdayken asla temizlik yapmayın.
- Elektrikli ocak üstü davlumbaz ve elektrikten başka enerji ile beslenen cihazlar aynı anda çalışırken odadaki negatif basınç 4 Pa ( 4 X 10 bar )'ı aşmamalıdır.
- Ürününüzün kullanılacağı ortamda akaryakıt veya gaz halindeki yakıtlarla çalışan, örneğin kat kaloriferi gibi, bu cihazın egzostu bulunduğu hacimden tam anlamıyla yalıtılmış veya cihaz

hermetik tip olmalıdır.

- Ürünüze baca bağlantısı yaptığınızda 150 mm veya 120 mm çaplı borular kullanınız. Yapılan boru bağlantısı mümkün olduğu kadar kısa ve az dirsekli olmalıdır.

**Boğulma tehlikesi!** Tüm ambalaj malzemelerini çocuklardan uzak tutun.

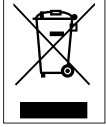
**DİKKAT:** Pişirme cihazları ile çalıştırıldığında erişilebilir bölümler sıcak olabilir.

- Ürününüzün çıkışı başka dumanların bulunduğu hava kanallarına bağlanmamalıdır.
  - Elektrikli ocak üstü davlumbaz, gaz veya diğer yakıtları kullanan cihazlarla aynı anda kullanıldığında, odanın havalandırması yeterli olmalıdır. Bu uyarı bacasız kullanımlar (karbon filtreli kullanımlar) için geçerli değildir.
  - Cihaz üzerine konulmuş cisimler düşebilir. Cihazın üzerine herhangi bir cisim koymayınız.
  - Ürününüzün altında yemekleri alevlendirmek kesinlikle yasaktır.
- UYARI:** Davlumbazı monte etmeden önce, koruyucu filmleri çıkartın.

- Ürününüz çalışır haldeyken, altında çıplak alev bırakmayınız.
- Derin yağda yapılan kızartma işlemleri gözetim altında yapılmalıdır, yüksek sıcaklığa ulaşan yağ alev alabilir.

## 1.2 AEEE Yönetmeliğine Uyum ve Atık Ürünün Elden Çıkarılması

Bu ürün T.C. Çevre ve Şehircilik Bakanlığı tarafından yayımlanan "Atık elektrikli ve Elektronik eşyaların Kontrolü Yönetmeliği"nde belirtilen zararlı ve yasaklı maddeleri içermez.



AEEE Yönetmeliğine uygundur. Bu ürün, geri dönüşümlü ve tekrar kullanılabilir nitelikteki yüksek kaliteli parça ve malzemelerden üretilmiştir.

Bu nedenle, ürünü, hizmet ömrünün sonunda evsel veya diğer atıklarla birlikte atmayın. Elektrikli ve elektronik cihazların geri dönüşümü için bir toplama noktasına götürün. Bu toplama noktalarını bölgenizdeki yerel yönetime sorun.

Kullanılmış ürünleri geri kazanıma vererek Çevrenin ve doğal kaynakların korunmasına yardımcı olun.

## 1.3 Ürünün ambalajı

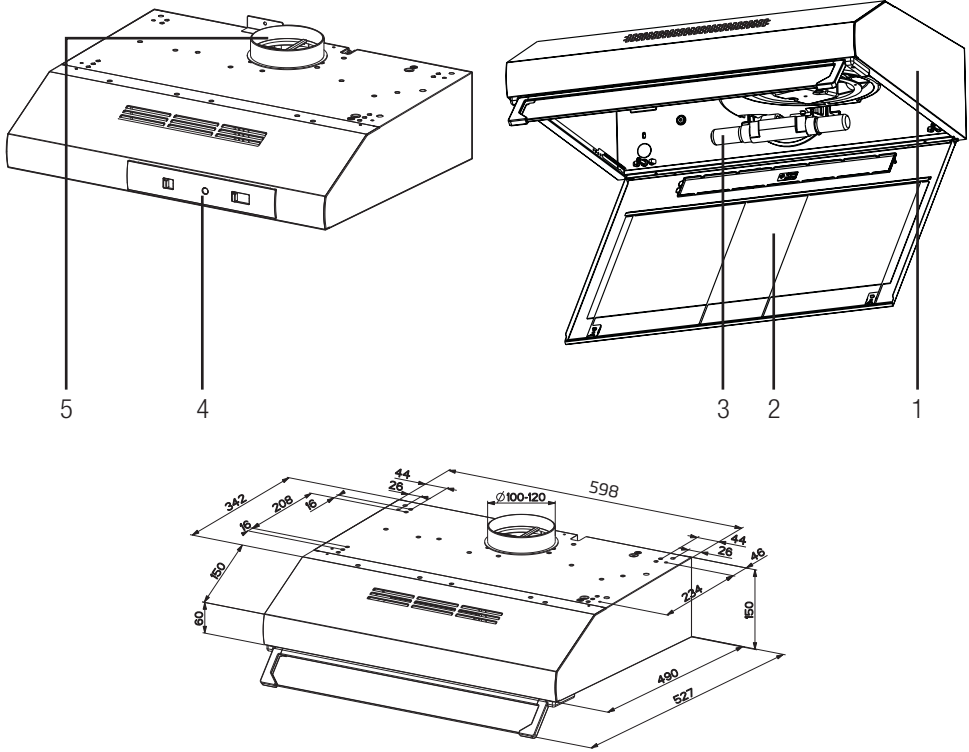


Ürününüzde kullanılan ambalajlar geri dönüşümü mümkün ambalajlardır.

Ürününüzün ambalajlarının çevresel açıdan geri dönüşüm sürecine katılmasını sağlamanız için yerel resmi makamların kurallarına uygun olarak ambalajların ayrıştırılmasını sağlayınız.

## 2 Genel görünüm

### 2.1 Genel Bakış



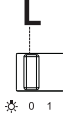
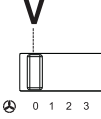
1. Gövde
2. Yağ filtresi
3. Aydınlatma
4. Kontrol grubu
5. Baca

### 2.2 Teknik veriler

<b>Model</b>	CFB 6432 X CFB 6432 W CFB 6432 XG CFB 6432 WH CFB 6432 XH-1	CFB 6431 W CFB 5432 W CFB 6437 W
<b>Besleme gerimi ve frekans</b>	220-240V ~ 50 Hz	
<b>Lamba gücü</b>	2 x 4 W	
<b>Motor gücü</b>	2 x 115 W	
<b>Debl – 3. Kademe</b>	380 m <sup>3</sup> /h	
<b>Motor yalıtım sınıfı</b>	Class F	
<b>Yalıtım sınıfı</b>	Class II	

## 3 Davlumbazın kullanımı

### 3.1 Cihazın kontrolü

	
<b>TUŞ</b>	<b>FONKSİYON</b>
<b>L : Lamba Açma / Kapama</b>	Aydınlatmayı açar - kapatır.
<b>V : Hız Butonu</b>	Davlumbazın çalışma hızını belirler: 0. Aspiratör motorunu açar - kapatır. 1. Minimum hız, az duman mevcut olduğunda gayet sessiz şekilde hava dolaşımı sağlar. 2. Orta hız, genel kullanımın büyük kısmını kapsar, ses düzeyi ile hava dolaşımı oranı mükemmeldir. 3. Maksimum hız, Hem çok yoğun duman, hem de uzun süreli pişirmelerde kullanıma uygundur.

- Aspiratör davlumbaz kokuları ortadan kaldırmak üzere sadece ev tipi mutfaklarda kullanılmak için tasarlanmıştır.
- Davlumbazı kullanım amacı dışında asla kullanmayın.
- Davlumbaz çalışırken altında yüksek seviyede açık ateş bırakmayın.
- Alev yoğunluğunu doğrudan tavanın altına gelecek şekilde ayarlayın, yanlardan taşmamasına özen gösterin.
- Fritözler kullanılırken sürekli olarak takip edilmelidir: aşırı ısınan yağ alev alabilir

### 3.2 Enerji tasarrufu açısından


- Cihazı kullanırken gereksiz enerji tüketimini önlemek için koku ve buhar yoğunluğuna göre hız kademelerini ayarlayın.
- Normal koşullarda düşük hızlar (1-2) güçlü koku ve buhar yoğunlaşması durumunda yüksek hızları (3) kullanın.
- Cihazda ki lambalar pişirme alanını aydınlatmanız için konulmuştur.
- Ortamın/mutfağın aydınlatılmasında kullanılması gereksiz enerji tüketimi ve yetersiz aydınlatmaya sebep olacaktır.
- Cihazınızın daha az enerji tüketmesi için düşük hız kademesinde çalıştırın.
- Cihazınıza yeterli hava girişi sağladığınızda cihazınız daha verimli çalışacağından enerji tüketimini azaltacaktır.
- Yoğun buharın oluşacağını bildiğiniz durumlarda, cihazınızı yoğun emiş gücü kademesine buhar oluşmadan getirin. Cihazınıza yeterli hava girişi gireceğinden dolayı cihazınızı daha kısa süre kullanarak enerji tüketimini azaltırsınız.
- Çıkan buharı azaltmak için pişirme kaplarının kapağını kapalı tutun.
- Cihazınıza ve aydınlatmasına ihtiyaç duymadığınızda cihazınızı kapatın.

## 3 Davlumbazın kullanımı

### 3.3 Davlumbazın kullanılması

- Cihazda çeşitli hızlara sahip bir motor bulunmaktadır.
- İyi bir performans için normal koşullarda düşük hızların, güçlü koku ve buhar yoğunlaşması halinde yüksek hızların kullanılmasını öneririz.
- Cihazı istediğiniz hız ayar düğmesinden birine basarak çalıştırabilirsiniz. (V1, V2, V3)
- Lambaya düğmesine basarak pişirme alanını aydınlatabilirsiniz. (L)

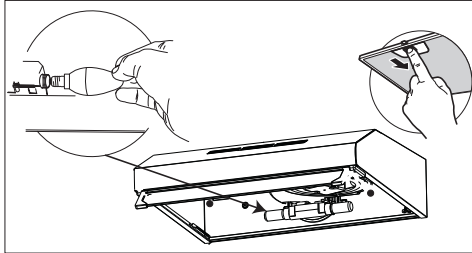
### 3.4 Lamba değişimi




- Lambaları değiştirmeden önce davlumbazın güç beslemesini kesin.
- Lambalar sıcakken onlara dokunmayın.
- Değiştirilen lambalara doğrudan ellerinizle dokunmamaya dikkat edin.



Lambaları Yetkili Servislerden temin edebilirsiniz.

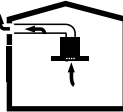


<b>Ampul</b>	
<b>Ampul Gücü</b>	4 W
<b>Ampul Voltajı</b>	220 - 240 V
<b>ILCOS Kodu</b>	DRBB/F-4-220-240-E14-35/100

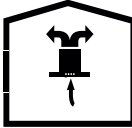
<b>Boyut</b>	35x100 mm
<b>Işık gücü</b>	400 lm
<b>Benzer renk sıcaklığı</b>	3000 K

Bu ürün, enerji verimliliği sınıfı "F" olan bir ışık kaynağı içerir.

### 3.5 Baca bağlantılı kullanım

-  Buharlar, cihaz üzerindeki bağlantı kafasına tespit edilmiş baca borusu vasıtasıyla dışarı atılır.
- Baca borusunun çapı bağlantı halkasına eşit olmalıdır. Yatay düzenlemelerde havanın odadan dışarı kolayca çıkması için borunun yukarıya doğru hafif eğimli (yaklaşık 10°) olması gerekmektedir.

### 3.6 Baca bağlantısız kullanım

-  Hava karbon filtreden süzülür ve tekrar odaya geri gönderilir. Karbon filtre evde baca olmasının imkansız olduğu halde kullanılır.
- Baca bağlantısız kullanımda baca adaptörü içerisindeki klepeleri çıkarın.
- Yağ filtrelerini sökün. Karbon filtreyi monte etmek için karbon filtreyi fan gövdesinin her iki yanında bulunan plastik parçaya merkezleyerek tırnaklara oturturun. Sağa ya da sola doğru çevirerek sıkıştırın.
- Yağ filtrelerini tekrar takın.

## 4 Temizlik ve bakımı

Cihaz düzenli olarak temizlenmeli ve bakım işlemleri yapılmalıdır. Cihazın temiz bir durumda tutulmaması, cihazın hizmet ömrünü olumsuz etkileyecektir. Temizlik ve bakım için kılavuzda verilen talimatlara uyun.



Temizlik ve bakım işlemi yapılmadan önce, cihazın fişini prizden çekin, veya şalteri kapatın.



Cihazın temizlenmesi ve filtrelerin değiştirilmesi ile ilgili hükümlere uyulmaması yangın riskine neden olabilir. Bu nedenle burada verilen yönergelere uyulması önerilir. Üretici, uygunsuz kullanımdan kaynaklanan motor hasarlarından veya yangınlardan sorumlu değildir.

Sadece nötr sıvı deterjanla nemlendirilmiş bir bez kullanarak temizleyin. Aşındırıcı ürünler ve alkol kullanmayın.

### 4.1 Yağ filtrelerinin temizlenmesi

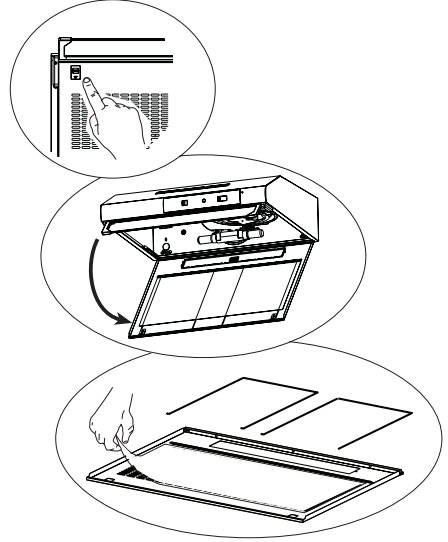
Yağ filtreleri, havadaki yağ parçacıklarını tutmaya yarar. Yağ filtreleri yıkandığında renk değişimi gözlenebilir bu durum normaldir yağ filtrelerinizi değiştirmeniz gerekmez.



Yağ filtrelerinizi bulaşık makinesinde de yıkayabilirsiniz.

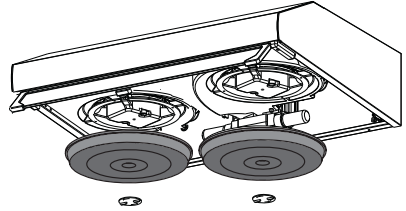


**DİKKAT:** Filtrenizi normal kullanımda ayda bir kez temizleyin.



### 4.2 Karbon filtrelerinin değiştirilmesi

Koku giderici filtrelerin içinde kömür (Aktif karbon) bulunmaktadır. Karbon filtre kullanılsın ya da kullanılmıyken her durumda yağ filtreleri üründe takılı olmalıdır.



#### DİKKAT



- Karbon filtre asla yıkanmamalıdır.
- Karbon filtrelerini 3 ayda bir değiştiriniz.
- Karbon filtreyi yetkili servislerden temin edebilirsiniz

## 5 Davlumbazın kurulumu



**UYARI:** Kurulumu başlamadan önce, Kullanma Kılavuzundaki güvenlik bilgisini okuyun.



**UYARI:** İşbu talimatlara uygun vida ve sabitleyicilerle monte edilmemesi, elektrik şokla sonuçlanabilir.

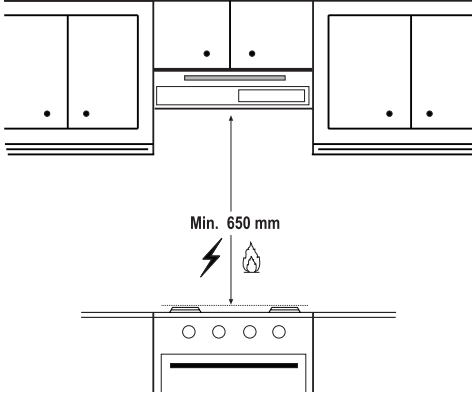


Kurulum kılavuzu için lütfen 235. sayfaya bakın.

Davlumbazın montajı için size en yakın Yetkili Servisi'ne başvurun.

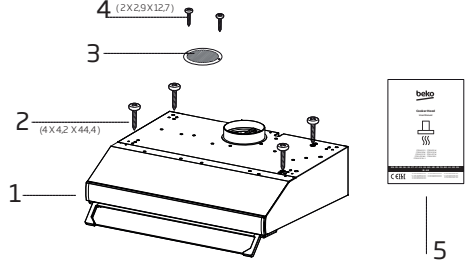
Davlumbazın yerinin ve elektrik tesisatının hazırlanması müşteriye aittir.

### 5.1 Davlumbazın konumu



- Davlumbazın montajı yapılmadan önce ocak ile arasındaki mesafeye dikkat edilmelidir. Bu mesafe 65 cm olmalıdır.
- Gazlı ocaklarda ızgara yüzeyinden,
- Elektrikli ocaklarda cam yüzey üzerinden ölçü alınmalıdır.

### 5.2 Kurulum aksesuarları



1. Davlumbaz
2. 4 x 4,2 x 44,4 vida
3. Hava çıkış ızgarası
4. 2 x 2,9 x 12,7 vida
5. Kullanım kılavuzu

### 5.3 Saklama

- Cihazı uzun süre kullanmayı düşünmüyorsanız lütfen dikkatli bir şekilde saklayın.
- Cihazı kaldırmadan önce fişini çekin ve tamamen soğumasını bekleyin.
- Cihazı ve aksesuarlarını orijinal ambalajlarında saklayın.
- Serin ve kuru bir yerde saklayın.
- Cihazı her zaman çocukların ulaşamayacağı bir yerde muhafaza edin.

### 5.4 Taşıma ve nakliye

- Taşıma ve nakliye sırasında cihazı orijinal ambalajında taşıyın. Ambalaj, cihazı fiziksel hasarlara karşı korur.
- Cihazın veya ambalajın üzerine ağır yükler koymayın. Cihaz hasar görebilir.
- Cihazın düşürülmesi arızalanmaya veya kalıcı hasara neden olur.

## 6 Arıza giderme

Arıza Giderme	Nedeni	Yardım
Ürün çalışmıyor.	Sigortalarınızı kontrol edin.	Sigorta atmış olabilir, kontrol ederek yeniden açın.
Ürün çalışmıyor.	Elektrik bağlantısını kontrol edin.	Şebeke gerilimi 220-240 V arasında olmalıdır.
Ürün çalışmıyor.	Elektrik bağlantısını kontrol edin.	Mutfağınızdaki diğer ürünlerin çalışıp çalışmadığını kontrol edin.
Aydınlatma lambası yanmıyor.	Elektrik bağlantısını kontrol edin.	Şebeke gerilimi 220-240 V arasında olmalıdır.
Aydınlatma lambası yanmıyor.	Lamba anahtarını kontrol edin.	Lamba anahtarı "açık" konumda olmalıdır.
Aydınlatma lambası yanmıyor.	Lambaları kontrol edin.	Ürünün lambaları yanmalıdır.
Ürün hava girişi yetersiz çalışıyor.	Filtreyi kontrol edin.	Yağ filtresi normal şartlar altında ayda en az bir kez temizlenmelidir.
Ürün hava girişi yetersiz çalışıyor.	Hava tahliye bacasını kontrol edin.	Hava tahliye bacası "açık" konumda olmalıdır.
Ürün hava girişi yetersiz çalışıyor.	Karbon filtreyi kontrol edin.	Karbon filtreli ürünlerin filtresi normal olarak 3 ayda bir değiştirilmelidir.



# 7 Tüketici hizmetleri

## Müşteri Hizmetleri

### Müşteri Memnuniyeti Politikası

- Müşterilerimizin istek ve önerilerini her kanaldan karşılamaktan mutluluk duyarız.

#### Kanallarımız:

\* Çağrı Merkezimiz: 0850 210 0 888

(Sabit telefonlardan veya cep telefonlarından alan kodu çevirmeden arayın\*)

\* Diğer Numaramız: 0216 585 8 888

- Çağrı Merkezimiz haftanın 7 günü 24 saat hizmet vermektedir.

- Çağrı Merkezimiz ile yaptığınız görüşmeler iletişim hizmeti aldığınız operatör firma tarafından sizin için tanımlanan tarifeye göre ücretlendirilir.

- Sabit veya cep telefonlarınızdan alan kodu tuşlamadan çağrı merkezi numaramızı arayarak ürününüz ile ilgili arzu ettiğiniz hizmeti talep edebilirsiniz.

\* Whatsapp Numaramız: 0544 444 0 888

\* Faks Numaramız: 0216-423-2353

\* Web Adresimiz:

- [www.beko.com.tr](http://www.beko.com.tr)

\* e-posta Adresimiz:

- [musteri.hizmetleri@beko.com](mailto:musteri.hizmetleri@beko.com)

\* Sosyal Medya Hesaplarımız:

- <https://www.instagram.com/bekoturkiye/>

- [https://twitter.com/beko\\_tr](https://twitter.com/beko_tr)

- <https://www.facebook.com/bekoturkiye/>

- <https://www.youtube.com/user/BekoChannel>

\* Posta Adresimiz:

- Arçelik A.Ş. Karaağaç Caddesi No:2-6,  
34445, Sütlüce / İSTANBUL

\* Bayilerimiz,

- <http://www.beko.com.tr/yetkili-saticilar>

\* Yetkili Servislerimiz,

- <https://www.beko.com.tr/yetkili-servis>

- Tüm yetkili servis istasyonu bilgilerimiz, Ticaret Bakanlığı tarafından oluşturulan "Servis Bilgi Sistemi"nde ([www.servis.gov.tr](http://www.servis.gov.tr)) yer almaktadır.

- Yedek parça malzemeleri yetkili servislerimizden temin edilebilir.

- Online servis randevusu almak için,

- <http://digital.arcelik.com.tr>

- Müşterilerimizden iletilen istek ve önerilerin Beko'ya ulaştığı bilgisini, müşteri profili ayrımı yapılmaksızın kendilerine 24 saat içinde veririz.
- Müşteri Hizmetleri sürecimiz:  
Müşterilerimizin istek ve önerilerini;  
\* **İzlenebilir, raporlanabilir, şeffaf ve güvenli tek bir bilgi havuzunda toplarız.**  
\* **Yasal düzenlemelere uygun, objektif, adil ve gizlilik içinde ele alır ve değerlendiririz.**  
\* **Bu geri bildirimleri süreçlerimizin daha mükemmel hale getirilmesinde kullanırız.**
- Beko olarak, mükemmel müşteri deneyimini yaşatmayı ana ilke olarak kabul eder, müşteri odaklı bir yaklaşım benimseriz.
- Bütün süreçlerimizi yönetim sistemi ile entegre ederek birbirini kontrol eden bir yapı geliştirilmesini sağlarız.  
Yönetim hedeflerini de bu sistem üzerinden besleriz.

### Aşağıdaki önerilere uymanızı rica ederiz.

- Ürününüzü aldığınızda Garanti belgesini Yetkili Satıcıya onaylattırınız.
- Ürününüzü kullanma kılavuzu esaslarına göre kullanınız.
- Ürününüz ile ilgili hizmet talebiniz olduğunda yukarıdaki telefon numaralarından Çağrı Merkezimize başvurunuz.
- Hizmet için gelen teknisyene "teknisyen kimlik kartı"nı sorunuz.
- İşiniz bittiğinde Yetkili servis teknisyeninden "Hizmet Fişi" istemeyi unutmayınız. alacağınız "Hizmet Fişi" , ilerde ürününüzde meydana gelebilecek herhangi bir sorunda size yarar sağlayacaktır.
- Ürünün kullanım ömrü: 10 yıldır. (Ürünün fonksiyonunu yerine getirebilmesi için gerekli yedek parça bulundurma süresi)

## 7 Tüketici hizmetleri

### Hizmet talebinin değerlendirilmesi

1

#### Müşteri Başvurusu



2

#### Başvuru kaydı

Başvuru Konusu  
Müşteri Adı, Soyadı  
Müşteri Telefonu  
Müşteri Adresi

3

#### Hizmet talebinin alınması

- Hizmet talebi analizi
- Hizmet hakkında müşterinin bilgilendirilmesi (Keşif,nakliye,montaj,bilgi,onarım,değişim vb.)
- Hizmet hakkında gerekli işlemin gerçekleştirilmesi

4

#### Müşteri memnuniyetinin alınması



5

#### Başvuru kaydının kapatılıp, bilgilerin saklanması

## **Bu kılavuzu okumadan ürününüzü çalıştırmayınız.**

Ürününüz ile ilgili garanti şartları, kullanımı ve sorun giderme yöntemleri kılavuzda yer almaktadır.

Uygun Kullanım ve Garanti ile İlgili Dikkat Edilmesi Gereken Hususlar;

Aşağıda belirtilen sorunların giderilmesi ücret karşılığında yapılır. Bu durumlar için garanti şartları uygulanmaz;

1. Kullanım hatalarından kaynaklanan hasar ve arızalar,
  2. Malın tüketiciye tesliminden sonraki yükleme, boşaltma, taşıma vb. sırasında oluşan hasar ve arızalar,
  3. Malın kullanıldığı yerin elektrik (priz, gerilim, topraklama vb.), su (su basıncı, musluk vb.), doğalgaz, telefon, internet vb. şebekesi ve/veya altyapısı (gider, zemin, ortam vb.) kaynaklı meydana gelen hasar ve arızalar,
  4. Doğa olayları ve yangın, su baskını vb. kaynaklı meydana gelen hasar ve arızalar,
  5. Malın tanıtma ve kullanma kılavuzlarında yer alan hususlara aykırı kullanılmasından kaynaklanan hasar ve arızalar,
  6. Malın, 6502 sayılı Tüketicinin Korunması Hakkındaki Kanununda tarif edilen şekli ile ticari veya mesleki amaçlarla kullanımı durumunda ortaya çıkan hasar ve arızalar,
  7. Mala yetkisiz kişiler tarafından bakım, onarım veya başka bir nedenle müdahale edilmesi
- Durumlarında mala verilmiş garanti sona erecektir.

Garanti uygulaması sırasında değiştirilen malın garanti süresi, satın alınan malın kalan garanti süresi ile sınırlıdır.

Garanti uygulaması sırasında değiştirilen malın garanti süresi, satın alınan malın kalan garanti süresi ile sınırlıdır.

Ürününüz Arçelik A.Ş. tarafından üretilmiştir.

Menşei: Türkiye

## GARANTİ ŞARTLARI

- Garanti süresi, malın teslim tarihinden itibaren başlar ve 2 yıldır.
- Malın tanıtma ve kullanma kılavuzunda gösterildiği şekilde kullanılması ve Arçelik A.Ş.'nin yetkili kıldığı servis çalışanları dışındaki şahıslar tarafından bakım, onarım veya başka bir nedenle müdahale edilmemiş olması şartıyla, malın bütün parçaları dahil olmak üzere tamamını; malzeme, işçilik ve üretim hatalarına karşı malın teslim tarihinden itibaren yukarıda belirtilen süre kadar garanti eder.
- Malın ayıplı olduğunun anlaşılması durumunda tüketici, 6502 sayılı Tüketicinin Korunması Hakkında Kanununun 11 inci maddesinde yer alan;
  - Sözleşmeden dönme,
  - Ücretsiz onarılmasını isteme,
  - Satış bedelinden indirim isteme,
  - Satılmanın ayıpsız bir misli ile değiştirilmesini isteme, haklarından birini kullanabilir.
- Tüketicinin bu haklardan ücretsiz onarım hakkını seçmesi durumunda satıcı; işçilik masrafı, değiştirilen parça bedeli ya da başka herhangi bir ad altında hiçbir ücret talep etmeksizin malın onarımını yapmak veya yaptırmakla yükümlüdür. Tüketici ücretsiz onarım hakkını üretici veya ithalatçıya karşı da kullanabilir. Satıcı, üretici ve ithalatçı tüketici bu hakkını kullanmasından müteselsilen sorumludur.
- Tüketicinin, ücretsiz onarım hakkını kullanması halinde malın;
  - Garanti süresi içinde tekrar arızalanması,
  - Tamiri için gereken azami sürenin aşılması,
  - Tamirinin mümkün olmadığının, yetkili servis istasyonu, satıcı, üretici yada ithalatçı tarafından bir raporla belirlenmesi durumlarında;

tüketici malın bedel iadesini, ayıp oranında bedel indirimini veya imkân varsa malın ayıpsız misli ile değiştirilmesini satıcıdan talep edebilir.

Satıcı, tüketicinin talebini reddedemez. Bu talebin yerine getirilmemesi durumunda satıcı, üretici ile ithalatçı müstesilselen sorumludur.

- İlgili mevzuatlarda belirlenen kullanım ömrü süresince malın azami tamir süresi 20 iş gününü, geçemez. Bu süre, garanti süresi içerisinde mala ilişkin arızanın yetkili servis istasyonuna veya satıcıya bildirim tarihi, garanti süresi dışında ise malın yetkili servis istasyonuna teslim tarihinden itibaren başlar. Garanti kapsamı içerisindeki malın arızasının 10 iş günü içerisinde giderilememesi halinde, üretici veya ithalatçı; malın tamiri tamamlanıncaya kadar, benzer özelliklere sahip başka bir malı tüketicinin kullanımına tahsis etmek zorundadır. Benzer özelliklere sahip başka bir malın tüketici tarafından istenmemesi halinde üretici veya ithalatçılar bu yükümlülüğünden kurtulur. Malın garanti süresi içerisinde arızalanması durumunda, tamirde geçen süre garanti süresine eklenir.
- Malın kullanma kılavuzunda yer alan hususlara aykırı kullanımasından kaynaklanan hasar ve arızalar garanti kapsamı dışındadır.
- Tüketici, garantiden doğan haklarının kullanılması ile ilgili olarak çıkabilecek uyumsuzluklarda yerleşim yerinin bulunduğu veya tüketici işleminin yapıldığı yerdeki Tüketici Hakem Heyetine veya Tüketici Mahkemesine başvurabilir.
- Satıcı tarafından bu Garanti Belgesinin verilmesi durumunda tüketici, Ticaret Bakanlığı Tüketicinin Korunması ve Piyasa Gözetimi Genel Müdürlüğüne başvurabilir.

**Üretici veya İthalatçı Firmanın:**

**Unvanı:** Arçelik A.Ş.  
**Adresi:** Arçelik A.Ş. Karaağaç Caddesi No:2-6,  
34445, Sütüççe / İSTANBUL

**Malın:**

**Markası:** Beko  
**Cinsi:** Davlumbaz  
**Modeli:** CFB 6432 X CFB 6431 W  
CFB 6432 W CFB 5432 W  
CFB 6432 XG CFB 6437 W  
CFB 6432 WH  
CFB 6432 XH-1

**Telefonu:** 0216 585 8 888

**Bandrol ve Seri No:**

**Faks:** 0216 423 2353

**Garanti Süresi:** 2 YIL

**web adresi:** www.beko.com.tr

**Azami Tamir Süresi:** 20 İş günü

GENEL MÜDÜR

*Hakan Beyel*

**Arçelik A.Ş.**

GENEL MÜDÜR YRD.

*Adnan*

**Satıcı Firmasının:**

**Unvanı:**

**Fatura Tarih ve Sayısı:**

**Adresi:**

**Teslim Tarihi ve Yeri:**

**Telefonu:**

**Yetkilinin İmzası:**

**Faks:**

**Firmanın Kaşesi:**

**e-posta**

Bu bölümü, ürünü aldığımız Yetkili Satıcı ımlayacak ve kaşeleyecektir.

# Моля, първо прочетете ръководството за употреба!

Уважаеми клиенти,


Благодарим Ви, че избрахте този уред на Веко. Надяваме се да получите отлични резултати от нашия уред, произведен от висококачествени материали по най-модерна технология. Затова, преди да преминете към употребата на уреда, Ви молим първо да прочетете цялото ръководство за употреба, както и другата придружителна документация и да ги запазите за справка в бъдеще. Ако уредът смени собственика си в бъдеще, то предайте и ръководството за употреба заедно с уреда. Следвайте указанията, като обръщате внимание на цялата информация и предупреждения в инструкцията за употреба.

Не забравяйте, че това ръководство за употреба може да се отнася за няколко различни модела. Разликите между моделите са описани подробно в ръководството.


## Значение на символите

В различните раздели на ръководството са използвани следните символи:

	Важна информация и полезни съвети при употреба.
--	---

	<b>ПРЕДУПРЕЖДЕНИЕ:</b> Предупреждения срещу опасни ситуации относно здравето и собствеността.
--	---

	<b>ПРЕДУПРЕЖДЕНИЕ:</b> Предупреждение за опасност от пожар.
--	---

	<b>ПРЕДУПРЕЖДЕНИЕ:</b> Предупреждение за опасност от токов удар.
---	--

	<b>ПРЕДУПРЕЖДЕНИЕ:</b> Защитен клас за токов удар.
---	--



# 1 Важни инструкции за безопасност и опазване на околната среда

## 1.1 Обща безопасност

Важни инструкции за безопасност Прочетете внимателно и ги запазете за бъдеща справка

Този раздел съдържа инструкции за безопасност, които ще ви помогнат да се защитите от риск от пожар, електрически удар, излагане на утечка от микровълнова енергия; нараняване или повреди на собствеността. Неспазването на инструкциите прави всяка гаранция невалидна.

- Продуктите Веко съответстват на приложимите стандарти за безопасност; ето защо, в случай на повреда по уреда или храняващия кабел, той трябва да бъде ремонтиран или сменен от дилър, сервизен център или специалист и оторизиран сервиз с цел избягване

на всякакви опасности. Погрешен или неквалифициран ремонт може да доведе до опасност и риск за потребителя.

- Уредът е предназначен за битова употреба и подобни приложения като:
  - Кухненски зони за персонала в магазини, офиси и други работни среди;
  - Фермерски къщи
  - От клиенти в хотели и други видове жилищни среди,
  - Места за нощувка със закуска.
- Използвайте уреда само по предназначение, както е описано в това ръководство.
- Производителят не носи отговорност за повреди в резултат на неправилен монтаж или неправилна употреба на продукта.
- Този уред може да бъде използван от деца над

## 1 Важни инструкции за безопасност и опазване на околната среда

8 години и лица с ограничени физически, сензорни или умствени способности или такива, без необходимия опит и познания, ако същите са надзиравани или инструктирани относно употребата на уреда по безопасен начин и са наясно със свързаните рискове.

- На децата не трябва да се позволява да играят с уреда. Почистването и поддръжката на уреда не трябва да се извършват от деца без надзора на възрастен.
- Минималното разстояние между носещата повърхност за готварските съдове на котлоните и долната част на Вашия продукт трябва да бъде най-малко 65 см.
- Ако инструкциите за монтаж на газовия котлон посочват по-голямо разстояние, това трябва

да бъде взето под внимание.

- Проверете дали данните за вашето местно електрозахранване отговарят на информацията върху табелката с данни.
- Никога не използвайте уреда, ако захранващият кабел или самия уред е повреден.
- За да избегнете риска от повреда на захранващия кабел, внимавайте да не го притискате, огъвате или търкате в остри ръбове. Дръжте захранващия кабел далеч от нагорещени повърхности и открит пламък.
- Използвайте уреда само със заземени контакти.

**ПРЕДУПРЕЖДЕНИЕ:** Не свързвайте уреда към електрическата мрежа докато монтажът не е напълно приключил.

- Разположете уреда по такъв начин, че щепсе-

- лът винаги да е достъпен.
- Не пипайте лампите ако са работили дълго време. Тъй като са горещи, могат да Ви изгорят ръцете.
- Следвайте наредбите, определени от компетентните органи относно освобождаването на отработения въздух (това предупреждение не се прилага при употреба без вентилационна тръба).
- Работете с Вашия уред след като поставите тенджерата, тиган и т.н. на котлона. В противен случай, топлината може да предизвика деформирани на някои части на Вашия продукт.
- Изключете котлона преди да отстраните тенджерата, тигана и т.н. от него.
- Не оставяйте гореща мазнина на котлона. Тигани с гореща мазнина могат да предизвикат самозапалване.
- Внимавайте с Вашите пердета и покривки, тъй като мазнината може да се възпламени докато приготвяте храна като пържени картофи.
- Филтърът за мазнини трябва да бъде подменян поне веднъж месечно. Филтърът с активен въглен трябва да бъде подменян поне един път на 3 месеца.
- Продуктът трябва да се почиства според инструкциите в ръководството за употреба. Ако почистването не е извършено според инструкциите в ръководството за употреба, може да съществува риск от пожар.
- Не използвайте неогнеупорни филтърни



## 1 Важни инструкции за безопасност и опазване на околната среда

материали вместо настоящия филтър.

- Използвайте само оригинални части или такива, препоръчани от производителя.
- Не работете с продукта без филтъра и не отстранявайте филтрите, докато продуктът работи.
- В случай на поява на някакъв пламък, прекъснете захранването на Вашия продукт и на другите готварски уреди.
- В случай на поява на някакъв пламък, покрийте пламъка и никога не използвайте вода, за да го загасите.
- Изключвайте уреда преди всяко почистване и когато не го използвате.
- Отрицателното налягане в околната среда не трябва да превишава 4 Па (4 x 10 бара) докато

абсорбаторът за електрически котлон и други уреди работят заедно, захранвани от друг вид енергия, освен електричество.

- В околната среда, където се използва абсорбатора, отработеният въздух от устройствата, захранвани с газ или течено гориво, като например стайна печка, трябва да бъде напълно изолиран или устройството да бъде от херметически изолиран вид.
- Когато свързвате към вентилацията, използвайте тръби с диаметър 120 или 150 мм. Тръбната връзка трябва да бъде възможно най-къса и да има възможно най-малък брой чупки.

**Има опасност от задушаване!** Дръжте опаковъчните материали далеч от достъпа на деца.

# 1 Важни инструкции за безопасност и опазване на околната среда

**ВНИМАНИЕ:** Достъпните части могат да се нагорещат ако се използват заедно с уред за готвене.

- Изходът на продукта не трябва да е свързан с въздухопроводи, в които се извежда друг дим.
- Вентилацията в стаята трябва да бъде оскъдна, когато абсорбаторът за електрически котлон се използва едновременно с устройства, работещи на газ или други горива (това би могло да не се прилага за уреди, които само освобождават въздуха обратно в стаята).
- Поставените върху продукта предмети може да паднат. Не поставяйте никакви предмети върху уреда.
- не фламбирайте под Вашия уред.

**ПРЕДУПРЕЖДЕНИЕ:** Преди да монтирате абсорбатора отстранете за-

щитното фолио.

- Не оставяйте висок пламък да гори под абсорбатора когато е включен
- Съдовете в които се пържи с много мазнина трябва да бъдат постоянно следени при употреба: прегрялото олио може да се възпламени.

## 1.2 Съответствие с директивата WEEE и Изхвърляне на отпадъчните продукти:

Уредът съответства на европейската директива WEEE. (2012/19/EU). Този продукт притежава класификационен символ за отпадъчно електрическо и електронно оборудване (WEEE).



Този символ указва, че продуктът не бива да се изхвърля с други битови отпадъци в края на експлоатационния си живот. Използваното устройство трябва да бъде върнато в официален пункт за събиране и рециклиране на електрически и електронни устройства. За да откриете тези пунктове за събиране, моля обърнете се към местния орган или търговецът, от който е закупен продуктът. Всяко домакинство играе важна роля във възстановяването и рециклирането на стар уред. Правилното изхвърляне на използвани уреди спомага за предотвратяването на потенциални нега-

тивни последици върху околната среда и човешкото здраве.

## 1.3 Съответствие с Директива RoHS

Закупеният от вас продукт съответства на европейската директива RoHS (2011/65/EU). Не съдържа вредни и забранени материали. Директива.

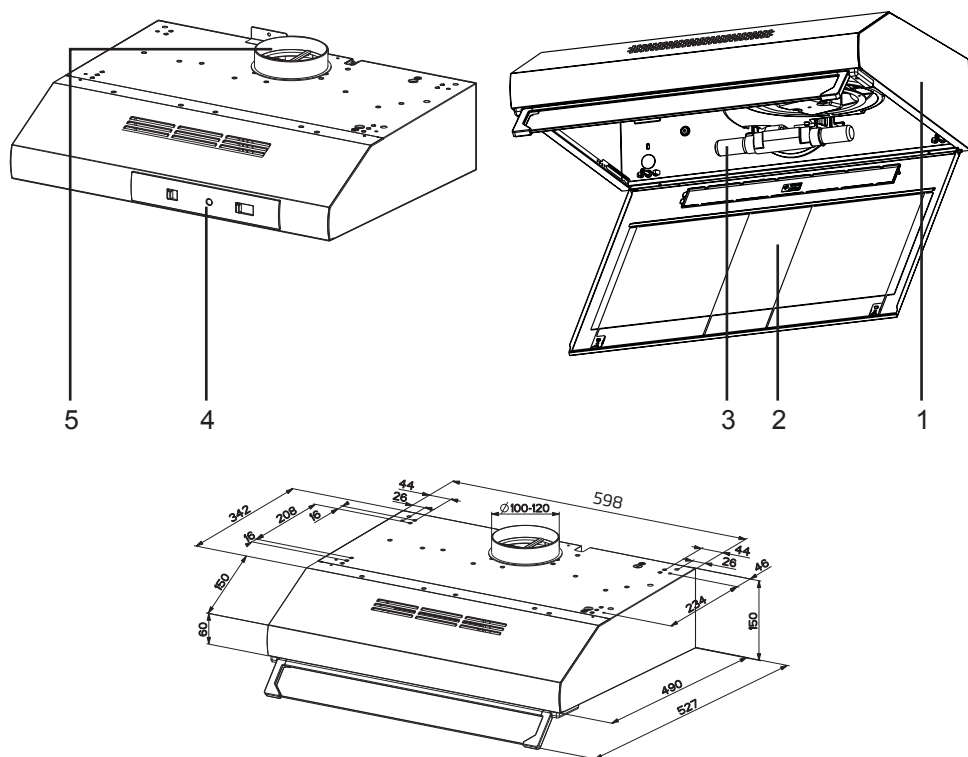
## 1.4 Информация за опаковката



Опаковъчните материали на продукта са произведени от рециклируеми материали в съответствие с нашите Национални наредби за околната среда. Не изхвърляйте опаковъчните материали заедно с битовите и други отпадъци. Отнесете ги в пунктове за събиране на опаковъчни материали, посочени от местните власти.

## 2 Общ външен вид

### 2.1 Преглед




1. Тяло
2. Филтър за мазнини
3. Осветление
4. Контролен панел
5. комин

### 2.2 Технически данни

Модел	CFB 6432 X CFB 6432 W CFB 6432 XG CFB 6432 WH CFB 6432 XH-1	CFB 6431 W CFB 5432 W CFB 6437 W
Захранващо напрежение и честота	220-240V ~ 50 Hz	
Мощност на лампата	2 x 4 W	
Мощност на двигателя	2 x 115 W	
Въздушен поток - 3. Ниво	380 m <sup>3</sup> /h	
Клас на изолация на двигателя	Клас F	
Клас на изолация	Клас II	

## 3 Функциониране на Уреда

### 3.1 Използване на клавишния превключвател

	
<b>L : Включване/ изключване на светлината</b>	Включва и изключва осветлението.
<b>V : Бутон за скорост</b>	Задава работната скорост на екстрактора: 0. Включва и изключва мотора на екстрактора. 1. Ниска скорост, използва се за непрекъснат и безшумен обмен на въздух в присъствието на леки изпарения при готвене. 2. Средна скорост, подходяща за повечето режими на работа, като се има предвид оптималното съотношение отработен въздушен поток /ниво на шума. 3. Максимална скорост, използва се за елиминирание на най-високите емисии изпарения при готвене, включително за дълги периоди.

- Аспираторът е предназначен изключително за домашна употреба за премахане на миризмите в кухнята.
- Никога не използвайте аспираторът за цели, различни от тези за които е проектиран.
- Никога не оставяйте висок открит пламък под аспиратора, когато работи.
- Регулирайте интензитета на пламъка, за да го насочите само към дъното на тигана, като внимавате да не погълне страните.
- Фритюрниците с дълбока мазнина трябва да се наблюдават непрекъснато по време на употреба: прегрятото масло може да избухне в пламъци.

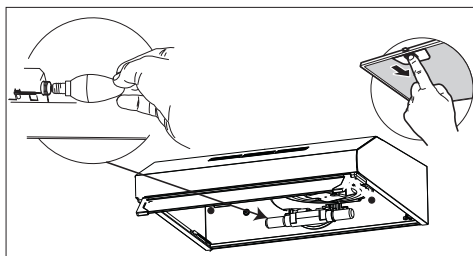
### 3.2 Енергоефективна Работа в Условието на Икономия Употреба

- Когато използвате вашия уред, регулирайте настройките на скоростта според силата на изпарения и миризма, за да спестите енергия.
- Използвайте ниски скорости (1-2) при нормални условия и високи скорости (3) за интензивна миризма и пара.
- Лампите на аспиратора са поставени за осветяване на зоната за готвене.
- Използването им за осветление на околната среда ще доведе до ненужни разходи на енергия и недостатъчно осветление.
- За да може устройството Ви да консумира по-малко енергия, работете на ниска скорост.
- Вашето устройство ще намали консумацията на енергия, тъй като ще работи по-ефективно, когато му осигурите достатъчен приток на въздух.
- Настройте устройството на ниво на интензивно всмукване преди форми-

## 3 Функциониране на Уреда

рането на пара, в случаите, когато знаете, че ще се появи интензивна пара. По този начин намалявате потреблението на енергия, като използвате устройството за по-кратко време, тъй като то ще има достатъчен приток на въздух.

- Дръжте капациите на готварските съдове затворени, за да намалите отделянето на пара.



### 3.3 Работа с аспиратора

- Аспираторът е оборудван с двигател с различни настройки на скоростта.
- За по-добра ефективност Ви съветваме да използвате ниски скорости при нормални условия и високи скорости, когато миризмата и парите се усилват.
- Можете да стартирате аспиратора, като натиснете желаните клавиши за ниво на скоростта. (V1, V2, V3 )
- Можете да осветите зоната за готвене, като натиснете светлинния бутон. (L)

### 3.4 Смяна на лампа



- Преди да смените електрическите крушки, изключете захранването на аспиратора.
- Не докосвайте крушките, когато са горещи.
- Внимавайте да не докосвате подменената крушка директно с ръце.



Можете да закупите лампи от Оторизирани Сервизни Агенти.

Крушка	
Мощност на Крушката	4 W
Държач / Фасунга	E14
Напрежение на Крушката	220 - 240 V
Размер	DRBB/F-4-220-240-E14-35/100
ILCOS Код	35x100 mm
Светлинен поток	400 lm
Корелирана цветна температура	3000 K

Този продукт съдържа източник на светлина с клас на енергийна ефективност "F".

### 3.5 Управление чрез Димоотводна Връзка

- Парата се извлича през димоотвода, който се закрепва към свързващата глава на аспиратора.
- Диаметърът на димоотвода трябва да е същият като свързващото ядро. При хоризонтални настройки тръбата трябва да има лек наклон нагоре (около 10 °), така че въздухът да излиза лесно от помещението.

## 3 Функциониране на Уреда

### 3.6 Управление без Димоотводна Връзка

-  Въздухът се филтрира през въглеродния филтър и се рециркулира в помещението. Въглеродният филтър се използва, когато е невъзможно да се използва димоотвод в къщата.
- При употреба без димоотвод извадете капаците от димоотводния адаптер.

## 4 Почистване и поддръжка

Устройството трябва да бъде почиствано и поддържано редовно. Ако не поддържате устройството чисто, това ще се отрази неблагоприятно на експлоатационния му живот. За почистване и поддръжка следвайте инструкциите, посочени в ръководството.



Преди почистване и поддръжка изключете продукта от контакта или го изключете от копчето.



Неспазването на правилата, свързани с почистването на устройството и смяната на филтрите, може да доведе до риск от пожар. Следователно е препоръчително да следвате посочените в този документ указания. Производителят не носи отговорност за повреди на мотора или пожари, възникнали в резултат на неправилна употреба.

Почиствайте само с кърпа, навлажнена с неутрален течен препарат. Не почиствайте с инструменти. Не използвайте абразивни продукти. Не употребявайте алкохол.

### 4.1 Почистване на Алуминиеви Маслени Филтри

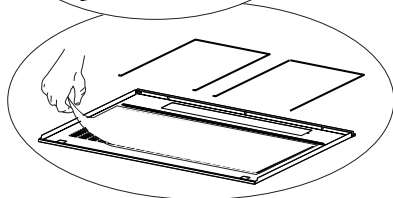
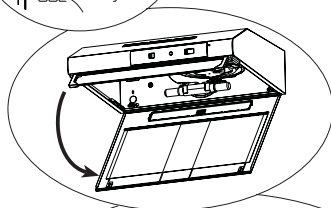
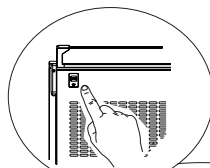
Този филтър задържа маслените частици във въздуха. Алуминиевите маслени филтри могат да променят цвета си, докато се мият; това е нормално и не изисква подмяна на вашите алуминиеви маслени филтри.



Можете също да измивате алуминиевите маслени филтри в пералнята.



**ВНИМАНИЕ:** В случай на нормална употреба, почиствайте алуминиевите маслени филтри веднъж месечно.

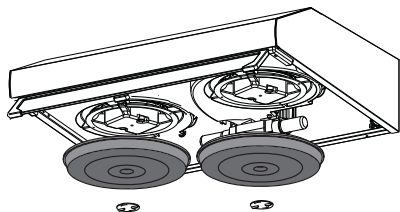


### 4.2 Подмяна на Въглеродни Филтри

Филтрите за отстраняване на миризми съдържат въглен (Активен въглен). В продукта трябва да бъдат инсталирани маслени филтри, независимо дали се използват или не въглеродни филтри.



## 4 Почистване и поддръжка



### ВНИМАНИЕ



- Карбоновият филтър никога не трябва да се мие.
- Сменяйте въглеродните филтри веднъж на всеки 3 месеца.
- Можете да закупите въглеродния филтър от оторизирани търговци.

## 5 Монтиране на Уреда



**ВНИМАНИЕ:** Преди да започнете монтажа, прочетете информацията за безопасност в Ръководството за потребителя.



**ВНИМАНИЕ:** Ако не извършите монтажа с винтове и стабилизатори в съответствие с тези инструкции, това може да доведе до ток удар.

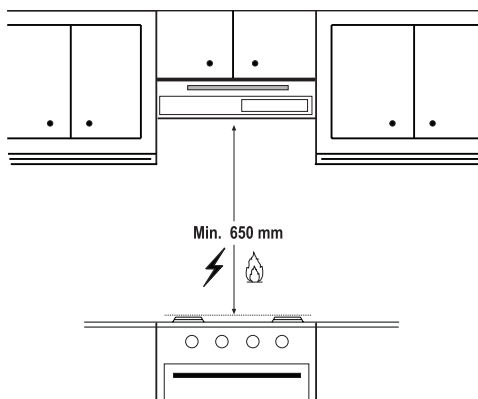


Моля, вижте страница 235 от ръководството за инсталиране

За монтажа на аспиратора се свържете с най-близкия оторизиран сервис.

Отговорност на клиента е да подготви местоположението и електрическата инсталация на аспиратора.

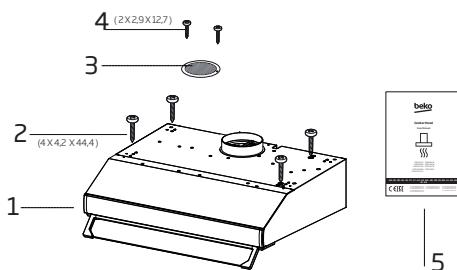
### 5.1 Положение на Уреда



- Преди монтажа трябва да се вземе предвид разстоянието между печката и аспиратора. Това разстояние трябва да бъде 65 см.

- При газови печки, разстоянието трябва да бъде измерено от повърхността на решетката,
- И от повърхността на стъклото за електрически печки.

### 5.2 Аксесоари за монтаж



1. качулка
- 2.4 X 4,2 x 44,4 винта
- 3.Решетка за изпускане на въздух
- 4.2 X 2,9 x 12,7 винта
- 5.Ръководство за употреба

### 5.3 Съхранение

- Ако не възнамерявате да използвате уреда за продължителен период от време, моля съхранете го внимателно.
- Моля, уверете се, че уредът е изключен от контакта, охладен и напълно сух.
- Съхранявайте уреда на хладно и сухо място.
- Дръжте уреда далеч от деца.

### 5.4 Манипулиране и транспортиране

- По време на работа и транспортиране носете уреда в оригиналната му опаковка. Опаковката на уреда

## 5 Монтиране на Уреда

го предпазва от физически повреди.

- Не поставяйте тежки товари върху уреда или опаковката. Уредът може да се повреди.
- Изпускането на уреда ще го направи неработещо или ще причини трайни повреди.

## 6 Отстраняване на неизправности

Отстраняване на неизправности	Причина	Помощ
Продуктът не работи.	Проверете предпазителя.	Възможно е предпазителят ви да е затворен, направете така че да работи.
Продуктът не работи.	Проверете електрическата връзка.	Главното напрежение трябва да бъде между 220-240 V.
Продуктът не работи.	Проверете електрическата връзка.	Проверете дали другите продукти във Вашата кухня работят или не.
Лампата за осветление не работи.	Проверете електрическата връзка.	Главното напрежение трябва да бъде между 220-240 V.
Лампата за осветление не работи.	Проверете превключвателя на лампата.	Превключвателят на лампата трябва да е в положение "включено".
Лампата за осветление не работи.	Проверете лампите.	Лампите на продукта не трябва да бъдат повредени.
Всмукването на въздух на продукта е лошо.	Проверете алуминиевия филтър.	Масленият филтър от алуминий трябва да се почиства поне веднъж месечно при нормални условия.
Всмукването на въздух на продукта е лошо.	Проверете димоотвода.	Димоотводът трябва да бъде във "включено" положение.
Всмукването на въздух на продукта е лошо.	Проверете въглеродния филтър.	При продукти с въглеродни филтри филтърът обикновено трябва да се сменя на всеки 3 месеца.

# Lūdzu, vispirms izlasiet šo lietotāja rokasgrāmatu.

Godātais klient!

Paldies, ka izvēlējāties šo "Beko" ierīci. Mēs ceram, ka šis produkts, kas ražots ar jaunāko augstas kvalitātes tehnoloģiju, jums sniegs vislabākos rezultātus. Tādēļ, pirms sākat to lietot, rūpīgi izlasiet visu lietotāja rokasgrāmatu un pārējo dokumentāciju un saglabājiet to lietošanai turpmāk. Ja jūs nododat izstrādājumu citai personai, kopā ar to nododiet arī šo lietotāja rokasgrāmatu. Rīkojieties atbilstoši norādījumiem, ņemot vērā visu lietotāja rokasgrāmatā sniegto informāciju un brīdinājumus.

Atcerieties, ka lietotāja rokasgrāmata var attiekties arī uz citiem modeļiem. Rokasgrāmatā ir skaidri aprakstītas modeļu atšķirības.

## Simbolu nozīme

Dažādās šīs rokasgrāmatas nodaļās tiek izmantoti šie simboli:



Svarīga informācija un noderīgi padomi par lietošanu.



**UZMANĪBU:** Brīdinājumi par bīstamām situācijām, kas saistītas ar apdraudējumu dzīvībai un īpašumam.



Brīdinājums par ugunsbīstamību.



Brīdinājums par elektrošoku.



Elektriskās strāvas trieciena aizsardzības klase.



# 1 Svarīgi norādījumi par drošību un vides aizsardzību

## 1.1 Vispārēja drošība

Svarīgi drošības norādījumi — rūpīgi izlasiet un uzglabājat, lai lietu nākotnē Šajā nodaļā doti drošības norādījumi, kas palīdzēs izvairīties no ugunsgrēka, elektrošoka, saskares ar mikroviļņu starojuma noplūdi, savainojumu un īpašuma bojājumu riska. Šo norādījumu neievērošana anulēs preces garantiju.

- “Beko” izstrādājumi atbilst piemērojamajiem drošības standartiem; tāpēc, lai novērstu jebkādus draudus, ierīces vai elektrības vada bojājuma gadījumā remonta vai aizvietošanas darbs ir jāveic izplatītājam, servisa centram vai speciālistam un apstiprinātam pakalpojumu sniedzējam. Kļūdainais vai nekvalificētais remonts var būt bīstams un lietotājam riskants.
- Šo ierīci ir paredzēts izmantot mājāsaimniecībā un tai līdzīgos apstākļos, piemēram:
  - darbinieku virtuvēs veikalos, birojos un citos darba vides apstākļos;
  - lauku mājās;

- viesnīcas viesu vajadzībām un citās dzīvojamās vidēs;
- B&B tipa apstākļos.
- Lietojiet ierīci tikai tai šajā rokasgrāmatā aprakstītajam nolūkam.
- Ražotājs nav atbildīgs par zaudējumiem, kas radušies nepareizas produkta uzstādīšanas vai nepareizas lietošanas dēļ.
- Šo ierīci drīkst lietot bērni no 8 gadu vecuma un personas ar ierobežotām fiziskām, uztveres vai garīgajām spējām, kā arī personas bez atbilstošas pieredzes un zināšanām, pie nosacījuma, ka tiek uzraudzītas vai informētas par ierīces drošu lietošanu un ar to saistītajiem riskiem.
- Neļaujiet bērniem spēlēties ar ierīci. Bērni nedrīkst bez uzraudzības veikt ierīces apkopi un tīrīt to.
- Minimālajam attālumam starp plīts gatavošanas trauku atbalsta virsmu un izstrādājuma zemāko daļu jābūt vismaz 65 cm.
- Ja gāzes plīts uzstādīšanas norādījumos ir norādīts lielāks attālums, tas ir jāņem vērā.

# 1 Svarīgi norādījumi par drošību un vides aizsardzību

- Pārliecinieties, vai jūsu elektrības padeve atbilst informācijai, kas sniegta ierīces nominālo parametru plāksnītē.
  - Nekādā gadījumā neizmantojiet ierīci, ja elektrības vads vai pati ierīce ir bojāta.
  - Lai nepieļautu bojājumus, nespiediet, nelokiet un nerīvējiet elektrības vadu pret asām malām. Pārliecinieties, ka elektrības vads neatrodas tuvu karstām virsmām vai atklātai liesmai.
  - Izmantojiet ierīci tikai ar sazemētu kontaktligzdu.
- UZMANĪBU:** Nepievienojiet ierīci elektrotīklam, kamēr nav pabeigti uzstādīšanas darbi.
- Novietojiet ierīci tā, lai kontaktdakša būtu vienmēr pieejama.
  - Nepieskarieties lampām, ja tās ir degušas ilgu laiku. Tās var apdedzināt jūsu rokas, jo ir ļoti karstas.
  - Rīkojieties atbilstoši kompetento iestāžu noteikumiem par izplūdes gaisa izvadīšanu (šis brīdinājums neattiecas, ja ierīci izmanto bez dūmvada).
  - Ierīci iedarbiniet pēc tam, kad uz plīts uzlikts katliņš, panna utt. Citādi lielais karstums var deformēt dažas jūsu ierīces daļas.
  - Pirms no plīts noņemat katlu, pannu utt., izslēdziet plīti.
  - Neatstājiet uz plīts karstu eļļu. Pannas ar karstu eļļu var izraisīt pašaiizdeģšanos.
  - Uzmaniet aizkarus un pārsegus, jo eļļa ēdiena, piemēram, eļļā vārītu kartupeļu, gatavošanas laikā var aizdegties.
  - Tauku filtrs jāmaina vismaz reizi mēnesī. Ogles filtrs jāmaina vismaz reizi 3 mēnešos.
  - Ierīce ir jātīra saskaņā ar lietotāja rokasgrāmatu. Ja tīrīšana nav veikta saskaņā ar lietotāja rokasgrāmatu, pastāv aizdeģšanās risks.
  - Nelietojiet ugunsnedrošus filtra materiālus esošā filtra vietā.
  - Lietojiet tikai oriģinālās vai ražotāja ieteiktās rezerves daļas.
  - Nedarbiniet ierīci bez filtra, neizņemiet filtrus, kamēr ierīce darbojas.

# 1 Svarīgi norādījumi par drošību un vides aizsardzību

- Aizdeģšanās gadījumā, atslēdziet savu ierīci un gatavošanas ierīces no elektrotīkla.
- Aizdeģšanās gadījumā, pārklājiet liesmas, bet nedzēsiet to ar ūdeni.
- Atvienojiet ierīci no kontaktligzdas, kad tā netiek lietota un pirms katras tīrīšanas.
- Darbinot tvaiku nosūcēju vienlaikus ar elektrisko plīti un ierīcēm ar citu enerģijas avotu, telpas negatīvajam spiedienam nevaradzētu pārsniegt 4 Pa (4 x 10 bar).
- Telpā, kurā izmanto ierīci, ierīcēm, kuras darbina ar degvielu vai gāzi, piemēram, sildītājiem, jābūt absolūti izolētiem, vai ierīcei jābūt hermētiskai.
- Pievienojot dūmvadam, izmantojiet 120 vai 150 mm diametra caurules. Caurules savienojumam ir jābūt pēc iespējas īsākam ar iespējami mazāko līkumu skaitu.
- Nosmakšanas risks! Iepakojuma materiālus glabājiet bērniem nepieejamā vietā.

**UZMANĪBU:** Aizsniedzamās daļas var sakarst, kad darbina kopā ar gatavošanas ierīcēm.

- Ierīces izvadu nedrīkst pievienot gaisa kanāliem, pa kuriem plūst citi dūmi.
- Ja elektriskās plīts tvaika nosūcēju (tas neattiecas uz ierīcēm, kuras gaisu izvada atpakaļ telpā) lieto vienlaikus ar iekārtām, kuras darbina ar gāzi vai citiem kurināmajiem, telpā var nebūt pietiekama ventilācija.
- Priekšmeti, kas novietoti uz ierīces, var nokrist. Nelieciet uz ierīces nekādus priekšmetus.
- Nededziniet alkoholu zem ierīces.

**UZMANĪBU:** Pirms tvaika nosūcēja uzstādīšanas noņemiet aizsargplēvi.

- Tvaika nosūcēja darbības laikā zem tā nenovietojiet atklātu liesmu
- Izmantojot dziļās cepšanas ierīces, tās ir nepārtraukti jāuzrauga: pārkarsēta eļļa var aizdegties.

# 1 Svarīgi norādījumi par drošību un vides aizsardzību

## 1.2 Atbilstība EIEA direktīvai un izstrādājuma apsaimniekošanas noteikumiem:

Šis izstrādājums atbilst ES EIEA direktīvai (2012/19/EU). Šim izstrādājumam ir klasifikācijas simbols, kas norāda uz elektrisko un elektronisko iekārtu atkritumiem (EIEA).



Šis simbols norāda uz to, ka šo produktu pēc tā kalpošanas beigām nedrīkst izmest kopā ar majsaimniecības atkritumiem. Nolietoto ierīci ir jānodod oficiālā savākšanas punktā, kurā pārstrādei pieņem elektriskās un elektroniskās ierīces. Lai atrastu šis atkritumu savākšanas sistēmas, lūdzu, sazinieties ar vietējām iestādēm vai mazumtirgotāju, pie kura iegādājāties izstrādājumu. Katrai majsaimniecībai ir būtiska loma vecu sadzīves iekārtu nodošanā un pārstrādē. Pareiza sadzīves iekārtu utilizācija palīdz novērst potenciāli negatīvu ietekmi uz apkārtējo vidi un cilvēku veselību.

## 1.3 Atbilstība RoHS direktīvai

Produkts, ko jūs iegādājāties, atbilst ES RoHS direktīvai (2011/65/EU). Tas nesatur kaitīgos un aizliegtos materiālus, kas minēti direktīvā.

## 1.4 Informācija par iepakojumu

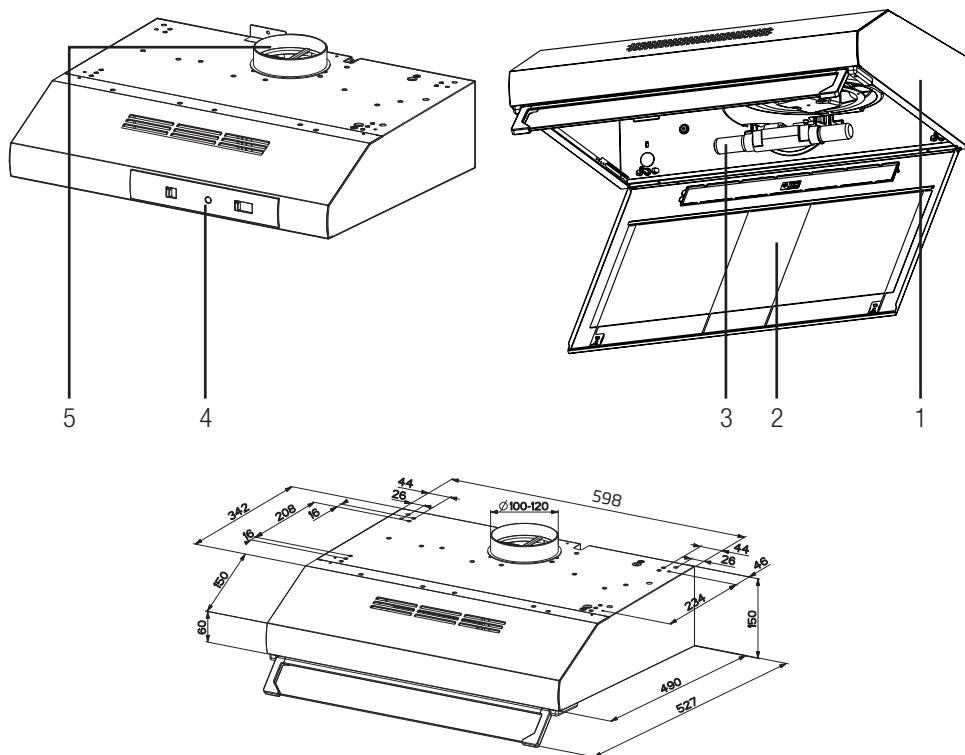


Iepakojuma materiāli ir ražoti no pārstrādātiem materiāliem saskaņā ar mūsu nacionālajām vides regulām. Neizmetiet iepakojuma materiālus kopā ar sadzīves vai citiem atkritumiem. Nogādājiet tos uz vietējo iestāžu noteiktajiem iepakojuma materiālu savākšanas punktiem.



## 2 Vispārējais izskats

### 2.1 Pārskats




1. Ķermenis
2. Tauku filtrs
3. Apgaismojums
4. Vadības panelis
5. Skurstenis

### 2.2 Tehniskie dati

<b>Modelis</b>	CFB 6432 X	CFB 6431 W
	CFB 6432 W	CFB 5432 W
	CFB 6432 XG	CFB 6437 W
	CFB 6432 WH	
	CFB 6432 XH-1	
<b>Tīkla spriegums</b>	220-240V ~ 50 Hz	
<b>Lampas jauda</b>	2 x 4 W	
<b>Motora jauda</b>	2 x 115 W	
<b>Gaisa plūsma - 3. Līmenis</b>	380 m³/h	
<b>Motora izolācijas klase</b>	KLASE F	
<b>Izolācijas klase</b>	KLASE II	

## 3 Ierīces lietošana

### 3.1 Ierīces vadība

	
<b>L : apgaismojuma ieslēgšanas/izslēgšanas taustiņš</b>	ieslēdz un izslēdz apgaismojuma sistēmu
<b>V : Ātruma poga</b>	iestata nosūcēja darbības ātrumu: 0. Ātrums izslēdz ekstraktora motoru. 1. Mazs ātrums, ko izmanto nepārtrauktai un klusai gaisa maiņai vieglu gatavošanas tvaiku klātbūtnē. 2. Vidējs ātrums, piemērots lielākajai daļai ekspluatācijas apstākļu, ņemot vērā optimālo apstrādātā gaisa plūsmas/trokšņa līmeņa attiecību. 3. Maksimālais ātrums, ko izmanto, lai novērstu vislielāko gatavošanas tvaiku emisiju, ieskaitot ilgus periodus.

- Tvaika nosūcējs ir paredzēts tikai mājāsaimniecībai, lai novērstu virtuves smakas.
- Nekad neatstājiet zem tvaika nosūcēja lielu atklātu liesmu, kad tas darbojas.
- Nekad neatstājiet zem nosūcēja atklātu liesmu, ja tas darbojas
- Noregulējiet liesmas intensitāti, lai tā virzītos tikai uz pannas apakšu, pārliciecinoties, ka tā neaptver sānus.
- Lietošanas laikā ir nepārtraukti jāuzrauga cepšana lielā tauku daudzumā: pārkarasēta eļļa var izraisīt liesmas.

### 3.2 Energoefektīva izmantošana:

- Darbinot tvaika nosūcēju, pielāgojiet ātruma līmeni atbilstoši smakai un tvaika intensitātei, lai novērstu nevajadzīgu enerģijas patēriņu.
- Lietojiet nelielu ātrumu normālos apstākļos (1–2) un lielu ātrumu (3), ja ir pastiprināta smaka un tvaiki.
- Gaismas uz tvaika nosūcēja ir paredzētas gatavošanas zonas apgaismošanai.
- Ja tos izmantosit apkārtējās vides/virtuves apgaismošanai, būs nevajadzīgs enerģijas patēriņš un nepietiekams apgaismojums.
- Lai jūsu ierīce patērētu mazāk enerģijas, izmantojiet tās zemāku ātrumu.
- Jūsu ierīces enerģijas patēriņš samazināsies, jo tā darbosies efektīvāk, kad tai ir nodrošināta pietiekama gaisa pieplūde.
- Ja ir gaidāms liels tvaika daudzums, iestatiet ierīcē augstu nosūces intensitāti jau pirms tvaika rašanās. Tas ļaus samazināt enerģijas patēriņu, jo pateicoties pietiekamai gaisa pieplūdei ierīci var ieslēgt uz īsāku laiku.
- Turiet virtuves trauku vākus aizvērtus, lai samazinātu tvaika daudzumu.

### 3.3 Tvaika nosūcēja darbināšana:

- Tvaika nosūcējs ir aprīkots ar motoru ar dažādiem ātruma iestatījumiem.
- Lai nodrošinātu labāku sniegumu, mēs iesakām normālos apstākļos izmantot nelielu ātrumu un lielu ātrumu, ja smaka un tvaiki ir pastiprināti.

## 3 Ierīces lietošana

- Tvaika nosūcēju var iedarbināt, nospiežot vēlamo ātruma līmeņa taustiņu (V1, V2, V3).
- Gatavošanas zonu var apgaismot, nospiežot gaismas taustiņu. (L)

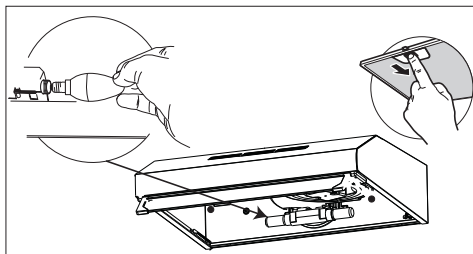
### 3.4 Lampu nomaiņa




- Pirms spuldžu maiņas atvienojiet tvaika nosūcēju no barošanas avota.
- Nepieskarieties spuldzēm, ja tās ir karstas.
- Esiet piesardzīgi, nepieskarieties nomainītajai spuldzei tieši ar rokām.



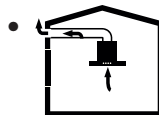
Spuldzes var iegādāties autorizētajos apkopes centros.



<b>Spuldze</b>	
<b>Spuldzes jauda</b>	4 W
<b>Turētājs / ligzda</b>	E14
<b>Spuldzes spriegums</b>	220 - 240 V
<b>ILCOS kods</b>	DRBB/F-4-220-240-E14-35/100
<b>Izmērs</b>	35x100 mm
<b>Gaismas plūsma</b>	400 lm
<b>Korelējoša krāsas temperatūra</b>	3000 K

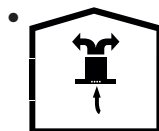
Šis produkts satur F klases energoefektivitātes gaismas avotu.

### 3.5 Dūmvada savienojuma izmantošana



- Tvaiki tiek noņemti caur dūmvada cauruli, kas ir piestiprināta pie savienojuma galvas uz tvaika nosūcēja.
- Dūmvada caurules diametram jābūt vienādam ar savienojuma gredzena diametru. Lai gaisu varētu viegli izvadīt no telpas horizontālā stāvoklī, caurulei jābūt nedaudz noliekta uz augšu (aptuveni 10°).

### 3.6 Izmantošana bez dūmvada savienojuma



- Gaisu filtrē ar oglekļa filtru un ievada atkārtoti telpā. Oglekļa filtru izmanto, ja mājā nav dūmvada.
- Ja tvaika nosūcējs tiks izmantots bez dūmvada savienojuma, noņemiet novirzītājus dūmvada adaptera iekšpusē.
- Noņemiet alumīnija filtru. Lai uzstādītu oglekļa filtru, centrējiet oglekļa filtru uz plastmasas daļas abās ventilatora korpusa pusēs un nostipriniet to uz izciļņiem. Nostipriniet filtru, pagriežot izciļņus pa labi vai pa kreisi.
- Uzstādiet alumīnija filtru.

## 4 Tīrīšana un apkope

Ierīcei ir nepieciešama regulāra tīrīšana un apkope. Ja ierīce netiks regulāri tīrīta, tas negatīvi ietekmēs tās kalpošanas ilgumu. Sekojiet tīrīšanas un apkopes instrukcijām lietotāja rokasgrāmatā.



Pirms tīrīšanas un apkopes atvienojiet ierīci no elektrotīkla vai izslēdziet galveno slēdzi vai atļaidiet drošinātāju, kas nodrošina tvaika nosūcēju.



Ja netiks ievērotas prasības par ierīces tīrīšanu un filtru maiņu, tas var radīt ugunsgrēka risku. Tāpēc iesakām sekot šajā sadaļā sniegtajām norādēm. Ražotājs nav atbildīgs par motora bojājumiem un ugunsgrēkiem, kas rodas nepareizas lietošanas rezultātā.

Tīriet, izmantojot tikai drānu, kas samitrināta ar neitrālu šķidru mazgāšanas līdzekli. Neizmantojiet abrazīvus produktus vai spirtu.

### 4.1 Alumīnija filtru izņemšana

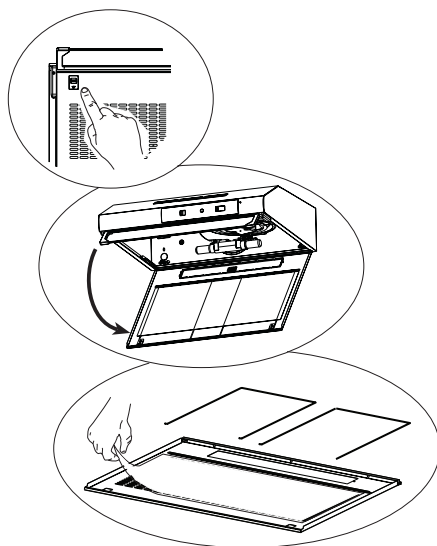
Šis filtrs aiztur gaisā esošās eļļas daļiņas. Lai veiktu šo procesu, vispirms noņemiet tauku filtrus. Nomazgājiet filtrus ar šķidru mazgāšanas līdzekli un noskalojiet tos ar ūdeni; pēc tam uzstādiet filtrus atpakaļ, kad tie būs izžuvuši. Alumīnija filtri mazgāšanas laikā var zaudēt krāsu; tas ir normāli, un filtrs nav jāmaina.



Alumīnija filtrus varat mazgāt arī trauku mazgājamajā mašīnā.

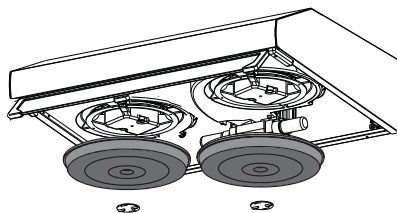


**BRĪDINĀJUMS:** Ieteicams tīrīt filtru ik mēnesi normālos lietošanas apstākļos.



### 4.2 Oglekļa filtra nomaiņa

Šis filtrs noņem gatavošanas smakas. Pret-smaku filtri satur kokogles (aktīvo ogli). Neatkarīgi no tā, vai tiek izmantots oglekļa filtrs, alumīnija filtri vienmēr ir jāuzstāda. Nedarbiniet ierīci, ja nav uzstādīts alumīnija filtrs.



#### UZMANĪBU



- Oglekļa filtru nekad nedrīkst mazgāt.
- Tie jāmaina aptuveni ik 3 mēnešus.
- Oglekļa filtrus varat iegādāties pie pilnvarotiem servisa aģentiem.

## 5 Ierīces uzstādīšana



**BRĪDINĀJUMS:** Pirms uzstādīšanas uzmanīgi izlasiet informāciju Lietotāja rokasgrāmatā.



**BRĪDINĀJUMS:** Ja skrūves vai stabilizatori netiks uzstādīti saskaņā ar šīm instrukcijām, tas var izraisīt elektriskā trieciena risku.

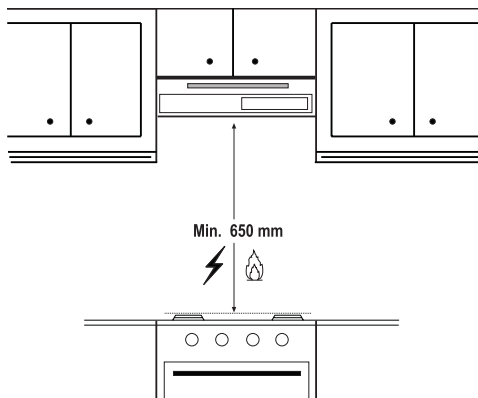


Lūdzu, skatiet 235. lpp. Instalācijas rokasgrāmatu.

Lai uzzinātu, kā uzstādīt nosūcēju, lūdzu, sazinieties ar tuvāko pilnvaroto servisa pārstāvi.

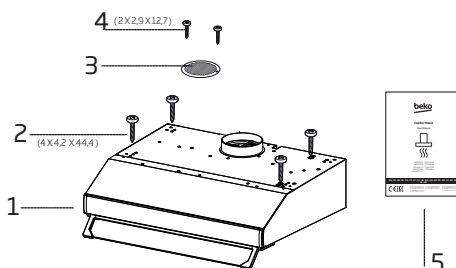
Par izstrādājuma atrašanās vietas un elektriskās instalācijas sagatavošanu ir atbildīgs klients.

### 5.1 Ierīces novietojums



- Pirms montāžas ir jāizvērtē attālums starp plīti un tvaika nosūcēju. Šim attālumam ir jābūt 65 cm.
- Attālums tiek mērīts no gāzes plīts režģa virsmas vai, no elektriskās plīts stikla virsmas.

### 5.2 Uzstādīšanas piederumi



1. Produkts
2. 4 x 4,2 x 44,4 skrūves
3. Gaisa izplūdes režģis
4. 2 x 2,9 x 12,7 skrūves
5. Lietotāja rokasgrāmata

### 5.3 Uzglabāšana

- Ja neplānojat lietot ierīci ilgu laiku, lūdzu, rūpīgi uzglabāiet to.
- Lūdzu, pārliecinieties, vai ierīce ir atvienota, atdzisusi un pilnībā sausa.
- Glabāiet ierīci vēsā un sausā vietā.
- Glabāiet ierīci bērniem nepieejamā vietā.

### 5.4 Pārkraušana un transportēšana

- Apstrādes un transportēšanas laikā ierīci nēsājiet oriģinālajā iepakojumā. Ierīces iepakojums pasargā to no fiziskiem bojājumiem.
- Nenovietojiet uz ierīces vai iepakojuma smagas slodzes. Ierīce var tikt bojāta.
- Nometot ierīci, tā nedarbosies vai radīs neatgriezeniskus bojājumus.

## 6 Traucējumu meklēšana

<b>Traucējumu meklēšana</b>	<b>Iemesls</b>	<b>Risinājums</b>
Izstrādājums nedarbojas.	Pārbaudiet drošinātāju.	Drošinātājs var būt izslēgts, ieslēdziet to.
Izstrādājums nedarbojas.	Pārbaudiet elektrisko savienojumu.	Elektriskā tīkla spriegumam ir jābūt 220-240 V.
Izstrādājums nedarbojas.	Pārbaudiet elektrisko savienojumu.	Pārbaudiet, vai parējās ierīces virtuvē darbojas.
Apgaismojuma spuldze nedarbojas.	Pārbaudiet elektrisko savienojumu.	Elektriskā tīkla spriegumam ir jābūt 220-240 V.
Apgaismojuma spuldze nedarbojas.	Pārbaudiet spuldzes slēdzi.	Spuldzes slēdzim ir jābūt stāvoklī "iesl."
Apgaismojuma spuldze nedarbojas.	Pārbaudiet spuldzes.	Izstrādājuma spuldzēm ir jābūt darba kārtībā.
Izstrādājums nenodrošina efektīvu gaisa nosūci.	Pārbaudiet alumīnija filtru.	Normālos lietošanas apstākļos alumīnija filtrs ir jātīra ik mēnesi.
Izstrādājums nenodrošina efektīvu gaisa nosūci.	Pārbaudiet ventilācijas caurules aizbīdni.	Ventilācijas caurules aizbīdņiem ir jābūt stāvoklī "iesl."
Izstrādājums nenodrošina efektīvu gaisa nosūci.	Pārbaudiet oglekļa filtru.	Normālos lietošanas apstākļos izstrādājumos, kas ir aprīkoti ar oglekļa filtru, filtrs ir jāmaina ik pēc 3 mēnešiem.

# Prvo pročitajte ovaj korisnički priručnik!

Poštovani cijenjeni kupci,

Zahvaljujemo vam što ste odabrali ovaj proizvod kompanije Beko. Nadamo se da ćete na najbolji mogući način iskoristiti svoj uređaj koji je napravljen s visokim kvalitetom i vrhunskom tehnologijom. Iz tog razloga, pročitajte ovaj kompletan korisnički priručnik i sve druge prateće dokumente pažljivo prije korišćenja proizvoda i sačuvajte ih za buduću upotrebu. Ako ovaj uređaj predate trećem licu, priložite i ovaj korisnički priručnik. Pratite upute obraćajući pažnju na sve informacije i upozorenja navedena u korisničkom priručniku.

Imajte na umu da je ovaj korisnički priručnik primjenljiv i za druge modele. Razlike između modela izričito su opisane u priručniku.

## Značenje simbola

Sljedeći simboli se koriste u raznim odjeljcima ovog korisničkog priručnika:



Važne informacije i korisni savjeti u vezi s upotrebom.



**UPOZORENJE:** Upozorenja na opasne situacije koje se odnose na sigurnost života i imovine.



**UPOZORENJE:** Upozorenje na opasnost od požara.



**UPOZORENJE:** Upozorenje na strujni udar.



Klasa zaštite od strujnog udara.



# 1 Važne upute u vezi sa sigurnošću i zaštitom životne sredine

## 1.1 Opšta sigurnost

Važne upute u vezi sa sigurnošću pažljivo pročitajte i i sačuvajte ih za buduću upotrebu. Ovaj odjeljak sadrži upute u vezi sa sigurnošću koje će vam pomoći u zaštiti od opasnosti od požara, strujnog udara, izloženosti curenju mikro-talasne energije, ličnih povreda ili oštećenja imovine. Nepoštovanje ovih uputa poništava odobrenu garanciju.

- Beko proizvodi su u skladu s važećim sigurnosnim standardima; prema tome, u slučaju bilo kakvih oštećenja na uređaju ili kابلu za napajanje, iste treba da popravi ili zamijeni prodavač, servisni centar ili stručno lice i ovlašćeni servis kako bi se izbjegla bilo kakva opasnost. Neispravni ili nekvalifikovani radovi na popravci mogu biti opasni i mogu dovesti do opasnosti po korisnika.
- Ovaj uređaj je namijenjen za upotrebu u domaćinstvima i sličnim objektima kao što su:

- prostori kuhinje za zaposlenike u trgovinama, uredima i drugim radnim okruženjima;
  - kuće na farmama,
  - seoske kuće i za goste u hotelima, motelima i drugim objektima za smještaj;
  - objekti koji nude prenoćište i doručak,
- Upravlajte uređajem prema predviđenoj namjeni samo kako je opisano u ovom priručniku.
  - Proizvođač ne može biti odgovoran za štetu nastalu nepropisnom ugradnjom ili zloupotrebom proizvoda.
  - Ovaj uređaj mogu koristiti djeca od 8 godina i starija, i osobe sa ograničenim fizičkim, čulnim ili mentalnim sposobnostima, osobe koje nemaju dovoljno znanja ili iskustva ako su pod nadzorom ili su im date upute koje se tiču upotrebe uređaja na siguran način i opasnosti koje uređaj uključuje.
  - Djeca se ne smiju igrati s uređajem. Čišćenje i održavanje od strane korisnika ne smiju obav-



# 1 Važne upute u vezi sa sigurnošću i zaštitom životne sredine

ljati djeca ukoliko nisu pod nadzorom.

- Minimalna udaljenost između noseće površine posuda za kuvanje na ploči za kuvanje i najnižeg dijela vašeg proizvoda mora biti najmanje 65 cm.
- Ako je uputama za ugradnju plinske ploče definisana veća udaljenost, to se mora uzeti u obzir.
- Vaše mrežno napajanje strujom mora biti u skladu sa informacijama na pločici na uređaju.
- Nikada ne koristite uređaj ako je kabl za napajanje ili sam uređaj oštećen.
- Spriječite oštećenje kabla za napajanje tako što ga nećete stiskati, savijati ili trljati po ostrim ivicama. Držite kabl za napajanje dalje od vrućih površina i izvora plamena.
- Uređaj koristite samo sa uzemljenom utičnicom.

**UPOZORENJE:** Ne priključujte uređaj na napajanje prije potpune ugradnje uređaja.

- Postavite uređaj na način da utičač bude uvijek dostupan.
- Ne dirajte lampe ako su dugo radile. Mogu vam stvoriti opekotine na rukama jer će biti zagrijane.
- Pridržavajte se propisa koji su utvrdili nadležni organi o ispuštu izduvnog vazduha (ovo upozorenje nije primjenljivo na uporabu bez dimnih gasova).
- Uključite uređaj nakon što stavite lonac, tavu itd. na ploču za kuvanje. U suprotnom, velika toplota može prouzrokovati deformacije u nekim djelovima vašeg proizvoda.
- Isključite ploču prije nego što sa nje sklonite lonac, tavu itd.
- Ne ostavljajte vruće ulje na ploči za kuvanje. Posude sa vrućim uljem mogu izazvati samo-sagorijevanje.
- Obratite pažnju na zavjese i prekrivače, jer se ulje može zapaliti dok spremate hranu kao što je pomfrit.
- Filter za masnoće treba zamijeniti najmanje jednom mjesečno.

# 1 Važne upute u vezi sa sigurnošću i zaštitom životne sredine

Karbonski filter se mora zamijeniti najmanje jednom u svaka 3 mjeseca.

- Proizvod se čisti u skladu sa korisničkim priručnikom. Ako čišćenje nije izvršeno u skladu s korisničkim priručnikom, može doći do opasnosti od požara.
- Ne koristite materijale za filtriranje koji nisu otporni na vatru umjesto trenutnog filtera.
- Koristite samo originalne djelove ili djelove koje je preporučio proizvođač.
- Ne koristite proizvod bez filtera i ne uklanjajte filtere dok je proizvod u funkciji.
- U slučaju pojave plamena, isključite vaš proizvod i uređaje za kuvanje sa napajanja električnom energijom.
- U slučaju pojave plamena, prekriti plamen i nikada ne koristite vodu za gašenje.
- Isključite uređaj sa napajanja prije svakog čišćenja i kada uređaj ne koristite.
- Negativni pritisak u okolini ne bi trebalo da pređe 4 Pa (4 x 10

bara) dok istovremeno rade aspirator za električnu ploču i uređaji koji rade na drugoj vrsti energije osim struje.

- U okruženju u kojem se koristi uređaj, ispustni otvor uređaja koji rade na lož-gorivo ili plin, kao što su sobni grijači, mora biti apsolutno izolovan ili uređaj treba da bude hermetičnog tipa.
- Pri povezivanju odvodne cijevi koristite cijevi prečnika 120 ili 150 mm. Priključak cijevi mora biti što kraći i imati što je moguće manje prelamanja.

**Opasnost od gušenja!** Sve materijale za pakiranje držite dalje od djece.

**OPREZ:** Pristupačni djelovi se mogu zagrijati kada se koriste sa uređajima za kuvanje.

- Izlazni otvor proizvoda ne smije biti povezan sa vazдушnim kanalima koji sprovode drugu vrstu dima.
- Ventilacija u prostoriji može biti nedovoljna kada se aspirator za električnu ploču koristi istovremeno sa uređajima koji rade na

# 1 Važne upute u vezi sa sigurnošću i zaštitom životne sredine

plin ili druga goriva (ovo možda nije primjenljivo na uređaje koji samo dovode vazduh u prostoriju).

- Predmeti stavljeni na proizvod mogu pasti. Ne stavljajte nikakve predmete na proizvod.
- Ne flambirajte hranu ispod proizvoda.

**UPOZORENJE:** Prije ugradnje aspiratora uklonite zaštitne folije.

- Nikada ne ostavljajte visoko otvoren plamen ispod aspiratora dok je isti u funkciji.
- Friteze sa dubokim uljem moraju se neprestano nadgledati tokom upotrebe: pregrijano ulje može da plane.

## 1.2 Usklađenost s direktivom WEEE i Odlaganjem otpadnog proizvoda:

Ovaj proizvod je usklađen s Direktivom EU WEEE (2012/19/EU). Ovaj proizvod nosi simbol klasifikacije za odlaganje električne i elektronske opreme (WEEE).



Ovaj simbol označava da ovaj proizvod ne treba odlagati sa ostalim otpadom iz domaćinstva na kraju vijeka upotrebe. Korišćeni uređaj mora se vratiti u službeno zbirno mjesto za recikliranje električnih i elektronskih uređaja.

Da biste pronašli ove sisteme za prikupljanje, obratite se

lokalnim nadležnim organima ili prodavcu kod kojeg je proizvod kupljen. Svako domaćinstvo ima važnu ulogu u obnovi i recikliranju starih uređaja. Odgovarajuće odlaganje korišćenog aparata pomaže u sprječavanju potencijalnih negativnih posljedica po životnu sredinu i zdravlje ljudi.

## 1.3 Usklađenost sa RoHS direktivom:

Proizvod koji ste kupili je usklađen s Direktivom EU RoHS (2011/65/EU). On ne sadrži štetne i zabranjene materijale navedene u Direktivi.

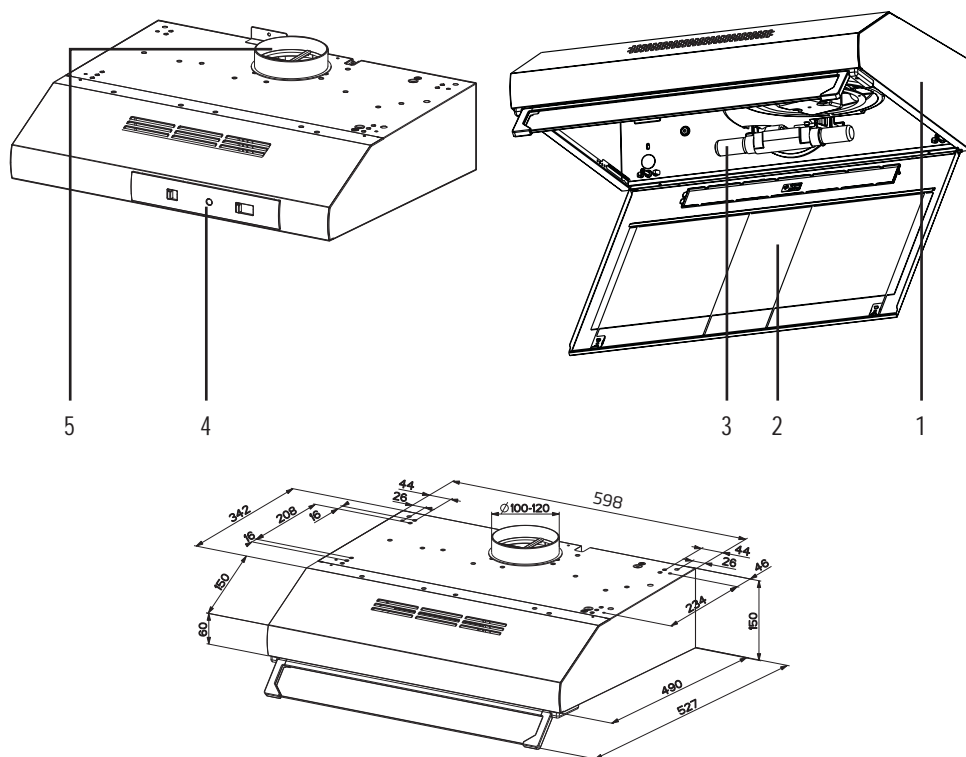
## 1.4 Informacija o ambalaži



Ambalaža proizvoda je proizvedena od sekundarnih sirovina u skladu s našim nacionalnim propisima za zaštitu okoliša. Ne bacajte ambalažu zajedno s otpadom iz domaćinstva ili drugim otpadom. Onesite je do sabirnih centara za ambalažu koje su odredili lokalni nadležni organi.

## 2 Opšti izgled

### 2.1 Prikaz




1. Tijelo
2. Filter za masnoću
3. Osvjetljenje
4. Upravljačka ploča
5. Dimnjak

### 2.2 Tehnički podaci

<b>Model</b>	CFB 6432 X	CFB 6431 W
	CFB 6432 W	CFB 5432 W
	CFB 6432 XG	CFB 6437 W
	CFB 6432 WH	
	CFB 6432 XH-1	
<b>Napon napajanja</b>	220-240V ~ 50 Hz	
<b>Snaga lampice</b>	2 x 4 W	
<b>Snaga motora</b>	2 x 115 W	
<b>Brzina protoka – 3. Nivo</b>	380 m <sup>3</sup> /h	
<b>Klasa izolacije motora</b>	Klasa F	
<b>Klasa izolacije</b>	Klasa I	

# 3 Rukovanje uređajem

## 3.1 Kontrola uređaja

	
<b>L : Ukjučivanje/isključivanje svjetla</b>	Paljenje i gašenje sistema rasvjete
<b>V : Dugme za brzinu</b>	Podešavanje radne brzine odsisača: 0. Paljenje i gašenje odsisnog motora 1. Niska brzina, koristi se za kontinuirane i tihe zračne promjene u prisustvu blagog kuhinjskog mirisa. 2. Srednja brzina, podesna za najčešće radne uvjete pruža optimalno tretiranje nivoa omjera protoka/buke zraka. 3. Maksimalna brzina, koristi se za eliminiranje najviše emisije kuhinjskog isparenja, uključujući duže periode.

- Napa je dizajnirana isključivo za kućnu upotrebu kako bi se uklonili kuhinjski mirisi.
- Nikada ne koristite aspirator u druge svrhe osim za one za koje je dizajnirana.
- Nikada ne ostavljajte visoko otvoren plamen ispod aspiratora dok je isti u funkciji.
- Podesite intenzitet plamena da ga usmjerite samo na dno posude pazeći da ne zahvati bočne stranice.
- Friteze sa dubokim uljem moraju se neprestano nadgledati tokom upotrebe: pregrijano ulje može da plane.

## 3.2 Energetski efikasan rad sa uštedom energije

- Kad koristite uređaj prilagodite brzinu intenzitetu pare i mirisa da biste uštedjeli energiju.
- Koristite niske brzine (1-2) u normalnim uvjetima, a velike brzine (3) za intenzivan miris i isparavanje.
- Lampice na napi su postavljene za osvijetljavanje područja kuhanja.
- Njihova upotreba za osvijetljenje okoliša uzrokovat će nepotrebne troškove energije i nedovoljno osvijetljenje.
- Da bi vaš uređaj trošio manje energije, pokrenite ga pri maloj brzini.
- Vaš uređaj će smanjiti potrošnju energije jer će raditi efikasnije kada mu obezbedite dovoljan usis zraka.
- Podesite uređaj na nivo intenzivne usisne snage pre stvaranja pare, u slučajevima kada znate da će doći do guste pare. Dakle, smanjujete potrošnju energije tako što ćete svoj uređaj koristiti kraće vrijeme jer će imati dovoljan usis zraka.
- Držite poklopce posuda zatvorenim kako biste smanjili stvaranje pare.

## 3 Rukovanje uređajem

### 3.3 Rad nape

- Vaš uređaj ima motor s različitim brzinama.
- Za bolje performanse preporučujemo upotrebu niskih brzina u normalnim uvjetima i velike brzine u slučaju jakih mirisa i intenzivne pare.
- Uređaj možete pokrenuti pritiskom na dugme za podešavanje željene brzine. (V1, V2, V3)
- Područje za kuhanje možete osvjetliti pritiskom na lampicu. (L)


### 3.5 Zamjena lampice



- Prije zamjene sijalica, isključite napajanje aspiratora.
- Ne dirajte sijalice kada su vruće.
- Pazite da direktno ne dodirnete zamijenjenu sijalicu rukama.

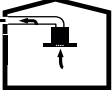


Lampice možete nabaviti od agenata ovlaštenih servisa.

<b>Sijalica</b>	
<b>Snaga sijalice</b>	4 W
<b>Držač/utičnica</b>	E14
<b>Napon sijalice</b>	220 - 240 V
<b>ILCOS kod</b>	DRBB/F-4-220-240-E14-35/100
<b>Veličina</b>	35x100 mm
<b>Svjetlosni tok</b>	400 lm
<b>Odgovarajuća temperatura boje</b>	3000 K

Ovaj proizvod sadrži izvor svjetla klase energetske efikasnosti "F".

### 3.6 Rad s priključkom na dimnjak

-  Para se odvodi kroz kanal dimnjaka, koji je pričvršćen na priključnu glavu na napi.
- Promjer kanala dimnjaka mora biti isti kao i priključni prsten. U horizontalnim postavkama cijev mora imati blagi nagib prema gore (oko 10°) da bi zrak mogao lako izaći iz prostorije.

### 3.7 Rad bez priključka na dimnjak

-  Zrak se filtrira kroz karbonski filter i recirkulira unutar prostorije. Karbonski filter koristi se kada nije moguće koristiti dimnjak u kući.
- U slučaju upotrebe bez dimnjaka, uklonite klapne iz adaptera za dimnjak.
- Uklonite Filter za masnoću. Da biste ugradili karbonski filter, filter namjestite na jezičke tako što ćete ga centrirati na plastični komad s obje strane kućišta ventilatora. Zategnite ga okretanjem udesno ili ulijevo.
- Zamijenite Filter za masnoću.

## 4 Čišćenje i održavanje

Uređaj treba redovno čistiti i održavati. Ako uređaj ne održavate čistim, to će negativno utjecati na vijek trajanja uređaja. Za čišćenje i održavanje slijedite upute navedene u priručniku.



Prije čišćenja i održavanja, isključite proizvod s napajanja ili isključite prekidač.



Nepridržavanje odredbi vezanih za čišćenje uređaja i zamjenu filtera može dovesti do opasnosti od požara. Stoga se preporučuje da se pridržavate ovdje navedenih smjernica. Proizvođač nije odgovoran za oštećenja motora ili požare uzrokovane nepravilnim korištenjem.

Očistite samo krpom navlaženom neutralnim tečnim deterdžentom. Ne čistite alate niti instrumente. Ne koristite abrazivne proizvode. Ne koristite alkohol.

### 4.1 Čišćenje filtera za masnoću

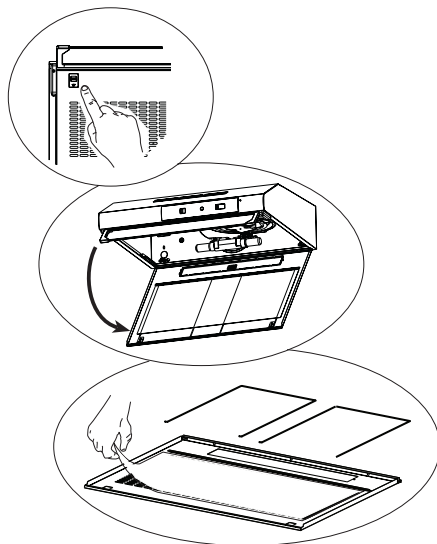
Ovaj filter sakuplja čestice masnoće u vazduhu. Filter za masnoću i za masnoću mogu promijeniti boju prilikom pranja; to je normalno i ne zahtijeva zamjenu vaših aluminijskih filtera za masnoću.



Filter za masnoću možete prati u mašini za pranje suđa.

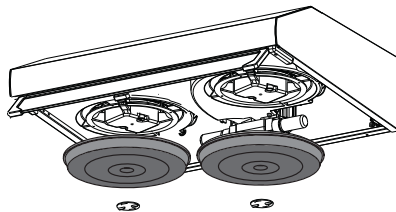


**OPREZ:** U slučaju normalne upotrebe, očistite filter jednom mjesečno.



### 4.2 Zamjena karbonskih filtera

Filteri za uklanjanje mirisa sadrže ugljen (aktivni ugljen). U proizvodu moraju biti ugrađeni filteri za masnoću, bez obzira na to upotrebljavate li karbonske filtere.



#### OPREZ



- Karbonski filter nikada se ne pere.
- Zamijenite karbonske filtre jednom svaka 3 mjeseca.
- Karbonski filter možete nabaviti od ovlaštenih servisa.

## 5 Ugradnja uređaja



**UPOZORENJE:** Prije započinjanja ugradnje pročitajte sigurnosne informacije u korisničkom priručniku.



**UPOZORENJE:** Ako ugradnju ne izvršite s vijcima i uređajima za pričvršćivanje u skladu s ovim uputama, može doći do opasnosti od električnog udara.

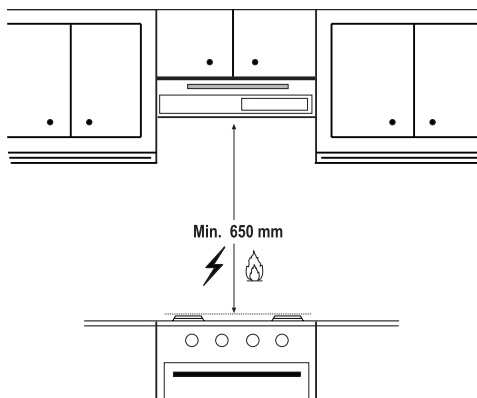


Pogledajte na stranici 235 instrukcije za ugradnju

Za ugradnju nape obratite se najbližem ovlaštenom servisu.

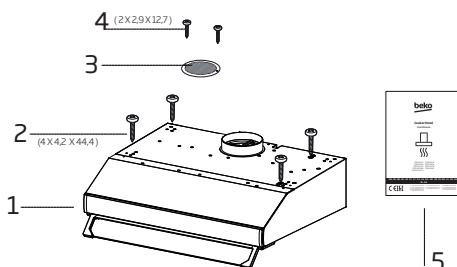
Korisnik je odgovoran da pripremi lokaciju i električnu instalaciju za napu.

### 5.1 Položaj uređaja



- Prije montiranja mora se uzeti u obzir udaljenost između šporeta i nape. Ta udaljenost treba biti 65 cm.
- Udaljenost se mora mjeriti od površine rešetke za plinske šporete,
- od površine stakla za električne šporete.

### 5.2 Pribor za ugradnju



1. Proizvod
2. 4 x 4,2 x 44,4 vijka
3. Rešetka za izlaz zraka
4. 2 x 2,9 x 12,7 vijka
5. Uputstvo za upotrebu

### 5.3 Čuvanje

- Ako ne planirate da koristite uređaj duže vrijeme, molimo Vas da ga pažljivo odložite.
- Molimo vas, provjerite da li je uređaj isključen, hladan i potpuno suv.
- Ostavite uređaj na suvo i hladno mjesto.
- Držite uređaj van domašaja djece.

### 5.4 Baratanje i transport

- Tokom premeštanja i transporta nosite uređaj spakovan u originalnu ambalažu. Ambalaža štiti uređaj od fizičkih oštećenja.
- Ne stavljajte teret na uređaj ili na ambalažu. Uređaj se može oštetiti.
- Pazite da Vam uređaj ne padne na pod, jer to može izazvati trajna oštećenja i kvar uređaja.



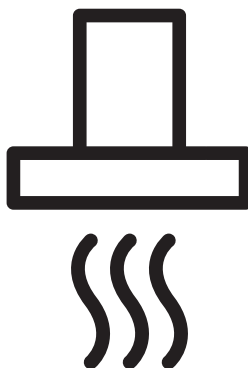
## 6 Rješavanje problema

Rješavanje problema	Izvorni razlog	Pomoć
Uređaj ne radi.	Provjerite osigurače.	Možda je osigurač pregorio, provjerite i vratite ga.
Uređaj ne radi.	Provjerite priključak na napajanje električnom energijom.	Napon mreže mora biti između 220 i 240 V.
Uređaj ne radi.	Provjerite priključak na napajanje električnom energijom.	Provjerite rade li drugi uređaji u vašoj kuhinji.
Rasvjetna lampica ne radi.	Provjerite priključak na napajanje električnom energijom.	Napon mreže mora biti između 220 i 240 V.
Rasvjetna lampica ne radi.	Provjerite prekidač za lampicu.	Prekidač za lampicu mora biti u položaju „Uključeno“.
Rasvjetna lampica ne radi.	Provjerite lampice.	Lampice uređaja moraju svijetliti.
Dovod zraka u uređaju nije dovoljan.	Provjerite filter za masnoću.	U normalnim radnim uvjetima, filter za masnoću se čisti najmanje jednom mjesečno.
Dovod zraka u uređaju nije dovoljan.	Provjerite odvodnik (dimnjak).	Prekidač za odvodnik zraka (dimnjak) trebao bi biti u položaju „Uključeno“.
Dovod zraka u uređaju nije dovoljan.	Provjerite karbonski filter.	Filtre uređaja s karbonskim filterima treba zamijeniti jednom u 3 mjeseca u normalnim uvjetima.



## Вытяжка

Руководство пользователя



CFB 6432 X	CFB 6431 W
CFB 6432 W	CFB 5432 W
CFB 6432 XG	CFB 6437 W
CFB 6432 WH	
CFB 6432 XH-1	

RU



01M-8904980220-4322-07  
01M-8904880220-4322-07  
01M-8906530220-4322-07  
01M-8940711220-4322-07  
01M-8942993200-4322-07

01M-8904830220-4322-07  
01M-8905530220-4322-07  
01M-8904840220-4322-07

# Ознакомьтесь с этим руководством перед началом эксплуатации!

Уважаемый покупатель!

Благодарим Вас за выбор этого изделия компании Веко. Мы надеемся, что продукция, изготовленная на современном оборудовании и имеющая высокий уровень качества, будет служить вам наилучшим образом. Для этого, перед началом эксплуатации, внимательно прочтите данное руководство и все прочие сопроводительные документы, и используйте их в дальнейшем в справочных целях. При передаче устройства другому лицу необходимо также передать это руководство. Соблюдайте указания, которые даны в этом руководстве пользователя, и обращайтесь особое внимание на справочные пометки и предупреждения.

Имейте в виду, что данное руководство пользователя может также относиться к другим моделям. Различия между моделями четко описаны в руководстве.

## Условные обозначения

В разных разделах данного руководства пользователя используются следующие символы:



Важная информация и полезные советы относительно эксплуатации.



**ВНИМАНИЕ:** Предупреждения об опасности травмирования или повреждения имущества.



Предупреждение об опасности возникновения пожара.



Предупреждение об опасности поражения электрическим током.



Класс защиты от поражения электрическим током.



## 1.1. Общие правила техники безопасности

Важные инструкции по технике безопасности: внимательно ознакомьтесь и сохраните для дальнейшего использования. В этом разделе содержатся правила техники безопасности, соблюдение которых позволит исключить риск возникновения пожара, поражения электрическим током, воздействия утечек микроволнового излучения, получения иных травм или причинения материального ущерба. При несоблюдении этих правил все гарантийные обязательства аннулируются.

- Изделия торговой марки Веко соответствуют действующим стандартам безопасности. В случае повреждения электроприбора или шнура питания, во избежание

опасных ситуаций, ремонт или замена должны производиться дилером, сервисным центром, специалистом или авторизованной службой. Неправильно или непрофессионально выполненные ремонтные работы могут привести к опасным для пользователя ситуациям.

- Этот прибор предназначен только для бытового и сходного с ним применения, а именно:
  - в кухонных зонах для персонала в магазинах, офисах и других рабочих помещениях;
  - на фермах;
  - в номерах гостиниц, мотелей и т. п.;
  - в помещениях, предоставляемых для проживания на условиях полупансиона.

# 1 Важные инструкции по технике безопасности и защите окружающей среды

- Используйте данный электроприбор только по его прямому назначению, как описано в данном руководстве.
- Производитель не несет ответственности за любые повреждения, возникшие в результате неправильного использования или неправильной установки изделия.
- Дети старше 8 лет, а также лица с ограниченными физическими, сенсорными и умственными способностями или без соответствующих навыков и опыта могут использовать данный прибор только под присмотром или после получения инструкций по поводу безопасного использования прибора и осознания связанных с этим опасностей.
- Не позволяйте детям играть с прибором. Не позволяйте детям самостоятельно выполнять очистку и обслуживание прибора.
- Минимальное расстояние между опорной поверхностью емкостей для приготовления пищи на варочной панели и самой нижней частью изделия должно быть не менее 65 см.
- Если в инструкции по установке газовой плиты указано большее расстояние, это следует принять во внимание.
- Напряжение сети питания должно соответствовать номинальным характеристикам, указанным на паспортной табличке электроприбора.
- Ни в коем случае не пользуйтесь электроприбором, если шнур питания или электроприбор повреждены.
- Во избежание повреждения шнура пита-

ния не допускайте его сдавливания, перегиба или контакта с острыми кромками. Не допускайте соприкосновения шнура питания с горячими поверхностями или открытым пламенем.

- Включайте прибор только в розетку с заземляющим контактом.

**ВНИМАНИЕ:** Не подключайте прибор к электросети до полного завершения работ по установке.

- Электроприбор следует располагать таким образом, чтобы штепсельная вилка была легкодоступна.
- Не прикасайтесь к лампам, если они работали в течение длительного времени. Это может вызвать ожог рук, поскольку лампы очень горячие.
- Следуйте инструкциям, установленным ком-

петентными органами относительно выпуска отработанного воздуха (данное предупреждение касается вентиляционных труб).

- Включите прибор после того, как поставите кастрюлю, сковороду и т. д. на варочную панель. В противном случае высокая температура может привести к деформации некоторых частей изделия.
- Отключайте варочную панель перед тем, как убрать с нее кастрюлю, сковороду и т.д.
- Не оставляйте горячее масло на варочной панели. Сковорода с горячим маслом может стать причиной самовозгорания.
- Следите за шторами и занавесками, поскольку при приготовлении таких блюд, как картофель

# 1 Важные инструкции по технике безопасности и защите окружающей среды

фри масло может загореться.

- Замену жирулавливателя следует осуществлять, как минимум, раз в месяц. Замену угольного фильтра осуществлять, как минимум, раз в 3 месяца.
- Чистку изделия необходимо выполнять в соответствии с инструкциями руководства пользователя. Если чистка изделия не осуществляется в соответствии с указаниями руководства пользователя, существует риск возникновения пожара.
- Не используйте неогнеупорные фильтрующие материалы вместо текущего фильтра.
- Используйте только оригинальные детали или же рекомендованные производителем детали.
- Не эксплуатируйте изделие без фильтра и не снимайте фильтры во время работы изделия.
- В случае возникновения пожара, отключите питание изделия и кухонной плиты.
- В случае возникновения пожара, накройте источник огня. Применение воды для тушения не допускается.
- Отключайте прибор от электросети перед чисткой, а также когда он не используется.
- Отрицательное давление окружающей среды не должно превышать 4 Па (4 x 10 бар) во время одновременной работы вытяжки для электрической варочной панели и приборов, работающих от другого источника энергии.
- В среде, где используется прибор, выхлопные газы устройств, работающих на жидком то-

# 1 Важные инструкции по технике безопасности и защите окружающей среды

пливе или газе, таких как комнатный обогреватель, должны быть полностью изолированы, или должны быть герметичными.

- При подсоединении к вытяжной трубе, используйте трубы диаметром 120 или 150 мм. Соединения труб должны быть как можно более короткими и иметь минимальное количество колен.
- Существует опасность удушья! Храните упаковочные материалы в недоступном для детей месте.

**О С Т О Р О Ж Н О :** Доступные детали прибора могут нагреваться во время использования кухонных плит.

- Выход вытяжки нельзя подключать в воздуховодам, которые заняты отводом других отработанных воздушных масс.

- Вентиляция в помещении может быть недостаточной в случае, если вытяжка для электрической варочной панели используется одновременно с устройствами, работающими на газе или других видах топлива (это не относится к приборам, которые только выпускают воздух обратно в помещение).

- Находящиеся на изделии предметы могут упасть. Не следует класть посторонние предметы на вытяжку.

- Фламбирование блюд под изделием не допускается.

**ВНИМАНИЕ:** Перед началом работ по установке вытяжки удалите защитную пленку.

- Никогда не оставляйте открытым высокое пламя под работающей вытяжкой.

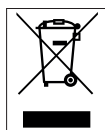


# 1 Важные инструкции по технике безопасности и защите окружающей среды

- Во время использования фритюрниц их необходимо держать под постоянным присмотром: сильно нагретое масло может загореться.

## 1.2 Соответствие Директиве по утилизации отходов электрического и электронного оборудования и утилизация продукта:

Данное изделие соответствует требованиям Директивы по утилизации отходов электрического и электронного оборудования (2012/19/ЕС). На изделие нанесено условное обозначение для отходов электрического и электронного оборудования (WEEE).



Этот символ означает, что по истечении срока службы данного прибора, он не должен утилизироваться вместе с другими бытовыми отходами.

Бывшее в употреблении устройство необходимо сдать в официальный пункт сбора для утилизации электрического и электронного оборудования. Для получения информации о таких пунктах сбора, пожалуйста, свяжитесь с местными органами власти или розничной торговли, по месту покупки настоящего прибора. В вопросах восстановления и утилизации бывших в употреблении приборов каждый конкретный владелец играет важную роль. Надлежащая утилизация использованного бывшего в употреблении прибора помогает предот-

вратить потенциальные негативные последствия для окружающей среды и здоровья человека.

## 1.3 Соответствие Директиве ЕС об ограничении содержания вредных веществ (RoHS):

Приобретенное вами изделие соответствует Директиве ЕС о правилах ограничения содержания вредных веществ (2011/65/EU). Оно не содержит вредных и запрещенных материалов, указанных в Директиве.

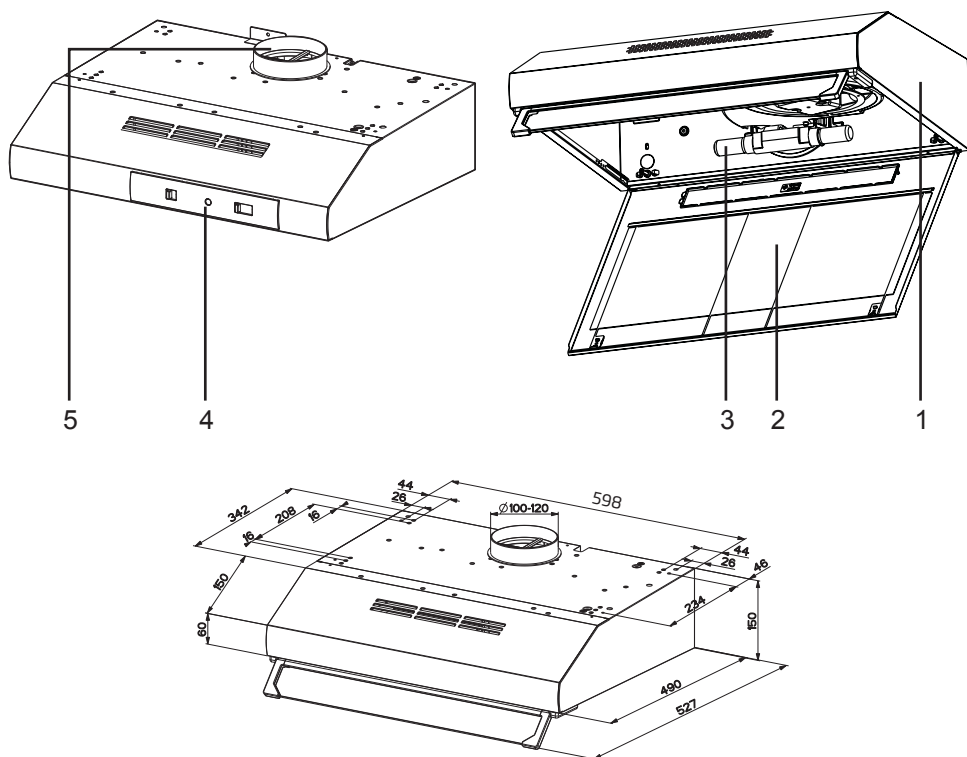
## 1.4 Информация об упаковке



Упаковка прибора изготовлена из вторичного сырья, в соответствии с нашими государственными законами об охране окружающей среды. Не выбрасывайте упаковочные материалы вместе с бытовыми или другими отходами. Отнесите их в пункты приема упаковочных материалов, утвержденные местными органами власти.

## 2 Общий вид

### 2.1 Краткое описание




1. Тело
2. Жировой фильтр
3. Освещение
4. Панель управления
5. Дымовая труба

### 2.2 Технические данные

Модель	CFB 6432 X CFB 6432 W CFB 6432 XG CFB 6432 WH CFB 6432 XH-1	CFB 6431 W CFB 5432 W CFB 6437 W
Напряжение сети	220-240V ~ 50 Hz	
Мощность ламп освещения	2 x 4 W	
Мощность двигателя	2 x 115 W	
Поток - 3. Уровень	380 m³/h	
Класс изоляции мотора	Класс F	
Класс изоляции	Класс II	

## 3 Эксплуатация устройства

### 3.1 Управление Устройством

	
<b>L : Свет вкл/выкл</b>	Включает и выключает осветительное оборудование
<b>V : Скорость</b>	Регулирует рабочую скорость: 0. Включает и выключает мотор всасывания. 1. Минимальная скорость - пригодна для непрерывной смены воздуха при наличии малого количества пара от готовки; отличается бесшумностью работы. 2. Средняя скорость - пригодна для наибольшей части условий эксплуатации благодаря отличному соотношению двух показателей: пропускная способность обработанного воздуха и уровень шума. 3. Максимальная скорость - пригодна для обработки наибольших испарений от готовки даже в течение длительного времени.

- Вытяжка была разработана исключительно для домашнего использования, чтобы устранить запах из кухни.
- Никогда не используйте вытяжку в целях, для которых она не предназначена.
- Когда вытяжка работает, не используйте под ней высокий открытый огонь.
- Отрегулируйте интенсивность пламени, чтобы направить его только на дно сковороды, следя за тем, чтобы он не охватывал стороны.
- Во время использования фритюрницы следует постоянно проверять: перегретое масло может загореться.

### 3.2 Энергоэффективное использование

- При использовании вытяжки для экономии электроэнергии устанавливайте скорость в соответствии с интенсивностью образования пара или запаха.
- В обычных условиях используйте низкие скорости (1-2), а при интенсивном образовании пара и запаха – высокую (3).
- Лампы на вытяжке предназначены для освещения места готовки.
- Их использование для освещения помещения приведет к чрезмерному потреблению электроэнергии и будет недостаточным.
- Чтобы устройство потребляло меньше энергии, запустите его на низкой скорости.
- Ваше устройство снизит энергопотребление, так как оно будет работать более эффективно, когда вы обеспечите достаточный забор воздуха.
- Установите устройство на интенсивный уровень мощности всасывания перед образованием пара в тех случаях, когда вы знаете, что будет плотный пар. Таким образом, вы уменьшаете энергопотребление, используя свое устройство в течение более короткого времени, поскольку оно будет иметь

## 3 Эксплуатация устройства

достаточно эффективный воздухозаборник.

- Держите крышки посуды закрытыми, чтобы уменьшить выделение пара.

### 3.3 Эксплуатация вытяжки

- В вытяжке имеется мотор, работающий на разных скоростях.
- Для лучшей производительности мы рекомендуем использовать низкие скорости в нормальных условиях и высокие скорости в случае сильного запаха и интенсивного пара.
- Вы можете запустить прибор, нажав кнопку желаемой скорости. (V1, V1, V3)
- Вы можете осветить зону приготовления, нажав на лампу (L).

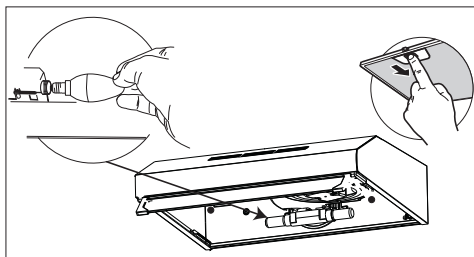
### 3.5 Замена ламп



- Перед заменой лампочек отсоедините вытяжку от электросети.
- Не прикасайтесь к лампам, когда они горячие.
- Будьте осторожны, чтобы не дотронуться до лампочки руками.



Вы можете приобрести лампы у авторизованных сервисных дилеров.



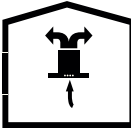
Лампочка	
Мощность лампочки	4 W
Держатель / Гнездо	E14
Напряжение лампочки	220 - 240 V
Код ILCOS	DRBB/F-4-220-240-E14-35/100
Размер	35x100 mm
Световой поток	400 lm
Коррелированная цветовая температура	3000 K

Этот продукт содержит источник света класса энергоэффективности «F».

### 3.6 Работа с подключением к дымоходу

-  Пар выводится через дымоход, который крепится к соединительной головке вытяжки.
- Диаметр дымохода должен быть таким же, как у соединительного кольца. В горизонтальном положении труба должна иметь небольшой наклон вверх (около 10°), чтобы воздух мог легко выходить из комнаты.

### 3.7 Работа без подключения к дымоходу

-  Воздух фильтруется через угольный фильтр и рециркулирует в помещении. Угольный фильтр применяется, когда в доме нельзя использовать дымоход.

## 3 Эксплуатация устройства

- При использовании без дымохода снимите заслонки внутри переходника дымохода.
- Снимите алюминиевый жировой фильтр. Чтобы установить угольный фильтр, прикрепите фильтр к выступам, центрируя его на пластиковом элементе с обеих сторон корпуса вентилятора. Затяните, повернув вправо или влево.
- Заменить алюминиевый жировой фильтр.

## 4 Очистка и уход

Устройство следует регулярно чистить и обслуживать. Неподдержание устройства в чистоте отрицательно повлияет на срок службы устройства. Для очистки и технического обслуживания следуйте инструкциям, изложенным в руководстве.



Отключите устройство от сети или выключите соединения перед чисткой и техническим обслуживанием.



Несоблюдение положений, связанных с очисткой устройства и заменой фильтров, может привести к риску возгорания. Поэтому рекомендуется следовать приведенным здесь рекомендациям. Производитель не несет ответственности за повреждения двигателя или возгорания, возникшие в результате неправильного использования.

Протрите только ткань, смоченной нейтральным жидким моющим средством. Не чистите с помощью инструментов. Не используйте абразивные чистящие средства. Не используйте спирт.

### 4.1 Очистка алюминиевого жирового фильтра

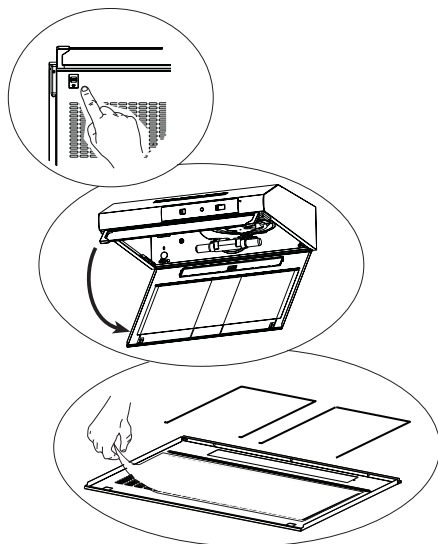
Алюминиевый жировой фильтр используется для удержания частиц масла в воздухе. Алюминиевый жировой фильтр может изменить цвет после многократной очистки. Это нормально, и вам не нужно менять фильтры.



Вы также можете мыть алюминиевый жировой фильтр в посудомоечной машине.



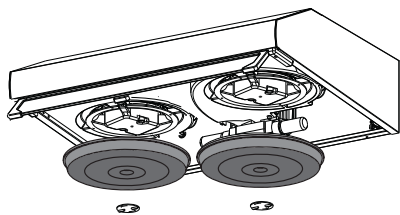
**ВНИМАНИЕ:** В случае нормальной эксплуатации очищайте алюминиевый жировой фильтр один раз в месяц.



### 4.2 Замена угольных фильтров

Фильтры для удаления запахов содержат древесный уголь (активированный уголь). В продукт необходимо устанавливать алюминиевый жировой фильтр, независимо от того, используются ли угольные фильтры.

## 4 Очистка и уход



### ВНИМАНИЕ

- Запрещено мыть угольные фильтры.
- Заменяйте угольные фильтры каждые 3 месяца.
- Вы можете приобрести угольный фильтр в авторизованных сервисах.



## 5 Установка изделия



### ПРЕДУПРЕЖДЕНИЕ:

Перед началом установки прочтите информацию по безопасности в Руководстве пользователя.



### ПРЕДУПРЕЖДЕНИЕ:

Несоблюдение инструкций по установке с помощью винтов и стабилизаторов может привести к поражению электрическим током.

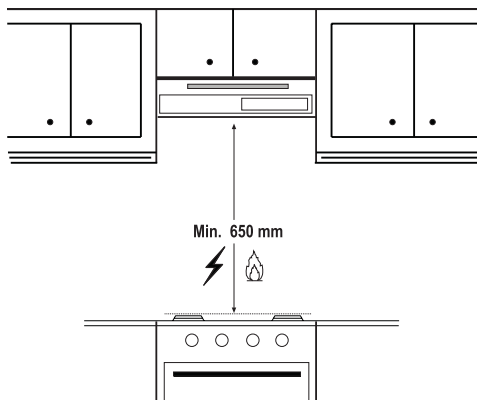


Обратитесь к странице 235 для руководства по установке

По вопросам установки вытяжки обращайтесь в ближайший авторизованный сервисный центр.

Заказчик несет ответственность за подготовку места и электрического монтажа вытяжки.

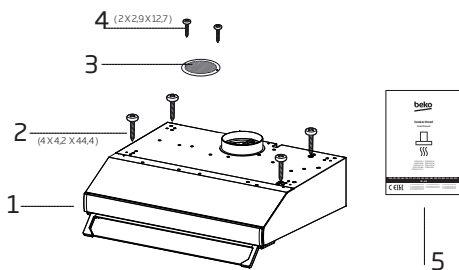
### 5.1 Положение изделия



- Перед сборкой необходимо учитывать расстояние между плитой и вытяжкой. Это расстояние должно составлять 65 см.

- Расстояние необходимо измерять от поверхности решетки для газовых плит,
- от поверхности стекла для электрических плит.

### 5.2 Принадлежности для установки



1. Прибор
- 2.4 x 4,2 x 44,4 винта
3. Решетка выхода воздуха
- 4.2 винта 2,9 x 12,7
5. Руководство по эксплуатации

### 5.3 Хранение

- Если вы не планируете использовать электроприбор в течение длительного времени, то его следует хранить надлежащим образом.
- Убедитесь, что электроприбор отключен от электросети, остыл, а его поверхности полностью сухие.
- Хранить прибор следует в сухом прохладном месте.
- Храните устройство в недоступном для детей месте.



## 5 Установка изделия

### 5.4 Обращение и транспортировка

- Во время обработки и транспортировки переносите прибор в оригинальной упаковке.
- Упаковка устройства защищает его от физических повреждений.
- Не кладите тяжелые грузы на прибор или упаковку. Возможно повреждение прибора.

## 6 Устранение неисправностей

Устранение неисправностей	Причина	Решение
Изделие не работает.	Проверить предохранитель.	Предохранитель может быть отключен, включите его.
Изделие не работает.	Проверьте электрическое соединение.	Напряжение в сети должно составлять 220-240 В.
Изделие не работает.	Проверьте электрическое соединение.	Проверьте, работает ли другое оборудование на кухне.
Не горит лампа освещения.	Проверьте электрическое соединение.	Напряжение в сети должно составлять 220-240 В.
Не горит лампа освещения.	Проверьте выключатель лампы.	Выключатель лампы должен находиться в положении «вкл.».
Не горит лампа освещения.	Проверьте лампы.	Лампы изделия должны быть исправны.
Изделие не обеспечивает эффективный забор воздуха.	Проверьте алюминиевый фильтр.	При обычных условиях эксплуатации алюминиевый фильтр необходимо чистить не реже раза в месяц.
Изделие не обеспечивает эффективный забор воздуха.	Проверьте воздушную заслонку вентиляционной трубы.	Заслонка вентиляционной трубы должна находиться в положении «вкл.».
Изделие не обеспечивает эффективный забор воздуха.	Проверьте угольный фильтр.	При обычных условиях эксплуатации в изделиях, оборудованных угольным фильтром, его замену следует производить каждые 3 месяца.

- а) если изделие, предназначенное для личных (бытовых, семейных) нужд, использовалось для осуществления предпринимательской деятельности, а также в иных целях, не соответствующих его прямому назначению;
  - б) в случае нарушения правил и условий эксплуатации, установки изделия, изложенных в инструкции по эксплуатации и инструкции по установке;
  - в) если изделие имеет следы попытки неквалифицированного ремонта;
  - г) если дефект вызван изменением конструкции или схемы изделия, не предусмотренные изготовителем;
  - д) если дефект вызван действием непреодолимых сил, несчастными случаями, умышленными или неосторожными действиями потребителя или третьих лиц;
  - е) если обнаружены повреждения, вызванные попаданием внутрь изделия посторонних предметов, веществ, жидкостей, насекомых;
  - ж) использование неоригинальных расходных материалов автоматически лишает Вас гарантии изготовителя.
5. Гарантийные обязательства и бесплатное сервисное обслуживание не распространяются на следующие недостатки изделия:
- а) механические повреждения, возникшие после передачи товара потребителю;
  - б) повреждения, вызванные несоответствием стандартам параметров питающих, телекоммуникационных, кабельных сетей и других подобных внешних факторов;
  - в) повреждения, вызванные использованием нестандартных и (или) некачественных расходных материалов, принадлежностей, запасных частей;
6. В случае несовершеного (стусия более чем один месяц) извещения о выявленных недостатках изделия, изготовитель оставляет за собой право отказать полностью или частично от удовлетворения предъявляемых требований (ст. 436 ГК РК).

**НАЗАР АУДАРЫҢЫЗДАР!**

Үш контактілі желілік айыры бар бұйым, міндетті түрде, жерге тұйықталуы тиіс. **ВНИМАНИЕ!** Изделие, имеющее трехконтактную сетевую вилку, обязательно должно быть заземлено.

Қазақстан Республикасы аумағында өрекет етеді. Действует на территории Республики Казахстан.

Покупатель _____ Фамилия, Имя, Отчество	Покупатель _____ Фамилия, Имя, Отчество
Адрес _____	Адрес _____
Тел. _____	Тел. _____
Дата ремонта _____	Дата ремонта _____
Серв. центр _____	Серв. центр _____
Мастер _____	Мастер _____
Фамилия, Имя, Отчество _____	Фамилия, Имя, Отчество _____

Дата	Характер неисправности	Принятые меры

М.П. \_\_\_\_\_ Подпись ответственного лица \_\_\_\_\_



Қазақстан Республикасы аумағында өрекет етеді  
 Действует на территории Республики Казахстан

Адрес: 109004, Россия, Москва, ул. Станиславского д.21, стр.1  
 Телефоны горячей линии **8-800-200-23-56**  
 (Звонок бесплатен на всей территории Республики Казахстан)

<http://www.beiko.ru>

**Гарантийный талон №**

Модель ..... Серийный номер .....
Дата продажи ..... Дата установки .....
Компания ..... Компания .....
Подпись продавца ..... Подпись мастера .....
ПЕЧАТЬ ПЕЧАТЬ

Покупатель ..... Телефон .....  
 Фамилия, Имя, Отчество  
 Изделие проверилось в присутствии покупателя, покупатель с условиями гарантии ознакомлен. Претензий к внешнему виду и комплектации не имею .....  
 Подпись Покупателя

**!** Огрывные купоны гарантийного талона являются средством отчетности о выполнении сервисным центром гарантийных работ. Купон изымается из гарантийного талона после удовлетворения Ваших претензий.





серия № .....	серия № .....	серия № .....
Дата продажи .....	Дата продажи .....	Дата продажи .....
ПЕЧАТЬ МАГАЗИНА	ПЕЧАТЬ МАГАЗИНА	ПЕЧАТЬ МАГАЗИНА

## Құрметті Сатып алушы!

### БЕКО сауда маркасының бұйымның тағдағаныңыз үшін алғыс білдіреміз.

БЕКО тіршілік техникаға тұтынушы тасыған күннен бастап 10 (он) жыл ресми қызмет көрсету мерзімін бөлігеді. Өзге тұрмыстық техникаға, теледидарларға, аудио-видео және радио аппаратураларға, тұрмыста қолдануға арналған кондиционерлерге пайдалану жөніндегі нұсқаулық ұстанған жағдайда, 5 (бес) жыл ресми қызмет көрсету мерзімін бөлігеді. БЕКО өнімдерінің жағары сапасын, беріктігін мен құрапсіздік дәрежесін ескерсек, өнімнің қызмет мерзімі ресми пайдалану мерзімінен әдейі ұзарды. Белгілі бір мемлекетке сатуға арналған БЕКО өнім сол мемлекеттің пайдалану жөніндегі талаптарына негізделіп отырып жасалған. Соның қаз жетісу үшін бұйым мен бұйымның орманындағы ресми белгілердің сәйкестігін тексеруіңізді сұраймыз. Егер қандай да бір сұрақтар туындайтын болса, Олдан міндетті түрде БЕКО қызмет көрсету орталығына хабарлауыңызды сұраймыз. Қызмет көрсету орталығының мекенжайы мен телефон нөмірлерін келіптіңіз талғонына берілген қошымдадан көре аласыз (Қазақстан Республикасы аумағында телефон соғу тегін). Соы келіптіңіз талонымен БЕКО өзге де бұйымға кемшіліктер анықталған жағдайда, тұтынушының құқығын қорғау бойынша заңмен әрекет етілетін тұтынушы талаптарын қанағаттандыру бойынша өзін міндеттемелерді қабылдауын растайды. Алайда, БЕКО компаниясы тұтынушы төменде аталған талаптарды орындамаған жағдайда келіптіктен, соңдық-ақ бұйымға тегін қызмет көрсетуден бас тарту құқығын өзіне қалдырады. Келіптіңіз міндеттемелер мен тегін қызмет көрсету талаптары Тұтынушылардың құқықтарын қорғау жөніндегі заңнама аясында әрекет етеді.

### Келіптіңіз міндеттемелер мен тегін қызмет көрсету талаптары:

1. Өндірушінің, келіптіңіз талаптары мен уәкілі етілген қызмет көрсету орталықтары ұсынатын тегін қызмет көрсету тек қана БЕКО модельдеріне сәйес алу және жүзеге асыру үшін КР елінің аумағына және КР мемлекетінің Мемлекеттік Стандартына сәйес сертифицициялаудан өткен мамлекеттерге таратылады.
2. Өндіруші БЕКО өнімдеріне төмендеп келтілдік мерзімін бөлігеді: тіршілік техника: тұтынушыға тасыған күннен бастап - 2 (екі) жыл, Өзге тұрмыстық техникаға, теледидарларға, аудио-видео және радио аппаратураларға, тұрмыста қолдануға арналған кондиционерлерге тұтынушыға тасыған күннен бастап - 1 (бір) жыл.
3. Егер бұйымның құрал-жабдықтары оның құрылысынан алуыстыру және бұйымды бөлшектеуге байланысты болмаса, төмендегі құрал-жабдықтарға келіптіңіз міндеттемелер таратылмайды.

### Бұйымның барлық түрлері үшін:

- а) қышқан басқару пульттеріне, аккумуляторлы батареяларға, қоректендіу элементтеріне (батареяларға), қоректендіу блоктарының сыртқы бөлшектеріне және қуат бергіш құрылымдарға;
- б) жалғыз кабельдерге, антенналарға және оларға арналған еткізгіштерге, құлаққаптарға, микрофондарға;
- в) бұйыммен бірге берілетін қалпақтар, бөлімдіктерге, тасымалдауға арналған ширүлдер, монтажды құрылыстарға, аспаптарға, құжаттарға;

### Төмендегілерді қоса алғанда:

- а) Төңкерішкіларға: мис сорғыштарға, ауа тазартқыштарға (биодезораторларлар), сүзгілерге;
- б) Қысқа тоқпанды пештерге, табақшаларға, омақ ет қықпайтын іспіктерге, торларға, табақшаларға;
- в) Шаш сорғыштарға, түпкістерге, шлангтерге, шөкшаларға, қондырғыларға, шаң жинағыштарға, сүзгілерге;
4. Кондиционерлерге, ауа тазартқыштарға, сүзгілерге;
4. Өндіруші мынадай жағдайларда бұйымға келіптіңіз бермейді, және тегін қызмет көрсетпейді: і) еке мұқтаждық үшін қажет болған бұйым (тұрмыстық отбасылық), өндірістік қызметтеді істе асыру үшін және оның негізін апаратын қызметіне сәйес келмейтін басқа да мақсаттарда қолданған жағдайда;
- б) пайдалану әрекеттері мен талаптарын, пайдалану жөніндегі нұсқаулықта және бұйымды орнату жөніндегі нұсқаулықта жазылған талаптарды бұзған жағдайда;
- в) Егер бұйымға рұқсат етілмеген жөндеу жұмыстарының ізі анықталса;
- Г) бұйымның құрылысы мен сымсанында рұқсат етілмеген өзгерістер орын алса;
- Д) Егер ақау өсерлімесі күштің іс-әрекеті, және жағдайлармен, тұтынушының немесе үшінші тұлғаның қасақана немесе абайсыз іс-әрекетінің арқасында орын алса;
- е) Бұйымның ішіне басқа бір заттардың, сұйықтықтардың, шыбын-шіркейлердің түсіп кетуінен пайда болған зақымданулар табылса;
- ж) Тұтынушы болып саналмайтын шығын материалдарын қолдану ізінде автоматты түрде Өндіруші келіптіңізнен алырады.

5. Төмендегі жағдайларда бұйымға келіптіңіз міндеттемелер таратылмайды және тегін сервістық қызмет көрсетілмейді:

- а) Бұйымды тұтынушы тасығаннан кейін пайда болған механикалық зақымдар;
- б) Қуат және телекоммуникациялық, кабельдік, желілер параметрлерінің дұрыс жұмыс істеуі үшін (немесе) стандарттарға сәйес келмейді) және осы сияқты өзге де сыртқы факторлардың салдарынан пайда болған бұзылулар;
- в) Стандарттарға сай келмейтін және (немесе) сапасыз шығыс материалдары, жабдықтар, қосалқы бөлшектер, қуат көзі элементтері, ақпаратты тасымалдаушылар қолданудан пайда болған бұзылулар;
6. Тұтынушы орын алған кемшіліктер жөнінде уақытлы (бір айда) негізмен уәкілет еткен жағдайда) хабарламаған жағдайда. Өндіруші Тұтынушының талаптарын толық немесе ішінара қанағаттандыра алмай қуқылы (ҚР Ақ 436-68ББ).

## Уажааеымй Покупатель!

### Благодарим Вас за выбор изделия торговой марки БЕКО.

БЕКО устанавливает официальную срок службы на крупную бытовую технику 10 (десять) лет со дня передачи потребителю. На прочую бытовую технику, телевизоры, аудио-видео и радио аппаратуру, кондиционеры, предназначенные для использования в быту, устанавливаем срок службы 5 (пять) лет, при условии соблюдения правил эксплуатации. Учитывая высокие качество, надежность и степень безопасности продукции БЕКО, фактический срок эксплуатации может значительно превышать официальную. Вся продукция, предназначенная БЕКО для поставок в определенную страну, изготовлена с учетом условий эксплуатации этой страны. Чтобы убедиться в этом, просим Вас проверить наличие на изделии и упаковке официальных знаков соответствия. Если у Вас возникнут какие-либо проблемы, настоятельно рекомендуем Вам обратиться в уполномоченные сервисные центры БЕКО, адреса и телефоны которых Вы можете узнать из приложения к гарантийному талону. Данное гарантийное талонное (взноск) подтверждает принятие на себя обязательств по удовлетворению требований потребителя, в случае обнаружения недостатков изделия. Однако БЕКО оставляет за собой право отказать как в гарантийном, так и бесплатном сервисном обслуживании изделия в случае несоблюдения изложенных ниже условий. Все условия гарантийных обязательств и бесплатного сервисного обслуживания действуют в рамках законодательства о защите прав потребителей.

### Условия гарантийных обязательств и бесплатного сервисного обслуживания:

1. Гарантийные обязательства. Изготовитель и бесплатный сервисный обслуживающие, предоставляющие в рамках установленных сервисных центров, Исполнители, распространяются только на модели, предназначенные БЕКО для поставок и реализации на территории РК, приобретенные на территории РК, и прошедшие сертификацию на соответствие ГОСТам РК.
2. Изготовитель устанавливает следующие гарантийные сроки на изделия БЕКО: Крупная бытовая техника: 2 (два) года со дня передачи потребителю. Прочая бытовая техника, телевизоры, аудио-видео радио аппаратура, кондиционеры, предназначенные для использования в быту – 1 (один) год со дня передачи потребителю.
3. Гарантийные обязательства не распространяются на перечисленные ниже принадлежности изделия, если их замена предусмотрена конструкцией и не связана с разборкой изделия.

### Для нас виды использования:

- а) на пульты дистанционного управления, аккумуляторные батареи, элементы питания (батареи), внешние блоки питания и зарядные устройства;
- б) соединительные кабели, антенны и принадлежности для них, наушники, микрофоны;
- в) чехлы, ремни, сумки для переноски, монтажные приспособления, инструменты, документация, чехлы, прилагаемые к изделию.

### Дополнительно для:

- а) холодильников, на полостители воздуха (биодезордаторы), фильтры;
- б) микроволновых печей: на тарелки, вертела, решетки, блюда;
- г) стиральных машин: на шланги, трубки, щетки, насадки, пылесборники, фильтры;
- д) кондиционеров, воздухоочистителей; фильтров;
4. Изготовитель не несет гарантийные обязательства и не производит бесплатное сервисное обслуживание изделия в случаях:

Производитель: "Arçelik A.S."  
Karaağaç Caddesi No: 2-6 Sütlüce, 34445, Турция

Сделано в Китае

Импортер на территории РФ: ООО «БЕКО»  
Юридический адрес: 601021 Россия, Владимирская обл., Киржачский р-н,  
дер. Федоровское, ул. Сельская, д. 49

Дата изготовления включена в серийный номер, указанный на этикетке, расположенной на продукте, следующим образом:

Первые две цифры серийного номера обозначают год выпуска, а вторые две – месяц.

Например, «10-05-100001» означает, что продукт был произведен в мае 2010 года.

# Bacalah panduan pengguna ini terlebih dahulu!






Yth. Pelanggan yang Kami Hargai,

Terima kasih telah memilih alat Beko. Kami berharap Anda mendapatkan hasil terbaik dari alat Anda yang telah diproduksi dengan teknologi mutakhir dan berkualitas tinggi. Oleh karena itu, bacalah seluruh panduan pengguna ini dan semua dokumen yang menyertainya dengan saksama sebelum menggunakan alat dan simpanlah sebagai referensi di masa mendatang. Jika Anda menyerahkan alat ini kepada orang lain, berikan juga panduan pengguna ini. Ikuti petunjuk dengan memperhatikan semua informasi dan peringatan yang tercantum dalam panduan pengguna.

Ingatlah bahwa panduan pengguna ini mungkin juga berlaku untuk model lain. Perbedaan antara beberapa model dijelaskan secara eksplisit di dalam panduan pengguna.

## Arti Simbol

Simbol-simbol berikut digunakan di berbagai bagian panduan pengguna ini:

	Informasi penting dan petunjuk berguna mengenai penggunaan.
	<b>PERINGATAN:</b> Peringatan terhadap situasi berbahaya terkait keamanan kehidupan dan harta benda.
	<b>PERINGATAN:</b> Peringatan bahaya kebakaran.
	<b>PERINGATAN:</b> Peringatan sengatan listrik.
	Kelas perlindungan untuk sengatan listrik.



# 1 Petunjuk penting keselamatan dan lingkungan

## 1.1 Keselamatan Umum

Petunjuk Keselamatan Penting Baca Dengan Saksama Dan Simpan Untuk Referensi Di Masa Mendatang Bagian ini berisi petunjuk keselamatan yang akan membantu melindungi dari risiko kebakaran, sengatan listrik, paparan energi gelombang mikro yang bocor, cedera diri, atau kerusakan harta benda. Kelalaian dalam mengikuti petunjuk ini akan membatalkan garansi.

- Produk Beko mematuhi standar keselamatan yang berlaku; oleh karena itu, jika terjadi kerusakan pada alat atau kabel daya, maka kerusakan harus diperbaiki atau diganti oleh dealer, pusat layanan, atau spesialis dan layanan resmi untuk menghindari bahaya. Pekerjaan perbaikan yang salah atau tidak memenuhi syarat dapat membahayakan dan berisiko bagi pengguna.
- Alat ini dimaksudkan untuk digunakan di rumah tangga dan penerapan serupa, misalnya:
  - Area dapur staf di toko, kantor, dan lingkungan kerja lainnya;
  - Rumah pertanian/peternakan
  - Klien di hotel, dan lingkungan jenis hunian lainnya;
  - Lingkungan seperti Tempat tidur dan Sarapan.
- Gunakan alat hanya untuk tujuan yang dimaksudkan sesuai dengan yang dijelaskan dalam panduan ini.
- Produsen tidak bertanggung jawab atas kerusakan akibat pemasangan yang tidak tepat atau penyalahgunaan produk.
- Alat ini dapat digunakan oleh anak-anak berusia 8 tahun ke atas dan orang dengan keterbatasan fisik, sensoris, atau mental atau orang yang kurang berpengalaman dan pengetahuan jika mereka telah diberi pengawasan atau petunjuk tentang penggunaan alat dengan cara yang aman dan memahami bahaya yang mungkin timbul.
- Anak-anak tidak diizinkan untuk

# 1 Petunjuk penting keselamatan dan lingkungan

bermain dengan alat ini. Pembersihan dan pemeliharaan pengguna tidak boleh dilakukan oleh anak-anak tanpa pengawasan.

- Jarak minimum antara permukaan penyangga wadah memasak pada kompor dan bagian terendah produk Anda harus paling sedikit 65 cm.
- Jika petunjuk pemasangan kompor gas menetapkan jarak yang lebih jauh, hal ini harus diperhitungkan.
- Pastikan sumber daya listrik utama Anda sesuai dengan informasi yang tercantum pada pelat nilai alat.
- Jangan gunakan alat jika kabel daya atau alatnya sendiri rusak.
- Cegah kerusakan kabel daya dengan tidak meremas, menekuk, atau menggosoknya pada bagian tepi yang tajam. Jauhkan kabel daya dari permukaan yang panas dan nyala api.
- Gunakan alat hanya dengan stopkontak yang dibumikan.

**PERINGATAN:** Jangan menyalakan peralatan ke listrik hingga pemasangan selesai sepenuhnya.

- Letakkan alat sedemikian rupa sehingga steker selalu dapat diakses.
- Jangan sentuh lampu jika sudah lama menyala. Tangan Anda bisa terbakar karena lampu yang panas.
- Patuhi peraturan yang ditetapkan oleh otoritas yang kompeten tentang pembuangan udara buangan (peringatan ini tidak berlaku untuk penggunaan tanpa saluran asap).
- Nyalakan alat Anda setelah meletakkan panci, wajan, dll, pada kompor. Jika tidak, panas tinggi dapat menyebabkan perubahan bentuk beberapa bagian produk Anda.
- Matikan kompor sebelum mengangkat panci, wajan, dll.
- Jangan meninggalkan minyak panas di kompor. Wajan berisi minyak panas dapat terbakar dengan sendirinya.

# 1 Petunjuk penting keselamatan dan lingkungan

- Perhatikan tirai dan penutup Anda karena minyak dapat terbakar ketika memasak makanan seperti kentang goreng.
- Filter minyak harus diganti minimal setiap bulan. Filter karbon harus diganti minimal setiap 3 bulan sekali.
- Produk harus dibersihkan sesuai dengan panduan pengguna. Jika pembersihan tidak dilakukan sesuai dengan panduan pengguna, kebakaran mungkin terjadi.
- Jangan gunakan bahan filter yang tidak tahan api sebagai pengganti filter saat ini.
- Hanya gunakan suku cadang asli atau suku cadang yang direkomendasikan oleh produsen.
- Jangan mengoperasikan produk tanpa filter dan jangan melepaskan filter ketika produk sedang menyala.
- Jika terjadi nyala api, matikan produk dan alat memasak Anda.
- Jika terjadi nyala api, tutupi api dan jangan gunakan air untuk memadamkan.
- Cabut steker alat setiap kali sebelum membersihkan dan saat tidak digunakan.
- Tekanan negatif di lingkungan tidak boleh melampaui 4 Pa (4 x 10 bar) penghisap asap untuk kompor listrik dan alat beroperasi dengan jenis energi lain tetapi listrik beroperasi secara bersamaan.
- Dalam lingkungan tempat alat digunakan, saluran pembuangan perangkat yang menggunakan bahan bakar minyak atau gas, seperti pemanas ruangan harus benar-benar terisolasi atau perangkat tersebut harus berjenis kedap udara.
- Ketika menghubungkan saluran asap, gunakan pipa dengan diameter 120 atau 150 mm. Sambungan pipa harus sependek mungkin dan memiliki siku sesedikit mungkin.
- Bahaya tersedak! Jauhkan semua bahan kemasan dari jangkauan anak-anak.



# 1 Petunjuk penting keselamatan dan lingkungan

**PERHATIAN:** Komponen yang dapat diakses dapat menjadi panas ketika digunakan dengan alat memasak.

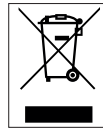
- Stopkontak produk tidak boleh terhubung ke saluran udara yang mengandung asap lain.
- Ventilasi di dalam ruangan dapat kurang memadai jika penghisap asap untuk kompor listrik digunakan secara bersamaan dengan perangkat yang beroperasi dengan gas atau bahan bakar lain (ini mungkin tidak berlaku untuk alat yang hanya mengalirkan udara kembali ke dalam ruangan).
- Benda yang diletakkan pada produk dapat jatuh. Jangan letakkan benda apa pun pada produk.
- Jangan melakukan 'flambe' (memasak dengan cara menyalakan api pada masakan yang mengandung atau diberi alkohol) di bawah produk Anda.

**PERINGATAN:** Sebelum memasang Penghisap Asap, lepaskan lapisan pelindung.

- Jangan meninggalkan nyala api yang besar di bawah penghisap asap yang sedang beroperasi
- Penggorengan berisi banyak minyak harus terus dipantau selama penggunaan: minyak yang terlalu panas dapat terbakar.

## 1.2 Kepatuhan dengan Direktif WEEE dan Pembuangan Produk Limbah:

Produk ini sesuai dengan Direktif WEEE Uni Eropa (2012/19/EU). Produk ini memiliki simbol klasifikasi untuk limbah alat listrik dan elektronik (WEEE).



Simbol ini menunjukkan bahwa produk ini tidak boleh dibuang bersama limbah rumah tangga lainnya di akhir masa pakainya. Perangkat bekas harus dikembalikan ke tempat pengumpulan resmi untuk daur ulang perangkat listrik dan elektronik. Untuk menemukan sistem pengumpulan ini, hubungi pemerintah atau pengecer lokal tempat Anda membeli produk tersebut. Setiap rumah tangga memainkan peran penting dalam memulihkan dan mendaur ulang alat lama. Pembuangan alat bekas yang tepat membantu mencegah potensi akibat negatif bagi lingkungan dan kesehatan manusia.

## 1.3 Kepatuhan dengan Direktif RoHS

Produk yang telah Anda beli sesuai dengan Direktif RoHS Uni Eropa (2011/65/EU). Produk ini tidak mengandung bahan berbahaya dan terlarang sesuai ketentuan Direktif.

# 1 Petunjuk penting keselamatan dan lingkungan

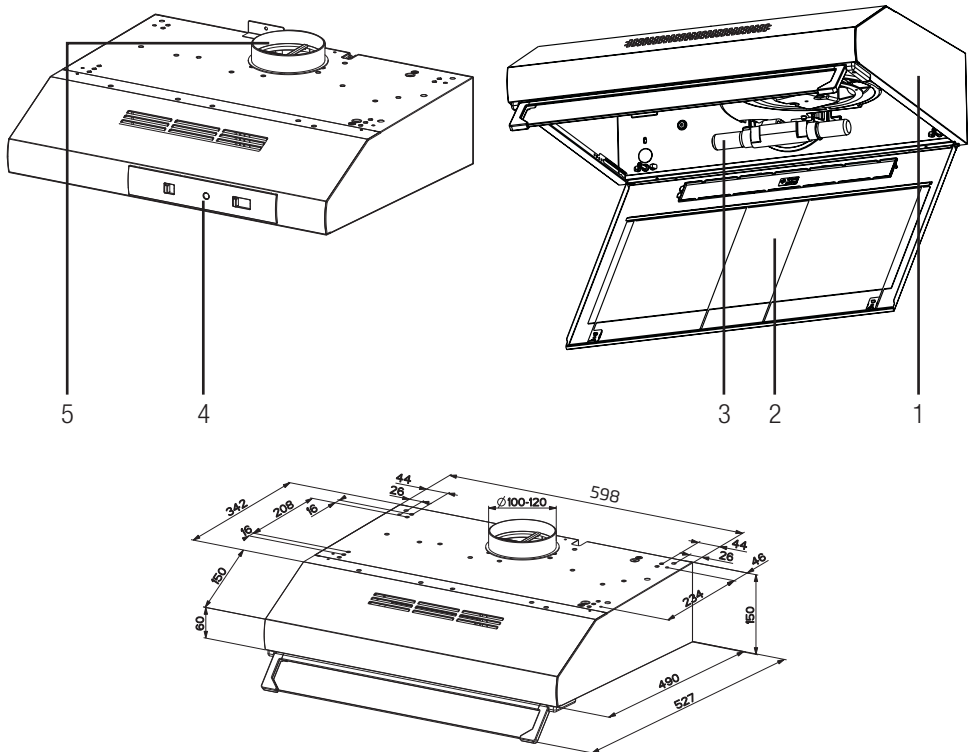
## 1.4 Informasi Kemasan



Bahan kemasan produk dibuat dari bahan yang dapat didaur ulang sesuai dengan Peraturan Lingkungan Hidup Nasional kami. Jangan buang bahan kemasan bersama dengan limbah rumah tangga atau limbah lainnya. Bawalah kemasan ke tempat pengumpulan bahan kemasan yang ditunjuk oleh pemerintah setempat..

## 2 Tampilan umum

### 2.1 Ikhtisar




1. Bentuk
2. Filter minyak
3. Lampu
4. Panel kontrol
5. Cerobong Asap

### 2.2 Data teknis

<b>Model</b>	CFB 6432 X CFB 6432 W CFB 6432 XG CFB 6432 WH CFB 6432 XH-1	CFB 6431 W CFB 5432 W CFB 6437 W
<b>Suplai tegangan &amp; frekuensi</b>	220-240V ~ 50 Hz	
<b>Daya lampu</b>	2 x 4 W	
<b>Daya motor (W)</b>	2 x 115 W	
<b>Aliran udara – 3. Level</b>	380 m <sup>3</sup> /h	
<b>Kelas Insulasi Motor</b>	Kelas F	
<b>Kelas Insulasi</b>	KELAS II	

## 3 Penggunaan alat

### 3.1 Panel kontrol

	
<b>L : Lampu nyala/mati</b>	Menyalakan dan mematikan sistem lampu
<b>V Tombol kecepatan</b>	Mengatur kecepatan pengoperasian ekstraktor: 0. Mematikan secara cepat motor ekstraktor 1. Kecepatan rendah, digunakan untuk pergantian udara terus-menerus dan tanpa suara dengan adanya uap memasak ringan. 2. Kecepatan sedang, cocok untuk sebagian besar kondisi pengoperasian mengingat rasio aliran udara/tingkat kebisingan yang diolah secara optimal. 3. Kecepatan maksimum, digunakan untuk menghilangkan emisi uap memasak tertinggi, termasuk dalam waktu lama.

- Penghisap asap ekstraktor telah dirancang secara khusus untuk penggunaan rumah tangga guna menghilangkan bau dapur.
- Jangan menggunakan penghisap asap untuk tujuan selain tujuan perancangannya.
- Jangan meninggalkan nyala api yang besar di bawah penghisap asap yang sedang beroperasi.
- Sesuaikan intensitas nyala api untuk mengarah ke bagian bawah panci/wajan saja, pastikan api tidak keluar hingga ke sisi-sisinya.
- Penggorengan berisi banyak minyak harus terus dipantau selama penggunaan: minyak yang terlalu panas dapat terbakar.

### 3.2 Penggunaan yang efisien untuk hemat energi

- Ketika menggunakan alat Anda, sesuaikan pengaturan kecepatan menurut intensitas uap dan bau untuk menghemat energi.
- Gunakan kecepatan rendah (1-2) dalam kondisi normal, dan kecepatan tinggi (3) dan mode *boost* untuk bau dan uap yang intens.
- Penghisap asap dilengkapi dengan lampu untuk menerangi area memasak.
- Menggunakannya untuk penerangan lingkungan akan menyebabkan pengeluaran energi yang tidak perlu dan penerangan yang tidak memadai.
- Agar konsumsi energi perangkat Anda lebih sedikit, jalankan pada tingkat kecepatan rendah.
- Perangkat Anda akan berkurang konsumsinya karena bekerja lebih efisien ketika tersedia asupan udara yang cukup.
- Atur perangkat Anda ke tingkat daya hisap yang kuat sebelum pembentukan uap, jika Anda mengetahui uap padat akan terjadi. Jadi, Anda menghemat energi dengan menggunakan perangkat dalam waktu yang lebih singkat karena memiliki asupan udara yang cukup.
- Tutup penutup alat masak untuk mengurangi uap yang keluar.

## 3 Penggunaan alat

### 3.3 Mengoperasikan Penghisap Asap

- Penghisap asap dilengkapi dengan motor yang memiliki beberapa pengaturan kecepatan.
- Untuk kinerja yang lebih baik, kami menyarankan Anda untuk menggunakan kecepatan rendah dalam kondisi normal, dan kecepatan tinggi saat bau dan uap meningkat.
- Anda dapat menyalakan penghisap asap dengan menekan tombol tingkat kecepatan yang diinginkan. (V1, V2, V3)
- Anda dapat menerangi area memasak dengan menekan tombol lampu (L)

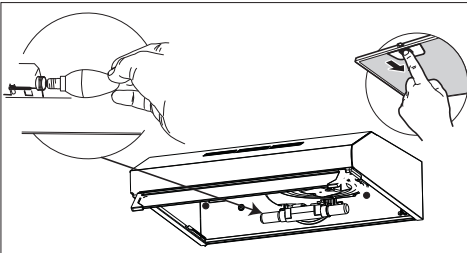
### 3.4 Penggantian lampu



- Sebelum mengganti bola lampu, lepaskan sumber daya listrik penghisap asap.
- Jangan sentuh bola lampu yang panas.
- Berhati-hatilah untuk tidak menyentuh bola lampu yang diganti langsung dengan tangan.



Anda dapat membeli lampu dari Agen Servis Resmi.

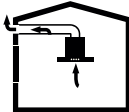


<b>Lampu</b>	
<b>Kekuatan bohlam</b>	4 W
<b>Pemegang/Soket</b>	E14

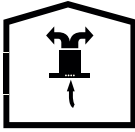
<b>Tegangan bohlam</b>	220 - 240 V
<b>Kode ILCOS</b>	D R B B / F - 4 - 2 2 0 - 240-E14-35/100
<b>Ukuran</b>	35x100 mm
<b>Fluks bercahaya</b>	400 lm
<b>Suhu warna berko-relasi</b>	3000 K

Produk ini mengandung sumber cahaya efisiensi energi "Kelas F".

### 3.5 Operasi dengan koneksi saluran asap

-  Uap diekstraksi melalui saluran asap, yang diikat ke kepala sambungan di penghisap asap.
  - Diameter saluran asap harus sama dengan cincin sambungan. Dalam pengaturan horizontal, pipa harus memiliki sedikit kemiringan ke atas (sekitar 10°) agar udara dapat keluar dari ruangan dengan mudah.

### 3.6 Operasi tanpa koneksi saluran asap

-  Udara disaring melalui filter karbon dan disirkulasikan kembali di dalam ruangan. Filter karbon digunakan ketika tidak mungkin menggunakan saluran asap di dalam rumah.
  - Dalam penggunaan tanpa cerobong asap, lepaskan penutup di dalam adaptor saluran asap.
  - Lepaskan filter oli. Untuk memasang filter karbon, pasang filter ke tab dengan memusatkannya pada potongan plastik di kedua sisi badan kipas. Kencangkan dengan memutar ke kanan atau ke kiri.
  - Ganti filter oli aluminium.

## 4 Pembersihan dan pemeliharaan

Perangkat harus dibersihkan dan dirawat secara teratur. Kegagalan menjaga kebersihan perangkat akan berdampak buruk pada masa pakai perangkat. Untuk pembersihan dan perawatan, ikuti petunjuk yang tercantum dalam buku petunjuk



Sebelum membersihkan dan merawat, cabut produk atau matikan sakelar.



Ketidakpatuhan terhadap ketentuan yang terkait dengan pembersihan perangkat dan penggantian filter dapat mengakibatkan risiko kebakaran. Oleh karena itu, disarankan untuk mengikuti panduan yang disebutkan di sini. Pabrikan tidak bertanggung jawab atas kerusakan mesin atau kebakaran yang disebabkan oleh penggunaan yang tidak semestinya.

Bersihkan hanya dengan kain yang dibasahi dengan detergen cair netral. Jangan menggunakan produk abrasif atau alkohol

### 4.1 Pembersihan filter minyak

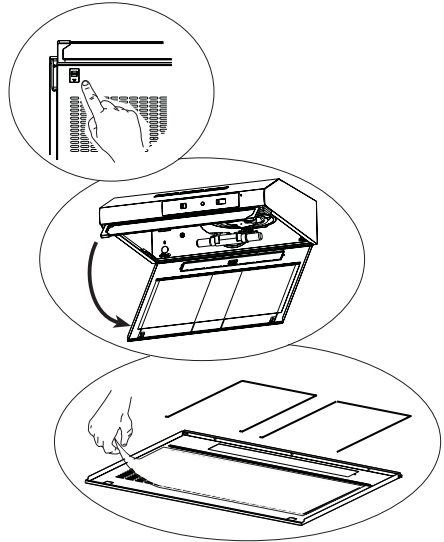
Pembersihan filter ini menangkap partikel di udara. Anda disarankan untuk membersihkan filter setiap bulan dalam kondisi penggunaan normal. Pertama, lepaskan filter minyak untuk proses ini. Cuci filter dengan detergen cair dan bilas dengan air kemudian pasang kembali setelah dikeringkan. Filter minyak dapat berubah warna ketika dicuci; hal ini normal dan filter Anda tidak perlu diganti.



Anda dapat mencuci filter aluminium di dalam mesin pencuci piring

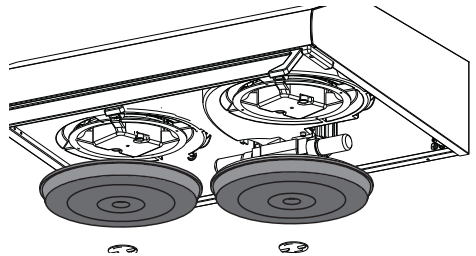


**PERHATIAN:** Dalam hal penggunaan normal, bersihkan filter Anda sekali dalam sebulan.



### 4.2 Penggantian filter karbon (Mode sirkulasi udara)

Penghisap asap dapat dilengkapi dengan filter karbon aktif. Filter karbon hanya digunakan jika penghisap asap tidak terhubung ke saluran asap.



#### PERINGATAN:

- Filter karbon tidak boleh dicuci.
- Ganti filter karbon setiap 3 bulan sekali.
- Filter karbon tersedia di Agen Servis Resmi.



## 5 Pemasangan alat



**PERINGATAN:** Sebelum memulai penginstalan, bacalah dahulu informasi keselamatan pada panduan pengguna.



**PERINGATAN:** Kesalahan dalam pemasangan dengan sekrup dan penstabil sesuai dengan instruksi ini dapat menyebabkan sengatan listrik.

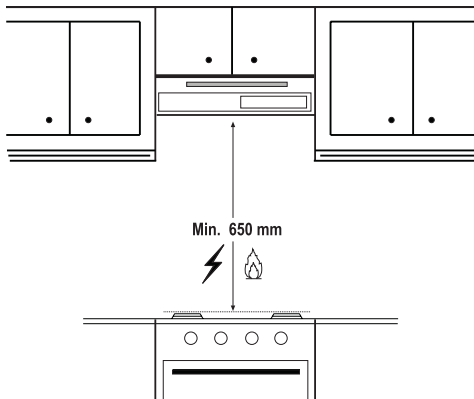


Silakan merujuk ke halaman 235 untuk panduan instalasi.

Untuk pemasangan penghisap asap, silakan hubungi layanan resmi terdekat.

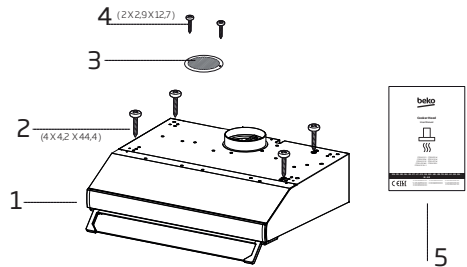
Lokasi dan pemasangan listrik penghisap asap menjadi tanggung jawab pelanggan.

### 5.1 Posisi alat



- Jarak antara kompor dan penghisap asap harus dipertimbangkan sebelum perakitan. Jarak ini harus 65 cm.
- Jarak harus diukur dari permukaan panggangan untuk kompor gas,
- dari permukaan kaca untuk kompor listrik.

### 5.2 Aksesori instalasi



1. Penghisap Asap
2. Sekrup 4 X 4,2 x 44,4
3. Grill saluran keluar udara
4. Sekrup 2 X 2,9 X 12,7
5. Panduan pengguna

### 5.3 Penyimpanan

- Jika Anda tidak menggunakan alat ini untuk waktu yang lama, mohon simpan dengan baik.
- Pastikan alat dicabut, dinginkan dan keringkan total.
- Simpan alat di tempat yang sejuk dan kering.
- Jauhkan alat dari jangkauan anak-anak

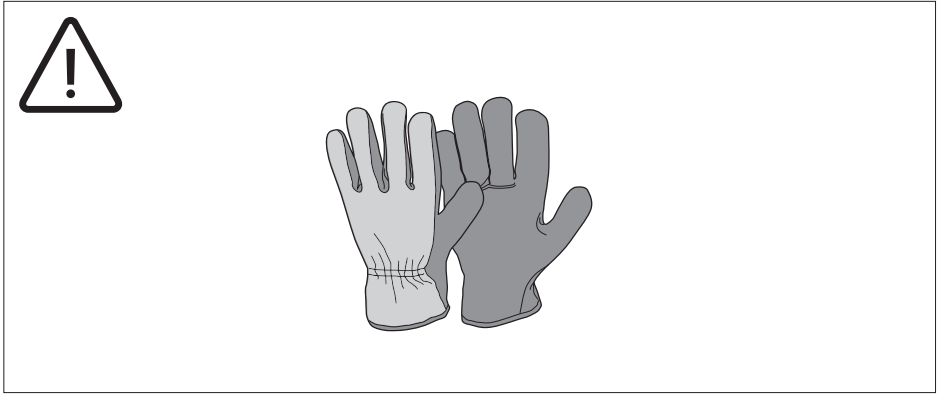
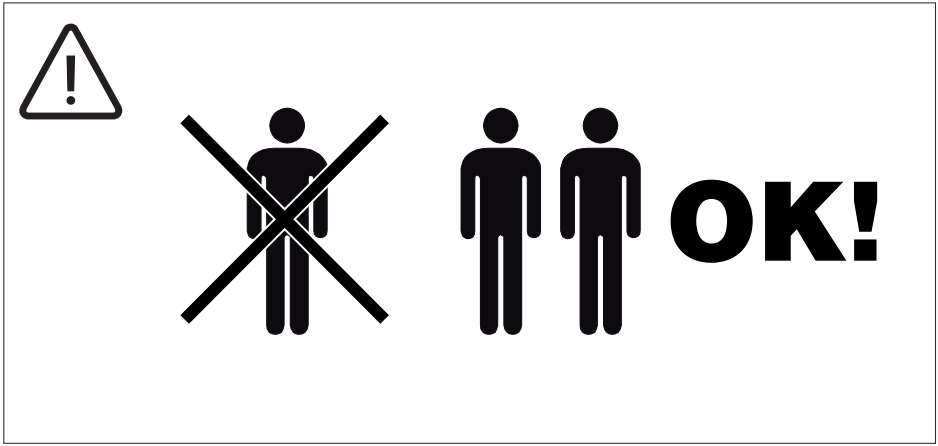
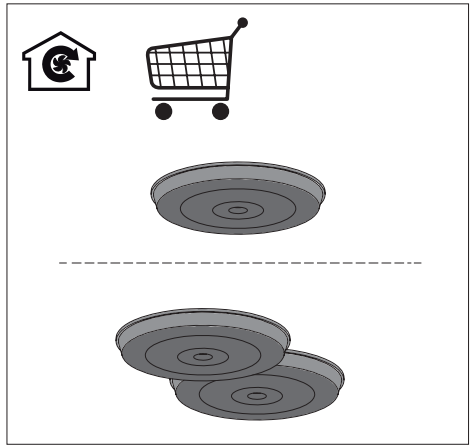
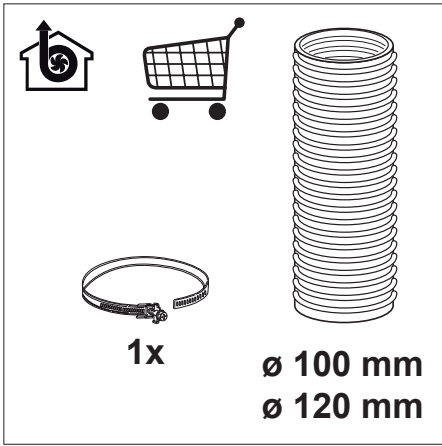
### 5.4 Penanganan dan transportasi

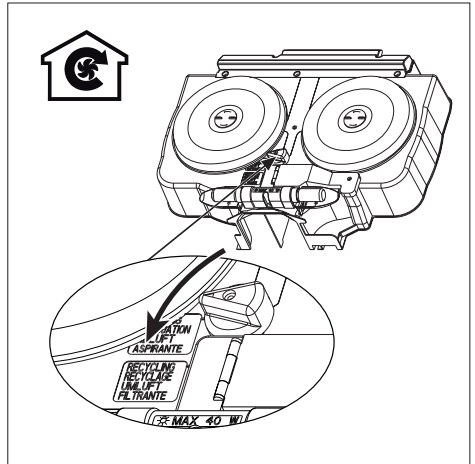
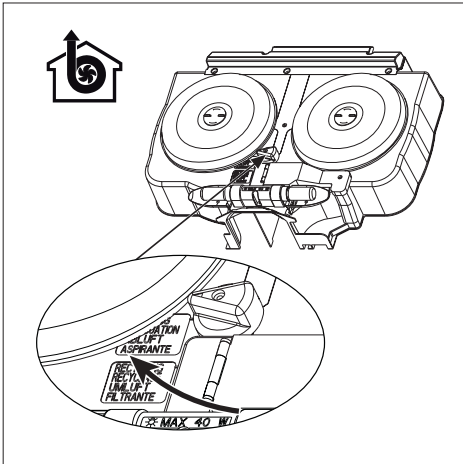
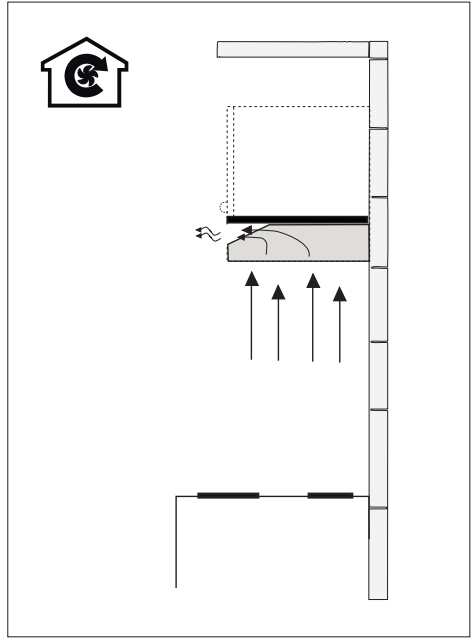
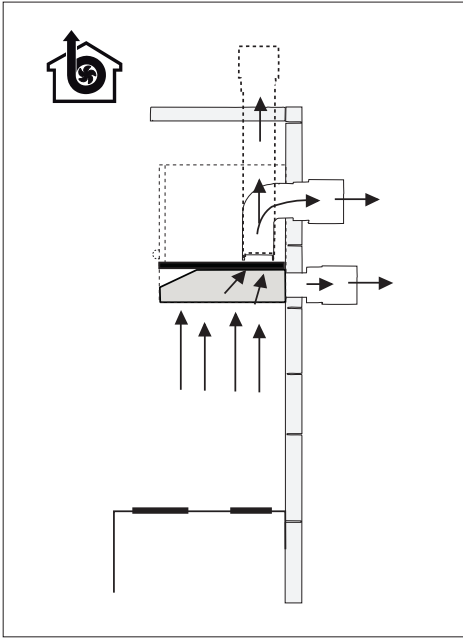
- Selama penanganan dan transportasi, bawalah alat dalam kemasan aslinya. Pengemasan alat melindunginya dari kerusakan fisik.
- Jangan meletakkan beban berat pada alat atau kemasannya. Alat dapat rusak.
- Menjatuhkan alat akan menjadikannya tidak dapat berfungsi atau mengalami kerusakan permanen.

## 6 Pemecahan Masalah

Pemecahan masalah	Alasan	Bantuan
Produk tidak berfungsi.	Periksa sekering.	Sekring mungkin tertutup, perbaiki.
Produk tidak berfungsi.	Periksa sambungan listrik.	Tegangan listrik harus antara 220-240 V.
Produk tidak berfungsi.	Periksa sambungan listrik.	Periksa apakah produk lain di dapur Anda berfungsi atau tidak.
Lampu tidak berfungsi.	Periksa sambungan listrik.	Tegangan listrik harus antara 220-240 V.
Lampu tidak berfungsi.	Periksa sakelar lampu.	Sakelar lampu harus dalam posisi "on".
Lampu tidak berfungsi.	Periksa lampu.	Lampu produk tidak boleh rusak.
Asupan udara produk buruk.	Periksa filter aluminium.	Filter aluminium harus dibersihkan setidaknya sebulan sekali dalam kondisi normal
Asupan udara produk buruk.	Periksa cerobong ventilasi udara.	Cerobong ventilasi udara harus dalam posisi "on" .
Asupan udara produk buruk.	Periksa filter karbon.	Untuk produk yang menggunakan filter karbon, filter biasanya harus diganti setiap 3 bulan sekali.

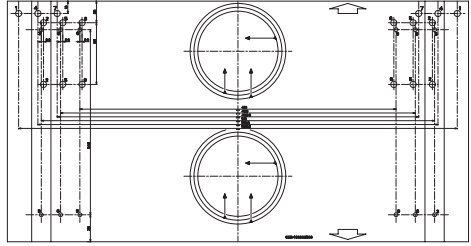




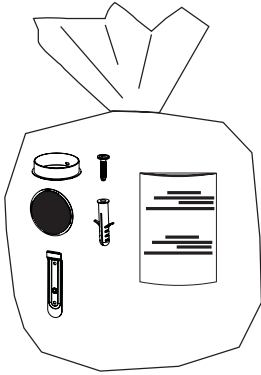




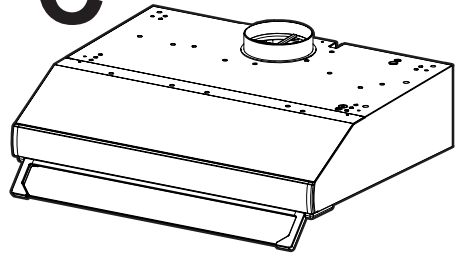
# B



# A



# C



## A1



4X



1X



1X

## A2



4X



4X



1X



1X



2X

## A3



2X



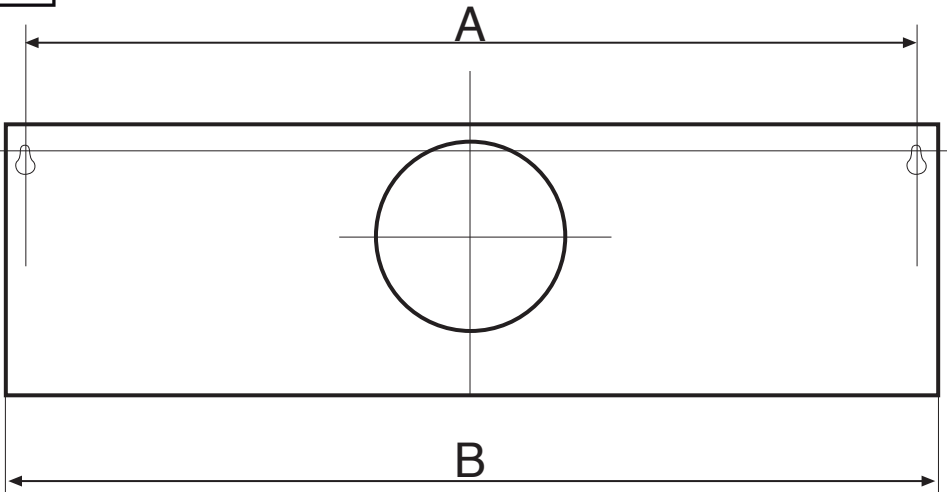
2X



1X



1X



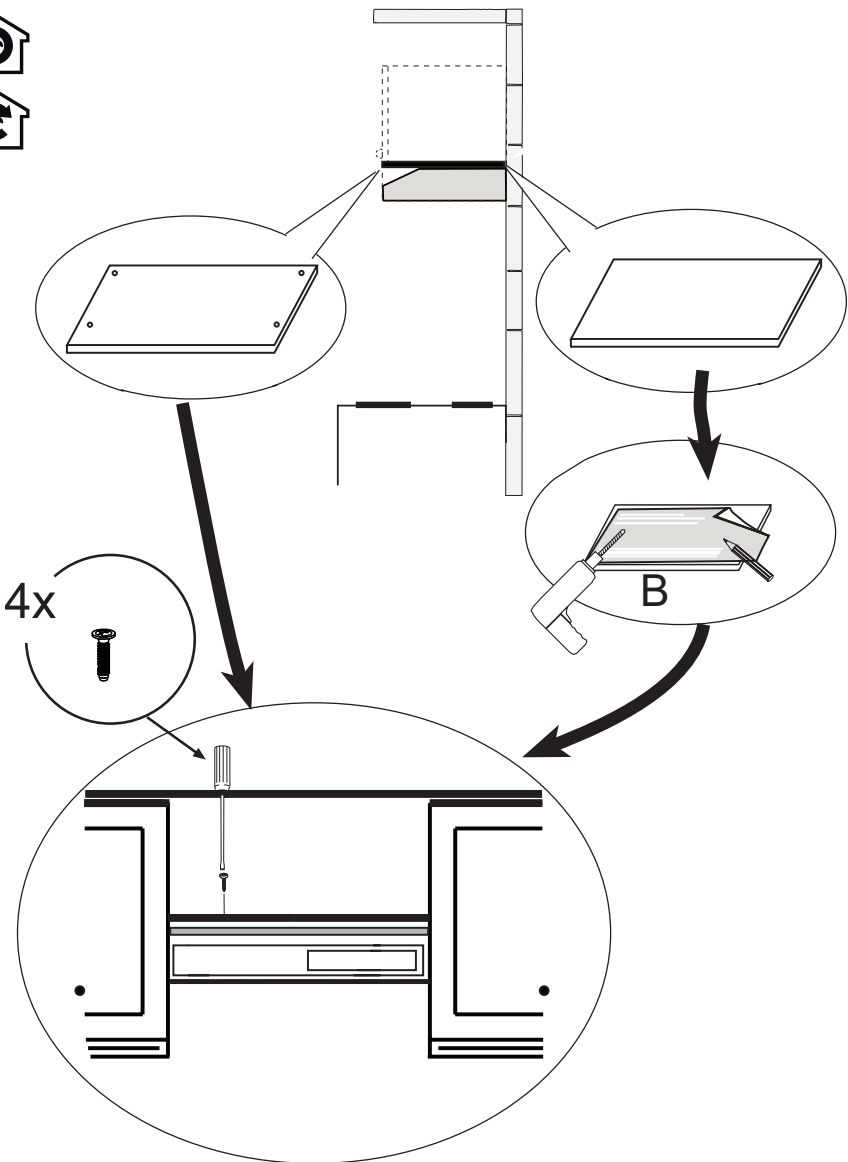
B mm	500	550	600	700	760	800	900	1000	1200
A mm	468	518	568	668	728	768	868	968	1168

# A1

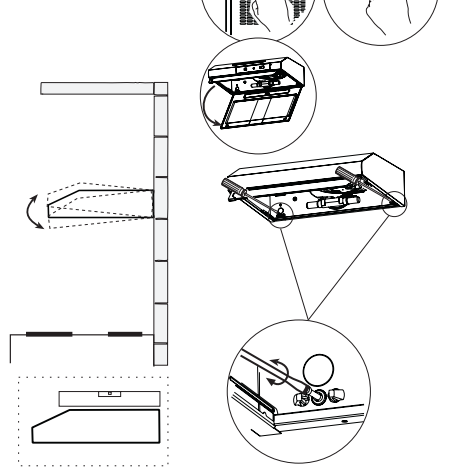
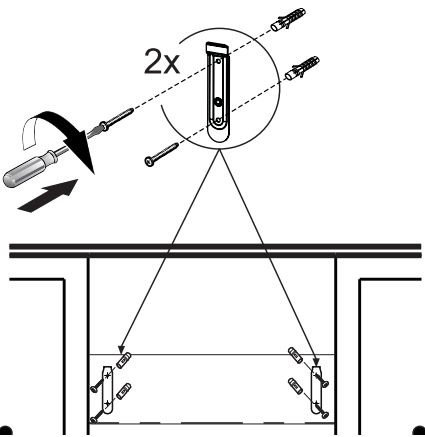
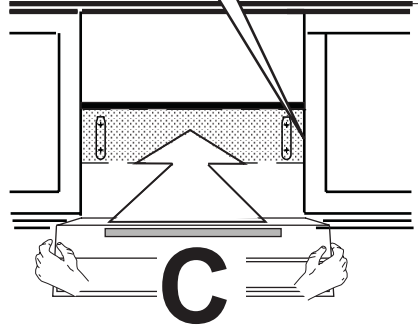
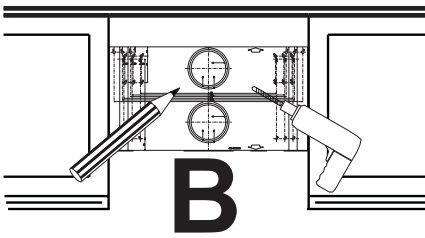
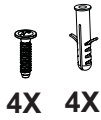
4X

1X

1X



# A2



# A3



2X



2X

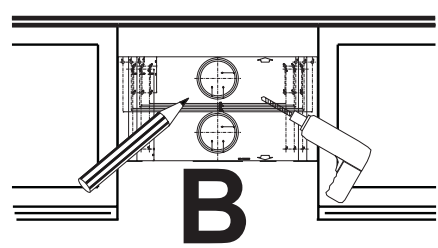


1X

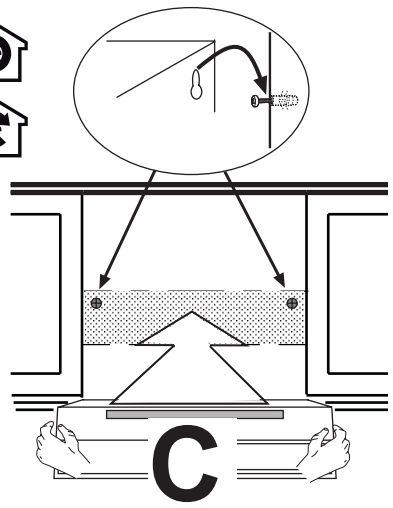


1X

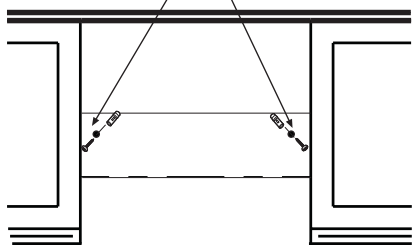
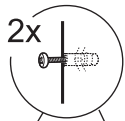
1



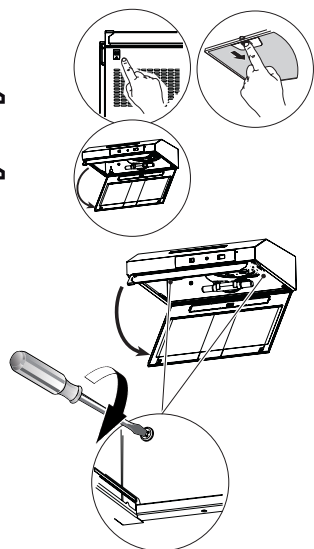
3

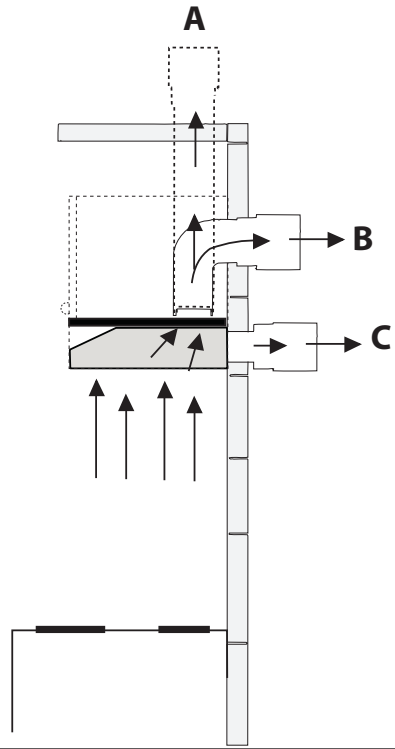


2

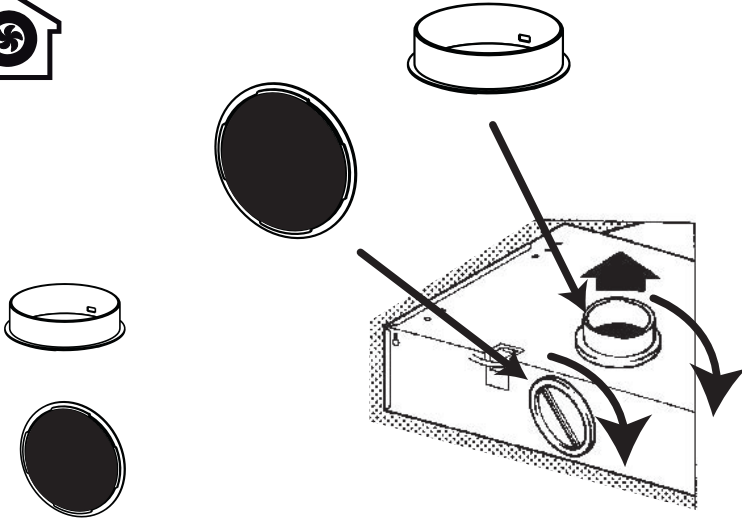


4

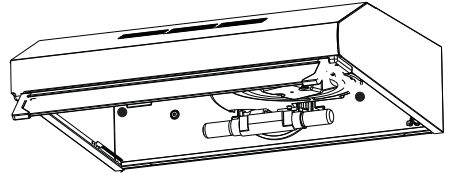
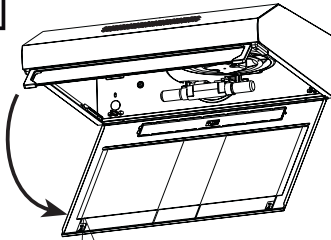
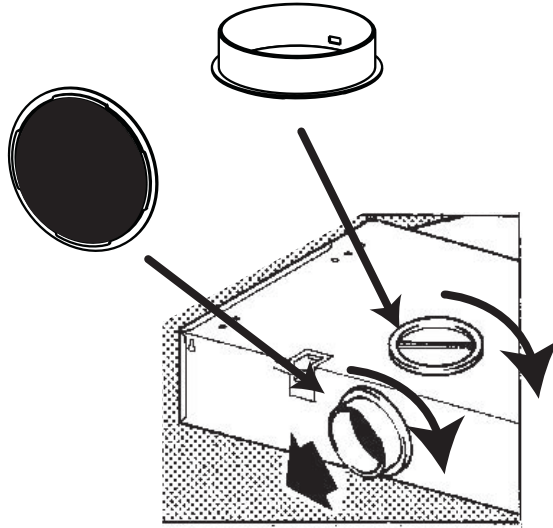




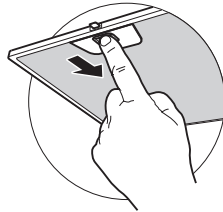
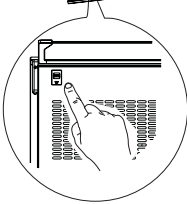
A - B





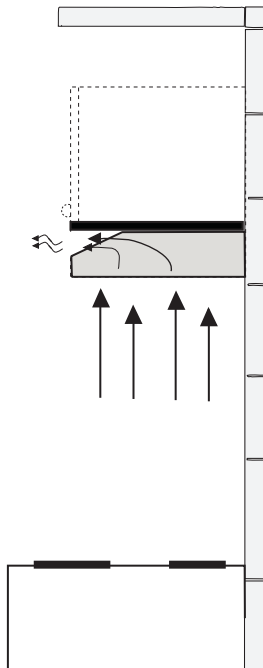
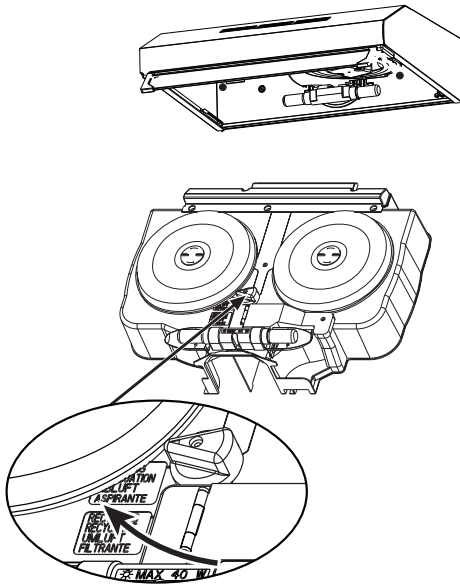


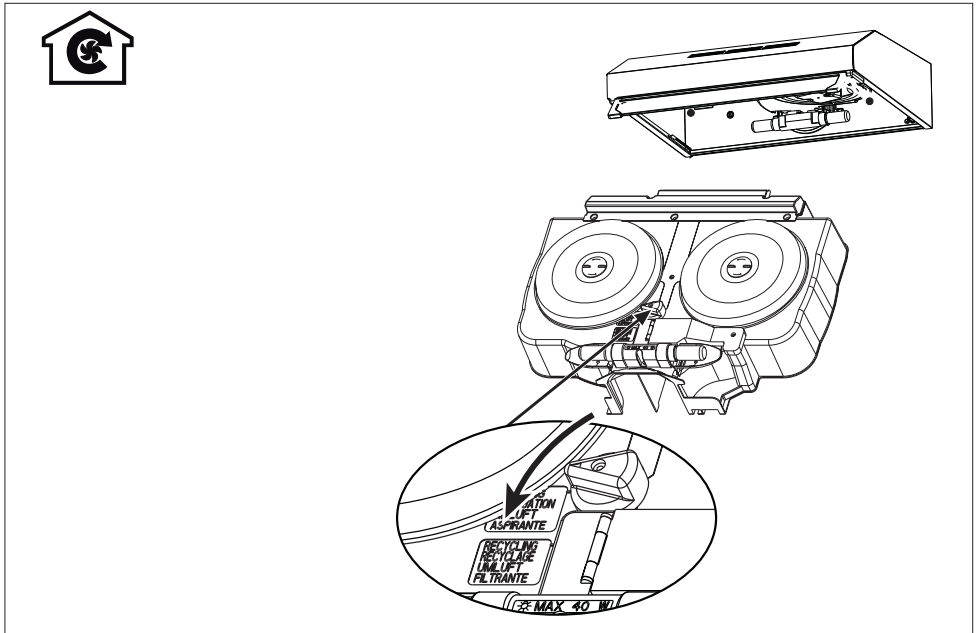
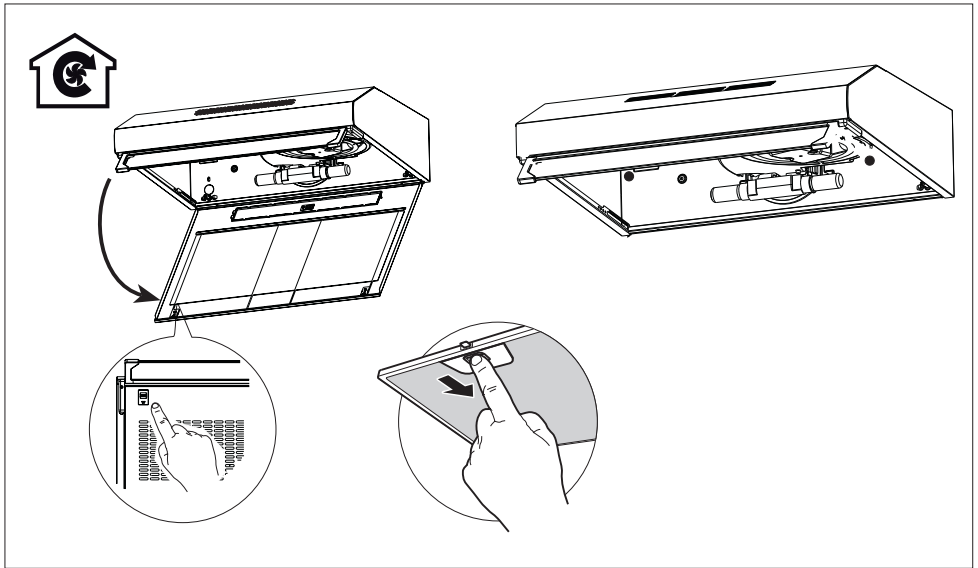
A - B - C

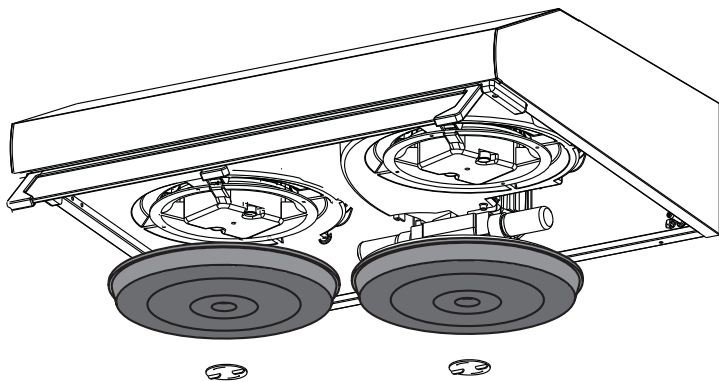




A - B - C







Arçelik A.Ş.  
Karaağaç Caddesi No: 2-6, 34445,  
Sütlüce, İstanbul, Türkiye

[www.beko.com](http://www.beko.com)

Live like a Pro



---

**WARRANTY  
CERTIFICATE**

مدة الضمان	نوع المنتج
٥ سنوات	الثلاجات & ديب فريرز راسي واطفي & غسالة ملابس & غسالة اطباق & بوتجاز & فرن بليت إن & مسطح بليت إن & تكيف
٥ سنوات على الجهاز & ١٠ سنوات على الكباس الإنفريير	الثلاجات & ديب فريرز راسي واطفي مزود بكباس إنفريير
٥ سنوات على الجهاز & ١٠ سنوات على الماتور إنفريير	غسالة ملابس & اطباق مزودة بماتور إنفريير
٥ سنوات على الجهاز & ١٠ سنوات على الكباس الإنفريير	التكيف مزود بكباس إنفريير
ضمان سنة	ماكينة قهوة
ضمان سنة	أجهزة منزلية صغيرة
ضمان سنة	شفاط منزلي

**beko**  
Live like a Pro

**إتصل بنا**  
16165

Dear Customer,  
Thank you for purchasing BEKO product. We are confident that you will enjoy this product for many years. In case you need any further information,  
Please contact us on short number 16165

عزيزي العميل،  
نشكركم على شراء أجهزة بيهكو. نحن على ثقة بأنك سوف تستمتع بهذا المنتج لسنوات عديدة. في حال إن كنت بحاجة إلى مزيد من المعلومات،  
يرجى الاتصال بنا على الرقم المختصر 16165

Product:	المنتج
Model Number :	رقم الموديل
Serial Number:	الرقم المسلسل
Production Date:	تاريخ الإنتاج
Warranty Serial Number:	رقم مسلسل الضمان
Dealer Name:	اسم الموزع
Purchase Date:	تاريخ الشراء
Customer Name:	اسم العميل
Address:	العنوان
Telephone:	التليفون

#### Terms and Conditions

- This Card and Sales Invoice must be presented upon any service.
- Warranty starts from date of purchase tax Invoice, if no proof for purchase date, the warranty starts with a maximum 6 months from production date.
- Warranty covers spare parts, Repair Fees, Inspection Fees, Examination Fees, service center representative transportation, and unit transportation fees - for repair purpose from customer to service center and back.
- Warranty valid for Product home use only, and does not cover commercial use.
- This warranty doesn't cover damages caused by misuse, accident or non-compliance with User Instruction Manual.
- This Warranty is void if Unit was opened or repaired at an any unauthorized service center.
- This warranty is void for the dish washers and washing machines if they were installed by an unauthorized service provider
- This warranty doesn't cover Cabinet - Lamps - Control Knobs - Glass parts - Rust resulting from misuse.
- This Warranty is void if this card is lost or fabricated by any means.
- This warranty card doesn't cover product installation visit. A separate fee to be paid by the customer. The company is committed to providing spare parts for a period of two years after the end of the main warranty period, and the full cost is at the customer's expense
- The device life span for spare parts availability is 2 years after the end of the original warranty registered in the warranty table, and the full expense would be paid by the customer after the end of the original warranty
- In case of exchanging a product with the same product, the warranty continues to follow the old device buying date
- The company has the right to proceed with any spare parts or product modifications that deems suitable as long as it does not affect the product efficiency without getting back to the customer

#### الشروط والأحكام

- يجب تقديم هذه البطاقة و فاتورة الشراء عند الخدمة.
- الضمان يبدأ من تاريخ الشراء بفاتورة الضريبة المعتمدة، إذا لم يكن هناك إثبات لتاريخ الشراء يبدأ الضمان بحد أقصى بعد ٦ أشهر من تاريخ الإنتاج.
- الضمان يشمل قطع الغيار وأجزء الإصلاح، والتكثيف والفحص وإقتال في مركز الخدمة، وأعمال نقل المنتج بغرض الإصلاح من مقر العميل إلى مركز الخدمة وأعادة خلال فترة الضمان الأساسية.
- هذا الضمان يغطي الجهاز للاستخدام المنزلي فقط ولا يغطي الاستخدام التجاري.
- هذا الضمان لا يغطي الأضرار الناتجة عن الحوادث سوء الاستخدام أو عدم اتباع دليل التشغيل.
- يغطي الضمان الأذى في حالة فتح أو إصلاح الجهاز لأي مركز خدمة غير معتمد.
- يغطي الضمان الأذى بالنسبة لغسالة الملابس والاطباق في حالة التركيب في مركز خدمة غير معتمد.
- يغطي الضمان الأذى في حالة فقد شهادة الضمان أو أي نشطب أو كخط بها.
- يغطي الضمان الأذى في حالة فتح المنتج ويتم تحديد رسوم الزيارة عند التركيب.
- تتلزم الشركة بتوفير قطع الغيار لمدة عامين بعد انتهاء فترة الضمان الرئيسية وتحتوي كامل التكلفة على العمور الأتراضى للجهاز لتوفير قطع الغيار سنتان من بعد انتهاء فترة الضمان الفعلية المودنة في جدول الضمان وتحتوي كامل التكلفة على العمول بعد انتهاء فترة الضمان الأساسية.
- في حالة استبدال المنتج بنفسى المنتج يتم استكمال الضمان وفقاً لتاريخ شراء الجهاز القديم.
- والشركة الحق باجراء تعديلات على تراثها مناسبة في المنتج و قطع الغيار بما يؤثر على كفاءة الجهاز و حين الرجوع للعميل.

**beko**  
Live like a Pro

Service and Sales on short number  
**16165**

خدمة  
الموزع

الخدمة والمبيعات على الرقم المختصر  
**16165**  
**beko**  
Live like a Pro

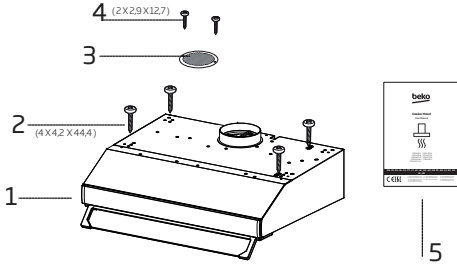
Serial Number

مساعدة	السبب	استكشاف الأخطاء وإصلاحها
	افحص المصهر الخاص بك.	المنتج لا يعمل.
يجب أن يتراوح جهد المأخذ الكهربائي ما بين 220-240 فولط.	افحص الوصلة الكهربائية.	المنتج لا يعمل.
تحقق مما إذا كانت الأجهزة الأخرى الموجودة في مطبخك تعمل أم لا.	افحص الوصلة الكهربائية.	المنتج لا يعمل.
يجب أن يتراوح جهد المأخذ الكهربائي ما بين 220-240 فولط.	افحص الوصلة الكهربائية.	لمبة الإنارة لا تعمل.
يجب أن يكون مفتاح اللمبة في وضع التشغيل "ON".	افحص مفتاح اللمبة.	لمبة الإنارة لا تعمل.
ينبغي ألا تكون لمبات الجهاز معيبة.	افحص اللمبات.	لمبة الإنارة لا تعمل.
يجب تنظيف فلتر الزيت الألومنيوم مرة واحدة على الأقل كل شهر في الظروف العادية.	افحص الفلتر الألومنيوم.	الهواء الداخل إلى الجهاز ضعيف.
يجب أن يكون مصرف فتحة التهوية في وضع التشغيل "ON".	افحص مصرف فتحة التهوية.	الهواء الداخل إلى الجهاز ضعيف.
بالنسبة للأجهزة التي تحتوي على فلاتر كربون، يجب تغيير الفلتر عادة كل 3 أشهر.	افحص فلتر الكربون.	الهواء الداخل إلى الجهاز ضعيف.

العمر الافتراضي للجهاز لتوافر قطع الغيار سنتان من بعد انتهاء فترة الضمان الاصلية. لمزيد من المعلومات اتصل ب 16165



## 5.2 ملحقات التثبيت



1. الغطاء
2. 4 × 44,2 × 4 برغي
3. شبكة مخرج الهواء
4. 2 × 9 × 12,7 برغي
5. دليل المُستخدم

## 5.3 التخزين

- إذا لم تخطط لاستخدام الجهاز لفترة طويلة من الوقت، يرجى تخزينه بعناية.
- يرجى التأكد من نزع قابس الجهاز، وتركه ليبرد ويجف تماماً.
- عليك تخزين الجهاز في مكان بارد وجاف.
- حافظ على الجهاز بعيداً عن متناول أيدي الأطفال.

## 5.4 التعامل والنقل

- أثناء التعامل والنقل فقم بحمل الجهاز في عبوته الأصلية. الهدف من عبوة تغليف الجهاز هو حمايته من أي أضرار مادية.
- لا تضع أحمالاً ثقيلة على الجهاز أو العبوة. يمكن أن يتعرض الجهاز للتلف.
- يؤدي إسقاط الجهاز إلى عدم صلاحيته للتشغيل أو يتسبب في إلحاق أضرار دائمة.

تحذير: يرجى قراءة تعليمات الأمان قبل إعداد الجهاز.



تحذير: قد يؤدي عدم تثبيت البراغي أو جهاز التثبيت وفقاً لهذه التعليمات إلى التعرض لمخاطر كهربائية.



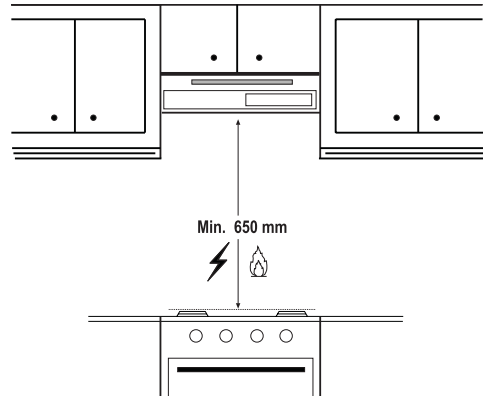
يرجى الرجوع إلى صفحة 235 للحصول على دليل التثبيت



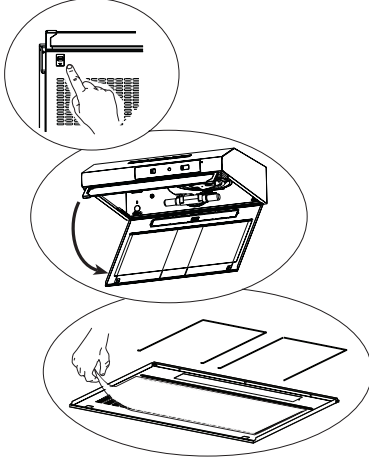
لتركيب الشفاط، يرجى الاتصال بأقرب خدمة معتمدة.

يتحمل العميل مسؤولية إعداد الموقع والتركيب الكهربائي للشفاط.

## 5.1 موضع الجهاز



- يجب مراعاة المسافة بين البوتاجاز ومدخنة الموقد قبل التجميع. يجب أن تكون هذه المسافة 65 سم.
- يجب قياس المسافة من سطح الشبكة الخاصة بأفران الغاز،
- من سطح الزجاج للمواقد الكهربائية.



يجب تنظيف الجهاز وصيانته بانتظام. فعدم الحفاظ على نظافة الجهاز سيؤثر سلبًا على مدة عمل الجهاز. للتنظيف والصيانة، اتبع التعليمات المذكورة في الدليل.

افصل الجهاز قبل تنظيفه وصيانته أو أوقف تشغيله من المفتاح الرئيسي أو فكّ المصهر الذي يزود الغطاء بالطاقة.



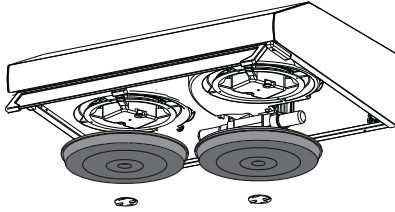
قد يؤدي عدم اتباع تعليمات تنظيف الجهاز واستبدال الفلاتر إلى خطر نشوب حريق. لذلك، يوصى باتباع الإرشادات المذكورة هنا. الشركة المُصنّعة غير مسؤولة عن الأضرار التي تلحق بالمحرك أو الحرائق الناتجة عن الاستخدام غير السليم.



## 4.2 تغيير المرشح الكربوني (وضع دوران الهواء)

يمكن تجهيز الغطاء بمرشح كربوني نشط. لا يُستخدَم المرشح الكربوني سوى في حالة عدم توصيل الغطاء بفتحة التهوية.

وعلى أي حال، يلزم استبدال المرشح الكربوني كل ثلاثة أشهر على الأقل.



لا تنظف الجهاز سوى باستخدام قطعة قماش مبللة بمنظف سائل محايد. تجنب تنظيفه باستخدام أي أدوات أو معدات. تجنب استخدام أي منتجات كاشطة. تجنب تنظيفه باستخدام الكحول.

## 4.1 تنظيف مرشح الشحوم المصنوع من الألومنيوم

يلتقط هذا المرشح جسيمات الزيت المتطايرة في الهواء. يوصى بتنظيفه كل شهر في ظل ظروف الاستخدام العادية. أزل مرشحات الشحوم أولاً ليتسنى إجراء هذه العملية. اغسل المرشحات بمنظف سائل واشطفها بالماء وأعد تركيبها بعد أن تجف. قد يتشوه لون مرشحات الشحوم المصنوعة من الألومنيوم عند غسلها؛ وهذا أمر طبيعي ولا تحتاج إلى تغييرها.

يمكنك غسل المرشح المصنوع من الألومنيوم في غسالة الأطباق



تحذير: في حالة الاستخدام العادي، نظف المرشح مرة واحدة في الشهر.



### تحذير

- ينبغي تجنب غسل المرشح الكربوني تمامًا.
- استبدل مرشحات الكربون مرة كل 3 أشهر.
- يتوفر المرشح الكربوني من وكلاء الخدمة المعتمدين.



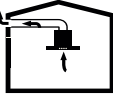
K 3000	درجة حرارة اللون المترابطة
--------	----------------------------

يحتوي هذا المنتج على مصدر ضوء من فئة كفاءة الطاقة "F".

- السرعات العالية عندما تشتد الروائح والأبخرة.
- يمكنك تشغيل الشفاط بالضغط على مفتاح مستوى السرعة المرغوبة. (V1، V2، V3)
- يمكنك إنارة منطقة الطهي بالضغط على مفتاح المصباح ( L )

### 3.5 التشغيل مع توصيل المداخن

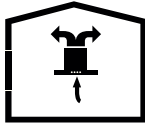
يتم استخراج البخار من خلال مجرى المداخن، والذي يتم تثبيته برأس التوصيل الموجود على الشفاط.



- يجب أن يكون قطر مجرى المداخن هو نفس حلقة التوصيل. في الإعدادات الأفقية، يجب أن يكون للأنبوب ميل طفيف إلى الأعلى (حوالي 10 درجات) حتى يتمكن الهواء من الخروج من الغرفة بسهولة.

### 3.6 التشغيل بدون توصيل المداخن

يتم تنقية الهواء من خلال مرشح الكربون وإعادة تدويره في الغرفة. يتم استخدام مرشح الكربون عندما يكون من المستحيل استخدام مداخن في المنزل.



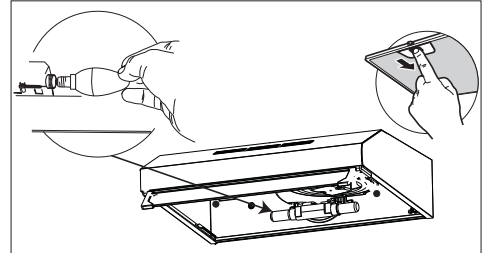
- في حالة الاستخدام غير المائي، قم بإزالة اللوحات الموجودة داخل محول المداخن.
- فك مرشح الشحوم. لتركيب مرشح الكربون، ثبت المرشح على الألسنة عن طريق توسيطه على قطعة بلاستيكية على جانبي جسم المروحة. شدها بالتحول إلى اليمين أو اليسار.
- استبدل مرشح الشحم المصنوع من الألومنيوم.

### 3.4 استبدال المصباح

- قبل استبدال بصيالات المصابيح، أفضل مصدر إمداد الطاقة للغطاء.
- تجنب لمس بصيالات المصابيح عندما تكون ساخنة.
- احرص على عدم لمس بصيلة المصباح المستبدل مباشرة بيديك.

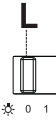

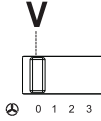


يمكنك شراء المصابيح من وكلاء الخدمة المعتمدين.



المصباح	
الإستهلاك	4 واط
التوصيله	E14
الفولتاج	240 - 220 واط
الأبعاد	100x35 مم
رمز ال ILCOS	DRBB / F - 4 - 2 2 0 - 240-E14-35/100
فيض ضوئي	lm 400

## 3.1 لوحة عناصر التحكم

		
<b>L</b>	<b>إناره</b>	يشعل ويطفئ جهاز الإنارة.
<b>V</b>	<b>سرعه</b>	يحدد سرعة التشغيل: 0. يطفئ الموتور. 1. أقل سرعة، وهي مناسبة من حيث هدوء. الضوضاء وتسمح بتدفق الهواء، في حال وجود القليل من أبخرة الطبخ. 2. سرعة متوسطة، وهي تناسب معظم. ظروف الاستعمال، نظرا للعلاقة الجيدة بين تدفق الهواء ومستوى الضوضاء. 3. أقصى سرعة، ملائمة لمواجهة انبعاث. بخار الطبخ القوي، حتى إذا آنت مدة الطبخ طويلة.

- ضم غطاء الشفاط خصيصاً للاستخدام المنزلي للتخلص من الروائح التي تنبعث من المطبخ.
- تجنب تماماً استخدام الغطاء لأي أغراض أخرى غير التي صُم من أجلها.
- تجنب تماماً ترك أسنة اللهب المكشوفة العالية أسفل الغطاء أثناء تشغيله.
- اضبط شدة اللهب لتوجيهه إلى قاع المقلاة فقط، مع التأكد من عدم وصوله إلى الجوانب.
- ينبغي مراقبة قلابات الدهون العميقة باستمرار أثناء استخدامها: نظراً لإمكانية اشتعال الزيت الساخن بشدة ونشوب أسنة لهب.

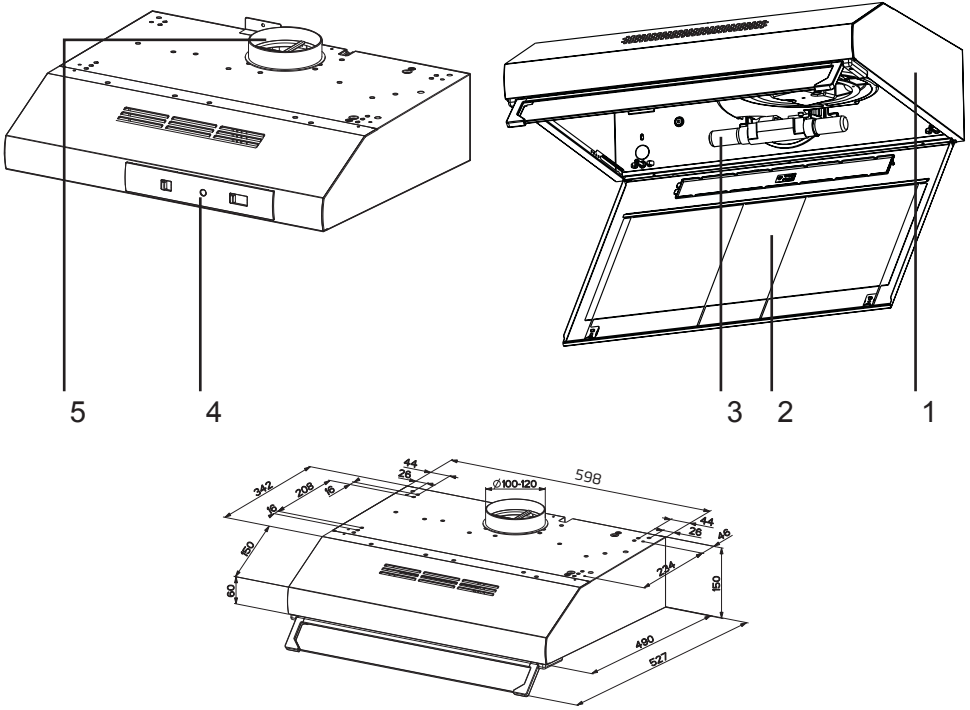
## 3.2 الاستخدام الفعال من حيث توفير الطاقة

- عند استخدام الجهاز، اضبط إعدادات السرعة طبقاً لكثافة الدخان والرائحة لتوفير الطاقة.
- استخدم السرعتين المنخفضتين (1-2) في الظروف الطبيعية، والسرعة العالية (3) في حالة وجود رائحة قوية ودخان كثيف.
- تستخدم المصابيح على الشفاط لإنارة منطقي الطهي.
- إن استخدامها لإنارة المكان يتسبب بالاستهلاك غير اللازم للطاقة والإنارة غير الكافية.
- حتى يستهلك الجهاز طاقة أقل، شغله على مستوى سرعة منخفض.
- سيقلل الجهاز من استهلاك الطاقة لأنه سيعمل بكفاءة أكبر عندما توفر كمية هواء كافية له.
- اضبط الجهاز على مستوى قوة شفط مكثف قبل تكون البخار، وذلك في الحالات التي تعلم فيها أنه سيكون هناك بخار كثيف. وهكذا، فإنك تقلل من استهلاك الطاقة باستخدام الجهاز لفترة أقصر حيث ستوفر كمية هواء كافية له.
- أبقِ أغطية أواني الطهي مغلقة لتقليل البخار المتصاعد.

## 3.3 تشغيل الشفاط

- يكون الشفاط مزوداً بمحرك به العديد من إعدادات السرعة.
- وللحصول على الأداء الأمثل، نوصيك باستخدام السرعات المنخفضة في الحالات العادية واستخدام

### 2.1 نظرة عامة



### 2.2 البيانات الفنية

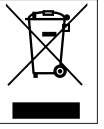
الطراز	CFB 6432 X	CFB 6431 W
	CFB 6432 W	CFB 5432 W
	CFB 6432 XG	CFB 6437 W
	CFB 6432 WH	
	CFB 6432 XH-1	
جهد مصدر الإمداد	220-240 فولت 50 هرتز	
طاقة المصباح	2 × 4 بالواط	
طاقة الموتور	2 × 115 بالواط	
تدفق الهواء - 3. المستوى	380 م <sup>3</sup> /س	
الموتور فئة العزل	الفئة F	
فئة العزل	الفئة II	

1. الجسم الرئيسي
2. مرشح شحوم من الألمنيوم
3. الإضاءة
4. لوحة التحكم
5. المدخنة

## 1.2 الامتثال لتوجيه WEEE (نفايات الأجهزة الكهربائية والإلكترونية) والتخلص من نفايات المنتج:

يتوافق هذا المنتج مع توجيه نفايات الأجهزة الكهربائية والإلكترونية (EU/2012/19) للاتحاد الأوروبي. يحظى هذا المنتج بتصنيف رمز لنفايات الأجهزة الكهربائية والإلكترونية (WEEE).

يُشير هذا الرمز إلى أنه ينبغي عدم التخلص من هذا المنتج مع النفايات المنزلية الأخرى في نهاية عمره التشغيلي. ينبغي إعادة الجهاز المُستخدَم إلى نقطة تجميع رسمية لإعادة تدوير الأجهزة الكهربائية والإلكترونية. للعثور على أنظمة التجميع هذه، يُرجى الاتصال بالهيئات المحلية المعنية لديك أو بائع التجزئة الذي اشتريته منه المنتج. تؤدي كل أسرة دورًا مهمًا في استعادة الأجهزة القديمة وإعادة تدويرها. ويساعد التخلص المناسب من الأجهزة المُستخدَمة في منع العواقب السلبية المحتملة على البيئة وصحة الإنسان.



## 1.3 الامتثال لتوجيه RoHS (الحد من المواد الخطرة)

يتوافق المنتج الذي اشتريته مع توجيه الحد من المواد الخطرة (EU/2011/65) للاتحاد الأوروبي. فهو لا يحتوي على مواد ضارة ومحظورة محددة في التوجيه.

## 1.4 معلومات التعبئة والتغليف

صُنعت مواد تعبئة المنتج وتغليفه من مواد قابلة لإعادة التدوير وفقًا للوائح التنظيمية البيئية الوطنية المعمول بها لدينا. تجنب التخلص من مواد التعبئة والتغليف مع النفايات المنزلية أو النفايات الأخرى. بل سلمهم إلى نقاط تجميع مواد التعبئة والتغليف المحددة من قبل الهيئات المحلية.



- تجنب تشغيل المنتج بدون المرشح وتجنب إزالة المرشحات أثناء تشغيل المنتج.
- أوقف تشغيل منتجك وأجهزة الطهي الأخرى في حالة اندلاع أي لهب.
- في حالة اندلاع أي لهب، يرجى تغطيته وتجنب استخدام الماء في عملية الإطفاء تماماً.
- افصل الجهاز قبل كل عملية تنظيف وعند عدم استخدامه.
- ينبغي ألا يتجاوز الضغط السلبي في البيئة 4 باسكال (4 × 10 بار) بينما يعمل الغطاء الخاص بالموقد الكهربائي والأجهزة على نوع آخر من الطاقة ولكن تعمل الكهرباء في الوقت نفسه.
- في البيئة التي يُستخدم فيها الجهاز، ينبغي أن يكون عادم الأجهزة التي تعمل بزيوت الوقود أو الغاز، مثل مدفأة الغرفة، معزولاً تماماً أو يجب أن يكون الجهاز من النوع محكم السد.
- عند توصيل المداخل، استخدم أنابيب يبلغ قطرها 120 أو 150 مم. وينبغي تقصير مسافة توصيل الأنابيب قدر الإمكان واستخدام أقل عدد ممكن من الأكواع.
- **خطر الاختناق!** احتفظ بجميع مواد التعبئة والتغليف بعيداً عن متناول الأطفال.
- **تنبيه:** قد تصبح الأجزاء التي يمكن الوصول إليها ساخنة عند استخدامها مع أجهزة الطهي.
- ينبغي عدم توصيل مخرج المنتج بقنوات الهواء التي ينبعث منها دخان آخر.
- قد تكون تهوية الغرفة غير كافية عند استخدام غطاء الموقد الكهربائي في آن واحد مع الأجهزة التي تعمل بالغاز أو أنواع الوقود الأخرى (قد لا ينطبق ذلك على الأجهزة التي لا تُفرغ سوى الهواء مرة أخرى إلى الغرفة).
- قد تسقط الأشياء التي تُوضع على المنتج. لذا تجنب وضع أي أشياء عليه.
- تجنب إشعال أي لهب أسفل المنتج.
- تحذير: أزل الأغشية الواقية قبل تثبيت الغطاء.
- تجنب تماماً ترك ألسنة اللهب المكشوفة العالية أسفل الغطاء أثناء تشغيله.
- ينبغي مراقبة قلايات الدهون العميقة باستمرار أثناء استخدامها: نظراً لإمكانية اشتعال الزيت الساخن بشدة ونشوب ألسنة لهب.

- تأكد من توافق مصدر إمداد الطاقة الرئيسي لديك مع المعلومات المقدمة على لوحة تصنيف الجهاز.
- تجنب استخدام الجهاز تمامًا في حالة تلف كابل الطاقة أو الجهاز نفسه.
- تجنب تلف كابل الطاقة من خلال عدم الضغط عليه أو ثنيه أو التسبب في احتكاكه بالحواف الحادة. حافظ على كابل الطاقة بعيدًا عن الأسطح الساخنة واللهب المكشوف.
- لا تستخدم الجهاز سوى مع مقبس كهربائي مؤرض.
- تحذير: تجنب توصيل الجهاز بمصدر إمداد الطاقة الرئيسي قبل أن يتم تثبيته تمامًا.
- ضع الجهاز بطريقة تتيح الوصول إلى القابض بسهولة دائمًا.
- تجنب لمس المصابيح في حالة إضاءتها لفترة طويلة. فقد تتسبب في إصابة يديك بحروق لأنها ستكون ساخنة.
- اتبع اللوائح التنظيمية التي حددتها الهيئات المختصة بخصوص تفرغ هواء العادم (لا ينطبق هذا التحذير على الاستخدام بدون مداخل).
- شغل جهازك بعد وضع المقلاة والوعاء وما إلى ذلك على الموقد. وإلا، قد تؤدي الحرارة المرتفعة إلى حدوث تشوه في بعض أجزاء منتجك.
- أوقف تشغيل الموقد قبل رفع المقلاة والوعاء وما إلى ذلك من فوقه.
- تجنب ترك الزيت الساخن على الموقد. فقد تؤدي المقالي التي تحتوي على زيت ساخن إلى حدوث اشتعال ذاتي.
- يرجى الانتباه إلى الستائر والأغطية لديك نظرًا لإمكانية اشتعال الزيت أثناء طهي الأطعمة مثل البطاطس المقلية.
- يلزم استبدال مرشح الشحوم شهريًا على الأقل. يلزم استبدال المرشح الكربوني كل 3 أشهر على الأقل.
- ينبغي تنظيف المنتج وفقًا لدليل المُستخدِم. لأنه في حالة عدم تنظيفه وفقًا لدليل المُستخدِم، قد يكون هناك ثمة خطر من نشوب حريق.
- تجنب استخدام مواد تصفية غير مقاومة للحريق بدلًا من المرشح الحالي.
- لا تستخدم سوى الأجزاء الأصلية أو الأجزاء التي أوصت بها الشركة المصنعة.



## 1.1 السلامة العامة

- بينات المبيت والإفطار.
- لا تشغل الجهاز سوى للغرض المخصص له كما هو موضح في هذا الدليل.
- لا يمكن تحميل الشركة المصنعة مسؤولية الأضرار الناجمة عن التثبيت غير الصحيح للمنتج أو سوء استخدامه.
- يمكن للأطفال الذين تتراوح أعمارهم بين 8 سنوات وما فوق والأشخاص ذوي القدرات الجسدية أو الحسية أو العقلية المحدودة أو الذين يعانون من نقص في الخبرة والمعرفة استخدام هذا الجهاز في حالة الإشراف عليهم أو منحهم التعليمات المتعلقة باستخدام الجهاز بطريقة آمنة وفهمهم للمخاطر المرتبطة به.
- ينبغي عدم السماح للأطفال بالعبث في الجهاز. ولا ينبغي لهم كذلك تنظيفه وصيانته دون الخضوع للإشراف.
- ينبغي ألا يقل الحد الأدنى للمسافة بين سطح الدعم لأوعية الطهي على الموقد والجزء السفلي من منتجك عن 65 سم.
- إذا كانت تعليمات تثبيت موقد الغاز تحدد مسافة أكبر، يلزم مراعاة ذلك.
- اقرأ تعليمات السلامة المهمة بعناية واحتفظ بها للرجوع إليها في المستقبل يحتوي هذا القسم على تعليمات السلامة التي ستساعد في الحماية من خطر نشوب حريق أو التعرض لصدمة كهربائية أو طاقة الميكروويف المتسربة أو الإصابة الشخصية أو تلف الممتلكات. يؤدي عدم اتباع هذه التعليمات إلى إبطال أي ضمان.
- تتوافق منتجات Beko مع معايير السلامة المعمول بها؛ لذلك، في حالة حدوث أي تلف بالجهاز أو كابل الطاقة، يجب إصلاحه أو استبداله لدى الوكيل أو مركز الخدمة أو فني خدمات متخصص ومعتمد على حد سواء لتجنب أي خطر. فقد تمثل أعمال الإصلاح الخاطئة أو غير المؤهلة خطورة وتشكل خطرًا على المستخدم.
- صُمم هذا الجهاز خصيصًا للاستخدام في الاستخدامات المنزلية وما شابهها مثل:
- مناطق مطبخ الموظفين في المتاجر والمكاتب وبيئات العمل الأخرى؛
- منازل المزارع
- من قبل العملاء في الفنادق والبيئات السكنية الأخرى؛

## يرجى قراءة دليل المُستخدمِ هذا أولاً!

عملينا العزيز الغالي،

شكرًا لك على تفضيلك لجهاز Beko هذا. نأمل حصولك على أفضل النتائج من جهازك الذي صُنِعَ بجودة عالية وبأحدث التقنيات. ولهذا السبب، يرجى قراءة دليل المُستخدمِ هذا بالكامل وجميع المستندات الأخرى المرفقة معه بعناية قبل استخدام الجهاز والاحتفاظ بهم كمرجع للاستخدام المستقبلي. ويرجى، في حالة إعطاء الجهاز لشخص آخر، منحه دليل المُستخدمِ كذلك. اتبع التعليمات من خلال الانتباه إلى جميع المعلومات والتحذيرات الواردة في دليل المُستخدمِ. تذكر أن دليل المُستخدمِ هذا قد ينطبق أيضًا على الطرز الأخرى. وتوصف الاختلافات بين الطرز بوضوح في الدليل.

### معاني الرموز

تُستخدم الرموز التالية في أقسام مختلفة من دليل المُستخدمِ هذا:

معلومات مهمة ونصائح مفيدة بخصوص الاستخدام.	
تحذير: تحذيرات من المواقع الخطرة المتعلقة بأمن الحياة والممتلكات.	
تحذير من خطر نشوب حريق.	
تحذير من خطر التعرض لصدمة كهربائية.	
فئة الحماية من الصدمة الكهربائية.	

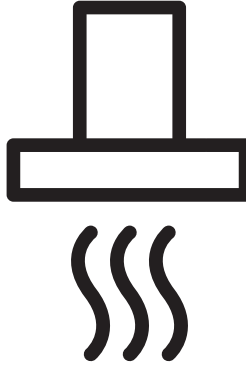




# beko

الغطاء

دليل المستخدم



CFB 6432 X      CFB 6431 W  
CFB 6432 W      CFB 5432 W  
CFB 6432 XG      CFB 6437 W  
CFB 6432 WH  
CFB 6432 XH-1

AR



01M-8904980220-4322-07      01M-8904830220-4322-07  
01M-8904880220-4322-07      01M-8905530220-4322-07  
01M-8906530220-4322-07      01M-8904840220-4322-07  
01M-8940711220-4322-07  
01M-8942993200-4322-07