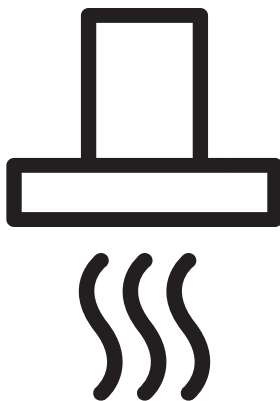




Cooker Hood

User Manual



HNU71311S

EN - DE - FR - PL - CS - SK - ET - LV - LT - RO - ES - PT - RU

CONTENTS

ENGLISH	3-14
DEUTSCH	15-29
FRANÇAIS	30-43
POLSKI	44-58
ČESKY	59-70
SLOVENSKÝ	71-82
EESTI	83-94
LATVISKI	95-106
LIETUVA	107-118
ROMÂNĂ	119-133
ESPAÑOL	134-148
PORTUGUÊS	149-163
RUSSIAN	164-182

Please read this user manual first!

Dear Valued Customer,

Thank you for preferring this Beko appliance. We hope that you get the best results from your appliance which has been manufactured with high quality and state-of-the-art technology. For this reason, please read this entire user manual and all other accompanying documents carefully before using the appliance and keep it as a reference for future use. If you handover the appliance to someone else, give the user manual as well. Follow the instructions by paying attention to all the information and warnings in the user manual.

Remember that this user manual may also apply to other models. Differences between models are explicitly described in the manual.

Meanings of the Symbols

Following symbols are used in various sections of this user manual:



Important information and useful hints about usage.



WARNING: Warnings against dangerous situations concerning the security of life and property.



WARNING: Warning for danger of fire.



WARNING: Warning for electric shock.



This appliance has been produced in environmentally friendly facilities without harming the nature.

1 Important safety and environmental instructions

1.1 General Safety

Important Safety Instructions Read Carefully And Keep For Future Reference This section contains safety instructions that will help protect from risk of fire, electric shock, exposure to leak microwave energy, personal injury or property damage. Failure to follow these instructions shall void any warranty.

- Beko products comply with the applicable safety standards; therefore, in case of any damage on the appliance or power cable, it should be repaired or replaced by the dealer, service center or a specialist and authorized service alike to avoid any danger. Faulty or unqualified repair work may be dangerous and cause risk to the user.
- This appliance is intended to be used in household and similar applications such as:
 - Staff kitchen areas in shops, offices and other working environments;
 - Farm houses
 - By clients in hotels, and other residential type environments;
 - Bed and Breakfast type environments.
- Operate the appliance for its intended purpose only as described in this manual.
- The manufacturer cannot be held liable for damages resulting from improper installation or misuse of the product.
- This appliance can be used by children aged from 8 years and above and persons with reduced physical, sensory or mental capabilities or lack of experience and knowledge if they have been given supervision or instruction concerning use of the appliance in a safe way and understand the hazards involved.
- Children shall not be allowed play with the appliance. Cleaning and user maintenance shall not be made by children without supervision.

1 Important safety and environmental instructions

- The minimum distance between the supporting surface for the cooking vessels on the hob and the lowest part of your product must be at least 65 cm.
- If the instructions for installation for the gas hob specify a greater distance, this has to be taken into account.
- Make sure that your mains power supply complies with the information supplied on the rating plate of the appliance.
- Never use the appliance if the power cable or the appliance itself is damaged.
- Prevent damage to the power cable by not squeezing, bending, or rubbing it on sharp edges. Keep the power cable away from hot surfaces and naked flame.
- Use the appliance with a grounded outlet only.
- Do not touch the lamps if they have operated for a long time. They can burn your hands since they will be hot.
- Follow the regulations set out by competent authorities on discharge of the exhaust air (this warning is not applicable for use without flue).
- Operate your appliance after putting a pot, pan etc. on the hob. Otherwise, high heat may cause deformation in some parts of your product.
- Turn off the hob before taking the pot, pan etc. from it.
- Do not leave hot oil on the hob. Pans with hot oil may cause self combustion.
- Pay attention to your curtains and covers since oil may catch fire while cooking food such as fries.
- Grease filter must be cleaned at least monthly. Carbon filter must be replaced at least every 3 months.

WARNING: Do not connect the appliance to the mains until the installation is fully complete.

- Place the appliance in a way so that the plug is always accessible.

1 Important safety and environmental instructions

- Product shall be cleaned accordance with user manual. If cleaning was not carried out in accordance with user manual, there may be fire risk.
 - Do not use non-fire-resistant filtering materials instead of the current filter.
 - Only use the original parts or parts recommended by the manufacturer.
 - Do not operate the product without the filter and do not remove the filters while the product is running.
 - In the event of be started any flame, de-energize your product and cooking appliances.
 - In the event of be started any flame, cover the flame and never use water to extinguish.
 - Unplug the appliance before each cleaning and when the appliance is not in use.
 - The negative pressure in the environment should not exceed 4 Pa (4x10 bar) while the hood for electric hob and appliances running on another type of energy but electricity operate simultaneously.
 - In the environment where the appliance is being used, the exhaust of devices running on fuel oil or gas, such as room heater must be absolutely isolated or device must be hermetical type.
 - When connecting the flue, use pipes with a diameter of 120 or 150 mm. Pipe connection must be as short as possible and have as few elbows as possible.
 - Danger of choking! Keep all the packaging materials away from children.
- CAUTION:** Accessible parts may become hot when used with cooking appliances.
- The product outlet must not be connected to air channels that include other smoke.

1 Important safety and environmental instructions

- The ventilation in the room may be insufficient when the hood for electric hob is used simultaneously with the devices operating on gas or other fuels (this may not apply to appliances that only discharge the air back into the room).
- Objects placed on the product may fall. Do not place any objects on the product.
- Do not flambe under the your product.

WARNING: Before installing the Hood, remove the protective films.

- Never leave high naked flames under the hood when it is in operation
- Deep fat fryers must be continuously monitored during use: overheated oil can burst into flames.

1.2 Compliance with the WEEE Directive and Disposing of the Waste Product:

This product complies with EU WEEE Directive (2012/19/EU). This product bears a classification symbol for waste electrical and electronic equipment (WEEE).



This symbol indicates that this product shall not be disposed with other household wastes at the end of its service life. Used device must be returned to official collection point for recycling of electrical and electronic devices. To find these collection systems please contact to your local authorities or retailer where the product was purchased. Each household performs important role in recovering and recycling of old appliance. Appropriate disposal of used appliance helps prevent potential negative consequences for the environment and human health.

1.3 Compliance with RoHS Directive

The product you have purchased complies with EU RoHS Directive (2011/65/EU). It does not contain harmful and prohibited materials specified in the Directive.

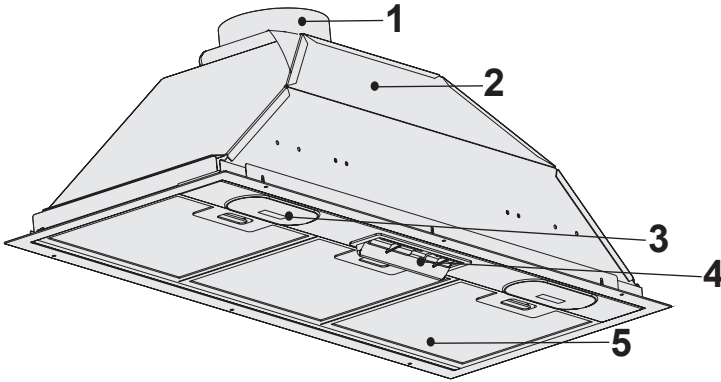
1.4 Package Information



Packaging materials of the product are manufactured from recyclable materials in accordance with our National Environment Regulations. Do not dispose of the packaging materials together with the domestic or other wastes. Take them to the packaging material collection points designated by the local authorities.

2 General appearance

2.1 Overview

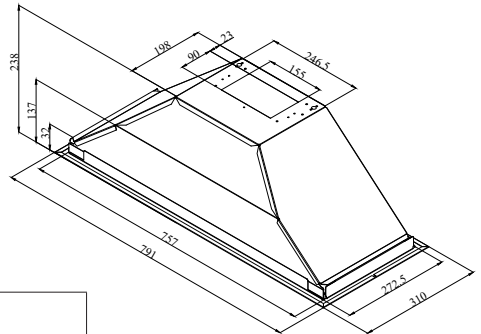


Control and parts

1. Air exhaust
2. Body
3. Lighting
4. Control panel
5. Grease filter

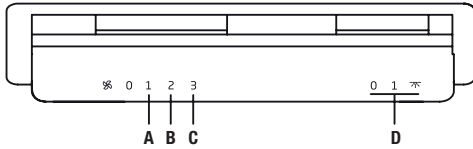
2.2 Technical data

Model	HNU71311S
Supply voltage & frequency	220-240V~ 50 Hz
Lamp power	2x3 W
Motor power	1x185 W
Flow rate - 3. Level	415 m ³ /h
Motor insulation class	Class F
Insulation class	Class I



3 Using the appliance

3.1 Use of the appliance



- Bring the lamp switch to position '0' to turn off the lamp.
- Bring the lamp switch to position '1' to turn on the lamp.
- Bring the motor switch to position '0' to turn off the motor.
- You can operate the motor in the 1st speed level minimum and in the 3rd speed level maximum according to the density of cooking steam.

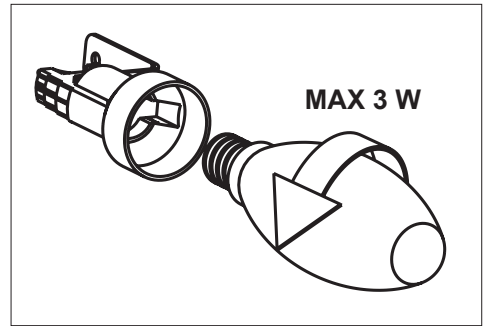
3.2 Energy efficient usage


- When using your appliance, adjust the speed settings according to vapour and odour intensity, in order to save energy.
- Use low speeds (1-2) under normal conditions, and high speed (3) for intense odour and vapour.
- The lamps on the hood are placed for illuminating the cooking area.
- Using them for environmental lighting shall cause unnecessary energy expenditure and insufficient lighting.

3.3 Operating the hood

- Your appliance contains a motor that has various speeds.
- For better performance, we recommend using low speeds under normal conditions and high speeds in cases of strong odours and intense vapour.
- You can start your appliance by pressing on the desired speed setting button. (A, B, C).
- You may illuminate the cooking area by pressing the lamp (D).

3.4 Lamp replacement



Lamp	
Power	3 W
Socket	E14
Voltage	220 – 240 W
Dimension	35x100 mm
ILCOS Code	DRBB/F-3-220-240-E14-35/100
Luminous flux	400 lm
Correlated colour temperature	2700 K

This product contains a light source of energy efficiency class "E".

- Remove the aluminum cartridge filter. Remove the faulty lamp and replace it with the one having the same value.



WARNING: Cut the power supply of the hood. Lamps may burn your hands while hot, so wait for them to cool down.

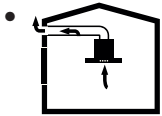
3 Using the appliance



- If the appliance breaks down or gets damaged, shut down the fuse or unplug the appliance and call the authorised service agent.
- If the supply cable is damaged, it must be replaced by the manufacturer, its service agent or similarly qualified personnel to avoid any danger.
- Shut down the fuse or unplug the appliance in case of breakdown of the lamps of the appliance. Replace immediately the faulty lamps in order to prevent other lamps from being overloaded (wait for the lamps to cool down first).

- Replace aluminum grease filter.

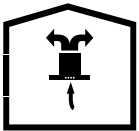
3.5 Operation with chimney connection



Vapour is extracted through the flue duct, which is fastened to the connection head on the hood.

- The diameter of the flue duct must be the same as the connection ring. In horizontal settings, the pipe has to have a slight upward slope (around 10°) so that the air can exit the room easily.

3.6 Operation without chimney connection



Air is filtered through the carbon filter and recirculated in the room. Carbon filter is used when it is impossible to use a flue in the house.

- In flueless use, remove the flaps inside the flue adapter.
- Remove the aluminum grease filter. To install the carbon filter, fit the filter to the tabs by centring it on the plastic piece on both sides of the fan body. Tighten it by turning right or left.

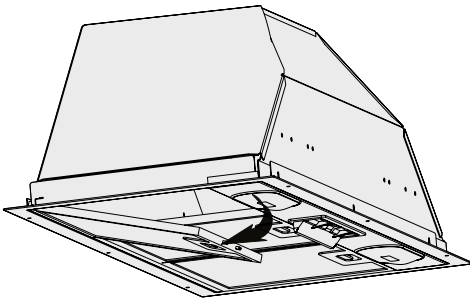
4 Cleaning and maintenance



Before cleaning and maintenance, unplug the product or turn off the switch.

4.1 Cleaning of the grease filter

This filter retains the oil particles in the air. Grease filter may change colour as they are washed; this is normal and does not require replacing your grease filter.



- Push the grease filter lock forward.
- Then pull it slightly down and pull it out. Otherwise, you can bend the filter. Wash and rinse Grease filter with liquid detergent and replace grease filter to their sockets by carrying out the steps specified above in reverse order. This filter retains the oil particles in the air.



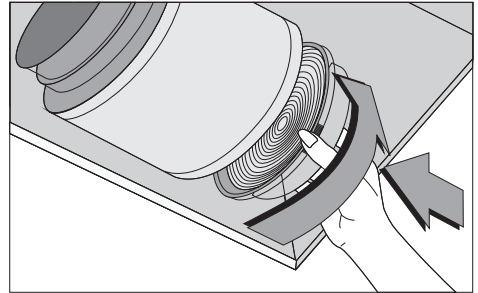
You may wash your grease filter in the dishwasher.



CAUTION: In case of normal use, clean your filter once in a month.

4.2 Replacement of Carbon Filters

Odour removing filters contain charcoal (Active carbon). Grease filter must be installed in the product, regardless of whether or not carbon filters are used.



- Remove the grease filter.
- To remove the carbon filter, remove the carbon filter from its housing by rotating it counter-clockwise from the tab.
- Install the new carbon filter.
- Install the grease filter.



CAUTION

- Carbon filter shall never be washed.
- Replace carbon filters once every 3 months.
- You can obtain the carbon filter from the authorized services.

5 Setting up the device



WARNING: Before starting the installation, read the safety information on user manual.

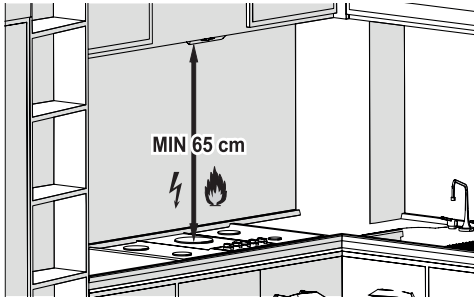


WARNING: Failure to install with screws and stabilizers in accordance with these instructions may result in electric shock.

For the installation of the hood, please contact the nearest Authorized Service.

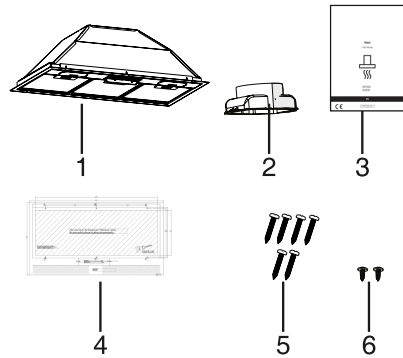
It is the customer's responsibility to prepare the location and electrical installation of the hood.

5.1 Position of the appliance



- Distance between the cooker and the cooker hood must be considered prior to assembly. This distance should be 65 cm.
- Distance must be measured from the surface of grate for gas cookers,
- from surface of glass for electric cookers.

5.2 Package content



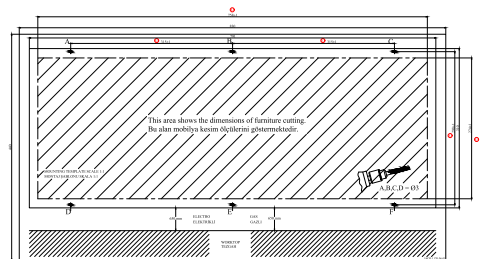
1. Hood
2. Ø120 mm plastic flue
3. User manual
4. Installation draft
5. 6 x 3,9x32 screw (Used for installation of hood)
6. 3.5x9.5 screw (Used for installation of plastic flue)

The information required to make the location suitable for the installation of the hood is given below.

5.3 Installation of the appliance



Use protective gloves and glasses while performing drilling and cutting operations.



(Figure 1)

5 Setting up the device

5.4 Drilling mounting holes

- Adhere the installation template provided with the appliance onto the surface on which the installation will be carried out.
- Drill the holes indicated on the installation draft with A, B, C, D, E, F using a $\varnothing 4$ mm drill bit. (Figure 1)

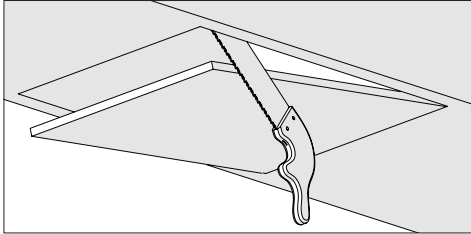


Figure 2

- Cut the lower surface of the cabinet where the hood will be installed in the dimensions specified in the technical drawing (Figure 2).

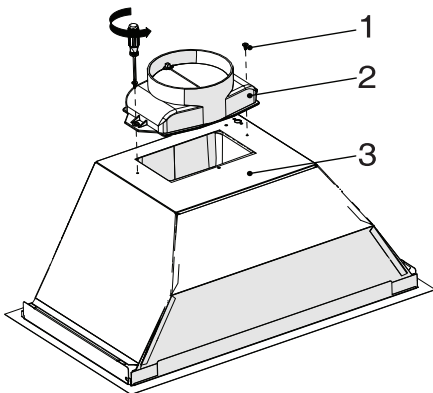


Figure 3

1. 3.5x9.5 screw
2. $\varnothing 120$ mm plastic flue
3. BodyValve pin socket

- Attach the plastic flue contained in the package to the body of the appliance using 2 screws 3.5x9.5. (Figure 3) Do not rub it against the surface.

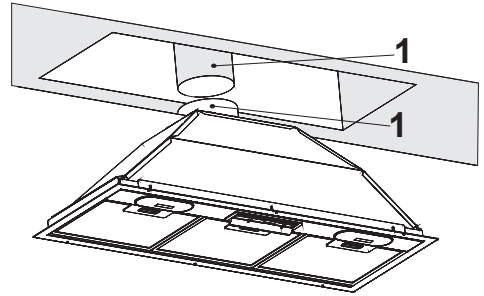


Figure 4

1. Air discharge pipe
 2. Air exhaust flue of the hood
- Attach the air discharge pipe to the air exhaust flue and fasten via clamp (Figure 4).



CAUTION: As the bends and elbows in the aluminum pipe will cause decrease in the air suction power, using these must be avoided as much as possible.

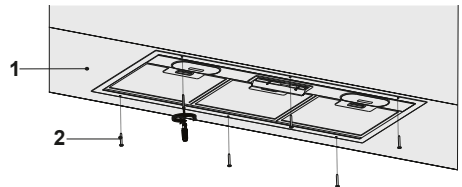


Figure 5

1. Kitchen cabinet bottom view
 2. 6 x 3,9x32 hood installation screw
- Place the hood into the kitchen cabinet and attach the hood to 6 installation holes drilled before (Figure 5).

5.5 Storage

- If you do not intend to use the appliance for a long time, please store it carefully.
- Please make sure that the appliance is unplugged, cooled down and totally dry.

5 Setting up the device

- Store the appliance in a cool and dry place.
- Keep the appliance out of the reach of children

5.6 Handling and transportation

- During handling and transportation, carry the appliance in its original packaging. The packaging of the appliance protects it against physical damages.
- Do not place heavy loads on the appliance or the packaging. The appliance may be damaged.
- Dropping the appliance will render it non-operational or cause permanent damage.

6 Troubleshooting

Troubleshooting	Reason	Help
The product does not work.	Check your fuse.	Your fuse might be closed, make it work.
The product does not work.	Check the electrical connection.	The mains voltage should be between 220-240 V.
The product does not work.	Check the electrical connection.	Check if the other products in your kitchen are working or not.
The lighting lamp does not work.	Check the electrical connection.	The mains voltage should be between 220-240 V.
The lighting lamp does not work.	Check the lamp switch.	The lamp switch should be in the "on" position.
The lighting lamp does not work.	Check the lamps.	The lamps of the product should not be faulty.
The air intake of the product is poor.	Check the aluminum filter.	The aluminum oil filter should be cleaned at least once a month under normal conditions.
The air intake of the product is poor.	Check the air vent flue.	The air vent flue should be in the "on" position.
The air intake of the product is poor.	Check the carbon filter.	For products with carbon filters, the filter should normally be changed every 3 months.

Bitte lesen Sie zunächst diese Anleitung!

Sehr geehrte Kundin, sehr geehrter Kunde,

Vielen Dank, dass Sie sich für dieses Gerät der Marke Beko entschieden haben. Wir sind überzeugt, dass Sie mit diesem Gerät, das mit den höchsten Qualitätsanforderungen und modernster Technologie hergestellt wurde, beste Ergebnisse erzielen werden. Bitte lesen Sie die gesamte Bedienungsanleitung und alle anderen Begleitdokumente aufmerksam, bevor Sie das Gerät verwenden; bewahren Sie sie zum künftigen Nachschlagen sicher auf. Wenn Sie das Gerät an jemanden weitergeben, händigen Sie ihm bitte auch diese Anleitung aus. Befolgen Sie die Anweisungen, indem Sie alle Informationen und Warnhinweise in der Bedienungsanleitung beachten.

Bitte denken Sie daran, dass diese Bedienungsanleitung eventuell für mehrere Modelle geschrieben wurde. Unterschiede zwischen den Modellen werden in der Anleitung klar und deutlich beschrieben.

Bedeutung der Symbole

Folgende Symbole werden in den verschiedenen Abschnitten dieser Anleitung verwendet:



Wichtige Informationen und nützliche Hinweise zur Verwendung.



WARNUNG: Warnhinweise zu gefährlichen Situationen im Hinblick auf die Sicherheit von Leib, Leben und Eigentum.



Warnung vor Brandgefahr.



Warnung vor Stromschlägen.



**RECYCELTES UND
RECYCELBARES
PAPIER**

Dieses Gerät wurde in umweltfreundlichen, modernen Einrichtungen ohne schädliche Auswirkungen auf die Natur hergestellt.

1 Wichtige Sicherheits- und Umwelanweisungen

1.1 Allgemeine Sicherheit

Wichtige Sicherheitsanweisungen sorgfältig lesen und zum künftigen Nachschlagen aufbewahren. Dieser Abschnitt enthält Sicherheitsanweisungen, die beim Schutz vor Personen- und Sachschäden, Bränden, Stromschlägen und dem Austreten von Mikrowellenenergie helfen. Bei Nichtbeachtung dieser Anweisungen erlischt die Gewährleistung.

- Beko-Produkte stimmen mit geltenden Sicherheitsstandards überein; daher sollten Gerät oder Netzkabel zur Vermeidung von Gefahren im Falle von Schäden durch den Händler, ein Kunden-center oder einen spezialisierten, autorisierten Serviceanbieter repariert oder ersetzt werden. Fehlerhafte oder unqualifizierte Reparaturen können Gefahren und Risiken für den Benutzer verursachen.
- Dieses Gerät ist für den Einsatz in Haushalten und ähnlichen Bereichen vorgesehen, wie:
 - In Betriebsküchen, Läden, Büros und anderen Arbeitsumgebungen;
 - Bauernhöfen;
 - Von Gästen in Hotels und anderen Wohnumgebungen;
 - Pensionen und Jugendherbergen.
- Das Gerät darf nur für seinen in dieser Anleitung beschriebenen vorgesehenen Zweck verwendet werden.
- Der Hersteller haftet nicht für Schäden, die auf unsachgemäße Installation oder fehlerhaften Gebrauch zurückzuführen sind.
- Das Gerät darf nur dann von Kindern ab 8 Jahren und Personen mit körperlichen oder geistigen Einschränkungen genutzt werden, wenn diese beaufsichtigt werden oder gründlich über den richtigen und sicheren Umgang mit dem Gerät aufgeklärt wurden und sich sämtlicher möglicher Gefahren bewusst sind.

1 Wichtige Sicherheits- und Umwelanweisungen

- Kinder dürfen nicht mit dem Gerät spielen. Reinigungs- und Wartungsarbeiten dürfen nicht unbeaufsichtigt von Kindern ausgeführt werden.
 - Der Abstand zwischen der Stützfläche für Kochgeschirr auf dem Kochfeld und dem niedrigsten Teil der Abzugshaube muss mindestens 65 cm betragen.
 - Falls die Anweisungen zur Installation eines Gasherdes einen größeren Abstand angeben, ist dieser einzuhalten.
 - Stellen Sie sicher, dass Ihre Stromversorgung mit den Angaben am Typenschild des Gerätes übereinstimmt.
 - Benutzen Sie das Gerät niemals, wenn das Netzkabel oder das Gerät selbst beschädigt ist.
 - Vermeiden Sie Schäden am Netzkabel, indem Sie es nicht quetschen, knicken oder über scharfe Kanten ziehen. Halten Sie das Netzkabel von heißen Oberflächen und offener Flamme fern.
 - Verwenden Sie das Gerät nur mit einer geerdeten Steckdose.
- WARNING:** Schließen Sie das Gerät erst nach vollständig abgeschlossener Installation an das Stromnetz an.
- Stellen Sie das Gerät so auf, dass der Netzstecker immer zugänglich ist.
 - Berühren Sie die Lampen nicht, falls sie lange Zeit in Betrieb waren. Sie könnten sich die Finger verbrennen, da die Lampen heiß werden.
 - Befolgen Sie die von zuständigen Behörden festgelegten Richtlinien zum Abführen von Abluft (diese Warnung ist bei Einsatz ohne Abzug nicht zutreffend).
 - Nehmen Sie Ihr Gerät erst in Betrieb, nachdem Sie ein Kochgeschirr auf das Kochfeld gestellt haben. Andernfalls könnte hohe Hitze zur Verformung von Teilen Ihres Geräts führen.
 - Schalten Sie die Kochfelder ab, bevor Sie das Kochgeschirr herunternehmen.

1 Wichtige Sicherheits- und Umwelanweisungen

- Lassen Sie kein heißes Öl auf das Kochfeld gelangen. Kochgeschirr mit heißem Öl kann sich selbst entzünden.
- Achten Sie auf Vorhänge und Abdeckungen, da Öl beim Zubereiten von Lebensmitteln, wie Pommes frites, Feuer fangen kann.
- Der Fettfilter muss mindestens einmal im Monat ersetzt werden. Der Kohlefilter muss mindestens alle 3 Monate ersetzt werden.
- Das Produkt muss entsprechend der Bedienungsanleitung gereinigt werden. Falls die Reinigung nicht entsprechend der Bedienungsanleitung durchgeführt wird, besteht Brandgefahr.
- Verwenden Sie kein nicht feuerbeständiges Filtermaterial anstelle des aktuellen Filters.
- Verwenden Sie nur Originalteile und vom Hersteller empfohlene Teile.
- Verwenden Sie das Gerät nicht ohne Filter. Entfernen Sie die Filter nicht, während das Gerät läuft.
- Sollte sich etwas entzünden, unterbrechen Sie als erstes sofort die Energieversorgung.
- Ersticken Sie ein Feuer mit einer geeigneten Decke oder ähnlich, verwenden Sie zum Löschen niemals Wasser.
- Trennen Sie das Gerät vor jeder Reinigung und bei Nichtbenutzung von der Stromversorgung.
- Der Unterdruck in der Umgebung darf 4 Pa (4×10 bar) nicht überschreiten, während die Dunstabzugshaube für das elektrische Kochfeld und Geräte mit einer anderen Energiequelle als Strom gleichzeitig laufen.
- Falls sich ein mit Heizöl oder Brenngasen betriebenes Gerät, z. B. Heizungen, in der Nähe der Dunstabzugshaube befindet, muss die Abluft dieses Gerätes vollständig getrennt abgeführt werden oder es muss hermetisch sein.

1 Wichtige Sicherheits- und Umwelanweisungen

- Verwenden Sie zum Anschluss des Abzugs Rohre mit einem Durchmesser von 120 oder 150 mm. Der Rohranschluss muss möglichst kurz sein und sollte möglichst wenige Biegungen aufweisen.
- **Verschluckungsgefahr!** Halten Sie alle Verpackungsmaterialien von Kindern fern.

ACHTUNG: Zugängliche Teile können bei Verwendung mit Kochgeräten heiß werden.

- Der Auslass des Produktes darf nicht an Luftkanäle angeschlossen werden, die auch andere Abluft abführen.
- Die Belüftung im Raum reicht möglicherweise nicht aus, wenn die Abzugshaube für das elektrische Kochfeld gemeinsam mit Geräten, die mit Gas oder anderen Kraftstoffen laufen, betrieben wird (dies trifft möglicherweise nicht auf Geräte zu, die Luft zurück in den Raum abgeben).
- Auf dem Produkt platzierte Gegenstände könnten herunterfallen. Stellen Sie keine Gegenstände auf das Produkt.

- Flambieren Sie nicht unter dem Gerät.

WARNUNG: Entfernen Sie vor Installation der Dunstabzugshaube die Schutzfolien.

- Achten Sie darauf, dass niemals hohe offene Flammen unter der Dunstabzugshaube entstehen, wenn diese in Betrieb ist.
- Fritteusen müssen während der Benutzung kontinuierlich überwacht werden; überhitztes Öl kann Feuer fangen.

1.2 Ihre Pflichten als Endnutzer



Dieses Produkt erfüllt die Vorgaben der EU-WEEE-Direktive (2012/19/EU). Das Produkt wurde mit einem Klassifizierungssymbol für elektrische und elektronische Altgeräte (WEEE) gekennzeichnet.

Dieses Elektro- bzw. Elektronikgerät ist mit einer durchgestrichenen Abfalltonne auf Rädern gekennzeichnet. Das Gerät darf deshalb nur getrennt vom unsortierten Siedlungsabfall gesammelt und zurückgenommen werden. Es darf somit nicht in den Hausmüll gegeben werden. Das Gerät kann z.B. bei einer kommunalen Sammelstelle oder ggf. bei einem Vertreiber (siehe unten zu deren Rücknahmepflichten in Deutschland) abgegeben werden.

Das gilt auch für alle Bauteile, Unterbaugruppen und Verbrauchsmaterialien des zu entsorgenden Altgeräts.

Bevor das Altgerät entsorgt werden darf, müssen alle Altbatterien und Altakkumulatoren vom Altgerät getrennt werden, die nicht vom Altgerät

1 Wichtige Sicherheits- und Umwelanweisungen

umschlossen sind. Das gleiche gilt für Lampen, die zerstörungsfrei aus dem Altgerät entnommen werden können. Der Endnutzer ist zudem selbst dafür verantwortlich, personenbezogene Daten auf dem Altgerät zu löschen.

Die ordnungsgemäße Entsorgung gebrauchter Geräte trägt dazu bei, mögliche negative Folgen für die Umwelt und die menschliche Gesundheit zu vermeiden.

1.3 Hinweise zum Recycling



Helfen Sie mit, alle Materialien zu recyceln, die mit diesem Symbol gekennzeichnet sind. Entsorgen Sie solche Materialien, insbesondere Verpackungen, nicht im Hausmüll, sondern über die bereitgestellten Recyclingbehälter oder die entsprechenden örtlichen Sammelsysteme.

Recyceln Sie zum Umwelt- und Gesundheitsschutz elektrische und elektronische Geräte.

1.4 Rücknahmepflichten der Vertreiber

Wer auf mindestens 400 m² Verkaufsfläche Elektro- und Elektronikgeräte vertreibt oder diese gewerblich an Endnutzer abgibt, ist verpflichtet, bei Abgabe eines neuen Gerätes, ein Altgerät des Endnutzers der gleichen Geräteart, das im Wesentlichen die gleichen Funktionen wie das neue Gerät erfüllt, am Ort der Abgabe oder in unmittelbarer Nähe, unentgeltlich zurückzunehmen. Das gilt auch für Vertreiber von Lebensmitteln mit einer Gesamtverkaufsfläche von mindestens 800 m², die mehrmals im Kalenderjahr oder dauerhaft Elektro- und Elektronikgeräte anbieten und auf dem Markt bereitstellen. Solche Vertreiber müssen zudem auf Verlangen des Endnutzers Altgeräte, die in keiner äußeren Abmessung größer als 25 cm sind, (kleine Elektrogeräte) im Einzelhandelsgeschäft oder in unmittelbarer Nähe hierzu unentgeltlich zurückzunehmen; die Rücknahme darf in diesem Fall nicht an den Kauf eines Elektro- oder Elektronikgerätes verknüpft,

kann aber auf drei Altgeräte pro Geräteart beschränkt werden.

Ort der Abgabe ist auch der private Haushalt, wenn das neue Elektro- oder Elektronikgerät dorthin geliefert wird; in diesem Fall ist die Abholung des Altgerätes für den Endnutzer kostenlos.

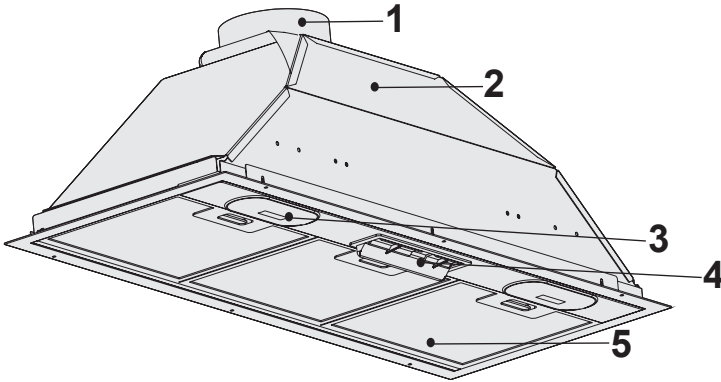
Die vorstehenden Pflichten gelten auch für den Vertrieb unter Verwendung von Fernkommunikationsmitteln, wenn die Vertreiber Lager- und Versandflächen für Elektro- und Elektronikgeräte bzw. Gesamtlager und Versandflächen für Lebensmittel beinhalten, die den oben genannten Verkaufsflächen entsprechen. Die unentgeltliche Abholung von Elektro- und Elektronikgeräten ist dann aber auf Wärmeüberträger (z.B. Kühlschrank), Bildschirme, Monitore und Geräte, die Bildschirme mit einer Oberfläche von mehr als 100 cm² enthalten und Geräte beschränkt, bei denen mindestens eine der äußeren Abmessungen mehr

1.5 Einhaltung von RoHS-Vorgaben

Das von Ihnen erworbene Produkt erfüllt die Vorgaben der EU-RoHS Richtlinie (2011/65/EU). Es enthält keine in der Richtlinie angegebenen gefährlichen und unzulässigen Materialien.

2 Aufbau

2.1 Übersicht

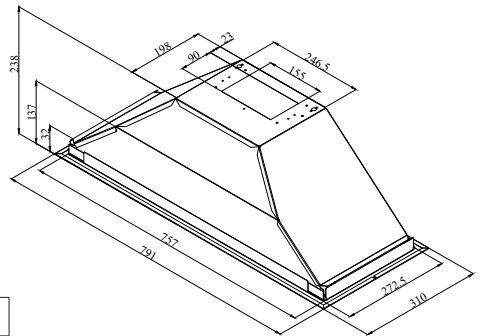


Bedienelemente und Teile

1. Abluftkanal
2. Gehäuse
3. Kochfeldbeleuchtung
4. Bedienfeld
5. Aluminium-Ölfiler

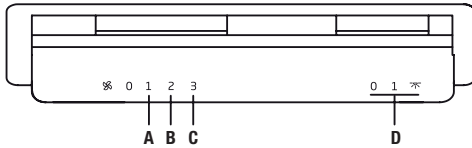
2.2 Technische daten

Modell	HNU71311S
Netzspannung	220-240V~ 50 Hz
Lampenleistung	2x3 W
Motorleistung	1x185 W
Durchflussmenge - 3. Stufe	415 m ³ /h
Isolationsklasse des Motors	Klasse F
Isolations klasse	Klasse I



3 Installation und Verwendung des Geräts

3.1 Nutzung des Kippschalters



- Bringen Sie den Lampenschalter zum Abschalten der Lampe in die Position "0".
- Bringen Sie den Lampenschalter zum Einschalten der Lampe in die Position "1".
- Bringen Sie den Motorschalter zum Abschalten des Motors in die Position "0".
- Sie können den Motor je nach Dichte der Küchendämpfe bei minimaler bis maximaler Geschwindigkeitsstufe (3 Stufen) arbeiten lassen.

3.2 Energieeffiziente Nutzung

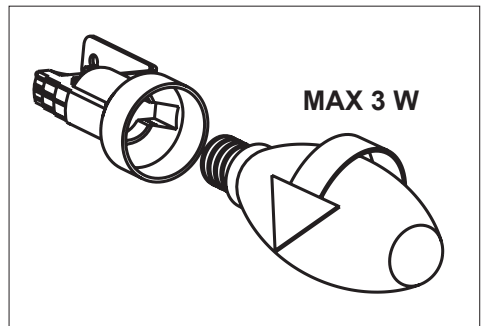
- Wenn Sie Ihr Gerät benutzen, passen Sie die Geschwindigkeitseinstellungen je nach Dampf- und Geruchsintensität an, um Energie zu sparen.
- Verwenden Sie niedrige Geschwindigkeiten (1-2) unter normalen Bedingungen und hohe Geschwindigkeiten (3) für intensive Gerüche und Dämpfe.
- Die Lampen der Abzugshaube sind so angebracht, dass sie den Herdbereich beleuchten.
- Ihr Nutzung für die Beleuchtung der Küche kann zu unnötigen zusätzlichen Stromkosten führen, ohne dass die Raumbeleuchtung ausreichend wäre.

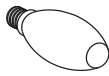
3.3 Bedienung der Abzugshaube

- Ihr Gerät enthält einen Motor, der verschiedene Geschwindigkeiten hat.
- Für eine bessere Leistung empfehlen wir niedrige Geschwindigkeiten unter normalen Bedingungen und hohe Geschwindigkeiten bei starken Gerüchen und intensiven Dämpfen.

- Sie können Ihr Gerät starten, indem Sie auf die Taste für die gewünschte Geschwindigkeitseinstellung drücken. (A, B, C)
- Sie können die Kochstelle beleuchten, indem Sie die Lampe (D) drücken.

3.4 Auswechseln der Leuchtmittel



Lampe	
Leistung	3 W
Steckdose	E14
Stromspannung	220 – 240 W
Abmessungen	35x100 mm
ILCOS Code	D R B B / F - 3 - 2 2 0 - 240-E14-35/100
Lichtstrom	400 lm
Korrelierte Farbtemperatur	2700 K

Dieses Produkt enthält eine Lichtquelle der Energieeffizienzklasse "E".

- Entfernen Sie den Aluminium-Kerzenfilter. Entfernen Sie die defekte Lampe und setzen Sie eine Lampe mit den gleichen Werten ein.

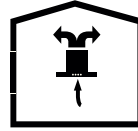


Warnung: Unterbrechen Sie vorher die Stromversorgung der Abzugshaube. Heiße Lampen können Verbrennungen verursachen. Lassen Sie sie daher erst abkühlen, bevor Sie sie berühren.



- Deaktivieren Sie die Sicherung oder ziehen Sie den Netzstecker und wenden Sie sich an den Kundendienst, falls das Gerät beschädigt wird oder nicht richtig funktioniert.
- Falls das Netzkabel beschädigt ist, muss es zur Vermeidung von Gefahren vom Hersteller, seinem Kundencenter oder vergleichbar qualifizierten Personen ersetzt werden.
- Deaktivieren Sie die Sicherung oder ziehen Sie den Netzstecker, falls Lampen des Gerätes ausfallen. Ersetzen Sie defekte Lampen immer sofort, damit andere Lampen nicht überlastet werden (warten Sie jedoch zunächst, bis sie sich abgekühlt haben).

3.6 Verwendung ohne Abluftkanalanschluss

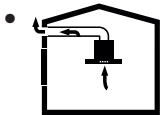


Die Luft wird durch den Kohlefilter gefiltert und im Raum rezirkuliert. Der Kohlefilter wird verwendet, wenn es unmöglich ist, einen Rauchabzug im Haus

zu benutzen.

- Im rauchgaslosen Betrieb sind die Klappen im Inneren des Rauchgasadapters zu entfernen.
- Entfernen Sie den Fettfilter. Zum Einbau des Kohlefilters den Filter auf die Laschen aufsetzen, indem Sie ihn auf dem Kunststoffteil auf beiden Seiten des Gebläsegehäuses zentrieren. durch Rechts- oder Linksdrehung festziehen.
- Fettfilter ersetzen.

3.5 Verwendung mit Abluftkanalanschluss



- Der Dampf wird durch das Abluftrohr, der am Anschlusskopf der Abzugshaube auf dem Herd befestigt ist, abgesaugt.
- Der Durchmesser des Abluftrohrs muss dem Durchmesser des Anschlussrings entsprechen. Bei horizontaler Anordnung muss das Rohr ein leichtes Gefälle (ca. 10°) nach oben haben, damit die Luft leicht aus dem Raum austreten kann.

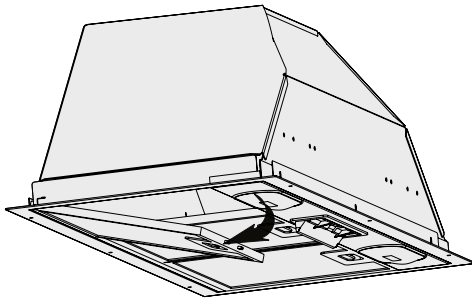
4 Reinigen und pflegen



Ziehen Sie vor der Reinigung und Wartung den Netzstecker oder schalten Sie den Schalter aus.

4.1 Reinigung von Aluminium-Fettfilter

Der Aluminium-Fettfilter dient dazu, die Ölpartikel in der Luft zurückzuhalten. Aluminium-Fettfilter können nach wiederholter Reinigung ihre Farbe ändern. Dies ist normal, und Sie müssen Ihre Filter nicht austauschen.



- Drücken Sie den Aluminium-Fettfilterverschluss nach vorne.
- Ziehen Sie ihn dann leicht nach unten und ziehen Sie ihn heraus. Andernfalls können Sie den Filter verbiegen. Waschen und spülen Sie Aluminium-Fettfilter mit flüssigem Reinigungsmittel und ersetzen Sie Aluminium-Fettfilter bis zu ihren Sitzen, indem Sie die oben angegebenen Schritte in umgekehrter Reihenfolge durchführen. Diese Aluminium-Fettfilter dienen dazu, die Ölpartikel in der Luft zurückzuhalten.

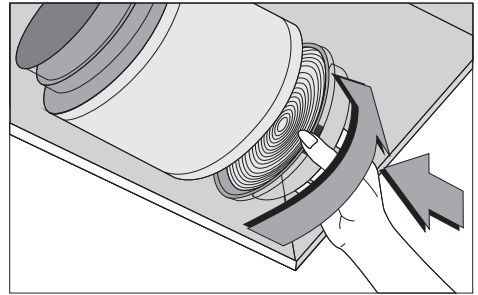


Sie können die Aluminium-Fettfilter auch in der Waschmaschine waschen.



VORSICHT: Reinigen Sie Ihren Aluminium-Fettfilter bei normalem Gebrauch einmal im Monat.

4.2 Austausch des Kohlefilters



- Das von Ihnen gekaufte Gerät eignet sich für die Verwendung zusammen mit Aktivkohlefiltern.
- Entfernen Sie den Aluminium-Fettfilter.
- Legen Sie den unteren Teil des Kohlefilters in den Motorschrank.
- Drücken Sie auf die Riegel des Kohlefilters und drücken Sie sie nach vorne, und stellen Sie sicher, dass die Riegel des Kohlefilters eingerastet und verriegelt sind.
- Bringen Sie den Aluminium-Fettfilter an.

VORSICHT



- Kohlefilter dürfen niemals gewaschen werden.
- Ersetzen Sie die Kohlefilter einmal alle 3 Monate.
- Sie können den Kohlefilter bei den autorisierten Diensten beziehen.

5 Verwendung des Geräts



WARNUNG: Lesen Sie vor Beginn der Installation die Sicherheitshinweise im Benutzerhandbuch.

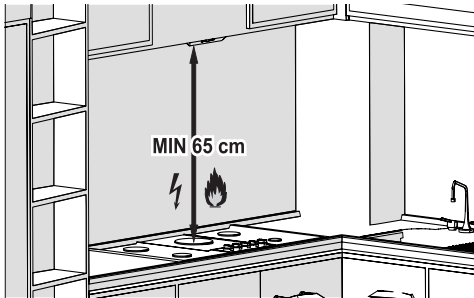


WARNUNG: Wird die Installation mit Schrauben und Stabilisatoren nicht in Übereinstimmung mit diesen Anweisungen durchgeführt, kann dies zu einem elektrischen Schlag führen.

Für die Installation der Abzugshaube wenden Sie sich bitte an den nächstgelegenen autorisierten Service.

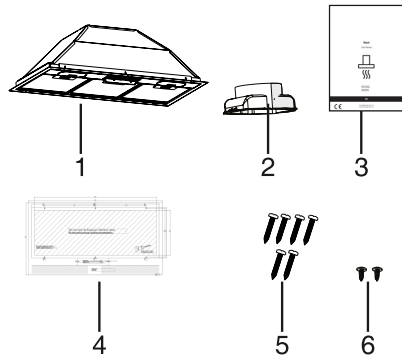
Es liegt in der Verantwortung des Kunden, den Standort und die elektrische Installation der Abzugshaube vorzubereiten.

5.1 Gerät positionieren



- Der Abstand zwischen dem Herd und der Abzugshaube muss vor der Montage berücksichtigt werden. Dieser Abstand sollte 65 cm betragen.
- Der Abstand muss bei Gasherden von der Oberfläche des Rostes,
- bei Elektroherden von der Oberfläche des Glases gemessen werden.

5.2 Lieferumfang



1. Dunstabzugshaube
2. Kunststoffabzug (Ø 120 mm)
3. Bedienungsanleitung
4. Installationsentwurf
5. Schrauben 6 x 3,9x32 (zur Installation der Abzugshaube)
6. Schrauben 3,5x9,5 (zur Installation des Kunststoffabzugs)

Die Informationen, die erforderlich sind, um den Standort für die Installation der Abzugshaube geeignet zu machen, sind nachstehend aufgeführt.

5.3 Montage des geräts



Tragen Sie beim Bohren und Schneiden immer Sicherheitshandschuhe und eine Schutzbrille.

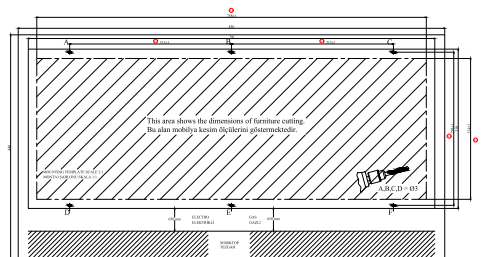


Abbildung 1

5 Verwendung des Geräts

5.4 Montagelöcher bohren

- Heften Sie die mitgelieferte Installationschablone auf die Fläche, an der die Installation ausgeführt werden soll.
- Bohren Sie mit einem 4 mm-Bohrer Löcher in die mit A, B, C, D, E und F an der Installationschablone gekennzeichneten Stellen. (Abbildung 1)

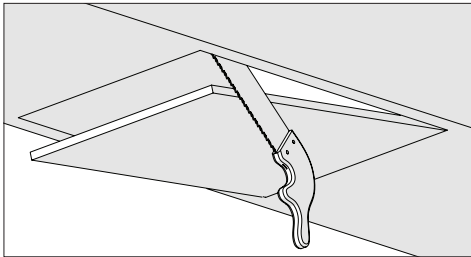


Abbildung 2

- Schneiden Sie die Bodenfläche des Schrankes aus, in der die Abzugshaube installiert werden soll. Beachten Sie die Abmessungen in der technischen Zeichnung (Abbildung 2).

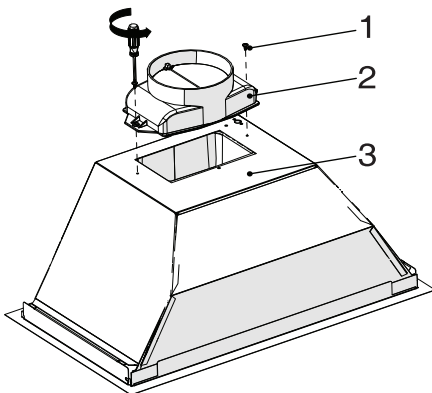


Abbildung 3

1. Schrauben 3,5x9,5
2. Kunststoffabzug (Ø 120 mm)
3. GehäuseVentilnadelhalter

- Bringen Sie den mitgelieferten Kunststoffabzug mit 2 Schrauben (3,5x9,5) am Gehäuse des Gerätes an. (Abbildung 3) Reiben Sie nicht fest über seine Oberflächen. (Abbildung 3)

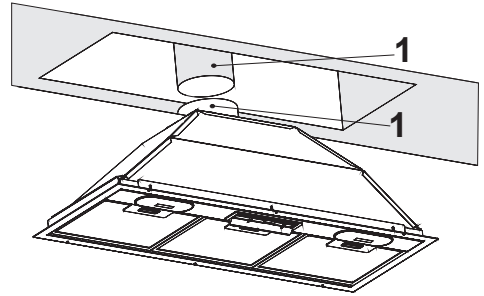


Abbildung 4

1. Abluftrohr

2. Abluftkanal der Abzugshaube

- Bringen Sie das Abluftrohr am Abluftkanal an und befestigen Sie es mit der Klemme (Abbildung 4)



Achtung: Da Knicke und Biegungen im Aluminiumrohr die Luftsaugleistung verringern, sollten sie nach Möglichkeit vermieden werden.

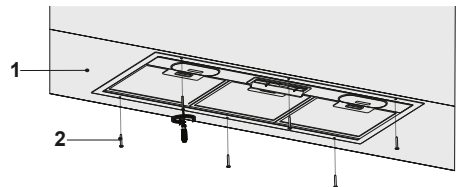


Abbildung 5

1. Unteransicht Küchenschrank

2. Schrauben zur Installation der Abzugshaube (6 x 3,9x32)

- Platzieren Sie die Abzugshaube im Küchenschrank und bringen Sie sie in den 4 vorgebohrten Installationslöchern (Abbildung 5).

5 Verwendung des Geräts

5.5 Lagerung

- Lagern Sie das Gerät sorgfältig, wenn Sie es längere Zeit nicht benutzen sollten.
- Sorgen Sie dafür, dass das Gerät vom Stromnetz getrennt, gänzlich abgekühlt und trocken ist.
- Lagern Sie das Gerät an einem kühlen, trockenen Ort.
- Halten Sie das Gerät von Kindern fern.

5.6 Handhabung und Transport

- Tragen Sie das Gerät während der Handhabung und des Transports in der Originalverpackung.
- Die Verpackung des Geräts schützt es vor physischen Schäden.
- Legen Sie keine schweren Lasten auf das Gerät oder auf die Verpackung. Das Gerät kann beschädigt werden.

6

Troubleshooting

Troubleshooting	Reason	Help
The product does not work.	Check your fuse.	Your fuse might be closed, make it work.
The product does not work.	Check the electrical connection.	The mains voltage should be between 220-240 V.
The product does not work.	Check the electrical connection.	Check if the other products in your kitchen are working or not.
The lighting lamp does not work.	Check the electrical connection.	The mains voltage should be between 220-240 V.
The lighting lamp does not work.	Check the lamp switch.	The lamp switch should be in the "on" position.
The lighting lamp does not work.	Check the lamps.	The lamps of the product should not be faulty.
The air intake of the product is poor.	Check the aluminum filter.	The aluminum oil filter should be cleaned at least once a month under normal conditions.
The air intake of the product is poor.	Check the air vent flue.	The air vent flue should be in the "on" position.
The air intake of the product is poor.	Check the carbon filter.	For products with carbon filters, the filter should normally be changed every 3 months.

Garantiebedingungen

Anschrift:

Beko Grundig Deutschland GmbH
Thomas-Edison-Platz 3
D-63263 Neu-Isenburg

Kundendienst-Tel.: 06102-86 86 891

Fax: 01805-414 400 *

E-Mail: Kundendienst@beko.com

Ersatzteile-Tel.: 01805-242 515 *

Fax: 01805-345 001*

E-Mail: ersatzteile@beko.com

Sehr geehrte Kundin, sehr geehrter Kunde,

wir gratulieren Ihnen zum neuen Gerät der Marke Beko und wünschen Ihnen viel Freude daran. Sollten Sie dennoch einmal einen Grund zu einer Reklamation erkennen, dann wenden Sie sich bitte an unseren Kundendienst. Geben Sie im Falle einer Störung Ihre genaue Anschrift, Telefonnummer und den GERÄTETYP (vom Typenschild des Gerätes) an.

Hinweis für Kühl- und Gefriergeräte, Achtung!

Um voll funktionsfähig zu sein, benötigt Ihr Gerät nach dem Transport ca. 24 Stunden, in denen sich das Kühlmittel stabilisiert. Sofern es nicht vermeidbar ist und Sie das Gerät sofort nach Aufstellung mit Gefriergut bestücken wollen, müssen Sie damit rechnen, dass die rote Lampe bis zur Stabilisierung des Kühlkreislaufs aufleuchtet. Die Kühlleistung beginnt jedoch vom Augenblick des Anschlusses an sich auf zu bauen.

Die Garantiezeit beträgt 24 Monate ab Kaufdatum.

Bedingungen:

Dieses Gerät wurde nach den modernsten Methoden hergestellt und geprüft. Der Hersteller leistet unabhängig von der gesetzlichen Gewährleistungsverpflichtung des Verkäufers / Händlers für die Dauer von 24 Monaten, gerechnet vom Tag des Kaufes, Garantie für einwandfreies Material und fehlerfreie Fertigung.

Der Garantieanspruch erlischt bei Eingriffen durch den Käufer oder durch Dritte, die vom Hersteller nicht für den Service autorisiert sind oder wenn das Gerät zu gewerblichen Zwecken eingesetzt wird. Schäden die durch unsachgemäße Behandlung oder Bedienung, durch falsches Aufstellen oder Aufbewahren, durch unsachgemäßen Anschluss, oder fehlerhafte Installationen sowie durch höhere Gewalt oder sonstige äußere Einflüsse entstehen, fallen nicht unter die Gewährleistung.

Abhilfemöglichkeiten:

Wir behalten uns vor, bei Reklamationen die defekten Teile auszubessern oder zu ersetzen oder das Gerät auszutauschen. Ausgetauschte Teile oder ausgetauschte Geräte gehen in unser Eigentum über. Nur wenn durch Nachbesserung(en) oder Umtausch des Gerätes die herstellereitig vorgesehene Nutzung endgültig nicht zu erreichen sein sollte, kann der Käufer aus Gewährleistung innerhalb von 24 Monaten, gerechnet vom Tag des Kaufes, Herabsetzung des Kaufpreises oder Aufhebung des Kaufvertrages verlangen. Nachbesserungen verlängern nicht die Gewährleistungszeit. Schadenersatzansprüche, auch hinsichtlich Folgeschäden, sind, soweit sie nicht auf Vorsatz oder grober Fahrlässigkeit beruhen, ausgeschlossen.

Bei unnötiger oder unberechtigter Beanspruchung des Kundendienstes berechnet dieser Zeit- und Wegeentgelt. Reklamationen sind unmittelbar nach Feststellung zu melden. Der Garantieanspruch ist vom Käufer, durch Vorlage der Kaufquittung, nachzuweisen. Bei Nicht-vorlage ist die Reparatur kostenpflichtig. Eine Rückerstattung – nach späterer Einsendung der Kaufquittung – kann nur innerhalb von einem Monat nach Rechnungsdatum gewährt werden.

Diese Garantiezusage ist gültig innerhalb der Bundesrepublik Deutschland

***) 0,14 EUR/Min. aus dem Festnetz der T-Com; Mobilfunk max. 0,42 EUR/Min. (nur für Deutschland)**

Avant toute chose, veuillez lire ce manuel d'utilisation !

Chère cliente, cher client,

Merci d'avoir choisi cet appareil Beko. Nous espérons que cet appareil, fabriqué dans des installations modernes et soumis à un processus de contrôle qualité rigoureux, vous offre les meilleures performances possible. C'est pourquoi nous vous recommandons, avant d'utiliser l'appareil, de lire attentivement et complètement ce manuel d'utilisation ainsi que tous les autres documents fournis et de les conserver soigneusement pour une utilisation future. Si vous cédez l'appareil à quelqu'un d'autre, remettez-lui également le manuel d'utilisation. Suivez les instructions en accordant une attention particulière à toutes les informations et les avertissements contenus dans le manuel d'utilisation.

Notez que ce manuel d'utilisation peut également s'appliquer à d'autres modèles. Les différences entre les modèles sont clairement décrites dans le manuel.

Signification des symboles

Les pictogrammes suivants sont repris tout au long de ce manuel :

	Informations importantes et conseils utiles concernant l'utilisation de l'appareil.
--	---

	AVERTISSEMENT: Avertissement sur les situations dangereuses concernant la sécurité des biens et des personnes.
--	---

	AVERTISSEMENT: Avertissement contre le risque d'incendie.
---	--

	AVERTISSEMENT: Avertissement contre le risque d'électrocution.
--	---



**LE TRI
+ FACILE**



**PAPIER
RECYCLÉ ET
RECYCLABLE**

Cet appareil a été fabriqué dans des usines modernes respectueuses de l'environnement et sans causer des dommages à la nature.

1 Instructions importantes en matière de sécurité et d'environnement

1.1 Consignes générales de sécurité

Consignes de sécurité importantes - Lire attentivement et conserver pour référence ultérieure. Cette section contient les consignes de sécurité qui aident à se prémunir contre les risques d'incendie, d'électrocution, d'exposition aux fuites d'énergie à micro-ondes, de dommages corporels ou de dégâts matériels. Le non-respect de ces instructions entraînera l'annulation de toute garantie.

- Les produits Beko sont conformes aux normes de sécurité applicables. Par conséquent, en cas de dommage sur l'appareil ou son câble d'alimentation, le faire réparer ou remplacer par le revendeur, le centre SAV, un spécialiste ou des services habilités afin de prévenir tout danger. Des réparations défectueuses et non professionnelles peuvent être sources de danger et de risque pour l'utilisateur.
- Cet appareil est conçu pour un usage domestique et des utilisations similaires comme :
 - dans les coins cuisine du personnel dans les magasins, bureaux, et autres environnements de travail ;
 - les fermes
 - Par les clients des hôtels et autres types d'environnements résidentiels ;
 - et dans les chambres d'hôte.
- Utiliser l'appareil uniquement aux fins pour lesquelles il a été conçu, comme décrit dans les présentes instructions.
- Le fabricant n'est pas responsable des dommages résultant d'une mauvaise installation ou d'une mauvaise utilisation du produit.

1 Instructions importantes en matière de sécurité et d'environnement

- Cet appareil peut être utilisé par des enfants de 8 ans minimum, des personnes à capacités physiques, sensorielles ou mentales réduites et des personnes manquant d'expérience ou de connaissances suffisantes en la matière, à condition qu'elles aient été préparées à un maniement sécurisé de l'appareil et qu'elles aient pleinement conscience des risques encourus.
- Les enfants n'ont pas le droit de jouer avec l'appareil. Le nettoyage et l'entretien de l'appareil ne doivent pas être effectués par des enfants laissés sans surveillance.
- La distance minimale entre la surface d'appui des récipients de cuisson sur la plaque de cuisson et la partie la plus basse de votre produit doit être d'au moins 65 cm.
- Si des instructions relatives à l'installation de la plaque à gaz exigent plus de distance, prenez-les en compte.
- S'assurer que la source d'alimentation électrique est conforme aux informations spécifiées sur la plaque signalétique de l'appareil.
- Ne jamais utiliser l'appareil si le câble d'alimentation ou l'appareil lui-même est endommagé.
- Pour éviter d'endommager le câble d'alimentation, éviter de l'aplatir, de le plier ou même de le frotter contre des bords coupants. Éloigner le câble d'alimentation de toute surface brûlante et des flammes.
- Utilisez l'appareil uniquement avec une prise de terre.

AVERTISSEMENT: Ne branchez pas l'appareil sur le secteur avant la fin de l'installation.

- Placer l'appareil de sorte que la prise soit toujours accessible.
- Ne touchez pas les lampes si elles ont été utilisées pendant une longue période. Elles sont chaudes et risqueraient donc de provoquer des brûlures aux mains.

1 Instructions importantes en matière de sécurité et d'environnement

- Respectez la réglementation des autorités compétentes en matière d'évacuation de l'air évacué (cette mise en garde ne s'applique pas à l'utilisation sans conduit).
- Faites fonctionner votre appareil après avoir posé une casserole, une poêle, etc. sur la plaque de cuisson. Autrement, la température élevée peut provoquer la déformation de certaines pièces de votre produit.
- Éteignez la plaque de cuisson avant d'en retirer la casserole, la poêle, etc.
- Ne laissez pas d'huile chaude sur la plaque de cuisson. Les casseroles contenant de l'huile chaude peuvent s'enflammer.
- Faites attention à vos rideaux et à vos couvertures, car l'huile peut prendre feu pendant la cuisson de certains aliments, comme les frites.
- Le filtre à graisse doit être remplacé au moins une fois par mois. Le filtre à charbon doit être remplacé au moins tous les 3 mois.
- Le produit doit être nettoyé conformément au manuel d'utilisation. Si le nettoyage n'a pas été effectué conformément au manuel d'utilisation, il peut y avoir un risque d'incendie.
- N'utilisez pas de matériaux fil-trants ignifuges à la place des filtres actuels.
- Utilisez uniquement des pièces d'origine ou pièces recommandées par le fabricant.
- N'utilisez jamais l'appareil sans le filtre et ne retirez pas les filtres lorsque l'appareil est en marche.
- En cas d'apparition d'une flamme, éteignez votre produit et vos appareils de cuisson.
- En cas d'apparition d'une flamme, couvrez la flamme et n'utilisez jamais d'eau pour l'éteindre.
- Débranchez l'appareil avant chaque nettoyage et lorsque l'appareil n'est pas en cours d'utilisation.

1 Instructions importantes en matière de sécurité et d'environnement

- La pression négative dans l'environnement ne doit pas dépasser 4 Pa (4 x 10 bars) lorsque la hotte de la table de cuisson électrique et les appareils fonctionnant avec un autre type d'énergie que l'électricité fonctionnent simultanément.
- Dans l'environnement dans lequel l'appareil est utilisé, les gaz résiduels des appareils fonctionnant au fioul ou au gaz, tels que le chauffage de la pièce, doivent être totalement isolés ou l'appareil doit être de type étanche.
- Pour le raccordement du conduit, utilisez des tuyaux d'un diamètre de 120 ou 150 mm. Le raccordement du tuyau doit être aussi court que possible et avoir le minimum de coudes que possible.
- Risque d'étranglement ! Conservez tous les emballages hors de portée des enfants.
- Ne connectez pas la prise du produit aux canaux d'air qui contiennent d'autres fumées.
- La ventilation de la pièce peut être insuffisante lorsque la hotte de la table de cuisson électrique est utilisée en même temps que les appareils fonctionnant au gaz ou avec d'autres combustibles (ceci peut ne pas s'appliquer aux appareils qui rejettent uniquement l'air dans la pièce).
- Les objets placés sur le produit peuvent tomber. Ne posez aucun objet sur le produit.
- Ne brûlez rien sous votre produit.

AVERTISSEMENT: Retirez les films protecteurs avant d'installer la hotte.

- Ne laissez jamais des grandes flammes nues sous la hotte lorsqu'elle est en fonctionnement.
- Gardez les friteuses en permanence sous surveillance pendant l'utilisation : de l'huile surchauffée peut prendre feu.

ATTENTION: Les pièces accessibles peuvent devenir chaudes lorsqu'elles sont utilisées avec des appareils de cuisson.

1 Instructions importantes en matière de sécurité et d'environnement

1.2 Conformité avec la Directive DEEE et Mise au rebut des appareils usagés :

Cet appareil est conforme à la directive DEEE. (2012/19/UE). Cet appareil porte le symbole de classification pour les déchets des équipements électriques et électroniques (DEEE).



Ce symbole indique que ce produit ne doit pas être jeté avec les déchets ménagers à la fin de sa vie utile. Les appareils usagés doivent être retournés au point de collecte officiel pour le recyclage des appareils électriques et électroniques. Pour trouver ces systèmes de collecte, veuillez contacter les autorités locales ou le détaillant auprès duquel vous avez acheté le produit. Chaque ménage joue un rôle important dans la récupération et le recyclage des appareils ménagers usagés. L'élimination appropriée des appareils usagés aide à prévenir les conséquences négatives potentielles pour l'environnement et la santé humaine.

1.3 Conformité avec la directive RoHS

L'appareil que vous avez acheté est conforme à la Directive RoHS de l'UE (2011/65/UE). Il ne contient pas de matières dangereuses et interdites spécifiées dans la directive.

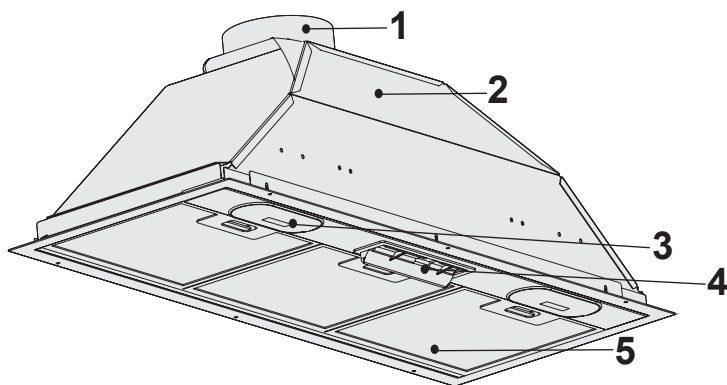
1.4 Informations concernant l'emballage



Les matériaux d'emballage du produit sont fabriqués à partir de matériaux recyclables conformément à notre réglementation nationale sur la protection de l'environnement. Ne jetez pas les matériaux d'emballage avec les déchets domestiques et autres déchets. Déposez-les dans l'un des points de collecte de matériaux d'emballage prévus par l'autorité locale.

2 Aspect général

2.1 Aperçu

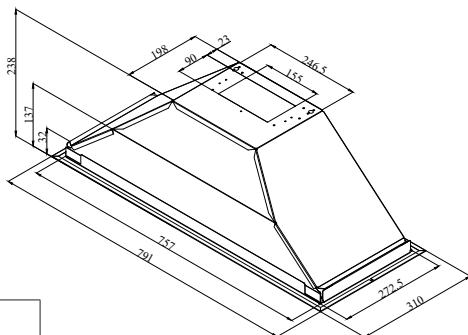


Contrôle et pièces

1. Conduit d'évacuation d'air
2. Corps
3. Éclairage de la table de cuisson
4. Panneau de commande
5. Filtre à huile en aluminium

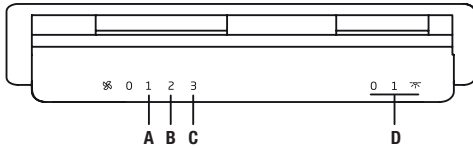
2.2 Caractéristiques techniques

Modèle	HNU71311S
Tension d'alimentation	220-240V~ 50 Hz
Puissance des lampes	2x3 W
Puissance du moteur	1x185 W
Débit - 3. Niveau	415 m ³ /h
Classe d'isolation du moteur	Classe F
Classe d'isolation	Classe I



3 Installation de l'appareil

3.1 Utilisation de l'appareil



- Placez l'interrupteur de la lampe en position « 0 » pour éteindre la lampe.
- Placez l'interrupteur de la lampe en position « 1 » pour allumer la lampe.
- Placez l'interrupteur du moteur en position « 0 » pour éteindre le moteur.
- Vous pouvez faire fonctionner le moteur au minimum au 1^{er} niveau de vitesse et au maximum au 3^{er} niveau de vitesse en fonction de la densité de la vapeur de cuisson.

3.2 Fonctionnement efficace en termes d'économies d'énergie

Utilisation

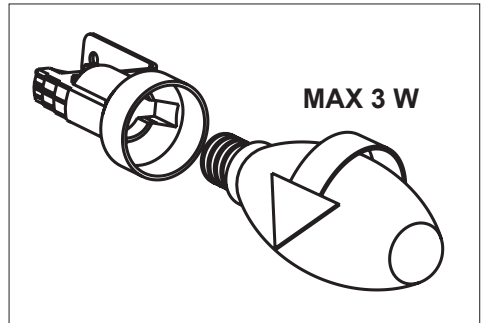
- Lorsque vous utilisez votre appareil, réglez la vitesse en fonction de l'intensité de la vapeur et de l'odeur afin d'économiser de l'énergie.
- Utilisez les vitesses basses (1-2) dans des conditions normales, et les vitesses élevées (3) pour les odeurs et vapeurs intenses.
- Les lampes situées sur la hotte sont destinées à l'éclairage de la zone de cuisson.
- L'utilisation de ces lampes pour l'éclairage de la pièce entraîne une consommation d'énergie inutile et un éclairage insuffisant.


3.3 Instructions d'utilisation

- Votre appareil contient un moteur qui a des vitesses différentes.
- Pour de meilleures performances, nous recommandons d'utiliser des vitesses basses dans des conditions normales et des vitesses élevées en cas fortes odeurs et de vapeur intense.

- Vous pouvez démarrer votre appareil en appuyant sur le bouton de réglage de la vitesse souhaitée. (A, B, C)
- Vous pouvez éclairer la zone de cuisson en appuyant sur la lampe (D).

3.4 Remplacement de la lampe



Lampe	
Puissance	3 W
Prise	E14
Tension	220 – 240 W
Dimension	35x100 mm
Code ILCOS	D R B B / F - 3 - 2 2 0 - 240-E14-35/100
Flux lumineux	400 lm
Température de couleur corrélée	2700 K

Ce produit contient une source lumineuse de classe d'efficacité énergétique "E".

- Retirez le filtre à cartouche en aluminium. Retirez la lampe défectueuse et remplacez-la par une lampe de même puissance.

3 Installation de l'appareil

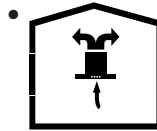


AVERTISSEMENT: Coupez l'alimentation électrique de la hotte. Les lampes peuvent provoquer des brûlures aux mains lorsqu'elles sont chaudes, attendez donc qu'elles refroidissent avant de les manipuler.



- Si l'appareil tombe en panne ou est endommagé, éteignez le fusible ou débranchez l'appareil et appelez le service après-vente agréé.
- Si le cordon d'alimentation est endommagé, il doit être remplacé par le fabricant, son réparateur agréé ou une personne qualifiée afin d'éviter tout risque.
- Éteignez le fusible ou débranchez l'appareil en cas de panne des lampes de l'appareil. Remplacez immédiatement les lampes défectueuses afin d'éviter que les autres lampes ne soient trop sollicitées (attendez d'abord que les lampes refroidissent).

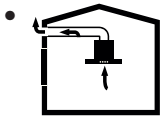
3.6 Fonctionnement sans raccordement au réseau d'évacuation des fumées



L'air est filtré par le filtre à charbon et recirculé dans la pièce. Le filtre à charbon est utilisé lorsqu'il est impossible d'utiliser un conduit de fumée dans la

- maison.
- En cas d'utilisation sans conduit, retirez les rabats à l'intérieur de l'adaptateur de conduit.
- Retirez le filtre à huile. Pour installer le filtre à charbon, fixez le filtre sur les languettes en le centrant sur la pièce en plastique des deux côtés du corps du ventilateur. Resserrez-le en tournant à droite ou à gauche.
- Remplacez le filtre à huile en aluminium.

3.5 Opération avec raccordement au conduit de fumée



- La vapeur est extraite par le conduit de fumée, qui est fixé à la tête de raccordement sur la hotte.
- Le diamètre du conduit de fumées doit être le même que celui de la bague de raccordement. En position horizontale, le tuyau doit avoir une légère pente ascendante (environ 10°) afin que l'air puisse sortir facilement de la pièce.

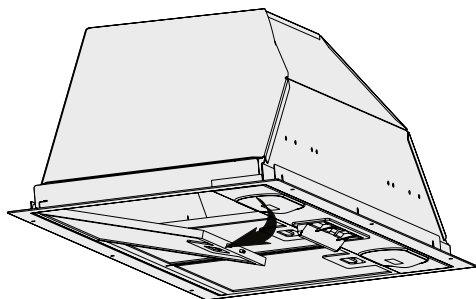
4 Nettoyage et entretien



Avant de procéder au nettoyage et à l'entretien, débranchez le produit ou éteignez l'interrupteur.

4.1 Nettoyage du filtre à huile en aluminium

Ce filtre retient les particules d'huile dans l'air. Les filtres à huile en aluminium peuvent changer de couleur au fur et à mesure qu'ils sont lavés ; c'est normal et cela ne nécessite pas le remplacement de vos filtres à huile en aluminium.



- Poussez le verrou du filtre à huile en aluminium vers l'avant.
- Puis tirez-le légèrement vers le bas et retirez-le. Sinon, vous pouvez plier le filtre. Lavez et rincez les filtres à huile en aluminium avec un détergent liquide et remplacez les filtres à huile en aluminium par leurs douilles en effectuant les étapes indiquées ci-dessus dans l'ordre inverse. Ce filtre retient les particules d'huile dans l'air.



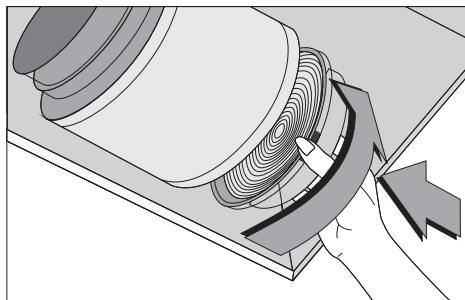
Vous pouvez laver vos filtres à huile en aluminium dans le lave-vaisselle.



ATTENTION: En cas d'utilisation normale, nettoyez votre filtre une fois par mois.

4.2 Remplacement des filtres à carbone

Les filtres désodorisants contiennent du charbon de bois (charbon actif). Des filtres à graisse doivent être installés dans le produit, que des filtres à charbon soient utilisés ou non.



- Retirez le filtre à huile en aluminium.
- Pour retirer le filtre à charbon, retirez le filtre à charbon de son logement en le faisant tourner dans le sens inverse des aiguilles d'une montre à partir de la languette.
- Installez le nouveau filtre à charbon.
- Installez le filtre à huile en aluminium.

ATTENTION



- Le filtre à charbon ne doit jamais être lavé.
- Remplacez les filtres à charbon une fois tous les trois mois.
- Vous pouvez obtenir un filtre à charbon actif auprès des services autorisés.

5 Installation de l'appareil



ATTENTION: Avant de commencer l'installation, lisez les informations de sécurité figurant dans le manuel d'utilisation.

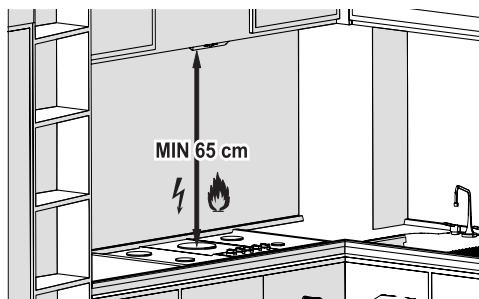


ATTENTION: Si l'installation n'est pas effectuée avec des vis et des stabilisateurs conformément à ces instructions, elle peut entraîner un choc électrique.

Pour l'installation de la hotte, veuillez contacter le Service Autorisé le plus proche.

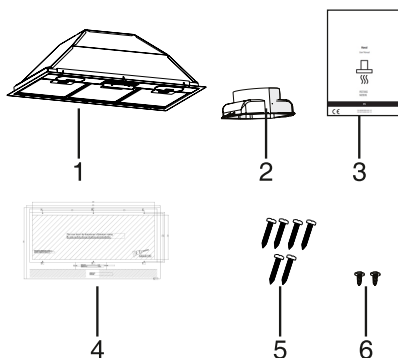
Il est de la responsabilité du client de préparer l'emplacement et l'installation électrique de la hotte.

5.1 Position de l'appareil



- La distance entre le cuiseur et la hotte doit être prise en compte avant le montage. Cette distance doit être de 65 cm.
- La distance doit être mesurée à partir de la surface de la grille pour les cuisinières à gaz,
- à partir de la surface du verre pour les cuisinières électriques.

5.2 Contenu de l'emballage



1. Hotte
2. Conduit de cheminée en plastique de 120 mm de diamètre
3. Manuel d'utilisation
4. Modèle d'installation
5. Vis 6 x 3,9x32 (utilisées pour l'installation de la hotte)
6. Vis 3,5x9,5 (utilisées pour l'installation du conduit de cheminée en plastique)

Les informations nécessaires pour rendre l'emplacement approprié pour l'installation de la hotte

5 Installation de l'appareil

5.3 Installation de l'appareil



Utilisez des gants et des lunettes de protection lors des opérations de perçage et de coupe.

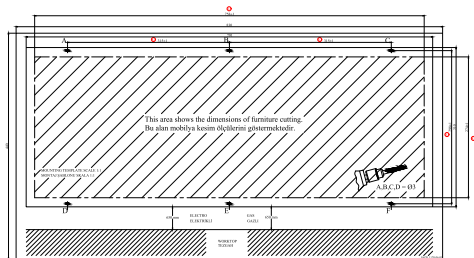


Figure 1

5.4 Perçage des trous de montage

- Conformez-vous au modèle d'installation fourni avec l'appareil sur la surface sur laquelle l'installation sera effectuée.
- Percez les trous A, B, C, D, E, F indiqués sur le modèle d'installation à l'aide d'un foret de 4 mm de diamètre. (Figure 1)

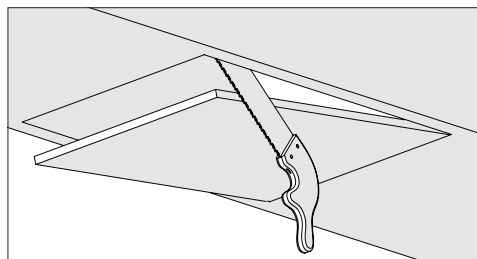


Figure 2

- Découpez la surface inférieure du meuble de cuisine dans lequel la hotte sera installée conformément aux dimensions spécifiées dans le dessin technique (Figure 2).

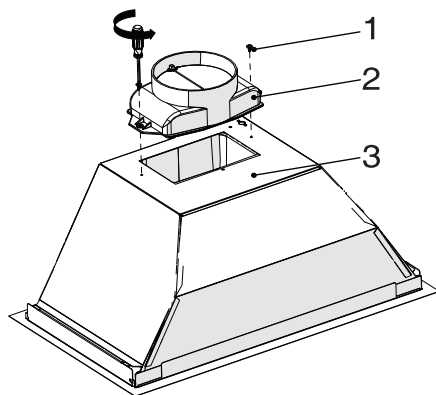


Figure 3

1. Vis 3,5x9,5
 2. Conduit de cheminée en plastique de 120 mm de diamètre
 3. Prise de goupille de BodyValve
- Fixez le conduit en plastique contenu dans l'emballage au corps de l'appareil à l'aide de 2 vis 3,5x9,5. (Figure 3) Ne le frottez pas contre la surface. (Figure 3)

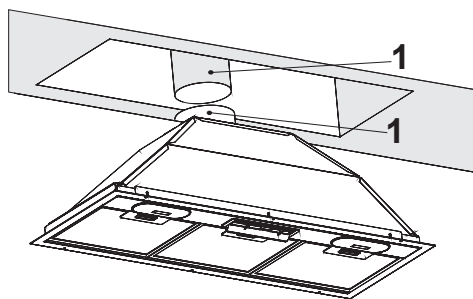


Figure 4

1. Tuyau d'évacuation d'air
 2. Conduit d'évacuation d'air de la hotte
- Fixez le tuyau d'évacuation d'air au conduit d'évacuation d'air et serrez-le à l'aide d'un collier de serrage (Figure 4).

5 Installation de l'appareil



MISE EN GARDE: Les pliures et les coudes dans le tuyau d'aluminium entraînent une diminution de la puissance d'aspiration de l'air, évitez donc leur présence autant que possible.

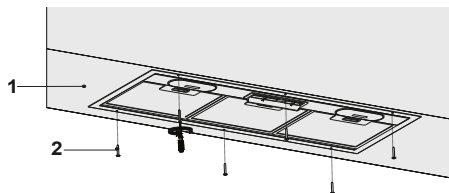


Figure 5

1. Vue du bas du meuble de cuisine

2. Vis d'installation de la hotte 6 X 3,9X32

- Placez la hotte dans le meuble de cuisine et fixez la hotte grâce aux 6 trous d'installation percés au préalable (Figure 5).

5.5 Stockage

- Si vous n'avez pas l'intention d'utiliser l'appareil pendant une longue période, conservez-le soigneusement.
- Veillez également à ce que l'appareil soit débranché, refroidi et entièrement sec.
- Conservez l'appareil dans un endroit frais et sec.
- Tenez l'appareil hors de portée des enfants.

5.6 Manipulation et transport

- Lors de la manipulation et du transport, transportez l'appareil dans son emballage d'origine.
- L'emballage de l'appareil le protège des dommages physiques.
- Ne placez pas de charges lourdes sur l'appareil ou sur l'emballage. L'appareil peut être endommagé.

6 Dépannage

Dépannage	Problème	Solution
L'appareil ne fonctionne pas.	Vérifiez le fusible.	Il se peut que votre fusible soit coupé ; remettez-le en marche.
L'appareil ne fonctionne pas.	Vérifiez le branchement.	La tension du secteur doit être comprise entre 220 et 240 V.
L'appareil ne fonctionne pas.	Vérifiez le branchement.	Vérifiez si les autres appareils de votre cuisine fonctionnent ou pas.
L'ampoule ne fonctionne pas.	Vérifiez le branchement.	La tension du secteur doit être comprise entre 220 et 240 V.
L'ampoule ne fonctionne pas.	Vérifiez l'interrupteur de l'ampoule.	L'interrupteur de l'ampoule doit être en position « Allumé ».
L'ampoule ne fonctionne pas.	Vérifiez les ampoules.	Les ampoules de l'appareil ne doivent pas être défectueuses.
L'appareil n'aspire pas l'air correctement.	Vérifiez le filtre en aluminium.	L'aluminium du filtre doit être nettoyé au moins une fois par mois en conditions d'utilisation normales.
L'appareil n'aspire pas l'air correctement.	Vérifiez l'évent d'aération.	L'évent d'aération doit être en position « Marche ».
L'appareil n'aspire pas l'air correctement.	Vérifiez le filtre à charbon.	Pour les appareils dotés d'un filtre à charbon, celui-ci doit normalement être remplacé tous les 3 mois.

Proszę najpierw przeczytać tę instrukcję obsługi!

Szanowny Kliencie,

dziękujemy za wybranie urządzenia marki Beko. Mamy nadzieję, że zakupione urządzenie, wyprodukowane z zapewnieniem wysokiej jakości przy użyciu najnowszych technologii, okaże się w pełni zadowolające. W tym celu przed użyciem urządzenia należy uważnie przeczytać całą instrukcję obsługi oraz dołączone dokumenty i zachować je do wglądu na przyszłość. Przekazując urządzenie innemu użytkownikowi, należy dołączyć również niniejszą instrukcję. Należy postępować zgodnie z instrukcjami, zwracając uwagę na wszystkie informacje i ostrzeżenia zamieszczone w niniejszym dokumencie.

Należy pamiętać, że niniejsza instrukcja może odnosić się także do innych modeli. Różnice pomiędzy modelami są wyraźnie opisane w instrukcji.

Znaczenie symboli

W różnych częściach niniejszej instrukcji obsługi stosowane są następujące symbole:



Ważne informacje i przydatne wskazówki dotyczące użytkowania.



OSTRZEŻENIE: Ostrzeżenia przed niebezpiecznymi sytuacjami zagrażającymi życiu i mieniu.



Niebezpieczeństwo pożaru.



Ostrzeżenie przed porażeniem prądem.



**PAPIER Z RECYKLINGU
I NADAJĄCY SIĘ
DO PONOWNEGO
PRZETWORZENIA**

Urządzenie zostało wyprodukowane w przyjaznym środowisku, nowoczesnych zakładach bez negatywnego wpływu na przyrodę.

1 Ważne instrukcje dotyczące bezpieczeństwa i ochrony środowiska

1.1 Ogólne zasady dotyczące bezpieczeństwa

Ważne zasady dotyczące bezpieczeństwa. Przeczytaj je uważnie i zachowaj na przyszłość. Rozdział ten zawiera instrukcje zachowania bezpieczeństwa, które pomogą chronić się przed ryzykiem pożaru, porażenia prądem elektrycznym, wycieku mikrofal, obrażeniami ciała lub uszkodzeniami w mieniu. Nieprzestrzeganie tych instrukcji spowoduje unieważnienie gwarancji.

- Produkty firmy Beko spełniają wszystkie wymogi stosownych norm bezpieczeństwa. W przypadku jakiegokolwiek uszkodzenia urządzenia lub przewodu zasilającego, aby uniknąć wszelkich zagrożeń, należy oddać je do naprawy lub wymiany przez sprzedawcę, punkt serwisowy lub specjalistę albo autoryzowany serwis. Błędna lub niefachowa naprawa może być niebezpieczna i powodować zagrożenie dla użytkowników.

- To urządzenie jest przeznaczone do użytku domowego i podobnych zastosowań, na przykład:
 - na zapleczu kuchennym przez personel sklepów, biur i innych miejsc pracy;
 - w gospodarstwach rolnych;
 - do użytku przez klientów hoteli i innych obiektów noclegowych;
 - w pensjonatach.
- Urządzenie należy stosować tylko zgodnie z jego przeznaczeniem, w sposób opisany w niniejszej instrukcji.
- Producent nie ponosi odpowiedzialności za szkody powstałe w wyniku nieprawidłowej instalacji lub niewłaściwego stosowania produktu.

1 Ważne instrukcje dotyczące bezpieczeństwa i ochrony środowiska

- Urządzenie może być obsługiwane przez dzieci w wieku 8 lat i starsze, osoby o ograniczonych możliwościach fizycznych, postrzegania lub umysłowych, a także osoby bez doświadczenia lub wiedzy w zakresie obsługi urządzenia, o ile będą one pod nadzorem lub zostaną szczegółowo poinstruowane o bezpiecznym korzystaniu z urządzenia i zrozumieją potencjalne zagrożenia.
 - Nie należy pozwalać dzieciom bawić się urządzeniem. Dzieci nie mogą czyścić ani konserwować urządzenia bez nadzoru.
 - Minimalna odległość pomiędzy powierzchniami podpór garnków znajdującymi się na szczycie kuchenki a najniższą częścią produktu musi wynosić co najmniej 65 cm.
 - Jeżeli w instrukcji instalacji gazowej płyty kuchennej podano odległość większą, wówczas należy zastosować wskazaną wartość.
 - Zasilanie z domowej sieci elektrycznej musi być zgodne z informacjami podanymi na tabliczce znamionowej urządzenia.
 - Urządzenia nie wolno nigdy używać, jeśli przewód zasilający lub samo urządzenie są uszkodzone.
 - Aby zapobiec uszkodzeniu przewodu zasilającego, nie wolno dopuścić do jego ściskania, zginania lub ocierania o ostre krawędzie. Trzymaj przewód zasilający z dala od gorących powierzchni i otwartego ognia.
 - Urządzenia można używać tylko wtedy, gdy jest podłączone do gniazda ściennego z uziemieniem.
- OSTRZEŻENIE:** Podłącz urządzenie do zasilania dopiero po całkowitym zakończeniu montażu.
- Urządzenie ustaw tak, aby zawsze był możliwy dostęp do wtyczki.
 - Nie należy dotykać lamp, jeśli były włączone przez długi czas. Grozi to poparzeniem dłoni gorącą żarówką.

1 Ważne instrukcje dotyczące bezpieczeństwa i ochrony środowiska

- Należy stosować się do wymagań dotyczących odprowadzania powietrza wywiewanego (to ostrzeżenie nie dotyczy sytuacji korzystania z okapu bez przewodu spalinowego).
- Okap należy uruchamiać po ustawieniu garnka, patelni itp. na płycie grzewczej. W przeciwnym wypadku wysoka temperatura może doprowadzić do zniekształcenia niektórych części produktu.
- Okap należy wyłączać przed zdjęciem garnka, patelni itp. z płyty grzewczej.
- Nie pozostawiać rozgrzanego oleju na płycie grzewczej. Garnki z gorącym olejem mogą się zapalić samoczynnie.
- Należy uważać na zasłony i inne elementy osłaniające okna, ponieważ olej może zapalić się samoczynnie podczas smażenia np. frytek.
- Filtr tłuszczu należy wymieniać co najmniej raz w miesiącu. Filtr węglowy należy wymieniać co najmniej raz na 3 miesiące.
- Produkt należy czyścić zgodnie z instrukcją obsługi. Czyszczenie w sposób niezgodny z instrukcją obsługi może prowadzić do ryzyka pożaru.
- Zabrania się stosowania materiałów filtracyjnych nieodpornych na ogień zamiast właściwych filtrów.
- Należy stosować wyłącznie oryginalne lub zalecane przez producenta części zamienne.
- Nie uruchamiać produktu bez zamontowanego filtra ani nie wyjmować filtrów z pracującego okapu.
- W razie pojawienia się płomieni odłączyć produkt oraz urządzenia kuchenne od zasilania.
- W razie pojawienia się płomieni przykryć płomień i w żadnym wypadku nie gasić go wodą.
- Przed każdym czyszczeniem urządzenia i gdy nie jest ono używane należy wyjąć wtyczkę z gniazdka ściennego.

1 Ważne instrukcje dotyczące bezpieczeństwa i ochrony środowiska

- Podciśnienie w otoczeniu nie może przekraczać 4 Pa (4×10 barów) przy równoczesnym działaniu okapu nad elektryczną płytą grzewczą i urządzeń AGD zasilanych elektrycznie prądem o innych parametrach.
 - Jeśli w pomieszczeniu, w którym działa okap, są wykorzystywane urządzenia zasilane olejem opałowym lub gazem, jak np. ogrzewacze pomieszczeń, to wylot spalin z takich urządzeń musi być całkowicie odizolowany lub takie urządzenia muszą być hermetyczne.
 - Jako przewody spalinowe należy stosować rury o średnicy 120 lub 150 mm. Rura łącząca musi być możliwie jak najkrótsza i mieć jak najmniej kolanek.
 - **Niebezpieczeństwo zadławienia!** Wszystkie materiały opakowaniowe należy trzymać z dala od dzieci.
- OSTRZEŻENIE:** Jeśli jest to okap nad kuchnią, jego wystające części mogą się nagrzewać.
- Wylotu produktu nie wolno przyłączać do kanałów powietrznych, które odprowadzają inny dym.
 - Wentylacja w pomieszczeniu może być niewystarczająca w przypadku równoczesnego korzystania z okapu nad elektryczną płytą grzewczą oraz urządzeń zasilanych gazem lub innymi paliwami (niniejsze ostrzeżenie może nie dotyczyć urządzeń, które odprowadzają powietrze z powrotem do pomieszczenia).
 - Przedmioty znajdujące się na produkcie mogą spaść. Nie stawiać żadnych przedmiotów na produkcie.
 - Nie flambiować bezpośrednio nad urządzeniem.
- OSTRZEŻENIE:** Przed zamontowaniem okapu usunąć folię ochronną.
- Nie wolno pozostawiać otwartego ognia pod działającym okapem
 - Frytkownice trzeba stale obserwować w trakcie użytkowania: przegrzany olej może zająć się płomieniem.

1 Ważne instrukcje dotyczące bezpieczeństwa i ochrony środowiska

1.2 Zgodność z dyrektywą WEEE i pozbywanie się zużytych wyrobów:

Wyrób ten jest zgodny z dyrektywą Unii Europejskiej w sprawie zużytego sprzętu elektrycznego i elektronicznego (WEEE) (2012/19/UE). Wyrób opatrzony jest symbolem klasyfikacyjnym dla zużytego sprzętu elektrycznego i elektronicznego (WEEE).



Symbol ten oznacza, że produktu nie należy utylizować z innymi domowymi śmieciami po zakończeniu okresu użytkowania. Zużyte urządzenie należy oddać do oficjalnego punktu odbioru zajmującego się recyklingiem urządzeń elektrycznych i elektronicznych. Aby odnaleźć tego typu miejsce, należy skontaktować się z lokalnymi władzami lub sprzedawcą, u którego zakupiono produkt. Każde gospodarstwo domowe odgrywa ważną rolę w odzyskiwaniu i recyklingu starych urządzeń. Odpowiednia utylizacja zużytego urządzenia pomaga zapobiegać potencjalnie negatywnym konsekwencjom dla środowiska i zdrowia ludzi.

1.3 Zgodność z dyrektywą RoHS

Zakupiony wyrób jest zgodny z dyrektywą RoHS Unii Europejskiej (2011/65/UE). Nie zawiera szkodliwych ani zakazanych materiałów wyszczególnionych w tej Dyrektywie.

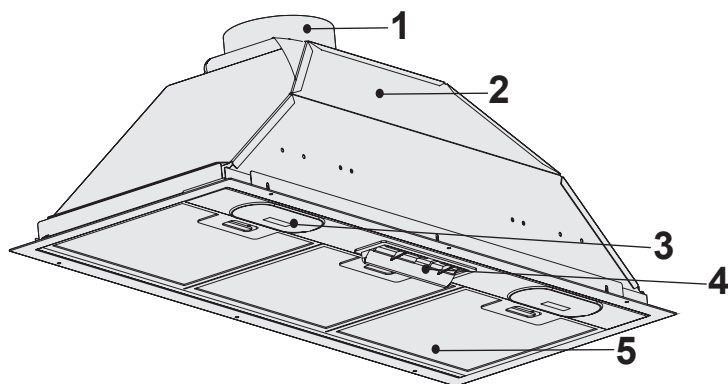
1.4 Informacje o opakowaniu



Materiały, w które opakowany jest produkt zostały wyprodukowane z surowców uzyskanych w procesie recyklingu zgodnie z krajowymi przepisami z zakresu ochrony środowiska. Nie należy utylizować materiałów opakowaniowych wraz z innymi odpadami domowymi. Należy oddać je w jednym z punktów zbiórki materiałów opakowaniowych wyznaczonych przez władze lokalne.

2 Wygląd urządzenia

2.1 Opis ogólny

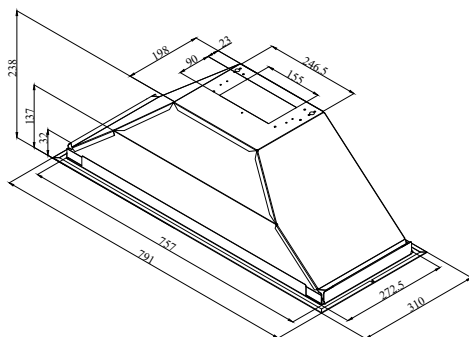


Kontrola i części

1. Przewód kominowy
2. Obudowa
3. Oświetlenie płyty grzejnej
4. Panel sterowania
5. Aluminiowy filtr oleju

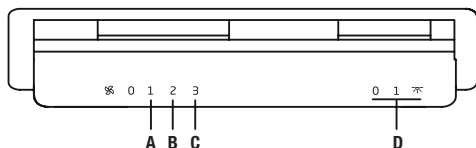
2.2 Dane techniczne

Model	HNU71311S
Napięcie zasilające	220-240V~ 50 Hz
Moc lampy	2x3 W
Moc silnika	1x185 W
Przepływ – 3. etap	415 m ³ /h
Klasa izolacji silnika	Klasa F
Klasa izolacji	Klasa I



3 Montaż korzystanie

3.1 Korzystanie z przełącznika



- Przesłać przełącznik lampy w położenie „0”, aby wyłączyć lampę.
- Przesłać przełącznik lampy w położenie „1”, aby zapalić lampę.
- Przesłać przełącznik silnika w położenie „0”, aby wyłączyć silnik.
- Silnik umożliwia korzystanie z trzech poziomów mocy odpowiednio do ilości pary podczas gotowania: 1 oznacza minimalną moc, a 3 oznacza maksymalną moc.

3.2 Wydajność pracy pod względem energooszczędności Wykorzystanie

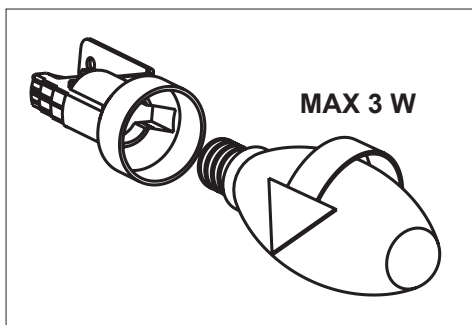
- Podczas korzystania z okapu dostosuj ustawienia prędkości do intensywności oparów i zapachu, aby oszczędzać energię.
- Używaj niskich prędkości (2-1) w normalnych warunkach i wysokich prędkości (3) przy silnym zapachu i intensywnych oparach.
- Lampy w okapie są umieszczone w celu oświetlenia kuchenki.
- Wykorzystanie ich do oświetlenia otoczenia powoduje niepotrzebne wydatki na energię i zapewnia niewystarczające oświetlenie.

3.3 Instrukcje użytkownika

- Twoje urządzenie posiada silnik, który pracuje z różnymi prędkościami.
- Aby uzyskać lepszą wydajność, zalecamy stosowanie niskich prędkości w normalnych warunkach i dużych prędkości w przypadkach silnego zapachu i intensywnych oparów.

- Możesz uruchomić urządzenie, naciskając przycisk żądanego ustawienia prędkości. (A, B, C)
- Możesz podświetlić powierzchnię gotowania włączając lampę (D).

3.4 Wymiana żarówki



Lamp	
Moc	3 W
Gniazdo elektryczne	E14
Napięcie	220 – 240 W
Wymiar	35x100 mm
Kod ILCOS	DRBB/F - 3 - 220 - 240-E14-35/100
Strumień świetlny	400 lm
Skorelowana temperatura barwowa	2700 K

Ten produkt zawiera źródło światła o klasie efektywności energetycznej “E”.

- Wyjąć aluminiowy filtr nabożowy. Wyjąć zużytą żarówkę i wymienić na żarówkę o tych samych parametrach.

3 Montaż korzystanie

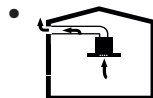


OSTRZEŻENIE: Odłączyć zasilanie od okapu. Można poparzyć dłonie gorącymi żarówkami, należy więc poczekać, aż ostygną.



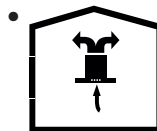
- W razie awarii lub uszkodzenia urządzenia należy odłączyć je z zasilania za pomocą bezpiecznika lub poprzez wyjęcie przewodu zasilającego, a następnie wezwać autoryzowanego serwisanta.
- W razie uszkodzenia kabla zasilającego należy go wymienić u producenta, korzystając z usług serwisanta lub osoby o analogicznych kwalifikacjach, aby uniknąć niebezpieczeństwa.
- W razie awarii lampek zainstalowanych w urządzeniu należy odłączyć je z zasilania za pomocą bezpiecznika lub poprzez odłączenie przewodu. Niezwłocznie wymieniać przepalone żarówki, ponieważ dalsze korzystanie z oświetlenia grozi przeciążeniem pozostałych lamp (należy odczekać, aż żarówka ostygnie).

3.5 Praca z odprowadzaniem spalin



- Opary są odprowadzane przez kanał spalinowy, który jest przymocowany do głowicy przyłączeniowej na okapie.
- Średnica kanału spalinowego musi być taka sama jak pierścienia przyłączeniowego. W ustawieniach poziomych rura musi mieć niewielkie nachylenie do góry (około 10°), aby powietrze mogło łatwo opuścić pomieszczenie.

3.6 Praca bez odprowadzania spalin



- Powietrze jest filtrowane przez filtr węglowy i recyrkulowane w pomieszczeniu. Filtr węglowy stosuje się, gdy nie można skorzystać z przewodu kominowego w domu.
- W przypadku zastosowania bez odprowadzania spalin, usuń kłapy wewnątrz adaptera do przewodu kominowego.
- Wyjmij filtr olejowy. Aby zainstalować filtr węglowy, dopasuj filtr do wypustek, wyśrodkowując go na plastikowym elemencie po obu stronach korpusu wentylatora. Dokręć, obracając w prawo lub w lewo.
- Wymień aluminiowy filtr oleju.

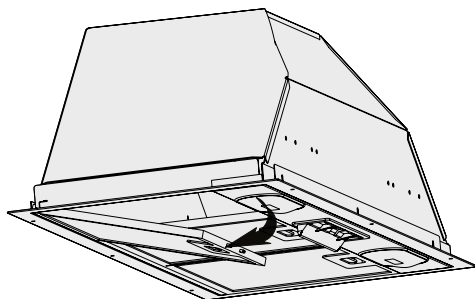
4 Czyszczenie i konserwacja



Przed czyszczeniem i konserwacją należy odłączyć produkt od zasilania lub wyłączyć przełącznik.

4.1 Czyszczenie aluminiowego filtra oleju

Ten filtr zatrzymuje cząsteczki oleju w powietrzu. Aluminiowe filtry oleju mogą zmieniać kolor podczas mycia; jest to normalne i nie wymaga wymiany aluminiowych filtrów oleju.



- Popchnij blokadę aluminiowego filtra oleju do przodu.
- Następnie pociągnij go lekko w dół i wyciągnij. W przeciwnym razie możesz wyjąć filtr. Aluminiowe filtry oleju umyj i wypłucz płynnym detergentem i włóż umięść je z powrotem na ich gniazdach, wykonując powyższe czynności w odwrotnej kolejności. Ten filtr zatrzymuje cząsteczki oleju w powietrzu.



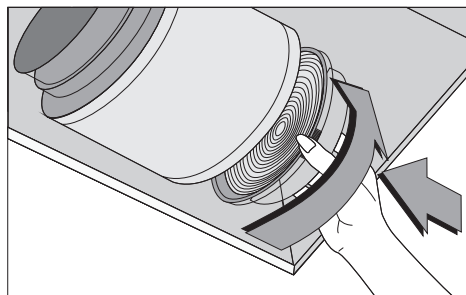
Możesz myć aluminiowe filtry oleju w zmywarce do naczyń.



UWAGA: W przypadku normalnego użytkowania wyczyść filtr raz na miesiąc.

4.2 Wymiana filtra węglowego

Filtry usuwające nieprzyjemny zapach zawierają węgiel drzewny (węgiel aktywny). W produkcie muszą być zainstalowane filtry tłuszczu, niezależnie od tego, czy są stosowane filtry węglowe.



- Wyjmij aluminiowy filtr oleju.
- Aby wyjąć filtr węglowy, wyjmij go z obudowy, obracając go w lewo z zaczepu.
- Zainstaluj nowy filtr węglowy.
- Zainstaluj aluminiowy filtr oleju.

UWAGA



- Nie wolno myć filtra węglowego.
- Wymieniaj filtry węglowe co 3 miesiące.
- Filtr węglowy można zakupić w autoryzowanych serwisach.

5 Montaż urządzenia



OSTRZEŻENIE: Przed rozpoczęciem instalacji przeczytaj informacje dotyczące bezpieczeństwa w instrukcji obsługi.

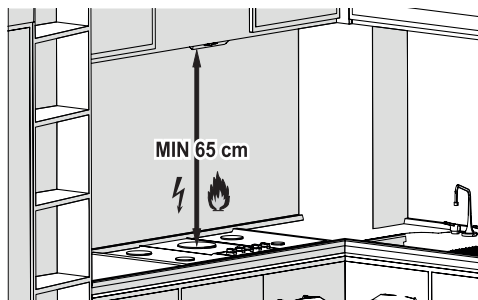


OSTRZEŻENIE: Niezainstalowanie za pomocą śrub i stabilizatorów zgodnie z niniejszą instrukcją może spowodować porażenie prądem.

Aby zainstalować okap, skontaktuj się z najbliższym autoryzowanym serwisem.

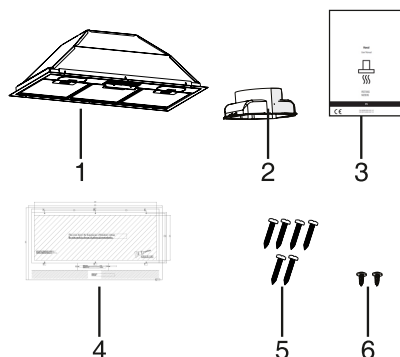
Obowiązkiem klienta jest przygotowanie lokalizacji i instalacji elektrycznej okapu.

5.1 Pozycja urządzenia



- Przed montażem należy wziąć pod uwagę odległość między kuchenką a okapem kuchennym. Odległość ta powinna wynosić 65cm.
- W przypadku kuchenek gazowych odległość należy zmierzyć od powierzchni rusztu
- lub od szklanej powierzchni kuchenek elektrycznych.

5.2 Zawartość opakowania



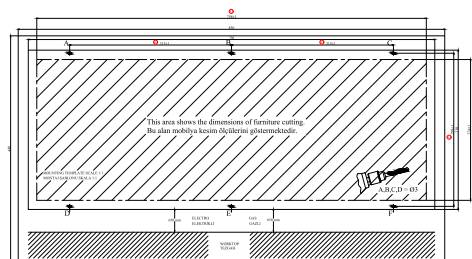
1. Okap
2. Plastikowy przewód kominowy $\varnothing 120$ mm
3. Instrukcja obsługi
4. Rysunek instalacyjny
5. 6 wkręty $3,9 \times 32$ (do montażu okapu)
6. Wkręt $3,5 \times 9,5$ (do montażu plastikowego przewodu kominowego)

Informacje wymagane, aby lokalizacja była odpowiednia do montażu okapu, podano poniżej.

5.3 Montaż urządzenia



Podczas wiercenia i cięcia należy stosować rękawice i okulary ochronne.

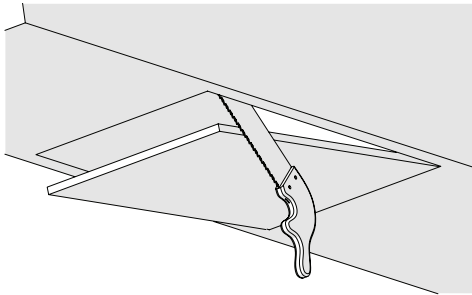


Rys. 1

5 Montaż urządzenia

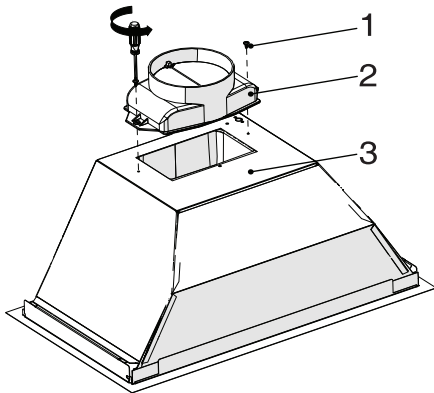
5.4 Wiercenie otworów montażowych

- Nakleić szablon montażowy dołączony do urządzenia w miejscu montażu.
- Wywiercić otwory wskazane na szablonie montażowym jako A, B, C, D, E, F stosując wiertło $\varnothing 4$ mm. (Rys. 1)



Rys. 2

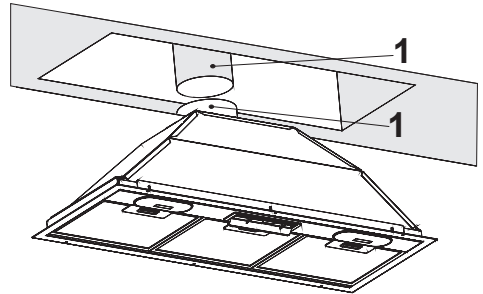
- Wyciąć otwór w dolnej części szafki, w miejscu przeznaczonym do montażu okapu, uwzględniając wymiary z rysunku technicznego (Rys. 2).



Rys. 3

1. Wkręt $3,5 \times 9,5$
2. Plastikowy przewód kominowy $\varnothing 120$ mm
3. KorpusGniazdo zaworu

- Zamontować plastikowy przewód kominowy dołączony do zestawu do korpusu urządzenia za pomocą 2 wkrętów $3,5 \times 9,5$. Nie pocierać powierzchni. (Rys. 3)



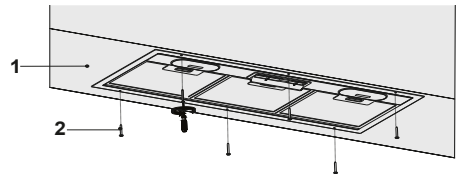
Rys. 4

1. Rura odprowadzająca powietrze
2. Przewód kominowy okapu

- Włożyć rurę odprowadzającą powietrze w przewód kominowy i przymocować zaciskiem (Rys. 4).



PRZESTROGA: Ponieważ łuki i kolkanka w aluminiowym przewodzie spalinowym osłabiają ciąg powietrza, należy ich w miarę możliwości unikać.



Rys. 5

1. Widok szafki kuchennej z dołu
 2. Wkręt montażowy $6 \times 3,9 \times 32$ do okapu
- Włożyć okap w przygotowane miejsce pod szafką i zamocować go, korzystając z 6 wstępnie nawierconych otworów (Rys. 5).

5 Montaż urządzenia

5.5 Przechowywanie

- Jeśli nie zamierzasz używać urządzenia przez dłuższy czas, należy je starannie przechować.
- Upewnij się, że urządzenie jest odłączone od zasilania, ostygło i jest całkiem suche.
- Przechowuj urządzenie w chłodnym i suchym miejscu.
- Urządzenie należy chronić przed dostępem dzieci.

5.6 Przenoszenie i transport

- Urządzenie należy przenosić i transportować w oryginalnym opakowaniu.
- Zabezpiecza ono urządzenie przed fizycznymi uszkodzeniami.
- Nie wolno umieszczać ciężkich ładunków na urządzeniu lub opakowaniu. Może to spowodować uszkodzenie urządzenia.

6 Rozwiązywanie problemów

Rozwiązywanie problemów	Problem	Pomoc
Produkt nie działa.	Sprawdź bezpiecznik.	Bezpiecznik może być zablokowany, napraw to.
Produkt nie działa.	Sprawdź połączenie elektryczne.	Napięcie sieciowe powinno wynosić między 220-240 V.
Produkt nie działa.	Sprawdź połączenie elektryczne.	Sprawdź, czy inne przedmioty w Twojej kuchni działają, czy nie.
Oświetlenie nie działa.	Sprawdź połączenie elektryczne.	Napięcie sieciowe powinno wynosić między 220-240 V.
Oświetlenie nie działa.	Sprawdź włącznik oświetlenia.	Powinien się znajdować w pozycji „ON”
Oświetlenie nie działa.	Sprawdź lampy.	Lampy nie powinny być uszkodzone.
Pobór powietrza jest słaby.	Sprawdź filtr przeciwłuszczowy.	Aluminiowy filtr przeciwłuszczowy należy czyścić co najmniej raz w miesiącu przy normalnym użytkowaniu.
Pobór powietrza jest słaby.	Sprawdź kanał wentylacyjny.	Powinien się znajdować w pozycji „ON”
Pobór powietrza jest słaby.	Sprawdź filtr węglowy.	W przypadku produktów z filtrami węglowymi filtr należy wymieniać co 3 miesiące.

Droży Klienci,

Dziękujemy za zakup naszych produktów. Jesteśmy przekonani, że nasze urządzenia będą służyć przez lata. Każdy produkt firmy Beko jest objęty 2-letnim okresem gwarancji.

Warunki gwarancji Beko S.A- (małe urządzenia AGD)

BEKO spółka akcyjna z siedzibą w Warszawie (02-819), przy ulicy Puławskiej 366, wpisana do rejestru przedsiębiorców prowadzonego przez Sąd Rejonowy dla m.st. Warszawy w Warszawie, XIII Wydział Gospodarczy Krajowego Rejestru Sądowego, pod numerem: 0000078147 (dalej: „BEKO”) udziela gwarancji jakości (dalej: „Gwarancja”) na wprowadzone przez BEKO do obrotu na terenie Polski produkty marki BEKO (dalej: „Urządzenia”) osobom, które nabyły te produkty („Użytkownik”) na następujących warunkach:

I. ZAKRES OCHRONY.

BEKO gwarantuje, że Urządzenie zakupione przez Użytkownika jest wolne od wad produkcyjnych lub materiałowych, powstałych z przyczyn tkwiących w tym Urządzeniu (dalej: „Wada”), które ujawnią się w ciągu terminu określonego w części II. niniejszych Warunków Gwarancji (dalej: „Okres Gwarancyjny”).

W razie ujawnienia się Wady Produktu w trakcie Okresu Gwarancyjnego, zostanie ona usunięta na koszt BEKO w sposób uzależniony od właściwości wady, na zasadach i w zakresie określonym w niniejszych Warunkach Gwarancji.

BEKO zobowiązuje się do usunięcia Wady poprzez dokonanie nieodpłatnej naprawy lub wymiany Urządzenia, bądź też reklamacja zgłoszona na podstawie niniejszych Warunków Gwarancji zostanie rozpoznana w inny sposób uzgodniony przez BEKO i Użytkownika.

Udzielona gwarancja jest ważna na terytorium Rzeczypospolitej Polskiej.

II. CZAS TRWANIA GWARANCJI.

Okres Gwarancyjny wynosi 24 miesiące licząc od daty zakupu Urządzenia przez pierwszego Użytkownika.

III. PROCEDURA ZGŁOSZENIA REKLAMACYJNEGO.

Wady Urządzenia ujawnione w Okresie Gwarancyjnym będą usuwane pod warunkiem przedstawienia przez Użytkownika dowodu zakupu tego Urządzenia zawierającego oznaczenia niezbędne do jego identyfikacji (model, datę zakupu).

Uprawnienia wynikające z niniejszych Warunków Gwarancji mogą być zrealizowane przez Użytkownika wyłącznie w Autoryzowanych Punktach Serwisowych BEKO (dalej: „Serwis”) po uprzednim dokonaniu zgłoszenia na Infolinii BEKO pod numerem telefonu: 222501414. Urządzenie powinno być odpowiednio zapakowane i zabezpieczone przez Użytkownika na czas transportu do punktu serwisowego Beko.

Wady Urządzenia będą usunięte w terminie 14 dni od daty zgłoszenia Wady na Infolinii BEKO.

Jeżeli część zamienna wymieniana w ramach uprawnień wynikających z niniejszych Warunków Gwarancji Urządzenia jest sprowadzana z zagranicy, termin naprawy, o którym

mowa w punkcie 5 powyżej, może ulec wydłużeniu jednak, nie więcej niż do 30 dni licząc odpowiednio od daty zgłoszenia Wady na Infolinii BEKO. Informacje o spodziewanych terminach napraw dostępne są na Infolinii BEKO pod numerem 222501414. Po usunięciu Wady, Urządzenie zostanie dostarczone Użytkownikowi na koszt BEKO.

IV. WYŁĄCZENIA.

Warunkiem skorzystania z niniejszych Warunków Gwarancji jest:

użytkowanie Urządzenia zgodnie z Instrukcją Obsługi dołączoną do tego Urządzenia i jego przeznaczeniem, jak również odpowiednie czyszczenie i konserwację Urządzenia;

użytkowanie w warunkach indywidualnego gospodarstwa domowego. Urządzenie nie jest używane do celów prowadzenia działalności gospodarczej lub w zastosowaniach eksploatacji masowej, w szczególności w gastronomicznej działalności hoteli, restauracji i innych obiektów turystyczno-rekreacyjnych lub zbiorowego żywienia. stosowanie osprzętu zalecanego przez producenta; brak ingerencji w Urządzenie przez osoby do tego nieupoważnione; brak ingerencji w tabliczkę znamionową z numerem seryjnym Urządzenia. Udzielona przez Beko Gwarancja nie obejmuje:

wad powstałych z przyczyn innych niż tkwiące w Urządzeniu;

normalnego zużycia elementów eksploatacyjnych tj. akumulatory, baterie, noże, filtry, żarówki, szczotki, itp.;

czynności przewidzianych w Instrukcji Obsługi, do wykonania których zobowiązany jest Użytkownik Urządzenia we własnym zakresie i na swój koszt, w tym: instruktażu dotyczącego obsługi Urządzenia, instalacji oraz regulacji urządzenia.

usterek powstałych w wyniku nieprawidłowego lub niewłaściwego użytkowania, niedbalstwa, przypadkowego uszkodzenia Urządzenia, nieodpowiedniego napięcia prądu lub dokonania jakichkolwiek zmian, które mają wpływ na niewłaściwe działanie Urządzenia, i które naprawiane były przez osoby nieupoważnione, używania instalacji niezgodnych z odpowiednimi Polskimi Normami i innych niż wymienione w Instrukcji Obsługi Urządzenia; uszkodzeń mechanicznych, termicznych, chemicznych, korozji, innych uszkodzeń spowodowanych działaniem lub zaniedbaniem Użytkownika lub powstałych na skutek działania sił zewnętrznych (do których zalicza się w szczególności wyładowania atmosferyczne, skoki napięcia, wszystkiego rodzaju awarie domowej instalacji wodno-kanalizacyjnej, itp.), a także powstałych na skutek przedostania się zanieczyszczeń lub ciał obcych do Urządzenia, zakamienienia (proces odkamieniania musi być przeprowadzany zgodnie z instrukcją obsługi z użyciem odpowiednich środków czyszczących) elementów ze szkła, plastiku oraz porcelany; odbarwień Urządzenia lub poszczególnych jego części; usterek powstałych na skutek przechowywania i użytkowania Urządzenia w warunkach, które są niezgodne z normalnymi warunkami domowymi określonymi wymaganiami powszechnie obowiązujących przepisów prawa i odpowiednich Polskich Norm;

V. POZOSTAŁE POSTANOWIENIA.

Niniejsze warunki gwarancji mają zastosowanie do Urządzeń zakupionych od dnia 01.03.2019 r. Gwarant oświadcza, że niniejsza Gwarancja jest udzielana Użytkownikowi dodatkowo i nie wyłącza, nie ogranicza ani nie zawiesza uprawnień Użytkownika wynikających z przepisów o rękojmi za wady rzeczy sprzedanej na podstawie Kodeksu cywilnego.

Nejprve si přečtěte tento návod k použití!





Vážený zákazníku,

Děkujeme, že jste si vybrali tento produkt značky Beko. Doufáme, že s tímto spotřebičem, který byl vyroben s využitím vysoce kvalitní a moderní technologie, dosáhnete těch nejlepších výsledků. Z tohoto důvodu si před použitím spotřebiče pečlivě přečtěte celý návod k použití a jakékoli doplňující dokumenty a uchovejte je pro budoucí použití. Pokud spotřebič předáte další osobě, rovněž jí předejte návod k použití. Dodržujte pokyny a věnujte pozornost všem informacím a varováním uvedeným v návodu k použití.

Nezapomeňte, že se tento návod může vztahovat i k několika jiným modelům. Rozdíly mezi modely jsou v návodu výslovně popsány.

Význam symbolů

V různých částech tohoto návodu k použití jsou použity následující symboly:

	Důležité informace a užitečné tipy k použití.
	VAROVÁNÍ: Upozornění na nebezpečné situace týkající se ohrožení života a majetku.
	Varování před nebezpečím požáru.
	Varování před úrazem elektrickým proudem.



Tento spotřebič byl vyroben v ekologicky šetrných a moderních zařízeních bez negativního dopadu na životní prostředí.

1 Důležité pokyny z hlediska bezpečnosti a životního prostředí

1.1 Obecné bezpečnostní pokyny

Důležité bezpečnostní pokyny, přečtěte si je pozorně a uchovejte pro pozdější použití

Tento oddíl obsahuje bezpečnostní pokyny, které vám pomohou ochránit před vznikem požáru, zásahem elektrickým proudem, následky unikající mikrovlákné energie, zraněním osob nebo poškozením majetku. Nedodržení těchto pokynů zruší platnost záruky.

- Výrobky značky Beko splňují platné bezpečnostní normy; proto v případě jakéhokoli poškození spotřebiče nebo napájecího kabelu musí být provedena oprava nebo výměna prodejcem, servisním centrem nebo odborníkem z autorizovaného servisu, aby se předešlo nebezpečí. Chybná nebo neodborná oprava může být nebezpečná pro uživatele.
- Toto zařízení je určeno pouze pro domácí a podobné použití, například:

- v prostorách kuchyňského personálu v obchodech, kancelářích a dalších pracovních prostředích;
 - na farmách;
 - klienty v hotelech a dalších typech obytného prostředí;
 - v prostředí typu Bed and Breakfast.
- Spotřebič používejte pouze k určenému účelu, jak je popsáno v tomto návodu.
 - Výrobce nenes odpovědnost za žádné škody plynoucí z nesprávné instalace či nevhodného způsobu použití spotřebiče.
 - Tento spotřebič mohou používat děti starší 8 let a osoby s omezenými tělesnými, smyslovými nebo mentálními schopnostmi anebo osoby bez příslušných znalostí a zkušeností, pokud jsou pod dozorem nebo byly poučeny o bezpečném užívání tohoto přístroje a chápou související nebezpečí.

1 Důležité pokyny z hlediska bezpečnosti a životního prostředí

- Děti si se spotřebičem nesmí hrát. Čištění a údržba nesmí být prováděny dětmi bez dohledu dospělé osoby.
 - Minimální vzdálenost mezi nosnými plochami varných nádob na varné desce a nejnižší stranou výrobku musí být nejméně 65 cm.
 - Pokud v návodu k instalaci plynové desky najdete větší vzdálenost, je nutno postupovat podle toho.
 - Zkontrolujte, zda vaše napájení odpovídá informacím uvedeným na štítku spotřebiče.
 - Nikdy nepoužívejte spotřebič, pokud je poškozen napájecí kabel nebo spotřebič.
 - Předejděte poškození napájecího kabelu zabráněním jeho zmáčknutí, ohnutí nebo odírání o ostré hrany. Napájecí kabel udržujte mimo horké povrchy a otevřený oheň.
 - Spotřebič zapojte pouze do uzemněné zásuvky.
- VAROVÁNÍ:** Nezapojujte spotřebič do sítě, dokud není instalace zcela dokončena.
- Spotřebič umístěte tak, aby byla zástrčka vždy přístupná.
 - Nedotýkejte se žárovek, pokud jsou v provozu delší dobu. Mohou spálit ruce, protože budou horké.
 - Dodržujte předpisy stanovené příslušnými úřady o vypouštění odpadního vzduchu (toto upozornění se nevztahuje na použití bez kouřovodu).
 - Spusťte spotřebič po umístění hrnce, pánve apod. na varnou desku. V opačném případě může vysoká teplota způsobit deformaci některých částí výrobku.
 - Před sejmutím hrnce, pánve apod. vypněte varnou desku.
 - Nenechávejte na varné desce horký olej. Nádoby s horkým olejem mohou způsobit samovznícení.
 - Dávejte pozor na záclony a závěsy, protože olej se může při smažení některých potravin, jako jsou hranolky, vznítit.

1 Důležité pokyny z hlediska bezpečnosti a životního prostředí

- Tukový filtr musí být vyměněn nejméně jednou měsíčně. Uhlíkový filtr musí být vyměněn nejméně každé 3 měsíce.
- Spotřebič musí být čištěn v souladu s návodem k použití. Pokud čištění nebylo provedeno v souladu s návodem k použití, může hrozit nebezpečí požáru.
- Namísto stávajícího filtru nepoužívejte filtrační materiály neodolné proti ohni.
- Používejte pouze originální části doporučené výrobcem.
- Neprovozujte spotřebič bez filtru a neodstraňujte filtry, když je spotřebič spuštěn.
- V případě, že dojde k zapálení plamene, vypněte napájení spotřebiče a vařičů.
- V případě, že dojde k zapálení plamene, plamen zakryjte a nikdy k jeho hašení nepoužívejte vodu.
- Spotřebič odpojte před každým čištěním a v případě, že jej nepoužíváte.
- Podtlak v místnosti nesmí překročit 4 Pa (4 x 10 bar), zatímco digestoř pro elektrickou varnou desku a spotřebiče pracující na jiném typu energie, než je elektřina, pracují současně.
- V prostředí, kde je spotřebič používán, musí být odvětrávání zařízení běžících na topném oleji nebo plynu, jako je teplovzdušný ventilátor, naprosto izolováno nebo zařízení musí být hermetického typu.
- Při připojování kouřovodu použijte trubky o průměru 120 nebo 150 mm. Připojení trubek musí být co nejkratší a mít co nejméně záhybů.

Riziko zadušení! Všechny obaly uchovejte mimo dosah dětí.

UPOZORNĚNÍ: Přístupné součástky se mohou zahřát při použití s vařiči.

- Vývod spotřebiče nesmí být připojen ke vzduchovodům, do kterých je vyveden jiný kouř.
- Ventilace v místnosti může být nedostatečná, pokud je digestoř pro elektrickou varnou desku po-

1 Důležité pokyny z hlediska bezpečnosti a životního prostředí

užívána současně se zařízeními na plyn nebo jiná paliva (to neplatí pro spotřebiče, které vypouštějí vzduch zpět do místnosti).

- Předměty umístěné na spotřebiči mohou spadnout. Na spotřebič neumísťujte žádné předměty.
- Pod spotřebičem nikdy neflamбуйте.

VAROVÁNÍ: Před instalací digestoře odstraňte ochranné fólie.

- Nikdy nenechávejte obnažený plamen pod digestoří, která je zapnutá.
- Pánve na smažení je nutno během používání stále sledovat: přehřátý olej může vzplanout.

1.2 Shoda se směrnicí OEEZ a likvidace výrobku:

Tento výrobek splňuje požadavky směrnice EU OEEZ (2012/19/EU). Tento výrobek je označen symbolem pro třídění elektrického a elektronického odpadu (OEEZ).



Tento symbol znamená, že příslušný výrobek na konci jeho životnosti nesmí být likvidován spolu s jiným domácím odpadem. Použité zařízení musíte odnést do oficiální sběrně pro recyklaci elektrických a elektronických zařízení. Obratě se na místní úřady nebo na prodejce, u kterého jste si zařízení zakoupili, a informujte se o umístění sběrných zařízení. Každá domácnost hraje důležitou roli ve sběru a recyklaci starých zařízení.

Správná likvidace starého zařízení pomáhá předejít možným negativním následkům pro životní prostředí a lidské zdraví.

1.3 Dodržování směrnice RoHS

Výrobek, který jste zakoupili, splňuje požadavky směrnice EU RoHS (2011/65/EU). Neobsahuje škodlivé ani zakázané materiály specifikované ve směrnici.

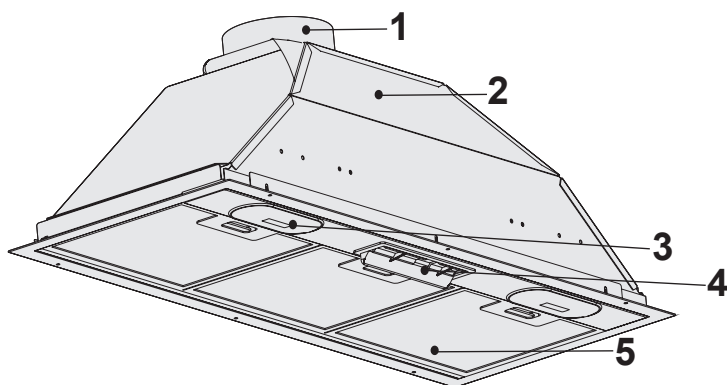
1.4 Informace o balení



Obalové materiály produktu jsou vyrobeny z recyklovatelných materiálů v souladu s naší národní legislativou na ochranu životního prostředí. Obalové materiály nelikvidujte společně s domácím nebo jiným druhem odpadu. Odveďte je na sběrné místo obalových materiálů určené místními úřady.

2 Celkový vzhled

2.1 Přehled

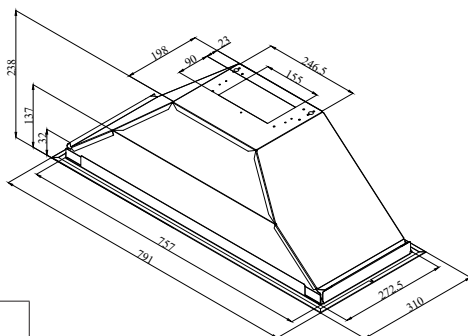


Ovládání a části

1. Kouřovod
2. Tělo
3. Osvětlení varné desky
4. Ovládací panel
5. Hliníkový olejový filtr

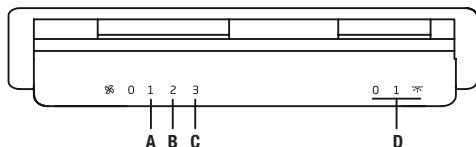
2.2 Technické údaje

Model	HNU71311S
Napájecí napětí	220-240V~ 50 Hz
Napájení světla	2x3 W
výkon motoru	1x185 W
Air Flow – 3. Úroveň	415 m ³ /h
Třída izolace motoru	Třída F
Izolační třída	Třída I



3 Použití spotřebiče

3.1 Použití spotřebiče



- Přepněte spínač světla do polohy “0”, abyste světlo vypnuli.
- Přepněte spínač světla do polohy “1”, abyste světlo zapnuli.
- Přepněte spínač motoru do polohy “0” a motor se vypne.
- Motor můžete ovládat v 1. stupni minimální rychlosti a ve 3. stupni maximální rychlosti podle hustoty páry.

3.2 Energeticky účinný provoz z hlediska úspory Použití

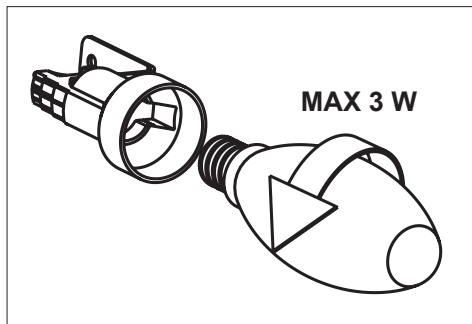
- Při používání spotřebiče upravte nastavení rychlosti podle intenzity páry a zápachu, abyste ušetřili energii.
- Za normálních podmínek používejte nízké rychlosti (2–1) a vysokou rychlost (3) používejte pro intenzivní zápach a páry.
- Žárovky jsou na digestoři umístěny za účelem osvětlení oblasti vaření.
- Jejich používání na osvětlení většího prostoru povede ke zbytečné spotřebě energie a k nedostatečnému osvětlení.

3.3 Pokyny k použití

- Váš spotřebič má motor, který pracuje různými rychlostmi.
- Pro dosažení lepší výkonnosti doporučujeme za normálních podmínek používat nízké rychlosti a vysoké rychlosti používat v případě silných zápachů a intenzivních par.
- Spotřebič můžete zapnout stisknutím tlačítka požadované rychlosti. (A, B, C)

- Oblast vaření osvětlíte stisknutím tlačítka osvětlení (D).

3.4 Výměna žárovky



Svítilna	
Napájení	3 W
Zásuvka	E14
Napětí	220 – 240 W
Dimenze	35x100 mm
Kód ILCOS	DRBB/F-3-220-240-E14-35/100
Světelný tok	400 lm
Související teplota barvy	2700 K

Tento výrobek obsahuje světelný zdroj třídy energetické účinnosti “E”.

- Vyjměte hliníkový vložkový filtr. Vyjměte vadnou žárovku a vyměňte ji za novou se stejnými hodnotami.



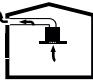
VAROVÁNÍ: Odpojte napájení digestoře. Horké žárovky mohou popálit vaše ruce, tak počkejte až vychladnou.

3 Použití spotřebiče




- Pokud se spotřebič porouchá nebo poškodí, vypněte pojistku nebo odpojte spotřebič a zavolejte autorizovaného servisního technika.
- Pokud je poškozen napájecí kabel, musí jej vyměnit výrobce, servisní středisko nebo podobně kvalifikovaná osoba, aby se předešlo nebezpečí.
- V případě poruchy žárovky spotřebiče vypněte pojistku nebo odpojte spotřebič. Vadné žárovky ihned vyměňte, abyste zabránili přetížení dalších žárovek (počkejte, než žárovky vychladnou).

3.5 Používání s připojením ke kouřovodu

-  Pára je odsávána potrubím kouřovodu, které je upevněno k připojovací hlavě na digestoři.
- Průměr potrubí kouřovodu musí být stejný jako u připojovacího prstence. Při vodorovném nastavení musí mít potrubí mírný sklon směrem nahoru (kolem °10), aby mohl vzduch snadněji odcházet z místnosti.

3.6 Používání bez připojení ke kouřovodu

-  Vzduch se filtruje přes uhlíkový filtr a recirkuluje v místnosti. Uhlíkový filtr se používá, když není v domě možné použít kouřovod.
- Při použití bez kouřovodu vyjměte klapky uvnitř adaptéru kouřovodu.
- Vyjměte olejový filtr. Chcete-li nainstalovat uhlíkový filtr, nasadte filtr na příchytky vystředěním na plastový díl na obou stranách tělesa ventilátoru. Utáhněte jej otáčením doprava nebo doleva.
- Vyměňte hliníkový olejový filtr.

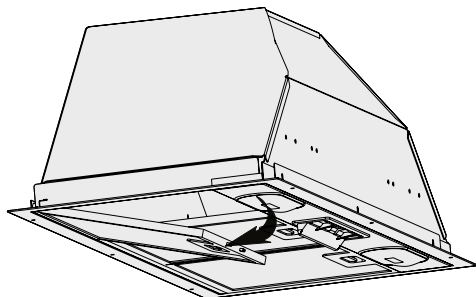
4 Čištění a údržba



Před čištěním a údržbou výrobek odpojte nebo vypněte spínačem.

4.1 Čištění hliníkových olejových filtrů

Tento filtr zadržuje částice oleje ve vzduchu. Hliníkové olejové filtry mohou při omývání změnit barvu. Je to normální a neznamená to potřebu výměny hliníkových olejových filtrů.



- Zatlačte zámek hliníkového olejového filtru dopředu.
- Potom jej lehce táhněte dolů a vytáhněte ven. Jinak se může filtr ohnout. Hliníkové olejové filtry omyjte a opláchněte tekutým čisticím prostředkem a vraťte je do jejich lůžek provedením výše uvedených kroků v opačném pořadí. Tyto hliníkové olejové filtry se používají k zadržení olejových částic ve vzduchu.



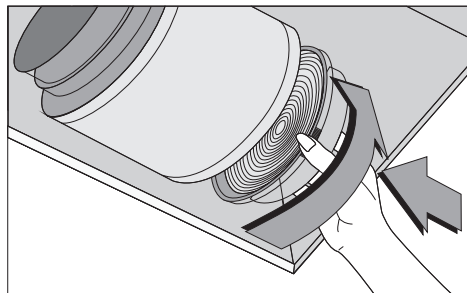
Hliníkové olejové filtry můžete také mýt v myčce.



UPOZORNĚNÍ: V případě běžného používání hliníkový olejový filtr vyčistěte jednou za měsíc.

4.2 Výměna uhlíkových filtrů

Filtry pro odstranění zápachu obsahují aktivní uhlí. Ve výrobku musí být nainstalovány tukové filtry, bez ohledu na to, zda jsou nebo nejsou používány uhlíkové filtry.



- Vyměňte hliníkový olejový filtr.
- Chcete-li vyjmout uhlíkový filtr, vyjměte uhlíkový filtr z jeho krytu otáčením proti směru hodinových ručiček od příchytky.
- Nainstalujte nový uhlíkový filtr.
- Nainstalujte hliníkový olejový filtr.

UPOZORNĚNÍ



- Uhlíkový filtr se nesmí nikdy mýt.
- Uhlíkové filtry vyměňte jednou za 3 měsíce.
- Uhlíkový filtr můžete získat v autorizovaných servisech.

5 Nastavení zařízení



UPOZORNĚNÍ: Před zahájením instalace si přečtěte bezpečnostní informace v uživatelské příručce.

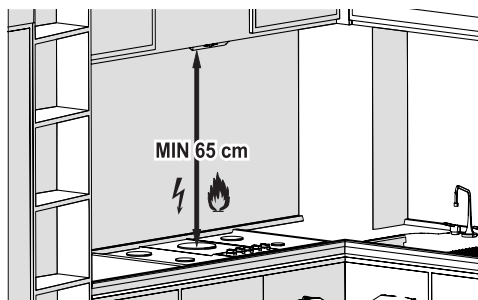


UPOZORNĚNÍ: Pokud nebudete šrouby a stabilizátory instalovat podle těchto pokynů, může dojít k úrazu elektrickým proudem.

Chcete-li si nechat digestoř nainstalovat, obraťte se na nejbližší autorizovaný servis.

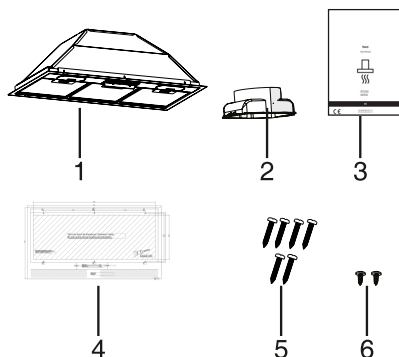
Za přípravu místa a elektrickou instalaci pro digestoř odpovídá zákazník.

5.1 Umístění spotřebiče



- Před instalací je nutno zvážit vzdálenost mezi sporákem a digestoří. Tato vzdálenost by měla být 65 cm.
- U plynových sporáků se vzdálenost musí měřit od povrchu roštu,
- u elektrických sporáků od povrchu skla.

5.2 Obsah balení



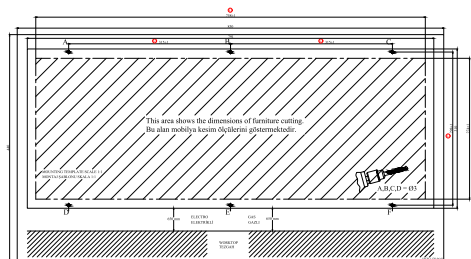
1. Digestoř
2. Plastový kouřovod Ø120 mm
3. Návod k použití
4. Instalační náčrsek
5. 6x Šroub 3,9 x32 (pro instalaci digestoře)
6. Šroub 3,5 x 9,5 (pro montáž plastového kouřovodu)

Niže jsou uvedeny informace potřebné k určení umístění vhodného pro instalaci digestoře.

5.3 Instalace spotřebiče



UPOZORNĚNÍ: Při vrtání a řezání používejte ochranné rukavice a brýle.

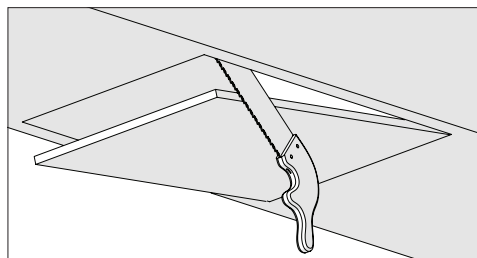


Obr. 1

5 Nastavení zařízení

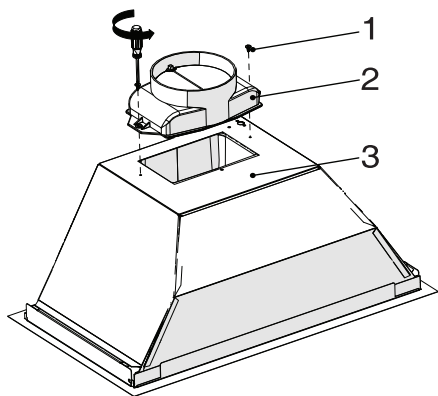
5.4 Vrtání montážních otvorů

- Použijte montážní šablonu dodanou s přístrojem na povrch, na kterém bude instalace provedena.
- Vyvrtejte otvory označené na instalační šabloně písmeny A, B, C, D, E, F vrtákem s \varnothing 4 mm. (Obr. 1)



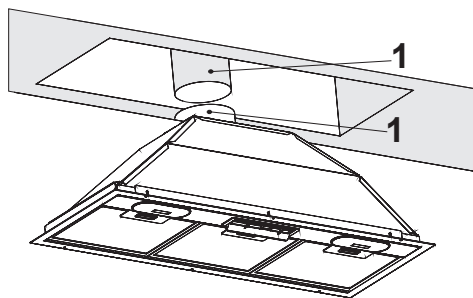
Obr. 2

- Odřízněte spodní povrch skříňe, kde bude instalována digestoř, v rozměrech specifikovaných v technickém výkresu (Obr. 2).



Obr. 3

1. Šroub 3,5 x 9,5
 2. Plastový kouřovod \varnothing 120 mm
 3. Zásuvka tělesa ventilu
- Pomocí 2 šroubů 3,5 x 9,5 připevněte k tělesu spotřebiče plastový kouřovod dodávaný se spotřebičem. Neotírejte je o povrch. (Obr. 3)

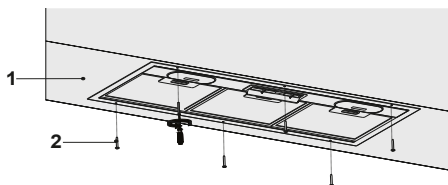


Obr. 4

1. Potrubí vývodu vzduchu
 2. Kouřovod digestoře
- Připojte potrubí vývodu vzduchu ke kouřovodu a upevněte pomocí svorky (Obr. 4).



UPOZORNĚNÍ: Jelikož ohyby a kolena na hliníkovém kouřovodu způsobí pokles sacího výkonu, používejte je co možná nejméně.



Obr. 5

1. Pohled zdola kuchyňské linky
 2. Montážní šroub 6 X 3,9X32
- Digestoř umístěte do kuchyňské skříňky a namontujte na 6 instalační otvory, které byly předtím vyvrtány (Obr. 5).

5.5 Skladování

- Pokud nechcete spotřebič delší dobu používat, důkladně jej uskladněte.
- Zkontrolujte, zda je spotřebič odpojený, vychladlý a zcela suchý.
- Spotřebič skladujte na suchém, chladném místě.
- Spotřebič skladujte mimo dosah dětí.

5 Nastavení zařízení

5.6 Manipulace a přeprava

- Během manipulace a přepravy uchovávejte přístroj v původním obalu.
- Balení chrání spotřebič před fyzickým poškozením.
- Na zařízení ani na obal nepokládejte těžká břemena. Může dojít k poškození spotřebiče.

6 Řešení problémů

Řešení problémů	Důvod	Pomoc
Produkt nefunguje.	Zkontrolujte pojistky.	Vaše pojistka může být vybitá, zprovozněte ji.
Produkt nefunguje.	Zkontrolujte elektrické připojení.	Síťové napětí má být mezi 220-240 V.
Produkt nefunguje.	Zkontrolujte elektrické připojení.	Zkontrolujte, zda fungují ostatní výrobky v kuchyni.
Lampa osvětlení nefunguje.	Zkontrolujte elektrické připojení.	Síťové napětí má být mezi 220-240 V.
Lampa osvětlení nefunguje.	Zkontrolujte spínač lampy.	Spínač lampy musí být v poloze "zapnuto".
Lampa osvětlení nefunguje.	Zkontrolujte lampu.	Lampy produktu nesmí být vadné.
Přívod vzduchu do výrobku je slabý.	Zkontrolujte hliníkový filtr.	Hliníkový filtr na olej za obvyklého používání je třeba vyčistit alespoň jednou za měsíc.
Přívod vzduchu do výrobku je slabý.	Zkontrolujte kryt vzduchovodu.	Vzduchovod musí být v poloze "zapnuto".
Přívod vzduchu do výrobku je slabý.	Zkontrolujte uhlíkový filtr.	U výrobků s uhlíkovými filtry filtr obvykle vyměňujte každé 3 měsíce.

Najskôr si prečítajte túto používateľskú príručku!





Vážený zákazník,

Ďakujeme vám, že ste si vybrali tento spotrebič značky Beko. Dúfame, že s týmto spotrebičom, ktorý bol vyrobený vo vysokej kvalite a s najmodernejšími technológiami, dosiahnete tie najlepšie výsledky. Z tohto dôvodu si pred použitím spotrebiča pozorne prečítajte celú túto používateľskú príručku a všetky ostatné sprievodné dokumenty a uschovajte ich pre prípad potreby do budúcnosti. Ak dáte spotrebič niekomu inému, dajte mu tiež používateľskú príručku. Postupujte podľa pokynov a venujte pozornosť všetkým informáciám a varovaniam v používateľskej príručke.

Pamätajte, že sa táto používateľská príručka môže vzťahovať aj na iné modely. Rozdiely medzi modelmi budú v príručke výslovne popísané.

Význam symbolov

V rôznych častiach tejto používateľskej príručky sú použité nasledujúce symboly:

	Dôležité informácie a užitočné tipy na použitie.
	VAROVANIE: Upozornenia na nebezpečné situácie týkajúce sa ohrozenia života a majetku.
	Upozornenia na nebezpečenstvo požiaru.
	Varovanie pred zásahom elektrickým prúdom.



Tento spotrebič bol vyrobený v modernom závode šetrnom voči životnému prostrediu bez škodlivého dopadu na prírodu.

1 Dôležité pokyny týkajúce sa bezpečnosti a životného prostredia

1.1 Všeobecná bezpečnosť

Dôležité bezpečnostné pokyny: Dôkladne si ich prečítajte a uschovajte pre nahliadnutie v budúcnosti

Táto časť obsahuje bezpečnostné pokyny, ktoré pomôžu ochrániť pred zranením osôb, poškodením majetku, vznikom požiaru alebo pred zásahom elektrickým prúdom. Nedodržanie týchto pokynov zruší platnosť akejkoľvek záruky.

- Produkty Beko spĺňajú platné bezpečnostné štandardy. V prípade akéhokoľvek poškodenia spotrebiča alebo napájacieho kábla musí byť oprava alebo výmena vykonaná predajcom, servisným centrom alebo odborníkom z autorizovaného servisu, aby sa predišlo akémukoľvek nebezpečenstvu. Chybná alebo neodborná oprava môže pre užívateľa predstavovať nebezpečenstvo a riziko.
- Tento spotrebič je určený len na použitie v domácnostiach a podobných prostrediach, ako sú napríklad:

- kuchynky pre zamestnancov v obchodoch, kanceláriách a iných pracovných prostrediach,
- budovy na farmách,
- priestory pre klientov v hoteloch, motelloch a ďalších obytných prostrediach,
- prostredia ubytovania typu Bed and Breakfast.

- Spotrebič používajte iba na určený účel, ako je popísané v tomto návode.
- Výrobca nenesie žiadnu zodpovednosť za žiadne škody spôsobené nesprávnou alebo nevhodnou inštaláciou alebo nevhodným používaním produktu.
- Tento spotrebič môžu používať deti staršie ako 8 rokov a osoby so zníženými fyzickými, vnemovými alebo mentálnymi schopnosťami, prípadne nedostatkom skúseností a vedomostí, pokiaľ sú počas prevádzky spotrebiča pod náležitým dozorom alebo sú im dané inštrukcie o bezpečnom používaní spotrebiča a sú si vedomí sprievodných rizík.

1 Dôležité pokyny týkajúce sa bezpečnosti a životného prostredia

- Deťom nesmie byť dovolené hrať sa so spotrebičom. Deti bez dozoru nesmú vykonávať čistenie ani používateľskú údržbu.
 - Minimálna vzdialenosť medzi varnými plochami sporáka a najnižšou časťou odsávača musí byť najmenej 65 cm.
 - Ak sa v pokynoch pre plynový sporák uvádza väčšia vzdialenosť, musíte ju zohľadniť.
 - Skontrolujte, či vaše napájanie zodpovedá informáciám uvedeným na štítku spotrebiča.
 - Nikdy nepoužívajte spotrebič, ak je napájací kábel alebo samotný spotrebič poškodený.
 - Zabráňte poškodeniu napájacieho kábla tým, že zabránite jeho pritlačeniu, ohýbaniu alebo odieraniu sa o ostré hrany. Napájací kábel udržiajte mimo horúcich povrchov a otvoreného ohňa.
 - Spotrebič zapájajte iba do uzemnenej zásuvky.
- VAROVANIE:** Spotrebič nepripájajte k elektrickej sieti, kým úplne nedokončíte inštaláciu.
- Spotrebič umiestnite tak, aby bola zástrčka vždy prístupná.
 - Nedotýkajte sa lúčov, ak boli v prevádzke po dlhý čas. Keďže sú horúce, mohli by ste si popáliť ruky.
 - Dodržiavajte predpisy vydané kompetentnými úradmi týkajúce sa vypúšťania odsávaného vzduchu (toto neplatí pre použitie bez dymovodu).
 - Váš spotrebič spustíte len vtedy, ak je na varnej doske hrniec, panvica atď. V opačnom prípade môže teplo spôsobiť deformáciu niektorých častí vášho spotrebiča.
 - Varnú dosku vypnite pred tým, ako z nej zložíte hrniec, panvicu a pod.
 - Na varnej doske nenechávajte horúci olej. Panvice s horúcim olejom môžu zapríčiniť samovznietenie.
 - Dávajte pozor na závesy a prikrývky, keďže by olej pri tepelnej úprave mohol vzbĺknúť, napr. pri smažení.

1 Dôležité pokyny týkajúce sa bezpečnosti a životného prostredia

- Filter mastnoty sa musí vymieňať aspoň raz mesačne. Uhlíkový filter sa musí vymieňať aspoň každé 3 mesiace.
- Spotrebič musí byť čistený v súlade s používateľskou príručkou. Ak čistenie nebolo vykonané v súlade s používateľskou príručkou, môže hroziť nebezpečenstvo požiaru.
- Súčasné filtre nenahrádzajte materiálmi, ktoré nie sú ohňovzdorné.
- Používajte len originálne časti odporúčané výrobcom.
- Spotrebič nespúšťajte bez filtra a filtre nevyberajte počas prevádzky spotrebiča.
- V prípade, ak sa na spotrebiči objavia plamene, odpojte spotrebič aj zariadenia určené na varenie od elektrickej siete.
- V prípade vzniku ohňa zakryte plamene a nikdy nepoužívajte vodné hasiace prístroje.
- Spotrebič odpojte pred každým čistením a v prípade, že ho nepoužívate.
- Negatívny tlak prostredia by nemal presiahnuť 4 Pa (4 x 10 bar), pokiaľ je digestor pre elektrickú varnú dosku v prevádzke súčasne so spotrebičmi fungujúcimi na inom type energie.
- V prostredí, kde je tento spotrebič používaný, musia byť výfuky zariadení fungujúcich na palivách, ako je olej alebo plyn, napr. izbové vykurovacie telesá, úplne oddelené alebo tieto zariadenia musia byť hermetického typu.
- Pri montáži dymovodu použite potrubie s priemerom 120 mm alebo 150 mm. Pripojenie cez potrubie musí byť čo najkratšie a mať čo najmenej kolien.

Nebezpečenstvo udusení!

Všetky obaly uchovajte mimo dosahu detí.

VÝSTRAHA: Prístupné časti sa počas súčasného používania so spotrebičmi na varenie môžu zahriať.

- Výfuk spotrebiča nesmie byť napojený na vzduchové potrubia, ktoré obsahujú iný dym.

1 Dôležité pokyny týkajúce sa bezpečnosti a životného prostredia

- Vetranie miestnosti môže byť nedostatočné, ak sa digestor pre elektrické varné dosky používa súčasne so zariadeniami využívajúcimi plyn alebo iné palivá (toto sa nevzťahuje na zariadenia, ktoré vypúšťajú vzduch späť do tej istej miestnosti).
- Predmety položené na spotrebič môžu spadnúť. Na spotrebič nekladte žiadne predmety.
- Pod spotrebičom neflambujte.

VAROVANIE: Pred inštaláciou digestora odstráňte ochranné fólie.

- Počas prevádzky pod digestorom nikdy nenechávajte vysoké priame plamene.
- Fritézy sa musia počas používania nepretržite monitorovať: prehriaty olej môže vzplanúť.

1.2 Súlad so smernicou o OEEZ a likvidácia vyradeného produktu:

Tento výrobok je v súlade so smernicou o OEEZ. (2012/19/EU). Tento výrobok je označený klasifikačným symbolom pre odpad z elektrických a elektronických zariadení (OEEZ).



Tento symbol znamená to, že tento výrobok sa na konci jeho životnosti nesmie likvidovať spolu s iným domácim odpadom.

Použitý spotrebič sa musia odovzdať na oficiálnych zberných miestach na recykláciu

elektrických a elektronických zariadení. Obráťte sa na miestne úrady alebo na predajcu, u ktorého ste si výrobok zakúpili, a informujte sa o umiestnení zberných zariadení. Každá domácnosť zohráva dôležitú úlohu v obnove a recyklácii starých spotrebičov. Správna likvidácia starého spotrebiča pomáha predísť možným negatívnym následkom pre životné prostredie a ľudské zdravie.

1.3 Súlad so smernicou RoHS

Výrobok, ktorý ste si zakúpili, vyhovuje smernici EÚ RoHS (2011/65/EÚ). Neobsahuje škodlivé ani zakázané materiály špecifikované v tejto smernici.

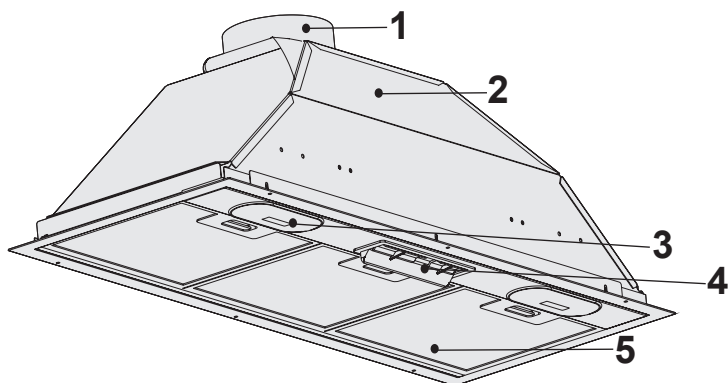
1.4 Informácie o balení



Obalové materiály tohto výrobku sú vyrobené z recyklovateľných materiálov v súlade s našimi Národnými environmentálnymi predpismi. Baliaci materiál nelikvidujte spolu s domovým odpadom alebo inými druhmi odpadu. Odnesť ich na zberné miesto baliaceho materiálu, určené miestnymi úradmi.

2 Celkový vzhľad

2.1 Prehľad

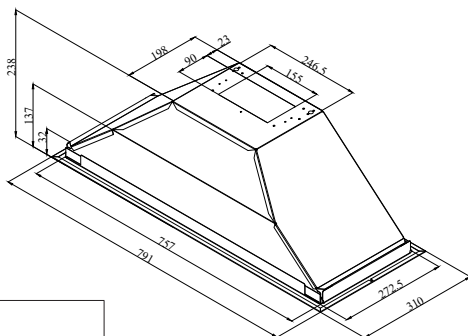


Ovládacie prvky a časti

1. Výfukový dymovod vzduchu
2. Telo
3. Osvetlenie
4. Ovládací panel
5. Hliníkový olejový filter

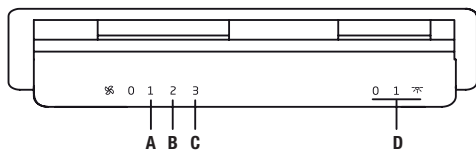
2.2 Technické údaje

Model	HNU71311S
Napájacie napätie	220-240V~ 50 Hz
Napájanie svetla	2x3 W
Výkon motora	1x185 W
Prietok vzduchu – 3. Úroveň	415 m ³ /h
Trieda izolácie motora	Trieda F
Izolačná trieda	Trieda I



3 Použitie spotrebiča

3.1 Použitie spotrebiča



- Prepnutím prepínača do polohy “0” vypnete lampu.
- Prepnutím prepínača do polohy “1” zapnete lampu.
- Prepnutím prepínača motora do polohy “0” vypnete motor.
- Motor môžete používať na 1. minimálnom stupni rýchlosti a na 3. maximálnom stupni rýchlosti podľa hustoty pary z varenia.

3.2 Efektívne využitie z hľadiska Úspory energie

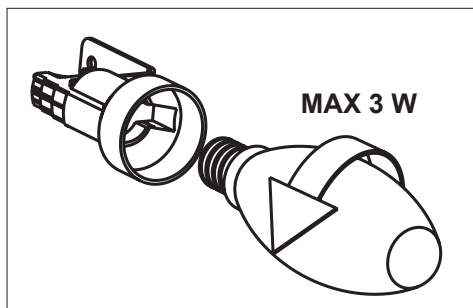
- Pri používaní spotrebiča, upravte nastavenie rýchlosti podľa intenzity pary a zápachov, z dôvodu šetrenia energie.
- Používajte nízku rýchlosť (2-1) za obvyklých podmienok a vysokú rýchlosť (3) pri intenzívnom zápachu a pary.
- Lamps na odsávači sú umiestnené pre osvetlenie priestoru na varenie.
- Ich používanie na osvetlenie priestoru bude viesť k zbytočným výdavkom energie a k nedostatočnému osvetleniu.

3.3 Ovládanie Odsávača pár

- Váš spotrebič obsahuje motor, ktorý má premenlivú rýchlosť.
- Pre lepšiu výkonnosť odporúčame používať nízke rýchlosti za normálnych podmienok a vysoké rýchlosti v prípade silných zápachov a intenzívnych výparov.
- Spotrebič môžete spustiť stlačením tlačidla požadovaného nastavenia rýchlosti. (A, B, C)

- Varnú zónu môžete osvetliť stlačením lampy. (D)

3.4 Výmena lampy



Lampa	
Moc	3 W
Zásuvka	E14
Napätie	220 – 240 W
Rozmer	35x100 mm
Kód ILCOS	DRBB/F-3-220-240-E14-35/100
Svetelný tok	400 lm
Súvisiaca teplota farby	2700 K

Tento výrobok obsahuje svetelný zdroj triedy energetickej účinnosti “E”.

- Odstráňte hliníkový kryt vložky. Vyberte nefunkčnú žiarovku a nahradte ju novou s rovnakými hodnotami.



VAROVANIE: Odpojte digester od elektrickej siete. Lamps môžu spôsobiť popálenie rúk. Počkajte, kým ochladnú.

3 Použitie spotrebiča



- Ak sa spotrebič pokazí alebo poškodí, vyradte poistku alebo odpojte spotrebič od siete a zavolajte zástupcu autorizovaného servisu.
- Ak je napájací kábel poškodený, musí ho vymeniť výrobca, jeho servisný pracovník alebo iná náležite kvalifikovaná osoba, aby sa predišlo riziku.
- Vyradte poistku alebo odpojte spotrebič od siete aj v prípade prasknutia lampy. Chybné lampy vymeňte ihneď, aby ste predišli preťaženiu iných lúčok (najprv počkajte, kým lampy ochladnú).

3.5 Prevádzka s komínom



- Para sa odvádza cez komínové potrubie, ktoré je pripojené k pripojovacej hlave na odsávači pár.
- Priemer komína musí byť rovnaký ako spojovací krúžok. V horizontálnych nastaveniach musí mať potrubie mierny sklon nahor (okolo 10 °), aby mohol vzduch ľahko unikať z miestnosti.

3.6 Prevádzka bez komína



- Vzduch sa filtruje cez uhlíkový filter a recirkuluje v miestnosti. Uhlíkový filter sa používa, keď nie je možné v dome použiť komín.
- Pri bezprúdovom používaní odstráňte klapky vo vnútri komínového adaptéra.
- Odstráňte hliníkové tukové kazety. Ak chcete nainštalovať uhlíkový filter, nasadte filter na úchytky centrovaním na plastový kus na oboch stranách tela ventilátora. Dotiahnite ho otočením doprava alebo doľava.
- Vymeňte hliníkový tukový filter.

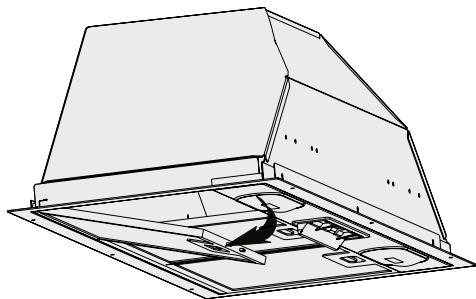
4 Čistenie a údržba



Pred čistením a údržbou výrobok odpojte alebo vypnite vypínač.

4.1 Čistenie hliníkových tukových filtrov

Tento filter zadržiava častice oleja zo vzduchu. Hliníkové tukové filtre môžu pri umývaní zmeniť farbu; je to normálne a nevyžaduje výmenu hliníkových tukových filtrov.



- Hliníkový tukový filter zatlačte dopredu.
- Potom ho mierne potiahnite a vytiahnite. V opačnom prípade môžete filter ohnúť. Hliníkové tukové filtre umyte a opláchnite tekutým čistiacim prostriedkom a vráťte hliníkové tukové filtre do svojich uložení vykonaním vyššie uvedených krokov v opačnom poradí. Tento filter zadržiava častice oleja zo vzduchu.



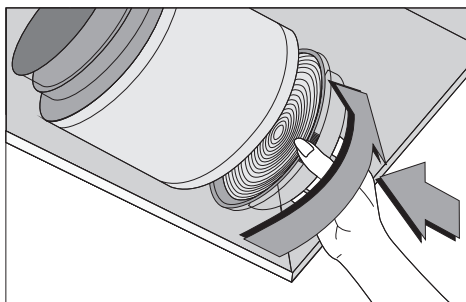
Hliníkové tukové filtre môžete umývať v umývačke riadu.



VÝSTRAHA: V prípade normálneho používania vyčistíte filter raz za mesiac.

4.2 Výmena uhlíkových filtrov

Filtry na odstraňovanie zápachu obsahujú aktívne uhlie (aktívny karbón). V produkte musí byť inštalovaný tukový filter, bez ohľadu na to, či sú alebo nie sú používané filtry s aktívnym uhlím.



- Odstráňte hliníkové tukové filtre.
- Ak chcete vybrať uhlíkový filter, vyberte uhlíkový filter z jeho krytu jeho otočením proti smeru hodinových ručičiek z úchytky.
- Nainštalujte nový uhlíkový filter.
- Inštalácia hliníkového tukového filtra.

VÝSTRAHA



- Uhlíkový filter sa nesmie nikdy umývať.
- Vymeňte uhlíkové filtre raz za 3 mesiace.
- Uhlíkový filter môžete získať od autorizovaných servisov.

5 Inštalácia spotrebiča



UPOZORNENIE: Pred začatím inštalácie si prečítajte bezpečnostné pokyny v používateľskej príručke.

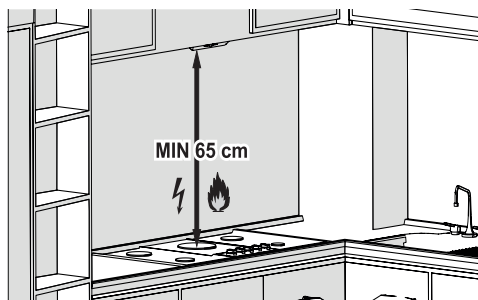


UPOZORNENIE: Neinštalovanie skrutiek a stabilizátorov podľa týchto pokynov môže mať za následok úraz elektrickým prúdom.

Ak chcete nainštalovať odsávač pár, kontaktujte najbližšiu autorizovanú službu.

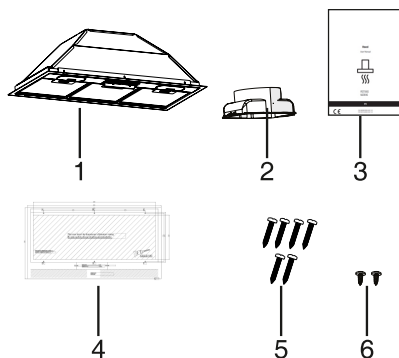
Zákazník je zodpovedný za prípravu umiestnenia a elektrickej inštalácie odsávača pár.

5.1 Umiestnenie spotrebiča



- Pred zmontovaním zväžte vzdialenosť medzi sporákom a odsávačom. Táto vzdialenosť musí byť aspoň 65 cm.
- U plynových sporákov sa musí merať vzdialenosť od povrchu mriežky,
- pre elektrické sporáky od povrchu skla.

5.2 Obsah balenia



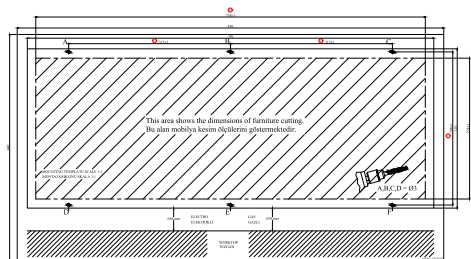
1. Digestor
2. Ø120 mm plastový dymovod
3. Používateľská príručka
4. Montážna šablóna
5. Skrutky 6 X 3,9X32 (určené na inštaláciu digestora)
6. Skrutka 3,5 x 9,5 (určená na inštaláciu plastového dymovodu)

Informácie potrebné pre miesto vhodné miesto na inštaláciu odsávača pár, sú uvedené nižšie.

5.3 Inštalácia spotrebiča



Pri vŕtaní a rezaní používajte ochranné rukavice a okuliare.

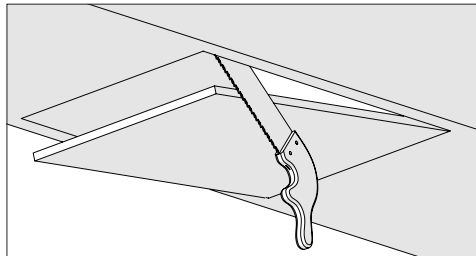


Obr. 1

5 Inštalácia spotrebiča

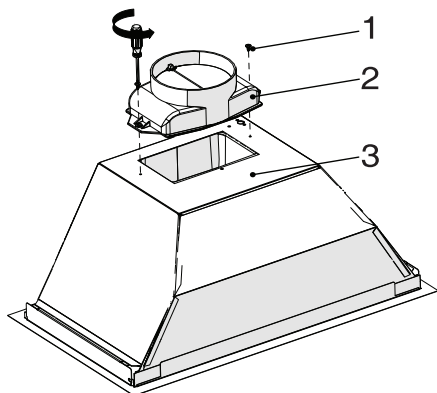
5.4 Vrtanie montážnych dier

- Na povrch, na ktorý chcete digestor pripievať, priložte šablónu dodanú so spotrebičom.
- Vyvrtajte diery označené na šablóne A, B, C, D, E, F použitím vrtáku Ø4 mm. (Obr. 1)



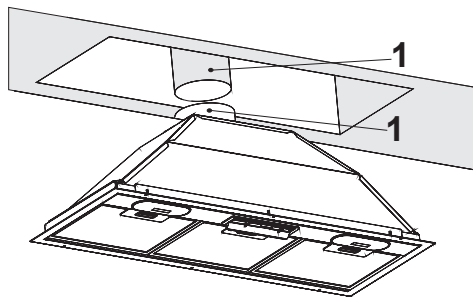
Obr. 2

- Vyrežte spodnú plochu skrinky, do ktorej má byť digestor osadený podľa rozmerov uvedených v technickej nákrese (Obr. 2).



Obr. 3

1. Skrutka 3,5 x 9,5.
 2. Plastový dymovod Ø 120 mm
 3. Obruč s kolíkmi
- Pripievajte plastový dymovod dodaný v balení k telu spotrebiča použitím 2 skrutiek 3,5 x 9,5. Nešúchajte po povrchu. (Obr. 3)

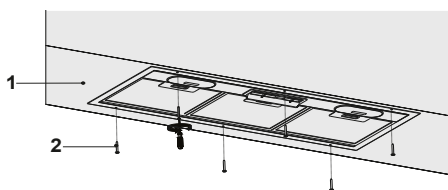


Obr. 4

1. Potrubie na odvádzanie vzduchu
 2. Výfukový dymovod digestora
- Pripievajte potrubie na odvádzanie vzduchu k výfukovému dymovodu pomocou spony (Obr. 4).



VÝSTRAHA: Keďže ohyby a kolená hliníkového potrubia spôsobujú zníženie sacieho výkonu, treba sa v maximálnej miere vyhnúť ich použitiu.



Obr. 5

1. Spodný pohľad na kuchynskú skrinku.
 2. Montážne skrutky digestora 6 X 3,9X32
- Vložte digestor do kuchynskej skrinky a pripievajte ho do 6 montážnych dier, ktoré ste predtým vyvrtali (Obr. 5).

5.5 Skladovanie

- Ak nechcete spotrebič dlhšiu dobu používať, opatrne ho uložte, prosím.
- Uistite sa, že je spotrebič odpojený od elektrickej siete, vychladený a úplne suchý.
- Spotrebič skladujte na chladnom a suchom mieste.

5 Inštalácia spotrebiča

- Uchovávajte prístroj mimo dosahu detí.

5.6 Zaobchádzanie a preprava

- Počas manipulácie a prepravy majte prístroj v pôvodnom obale. Balenie spotrebiča ho chráni pred fyzickým poškodením.
- Na zariadenie ani na obal nekladte ťažké bremená. Prístroj sa môže poškodiť.
- Pád prístroja môže spôsobiť jeho nefunkčnosť alebo trvalé poškodenie.

6 Riešenie problémov

Riešenie problémov	Dôvod	Pomoc
Produkt nefunguje.	Skontrolujte poistky.	Vaša poistka môže byť vybitá, sfunkčnite ju.
Produkt nefunguje.	Skontrolujte elektrické pripojenie.	Sieťové napätie má byť medzi 220-240 V.
Produkt nefunguje.	Skontrolujte elektrické pripojenie.	Skontrolujte, či fungujú ostatné výrobky v kuchyni.
Lampa osvetlenia nefunguje.	Skontrolujte elektrické pripojenie.	Sieťové napätie má byť medzi 220-240 V.
Lampa osvetlenia nefunguje.	Skontrolujte spínač lampy.	Spínač lampy musí byť v polohe "zapnuté".
Lampa osvetlenia nefunguje.	Skontrolujte lampu.	Lampy produktu nesmú byť chybné.
Prívod vzduchu do výrobku je slabý.	Skontrolujte hliníkový filter.	Hliníkový filter na olej za obvyklého používania je potrebné vyčistiť aspoň raz za mesiac.
Prívod vzduchu do výrobku je slabý.	Skontrolujte kryt vzduchovodu.	Vzduchovod musí byť v polohe "zapnuté".
Prívod vzduchu do výrobku je slabý.	Skontrolujte uhlíkový filter.	Pri výrobkoch s uhlíkovými filtrami filter obvykle vymieňajte každé 3 mesiace.

Lugege esmalt seda kasutusjuhendit.





Hea klient!

Täname, et valisite Beko seadme. Loodetavasti saate parimad tulemused, kuna see toode on valmistatud väga kvaliteetselt ja uusima tehnoloogiaga. Selleks tutvuge enne toote kasutamist hoolikalt kasutusjuhendi ja kõigi kaasasolevate dokumentidega ning hoidke need tuleviku tarbeks alles. Kui annate toote üle kellelegi teisele, andke kaasa ka kasutusjuhend. Järgige kõiki juhiseid, pöörates tähelepanu kasutusjuhendis toodud teabele ja kõikidele hoiatustele.

Pidage meeles, et see kasutusjuhend võib kehtida ka teiste mudelite kohta. Mudelitevahelisi erinevusi on kasutusjuhendis selgelt kirjeldatud.

Sümbolite tähendused

Selle kasutusjuhendi erinevates jaotistes kasutatakse järgmisi sümboliteid.

	Oluline teave ja kasulikud nõuanded kasutamisel
	HOIATUS! Hoiatused elule ja varale ohtlike olukordade kohta
	Hoiatus tulekahjuohu kohta
	Hoiatus elektrilöögi kohta



See seade on valmistatud keskkonnahoidlikus tänapäevases tehases loodust kahjustamata

1 Olulised ohutus- ja keskkonnajuhised

1.1 Üldine ohutus

Olulised ohutusjuhised Lugege juhised hoolikalt läbi ja hoidke hili-semaks kasutamiseks alles

See jaotis sisaldab ohutusjuhiseid, mis aitavad teil vältida tuleohtu, elektrilööke, kokkupuutumist lekkinud mikrolaineenergiaga, kehavigastusi ja varalist kahju. Nende juhiste eiramisel garantii tühistatakse.

- Beko tooted vastavad kehtivatele ohutusstandarditele, seepärast tuleb ohu vältimiseks lasta edasimüüjal, teeninduskeskusel, spetsialistil või volitatud hoolduskeskusel seade alati parandada või välja vahetada, kui seadmel või selle toitejuhtmel on kahjustusi. Puudulikud või oskamatud parandustööd võivad olla ohtlikud ja põhjustada kasutajale ohtu.
- Seade on mõeldud kasutamiseks kodumajapidamistes ja järgmistes sarnastes kohtades, nt:
 - töötajate köögid poodides, kontorites ja teistes töökohtades;

- maamajapidamised;
- klientidele hotellides ja teistes majutusasutustes;
- hommikusöögiga ööbimis-kohtades.
- Kasutage seadet ainult ettenähtud eesmärkidel ja selle juhendi kohaselt.
- Tootja ei vastuta väärast paigaldamisest või toote valest kasutamisest tingitud kahju eest.
- Seda seadet tohivad kasutada vähemalt 8-aastased lapsed ning piiratud füüsiliste, sensoorsete või vaimsete võimetega või kogemuste ja teadmisteta isikud, kui neid on juhendatud seadet ohutult kasutama või nad teevad seda järelevalve all ja mõistavad seadme kasutamisega seotud ohte.
- Lapsed ei tohi seadmega mängida. Lapsed ei tohi seadet puhastada ja hooldada ilma järelevalveta.
- Minimaalne kaugus keedualal olevate keedunõude restide ja õhupuhasti madalaima osa vahel peab olema vähemalt 65 cm.

1 Olulised ohutus- ja keskkonnajuhised

- Kui gaasipliidi paigaldamise juhistes on märgitud ülalnimetatust suurem vahekaugus, tuleb seda arvesse võtta.
 - Veenduge, et teie toiteallikas vastaks seadme andmesildil toodud andmetele.
 - Ärge kasutage seadet, kui toitejuhe või seade on kahjustatud.
 - Toitejuhtme kahjustumise vältimiseks hoiduge selle pigistamisest, murdmisest või hõõrumisest vastu teravaid servi. Hoidke toitejuhe eemal kuumadest pindadest ja lahtisest tulest.
 - Kasutage seadet ainult koos maandatud pistikupesaga.
- HOIATUS!** Ärge ühendage seadet toitevõrku enne, kui paigaldus on täielikult lõpetatud.
- Paigutage seade nii, et pistikule oleks alati võimalik ligi pääseda.
 - Ärge puudutage lampe, kui need on pikemat aega põlenud. Võite oma käsi põletada, sest lambid on kuumad.
 - Järgige pädevate asutuste eeskirju õhu väljatõmbe kohta (see hoiatus ei kehti ilma lõõrita kasutamise korral).
 - Lülitage seade tööle kohe pärast poti, panni jms asetamist pliidile. Muidu võivad seadme osad kuumuse tõttu deformeeruda.
 - Enne poti, panni vms võtmist pliidilt lülitage see välja.
 - Ärge jätke kuuma õli pliidile. Kuuma õliga pannid võivad süttida.
 - Pöörake tähelepanu kardinatele ja katetele, sest näiteks friikartulite valmistamisel võib õli põlema minna.
 - Rasvafiltrit tuleb vahetada vähemalt kord kuus. Sööfiltrit tuleb vahetada vähemalt kord kolme kuu jooksul.
 - Toodet tuleb puhastada kasutusjuhendi kohaselt. Kui seadet ei puhastata kasutusjuhendi kohaselt, tekib süttimisohu.
 - Ärge kasutage originaalfiltri asemel materjale, mis ei ole tulekindlad.
 - Kasutage ainult originaal- või valmistaja soovitatud osi.
 - Ärge kasutage toodet ilma filtrita ja ärge eemaldage filtreid, kui toode töötab.

1 Olulised ohutus- ja keskkonnajuhised

- Tule süttimise korral katkestage toote ja küpsetusseadme toide.
- Tule süttimise korral katke leek, aga ärge mingil juhul kasutage kustutamiseks vett.
- Enne igat puhastamist ja ajal, kui seadet ei kasutata, eemaldage toitejuhe vooluvõrgust.
- Negatiivne surve keskkonnas ei tohi ületada 4 Pa (4×10 baari), kui kasutate ühel ajal elektripliidi õhupuhastit ja seadmeid, millel on muu toiteallikas kui elekter.
- Seadme kasutuskeskkonnas peab õli- või gaasiseadmete, nagu ruumi soojendi väljatõmme olema täielikult isoleeritud või seade peab olema hermeetilist tüüpi.
- Kasutage lõõri ühendamiseks 120–150 mm läbimõõduga torusid. Toruühendus peab olema võimalikult lühike ja sellel peab olema minimaalselt torupõlvi.

Lämbumisoht! Hoidke pakke- materjalid väljaspool laste käeulast.

ETTEVAATUST! Seadme ligipääsetavad osad võivad koos küpsetusseadmetega kasutamisel kuumeneda.

- Toote äratõmmet ei tohi ühendada õhukanalitega, milles on suitsu.
- Tagage ruumi piisav ventilatsioon, kui elektripliidi õhupuhastit kasutatakse koos seadmetega, mis kasutavad gaasi või muid kütuseid (see ei kehti seadmete kohta, mis tõmbavad ainult õhku ruumi tagasi).
- Tootele asetatud esemed võivad kukkuda. Ärge asetage tootele esemeid.
- Ärge flambeerige toote all.

HOIATUS! Enne õhupuhasti paigaldamist eemaldage kaitsekiled.

- Töötava õhupuhasti all ei tohi kunagi olla lahtist kõrget leeki.
- Fritüüre tuleb küpsetamise ajal pidevalt jälgida: ülekuumenenud õli võib leegiga põlema süttida.

1 Olulised ohutus- ja keskkonnajuhised

1.2 WEEE-direktiivi täitmine ja kasutuskõlbmatute toodete kõrvaldamine

Toode vastab Euroopa Liidu elektri- ja elektroonikaseadmete jäätmete (WEEE) direktiivile (2012/19/EU). Sellel tootel on klassifitseerimise sümbol elektri- ja elektroonikaseadmete (WEEE) kohta.



See sümbol näitab, et seda toodet ei tohi pärast kasutuse lõppu kõrvaldada koos muu olmeprügiga. Kasutatud seade tuleb saata elektri- ja elektroonikaseadmete ametlikku kogumispunkti. Selliste kogumissüsteemide leidmiseks pöörduge kohaliku omavalitsuse või toote müünud jaemüüja poole. Igal majapidamisel on oluline osa vana seadme taastamisel ja ringlusse andmisel. Kasutatud seadme korrektne käitlemine aitab ära hoida negatiivseid tagajärgi keskkonnale ja tervisele.

1.3 Vastavus RoHS-direktiivile

Toode vastab Euroopa Liidu RoHS-direktiivile (2011/65/EL). See ei sisalda direktiivis mainitud kahjulikke ja keelatud materjale.

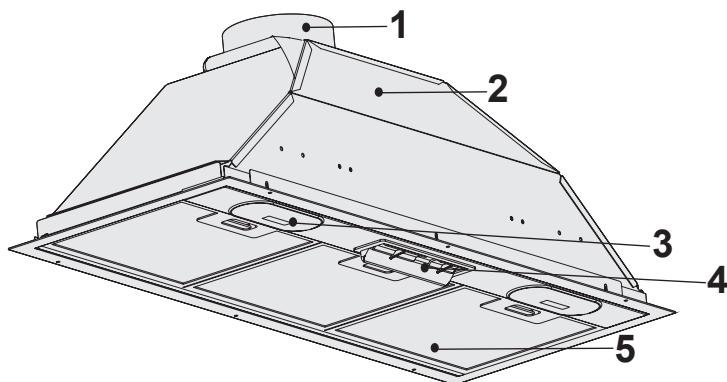
1.4 Teave pakendi kohta



Toote pakkematerjalid on valmistatud ringlusse võetavatest materjalidest riiklike keskkonnanäeskirjade kohaselt. Ärge visake pakkematerjale tavalise olmeprügi või muude jäätmete hulka. Viige need kohaliku omavalitsuse määratud pakendikogumispunkti.

2 Üldist seadme kohta

2.1 Ülevaade

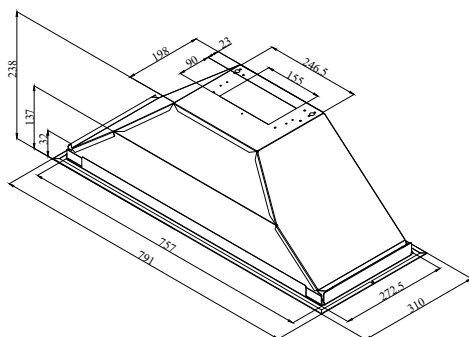


Juhtimine ja osad

1. Õhu väljatõmbelõõr
2. Korpused
3. Pliidi valgustus
4. Juhtpaneel
5. Alumiiniumist õlifilter

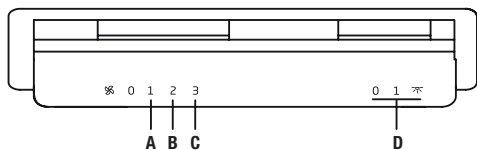
2.2 Tehnilised andmed

Mudel	HNU71311S
Toitepinge	220-240V~ 50 Hz
Lambi võimsus	2x3 W
Mootori võimsus	1x185 W
Õhuvool – 3. Tase	415 m³/h
Mootori isolatsiooniklass	klass F
Isolatsiooni klass	klass I



3 Seadme kasutamine

3.1 Seadme kasutamine



- Lambi väljalülitamiseks viige lambi lüliti asendisse '0'.
- Lambi sisselülitamiseks viige lambi lüliti asendisse '1'.
- Mootori väljalülitamiseks viige mootori lüliti asendisse '0'.
- Mootorit saab kasutada kiirusel 1-3 vastavalt köögis oleva auru hulgale.

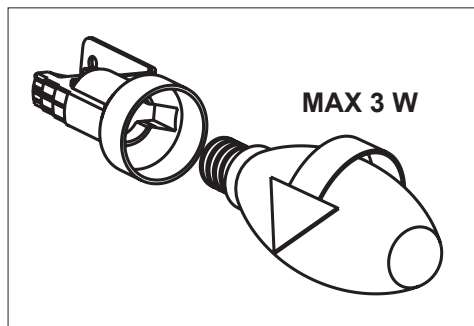
3.2 Energiatõhus kasutamine

- Mittevajaliku energiatarbimise vältimiseks reguleerige õhupuhasti kasutamise ajal kiirusetaset vastavalt lõhna ja auru intensiivsusele.
- Soovitame tavatingimustes kasutada väiksemaid kiirusi (1–2) ja eriti tugevate toidulõhnade ja -aurude eemaldamiseks suuremat kiirust (3).
- Õhupuhastil olevad tuled on ette nähtud toiduvalmistamisala valgustamiseks.
- Nende kasutamine ruumi/köögi valgustamiseks toob kaasa mittevajaliku energiatarbimise ja ebapiisava valgustuse.

3.3 Õhupuhasti käsitsemine

- Õhupuhasti on varustatud erinevate kiiruseseadetega mootoriga.
- Parima jõudluse huvides soovitame tavatingimustes kasutada väiksemaid kiirusi ja eriti tugevate toidulõhnade eemaldamiseks suuremaid kiirusi.
- Õhupuhasti käivitamiseks vajutage soovitud kiirusetaseme klahvi. (A, B, C)
- Toiduvalmistamisala valgustamiseks vajutage valgusklahvi. (D)

3.3 Lambi vahetamine



Lamp	
Võimsus	3 W
Pistikupesa	E14
Pinge	220 – 240 W
Mõõtmed	35x100 mm
ILCOS kood	D R B B / F - 3 - 2 2 0 - 240-E14-35/100
Valgusvoog	400 lm
Lähim värvsüsteemtemperatuur	2700 K

See toode sisaldab valgusallikat energiatõhususe klassiga "E".

- Eemaldage alumiiniumist filtrikassett. Eemaldage rikkis lamp ja asendage see samaväärsega.



HOIATUS: Tõmmake seadme pistik pesast välja. Kuumad lambid võivad käsi põletada, seega oodake, kuni lambid on jahtunud.

3 Seadme kasutamine

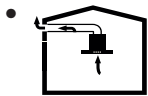


- Kui seade läheb rikki või saab kahjustada, lülitage kaitse välja või tõmmake pistik pesast välja ja helistage klienditeenindusse.
- Kahjustada saanud toitejuhtme peab ohu vältimiseks välja vahetama tootja, klienditeeninduskeskus või vastava väljaõppe saanud tehnik.
- Kui seadme lambid on defektsed, lülitage kaitse välja või tõmmake pistik pesast välja. Vahetage rikkis lambid kohe, et vältida ülejäänud lampide ülekuumenemist (enne vahetamist oodake, kuni lambid on jahtunud).

küljel oleva plastdetaili külge. pingutage seda paremale või vasakule keerates.

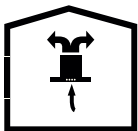
- Vahetage alumiiniumist rasvafilter.

3.5 Töötamine korstnaühendusega



- Aur eemaldatakse läbi suitsulõõri, mis on kinnitatud kapoti ühenduse külge.
- Lõõri läbimõõt peab olema sama, mis ühendusrõngal. Horisontaalsetes seadistustes peab toru olema kergelt ülespoole kaldu (umbes 10°), et õhk saaks kergesti ruumist väljuda.

3.6 Töötamine ilma korstnaühendusega



- Õhk filtreeritakse läbi söefiltri ja tsirkuleeritakse ruumis. Süsinikfiltrit kasutatakse siis, kui majas ei ole võimalik suitsulõõri kasutada.
- Lõõrita kasutamise korral eemaldage lõõriadapteri sees olevad klapid.
- Eemaldage alumiiniumist rasvafilter. Söefiltri paigaldamiseks paigaldage filter sakkide külge, tsentreerides selle ventilaatori korpuse mõlemal

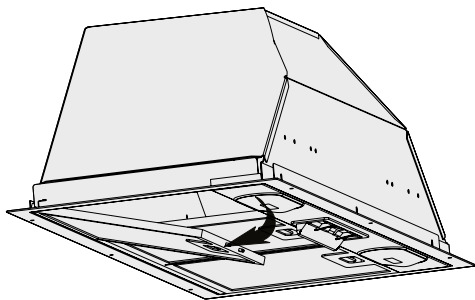
4 Puhastamine ja hooldustööd



Enne igasuguseid hooldus- või puhastustööd eemaldage seade vooluvõrgust või lülitage pealüliti või kaitse välja.

4.1 Rasvafiltri puhastamine

See filter püüab õhust õliosakesi. Filtrit soovitatakse tavatingimustes puhastada kord kuus. Esmalt eemaldage selleks rasvafiltriid. Peske filtriid vedela puhastusvahendiga, loputage need veega ja paigaldage tagasi pärast kuivatamist. Alumiiniumist rasvafiltriite värvus võib pesemisel muutuda; see on normaalne ja te ei pea filtriid vahetama.



- Lükake rasvafiltri lukk ettepoole.
- Seejärel tõmmake see veidi alla ja tõmmake välja. Vastasel juhul võite filtriid painutada. Peske ja loputage Rasvafiltriid vedela pesuvahendiga ja asetage rasvafiltriid nende pesadesse, sooritades ülaltoodud samme vastupidises järjekorras. See filter hoiab õliosakesed õhus.



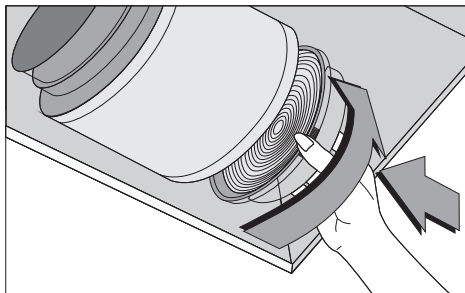
Rasvafiltriid saab pesta nõudepesumasinas.



ETTEVAATUST: Tavakasutuse korral puhastage filtriid kord kuus.

4.2 4.2 Söefiltri väljavahetamine

Lõhna eemaldavad filtriid sisaldavad sütt (aktiivsüsi). Tootesse tuleb paigaldada rasvafiltriid, olenemata sellest, kas söefiltriid kasutatakse või mitte.



- Eemaldage rasvafiltriid.
- Söefiltriid eemaldamiseks eemaldage söefiltriid selle korpusest, pöörates seda saki küljest vastupäeva.
- Paigaldage uus süsinikfiltriid.
- Paigaldage rasvafiltriid.

CAUTION



- Söefiltriid ei tohi kunagi pesta.
- Igal juhul on vaja söefiltriid vahetada vähemalt iga kolme kuu tagant.
- Söefiltriid on saadaval volitatud teenindustes.

5 Seadme paigaldamine



HOIATUS: Enne sätestamist palun lugege läbi ohutusjuhised.

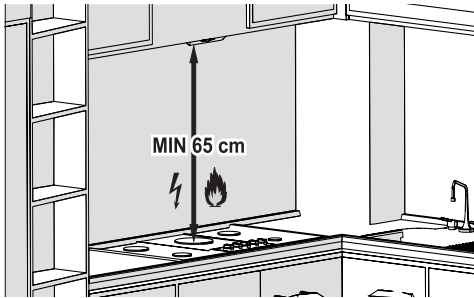


HOIATUS: Kruvide või kinnitusseadme paigaldamata jätmise vastavalt nende juhiste võib põhjustada elektriõnnetusi.

Õhupuha paigaldamiseks võtke ühendust lähima volitatud teenindusega.

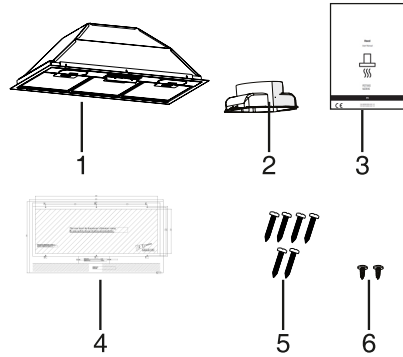
Õhupuha asukohta ja elektripaigaldise ettevalmistamine on kliendi kohustus.

5.1 Seadme paigutamine



- Enne kokkupanekut tuleb arvestada pliidi ja õhupuha vahetäolisusega. See vahemaa peaks olema 65 cm.
- Gaasipliitide puhul tuleb mõõta kaugust resti pinnast
- Elektripliitidele mõeldud klaasi pinnalt.

5.2 Pakendi sisu



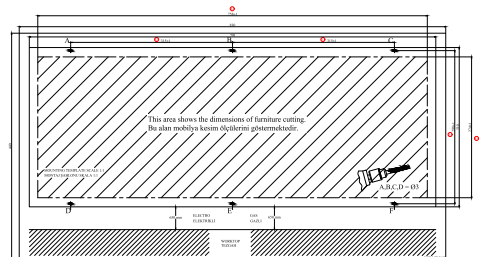
1. Õhupuha
2. Ø 120 mm plastiõõr
3. Kasutusjuhend
4. Paigaldusskeem
5. 6 X 3,9X32 kruvi (kasutatakse õhupuha paigaldamiseks)
6. 3,5 x 9,5 kruvi (kasutatakse plastiõõri paigaldamiseks)

Kapoti paigaldamiseks sobiva asukoha muutmiseks vajalik teave on toodud allpool.

5.3 Seadme paigaldamine



Kasutage aukude puurimise ja lõikamistööde ajal kaitsekindaid ja -prille.

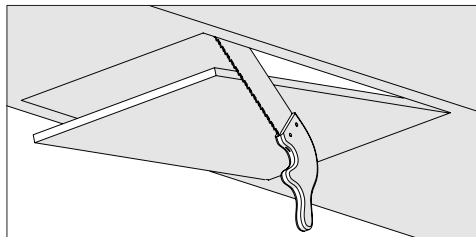


Pilt 1

5 Seadme paigaldamine

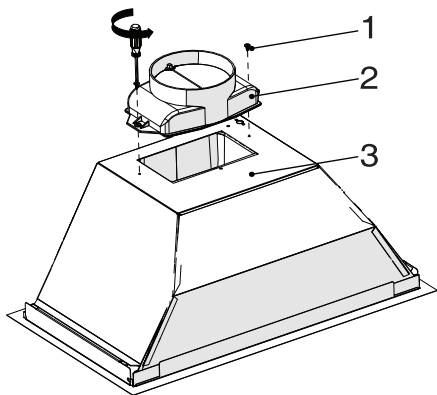
5.4 Kinnitusavade puurimine

- Asetage seadmega kaasas olev paigaldusšabloon pinnale, kuhu kavatsete seadme paigaldada.
- Puurige paigaldusšablooni A, B, C, D, E ja F tähistuste juurde augud, kasutades selleks Ø4 mm puuriotsakut. (Pilt 1)



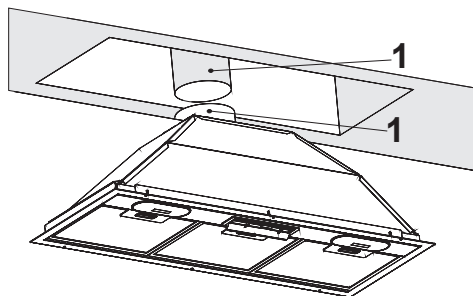
Pilt 2

- Lõigake köögikapi alumine pind, kuhu õhupuhasti paigaldatakse, tehnilisel joonisel täpsustatud mõõtmetesse (Pilt 2).



Pilt 3

1. 3,5 x 9,5 kruvi
 2. Ø 120 mm plastlõõr
 3. Korpustklapp Varras Pesa
- Kinnitage pakendis olev plastlõõr seadme korpuse külge, kasutades selleks kaht kruvi (3,5 x 9,5). Ärge hõõruge seda vastu pinda. (Pilt 3)

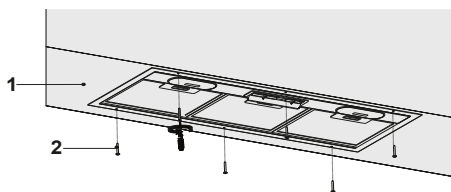


Pilt 4

1. Õhu väljatõmbetoru
 2. Õhupuhasti õhu väljatõmbelõõr
- Kinnitage õhu väljatõmbetoru õhu väljatõmbelõõri külge, kasutades selleks klambrit (Pilt 4).



ETTEVAATUST: Alumiiniumtoru pöörangud ja põlved põhjustavad õhu väljatõmbevõimsuse vähenemise ning seetõttu tuleb nende kasutamist vältida.



Pilt 5

1. Köögikapi altvaade
 2. 6 X 3,9X32 õhupuhasti paigaldamise kruvi
- Asetage õhupuhasti köögikappi ja kinnitage see 6 eelnevalt puuritud kinnitusavasse (Pilt 5).

5.5 Ladustamine

- Kui te ei kavatsa seadet pikka aega kasutada, hoidke seda hoolikalt.
- Veenduge, et seade on vooluvõrgust lahti ühendatud, jahtunud ja täiesti kuiv.
- Hoidke seadet jahedas ja kuivas kohas.
- Hoidke seadet lastele kättesaamatus kohas

5 Seadme paigaldamine

5.6 Käitlemine ja transport

- Käsitsemisel ja transportimisel kandke seadet originaalpakendis. Seadme pakend kaitseb seda füüsiliste kahjustuste eest.
- Ärge asetage seadmele ega pakendile suuri koormusi. Seade võib olla kahjustatud.
- Seadme mahakukkumine muudab selle töövõimeks või põhjustab püsivaid kahjustusi.

6 Tõrkeotsing

Tõrkeotsing	Põhjus	Abi
Toode ei tööta	Kontrollige kaitselüliti.	Kaitselüliti võib olla väljas, lülitage see sisse.
Toode ei tööta	Kontrollige elektriühendust.	Võrgupinge peaks olema vahemikus 220–240 V.
Toode ei tööta	Kontrollige elektriühendust.	Kontrollige, kas muud tooted Teie köögis töötavad või mitte.
Valgustus ei tööta.	Kontrollige elektriühendust.	Võrgupinge peaks olema vahemikus 220–240 V.
Valgustus ei tööta.	Kontrollige valgustuse lüliti.	Lüliti peaks olema asendis „sees“.
Valgustus ei tööta.	Kontrollige lampe.	Toote lambid ei tohiks olla rikkis.
Toote õhuvõtt on halb.	Kontrollige alumiiniumifiltrit.	Alumiiniumist õlifiltrit tuleks normaaltingimustes puhastada vähemalt kord kuus.
Toote õhuvõtt on halb.	Kontrollige õhuava lõõri.	Lõõr peaks olema asendis „sees“.
Toote õhuvõtt on halb.	Kontrollige sõefiltrit.	Sõefiltritega toodete puhul tuleks filtrit tavaliselt vahetada iga 3 kuu tagant.

Lūdzu, vispirms izlasiet šo lietotāja rokasgrāmatu.

Godātais klient!

Paldies, ka izvēlējāties šo „Beko” ierīci. Mēs ceram, ka šis produkts, kas ražots ar jaunāko augstas kvalitātes tehnoloģiju, jums sniegs vislabākos rezultātus. Tādēļ, pirms sākat to lietot, rūpīgi izlasiet visu lietotāja rokasgrāmatu un pārējo dokumentāciju un saglabājiet to lietošanai turpmāk. Ja jūs nododat izstrādājumu citai personai, kopā ar to nododiet arī šo lietotāja rokasgrāmatu. Rīkojieties atbilstoši norādījumiem, ņemot vērā visu lietotāja rokasgrāmatā sniegto informāciju un brīdinājumus.

Atcerieties, ka lietotāja rokasgrāmata var attiekties arī uz citiem modeļiem. Rokasgrāmatā ir skaidri aprakstītas modeļu atšķirības.

Simbolu nozīme

Dažādās šīs rokasgrāmatas nodaļās tiek izmantoti šie simboli:

	Svarīga informācija un noderīgi padomi par lietošanu.
--	---

	UZMANĪBU: Brīdinājumi par bīstamām situācijām, kas saistītas ar apdraudējumu dzīvībai un īpašumam.
--	---

	Brīdinājums par ugunsbīstamību.
--	---------------------------------

	Brīdinājums par elektrošoku.
---	------------------------------



Šis izstrādājums ir ražots videi draudzīgās, mūsdienīgās ražotnēs, neradot kaitējumu dabai.

1 Svarīgi norādījumi par drošību un vides aizsardzību

1.1 Vispārēja drošība

Svarīgi drošības norādījumi — rūpīgi izlasiet un uzglabājiet, lai lietotu nākotnē Šajā nodaļā doti drošības norādījumi, kas palīdzēs izvairīties no ugunsgrēka, elektrošoka, saskares ar mikroviļņu starojuma noplūdi, savainojumu un īpašuma bojājumu riska. Šo norādījumu neievērošana anulēs preces garantiju.

- “Beko” izstrādājumi atbilst piemērojamajiem drošības standartiem; tāpēc, lai novērstu jebkādus draudus, ierīces vai elektrības vada bojājuma gadījumā remonta vai aizvietošanas darbs ir jāveic izplatītājam, servisa centram vai speciālistam un apstiprinātam pakalpojumu sniedzējam. Kļūdainais vai nekvalificētais remonts var būt bīstams un lietotājam riskants.
- Šo ierīci ir paredzēts izmantot mājāsaimniecībā un tai līdzīgos apstākļos, piemēram:
 - darbinieku virtuvēs veikalos, birojos un citos darba vides apstākļos;
 - lauku mājās;

- viesnīcas viesu vajadzībām un citās dzīvojamās vidēs;
- B&B tipa apstākļos.
- Lietojiet ierīci tikai tai šajā rokasgrāmatā aprakstītajam nolūkam.
- Ražotājs nav atbildīgs par zaudējumiem, kas radušies nepareizas produkta uzstādīšanas vai nepareizas lietošanas dēļ.
- Šo ierīci drīkst lietot bērni no 8 gadu vecuma un personas ar ierobežotām fiziskām, uztveres vai garīgajām spējām, kā arī personas bez atbilstošas pieredzes un zināšanām, pie nosacījuma, ka tiek uzraudzītas vai informētas par ierīces drošu lietošanu un ar to saistītajiem riskiem.
- Neļaujiet bērniem spēlēties ar ierīci. Bērni nedrīkst bez uzraudzības veikt ierīces apkopi un tīrīt to.
- Minimālajam attālumam starp plīts gatavošanas trauku atbalsta virsmu un izstrādājuma zemāko daļu jābūt vismaz 65 cm.
- Ja gāzes plīts uzstādīšanas norādījumos ir norādīts lielāks attālums, tas ir jāņem vērā.

1 Svarīgi norādījumi par drošību un vides aizsardzību

- Pārliedzieties, vai jūsu elektrības padeve atbilst informācijai, kas sniegta ierīces nominālo parametru plāksnītē.
 - Nekādā gadījumā neizmantojiet ierīci, ja elektrības vads vai pati ierīce ir bojāta.
 - Lai nepieļautu bojājumus, nespiediet, nelokiet un nerīvējiet elektrības vadu pret asām malām. Pārliedzieties, ka elektrības vads neatrodas tuvu karstām virsmām vai atklātai liesmai.
 - Izmantojiet ierīci tikai ar saņemtu kontaktligzdu.
- UZMANĪBU:** Nepievienojiet ierīci elektrotīklam, kamēr nav pabeigti uzstādīšanas darbi.
- Novietojiet ierīci tā, lai kontaktdakša būtu vienmēr pieejama.
 - Nepieskarieties lampām, ja tās ir degušas ilgu laiku. Tās var apdedzināt jūsu rokas, jo ir ļoti karstas.
 - Rīkojieties atbilstoši kompetento iestāžu noteikumiem par izplūdes gaisa izvadīšanu (šis brīdinājums neattiecas, ja ierīci izmanto bez dūmvada).
 - Ierīci iedarbiniet pēc tam, kad uz plīts uzlikts katliņš, panna utt. Citādi lielais karstums var deformēt dažas jūsu ierīces daļas.
 - Pirms no plīts noņemat katlu, pannu utt., izslēdziet plīti.
 - Neatstājiet uz plīts karstu eļļu. Pannas ar karstu eļļu var izraisīt pašai aizdegšanos.
 - Uzmaniet aizkarus un pārsegus, jo eļļa ēdiena, piemēram, eļļā vārītu kartupeļu, gatavošanas laikā var aizdegties.
 - Tauku filtrs jāmaina vismaz reizi mēnesī. Ogles filtrs jāmaina vismaz reizi 3 mēnešos.
 - Ierīce ir jātīra saskaņā ar lietotāja rokasgrāmatu. Ja tīrīšana nav veikta saskaņā ar lietotāja rokasgrāmatu, pastāv aizdegšanās risks.
 - Nelietojiet ugunsnedrošus filtra materiālus esošā filtra vietā.
 - Lietojiet tikai oriģinālās vai ražotāja ieteiktās rezerves daļas.
 - Nedarbiniet ierīci bez filtra, neizmēģiniet filtrus, kamēr ierīce darbojas.

1 Svarīgi norādījumi par drošību un vides aizsardzību

- Aizdeģšanās gadījumā, atslēdziet savu ierīci un gatavošanas ierīces no elektrotīkla.
- Aizdeģšanās gadījumā, pārklājiet liesmas, bet nedzēsiet to ar ūdeni.
- Atvienojiet ierīci no kontaktligzdas, kad tā netiek lietota un pirms katras tīrīšanas.
- Darbinot tvaiku nosūcēju vienlaikus ar elektrisko plīti un ierīcēm ar citu enerģijas avotu, telpas negatīvajam spiedienam nevajadzētu pārsniegt 4 Pa (4 x 10 bar).
- Telpā, kurā izmanto ierīci, ierīcēm, kuras darbina ar degvielu vai gāzi, piemēram, sildītājiem, jābūt absolūti izolētiem, vai ierīcei jābūt hermētiskai.
- Pievienojot dūmvadam, izmantojiet 120 vai 150 mm diametra caurules. Caurules savienojumam ir jābūt pēc iespējas īsākam ar iespējami mazāko līkumu skaitu.
- Nosmakšanas risks! Iepakojuma materiālus glabājiet bērniem nepieejamā vietā.

UZMANĪBU: Aizsniedzamās daļas var sakarst, kad darbina kopā ar gatavošanas ierīcēm.

- Ierīces izvadu nedrīkst pievienot gaisa kanāliem, pa kuriem plūst citi dūmi.
- Ja elektriskās plīts tvaika nosūcēju (tas neattiecas uz ierīcēm, kuras gaisu izvada atpakaļ telpā) lieto vienlaikus ar iekārtām, kuras darbina ar gāzi vai citiem kurināmajiem, telpā var nebūt pietiekama ventilācija.
- Priekšmeti, kas novietoti uz ierīces, var nokrist. Nelieciet uz ierīces nekādus priekšmetus.
- Nededziniet alkoholu zem ierīces.

UZMANĪBU: Pirms tvaika nosūcēja uzstādīšanas noņemiet aizsargplēvi.

- Tvaika nosūcēja darbības laikā zem tā nenovietojiet atklātu liesmu
- Izmantojot dziļās cepšanas ierīces, tās ir nepārtraukti jāuzrauga: pārkarsēta eļļa var aizdegties.

1 Svarīgi norādījumi par drošību un vides aizsardzību

1.2. Atbilstība EIEA direktīvai un izstrādājuma apsaimniekošanas noteikumiem:

Šis izstrādājums atbilst ES EIEA direktīvai (2012/19/EU). Šim izstrādājumam ir klasifikācijas simbols, kas norāda uz elektrisko un elektronisko iekārtu atkritumiem (EIEA).



Šis simbols norāda uz to, ka šo produktu pēc tā kalpošanas beigām nedrīkst izmest kopā ar mājāsaimniecības atkritumiem. Nolietoto ierīci ir jānodod oficiālā savākšanas punktā, kurā pārstrādei pieņem elektriskās un elektroniskās ierīces. Lai atrastu šīs atkritumu savākšanas sistēmas, lūdzu, sazinieties ar vietējām iestādēm vai mazumtirgotāju, pie kura iegādājāties izstrādājumu. Katrai mājāsaimniecībai ir būtiska loma vecu sadzīves iekārtu nodošanā un pārstrādē. Pareiza sadzīves iekārtu utilizācija palīdz novērst potenciāli negatīvu ietekmi uz apkārtējo vidi un cilvēku veselību.

1.3. Atbilstība RoHS direktīvai

Produkts, ko jūs iegādājāties, atbilst ES RoHS direktīvai (2011/65/EU). Tas nesatur kaitīgos un aizliegtos materiālus, kas minēti direktīvā.

1.4. Informācija par iepakojumu

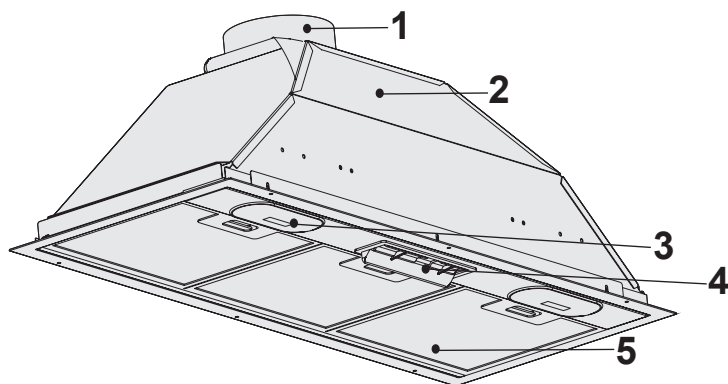


Iepakojuma materiāli ir ražoti no pārstrādātiem materiāliem saskaņā ar mūsu nacionālajām vides regulām.

Neizmetiet iepakojuma materiālus kopā ar sadzīves vai citiem atkritumiem. Nogādājiet tos uz vietējo iestāžu noteiktajiem iepakojuma materiālu savākšanas punktiem.

2 Vispārīgs izskats

2.1 Pārskats

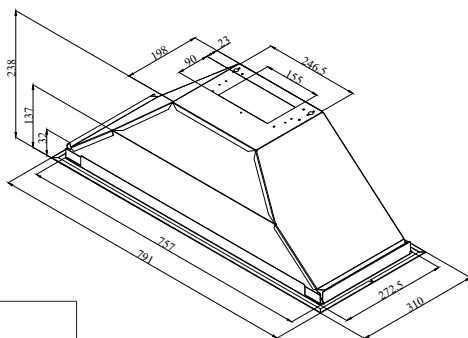


Vadība un detaļas

1. Gaisa izplūdes dūmvads
2. Korpuss
3. Tvaika nosūcēja apgaismojums
4. Vadības panelis
5. Alumīnija tauku filtrs

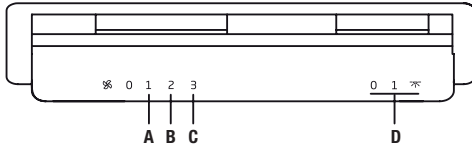
2.2 Tehniskie dati

Modelis	HNU71311S
Strāvas spriegums	220-240V~ 50 Hz
Spuldzes jauda	2x3 W
Motora jauda	1x185 W
Gaisa plūsma – 3. Līmenis	415 m ³ /h
Motora izolācijas klase	klase F
Izolācijas klase	klase I



3 Ierīces lietošana

3.1 Ierīces lietošana



- Lai izslēgtu lampu, pārslēdziet slēdzi pozīcijā "0".
- Lai ieslēgtu lampu, pārslēdziet slēdzi pozīcijā "1".
- Lai izslēgtu dzinēju, pārslēdziet dzinēja slēdzi pozīcijā "0".
- Atkarībā no tvaiku daudzuma dzinēju var darbināt ar zemāko pirmo ātruma pakāpi vai augstāko trešo ātruma pakāpi.

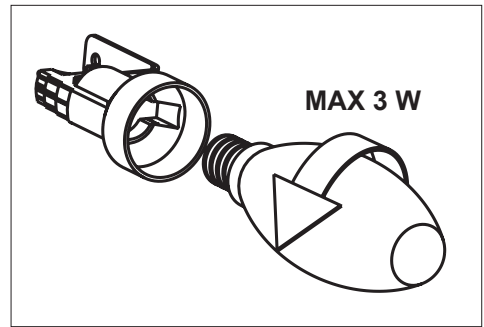
3.2 Norādījumi enerģijas taupīšanai

- Lietojot ierīci, pielāgojiet ātruma iestatījumus atbilstoši tvaika un smakas intensitātei, lai taupītu enerģiju.
- Izmantojiet mazu ātrumu (1-2) normālos apstākļos un lielu ātrumu (3) intensīvai smakai un tvaikiem.
- Lampas uz pārsega ir novietotas gatavošanas zonas apgaismošanai.
- To izmantošana vides apgaismojumam rada nevajadzīgus enerģijas izdevumus un nepietiekamu apgaismojumu.

3.3 Pārsega darbība

- Jūsu ierīce ir motors ar dažādu ātrumu.
- Lai nodrošinātu labāku veiktspēju, mēs iesakām izmantot mazus ātrumus normālos apstākļos un lielus ātrumus spēcīgu smaku un intensīvu tvaiku gadījumā.
- Ierīci var iedarbināt, nospiežot vēlamā ātruma iestatīšanas pogu. (A, B, C).
- Gatavošanas zonu var apgaismot, nospiežot lampu (D).

3.4 Spuldzes nomaiņa



Lampa	
Jauda	3 W
Kontaktlīgzda	E14
Spriegums	220 – 240 W
Izmēri	35x100 mm
ILCOS kods	D R B B / F - 3 - 2 2 0 - 240-E14-35/100
Gaismas plūsma	400 lm
Korelējoša krāsas temperatūra	2700 K

Šis produkts satur "E" klases energoefektivitātes gaismas avotu.



BRĪDINĀJUMS: Atvienojiet tvaika nosūcēju no strāvas. Karstas spuldzes var jums apdedzināt rokas, tādēļ pagaidiet, līdz tās atdziest.

- Noņemiet alumīnija filtra kasetni. Izņemiet izdegušo spuldzi un to nomainiet pret spuldzi ar tādiem pašiem parametriem.

3 Ierīces lietošana

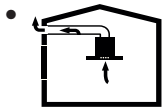


- Ja ierīce salūzt vai tiek bojāta, izslēdziet drošinātāju vai atvienojiet ierīces kontaktdakšīņu no strāvas un izsaučiet pilnvarotu tehniskās apkopes pārstāvi.
- Ja elektrības padeves vads ir bojāts, tā aizvietošana ir jāveic ražotājam, tā pārstāvim vai līdzīgi kvalificētai personai, lai novērstu bīstamības risku.
- Izslēdziet drošinātāju vai atvienojiet ierīces kontaktdakšīņu no strāvas, ja saplīsušas ierīces spuldzes. Nekavējoties nomainiet izdegušas spuldzes, lai citām spuldzēm nebūtu pārslodzes (vispirms apgaidiet, lai spuldzes atdziest).

centrējot to uz plastmasas gabala abās ventilatora korpusa pusēs. pievelciet to, pagriežot pa labi vai pa kreisi.

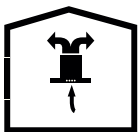
- Nomainiet alumīnija tauku filtru.

3.5 Darbība ar skursteņa pieslēgumu



- Tvaiki tiek izvadīti caur dūmvada kanālu, kas ir piestiprināts pie pārsega savienojuma galviņas.
- Dūmvada diametram jābūt tādā pašam kā savienojuma gredzenam. Horizontālos iestatījumos caurulei jābūt ar nelielu slīpumu uz augšu (apmēram 10°), lai gaiss varētu viegli iziet no telpas.

3.6 Darbība bez skursteņa pieslēguma



- Gaiss tiek filtrēts caur oglekļa filtru un tiek recirkulēts telpā. Oglekļa filtru izmanto, ja mājā nav iespējams izmantot dūmvadu.
- Lietojot bez dūmvada, noņemiet aizvarus dūmvada adaptera iekšpusē.
- Noņemiet alumīnija tauku filtru. Lai uzstādītu oglekļa filtru, piestipriniet filtru pie izciļņiem,

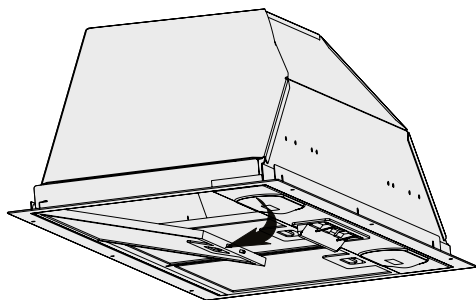
4 Tīrīšana un apkope



Pirms tīrīšanas un apkopes atvienojiet ierīci no elektrotīkla vai izslēdziet galveno slēdzi vai atļaidiet drošinātāju, kas nodrošina tvaika nosūcēju.

4.1 Tauku filtra tīrīšana

Šis filtrs uztver eļļas daļiņas gaisā. Jums ieteicams tīrīt filtru ik mēnesi normālos lietošanas apstākļos. Vispirms noņemiet tauku filtrus šim procesam. Nomazgājiet filtrus ar šķidru mazgāšanas līdzekli, noskalojiet tos ar ūdeni un pēc nožūšanas ievietojiet tos atpakaļ. Alumīnija tauku filtri mazgāšanas laikā var zaudēt krāsu; tas ir normāli, un jums nav jāmaina filtrs.



- Pabīdiet tauku filtra fiksatoru uz priekšu.
- Pēc tam velciet to nedaudz uz leju un izvelciet to ārā. Pretējā gadījumā jūs varat saliekt filtru. Nomazgājiet un izskalojiet tauku filtru ar šķidru mazgāšanas līdzekli un nomainiet tauku filtru uz to līgzdām, veicot iepriekš norādītās darbības apgrieztā secībā. Šis filtrs aiztur eļļas daļiņas gaisā.



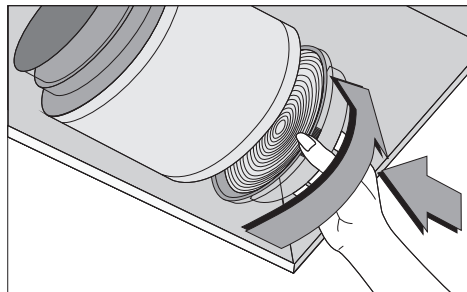
Tauku filtru var mazgāt trauku mazgājamajā mašīnā.



UZMANĪBU! Normālas lietošanas gadījumā iztīriet filtru reizi mēnesī.

4.2 Oglekļa filtra maiņa

Smakas noņemšanas filtri satur kokogli (aktīvo ogli). Tauku filtrs ir jāuzstāda izstrādājumā neatkarīgi no tā, vai tiek izmantoti oglekļa filtri.



- Noņemiet tauku filtru.
- Lai noņemtu oglekļa filtru, izņemiet oglekļa filtru no tā korpusa, griežot to pretēji pulksteņrādītāja virzienam no mēlītes.
- Uzstādiet jauno oglekļa filtru.
- Uzstādiet tauku filtru.

CAUTION



- Oglekļa filtru nedrīkst mazgāt.
- Jebkurā gadījumā oglekļa filtrs ir jāmaina vismaz reizi trīs mēnešos.
- Oglekļa filtru var iegādāties autorizētos servisa centros.

5 Ierīces uzstādīšana



BRĪDINĀJUMS: Pirms iestatišanas, lūdzu, izlasiet drošības instrukcijas.

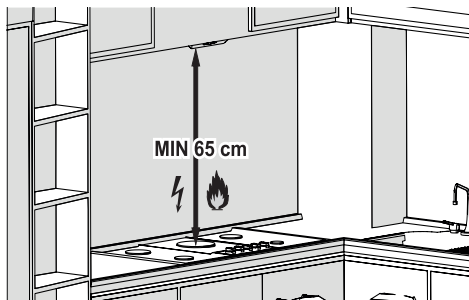


WARNING: Ja skrūves vai stiprinājuma ierīci neuzstāda saskaņā ar šīm instrukcijām, tas var izraisīt elektriskā apdraudējuma risku.

Lai uzstādītu pārsegu, lūdzu, sazinieties ar tuvāko pilnvaroto servisu.

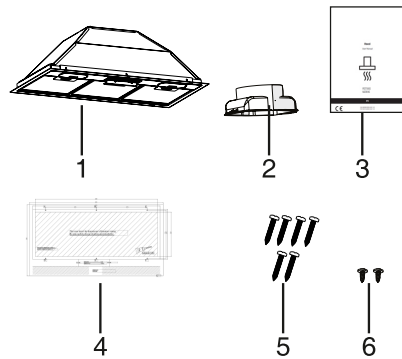
Klienta pienākums ir sagatavot tvaika nosūcēja atrašanās vietu un elektroinstalāciju.

5.1 Ierīces novietojums



- Pirms montāžas ir jāņem vērā attālums starp plīti un tvaika nosūcēju. Šim attālumam jābūt 65 cm.
- Gāzes plītim jābūt attālumam no režģa virsmas,
- no stikla virsmas elektriskajām plītim.

5.2 Iepakojuma saturs



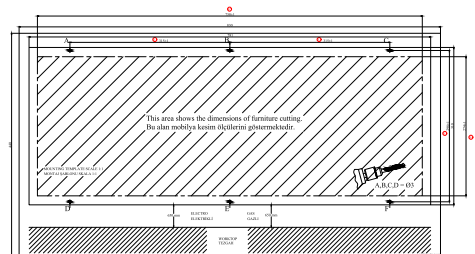
1. Tvaika nosūcējs
2. Plastmasas gaisa izplūdes caurule, diametrs 120 mm, 1 gab.
3. Lietotāja rokasgrāmata
4. Uzstādīšanas skice
5. 6 X 3,9X32 Skrūves (izmanto tvaiku nosūcēja uzstādīšanai)
6. 3,5 x 9,5 Skrūves (izmanto plastmasas dūmvada uzstādīšanai)

Tālāk ir sniegta informācija, kas nepieciešama, lai šī vieta būtu piemērota pārsegu uzstādīšanai.

5.3 Ierīces uzstādīšana



UZMANĪBU: Veicot urbšanas un zāģēšanas darbus, lietojiet aizsargcimdus un aizsargbrilles.

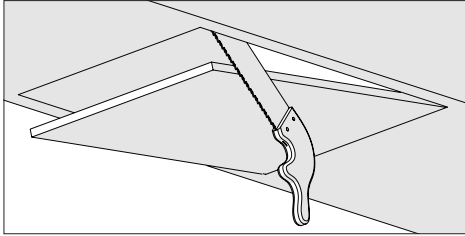


Att. 1

5 Ierīces uzstādīšana

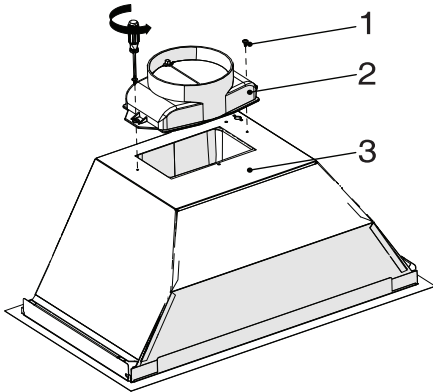
5.4 Stiprināšanas caurumu urbšana

- Ierīces komplektam pievienoto uzstādīšanas šablonu uzlīmējiet uz virsmas, pie kuras ierīce tiks uzstādīta.
- Ar $\varnothing 4$ mm urbja uzgali izurbiet uzstādīšanas skicē norādītos caurumus A, B, C, D, E, F. (Att. 1)



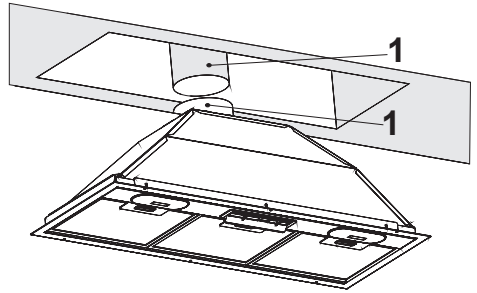
Att. 2

- Veiciet izzāģējumu skapīša, kurā tiks uzstādīts tvaika nosūcēja, apakšējā virsmā atbilstoši tehniskajā rasējumā norādītajiem izmēriem. (Att. 2)



Att. 3

1. 3,5 x 9,5 skrūve
 2. \varnothing 120 mm Plastmasas dūmvads
 3. KorpusVārsts Tapas līgзда
- Komplektam pievienoto plastmasas dūmvadu piestipriniet ierīces korpusam ar 2 3,5 x 9,5 skrūvēm. Nesaskrāpējiet ar to ierīces virsmu. (Att. 3)

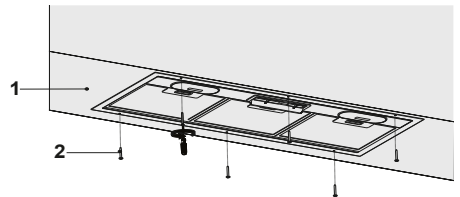


Att. 4

1. Gaisa izplūdes caurule
 2. Tvaika nosūcēja gaisa izplūdes dūmvads
- Gaisa izplūdes cauruli piestipriniet gaisa izplūdes dūmvadam un nostipriniet ar spaili (Att. 4).



UZMANĪBU: Alumīnija caurules likumi un pagriezieni izraisa gaisa iesūkšanas jaudas samazināšanos, tādēļ pēc iespējas no tiem jāizvairās.



Att. 5

1. Skats uz virtuves skapīti no augšas
 2. 6 x 3,9x32 skrūve tvaika nosūcēja uzstādīšanai
- Ievietojiet nosūcēju virtuves skapīti un ieskrūvējiet nosūcēja stiprināšanas skrūves iepriekš izurbtajos 6 uzstādīšanas caurumos. (Att. 5).

5.5 Uzglabāšana

- Ja jūs neplānojat ierīci lietot ilgu laiku, lūdzu, rūpīgi to uzglabājiet.
- Lūdzu, pārliecinieties, ka ierīce ir atvienota no elektrotīkla, atdzisusi un pilnīgi sausa.
- Glabājiet ierīci vēsā un sausā vietā.

5 Ierīces uzstādīšana

- Glabājiet ierīci bērniem nepieejamā vietā

5.6 Pārkraušana un transportēšana

- Pārvietojot un transportējot, nēsājiet ierīci oriģinālajā iepakojumā. Ierīces iepakojums aizsargā to no fiziskiem bojājumiem.
- Nenovietojiet uz ierīces vai iepakojuma smagas kravas. Ierīce var tikt bojāta.
- Nometot ierīci, tā nedarbosies vai radīs neatgriezeniskus bojājumus.

6 Traucējumu meklēšana

Traucējumu meklēšana	Iemesls	Risinājums
Izstrādājums nedarbojas.	Pārbaudiet drošinātāju.	Drošinātājs var būt izslēgts, ieslēdziet to.
Izstrādājums nedarbojas.	Pārbaudiet elektrisko savienojumu.	Elektriskā tīkla spriegumam ir jābūt 220-240 V.
Izstrādājums nedarbojas.	Pārbaudiet elektrisko savienojumu.	Pārbaudiet, vai parējās ierīces virtuvē darbojas.
Apgaismojuma spuldze nedarbojas.	Pārbaudiet elektrisko savienojumu.	Elektriskā tīkla spriegumam ir jābūt 220-240 V.
Apgaismojuma spuldze nedarbojas.	Pārbaudiet spuldzes slēdzi.	Spuldzes slēdzim ir jābūt stāvoklī "iesl."
Apgaismojuma spuldze nedarbojas.	Pārbaudiet spuldzes.	Izstrādājuma spuldzēm ir jābūt darba kārtībā.
Izstrādājums nenodrošina efektīvu gaisa nosūci.	Pārbaudiet alumīnija filtru.	Normālos lietošanas apstākļos alumīnija filtrs ir jātīra ik mēnesi.
Izstrādājums nenodrošina efektīvu gaisa nosūci.	Pārbaudiet ventilācijas caurules aizbīdni.	Ventilācijas caurules aizbīdnim ir jābūt stāvoklī "iesl."
Izstrādājums nenodrošina efektīvu gaisa nosūci.	Pārbaudiet oglekļa filtru.	Normālos lietošanas apstākļos izstrādājums, kas ir aprīkots ar oglekļa filtru, filtrs ir jāmaina ik pēc 3 mēnešiem.

Pirmiausia perskaitykite šią naudojimo instrukciją!

Brangus kliente,

Dėkojame, kad pasirinkote šį “Beko” prietaisą. Tikimės, kad šiuo prietaisu, kuris buvo pagamintas naudojant aukščiausios kokybės moderniausią technologiją, liksite patenkinti. Dėl to, prieš pradėdami naudoti šį prietaisą, perskaitykite visą šią naudojimo instrukciją bei prie jos pridėdamus dokumentus ir juos pasilikite, jei prireiktų ateityje. Jeigu atiduotumėte šį prietaisą kam nors kitam, kartu atiduokite ir šią naudojimo instrukciją. Laikykitės naudojimo instrukcijoje pateiktų nurodymų, atkreipkite dėmesį į visą informaciją ir įspėjimus.

Atkreipkite dėmesį, kad ši naudojimo instrukcija gali būti taikoma ir kitiems modeliams. Modelių skirtumai yra aiškiai aprašyti šioje instrukcijoje.

Ženklių reikšmės

Įvairiuose šios naudojimo instrukcijos skyriuose naudojami šie simboliai:



Svarbi informacija ir naudingi patarimai, kaip naudoti prietaisą.



ĮSPĖJIMAS: Įspėjimai apie pavojingas situacijas, keliančias pavojų gyvybei ir turtui.



Įspėjimas dėl gaisro pavojaus.



Įspėjimas dėl elektros smūgio.



**PERDIRBTAS &
PERDIRBAMAS
POPIERIUS**

Šis prietaisas pagamintas moderniose ekologiškose gamyklose, nedarant žalos gamtai.

1 Svarbios saugos ir aplinkos apsaugos taisyklės

1.1 Bendrieji saugos reikalavimai

Svarbios saugos instrukcijos Atidžiai perskaitykite ir pasilikite ateičiai Šiame skyriuje pateikiama saugos informacija, kuri padės išvengti gaisro, elektros smūgio, mikrobangų krosnelės spinduliuojamos energijos poveikio pavojaus, susižeidimų ar materialinės žalos. Jei nesilaikysite šių instrukcijų, nebebus taikoma garantija.

- „Beko“ gaminiai atitinka galiojančius saugos standartus, todėl, jeigu prietaisas arba jo maitinimo laidas būtų pažeistas, jį privalo paleisti platintojas, aptarnavimo centras ar specialistas arba bet kuris kitas įgaliotasis atstovas, kad būtų išvengta bet kokių pavojų. Klaidingi arba netinkami remonto darbai gali kelti pavojų ir riziką vartotojui.
- Šis įrenginys yra skirtas naudoti buitiniams ir panašiems tikslams, pvz.:
 - darbuotojų valgomouosiuose, pavyzdžiui, parduotuvėse, biuruose ir kitoje darbo aplinkoje;

- ūkininkų gyvenamuosiuose namuose;
- klientams viešbučiuose ir kitoje gyvenamojo aplinkoje;
- viešbučiuose, kuriose siūloma nakvynė su pusryčiais.
- Prietaisą naudokite tik pagal paskirtį, aprašytą šiose naudojimo instrukcijose.
- Gamintojas neatsako už žalą, patirtą dėl netinkamo gaminio įrengimo ar naudojimo.
- Šį prietaisą leidžiama naudoti vaikams nuo 8 metų amžiaus ir asmenims, turintiems fizinių, jutimo ar psichinių negalių, arba neturintiems patirties ir žinių, kaip naudoti šį prietaisą, su sąlyga, kad jie bus prižiūrimi arba išmokyti, kaip saugiai naudoti šį prietaisą, ir supras atitinkamus pavojus.
- Neleiskite vaikams žaisti su šiuo prietaisu. Neprižiūrimi vaikai negali atlikti valymo ir naudotojo atliekamų techninės priežiūros darbų.

1 Svarbios saugos ir aplinkos apsaugos taisyklės

- Mažiausias atstumas tarp kaitlentės virimo indų atraminio paviršiaus ir žemiausios gaminio dalies turi būti bent 65 cm.
 - Jei dujinės kaitlentės montavimo instrukcijose nurodytas didesnis atstumas, reikia jį atsižvelgti.
 - Pasirūpinkite, kad jūsų elektros tinklo duomenys atitiktų prietaiso kategorijos plokštelėje nurodytus duomenis.
 - Niekada nenaudokite prietaiso, jeigu šis yra sugadintas arba pažeistas jo maitinimo laidas.
 - Saugokite maitinimo laidą, kad jis nebūtų suspaustas, užlenktas arba trinamas į aštirus kraštus. Saugokite maitinimo kabelį nuo įkaitusių paviršių ir atviros ugnies.
 - Prietaisąjunkite tik prie įžeminto elektros lizdo.
- ĮSPĖJIMAS:** Nejunkite prietaiso prie elektros tinklo, kol jis nėra visiškai sumontuotas.
- Prietaisą pastatykite taip, kad elektros kištukas visada būtų pasiekiamas.
 - Nelieskite lempučių, jeigu jos ilgai švietė. Jos bus karštos, dėl to galite nusideginti rankas.
 - Laikykitės kompetentingų valdžios institucijų nustatytų taisyklių dėl ištraukiamojo oro išleidimo (šis įspėjimas netaikomas, jeigu prietaisas naudojamas be dūmtraukio).
 - Įjunkite prietaisą po to, kai pastatysite ant kaitvietės puodą, keptuvę ir t.t. Priešingu atveju dėl didelio karščio kai kurios jūsų gaminio dalys gali deformuotis.
 - Išjunkite kaitvietę prieš nuimdami nuo jos puodą, keptuvę ir t.t.
 - Nepalikite ant kaitvietės karšto aliejaus. Keptuvės su karštu aliejumi gali tapti užsidegimo priežastimi.
 - Atkreipkite dėmesį į užuolaidas ir uždangalus, nes kepant, pvz., bulvių šiaudelius, aliejus gali užsiliepsnoti.
 - Riebalų filtrą reikia keisti bent kartą per mėnesį. Anglies filtrą reikia keisti bent kartą per 3 mėnesius.

1 Svarbios saugos ir aplinkos apsaugos taisyklės

- Gaminys turi būti valomas pagal naudojimo instrukciją. Jei valymas atliktas ne pagal naudojimo instrukciją, gali kilti gaisro pavojus.
 - Vietoje dabartinio filtro nenaudokite ugniai neatsparių filtravimo medžiagų.
 - Naudokite tik originalias arba gamintojo rekomenduojamas dalis.
 - Nenaudokite prietaiso be filtro ir neišimkite filtrų iš veikiančio prietaiso.
 - Atsiradus liepsnai, išjunkite gaminį ir maisto gaminimo prietaisus.
 - Atsiradus liepsnai, ją uždenkite ir jokių būdu negesinkite vandeniu.
 - Jeigu prietaiso nenaudojate arba prieš jį valydami, atjunkite jį nuo elektros tinklo.
 - Patalpoje, kurioje vienu metu veikia virš elektrinės kaitlentės montuojamas garų rinktuvas ir kiti, ne elektra maitinami prietaisai, neigiamas slėgis neturi viršyti 4 Pa (4 x 10 bar).
 - Patalpoje, kurioje naudojamas prietaisas, mazutu arba dujomis kūrenamų prietaisų, pvz., šildytuvo, išmetamos dujos privalo būti visiškai izoliuotos arba tokie prietaisai privalo būti hermetiški.
 - Dūmtraukiui prijungti naudokite 120 mm arba 150 mm skersmens vamzdžius. Vamzdžio jungtis turi būti kuo trumpesnė, o alkūnių skaičius – minimalus.
- Pavojus uždusti!** Visas pakuotės dalis laikykite vaikams nepasiekiamoje vietoje.
- ATSARGIAI!** Naudojant su maisto gaminimo prietaisais, liečiamos prietaiso dalys gali įkaisti.
- Gaminio išleidimo vamzdžio negalima jungti prie ortakių, kuriuose yra kitų dūmų.
 - Vienu metu patalpoje naudojant virš elektrinės kaitlentės montuojamą garų rinktuvą ir dujomis arba kitu kuru kūrenamus prietaisus ventiliacija gali būti nepakankama (ši nuostata gali būti netaikoma prietaisams, kurie orą išleidžia tik atgal į patalpą).
 - Ant gaminio sudėti daiktai gali nukristi. Nedėkite jokių daiktų ant gaminio.
 - Neuždeginėkite po gaminiu.

1 Svarbios saugos ir aplinkos apsaugos taisyklės

ĮSPĖJIMAS: Prieš montuodami garų rinktuvą, nuimkite apsaugines plėveles.

- Niekada nepalikite atviros liepsnos po veikiančiu garų rinktuvu.
- Naudojant gruzdintuves, jas reikia nuolat prižiūrėti: per daug įkaitęs aliejus gali užsiliepsnoti.

1.2 Atitiktis EEJA direktyvai ir atitarnavusio gaminio sutvarkymas:

Šis gaminys atitinka ES EEJA direktyvą (2012/19/ES). Šis gaminys žymimas elektros ir elektroninės įrangos atliekų (EEJA) simboliu.



Šis simbolis reiškia, kad, kai produktas tampa nebenaudojamas, jo negalima šalinti kartu su kitomis buitinėmis atliekomis. Panaudotą prietaisą būtina pristatyti į elektros ir elektroninių prietaisų surinkimo ir perdirbimo punktą. Norėdami sužinoti, apie surinkimo ir perdirbimo punktus - susisiekite su vietos institucijomis arba pardavėju. Kiekvienas atliekame svarbų vaidmenį saugodami gamtą ir perdirbdami senus buitinius prietaisus. Atitinkamas panaudotų buitinių prietaisų šalinimas padeda išvengti neigiamos žalos gamtai ir žmogaus sveikatai.

1.3 Atitiktis RoHS direktyvai

Jūsų įsigytas gaminys atitinka ES RoHS direktyvą (2011/65/ES). Jame nėra direktyvoje nurodytų kenksmingų ar draudžiamų medžiagų.

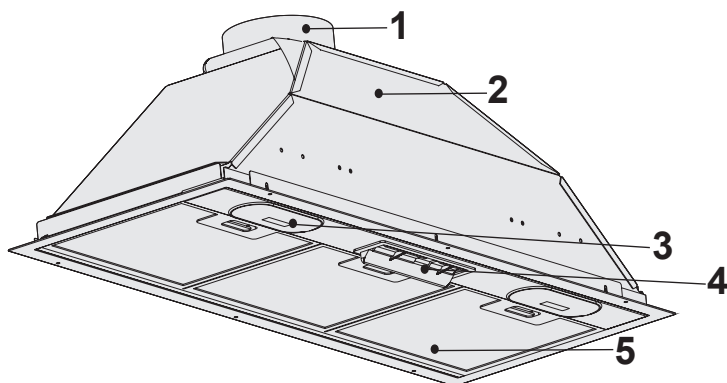
1.4 Informacija apie pakuotę



Šio gaminio pakavimo medžiagos pagamintos iš pakartotinai panaudojamų medžiagų, atsižvelgiant į mūsų nacionalinius aplinkosaugos reglamentus. Neišmeskite pakavimo medžiagų kartu su buitinėmis atliekomis arba kitomis šiukšlėmis. Jas atiduokite į vietinių valdžios institucijų nurodytus pakavimo medžiagų surinkimo punktus.

2 Bendra išvaizda

2.1 Apžvalga

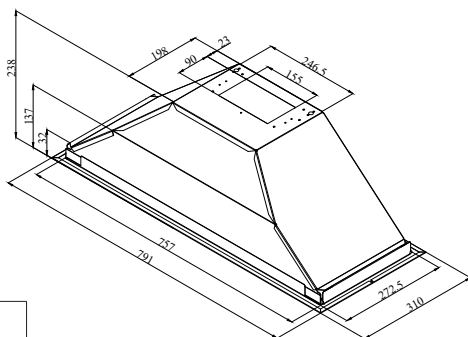


Valdymas ir dalys

1. Oro ištraukimo ortakis
2. Korpusas
3. Kaitlentės apšvietimas
4. Valdymo skydelis
5. Aliuminio folijos filtras

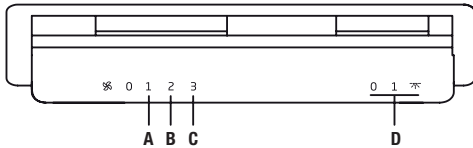
2.2 Techniniai duomenys

Modelis	HNU71311S
Tiekimo įtampa	220-240V~ 50 Hz
Lemputės galingumas	2x3 W
Variklio galingumas	1x185 W
Oro srautas – 3. lygis	415 m ³ /val.
Variklio izoliacijos klasė	F klasė
Izoliacijos klasė	I klasė



3 Prietaiso naudojimas

3.1 Prietaiso naudojimas



- Lempučių jungiklį nustatykite į padėtį "0", kad išjungtumėte lemputę.
- Lempučių jungiklį nustatykite į padėtį "1", kad įjungtumėte lemputę.
- Variklio jungiklį nustatykite į padėtį "0", kad išjungtumėte variklį.
- Variklio greitį galima keisti atsižvelgiant į gaminant maistą kylančių garų tirštumą nuo 1 (mažiausio) greičio iki 3 (didžiausio) greičio.

3.2 Ką derėtų daryti norint taupyti energiją

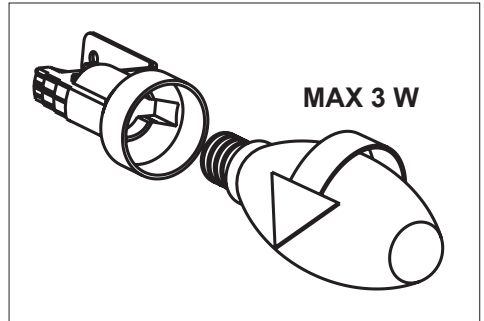
- Naudodami prietaisą sureguliuokite greičio nustatymus pagal garų ir kvapo intensyvumą, kad taupytumėte energiją.
- Įprastomis sąlygomis naudokite mažą greitį (1–2), o didelį greitį (3) – intensyvaus kvapo ir garų kvapai.
- Ant gaubto esančios lempos yra skirtos apšviesti kepimo zoną.
- Naudojant juos aplinkos apšvietimui, be reikalo išiekojama energija ir nepakankamas apšvietimas.

3.3 Gartraukio naudojimas

- Gartraukis turi keliais greičiais nustatomą ventiliatorių su varikliu.
- Kad gartraukis veiktų geriau, įprastomis sąlygomis rekomenduojame rinktis mažą greitį, o kai garų ir dūmų yra daug – didelį greitį.
- Gartraukį galima įjungti spaudžiant norimo greičio mygtuką (A, B, C).

- Gaminimo zoną galima apšviesti spaudžiant apšvietimo mygtuką (D)

3.4 Lempučių keitimas



Lempa	
Galia	3 W
Lizdas	E14
Įtampa	220 – 240 W
Matmenys	35x100 mm
ILCOS kodas	D R B B / F - 3 - 2 2 0 - 240-E14-35/100
Šviesos srautas	400 lm
Susietoji spalvinė temperatūra	2700 K

Šiame gaminyje yra "E" efektyvumo klasės energijos suvartojimo šviesos šaltinis.

- Nuimkite aliuminį kasetinį filtrą. Išimkite perdusią lemputę ir pakeiskite nauja tokio paties galingumo lempute.



ĮSPĖJIMAS: Išjunkite garų rinktuvo maitinimą. Įkaitusios lemputės gali nudeginti rankas, todėl palaukite, kol šios atvės.

3 Prietaiso naudojimas

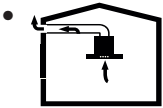


- Jeigu prietaisas sugestų arba būtų pažeistas, išjunkite saugiklį arba ištraukite prietaiso kištuką iš elektros lizdo ir iškvieskite įgaliotąjį priežiūros atstovą.
- Jei maitinimo kabelis yra pažeistas, jį privalo pakeisti gamintojas arba jo techninės priežiūros atstovas arba kitas kvalifikuotas asmuo, kad nekiltų pavojaus.
- Jeigu prietaiso lemputės perdegtų, išjunkite saugiklį arba ištraukite prietaiso kištuką iš elektros lizdo. Nedelsdami pakeiskite perdegusias lemputes, kad kitos lemputės nebūtų perkraunamos (prieš tai palaukite, kol lemputės atvės).

ąselių, centruodami jį ant plastikinės dalies abiejose ventiliatoriaus korpuso pusėse. priveržkite sukdamai į dešinę arba į kairę.

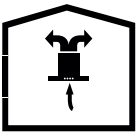
- Pakeiskite aliuminio riebalų filtrą.

3.5 Eksploatacija su kamino jungtimi



- Garai ištraukiami per dūmtakio kanalą, kuris tvirtinamas prie jungiamosios galvutės ant gaubto.
- Dūmtakio kanalo skersmuo turi būti toks pat kaip jungiamojo žiedo. Horizontalioje padėtyje vamzdis turi turėti nedidelį nuolydį aukštyn (apie 10°), kad oras galėtų lengvai išeiti iš patalpos.

3.6 Eksploatacija neprijungus kamino



- Oras filtruojamas per anglies filtrą ir recirkuliuojamas patalpoje. Anglies filtras naudojamas, kai namuose neįmanoma naudoti dūmtakio.
- Jei naudojate be dūmtraukio, nuimkite dūmtraukio adapterio viduje esančias sklendes.
- Nuimkite aliuminio riebalų filtrą. Norėdami sumontuoti anglies filtrą, pritvirtinkite filtrą prie

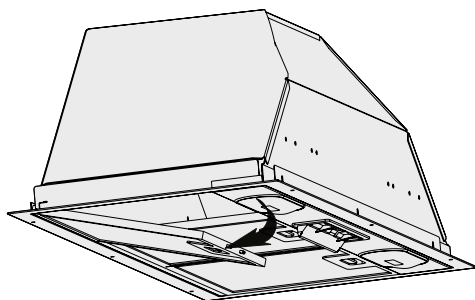
4 Valymas ir priežiūra



Prieš atlikdami valymo ir priežiūros darbus atjunkite prietaisą arba išjunkite pagrindinį maitinimo jungiklį, arba atsukite saugiklį, esantį gartruokyje.

4.1 Riebalų filtro valymas

Šis filtras surenka riebalų daleles iš oro. Rekomenduojama filtrą valyti kiekvieną mėnesį, kai jis naudojamas įprastu dažnumu. Iš pradžių išimkite riebalų filtrus. Nuplaukite filtras su indų plovikliu ir išskalaukite vandeniu, kai išdžiūsta, įstatykite atgal. Aliumininiai riebalų filtrai gali pakeisti spalvą plaunant, tai normalu, filtro dėl to keisti nereikia.



- Pastumkite riebalų filtro užraktą į priekį.
- Tada šiek tiek patraukite žemyn ir ištraukite. Priešingu atveju galite sulenkti filtrą. Nuplaukite ir išskalaukite riebalų filtrą skystu plovikliu ir pakeiskite riebalų filtrą į jų lizdus, atlikdami aukščiau nurodytus veiksmus atvirkštine tvarka. Šis filtras sulaiko alyvos daleles ore..



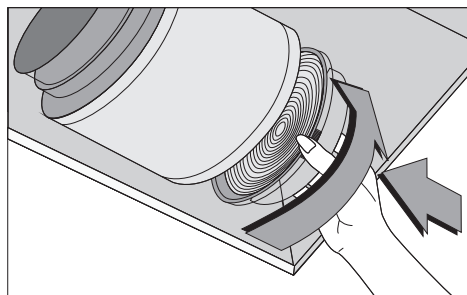
Riebalų filtrą galite plauti indaplovėje.



ĮSPĖJIMAS: Naudodami įprastai, valykite filtrą kartą per mėnesį.

4.2 Anglies filtro keitimas

Kvapus šalinančiuose filtruose yra anglies (aktyviosios anglies). Riebalų filtras turi būti sumontuotas gaminyje, neatsižvelgiant į tai, ar naudojami anglies filtrai, ar ne.



- Nuimkite riebalų filtrą.
- Norėdami išimti anglies filtrą, išimkite anglies filtrą iš jo korpuso, sukdami jį prieš laikrodžio rodyklę nuo skirtuko.
- Įdėkite naują anglies filtrą.
- Įdėkite riebalų filtrą.

ĮSPĖJIMAS



- Anglies filtro plauti negalima.
- Anglies filtrą reikia keisti kas tris mėnesius.
- Anglies filtrą galima įsigyti išjgalios tarnybos.

5 Prietaiso montavimas



ĮSPĖJIMAS: Prieš pradėdami per-
skaitykite saugos instrukcijas.

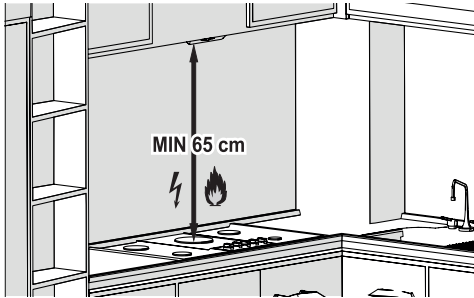


ĮSPĖJIMAS: Neįstačius varžtų ar
nepritvirtinus prietaiso pagal šias
instrukcijas gali kilti elektros pavojus.

Dėl gaubto montavimo kreipkitės į artimiausią įgaliotą servisą.

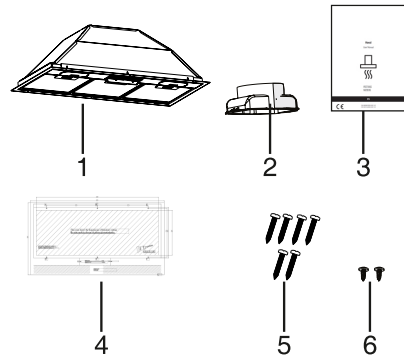
Paruošti gartraukio vietą ir elektros instaliaciją yra užsakovas.

5.1 Prietaiso pastatymo vieta



- Prieš surenkant reikia atsižvelgti į atstumą tarp viryklės ir gartraukio. Šis atstumas turėtų būti 65 cm.
- Atstumas turi būti matuojamas nuo dujinių viryklių grotelių paviršiaus,
- nuo stiklo paviršiaus elektrinėms viryklėms.

5.2 Pakuotės turinys



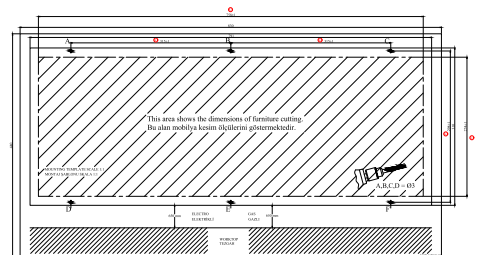
1. Garų rinktuvas
2. 120 mm skersmens plastikinis ortakis
3. Naudojimo instrukcija
4. Montavimo brėžinys
5. 6 x 3,9x32 varžtas (Skirtas garų rinktuvui montuoti)
6. 3,5x9,5 varžtas (Skirtas plastikiniam ortakiui montuoti)

Informacija, reikalinga tam, kad vieta būtų tinkama gartraukiui montuoti, pateikiama žemiau.

5.3 Prietaiso montavimas



ATSARGIAI! Atlikdami gręžimo ir pjovimo darbus mūvėkite apsaugines pirštines ir būkite užsidėję apsauginius akinius.

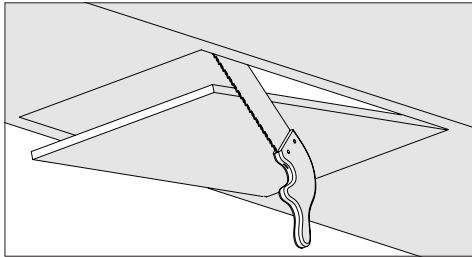


Pav. 1

5 Prietaiso montavimas

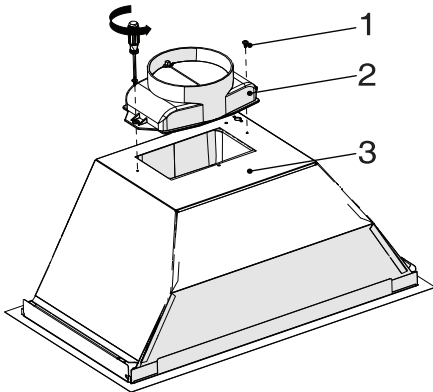
5.4 Tvirtinimo skylių gręžimas

- Priklijuokite kartu su prietaisu tiekiamą montavimo šabloną prie paviršiaus, ant kurio montuosite.
- 4 mm skersmens grąžtu išgręžkite skylės ant šablono raidėmis A, B, C, D, E, F pažymėtose vietose. (Pav. 1)



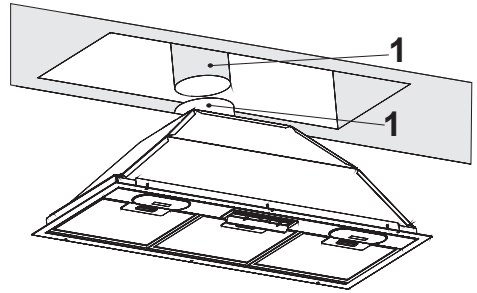
Pav. 2

- Spintelės, kurioje bus montuojamas garų rinktuvas, apačioje išpaukite techniniame brėžinyje nurodyto dydžio angą (Pav. 2).



Pav. 3

1. 3,5 x 9,5 varžtas
 2. 120 mm skersmens plastikinis ortakis
 3. Korpusas/Vožtuvas Kaištis Lizdas
- Dviem 3,5 x 9,5 varžtais pritvirtinkite plastikinį ortakį prie prietaiso korpuso. Netrinkite jo į paviršių. (Pav. 3)

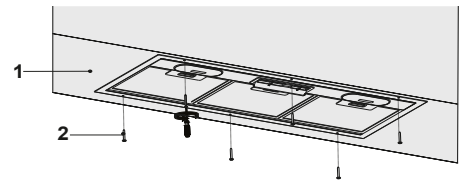


Pav. 4

1. Oro išleidimo vamzdis
 2. Garų rinktuvo oro ištraukimo ortakis
- Pritvirtinkite oro išleidimo vamzді prie oro ištraukimo ortakio ir užfiksuokite veržikliu (Pav. 4).



ATSARGIAI: Aliuminio vamzdžio išlinkimai ir alkūnės mažina oro siurbimo galią, dėl to jų skaičių reikėtų stengtis sumažinti iki minimumo.



Pav. 5

1. Virtuvės spintelės vaizdas iš apačios
 2. 6 X 3,9X32 garų rinktuvo montavimo varžtas
- Įstatykite garų rinktuvą į virtuvės spintelę ir pritvirtinkite jį prie anksčiau išgręžtų 6 montavimo skylių (Pav. 5).

5.5 Sandėliavimas

- Jei neketinate prietaiso naudoti ilgą laiką, atidžiai jį laikykite.
- Įsitinkinkite, kad prietaisas yra atjungtas nuo elektros tinklo, atvėsęs ir visiškai sausas.
- Prietaisą laikykite vėsioje ir sausoje vietoje.
- Prietaisą laikykite vaikams nepasiekiamoje vietoje

5 Prietaiso montavimas

5.6 Tvarkymas ir transportavimas

- Tvarkydami ir transportuodami prietaisą nešiodami originalioje pakuotėje. Prietaiso pakuotė apsaugo jį nuo fizinių pažeidimų.
- Nedėkite sunkių krovinių ant prietaiso ar pakuotės. Prietaisas gali būti pažeistas.
- Numetus prietaisą, prietaisas gali neveikti arba gali būti nuolat sugadintas.

6 Trikčių šalinimas

Triukčių šalinimas	Priežastis	Pagalba
Gaminys neveikia.	Patikrinkite saugiklį.	Saugiklis gali būti uždarytas, atidarykite jį.
Gaminys neveikia.	Patikrinkite elektros jungtį.	Tinklo įtampa turėtų būti 220 – 240 V.
Gaminys neveikia.	Patikrinkite elektros jungtį.	Patikrinkite, ar kiti jūsų virtuvės gaminiai veikia.
Apšvietimo lemputė neveikia.	Patikrinkite elektros jungtį.	Tinklo įtampa turėtų būti 220 – 240 V.
Apšvietimo lemputė neveikia.	Patikrinkite lemputės jungiklį.	Lemputės jungiklis turėtų būti įjungtas.
Apšvietimo lemputė neveikia.	Patikrinkite lemputes.	Gaminio lemputės neturėtų būti sugedusios.
Gaminio oro įsiurbimas prastas.	Patikrinkite aliuminio filtrą.	Aliuminio alyvos filtrą normaliomis sąlygomis reikia valyti bent kartą per mėnesį.
Gaminio oro įsiurbimas prastas.	Patikrinkite oro išleidimo angą.	Oro išleidimo dūmtakis turėtų būti „įjungtas“ padėtyje.
Gaminio oro įsiurbimas prastas.	Patikrinkite anglies filtrą.	Gaminiams su anglies filtrais paprastai filtrus reikia keisti kas 3 mėnesius.

Vă rugăm să citiți mai întâi acest manual de utilizare!

Stimate client,

Vă mulțumim pentru că ați ales acest produs Beko. Sperăm să obțineți cele mai bune rezultate de la aparatul dumneavoastră, care a fost fabricat la o calitate înaltă și cu tehnologie performantă. Din acest motiv, vă rugăm să citiți cu atenție și în întregime acest manual de utilizare și toate celelalte documente însoțitoare înainte de a utiliza aparatul și să le păstrați pentru consultări ulterioare. Dacă transmiteți produsul altei persoane, oferiți-i și manualul de utilizare. Urmați instrucțiunile și acordați atenție tuturor informațiilor și avertismentelor din manualul de utilizare.

Nu uitați că acest manual de utilizare poate fi aplicat și altor modele. Diferențele dintre modele sunt descrise în manual în mod explicit.

Semnificația simbolurilor

Următoarele simboluri sunt utilizate în diverse părți ale acestui manual de utilizare:



Informații importante și sugestii utile cu privire la utilizare.



AVERTISMENT: Avertismente pentru situații periculoase referitoare la siguranța vieții și bunurilor.



AVERTISMENT: Avertisment pentru pericol de incendiu.



AVERTISMENT: Avertisment privind electrocutarea.



**HĂRTIE RECICLATĂ ȘI
RECICLABILĂ**

Acest produs a fost fabricat în fabrici ecologice moderne, fără a dăuna naturii.

1 Instrucțiuni importante cu privire la siguranță și mediu

1.1 Siguranță generală

Instrucțiuni importante cu privire la siguranță Citiți cu atenție și păstrați-le pentru consultare ulterioară Această secțiune conține instrucțiuni privind siguranța, care vă vor proteja împotriva riscului de incendiu, electrocutare, expunere la scurgeri de microunde, vătămare corporală și pagube materiale. Nerespectarea acestor instrucțiuni atrage anularea garanțiilor acordate.

- Produsele de la Beko sunt conforme standardelor de siguranță aplicabile; din acest motiv, în caz de defecțiune a produsului sau a cablului de alimentare, acestea trebuie reparate sau înlocuite de distribuitor, un centru de service sau un service similar specializat și autorizat, pentru evitarea oricărui pericol. Lucrările de reparații greșite sau efectuate de persoane necalificate pot cauza pericole sau riscuri utilizatorului.
- Acest aparat este destinat pentru a fi utilizat în scop casnic și aplicații similare cum ar fi:

- Bucătării pentru personalul din magazine, birouri sau alte medii de lucru;
- Ferme
- De către clienți în hoteluri, moteluri sau alte medii de tip rezidențial;
- Medii de tip pensiune.
- Utilizați acest produs doar pentru uzul desemnat, așa cum este descris în acest manual.
- Producătorul nu își asumă răspunderea pentru daunele provocate de instalarea incorectă sau utilizarea greșită a produsului.
- Acest aparat poate fi utilizat de către copii cu vârsta minimă de 8 ani și de către persoanele cu capacități fizice, senzoriale sau mentale reduse sau lipsite de experiență și de cunoștințe, dacă aceștia au fost supravegheați sau instruiți cu privire la utilizarea produsului într-un mod sigur și dacă înțeleg pericolele implicate.

1 Instrucțiuni importante cu privire la siguranță și mediu

- Copiii nu trebuie să se joace cu aparatul. Operațiunile de curățare și întreținere nu trebuie să fie efectuate de către copii fără supraveghere.
 - Distanța minimă dintre suprafețele de susținere pentru vasele de gătit de pe plită și partea cea mai joasă a hotei trebuie să fie de 65 cm.
 - Dacă instrucțiunile de instalare a plitei cu gaz specifică distanțe mai mari decât cele de mai sus, se vor respecta instrucțiunile respective.
 - Asigurați-vă că tensiunea de alimentare corespunde cu informațiile furnizate pe plăcuța cu date tehnice a produsului.
 - Nu utilizați aparatul atunci când cablul de alimentare sau aparatul în sine este avariat.
 - Nu strângeți, nu îndoiți și nu frecăți cablul de alimentare de margini tăioase, pentru a preveni avarierea acestuia. Feriți cablul de alimentare de suprafețele fierbinți și focul deschis.
 - Utilizați produsul doar cu o priză cu împământare.
- AVERTISMENT:** Nu conectați produsul la priza de alimentare înainte de finalizarea instalării.
- Amplasați aparatul astfel încât ștecherul să fie întotdeauna accesibil.
 - Nu atingeți lămpile dacă au funcționat mult timp. Vă pot arde mâinile, deoarece vor fi fierbinți.
 - Respectați reglementările stabilite de autoritățile competente privind evacuarea aerului rezidual (acest avertisment nu este valabil la utilizarea fără coșul de fum).
 - Folosiți produsul după ce ați pus o oală, o tigaie etc. pe plită. În caz contrar, căldura ridicată poate cauza deformări în unele părți ale produsului.
 - Opriti plita înainte de a lua oala, tigaia etc. de pe aceasta.
 - Nu lăsați ulei fierbinte pe plită. Tigăile cu ulei fierbinte pot provoca auto-combustia.

1 Instrucțiuni importante cu privire la siguranță și mediu

- Fiți atenți la perdele și huse, deoarece uleiul poate lua foc în timp ce gătiți alimente cum ar fi cartofi prăjiți.
 - Filtrul de grăsime trebuie înlocuit cel puțin lunar. Filtrul de carbon trebuie înlocuit cel puțin o dată la 3 luni.
 - Produsul trebuie curățat conform manualului de utilizare. În cazul în care curățarea nu a fost efectuată conform manualului de utilizare, există risc de incendiu.
 - Nu folosiți materiale de filtrare care nu sunt rezistente la foc, în locul filtrului actual.
 - Utilizați doar componentele originale sau componentele recomandate de către producător.
 - Nu folosiți produsul fără filtru și nu scoateți filtrele în timp ce produsul funcționează.
 - În cazul în care se produce o flacără, opriți alimentarea produsului și aparatele de gătit.
 - În cazul în care se produce o flacără, acoperiți flacăra și nu utilizați apă pentru stingere.
 - Înainte de fiecare curățare și atunci când produsul nu este folosit, scoateți-l din priză.
 - Presiunea negativă în mediu nu trebuie să depășească 4 Pa (4 x 10 bari), în timp ce hota pentru plita electrică și aparatele care funcționează cu un alt tip de energie decât electricitatea funcționează simultan.
 - În mediul în care este folosit produsul, evacuarea dispozitivelor care funcționează pe combustibil lichid sau motorină, cum ar fi radiatorul, trebuie să fie complet izolată sau dispozitivul trebuie să fie de tip ermetic.
 - La conectarea coșului de evacuare, folosiți țevi cu diametrul de 120 sau 150 mm. Racordul țevelor trebuie să fie cât mai scurt posibil și să aibă cât mai puține coturi.
 - Pericol de sufocare! Păstrați materialele de ambalare la loc inaccesibil copiilor.
- ATENȚIE:** În timpul utilizării cu aparate de gătit, piesele accesibile se pot încinge.

1 Instrucțiuni importante cu privire la siguranță și mediu

- Evacuarea hotei nu trebuie să fie conectată la canalele de aer care includ alte tipuri de fum.
- Ventilația în cameră poate fi insuficientă atunci când hota pentru plita electrică este folosită simultan cu dispozitive care funcționează cu gaz sau alți combustibili (nu se aplică neapărat în cazul aparatelor care doar evacuează aerul înapoi în cameră).
- Obiectele plasate pe produs pot să cadă. Nu amplasați nici un obiect pe aparat.
- Nu flambați alimente sub produs.

AVERTISMENT: Îndepărtați foliile de protecție înainte de a instala hota.

- Nu lăsați niciodată focul deschis la intensitate mare sub hotă când aceasta funcționează.
- Friteuzele trebuie supravegheate permanent în timpul folosirii: uleiul supraîncălzit se poate aprinde.

1.2 Conformitate cu Directiva DEEE și eliminarea deșeurilor:

Acest produs este conform cu Directiva DEEE a UE (2012/19/EU). Acest produs poartă un simbol pentru deșeurile de echipamente electrice (DEEE).



Acest simbol indică faptul că acest produs nu trebuie eliminat împreună cu alte deșeurile menajere la sfârșitul duratei sale de utilizare. Dispozitivul uzat trebuie returnat către un punct oficial de colectare pentru reciclarea dispozitivelor electrice și electronice. Pentru a găsi aceste sisteme de colectare contactați autoritățile locale sau distribuitorul de la care a fost achiziționat produsul. Fiecare gospodărie are un rol important în recuperarea și reciclarea electrocasnicilor vechi. Eliminarea corespunzătoare a electrocasnicilor uzate ajută la prevenirea posibilelor consecințe negative pentru mediu și sănătatea umană.

1.3 Conformitatea cu Directiva RoHS

Produsul pe care l-ați achiziționat este conform cu Directiva RoHS UE (2011/65/UE). Produsul nu conține materiale dăunătoare sau interzise specificate în Directivă.

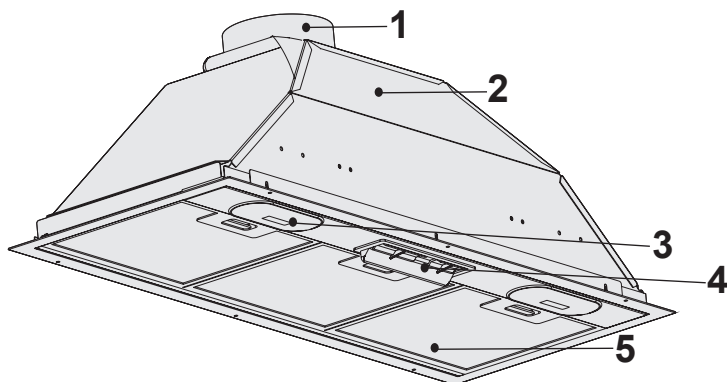
1.4 Informații despre ambalaj



Ambalajul produsului este fabricat din materiale reciclabile, în conformitate cu reglementările naționale de mediu. Nu eliminați ambalajul împreună cu deșeurile menajere sau de alt tip. Transportați-le la punctele de colectare a ambalajelor desemnate de către autoritățile locale.

2 Aspect general

2.1 Privire de ansamblu

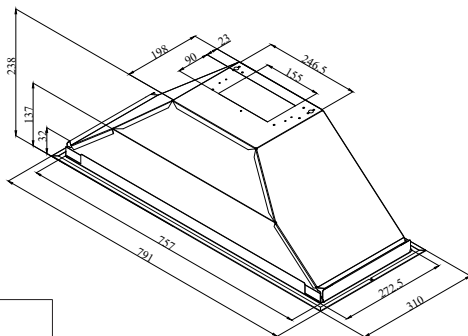


Control și piese

1. Evacuarea aerului
2. Corpul aparatului
3. Iluminare plită
4. Panou de comandă
5. Filtru de ulei din aluminiu

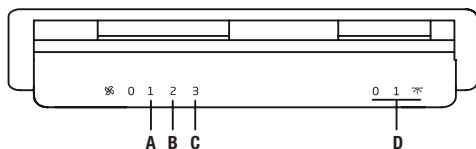
2.2 Date tehnice

Model	HNU71311S
Tensiune de alimentare	220-240V ~ 50 Hz
Putere bec	2x3 W
Putere motor	1x185 W
Flux aer – 3. Nivel	415 m ³ /h
Clasa de izolare motorie	Clasa F
Clasa de izolație	Clasa I



3 Utilizarea produsului

3.1 Utilizarea aparatului



- Mutați comutatorul în poziția '0' pentru a opri lampa.
- Mutați comutatorul în poziția '1' pentru a porni lampa.
- Mutați comutatorul în poziția '0' pentru a opri motorul.
- Puteți acționa motorul la minim primul nivel de viteză și maxim al treilea nivel de viteză în funcție de densitatea aburului.

3.2 Funcționarea eficientă din punct de vedere energetic în termeni de economisire Folosire

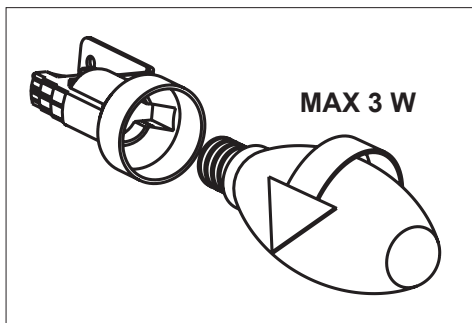
- Când folosiți hota, ajustați setările de viteză conform vaporilor și intensității mirosului, pentru a economisi energie.
- Folosiți viteze mici (2-1) în condiții normale și viteze mari (3) pentru mirosuri intense și vapori.
- Lămpile de pe hotă sunt plasate pentru iluminarea zonei de gătit.
- Folosirea lor pentru lumina ambientală va produce consul de energie inutil și lumină insuficientă.


3.3 Instrucțiuni de utilizare

- Hota dvs. conține un motor care are viteze diferite.
- Pentru o performanță mai bună, vă recomandăm să utilizați viteze reduse în condiții normale și viteze mari în caz de mirosuri puternice și vapori intensi.
- Puteți porni aparatul apăsând butonul de setare a vitezei dorit. (A, B, C)

- Puteți ilumina zona de gătit apăsând lampa (D).

3.4 Înlocuirea lămpii



Lampă	
Putere	3 W
Priză	E14
Voltaj	220 – 240 W
Dimensiune	35x100 mm
Codul ILCOS	D R B B / F - 3 - 2 2 0 - 240-E14-35/100
Flux de lumină	400 lm
Temperatură de culoare corespondentă	2700 K

Acest produs conține o sursă de lumină din clasa de eficiență energetică "E".



AVERTISMENT: Opriti sursa de alimentare a hotei. Lămpile vă pot arde mâinile când sunt încă fierbinți, prin urmare, așteptați să se răcească.

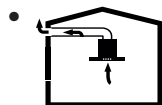
- Scoateți filtrul din aluminiu al cartușului. Scoateți lampa defectă și înlocuiți-o cu una care are aceeași valoare.

3 Utilizarea produsului



- Dacă produsul se strică sau se deteriorează, opriți siguranța sau scoateți aparatul din priză și sunați agentul de service autorizat.
 - În cazul în care cablul de alimentare este avariât, acesta trebuie să fie înlocuit de către producător, un agent service sau o persoană calificată pentru prevenirea pericolelor.
 - Închideți siguranța sau scoateți produsul din priză, dacă se strică lămpile produsului. Înlocuiți imediat lămpile stricate pentru a preveni suprasolicitarea lămpilor funcționale (așteptați mai întâi să se răcească).
- Scoateți filtrul de ulei. Pentru a instala filtrul de carbon, montați filtrul pe clapete centrându-l pe piesa din plastic de pe ambele părți ale corpului ventilatorului. Strângeți-l prin rotirea spre dreapta sau spre stânga.
 - Înlocuiți filtrul de ulei de aluminiu.

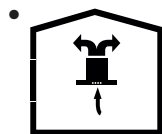
3.5 Funcționare cu racordare la tubul de evacuare



Vaporii sunt extrași prin conducta de evacuare, care este fixată pe capul de conectare de pe hotă.

- Diametrul conductei de evacuare trebuie să fie același cu cel al inelului de conectare. În setări orizontale, țeava trebuie să aibă o ușoară pantă ascendentă (aproximativ 10°), astfel încât aerul să poată ieși cu ușurință din cameră.

3.6 Funcționare fără racordare la tubul de evacuare



Aerul este filtrat prin filtrul de carbon și recirculat în cameră. Filtrul de carbon este utilizat atunci când este imposibil de utilizat un tub în casă.

- În cazul utilizării fără tub de evacuare, îndepărtați clapetele din interiorul adaptorului pentru tubul de evacuare.

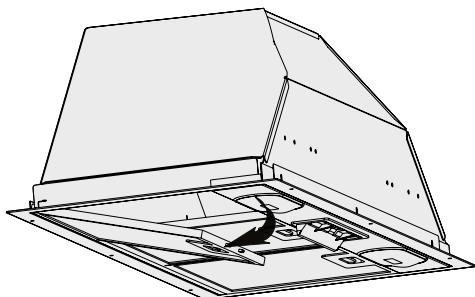
4 Curățare și mentenanță



Înainte de curățare și întreținere, deconectați produsul sau opriți întrerupătorul.

4.1 Curățarea filtrului de ulei de aluminiu

Acest filtru reține particulele de ulei din aer. Filtrele de ulei de aluminiu își pot schimba culoarea pe măsură ce sunt spălate; acest lucru este normal și nu necesită înlocuirea filtrelor de ulei de aluminiu.



- Împingeți înainte blocarea filtrului de ulei din aluminiu.
- Apoi trageți-l ușor în jos și trageți-l afară. În caz contrar, filtrul poate fi îndoit. Spălați și clătiți filtrele de ulei din aluminiu cu detergent lichid și înlocuiți filtrele de ulei din aluminiu, efectuând pașii specificați mai sus în ordine inversă. Acest filtru reține particulele de ulei din aer.



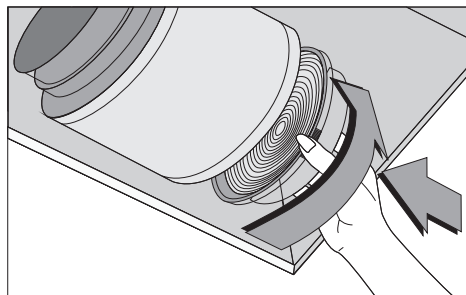
Puteți spăla filtrele de ulei de aluminiu în mașina de spălat vase.



ATENȚIE: În caz de utilizare normală, curățați filtrul o dată pe lună.

4.2 Înlocuirea filtrelor de carbon

Filtrele de îndepărtare a mirosului conțin cărbune (carbon activ). Indiferent dacă este utilizat sau nu un filtru de carbon, trebuie instalate filtrele de grăsime.



- Îndepărtați filtrul de ulei din aluminiu.
- Pentru a scoate filtrul de carbon, scoateți filtrul de carbon din carcasă rotindu-l în sens antiorar de pe clapetă.
- Instalați noul filtru de carbon.
- Atașați filtrul de ulei de aluminiu.



ATENȚIE

- Filtrul de carbon nu trebuie spălat niciodată.
- Înlocuiți filtrele de carbon o dată la 3 luni. Puteți obține filtrul de carbon de la vânzătorii autorizați.

5 Instalarea produsului



AVERTISMENT: Înainte de a începe instalarea, citiți informațiile de siguranță din Manualul utilizatorului.

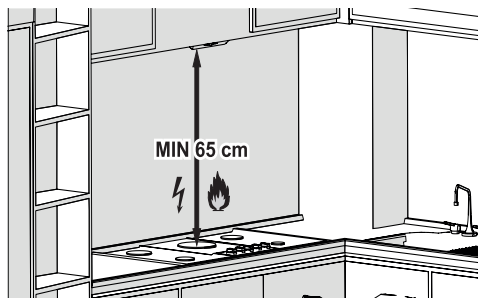


AVERTISMENT: Neinstalarea cu șuruburi și stabilizatori în conformitate cu aceste instrucțiuni poate duce la electrocutare.

Pentru instalarea hotei, vă rugăm să contactați cel mai apropiat serviciu autorizat.

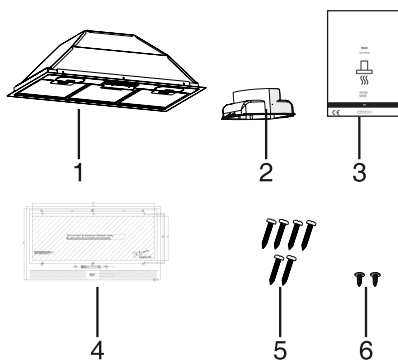
Este responsabilitatea clientului să pregătească locația și instalarea electrică a hotei.

5.1 Poziția produsului



- Distanța dintre aragaz și hotă trebuie luată în considerare înainte de asamblare. Această distanță trebuie să fie de 65 cm.
- Distanța trebuie măsurată de la suprafața grătarului pentru aragazuri pe gaz,
- de la suprafața sticlei pentru aragazuri electrice.

5.2 Conținut ambalaj



1. Hotă
2. evacuare din plastic Ø120 mm
3. Manual de utilizare
4. Draft de instalare
5. Șurub 6 x 3,9x32 (Folosit pentru instalarea hotei)
6. Șurub 3.5x9.5 (Folosit pentru instalarea evacuării din plastic)

Informațiile necesare pentru a alege locul adecvat pentru instalarea hotei sunt prezentate mai jos.

5 Instalarea produsului

5.3 Instalarea produsului



ATENȚIE: Folosiți mănuși și ochelari de protecție în timpul operațiilor de găurire și tăiere.

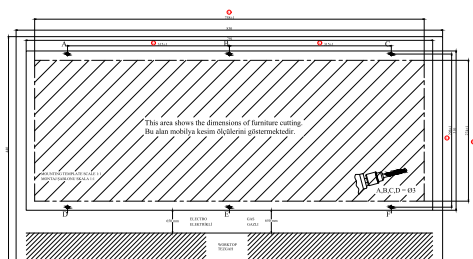


Figura 1

5.4 Efectuarea orificiilor pentru montare

- Fixați șablonul de instalare prevăzut pe suprafața unde se va face instalarea.
- Efectuați orificiile indicate pe șablonul de instalare cu A, B, C, D, E, F cu ajutorul unui bit de găurire cu diametrul de 4 mm. (Figura 1)

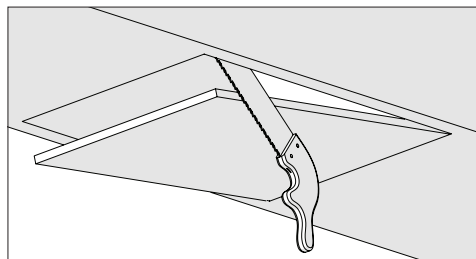


Figura 2

- Tăiați suprafața inferioară a dulapului unde va fi instalată hota la dimensiunile specificate în desenul tehnic (Figura 2).

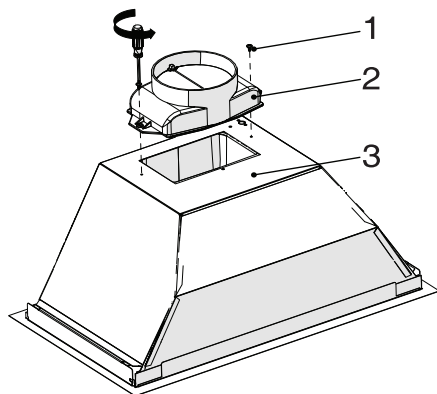


Figura 3

1. Șurub 3,5 x 9,5
 2. Evacuare de plastic Ø 120 mm
 3. Locașulștiftului vanei principale
- Atașați evacuarea din plastic pe care o găsiți în pachet la corpul aparatului folosind 2 șuruburi 3,5 x 9,5. (Figura 3)

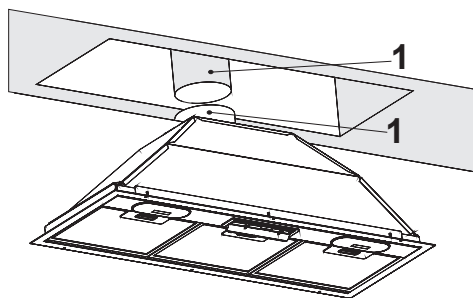


Figura 4

1. Conductă de eliminare a aerului
 2. Evacuarea aerului a hoteli
- Atașați conducta de eliminare a aerului la evacuarea aerului și fixați cu ajutorul clemei (Figura 4).

5 Instalarea produsului



ATENȚIE: Întrucât coturile evacuării din aluminiu vor cauza scăderea puterii de absorbție a aerului, utilizarea acestora trebuie evitată pe cât posibil.

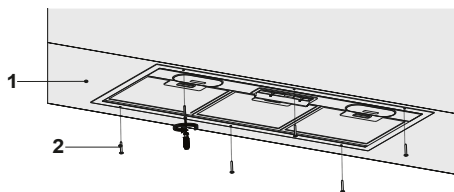


Figura 5

1. Partea inferioară a dulapului de bucătărie

2. Șurub pentru instalarea hotei 6 X 3,9X32

- Așezați hota în dulapul de bucătărie și atașați hota de cele 6 orificii de montare efectuate înainte (Figura 5)

5.5 Depozitarea

- Dacă nu doriți să utilizați produsul pentru o perioadă lungă de timp, depozitați-l cu grijă.
- Asigurați-vă că aparatul este scos din priză, răcit și uscat complet.
- Depozitați produsul într-o loc uscat și răcoros.
- Păstrați produsul într-un loc inaccesibil copiilor.

5.6 Manipulare și transport

- În timpul manipulării și transportului, transportați aparatul în ambalajul original. Ambalajul aparatului îl protejează împotriva daunelor fizice.
- Nu puneți sarcini grele pe aparat sau pe ambalaj. Aparatul poate fi deteriorat.
- Scăderea aparatului îl va face nefuncțional sau va provoca daune permanente.

6 Depanarea

Problemă	Cauză	Soluție
Produsul nu funcționează.	Verificați siguranța dvs.	Dacă siguranța dvs. este închisă, deschideți-o.
Produsul nu funcționează.	Verificați conexiunea electrică.	Tensiunea rețelei trebuie să fie între 220 și 240 V.
Produsul nu funcționează.	Verificați conexiunea electrică.	Verificați dacă și celelalte aparate din bucătărie funcționează.
Lampa de iluminare nu funcționează.	Verificați conexiunea electrică.	Tensiunea rețelei trebuie să fie între 220 și 240 V.
Lampa de iluminare nu funcționează.	Verificați comutatorul lămpii.	Comutatorul pentru lampă trebuie să fie în poziția „on” (pornit).
Lampa de iluminare nu funcționează.	Verificați becurile.	Becurile produsului nu trebuie să fie defecte.
Admisia de aer a produsului este slabă.	Verificați filtrul de aluminiu.	În condiții normale de funcționare, filtrul de ulei din aluminiu trebuie curățat cel puțin o dată pe lună.
Admisia de aer a produsului este slabă.	Verificați tubul de evacuare a aerului.	Tubul de evacuare a aerului trebuie să fie în poziția „on” (pornit).
Admisia de aer a produsului este slabă.	Verificați filtrul de carbon.	Pentru produsele cu filtre de carbon, filtrul trebuie schimbat în mod normal la fiecare 3 luni.



CERTIFICAT DE GARANȚIE

Tensiune de alimentare/frecvență: 220-240V~, 50-60Hz
Importator: ARCTIC S.A., Găești, Dâmbovița, str. 13 Decembrie nr. 210, email: office@arctic.ro

TIP: Aragaz Cuptor încorporabil Plită încorporabilă Hotă

Model / Serie:.....

VĂNZĂTOR

Nr. factură:.....Data:

Vânzător (firma, localitatea):

CUMPĂRĂTOR

NumeLocalitatea

Str.Nr.BlocSc.Et.Ap.

Județ TelefonE-mail

S-a efectuat proba de funcționare a aparatului, s-a prezentat modul de folosire, s-au predat instrucțiunile de utilizare și toate accesoriile. Am primit aparatul în perfectă stare de funcționare.

Stimați clienți,

La cumpărare vă recomandăm să solicitați efectuarea probei de funcționare și să verificați existența instrucțiunilor de utilizare și a accesoriilor.

Pentru a putea beneficia de toate avantajele produselor și serviciilor noastre vă rugăm:

- să citiți cu atenție și să respectați recomandările prezentate în "Instrucțiunile de utilizare".
- să păstrați cu grijă acest certificat pentru a-l putea prezenta (împreună cu documentul fiscal de achiziție), personalului SERVICE, la orice sesizare efectuată în perioada de garanție.

Vă mulțumim că ați optat pentru cumpărarea unui produs Beko!

Durata medie de utilizare a produsului este de 10 ani!
Perioada de garanție legală de conformitate este de 2 ani de la intrarea produsului în posesia consumatorului.

Art. 22, alin. 3-6, din L449/2003, modificata de OG 9/2016:

- (3) Timpul de nefuncționare din cauza lipsei de conformitate apărute în cadrul termenului de garanție prelungește termenul de garanție legală de conformitate și curge, după caz, din momentul la care a fost adusă la cunoștință vânzătorului lipsa de conformitate a produsului sau din momentul prezentării produsului la vânzător/unitatea de service până la aducerea produsului în stare de utilizare normală și, respectiv, al notificării în scris în vederea ridicării produsului sau predării efective a produsului către consumator.
- (4) Produsele de folosință îndelungată care înlocuiesc produsele defecte în cadrul termenului de garanție vor beneficia de un nou termen de garanție care curge de la data preschimbării produsului.
- (5) Produsele de folosință îndelungată defectate în termenul de garanție legală de conformitate, atunci când nu pot fi reparate sau când durata cumulată de nefuncționare din cauza deficiențelor apărute în termenul de garanție legală de conformitate depășește 10% din durata acestui termen, la cererea consumatorului, vor fi înlocuite de vânzător sau acesta va restitui consumatorului contravaloarea produsului respectiv.
- (6) Termenul de garanție curge de la data intrării bunului respectiv în posesia consumatorului, inclusiv pentru bunurile noi de folosință îndelungată, obținute prin tragere la sorți la tombole, câștigate la concursuri și similare sau acordate cu reducere de preț ori gratuit de către operatorii economici.

Garanția oferită de producător nu exclude garanția de vicii ascuns, conform OG 21/1992 (R2) privind protecția consumatorului și Codul Civil.



Service-ul acestui produs este asigurat de ARCTIC S.A. cu sediul în Găești, Dâmbovița, str. 13 Decembrie nr. 210. • *9010 • www.arctic.ro • www.beko.ro • e-mail: service@arctic.ro
Program Call Center: Luni - Vineri 08:30 - 20:00; Sâmbătă 08:30 - 17:00

UNITĂȚILE SERVICE ALE ARCTIC S.A. EXECUTĂ REPARAȚII ÎN TERMENUL DE GARANȚIE ȘI ÎN AFARA ACESTUIA

Nr. crt.	Data Reclamației	Data primirii în reparație	Reparat			Reparația curentă și/sau componenta înlocuită	Prelungirea termenului de garanție	Efectuarea verificării	
			Programat	Data ridicării aparatului	Cauza întârzierii			SERVICE	CLIENT

CONDIȚII DE GARANȚIE LEGALĂ DE CONFORMITATE:

Pentru orice defecțiune aparută în perioada de garanție sau post-garanție, apălați la magazinul de unde a fost achiziționat produsul sau direct la Call Center Arctic.

Prelungirea termenului de garanție se va înscrie în certificatul de garanție de către unitatea SERVICE care a efectuat reparația.

Garanția acoperă reparația și/sau înlocuirea pieselor constatate ca defecte (necauzate de consumator) de către tehnicienii Service.

Termenul de realizare a operațiilor de reparare, înlocuire sau întreținere este de 15 zile calendaristice de la data la care cumpărătorul a sesizat defecțiunea la magazinul de unde a achiziționat produsul sau direct la Call Center Arctic.

Reclamațiile referitoare la aspectele prevăzute mai jos, se rezolvă numai contra cost:

- a) nefuncționarea lămpilor de iluminare;
- b) accesoriile care nu au defecte ascunse de material constatate de tehnicienii Service;
- c) piesele și accesoriile care prezintă lovituri, zgărieturi, spărturi sau deformări.

PRODUSUL NU BENEFICIAZĂ DE GARANȚIE LEGALĂ DE CONFORMITATE ÎN URMĂTOARELE CAZURI:

1. Nu au fost respectate instrucțiunile de transport, manipulare, instalare, utilizare și întreținere prescise.
2. Subansamblurile și accesoriile casabile care se deteriorează în timpul transportului vor fi înlocuite de vânzător (în cazul în care asigură transportul).
3. Garanția nu se acordă subsansamblelor și accesoriilor casabile ale produselor care suferă deteriorări din vina consumatorului.
4. Tensiunea de alimentare are valori care nu se încadrează în limitele prevăzute de standarde (SREN 50160).
5. Instalația electrică a utilizatorului prezintă improvizații sau neconformități.
6. Produsul a fost folosit în alte scopuri decât cel pentru care a fost proiectat.
7. Produsul a suportat intervenții (reparații, modificări) din partea unor persoane neautorizate de producător.

Drepturile consumatorului sunt cele prevăzute în Legea 449/2003 (republicată) și OG 21/1992 (republicată).

În cadrul acestui proces, Arctic vă prelucrează date cu caracter personal, cu respectarea legilor aplicabile privind confidențialitatea și protecția datelor. Pentru informații complete despre modul în care vă prelucreăm datele, precum și despre drepturile dumneavoastră, vă rugăm să consultați secțiunea "Protecția datelor personale", accesând site-ul nostru la adresa <https://www.beko.ro/>.

Leia este manual do utilizador em primeiro lugar!

Prezado Cliente,

Obrigado por preferir este aparelho da Beko. Esperamos que obtenha os melhores resultados com o nosso aparelho, que foi fabricado com tecnologia avançada e de alta qualidade. Como tal, leia com atenção todo este manual do utilizador e os outros documentos que o acompanham antes de utilizar o aparelho e guarde-o como referência para uso futuro. Se passar o aparelho para outra pessoa, dê-lhe também este manual do utilizador. Siga as instruções estando atento às informações e avisos no manual do utilizador.

Lembre-se que este manual do utilizador também pode aplicar-se a outros modelos. As diferenças entre modelos são explicitamente descritas no manual.

Significados dos símbolos

Os seguintes símbolos são usados em várias secções deste manual:



Informações importantes ou dicas úteis sobre a utilização.



AVISO: Avisos para situações perigosas relativas à segurança de pessoas e bens.



Aviso sobre perigo de incêndio.



Aviso de choque elétrico.



**PAPEL RECICLADO e
RECICLÁVEL**

Este aparelho foi fabricado em instalações modernas e amigas do ambiente sem causar quaisquer danos à natureza.

1 Instruções importantes sobre segurança e meio ambiente

1.1 Segurança geral

Instruções importantes sobre a segurança, leia com cuidado e mantenha para a referência futura. Esta secção contém instruções de segurança que ajudarão a protegê-lo(a) contra o risco de incêndio, exposição a energia de micro-ondas libertada acidentalmente, ferimentos pessoais ou danos à propriedade. O não cumprimento destas instruções invalida a garantia concedida.

- Os produtos Beko estão em conformidade com as normas de segurança aplicáveis; portanto, em caso de qualquer dano no aparelho ou cabo de alimentação, deve ser reparado ou substituído pelo revendedor, centro de assistência ou por uma assistência especializada e autorizada para evitar qualquer perigo. Reparações defeituosas ou não qualificadas podem ser perigosas e constituir riscos para o utilizador.
- Este aparelho destina-se à utilização doméstica e aplicações semelhantes, como por exemplo:
 - Áreas da cozinha dos funcionários em lojas, escritórios e outros ambientes de trabalho;
 - Casas de turismo rural;
 - Por clientes em hotéis, pensões e outros tipos de ambientes residenciais;
 - Alojamentos do tipo cama e pequeno-almoço.
- Use este aparelho apenas para os fins a que se destina e tal como descrito neste manual.
- O fabricante não se responsabiliza por quaisquer danos resultantes de uma instalação incorreta ou imprópria.
- Este equipamento pode ser usado por crianças com idade de 8 anos ou mais e por pessoas com capacidades físicas, sensoriais ou mentais reduzidas ou com falta de experiência e conhecimento se forem supervisionadas ou que lhes tenha sido dada instrução a respeito da utilização do equipamento de um

1 Instruções importantes sobre segurança e meio ambiente

modo seguro e que compreendam os perigos envolvidos.

- As crianças não devem brincar com o aparelho. A limpeza e a manutenção do utilizador não devem ser realizadas por crianças sem serem supervisionadas.
- A distância mínima entre a superfície de apoio para os recipientes na placa de cozinha e a parte inferior do produto deve ser de 65 cm, no mínimo.
- Se as instruções de instalação para a placa de cozinha a gás especificarem uma distância maior, esta deve ser tida em consideração.
- Certifique-se de que a alimentação elétrica está em conformidade com as informações fornecidas na placa de dados do aparelho.
- Nunca utilize o aparelho se o cabo de alimentação ou o próprio aparelho estiverem danificados.
- Evite danos ao cabo de alimentação, evitando apertá-lo, dobrá-lo ou arrastá-lo sobre extremidades pontiagudas. Mantenha o

cabo de alimentação afastado de superfícies quentes e chamas vivas.

- Apenas utilize o aparelho numa tomada com ligação à terra.

AVISO: Não ligue o aparelho à corrente até que a instalação esteja concluída.

- Coloque o aparelho de modo a que a ficha esteja sempre acessível.
- Não toque nas lâmpadas caso tenham estado acesas durante muito tempo. Estas podem queimar as suas mãos, dado que ficam quentes.
- Siga os regulamentos estabelecidos pelas autoridades competentes relativos ao ar de exaustão (este aviso não se aplica se o aparelho for utilizado sem chaminé).
- Utilize o aparelho apenas depois de colocar um tacho, uma frigideira, etc. na placa de cozinha. Caso contrário, o calor excessivo pode deformar algumas partes do aparelho.

1 Instruções importantes sobre segurança e meio ambiente

- Desligue a placa de cozinha antes de retirar o tacho, a frigideira, etc.
- Não deixe óleo quente na placa de cozinha. As frigideiras com óleo quente podem entrar em combustão espontânea.
- Preste atenção às cortinas e tampas, pois o óleo pode incendiar-se enquanto se cozinha, por exemplo, batatas fritas.
- O filtro de gordura deve ser substituído, no mínimo, mensalmente. O filtro de carbono deve ser substituído, no mínimo, a cada 3 meses.
- O aparelho deve ser limpo de acordo com as instruções do manual do utilizador. Pode existir perigo de incêndio caso a limpeza não seja realizada de acordo com as instruções do manual do utilizador.
- Não utilize materiais de filtração que não sejam resistentes ao fogo além do filtro atual.
- Utilize apenas as peças originais ou peças recomendadas pelo fabricante.
- Não utilize o aparelho sem o filtro e não retire os filtros durante o funcionamento do aparelho.
- No caso de deflagrar uma chama, corte a alimentação elétrica do aparelho e dos eletrodomésticos.
- No caso de deflagrar uma chama, cubra-a e nunca use água para extingui-la.
- Desligue o aparelho antes de cada limpeza e quando este não estiver a ser utilizado.
- A pressão negativa no ambiente não deverá exceder 4 Pa (4 x 10 bar) enquanto o exaustor para a placa de cozinha elétrica e os aparelhos alimentados por outro tipo de energia além da eletricidade estiverem a funcionar em simultâneo.
- No ambiente em que o aparelho está a ser utilizado, a exaustão dos dispositivos que funcionam a óleo combustível ou gás, como é o caso dos aquecedores, deverá ficar totalmente isolada. Caso contrário, o aparelho terá de ser de tipo hermético.

1 Instruções importantes sobre segurança e meio ambiente

- Ao fazer a ligação à chaminé, utilize tubos com 120 ou 150 mm de diâmetro. A ligação do tubo deve ser o mais curta possível e ter o menor número de curvas possível.

Perigo de asfixia! Mantenha todos os materiais da embalagem afastados das crianças.

ATENÇÃO: Partes acessíveis podem ficar quentes quando utilizadas com aparelhos de cozinha.

- A saída do exaustor não pode estar ligada aos canais de ar que incluem outros fumos.
- A ventilação na divisão poderá ser insuficiente quando se utilizar o exaustor para a placa de cozinha elétrica simultaneamente com os dispositivos que funcionam a gás ou outros combustíveis (isto poderá não se aplicar aos aparelhos que apenas fazem o retorno do ar para a divisão).
- Os objetos colocados em cima do aparelho podem cair. Não coloque quaisquer objetos em cima do aparelho.
- Não flambeie debaixo do aparelho.

AVISO: Remova as películas protetoras antes de instalar a Placa de cozinha.

- Nunca deixe chamas vivas altas sob o exaustor quando este estiver em funcionamento
- Mantenha as fritadeiras sob controlo durante a utilização: o óleo sobreaquecido pode inflamar-se.

1.2 Conformidade com a Diretiva REEE e eliminação do produto residual:

Este produto está em conformidade com a Diretiva REEE da UE (2012/19/UE). Este produto traz um símbolo de classificação para reciclagem de equipamentos elétricos e eletrónicos (REEE).



Este símbolo indica que o produto não deve ser eliminado juntamente com o lixo doméstico no fim da sua vida útil.

Os aparelhos usados devem ser levados para um ponto de recolha oficial para a reciclagem de aparelhos elétricos e eletrónicos. Para encontrar estes sistemas de recolha, entre em contacto com as autoridades locais ou com o revendedor através do qual adquiriu o produto. Cada domicílio desempenha um papel fundamental na recolha e reciclagem de aparelhos antigos. A eliminação correta de aparelhos usados ajuda a prevenir potenciais efeitos negativos ao meio ambiente e à saúde humana.

1 Instruções importantes sobre segurança e meio ambiente

1.3 Conformidade com a Diretiva RoHS

O produto adquirido está em conformidade com a Diretiva RoHS da UE (2011/65/UE). Não contém materiais prejudiciais ou proibidos especificados na Diretiva.

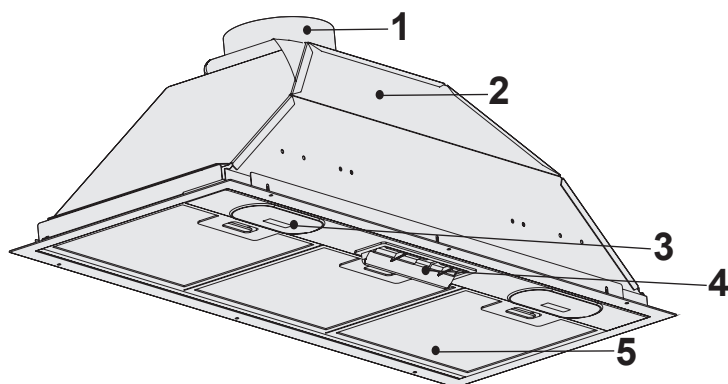
1.4 Informação de embalagem



Os materiais para embalagem do produto são fabricados a partir de materiais recicláveis, em conformidade com a nossa Regulamentação Nacional do Ambiente. Não elimine os materiais da embalagem juntamente com os resíduos domésticos ou outros tipos de resíduos. Leve-os para os pontos de recolha de materiais de embalagem designados pelas autoridades locais.

2 Aparência geral

2.1 Visão geral

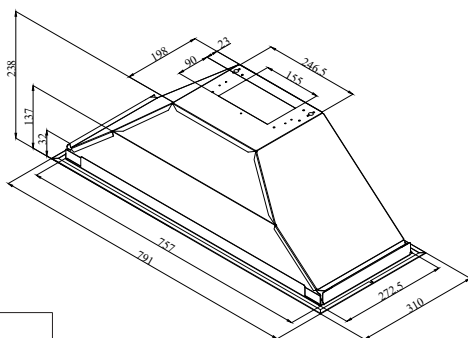


Controle e peças

1. Condução de exaustão de ar
2. Corpo
3. Iluminação do fogão
4. Painel de controle
5. Filtro de óleo

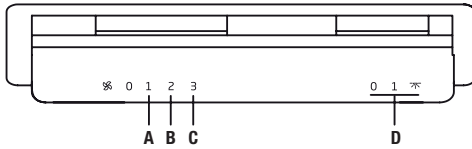
2.2 Dados técnicos

Modelo	HNU71311S
Tensão de alimentação	220-240V ~ 50 Hz
Potência da lâmpada	2x3 W
Potência do Motor	1x185 W
Fluxo de ar - 3. Nível	415 m³/h
Classe de isolamento de motor	Classe F
Classe de isolamento	Classe I



3 Utilização do aparelho

3.1 Utilização do aparelho



- Coloque o interruptor de luz na posição “0” para desligar a lâmpada.
- Coloque o interruptor de luz na posição “1” para ligar a lâmpada.
- Coloque o interruptor de luz na posição “0” para desligar o motor.
- Pode utilizar o motor no mínimo no nível de velocidade 1 e no máximo no nível de velocidade 3 de acordo com a densidade do vapor do cozinhado.

3.2 Utilização eficiente em termos de Poupança de Energia

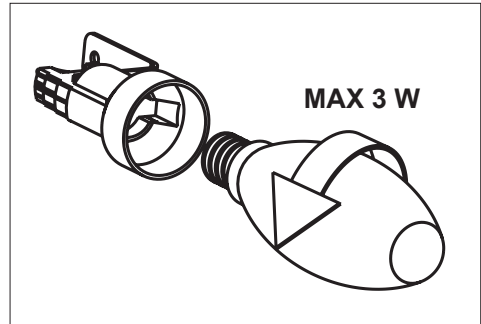
- Quando usar o seu aparelho, ajustar as definições da velocidade de acordo com a intensidade de vapor e de odor, de modo a economizar energia.
- Usar as velocidades reduzidas (2-1) em condições normais e a velocidade mais elevada (3) com vapor e odor intensos.
- As lâmpadas no exaustor são colocadas para iluminar a zona de cozedura.
- Se usar as mesmas para iluminação ambiente irá provocar consumo desnecessário de energia e iluminação insuficiente.

3.3 Funcionamento do exaustor

- O seu aparelho inclui um motor com várias velocidades.
- Para um melhor desempenho, recomendamos usar velocidades reduzidas em condições normais e velocidades elevadas no caso de odores fortes e de vapor intenso.

- Pode começar a usar o seu aparelho premindo no botão de definição da velocidade pretendida. (A, B, C)
- Pode iluminar a zona de cozedura premindo a lâmpada. (D)

3.4 Substituição da lâmpada



Luminária	
Poder	3 W
Soquete	E14
Voltagem	220 – 240 W
Dimensão	35x100 mm
Código ILCOS	D R B B / F - 3 - 2 2 0 - 240-E14-35/100
Fluxo luminoso	400 lm
Temperatura de cor relacionada	2700 K

Este produto contém uma fonte de luz com a classe de eficiência energética “E”.

- Remova o filtro do cartucho de alumínio. Remova a lâmpada fundida e substitua-a por uma com o mesmo valor.

3 Utilização do aparelho

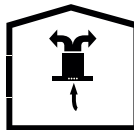


AVISO: Corte a alimentação do exaustor. As lâmpadas podem queimar as suas mãos se estiverem quentes, por isso, aguarde que arrefeçam.



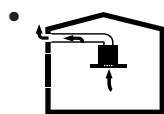
- Se o aparelho se partir ou ficar danificado, desligue o fusível ou retire da tomada a ficha do aparelho e contacte o agente de serviço autorizado.
- Se o cabo de alimentação estiver danificado, tem de ser substituído pelo fabricante, pelo agente de serviço ou por uma pessoa igualmente qualificada para evitar perigos.
- Desligue o fusível ou retire da tomada a ficha do aparelho no caso de as lâmpadas do aparelho se partirem. Substitua imediatamente as lâmpadas fundidas para evitar a sobrecarga de outras lâmpadas (aguarde primeiro que as lâmpadas arrefeçam).

3.6 Funcionamento sem ligação à chaminé



- O ar filtrado através do filtro de carvão e recirculado no espaço. O filtro de carvão é usado quando é impossível usar uma Chaminé dentro de casa.
- Na Chaminé com pouco uso, remover as abas no interior do adaptador da mesma.
- Retirar o filtro de gordura em alumínio. Para instalar o filtro de carvão, encaixar o filtro nas guias centrando o mesmo na peça de plástico nos dois lados da estrutura da ventoinha. Apertar o mesmo rodando-o para a direita ou para a esquerda.
- Voltar a colocar o filtro de gordura em alumínio.

3.5 Funcionamento com ligação à chaminé



- O vapor é extraído através da conduta da chaminé, que é fixada à cabeça de ligação no exaustor.
- O diâmetro da conduta da chaminé tem de ser o mesmo do anel de ligação. Nas definições horizontais, o tubo tem de ter uma ligeira inclinação para cima (cerca de 10°) de modo a que o ar possa sair facilmente do espaço.

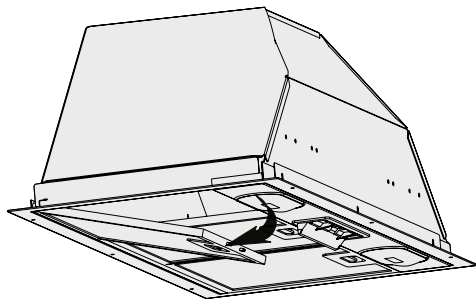
4 Limpeza e manutenção



Antes de efetuar a limpeza e a manutenção, desligar o produto ou desligar o interruptor.

4.1 Limpeza do filtro de gordura em alumínio

Este filtro retém as partículas do óleo existentes no ar. Os filtros de gordura em alumínio podem mudar de cor à medida que vão sendo lavados, isto é normal e não exige a substituição dos seus filtros de gordura em alumínio.



- Empurrar para a frente o fecho do filtro de gordura em alumínio.
- Seguidamente, puxar o mesmo para baixo e remover. Caso contrário, pode dobrar o filtro. Lavar e enxaguar os filtros de gordura em alumínio com líquido com detergente e voltar a colocar os mesmos nas tomadas respetivas realizando os passos acima na ordem inversa. Este filtro retém as partículas do óleo existentes no ar.



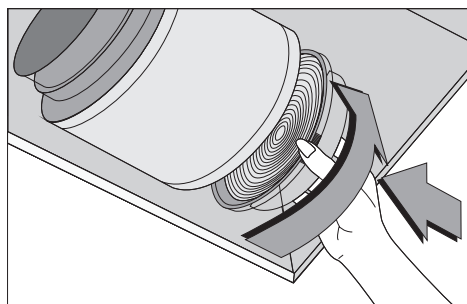
Pode lavar o filtro de gordura em alumínio na máquina de lavar loiça.



CUIDADO: Com uma utilização normal, limpar o filtro do óleo uma vez por mês.

4.2 Substituição dos filtros de carvão

Is filtros de eliminação de odores contêm carvão (Carvão ativo). Os filtros do óleo têm de ser instalados no produto, independentemente se forem usados filtros de carvão ou não.



Retira o filtro de gorduras em alumínio

- Para remover o filtro de carvão, remover o mesmo do respetivo compartimento rodando-o no sentido anti-horário a partir da guia
- Instalar o novo filtro de carvão.
- Instalar o filtro de gordura em alumínio

CUIDADO



- O filtro de carvão nunca deve ser lavado.
- Substituir os filtros de carvão uma vez em cada 3 meses.
- Pode obter o filtro de carvão nos revendedores autorizados.

5 Instalação do aparelho



ADVERTÊNCIA: Antes de iniciar a instalação, deve ler a informação de segurança no Manual do Utilizador.

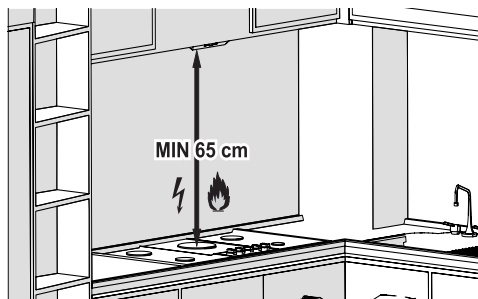


ADVERTÊNCIA: Não instalar com parafusos e estabilizadores de acordo com estas instruções pode resultar em choque elétrico.

Para instalar o exaustor, deve contactar o Serviço Autorizado mais próximo.

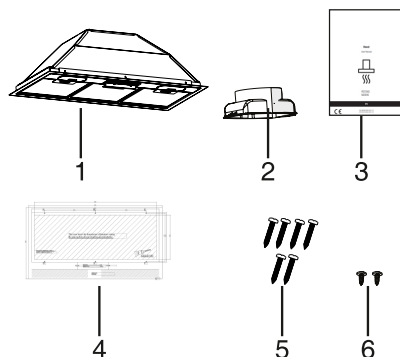
É da responsabilidade do cliente preparar a localização e a instalação elétrica do exaustor.

5.1 Posição do aparelho



- A distância entre o fogão e o exaustor tem de ser considerada antes da montagem.. Esta distância deve ser de 65 cm.
- A distância tem de ser medida a partir da superfície da grelha para os fogões a gás,
- a partir da superfície de vidro para os fogões elétricos.

5.2 Conteúdo da embalagem



1. Exaustor
2. Chaminé de plástico de Ø120 mm
3. Manual do utilizador
4. Projeto de instalação
5. Parafuso 6 x 3,9x32 (utilizado para instalação do exaustor)
6. Parafuso 3,5x9,5 (utilizado para instalação da chaminé de plástico)

A informação necessária para fazer a localização adequada para a instalação do aparelho é indicada abaixo.

5.3 Instalação do aparelho



ATENÇÃO: Use luvas e óculos de proteção durante as operações de perfuração e corte.

5 Instalação do aparelho

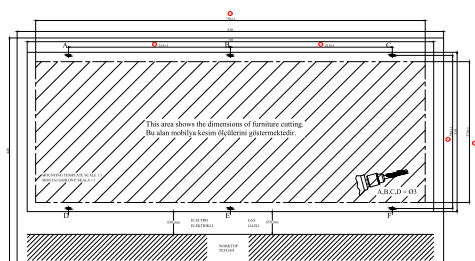


Figura 15.4 Fazer furos para a montagem

- Siga o modelo de instalação fornecido com o aparelho na superfície onde vai ser feita a instalação.
- Faça os furos indicados no projeto de instalação com A, B, C, D, E e F e utilize brocas de 4 mm de diâmetro. (Figura 1)

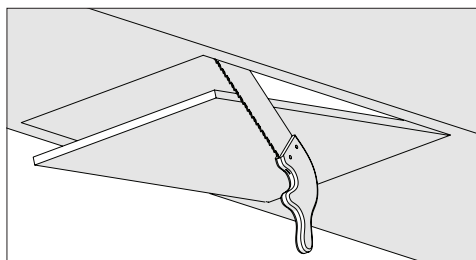


Figura 2

- Corte a parte inferior do armário onde será instalado o exaustor, com as dimensões especificadas no desenho técnico (Figura 2).

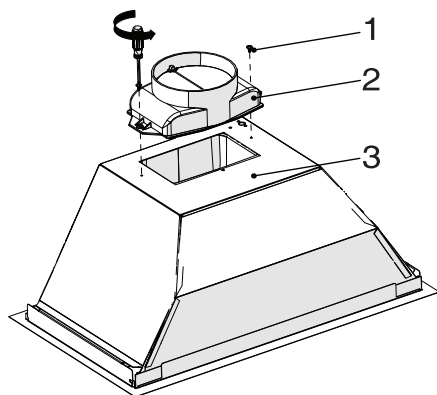


Figura 3

1. Parafuso 3,5 X 9,5
 2. Chaminé de plástico de Ø120 mm
 3. Conector de pinos da válvulo corpo
- Encaixe a chaminé de plástico contida na embalagem ao corpo do aparelho utilizando 2 parafusos 3,5 X 9,5. Não fricção contra a superfície. (Figura 3)

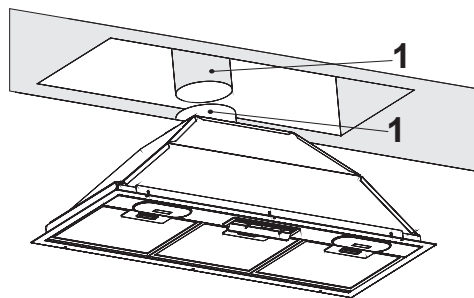


Figura 4

1. Tubo de saída de ar
 2. Chaminé da saída de ar do exaustor
- Encaixe o tubo de saída de ar à chaminé da saída de ar e aperte com uma braçadeira (Figura 4).

5 Instalação do aparelho



ATENÇÃO: Como as curvas e os cotovelos no tubo de alumínio vão diminuir o poder de sucção do ar, deve evitar-se utilizá-los o máximo possível.

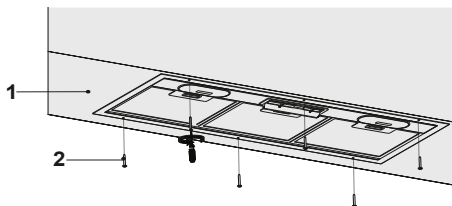


Figura 5

1. Vista de baixo do armário de cozinha
 2. Parafuso de instalação do exaustor 6 X 3,9X32
- Coloque o exaustor no armário de cozinha e encaixe o exaustor nos 6 orifícios de instalação perfurados anteriormente (Figura 5).

5.5 Armazenamento

- Se não pretender usar o aparelho durante um período de tempo longo, armazená-lo cuidadosamente.
- Deve assegurar que o aparelho está desligado, arrefecido e totalmente seco.
- Armazenar o aparelho num espaço bem ventilado e seco.
- Manter o aparelho fora do alcance das crianças.

5.6 Manuseio e transporte

- Durante o manuseamento e transporte, levar o aparelho na embalagem original. A embalagem do aparelho protege-o contra danos físicos.
- Não colocar cargas pesadas sobre o aparelho ou sobre a embalagem. O aparelho pode ficar danificado.
- Deixar cair o aparelho irá torná-lo inoperacional ou causar danos permanentes.

6 Resolução de problemas

Resolução de problemas	Razão	Ajuda
O produto não funciona.	Verificar os fusíveis.	O fusível pode estar desativado, ative-o.
O produto não funciona.	Verificar a instalação elétrica.	A tensão de rede deve ser entre 220 e 240 V.
O produto não funciona.	Verificar a instalação elétrica.	Verificar se outros produtos na cozinha estão a funcionar ou não.
A lâmpada de iluminação não funciona.	Verificar a instalação elétrica.	A tensão de rede deve ser entre 220 e 240 V.
A lâmpada de iluminação não funciona.	Verificar o interruptor da lâmpada.	O interruptor da lâmpada deve estar na posição "ligado".
A lâmpada de iluminação não funciona.	Verificar as lâmpadas.	As lâmpadas do produto não devem estar avariadas.
A entrada de ar do produto é fraca.	Verificar o filtro de alumínio.	O filtro de óleo de alumínio deve ser limpo pelo menos uma vez por mês em condições normais.
A entrada de ar do produto é fraca.	Verificar a conduta de saída de ar.	O interruptor da conduta de saída de ar deve estar na posição "ligado".
A entrada de ar do produto é fraca.	Verificar o filtro de carvão.	Para produtos com filtros de carvão, normalmente o filtro deve ser trocado a cada 3 meses.



**Contacte a assistência técnica:
707 014 192 / 215 557 319**

CONDIÇÕES DE GARANTIA - PORTUGAL

Este certificado cobre a garantia de reparação do seu eletrodoméstico por dois anos a contar da data de compra, contra defeitos de funcionamento provenientes do fabrico ou dos materiais; ou de substituição do dispositivo, a menos que uma dessas opções seja impossível ou desproporcionada em relação à outra. Quando detetar um defeito ou anomalia no aparelho entre imediatamente em contacto connosco, existe um prazo limite de dois meses para nos informar sobre a falta de conformidade. O valor da deslocação está incluído na reparação, com exceção de pequenos aparelhos que podem ser transportados para a oficina do serviço oficial da marca. Em caso de substituição, o período de garantia fica suspenso e o aparelho irá manter o prazo de validade do aparelho substituído e no mínimo 6 meses de garantia.

Esta garantia só será válida se a fatura, recibo de venda ou a entrega do produto em questão for posterior à data da fatura. Esta garantia é válida em território espanhol e português para aparelhos distribuído pela Beko Electronics Espanha SL. A garantia só é válida para o primeiro comprador ou adquirente do produto. A garantia é válida para dispositivos adaptados às condições climáticas e ambientais em que se situam.

EXCLUSÕES DA GARANTIA

O custo da reparação será pago pelo utilizador nos seguintes casos:

- Aparelhos utilizados para uso profissional ou não exclusivamente doméstico, em estabelecimentos comerciais, industriais ou públicos.
- O equipamento desmontado ou adulterado por alguém que não seja expressamente autorizado pelos serviços técnicos.
- A instalação, transporte, substituição de equipamento, colocação em funcionamento, alteração do sentido das portas.
- Intervenções de manutenção ou informações sobre a utilização dos aparelhos.
- Alteração de injetores em aparelhos a gás.
- As avarias causadas pela falta de manutenção ou limpeza, ou aquelas causadas por um uso inadequado, sobrecarga, abandono ou de forma a não respeitar as instruções de uso ou instalação dos aparelhos.
- As avarias provocadas por causas acidentais, sinistros de força maior ou resultantes de instalação inadequada e em geral, avarias por razões não relacionadas com o produto.
- As avarias causadas por ligações que podem apresentar flutuações, irregularidades ou falta de uniformidade no fornecimento, por exemplo: abastecimento de água, impulsionado por pressão, energia solar, energia eólica, geradores de energia elétrica ou outro tipo de fornecimento não-padrão.
- Os materiais quebrados ou danificados por desgaste ou uso não normal do aparelho, ou consumíveis tais como: juntas, plásticos, borracha, correias, vidros, pincéis, lâmpadas, asas, puxadores, tampas de queimadores, filtros, grades, etc.
- Os aparelhos que apresentem oxidação, ou danos por corrosão em esmaltes ou tintas, que possam ter sido causados por efeitos químicos ou eletroquímicos da água ou de qualquer outra substância, ou aceleradas por circunstâncias ambientais ou climáticas não propícias.
- Defeitos estéticos em serigrafia ou pintura.
- Os danos causados por transporte ou manuseio, colisões, etc.
- Os aparelhos devem ser instalados de forma acessível em caso de reparação e o utilizador deve assumir os custos necessários para aceder ao aparelho para reparação e substituição.

As marcas BEKO, ALTUS, BLOMBERG, y GRUNDIG são distribuídas por Beko Electronics Espanha S.L.

DADOS DO APARELHO (a ser preenchido pelo Distribuidor):

Detentor:		Carimbo do estabelecimento:
Modelo:	N.º série:	
Estabelecimento:	Data de compra:	

O fiador e o importador do seu eletrodoméstico é: BEKO ELECTRONICS ESPAÑA S.L. Calle Provenza nº 388 3º Barcelona 08025, Espana. O produto foi fabricado por ARÇELIK A.S (Arçelik A.S.Sütluce Karaağaç Cad. No:2-6 34445 Beyoglu, Istanbul, Turquia) ou o Arctic S.A. (210, 13 Decembrie St., 135200, Gaesti, Dambovitã, Romania.

Conheça-nos melhor na nossa página: www.beko.com Conserve este documento, é importante para si.

¡Lea el manual de usuario antes de utilizar el aparato!



Estimado cliente:

Gracias por elegir un aparato Beko. Esperamos que obtenga los mejores resultados de su aparato, ya que ha sido fabricado con gran calidad y con tecnología de última generación. Por esta razón, le aconsejamos que lea este manual de usuario y todos los demás documentos adjuntos con atención antes de utilizar el aparato y que los guarde para futuras consultas. Si entrega este aparato a otra persona, proporcionele también el manual de usuario. Siga las instrucciones prestando especial atención a toda la información y advertencias incluidas en el manual de usuario.

Recuerde que este manual de usuario también puede servir para otros modelos. En el manual se describen las diferencias entre los modelos explícitamente.

Significado de los símbolos

Los siguientes símbolos se usan en las diversas secciones del presente manual de usuario:

	Información importante y consejos útiles sobre su uso.
	ADVERTENCIA: Advertencias de situaciones peligrosas sobre la seguridad de las personas y la propiedad.
	ADVERTENCIA: Advertencia de peligro de incendio.
	ADVERTENCIA: Advertencia sobre posibles descargas eléctricas.



Este aparato se ha fabricado en plantas de fabricación modernas y que hacen uso de procesos respetuosos con el medio ambiente.

1 Instrucciones importantes para la seguridad y el medio ambiente

1.1 Seguridad general

Lea las instrucciones importantes de seguridad y guárdelas para su futura consulta

Esta sección contiene instrucciones de seguridad que ayudarán a la protección contra los riesgos de incendio, descargas eléctricas, exposición a la energía de microondas, lesiones personales o daño a la propiedad. El incumplimiento de estas instrucciones anulará cualquier tipo de garantía.

- Los productos Beko cumplen con todas las normas de seguridad aplicables; por ello, si el cable o el aparato presentan daños, deberán ser reparados o sustituidos por el distribuidor, un servicio técnico o una persona cualificada y autorizada para evitar cualquier peligro. Los trabajos de reparación deficientes o realizados por personal no cualificado puede ser peligrosos y entrañar riesgos para el usuario.
- Este aparato está destinado al uso doméstico y aplicaciones parecidas, como por ejemplo:

- Cocinas para uso del personal de tiendas, oficinas y otros entornos laborales;
- Casa rurales;
- Por clientes en hoteles o cualquier otro tipo de entorno residencial;
- Entornos de tipo «Habitación y desayuno» (Bed and Breakfast).
- Utilice este aparato únicamente para su uso previsto, tal como se describe en este manual.
- El fabricante no se hace responsable de los daños provocados por una instalación incorrecta o un uso inapropiado del producto.
- Este aparato puede ser utilizado por niños mayores de 8 años y por personas con capacidades físicas, sensoriales o mentales reducidas o con falta de experiencia y conocimientos, siempre que estén bajo supervisión o hayan recibido instrucciones pertinentes sobre el uso del aparato de manera segura y comprendan los peligros que conlleva.

1 Instrucciones importantes para la seguridad y el medio ambiente

- No deje que los niños jueguen con el aparato. La limpieza y mantenimiento del usuario no deben ser realizados por niños sin supervisión.
 - La distancia mínima entre la superficie de soporte de los recipientes para cocinar en los fogones y la parte más baja de su aparato debe ser de al menos 65 cm.
 - Si en las instrucciones de instalación de la placa de gas se indica una distancia superior, deberá tenerse en cuenta este hecho.
 - Asegúrese de que la fuente de alimentación cumpla con la información que se indica en la placa de datos del aparato.
 - Nunca utilice el aparato si está dañado el cable de alimentación o el mismo aparato.
 - Evite daños al cable procurando que no sufra tirones, no se doble y no roce con bordes afilados para evitar dañarlo. Mantenga el cable de corriente alejado de superficies calientes y llamas descubiertas.
 - Use el aparato únicamente con un enchufe con toma a tierra.
- ADVERTENCIA:** No conecte el aparato a la red eléctrica antes de que la instalación se haya realizado por completo.
- Coloque siempre el aparato de forma que el enchufe quede a mano.
 - No toque las lámparas si han estado en funcionamiento durante mucho tiempo. Pueden ocasionar quemaduras en las manos ya que estarán calientes.
 - Siga las normas establecidas por las autoridades competentes para la descarga del aire de salida (esta advertencia no es aplicable sin la conexión de la chimenea).
 - Encienda el aparato después de colocar una olla, una sartén, etc, en los fogones. De lo contrario, las altas temperaturas pueden provocar deformaciones en algunas partes del aparato.
 - Apague los fogones antes de retirar las ollas, los sartenes, etc.

1 Instrucciones importantes para la seguridad y el medio ambiente

- No deje aceite caliente en los fogones. Las sartenes con aceite caliente pueden ocasionar auto-combustión.
- Preste atención a las cortinas y los estores, ya que, al cocinar platos como patatas fritas, el aceite puede originar un incendio.
- El filtro antigrasa se debe reemplazar por lo menos una vez al mes. El filtro de carbón se debe reemplazar por lo menos cada 3 meses.
- El producto se debe limpiar siguiendo las instrucciones del manual de usuario. Si la limpieza no se ha llevado a cabo siguiendo el manual de usuario, puede haber riesgo de incendio.
- No use materiales filtrantes que no resistan el fuego en vez del filtro actual.
- Utilice únicamente accesorios originales o bien los que recomienda el fabricante.
- No use el aparato sin el filtro y no retire los filtros mientras el aparato esté en funcionamiento.
- En caso de fuego, desactive su producto y los aparatos de cocina.
- En caso de fuego, cubra la llama y nunca utilice agua para apagarlo.
- Desenchufe el aparato antes de cada limpieza y cuando no esté en uso.
- La presión negativa de la estancia no debe superar los 4 Pa (4 x 10 bar) cuando la campana para una placa eléctrica funcione simultáneamente con dispositivos de otro tipo de energía excepto la electricidad.
- En la estancia en donde se encuentra el aparato, el escape de equipos de combustible o gas, como calefactores, deben ser herméticos o estar absolutamente aislados.
- Para la conexión de la chimenea, use tuberías de 120 o 150 mm de diámetro. La conexión de las tuberías debe ser lo más corta posible y tener la menor cantidad de codos de tubería.

1 Instrucciones importantes para la seguridad y el medio ambiente

- ¡Peligro de descarga eléctrica! Mantenga todos los materiales de embalaje alejados de los niños.

PRECAUCIÓN: Las partes accesibles pueden alcanzar temperaturas elevadas al usarse con cocinas.

- El canal de salida del aparato no debe estar conectado a canales de aire por los que pasan humo.
- La ventilación de la estancia puede ser insuficiente cuando la campana extractora para placas eléctricas se utiliza al mismo tiempo que los aparatos que funcionan con gas u otros combustibles (esto puede no ser aplicable a los aparatos que solamente descargan el aire de nuevo en la estancia).
- Los objetos colocados encima del producto pueden caerse. No coloque ningún objeto encima del aparato.
- No flambear debajo del aparato.

ADVERTENCIA: Antes de instalar la campana, retire las películas protectoras.

- No dejar llamas altas descubiertas debajo de la campana extractora cuando está en funcionamiento
- Las freidoras se deberán vigilar continuamente durante su utilización: el aceite sobrecalentado es inflamable.

1.2 De conformidad con la Directiva RAEE y eliminación del producto al final de su vida útil:

Este producto cumple con la Directiva RAEE de la UE (2012/19/UE). Este producto lleva un símbolo de clasificación de residuos de aparatos eléctricos y electrónicos (RAEE).



Este símbolo indica que este producto no debe eliminarse con otros residuos domésticos al final de su vida útil. El aparato usado debe ser devuelto al punto de recogida oficial para el reciclaje de aparatos eléctricos y electrónicos. Para encontrar estos sistemas de recogida, por favor, póngase en contacto con las autoridades locales o con el distribuidor donde se compró el producto. Cada hogar desempeña un papel importante en la recuperación y el reciclaje de los aparatos viejos. La eliminación adecuada de los aparatos usados ayuda a prevenir las posibles consecuencias negativas para el medio ambiente y la salud humana.

1

Instrucciones importantes para la seguridad y el medio ambiente

1.3 Conformidad con la Directiva RoHS

El producto que ha adquirido cumple con la Directiva RoHS de la UE (2011/65/UE). No contiene materiales peligrosos ni prohibidos especificados en la Directiva.

1.4 Información sobre el embalaje

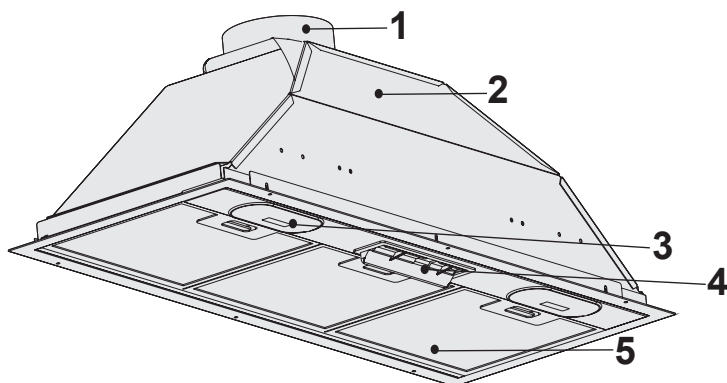


Los materiales de embalaje del producto están fabricados con materiales reciclables de acuerdo con nuestra Normativa Medioambiental Nacional.

No deseche los materiales de embalaje junto con los residuos domésticos o de otro tipo. Llévelos a los puntos de recogida de material de embalaje designados por las autoridades locales.

2 Apariencia general

2.1 Información general

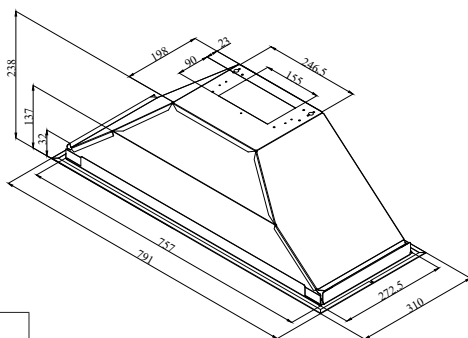


Control y piezas

1. Salida de humos de aire
2. Cuerpo
3. Iluminación de la encimera
4. Panel de control
5. Filtro de aceite

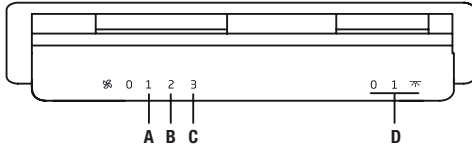
2.2 Datos técnicos

Modelo	HNU71311S
Voltaje de suministro	220-240V ~ 50 Hz
Potencia de la lámpara	2x3 W
Potencia del motor	1x185 W
Flujo de aire - 3. Nivel	415 m ³ /h
Clase de aislamiento del motor	Clase F
Tipo de aislamiento	Clase I



3 Uso del aparato

3.1 Uso del aparato



- Coloque el interruptor de la lámpara en la posición "0" para apagar la lámpara.
- Coloque el interruptor de la lámpara en la posición "1" para encender la lámpara.
- Coloque el interruptor del motor en la posición "0" para apagar el motor.
- Puede accionar el motor en el primer nivel de velocidad (mínimo) y en el tercer nivel de velocidad (máximo) dependiendo de la densidad del vapor de la cocina.

3.2 Funcionamiento eficiente y ahorro de energía uso

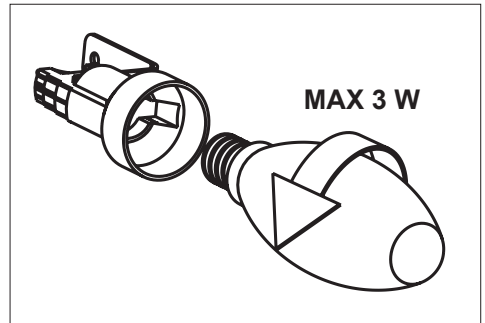
- Al utilizar su campana, ajuste la velocidad de acuerdo a la cantidad de vapores y olores existentes, para así ahorrar energía.
- Utilice velocidades bajas (1-2) en condiciones normales, y velocidades altas (3) para el olor y el vapor intensos.
- Las lámparas en la campana son colocadas para iluminar la superficie donde se cocina.
- Al usarlas como luces de ambientación se desperdiciará energía innecesariamente y dará una luz insuficiente.

3.3 Instrucciones de funcionamiento

- Su campana contiene un motor con varias velocidades.
- Para un mejor rendimiento, recomendamos utilizar velocidades bajas en condiciones normales y velocidades altas en casos de olores fuertes y vapor intenso.

- Puede iniciar su campana pulsando el botón de la velocidad deseada. (A, B, C)
- Puede iluminar el área de cocción presionando la lámpara (D).

3.4 Reemplazo de la lámpara



Lámpara	
Poder	3 W
Enchufe	E14
Voltaje	220 – 240 W
Dimensión	35x100 mm
Código ILCOS	D R B B / F - 3 - 2 2 0 - 240-E14-35/100
Flujo luminoso	400 lm
Temperatura de color correlativa	2700 K

Este producto dispone de una fuente luminosa de clase de eficiencia energética "E".

- Retire el filtro de cartucho de aluminio. Retire la lámpara defectuosa y reemplácela por una nueva del mismo valor.

3 Uso del aparato

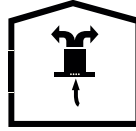


ADVERTENCIA: Corte el suministro de electricidad de la campana. Las lámparas pueden causar quemaduras en las manos mientras estén calientes, así que espere a que se enfríen.



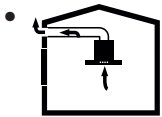
- Si el aparato se rompe o se daña, apague el fusible o desenchufe el aparato y llame al servicio técnico autorizado.
- Si el cable de alimentación presenta daños, deberá ser sustituido por el fabricante, su agente del servicio técnico o por personal cualificado para evitar cualquier peligro.
- Apague el fusible o desenchufe el aparato en caso de avería de las lámparas del aparato. Reemplace de inmediato las lámparas defectuosas para evitar que otras lámparas se sobrecarguen (espere a que las lámparas se enfríen primero).

3.6 Funcionamiento sin conexión al conducto



- El aire se filtra a través del filtro de carbón y circula en la habitación. El filtro de carbón se utiliza cuando es imposible utilizar un conducto para humos en casa.
- Si el funcionamiento es sin conducto, quite las tapas dentro del adaptador del conducto.
 - Retire el filtro de aceite. Para instalar el filtro de carbón, colóquelo en las pestañas centrándolo en la pieza de plástico a ambos lados del cuerpo del ventilador. Apriételo girando a la derecha o a la izquierda.
 - Reemplace el filtro de aceite.

3.6 Funcionamiento con conexión al conducto



- El vapor se extrae a través del conducto de humo, que está sujeto a la cabeza de conexión en la campana.
- El diámetro del conducto de humos debe ser el mismo que el del anillo de conexión. En los entornos horizontales, el tubo tiene que tener una ligera inclinación hacia arriba (alrededor de 10°) para que el aire pueda salir fácilmente de la habitación.

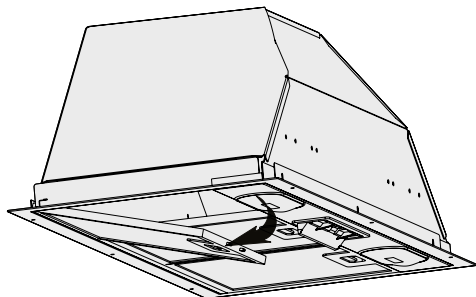
4 Limpieza y mantenimiento



Antes de la limpieza y el mantenimiento, desenchufe el producto o apague el interruptor.

4.1 Limpieza del filtro de aceite de aluminio

Este filtro retiene las partículas de aceite en el aire. Los filtros de aceite de aluminio pueden cambiar de color al ser lavados; esto es normal y no requiere la sustitución de los mismos.



- Empuje el cierre del filtro de aceite de aluminio hacia adelante.
- Luego tire ligeramente hacia abajo y sáquelo. De lo contrario, puede doblar el filtro. Lave y enjuague los filtros de aceite de aluminio con detergente líquido y reemplace los filtros de aceite de aluminio realizando los pasos especificados anteriormente en orden inverso. Este filtro retiene las partículas de aceite en el aire.



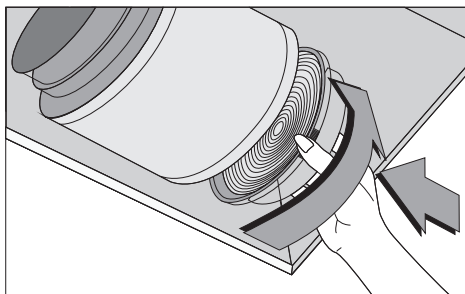
Puede lavar sus filtros de aceite de aluminio en el lavavajillas.



PRECAUCIÓN: En caso de uso normal, limpie su filtro una vez al mes.

4.2 Sustitución de los filtros de carbón

Los filtros de eliminación de olores contienen carbón (carbón activo). Los filtros de grasa deben estar instalados en el producto, sin importar si se utilizan filtros de carbón o no.



- Retire el filtro de aceite de aluminio.
- Para retirar el filtro de carbón, sáquelo de su alojamiento girándolo en sentido contrario a las agujas del reloj desde la pestaña.
- Instale el nuevo filtro de carbón.
- Instale el filtro de aceite de aluminio.

PRECAUCIÓN



- El filtro de carbón nunca será lavado.
- Reemplace los filtros de carbón una vez cada 3 meses.
- Puede obtener el filtro de carbón en los servicios técnicos autorizados.

5 Instalación del aparato



¡ADVERTENCIA: Antes de comenzar la instalación, lea la información de seguridad en el manual de usuario.

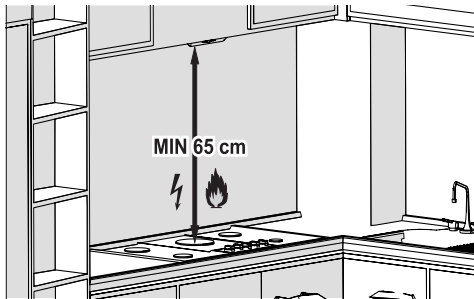


¡ADVERTENCIA: Si no se instalan los tornillos y estabilizadores de acuerdo con estas instrucciones, puede producirse una descarga eléctrica.

Para la instalación de la campana, por favor contacte con el servicio técnico autorizado más cercano.

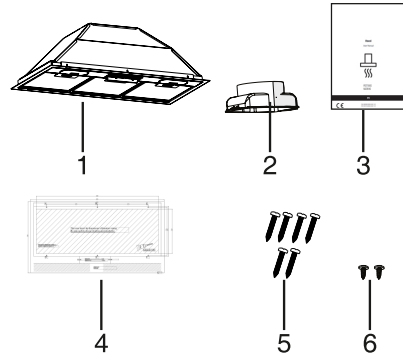
Es responsabilidad del cliente proveer la ubicación e instalación eléctrica apropiadas para la campana.

5.1 Posición del aparato



- La distancia entre la cocina y la campana extractora debe ser tenida en cuenta antes del montaje. Esta distancia debe ser de 65 cm.
- La distancia debe medirse desde la superficie de la rejilla para las cocinas de gas.
- y desde la superficie del vidrio para las cocinas eléctricas.

5.2 Contenido del paquete



1. Campana extractora
2. Chimenea de plástico de Ø120 mm
3. Manual de usuario
4. Esquema de instalación
5. Tornillo 6 x 3,9x32 (Utilizado para la instalación de la campana extractora)
6. Tornillo 3,5 x 9,5 (Utilizado para la instalación de la chimenea de plástico)

La información necesaria para elegir un lugar adecuado para la instalación de la campana se da a continuación.

5 Instalación del aparato

5.3 Instalación del aparato



CAUIDADO: Use guantes y gafas de protección mientras se realicen tareas de recorte o perforación.

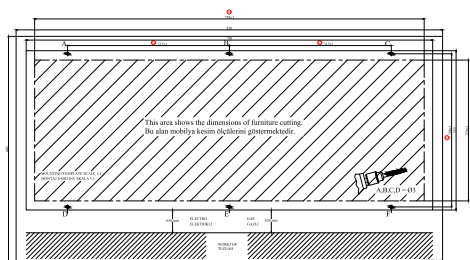


Fig. 1

5.4 Perforación de agujeros de montaje

- Pegue la plantilla de instalación suministrada con el aparato sobre la superficie en la que se va a realizar la instalación.
- Perfore los agujeros A, B, C, D, E y F indicados en el esquema de instalación utilizando una broca Ø4 mm. (Fig. 1)

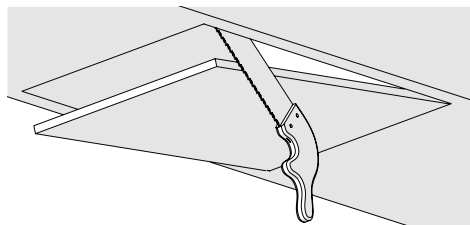


Fig. 2

- Corte la superficie inferior del cuerpo donde se instalará la campana en las dimensiones especificadas en el dibujo técnico (Fig. 2).

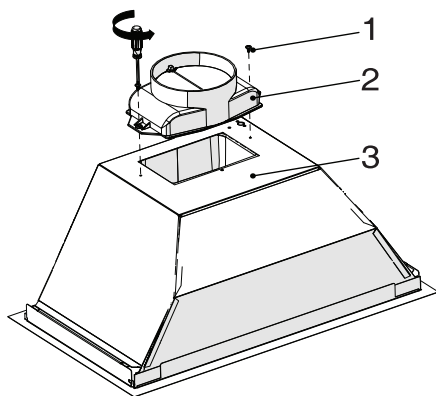


Fig. 3

1. Tornillo 3,5 x 9,5

2. Chimenea de plástico de Ø120 mm

3. Cuerpo Enchufe de la campana

- Fije la chimenea de plástico contenida en el paquete al cuerpo del aparato mediante 2 tornillos de 3,5 x 9,5. No rozar contra la superficie. (Fig. 3)

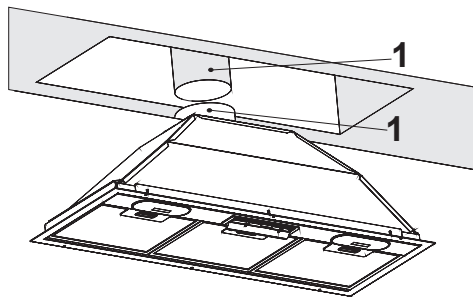


Fig. 4

1. Tubería de salida de aire

2. Tubería de escape de aire de chimenea de la campana

- Acoplar la tubería de salida de aire a la salida de aire de chimenea y sujetarla con una abrazadera (Fig. 4).

5 Instalación del aparato



CUIDADO: Evite doblar la tubería de aluminio o poner codos de tubería tanto como sea posible, ya que esto provocará una disminución de la potencia de succión de aire.

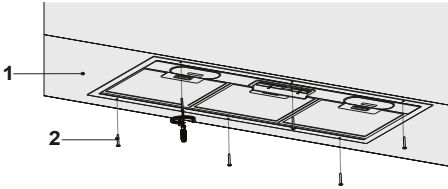


Fig. 5

1. Vista inferior del mueble de cocina
 2. Tornillo de montaje de la campana de 6 x 3,9x32
- Coloque la campana en el mueble de la cocina y sujétela a los 6 agujeros de instalación previamente realizados (Fig. 5).

5.5 Almacenamiento

- Si no va a utilizar el aparato durante un periodo prolongado de tiempo, guárdelo cuidadosamente.
- Asegúrese de que el aparato esté desenchufado, frío y totalmente seco.
- Guarde el aparato en un lugar fresco y seco.
- Mantenga el aparato fuera del alcance de los niños.

5.6 Manipulación y transporte

- Durante la manipulación y el transporte, lleve el aparato en su embalaje original. El embalaje del aparato lo protege contra daños físicos.
- No coloque cargas pesadas sobre el aparato o el embalaje. El aparato puede resultar dañado.
- Si deja caer el aparato, dejará de funcionar o provocará daños permanentes.

6 Resolución de problemas

Resolución de problemas	Razón	Ayuda
El producto no funciona.	Revise los fusibles.	Los fusibles podrían estar desconectados, conéctelos.
El producto no funciona.	Revise la conexión eléctrica.	El voltaje de la red eléctrica debe ser entre 220-240 V.
El producto no funciona.	Revise la conexión eléctrica.	Compruebe si otros aparatos de su cocina funcionan.
La lámpara de iluminación no funciona.	Revise la conexión eléctrica.	El voltaje de la red eléctrica debe ser entre 220-240 V.
La lámpara de iluminación no funciona.	Revise el interruptor de la lámpara.	El interruptor de la lámpara debería estar en la posición "on".
La lámpara de iluminación no funciona.	Revise las lámparas.	Las lámparas del producto no deben estar defectuosas.
La entrada de aire del producto es baja.	Revise el filtro de aluminio.	El filtro de aceite de aluminio debe ser limpiado al menos una vez al mes en condiciones normales de uso.
La entrada de aire del producto es baja.	Revise el conducto de ventilación.	El conducto de ventilación debería estar en la posición de encendido "on" .
La entrada de aire del producto es baja.	Revise el filtro de carbón.	En los productos que usen filtros de carbón, el filtro debe cambiarse normalmente cada 3 meses.



**Contacto para asistencia técnica:
902 877 665 / 932 992 581**

CONDICIONES DE GARANTIA - ESPAÑA

El presente certificado cubre la garantía de reparación de su electrodoméstico durante dos años, a partir de la fecha de venta, contra todo defecto de funcionamiento proveniente de fabricación o materiales; o de sustitución del aparato, salvo que una de estas opciones resulte imposible o desproporcionada respecto de la otra. Cuando usted detecte un defecto o anomalía en el aparato contacte de forma inmediata con nosotros, un plazo de dos meses es el límite para informarnos de la falta de conformidad. El cargo de desplazamiento está incluido en la reparación, excepto para pequeños electrodomésticos que pueden ser transportados al taller del servicio oficial de la marca. En caso de sustitución, el plazo de garantía se suspende y el nuevo aparato mantendrá el periodo de vigencia del aparato sustituido, y como mínimo 6 meses de garantía.

La presente garantía sólo será válida si se presenta factura, ticket de compra o el albarán de entrega del producto correspondiente si éste fuera posterior a la fecha de factura. La presente garantía es válida en el territorio español y portugués para los aparatos distribuidos por Beko Electronics España S.L.. La garantía sólo tendrá validez sobre el primer comprador o adquirente del producto. La garantía será válida para aparatos adecuados a las condiciones climáticas y medioambientales en que estén ubicados.

EXCLUSIONES DE LA GARANTIA

El coste de la reparación será a cargo del usuario en los siguientes casos:

- Los aparatos utilizados para uso profesional o no exclusivamente doméstico, en establecimientos públicos, industriales o comerciales.
- Los aparatos desmontados o manipulados por personas ajenas a los servicios técnicos expresamente autorizados.
- Las instalaciones, transporte, sustitución de aparatos, puestas en marcha, cambio de sentido de puertas.
- Intervenciones de mantenimiento o de información sobre el uso de los aparatos.
- Cambio de inyectores en aparatos de gas.
- Las averías provocadas por falta de mantenimiento o limpieza o aquellas provocadas por un uso indebido, sobrecarga, abandono o de manera no conforme a las instrucciones de uso o de instalación de los aparatos.
- Las averías producidas por causas fortuitas, siniestros de fuerza mayor o derivados de instalación incorrecta y en general, averías por causas ajenas al propio aparato.
- Las averías provocadas por conexiones que puedan presentar fluctuaciones, irregularidades o falta de uniformidad en el suministro, por ejemplo: suministro de agua impulsado por grupos de presión, energía solar, energía eólica, generadores eléctricos, u otro tipo de suministro no normalizado.
- La sustitución de materiales rotos o deteriorados por desgaste o uso no normal del aparato, o materiales consumibles tales como: juntas, plásticos, gomas, correas, cristales, escobillas, bombillas, asas, tiradores, tapas de quemadores, filtros, rejillas, ánodos de sacrificio (magnesio o similares) de calentadores o calderas, etc.
- Los aparatos que presenten oxidación, o daños por corrosión en esmaltes o pinturas, que puedan ser provocados por efectos químicos o electroquímicos del agua o cualquier otra sustancia, o aceleradas por circunstancias ambientales o climáticas no propicias.
- Defectos estéticos en serigrafía o pintura.
- Los daños de transporte o manipulación, golpes, etc.
- Los aparatos deben instalarse de forma accesible para su reparación, debiendo asumir el usuario los costes necesarios para el acceso al aparato para su reparación y sustitución.

La presente garantía no afecta a los derechos de que dispone el consumidor conforme a lo previsto en el Real Decreto 1/2007, de 16 de noviembre, por el que se aprueba el texto refundido de la Ley General para la Defensa de los Consumidores y Usuarios y otras leyes complementarias, y la Ley 3/2014 que la modifica.

El Servicio Oficial de Asistencia Técnica resolverá cualquier incidencia que pudiera precisar su electrodoméstico siempre que el aparato esté instalado de forma accesible.

Para asegurarse que su electrodoméstico va a ser intervenido por un técnico oficial autorizado, rogamos solicite el carnet avalado por ANFEL (Asociación Nacional de Fabricantes de Electrodomésticos) a nuestros técnicos.

Las marcas BEKO, ALTUS, BLOMBERG, y GRUNDIG se distribuyen por Beko Electronics España S.L.

DATOS APARATO (a rellenar por el Distribuidor):

Titular:		Sello Establecimiento:
Modelo:	Núm. serie:	
Establecimiento:	Fecha de compra:	

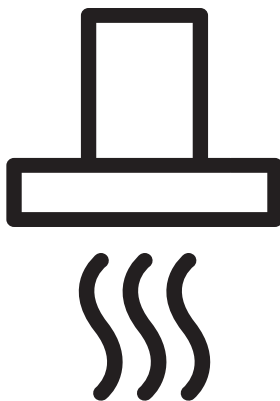
El garante e importador de su electrodoméstico es: BEKO ELECTRONICS ESPAÑA S.L. Calle Provenza nº 388 3º Barcelona 08025, España. El producto ha sido fabricado por ARÇELIK A.S (Arçelik A.S.Sütluce Karaağaç Cad. No:2-6 34445 Beyoglu, Istanbul, Turkey) o Arctic S.A. (210, 13 Decembrie St., 135200, Gaesti, Dambovită, Romania

Conózcanos mejor en nuestra página: www.beko.com Conserve este documento, es importante para usted.



Вытяжка

Инструкция по эксплуатации



HNU71311S

RU

Ознакомьтесь с этим руководством перед началом эксплуатации!

Уважаемый покупатель!

Благодарим Вас за выбор этого изделия компании Веко. Мы надеемся, что продукция, изготовленная на современном оборудовании и имеющая высокий уровень качества, будет служить вам наилучшим образом. Для этого, перед началом эксплуатации, внимательно прочтите данное руководство и все прочие сопроводительные документы, и используйте их в дальнейшем в справочных целях. При передаче устройства другому лицу необходимо также передать это руководство. Соблюдайте указания, которые даны в этом руководстве пользователя, и обращайтесь особое внимание на справочные пометки и предупреждения.

Имейте в виду, что данное руководство пользователя может также относиться к другим моделям. Различия между моделями четко описаны в руководстве.

Условные обозначения

В разных разделах данного руководства пользователя используются следующие символы:



Важная информация и полезные советы относительно эксплуатации.



ВНИМАНИЕ: Предупреждения об опасности травмирования или повреждения имущества.



Предупреждение об опасности возникновения пожара.



Предупреждение об опасности поражения электрическим током.



ПЕРЕРАБОТАННАЯ И
ПЕРЕРАБАТЫВАЕМАЯ
БУМАГА

Этот прибор изготовлен на экологически безвредном современном оборудовании, без нанесения ущерба окружающей среде.

1.1. Общие правила техники безопасности

Важные инструкции по технике безопасности: внимательно ознакомьтесь и сохраните для дальнейшего использования. В этом разделе содержатся правила техники безопасности, соблюдение которых позволит исключить риск возникновения пожара, поражения электрическим током, воздействия утечек микроволнового излучения, получения иных травм или причинения материального ущерба. При несоблюдении этих правил все гарантийные обязательства аннулируются.

- Изделия торговой марки Веко соответствуют действующим стандартам безопасности. В случае повреждения электроприбора или шнура питания, во избежание опасных ситуаций, ремонт или замена должны производиться дилером, сервисным центром, специалистом или авторизованной службой. Неправильно или непрофессионально выполненные ремонтные работы могут привести к опасным для пользователя ситуациям.
- Этот прибор предназначен только для бытового и сходного с ним применения, а именно:
 - в кухонных зонах для персонала в магазинах, офисах и других рабочих помещениях;
 - на фермах;

1 Важные инструкции по технике безопасности и защите окружающей среды

- в номерах гостиниц, мотелей и т. п.;
- в помещениях, предоставляемых для проживания на условиях полупансиона.
- Используйте данный электроприбор только по его прямому назначению, как описано в данном руководстве.
- Производитель не несет ответственности за любые повреждения, возникшие в результате неправильного использования или неправильной установки изделия.
- Дети старше 8 лет, а также лица с ограниченными физическими, сенсорными и умственными способностями или без соответствующих навыков и опыта могут использовать данный прибор только под присмотром или после получения инструкций по поводу безопасного использования прибора и осознания связанных с этим опасностей.
- Не позволяйте детям играть с прибором. Не позволяйте детям самостоятельно выполнять очистку и обслуживание прибора.
- Минимальное расстояние между опорной поверхностью емкостей для приготовления пищи на варочной панели и самой нижней частью изделия должно быть не менее 65 см.
- Если в инструкции по установке газовой плиты указано большее расстояние, это следует принять во внимание.
- Напряжение сети питания должно соответствовать номинальным характеристикам, указанным на паспортной табличке электроприбора.

1 Важные инструкции по технике безопасности и защите окружающей среды

- Ни в коем случае не пользуйтесь электроприбором, если шнур питания или электроприбор повреждены.
 - Во избежание повреждения шнура питания не допусайте его сдавливания, перегиба или контакта с острыми кромками. Не допускайте соприкосновения шнура питания с горячими поверхностями или открытым пламенем.
 - Включайте прибор только в розетку с заземляющим контактом.
- ВНИМАНИЕ:** Не подключайте прибор к электросети до полного завершения работ по установке.
- Электроприбор следует располагать таким образом, чтобы штепсельная вилка была легкодоступна.
 - Не прикасайтесь к лампам, если они работали в течение длительного времени. Это может вызвать ожог рук, поскольку лампы очень горячие.
 - Следуйте инструкциям, установленным компетентными органами относительно выпуска отработанного воздуха (данное предупреждение касается вентиляционных труб).
 - Включите прибор после того, как поставите кастрюлю, сковороду и т. д. на варочную панель. В противном случае высокая температура может привести к деформации некоторых частей изделия.
 - Отключайте варочную панель перед тем, как убрать с нее кастрюлю, сковороду и т.д.

1 Важные инструкции по технике безопасности и защите окружающей среды

- Не оставляйте горячее масло на варочной панели. Сковорода с горячим маслом может стать причиной самовозгорания.
- Следите за шторами и занавесками, поскольку при приготовлении таких блюд, как картофель фри масло может загореться.
- Замену жироулавливателя следует осуществлять, как минимум, раз в месяц. Замену угольного фильтра осуществлять, как минимум, раз в 3 месяца.
- Чистку изделия необходимо выполнять в соответствии с инструкциями руководства пользователя. Если чистка изделия не осуществляется в соответствии с указаниями руководства пользователя, существует риск возникновения пожара.
- Не используйте неогнеупорные фильтрующие материалы вместо текущего фильтра.
- Используйте только оригинальные детали или же рекомендованные производителем детали.
- Не эксплуатируйте изделие без фильтра и не снимайте фильтры во время работы изделия.
- В случае возникновения пожара, отключите питание изделия и кухонной плиты.
- В случае возникновения пожара, накройте источник огня. Применение воды для тушения не допускается.
- Отключайте прибор от электросети перед чисткой, а также когда он не используется.
- Отрицательное давление окружающей среды не должно превышать 4 Па (4 x 10 бар) во время

одновременной работы вытяжки для электрической варочной панели и приборов, работающих от другого источника энергии.

- В среде, где используется прибор, выхлопные газы устройств, работающих на жидком топливе или газе, таких как комнатный обогреватель, должны быть полностью изолированы, или должны быть герметичными.
- При подсоединении к вытяжной трубе, используйте трубы диаметром 120 или 150 мм. Соединения труб должны быть как можно более короткими и иметь минимальное количество колен.
- Существует опасность удушья! Храните упаковочные материалы в недоступном для детей месте.

О С Т О Р О Ж Н О : Доступные детали прибора могут нагреваться во время использования кухонных плит.

- Выход вытяжки нельзя подключать в воздуховодам, которые заняты отводом других отработанных воздушных масс.
- Вентиляция в помещении может быть недостаточной в случае, если вытяжка для электрической варочной панели используется одновременно с устройствами, работающими на газе или других видах топлива (это не относится к приборам, которые только выпускают воздух обратно в помещение).
- Находящиеся на изделии предметы могут упасть. Не следует класть посторонние предметы на вытяжку.

1 Важные инструкции по технике безопасности и защите окружающей среды

- Флампирование блюд под изделием не допускается.

ВНИМАНИЕ: Перед началом работ по установке вытяжки удалите защитную пленку.

- Никогда не оставляйте открытым высокое пламя под работающей вытяжкой.
- Во время использования фритюрниц их необходимо держать под постоянным присмотром: сильно нагретое масло может загореться.

1.2 Соответствие Директиве по утилизации отходов электрического и электронного оборудования и утилизация продукта:

Данное изделие соответствует требованиям Директивы по утилизации отходов электрического и электронного оборудования (2012/19/ЕС). На изделие нанесено условное обозначение для отходов электрического электронного оборудования (WEEE).



Этот символ означает, что по истечении срока службы данного прибора, он не должен утилизироваться вместе с другими бытовыми отходами. Бывшее в употреблении устройство необходимо сдать в официальный пункт сбора для утилизации электрического и электронного оборудования. Для получения информации о таких пунктах сбора, пожалуйста, свяжитесь с местными органами власти или розничной торговли, по месту покупки настоящего прибора. В вопросах восстановления и утилизации бывших в употреблении приборов каждый конкретный владелец играет важную роль. Надлежащая утилизация использованного бывшего в употреблении прибора помогает предотвратить потенциальные негативные последствия для окружающей среды и здоровья человека.

1.3 Соответствие Директиве ЕС по ограничению использования вредных веществ

Приобретенное вами изделие соответствует требованиям Директивы ЕС по ограничению использования вредных веществ (2011/65/ЕС). Устройство не содержит указанных в Директиве вредных веществ и запрещенных материалов.

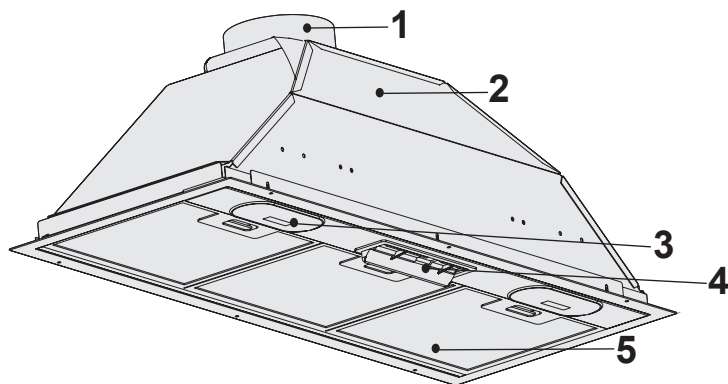
1.4. Информация об упаковке



Упаковочные материалы изделия изготовлены из вторичного сырья, в соответствии с государственными законами об охране окружающей среды. Не выбрасывайте упаковочные материалы вместе с бытовыми или другими отходами. Отнесите их в пункты приема упаковочных материалов, организованные местными органами власти.

2 Общий внешний вид

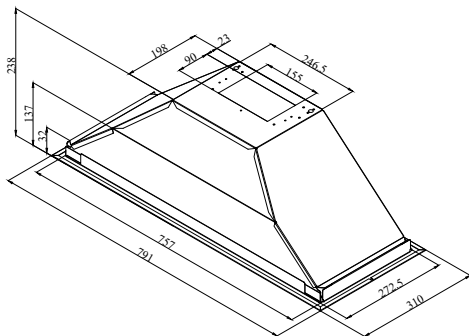
2.1 Обзор



Описание прибора

1. Вытяжная вентиляционная труба
2. Корпус
3. Освещение варочной панели
4. Панель управления
5. Алюминиевый жирославливающий фильтр

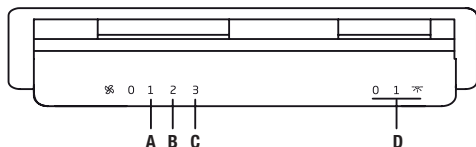
2.2 Технические характеристики



Модель	HNU71311S
Напряжение электропитания	220-240 V ~ 50 Гц
Мощность лампы	2x3 Вт
Мощность двигателя	1x185 Вт
Расход воздуха – 3. Уровень	415 м³/ч
Класс изоляции двигателя	класс F
Класс изоляции	класс I

3 Использование прибора

3.1 Использование прибора



- Переведите переключатель лампы в положение "0", чтобы выключить лампу.
- Переведите переключатель лампы в положение "1", чтобы включить лампу.
- Переведите переключатель двигателя в положение "0", чтобы выключить двигатель.
- Двигатель может работать на 1-й скорости минимум и на 3-й скорости максимум в зависимости от интенсивности пара на кухне.

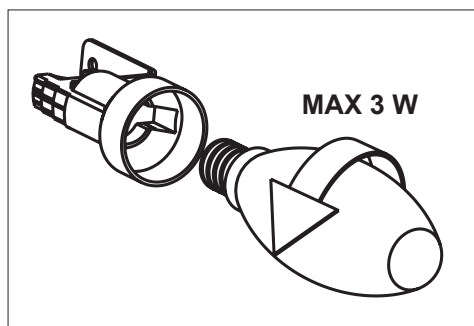
3.2 Энергоэффективное использование

- При использовании вытяжки для экономии электроэнергии устанавливайте скорость в соответствии с интенсивностью образования пара или запаха.
- В обычных условиях используйте низкие скорости (1-2), а при интенсивном образовании пара и запаха – высокую (3).
- Лампы на вытяжке предназначены для освещения места готовки.
- Их использование для освещения помещения приведет к чрезмерному потреблению электроэнергии и будет недостаточным.

3.3 Эксплуатация вытяжки

- В вытяжке имеется мотор, работающий на разных скоростях.
- Для лучшей производительности мы рекомендуем использовать низкие скорости в нормальных условиях и высокие скорости в случае сильного запаха и интенсивного пара.
- Вы можете запустить прибор, нажав кнопку желаемой скорости. (A, B, C)
- Вы можете осветить зону приготовления, нажав на лампу (D).

3.4 Замена лампы



Напольная лампа	
Власть	3 W
Разъем	E14
Напряжение	220 – 240 W
Измерение	35x100 mm
Код ILCOS	DRBB/F-3-220-240-E14-35/100
Световой поток	400 lm
Коррелированная цветовая температура	2700 K

Этот продукт содержит источник света класса энергоэффективности «E».

3 Использование прибора

- Снимите алюминиевый картриджный фильтр. Открутите неисправную лампу и замените ее аналогичной лампой.



ВНИМАНИЕ: Отключите вытяжку от источника питания. Лампы сильно нагреваются и можно обжечь руки, поэтому дождитесь, пока они остынут.



- Если прибор сломался или поврежден, выключите предохранитель или отключите прибор от электросети и обратитесь в авторизованный сервисный центр.
- В случае повреждения шнура питания его замена должна производиться производителем, представителем сервисного центра или мастером, имеющим аналогичную квалификацию.
- Выключите предохранитель или отключите прибор от электросети в случае поломки ламп прибора. Немедленно замените неисправные лампы, чтобы предотвратить перегрузку других ламп (дождитесь, пока они остынут).

3.5 Работа с подключением к дымоходу

-  Пар выводится через дымоход, который крепится к соединительной головке вытяжки.
- Диаметр дымохода должен быть таким же, как у соединительного кольца. В горизонтальном положении труба должна иметь небольшой наклон вверх (около 1°), чтобы воздух мог легко выходить из комнаты.

3.6 Работа без подключения к дымоходу

-  Воздух фильтруется через угольный фильтр и рециркулирует в помещении. Угольный фильтр применяется, когда в доме нельзя использовать дымоход.
- При использовании без дымохода снимите заслонки внутри переходника дымохода.
- Снимите алюминиевый жировой фильтр. Чтобы установить угольный фильтр, прикрепите фильтр к выступам, центрируя его на пластиковом элементе с обеих сторон корпуса вентилятора. Затяните, повернув вправо или влево.
- Заменить алюминиевый жировой фильтр.

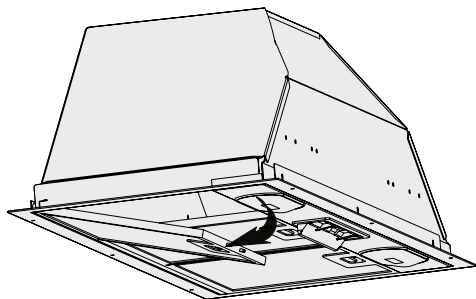
4 Чистка и техническое обслуживание



Отключите устройство от сети или выключите соединения перед чисткой и техническим обслуживанием.

4.1 Очистка алюминиевого жирового фильтра

Алюминиевый жировой фильтр используется для удержания частиц масла в воздухе. Алюминиевый жировой фильтр может изменить цвет после многократной очистки. Это нормально, и вам не нужно менять фильтры.



- Выдвиньте затвор алюминиевого масляного фильтра вперед.
- Затем слегка потяните вниз и вытащите. Иначе вы можете искривить фильтр. Вымойте и прополощите алюминиевые жировые фильтры жидким моющим средством и замените фильтры в их гнездах, выполнив действия, указанные выше, в обратном порядке. Этот фильтр задерживает частицы масла из воздуха.



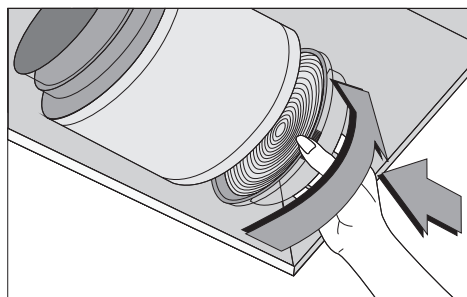
Вы также можете мыть алюминиевый жировой фильтр в посудомоечной машине.



ВНИМАНИЕ: В случае нормальной эксплуатации очищайте алюминиевый жировой фильтр один раз в месяц.

4.2 Замена угольных фильтров

Фильтры для удаления запахов содержат древесный уголь (активированный уголь). В продукт необходимо устанавливать алюминиевый жировой фильтр, независимо от того, используются ли угольные фильтры.



- Снимите алюминиевый жировой фильтр.
- Для того, чтобы снять угольный фильтр, изымите его из корпуса, повернув против часовой стрелки от таблички.
- Установите новый угольный фильтр.
- Установите алюминиевый жировой фильтр.

4 Чистка и техническое обслуживание



ВНИМАНИЕ

- Запрещено мыть угольные фильтры.
- Заменяйте угольные фильтры каждые 3 месяца.
- Вы можете приобрести угольный фильтр в авторизованных сервисах.

5 Установка прибора



ПРЕДУПРЕЖДЕНИЕ:

Перед началом установки прочтите информацию по безопасности в Руководстве пользователя.



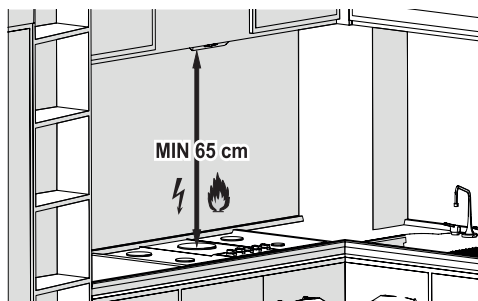
ПРЕДУПРЕЖДЕНИЕ:

Несоблюдение инструкций по установке с помощью винтов и стабилизаторов может привести к поражению электрическим током.

По вопросам установки вытяжки обращайтесь в ближайший авторизованный сервисный центр.

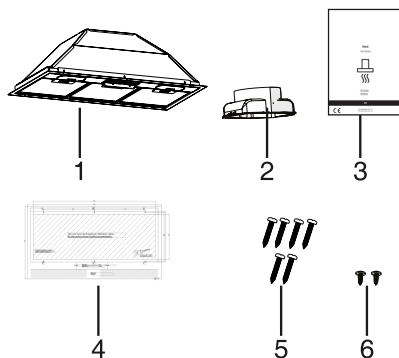
Заказчик несет ответственность за подготовку места и электрического монтажа вытяжки.

5.1 Положение прибора



- Перед сборкой необходимо учитывать расстояние между плитой и вытяжкой. Это расстояние должно составлять 65 см (Рисунок 6).
- Расстояние необходимо измерять от поверхности решетки для газовых плит,
- от поверхности стекла для электрических плит.

5.2 Содержимое упаковки



1. Вытяжка
2. Пластиковая труба 1 x Ø 120 мм
3. Руководство пользователя
4. Установочный чертеж
5. Винт 6 x 3,9x32 (Используется для установки вытяжки)
6. Винт 3.5x9.5 (Используется для пластикового воздуховода)

Информация, необходимая для выбора места, подходящего для установки вытяжки, представлена ниже.

5 Установка прибора

5.3 Установка прибора



ОСТОРОЖНО: Во время сверления и резки используйте защитные перчатки и очки.

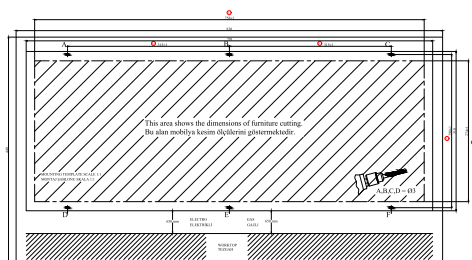


Рис. 1

5.4 Просверливание монтажных отверстий

- Прикрепите шаблон для установки, который входит в комплект поставки прибора, к поверхности, на которой будет выполняться установка.
- С помощью сверла A, B, C, D, E, F с диаметром биты 4 мм просверлите отверстия, указанные на шаблоне. (Рис. 1)

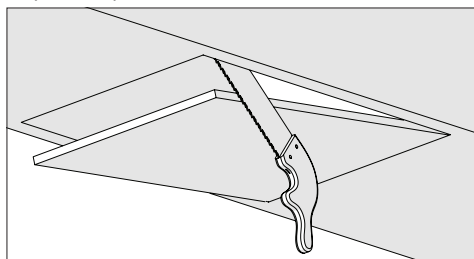


Рис. 2

- Выпилите нижнюю часть шкафа, где будет установлена вытяжка, в соответствии с размерами, указанными на техническом чертеже (Рис. 2).

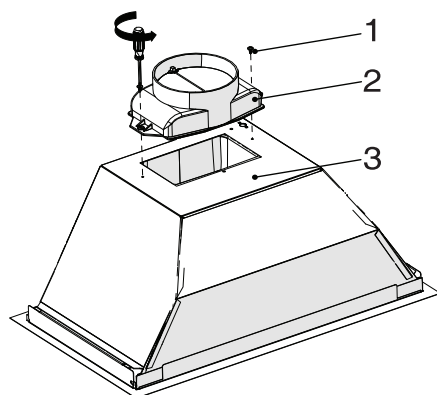


Рис. 3

1. Вит 3,5 x 9,5
2. Пластиковая труба \varnothing 120 мм
3. Гнездо ламповой панели

- Прикрутите пластиковый воздуховод из упаковки к корпусу прибора с помощью 2 винтов 3,5 x 9,5. Следите, что он не терся о поверхность. (Рис. 3)

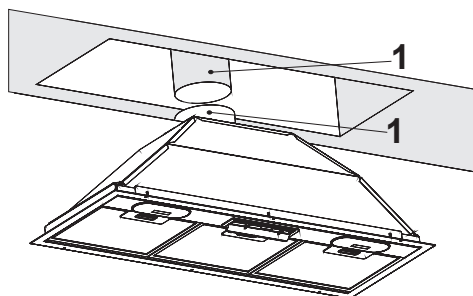


Рис. 4

1. Труба для выброса воздуха
2. Вентиляционная труба вытяжки

- Подсоедините трубу выпуска воздуха к вытяжной трубе и закрепите ее хомутом (Рис. 4).

5 Установка прибора



ОСТОРОЖНО: Поскольку изгибы и колена вызовут снижение мощности всасывания воздуха, их использования по мере возможности следует избегать.

- Упаковка устройства защищает его от физических повреждений.
- Не кладите тяжелые грузы на прибор или упаковку. Возможно повреждение прибора.

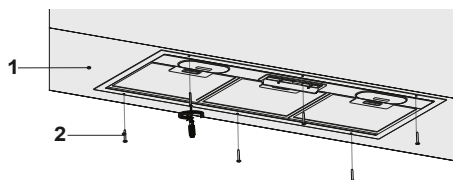


Рис. 5

1. Кухонный шкаф, вид снизу
2. Винт 6 x 3,9x32 для установки вытяжки

- Установите вытяжку в кухонный шкаф и прикрутите вытяжку к 6 просверленным ранее монтажным отверстиям (Рис. 5).

5.5 Хранение

- Если вы не планируете использовать электроприбор в течение длительного времени, то его следует хранить надлежащим образом.
- Убедитесь, что электроприбор отключен от электросети, остыл, а его поверхности полностью сухие.
- Хранить прибор следует в сухом прохладном месте.
- Храните устройство в недоступном для детей месте.

5.6 Обращение и транспортировка

- Во время обработки и транспортировки переносите прибор в оригинальной упаковке.

Действует только на территории РФ / Valid for Russian Federation only

beko

ГАРАНТИЯ 2 ГОДА

Адрес: 109004, Россия, Москва, ул. Станиславского, д21, стр 1. <http://www.beko.ru>
Телефон горячей линии 8-800-200-23-56 (Звонок бесплатный на всей территории России)

Гарантийный талон серия RUS №

Модель Серийный номер

Дата продажи

Компания

Подпись продавца

ПЕЧАТЬ

Дата установки

Компания

Подпись мастера

ПЕЧАТЬ

Покупатель Телефон

Фамилия, Имя, Отчество

Изделие проверялось в присутствии покупателя;

Покупатель с условиями гарантии ознакомлен

Подпись Покупателя



Отрывные купоны гарантийного талона являются средством отчетности о выполнении сервисным центром гарантийных работ. Купон изымается из гарантийного талона после удовлетворения Ваших претензий.

beko

серия RUS №

Дата продажи

ПЕЧАТЬ
МАГАЗИНА

3

ГАРАНТИЯ 2 ГОДА

beko

серия RUS №

Дата продажи

ПЕЧАТЬ
МАГАЗИНА

2

ГАРАНТИЯ 2 ГОДА

beko

серия RUS №

Дата продажи

ПЕЧАТЬ
МАГАЗИНА

1

ГАРАНТИЯ 2 ГОДА

Производитель: "Arçelik A.S."
Karaağaç Caddesi No: 2-6 Sötlüce, 34445, Турция

Сделано в Китае

Импортер на территории РФ: ООО «БЕКО»
Юридический адрес: 601021 Россия, Владимирская обл., Киржачский р-н,
дер. Федоровское, ул. Сельская, д. 49

Дата производства включена в серийный номер продукта, указанный на этикетке, расположенной на продукте, а именно:

первые две цифры серийного номера обозначают год производства, а последние две – месяц.

Например, «10-100001-05» обозначает, что продукт произведен в мае 2010 года.

Arçelik A.Ş.
Karaağaç Caddesi No: 2-6, 34445,
Sütlüce, İstanbul, Türkiye

www.beko.com