

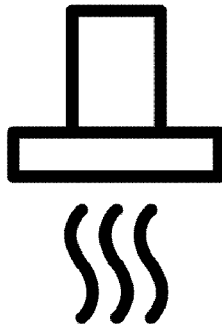


Cooker hood

User Manual

Hota

Manual de utilizare



BHCP65422BBH

EN / RO

185.7312.04/R.AC/15.04.2024

7702388633



RECYCLED &
RECYCLABLE PAPER

Please read this user manual first!

Dear Customer,

Thank you for purchasing this Beko product. We hope that you get the best results from your product which has been manufactured with high quality and state-of-the-art technology. Therefore, please read this entire user manual and all other accompanying documents carefully before using the product and keep it as a reference for future use. If you handover the product to someone else, give the user manual as well. Follow all warnings and information in the user manual.

Remember that this user manual is also applicable for several other models. Differences between models will be identified in the manual.

Explanation of symbols

Throughout this user manual the following symbols are used:



Important information or useful hints about usage.



Warning of hazardous situations with regard to life and property.



Warning of electric shock.



Warning of risk of fire.



Warning of hot surfaces.



Arçelik A.Ş.
Karaağaç caddesi No:2-6
34445 S tl ce/İstanbul/TURKEY
Made in TURKEY

TABLE OF CONTENTS

1 Important instructions and warnings for safety and environment **4**

General safety.....	4
Electrical safety.....	5
Product safety.....	6
Intended use.....	7
Children's safety.....	7
Disposing of the old product.....	8
Package information.....	8

2 General information **9**

Overview.....	9
Scope of delivery.....	10
Technical specifications.....	10

3 Installation **11**

Installation.....	11
Future transportation.....	14

4 Operating the hood **15**

5 Maintenance and care **16**

General information.....	16
Replacing the lamp.....	17

6 Troubleshooting **18**

I Important instructions and warnings for safety and environment

This section contains safety instructions that will help protect from risk of personal injury or property damage. Failure to follow these instructions shall void any warranty.

General safety

- This appliance can be used by children aged from 8 years and above and persons with reduced physical, sensory or mental capabilities or lack of experience and knowledge if they have been given supervision or instruction concerning use of the appliance in a safe way and understand the hazards involved.

Children shall not play with the appliance. Cleaning and user maintenance shall not be made by children without supervision.

- **Risk of Toxicating!** While the appliance is operating, air in the entire house is sucked. If adequate ventilation is not provided, waste and toxic gasses which are released as a result of burning will be

drawn back into the house through chimney draught. Do not operate the appliance together with sources that may emit toxic gasses and create air draught (wood, gas, oil, and coal stoves, water heaters, kettles, etc.).

- Always have the authorized persons check the adequacy of ventilation and chimney draught in your building.
- The appliance is not intended for use by persons (including children) with reduced physical, sensory or mental capabilities, or lack of experience and knowledge, unless they have been given supervised or instruction concerning use of the appliance by a responsible person for their safety. Young children should be supervised to ensure that they do not play with the appliance. Cleaning and user maintenance procedures should not be performed by the children unless they are under supervision.
- Always have the installation and repair procedures performed by **Authorised**

Service Agent. Manufacturer shall not be held responsible for damages arising from procedures carried out by unauthorised persons.

- Do not operate the appliance if it is defective or has any visible damage.
- Make sure that the appliance is switched off after every use.
- If the product is handed over to someone else for personal use or second-hand use purposes, the user manual, product labels and other relevant documents and parts should be also given.
- Appliance must be installed by a qualified person in accordance with the regulations in force. Otherwise, the warranty shall become void.

Electrical safety

- To get your product ready for use, firstly you must have installation place and electric wiring prepared. Later, you may call Authorised Service nearest to you.
- If it has a failure, the product should not be operated without being repaired by the Authorised Service Agent.

There is the risk of electric shock!

- Never connect the hood before installation is completed.
- Never touch the plug with wet hands! Do not unplug by pulling from the cable; always hold by the plug to unplug.
- Product must be disconnected from the mains during installation, maintenance, cleaning and repair procedures.
- If the supply cord is damaged, it must be replaced by the manufacturer or its service agent or a similarly qualified person in order to avoid a hazard.
- If your product has been produced with plug, do not cut the plug to connect to electrical supply during installation. Otherwise, the warranty becomes void and the safety risks may happen for users.
- Never connect power cable near to the hobs. If melted down, cable may lead to fire.
- Any work on electrical equipment and systems may only be carried out by

authorised and qualified persons.

- In case of any damage, switch off the product and disconnect it from the mains. To do this, turn off the fuse at home.
- Make sure that fuse current is compatible with the product.
- Never wash down the product with water! There is the risk of electric shock!

Product safety

- The height between the lower surface of the hood and upper surface of the hob should not be less than 650 mm.
- Never touch the hood's lamp after they operated for a long time. Hot lamps may burn your hands.
- Never operate the product without oil filter. Never remove filters when the product is in use.
- Avoid big flames beneath the product. Otherwise, particles on oil filter may flame up and cause fire.
- Turn on the hobs after placing pans or pots on. Otherwise, rising temperature may deform certain parts of your product.

- Turn off the hobs before taking away pans or pots.
- Avoid inflammable materials under the hood.
- Do not expose the product to open flames beneath it. It can cause oils accumulated in the filter to catch fire. Do not operate the product without filter.
- Never leave the cooker unattended when frying foods, the oil may flame up and boiled oil may cause fire. Thus, be careful about cloths and curtains.
- If the hood is not periodically and properly cleaned, this may cause burning risk on your hood.
- For refreshing the kitchen's air from cooking smells and steams, please turn on your hood for 15 minutes more after cooking or frying has ended.
- There shall be adequate ventilation of the room when the range hood is used at the same time as appliances burning gas or other fuels. (Not applicable to appliances that only discharge the air back into the room)
- In the environment where the hood is being used, the exhaust of fuel oil or gas

devices such as room heater must be absolutely insulated or device must be hermetical type.

- If there is a fuel oil or gas device in the environment, the room must be ventilated sufficiently.
- When a non-electrically operated device is concurrently used in the environment together with the hood, the negative pressure in the room must be maximum 0.04 mbar to avoid the hood's returning other device's exhaust into the room.
- Never connect the hood to the chimneys used for heaters, waste gas or with rising flames. Observe authorities' regulations on the draining of output air.
- When connecting to the chimney, use 120-mm diameter pipes. Pipe connection must be as short as possible with fewer bends.
- Do not hang easily flammable and combustible materials on hood handles.
- Our company shall never be responsible for the problems arising from the use against the warnings above.

- There is a risk of fire if cleaning is not carried out in accordance with the instructions.
- There should be no open fire under the hood. (example: flambé)
- Caution: Accessible parts may become hot when used with a cooking appliance.
- You are recommended to clean your filter once a month in normal use.

Intended use

This product is designed for domestic use. Commercial use is not admissible.

The manufacturer shall not be liable for any damage caused by improper use or handling.

Children's safety

- Keep children away from the product when it is operating and do not allow them to play with the product.
- Packaging materials are dangerous to children. Keep the packaging materials in a place where children cannot reach and sort and discard them in accordance with the waste disposal directives.
- Electrical products are dangerous to children. Keep children away from the product when it is operating

and do not allow them to play with the product.

Disposing of the old product

Compliance with the WEEE Directive and Disposing of the Waste Product:



This product complies with EU WEEE Directive (2012/19/EU). This product bears a classification symbol for waste electrical and electronic equipment (WEEE).

This product has been manufactured with high quality parts and materials which can be reused and are suitable for recycling. Do not dispose of the waste product with normal domestic and other wastes at the end of its service life. Take it to the

collection center for the recycling of electrical and electronic equipment. Please consult your local authorities to learn about these collection centers.

Compliance with RoHS Directive:

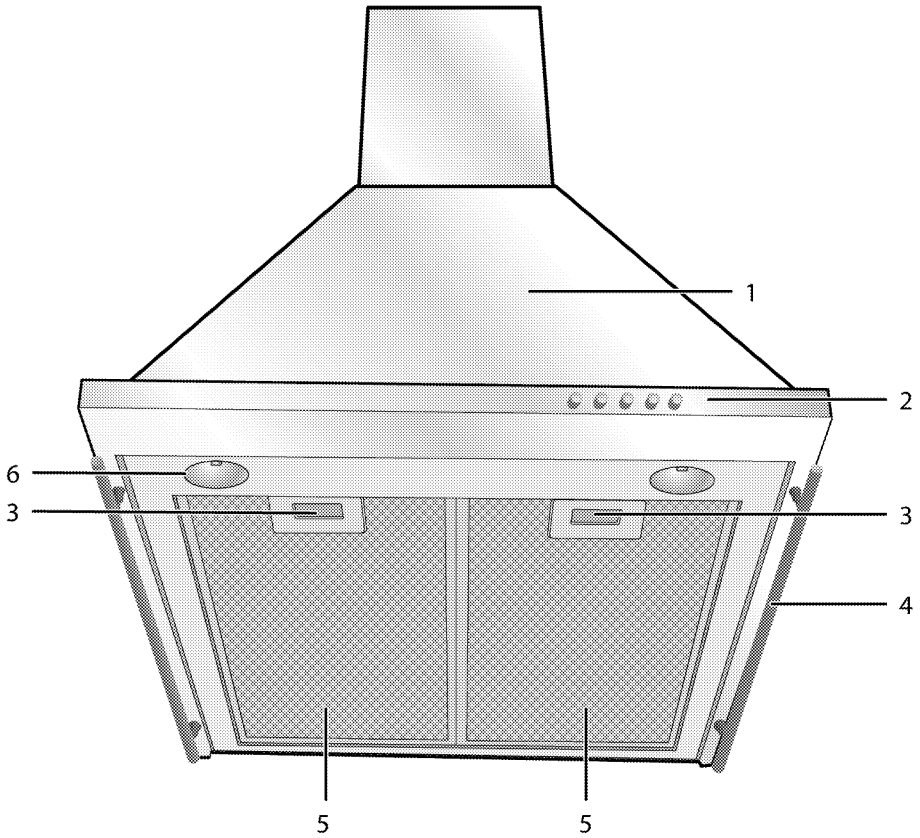
The product you have purchased complies with EU RoHS Directive (2011/65/EU). It does not contain harmful and prohibited materials specified in the Directive.

Package information

- Packaging materials of the product are manufactured from recyclable materials in accordance with our National Environment Regulations. Do not dispose of the packaging materials together with the domestic or other wastes. Take them to the packaging material collection points designated by the local authorities.

2 General information

Overview

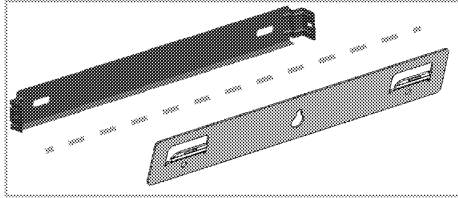


- 1 Hood body
- 2 Control panel
- 3 Aluminum filter lock
- 4 Handle
- 5 Aluminum filter
- 6 Lamp

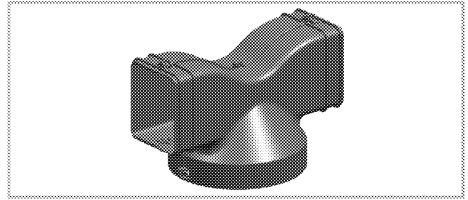
Scope of delivery

- i** Accessories supplied can vary depending on the appliance model. Not every accessory described in the user manual may exist on your appliance.

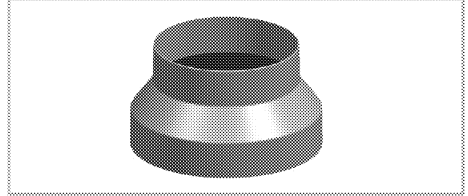
1. User manual
2. Wall connector



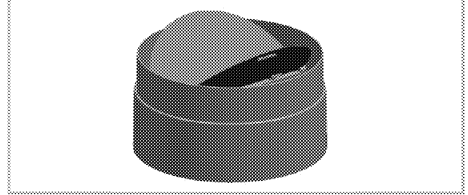
3. Air directing component



4. Chimney connection adapter



5. Valves to prevent reverse air flow



Technical specifications

External dimensions (height/width/depth)	min. 740 mm max. 1135 mm/598 mm/502 mm
Voltage/frequency	220-240 V ; 50 Hz
Control	3 level
Suction power	415 m ³ /h
Total power consumption	max. 170 W
Air outlet pipe diameter	120-150 mm
LAMP	
Lamp type	Led
Lamp power consumption	2X3 W
Max. power of a potential replacement lamp	max. 2 x 3 W.Led /max. 2 x 28 W.Halogen
Voltage/frequency of lamp	230 V~; 50/60 Hz
Type of lamp cap	GU10
Diameter/length of lamp	50 mm /55 mm

- i** Technical specifications may be changed without prior notice to improve the quality of the product.

- i** Figures in this manual are schematic and may not exactly match the product.

- i** Values stated on the markings of the product or in other printed documents supplied with the product are obtained under laboratory conditions as per relevant standards. Depending on operational and environmental conditions of the product, these values may vary.

3 Installation

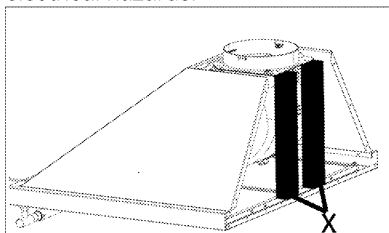
Refer to the nearest Authorised Service Agent for installation of the product. Make sure that the electric installations are in place before calling the Authorised Service Agent to have the product ready for operation. If not, call a qualified electrician and fitter to have the required arrangements made.

i Preparation of location and electrical installation for the product is under customer's responsibility.

! The product must be installed in accordance with all local electrical regulations.

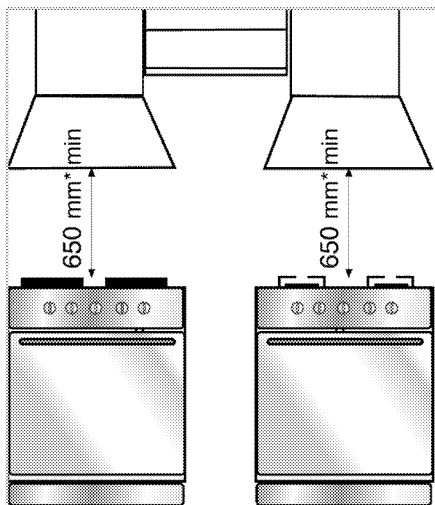
! Prior to installation, visually check if the product has any defects on it. If so, do not have it installed. Damaged products cause risks for your safety.

! Warning: Failure to install the screws or fixing device in accordance with the instructions may result in electrical hazards.



! There is styrofoam, marked X in the image above, between the body and the engine. This polyfoam must be removed during installation.

Installation



* min.

There should be a minimum clearance of 650 mm between the top surface of the hob and the bottom surface of the hood.

The air to be extracted via the hood should not be connected to a chimney that is used by other appliances that use gas or other fuels. (It does not apply to devices that only blow the air back into the room)

The regulations on air exhaust should be followed.

Electrical connection

Manufactured with 2-track power cable, this device must be connected to the mains by an electrical switch with at least 3mm clearance between bipolar contact leads. Have the electrical connections done by a qualified electrician.

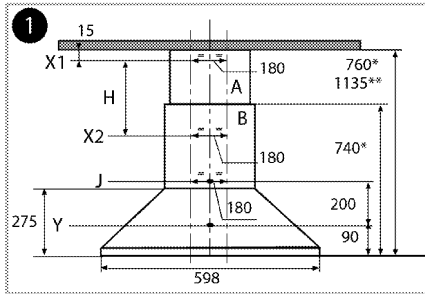
- Install your appliance so that you can reach the power connection (plug, outlet) easily after installation.

Installing the hood

i Measurements are in mm.

The following provides necessary information to prepare the location for hood installation.

The hood must be installed above the central axis of the cooking appliance. There should be a minimum clearance of 650 mm between the top surface of the hob and the bottom surface of the hood. Please apply the following steps for the hood's installation.

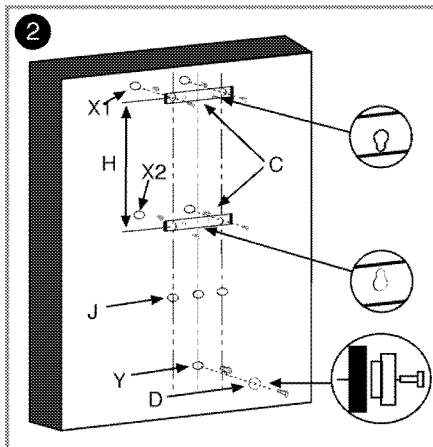


* min.

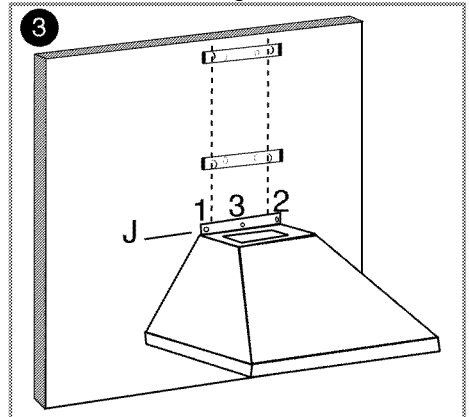
** max.

1. Centering the cooking appliance, draw an axis line on the wall up to 950mm height. Later, draw two parallel lines at 90mm distance on both sides of the axis line reaching to the ceiling. Then, determine hole locations by drawing the lines Y-J-X2 and X1 that cut vertically the axis line, for which measurements are given in Figure 1.

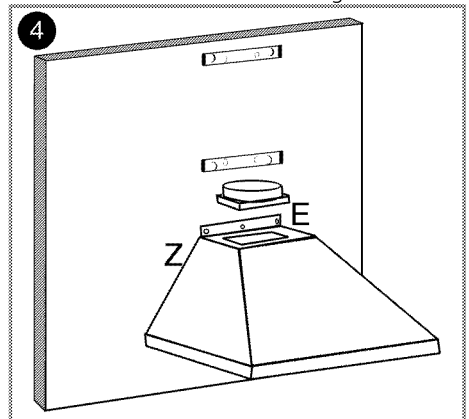
2. Drill eight 8-mm holes on the points X, Y, X2, X1 and place plastic plugs supplied with the packaging. Check if chimney connectors correspond to those holes or not.



3. As shown in Figure 2, fix connectors (C) to the holes X1 and X2 via two fixing screws supplied with the accessories. Screw distance ring (D) on the Y hole as small-diameter side facing the wall.



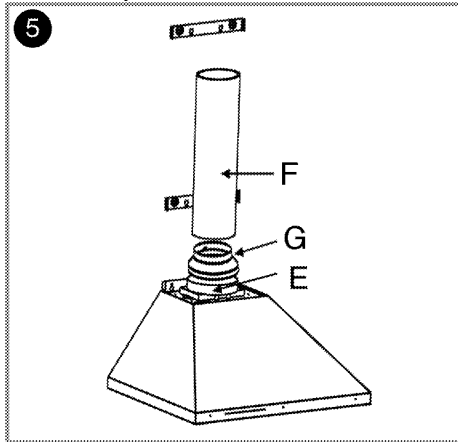
4. Install the hood from the key hole on back plate onto the distance ring and pull downward to make sure that it is secured. Then, screw the body onto the wall from the holes J1 and J2 on the upper back of the body. To avoid the hood falling down accidentally for any reason, screw it also from the hole J3 shown in Figure 3.



5. As shown in Figure 4, place the chimney outlet flange (E) to the rectangular outlet on the upper part of the hood; and screw the flange onto the body using 2.9-mm traced screws supplied with accessories.

6. **For chimney connection usage:**

In chimney-connected position, absorbed air will go through oil filters to the outlet and then will reach the chimney through connection pipes and finally expelled from the chimney.



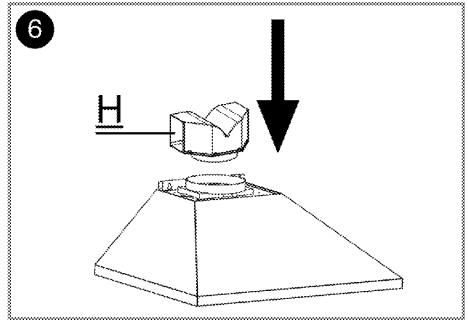
When using this connection position, 150mm to 120 mm E connector should be installed on the chimney outlet flange as shown in Figure 5. Chimney connection pipes must be made of fireproof plastic material. When using flexible connection type, it should be considered that sharp corners and sudden contractions will have a negative impact on air suction.

The hood must never be connected to a chimney to which another device was already connected.

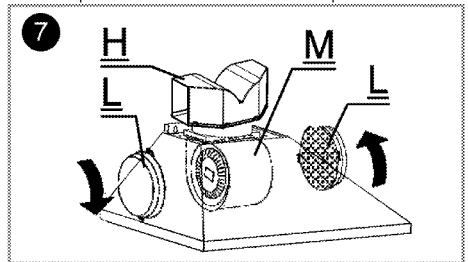
- i** Connection pipe should not be larger than 120-150 mm; otherwise, proper chimney connection will be prevented.

7. Internal circulation (Use with carbon filter)

In the position of internal circulation, the air absorbed from the environment will go through oil filters and carbon filters, where the smell is eliminated, and pass through air directing component. Later, it is finally sent back to the environment through the grates on chimney.



As shown in Figure 6, air directing component is installed on H point.

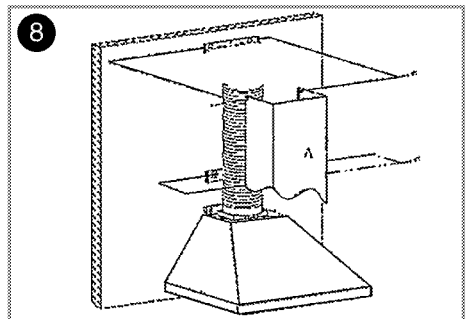


Place ear slots of carbon filters (L) to the ears on motor carrier (M) as shown in Figure 7 and turn anti-clockwise to fix in place. Apply the same procedure for the motor carrier on the other side.

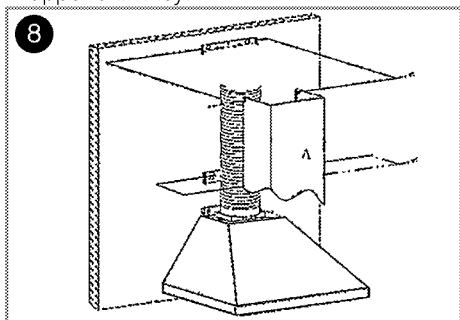
- i** Failure to clean and service oil filters periodically and failure to replace carbon filters at the end of service life (approximately 4 months) may have the risk of causing fire.

8. Installation of chimney

To install upper chimney A, secure the upper corners of the chimney on the connection (C) as shown below and screw it onto the connector with 2.9-mm screws.



Distance between the hole X1 and X2 is determined during the installation process depending on the usage length of the upper chimney.



To install lower chimney B, stretch the chimney by pulling slightly from both sides and secure it onto upper chimney's slots as shown in the figure above.

You may use the hood in two ways:

1-Chimney-connected use

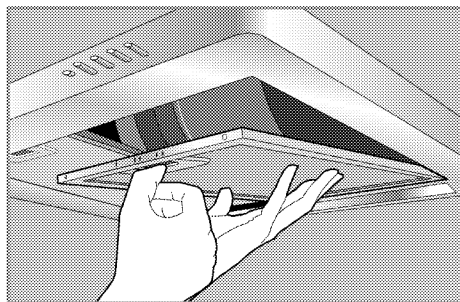
The steam is expelled via chimney pipe which is secured to the connection ring on the hood. Diameter of chimney pipe should be equal to connection ring. To allow the air easily going out of the room in horizontal arrangements, the pipe should be slightly tilted upwards (approximately 10°).

i If the carbon filter is installed on your hood, remove it when using the hood with the chimney.

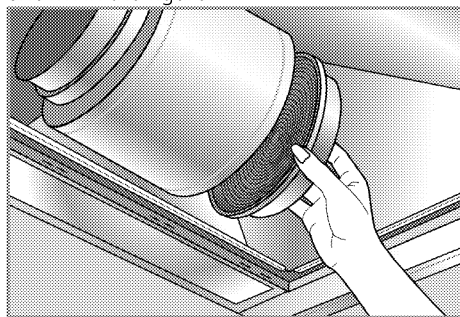
2- Use with no chimney connection

Air is filtered through carbon filter and returned to the room. Carbon filter is used when there is no chimney in the house or when it is impossible to install a chimney pipe.

- Remove aluminum filters as shown below.



- To install carbon filter, center the filter over the plastic parts on both sides of fan body and secure the filter in tabs.
- Tighten by turning it to right and left as shown in the figure.



- Re-install aluminum filters.

Future transportation

- Keep the product's original carton and transport the product in it. Follow the instructions on the carton. If you do not have the original carton, pack the product in bubble wrap or thick cardboard and tape it securely.

i Do not place any objects onto the product and move it in upright position.

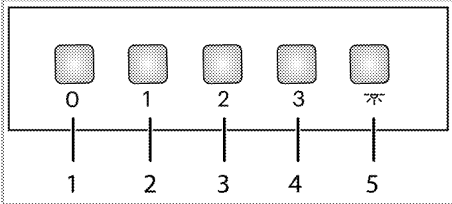
i Check the general appearance of your product for any damages that might have occurred during transportation.

4 Operating the hood

Hood is equipped with a motor with various speed settings.

For a better performance, we advise you to use low speeds in normal conditions, and high speeds when smell and vapors are intensified.

Operating the hood



- 1 Off button
- 2 Speed1
- 3 Speed2
- 4 Speed3
- 5 Lamp button

1. Press on relevant button for the speed you want to operate the hood.

i Never press on two buttons at the same time. If pressed, higher speed will be activated.

Turning off the hood

1. Press on the Off button when the hood is operating in a certain speed.

Operating the lamp

1. Press on the lamp button to operate the lamp.

Turning off the lamp

1. Press on the lamp button again to turn off the lamp.

i Off button do not turn off the lamp, it only stops operation of the hood.

5 Maintenance and care

General information

Service life of the product will extend and frequent problems will decrease if the product is cleaned at regular intervals.

! Disconnect the product from mains supply before starting maintenance and cleaning works.

There is the risk of electric shock!

- Clean the product thoroughly after each use. In this way it will be possible to remove cooking residues more easily, thus avoiding these from burning the next time the appliance is used.
- No special cleaning agents are required for cleaning the product. Use warm water with washing liquid, a soft cloth or sponge to clean the product and wipe it with a dry cloth.
- Do not use cleaning agents that contain acid or chloride to clean the stainless or inox surfaces and the handle. Use a soft cloth with a liquid detergent (not abrasive) to wipe those parts clean, paying attention to sweep in one direction.

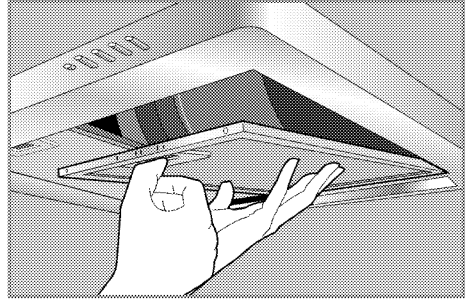
i The surface might get damaged by some detergents or cleaning materials.

Do not use aggressive detergents, cleaning powders/creams or any sharp objects during cleaning.

i Do not use steam cleaners for cleaning.

Aluminum filter

This filter captures oil particles in the air. You are recommended to clean your filter once a month in normal use. Please firstly remove aluminum filters for this process. Wash the filters in liquid-detergent water and install them after drying. Aluminum filters might change colour in time due to washing. This is normal and you don't need to replace the filter.



i You can also wash aluminum filters in dishwasher.

Removing aluminum filters

1. Push aluminum filter lock forward.
2. Slightly lower the filter and pull forth. Otherwise, you may bend the filter.
3. After washing, reverse the steps above to re-install the aluminum filter.

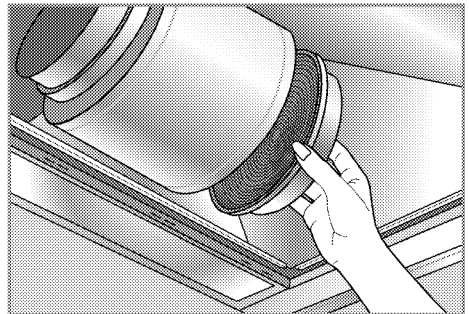
Carbon filter (Use without chimney)

i Carbon filter should never be washed.

It should be replaced once every 4 months in normal use. You may obtain carbon filters from the Authorised Service.

Removing carbon filters

1. Remove aluminum filters
2. To remove carbon filter, turn it to release from the tab.



3. Install the new carbon filter.
4. Re-install aluminum filters.

i You may cause fire if you do not observe the rules regarding the cleaning and replacing hood filters.

Replacing the lamp

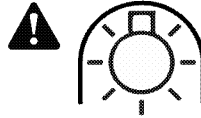
i The hood lamp in this product can be changed by the user.

! Before replacing the lamp, make sure that the product is disconnected from mains in order to avoid the risk of an electrical shock. If hot, let the lamp cool down.
Hot surfaces may cause burns!

i For the specifications of the lamp, see *Technical specifications*, page 10. Oven lamps can be obtained from Authorised Service Agents.

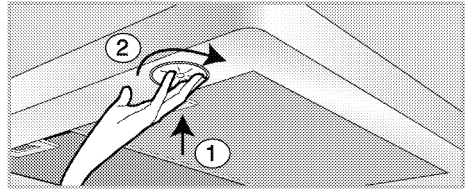
i Position of lamp might vary from the figure.

i The lamp used in this appliance is not suitable for household room illumination. The intended purpose of this lamp is to assist the user to see foodstuffs.



Use only with self-shielded tungsten halogen lamps or self-shielded metal halide lamps.

1. Remove the lamp pressing it towards its seat in clockwise direction (1) and then remove turning it in counterclockwise direction (2).



2. Insert the new lamp turning it in clockwise direction.
3. A "click" will be heard when the lamp is secured in its place.

6 Troubleshooting

Product does not operate.

- The mains fuse is defective or has tripped. >>> *Check fuses in the fuse box. If necessary, replace or reset them.*
- Product is not plugged into the socket. >>> *Check the plug connection.*
- Speed button might not be set. >>> *Press the required speed button.*
- Power is cut. >>> *Check if there is power. Check the fuses in the fuse box. If necessary, replace or reset the fuses.*

Hood light does not work.

- Hood lamp is defective. >>> *Replace the hood lamp.*
- Power is cut. >>> *Check if there is power. Check the fuses in the fuse box. If necessary, replace or reset the fuses.*



Consult the Authorised Service Agent or the dealer where you have purchased the product if you cannot remedy the trouble although you have implemented the instructions in this section. Never attempt to repair a defective product yourself.

Arcelik A.S.

Karaağaç Caddesi No:2-6 Sütlüce, 34445, Turkey

Made in TURKEY

Importer in Russia: «BEKO LLC»

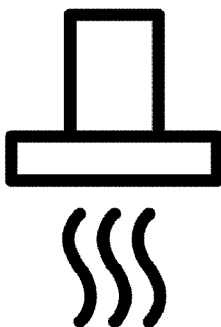
Address: Selskaya street, 49, Fedorovskoe village, Pershinskoe rural settlement, Kirzhach district, Vladimir region, Russian Federation 601021

The manufacture date is included in the serial number of a product specified on rating label, which is located on a product, namely: first two figures of serial number indicate the year of manufacture, and last two _ the month. For example, "10- 100001-05" indicates that the product was produced in May, 2010.

You can ask for certification number from our Call Center 8-800-200-23-56 The manufacturer reserves the right for making changes in modification, design and specification of an electric device.



Hota
Manual de utilizare



RO



Vă rugăm să citiți mai întâi manualul de utilizare!

Stimate client,

Vă mulțumim pentru că ați ales un produs Beko. Sperăm să obțineți cele mai bune rezultate de pe urma folosirii produsului nostru care a fost fabricat utilizând o calitate superioară și o tehnologie modernă. Prin urmare, vă rugăm să citiți cu atenție întregul manual de utilizare și documentele însoțitoare ale acestuia înainte de utilizarea produsului și să le păstrați pentru consultări ulterioare.. În cazul în care predați produsul altcuiva, predați și manualul de utilizare. Respectați toate avertizările și informațiile din manualul de utilizare. Rețineți că manualul de utilizare se aplică și pentru alte modele. Diferențele dintre modele vor fi identificate în manual.

Explicația simbolurilor

În manualul de utilizare sunt utilizate următoarele simboluri:



Informații importante sau recomandări utile cu privire la utilizare.



Avertisment de situații periculoase cu privire la viață și proprietate.



Avertisment de șoc electric



Avertisment de risc de incendiu.



Avertisment de suprafețe fierbinți.



Arcelik A.Ş.
Karaağaç caddesi No:2-6
34445 Sütlüce/Istanbul/TURKEY
Made in TURKEY

**1 Instrucțiuni importante și
avertismente privind siguranța
și mediul înconjurător 4**

Siguranța generală.....	4
Siguranța electrică.....	5
Siguranța produsului.....	6
Domeniu de utilizare.....	8
Siguranța copiilor.....	8
Depozitarea la deșeurii a produsului vechi.....	8
Depozitarea la deșeurii a materialelor de ambalare.....	8

2 Informații generale 9

Prezentare generală.....	9
Scopul livrării.....	10

Specificații tehnice.....	10
---------------------------	----

3 Montarea 11

Instalare.....	11
Transportul ulterior.....	14

4 Funcționarea hotei 15**5 Întreținere și curățare 16**

General information.....	16
Înlocuirea lămpii.....	17

6 Remedierea problemelor 18

I Instrucțiuni importante și avertismente privind siguranța și mediul înconjurător

Această secțiune conține informații cu privire la siguranța care vă vor ajuta să vă protejați împotriva riscului de vătămare corporală sau pagube materiale.

Nerespectarea acestor instrucțiuni va duce la anularea oricărei garanții.

Siguranța generală

- Acest produs poate fi utilizat de către copii cu vârsta peste 8 ani sau mai mari și persoane cu capacități fizice, senzoriale sau mentale reduse sau lipsă de experiență și cunoștințe, dacă sunt supravegheați sau instruiți cu privire la utilizarea produsului într-o manieră sigură și înțeleg pericolele implicate.

Acest produs nu este destinat pentru jocul copiilor. Curățarea și întreținerea nu vor fi efectuate de către copii fără supraveghere.

- **Risc de intoxicare!** În timp ce aparatul funcționează, aerul din întreaga casă este admis. Dacă o ventilație adecvată nu este furnizată, gazele arse și cele toxice ce

sunt eliberate ca rezultat a fenomenului de ardere vor fi emise în casă prin intermediul curentului de aer a coșului de fum: Aparatul nu trebuie să funcționeze împreună cu sursele care emit gaze toxice și crează curent de aer (sobe pe lemn, gaz, petrol lampant și cărbune, boilere de apă, boilere, etc)

- Întotdeauna aveți nevoie de persoane autorizate pentru a verifica capacitatea de evacuare și curentul de aer al coșului de fum în clădirea dumneavoastră.
- Acest aparat nu este destinat utilizării de către persoane (inclusiv copii) cu capacități fizice, senzoriale sau mintale reduse, sau lipsă de experiență și cunoștințe necesare, exceptând cazul în care sunt supravegheați sau instruiți cu . Copiii trebuie să fie supravegheați pentru a se asigura că aceștia nu se joacă cu produsul. Procedurile de curățare și întreținere nu trebuie să fie efectuate de către copii doar

dacă aceștia sunt supravegheați.

- Procedurile de montare și reparare trebuie să fie întotdeauna efectuate de către un **agent de service autorizat**. Producătorul nu își asumă răspunderea pentru daunele produse în urma efectuării procedurilor de către persoane neautorizate.
- Nu folosiți produsul dacă este defect sau prezintă defecte vizibile.
- Asigurați-vă că opriți produsul după fiecare utilizare.
- Dacă produsul este înmânat către altcineva pentru uz personal sau în scopuri de utilizare second-hand, manualul de utilizare, etichetele produsului, documente importante și componente trebuie de asemenea înmanate împreună cu acesta.
- Produsul trebuie instalat de o persoană calificată, conform reglementărilor în vigoare. În caz contrar, garanția va fi anulată.

Siguranța electrică

- Pentru ca produsul să fie pregătit pentru utilizare, mai întâi dumneavoastră trebuie

să aveți spațiul de montaj și instalația electrică pregătită. Mai târziu, puteți apela la cel mai apropiat service autorizat.

- Dacă produsul prezintă o defecțiune, acesta nu trebuie folosit fără a fi reparat de către un agent service autorizat. Există pericolul de electrocutare!
- Nu conectați hota înainte ca montajul să fie finalizat.
- Nu atingeți niciodată ștecherul cu mâinile ude! Nu scoateți din priză prin tragerea de cablu; întotdeauna apucați ștecherul pentru a scoate din priză.
- Produsul trebuie deconectat de la rețeaua de electricitate în timpul procedurilor de montare, întreținere, curățare și reparare.
- Dacă cablul de alimentare este avariata, acesta trebuie înlocuit de către producător sau de către agentul său de service sau de către o persoană cu calificări similare pentru evitarea pericolele.
- Dacă produsul dvs. a fost produs cu mufă, nu tăiați mufa pentru a vă conecta la sursa electrică în timpul

instalării. În caz contrar, garanția devine nulă și riscurile de siguranță pot apărea pentru utilizatori.

- Nu conectați niciodată cablul de alimentare în apropierea hotei. Dacă este ars, cablul poate cauza un incendiu.
- Lucrările la echipamentele și rețelele electrice pot fi efectuate numai de persoane calificate autorizate.
- În cazul unei defecțiuni, opriți produsul și deconectați-l de la rețeaua de electricitate. Pentru a face acest lucru, decuplați siguranța de la panoul electric.
- Asigurați-vă că siguranța are capacitatea adecvată pentru acest produs.
- Nu spălați niciodată produsul cu apă! Există pericolul de electrocutare!

Siguranța produsului

- Înălțimea între suprafața inferioară a hotei și suprafața superioară a acesteia nu trebuie să fie mai mică de 650 mm.
- Nu atingeți niciodată lampa hotei după ce a funcționat pentru o lungă perioadă de timp. Lămpile fierbinți vă pot arde mâinile.

- Nu operați niciodată produsul fără filtru de ulei. Nu scoateți filtrele în momentul când produsul este în utilizare.
- Evitați flăcările mare sub produs. Astfel, particulele din filtrul de ulei se pot aprinde și pot declanșa un incendiu.
- Deschideți ochiul după ce ați plasat tigăile și oalele. Astfel, temperatura care se ridică poate deforma componente specifice ale produsului dumneavoastră.
- Închideți ochiul înainte de luarea tigăilor și oalelor.
- Evitați materialele inflamabile de sub hotă.
- Nu expuneți produsul la flăcări deschise sub acesta. Uleiul acumulat în filtrul poate declanșa un incendiu. Nu operați produsul fără filtru.
- Nu lăsați cuptorul nesupravegheat în momentul când încălziți mâncare, uleiul se poate aprinde iar acesta poate declanșa un incendiu. Astfel, fiți atenți cu materialele textile și perdelele.
- Dacă hota nu este curățată periodic și în totalitate, acesta poate cauza un risc de ardere.

- Pentru reîmprospătarea aerului din bucătărie după mirosurile și aburii de mâncare, vă rugăm să deschideți hota timp de 15 minute după ce prepararea mâncării s-a finalizat.
- Atunci când hota este utilizată în același timp cu alte produse ce funcționează pe gaz sau alți combustibili, camera trebuie să fie ventilată corespunzător. (Nu se aplică produselor care elimină aerul înapoi în cameră).
- În mediul înconjurător unde hota este utilizată, gazele de la dispozitivele pe gaz sau pe țigete cum ar fi caloriferele de cameră trebuie să fie izolate sau dispozitivul trebuie să fie de tip ermetic.
- Dacă există un dispozitiv pe țigete sau pe gaz în mediul înconjurător, camera trebuie să fie ventilată suficient.
- În momentul când un dispozitiv non-electric este utilizat în împreună cu cuptorul, presiunea negativă din cameră trebuie să fie de maxim 0,04 mbar pentru a evita reîntoarcerea fumului celui de-al doilea dispozitiv în cameră.
- Nu conectați niciodată hota la coșuri de fum care sunt utilizate pentru radiatoare, gaze de evacuare sau cu flacăra deschisă. Examinați regulile autorităților cu privire la evacuarea aerului.
- În momentul când conectați la coșul de fum, utilizați conducte cu un diametru de 120 mm. Conexiunea conductei trebuie să fie cât mai mică cu putință și cu mai puține coturi.
- Nu atârnați materiale ușor flamabile și combustibile pe mânerele hotei.
- Compania noastră nu va fi responsabilă pentru problemele care se ivesc de la utilizarea împotriva avertismentelor precizate mai sus.
- Dacă curățarea nu este făcută conform instrucțiunilor, există riscul unui incendiu.
- Nu ar trebui să existe foc deschis sub capotă. (exemplu: flambați)
- Atenție: Atunci când utilizați un produs de gătit, componentele accesibile se pot înfierbânta.
- Sunteți recomandat să curățați filtrul odată pe lună pentru o utilizare normală.

Domeniu de utilizare

Acest produs este destinat uzului casnic. Utilizarea comercială este interzisă. Producătorul nu este responsabil pentru pagubele provocate de utilizarea sau manipularea incorectă.

Siguranța copiilor

- Nu lăsați copiii să se apropie de produs în timp ce funcționează și nu îi lăsați să se joace cu acesta.
- Materialele de ambalare sunt periculoase pentru copii. Mențineți materialele de ambalare într-un loc departe de copii, sortați-le și eliminați-le conform directivelor privind eliminarea deșeurilor.
- Produsele electrice sunt periculoase pentru copii. Nu lăsați copiii să se apropie de produs în timp ce funcționează și nu îi lăsați să se joace cu acesta.

Depozitarea la deșuri a produsului vechi

Conformitate cu Directiva WEEE și depozitarea la deșuri a produsului uzat:



Acest produs respectă Directiva UE WEEE (2012/19/UE). Produsul este marcat cu un simbol de clasificare pentru deșuri electrice și electronice (WEEE).

Acest produs a fost fabricat folosind piese și materiale de înaltă calitate, care pot fi refolosite și reciclate. Nu depozitați produsul uzat împreună cu gunoiul menajer la sfârșitul duratei sale de funcționare. Duceți-l la un centru de colectare pentru reciclarea echipamentelor electrice și electronice. Luați legătura cu autoritățile locale pentru a afla informații despre aceste centre de colectare.

Conformitate cu Directiva RoHS:

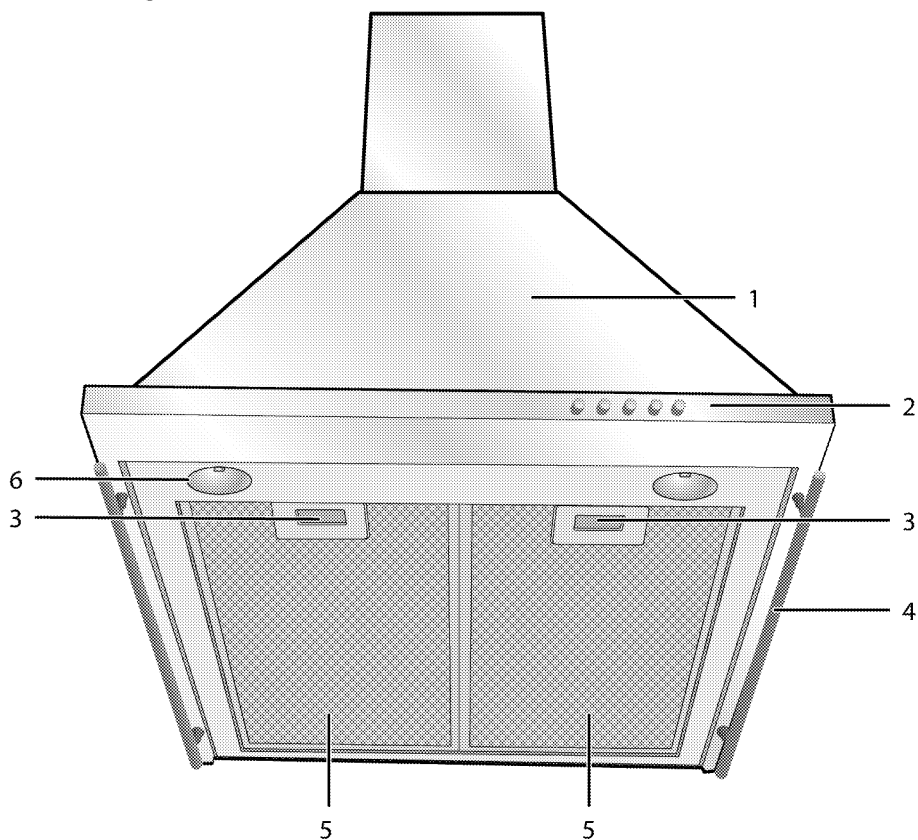
Produsul pe care l-ați achiziționat respectă Directiva UE RoHS (2011/65/UE). Nu conține materiale dăunătoare și interzise specificate în Directivă.

Depozitarea la deșuri a materialelor de ambalare

- Materialele de ambalare sunt periculoase pentru copii. Păstrați materialele de ambalare într-un loc sigur, la care copiii nu au acces. Materialele de ambalare ale produsului sunt fabricate din materiale reciclabile. Sortați-le și depozitați-le la deșuri în mod corect. Nu le depozitați împreună cu gunoiul menajer.

2 Informații generale

Prezentare generală



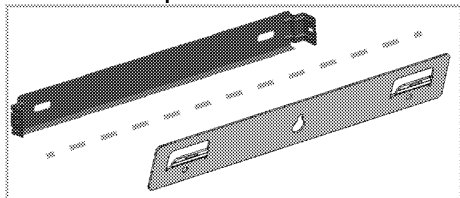
- 1 Corp hotă
- 2 Panou de comandă
- 3 Blocare filtru de aluminiu
- 4 Mâner
- 5 Filtru de aluminiu
- 6 Lampă

Scopul livrării

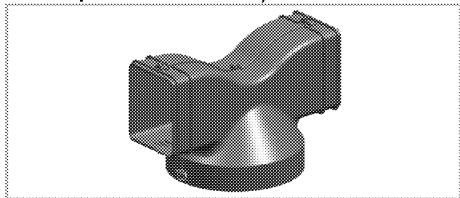
i Accesoriile furnizate pot varia în funcție de modelul produsului. Este posibil ca unele accesorii descrise în manualul de utilizare să nu fie furnizate cu produsul dvs.

1. Manual de utilizare

2. Conector de perete



3. Componentă de direcționare a aerului



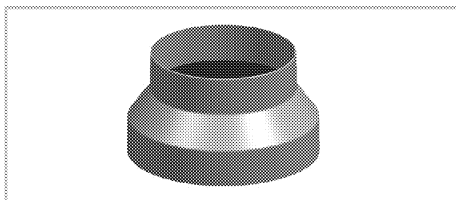
4. Adaptor conexiune coș de fum

Specificații tehnice

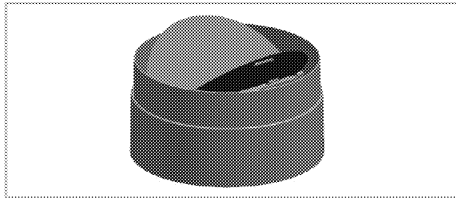
Dimensiuni externe (înălțime/lățime/adâncime)	min. 740 mm max. 1135 mm/598 mm/502 mm
Tensiune/frecvență	220-240 V ; 50 Hz
Control	3 nivel
Putere absorbie	415 m ³ /h
Consum putere totală	max. 170 W
Diametru conductă evacuare aer	120-150 mm
LAMPĂ	
Tip lampă	Led
Consum putere lampă	2x3 W
Puterea max. a unei lămpi de înlocuire poteniale	max. 2 x 3 W.Led /max. 2 x 28 W.Halogen
Tensiune/frecvență lampă	230 V~; 50/60 Hz
Tip capac lampă	GU10
Diametru/lungime lampă	50 mm /55 mm

i Specificațiile tehnice se pot modifica fără preaviz în scopul îmbunătățirii calității produsului.

i Ilustrațiile din acest manual au rol explicativ și pot să nu se potrivească cu produsul dumneavoastră.



5. Supape pentru prevenirea debitului reversibil de aer



i Valorile declarate în inscripțiile de pe aparat sau în alte documente tipărite furnizate cu aparatul sunt obținute în condiții de laborator, conform standardelor în vigoare. Aceste valori pot varia în funcție de condițiile de utilizare și de mediu.

3 Montarea

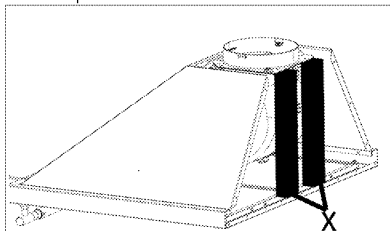
Apelați la un agent de service autorizat pentru montarea produsului. Asigurați-vă că instalația electrică este pregătită înainte de solicitarea montării produsului de către agentul de service autorizat. În caz contrar, apelați la un electrician sau instalator calificat pentru a face pregătirile necesare.

i Pregătirea locației și a instalației electrice pentru produs constituie responsabilitatea clientului.

! Produsul trebuie montat în conformitate cu toate reglementările locale privind instalațiile electrice.

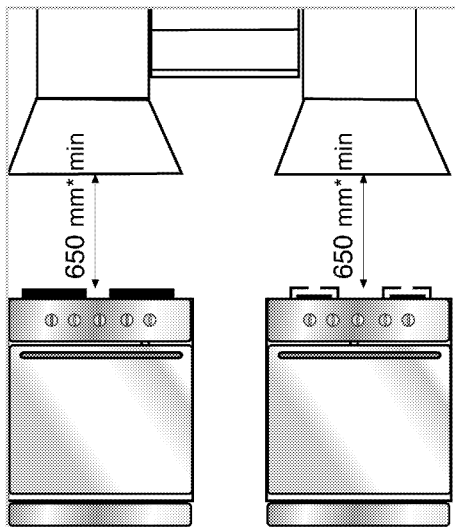
! Înainte de montaj, verificați vizual dacă produsul nu este avariât. Dacă este avariât, nu îl instalați. Produsele avariate cauzează riscuri pentru siguranța dumneavoastră.

! Avertisment: Nerespectarea montării șuruburilor sau a dispozitivului de fixare conform instrucțiunilor poate cauza pericole electrice.



! Există polistiren, marcat cu X în imaginea de mai sus, între caroserie și motor. Această polispumă trebuie îndepărtată în timpul instalării.

Instalare



* min.

Trebuie să existe o distanță de minimum 650 mm între suprafața superioară a plitei și suprafața inferioară a hotei.

Aerul ce urmează a fi evacuat prin hotă nu trebuie conectat la un horn utilizat de alte aparate casnice ce utilizează gaze sau alți combustibili. (Nu se aplică produselor care elimină aerul înapoi în cameră)

Trebuie respectate reglementările cu privire la evacuarea aerului.

Racordul electric

Fabricat cu un cablu de alimentare bifilar, acest dispozitiv trebuie să fie conectat la priza principală printr-un comutator electric cu cel puțin 3 mm spațiu între conductoarele bipolare. Racordarea la rețeaua electrică trebuie efectuată de către un electrician calificat.

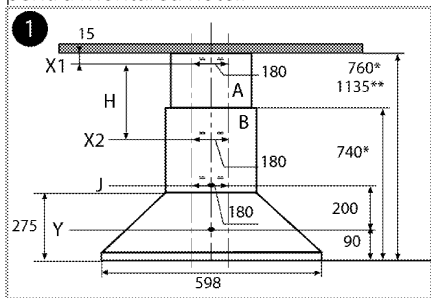
- Instalați aparatul astfel încât după instalare să puteți ajunge cu ușurință la conexiunea de alimentare (fișă, priză).

Montarea hotei

i Toate dimensiunile sunt în mm.

Mai jos veți găsi informațiile necesare pentru amenajarea locației în vederea instalării hotei.

Hota trebuie să fie aliniată cu axa centrală a dispozitivului de gătire. Trebuie să existe o distanță de minimum 650 mm între suprafața superioară a plitei și suprafața inferioară a hotei. Parcurgeți următorii pași pentru montarea hotei.

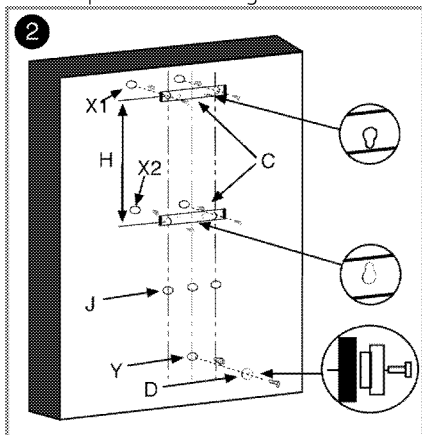


* min.

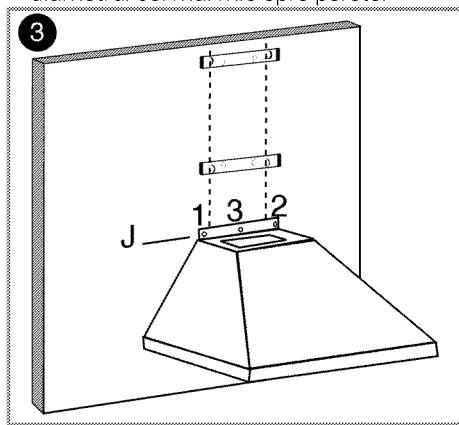
** max.

1. Centrat pe dispozitivul de gătire, desenați pe perete o axă până la o înălțime de 950 mm. Apoi desenați două linii paralele la o distanță de 90 mm pe ambele părți ale axei ce ajunge la tavan. Apoi, determinați locațiile găurilor prin desenarea liniilor Y-J-X2 și X1 ce taie vertical axa, pentru care măsurătorile sunt date în Figura 1.

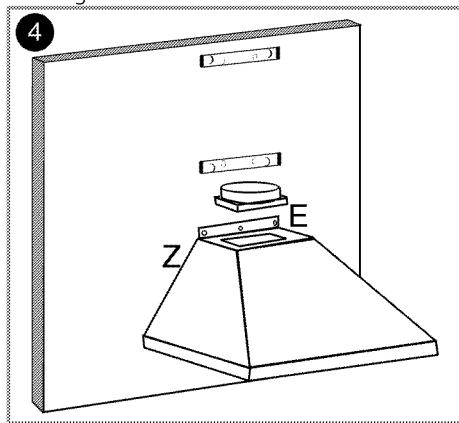
2. Realizați opt găuri cu un diametru de 8 mm în punctele X, Y, X2, X1 și plasați capacele de plastic furnizate cu ambalajul. Verificați racordurile la horn să corespundă acestor găuri.



3. Așa cum este prezentat în Figura 2, fixați conectorii (C) în găurile X1 și X2 prin intermediul a două șuruburi de fixare furnizate cu accesoriile. Înșurubați inelul distanțier (D) în gaura Y cu partea cu diametrul cel mai mic spre perete.



4. Montați hota de la gaura cheie de pe placa din spate pe inelul distanțier și trageți în jos pentru a vă asigura că este fixată. Apoi, fixați cu șuruburi corpul în perete folosind găurile J1 și J2 pe partea superioară a corpului. Pentru evitarea căderii accidentale a hotei, fixați-o cu încă un șurub utilizând și gaura J3 prezentată în Figura 3.

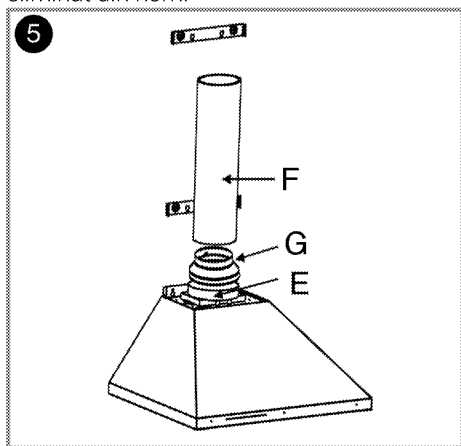


5. Așa cum este prezentat în Figura 4, amplasați flanșa de evacuare a coșului de fum (E) pe flanșa dreptunghiulară pe partea superioară a hotei, și fixați flanșa de corpul hotei utilizând șuruburi cu

dimensiunea de 2,9 mm furnizate cu accesoriile.

6. Pentru utilizarea racordului hornului:

În poziția conectată la horn, aerul absorbit va trece prin filtrele de ulei către evacuare și apoi va ajunge la horn prin intermediul conductelor de racord și în final va fi eliminat din horn.



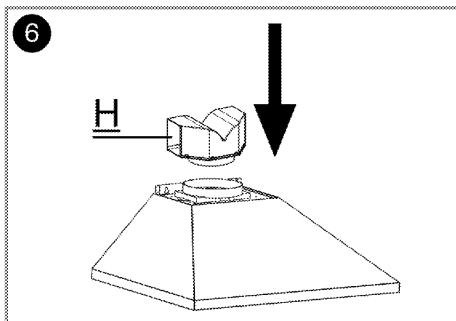
Dacă utilizați această poziție de racordare, conectorul E cu un diametru de 150 mm / 120 mm trebuie să fie montat pe flanșa de evacuare a coșului de fum așa cum este prezentat în Figura 5.

Conductele de racordare a coșului de fum trebuie să fie confecționate dintr-un material plastic ignifug. Dacă folosiți racordul de tip flexibil, rețineți că schimbările bruște de direcție și deschidere vor avea un impact negativ asupra admisiei aerului. Hota nu trebuie să fie niciodată conectată la un horn la care este deja conectat un alt dispozitiv.

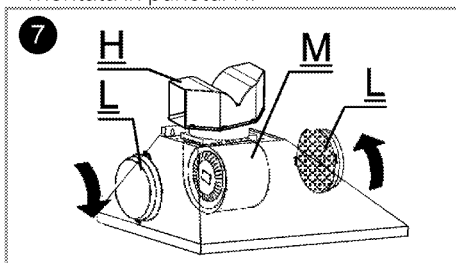
- i** Conducta de racord nu trebuie să aibă un diametru mai mare de 120-150 mm, în caz contrar racordul nu se va putea realiza.

7. Circulația internă (Utilizare cu filtrul de carbon)

Pe poziția circulație internă, aerul absorbit trece prin filtrele de ulei și filtrele de carbon, unde se elimină mirosul, apoi trece prin elementul de direcționare a aerului. Apoi este eliminat în mediu prin grila hornului.



Așa cum este prezentat în Figura 6, componenta de direcționare a aerului este montată în punctul H.

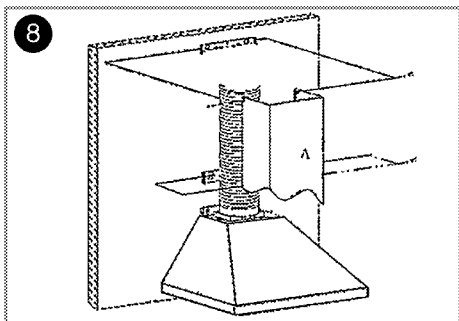


Plasați urechile filtrului de carbon (L) în urechile hotei (M) așa cum este prezentat în Figura 7 și rotiți invers acelor de ceas pentru a fixa. Aplicați aceeași procedură pentru piesa de susținere a motorului de pe cealaltă parte.

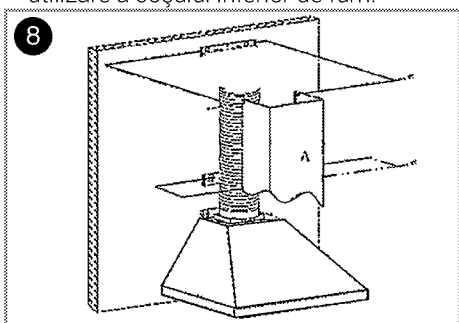
- i** Neglijarea curățării periodice a filtrelor de ulei sau neînlocuirea filtrelor de carbon la sfârșitul perioadei de utilizare (aproximativ 4 luni) poate provoca incendii.

8. Instalarea hornului

Pentru montarea hornului superior A, fixați colțurile superioare ale hornului pe racordul (C) așa cum este prezentat mai jos și fixați-l pe racord utilizând șuruburi de 2,9 mm.



Distanța dintre gaura X1 și X2 este determinată în timpul procesului de montare depinzând de lungimea de utilizare a coșului inferior de fum.



Pentru montarea hornului inferior B, alungiiți hornul prin tragerea ușoară de ambele capete și fixați-l în canalele hornului superior așa cum este prezentat în figura de mai sus.

Puteți utiliza hota în două moduri:

1 Utilizare cu hornul racordat

Aerul este evacuat prin conducta hornului, care este fixată cu inelul de racord de hotă. Diametrul conductei hornului trebuie să fie egal cu diametrul inelului de racord. Pentru a permite evacuarea ușoară a aerului din cameră în aranjamente orizontale, conducta trebuie să fie înclinată puțin în sus (aproximativ 10°).

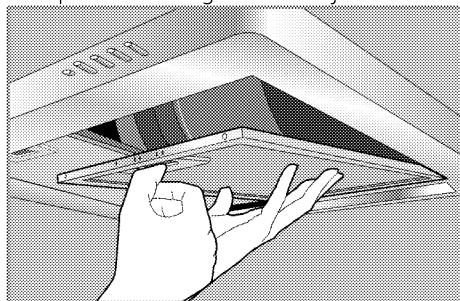
i Dacă filtrul de carbon este instalat pe hotă, îndepărtați-l atunci când utilizați hota cu hornul.

2 Utilizare cu hornul neracordat

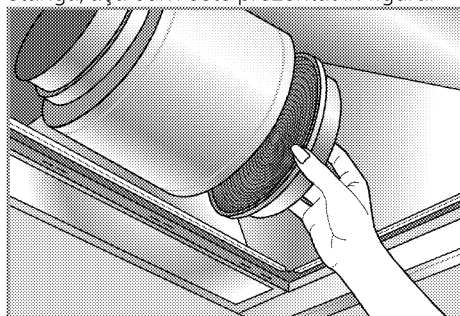
Aerul este filtrat prin filtrul de carbon și evacuat în cameră. Filtrul de carbon este utilizat în momentul când nu există horn în

casă sau când nu este posibilă instalarea unei conducte de evacuare.

- Demontați filtrele de aluminiu așa cum este prezentat în figura de mai jos.



- Pentru montarea filtrului de carbon, centrați filtrul de carbon pe componenta de plastic pe ambele fețe ale corpului ventilatorului, și fixați-l.
- Strângeți prin rotirea spre dreapta și stânga, așa cum este prezentat în figură.



- Remontați filtrele de aluminiu.

Transportul ulterior

- Păstrați cutia originală a produsului și transportați-l în aceasta. Respectați instrucțiunile de pe cutie. Dacă nu aveți cutia originală, ambalați produsul în folie cu bule sau în carton gros și lipiți-l cu bandă adezivă.

i Nu amplasați obiecte pe produs; mutați-l în poziție verticală.

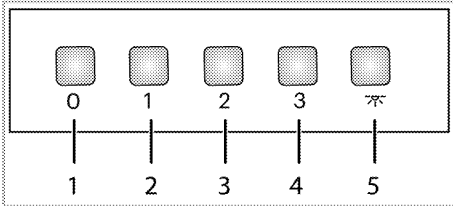
i Verificați aspectul general al produsului pentru a determina dacă nu a fost avariat în timpul transportului.

4 Funcționarea hotei

Cuptorul este echipat cu un motor având setări variate de viteză.

Pentru o performanță mai bună, noi vă sfătuim să utilizați vitezele inferioare în condiții normale, și vitezele superioare în momentul când mirosul și vaporii s-au intensificat.

Funcționarea hotei



- 1 Buton oprit
- 2 Viteza 1
- 3 Viteza 2
- 4 Viteza 3
- 5 Buton lampă

1. Apăsați pe butonul relevant pentru viteza care o doriți ca hota să funcționeze.

i Nu apăsați niciodată în același timp pe două butoane. Dacă apăsați, viteza superioară va fi activată.

Oprirea hotei

1. Apăsați pe butonul oprit în momentul când hota funcționează la o viteză anume.

Utilizarea lămpii

1. Apăsați pe butonul de lampă pentru funcționarea acesteia.

Oprirea hotei

1. Apăsați pe butonul lămpii din nou pentru a opri lampa.

i Butonul Închis nu oprește lampa, acesta doar oprește funcționarea hotei.

5 Întreținere și curățare

General information

Service life of the product will extend and frequent problems will decrease if the product is cleaned at regular intervals.

! Disconnect the product from mains supply before starting maintenance and cleaning works.

There is the risk of electric shock!

- Clean the product thoroughly after each use. In this way it will be possible to remove cooking residues more easily, thus avoiding these from burning the next time the appliance is used.
- No special cleaning agents are required for cleaning the product. Use warm water with washing liquid, a soft cloth or sponge to clean the product and wipe it with a dry cloth.
- Do not use cleaning agents that contain acid or chloride to clean the stainless or inox surfaces and the handle. Use a soft cloth with a liquid detergent (not abrasive) to wipe those parts clean, paying attention to sweep in one direction.

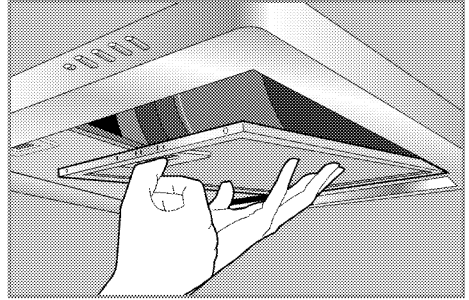
i The surface might get damaged by some detergents or cleaning materials.

Do not use aggressive detergents, cleaning powders/creams or any sharp objects during cleaning.

i Do not use steam cleaners for cleaning.

Aluminum filter

This filter captures oil particles in the air. You are recommended to clean your filter once a month in normal use. Please firstly remove aluminum filters for this process. Wash the filters in liquid-detergent water and install them after drying. Aluminum filters might change colour in time due to washing. This is normal and you don't need to replace the filter.



i You can also wash aluminum filters in dishwasher.

Removing aluminum filters

1. Push aluminum filter lock forward.
2. Slightly lower the filter and pull forth. Otherwise, you may bend the filter.
3. After washing, reverse the steps above to re-install the aluminum filter.

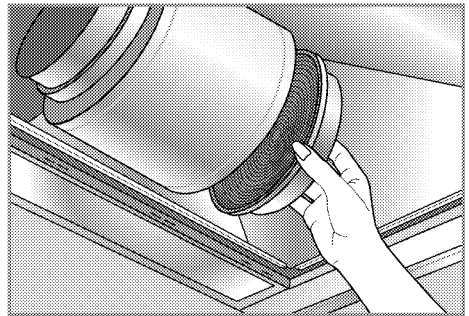
Carbon filter (Use without chimney)

i Carbon filter should never be washed.

It should be replaced once every 4 months in normal use. You may obtain carbon filters from the Authorised Service.

Removing carbon filters

1. Remove aluminum filters
2. To remove carbon filter, turn it to release from the tab.



3. Install the new carbon filter.
4. Re-install aluminum filters.

i You may cause fire if you do not observe the rules regarding the cleaning and replacing hood filters.

Înlocuirea lămpii

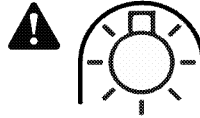
i Lampa capotei din acest produs poate fi schimbată de utilizator.

! Înainte de a înlocui lampa, asigurați-vă că produsul este deconectat de la priză pentru a evita producerea de șocuri electrice. Dacă este fierbinte, lăsați lampa să se răcească. Suprafețele fierbinți pot provoca arsuri!

i Pentru specificațiile lămpile, vezi *Specificații tehnice, pagina 10*. Lămpile pentru cuptor pot fi obținute de la agenții de service autorizați.

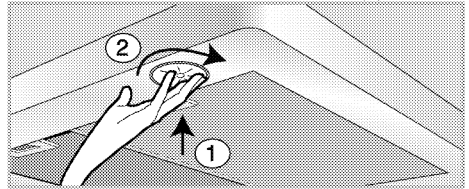
i Poziția lămpii poate varia de la figură.

i Lampa utilizată în acest produs nu este indicată pentru iluminatul camerei. Scopul destinat al acestei lămpi este de a sprijini utilizatorul în vizualizarea produselor alimentare.



Folosiți doar pentru lămpile tungsten cu halogen și protecție sau pentru lămpile metal-halide cu protecție.

1. Scoateți lampa prin apăsarea pe scaunul acesteia în direcția acelor de ceas (1) și apoi scoateți-o prin rotirea acesteia în sensul invers al acelor de ceas (2).



2. Introduceți nou lampa prin rotirea acesteia în direcția acelor de ceas.
3. Un "clic" se va auzi în momentul când lampa este în siguranță în locașul acesteia.

6 Remedierea problemelor

Produsul nu funcționează.

- Siguranța principală este defectă sau decuplată. >>> Verificați siguranțele din tabloul de siguranțe. Dacă este cazul, înlocuiți-le sau cuplați-le.
- Produsul nu este conectat la priză. >>> Verificați conexiunea ștecherului.
- Butonul de viteză ar putea să nu fie setat. >>> Apăsați butonul de viteză solicitat.
- Pană de curent. >>> Verificați dacă este curent. Verificați siguranțele din tabloul de siguranțe. Dacă este cazul, înlocuiți-le sau cuplați-le.

Lampa hotei nu funcționează.

- Lampa hotei este defectă. >>> Înlocuiți lampa hotei.
- Pană de curent. >>> Verificați dacă este curent. Verificați siguranțele din tabloul de siguranțe. Dacă este cazul, înlocuiți-le sau cuplați-le.



Consultați un agent de service autorizat sau dealer-ul de unde ați achiziționat produsul dacă nu puteți remedia problemele deși ați efectuat instrucțiunile din această secțiune. Nu încercați să reparați pe cont propriu produsul defect.