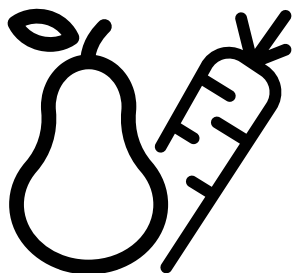




**Refrigerator**  
User Manual  
**Frigorifero**  
Manuale utente  
**Réfrigérateur**  
Manuel d'Utilisateur



RDNE650E40DZXBRN-RDNE650E40ZXBRN



**EN/IT/FR**

58 5173 0000/AP 1/4 -EN-IT-FR



RECYCLED &  
RECYCLABLE PAPER

**Dear Customer,**


**Please read this manual before using the product.**

Thank you for choosing this product. We would like you to achieve the optimal efficiency from this high quality product which has been manufactured with state of the art technology. To do this, carefully read this manual and any other documentation provided before using the product and keep it as a reference.


Heed all information and warnings in the user manual. This way, you will protect yourself and your product against the dangers that may occur.


Keep the user manual. Include this guide with the unit if you hand it over to someone else.

The following symbols are used in the user guide:






 Hazard that may result in death or injury.








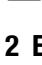
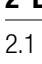
**NOTICE** A hazard that may cause material damage to the product or its surroundings

 Important information or useful tips on operation.

 Read the user manual.


 Risk of fire / Flammable materials


 <b>INFORMATION</b>	
 <b>ENERG</b> 	<p>.The model information as stored in the product data base can be reached by entering following website and searching for your model identifier (*) found on energy label.</p> <p><a href="https://eprel.ec.europa.eu/">https://eprel.ec.europa.eu/</a></p>
<p>SUPPLIER'S NAME                      MODEL IDENTIFIER → (*)</p> <p>                      </p>	


<b>1 Safety Instructions</b>	<b>3</b>	6.6 Ice bucket . . . . .	18
 1.1 Purpose of usage . . . . .	3	6.7 Ice maker. . . . .	18
 1.2 Safety of children, vulnerable persons and pets. . . . .	3	6.8 The dairy (cold storage) bin . . . . .	18
 1.3 Electrical safety . . . . .	4	6.9 Crisper . . . . .	19
 1.4 Handling Safety . . . . .	4	6.10 Crisper . . . . .	19
 1.5 Installation Safety . . . . .	4	Separator . . . . .	19
 1.6 Operational safety . . . . .	5	6.11 Cleaning of the Ethylene Filter . . . . .	19
 1.7 Maintenance and cleaning safety. . . . .	7	6.12 Cleaning of the Crisper Separator . . . . .	20
 1.8 HomeWhiz . . . . .	7	6.13 Using the water fountain . . . . .	20
 1.9 Lighting . . . . .	7	6.14 Filling the water tank of the water fountain . . . . .	20
<b>2 Environmental instructions</b>	<b>8</b>	6.15 Cleaning the water tank . . . . .	20
2.1 Compliance with the WEEE Directive and Disposing of the Waste Product: . . . . .	8	6.16 Filling the water tank of the water fountain . . . . .	21
2.2 Compliance with RoHS Directive . . . . .	8	6.17 Cleaning the water tank . . . . .	22
2.3 Package information. . . . .	8	6.18 Drip tray. . . . .	22
<b>3 Your Refrigerator</b>	<b>9</b>	6.19 Freezing fresh food. . . . .	23
<b>4 Installation</b>	<b>10</b>	6.20 Recommendations for storing frozen foods in the freezer compartment . . . . .	23
4.1 The right place for installation . . . . .	10	6.21 Deep freezer details . . . . .	24
4.2 For Products With Water Fountain / Ice Maker . . . . .	10	6.22 Placing food . . . . .	24
4.3 Attaching the plastic wedges . . . . .	10	6.23 Door open alert . . . . .	24
4.4 Adjustment of the feet. . . . .	11	6.24 Illumination lamp . . . . .	24
4.5 Electrical connection. . . . .	11	<b>7 Maintenance and cleaning</b>	<b>25</b>
<b>5 Preparation</b>	<b>12</b>	7.1 Stainless Steel External Surfaces. . . . .	25
5.1 What to do for energy saving . . . . .	12	7.2 Cleaning of the Products with Glass Doors. . . . .	25
5.2 First operation . . . . .	12	<b>7 Maintenance and cleaning</b>	<b>26</b>
<b>6 Operating the Product</b>	<b>13</b>	7.3 Preventing Odours. . . . .	26
6.1 Turning off the product . . . . .	13	7.4 Protecting Plastic Surfaces . . . . .	26
<b>6 Operation of the Product</b>	<b>14</b>	<b>8 Troubleshooting</b>	<b>27</b>
6.2 Indicator panel . . . . .	14		
6.3 Humidity controlled crisper (EverFresh+) . . . . .	16		
6.4 Blue Light/HarvestFresh . . . . .	16		
6.5 Anti-Odour Module . . . . .	17		
(FreshGuard) . . . . .	17		


# 1 Safety Instructions


- This section includes the safety instructions necessary to prevent the risk of personal injury or material damage.
- Our company shall not be held responsible for damages that may occur if these instructions are not observed.

 Installation and repair operations shall always be performed by Authorized Service.

 Always use genuine spare parts and accessories.

 Original spare parts will be provided for 10 years, following the product purchasing date.

 Do not repair or replace any part of the product unless specified expressly in the user manual.

 Do not perform any modifications on the product.

## 1.1 Purpose of usage

- This product is not intended for commercial use and it shall not be used out of its intended purpose.

This product is intended for operating interiors, such as households or similar.

For example;

- In the staff kitchens of the stores, offices and other working environments,
- In farm houses,
- In the units of hotels, motels or other resting facilities that are used by the customers,
- In hostels, or similar environments,
- In catering services and similar non-retail applications.

This product shall not be used in open or enclosed external environments such as vessels, balconies or terraces. Exposing the product to rain, snow, sunlight and wind may cause risk of fire.

## 1.2 Safety of children, vulnerable persons and pets

- This product may be used by children aged 8 years and older and persons with underdeveloped physical, sensory or mental capabilities or lack of experience and knowledge if they have been given supervision or instruction concerning use of the appliance in a the product safe way and the hazards involved.
- Children between 3 and 8 years are allowed to put and take out food to/from the cooler product.
- Electrical products are dangerous for children and pets. Children and pets must not play with, climb on, or enter the product.
- Cleaning and user maintenance should not be performed by children unless there is someone overseeing them.
- Keep the packaging materials away from children. Risk of injury and suffocation.
- Before disposing of old products that shall not be used any more:
  1. Unplug the power cord from the mains socket.
  2. Cut the power cord and remove it from the appliance together with the plug.
  3. Do not remove the racks and drawers from the product to prevent children from getting inside the appliance.
  4. Remove the doors.
  5. Store the product so that it shall not be tipped over.
  6. Do not allow children to play with the scrapped product.
- Do not dispose of the product by throwing it into fire. Risk of explosion.
- If there is a lock available in the product's door, keep the key out of children's reach.



# Important safety and environment instructions

## 1.3 Electrical safety

- The product shall not be plugged into the outlet during installation, maintenance, cleaning, repair, and transportation operations.
- If the power the cord is damaged, it shall be replaced by authorized service only to avoid any risk that may occur.
- Do not tuck the power cord under the product or to the rear of the product. Do not put heavy items on the power cord. The power cord should not be bent, crushed, and come into contact with any heat source.
- Do not use an extension cord, multi-plug or adaptor to operate your product.
- Portable multi sockets or portable power supplies may overheat and cause fire. Thus, do not have a multi-plug behind or in the vicinity of the product.
- The plug shall be easily accessible. If this is not possible, a mechanism that meets the electrical legislation and that disconnects all terminals from the mains (fuse, switch, main switch, etc.) shall be available on the electrical installation.
- Do not touch the plug with wet hands.
- When unplugging the appliance, don't hold the power cord, but the plug.
- When positioning the appliance, ensure the supply cord is not trapped or damaged
- Do not locate multiple portable socket-outlets or portable power supplies at the rear of the appliance.

## 1.4 Handling Safety

- This product is heavy, do not handle it by yourself.

- Do not hold the product from its door while handling the product.
- Be careful not to damage the cooling system and the pipes while handling the product. Do not operate the product if the pipes are damaged, and contact an authorized service.

## 1.5 Installation Safety

- Contact the Authorized Service for the product's installation. To prepare the product for installation, see the information in the user guide and make sure the electric and water utilities are as required. If the installation is not suitable, call a qualified electrician and plumber to have them make the necessary arrangements. Otherwise, electric shock, fire, issues with the product or injuries may occur.
- Check for any damage on the product before installing it. Do not have the product installed if it is damaged.
- Place the product on a level and hard surface and balance with the adjustable legs. Otherwise, the refrigerator may tip over and cause injuries.
- The product shall be installed in a dry and ventilated environment. Do not keep carpets, rugs or similar floor covers under the product. This may cause risk of fire as a result of inadequate ventilation!
- Do not block or cover ventilation holes. Otherwise, power consumption may be increased and damage to your product may occur.
- Do not connect the product to supply systems such as solar power supplies. Otherwise, damage to your product may occur as a result of the abrupt voltage fluctuations!

# Important safety and environment instructions

- The more refrigerant a refrigerator contains, the bigger its installation room shall be. In very small rooms, a flammable gas-air mixture may occur in case of a gas leak in the cooling system. At least 1 m<sup>3</sup> of volume is required for each 8 grams of refrigerant. The amount of the refrigerant available in your product is specified in the Type Label.
- The installation place of the product shall not be exposed to direct sunlight and it shall not be in the vicinity of a heat source such as stoves, radiators, etc.
- Penetration of humidity to live parts or to the power cord may cause short circuit. Thus, do not use the product in humid environments or in areas where water may splash (e.g. garage, laundry room, etc.) If the refrigerator is wet by water, unplug it and contact an authorized service.
- Do not connect your refrigerator to power saving devices. These systems are harmful for the product.

## 1.6 Operational safety

- If you cannot prevent installation of the product in the vicinity of a heat source, you shall use a suitable insulation plate and the minimum distance to the heat source shall be as specified below.
  - At least 30 cm away from heat sources such as stoves, heating units and heaters, etc.,
  - And at least 5 cm away from electric ovens.
- Your product has the protection class of I. Plug the product in a grounded socket that conforms with the Voltage, Current and Frequency values specified in the type label. The socket outlet shall be equipped with a fuse with a rating of 10 A – 16 A. Our company shall not be responsible for the damages that shall be incurred as a result of operating the product without ensuring ground and electrical connections made as per local or national regulations.
- The product's power cable must be unplugged during installation. Otherwise, risk of electric shock and injury may occur!
- Do not plug the product to loose, broken, dirty, greasy sockets or sockets that has come out their seats or sockets with a risk of water contact.
- Place the power cord and hoses (if available) of the product so that they shall not cause a risk of tripping over.
- Do not use chemical solvents on the product. These materials contain an explosion risk.
- In case of a failure of the product, unplug it and do not operate until it is repaired by the authorized service. There is a risk of electric shock!
- Do not place a source of flame (e.g. candles, cigarettes, etc.) on the product or in the vicinity of it.
- Do not get on the product. Risk of falling and injury!
- Do not cause damage to the pipes of the cooling system using sharp and piercing tools. The refrigerant that sprays out in case of puncturing the gas pipes, pipe extensions or upper surface coatings may cause irritation of skin and injuries of the eyes.
- Do not place and operate electric appliances inside the refrigerators/deep freezer unless it is advised by the manufacturer.
- Do not jam any parts of your hands or your body to the moving parts inside the product. Be careful to prevent jamming of your fingers between the refrigerator and its door. Be careful while opening or closing the door if there are children around.
- Do not put ice cream, ice cubes or frozen food to your mouth as soon as you take them out of the freezer. Risk of frostbite!
- Do not touch the inner walls, metal parts of the freezer or food kept inside the refrigerator with wet hands. Risk of frostbite!
- Do not place soda cans or cans and bottles that contain fluids

## Important safety and environment instructions

that may be frozen to the freezer compartment. Cans or bottles may explode. Risk of injury and material damage!

- Do not use or place materials sensitive against temperature such as flammable sprays, flammable objects, dry ice or other chemical agents in the vicinity of the refrigerator. Risk of fire and explosion!
- Do not store explosive materials such as aerosol cans with flammable materials inside the product.
- Do not place cans containing fluids over the product. Splashing of water on an electrical part may cause the risk of an electric shock or a fire.
- This product is not intended for storage and cooling of medicines, blood plasma, laboratory preparations or similar materials and products that are subject to the Medical Products Directive.
- If the product is used against its intended purpose, it may cause damage to or deterioration of the products kept inside.
- If your refrigerator is equipped with blue light, do not look at this light with optical devices. Do not stare directly at UV LED light for a long time. Ultraviolet rays may cause eye strain.
- Do not fill the product with more food than its capacity. Injuries or damages may occur if the contents of the refrigerator falls when the door is opened. Similar problems may occur when an object is placed over the product.
- Ensure that you have removed any ice or water that may have fallen to the floor to prevent injuries.
- Change the locations of the racks/ bottle racks on the door of your refrigerator while the racks are empty only. Danger of physical injury!
- Do not place objects that may fall/ tipped over on the product. These objects may fall while opening or closing the door and cause injuries and/or material damages.
- Do not hit or exert excessive pressure on glass surfaces. Broken glass may cause injuries and/or material damages.
- The cooling system in your product contains R600a refrigerant. The refrigerant type used in the product is specified in the the type label. This gas is flammable. Therefore, be careful not to damage the cooling system and the pipes while operating the product. In case of damage to the pipes;
  - do not touch the product or the power cord,
  - Keep the product away from potential sources of fire that may cause the product to catch fire.
  - ventilation the area where the product is placed. Do not use a fan.
  - Contact authorized service.
- If the product is damaged and you observe gas leak, please stay away from the gas. Gas may cause frostbite if it contacts your skin.

### For Products With Water Fountain / Ice Maker

- Use only drinking water. Do not fill the water tank with fruit juice, milk, fizzy beverages, alcoholic beverages or any other liquids incompatible for use in the water fountain. This may cause risk to your health and safety.
- Do not allow the children to play with the water dispenser or Ice Maker to prevent accidents and injuries.

## Important safety and environment instructions

- Do not insert your fingers or other objects inside the hole of the water dispenser, ice channel or inside the container of the Ice Maker. This may cause injuries or material damages.

### 1.7 Maintenance and cleaning safety

- Do not pull by the door handle if you shall move the product for cleaning purposes. Handle may cause injuries if it is pulled too hard.
- Do not clean the product by spraying or pouring water on the product and inside the product. Risk of electric shock and fire.
- Do not use sharp or abrasive tools to clean the product. Do not use materials such as household cleaning agents, detergents, gas, gasoline, alcohol, wax, etc.
- Use cleaning and maintenance agents that are not harmful for food only inside the product.
- Do not use steam or steamed cleaning materials for cleaning the product and thawing the ice inside it. Steam contacts the live areas in your refrigerator and causes short circuit or electric shock!
- Take care to keep water away from the electronic circuits or lighting of the product.
- Use a clean, dry cloth to wipe the dust or foreign material on the tips of the plugs. Do not use a wet or damp piece of cloth to clean the plug. Otherwise, risk of fire or electric shock may occur.

### 1.8 HomeWhiz

**(May not be applicable for all models)**

- Follow the safety warnings even if you are away from the product while operating the product via HomeWhiz app. Also, pay attention to the warnings in the app.

### 1.9 Lighting

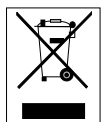
**(May not be applicable for all models)**

- Contact an authorized service when you shall replace the LED / bulb using for lighting.

## 2 Environmental instructions

### 2.1 Compliance with the WEEE Directive and Disposing of the Waste Product:

This product complies with EU WEEE Directive (2012/19/EU). This product bears a classification symbol for waste electrical and electronic equipment (WEEE).



This symbol indicates that this product shall not be disposed with other household wastes at the end of its service life. Used device must be returned to official collection point for recycling of electrical

and electronic devices. To find these collection systems please contact to your local authorities or retailer where the product was purchased. Each household performs important role in recovering and recycling of old appliance. Appropriate disposal of used appliance helps prevent potential negative consequences for the environment and human health.

### 2.2 Compliance with RoHS Directive

The product you have purchased complies with EU RoHS Directive (2011/65/EU). It does not contain harmful and prohibited materials specified in the Directive.

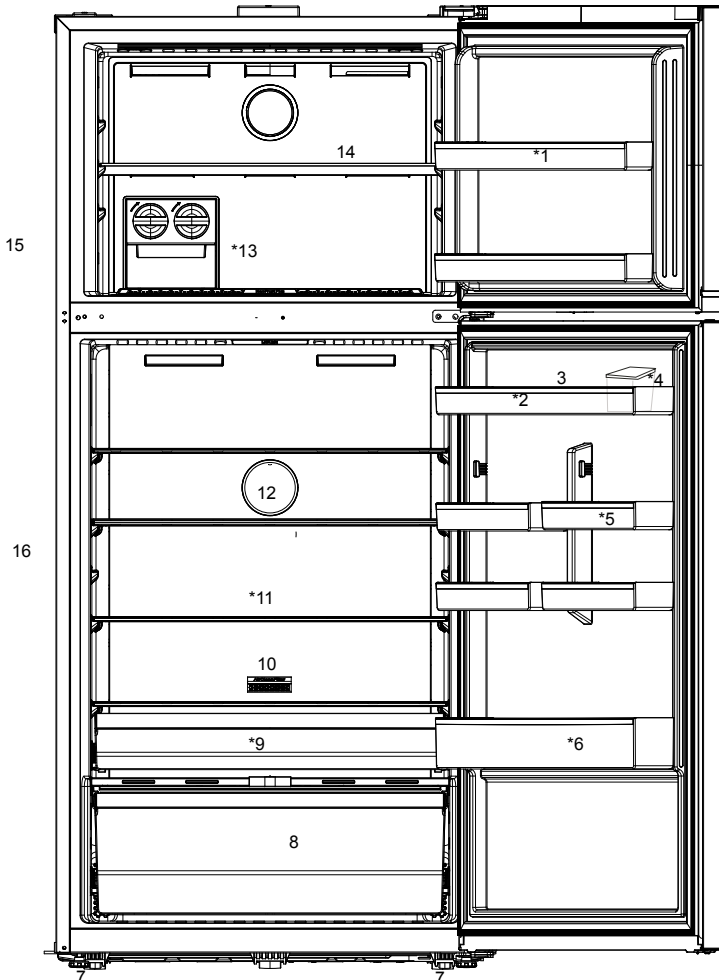
### 2.3 Package information



Packaging materials of the product are manufactured from recyclable materials in accordance with our National Environment Regulations. Do not dispose

of the packaging materials together with the domestic or other wastes. Take them to the packaging material collection points designated by the local authorities.

### 3 Your Refrigerator



- |   |                                     |
|---|-------------------------------------|
| 1- Freezer compartment door shelves               | 10- Filter                          |
| 2- Cooler compartment door shelves                | 11- Glass shelves                   |
| 3- Egg Holder                                     | 12- Fan                             |
| 4- Water fountain                                 | 13- Icematics                       |
| 5- Cooler compartment small door shelves          | 14- Freezer compartment glass shelf |
| 6- Bottle shelf                                   | 15- Freezer compartment             |
| 7- Adjustable stands                              | 16- Cooler compartment              |
| 8- Crisper, Crisper separator and ethylene filter |                                     |
| 9- The dairy (cold storage) bin                   |                                     |



\*Optional: Figures in this user guide are schematic and may not be exactly match your product. If your product does not comprise the relevant parts, the information pertains to other models.

## 4 Installation

### 4.1 The right place for installation

Your product requires adequate air circulation to function efficiently. If the product will be placed in an alcove, remember to leave at least 5 cm clearance between the product and the ceiling, rear wall and the side walls.

If the product will be placed in an alcove, remember to leave at least 5 cm clearance between the product and the ceiling, rear wall and the side walls. Check if the rear wall clearance protection component is present at its location (if provided with the product). If the component is not available, or if it is lost or fallen, position the product so that at least 5 cm clearance shall be left between the rear surface of the product and the wall of the room. The clearance at the rear is important for efficient operation of the product.

### 4.2 For Products With Water Fountain / Ice Maker

- The hose sets supplied with the product shall be used. Do not use the old hose sets. Do not extend the hoses!
- Always connect your product to cold water inlet. Do not perform installation on the hot water inlet. The pressure for the cold water inlet shall be 80 PSI (550 kPa) maximum. If your water pressure exceeds 80Psi or has a water impact effect, use a pressure limiting valve on your mains system. Ask help from professional plumbers if you do not know how to control your water pressure.

High pressure may cause damage to the hose connections and pose a risk of flooding.

- Take required precautions against the risk of freezing of hoses. The operating water temperature interval shall be 0.6°C (33°F) minimum and 38°C (100°F) maximum. There is a risk of flooding if the hose is cracked/perforated.



**WARNING:** Do not use extension or multi sockets in power connection.



**WARNING:** The manufacturer assumes no responsibility for any damage caused by the work carried out by unauthorized persons.



**WARNING:** The product's power cable must be unplugged during installation. Failure to do so may result in death or serious injuries!

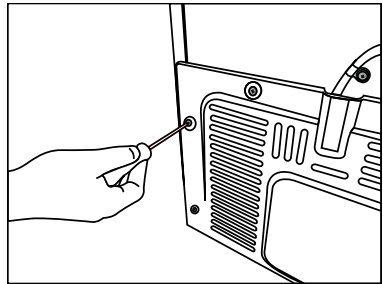


**WARNING:** : If the door span is too narrow for the product to pass, remove the door and turn the product sideways; if this does not work, contact the authorized service.

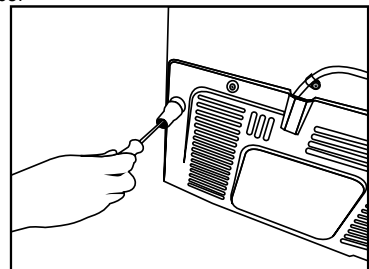
- Place the product on a flat surface to avoid vibration.
- Place the product at least 30 cm away from the heater, stove and similar sources of heat and at least 5 cm away from electric ovens.
- Do not expose the product to direct sunlight or keep in damp environments.
- The product requires adequate air circulation to function efficiently. If the product will be placed in an alcove, remember to leave at least 5 cm distance between the product and the ceiling and the walls.

### 4.3 Attaching the plastic wedges

Use the plastic wedges in the provided with the product to provide sufficient space for air circulation between the product and the wall.



1. To attach the wedges, remove the screws on the product and use the screws provided with the wedges.

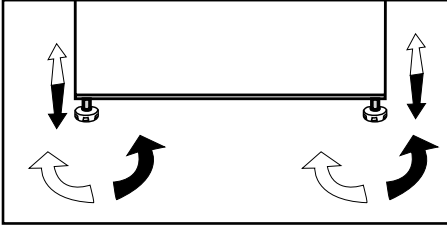


## Installation

2. Attach 2 plastic wedges on the ventilation cover as shown in the figure.

### 4.4 Adjustment of the feet

If the product is not in balanced position, adjust the front adjustable stands by rotating right or left.



## 4.5 Electrical connection



**WARNING:** Do not use extension or multi sockets in power connection.



**WARNING:** Damaged power cable must be replaced by Authorized Service.

- Our firm will not assume responsibility for any damages due to usage without earthing and power connection in compliance with national regulations.
- The power cable plug must be easily accessible after installation.



#### Hot surface warning!

The side walls of your product are equipped with cooler pipes to enhance the cooling system. High pressure fluid may flow through these surfaces, and cause hot surfaces on the side walls. This is normal and it does not require servicing. Be careful when you contact these areas.



## 5 Preparation



Read the "Safety Instructions" section first!

### 5.1 What to do for energy saving



Connecting the product to electronic energy-saving systems is harmful, as it may damage the product.

- For a freestanding appliance; 'this refrigerating appliance is not intended to be used as a built-in appliance.
- Do not keep the refrigerator doors open for long periods.
- Do not place hot food or beverages into the refrigerator.
- Do not overfill the refrigerator; blocking the internal air flow will reduce cooling capacity.
- Depending on the product's features; defrosting frozen foods in the cooler compartment will ensure energy saving and preserve food quality.
- Since hot and humid air will not directly penetrate into your product when the doors are not opened, your product will optimize itself in conditions sufficient to protect your food. Functions and components such as compressor, fan, heater, defrost, lighting, display and so on will operate according to the needs to consume minimum energy under these circumstances.
- Food shall be stored using the drawers in the cooler compartment in order to ensure energy saving and protect food in better conditions.

### 5.2 First operation

Before using your refrigerator, make sure the necessary preparations are made in line with the instructions in "Safety and environment instructions" and "Installation" sections.

- Keep the product running without placing any food inside for 12 hours and do not open the door, unless absolutely necessary.



Read the "Safety Instructions" section first!



A sound will be heard when the compressor is engaged. It is normal to hear sound even when the compressor is inactive, due to the compressed liquids and gasses in the cooling system.



It is normal for the front edges of the refrigerator to be warm. These areas are designed to warm up in order to prevent condensation.



For some models, indicator panel turns off automatically 1 minutes after the door closes. It will be reactivated when the door is open or any button is pressed.

## **6** Operating the Product

- Do not use any mechanical tools or any other tools than the recommendations of the manufacturer to speed up the thawing operation.
- Do not use parts of your refrigerator such as the door or drawers as a support or a step. This may cause the product to trip over or its components to be damaged.
- The product shall be used for storing food only.
- Turn off the water valve if you will be away from home (e.g. at vacation) and you will not be using the Ice Maker or the water dispenser for a long period of time. Otherwise, water leaks may occur.

### **6.1 Turning off the product**

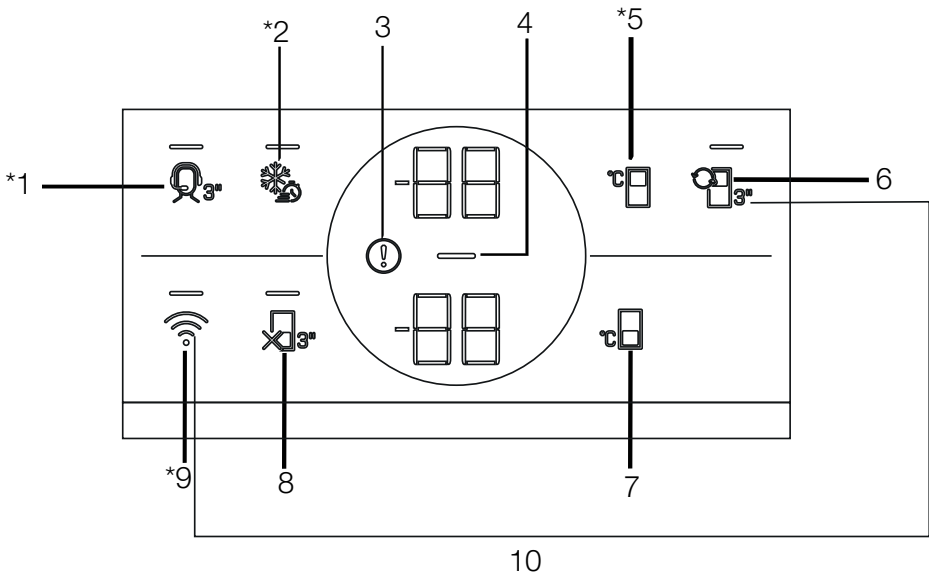
- If you shall not be using the product for a long period;
  - unplug it,
  - remove the food to prevent odours,
  - wait until the ice is thawed,
  - clean the inside and wait until it is dried.
  - leave the doors open to prevent damage to internal body plastics.

## 6 Operation of the Product

### 6.2 Indicator panel

Indicator panels may vary depending on the model of your product.

Audial and visual functions of the indicator panel will assist in using the refrigerator.



- 1- Support Service Key
- 2- Quick Freezing Key/Handle Light Function Setting Key
- 3- Fault Condition Indicator
- 4- Energy Saving (Display Off) Indicator
- 5- Freezing Compartment Temperature Setting Key
- 6- Compartment Conversion Key
- 7- Cooling Compartment Temperature Setting Key
- 8- Cooling Compartment OFF (Vacation) Function Key
- 9- Wireless Key
- 10- Key for Resetting Wireless Connection Settings

#### 1. Support Service Key

Press this button for 3 seconds to activate the support service. Detailed information on the support service is provided in the "Support Service Feature" section.

#### 2. Quick Freezing Key

When the quick freeze key is pressed, the LED on

the key is illuminated and the quick freeze function shall be activated. Freezing compartment temperature is set to -27 Celcius. Press the key again to cancel function. The quick freezing function shall be automatically cancelled after 52 hours. To freeze a large amount of fresh food, press the quick freeze key before placing the food in the freezer compartment.




\*Optional: Figures in this user guide are schematic and may not be exactly match your product. If your product does not comprise the relevant parts, the information pertains to other models.


## Using the product

### \*Handle Light Function Setting Key

Handle light function might be switched between open and closed modes by pressing quick freezing button


 for 3 seconds. In the closed mode, the handle light is only activated when the appliance door is opened and it goes out after a while after the door is closed. In the open mode, the handle light is activated when the appliance door is opened, the handle light stays on dimly after a while after the door is closed. The handle light function is set to the ex-factory closed mode.

### 3. Fault Condition Indicator

This indicator () shall be active when your refrigerator cannot perform adequate cooling or in case of any sensor error. "E" shall be displayed on the Freezing Compartment temperature indicator and figures such as 1,2,3... shall be displayed on the cooling compartment temperature indicator. These figures provide information to the authorized service on the error that has occurred.

Exclamation mark may be displayed when you load warm food to the freezing compartment or keep the door open for a long period of time. This is not a fault, this warning shall be removed when the food is cooled down or when any key is pressed.

### 4. Energy Saving (Display Off) Indicator

Energy saving function is enabled automatically and the energy saving symbol () is displayed when the door of the product is not opened or closed for some period of time. When the energy saving function is active, all symbols on the screen other than the energy saving symbol shall be turned off. When the energy-saving function is active, pressing any key or opening the door will deactivate the energy-saving function and the display signals will return to normal. The energy-saving function is a function activated ex-factory and cannot be cancelled.

### 5. Freezing Compartment Temperature Setting Key

Temperature setting is made for cooler compartment. Pressing this key will enable the freezer compartment temperature to be set at -15,-16,-18,-19,-20,-22,-24 Celcius.

### 6. Compartment Conversion Key

When the compartment conversion key is pressed for 3 seconds, freezer compartment switches between cooler, off, and freezer modes respectively. When it is operated as cooling compartment, the temperature of the compartment may be set at 8,7,6,5,4,3,2 and 1 Celcius. In case of OFF mode, compartment temperature indicator shall display "--".

### 7. Cooling Compartment Temperature Setting Key

Allows setting of temperature for cooler compartment. Pressing this key will enable the cooling compartment temperature to be set at 8,7,6,5,4,3,2 and 1 Celcius.


### 8. Cooling Compartment OFF (Vacation) Function Key

Press the key for 3 seconds to activate the vacation function. Vacation mode is activated and the LED on the key is illuminated. "--" shall be displayed on the Cooling Compartment temperature indicator and the cooling compartment does not actively perform cooling. You shall not keep your food in the cooling compartment when this function is activated. The other compartments continue to cool according to the set temperatures. Press the key for 3 seconds again to cancel this function.

### 9. Wireless Key

This key is used to make a wireless connection with your product via HomeWhiz mobile app.

When the key is pressed for a long period (3 seconds), the wireless connection symbol on the display/screen flashes slowly (with intervals of 0.5 seconds). The home network is initialized on the product this way.

After achieving wireless connection with the product, wireless connection symbol () illuminates continuously.

When the initial connection is established, you may activate/deactivate the connection with a short press on this key. The wireless connection symbol shall flash quickly (at 0.2 second intervals) until the connection is established. When the connection is active, the wireless network symbol shall light up continuously.



If the connection cannot be established for a long period, check your connection settings and refer to the "Troubleshooting" section provided in the user manual.

## Using the product

HomeWhiz application shall be used for wireless connection. Installation steps are described on the application during installation.

You may access the application by reading the QR code available on the HomeWhiz label on the product. Application is offered through App Store for IOS devices, and through Play Store for Android devices. Visit <https://www.homewhiz.com/> for detailed information.'

### 10. Key for Resetting Wireless Connection Settings

To reset the wireless connection settings, press Quick freezing  and wireless connection  keys simultaneously for 3 seconds. All user information recorded previously are removed on a product where wireless connection settings are reset/restored to factory defaults.

### 6.3 Humidity controlled crisper (EverFresh+)

#### (Optional)

Thanks to the humidity controlled crisper, vegetables and fruits may be stored for a longer period at an environment with ideal humidity conditions. With the humidity setting system with 3 options in front of your crisper, you may control the humidity inside the compartment as per the food you store. We recommend you to store your food by selecting vegetable option when you store vegetables only, fruit option when you store fruit only and mixed option when you store mixed food. We recommend that the vegetables and fruits shall not be stored in bags to improve the storage period of the food and to better benefit from the humidity control system. Leaving them in plastic bags causes vegetables to rot in a short time. We recommend that cucumbers and broccolis, in particular, are not stored in closed bags. In situations where contact with other vegetables is not preferred, use packaging materials such as paper that has a certain level of porosity in terms of hygiene.

When placing the vegetables, place heavy and hard vegetables at the bottom and light and soft ones on the top, taking into account the specific weights of vegetables.

Do not put fruits that have a high ethylene gas production such as pear, apricot, peach and particularly apple in the same crisper with other vegetables and fruits. The ethylene gas coming out of these fruits might cause other vegetables and fruits to mature faster and rot in a shorter period of time.

### 6.4 Blue Light/HarvestFresh (Optional)

#### For Blue light,

Vegetables and fruit stored in crispers illuminated with blue light continue to perform photosynthesis and retain their levels of C vitamin thanks to the effect of the wavelength of the blue light.

#### For HarvestFresh,

Vegetables and fruit stored in crispers illuminated with HarvestFresh technology retain their vitamin levels (vitamins A and C) for a longer period thanks to the cycles of blue, green, red lights and dark that simulate the cycle of the day.

When the door of your refrigerator is opened during the dark period of the HarvestFresh technology, your refrigerator shall sense this automatically and illuminate the crisper with one of the blue, green or red lights respectively for your convenience. The dark period shall be continued when you close the door of your refrigerator so that it shall represent the night period of the day cycle.

### 6.5 Anti-Odour Module

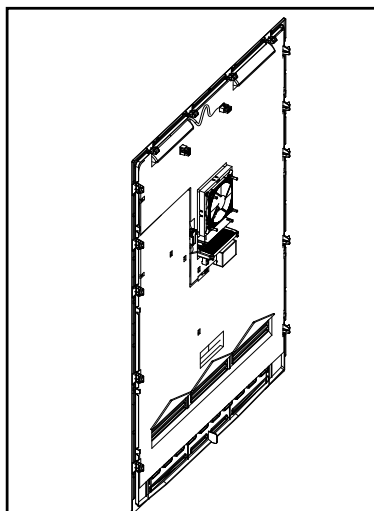
#### (FreshGuard)

#### (This feature is optional)

Anti-odour module removes odour that occur inside your refrigerator before it permeates on the surfaces. Thanks to this module positioned on the roof the fresh food compartment, bad odour is removed while the air is actively passed through the odour filter, and the air cleaned in the filter is directed back to the fresh food compartment. Thus, undesired odour that may occur during the storage of food inside the refrigerator is removed from the environment before it permeates on the surfaces.

This feature is provided with the fan, LED and odour filter placed inside the module. Anti-odour module shall be automatically activated periodically. If the door of the fresh food compartment is opened while the module is active, fan is stopped temporarily, and it continues to operate when the door is closed. In case of a power failure, anti-odour module starts to operate when the power is restored.

**info:** To prevent bad odours that may occur with the mixture of odours from different food, we recommend you to store aromatic food such as cheese, olives and delicatessen in their packaging and with their lids closed. For the safety of other food stored and to prevent bad odours, we recommend you to remove the food that you have observed to be spoilt from the refrigerator as soon as possible.



## Using the product

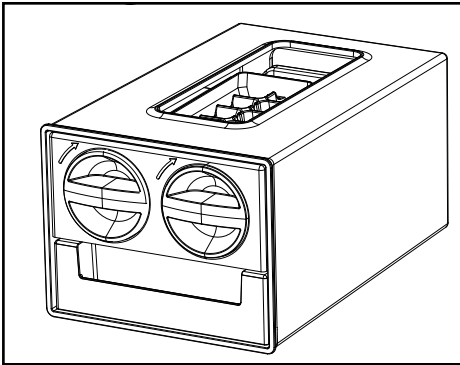
### 6.6 Ice bucket

#### (This feature is optional)

Ice bucket allows you take ice easily from the refrigerator.

#### Using the ice bucket

1. Take the ice bucket from the freezer compartment.
2. Fill the ice bucket with water.
3. Place the ice bucket into the freezer compartment. The ice will be ready after approximately two hours.
4. Take the ice bucket from the freezer compartment and bend in slightly over the holder that you are going to serve. Ice will easily pour into the serving holder.



### 6.7 Ice maker

#### (This feature is optional)

Ice maker allows you take ice easily from the refrigerator.

Using the ice bucket

1. Remove the water tank in the cooler compartment.
2. Fill the water tank with water.
3. Place the water tank back. First ice will be ready in about 4 hours in the ice maker drawer in the freezer compartment.



You may obtain about 60-70 cubes of ice when the water tank is full.



Water inside the water tank shall be replaced within 2-3 weeks at most.

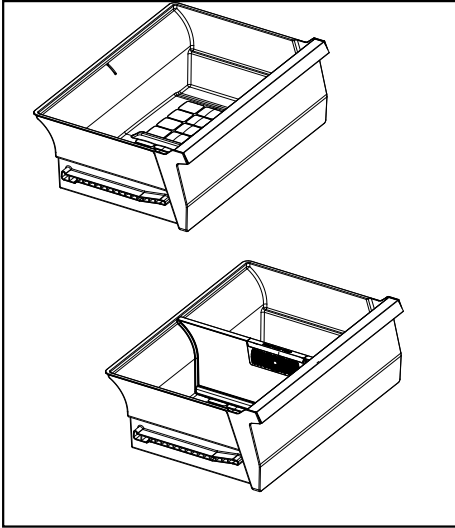
### 6.8 The dairy (cold storage) bin

The dairy (cold storage) bin " provides lower temperature within the refrigerator compartment. Use this bin to store delicatessen (salami, sausages, dairy products and etc. ) that requires lower storage temperature or meat, chicken or fish products for immediate consumption. Do not store fruits and vegetables inside this bin.

## Using the product

### 6.9 Crisper

The refrigerator's crisper is designed to keep vegetables fresh by preserving humidity. For this purpose, the overall cold air circulation is intensified in the crisper. Keep fruits and vegetables in this compartment. Keep the green-leaved vegetables and fruits separately to prolong their life.



### 6.10 Crisper Separator

#### Ethylene Filter

The ethylene retaining filter helps to remove the ethylene gas and bad odours released from the vegetables and fruits in the crisper.

You may store the fruits such as pear, apricot, peach and particularly apples, which generate high amount of ethylene gas, separately with other vegetables and fruits in the same crisper thanks to the vegetable separator.

The ethylene gas released from these fruits may cause your other vegetables and fruits to ripen faster and rot in a shorter time.

Thanks to this feature, you may keep your fresh food and particularly your green vegetables that are sensitive to ethylene gas fresh for a longer period of time.

You may store your food for a longer period of time by placing the foods sensitive to ethylene gas in one of the compartments separated by the crisper separator, and the foods that generate ethylene gas in the other compartment.

Foods that generate ethylene gas and that are sensitive to ethylene gas are listed below.

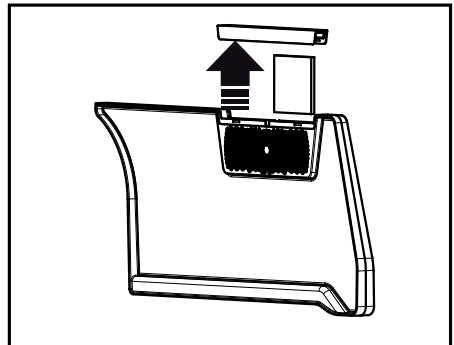
Food that generate ethylene gas	Food that are sensitive to ethylene gas
Apple, pear, apricot, peach, nectarine, avocado, kiwi, plum, fig, quince, tomato	Fresh green vegetables (such as lettuce, parsley), strawberry, cherry, grapes, orange, tangerine, pineapple, cherry, lemon, cucumber, broccoli, pepper, eggplant, okra, zucchini

### 6.11 Cleaning of the Ethylene Filter

Ethylene filter shall be cleaned once a year.

Remove the ethylene filter by pulling the filter cover upwards as shown in the figure.

Leave the ethylene filter under sunlight for a day. Thus, your filter shall be cleaned.





## Using the product

Put the filter back, and close the upper cover.

To provide maximum effectiveness of your filter and to preserve its performance, avoid contact with oil and similar fluids, and materials such as water and detergents. Communicate with the service to replace your filter with a new one after such contact.

### 6.12 Cleaning of the Crisper Separator

To prevent blockage of the clean air holes of the crisper separator, wipe it with a clean, dry cloth in specified intervals. If the separator shall be washed, always remove the filter from the separator.



**WARNING:** Ensure that the holes around the filter are not blocked to ensure air circulation.

### 6.13 Using the water fountain

(This feature is optional)

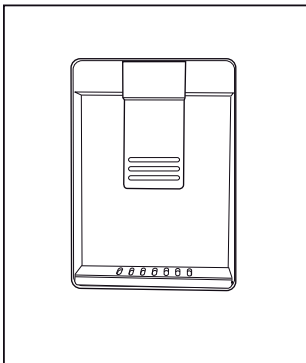


The first few glasses of water taken from the fountain will normally be warm.



If the water fountain is not used for a long time, dispose of the first few glasses of water to get clean water.

1. Push the arm of the water fountain with your glass. It would be easier to push the arm with your hand if you are using a soft plastic glass.
2. Release the arm after filling your glass with water as you desire.



The amount of water flow from the fountain depends on the pressure you apply on the arm. Release the pressure on the arm slightly as the water level in your glass/container is increased to prevent overflow. Water shall drip if you press the arm slightly; this is normal and it is not a malfunction.

### 6.14 Filling the water tank of the water fountain

Open the lid of the water tank as shown in the figure. Fill in pure and clean drinking water. Close the lid.

### 6.15 Cleaning the water tank

Remove the water filling reservoir inside the door shelf.

Detach by holding both sides of the door shelf.

Hold both sides of the water tank and remove at 45° angle.

Remove and clean the water tank lid.

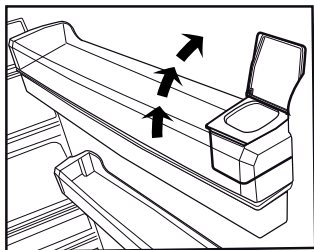
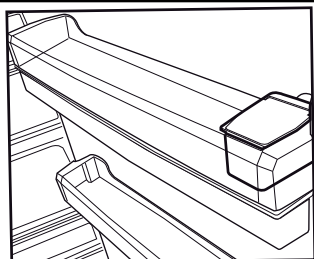


Do not fill the water tank with fruit juice, fizzy beverages, alcoholic beverages or any other liquids incompatible for use in the water fountain. Using such liquids will cause malfunction and irreparable damage in the water fountain. Using the fountain in this way is not within the scope of warranty. Certain chemicals and additives in such beverages / liquids may cause material damage to the water tank.



The water tank and water fountain components cannot be washed with dishwashers.

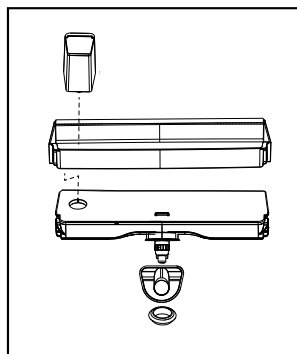
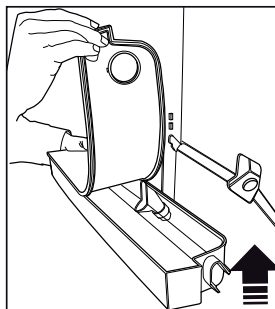
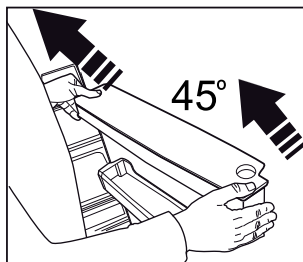
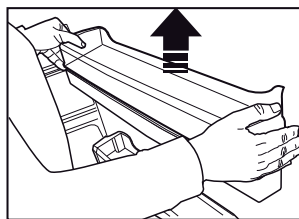
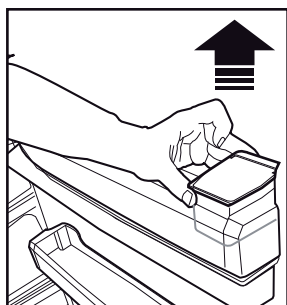
## Using the product



### 6.16 Filling the water tank of the water fountain

Water tank filling reservoir is inside the door shelf.

1. Open the lid of the reservoir.
2. Fill the reservoir with clean drinking water.



## Using the product

3. Close the lid of the reservoir.



Do not fill the water tank with fruit juice, fizzy beverages, alcoholic beverages or any other liquids incompatible for use in the water fountain. Using such liquids will cause malfunction and irreparable damage in the water fountain. Using the fountain in this way is not within the scope of warranty. Certain chemicals and additives in such beverages / liquids may cause material damage to the water tank.



Use clean drinking water only.



Water reservoir capacity is 3 litres, do not overfill.

### 6.17 Cleaning the water tank

1. Remove the water filling reservoir inside the door shelf.
2. Detach by holding both sides of the door shelf.
3. Hold both sides of the water tank and remove at 45° angle.
4. Remove the lid and clean the water tank.

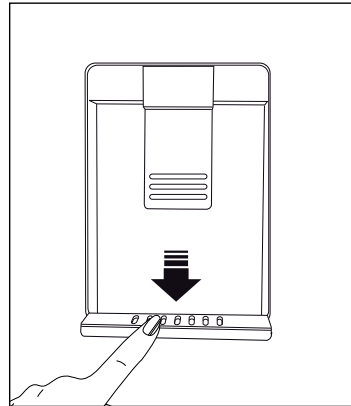


The water tank and water fountain components cannot be washed with dishwashers.

### 6.18 Drip tray

The water dripping from the water fountain accumulates on the drip tray.

Remove the plastic strainer as shown in the figure. Wipe the collected water with a dry and clean cloth.



## Using the product

### 6.19 Freezing fresh food

- Activate the fast freezing function by pressing the «Fast Freeze» button 24 hours before loading the food to be frozen.
- 24 hours after pressing the button, place your hot food on glass shelf of the product.
- The fast freezing function will be automatically inactivated after 52 hours.
- Do not try to freeze a large quantity of food at a time. Within 24 hours, this product can freeze the maximum food quantity specified as «Freezing Capacity ... kg/24 hours» on its type label. It is not convenient to put more unfrozen/fresh foods than the quantity specified on the label.
- When you put unfrozen food into the product, avoid placing them contacting frozen food.
- Freezing the food items when fresh will extend the storage time in the freezer compartment.
- Pack the food items in air-tight packs and seal tightly.
- Make sure the food items are packed before putting in the freezer. Use freezer holders, tinfoil and damp-proof paper, plastic bag or similar packaging materials instead of traditional packaging paper.
- Mark each food pack by writing the date on the package before freezing. This will allow you to determine the freshness of each pack every time the freezer is opened. Keep the earlier food items in the front to ensure they are used first.
- Frozen food items must be used immediately after defrosting and should not be frozen again.
- Do not free large quantities of food at once.

Freezer Compartment Temperature Setting	Cooler Compartment Temperature Setting	Details:
-18°C	4°C	This is the default, recommended setting.
-20,-22 or -24°C	4°C	These settings are recommended for ambient temperatures exceeding 30°C.
Quick Freeze	4°C	Use when you want to freeze your food in a short time. When the process ends, the product will regain its position.
-18°C or colder	2°C	Use these settings if you believe the cooler compartment is not cold enough due to ambient temperature or frequently opening the door.

### 6.20 Recommendations for storing frozen foods in the freezer compartment

The compartment must be set to at least -18°C.

1. Place the food items in the freezer as quickly as possible to avoid defrosting.
2. Before freezing, check the "Expiry Date" on the package to make sure it is not expired.
3. Make sure the food's packaging is not damaged.

## Using the product

### 6.21 Deep freezer details

As per the IEC 62552 standards, at 25°C room temperature, the freezer must have the capacity to freeze 4,5 kg of food items at -18°C or lower temperatures in 24 hours for each 100 litres of freezer compartment volume.

Food items can only be preserved for extended periods at or below temperature of -18°C .

You can keep the foods fresh for months (in deep freezer at or below temperatures of 18°C ).

The food items to be frozen must not contact the already-frozen food inside to avoid partial defrosting.

Boil the vegetables and filter the water to extend the frozen storage time. Place the food in air-tight packages after filtering and place in the freezer. Bananas, tomatoes, lettuce, celery, boiled eggs, potatoes and similar food items should not be frozen. In case this food rots, only nutritional values and eating qualities will be negatively affected. A rotting threatening human health is not in question.

### 6.22 Placing food

Freezer compartment shelves	Various frozen goods including meat, fish, ice cream, vegetables etc.
Cooler compartment shelves	Food items inside pots, capped plate and capped cases, eggs (in capped case)
Cooler compartment door shelves	Small and packed food or beverages
Crisper	Fruits and vegetables
Fresh food compartment	Delicatessen (breakfast food, meat products to be consumed in short notice)

### 6.23 Door open alert

An audible alert will be heard if the product's door remains open for 1,5 minute. The audible alert will stop when the door is closed or any button on the display (if available) is pressed.

### 6.24 Illumination lamp

Interior light uses a LED type lamp. Contact the authorized service for any problems with this lamp. Lamp(s) used in this appliance cannot be used for house lighting. Intended use of this lamp is to help the user place food into the refrigerator / freezer safely and comfortably.

## 7 Maintenance and cleaning



**WARNING:** Read the “Safety Instructions” section first!.



**WARNING:** Unplug the refrigerator before cleaning it.

- Do not use sharp or abrasive tools to clean the product. Do not use materials such as household cleaning agents, soap, detergents, gas, gasoline, alcohol, wax, etc.
- The dust shall be removed from the ventilation grill on the rear of the product at least once a year (without opening the cover). Cleaning shall be performed with a dry cloth.

### For Products With Water Fountain / Ice Maker

- If the water in the water tank has waited for 2-3 weeks, it shall be replaced.
- The water tank and the components of the water fountain shall not be washed in dishwashers.
- Melt a teaspoonful of carbonate in the water. Moisten a piece of cloth in the water and wring out. Wipe the device with this cloth and dry off thoroughly.
- Take care to keep water away from the lamp's cover and other electrical parts.
- Clean the door with a damp cloth. Remove all contents to remove the door and body racks. Remove the door racks by lifting them upwards. Clean and dry the shelves, then attach back in place by sliding from above.
- Do not use chlorinated water or cleaning products on the exterior surface and chrome-coated parts of the product. Chlorine will cause rust on such metallic surfaces.
- Do not use sharp and abrasive tools, soap, house cleaning materials, detergents, gas, gasoline, varnish and similar substances to prevent deformation of the plastic part and removal of prints on the part. Use warm water and a soft cloth for cleaning, and then dry it.
- On the products without a No-Frost feature, water droplets and icing up to a thickness of a finger may occur on the rear wall of the freezer

compartment. Do not clean, and never apply oils or similar materials.

- Use a mildly dampened micro-fiber cloth to clean the external surface of the product. Sponges and other types of cleaning clothes may cause scratches.
- To clean all removable components during the cleaning of the interior surface of the product, wash these components with a mild solution consisting of soap, water and carbonate. Wash and dry thoroughly. Prevent contact of water with illumination components and the control panel.



### CAUTION:

Do not use vinegar, rubbing alcohol or other alcohol based cleaning agents on any interior surface.

## 7.1 Stainless Steel External Surfaces

Use a non-abrasive stainless steel cleaning agent and apply it with a soft lint-free cloth. To polish, gently wipe the surface with a micro-fiber cloth dampened with water and use dry polishing chamois. Always follow the veins of the stainless steel.

## 7.2 Cleaning of the Products with Glass Doors

Remove the protective foil on the glasses. There is a coating on the surface of the glasses. This coating minimizes formation of stains and provides easy cleaning of the stains and dirt that have been formed. Glass that is not protected by coating may be exposed to permanent bonding of organic or inorganic, air and water-based contaminants such as limestone, mineral salts, unburned hydrocarbons, metal oxides and silicones, which cause staining and physical damage easily in a short period of time. Keeping the glasses clean becomes very difficult, if not impossible, despite the fact they are cleaned regularly. As a result, the transparency and appearance of the glass deteriorates. Hard and abrasive cleaning methods and agents further increase these defects and accelerate the process of deterioration.

## 7 Maintenance and cleaning

For routine cleaning processes, \*non-alkaline and non-corrosive water based cleaning products shall be used.

In order to have a longer service life of this coating, alkaline and corrosive substances shall not be used during cleaning.

A tempering process is applied to increase the resistance of these glasses against impacts and breakage.

As an additional safety precaution, a safety film has been applied to the rear surface of these glasses to prevent harm to the environment in case it breaks.

### 7.3 Preventing Odours

The product is manufactured free of any odorous materials. However, keeping the food in inappropriate sections and improper cleaning of internal surfaces may lead to odours.

To avoid this, clean the inside with carbonated water every 15 days.

- Keep the foods in sealed holders.

Microorganisms may spread out of unsealed food items and cause malodour.

- Do not keep expired and spoilt foods in the refrigerator.



Tea is one of the most effective odour removers. Place the pulp of the brewed tea in the product inside an open container and remove it after 12 hours at the latest. If you keep the tea pulp inside the product for longer than 12 hours, it will collect the organisms that cause the odour so it can be the source of odour itself.

### 7.4 Protecting Plastic Surfaces

Oil spilled on plastic surfaces may damage the surface and must be cleaned immediately with warm water.

## 8 Troubleshooting

Check this list before contacting the service. Doing so will save you time and money. This list includes frequent complaints that are not related to faulty workmanship or materials. Certain features mentioned herein may not apply to your product.

### **The refrigerator is not working.**

- The power plug is not fully settled. >>> Plug it in to settle completely into the socket.
- The fuse connected to the socket powering the product or the main fuse is blown. >>> Check the fuse.

### **Condensation on the side wall of the cooler compartment (MULTI ZONE, COOL, CONTROL and FLEXI ZONE).**

- The door is opened too frequently >>> Take care not to open the product's door too frequently.
- The environment is too humid. >>> Do not install the product in humid environments.
- Foods containing liquids are kept in unsealed holders. >>> Keep the foods containing liquids in sealed holders.
- The product's door is left open. >>> Do not keep the product's door open for long periods.
- The thermostat is set to a very cool temperature. >>> Set the thermostat to an appropriate temperature.

### **Compressor is not working.**

- In case of sudden power failure or pulling the power plug off and putting back on, the gas pressure in the product's cooling system is not balanced, which triggers the compressor thermic safeguard. The product will restart after approximately 6 minutes. If the product does not restart after this period, contact the service.
- Defrosting is active. >>> This is normal for a fully-automatic defrosting product. The defrosting is carried out periodically.
- The product is not plugged in. >>> Make sure the power cord is plugged in.
- The temperature setting is incorrect. >>> Select the appropriate temperature setting.
- The power is out. >>> The product will continue to operate normally once the power is restored.

### **The refrigerator's operating noise is increasing while in use.**

- The product's operating performance may vary depending on the ambient temperature variations. This is normal and not a malfunction.

### **The refrigerator runs too often or for too long.**



## Troubleshooting

- The new product may be larger than the previous one. Larger products will run for longer periods.
- The room temperature may be high. >>> The product will normally run for long periods in higher room temperature.
- The product may have been recently plugged in or a new food item is placed inside. >>> The product will take longer to reach the set temperature when recently plugged in or a new food item is placed inside. This is normal.
- Large quantities of hot food may have been recently placed into the product. >>> Do not place hot food into the product.
- The doors were opened frequently or kept open for long periods. >>> The warm air moving inside will cause the product to run longer. Do not open the doors too frequently.
- The freezer or cooler door may be ajar. >>> Check that the doors are fully closed.
- The product may be set to temperature too low. >>> Set the temperature to a higher degree and wait for the product to reach the adjusted temperature.
- The cooler or freezer door washer may be dirty, worn out, broken or not properly settled. >>> Clean or replace the gasket. Damaged / torn door washer will cause the product to run for longer periods to preserve the current temperature.

### **The freezer temperature is very low, but the cooler temperature is adequate.**

- The freezer compartment temperature is set to a very low degree. >>> Set the freezer compartment temperature to a higher degree and check again.

### **The cooler temperature is very low, but the freezer temperature is adequate.**

- The cooler compartment temperature is set to a very low degree. >>> Set the freezer compartment temperature to a higher degree and check again.

### **The food items kept in cooler compartment drawers are frozen.**

- The cooler compartment temperature is set to a very low degree. >>> Set the freezer compartment temperature to a higher degree and check again.

### **The temperature in the cooler or the freezer is too high.**

- The cooler compartment temperature is set to a very high degree. >>> Temperature setting of the cooler compartment has an effect on the temperature in the freezer compartment. Wait until the temperature of relevant parts reach the sufficient level by changing the temperature of cooler or freezer compartments.
- The doors were opened frequently or kept open for long periods. >>> Do not open the doors too frequently.
- The door may be ajar. >>> Fully close the door.
- The product may have been recently plugged in or a new food item is placed inside. >>> This is normal. The product will take longer to reach the set temperature when recently plugged in or a new food item is placed inside.
- Large quantities of hot food may have been recently placed into the product. >>> Do not place hot food into the product.

### **Shaking or noise.**

- The ground is not level or durable. >>> If the product is shaking when moved slowly, adjust the stands to balance the product. Also make sure the ground is sufficiently durable to bear the product.
- Any items placed on the product may cause noise. >>> Remove any items placed on the product.

### **The product is making noise of liquid flowing, spraying etc.**

- The product's operating principles involve liquid and gas flows. >>> This is normal and not a malfunction.

## Troubleshooting

### **There is sound of wind blowing coming from the product.**

- The product uses a fan for the cooling process. This is normal and not a malfunction.

### **There is condensation on the product's internal walls.**

- Hot or humid weather will increase icing and condensation. This is normal and not a malfunction.
- The doors were opened frequently or kept open for long periods. >>> Do not open the doors too frequently; if open, close the door.
- The door may be ajar. >>> Fully close the door.

### **There is condensation on the product's exterior or between the doors.**

- The ambient weather may be humid, this is quite normal in humid weather. >>> The condensation will dissipate when the humidity is reduced.

### **The interior smells bad.**

- The product is not cleaned regularly. >>> Clean the interior regularly using sponge, warm water and carbonated water.
- Certain holders and packaging materials may cause odour. >>> Use holders and packaging materials without free of odour.
- The foods were placed in unsealed holders. >>> Keep the foods in sealed holders. Micro-organisms may spread out of unsealed food items and cause malodour.
- Remove any expired or spoilt foods from the product..

### **The door is not closing.**

- Food packages may be blocking the door. >>> Relocate any items blocking the doors.
- The product is not standing in full upright position on the ground. >>> Adjust the stands to balance the product.
- The ground is not level or durable. >>> Make sure the ground is level and sufficiently durable to bear the product.

### **The crisper is jammed.**

- The food items may be in contact with the upper section of the drawer. >>> Reorganize the food items in the drawer.

### **In case of a Hot Surface on the Product,**

- High temperature may be observed between two doors, on the side panels and on the rear grill area while your product is operated. This is normal and it does not require servicing!

### **Fan continues to operate when the door is opened.**

- Fan may continue to operate when the the freezer door is open.



**WARNING:** If the problem persists after following the instructions in this section, contact your vendor or an Authorized Service. Do not try to repair the product.

## **DISCLAIMER / WARNING**

Some (simple) failures can be adequately handled by the end-user without any safety issue or unsafe use arising, provided that they are carried out within the limits and in accordance with the following instructions (see the “Self-Repair” section).

Therefore, unless otherwise authorized in the “Self-Repair” section below, repairs shall be addressed to registered professional repairers in order to avoid safety issues. A registered professional repairer is a professional repairer that has been granted access to the instructions and spare parts list of this product by the manufacturer according to the methods described in legislative acts pursuant to Directive 2009/125/EC.

**However, only the service agent (i.e. authorized professional repairers) that you can reach through the phone number given in the user manual/warranty card or through your authorized dealer may provide service under the guarantee terms. Therefore, please be advised that repairs by professional repairers (who are not authorized by Beko) shall void the guarantee.**

### **Self-Repair**

Self-repair can be done by the end-user with regard to the following spare parts: door handles, door hinges, trays, baskets and door gaskets (an updated list is also available in support.beko.com as of 1st March 2021).

Moreover, to ensure product safety and to prevent risk of serious injury, the mentioned self-repair shall be done following the instructions in the user manual for self-repair or which are available in support.beko.com. For your safety, unplug the product before attempting any self-repair.

Repair and repair attempts by end-users for parts not included in such list and/or not following the instructions in the user manuals for self-repair or which are available in support.beko.com, might give

raise to safety issues not attributable to Beko, and will void the warranty of the product.

Therefore, it is highly recommended that end-users refrain from the attempt to carry out repairs falling outside the mentioned list of spare parts, contacting in such cases authorized professional repairers or registered professional repairers. On the contrary, such attempts by end-users may cause safety issues and damage the product and subsequently cause fire, flood, electrocution and serious personal injury to occur.

By way of example, but not limited to, the following repairs must be addressed to authorized professional repairers or registered professional repairers: compressor, cooling circuit, main board, inverter board, display board, etc.

The manufacturer/seller cannot be held liable in any case where end-users do not comply with the above.

The spare part availability of the refrigerator that you purchased is 10 years.

During this period, original spare parts will be available to operate the refrigerator properly.

The minimum duration of guarantee of the refrigerator that you purchased is 24 months.

This product is equipped with a lighting source of the "G" energy class.

The lighting source in this product shall only be replaced by professional repairers.

### **Packaging sorting information**

Please scan the QR code which places on the outer packaging of the product to find all the information relating to the packaging and how to manage the packaging waste.

**Gentile Cliente,**

**Cortesemente leggi il presente manuale prima di iniziare ad usare il prodotto.**

Ti ringraziamo per aver scelto questo prodotto. Vorremmo che il prodotto, che è stato realizzato con la tecnologia più avanzata, ti possa offrire l'efficienza ottimale. Per questo, prima di utilizzare il prodotto leggi attentamente questo manuale e qualsiasi altra documentazione fornita e conservali per riferimenti futuri.

Presta particolare attenzione alle informazioni e alle avvertenze contenute nel manuale utente. In questo modo proteggerai te stesso e il tuo prodotto da possibili pericoli. Conserva il manuale utente. Se dovessi consegnare il prodotto a qualcun altro, non dimenticare di includere questa guida.

Nella guida utente sono utilizzati i seguenti simboli:





 pericolo che potrebbe causare morte o lesioni.

**AVVISO** Un pericolo che potrebbe causare danni materiali al prodotto o all'ambiente circostante









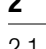
 Informazioni importanti o suggerimenti utili relativamente al funzionamento.

 Leggi il manuale utente.

 Rischio di incendio/Materiali infiammabili

 <b>INFORMATION</b>	
 SUPPLIER'S NAME → MODEL IDENTIFIER → (*)	.The model information as stored in the product data base can be reached by entering following website and searching for your model identifier (*) found on energy label. <a href="https://eprel.ec.europa.eu/">https://eprel.ec.europa.eu/</a>
 	

## **1- Istruzioni di sicurezza 3**

-  1.1 Uso preposto . . . . . 3
-  1.2 - Sicurezza per bambini, persone diversamente abili e animali domestici . . . 3
-  1.3 - Sicurezza elettrica . . . . . 4
-  1.4 - Sicurezza nel trasporto . . . . . 4
-  1.5 - Sicurezza nell'installazione . . . . . 4
-  1.6- Sicurezza nelle operazioni . . . . . 5
-  1.7- Sicurezza nella manutenzione e pulizia 6
-  1.8- HomeWhiz . . . . . 7
-  1.9- Illuminazione . . . . . 7

## **2 Istruzioni relative all'ambiente 8**

- 2.1 Conformità con le normative WEEE e sullo smaltimento dei prodotti di scarico: . . . . 8
- 2.2 Conformità con la direttiva RoHS . . . . . 8
- 2.3 Informazioni sull'imballaggio . . . . . 8

## **3 Il frigorifero 9**

### **4 Installazione 10**

- 4.1 Luogo idoneo per l'installazione . . . . . 10
- 4.2 Per prodotti con erogatore acqua/macchina del ghiaccio . . . . . 10
- 4.3 Fissaggio dei cunei in plastica . . . . . 10
- 4.4 Regolazione dei piedini . . . . . 11
- 4.5 Collegamento elettrico. . . . . 11

### **5 Preparazione 12**

- 5.1 Cosa fare per risparmiare energia. . . . . 12
- 5.2. Funzionamento iniziale . . . . . 12

### **6 Funzionamento del prodotto 13**

- 6.1 Spegnimento del prodotto . . . . . 13

### **6 Funzionamento del prodotto 14**

- 6.2 Pannello indicatore . . . . . 14
- 6.3 Cassetto frutta e verdura a umidità controllata (SempreFresco+) . . . . . 16
- 6.4 Luce blu/HarvestFresh. . . . . 17
- 6.5 Modulo anti-odore. . . . . 18 (FreshGuard). . . . . 18
- 6.6 Vaschetta del ghiaccio . . . . . 19

- 6.7 Macchinetta del ghiaccio . . . . . 19
- 6.8 Cestello prodotti caseari (cella frigorifera) 19
- 6.9 Cassetto frutta e verdura . . . . . 20
- 6.10 Separatore del cassetto frutta e verdura . 20
- 6.11 Pulizia del filtro etilene . . . . . 20
- 6.12 Pulizia del separatore del cassetto frutta e verdura . . . . . 21
- 6.13 Utilizzo dell'erogatore dell'acqua . . . . . 22
- 6.14 Riempimento del serbatoio dell'erogatore dell'acqua . . . . . 22
- 6.15 Pulizia del serbatoio dell'acqua . . . . . 22
- 6.16 Riempimento del serbatoio dell'erogatore dell'acqua . . . . . 23
- 6.17 Pulizia del serbatoio dell'acqua . . . . . 24
- 6.18 Vaschetta di raccolta . . . . . 24
- 6.19 Congelamento di alimenti freschi . . . . . 25
- 6.20 Raccomandazioni per la conservazione di alimenti congelati nello scomparto congelatore. . . . 25
- 6.21 Dettagli congelatore . . . . . 26
- 6.22 Posizionamento degli alimenti . . . . . 26
- 6.23 Avviso di porta aperta . . . . . 26
- 6.24 Lampada di illuminazione . . . . . 26

## **7 Manutenzione e pulizia 27**

- 7.1 Superfici esterne in acciaio inossidabile . . 27
- 7.2 Pulizia dei prodotti con porte in vetro . . . 27


## **7 Manutenzione e pulizia 28**

- 7.3. Prevenzione dei cattivi odori . . . . . 28
- 7.4 Protezione delle superfici in plastica . . . 28


## **8 Guida alla risoluzione dei problemi 29**


# 1- Istruzioni di sicurezza


- Questa sezione contiene istruzioni di sicurezza che aiutano a proteggersi da rischi di lesioni personali o danni alle cose.
- La nostra azienda non è responsabile per danni che possono verificarsi se queste istruzioni non vengono seguite.

 Le procedure di installazione e riparazione devono sempre essere eseguite dal produttore, dal servizio assistenza autorizzato o da una persona qualificata e specificata dall'importatore.

 Utilizzare solo parti e accessori originali.

 I pezzi di ricambio originali verranno forniti per 10 anni, successivamente alla data di acquisto del prodotto.

 Non riparare o sostituire alcuna parte del prodotto, se non espressamente specificato nel manuale d'uso.

 Non apportare modifiche tecniche al prodotto.

## 1.1 Uso preposto

- Questo prodotto non è adatto all'uso commerciale e non deve essere utilizzato al di fuori dell'uso preposto.

Il prodotto è progettato per l'uso in case e ambienti interni.

Ad esempio:

- Cucine per il personale in negozi, uffici e altri ambienti di lavoro,

Frigorifero/Manuale dell'Utente

- Fattorie,
- Aree utilizzate dai clienti in hotel, motel e altri tipi di alloggio,
- Alberghi di tipo bed & breakfast, pensioni,
- Catering e applicazioni simili che non prevedano la vendita al dettaglio.

Questo prodotto non deve essere utilizzato all'aperto con o senza tenda sopra di esso, come su barche, balconi o terrazze. Non esporre il prodotto a pioggia, neve, sole o vento.

Rischio di incendio!

## 1.2 - Sicurezza per bambini, persone diversamente abili e animali domestici

- Questo prodotto può essere utilizzato da bambini a partire dagli 8 anni e da persone con limitate capacità fisiche, sensoriali o mentali o con scarsa esperienza e conoscenze, a condizione che siano sorvegliati o addestrati sull'uso sicuro del prodotto e conoscano i rischi che il suo utilizzo comporta.
- I bambini di età compresa tra i 3 e gli 8 anni possono inserire e togliere i prodotti da refrigerare.
- I prodotti elettrici sono pericolosi per i bambini e gli animali domestici. I bambini e gli animali domestici non devono giocare con, arrampicarsi su o entrare nel prodotto.
- La pulizia e la manutenzione da parte dell'utente non devono essere effettuate da bambini, a meno che non siano sorvegliati da qualcuno.
- Tenere i materiali di imballaggio lontano dalla portata dei bambini. Rischio di lesioni e di soffocamento!
- Prima di smaltire un prodotto vecchio o obsoleto:

**1.** Scollegare il prodotto afferrando la spina.

**2.** Tagliare il cavo di alimentazione e rimuoverlo dall'apparecchio insieme alla spina

**3.** Non rimuovere i ripiani o i cassetti, in modo che sia più difficile per i bambini entrare nel prodotto.

**4.** Rimuovere gli sportelli.

**5.** Tenere il prodotto in modo che non si ribalti.

**6.** Non permettere ai bambini di giocare con il vecchio prodotto.

## Istruzioni relativamente a sicurezza e ambiente

- Non gettare mai il prodotto nel fuoco per smaltirlo. Rischio di esplosione!
- Se sulla porta del prodotto è presente una serratura, la chiave deve essere tenuta fuori dalla portata dei bambini.

### 1.3 - Sicurezza elettrica

- Il prodotto deve essere scollegato durante le procedure di installazione, manutenzione, pulizia, riparazione e spostamento.
- Se il cavo di alimentazione è danneggiato, deve essere sostituito da una persona qualificata e specificata dal produttore, dal servizio assistenza autorizzato o da un importatore, al fine di evitare potenziali pericoli.
- Non schiacciare il cavo di alimentazione sotto o dietro il prodotto. Non appoggiare oggetti pesanti sul cavo di alimentazione. Il cavo di alimentazione non deve essere piegato eccessivamente, non deve essere schiacciato e non deve venire a contatto con una qualsiasi fonte di calore.
- Non utilizzare prolunghe, multiple o adattatori per far funzionare il prodotto.
- Le multiple o le fonti di alimentazione portatili possono surriscaldarsi e causare incendi. Pertanto, non tenere le multiple dietro o vicino al prodotto.
- La spina deve essere facilmente accessibile. Nel caso non sia possibile, l'impianto elettrico a cui è collegato il prodotto deve contenere un dispositivo (come un fusibile, un interruttore, un salvavita, ecc.) che sia conforme alle norme elettriche e che scolleghi tutti i poli dalla rete.
- Non toccare la spina di alimentazione con le mani bagnate.
- Togliere la spina dalla presa, afferrando la spina e non il cavo.
- Quando si posiziona l'apparecchio, assicurarsi che il cavo di alimentazione non sia incastrato o danneggiato.
- Non localizzare prese multiple portatili o alimentatori portatili sul retro dell'apparecchio.

### 1.4 - Sicurezza nel trasporto

- Il prodotto è pesante, non spostarlo da soli.
- Non tenerne lo sportello, quando si sposta il prodotto.


- Fare attenzione a non danneggiare il sistema di raffreddamento o le tubazioni durante il trasporto. Se le tubazioni sono danneggiate, non accendere il prodotto e contattare il servizio di assistenza autorizzato.

### 1.5 - Sicurezza nell'installazione

- Contattare il servizio di assistenza autorizzato per l'installazione del prodotto. Per rendere il prodotto pronto per l'utilizzo, consultare le informazioni contenute nel manuale d'uso, per assicurarsi che gli impianti elettrici e idrici siano adatti. In caso contrario, chiamare un elettricista e un idraulico qualificati, per ottenere le necessarie disposizioni. Se non ci si rivolge a un aiuto professionale, vi è il rischio di scosse elettriche, incendi, problemi con il prodotto o lesioni!
- Prima dell'installazione, controllare se il prodotto presenta difetti. Se il prodotto è danneggiato, non farlo installare.
- Posizionare il prodotto su una superficie pulita, piana e solida e bilanciarlo con piedini regolabili. In caso contrario, il prodotto potrebbe ribaltarsi e causare lesioni.
- Il luogo di installazione deve essere asciutto e ben ventilato. Non collocare tappeti, moquette o rivestimenti simili sotto al prodotto. Una ventilazione insufficiente è rischio di incendio!
- Non coprire o bloccare le aperture adibite alla ventilazione. In caso contrario, il consumo di energia elettrica aumenta e il prodotto potrebbe danneggiarsi.
- Il prodotto non deve essere collegato a sistemi di alimentazione come alimentatori solari. In caso contrario, il prodotto potrebbe danneggiarsi a causa di improvvisi cambiamenti di tensione!
- Più refrigerante contiene un frigorifero, più grande deve essere il luogo di installazione. Se il luogo scelto per l'installazione è troppo piccolo, il refrigerante infiammabile e la miscela di aria si accumulano in caso di perdite di refrigerante nel sistema di raffreddamento. Lo spazio necessario per ogni 8 gr di refrigerante è di almeno 1 m<sup>3</sup>. La quantità di refrigerante nel prodotto è indicata sulla targhetta di identificazione.



# Istruzioni relativamente a sicurezza e ambiente

- Il prodotto non deve essere installato in luoghi esposti alla luce diretta del sole e deve essere tenuto lontano da fonti di calore come piani cottura, radiatori, ecc.
- Se si deve installare il prodotto in prossimità di una fonte di calore, è necessario utilizzare un'adeguata piastra di isolamento e mantenere le seguenti distanze minime dalla fonte di calore:
- Almeno 30 cm di distanza da fonti di calore come piani di cottura, forni, radiatori o stufe,
  - Minimo 5 cm di distanza dai forni elettrici.
- La classe di protezione del prodotto è di tipo I. Inserire il prodotto in una presa con messa a terra che sia conforme ai valori di tensione, corrente e frequenza indicati sulla targhetta del prodotto. La presa deve essere dotata di un interruttore automatico da 10 A - 16 A. La nostra azienda non sarà responsabile per eventuali danni che si verificheranno qualora il prodotto venga utilizzato senza messa a terra e collegamento elettrico in conformità con le normative locali e nazionali.
  - Il prodotto non deve essere collegato alla rete elettrica durante l'installazione. In caso contrario, sussiste il rischio di scosse elettriche e di lesioni!
  - Non inserire il prodotto in prese che siano allentate, smontate, rotte, sporche, grasse o che presentino il rischio di entrare in contatto con l'acqua.
  - Posizionare il cavo di alimentazione e i tubi flessibili (se presenti) del prodotto in modo che non causino il rischio di inciamparvi dentro.
  - L'esposizione all'umidità delle parti sotto tensione o del cavo di alimentazione può causare un corto circuito. Pertanto, non installare il prodotto in luoghi come garage o lavanderie, dove l'umidità è elevata o l'acqua può schizzare. Se il frigorifero si bagna d'acqua, scollegarlo e chiamare il servizio di assistenza autorizzato.
  - Non collegare mai il frigorifero a dispositivi di risparmio energetico. Tali sistemi sono dannosi per il prodotto.
  - In caso di malfunzionamento del prodotto, scollegarlo e non utilizzarlo, fino a quando non viene riparato dal servizio di assistenza autorizzato. Rischio di scosse elettriche!
  - Non collocare fonti di fiamma (candele accese, sigarette, ecc.) sul prodotto o nelle sue vicinanze.
  - Non salire sul prodotto. Rischio di caduta e di ferite!
  - Non danneggiare i tubi del sistema di raffreddamento con oggetti appuntiti o affilati. Il refrigerante che potrebbe fuoriuscire quando i tubi del refrigerante, le prolunghe dei tubi o i rivestimenti superficiali vengono perforati provoca irritazioni cutanee e lesioni agli occhi.
  - A meno che non sia raccomandato dal produttore, non collocare o utilizzare dispositivi elettrici all'interno del frigorifero/congelatore.
  - Fare attenzione a non incastrare le mani o qualsiasi altra parte del corpo nelle parti mobili all'interno del frigorifero. Fare attenzione a non schiacciare le dita tra lo sportello e il frigorifero. Fare attenzione nell'aprire e chiudere lo sportello, in particolare in presenza di bambini.
  - Non mangiare mai gelati, cubetti di ghiaccio o cibi surgelati subito dopo averli tolti dal frigorifero. Rischio di congelamento!
  - Se si hanno le mani bagnate, non toccare le pareti interne o le parti metalliche del freezer o gli alimenti in esso conservati. Rischio di congelamento!
  - Non collocare nel congelatore barattoli o bottiglie che contengono bevande gassate o liquidi che possano congelarsi. Lattine e bottiglie possono scoppiare. Rischio di lesioni e danni materiali!
  - Non collocare o utilizzare spray infiammabili, materiali infiammabili, ghiaccio secco, sostanze chimiche o materiali simili sensibili al calore vicino al frigorifero. Rischio di incendio e di esplosione!
  - Non conservare nel prodotto materiali esplosivi che contengono materiali infiammabili, come le bombolette spray.
  - Non collocare sul prodotto contenitori pieni di liquido. Gli spruzzi d'acqua su una parte elettrica possono causare scosse elettriche o generare un incendio.
-  **1.6- Sicurezza nelle operazioni**
- Non utilizzare mai solventi chimici sul prodotto. Rischio di esplosione!

# Istruzioni relativamente a sicurezza e ambiente

- Questo prodotto non è destinato alla conservazione di medicinali, plasma sanguigno, preparati di laboratorio o sostanze mediche simili e prodotti soggetti alla direttiva sui prodotti medici.
- L'uso del prodotto diversamente da quanto preposto può causare il deterioramento o la scadenza dei prodotti conservati al suo interno.
- Se il frigorifero è dotato di luce blu, non guardare la luce con strumenti ottici. Non fissare direttamente la lampada UV LED per lungo tempo. La luce ultravioletta può causare affaticamento agli occhi.
- Non sovraccaricare il prodotto. Gli oggetti nel frigorifero possono cadere quando si apre lo sportello, causando lesioni o danni. Problemi simili possono verificarsi se un qualsiasi oggetto viene posizionato sul prodotto.
- Per evitare lesioni, assicurarsi di aver pulito tutto il ghiaccio e l'acqua che potrebbero essere caduti o schizzati sul pavimento.
- Modificate la posizione dei ripiani/portabottiglie sullo sportello del frigorifero solo da vuoti. Rischio di lesioni!
- Non collocare oggetti che possono cadere/ribaltarsi sul prodotto. Tali oggetti possono cadere quando lo sportello è aperto e causare lesioni e/o danni materiali.
- Non colpire o esercitare una forza eccessiva sulle superfici in vetro. Il vetro rotto può causare lesioni e/o danni materiali.
- Il sistema di raffreddamento del prodotto contiene refrigerante R600a: il tipo di refrigerante utilizzato nel prodotto è indicato sulla targhetta di identificazione. Questo refrigerante è infiammabile. Pertanto, fare attenzione a non danneggiare il sistema di raffreddamento o le tubazioni mentre il prodotto è in uso. Se le tubazioni sono danneggiate:
  - Non toccare il prodotto o il cavo di alimentazione,
  - Tenere lontano da potenziali fonti infiammabili, che possono far incendiare il prodotto.
  - Ventilare l'area in cui si trova il prodotto. Non utilizzare ventilatori.
  - Contattare il servizio di assistenza autorizzato.
- Se il prodotto è danneggiato e si nota una perdita di refrigerante, stare lontani dal refrigerante. Il refrigerante può causare congelamento in caso di contatto con la pelle.

## Per prodotti con erogatore d'acqua/macchina per ghiaccio

- Utilizzare solo acqua potabile. Non riempire il serbatoio dell'acqua con liquidi, come succhi di frutta, latte, bevande gassate o bevande alcoliche, poiché non adatti all'uso nell'erogatore d'acqua.
- Rischio per la salute e la sicurezza!
- Non permettere ai bambini di giocare con l'erogatore d'acqua o con la macchina del ghiaccio (Icematic), per evitare incidenti o lesioni.
- Non inserire le dita o altri oggetti nel foro dell'erogatore d'acqua, nel canale dell'acqua o nel contenitore della macchina per il ghiaccio. Rischio di lesioni o danni materiali!



## 1.7- Sicurezza nella manutenzione e pulizia

- Non tirare la maniglia dello sportello se è necessario spostare il prodotto per la pulizia. La maniglia può rompersi e causare lesioni, se si esercita una forza eccessiva su di essa.
- Non spruzzare o versare acqua sopra o all'interno del prodotto durante la pulizia. Rischio di incendio e di scosse elettriche!
- Non utilizzare utensili affilati o abrasivi per la pulizia del prodotto. Non utilizzare prodotti per la pulizia della casa, detersivi, gas, benzina, diluente, alcool, vernici, ecc.
- Utilizzare all'interno dell'elettrodomestico solo prodotti per la pulizia e la manutenzione che non siano nocivi per gli alimenti.
- Non utilizzare mai detersivi a vapore per pulire o sbrinare il prodotto. Il vapore entra a contatto con le parti sotto tensione del

## Istruzioni relativamente a sicurezza e ambiente

frigorifero, causando cortocircuiti o scosse elettriche!

- Assicurarsi che non entri acqua nei circuiti elettronici o negli elementi preposti all'illuminazione del prodotto.
- Utilizzare un panno pulito e asciutto per pulire i materiali estranei o la polvere sui perni della spina. Non utilizzare un panno umido o bagnato per pulire la spina. Rischio di incendio e di scosse elettriche!



### 1.8- HomeWhiz

- Se si utilizza il prodotto tramite l'app HomeWhiz, è necessario osservare le avvertenze di sicurezza anche quando si è lontani dal prodotto. È inoltre necessario seguire le avvertenze nell'app.



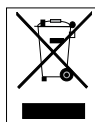
### 1.9- Illuminazione

- Contattare il servizio di assistenza autorizzato ove sia necessario sostituire il LED/la lampadina utilizzata per l'illuminazione.

## 2 Istruzioni relative all'ambiente

### 2.1 Conformità con le normative WEEE e sullo smaltimento dei prodotti di scarico:

Questo prodotto è conforme alla direttiva WEEE dell'UE (2012/19/EU). Questo prodotto porta un simbolo di classificazione per la strumentazione elettrica ed elettronica di scarto (WEEE).



Questo simbolo indica che il presente prodotto alla fine della sua vita utile non deve essere smaltito con altri rifiuti domestici. Il dispositivo usato deve essere restituito al punto di raccolta ufficiale

per il riciclaggio dei dispositivi elettrici ed elettronici. Per trovare questi sistemi di raccolta si prega di contattare le autorità locali o il rivenditore presso il quale è stato acquistato il prodotto. Ogni famiglia svolge un ruolo importante nel recupero e nel riciclaggio di vecchi apparecchi. Un adeguato smaltimento dell'apparecchio usato aiuta a prevenire potenziali conseguenze negative per l'ambiente e la salute umana.

### 2.2 Conformità con la direttiva RoHS

Il prodotto acquistato è conforme con la Direttiva UE RoHS (2011/65/EU). Non contiene materiali dannosi e proibiti e indicati nella Direttiva.

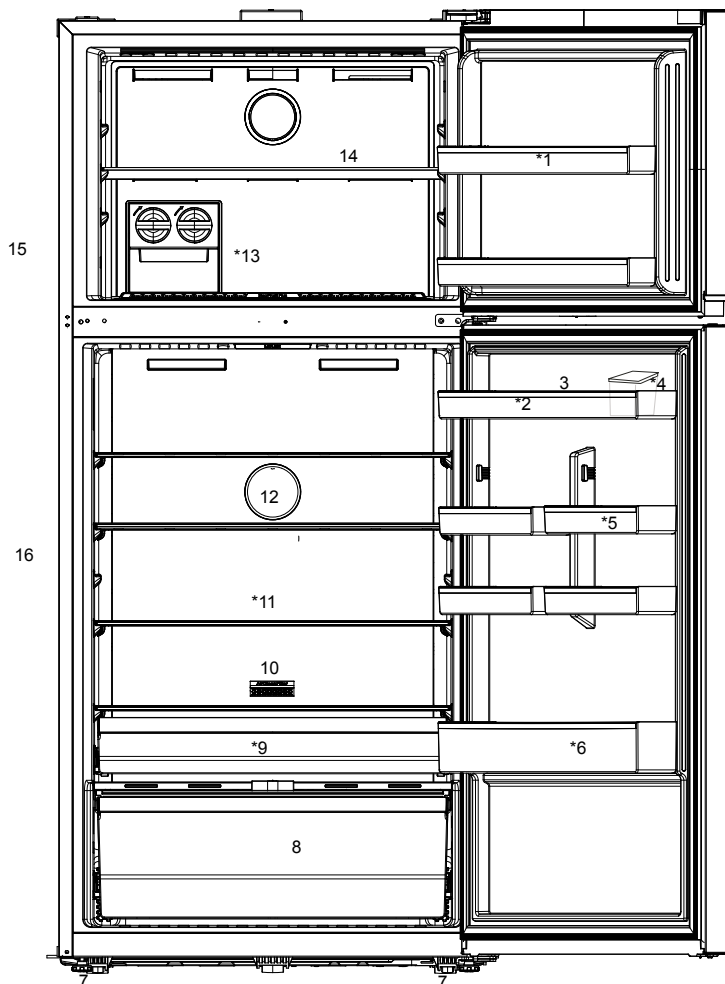
### 2.3 Informazioni sull'imballaggio



I materiali che compongono l'imballaggio del prodotto sono realizzati a partire da materiali riciclabili in conformità con le nostre Normative Ambientali Nazionali.

Non smaltire i materiali dell'imballaggio congiuntamente ai rifiuti domestici o ad altri rifiuti. Portarli presso i punti di raccolta imballaggi indicati dalle autorità locali.

### 3 Il frigorifero



- |  |   |
|--|---|
| 1- Ripiani della porta dello scomparto congelatore                         | 9- Cestello prodotti caseari (cella frigorifera)      |
| 2- Ripiani della porta dello scomparto raffreddatore                       | 10- Lo Scomparto prodotti caseari (cella frigorifera) |
| 3- Scomparto uova  | 11- Filtro  |
| 4- Erogatore dell'acqua  | 12- Ripiani in vetro                                  |
| 5- Ripiani della porta dello scomparto raffreddatore                       | 13- Ventola   |
| 6- Ripiano per bottiglie   | 14- Icematics   |
| 7- Supporti regolabili   | 15- Ripiano in vetro scomparto congelatore            |
| 8- Cassetto per frutta e verdura, separatore del cassetto e filtro etilene | 16- Scomparto congelatore                             |
|  | 17- Scomparto raffreddatore                           |



\*Opzionale: Le figure in questo manuale utente sono schematiche, e potrebbero non corrispondere esattamente al prodotto. Qualora il prodotto non contenga le parti descritte, l'informazione riguarda altri modelli.

## 4 Installazione

### 4.1 Luogo idoneo per l'installazione

Il prodotto necessita di adeguata ventilazione per un funzionamento efficiente. Se in prodotto viene collocato in una alcova, lasciare almeno 5 cm di spazio tra il prodotto, il soffitto, i muri laterali e il muro retrostante.

Se in prodotto viene collocato in una alcova, lasciare almeno 5 cm di spazio tra il prodotto, il soffitto, i muri laterali e il muro retrostante. Controllare se il componente di protezione della parete posteriore è presente e nel suo alloggio (se fornito con il prodotto). Se il componente non è disponibile, o se è stato smarrito o è caduto, posizionare il prodotto in modo tale da lasciare almeno 5 cm di spazio libero tra il retro del prodotto e le pareti del locale. Lo spazio libero nella parte posteriore è importante per il funzionamento efficiente del prodotto.

### 4.2 Per prodotti con erogatore acqua/macchina del ghiaccio

- Devono essere utilizzati i set di tubi flessibili forniti con il prodotto. Non utilizzare i vecchi set di tubi flessibili. Non allungare i tubi flessibili!
- Collegare sempre il prodotto all'ingresso dell'acqua fredda. Non installare sull'ingresso dell'acqua calda. La pressione per l'ingresso dell'acqua fredda dovrà essere come massimo di 80 psi (550 kPa). Qualora la pressione dell'acqua superi gli 80 psi (550 kPa) o abbia un effetto di impatto acqua, usare una valvola limitatrice della pressione nel proprio sistema di alimentazione. Se non si sa come controllare la pressione dell'acqua, chiedere aiuto a idraulici professionisti.

L'elevata pressione potrebbe causare danni alle connessioni dei tubi flessibili e rappresentare un rischio di allagamento.

- Adottare le precauzioni necessarie contro il rischio di congelamento dei tubi flessibili. L'intervallo di funzionamento della temperatura dell'acqua dovrà essere 0,6°C (33°F) minimo e 38°C (100°F) massimo. C'è il rischio di allagamento se il tubo è incrinato/perforato.



**AVVERTENZA:** Non usare prolunghe o multi prese per il collegamento elettrico.



**AVVERTENZA:** Il produttore non si assume alcuna responsabilità per gli eventuali danni causati dagli interventi eseguiti da personale non autorizzato.



**AVVERTENZA:** Durante l'installazione, il cavo di alimentazione del prodotto deve essere scollegato. Il mancato rispetto di queste istruzioni potrebbe provocare morte o altre gravi lesioni!

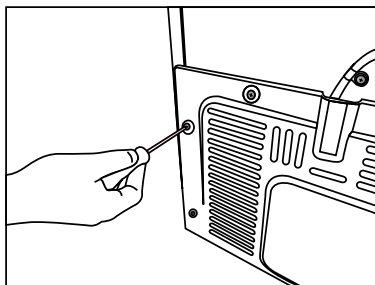


**AVVERTENZA:** : Qualora la porta sia troppo stretta per consentire il passaggio del prodotto, togliere la porta e ruotarla; qualora ciò non funzioni, contattare il servizio autorizzato.

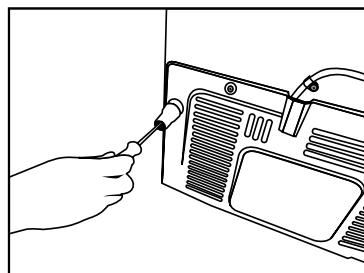
- Collocare il prodotto su una superficie piana per evitare vibrazioni.
- Collocare il prodotto ad almeno a 30 cm dal termosifone, dalla stufa e da altre fonti di calore e ad almeno 5 cm da eventuali forni elettrici.
- Non esporre il prodotto alla luce solare diretta o conservare in ambienti umidi.
- Il prodotto richiede una circolazione dell'aria adeguata per funzionare con efficacia. Qualora il prodotto venga posizionato in un padiglione estivo, ricordare di lasciare una distanza di almeno 5 cm fra il prodotto, il soffitto, e le pareti.

### 4.3 Fissaggio dei cunei in plastica

Servirsi dei cunei in plastica forniti in dotazione con il prodotto per garantire una circolazione d'aria sufficiente fra il prodotto e la parete.



1. Per fissare i cunei, rimuovere le viti sul prodotto e usare le viti fornite in dotazione con i cunei.

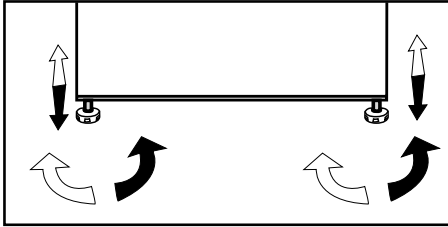


## Installazione

2. Fissare 2 cunei in plastica sul coperchio della ventilazione, come indicato nella figura.

### 4.4 Regolazione dei piedini

Qualora il prodotto non sia in equilibrio, regolare i supporti anteriori regolabili, ruotandoli verso destra o verso sinistra.



## 4.5 Collegamento elettrico



**AVVERTENZA:** Non usare prolunghe o multi prese per il collegamento elettrico.



**AVVERTENZA:** I cavi di alimentazione danneggiati vanno sostituiti dal servizio autorizzato.

- La nostra azienda non si assume alcuna responsabilità per gli eventuali danni dovuti a un uso senza messa a terra e collegamento elettrico non conforme alle normative nazionali.
- Il cavo di corrente deve essere facilmente accessibile dopo l'installazione.



**Avvertenza: superficie calda!**  
Le pareti laterali del prodotto sono dotate di tubi di raffreddamento per migliorare il sistema generale di raffreddamento. L'elevata pressione del fluido potrebbe fluire attraverso queste superfici, causando il riscaldamento eccessivo delle superfici sulle pareti laterali. Ciò è normale e non richiede interventi di manutenzione. Fare attenzione quando si toccano queste aree.

## 5 Preparazione



Leggere prima la sezione "Istruzioni di sicurezza"!

### 5.1 Cosa fare per risparmiare energia



Collegare il prodotto a sistemi di risparmio energetico elettronici potrebbe danneggiare il prodotto.

- Per apparecchi indipendenti; questo apparecchio refrigerante non è destinato ad essere utilizzato come apparecchio da incasso.
- Non tenere aperte a lungo le porte del frigorifero.
- Non mettere alimenti caldi o bevande direttamente dentro al frigorifero.
- Non riempire eccessivamente il frigorifero; il blocco del flusso d'aria interno ne ridurrà la capacità di raffreddamento.
- A seconda delle caratteristiche del prodotto, lo scongelamento degli alimenti surgelati nello scomparto raffreddatore garantirà un risparmio energetico preservando al tempo stesso la qualità degli alimenti.
- L'aria calda e umida, non penetrando direttamente nel prodotto quando le porte non sono aperte, permetterà al prodotto di ottimizzare la funzione di protezione degli alimenti. In queste circostanze, funzioni e componenti come il compressore, la ventola, il riscaldatore, lo sbrinamento, l'illuminazione, il display e così via funzioneranno in base alle esigenze di consumo minimo di energia.
- Per garantire il risparmio energetico e tenere sempre gli alimenti nelle condizioni migliori, gli alimenti devono essere conservati utilizzando i cassetti dello scomparto raffreddatore.

### 5.2. Funzionamento iniziale

Prima di iniziare a usare il frigorifero, accertarsi che tutti i preparativi necessari vengano eseguiti in conformità con le istruzioni contenute nelle sezioni "Istruzioni di sicurezza e relative all'ambiente" e "Installazione".

- Tenere il prodotto in funzione senza alimenti al suo interno per 12 ore e non aprire la porta a meno che ciò non sia assolutamente necessario.



Si sentirà un suono quando viene attivato il compressore. È normale sentire dei suoni anche quando il compressore non è attivo, a causa dei liquidi e dei gas compressi all'interno del sistema di raffreddamento.



È normale che le estremità anteriori del frigorifero siano calde. Queste aree sono state progettate per riscaldarsi per evitare la condensa.



Per alcuni modelli, il pannello indicatore si spegne automaticamente 1 minuto dopo la chiusura della porta. Si riattiva quando la porta è aperta o si preme un qualsiasi pulsante.



## **6** Funzionamento del prodotto

- Per accelerare le operazioni di scongelamento, non utilizzare attrezzi meccanici o altri utensili diversi da quelli raccomandati dal produttore.
- Non utilizzare mai parti del frigorifero, come la porta o i cassetti, come supporto o come gradini. Ciò potrebbe causare il ribaltamento del prodotto o il danneggiamento dei suoi componenti.
- Il prodotto dovrebbe essere usato unicamente per la conservazione di alimenti.
- Spegnerne la valvola dell'acqua se si è lontani da casa (ad esempio in vacanza) e non si utilizza la macchinetta per il ghiaccio o l'erogatore d'acqua per un lungo periodo di tempo. In caso contrario, potrebbero verificarsi perdite d'acqua.

### **6.1 Spegnimento del prodotto**

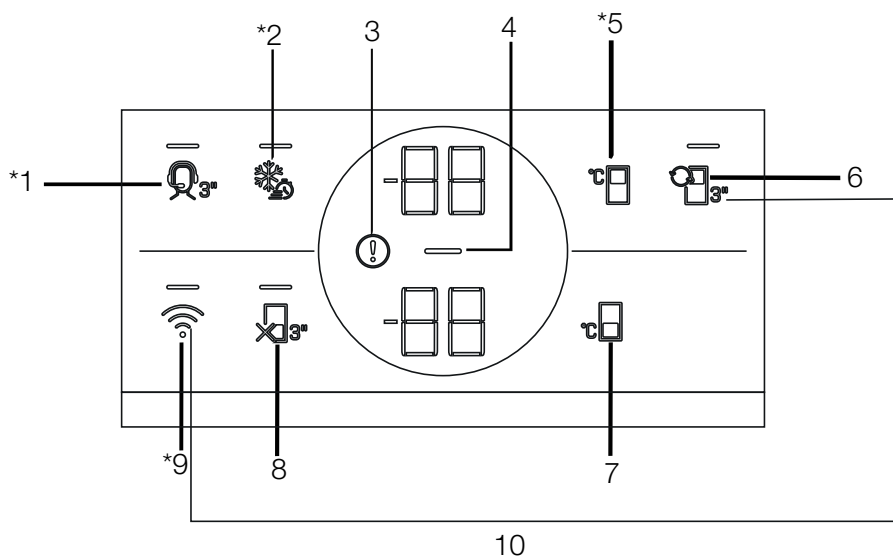
- Se non si utilizza il prodotto per un lungo periodo;
  - staccare la spina,
  - rimuovere il cibo per evitare cattivi odori,
  - aspettare che il ghiaccio sia scongelato,
  - pulire l'interno e aspettare che si asciughi,
  - lasciare le porte aperte per evitare danni alla plastica del corpo interno.

## 6 Funzionamento del prodotto

### 6.2 Pannello indicatore

I pannelli indicatori potrebbero variare a seconda del modello del prodotto.

Le funzioni audio e video dei pannelli indicatori assisteranno l'utente in fase di utilizzo del frigorifero.



- 1- Tasto del servizio di assistenza
- 2- Tasto di congelamento rapido/Tasto di impostazione della funzione luce della maniglia
- 3- Indicatore di condizione di guasto
- 4- Indicatore della funzione di risparmio energetico (display off)
- 5- Tasto di impostazione della temperatura dello scomparto congelatore
- 6- Tasto di conversione dello scomparto
- 7- Tasto di impostazione della temperatura dello scomparto raffreddatore
- 8- Tasto funzione dello scomparto raffreddatore OFF (Vacanza)
- 9- Tasto wireless
- 10- Tasto per il ripristino delle impostazioni della connessione wireless

#### 1. Tasto del servizio di assistenza

Premere il pulsante blocco tasti per 3 secondi, per attivare il servizio assistenza. Informazioni dettagliate sul servizio di assistenza sono fornite nella sezione "Funzionalità Servizio Assistenza".

#### 2. Tasto di congelamento rapido

Quando si preme il tasto di congelamento rapido, il LED del tasto si illumina e si attiva la funzione di congelamento rapido. La temperatura dello scomparto congelamento è impostata a -27 gradi Celsius. Per annullare la funzione premere nuovamente il tasto. La funzione di congelamento rapido sarà automaticamente annullata dopo 52 ore. Per



\*Opzionale: Le figure in questo manuale utente sono schematiche, e potrebbero non corrispondere esattamente al prodotto. Qualora il prodotto non contenga le parti descritte, l'informazione riguarda altri modelli.

## Uso del prodotto

congelare grandi quantitativi di alimenti freschi, premere il tasto di congelamento rapido prima di collocare gli alimenti all'interno dello scomparto congelatore.

### \*Tasto di impostazione della funzione luce della maniglia

La funzione della luce della maniglia può essere commutata tra le modalità aperta e chiusa premendo il pulsante di congelamento rapido (🔌) per 3 secondi. In modalità chiusa, la luce della maniglia si attiva solo quando la porta dell'apparecchio viene aperta e si spegne un po' di tempo dopo la chiusura della porta. In modalità aperta, la luce della maniglia si attiva quando la porta dell'apparecchio viene aperta, la luce della maniglia rimane debolmente accesa un po' di tempo dopo la chiusura della porta. La modalità chiusa è l'impostazione predefinita in fabbrica della funzione luce della maniglia.

### 3. Indicatore di condizione di guasto

Questo indicatore (⚠️) dovrà essere attivo quando il frigorifero non è in grado di eseguire un raffreddamento adeguato o in caso di errore del sensore. La lettera "E" dovrà essere visualizzata sull'indicatore della temperatura dello scomparto di congelamento e cifre come 1,2,3... dovranno essere visualizzate sull'indicatore della temperatura dello scomparto di raffreddamento. Queste cifre forniscono informazioni al servizio autorizzato sull'errore verificatosi.

Quando si carica cibo caldo nello scomparto di congelamento o si tiene aperta la porta per un lungo periodo di tempo potrebbe visualizzarsi un punto esclamativo. Non si tratta di un guasto, questa avvertenza dovrà essere rimossa quando il cibo viene raffreddato o quando viene premuto un tasto qualsiasi.

### 4. Indicatore della funzione di risparmio energetico (display off)

La funzione di risparmio energetico viene attivata automaticamente e il simbolo di risparmio energetico (🔌) viene visualizzato quando la porta del prodotto non viene aperta o chiusa per un certo periodo di tempo. Quando la funzione di risparmio energetico è attiva, tutti i simboli sul display, ad eccezione del simbolo del risparmio energetico, saranno spenti. Quando la funzione di risparmio energetico è attiva, la pressione di qualsiasi tasto o l'apertura della porta disattiverà la funzione di risparmio energetico e i segnali del display torneranno ai livelli normali. La funzione di risparmio energetico è una funzione attiva per impostazione predefinita e non può essere annullata.

### 5. Tasto di impostazione della temperatura dello scomparto congelatore

Per lo scomparto raffreddatore è disponibile l'impostazione della temperatura. La pressione di questo tasto abiliterà l'impostazione della temperatura dello scomparto congelatore a -15,-16,-18,-19,-20,-22,-24 gradi Celsius.

### 6. Tasto di conversione dello scomparto

Quando si preme il tasto di conversione dello scomparto per 3 secondi, lo scomparto del congelatore commuta rispettivamente tra le modalità raffreddatore, spento e congelatore. Quando viene utilizzato come scomparto di raffreddamento, la temperatura dello scomparto può essere impostata a 8,7,6,5,4,3,2 e 1 Celsius. In caso di modalità OFF (spento), l'indicatore della temperatura dello scomparto dovrà visualizzare "- -".

### 7. Tasto di impostazione della temperatura dello scomparto raffreddatore

Per lo scomparto raffreddatore è disponibile l'impostazione della temperatura. La pressione di questo tasto abiliterà l'impostazione della temperatura dello scomparto raffreddatore a 8,7,6,5,4,3,2 e 1 grado Celsius.

### 8. Tasto funzione dello scomparto raffreddatore OFF (Vacanza)

Per attivare la funzione vacanza premere il tasto per 3 secondi. La modalità vacanza è attivata e il LED sul tasto è illuminato. Sull'indicatore della temperatura dello scomparto di raffreddamento (raffreddatore) sarà visualizzato "- -" e quindi non eseguirà attivamente il raffreddamento. Quando questa funzione è attivata, nello scomparto di raffreddamento non dovranno conservarsi alimenti. Gli altri scomparti continueranno a raffreddare in base alla temperatura impostata. Per annullare questa funzione, premere il tasto di nuovo per 3 secondi.

### 9. Tasto wireless

Questo tasto viene utilizzato per effettuare una connessione wireless con il proprio prodotto tramite l'applicazione mobile HomeWhiz.

Quando si preme il tasto per un lungo periodo (3 secondi), sul display/schermo il simbolo di connessione wireless lampeggia lentamente (con intervalli di 0,5 secondi). A questo punto sul prodotto viene visualizzata la rete domestica.

Dopo aver raggiunto la connessione wireless con il prodotto, il simbolo di connessione wireless (📶) si illumina continuamente (fisso).

Una volta stabilita la connessione iniziale, è possibile attivare/

## Uso del prodotto



disattivare la connessione con una breve pressione di questo tasto. Il simbolo della connessione wireless lampeggerà brevemente (a intervalli di 0,2 sec.) fino a quando non viene stabilita la connessione. Quando la connessione è attiva, il simbolo della connessione wireless resterà accesa in maniera continua (fisso).

Se la connessione non può essere stabilita per un lungo periodo di tempo, controllare le impostazioni per la connessione e consultare la sezione "Risoluzione dei problemi" del manuale utente.

Per la connessione wireless dovrà essere utilizzata l'applicazione HomeWhiz. Le varie fasi di installazione sono descritte sull'applicazione durante l'installazione. È possibile accedere all'applicazione leggendo il codice QR disponibile sull'etichetta HomeWhiz del prodotto. L'applicazione è offerta attraverso App Store per i dispositivi IOS e attraverso Play Store per i dispositivi Android.

Visitare il sito <https://www.homewhiz.com/> per informazioni dettagliate.

### 10. Tasto per il ripristino delle impostazioni della connessione wireless

Per ripristinare le impostazioni della connessione wireless, premere contemporaneamente i tasti Congelamento rapido () e connessione wireless () per 3 secondi. Tutte le informazioni dell'utente registrate in precedenza vengono annullate e le impostazioni della connessione wireless vengono ripristinate/resettate ai valori predefiniti di fabbrica.

## 6.3 Cassetto frutta e verdura a umidità controllata (SempreFresco+)

### (Optional)

Grazie al cassetto ad umidità controllata, frutta e verdura possono essere conservate più a lungo in un ambiente con condizioni ideali di umidità. Il sistema di impostazione dell'umidità con 3 opzioni di fronte al cassetto permette di controllare il livello di umidità all'interno dello scomparto a seconda degli alimenti che si conservano. Consigliamo di conservare i propri alimenti selezionando l'opzione verdura quando si conservano solo verdure, l'opzione frutta quando si conserva solo frutta e l'opzione mista quando si conservano alimenti misti.

Per migliorare il periodo di conservazione degli alimenti e per beneficiare al massimo del sistema di controllo dell'umidità, consigliamo di non conservare la verdura e la frutta in sacchetti. Lasciare quel tipo di alimenti in sacchetti di plastica farà marcire le verdure in breve tempo. Consigliamo di non conservare i cetrioli e i broccoletti, in particolare, in sacchetti chiusi. In situazioni in cui è preferibile non mettere in contatto diversi tipi di verdure, utilizzare materiali da imballaggio come la carta che abbia un certo grado di porosità in termini di igiene.

Quando si posizionano le verdure, sistemare quelle pesanti e dure in basso e quelle leggere e morbide in alto, tenendo conto del loro peso specifico.

Non mettere la frutta che ha un'alta produzione di gas etilene come la pera, l'albicocca, la pesca e in particolare la mela nello stesso cassetto con altre verdure e frutti. Il gas etilene che fuoriesce da questi frutti potrebbe far maturare più velocemente altri ortaggi e frutti e farli marcire in un periodo di tempo più breve.

### 6.4 Luce blu/HarvestFresh (Optional)

#### **Per la Luce blu,**

Le verdure e la frutta conservate nei cassetti illuminati con luce blu continuano a svolgere la fotosintesi e a mantenere i loro livelli di vitamina C, grazie all'effetto della lunghezza d'onda della luce blu.

#### **Per HarvestFresh,**

Le verdure e la frutta conservate in cassetti illuminati con la tecnologia HarvestFresh conservano i loro livelli di vitamine (vitamine A e C) per un periodo più lungo grazie ai cicli di luci blu, verdi, rosse e scure che simulano il ciclo della giornata.

Quando la porta del frigorifero viene aperta durante il periodo di buio della tecnologia HarvestFresh, il frigorifero lo percepirà automaticamente e illuminerà il cassetto con una delle luci blu, verdi o rosse a seconda della situazione. Il periodo di buio continua quando si chiude la porta del frigorifero in modo che rappresenti il periodo notturno del ciclo diurno.

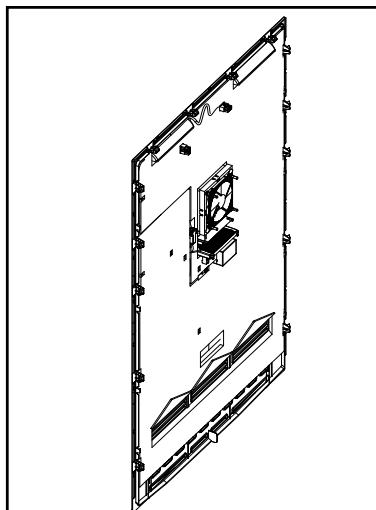
### 6.5 Modulo anti-odore

#### (FreshGuard)

##### (Questa funzione è opzionale)

Il modulo anti-odore rimuove gli odori che si formano all'interno del frigorifero prima che si diffondano sulle superfici. Grazie a questo modulo, che si trova nella parte alta dello scomparto alimenti freschi, i cattivi odori si dissolvono mentre l'aria viene attivamente convogliata verso il filtro anti-odori; di conseguenza, l'aria pulita proveniente dal filtro viene riemessa nello scomparto alimenti freschi. Così, l'odore indesiderato che potrebbe determinarsi durante la conservazione degli alimenti all'interno del frigorifero, viene rimosso dall'ambiente prima che si diffonda sulle superfici. La funzione è realizzabile grazie alla ventola, al LED e al filtro anti-odori integrato nel modulo. Il modulo anti-odore deve essere attivato automaticamente e periodicamente. Se si apre lo sportello dello scomparto alimenti freschi mentre il modulo è attivo, la ventola si ferma temporaneamente e riprende a funzionare da dove era rimasta quando lo sportello viene chiuso. In caso di mancanza di corrente, il modulo anti-odore si attiva al ritorno dell'alimentazione.

**Info:** per prevenire i cattivi odori che potrebbero determinarsi con la miscela di odori provenienti da diversi alimenti, si consiglia di conservare gli alimenti aromatici come formaggio, olive e salumi nelle loro confezioni e con i coperchi chiusi. Per la sicurezza degli altri alimenti conservati e per prevenire i cattivi odori, raccomandiamo di togliere il più presto possibile dal frigorifero gli alimenti che potrebbero apparire rovinati.



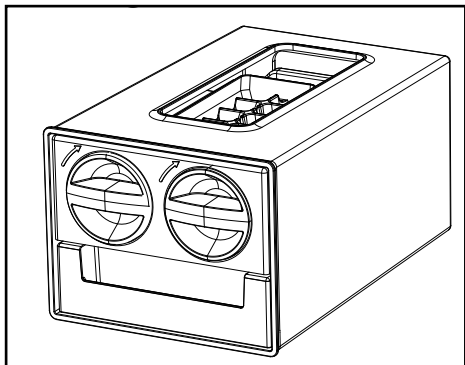
### 6.6 Vaschetta del ghiaccio

**(Questa funzione è opzionale)**

La vaschetta del ghiaccio permette di prendere il ghiaccio facilmente dal frigorifero.

#### Utilizzo della vaschetta del ghiaccio

1. Prendere la vaschetta del ghiaccio dallo scomparto congelatore.
2. Riempire con acqua la vaschetta del ghiaccio.
3. Posizionare la vaschetta del ghiaccio nello scomparto congelatore. Il ghiaccio sarà pronto all'incirca dopo due ore.
4. Prendere la vaschetta del ghiaccio dallo scomparto congelatore e piegare leggermente sopra il contenitore che si utilizzerà. Il ghiaccio si verserà facilmente.



### 6.7 Macchinetta del ghiaccio

**(Questa funzione è opzionale)**

La macchinetta del ghiaccio permette di prendere il ghiaccio facilmente dal frigorifero.

Utilizzo della vaschetta del ghiaccio

1. Rimuovere il serbatoio dell'acqua dallo scomparto raffreddatore.
2. Riempire con acqua il serbatoio dell'acqua.
3. Risistemare il serbatoio dell'acqua. I primi cubetti di ghiaccio saranno pronti dopo circa quattro ore nel cassetto della macchina per il ghiaccio situata nello scomparto congelatore.



Quando il serbatoio dell'acqua è pieno si potranno ottenere circa 60-70 cubetti di ghiaccio.



L'acqua all'interno del serbatoio dell'acqua deve essere sostituita entro 2-3 settimane al massimo.

### 6.8 Cestello prodotti caseari (cella frigorifera)

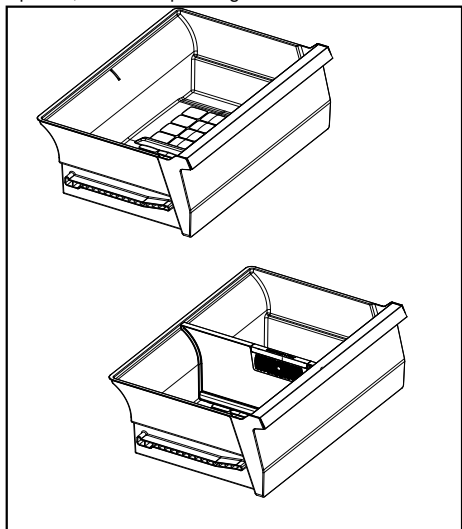
**(Questa funzione è opzionale)**

Lo "Scomparto prodotti caseari (cella frigorifera)" fornisce una temperatura più bassa rispetto allo scomparto del frigorifero. Utilizzate questo scomparto per conservare i prodotti di salumeria (salami, salsicce, latticini, ecc.) che richiedono una temperatura di conservazione più bassa oppure carne, pollo o pesce per il consumo immediato. Non conservare frutta e verdura in questo scomparto.

## Uso del prodotto

### 6.9 Cassetto frutta e verdura

Il cassetto frutta e verdura del frigorifero è stato pensato per tenere fresche le verdure preservando al tempo stesso il grado di umidità. A tal fine, all'interno del cassetto, la circolazione complessiva dell'aria fredda è più intensa. Consigliamo di tenere frutta e verdura all'interno di questo scomparto. Tenere le verdure con foglie verdi e i frutti in luoghi separati, al fine di prolungarne la durata.



### 6.10 Separatore del cassetto frutta e verdura

#### Filtro etilene

Il filtro di ritenzione dell'etilene all'interno del cassetto aiuta a rimuovere il gas etilene e i cattivi odori emanati dalla verdura e dalla frutta.

Grazie al separatore di verdure, è possibile conservare i frutti come pera, albicocca, pesca e in particolare le mele, che generano un'elevata quantità di gas etilene, separatamente rispetto ad altre verdure e frutta ma sempre nello stesso cassetto.

Il gas etilene che fuoriesce da questi frutti potrebbe far maturare più velocemente altri ortaggi e frutti e farli marcire in un periodo di tempo più breve.

Grazie a questa funzione, è possibile mantenere freschi i propri cibi per un periodo di tempo più lungo e in particolare le verdure verdi sensibili al gas etilene.

È possibile conservare gli alimenti per un periodo di tempo più lungo collocando gli alimenti sensibili al gas etilene in uno degli scomparti separati del cassetto e gli alimenti che generano gas etilene nell'altro scomparto.

Gli alimenti che generano gas etilene e che sono sensibili al gas etilene sono elencati di seguito.

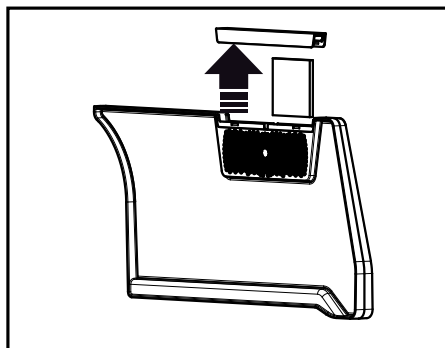
Alimenti che generano gas etilene	Alimenti sensibili al gas etilene
Mela, pera, albicocca, pesca, nettarina, avocado, kiwi, prugna, fico, mela cotogna, pomodoro	Verdure verdi fresche (come lattuga, prezzemolo), fragola, ciliegia, uva, arancia, mandarino, ananas, ciliegia, limone, cetriolo, broccoli, pepe, melanzane, gombo, zucchine

### 6.11 Pulizia del filtro etilene

Il filtro etilene deve essere pulito una volta all'anno.

Rimuovere il filtro etilene tirando il coperchio del filtro verso l'alto come mostrato in figura.

Lasciare il filtro etilene alla luce del sole per un giorno. Pertanto, il filtro dovrà essere pulito.





## Uso del prodotto

Risistemare il filtro e chiudere il coperchio superiore.

Per garantire la massima efficacia del filtro e per preservarne le prestazioni, evitare il contatto con olio e fluidi simili, acqua e detersivi. In caso di contatto, rivolgersi al servizio assistenza per sostituire il filtro con uno nuovo.

### 6.12 Pulizia del separatore del cassetto frutta e verdura

Per evitare l'ostruzione dei fori per l'aria pulita del separatore del cassetto, strofinare con un panno pulito e asciutto a intervalli regolari. Se il separatore deve essere lavato, rimuovere sempre il filtro dal separatore.



**AVVERTENZA:** assicurarsi che i fori intorno al filtro non siano ostruiti e che quindi sia garantita la circolazione dell'aria.

## Uso del prodotto

### 6.13 Utilizzo dell'erogatore dell'acqua

(Questa funzione è opzionale)

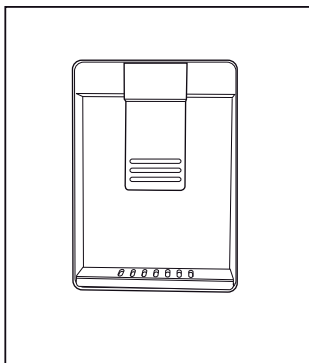


I primi bicchieri di acqua presi dall'erogatore saranno di norma tiepidi.



Se l'erogatore dell'acqua non viene usato a lungo, non bere i primi bicchieri per poi ottenere acqua pulita.

1. Spingere il braccio dell'erogatore d'acqua con il bicchiere. Se si utilizza un bicchiere di plastica morbida, la pressione con la mano del braccio risulta più facile.
2. Dopo aver riempito il bicchiere d'acqua come si desidera, rilasciare il braccio.



La quantità di acqua che esce dall'erogatore dipende dalla pressione che si esercita sul braccio. Per evitare il traboccamento, rilasciare leggermente la pressione sul braccio quando il livello dell'acqua nel bicchiere/contenitore aumenta. Se si preme leggermente il braccio l'acqua gocciolerà; questo è normale e non è indice di malfunzionamento.

### 6.14 Riempimento del serbatoio dell'erogatore dell'acqua

Aprire il coperchio del serbatoio dell'acqua come mostrato in figura. Riempire con acqua potabile pura e limpida. Chiudere il coperchio.

### 6.15 Pulizia del serbatoio dell'acqua

Rimuovere il serbatoio di riempimento dell'acqua all'interno del ripiano della porta.

Staccare tenendo entrambi i lati del ripiano.

Tenere entrambi i lati del serbatoio dell'acqua e rimuovere a un angolo di 45°.

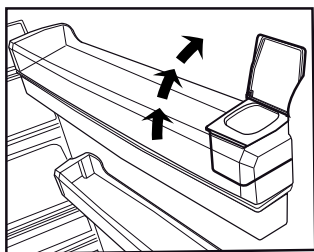
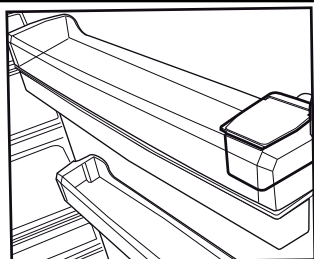
Rimuovere e pulire il coperchio del serbatoio dell'acqua.



Non riempire il serbatoio dell'acqua con succo di frutta, bevande gassate, bevande alcoliche o altri liquidi incompatibili con l'uso dell'erogatore dell'acqua. L'uso di questi liquidi potrebbe provocare anomalie di funzionamento oltre che danni irreparabili all'erogatore dell'acqua. L'uso dell'erogatore secondo questa modalità non rientra nell'ambito di copertura della garanzia. Alcuni prodotti chimici e additivi contenuti nelle bevande o liquidi potrebbero causare danni materiali al serbatoio dell'acqua.



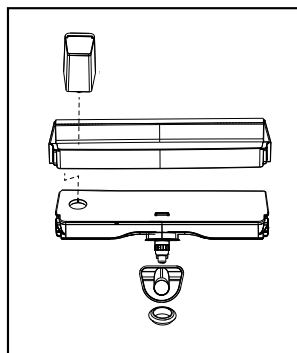
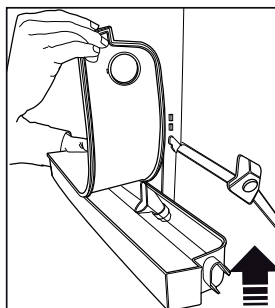
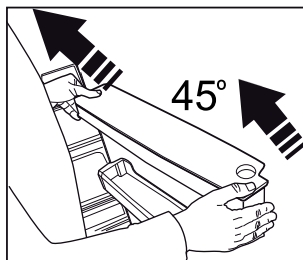
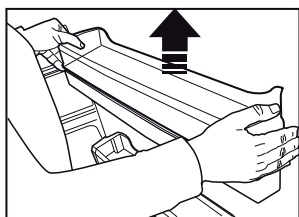
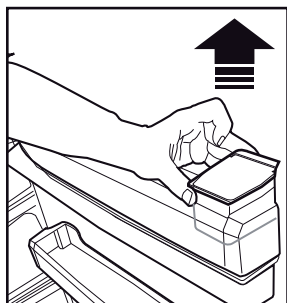
Le componenti del serbatoio dell'acqua e dell'erogatore dell'acqua non possono essere lavate in lavastoviglie.



### 6.16 Riempimento del serbatoio dell'erogatore dell'acqua

Il serbatoio dell'acqua si trova all'interno del ripiano della porta.

1. Aprire il coperchio del serbatoio.
2. Riempire il serbatoio con acqua potabile pulita.



## Uso del prodotto

3. Chiudere il coperchio del serbatoio.



Non riempire il serbatoio dell'acqua con succo di frutta, bevande gassate, bevande alcoliche o altri liquidi incompatibili con l'uso dell'erogatore dell'acqua. L'uso di questi liquidi potrebbe provocare anomalie di funzionamento oltre che danni irreparabili all'erogatore dell'acqua. L'uso dell'erogatore secondo questa modalità non rientra nell'ambito di copertura della garanzia. Alcuni prodotti chimici e additivi contenuti nelle bevande o liquidi potrebbero causare danni materiali al serbatoio dell'acqua.



Utilizzare solo acqua potabile.



La capacità del serbatoio dell'acqua è di 3 litri, non riempirlo eccessivamente.

### 6.17 Pulizia del serbatoio dell'acqua

1. Rimuovere il serbatoio di riempimento dell'acqua all'interno del ripiano della porta.
2. Staccare tenendo entrambi i lati del ripiano.
3. Tenere entrambi i lati del serbatoio dell'acqua e rimuovere a un angolo di 45°.
4. Rimuovere il coperchio e pulire il serbatoio dell'acqua.



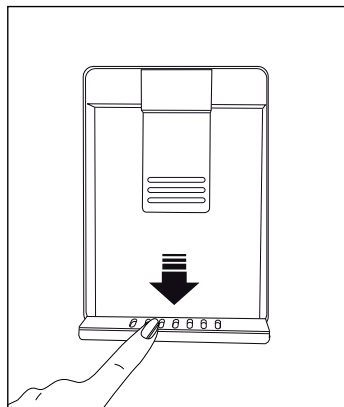
Le componenti del serbatoio dell'acqua e dell'erogatore dell'acqua non possono essere lavate in lavastoviglie.

### 6.18 Vaschetta di raccolta

L'acqua che gocciola dall'erogatore dell'acqua si accumula nella vaschetta di raccolta.

Rimuovere il filtro in plastica come mostrato in figura.

Pulire l'acqua raccolta con un panno asciutto e pulito.



## Uso del prodotto

### 6.19 Congelamento di alimenti freschi

- Attivare la funzione di congelamento rapido premendo il pulsante "Congelamento rapido" 24 ore prima di caricare gli alimenti da congelare.
- 24 ore dopo aver premuto il pulsante, posizionare gli alimenti caldi sul ripiano in vetro del prodotto.
- La funzione di congelamento rapido sarà automaticamente annullata dopo 52 ore.
- Non cercare di congelare grandi quantità di alimenti in una sola volta. Entro 24 ore, questo prodotto può congelare la quantità massima di cibo specificata come "Capacità di congelamento ... kg/24 ore" sulla sua etichetta. Non è conveniente mettere alimenti scongelati/freschi in una quantità superiore a quella specificata sull'etichetta.
- Quando si sistemano nel prodotto alimenti non surgelati, evitare di metterli a contatto con alimenti surgelati.
- Congelando gli alimenti freschi sarà possibile allungarne il tempo di conservazione all'interno dello scomparto congelatore.
- Confezionare i cibi in sacchetti ermetici e chiudere saldamente.
- Accertarsi che gli alimenti siano confezionati prima di inserirli all'interno del congelatore. Servirsi di contenitori per il congelatore, pellicola e carta anti-umidità, sacchetti di plastica o altri materiali da confezionamento simili anziché della normale carta per confezionamento.
- Contrassegnare ogni alimento annotando la data sulla confezione prima di procedere al suo congelamento. In questo modo sarà possibile determinare il livello di freschezza di ogni singola confezione ad ogni apertura del congelatore. Tenere i cibi più vecchi davanti, di modo che vengano consumati prima.
- Gli alimenti congelati vanno usati immediatamente dopo essere stati scongelati e non dovrebbero essere congelati una seconda volta.
- Non congelare grandi quantità di cibo in una sola volta.

Impostazioni di temperatura dello scomparto congelatore	Impostazione di temperatura dello scomparto raffreddatore	Dettagli:
-18°C	4°C	Questa è l'impostazione predefinita consigliata.
-20, -22 o -24 °C	4°C	Queste impostazioni sono consigliate quando la temperatura ambiente supera i 30°C.
Congelamento rapido	4°C	Usare quando si desidera congelare alimenti in modo rapido. Al termine del processo, il prodotto riacquisirà la sua posizione.
-18°C o inferiore	2°C	Usare queste impostazioni se si ritiene che lo scomparto del congelatore non sia sufficientemente freddo, a causa della temperatura ambiente, o a causa delle frequenti aperture della porta.

### 6.20 Raccomandazioni per la conservazione di alimenti congelati nello scomparto congelatore

Lo scomparto deve essere impostato a una temperatura minima di -18°C.

1. Collocare gli alimenti all'interno del congelatore quanto più rapidamente possibile per evitare che si scongelino.

## Uso del prodotto

- Prima del congelamento, verificare la "data di scadenza" sulla confezione per accertarsi del fatto che il prodotto non sia scaduto.
- Accertarsi che la confezione dell'alimento non sia danneggiata.

### 6.21 Dettagli congelatore

Conformemente agli standard IEC 62552, ad una temperatura ambiente di 25°C, il congelatore deve avere la capacità di congelare 4,5 chili di alimenti a una temperatura di -18°C o inferiore, in 24 ore, per ogni 100 l di volume dello scomparto congelatore.

Gli alimenti possono essere preservati solo per lunghi periodi di tempo a temperature uguali o inferiori a -18°.

Sarà possibile conservare gli alimenti freschi per mesi, all'interno del congelatore a temperature uguali o inferiori a -18°.

Per evitare uno scongelamento parziale, gli alimenti da congelare non devono entrare in contatto con gli altri alimenti già congelati all'interno del congelatore.

Bollire le verdure e filtrare l'acqua per estendere il tempo di conservazione del congelato. Collocare gli alimenti in sacchetti ermetici, dopo aver eseguito il filtraggio e il posizionamento all'interno del congelatore. Banane, pomodori, lattuga, sedano, uova bollite, patate e altri alimenti simili non dovrebbero essere congelati. Nel caso in cui questi alimenti marciscano, solo i valori nutrizionali e le qualità alimentari ne risentiranno negativamente. Non si tratta di una minaccia per la salute umana.

### 6.22 Posizionamento degli alimenti

Ripiani dello scomparto congelatore	Vari alimenti congelati quali ad esempio carne, pesce, gelato, verdura, eccetera.
Ripiani dello scomparto raffreddatore	Alimenti all'interno di pentole, vassoi e contenitori, uova (all'interno di una confezione chiusa)
Ripiani della porta dello scomparto raffreddatore	Piccoli alimenti o bevande

Cassetto frutta e verdura	Frutta e verdura
Scomparto alimenti freschi	Prodotti gastronomici, ad esempio colazione, carne da consumare a breve

### 6.23 Avviso di porta aperta

Se la porta del prodotto rimane aperta per un minuto verrà emesso un allarme udibile. L'allarme udibile si fermerà quando la porta viene chiusa oppure quando viene premuto qualsiasi pulsante sul display, ove disponibile.

### 6.24 Lampada di illuminazione

La luce interna si serve di una lampadina LED. Contattare il servizio autorizzato per eventuali problemi con questa lampada.

La lampada o le lampade utilizzate in questo apparecchio non possono essere utilizzate per l'illuminazione della casa. L'uso previsto di questa lampada è quello di aiutare l'utente a mettere il cibo nel frigorifero/congelatore in modo sicuro e confortevole.



**AVVERTENZA:** Leggere anzitutto la sezione "Istruzioni di sicurezza"!



**AVVERTENZA:** Prima di procedere con la pulizia, scollegare il frigorifero.

- Non utilizzare utensili affilati o abrasivi per pulire il prodotto. Non utilizzare materiali come detersivi domestici, sapone, detersivi, gas, benzina alcool, cera, ecc.
- La polvere deve essere rimossa dalla griglia di ventilazione sul retro del prodotto almeno una volta all'anno (senza aprire il coperchio). La pulizia deve essere effettuata con un panno asciutto.

### Per prodotti con erogatore d'acqua/macchina del ghiaccio

- Se l'acqua è rimasta per 2-3 settimane nel serbatoio, deve essere sostituita.
- Il serbatoio dell'acqua e i componenti dell'erogatore non devono essere lavati in lavastoviglie.
- Sciogliere un cucchiaino di carbonato in acqua. Ammorbidire un panno in acqua, quindi strizzarlo. Pulire il dispositivo con questo panno, quindi asciugare completamente.
- Fare attenzione a tenere lontana l'acqua dalla copertura delle lampade e dalle altre componenti elettriche.
- Pulire la porta servendosi di un panno umido. Per rimuovere la porta e i vari ripiani, rimuovere prima tutto il contenuto. Rimuovere i ripiani della porta sollevandoli verso l'alto. Pulire e asciugare i ripiani, poi fissare nuovamente in posizione facendo scorrere da sopra.
- Non usare acqua con cloro o prodotti detersivi sulla superficie esterna e sulle componenti rivestite in cromo. Il cloro provoca ruggine su queste superfici metalliche.
- Per evitare la deformazione della parte in plastica e rimuovere le impronte, non utilizzare utensili affilati e abrasivi, sapone, materiali per la pulizia della casa, detersivi, gas, benzina, vernice e sostanze simili. Per pulire, usare acqua tiepida e un panno morbido, quindi asciugare.
- Sui prodotti senza la funzione No-Frost, sulla parete posteriore dello scomparto congelatore potrebbero formarsi goccioline d'acqua e ghiaccio

fino allo spessore di un dito. Non pulirla; non applicare mai olio o sostanze simili.

- Per pulire la superficie esterna del prodotto utilizzare un panno in micro-fibra leggermente inumidito. Spugne e altri tipi di panni per la pulizia potrebbero graffiare la superficie.
- Per pulire tutti i componenti rimovibili durante la pulizia della superficie interna del prodotto, lavare questi componenti con una soluzione delicata composta da sapone, acqua e carbonato. Risciacquare e asciugare completamente. Evitare il contatto dell'acqua con i componenti dell'illuminazione e con il pannello di controllo.



### ATTENZIONE:

Non utilizzare aceto, alcool o altri detersivi a base di alcool su nessuna delle superfici interne.

### 7.1 Superfici esterne in acciaio inossidabile

Utilizzare un detersivo non abrasivo per acciaio inossidabile e applicarlo con un panno morbido privo di pelucchi. Per lucidare, strofinare delicatamente la superficie con un panno in micro-fibra inumidito con acqua e utilizzare una pelle di camoscio per lucidare a secco. Seguire sempre le venature in acciaio inossidabile.

### 7.2 Pulizia dei prodotti con porte in vetro

Rimuovere la pellicola di protezione sui vetri. Sulla superficie in vetro è presente un rivestimento. Questo rivestimento riduce al minimo la formazione di macchie e consente una facile pulizia delle macchie stesse e della sporizia formata. I vetri non protetti da un rivestimento potrebbero essere esposti in breve tempo ad agenti inquinanti organici o inorganici, atmosferici o derivanti dall'acqua, come calcare, sali minerali, idrocarburi incombusti, ossidi metallici e siliciumi, che provocano facili macchie e danni fisici. Nonostante vengano puliti regolarmente, mantenere puliti i vetri è molto difficile, se non impossibile. Di conseguenza, la trasparenza e il bell'aspetto del vetro si riducono. I metodi e gli agenti di pulizia duri e abrasivi aumentano ulteriormente questi difetti e accelerano il processo di deterioramento.

Per i processi di pulizia di routine, devono essere utilizzati prodotti di pulizia non alcalini e non corrosivi a base di acqua\*.

Per ottenere una maggiore durata di questo rivestimento, durante la pulizia non devono essere utilizzate sostanze alcaline e corrosive.

Per aumentare la resistenza di questi vetri contro gli urti e le rotture viene applicato un processo di tempra.

Come ulteriore precauzione di sicurezza, sulla superficie posteriore di questi vetri è stata applicato un film di sicurezza per evitare danni all'ambiente in caso di rottura.

### 7.3. Prevenzione dei cattivi odori

Il prodotto è stato realizzato con materiali che non emettono cattivi odori. Il posizionamento degli alimenti in sezioni non adeguate e la pulizia delle superfici interne effettuata in modo non corretto potrebbe provocare cattivi odori.

A tal fine consigliamo di pulire l'interno con acqua gassata ogni 15 giorni.

- Tenere gli alimenti in contenitori sigillati.

I microrganismi potrebbero fuoriuscire dagli alimenti non sigillati causando così cattivi odori.

- Non conservare alimenti scaduti e marci all'interno del frigorifero.



Il tè è uno delle sostanze più efficaci per eliminare gli odori. Mettere la polpa del tè preparato nel prodotto all'interno di un contenitore aperto e toglierla dopo 12 ore al massimo. La polpa del tè conservata all'interno del prodotto per più di 12 ore assorbirà gli organismi responsabili dei cattivi odori.

### 7.4 Protezione delle superfici in plastica

L'olio rovesciato sulle superfici in plastica potrebbe danneggiare la superficie, e deve essere pulito immediatamente servendosi di acqua tiepida.



## 8 Guida alla risoluzione dei problemi

Controllare questo elenco prima di contattare il servizio clienti. Questa operazione vi consentirà di risparmiare soldi. Questo elenco contiene le lamentele più frequenti che non riguardano problemi a livello di manodopera o materiali. Alcune funzioni qui indicate potrebbero non essere valide per il prodotto in questione.

### **Il frigorifero non funziona.**

- La presa di corrente non è stata inserita correttamente. >>> Spingerla fino a inserirla completamente nella presa.
- Il fusibile collegato alla presa che alimenta il prodotto, oppure il fusibile principale, è bruciato. >>> Controllare il fusibile.

### **Condensa sulla parete laterale dello scomparto raffreddatore (MULTI ZONE, COOL, CONTROL e FLEXI ZONE).**

- La porta viene aperta troppo spesso >>> Fare attenzione a non aprire troppo frequentemente la porta del prodotto.
- L'ambiente è troppo umido. >>> Non installare il prodotto in ambienti umidi.
- Gli alimenti contenenti liquidi sono conservati in contenitori non sigillati. >>> Tenere gli alimenti contenenti liquidi in contenitori sigillati.
- La porta del prodotto viene lasciata aperta. >>> Non tenere aperte a lungo le porte del frigorifero.
- Il termostato è impostato su una temperatura troppo bassa. >>> Impostare il termostato su una temperatura adeguata.

### **Il compressore non funziona.**

- In caso di improvviso black out, o nel caso in cui la spina venga tolta e poi reinserita, la pressione del gas nel sistema di raffreddamento del prodotto non è equilibrata, il che fa scattare la protezione termica del compressore. Il prodotto si riavvierà dopo circa 6 minuti. Qualora il prodotto non si riavvii dopo questo periodo, contattare l'assistenza.
- La modalità di scongelamento è attiva. >>> Si tratta di una condizione normale per un frigorifero con funzione di sbrinamento completamente automatica. Lo sbrinamento avviene a intervalli periodici.
- Il prodotto non è collegato. >>> Verificare che il cavo di alimentazione sia collegato.
- L'impostazione della temperatura è sbagliata. >>> Selezionare l'impostazione di temperatura adeguata.
- Non c'è corrente. >>> Il prodotto continuerà a funzionare normalmente quando verrà ripristinata la corrente elettrica.

### **Il rumore di funzionamento del frigorifero aumenta col passare del tempo.**

- Le prestazioni del prodotto potrebbero variare a seconda delle variazioni della temperatura ambiente. Ciò è normale e non è un'anomalia di funzionamento.

### **Il frigorifero funziona troppo spesso o troppo a lungo.**

## Guida alla risoluzione dei problemi

- Il nuovo prodotto potrebbe essere più grande di quello precedente. I prodotti più grandi funzioneranno più a lungo.
- La temperatura della stanza potrebbe essere alta. >>> Il prodotto funzionerà normalmente per lunghi periodi di tempo con temperature ambiente superiori.
- Il prodotto potrebbe essere stato di recente collegato alla corrente, oppure al suo interno potrebbero essere stati recentemente aggiunti vari alimenti. >>> Al prodotto servirà più tempo per raggiungere la temperatura impostata, se collegato di recente, oppure nel caso in cui siano stati collocati nuovi alimenti al suo interno. Ciò è normale.
- Forse di recente sono state introdotte nel frigorifero grandi quantità di alimenti caldi. >>> Non mettere alimenti caldi direttamente dentro al frigorifero.
- Le porte sono state aperte frequentemente o tenute aperte a lungo. >>> L'aria calda che si muove all'interno provocherà un funzionamento più prolungato. Non aprire le porte con troppa frequenza.
- Le porte del congelatore o del raffreddatore potrebbero essere socchiuse. >>> Controllare che le porte siano totalmente chiuse.
- Il prodotto potrebbe essere impostato su una temperatura troppo bassa. >>> Impostare la temperatura su un livello più alto e attendere che il prodotto raggiunga la temperatura desiderata.
- La rondella della porta del raffreddatore o del congelatore potrebbe essere sporca, usurata, rotta o non correttamente configurata. >>> Pulire o sostituire la guarnizione. Le rondelle consumate e usurate faranno funzionare il prodotto più a lungo per conservare la temperatura attuale.

### **La temperatura del congelatore è molto bassa, ma la temperatura del raffreddatore è corretta.**

- La temperatura dello scomparto congelatore è impostata su un livello molto basso. >>> Impostare la temperatura dello scomparto congelatore su un livello più alto, quindi eseguire un controllo.

### **La temperatura del raffreddatore è molto bassa, ma la temperatura del congelatore è corretta.**

- Impostare la temperatura dello scomparto raffreddatore su un livello più alto, quindi eseguire un controllo. >>> Impostare la temperatura dello scomparto congelatore su un livello più alto, quindi eseguire un controllo.

### **Gli alimenti conservati nei cassetti dello scomparto raffreddatore sono congelati.**

- Impostare la temperatura dello scomparto raffreddatore su un livello più alto, quindi eseguire un controllo. >>> Impostare la temperatura dello scomparto congelatore su un livello più alto, quindi eseguire un controllo.

### **La temperatura nello scomparto raffreddatore e congelatore è troppo alta.**

- La temperatura dello scomparto raffreddatore è impostata su un livello molto alto. >>> L'impostazione della temperatura dello scomparto raffreddatore ha un effetto sulla temperatura dello scomparto congelatore. Attendere che la temperatura delle parti interessate raggiunga il livello sufficiente modificando la temperatura degli scomparti del raffreddatore o del congelatore.
- Le porte sono state aperte frequentemente o tenute aperte a lungo. >>> Non aprire le porte con troppa frequenza.
- La porta potrebbe essere socchiusa. >>> Chiudere completamente la porta.
- Il prodotto potrebbe essere stato di recente collegato alla corrente, oppure al suo interno potrebbero essere stati recentemente aggiunti vari alimenti. >>> Non si tratta di un'anomalia. >>> Al prodotto servirà più tempo per raggiungere la temperatura impostata, se collegato di recente, oppure nel caso in cui siano stati collocati nuovi alimenti al suo interno.
- Forse di recente sono state introdotte nel frigorifero grandi quantità di alimenti caldi. >>> Non mettere alimenti caldi direttamente dentro al frigorifero.

### **Vibrazioni o rumore.**

## Guida alla risoluzione dei problemi

- Il pavimento non è piano o resistente. >>> Se il prodotto vibra, quando viene spostato lentamente, regolare i supporti per equilibrare il prodotto. Verificare inoltre che la superficie di appoggio sia sufficientemente resistente per supportarne il peso.
- Gli eventuali oggetti collocati sul prodotto potrebbero causare rumori. >>> Togliere gli eventuali elementi collocati sul prodotto.

### **Il prodotto emette rumori, come ad esempio liquido che scorre, spruzzo, eccetera**

- I principi operativi del prodotto prevedono flussi di liquido e di gas. >>> Ciò è normale e non è un'anomalia di funzionamento.

### **C'è un rumore, simile a un soffio, che proviene dal prodotto.**

- Il prodotto si serve di una ventola per il processo di raffreddamento. Ciò è normale e non è un'anomalia di funzionamento.

### **Si è formata condensa sulle pareti interne del prodotto.**

- Le temperature calde o umide aumenteranno la formazione di ghiaccio e la condensa. Ciò è normale e non è un'anomalia di funzionamento.
- Le porte sono state aperte frequentemente o tenute aperte a lungo. >>> Non aprire le porte con troppa frequenza; se la porta è aperta, chiuderla.
- La porta potrebbe essere socchiusa. >>> Chiudere completamente la porta.

### **Si è formata condensa sulla superficie esterna del prodotto o fra le porte.**

- Le condizioni ambientali potrebbero essere umide, e ciò è normale. >>> La condensa si dissiperà alla riduzione dell'umidità.

### **L'interno emette cattivi odori.**

- Il prodotto non è stato pulito regolarmente. >>> Pulire la superficie interna a intervalli regolari servendosi di spugna, acqua tiepida, e acqua gassata.
- Alcuni supporti e materiali da confezionamento potrebbero causare cattivi odori. >>> Servirsi di supporti confezionamento che non emettano cattivi odori.
- Gli alimenti sono stati collocati in supporti non sigillati. >>> Tenere gli alimenti in contenitori sigillati. I microrganismi potrebbero fuoriuscire dagli alimenti non sigillati causando così cattivi odori.
- Rimuovere gli eventuali alimenti scaduti o rovinati dal prodotto.

### **La porta non si chiude correttamente.**

- Le confezioni degli alimenti potrebbero bloccare la porta. >>> Trovare una nuova posizione per gli alimenti che bloccano le porte.
- Il prodotto non è in posizione verticale, appoggiato per terra. >>> Regolare i supporti per l'equilibrio del prodotto.
- Il pavimento non è piano o resistente. >>> Verificare inoltre che la superficie di appoggio sia sufficientemente resistente per supportarne il peso.

### **Il cassetto frutta e verdura è inceppato.**

- Gli alimenti potrebbero entrare in contatto con la sezione superiore del cassetto. >>> Riorganizzare gli alimenti nel cassetto.

### **In caso di Superficie Calda sul Prodotto,**

- Mentre il prodotto è in funzione, potrebbero generarsi temperature elevate tra le due porte, sui pannelli laterali e sulla griglia posteriore. Ciò è normale e non richiede interventi di manutenzione!

### **La ventola continua a funzionare quando la porta è aperta.**

- La ventola potrebbe continuare a funzionare quando lo sportello del congelatore è aperto.



**AVVERTENZA:** Qualora il problema persista dopo aver seguito le istruzioni contenute in questa selezione, contattare il proprio fornitore oppure un Servizio Autorizzato. Evitare in ogni caso di riparare il prodotto.

## **DISCLAIMER / AVVERTENZE**

Alcuni guasti (semplici) possono essere adeguatamente gestiti dall'utente finale senza che sorgano problemi di sicurezza o utilizzi non sicuri, a condizione che vengano eseguiti entro i limiti e in conformità con le seguenti istruzioni (vedere la sezione "Riparazione fai da te").

Pertanto, salvo diversa autorizzazione nella sezione di seguito "Riparazione fai da te", le riparazioni devono essere indirizzate a manutentori professionisti registrati al fine di evitare problemi di sicurezza. Un manutentore professionista registrato è un manutentore professionista a cui è stato concesso l'accesso alle istruzioni e all'elenco dei pezzi di ricambio di questo prodotto dal produttore secondo le modalità descritte negli atti legislativi ai sensi della Direttiva 2009/125/CE.

**Tuttavia, solo l'agente dell'assistenza (ovvero i manutentori professionisti autorizzati) che è possibile contattare tramite il numero di telefono indicato nel manuale dell'utente / scheda di garanzia o tramite il rivenditore autorizzato che può fornire assistenza in base ai termini di garanzia. Pertanto, si prega di notare che le riparazioni da parte di manutentori professionisti (non autorizzati da Beko) invaliderà la garanzia.**

### **Riparazione fai da te**

La riparazione fai da te può essere eseguita dall'utente finale per quanto riguarda i seguenti pezzi di ricambio: maniglie delle porte, cerniere delle porte, vassoi, cestelli e guarnizioni delle porte (un elenco aggiornato è disponibile anche su support.beko.com dal 1° marzo 2021)

Inoltre, per garantire la sicurezza del prodotto e per prevenire il rischio di lesioni gravi, la suddetta riparazione fai da te deve essere eseguita seguendo le istruzioni nel manuale utente per la riparazione fai da te o disponibili in support.beko.com Per la propria sicurezza, scollegare il prodotto prima di tentare qualsiasi riparazione fai da te.

Tentativi di riparazione e riparazione da parte degli utenti finali per parti non incluse in tale elenco e/o che non seguono le istruzioni nei manuali utente per la riparazione fai da te o che sono disponibili in [support.beko.com](http://support.beko.com), potrebbe dar luogo a problemi di sicurezza non imputabili a Beko e invaliderà la garanzia del prodotto.

Pertanto, si raccomanda vivamente agli utenti finali di astenersi dal tentativo di eseguire riparazioni che non rientrano nell'elenco dei pezzi di ricambio menzionato, contattando in tali casi manutentori professionisti autorizzati o manutentori professionisti registrati. Altrimenti, tali tentativi da parte degli utenti finali possono causare problemi di sicurezza e danneggiare il prodotto e conseguentemente causare incendi, inondazioni, elettrocuzione e gravi lesioni personali.

A titolo esemplificativo, ma non esaustivo, le seguenti riparazioni devono essere indirizzate ai manutentori professionisti autorizzati o manutentori professionisti registrati: compressore, circuito frigorifero, scheda principale, scheda inverter, scheda display ecc.

Il produttore/venditore non può essere ritenuto responsabile in ogni caso in cui gli utenti finali non rispettano quanto sopra.

La disponibilità dei pezzi di ricambio frigorifero che hai acquistato è di 10 anni.

Durante questo periodo saranno disponibili ricambi originali per il corretto funzionamento frigorifero.

La durata minima della garanzia del frigorifero acquistato è di 24 mesi.

Questo prodotto è dotato di una sorgente di illuminazione con classe energetica "G".

La sorgente di illuminazione nel prodotto dovrà essere sostituita solo da professionisti nel campo della riparazione.

#### **Informazioni sulla classificazione dell'imballaggio**

Scansiona il Qrcode che si trova sull'imballo del prodotto per trovare tutte le informazioni relative all'imballo e come gestirne il suo corretto smaltimento.

**Cher client,**


**Veuillez lire ce manuel avant d'utiliser l'appareil.**

Nous vous remercions d'avoir choisi ce produit. Nous aimerions que vous obteniez une efficacité optimale de ce produit de haute qualité qui a été fabriqué avec une technologie de pointe. À cette fin, lisez attentivement ce manuel et toute autre documentation fournie avant d'utiliser le produit et conservez-les comme référence.

Tenez compte de toutes les informations et de tous les avertissements figurant dans le manuel d'utilisation. De cette façon, vous vous protégez, vous et votre produit, contre les dangers qui peuvent survenir.

Conservez le manuel d'utilisation. Joignez ce guide à l'unité si vous le remettez à quelqu'un d'autre.

Les symboles suivants sont utilisés dans le manuel d'utilisation :





 Il s'agit d'un danger qui peut entraîner la mort ou des blessures.

**AVERTISSEMENT** Un danger qui peut causer des dommages matériels au produit ou à son environnement

 Informations importantes ou conseils utiles sur le fonctionnement.

 Lisez le manuel d'utilisation.


 Risque d'incendie/matériaux inflammables


 <b>INFORMATION</b>	
 <b>ENERGY</b> 	.Vous pouvez accéder aux informations relatives au modèle telles que sauvegardées dans la base de données des produits en entrant le site internet suivant et en recherchant l'identifiant de votre modèle (*) qui se trouve sur la vignette énergie <a href="https://eprel.ec.europa.eu/">https://eprel.ec.europa.eu/</a>
<b>SUPPLIER'S NAME</b> A 	


<b>1. Consignes de sécurité</b>	<b>3</b>	6.6 Seau à glace . . . . .	19
 1.1 Utilisation prévue . . . . .	3	6.7 Machine à glaçons . . . . .	19
 1.2 - Sécurité des enfants, des personnes vulnérables et des animaux domestiques . . . . .	3	6.8 Le compartiment des produits laitiers (entrepôt frigorifique) . . . . .	19
 1.3 - Sécurité électrique . . . . .	4	6.9 Bac à légumes . . . . .	19
 1.4 - Sécurité des transports . . . . .	4	6.10 Séparateur de crise . . . . .	20
 1.5 - Sécurité d'installation . . . . .	4	6.11 Nettoyage du filtre à éthylène . . . . .	20
 1.6 - Sécurité opérationnelle . . . . .	5	6.12 Nettoyage du séparateur de crise . . . . .	20
 1.7 - Sécurité de maintenance et de nettoyage	7	6.13 Utilisation du distributeur d'eau . . . . .	21
 1.8 - HomeWhiz . . . . .	7	6.14 Remplissage du réservoir de la fontaine d'eau . . . . .	21
 1.9 - Éclairage . . . . .	7	6.15 Nettoyage du réservoir d'eau . . . . .	21
<b>2 Instructions environnementales</b>	<b>8</b>	6.16 Remplissage du réservoir de la fontaine d'eau . . . . .	22
2.1 Conformité avec la Directive WEEE et Mise au rebut des appareils usagés : . . . . .	8	6.17 Nettoyage du réservoir d'eau . . . . .	23
2.2 Conformité avec la Directive RoHS . . . . .	8	6.18 Plateau de dégivrage . . . . .	23
2.3 Informations sur l'emballage . . . . .	8	6.19 Congélation des aliments frais . . . . .	24
<b>3 Votre réfrigérateur</b>	<b>9</b>	6.20 Recommandations pour la conservation des aliments congelés dans le compartiment congélateur . . . . .	24
<b>4 Installation</b>	<b>10</b>	6.21 Informations relatives au congélateur . . . . .	25
4.1 Le bon endroit pour l'installation . . . . .	10	6.22 Placement de la nourriture . . . . .	25
4.2 Pour les produits avec fontaine d'eau / machine à glace . . . . .	10	6.23 Alerte de porte ouverte . . . . .	25
4.3 Fixation des cales en plastique . . . . .	10	6.24 Lampe d'éclairage . . . . .	25
4.4 Ajustement des pieds . . . . .	11	<b>7 Entretien et nettoyage</b>	<b>26</b>
4.5. Raccordement électrique . . . . .	11	7.1 Surfaces extérieures en acier inoxydable . . . . .	26
<b>5 Préparation</b>	<b>12</b>	7.2 Nettoyage des produits avec des portes en verre . . . . .	26
5.1 Comment économiser l'énergie . . . . .	12	7.3 Prévention des odeurs . . . . .	27
5.2 Première opération . . . . .	12	7.4 Protection des surfaces en plastique . . . . .	27
<b>6 Fonctionnement de l'appareil</b>	<b>13</b>	<b>7 Entretien et nettoyage</b>	<b>27</b>
6.1 Éteindre le produit . . . . .	13	<b>8 Dépannage</b>	<b>28</b>
<b>6 Fonctionnement du produit</b>	<b>14</b>		
6.2 Panneau indicateur . . . . .	14		
6.3 Bac à légumes à humidité contrôlée (EverFresh+) . . . . .	17		
6.4 Lumière bleue/HarvestFresh . . . . .	17		
6.5 Module Anti-Odeur . . . . .	18		
(Garde fraîche) . . . . .	18		


# 1. Consignes de sécurité


- Cette section contient des consignes de sécurité qui vous aideront à vous protéger contre les risques de dommages corporels ou matériels.
- Notre société n'est pas responsable des dommages qui peuvent survenir lorsque ces instructions ne sont pas suivies.

 Les opérations d'installation et de réparation sont toujours effectuées par le fabricant, un agent de service agréé ou une personne qualifiée désignée par l'importateur.

 N'utilisez que des pièces et accessoires d'origine.

 Les pièces de rechange d'origine seront fournies pendant 10 ans, à compter de la date d'achat du produit.

 Ne pas réparer ou remplacer une partie du produit, sauf si cela est expressément spécifié dans le manuel d'utilisation.

 N'apportez aucune modification technique au produit.

## 1.1 Utilisation prévue

- Le présent produit ne peut être utilisé à des fins commerciales et ne doit pas être utilisé hors de son usage prévu.

Le présent produit est destiné à être utilisé dans les maisons et les lieux intérieurs.

Par exemple :

- Cuisines du personnel dans les magasins, bureaux et autres environnements de travail,

- Exploitations agricoles,
- Zones utilisées par les clients dans les hôtels, motels et autres types d'hébergement,
- Hôtels de type lit & petit déjeuner, pensionnats,
- Applications telles que la restauration et la vente au détail.

Il faut éviter d'utiliser ce produit à l'extérieur avec ou sans tente au-dessus, par exemple sur les bateaux, les balcons ou les terrasses. Il ne faut pas exposer le produit à la pluie, à la neige, au soleil ou au vent.

Le risque d'incendie est bien présent !

## 1.2 - Sécurité des enfants, des personnes vulnérables et des animaux domestiques

- Cet appareil peut être utilisé par des enfants âgés d'au moins 8 ans et par des personnes ayant des capacités physiques, sensorielles ou mentales réduites ou dénuées d'expérience ou de connaissance, s'ils (si elles) sont correctement surveillé(es) ou si des instructions relatives à l'utilisation de l'appareil en toute sécurité leur ont été données et si les risques encourus ont été appréhendés. Les enfants ne doivent pas jouer avec l'appareil. Le nettoyage et l'entretien par l'utilisateur doivent pas être effectués par des enfants sans surveillance.
- Les produits électriques sont dangereux pour les enfants et les animaux domestiques. Les enfants et les animaux ne doivent pas jouer avec, grimper ou entrer dans le produit.
- Le nettoyage et l'entretien des utilisateurs sont interdits aux enfants, sauf s'ils sont surveillés par quelqu'un.
- Gardez les matériaux d'emballage hors de portée des enfants. Le risque de blessure et d'étouffement est bien présent !
- Avant de se débarrasser du produit ancien ou obsolète :



# Instructions importantes en matière de sécurité et d'environnement

1. Débranchez le produit en le saisissant par la fiche.
2. Coupez le câble d'alimentation et retirez-le de l'appareil avec sa fiche
3. Ne retirez pas les étagères ou les tiroirs afin qu'il soit plus difficile pour les enfants d'entrer dans le produit.
4. Enlever les portes.
5. Gardez le produit de manière à ce qu'il ne bascule pas.
6. Ne laissez pas les enfants jouer avec l'ancien produit.

- Ne jetez jamais le produit au feu pour l'éliminer. Cela pourrait entraîner une explosion !
- S'il y a un verrou sur la porte du produit, la clé doit être gardée hors de la portée des enfants.

## 1.3 - Sécurité électrique

- Le produit doit être débranché pendant les procédures d'installation, d'entretien, de nettoyage, de réparation et de déplacement.
- Si le câble d'alimentation est endommagé, il doit être remplacé par une personne qualifiée désignée par le fabricant, l'agent de service autorisé ou l'importateur afin d'éviter tout danger potentiel.
- Ne comprimez pas le câble d'alimentation sous ou derrière le produit. Ne placez pas d'objets lourds sur le câble d'alimentation. Le câble d'alimentation ne doit pas être trop plié, pincé ou entrer en contact avec une source de chaleur.
- N'utilisez pas de rallonges, de multiprises ou d'adaptateurs pour faire fonctionner le produit.
- Les multiprises ou les sources d'alimentation portables peuvent surchauffer et provoquer un incendie. Par conséquent, ne gardez aucune prise multiple derrière ou près du produit.
- La prise doit être facilement accessible. En cas d'impossibilité, l'installation électrique à laquelle le produit est connecté doit comporter un dispositif (tel qu'un fusible, un interrupteur, un disjoncteur, etc.) conforme à la réglementation électrique et qui déconnecte tous les pôles du réseau.

- Il ne faut pas toucher la prise de courant avec les mains mouillées.
- Retirez la fiche de la prise en saisissant la fiche et non le câble.
- Lors du positionnement de l'appareil, assurez-vous que le cordon d'alimentation n'est pas coincé ou endommagé.
- N'installez pas plusieurs prises d'alimentation portatives ou blocs d'alimentation portatifs à l'arrière de l'appareil.

## 1.4 - Sécurité des transports

- Le produit est lourd ; ne le déplacez pas seul.
- Ne tenez pas sa porte lorsque vous déplacez le produit.
- Assurez-vous de ne pas endommager le système de refroidissement ou la tuyauterie pendant le transport. Si la tuyauterie est endommagée, n'utilisez pas le produit et appelez l'agent de service agréé.

## 1.5 - Sécurité d'installation

- Adressez-vous à l'agent de service agréé pour l'installation du produit. Pour que le produit soit prêt à l'emploi, vérifiez les informations contenues dans le manuel de l'utilisateur pour vous assurer que les installations d'électricité et d'eau sont adaptées. En cas contraire, appelez un électricien et un plombier qualifiés pour prendre les dispositions nécessaires. Dans le cas contraire, il y a risque de choc électrique, d'incendie, de problèmes avec le produit ou de blessures !
- Avant de procéder à l'installation, vérifiez si le produit présente des défauts. Si le produit est endommagé, ne le faites pas installer.
- Déposez le produit sur une surface propre, plane et solide et équilibrez-le à l'aide de pieds réglables. Dans le cas contraire, le produit peut se renverser et provoquer des blessures.
- Il faut que le lieu d'installation soit sec et bien ventilé. Il ne faut pas placer de tapis, de moquettes ou de couvertures similaires sous le

# Instructions importantes en matière de sécurité et d'environnement

produit. Le manque de ventilation fait courir un risque d'incendie !

- Il ne faut pas couvrir ou bloquer les ouvertures de ventilation. Dans le cas contraire, la consommation d'énergie augmente et votre produit risque d'être endommagé.
- Il ne faut pas que le produit soit connecté à des systèmes d'alimentation tels que les alimentations solaires. Dans le cas contraire, votre produit risque d'être endommagé par des changements de tension soudains !
- Plus un réfrigérateur contient de réfrigérant, plus l'emplacement d'installation doit être grand. Si le lieu d'installation est trop petit, un mélange inflammable de réfrigérant et d'air s'accumulera en cas de fuite de réfrigérant dans le système de refroidissement. L'espace requis pour chaque 8 gr de réfrigérant est de 1 m<sup>3</sup> minimum. La quantité de réfrigérant dans votre produit est indiquée sur l'étiquette de type.
- Il ne faut pas installer le produit dans des endroits exposés à la lumière directe du soleil et il faut le tenir éloigné des sources de chaleur telles que les plaques de cuisson, les radiateurs, etc.

S'il est inévitable d'installer le produit à proximité d'une source de chaleur, une plaque isolante appropriée doit être utilisée entre les deux et les distances minimales suivantes doivent être respectées par rapport à la source de chaleur :

- Distance minimale de 30 cm des sources de chaleur telles que les plaques de cuisson, les fours, les appareils de chauffage ou les poêles,
- Minimum 5 cm des fours électriques.
- La classe de protection de votre produit est de type I. Branchez le produit dans une prise de terre conforme aux valeurs de tension, de courant et de fréquence indiquées sur la plaque signalétique du produit. La prise doit être équipée d'un disjoncteur de 10 A - 16 A. Notre société n'est pas responsable des dommages qui pourraient survenir lorsque le produit est utilisé sans mise à la terre et sans connexion électrique conformément aux réglementations locales et nationales.
- Le produit ne doit pas être branché pendant l'installation. Dans le cas contraire, il y a un risque

de choc électrique et de blessure !

- Il ne faut pas brancher le produit dans des prises qui sont desserrées, disloquées, cassées, sales, graisseuses ou qui risquent d'entrer en contact avec de l'eau.
- Faites passer le câble d'alimentation et les tuyaux (le cas échéant) du produit de manière à ce qu'ils ne risquent pas de trébucher.
- L'exposition des pièces sous tension ou du câble d'alimentation à l'humidité peut provoquer un court-circuit. Par conséquent, n'installez pas le produit dans des endroits tels que les garages ou les buanderies où l'humidité est élevée ou l'eau peut éclabousser. Si le réfrigérateur est mouillé par de l'eau, débranchez-le et appelez l'agent de service agréé.
- Ne connectez jamais votre réfrigérateur à des appareils à économie d'énergie. Ces systèmes sont nocifs pour votre produit.



## 1.6- Sécurité opérationnelle

- Il ne faut jamais utiliser de solvants chimiques sur le produit. Cela pourrait entraîner une explosion !
- Au cas où le produit fonctionnerait mal, débranchez-le et ne le faites pas fonctionner tant qu'il n'a pas été réparé par le service après-vente agréé. Il y a un risque de choc électrique !
- Il ne faut pas placer de sources de flamme (bougies allumées, cigarettes, etc.) sur ou à proximité du produit.
- Ne montez pas sur le produit. Le risque de tomber et de se blesser est bien présent !
- Il ne faut pas endommager les tuyaux du système de refroidissement avec des objets pointus ou pénétrants. Le fluide frigorigène qui peut sortir lorsque les tuyaux, les extensions de tuyaux ou les revêtements de surface sont percés provoque des irritations de la peau et des lésions oculaires.
- Il ne faut pas placer ou utiliser d'appareils électriques à l'intérieur du réfrigérateur/

# Instructions importantes en matière de sécurité et d'environnement

- congélateur profond, sauf si le fabricant le recommande.
- Veillez à ne pas vous coincer les mains ou toute autre partie de votre corps dans les pièces mobiles à l'intérieur du réfrigérateur. Faites attention à ne pas serrer vos doigts entre la porte et le réfrigérateur. Soyez prudent lorsque vous ouvrez et fermez la porte, surtout s'il y a des enfants autour.
  - Ne mangez jamais de crème glacée, de glaçons ou d'aliments surgelés juste après les avoir sortis du réfrigérateur. Le risque d'engelures est bien présent !
  - Il faut éviter de toucher les parois intérieures ou les parties métalliques du congélateur ou les aliments qui y sont stockés lorsque vous avez les mains mouillées. Le risque d'engelures est bien présent !
  - Il ne faut pas placer dans le compartiment congélateur des boîtes ou des bouteilles contenant des boissons gazeuses ou des liquides congelables. Les boîtes et les bouteilles peuvent éclater. Le risque de blessures et de dommages matériels est bien présent !
  - Il ne faut pas placer ou utiliser de sprays inflammables, de matériaux inflammables, de glace sèche, de substances chimiques ou de matériaux thermosensibles similaires à proximité du réfrigérateur. Le risque d'incendie et d'explosion est bien présent !
  - Il ne faut pas stocker dans votre produit des matières explosives qui contiennent des matières inflammables, comme les bombes aérosols.
  - Il ne faut pas placer des récipients remplis de liquide sur le produit. Les éclaboussures d'eau sur une partie électrique peuvent provoquer un choc électrique ou un risque d'incendie.
  - Ce produit n'est pas destiné à conserver des médicaments, du plasma sanguin, des préparations de laboratoire ou des substances et produits médicaux similaires soumis à la directive sur les produits médicaux.
  - Le fait d'utiliser le produit contre sa destination peut entraîner la détérioration ou l'altération des produits stockés à l'intérieur de celui-ci.
  - Il faut éviter de regarder cette lumière avec des outils optiques car votre réfrigérateur est équipé d'une lumière bleue. Il ne faut pas fixer directement la lampe LED UV pendant une longue période. La lumière ultraviolette peut provoquer une fatigue oculaire.
  - Il ne faut pas surcharger le produit. Des objets dans le réfrigérateur peuvent tomber lorsque la porte est ouverte, provoquant des blessures ou des dommages. Des problèmes similaires peuvent survenir si un objet est placé sur le produit.
  - Afin d'éviter les blessures, assurez-vous d'avoir nettoyé toute la glace et l'eau qui ont pu tomber ou éclabousser le sol.
  - Changez la position des étagères / porte-bouteilles sur la porte de votre réfrigérateur uniquement lorsqu'ils sont vides. Le risque de blessure est bien présent !
  - Il ne faut pas placer d'objets qui peuvent tomber ou basculer sur le produit. Ces objets peuvent tomber lors de l'ouverture de la porte et provoquer des blessures et / ou des dommages matériels.
  - Il ne faut pas frapper ou exercer une force excessive sur les surfaces vitrées. Le verre brisé peut provoquer des blessures et / ou des dommages matériels.
  - Le système de refroidissement de votre produit contient du réfrigérant R600a : Le type de réfrigérant utilisé dans le produit est indiqué sur l'étiquette type. Ce réfrigérant est inflammable. Par conséquent, faites attention à ne pas endommager le système de refroidissement ou la tuyauterie pendant l'utilisation du produit. Si la tuyauterie est endommagée :
    - Il ne faut pas toucher le produit ni le câble d'alimentation,
    - Tenez à l'écart les sources potentielles d'incendie qui pourraient provoquer un incendie du produit.
    - Aérez la zone où se trouve le produit. Il ne faut pas utiliser de ventilateurs.
    - Appelez l'agent de service autorisé.

# Instructions importantes en matière de sécurité et d'environnement

- Si le produit est endommagé et que vous voyez une fuite de réfrigérant, veuillez vous éloigner du réfrigérant. Le réfrigérant peut provoquer des gelures en cas de contact avec la peau.

## Pour les produits avec distributeur d'eau / machine à glaçons

- N'utilisez que de l'eau potable. Il ne faut pas remplir le réservoir d'eau avec des liquides - tels que des jus de fruits, du lait, des boissons gazeuses ou des boissons alcoolisées - qui ne conviennent pas à l'utilisation dans le distributeur d'eau.
- Le risque pour la santé et la sécurité est bien présent !
- Il ne faut pas laisser les enfants jouer avec le distributeur d'eau ou la machine à glace (Icematic) afin d'éviter les accidents ou les blessures.
- Il ne faut pas insérer les doigts ou d'autres objets dans le trou du distributeur d'eau, le canal d'eau ou le récipient de la machine à glace. Le risque de blessure ou de dommage matériel est bien présent !

## 1.7- Sécurité de maintenance et de nettoyage

- Il ne faut pas tirer sur la poignée de la porte si vous devez déplacer le produit pour le nettoyer. En cas de force excessive exercée sur la poignée, celle-ci peut se briser et causer des blessures.
- Il ne faut pas vaporiser ou verser de l'eau sur ou à l'intérieur du produit pour le nettoyer. Le risque d'incendie et de choc électrique est bien présent !
- Il ne faut pas utiliser d'outils tranchants ou abrasifs pour nettoyer le produit. Il ne faut pas utiliser de produits d'entretien ménager, de détergent, de gaz, d'essence, de diluant,

d'alcool, de vernis, etc.

- Utilisez uniquement des produits de nettoyage et d'entretien à l'intérieur du produit qui ne sont pas nocifs pour les aliments.
- Il ne faut jamais utiliser de la vapeur ou des nettoyeurs à vapeur pour nettoyer ou décongeler le produit. La vapeur entre en contact avec les pièces sous tension de votre réfrigérateur, provoquant un court-circuit ou un choc électrique !
- Assurez-vous qu'aucune eau ne pénètre dans les circuits électroniques ou les éléments d'éclairage du produit.
- Utilisez un chiffon propre et sec pour essuyer les matières étrangères ou la poussière sur les broches de la fiche. Il ne faut pas utiliser un chiffon humide ou mouillé pour nettoyer la prise. Le risque d'incendie et de choc électrique est bien présent !

## 1.8- HomeWhiz

### (Cette caractéristique est en option)

- Quand vous faites fonctionner votre produit par l'application HomeWhiz, il vous faut respecter les avertissements de sécurité même lorsque vous vous éloignez du produit. Vous devez également suivre les avertissements de l'application.

## 1.9- Éclairage

- Appelez le service autorisé lorsqu'il est nécessaire de remplacer la LED / ampoule utilisée pour l'éclairage.

## 2 Instructions environnementales

### 2.1 Conformité avec la Directive WEEE et Mise au rebut des appareils usagés :

Cet appareil est conforme à la directive WEEE de l'Union européenne (2012/19/EU). Le produit possède un symbole de classification attribué aux déchets d'équipements électriques et électroniques (WEEE).



Ce symbole indique que cet appareil ne doit pas être mis au rebut avec les ordures ménagères à la fin de sa durée de vie. Les appareils usagés doivent être retournés au point de collecte officiel

pour le recyclage des dispositifs électriques et électroniques. Pour trouver ces systèmes de collecte, veuillez contacter les autorités locales ou le détaillant à l'endroit où l'appareil a été acheté. Chaque ménage joue un rôle important dans la récupération et le recyclage des vieux appareils ménagers. La mise au rebut appropriée des appareils usagés permet de prévenir les conséquences négatives potentielles pour l'environnement et la santé humaine.

### 2.2 Conformité avec la Directive RoHS

Votre appareil est conforme à la directive RoHS de l'Union européenne (2011/65/EU). Il ne comporte pas de matériaux dangereux et interdits mentionnés dans la directive.

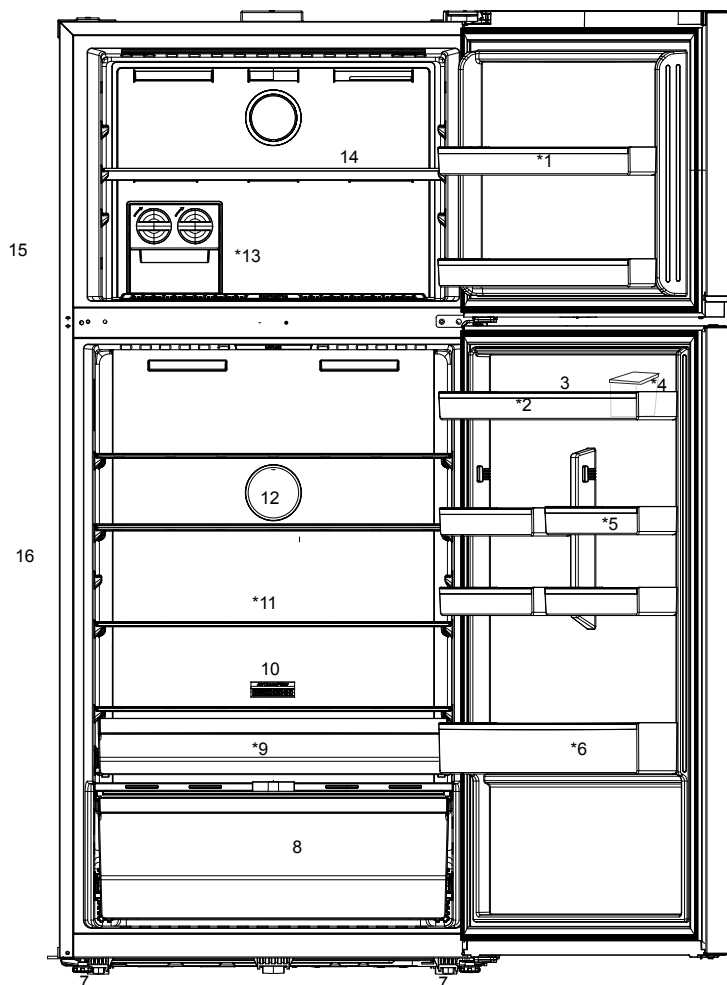
### 2.3 Informations sur l'emballage



Les matériaux d'emballage de cet appareil sont fabriqués à partir de matériaux recyclables, conformément à nos réglementations nationales en matière d'environnement.

Ne mettez pas les matériaux d'emballage au rebut avec les ordures ménagères et d'autres déchets. Déposez-les plutôt aux points de collecte des matériaux d'emballage, désignés par les autorités locales.

### 3 Votre réfrigérateur



- 1- Balconnets de la porte du compartiment congélateur
- 2- Balconnets de la porte du compartiment réfrigérateur
- 3- Porte-œuf
- 4- Fontaine à eau
- 5- Compartiment réfrigéré petites étagères de porte
- 6- Étagère pour les bouteilles
- 7- Pieds réglables

- 8- Crisper, séparateur de cristaux et filtre à éthylène
- 9- Le compartiment des produits laitiers (entrepôt frigorifique)
- 10- Filtre
- 11- Clayettes en verre
- 12- Ventilateur
- 13- Machine à glaçons
- 14- Étagère en verre du compartiment congélateur
- 15- Compartiment congélateur
- 16- Compartiment réfrigérateur



\*En option : Les illustrations présentées dans ce manuel d'utilisation sont schématiques et peuvent ne pas correspondre exactement à votre produit. Si votre appareil ne présente pas les parties citées, alors l'information s'applique à d'autres modèles.

## 4 Installation

### 4.1 Le bon endroit pour l'installation

Votre produit nécessite une circulation d'air adéquate pour pouvoir fonctionner efficacement. S'il est placé dans une alcôve, n'oubliez pas de laisser un espace d'au moins 5 cm entre l'appareil, le plafond, la paroi arrière et les parois latérales.

S'il est placé dans une alcôve, n'oubliez pas de laisser un espace d'au moins 5 cm entre l'appareil, le plafond, la paroi arrière et les parois latérales. Vérifiez que l'élément de protection d'espace de la façade arrière est présent à son emplacement (au cas où il est fourni avec l'appareil). Si l'élément n'est pas disponible, perdu ou tombé, positionnez l'appareil de manière à laisser un espace d'au moins 5 cm entre la surface arrière de l'appareil et les murs de la pièce. L'espace prévu à l'arrière est important pour le fonctionnement efficace de l'appareil.

### 4.2 Pour les produits avec fontaine d'eau / machine à glace

- Les jeux de tuyaux fournis avec le produit doivent être utilisés. N'utilisez pas les anciens jeux de tuyaux. Ne rallonge pas les tuyaux !

- Branchez toujours votre produit à une arrivée d'eau froide. Il ne faut pas effectuer l'installation sur l'arrivée d'eau chaude. La pression à l'entrée de l'eau froide doit être de 80 PSI (550 kPa) maximum. En cas de pression d'eau supérieure à 80Psi ou d'impact sur l'eau, utilisez une vanne de limitation de pression sur votre réseau.

Demandez l'aide de plombiers professionnels si vous ne savez pas comment contrôler la pression de votre eau.

La haute pression peut endommager les raccords des tuyaux et présenter un risque d'inondation.

- Prenez les précautions nécessaires contre le risque de gel des tuyaux. L'intervalle de température de l'eau de fonctionnement est de 0,6°C (33°F) au minimum et de 38°C (100°F) au maximum. Il y a un risque d'inondation si le tuyau est fissuré/perforé.



**AVERTISSEMENT :** Ne branchez pas le réfrigérateur sur une rallonge ou une multiprise.



**AVERTISSEMENT :** Le fabricant ne sera pas tenu responsable en cas de problèmes causés par des travaux effectués par des personnes non autorisées.



**AVERTISSEMENT :** Débranchez le câble d'alimentation du réfrigérateur pendant l'installation. Le non-respect de cette consigne peut entraîner la mort ou des blessures graves !

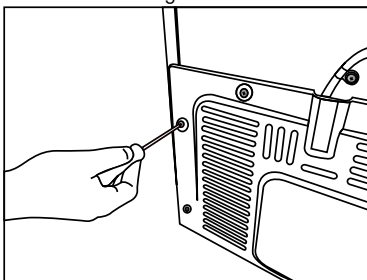


**AVERTISSEMENT :** Si le cadre de la porte est trop étroit pour laisser passer l'appareil, retirez la porte et faites passer l'appareil sur les côtés ; si cela ne fonctionne pas, contactez le service agréé.

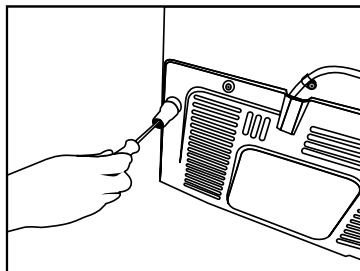
- Placez l'appareil sur une surface plane pour éviter les vibrations.
- Placez l'appareil à 30 cm du chauffage, de la cuisinière et des autres sources de chaleur similaires et à au moins 5 cm des fours électriques.
- N'exposez pas le produit directement à lumière du soleil et ne le laissez pas dans des environnements humides.
- Le bon fonctionnement de votre réfrigérateur nécessite la bonne circulation de l'air. Si le réfrigérateur est placé dans un encastrement mural, il doit y avoir un espace d'au moins 5 cm avec le plafond et le mur.

### 4.3 Fixation des cales en plastique

Utilisez les cales en plastiques fournies avec le réfrigérateur pour créer une circulation d'air suffisante entre le réfrigérateur et le mur.



1. Pour fixer les cales, retirez les vis du réfrigérateur et utilisez celles fournies avec les cales.

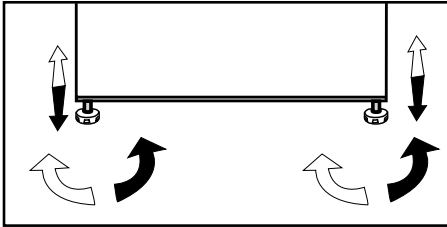


## Installation

2. Fixez 2 cales en plastique sur le couvercle de ventilation tel qu'illustré par l'image.

### 4.4 Ajustement des pieds

Si le réfrigérateur n'est pas équilibré, réglez les pieds avant en les tournant vers la gauche ou la droite.



### 4.5. Raccordement électrique



**AVERTISSEMENT :** Ne branchez pas le réfrigérateur sur une rallonge ou une multiprise.



**AVERTISSEMENT :** Les câbles d'alimentation endommagés doivent être remplacés par le service agréé.

- Notre entreprise ne sera pas tenue responsable de tout dommage résultant de l'utilisation de l'appareil sans prise de mise à la terre ou branchement électrique conforme à la norme nationale en vigueur.
- Gardez la fiche du câble d'alimentation à portée de main après l'installation.



Attention aux surfaces chaudes !  
Les parois latérales de votre produit sont équipées de tuyaux de refroidissement pour améliorer le système de refroidissement. Un fluide à haute pression peut s'écouler à travers ces surfaces, et provoquer des surfaces chaudes sur les parois latérales. C'est normal et cela ne nécessite pas d'entretien. Faites attention lorsque vous contactez ces zones.



## 5 Préparation



Lisez d'abord la section « Instructions de sécurité » !

### 5.1 Comment économiser l'énergie



Il est dangereux de connecter l'appareil aux systèmes électroniques d'économie d'énergie, ils pourraient l'endommager.

- Pour un appareil autonome : "Cet appareil de réfrigération n'est pas destiné à être utilisé comme un appareil encastré.
- Ne laissez pas la porte du réfrigérateur ouverte longtemps.
- Ne conservez pas des aliments ou des boissons chauds dans le réfrigérateur.
- Ne surchargez pas le réfrigérateur, l'obstruction du flux d'air interne réduira la capacité de réfrigération.
- Selon les caractéristiques de l'appareil, le dégivrage des aliments congelés dans le compartiment réfrigérateur assurera l'économie d'énergie et la préservation de la qualité des aliments.
- Comme l'air chaud et humide ne pénètre pas directement dans votre produit lorsque les portes ne sont pas ouvertes, votre produit s'optimisera dans des conditions suffisantes pour protéger vos aliments. Les fonctions et les composants tels que le compresseur, le ventilateur, le chauffage, le dégivrage, l'éclairage, l'affichage, etc. fonctionneront en fonction des besoins pour consommer un minimum d'énergie dans ces circonstances.
- Les aliments sont stockés à l'aide des tiroirs du compartiment réfrigéré afin de garantir une économie d'énergie et de protéger les aliments dans de meilleures conditions.

### 5.2 Première opération

Avant d'utiliser votre réfrigérateur, assurez-vous que les installations nécessaires sont conformes aux instructions des sections « Instructions en matière de sécurité et d'environnement » et « Installation ».

- Laissez l'appareil fonctionner à vide pendant 12 heures, et ne l'ouvrez pas sauf en cas de nécessité absolue.



Un son retentit à l'activation du compresseur. Il est également normal d'entendre ce son lorsque le compresseur est inactif, en raison des liquides et des gaz comprimés présents dans le système de réfrigération.



Il est normal que les bords avant du réfrigérateur soient chauds. Ces parties doivent en principe être chaudes afin d'éviter la condensation.



Pour certains modèles, le panneau indicateur s'éteint automatiquement 1 minute après la fermeture des portes. Il s'active à nouveau à l'ouverture de la porte ou lorsque vous appuyez sur n'importe quelle touche.

## 6 Fonctionnement de l'appareil

- Il ne faut pas utiliser d'outils mécaniques ou autres que les recommandations du fabricant pour accélérer l'opération de décongélation.
- Évitez d'utiliser des parties de votre réfrigérateur, telles que la porte ou les tiroirs, comme support ou comme marchepied. Cela peut faire trébucher le produit ou endommager ses composants.
- Le produit ne doit être utilisé que pour la conservation des aliments.
- Fermez le robinet d'eau si vous vous absentez de chez vous (par exemple, en vacances) et que vous n'utilisez pas le distributeur d'eau ou le distributeur de glace pendant une longue période. Dans le cas contraire, des fuites d'eau peuvent se produire.

### 6.1 Éteindre le produit

En cas de non-utilisation prolongée du produit ;

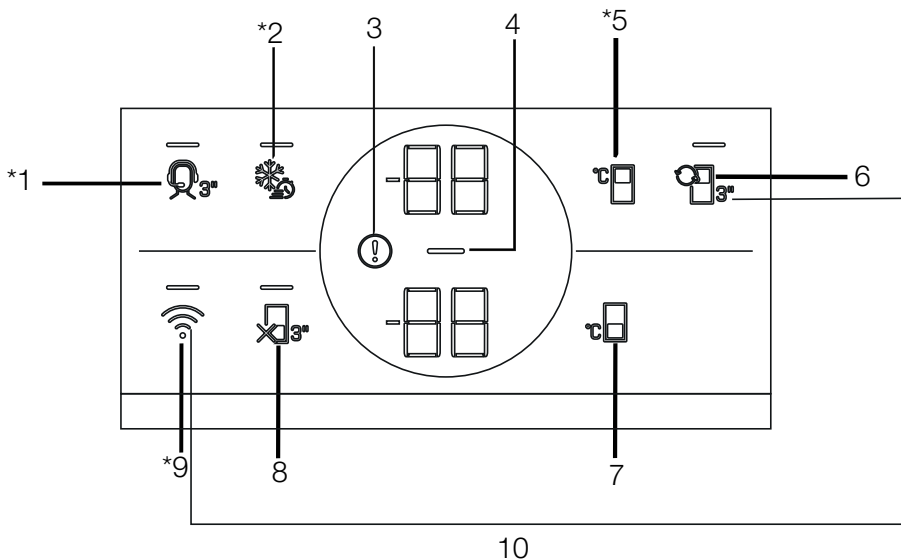
- Débranchez-le,
- enlevez la nourriture pour éviter les odeurs,
- Il faut attendre que la glace soit dégelée,
- Il faut nettoyer l'intérieur et attendre qu'il soit sec.
- Il faut laisser les portes ouvertes pour éviter d'endommager les plastiques internes du corps.

## 6 Fonctionnement du produit

### 6.2 Panneau indicateur

Les panneaux indicateurs varient en fonction du modèle de votre appareil.

Les fonctions sonores et visuelles dudit panneau vous aident à utiliser votre réfrigérateur.



1. Clé du service de soutien
2. Clé de congélation rapide/ Touche de réglage de la fonction de la lumière de la poignée
3. Indicateur de condition de défaut
4. Indicateur d'économie d'énergie (affichage éteint)
5. Clé de réglage de la température du compartiment congélateur
6. Clé de conversion des compartiments
7. Clé de réglage de la température du compartiment de refroidissement
8. Touche de fonction ARRET du compartiment réfrigéré (vacances)  
Clé sans fil
9. Clé pour la réinitialisation des paramètres de connexion sans fil
10. Touche du module d'élimination des odeurs

#### 1. Clé du service de soutien

Appuyez sur ce bouton pendant 3 secondes pour activer le service d'assistance. Des informations détaillées sur le service d'assistance sont fournies dans la section « Fonctionnalité du service d'assistance ».

#### 2. Clé de congélation rapide

Dès que vous appuyez sur la touche d'arrêt rapide, le voyant lumineux de la touche s'allume et la fonction d'arrêt rapide est activée. La température du compartiment de congélation est réglée à -27 Celcius. Appuyez à nouveau sur la touche pour annuler




\*En option : Les illustrations présentées dans ce manuel d'utilisation sont schématiques et peuvent ne pas correspondre exactement à votre produit. Si votre appareil ne présente pas les parties citées, alors l'information s'applique à d'autres modèles.


## Utilisation de l'appareil

la fonction. La fonction de congélation rapide est automatiquement annulée après 52 heures. Pour congeler une grande partie d'aliments frais, appuyez sur la touche de congélation rapide, avant de mettre les aliments dans le compartiment congélateur.

### \*Touche de réglage de la fonction de la lumière de la poignée

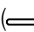
La fonction d'éclairage de la poignée peut être commutée entre les modes ouvert et fermé en appuyant sur le bouton de congélation rapide (  ) pendant 3 secondes. En mode fermé, le voyant de la poignée n'est activé que lorsque la porte de l'appareil est ouverte et il s'éteint un moment après la fermeture de la porte. En mode ouvert, la lumière de la poignée est activée lorsque la porte de l'appareil est ouverte, la lumière de la poignée reste faiblement allumée un moment après la fermeture de la porte. La fonction d'éclairage de la poignée est réglée sur le mode fermé en usine.

### 3. Indicateur de condition de défaut

Cet indicateur (  ) doit être activé lorsque votre réfrigérateur ne peut pas assurer un refroidissement adéquat ou en cas d'erreur de capteur. « E » doit être affiché sur l'indicateur de température du compartiment congélation et des chiffres tels que 1,2,3... doivent être affichés sur l'indicateur de température du compartiment réfrigération. Ces chiffres fournissent des informations au service autorisé sur l'erreur qui s'est produite.

Un point d'exclamation peut être affiché lorsque vous chargez des aliments chauds dans le compartiment de congélation ou que vous gardez la porte ouverte pendant une longue période. Il ne s'agit pas d'un défaut, cet avertissement est supprimé lorsque la nourriture est refroidie ou lorsque l'on appuie sur une touche quelconque.

### 4. Indicateur d'économie d'énergie (affichage éteint)

La fonction d'économie d'énergie est activée automatiquement et le symbole d'économie d'énergie (  ) s'affiche lorsque la porte du produit n'est pas ouverte ou fermée pendant un certain temps. Lorsque la fonction d'économie d'énergie est active,

tous les symboles sur l'écran autres que le symbole d'économie d'énergie doivent être désactivés. Lorsque cette fonction est utilisée, la pression sur une touche quelconque ou l'ouverture de la porte entraînent sa désactivation et les voyants allumés retournent à la normale. La fonction d'économie d'énergie est une fonction activée départ usine et ne peut être annulée.

### 5. Clé de réglage de la température du compartiment congélateur

Le réglage de la température est effectué pour le compartiment réfrigéré. En appuyant sur cette touche, la température du compartiment congélateur peut être réglée à -15,-16,-18,-19,-20,-22,-24 Celcius.

### 6. Clé de conversion des compartiments

Il suffit d'appuyer sur la touche de conversion du compartiment pendant 3 secondes pour que le compartiment congélateur passe respectivement en mode réfrigération, arrêt et congélation. Lorsqu'il est utilisé comme compartiment de refroidissement, la température du compartiment peut être réglée à 8,7,6,5,4,3,2 et 1 Celcius. En cas de mode ARRÊT, l'indicateur de température du compartiment doit afficher " - -".

### 7. Clé de réglage de la température du compartiment de refroidissement

Permet de régler la température du compartiment réfrigéré. En appuyant sur cette touche, la température du compartiment de refroidissement peut être réglée à 8,7,6,5,4,3,2 et 1 Celcius.

### 8. Touche de fonction ARRÊT du compartiment réfrigéré (vacances)


Appuyez sur la touche pendant 3 secondes pour activer la fonction vacances. Le mode vacances est activé et la LED sur la touche est allumée. « - - » doit être affiché sur l'indicateur de température du compartiment de refroidissement et le compartiment de refroidissement n'effectue pas de refroidissement actif. Vous ne devez pas conserver vos aliments dans le compartiment réfrigéré lorsque cette fonction est activée. Les autres compartiments continuent à se refroidir en fonction des températures fixées. Il suffit d'appuyer à nouveau sur la touche pendant 3 secondes pour annuler cette fonction.

## Utilisation de l'appareil

### 9. Clé pour la réinitialisation des paramètres de connexion sans fil

Cette clé est utilisée pour établir une connexion sans fil avec votre produit via l'application mobile HomeWhiz.

Lorsque la touche est enfoncée pendant une longue période (3 secondes), le symbole de connexion sans fil sur l'écran clignote lentement (avec des intervalles de 0,5 seconde). Le réseau domestique est initialisé sur le produit de cette façon.

Après avoir établi une connexion sans fil avec le produit, le symbole de connexion sans fil () s'allume en continu.

Lorsque la connexion initiale est établie, vous pouvez activer/désactiver la connexion en appuyant brièvement sur cette touche. Le symbole de connexion sans fil doit clignoter rapidement (à intervalles de 0,2 seconde) jusqu'à ce que la connexion soit établie. Lorsque la connexion est active, le symbole du réseau sans fil s'allume en permanence.



En cas d'impossibilité d'établir la connexion pendant une longue période, vérifiez vos paramètres de connexion et reportez-vous à la section "Dépannage" fournie dans le manuel de l'utilisateur.

L'application HomeWhiz doit être utilisée pour la connexion sans fil. Les étapes d'installation sont décrites sur la demande lors de l'installation.

Vous pouvez accéder à la demande en lisant le code QR disponible sur l'étiquette HomeWhiz apposée sur le produit. L'application est proposée par l'App Store pour les appareils IOS, et par le Play Store pour les appareils Android.

Visitez le site <https://www.homewhiz.com/> pour des informations détaillées".

### 10. Clé pour la réinitialisation des paramètres de connexion sans fil

Pour réinitialiser les paramètres de connexion sans fil, appuyez simultanément sur les touches gel rapide () et connexion sans fil () pendant 3 secondes.

Toutes les informations utilisateur enregistrées précédemment sont supprimées sur un produit dont les paramètres de connexion sans fil sont réinitialisés/rétablis aux valeurs par défaut de l'usine.

### 6.3 Bac à légumes à humidité contrôlée (EverFresh+)

#### (Facultatif)

Grâce au bac à légumes à humidité contrôlée, les légumes et les fruits peuvent être conservés plus longtemps dans un environnement aux conditions d'humidité idéales. Grâce au système de réglage de l'humidité avec 3 options devant votre bac à légumes, vous pouvez contrôler l'humidité à l'intérieur du compartiment en fonction des aliments que vous stockez. Nous vous recommandons de stocker vos aliments en sélectionnant l'option légumes lorsque vous stockez des légumes uniquement, l'option fruits lorsque vous stockez des fruits uniquement et l'option mixte lorsque vous stockez des aliments mélangés.

Nous recommandons de ne pas stocker les légumes et les fruits dans des sacs afin d'améliorer la durée de conservation des aliments et de mieux profiter du système de contrôle de l'humidité. En les laissant dans des sacs en plastique, les légumes pourrissent en peu de temps. Nous recommandons de ne pas conserver les concombres et les brocolis, en particulier, dans des sacs fermés. Dans les situations où le contact avec d'autres légumes n'est pas privilégié, utilisez des matériaux d'emballage tels que le papier qui présente un certain niveau de porosité en termes d'hygiène.

Lorsque vous placez les légumes, placez les légumes lourds et durs en bas et les légumes légers et tendres en haut, en tenant compte du poids spécifique des légumes.

Il ne faut pas mettre les fruits qui ont une forte production de gaz d'éthylène comme la poire, l'abricot, la pêche et surtout la pomme dans le même bac à légumes avec d'autres fruits et légumes. Le gaz d'éthylène qui sort de ces fruits pourrait faire mûrir plus rapidement d'autres légumes et fruits et les faire pourrir dans un laps de temps plus court.

### 6.4 Lumière bleue/HarvestFresh (Facultatif)

#### Voyant lumineux bleu,

Les légumes et les fruits conservés dans des bacs à légumes éclairés par une lumière bleue continuent à effectuer la photosynthèse et à conserver leur taux de vitamine C grâce à l'effet de la longueur d'onde de la lumière bleue.

#### Pour HarvestFresh,

Les légumes et les fruits conservés dans des bacs à légumes éclairés par la technologie HarvestFresh conservent leurs niveaux de vitamines (vitamines A et C) plus longtemps grâce aux cycles de lumières bleues, vertes, rouges et sombres qui simulent le cycle de la journée.

Lorsque la porte de votre réfrigérateur est ouverte pendant la période d'obscurité de la technologie HarvestFresh, votre réfrigérateur le détecte automatiquement et allume le bac à légumes avec l'une des lumières bleues, vertes ou rouges respectivement pour votre confort. La période d'obscurité se poursuit lorsque vous fermez la porte de votre réfrigérateur afin qu'elle représente la période de nuit du cycle de jour.

### 6.5 Module Anti-Odeur

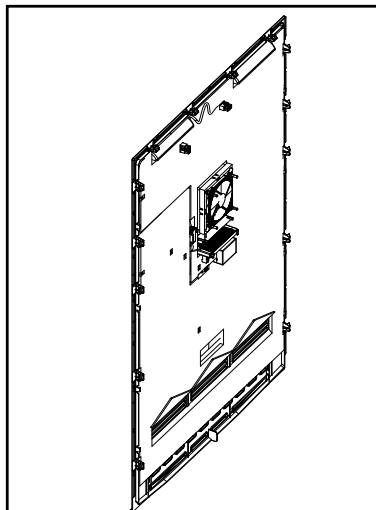
#### (Garde fraîche)

##### (Cette caractéristique est en option)

Le module anti-odeur élimine les odeurs qui se produisent à l'intérieur de votre réfrigérateur avant qu'elles ne s'infiltrent sur les surfaces. Grâce à ce module placé sur le toit du compartiment des aliments frais, les mauvaises odeurs sont éliminées pendant que l'air passe activement à travers le filtre à odeurs, et l'air nettoyé dans le filtre est renvoyé vers le compartiment des aliments frais. Ainsi, l'odeur indésirable qui peut se produire pendant le stockage des aliments à l'intérieur du réfrigérateur est éliminée de l'environnement avant qu'elle ne s'infiltré sur les surfaces.

Cette fonction est fournie avec le ventilateur, la LED et le filtre à odeurs placés à l'intérieur du module. Le module anti-odeur est automatiquement activé périodiquement. En cas d'ouverture de la porte du compartiment des aliments frais pendant que le module est actif, le ventilateur est temporairement arrêté et continue à fonctionner lorsque la porte est fermée. En cas de panne de courant, le module anti-odeur commence à fonctionner lorsque le courant est rétabli.

**Info :** Il est recommandé de conserver les aliments aromatiques tels que le fromage, les olives et les charcuteries dans leur emballage et avec leur couvercle fermé, afin d'éviter les mauvaises odeurs qui peuvent se dégager du mélange d'odeurs provenant de différents aliments. Pour la sécurité des autres aliments conservés et pour éviter les mauvaises odeurs, nous vous recommandons de retirer le plus rapidement possible du réfrigérateur les aliments dont vous avez constaté l'altération.



## Utilisation de l'appareil

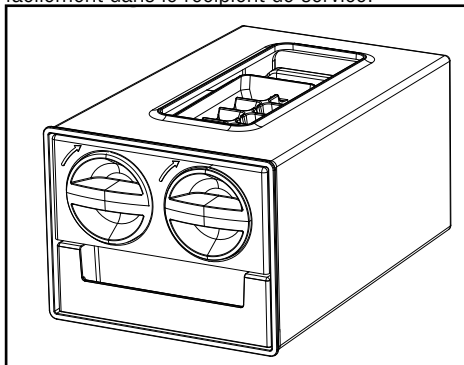
### 6.6 Seau à glace

**(Cette caractéristique est en option)**

Le seau à glace vous permet de prendre facilement de la glace dans le réfrigérateur.

#### Utilisation du seau à glace

1. Prenez le seau à glace dans le compartiment du congélateur.
2. Remplissez le seau à glace avec de l'eau.
3. Placez le seau à glace dans le compartiment du congélateur. Les glaçons seront prêts après environ deux heures.
4. Sortez le seau à glace du compartiment congélateur et penchez-vous légèrement sur le support que vous allez servir. La glace se verse facilement dans le récipient de service.



### 6.7 Machine à glaçons

**(Cette caractéristique est en option)**

Le seau à glace vous permet de prendre facilement de la glace dans le réfrigérateur.

Utilisation du seau à glace

1. Retirez le réservoir d'eau dans le compartiment de la glacière.
2. Remplissez le réservoir d'eau.
3. Remettez le réservoir d'eau en place. La première glace sera prête dans environ 4 heures dans le tiroir de la machine à glace du compartiment congélateur.



Vous pouvez obtenir environ 60-70 cubes de glace lorsque le réservoir d'eau est plein.



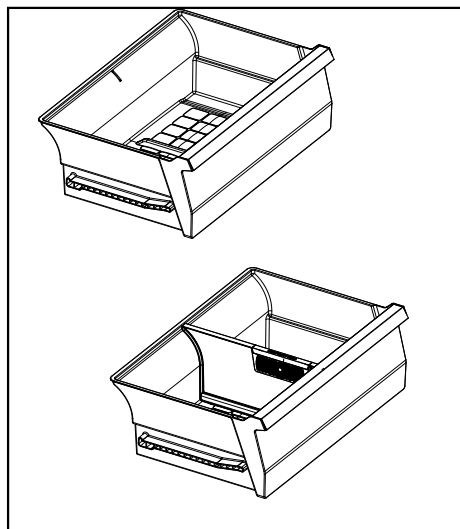
L'eau à l'intérieur du réservoir doit être remplacée dans un délai maximum de 2 à 3 semaines.

### 6.8 Le compartiment des produits laitiers (entrepôt frigorifique)

Le compartiment des produits laitiers (entrepôt frigorifique) » fournit une température plus basse que celle du compartiment réfrigérateur. Utilisez ce compartiment pour conserver les charcuteries (salami, saucisses, produits laitiers, etc.) qui nécessitent une température de conservation plus basse ou des produits à base de viande, de poulet ou de poisson destinés à une consommation immédiate. Ne conservez pas les fruits et les légumes dans ce compartiment.

### 6.9 Bac à légumes

Le bac à légumes du réfrigérateur est conçu pour conserver les légumes frais en préservant l'humidité. À cette fin, la circulation générale d'air froid est intensifiée dans le bac à légumes. Conservez les fruits et les légumes dans ce compartiment. Conservez séparément les légumes verts et les fruits pour prolonger leur durée de vie.





## Utilisation de l'appareil

### 6.10 Séparateur de crise

#### Filter à éthylène

Le filtre retenant l'éthylène aide à éliminer le gaz d'éthylène et les mauvaises odeurs dégagées par les légumes et les fruits dans le bac à légumes.

Vous pouvez stocker les fruits tels que les poires, les abricots, les pêches et surtout les pommes, qui génèrent une grande quantité de gaz éthylène, séparément des autres légumes et fruits dans le même bac à légumes grâce au séparateur de légumes.

Le gaz d'éthylène libéré par ces fruits peut faire mûrir plus rapidement vos autres légumes et fruits et les faire pourrir en moins de temps.

Grâce à cette fonction, vous pouvez conserver plus longtemps la fraîcheur de vos aliments frais et notamment de vos légumes verts sensibles au gaz éthylène.

Vous pouvez conserver vos aliments plus longtemps en plaçant les aliments sensibles au gaz éthylène dans l'un des compartiments séparés par le séparateur de cristaux, et les aliments qui génèrent du gaz éthylène dans l'autre compartiment.

Les aliments qui génèrent du gaz éthylène et qui sont sensibles au gaz éthylène sont énumérés ci-dessous.

Les aliments qui génèrent du gaz éthylène	Les aliments sensibles au gaz éthylène
Pomme, poire, abricot, pêche, nectarine, avocat, kiwi, prune, figue, coing, tomate	Légumes verts frais (tels que laitue, persil), fraise, cerise, raisin, orange, mandarine, ananas, cerise, citron, concombre, brocoli, poivre, aubergine, gombo, courgette

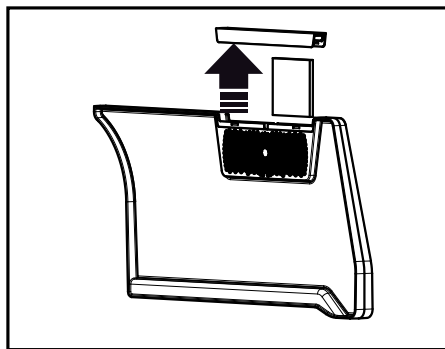
### 6.11 Nettoyage du filtre à éthylène

Le filtre à éthylène doit être nettoyé une fois par an.

Retirez le filtre à éthylène en tirant le couvercle du filtre vers le haut, comme indiqué sur la figure.

Laissez le filtre à éthylène à la lumière du soleil pendant une journée. Ainsi, votre filtre doit être nettoyé.

Remettez le filtre en place et fermez le couvercle supérieur.



Afin d'assurer une efficacité maximale de votre filtre et de préserver ses performances, évitez tout contact avec l'huile et les fluides similaires, ainsi qu'avec des matériaux tels que l'eau et les détergents.

Communiquez avec le service pour remplacer votre filtre par un nouveau après un tel contact.

### 6.12 Nettoyage du séparateur de crise

Afin d'éviter que les trous d'air propre du séparateur de bacs à légumes ne se bouchent, essuyez-le avec un chiffon propre et sec à intervalles réguliers. En cas de lavage du séparateur, il faut toujours retirer le filtre du séparateur.



**AVERTISSEMENT :** Veillez à ce que les trous autour du filtre ne soient pas bouchés pour assurer la circulation de l'air.

## Utilisation de l'appareil

### 6.13 Utilisation du distributeur d'eau (Cette caractéristique est en option)

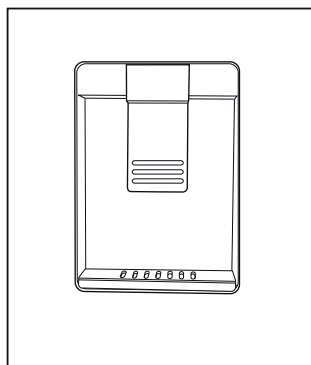


Les premiers verres d'eau obtenue du distributeur d'eau doivent normalement être chauds.



Lorsque le distributeur d'eau n'est pas utilisé pendant une longue durée, il faut verser les premiers verres d'eau qu'il produit afin d'obtenir de l'eau propre.

1. Poussez le bras de la fontaine à eau avec votre verre. Il serait plus facile de pousser le bras avec la main si vous utilisez un verre en plastique souple.
2. Relâchez le bras après avoir rempli votre verre d'eau comme vous le souhaitez.



La quantité d'eau qui s'écoule de la fontaine dépend de la pression que vous exercez sur le bras. Relâchez légèrement la pression sur le bras lorsque le niveau d'eau dans votre verre/réceptacle augmente pour éviter le débordement. L'eau s'égoutte si vous appuyez légèrement sur le bras ; c'est normal et ce n'est pas un dysfonctionnement.

### 6.14 Remplissage du réservoir de la fontaine d'eau

Ouvrez le couvercle du réservoir d'eau comme indiqué sur la figure. Remplissez-le d'eau pure et potable. Replacez le couvercle.

### 6.15 Nettoyage du réservoir d'eau

Retirez le réservoir d'eau à l'intérieur du balconnet. Détachez en tenant les deux côtés de l'étagère de la porte.

Tenez les deux côtés du réservoir et tirez-le dans un angle de 45 °.

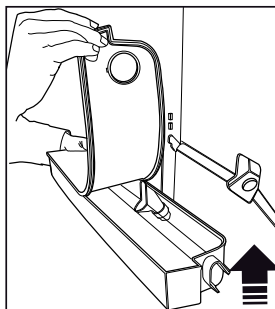
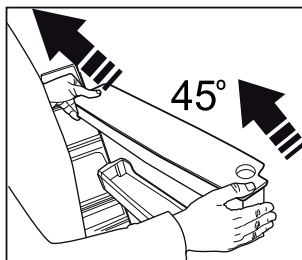
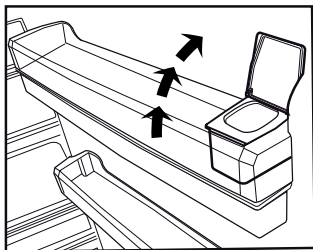
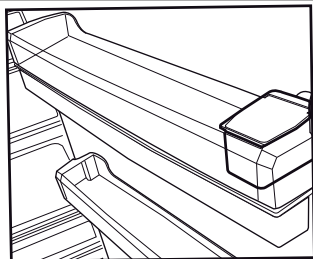
Retirez le couvercle du réservoir et nettoyez-le.



Ne remplissez pas le réservoir d'eau de jus de fruits, de boissons gazeuses, de boissons alcoolisées ou tout autre liquide inapproprié à l'utilisation du distributeur d'eau. L'utilisation de tels liquides pourrait causer un dysfonctionnement ou des dommages irréparables dans le distributeur. Cette utilisation du distributeur n'est pas couverte par la garantie. Certains produits chimiques et additifs contenus dans ces boissons / liquides peuvent causer des dommages matériels au réservoir d'eau.



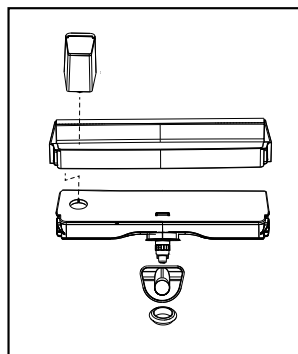
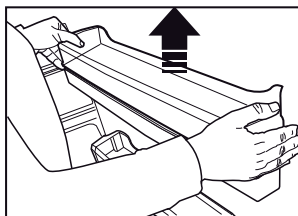
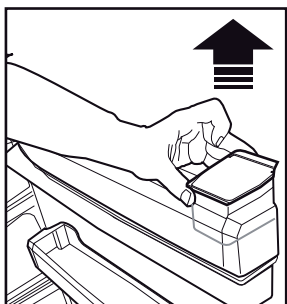
Il ne faut pas laver les composants du réservoir et du distributeur d'eau au lave-vaisselle.



### 6.16 Remplissage du réservoir de la fontaine d'eau

Le réservoir de remplissage du réservoir d'eau se trouve à l'intérieur de l'étagère de la porte.

1. Ouvrez le couvercle du réservoir.
2. Remplissez le réservoir avec de l'eau potable propre.



## Utilisation de l'appareil

3. Fermez le couvercle du réservoir.



Ne remplissez pas le réservoir d'eau de jus de fruits, de boissons gazeuses, de boissons alcoolisées ou tout autre liquide inapproprié à l'utilisation du distributeur d'eau. L'utilisation de tels liquides pourrait causer un dysfonctionnement ou des dommages irréparables dans le distributeur. Cette utilisation du distributeur n'est pas couverte par la garantie. Certains produits chimiques et additifs contenus dans ces boissons / liquides peuvent causer des dommages matériels au réservoir d'eau.



Utilisez uniquement de l'eau potable propre.



La capacité du réservoir d'eau est de 3 litres, ne le remplissez pas trop.

### 6.17 Nettoyage du réservoir d'eau

1. Retirez le réservoir d'eau à l'intérieur du balconnet.
2. Détachez en tenant les deux côtés de l'étagère de la porte.
3. Tenez les deux côtés du réservoir et tirez-le dans un angle de 45 °.
4. Retirez le couvercle et nettoyez le réservoir d'eau.



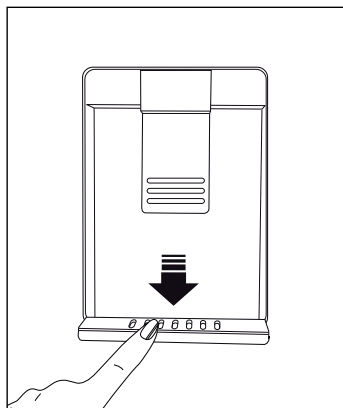
Il ne faut pas laver les composants du réservoir et du distributeur d'eau au lave-vaisselle.

### 6.18 Plateau de dégivrage

L'eau qui s'écoule de la fontaine s'accumule sur le bac d'égouttage.

Retirez la crépine en plastique comme indiqué sur la figure.

Essayez l'eau recueillie avec un chiffon sec et propre.



## Utilisation de l'appareil

### 6.19 Congélation des aliments frais

- Activez la fonction Congélation rapide en appuyant sur la touche « Congélation rapide » 24 heures avant de placer les aliments à congeler.
- 24 heures après avoir appuyé sur le bouton, placez vos aliments chauds sur une étagère en verre du produit.
- La fonction Congélation rapide se désactive automatiquement après 52 heures.
- Ne congelez pas une quantité trop importante d'aliments à la fois. Dans un délai de 24 heures, cet appareil peut congeler la quantité maximale d'aliments spécifiée comme « Capacité de congélation ... kg/24 heures » sur son étiquette type. Il n'est pas pratique de mettre plus d'aliments décongelés/frais que la quantité indiquée sur l'étiquette.
- Lorsque vous mettez des aliments non congelés dans le produit, évitez de les mettre en contact avec des aliments congelés.
- Le fait de congeler les denrées à l'état frais prolongera la durée de conservation dans le compartiment congélateur.
- Emballez les aliments dans des emballages sous vide et scellez-les correctement.
- Assurez-vous que les aliments sont emballés avant de les placer dans le congélateur. Utilisez des récipients pour congélateur, du papier aluminium et du papier résistant à l'humidité, des sacs en plastique ou du matériel d'emballage similaire au lieu d'un papier d'emballage ordinaire.
- Marquez chaque emballage en y écrivant la date avant de le placer au congélateur. Ceci vous permettra de déterminer la fraîcheur de chaque paquet lors des ouvertures du congélateur. Mettez les aliments les plus anciens à l'avant pour vous assurer qu'ils sont utilisés en premier.
- Les aliments congelés doivent être utilisés immédiatement après le dégivrage et ne doivent pas être congelés à nouveau.
- Ne retirez pas de grandes quantités d'aliments au même moment.

Réglage de la température du compartiment congélateur	Réglage de la température du compartiment réfrigérateur	Détails :
-18 °C	4°C	Ce réglage est celui qui est recommandé par défaut.
-20, -22 ou -24 °C	4°C	Ces réglages sont recommandés pour des températures ambiantes excédant 30 °C.
Congélation rapide	4°C	Est utilisée lorsque vous voulez congeler vos denrées pendant une courte période. À la fin du processus, le produit retrouvera sa position.
Inférieure ou égale à -18 °C	2°C	Utilisez ces paramètres si à votre avis le compartiment réfrigérateur n'est pas assez froid en raison de la température ambiante ou de l'ouverture fréquente de la porte.

### 6.20 Recommandations pour la conservation des aliments congelés dans le compartiment congélateur

Le compartiment doit être réglé à -18 °C minimum.

1. Placez les aliments dans le congélateur le plus rapidement possible pour éviter leur dégivrage.
2. Avant de les faire dégivrer, vérifiez la « date d'expiration » sur l'emballage pour vous assurer de l'état des aliments.
3. Assurez-vous que l'emballage de l'aliment n'est pas endommagé.

## Utilisation de l'appareil

### 6.21 Informations relatives au congélateur

Selon les normes IEC 62552, à une température ambiante de 25°C, le congélateur doit pouvoir congeler 4,5 kg de denrées alimentaires à -18°C ou à des températures inférieures en 24 heures pour chaque 100 litres de volume du compartiment congélateur.

Les aliments peuvent être préservés pour des périodes prolongées uniquement à des températures inférieures ou égales à -18 °C.

Vous pouvez garder les aliments frais pendant des mois (dans le congélateur à des températures inférieures ou égales à 18 °C).

Les aliments à congeler ne doivent pas être en contact avec ceux déjà congelés pour éviter un dégivrage partiel.

Faites bouillir les légumes et filtrez l'eau pour prolonger la durée de conservation à l'état congelé. Placez les aliments dans des emballages sous vide après les avoir filtrés et placez-les dans le réfrigérateur. Les bananes, les tomates, les feuilles de laitue, le céleri, les œufs durs, les pommes de terre et les aliments similaires ne doivent pas être congelés. Au cas où cette nourriture pourrit, seules les valeurs nutritionnelles et les qualités alimentaires seront affectées négativement. Une pourriture menaçant la santé humaine n'est pas en cause.

### 6.22 Placement de la nourriture

Balconnets du compartiment congélateur	Les aliments congelés incluent notamment la viande, le poisson, la crème glacée, les légumes, etc.
Balconnets du compartiment réfrigérateur	Les aliments contenus dans des casseroles, des plats couverts, des gamelles et les œufs (dans des gamelles)
Balconnets de la porte du compartiment réfrigérateur	Aliments emballés et de petite taille ou des boissons
Bac à légumes	Fruits et légumes

Compartiment des aliments frais	Épicerie fine (aliments pour petit déjeuner, produits carnés à consommer à court terme)
---------------------------------	---

### 6.23 Alerte de porte ouverte

Un signal sonore est émis si la porte de l'appareil reste ouverte pendant 1,5 minute. Le signal sonore s'arrête à la fermeture de la porte ou lorsqu'on appuie sur bouton de l'écran (si disponible).

### 6.24 Lampe d'éclairage

L'éclairage intérieur utilise une lampe de type DEL. Contactez le service agréé pour tout problème lié à cette lampe.

La ou les lampes utilisées dans cet appareil ne peuvent pas être utilisées pour l'éclairage de la maison. L'objectif de cette lampe est d'aider l'utilisateur à placer les aliments dans le réfrigérateur/congélateur de manière sûre et confortable.

## 7 Entretien et nettoyage



**AVERTISSEMENT :** Lisez d'abord la section "Instructions de sécurité" !.



**AVERTISSEMENT :** Débranchez l'appareil avant le nettoyage.

- N'utilisez pas des objets pointus ou des produits de nettoyage abrasifs pour nettoyer l'appareil. Il ne faut pas utiliser de matériaux tels que des produits d'entretien ménager, du savon, des détergents, du gaz, de l'essence, de l'alcool, de la cire, etc.

- La poussière doit être enlevée de la grille de ventilation située à l'arrière du produit au moins une fois par an (sans ouvrir le couvercle). Le nettoyage doit être effectué à l'aide d'un chiffon sec.

### Pour des appareils dotés d'un distributeur d'eau/machine à glaçons,

- Dans le cas où l'eau du réservoir a attendu 2 à 3 semaines, elle doit être remplacée.

- Le réservoir d'eau et les composants de la fontaine à eau ne doivent pas être lavés au lave-vaisselle.

- Faites dissoudre une cuillerée de café de carbonate dans de l'eau. Trempez un morceau de tissu dans cette eau et essorez-le. Nettoyez soigneusement l'appareil avec ce chiffon et ensuite avec un chiffon sec.

- Veillez à ne pas mouiller le logement de la lampe ainsi que d'autres composants électriques.

- Nettoyez la porte avec un chiffon humide. Retirez tout le contenu pour enlever la porte et les supports de carrosserie. Retirez les supports de porte en les soulevant vers le haut. Nettoyez et séchez les étagères, puis refixez-les en les faisant glisser à partir du haut.

- N'utilisez pas d'eau contenant du chlore, ou des produits de nettoyage pour les surfaces externes et les pièces chromées de l'appareil. Le chlore entraîne la corrosion de ce type de surfaces métalliques.

- Il ne faut pas utiliser d'outils tranchants et abrasifs, de savon, de produits d'entretien

ménager, de détergents, de gaz, d'essence, de vernis et de substances similaires pour empêcher la déformation de la pièce en plastique et l'élimination des empreintes sur la pièce. Utilisez de l'eau chaude et un chiffon doux pour le nettoyage, puis séchez-le.

- Sur les produits sans fonction « No-Frost », des gouttelettes d'eau et un givre pouvant atteindre l'épaisseur d'un doigt peuvent se former sur la paroi arrière du compartiment congélateur. Ne nettoyez pas et n'appliquez jamais d'huiles ou de produits similaires.

- Utilisez un chiffon en microfibrilles légèrement humidifié pour nettoyer la surface extérieure du produit. Les éponges et autres types de vêtements de nettoyage peuvent provoquer des éraflures.

- Afin de nettoyer tous les composants amovibles pendant le nettoyage de la surface intérieure du produit, il faut laver ces composants avec une solution douce composée de savon, d'eau et de carbonate. Lavez et séchez soigneusement. Evitez le contact de l'eau avec les composants d'éclairage et le panneau de contrôle.



### ATTENTION :

N'utilisez pas de vinaigre, d'alcool à friction ni de produits nettoyants à base d'alcool sur les surfaces intérieures.

## 7.1 Surfaces extérieures en acier inoxydable

Utilisez un produit de nettoyage non abrasif pour l'acier inoxydable et appliquez-le avec un chiffon doux non pelucheux. Pour polir, essuyez doucement la surface avec un chiffon en microfibrilles humidifié à l'eau et utilisez une peau de chamois sèche. Suivez toujours les veines de l'acier inoxydable.

## 7.2 Nettoyage des produits avec des portes en verre

Enlevez le film de protection des lunettes. Il y a un revêtement sur la surface des verres. Ce revêtement minimise la formation de taches

et permet de nettoyer facilement les taches et les salissures qui se sont formées. Le verre qui n'est pas protégé par un revêtement peut être exposé à une liaison permanente de contaminants organiques ou inorganiques, à base d'air et d'eau, tels que le calcaire, les sels minéraux, les hydrocarbures imbrûlés, les oxydes métalliques et les silicones, qui provoquent facilement des taches et des dommages physiques en peu de temps. Gardez les verres propres devient très difficile, voire impossible, malgré le fait qu'ils soient nettoyés régulièrement. En conséquence, la transparence et l'apparence du verre se détériorent. Les méthodes et agents de nettoyage durs et abrasifs augmentent encore ces défauts et accélèrent le processus de détérioration.

Pour les processus de nettoyage de routine, \*des produits de nettoyage non alcalins et non corrosifs à base d'eau doivent être utilisés.

Afin de prolonger la durée de vie de ce revêtement, les substances alcalines et corrosives ne doivent pas être utilisées lors du nettoyage.

Un procédé de trempe est appliqué pour augmenter la résistance de ces verres aux chocs et à la casse.

En guise de précaution supplémentaire, un film de sécurité a été appliqué sur la surface arrière de ces lunettes pour éviter de nuire à l'environnement en cas de bris.

### 7.3 Prévention des odeurs

À sa sortie d'usine, cet appareil ne contient aucun matériau odorant. Cependant, la conservation des aliments dans des sections inappropriées et le mauvais nettoyage de l'intérieur peuvent donner lieu aux mauvaises odeurs.

Pour éviter cela, nettoyez l'intérieur à l'aide de carbonate dissout dans l'eau tous les 15 jours.

- Conservez les aliments dans des récipients fermés. Des micro-organismes peuvent se proliférer dans des récipients non fermés et émettre de mauvaises odeurs.
- Ne conservez pas d'aliments périmés ou avariés dans le réfrigérateur.



Le thé est l'un des désodorisants les plus efficaces. Placez la pulpe du thé infusé dans le produit à l'intérieur d'un récipient ouvert et retirez-la au plus tard au bout de 12 heures. Une fois que la pulpe de thé a été conservée dans le produit pendant plus de 12 heures, les organismes à l'origine de l'odeur s'y accumulent et peuvent être à l'origine de l'odeur elle-même.

### 7.4 Protection des surfaces en plastique

Si de l'huile se répand sur les surfaces en plastique, il faut immédiatement les nettoyer avec de l'eau tiède, sinon elles seront endommagées.



Vérifiez la liste suivante avant de contacter le service après-vente. Cela devrait vous éviter de perdre du temps et de l'argent. Cette liste répertorie les plaintes fréquentes ne provenant pas de vices de fabrication ou des défauts de pièces. Certaines fonctionnalités mentionnées dans ce manuel peuvent ne pas exister sur votre modèle.

### **Le réfrigérateur ne fonctionne pas.**

- La fiche électrique n'est pas correctement insérée. >>> Branchez-la en l'enfonçant complètement dans la prise.
- Le fusible branché à la prise qui alimente l'appareil ou le fusible principal est grillé. >>> Vérifiez les fusibles.

### **Condensation sur la paroi latérale du congélateur (MULTI ZONE, COOL, CONTROL et FLEXI ZONE).**

- La porte a été ouverte trop fréquemment >>> Évitez d'ouvrir trop fréquemment la porte de l'appareil.
- L'environnement est trop humide. >>> N'installez pas l'appareil dans des endroits humides.
- Les aliments contenant des liquides sont conservés dans des récipients non fermés. >>> Conservez ces aliments dans des emballages scellés.
- La porte de l'appareil est restée ouverte. >>> Ne laissez pas la porte de l'appareil ouverte longtemps.
- Le thermostat est réglé sur une température très froide
- . >>> Réglez le thermostat à la température appropriée.

### **Le compresseur ne fonctionne pas.**

- En cas de coupure soudaine de courant ou de débranchement intempestif, la pression du gaz dans le système de réfrigération de l'appareil n'est pas équilibrée, ce qui déclenche la fonction de conservation thermique du compresseur. L'appareil se remet en marche au bout de 6 minutes environ. Dans le cas contraire, veuillez contacter le service de maintenance.
- Le dégivrage est actif. >>> Ce processus est normal pour un appareil à dégivrage complètement automatique. Le dégivrage se déclenche périodiquement.
- L'appareil n'est pas branché. >>> Vérifiez que le cordon d'alimentation est connecté à la prise.
- Le réglage de la température est incorrect. >>> Sélectionnez le réglage de température approprié.
- Absence d'énergie électrique. >>> L'appareil continue de fonctionner normalement dès le retour du courant.

### **Le bruit du réfrigérateur en fonctionnement s'accroît pendant son utilisation.**

- Le rendement de l'appareil en fonctionnement peut varier en fonction des fluctuations de la température ambiante. Ceci est normal et ne constitue pas un dysfonctionnement.

### **Le réfrigérateur fonctionne fréquemment ou pendant de longues périodes.**

## Dépannage

- Il se peut que le nouvel appareil soit plus grand que l'ancien. Les appareils plus grands fonctionnent plus longtemps.
- La température de la pièce est peut-être trop élevée. >>> Il est normal que l'appareil fonctionne plus longtemps quand la température de la pièce est élevée.
- L'appareil vient peut-être d'être branché ou chargé de nouvelles denrées alimentaires. >>> L'appareil met plus longtemps à atteindre la température réglée s'il vient d'être branché ou récemment rempli de denrées. C'est normal.
- Il est possible que des quantités importantes d'aliments chauds aient été récemment placées dans l'appareil. >>> Ne mettez pas d'aliments chauds à l'intérieur de l'appareil.
- Les portes étaient ouvertes fréquemment ou sont restées longtemps ouvertes. >>> L'air chaud circulant à l'intérieur de l'appareil le fera fonctionner plus longtemps. N'ouvrez pas les portes trop fréquemment.
- Il est possible que la porte du congélateur soit entrouverte. >>> Vérifiez que les portes sont complètement fermées.
- L'appareil peut être réglé à une température trop basse. >>> Réglez la température à un degré supérieur et attendez que l'appareil atteigne la nouvelle température.
- Le joint de la porte du congélateur peut être sale, usé, cassé, ou mal positionné. >>> Nettoyez ou remplacez le joint d'étanchéité. Si le joint du congélateur est endommagé ou arraché, l'appareil prendra plus longtemps à conserver la température actuelle.

### **La température du congélateur est très basse, alors que celle du réfrigérateur est appropriée.**

- La température du compartiment congélateur est très basse. >>> Réglez la température du compartiment congélateur à un degré supérieur et vérifiez à nouveau.

### **La température du réfrigérateur est très basse, alors que celle du congélateur est appropriée.**

- La température du compartiment réfrigérateur est très basse. >>> Réglez la température du compartiment congélateur à un degré supérieur et vérifiez à nouveau.

### **Les aliments conservés dans le compartiment réfrigérateur sont congelés.**

- La température du compartiment réfrigérateur est très basse. >>> Réglez la température du compartiment congélateur à un degré supérieur et vérifiez à nouveau.

### **La température du compartiment réfrigérateur ou congélateur est très élevée.**

- La température du compartiment réfrigérateur est réglée à un degré très élevé. >>> Le réglage de la température du compartiment réfrigérateur a une incidence sur la température du compartiment congélateur. Attendez jusqu'à ce que la température des pièces correspondantes atteigne le niveau d'efficacité requis en changeant la température des compartiments réfrigérateur ou congélateur.
- Les portes étaient ouvertes fréquemment ou sont restées longtemps ouvertes. >>> N'ouvrez pas les portes trop fréquemment.
- La porte peut être entrouverte. >>> Fermez complètement la porte.
- L'appareil vient peut-être d'être branché ou chargé de nouvelles denrées alimentaires. >>> Cela est normal. L'appareil met plus longtemps à atteindre la température réglée s'il vient d'être branché ou récemment rempli de denrées.
- Il est possible que des quantités importantes d'aliments chauds aient été récemment placées dans l'appareil. >>> Ne mettez pas d'aliments chauds à l'intérieur de l'appareil.

### **En cas de vibrations ou de bruits.**

## Dépannage

- Le sol n'est pas assez solide et durable.  
>>> Si l'appareil balance lorsqu'il est déplacé doucement, ajustez les supports afin de le remettre en équilibre. Assurez-vous également que le sol est assez solide pour supporter l'appareil.
- Les éléments placés sur l'appareil peuvent être à l'origine du bruit. >>> Retirez tous les éléments placés sur l'appareil.

### **L'appareil émet un bruit d'écoulement de liquide ou de pulvérisation, etc.**

- Les principes de fonctionnement de l'appareil impliquent des écoulements de liquides et des émissions de gaz. >>> Ceci est normal et ne constitue pas un dysfonctionnement.

### **L'appareil émet un sifflement.**

- L'appareil effectue le refroidissement à l'aide d'un ventilateur. Ceci est normal et ne constitue pas un dysfonctionnement.

### **Il y a de la condensation sur les parois internes de l'appareil.**

- Un climat chaud ou humide accélère le processus de givrage et de condensation. Ceci est normal et ne constitue pas un dysfonctionnement.
- Les portes étaient ouvertes fréquemment ou sont restées longtemps ouvertes. >>> N'ouvrez pas les portes trop fréquemment ; fermez-les lorsqu'elles sont ouvertes.
- La porte peut être entrouverte. >>> Fermez complètement la porte.

### **Il y a de la condensation sur les parois externes ou entre les portes de l'appareil.**

- Il se peut que le climat ambiant soit humide, auquel cas cela est normal. >>> La condensation se dissipe lorsque l'humidité baisse.

### **Présence d'une odeur désagréable dans l'appareil.**

- L'appareil n'est pas nettoyé régulièrement.  
>>> Nettoyez régulièrement l'intérieur à l'aide d'une éponge, de l'eau tiède et du carbonate dissout dans l'eau.
- Certains récipients et matériaux d'emballage sont peut-être à l'origine des mauvaises odeurs.  
>>> Utilisez des récipients et des emballages exempts de toute odeur.
- Les aliments étaient placés dans des récipients ouverts. >>> Conservez les aliments dans des récipients fermés. Des micro-organismes peuvent se proliférer dans des récipients non fermés et causer des mauvaises odeurs.
- Retirez tous les aliments périmés ou avariés de l'appareil.

### **La porte ne se ferme pas.**

- Les paquets d'aliments peuvent bloquer la porte. >>> Déplacez tout ce qui bloque les portes.
- L'appareil ne se tient pas parfaitement droit sur le sol. >>> Ajustez les supports afin de remettre l'appareil en équilibre.
- Le sol n'est pas assez solide et durable.  
>>> Assurez-vous que le sol soit assez solide pour supporter l'appareil.

### **Le bac à légumes est bloqué.**

- Il est possible que les aliments soient en contact avec la section supérieure du bac. >>> Reclassez les aliments dans le bac.

### **En cas de présence d'une surface chaude sur le produit,**

- Une température élevée peut être observée entre deux portes, sur les panneaux latéraux et sur la zone du gril arrière lorsque votre produit est utilisé. C'est normal et cela ne nécessite pas d'entretien !

### **Le ventilateur continue de fonctionner lorsque la porte est ouverte.**

- Le ventilateur peut continuer à fonctionner lorsque la porte du congélateur est ouverte.



**AVERTISSEMENT :** Si le problème persiste même après observation des instructions contenues dans cette partie, contactez votre fournisseur ou un service de maintenance agréé. N'essayez pas de réparer vous-même l'appareil.

## CLAUSE DE NON-RESPONSABILITÉ / AVERTISSEMENT

Il est possible de remédier à certaines défaillances (simples) de manière adéquate par l'utilisateur final sans qu'il y ait de problème de sécurité ou d'utilisation dangereuse, à condition qu'elles soient effectuées dans les limites et conformément aux instructions suivantes (voir la section « Auto-réparation »).

Dès lors, sauf autorisation contraire dans la section « Auto-réparation » ci-dessous, les réparations doivent être adressées à des réparateurs professionnels agréés afin d'éviter les problèmes de sécurité. Un réparateur professionnel agréé est un réparateur professionnel à qui le fabricant a donné accès aux instructions et à la liste des pièces détachées de ce produit selon les méthodes décrites dans les actes législatifs en application de la directive 2009/125/CE.

**Par contre, tel que mentionné dans le manuel d'utilisation/carte de garantie, seul l'agent de service (c'est-à-dire les réparateurs professionnels agréés) que vous pouvez joindre au numéro de téléphone indiqué dans le manuel d'utilisation/carte de garantie ou par l'intermédiaire de votre revendeur agréé peut fournir un service dans le cadre des conditions de garantie. Par conséquent, veuillez noter que les réparations effectuées Beko par des réparateurs professionnels (qui ne sont pas autorisés par ) annuleront la garantie.**

### **Auto-réparation**

L'utilisateur final peut lui-même réparer les pièces de rechange ci-après : poignées de porte,

charnières de porte, plateaux, paniers et joints de porte (une liste mise à jour est également disponible à l'adresse [support.beko.com](http://support.beko.com) au 1er mars 2021).

En outre, pour garantir la sécurité du produit et éviter tout risque de blessure grave, l'autoréparation mentionnée doit être effectuée en suivant les instructions du manuel d'utilisation pour l'autoréparation ou qui sont disponibles dans [support.beko.com](http://support.beko.com) Pour votre sécurité, débranchez le produit avant de tenter toute autoréparation.

Les réparations et tentatives de réparation par les utilisateurs finaux pour les pièces ne figurant pas dans cette liste et/ou ne suivant pas les instructions des manuels d'utilisation pour l'autoréparation ou qui sont disponibles dans [support.beko.com](http://support.beko.com), pourrait donner lieu à des problèmes de sécurité non imputables à Beko, et annulera la garantie du produit.

Il est donc fortement recommandé aux utilisateurs finaux de s'abstenir de tenter d'effectuer des réparations ne figurant pas sur la liste des pièces de rechange mentionnée, en s'adressant dans ce cas à des réparateurs professionnels autorisés ou à des réparateurs professionnels agréés. Au contraire, de telles tentatives de la part des utilisateurs finaux peuvent causer des problèmes de sécurité et endommager le produit et, par la suite, provoquer un incendie, une inondation, une électrocution et des blessures corporelles graves.

Sans être exhaustives, les réparations suivantes par exemple doivent être effectuées par des personnes qualifiées : les réparateurs professionnels ou les réparateurs professionnels agréés : compresseur, circuit de refroidissement, carte mère, carte de convertisseur, carte d'affichage, etc.

Le fabricant/vendeur ne peut être tenu responsable dans tous les cas où les utilisateurs finaux ne se conforment pas à ce qui précède.

La disponibilité des pièces de rechange du réfrigérateur que vous avez acheté est de 10 ans.

Pendant cette période, des pièces de rechange originales seront disponibles pour faire fonctionner correctement le réfrigérateur.

La durée minimale de garantie du réfrigérateur que vous avez acheté est de 24 mois.

Cet appareil est doté d'une source d'éclairage de classe énergétique "G". Seuls des réparateurs qualifiés sont autorisés à procéder au remplacement de la source d'éclairage de cet appareil.





## **Frigider**

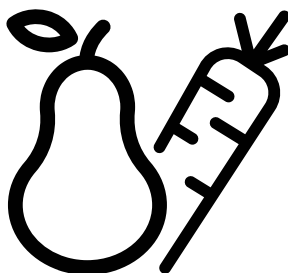
Manual de utilizare

## **Lodówka**

Instrukcja obsługi

## **Hladilnik**

Navodila za uporabo



RDNE650E40DZXBRN-RDNE650E40ZXBRN



**PL/RO/SL**  
58 5173 0000/AP-2/4 PL-RO-SL



PAPIER Z RECYKLINGU I  
NADAJĄCY SIĘ DO PONDWNEGO  
PRZETWORZENIA

**Drogi kliencie,**

**Przed użyciem produktu dokładnie przeczytaj instrukcję obsługi.**

Dziękujemy za wybranie produktu. Chcielibyśmy, abyś mógł wykorzystać optymalną wydajność tego wysokiej jakości produktu, który został wykonany przy użyciu najnowocześniejszej technologii. Aby to zrobić, przeczytaj uważnie niniejszą instrukcję i wszelkie inne dokumenty dostarczone z produktem, przed jego użyciem i zachowaj je.

Przeznaczaj wszystkie informacje i ostrzeżenia zawarte w instrukcji obsługi. W ten sposób zabezpieczysz siebie i swój produkt przed zagrożeniami, które mogą wystąpić.

Zachowaj instrukcję obsługi. W przypadku sprzedaży produktu należy dołączyć do niego instrukcję obsługi.

W tej instrukcji obsługi są używane następujące symbole:






 Zagrożenie, które może spowodować śmierć lub obrażenia.

**UWAGA** Zagrożenie, które może spowodować uszkodzenie produktu lub jego otoczenia

 Ważne informacje lub przydatne wskazówki dotyczące obsługi.

 Przeczytaj instrukcję obsługi.

 Ryzyko pożaru/materiały łatwopalne

 <b>INFORMATION</b>	
 <b>ENERGY</b> 	. Informacje o modelu zapisane w bazie danych produktów można uzyskać, wchodząc na następującą stronę internetową i wyszukując identyfikator modelu (*) znajdujący się na etykiecie efektywności energetycznej.  <a href="https://eprel.ec.europa.eu/">https://eprel.ec.europa.eu/</a>
<b>SUPPLIER'S NAME</b>  <b>MODEL IDENTIFIER</b>  (*)	



## **1- Instrukcje bezpieczeństwa 3**

-  1.1 Zastosowanie . . . . . 3
-  1.2 - Bezpieczeństwo dzieci, osób wymagających szczególnego traktowania i zwierząt domowych. . . . . 3
-  1.3 - Bezpieczeństwo elektryczne . . . . . 4
-  1.4 - Bezpieczeństwo transportu . . . . . 4
-  1.5 - Bezpieczeństwo podczas instalacji. . . . 4
-  1.6- Bezpieczeństwo podczas użytkowania . 5
-  1.7- Bezpieczeństwo podczas konserwacji i czyszczenia . . . . . 7
-  1.8- HomeWhiz. . . . . 7
-  1.9- Oświetlenie . . . . . 7

## **2 Instrukcja środowiskowa 8**

- 2.1 Zgodność z dyrektywą WEEE i utylizacja odpadowego produktu: . . . . . 8
- 2.2 Zgodność z dyrektywą RoHS . . . . . 8
- 2.3 Informacje o opakowaniu . . . . . 8

## **3 Twoja lodówka 9**

## **4 Instalacja 10**

- 4.1. Odpowiednie miejsce instalacji. . . . . 10
- 4.2 Do produktów z fontanną/kostkarką do lodu 10
- 4.3 Podkładanie plastikowych klinów . . . . . 10
- 4.4 Regulacja nóżek . . . . . 11
- 4.5 Podłączenie do prądu . . . . . 11

## **5 Przygotowanie 12**

- 5.1. Co robić, aby zaoszczędzić energię. . . . . 12
- 5.2 Pierwsze użycie. . . . . 12

## **6 Obsługa produktu 13**

- 6.1 Wyłączanie produktu. . . . . 13

## **6 Działanie produktu 14**

- 6.2 Panel wskaźników . . . . . 14
- 6.3 Pojemnik typu crispser z kontrolą wilgotności (EverFresh +). . . . . 16
- 6.4 Niebieskie światło/Harvest Fresh . . . . . 17
- 6.5 Moduł Anti-Odour . . . . . 18
- (FreshGuard) . . . . . 18

- 6.6 Pojemnik na lód . . . . . 19
- 6.7 Kostkarka do lodu . . . . . 19
- 6.8 Pojemnik na produkty mleczne (chłodnia) . . 19
- 6.9 Crisper . . . . . 20
- 6.10Crisper Separator . . . . . 20
- 6.11 Czyszczenie filtra etylenu . . . . . 20
- 6.12 Czyszczenie Crisper Separator . . . . . 21
- 6.13Korzystanie z wodotrysku. . . . . 22
- 6.14Napełnianie zbiornika dozownika wody. . . 22
- 6.15 Czyszczenie zbiornika wodotrysku . . . . . 22
- 6.16 Napełnianie zbiornika dozownika wody . . 23
- 6.17Czyszczenie zbiornika wodotrysku. . . . . 24
- 6.18Taca ociekowa . . . . . 24
- 6.19Zamrażanie świeżej żywności. . . . . 25
- 6.20Zalecenia dotyczące przechowywania mrożonek w zamrażarce . . . . . 25
- 6.21Informacje o głębokim zamrażaniu. . . . . 26
- 6.22 Rozmieszczanie żywności . . . . . 26
- 6.23Alarm otwarcia drzwi. . . . . 26
- 6.24 Lampa oświetleniowa . . . . . 26

## **7 Konserwacja i czyszczenie 27**

- 7.1 Powierzchnie zewnętrzne ze stali nierdzewnej27
- 7.2 Czyszczenie produktów ze szklanymi drzwiami27


## **7 Konserwacja i czyszczenie 28**


- 7.3 Zapobieganie nieprzyjemnym zapachom . . 28
- 7.4 Ochrona powierzchni z tworzywa sztucznego 28


## **8 Rozwiązywanie problemów 29**


# 1 Instrukcje bezpieczeństwa


- Ta część zawiera instrukcje bezpieczeństwa, które pomogą zabezpieczyć się przed ryzykiem obrażeń ciała lub szkód materialnych.
- Nasza firma nie ponosi odpowiedzialności za szkody, które mogą powstać w przypadku nieprzestrzegania instrukcji.

 Procedury instalacji i naprawy muszą być zawsze wykonywane przez producenta, autoryzowanego przedstawiciela serwisu lub wykwalifikowaną osobę wskazaną przez importera.

 Używaj tylko oryginalnych części i akcesoriów.

 Oryginalne części zamienne będą dostępne przez 10 lat od daty zakupu produktu.

 Nie naprawiaj ani nie wymieniaj żadnej części produktu, chyba że jest to wyraźnie określone w instrukcji obsługi.

 Nie wprowadzaj żadnych zmian technicznych w produkcie.

## 1.1 Zastosowanie

- Ten produkt nie nadaje się do użytku komercyjnego i należy go używać zgodnie z jego przeznaczeniem.

Ten produkt jest przeznaczony do stosowania w domach i pomieszczeniach.

Na przykład:

- Kuchnie dla personelu w sklepach, biurach i innych środowiskach pracy,
- Gospodarstwach agroturystycznych,
- Obszarach wykorzystywanych przez klientów w hotelach, motelach i innych rodzajach zakwaterowania,
- Hotelach typu bed&breakfast, pensjonatach,
- Cateringach i podobnych zastosowaniach niekomercyjnych.

Ten produkt nie powinien być używany na zewnątrz z lub bez namiotu nad nim, takiego jak łódki, balkony lub tarasy. Nie wystawiaj produktu na działanie deszczu, śniegu, słońca lub wiatru. Istnieje ryzyko pożaru!

## 1.2 - Bezpieczeństwo dzieci, osób wymagających szczególnego traktowania i zwierząt domowych

- Ten produkt może być używany przez dzieci w wieku 8 lat i starsze oraz przez osoby o ograniczonych zdolnościach fizycznych, sensorycznych lub umysłowych lub nieposiadających doświadczenia i wiedzy, pod warunkiem, że są nadzorowane lub przeszkolone w zakresie bezpiecznego użytkowania produktu i związanego z nim ryzyka.
- Dzieci w wieku od 3 do 8 lat mogą wkładać i wyciągać produkty chłodnicze.
- Produkty elektryczne są niebezpieczne dla dzieci i zwierząt domowych. Dzieci i zwierzęta nie mogą bawić się, wchodzić na produkt ani do niego.
- Dzieci nie powinny wykonywać czyszczenia i konserwacji urządzenia, chyba że są one nadzorowane przez kogoś.
- Trzymaj materiały opakowaniowe poza zasięgiem dzieci. Istnieje ryzyko obrażeń i uduszenia!
- Przed wyrzuceniem starego lub przestarzałego produktu:
  1. Odłącz produkt, chwytając za wtyczkę.
  2. Przetnij kabel zasilający i wyjmij go z urządzenia wraz z wtyczką
  3. Nie wyjmuj pótek ani szuflad, aby dzieciom trudno było wejść do produktu.

# Ważne instrukcje dotyczące bezpieczeństwa i środowiska

4. Zdejmij drzwi.

5. Produkt należy przechowywać w taki sposób, aby się nie przewrócił.

6. Nie pozwalaj dzieciom bawić się starym produktem.

- Nigdy nie wrzucaj produktu do ognia w celu utylizacji. Istnieje ryzyko wybuchu!
- Jeśli na drzwiach produktu znajduje się zamek, klucz należy przechowywać w miejscu niedostępnym dla dzieci.

## 1.3 - Bezpieczeństwo elektryczne

- Produkt musi być odłączony od zasilania podczas instalacji, konserwacji, czyszczenia, naprawy i przenoszenia.
- Jeśli kabel zasilający jest uszkodzony, musi go wymienić wykwalifikowana osoba wskazana przez producenta, autoryzowanego przedstawiciela serwisu lub importera, aby uniknąć potencjalnych zagrożeń.
- Nie ściskaj kabla zasilającego pod ani za produktem. Nie kładź ciężkich przedmiotów na kablu zasilającym. Kabel zasilający nie może być nadmiernie zgięty, ściśnięty ani zetknięty z żadnym źródłem ciepła.
- Do obsługi produktu nie należy używać przedłużaczy, gniazd wielozadaniowych ani adapterów.
- Przenośne gniazdko elektryczne lub przenośne źródła zasilania mogą się przegrzać i spowodować pożar. Dlatego nie należy trzymać wielu gniazdek za lub w pobliżu produktu.
- Wtyczka musi być łatwo dostępna. Jeśli nie jest to możliwe, instalacja elektryczna, do której podłączony jest produkt, musi zawierać urządzenie (takie jak bezpiecznik, wyłącznik, wyłącznik itp.), które jest zgodne z przepisami elektrycznymi i odłącza wszystkie bieguny od sieci.
- Nie dotykaj wtyczki mokrymi rękami.
- Wyjmij wtyczkę z gniazdko, chwytając za wtyczkę, a nie za kabel.
- Podczas ustawiania urządzenia upewnij się, że przewód zasilania nie jest przygnieciony lub uszkodzony.
- Nie umieszczaj wielu gniazdek przenośnych ani przenośnych zasilaczy z tyłu urządzenia.

## 1.4 - Bezpieczeństwo transportu

- Produkt jest ciężki; nie przenoś go sam.
- Podczas przenoszenia produktu nie trzymaj za drzwiczki.
- Uważaj, aby nie uszkodzić układu chłodzenia lub przewodów rurowych podczas transportu. Jeśli przewody rurowe są uszkodzone, nie należy obsługiwać produktu i wezwać autoryzowanego przedstawiciela serwisu.

## 1.5 - Bezpieczeństwo podczas instalacji

- Skontaktuj się z autoryzowanym agentem serwisowym w celu instalacji produktu. Aby przygotować produkt do użycia, sprawdź informacje w instrukcji obsługi, aby upewnić się, że instalacje elektryczne i wodne są odpowiednie. Jeśli nie są, skontaktuj się z wykwalifikowanym elektrykiem i hydraulikiem, aby dokonać niezbędnych ustaleń. W przeciwnym razie istnieje ryzyko porażenia prądem, pożaru, problemów z produktem lub obrażeń!
- Przed instalacją sprawdź, czy produkt nie ma żadnych wad. Jeśli produkt jest uszkodzony, nie należy go instalować.
- Umieść produkt na czystej, płaskiej i solidnej powierzchni i wyważ go za pomocą regulowanych nóżek. W przeciwnym razie produkt może się przewrócić i spowodować obrażenia.
- Miejsce instalacji musi być suche i dobrze wentylowane. Nie umieszczaj dywanów, chodników lub podobnych pod produktem. Niewystarczająca wentylacja powoduje ryzyko pożaru!
- Nie zakrywaj ani nie blokuj otworów wentylacyjnych. W przeciwnym razie zużycie energii wzrośnie, a produkt może ulec uszkodzeniu.
- Produktu nie wolno podłączać do systemów zasilania, takich jak źródła energii słonecznej. W przeciwnym razie produkt może ulec uszkodzeniu na skutek nagłych zmian napięcia!
- Im więcej czynnika chłodniczego zawiera lodówka, tym większe musi być miejsce instalacji. Jeśli miejsce instalacji jest zbyt małe,

# Ważne instrukcje dotyczące bezpieczeństwa i środowiska

w przypadku wycieku czynnika chłodniczego w układzie chłodzenia gromadzi się łatwopalny czynnik chłodniczy i mieszanka powietrza.

Wymagana przestrzeń na każde 8 g czynnika chłodniczego wynosi minimum 1 m<sup>3</sup>. Ilość czynnika chłodniczego w produkcie jest podana na etykiecie typu.

- Produktu nie wolno instalować w miejscach narażonych na bezpośrednie działanie promieni słonecznych i należy go trzymać z dala od źródeł ciepła, takich jak płyty grzejne, grzejniki itp.

Jeśli nie da się zainstalować produktu w pobliżu źródła ciepła, należy zastosować odpowiednią płytę izolacyjną pomiędzy nimi i zachować następujące minimalne odległości do źródła ciepła:

- Co najmniej 30 cm od źródeł ciepła, takich jak płyty grzejne, piekarniki, urządzenia grzewcze lub piece,

- Minimum 5 cm od piekarników elektrycznych.

- Klasa ochrony Twojego produktu to Typ I. Podłącz produkt do uziemionego gniazda, które odpowiada wartościom napięcia, prądu i częstotliwości podanym na etykiecie typu produktu. Gniazdko musi być wyposażone w wyłącznik automatyczny 10 A - 16 A. Nasza firma nie ponosi odpowiedzialności za jakiegokolwiek szkody powstałe podczas użytkowania produktu bez uziemienia i podłączenia elektrycznego zgodnie z lokalnymi i krajowymi przepisami.
- Produkt nie może być podłączony podczas instalacji. W przeciwnym razie istnieje ryzyko porażenia prądem i obrażeń!
- Nie podłączaj produktu do gniazd, które są luźne, zwichnięte, złamane, brudne, tłuste lub narażone na kontakt z wodą.
- Poprowadź kabel zasilający i węże (jeśli występują) produktu w taki sposób, aby nie powodowały ryzyka potknięcia się.
- Wystawienie części pod napięciem lub kabla zasilającego na działanie wilgoci może spowodować zwarcie. Dlatego nie należy instalować produktu w miejscach takich jak garaże lub pralnie, w których wilgotność jest wysoka lub woda może pryskać. Jeśli lodówka zostanie zamoczona wodą, odłącz ją od zasilania i skontaktuj się z autoryzowanym serwisem.
- Nigdy nie podłączaj lodówki do urządzeń oszczędzających energię. Takie systemy są szkodliwe dla twojego produktu.



## 1.6- Bezpieczeństwo podczas użytkowania

- Nigdy nie używaj rozpuszczalników chemicznych na produkcie. Istnieje ryzyko wybuchu!
- Jeśli produkt działa wadliwie, odłącz go od zasilania i nie uruchamiaj go, dopóki nie zostanie naprawiony przez autoryzowanego przedstawiciela serwisu. Istnieje ryzyko porażenia prądem!
- Nie umieszczaj źródeł ognia (zapalonych świec, papierosów itp.) na produkcie lub w jego pobliżu.
- Nie wchodzić na produkt. Istnieje ryzyko upadku i odniesienia obrażeń!
- Nie uszkadzaj rur układu chłodzenia ostrymi lub penetrującymi przedmiotami. Czynnik chłodniczy, który może wydostać się po przebicciu rur czynnika chłodniczego, przedłużyć rur lub powłok powierzchniowych, powoduje podrażnienia skóry i obrażenia oczu.
- O ile nie jest to zalecane przez producenta, nie należy umieszczać ani używać urządzeń elektrycznych wewnątrz lodówki/zamrażarki.
- Uważaj, aby nie przytrzasnąć dłoni ani żadnej innej części ciała ruchomym częścią lodówki. Uważaj, aby nie przycisnąć palców między drzwiami a lodówką. Zachowaj ostrożność podczas otwierania i zamykania drzwi, szczególnie jeśli w pobliżu znajdują się dzieci.
- Nigdy nie jedz lodów, kostek lodu ani mrożonek zaraz po wyjęciu ich z lodówki. Istnieje ryzyko odmrożenia!
- Kiedy masz mokre ręce, nie dotykaj wewnętrznych ścianek, metalowych części zamrażarki ani przechowywanych w niej potraw. Istnieje ryzyko odmrożenia!
- Nie umieszczaj puszek lub butelek zawierających napoje gazowane lub płyny do zamrażania w komorze zamrażarki. Puszki i butelki mogą pęknąć. Istnieje ryzyko obrażeń i szkód materialnych!
- Nie umieszczaj ani nie używaj łatwopalnych aerozoli, łatwopalnych materiałów, suchego

# Ważne instrukcje dotyczące bezpieczeństwa i środowiska

- lodu, substancji chemicznych lub podobnych wrażliwych na ciepło materiałów w pobliżu lodówki. Istnieje ryzyko pożaru i wybuchu!
- Nie przechowuj w swoim urządzeniu materiałów wybuchowych zawierających materiały łatwopalne, takie jak puszki aerozolowe.
  - Nie umieszczaj pojemników wypełnionych płynem na produkcie. Rozpryskiwanie wody na część elektryczną może spowodować porażenie prądem lub ryzyko pożaru.
  - Ten produkt nie jest przeznaczony do przechowywania leków, osocza krwi, preparatów laboratoryjnych lub podobnych substancji medycznych i produktów podlegających dyrektywie w sprawie produktów medycznych.
  - Używanie produktu niezgodnie z jego przeznaczeniem może spowodować uszkodzenie lub zepsucie przechowywanych w nim produktów.
  - Jeśli Twoja lodówka jest wyposażona w niebieskie światło, nie patrz na to światło za pomocą narzędzi optycznych. Nie patrz się bezpośrednio w lampę UV LED. Światło ultrafioletowe może powodować zmęczenie oczu.
  - Nie przeciążaj produktu. Przedmioty w lodówce mogą spaść po otwarciu drzwi, powodując obrażenia lub uszkodzenia. Podobne problemy mogą pojawić się, jeśli jakikolwiek przedmiot zostanie umieszczony na produkcie.
  - Aby uniknąć obrażeń, upewnij się, że wyczyściłeś cały lód i wodę, które mogły spaść lub rozpryskiwać się na podłodze.
  - Zmień położenie półek / uchwytów na butelki w drzwiach lodówki tylko wtedy, gdy są puste. Istnieje ryzyko obrażeń!
  - Nie kładź na produkcie przedmiotów, które mogą spaść / przewrócić się. Przedmioty takie mogą spaść, gdy drzwi są otwarte, powodując obrażenia i / lub szkody materialne.
  - Nie uderzaj ani nie wywieraj nadmiernej siły na szklane powierzchnie. Rozbite szkło może spowodować obrażenia i / lub szkody materialne.
  - Układ chłodzenia twojego produktu zawiera czynnik chłodniczy R600a: Rodzaj czynnika chłodniczego zastosowanego w produkcji jest wskazany na etykiecie typu. Ten czynnik chłodniczy jest łatwopalny. Dlatego należy uważać, aby nie uszkodzić układu chłodzenia lub przewodów rurowych podczas korzystania z produktu. Jeśli przewody rurowe są uszkodzone:
    - Nie dotykaj produktu ani kabla zasilającego,
    - Trzymaj się z dala od potencjalnych źródeł ognia, które mogą spowodować zapalenie się produktu.
    - Przewietrz miejsce, w którym znajduje się produkt. Nie używaj wentylatorów.
    - Zadzwoń do autoryzowanego przedstawiciela serwisu.
  - Jeśli produkt jest uszkodzony i zobaczysz wyciek czynnika chłodniczego, trzymaj się od niego z dala. Czynnik chłodniczy może powodować odmrożenia w przypadku kontaktu ze skórą.

## Do produktów z dozownikiem wody/maszyną do lodu

- Używaj tylko wody pitnej. Nie napełniaj zbiornika wody płynami, takimi jak sok owocowy, mleko, napoje gazowane lub napoje alkoholowe, które nie nadają się do użycia w dozowniku wody.
- Istnieje ryzyko dla zdrowia i bezpieczeństwa!
- Nie pozwalaj dzieciom bawić się dystrybutorem wody lub automatem do lodu (Icematic), aby uniknąć wypadków lub obrażeń.
- Nie wkładaj palców ani innych przedmiotów do otworu dozownika wody, kanału wody lub pojemnika na maszynę do lodu. Istnieje ryzyko obrażeń lub szkód materialnych!

## 1.7- Bezpieczeństwo podczas konserwacji i czyszczenia

- Nie ciągnij za uchwyt drzwi, jeśli chcesz przenieść produkt w celu wyczyszczenia. Uchwyt może pęknąć i spowodować obrażenia, jeśli wywierzesz na niego nadmierną siłę.
- Nie należy rozpylać ani wylewać wody na produkt ani do środka w celu czyszczenia. Istnieje ryzyko pożaru i porażenia prądem!
- Do czyszczenia produktu nie używaj ostrych ani szorstkich narzędzi. Nie używaj domowych środków czyszczących, detergentów, gazu, benzyny, rozcieńczalników, alkoholu, lakierów itp.
- Używaj tylko środków czyszczących i konserwujących wewnątrz produktu, które nie są szkodliwe dla żywności.
- Nigdy nie używaj pary lub środków wspomagających parę do czyszczenia lub rozmrażania produktu. Para ma kontakt z częściami pod napięciem w lodówce, powodując zwarcie lub porażenie prądem!
- Upewnij się, że woda nie przedostaje się do obwodów elektronicznych ani elementów oświetleniowych produktu.
- Za pomocą czystej i suchej szmatki wytrzyj ciała obce lub kurz z kołków wtyczki. Nie używaj mokrej lub wilgotnej szmatki do czyszczenia wtyczki. Istnieje ryzyko pożaru i porażenia prądem!

## 1.8- HomeWhiz (Funkcja jest opcjonalna)

- Podczas obsługi produktu za pośrednictwem aplikacji HomeWhiz należy przestrzegać ostrzeżeń dotyczących bezpieczeństwa, nawet gdy jesteś z dala od produktu. Musisz także przestrzegać ostrzeżeń zawartych w aplikacji.

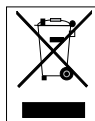
## 1.9- Oświetlenie

- Skontaktuj się z autoryzowanym serwisem, gdy konieczna jest wymiana diody LED/żarówki używanej do oświetlenia.

## 2 Instrukcja środowiskowa

### 2.1 Zgodność z dyrektywą WEEE i utylizacja odpadowego produktu:

Ten produkt jest zgodny z Dyrektywą EU WEEE (2012/19/EU). Produkt nosi symbol klasyfikacyjny dla zużytego sprzętu elektrycznego i elektronicznego (WEEE).



Oznaczenie to wskazuje, że produkt ten nie powinien być utylizowany z innymi odpadkami domowymi po zakończeniu eksploatacji. Zużyte urządzenie należy zwrócić do oficjalnego punktu skupu i recyklingu urządzeń elektrycznych i elektronicznych.

Aby znaleźć te punkty skupu, skontaktuj się z lokalnymi władzami lub sprzedawcą, u którego zakupiono urządzenie. Każde gospodarstwo domowe odgrywa ważną rolę w odzyskiwaniu i recyklingu starego urządzenia. Właściwa utylizacja zużytego urządzenia pomaga zapobiegać potencjalnym negatywnym konsekwencjom dla środowiska i zdrowia ludzi.

### 2.2 Zgodność z dyrektywą RoHS

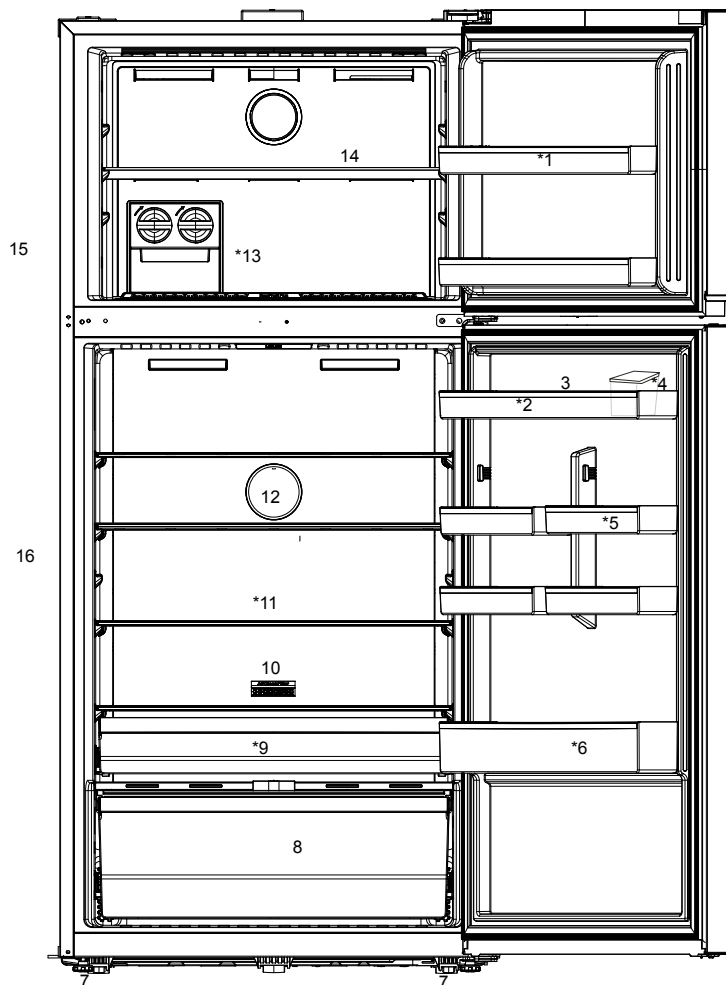
Ten produkt jest zgodny z Dyrektywą RoHS (2011/65/EU). Nie zawiera on szkodliwych ani zakazanych materiałów wymienionych w dyrektywie.

### 2.3 Informacje o opakowaniu



Materiały opakowaniowe są wyprodukowane z materiałów nadających się do recyklingu zgodnie z krajowymi przepisami środowiskowymi. Materiałów opakowaniowych nie należy wyrzucać wraz z normalnymi odpadami domowymi itp. Należy je dostarczyć do punktów odbioru materiałów opakowaniowych wyznaczonych przez władze lokalne.

### 3 Twoja lodówka



- 1- Półki w drzwiach komora zamrażarki
- 2- Półki w drzwiach komory chłodziarki
- 3- Pojemnik na jajka
- 4- Dozownik wody
- 5- Małe półki w drzwiach komory chłodziarki
- 6- Półka na butelki
- 7- Regulowane nóżki
- 8- Crisper, Crisper separator i filtr etylenu
- 9- Pojemnik na produkty mleczne (chłodnia)
- 10- Filtr
- 11- Szklane półki
- 12- Wentylator
- 13- Automat do lodu
- 14- Szklana półka komory zamrażarki
- 15- Komora zamrażarki
- 16- Komora chłodziarki



\*Opcjonalne: Rysunki w tej instrukcji obsługi są schematyczne i mogą nie pasować dokładnie do konkretnego produktu. Jeśli posiadany produkt nie zawiera odpowiednich części, informacje dotyczą innych modeli.



## 4 Instalacja

### 4.1. Odpowiednie miejsce instalacji

Produkt wymaga odpowiedniej cyrkulacji powietrza, aby mógł działać skutecznie. Jeśli produkt zostanie umieszczony we wnęce, pamiętaj o pozostawieniu co najmniej 5 cm odstępu między produktem a sufitem, ścianą tylną i ścianami bocznymi.

Jeśli produkt zostanie umieszczony we wnęce, pamiętaj o pozostawieniu co najmniej 5 cm odstępu między produktem a sufitem, ścianą tylną i ścianami bocznymi. Sprawdź, czy element zabezpieczający tylną ścianę znajduje się na swoim miejscu (jeśli został dostarczany z produktem). Jeśli element nie jest dostępny lub został zgubiony, lub upadł, ustaw produkt w taki sposób, aby pozostawić przynajmniej 5 cm odstępu między przestrzenią za produktem a ścianami. Odstęp z tyłu jest ważny dla efektywnego działania produktu.

### 4.2 Do produktów z fontanną/ kostką do lodu

- Należy używać zestawów węży dostarczonych z produktem. Nie używać starych zestawów węży. Nie przedłużać węży!

- Produkt podłączać zawsze do wlotu zimnej wody. Nie wolno podłączać urządzenia do przyłącza wody gorącej. Ciśnienie wlotowe zimnej wody nie może przekraczać 80 psi (550 kPa). Jeśli ciśnienie wody przekracza 80 psi lub ma wpływ na wodę należy zastosować w instalacji zasilającej zawór ograniczający ciśnienie. Jeśli nie wiesz, jak kontrolować ciśnienie wody, poproś o pomoc wykwalifikowanych hydraulików.

Wysokie ciśnienie może spowodować uszkodzenie połączeń węży i stwarzać ryzyko zalania.

- Należy podjąć środki ostrożności zapobiegające ryzyku zamarznięcia przewodów giętkich. Temperatury robocze powinny mieścić się w zakresie od 33°F (0,6°C) minimum do 100°F (38°C) maksimum. W przypadku pęknięcia/przedziurawienia węża istnieje ryzyko zalania.



**OSTRZEŻENIE:** Do połączeń elektrycznych nie należy używać przedłużaczy ani listew zasilających.



**OSTRZEŻENIE:** Producent nie bierze odpowiedzialności za jakiegokolwiek uszkodzenia spowodowane przez prace wykonane przez nieuprawnione osoby.



**OSTRZEŻENIE:** Podczas instalacji kabel zasilania produktu musi być odłączony. Niespełnienie tego warunku może doprowadzić do śmierci lub poważnych obrażeń!

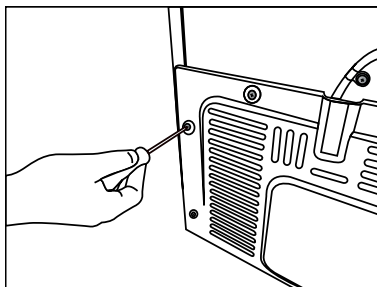


**OSTRZEŻENIE:** : Jeśli otwór drzwiowy jest za wąski i produkt się nie mieści, zdejmij drzwi i obróć produkt na bok, a jeśli i to nie pomoże, skontaktuj się z autoryzowanym serwisem.

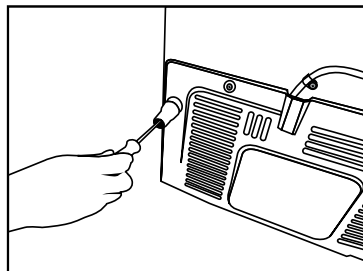
- Produkt należy umieścić na płaskiej powierzchni, aby uniknąć wibracji.
- Produkt należy umieścić w odległości przynajmniej 30cm od grzejnika, kuchenki i podobnych źródeł ciepła i przynajmniej 5cm od piekarników elektrycznych.
- Produktu nie należy narażać na działanie bezpośredniego światła słonecznego ani trzymać w wilgotnym otoczeniu.
- Do skutecznego działania produkt wymaga odpowiedniej cyrkulacji powietrza. Jeśli produkt zostanie umieszczony w niszy, należy pamiętać o zostawieniu przynajmniej 5 cm odstępu między produktem oraz sufitem i ścianami.

### 4.3 Podkładanie plastikowych klinów

Za pomocą plastikowych klinów należy ustawić odpowiedni odstęp między produktem i ścianą na cyrkulację powietrza.



1. Aby zamocować kliny, odkręć wkręty z produktu i użyj wkrętów dostarczanych wraz z klinami.

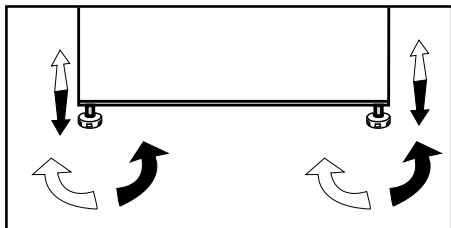


## Instalacja

2. Zamocuj 2 plastikowe kliny w osłonie wentylacyjnej jak pokazano na rysunku.

### 4.4 Regulacja nóżek

Jeśli produkt nie znajduje się w równowadze, dostosuj przednie regulowane nóżki, obracając je w prawo lub w lewo.



### 4.5 Podłączenie do prądu



**OSTRZEŻENIE:** Do połączeń elektrycznych nie należy używać przedłużaczy ani listew zasilających.



**OSTRZEŻENIE:** Uszkodzony kabel zasilania musi zostać wymieniony przez autoryzowany serwis.

- Nasza firma nie ponosi żadnej odpowiedzialności za jakiegokolwiek szkodę wynikłe z używania bez połączenia uziemienia i zasilania odpowiadających przepisom krajowym.
- Po instalacji wtyk zasilania powinien być łatwo dostępny.



**Ostrzeżenie o gorących powierzchniach!**  
Ściany boczne produktu są wyposażone w chłodniejsze rury, aby usprawnić system chłodzenia. Płyn pod wysokim ciśnieniem może przepływać przez te powierzchnie i je nagrzewać. Jest to zjawisko normalne i nie wymaga żadnej obsługi technicznej. Zachować ostrożność podczas kontaktu z tymi obszarami.

## 5 Przygotowanie



Najpierw należy przeczytać rozdział „Instrukcje bezpieczeństwa”

### 5.1. Co robić, aby zaoszczędzić energię



Podłączenie produktu do elektronicznych układów oszczędzania energii jest szkodliwe, ponieważ może uszkodzić produkt.

- Urządzenie wolnostojące: Chłodziarka nie jest przeznaczona do zabudowy.
- Nie wolno pozostawiać otwartych drzwi lodówki przez długi czas.
- Do lodówki nie wolno wkładać gorącej żywności ani napojów.
- Nie wolno przepelniać lodówki – blokowanie wewnętrznego przepływu powietrza zmniejsza wydajność chłodzenia.
- W zależności od funkcji produktu odmrażanie zamrożonej żywności w komorze chłodziarki zapewni oszczędność energii i zachowanie jakości żywności.
- Ponieważ gorące i wilgotne powietrze nie przedostaje się bezpośrednio do produktu, gdy drzwiczki nie są otwarte, produkt zoptymalizuje się w warunkach wystarczających do ochrony żywności. Funkcje i komponenty, takie jak sprężarka, wentylator, grzałka, odszranianie, oświetlenie, wyświetlacz i tak dalej, będą działać zgodnie z potrzebą minimalnego zużycia energii w takich okolicznościach.
- Aby zapewnić oszczędność energii i przechowywanie żywności w lepszych warunkach, należy ją przechowywać w szufladach wewnątrz komory chłodziarki.

### 5.2 Pierwsze użycie

Przed użyciem lodówki należy się upewnić, że zostały wykonane niezbędne przygotowania podane w rozdziałach „Instrukcje dotyczące bezpieczeństwa i środowiska” oraz „Instalacja”.

- Włączone urządzenie bez żywności wewnątrz należy pozostawić na 12 godzin i nie otwierać drzwi, o ile nie jest to bezwzględnie konieczne.



Będzie słychać dźwięk włączenia sprężarki. Dźwięki wydobywające się, gdy sprężarka nie jest aktywna, to normalne zjawisko spowodowane przez sprężone płyny i gazy w układzie chłodzenia.



Normalnym zjawiskiem jest nagrzewanie się przednich krawędzi lodówki. Te obszary nagrzewają się celowo, aby zapobiec kondensacji.



W niektórych modelach panel wskaźników wyłączy się automatycznie po 1 minutach od zamknięcia drzwi. Panel włączy się ponownie po otwarciu drzwi lub naciśnięciu dowolnego przycisku.

## 6 Obsługa produktu

- W celu przyspieszenia rozmrażania nie należy używać żadnych narzędzi mechanicznych ani innych narzędzi niż zalecane przez producenta.
- Nie używać części lodówki, takich jak drzwiczki lub szuflady, jako podpory lub stopnia. Może to spowodować przewrócenie się produktu lub uszkodzenie jego elementów.
- Produkt powinien być używany jedynie do przechowywania żywności.
- Zakręć zawór wody, jeśli będziesz poza domem (np. na wakacjach) i nie będziesz używać kostkarki ani dystrybutora wody przez dłuższy czas. W przeciwnym razie woda może zacząć wyciekać.

### 6.1 Wyłączenie produktu

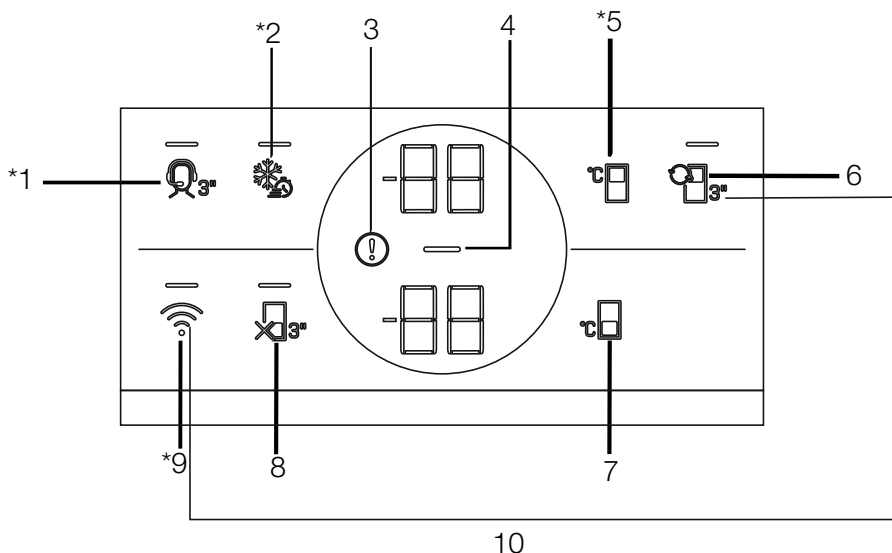
- Jeśli produkt nie będzie używany przez dłuższy czas należy:
  - odłączyć go,
  - wyjąć żywność, aby zapobiec powstawaniu brzydkich zapachów,
  - poczekać, aż lód się rozmrozi,
  - wyczyścić wnętrze i poczekać, aż wyschnie,
  - pozostawić drzwiczki otwarte, aby zapobiec uszkodzeniu wewnętrznych elementów plastikowych.

## 6 Działanie produktu

### 6.2 Panel wskaźników

Panele wskaźników mogą się różnić w zależności od modelu produktu.

Funkcje dźwiękowe i optyczne panelu wskaźników pomagają korzystać z lodówki.



- 1- Przycisk usługi pomocy technicznej
- 2- Przycisk funkcji szybkiego zamrażania/Przycisk ustawiania funkcji oświetlenia uchwyty
- 3- Wskaźnik stanu błędu
- 4- Wskaźnik funkcji oszczędzania energii (wyłączenie wyświetlacza)
- 5- Przycisk regulacji temperatury komory chłodziarki
- 6- Przycisk konwersji przedziału
- 7- Przycisk regulacji temperatury komory chłodziarki
- 8- Przycisk WYŁĄCZENIA komory chłodzącej (wakacje)
- 9- Przycisk sieci bezprzewodowej
- 10- Przycisk resetowania ustawień połączenia bezprzewodowego

#### 1. Przycisk usługi pomocy technicznej

Naciśnij przycisk przez 3 sekundy, aby aktywować usługę wsparcia. Szczegółowe informacje na temat usługi wsparcia znajdują się w sekcji „Funkcja pomocy technicznej”.

#### 2. Przycisk funkcji szybkiego zamrażania

Po naciśnięciu klawisza szybkiego zamrażania dioda na klawiszu zaświeci się i funkcja szybkiego


zamrażania zostanie aktywowana. Temperatura komory zamrażania jest ustawiona na  $-27^{\circ}\text{C}$ . Ponowne naciśnięcie tego przycisku wyłączy tę funkcję. Funkcja szybkiego zamrażania zostanie automatycznie anulowana po 52 godzinach. Aby zamrozić dużą ilość świeżej żywności, naciśnij przycisk szybkiego zamrażania przed umieszczeniem żywności w komorze zamrażania.




\*Opcjonalne: Rysunki w tej instrukcji obsługi są schematyczne i mogą nie pasować dokładnie do konkretnego produktu. Jeśli posiadany produkt nie zawiera odpowiednich części, informacje dotyczą innych modeli.

## Korzystanie z produktu

### \*Przycisk ustawiania funkcji oświetlenia uchwyty

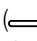
Funkcję oświetlenia uchwyty można przełączać między trybem otwartym i zamkniętym, naciskając przycisk szybkiego zamrażania (  ) i przytrzymując go przez 3 sekundy. W trybie zamkniętym lampka kontrolna uchwyty włącza się tylko wtedy, gdy drzwiczki urządzenia są otwarte i gaśnie po chwili od zamknięcia drzwiczek. W trybie otwartym lampka kontrolna uchwyty jest włączana po otwarciu drzwiczek urządzenia, a po zamknięciu drzwiczek lampka kontrolna pozostaje słabo włączona. Funkcja oświetlenia uchwyty jest ustawiona fabrycznie na tryb zamknięty.

### 3. Wskaźnik stanu błędu

Ten wskaźnik (  ) będzie aktywny, gdy lodówka nie może zapewnić odpowiedniego chłodzenia lub w przypadku jakiegokolwiek błędu czujnika. Na wskaźniku temperatury komory zamrażania wyświetla się „E”, a na wskaźniku temperatury komory chłodniczej wyświetlane są liczby 1, 2, 3... Liczby te dostarczają autoryzowanemu serwisowi informacji na temat zaistniałego błędu.

Wykrzyknik może zostać wyświetlony po włożeniu żywności do komory zamrażarki lub pozostawieniu otwartych drzwi przez dłuższy czas. To nie jest usterka, ostrzeżenie zniknie po ostygnięciu potrawy lub po naciśnięciu dowolnego przycisku.

### 4. Wskaźnik funkcji oszczędzania energii (wyłączenie wyświetlacza)

Funkcja oszczędzania energii włącza się automatycznie, a symbol oszczędzania energii (  ) pojawia się na ekranie, gdy drzwi urządzenia nie są otwierane lub zamykane przez pewien czas. Gdy funkcja oszczędzania energii jest aktywna, wszystkie symbole na wyświetlaczu, oprócz symbolu oszczędzania energii, wyłączą się. Gdy funkcja oszczędzania energii jest aktywna, naciśnięcie dowolnego przycisku lub otwarcie drzwi spowoduje jej wyłączenie i sygnały na wyświetlaczu powrócą do normalnego stanu. Funkcja oszczędzania energii jest funkcją aktywowaną fabrycznie i nie można jej anulować.

### 5. Przycisk regulacji temperatury komory chłodziarki

Ustawiana jest temperatura dla chłodziarki. Naciśnięcie tego przycisku umożliwia ustawienie temperatury w komorze zamrażarki na -15, -16, -18, -19, -20, -22, -24°C.

### 6. Przycisk konwersji przedziału

Naciśnięcie przycisku konwersji komory zostanie naciśnięty przez 3 sekundy, komora zamrażarki przełącza się odpowiednio między trybami chłodzenia, wyłączenia i zamrażania. Gdy pracuje jako komora chłodząca, temperatura komory może być ustawiona w przedziale od 8°C do 1°C. W trybie WYŁĄCZENIA wskaźnik temperatury w komorze powinien wskazywać „- -”.

### 7. Przycisk regulacji temperatury komory chłodziarki

Ustawienie temperatury chłodziarki. Naciśnięcie tego przycisku umożliwia ustawienie temperatury w chłodziarce w przedziale od 8 do 1°C.

### 8. Przycisk WYŁĄCZENIA komory chłodzącej (wakacje)


Naciśnij przycisk przez 3 sekundy, aby włączyć tryb wakacji. Tryb wakacyjny jest aktywny i świeci się dioda na przycisku. Na wskaźniku temperatury komory chłodzącej powinien pojawić się symbol „- -”, a komora chłodząca nie ma włączonego aktywnego chłodzenia. Gdy ta funkcja jest aktywna, nie wolno przechowywać żywności w komorze chłodzenia. Pozostałe komory zamrażarki będą nadal chłodzić zgodnie z ustawioną temperaturą. Naciśnij przycisk przez 3 sekundy, aby wyłączyć tę funkcję.

### 9. Przycisk sieci bezprzewodowej

Przycisk ten służy do nawiązywania połączenia bezprzewodowego urządzenia za pośrednictwem aplikacji mobilnej HomeWhiz.

## Korzystanie z produktu

Naciśnięcie przycisku przez dłuższy czas (3 sekundy) sprawia, że symbol połączenia bezprzewodowego na wyświetlaczu/ekranie miga powoli (co 0,5 sekundy). Produkt łączy się z siecią domową.

Po nawiązaniu połączenia symbol () świeci się cały czas.

Po nawiązaniu połączenia możesz je włączyć/wyłączyć naciśnięciem przycisku. Ikona wireless będzie szybko migać (co 0,2 sekundy), aż do nawiązania połączenia. Gdy połączenie jest aktywne, symbol sieci bezprzewodowej powinien świecić się cały czas.



Jeśli nie można nawiązać połączenia przez długi czas, sprawdź ustawienia połączenia i zapoznaj się z częścią „Rozwiązywanie problemów” w instrukcji obsługi.

Do połączenia bezprzewodowego należy używać aplikacji HomeWhiz. Kroki instalacji są opisane w aplikacji.

Dostęp do aplikacji można uzyskać, odczytując kod QR dostępny na etykiecie HomeWhiz na produkcie. Aplikacja jest dostępna w App Store dla urządzeń iOS oraz Play Store dla urządzeń z systemem Android.

Aby uzyskać szczegółowe informacje, odwiedź <https://www.homewhiz.com/>.

### 10. Przycisk resetowania ustawień połączenia bezprzewodowego

Aby zresetować ustawienia połączenia bezprzewodowego, naciśnij jednocześnie przyciski Szybkie zamrażanie () i połączenie bezprzewodowe () i przytrzymaj przez 3 sekundy. Wszystkie zapisane wcześniej informacje o użytkowniku są usuwane z urządzenia, w przypadku, gdy ustawienia połączenia bezprzewodowego są resetowane/przywracane do domyślnych ustawień fabrycznych.

## 6.3 Pojemnik typu crisper z kontrolą wilgotności (EverFresh +)

### (Opcjonalne)

Dzięki pojemnikowi typu crisper z kontrolowaną wilgotnością warzywa i owoce można przechowywać przez dłuższy czas w środowisku o idealnej wilgotności. Dzięki systemowi ustawiania wilgotności z 3 opcjami przed pojemnikiem, możesz kontrolować wilgotność wewnątrz komory zgodnie z przechowywaną żywnością. Zalecamy przechowywanie żywności, wybierając opcję warzyw, gdy przechowujesz tylko warzywa, opcję owoców, gdy przechowujesz tylko owoce i opcję mieszaną, gdy przechowujesz żywność mieszaną. Zalecamy, aby warzywa i owoce nie były przechowywane w workach, aby wydłużyć okres przechowywania żywności i lepiej wykorzystać system kontroli wilgotności. Pozostawianie warzyw w workach z tworzywa sztucznego spowoduje ich szybsze popsucie się. Zalecamy, aby w szczególności ogórki i brokuły nie były przechowywane w zamkniętych workach. W sytuacjach, w których kontakt z innymi warzywami jest niekorzystny, użyj materiałów opakowaniowych, takich jak papier, który posiada pewną porowatość.

Podczas umieszczania warzywa, umieść ciężkie i twarde warzywa na dole i lekkie i miękkie na górze.

Nie wkładaj owoców produkujących dużo etylenu, takich jak gruszki, morele, brzoskwinie, a zwłaszcza jabłka, do tego samego pojemnika, co inne warzywa i owoce. Gaz etylenowy pochodzący z tych owoców może spowodować szybsze dojrzewanie innych warzyw i owoców oraz ich szybsze psucie się.

### 6.4 Niebieskie światło/Harvest Fresh (Opcjonalne)

#### **Niebieskie światło,**

Warzywa i owoce przechowywane w pojemnikach na świeże warzywa oświetlone niebieskim światłem kontynuują fotosyntezę i zachowują poziom witaminy C dzięki działaniu długości fali niebieskiego światła.

#### **W przypadku HarvestFresh**

warzywa i owoce przechowywane w pojemnikach na żywność oświetlonych technologią HarvestFresh zachowują poziom witamin (witaminy A i C) przez dłuższy czas dzięki cyklom niebieskiego, zielonego, czerwonego światła i ciemności, które symulują cykl dnia.

Kiedy drzwi chłodziarki zostaną otwarte w ciemności w trakcie pracy HarvestFresh, urządzenie automatycznie to wykryje i oświetli pojemnik na żywność odpowiednio jednym z kolorów: niebieskim, zielonym lub czerwonym. Okres ciemności będzie kontynuowany po zamknięciu drzwi lodówki, tak aby inicjował nocny okres cyklu dziennego.



### 6.5 Moduł Anti-Odour

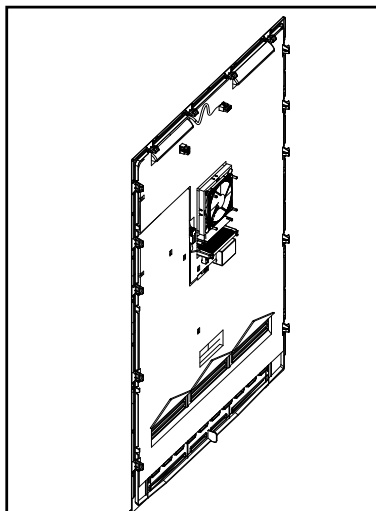
#### (FreshGuard)

##### (Funkcja jest opcjonalna)

Moduł Anti-Odour usuwa zapachy, które pojawiają się w chłodziarce, zanim przenikną na powierzchnie. Dzięki modułowi umieszczonemu na dachu komory świeżej żywności znika nieprzyjemny zapach, podczas gdy powietrze jest aktywnie przepuszczane przez filtr zapachów, a powietrze oczyszczone w filtrze jest kierowane z powrotem do komory świeżej żywności. W ten sposób niepożądany zapach, który może pojawić się podczas przechowywania żywności wewnątrz lodówki, jest usuwany z otoczenia, zanim przeniknie na powierzchnie.

Funkcję tę zapewnia wentylator, dioda LED i filtr zapachów umieszczone wewnątrz modułu. Moduł Anti-odour będzie automatycznie aktywowany okresowo. Jeżeli drzwi przedziału świeżej żywności zostaną otwarte, gdy moduł jest aktywny, wentylator zostaje tymczasowo zatrzymany i uruchomi się ponownie, gdy drzwi zostaną zamknięte. W przypadku awarii zasilania moduł Anti-odour zaczyna działać po przywróceniu zasilania.

**Info:** Aby zapobiec powstawaniu nieprzyjemnych zapachów, które mogą pojawiać się w mieszaninie zapachów różnych potraw, zalecamy przechowywanie aromatycznych potraw, takich jak ser, oliwki i delikatesy, w ich opakowaniach i z zamknięciem. Ze względu na bezpieczeństwo innych przechowywanych produktów spożywczych i zapobieganie powstawaniu nieprzyjemnych zapachów zalecamy jak najszybsze wyjęcie z lodówki żywności, która zepsuła się.



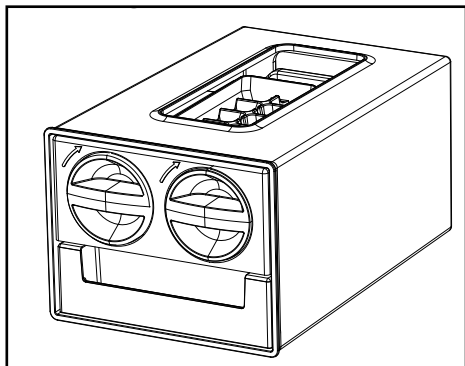
### 6.6 Pojemnik na lód

#### (Funkcja jest opcjonalna)

Pojemnik na lód umożliwi łatwe wyjmowanie lodu z chłodziarki.

#### Stosowanie pojemnika na lód

1. Wyjmij pojemnik na lód z komory zamrażarki.
2. Napełnij pojemnik na lód wodą.
3. Umieść pojemnik na lód w komorze zamrażarki. Lód będzie gotowy po około dwóch godzinach.
4. Wyjmij pojemnik z lodem z komory zamrażarki i wygnij go nieznacznie nad naczyniem, w którym ma być podany lód. Lód łatwo wysypie się do naczynia.



### 6.7 Kostkarka do lodu

#### (Funkcja jest opcjonalna)

Pojemnik na lód umożliwi łatwe wyjmowanie lodu z chłodziarki.

Stosowanie pojemnika na lód

1. Ostrożnie wyjmij zbiornik wody z komory chłodziarki.
2. Napełnij pojemnik wodą.
3. Umieść zbiornik na wodę z powrotem. Pierwszy lód będzie gotowy po około 4 godzinach w szufladzie kostkarki do lodu w komorze zamrażarki.



Gdy zbiornik na wodę jest pełny, możesz otrzymać około 60-70 kostek lodu.



Wodę znajdującą się w zbiorniku na wodę należy wymienić najpóźniej w ciągu 2-3 tygodni.

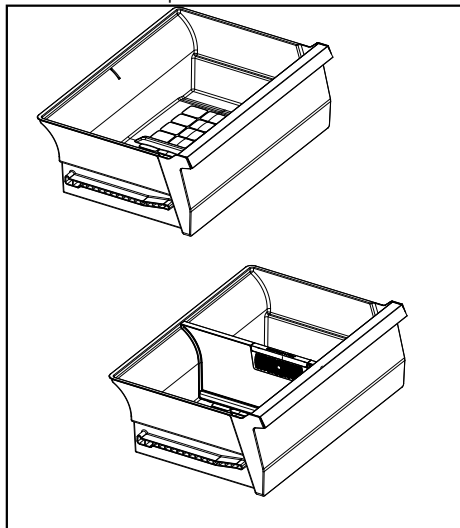
### 6.8 Pojemnik na produkty mleczne (chłodnia)

Komorza na produkty mleczne (chłodnia) zapewnia niższą temperaturę niż komora lodówki. W tej komorze można przechowywać produkty delikatniejsze (salami, kielbasy, nabiał, itp.), które wymagają niższej temperatury przechowywania lub produkty mięsne, drobiowe lub rybne do bezpośredniego spożycia. W tej komorze nie należy przechowywać owoców ani warzyw.

## Korzystanie z produktu

### 6.9 Crisper

Pojemnik typu Crisper jest przeznaczony do przechowywania świeżych warzyw dzięki zachowywaniu wilgotności. W tym celu w pojemniku typu Crisper został zintensyfikowany ogólny obieg zimnego powietrza. W tej komorze należy przechowywać owoce ani warzywa. Zielone warzywa liściaste i owoce należy przechowywać oddzielnie w celu przedłużenia ich trwałości.



### 6.10 Crisper Separator

#### Filtr etylenu

Filtr zatrzymujący etylen pomaga usunąć gaz etylenowy i nieprzyjemne zapachy wydzielane z warzyw i owoców w pojemniku typu Crisper.

Możesz przechowywać owoce takie jak gruszkę, morelę, brzoskwinia, a zwłaszcza jabłka, które wytwarzają duże ilości gazu etylenowego, oddzielnie z innymi warzywami i owocami w tym samym pojemniku dzięki separatorowi warzyw.

Gaz etylenowy pochodzący z tych owoców może powodować szybsze dojrzewanie i gnienie innych warzyw i owoców.

Dzięki tej funkcji możesz przez dłuższy czas przechowywać świeżą żywność, a zwłaszcza zielone warzywa wrażliwe na gaz etylenowy.

Żywność można przechowywać przez dłuższy czas,

umieszczając żywność wrażliwą na gaz etylenowy w jednej z komór oddzielonych separatorem, a żywność wytwarzającą gaz etylenowy - w drugiej. Produkty spożywcze wytwarzające gaz etylenowy i wrażliwe na gaz etylenowy zostały wymienione poniżej.

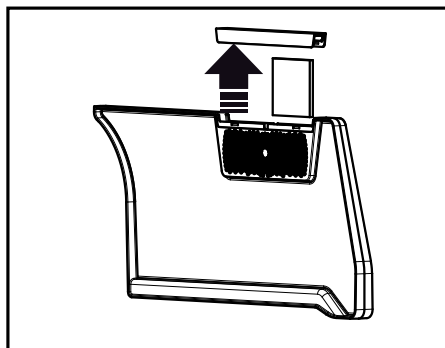
Żywność wytwarzająca gaz etylenowy	Żywność wrażliwa na gaz etylenowy
Jabłko, gruszkę, morela, brzoskwinia, nektarynka, awokado, kiwi, śliwka, figa, pigwa, pomidor	Świeże zielone warzywa (takie jak sałata, pietruszka), truskawka, wiśnie, winogrona, pomarańcza, mandarynka, ananas, czereśnie, cytryna, ogórek, brokuły, papryka, bakłażan, okra, cukinia

### 6.11 Czyszczenie filtra etylenu

Filtr etylenu należy czyścić raz w roku.

Wymij filtr etylenowy, pociągając pokrywę filtra do góry, jak pokazano na rysunku.

Pozostaw filtr etylenowy na słońcu na jeden dzień. W ten sposób filtr zostanie wyczyszczony.



## Korzystanie z produktu

Włóż filtr z powrotem i zamknij górną pokrywę.

Aby zapewnić maksymalną skuteczność filtra i zachować jego wydajność, należy unikać kontaktu z olejem i podobnymi płynami oraz materiałami, takimi jak woda i detergenty. Po kontakcie z tymi środkami skontaktuj się z serwisem w celu wymiany filtra na nowy.

### 6.12 Czyszczenie Crisper Separator

Aby zapobiec zatykaniu się otworów powietrza w pojemniku typu crisper separator, należy przecierać go czystą, suchą szmatką w określonych odstępach czasu. Jeśli separator ma zostać umyty, zawsze wyjmij filtr z separatora.



**OSTRZEŻENIE:** Aby zapewnić cyrkulację powietrza, upewnij się, że otwory wokół filtra nie są zablokowane.

## Korzystanie z produktu

### 6.13 Korzystanie z wodotrysku

(Funkcja jest opcjonalna)

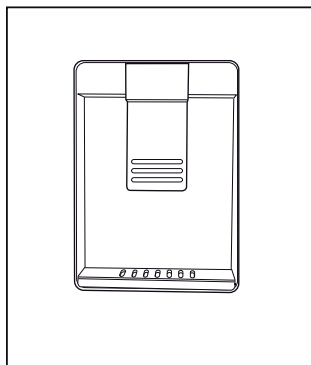


Pierwszych kilka szklanek wody z wodotrysku będzie ciepłe.



Jeśli wodotrysk nie będzie używany przez dłuższy czas, należy wylać kilka pierwszych szklanek wody, aby uzyskać czystą wodę.

1. Popchnij delikatnie dźwignię dozownika wody szklanką. Jeśli używasz plastikowego kubka, łatwiej będzie popchnąć dozownik ręką.
2. Po napełnieniu szklanki wodą zwolnić ramię.



Wielkość wypływu wody z dozownika zależy od nacisku wywieranego na ramię. Lekko zwolnij nacisk na ramię, gdy poziom wody w szklance/pojemniku wzrośnie, aby zapobiec przepełnieniu. Po lekkim naciśnięciu ramienia woda kapie; jest to normalne i nie oznacza usterki.

### 6.14 Napełnianie zbiornika dozownika wody

Otwórz pokrywę zbiornika na wodę, jak pokazano na rysunku. Nalej czystej wody pitnej. Zamknij pokrywę.

### 6.15 Czyszczenie zbiornika wodotrysku

Wymij zbiornik napełniania wody wewnątrz półki drzwi.

Odłącz go, trzymając obie strony półki.

Trzymając obie strony zbiornika wody, wymij go pod kątem 45°.

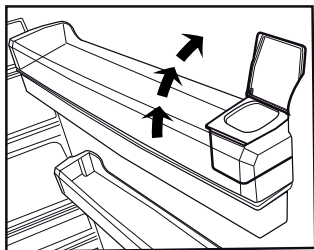
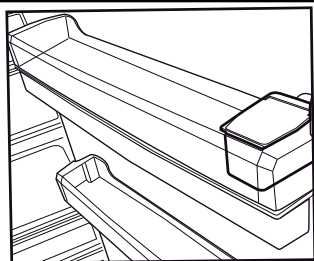
Zdejmij i oczyść pokrywę zbiornika wody.



Nie należy napełniać zbiornika wody sokiem owocowym, napojami gazowanymi, napojami alkoholowymi ani żadnym innym płynem nieodpowiednim do stosowania w wodotrysku. Stosowanie takich płynów spowoduje niepoprawne działanie i nienaprawialne uszkodzenie wodotrysku. Korzystanie z wodotrysku w ten sposób nie jest objęte zakresem gwarancji. Pewne chemikalia i dodatki tego typu do napojów/płynów mogą powodować uszkodzenie materiału zbiornika wody.



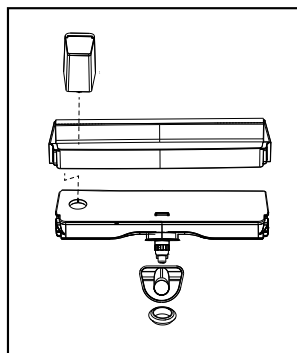
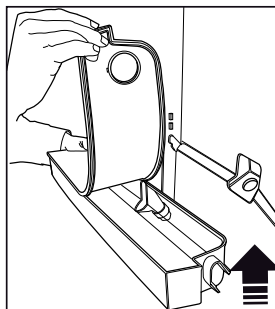
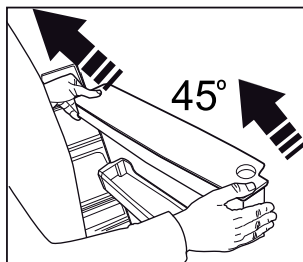
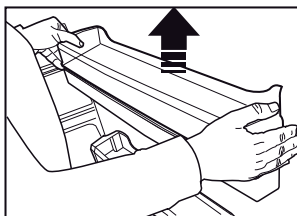
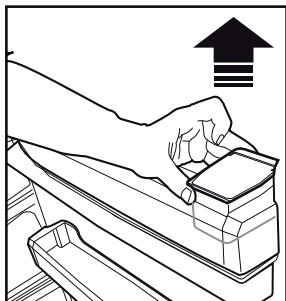
Zbiornika wody i elementów wodotrysku nie można myć w zmywarkach.



### 6.16 Napełnianie zbiornika dozownika wody

Zbiornik na wodę znajduje się na półce na drzwiach.

1. Otworzyć pokrywę zbiornika.
2. Napełnić zbiornik świeżą wodą pitną.



## Korzystanie z produktu

3. Zamknąć pokrywę zbiornika.



Nie należy napełniać zbiornika wody sokiem owocowym, napojami gazowanymi, napojami alkoholowymi ani żadnym innym płynem nieodpowiednim do stosowania w wodotrysku. Stosowanie takich płynów spowoduje niepoprawne działanie i nienaprawialne uszkodzenie wodotrysku. Korzystanie z wodotrysku w ten sposób nie jest objęte zakresem gwarancji. Pewne chemikalia i dodatki tego typu do napojów/płynów mogą powodować uszkodzenie materiału zbiornika wody.



Należy używać tylko czystej wody pitnej.



Pojemność zbiornika na wodę wynosi 3 litry. Nie przepelniać pojemnika.

### 6.17 Czyszczenie zbiornika wodotrysku.

1. Wyjmij zbiornik napełniania wody wewnątrz półki drzwi.
2. Odłącz go, trzymając obie strony półki.
3. Trzymając obie strony zbiornika wody, wyjmij go pod kątem 45°.
4. Zdejmij i oczyść pokrywę zbiornika wody.



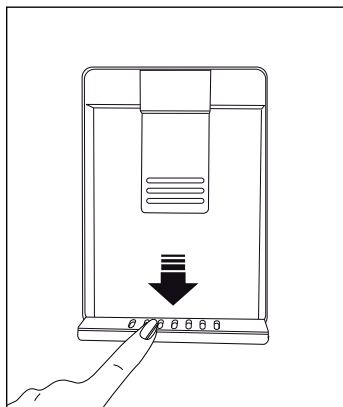
Zbiornika wody i elementów wodotrysku nie można myć w zmywarkach.

### 6.18 Taca ociekowa

Woda kapiąca z wodotrysku gromadzi się na tacy ociekowej.

Wyjąć sitko z tworzywa sztucznego jak pokazano na rysunku.

Wytrzyj zebraną wodę suchą i czystą szmatką.



## Korzystanie z produktu

### 6.19 Zamrażanie świeżej żywności

- Aktywuj funkcję szybkiego zamrażania, naciskając przycisk „Fast Freeze” 24 godziny przed włożeniem żywności do zamrożenia.
- Po 24 godzinach od naciśnięcia przycisku gorące potrawy należy umieścić na szklanej półce urządzenia.
- Funkcja szybkiego zamrażania zostanie automatycznie wyłączona po 52 godzinach.
- Nie należy zamrażać dużych ilości żywności naraz. Ten produkt w ciągu 24 godzin może zamrozić maksymalną ilość żywności określoną jako „Zdolność zamrażania... kg/24 godziny” znajdującą się na tabliczce znamionowej. Nie należy umieszczanie większej ilości niezamrożonej/świeżej żywności niż podano na tabliczce.
- Wkładając niezamrożoną żywność nie należy umieszczać jej bezpośrednio obok zamrożonej żywności.
- Mrożenie żywności, gdy jest świeża, wydłuża czas przechowywania w komorze zamrażarki.
- Żywność należy pakować w szczelne opakowania i dokładnie zamykać.
- Przed umieszczeniem żywności w zamrażarce należy się upewnić, że jest ona zapakowana. Zamiast tradycyjnego papieru pakowego należy użyć pojemników do zamrażania, cynfolii i papieru wodoszczelnego, toreb plastikowych lub podobnych materiałów opakowaniowych.
- Każde opakowanie żywności przed zamrożeniem należy oznaczyć datą. Umożliwi to określenie świeżości każdego opakowania przy każdym otwarciu zamrażarki. Wcześniej zamrożoną żywność należy umieszczać z przodu, aby zużyć je jako pierwsze.
- Zamrożoną żywność należy zużyć natychmiast po odmrożeniu i nie wolno jej ponownie zamrażać.
- Nie należy zamrażać dużych ilości żywności naraz.

Ustawianie temperatury komory zamrażania	Ustawianie temperatury komory chłodzenia	Szczegóły:
-18°C	4°C	Jest to domyślne zalecane ustawienie.
-20, -22 lub -24°C	4°C	Te ustawienia są zalecane dla temperatur otoczenia powyżej 30°C.
Szybkie zamrażanie	4°C	Przydaje się, gdy chcesz szybko zamrozić żywność. Gdy proces zakończy się, urządzenie powróci do poprzedniego trybu pracy.
-18°C lub mniej	2°C	Tych ustawień należy użyć, jeśli komora chłodzenia nie jest wystarczająco schłodzona ze względu na temperaturę otoczenia lub częste otwieranie drzwi.

### 6.20 Zalecenia dotyczące przechowywania mrozonek w zamrażarce

Temperatura komory musi być ustawiona przynajmniej na -18°C.

1. Żywność należy jak najszybciej umieszczać w zamrażarce, aby uniknąć rozmrożenia.

2. Przed zamrożeniem należy sprawdzić datę przydatności, aby się upewnić, że nie minęła.
3. Upewnij się, że opakowanie żywności nie jest uszkodzone.



## Korzystanie z produktu

### 6.21 Informacje o głębokim zamrażaniu

Zgodnie z normą IEC 62552 zamrażarka, w temperaturze pokojowej 25°C, musi umożliwiać zamrożenie 4,5 kg żywności do temperatury -18°C lub niższej w ciągu 24 godzin na każde 100 litrów pojemności komory zamrażarki.

Żywność można przechowywać przez dłuższy czas tylko w temperaturze równej -18°C lub niższej.

Żywność może zachować świeżość przez całe miesiące (po głębokim zamrożeniu do temperatury przynajmniej -18°C).

Żywność do zamrożenia nie może się stykać z wcześniej zamrożoną żywnością, aby uniknąć częściowego rozmrożenia.

Warzywa należy zagotować i odcedzić wodę, aby wydłużyć czas zamrażania. Umieść żywność w hermetycznych opakowaniach po odfiltrowaniu i włóż do zamrażarki. Banany, pomidory, sałata, seler, gotowane jajka, ziemniaki i podobna żywność nie powinna być mrożona. W przypadku gdy żywność psuje się, tylko wartości odżywcze i walory kulinarne ucierpią. Procesy gnilne groźne dla zdrowia ludzkiego nie wchodzą w grę.

### 6.22 Rozmieszczanie żywności

Półki komory zamrażarki	Różne zamrożono produkty łącznie z mięsem, rybami, lodami, warzywami itd.
Półki komory chłodziarki	Żywność w garnkach, przykryte talerze i pudełka, jajka (w pudełku z pokrywką)
Półki w drzwiach komory chłodziarki	Małe i zapakowane porcje żywności lub napojów
Pojemnik na świeże owoce i warzywa	Owoce i warzywa
Komora świeżej żywności	Delikatesy (porcje śniadaniowe, produkty mięsne do spożycia w krótkim terminie)

### 6.23 Alarm otwarcia drzwi

Alarm dźwiękowy rozlegnie się, jeśli drzwi produktu pozostaną otwarte przez 1,5 minuty. Alarm dźwiękowy ucichnie po zamknięciu drzwi lub naciśnięciu dowolnego przycisku na wyświetlaczu (o ile jest dostępny).

### 6.24 Lampa oświetleniowa

Do oświetlenia wnętrza są używane diody LED. W razie jakichkolwiek problemów z tym oświetleniem należy się skontaktować z autoryzowanym serwisem.

Lampa lub lampy stosowane w tym urządzeniu nie mogą być stosowane w oświetleniu domu. Przeznaczeniem tej lampy jest pomóc użytkownikowi włożyć jedzenie do lodówki/zamrażarki bezpiecznie i wygodnie.

## 7 Konserwacja i czyszczenie



**OSTRZEŻENIE:** Najpierw należy przeczytać rozdział „Instrukcje bezpieczeństwa”!



**OSTRZEŻENIE:** Przed czyszczeniem urządzenie należy odłączyć od prądu.

- Nie używaj ostrych lub szorstkich narzędzi do czyszczenia produktu. Nie używaj materiałów takich jak domowe środki czyszczące, mydło, detergenty, gaz, benzyna, alkohol, wosk itp.
- Kurz należy usuwać z kratki wentylacyjnej znajdującej się z tyłu produktu przynajmniej raz w roku (bez otwierania osłony). Czyścić za pomocą suchej szmatki.

### Do produktów z fontanną/kostkarką do lodu

- Jeśli woda w zbiorniku stała 2–3 tygodnie, należy ją wymienić.
- Zbiornika na wodę i elementów dozownika nie należy myć w zmywarkach.
- Należy rozpuścić w wodzie pełną łyżeczkę do herbaty węglanu. Następnie należy zanurzyć w wodzie szmatkę i wycisnąć ją. Urządzenie należy przetrzeć tą szmatką i dokładnie wysuszyć.
- Wodę należy trzymać z dala od pokrywy lampy i innych części elektrycznych.
- Wyczyść drzwi zwilżoną ściereczką. Wyjmij całą zawartość z półek i drzwi. Wyjmij półki na drzwiach, unosząc je do góry. Oczyszczyć i wysuszyć półki, a następnie zamocuj je z powrotem na miejscu, wsuwając je od góry.
- Do powierzchni zewnętrznej i części chromowanych produktu nie wolno używać wody chlorowej ani produktów do czyszczenia. Chlor spowoduje rdzewienie powierzchni metalowych.
- Nie używaj ostrych i ściernych narzędzi, mydła, domowych środków czyszczących, detergentów, gazu, benzyny, lakieru i podobnych substancji, aby zapobiec odkształceniu plastikowej części i usunięciu odcisków na części. Należy je wyczyścić letnią wodą i miękką ściereczką, a następnie wytrzeć do sucha.
- Na produktach bez funkcji No-Frost na tylnej ścianie komory zamrażarki mogą pojawić

się krople wody i oblodzenie o grubości nawet jednego palca. Nie czyścić i nigdy nie wlewać olejów ani podobnych materiałów.

- Do czyszczenia zewnętrznej powierzchni produktu używaj lekko zwilżonej ściereczki z mikrofibry. Gąbki i inne rodzaje szmatek do czyszczenia mogą powodować zarysowania.
- Aby wyczyścić wszystkie wszystkie wyjmowane elementy podczas czyszczenia wewnętrznej powierzchni produktu, należy je przemyć łagodnym roztworem mydła, wody i węglanu. Dokładnie umyj i wysusz. Elementami oświetlenia i panelem sterowania nie powinny mieć styczności z wodą.



### UWAGA:

Nie używaj octu, alkoholu do wycierania lub innych środków czyszczących na bazie alkoholu na żadnej wewnętrznej powierzchni.

### 7.1 Powierzchnie zewnętrzne ze stali nierdzewnej

Użyj nieściernego środka do czyszczenia stali nierdzewnej i nałóż go miękką niestrzępiącą się szmatką. Aby wypolerować powierzchnię delikatnie przetrzyj powierzchnię ściereczką z mikrofibry zwilżoną wodą i użyj suchej irchy polerskiej. Należy podążać za śladami stali nierdzewnej.

### 7.2 Czyszczenie produktów ze szklanymi drzwiami

Z szyby należy zdjąć folię ochronną. Na powierzchni szyby znajduje się powłoka. Powłoka ta minimalizuje powstawanie plam i zapewnia łatwe czyszczenie powstałych plam i zabrudzeń. Szkło, które nie jest chronione powłoką, może być narażone na trwałe wiązanie organicznych lub nieorganicznych zanieczyszczeń na bazie powietrza i wody, takich jak wapień, sole mineralne, niespalone węglowodory, tlenki metali i silikonu, które łatwo powodują plamy i uszkodzenia fizyczne w krótkim czasie. Utrzymanie szyb w czystości staje się bardzo trudne, jeśli nie niemożliwe, pomimo tego, że są regularnie czyszczone. W rezultacie pogarsza się przezroczystość i wygląd szkła. Twarde i ścierne

## 7 Konserwacja i czyszczenie

metody i środki czyszczące dodatkowo zwiększają te wady i przyspieszają proces niszczenia.

W przypadku rutynowego czyszczenia, \*należy stosować niealkaliczne i niekorozyjne produkty czyszczące na bazie wody.

Aby zapewnić dłuższą żywotność tej powłoki, do czyszczenia nie należy używać substancji alkalicznych i żrących.

W celu zwiększenia odporności szyb na uderzenia i pęknięcia stosuje się proces hartowania.

Jako dodatkowy środek ostrożności, na tylną powierzchnię szyb nałożono folię zabezpieczającą, aby zapobiec uszkodzeniu środowiska w przypadku pęknięcia.

### 7.3 Zapobieganie nieprzyjemnym zapachom

Wyprodukowany produkt jest wolny od wszelkich materiałów zapachowych. Jednak przechowywanie żywności w nieodpowiednich komorach i niepoprawne czyszczenie powierzchni wewnętrznych może wywoływać nieprzyjemne zapachy.

Aby tego uniknąć, należy czyścić wnętrze wodą z węglanem co 15 dni.

- Żywność należy przechowywać w zamkniętych opakowaniach. Drobnoustroje mogą się rozprzestrzeniać z niezamkniętych opakowań i powodować nieprzyjemne zapachy.
- W lodówce nie należy przechowywać przeterminowanej ani zepsutej żywności.



Herbata jest jednym z najlepiej znanych sposobów usuwania zapachów. Umieść pulpę zaparzonej herbaty w produkcji, wewnątrz otwartego pojemnika i wyjmij go najpóźniej po 12 godzinach. Jeśli zostawisz herbatę wewnątrz produktu przez okres dłuższy niż 12 godzin, przyciągnie ona organizmy, które powodują nieprzyjemny zapach, sama stając się jego źródłem.

### 7.4 Ochrona powierzchni z tworzywa sztucznego

Olej rozlany na powierzchnie plastikowe może je uszkadzać i należy go natychmiast usunąć ciepłą wodą.

## 8 Rozwiązywanie problemów

Przed skontaktowaniem się z serwisem należy sprawdzić tę listę. Umożliwi to zaoszczędzenie czasu i pieniędzy. Ta lista zawiera często spotykane problemy niezwiązane z wadami jakości wykonania lub materiałów. Pewne wymienione tutaj funkcje mogą nie dotyczyć posiadanego produktu.

### **Lodówka nie działa.**

- Wtyk zasilania nie jest włożony do końca. >>> Dociśnij go do końca w gniazdku.
- Bezpiecznik podłączony do gniazda zasilającego produkt lub bezpiecznik główny jest przepalony. >>> Sprawdź bezpiecznik.

### **Kondensacja na bocznej ścianie komory chłodziarki (WIELOSTREFOWE, CHŁODZENIE, KONTROLA I STREFA ELASTYCZNA).**

- Drzwi są za często otwierane >>> Należy pamiętać, aby nie otwierać drzwi produktu za często.
- Środowisko jest za wilgotne. >>> Produktu nie należy instalować w wilgotnych środowiskach.
- Żywność zawierająca płyny jest przechowywana w nieuszczelnionych opakowaniach. >>> Żywność zawierająca płyny należy przechowywać w zamkniętych opakowaniach.
- Drzwi produktu pozostały otwarte. >>> Nie wolno pozostawiać otwartych drzwi produktu przez długi czas.
- Termostat jest ustawiony na za niską temperaturę. >>> Ustaw termostat na odpowiednią temperaturę.

### **Sprężarka nie działa.**

- W przypadku nagłej awarii zasilania lub wyciągnięcia kabla zasilającego z gniazda i podłączenia go z powrotem ciśnienie gazu w układzie chłodzenia produktu jest nierównoważone, co wyzwała zabezpieczenie termiczne sprężarki. Produkt ponownie się uruchomi po około 6 minutach. Jeśli produkt nie uruchomi się po tym czasie, skontaktuj się z serwisem.
- Odmrażanie jest aktywne. >>> To jest normalne w przypadku produktu z całkowicie zautomatyzowanym odmrażaniem. Odmrażanie odbywa się okresowo.
- Produkt nie jest podłączony. >>> Upewnij się, że kabel zasilania jest podłączony.
- Nastawa temperatury jest niepoprawna. >>> Wybierz poprawną nastawę temperatury.
- Brak zasilania. >>> Po przywróceniu zasilania produkt będzie kontynuował normalną pracę.

### **Hałas pracy lodówki zwiększa się podczas używania.**

- Wydajność robocza produktu może się zmieniać w zależności od zmian temperatury otoczenia. To jest sytuacja normalna, a nie awaria.

### **Lodówka włącza się za często lub na zbyt długo.**

## Rozwiązywanie problemów

- Nowy produkt może być większy niż poprzedni. Większe produkty pracują dłużej.
- Temperatura w pomieszczeniu może być wysoka. >>> Produkt będzie normalnie działał przed dłuższy czas przy wyższej temperaturze w pomieszczeniu.
- Produkt mógł zostać niedawno podłączony lub do środka została włożona nowa porcja żywności. >>> Produkt będzie potrzebował więcej czasu na osiągnięcie ustawionej temperatury, jeśli został niedawno podłączony lub do środka została włożona nowa porcja żywności. To jest normalne.
- Do produktu włożono ostatnio dużą ilość gorącej żywności. >>> Do produktu nie wolno wkładać gorącej żywności.
- Drzwi były często otwierane lub były otwarte przez dłuższy czas. >>> Ciepłe powietrze przedostające się do środka spowoduje wydłużenie pracy produktu. Nie należy za często otwierać drzwi.
- Drzwi zamrażarki lub chłodziarki mogą być uchylone. >>> Sprawdź, czy drzwi są całkowicie zamknięte.
- Produkt może mieć ustawioną za niską temperaturę. >>> Ustaw wyższą temperaturę i poczekaj aż produkt ją osiągnie.
- Uszczelka drzwi chłodziarki lub zamrażarki może być zabrudzona, zużyta, uszkodzona lub niepoprawnie ułożona. >>> Oczyszć lub wymień uszczelkę. Uszkodzona/podarta uszczelka drzwi spowoduje wydłużenie działania produktu w celu utrzymania bieżącej temperatury.

### **Temperatura zamrażarki jest bardzo niska, ale temperatura chłodziarki jest odpowiednia.**

- Temperatura komory zamrażarki jest ustawiona bardzo nisko. >>> Ustaw wyższą temperaturę komory zamrażarki i sprawdź ponownie.

### **Temperatura chłodziarki jest bardzo niska, ale temperatura zamrażarki jest odpowiednia.**

- Temperatura komory chłodziarki jest ustawiona bardzo nisko. >>> Ustaw wyższą temperaturę komory zamrażarki i sprawdź ponownie.

### **Żywność przechowywana w szufladach komory chłodziarki jest zamrożona.**

- Temperatura komory chłodziarki jest ustawiona bardzo nisko. >>> Ustaw wyższą temperaturę komory zamrażarki i sprawdź ponownie.

### **Temperatura chłodziarki lub zamrażarki jest za wysoka.**

- Temperatura komory chłodziarki jest ustawiona bardzo wysoko. >>> Ustawienie temperatury komory chłodzenia ma wpływ na temperaturę w zamrażarce. Poczekaj, aż temperatura odpowiednich części osiągnie wystarczający poziom, zmieniając temperaturę chłodziarki lub zamrażarki.
- Drzwi były często otwierane lub były otwarte przez dłuższy czas. >>> Nie należy za często otwierać drzwi.
- Drzwi mogą być uchylone. >>> Całkowicie zamknij drzwi.
- Produkt mógł zostać niedawno podłączony lub do środka została włożona nowa porcja żywności. >>> To jest normalne. Produkt będzie potrzebował więcej czasu na osiągnięcie ustawionej temperatury, jeśli został niedawno podłączony lub do środka została włożona nowa porcja żywności.
- Do produktu włożono ostatnio dużą ilość gorącej żywności. >>> Do produktu nie wolno wkładać gorącej żywności.

### **Wstrząsy lub hałas.**

- Podłoże nie jest poziome lub wytrzymałe. >>> Jeśli produkt się kołysze podczas powolnego przemieszczania, wyreguluj nóżki w celu zrównoważenia produktu. Upewnij się też, że podłoże jest wystarczająco wytrzymałe i uniesie produkt.
- Wszelkie przedmioty umieszczone na produkcie mogą powodować hałas. >>> Zdejmij wszelkie przedmioty umieszczone na produkcie.

## Rozwiązywanie problemów

### Produkt wytwarza dźwięki przepływającego płynu, rozpryskiwania itd.

- Zasada działania produktu obejmuje przepływ płynu i gazu. >>> To jest sytuacja normalna, a nie awaria.

### Z produktu słychać odgłos dmuchającego wiatru.

- Produkt używa wentylatora w procesie chłodzenia. To jest sytuacja normalna, a nie awaria.

### Na wewnętrznych ścianach urządzenia dochodzi do skraplania.

- Gorąca lub zimna pogoda zwiększy zalodzenie i kondensację. To jest sytuacja normalna, a nie awaria.
- Drzwi były często otwierane lub były otwarte przez dłuższy czas. >>> Nie należy otwierać drzwi za często, a jeśli są otwarte należy je zamknąć.
- Drzwi mogą być uchylone. >>> Całkowicie zamknij drzwi.

### Na powierzchni zewnętrznej lub między drzwiami produktu występuje kondensacja.

- Pogoda może być wilgotna i to zjawisko jest normalne w takich warunkach. >>> Po zmniejszeniu wilgotności kondensacja zniknie.

### Nieprzyjemny zapach we wnętrzu.

- Produkt nie jest regularnie czyszczony. >>> Czyść wnętrze regularnie za pomocą gąbki, ciepłej wody i wody z węglanem.
- Niektóre pojemniki i opakowania mogą wywoływać nieprzyjemne zapachy. >>> Należy używać pojemników i opakowań z materiałów niewydzielających zapachów.
- Żywność została umieszczona w nieszczelnych pojemnikach. >>> Żywność należy przechowywać w zamkniętych opakowaniach. Drobnoustroje mogą się rozprzestrzeniać z niezamkniętych opakowań i powodować nieprzyjemne zapachy.
- Z produktu należy usunąć wszelką przeterminowaną i zepsutą żywność.

### Drzwi się nie zamykają.

- Opakowania żywności mogą blokować drzwi. >>> Przesuń przedmioty blokujące drzwi.
- Produkt nie stoi całkowicie pionowo na ziemi. >>> Wyreguluj nóżki, aby zrównoważyć produkt.
- Podłoże nie jest poziome lub wytrzymałe. >>> Upewnij się, że podłoże jest poziome i wystarczająco wytrzymałe oraz uniesie produkt.

### Pojemnik Crisper jest zablokowany.

- Żywność może się stykać z górną częścią szuflady. >>> Zmień ułożenie żywności w szufladzie.

### W przypadku gorącej powierzchni produktu,

- podczas działania produktu można zaobserwować wysoką temperaturę między dwojgiem drzwi, na panelach bocznych i na tylnej części grilla. Podczas pracy urządzenia wysokie temperatury można poczuć między dwoma skrzydłami drzwi, na ścianach bocznych i na kratce z tyłu. Jest to zjawisko normalne i nie wymaga żadnej obsługi technicznej!

### Po otwarciu drzwi wentylator nadal pracuje.

- Wentylator może nadal działać, gdy drzwi zamrażarki są otwarte.



**OSTRZEŻENIE:** Jeśli problem nie zniknie po wykonaniu instrukcji podanych w tym rozdziale, skontaktuj się ze sprzedawcą lub autoryzowanym serwisem. Nie próbuj naprawiać produktu.

## ZASTRZEŻENIE/OSTRZEŻENIE

Niektóre (proste) awarie mogą być naprawione przez użytkownika końcowego bez obawy przed niebezpieczeństwem lub wynikającym z tego niebezpiecznego użytkowania, pod warunkiem, że naprawy zostaną wykonane w określonych granicach i zgodnie z następującymi instrukcjami (patrz rozdział „Samodzielna naprawa”).

Dlatego, o ile nie określono inaczej w rozdziale "Samodzielna naprawa", naprawy powinny być zlecane do profesjonalnych warsztatów w celu uniknięcia problemów związanych z bezpieczeństwem. Zarejestrowany profesjonalny podmiot zajmujący się naprawami to profesjonalny warsztat, któremu producent przyznał dostęp do instrukcji i wykazu części zamiennych produktu zgodnie z metodami opisanymi w aktach ustawodawczych zgodnie z dyrektywą 2009/125/WE.

**Jednak tylko przedstawiciel serwisu (tj. autoryzowane profesjonalne warsztaty), z którym można skontaktować się pod numerem telefonu podanym w instrukcji obsługi/karcie gwarancyjnej lub za pośrednictwem autoryzowanego sprzedawcy, może świadczyć usługi na warunkach gwarancji. W związku z tym należy pamiętać, że naprawy wykonywane przez profesjonalne warsztaty (nieautoryzowane przez Beko) powodują utratę gwarancji.**

### Samodzielna naprawa

Użytkownik końcowy może samodzielnie naprawić następujące części zamienne: klamki, zawiasy drzwi, tace, kosze i uszczelki drzwi (zaktualizowana lista jest również dostępna na support.beko.com od 1 marca 2021).

Ponadto, aby zapewnić bezpieczeństwo produktu i zapobiec ryzyku poważnych obrażeń, samodzielną naprawę należy wykonać zgodnie ze wskazówkami zawartymi w instrukcji obsługi w rozdziale "Samodzielna naprawa" lub dostępnymi w support.beko.com Dla własnego

bezpieczeństwa, przed samodzielną naprawą, odłącz urządzenie od zasilania.

Naprawy i próby naprawy dokonywane przez użytkowników końcowych w przypadku części niewymienionych na liście i/lub nieprzestrzeganie wskazówek zawartych w rozdziale „Samodzielna naprawa” lub dostępnych w support.beko.com, mogą stanowić zagrożenie, którego nie można przypisać do Beko, oraz spowodują utratę gwarancji.

W związku z tym zdecydowanie zaleca się, aby użytkownicy końcowi powstrzymali się od podejmowania prób wykonywania napraw spoza wymienionego wykazu części zamiennych, kontaktując się w takich przypadkach z autoryzowanymi warsztatami lub profesjonalnymi warsztatami. Samodzielne próby naprawy mogą stwarać zagrożenie i uszkodzić urządzenie, a następnie spowodować pożar, powódź, porażenie prądem i poważne obrażenia ciała.

Na przykład, ale nie tylko, następujące naprawy muszą zostać zlecone w autoryzowanych warsztatach lub zarejestrowanych profesjonalnych warsztatach: sprężarka, obwód chłodzenia, płyta główna, płyta falownika, tablica wyświetlacza itp.

Producent/sprzedawca nie ponosi odpowiedzialności w przypadku gdy użytkownik nie stosuje się do zaleceń.

Dostępność części zamiennych do zakupionej lodówkę wynosi 10 lat. Przez ten czas dostępne będą oryginalne części zamienne do prawidłowej eksploatacji lodówkę.

Minimalny okres gwarancji na zakupioną lodówkę wynosi 24 miesiące. Ten produkt jest wyposażony w źródło światła o klasie energetycznej "G".

Źródło światła w tym produkcie może być wymieniane wyłącznie przez profesjonalnych serwisantów.



**Stimate client,**

**Vă rugăm să citiți acest manual înainte de a utiliza produsul.**

Vă mulțumim că ați ales acest produs. Am dori să obțineți eficiența optimă din acest produs de înaltă calitate care a fost fabricat cu tehnologie de ultimă generație. Pentru a face acest lucru, citiți cu atenție acest manual și orice alte documente furnizate, înainte de a utiliza produsul și păstrați-l ca referință.

Respectați toate informațiile și avertismentele din manualul de utilizare. În acest fel, vă veți proteja pe dvs. și produsul dvs. împotriva pericolelor care pot apărea.

Păstrați manualul de utilizare. Includeți acest ghid împreună cu unitatea dacă o predați altcuiva.

Acest manual de utilizare conține următoarele simboluri:






 Pericol care poate duce la deces sau vătămare.

**NOTIFICARE** Un pericol care poate provoca daune materiale produsului sau mediului său înconjurător

 Informații importante sau sfaturi utile privind funcționarea.

 Citiți manualul de utilizare.

 Risc de incendiu / Materiale inflamabile

 <b>INFORMATION</b>	
 <b>ENERGY</b>	
SUPPLIER'S NAME 	MODEL IDENTIFIER (*) 


.Informațiile despre model, care sunt stocate în baza de date a produselor, pot fi obținute prin accesarea următorului site web și căutarea identificatorului dvs. de model (\*) aflat pe eticheta energetică.

<https://eprel.ec.europa.eu/>


<b>1- Instrucțiuni privind siguranța</b>	<b>3</b>	<b>6 Funcționarea produsului</b>	<b>14</b>
 1.1 Utilizarea prevăzută . . . . .	3	6.2. Panoul de afișaj . . . . .	14
 1.2 - Siguranța copiilor, a persoanelor vulnerabile și a animalelor de companie . . .	3	6.3 Secțiune pentru legume și fructe cu umiditate controlată (EverFresh+) . . . . .	17
 1.3 - Siguranța electrică . . . . .	4	6.4 Lumină Albastră/HarvestFresh . . . . .	17
 1.4 - Siguranța privind transportul . . . . .	4	6.5 Modul Anti-miros . . . . .	18
 1.5 - Siguranța privind instalarea . . . . .	4	(FreshGuard) . . . . .	18
 1.6- Siguranța în funcționare . . . . .	5	6.6 Recipient pentru cuburi de gheață. . . . .	18
 1.7- Întreținerea și curățarea în condiții de siguranță. . . . .	6	6.7 Dozator de gheață . . . . .	19
 1.8- HomeWhiz. . . . .	7	6.8Cutia pentru lactate e (depozitare la rece) . . .	19
 1.9- Iluminarea . . . . .	7	6.9 Cutie legume/fructe. . . . .	19
<b>2 Instrucțiuni privind siguranța și mediul</b>	<b>8</b>	6.10Separator cutie legume/fructe . . . . .	20
2.1 Conformitatea cu Directiva WEEE și eliminarea deșeurilor: . . . . .	8	6.11 Curățarea filtrului de etilenă . . . . .	20
2.2 Conformitatea cu Directiva RoHS. . . . .	8	6.12 Curățarea separatorului cutiei legume/fructe	20
2.3 Informații privind ambalajul . . . . .	8	6.13Folosirea dozatorului de apă intern. . . . .	21
<b>3 Frigiderul dumneavoastră</b>	<b>9</b>	6.14Umplerea rezervorului de apă al dozatorului	21
<b>4 Instalare</b>	<b>10</b>	6.15 Curățarea rezervorului de apă . . . . .	21
4.1 Amplasarea potrivită pentru instalare . . . . .	10	6.16Umplerea rezervorului de apă al dozatorului	22
4.2 Pentru produsele cu dozator de apă/gheață	10	6.17Curățarea rezervorului de apă . . . . .	23
4.3 Fixarea elementelor de fixare de tip pană din plastic . . . . .	10	6.18Tăviță de scurgere. . . . .	23
4.4 Reglarea picioarelor . . . . .	11	6.19 Congelarea alimentelor proaspete . . . . .	24
4.5 Conexiunea electrică . . . . .	11	6.20Recomandări pentru păstrarea alimentelor congelate în compartimentul congelatorului	24
<b>5 Pregătirea</b>	<b>12</b>	6.21 Detalii privind lada frigorifică . . . . .	24
5.1 Modalități de reducere a consumului de energie electrică . . . . .	12	6.22Amplasarea alimentelor . . . . .	25
5.2 Prima funcționare . . . . .	12	6.23 Alertă de ușă deschisă . . . . .	25
<b>6 Utilizarea produsului</b>	<b>13</b>	6.24 Lampa de iluminat . . . . .	25
6.1 Oprirea produsului . . . . .	13	<b>7 Întreținerea și curățarea</b>	<b>26</b>
		7.1 Suprafețe externe din oțel inoxidabil . . . . .	26
		7.2 Curățarea produselor cu uși de sticlă. . . . .	26
		7.3 Prevenirea mirosurilor neplăcute . . . . .	27
		7.4 Protejarea suprafețelor din plastic . . . . .	27
		<b>7 Întreținerea și curățarea</b>	<b>27</b>
		<b>8 Depanare</b>	<b>28</b>


# 1 Instrucțiuni privind siguranța

- Această secțiune conține instrucțiuni de siguranță care vă vor ajuta să vă protejați împotriva riscurilor de vătămare corporală sau deteriorare a bunurilor.
- Compania noastră nu va fi responsabilă pentru daunele care pot surveni ca urmare a nerespectării acestor instrucțiuni.

 Procedurile de instalare și reparare trebuie să fie întotdeauna efectuate de producător, de agentul de service autorizat sau de o persoană calificată specificată de importator.

 Utilizați numai piese și accesorii originale.

 Nu reparați sau înlocuiți nicio piesă a produsului decât dacă este specificat în mod expres în manualul de utilizare.

 Nu efectuați modificări tehnice asupra produsului

## 1.1 Utilizarea prevăzută

- Acest produs nu este adecvat pentru utilizare comercială și nu trebuie utilizat în alte scopuri decât cele prevăzute.

Acest produs este proiectat pentru a fi utilizat în case și spații închise.

De exemplu:

- Bucătării de personal din magazine, birouri și alte medii de lucru,
- Gospodării agricole,
- Zone utilizate de clienți în hoteluri, moteluri și alte tipuri de cazare,
- Hoteluri de tip cazare și mic dejun, pensiuni,
- Catering și aplicații similare de non-retail.

Acest produs nu trebuie utilizat în exterior cu sau fără un cort deasupra, cum ar fi în bărci, pe balcoane sau terase. Nu expuneți produsul la ploaie, zăpadă, soare sau vânt.

Există riscul de incendiu!

## 1.2 - Siguranța copiilor, a persoanelor vulnerabile și a animalelor de companie

- Acest produs poate fi utilizat de către copii cu vârsta minimă de 8 ani și de către persoane cu capacități fizice, senzoriale sau mentale reduse sau care nu au experiență și cunoștințe despre produs, cu condiția să fie supravegheați sau instruiți cu privire la utilizarea în siguranță a produsului și la riscurile pe care le implică acesta.
- Copiii cu vârsta cuprinsă între 3 și 8 ani li se permite să încarce și să descarce produse pentru răcire.
- Produsele electrice sunt periculoase pentru copii și animale de companie. Copiii și animalele de companie nu trebuie să se joace cu produsul, nici să se urce pe produs sau să intre în acesta.
- Operațiunile de curățare și de întreținere realizate de utilizator nu vor fi făcute de copii, cu excepția cazului în care aceștia sunt supravegheați de cineva.
- Nu lăsați ambalajele la îndemâna copiilor. Există riscul de vătămare și sufocare!
- Înainte de a elimina produsul vechi sau depășit:
  1. Scoateți produsul din priză ținând de ștecher.
  2. Tăiați cablul de alimentare și scoateți-l din aparat împreună cu ștecherul.
  3. Nu scoateți rafturile sau sertarele astfel încât să fie mai greu pentru copii să intre în produs.
  4. Demontați ușile.
  5. Păstrați produsul astfel încât să nu se răstoarne.
  6. Nu permiteți copiilor să se joace cu produsul vechi.
- Nu aruncați niciodată produsul în foc în vederea eliminării. Există riscul de explozie!
- În cazul în care există o blocare pentru ușa produsului, cheia trebuie să fie ținută departe de accesul copiilor.

# Instrucțiuni privind siguranța și mediul

## 1.3 - Siguranța electrică

- Produsul trebuie scos din priză în timpul procedurilor de instalare, întreținere, curățare, reparare și deplasare.
- În cazul în care cablul de alimentare este deteriorat, acesta trebuie înlocuit de producător, reprezentantul său de service sau de importator pentru a evita orice pericol.
- Nu strângeți cablul de alimentare sub sau în spatele produsului. Nu plasați obiecte grele pe cablul de alimentare. Cablul de alimentare nu trebuie să fie îndoit excesiv, ciupit sau să intre în contact cu nicio sursă de căldură.
- Nu utilizați prelungitoare, prize multiple sau adaptoare pentru a pune în funcțiune produsul.
- Prizele multiple portabile sau sursele de alimentare portabile se pot supraîncălzi și pot cauza incendiu. Prin urmare, nu păstrați nicio priză multiplă în spatele sau în apropierea produsului.
- Cablul de alimentare trebuie să fie ușor accesibil. Dacă acest lucru nu este posibil, instalația electrică la care este conectat produsul trebuie să aibă un dispozitiv (cum ar fi o siguranță, un comutator, un disjunctiv etc.) care să fie conform cu reglementările electrice și care să deconecteze toți polii de la rețea.
- Nu atingeți cablul de alimentare cu mâinile ude.
- Scoateți cablul din priză ținând de ștecher și nu trăgând de cablu.
- La poziționarea aparatului, verificați dacă cablul de alimentare este prins sau deteriorat.
- Nu amplasați prize portabile multiple sau surse de alimentare portabile în partea din spate a aparatului.

## 1.4 - Siguranța privind transportul

- Produsul este greu; nu-l deplasați singur.
- Nu țineți de ușă în timpul deplasării produsului.
- Fiți atenți să nu deteriorați sistemul de răcire sau conductele în timpul transportului. Dacă tubulatura este deteriorată, nu puneți în funcțiune produsul și contactați agentul de service autorizat.

## 1.5 - Siguranța privind instalarea

- Sunați agentul de service autorizat pentru instalarea produsului. Pentru ca produsul să fie gata de utilizare, verificați informațiile din manualul de utilizare pentru a vă asigura că instalațiile electrice și de apă sunt corespunzătoare. Dacă acestea nu sunt corespunzătoare, apelați la un electrician și instalator calificați pentru a vă efectua remediile necesare. În caz contrar, există riscul de șoc electric, incendiu, probleme cu produsul sau vătămare!
- Înainte de instalare, verificați dacă produsul prezintă defecte. Dacă produsul este deteriorat, nu îl instalați.
- Așezați produsul pe o suprafață curată, plană și solidă și echilibrați-l din picioarele reglabile. În caz contrar, produsul se poate răsturna și poate cauza răni.
- Locul de instalare trebuie să fie uscat și bine ventilat. Nu puneți covorașe, mochete sau alte acoperitoare sub produs. Ventilația insuficientă cauzează risc de incendiu!
- Nu acoperiți sau blocați orificiile de ventilație. În caz contrar, consumul de energie crește, iar produsul dvs. se poate deteriora.
- Produsul nu trebuie să fie conectat la sisteme de alimentare, cum ar fi sursele de alimentare cu energie solară. În caz contrar, produsul dvs. se poate deteriora din cauza modificărilor bruște de tensiune!
- Cu cât mai mult agent frigorific conține un frigider, cu atât mai mare trebuie să fie locația de instalare. Dacă locația de instalare este prea mică, se vor acumula agent frigorific inflamabil și amestec de aer în cazul scurgerii de agent frigorific în sistemul de răcire. Spațiul necesar pentru fiecare 8 grame de agent frigorific este de minimum 1 m<sup>3</sup>. Cantitatea de agent frigorific din produsul dvs. este indicată pe Eticheta de tip.
- Produsul nu trebuie instalat în locuri expuse direct la lumina solară și trebuie ținut departe de surse de căldură, cum ar fi plite, radiatoare etc.

# Instrucțiuni privind siguranța și mediul

Dacă este inevitabilă instalarea produsului în apropierea unei surse de căldură, trebuie utilizată o placă de izolare despărțitoare adecvată, precum și următoarele distanțe minime față de sursa de căldură:

- Minimum 30 cm distanță față de surse de căldură, cum ar fi plite încinse, cuptoare, unități de încălzire sau sobe,

- Minimum 5 cm distanță față de cuptoarele electrice.

- Clasa de protecție a produsului dvs. este Tipul I. Conectați produsul la o priză cu împământare care corespunde valorilor tensiunii, curentului și frecvenței indicate pe eticheta de tip a produsului. Priza trebuie să fie echipată cu un întrerupător de circuit de 10 A – 16 A. Compania noastră nu va fi responsabilă pentru daunele care vor surveni atunci când produsul este utilizat fără împământare și conexiune electrică în conformitate cu reglementările locale și naționale.
- Produsul nu trebuie conectat în timpul instalării. În caz contrar, există riscul de șoc electric și de vătămare!
- Nu conectați produsul la prize slăbite, dislocate, sparte, murdare, unsoase sau care prezintă riscul de a intra în contact cu apa.
- Amplasați cablul de alimentare și furtunurile (dacă există) produsului astfel încât să nu provoace riscul de împiedicare.
- Expunerea componentelor sub tensiune sau a cablului de alimentare la umiditate poate cauza scurtcircuit. Prin urmare, nu instalați produsul în locuri precum garaje sau spălătorii unde umiditatea este ridicată sau apa poate stropi. Dacă frigiderul se udă cu apă, deconectați-l și apelați agentul de service autorizat.
- Nu conectați niciodată frigiderul la dispozitive de economisire a energiei. Astfel de sisteme sunt dăunătoare pentru produsul dvs.



## 1.6- Siguranța în funcționare

- Nu utilizați niciodată solvenți chimici pe produs. Există riscul de explozie!
- Dacă produsul funcționează defectuos, deconectați-l și nu îl utilizați până când nu este reparat de către agentul de service autorizat. Există riscul de electrocutare!
- Nu puneți surse de flacără (lumânări aprinse, țigări etc.) pe sau în apropierea produsului.
- Nu vă urcați pe produs. Există risc de cădere și de rănire!
- Nu deteriorați conductele circuitului de răcire cu obiecte ascuțite sau penetrante. Agentul frigorific care poate să iasă în momentul găuririi conductelor cu agent frigorific, a extensiilor de conducte sau a straturilor de suprafață, provoacă iritații ale pielii și leziuni ale ochilor.
- Dacă nu este recomandat de producător, nu așezați și nu utilizați dispozitive electrice în interiorul frigiderului/congelatorului.
- Aveți grijă să nu vă prindeți mâinile sau orice altă parte a corpului în piesele în mișcare din interiorul frigiderului. Aveți grijă să nu vă prindeți degetele între ușă și frigider. Aveți grijă când deschideți și închideți ușa, în special dacă sunt copii în jurul acesteia.
- Nu mâncați niciodată înghețată, cuburi de gheață sau alimente congelate imediat după scoaterea lor din frigider. Există riscul de degerătură!
- Dacă aveți mâinile ude, nu atingeți pereții interiori sau părțile metalice ale congelatorului sau alimentele depozitate în acesta. Există riscul de degerătură!
- Nu așezați cutii metalice sau sticle care conțin băuturi gazoase sau lichide congelabile în compartimentul congelator. Cutiile sau sticlele pot exploda. Există riscul de vătămare și pagube materiale!
- Nu amplasați sau utilizați pulverizatoare inflamabile, materiale inflamabile, gheață uscată, substanțe chimice sau materiale sensibile la căldură similare în apropierea frigiderului. Există riscul de incendiu și de explozie!
- Nu depozitați în produs materiale explozive care conțin materiale inflamabile, cum ar fi aerosoli.
- Nu amplasați recipiente umplute cu lichid pe produs. Stropirea cu apă a unei componente electrice poate provoca șocuri electrice sau risc de incendiu.

# Instrucțiuni privind siguranța și mediul

- Acest produs nu este destinat depozitării medicamentelor, plasmei sanguine, preparatelor de laborator sau a altor substanțe medicale similare și a produselor care fac obiectul Directivei privind Produsele medicale.
- Neutilizarea produsului în funcție de destinația sa poate cauza deteriorarea sau alterarea produselor depozitate în interiorul acestuia.
- Dacă frigiderul este dotat cu lumină albastră, nu priviți această lumină cu instrumente optice. Nu priviți direct și îndelung lampa cu LED-uri UV. Lumina ultravioletă vă poate stresa ochii.
- Nu supraîncărcați produsul. Obiectele din frigider pot cădea când ușa se deschide, cauzând accidente sau deteriorări. Probleme similare pot apărea în cazul în care un obiect este plasat pe produs.
- Pentru a evita răniile, asigurați-vă că ați curățat toată gheața și apa care ar fi putut stropi podeaua sau ar fi căzut pe aceasta.
- Schimbați poziția rafturilor/suporturilor pentru biberone de pe ușa frigiderului numai când sunt goale. Există riscul de vătămare!
- Nu așezați obiecte care pot cădea/răsturna pe produs. Astfel de obiecte pot cădea când ușa este deschisă și pot provoca răni și/sau pagube materiale.
- Nu loviți și nu exercitați forță excesivă asupra suprafețelor de sticlă. Sticla spartă poate provoca răni și/sau pagube materiale.
- Sistemul de răcire a produsului dvs. conține agent frigorific R600a: Tipul de agent frigorific utilizat în produs este indicat pe Eticheta de tip. Acest agent frigorific este inflamabil. Prin urmare, fiți atenți să nu deteriorați sistemul de răcire sau conductele în timpul transportului. Dacă conductele sunt deteriorate:
  - Nu atingeți produsul sau cablul de alimentare,
  - Păstrați la distanță sursele potențiale de incendiu care ar putea provoca incendiu.
  - Ventilați zona în care se află produsul. Nu utilizați ventilatoare.
  - Apelați agentul de service autorizat.
- Dacă produsul este deteriorat și observați scurgeri de agent frigorific, depărtați-vă de agentul frigorific. Agentul frigorific poate

provoca degerături în cazul contactului cu pielea.

## Pentru produsele prevăzute cu dozator de apă/aparat de gheață

- Utilizați numai apă potabilă. Nu umpleți rezervorul cu lichide, cum ar fi suc de fructe, lapte, băuturi gazoase sau băuturi alcoolice, care nu sunt adecvate utilizării în dozator.
- Există riscuri la adresa sănătății și siguranței!
- Nu permiteți copiilor să se joace cu dozatorul de apă sau cu aparatul de gheață (Icematic) pentru a preveni accidentele sau răniile.
- Nu introduceți degetele sau alte obiecte în orificiul dozatorului de apă, canalului de apă sau recipientul aparatului de gheață. Există riscul de vătămare sau pagube materiale!

## 1.7- Întreținerea și curățarea în condiții de siguranță

- Dacă trebuie să mutați produsul pentru curăț, nu trageți de mânerul ușii. Mânerul poate să se rupă și să provoace răni dacă exercitați forță excesivă asupra acestuia.
- Pentru curățare, nu pulverizați sau nu turnați apă pe sau în interiorul produsului. Există riscul de incendiu și electrocutare!
- Nu folosiți instrumente ascuțite atunci când curățați produsul. Nu utilizați produse de curățare de uz casnic, detergent, gaz, benzină, diluant, alcool, lac etc.
- În interiorul produsului, utilizați numai produse de curățare și întreținere care nu sunt dăunătoare pentru alimente.
- Nu utilizați niciodată abur sau agenți de curățare cu abur pentru a curăța sau dezgheța produsul. Aburul intră în contact cu piesele sub tensiune din frigider, cauzând scurtcircuit sau electrocutare!
- Asigurați-vă că nu pătrunde apă în circuitele electronice sau în elementele de iluminare ale produsului.
- Ștergeți cu o lavetă curată materiile străine sau praful de pe pini cablului. Nu folosiți o cârpă umedă pentru a curăța cablul. Există riscul de incendiu și electrocutare!

## 1.8- HomeWhiz

(această funcție este opțională)

- Când utilizați produsul prin intermediul aplicației HomeWhiz, trebuie să respectați avertismentele de siguranță chiar și atunci când sunteți departe de produs. De asemenea, trebuie să urmați avertismentele din aplicație.

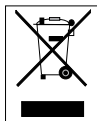
## 1.9- Iluminarea

- Contactați service-ul autorizat atunci când este necesar să înlocuiți LED-ul/becul utilizat pentru iluminare.

## 2 Instrucțiuni privind siguranța și mediul

### 2.1 Conformitatea cu Directiva WEEE și eliminarea deșeurilor:

Acest produs este în conformitate cu Directiva EU privind DEEE (2012/19/EU). Produsul este prevăzut cu un simbol de clasificare pentru deșeurile de echipamente electrice și electronice (WEEE).



Acest simbol indică faptul că acest produs nu trebuie eliminat cu alte deșeurile domestice la terminarea duratei sale de viață. Aparatul uzat trebuie predat la punctul de colectare oficial pentru reciclarea dispozitivelor electrice și electronice.

Pentru a găsi aceste sisteme de colectare, contactați autoritățile dvs. locale sau distribuitorul de unde a fost achiziționat produsul. Fiecare gospodărie joacă un rol important în recuperarea și reciclarea aparatelor vechi. Eliminarea corespunzătoare a aparatelor uzate contribuie la prevenirea consecințelor potențial negative asupra mediului și sănătății umane.

### 2.2 Conformitatea cu Directiva RoHS

Produsul pe care l-ați achiziționat este în conformitate cu Directiva UE RoHS (2011/65/EU). Acesta nu conține materiale nocive și interzise specificate în Directivă.

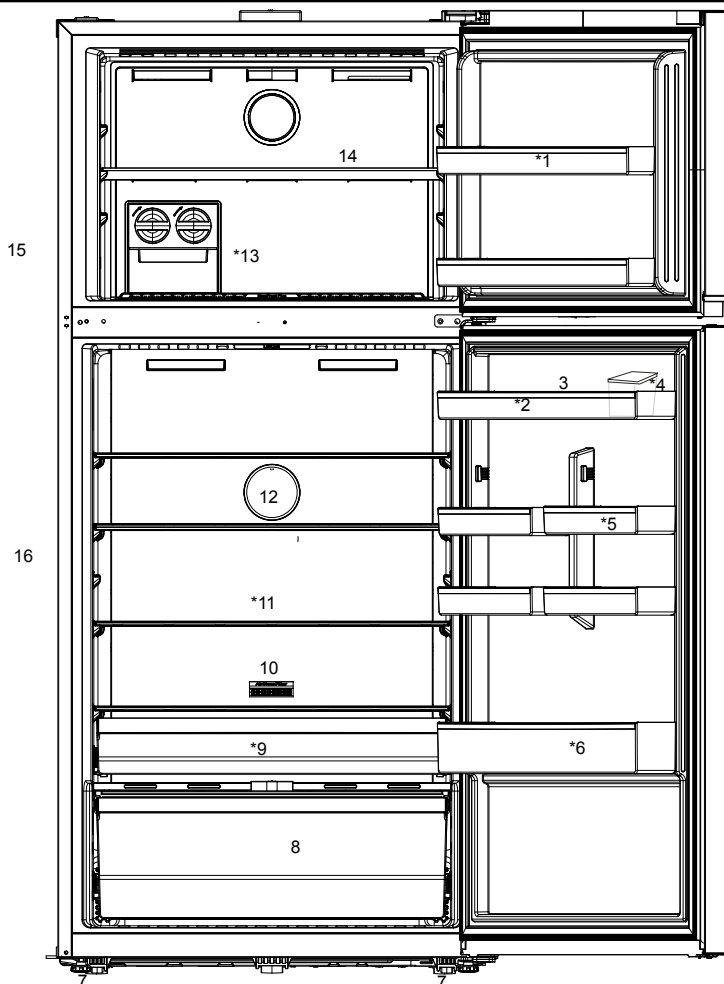
### 2.3 Informații privind ambalajul



Materialele de ambalare a produsului sunt fabricate din materiale reciclabile în conformitate cu Reglementările naționale privind mediul. Nu eliminați materialele de ambalare împreună cu deșeurile menajere sau alte deșeurile. Predați-le la punctele de colectare a ambalajelor desemnate de autoritățile locale.



### 3 Frigiderul dumneavoastră



- 1- Rafturi ușă compartiment congelator
- 2- Rafturi ușă frigider
- 3- Suport pentru ouă
- 4- Dozator de apă
- 5- Rafturi mici ușă frigider
- 6- Raft pentru sticle
- 7- Picioare reglabile
- 8- Cutie legume/fructe, separator cutie legume/fructe și filtru de etilenă

- 9- Compartimentul pentru lactate (depozitare la rece)
- 10- Filtru
- 11- Rafturi din sticlă
- 12- Ventilator
- 13- Icematic
- 14- Raft din sticlă din congelator
- 15- Compartiment congelator
- 16- Compartimentul frigiderului



\*Opțional: Imaginile din acest manual de utilizare sunt schematice și este posibil să nu fie identice cu produsul dvs. Dacă produsul dumneavoastră nu conține componentele relevante, informațiile se referă la alte modele.

## 4.1 Amplasarea potrivită pentru instalare

Produsul dvs. necesită o circulație adecvată a aerului pentru a funcționa eficient. Dacă produsul va fi plasat într-o nișă, nu uitați să lăsați o distanță de cel puțin 5 cm între produs și tavan, peretele din spate și pereții laterali.

Dacă produsul va fi plasat într-o nișă, nu uitați să lăsați o distanță de cel puțin 5 cm între produs și tavan, peretele din spate și pereții laterali. Verificați dacă elementul de protecție a spațiului la peretele din spate se află în locația sa (dacă este furnizat împreună cu produsul). Dacă elementul nu este disponibil sau dacă este pierdut sau căzut, poziționați produsul astfel încât să rămână o distanță de cel puțin 5 cm între suprafața din spate a produsului și pereții camerei. Spațiul din spate este important pentru funcționarea eficientă a produsului.

## 4.2 Pentru produsele cu dozator de apă/gheață

- Utilizați seturile de furtunuri furnizate împreună cu produsul. Nu utilizați seturile de furtunuri vechi. Nu extindeți furtunurile!
  - Conectați întotdeauna produsul la racordul de alimentare cu apă rece. Nu efectuați instalarea la racordul de alimentare cu apă caldă. Presiunea la racordul de alimentare cu apă rece trebuie să fie de maxim 80 psi (550 kPa). Dacă presiunea apei depășește 80Psi sau are un efect de impact asupra apei, utilizați o supapă de limitare a presiunii la sistemul de alimentare. Solicitați ajutorul instalatorilor profesioniști dacă nu știți cum să controlați presiunea apei.
- Presiunea ridicată poate cauza deteriorarea conexiunilor furtunului și poate prezenta un risc de inundare.
- Luați măsuri de precauție necesare împotriva riscului de înghețare a furtunurilor. Intervalul temperaturii de funcționare a apei trebuie să fie de minimum 0,6°C (33°F) și maximum 38 °C (100°F) . Există riscul de inundare în cazul în care furtunul este crăpat/perforat.



**AVERTISMENT:** Nu utilizați prelungitoare sau multiprize pentru alimentarea la rețeaua electrică.



**AVERTISMENT:** Producătorul nu își asumă răspunderea pentru orice deteriorare cauzată de lucrările realizate de persoanele neautorizate.



**AVERTISMENT:** Produsul trebuie să fie scos din priză în timpul instalării. În caz contrar, există pericol de moarte sau de vătămare gravă!

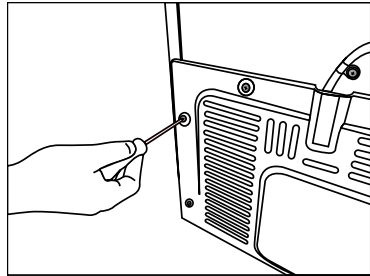


**AVERTISMENT:** : Dacă ușa încăperii este prea îngustă pentru a permite introducerea produsului, demontați ușa și răsușiți produsul în lateral; dacă acest lucru nu funcționează, contactați centrul de service autorizat.

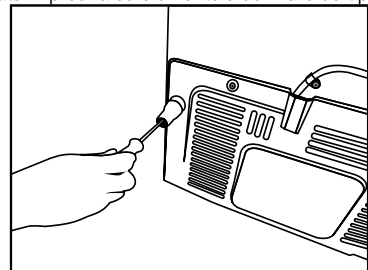
- Așezați produsul pe o suprafață plană pentru a evita vibrațiile.
- Așezați produsul la cel puțin 30 cm față de plite, cuptor și surse similare de căldură și la cel puțin 5 cm față de cuptoarele electrice.
- Nu expuneți produsul la razele directe ale soarelui sau nu îl păstrați în medii umede.
- Acest produs necesită o circulație adecvată a aerului pentru a funcționa eficient. Dacă produsul va fi amplasat într-o nișă, asigurați o distanță de cel puțin 5 cm între produs și tavan și pereți.

## 4.3 Fixarea elementelor de fixare de tip pană din plastic

Utilizați elementele de fixare de tip pană din plastic furnizate împreună cu produsul pentru a avea spațiu suficient pentru circulația aerului între produs și perete.



1. Pentru a fixa elementele de fixare de tip pană, îndepărtați șuruburile de pe produs și utilizați șuruburile furnizate împreună cu elementele de fixare de tip pană.

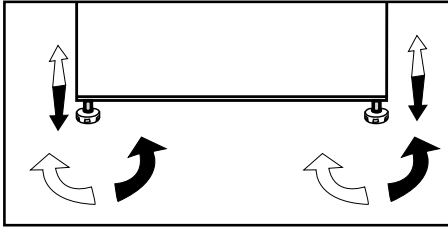


## Instalare

2. Fixați 2 elemente de fixare de tip pană din plastic pe capacul ventilării așa cum este indicat în imagine

### 4.4 Reglarea picioarelor

Dacă produsul este instabil, reglați picioarele frontale reglabile răsucind spre dreapta sau stânga.



### 4.5 Conexiunea electrică



**AVERTISMENT:** Nu utilizați prelungitoare sau multiprize pentru alimentarea la rețeaua electrică.



**AVERTISMENT:** Cablul de alimentare deteriorat trebuie înlocuit de un centru de service autorizat.

- Societatea noastră nu își va asuma responsabilitatea pentru orice pagube cauzate de utilizarea fără împământare și conectare la rețeaua electrică în conformitate cu reglementările naționale.
- Cablul de alimentare trebuie să fie ușor accesibil după instalare.



**Avertisment de suprafață fierbinte!**  
Pereții laterali ai produsului dvs. sunt echipați cu țevi de răcire pentru a îmbunătăți sistemul de răcire. Lichidul de înaltă presiune poate curge prin aceste suprafețe și poate cauza suprafețe fierbinți pe pereții laterali. Acest lucru este normal și nu necesită reparații. Aveți grijă când intrați în contact cu aceste zone.



Citiți mai întâi secțiunea „Instrucțiuni de siguranță”!

### 5.1 Modalități de reducere a consumului de energie electrică



Conectarea produsului la sisteme electronice de economisire a energiei este dăunătoare deoarece poate afecta produsul.

- Pentru un aparat autonom; 'acest aparat frigorific nu este destinat utilizării ca aparat încorporat.
- Nu lăsați ușa frigiderului deschisă perioade îndelungate de timp.
- Nu introduceți alimente sau băuturi calde în frigider.
- Nu supraîncărcați frigiderul; blocarea circulației aerului din interior va reduce capacitatea de răcire.
- În funcție de caracteristicile produsului, decongelarea alimentelor congelate din compartimentul congelatorului va asigura economisirea energiei și va menține calitatea alimentelor.
- Deoarece aerul cald și umed nu va pătrunde direct în produsul dvs. atunci când ușile nu sunt deschise, produsul dvs. se va optimiza în condiții suficiente pentru a vă proteja alimentele. Funcțiile și componentele, cum ar fi compresorul, ventilatorul, radiatorul, dezghețarea, iluminatul, afișajul și așa mai departe, vor funcționa în funcție de necesitățile de consum de energie minimă în aceste condiții.
- Alimentele se depozitează folosind sertarele din compartimentul frigorific pentru a asigura economisirea energiei și pentru a proteja alimentele în condiții mai bune.

### 5.2 Prima funcționare

Înainte de utilizarea frigiderului, asigurați-vă că ați realizat pregătirile necesare conform instrucțiunilor din capitolele „Instrucțiuni privind siguranța și mediul” și „Instalarea”.

- Lăsați frigiderul să funcționeze fără alimente timp de 12 ore și nu deschideți ușa, decât dacă este absolut necesar.



Se va auzi un sunet când compresorul este cuplat. Este normal să auziți sunetul chiar dacă compresorul este inactiv, din cauza lichidelor și gazelor comprimate din sistemul de răcire.



Este normal ca marginile frontale ale frigiderului să fie calde. Aceste zone sunt proiectate să se încălzească pentru împiedicarea condensului.



Pentru unele modele, panoul de afișaj se oprește automat la 1 minut după închiderea ușii. Va fi reactivat atunci când ușa este deschisă sau dacă este apăsat vreun buton.

## 6 Utilizarea produsului

- Nu utilizați unelte mecanice sau alte unelte decât cele recomandate de producător pentru a accelera operațiunea de dezghețare.
- Nu folosiți părți ale frigiderului, cum ar fi ușa sau sertarele, ca suport sau treaptă. Acest lucru poate duce la răsturnarea produsului sau deteriorarea componentelor sale.
- Produsul se utilizează numai pentru depozitarea alimentelor.
- Opriți supapa de apă dacă vă veți afla departe de casă (de exemplu, în vacanță) și nu veți folosi dozatorul de gheață sau dozatorul de apă pentru o perioadă lungă de timp. În caz contrar, pot apărea scurgeri de apă.

### 6.1 Oprirea produsului

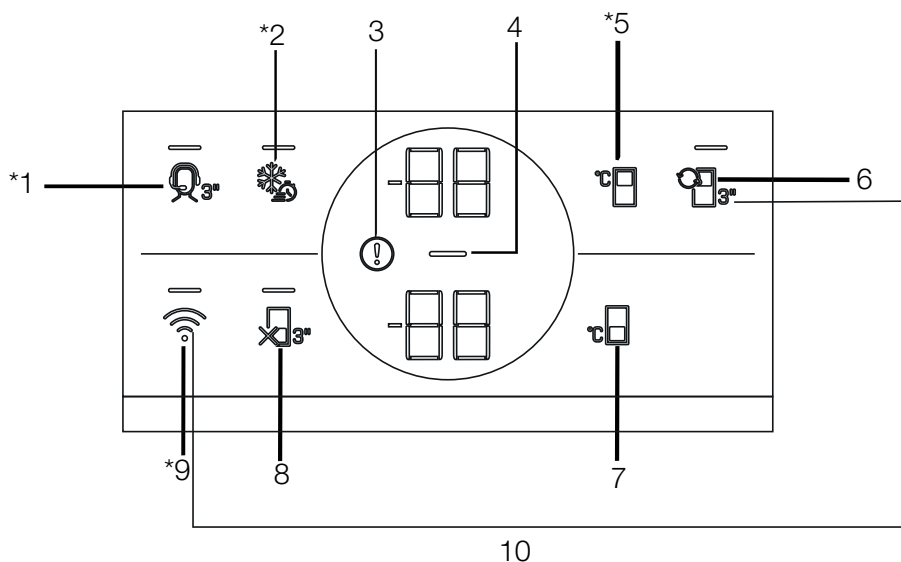
- Dacă nu veți utiliza produsul pentru o perioadă lungă de timp;
  - deconectați-l,
  - îndepărtați alimentele pentru a preveni mirosurile,
  - așteptați până se topește gheața,
  - curățați interiorul și așteptați până când este uscat.
  - lăsați ușile deschise pentru a preveni deteriorarea materialelor plastice interne ale corpului.

## 6 Funcționarea produsului

### 6.2. Panoul de afișaj

Panourile de afișaj pot diferi în funcție de modelul produsului dvs.

Funcțiile acustice și vizuale ale panoului de afișaj vă vor ajuta la utilizarea frigiderului.



1. Tasta serviciu de asistență
2. Tasta de congelare rapidă/ Tasta de setare a funcției pentru iluminare mâner
3. Indicator de stare de eroare
4. Indicator de economisire a energiei (afișaj oprit)
5. Tasta de setare a temperaturii compartimentului congelator
6. Tasta de conversie a compartimentului
7. Tasta de setare a temperaturii compartimentului frigorific
8. Tasta funcțională a compartimentului de răcire DEZACTIVATĂ (vacanță)
9. Tasta wireless
10. Tastă pentru resetarea setărilor conexiunii wireless



\*Opțional: Imaginile din acest manual de utilizare sunt schematice și este posibil să nu fie identice cu produsul dvs. Dacă produsul dumneavoastră nu conține componentele relevante, informațiile se referă la alte modele.

## Utilizarea produsului

### 1. Tasta serviciu de asistență

Apăsați acest buton timp de 3 secunde pentru a activa serviciul de asistență. Informații detaliate privind serviciul de asistență sunt furnizate în secțiunea „Funcția de serviciu de asistență”.

### 2. Tasta de congelare rapidă

Atunci când este apăsată tasta de congelare rapidă, LED-ul de pe tastă se aprinde și funcția de congelare rapidă este activată. Temperatura compartimentului de congelare este setată la -27 grade Celsius. Apăsați din nou tasta pentru a anula funcția. Funcția de congelare rapidă se anulează automat după 52 de ore. Pentru a congela o cantitate mare de alimente proaspete, apăsați tasta de congelare rapidă înainte de a introduce alimentele în compartimentul congelatorului.

### \*Tasta de setare a funcției pentru iluminare mâner

Funcția pentru iluminare mâner poate fi comutată între modurile deschis și închis prin apăsarea butonului de congelare rapidă (❄️) pentru 3 secunde. În modul închis, iluminarea mânerului este activată numai când ușa aparatului este deschisă și se va opri după o perioadă din momentul când ușa este închisă. În modul deschis, iluminarea mânerului este activată când ușa aparatului este deschisă, iluminarea mânerului rămâne slab aprinsă o perioadă după ce ușa este închisă. Funcția pentru iluminarea mânerului este setată din fabrică în modul închis.

### 3. Indicator de stare de eroare

Acest indicator (⚠️) trebuie să fie activ atunci când frigiderul nu poate efectua o răcire adecvată sau în cazul unei erori a senzorului „E” se afișează pe indicatorul de temperatură al compartimentului de congelare, iar valori precum 1,2,3... se afișează pe indicatorul de temperatură al compartimentului de răcire. Aceste cifre furnizează informații serviciului autorizat cu privire la eroarea care a apărut. Semnul exclamării poate fi afișat atunci când încărcăți alimente calde în compartimentul de congelare sau păstrați ușa deschisă pentru o perioadă lungă de timp. Aceasta nu este o defecțiune, acest avertisment

se elimină atunci când alimentul este răcit sau atunci când este apăsat orice buton.

### 4. Indicator de economisire a energiei (afișaj oprit)

Funcția de economisire a energiei este activată automat și simbolul de economisire a energiei (⚡) este afișat atunci când ușa produsului nu este deschisă sau închisă pentru o anumită perioadă de timp. Atunci când este activă funcția de economisire a energiei, toate simbolurile de pe ecran, altele decât simbolul de economisire a energiei, trebuie dezactivate. Când funcția de economisire a energiei este activă, dacă apăsați orice tastă sau dacă deschideți ușa, funcția de economisire a energiei se va dezactiva și semnalele de pe afișaj vor reveni la normal. Funcția de economisire a energiei este o funcție activată din fabrică și nu poate fi anulată.

### 5. Tasta de setare a temperaturii compartimentului congelator

Setarea temperaturii se face pentru compartimentul frigorific. Apăsând această tastă, temperatura compartimentului congelatorului va fi setată la -15, -16, -18, -19, -20, -22, -24 grade Celsius.

### 6. Tasta de conversie a compartimentului

Când tasta de conversie a compartimentului este apăsată timp de 3 secunde, compartimentul congelatorului comută între modul de răcire, modul oprit și modul de congelare respectiv. Atunci când funcționează ca compartiment de răcire, temperatura compartimentului poate fi reglată la 8,7,6,5,4,3,2 și 1 grade Celsius. În cazul modului OPRIT, indicatorul de temperatură a compartimentului afișează “- -”.

### 7. Tasta de setare a temperaturii compartimentului frigorific

Permite setarea temperaturii pentru compartimentul frigorific. Apăsarea acestei taste va permite setarea temperaturii compartimentului frigorific la 8,7,6,5,4,3,2 și 1 grade Celsius.

### 8. Tasta funcțională a compartimentului de răcire DEZACTIVATĂ (vacanță)

Apăsați tasta timp de 3 secunde pentru a activa funcția de vacanță. Modul de vacanță este activat și LED-ul de pe tastă este aprins. “- -” se afișează pe


## Utilizarea produsului

indicatorul de temperatură al compartimentului de răcire, iar compartimentul de răcire nu efectuează în mod activ răcirea. Nu este recomandat să țineți alimente în compartimentul de răcire atunci când această funcție este activată. Celelalte compartimente continuă să se răcească în funcție de temperaturile stabilite. Apăsați din nou tasta timp de 3 secunde pentru a anula această funcție.

### 9. Tasta wireless

Această tastă este utilizată pentru a realiza o conexiune wireless cu produsul dvs. prin aplicația mobilă HomeWhiz.

Atunci când tasta este apăsată pentru o perioadă lungă (3 secunde), simbolul de conexiune wireless de pe afișaj/ecran pâlpâie lent (cu intervale de 0,5 secunde). Rețeaua home este astfel inițializată pe produs.

După obținerea conexiunii wireless cu produsul, simbolul conexiunii wireless () se aprinde continuu.

Când este stabilită conexiunea inițială, puteți activa/dezactiva conexiunea cu o apăsare scurtă pe această tastă. Simbolul conexiunii wireless pâlpâie rapid (la intervale de 0,2 secunde) până când este stabilită conexiunea. Când conexiunea este activă, simbolul rețelei wireless se va aprinde continuu.



Dacă conexiunea nu poate fi stabilită pentru o perioadă lungă de timp, verificați setările conexiunii și consultați secțiunea „Depanare” furnizată în manualul de utilizare.

Aplicația HomeWhiz trebuie utilizată pentru conexiunea wireless. Etapele de instalare sunt descrise în aplicație în timpul instalării.

Puteți accesa aplicația citind codul QR disponibil pe eticheta HomeWhiz de pe produs. Aplicația este oferită prin App Store pentru dispozitive IOS și prin Play Store pentru dispozitive Android.

Accesați <https://www.homewhiz.com/> pentru informații detaliate.

### 10. Tastă pentru resetarea setărilor conexiunii wireless

Pentru a reseta setările conexiunii wireless, apăsați simultan tastele de congelare rapidă () și conexiune wireless () timp de 3 secunde. Toate informațiile despre utilizator înregistrate anterior sunt eliminate pe un produs în care setările conexiunii wireless sunt resetate/restaurate la valorile implicite din fabrică.



### 6.3 Secțiune pentru legume și fructe cu umiditate controlată (EverFresh+)

#### (Opțional)

Datorită secțiunii pentru legume și fructe cu umiditate controlată, legumele și fructele pot fi depozitate pentru o perioadă mai lungă de timp într-un mediu cu condiții ideale de umiditate. Cu sistemul de setare a umidității cu 3 opțiuni în fața sertarului, puteți controla umiditatea din interiorul compartimentului în funcție de produsul pe care îl păstrați. Vă recomandăm să depozitați alimentele selectând opțiunea de legume atunci când depozitați numai legume, opțiunea de fructe atunci când depozitați numai fructe și opțiunea mixtă atunci când depozitați alimente mixte.

Recomandăm ca legumele și fructele să nu fie depozitate în pungi pentru a îmbunătăți perioada de depozitare a alimentelor și pentru a beneficia mai bine de sistemul de control al umidității.

Lăsându-le în pungi de plastic, legumele putrezesc într-un timp scurt. Recomandăm ca, în special, castraveții și broccoli să nu fie depozitate în pungi închise. În situațiile în care nu se preferă contactul cu alte legume, utilizați materiale de ambalare, cum ar fi hârtia, care are un anumit nivel de porozitate din punct de vedere al igienei.

La plasarea legumelor, așezați legumele grele și dure în partea de jos și cele ușoare și moi în partea de sus, luând în considerare greutatea specifică a legumelor.

Nu așezați fructe care au o producție mare de gaze de etilenă, cum ar fi pere, caise, piersici și în special mere, în același sertar cu alte legume și fructe. Gazul de etilenă care provine din aceste fructe poate determina alte legume și fructe să se maturizeze mai repede și să putrezească într-o perioadă mai scurtă de timp.

### 6.4 Lumină Albastră/HarvestFresh (Opțional)

#### Pentru lumina albastră,

Legumele și fructele depozitate în sertare iluminate cu lumină albastră continuă să efectueze fotosinteza și își păstrează nivelurile de vitamina C datorită efectului lungimii de undă a luminii albastre.

#### Pentru HarvestFresh,

legumele și fructele depozitate în sertare iluminate cu tehnologia HarvestFresh își păstrează nivelurile de vitamine (vitaminele A și C) pentru o perioadă mai lungă datorită ciclurilor de lumină albastră, verde, roșie și întunecată care simulează ciclul zilei.

Atunci când ușa frigiderului dvs. este deschisă în timpul perioadei de întuneric a tehnologiei HarvestFresh, frigiderul dvs. va simți acest lucru în mod automat și va ilumina sertarul cu una dintre luminile albastre, verzi sau roșii, pentru confortul dvs. Perioada de întuneric va continua atunci când închideți ușa frigiderului, astfel încât să reprezinte perioada de noapte a ciclului de zi.

### 6.5 Modul Anti-miros

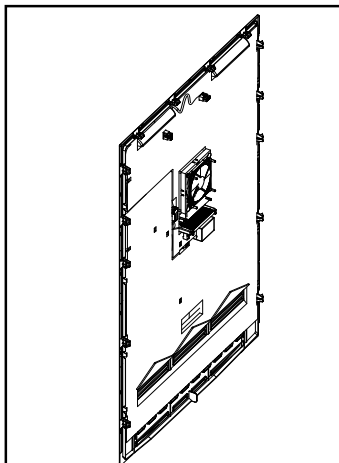
#### (FreshGuard)

##### (această funcție este opțională)

Modulul anti-miros îndepărtează mirosul care apare în interiorul frigiderului înainte de a pătrunde pe suprafețe. Datorită acestui modul poziționat deasupra compartimentului pentru alimente proaspete, mirosul neplăcut este îndepărtat în timp ce aerul trece în mod activ prin filtrul de mirosuri, iar aerul curățat în filtru este direcționat înapoi către compartimentul pentru alimente proaspete. Astfel, mirosul nedorit care poate apărea în timpul depozitării alimentelor în interiorul frigiderului este îndepărtat din mediu înainte de a pătrunde pe suprafețe.

Această caracteristică este furnizată împreună cu ventilatorul, LED-ul și filtrul de mirosuri amplasate în interiorul modulului. Modulul anti-miros se activează periodic în mod automat. Dacă ușa compartimentului pentru alimente proaspete este deschisă în timp ce modulul este activ, ventilatorul este oprit temporar și continuă să funcționeze atunci când ușa este închisă. În cazul unei pene de curent, modulul anti-miros începe să funcționeze atunci când alimentarea este restabilită.

**Info:** Pentru a preveni mirosurile neplăcute care pot apărea în urma amestecului de mirosuri de la diferite alimente, vă recomandăm să depozitați alimente aromatice, precum brânza, măslinile și delicatese, în ambalajele lor și cu capacele închise. Pentru siguranța altor alimente depozitate și pentru a preveni mirosurile neplăcute, vă recomandăm să scoateți din frigider alimentele stricate cât mai curând posibil.



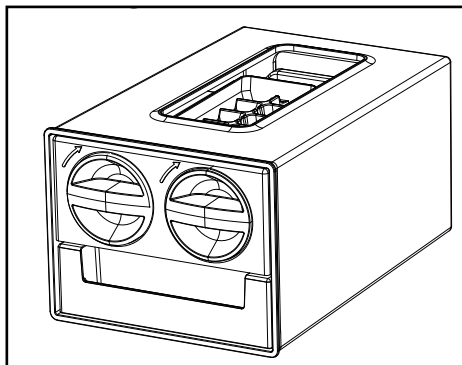
### 6.6 Recipient pentru cuburi de gheață

#### (această funcție este opțională)

Recipientul pentru cuburi de gheață vă permite să scoateți cu ușurință gheața din frigider.

#### Utilizarea recipientului pentru cuburi de gheață

1. Extrageți recipientul pentru cuburi de gheață din compartimentul de congelare.
2. Umpleți recipientul pentru cuburi de gheață cu apă.
3. Așezați recipientul pentru cuburi de gheață în compartimentul de congelare. În aproximativ două ore, cuburile de gheață vor fi gata.
4. Extrageți recipientul pentru cuburi de gheață din compartimentul congelatorului și îndoțiți-l ușor deasupra recipientului pe care îl veți servi. Gheața se va turna cu ușurință în recipientul de servire.



## Utilizarea produsului

### 6.7 Dozator de gheață

(această funcție este opțională)

Dozatorul de gheață vă permite să scoateți cu ușurință gheața din frigider.

Utilizarea recipientului pentru cuburi de gheață

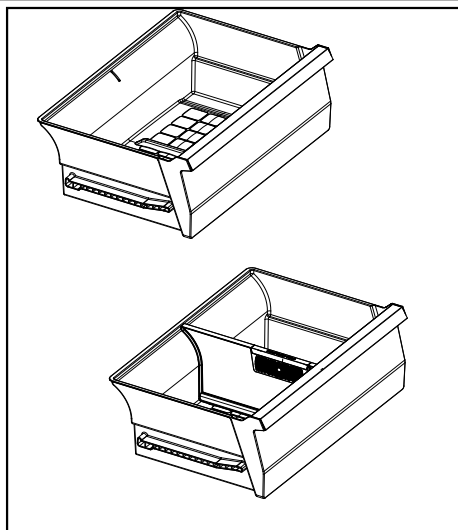
1. Scoateți rezervorul de apă din compartimentul de răcire.
2. Umpleți rezervorul de apă cu apă.
3. Așezați rezervorul de apă înapoi. Primele cuburi de gheață vor fi gata în aprox. 4 ore în sertarul dozatorului de gheață care se află în congelator.



Puteți obține aproximativ 60-70 de cuburi de gheață atunci când rezervorul de apă este plin.



Apa din interiorul rezervorului de apă trebuie înlocuită în cel mult 2-3 săptămâni.



### 6.8 Cutia pentru lactate e (depozitare la rece)

Cutia pentru lactate (depozitare la rece) asigură o temperatură mai scăzută în compartimentul pentru frigider. Utilizați această cutie pentru a depozita delicatese (salam, cârnați, produse lactate etc.) care necesită o temperatură de depozitare mai scăzută sau produse din carne, pui sau pește pentru consum imediat. Nu depozitați fructele și legumele în această cutie.

### 6.9 Cutie legume/fructe

Frigiderul este conceput pentru a menține legumele proaspete prin păstrarea umidității. În acest scop, circulația totală a aerului rece este intensificată în cutia pentru legume și fructe. Păstrați fructele și legumele în acest compartiment. Păstrați legumele cu frunze verzi și fructele separat pentru a prelungi durata de viață.

## Utilizarea produsului

### 6.10 Separator cutie legume/fructe

#### Filtrul de etilenă

Filtrul de reținere a etilenei ajută la îndepărtarea gazului de etilenă și a mirosurilor neplăcute eliberate de legumele și fructele din cutia pentru legume/fructe.

Puteți depozita fructele, cum ar fi pere, caise, piersici și în special mere, care generează o cantitate mare de gaz de etilenă, separat cu alte legume și fructe în aceeași cutie pentru legume/fructe datorită separatorului de legume.

Gazul de etilenă eliberat din aceste fructe poate determina alte legume și fructe să se maturizeze mai repede și să putrezească într-o perioadă mai scurtă de timp.

Datorită acestei caracteristici, puteți păstra alimentele proaspete și, în special, legumele verzi care sunt sensibile la gazul de etilenă, proaspete pentru o perioadă mai lungă de timp.

Puteți păstra alimentele pentru o perioadă mai lungă de timp prin plasarea alimentelor sensibile la gazul de etilenă într-unul dintre compartimentele separate de separatorul cutiei și alimentele care generează gaz de etilenă în celălalt compartiment.

Alimentele care generează gaz de etilenă și care sunt sensibile la gazul de etilenă sunt enumerate mai jos.

Alimente care generează gaz de etilenă	Alimente sensibile la gazul de etilenă
Mere, pere, caise, piersici, nectarine, avocado, kiwi, prune, smochine, gutui, roșii	Legume verzi proaspete (cum ar fi salata verde, pătrunjel), căpșuni, cireșe, struguri, portocale, mandarine, ananas, cireșe, lămâi, castraveți, broccoli, ardei, vinete, bame, dovlecei

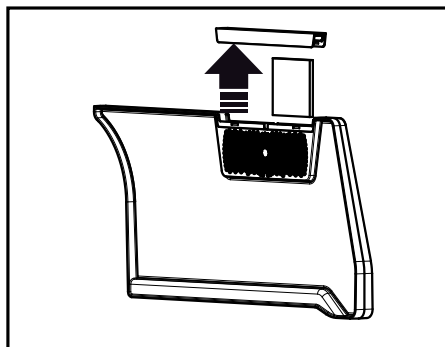
### 6.11 Curățarea filtrului de etilenă

Filtrul de etilenă trebuie curățat o dată pe an.

Scoateți filtrul de etilenă trăgând capacul filtrului în sus, după cum se indică în figură.

Lăsați filtrul de etilenă la lumină timp de o zi.

Astfel, filtrul dvs. va fi curățat.



Puneți filtrul la loc și închideți capacul superior.

Pentru a asigura o eficiență maximă a filtrului și pentru a păstra performanța acestuia, evitați contactul cu uleiul și fluidele similare, precum și cu materiale cum ar fi apa și detergenții. Comunicați cu service-ul pentru a înlocui filtrul cu unul nou după un astfel de contact.

### 6.12 Curățarea separatorului cutiei legume/fructe

Pentru a preveni blocarea orificiilor de aer curat ale separatorului cutiei, ștergeți-l cu o cârpă curată și uscată la intervale specificate. În cazul în care separatorul trebuie spălat, scoateți întotdeauna filtrul din separator.



**AVERTISMENT:** Asigurați-vă că orificiile din jurul filtrului nu sunt blocate pentru a asigura circulația aerului.

## Utilizarea produsului

### 6.13 Folosirea dozatorului de apă intern

(această funcție este opțională)

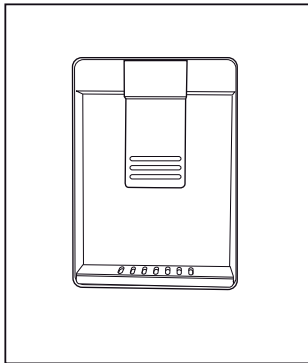


De regulă, primele câteva pahare de apă luate de la dozator vor fi calde.



Dacă dozatorul de apă nu este utilizat o perioadă îndelungată de timp, aruncați primele pahare de apă pentru a obține apă fără impurități.

1. Apăsăți brațul dozatorului de apă cu paharul. Ar fi mai ușor să împingeți brațul cu mâna dacă utilizați un pahar moale din plastic.



Cantitatea de apă care curge din rezervor depinde de presiunea pe care o aplicați pe braț. Eliberați ușor presiunea de pe braț pe măsură ce nivelul apei din sticlă/recipient crește pentru a preveni revărsarea. Apa va picura dacă apăsați ușor brațul; acest lucru este normal și nu este o defecțiune.

2. Eliberați brațul după umplerea paharului cu apă, după cum doriți.

### 6.14 Umplerea rezervorului de apă al dozatorului

Deschideți capacul rezervorului de apă după cum este indicat în figură. Umpleți rezervorul cu apă proaspătă și fără impurități. Închideți capacul.

### 6.15 Curățarea rezervorului de apă

Demontați recipientul de umplere a rezervorului de apă din raftul de pe ușă.

Demontați ținând de ambele părți ale raftului.

Țineți de ambele părți ale rezervorului de apă și scoateți înclinând la un unghi de 45°.

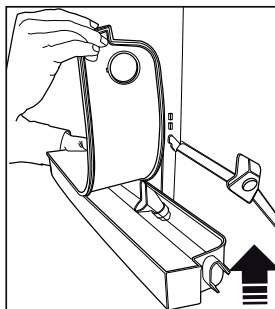
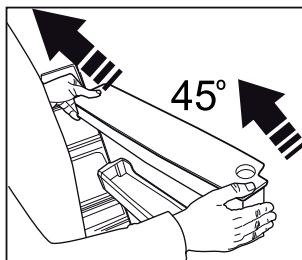
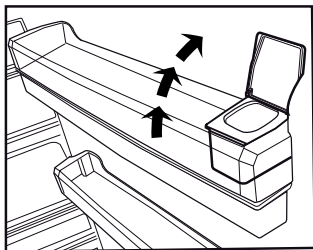
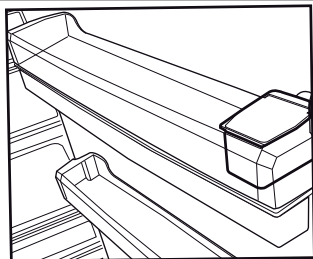
Scoateți și curățați capacul rezervorului de apă.



Nu umpleți rezervorul de apă cu suc de fructe, băuturi carbogazoase, băuturi alcoolice sau orice alte lichide incompatibile cu folosirea într-un dozator de apă. Folosirea acestor lichide poate cauza funcționarea necorespunzătoare și defectarea ireparabilă a dozatorului de apă. Folosirea dozatorului în acest mod nu este acoperită de garanție. Anumite substanțe chimice și aditivi din băuturi/lichide pot cauza deteriorarea materială a rezervorului de apă.



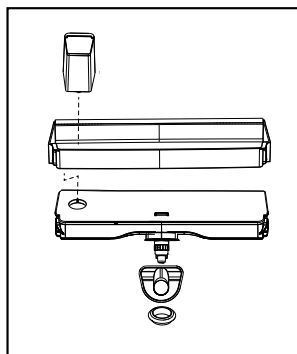
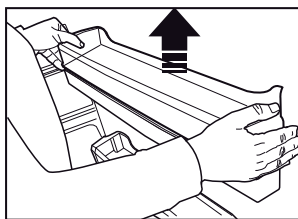
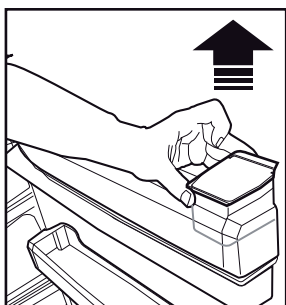
Componentele rezervorului de apă și ale dozatorului de apă nu pot fi spălate în mașina de spălat vase.



### 6.16 Umplerea rezervorului de apă al dozatorului

Recipientul de umplere a rezervorului de apă se află în interiorul raftului de pe ușă.

1. Deschideți capacul rezervorului.



## Utilizarea produsului

- Umpleți rezervorul cu apă potabilă proaspătă.
- Închideți capacul rezervorului.



Nu umpleți rezervorul de apă cu suc de fructe, băuturi carbogazoase, băuturi alcoolice sau orice alte lichide incompatibile cu folosirea într-un dozator de apă. Folosirea acestor lichide poate cauza funcționarea necorespunzătoare și defectarea ireparabilă a dozatorului de apă. Folosirea dozatorului în acest mod nu este acoperită de garanție. Anumite substanțe chimice și aditivi din băuturi/lichide pot cauza deteriorarea materială a rezervorului de apă.



Utilizați numai apă potabilă proaspătă.



Capacitatea rezervorului de apă este de 3 litri, nu umpleți excesiv.

### 6.17 Curățarea rezervorului de apă

- Demontați recipientul de umplere a rezervorului de apă din raftul de pe ușă.
- Demontați ținând de ambele părți ale raftului.
- Țineți de ambele părți ale rezervorului de apă și scoateți înclinând la un unghi de 45°.
- Scoateți capacul și curățați rezervorul de apă.



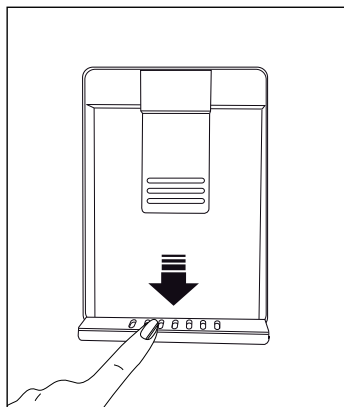
Componentele rezervorului de apă și ale dozatorului de apă nu pot fi spălate în mașina de spălat vase.

### 6.18 Tăviță de scurgere

Apa care picură din dozator se acumulează pe tăviță de scurgere.

Îndepărtați sita din plastic așa cum este ilustrat în figură.

Ștergeți apa colectată cu o cârpă uscată și curată.



## Utilizarea produsului

### 6.19 Congelarea alimentelor proaspete

- Activați funcția de congelare rapidă apăsând butonul «Fast Freeze» (congelare rapidă) timp de 24 de ore, înainte de a pune alimentele care trebuie congelate.
- După 24 de ore de la apăsarea acestui buton, așezați mâncarea caldă pe raftul de sticlă al aparatului.
- Funcția de congelare rapidă va fi dezactivată automat după 52 de ore.
- Nu încercați să congelați simultan o cantitate prea mare de alimente. În interval de 24 de ore, acest aparat poate congela cantitatea maximă de alimente specificată la «Freezing Capacity ... kg/24 hours» (Capacitate de congelare ... kg/24 de ore) pe etichetă. Nu este recomandat să puneți mai multe alimente necongelate/proaspete decât cantitatea specificată pe etichetă.
- Atunci când introduceți alimente necongelate în aparat, evitați să le puneți lângă alimentele deja congelate.
- Congelarea alimentelor cât timp sunt proaspete va prelungi timpul de păstrare în compartimentul congelatorului.
- Ambalați alimentele în pachete ermetice și închideți-le etanș.
- Asigurați-vă că alimentele sunt ambalate înainte de a le pune în congelator. Utilizați recipientele congelatorului, folie din aluminiu și hârtie rezistentă la umiditate, pungi din plastic sau materiale de ambalare similare în locul hârtiei tradiționale de împachetat.
- Etichetați și datați fiecare pachet cu alimente înainte de congelare. Acest lucru vă va permite să stabiliți cât de proaspăt este fiecare pachet de fiecare dată când deschideți congelatorul. Păstrați alimentele cu dată de expirare mai recentă în față pentru a vă asigura că acestea sunt consumate mai întâi.
- Alimentele congelate trebuie folosite imediat după decongelare; se interzice recongelarea acestora.
- Nu congelați simultan cantități mari de alimente.

Setarea temperaturii din compartimentul congelatorului	Setarea temperaturii din compartimentul de răcire	Detalii:
-18 °C	4°C	Aceasta este setarea implicită recomandată.
-20, -22 sau -24 °C	4°C	Aceste setări sunt recomandate pentru temperaturile ambiante care depășesc 30 °C.
Congelare rapidă	4°C	Utilizați această setare atunci când doriți să congelați alimentele într-un timp scurt. La încheierea procesului, produsul își va relua poziția.
-18°C sau mai rece	2°C	Utilizați aceste setări în cazul în care considerați că compartimentul răcitorului nu este suficient de rece din cauza temperaturii ambiante sau a deschiderii frecvente a ușii.

### 6.20 Recomandări pentru păstrarea alimentelor congelate în compartimentul congelatorului

Compartimentul trebuie setat la cel puțin -18°C.

1. Introduceți alimentele în congelator cât mai repede posibil pentru a evita decongelarea.
2. Înainte de congelare, verificați „Data de expirare” indicată pe ambalaj pentru a vă asigura că alimentele nu sunt expirate.

3. Asigurați-vă că ambalajul nu este deteriorat.

### 6.21 Detalii privind lada frigorifică

Conform standardelor IEC 62552, la temperatura camerei de 25 ° C, congelatorul trebuie să aibă capacitatea de a îngheța 4,5 kg de alimente la -18°C sau la temperaturi mai scăzute în 24 de ore pentru fiecare 100 de litri din volumul compartimentului congelatorului.



## Utilizarea produsului

Alimentele se pot păstra pentru perioade îndelungate de timp numai la temperaturi de sau mai mici de  $-18^{\circ}\text{C}$ .

Puteți păstra alimentele proaspete timp de câteva luni (în lada frigorifică la temperaturi de sau mai mici de  $18^{\circ}\text{C}$ ).

Alimentele de congelat nu trebuie să intre în contact cu alimentele precongelate pentru a evita dezghețarea parțială.

Fierbeți legumele și filtrați apa pentru a prelungi durata de păstrare la rece. Puneți alimentele în pachete ermetice după filtrare și introduceți-le în congelator. Nu congelați banane, roșii, salată verde, țelină, ouă fierte, cartofi și alte alimente similare. În cazul în care acest aliment putrezește, numai valorile nutriționale și calitățile alimentare vor fi afectate negativ. O putrezire care amenință sănătatea umană nu este pusă în discuție.

### 6.22 Amplasarea alimentelor

Rafturile compartimentului de congelare	Diverse alimente, cum ar fi carne, pește, înghețată, legume etc.
Rafturi pentru compartimentul de răcire	Alimente în recipiente, farfurii și cutii închise, ouă (în cutii închise)
Rafturi ușă frigider	Alimente și băuturi în ambalaje de mici dimensiuni
Sertarul pentru legume și fructe	Fructe și legume
Compartiment pentru alimente proaspete	Gustări (alimente pentru micul dejun, produse din carne care trebuie consumate într-un timp scurt)

### 6.23 Alertă de ușă deschisă

O alertă acustică se va auzi dacă ușa aparatului rămâne deschisă timp de 1,5 minut. Alerta acustică se va opri când închideți ușa sau când apăsați orice buton de pe afișaj (dacă este disponibil).

### 6.24 Lampa de iluminat

Lumina interioară utilizează o lampă cu LED-uri. Contactați centrul de service autorizat pentru orice probleme cu această lampă.

Lampa (lămpile) utilizată (utilizate) în acest aparat nu poate (pot) fi utilizată (utilizate) pentru iluminatul locuințelor. Scopul acestei lămpi este de a ajuta utilizatorul să introducă alimente în frigider/ congelator în condiții de siguranță și confort.

## 7 Întreținerea și curățarea



**AVERTISMENT:** Citiți mai întâi secțiunea „Instrucțiuni de siguranță”!



**AVERTISMENT:** Scoateți frigiderul din priză înainte de a-l curăța.

- Nu folosiți instrumente ascuțite sau abrazive pentru a curăța produsul. Nu folosiți materiale precum agenți de curățare de uz domestic, săpun, detergenți, gaz, benzină, alcool, ceară etc.
- Praful trebuie îndepărtat de pe grilajul de ventilație din spatele produsului cel puțin o dată pe an (fără a deschide capacul). Curățarea se efectuează cu o cârpă uscată.

### Pentru produsele cu dozator de apă/gheață

- Dacă apa din rezervorul de apă are 2-3 săptămâni, aceasta se înlocuiește.
- Rezervorul de apă și componentele dozatorului de apă nu trebuie spălate în mașini de spălat vase.
- Dizolvați o linguriță de bicarbonat de sodiu în apă. Umeziți o bucată de cârpă în apă și stoarceți-o. Ștergeți dispozitivul cu această cârpă și uscați bine.
- Asigurați-vă că nu intră apă în carcasa lămpii și în alte componente electrice.
- Curățați ușa cu o cârpă umedă. Scoateți tot conținutul pentru a scoate rafturile ușilor și ale corpului. Scoateți rafturile ușilor ridicându-le în sus. Curățați și uscați rafturile, apoi montați-le la loc glisând de sus.
- Nu utilizați apă clorurată sau produse de curățare pe suprafața exterioară și pe componentele placate cu crom ale produsului. Dacă utilizați clor, suprafețele metalice vor rugini.
- Nu utilizați unelte ascuțite și abrazive, săpun, materiale de curățare a locuințelor, detergenți, gaz, benzină, lac și substanțe similare pentru a preveni deformarea părții din plastic și îndepărtarea amprentelor de pe piesă. Folosiți apă caldută și o cârpă moale pentru curățare și apoi uscați prin ștergere.
- Pe produsele fără funcție de No-Frost, pe peretele din spate al compartimentului

congelatorului pot apărea picături de apă și formarea gheții până la grosimea degetului. Nu curățați și nu aplicați niciodată uleiuri sau materiale similare.

- Utilizați o cârpă din microfibră ușor umezită pentru a curăța suprafața externă a produsului. Bureții și alte tipuri de haine de curățare pot provoca zgârieturi.
- Pentru a curăța toate componentele detașabile în timpul curățării suprafeței interioare a produsului, spălați aceste componente cu o soluție ușoară constând din săpun, apă și bicarbonat de sodiu. Spălați și uscați bine. Preveniți contactul apei cu componentele de iluminare și panoul de control.



### ATENȚIE:

Nu folosiți oțet, alcool de frecare sau alți agenți de curățare pe bază de alcool pe orice suprafață interioară.

### 7.1 Suprafețe externe din oțel inoxidabil

Utilizați un agent de curățare pentru oțel inoxidabil neabraziv și aplicați-l cu o cârpă moale, fără scame. Pentru lustruire, ștergeți ușor suprafața cu o cârpă din microfibră umezită cu apă și folosiți o lavetă uscată pentru lustruire uscat. Urmați întotdeauna venele din oțel inoxidabil.

### 7.2 Curățarea produselor cu uși de sticlă

Îndepărtați folia protectoare de pe sticlă. Există un strat protector pe suprafața sticlei.. Acest strat minimizează formarea petelor și asigură o curățare ușoară a petelor și murdăriilor formate.. Sticla care nu este protejată prin acoperire poate fi expusă la lipirea permanentă a contaminanților organici sau anorganici, pe bază de aer și apă, cum ar fi calcarul, sărurile minerale, hidrocarburile nearse, oxizii metalici și siliconii, care provoacă cu ușurință pătarea și deteriorarea fizică într-o perioadă scurtă de timp. Păstrarea sticlei curate devine foarte dificilă, dacă nu imposibilă, în ciuda faptului că aceasta este curățată în mod regulat. În consecință, transparența și aspectul sticlei se

## 7 Întreținerea și curățarea

deteriorează. Metodele și agenții de curățare duri și abrazivi măresc în continuare aceste defecte și accelerează procesul de deteriorare.

Pentru procesele de curățare de rutină, \*utilizați produse de curățare nealcoolice și necorozive pe bază de apă.

Pentru ca acest înveliș să aibă o durată de viață mai lungă, substanțele alcaline și corozive nu trebuie utilizate în timpul curățării..

Se aplică un proces de temperare pentru a crește rezistența acestor suprafețe din sticlă la impacturi și rupere..

Ca măsură suplimentară de siguranță, a fost aplicată o peliculă de siguranță pe suprafața posterioară a acestor sticle pentru a preveni deteriorarea mediului în cazul în care aceasta se sparge..

### 7.3 Prevenirea mirosurilor neplăcute

Produsul a fost fabricat fără să prezinte orice mirosuri neplăcute. Cu toate acestea, dacă păstrați alimentele în compartimentele inadecvate și curățați suprafețele interne în mod necorespunzător se pot acumula mirosuri neplăcute.

Pentru a evita acest lucru, curățați interiorul cu apă cu bicarbonat de sodiu la fiecare 15 zile.

- Păstrați alimentele în recipiente închise.

Alimentele neetanșate corespunzător pot răspândi microorganisme și se pot acumula mirosuri neplăcute.

- Nu păstrați alimente expirate și alterate în frigider.



Ceaiul este unul dintre cei mai eficienți agenți de îndepărtare a mirosului. Se introduce ceaiul preparat în produs într-un recipient deschis și se îndepărtează după cel mult 12 de ore. Dacă păstrați ceaiul în interiorul produsului mai mult de 12 ore, acesta va colecta organismele care provoacă mirosul, astfel încât să poată fi sursa mirosului în sine.

### 7.4 Protejarea suprafețelor din plastic

Dacă ajunge ulei pe suprafețele din plastic, acestea se pot deteriora; curățați-le imediat cu apă caldă.

## 8 Depanare

Verificați această listă înainte de a contacta departamentul de service. Puteți economisi timp și bani. Această listă include probleme frecvente care nu sunt provocate de defecte de material sau de manoperă. Este posibil ca unele funcții descrise aici să nu se aplice pentru produsul dvs.

### **Frigiderul nu funcționează.**

- Cablul de alimentare nu este complet reglat.  
>>> Introduceți ștecherul în priză.
- Siguranța prizei la care este conectat frigiderul sau siguranța principală este arsă.  
>>> Verificați siguranța.

### **Condens pe peretele lateral al compartimentului frigiderului (MULTI ZONE, COOL CONTROL și FLEXI ZONE).**

- Deschidere frecventă a ușii >>> Aveți grijă să nu deschideți ușa frigiderului prea frecvent.
- Mediul este prea umed. >>> Nu instalați produsul în medii umede.
- Alimentele lichide sunt păstrate în recipiente deschise. >>> Păstrați alimentele lichide în recipiente închise.
- Ușa produsului este lăsată deschisă. >>> Nu lăsați ușa frigiderului deschisă perioade îndelungate de timp.
- Termostatul este setat la o temperatură foarte rece. >>> Setați termostatul la o temperatură adecvată.

### **Compresorul nu funcționează.**

- Sistemul de protecție termică a compresorului se va activa în cazul penelor de curent sau în cazul deconectării și reconectării la priză, întrucât presiunea din sistemul de răcire nu este încă echilibrată. Frigiderul va porni după circa 6 minute. Contactați un centru de service dacă frigiderul nu pornește după această perioadă.
- Dezghețare este activată. >>> Acest mod este normal pentru un frigider cu dezghețare automată. Ciclul de dezghețare are loc periodic.
- Frigiderul nu este conectat la priză.>>> Asigurați-vă că ștecherul este introdus corect în priză.
- Setarea de temperatură este incorectă. >>> Selectați temperatura adecvată.
- Nu este curent. >>> Frigiderul va continua să funcționeze normal după ce curentul revine.

### **În timpul funcționării frigiderului, zgomotul devine mai intens.**

- Modul de funcționare a frigiderului se poate modifica în funcție de condițiile ambientale. Acesta este un fenomen normal și nu reprezintă o defecțiune.

### **Frigiderul pornește des sau funcționează perioade îndelungate de timp.**

## Depanare

- Este posibil ca noul dvs. frigider să fie mai mare decât cel vechi. Frigiderele mari funcționează perioade îndelungate de timp.
- Temperatura încăperii poate fi ridicată. >>> De regulă, frigiderul funcționează perioade îndelungate de timp la temperaturi ridicate în încăpere.
- Este posibil ca frigiderul să fi fost conectat recent la priză sau să fi fost umplut recent cu alimente. >>> Dacă frigiderul a fost conectat recent la priză sau a fost umplut cu alimente, va dura mai mult până frigiderul va atinge temperatura setată. Este un lucru normal.
- Este posibil ca în frigider să fi fost introduse recent cantități mari de alimente calde. >>> Nu introduceți alimente calde în frigider.
- Este posibil ca ușile să fi fost deschise frecvent sau lăsate întredeschise mai mult timp. >>> Aerul cald care pătrunde în frigider determină funcționarea pe perioade mai îndelungate de timp. Deschideți mai rar ușile.
- Este posibil ca ușa congelatorului sau frigiderului să fi fost lăsată întredeschisă. >>> Verificați dacă ușile sunt închise corect.
- Ați selectat o temperatură foarte joasă. >>> Selectați o temperatură mai ridicată și așteptați ca aceasta să fie atinsă.
- Este posibil ca garnitura ușii frigiderului sau congelatorului să fie murdară, uzată, ruptă sau poziționată incorect. >>> Curățați sau înlocuiți garnitura. Garniturile deteriorate/defecte determină funcționarea pe perioade îndelungate de timp a frigiderului pentru a se asigura temperatura corectă.

### **Temperatura congelatorului este foarte joasă, iar temperatura frigiderului este adecvată.**

- Ați selectat o temperatură foarte joasă a congelatorului. >>> Selectați o temperatură mai ridicată a congelatorului și verificați din nou.

### **Temperatura frigiderului este foarte joasă, iar temperatura congelatorului este adecvată.**

- Ați selectat o temperatură foarte joasă a frigiderului. >>> Selectați o temperatură mai ridicată a congelatorului și verificați din nou.

### **Alimentele din sertarele frigiderului îngheață.**

- Ați selectat o temperatură foarte joasă a frigiderului. >>> Selectați o temperatură mai ridicată a congelatorului și verificați din nou.

### **Temperatura din frigider sau congelator este foarte mare.**

- Ați selectat o temperatură foarte ridicată a frigiderului. >>> Setarea temperaturii compartimentului de răcire are un efect asupra temperaturii din compartimentul congelatorului. Așteptați până când temperatura pieselor relevante atinge nivelul suficient prin schimbarea temperaturii compartimentelor de răcire sau de congelare.
- Este posibil ca ușile să fi fost deschise frecvent sau lăsate întredeschise mai mult timp. >>> Deschideți mai rar ușile.
- Este posibil ca ușa să fi fost lăsată întredeschisă. >>> Închideți complet ușa.
- Este posibil ca frigiderul să fi fost conectat recent la priză sau să fi fost umplut recent cu alimente. >>> Acest lucru este normal. Dacă frigiderul a fost conectat recent la priză sau a fost umplut cu alimente, va dura mai mult până frigiderul va atinge temperatura setată.
- Este posibil ca în frigider să fi fost introduse recent cantități mari de alimente calde. >>> Nu introduceți alimente calde în frigider.

### **Vibrații sau zgomot.**

- Podeaua nu este plană sau stabilă. >>> Dacă frigiderul se clatină când este împins ușor, reglați picioarele pentru a echilibra frigiderul. De asemenea, asigurați-vă că podeaua este suficient de stabilă și poate susține frigiderul.
- Zgomotul poate fi provocat de obiectele amplasate pe frigider. >>> Aceste obiecte trebuie îndepărtate de pe frigider.

### **Frigiderul emite zgomote asemănătoare curgerii sau pulverizării lichidelor etc.**

- Funcționarea frigiderului se bazează pe circulația gazelor și lichidelor. >>> Acesta este un fenomen normal și nu reprezintă o defecțiune.

## Depanare

### **Frigiderul emite un zgomot similar cu suieratul vântului.**

- Frigiderul este prevăzut cu un ventilator pentru răcire. Acesta este un fenomen normal și nu reprezintă o defecțiune.

### **Condens pe pereții interiori ai frigiderului.**

- Mediile calde și umede favorizează formarea gheții și condensului. Acesta este un fenomen normal și nu reprezintă o defecțiune.
- Este posibil ca ușile să fi fost deschise frecvent sau lăsate întredeschise mai mult timp. >>> Deschideți mai rar ușile; dacă ușa este deschisă, închideți-o.
- Este posibil ca ușa să fi fost lăsată întredeschisă. >>> Închideți complet ușa.

### **Condens în exteriorul frigiderului sau între uși.**

- Este posibil ca mediul să fie umed. Acest fenomen este normal în medii umede. >>> La reducerea umidității, condensul va dispărea.

### **Mirosuri neplăcute în frigider.**

- Frigiderul nu este curățat în mod periodic. >>> Curățați periodic interiorul frigiderului folosind un burete, apă caldă și carbonată.
- Este posibil ca mirosul să fie cauzat de anumite recipiente și ambalaje. >>> Folosiți un recipient sau un ambalaj care nu prezintă mirosuri neplăcute.
- Alimentele au fost introduse în recipiente deschise. >>> Păstrați alimentele în recipiente închise. Micro-organismele se pot răspândi în afara produselor alimentare desigilate și pot provoca mirosuri neplăcute.
- Aruncați toate alimentele expirate sau alterate din frigider..

### **Ușa nu se închide.**

- Este posibil ca ambalajele alimentelor să blocheze ușa. >>> Mutați alimentele care împiedică închiderea ușii.
- Este posibil ca frigiderul să fie înclinat. >>> Reglați picioarele de pentru a echilibra frigiderul.
- Podeaua nu este plană sau stabilă. >>> Asigurați-vă că podeaua este plană și suficient de stabilă pentru a putea susține frigiderul.

### **Cutia legume/fructe este blocată.**

- Este posibil ca alimentele să atingă partea superioară a sertarului. >>> Rearanjați alimentele în sertar.

### **În cazul unei suprafețe fierbinți pe produs,**

- Temperatura ridicată poate fi observată între două uși, pe panourile laterale și pe suprafața grilei din spate în timp ce produsul este pus în funcțiune. Acest lucru este normal și nu necesită reparații!

### **Ventilatorul continuă să funcționeze atunci când ușa este deschisă.**

- Ventilatorul poate continua să funcționeze atunci când ușa congelatorului este deschisă.



**AVERTISMENT:** Dacă problema persistă după ce ați urmat instrucțiunile din acest capitol, contactați distribuitorul dvs. sau un centru de service autorizat. Nu încercați să reparați produsul.

## MESAJ / AVERTISMENT

Unele defecte (simple) pot fi tratate în mod adecvat de către utilizatorul final fără nicio problemă de siguranță sau utilizare nesigură, cu condiția să fie efectuate în limitele și în conformitate cu următoarele instrucțiuni (vezi secțiunea “Autoreparare”).

Astfel, cu excepția cazului în care secțiunea “Autoreparare” de mai jos autorizează altă acțiune, reparațiile trebuie efectuate de reparatori profesioniști pentru a evita probele de siguranță. Un reparator profesionist are acces la instrucțiuni și la lista cu piese de rezervă pentru acest produs de la producător, potrivit metodele descrise în actele legislative care urmează Directiva 2009/125/EC.

**Cu toate acestea, doar agentul de service (adică reparatorii profesioniști autorizați) pe care îl puteți contacta cu ajutorul numărului de telefon oferit în manualul de utilizare/certificatul de garanție sau dealerul dvs. autorizat poate oferi service în termenii garanției. Prin urmare, nu uitați că reparațiile efectuate de reparatori profesioniști care nu sunt autorizați de Beko) vor antrena pierderea garanției.**

### **Autorepararea**

Reparațiile pot fi făcute de utilizatorul final doar în ceea ce privește următoarele piese: mânerul ușilor, balamale ușilor, tăvile, coșurile și garniturile ușilor (este disponibilă o listă actualizată pe [support.beko.com](http://support.beko.com) începând cu data de 1 martie 2021).

Mai mult, pentru siguranța produsului și pentru evitarea accidentărilor, autorepararea menționată va fi efectuată urmând instrucțiunile din manualul de utilizare sau care sunt disponibile în [support.beko.com](http://support.beko.com). Pentru siguranța dvs., scoateți produsul din priză înainte să încercați autorepararea.

Reparațiile și încercările de reparație făcute de utilizatorii finali pentru piese care nu sunt incluse într-o astfel de listă și/sau nu urmează instrucțiunile din manualele de utilizare pentru autoreparare sau care sunt disponibile în [support.beko.com](http://support.beko.com), pot duce la probleme de siguranță care nu sunt atribuibile Beko, și vor anula garanția produsului.

Prin urmare, este recomandat ca utilizatorii finali să se abțină de la a încerca să efectueze reparații care ies din lista menționată cu piese de schimb, contactând în aceste cazuri reparatori profesioniști sau reparatori autorizați. Din contră, astfel de încercări efectuate de utilizatorii finali pot duce la probleme de siguranță și avarierea produsului sau iscarea unui incendiu, a unei inundații, a electrocutării și a accidentărilor grave.

Spre exemplu, dar fără a se limita la, următoarele reparații trebuie adresate către service-uri profesionale autorizate sau înregistrate: compresoare, circuite de răcire, panoul principal, placa inverter, panoul de afișaj etc.

Producătorul/vânzătorul nu răspund în niciun caz dacă utilizatorii finali nu se conformează celor de mai sus.

Disponibilitatea de piese de schimb pentru frigiderul pe care ați cumpărat-o este de 10 ani.

În această perioadă, piesele de schimb originale vor fi disponibile pentru operarea adecvată a frigiderul.

Durata minimă a garanției pentru frigiderul pe care l-ați achiziționat este de 24 de luni.

Acest produs este echipat cu o sursă de iluminare din clasa energetică „G”

Sursa de iluminare a acestui produs trebuie înlocuită numai de către reparatori profesioniști



## Dragi uporabnik,


### Prosimo, da pred uporabo izdelka preberete ta priročnik.

Zahvaljujemo se vam za izbiro tega izdelka. Radi bi, da dosežete optimalno učinkovitost tega visokokakovostnega izdelka, ki je bil izdelan z najsodobnejšo tehnologijo. Če želite to narediti, pred uporabo izdelka natančno preberite ta priročnik in vso drugo dokumentacijo, ki ste jo dobili, in ga hranite kot referenco.


Upoštevajte vse informacije in opozorila v uporabniškem priročniku. Tako boste zaščitili sebe in svoj izdelek pred nevarnostmi, ki se lahko pojavijo.

Shranite uporabniški priročnik. Če to enoto daste nekemu drugemu, vključite še ta priročnik.

V priročniku so uporabljeni naslednji simboli:




 Nevarnost, ki lahko povzroči smrt ali poškodbe.

**OBVESTILO** Nevarnost, ki lahko povzroči materialno škodo na izdelku ali njegovi okolici

 Pomembne informacije ali koristni nasveti o delovanju.

 Preberite uporabniški priročnik.

 Nevarnost požara/vnetljive snovi

 <b>INFORMATION</b>	
 <b>ENERGY</b>	
<b>SUPPLIER'S NAME</b> A	<b>MODEL IDENTIFIER</b> (*) A


.Do informacij o modelu, ki so shranjene v zbirki podatkov o izdelkih, lahko pridete tako, da obiščete naslednje spletno mesto in poiščete identifikator modela (\*), ki je naveden na energijski nalepki.


<https://eprel.ec.europa.eu/>


<b>1 – Varnostna navodila</b>	<b>3</b>		
 1.1 Predvidena uporaba . . . . .	3	6.7 Ledomat . . . . .	17
 1.2 – Varnost otrok, ranljivih oseb in domačih živali . . . . .	3	6.8 Košara za mlečne izdelke (hladen prostor) . . . . .	17
 1.3 – Električna varnost . . . . .	3	6.9 Predal za zelenjavo . . . . .	18
 1.4 – Varnost pri premikanju . . . . .	4	6.10 Ločevalnik v predalu za zelenjavo . . . . .	18
 1.5 – Varnost pri namestitvi . . . . .	4	6.11 Čiščenje etilenskega filtra . . . . .	18
 1.6 – Varnost med delovanjem . . . . .	5	6.12 Čiščenje ločevalnika v predalu za zelenjavo . . . . .	19
 1.7 – Varnost pri vzdrževanju in čiščenju . . . . .	6	6.13 Uporaba dozatorja za vodo . . . . .	20
 1.8 – HomeWhiz . . . . .	6	6.14 Polnjenje rezervoarja za vodo . . . . .	20
 1.9 – Osvetlitev . . . . .	6	6.15 Čiščenje rezervoarja za vodo . . . . .	20
<b>2 Okoljevarstvena navodila</b>	<b>7</b>	6.16 Polnjenje rezervoarja za vodo . . . . .	21
2.1 Skladnost z direktivo o WEEE in odstranjevanje izrabljenega izdelka: . . . . .	7	6.17 Čiščenje rezervoarja za vodo . . . . .	22
2.2 Skladnost z direktivo RoHS . . . . .	7	6.18 Rešetka . . . . .	22
2.3 Informacije o embalaži . . . . .	7	6.19 Zamrzovanje sveže hrane . . . . .	23
<b>3 Vaš hladilnik</b>	<b>8</b>	6.20 Priporočila za shranjevanje zamrznjene hrane v zamrzovalniku . . . . .	23
<b>4 Namestitev</b>	<b>9</b>	6.21 Podatki o zamrzovalniku . . . . .	24
4.1 Pravo mesto za namestitev . . . . .	9	6.22 Postavitev živil . . . . .	24
4.2 Za izdelke z dozatorjem za vodo / ledomatom . . . . .	9	6.23 Opozorilo o odprtih vratih . . . . .	24
4.3 Pritrditev plastičnih zagozd . . . . .	9	6.24 Lučka za osvetlitev . . . . .	24
4.4 Prilagoditev nogic . . . . .	10	<b>7 Vzdrževanje in čiščenje</b>	<b>25</b>
4.5 Električni priklop . . . . .	10	7.1 Zunanje površine iz nerjavečega jekla . . . . .	25
<b>5 Priprava</b>	<b>11</b>	7.2 Čiščenje izdelka s steklenimi vrati . . . . .	25
5.1 Kako varčevati z energijo . . . . .	11	<b>7 Vzdrževanje in čiščenje</b>	<b>26</b>
5.2 Prvo delovanje . . . . .	11	7.3 Preprečevanje vonjav . . . . .	26
<b>6 Upravljanje izdelka</b>	<b>12</b>	7.4 Zaščita plastičnih površin . . . . .	26
6.1 izklop izdelka . . . . .	12	<b>8 Odpravljanje motenj</b>	<b>27</b>
<b>6 Upravljanje izdelka</b>	<b>13</b>		
6.2 Indikatorska plošča . . . . .	13		
6.3 Predal za zelenjavo z nadzorovano vlažnostjo (EverFresh+) . . . . .	15		
6.4 Modra lučka/HarvestFresh . . . . .	15		
6.5 Modul Preprečevanje neprijetnih vonjav (FreshGuard) . . . . .	16		
6.6 Vedro za led . . . . .	17		


# 1 – Varnostna navodila

- V tem razdelku so navedena varnostna navodila, ki vam bodo pomagala zagotoviti zaščito pred nevarnostmi telesnih poškodb ali materialne škode.
- Naše podjetje ne odgovarja za škodo, ki lahko nastane zaradi neupoštevanja teh navodil.

 Namestitev in popravilo mora vedno izvesti proizvajalec, pooblaščen servisler ali usposobljena oseba, ki jo določi uvoznik.

 Uporabljajte samo originalne dele in dodatke.

 Ne izvajajte popravil ali zamenjave nobenega dela aparata, razen če je to izrecno navedeno v navodilih za uporabo.

 Na aparatu ni dovoljeno izvajati nobenih tehničnih prilagoditev.

## 1.1 Predvidena uporaba

- Ta aparat ni primeren za komercialno uporabo. Dovoljeno ga je uporabljati samo v predviden namen.

Aparat je zasnovan za uporabo v hišah in zaprtih prostorih.

Primeri uporabe:

- kuhinje za osebje v trgovinah, pisarnah in drugih delovnih okoljih;
- kmetije;
- prostori v hotelih, motelih in drugih namestitvenih objektih, ki jih uporabljajo stranke;
- hoteli, ki ponujajo nočitev z zajtrkom, gostišča;
- priprava in dostava hrane ter podobne neprodajne dejavnosti.

Aparata ni dovoljeno uporabljati na prostem, ne glede na to, ali je pod streho ali ne, na primer na plovilih, balkonih ali terasah. Aparat ne sme biti izpostavljen dežju, snegu, soncu ali vetru.

Obstaja nevarnost požara!

## 1.2 – Varnost otrok, ranljivih oseb in domačih živali

- Otroci, stari 8 let ali več, in osebe z omejenimi fizičnimi, senzoričnimi ali duševnimi zmoglostmi ali s premalo izkušnjami in znanja lahko uporabljajo ta aparat, če jih kdo nadzira ali seznanj z varno uporabo aparata in nevarnostmi, ki so povezane z uporabo aparata.
- Otroci, stari od 3 do 8 let, lahko postavljajo hrano v hladilni aparat in jo jemljejo iz njega.
- Električni aparati so nevarni za otroke in domače živali. Otroci in domače živali se ne smejo igrati z aparatom, plezati nanj ali vstopati vanj.
- Otroci ne smejo čistiti in vzdrževati aparata, razen če so nadzorovani.
- Embalažni material hranite zunaj dosega otrok. Obstaja nevarnost telesnih poškodb in zadužitve!
- Preden zavržete star ali odslužen aparat:

**1.** Odklopite aparat tako, da primete za vtič.

**2.** Prerežite napajalni kabel in ga odstranite z aparata skupaj z vtičem.

**3.** Ne odstranjujte polic ali predalov, da otrokom otežite vstop v aparat.

**4.** Odstranite vrata.

**5.** Aparat naj bo postavljen tako, da se ne more prevrniti.

**6.** Ne dovolite, da bi se otroci igrali s starim aparatom.

- Aparata ne odstranjujte s sežiganjem. Obstaja nevarnost eksplozije!
- Če so vrata aparata opremljena s ključavnico, hranite ključ zunaj dosega otrok.

## 1.3 – Električna varnost

- Med nameščanjem, vzdrževanjem, čiščenjem, popraviljanjem in premikanjem mora biti aparat odklopljen.
- Če je napajalni kabel poškodovan, ga mora zamenjati usposobljena oseba, ki jo določi

# Pomembna varnostna in okoljska navodila

proizvajalec, pooblaščen serviser ali uvoznik, da se izognete morebitni nevarnosti.

- Ne potiskajte napajalnega kabla pod aparat ali za aparat. Ne postavljajte težkih predmetov na napajalni kabel. Izogibajte se prekomernemu zvijanju ali stiskanju napajalnega kabla in preprečite stik kabla z virom toplote.
- Za delovanje aparata ne uporabljajte podaljška, razdelilnika ali adapterja.
- Prenosni razdelilniki ali prenosni napajalniki se lahko pregrejejo in povzročijo požar, zato ne nameščajte razdelilnika za aparat ali v njegovo bližino.
- Vtič mora biti preprosto dostopen. Če to ni mogoče, mora električna napeljava, na katero je priklopljen aparat, vključevati napravo (npr. varovalko, stikalo, odklopnik itd.), ki je skladna s predpisi za električno opremo in odklopi vse pole z omrežja.
- Ne dotikajte se napajalnega vtiča z mokrimi rokami.
- Odstranite vtič iz vtičnice tako, da primete vtič in ne kabla.
- Pri nameščanju aparata zagotovite, da napajalni kabel ni stisnjen ali poškodovan.
- Na hrbtno stran aparata ne nameščajte prenosnih razdelilnikov ali prenosnih napajalnikov.

## 1.4 – Varnost pri premikanju

- Aparat je težek, zato ga ne premikajte sami.
- Aparata med premikanjem ne držite za vrata.
- Pazite, da med premikanjem aparata ne poškodujete hladilnega sistema in cevi. Če so cevi poškodovane, ne uporabljajte aparata in pokličite pooblaščenega serviserja.

## 1.5 – Varnost pri namestitvi

- Za namestitev aparata se obrnite na pooblaščenega serviserja. Pripravite aparat za uporabo tako, da preberete informacije v navodilih za uporabo ter poskrbite za ustrezno električno in vodovodno napeljavo. Če ustrezna napeljava ni na voljo, pokličite usposobljenega električarja ali vodovodarja, da uredi potrebne dovode. V nasprotnem primeru lahko pride do električnega udara, požara, težav z aparatom ali telesnih poškodb.
- Pred namestitvijo preverite, ali so na aparatu kakršne koli napake. Če je aparat poškodovan, ga ne nameščajte.

- Postavite aparat na čisto, ravno in trdo površino ter ga izravnajte z nastavljivimi nogami. V nasprotnem primeru se lahko aparat prevrne in povzroči telesne poškodbe.
- Prostor namestitve mora biti suh in dobro prezračevan. Pod aparatom ne sme biti preprog, tekačev ali podobnih prekrival. Nezadostno prezračevanje povzroči nevarnost požara.
- Ne zapirajte ali pokrivajte prezračevalnih odprtih, saj pride do povečanja porabe energije ali morda celo do poškodb aparata.
- Ne priklopljajte aparata na napajalne sisteme, kot so sončni napajalniki, saj lahko zaradi nenadnih sprememb napetosti pride do poškodb aparata.
- Večja kot je količina hladilnega sredstva v hladilniku, v večjem prostoru mora biti hladilnik nameščen. Če je prostor namestitve premajhen, lahko v primeru uhajanja hladilnega sredstva iz hladilnega sistema pride do kopičenja mešanice vnetljivega hladilnega sredstva in zraka. Zahtevani prostor za vsakih 8 gramov hladilnega sredstva je najmanj 1 m<sup>3</sup>. Količina hladilnega sredstva v aparatu je navedena na tipski ploščici.
- Aparat ne sme biti nameščen na mestih, ki so izpostavljena neposredni sončni svetlobi, in ne sme biti v bližini virov toplote, kot so kuhalne plošče, radiatorji itd.

Če se ne morete izogniti namestitvi aparata blizu vira toplote, vmes namestite ustrezno izolacijsko ploščo in upoštevajte naslednje najmanjše oddaljenosti od vira toplote:

- najmanj 30 cm od virov toplote, kot so kuhalne plošče, pečice, grelne enote ali peči;
- najmanj 5 cm od električnih pečic.

- Vaš aparat ima razred zaščite I. Aparat priklopite v ozemljeno vtičnico, ki je skladna z vrednostmi napetosti, toka in frekvence, ki so navedene na tipski ploščici aparata. Vtičnica mora biti opremljena z odklopnikom, ki ima zmogljivost 10–16 A. Naše podjetje ne odgovarja za poškodbe, ki nastanejo zaradi uporabe aparata z ozemljitvijo in električnimi napeljavami, ki niso skladne z lokalnimi in nacionalnimi predpisi.

# Pomembna varnostna in okoljska navodila

- Aparat ne sme biti priklopljen med nameščanjem. V nasprotnem primeru obstaja nevarnost električnega udara in telesnih poškodb.
- Aparata ne priklaplajte v zrahljane, zlomljene, umazane ali mastne vtičnice, v vtičnice, ki so se snele z ležišča, ali v vtičnice, pri katerih obstaja nevarnost stika z vodo.
- Napeljite napajalni kabel in cevi (če so na voljo) aparata tako, da ne predstavljajo nevarnosti spotaknitve.
- Če so deli pod napetostjo ali napajalni kabel izpostavljeni vlagi, lahko pride do kratkega stika. Aparata zato ne nameščajte v prostore z visoko vlažnostjo ali nevarnostjo škropljenja vode, kot so garaže ali pralnice. Če se hladilnik zmoči z vodo, ga odklopite in pokličite pooblaščenega serviserja.
- Ne priklaplajte hladilnika na naprave za varčevanje z energijo. Takšni sistemi so škodljivi za aparat.
- Ne jejte sladoleda, ledenih kock ali zamrznjene hrane takoj po odstranitvi iz hladilnika. Obstaja nevarnost ozeblin!
- Ne dotikajte se notranjih sten, kovinskih delov zamrzovalnika ali hrane v aparatu z mokrimi rokami. Obstaja nevarnost ozeblin!
- V zamrzovalni del ne postavljajte pločevink ali steklenic, v katerih so gazirane pijače ali tekočine, ki lahko zmrznejo. Pločevinke in steklenice lahko počijo. Obstaja nevarnost telesnih poškodb in materialne škode!
- V bližini hladilnika ne uporabljajte ali shranjujte vnetljivih razpršil, vnetljivih snovi, suhega ledu, kemičnih snovi ali podobnih materialov, občutljivih na toploto. Obstaja nevarnost požara in eksplozije!
- V aparatu ne shranjujte eksplozivnih predmetov, ki vsebujejo vnetljive snovi, kot so razpršilne pločevinke.
- Na aparat ne postavljajte posod, napolnjenih s tekočino. Škropljenje vode po električnem delu lahko povzroči električni udar ali nevarnost požara.
- Ta aparat ni namenjen shranjevanju zdravil, krvne plazme, laboratorijskih pripravkov ali podobnih medicinskih snovi in izdelkov, za katere velja direktiva o medicinskih proizvodih.
- Če se aparat ne uporablja v skladu s predvidenim namenom, se lahko pokvarijo izdelki, ki se hranijo v aparatu.
- Če je hladilnik opremljen z modro lučko, ne glejte v to lučko z optičnimi napravami. Ne glejte dlje časa neposredno v UV/LED-lučko. Ultravijolična svetloba lahko povzroči naprežanje oči.
- Ne preobremenite aparata. Predmeti v hladilniku lahko padejo, ko odprete vrata, kar lahko povzroči telesne poškodbe ali materialno škodo. Do podobnih težav lahko pride pri postavljanju predmetov na aparat.
- Poskrbite, da ste s tal odstranili ves led ali vodo, da preprečite telesne poškodbe.
- Police/stojala za steklenice v vratih hladilnika lahko predstavljate samo, ko so police/stojala prazna. Obstaja nevarnost telesnih poškodb!
- Na aparat ne postavljajte predmetov, ki lahko padejo oz. se prevrnejo. Ti predmeti lahko padejo med odpiranjem vrat ter povzročijo

## 1.6 – Varnost med delovanjem

- Ne uporabljajte kemičnih topil na aparatu. Obstaja nevarnost eksplozije!
- V primeru okvare odklopite aparat in ga ne uporabljajte, dokler ga ne popravi pooblaščen serviser. Obstaja nevarnost električnega udara!
- Ne postavljajte virov plamena (npr. prižganih sveč, cigaret itd.) na aparat ali v njegovo bližino.
- Ne vzpenjajte se na aparat. Obstaja nevarnost padca in telesnih poškodb!
- Ne poškodujte cevi hladilnega sistema z ostrimi ali koničastimi predmeti. Hladilno sredstvo, ki se lahko razprši v primeru predrtja cevi za hladilno sredstvo, podaljškov cevi ali površinskih prevlek, povzroči draženje kože in poškodbe oči.
- Ne postavljajte električnih naprav v hladilnike/globoke zamrzovalnike, razen če to priporoča proizvajalec.
- Pazite, da ne zagozdite rok ali katerega koli drugega dela telesa med premične dele v hladilniku. Pazite, da si ne priprete prstov med hladilnik in njegova vrata. Bodite previdni pri odpiranju in zapiranju vrat, zlasti če so v bližini otroci.

# Pomembna varnostna in okoljska navodila

telesne poškodbe in/ali materialno škodo.

- Ne udarjajte po steklenih površinah oz. ne pritiskajte premočno na njih. Zlomljeno steklo lahko povzroči telesne poškodbe in/ali materialno škodo.
- Hladilni sistem aparata vsebuje hladilno sredstvo R600a. Vrsta hladilnega sredstva, ki se uporablja v aparatu, je navedena na tipski ploščici. To hladilno sredstvo je vnetljivo, zato pazite, da med uporabo aparata ne poškodujete hladilnega sistema ali cevi. Če so cevi poškodovane:
  - Ne dotikajte se aparata ali napajalnega kabla.
  - Odmaknite možne vire ognja, ki lahko povzročijo vžig aparata.
  - Prezračite območje, na katerem je nameščen aparat. Ne uporabljajte ventilatorjev.
  - Pokličite pooblaščenega serviserja.

- Če je aparat poškodovan in opazite uhajanje hladilnega sredstva, se ne približujte hladilnemu sredstvu. Hladilno sredstvo lahko ob stiku s kožo povzroči ozeblino.

## Aparati z vodomatom ali ledomatom

- Uporabljajte samo pitno vodo. Ne napolnite posode za vodo s tekočinami, ki niso primerne za uporabo v vodomatu, npr. s sadnim sokom, mlekom, gaziranimi pijačami ali alkoholnimi pijačami.
- Obstaja nevarnost za zdravje in varnost!
- Ne dovolite, da bi se otroci igrali z vodomatom ali ledomatom, saj lahko pride do nesreč ali telesnih poškodb.
- Ne vstavljajte prstov ali drugih predmetov v odprtino vodomata, kanal za vodo ali posodo ledomata. Obstaja nevarnost telesnih poškodb ali materialne škode!

## 1.7 – Varnost pri vzdrževanju in čiščenju

- Če želite premakniti aparat zaradi čiščenja, ne vlecite za ročaj na vratih. S prekomerno silo lahko zlomite ročaj, kar lahko povzroči telesne poškodbe.
- Ne čistite aparata z razprševanjem ali vlivanjem vode po aparatu ali njegovi notranjosti. Obstaja

nevarnost požara in električnega udara!

- Za čiščenje aparata ne uporabljajte ostrega ali abrazivnega orodja. Ne uporabljajte gospodinskih čistil, detergentov, goriva, bencina, razredčila, alkohola, laka itd.
- V notranjosti aparata uporabljajte samo sredstva za čiščenje in vzdrževanje, ki niso škodljiva za hrano.
- Za čiščenje ali odmrzovanje aparata ne uporabljajte čistilnikov, ki delujejo na paro ali s pomočjo pare. Para pride v stik z deli hladilnika, ki so pod napetostjo, kar povzroči kratki stik ali električni udar.
- Pazite, da osvetlitev aparata ali elektronska vezja ne pridejo v stik z vodo.
- S čisto in suho krpo obrišite prah ali tujo snov na polih vtiča. Za čiščenje vtiča ne uporabljajte mokre ali vlažne krpe. Obstaja nevarnost požara in električnega udara!

## 1.8 – HomeWhiz

### \*Morda ni na voljo pri vseh modelih

- Ko upravljate aparat prek aplikacije HomeWhiz, upoštevajte varnostna opozorila tudi, ko niste v bližini aparata. Upoštevajte tudi opozorila v aplikaciji.

## 1.9 – Osvetlitev

- Če je treba zamenjati lučko LED/žarnico, ki se uporablja za osvetlitev, se obrnite na pooblaščen servis.

## 2 Okoljevarstvena navodila

### 2.1 Skladnost z direktivo o WEEE in odstranjevanje izrabljenega izdelka:

Ta naprava je skladna z direktivo EU WEEE (2012/19/EU). Ta izdelek nosi oznako klasifikacije za odpadno električno in elektronsko opremo (WEEE).



Ta simbol pomeni, da tega izdelka po koncu življenjske dobe ne smete odvreči med druge gospodinjske odpadke. Izrabljeno napravo je treba odvreči na uradno zbirno mesto za recikliranje električnih in elektronskih naprav. Za informacije o takem zbirnem mestu se obrnite na vaše lokalne uprave ali prodajalca, kjer je bil izdelek kupljen. Vsako gospodinjstvo igra pomembno vlogo pri ravnanju z in recikliranju starih gospodinjskih aparatov. Pravilno odstranjevanje izrabljenih izdelkov pomaga preprečevati negativne posledice za okolje in človeško zdravje.

### 2.2 Skladnost z direktivo RoHS

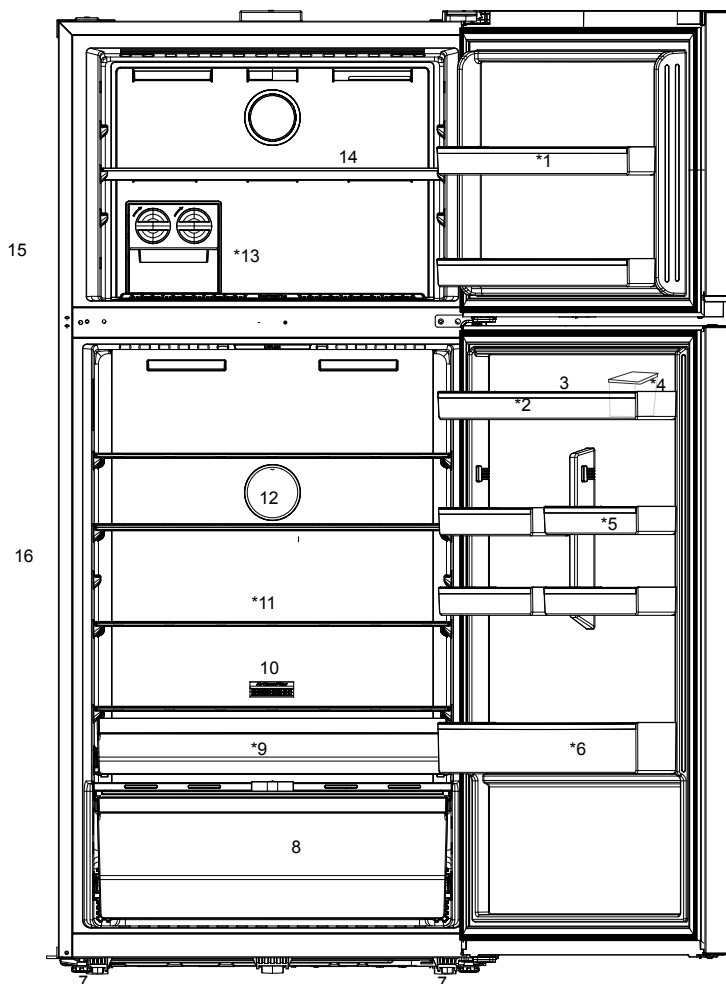
Izdelek, ki ste ga kupili, je skladen z direktivo EU RoHS (2011/65/EU). Ne vsebuje škodljivih in prepovedanih snovi, navedenih v direktivi.

### 2.3 Informacije o embalaži



Embalažni materiali izdelka so izdelani iz materialov, ki jih je mogoče reciklirati, v skladu z nacionalnimi predpisi o okolju. Ne odlagajte embalažnih materialov skupaj z gospodinjskimi ali drugimi odpadki. Peljite jih v zbirne centre za embalažo, pooblaščen s strani lokalne uprave.

### 3 Vaš hladilnik



- |   |                                   |
|---|-----------------------------------|
| 1- Police na vratih zamrzovalnik                            | 10- Filter                        |
| 2- Police na vratih hladilnika                              | 11- Steklene police               |
| 3- Prostor za jajca   | 12- Ventilator                    |
| 4- Dozator za vodo  | 13- Ledomati                      |
| 5- Majhne police na vratih hladilnika                       | 14- Steklena polica zamrzovalnika |
| 6- Polica za steklenice                                     | 15- Zamrzovalnik                  |
| 7- Nastavljiva stojala                                      | 16- Hladilnik                     |
| 8- Predal za zelenjavo, predal za sadje in etilenski filter |                                   |
| 9- Predal za mlečne izdelke (hladnejši predel)              |                                   |



\*Izbirno: Številke v tem priročniku so shematične in se morebiti ne bodo popolnoma ujemale z vašo napravo. Če vaš izdelek ne vsebuje ustreznih delov, se podatki nanašajo na druge modele.



## 4 Namestitev

### 4.1 Pravo mesto za namestitev

Za učinkovito delovanje tega izdelka je potrebno zadostno kroženje zraka. Če bo izdelek nameščen v nišo, pustite vsaj 5 cm prostora med izdelkom ter stropom, zadnjo steno in stranskima stenama.

Če bo izdelek nameščen v nišo, pustite vsaj 5 cm prostora med izdelkom ter stropom, zadnjo steno in stranskima stenama. Preverite, ali je nameščen zaščitni del za odmik od zadnje stene (če je priložen izdelku). Če del ni na voljo ali pa je izgubljen oziroma uničen, namestite izdelek tako, da je z zadnjo stranjo od stene prostora oddaljen vsaj 5 cm. Odmik na zadnji strani je pomemben za učinkovito delovanje izdelka.

### 4.2 Za izdelke z dozatorjem za vodo / ledomatom

- Uporabiti je treba kompletne cevi, priložene izdelku. Ne uporabite starih kompletov cevi. Ne podaljšujte cevi!

- Izdelek vedno priključite na dovod hladne vode. Ne izvajajte namestitve na dovodu tople vode. Pritisk za dovod hladne vode mora biti največ 80 PSI (550 kPa). Če vaš pritisk vode presega 80Psi ali vpliva na učinek vode, potem za vaš vodovodni sistem uporabite tlačni ventil. Če ne veste kako uravnnavati vaš pritisk v vodi, pokličite vodovodnega inštalaterja. Visok pritisk lahko poškoduje priključke cev in povzroči poplavo.

- Upoštevajte zahtevane varnostne ukrepe za preprečevanje zamrznitve vode. Interval delovne temperature vode mora biti najmanj 0.6°C (33°F) in največ 38°C (100°F). Če je cev počena/preluknjana obstaja nevarnost poplave.



**OPOZORILO:** Kot priključek za napajanje ne uporabljajte podaljškov ali razdelilnikov.



**OPOZORILO:** Proizvajalec ne prevzema odgovornosti za kakršno koli škodo zaradi izvedenih del nepooblaščenih oseb.



**OPOZORILO:** Med namestitvijo je treba napajalni kabel izdelka izključiti. V nasprotnem primeru lahko pride do smrti ali resnih poškodb!



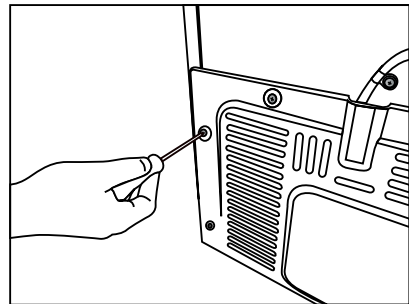
**OPOZORILO:** Če je okvir vrat preozek za prenašanje naprav skozenj, odstranite vrata in obrnite napravo postrani, in če to ne deluje, se obrnite na pooblaščenega serviserja.

- Da se izognete tresljajem, izdelek položite na ravno površino.
- Izdelek postavite vsaj 30 cm stran od grelnika, štedilnika in podobnih virov toplote in vsaj 5 cm stran od električnih pečic.
- Izdelka ne izpostavljajte neposredni sončni svetlobi ali vlažnemu okolju.
- Za učinkovito delovanje potrebuje izdelek ustrezno kroženje zraka. Če bo izdelek nameščen v nišo, pustite vsaj 5 cm prostora med izdelkom ter stropom in stenami.

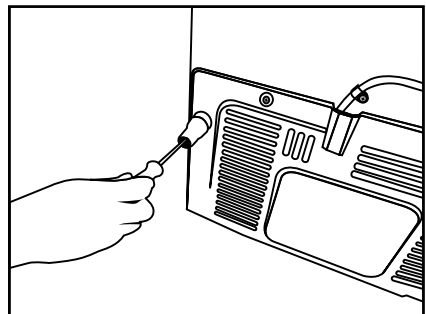
### 4.3 Pritrditev plastičnih zagozd

Uporabite plastične zagozde, priložene izdelku, da zagotovite dovolj prostora za kroženje zraka med izdelkom in steno

1. Za pritrditev zagozd odstranite vijake na izdelku in uporabite vijake, priložene zagozdam.



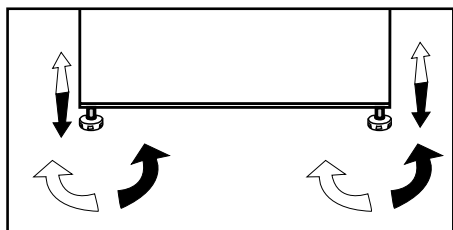
2. Na prezračevalni pokrov pritrdite 2 plastični zagozdi, kot je prikazano na sliki.



## Namestitev

### 4.4 Prilagoditev nogic

Če izdelek ni uravnan, nastavite sprednje nastavljivi nogice z vrtenjem v desno ali levo.



- Po namestitvi mora biti vtič napajalnega kabla lahko dostopen.



Opozorilo pred vročo površino!  
Stranice izdelka so opremljene s hladilnimi cevmi za izboljšanje hladilnega sistema. Skozi te površine lahko teče tekočina pod visokim tlakom in na straneh povzroči vroče površine. To je normalno in ne zahteva servisiranja. Bodite previdni pri stiku s temi površinami.

### 4.5 Električni priklop



**OPOZORILO:** Kot priključek za napajanje ne uporabljajte podaljškov ali razdelilnikov.



**OPOZORILO:** Poškodovani napajalni kabel mora zamenjati pooblaščen servis.

- Naše podjetje ne prevzema odgovornosti za morebitno škodo nastalo zaradi uporabe brez ozemljitve in povezavo z električnim napajanjem v skladu z nacionalnimi predpisi.

## 5 Priprava



Najprej preberite poglavje "Varnostna navodila"!

- Izdelek naj deluje 12 ur brez hrane v njem in medtem ne odpirajte vrat, razen če je to nujno potrebno.



Ko je kompresor vklopljen, se sliši zvok. Normalen je tudi zvok, ko je kompresor neaktiven, zaradi stisnjene tekočine in plinov v hladilnem sistemu.



Najprej preberite poglavje "Varnostna navodila"!



Običajno je, da so sprednji robovi hladilnika topli. Ta območja so zasnovana, da se segrejejo, saj se s tem prepreči kondenzacija.



Pri nekaterih modelih se indikatorska plošča samodejno izklopi 1 minuto po zaprtju vrat. Ponovno se aktivira, ko so vrata odprta ali pritisnete kateri koli gumb.

### 5.1 Kako varčevati z energijo



Priključitev naprave na elektronski sistem za varčevanje z energijo je škodljivo, saj lahko poškoduje napravo.

- Za prostostoječo napravo; ta hladilna naprava ni namenjena uporabi kot vgradna naprava.
- Vrata hladilnika ne imejte odprta dalj časa.
- Ne postavljajte tople hrane ali pijače v hladilnik.
- Ne napolnite preveč hladilnika, kar zaustavlja notranji pretok zraka in zmanjša hladilno moč.
- Odvisno od značilnosti naprave; odmrzovanje zamrznjenih živil v prostoru hladilnika bo zagotovilo varčevanje z energijo in ohranjanje kakovosti hrane.
- Če so vrata zaprta, vroč in vlažen zrak ne bo prodril neposredno v vaš izdelek, na ta način se vaš izdelek sam optimizira v pogojih, ki zadoščajo za zaščito vaše hrane. Funkcije in sestavni deli, kot so kompresor, ventilator, grelec, odtaljevanje, osvetlitev, zaslon in tako naprej, bodo delovali v skladu s potrebami po minimalni porabi energije pod temi pogoji.
- Da zagotovite varčevanje z energijo in zaščitite hrano v boljših pogojih shranjevanja, hrano shranjujte v hladnejših predalih hladilnika.

### 5.2 Prvo delovanje

Pred uporabo hladilnika se prepričajte, da je vse pripravljeno v skladu z navodili v poglavjih "Varnostna in okoljevarstvena navodila" in "Namestitve".

## 6 Upravljanje izdelka

- Za pospešitev odtajanja ne uporabljajte nobenega mehničnega orodja ali drugih orodij, razen priporočil proizvajalca.
- Kot oporo ali stopnico ne uporabljajte delov hladilnika, kot so vrata ali predali. To lahko povzroči prevrnitev izdelka ali poškodbo njegovih delov.
- Izdelek se uporablja samo za shranjevanje živil.
- Izklopite ventil za vodo, če vas ne bo nekaj časa doma (npr. ste na dopustu) in dlje časa ne boste uporabljali ledomata ali dozatorja vode. V nasprotnem primeru lahko pride do puščanja vode.

### 6.1 izklop izdelka

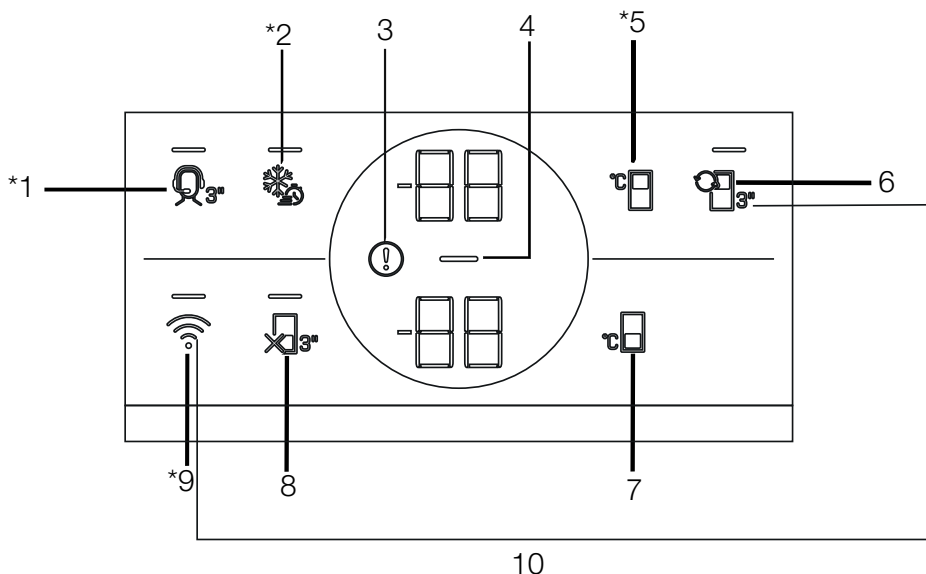
- Če izdelka ne boste uporabljali dlje časa;
  - ga izklopite,
  - spraznite hrano, da preprečite vonjave,
  - počakajte, da se led otopi,
  - očistite notranjost in počakajte, da se posuši.
  - vrata pustite odprta, da preprečite poškodbe plastike v notranjosti.

## 6 Upravljanje izdelka

### 6.2 Indikatorska plošča

Indikatorske plošče se lahko razlikujejo glede na model vašega izdelka.

Zvočne in vizualne funkcije ploščadi prikazovalnika bodo v pomoč pri uporabi hladilnika.



- 1- Tipka za podporo storitve
- 2- Tipka za hitro zamrzovanje/Tipka za nastavev funkcije luči ročaja
- 3- Kazalnik stanja napak
- 4- Kazalnik varčevanja z energijo (zaslon izključen)
- 5- Tipka za nastavev temperature zamrzovalnika
- 6- Tipka za preklop predela
- 7- Tipka za nastavev temperature hladilnika
- 8- Tipka za funkcijo IZKLOP hladilnika (Počitnice)
- 9- Tipka za brezžično povezavo
- 10- Ključ za ponastavev nastavev brezžične povezave

#### 1. Tipka za podporo storitve

Pritisnite to tipko za 3 sekunde, da aktivirate podporo storitve. Podrobne informacije o podpori storitve so na voljo v poglavju "Funkcija Podpora storitve".

#### 2. Tipka za hitro zamrzovanje

Ko pritisnete tipko za hitro zamrzovanje, na tipki


sveti LED in aktivira se funkcija hitrega zamrzovanja. Temperatura zamrzovalnika je nastavljena na -27 Celzija. Za preklic te funkcije znova pritisnite tipko. Funkcija hitrega zamrzovanja se samodejno prekliče po 52 urah. Če želite zamrzniti večjo količino sveže hrane, pritisnite tipko za hitro zamrzovanje, preden jo postavite v zamrzovalnik.




\*Izbirno: Številke v tem priročniku so shematične in se morebiti ne bodo popolnoma ujemale z vašo napravo. Če vaš izdelek ne vsebuje ustreznih delov, se podatki nanašajo na druge modele.

## Uporaba naprave

### \*Tipka za nastavev funkcije luči ročaja

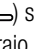
Funkcijo luči ročaja lahko preklapljate med odprtim in zaprtim načinom s pritiskom na gumb za hitro zamrzovanje (  ) za 3 sekunde. V zaprtem načinu se luč ročaja vklopi samo, ko se odprejo vrata naprave in ugasne čez nekaj časa po zaprtju vrat. V odprtem načinu se luč za ročaja vklopi, ko se odprejo vrata naprave, luč ročaja ostane prižgana zatemnjeno nekaj časa po zaprtju vrat. Funkcija luči ročaja je nastavljena na tovarniško zaprt način.

### 3. Kazalnik stanja napak

Ta kazalnik (  ) mora biti aktiven, kadar hladilnik ne more primerno hladiti ali v primeru napake senzorja. Na kazalniku temperature zamrzovalnika se prikaže "E", na kazalniku temperature hladilnika pa se prikažejo številke, kot so 1,2,3... Te številke zagotavljajo informacije pooblaščenemu servisu o napaki, ki se je zgodila.

Ko v zamrzovalnik naložite toplo hrano ali dlje časa držite vrata odprta, se lahko prikaže klicaj. To ni napaka, to opozorilo se odstrani, ko se hrana ohladi ali če pritisnete na katerokoli tipko.

### 4. Kazalnik varčevanja z energijo (zaslon izključen)

Funkcija Varčevanje z energijo se samodejno omogoči in simbol varčevanja z energijo (  ) se prikaže, če se vrata izdelka nekaj časa ne odpirajo ali zapirajo. Ko je funkcija Varčevanje z energijo aktivna, se izključijo vsi simboli na zaslonu, razen simbola za varčevanje z energijo. Ko je funkcija Varčevanje z energijo aktivna, s pritiskom katere koli tipke ali odpiranjem vrat funkcijo Varčevanje z energijo deaktivirate in simboli na zaslonu se vrnejo v normalno stanje. Funkcija varčevanja z energijo je tovarniško aktivirana in je ni mogoče preklicati.

### 5. Tipka za nastavev temperature zamrzovalnika

Nastavev temperature je narejena za hladilnik. S pritiskom na to tipko bo temperatura zamrzovalnega prostora nastavljena na -15, -16, -18, -19, -20, -22, -24 Celzija.

### 6. Tipka za preklap predela

Ko pritisnete tipko ta preklap predela za 3 sekunde,

zamrzovalni del ustrezno preklopi med načini hladilnik, izklop in zamrzovalnik. Ko deluje kot hladilni del, je temperaturo hladilnega dela možno nastaviti na 8,7,6,5,4,3,2 in 1 Celzija. V načinu IZKLOP bo kazalnik temperature predela izpisal "- -".

### 7. Tipka za nastavev temperature hladilnika

Omogoča nastavev temperature hladilnega prostora. S pritiskom na to tipko bo temperatura hladilnega prostora nastavljena na 8,7,6,5,4,3,2 in 1 Celzija.


### 8. Tipka za funkcijo IZKLOP hladilnika (Počitnice)

Pritisnite tipko za 3 sekunde, da aktivirate funkcijo počitnice. Aktiviran je način počitnic in LED tipke sveti. Na kazalniku temperature hladilnega dela se prikaže "- -" in hladilni prostor pa ne izvaja aktivnega hlajenja. Ko je ta funkcija aktivirana, hrane ne smete hraniti v hladilniku. Ostali predelki se še naprej hladijo glede na nastavljene temperature. Za preklic te funkcije znova pritisnite tipko za 3 sekunde.

### 9. Tipka za brezžično povezavo

Ta tipka se uporablja za brezžično povezavo z vašim izdelkom prek mobilne aplikacije HomeWhiz.

Če tipko držite dlje časa (3 sekunde), simbol brezžične povezave na prikazu/zaslonu utripa počasi (z intervali 0,5 sekunde). Na ta način se izdelek poveže z domačim omrežjem.

Po vzpostavitvi brezžične povezave z izdelkom, simbol za brezžično povezavo (  ) neprekinjeno sveti.

Ko je vzpostavljena prva povezava, jo lahko s kratkim pritiskom na to tipko aktivirate/deaktivirate. Dokler se povezava ne vzpostavi, simbol za brezžično povezavo utripa hitro (v presledkih 0,2 sekunde). Ko je povezava aktivna, simbol brezžičnega omrežja neprekinjeno sveti. Če povezave dlje časa ni mogoče vzpostaviti, preverite vaše nastavitve povezave in pogledajte v uporabniškem priložniku poglavje "Odpravljanje težav".

Za brezžično povezavo se uporablja aplikacija HomeWhiz. Koraki namestitve so opisani na aplikaciji med namestitvijo.

Do aplikacije lahko dostopate tako, da preberete kodo QR, ki je na voljo na nalepki HomeWhiz na izdelku.

Aplikacija je na voljo prek trgovine App Store za naprave iOS in Trgovine Play za naprave Android.

## Uporaba naprave

Za podrobne informacije obiščite <https://www.homewhiz.com/>

### 10. Ključ za ponastavitev nastavitve brezžične povezave

Če želite ponastaviti nastavitve brezžične povezave, hkrati za 3 sekunde pritisnite tipki za hitro zamrzovanje (❄️) in brezžično povezavo (📶). Ko so nastavitve brezžične povezave ponastavljene/ obnovljene na tovarniške nastavitve, se vse predhodno zabeležene uporabniške informacije v izdelku odstranijo.

### 6.3 Predal za zelenjavo z nadzorovano vlažnostjo (EverFresh+)

#### (izbirno)

Zahvaljujoč predalu za zelenjavo z nadzorovano vlažnostjo lahko zelenjavo in sadje dlje časa hranite v okolju z idealnimi pogoji vlažnosti. S sistemom za nastavitve vlažnosti s tremi možnostmi na sprednji strani vašega predala za zelenjavo lahko nadzorujete vlago v predalu glede na hrano, ki jo shranjujete. Priporočamo vam, da hrano shranite tako, da izbirate možnost za zelenjavo, če hranite samo zelenjavo, možnost za sadje, če hranite samo sadje, in mešano, če hranite mešano hrano.

Priporočamo, da zelenjave in sadja ne hranite v vrečah, da bi izboljšali čas shranjevanja živil in bolje izkoristili sistem za nadzor vlažnosti. Če jih pustite v plastičnih vrečkah, zelenjava v kratkem času zgnije. Priporočamo, da zlasti kumare in brokoli ne shranjujete v zaprtih vrečah. V primerih, ko stik z drugo zelenjavo ni zaželen, uporabite embalažne materiale, kot je papir, ki ima higiensko določeno stopnjo poroznosti.

Ko nameščate zelenjavo, na dno položite težko in trdo zelenjavo, zgoraj pa lahko in mehko, pri čemer upoštevajte določene teže zelenjave.

Sadja z visoko vsebnostjo plina etilena, kot so hruške, marelice, breskve in zlasti jabolka, ne postavljajte v isti predal za zelenjavo z drugo zelenjavo in sadjem. Plin etilen, ki izhaja iz tega sadja, lahko povzroči, da druga zelenjava in sadje hitreje dozori in hitreje začne gniti.

### 6.4 Modra lučka/HarvestFresh (izbirno)

#### Modra lučka,

Zelenjava in sadje, shranjeno v predalu za zelenjavo, osvetljeno z modro lučko, zaradi učinka valovne dolžine modre svetlobe, še naprej izvaja fotosintezo in ohranja raven vitamina C.

#### HarvestFresh,

Zelenjava in sadje, shranjeno v predalu za zelenjavo, osvetljeno s tehnologijo HarvestFresh, ohranja raven vitaminov (vitamina A in C) dlje časa, zahvaljujoč ciklom modre, zelene, rdeče lučke in teme, ki simulirajo dnevni cikel.

Ko se vrata hladilnika odprejo v obdobju teme tehnologije HarvestFresh, bo to vaš hladilnik samodejno zaznal in za vaše udobje močneje osvetlil predal z eno od modrih, zelenih ali rdečih lučk. Ko zaprete vrata vašega hladilnika, se obdobje teme nadaljuje, naprej predstavlja obdobje noči v dnevnu.

### 6.5 Modul Preprečevanje neprijetnih vonjav

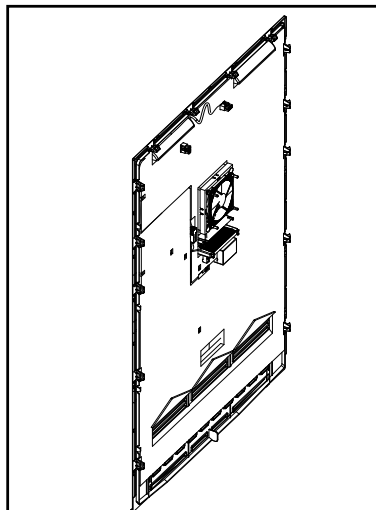
#### (FreshGuard)

##### (Ta funkcija je izbirna)

Modul Preprečevanje neprijetnih vonjav odstrani neprijetne vonjave, ki se pojavijo v hladilniku, preden se te razširijo po površini. Zahvaljujoč temu modulu, ki je nameščen na vrhu predela za sveža živila, se neprijeten vonj odstranjuje medtem ko zrak aktivno prehaja skozi filter in prečiščen zrak v filtru se preusmeri nazaj v predel za sveža živila. S tem se neprijeten vonj, ki se pojavi med shranjevanjem živil v hladilniku, odstrani iz prostora preden prodre na površine.

Ta funkcija je opremljena z ventilatorjem, LED lučko in filter za neprijetne vonjave, nameščeno znotraj modula. Modul Preprečevanje neprijetnih vonjav se samodejno redno vklopi. Če se vrata predela za sveža živila odprejo medtem, ko modul deluje, za ventilator začasno ustavi in nadaljuje, ko se vrata zaprejo. V primeru izpada električne energije začne modul Preprečevanje neprijetnih vonjav delovati, ko se napajanje povrne.

**Informacije:** Da bi preprečili neprijeten vonj, ki se lahko pojavi pri mešanju vonjav različnih živil, vam priporočamo, da aromatična živila, kot so sir, olive in delikatese, shranjujete v embalaži in z zaprtimi pokrovi. Zaradi zaščite ostale shranjene hrane in za preprečevanje neprijetnega vonja vam priporočamo, da hrano, za katero ste opazili, da je pokvarjena, čim prej odstranite iz hladilnika.





## Uporaba naprave

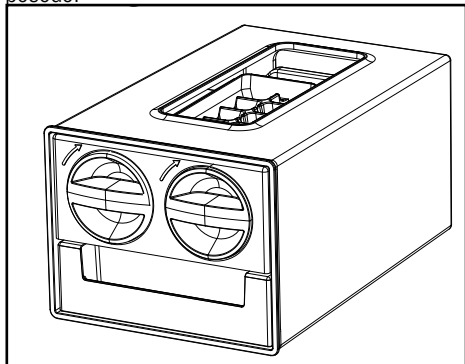
### 6.6 Vedro za led

(Ta funkcija je izbirna)

Vedro za led vam omogoča enostavno jemanje ledu iz hladilnika.

**Uporaba vedra za led**

1. Vzemite vedro za led iz zamrzovalnika.
2. Vedro za led napolnite z vodo.
3. Vedro za led postavite v zamrzovalnik. Led bo pripravljen po približno dveh urah.
4. Vzemite vedro za led iz zamrzovalnika in ga rahlo upognite nad posodo v kateri ga boste postregli. Led se bo enostavno stresel v servisno posodo.



### 6.7 Ledomat

(Ta funkcija je izbirna)

Ledomat vam omogoča enostavno jemanje ledu iz hladilnika.

Uporaba vedra za led

1. Odstranite rezervoar za vodo v hladilniku.
2. Napolnite rezervoar za vodo z vodo.
3. Rezervoar za vodo postavite nazaj na svoje mesto. Prvi led bo pripravljen čez približno 4 ure v predalu ledomata v zamrzovalniku.



Če je rezervoar za vodo poln, lahko dobite 60-70 kock ledu.



Vodo v rezervoarju za vodo se mora menjati na največ 2-3 tedne.

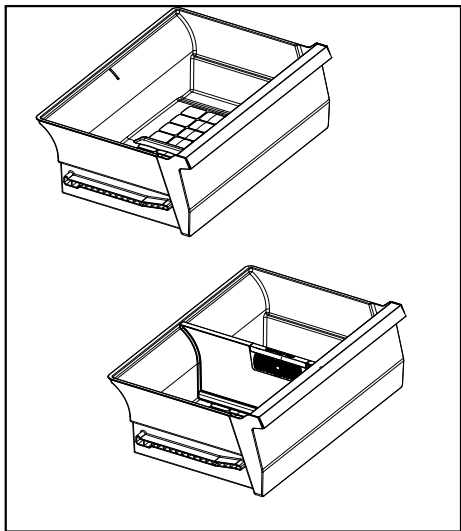
### 6.8 Košara za mlečne izdelke (hladen prostor)

Košara za mlečne izdelke (hladen prostor) ” zagotavlja nižjo temperaturo kot v hladilniku. V tej košari shranjujete delikatese (salame, klobase, mlečni izdelki itd.), ki zahtevajo nižjo temperaturo skladiščenja ali mesne, piščančje ali ribje izdelke za takojšnjo uporabo. V tej košari ne shranjujete sadja in zelenjave.

## Uporaba naprave

### 6.9 Predal za zelenjavo

Predal za zelenjavo hladilnika je zasnovan tako, da ohranja zelenjavo svežo tako, da ohranja vlažnost. V ta namen se v predalu za zelenjavo okrepi kroženje hladnega zraka. Hranite sadje in zelenjavo v tem predelu. Zeleno listno zelenjavo in sadje hranite ločeno, da jim podaljšate življenje.



### 6.10 Ločevalnik v predalu za zelenjavo

#### Etilenski filter

Zadrževalni etilenski filter pomaga odstraniti etilen in neprijetne vonjave iz zelenjave in sadja v predalu.

Sadje kot so hruška, marelica, breskev in še posebej jabolka, ki ustvarjajo veliko količina etilena, lahko shranjujete ločeno od ostale zelenjave in sadja v istem predalu, zahvaljujoč ločevalniku za zelenjavo.

Plin etilen, ki nastaja iz tega sadja, lahko povzroči, da vaša ostala zelenjava in sadje hitreje dozori in hitreje začne gniti.

Zahvaljujoč tej funkciji lahko vaša živila ostanejo dlje časa sveža, še posebej zelena zelenjava, ki je občutljiva na etilen.

Živila lahko shranjujete dlje časa, tako da položite živila, občutljiva na plin etilen, v en predel, ločen z ločevalnikom, v drugi predel pa živila, ki ustvarjajo plin etilen.

Spodaj so navedena živila, ki ustvarjajo etilen in tista, ki so občutljiva na etilen.

Živila, ki ustvarjajo etilen	Živila, ki so občutljiva na etilen
Jabolko, hruška, marelica, nektarina, avokado, kivi, sliva, figa, kutina, paradižnik	Sveža zelena zelenjava (npr. solata, peteršilj), jagode, češnja, grozdje, pomaranča, mandarina, ananas, limona, kumara, paprika, jajčevci, okra, bučke

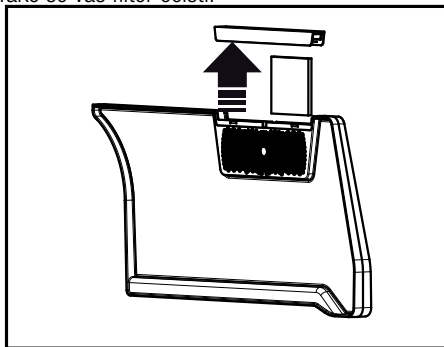
### 6.11 Čiščenje etilenskega filtra

Etilenski filter čistimo enkrat letno.

Odstranite etilenski filter tako, da povlečete pokrov filtra navzgor, kot je prikazano na sliki.

Etilenski filter pustite en dan na sončni svetlobi.

Tako se vaš filter očisti.



## Uporaba naprave

Vstavite filter nazaj in zaprite pokrov.

Če želite zagotoviti učinkovitost svojega filtra in doseči najboljše delovanje, se izogibajte stiku z oljem in podobnimi tekočinami ter materiali, kot so voda in detergenti. Če pride to takega stika, se obrnite na servis, da zamenja vaš filter.

### 6.12 Čiščenje ločevalnika v predalu za zelenjavo

Da preprečite zaporo odprtih za čisti zrak na ločevalniku v predalu za zelenjavo, ga v določenih intervalih obrišite s čisto in suho krpo. Če morate ločevalnik umiti, odstranite filter.



**OPOZORILO:** Da zagotovite kroženje zraka, se prepričajte, da odprtine okoli filtra niso zamašene.

## Uporaba naprave

### 6.13 Uporaba dozatorja za vodo

(Ta funkcija je izbirna)

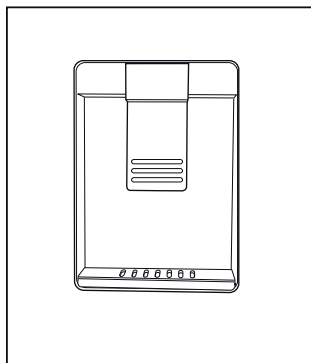


Prvih nekaj kozarcev vode, ki jih natočite iz dozatorja, je običajno toplih.



Če se dozator ne uporablja dlje časa, zavrzite prvih nekaj kozarcev vode, da bi nato dobili čisto vodo.

1. S svojim kozarcem potisnite ročko dozatorja za vodo. Če imate plastični kozarec, boste lažje potisnili ročko s svojo roko.
2. Za želeno količino vode v kozarcu spustite ročko.



Količina pretoka vode iz dozatorja je odvisna od vašega pritiska na ročko. Ko se nivo vode v kozarcu/posodi toliko poveča, rahlo sprostite pritisk na ročko, da preprečite prelivanje. Če rahlo pritisnete na ročko, bo voda samo kapljala; to je normalno in ni okvara.

### 6.14 Polnjenje rezervoarja za vodo

Odprite pokrov rezervoarja za vodo, kot je prikazano na sliki. Napolnite s čisto pitno vodo. Zaprite s pokrovčkom.

### 6.15 Čiščenje rezervoarja za vodo

Odstranite rezervoar za vodo s police na vratih.

Ločite tako, da držite obe strani polic na vratih.

Primite na obeh straneh rezervoarja in odstranite pod kotom 45°.

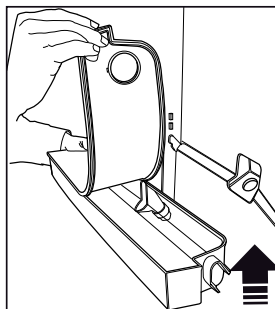
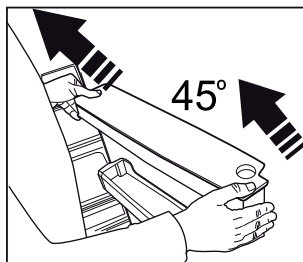
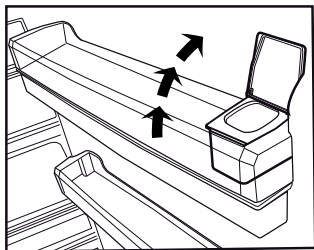
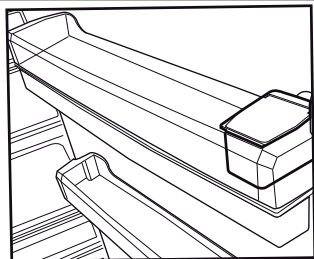
Odstranjevanje in čiščenje rezervoarja za vodo.



V rezervoar za vodo ne polnite sadnega soka, gaziranih pijač, alkoholnih pijač ali drugih tekočin, ki so nezdružljive za uporabo v dozatorju. Uporaba takšnih tekočin povzroči okvaro in nepopravljivo škodo dozatorja. Uporaba dozatorja na ta način ne sodi pod območje garancije. Nekatere kemikalije in dodatki v takih pijačah / tekočinah lahko povzročijo materialno škodo na rezervoarju za vodo.



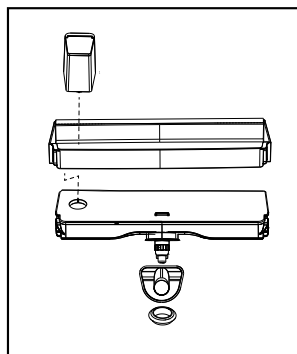
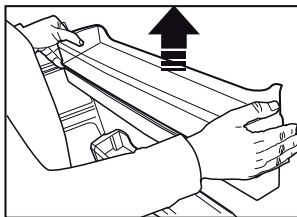
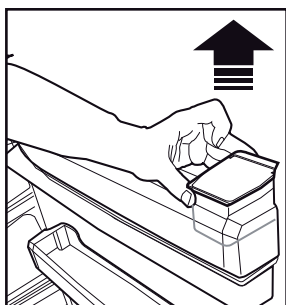
Sestavne dele rezervoarja za vodo in dozatorja se ne sme oprati s pomivalnim strojem.



### 6.16 Polnjenje rezervoarja za vodo

Rezervoar za polnjenje rezervoarja za vodo je znotraj police na vratih.

1. Odprite pokrov rezervoarja.
2. Rezervoar napolnite s čisto pitno vodo.



## Uporaba naprave

3. Zaprite pokrov rezervoarja.



V rezervoar za vodo ne polnite sadnega soka, gaziranih pijač, alkoholnih pijač ali drugih tekočin, ki so nezdržljive za uporabo v dozatorju. Uporaba takšnih tekočin povzroči okvaro in nepopravljivo škodo dozatorja. Uporaba dozatorja na ta način ne sodi pod območje garancije. Nekatere kemikalije in dodatki v takih pijačah / tekočinah lahko povzročijo materialno škodo na rezervoarju za vodo.



Uporabljajte samo svežo pitno vodo.



Kapaciteta rezervoarja za vodo je 3 litre, ne prenapolnite.

### 6.17 Čiščenje rezervoarja za vodo

1. Odstranite rezervoar za vodo s police na vratih.
2. Ločite tako, da držite obe strani polic na vratih.
3. Primite na obeh straneh rezervoarja in odstranite pod 45° kotom.
4. Odstranite pokrov in očistite rezervoar za vodo.



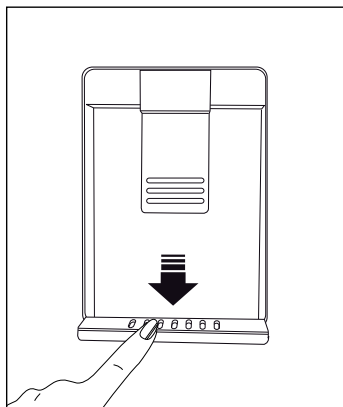
Sestavne dele rezervoarja za vodo in dozatorja se ne sme oprati s pomivalnim strojem.

### 6.18 Rešetka

Voda, ki kaplja iz dozatorja za vodo, se shranjuje v rešetki.

Odstranite plastično cedilo, kot je prikazano na sliki.

S suho in čisto krpo pobrišite zbrano vodo.



## Uporaba naprave

### 6.19 Zamrzovanje sveže hrane

- Aktivirajte funkcijo hitro zamrzovanje s pritiskom na gumb «Hitra zamrznitev» 24 ur pred postavitvijo živil za zamrznitev.
- 24 ur po aktiviranju tega gumba postavite svojo svežo hrano na stekleno polico izdelka.
- Funkcija hitrega zamrzovanja se samodejno deaktivira po 52 urah.
- Ne poskušajte zamrzniti večje količine živil hkrati. Ta izdelek lahko v 24 urah zamrzne količino živil, ki je navedena na tipski nalepki kot »Zamrzovalna zmogljivost... kg/24 ur«. Ni priporočljivo, da postavite več nezamrznjenih/svežih živil, kot je navedeno na nalepki.
- Ko v izdelek postavite nezmrznjeno hrano, se izogibajte stiku z že zamrznjeno hrano.
- Zamrzovanje hrane, ko je še sveža, podaljša čas shranjevanja v zamrzovalniku.
- Zapakirajte kose hrane v nepredušne zaprte pakete in tesno zaprite.
- Preden živila shranite v zamrzovalnik, poskrbite, da bodo zapakirana. Namesto običajnega embalažnega papirja uporabite vrečke za zamrzovanje, aluminijasta folija in papir zaščiten pred vlago, plastično vrečko ali podobni embalažni material.
- Pred zamrzovanjem označite vsako pakirano hrano z datumom. To vam bo omogočilo, da določite svežino vsakega paketa vsakič, ko se zamrzovalnik odpre. Imejte starejše pakete hrane spredaj, da zagotovite njihovo čimprejšnjo uporabo.
- Zamrznjene živilske izdelke morate uporabiti takoj po odtajanju in jih ne smete ponovno zamrzniti.
- Ne dajajte zamrzniti večje količine hrane naenkrat.

Nastavitev temperature zamrzovalnega dela	Nastavitev temperature hladilnega dela	Podrobnosti:
-18 °C	4°C	To je privzeta, priporočena nastavitev.
-20, -22 ali -24 °C	4°C	Te nastavitve se priporočajo pri temperaturi okolja nad 30 °C.
Hitro zamrzovanje	4°C	Uporabite, kadar želite živilo zamrzniti v kratkem času. Ko se postopek konča, se nastavitev vrne na prejšnjo nastavitev.
-18 °C ali hladneje	2°C	Uporabite te nastavitve, če menite, da hladilni del ni dovolj mrzel zaradi temperature okolja ali pogostega odpiranja vrat.

### 6.20 Priporočila za shranjevanje zamrznjene hrane v zamrzovalniku

Temperaturo morate nastaviti na najmanj -18 °C.

1. Kakor hitro je mogoče postavite kose hrane v zamrzovalnik, da preprečite odtajanje.
2. Pred zamrzovanjem preverite na embalaži datum izteka roka trajanja in se prepričajte, da ni potekel.
3. Pazite, da embalaža živil ni poškodovana.

## Uporaba naprave

### 6.21 Podatki o zamrzovalniku

V skladu s standardi IEC 62552 pri sobni temperaturi 25°C mora zamrzovalnik v 24 urah zamrzniti 4,5 kg živil pri -18 ° C ali nižjih temperaturah za vsakih 100 litrov prostornine zamrzovalnega prostora.

Živila je mogoče ohraniti za dalj časa le pri ali pod temperaturo -18 °C.

Živila lahko mesece hranite sveža (v globokem zamrzovalniku pri temperaturah 18 ° C ali pod njo). Živilski izdelki, ki se zamrzujejo, se noter ne smejo dotikati že zamrznjene hrane, da bi se tako izognili njenemu delnemu odtajanju.

Zavrite zelenjavo in odstranite vodo, da podaljšate čas zamrzovanja. Postavite hrano po filtriranju v nepredušno zaprte pakete in jih postavite v zamrzovalnik. Banane, paradižnik, zelena solata, zelena, kuhana jajca, krompir in podobna vrsta hrane se ne sme zamrzniti. V primeru, da ta hrana zgrije, bo negativno vplivalo samo na hranilne vrednosti in kakovost prehranjevanja. Gnitje, ki ogroža zdravje ljudi ni vprašljivo.

### 6.22 Postavitev živil

Police predela zamrzovalnika	Različni zamrznjeni izdelki, vključno z mesom, ribami, sladoledom, zelenjavo itd.
Police hladilnika	Živila v loncih, zaprte plošče in zaprte škatle, jajca (v škatli)
Police na vratih hladilnika	Majhna in pakirana hrana ali pijača
Predal za zelenjavo	Sadje in zelenjava
Predal za svežo hrano	Delikatese (hrana za zajtrk, mesni izdelki, ki jih porabite v kratkem roku)

### 6.23 Opozorilo o odprtih vratih

Če vrata izdelka ostanejo odprta 1,5 minute, se zasliši zvočno opozorilo. Zvočno opozorilo se ustavi, ko so vrata zaprta ali pritisnete kateri koli gumb na zaslonu (če je na voljo).

### 6.24 Lučka za osvetlitev

Notranja luč uporablja LED svetilko. Za kakršne koli težave s to svetilko se obrnite na pooblaščen servis.

Svetilk, ki jih uporabljate v tej napravi, ni mogoče uporabiti za razsvetljavo hiše. Namen te svetilke je pomagati uporabniku varno in udobno postaviti hrano v hladilnik / zamrzovalnik.



## 7 Vzdrževanje in čiščenje



**OPOZORILO:** Najprej preberite poglavje "Varnostna navodila"!



**OPOZORILO:** Izključite hladilnik pred čiščenjem.

- Za čiščenje aparata ne uporabljajte ostrega ali abrazivnega orodja. Ne uporabljajte materialov, kot so gospodinjska čistilna sredstva, milo, detergenti, plin, bencin, alkohol, vosek, itd.
- Odstranite prah iz prezračevalne rešetke na zadnji strani izdelka vsaj enkrat na leto (brez odpiranja pokrova). Čiščenje se izvaja s suho krpo.

### Za aparate z vodomatom/ledomatom

- Če je voda v rezervoarju za vodo stala 2-3 tedne, jo je treba zamenjati.
- Rezervoar za vodo in sestavni deli dozatorja za vodo se ne smejo prati v pomivalnem stroju.
- V vodi raztopite čajno žličko sode bikarbone. V vodi navlažite kos blaga in ga ožemite. S to krpo obrišite napravo in jo nato temeljito posušite.
- Bodite previdni, da voda ne pride v stik s pokrovom žarnice in do drugih električnih delov.
- Vrata očistite z vlažno krpo. Odstranite vso vsebino, da lahko odstranite police z vrat in police iz naprave. Odstranite police iz vrat, tako da jih dvignete navzgor. Očistite in osušite police, nato jih pritrdite nazaj na svoje mesto, tako da jih vstavite z zgornje strani.
- Na zunanji površini in kromiranih delih izdelka ne uporabljajte klorirane vode ali čistil. Klor na takšnih kovinskih površinah povzroči rjavenje.
- Ne uporabljajte ostrih in abrazivnih orodij, mila, materialov za čiščenje hiše, detergentov, plina, bencina, lakov in podobnih snovi, da bi preprečili deformacije plastičnega dela in odstranitev odtisov na delu. Za čiščenje uporabite toplo vodo in mehko krpo, nato pa vse posušite.
- Na izdelkih brez funkcije No-Frost se na zadnji steni zamrzovalnega prostora lahko pojavijo kapljice vode in ledu do debeline prsta.

Tega ne čistite in nikoli ne nanašajte olj ali podobnih materialov.

- Za čiščenje zunanje površine izdelka uporabite blago navlaženo krpo iz mikrovlaknen. Čistilne gobe in druge vrste čistilnih krp lahko povzročijo praske.
- Za čiščenje vseh odstranljivih komponent med čiščenjem notranje površine izdelka te komponente operite z blago raztopino, sestavljeno iz mila, vode in karbonata. Temeljito sperite in posušite. Preprečite stik vode z deli za osvetlitev in upravljalno ploščo.



### POZOR:

Na notranji površini ne uporabljajte kisa, čistilnega alkohola ali drugih čistil na osnovi alkohola.

### 7.1 Zunanje površine iz nerjavečega jekla

Uporabite neabrazivno čistilno sredstvo za nerjaveče jekla in ga nanesite z mehko krpo, ki ne pušča vlaken. Za poliranje površino nežno obrišite s krpo iz mikrovlaknen, navlaženo z vodo, in uporabite suh polirni semiš. Vedno sledite žilam nerjavečega jekla.

### 7.2 Čiščenje izdelka s steklenimi vrati

Odstranite zaščitno folijo na steklu.

Na površini stekla je prevleka. Ta premaz zmanjša nastajanje madežev in omogoča enostavno čiščenje nastalih madežev in umazanije. Steklo, ki ni zaščiteno s premazom, je lahko izpostavljeno trajnemu vplivu organskih ali anorganskih onesnaževalcev na osnovi zraka in vode, kot so apnenec, mineralne soli, nezgoreli ogljikovodiki, kovinski oksidi in silikoni, ki v kratkem času zlahka povzročijo madeže in fizične poškodbe časa. Vzdrževanje stekel postane zelo težko, če ne celo nemogoče, kljub temu da jih redno čistite. Posledično se poslabšata preglednost in videz stekla. Trde in abrazivne metode čiščenja in sredstva še povečajo te napake in pospešijo proces kvarjenja.

Za rutinske postopke čiščenja se uporabljajo \*nealkalna in nekorozivna čistila na vodni osnovi.

## 7 Vzdrževanje in čiščenje

Za daljšo življenjsko dobo tega premaza za čiščenje ne uporabljajte alkalnih in jedkih snovi.

Postopek kaljenja se uporablja za povečanje odpornosti teh stekel proti udarcem in zlomom. Kot dodaten varnostni ukrep, je na zadnjo površino teh očal nanesen zaščitni film, ki preprečuje škodo okolju v primeru, da se zlomi.

### 7.3 Preprečevanje vonjav

Naprava je izdelana iz materialov brez kakršnega koli vonja. Če hrano hranite v neprimernih predalih in nepravilno čiščenje notranjih površin, lahko povzroči vonjave.

Da se temu izognete, notranjost čistite z gazirano vodo vsakih 15 dni.

- Živila hranite v zaprtih posodah. Iz nezaprte hrane se lahko širijo mikroorganizmi in povzročijo neprijetne vonjave.
- Ne shranjujte hrane v hladilniku, ki ima pretečen rok ali je pokvarjena.



Čaj je eno najučinkovitejših odstranjevalcev vonjav. Uporabljene filter vrečke kuhanega čaja položite v hladilnik v odprti posodi in jo odstranite najpozneje po 12 urah. Če jo pustite v hladilniku dlje kot 12 ur, bo zbrala organizme, ki povzročajo neprijeten vonj, zato je lahko sama vir neprijetnega vonja.

### 7.4 Zaščita plastičnih površin

Olja razlita na plastičnih površinah lahko poškodujejo površino in jih je treba takoj očistiti s toplo vodo.

## 8 Odpravljanje motenj

Preverite ta seznam, preden se obrnete na servisno službo. S tem boste prihranili čas in denar. Ta seznam vključuje pogoste pritožbe, ki niso povezane z nestrokovno izdelavo ali materiali. Nekatere funkcije, ki so omenjene, morda ne veljajo za vašo napravo.

### Hladilnik ne deluje.

- Napajalni kabel ni v celoti vključen v vtičnico. >>> Priključite ga v celoti, da se vsede v vtičnico.
- Pregorela je glavna varovalka ali pa varovalka priključena na vtičnico, ki napaja napravo. >>> Preverite varovalke.

### Kondenzacija na stranski steni predela hladilnika (MULTI CONA, COOL, NADZOR in FLEXI CONA).

- Vrata se prepogosto odpirajo. >>> Pazite, da ne boste odpirali vrat naprave prepogosto.
- Okolje je preveč vlažno. >>> Ne nameščajte naprave v vlažnih okoljih.
- Živila, ki vsebujejo tekočine, so shranjena v nezaprtih posodah. >>> Naj bodo živila, ki vsebujejo tekočine, v zaprtih posodah.
- Vrata naprave so ostala odprta. >>> Vrata naprave ne imejte odprta predolgo časa.
- Termostat je nastavljen na prenizko temperaturo. >>> Nastavite termostat na primerno temperaturo.

### Kompresor ne deluje.

- V primeru nenadnega izpada električne energije ali izvlečenega vtičača ter nato ponovnega vklopa, tlak plina v hladilnem sistemu naprave ni uravnotežen, kar sproži termično zaščito kompresorja. Naprava se bo ponovno zagnala po približno 6 minutah. Če se naprava ne zažene ponovno po tem času, se obrnite na servis.

- Odtajanje je vključeno. >>> To je normalno za popolnoma samodejno odtajanje naprave. Odtajanje se izvaja v rednih časovnih presledkih.
- Naprava ni priključena. >>> Prepričajte se, da je napajalni kabel priključen.
- Nastavitev temperature je napačna. >>> Izberite nastavitev na primerno temperaturo.
- Napajanja ni. >>> Naprava bo še naprej normalno delovala, ko se bo vrnilo napajanje.

### Obratovalni hrup hladilnika se povečuje, medtem ko je v uporabi.

- Delovna intenzivnost naprave se lahko razlikuje, odvisno od nihanja temperature okolice. To je normalno in ne gre za okvaro.

### Hladilnik teče prepogosto ali predolgo.

## Opraviljanje težav

- Nova naprava je lahko večja od prejšnje. Večje naprave bodo delovale več časa.
- Sobna temperatura je lahko visoka. >>> Naprava običajno deluje več časa pri visoki sobni temperaturi.
- Naprava je lahko bila pred kratkim priključena na električno omrežje ali pa se novo živilo nahaja v notranjosti. >>> Naprava bo zahtevala več časa, da doseže nastavljeno temperaturo, če je bila pred kratkim priključena na električno omrežje ali pa se nahaja v notranjosti novo živilo. To je normalno.
- Velike količine tople hrane so bili morda pred kratkim dane v napravo. >>> Ne postavljajte tople hrane v napravo.
- Vrata so se pogosto odprla ali bila odprta daljše obdobje. >>> Topel zrak, ki se giblje znotraj povzroči, da naprava več časa deluje. Ne odpirajte vrat prepogosto.
- Vrata zamrzovalne skrinje ali hladilnika so lahko samo priprta. >>> Preverite, če so vrata popolnoma zaprta.
- Naprava je nastavljena na prenizko temperaturo. >>> Nastavite temperaturo na višjo stopnjo in počakajte, da naprava doseže nastavljeno temperaturo.
- Podložka vrat hladilnika ali zamrzovalnika je morda umazana, obrabljena, počena ali ni pravilno vstavljena. >>> Očistite jih ali zamenjajte podložko. Poškodovana oz. raztrgana podložka vrat bo povzročila, da naprava deluje več časa, da ohrani trenutno temperaturo.

### **Temperatura zamrzovalnika je zelo nizka, vendar je temperatura hladilnika primerna.**

- Termostat zamrzovalnika je nastavljen na zelo nizko temperaturo. >>> Nastavite temperaturo predela zamrzovalnika na višjo stopnjo in še enkrat preverite.

### **Temperatura hladilnika je zelo nizka, vendar je temperatura zamrzovalnika primerna.**

- Termostat hladilnika je nastavljen na zelo nizko temperaturo. >>> Nastavite temperaturo predela hladilnika na višjo stopnjo in še enkrat preverite.

### **Živilski izdelki hranjeni v predalih hladilnika so zamrznjeni.**

- Termostat hladilnika je nastavljen na zelo nizko temperaturo. >>> Nastavite temperaturo predela zamrzovalnika na višjo stopnjo in še enkrat preverite.

### **Temperatura hladilnika ali zamrzovalnika je previsoka.**

- Termostat hladilnika je nastavljen na zelo visoko stopnjo. >>> Nastavitev temperature v predelu hladilnika vpliva na temperaturo predela zamrzovalnika. Spremenite temperaturo hladilnika ali zamrzovalnika in počakajte, da ustrezni predeli dosežejo nastavljeno temperaturno raven.
- Vrata so se pogosto odpirala ali bila odprta daljše obdobje. >>> Ne odpirajte vrat prepogosto.
- Vrata so lahko samo priprta. >>> Popolnoma zaprite vrata.
- Naprava je lahko bila pred kratkim priključena na električno omrežje ali pa se novo živilo nahaja v notranjosti. >>> To je normalno. Naprava bo zahtevala več časa, da doseže nastavljeno temperaturo, če je bila pred kratkim priključena na električno omrežje ali pa se nahaja v notranjosti novo živilo.
- Velike količine tople hrane so bili morda pred kratkim dane v napravo. >>> Ne postavljajte tople hrane v napravo.

### **Tresenje ali hrup.**

- Tla niso ravna ali gladka. >>> Če se naprava tresе, ko jo počasi premikate, prilagodite nogjice za uravnoteženje naprave. Prav tako poskrbite, da so tla dovolj trdna, da nosijo napravo.
- Vsi predmeti, ki so dani na napravo lahko povzročijo hrup. >>> Odstranite vse predmete, ki so postavljeni na napravo.

### **Naprava proizvaja hrup pretoka tekočine, pršenja ipd.**

- Principi delovanja naprave vključujejo tokove tekočin in plinov. >>> To je normalno in ne gre za okvaro.

### **Sliši se zvok podoben vetriču, ki prihaja iz naprave.**

## Odpravljanje težav

- Naprava uporablja ventilator za postopek hlajenja. To je normalno in ne gre za okvaro.

### **Nabira se kondenzacija na notranjih stenah naprave.**

- Vroče ali vlažno vreme bo povečalo nabiranje ledu in kondenzacije. To je normalno in ne gre za okvaro.
- Vrata so se pogosto odprla ali bila odprta daljše obdobje. >>> Ne odpirajte vrat prepogosto; če so odprta, zaprite vrata.
- Vrata so lahko samo priprta. >>> Popolnoma zaprite vrata.

### **Nabira se kondenzacija na zunanjih stenah naprave ali med vrati.**

- Prostor je lahko vlažen, kar je povsem normalno v vlažnem vremenu. >>> Kondenzacija se bo umaknila, ko se vlažnost zmanjša.

### **Notranjost ima neprijetne vonjave.**

- Naprava se ne čisti redno. >>> Redno čistite notranjost z uporabo gobice, tople vode in vode s sodo.
- Nekatere posodice in embalažni materiali lahko povzročijo neprijeten vonj. >>> Uporabite posodice in embalažne materiale brez neprijetnega vonja.
- Živila so se hranila v nezaprtih posodah. >>> Hranite živila v zaprtih posodah. Mikroorganizmi se lahko širijo iz nezaprte hrane in povzročijo vonjave.
- Odstranite vsa pretekla ali pokvarjena živila iz naprave.

### **Vrata se ne zapirajo.**

- Embalaža živil lahko ovira vrata. >>> Premaknite vse predmete, ki ovirajo vrata.
- Naprava ne stoji v popolnem pokončnem položaju glede na tla. >>> Prilagodite nogice za uravnoteženje naprave.
- Tla niso ravna ali gladka. >>> Poskrbite, da so tla v ravnini in dovolj trdna, da nosijo napravo.

### **Posoda za zelenjavo se je zataknila.**

- Živilski izdelki so lahko v stiku z zgornjim delom predala. >>> Premestite kose hrane v predalu.



**OPOZORILO:** Če težave ne odpravite po sledenju navodilom v tem poglavju, se obrnite na prodajalca ali pooblaščen servis. Ne poskušajte sami popraviti naprave.

## ZAVRNITEV ODGOVORNOSTI / OPOZORILO

Nekatere (enostavne) napake lahko končni uporabnik ustrezno popravi, ne da bi prišlo do kakršnih koli varnostnih težav ali nevarne uporabe, pod pogojem, da so izvedene v mejah in v skladu z naslednjimi navodili (glejte poglavje “Samopopravila”).

Če ni drugače dovoljeno v spodnjem poglavju “Samopopravila”, bodo vsa popravila naslovljena na registriranega pooblaščenega serviserja, da se izognemo varnostnim težavam. Registrirani pooblaščen serviser je poklicni serviser, ki mu je proizvajalec odobril dostop do navodil in seznama nadomestnih delov tega izdelka v skladu z metodami, opisanimi v zakonodajnih aktih v skladu z Direktivo 2009/125/ES.

**Vendor lahko samo servisni agent (tj. pooblaščen poklicni serviserji), do katerega lahko pridete prek telefonske številke, navedene v uporabniškem priročniku/garancijskem listu ali prek pooblaščenega prodajalca, opravlja storitve v skladu z garancijskimi pogoji. Zato vas prosimo, da upoštevate, da za popravila, ki jih izvajajo poklicni serviserji (ki niso pooblaščen s strani ) ne bo veljala garancija.**

### Samopopravila

Končni uporabnik lahko sam izvede popravilo v zvezi z naslednjimi rezervnimi deli: vratni ročaji, vratni tečaji, pladnji, košare in vratna tesnila (posodobljen seznam je na voljo tudi na spletnem mestu support.beko.com od 1. marca 2021).

Poleg tega je treba za zagotovitev varnosti izdelka in za preprečitev nevarnosti resnih poškodb omenjeno samopopravilo opraviti po navodilih v uporabniškem priročniku za samopopravilo ali v navodilih, ki so na voljo na Zaradi lastne varnosti izdelek izključite iz električnega omrežja, preden se lotite kakršnega koli samopopravljanja.

Popravila in poskusi popraviljanja končnih uporabnikov za dele, ki niso vključeni na tak seznam in/ali ne upoštevajo navodil v uporabniških priročnikih za samopopravilo ali so na voljo na , lahko sprožijo vprašanja varnosti, ki jih ni mogoče pripisati , in garancija za ta izdelek ne velja.

Zato je zelo priporočljivo, da se končni uporabniki vzdržijo poskusov popravil, ki ne spadajo v omenjeni seznam rezervnih delov, in se v takšnih primerih obrnejo na pooblaščen poklicni serviserje ali registrirani poklicni serviser. Nasprotno, takšni poskusi končnih uporabnikov lahko povzročijo varnostne težave in poškodujejo izdelek ter posledično povzročijo požar, poplavo, električni udar in resne telesne poškodbe.

Primeri popravil, za katere se je treba obrniti na pooblaščen ali registrirane poklicne serviserje, so med drugim naslednji: kompresor, hladilni krogotok, matična plošča, inverterska plošča, plošča zaslona itd.

Proizvajalec/prodajalec ni odgovoren v primeru, ko končni uporabniki ne upoštevajo zgoraj navedenega.

Razpoložljivost rezervnih delov hladilnik, ki ste ga kupili, je 10 let.

V tem obdobju bodo na voljo originalni nadomestni deli za pravilno delovanje hladilnik.

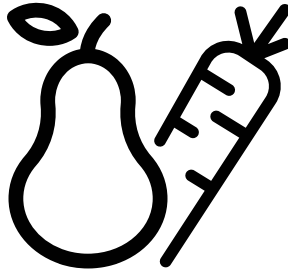
Hladilnik, ki ste ga kupili, ima najmanj 24-mesečno garancijo.

Ta izdelek je opremljen z svetlobnim virom energijskega razreda "G".

Svetlobni vir v tem izdelku lahko zamenjajo samo poklicni serviserji.

# beko

**Hladnjak**  
Korisnički priručnik  
**Frižider**  
Upute za uporabu  
**Frigoriferi**  
Manuali i përdoruesit



RDNE650E40DZXBRN-RDNE650E40ZXBRN



**HR/B0/SQ**  
58 5173 0000/AP-3/4 HR-B0-SQ



RECIKLIRANI I  
RECIKLAŽNI PAPIR



**Poštovani korisniče,**

**Prije postavljanja uređaja pročitajte priručnik.**

Zahvaljujemo na odabiru ovog proizvoda. Želimo postići optimalnu učinkovitost ovog visokokvalitetnog proizvoda koji je proizveden primjenom najmodernije tehnologije. Zbog toga pažljivo pročitajte ovaj priručnik i ostalu priloženu dokumentaciju prije upotrebe proizvoda i čuvajte ih za buduću upotrebu.


Pridržavajte se svih upozorenja i informacija u korisničkom priručniku. Na taj način zaštitit ćete sebe i proizvod od oštećenja koja mogu nastati.

Čuvajte korisnički priručnik. Ovaj priručnik pridodaje uređaju ako ćete ga nekome ustupiti.

U ovom korisničkom priručniku korišteni su sljedeći simboli:






 Opasnost koja može rezultirati smrću ili ozljedom.

**NAPOMENA** Opasnost koja može izazvati materijalnu štetu na proizvodu ili u okruženju








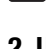
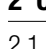
 Važne informacija i korisni savjeti o upotrebi.

 Pročitajte korisnički priručnik.

 Opasnost od požara / Zapaljivi materijali

 <b>INFORMATION</b>	
 	.Podaci o modelu pohranjeni u bazi podataka o proizvodu mogu se dobiti unosom sledeće mrežne stranice i pretragom po identifikacionom broju vašeg modela (*) koji se nalazi na oznaci potrošnje električne energije.
SUPPLIER'S NAME 	MODEL IDENTIFIER (*) 
<a href="https://eprel.ec.europa.eu/">https://eprel.ec.europa.eu/</a>	

## **1. Važne upute za sigurnost i očuvanje okoliša** **3**

-  1.1 Namjena . . . . . 3
-  1.2 - Sigurnost djece, ugroženih osoba i kućnih ljubimaca . . . . . 3
-  1.3 - Električna sigurnost . . . . . 3
-  1.4 - Sigurni transport . . . . . 4
-  1.5 - Sigurna instalacija . . . . . 4
-  1.6- Sigurno rukovanje. . . . . 5
-  1.7- Sigurno održavanje i čišćenje . . . . . 6
-  1.8- HomeWhiz . . . . . 6
-  1.9- Rasvjeta. . . . . 6

## **2 Upute za zaštitu okoliša** **7**

- 2.1 Sukladnost s Direktivom WEEE i Direktivom o zbrinjavanju otpadnih tvari: . . . . . 7
- 2.2 Sukladnost s Direktivom RoHS . . . . . 7
- 2.3 Informacije o pakiranju . . . . . 7

## **3 Hladnjak** **8**

### **4 Instalacija** **9**

- 4.1 Ispravno mjesto instalacije. . . . . 9
- 4.2 Za proizvode s dozatorom za vodu/ledomat. 9
- 4.3 Pričvršćivanje plastičnih klinova . . . . . 9
- 4.4 Podešavanje nožica. . . . . 10
- 4.5 Električni priključak . . . . . 10

### **5 Priprema** **11**

- 5.1 Kako uštediti energiju. . . . . 11
- 5.2 Prva upotreba. . . . . 11

### **6 Rukovanje proizvodom** **12**

- 6.1 Isključivanje pećnice . . . . . 12

### **6 Rukovanje proizvodom** **13**

- 6.2 Ploča s pokazateljima . . . . . 13
- 6.3 Posuda za povrće s kontroliranom vlagom (EverFresh+) . . . . . 16
- 6.4 Plavo svjetlo/HarvestFresh . . . . . 16
- 6.5 Modul protiv neugodnog mirisa . . . . . 17 (FreshGuard). . . . . 17

- 6.6 Posuda za led . . . . . 18
- 6.7 Ledomat. . . . . 18
- 6.8 Polica za mliječne proizvode ( hladnjak) . 18
- 6.9 Posuda za povrće . . . . . 19
- 6.10Odvajача posude za povrće . . . . . 19
- 6.11 Čišćenje filtra plina etilena . . . . . 19
- 6.12 Čišćenje odvajача posude za povrće . . 20
- 6.13Korištenje dozatora vode . . . . . 21
- 6.14Punjenje spremnika dozatora za vodu . . 21
- 6.15 Čišćenje spremnika za vodu . . . . . 21
- 6.16 Punjenje spremnika dozatora za vodu. . 22
- 6.17Čišćenje spremnika za vodu . . . . . 23
- 6.18 Posuda za prikupljanje vode. . . . . 23
- 6.19 Zamrzavanje svježih namirnica. . . . . 24
- 6.20Preporuke za čuvanje zamrznute hrane u odjeljku zamrzivača. . . . . 24
- 6.21Pojednosti o dubokom zamrzavanju . . . 25
- 6.22 Stavljanje hrane . . . . . 25
- 6.23 Upozorenje za otvorena vrata. . . . . 25
- 6.24 Rasvjetna žaruljica . . . . . 25

## **7 Čišćenje i održavanje** **26**


- 7.1 Vanjske površine od nehrđajućeg čelika . . 26
- 7.2 Čišćenje proizvoda sa staklenim vratima. . 26
- 7.3 Sprječavanje neugodnih mirisa . . . . . 27
- 7.4 Zaštita plastičnih površina . . . . . 27

## **7 Čišćenje i održavanje** **27**


## **8 Rješavanje problema** **28**


# 1. Važne upute za sigurnost i očuvanje okoliša

- Ovaj dio sadrži sigurnosne upute koje će vam pomoći u zaštiti od opasnosti od tjelesnih ozljeda ili oštećenja imovine.
- Naša tvrtka neće biti odgovorna za oštećenja koja mogu nastati ako se ne pridržavate ovih uputa.

 Postupak instalacije i popravka uvijek mora obaviti proizvođač, ovlaštenu servis ili kvalificirana osoba koju određuje uvoznik.

 Samo originalni dijelovi i pribor.

 Ne popravljajte i ne zamjenjujte niti jedan dio proizvoda osim ako to nije izričito navedeno u korisničkom priručniku.

 Ne obavljajte nikakve tehničke promjene na proizvodu.

## 1.1 Namjena

- Ovaj proizvod nije prikladan za komercijalnu primjenu i mora se koristiti samo za ono za što je namijenjen.

Ovaj proizvod namijenjen je upotrebi u kućama i zatvorenim prostorima.

Na primjer:

- u kuhinjama za osoblje u robnim kućama, uredima ili drugim radnim prostorima;
- na farmama,
- prostori koje koriste korisnici u hotelima, motelima i drugim vrstama smještaja,
- hoteli, pansioni koji nude noćenje i doručak,
- usluge opskrbe hranom i pićem i slične nemaloprodajne primjene.

Ovaj proizvod ne smije se koristiti na otvorenom s ili bez tende poput brodova, balkona ili terasa. Ne

izlažite proizvod kiši, snijegu, suncu ili vjetru.

Postoji opasnost od požara!

## 1.2 - Sigurnost djece, ugroženih osoba i kućnih ljubimaca

- Djeca starija od 8 godina i ljudi sa smanjenim tjelesnim, psihičkim, senzornim i mentalnim sposobnostima, kao i neupućene ili neiskusne osobe, mogu koristiti ovaj proizvod ako su pod nadzorom i ako su upućeni u sigurnu uporabu uređaja, kao i povezane opasnosti.
- Djeca od 3 do 8 godina mogu stavljati i uzimati proizvode iz hladnjaka.
- Električni proizvodi su opasni za djecu i kućne ljubimce. Djeca i kućni ljubimci ne smiju se igrati, penjati ili ulaziti u proizvod.
- Djeca ne smije obavljati čišćenje i korisničko održavanje osim ako nisu pod nadzorom.
- Ambalažni materijal držite podalje od djece. Postoji opasnost od gušenja!
- Prije zbrinjavanja starog ili istrošenog proizvoda:

**1.** Isključite proizvod iz strujne utičnice tako da rukom uhvatite utikač.

**2.** Prerežite strujni kabel i uklonite ga s uređaja zajedno s utikačem.

**3.** Ne uklanjajte police ili ladice i tako otežajte djeci ulazak u proizvod.

**4.** Uklonite vrata.

**5.** Proizvod držite tako da se ne može prevrnuti.

**6.** Ne dozvolite djeci igranje sa starim proizvodom.

- Nikad ne bacajte proizvod u vatru. Postoji opasnost od eksplozije!
- Ako na vratima proizvoda postoji brava tada ključ trebate držati izvan dohvata djece.

## 1.3 - Električna sigurnost

- Tijekom postupaka instalacije, održavanja, čišćenja, popravka i pomicanja uređaj treba biti isključen iz strujne utičnice.
- Ako je strujni kabel oštećen mora ga zamijeniti kvalificirana osoba koju je odredio proizvođač, ovlaštenu servisera ili uvoznika kako bi se izbjegle moguće opasnosti.
- Ne gnječite strujni kabel ispod ili iza proizvoda. Ne stavljajte teške predmete na strujni kabel. Strujni kabel se ne smije pretjerano savijati, gnječiti ili doći u kontakt s izvorom topline.

# Važne upute za sigurnost i očuvanje okoliša

- Za rad proizvoda ne koristite produžne kabele, priključke s više utičnica ili adaptere.
- Prijenosni priključci s više utičnica ili prijenosni izvori napajanja mogu izazvati pregrijavanje i požar. Stoga, ne držite priključke s više utičnica iza ili pored proizvoda.
- Utikač mora biti lako dostupan. Ako ovo nije moguće, električna instalacija na koju je proizvod spojen mora sadržavati uređaj (poput osigurača, sklopke, fid sklopke, itd.) koji je usklađen s električnim propisima i odspaja sve polove s mreže.
- Strujni utikač ne dirajte mokrim rukama.
- Uklonite utikač iz zidne utičnice povlačenjem utikača, a ne kabela.
- Pri postavljanju uređaja vodite računa da kabel za napajanje ne bude nedokučiv ili oštećen
- Ne postavljajte više prijenosnih utičnica ili prijenosnih uređaja za napajanje na stražnjoj strani uređaja.

## 1.4 - Sigurni transport

- Proizvod je težak, stoga ga ne pomičite sami.
- Prilikom pomicanja proizvoda ne držite ga za vrata.
- Pripazite da tijekom transporta ne oštetite rashladni sustav ili cijevi. Ako su cijevi oštećene ne rukujte proizvodom i nazovite ovlašteni servis.

## 1.5 - Sigurna instalacija

- Za instalaciju proizvoda nazovite ovlašteni servis. U vezi pripreme proizvoda za upotrebu provjerite informacije u korisničkom priručniku i osigurajte odgovarajuće električne i vodovodne instalacije. Ako one ne odgovaraju nazovite kvalificiranog električara i vodoinstalatera koji će obaviti potrebne preinake. U protivnom, postoji opasnost od strujnog udara, požara, problema s proizvodom ili ozljeda!
- Prije instalacije, provjerite proizvod i utvrdite je li oštećen. Ako je proizvod oštećen nemojte ga instalirati.
- Proizvod postavite na čistu, ravnu i čvrstu površinu i uravnotežite ga pomoću prilagodljivih nožica. U protivnom, proizvod se može prevrnuti i izazvati ozljede.
- Mjesto instalacije mora biti suho i dobro prozračeno. Ne stavljajte tepihe, sagove ili

slične podne obloge ispod proizvoda. Nedovoljna prozračenost stvara opasnost od požara!

- Ne prekrivajte ili ne blokirajte ventilacijske otvore. U protivnom, povećava se potrošnja struje i vaš se uređaj može oštetiti.
- Proizvod se ne smije priključiti na opskrbne sustave poput solarnih opskrbnih sustava. U protivnom, proizvod se može oštetiti zbog naglih promjena napona!
- Što hladnjak sadrži više rashladnog sredstva to veće treba biti mjesto instalacije. Ako je mjesto instalacije premalo zapaljiva smjesa rashladnog sredstva i zraka nakupit će se u slučaju istjecanja rashladnog sredstva u rashladni sustav. Potreban prostor za svakih 8 gr rashladnog sredstva je minimalno 1 m<sup>3</sup>. Količina rashladnog sredstva u proizvodu naznačena je na nazivnoj pločici.
- Proizvod se ne smije instalirati na mjestima izloženim izravnom sunčevom svjetlu i mora se držati podalje izvora topline poput ploča za kuhanje, radijatora, itd.

Ako je neophodno instalirati proizvod blizu izvora topline tada se između mora koristiti odgovarajuća izolacijska ploča te se moraju zadržati sljedeći minimalni razmaci između proizvoda i izvora topline:

- minimalno 30 cm razmaka od izvora topline poput ploča za kuhanje, pećnica, grijalica ili štednjaka,
- minimalno 5 cm razmaka od električnih pećnica.

- Razred zaštite proizvoda je I. Uključite proizvod u uzemljenu zidnu utičnicu odgovarajućeg napona, jakosti i frekvencije struje u skladu s navedenim na nazivnoj pločici proizvoda. Zidna utičnica mora biti opremljena strujnom sklopkom od 10 A - 16 A. Naša tvrtka neće biti odgovorna za nikakvu štetu nastalu ako se proizvod koristi bez uzemljenja i električnog priključka koji treba biti u skladu s lokalnim i državnim propisima.
- Proizvod se ne smije uključiti u zidnu utičnicu tijekom instalacije. U protivnom, postoji opasnost od strujnog udara i ozljeda!
- Ne uključujte proizvod u utičnice koje su olabavljene, pomaknute, oštećene, nečiste, masne ili ako postoji opasnost od dodira s vodom.
- Strujni kabel i crijeva (ako postoje) proizvoda postavite tako da ne predstavljaju opasnost od zapinjanja.

## Važne upute za sigurnost i očuvanje okoliša

- Izlaganje dijelova pod naponom ili strujnog kabela vlazi može izazvati kratki spoj. Stoga, ne instalirajte proizvod na mjestima poput garaža ili prostorija za pranje i sušenje rublja s visokim postotkom vlage ili gdje voda može prskati. Ako hladnjak počne stvarati vodu tada ga isključite iz strujne utičnice i pozovite ovlaštenu servis.
- Nikad ne spajajte hladnjak na uređaje za uštedu energije. Takvi sustavi mogu oštetiti proizvod.

### 1.6- Sigurno rukovanje

- Na proizvodu nikad ne koristite kemijska otapala. Postoji opasnost od eksplozije!
- Ako se uređaj pokvari isključite ga iz strujne utičnice i ne rukujte njime dok ga ne popravi ovlaštenu servis. Postoji opasnost od strujnog udara!
- Izvore plamena (zapaljene svijeće, cigarete, itd.) ne ostavljajte na proizvodu ili u njegovoj blizini.
- Ne penjite se na proizvod. Postoji opasnost od pada i ozljeda!
- Ne oštećujte cijevi rashladnog sustava s oštrim predmetima ili predmetima koji mogu prodrijeti u uređaj. Rashladno sredstvo koje može isteći kada se probuše cijevi rashladnog sredstva, produžeci cijevi ili površinski premaz može izazvati nadraženost kože ili ozljede oka.
- Osim ako to nije preporučio proizvođač ne postavljajte ili ne koristite električne uređaje unutar hladnjaka/zamrzivača.
- Pripazite i nemojte zgnječiti svoje ruke ili druge dijelove tijela s pomičnim dijelovima unutar hladnjaka. Pripazite i nemojte prignječiti svoje prste između vrata i hladnjaka. Pripazite prilikom otvaranja i zatvaranja vrata, posebno ako su djeca u blizini.
- Nikad ne jedite sladoled, kockice leda ili zamrznutu hranu odmah nakon vađenja iz hladnjaka. Postoji opasnost od ozeblina!
- Kada su vam ruke mokre ne dirajte unutarnje stijenke ili metalne dijelove zamrzivača ili hranu koja se nalazi u njemu. Postoji opasnost od ozeblina!
- U odjeljak zamrzivača ne stavljajte limenke ili boce s gaziranim pićima ili pjenušavim tekućinama. Limenke i boce mogu prsnuti. Postoji opasnost od ozljede i materijalne štete!
- Ne stavljajte i ne koristite zapaljive sprejeve, zapaljive materijale, suhi led, kemijske tvari ili slične lako zapaljive materijale u blizini hladnjaka. Postoji opasnost od požara i eksplozije!
- U proizvodu ne ostavljajte eksplozivne materijale koji sadrže zapaljive materijale poput, limenki aerosola.
- Na proizvod ne stavljajte posude napunjene tekućinom. Voda koja prska po električnim dijelovima može izazvati strujni udar ili požar.
- Ovaj proizvod nije namijenjen za čuvanje lijekova, krvne plazme, laboratorijskih pripravaka ili sličnih medicinskih tvari i proizvoda koje podliježu Direktivi o medicinskim proizvodima.
- Korištenje proizvoda protivno njegovoj namjeni može izazvati kvarenje ili propadanje proizvoda koji se u njemu čuvaju.
- Ako je vaš hladnjak opremljen plavim svjetlom ne gledajte u ovo svjetlo s optičkim pomagalima. Ne gledajte izravno u UV LED svjetlo duže vrijeme. Ultraljubičasto svjetlo može izazvati zamor oka.
- Ne preopterećujte proizvod. Predmeti u hladnjaku mogu pasti kada se vrata otvore i izazvati ozljede ili oštećenje. Slični problemi mogu se pojaviti ako se predmet stavi na proizvod.
- Izbjegnite ozljede i pripazite jeste li očistili sav led i vodu koji mogu pasti ili se proliti po podu.
- Položaj polica/držača boca na vratima hladnjaka mijenjajte samo kada su prazni. Postoji opasnost od ozljede!
- Ne postavljajte predmete koji mogu pasti/prevrnuti se na proizvod. Takvi predmeti mogu pasti kada se vrata otvore i izazvati ozljede i/ili materijalnu štetu.
- Ne udarajte i ne primjenjujte pretjeranu silu na staklenim površinama. Slomljeno staklo može izazvati ozljede i/ili materijalnu štetu.
- Rashladni sustav vašeg proizvoda sadrži rashladno sredstvo R600a. Vrsta rashladnog sredstva korištenog u ovom proizvodu navedena je na nazivnoj pločici. Ovo rashladno sredstvo je zapaljivo. Stoga, pripazite i nemojte oštetiti rashladni sustav ili cijevi kada se proizvod koristi. Ako se cijevi oštete:

# Važne upute za sigurnost i očuvanje okoliša

- ne dirajte proizvod ili strujni kabel,
  - držite podalje moguće izvore požara koji mogu izazvati zapaljenje proizvoda.
  - prozračite prostor u kojem se proizvod nalazi.
- Ne koristite ventilatore.
- pozovite ovlaštenu servis.
- Ako je proizvod oštećen i vidite kako ističe rashladno sredstvo tada se držite dalje od hladnjaka. U slučaju dodira s kožom rashladno sredstvo može izazvati ozeblina.

## Za proizvode sa spremnikom za vodu/ ledomatom

- Koristite samo pitku vodu. Ne puniti spremnik za vodu s bilo kakvim tekućinama - poput voćnog soka, mlijeka, gaziranih pića ili alkoholnih pića - oni nisu prikladni za upotrebu u spremniku za vodu.
- Postoji opasnost za zdravlje i sigurnost!
- Ne dozvolite djeci da se igraju sa spremnikom za vodu ili ledomatom (Icematic) i tako spriječite nezgode ili ozljede.
- Ne gurajte prste ili druge predmete u otvor spremnika za vodu, prolaze za vodu ili spremnik ledomata. Postoji opasnost od ozljede ili materijalne štete!

## 1.7- Sigurno održavanje i čišćenje

- Ne vucite ručku na vratima ako trebate pomaknuti proizvod zbog čišćenja. Ručka može puknuti i izazvati ozljede ako primijenite pretjeranu silu.
- Ne prskajte i ne ulijevajte vodu na ili u unutrašnjost proizvoda zbog čišćenja. Postoji opasnost od požara i strujnog udara!
- Ne koristite oštre ili abrazivne alate kada čistite proizvod. Ne koristite proizvode za čišćenje namijenjene kućanstvima, deterdžente, plin, benzin, razrjeđivač, alkohol, lak, itd.
- Unutar proizvoda koristite samo one proizvode za čišćenje i održavanje koja ne štete hrani.

- Nikad ne koristite paru ili parne čistače za čišćenje ili odmrzavanje proizvoda. Para dolazi u kontakt s dijelovima pod naponom hladnjaka i izaziva kratki spoj ili strujni udar!
- Pripazite da u strujne krugove ili rasvjetne dijelove proizvoda ne ulazi voda.
- Koristite čistu i suhu krpu za brisanje stranih materijala ili prašine s vrhova utikača. Za čišćenje utikača ne koristite vlažnu ili mokru krpu. Postoji opasnost od požara i strujnog udara!

## 1.8- HomeWhiz

### \*Možda nije dostupno kod svih modela

- Kada rukujete proizvodom koristeći se aplikacijom HomeWhiz morate se pridržavati sigurnosnih upozorenja čak i kad niste u blizini proizvoda. Također se trebate pridržavati i upozorenja u aplikaciji.
- ## 1.9- Rasvjeta
- Ako trebate zamijeniti LED svjetlo/žaruljicu koja se koristi za rasvjetu nazovite ovlaštenu servis.

## 2 Upute za zaštitu okoliša

### 2.1 Sukladnost s Direktivom WEEE i Direktivom o zbrinjavanju otpadnih tvari:

Ovaj proizvod sukladan je s Direktivom WEE Europske Unije (2012/19/EU). Na ovom proizvodu nalazi se klasifikacijski simbol otpadne električne i elektroničke opreme (WEEE).



Ovaj simbol znači da se ovaj proizvod ne smije zbrinjavati zajedno s komunalnim otpadom na kraju svog vijeka trajanja. Rabljeni uređaj treba se vratiti u službeni sabirni centar za recikliranje električnih i elektroničkih uređaja. Kako biste pronašli ove sabirne sustave kontaktirajte lokalne vlasti ili trgovinu u kojoj ste kupili proizvod. Svako kućanstvo ima ključnu ulogu i uporabi i recikliranju starog uređaja. Odgovarajuće zbrinjavanje rabljenih uređaja pomaže spriječiti potencijalne negativne posljedice za okoliš i zdravlje ljudi.

### 2.2 Sukladnost s Direktivom RoHS

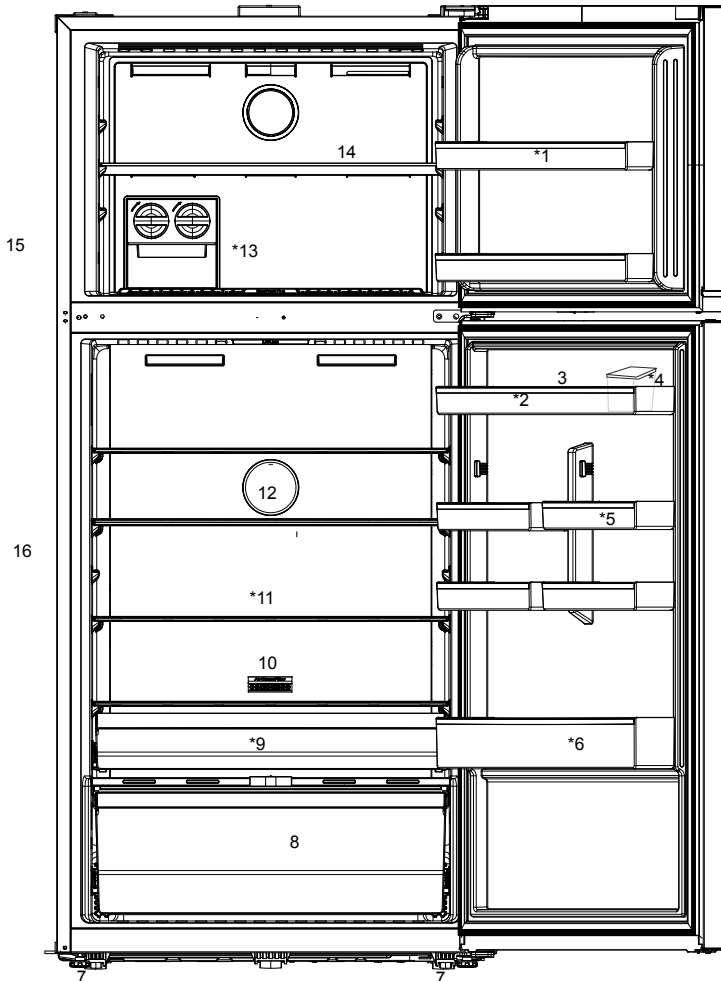
Proizvod je sukladan s Direktivom RoHS Europske Unije (2011/65/EU). Ne sadrži štetne i zabranjene tvari naznačene u Direktivi.

### 2.3 Informacije o pakiranju



Ambalažni materijali proizvoda proizvedeni su od recikliranih materijala u skladu s nacionalnim propisima o zaštiti okoliša. Ne zbrinjavajte ambalažni materijal zajedno s komunalnim ili drugim otpadom. Odnosite ga u sabirne centre ambalažnog materijala koje su odredile lokalne vlasti.

### 3 Hladnjak



- |  |   |
|--|---|
| <b>1-</b> Police na vratima odjeljak zamrzivača                              | <b>9-</b> Odjeljak za mliječne proizvode (hladnjak) |
| <b>2-</b> Police na vratima odjeljka hladnjaka                               | <b>10-</b> Filtar                                   |
| <b>3-</b> Polica za jaja   | <b>11-</b> Staklene police                          |
| <b>4-</b> Dozator za vodu  | <b>12-</b> Ventilator                               |
| <b>5-</b> Male police na vratima odjeljka hladnjaka                          | <b>13-</b> Ledomat Icematic                         |
| <b>6-</b> Polica za boce   | <b>14-</b> Staklena polica odjeljka zamrzivača      |
| <b>7-</b> Podesive nožice  | <b>15-</b> Odjeljak zamrzivača                      |
| <b>8-</b> Posuda za povrće, odvajача posude za povrće i filter plina etilena | <b>16-</b> Odjeljak hladnjaka                       |



\*Dodatno: Slike u ovom priručniku su shematske i ne moraju točno odgovarati proizvodu. Ako vaš proizvod ne sadrži određene dijelove tada se informacije odnose na druge modele.



## 4 Instalacija

### 4.1 Ispravno mjesto instalacije

Vaš proizvod zahtijeva odgovarajuću cirkulaciju zraka za učinkovit rad. Ako će se proizvod postaviti u ostavi, ne zaboravite ostaviti najmanje 5 cm razmaka između proizvoda i stropa, stražnjeg zida i bočnih zidova.

Ako će se proizvod postaviti u ostavi, ne zaboravite ostaviti najmanje 5 cm razmaka između proizvoda i stropa, stražnjeg zida i bočnih zidova. Provjerite postoji li na lokaciji zaštitni dio razmaka od stražnje strane. (ako je isporučen s proizvodom). Ako dio nije dostupan ili se izgubio ili je otpao, proizvod postavite tako da se ostavi najmanje 5 cm razmak između stražnje strane proizvoda i zida u prostoriji. Razmak na stražnjoj strani važan je za učinkovit rada proizvoda.

### 4.2 Za proizvode s dozatorom za vodu/ledomat

- Treba se koristiti komplet crijeva isporučenih s proizvodom. Ne koristite stare komplete crijeva. Ne produžujte crijeva!
- Proizvod uvijek trebate spojiti na otvor za dovod hladne vode. Ne instalirajte na otvoru za dovod vruće vode. Tlak na otvoru za dovod hladne vode treba biti maksimalno 80 psi (550 bar). Ako tlak vode premaši 80Psi tada na cijevima za dovod vode koristite sigurnosni ventil. Zatražite pomoć profesionalnog vodoinstalatera ako ne znate kako kontrolirati tlak zraka.

Visoki tlak oštećuje spojeve crijeva i predstavlja opasnost od poplavlivanja.

- Poduzmite potrebne mjere opreza protiv zamrzavanja crijeva. Radni raspon temperature vode treba biti minimalno 0,6°C (33°F) i maksimalno 38°C (100°F). Postoji opasnost od poplavlivanja ako crijevo napukne/probuši se.



**UPOZORENJE:** Ne koristite produžni kabel ili kabel sa više utičnica kao strujni priključak.



**UPOZORENJE:** Proizvođač neće biti odgovoran za štetu nastalu radom kojeg su obavile neovlaštene osobe.



**UPOZORENJE:** Tijekom instalacije strujni kabel treba biti iskopčan iz strujne utičnice. Ako to ne učinite, može doći do smrti ili teških ozljeda!



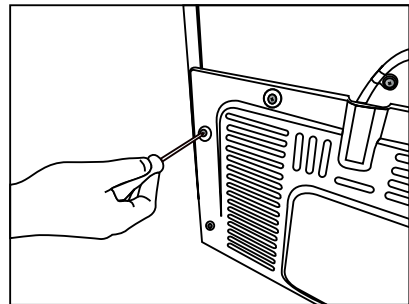
**UPOZORENJE:** Ako je otvor kada se otvore vrata preuzak za prolazak proizvoda uklonite vrata i okrenite proizvod bočno; ako ovo ne uspije, kontaktirajte ovlaštene servis.

- Proizvod postavite na ravnu površinu i tako izbjegnite vibracije.
- Proizvod postavite barem 30 cm dalje od grijača, štednjaka i sličnih izvora topline i barem 5 cm dalje od električnih pećnica.
- Ne izlažite proizvod izravnom sunčevoj svjetlosti te ga ne držite u vlažnom okruženju.
- Proizvod zahtijeva odgovarajuću cirkulaciju zraka za učinkovit rad. Ako će se proizvod postaviti u ostavi, ne zaboravite ostaviti najmanje 5 cm razmaka između proizvoda i stropa i zidova.

### 4.3 Pričvršćivanje plastičnih klinova

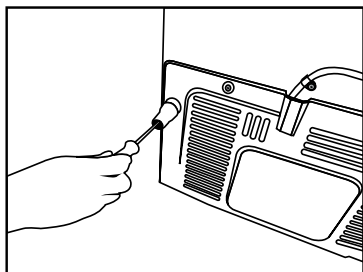
Plastične klinove koristite za osiguranje dovoljnog prostora za odgovarajuću cirkulaciju zraka između proizvoda i zida.

1. Za pričvršćivanje klinova, uklonite vijke s proizvoda i koristite vijke isporučene s klinovima.



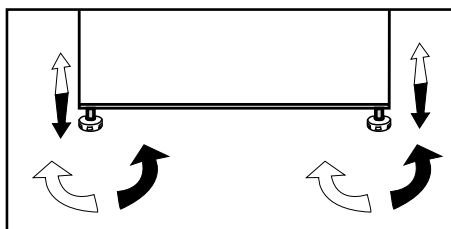
## Instalacija

2. Pričvrstite 2 plastična klina na poklopcu ventilacije kako je prikazano na slici.



### 4.4 Podešavanje nožica

Ako proizvod nije u ravnom položaju, tada podesite podesive nožice okretanjem lijevo ili desno.



### 4.5 Električni priključak



**UPOZORENJE:** Ne koristite produžni kabel ili kabel sa više utičnica kao strujni priključak.



**UPOZORENJE:** Oštećeni strujni kabel mora zamijeniti ovlaštenu servis.

- Naša tvrtka neće biti odgovorna za štetu nastalu upotrebom bez uzemljenja ili strujnog priključka u skladu s nacionalnim propisima.
- Utikač strujnog kabela mora biti lako dostupan nakon instalacije.



**Upozorenje, vruća površina!**  
Bočne strane proizvoda opremljene su rashladnim cijevima koje poboljšavaju rashladni sustav. Tekućina pod visokim tlakom može protjecati kroz ove površine i tako izazvati zagrijavanje bočnih stijenki. Ovo je normalno i ne zahtjeva servisno održavanje. Budite pažljivi ako dirate ova područja.



Prvo pročitajte „Sigurnosne upute“!

### 5.1 Kako uštediti energiju



Priključivanje proizvoda na elektroničke sustave uštede energije je štetno, jer mogu oštetiti proizvod.

- Za samostojeći uređaj; „ovaj rashladni uređaj nije namijenjen upotrebi kao ugradbeni uređaj.
- Ne držite vrata hladnjaka otvorena dulje vrijeme.
- Ne stavljajte vruće namirnice ili pića u hladnjak.
- Ne stavljate previše hrane u hladnjak; blokiranje unutarnjeg protoka zraka smanjit će kapacitet hlađenja.
- Ovisno o funkcijama proizvoda, odmrzavanje smrznute hrane u odjeljku hladnjaka osigurat će uštedu energije i očuvat će kvalitetu hrane.
- Kada vrata nisu otvorena vrući i važni zrak neće izravno prodrijeti u proizvod, proizvod će se sam optimizirati u odgovarajućim uvjetima za čuvanje hrane. Funkcije i dijelovi poput kompresora, ventilatora, grijača, odmrzavanja, osvjetljenja, zaslona itd. radite će u skladu s potrebama kako bi se u ovim okolnostima potrošilo minimalno energije.
- Hrana se treba čuvati u ladicama unutar odjeljka hladnjaka kako bi se osigurala ušteda energije i hrana sačuvala u boljim uvjetima.

### 5.2 Prva upotreba

Prije uporabe proizvoda provjerite jesu li izvršene sve pripreme radnje u skladu s uputama u odjeljku "Upute za sigurnost i očuvanje okoliša" i "Instalacija".

- Proizvod pustite neka radi bez da ste u njega stavili hranu i otvarali vrata 12 sati, osim ako je to neophodno.



Prvo pročitajte „Sigurnosne upute“!



Čut ćete zvuk kada je kompresor uključen. Normalno je čuti zvuk čak i kada kompresor ne radi, zbog komprimiranih tekućina i plinova u rashladnom sustavu.



Normalno je da prednji rubovi hladnjaka budu topli. Ova područja su i dizajnirana tako da se zagriju zbog izbjegavanja kondenzacije.



Kod nekih modela, ploča s pokazateljima automatski se isključuje 1 minutu nakon zatvaranja vrata. Ponovno će se aktivirati kada se otvore vrata ili pritisne bilo koji gumb.

## 6 Rukovanje proizvodom

- Ne koristite nikakve mehaničke alate ili druge alate osim onih koje je preporučio proizvođač za ubrzavanje postupka odmrzavanja.
- Ne koristite dijelove hladnjaka poput vrata ili ladicica kao pomoć u ovom koraku. To može i izazvati prevrtanje proizvoda ili oštećenje njegovih dijelova.
- Proizvod se treba koristiti samo za čuvanje hrane.
- Zatvorite ventil za vodu, ako ćete duže vrijeme izbivati od kuće (npr. godišnji odmor) i ako nećete koristiti ledomat ili dozator vode duže vrijeme. U protivnom može doći do curenja vode.

### 6.1 Isključivanje pećnice

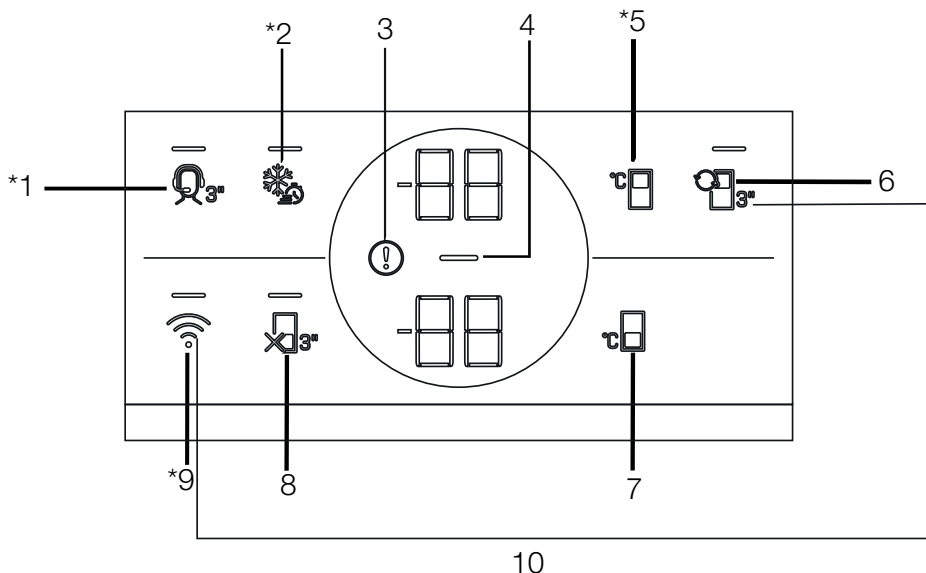
- Ako proizvod nećete koristiti duže vrijeme;
  - iskopčajte ga iz strujne utičnice,
  - izvadite hranu i tako spriječite stvaranje neugodnog mirisa,
  - pričekajte da se led otopi,
  - očistite unutrašnjost i pričekajte da se osuši.
  - ostavite vrata otvorena i tako spriječite oštećenje plastičnih dijelova unutar proizvoda.

## 6 Rukovanje proizvodom

### 6.2 Ploča s pokazateljima

Ploče s pokazateljima mogu se razlikovati ovisno o modelu proizvoda.

Zvučne i vizualne funkcije ploče s pokazateljima pomoći će vam prilikom korištenja hladnjaka.



- 1- Gumb servisne podrške
- 2- Gumb brzog zamrzavanja/Tipka za podešavanje funkcije svjetla ručke
- 3- Pokazatelj statusa kvara
- 4- Pokazatelj uštede energije (zaslon isključen)
- 5- Gumb podešavanja temperature odjeljka zamrzivača
- 6- Gumb zamjene odjeljka
- 7- Gumb podešavanja temperature odjeljka hladnjaka
- 8- Gumb funkcije ISKLJUČIVANJA (godišnji odmor) odjeljka hladnjaka
- 9- Gumb bežičnog povezivanja
- 10- Gumb za ponovno podešavanje postavki bežičnog povezivanja

#### 1. Gumb servisne podrške

Za aktiviranje servisne podrške pritisnite gumb na 3 sekunde. Detaljne informacije o servisnoj podršci navedene su u dijelu „Funkcija servisne podrške“.

#### 2. Gumb brzog zamrzavanja

Kada je pritisnut gumb brzog zamrzavanja tada svijetli LED svjetlo na gumbu, a funkcija brzog zamrzavanja


se aktivira. Temperatura odjeljka zamrzavanja podešena je na 27 stupnjeva Celzija. Ponovno pritisnite gumb i poništite funkciju. Funkcija brzog zamrzavanja automatski će se poništiti nakon 52 sata. Za zamrzavanje velike količine svježe hrane pritisnite gumb brzog zamrzavanja prije nego što namirnice stavite u odjeljak zamrzivača.




\*Dodatno: Slike u ovom priručniku su shematske i ne moraju točno odgovarati proizvodu. Ako vaš proizvod ne sadrži određene dijelove tada se informacije odnose na druge modele.

## Rukovanje uređajem:

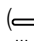
### \*Tipka za podešavanje funkcije svjetla ručke

Funkcija svjetla ručke može se prebaciti između otvorenog i zatvorenog načina rada pritiskom na tipku za brzo zamrzavanje (  ) 3 sekunde. U zatvorenom načinu rada svjetlo ručke aktivira se samo kada se otvore vrata uređaja, a gasi se određeno vrijeme nakon zatvaranja vrata. U otvorenom načinu rada, svjetlo ručke aktivira se kada se otvore vrata uređaja, a svjetlo ručke ostaje prigušeno određeno vrijeme nakon zatvaranja vrata. Funkcija svjetla ručke postavljena je na tvornički zatvoren način rada.

### 3. Pokazatelj statusa kvara

Ovaj pokazatelj (  ) bit će aktivan kada hladnjak ne može obavljati odgovarajuće hlađenje ili u slučaju bilo koje pogreške senzora. Na pokazatelju temperature odjeljka zamrzivača pokazat će se „E“, a brojevi poput 1, 2, 3... prikazat će se na pokazatelju temperature odjeljka hladnjaka. Ove brojeve daju informacije ovlaštenom servisu o pogreškama do kojih je došlo. Znak uskličnika može se prikazati kada stavite toplu hranu u odjeljak zamrzivača ili ako su vrata otvorena duže vrijeme. Ovo nije znak kvara; ovo upozorenje će nestati kada se namirnice ohlade ili kad pritisnete bilo koji gumb.

### 4. Pokazatelj uštede energije (zaslon isključen)

Funkcija uštede energije automatski je uključena, a simbol uštede energije (  ) prikazuje se kada vrata proizvoda nisu otvorena ili zatvorena duže vremena. Kada je aktivna funkcija uštede energije tada će se isključiti svi drugi simboli na zaslonu osim simbola uštede energije. Kada je funkcija uštede energije aktivna pritiskom na bilo koji gumb ili otvaranjem vrata deaktivirat će se funkcija uštede energije i signali zaslona vratiti će se u normalu. Funkcija uštede energije je funkcija koja se aktivira u tvornici i ne može se poništiti.

### 5. Gumb podešavanja temperature odjeljka zamrzivača

Podešavanje temperature je izvršeno za odjeljak zamrzivača. Pritiskom na ovaj gumb možete podesiti temperaturu odjeljka zamrzivača na -15,-16,-18,-19,-20,-22,-24 stupnja Celzija.

### 6. Gumb zamjene odjeljka

Kada se pritisne gumb zamjene odjeljka na 3 sekunde, tada se odjeljak zamrzivača mijenja između načina rada rashladnika, isključeno i načina rada zamrzivača. Kada radi kao odjeljak rashladnika tada se temperatura odjeljka može podesiti na 8,7,6,5,4,3,2 i 1 stupanj Celzija. U slučaju načina rada ISKLJUČENO, pokazatelj temperature odjeljka pokazat će “ - -”.

### 7. Gumb podešavanja temperature odjeljka hladnjaka

Omogućava podešavanje temperature odjeljka hladnjaka. Pritiskom na ovaj gumb možete podesiti temperaturu odjeljka hladnjaka na 8,7,6,5,4,3,2 i 1 stupanj Celzija.


### 8. Gumb funkcije ISKLJUČIVANJA (godišnji odmor) odjeljka hladnjaka

Za aktiviranje funkcije godišnjeg odmora pritisnite gumb na 3 sekunde. Aktiviran je način rada na godišnjem odmoru, a LED svjetlo na gumbu svijetli. Na pokazatelju temperature odjeljka hladnjaka prikazat će se “ - -”, a odjeljak hladnjaka aktivno ne hladi. Kada je aktivirana ova funkcija ne biste trebali držati namirnice u odjeljku hladnjaka. Ostali odjeljci nastavit će hladiti u skladu s podešenom temperaturom. Za poništenje ove funkcije ponovno pritisnite gumb na 3 sekunde.

### 9. Gumb bežičnog povezivanja

Ovaj gumb se koristi za bežično povezivanje proizvoda s mobilnom aplikacijom HomeWhiz.

Kada je gumb pritisnut duže vrijeme (3 sekunde) tada simbol bežičnog povezivanja sporo treperi na prikazu/zaslону (u razmacima od 0,5 sekundi). Na ovaj način pokreće se kućna mreža na proizvodu.

Nakon što je uspostavljeno bežično povezivanje s proizvodom, tada simbol bežičnog povezivanja (  ) svijetli neprekidno.

Kada je početna veza uspostavljena možete aktivirati/deaktivirati vezu kratkim pritiskom na taj gumb. Simbol bežičnog povezivanja kratko će treperiti (u razmacima od 0,2 sekunde) dok se veza ne uspostavi. Kada je veza aktivna tada će simbol bežične mreže neprekidno svijetliti. Ako se veza ne može uspostaviti duže vrijeme, provjerite postavke veze i pogledajte dio „Rješavanje problema“ u korisničkom priručniku.

## Rukovanje uređajem:

Aplikacija HomeWhiz treba se koristiti za bežično povezivanje. Koraci pokretanja opisani su u aplikaciji koje ćete vidjeti prilikom instalacije.

Aplikaciji možete pristupiti očitavanjem QR koda dostupnog na naljepnici aplikacije HomeWhiz na proizvodu. Aplikaciju možete preuzeti u trgovini App Store za IOS uređaje ili u trgovini Play Store za Android uređaje.

Za više informacija posjetite <https://www.homewhiz.com/>

### **10. Gumb za ponovno podešavanje postavki bežičnog povezivanja**

Za ponovno podešavanje postavki bežičnog povezivanja istovremeno pritisnite gumbe brzog zamrzavanja (❄️) i bežičnog povezivanja (📶) na 3 sekunde. Kada se postavke bežičnog povezivanja ponovno podese/vrate na tvorničke postavke tada će se sve prethodno memorirane korisničke informacije ukloniti s proizvoda.

### 6.3 Posuda za povrće s kontroliranim vlagom (EverFresh+)

#### (Neobvezno)

Zahvaljujući posudi za povrće s kontroliranim vlagom, voće i povrće mogu se čuvati duže vrijeme u uvjetima idealne vlažnosti. Pomoću sustava za podešavanje vlažnosti koji ima 3 opcije ispred posude za povrće, možete kontrolirati razinu vlažnosti unutar odjeljka ovisno o hrani koja se čuva. Preporučujemo da hranu čuvate tako da odaberete opciju povrće ako ćete čuvati samo povrće, opciju voće ako ćete čuvati samo voće ili kombiniranu opciju ako ćete čuvati kombinirane namirnice.

Preporučujemo da voće i povrće ne čuvate u vrećicama zbog produženja vremena čuvanja kako bi namirnice iskoristile prednosti sustava upravljanja vlagom. Ako ih ostavite u plastičnim vrećicama to će izazvati brzo propadanje povrća. Posebno preporučujemo ne držati krastavce i brokulu u plastičnim vrećicama. U slučaju kada se ne preporučuje kontakt s drugim povrćem, tada koristite ambalažne materijale poput papira koji imaju određenu razinu poroznosti kada je riječ o higijeni.

Kada stavljate povrće, teško i tvrdo povrće stavite na dno, a lagano i mekano na vrh vodeći računa o specifičnoj težini povrća.

Ne stavljajte voće koje stvara velike količine plina etilena poput kruške, marelice, breskve te posebno jabuke u istu posudu za voće i povrće s drugim voćem i povrćem. Plin etilen koji izlazi iz tog voća može izazvati brže sazrijevanje drugog voća i povrća i brže propadanje.

### 6.4 Plavo svjetlo/HarvestFresh (Neobvezno)

#### Za plavo svjetlo,

Voće i povrće koje se čuva u posudi za voće i povrće obasjanim plavim svjetlom nastavlja proces fotosinteze i zadržava svoje razine vitamina C zahvaljujući učinku valova plavog svjetla.

#### Za funkciju HarvestFresh,

Voće i povrće koje se čuva u posudama za voće i povrće osvijetljenim tehnologijom HarvestFresh zadržavaju razine vitamina (vitamini A i C) duže vremena zahvaljujuću ciklusima plavog, zelenog, crvenog svjetla i mraka koji simulira dnevni ciklus.

Kada otvorite vrata hladnjaka kada je aktivan tamno razdoblje tehnologije HarvestFresh, tada hladnjak to automatski prepoznaje i osvijetljava posudu za povrće s plavim, zelenim ili crvenim svjetlom. Tamno razdoblje nastavit će se kad zatvorite vrata hladnjaka i tako predstavlja doba noći u dnevnom ciklusu.



## Rukovanje uređajem:

### 6.5 Modul protiv neugodnog mirisa

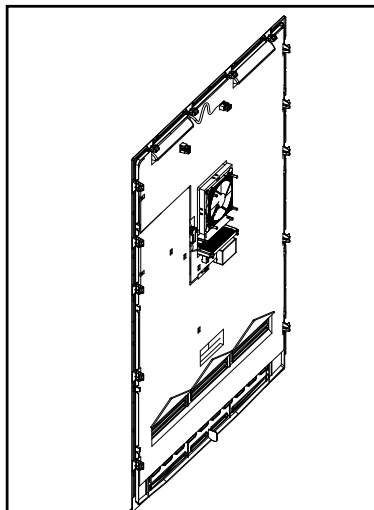
#### (FreshGuard)

##### (Ovo je dodatna funkcija)

Modul protiv neugodnog mirisa uklanja neugodni miris koji mogu nastati unutar hladnjaka prije nego izbiju na površinu. Zahvaljujući ovom modulu, koji se nalazi na stropu odjeljka za svježiju hranu, neugodni mirisi se uklanja dok zrak aktivno prolazi kroz filter neugodnih mirisa, zatim se zrak pročišćava u filtru i usmjerava natrag u odjeljak za svježiju hranu. Tako se neželjeni neugodni miris koji nastaje kada se hrana čuva u hladnjaku uklanja iz hladnjaka prije nego što izbije na površinu.

Ova funkcija opremljena je ventilatorom, LED svjetlom i filtrom koji se nalaze unutar modula. Modul protiv neugodnog mirisa povremeno se automatski aktivira. Ako otvorite vrata odjeljka za svježiju hranu kada je modul aktivan, ventilator će privremeno prestati s radom i nastaviti s radom kada se vrata ponovno zatvore. U slučaju nestanka struje, modul za uklanjanje neugodnog mirisa aktivirat će se ponovno kada se struja vrati.

**Informacije:** Za sprječavanje neugodnih mirisa koji mogu nastati miješanjem mirisa različite hrane preporučujemo vam čuvati aromatiziranu hranu poput sira, maslina i delicata u njihovom pakiranju te u posudama sa zatvorenim poklopcima. Zbog sigurnosti ostale hrane i zbog sprječavanja neugodnih mirisa preporučujemo vam što prije ukloniti hranu za koju smatrate kako se pokvarila u hladnjaku.



## Rukovanje uređajem:

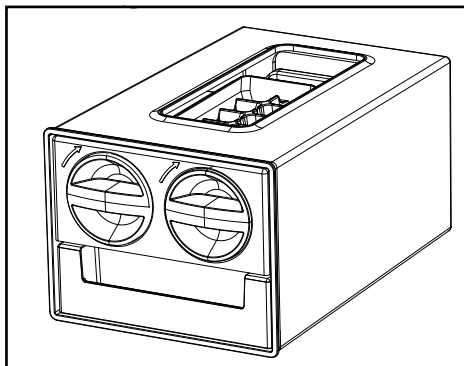
### 6.6 Posuda za led

#### (Ovo je dodatna funkcija)

Posuda za led omogućuje vam lako vađenje leda iz hladnjaka.

#### Uporaba posude za led

1. Izvadite posudu za led iz odjeljka zamrzivača.
2. Napunite posudu za led vodom.
3. Stavite posudu za led u odjeljak zamrzivača. Led će biti spreman nakon približno dva sata.
4. Izvadite posudu za led iz odjeljka zamrzivača i lagano je savinite preko posude u kojoj ćete ga poslužiti. Led će jednostavno ispasti u posudu za serviranje.



### 6.7 Ledomat

#### (Ovo je dodatna funkcija)

Ledomat vam omogućuje lako vađenje leda iz hladnjaka.

Uporaba posude za led

1. Uklonite spremnik za vodu iz odjeljka hladnjaka.
2. Spremnik za vodu napunite vodom.
3. Vratite spremnik s vodom na njegovo mjesto. Prvi led bit će gotov za približno četiri sata u ladici ledomata koja se nalazi u odjeljku zamrzivača.



Možete dobiti približno 60-70 kokica leda kada je spremnik za vodu pun.



Voda se u spremniku za vodu mora zamijeniti barem svaka 2-3 tjedna.

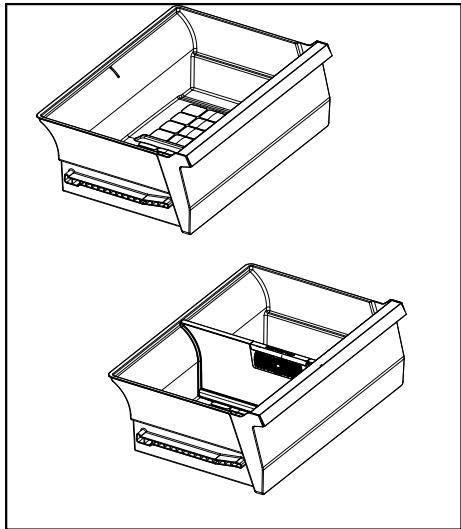
### 6.8 Polica za mliječne proizvode ( hladnjak)

Polica za mliječne proizvode ( hladnjak)“ osigurava nisku temperaturu unutar odjeljka hladnjaka Ovu policu koristite za čuvanje delikatesa (salama, kobasica, mliječnih proizvoda i sl.) koje zahtijevaju nižu temperaturu čuvanja ili za čuvanje proizvoda od mesa, piletine ili ribe koji će se odmah konzumirati. Na ovoj polici ne čuvajte voće i povrće.

## Rukovanje uređajem:

### 6.9 Posuda za povrće

Posuda za povrće u hladnjaku dizajnirana je za održavanje povrća u posudi svježim održavajući razinu vlage. U ovo svrhu, cirkulacija hladnog zraka se pojačava oko posude za povrće. Voće i/ili povrće bi trebalo biti pohranjeno u ovom odjeljku. Zeleno lisnato povrće i voće držite odvojeno i tako produžite njihov vijek trajanja.



### 6.10 Odvajača posude za povrće

#### Filtar plina etilena

Filtar za zadržavanje etilena pomaže ukloniti plin etilen i neugodne mirise koje ispušta voće i povrće u posudi za povrće.

Voće poput kruški, marelica, breskvi te posebno jabuka, koje stvara velike količine plina etilena, možete čuvati odvojeno od drugog voća i povrća u istoj posudi za povrće zahvaljujući odvajaču povrća. Plin etilen kojeg ispušta navedeno voće može izazvati brže sazrijevanje drugog voća i povrća i brže propadanje.

Zahvaljujući ovoj funkciji svoju svježiju hranu, a posebno povrće koje je osjetljivo na plin etilen, možete održati svježom duže vrijeme.

Hranu možete čuvati duže vrijeme tako da hranu osjetljivu na plin etilen možete staviti u jedan

odjeljak odvojen odvajačem posude za povrće, a hranu koja stvara plin etilen možete staviti u drugi odjeljak.

Hrana koja stvara plin etilen te ona koja je na njega osjetljiva navedena je u nastavku.

Hrana koja stvara plin etilen	Hrana koja je osjetljiva na plin etilen
Jabuka, kruška, marelica, breskva, nektarine, avokado, kivi, šljiva, smokva, dunja, rajčica	Svježe zeleno povrće (poput zelene salate, peršina), jagoda, trešnja, grožđe, naranča, mandarina, ananas, papar, patlidžan, bamija, tikvice

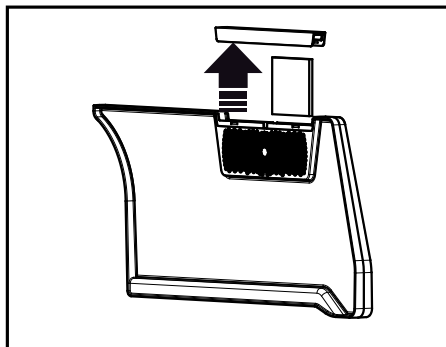
### 6.11 Čišćenje filtra plina etilena

Filtar plina etilena treba se čistiti jednom godišnje.

Filtar plina etilena uklonite povlačenjem poklopca filtra prema gore kako je prikazano na slici.

Ostavite filtara plina etilena na suncu jedan dan.

Tako će se filtara očistiti.



## Rukovanje uređajem:

Vratite filtar na njegovo mjesto i zatvorite gornji poklopac.

Za maksimalnu učinkovitost filtra i očuvanje svojstava izbjegavajte kontakt s uljem i sličnim tekućinama te materijalima poput vode i deterdženta. Kontaktirajte servis i dogovorite zamjenu filtra.

### 6.12 Čišćenje odvajača posude za povrće

Kako bi se spriječilo začepljenje otvora za svježi zrak odvajača posude za povrće, obrišite ga čistom, suhom krpom u određenim intervalima.

Ako se odvajača treba oprati, uvijek uklonite filtar s odvajača.



**UPOZORENJE:** Pripazite da otvori u blizini filtera nisu blokirani i tako osigurajte cirkulaciju zraka.

## Rukovanje uređajem:

### 6.13 Korištenje dozatora vode

(Ovo je dodatna funkcija)

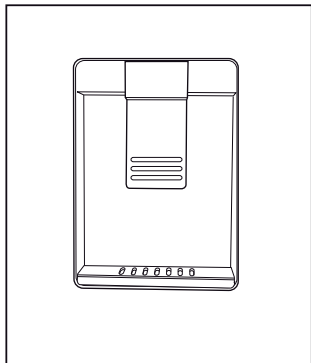


Normalno je da prvih nekoliko čaša vode koje se uliju iz dozatora vode budu tople.



Ako se dozator za vodu ne koristi duže vrijeme, tada bacite prvih nekoliko čaša vode koju ste ulili iz dozatora dok ne ulijete čistu vodu.

1. Čašom gurnite ručku dozatora za vodu. Lakše je rukom gurnuti ručku ako koristite mekanu plastičnu čašu.
2. Kada čašu napunite željenom količinom vodom otpustite ručku.



Jačina protoka vode iz dozatora ovisi o pritisku kojim se pritisne ručka. Lagano otpustite pritisak s ručke kako se povećava razina vode u čaši/posudi i tako spriječite prelijevanje. Voda će kapati ako lagano pritisnete ručku; o vo je normalno i nije znak kvara.

### 6.14 Punjenje spremnika za vodu

Otvorite poklopac spremnika za vodu kako je prikazano na slici. Napunite ga čistom vodom za piće. Zatvorite poklopac.

### 6.15 Čišćenje spremnika za vodu

Uklonite posudu za punjenje vodom unutar police na vratima.

Odvojite držači obje strane police na vratima.

Držite obje strane spremnika za vodu i uklonite ga pod kutom od 45°.

Uklonite i očistite poklopac spremnika za vodu.

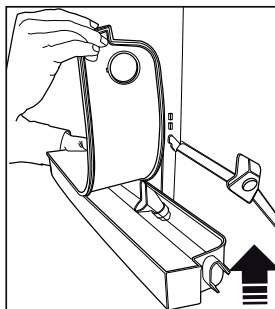
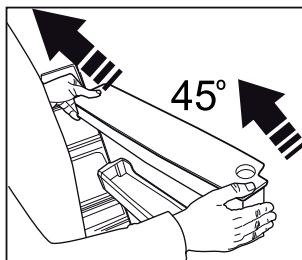
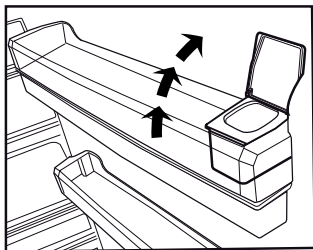
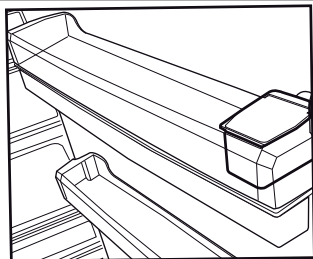


Ne punite spremnik za vodu s voćnim sokom, gaziranim pićima, alkoholnim pićima ili bilo kojom vrstom tekućina koje nisu prikladne za upotrebu u dozatoru za vodu. Upotreba takvih tekućina izazvat će kvar i nepopravljivu štetu dozatoru za vodu. Ako se dozator za vodu koristi na ovaj način to prelazi okvire jamstva. Određene kemikalije i dodaci u takvim pićima/tekućinama može izazvati materijalna oštećenja spremnika za vodu.



Dijelovi spremnika za vodu i dozatora za vodu ne smiju se prati u perilici za suđe.

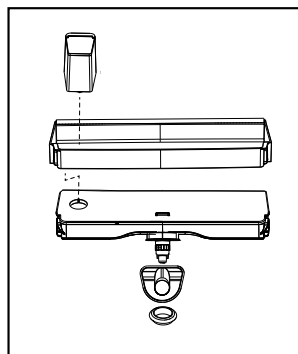
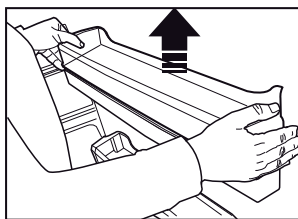
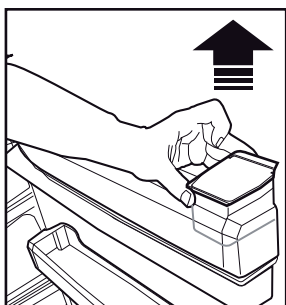
## Rukovanje uređajem:



### 6.16 Punjenje spremnika dozatora za vodu

Posuda s vodom za punjenje spremnika za vodu nalazi se unutar police na vratima.

1. Otvorite poklopac spremnika.



## Rukovanje uređajem:

2. Napunite spremnik čistom vodom za piće.
3. Zatvorite poklopac spremnika.



Ne punite spremnik za vodu s voćnim sokom, gaziranim pićima, alkoholnim pićima ili bilo kojom vrstom tekućina koje nisu prikladne za upotrebu u dozatoru za vodu. Upotreba takvih tekućina izazvat će kvar i nepopravljivu štetu dozatoru za vodu. Ako se dozator za vodu koristi na ovaj način to prelazi okvire jamstva. Određene kemikalije i dodaci u takvim pićima/tekućinama može izazvati materijalna oštećenja spremnika za vodu.



Koristite samo čistu vodu za piće.



Kapacitet spremnika za vodu je 3 litre, nemojte ga prepuniti.

### 6.17 Čišćenje spremnika za vodu

1. Uklonite posudu za punjenje vodom unutar police na vratima.
2. Odvojite držeći obje strane police na vratima.
3. Držite obje strane spremnika za vodu i uklonite ga pod kutom od 45°.
4. Uklonite i očistite poklopac spremnika za vodu.



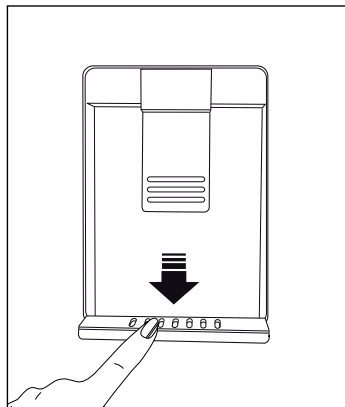
Dijelovi spremnika za vodu i dozatora za vodu ne smiju se prati u perilici za suđe.

### 6.18 Posuda za prikupljanje vode

Voda koja kaplje iz dozatora za vodu nakuplja se u posudi za prikupljanje vode.

Uklonite plastični zatezač kako je prikazano na slici.

Obrišite nakupljenu vodu suhom i čistom krpom.



## Rukovanje uređajem:

### 6.19 Zamrzavanje svježih namirnica

- Aktivirajte funkciju brzog zamrzavanja pritiskom na gumb „Brzog zamrzavanja“ 24 sata prije nego što stavite hranu koju želite zamrznuti.
- 24 sata nakon pritiska gumba, stavite vruću hranu na staklenu policu proizvoda.
- Funkcija brzog zamrzavanja automatski će se deaktivirati nakon 52 sata.
- Odjednom ne pokušavajte zamrznuti velike količine hrane. U roku od 24 sata, ovaj proizvod može zamrznuti maksimalnu količinu hrane navedenu u dijelu „Kapacitet zamrzavanja ... kg/24 sata“ navedenu na naljepnici tipa proizvoda. Nije praktično staviti više zamrznute/svježe hrane od količine navedene na naljepnici.
- Kada u proizvod stavite nezamrznutu hranu, izbjegavajte je stavljati tako da dodiruje zamrznutu hranu.
- Ako namirnice zamrznete dok su svježe to će produžiti vrijeme čuvanja u odjeljku zamrzivača.
- Namirnice pakirajte u vakuumirano pakiranje i dobro ih zatvorite.
- Pripazite i zapakirajte namirnice prije stavljanja u zamrzivač. Koristite držače za zamrzavanje, aluminijsku foliju i voodootporni papir, plastične vrećice ili sličan ambalažni materijal umjesto tradicionalne papirne ambalaže.
- Označite svaki paket hrane pisanjem datuma na pakovanju prije zamrzavanja. To će vam omogućiti da se utvrdi svježina svakog paketa svaki put kad otvorite zamrzivač. Hranu koju ste ranije stavili prebacite u prednji dio zamrzivača da biste je ranije upotrijebili.
- Zamrznuti prehrambeni proizvodi moraju se odmah koristiti nakon odmrzavanja i ne smiju se ponovo zamrzavati.
- Odjednom ne zamrzavajte prevelike količine hrane.

Postavka temperature odjeljka zamrzivača	Postavka temperature odjeljka hladnjaka	Pojedinosti:
-18°C	4°C	Ovo je podrazumijevana, preporučena postavka.
-20,-22 ili -24°C	4°C	Ove postavke se preporučuju kada je temperatura okruženja veća od 30°C.
Brzo zamrzavanje	4°C	Koristite kada želite hranu zamrznuti u kratkom vremenu. Kada postupak završi, proizvod se ponovo vraća na svoj položaj
-18°C ili hladnije	2°C	Koristite ove postavke ako smatrate da odjeljak hladnjaka nije dovoljno hladan zbog temperature okoline ili čestog otvaranja vrata.

### 6.20 Preporuke za čuvanje zamrznute hrane u odjeljku zamrzivača

Odjeljak mora biti podešen na najmanje -18°C.

1. Namirnice stavite u zamrzivač što je brže moguće i tako izbjegnite otapanje.
2. Prije zamrzavanja, provjerite „Rok trajanja“ na pakiranju i provjerite je li istekao rok trajanja.
3. Provjerite je li pakiranje oštećeno.



## Rukovanje uređajem:

### 6.21 Pojediniosti o dubokom zamrzavanju

Prema standardima IEC 62552 na 25°C sobne temperature, zamrzivač mora imati sposobnost zamrznuti 4,5 kg namirnica na -18°C ili nižoj temperaturi u roku od 24 sata za svakih 100 litara zapremine zamrzivača.

Hrana se može čuvati duže vrijeme samo ako se čuva na temperaturi od -18°C ili nižoj.

Svježinu namirnica možete održati mjesecima (pri temperaturi od -18°C ili nižim temperaturama u dubokom zamrzavanju.)

Namirnice koje će se zamrznuti ne smiju doći u dodir s već zamrznutom hranom unutar zamrzivača kako bi se izbjeglo djelomično odmrzavanje.

Obarite povrće i ocijedite vodu i tako produžite vrijeme čuvanja u zamrznutom stanju. Nakon filtriranja hranu stavite u vakuumirano pakiranje i u zamrzivač. Namirnice poput banana, rajčica, zelene salate, selena, kuhanih jaja, krumpira ne smiju se zamrzavati. U slučaju da se hrana pokvari to će negativno utjecati samo na hranjivu vrijednost i prehrambena svojstva. Ne dovodi se u pitanje činjenica da pokvarena hrana predstavlja opasnost za ljudsko zdravlje.

### 6.22 Stavljanje hrane

Police odjeljka zamrzivača	Različite zamrznute namirnice poput mesa, ribe, sladoleda, povrća i sl.
Police odjeljka hladnjaka	Hrana u loncima, pokrivenim tanjurima i posudama, jaja ( u zatvorenim posudama).
Police na vratima odjeljka hladnjaka	Mala i upakirana hrana ili pića
Posuda za povrće	Voće i povrće
Odjeljak za svježiju hranu	Delikatesi (hrana za doručak, proizvodi od mesa koji će se konzumirati za kratko vrijeme)

### 6.23 Upozorenje za otvorena vrata

Ako vrata proizvođa ostanu otvorena 1,5 minuta začut ćete zvučno upozorenje. Zvučno upozorenje će se zaustaviti kada se vrata zatvore ili se pritisne bilo koji gumb na zaslону (ako je dostupno).

### 6.24 Rasvjetna žaruljica

Unutarnja rasvjeta koristi LED žaruljice. Za sve probleme s ovim žaruljicama kontaktirajte ovlaštenu servis.

Žaruljice koje se koriste u ovom uređaju ne mogu se koristiti za rasvjetu kućanstva. Namjena ove žaruljice je pomoći korisniku sigurno i praktično staviti hranu u hladnjak/zamrzivač.

## 7 Čišćenje i održavanje



**UPOZORENJE:** Prvo pročitajte „Sigurnosne upute“!



**UPOZORENJE:** Prije čišćenja hladnjak iskopčajte iz strujne utičnice.

- Ne koristite oštre ili abrazivne alate za čišćenje proizvoda. Ne koristite materijale kao sredstva za čišćenje namijenjena kućanstvima, sapun, deterdžente, plin, benzin, alkohol, vosak, itd.
- Barem jednom godišnje očistite prašinu nakupljenu na rešetki ventilacije na stražnjoj strani proizvoda (bez otvaranja poklopca). Čišćenje treba obaviti suhom krpom.

### Za proizvode sa slavinom za vodu/ledomat

- Ako voda u spremniku za vodu stoji 2-3 tjedna, trebate je zamijeniti.
- Spremnik za vodu i dijelovi dozatora za vodu ne smiju se prati u perilici suđa.
- Otopite čajnu žličicu sode bikarbone u vodi. Namočite komad tkanine u vodi i iscijedite ga. Obrišite uređaj s ovom krpom i dobro ga osušite.
- Pazite da voda ne dođe u kontakt s poklopcem žaruljice i drugim električnim dijelovima.
- Vrata očistite vlažnom krpom. Uklonite sav sadržaj kako biste uklonili vrata i držače kućišta. Držače kućišta uklonite podizanjem prema gore. Očistite i osušite police, a zatim ih vratite na njihovo mjesto klizanjem od gore.
- Ne koristite kloriranu vodu ili proizvode za čišćenje na vanjskoj površini i kromiranim dijelovima proizvoda. Klor izaziva hrđu na takvim metalnim površinama.
- Ne koristite oštre i abrazivne alate, sapun, sredstva za čišćenje namijenjena primjeni u kućanstvu, deterdžente, plin, benzin, lak ili slične tvari za sprječavanje iskrivljenja plastičnog dijela ili za uklanjanje mrlja na tom dijelu. Za čišćenje koristite toplu vodu i mekanu krpom te ga osušite brisanjem.
- Za proizvode bez funkcije nenakupljanja

leda (No Frost) kapljice vode i inje debljine prsta mogu se nakupiti na stražnjoj stijenci odjeljka zamrzivača. Ne čistite ga i nikad ne nanosite ulje ili slična sredstva.

- Koristite vlažnu krpom od mikrovlakana i očistite vanjsku površinu proizvoda. Spužve i slične vrste krpa za čišćenje mogu ogrepsiti površinu.
- Za čišćenje svih dijelova koji se mogu ukloniti kada se čisti unutarnja površina proizvoda, operite ove dijelove blagom otopinom koja sadrži sapun, vodu i sodu bikarbonu. Dobro isperite i osušite. Spriječite kontakt vode i rasvjetnih dijelova te upravljačke ploče.



### OPREZ:

Za čišćenje unutarnjih površina ne koristite ocat, alkohol za čišćenje ili druga sredstva za čišćenje koja sadrže alkohol.

### 7.1 Vanjske površine od nehrđajućeg čelika

Koristite neabrazivno sredstvo za čišćenje od nehrđajućeg čelika i nanesite ga s mekanom krpom koja ne ispušta vlakna. Za poliranje, lagano obrišite površinu s krpom od mikrovlakana namočenu vodom te koristite krpom od jelenje kože za suho poliranje. Uvijek pratite crte na nehrđajućem čeliku.

### 7.2 Čišćenje proizvoda sa staklenim vratima

Uklonite zaštitnu foliju sa stakla. Površina stakla na sebi ima premaz. Ovaj premaz smanjuje nastanak mrlja i omogućuje lako čišćenje mrlja i nakupljene prljavštine. Stakla koja nisu zaštićena premazom mogu biti izložena trajnom ljepljenju organskih ili anorganskih onečišćujućih tvari iz zraka ili vode, poput vodenog kamenac, mineralnih soli, neizgorelih ugljikovodika, metalnih oksida i silikona, što u kratkom vremenu dovodi do stvaranja mrlja i fizičkih oštećenja. Održavanje stakala čistim potaje teško, gotovo nemoguće, unatoč tome da ih se redovito čisti. Kao rezultat, bistrina i dobar izgled stakla se smanjuje. Abrazivni način čišćenja ili čišćenje uz primjenu sile te abrazivna sredstva za čišćenje pojačavaju ove

nedostatke i ubrzavaju proces propadanja.

Za postupke redovitog čišćenja, \*treba koristiti proizvode za čišćenje na bazi nealkalne i nekorozivne vode.

Za što dulji vijek trajanja premaza, alkalne i korozivne tvari ne smiju se koristiti za čišćenje.

Postupak kaljenja primijenjen je za povećanje otpornosti ovih stakala na udarce i lom.

Kao dodatna mjera sigurnosti, na stražnju površinu ovih stakala stavljena je zaštitna folija kako bi se spriječilo onečišćenje okoliša u slučaju da se slomi.

### 7.3 Sprječavanje neugodnih mirisa

Ovaj proizvod proizveden je bez upotrebe materijala koji mogu stvarati neugodne mirise.

Međutim, držanje hrane u neodgovarajućim dijelovima i neispravno čišćenje unutarnjih površina mogu rezultirati stvaranjem neugodnih mirisa.

Izbjegnite ovo tako što ćete unutrašnjost čistiti vodom i sodom bikarbonom svakih 15 dana.

- Hranu držite u zatvorenim posudama.

Mikroorganizmi se mogu raširiti iz nezatvorenih namirnica i izazvati neugodne mirise.

- U hladnjaku ne čuvajte hranu kojoj je istekao rok trajanja i pokvarenu hranu.



Čaj je jedno od najučinkovitijih sredstava za uklanjanje neugodnih mirisa. Talog skuhanog čaja stavite u proizvod u otvorenoj posudi i uklonite ga nakon minimalno 12 sati. Ako talog skuhanog čaja ostavite duže od 12 sati, skupit će organizme koji stvaraju neugodni miris tako da on sam može postati izvor neugodnog mirisa.

### 7.4 Zaštita plastičnih površina

Ulje proliveno po plastičnim površinama može ih oštetiti i mora se odmah očistiti s toplom vodom.

## 8 Rješavanje problema

Molimo, pogledajte ovaj popis prije upućivanja poziva ovlaštenom servisu. To vam može uštedjeti vrijeme i novac. Ovaj popis uključuje česte problema koji nisu nastali zbog neispravnog rada ili kvara hladnjaka. Neke od opisanih funkcija možda ne postoje kod vašeg modela hladnjaka.

### Uređaj ne radi.

- Utičak nije ispravno umetnut u utičnicu. >>> *Ispravno umetnite utikač u utičnicu.*
- Pregorio je osigurač utičnice u koju je uključen hladnjak ili je pregorio glavni osigurač. >>> *Provjerite osigurač.*

### Vlaga na bočnim stjenkama odjeljka hladnjaka (MULTIZONA, UPRAVLJANJE RASHLAĐIVANJEM I FLEKSI ZONA).

- Temperatura okruženja je jako niska. >>> *Ne postavljajte hladnjak u prostorije gdje temperatura pada ispod 10 .*
- Vrata se često otvaraju. >>> *Ne otvarajte i ne zatvarajte učestalo vrata hladnjaka.*
- Okruženje je jako vlažno. >>> *Ne postavljajte hladnjak u prostorije s velikom vlagom.*
- Namirnice koje sadrže tekućinu čuvaju se u otvorenim posudama. >>> *Namirnice koje sadrže tekućinu čuvajte u zatvorenim posudama.*
- Vrata su odškrinuta. >>> *Ne ostavljajte vrata hladnjaka otvorena dugo vremena.*
- Termostat je podešen na jako hladnu razinu. >>> *Podesite termostat na odgovarajuću razinu.*

### Kompresor ne radi

- Zaštitni termički osigurač kompresora će se blokirati tijekom iznenadnog nestanka struje ili isključivanja i uključivanja strujnog utikača jer tlak rashladnog sredstva u rashladnom sustavu uređaja nije bio balansiran. Uređaj će početi s radom nakon približno 6 minuta. Molimo, nazovite osoblje ovlaštenog servisa ako uređaj ne počne s radom nakon tog vremena.
- Hladnjak je u ciklusu odmrzavanja. >>> *To je normalno za hladnjake s automatskih odmrzavanjem. Ciklus odmrzavanja odvija se periodično.*
- Uređaj nije uključen u strujnu utičnicu. >>> *Provjerite je li strujni utikač dobro priključen na utičnicu.*
- Postavke temperature nisu dobro podešene. >>> *Odaberite odgovarajuću vrijednost temperature.*
- Došlo je do nestanka struje. >>> *Kada se el. energije ponovo uspostavi uređaj počinje normalno raditi.*

### Zvuk koji uređaj proizvodi pojačava se kada uređaj radi.

- Radne performanse uređaja mogu se mijenjati uslijed promjena u temperaturi okruženja. To je normalno i ne predstavlja kvar.

### Uređaj radi često ili dugo vremena.

## Rješavanje problema

- Novi proizvod je možda širi od prijašnjeg. Veći uređaji rade dulje vremena.
- Sobna temperatura je možda previsoka. >>> *Normalno je da proizvod radi dulje vrijeme u toplom okruženju.*
- Uređaj je možda tek nedavno uključen u struju utičnicu ili u njemu ima mnogo namirnica. >>> *Kada je hladnjak nedavno uključen u strujnu utičnicu ili ako u njem ima mnogo namirnica tada će mu trebati dulje vremena za postizanje podešene temperature. To je normalno.*
- Možda su nedavno u hladnjak stavljene vruće namirnice. >>> *Ne stavljajte u hladnjak vruće namirnice.*
- Vrata se možda učestalo otvaraju ili su ostavljena odškrinuta duže vrijeme. >>> *Topli zrak koji je ušao u hladnjak utječe na dulji rad hladnjaka. Ne otvarajte često vrata hladnjaka.*
- Možda su vrata odjeljka zamrzivača ili hladnjaka ostavljena odškrinuta. >>> *Provjerite jesu li vrata dobro zatvorena.*
- Uređaj je podešen na vrlo nisku temperaturu. >>> *Podesite temperaturu hladnjaka na viši stupanj i pričekajte dok se temperatura ne postigne.*
- Brtva na vratima hladnjaka ili zamrzivača je prljava, istrošena, potrgana ili nepravilno stavljena. >>> *Očistite i zamijenite brtvu. Oštećena/pokidana brtva (guma) na vratima uređaja utječe na produljenje vremena rada uređaja radi održavanja podešene temperature.*

### **Temperatura zamrzivača je jako niska dok je temperatura hladnjaka dobra.**

- Temperatura zamrzivača je podešena na vrlo nisku vrijednost. >>> *Podesite temperaturu zamrzivača na veću vrijednost i provjerite.*

### **Temperatura hladnjaka je jako niska dok je temperatura zamrzivača**

- Temperatura hladnjaka je podešena na vrlo nisku vrijednost. >>> *Podesite temperaturu hladnjaka na veću vrijednost i provjerite.*

### **Namirnice koje se čuvaju u ladicama odjeljka hladnjaka su zamrznute.**

- Temperatura hladnjaka je podešena na vrlo visoku vrijednost. >>> *Podesite temperaturu hladnjaka na nižu vrijednost i provjerite.*

### **Temperatura hladnjaka ili zamrzivača je jako visoka.**

- Temperatura hladnjaka je podešena na vrlo visoku vrijednost. >>> *Postavke temperature odjeljka hladnjaka utječu na temperaturu zamrzivača. Promijenite temperaturu hladnjaka ili zamrzivača i pričekajte dok odgovarajući odjeljci ne postignu željenu temperaturu.*
- Vrata se učestalo otvaraju ili su ostavljena odškrinuta duže vrijeme. >>> *Ne otvarajte često vrata.*
- Vrata su odškrinuta. >>> *Dobro zatvorite vrata.*
- Uređaj je možda tek nedavno uključen u struju utičnicu ili u njemu ima mnogo namirnica. >>> *To je normalno. Kada je uređaj nedavno uključen u strujnu utičnicu ili ako u njem ima mnogo namirnica tada će mu trebati dulje vremena za postizanje podešene temperature.*
- Možda su nedavno u hladnjak stavljene vruće namirnice. >>> *Ne stavljajte u hladnjak vruće namirnice.*

### **Vibracija ili buka.**

- Pod nije ravan ili stabilan. >>> *Ako se proizvod klima kada se lagano dodirne uravnotežite ga podešavanjem nožica. Također, vodite računa o tome da je pod dovoljno čvrst i ravan da može izdržati težinu proizvoda.*
- Predmeti koji se stave na hladnjak mogu izazvati buku. >>> *Uklonite predmete s hladnjaka.*

### **Iz uređaja se čuju zvukovi poput protoka tekućine, prskanja, itd.**

- Protok tekućina i plinova odvija se u skladu s radim principima proizvoda. >>> *To je normalno i ne predstavlja kvar.*

### **Iz uređaja se čuje zvuk sličan puhanu vjetra.**

- Ventilatori se koriste za hlađenje uređaja. To je normalno i ne predstavlja kvar.

### **Kondenzacija na unutarnjim stjenkama uređaja.**

## Rješavanje problema

- Vruće i vlažno vrijeme povećava stvaranje leda i vlage . To je normalno i ne predstavlja kvar.
- Vrata se učestalo otvaraju ili su ostavljena odškrinuta duže vrijeme.>>>*Ne otvarajte često vrata, zatvorite ih ako su otvorena.*
- Vrata su odškrinuta. >>>*Dobro zatvorite vrata.*

### Vlaga nastaje na vanjskim stjenkama uređaja ili između vrata.

- Možda je zrak vlažan; to je normalno ako je vrijeme sparno.>>> *Kad u zraku ima manje vlage, kondenzacija nestaje.*

### Neugodan miris u hladnjaku.

- Hladnjak se ne čisti redovito. >>> *Redovito čistite unutarnji dio uređaja sa spužvom, mlakom vodom i sodom bikarbonom rastopljenom u vodi.*
- Neke posude ili materijali za pakiranje mogu stvoriti neugodni miris. >>>*Koristite posude ili materijal za pakiranje različitih proizvođača.*
- Namirnice se čuvaju u otvorenim posudama. >>>*Držite namirnice u zatvorenim posudama. Mikroorganizmi koji se šire iz nezatvorenih posuda mogu izazvati stvaranje neugodnih mirisa.*
- Iz hladnjaka uklonite namirnice kojima je istekao rok trajanja, jer se mogu pokvariti.

### Vrata se ne zatvaraju.

- Ambalaža u kojoj su namirnice sprječava zatvaranje vrata. >>> *Premjestite ambalažu koja sprječava zatvaranje vrata.*
- Hladnjak ne stoji ravno na podu. >>> *Podesite nožice i uravnotežite uređaj.*
- Pod nije ravan ili čvrst. >>> *Također, vodite računa o tome da je pod dovoljno čvrst i ravan da može izdržati težinu proizvoda.*

### Posude za povrće su se zaglavile.

- Namirnice dotiču vrh ladice. >>>*Razmjestite namirnice u ladici.*



**UPOZORENJE:** Ako se problem ne može riješiti unatoč tome što ste se pridržavali uputa u ovom odjeljku posavjetujte se s trgovcem ili osobljem ovlaštenog servisa. Ne pokušavajte sami popraviti neispravnii proizvod.

## ODRICANJE OD ODGOVORNOSTI / UPOZORENJE

Neke (jednostavne) kvarove može riješiti sam krajnji korisnik bez ikakvih sigurnosnih problema ili opasnosti koje mogu iskrsnuti uz uvjet da je to obavljeno u granicama i u skladu sa sljedećim uputama (pogledajte dio „Samopomoć“).

Stoga, osim ako nije drukčije određeno u donjem dijelu „Samopomoći“ popravke trebaju obaviti registrirani stručni servisi kako bi se izbjegli problemi sa sigurnosti. Registrirani stručni servis je stručni servis kojem je proizvođač odobrio pristup uputama i popisu rezervnih dijelova za ovaj proizvod u skladu s metodama opisanim u zakonskim aktima u skladu s Direktivom 2009/125/EC.

**Međutim, samo servisni zastupnik (tj. ovlašteni stručni servisi) kojeg možete kontaktirati na telefonski broj naveden u korisničkom priručniku/jamstvenom listu ili ovlašteni zastupnik mogu obaviti servis u skladu s uvjetima jamstva. Stoga, upozoravamo vas kako će popravci koje su obavili stručni servisi (koje nije ovlastila tvrtka .) poništiti jamstvo**

### Samopomoć

Samopopravak može obaviti krajnji korisnik za sljedeće zamjenjive dijelove: ručke na vratima, šarke vrata, ladice, košare i brtva na vratima (ažurirani popis dostupan je na support.beko.com od 01. ožujka 2021.)

Pored toga, kako bi se osigurala sigurnost proizvoda i spriječila opasnost od teških ozljeda, spomenuta samopomoć treba se obaviti pridržavajući se uputa u korisničkom priručniku za samopomoć ili onih dostupnih na . Zbog vaše sigurnosti, isključite proizvod iz strujne mreže prije početka obavljanja bilo kakve samopomoći.

Popravak i pokušaj popravka koje obavljaju krajnji korisnici za dijelove koji nisu uključeni na popis i/ili ako se ne pridržavaju uputa u korisničkom priručniku ili onih dostupnih na , mogu izazvati sigurnosne probleme koji se ne mogu pripisati te koji će poništiti jamstvo proizvoda.

Stoga, izričito se preporučuje da se krajnji korisnici suzdrže od pokušaja popravka koji ne uključuje spomenuti popis rezervnih dijelova te da u tom slučaju kontaktiraju ovlaštene stručne servise ili registrirane stručne servise. U suprotnom, takvi pokušaji koje poduzmu krajnji korisnici mogu izazvati sigurnosne probleme i oštetiti proizvod te posljedično izazvati požar, poplavu, smrt zbog strujnog udara i teške tjelesne ozljede.

Na primjer, ali se ne ograničavajući na to, sljedeće popravke moraju obaviti ovlašteni profesionalni servisi ili registrirani profesionalni servisi: kompresor, rashladni sklop, matična ploča, inverter ploča, ploča zaslona, itd.

Proizvođač/prodavač neće se smatrati odgovornim u slučaju da krajnji korisnici ne poštuju gore navedeno.

Dostupnost rezervnih dijelova za hladnjaka koju ste kupili je 10 godina.

Tijekom ovog razdoblja originalni rezervni dijelovi bit će dostupni za ispravan rad hladnjaka.

Minimalno trajanje jamstva hladnjaka kojeg ste kupili je 24 mjeseca.

Ovaj proizvod opremljen je izvorom osvjetljenja energetske klase „G“.

Izvor osvjetljenja u ovom proizvodu smiju zamijeniti samo stručni serviseri.



**Poštovani korisnici,**

**Prije uporabe proizvoda, pročitajte ovaj priručnik.**

Hvala na odabiru ovog proizvoda. Želimo da postignete optimalnu efikasnost ovog visokokvalitetnog proizvoda koji je proizveden uz primjenu vrhunske tehnologije. Da biste to postigli, pažljivo pročitajte ovaj priručnik i svu drugu dokumentaciju koja je data prije uporabe proizvoda i sačuvajte istu za naknadnu referencu.

Slijedite sva upozorenja i informacije iz korisničkog priručnika. Na taj ćete način zaštititi sebe i svoj proizvod od opasnosti koje se mogu pojaviti.

Čuvajte korisnički priručnik. Ne odvajajte ovaj vodič od jedinice ako želite da je predate nekom drugom licu.

Sljedeći simboli se koriste u korisničkim vodiču:






 Opasnost koja može za rezultat imati smrt ili ozljedu.

**OBAVIJEST** Opasnost koja može prouzrokovati materijalnu štetu na proizvodu ili okolini

 Važne informacije ili korisni savjeti o radu.

 Pročitajte korisnički priručnik.


 Rizik od požara / Zapaljivim materijalima.


 <b>INFORMATION</b>	
  SUPPLIER'S NAME → MODEL IDENTIFIER (*)	.Podaci o modelu pohranjeni u bazi podataka o proizvodu mogu se dobiti unosom sledeće mrežne stranice i pretragom po identifikacionom broju vašeg modela (*) koji se nalazi na oznaci potrošnje električne energije.
 → 	<a href="https://eprel.ec.europa.eu/">https://eprel.ec.europa.eu/</a>


<b>1- Sigurnosne upute</b>	<b>3</b>		
 1.1 Predviđena namjena . . . . .	3	6.8 Odjeljak za voće i povrće . . . . .	18
 1.2 Sigurnost djece, ugroženih osoba i kućnih ljubimaca . . . . .	3	6.9 Separator odjeljka za voće i povrće . . . . .	18
 1.3 Zaštita od električne energije . . . . .	4	6.10 Čišćenje filtra etilena . . . . .	19
 1.4 Sigurnost pri rukovanju. . . . .	4	6.11 Čišćenje separatora odjeljka za voće i povrće . . . . .	19
 1.5 Sigurnost pri ugradnji. . . . .	4	6.12Korišćenje točilice za vodu . . . . .	20
 1.6 Sigurnost pri radu . . . . .	5	6.13 Punjenje rezervoara točilice za vodu . . . . .	20
 1.7 Sigurnost pri održavanju i čišćenju . . . . .	7	6.14 Čišćenje rezervoar za vodu . . . . .	20
 1.8 HomeWhiz . . . . .	7	6.15 Punjenje rezervoara točilice za vodu . . . . .	21
 1.9 Osvjetljenje . . . . .	7	6.16Čišćenje spremnika za vodu . . . . .	22
<b>2 Upute za zaštitu životne sredine</b>	<b>8</b>	6.17Posuda za kapanje. . . . .	22
2.1 Usklađenost s direktivom WEEE i Odlaganjem otpadnog proizvoda: . . . . .	8	6.18 Zamrzavanje svježe hrane . . . . .	23
2.2 Usklađenost sa RoHS direktivom: . . . . .	8	6.19Preporuke za čuvanje smrznute hrane u odjeljku za zamrzavanje. . . . .	23
2.3 Informacija o ambalaži. . . . .	8	6.20Podaci zamrzivača za duboko zamrzavanje	24
<b>3 Vaš hladnjak</b>	<b>9</b>	6.21 Postavljanje hrane. . . . .	24
<b>4 Instalacija</b>	<b>10</b>	6.22 Upozorenje na otvorena vrata. . . . .	24
4.1 Pravo mjesto za instalaciju. . . . .	10	6.23 Lampa za osvjetljenje . . . . .	24
4.2 Za proizvode s točilicom vode/ledomatom. . . . .	10	<b>7 Održavanje i čišćenje</b>	<b>25</b>
4.3 Pričvršćivanje plastičnih klinova . . . . .	10	7.1 Vanjske površine od nehrđajućeg čelika . . . . .	25
4.4 Prilagođavanje postolja . . . . .	11	7.2 Čišćenje proizvoda sa staklenim vratima . . . . .	25
4.5 Električno povezivanje . . . . .	11	<b>7 Održavanje i čišćenje</b>	<b>26</b>
<b>5 Priprema</b>	<b>12</b>	7.3 Uklanjanje mirisa . . . . .	26
5.1 Šta učiniti za uštedu energije . . . . .	12	7.4 Zaštita plastičnih površina . . . . .	26
5.2 Početni rad. . . . .	12	<b>8 Rješavanje problema</b>	<b>27</b>
<b>6 Rukovanje proizvodom</b>	<b>13</b>		
6.1 Isključivanje proizvoda . . . . .	13		
<b>6 Rad uređaja</b>	<b>14</b>		
6.2 Panel indikatora . . . . .	14		
6.3 Odjeljak za voće i povrće sa kontroliranim vlažnošću vazduha (EverFresh+) . . . . .	16		
6.4 Plavo svjetlo/HarvestFresh . . . . .	16		
6.5 Modul za uklanjanje mirisa . . . . .	17		
(FreshGuard). . . . .	17		
6.6 Kanta za led . . . . .	18		
6.7 Aparat za led . . . . .	18		


# 1- Sigurnosne upute

- Ovo poglavlje sadrži sigurnosne upute potrebne da bi spriječili rizik od fizičke ozljede i materijalne štete.
- Naša kompanija ne snosi odgovornost za štetu koja može nastati ako se ove upute ne poštuju.

 Radove na ugradnji i popravke uvijek mora obavljati ovlašteni servis.

 Uvijek koristite originalne rezervne djelove i dodatke.

 Originalni rezervni djelovi će biti obezbijedeni za narednih 10 godina od datuma kupovine proizvoda.

 Ne popravljajte niti mijenjajte nijedan dio proizvoda, osim ako to nije izričito navedeno u korisničkom priručniku.

 Ne vršite nikakve tehničke modifikacije na proizvodu.

## 1.1 Predviđena namjena

- Ovaj proizvod nije namijenjen za komercijalnu uporabu i ne smije se koristiti izvan predviđene namjene.

Ovaj je proizvod namijenjen za rad u zatvorenom prostoru, kao što su domaćinstva ili slično.

Na primjer;

- u kuhinjama za osoblje prodavnica, kancelarija i drugih radnih okruženja,
- u seoskim kućama,
- u jedinicama hotela, motela ili drugih odmarališta koje kupci koriste,
- u hostelima ili sličnim okruženjima,
- za dostavu pripremljene hrane i slične primjene koje ne spadaju u maloprodaju.

Ovaj se proizvod ne smije koristiti u otvorenim ili zatvorenim vanjskim okruženjima kao što su plovila, balkoni ili terase. Izlaganje proizvoda kiši, snijegu, suncu i vjetru će izazvati rizik od požara.

## 1.2 Sigurnost djece, ugroženih osoba i kućnih ljubimaca

- Ovaj uređaj mogu koristiti djeca od 8 godina i starija, i osobe sa ograničenim fizičkim, čulnim ili mentalnim sposobnostima, osobe koje nemaju dovoljno znanja ili iskustva ako su pod nadzorom ili su im date upute koje se tiču upotrebe uređaja na siguran način proizvoda i opasnosti koje uključuju.
- Djeca između 3 i 8 godina smiju stavljati u i vaditi hranu iz hladnijeg proizvoda.
- Električni proizvodi su opasni za djecu i kućne ljubimce. Djeca i kućni ljubimci ne smiju se igrati, penjati se ili ulaziti u proizvod.
- Djeca nikada ne smiju da čiste i održavaju uređaj, sem ako se nalaze pod nadzorom odrasle osobe.
- Materije za pakiranje držite dalje od djece. Opasnost od ozljede i gušenja.
- Prije odlaganja starih proizvoda koji se više ne smiju koristiti:

1. Isključite mrežni kabel iz utičnice.
2. Odrežite kabel za napajanje i izvadite ga iz uređaja zajedno sa utikačem.
3. Ne uklanjajte stalke i ladice iz proizvoda kako biste spriječili da djeca uđu u uređaj.
4. Uklonite vrata.
5. Pohranite proizvod tako da ne može da se prevrne.
6. Ne dopuštajte djeci da se igraju sa starim proizvodom.
  - Ne odlažite proizvod tako što ćete ga spaljivati. Opasnost od eksplozije.
  - Ako na vratima proizvoda postoji brava, ključ čuvajte van domašaja djece.

## Važna uputstva o sigurnosti i okolišu

### **⚠ 1.3 Zaštita od električne energije**

- Proizvod ne smije biti uključen u utičnicu tokom ugradnje, održavanja, čišćenja, popravka i prijevoza.
- Ako je kabel za napajanje oštećen, zamijenit će ga samo ovlaštenu servis kako bi se izbjegao bilo kakav rizik koji se može pojaviti.
- Ne stavljajte kabl za napajanje ispod proizvoda ili na stražnju stranu proizvoda. Ne stavljajte teške predmete na kabel za napajanje. Kabel za napajanje ne treba da se savija, prelama i ne smije da dođe u kontakt sa bilo kojim izvorom toplote.
- Za upravljanje proizvodom ne koristite produžni kabel, višestruku priključnicu ili adapter.
- Prijenosne višestruke utičnice ili prijenosni izvori napajanja mogu se pregrijati i uzrokovati požar. Prema tome, nemojte držati višestruku priključnicu iza ili u blizini proizvoda.
- Utikač mora biti lako dostupan. Ako to nije moguće, na električnoj instalaciji bit će dostupan mehanizam koji ispunjava zakone o električnoj energiji i koji isključuje sve priključke iz mreže (osigurač, prekidač, glavni prekidač itd.).
- Ne dodirujte utikač mokrim rukama.
- Prilikom isključivanja uređaja, ne držite kabel za napajanje, već utikač.
- Pri postavljanju uređaja vodite računa da kabel za napajanje ne bude nedokučiv ili oštećen.
- Ne postavljajte više prijenosnih utičnica ili prijenosnih uređaja za napajanje na stražnjoj strani uređaja.

### **⚠ 1.4 Sigurnost pri rukovanju**

- Ovaj je proizvod težak, nemojte sami sa njim postupati.
- Ne držite proizvod za vrata prilikom rukovanja proizvodom.

- Pazite da pri rukovanju proizvodom ne oštetite rashladni sistem i cijevi. Ne koristite proizvod ako su cijevi oštećene i obratite se ovlaštenom servisu.

### **⚠ 1.5 Sigurnost pri ugradnji**

- Za ugradnju proizvoda kontaktirajte ovlaštenu servis. Da biste proizvod pripremili za ugradnju, pogledajte informacije u korisničkom priručniku i pobrinite se da su snabdijevanje struje i vode u skladu sa zahtjevima. Ako instalacija nije odgovarajuća, pozovite električara i vodoinstalatera da prilagode instalacije po potrebi. U suprotnom može doći do električnih udara, požara, problema u radu proizvoda ili ozljeda.
- Prije instaliranja provjerite ima li oštećenja na proizvodu. Nemojte instalirati proizvod ako je oštećen.
- Stavite proizvod na ravnu i tvrdu površinu i iznivelišite ga pomoću podesivog postolja. U suprotnom, hladnjak se može prevrnuti i prouzrokovati ozljede.
- Proizvod mora biti instaliran u suhom i ventiliranom okruženju. Ne držite tepihe, prostirače ili slične podne zastore ispod proizvoda. To može uzrokovati opasnost od požara zbog neadekvatne ventilacije!
- Ne blokirajte i ne prekrivajte ventilacijske otvore. U suprotnom, potrošnja električne energije se može povećati i može doći do oštećenja proizvoda.
- Ne spajajte proizvod na sustave napajanja poput solarnih napajanja. U suprotnom može doći do oštećenja vašeg proizvoda kao rezultat naglih oscilacija napona!
- Što više rashladnog sredstva sadrži hladnjak, veća će mu biti i prostorija

# Važna uputstva o sigurnosti i okolišu

za ugradnju. U vrlo malim prostorijama može doći do zapaljive smjese plina i zraka u slučaju curenja plina u rashladnom sustavu. Za svakih 8 grama rashladnog sredstva potrebno je najmanje 1 m<sup>3</sup> zapremine. Količina rashladnog sredstva dostupnog u vašem proizvodu navedena je u tipskoj naljepnici.

- Mjesto instalacije proizvoda ne smije biti izloženo izravnim sunčevim zrakama i ne smije biti u blizini izvora topline poput peći, radijatora itd.

Ako ne možete spriječiti ugradnju proizvoda u blizini izvora topline, upotrijebite odgovarajuću izolacijsku ploču, a minimalna udaljenost do izvora topline bit će kako je navedeno u nastavku.

- Najmanje 30 cm udaljen od izvora topline kao što su peći, grijalice i grijači itd.,

- I udaljen najmanje 5 cm od električnih peći.

- Vaš proizvod ima klasu zaštite I. Uključite proizvod u uzemljenu utičnicu koja odgovara vrijednostima napona, struje i frekvencije navedene na tipskoj naljepnici. Utičnica mora biti opremljena osiguračem jačine 10 A - 16 A. Naša kompanija nije odgovorna za štetu koja nastane kao rezultat rada proizvoda bez osiguravanja uzemljenja i električnih veza izvedenih u skladu s lokalnim ili nacionalnim propisima.
- Kabel za napajanje proizvoda mora biti isključen iz struje tijekom instalacije. U suprotnom može doći do opasnosti od električnog udara i ozljeda!
- Ne stavljajte proizvod u olabavljene, slomljene, prljave, masne utičnice ili utičnice koje su ispale iz svog ležišta ili utičnice s rizikom od dodira s vodom.
- Postavite kabel za napajanje i kabele (ako su dostupni) proizvoda tako da ne uzrokuju opasnost od saplitanja.
- Prodiranje vlage u dijelove pod naponom ili na kabl za napajanje može prouzrokovati kratki spoj. Stoga, nemojte koristiti proizvod u vlažnim okruženjima ili na mjestima gdje prskati voda

(npr. garaža, praonica rublja itd.) Ako je hladnjak vlažan od vode, isključite ga sa napajanja i obratite se ovlaštenom servisu.

- Ne priključujte svoj hladnjak na uređaje za uštedu energije. Ovi sustavi su štetni za proizvod.

## **⚠ 1.6 Sigurnost pri radu**

- Na proizvodu nemojte koristiti kemijska otapala. Ovi materijali sadrže opasnost od eksplozije.
- U slučaju kvara proizvoda, isključite ga sa napajanja i nemojte ga stavljati u režim rada dok ga ovlaštenu servis ne popravi. Postoji opasnost od električnog udara!
- Ne stavljajte izvor plamena (npr. svijeće, cigarete, itd.) na proizvod ili u njegovu blizinu.
- Ne penjite se na proizvod. Rizik od pada i povreda!
- Nemojte oštetiti cijevi rashladnog sustava koristeći oštre i probojne alate. Rashladno sredstvo koje se prska u slučaju probijanja gasovoda, produžetaka cijevi ili prevlaka gornje površine može prouzrokovati iritaciju kože i povrede očiju.
- Ne stavljajte i ne upotrebljavajte električne uređaje unutar hladnjaka/dubinskog zamrzivača, osim ako to ne preporuča proizvođač.
- Nemojte gurati bilo koji dio ruke ili tijela u bilo koji od pokretnih dijelova unutar proizvoda. Vodite računa da spriječite zaglavljivanje prstiju između hladnjaka i njegovih vrata. Budite oprezni dok otvarate ili zatvarate vrata ako u blizini ima djece.
- Ne stavljajte sladoled, kockice leda ili smrznutu hranu u usta čim ih izvadite iz zamrzivača. Rizik od promrzlina!
- Ne dirajte unutrašnje zidove, metalne dijelove zamrzivača ili hranu čuvanu u hladnjaku mokrim rukama. Rizik od promrzlina!
- Ne stavljajte limenke sa sodom ili limenke i boce u kojima se nalazi tekućina koja može biti smrznuta u odjeljak za zamrzavanje. Limenke ili boce mogu eksplodirati. Opasnost od ozljede i materijalne štete!

## Važna uputstva o sigurnosti i okolišu

- Ne koristite i ne stavljajte materijale osjetljive na temperaturu kao što su zapaljivi sprejevi, zapaljivi predmeti, suvi led ili druga hemijska sredstva u blizini hladnjaka. Opasnost od požara i eksplozije!
  - Ne skladištite eksplozivne materije poput aerosola u zapaljivim materijalima.
  - Ne stavljajte limenke s tekućinom preko proizvoda. Prskanje vodom električnog dijela može prouzrokovati opasnost od strujnog udara ili požara.
  - Ovaj proizvod nije namijenjen skladištenju i hlađenju lijekova, krvne plazme, laboratorijskih preparata ili sličnih materijala i proizvoda koji podliježu Direktivi o medicinskim proizvodima.
  - Ako se proizvod koristi suprotno predviđenoj namjeni, može prouzrokovati oštećenje ili pogoršanje proizvoda koji se drže u unutrašnjosti.
  - Ako je vaš hladnjak opremljen plavom svjetlošću, nemojte gledati ovo svjetlo optičkim uređajima. Ne zurate direktno u UV LED svjetlo tokom dugog vremenskog perioda. Ultraljubičaste zrake mogu uzrokovati naprezanje očiju.
  - Ne puniti proizvod onom količinom hrane koja nadmašuje njegov kapacitet. Do povreda ili oštećenja može doći ako sadržaj iz hladnjaka padne prilikom otvaranja vrata. Slični problemi mogu se pojaviti kada se predmet stavi preko proizvoda.
  - Osigurajte da ste uklonili sav led ili vodu koja je možda pala na pod kako biste spriječili ozljede.
  - Promijenite mjesto za stalke/stalke za boce na vratima vašeg hladnjaka isključivo kada su stalci prazni.
- Opasnost od fizičkih ozljeda!
- Ne stavljajte predmete koji mogu pasti/prevrnuti se na proizvod. Ti predmeti mogu pasti tijekom otvaranja ili zatvaranja vrata i uzrokovati ozljede i/ili materijalne štete.
  - Ne udarajte i ne vršite preveliki pritisak na staklene površine. Slomljeno staklo može prouzrokovati ozljede i/ili materijalne štete.
  - Sustav za hlađenje u vašem proizvodu sadrži rashladno sredstvo R600a. Vrsta rashladnog sredstva koja se koristi u proizvodu navedena je na naljepnici tipa. Ovaj plin je zapaljiv. Stoga, pazite da pri radu proizvoda ne oštetite rashladni sistem i cijevi. U slučaju oštećenja cijevi;
    - ne dirajte proizvod niti kabel za napajanje,
    - Držite proizvod dalje od potencijalnih izvora vatre koji mogu prouzrokovati da se proizvod zapali.
    - prozračite područje na kojem se proizvod nalazi. Ne koristite ventilator.
    - Obratite se ovlaštenom servisu.
  - Ako je proizvod oštećen i primijetite curenje plina, držite se podalje od plina. Plin može uzrokovati promrzline ako dođe u kontakt s vašom kožom.

# Važna uputstva o sigurnosti i okolišu

## Za proizvode s dozatorom vode/mašinom za led

- Koristite samo pitku vodu. Nemojte puniti rezervoar za vodu nikakvim tečnostima - poput voćnog soka, mlijeka, gaziranih pića ili alkoholnih pića - koje nijesu prikladne za upotrebu u dozatoru vode.
- Postoji rizik za zdravlje i sigurnost!
- Ne dozvolite djeci da se igraju s dozatorom vode ili mašinom za led (Icematic) kako bi se spriječile nezgode ili ozljede.
- Ne stavljajte prste ili predmete u otvor dozatora vode, kanal za vodu ili spremnik mašine za led. Postoji opasnost od ozljede ili materijalne štete!

## 1.7 Sigurnost pri održavanju i čišćenju

- Ne povlačite za ručku na vratima ako proizvod pomičete radi čišćenja. Ručka može uzrokovati ozljede ako se povuče previše jako.
- Ne čistite proizvod raspršivanjem ili nalivanjem vode na proizvod i unutar proizvoda. Opasnost od strujnog udara i požara.
- Za čišćenje proizvoda ne koristite oštre ili abrazivne alate. Ne koristite materijale kao što su sredstva za čišćenje u domaćinstvu, deterdženti, plin, benzin, alkohol, vosak itd.
- Unutar proizvoda koristite isključivo sredstva za čišćenje i održavanje koja nisu štetna za hranu.
- Nemojte koristiti paru ili sredstva za čišćenje parom za čišćenje proizvoda i topljenje leda u njemu. Para dolazi u kontakt sa dostupnim područjima u vašem hladnjaku i izaziva kratki spoj ili strujni udar!

- Vodite računa da voda bude udaljena od elektro-kola ili osvjetljenja proizvoda.
- Upotrijebite čistu suhu krpu za brisanje prašine ili stranih materijala za vrhove utikača. Za čišćenje utikača nemojte koristiti mokri ili vlažni komad tkanine. U suprotnom može doći do opasnosti od požara ili strujnog udara.

## 1.8 HomeWhiz

**(Možda nije dostupno kod svih modela)**

- Slijedite sigurnosna upozorenja čak i ako ste udaljeni od proizvoda dok rukujete proizvodom putem HomeWhiz aplikacije. Također, obratite pažnju na upozorenja u aplikaciji.

## 1.9 Osvjetljenje

**(Možda nije dostupno kod svih modela)**

- Kada hoćete da zamijenite LED/sijalicu za osvjetljenje, obratite se ovlašćenom servisu.

## 2 Upute za zaštitu životne sredine

### 2.1 Usklađenost s direktivom WEEE i Odlaganjem otpadnog proizvoda:

Ovaj proizvod je usklađen s Direktivom EU WEEE (2012/19/EU). Ovaj proizvod nosi simbol klasifikacije za odlaganje električne i elektronske opreme (WEEE).



Ovaj simbol označava da ovaj proizvod ne treba odlagati sa ostalim otpadom iz domaćinstva na kraju vijeka upotrebe. Korišćeni uređaj mora se vratiti u službeno zbirno mjesto za recikliranje električnih i elektronskih uređaja. Da biste pronašli ove sisteme za prikupljanje, obratite se lokalnim nadležnim organima ili prodavaču kod kojeg je proizvod kupljen. Svako domaćinstvo igra važnu ulogu u obnavljanju i recikliranju starog aparata. Odgovarajuće odlaganje korišćenog aparata pomaže u sprječavanju potencijalnih negativnih posljedica po životnu sredinu i zdravlje ljudi.

### 2.2 Usklađenost sa RoHS direktivom:

Proizvod koji ste kupili je usklađen s Direktivom EU RoHS (2011/65/EU). On ne sadrži štetne i zabranjene materijale navedene u Direktivi.

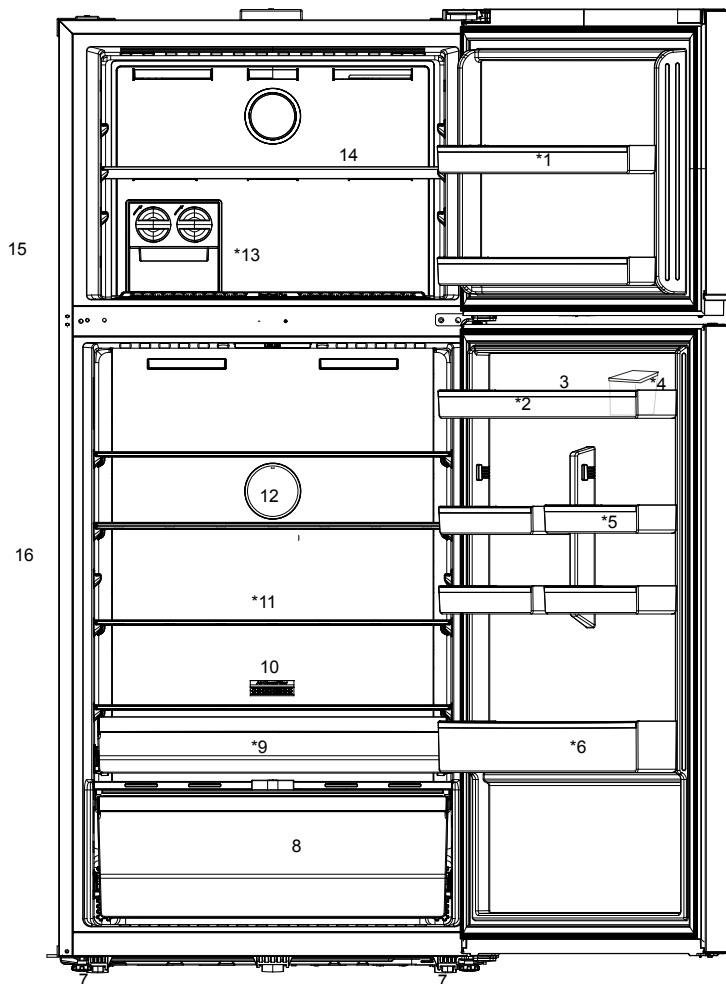
### 2.3 Informacija o ambalaži



Ambalaža proizvoda je proizvedena od sekundarnih sirovina u skladu s našim nacionalnim propisima za zaštitu okoliša. Ne bacajte ambalažu sa kućnim ili drugim otpadom. Odnosite je do sabirnih centara za ambalažu koje su odredile lokalne vlasti.



### 3 Vaš hladnjak



- 1- Police na vratima odjeljak zamrzivača
- 2- Police na vratima odjeljka za hlađenje
- 3- Držač jaja
- 4- Točilica vode
- 5- Male police na vratima hladnjaka
- 6- Polica za boce
- 7- Podesiva postolja
- 8- Odjeljak za voće i povrće, Separator odjeljka za voće i povrće i filter etilena
- 9- Odjeljak za mliječne proizvode (hladnjača)
- 10- Filtar
- 11- Staklene police
- 12- Ventilator
- 13- Icematics
- 14- Staklena polica u odjeljku za zamrzavanje
- 15- Odjeljak zamrzivača
- 16- Odjeljak hladnjaka



\* Opcionalno: Slike u ovom korisničkom priručniku su šematske i možda se neće u potpunosti poklapati sa vašim uređajem. Ako vaš proizvod ne sadrži odnosne dijelove, informacije se odnose na drugim modelima.

## 4 Instalacija

### 4.1 Pravo mjesto za instalaciju

Vaš proizvod zahtijeva adekvatnu cirkulaciju zraka da bi efikasno funkcionirao. Ako će proizvod biti smješten u niši, ne zaboravite ostaviti najmanje 5 cm razmaka između proizvoda i stropa, zida sa stražnje strane i zidova s bočnih strana.

Ako će proizvod biti smješten u niši, ne zaboravite ostaviti najmanje 5 cm razmaka između proizvoda i stropa, zida sa stražnje strane i zidova s bočnih strana. Provjerite da li se zaštitna komponenta za razmak sa stražnje strane nalazi na predviđenom mjestu (ako je isporučena uz proizvod). Ako komponenta nije dostupna ili se izgubi ili spadne, postavite proizvod tako da između stražnje površine proizvoda i zidova prostorije bude najmanje 5 cm razmaka. Razmak sa stražnje strane važan je za učinkovit rad proizvoda.

### 4.2 Za proizvode s točilicom vode/ledomatom

- Treba koristiti kompletne crijeva isporučene s proizvodom. Ne koristite stare kompletne crijeva. Ne produžite crijeva!
- Uvijek priključite svoj proizvod na dovod hladne vode. Nemojte izvoditi instalaciju na ulazu tople vode. Pritisak za ulaz hladne vode mora biti maksimalno 80 PSI (550 kPa). Ako pritisak vode prelazi 80PSi ili postoje nagla naviranja vode, upotrijebite ventil za ograničavanje pritiska na vašem mrežnom sistemu. Zatražite pomoć od stručnih vodoinstalatera ako ne znate kako kontrolirati pritisak vode.

Visok pritisak može oštetiti priključke crijeva i tako izazvati opasnost od poplave.

- Poduzmite potrebne mjere predostrožnosti protiv rizika od smrzavanja crijeva. Interval temperature radne vode mora se kretati od najmanje 0,6° C (33° F) do najviše 38° C (100° F). Postoji opasnost od poplave ako je crijevo puklo/probušeno.



**UPOZORENJE:** Ne koristite produžne ili višestruke utičnice u priključku za napajanje.



**UPOZORENJE:** Proizvođač ne preuzima odgovornost za štetu nastalu radom neovlaštenih osoba.



**UPOZORENJE:** Strujni kabel proizvoda mora biti van utikača tijekom instalacije. Ako to ne učinite, može doći do smrti ili teških povreda!

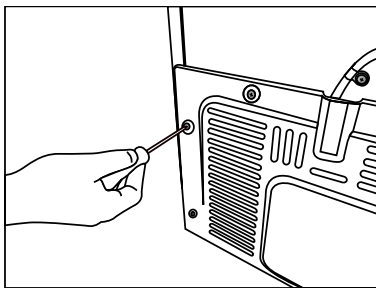


**UPOZORENJE:** Ako je raspon vrata preuzak da bi proizvod mogao proći, uklonite vrata i okrenite proizvod u stranu; ako ovo ne uspije, obratite se ovlaštenom servisu.

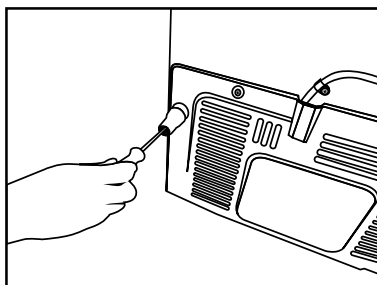
- Stavite proizvod na ravnu površinu kako bi izbjegli vibracije.
- Postavite proizvod najmanje 30 cm od grijalice, peći i sličnih izvora topline i najmanje 5 cm od električnih peći.
- Ne izlažite proizvod direktnoj sunčevoj svjetlosti ili ne držite ga u vlažnom okruženju.
- Proizvod zahtijeva adekvatnu cirkulaciju zraka da bi efikasno funkcionirao. Ako proizvod će biti stavljen u niši, ne zaboravite da ostavite najmanje 5 cm udaljenosti između uređaja i plafona i zidova.

### 4.3 Pričvršćivanje plastičnih klinova

Upotrijebite plastične klinove koji su isporučeni uz proizvod kako biste osigurali dovoljno prostora za cirkulaciju zraka između proizvoda i zida.



1. Da biste priključili klinove, uklonite vijke na proizvodu i koristite vijke priložene uz klinove.

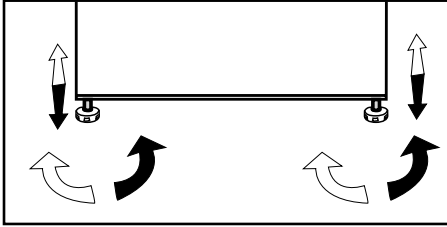


## Instalacija

2. Pričvrstite 2 plastična klina na poklopac ventilacije kao što je prikazano na slici.

### 4.4 Prilagođavanje postolja

Ako proizvod nije u uravnoteženom položaju, podesite prednje podesivo postolje okretanjem udesno ili ulijevo.



### 4.5 Električno povezivanje



**UPOZORENJE:** Ne koristite produžne ili višestruke utičnice u priključku za napajanje.



**UPOZORENJE:** Oštećeni kabel za napajanje mora zamijeniti ovlašteni servis.

- Naša firma ne preuzima odgovornost za bilo kakvu štetu nastalu upotrebom bez uzemljenja i priključka napajanja u skladu sa državnim propisima.
- Napojni kabel mora biti lako dostupan nakon instalacije.



Upozorenje na vruću površinu!  
Bočne stijenke vašeg proizvoda opremljene su cijevima za hlađenje za poboljšanje sistema hlađenja. Tečnost pod visokim pritiskom može teći kroz ove površine, uzrokujući vruće površine na bočnim stijenkama. Ovo je normalno i ne zahtijeva servisiranje. Budite oprezni kad dodirujete ta područja.



Prvo pročitajte odjeljak „Sigurnosne upute“!

### 5.1 Šta učiniti za uštedu energije



Povezivanje proizvoda na elektronske sisteme za štednju energije je štetno jer to može oštetiti proizvod.

- Za samostojeći uređaj; Ovaj rashladni uređaj nije namijenjen za upotrebu kao ugradbeni uređaj;
- Ne držite vrata hladnjaka otvorena duže vrijeme.
- Ne stavljajte toplu hranu ili pića u hladnjak.
- Nemojte prepuniti hladnjak; blokiranje unutrašnjeg protoka zraka će smanjiti kapacitet hlađenja.
- Ovisno o karakteristikama proizvoda; odmrzavanja smrznute hrane u odjeljak hladnjaka će osigurati uštedu energije i očuvanje kvaliteta hrane.
- Budući da vrući i vlažni zrak neće direktno prodirati u vaš proizvod kada vrata nisu otvorena, vaš proizvod će se optimizirati u uvjetima dovoljnim da zaštiti vašu hranu. Funkcije i komponente poput kompresora, ventilatora, grijača, odmrzavanja, osvjetljenja, zaslona i tako dalje funkcionirat će u skladu s potrebama da se u tim okolnostima potroši minimalna količina energije.
- Hrana se čuva u ladicama hladnjaka kako bi se osigurala ušteda energije i zaštitila hrana u boljim uvjetima.

### 5.2 Početni rad

Prije upotrebe hladnjaka, pobrinite se da su potrebne pripreme napravljene u skladu sa uputstvima u sekcije "Uputstva o sigurnosti i okoliša" i "Instalacija".

- Uključite proizvod da radi 12 sati bez unešene hrane i ne otvarajte vrata osim ako je to izričito neophodno.



Prvo pročitajte odjeljak „Sigurnosne upute“!



Zvuk će se čuti kada kompresor počinje da radi. Normalno je da se čuje zvuk čak i kada je kompresor neaktivan, zbog komprimiranih tekućina i plinova u sistemu hlađenja.



Normalno je da prednje ivice frižideru budu tople. Ova područja su dizajnirana za zagrijavanje kako bi se spriječila kondenzacija.



Kod nekih modela, indikatorska ploča automatski se isključuje 1 minutu nakon zatvaranja vrata. On će se ponovno aktivirati kada se otvore vrata ili se pritisne bilo koja tipka.

## 6 Rukovanje proizvodom

- Ne koristite mehaničke alate ili bilo koji drugi alat osim preporuka proizvođača da biste ubrzali postupak odmrzavanja.
- Ne koristite dijelove hladnjaka, poput vrata ili ladica, kao potporu ili stepenicu. To može dovesti do prevrtanja proizvoda ili oštećenja njegovih komponenti.
- Proizvod se koristi samo za čuvanje hrane.
- Isključite ventil za vodu ako ćete biti daleko od kuće (npr. na odmoru) i nećete dugo koristiti aparat za led ili dozator vode. U suprotnom može doći do curenja vode.

### 6.1 Isključivanje proizvoda

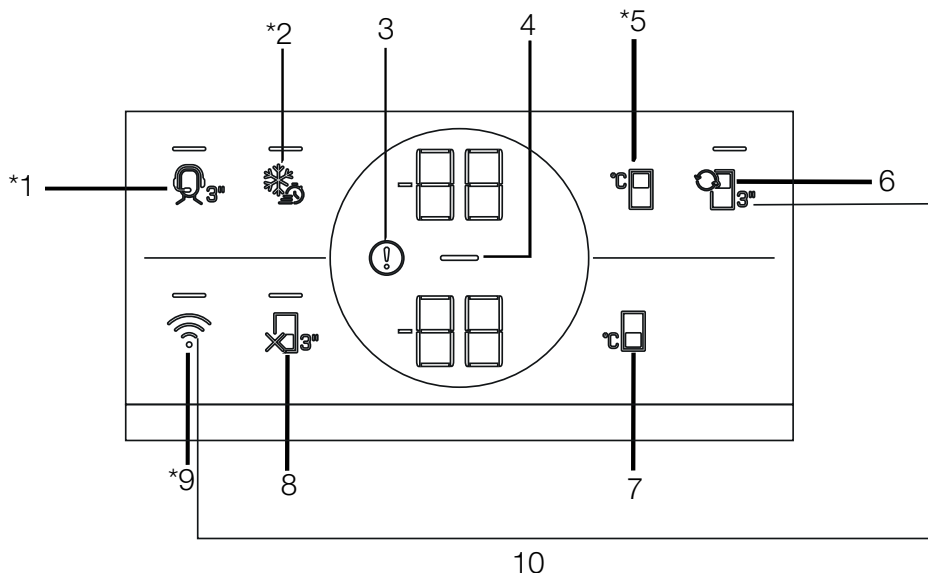
- Ako proizvod nećete koristiti duže vrijeme;
  - iskopčajte ga s napajanja,
  - uklonite hranu kako bi spriječili stvaranje neugodnih mirisa,
  - sačekajte dok se led ne otopi,
  - očistite unutrašnjost i pričekajte dok se ne osuši.
  - vrata ostavite otvorena kako biste spriječili oštećenje plastike unutrašnjeg kućišta.

## 6 Rad uređaja

### 6.2 Panel indikatora

Panel indikatora može se razlikovati ovisno o modelu vašeg proizvoda.

Zvučne i vizualne funkcije panela indikatora će pomoći u korištenju frižideru.



- 1- Tipka za korisničku podršku
- 2- Tipka za brzo zamrzavanje/Tipka za podešavanje funkcije svijetla na ručki
- 3- Indikator stanja kvara
- 4- Pokazatelj uštede energije (prikaz isključen)
- 5- Tipka za podešavanje temperature u odjeljku zamrzivača
- 6- Tipka za pretvorbu odjeljka
- 7- Tipka za postavku temperature rashladnog odjeljka
- 8- Funkcijska tipka za rashladni odjeljak ISKLJUČENO (odmor)
- 9- Tipka za bežičnu vezu
- 10- Tipka za poništavanje postavki bežične veze

#### 1. Tipka za korisničku podršku

Pritisnite ovo dugme 3 sekunde da biste aktivirali korisničku podršku. Detaljne informacije o korisničkoj podršci pružaju se u odjeljku „Značajka korisničke podrške“.

#### 2. Tipka za brzo zamrzavanje

Kada se pritisne tipka za brzo zamrzavanje, LED svijetlo na tipki svijetli i funkcija brzog zamrzavanja će se aktivirati. Temperatura odjeljka zamrzivača postavljena je na -27 Celzijusa. Pritisnite tipku ponovo za otkazivanje funkcije. Funkcija brzog zamrzavanja automatski će se deaktivirati nakon 52 sata. Da




\* Opcionalno: Slike u ovom korisničkom priručniku su šematske i možda se neće u potpunosti poklapati sa vašim uređajem. Ako vaš proizvod ne sadrži odnosne dijelove, informacije se odnose na drugim modelima.


## Korištenje proizvoda

biste zamrznuli veliku količinu svježe hrane, pritisnite dugme za brzo zamrzavanje prije nego što stavite hranu u odjeljak za zamrzavanje.

### \*Tipka za podešavanje funkcije svjetla na ručki

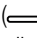
Funkcija svjetla na ručki može se prebaciti između otvorenog i zatvorenog načina rada pritiskom na tipku za brzo zamrzavanje (  ) na 3 sekunde. U zatvorenom načinu rada, svjetlo na ručki se aktivira samo kada se otvore vrata uređaja i gasi se nakon nekog vremena nakon zatvaranja vrata. U otvorenom načinu rada, svjetlo na ručki se aktivira kada se otvore vrata uređaja, svjetlo na ručki ostaje uključeno sa slabim intenzitetom nakon nekog vremena nakon zatvaranja vrata. Funkcija svjetla na ručki postavljena je tvornički na zatvoren način rada.

### 3. Indikator stanja kvara

Ovaj indikator (  ) bit će aktivan kada vaš hladnjak ne bude mogao izvršiti odgovarajuće hlađenje ili u slučaju bilo kakve greške senzora. „E“ će biti prikazano na indikatoru temperature odjeljka zamrzaivača, brojke 1, 2, 3 ... bit će prikazane na indikatoru temperature rashladnog prostora. Ove brojke pružaju informacije ovlaštenom servisu o grešci koja se dogodila.

Znak uzvika može se prikazati kada unesete toplu hranu u zamrzaivač ili držite vrata otvorena duže vrijeme. To nije greška, ovo upozorenje uklonit će se kad se hrana ohladi ili kad se pritisne bilo koja tipka.

### 4. Pokazatelj uštede energije (prikaz isključen)

Funkcija uštede energije automatski se omogućava i simbol uštede energije (  ) prikazuje se kada se vrata proizvoda neko vrijeme ne otvaraju ili ne zatvaraju. Kad je aktivna funkcija uštede energije, isključuju se svi simboli na zaslonu, osim simbola za uštedu energije. Kada je aktivna funkcija uštede energije, pritiskom bilo koje tipke ili otvaranjem vrata deaktivirat će se funkcija uštede energije i signali na zaslonu će se vratiti u normalu. Funkcija uštede energije funkcija je koja se aktivira tvornički i ne može se otkazati.

### 5. Tipka za podešavanje temperature u odjeljku zamrzaivača

Podešavanje temperature napravljeno je za odjeljak hladnjaka. Pritiskom na ovu tipku omogućit će se podešavanje temperature u zamrzaivaču na -15, -16, -18, -19, -20, -22, -24 Celzijusa.

### 6. Tipka za pretvorbu odjeljka

Kad se tipka za pretvorbu odjeljka pritisne 3 sekunde, odjeljak zamrzaivača se prebacuje između režima hladnjaka, isključenja i zamrzaivača. Kada se koristi kao rashladni odjeljak, temperatura odjeljka može se postaviti na 8, 7, 6, 5, 4, 3, 2 i 1 Celzijusa. U slučaju režima rada ISKLJUČENO, indikator temperature odjeljka prikazuje „-“.


### 7. Tipka za postavku temperature rashladnog odjeljka

Omogućuje postavku temperature za odjeljak hladnjaka. Pritiskom na ovu tipku omogućit će se podešavanje temperature rashladnog odjeljka na 8, 7, 6, 5, 4, 3, 2 i 1 Celzijusa.

### 8. Funkcijska tipka za rashladni odjeljak ISKLJUČENO (odmor)

Pritisnite tipku 3 sekunde da aktivirate režim rada tokom vašeg odmora. Režim rada tokom vašeg odmora aktiviran je i LED svijetlo na tipki je uključeno. Na indikatoru temperature rashladnog odjeljka prikazat će se „-“, a rashladni odjeljak ne hladi aktivno. Ne preporučuje se čuvanje hrane u odjeljku hladnjaka kada je aktivirana ova funkcija. Hlađenje drugih odjeljaka nastavit će se u skladu s temperaturom podešenom za te odjeljke. Pritisnite taster ponovo 3 sekunde da biste otkazali ovu funkciju.

### 9. Tipka za bežičnu vezu

Ova se tipka koristi za bežičnu vezu s vašim proizvodom putem mobilne aplikacije HomeWhiz. Kada se tipka pritisne dulje vrijeme (3 sekunde), simbol bežične veze na zaslonu/ekranu trepće polako (s intervalima od 0,5 sekunde). Mreža vašeg doma na ovaj se način inicijalizira na proizvodu. Nakon postizanja bežične veze s proizvodom, simbol bežične veze (  ) neprekidno svijetli.

## Korištenje proizvoda

Kada se uspostavi početna veza, možete je aktivirati/deaktivirati kratkim pritiskom na ovu tipku. Simbol bežične veze će treptati brzo (u intervalima od 0,2 sekunde) dok se veza ne uspostavi. Kada je veza aktivna, simbol bežične mreže svijetlit će neprekidno.

Ako se veza ne može uspostaviti dulje vrijeme, provjerite postavke veze i pogledajte odjeljak „Rješavanje problema“ u korisničkom priručniku.

Za bežičnu vezu koristi se aplikacija HomeWhiz. Koraci instalacije opisani su na aplikaciji tokom instalacije.

Aplikaciji možete pristupiti čitajući QR kôd dostupan na naljepnici HomeWhiz na proizvodu. Aplikacija se nudi kroz App Store za iOS uređaje i putem Play Store za Android uređaje.

Detaljne informacije ćete naći ako posjetite <https://www.homewhiz.com/>

### 10. Tipka za poništavanje postavki bežične veze

Da biste resetirali postavke bežične veze, istovremeno pritisnite tipke za brzo zamrzavanje (❄️) i bežičnu vezu (📶) tijekom 3 sekunde. Sve prethodno zabilježene korisničke informacije uklanjaju se sa proizvoda gdje se postavke bežične veze resetiraju/vraćaju na tvorničke postavke.

### 6.3 Odjeljak za voće i povrće sa kontroliranom vlažnošću vazduha (EverFresh+)

#### (Opcionalno)

Zahvaljujući odjeljku za voće i povrće s kontroliranom vlažnošću vazduha, voće i povrće mogu se duže čuvati u okruženju s idealnim uvjetima vlažnosti. Sa sustavom za prilagodavanje vlažnosti vazduha s 3 opcije s prednje strane odjeljka za voće i povrće, možete kontrolirati razinu vlažnosti vazduha iznutra, ovisno o hrani koju pohranjujete. Preporučujemo vam da hranu čuvate odabirom opcije za pohranu povrća kada skladištite samo povrće, opcije za pohranu voća kada skladištite samo voće i opcije za mješovitu hranu kada skladištite mješovitu hranu.

Preporučujemo da se povrće i voće ne čuva u vrećama kako bi se produžilo vrijeme skladištenja hrane i kako bi se bolje iskoristio sistem kontrole vlažnosti vazduha. Ostavljanje u

plastičnim vrećicama dovodi do toga da povrće brzo istruli. Preporučujemo da se naročito krastavci i brokoli ne čuvaju u zatvorenim vrećama. U situacijama kada kontakt sa drugim povrćem nije poželjan, koristite ambalažne materijale poput papira koji ima određenu razinu poroznosti u smislu higijene.

Prilikom postavljanja povrća, teško i tvrdo povrće stavite na dno a meko na vrh, uzimajući u obzir specifične težine povrća.

Voće koje proizvodi etilen u velikoj količini, poput kruške, kajsije, breskve i naročito jabuke, nemojte stavljati u isti odjeljak za voće i povrće sa ostalim voćem i povrćem. Etilen koji izlazi iz ovog voća može da dovede do bržeg sazrijevanja i truljenja drugog voća i povrća.

### 6.4 Plavo svjetlo/HarvestFresh (Opcionalno)

#### Za plavo svjetlo,

Povrće i voće uskladišteno u jaslicama osvijetljenim plavim svjetlom i dalje vrše fotosintezu i zadržavaju nivo vitamina C zahvaljujući efektu talasne dužine plavog svjetla.

#### Za HarvestFresh,

Povrće i voće čuvano u odjeljcima osvijetljenim HarvestFresh tehnologijom zadržavaju nivo vitamina (vitamini A i C) dulje vrijeme zahvaljujući ciklusima plavog, zelenog, crvenog svjetla i mraka koji simuliraju dnevni ciklus.

Kada se vrata hladnjaka otvore u periodu mraka HarvestFresh tehnologije, vaš hladnjak će to automatski identifikovati i za vašu ugodnost osvijetliti odjeljak s voćem i povrćem s jednom od plave, zelene ili crvene lampice. Period mraka nastavit će se kada zatvorite vrata hladnjaka tako da predstavlja period noći dnevnog ciklusa.



### 6.5 Modul za uklanjanje mirisa

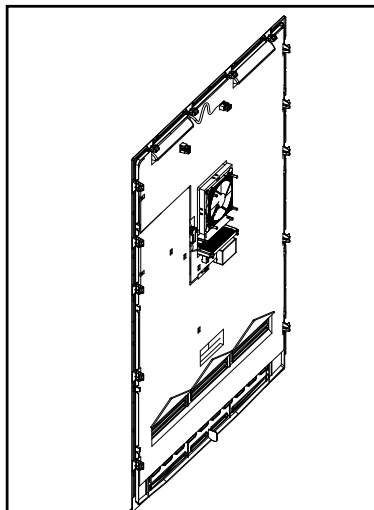
#### (FreshGuard)

##### (Ova značajka je opcionalna)

Modul za uklanjanje mirisa uklanja miris koji se pojavi u vašem frižideru prije nego što isti prožme površinu unešenih artikala. Zahvaljujući ovom modulu postavljenom na vrh odjeljka za svježiju hranu, uklanja se neugodan miris dok zrak aktivno prolazi kroz filter za mirise, a zrak očišćen u filtru usmjerava natrag u odjeljak za svježiju hranu. Dakle, neželjeni miris koji se može javiti tokom skladištenja hrane u frižideru uklanja se iz te sredine prije nego što prožme površinu.

To se postiže zahvaljujući ventilatoru, LED svjetlu i filteru mirisa koji su ugrađeni u modul. Modul protiv mirisa automatski se periodično aktivira. Ako se vrata odjeljka za svježiju hranu otvore dok je modul aktivan, ventilator se privremeno zaustavlja i nastavlja raditi kada su vrata zatvorena. U slučaju nestanka struje, modul za dezodoraciju aktivirat će se kad se napajanje vrati.

**Informacije:** Da biste spriječili neugodne mirise koji se mogu javiti mješavinom mirisa iz različitih namirnica, preporučujemo vam da aromatičnu hranu poput sira, maslina i delikatesnih proizvoda čuvate u njihovoj ambalaži i sa zatvorenim poklopcima. Radi sigurnosti ostale pohranjene hrane i radi sprečavanja neugodnih mirisa, preporučujemo vam da hranu za koju ste primijetili da je pokvarena uklonite iz hladnjaka što je prije moguće.



## Korištenje proizvoda

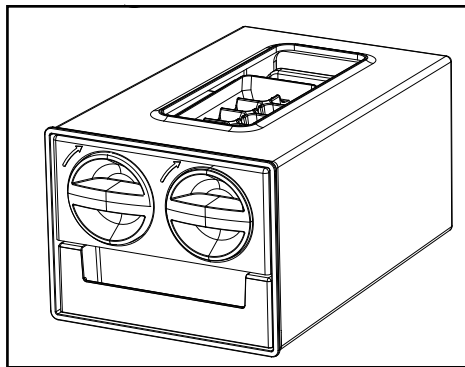
### 6.6 Kanta za led

**(Ova značajka je opcionalna)**

Kanta za led omogućava vam lako uzimanje leda iz frižidera.

#### Korišćenje korpe za led

1. Izvadite korpu za led iz odjeljka zamrzivača.
2. Napunite fioku za led vodom.
3. Vratite korpu za led u odjeljak zamrzivača. Led će biti spreman nakon otprilike dva sata.
4. Izvadite korpu za led iz pregrade za zamrzavanje i nagnite malo iznad činije u kojoj ćete ga poslužiti. Led će se lako prebaciti u činiju za serviranje.



### 6.7 Aparat za led

**(Ova značajka je opcionalna)**

Aparat za led omogućava vam lako uzimanje leda iz hladnjaka.

Korišćenje korpe za led

1. Izvadite rezervoar za vodu iz odjeljka frižidera.
2. Napunite vodom rezervoar za vodu.
3. Vratite rezervoar za vodu nazad. Prve kockice leda bit će spremne za oko četiri sata u ladići aparata za led u odjeljku zamrzivača.



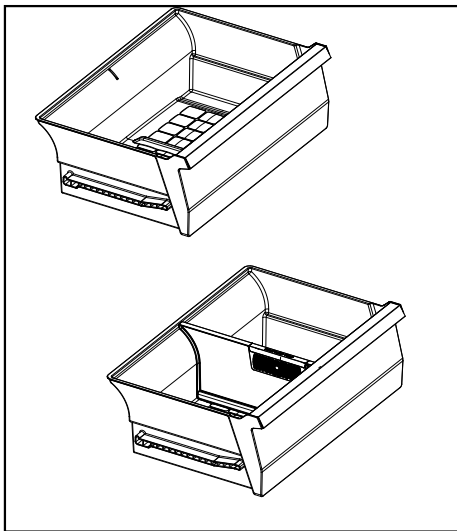
Kad se rezervoar za vodu napuni, možete dobiti oko 60-70 kockica leda.



Vodu u rezervoaru za vodu treba zamijeniti u roku od najviše 2-3 tjedna.

### 6.8 Odjeljak za voće i povrće

Odjeljak za voće i povrće u hladnjaku predviđen je da održava povrće svježim, čuvajući vlagu. U tu svrhu, pojačana je ukupna cirkulacija hladnog zraka. Držite voća i povrća u tom prostoru. Držite zelenolisnog povrća i voće odvojeno da bi produžili njihovi život.



### 6.9 Separator odjeljka za voće i povrće

#### Filter etilena

Etilen koji zadržava filter pomaže u uklanjanju gasa etilena i neugodnih mirisa koji se ispuštaju iz povrća i voća u odjeljak za voće i povrće.

Voće poput kruške, kajsije, breskve i posebno jabuke, koje stvaraju veliku količinu gasa etilena, možete odvojiti odvojeno od ostalog povrća i voća u istoj oštini zahvaljujući separatoru povrća.

Etilen koji se oslobađa iz ovog voća može uzrokovati da vaše ostalo povrće i voće brže sazrije i istrune za kraće vrijeme.

Zahvaljujući ovoj funkciji, svježiju hranu, a posebno zeleno povrće osjetljivo na gas etilen, možete održavati svježim dulje vrijeme.

## Korištenje proizvoda

Hranu možete čuvati dulje vrijeme stavljajući hranu osjetljivu na gas etilen u jedan odjeljak odvojen separatorom odjeljka za voće i povrće, a hranu koja stvara gas etilen u drugi odjeljak.

Hrana koja stvara gas etilen i koja je osjetljiva na gas etilen navedena je u nastavku.

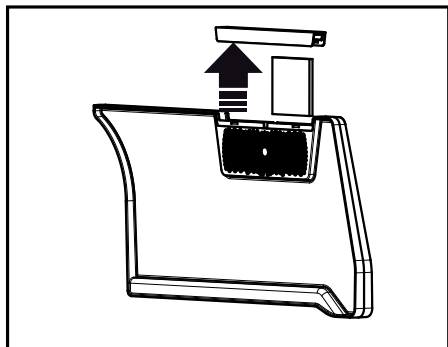
Hrana koja stvara gas etilen	Hrana osjetljiva na gas etilen
Jabuka, kruška, kajsija, breskva, nektarina, avokado, kivi, šljiva, smokva, dunja, paradajz	Svježe zeleno povrće (poput zelene salate, peršuna), jagoda, trešnja, grožđe, pomorandža, mandarina, ananas, trešnja, limun, krastavac, brokula, papar, patlidžan, bamija, tikvice

### 6.10 Čišćenje filtra etilena

Filtar etilena se čisti jednom godišnje.

Uklonite filtarski etilena povlačenjem poklopca filtra prema gore, kao što je prikazano na slici.

Ostavite filter etilena na suncu jedan dan. Tako će vaš filtarski biti očišćen.



Vratite filtarski nazad i zatvorite gornji poklopac.

Da biste osigurali maksimalnu efikasnost filtra i sačuvali njegove performanse, izbjegavajte kontakt s uljem i sličnim tečnostima te materijalima poput vode i deterdženata. Obratite se službi da biste zamijenili vaš filtarski novim nakon takvog kontakta.

### 6.11 Čišćenje separatora odjeljka za voće i povrće

Da biste spriječili začepljenje otvora kroz koje se dovodi čisti zrak na separatoru, u određenim intervalima obrišite ga čistom i suvom krpom. Ako se separator mora oprati, uvijek uklonite filtarski iz separatora.



**UPOZORENJE:** Pazite da otvori oko filtra nisu začepljeni kako biste osigurali cirkulaciju zraka.

## Korištenje proizvoda

### 6.12 Korišćenje točilice za vodu

(Ova značajka je opcionalna)

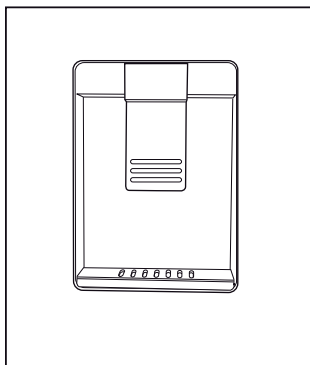


Prvih nekoliko čaša vode uzeti iz česme obično će biti tople.



Ako česma se ne koristi dugo vreme, bacite prvih nekoliko čaša vode da bi dobili čistu vodu.

1. Čašom gurnite krak točilice za vodu. Bilo bi lakše gurnuti krak rukom ako koristite mekanu plastičnu čašu.
2. Otpustite krak nakon što ste čašu napunili željenom količinom vode.



Količina protoka vode iz točilice za vodu ovisi o pritisku koji vršite na krak. Lagano otpustite pritisak na kraku dok se nivo vode u vašoj čaši/posudi povećava kako biste spriječili prelivanje. Voda će kapati ako lagano pritisnete krak; to je normalno i ne predstavlja kvar.

### 6.13 Punjenje rezervoara točilice za vodu

Otvorite poklopac spremnika za vodu kako je prikazano na slici. Napunite čiste vode za piće. Zatvorite poklopac.

### 6.14 Čišćenje rezervoara za vodu

Uklonite rezervoar za punjenje vode unutar police vrata.

Odvojite držeći obje strane police vrata.

Držite obje strane spremnika za vodu i uklonite ispod 45° kut.

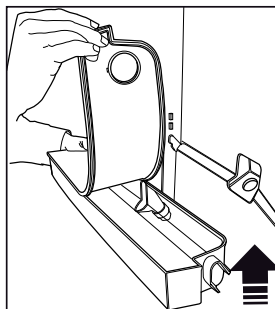
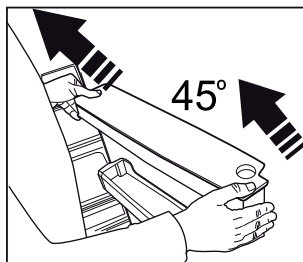
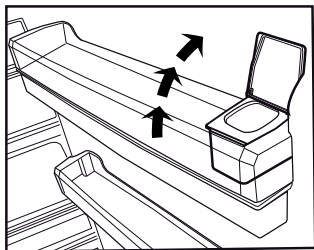
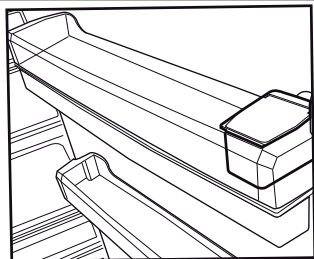
Izvadite i očistite poklopac rezervoara za vodu.



Nemojte napuniti rezervoar za vodu s voćnim sokom, gazirana pića, alkoholna pića ili bilo koje druge tekućine inkompatibilne za upotrebu u česmu. Korištenje takvih tekućina će uzrokovati kvar i nepopravljivu štetu u česmu. Korištenje česmu na ovaj način nije u okviru garancije. Određene hemikalije i aditivi u takvim napicima / tečnostima mogu prouzrokovati materijalnu štetu na rezervoaru za vodu.



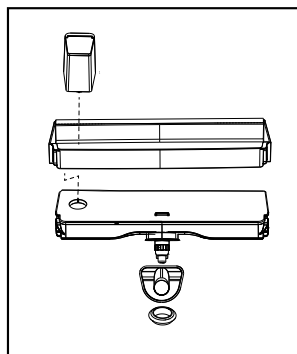
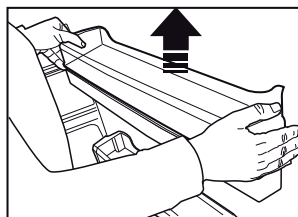
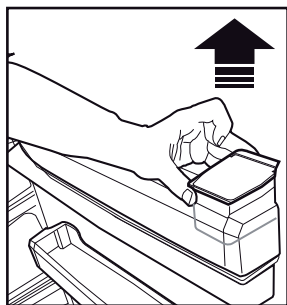
Komponente rezervoara za vodu i česme se ne mogu oprati u mašine za pranje posuđa.



### 6.15 Punjenje rezervoara točilice za vodu

Spremnik za vodu koji puni rezervoar za vodu nalazi se unutar police na vratima.

1. Otvorite poklopac rezervoara.
2. Rezervoar napunite čistom vodom za piće.



## Korištenje proizvoda

3. Zatvorite poklopac rezervoara.



Nemojte napuniti rezervoar za vodu s voćnim sokom, gazirana pića, alkoholna pića ili bilo koje druge tekućine inkompatibilne za upotrebu u česmu. Korištenje takvih tekućina će uzrokovati kvar i nepopravljivu štetu u česmu. Korištenje česmu na ovaj način nije u okviru garancije. Određene hemikalije i aditivi u takvim napicima / tečnostima mogu prouzrokovati materijalnu štetu na rezervoaru za vodu.



Koristite samo čistu vodu za piće.



Kapacitet rezervoara za vodu je 3 litre, nemojte ga previše napuniti.

### 6.16 Čišćenje spremnika za vodu

1. Uklonite rezervoar za punjenje vode unutar police vrata.
2. Odvojite držeći obje strane police vrata.
3. Držite obje strane spremnika za vodu i uklonite ispod 45° kut.
4. Skinite poklopac i očistite spremnik za vodu.



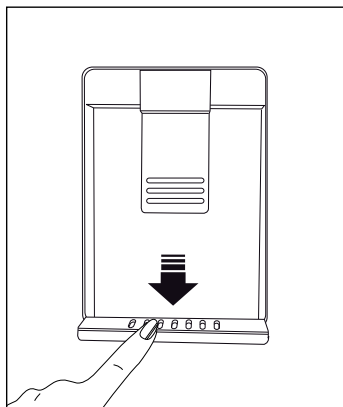
Komponente rezervoara za vodu i česme se ne mogu oprati u mašine za pranje posuđa.

### 6.17 Posuda za kapanje

Voda koja kaplje iz točilice akumulira se u posudi za kapanje.

Uklonite plastično cjedilo kako je prikazano na slici.

Obrišite prikupljenu vodu suvom i čistom krpom.



## Korištenje proizvoda

### 6.18 Zamrzavanje svježih hrane

- Aktivirajte funkciju brzog zamrzavanja pritiskom na dugme „Brzo zamrzavanje“ 24 sata pre nego što ubacite hranu koja se zamrzava.
- 24 sata nakon pritiska na tipku, toplu hranu stavite na staklenu policu proizvoda.
- Funkcija brzog zamrzavanja automatski će se deaktivirati nakon 52 sata.
- Ne pokušavajte zamrzavati veliku količinu hrane odjednom. U roku od 24 sata ovaj proizvod može zamrznuti maksimalnu količinu hrane naznačenu kao „Kapacitet smrzavanja... kg/24 sata“ na tipskoj naljepnici. Nije preporučljivo staviti više odmrznute/svježih hrane od količine navedene na naljepnici.
- Kada u proizvod stavljate nezaleđenu hranu, izbjegavajte kontakt iste sa smrznutom hranom.
- Zamrzavanje hrane kada je svježa će produžiti vrijeme skladištenja u zamrzivaču.
- Spakujte hranu u hermetički zatvorene pakete i čvrsto je zapečatite.
- Pobrinite se da hrana bude upakovana prije stavljanja u zamrzivač. Koristite posude za zamrzavanje, staniol i vodootporni papir, plastične vreće ili sličnu ambalažu umjesto tradicionalne papirne ambalaže.
- Označite svaki paket hrane pisanjem datuma na pakovanju prije zamrzavanja. To će vam omogućiti da utvrdite svježinu svakog paketa svaki put kad se zamrzivač otvori. Hranu koju ste ranije stavili prebacite u prednji dio zamrzivača da biste je ranije upotreбили.
- Smrznuta hrana se mora iskoristiti odmah nakon odmrzavanja i ne treba je ponovno zamrzavati.
- Ne zamrzavajte velike količine hrane odjednom.

Podešavanje temperature odjeljka zamrzivača	Podešavanje temperature odjeljka hladnjaka	Detalji:
-18°C	4°C	Ovo je podrazumijevana, preporučena postavka.
-20, -22 ili -24°C	4°C	Ove postavke se preporučuju za temperature okoline veće od 30°C.
Brzo zamrzavanje	4°C	Koristite kada želite da zamrznete hranu u kratkom vremenskom periodu. Kada se ovaj proces završi, proizvod će povratiti svoj položaj.
-18 ° C ili hladnije	2°C	Koristite ove postavke ako smatrate da odjeljak hladnjaka nije dovoljno hladan zbog temperature okoline ili čestog otvaranja vrata.

### 6.19 Preporuke za čuvanje smrznute hrane u odjeljku za zamrzavanje

Odjeljak mora biti postavljen na najmanje -18 °C.

1. Stavite hranu u zamrzivač što je brže moguće da bi se izbjeglo otapanje.
2. Prije zamrzavanja, provjerite "Datum isteka" na paket kako bi bili sigurni da nije istekao.
3. Pobrinite se da pakovanje hrane nije oštećeno.

## Korištenje proizvoda

### 6.20 Podaci zamrzivača za duboko zamrzavanje

Prema standardima IEC 62552, na sobnoj temperaturi od 25 °C zamrzivač mora imati kapacitet da zamrzne 4,5 kg prehrambenih proizvoda na -18 °C ili nižim temperaturama za 24 sata za svakih 100 litara zapremine zamrzivača.

Prehrambeni proizvodi mogu se konzervirati samo duži period na temperaturi ili nižoj od -18 °C.

Svežina hrane se može održati mjesecima (u zamrzivaču na temperaturi od 18 °C ili nižoj). Hrana za zamrzavanje ne smije dodirivati već smrznutu hranu kako bi se izbjeglo parcijalno odmrzavanje.

Skuhajte povrće i filtrirajte vodu da produžite vremena skladištenja u smrznutom stanju. Stavite hranu u hermetičke pakete nakon filtriranja i stavite je u zamrzivač. Banane, paradajz, zelena salata, celer, kuhana jaja, krumpir i slične prehrambene artikle ne treba zamrzavati. Ako ova hrana istruli, to će negativno uticati samo na nutritivne vrijednosti i kvalitet ishrane. Truljenje neće imati negativan utjecaj na zdravlje ljudi.

### 6.21 Postavljanje hrane

Police odjeljka zamrzivača	Razne vrste smrznute hrane, uključujući meso, ribu, sladoled, povrće itd
Police odjeljka za hlađenje	Hrana u loncima, pokrivena tanjirima i u zatvorenim kutijama, jaja (u slučaju da su u zatvorenoj kutiji)
Police na vratima odjeljka za hlađenje	Mala i upakovana hrana ili pića
Odjeljak za voće i povrće	Voće i povrće
Odjeljak za svježiju hranu	Delikatesi (hrana za doručak, proizvodi od mesa koji se konzumiraju u kratkom roku)

### 6.22 Upozorenje na otvorena vrata

Ako vrata proizvoda ostaje otvorena za 1,5 minutu čuti će se zvučno upozorenje. Zvučno upozorenje će se zaustaviti kada se vrata zatvore ili pritisne bilo koje dugme na zaslonu (ako je dostupno).

### 6.23 Lampa za osvjetljenje

Unutrašnje osvjetljenje koristi lampe LED tipa. Kontaktirajte ovlaštenu servis u slučaju problema sa ovom lampom.

Lampica(e) korištena(e) u ovom uređaju ne mogu se koristiti za kućno osvjetljenje. Namjena ove lampice je da pomogne korisniku da sigurno i praktično stavi hranu u hladnjak/zamrzivač.



Ovaj je proizvod opremljen izvorom osvjetljenja energetskog razreda „G”. Izvor osvjetljenja u ovom proizvodu mogu zamijeniti samo stručni serviseri.





**UPOZORENJE:** Prvo pročitajte odjeljak „Sigurnosne upute“!



**UPOZORENJE:** Isključite hladnjak iz struje prije čišćenja.

- Za čišćenje proizvoda ne koristite oštre ili abrazivne alate. Ne koristite materijale kao što su sredstva za čišćenje u domaćinstvu, sapun, deterdženti, plin, benzin, alkohol, vosak itd.
- Prašina se uklanja s ventilacijske rešetke na stražnjoj strani proizvoda najmanje jednom godišnje (bez otvaranja poklopca). Čistite suvom krpom.

### Za proizvode sa šesmom za vodu/aparatom za led

- Ako je voda u spremniku s vodom odstojała 2-3 tjedna, istu je potrebno zamijeniti.
- Spremnik za vodu i komponente točilice vode ne smiju se prati u perilicama posuđa.
- Istopiti kašičicu karbonata u vodi. Navlažite komad tkanine u vodu i iscijediti. Obrišite uređaj s ovom krpom i osušiti temeljito.
- Vodite računa da voda ne dođe do poklopac lampe i drugih električnih dijelova.
- Očistite vrata vlažnom krpom. Uklonite sav sadržaj da biste uklonili vrata i police. Uklonite nosače vrata podižući ih prema gore. Očistite i osušite police, a zatim vratite ih na mjesto klizanjem odozgo.
- Ne upotrebljavajte hlorisanu vodu ili proizvode za čišćenje na vanjskoj površini i hromiranim dijelovima proizvoda. Klor će uzrokovati rde na takve metalne površine.
- Ne koristite oštre i abrazivne alate, sapun, sredstva za čišćenje u domaćinstvu, deterdžente, plin, benzin, lakove i slične tvari kako biste spriječili deformacije plastičnog dijela i uklanjanje otisaka na dijelu. Za čišćenje koristite toplu vodu i mekanu krpu, a zatim je osušite.
- Na proizvodima bez funkcije No-Frost na zadnjoj stijenci odjeljka za zamrzavanje mogu se pojaviti kapljice vode i led oko 1 cm. Ne čistite i

nikada ne nanosite ulja ili slične materijale.

- Za čišćenje vanjske površine proizvoda koristite blago navlaženu krpu od mikro vlakana. Spužve i druge vrste odjeće za čišćenje mogu izazvati ogrebotine.
- Da biste očistili sve uklonjive komponente tokom čišćenja unutrašnje površine proizvoda, operite je komponentama blagim rastvorom koji se sastoji od sapuna, vode i karbonata. Isperite i temeljno osušite. Spriječite kontakt vode sa komponentama osvjetljenja i kontrolnom pločom.



### OPREZ:

Ne koristite ocat, alkohol za čišćenje ili druga sredstva za čišćenje na bazi alkohola na bilo kojoj unutrašnjoj površini.

## 7.1 Vanjske površine od nehrđajućeg čelika

Upotrijebite neabrazivno sredstvo za čišćenje od nehrđajućeg čelika i nanosite ga mekom krpom koja ne ostavlja dlačice. Za poliranje površinu nježno obrišite krpom od mikro vlakana namočenom u vodu i koristite suhu jelensku kožu. Uvijek slijedite žlijebove od nehrđajućeg čelika.

## 7.2 Čišćenje proizvoda sa staklenim vratima

Skinite zaštitnu foliju sa stakla. Zaštitni sloj je postavljen na površinu stakla. Ovaj premaz minimizira stvaranje mrlja i omogućava lako čišćenje nastalih mrlja i prljavštine. Staklene površine koje nisu zaštićene zaštitnim slojem mogu biti izložene trajnom vezivanju organskih ili neorganskih zagađivača, zagađivača vazduha ili vode kao što su vapnenac, mineralne soli, neizgoreni ugljikovodici, metalni oksidi i silikoni, što lako dovodi do mrlja i fizičkih oštećenja u kratkom vremenskom roku. Održavanje stakala čistim postaje vrlo teško, ako ne i nemoguće, iako se redovito čiste. Kao rezultat, smanjuje se prozornost i lijep izgled stakla. Agresivne i abrazivne metode čišćenja i sredstva dodatno povećavaju ove nedostatke i ubrzavaju proces pogoršanja izgleda. Za rutinske procese čišćenja koriste se, \*nealkalni i nekorozivni proizvodi za čišćenje na bazi vode.

## 7 Održavanje i čišćenje

Da bi se produžio vijek trajanja ovog premaza, alkalne i korozivne tvari ne smiju se koristiti tijekom čišćenja.

Primjenjuje se postupak kaljenja kako bi se povećala otpornost ovih stakala na udarce i lom. Kao dodatna sigurnosna mjera, na stražnju površinu ovih stakala nanesen je zaštitni film kako bi se spriječila šteta po okolinu u slučaju da se slomi.

### 7.3 Uklanjanje mirisa

Proizvod je proizveden bez materijala koji imaju specifičan miris. Međutim, držanje hrane u neprikladnim odjeljcima i nepravilno čišćenje unutrašnjih površina može dovesti do pojave mirisa.

Da biste to izbjegli, unutrašnjost čistite gaziranom vodom svakih 15 dana.

- Držite hranu u zatvorenim posudama.

Mikroorganizmi mogu se proširiti od nezapečaćenih prehrambenih artikala i izazvati loši miris.

- Nemojte držati hrane isteklim rokom i pokvarene hrane u hladnjaku.



Čaj je jedno od najučinkovitijih sredstava za uklanjanje mirisa. Stavite pulpu skuhanog čaja u uređaj unutar otvorene posude i uklonite je najkasnije nakon 12 sati. Ako držite pulpu čaja u proizvodu duže od 12 sati, ona će prikupiti organizme koji uzrokuju miris, tako da može biti izvor samog mirisa.

### 7.4 Zaštita plastičnih površina

Ulje proliveno na plastične površine može oštetiti površinu i mora se odmah očistiti s toplom vodom.

## 8 Rješavanje problema

Provjerite ovu listu prije kontaktiranja servisa. Na taj način ćete uštedjeti vreme i novac. Ova lista uključuje česte pritužbe koje se ne odnose na neispravne izradu ili materijale. Određene navedene odlike mogu se ne odnositi na vaš proizvod.

### Frižider ne radi.

- Utikač nije u potpunosti utaknut. >>> *Uključite ga u potpunosti u utičnicu.*
- Osigurač povezani na šteker koji napaja proizvod ili glavni osigurač je eksplodirao. >>> *Provjerite osigurače.*

### Kondenzacija na bočnom zidu hladnjaka (MULTI ZONA, HLADNO, KONTROLA I FLEXI ZONA).

- Okruženje je previše hladno. >>> *Ne postavljajte proizvod u sredinama s temperaturama ispod -5 ° C.*
- Vrata su se otvorila prečesto >>> *Pazite da ne otvorite vrata proizvoda prečesto.*
- Okruženje je previše vlažno. >>> *Ne postavljati proizvod u vlažnim sredinama.*
- Hrana koja sadrži tekućine se čuvaju u otvorenim posuđem. >>> *Držite hranu koja sadrži tekućine zatvorenu.*
- Vrata proizvoda je ostala otvoreno. >>> *Nemojte držati vrata proizvoda otvorene tokom dugih perioda.*
- Termostat je podešen na suviše niske temperature. >>> *Podesite termostat na odgovarajuću temperaturu.*

### Kompresor ne radi.

- U slučaju iznenadnog nestanka struje ili povlačenjem utikača i onda vraćanja, pritisak gasova u sistemu hlađenja proizvoda nije izbalansiran i to pokreće termičku zaštitu kompresora. Proizvod će se ponovo pokrenuti nakon oko 6 minuta. Ako proizvod se nije ponovo pokrenuo nakon tog perioda, kontaktirajte servis.
- Odmrzavanje je aktivno. >>> *To je normalno za potpuno automatsko odmrzavanje proizvoda. Odmrzavanje se obavlja periodično.*
- Proizvod nije priključen >>> *Pobrinite se da je napajanje priključeno*
- Postavka temperature je pogrešna. >>> *Odaberite odgovarajuću postavku temperature.*
- Nestalo je struje. >>> *Proizvod će nastaviti normalno raditi kada struja opet dođe.*

**Radna buka frižidera se povećava dok je u upotrebi.**

- Operativni performanse proizvoda može se razlikovati ovisno o varijacije temperature okoline. To je normalno i ne predstavlja kvar.

### Frižider radi prečesto ili predugo.

- Novi proizvod može biti veći od prethodnog. Veći proizvodi će duže raditi.
- Sobna temperatura može biti visoka. >>> *Proizvod će normalno raditi za duže periode kod višu temperaturu sobe.*
- Proizvod je možda nedavno uključen ili nove hrane su unutra. >>> *Proizvodu će trebati više vremena da dostigne zadanu temperaturu kada je nedavno uključen ili kada ima novih hrana unutra. To je normalno.*
- Velike količine tople hrane možda su nedavno postavljeni u proizvod. >>> *Ne stavljajte toplu hranu u proizvod.*
- Vrata su se otvorila često ili su bila otvorena dužeg vremena. >>> *Topli zrak koji se kreće unutar će izazvati da proizvod više radi. Ne otvarajte vrata prečesto.*
- Vrata zamrzivača ili hladnjaka mogu biti odškrinuta. >>> *Provjerite da li su vrata potpuno zatvorena.*
- Proizvod možda je postavljen na prenisiku temperaturu. >>> *Postavite temperaturu na viši stupanj i čekati da dođe do podešenu temperaturu.*
- Gumica vrata hladnjak ili zamrzivača možda je prijava, istrošen, slomljena ili nije pravilno postavljena. >>> *Očistite ili zamijenite gumicu. Oštećena / pocepana gumica vrata će uzrokovati da proizvod radi duži period za očuvanje trenutne temperature.*

### Temperatura zamrzivača je veoma niska, ali je temperatura hladnjaka adekvatna.

- Temperatura odjeljka Zamrzivač je postavljena na vrlo niskim stepenom. >>> *Podesite temperaturu zamrzivača na viši stupanj i provjerite još jednom.*

### Temperatura hladnjaka je vrlo niska, ali temperatura zamrzivača je adekvatna.

- Temperatura hladnjaka je postavljena na vrlo nizak stupanj. >>> *Postavite temperatura hladnjaka na viši stupanj i provjerite još jednom.*

### Hrana koja je u hladnjaku je zamrznula.

## Rješavanje problema

- Temperatura hladnjaka je postavljena na vrlo nizak stupanj. >>> *Podesite temperaturu zamrzivača na viši stupanj i provjerite još jednom.*

### Temperatura u hladnjaku ili zamrzivaču je previsoka.

- Temperatura hladnjaka je postavljena na vrlo visoki stupanj. >>> *Postavka temperature hladnjaka utječe na temperaturu zamrzivača. Promijenite temperature hladnjaka ili zamrzivača i sačekajte da relevantne pregrade dostigne podešeni nivo temperature.*
- Vrata su se otvorila često ili su bila otvorena dužeg vremena. >>> *Ne otvarajte vrata prečesto.*
- Vrata mogu biti odškrinuta. >>> *Potpuno zatvorite vrata.*
- Proizvod je možda nedavno uključen ili nove hrane su unutra. >>> *To je normalno. Proizvodu će trebati više vremena da dostigne zadanu temperaturu kada je nedavno uključen ili kada ima novih hrana unutra.*
- Velike količine tople hrane možda su nedavno postavljeni u proizvod. >>> *Ne stavljajte toplu hranu u proizvod.*

### Drhtanje ili buke.

- Tlo nije ravno ili izdržljivo. >>> *Ako se proizvod tresе kada se polako pomiče, prilagodite nogare za uravnoteženje proizvoda. Također pazite da je tlo dovoljno izdržljivo da nosi proizvoda.*
- Svi predmeti na proizvodu mogu izazvati buku. >>> *Uklonite sve predmete koje se nalaze na proizvodu.*

### Proizvod daje buku kao kad tečnost teče, prskanje itd.

- Operativni principi proizvoda uključuju tokovi tečnosti i gasova. >>> *To je normalno i ne predstavlja kvar.*

### Čuje se zvuk vetra koji dolazi iz proizvoda.

- Proizvod koristi ventilator za proces hlađenja. To je normalno i ne predstavlja kvar.

### Postoji kondenzacije na unutrašnjim zidovima proizvoda.

- Vruće ili vlažno vremenu će povećati zaleđivanje i kondenzacije. To je normalno i ne predstavlja kvar.
- Vrata su se otvarala često ili su bila otvorena dužeg vremena. >>> *Ne otvarajte vrata prečesto, ako su otvorena, zatvorite ih.*
- Vrata mogu biti odškrinuta. >>> *Do kraja zatvorite vrata.*

### Postoji kondenzacije na vanjske površine proizvoda ili između vrata.

- Spoljni vazduh može biti vlažan, to je sasvim normalno u vlažnom vremenu. >>> *Kondenzacija će nestati kada se vlažnost smanjuje.*

### Unutrašnjost smrdi.

- Proizvod se redovno ne čiste. >>> *Redovno čistite unutrašnjost pomoću spužve, toplom vodom i gaziranom vodom.*
- Pojedini držači i materijale za pakovanje mogu izazvati mirise. >>> *Koristite držače i materijale za pakovanje bez mirisa.*
- Hrane su bili smešteni u otvorenim posuđem. >>> *Držite hranu u zatvorenim posuđem. Mikroorganizmi mogu se proširiti od nezapečaćenih prehrambenih artikala i izazvati loši miris.*
- Uklonite iz proizvoda sve hrane kojima je istekao rok ili su pokvarene.

### Vrata se ne zatvaraju.

- Paketi hrane može blokiraju vrata. >>> *Relocirajte stvari koji blokiraju vrata.*
- Proizvod ne stoji u potpuno uspravnom položaju. >>> *Podesite nogare za uravnoteženje proizvoda.*
- Tlo nije ravno ili izdržljivo. >>> *Pobrinite se da je tlo ravno i dovoljno izdržljivo da nosi proizvoda.*

### Korpa za povrća je zaglavljena.

- Hrana može biti u kontaktu sa gornjem delu ladice. >>> *Reorganizovati prehrambenih artikala u ladici.*



**UPOZORENJE:** Ako problem i dalje postoji nakon što ste slijedeli upute u ovom poglavlju, obratite se prodavcu ili ovlaštenom servisu. Nemojte pokušavati popraviti proizvod.

Ovaj je proizvod opremljen izvorom osvjetljenja energetskog razreda „G”.

Izvor osvjetljenja u ovom proizvodu mogu zamijeniti samo stručni serviseri.

## I nderuar klient,

### Lexoni këtë manual para se të përdorni produktin.

Ju falënderojmë që zgjodhët këtë produkt. Dëshirojmë që të arrini efikasitetin maksimal nga ky produkt i cilësisë së lartë i cili është prodhuar me teknologjinë më të përparuar. Për ta bërë këtë, para se ta përdorni këtë produkt lexoni me kujdes këtë manual dhe çdo dokument tjetër shoqërues dhe ruajini për t'iu referuar në të ardhmen.

Kushtojuni vëmendje të gjitha informacioneve dhe paralajmërimeve në manualin e përdorimit. Në këtë mënyrë do të mbronni veten dhe produktin tuaj nga rreziqet që mund të ndodhin.

Ruajeni manualin e përdorimit. Nëse ia jepni këtë pajisje dikujt tjetër, jepini edhe këtë udhëzues bashkë me pajisjen.

Në këtë manual përdorimi janë përdorur simbolet vijuese:

 Rrezik që mund të çojë në vdekje ose lëndim.

**VINI RE** Një rrezik që mund të shkaktojë dëme materiale ndaj produktit ose ambientit përreth

 Informacione të rëndësishme ose këshilla të dobishme për përdorimin.

 Lexojeni manualin e përdorimit.

 Rrezik zjarri / materiale të djegshme

## INFORMATION

 <b>ENERGY</b>	
SUPPLIER'S NAME	MODEL IDENTIFIER (*)
 A	 A


. Informacionet e modelit të ruajtura në bazën e të dhënave të produktit mund të arrihen duke hyrë në faqen e mëposhtme të internetit dhe duke kërkuar për identifikuesin e modelit tuaj (\*) që gjendet në etiketën e energjisë.


<https://eprel.ec.europa.eu/>


<b>1 Udhëzimet për sigurinë</b>	<b>3</b>	6.3 Koshi i perimeve me kontrollin e lagështisë (EverFresh+) . . . . .	16
 1.1 Qëllimi i përdorimit . . . . .	3	6.4 Drita blu/HarvestFresh. . . . .	16
 1.2 Siguria e fëmijëve, personave të cenusëshëm dhe kafshëve shtëpiake. . . . .	3	6.5 Moduli kundër erës së keqe. . . . .	17
 1.3 Siguria elektrike . . . . .	4	(FreshGuard). . . . .	17
 1.4 Siguria gjatë manovrimit. . . . .	4	6.6 Kova e akullit . . . . .	18
 1.5 Siguria gjatë montimit . . . . .	4	6.7 Prodhuesi i akullit . . . . .	18
 1.6 Siguria funksionale . . . . .	5	6.8 Ndarja e bulmetrave (depoja e ftohtë) . . . . .	18
 1.7 Siguria gjatë mirëmbajtjes dhe pastrimit	7	6.9 Koshi i perimeve . . . . .	19
 1.8 HomeWhiz. . . . .	7	6.10Koshi i perimeve Ndarësi . . . . .	19
 1.9 Ndrçimi . . . . .	7	6.11 Pastrimi i filtrit të etilenit . . . . .	19
<b>2 Udhëzimet për mjedisin</b>	<b>8</b>	6.12 Pastrimi i ndarësit të koshit të perimeve	20
2.1 Përputhja me direktivën WEEE dhe hedhja e produktit të përdorur: . . . . .	8	6.13Përdorimi i shpërndarësit të ujit . . . . .	21
2.2 Përputhja me direktivën RoHS . . . . .	8	6.14Mbushja e depozitës së ujit të shpërndarësit të ujit. . . . .	21
2.3 Informacione për paketimin . . . . .	8	6.15Pastrimi i depozitës së ujit . . . . .	21
<b>3 Frigoriferi juaj</b>	<b>9</b>	6.16Mbushja e depozitës së ujit të shpërndarësit të ujit. . . . .	22
<b>4 Montimi</b>	<b>10</b>	6.17Pastrimi i depozitës së ujit . . . . .	23
4.1 Vendi i duhur për montimin . . . . .	10	6.18Tabakaja e derdhjes. . . . .	23
4.2 Për produktet me shpërndarës uji / prodhues akulli . . . . .	10	6.19 Ngrirja e ushqimeve të freskëta . . . . .	24
4.3 Montimi i kunjave plastike . . . . .	10	6.20Rekomandime për ruajtjen e ushqimeve të ngrira në ndarjen e ngrirësit. . . . .	24
4.4 Rregullimi i këmbëve . . . . .	11	6.21Detajet për ngrirësin e thellë. . . . .	25
4.5 Lidhja elektrike . . . . .	11	6.22Vendosja e ushqimeve . . . . .	25
<b>5 Përgatitja</b>	<b>12</b>	6.23Paralajmërimi i hapjes së derës . . . . .	25
5.1 Çfarë të bëni për të kursyer energjinë. . . . .	12	6.24 Llamba e ndrçimit . . . . .	25
5.2 Përdorimi për herë të parë. . . . .	12	<b>7 Mirëmbajtja dhe pastrimi</b>	<b>26</b>
<b>6 Vënia në punë e produktit</b>	<b>13</b>	7.1 Sipërfaqet e jashtme prej inoksi . . . . .	26
6.1 Fikja e produktit . . . . .	13	7.2 Pastrimi i produkteve me dyer xhami . . . . .	26
<b>6 Përdorimi i produktit</b>	<b>14</b>	7.3 Parandalimi i erërave të këqija . . . . .	27
6.2 Paneli i treguesve . . . . .	14	7.4 Mbrojtja e sipërfaqeve plastike . . . . .	27
		<b>7 Mirëmbajtja dhe pastrimi</b>	<b>27</b>
		<b>8 Zgjidhja e problemeve</b>	<b>28</b>


# 1 Udhëzimet për sigurinë

- Ky paragraf përfshin udhëzime për sigurinë të nevojshme për të parandaluar rrezikun e lëndimeve personale dhe të dëmeve materiale.
- Kompania jonë nuk do të jetë përgjegjëse për dëmtimet që mund të ndodhin nëse nuk respektohen këto udhëzime.

 Veprimet e montimit dhe të riparimit duhet të kryhen gjithmonë nga shërbimi i autorizuar.

 Përdorni gjithmonë pjesë këmbimi dhe aksesorë origjinalë.

 Pjesët origjinale të këmbimit do të ofrohen për 10 vite, pas datës së blerjes së produktit.

 Mos riparoni dhe mos zëvendësoni asnjë pjesë të produktit nëse nuk është specifikuar qartësisht në manualin e përdorimit.

 Mos bëni ndonjë modifikim në produkt.

## 1.1 Qëllimi i përdorimit

- Ky produkt nuk është planifikuar për përdorim tregtar dhe nuk duhet të përdoret jashtë sferës së përdorimit të synuar.

Ky produkt është planifikuar për përdorim në ambiente të brendshme, si p.sh. shtëpi ose ambiente të ngjashme.

Për shembull;

- Në kuzhinat e personelit në dyqane, zyra dhe ambiente të tjera pune,
- Në shtëpi në ferma,
- Në njësi hotelesh, motelesh ose objekte të tjera pushimi që përdoren nga klientët,
- Në hostele ose ambiente të ngjashme,

- Në shërbimet e cateringut dhe përdorime të ngjashme jotregtare.

Ky produkt nuk duhet të përdoret në ambiente të jashtme të hapura ose të mbyllura, si p.sh. në anije, ballkone ose terraca. Ekspozimi i produktit ndaj shiut, borës, dritës së diellit dhe erës mund të shkaktojë rrezik zjarri.

## 1.2 Siguria e fëmijëve, personave të cenueshëm dhe kafshëve shtëpiake

- Ky produkt mund të përdoret nga fëmijët e moshës 8 vjeç e lart dhe nga personat me aftësi të reduktuara fizike, ndijore ose mendore apo me mungesë eksperience dhe njohurish, nëse janë nën mbikëqyrje ose janë udhëzuar për përdorimin e pajisjes në një mënyrë të sigurt, si dhe për rreziqet e përfshira.
- Fëmijët e moshës 3 deri në 8 vjeç lejohen të vendosin dhe të nxjerrin ushqime nga produkti i ftohësit.
- Produktet elektrike janë të rrezikshme për fëmijët dhe kafshët shtëpiake. Fëmijët dhe kafshët shtëpiake nuk duhet të luajnë me produktin, të ngjiten mbi të ose të hyjnë në të.
- Pastrimi dhe mirëmbajtja nga përdoruesi nuk duhet të kryhen nga fëmijët përveç rastit kur po i mbikëqyr dikush.
- Mbajini materialet e paketimit larg fëmijëve. Rrezik lëndimi dhe mbytjeje.
- Para se t'i hidhni produktet e vjetra që nuk do të përdoren më:

**1.** Shkëputeni kordonin elektrik nga priza në mur.

**2.** Priteni kordonin elektrik dhe hiqeni nga pajisja bashkë me spinën.

**3.** Mos i hiqni raftet dhe sirtarët nga produkti për të parandaluar hyrjen e fëmijëve brenda në pajisje.

**4.** Hiqni dyert.

**5.** Vendoseni produktin në mënyrë që të mos rrëzohet.

# Udhëzime të rëndësishme për sigurinë dhe mjedisin

**6.** Mos i lejoni fëmijët të luajnë me produktin e hedhur.

- Mos e asgjësoni produktin duke i vënë zjarrin. Rrezik shpërthimi.
- Nëse ka një kyç te dera e produktit, mbajeni çelësin larg fëmijëve.

## 1.3 Siguria elektrike

- Produkti nuk duhet të vihet në prizë gjatë operacioneve të montimit, mirëmbajtjes, pastrimit, riparimit dhe transportit.
- Nëse kordoni elektrik dëmtohet, ai duhet të zëvendësohet vetëm nga shërbimi i autorizuar për të shmangur çdo rrezik që mund të ndodhë.
- Mos e futni kordonin elektrik poshtë produktit ose në pjesën e pasme të produktit. Mos vendosni objekte të rënda mbi kordonin elektrik. Kordoni elektrik nuk duhet lakuar ose shtypur dhe nuk duhet të vihet në kontakt me ndonjë burim nxehtësie.
- Mos përdorni një kordon zgjatues, me shumë priza ose një adaptor për përdorimin e produktit.
- Pajisjet me priza portative ose burimet elektrike portative mund të shkaktojnë mbinxehje dhe zjarr. Për këtë arsye, mos mbani një kordon me shumë priza prapa ose në afërsi të produktit.
- Spina duhet të jetë lehtësisht e arritshme. Nëse kjo gjë nuk është e mundur, në instalimin elektrik duhet të ketë një mekanizëm që është në përputhje me legjislacionin për energjinë elektrike dhe që i shkëput të gjitha terminalet nga rrjeti elektrik (siguresë, automat, automat kryesor etj.)
- Mos e prekni spinën me duar të lagura.
- Kur e hiqni pajisjen nga priza, mos e kapni te kordoni elektrik, por te spina.

- Kur e poziciononi pajisjen, sigurohuni që kordoni elektrik të mos dëmtohet apo bllokohet.
- Mos vendosni shumë priza zgjatuese ose burime elektrike portative në pjesën e pasme të pajisjes.

## 1.4 Siguria gjatë manovrimit

- Ky produkt është i rëndë, mos e manovroni vetëm.
- Mos e mbani produktin nga dera gjatë manovrimit të produktit.
- Tregoni kujdes që të mos e dëmtoni sistemin e ftohjes dhe tubat gjatë manovrimit të produktit. Mos e përdorni produktin nëse tubat janë të dëmtuar dhe kontaktoni me shërbimin e autorizuar.

## 1.5 Siguria gjatë montimit

- Kontaktoni me Shërbimin e autorizuar për montimin e produktit. Për ta përgatitur produktin për montim, shikoni informacionet në manualin e përdorimit dhe sigurohuni që shërbimet elektrike dhe të ujit të jenë siç kërkohet. Nëse montimi nuk është i përshtatshëm, thirrni një elektrikist dhe hidraulik që të bëjnë rregullimet e nevojshme. Në rast të kundërt, mund të ndodhin goditje elektrike, zjarr, probleme me produktin ose lëndime personale.
- Kontrolloni për çdo dëmtim në produkt para montimit të tij. Mos e montoni produktin nëse është i dëmtuar.
- Vendoseni produktin në një sipërfaqe të fortë dhe të sheshtë dhe nivelojeni me anë të këmbëve të rregullueshme. Në rast të kundërt, frigoriferi mund të përmbysset dhe të shkaktojë lëndime personale.
- Produkti duhet të montohet në një ambient të thatë dhe të ajrosur. Mos



# Udhëzime të rëndësishme për sigurinë dhe mjedisin

mbani tapete, qilima ose mbulesa të ngjashme nën produkt. Kjo mund të shkaktojë rrezik zjarri si rezultat i një ajrosjeje të papërshtatshme!

- Mos i bllokoni ose mbulononi vrimat e ajrimit. Në rast të kundërt, konsumi i energjisë mund të rritet dhe mund të ndodhin dëmtime të produktit tuaj.
- Mos e lidhni produktin me sistemet e furnizimit me energji si ato të energjisë diellore. Në rast të kundërt, mund të ndodhin dëmtime të produktit tuaj si rezultat i lëkundjeve të menjëhershme të voltazhit!
- Sa më shumë lëng ftohës të ketë në një frigorifer, aq më e madhe duhet të jetë dhoma e montimit. Në dhoma shumë të vogla, në rast të një rrjedhjeje të gazit në sistemin e ftohjes mund të shfaqet një përzjerje e djegshme e gazit me ajrin. Për çdo 8 gramë lëng ftohës kërkohet të paktën 1 m<sup>3</sup> vëllim. Sasia e lëngut ftohës të disponueshëm në produktin tuaj është e specifikuar në etiketën e tipit të produktit.
- Vendi i montimit të produktit nuk duhet të jetë i ekspozuar ndaj dritës së drejtpërdrejtë të diellit dhe nuk duhet të jetë në afërsi të burimeve të nxehtësisë si furrat, radiatorët etj.

Nëse nuk mund ta parandaloni montimin e produktit në afërsi të një burimi nxehtësie, duhet të përdorni një pllakë të përshtatshme izolimi dhe distanca minimale me burimin e nxehtësisë duhet të jetë siç specifikohet më poshtë.

- Të paktën 30 cm larg nga burimet e nxehtësisë si furrat, njësitë ngrohëse dhe kaloriferët etj.
- Dhe të paktën 5 cm larg nga furrat elektrike.
- Produkti juaj ka klasën e mbrojtjes I. Vendoseni produktin në një prizë me tokëzim që është në përputhje me vlerat e voltazhit, rrymës elektrike dhe frekuencës të specifikuar

në etiketën e tipit të produktit. Priza duhet të jetë e pajisur me një siguresë me masë 10 A - 16 A. Kompania jonë nuk do të jetë përgjegjëse për dëmtimet që do të shkaktohen si rezultat i përdorimit të produktit pa u siguruar që lidhjet elektrike dhe të tokëzimit të jenë kryer sipas rregulloreve lokale ose kombëtare.

- Kablloja elektrike e produktit duhet të hiqet nga priza gjatë montimit. Në rast të kundërt, ekziston rreziku i goditjeve elektrike dhe i lëndimeve personale!
- Mos e vendosni produktin në priza të liruar, të thyera, të papastra, me yndyrë, në priza që kanë dalë nga vendi ose priza që rrezikojnë të bien në kontakt me ujin.
- Vendosini kordonin elektrik dhe tubat e produktit (nëse ka) në mënyrë të tillë që të mos paraqesin rrezik për t'u penguar.
- Depërtimi i lagështisë të pjesët që kanë elektricitet ose të kordonit elektrik mund të shkaktojë qark të shkurtër. Për këtë arsye, mos e përdorni produktin në ambiente me lagështi ose në zona ku mund të ketë spërkatje uji (p.sh. garazhe, dhoma për larjen e rrobave etj.). Nëse frigoriferi laget me ujë, hiqeni nga priza dhe kontaktoni me shërbimin e autorizuar.
- Mos e lidhni frigoriferin me pajisje për kursimin e energjisë. Këto sisteme janë të dëmshme për produktin.

## 1.6 Siguria funksionale

- Mos përdorni hollues kimikë mbi produkt. Këto materiale përbëjnë rrezik shpërthimi.
- Në rast defekti të produktit, hiqeni nga priza dhe mos e përdorni deri sa të riparohet nga shërbimi i autorizuar. Ekziston rreziku i goditjes elektrike!
- Mos vendosni një burim flakësh (p.sh. qirinj, cigare etj.) mbi produkt ose në afërsi të tij.
- Mos qëndroni mbi produkt. Rrezik rrëzimi dhe lëndimi personal!
- Mos shkaktoni dëmtime të tubave të sistemit të ftohjes me mjete të mprehta ose shpuese.

## Udhëzime të rëndësishme për sigurinë dhe mjedisin

- Lëngu ftohës që del në rast se shpohen tubat e gazit, tubat zgjatues ose veshjet e sipërme të sipërfaqes mund të shkaktojë acarim të lëkurës dhe lëndime të syve.
- Mos i vendosni dhe mos i përdorni pajisjet elektrike brenda në frigoriferë/ngrirës përveçse kur këshillohet nga prodhuesi.
  - Mos kapni pjesë të duarve ose trupit me pjesët e lëvizshme brenda në produkt. Kini kujdes që të parandaloni kapjen e gishtave mes frigoriferit dhe derës së tij. Kini kujdes gjatë hapjes ose mbylljes së derës nëse ka fëmijë përreth.
  - Mos e futni në gojë akulloren, kubat e akullit ose ushqimet e ngrira menjëherë pasi i nxirni nga ngrirësi. Rrezik djegie nga akulli!
  - Mos i prekni muret e brendshme, pjesët metalike të ngrirësit ose ushqimet e vendosura brenda në frigorifer me duar të lagura. Rrezik djegie nga akulli!
  - Mos vendosni kanaçe me pije me gaz ose kanaçe dhe shishe që kanë lëngje që mund të ngrinë në ndarjen e ngrirësit. Kanaçet ose shishet mund të shpërthejnë. Rrezik lëndimi personal ose dëmtimi material!
  - Mos përdorni ose vendosni materiale të ndjeshme ndaj temperaturës si spërkatës të djegshëm, objekte të djegshme, akull të thatë ose agjentë të tjerë kimikë në afërsi të frigoriferit. Rrezik zjarri dhe shpërthimi!
  - Mos mbani materiale shpërthyese si kanaçe me presion me materiale të djegshme brenda në produkt.
  - Mos vendosni kanaçe me lëngje mbi produkt. Spërkatja e ujit në një pjesë elektrike mund të shkaktojë rrezik nga goditjet elektrike ose zjarri.
  - Ky produkt nuk është planifikuar për ruajtjen dhe ftohjen e barnave, plazmës së gjakut, preparateve laboratorike ose materialeve dhe produkteve të ngjashme që janë objekt i Direktivës për produktet mjekësore.
  - Nëse produkti përdoret ndryshe nga qëllimi i planifikuar, ai mund të shkaktojë përkeqësim ose dëmtim të produkteve të mbajtura në të.
  - Nëse frigoriferi juaj është i pajisur me një dritë blu, mos e shikoni këtë dritë me pajisje optike. Mos shikoni drejtpërdrejt te drita LED ultravjollcë për një kohë të gjatë. Rrezet ultravjollcë mund të shkaktojnë sforcim të syrit.
  - Mos e mbushini produktin me më shumë ushqime nga sa është kapaciteti i tij. Mund të ndodhin dëmtime ose lëndime personale nëse artikujt në frigorifer bien kur hapni derën. Mund të ndodhin probleme të ngjashme kur një objekt vendoset mbi produkt.
  - Sigurohuni që të largoni akullin ose ujin që mund të bjerë në dysheme për të parandaluar lëndimet personale.
  - Ndryshoni vendet e rafteve/rafteve të shisheve në derën e frigoriferit vetëm kur raftet janë bosh. Rrezik për lëndime fizike!
  - Mos vendosni objekte që mund të bien/të përmbysen mbi produkt. Këto objekte mund të bien kur hapni ose mbyllni derën dhe të shkaktojnë lëndime personale dhe/ose dëmtime materiale.
  - Mos goditni ose ushtroni shumë presion mbi sipërfaqet e xhamit. Xhami i thyer mund të shkaktojë lëndime personale dhe/ose dëmtime materiale.
  - Sistemi ftohës në produktin tuaj përmban lëng ftohës R600a. Lloji i lëngut ftohës të përdorur në produkt specifikohet në etiketën e tipit të produktit. Ky gaz është i djegshëm. Për këtë arsye, kini kujdes që të mos e dëmtoni sistemin e ftohjes dhe tubat

## Udhëzime të rëndësishme për sigurinë dhe mjedisin

gjatë përdorimit të produktit. Në rast të dëmtimit të tubave;

- mos e prekni pajisjen ose kabllon elektrike,
- mbajeni produktin larg nga burimet e mundshme të zjarrit që mund të shkaktojnë zjarr në produkt.
- ajrosni zonën ku është vendosur produkti. Mos përdorni një ventilator.
- Kontaktoni me shërbimin e autorizuar.
- Nëse produkti dëmtohet dhe vini re rrjedhje gazi, qëndroni larg nga gazi. Gazi mund të shkaktojë djegie nëse bie në kontakt me lëkurën.

### Për produktet me një aparat për nxjerrjen e ujit/akullit

- Përdorni vetëm ujë të pijshëm. Mos e mbushni depozitën e ujit me lëngje, si p.sh. lëng frutash, qumësht, pije të gazuara ose pije alkoolike, të cilat nuk janë të përshtatshme për t'u përdorur në aparatet e nxjerrjes së ujit.
- Ekziston rreziku për shëndetin dhe sigurinë!
- Mos lejoni që fëmijët të luajnë me aparatet e nxjerrjes së ujit ose të akullit (Icematic) për të parandaluar aksidente ose lëndime.
- Mos i fusni gishtat ose objektet e tjera në vrimën e aparatit të nxjerrjes së ujit, në kanalën e ujit ose kontejneri i aparatit të akullit. Ekziston rreziku i lëndimeve ose dëmtimit të materialeve!

### 1.7 Siguria gjatë mirëmbajtjes dhe pastrimit

- Mos e tërhiqni produktin nga doreza e derës nëse duhet ta lëvizni produktin për të pastruar. Doreza mund të shkaktojë lëndime personale nëse e tërhiqni shumë fort.
- Mos e pastroni produktin duke spërkatur ujë ose duke hedhur ujë mbi produkt dhe brenda në produkt. Rrezik për goditje elektrike dhe zjarr.

- Mos përdorni mjete të mprehta ose gërryese për pastrimin e produktit. Mos përdorni materiale si p.sh. substanca pastrimi shtëpiake, detergjentë, gaz, benzinë, alkool, dyllë etj.
- Përdorni vetëm substanca pastrimi dhe mirëmbajtjeje që nuk janë të dëmshme për ushqimet brenda në produkt.
- Mos përdorni avull ose materiale pastrimi me avull për pastrimin e produktit dhe për shkrirjen e akullit brenda. Avulli bie në kontakt me zonat me elektricitet në frigorifer dhe shkakton qark të shkurtër ose goditje elektrike!
- Tregoni kujdes që të mos lejoni ujin të qarqet elektrike ose dritat e produktit.
- Përdorni një pecetë të pastër dhe të thatë për të fshirë pluhurat ose materialet e huaja në kunjat e spinës. Mos përdorni një pecetë të njomë ose të lagur për pastrimin e spinës. Në rast të kundërt, mund të ketë rrezik për goditje elektrike ose zjarr.

### 1.8 HomeWhiz

**(Mund të mos jetë e zbatueshme për të gjitha modelet)**

- Ndiqni paralajmërimet e sigurisë edhe nëse jeni larg nga produkti kur e përdorni produktin nëpërmjet aplikacionit HomeWhiz. Tregoni vëmendje po ashtu për paralajmërimet në aplikacion.

### 1.9 Ndrichimi

**(Mund të mos jetë e zbatueshme për të gjitha modelet)**

- Kontaktoni me shërbimin e autorizuar kur duhet të zëvendësoni dritën LED/ llambën e përdorur për ndriçimin.

## 2 Udhëzimet për mjedisin

### 2.1 Përputhja me direktivën WEEE dhe hedhja e produktit të përdorur:

Ky produkt është në përputhje me Direktivën evropiane WEEE (2012/19/EU). Ky produkt ka një simbol klasifikimi për pajisjet elektrike dhe elektronike të përdorura (WEEE).



Ky simbol tregon se ky produkt nuk duhet të hidhet me mbeturina të tjera shtëpiake në fund të jetëgjatësisë së shërbimit. Pajisjet e përdorura duhet të kthehen te pika zyrtare e grumbullimit për riciklimin e pajisjeve elektrike dhe elektronike. Për t'i gjetur këto sisteme grumbullimi, kontaktoni me autoritetet lokale ose shitësin ku e keni blerë produktin. Çdo shtëpi ka një rol të rëndësishëm në rikuperimin dhe riciklimin e pajisjeve të vjetra. Hedhja në mënyrën e duhur e pajisjes së përdorur ndihmon në parandalimin e pasojave të mundshme negative për mjedisin dhe shëndetin e njerëzve.

### 2.2 Përputhja me direktivën RoHS

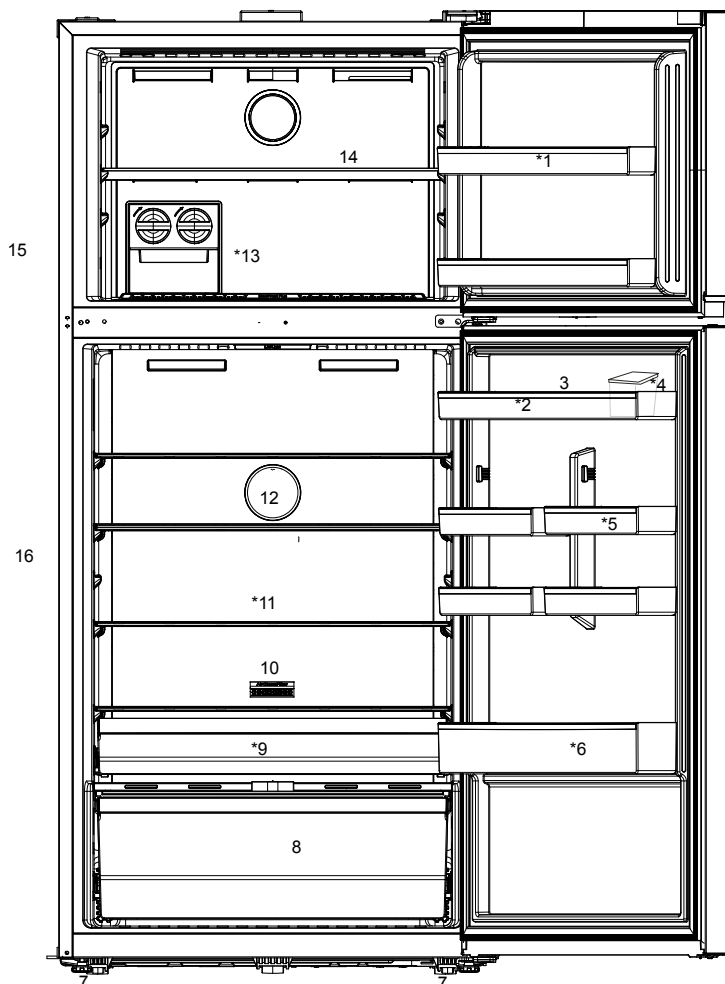
Produkti që keni blerë është në përputhje me direktivën RoHS të BE-së (2011/65/EU). Ai nuk përmban materiale të dëmshme dhe të ndaluara të specifikuar në Direktivë.

### 2.3 Informacione për paketimin



Materialet e paketimit të produktit janë prodhuar nga materiale të riciklueshme në përputhje me Rregulloret tona kombëtare për mjedisin. Mos i hidhni materialet e paketimit bashkë me mbeturinat familjare ose mbeturinat e tjera. Çojini ato te pikat e grumbullimit për materialet e paketimit të përcaktuara nga autoritetet lokale.

### 3 Frigoriferi juaj



- 1- Raftet e derës ndarja e ngrirësit
- 2- Raftet e derës së ndarjes së ftohësit
- 3- Mbjajtësja e vezëve
- 4- Shpërndarësi i ujit
- 5- Raftet e derës së vogël të ndarjes së ftohësit
- 6- Rafti i shisheve
- 7- Mbështetëset e rregullueshme
- 8- Koshi e perimeve, ndarësi i koshit dhe filtri i etilenit
- 9- Ndarja e bulmetrave (depoja e ftohtë)
- 10- Filtri
- 11- Raftet prej xhami
- 12- Ventilatori
- 13- Prodhuesit e akullit
- 14- Rafti prej xhami i ndarjes së ngrirësit
- 15- Ndarja e ngrirësit
- 16- Ndarja e ftohësit



\*Opsional: Figurat në këtë manual përdorimi janë skematike dhe mund të mos përputhen saktësisht me produktin tuaj. Nëse produkti juaj nuk i përfshin pjesët përkatëse, informacionet kanë lidhje me modele të tjera.

## 4.1 Vendi i duhur për montimin

Produkti juaj kërkon një qarkullim të përshtatshëm të ajrit për të funksionuar me efikasitet. Nëse produkti do të vendoset në një vend të futur, mos harroni të lini të paktën 5 cm hapësirë mes produktit dhe tavanit, murit të pasmë dhe mureve anësore.

Nëse produkti do të vendoset në një vend të futur, mos harroni të lini të paktën 5 cm hapësirë mes produktit dhe tavanit, murit të pasmë dhe mureve anësore. Kontrolloni nëse elementi mbrojtës i pasmë për distancën me murin është i pranishëm në vendin përkatës (nëse është i përfshirë me produktin). Nëse elementi nuk është i disponueshëm ose nëse ka humbur apo ka rënë, vendoseni produktin në mënyrë që të lini të paktën 5 cm hapësirë mes sipërfaqes së pasme të produktit dhe murit të dhomës. Hapësira në pjesën e pasme është e rëndësishme për një funksionim efikas të produktit.

## 4.2 Për produktet me shpërndarës uji / prodhues akulli

- Duhet përdorur setet e tubave që janë dhënë bashkë me produktin. Mos përdorni setet e vjetra të tubave. Mos i zgjatoni tubat!

- Gjithmonë lidhni produktin tuaj te hyrja e ujit të ftohtë. Mos e instaloni te hyrja e ujit të nxehtë. Presioni nga hyrja e ujit të ftohtë duhet të jetë maksimumi 80 PSI (550 kPa). Nëse presioni i ujit tejkalon 80PSi ose ka një efekt ndikues te uji, përdorni një valvul për kufizimin e presionit në sistemin e rrjetit kryesor. Kërkoni ndihmë nga hidraulikët profesionistë nëse nuk dini si ta kontrolloni presionin e ujit.

Presioni i lartë mund të shkaktojë dëme te lidhja e tubave dhe mund të përbëjë rrezik përmblyetje.

- Merrni masat e duhura parandaluese kundër rrezikut të ngrirjes së tubave. Intervali funksional i temperaturës së ujit duhet të jetë minimumi 0,6°C (33°F) dhe maksimumi 38°C (100°F). Ekziston rrezik përmblyetje nëse tubi është i plasuritur/i shpuar.



**KUJDES:** Mos përdorni zgjatues ose priza të shumëfishta në lidhjen elektrike.



**KUJDES:** Prodhuesi nuk mban asnjë përgjegjësi për çdo dëmtim të kryer nga punët e kryera nga persona të paautorizuar.



**KUJDES:** Kabloja elektrike e produktit duhet të hiqet nga priza gjatë montimit. Mosrespektimi i kësaj mund të shkaktojë vdekje ose lëndime të rënda!

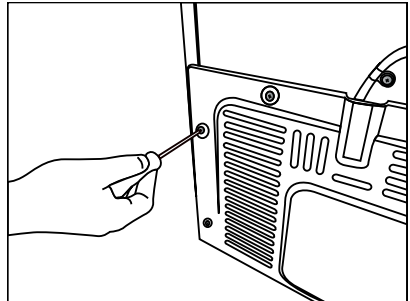


**KUJDES:** Nëse hapësira e derës është shumë e ngushtë për kalimin e produktit, hiqeni derën dhe kthejeni produktin në anë; nëse kjo nuk funksionon, kontaktoni me shërbimin e autorizuar.

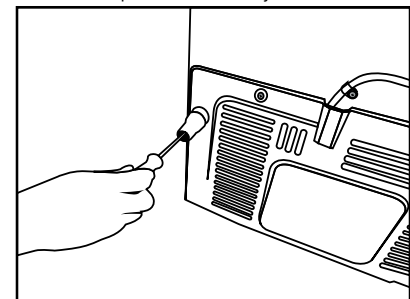
- Vendoseni produktin në një sipërfaqe të rrafshët për të shmangur dridhjet.
- Vendoseni produktin të paktën 30 cm larg nga ngrohësi, soba ose burime të ngjashme të nxehtësisë dhe të paktën 5 cm larg nga furrat elektrike.
- Mos e ekspozoni produktin ndaj dritës së drejtpërdrejtë të diellit dhe mos e mbani në ambiente me lagështi.
- Produkti kërkon një qarkullim të përshtatshëm të ajrit për të funksionuar me efektivitet. Nëse produkti do të vendoset në një vend të futur, mos harroni të lini të paktën 5 cm distancë mes produktit dhe tavanit dhe mureve.

## 4.3 Montimi i kunjave plastike

Përdorni kunjat plastike të përfshira me produktin për të siguruar një hapësirë të mjaftueshme për qarkullimin e ajrit midis produktit dhe murit.



1. Për të vendosur kunjat, hiqni vidhat në produkt dhe përdorni vidhat e përfshira me kunjat.

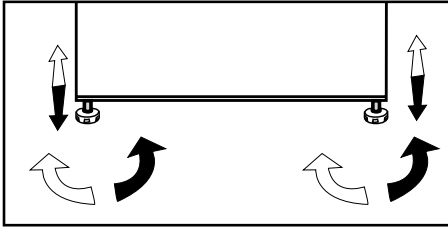


## Montimi

2. Vendosni 2 kunjja plastike në kapakun e ventilimit siç tregohet në figurë.

### 4.4 Rregullimi i këmbëve

Nëse produkti nuk është në ekuilibër, rregulloni mbështetëset e përparme të rregullueshme duke i rrotulluar ato djathtas ose majtas.



### 4.5 Lidhja elektrike



**KUJDES:** Mos përdorni zgjatues ose priza të shumëfishta në lidhjen elektrike.



**KUJDES:** Kabloja e dëmtuar elektrike duhet të zëvendësohet nga Shërbimi i autorizuar.

- Kompania jonë nuk do të mbajë përgjegjësi për asnjë dëmtim të shkaktuar nga përdorimi pa lidhjen e tokëzimit dhe pa lidhjen elektrike në përputhje me rregulloret kombëtare.
- Spina e kordonit elektrik duhet të jetë lehtësisht e arritshme pas montimit.



Paralajmërim për sipërfaqe të nxehtë!  
Faqet anësore të produktit tuaj janë të pajisura me tuba me lëng ftohës për përmirësimin e sistemit të ftohjes. Në këto sipërfaqe mund të qarkullojë lëng me presion të lartë që shkakton nxehtësi në faqet anësore. Kjo është normale dhe nuk kërkon t'i bëhet ndonjë shërbim. Kini kujdes kur prekni këto zona.



Lexoni në fillim pjesën “Udhëzimet për sigurinë”!

### 5.1 Çfarë të bëni për të kursyer energjinë



Lidhja e produktit me sistemet elektronike të kursimit të energjisë është e dëmshme, pasi kjo mund të dëmtojë produktin.

- Për pajisjet autonome: kjo pajisje ftohëse nuk është projektuar që të përdoret si pajisje inkaso.
- Mos i mbani dyert e frigoriferit të hapura për periudha të gjata.
- Mos vendosni ushqime ose pije të nxehta në frigorifer.
- Mos e mbushni shumë frigoriferin; bllokimi i rrjedhës së brendshme të ajrit do të ulë kapacitetin e ftohjes.
- Në varësi të veçorive të produktit, shkrija e ushqimeve të ngrira në ndarjen e ftohësit do të sigurojë kursimin e energjisë dhe do të ruajë cilësinë e ushqimeve.
- Duke qenë se ajri i nxehtë dhe i lagësht nuk depërton drejtpërdrejt në produktin tuaj kur dyert nuk hapen, produkti përshtatet sa më mirë për të arritur kushte të tilla që janë të mjaftueshme për të mbrojtur ushqimin. Funkcionet dhe pjesët përbërëse, të tilla si: kompresori, ventilatori, ngrohësi, shkriësi, ndriçimi, ekrani, etj., do të funksionojnë sipas nevojave, me qëllim që të konsumojnë nivelin minimal të energjisë në këto rrethana.
- Ushqimet duhet të ruhen me anë të sirtarëve në ndarjen e ftohësit për të siguruar kursimin e energjisë dhe për të mbrojtur ushqimet në kushte më të mira.

### 5.2 Përdorimi për herë të parë

Para se ta përdorni frigoriferin, sigurohuni që të bëni përgatitjet e duhura në përputhje me udhëzimet në pjesët “Udhëzimet për sigurinë dhe mjedisin” dhe “Montimi”.

- Mbajeni produktin në punë pa vendosur ushqime në të për 12 orë dhe mos e hapni derën, nëse nuk është absolutisht e nevojshme.



Lexoni në fillim pjesën “Udhëzimet për sigurinë”!



Kur të aktivizohet kompresori do të dëgjoni një tingull. Është normale të dëgjoni tinguj kur kompresori nuk është aktiv, për shkak të lëngjeve dhe gazeve të ngjeshura në sistemin e ftohjes.



Është normale që anët e përparme të frigoriferit të jenë të ngrohta. Këto zona janë të projektuara që të ngrohen për të parandaluar kondensimin.



Në disa modele, paneli i treguesve fiket automatikisht 1 minutë pas mbylljes së derës. Ai do të riaktivizohet kur të hapet dera ose kur të shtypet një buton.



## 6 Vënia në punë e produktit

- Për të shpejtuar procesin e shkrirjes mos përdorni mjete mekanike ose mjete të tjera përveç atyre të rekomanduara nga prodhuesi.
- Mos përdorni pjesë të frigoriferit siç janë dera ose sirtarët si mbështetëse ose si shkallë. Kjo mund të bëjë që produkti të bjerë ose pjesët e tij të dëmtohen.
- Produkti duhet të përdoret vetëm për ruajtjen e ushqimeve.
- Mbylleni valvulën e ujit nëse do të jeni larg shtëpisë (p.sh. me pushime) dhe nuk do ta përdorni prodhuesin e akullit ose shpërndarësin e ujit për një periudhë të gjatë kohore. Në rast të kundërt mund të ketë rrjedhje uji.

### 6.1 Fikja e produktit

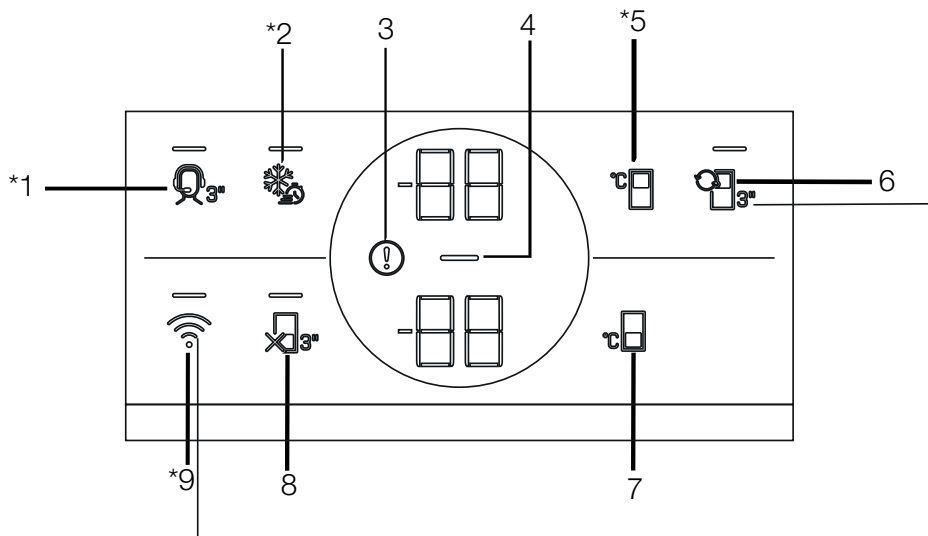
- Nëse nuk do ta përdorni produktin për një periudhë të gjatë;
  - hiqeni nga priza,
  - hiqni ushqimet për të shmangur erërat e këqija,
  - prisni derisa akulli të shkrihet,
  - pastrojini brenda dhe pritni derisa të jetë i tharë.
  - lëriini dyert hapur për të parandaluar dëmtimin e pjesëve të brendshme plastike të trupit.

## 6 Përdorimi i produktit

### 6.2 Paneli i treguesve

Panelet e treguesve mund të ndryshojnë në varësi të modelit të produktit.

Funksionet zanore dhe pamore të panelit të treguesve do t'ju ndihmojnë në përdorimin e frigeriferit tuaj.



- 1- Butoni i shërbimit të ndihmës
- 2- Butoni i ngrirjes së shpejtë/Butoni i caktimit të funksionit të dritës së dorezës
- 3- Treguesi i gjendjes me defekt
- 4- Treguesi i kursimit të energjisë (ekrani joaktiv)
- 5- Butoni i caktimit të temperaturës së ndarjes së ngrirësit
- 6- Butoni i shndërrimit të ndarjeve
- 7- Butoni i caktimit të temperaturës së ndarjes së ftohësit
- 8- Butoni i funksionit joaktiv (pushime) të ndarjes së ftohësit
- 9- Butoni i lidhjes pa tel
- 10- Butoni për rivendosjen e parametrave të lidhjes pa tel

#### 1. Butoni i shërbimit të ndihmës

Shtypni këtë buton për 3 sekonda për të aktivizuar shërbimin e ndihmës. Informacione të detajuar për shërbimin e ndihmës jepen në pjesën "Veçoria e shërbimit të ndihmës".

#### 2. Butoni i ngrirjes së shpejtë

Kur shtypet butoni i ngrirjes së shpejtë, drita LED

te butoni ndriçon dhe funksioni i ngrirjes së shpejtë aktivizohet. Temperatura e ndarjes së ngrirësit caktohet në -27 gradë Celsius. Shtypni përsëri butonin për ta anuluar funksionin. Funksioni i ngrirjes së shpejtë do të anulohet automatikisht pas 52 orësh. Për të ngrirë një sasi të madhe ushqimesh të freskëta, shtypni butonin e ngrirjes së shpejtë para se të vendosni ushqimet në ndarjen e ngrirësit.



\*Opsional: Figurat në këtë manual përdorimi janë skematike dhe mund të mos përputhen saktësisht me produktin tuaj. Nëse produkti juaj nuk i përfshin pjesët përkatëse, informacionet kanë lidhje me modele të tjera.

## Përdorimi i produktit

### \*Butoni i caktimit të funksionit të dritës së dorezës

Funksioni i dritës së dorezës mund të kalohet mes modalitetit të hapjes dhe të mbylljes duke shtypur butonin e ngrirjes së shpejtë (❄️) për 3 sekonda. Në modalitetin e mbylljes, drita e dorezës aktivizohet vetëm kur hapet dera e pajisjes dhe fiket pas pak pas mbylljes së derës. Në modalitetin e hapjes, drita e dorezës aktivizohet kur hapet dera e pajisjes dhe drita e dorezës qëndron e zbehtë për pak kohë pas mbylljes së derës. Funksioni i dritës së dorezës është caktuar në modalitetin e mbylljes për përdorim jashtë fabrikës.

### 3. Treguesi i gjendjes me defekt

Ky tregues (❗) duhet të jetë aktiv kur frigoriferi nuk mund të kryejë ftohje siç duhet ose në rast të ndonjë gabimi të sensorit. Në treguesin e temperaturës së ndarjes së ngrirësit duhet të shfaqet simboli "E" dhe në treguesin e temperaturës së ndarjes së ftohësit duhet të shfaqen shifra të tilla si 1,2,3... Këto shifra i japin informacione shërbimit të autorizuar për gabimin që ka ndodhur.

Mund të shfaqet pikëçuditja kur vendosni ushqim të ngrohtë në ndarjen e ngrirësit ose e mbani derën hapur për një periudhë të gjatë. Ky nuk është defekt, ky paralajmërim do të hiqet kur ushqimi të ftohet ose kur shtypet çfarëdo butoni.

### 4. Treguesi i kursimit të energjisë (ekrani joaktiv)

Treguesi i kursimit të energjisë aktivizohet automatikisht dhe simboli i kursimit të energjisë (⚡) shfaqet kur dera e produktit nuk hapet ose mbyllet për njëfarë periudhe. Kur funksioni i kursimit të energjisë është aktiv, të gjitha simbolet në ekran përveç simbolit të kursimit të energjisë do të fiken. Kur funksioni i kursimit të energjisë është aktiv, shtypja e një butoni ose hapja e derës do të çaktivizojë funksionin e kursimit të energjisë dhe sinjalet në ekran do të kthehen në normale. Funksioni i kursimit të energjisë është një funksion i aktivizuar në fabrikë dhe nuk mund të anulohet.

### 5. Butoni i caktimit të temperaturës së ndarjes së ngrirësit

Caktimi i temperaturës bëhet për ndarjen e ftohësit. Shtypja e këtij butoni do të bëjë që temperatura e ndarjes së ngrirësit të mund të caktohet në -15,-16,-

18,-19,-20,-22,-24 gradë Celsius.

### 6. Butoni i shndërrimit të ndarjeve

Kur butoni i shndërrimit të ndarjeve shtypet për 3 sekonda, ndarja e ngrirësit kalon përkatësisht në modalitetet e ftohësit, joaktiv dhe të ngrirësit. Kur ajo funksionon si ndarje e ftohësit, temperatura e ndarjes mund të caktohet në 8,7,6,5,4,3,2 dhe 1 gradë Celsius. Në rastin e modalitetit JOAKTIV, te treguesi i temperaturës së ndarjes do të shfaqet simboli "-".

### 7. Butoni i caktimit të temperaturës së ndarjes së ftohësit

Lejon caktimin e temperaturës për ndarjen e ftohësit. Shtypja e këtij butoni do të bëjë që temperatura e ndarjes së ftohësit të mund të caktohet në 8,7,6,5,4,3,2 dhe 1 gradë Celsius.

### 8. Butoni i funksionit joaktiv (pushime) të ndarjes së ftohësit

Shtypni këtë buton për 3 sekonda për të aktivizuar funksionin e pushimeve. Aktivizohet modaliteti i pushimeve dhe ndriçon drita LED te butoni. Simboli "-." do të shfaqet në treguesin e temperaturës së ndarjes së ftohësit dhe ndarja e ftohësit nuk e kryen në mënyrë aktive ftohjen. Nuk duhet të mbani ushqime në ndarjen e ftohësit kur ky funksion është i aktivizuar. Ndarjet e tjera vazhdojnë të ftohin sipas temperaturave të caktuara. Shtypni përsëri këtë buton për 3 sekonda për të anuluar këtë funksion.

### 9. Butoni i lidhjes pa tel

Ky buton përdoret për të bërë një lidhje pa tel me produktin tuaj nëpërmjet aplikacionit HomeWhiz. Kur butoni shtypet për një periudhë të gjatë (3 sekonda), simboli i lidhjes pa tel në ekran pulson ngadalë (me intervale prej 0,5 sekondash). Në këtë mënyrë në produkt aktivizohet rrjeti i shtëpisë. Pasi arrihet lidhja pa tel me produktin, simboli i lidhjes pa tel (📶) ndriçon vazhdimisht. Kur të vendoset lidhja fillestare, mund ta aktivizoni/çaktivizoni lidhjen duke shtypur shkurtimisht këtë buton. Simboli i rrjetit pa tel do të pulsojë shkurtimisht (në intervale prej 0,2 sekondash) derisa të vendoset lidhja. Kur lidhja është aktive, simboli i rrjetit pa tel do të ndizet në mënyrë të vazhdueshme. Nëse lidhja nuk mund të vendoset për një periudhë të

## Përdorimi i produktit



gjatë, kontrolloni parametrat e lidhjes dhe referojuni pjesës "Zgjidhja e problemeve" që gjendet në manualin e përdorimit.

Për lidhjen pa tel duhet përdorur aplikacioni HomeWhiz. Hapat e instalimit përshkruhen në aplikacion gjatë instalimit.

Mund të futeni në aplikacion duke lexuar kodin QR që ndodhet te etiketa HomeWhiz në produkt. Aplikacioni ofrohet nëpërmjet App Store për pajisjet IOS dhe nëpërmjet Play Store për pajisjet Android.

Vizitoni <https://www.homewhiz.com/> për informacione të detajuara.

### 10. Butoni për rivendosjen e parametrevë të lidhjes pa tel

Për të rivendosur parametrat e lidhjes pa tel, shtypni njëkohësisht butonat Ngrirja e shpejtë  dhe lidhja pa tel () për 3 sekonda. Të gjitha informacionet e përdoruesit të regjistruara më parë hiqen në një produkt ku parametrat e lidhjes pa tel rivendosen/rikthehen në parazgjedhjet e fabrikës.

### 6.3 Koshi i perimeve me kontrollin e lagështisë (EverFresh+)

#### (Opsionale)

Falë koshit të perimeve me kontrollin e lagështisë, frutat dhe perimet mund të ruhen për një kohë më të gjatë në një ambient me kushte ideale të lagështisë. Me sistemin e rregullimit të lagështisë me 3 opsione përpara koshit të perimeve, mund ta kontrolloni nivelin e lagështisë brenda koshit në varësi të ushqimeve që ruani në të. Ju rekomandojmë ta ruani ushqimin duke zgjedhur opsionin e perimeve kur ruani vetëm perimet, opsionin e frutave kur ruani vetëm frutat dhe opsionin e përzier kur ruani ushqime të përziera. Ju rekomandojmë që perimet dhe frutat të mos ruhen në qese për të përmirësuar periudhën e ruajtjes së ushqimeve dhe për të përfitur më shumë nga sistemi i kontrollit të lagështisë. Nëse i lini në qese plastike, kjo bën që perimet të kalben për një kohë të shkurtër. Ju rekomandojmë që kastravecët dhe brokoli, në veçanti, të mos ruhen në qese të mbyllura. Në rastet kur nuk preferoni kontaktin me perimet e tjera, përdorni

materiale paketimi, si letër, e cila ka njëfarë niveli depërtueshmërie për sa i përket higjienës.

Kur vendosni perimet, vendosni perimet e forta dhe të rënda në fund dhe perimet e buta dhe të lehta sipër, duke pasur parasysh peshat specifike të perimeve.

Mos i vendosni frutat që prodhojnë shumë gaz etilen, si dardhat, kajsitë, pjeshkat dhe sidomos mollët, në të njëjtin kosh me perimet dhe frutat e tjera. Gazi i etilenit që del nga këto fruta mund të bëjë që perimet dhe frutat e tjera të piqen më shpejt dhe të kalben në një periudhë më të shkurtër.

### 6.4 Drita blu/HarvestFresh (Opsionale)

#### Për Dritën blu,

Perimet dhe frutat e ruajtura në koshat e ndriçuara me dritë blu vazhdojnë të kryejnë fotosintezën dhe ruajnë nivelet e tyre të vitaminës C falë efektit të gjatësisë së valës së dritës blu.

#### Për HarvestFresh,

Perimet dhe frutat e ruajtura në koshat e ndriçuara me teknologjinë HarvestFresh i ruajnë nivelet e tyre të vitaminave (vitaminat A dhe C) për një periudhë më të gjatë falë cikleve të dritave blu, jeshile, të kuqe dhe të errësirës që simulojnë ciklin e ditës.

Kur dera e frigoriferit hapet gjatë periudhës së errësirës të teknologjisë HarvestFresh, frigoriferi do ta ndiejë këtë automatikisht dhe do ta ndriçojë koshin përkatësisht me një nga dritat blu, jeshile ose të kuqe për lehtësinë tuaj. Periudha e errësirës duhet të vazhdojë kur mbyllni derën e frigoriferit që të përfaqësojë periudhën e natës të ciklit ditor.

### 6.5 Moduli kundër erës së keqe

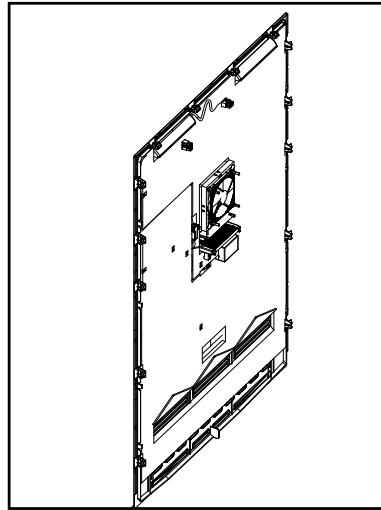
#### (FreshGuard)

#### (Kjo veçori është opsionale)

Moduli kundër erës së keqe heq erën që krijohet brenda frigoriferit tuaj para se të depërtojë në sipërfaqe. Falë këtij moduli, i cili është vendosur në tavanin e ndarjes së ushqimeve të freskëta, aromat e këqija hiqen ndërkohë që ajri kalon në mënyrë aktive në filtrin e erërave, dhe më pas ajri i pastruar nga filtri kthehet përsëri në ndarjen e ushqimeve të freskëta. Kështu, erërat e padëshiruara që mund të krijohen gjatë ruajtjes së ushqimeve brenda frigoriferit hiqen nga mjedisi para se të depërtojnë në sipërfaqe.

Kjo veçori realizohet nëpërmjet ventilatorit, dritës LED dhe filtrit të erërave të integruar në modul. Moduli kundër erërave të këqija duhet aktivizuar automatikisht në mënyrë periodike. Nëse dera e ndarjes së ushqimeve të freskëta hapet kur moduli është aktiv, ventilatori ndalon për kohësisht dhe vazhdon përsëri kur e mbyllni derën. Në rast të ndërprerjes së energjisë, moduli kundër erërave të këqija fillon të punojë kur kthehet energjia elektrike.

**informacione:** Për të parandaluar erërat e këqija që mund të krijohen nga përzierja e erërave të ushqimeve të ndryshme, ju rekomandojmë t'i ruani ushqimet me aromë si djathi, ullinjë dhe ushqimet e gatshme në paketimin e tyre dhe me kapakët mbyllur. Për sigurinë e ushqimeve të tjera të ruajtura dhe për të parandaluar erërat e këqija, ju rekomandojmë të hiqni sa më shpejt nga frigoriferi ushqimin që keni vërejtur se është prishur.



## Përdorimi i produktit

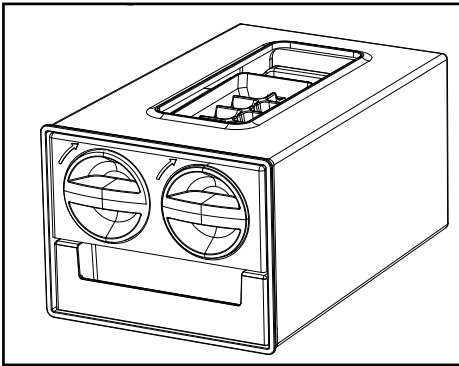
### 6.6 Kova e akullit

#### (Kjo veçori është opsionale)

Kova e akullit ju lejon ta merrni kollaj akullin nga frigoriferi.

#### Përdorimi i kovës së akullit

1. Hiqni kovën e akullit nga ndarja e ngrirësit.
2. Mbusheni kovën e akullit me ujë.
3. Vendoseni kovën e akullit në ndarjen e ngrirësit. Akulli do të jetë gati pas afro dy orësh.
4. Merrni kovën e akullit nga ndarja e ngrirësit dhe përkuleni lehtë mbi enën ku do ta shërbeni. Akulli do të derdhet lehtë në enë.



### 6.7 Prodhuesi i akullit

#### (Kjo veçori është opsionale)

Prodhuesi i akullit ju lejon ta merrni kollaj akullin nga frigoriferi.

Përdorimi i kovës së akullit

1. Hiqni depozitën e ujit nga ndarja e ftohësit.
2. Mbusheni depozitën e ujit me ujë.
3. Vendoseni përsëri depozitën e ujit. Kubat e parë të akullit do të jenë gati për afro 4 orë në sirtarin e prodhuesit të akullit në ndarjen e ngrirësit.



Mund të bëni rreth 60-70 kube akulli kur depozita e ujit është plot.



Uji brenda depozitës duhet zëvendësuar e shumta brenda 2-3 javëve.

### 6.8 Ndarja e bulmetrave (depoja e ftohtë)

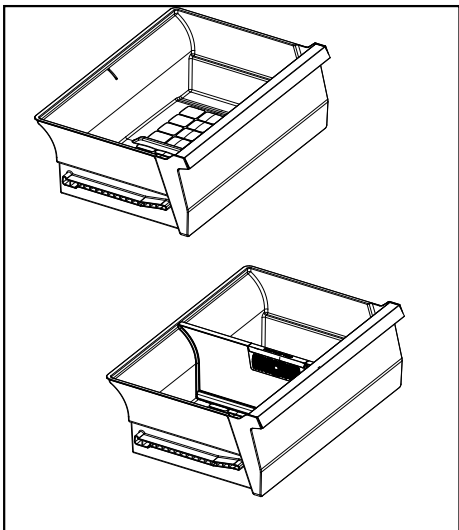
#### (Kjo veçori është opsionale)

“Ndarja e bulmetrave (depoja e ftohtë)” siguron temperaturë më të ulët se ndarja e ftohësit. Përdoreni këtë ndarje për të ruajtur ushqime të gatshme (sallam, salsiçe, produkte bulmeti etj.) që kërkojnë temperaturë më të ulët të ruajtjes ose produkte të mishit, pulës ose peshkut për konsum të menjëhershëm. Mos ruani fruta dhe perime në këtë ndarje.

## Përdorimi i produktit

### 6.9 Koshi i perimeve

Koshi i perimeve i frigoriferit është projektuar për t'i mbajtur perimet të freskëta, duke ruajtur lagështinë. Për këtë qëllim, qarkullimi i përgjithshëm i ajrit të ftohtë është më i lartë në koshin e perimeve. Mbajini frutat dhe perimet në këtë ndarje. Mbajini të ndara perimet jeshile dhe frutat për të zgjatur jetëgjatësinë e tyre.



### 6.10 Koshi i perimeve Ndarësi

#### Filtri i etilenit

Filtri për mbajtjen e etilenit ndihmon për largimin e gazit etilen dhe të erërave të këqija të lëshuara nga perimet dhe frutat në kosh.

Mund të ruani frutat si dardhat, kajsitë, pjeshkat dhe veçanërisht mollët, të cilat prodhojnë sasi të lartë të gazit etilen, veçmas perimeve dhe frutave të tjera në të njëjtin kosh falë ndarësit të perimeve. Gazi etilen që del nga këto fruta mund të bëjë që perimet dhe frutat e tjera të piqen më shpejt dhe të kalben në një periudhë më të shkurtër.

Falë kësaj veçorie, mund t'i ruani të freskëta për një periudhë më të gjatë kohore ushqimet tuaja të freskëta dhe veçanërisht perimet e gjelbra që janë të ndjeshme ndaj gazit etilen.

Mund t'i ruani ushqimet për një periudhë më të

gjatë kohore duke i vendosur ushqimet e ndjeshme ndaj gazit etilen në një nga ndarjet e veçuara nga ndarësi i koshit dhe ushqimet që prodhojnë gaz etileni në ndarjen tjetër.

Ushqimet që prodhojnë gaz etilen dhe që janë të ndjeshme ndaj gazit etilen renditen më poshtë.

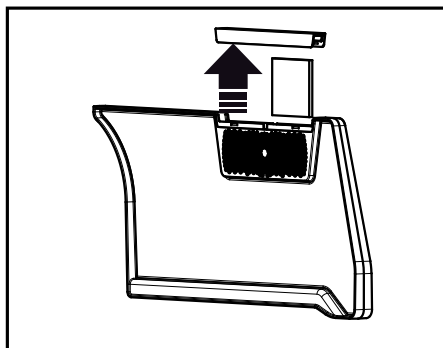
Ushqimet që prodhojnë gaz etilen	Ushqimet që janë të ndjeshme ndaj gazit etilen
Molla, dardha, kajsia, pjeshka, nektarina, avokado, kivi, kumbulla, fiku, ftoi, domatja	Perime jeshile të freskëta (të tilla si marulja, majdanozi), luleshtrydhja, qershia, rrushi, portokalli, mandarina, ananasi, qershia, limoni, kastravec, brokoli, speci, patëllxhani, bamja, kungulli i njomë

### 6.11 Pastrimi i filtrit të etilenit

Filtri i etilenit duhet pastruar një herë në vit.

Hiqeni filtrin e etilenit duke e tërhequr lart kapakun e filtrit siç tregohet në figurë.

Lëreni filtrin e etilenit nën dritën e diellit për një ditë. Në këtë mënyrë, filtri do të pastrohet.



## Përdorimi i produktit

Vendoseni përsëri filtrin dhe mbyllni kapakun e sipërm.

Për të garantuar efikasitetin maksimal të filtrit dhe për të ruajtur performancën e tij, shmangni kontaktin me vajin dhe lëngje të ngjashme, si edhe me materiale të tilla si uji dhe detergjentët. Komunikoni me shërbimin për ta ndërruar filtrin me një të ri pas një kontakti të tillë.

### 6.12 Pastrimi i ndarësit të koshit të perimeve

Për të parandaluar bllokimin e vrimave të ajrit të pastër të ndarësit të koshit të perimeve, fshijeni atë me një leckë të pastër dhe të thatë në intervale të caktuara. Nëse ndarësi duhet larë, hiqni gjithnjë filtrin nga ndarësi.



**KUJDES:** Sigurohuni që vrimat përreth filtrit të mos jenë të bllokuara që të garantojnë qarkullimin e ajrit.



## Përdorimi i produktit

### 6.13 Përdorimi i shpërndarësit të ujit (Kjo veçori është opsionale)

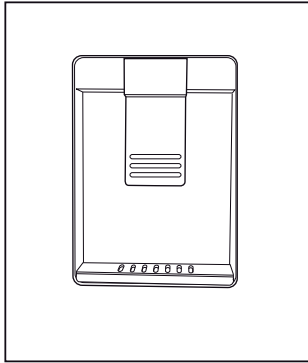


Gotat e para të ujit të marra nga shpërndarësi do të jenë normalisht të ngrohta.



Nëse shpërndarësi i ujit nuk përdoret për një kohë të gjatë, hidhni gotat e para me ujë për të marrë ujë të pastër.

1. Shtyjeni krahun e shpërndarësit të ujit me gotë. Do të jetë më lehtë ta shtyni krahun me dorë nëse po përdorni një gotë plastike të butë.
2. Lëshojeni krahun pasi të keni mbushur gotën me ujë aq sa dëshironi.



Sasia e ujit që del nga shpërndarësi varet nga presioni që ushtroni te krahun. Lëshojeni pak presionin te krahun tekta niveli në gotën/enën tuaj rritet, me qëllim që të parandaloni derdhjen. Do të pikojë ujë nëse e shtypni pak krahun; kjo është normale dhe nuk është një keqfunksionim.

### 6.14 Mbushja e depozitës së ujit të shpërndarësit të ujit

Hapni kapakun e depozitës së ujit siç tregohet në figurë. Mbusheni me ujë të pastër dhe të pijshëm. Mbylleni kapakun.

### 6.15 Pastrimi i depozitës së ujit

Hiqni rezervuarin e mbushjes së ujit brenda raftit të derës.

Shkëputeni duke mbajtur të dyja anët e raftit të derës.

Mbani të dyja anët e depozitës së ujit dhe hiqeni në një kënd 45°.

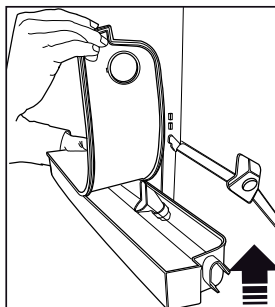
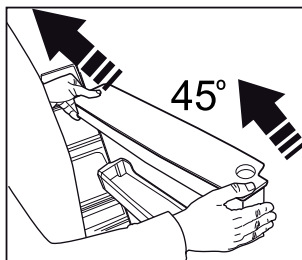
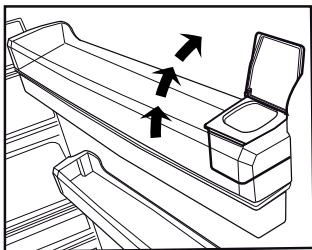
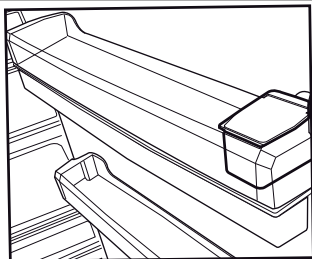
Hiqeni dhe pastrojeni kapakun e depozitës së ujit.



Mos e mbushni depozitën e ujit me lëngje frutash, me pije me gaz, pije alkoolike ose lëngje të tjera të papërshtatshme për përdorim në shpërndarësin e ujit. Përdorimi i lëngjeve të tilla do të shkaktojë defekte dhe dëmtime të riparueshme të shpërndarësit të ujit. Përdorimi i shpërndarësit të ujit në këtë mënyrë nuk mbulohet nga garancia. Disa kimikate dhe lëndë shtesë në pije / lëngje mund të shkaktojnë dëmtime materiale të shpërndarësit të ujit.



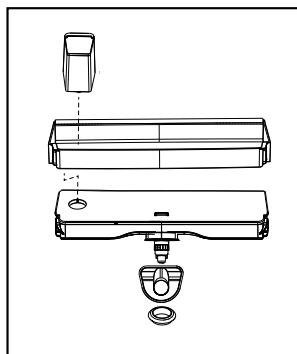
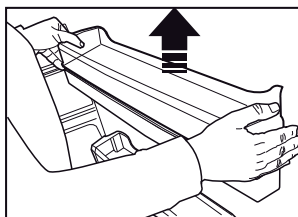
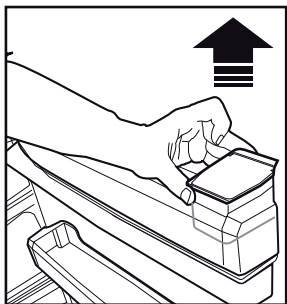
Pjesët e depozitës së ujit dhe të shpërndarësit të ujit nuk mund të lahen në lavastovilje.



### 6.16 Mbushja e depozitës së ujit të shpërndarësit të ujit

Rezervuari i mbushjes së depozitës së ujit ndodhet brenda raftit të derës.

1. Hapni kapakun e rezervuarit.
2. Mbusheni rezervuarin me ujë të pijshëm të pastër.



## Përdorimi i produktit

### 3. Mbyllni kapakun e rezervuarit.



Mos e mbushni depozitën e ujit me lëngje frutash, me pije me gaz, pije alkoolike ose lëngje të tjera të papërshtatshme për përdorim në shpërndarësin e ujit. Përdorimi i lëngjeve të tilla do të shkaktojë defekte dhe dëmtime të riparueshme të shpërndarësit të ujit. Përdorimi i shpërndarësit të ujit në këtë mënyrë nuk mbulohet nga garancia. Disa kimikate dhe lëndë shtesë në pije / lëngje mund të shkaktojnë dëmtime materiale të shpërndarësit të ujit.



Përdorni vetëm ujë të pastër dhe të pijshëm.



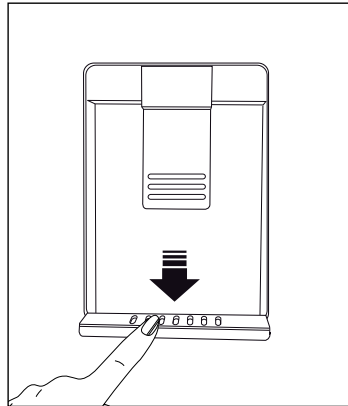
Kapaciteti i rezervuarit të ujit është 3 litra, mos e tejmbushni.

## 6.18 Tabakaja e derdhjes

Uji që derdhet nga shpërndarësi i ujit grumbullohet në tabakanë e derdhjes.

Hiqni sitën plastike siç tregohet në figurë.

Fshijeni ujin e mbledhur me një leckë të pastër e të thatë.



## 6.17 Pastrimi i depozitës së ujit

1. Hiqni rezervuarin e mbushjes së ujit brenda raftit të derës.
2. Shkëputeni duke mbajtur të dyja anët e raftit të derës.
3. Mbani të dyja anët e depozitës së ujit dhe hiqeni në një kënd 45°.
4. Hiqeni dhe pastrojeni kapakun e depozitës së ujit.



Pjesët e depozitës së ujit dhe të shpërndarësit të ujit nuk mund të lahen në lavastovijë.

## Përdorimi i produktit

### 6.19 Ngrirja e ushqimeve të freskëta

- Aktivizoni funksionin e ngrirjes së shpejtë duke shtypur butonin «Ngrirja e shpejtë» 24 orë para se të vendosni ushqimin që do të ngrini.
- 24 orë pasi të keni shtypur butonin, vendoseni ushqimin tuaj të nxehtë në raftin prej xhami të produktit.
- Funksioni i ngrirjes së shpejtë do të çaktivizohet automatikisht pas 52 orësh.
- Mos u përipiqi të ngrini një sasi të madhe ushqimi në të njëjtën kohë. Brenda 24 orësh, ky produkt mund të ngrijë sasinë maksimale të ushqimit të specifikuar si «Kapaciteti ngrirës ... kg/24 orë» në etiketën e tij. Nuk është e përshtatshme të vendosni më shumë ushqime të pangrira/të freskëta sesa sasia e specifikuar në etiketë.
- Kur vendosni ushqime të pangrira në produkt, shmangni vendosjen e tyre ngjitur me ushqimet e ngrira.
- Ngrirja e ushqimeve kur janë të freskëta do të zgjasë kohën e ruajtjes së tyre në ndarjen e ngrirësit.
- Paketojini ushqimet në pako të izoluara nga ajri dhe mbyllini mirë.
- Sigurohuni që ushqimet të jenë të paketuara para se t'i vendosni në ngrirës. Përdorni mbajtëse për ngrirësin, letër alumini, letër kundër lagështisë, qese plastike ose paketime të ngjashme në vend të letrës tradicionale të paketimit.
- Shënojeni çdo pako ushqimesh duke shënuar datën në paketim para se t'i ngrini. Kjo do t'ju lejojë të përcaktoni freskinë e secilës pako sa herë që hapni ngrirësin. Mbajini përpara ushqimet më të vjetra për të garantuar që do të përdoren të parat.
- Ushqimet e ngrira duhet të përdoren menjëherë pas shkrirjes dhe nuk duhet të ngrijnë përsëri.
- Mos shkrini sasi shumë të mëdha ushqimesh në të njëjtën kohë.

Përcaktimi i temperaturës së ndarjes së ngrirësit	Përcaktimi i temperaturës së ndarjes së ftohësit	Detajet:
-18°C	4°C	Ky është parametri i paracaktuar i rekomanduar.
-20,-22 ose -24°C	4°C	Këta parametra rekomandohen kur temperaturat e ambientit kalojnë 30°C.
Ngrirja e shpejtë	4°C	Përdoreni kur dëshironi të ngrini ushqimet për një kohë të shkurtër. Kur të mbarojë procesi, produkti do të rikthehet në pozicionin e tij.
-18°C ose më i ftohtë	2°C	Përdorni këta parametra nëse besoni se ndarja e ftohësit nuk është e ftohtë sa duhet për shkak të temperaturës së ambientit ose nga hapja e shpeshtë e derës.

### 6.20 Rekomandime për ruajtjen e ushqimeve të ngrira në ndarjen e ngrirësit.

Ndarja duhet të vihet të paktën në -18°C.

1. Vendosini ushqimet në ngrirës sa më shpejt të jetë e mundur për të shmangur shkrirjen e tyre.
2. Para se t'i ngrini, kontrolloni "Datën e skadimit" në paketim për t'u siguruar që nuk kanë skaduar.
3. Sigurohuni që paketimi i ushqimit nuk është i dëmtuar.

## Përdorimi i produktit

### 6.21 Detajet për ngrirësin e thellë

Sipas standardeve IEC 62552, në temperaturën e dhomës 25°C, ngrirësi duhet të ketë kapacitetin për të ngrirë 4,5 kg ushqime në -18°C ose në temperatura më të ulëta në 24 orë për çdo 100 litra vëllim të ndarjes së ngrirësit.

Ushqimet mund të ruhen për periudha të gjata vetëm në -18°C ose në temperaturë më të ulët. Mund t'i mbani ushqimet të freskëta për muaj të tërë (në ngrirësin e thellë ose në temperatura nën -18°C).

Ushqimet që do të ngrini nuk duhet të bien në kontakt me ushqimet e ngrira në brendësi për të shmangur shkrijen e pjesshme.

Ziejini perimet dhe filtrojeni ujin për të zgjatur kohën e ruajtjes në ngrirje. Vendosini ushqimet në paketime të izoluar nga ajri pas filtrimit dhe vendosini në ngrirës. Bananet, domatet, sallata, selinoja, vezët e ziera, patatet dhe ushqime të tjera të ngjashme nuk duhet të ngrihen. Në rast se këto ushqime kalben, kjo do të ketë ndikim negativ vetëm në vlerat ushqimore dhe cilësitë e shijeve. Kalbja nuk do të jetë një rrezik për shëndetin njerëzor.

### 6.22 Vendosja e ushqimeve

Raftet e ndarjes së ngrirësit	Ushqimet e ndryshme të ngrira si mishi, peshku, akullorja, perimet, etj.
Raftet e ndarjes së ftohësit	Ushqimet në vazo, pjata e mbuluara dhe kuti me kapak, vezë (në kuti me kapak)
Raftet e derës së ndarjes së ftohësit	Pije dhe ushqime të vogla të paketuara
Koshi i perimeve	Frutat dhe perimet
Ndarja e ushqimeve të freskëta	Ushqimet e gatshme (ushqimet për mëngjes, produktet e mishit që do të konsumohen së shpejti)

### 6.23 Paralajmërimi i hapjes së derës

Do të dëgjoni një sinjali zanor nëse dera e produktit qëndron e hapur për 1,5 minuta. Sinjali zanor do të ndalojë kur dera mbyllet ose kur shtypet një buton në ekran (nëse ka).

### 6.24 Llamba e ndriçimit

Drita e brendshme përdor një llambë të tipit LED. Kontaktoni me shërbimin e autorizuar për çdo problem me këtë llambë.

Llamba(t) e përdorur në këtë pajisje nuk mund të përdoret për ndriçimin e shtëpisë. Qëllimi i përdorimit të kësaj llambe është të ndihmojë përdoruesin të vendosë ushqime në frigorifer / ngrirës në mënyrë të sigurt dhe me lehtësi.



Ky produkt është i pajisur me një burim ndriçimi të klasës energjetike "G".

Burimi i ndriçimit në këtë produkt duhet të zëvendësohet vetëm nga riparues profesionistë.

## 7 Mirëmbajtja dhe pastrimi



**KUJDES:** Lexoni në fillim pjesën "Udhëzimet për sigurinë!".



**KUJDES:** Hiqeni frigoriferin nga priza përpara se ta pastroni.

- Mos përdorni mjete të mprehta ose gërryese për pastrimin e produktit. Mos përdorni materiale si p.sh. substanca pastrimi shtëpiake, sapunë, detergjentë, gaz, benzinë, alkool, dyllë etj.
- Pluhuri duhet të hiqet nga skara e ventilimit në anën e pasme të produktit të paktën një herë në vit (pa hapur kapakun). Pastrimi duhet bërë me një leckë të thatë.

### Për produktet me shpërndarës uji / prodhues akulli

- Nëse uji në depozitë ka qëndruar për 2-3 javë, ai duhet të ndërrohet.
- Depozita e ujit dhe pjesët e shpërndarësit të ujit nuk duhen larë në lavastovilje.
- Tretni një lugë çaji me sodë në ujë. Lagni një leckë me ujin dhe shtrydhjeni. Fshijeni pajisjen me këtë leckë dhe thajeni plotësisht.
- Tregoni kujdes të mos lagni kapakun e llambës dhe pjesët e tjera elektrike.
- Pastrojini derën me një leckë të njomë. Hiqni të gjitha ushqimet për të hequr raftet e derës dhe raftet e brendshme. Hiqni raftet e derës duke i ngritur lart. Pastrojini dhe thajeni raftet, më pas vendosini përsëri në vend duke i rrëshqitur nga sipër.
- Mos përdorni ujë me klor ose produkte pastrimi në sipërfaqen e jashtme dhe në pjesët e kromuara të produktit. Klorigo do të shkaktojë ndryshk në sipërfaqet metalike.
- Mos përdorni mjete të mprehta dhe gërryese, sapun, materiale pastrimi shtëpiake, detergjentë, gaz, benzinë, vernik dhe substanca të ngjashme, me qëllim që të parandaloni deformimin e pjesës plastike dhe heqjen e printimeve në atë pjesë. Përdorni ujë të vakët dhe një leckë të butë për pastrimin dhe më pas thajeni.
- Në produktet që nuk kanë veçorinë Pa brymë,

në faqen e pasme të ndarjes së ngrirësit mund të formohen pikla uji ose akull me një trashësi deri një gisht. Mos pastroni dhe mos përdorni kurrë vajra ose materiale të ngjashme.

- Përdorni një leckë pak të lagur mikrofibre për të pastruar sipërfaqen e jashtme të produktit. Sfungjerët dhe materiale të tjera pastrimi mund të shkaktojnë gërvishtje.
- Për të pastruar të gjitha pjesët e çmontueshme gjatë pastrimit të sipërfaqes së brendshme të produktit, lajini këto pjesë me një solucion të butë, të përbërë nga sapun, ujë dhe sodë. Shpëlajini dhe thajini plotësisht. Shmangni kontaktin e ujit me pjesët e ndriçimit dhe me panelin e kontrollit.



### KUJDES:

Mos përdorni uthull, alkool për fërkim ose agjentë të tjerë pastrimi me bazë alkooli në sipërfaqen e brendshme.

### 7.1 Sipërfaqet e jashtme prej inoksi

Përdorni një agjent pastrues jogërryese për inoksin dhe aplikojeni me një leckë të butë pa push. Për ta lustruar, fshijeni butësisht sipërfaqen me një leckë mikrofibre të lagur me ujë dhe përdorni leckë të thatë kamoshi. Ndiqni gjithmonë venat e inoksit.

### 7.2 Pastrimi i produkteve me dyer xhami

Hiqni fletën mbrojtëse të xhamave.

Ka një veshje në sipërfaqen e xhamave. Kjo veshje minimizon formimin e njollave dhe siguron pastrim të lehtë të njollave dhe të papastërtive që janë formuar. Xhami që nuk ka një veshje mbrojtëse mund të ekspozohet ndaj ngjitjes në të ndotësve organikë ose joorganikë, nga ajri ose me bazë uji, si p.sh. smërçi, kripërat minerale, hidrokarburet e padjegura, oksidet e metaleve dhe silikonet, të cilat mund të shkaktojnë lehtë njolla dhe dëmtim fizik në një kohë të shkurtër. Mbajtja e xhamave pastër bëhet shumë e vështirë, për të thënë e pamundur, pavarësisht se pastrohen rregullisht. Si rezultat, qartësia dhe pamja e xhamit do të përkeqësohet. Metodot dhe agjentët e pastrimit të ashpër dhe gërryese i rrisin më tej këto të meta dhe e përshpejtojnë procesin e përkeqësimit.

## 7 Mirëmbajtja dhe pastrimi

Për proceset e pastrimit rutinë, \*duhen përdorur produkte pastrimi joalkaline dhe jogërryese me bazë uji.

Për një jetëgjatësi më të madhe të kësaj veshjeje, gjatë pastrimit nuk duhen përdorur substanca alkaline dhe gërryese.

Për të rritur rezistencën e këtyre xhamave ndaj përplasjeve dhe thyerjes, aplikohet një proces temperimi.

Si një masë shtesë sigurie, në sipërfaqen e pasme të këtyre xhamave është aplikuar një shtresë sigurie për të parandaluar dëmtimin e ambientit në rast se thyhen.

### 7.3 Parandalimi i erërave të këqija

Produkti është i prodhuar pa materiale me erëra të këqija. Sidoqoftë, mbajtja e ushqimeve në pjesë të papërshtatshme dhe pastrimi i papërshtatshëm i sipërfaqeve brendshme mund të shkaktojë erëra të këqija.

Për të shmangur këtë, pastrojeni pjesën e brendshme me ujë me sodë çdo 15 ditë.

- Mbajini ushqimet në mbajtëse të izoluar.

Mikroorganizmat mund të përhapen nga ushqimet e paizoluara dhe të shkaktojnë erëra të këqija.

- Mos i mbani ushqimet e skaduara ose të prishura në frigorifer.



Çaji është një nga mjetet më të efektshme për të hequr erërat e këqija. Vendoseni llumin e çajit të zier brenda produktit në një enë të hapur dhe hiqeni atë jo më vonë se pas 12 orësh. Nëse e mbani llumin e çajit brenda produktit për më shumë se 12 orë, ai do të mbledhë organizma që shkaktojnë erë të keqe dhe kështu mund të bëhet vetë burimi i erërave të këqija.

### 7.4 Mbrojtja e sipërfaqeve plastike

Vaji i derdhur në sipërfaqet plastike mund të dëmtojë sipërfaqen dhe duhet të pastrohet menjëherë me ujë të ngrohtë.

## 8 Zgjidhja e problemeve

Kontrolloni këtë listë para se të kontaktoni me servisin. Kjo do t'ju kursejë kohë dhe para. Kjo listë përfshin ankesat e shpeshta që nuk janë të lidhura me defekte të prodhimit ose të materialeve. Disa veçori të përmendura këtu mund të mos jenë të vlefshme për produktin tuaj.

### Frigoferi nuk punon.

- Spina elektrike nuk është vendosur mirë. >>> Shtyjeni që të jetë e vendosur mirë në prizë.
- Siguresa e lidhur me prizën e produktit ose siguresa kryesore mund të jetë e djegur. >>> Kontrolloni siguresat.

### Kondensim në faqen anësore të ndarjes së ftohësit (pjesa me shumë zona, ftohësi, kontrolli dhe zona fleksibël)

- Mjedisi është shumë i lagësht. >>> Mos e montoni produktin në mjedise me lagështi.
- Ushqimet e lëngshme mbahen në mbajtëse të paizoluara. >>> Mbajini ushqimet e lëngshme në mbajtëse të izoluara.
- Dera e produktit është lënë e hapur. >>> Mos e mbanj derën e frigoferit të hapur për periudha të gjata.
- Temperatura e termostatit është shumë e ulët. >>> Vendoseni termostatit në temperaturën e duhur

### Kompresori nuk punon.

- Në rast se ndërprerjeve të energjisë ose heqjes dhe rivendosjes së spinës, presioni i gazit në sistemin e ftohjes së produktit nuk është i ekuilibruar dhe kjo aktivizon mbrojtjen termik të kompresorit. Produkti do të rifillojë punën pas afro 6 minutash. Nëse produkti nuk rifillon punën pas kësaj periudhe, kontaktoni me servisin.
- Shkrimja është aktive. >>> Kjo është normale për një produkt me shkrimje automatike. Shkrimja kryhet periodikisht.
- Produkti nuk është në prizë. >>> Sigurohuni që kordoni elektrik të jetë në prizë.
- Përcaktimi i temperaturës nuk i gabuar. >>> Zgjidhni përcaktimin e përshtatshëm të temperaturës.
- Nuk ka energji elektrike. >>> Produkti do të vazhdojë të punojë si normalisht pas rikthimit të energjisë

### Zhurra e përdorimit të frigoferit rritet gjatë punës.

- Rendimenti i përdorimit të frigoferit mund të ndryshojë në varësi të ndryshimeve të temperaturës së ambientit. Kjo është normale dhe nuk është një defekt.
- Frigoferi punon shumë shpesh dhe për një kohë të gjatë.
- Produkti i ri mund të jetë më i madh se produkti i mëparshëm. Produktet e mëdha do të punojnë për periudha më të gjata.
- Temperatura e dhomës mund të jetë shumë e lartë. >>> Produkti do të punojë normalisht për periudha më të gjata në temperatura më të larta të dhomës.
- Produkti mund të jetë vënë në prizë së fundi ose mund të jenë vendosur ushqime të tjera në të. >>> Produkti do të kërkojë më shumë kohë për të arritur temperaturën e caktuar kur vendoset në prizë së fundi ose kur vendosen ushqime të reja. Kjo është normale.
- Sasi të mëdha ushqimesh të nxehta mund të jenë vendosur në produkt së fundi. >>> Mos vendosni ushqime të nxehta te produkti.
- Dyert janë hapur shpesh ose janë mbajtur të hapura për periudha të gjata. >>> Ajri i ngrohtë që lëviz brenda do të bëjë që produkti të punojë më gjatë. Mos i hapni shumë shpesh dyert.
- Dera e ngrirësit ose e ftohësit mund të jetë pak e hapur. >>> Kontrolloni që dyert të jenë të mbyllura mirë.
- Produkti mund të jetë vendosur në temperaturë shumë të ulët. >>> Vendoseni temperaturën pak më lart dhe prisni që produkti të arrijë temperaturën e rregulluar.
- Rondelja e derës së ftohësit ose ngrirësit mund të jetë e pistë, e konsumuar, e thyer ose jo në vendin e duhur. >>> Pastroni ose ndërroni rondelen. Rondelet e dëmtuara/të konsumuara të derës do të bëjnë që produkti të punojë për periudha më të gjata për të ruajtur temperaturën aktuale.

### Zgjidhja e problemeve



## Zgjidhja e problemeve

- Temperatura e ndarjes së ngrirësit është vendosur shumë e ulët. >>> Ngrijeni pak temperaturën e ndarjes së ngrirësit dhe kontrollojeni përsëri.
- Temperatura e ftohësit është shumë e ulët, por temperatura e ngrirësit është e përshtatshme.
- Temperatura e ndarjes së ftohësit është vendosur shumë e ulët. >>> Ngrijeni pak temperaturën e ndarjes së ngrirësit dhe kontrollojeni përsëri.
- Ushqimet në raftet e ndarjes së ftohësit janë të ngrira
- Temperatura e ndarjes së ftohësit është vendosur shumë e ulët. >>> Ngrijeni pak temperaturën e ndarjes së ngrirësit dhe kontrollojeni përsëri.
- Temperatura në ftohës ose në ngrirës është shumë e lartë.
- Temperatura e ndarjes së ftohësit është vendosur shumë e lartë. >>> Përcaktimi i temperaturës së ndarjes së ftohësit ka ndikim në temperaturën në ndarjen e ngrirësit. Prisni deri sa temperatura e pjesëve përkatëse të arrijë një nivel të mjaftueshëm duke e ndryshuar temperaturën e ndarjes së ftohësit ose të ngrirësit.
- Dyert janë hapur shpesh ose janë mbajtur të hapura për periudha të gjata. >>> Mos i hapni shumë shpesh dyert.
- Dera mund të jetë pak e hapur. >>> Mbylleni plotësisht derën.
- Produkti mund të jetë vënë në prizë së fundi ose mund të jenë vendosur ushqime të tjera në të. >>> Kjo është normale. Produkti do të kërkojë më shumë kohë për të arritur temperaturën e caktuar kur vendoset në prizë së fundi ose kur vendosen ushqime të reja.
- Sasi të mëdha ushqimesh të nxehta mund të jenë vendosur në produkt së fundi. >>> Mos vendosni ushqime të nxehta te produkti.
- Dyshemeja nuk është në nivel ose e qëndrueshme. >>> Nëse produkti tundet kur e lëvizni ngadalë, rregulloni mbështetëset për ta sjellë produktin në ekuilibër. Sigurohuni po ashtu që dyshemeja të jetë mjaft e fortë për të mbajtur produktin.
- Artikujt e vendosur në produkt mund të shkaktojnë zhurmë. >>> Hiqni artikujt e vendosur në produkt.
- Produkti bën zhurma si rrjedhje lëngjesh, spërkatje, etj.
- Parimet e funksionimit të produktit përfshijnë rrjedhjen e lëngjeve dhe të gazeve. >>> Kjo është normale dhe nuk është një defekt.
- Ka zhurmë sikur fryn erë nga produkti.
- Produkti përdor një ventilator për procesin e ftohjes. Kjo është normale dhe nuk është një defekt.
- Ka kondensim në muret e brendshme të produktit.
- Moti i nxehtë ose i lagësht do të rrisë krijimin e akullit dhe të kondensimit. Kjo është normale dhe nuk është një defekt.
- Dyert janë hapur shpesh ose janë mbajtur të hapura për periudha të gjata. >>> Mos i hapni shumë
- shpesh dyert - nëse është e hapur, mbylleni derën.
- Dera mund të jetë pak e hapur. >>> Mbylleni plotësisht derën.
- Ka kondensim në pjesën e jashtme të produktit ose midis deryeve.
- Moti në ambient mund të ketë lagështi, kjo është normale në një mot të lagësht. >>> Kondensimi
- do të largohet kur të ulet lagështia.
- Pjesa e brendshme ka aromë të keqe.

## Zgjidhja e problemeve

### Dridhje ose zhurmë.

## Zgjidhja e problemeve

- Produkti nuk është pastruar rregullisht. >>> Pastroni pjesën e brendshme rregullisht me një sfungjer, ujë të ngrohtë dhe ujë me sodë.
- Disa mbajtëse dhe materiale paketimi mund të shkaktojnë aroma. >>> Përdorni mbajtëse dhe materiale paketimi pa aroma.
- Ushqimet janë vendosur në mbajtëse të paizoluara. >>> Mbajini ushqimet në mbajtëse të izoluara. Mikroorganizmat mund të përhapen nga ushqimet e paizoluara dhe të shkaktojnë aroma të këqija. Hiqni ushqimet e skaduara ose të prishura nga produkti.

### Dera nuk mbyllet.

- Paketimet e ushqimeve mund të bllokojnë derën. >>> Zhvendosni artikujt që bllokojnë dyert.
- Produkti nuk qëndron drejt vertikalisht në dysheme. >>> Rregulloni mbështetëset për ekuilibrimin e produktit.
- Dyshemeja nuk është në nivel ose e qëndrueshme. >>> Sigurohuni që dyshemeja të jetë në nivel dhe mjaft e fortë për të mbajtur produktin.

### Koshi i perimeve është bllokuar.

- Ushqimet mund të jenë në kontakt me pjesën e sipërme të raftit. >>> Sistemoni përsëri ushqimet në raft.

### Nëse Sipërfaqja E Produktit Është E Nxehtë

- Mund të vërehen temperatura të larta midis dy dyerve, në panelet anësore dhe në grilën e pasme ndërsa produkti është në punë. Kjo është normale dhe nuk kërkon shërbim mirëmbajtjeje! Bëni kujdes kur prekni këto zona.



**KUJDES:** Nëse problemi përsëritet pasi të ndiqni udhëzimet në këtë paragraf, kontaktoni me shitësin ose me një servis të autorizuar. Mos u përpiqni ta riparoni produktin.

Ky produkt është i pajisur me një burim ndriçimi të klasës energjetike "G".

Burimi i ndriçimit në këtë produkt duhet të zëvendësohet vetëm nga riparues profesionistë.

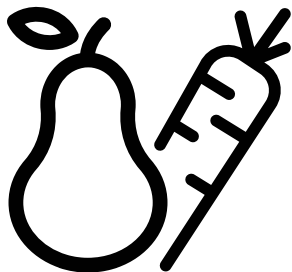
# beko

**Фрижидер**

Упатство за употреба

**Frižider**

Упутства за кориснике



RDNE650E40DZXBRN-RDNE650E40ZXBRN

CE

**MK/SB**

58 5173 0000/AP-4/4 MK-SB



PĀRSTRĀDĀTS UN  
PĀRSTRĀDĀJAMS PĀPIRS

## Почитуван кориснику,

Ве молиме, прочитајте го ова упатство пред да го користите производот.

Ви благодариме што го избравте овој производ. Би сакале добро да Ви користи овој производ, кој е изработен со висок квалитет и според најнова технологија. Затоа внимателно прочитајте го ова упатство за употреба и другите приложени документи пред да го користите фрижидерот и чувајте ги во случај да Ви затребаат.

Следете ги сите информации и придржувајте се за сите предупредувања дадени во ова упатство. Така ќе се заштитите себеси и производот од опасностите што би можеле да настанат.


Чувајте го упатството за употреба. Ако му го дадете фрижидерот на некој друг, дајте му го и ова упатство за употреба.

Во упатството се користат следниве симболи:



Опасност што може да води до смрт или повреда.

**ВНИМАНИЕ** Опасност што може да предизвика материјална штета на производот или во неговата непосредна околина

 Важни информации и корисни совети за користењето на фрижидерот.

 Прочитајте го упатството за употреба.



Ризик од пожар / Запаливи материјали

### INFORMATION



SUPPLIER'S NAME

MODEL IDENTIFIER → (\*)

A

A


.Информациите за моделот се чуваат во базата на податоци и до нив можете да стигнете ако одите на следнава веб-локација и да го побарате идентификаторот на вашиот модел (\*) кој се наоѓа на налепницата за енергија.


<https://eprel.ec.europa.eu/>


<b>1 Упатства за безбедност</b>	<b>3</b>	(FreshGuard) . . . . .	19
 1.1 Цел на употреба . . . . .	3	6.6 Кофа за мраз . . . . .	19
 1.2 Безбедност на деца, ранливи личности и миленици . . . . .	3	6.7 Ледомат . . . . .	20
 1.3 Безбедност во однос на струјата	4	6.8 Корпата за млечни производи“ (за чување на ладно) . . . . .	20
 1.4 Безбедност при ракување . . . . .	4	6.9 Пластична корпа за свежа храна . . . . .	21
 1.5 Безбедност при инсталација . . . . .	4	6.10 Сепаратор на пластичната корпа . . . . .	21
 1.6 Безбедност при работењето . . . . .	6	6.11 Чистење на етиленскиот филтер . . . . .	21
 1.7 Безбедност при оддржување и чистење . . . . .	8	6.12 Чистење на сепараторот на пластичната корпа . . . . .	22
 1.8 HomeWhiz . . . . .	8	6.13 Употреба на автоматската пумпа за вода . . . . .	23
 1.9 Осветлување . . . . .	8	6.14 Полнење на резервоарот на автоматската пумпа за вода . . . . .	23
<b>2 Упатства за животната средина</b>	<b>9</b>	6.15 Чистење на резервоарот за вода . . . . .	23
2.1 Усогласеност со Директивата за отпадна електрична и електронска опрема и фрлање на отпадниот производ: . . . . .	9	6.16 Полнење на резервоарот на автоматската пумпа за вода . . . . .	24
2.2 Усогласеност со Директивата за рестрикција на опасни супстанции (RoHS) . . . . .	9	6.17 Чистење на резервоарот за вода . . . . .	25
2.3 Информации за пакувањето . . . . .	9	6.18 Сад за собирање на капките . . . . .	25
<b>3 Вашиот фрижидер</b>	<b>10</b>	6.19 Замрзнување свежа храна . . . . .	26
<b>4 Инсталирање</b>	<b>11</b>	6.20 Препораки за складирање замрзната храна во комората за замрзнување . . . . .	26
4.1 Соодветно место за инсталирање . . . . .	11	6.21 Детали за длабокото замрзнување	27
4.2 За производи со автоматска пумпа за вода / ледомат . . . . .	11	6.22 Редување на храната . . . . .	27
4.3 Ставање на пластичните клинови . . . . .	11	6.23 Предупредување за отворена врата . . . . .	27
4.4 Израмнување на подножјето . . . . .	12	6.24 Сијаличка за осветлување . . . . .	27
4.5 Електрично поврзување . . . . .	12	<b>7 Одржување и чистење</b>	<b>28</b>
<b>5 Подготовка</b>	<b>13</b>	7.1 Надворешни површини од не’рѓосувачко железо . . . . .	28
5.1 Како да се заштеди енергија . . . . .	13	7.2 Чистење на моделите со стаклени врати . . . . .	29
5.2 Прво користење . . . . .	13	7.3 Спречување на миризби . . . . .	29
<b>6 Како да се користи фрижидерот</b>	<b>14</b>	7.4 Заштита на пластичните површини	29
6.1 Исклучување на фрижидерот . . . . .	14	<b>7 Одржување и чистење</b>	<b>29</b>
<b>6 Како да се користи фрижидерот</b>	<b>15</b>	<b>8 Решавање проблеми</b>	<b>30</b>
6.2 Контролна табла со индикатори . . . . .	15		
6.3 Корпа за свежа храна со контрола на влажноста (EverFresh+) . . . . .	18		
6.4 Сино светло/HarvestFresh (Тазе набрано) . . . . .	18		
6.5 Модул против миризби . . . . .	19		


# 1 Упатства за безбедност


- Во овој дел се дадени упатства за безбедност потребни за спречување на ризик од повреда и материјална штета.
- Нашата компанија нема да преземе одговорност за штетите кои можат да настанат ако не се почитуваат овие упатства.

 Инсталирањето и поправањето секогаш треба да ги прави овластен сервис.

 Секогаш користете оригинални резервни делови и додатоци.

 Оригиналните резервни делови ќе ги имате 10 години по датумот на купување на производот.

 Не поправајте и не заменувајте дел од производот освен ако тоа не е јасно наведено во упатството за употреба.

 Не правете никакви измени на производот.

## 1.1 Цел на употреба

- Производот не е соодветен за комерцијална употреба и не смее да се користи за други цели од наменетата.

Производот не е наменет за користење во интериери, како на пример домаќинства и слично.

На пример:

- во кујните за персоналот во продавници, канцеларии и други работни средини,

- во фарми,  
- во делови од хотели, мотели и други слични објекти кои ги користат клиентите,  
- во хостели или слични средини,  
- за кејтеринг и слични немалопродажни примени.

Овој производ не треба да се користи на отворени или во затворени надворешни средини како што се бродови, балкони или тераси. Изложувањето на производот на дожд, снег, сончева светлина или ветар може да претставува ризик од електричен инцидент.

## 1.2 Безбедност на деца, ранливи личности и миленици

- Овој уред може да го користат деца од 8-годишна возраст и лица со намалени физички, сензорни или ментални капацитети или лица кои немаат искуство и знаење, под услов да имаат надзор или упатства во врска со користењето на уредот безбедно и да ги разбираат вклучените опасности.
- Дозволен е деца на возраст од 3 до 8 години да вадат и ставаат храна од/во производот за разладување.
- Електричните производи се опасни за деца и за миленици. Децата и домашните миленици не смеат да си играат со производот, да се качуваат или да влегуваат во него.
- Чистењето и одржувањето од страна на корисникот не треба да го прават деца освен ако некој не ги надгледува.
- Чувајте ги материјалите од пакувањето настрана од деца. Постои ризик од повреда и од гушење.

# Важни упатства за безбедноста и заштитата на околината

- Пред да ги фрлате старите производи кои нема повеќе да се користат:

1. Извадете го кабелот од главниот извор на струја.
  2. Отстранете го кабелот и тргнете го од уредот заедно со штекерот.
  3. Не вадете ги преградите и фиоките од производот за да не можат децата да влегуваат во уредот.
  4. Отстранете ги вратите.
  5. Складирајте го производот во исправена положба.
  6. Не дозволувајте деца да си играат со стариот производ.
- Кога го фрлате, не уништувајте го производот со горење. Постои ризик од експлозија.
  - Ако има брава на вратата на производот, чувајте го клучот подалеку од дофат на деца.

## 1.3 Безбедност во однос на струјата

- Производот не смее да се вклучува во штекер за време на инсталација, одржување, чистење, поправка и транспортни активности.
- Ако кабелот е оштетен, треба да го замени овластен сервис за да се избегнат можните ризици.
- Не пикајте го кабелот под производот или на задниот дел од производот. Не ставајте тешки предмети на кабелот. Кабелот за напојување не треба да биде свиткан, згмечен и да дојде во контакт со извор на топлина.
- Не користете продолжен кабел, мулти-приклучница или адаптер за производот.
- Мобилните мулти-приклучници или други слични електрични производи можат да се прегреат и да предизвикаат пожар. Затоа, не

користете мулти-приклучница зад или во близина на производот.

- Штекерот треба да е лесно достапен. Ако тоа не е можно, треба да се инсталира механизам кој е во согласност со соодветните закони за струја, а кој ги исклучува сите терминали од главниот извор на струја (осигурувач, прекинувач, главен прекинувач итн.
- Не допирајте го штекерот со мокри раце.
- Кога го исклучувате апаратот, не држете го кабелот, туку штекерот.
- Кога го поставувате уредот, проверете дали кабелот за напојување е заглавен или оштетен.
- Не поставувајте повеќе подвижни приклучоци или преносни уреди за напојување на задниот дел на уредот.

## 1.4 Безбедност при ракување

- Овој производ е тежок, не ракувајте сами со него.
- Не држете го производот за врата додека ракувате со производот.
- При ракување со производот, внимавајте да не го оштетите системот за разладување и цевките. Не работете со производот ако се оштетени цевките и контактирајте овластен сервис.

## 1.5 Безбедност при инсталација

- Контактирајте го овластениот сервис за инсталирање на производот. За да го подготвите производот за инсталирање, погледнете ги информациите во упатството за употреба и проверете дали електричниот и водниот систем се како што треба. Доколку

## Важни упатства за безбедноста и заштитата на околината

инсталацијата не е соодветна, јавете се на квалификуван електричар и водоводџија за да ги направат потребните аранжмани. Во спротивно, може да дојде со струен удар, пожар, проблеми со производот или повреди.

- Пред да го инсталирате, проверете дали производот е оштетен. Не инсталирајте го производот ако е оштетен.
- Ставете го производот на рамна и цврста површина и израмнете го со приспособливи ногалки. Инаку, фрижидерот би можел да се преврти и да предизвика повреда.
- Производот треба да се инсталира во сува и вентилирана средина. Не ставајте килими, черги или слични подни прекривки под поризводот. Тоа може да претставува ризик од пожар поради несоодветна вентилација!
- Не блокирајте или прекривајте ги дупките за вентилација. Инаку, може да се зголеми потрошувачката на струја и да дојде до оштетување на производот.
- Не поврзувајте го производот со системи за електрична енергија, како што се соларните електрични системи. Инаку, може да дојде до оштетување на производот поради нагли волтажни флукуации!
- Колку повеќе агенс за разладување содржи фрижидерот, толку поголем треба да биде просторот во кој е инсталиран. Во многу мали соби, може да се создаде мешавина на гас и на воздух во случај да има истекување на гас во системот за ладење. Волумен од најмалу  $1 \text{ m}^3$  е потребен за секои 8 грама агенс

за разладување. Количината на агенсот за разладување достапен во вашиот производ е наведен во етикетата за видот.

- Местото на кое се инсталира производот не треба да е изложено на директна сончева светлина и не треба да биде во близина на извор на топлина, како што се шпорети, радијатори итн.
- Ако мора да се инсталира производот во близина на извор на светлина, користете соодветна плоча за изолација, а минималното растојание од изворот на топлина треба да биде како што е наведено подолу.
- Најмалку на растојание од 30 сантиметри од извори на топлина како што се шпорети, единици за затоплување и загревање итн.
  - Најмалку на растојание од 5 сантиметри од електрични шпорети.
- Вашиот производ има I класа на заштита. Приклучете го производот во заземјен штекер кој е во согласност со волтажата, електричната струја и фреквенциите наведени во етикетата за видот. Излезот на штекерот е опремен со осигурувач со ранг од 10 A - 16 A. Нашата компанија не одговара за штетите кои настануваат поради ракување со производот без обезбедување на заземјувањето и електричните поврзувања направени според локалните или националните прописи.
  - Електричниот кабел на производот мора да е исклучен за време на инсталирањето. Инаку, постои ризик од струен удар и повреда!
  - Не приклучувајте го производот во разклатени, скршени, валкани, измастени приклучници излезени од



## Важни упатства за безбедноста и заштитата на околината

своите места или приклучници кај кои има ризик да дојдат во допир со вода.

- Ставете ги кабелот и цревата на производот (ако се достапни) така што нема да претставуваат ризик од сопнување.
- Ако навлезе влага во деловите со струја или во кабелот, може да дојде со краток спој. Затоа, не користете го производот во влажни средини или во области каде што може да дојде до прскање на вода (на пример гаража, просторија за перење, итн.) Ако фрижидерот е мокар, извадете го штекерот и контактирајте овластен сервис.
- Не поврзувајте го фрижидерот со уреди за заштеда на струја. Таквите системи се штетни за производот.

### 1.6 Безбедност при работењето

- Не користете хемиски растворувачи на производот. Тие материјали можат да претставуваат ризик од експлозија.
- Во случај да се расипе производот, извадете го штекерот и не работете со него додека не го поправи овластен сервис. Може да дојде до струен удар!
- Не ставајте извор на пламен (на пример свеќи, цигари итн.) на производот или во негова близина.
- Не качувајте се на производот. Постои ризик да паднете и да се повредите!
- Не ги оштетувајте ги цевките на системот за разладување со остри и пенетрирачки предмети. Агенсот за разладување кој прска од дупнатите цевки, спојките на цевки или од горниот слој на површината може да ја иритира кожата и да ги повреди очите.
- Не ставајте и не ракувајте со електрични уреди во фрижидерите/фрижидерите за длабоко

замрзнување освен ако тоа не го препорачува производителот.

- Внимавајте да не фатете дел од рацете или телото во некој од подвижните делови во производот. Внимавајте да не ви се фатат прстите меѓу фрижидерот и вратата. Внимавајте при отворање или затворање на вратата кога има деца во близина.
- Не ставајте сладолед, коцки мраз или замрзната храна со устата веднаш штом ќе ги извадите од фрижидерот за длабоко замрзнување. Има ризик од смрзнатина!
- Не допирајте ги внатрешните сидови, металните делови од фрижидерот или храната која се чува во фрижидерот со мокри раце. Има ризик од смрзнатина!
- Не ставајте лименки газирани сок или лименки и шишиња и течности кои би можеле да се замрзнат во одделот за длабоко замрзнување. Лименките или шишињата можат да експлодираат. Има ризик од повреда и материјална штета!
- Не користете и не ставајте материјали кои се чувствителни на температура, како што се запаливите спрејови, запаливите објекти, сувиот мраз или други хемиски агенси во близина на фрижидерот. Има ризик од пожар и експлозија!
- Не чувајте експлозивни материјали како што се лименки со аеросол со запаливи материјали во производот.
- Не ставајте лименки кои содржат течности врз производот. Прскањето на вода на електричен дел може да претставува ризик од струен удар или пожар.

## Важни упатства за безбедноста и заштитата на околината

- Производот не е наменет за чување и разладување лекови, крвна плазма, лабораториски препарати или слични материјали и производи кои се регулирани со Директивата за медицински производи.
- Ако производот не се користи за тоа што е наменет, тоа може да предизвика штета или да доведе до распаѓање на работите кои се чуваат во него.
- Ако во вашиот фрижидер има сина светлина, не го гледајте ова светло со оптички уреди. Не гледајте директно во УВ ЛЕД-светлото долго време. Ултравиолетовите зраци можат да ги оптоварат очите.
- Не полнете го производот со повеќе храна отколку што собира. Може да дојде до повреда или оштета ако содржината на фрижидерот падне кога ќе се отвори вратата. Слични проблеми може да настанат кога ќе се стави предмет врз производот.
- Проверете дали сте отстраниле мраз или вода кои можеби паднале на подот за да спречите да дојде до повреда.
- Менувајте ги локациите на рафтовите/рафтовите за шишињата само кога тие се празнин. Има опасност од физика повреда!
- Не ставајте предмети кои можат да паднат/да се превртат врз производот. Тие предмети може да паднат додека се отвора или затвора вратата и да предизвикаат повреди и/или материјални штети.
- Не удирајте ги или применувајте преголем притисок на стаклените површини. Скршеното стакло може да предизвика повреди и/или материјална штета.
- Системот за разладување во вашиот производ содржи разладувачки агенс R600a. Видот агенс за разладување кој се користи во производот е наведен на етикетата за видот. Овој гас е запалив. Затоа, при ракување со производот, внимавајте да не го оштетите системот за разладување и цевките.
  - Не допирајте ги производот или кабелот,
  - држете го производот понастрана од потенцијални извори на оган што може да предизвика производот да се запали, просторија за вентилирање кадед што може да се стави производот. Не користете вентилатор.
  - Контакттирајте со овластен сервис.
- Ако производот е оштетен и забележите теќење на гас, ве молиме, држете се настрана од гасот. Гасот може да предизвика смрзнатина ако дојде во контакт со кожата.

# Важни упатства за безбедноста и заштитата на околината

## За производи со сад за вода/ машина за мраз

- Користете само питка вода. Не го полнете резервоарот за вода со течности како овошен сок, млеко, газирани пијалаци или алкохолни пијалаци коишто не се соодветни за употреба во садот за вода.
- Постои ризик по здравјето и безбедноста!
- Не им дозволувајте на децата да играат со садот за вода или машината за мраз (Icematic) за да нема незгоди или повреди.
- Не ги вметнувајте прстите или други предмети во дупката на садот за вода, каналот за вода или садот на машината за мраз. Постои ризик од повреда и материјална штета!

## 1.7 Безбедност при оддржување и чистење

- Не влечете ја рачката на вратата ако го поместувате поризводот за чистење. Рачката може да предизвика повреда ако се тегне премногу силно.
- Не чистете го производот со шприцање или полевање вода врз производот и во производот. Има ризик од струен удар или пожар.
- Не користете остри или абразивни алатки за да го чистите производот. Не користете материјали како што се средства за чистење во домаќинството, детергенти, гас,

бензин, алкохол, восок итн.

- Користете само средства за чистење и за оддржување кои не се штетни за храната.
- Не користете пареа или средства за чистење во облик на пареа за чистење на фрижидерот и за топење на мразот внатре. Пареата навлегува во деловите на фрижидерот со струја и предизвикува краток спој или струен удар!
- Внимавајте водата дад не допре до електронските кола или осветлувањето на производот.
- Користете чиста, сува крпа за да ја избришете прашината или туѓите честички на врвовите на штекерите. Не користете мокра или влажна крпа за да го чистите штекерот. Инаку, постои ризик да настане пожар или да дојде до струен удар.

## 1.8 HomeWhiz

(Може да не се применува кај сите модели)

- Следете ги безбедносните предупредувања дури и кога сте подалеку од производот и ракувате со него со апликацијата HomeWhiz. Исто така, внимавајте на предупредувањата во апликацијата.

## 1.9 Осветлување

(Може да не се применува кај сите модели)

- Контакттирајте со овластен сервис за замена на ЛЕД/сијаличката за осветлување.

### 2.1 Усогласеност со Директивата за отпадна електрична и електронска опрема и фрлање на отпадниот производ:

Овој производ е во согласност со Директивата на ЕУ за отпадна електрична и електронска опрема (2012/19/EU). Овој производ има симбол за класификација за отпадна електрична и електронска опрема (Директивата за отпадна електрична и електронска опрема).



Овој симбол означува дека овој производ не треба да се фрла со другиот домашен отпад на крајот на неговиот работен век. Користениот уред мора да се однесе до официјална

точка за собирање за рециклирање на електрични и електронски уреди. За да ги најдете овие системи за собирање, ве молиме, контактирајте со своите локални власти или со продавачот кај кој сте го купиле производот. Секое домаќинство има важна улога во собирањето и рециклирањето стари уреди. Соодветното фрлање на користениот уред помага да се спречат потенцијалните негативни последици по околината и по човечкото здравје.

### 2.2 Усогласеност со Директивата за рестрикција на опасни супстанции (RoHS)

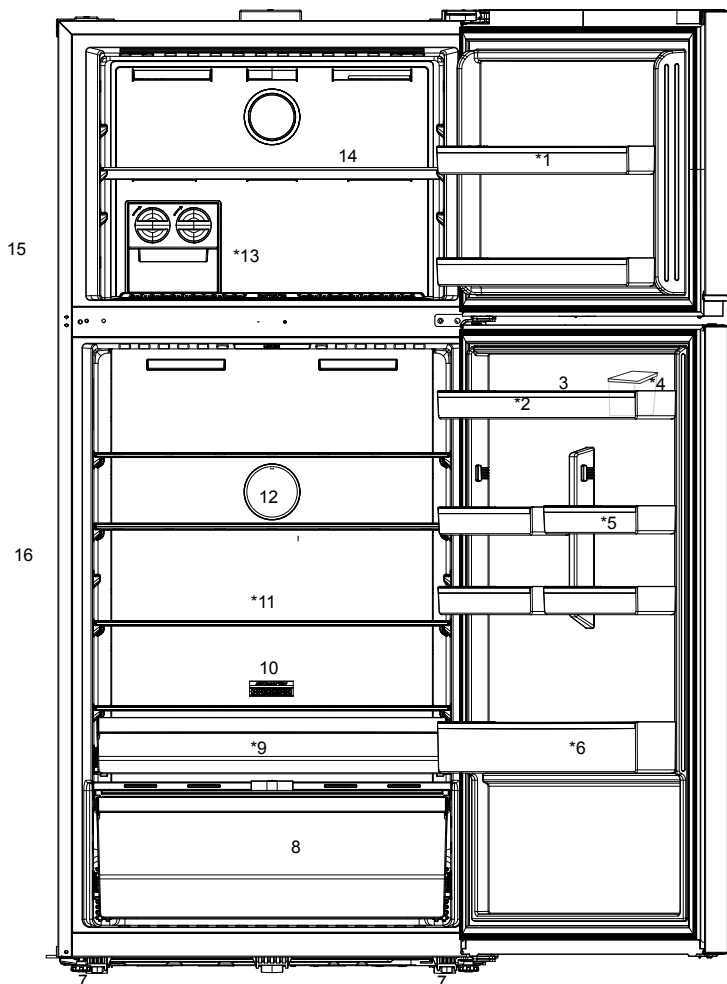
Производот што го купивте е во согласност со Директивата за рестрикција на опасни супстанции (RoHS) на ЕУ (2011/65/EU). Не содржи штетни или забранети материјали наведени во Директивата.

### 2.3 Информации за пакувањето



Материјалите од пакувањето на овој производ се произведени од рециклирачки материјали во согласност со нашите државни регулативи за заштита на животната средина. Не ги фрлајте материјалите од амбалажата заедно со отпадот од домаќинството или со друг отпад. Однесете ги во пунктот за собирање материјали за пакување определени од локалните власти.

### 3 Вашиот фрижидер



- 1- Полици на вратата комора за замрзнување
- 2- Полици на вратата на одделот за ладење
- 3- Преграда за јајца
- 4- Автоматска пумпа за вода
- 5- Полици на малата врата на одделот за ладење
- 6- Преграда за шишиња
- 7- Прилагодливи потпирачи
- 8- Пластична корпа, сепаратор и етиленски филтер
- 9- Корпата за млечни производи“ (за чување на ладно)
- 10-Филтер
- 11-Стаклени полици
- 12-Вентилатор
- 13-Ледомат
- 14- Стаклена полица на комората за замрзнување
- 15- Комора за замрзнување
- 16- Оддел за ладење



\*По избор: Броевите во ова упатство за употреба се шематски и можно е да не одговараат целосно на производот. Ако вашиот производ не ги содржи деловите што се спомнати, информациите се однесуваат на други модели.

#### 4.1 Соодветно место за инсталирање

За да функционира ефикасно, на овој производ му треба соодветна циркулација на воздух. Ако го сместите производот во вдлабнатина во сидот, оставете најмалку 5 сантиметри простор меѓу производот, плафонот и сидовите.

Ако го сместите производот во вдлабнатина во сидот, оставете најмалку 5 сантиметри простор меѓу производот, плафонот и сидовите. Проверете дали заштитната компонента што обезбедува доволно растојание од сидот е на своето место (ако е доставена со производот). Ако нема таква компонента или ако се изгубила или паднала, поставете го фрижидерот на таков начин што ќе има растојание од најмалку 5 сантиметри меѓу фрижидерот и сидот на собата. За да може фрижидерот да работи ефикасно, многу е важно зад него да има празен простор.

#### 4.2 За производи со автоматска пумпа за вода / ледомат

- Треба да се користат цревата што се приложени со производот. Не користете стари црева. Не ги издолжувајте цревата!
- Секогаш поврзувајте го фрижидерот со доводот на ладна вода. Не го поврзувајте со доводот на топла вода. Притисокот на доводот на студена вода треба да биде најмногу 80 PSI (550 kPa). Ако притисокот на водата е поголем од 80 PSI или создава ефект на наплив на вода, на доводниот систем ставете вентил за ограничување на притисокот. Ако не знаете како да го контролирате притисокот на водата, повикајте водоинсталатер. Високиот притисок може да предизвика оштетување на поврзувањата на цревата и да создаде опасност од поплавување.
- Преземете мерки на заштита од смрзнување на цревата. Оперативниот интервал на температурата на водата треба да биде најмалку 0,6°C (33°F) и најмногу 38°C (100°F). Ако цревата е пукнато/дупнато, постои опасност од поплавување.



**ПРЕДУПРЕДУВАЊЕ:** Не користете продолжителни кабли или двојни штекери при поврзувањето во струја.



**ПРЕДУПРЕДУВАЊЕ:** Производителот не презема никаква одговорност за каква било штета предизвикана од работата на неовластени лица.



#### ПРЕДУПРЕДУВАЊЕ:

Електричниот кабел на производот мора да биде изваден од штекер за време на инсталирањето. Ако не го направите тоа, може да дојде до смрт или сериозни повреди!



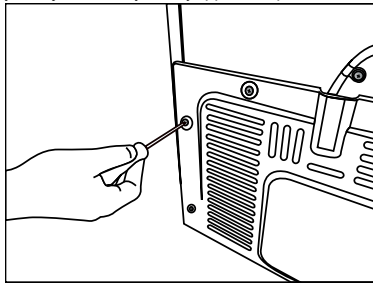
#### ПРЕДУПРЕДУВАЊЕ:

Ако ширината на отворот на вратата е премногу тесен за да помине фрижидерот, извадете ја вратата и свртете го фрижидерот странично; ако и тогаш не успеете да го пренесете, јавете се во овластениот сервис.

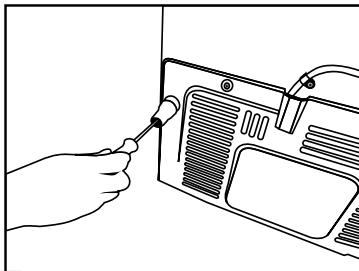
- Ставете го фрижидерот на рамна површина за да нема вибрации.
- Ставете го фрижидерот на растојание од најмалку 30 см од грејач, шпорет и слични извори на топлина и на растојание од најмалку 5 см од електрични рерни.
- Не го изложувајте на директна сончева светлина и не го чувајте во влажни средини.
- На овој производ му треба соодветна циркулација на воздух за да функционира ефикасно. Ако го ставате во вдлабнатина во сидот, оставете растојание од најмалку 5 см меѓу производот и плафонот и сидовите.

#### 4.3 Ставање на пластичните клинови

Ставете ги пластичните клинови приложени со овој производ за да обезбедите доволно простор за циркулација на воздух меѓу фрижидерот и сидот.



1. За да ги ставите клиновите, извадете ги шрафовите на фрижидерот и употребете ги шрафовите што се приложени со клиновите.

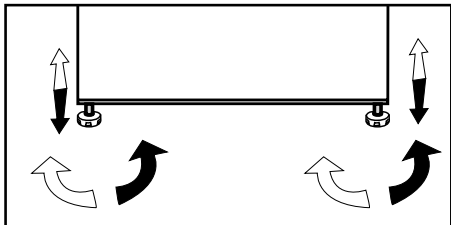


## Инсталирање

2. Ставете 2 пластични клина на поклокапакот за вентилацијата, како што е прикажано на сликата.

### 4.4 Израмнување на подножјето

Ако фрижидерот не е поставен рамно, израмнете ги предните приспособливи држачи вртејќи ги десно или лево.



## 4.5 Електрично поврзување



**ПРЕДУПРЕДУВАЊЕ:** Не користете продолжителни кабли или двојни штекери при поврзувањето во струја.



**ПРЕДУПРЕДУВАЊЕ:** Оштетениот електричен кабел мора да го замени овластениот сервис.

- Нашата фирма не презема одговорност за оштетувањата што ќе настанат ако производот се користи без заземјување и без да биде поврзан на електричната мрежа во согласност со националните регулативи.
- Приклучокот на електричниот кабел мора да биде лесно достапен по инсталирањето.



**Предупредување за врела површина!**  
Во страничните ѕидови на производот има разладни цевки што го подобруваат системот за ладење. Низ овие површини може да минува течност со висок притисок и да ги загрее површините на страничните ѕидови. Ова е нормално и нема потреба од сервисирање. Бидете внимателни кога ги допирате овие површини.



Најнапред прочитајте го делот „Информации за безбедноста“!

### 5.1 Како да се заштеди енергија



Поврзувањето на производот со електронски системи за заштеда на енергија е штетно бидејќи може да доведе до оштетување на производот.

- Како самостоен апарат, овој фрижидер не е наменет за користење како вграден уред.
- Не ги оставајте вратите на фрижидерот отворени долго време.
- Не ставајте жешка храна и жешки пијалаци во фрижидерот.
- Не го преполнувајте фрижидерот; блокирањето на внатрешниот проток на воздух ќе го намали капацитетот на ладење.
- Во зависност од карактеристиките на производот; ако замрзнатата храна се одмрзнува во одделот за ладење, ќе се обезбеди заштеда на енергија и задржување на квалитетот на храната.
- Бидејќи топлиот и влажен воздух нема директно да навлезе во фрижидерот ако не ги отворите вратите, тој ќе работи ефикасно обезбедувајќи максимални услови за заштита на храната. Функциите и компонентите како што се компресорот, вентилаторот, грејачот, одмрзнувањето, осветлувањето, дисплејот итн., ќе работат во согласност според потребите и ќе трошат минимална енергија во дадени услови.
- Храната треба да се чува во фиоките во одделот за ладење за да се обезбеди заштеда на енергија и за да остане во подобра состојба.

### 5.2 Прво користење

Пред да го користите фрижидерот, проверете дали се направени потребните подготовки според упатствата дадени во деловите „Упатства за безбедноста и за заштитата на средината“ и „Инсталирање“.



Најнапред прочитајте го делот „Информации за безбедноста“!

- Оставете фрижидерот да работи 12 часа без храна во него и за тоа време не ја отворајте вратата, освен ако тоа не е крајно неопходно.



Ќе се слуша звук додека работи компресорот. Поради компримираните течности и гасови во системот за ладење, нормално е да се слуша звук дури и кога компресорот не е активен.



Нормално е предните рабови на фрижидерот да бидат топли. Овие површини се загреваат за да се спречи кондензација.



Кај некои модели, контролната табла со индикатори автоматски се исклучува 1 минута откако ќе се затвори вратата. Повторно ќе се активира кога ќе се отвори вратата или ќе се притисне кое било копче.



## **6** **Како да се користи фрижидерот**

- За да го забрзате одмрзнувањето, не користете никакви механички средства или други предмети освен оние што се препорачани од производителот.
- Не користете делови од фрижидерот, како што е вратата или фиоките, како подлога за нешто или како скапило. Така фрижидерот може да падне или неговите компоненти да се оштетат.
- Фрижидерот треба да се користи само за складирање на храна.
- Одвртете го вентилот за вода ако бидете отсутни од дома (на пр., ако одите на годишен одмор) и затоа нема да го користите ледоматот или автоматската пумпа за вода подолго време. Во спротивно може да протече вода.

### **6.1 Исклучување на фрижидерот**

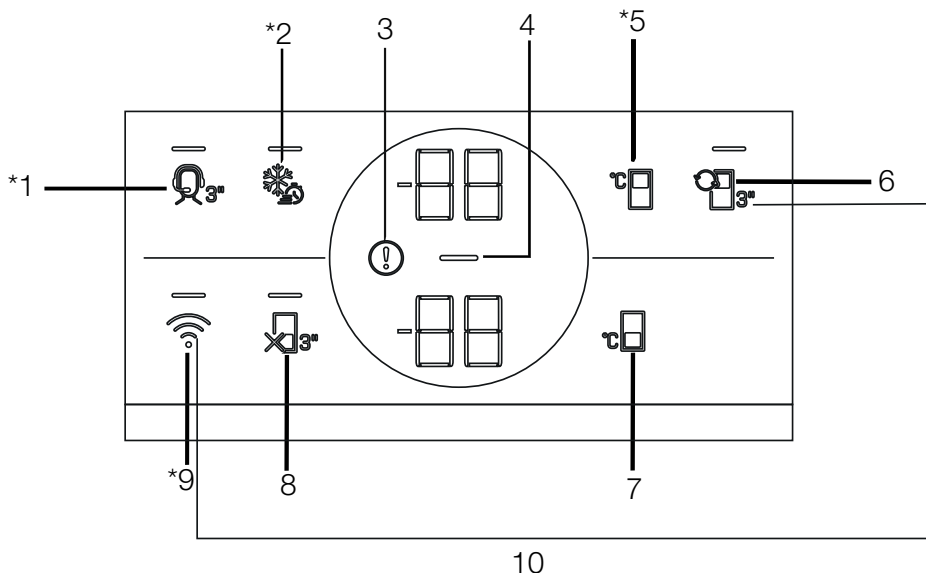
- Ако не го користите фрижидерот подолго време;
  - извадете го приклучокот од штекер,
  - извадете ја храната за да не се создаваат миризби,
  - почекајте мразот да се стопи,
  - исчистете го однатре и почекајте да се исуши,
  - оставете ги вратите отворени за да не се оштети пластиката во внатрешноста на кукиштето.

## 6 Како да се користи фрижидерот

### 6.2 Контролна табла со индикатори

Таблите со индикатори може да се разликуваат во зависност од моделот на производот.

Аудио-визуелите функции на таблата со индикатори помага при користењето на фрижидерот.



- 1- Копче за службата за поддршка
- 2- Копче за брзо замрзнување/Копче за подесување на функцијата за светло на рачката
- 3- Индикатор за дефектна состојба
- 4- Индикатор за заштеда на енергија (исклучен дисплеј)
- 5- Копче за поставување на температурата во комората за замрзнување
- 6- Копче за префрлање на режими
- 7- Копче за поставување на температурата во одделот за ладење
- 8- Копче за функцијата исклучување на одделот за ладење (годишен одмор)
- 9- Копче за безжично поврзување
- 10- Копче за ресетрање на поставките за безжично поврзување

#### 1. Копче за службата за поддршка

Држете го притиснато ова копче 3 секунди за да се активира службата за поддршка. Повеќе информации за службата за поддршка ќе најдете во делот „Служба за поддршка“.

#### 2. Копче за брзо замрзнување

Кога е притиснато копчето за брзо

замрзнување, ЛЕД сијаличката на копчето е осветлена и ќе се активира функцијата за брзо замрзнување. Температурата на комората за замрзнување е поставена на -27 степени Целзиусови. Повторно притиснете го копчето за да ја поништите функцијата. Функцијата за брзо замрзнување ќе биде




\*По избор: Броевите во ова упатство за употреба се шематски и можно е да не одговараат целосно на производот. Ако вашиот производ не ги содржи деловите што се спомнати, информациите се однесуваат на други модели.


## Користење на производот

автоматски поништена по 52 часа. За да замрзнете поголемо количество свежа храна, притиснете го копчето за брзо смрзнување пред да ја ставите храната во комората за замрзнување.

### \*Копче за подесување на функцијата за светло на рачката

Функцијата за светло на рачката може да се префрла меѓу отворен и затворен режим со притискање на копчето за брзо замрзнување (  ) 3 секунди. Во затворен режим, светлото на рачката се вклучува само кога вратата на апаратот ќе се отвори и се исклучува по некое време откако вратата ќе се затвори. Во отворен режим, светлото на рачката се вклучува кога вратата на апаратот ќе се отвори, светлото на рачката останува пригушено некое време откако вратата ќе се затвори. Функцијата за светло на рачката фабрички е поставена на затворен режим.

### 3. Индикатор за дефектна состојба

Овој индикатор (  ) ќе се активира кога фрижидерот не може да постигне соодветно ладење или во случај на некоја грешка со сензорот. На индикаторот за температура на комората за замрзнување ќе се појави “E”, а на индикаторот за температура на одделот за ладење ќе се покажат броевите 1, 2, 3... Овие броеви му посочуваат на овластениот сервис каква грешка настанала. Може да се појави извичник ако ставите топла храна во комората за замрзнување или ако ја оставите вратата отворена подолго време. Тоа не значи дека има дефект, а предупредувањето ќе исчезне кога храната ќе се олади или кога ќе се притисне кое било копче.

### 4. Индикатор за заштеда на енергија (исклучен дисплеј)

Функцијата за заштеда на енергија се активира автоматски и се појавува симболот за заштеда на енергија (  ) ако вратата на фрижидерот не била отворена или затворена извесно време. Кога е активирана функцијата за заштеда на енергија, сите симболи на екранот ќе се исклучат, освен симболот за заштеда на енергија. Кога е активирана функцијата за заштеда на енергија, со притискање на кое било копче или со отворање на вратата ќе се деактивира функцијата за заштеда на енергија и тогаш на дисплејот ќе се вратат вообичаените сигнали. Функцијата за заштеда на енергија е фабрички програмирана и не може да се поништи.

### 5. Копче за поставување на температурата во комората за замрзнување

За одделот за ладење се прават поставки за температурата. Со притискање на ова копче, температурата на комората за замрзнување може да се постави на -15, -16, -18, -19, -20, -22, -24 степени Целзиусови.

### 6. Копче за префрлање на режими

Кога копчето за префрлање на режими се држи притиснато 3 секунди, комората за замрзнување се префрла меѓу режимите за ладилник, исклучено и замрзнувач наизменично. Кога се ракува како со оддел за ладење, температурата на комората може да се постави на 8, 7, 6, 5, 4, 3, 2 и 1 степен Целзиусов. Во случај на режим OFF (исклучено), индикаторот на температурата на одделот ќе покажува “- -”.

### 7. Копче за поставување на температурата во одделот за ладење

Овозможува поставување на температурата на одделот за ладење. Со притискање на ова копче,

## Користење на производот


температурата на одделот за ладење може да се постави на 8, 7, 6, 5, 4, 3, 2 и 1 степен Целзиусов.

### 8. Копче за функцијата исклучување на одделот за ладење (годишен одмор)

Држете го копчето притиснато 3 секунди за да ја активирате функцијата за годишен одмор. Режимот за годишен одмор ќе се активира и ЛЕД сијаличката на копчето ќе биде осветлена. На индикаторот за температурата на одделот за ладење ќе се појави “-” и одделот за ладење нема активно да лади. Кога е активирана оваа функција, не чувајте храна во одделот за ладење. Другите оддели ќе продолжат да ладат според поставените температури. За да ја поништите оваа функција, повторно држете го копчето притиснато 3 секунди.

### 9. Копче за безжично поврзување

Ова копче се користи за безжично поврзување на фрижидерот преку мобилната апликација HomeWhiz. Кога копчето е притиснато подолго време (3 секунди), симболот за безжично поврзување што е прикажан на дисплејот полека трепка (на интервали од 0,5 секунди). На тој начин фрижидерот се поврзува на домашната мрежа.

Откако ќе се постигне безжично поврзување со фрижидерот, симболот за безжично поврзување () постојано ќе свети.

Кога ќе се воспостави поврзувањето, може да ја активирате/деактивирате врската со кратко притискање на копчето. Симболот за безжично поврзување брзо ќе трепка (на интервали од 0,2 секунди) сè додека не се воспостави конекцијата. Кога конекцијата е активна, симболот за

безжично поврзување постојано ќе биде осветлен.


Ако конекцијата не може да се воспостави долго време, проверете ги поставките за конектирање и погледнете го делот „Решавање проблеми“ во ова упатство.


За безжично поврзување треба да се користи апликацијата HomeWhiz. Чекорите за инсталирање ги наведува самата апликација во текот на инсталирањето.

Може да дојдете до оваа апликација читајќи го QR кодот на HomeWhiz етикетата на фрижидерот. Апликацијата е достапна преку App Store за IOS уреди и преку Play Store за Android уреди.

Повеќе информации ќе најдете на <https://www.homewhiz.com/>

### 10. Копче за ресетрање на поставките за безжично поврзување

За ресетирање на поставките за безжично поврзување, истовремено држете ги притиснати 3 секунди копчињата за брзо замрзнување ()

) и за безжично поврзување ()

Сите информации што корисникот ги внел претходно ќе бидат избришани и поставките за безжично поврзување ќе бидат ресетирани/вратени на фабричките вредности.

### 6.3 Корпа за свежа храна со контрола на влажноста (EverFresh+)

#### (По избор)

Благодарение на корпата за свежа храна со контрола на влажноста, овошјето и зеленчукот може да се чуваат подолго време во идеални услови на влажноста. Со ситемот на подесување на влажноста со 3 опции во предниот дел на корпата за свежа храна, можете да го контролирате степенот на влажност во корпата во зависност од храната што ја складираате. Препорачуваме кога ја складираате храната да ја изберете опцијата за зеленчук кога складираате само зеленчук, опцијата за овошје кога складираате само овошје, и комбинираната опција кога складираате мешана храна.

Препорачуваме зеленчукот и овошјето да не ги чувате во кеси бидејќи така ќе се продолжи времето на складирање на храната и ќе имате поголема полза од ситемот за контрола на влажноста. Ако го ставите во пластични кеси, зеленчукот ќе скапе за кратко време. Препорачуваме краставиците и брокулите да не ги складираате во затворени кеси. Во ситуации во кои не се препорачува контакт со други зеленчуци, користете материјали за пакување како хартија што има одредена порозност заради одржување на подобра хигиената.

Кога го ставате зеленчукот, ставете го тешкиот и тврд зеленчук на дното, а лесниот и мек зеленчук горе, имајќи ја предвид специфичната тежина на секој вид зеленчук. Не ставајте овошје кое испушта голема количина на етиленски гас, како што се крушаите, кајсиите, праските и особено јаболката, во истата корпа со друг зеленчук и овошје. Етиленскиот гас што го создаваат овие овоштиија може да предизвика другиот зеленчук и овошје да созрее и да скапе побрзо.

### 6.4 Сино светло/HarvestFresh (Тазе набрано)

#### (По избор)

#### За опцијата Blue light,

Зеленчукот и овошјето складираани во пластични корпи осветлени со сина светлина продолжуваат да вршат фотосинтеза и го задржуваат витаминот С благодарение на ефектот на брановата должина на сината светлина.

#### За опцијата HarvestFresh,

Зеленчукот и овошјето складираани во пластични корпи осветлени со технологијата HarvestFresh ги задржуваат своите витамини (витамини А и С) подолго време благодарение на циклусите на сина, зелена и црвена светлина и темен период, кои го симулираат циклусот на деноноќието.

Ако ја отворите вратата на фрижидерот за време на темниот период на технологијата HarvestFresh, фрижидерот автоматски ќе го регистрира тоа и ќе ја осветли пластичната корпа со сина, зелена или црвена светлина соодветно за да можете да гледате. Темниот период ќе продолжи кога ќе ја затворите вратата на фрижидерот и ќе го претставува ноќниот период од циклусот на деноноќието.

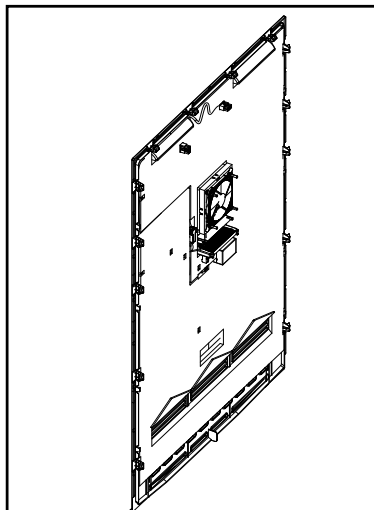
### 6.5 Модул против миризби (FreshGuard)

(Оваа карактеристика е по избор)

Модулот против миризби ја отстранува миризбата што настанува во фрижидерот пред таа да се впије во површините. Благодарение на овој модул, кој е поставен на плафонот на одделот за свежа храна, лошите миризби се отстрануваат додека воздухот активно минува низ филтерот за миризби, а воздухот што бил прочистен во филтерот повторно се враќа во одделот за свежа храна. Така, непожелните миризби што може да се појават додека храната стои во фрижидерот се отстрануваат пред да се впијат во површините.

Оваа карактеристика има вентилатор, ЛЕД светилка и филтер за миризби вграден во модулот. Модулот против миризба би требало автоматски да се активира на одредено време. Ако ја отворите вратата на одделот за свежа храна додека модулот е активен, вентилаторот привремено ќе запре, а ќе продолжи да работи откако вратата ќе се затвори. Во случај на прекин на струја, модулот за отстранување миризби ќе почне да работи кога повторно ќе дојде струја.

**Информација:** За да се спречат лошите миризби што може да настанат со мешање на миризби од различна храна, препорачуваме ароматичните намирници, како што се сирењето, маслинките и деликатесите, да се чуваат во оригиналното пакување и со затворен капак. Заради безбедноста на другите намирници што се складирали и за да се спречат лоши миризби, препорачуваме што е можно побргу да ја извадите од фрижидерот храната почнала да се расипува.



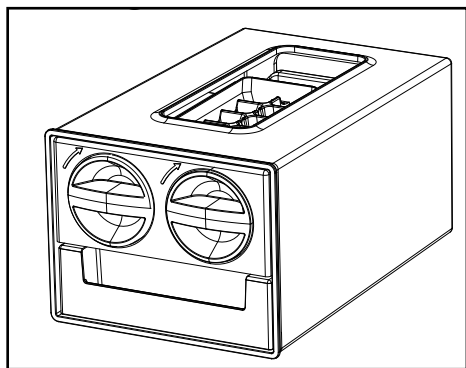
### 6.6 Кофата за мраз

(Оваа карактеристика е по избор)

Со кофата за мраз може лесно да земате мраз од фрижидерот.

**Употреба на кофата за мраз**

1. Земете ја кофата за мраз од комората за замрзнување.
2. Наполнете ја кофата за мраз со вода.
3. Ставете ја кофата за мраз во комората за замрзнување. Мразот ќе биде готов за приближно два часа.
4. Земете ја кофата со мраз од комората за замрзнување и наведнете ја малку над садот за сервирање. Мразот лесно ќе се излее врз садот за сервирање.



### 6.7 Ледомат

**(Оваа карактеристика е по избор)**

Со ледоматот можете лесно да земате мраз од фрижидерот.

Употреба на кофата за мраз

1. Отстранете го резервоарот за вода од одделот за ладење.
2. Наполнете го резервоарот со вода.
3. Вратете го назад резервоарот за вода. Првиот мраз ќе биде готов за отприлика 4 часа во фиоката на ледоматот во комората за замрзнување.



Може да добиете околу 60-70 коцки мраз кога резервоарот за вода е полн.



Водата во резервоарот за вода треба да се менува најмногу на 2-3 седмици.

### 6.8 Корпата за млечни производи“ (за чување на ладно)

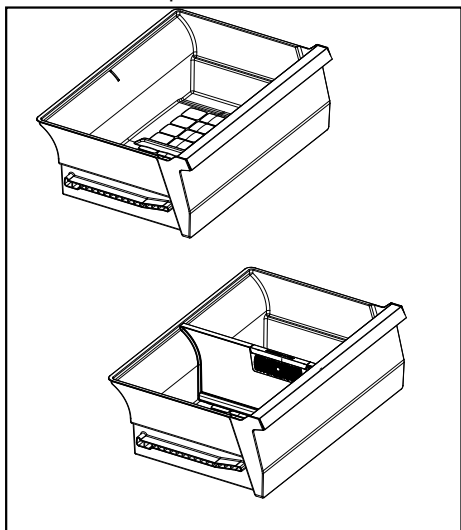
**(Оваа карактеристика е по избор)**

„Преградата за млечни производи“ (ладно чување) обезбедува пониска температура од онаа во фрижидерот. Користете ја оваа преграда за да чувате деликатеси (салами, кобасици, млечни производи итн.) за кои е потребна пониска температура или за ставање производи од месо, пилешко или риба кратко пред да се сервираат. Во оваа преграда немојте да чувате овошје и зеленчук.

## Користење на производот

### 6.9 Пластична корпа за свежа храна

Пластичната корпа е наменета да го одржува зеленчукот свеж на тој начин што ја задржува влажноста. За таа цел, во корпатата за свежа храна циркулирањето на студениот воздух е засилено. Чувајте ги овошјето и зеленчукот во овој оддел. Лиснатиот зеленчук и овошјето чувајте ги одвоено за да траат подолго.



### 6.10 Сепаратор на пластичната корпа

#### Етиленски филтер

Етиленскиот филтер помага да се отстрани етиленскиот гас и лошите миризби што ги испуштаат зеленчукот и овошјето во пластичната корпа.

Со помош на сепараторот, овошјето што создава високи концентрации на етиленски гас, како што се крушите, кајсиите, праските и особено јабоката, може да го ставите во иста пластична корпа со другиот зеленчук и овошје.

Етиленскиот гас што го испуштаат овие овоштиија може да предизвика другиот зеленчук и овошје да созрее и да скапе за пократко време.

Благодарение на сепараторот, може да постигнете свежата храна, особено лиснатиот зеленчук кој е осетлив на

етиленски гас, да остане свежа подолго време.

Може да ја чувате храната подолго време на тој начин што ќе ги ставате намирниците осетливи на етиленски гас во една од преградите одвоени со сепараторот, а намирниците што создаваат етиленски гас ќе ги ставате во друга преграда.

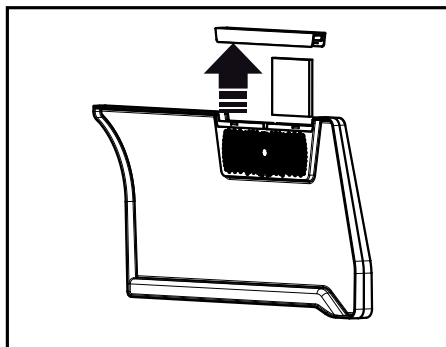
Подолу се наведени намирниците кои создаваат етиленски гас и намирниците кои се осетливи на етиленски гас.

Намирници кои создаваат етиленски гас	Намирници кои се осетливи на етиленски гас
Јаболко, круши, кајсии, праски, нектарини, авокадо, киви, модри сливи, смокви, дуњи, домати	Свеж лиснат зеленчук (како што е марула, магнонос), јагоди, цреши, грозје, портокал, мандарини, ананас, лимон, краставици, брокула, пиперки, модар патлиџан, бамји, тиквички

### 6.11 Чистење на етиленскиот филтер

Етиленскиот филтер треба да се чисти еднаш годишно.

Извадете го етиленскиот филтер повлекувајќи го капакот на филтерот нагоре, како што е прикажано на сликата.





## Користење на производот

Оставете го етиленскиот филтер на сонце еден ден. Така филтерот ќе биде чист.

Вратете го филтерот на место и затворете го горниот капак.

За максимална ефикасност на филтерот и за да се задржат неговите својства, внимавајте да не дојде во допир со масло и слични течности, како и вода и детергенти. Јавете се во сервисот за да го заменат филтерот со нов ако бил во допир со такви материи.

### 6.12 Чистење на сепараторот на пластичната корпа

За да не дојде до блокирање на отворите за чист воздух кои се наоѓаат на сепараторот, редовно бришете го со чиста, сува крпа. Ако сепараторот треба да се измие, секогаш вадете го филтерот од сепараторот.



#### **ПРЕДУПРЕДУВАЊЕ:**

Проверете дали отворите околу филтерот не се блокирани за да може воздухот слободно да циркулира.

## Користење на производот

### 6.13 Употреба на автоматската пумпа за вода

(Оваа карактеристика е по избор)

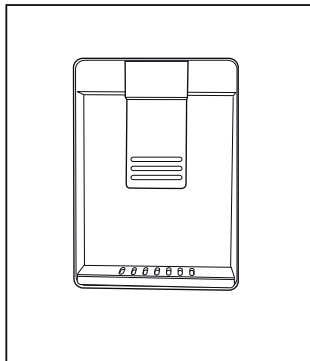


Првите неколку чаши вода од автоматската пумпа обично ќе бидат топли.



Ако автоматската пумпа за вода не се користи долго време, истурете ги првите неколку чаши вода за да почне да тече чиста вода.

1. Со чашата притиснете ја рачката на автоматската пумпа. Ако користите чаша од мека пластика, ќе биде полесно да ја турнете рачката со дланката.
2. Пуштете ја рачката откако во чашата ќе сипете онолку вода колку што сакате.



Количеството вода што ќе истече од пумпата зависи од тоа колку силно ќе притиснете со раката. Намалете го притисокот со раката кога чашата ќе се наполни со доволно вода за да не претече. Ќе капне вода ако малку ја притиснете раката; тоа е нормално и не се работи за дефект.

### 6.14 Полнење на резервоарот на автоматската пумпа за вода

Отворете го капакот на резервоарот, како што е прикажано на сликата. Наполнете чиста вода за пиење. Затворете го капакот.

### 6.15 Чистење на резервоарот за вода

Извадете го резервоарот за вода што е на полицата на вратата.

Откачете го држејќи ги двете страни на полицата.

Држете ги двете страни на резервоарот за вода и извлечете го под агол од 45°.

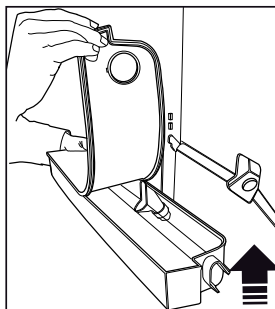
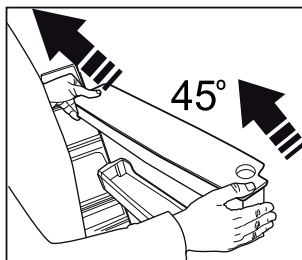
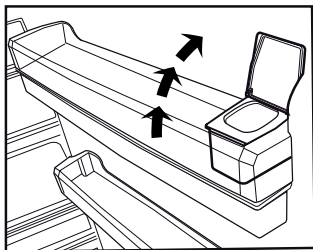
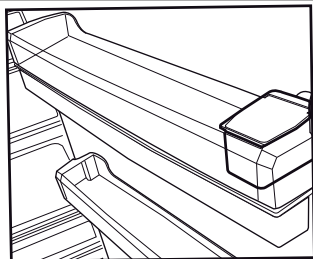
Извадете го и исчистете го капакот на резервоарот.



Не го полнете резервоарот за вода со овошен сок, газирани сокови, алкохолни пијалаци или други течности што не се наменети за користење во автоматската пумпа за вода. Таквите течности ќе доведат до неправилно работење на автоматската пумпа и ќе предизвикаат непоправлива штета. Гаранцијата нема да важи ако ја користите пумпата за вода на ваков начин. Некои хемикалии и додатоци во тие пијалаци/течности може да предизвикаат оштетување на материјалот од кој е направен резервоарот за вода.



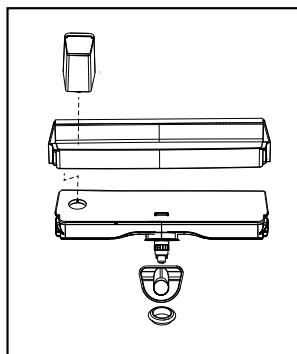
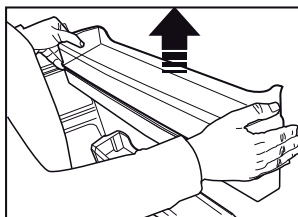
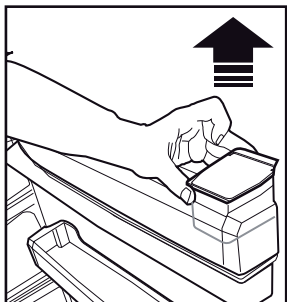
Резервоарот за вода и компонентите на пумпата за вода не смеат да се мијат во машина за садови.



### 6.16 Полнење на резервоарот на автоматската пумпа за вода

Резервоарот за полнење на садот за вода се наоѓа во полицата на вратата.

1. Отворете го капакот на резервоарот.
2. Наполнете го резервоарот со свежа и чиста вода за пиење.



## Користење на производот

3. Затворете го капакот на резервоарот.



Не го полнете резервоарот за вода со овошен сок, газирани сокови, алкохолни пијалаци или други течности што не се наменети за користење во автоматската пумпа за вода. Таквите течности ќе доведат до неправилно работење на автоматската пумпа и ќе предизвикаат непоправлива штета. Гаранцијата нема да важи ако ја користите пумпата за вода на ваков начин. Некои хемикалии и додатоци во тие пијалаци/течности може да предизвикаат оштетување на материјалот од кој е направен резервоарот за вода.



Користете само вода за пиене.



Капацитетот на резервоарот за вода е 3 литри и немојте да го преполнувате.

### 6.17 Чистење на резервоарот за вода

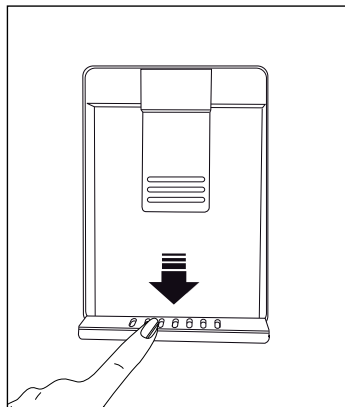
1. Извадете го резервоарот за вода што е на полицата на вратата.
2. Откачете го држејќи ги двете страни на полицата.
3. Држете ги двете страни на резервоарот за вода и извлекете го под агол од 45°.
4. Извадете го и исчистете го капакот на резервоарот.



Резервоарот за вода и компонентите на пумпата за вода не смеат да се мијат во машина за садови.

### 6.18 Сад за собирање на капките

Водата што капе од автоматската пумпа за вода се собира во овој сад. Тргнете го пластичното сито, како што е прикажано на сликата. Избришете ја насобраната вода со сува и чиста крпа.



## Користење на производот

### 6.19 Замрзнување свежа храна

- Активирајте ја функцијата за брзо замрзнување на тој начин што ќе го притиснете копчето «Fast Freeze» (Брзо замрзнување) 24 часа пред да ги ставите намирниците што сакате да ги замрзнете.
- 24 часа откако ќе го притиснете копчето, ставете ја храната на стаклената полица на фрижидерот.
- Функцијата за брзо замрзнување ќе биде автоматски деактивирана по 52 часа.
- Не се обидувајте да замрзнете одеднаш големи количини храна. За 24 часа замрзнувачот може да го замрзне максималното количество храна наведено како «Капацитет на замрзнување ... kg/24 часа» на етикетата за типот на замрзнувачот. Не е добро да се става повеќе незамрзната/свежа храна во замрзнувачот од она што е наведено на етикетата.
- Кога во замрзнувачот ќе ставите незамрзната храна, избегнувајте да дојде во допир со замрзната храна.
- Ако намирниците се замрзнат додека се свежи, ќе се продолжи времето на складирање во комората за замрзнување.
- Спакувајте ја храната во херметички садови добро затворете ја.
- Храната треба да биде спакувана пред да ја ставите во замрзнувачот. Користете држачи за замрзнувач, алуминиумска фолија и хартија која не се влажни, пластични кеси или слични материјали за пакување наместо традиционална хартија за пакување.
- На секое пакување со храна означете го датумот пред да го замрзнете. Така ќе знаете колку е свежо секое пакување секојпат кога ќе го отворите замрзнувачот. Храната што сте ја складираше порано ставајте ја напред за да се користи прва.
- Замрзнатата храна мора да се употреби веднаш по одмрзнување и не треба да се замрзнува повторно.
- Не замрзнувајте одеднаш големи количества храна.

Поставување на температурата во комората за замрзнување	Поставување на температурата во одделот за ладење	Детали:
-18°C	4°C	Ова е стандардната, препорачана поставка.
-20,-22 или -24°C	4°C	Овие поставки се препорачуваат за амбиентални температури над 30°C.
Брзо замрзнување	4°C	Користете го кога сакате да ја замрзнете храната за многу кратко време. Кога ќе заврши процесот, фрижидерот ќе се врати на својата позицијата.
-18°C или постудено	2°C	Користете го овие поставки ако мислите дека одделот за ладење не е доволно студен поради амбиенталната температура или честото отворање на вратата.

### 6.20 Препоракии за складирање замрзната храна во комората за замрзнување

Комората мора да биде ставена на најмалку -18°C.

- Ставете ја храната во замрзнувачот најбрзо што можете за да не се одмрзне во меѓувреме.
- Пред да замрзнете некоја намирница, проверете дали е истечен рокот на траење означен на пакувањето.
- Проверете дали пакувањето е оштетено.

## Користење на производот

### 6.21 Детали за длабокото замрзнување

Според стандардите на IEC 62552, на собна температура од 25°C замрзнувачот мора да има капацитет за замрзнување од 4,5 kg храна на -18°C или пониски температури за 24 часа за секои 100 литри од волуменот на замрзнувачот.

Храната може да се чува подолги периоди само на или под температура од -18°C.

Може да ја чувате храната свежа со месеци (во замрзнувачот на или под температура од -18°C).

Храната што се замрзнува не смее да биде во допир со веќе замрзнатата храна што е внатре за да се избегне делумно одмрзнување.

Обарете го зеленчукот и филтрирајте ја водата за да го продолжите времето на складирање во замрзнувачот. Ставете ја храната во вакумирани пакувања по филтрирањето и ставете ја во фрижидерот. Банани, домати, марула, целер, варени јајца, компири и слична храна не треба да се замрзнува. Ако оваа храна скапе, тоа ќе влијае само врз хранливите вредности и вкусот. Не станува збор за скапување опасно за здравјето на луѓето.

### 6.22 Редување на храната

Полици во комората на замрзнувачот	Некои видови замрзната храна, вклучувајќи месо, риба, сладолед, зеленчук итн.
Полици во комората на замрзнувачот	Храна во тенџериња, затворени садови и затворени пакувања, јајца (во затворени пакувања)
Полици на вратата на одделот за ладење	Мали намирници и пакувани храна и пијалаци
Пластична корпа за свежа храна	Овошје и зеленчук

Оддел за свежа храна

Деликатеси (храна за појадок, месни производи што треба да се конзумираат по кратко време)

### 6.23 Предупредување за отворена врата

Ќе се слушна звучно предупредување ако вратата на фрижидерот остане отворена 1,5 минути. Аудио предупредувањето ќе прекине кога вратата ќе се затвори или кога ќе се притисне некое копче на дисплејот (ако е достапно).

### 6.24 Сијаличка за осветлување

Внатрешното осветлување користи ЛЕД сијалички. Јавете се во овластениот сервис за какви било проблеми со оваа сијаличка. Сијаличката/сијаличките што се користат во овој уред не може да се користат за домашно осветлување. Намената на оваа сијаличка е да му овозможи на корисникот да ја стави храната во фрижидерот/замрзнувачот безбедно и удобно.



Овој производ е опремен со извор на осветлување од енергетската класа „G“. Изворот на осветлување во овој производ треба да го замени само стручен сервисер.



### ПРЕДУПРЕДУВАЊЕ:

Најнапред прочитајте го делот „Информации за безбедноста“!



### ПРЕДУПРЕДУВАЊЕ:

Извадете го приклучокот на фрижидерот од штекер пред да го чистите.

- Не користете остри или абразивни предмети за чистење на фрижидерот. Не користете материјали како што се средства за чистење во домаќинството, сапун, детергенти, гас, бензин, алкохол, восок итн.
- Прашината треба да се чисти од вентилационата решетка на задниот дел на фрижидерот барем еднаш годишно (без да се отвора капакот). Таа треба да се чисти со сува крпа.

### За производви со автоматска пумпа за вода / ледомат

- Ако водата стоела во резервоарот 2-3 седмици, треба да се смени.
- Резервоарот за вода и компонентите на автоматската пумпа за вода не треба да се мијат во машина за садови.
- Измешајте во вода една лажичка карбонат. Натопете едно крпче во водата и исцедете го. Избришете го уредот со крпчето и добро пребришете го со сува крпа.
- Внимавајте водата да не дојде во допир со поклопецот на сијаличката и другите електрични делови.
- Исчистете ја вратата со влажна крпа. Испразнете го фрижидерот за да ја извадите вратата и полиците во фрижидерот. Извадете ги полиците на вратата подигајќи ги нагоре. Исчистете ги и исушете ги полиците, а потоа вратете ги назад лизгајќи ги одозгора.
- Не користете хлорирана вода или средства за чистење на база на хлор врз надворешната површина и хромираните делови на фрижидерот. Хлорот ќе предизвика корозија на тие метални површини.
- Не користете остри и абразивни предмети, сапун, материјали

за чистење во домаќинството, детергенти, гас, бензин, политура и слични супстанции за да не се деформираат пластичните делови и не користете такви средства за отстранување на отпечатоци од прсти. Користете млака вода и мека крпа за чистење, а потоа пребришете со сува крпа.

- Кај фрижидерите што немаат антифрост одлика, на задниот ѕид на комората за замрзнување може да се појават водени капки и мразулци со дебелина на прст. Не ги вадете и не нанесувајте масла или слични материјали.
- Употребете малку навлажнета микрофибер крпа за да ја исчистите надворешната површина на фрижидерот. Сунѓерите и други крпи за чистење може да предизвикаат гребнатини.
- За да ги исчистите сите компоненти што можат да се извадат додека се чисти внатрешната површина на фрижидерот, измијте ги со благ раствор од сапун, вода и карбонат. Исплакнете ги и добро исушете ги. Внимавајте да не дојдат во допир со вода елементите за осветлување и контролната табла.



### ВНИМАНИЕ:

Не користете оцет, алкохол или други средства што содржат алкохол за да ја исчистите било која внатрешна површина.

### 7.1 Надворешни површини од не'рѓосувачко железо

Употребете неабразивно средство за чистење на не'рѓосувачко железо, кое ќе го нанесете на мека крпа што не остава влакненца. На крајот нежно избришете ја површината со мокра микрофибер крпа и исполирајте со сува еленска кожа. Секогаш следете ги линиите на не'рѓосувачкиот челик.

### 7.2 Чистење на моделите со стаклени врати

Извадете ја заштитната фолија од стаклата.

На површината на стаклата има заштитна обвивка. Оваа обвивка го сведува на минимум создавањето дамки и го олеснува чистењето на дамките и нечистотијата. Стаклата кои не се заштитени со обвивка може трајно да се врзат со органски или неоргански, воздушни или водени загадувачи како што се бигор, минерални соли, несогорени јаглевородороди, метални оксиди и силикони, поради што за кратко време ќе настанат дамки и физички оштетувања. Во тој случај ќе биде многу тешко, па дури и невозможно, стаклата да останат чисти иако редовно се бришат. Така ќе се намали просирноста и убавиот изглед на стаклото. За тоа ќе придонесат и тврдите и абразивни методи и средства за чистење, кои го забрзуваат процесот на оштетување на стаклото.

За редовно чистење \*треба да се користат неалкални и некорозивни средства за чистење кои содржат вода.

За да трае подолго оваа заштитна обвивка, при чистењето не треба да се користат алкални и корозивни супстанции.

При изработката на овие стакла применет е процес на калење за да се зголеми нивната отпорност на удари и кршење.

Како дополнителна мерка на претпазливост, на задната површина на овие стакла е нанесен еден заштитен слој за да не ѝ се наштети на околината во случај да се скршат.

### 7.3 Спречување на миризби

Производот е изработен од материјали што не испуштаат миризби. Сепак, ако храната се чува во несоодветни прегради и ако внатрешните површини не се чистат како што треба, може да се појават миризби.

За да не дојде до тоа, на секои 15 дена чистете ја внатрешноста на фрижидерот со карбонизирана вода.

- Чувајте ја храната во херметички затворени садови. Од нехерметички затворената храна може да се рашират микроорганизми и да предизвикаат лоша миризба.
- Не чувајте во фрижидерот храна со поминат рок и расипана храна.



Чајот е едно од најефикасните средства за отстранување миризби. Ставете ја пулпата од процедениот чај во отворен сад во фрижидерот и извадете ја најдоцна по 12 часа. Ако пулпата стои во фрижидерот подолго од 12 часа, на неа ќе се соберат организмите што предизвикуваат миризби, па тогаш и самата пулпа ќе стане извор на миризба.

### 7.4 Заштита на пластичните површини

Маслото што ќе се излее врз пластичните површини може да ја оштети површината и затоа треба веднаш да се исчисти со топла вода.



## 8 Решавање проблеми

Проверете го списокот пред да повикате сервис. Ќе ви заштеди време и пари. Овој список ги опфаќа честите поплаки што не произлегуваат од неправилна работа или употреба на материјали. Одредени спомнати одлики може да не се однесуваат на вашиот производ.

Ако ладилникот не работи.

- Приклучокот за струја не е наместен убаво. >>> Приклучете го убаво да влезе во штекерот.
- Осигурувачот за штекерот што обезбедува струја за производот или главниот осигурувач се прегорени. >>> Проверете ги осигурувачите.

Се јавува кондензација на страничните ѕидови во одделот на ладилникот (ПОВЕКЕНАМЕНСКА ЗОНА, КОНТРОЛА НА ЛАДЕЊЕТО И ФЛЕКСИБИЛНА ЗОНА).

- Средината е многу студена. >>> Не поставувајте го производот во средина каде што температурата се спушта под  $-5^{\circ}\text{C}$ .
- Вратата се отвора многу често >>> Внимавајте да не ја отворате вратата многу често.
- Има многу влага во средината. >>> Не поставувајте го производот во средина со влага.
- Течната храна се чува во садови без капак. >>> Чувајте ја течната храна во затворени садови.
- Вратата на производот е оставена отворена. >>> Не оставајте ја вратата отворена долго.
- Термостатот е поставен на ниска температура. >>> Поставете го термостатот на соодветната температура.

Компресорот не работи.

- Ако снима струја или ако го извлечете приклучокот од штекерот и потоа повторно го приклучите, притисокот на гасот во системот за ладење на производот нема да биде рамномерен што предизвикува вклучување на термичката заштита на компресорот. Производот ќе се рестартира по околу 6 минути. Повикајте сервисер ако производот не се рестартира по овој период.
- Вклучено е одмрзнувањето. >>> Ова е нормално за целосно автоматизиран процес на одмрзнување. Одмрзнувањето се извршува периодично.
- Производот не е вклучен.>>> Проверете дали кабелот за струја е вклучен.
- Поставката за температура не е точна. >>> Изберете соодветна поставка за температурата.
- Нема струја. >>> Производот ќе продолжи да работи кога ќе дојде струја.

Буката од работата на ладилникот се зголемува додека работи.

- Работата на производот може да се разликува во зависност од промените на температурата во средината. Тоа е нормално и не е грешка.

Ладилникот работи многу често или многу долго.

## Решавање проблеми

- Новиот производ веројатно е поголем од претходниот. Поголемите производи работат подолго.
- Температурата во просторијата е висока. >>> Производот нормално ќе работи подолго ако има висока температура во просторијата.
- Производот бил приклучен неодамна или ставена е нова храна. >>> На производот му треба повеќе време да ја достигне поставената температура кога е вклучен неодамна или ако се стави нова храна во него. Тоа е сосема нормално.
- Ставена е поголема количина врела храна во производот. >>> Не ставајте врела храна во ладилникот.
- Вратите се отвораат често или биле оставени отворени подолго. >>> Топлиот воздух влегува внатре и затоа производот работи подолго. Не отворајте ги вратите многу често.
- Вратата на ладилникот или замрзнувачот е оставена подотворена. >>> Проверете дали вратите се убаво затворени.
- Производот е поставен на многу ниска температура. >>> Поставете на повисока температура и почекајте производот да ја достигне прилагодената температура.
- Гумата на врата од ладилникот или замрзнувачот е валкана, изабена, искршена или не е правилно наместена. >>> Исчистете или заменете ја гумата. Оштетената / искината гума на вратата предизвикува долга работа на производот за да ја одржува поставената температура.

Температурата во замрзнувачот е многу ниска додека температурата во ладилникот е задоволителна.

- Температурата во одделот на замрзнувачот е поставена многу ниско. >>> Поставете повисока температура за одделот на замрзнувачот и проверете одново.

Температурата во ладилникот е многу ниска додека температурата во замрзнувачот е задоволителна.

- Температурата во одделот на ладилникот е поставена многу ниско. >>> Поставете повисока температура за одделот на замрзнувачот и проверете одново.

Храната што се чува во ладилникот е замрзната.

- Температурата во одделот на ладилникот е поставена многу ниско. >>> Поставете повисока температура за одделот на замрзнувачот и проверете одново.

Температурата во ладилникот или замрзнувачот е многу висока.

## Решавање проблеми

- Температурата во одделот на ладилникот е поставена многу високо. >>> Поставката за температурата во одделот на ладилникот влијае врз температурата во одделот на замрзнувачот. Почekaјте температурата во соодветниот оддел да го достигне потребното ниво така што ќе ја смените температурата во одделите за ладилникот или замрзнувачот.
- Вратите се отвораат често или биле оставени отворени подолго. >>> Не отворајте ги вратите многу често.
- Вратата е оставена подотворена. >>> Затворете ја вратата убаво.
- Производот бил приклучен неодамна или ставена е нова храна. >>> Ова е нормално. На производот му треба повеќе време да ја достигне поставената температура кога е вклучен неодамна или ако се стави нова храна во него.
- Ставена е поголема количина врела храна во производот. >>> Не ставајте врела храна во ладилникот.

### Тресење или бучава.

- Подот не е рамен или издржлив. >>> Ако производот се тресе кога ќе го помрднете малку, прилагодете ги ногарките за да го порамните. Проверете и дали подот е доволно издржлив да го носи производот.
- Работите ставени врз производот предизвикуваат бучава. >>> Тргнете ги работите што сте ги ставиле врз него.

### Производот испушта звуци на течење, прскање и сл.

- Работните принципи на производот вклучуваат течење на течност и гас. >>> Тоа е нормално и не е грешка.

### Звук на ветер се слуша од производот.

- Производот користи вентилатор во процесот на ладење. Тоа е нормално и не е грешка.

### Има кондензација на внатрешните ѕидови на производот.

- Врела и влажна клима го зголемува создавањето мраз и кондензација. Тоа е нормално и не е грешка.
- Вратите се отвораат често или биле оставени отворени подолго. >>> Не отворајте ги вратите многу често. Ако се отворени, затворете ги.
- Вратата е оставена подотворена. >>> Затворете ја вратата убаво.

### Има кондензација по надворешноста на производот или меѓу вратите.

- Климата во средината е влажна. Ова е нормално за влажна клима. >>> Кондензацијата ќе исчезне кога ќе се намали влагата.

### Внатрешноста мириса лошо.

- Производот не се чисти редовно. >>> Редовно чистете ја внатрешноста со сунѓер и топла вода со сода бикарбона.
- Одредени држачи и материјали за пакување создаваат миризби. >>> Користете држачи и материјали за пакување што не содржат миризби.
- Храната се чува во садови без капак. >>> Чувајте ја храната во затворени садови. Може да се развијат микроорганизми кај храната што не се чува во затворен сад со што се создава лоша миризба. Отстранете ја храната со истечен рок или расипаната храна од производот.

Вратата не се затвора.

- Пакувањето на храната ја блокира вратата. >>> Преместете ги работите што ги блокираат вратите.
- Производот не е поставен во целосно исправена положба на подот. >>> Прилагодете ги ногарките за да го порамните.
- Подот не е рамен или издржлив. >>> Проверете дали подот е рамен и доволно издржлив да го носи производот.

Корпата за зеленчук е преполна.

- Храната се допира до горната секција во фиоката. >>> Разместете ја храната во фиоката.



**ПРЕДУПРЕДУВАЊЕ:** Ако проблемот опстојува и откако сте ги примениле сите упатства во ова поглавје, контактирајте со продавачот или овластен сервис. Не обидувајте се да го поправите апаратот.

Овој производ е опремен со извор на осветлување од енергетската класа „G“. Изворот на осветлување во овој производ треба да го замени само стручен сервисер.

**Poštovani korisnici,**

**Pre upotrebe proizvoda, pročitajte ovaj priručnik.**

Hvala što ste izabrali ovaj proizvod. Želimo da postignete optimalnu efikasnost ovog visokokvalitetnog proizvoda koji je proizveden uz primenu vrhunske tehnologije. Da biste to postigli, pažljivo pročitajte ovaj priručnik i svu drugu dokumentaciju koja je data pre upotrebe proizvoda i sačuvajte istu za naknadnu referencu.

Obratite pažnju na sve informacije i upozorenja u uputstvu za upotrebu. Na taj način ćete zaštititi sebe i svoj proizvod od opasnosti koje mogu nastati.

Sačuvajte uputstvo za upotrebu. Ne odvajajte ovaj vodič od jedinice ako želite da je predate nekom drugom licu.

Sledeći simboli se koriste u uputstvu za korisnike:







 Opasnost koja može za rezultat imati smrt ili ozledu.

**NAPOMENA** Opasnost koja može prouzrokovati materijalnu štetu na proizvodu ili okolini

 Važne informacije i korisni saveti u vezi s radom.

 Pročitajte uputstvo za upotrebu.

 Opasnost od požara / Zapaljivi materijali

 <b>INFORMATION</b>	
 <b>ENERG</b> 	
<b>SUPPLIER'S NAME</b>	<b>MODEL IDENTIFIER (*)</b>
	

.Podaci o modelu sačuvani u bazi podataka o proizvodu mogu se dobiti unosom sledeće internet stranice i pretragom po identifikacionom broju vašeg modela (\*) koji se nalazi na oznaci potrošnje električne energije.


<https://eprel.ec.europa.eu/>


<b>1 Bezbednosna uputstva</b>	<b>3</b>		
 1.1 Namena . . . . .	3	6.7 Aparat za led . . . . .	18
 1.2 Sigurnost dece, ugroženih osoba i kućnih ljubimaca . . . . .	3	6.8 Posuda (u hladnjaku) frižidera . . . . .	18
 1.3 Zaštita od električne energije . . . . .	4	6.9 Odeljak za voće i povrće . . . . .	18
 1.4 Bezbednost pri radu . . . . .	4	6.10 Separator odeljka za voće i povrće . . . . .	19
 1.5 Bezbednost pri ugradnji . . . . .	4	6.11 Čišćenje filtera etilena . . . . .	19
 1.6 Bezbednost pri radu . . . . .	5	6.12 Čišćenje separatora odeljka za voće i povrće . . . . .	19
 1.7 Bezbednost pri održavanju i čišćenju . . . . .	7	6.13 Upotreba dozatora za vodu . . . . .	20
 1.8 HomeWhiz . . . . .	7	6.14 Punjenje rezervoara za točilicu za vodu . . . . .	20
 1.9 Osvetljenje . . . . .	7	6.15 Čišćenje rezervoara za vodu . . . . .	20
<b>2 Uputstva za zaštitu životne sredine</b>	<b>8</b>	6.16 Punjenje rezervoara za točilicu za vodu . . . . .	21
2.1 Usaglašenost sa WEEE direktivom i odlaganje otpada: . . . . .	8	6.17 Čišćenje rezervoara za vodu . . . . .	22
2.2 Usklađenost sa RoHS Direktivom . . . . .	8	6.18 Posuda za kapanje . . . . .	22
2.3 Informacije o pakovanju . . . . .	8	6.19 Zamrzavanje sveže hrane . . . . .	23
<b>3 Vaš frižider</b>	<b>9</b>	6.20 Preporuke za čuvanje smrznute hrane u odeljku za zamrzavanje . . . . .	23
<b>4 Instalacija</b>	<b>10</b>	6.21 Informacije o zamrzivaču za duboko zamrzavanje . . . . .	24
4.1 Pravo mesto za ugradnju . . . . .	10	6.22 Postavljanje hrane . . . . .	24
4.2 Za proizvode s točilicom/ledomatom . . . . .	10	6.23 Upozorenje na otvorena vrata . . . . .	24
4.3 Postavljanje plastičnih klinova . . . . .	10	6.24 Sijalica za osvetljenje . . . . .	24
4.4 Podešavanje nogica . . . . .	11		
4.5 Električni priključak . . . . .	11		
<b>5 Priprema</b>	<b>12</b>	<b>7 Održavanje i čišćenje</b>	<b>25</b>
5.1 Kako se štedi energija . . . . .	12	7.1 Spoljne površine od nerđajućeg čelika . . . . .	25
5.2 Prva upotreba . . . . .	12	7.2 Čišćenje proizvoda sa staklenim vratima . . . . .	25
<b>6 Rukovanje proizvodom</b>	<b>13</b>	<b>7 Održavanje i čišćenje</b>	<b>26</b>
6.1 Isključivanje proizvoda . . . . .	13	7.3 Uklanjanje mirisa . . . . .	26
<b>6 Rad proizvoda</b>	<b>14</b>	7.4 Zaštita plastičnih površina . . . . .	26
6.2 Panel indikatora . . . . .	14	<b>8 Rješavanje problema</b>	<b>27</b>
6.3 Odeljak za voće i povrće sa kontrolom vlažnosti vazduha (EverFresh+) . . . . .	16		
6.4 Plavo svetlo/HarvestFresh . . . . .	16		
6.5 Modul za uklanjanje mirisa (FreshGuard/Čuvanje svežine) . . . . .	17		
6.6 Fioka za led . . . . .	18		


# 1 Bezbednosna uputstva


- Ovaj deo sadrži uputstva o bezbednosti koja su neophodna za sprečavanje rizika od fizičkih povreda i materijalnih šteta.
- Naša kompanija ne snosi odgovornost za štetu koja može nastati ako se ova uputstva ne poštuju

 Postupke instalacije i popravke uvek mora obavljati ovlašćeni servis.

 Uvek koristite isključivo originalne rezervne delove i dodatke.

 Originalni rezervni delovi će biti obezbeđeni za narednih 10 godina od datuma kupovine proizvoda.

 Nemojte popravljati ili menjati nijedan dio proizvoda, osim ako to nije izričito navedeno u uputstvu za upotrebu.

 Ne izvodite nikakve tehničke modifikacije na proizvodu.

## 1.1 Namena

- Ovaj proizvod nije namenjen za komercijalnu upotrebu i ne sme se koristiti van predviđene namene.

Ovaj je proizvod namenjen za rad u zatvorenom prostoru, kao što su domaćinstva ili slično.

Na primer:

- u kuhinjama zaposlenih prodavnica, kancelarija i drugih radnih okruženja,
- u seoskim kućama,
- u jedinicama hotela, motela ili drugih odmarališta koje kupci koriste,
- u hostelima ili sličnim okruženjima,
- u uslugama dostave pripremljene hrane i slične primene koje ne spadaju u maloprodaju.

Ovi proizvodi se ne smeju koristiti u otvorenim ili zatvorenim spoljašnjim okruženjima kao što su plovila, balkoni ili terase. Izlaganje proizvoda kiši, snegu, suncu i vetru će izazvati rizik od požara.

## 1.2 Sigurnost dece, ugroženih osoba i kućnih ljubimaca

- Ovaj uređaj mogu koristiti deca od 8 godina i starija, i osobe sa ograničenim fizičkim, čulnim ili mentalnim sposobnostima, osobe koje nemaju dovoljno znanja ili iskustva ako su pod nadzorom ili su im data uputstva koja se tiču upotrebe uređaja na siguran način proizvoda i opasnosti koje uključuju.
- Deca između 3 i 8 godina smeju stavljati u i vaditi hranu iz hladnijeg proizvoda.
- Električni proizvodi su opasni za decu i kućne ljubimce. Deca i kućni ljubimci ne smeju se igrati, penjati se ili ulaziti u proizvod.
- Deca nikada ne smeju da čiste i održavaju uređaj, sem ako se nalaze pod nadzorom odrasle osobe.
- Materijale za pakovanje držite dalje od dece. Opasnost od ozlede i gušenja.
- Pre odlaganja starih proizvoda koji se više ne smeju koristiti:
  1. Isključite mrežni kabal iz utičnice.
  2. Odrežite kabal za napajanje i izvadite ga iz uređaja zajedno sa utikačem.
  3. Ne uklanjajte stalke i ladice iz proizvoda kako biste sprečili da deca uđu u uređaj.
  4. Uklonite vrata.
  5. Postavite proizvod tako da ne može da se prevrne.
  6. Nemojte dopustiti deci da se igraju sa starim proizvodom.
- Ne odlažite proizvod tako što ćete ga spaljivati. Opasnost od eksplozije.
- Ako je na vratima proizvoda dostupna brava, ključ držite van dohvata dece.

# Važna uputstva o bezbednosti i okolinu

## 1.3 Zaštita od električne energije

- Proizvod ne sme biti uključen u utičnicu tokom ugradnje, održavanja, čišćenja, popravke i transporta.
- Ako je kabal za napajanje oštećen, zameniče ga isključivo ovlašćeni servis kako bi se izbegao bilo kakav rizik koji se može pojaviti.
- Ne stavljajte kabal za napajanje ispod proizvoda ili na zadnju stranu proizvoda. Ne stavljajte teške predmete na kabal za napajanje. Kabil za napajanje ne treba da se savija, prelama i ne sme da dođe u kontakt sa bilo kojim izvorom toplote.
- Za upravljanje proizvodom ne koristite produžni kabal, višestruku priključnicu ili adapter.
- Prenosne višestruke utičnice ili prenosni izvori napajanja mogu se pregrijati i uzrokovati požar. Prema tome, nemojte držati višestruku priključnicu iza ili u blizini proizvoda.
- Utikač mora biti lako dostupan. Ako to nije moguće, na električnoj instalaciji biće dostupan mehanizam koji ispunjava zakone o električnoj energiji i koji isključuje sve priključke iz mreže (osigurač, prekidač, glavni prekidač itd.).
- Ne dodirujte utikač vlažnim rukama!
- Kad isključujete uređaj, ne držite kabal za napajanje, već utikač.
- Pri postavljanju uređaja obezbedite da kabil za napajanje nije zarobljen ili oštećen
- Ne postavljajte više prenosnih utičnica ili prenosnih uređaja za napajanje na zadnjoj strani uređaja.

## 1.4 Bezbednost pri radu

- Ovaj je proizvod težak, nemojte sami sa njim postupati.

- Ne držite proizvod preko njegovih vrata dok rukujete proizvodom.
- Pazite da pri rukovanju s proizvodom ne oštetite rashladni sistem i cevi. Ne koristite proizvod ako su cevi oštećene i obratite se ovlašćenom servisu.

## 1.5 Bezbednost pri ugradnji

- Kontaktirajte ovlašćeni servis za instalaciju proizvoda. Da biste proizvod pripremili za instalaciju, pogledajte informacije u korisničkom priručniku i pobrinite se da su snabdevanje struje i vode u skladu sa zahtevima. Ako instalacija nije odgovarajuća, pozovite električara i vodoinstalatera da bi oni postavili instalacije po potrebi. U protivnom mogu se dogoditi električni udari, požari, problemi s proizvodom ili ozlede.
- Pre instaliranja proverite ima li oštećenja na proizvodu. Nemojte da instalirate uređaj ako je oštećen.
- Postavite proizvod na ravnu i tvrdnu površinu i uravnotežite ga s podesivim nogama. U suprotnom, hladnjak se može prevrnuti i prouzrokovati ozlede.
- Proizvod mora biti instaliran u suvom i provetrenom okruženju. Ne držite tepihe, prostirače ili slične podne zastore ispod proizvoda. To može uzrokovati opasnost od požara zbog neadekvatne ventilacije!
- Ne blokirajte i ne prekrivajte ventilacione otvore. U suprotnom, potrošnja električne energije se može povećati i može doći do oštećenja proizvoda.
- Ne spajajte proizvod na izvore napajanja poput solarnih napajanja. U suprotnom može doći do oštećenja



## Važna uputstva o bezbednosti i okolini

vašeg proizvoda kao rezultat naglih oscilacija napona!

- Što više rashladnog sredstva sadrži hladnjak, veća će mu biti i prostorija za ugradnju. U vrlo malim prostorijama može doći do zapaljive smese plina i vazduha u slučaju curenja plina iz rashladnog sistema. Za svakih 8 grama rashladnog sredstva potrebno je najmanje 1 m<sup>3</sup> zapremine. Količina rashladnog sredstva dostupnog u vašem proizvodu navedena je u tipskoj nalepnici.
- Mesto instalacije proizvoda ne sme biti izloženo direktnim sunčevim zracima i ne sme biti u blizini izvora topline poput peći, radijatora itd.

Ako ne možete izbeći ugradnju proizvoda u blizini izvora toplote, upotrebite odgovarajuću izolacijsku ploču, a minimalna udaljenost do izvora toplote biće kako je navedeno u nastavku.

- Najmanje 30 cm udaljen od izvora toplote kao što su peći, grijalice i grijači itd.,
- I udaljen najmanje 5 cm od električnih peći.
- Vaš proizvod ima klasu zaštite I. Uključite proizvod u uzemljenu utičnicu koja odgovara vrednostima napona, struje i frekvencije navedene na tipskoj nalepnici. Utičnica mora biti opremljena osiguračem jačine 10 A - 16 A. Naša kompanija nije odgovorna za štetu koja nastane kao rezultat rada proizvoda bez osiguravanja uzemljenja i električnih veza izvedenih u skladu s lokalnim ili nacionalnim propisima.
- Kabl za napajanje proizvoda mora da se isključi iz struje tokom instalacije. U suprotnom može doći do opasnosti od električnog udara i ozleda!
- Ne stavljajte proizvod u olabavljene, slomljene, prljave, masne utičnice ili utičnice koje su ispale iz svog ležišta ili utičnice s rizikom od dodira s vodom.

- Postavite kabal za napajanje i kablove (ako su dostupni) proizvoda tako da ne uzrokuju opasnost od saplitanja.
- Prodiranje vlage u delove pod naponom ili na kabal za napajanje može prouzrokovati kratki spoj. Stoga, nemojte koristiti proizvod u vlažnim okruženjima ili na mestima gde može prskati voda (npr. garaža, praonica rublja itd.) Ako je hladnjak vlažan od vode, isključite ga sa napajanja i obratite se ovlašćenom servisu.
- Ne priključujte svoj hladnjak na uređaje za uštedu energije. Ovi sistemi su štetni za proizvod.

### 1.6 Bezbednost pri radu

- Na proizvodu nemojte koristiti hemijske rastvore. Ovi materijali nose opasnost od eksplozije.
- U slučaju kvara proizvoda, isključite ga sa napajanja i nemojte ga stavljati u režim rada dok ga ovlašćeni servis ne popravi. Postoji opasnost od električnog udara!
- Ne stavljajte izvor plamena (npr. sveće, cigarete, itd.) na proizvod ili u njegovoj blizini.
- Ne penjite se na proizvod. Rizik od pada i povreda!
- Nemojte oštetiti cevi rashladnog sistema koristeći oštre i probojne alate. Rashladno sredstvo koje se prska u slučaju probijanja gasovoda, produžetaka cevi ili prevlaka gornje površine može prouzrokovati iritaciju kože i povrede očiju.
- Ne stavljajte i ne upotrebljavajte električne uređaje unutar frižidera/ dubinskog zamrzivača, osim ako to ne preporučuje proizvođač.
- Nemojte gurati bilo koji deo ruke ili tela u bilo koji od pokretnih delova unutar proizvoda. Vodite računa da

## Važna uputstva o bezbednosti i okolinu

- sprečite zaglavljivanje prstiju između frižidera i njegovih vrata. Budite oprezni dok otvarate ili zatvarate vrata ako u blizini ima dece.
- Ne stavljajte sladoled, kockice leda ili smrznutu hranu u usta čim ih izvadite iz zamrzivača. Rizik od promrzlina!
  - Ne dirajte unutrašnje zidove, metalne delove zamrzivača ili hranu čuvanu u frižideru mokrim rukama. Rizik od promrzlina!
  - Ne stavljajte limenke sa sodom ili limenke i boce u kojima se nalazi tečnost koja može biti smrznuta u odeljak za zamrzavanje. Limenke ili boce mogu eksplodirati. Opasnost od ozlede i materijalne štete!
  - Ne koristite i ne stavljajte materijale osetljive na temperaturu kao što su zapaljivi sprejevi, zapaljivi predmeti, suvi led ili druga hemijska sredstva u blizini frižidera. Opasnost od požara i eksplozije!
  - Ne skladištite unutar proizvoda eksplozivne materije poput aerosola u zapaljivim materijalima.
  - Ne stavljajte limenke s tečnošću preko proizvoda. Prskanje vodom električnog dela može prouzrokovati opasnost od strujnog udara ili požara.
  - Ovaj proizvod nije namenjen skladištenju i hlađenju lekova, krvne plazme, laboratorijskih preparata ili sličnih materijala i proizvoda koji podliježu Direktivi o medicinskim proizvodima.
  - Ako se proizvod koristi suprotno predviđenoj nameni, može prouzrokovati oštećenje ili pogoršanje proizvoda koji se drže u unutrašnjosti.
  - Ako je vaš frižider opremljen plavom svetlošću, nemojte gledati ovo svetlo optičkim uređajima. Ne gledajte direktno u UV LED svetlo tokom dugog vremenskog perioda. Ultraljubičasti zraci mogu uzrokovati naprezanje očiju.
  - Ne punitre proizvod onom količinom hrane koja nadmašuje njegov kapacitet. Do povreda ili oštećenja može doći ako sadržaj iz frižidera padne prilikom otvaranja vrata. Slični problemi mogu se pojaviti kada se predmet stavi preko proizvoda.
  - Osigurajte da ste uklonili sav led ili vodu koja je možda pala na pod kako biste sprečili ozlede.
  - Promenite mesto za stalke/stalke za boce na vratima vašeg hladnjaka isključivo kada su stalci prazni. Opasnost od telesne povrede!
  - Ne stavljajte predmete koji mogu pasti/prevrnuti se na proizvod. Ti predmeti mogu pasti tokom otvaranja ili zatvaranja vrata i uzrokovati ozlede i/ili materijalne štete.
  - Ne udarajte i ne vršite preveliki pritisak na staklene površine. Slomljeno staklo može prouzrokovati ozlede i/ili materijalne štete.
  - Sistem za hlađenje u vašem proizvodu sadrži rashladno sredstvo R600a. Vrsta rashladnog sredstva koje se koristi u proizvodu navedena je na tipskoj nalepnici. Ovaj plin je zapaljiv. Stoga, pazite da pri radu proizvoda ne oštetite rashladni sistem i cevi. U slučaju oštećenja cevi;
    - ne dirajte proizvod niti kabal za napajanje,
    - Držite proizvod dalje od potencijalnih izvora vatre koji mogu prouzrokovati da se proizvod zapali.
    - provetrite područje na kojem se proizvod nalazi.Ne koristite ventilator.
  - Obratite se ovlašćenom servisu.
  - Ako je proizvod oštećen i primetite curenje plina, držite se podalje od

# Važna uputstva o bezbednosti i okolinu

plina. Plin može uzrokovati promrzline ako dođe u kontakt s vašom kožom.

## Za proizvode s dozatorom vode/mašinom za led

- Koristite samo pitku vodu. Nemojte puniti rezervoar za vodu nikakvim tečnostima - poput voćnog soka, mleka, gaziranih pića ili alkoholnih pića - koje nisu prikladne za upotrebu u dozatoru vode.
- Postoji rizik za zdravlje i sigurnost!
- Ne dozvolite deci da se igraju s dozatorom vode ili mašinom za led (Icematic) kako bi se sprečile nezgode ili ozlede.
- Ne stavljajte prste ili predmete u otvor dozatora vode, kanal za vodu ili spremnik mašine za led. Postoji opasnost od ozlede ili materijalne štete!

## 1.7 Bezbednost pri održavanju i čišćenju

- Ne povlačite za ručku na vratima ako proizvod pomičete radi čišćenja. Ručka može uzrokovati ozlede ako se povuče previše jako.
- Ne čistite proizvod raspršivanjem ili nalivanjem vode na proizvod i unutar proizvoda. Opasnost od strujnog udara i požara.
- Za čišćenje proizvoda ne koristite oštre ili abrazivne alate. Ne koristite materijale kao što su sredstva za čišćenje u domaćinstvu, deterdženti, plin, benzin, alkohol, vosak itd.
- Unutar proizvoda koristite isključivo sredstva za čišćenje i održavanje koja nisu štetna za hranu.
- Nemojte koristiti paru ili sredstva za čišćenje parom za čišćenje proizvoda i topljenje leda u njemu. Para dolazi u kontakt sa dostupnim područjima u vašem hladnjaku i izaziva kratki spoj ili strujni udar!

- Vodite računa da voda bude udaljena od elektro-kola ili osvetljenja proizvoda.
- Upotrebite čistu suhu krpu za brisanje prašine ili stranih materijala za vrhove utikača. Za čišćenje utikača nemojte koristiti mokri ili vlažni komad tkanine. U suprotnom može doći do opasnosti od požara ili strujnog udara.

## 1.8 HomeWhiz

**(Možda nije dostupno kod svih modela)**

- Sledite sigurnosna upozorenja čak i ako ste udaljeni od proizvoda dok rukujete proizvodom putem HomeWhiz aplikacije. Takođe, obratite pažnju na upozorenja u aplikaciji.

## 1.9 Osvetljenje

**(Možda nije dostupno kod svih modela)**

- Kada hoćete da zamenite LED/sijalicu za osvetljenje, obratite se ovlašćenom servisu.

## 2 Uputstva za zaštitu životne sredine

### 2.1 Usaglašenost sa WEEE direktivom i odlaganje otpada:

Ovaj proizvod je usaglašen sa WEEE direktivom Evropske unije (2012/19/EU). Ovaj proizvod nosi simbol klasifikacije za odlaganje električne i elektronske opreme (WEEE).



Ovaj simbol označava da se ovaj proizvod ne sme odlagati zajedno s ostalim kućnim otpadom na kraju njegovog radnog veka. Iskorišćeni uređaj mora se vratiti u službeno zbirno mesto za

recikliranje električnih i elektronskih uređaja. Da biste pronašli ove sisteme za prikupljanje, obratite se lokalnim vlastima ili prodavcu gde je proizvod kupljen. Svako domaćinstvo igra važnu ulogu u obnavljanju i recikliranju starog aparata. Odgovarajuće odlaganje korišćenog uređaja pomaže u sprečavanju potencijalnih negativnih

posledica po životnu sredinu i zdravlje ljudi.

### 2.2 Usklađenost sa RoHS Direktivom

Proizvod koji ste kupili u saglasnosti je sa RoHS Direktivom Evropske unije (2011/65/EU). On ne sadrži štetne i zabranjene materijale navedene u Direktivi.

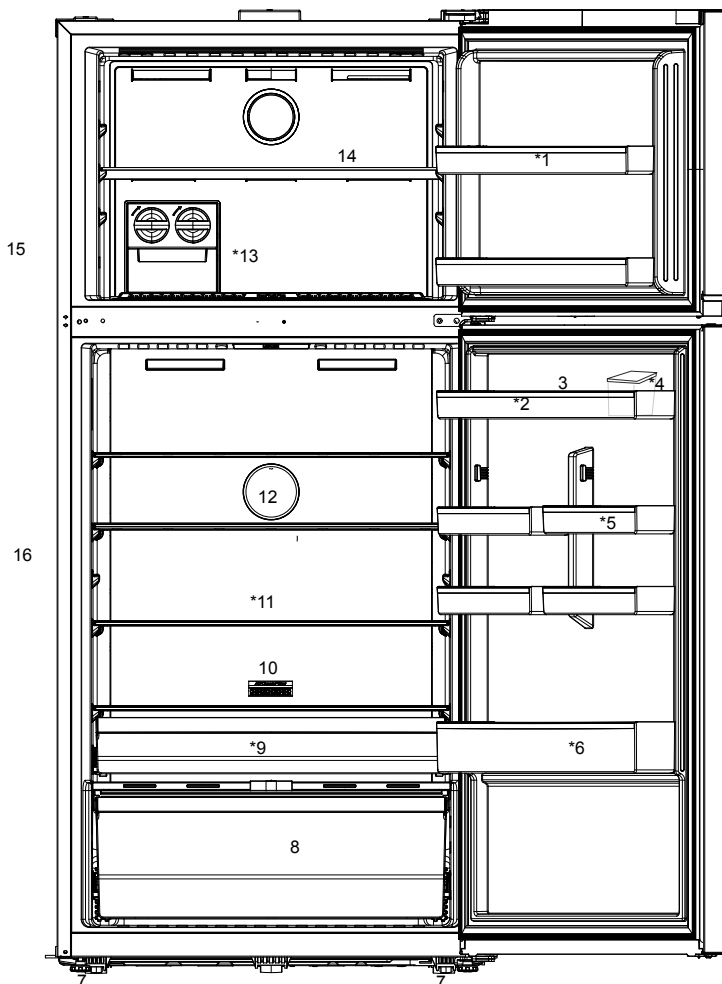
### 2.3 Informacije o pakovanju



Ambalažni materijali ovog proizvoda su napravljeni od materijala koji mogu da se recikliraju u skladu sa nacionalnim propisima o zaštiti životne sredine. Ne

bacajte materijal pakovanja zajedno sa kućnim ili drugim otpadom. Odnosite ih do sabirnih centara za ambalažu koji su određeni od strane lokalnih vlasti.

### 3 Vaš frižider



- |  |  |
|--|--|
| 1- Police na vratima odeljak zamrzivača  | 9- Posuda (u hladnjaku) frižidera        |
| 2- Police na vratima odeljka za hlađenje   | 10- Filter                               |
| 3- Držač za jaja   | 11- Staklene police                      |
| 4- Točilica  | 12- Ventilator                           |
| 5- Male police na vratima odeljka za hlađenje                                    | 13- Icematics                            |
| 6- Polica za boce  | 14- Staklena polica u odeljku zamrzivača |
| 7- Podesiva postolja   | 15- Odeljak zamrzivača                   |
| 8- Odeljak za voće i povrće, Separator odeljka za voće i povrće i filter etilena | 16- Frižider                             |



\* Opcionalno: Slike u ovom uputstvu su šeme i mogu ne odgovarati u celini ka vašem proizvodu. Ako vaš proizvod ne sadrži delove na koje se te slike odnose, informacije se odnose na drugim modelima.

## 4 Instalacija

### 4.1 Pravo mesto za ugradnju

Vaš proizvod zahteva adekvatnu cirkulaciju vazduha da bi efikasno funkcionisao. Ako proizvod postavljate u niši (udubljenju u zidu), vodite računa da razmak između proizvoda i plafona, zida sa zadnje strane i zidova sa bočnih strana bude najmanje 5 cm.

Ako proizvod postavljate u niši (udubljenju u zidu), vodite računa da razmak između proizvoda i plafona, zida sa zadnje strane i zidova sa bočnih strana bude najmanje 5 cm. Proverite da li se zaštitna komponenta za razmak sa zadnje strane nalazi na predviđenom mestu (ako je isporučena uz proizvod). Ako komponenta nije dostupna ili se izgubi ili spadne, postavite proizvod tako da između zadnje strane proizvoda i zidova prostorije bude najmanje 5 cm razmaka. Razmak sa zadnje strane je važan za efikasan rad proizvoda.

### 4.2 Za proizvode s točilicom/ ledomatom

- Treba koristiti kompletne creva isporučenih sa proizvodom. Ne koristite stare kompletne creva. Ne produžujte creva!

- Uvek priključite proizvod na dovod hladne vode. Ne instalirajte na dovodu vruće vode. Pritisak za dovod hladne vode treba da bude najviše 80 psi (5,5 bara). Ako vodeni pritisak premašuje 80 psi (5,5 bara) ili se dešavaju nagla naviranja vode, koristite ventil za ograničavanje pritiska u sistemu za napajanje. Zatražite pomoć od profesionalnih vodoinstalatera ako ne znate kako da kontrolišete pritisak vode.

Visok pritisak može oštetiti priključke creva i predstavlja opasnost od poplave.

- Preduzmite mere opreza protiv rizika od zamrzavanja creva. Temperatura vode radnog intervala treba da bude najmanje 0,6°C (33°F) i najviše 38°C (100°F). Postoji opasnost od poplave ako je crevo puklo/perforirano.



**UPOZORENJE:** Ne povezujte produžni kabl sa jednom ili više utičnica sa priključkom za napajanje.



**UPOZORENJE:** Proizvođač ne preuzima odgovornost za bilo kakvu štetu nastalu usled radova koje su obavile neovlašćene osobe.



**UPOZORENJE:** Strujni kabal proizvoda mora biti van utikača kada instalirate proizvod. Ako to ne učinite, može doći do smrti ili teških povreda!



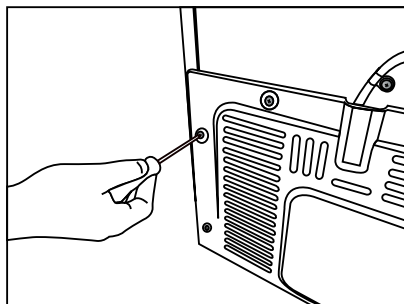
**UPOZORENJE:** Ako je raspon kućnih vrata nedovoljan da se proizvod unese kroz njih, uklonite vrata sa proizvoda i okrenite proizvod na stranu, a ako ni taj način ne odgovara, kontaktirajte ovlašćeni servis.

- Proizvod postavite na ravnu površinu da biste izbegli vibracije.
- Proizvod postavite na udaljenosti od najmanje 30 cm od grejalice, šporeta i sličnih izvora toplote i najmanje 5 cm od električnih retni.
- Proizvod ne izlažite direktnoj sunčevoj svetlosti niti ga držite u vlažnom okruženju.
- Da bi efikasno funkcionisao, proizvod zahteva odgovarajuću cirkulaciju vazduha. Ako proizvod je u senicu, ne zaboravite ostaviti najmanje 5 cm rastojanja između uređaja i plafona i zidova.

### 4.3 Postavljanje plastičnih klinova

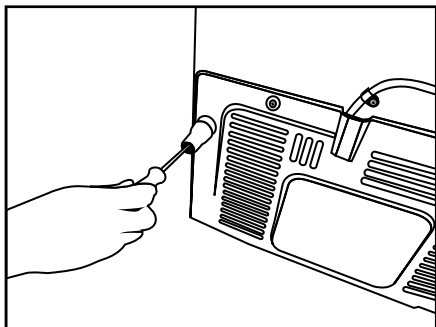
Koristite priložene plastične klinove uz ovaj proizvod da biste obezbedili dovoljno prostora za cirkulaciju vazduha između uređaja i zida.

1. Da biste priključili klinove, uklonite vijke sa proizvoda i upotrebite vijke priložene uz klinove.



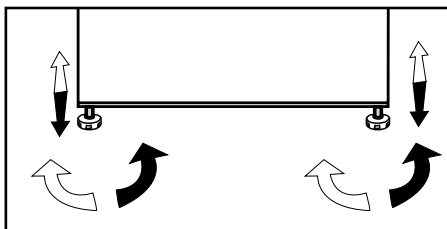
## Instalacija

2. Pričvrstite 2 plastična klina za poklopac ventilatora kao što je prikazano na slici.



## 4.4 Podešavanje nogica

Ako uređaj nije izbalansiran, postavite prednje podesive stope okretanjem udesno ili ulevo.



## 4.5 Električni priključak



**UPOZORENJE:** Ne povezujte produžni kabl sa jednom ili više utičnica sa priključkom za napajanje.



**UPOZORENJE:** Oštećeni kabl za napajanje mora biti zamenjen od strane ovlašćenog servisa.

- Naša kompanija ne preuzima odgovornost za bilo kakvu štetu zbog upotrebe bez uzemljenja i bez priključka u skladu sa nacionalnim propisima.
- Napojni kabl mora biti lako dostupan nakon instalacije.



Upozorenje na vruću površinu!  
Na bočnim zidovima vašeg proizvoda se nalaze cevi rashladnog sredstva koje poboljšavaju rashladni sistem. Vruća tečnost može teći kroz ove površine, uzrokujući toplotu na bočnim zidovima. Ovo je normalno i ne zahteva servisiranje. Budite pažljivi kada dodirujete ove delove.



Prvo pročitajte odeljak „Bezbednosna uputstva“!

### 5.1 Kako se štedi energija



Povezivanje proizvoda na elektronske sisteme za uštedu energije je štetno, jer to može oštetiti proizvod.

- Za samostojeći uređaj; ovaj rashladni uređaj nije namijenjen za upotrebu kao ugradbeni uređaj.
- Ne ostavljati vrata frižidera otvorena duži vremenski period.
- Ne ostavljajte toplu hranu ili pića u frižider.
- Nemojte prepuniti frižider; blokiranje unutrašnjeg protoka vazduha smanjuje kapacitet hlađenja.
- U zavisnosti od karakteristika proizvoda; odmrzavanje smrznute hrane u odeljak frižidera će osigurati uštedu energije i očuvanje kvaliteta hrane.
- Budući da vrući i vlažni vazduh neće direktno prodreti u vaš proizvod dok se vrata ne otvore, vaš proizvod će stvoriti optimalne uslove dovoljne da sačuva vašu hranu. Funkcije i komponente poput kompresora, ventilatora, grejača, odmrzavanja, osvetljenja, ekrana i tako dalje funkcionisaće u skladu s potrebama da se u tim okolnostima potroši minimumalna količina energije.
- Hrana treba da se stavlja na fioke u odeljku frižidera da bi se obezbedila ušteda energije i hrana zaštitila u boljim uslovima.

### 5.2 Prva upotreba

Pre upotrebe frižidera, pobrinite se da su potrebne pripreme napravljene u skladu sa uputstvima u sekcije "Uputstva o sigurnosti i okoliša" i "Instalacija".

- Ostavite proizvod da radi bez unete hrane 12 sati i nemojte otvarati vrata, ukoliko to nije apsolutno neophodno.



Prvo pročitajte odeljak „Bezbednosna uputstva“!



Kada kompresor počinje da radi čuće se zvuk. Zvuk se normalno čuje čak i kada kompresor ne radi zbog komprimovane tečnosti i gasova u sistem hlađenja.



Normalno je da prednje ivice frižidera budu tople. Ovi delovi su dizajnirani da bi se zagrevali kako bi se sprečila kondenzacija.



Kod nekih modela, panel sa indikatorima se isključuje automatski 1 minut nakon što se vrata zatvore. Ona će se ponovo aktivirati kada se otvore vrata ili se pritisne bilo koje dugme.



## 6 Rukovanje proizvodom

- Ne koristite mehanički alat ili bilo koji drugi alat osim onih preporučenih od strane proizvođača s ciljem ubrzavanja postupka odmrzavanja.
- Ne koristite delove frižidera, poput vrata ili fioka, kao potporu ili stepenicu. To može dovesti do prevrtanja proizvoda ili oštećenja njegovih komponenti.
- Proizvod sme da se koristi isključivo za čuvanje hrane i pića.
- Isključite ventil za vodu ako ćete biti daleko od kuće (npr. na odmoru) i nećete dugo koristiti aparat za led ili dozator vode. U suprotnom može doći do curenja vode.

### 6.1 Isključivanje proizvoda

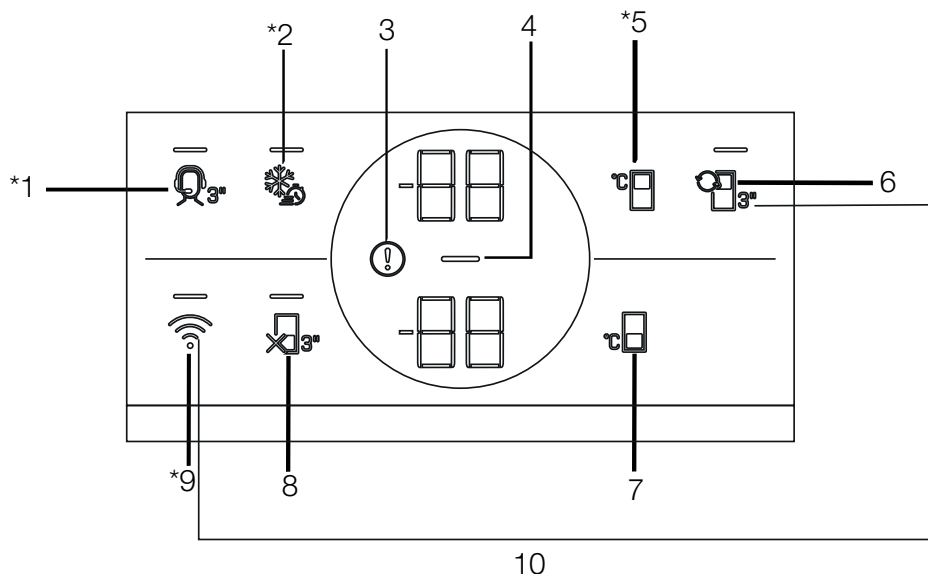
- Ako proizvod nećete koristiti duže vreme;
  - isključite ga s napajanja,
  - uklonite hranu da biste sprečili stvaranje neugodnih mirisa,
  - sačekajte dok se led ne otopi,
  - očistite unutrašnjost i sačekajte dok se ne osuši.
  - vrata ostavite otvorena kako biste sprečili oštećenje plastike unutrašnjeg dela.

## 6 Rad proizvoda

### 6.2 Panel indikatora

Panel indikatora može biti različan kod različitih modela vašeg proizvoda.

Zvučne i vizualne funkcije panela indikatora će vam pomoći kod upotrebe frižidera.



- 1- Taster za korisničku podršku
- 2- Taster za brzo zamrzavanje/Taster za podešavanje funkcije svetla na ručki
- 3- Indikator stanja kvara
- 4- Pokazatelj štednje energije (prikaz isključen)
- 5- Taster za podešavanje temperature u odeljku zamrzivača
- 6- Taster za konverziju odeljka
- 7- Taster za podešavanje temperature rashladnog odeljka
- 8- Funkcijski taster za rashladni odeljak ISKLJUČEN (odmor)
- 9- Taster za bežičnu vezu
- 10- Taster za poništavanje postavki bežične veze

#### 1. Taster za korisničku podršku

Pritisnite ovo dugme 3 sekunde da biste aktivirali korisničku podršku. Detaljne informacije o korisničkoj podršci date su u odeljku „Funkcija korisničke podrške“.

#### 2. Taster za brzo zamrzavanje

Kada se pritisne taster za brzo zamrzavanje, LED


svetlo na tasteru svetli i funkcija brzog zamrzavanja će se aktivirati. Temperatura odeljka zamrzivača postavljena je na -27 Celzijusa. Pritisnite taster ponovo da biste otkazali funkcije. Funkcija brzog zamrzavanja automatski će se otkazati nakon 52 sata. Da biste zamrzili veliku količinu sveže hrane, pritisnite taster brzog zamrzavanja pre stavljanja hrane u zamrzivač.




\* Opcionalno: Slike u ovom uputstvu su šeme i mogu ne odgovarati u celini ka vašem proizvodu. Ako vaš proizvod ne sadrži delove na koje se te slike odnose, informacije se odnose na drugim modelima.

## Upotreba proizvoda

### \*Taster za podešavanje funkcije svetla na ručki

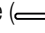
Funkcija svetla na ručki može da se prebaci između otvorenog i zatvorenog režima pritiskom na dugme za brzo zamrzavanje () na 3 sekunde. U zatvorenom režimu, svetlo na ručki se aktivira samo kada se otvore vrata uređaja i gasi se nakon nekog vremena nakon zatvaranja vrata. U otvorenom režimu, svetlo na ručki se aktivira kada se otvore vrata uređaja, svetlo na ručki ostaje uključeno sa slabim intenzitetom nakon nekog vremena nakon zatvaranja vrata. Funkcija svetla na ručki je fabrički podešena na zatvoren režim.

### 3. Indikator stanja kvara

Ovaj indikator () će biti aktivan kada vaš frižider ne bude mogao da adekvatno hladi ili u slučaju greške senzora. „E“ će biti prikazano na indikatoru temperature zamrzivača, a brojeve poput 1, 2, 3 ... na indikatoru temperature odeljka za hlađenje. Ove brojeve pružaju informacije ovlaštenom servisu o grešci koja se dogodila.

Znak uzvika može se prikazati kada unesete toplu hranu u zamrzivač ili držite vrata otvorena duže vrijeme. To nije greška, ovo upozorenje skloniće se kad se hrana ohladi ili kad se pritisne bilo koja tipka.

### 4. Pokazatelj štednje energije (prikaz isključen)

Funkcija uštede energije automatski se omogućava i simbol štednje energije () prikazuje se kada se vrata proizvoda neko vreme ne otvaraju ili ne zatvaraju. Kada se aktivira funkcija štednje energije, svi simboli na ekranu osim simbola štednje energije će se ugasi. Kada je funkcija za štednju energije aktivna, pritiskom na bilo koju tipku ili otvaranje vrata će deaktivirati funkciju za štednju energije i signalni ekrana će se vratiti u normalu. Funkcija štednje energije je fabrički podrazumevano aktivna funkcija i ne može da se otkáže.

### 5. Taster za podešavanje temperature u odeljku zamrzivača

Podešavanje temperature vrši se za odeljak frižidera. Pritiskom na ovaj taster omogućiće se podešavanje temperature u zamrzivaču na -15, -16, -18, -19, -20, -22, -24 Celzijusa.

### 6. Taster za konverziju odeljka

Kad se taster za konverziju odeljka pritisne 3 sekunde, rad odeljak zamrzivača se prebacuje između režima frižidera, isključenja i zamrzivača. Kada se koristi kao odeljak za hlađenje, temperatura odeljka može se podesiti na 8, 7, 6, 5, 4, 3, 2 i 1 Celzijusa. U slučaju režima rada ISKLJUČENO, indikator temperature odeljka prikazuje „-“.

### 7. Taster za podešavanje temperature rashladnog odeljka


Omogućava podešavanje temperature za odeljak frižidera. Pritiskom na ovaj taster omogućiće se podešavanje temperature rashladnog odeljka na 8, 7, 6, 5, 4, 3, 2 i 1 Celzijusa.

### 8. Funkcijski taster za rashladni odeljak ISKLJUČEN (odmor)

Pritisnite taster 3 sekunde da aktivirate režim rada tokom vašeg odmora. Režim rada tokom vašeg odmora aktiviran je i LED svetlo na tasteru je uključeno. Na indikatoru temperature odeljka frižidera prikazat će se „-“, a odeljak frižidera ne hladi aktivno. Ne treba čuvati hranu u odeljku frižidera kada je aktivirana ova funkcija. Ostali odeljci će nastaviti da se hlade u skladu sa podešenom temperaturom. Pritisnite taster ponovo 3 sekunde da biste otkazali ovu funkciju.

### 9. Taster za bežičnu vezu

Ovaj se taster koristi za bežičnu vezu s vašim proizvodom putem mobilne aplikacije HomeWhiz. Kada se taster pritisne duže vreme (3 sekunde), simbol bežične veze na prikazu/ekranu trepće polako (s intervalima od 0,5 sekundi). Vaša kućna mreža na ovakao pokreće na proizvodu.

Kada ostvarite bežičnu vezu s proizvodom, simbol bežične veze () neprekidno svetli.



Kada se uspostavi početna veza, možete je aktivirati/deaktivirati kratkim pritiskom na ovaj taster. Simbol bežične veze će treptati brzo (u intervalima od 0,2 sekunde) dok se veza ne uspostavi. Tokom aktivne veze, simbol bežične mreže će neprekidno da svetli. Ako se veza ne može uspostaviti duže vreme, proverite podešavanje veze i pogledajte odeljak „Rešavanje problema“ u uputstvu za upotrebu.

## Upotreba proizvoda

Za bežičnu vezu koristi se aplikacija HomeWhiz. Koraci za ugradnju opisani su na aplikaciji tokom ugradnje. Aplikaciji možete pristupiti čitajući QR kôd dostupan na nalepnici HomeWhiz na proizvodu. Aplikacija se nudi kroz App Store za IOS uređaje i putem Play Store za Android uređaje.

Posetite <https://www.homewhiz.com/> da biste videli detaljne informacije.

### 10. Taster za poništavanje postavki bežične veze

Da biste resetovali postavke bežične veze, istovremeno pritisnite tastere za brzo zamrzavanje  i bežičnu vezu () tokom 3 sekunde. Sve prethodno zabeležene korisničke informacije uklanjaju se sa proizvoda kada se podešavanja bežične veze resetuju/vraćaju na fabričke vrednosti.

### 6.3 Odeljak za voće i povrće sa kontrolom vlažnosti vazduha (EverFresh+)

#### (Opcionalno)

Zahvaljujući fioci koja kontroliše vlažnost, voće i povrće mogu se duže čuvati u okruženju sa idealnim uslovima vlažnosti vazduha. Pomoću sistema za podešavanje vlažnosti sa 3 opcije ispred fioke za voće i povrće, možete kontrolisati nivo vlažnosti unutra, zavisno od hrane koju skladištite. Preporučujemo vam da hranu čuvate odabirom opcije za čuvanje povrća kada skladištite samo povrće, opcije za pohranu voća kada skladištite samo voće i opcije za mešovitu hranu kada skladištite mešovitu hranu.

Preporučujemo da se povrće i voće ne sme čuvati u vrećama kako bi se poboljšalo vreme skladištenja hrane i kako bi se bolje iskoristili sistem kontrole vlažnosti. Ostavljanje u plastičnim kesama dovodi do toga da povrće brzo istruli. Preporučujemo da se naročito krastavci i brokoli ne čuvaju u zatvorenim kesama. U situacijama kada kontakt sa drugim vrstama povrća nije poželjan, koristite materijal za pakovanje kao što je papri koji ima određeni nivo poroznosti u pogledu higijene. Prilikom postavljanja povrća, teško i tvrdo povrće stavite na dno a meko na vrh, uzimajući u obzir specifične težine povrća.

Na stavljanje voće koje ima visoku proizvodnju etilena, kao što su kruška, kajsija, breskva, a naročito jabuka, u isti odeljak za voće i povrće sa drugim povrćem i voćem. Etilen koji izlazi iz ovog voća može da dovede do bržeg zrenja i truljenja drugog voća i povrća.

### 6.4 Plavo svetlo/HarvestFresh (Opcionalno)

#### Za plavo svetlo,

Povrće i voće stavljeno u odeljke za voće i povrće osvetljeno plavom svetlošću nastavljaju da vrše fotosintezu i zadržavaju nivo vitamina C zahvaljujući efektu talasne dužine plave svetlosti.

#### Za HarvestFresh,

povrće i voće stavljeno u odeljke osvetljene HarvestFresh tehnologijom zadržavaju nivo vitamina (vitamini A i C) duže vremena zahvaljujući ciklusima plavog, zelenog, crvenog svetla i mraka koji simuliraju dnevni ciklus.

Kada se vrata frižidera otvore u periodu mraka HarvestFresh tehnologije, vaš frižider će to automatski identifikovati i za vas osvetliti odeljak s voćem i povrćem s jednom od plave, zelene ili crvene lampice. Tamni period nastaviće se kada zatvorite vrata frižidera tako da predstavljaju noćni period dnevnog ciklusa.

### 6.5 Modul za uklanjanje mirisa

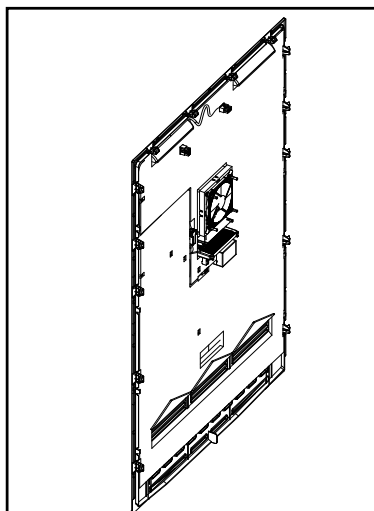
#### (FreshGuard/Čuvanje svežine)

##### (Ova funkcija je opcionalna)

Modul za uklanjanje mirisa uklanja miris koji se pojavi u vašem frižideru pre nego što isti prožme površinu unešenih artikala. Zahvaljujući ovom modulu postavljenom na najgornji deo odeljka za svežu hranu, uklanja se neugodan miris dok se vazduh aktivno propušta kroz filter za mirise, a vazduh očišćen u filteru usmerava nazad u odeljak za svežu hranu. Dakle, neželjeni miris koji se može javiti tokom skladištenja hrane u frižideru uklanja se iz te sredine pre nego što prožme površine.

To se postiže zahvaljujući ventilatoru, LED svetlu i filteru mirisa koji su ugrađeni u modul. Modul za uklanjanje mirisa automatski se periodično aktivira. Ako se vrata odeljka za svežu hranu otvore dok je modul aktivan, ventilator se privremeno zaustavlja i nastavlja raditi kada su vrata zatvorena. U slučaju nestanka struje, modul za dezodoraciju aktiviraće se kad se napajanje opet uspostavi.

**Info:** Da biste sprečili pojavu neugodnih mirisa koji se mogu javiti usled mešavine mirisa različitih namirnica, preporučujemo vam da aromatičnu hranu poput sira, maslina i delikatesnih proizvoda čuvate u njihovoj ambalaži i u posudama sa zatvorenim poklopcima. Za potrebe bezbednosti ostale unešene hrane i radi sprečavanja pojave neugodnih mirisa, preporučujemo vam da hranu za koju ste primetili da je pokvarena uklonite iz frižidera što je pre moguće.



## Upotreba proizvoda

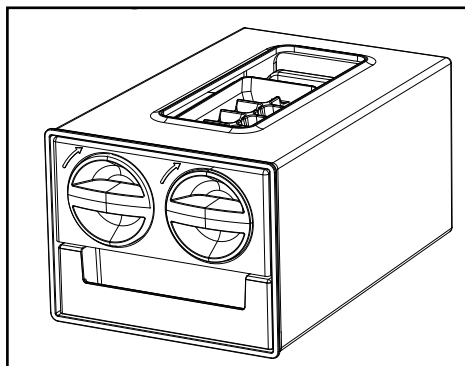
### 6.6 Fioka za led

#### (Ova funkcija je opcionalna)

Fioka za led omogućava vam lako uzimanje leda iz frižidera.

#### Korišćenje fioke za led

1. Izvadite fioku za led iz odeljka zamrzivača.
2. Napunite fioku za led vodom.
3. Vratite fioku za led u odeljak zamrzivača. Led će biti spreman nakon otprilike dva sata.
4. Izvadite fioku za led iz odeljka zamrzivača i lagano je nagnite preko posude u koju ćete servirati led. Led će se lako prebaciti u posudu za serviranje.



### 6.7 Aparat za led

#### (Ova funkcija je opcionalna)

Aparat za led omogućava vam lako uzimanje leda iz frižidera.

Korišćenje fioke za led

1. Izvadite rezervoar za vodu iz odeljka frižidera.
2. Napunite fioku za led rezervoar za vodu.
3. Vratite rezervoar za vodu. Prve kockice leda biće spremne za oko četiri sata u ladici aparata za led u odeljku zamrzivača.



Kad se rezervoar za vodu napuni, možete dobiti oko 60-70 kockica leda.



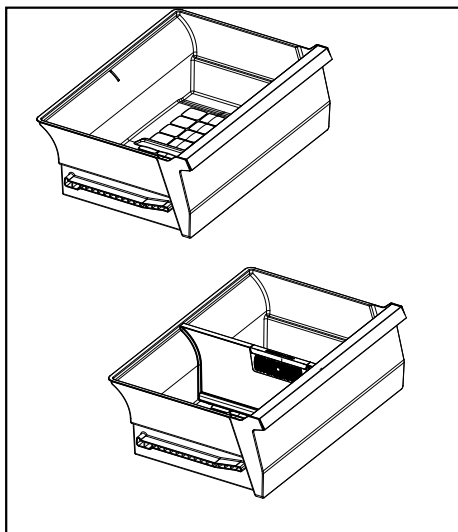
Vodu u rezervoaru za vodu treba zameniti u roku od najviše 2-3 nedelje.

### 6.8 Posuda (u hladnjaku) frižidera

Posuda (u hladnjaku) frižidera“ obezbeđuje nižu temperaturu u odeljku frižidera. Koristite ovu posudu za čuvanje delikatesnih proizvoda (salame, kobasice, mlečni proizvodi i sl.) kojima je potrebna niža temperatura skladištenja, ili proizvode od mesa, piletine ili ribe koje nameravate ubrzo koristiti. Ne skladištite voće i povrće u ovoj posudi.

### 6.9 Odeljak za voće i povrće

Odeljak za voće i povrće frižidera je dizajniran da održi povrće svežim, čuvajući njegovu vlažnost. Zbog toga će se ukupna cirkulacija hladnog vazduha povećati u odeljku za voće i povrće. Držite voća i povrća u tom prostoru. Držite zelenolisnog povrća i voća odvojeno da bi produžili njihovi život.



## Upotreba proizvoda

### 6.10 Separator odeljka za voće i povrće

#### Filter etilena

Filer koji zadržava etilen pomaže u uklanjanju gasa etilena i neugodnih mirisa koji se ispuštaju iz povrća i voća u odeljak za voće i povrće.

Voće poput kruške, kajsije, breskve i posebno jabuke, koje stvara veliku količinu gasa etilena, možete odvojiti od ostalog povrća i voća u istom odeljku za voće i povrće zahvaljujući separatoru povrća.

Etilen koji se oslobađa iz ovog voća može uzrokovati da vaše ostalo povrće i voće brže sazrije i istrune za kraće vreme.

Zahvaljujući ovoj funkciji, svežu hranu, a posebno zeleno povrće osetljivo na gas etilen, možete održavati svežim duže vremena.

Hranu možete čuvati duže vremena stavljajući hranu osetljivu na gas etilen u jedan odeljak odvojen separatorom odeljka za voće i povrće, a hranu koja stvara gas etilen u drugi odeljak.

Hrana koja stvara gas etilen i koja je osetljiva na gas etilen navedena je u nastavku.

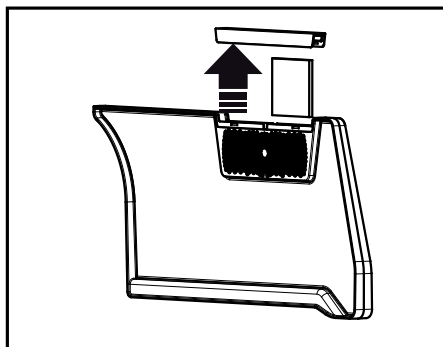
Hrana koja proizvodi gas etilen	Hrana koja je osetljiva na gas etilen
Jabuka, kruška, kajsija, breskva, nektarina, avokado, kivi, šljiva, smokva, dunja, paradajz	Sveže zeleno povrće (kao što su zelena salata, peršun), jagoda, trešnja, grožđe, pomorandža, mandarina, ananas, trešnja, limun, krastavac, brokoli, biber, patlidžan, bamija, tikvice

### 6.11 Čišćenje filtera etilena

Filter etilena se čisti jednom godišnje.

Uklonite filter etilena povlačenjem poklopca filtera prema gore, kao što je prikazano na slici.

Ostavite filter etilena na suncu jedan dan. Tako će vaš filter biti očišćen.



Vratite filter i zatvorite gornji poklopac.

Da biste obezbedili maksimalnu efikasnost filtera i sačuvali njegove performanse, izbegavajte kontakt s uljem i sličnim tečnostima te materijalima poput vode i deterdženata. Obratite se službi da biste zamenili vaš filter novim nakon takvog kontakta.

### 6.12 Čišćenje separatora odeljka za voće i povrće

Da biste sprečili začepljenje otvora kroz koje se dovodi čisti vazduh na separatoru, u određenim intervalima obrišite ga čistom i suvom krpom. Ako se separator mora oprati, uvek uklonite filter iz separatora.



**UPOZORENJE:** Pazite da otvori oko filtera nisu začepljeni kako biste osigurali cirkulaciju vazduha.

## Upotreba proizvoda

### 6.13 Upotreba dozatora za vodu

(Ova funkcija je opcionalna)

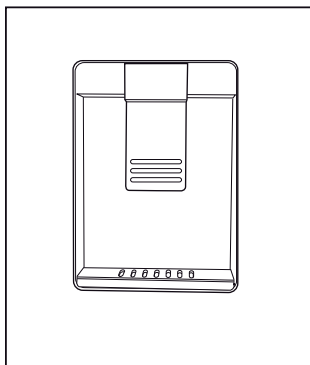


Prvih nekoliko čaša vode uzeti iz česme obično će biti tople.



Ako česma se ne koristi dugo vreme, bacite prvih nekoliko čaša vode da bi dobili čistu vodu.

1. Čašom gurnite ručicu točilice za vodu. Bilo bi lakše gurnuti ručicu rukom ako koristite mekanu plastičnu čašu.
2. Otpustite ručicu nakon što čašu napunite vodom do željenog nivoa.



Količina protoka vode iz točice zavisi od pritiska koji vršite na ručicu. Lagano otpustite pritisak na ručicu kada budete natočili vodu do određenog nivoa u čaši/posudi kako biste sprečili prelivanje. Voda će kapati ako lagano pritisnete ručicu; to je normalno i ne predstavlja kvar.

### 6.14 Punjenje rezervoara za točilicu za vodu

Otvorite poklopac rezervoara za vodu kao što je prikazano na slici. Napunite čiste vode za piće. Zatvorite poklopac.

### 6.15 Čišćenje rezervoara za vodu

Uklonite rezervoar za punjenje vode unutar police vrata.

Odvajite držeći obe strane police na vratima.

Držite obje strane spremnika za vodu i ukloniti ispod 45° kut.

Izvadite i očistite poklopac rezervoara za vodu.

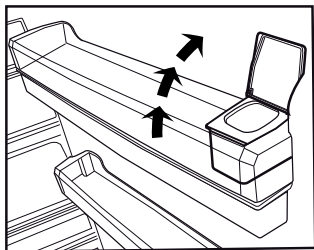
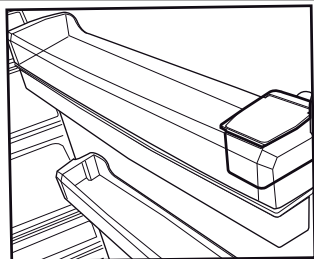


Nemojte u rezervoar puniti vodu s voćnim sokom, gazirana pića, alkoholna pića ili bilo koje druge tečnosti inkompatibilne za upotrebu u točilici. Upotreba takvih tečnosti će uzrokovati kvar i nepopravljivu štetu u česmu. Upotreba česmu na ovaj način nije u okviru garancije. Određene hemikalije i aditivi u takvim napicima / tečnostima mogu prouzrokovati materijalnu štetu na rezervoaru za vodu.



Komponente rezervoara za vodu i česme se ne mogu oprati u mašine za pranje posuđa.

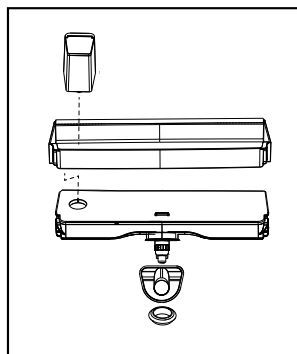
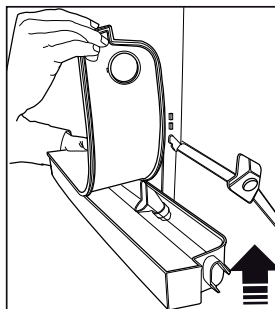
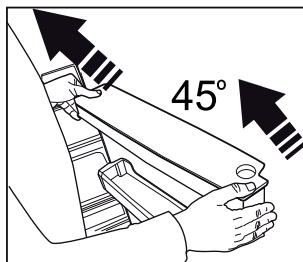
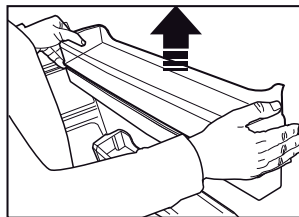
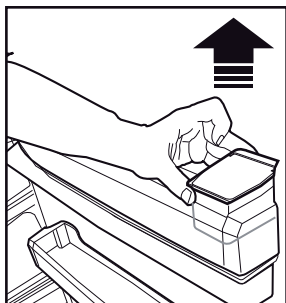




### 6.16 Punjenje rezervoara za točilicu za vodu

Rezervoar za vodu koji se dopunjuje se nalazi na polici na vratima.

1. Otvorite poklopac rezervoara.



## Upotreba proizvoda

2. Napunite rezervoar svežom vodom za piće.
3. Zatvorite poklopac rezervoara.



Nemojte u rezervoar puniti vodu s voćnim sokom, gazirana pića, alkoholna pića ili bilo koje druge tečnosti inkompatibilne za upotrebu u točilici. Upotreba takvih tečnosti će uzrokovati kvar i nepopravljivu štetu u česmu. Upotreba česmu na ovaj način nije u okviru garancije. Određene hemikalije i aditivi u takvim napicima / tečnostima mogu prouzrokovati materijalnu štetu na rezervoaru za vodu.



Koristite samo čistu vodu za piće.



Kapacitet rezervoara za vodu je 3 litra, nemojte ga previše napuniti.

### 6.17 Čišćenje rezervoara za vodu

1. Uklonite rezervoar za punjenje vode unutar police vrata.
2. Odvojite držeći obe strane police na vratima.
3. Držite obje strane spremnika za vodu i ukloniti ispod 45° kut.
4. Sklonite poklopac i očistite rezervoar za vodu.



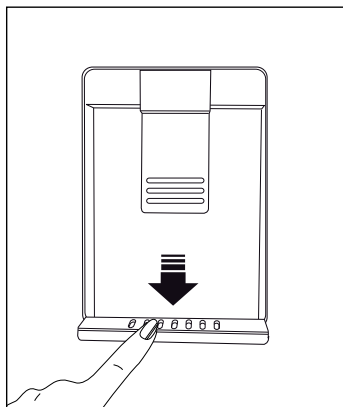
Komponente rezervoara za vodu i česme se ne mogu oprati u mašine za pranje posuđa.

### 6.18 Posuda za kapanje

Voda koja kaplje iz točilice akumulira se u posudi za kapanje.

Uklonite plastično cedilo kako je prikazano na slici.

Obrišite prikupljenu vodu suvom i čistom krpom.



## Upotreba proizvoda

### 6.19 Zamrzavanje sveže hrane

- Aktivirajte funkciju brzog zamrzavanja pritiskom na dugme „Brzo zamrzavanje“ 24 sata pre nego što ubacite hranu koja se zamrzava.
- 24 sata nakon pritiska na tipku, toplu hranu stavite na staklenu policu proizvoda.
- Funkcija brzog zamrzavanja automatski će se deaktivirati nakon 52 sata.
- Ne pokušavajte da zamrznete veliku količinu hrane odjednom. U roku od 24 sata ovaj proizvod može zamrznuti maksimalnu količinu hrane koja je navedena na oznaci tipa „Kapacitet zamrzavanja... kg / 24 sata“. Nije preporučljivo staviti više odmrznute/sveže hrane od količine navedene na nalepnici.
- Kada u proizvod stavljate nezaleđenu hranu, izbegavajte kontakt iste sa smrznutom hranom.
- Zamrzavanje hrane kada je sveža produžice vreme skladištenja u odeljku zamrzivača.
- Hranu zapakujte u hermetički zatvorene pakete i zalepite.
- Pobrinite se da hrana bude zapakovana pre stavljanja u zamrzivač. Koristite posude za zamrzavanje, staniol i vodootporni papir, plastične kese ili sličnu ambalažu umesto tradicionalne papirne ambalaže.
- Pre zamrzavanja označite svaki paket hrane ispisivanjem datuma na pakovanju. To će vam omogućiti da utvrdite svežinu svakog paketa kadgod otvorite zamrzivač. Hranu koju ste ranije stavili prebacite u prednji deo zamrzivača da biste je ranije upotrebili.
- Smrznuta hrana se mora iskoristiti odmah nakon odmrzavanja i ne treba je ponovno zamrzavati.
- Ne zamrzavati velike količine hrane odjednom.

Podešavanje temperature odeljka zamrzivača	Podešavanje temperature odeljka frižidera	Detalji:
-18°C	4°C	Ovo je podrazumevano, preporučeno podešavanje.
-20, -22 ili -24°C	4°C	Ova podešavanja se preporučuju za ambijentalne temperature koje premašuju 30°C.
Brzo zamrzavanje	4°C	Koristite kada želite da zamrznete hranu u kratkom vremenskom periodu. Kada se ovaj proces završi, proizvod će povratiti svoj položaj.
-18°C ili hladniji	2°C	Koristite ova podešavanja ako smatrate da odeljak frižidera nije dovoljno hladan zbog ambijentalne temperature ili čestog otvaranja vrata.

### 6.20 Preporuke za čuvanje smrznute hrane u odeljku za zamrzavanje

Odeljak mora biti postavljen na najmanje -18°C.

1. Stavite hranu u zamrzivač što je moguće pre da bi se izbeglo otapanje.
2. Prije zamrzavanja, proverite "Datum isteka" na paket kako bi bili sigurni da nije istekao.
3. Pobrinite se da pakovanje hrane nije oštećeno.

## Upotreba proizvoda

### 6.21 Informacije o zamrzivaču za duboko zamrzavanje

Prema standardima IEC 62552, na sobnoj temperaturi od 25 °C zamrzivač mora imati sposobnost da zamrzne 4,5 kg prehrambenih artikala na -18°C ili niže temperature u roku od 24 sata na svakih 100 litara zapremine zamrzivača.

Hrana može biti sačuvana na duži period samo na ili ispod temperature od -18°C.

Svežina hrane se može održati mesecima (u zamrzivaču na ili ispod temperature od 18°C).

Hrana koja se zamrzava ne sme da dodiruje već smrznutu hranu da bi se izbeglo parcijalno odmrzavanje.

Povrće treba skuvati i filtrirati vodu da bi se produžilo vreme skladištenja u smrznutom stanju. Nakon filtriranja, hranu zatvorite u hermetičke pakete i odložite u zamrzivač. Banane, paradajz, zelena salata, celer, kuvana jaja, krompir i slične prehrambene artikle ne treba zamrzavati. Ukoliko ova hrana istruli, to će negativno uticati samo na nutritivne vrednosti i kvalitet ishrane. Truljenje neće imati negativan uticaj na zdravlje ljudi.

### 6.22 Postavljanje hrane

Police odeljka zamrzivača	Razne smrznute hrane, uključujući meso, ribu, sladoled, povrće itd.
Police odeljka frižidera	Hrana u loncima, pokrivena tanjirima i u zatvorenim kutijama, jaja (u slučaju da su u zatvorenoj kutiji)
Police na vratima odeljka za hlađenje	Manja i upakovana hrana ili pića
Odeljak za voće i povrće	Voće i povrće
Odeljak za svežu hranu	Delikatesi (hrana za doručak, proizvodi od mesa koji se konzumiraju u kratkom roku)

### 6.23 Upozorenje na otvorena vrata

Ako vrata proizvoda ostaje otvorena za 1,5 minutu čuti će se zvučno upozorenje. Zvučno upozorenje će se zaustaviti kada su vrata zatvorena ili se pritisne bilo koje dugme na ekranu (ako je dostupno).

### 6.24 Sijalica za osvetljenje

Unutrašnje osvetljenje koristi lampe tipa LED. Kontaktirajte ovlašćeni servis u slučaju problema sa ovom lampicom.

Lampica(e) korišćena(e) u ovom uređaju ne mogu da se koriste za kućno osvetljenje. Namena ove lampice je da pomogne korisniku da bezbedno i praktično stavi hranu u frižider/zamrzivač.



Ovaj proizvod je opremljen izvorom osvetljenja energetske klase „G“. Izvor osvetljenja u ovom proizvodu mogu zameniti samo stručni serviseri.

## 7 Održavanje i čišćenje



**UPOZORENJE:** Prvo pročitajte odeljak „Bezbednosna uputstva“!



**UPOZORENJE:** Isključite frižider s napajanja električnom energijom pre čišćenja.

- Za čišćenje proizvoda ne koristite oštre ili abrazivne alate. Ne koristite materijale kao što su sredstva za čišćenje u domaćinstvu, tečnosti za pranje, deterdženti, plin, benzin, alkohol, vosak itd.
- Prašina se uklanja sa ventilacione rešetke na zadnjoj strani proizvoda najmanje jednom godišnje (bez otvaranja poklopca). Čišćenje se vrši suvom krpom.

### Za proizvode sa česmom za vodu/aparatom za led

- Ako voda u rezervoaru stoji 2-3 nedelje, istu treba promeniti.
- Rezervoar za vodu i delovi točilice ne smeju se prati u mašinama za pranje suđa.
- Istopiti kašičicu karbonata u vodi. Navlažite komad tkanine u vodu i iscijediti. Obrišite uređaj s ovom krpom i osušiti temeljito.
- Vodite računa da voda ne dođe do poklopac lampe i drugih električnih delova.
- Vrata očistite vlažnom krpom. Uklonite sav sadržaj da biste uklonili police na vratima i police unutar frižidera. Police na vratima skinite tako što ćete ih povući nagore. Očistite i osušite police, a zatim vratite ih na mesto klizanjem odozgo.
- Nemojte koristiti hlorisanu vodu ili proizvode za čišćenje na vanjskim površinama i na kromom obložene delove proizvoda. Klor će uzrokovati rđe na takve metalne površine.
- Ne koristite oštre i abrazivne alate, tečnost za pranje, sredstva za čišćenje domaćinstva, deterdžente, plin, benzin, lakove i slične materije kako biste sprečili deformacije plastičnog dela i uklanjanje otisaka na nekom delu. Za čišćenje koristite topluvodu i meku krp, a zatim osušite brisanjem.
- Na proizvodima bez funkcije No-Frost na

zadnjem zidu odeljka za zamrzavanje mogu se pojaviti kapljice vode i led do debljine prsta. Ne čistite i nikada ne nanosite ulja ili slične materijale.

- Za čišćenje spoljne površine proizvoda koristite blago navlaženu krp od mikro vlakana. Spužve i druge vrste materijala za čišćenje mogu izazvati ogrebotine.
- Da biste očistili sve uklonjive komponente tokom čišćenja unutrašnje površine proizvoda, operite te komponente blagim rastvorom od deterdženta, vode i karbonata. Operite i temeljno osušite. Sprečite kontakt vode sa komponentama osvetljenja i kontrolnom pločom.



### OPREZ:

Ne koristite sirće, alkohol ili druga sredstva za čišćenje na bazi alkohola na bilo kojoj unutrašnjoj površini.

### 7.1 Spoljne površine od nerđajućeg čelika

Koristite neabrazivno sredstvo za čišćenje površina od nerđajućeg čelika i nanesite ga mekom krpom koja ne ostavlja dlačice. Za poliranje, površinu nežno obrišite krpom od mikro-vlakana namočenom u vodu i koristite suhu jelensku kožu. Uvek to radite niz žlebove od nerđajućeg čelika.

### 7.2 Čišćenje proizvoda sa staklenim vratima

Skinite zaštitnu foliju sa stakala. Postoji premaz na površini stakala. Ovaj premaz svodi stvaranje mrlja na minimum i omogućava lako čišćenje nastalih mrlja i prljavštine. Staklene površine koje nisu zaštićene zaštitnim slojem mogu biti izložene trajnom vezivanju organskih ili neorganskih prljavština, zagađivača vazduha ili vode kao što su kamenac, mineralne soli, neizgoreni ugljovodonici, metalni oksidi i silikoni, što lako dovodi do mrlja i fizičkih oštećenja u kratkom vremenskom roku. Održavanje stakala čistim postaje veoma teško, ako ne i nemoguće, uprkos činjenici da se redovno čiste. Kao rezultat toga, smanjuje se prozirnost i lep izgled stakla.

## 7 Održavanje i čišćenje

Agresivne i abrazivne metode čišćenja i sredstva dodatno povećavaju ove nedostatke i ubrzavaju proces pogoršanja izgleda.

Za rutinske procese čišćenja, koriste se \*nealkalna i nekorozivna sredstva za čišćenje na bazi vode.

Da bi se produžio vek trajanja ovog premaza, alkalne i korozivne materije se ne smeju koristiti tokom čišćenja.

Primenjuje se postupak kaljenja kako bi se povećala otpornost ovih stakala na udarce i lomljenje.

Kao dodatna mera predostrožnosti, na zadnju površinu ovih stakala nanesen je zaštitni film kako bi se sprečila šteta po životnu sredinu u slučaju da se ona slome.

### 7.3 Uklanjanje mirisa

Proizvod je proizveden bez mirisnih materijala.

Međutim, držanje hrane u neprikladnim delovima i nepravilno čišćenje unutrašnjih površina može dovesti do pojave mirisa.

Da biste to izbegli, unutrašnjost čistite gaziranom vodom svakih 15 dana.

- Držite hranu u zatvorenim posudama.

Mikroorganizmi mogu se proširiti od nezapečaćenih prehrambenih artikala i izazvati loši miris.

- Nemojte držati hrane isteklim rokom i pokvarene hrane u frižideru.



Čaj je jedno od najefikasnijih sredstava za uklanjanje mirisa. Stavite pulpu preostalu nakon skuvanog čaja u proizvod u otvorenu posudu i uklonite je najkasnije nakon 12 sati. Ako ostavite pulpu čaja u proizvodu duže od 12 sati, ona će sakupljati organizme koji uzrokuju miris, tako da može upravo ona biti izvor samog mirisa.

### 7.4 Zaštita plastičnih površina

Ulje proliveno na plastične površine može oštetiti površinu i mora se odmah očistiti s toplom vodom.

## 8 Rješavanje problema

Provjerite ovu listu prije kontaktiranja servisa. Na taj način ćete uštedjeti vreme i novac. Ova lista uključuje česte pritužbe koje se ne odnose na neispravne izradu ili materijale. Određene navedene odlike mogu se ne odnositi na vaš proizvod.

### Frižider ne radi.

- Utikač nije u potpunosti utaknut. >>> *Uključite ga u potpunosti u utičnicu.*
- Osigurač povezani na šteker koji napaja proizvod ili glavni osigurač je eksplodirao. >>> *Provjerite osigurače.*

### Kondenzacija na bočnom zidu hladnjaka (MULTI ZONA, HLADNO, KONTROLA i FLEXI ZONA).

- Okruženje je previše hladno. >>> *Ne postavljajte proizvod u sredinama s temperaturama ispod  $-5^{\circ}\text{C}$ .*
- Vrata su se otvorila prečesto >>> *Pazite da ne otvorite vrata proizvoda prečesto.*
- Okruženje je previše vlažno. >>> *Ne postavljati proizvod u vlažnim sredinama.*
- Hrana koja sadrži tekućine se čuvaju u otvorenim posuđem. >>> *Držite hranu koja sadrži tekućine zatvorenu.*
- Vrata proizvoda je ostala otvoreno. >>> *Nemojte držati vrata proizvoda otvorene tokom dugih perioda.*
- Termostat je podešen na suviše niske temperature. >>> *Podesite termostat na odgovarajuću temperaturu.*

### Kompresor ne radi.

- U slučaju iznenadnog nestanka struje ili povlačenjem utikača i onda vraćanja, pritisak gasova u sistemu hlađenja proizvoda nije izbalansiran i to pokreće termičku zaštitu kompresora. Proizvod će se ponovo pokrenuti nakon oko 6 minuta. Ako proizvod se nije ponovo pokrenuo nakon tog perioda, kontaktirajte servis.
- Odmrzavanje je aktivno. >>> *To je normalno za potpuno automatsko odmrzavanje proizvoda. Odmrzavanje se obavlja periodično.*
- Proizvod nije priključen >>> *Pobrinite se da je napajanje priključeno*
- Postavka temperature je pogrešna. >>> *Odaberite odgovarajuću postavku temperature.*
- Nestalo je struje. >>> *Proizvod će nastaviti normalno raditi kada struja opet dođe.*

### Radna buka frižidera se povećava dok je u upotrebi.

- Operativni performanse proizvoda može se razlikovati ovisno o varijacije temperature okoline. To je normalno i ne predstavlja kvar.

### Frižider radi prečesto ili predugo.

## Rešavanje problema

- Novi proizvod može biti veći od prethodnog. Veći proizvodi će duže raditi.
- Sobna temperatura može biti visoka. >>> *Proizvod će normalno raditi za duže periode kod višu temperaturu sobe.*
- Proizvod je možda nedavno uključen ili nove hrane su unutra. >>> *Proizvodu će trebati više vremena da dostigne zadanu temperaturu kada je nedavno uključen ili kada ima novih hrana unutra. To je normalno.*
- Velike količine tople hrane možda su nedavno postavljene u proizvod. >>> *Ne stavljajte toplu hranu u proizvod.*
- Vrata su se otvorila često ili su bila otvorena dužeg vremena. >>> *Topli zrak koji se kreće unutar će izazvati da proizvod više radi. Ne otvarajte vrata prečesto.*
- Vrata zamrzivača ili hladnjaka mogu biti odškrinuta. >>> *Provjerite da li su vrata potpuno zatvorena.*
- Proizvod možda je postavljen na prenisku temperaturu. >>> *Postavite temperaturu na viši stupanj i čekati da dođe do podešenu temperaturu.*
- Gumica vrata hladnjak ili zamrzivača možda je prljava, istrošen, slomljena ili nije pravilno postavljena. >>> *Očistite ili zamijenite gumicu. Oštećena / pocepana gumica vrata će uzrokovati da proizvod radi duži period za očuvanje trenutne temperature.*

### Temperatura zamrzivača je veoma niska, ali je temperatura hladnjaka adekvatna.

- Temperatura odjeljka Zamrzivač je postavljena na vrlo niskim stepenom. >>> *Podesite temperaturu zamrzivača na viši stupanj i provjerite još jednom.*

### Temperatura hladnjaka je vrlo niska, ali temperatura zamrzivača je adekvatna.

- Temperatura hladnjaka je postavljena na vrlo nizak stupanj. >>> *Postavite temperatura hladnjaka na viši stupanj i provjerite još jednom.*

### Hrana koja je u hladnjaku je zamrznula.

- Temperatura hladnjaka je postavljena na vrlo nizak stupanj. >>> *Podesite temperaturu zamrzivača na viši stupanj i provjerite još jednom.*

### Temperatura u hladnjaku ili zamrzivaču je previsoka.

- Temperatura hladnjaka je postavljena na vrlo visoki stupanj. >>> *Postavka temperature hladnjaka utječe na temperaturu zamrzivača. Promijenite temperature hladnjaka ili zamrzivača i sačekajte da relevantne pregrade dostigne podešeni nivo temperature.*
- Vrata su se otvorila često ili su bila otvorena dužeg vremena. >>> *Ne otvarajte vrata prečesto.*
- Vrata mogu biti odškrinuta. >>> *Potpuno zatvorite vrata.*
- Proizvod je možda nedavno uključen ili nove hrane su unutra. >>> *To je normalno. Proizvodu će trebati više vremena da dostigne zadanu temperaturu kada je nedavno uključen ili kada ima novih hrana unutra.*
- Velike količine tople hrane možda su nedavno postavljene u proizvod. >>> *Ne stavljajte toplu hranu u proizvod.*

### Drhtanje ili buke.

- Tlo nije ravno ili izdržljivo. >>> *Ako se proizvod tresne kada se polako pomiče, prilagoditi nogare za uravnoteženje proizvoda. Također pazite da je tlo dovoljno izdržljivo da nosi proizvoda.*
- Svi predmeti na proizvodu mogu izazvati buku. >>> *Uklonite sve predmete koje se nalaze na proizvodu.*

### Proizvod daje buku kao kad tečnost teče, prskanje itd.

- Operativni principi proizvoda uključuju tokovi tečnosti i gasova. >>> *To je normalno i ne predstavlja kvar.*

### Čuje se zvuk vetra koji dolazi iz proizvoda.

- Proizvod koristi ventilator za proces hlađenja. To je normalno i ne predstavlja kvar.

### Postoji kondenzacije na unutrašnjim zidovima proizvoda.



## Rešavanje problema

- Vruće ili vlažno vremenu će povećati zaleđivanje i kondenzacije. To je normalno i ne predstavlja kvar.
- Vrata su se otvarala često ili su bila otvorena dužeg vremena. >>> *Ne otvarajte vrata prečesto, ako su otvorena, zatvorite ih.*
- Vrata mogu biti odškrinuta. >>> *Do kraja zatvorite vrata.*



**UPOZORENJE:** Ako problem i dalje postoji nakon što ste slijedeli upute u ovom poglavlju, obratite se prodavcu ili ovlaštenom servisu. Nemojte pokušavati popraviti proizvod.

### Postoji kondenzacije na vanjske površine proizvoda ili između vrata.

- Spoljni vazduh može biti vlažan, to je sasvim normalno u vlažnom vremenu. >>> *Kondenzacija će nestati kada se vlažnost smanjuje.*

### Unutrašnjost smrdi.

- Proizvod se redovno ne čiste. >>> *Redovno čistite unutrašnjost pomoću spužve, toplom vodom i gaziranom vodom.*
- Pojedini držači i materijale za pakovanje mogu izazvati mirise. >>> *Koristite držače i materijale za pakovanje bez mirisa.*
- Hrane su bili smješteni u otvorenim posuđem. >>> *Držite hranu u zatvorenim posuđem. Mikroorganizmi mogu se proširiti od nezapečaćenih prehrambenih artikala i izazvati loši miris.*
- Uklonite iz proizvoda sve hrane kojima je istekao rok ili su pokvarene.

### Vrata se ne zatvaraju.

- Paketi hrane može blokiraju vrata. >>> *Relocirajte stvari koji blokiraju vrata.*
- Proizvod ne stoji u potpuno uspravnom položaju. >>> *Podesite nogare za uravnoteženje proizvoda.*
- Tlo nije ravno ili izdržljivo. >>> *Pobrinite se da je tlo ravno i dovoljno izdržljivo da nosi proizvoda.*

### Korpa za povrća je zaglavljena.

- Hrana može biti u kontaktu sa gornjem delu ladiće. >>> *Reorganizovati prehrambenih artikala u ladići.*

Ovaj proizvod je opremljen izvorom osvetljenja energetske klase „G“.  
Izvor osvetljenja u ovom proizvodu mogu zameniti samo stručni serviseri.