

# beko

## Refrigerator

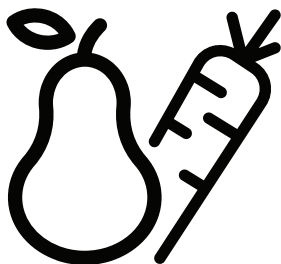
User manual

## Холодильник

Руководство пользователя

## Тоңазытқыш

Пайдаланушы нұсқаулығы



BU 1100 HCA

EN / RUS / KK



RECYCLED &  
RECYCLABLE PAPER



ПЕРЕРАБОТАННАЯ И  
ПЕРЕРАБАТЫВАЕМАЯ  
БУМАГА



ҚАЙТА ӨНДЕЛГЕН ЖӘНЕ  
ҚАЙТА ӨНДЕУГЕ  
БОЛАТЫН ҚАҒАЗ

48 9345 0000/AM

## **Please read this user manual first!**

Dear Customer,

We hope that your product, which has been produced in modern plants and checked under the most meticulous quality control procedures, will provide you an effective service.

Therefore, read this entire user manual carefully before using the product and keep it as a reference. If you handover the product to someone else, give the user manual as well.

## **The user manual will help you use the product in a fast and safe way.**


- Read the manual before installing and operating the product.
- Make sure you read the safety instructions.
- Keep the manual in an easily accessible place as you may need it later.
- Read the other documents given with the product.

Remember that this user manual is also applicable for several other models. Differences between models will be identified in the manual.

## **Explanation of symbols**

### **Throughout this user manual the following symbols are used:**

 Important information or useful tips.

 Warning against dangerous conditions for life and property.

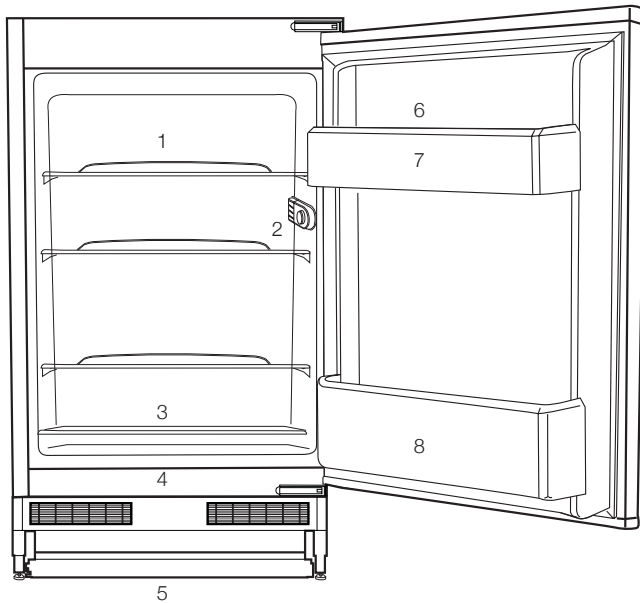
 Warning against electric voltage.

## CONTENTS

---

<b>1 Your Refrigerator</b>	<b>4</b>	<b>4 Preparation</b>	<b>15</b>
<b>2 Safety and Environment Instructions</b>	<b>5</b>	<b>5 Using your refrigerator</b>	<b>16</b>
General Safety.....	5	Using interior compartments.....	16
Intended Use.....	7	Cooling.....	16
Child Safety.....	8	Defrost.....	17
Compliance with WEEE Directive and Disposing of the Waste Product.....	8	<b>6 Maintenance and cleaning</b>	<b>18</b>
Compliance with RoHS Directive.....	8	Protection of plastic surfaces.....	18
Package Information.....	8	<b>7 Troubleshooting</b>	<b>19</b>
Technical specifications of your refrigerator.....	9		
<b>3 Installation</b>	<b>10</b>		
Points to be paid attention to when the relocation of the refrigerator.....	10		
Electrical connection.....	10		
Disposing of the packaging.....	11		
Disposing of your old refrigerator.....	11		
Placing and Installation.....	11		
Placing the refrigerator under the counter and adjusting the legs.....	12		
Changing the illumination lamp.....	13		
Reversing the doors.....	14		

# 1 Your Refrigerator



1. Body shelves
2. Bulb thermostate box
3. Sliding crisper cover
4. Food storage cabin
5. Adjustable front legs
6. Egg compartment
7. Door shelf
8. Bottle shelf

**i** The figures in this manual are schematic, and they may not be in exact accordance with your product. If the product you purchased does not have the related parts, then they are valid are for other models.

This section provides the safety instructions necessary to prevent the risk of injury and material damage. Failure to observe these instructions will invalidate all types of product warranty.

### Intended use

⚠	<p><b>WARNING:</b></p> <p>Keep ventilation openings, in the appliance enclosure or in the built-in-structure, clear of obstruction.</p>
⚠	<p><b>WARNING:</b></p> <p>Do not use mechanical devices or other means to accelerate the defrosting process, other than those recommended by the manufacturer.</p>
⚠	<p><b>WARNING:</b></p> <p>Do not damage the refrigerant circuit.</p>
⚠	<p><b>WARNING:</b></p> <p>Do not use electrical appliances inside the food storage compartments of the appliance, unless they are of the type recommended by the manufacturer.</p>
⚠	<p><b>WARNING:</b></p> <p>Do not store explosive substances such as aerosol cans with a flammable propellant in this appliance.</p>

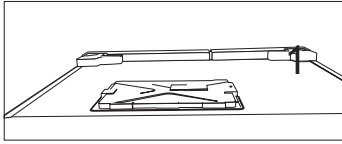
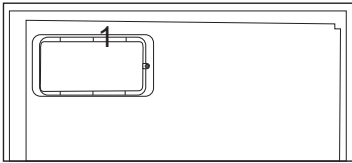
This appliance is intended to be used in household and similar applications such as

- staff kitchen areas in shops, offices and other working environments;
- farm houses and by clients in hotels, motels and other residential type environments;

- bed and breakfast type environments;
- catering and similar non-retail applications.

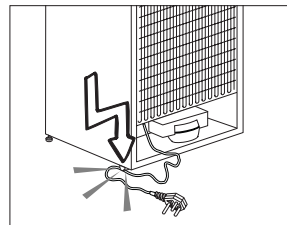
### General Safety

- This product should not be used by persons with physical, sensory and mental disabilities, without sufficient knowledge and experience or by children. The device can only be used by such persons under supervision and instruction of a person responsible for their safety. Children should not be allowed to play with this device.
- In case of malfunction, unplug the device.
- After unplugging, wait at least 5 minutes before plugging in again.
- Unplug the product when not in use.
- Do not touch the plug with wet hands! Do not pull the cable to plug off, always hold the plug.
- Do not plug in the refrigerator if the socket is loose.
- Unplug the product during installation, maintenance, cleaning and repair.
- If the product will not be used for a while, unplug the product and remove any food inside.
- Do not use the product when the compartment with circuit cards located on the upper back part of the product (electrical card box cover) (1) is open.



- Do not use steam or steamed cleaning materials for cleaning the refrigerator and melting the ice inside. Steam may contact the electrified areas and cause short circuit or electric shock!
- Do not wash the product by spraying or pouring water on it! Danger of electric shock!
- In case of malfunction, do not use the product, as it may cause electric shock. Contact the authorized service before doing anything.
- Plug the product into an earthed socket. Earthing must be done by a qualified electrician.
- If the product has LED type lighting, contact the authorized service for replacing or in case of any problem.
- Do not touch frozen food with wet hands! It may adhere to your hands!
- Do not place liquids in bottles and cans into the freezer compartment. They may burst out!
- Place liquids in upright position after tightly closing the lid.
- Do not spray flammable substances near the product, as it may burn or explode.

- Do not keep flammable materials and products with flammable gas (sprays, etc.) in the refrigerator.
- Do not place containers holding liquids on top of the product. Splashing water on an electrified part may cause electric shock and risk of fire.
- Exposing the product to rain, snow, sunlight and wind will cause electrical danger. When relocating the product, do not pull by holding the door handle. The handle may come off.
- Take care to avoid trapping any part of your hands or body in any of the moving parts inside the product.
- Do not step or lean on the door, drawers and similar parts of the refrigerator. This will cause the product to fall down and cause damage to the parts.
- Take care not to trap the power cable.



- When positioning the appliance, ensure the supply cord is not trapped or damaged.
- Do not locate multiple portable socket-outlets or portable power supplies at the rear of the appliance.
- Children aged from 3 to 8 years are allowed to load and unload refrigerating appliances.

- To avoid contamination of food, please respect the following instructions:
- – Opening the door for long periods can cause a significant increase of the temperature in the compartments of the appliance.
- – Clean regularly surfaces that can come in contact with food and accessible drainage systems.
- – Clean water tanks if they have not been used for 48 h; flush the water system connected to a water supply if water has not been drawn for 5 days.
- – Store raw meat and fish in suitable containers in the refrigerator, so that it is not in contact with or drip onto other food.
- – Two-star frozen-food compartments are suitable for storing pre-frozen food, storing or making icecream and making ice cubes.
- – One-, two- and three-star compartments are not suitable for the freezing of fresh food.
- – If the refrigerating appliance is left empty for long periods, switch off, defrost, clean, dry, and leave the door open to prevent mould developing within the appliance.

### 1.1.1 HC Warning

If the product comprises a cooling system using R600a gas, take care to avoid damaging the cooling system and its pipe while using and moving the product. This gas is flammable. If the cooling system is damaged, keep the product away from sources of fire and ventilate the room immediately.



The label on the inner left side indicates the type of gas used in the product.

### 1.1.2 For Models with Water Dispenser

- Pressure for cold water inlet shall be maximum 90 psi (6.2 bar). If your water pressure exceeds 80 psi (5.5 bar), use a pressure limiting valve in your mains system. If you do not know how to check your water pressure, ask for the help of a professional plumber.
- If there is risk of water hammer effect in your installation, always use a water hammer prevention equipment in your installation. Consult Professional plumbers if you are not sure that there is no water hammer effect in your installation.
- Do not install on the hot water inlet. Take precautions against of the risk of freezing of the hoses. Water temperature operating interval shall be 33°F (0.6°C) minimum and 100°F (38°C) maximum.
- Use drinking water only.

### Intended Use

- This product is designed for home use. It is not intended for commercial use.
- The product should be used to store food and beverages only.
- Do not keep sensitive products requiring controlled temperatures (vaccines, heat sensitive medication, medical supplies, etc.) in the refrigerator.

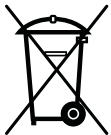
- The manufacturer assumes no responsibility for any damage due to misuse or mishandling.
- Original spare parts will be provided for 10 years, following the product purchasing date.

## Child Safety

- Keep packaging materials out of children's reach.
- Do not allow the children to play with the product.
- If the product's door comprises a lock, keep the key out of children's reach.

## Compliance with WEEE Directive and Disposing of the Waste Product

This product complies with EU WEEE Directive (2012/19/EU). This product bears a classification symbol for waste electrical and electronic equipment (WEEE).



This product has been manufactured with high quality parts and materials which can be reused and are suitable for recycling.

Do not dispose of the waste product with normal domestic and other wastes at the end of its service life. Take it to the collection center for the recycling of electrical and electronic equipment. Please consult your local authorities to learn about these collection centers.

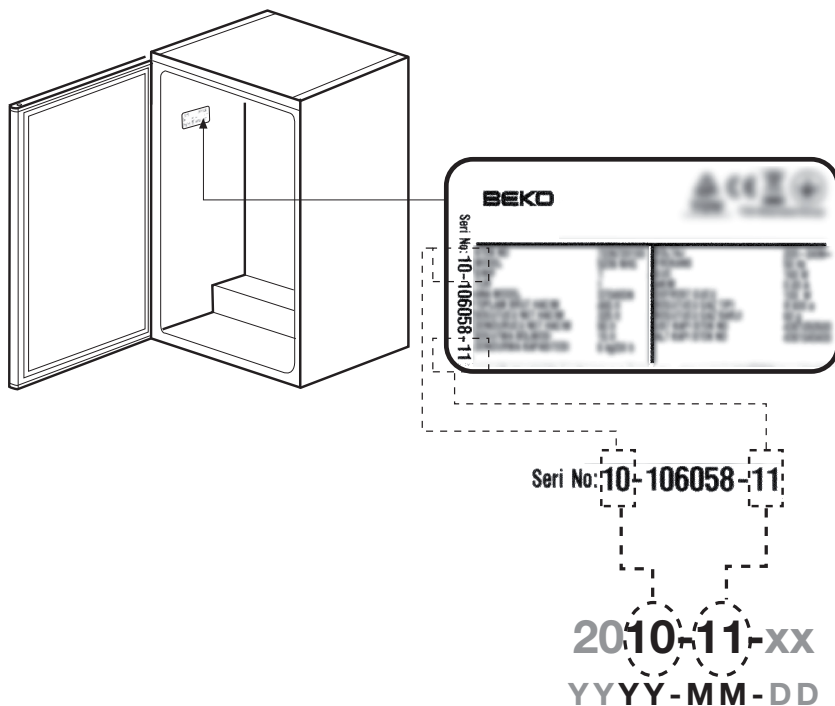
## Compliance with RoHS Directive

- This product complies with EU WEEE Directive (2011/65/EU). It does not contain harmful and prohibited materials specified in the Directive.

## Package Information

Packaging materials of the product are manufactured from recyclable materials in accordance with our National Environment Regulations. Do not dispose of the packaging materials together with the domestic or other wastes. Take them to the packaging material collection points designated by the local authorities.





<b>Technical specifications of your refrigerator</b>	
<b>Energy efficiency class</b>	<b>A</b>
<b>Protection class</b>	<b>1</b>

## 3 Installation

⚠ In case the information which are given in the user manual are not taken into account, manufacturer will not assume any liability for this.

### Points to be paid attention to when the relocation of the refrigerator

1. Your refrigerator should be unplugged. Before transportation of your refrigerator, it should be emptied and cleaned.

2. Before it is re-packaged, shelves, accessories, crisper, etc. inside your refrigerator should be fixed with adhesive tape and secured against impacts. Package should be bound with a thick tape or sound ropes and the transportation rules on the package should be strictly observed.

3. Original packaging and foam materials should be kept for future transportations or moving.

Before you start the refrigerator,

### Check the following before you start to use your refrigerator:

1. Attach 2 plastic wedges as illustrated below. Plastic wedges are intended to keep the distance which will ensure the air circulation between your refrigerator and the wall. (The picture is drawn up as a representation and it is not identical with your product.)

2. Clean the interior of the refrigerator as recommended in the "Maintenance and cleaning" section.

3. Connect the plug of the refrigerator to the wall socket. When the fridge door is opened, fridge internal lamp will turn on.

4. When the compressor starts to operate, a sound will be heard. The liquid and gases sealed within the refrigeration system may also give rise to noise, even if the compressor is not running and this is quite normal.

5. Front edges of the refrigerator may feel warm. This is normal. These areas are designed to be warm to avoid condensation.

### Electrical connection

Connect your product to a grounded socket which is being protected by a fuse with the appropriate capacity.

#### Important:

The connection must be in compliance with national regulations.

- The power plug must be easily accessible after installation.
- Electrical safety of your refrigerator shall be guaranteed only if the earth system in your house complies with standards.
- The voltage stated on the label located at left inner side of your product should be equal to your network voltage.
- Extension cables and multi plugs must not be used for connection.

⚠ A damaged power cable must be replaced by a qualified electrician.

⚠ Product must not be operated before it is repaired! There is the risk of electric shock!

## Disposing of the packaging

The packing materials may be dangerous for children. Keep the packing materials out of the reach of children or dispose of them by classifying them in accordance with the waste instructions stated by your local authorities. Do not throw away with regular house waste, throw away on packaging pick up spots designated by the local authorities.

The packing of your refrigerator is produced from recyclable materials.

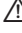
## Disposing of your old refrigerator

Dispose of your old refrigerator without giving any harm to the environment.

- You may consult your authorized dealer or waste collection center of your municipality about the disposal of your refrigerator.

Before disposing of your refrigerator, cut out the electric plug and, if there are any locks on the door, make them inoperable in order to protect children against any danger.

## Placing and Installation

 If the entrance door of the room where the refrigerator will be installed is not wide enough for the refrigerator to pass through, then call the authorized service to have them remove the doors of your refrigerator and pass it sideways through the door.

**1.** Install your refrigerator to a place that allows ease of use.

**2.** Keep your refrigerator away from heat sources, humid places and direct sunlight.

**3.** There must be appropriate air ventilation around your refrigerator in order to achieve an efficient operation. If the refrigerator is to be placed in a recess in the wall, there must be at least 5 cm distance with the ceiling and at least 5 cm with the wall. Do not place your product on the materials such as rug or carpet.

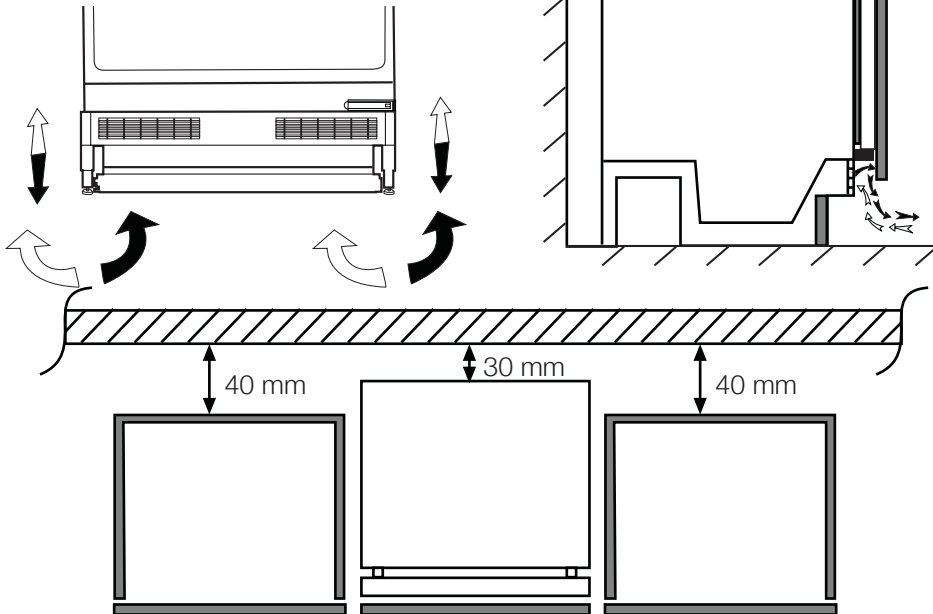
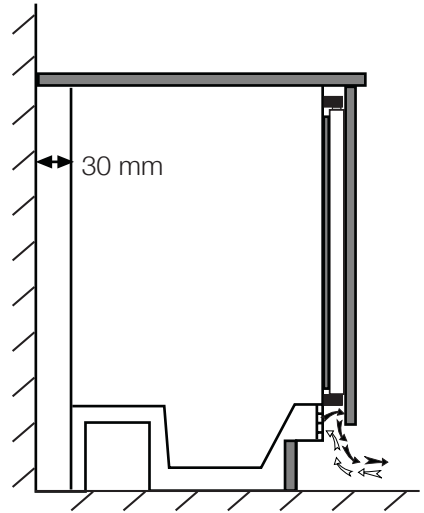
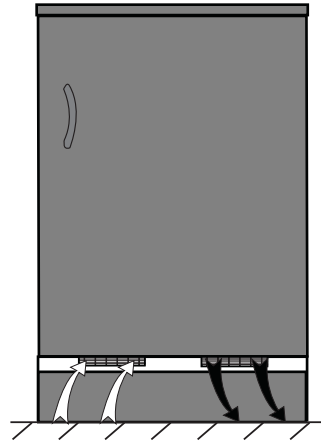
**4.** Place your refrigerator on an even floor surface to prevent jolts.

# Placing the refrigerator under the counter and adjusting the legs

When you place your refrigerator, the distance between the product and the wall must be at least 30 mm, as seen in the figure.

The air ventilation channels must not be blocked so that the performance of your refrigerator does not decrease. (140 cm<sup>2</sup>)

If your refrigerator is unstable; You may turn the front legs of your refrigerator as seen in the figure to balance it. The corner of the leg lowers when the leg is turned in the direction of the black arrow; it rises when the leg is turned in the opposite direction. It will be easier for you when you get some help from someone to lift the unit a little during this process.



## **Changing the illumination lamp**

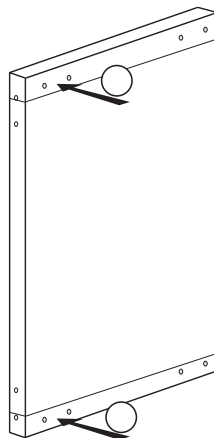
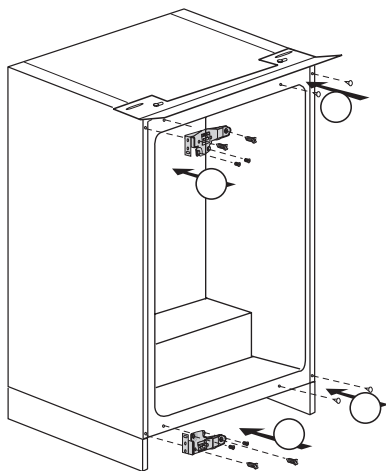
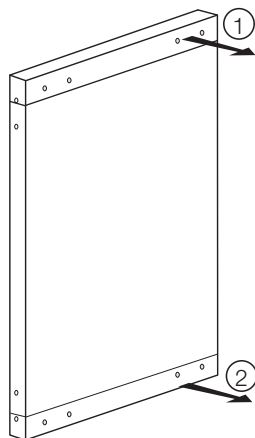
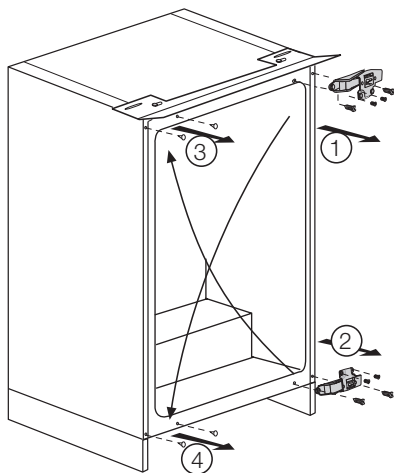
To change the Bulb/LED used for illumination of your refrigerator, call your AuthorisedService.

The lamp(s) used in this appliance is not suitable for household room illumination. The intended purpose of this lamp is to assist the user to place foodstuffs in the refrigerator/freezer in a safe and comfortable way. The lamps used in this appliance have to withstand extreme physical conditions such as temperatures below -20 °C.

(only chest and upright freezer)

# Reversing the doors

Proceed in numerical order



## 4 Preparation

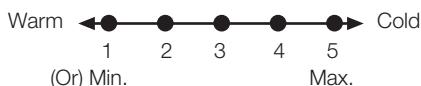
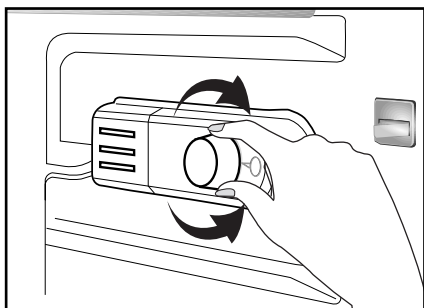
---

- Your refrigerator should be installed at least 30 cm away from heat sources such as hobs, ovens, central heater and stoves and at least 5 cm away from electrical ovens and should not be located under direct sunlight.
- The ambient temperature of the room where you install your refrigerator should at least be 10°C. Operating your refrigerator under cooler conditions is not recommended with regard to its efficiency.
- Please make sure that the interior of your refrigerator is cleaned thoroughly.
- If two refrigerators are to be installed side by side, there should be at least 2 cm distance between them.
- When you operate your refrigerator for the first time, please observe the following instructions during the initial six hours.
- The door should not be opened frequently.
- It must be operated empty without any food in it.
- Do not unplug your refrigerator. If a power failure occurs out of your control, please see the warnings in the “Recommended solutions for the problems” section.
- Original packaging and foam materials should be kept for future transportations or moving.
- The baskets/drawers that are provided with the chill compartment must always be in use for low energy consumption and for better storage conditions.
- Food contact with the temperature sensor in the freezer compartment may increase energy consumption of the appliance. Thus any contact with the sensor(s) must be avoided.
- In some models, the instrument panel automatically turns off 5 minutes after the door has closed. It will be reactivated when the door has opened or pressed on any key.
- Due to temperature change as a result of opening/closing the product door during operation, condensation on the door/body shelves and the glass containers is normal

## 5 Using your refrigerator

### Setting the operating temperature

The operating temperature is regulated by the temperature control.



**1 = Lowest cooling setting  
(Warmest setting)**

**5 = Highest cooling setting  
(Coldest setting)**

(Or)

**Min. = Lowest cooling setting  
(Warmest setting)**

**Max. = Highest cooling setting  
(Coldest setting)**

The average temperature inside the fridge should be around +5°C.

Please choose the setting according to the desired temperature.

Please note that there will be different temperatures in the cooling area.

The coldest region is immediately above the vegetable compartment.

The interior temperature also depends on ambient temperature, the frequency with which the door is opened and the amount of foods kept inside.

Frequently opening the door causes the interior temperature to rise.

For this reason, it is recommended to close the door again as soon as possible after use.

### Using interior compartments

**Movable shelves:** Distance between the shelves can be adjusted when necessary.

**Vegetable drawer:** Vegetables and fruits can be stored in this compartment for long periods without decaying.

**Bottle shelf:** Bottles, jars and tins can be placed in these shelves.

### Cooling

#### Food storage

The fridge compartment is for the short-term storage of fresh food and drinks.

Store milk products in the intended compartment in the refrigerator.

Bottles can be stored in the bottle holder or in the bottle shelf of the door.

Raw meat is best kept in a polyethylene bag in the compartment at the very bottom of the refrigerator.

Allow hot foods and beverages to cool to room temperature prior to placing them in the refrigerator.

- Attention

Store concentrated alcohol only standing upright and tightly closed.

- Attention

Do not store explosive substances or containers with flammable propellant gases (canned cream, spray cans etc.) in the device. There is a danger of explosion.



## Defrost

The fridge compartment defrosts automatically. The thawing water flows through the drain channel into a collection container at the rear of the device.

During defrosting, water droplets form at the back of the fridge due to the evaporator.

If not all of the drops run down, they may freeze again after defrosting remove them with a cloth soaked in warm water, but never with a hard or sharp object.

## 6 Maintenance and cleaning

---

- ⚠ Never use gasoline, benzene or similar substances for cleaning purposes.
- ⚠ We recommend that you unplug the appliance before cleaning.
- ⚠ Never use any sharp abrasive instrument, soap, household cleaner, detergent and wax polish for cleaning.
- ℹ Use lukewarm water to clean the cabinet of your refrigerator and wipe it dry.
- ℹ Use a damp cloth wrung out in a solution of one teaspoon of bicarbonate of soda to one pint of water to clean the interior and wipe it dry.
- ⚠ Make sure that no water enters the lamp housing and other electrical items.
- ⚠ If your refrigerator is not going to be used for a long period of time, unplug the power cable, remove all food, clean it and leave the door ajar.
- ℹ Check door seals regularly to ensure they are clean and free from food particles.
- ⚠ To remove door racks, remove all the contents and then simply push the door rack upwards from the base.
- ⚠ Never use cleaning agents or water that contain chlorine to clean the outer surfaces and chromium coated parts of the product. Chlorine causes corrosion on such metal surfaces.
- ⚠ Do not use sharp, abrasive tools, soap, household cleaning agents, detergents, kerosene, fuel oil, varnish etc. to prevent removal and deformation of the prints on the plastic part. Use lukewarm water and a soft cloth for cleaning and then wipe it dry.

### Protection of plastic surfaces

- ℹ Do not put the liquid oils or oil-cooked meals in your refrigerator in unsealed containers as they damage the plastic surfaces of your refrigerator. In case of spilling or smearing oil on the plastic surfaces, clean and rinse the relevant part of the surface at once with warm water.

## 7 Troubleshooting

Please review this list before calling the service. It will save your time and money. This list includes frequent complaints that are not arising from defective workmanship or material usage. Some of the features described here may not exist in your product.

### The refrigerator does not operate.

- The plug is not inserted into the socket correctly. >>>Insert the plug into the socket securely.
- The fuse of the socket which your refrigerator is connected to or the main fuse have blown out. >>>Check the fuse.

### Condensation on the side wall of the fridge compartment (MULTIZONE, COOL CONTROL and FLEXI ZONE).

- Door has been opened frequently. >>>Do not open and close the door of refrigerator frequently.
- Ambient is very humid. >>>Do not install your refrigerator into highly humid places.
- Food containing liquid is stored in open containers. >>>Do not store food with liquid content in open containers.
- Door of the refrigerator is left ajar. >>>Close the door of the refrigerator.
- Thermostat is set to a very cold level. >>>Set the thermostat to a suitable level.

### Compressor is not running

- Protective thermic of the compressor will blow out during sudden power failures or plug-out plug-ins as the refrigerant pressure in the cooling system of the refrigerator has not been balanced yet. The refrigerator will start running approximately after 6 minutes. Please call the service if the refrigerator does not startup at the end of this period.
- The fridge is in defrost cycle. >>>This is normal for a full-automatically defrosting refrigerator. Defrosting cycle occurs periodically.
- The refrigerator is not plugged into the socket. >>>Make sure that the plug is fit into the socket.
- Temperature settings are not made correctly. >>>Select the suitable temperature value.
- There is a power outage. >>>Refrigerator returns to normal operation when the power restores.

The operation noise increases when the refrigerator is running.
<ul style="list-style-type: none"> <li>The operating performance of the refrigerator may change due to the changes in the ambient temperature. It is normal and not a fault.</li> </ul>
The refrigerator is running frequently or for a long time.
<ul style="list-style-type: none"> <li>New product may be wider than the previous one. Larger refrigerators operate for a longer period of time.</li> <li>The room temperature may be high. &gt;&gt;&gt;It is normal that the product operates for longer periods in hot ambient.</li> <li>The refrigerator might be plugged in recently or might be loaded with food. &gt;&gt;&gt;When the refrigerator is plugged in or loaded with food recently, it will take longer for it to attain the set temperature. This is normal.</li> <li>Large amounts of hot food might be put in the refrigerator recently. &gt;&gt;&gt;Do not put hot food into the refrigerator.</li> <li>Doors might be opened frequently or left ajar for a long time. &gt;&gt;&gt;The warm air that has entered into the refrigerator causes the refrigerator to run for longer periods. Do not open the doors frequently.</li> <li>Freezer or fridge compartment door might be left ajar. &gt;&gt;&gt;Check if the doors are closed completely.</li> <li>The refrigerator is adjusted to a very low temperature. &gt;&gt;&gt;Adjust the refrigerator temperature to a warmer degree and wait until the temperature is achieved.</li> <li>Door seal of the fridge or freezer may be soiled, worn out, broken or not properly seated. &gt;&gt;&gt;Clean or replace the seal. Damaged/broken seal causes the refrigerator to run for a longer period of time in order to maintain the current temperature.</li> </ul>
Freezer temperature is very low while the fridge temperature is sufficient.
<ul style="list-style-type: none"> <li>The freezer temperature is adjusted to a very low value. &gt;&gt;&gt;Adjust the freezer temperature to a warmer degree and check.</li> </ul>
Fridge temperature is very low while the freezer temperature is sufficient.
<ul style="list-style-type: none"> <li>The fridge temperature is adjusted to a very low value. &gt;&gt;&gt;Adjust the fridge temperature to a warmer degree and check.</li> </ul>
Food kept in the fridge compartment drawers is frozen.
<ul style="list-style-type: none"> <li>The fridge temperature is adjusted to a very high value. &gt;&gt;&gt;Adjust the fridge temperature to a lower value and check.</li> </ul>

Temperature in the fridge or freezer is very high.

- The fridge temperature is adjusted to a very high value. >>>Fridge compartment temperature setting has an effect on the temperature of the freezer. Change the temperatures of the fridge or freezer and wait until the relevant compartments attain a sufficient temperature.
- Doors are opened frequently or left ajar for a long time. >>>Do not open the doors frequently.
- Door is ajar. >>>Close the door completely.
- The refrigerator is plugged in or loaded with food recently. >>>This is normal. When the refrigerator is plugged in or loaded with food recently, it will take longer for it to attain the set temperature.
- Large amounts of hot food might be put in the refrigerator recently. >>>Do not put hot food into the refrigerator.

• Vibrations or noise.

- The floor is not level or stable. >>> If the refrigerator rocks when moved slowly, balance it by adjusting its feet. Also make sure that the floor is strong enough to carry the refrigerator, and level.
- The items put onto the refrigerator may cause noise. >>>Remove the items on top of the refrigerator.

There are noises coming from the refrigerator like liquid flowing, spraying, etc.

- Liquid and gas flows occur in accordance with the operating principles of your refrigerator. It is normal and not a fault.

Whistle comes from the refrigerator.

- Fans are used in order to cool the refrigerator. It is normal and not a fault.

Condensation on the inner walls of refrigerator.

- Hot and humid weather increases icing and condensation. It is normal and not a fault.
- Doors are opened frequently or left ajar for a long time. >>>Do not open the doors frequently. Close them if they are open.
- Door is ajar. >>>Close the door completely.

Humidity occurs on the outside of the refrigerator or between the doors.

- There might be humidity in the air; this is quite normal in humid weather. When the humidity is less, condensation will disappear.

Bad odour inside the refrigerator.
<ul style="list-style-type: none"> <li>• No regular cleaning is performed. &gt;&gt;&gt;Clean the inside of the refrigerator regularly with a sponge, lukewarm water or carbonate dissolved in water.</li> <li>• Some containers or package materials may cause the smell. &gt;&gt;&gt;Use a different container or different brand packaging material.</li> <li>• Food is put into the refrigerator in uncovered containers. &gt;&gt;&gt;Keep the food in closed containers. Microorganisms spreading out from uncovered containers can cause unpleasant odours.</li> <li>• Remove the foods that have expired best before dates and spoiled from the refrigerator.</li> </ul>
The door is not closing.
<ul style="list-style-type: none"> <li>• Food packages are preventing the door from closing. &gt;&gt;&gt;Replace the packages that are obstructing the door.</li> <li>• The refrigerator is not completely even on the floor. &gt;&gt;&gt;Adjust the feet to balance the refrigerator.</li> <li>• The floor is not level or strong. &gt;&gt;&gt;Make sure that the floor is level and capable to carry the refrigerator.</li> </ul>
Crispers are stuck.
<ul style="list-style-type: none"> <li>• The food is touching the ceiling of the drawer. &gt;&gt;&gt;Rearrange food in the drawer.</li> </ul>

Producer: «Arcelik A.S.»

Address: Karaağaç Caddesi No:2-6 Sütlüce, 34445, Turkey

Made in Turkey

Importer in Russia: «BEKO LLC»

Address: Selskaya street, 49, Fedorovskoe village, Pershinskoe rural settlement, Kirzhach district, Vladimir region, Russian Federation 601021

The manufacture date is included in the serial number of a product specified on rating label, which is located on a product, namely: first two figures of serial number indicate the year of manufacture, and last two – the month. For example, "10-100001-05" indicates that the product was produced in May, 2010.

You can ask for certification number from our Call Center 8-800-200-23-56

The manufacturer reserves the right for making changes in modification, design and specification of an electric device.

**Обязательно прочтите данное руководство!**

**Уважаемый покупатель!**

Надеемся, что наше изделие, изготовленное на современном оборудовании, и прошедшее тщательный контроль качества, будет надежно служить вам.




Поэтому, прежде чем пользоваться прибором, рекомендуем внимательно изучить данное руководство и всегда держать его под рукой в качестве справочника.

**Данное руководство**

- Поможет вам быстро освоить этот прибор и безопасно им пользоваться.
  - Прежде чем устанавливать прибор и пользоваться им, прочтите это руководство.
  - Соблюдайте инструкции, в особенности, правила техники безопасности.
  - Храните это руководство в легкодоступном месте, так как оно может понадобиться вам в будущем.
  - Ознакомьтесь со всеми остальными документами, которые прилагаются к прибору.
- Учтите, что данное руководство по эксплуатации может применяться и для других моделей.

**Условные обозначения**

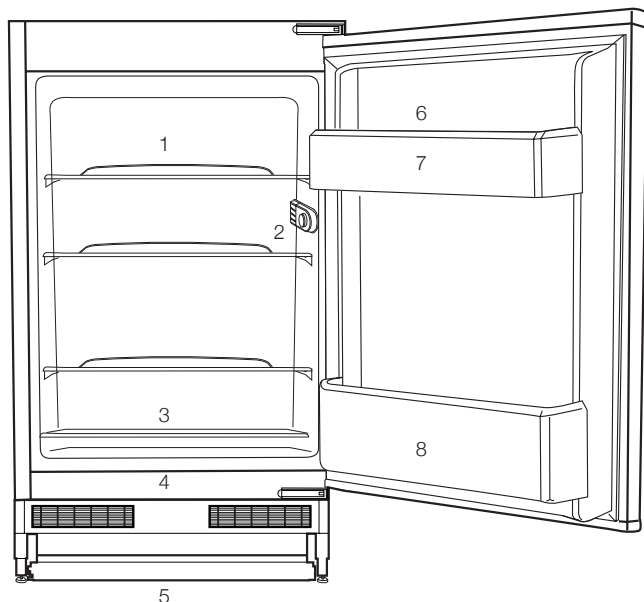
В данном руководстве по эксплуатации используются следующие условные обозначения:

-  Важная информация или полезные советы по эксплуатации.
-  Предупреждение об опасности для жизни и имущества.
-  Предупреждение об опасном электрическом напряжении.

<b>1 Описание холодильника</b>	<b>4</b>	<b>4 Подготовка</b>	<b>20</b>
<b>2 Важные указания по технике безопасности</b>	<b>5</b>	<b>5 Пользование холодильником</b>	<b>21</b>
Использование по назначению.....	5	Установка рабочей температуры .....	21
Для изделий с раздатчиком охлажденной воды: .....	12	Рабочая температура регулируется соответствующим регулятором.....	21
Безопасность детей.....	12	Пользование внутренними отделениями.....	21
Соответствие Директиве ЕС об утилизации электрического и электронного оборудования (WEEE) и утилизация вышедшего из употребления оборудования:.....	13	Охлаждение .....	21
Соответствие Директиве ЕС об ограничении содержания вредных веществ (RoHS): .....	13	Размораживание.....	22
Информация об упаковке .....	13	<b>6 Обслуживание и чистка</b>	<b>23</b>
Технические характеристики холодильника .....	14	Защита пластмассовых поверхностей .....	23
Рекомендации по экономии электроэнергии.....	14	<b>7 Рекомендации по устранению неисправностей</b>	<b>24</b>
<b>3 Установка</b>	<b>15</b>		
Правила транспортировки холодильника .....	15		
Подготовка к эксплуатации .....	15		
Утилизация упаковки .....	16		
Утилизация старого холодильника .....	16		
Размещение и установка .....	16		
Установка холодильника под стойкой и регулировка ножек.....	17		
Замена лампочки .....	18		
Перевешивание дверей .....	19		



## I Описание холодильника



- |  |                                |
|--|--------------------------------|
| 1. Полки корпуса                                 | 5. Регулируемые передние ножки |
| 2. Корпус термостата лампы внутреннего освещения | 6. Отделение для яиц           |
| 3. Выдвижная крышка контейнера                   | 7. Полка в дверце              |
| 4. Контейнер для хранения продуктов              | 8. Полка для бутылок           |

**i** Данные руководства являются приблизительными и могут не полностью соответствовать приобретенной продукции. Если в ней отсутствуют те или иные указанные в руководстве компоненты, они могут встречаться в других моделях.

Обязательно ознакомьтесь со следующей информацией. Игнорирование данной информации может привести к причинению травм или повреждению имущества. Кроме того, гарантийные обязательства и обязательства по эксплуатационной надёжности утратят силу.

Оригинальные запасные части будут предоставлены в течение 10 лет с момента покупки изделия.

Использование по назначению

**ПРЕДУПРЕЖДЕНИЕ:**

Во время хранения или установки устройства убедитесь в том, что его вентиляционные отверстия открыты.

**ПРЕДУПРЕЖДЕНИЕ:**

Для ускорения процесса оттаивания льда не пользуйтесь какими-либо механическими устройствами или другими устройствами, за исключением рекомендуемых производителем.

**ПРЕДУПРЕЖДЕНИЕ:**

Не допускайте повреждения цепи хладагента.

**ПРЕДУПРЕЖДЕНИЕ:**

Не пользуйтесь в отсеках для хранения продуктов питания устройства электрическими приборами, не рекомендуемыми изготовителем.

Это устройство разработано для использования в быту или подобных условиях

- Для использования на служебных кухнях магазинов, офисов и других рабочих мест;

- Для использования клиентами в фермерских домах и отелях, мотелях и других гостиничных заведениях.

- в пансионатах;  
- в других сферах применения, за исключением предприятий общественного питания и розничной торговли.

Общие правила техники безопасности

- В случае необходимости утилизировать или уничтожить изделие для получения необходимой информации рекомендуется обратиться в фирменный сервисный центр, а также в местные органы власти.
- По всем вопросам, касающимся холодильника, обращайтесь в фирменный сервисный центр. Не вмешивайтесь в работу изделия

и не разрешайте этого другим без уведомления фирменного сервисного центра.

- Для изделий с морозильным отделением: не ешьте мороженое в рожках и кубики льда сразу после их извлечения из морозильного отделения! (Это может вызвать обморожение полости рта.)
- Для изделий с морозильным отделением: не помещайте напитки в бутылках и банках в морозильное отделение. Они могут лопнуть.
- Не дотрагивайтесь до замороженных продуктов – они могут примерзнуть к рукам.
- Отключайте холодильник от сети перед чисткой или размораживанием.

- Ни в коем случае не используйте для чистки и размораживания холодильника пар или аэрозольные чистящие средства. В этом случае пар может попасть на электрические компоненты, что приведет к короткому замыканию или поражению электрическим током.
- Ни в коем случае не используйте холодильник или его части (например, дверцу) в качестве подставки или опоры.
- Не используйте электрические приборы внутри холодильника.
- Не допускайте повреждения частей, в которых циркулирует хладагент, используя режущие или сверильные инструменты.

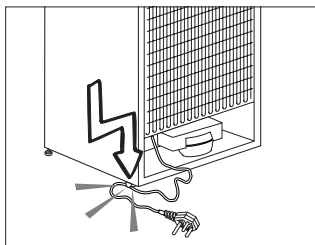
Хладагент может вырваться из пробитого испарителя, трубопроводов или покрытий поверхности и вызвать раздражение кожи и поражение глаз.

- Ни в коем случае не закрывайте и не закупоривайте вентиляционные отверстия холодильника.
- Ремонт электрического оборудования должны производить только квалифицированные специалисты. Ремонт, выполненный некомпетентными лицами, может создать опасность для потребителя.
- В случае неполадок во время эксплуатации, а также при проведении техобслуживания или ремонта отключите холодильник, выключив соответствующий предохранитель или

- вынув шнур питания из розетки.
- Не тяните за сетевой шнур, вынимая вилку из розетки.
- Крепкие алкогольные напитки должны плотно закрываться крышкой и храниться в вертикальном положении .
- Нельзя хранить в холодильнике банки с горючими и взрывоопасными веществами.
- Для ускорения процесса размораживания не используйте механические устройства или другие средства, кроме тех, которые рекомендованы производителем.
- Данный электроприбор не предназначен для использования лицами (включая детей) с ограниченными физическими, сенсорными и интеллектуальными возможностями либо не имеющими опыта и знаний. Они могут пользоваться электроприбором только под наблюдением лица, ответственного за их безопасность, или под его руководством.
- Ни в коем случае нельзя пользоваться неисправным холодильником. При возникновении вопросов обращайтесь к квалифицированному специалисту.
- Электрическая безопасность гарантируется только в том случае, если система заземления в вашем доме соответствует стандартам.
- Воздействие на устройство дождя, снега, солнца или ветра опасно с точки зрения электробезопасности.

- В случае повреждения шнура питания и т.п. обратитесь в фирменный сервисный центр, чтобы не подвергать себя опасности.
- Ни в коем случае нельзя включать холодильник в розетку во время установки. Это может привести к серьезным травмам или смерти.
- Этот холодильник предназначен только для хранения пищевых продуктов. Его нельзя использовать для каких-либо иных целей.
- Табличка с техническими характеристиками находится слева на внутренней стенке холодильника.
- Ни в коем случае нельзя подключать холодильник к электронным системам экономии электроэнергии, поскольку это может привести к его поломке.
- Если в холодильнике есть источник синего света, не смотрите на него долгое время ни незащищенными глазами, ни через какие-либо оптические приборы или инструменты.
- При отключении от сети электропитания холодильника с ручным управлением подождите не менее 5 минут, прежде чем подключать его снова.
- В случае продажи изделия эту инструкцию по эксплуатации следует передать новому владельцу.
- При транспортировке холодильника избегайте повреждения шнура питания. Изгибание шнура питания может привести к возгоранию. Не

ставьте на него тяжелые предметы. При подключении холодильника к сети электропитания не прикасайтесь к вилке влажными руками.

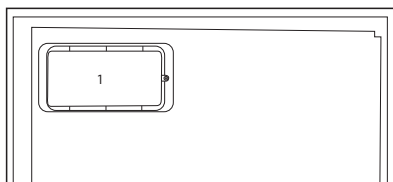
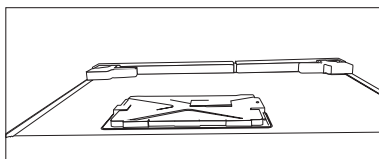


- Ни в коем случае нельзя подключать холодильник к плохо закрепленной стенной розетке сети электропитания.
- Из соображений безопасности не допускайте попадания воды на внешние или внутренние части холодильника.
- Не распыляйте рядом с холодильником воспламеняющиеся газы, такие как газ пропан, ввиду риска пожара или взрыва.
- Не ставьте сосуды с водой на холодильник, поскольку это может привести к поражению электрическим током или пожару.
- Не загружайте холодильник продуктами сверх меры. Если холодильник перегружен, продукты могут выпасть при открытии дверцы и травмировать вас или повредить холодильник. Не кладите предметы на холодильник, поскольку они могут упасть при открытии или закрытии дверцы.
- В холодильнике нельзя хранить вещества, требующие определенных температурных условий, такие как вакцины, термочувствительные медикаменты, материалы для научных исследований и т.п.

- Холодильник следует отключить от электросети, если он не будет использоваться в течение длительного времени. Неисправность шнура питания может привести к возгоранию.
- Холодильник может смещаться, если регулируемые ножки не зафиксированы на полу. Фиксирование регулируемых ножек на полу предотвратит смещение холодильника.
- При перемещении холодильника не держите его за ручку. В противном случае он может сломаться.
- При установке холодильника расстояние между ним и другим холодильником или морозильником должно составлять минимум 8 см. В противном случае

боковые прилегающие стенки будут увлажняться.

- Никогда не используйте данное изделие, если его часть, расположенная сверху или сзади и имеющая электронные печатные платы внутри, открыта (крышка электронной печатной платы) (1).





**Для изделий с раздатчиком охлажденной воды:**

- **Давление холодной воды на входе должно составлять максимум 90 фунтов на квадратный дюйм (6,2 бар). Если давление воды будет превышать 80 фунтов на квадратный дюйм (5,5 бар), следует использовать для водопроводной системы клапан ограничения давления. Если Вы не знаете, как проверить давление воды, обратитесь за помощью к профессиональному сантехнику.**
- **Если во время установки существует риск гидравлического удара, всегда используйте оборудование для предотвращения гидроудара. Если Вы не уверены в отсутствии риска гидроудара,**

**обратитесь к профессиональным сантехникам.**

- **Не устанавливать на входе горячей воды. Следует предпринять необходимые меры предосторожности для предотвращения риска замерзания шлангов. Рабочий интервал температур воды будет составлять не менее 33°F (0,6°C) и не более 100°F (38°C).**
- **Используйте только питьевую воду.**

**Безопасность детей**

- Если на дверце есть замок, ключ следует хранить в недоступном для детей месте.
- Следует присматривать за детьми и не разрешать им портить холодильник.

## Соответствие Директиве ЕС об утилизации электрического и электронного оборудования (WEEE) и утилизация вышедшего из употребления оборудования:



Данное изделие соответствует Директиве ЕС об утилизации электрического и электронного оборудования (2012/19/EU). Данное изделие имеет маркировку,

указывающую на утилизацию его как электрического и электронного оборудования (WEEE). Это изделие произведено из высококачественных деталей и материалов, которые подлежат повторному использованию и переработке. Поэтому не выбрасывайте изделие с обычными бытовыми отходами после завершения его эксплуатации. Его следует сдать в соответствующий центр по утилизации электрического и электронного оборудования. О местонахождении таких центров вы можете узнать в местных органах власти.

## Соответствие Директиве ЕС об ограничении содержания вредных веществ (RoHS):

Приобретенное вами изделие соответствует Директиве ЕС о правилах ограничения содержания вредных веществ (2011/65/EU). Оно не содержит вредных и запрещенных материалов, указанных в Директиве.

## Информация об упаковке

Упаковочные материалы изделия изготовлены из материалов, подлежащих вторичной переработке, в соответствии с местными нормативами и правилами касательно защиты окружающей среды. Не утилизируйте упаковочные материалы вместе с бытовыми или другими отходами. Отнесите их в один из пунктов приема упаковочных материалов, назначенных местными органами власти.

Если система охлаждения вашего изделия содержит R600a:

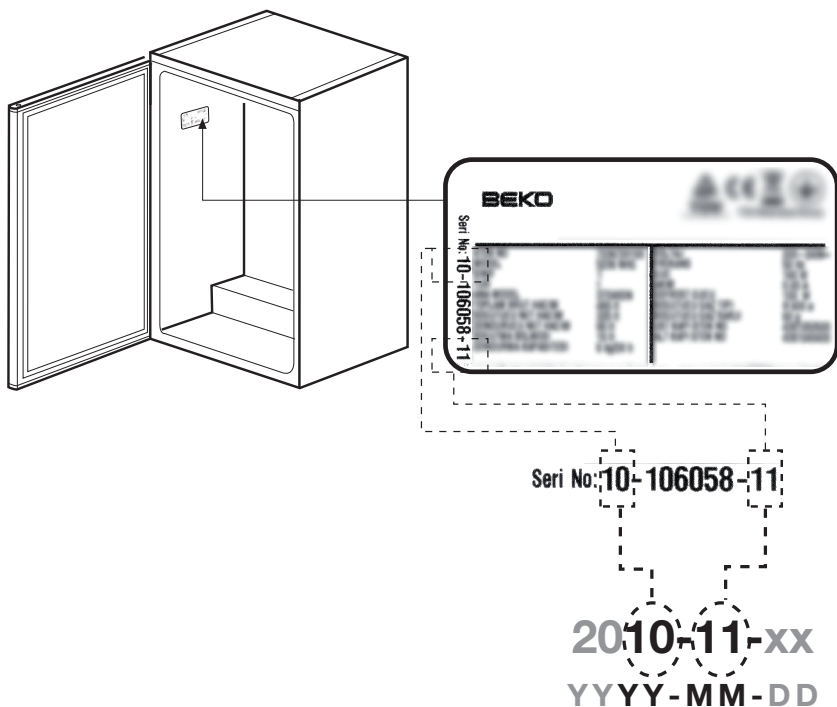
Этот газ огнеопасен, поэтому будьте осторожны, чтобы не повредить систему охлаждения и трубопроводы при эксплуатации и во время транспортировки. В случае повреждения уберите устройство подальше от потенциальных источников огня, которые могут привести к возгоранию, а также проветривайте помещение, в котором находится устройство.

Не обращайте внимания на предупреждение, если система охлаждения вашего изделия содержит R134a.

Тип газа, используемого изделием, указан на паспортной табличке, расположенной слева на внутренней стенке холодильника.

Не сжигайте изделие в целях утилизации.

## Рекомендации по экономии



## электроэнергии

- Не оставляйте дверцу холодильника открытой на длительное время.
- Не кладите в холодильник горячие продукты или напитки.
- Не перегружайте холодильник, чтобы не нарушать циркуляцию воздуха.
- Не устанавливайте холодильник в местах, где на него попадают прямые солнечные лучи, или поблизости от источников тепла, таких как плита, посудомоечная машина или радиатор отопления.
- Следите за тем, чтобы контейнеры с продуктами были закрыты.
- Для изделий с морозильным отделением: в морозильное отделение холодильника можно заложить максимальное количество продуктов, если достать из него полку или ящик. Указанное в технических характеристиках энергопотребление холодильника определено при условии, что полка или ящик морозильного отделения извлечены, и в него загружено максимально возможное количество продуктов. Полку и ящик можно использовать для замораживания продуктов в соответствии с их формой и размером.
- Таяние замороженных продуктов в холодильном отделении обеспечит экономию электроэнергии и сохранение качества продуктов.

Технические характеристики холодильника	
Класс энергопотребления	A
Класс защиты	1

## 3 Установка

- i** Учтите, что производитель не несет ответственности в случае несоблюдения указаний, приведенных в данном руководстве.

### Правила транспортировки холодильника

1. Перед транспортировкой следует вынуть из холодильника все продукты и вымыть его.
2. Перед упаковкой следует надежно закрепить все полки, оборудование, контейнеры для овощей и фруктов и т.п. при помощи клейкой ленты, чтобы предохранить их от тряски.
3. Холодильник следует обвязать лентами из плотного материала и прочными веревками. При транспортировке следует придерживаться правил, напечатанных на упаковке.

Не забывайте о том, что...

Вторичное использование материалов очень важно для сохранения природы и наших национальных богатств.

Если вы решите сдать упаковочные материалы на переработку, обратитесь за подробной информацией в организации по охране окружающей среды или в местные органы власти.

### Подготовка к эксплуатации

Перед началом эксплуатации холодильника выполните следующие действия.

1. Убедитесь, что внутри холодильника сухо, и воздух может свободно циркулировать позади холодильника.
2. Можно установить два пластиковых упора, как показано на рисунке. Пластиковые упоры обеспечат

необходимое расстояние между холодильником и стеной для надлежащей циркуляции воздуха. (Изображение на рисунке предназначено только для иллюстрации и не совпадает полностью с вашим изделием.)

3. Выполните чистку холодильника в соответствии с рекомендациями, приведенными в разделе "Обслуживание и чистка".
4. Подключите холодильник к электрической сети. При открытии двери холодильника включается лампочка внутреннего освещения.
5. При запуске компрессора будет слышен шум. Жидкость и газы, находящиеся внутри герметичной системы охлаждения, также могут создавать шум, независимо от того, работает компрессор или нет, что является вполне нормальным явлением.
6. Передние кромки холодильника могут казаться теплыми на ощупь. Это нормально. Эти области подогреваются, чтобы предупредить конденсацию.

Подключение к электросети  
Подсоедините холодильник к заземленной розетке с предохранителем соответствующего номинала.

- Важное замечание
- Подключение следует выполнять в соответствии с местными нормами и правилами.
- Место подключения шнура питания к розетке должно быть легкодоступным.

- Напряжение в сети должно соответствовать данным, указанным в характеристиках холодильника.

- Запрещается использовать при установке удлинители и многоместные розетки.

⚠ Замену поврежденного шнура питания должен выполнять квалифицированный электрик.

⚠ Запрещается пользоваться неисправным электроприбором! Это может привести к поражению электрическим током.

## Утилизация упаковки

Упаковочные материалы могут быть опасны для детей. Храните упаковочные материалы в недоступном для детей месте или выбросьте их, рассортировав в соответствии с правилами утилизации отходов. Не выбрасывайте их вместе с обычными бытовыми отходами.

Упаковка холодильника изготовлена из материалов, подлежащих вторичной переработке.

## Утилизация старого холодильника

Утилизация старого прибора должна выполняться экологически безопасным способом.

- Сведения об утилизации прибора можно получить у официального дилера или в пункте сбора отходов по месту жительства.

Перед утилизацией холодильника следует отрезать шнур питания и сломать замки на дверцах (при

наличии), чтобы предотвратить опасные ситуации для детей.

## Размещение и установка

⚠ Если дверь помещения, в котором будет установлен холодильник, недостаточно широка, можно снять дверцы холодильника и внести его в дверь боком. Для того чтобы снять дверцы, обратитесь в фирменный сервисный центр.

1. Устанавливайте холодильник в удобном для использования месте.
2. Холодильник следует устанавливать в местах, защищенных от прямых солнечных лучей, вдали от источников тепла и повышенной влажности.
3. Для более эффективной работы необходимо обеспечить хорошую вентиляцию вокруг холодильника.
4. Если холодильник устанавливается в нише, минимальное расстояние до потолка и стен должно быть не менее 5 см. При установке на ковровое покрытие следует приподнять холодильник на 2.5 см от пола.
5. Холодильник следует устанавливать на ровную поверхность, иначе может возникнуть вибрация.

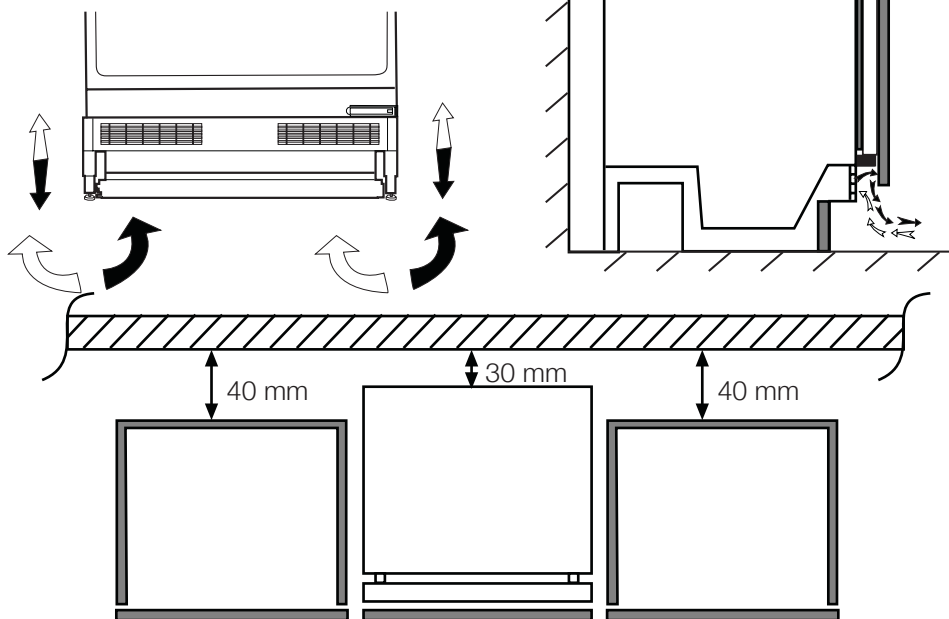
## Установка холодильника под стойкой и регулировка ножек

При установке холодильника расстояние между стеной и изделием не должно быть меньше 30 см, как показано на рисунке.

Воздуховод не должен быть закупорен во избежание снижения производительности холодильника. (140 см<sup>2</sup>)

Если холодильник расположен неустойчиво:

холодильник можно сбалансировать, поворачивая передние ножки, как показано на рисунке. Угол холодильника, в котором находится ножка, будет опускаться, если поворачивать по направлению черной стрелки, и подниматься, если поворачивать в обратном направлении. Если кто-то может приподнять холодильник, это облегчит процесс.



## Замена лампочки

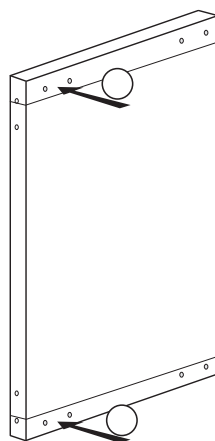
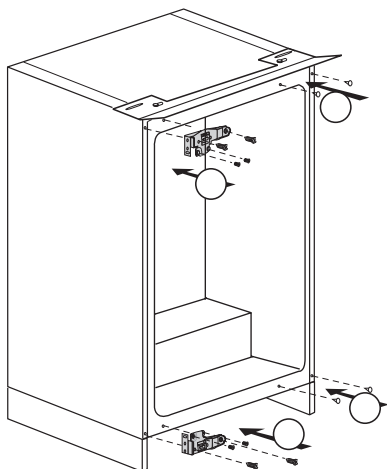
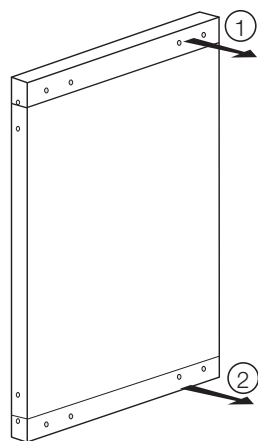
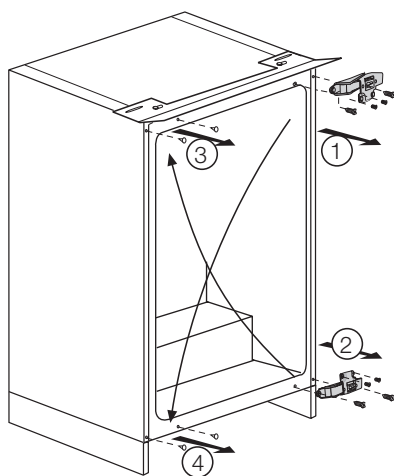
Для замены лампочки освещения холодильника обратитесь в авторизированный сервисный центр.

Лампа (-ы), используемая (-ые) в данном изделии, не подходит (-ят) для бытового освещения помещений. Данная лампа предназначена для освещения при размещении пользователем продуктов питания в холодильной/морозильной камере, обеспечивая безопасность и удобство.

Лампы, используемые в этом приборе, должны выдерживать экстремальные физические условия, например, температуру ниже 20 °С.

## Перевешивание дверей

Выполните описанные действия в указанной последовательности.





## 4 Подготовка

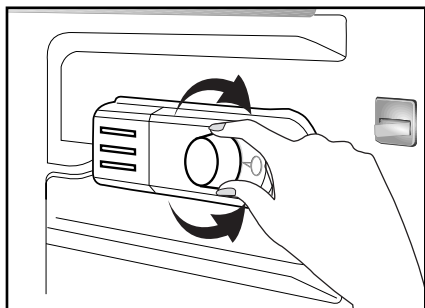
---

- i** Ваш холодильник следует установить, по крайней мере, в 30 см от источников тепла, таких как газовые конфорки, плиты, батареи центрального отопления и печи, и, по крайней мере, в 5 см от электрических плит, в месте, куда не попадает прямой солнечный свет.
- i** Температура воздуха в помещении, где устанавливается холодильник, должна быть не менее 10°C. Использовать холодильник при более низкой температуре не рекомендуется в связи с его низкой эффективностью в таких условиях.
- i** Содержите внутреннее пространство холодильника в чистоте.
- i** Если два холодильника устанавливаются рядом, то между ними должно быть расстояние не менее 2 см.
- i** При первом включении холодильника просим соблюдать следующие инструкции во время первых шести часов работы.

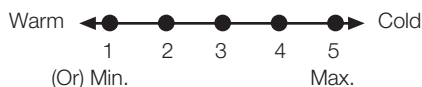
  - Не открывайте дверцу слишком часто.
  - Не загружайте в холодильник продукты.
  - Не отключайте холодильник от электрической сети. Если произошло отключение электроэнергии не по вашей вине, см. указания в разделе «Рекомендации по устранению неполадок».
- i** Оригинальную упаковку и пленку следует сохранить для последующей транспортировки или перевозки изделия.

## 5 Пользование холодильником

### Установка рабочей температуры



Рабочая температура регулируется соответствующим регулятором.



1 = Наименьшее значение охлаждения (самая высокая температура)

5 = Самое высокое значение охлаждения (самая низкая температура)

(или)

Min. = Наименьшее охлаждение (самая высокая температура)

Max. = Наибольшее охлаждение (самая низкая температура)

Средняя температура в холодильнике должна быть около  $+5^{\circ}\text{C}$ .

Установите значение, соответствующее нужной температуре.

Имейте в виду, что в области охлаждения будут разные температуры.

Самая холодная область располагается непосредственно над контейнером для овощей и фруктов.

Температура внутри холодильника также зависит от температуры окружающей среды, частоты открывания дверцы и количества хранимых продуктов.

Если дверца открывается часто, то температура внутри повышается.

По этой причине рекомендуется как можно скорее закрывать дверцу.

### Пользование внутренними отделениями

Съемные полки; Расстояние между полками можно при необходимости изменить.

Выдвижной ящик для овощей: Овощи и фрукты могут храниться здесь долгое время, не гняя.

Полка для бутылок: На эти полки можно поместить бутылки и банки.

### Охлаждение

#### Хранение продуктов

Камера холодильника предназначена для непродолжительного хранения свежих продуктов и напитков.

Молочные продукты следует хранить в предназначенном для них отсеке холодильника.

Бутылки можно хранить в держателе или на полке для бутылок в дверце холодильника.

Сырое мясо лучше всего хранить в полиэтиленовом пакете в отсеке в самом низу холодильника.

Прежде чем помещать горячие продукты и напитки в холодильник, дайте им остыть до комнатной температуры.

• Внимание!

Концентрированные спиртные напитки следует хранить только в вертикальном положении и плотно закрытыми.

• Внимание!

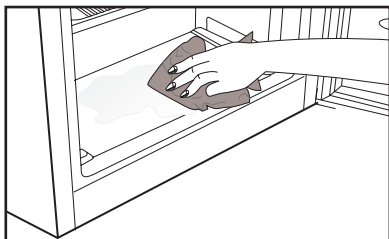
В холодильнике нельзя хранить взрывчатые вещества или баллончики с воспламеняющимися сжатыми газами (консервированные сливки, аэрозольные баллоны и т. д.). Существует опасность взрыва.

## Размораживание

Холодильное отделение размораживается автоматически. Талая вода стекает через сливной канал в накопительную емкость, которая расположена с обратной стороны устройства

Во время размораживания из-за испарения на задней стенке холодильника образуются капли воды.

Если не все капли стекут вниз, они могут снова замерзнуть после размораживания. Их следует удалить тканью, смоченной в теплой воде, но не твердым или острым предметом.



## 6 Обслуживание и чистка

- ⚠ Ни в коем случае не используйте бензин, бензол или подобные вещества для чистки.
- ⚠ Перед чисткой рекомендуем отсоединить изделие от электросети.
- ℹ Не используйте для чистки острые абразивные инструменты, мыло, бытовые чистящие средства, моющие средства и восковую политуру.
- ℹ Корпус изделия промойте теплой водой и затем вытрите насухо.
- ℹ Протрите внутреннюю поверхность изделия хорошо отжатой тканью, смоченной в растворе питьевой соды (1 чайная ложка на пол-литра воды), и вытрите насухо.
- ⚠ Не допускайте попадания воды в корпус лампочки и в другие электрические компоненты.
- ⚠ Если холодильник не будет использоваться в течение длительного времени, отключите сетевой шнур, извлеките все продукты, выполните чистку и оставьте дверцу приоткрытой.
- ℹ Регулярно проверяйте, не испачкан ли уплотнитель дверцы частицами пищи.
- ℹ Для снятия полок в дверце полностью разгрузите их, а затем просто приподнимите вверх.
- ℹ Для чистки наружных поверхностей и хромированных деталей изделия ни в коем случае не используйте чистящие средства или воду, содержащие хлор. Хлор вызывает коррозию таких металлических поверхностей.

- ℹ Не используйте острые и абразивные инструменты или мыло, бытовые чистящие средства, синтетические моющие средства, бензин, бензол, воск и т.д., иначе маркировка на пластиковых деталях исчезнет, и будет иметь место деформация. Используйте для очистки и вытирания насухо теплую воду и мягкую ткань.

### Защита пластмассовых поверхностей

- Не храните жидкое масло или продукты, приготовленные с добавлением масла, в морозильной камере в открытых контейнерах, так как они могут повредить пластмассовые поверхности. Если же масло протекло или попало на пластмассовую поверхность, сразу же очистите и промойте это место теплой водой.

## 7 Рекомендации по устранению неисправностей

Прежде чем обращаться в сервисный центр, просмотрите этот перечень. Это может помочь сэкономить время и деньги. Ниже перечислены часто возникающие проблемы, причиной которых не являются дефекты производства или материалов. Некоторые из описанных здесь функций могут отсутствовать в вашей модели.

### Холодильник не работает.

- Правильно ли включен холодильник в сеть? Вставьте вилку в розетку электросети.
- Не перегорел ли предохранитель розетки, в которую включен холодильник, или главный предохранитель? Проверьте предохранитель.

### Конденсация на боковой стенке отделения холодильника (MULTI ZONE, COOL CONTROL и FLEXI ZONE).

- Очень низкая температура окружающей среды. Частое открывание и закрывание дверцы. Изделие работает в условиях повышенной влажности. Хранение продуктов, содержащих жидкость, в открытых контейнерах. Неплотно закрыта дверца.
- Переключите термостат на более низкую температуру.
- Сократите периоды, когда дверца остается открытой, или открывайте ее реже.
- Накройте продукты, хранящиеся в открытых контейнерах, подходящим материалом.
- Вытрите конденсат сухой тканью и проверьте, не образуется ли он снова.

### Не работает компрессор

- Термозащита компрессора может сработать при неожиданных отключениях энергоснабжения либо при выключении-включении прибора, поскольку давление хладагента в системе охлаждения не успевает стабилизироваться.
- Холодильник начнет работать примерно через 6 минут. Если по истечении этого времени холодильник не заработал, обратитесь в сервисный центр.
- Холодильник находится в режиме размораживания. Это нормально для холодильника с автоматическим размораживанием. Размораживание выполняется регулярно.
- Холодильник не включен в розетку электросети. Убедитесь, что вилка плотно вставлена в розетку электросети.
- Правильно ли отрегулирована температура? Нарушение подачи электроэнергии. Обратитесь к поставщику электроэнергии.

<b>Холодильник включается слишком часто или работает слишком долго.</b>	
<ul style="list-style-type: none"> <li>• Новый холодильник может быть больше того, которым вы пользовались раньше. Это вполне нормально – большие холодильники работают в течение более длительных периодов времени.</li> <li>• Возможно, температура в помещении повышена. Это вполне нормально.</li> <li>• Возможно, холодильник был недавно включен или только что загружен продуктами. Полное охлаждение холодильника может продолжаться на несколько часов дольше.</li> <li>• Возможно, в холодильник недавно поместили большое количество горячих продуктов. Из-за наличия горячих продуктов холодильник будет работать дольше, чтобы достичь нужной температура хранения.</li> <li>• Возможно, дверцы часто открываются либо оставались приоткрытыми в течение длительного времени. При попадании в холодильник теплого воздуха, он будет работать дольше. Открывайте дверцы реже.</li> <li>• Неплотно закрыта дверца морозильного или холодильного отделения. Проверьте, плотно ли закрыты дверцы.</li> <li>• Холодильник отрегулирован на очень низкую температуру. Установите в холодильнике более высокую температуру и подождите, пока установленная температура не будет достигнута.</li> <li>• Возможно, уплотнитель дверцы холодильного или морозильного отделения загрязнен, изношен, разорван или неправильно установлен. Почистите или замените уплотнитель. Из-за поврежденного или разорванного уплотнителя холодильник будет работать дольше, чтобы поддерживать текущую температуру.</li> </ul>	
<b>Температура в морозильном отделении слишком низкая, в то время как температура в холодильном отделении достаточная.</b>	
<ul style="list-style-type: none"> <li>• Температура морозильного отделения установлена на очень низкое значение. Установите в морозильном отделении более высокую температуру и проверьте работу.</li> </ul>	
<b>Температура холодильного отделения очень низкая, в то время как температура в морозильном отделении достаточная.</b>	
<ul style="list-style-type: none"> <li>• Температура в холодильном отделении установлена на очень низкое значение. Установите в холодильном отделении более высокую температуру и проверьте работу.</li> </ul>	
<b>Замерзают продукты в выдвижных контейнерах холодильного отделения.</b>	
<ul style="list-style-type: none"> <li>• Температура в холодильном отделении установлена на очень низкое значение. Установите в холодильном отделении более высокую температуру и проверьте работу.</li> </ul>	

<b>Температура в холодильном и морозильном отделении слишком высокая.</b>
<ul style="list-style-type: none"> <li>• Температура в холодильном отделении установлена на очень высокое значение. Температура в холодильном отделении влияет на температуру в морозильном отделении. Изменяйте температуру в холодильном или морозильном отделении, пока не будет достигнут нужный уровень температуры.</li> <li>• Возможно, неплотно закрыта дверца. Полностью закройте дверцу.</li> <li>• Возможно, в холодильник недавно поместили большое количество горячих продуктов. Подождите, пока холодильное или морозильное отделение достигнет нужной температуры.</li> <li>• Возможно, холодильник был недавно включен в сеть. Для полного охлаждения потребует некоторое время из-за большого размера холодильника.</li> </ul>
<b>Из холодильника доносится шум, похожий на тиканье механических часов.</b>
<ul style="list-style-type: none"> <li>• Этот шум вызван работой электромагнитного клапана холодильника. Он обеспечивает прохождение хладагента, который выполняет охлаждение, через отделения холодильника, в которых установлена температура охлаждения или замораживания. Это вполне нормально и не является неисправностью.</li> </ul>
<b>Уровень рабочего шума повышается во время работы холодильника.</b>
<ul style="list-style-type: none"> <li>• Рабочие характеристики изделия могут изменяться в зависимости от изменений температуры окружающей среды. Это нормально и не является неисправностью.</li> </ul>
<b>Вибрация или шум.</b>
<ul style="list-style-type: none"> <li>• Пол неровный или нежесткий. Холодильник медленно перемещается и при этом дрожит. Убедитесь в том, что пол ровный и достаточно прочный, чтобы выдержать вес изделия.</li> <li>• Шум могут вызывать предметы, которые находятся на холодильнике. Такие предметы следует убрать с холодильника.</li> </ul>
<b>Слышен шум льющейся или разбрызгивающейся жидкости.</b>
<ul style="list-style-type: none"> <li>• Расход жидкости и газа изменяется в соответствии с принципами работы изделия. Это нормально и не является неисправностью.</li> </ul>
<b>Слышен шум, похожий на шум ветра.</b>
<ul style="list-style-type: none"> <li>• Для обеспечения эффективного охлаждения в холодильнике используются устройства подачи воздуха (вентиляторы). Это нормально и не является неисправностью.</li> </ul>
<b>Конденсация влаги на внутренних стенках холодильника.</b>
<ul style="list-style-type: none"> <li>• Жаркая и влажная погода способствует образованию льда и конденсации влаги. Это нормально и не является неисправностью.</li> <li>• Дверцы приоткрыты. Убедитесь, что дверцы полностью закрыты.</li> <li>• Возможно, дверцы открывались очень часто, или дверца оставалась открытой длительное время. Открывайте дверцу реже.</li> </ul>
<b>Появление влаги снаружи холодильника или между дверцами.</b>
<ul style="list-style-type: none"> <li>• Возможно, причина во влажной погоде. Это вполне нормально при влажной погоде. Когда влажность уменьшится, конденсация исчезнет.</li> </ul>

<b>Неприятный запах внутри холодильника.</b>
<ul style="list-style-type: none"> <li>• Следует выполнить чистку внутри холодильника. Протрите холодильник внутри губкой, смоченной в теплой воде или в газированной воде.</li> <li>• Некоторые контейнеры или упаковочные материалы также могут быть источником запаха. Используйте другой контейнер или упаковочный материал другой марки.</li> </ul>
<b>Дверца (дверцы) не закрывается (не закрываются).</b>
<ul style="list-style-type: none"> <li>• Упаковки продуктов могут препятствовать закрыванию дверцы. Переместите упакованные продукты, препятствующие закрытию дверцы.</li> <li>• Возможно, холодильник стоит не совсем вертикально, это может вызвать дрожание при любом перемещении. Отрегулируйте регулировочные винты.</li> <li>• Пол неровный или нежесткий. Убедитесь в том, что пол ровный и может выдержать вес холодильника.</li> </ul>
<b>Контейнеры для фруктов и овощей прилипли.</b>
<ul style="list-style-type: none"> <li>• Возможно, продукты касаются верхней части контейнера. Переместите продукты в контейнере.</li> </ul>



Изготовитель: «Arcelik A.S.» Юридический адрес: Караач Джаддеси № 2-6 34445 Сютлюдже Стамбул, Турция (Karaağaç Caddesi No:2-6 Sütlüce, 34445,Turkey)

Произведено в Турции

Импортер на территории РФ: ООО «БЕКО» Юридический адрес: 601021 Россия, Владимирская обл., Киржачский р-н, МОСП Першинское, дер. Федоровское, ул. Сельская, д. 49.

Информацию о сертификации продукта Вы можете уточнить, позвонив на горячую линию 8-800-200-23-56.

Официальный представитель на территории Украины: ООО "Беко Украина", адрес: 01021, г. Киев, ул. Кловский спуск, д. 5.

Информацию о сертификации можно получить в информационно-справочной службе по телефону 0-800-500-4-3-2

Дата производства включена в серийный номер продукта, указанный на этикетке, расположенной на продукте, а именно: первые две цифры серийного номера обозначают год производства, а последние две – месяц. Например, "10-100001-05" обозначает, что продукт произведен в мае 2010 года.

Изготовитель оставляет за собой право на внесение изменений в конструкцию, дизайн и комплектацию электроприбора.

изготовитель оставляет за собой право вносить изменения в конструкцию, дизайн и комплектацию электроприбора.



Алдымен, осы пайдаланушы нұсқаулығын оқыңыз!

Құрметті тұтынушы,

Заманауи зауыттарда шығарылған және сапаны бақылаудың ең мұқият процедуралары бойынша тексерілген өніміңіз сізге тиімді қызмет көрсетеді деп үміттенеміз.

Сондықтан, өнімді пайдалану алдында осы пайдаланушы нұсқаулығын толығымен оқып шығыңыз және анықтама ретінде сақтаңыз. Егер өнім басқа біреуге тапсырылса, осы нұсқаулықты да беріңіз.

Пайдаланушы нұсқаулығы өнімді жылдам әрі қауіпсіз пайдалануға көмектеседі.

- Өнімді орнату және пайдалану алдында нұсқаулықты оқып шығыңыз.
- Қауіпсіздік туралы нұсқауларды оқып шығыңыз.
- Нұсқаулықты оңай қол жететін жерде сақтаңыз, өйткені ол кейінірек сізге қажет болуы мүмкін.
- Өніммен бірге берілген басқа құжаттарды оқыңыз.

Бұл пайдаланушы нұсқаулығы бірнеше басқа модельге де қатысты екенін ұмытпаңыз. Модельдер арасындағы айырмашылықтар нұсқаулықта көрсетіледі.

Таңбалар түсініктемесі

Осы пайдаланушы нұсқаулығында келесі таңбалар пайдаланылады:

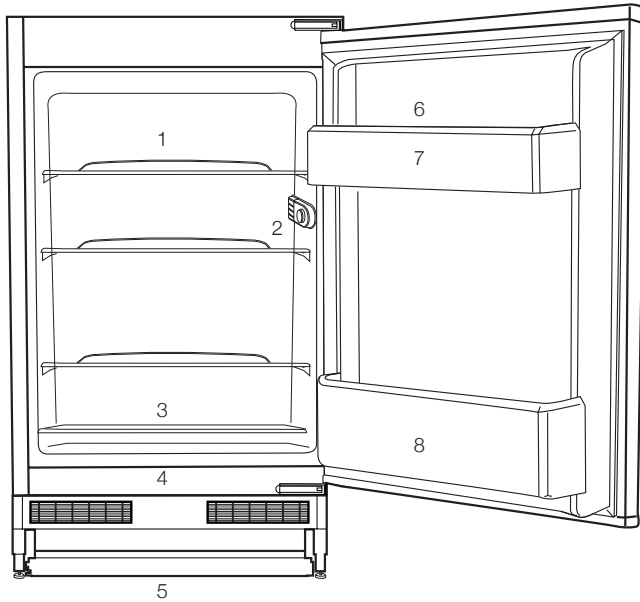
❏ Маңызды ақпарат немесе пайдалы кеңестер.

⚠ Өмір мен мүлікке қауіпті жағдайлар туралы ескерту.

⚠ Электр кернеуі туралы ескерту.

<b>1 Тоңазытқышыңыз</b>	<b>3</b>	<b>4 Дайындау</b>	<b>14</b>
<b>2 Қауіпсіздік туралы маңызды ескертулер</b>	<b>4</b>	<b>5 Тоңазытқышты пайдалану</b>	<b>15</b>
Қолданылу саласы.....	4	Ішкі бөлімдерді пайдалану .....	15
Жалпы қауіпсіздік.....	4	Салқындату .....	15
Су диспенсері .....	7	Еріту.....	16
бар өнімдер үшін;.....	7	<b>6 Техникалық қызмет көрсету және тазалау</b>	<b>17</b>
Балалар қауіпсіздігі.....	8	Пластик беттерді қорғау .....	18
WEEE директивасына және қоқыс өнімді лақтыру талаптарына сәйкестік: .....	8	<b>7 Ақаулықтарды жою</b>	<b>19</b>
Орама туралы ақпарат .....	8		
НС ескертуі.....	9		
Энергияны үнемдеу шаралары .....	9		
<b>3 Орнату</b>	<b>10</b>		
Тоңазытқыштың орнын ауыстыру кезінде назар аудару қажет тұстар.....	10		
Электр қосылым.....	10		
Орауышты тастау .....	11		
Ескі тоңазытқышты қоқысқа тастау.....	11		
Орнату .....	11		
Жарықтандыру шамын ауыстыру	11		
Тоңазытқышты сөренің астына қою және табандарын реттеу .....	12		
Есіктерді кері қою.....	13		

# 1 Тоңазытқышыңыз



1. Копустың сөрелері
2. Шамдар термостаты
3. Азық-түлік сақтау бөлімінің жылжымалы қақпағы
4. Азық-түлік сақтау бөлімі
5. Реттелетін алдыңғы табандар
6. Жұмыртқалар бөлімі
7. Есік сөресі
8. Бөтелке сөресі




❗ Осы пайдалану нұсқаулығында келтірілген суреттер схемалық болып табылады және сіздің өніміңізге дәл сәйкес келмеуі мүмкін. Егер қарастырылып жатқан бөліктер сіз сатып алған өнімде қамтылмаса, онда ол басқа модельдер үшін жарамды.


## 2 Қауіпсіздік туралы маңызды ескертулер


Келесі ақпаратты қарап шығыңыз. Бұл ақпаратты ескермеу жарақатқа немесе материалдық зиянға әкелуі мүмкін. Ескермегенде, кепілдік пен сенімділікке қатысты барлық міндеттемелер жарамсыз болады.

Түпнұсқалық қосалқы бөлшектер өнімнің сатып алынған күнінен кейін 10 жыл бойы қамтамасыз етіледі.

### Қолданылу саласы

	<b>ЕСКЕРТУ:</b> Құрылғы корпусы мен кірістірілген құрылымдағы саңылауларды кедергілері жоқ күйде ұстаңыз.
	<b>ЕСКЕРТУ:</b> Еріту процесін тездету үшін өндіруші ұсынғаннан басқа механикалық құрылғыларды немесе басқа құралдарды пайдалануға болмайды.
	<b>ЕСКЕРТУ:</b> Хладагент контурын зақымдап алмаңыз.

 **ЕСКЕРТУ:** Өндіруші ұсынған түрге жататын болмаса, электр құрылғыларды құрылғының тамақ сақтау бөлімдерінің ішінде пайдаланбаңыз.

 **ЕСКЕРТУ:** Бұл құрылғыда тұтанғыш қысылған зат бар аэрозоль банкалары сияқты жарылғыш заттарды сақтамаңыз.

Бұл құрылғы үй тұрмысында және келесіге ұқсас қолданыстарда пайдалануға арналған:

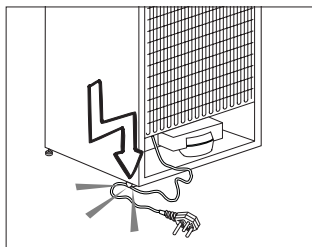
- дүкендердегі, кеңселердегі және басқа жұмыс орталарындағы қызметкерлердің асүй аумақтарында;
- қонақ үйлердегі, мотельдердегі және басқа тұрғын орталарындағы клиенттер;
- төсек және таңғы ас түріндегі орталар;
- қоғамдық тамақтану және аналогтық бөлшектік емес қолданбалар.

### Жалпы қауіпсіздік

- Өнімді қоқысқа тастағыңыз келсе, қажетті ақпаратты және өкілетті органдарды білу үшін өкілетті сервистік орталыққа қоңырау шалу ұсынылады.

- Тоңазытқышқа қатысты барлық сұрақтар мен мәселелер туралы өкілетті сервистік орталыққа хабарласыңыз. Өкілетті сервистік орталыққа хабарламастан тоңазытқышқа араласпаңыз немесе біреудің араласуына жол бермеңіз.
- Мұздатқыш бөлімі бар өнімдер үшін; Конус балмұздақ пен мұз текшелерін мұздатқыш бөлімінен шығарғаннан кейін бірден жеуге болмайды! (Бұл аузыңызда үсікке әкелуі мүмкін).
- Мұздатқыш бөлімі бар өнімдер үшін; Бөтелкедегі және консервіленген сұйық сусындарды мұздатқыш бөліміне салмаңыз. Әйтпесе, олар жарылуы мүмкін.
- Мұздатылған тағамды қолмен ұстамаңыз; ол қолыңызға жабысып қалуы мүмкін.
- Тоңазытқышты тазалау немесе еріту алдында электр желісінен ажыратыңыз.
- Бу мен буланған тазартқыш материалдарды тоңазытқышты тазалау және еріту процедураларында ешқашан қолдануға болмайды. Мұндай жағдайларда бу электрлік бөліктерге тиіп, қысқа тұйықталуға немесе электр тоғының соғуына әкелуі мүмкін.
- Тоңазытқыштағы есік сияқты бөліктерді ешқашан тіреу немесе баспалдақ құралы ретінде ешқашан пайдаланбаңыз.
- Тоңазытқыш ішінде электр құрылғыларын пайдаланбаңыз.
- Салқындатқыш айналатын бөлшектерді бұрғылауға немесе кесуге арналған құралдармен зақымдамаңыз. Буландырғыштың газ каналдары, түтік ұзартқыштары немесе беткі қабаттар тесілген кезде жарылуы мүмкін салқындатқыш теріні тітіркендіреді және көзді жарақаттайды.
- Тоңазытқыштағы желдеткіш саңылауларды ешбір материалмен жаппаңыз немесе бұғаттамаңыз.
- Электр құрылғыларын тек уәкілетті адамдар жөндеуі тиіс. Біліктілігі жоқ адамдар орындаған жөндеу пайдаланушыға қауіп тудырады.
- Кез келген ақаулық болған жағдайда я болмаса техникалық қызмет көрсету немесе жөндеу жұмыстары кезінде тоңазытқыштың электр желісін қатысты сақтандырғышты өшіру немесе құрылғыны розеткадан ажырату арқылы ажыратыңыз.
- Ашаны суырғанда кабельден тартпаңыз.
- Алкогольді ішімдіктердің қақпағы бекітіліп, тігінен қойылып, қауіпсіз сақталуын қамтамасыз етіңіз.
- Жанғыш және жарылғыш заттары бар спрей құтыларын тоңазытқышта ешқашан сақтамаңыз.

- Еріту процесін тездету үшін өндіруші ұсынғаннан басқа механикалық құрылғыларды немесе басқа құралдарды пайдалануға болмайды.
  - Бұл өнімді физикалық, сезім немесе психикалық ауытқулары бар адамдардың немесе білімі жоқ немесе тәжірибесіз адамдардың (оның ішінде балалардың) пайдалануына тыйым салынады. Олардың қауіпсіздігіне жауапты немесе өнімді пайдалану туралы тиісті нұсқаулар беріп тұратын адам қадағаласа ғана, бұған рұқсат етіледі.
  - Зақымдалған тоңазытқышты пайдаланбаңыз. Егер сізде қандай да бір мәселелер болса, сервистік орталық агентімен кеңесіңіз.
  - Тоңазытқышыңыздың электр қауіпсіздігіне үйіңіздегі жер жүйесі стандарттарға сәйкес болған жағдайда ғана кепілдік беріледі.
  - Өнімге жаңбыр, қар, күн және жел әсерін тигізу электр қауіпсіздігіне қатысты қауіпті болып табылады.
  - Қауіпті болдырмау үшін қуат кабелінің зақымдануы болған кезде өкілетті сервистік орталыққа хабарласыңыз.
  - Орнату кезінде тоңазытқышты ешқашан қабырғадағы розеткаға қоспаңыз. Әйтпесе, өлім немесе ауыр жарақат алу қаупі туындауы мүмкін.
  - Бұл тоңазытқыш тек тамақ өнімдерін сақтауға арналған.
- Оны ешбір басқа мақсатта пайдалануға болмайды.
  - Техникалық сипаттамалардың белгісі тоңазытқыш ішіндегі сол жақ қабырғада орналасқан.
  - Тоңазытқышты ешқашан электр қуатын үнемдеу жүйелеріне ешқашан қоспаңыз; олар тоңазытқышты зақымдауы мүмкін.
  - Егер тоңазытқышта көк шам болса, оптикалық құралдармен көк жарыққа қарамаңыз.
  - Қолмен басқарылатын тоңазытқыштар үшін тоңазытқышты электр қуаты үзілгеннен кейін іске қосу үшін кемінде 5 минут бойы күтіңіз.
  - Бұл пайдалану нұсқаулығы басқаларға берілген кезде өнімнің жаңа иесіне тапсырылуы керек.
  - Тоңазытқышты тасымалдау кезінде электр кабеліне зақым келтірмеңіз. Майысатын кабель өртке әкелуі мүмкін. Қуат кабеліне ауыр заттарды ешқашан қоймаңыз. Өнімді розеткаға қосқанда, ашаны дымқыл қолмен ұстамаңыз

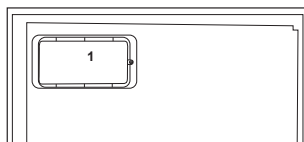
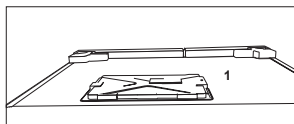


- Розетка тым бос болса, тоңазытқышты розеткаға қоспаңыз.

- Қауіпсіздік мақсатында өнімнің ішкі немесе сыртқы бөліктеріне суды шашуға болмайды.
- Өрт пен жарылыс қаупін болдырмау үшін тоңазытқыштың жанына пропан газы сияқты жанғыш газдары бар заттарды бүркімеңіз.
- Сумен толтырылған ыдыстарды ешқашан тоңазытқыштың үстіне қоймаңыз; төгілген жағдайда, бұл электр тоғының соғуына немесе өртке әкелуі мүмкін.
- Тоңазытқышты тамақпен шамадан тыс жүктемеңіз. Егер шамадан тыс жүктелсе, тамақтар құлап, сізді жарақаттауы және есікті ашқан кезде тоңазытқышқа зақым келтіруі мүмкін.
- Тоңазытқыштың үстіне заттарды ешқашан қоймаңыз; әйтпесе, тоңазытқыштың есігін ашқанда немесе жапқанда бұл заттар құлап кетуі мүмкін.
- Дәл температураны қажет ететіндіктен вакциналарды, ыстыққа сезімтал дәрі-дәрмектерді және ғылыми материалдарды және басқаларын тоңазытқышта сақтауға болмайды.
- Егер ұзақ уақыт бойы пайдаланбайтын болсаңыз, тоңазытқышты розеткадан ажырату керек. Қуа кабеліндегі ықтимал мәселе өртке себеп болуы мүмкін.
- Реттелетін табандар еденге дұрыс бекітілмеген болса, тоңазытқыш қозғалуы мүмкін. Реттелетін табандарды

дұрыс бекіту тоңазытқыштың қозғалуына жол бермейді.

- Тоңазытқышты тасымалдау кезінде есік тұтқасынан ұстамаңыз. Әйтпесе, оны құлатып алуыңыз мүмкін.
- Өнімді басқа тоңазытқыштың немесе мұздатқыштың жанына қою керек болған кезде, құрылғылар арасындағы қашықтық кемінде 8 см болуы керек. Әйтпесе, іргелес бүйірлік қабырғалар ылғалдануы мүмкін.
- Өніміңіздің жоғарғы жағында немесе артында орналасқан және электронды тақталар бар (электронды тақта қорабының қақпағы) бөлімі (1) ашық тұрған кезде өнімді ешқашан пайдаланбау керек.



## Су диспенсері

### бар өнімдер үшін;

- Суық судың қысымы ең көбі 90 psi (6,2 бар) болуы керек. Егер судың қысымы 80 psi (5,5 бар) мәнінен асса, желі жүйесінде қысымды шектейтін клапанды пайдаланыңыз. Егер судың қысымын қалай тексеруді білмесеңіз, кәсіби сантехниктен көмек сұраңыз.



- Егер орнатуыңызда су балғасы әсерінің болуы қаупі бар болса, онда әрқашан су балғасының алдын-алу құралын пайдаланыңыз. Орнатуыңызда су балғасы әсерінің бар-жоқтығын білмесеңіз, кәсіби сантехниктерге хабарласыңыз.
- Ыстық су кірісіне орнатпаңыз. Шлангілердің қатып қалу қаупіне қарсы сақтық шараларын қолданыңыз. Су температурасының жұмыс аралығы ең азы 33 °C (0,6 °C) және ең көбі 100 °F (38 °C) болуы керек.
- Тек ішетін суды пайдаланыңыз.

### Балалар қауіпсіздігі

- Егер есіктің құлпы болса, кілтті балалардың қолы жетпейтін жерде сақтау керек.
- Балалардың өнімге зиян тигізбеуін қадағалап отыру қажет.

### WEEE директивасына және қоқыс өнімді лақтыру талаптарына сәйкестік:



Бұл өнім EO WEEE директивасының(2012/19/EU) талаптарына сай. Бұл өнімде қоқыс электр және электрондық өнімнің (WEEE) сыныптама

таңбасы бар.

Бұл өнім қайта пайдалануға болатын және қайта өңдеуге жарамды жоғары сапалы бөліктер мен материалдар көмегімен өндірілген. Сондықтан, қызмет көрсету мерзімі аяқталғанда өнімді

қалыпты тұрмыстық қоқыстармен бірге лақтырмаңыз. Оны электр және электрондық жабдықты қайта өңдеуге арналған жинау орталығына апарыңыз. Ең жақын жинау орталықтары туралы мәліметтер алу үшін жергілікті билік органдарына хабарласыңыз. Пайдаланылған өнімдерді қайта өңдеу арқылы қоршаған ортаны және табиғи ресурстарды қорғауға көмектесіңіз. Балалардың қауіпсіздігі үшін қуат кабелін кесіңіз және бар болса, есіктің құлыптау механизмін сындырыңыз, сонда ол өнімді тастағанға дейін жұмыс істемейді.

### Орама туралы ақпарат

Өнімнің орама материалдары ұлттық қоршаған орта туралы ережелерімізге сай қайта өңдеуге болатын материалдардан өндірілген. Орама материалдарын тұрмыстық немесе басқа қоқыстармен бірге лақтырмаңыз. Оларды жергілікті билік органдары белгілеген орама материалын жинау орындарына апарыңыз. Ұмытпаңыз...

Қайта өңделген кез келген зат табиғат пен ұлттық байлығымыз үшін таптырмас зат болып табылады.

Егер сіз орауыш материалдарын қайта бағалауға үлес қосқыңыз келсе, сіз қоршаған ортаны қорғау ұйымдарынан немесе сіз орналасқан муниципалитеттерден кеңес ала аласыз.

## HC ескертуі

Егер өніміңіздің салқындату жүйесінде R600a болса:

Бұл газ тұтанғыш. Сондықтан пайдалану және тасымалдау кезінде салқындату жүйесі мен құбырларға зақым келтірмеуге назар аударыңыз. Зақымданған жағдайда, өнімді өрттің шығуына әкелетін ықтимал өрт көздерінен аулақ ұстаңыз және құрылғы орналасқан бөлмені желдетіңіз. Өнімнің салқындату жүйесінде R134a болса, бұл ескертуді елеменіз.

Өнімде пайдаланылатын газдың түрі тоңазытқыш ішіндегі сол жақ қабырғада орналасқан затбелгіде көрсетілген.

Өнімді жою үшін ешқашан отқа тастамаңыз.

## Энергияны үнемдеу шаралары

- Тоңазытқыштың есіктерін ұзақ уақыт бойы ашық қалдырмаңыз.
- Тоңазытқышқа ыстық тамақ немесе сусындар салмаңыз.
- Ішіндегі ауа айналымы тоқтап қалмауы үшін тоңазытқышты шамадан тыс жүктемеңіз.
- Тоңазытқышты күн жарығының астында немесе пештер, ыдыс жуғыш машиналар немесе радиаторлар сияқты жылу шығаратын құрылғылардың жанында орнатпаңыз.  
Тоңазытқышты жылу шығаратын көздерден кемінде 30 см, электр пештерден кемінде 5 см қашықтықта ұстаңыз.
- Тамағыңызды жабық ыдыста ұстауға назар аударыңыз.

- Мұздатқыш бөлімі бар өнімдер үшін; Мұздатқыштың сөресін немесе тартпасын алғанда, тағамның максималды мөлшерін мұздатқышта сақтауға болады. Тоңазытқыш үшін көрсетілген энергия тұтыну мәні мұздатқыш сөресін немесе тартпасын алып тастау және максималды жүктеме салу арқылы анықталды. Сөрені немесе тартпаны мұздатылатын тағамның пішіні мен өлшеміне сәйкес пайдаланудың зияны жоқ.
- Мұздатылған тағамды тоңазытқыш бөлімінде еріту энергияны үнемдеуге және тағамның сапасын сақтауға мүмкіндік береді.

### 3 Орнату

⚠ Пайдаланушы нұсқаулығында берілген ақпарат ескерілмеген жағдайда, өндіруші бұл үшін ешқандай жауапкершілік алмайды.

#### Тоңазытқыштың орнын ауыстыру кезінде назар аудару қажет тұстар

1. Тоңазытқышыңыз розеткадан суырылған болуы керек. Тасымалдау алдында тоңазытқышты босату және тазалау керек.

2. Қайта орамас бұрын, тоңазытқыш ішіндегі сөрелерді, керек-жарақтарды, жемістер мен көкөністер контейнерін, т.б. жабысқақ лентамен бекіту және соққылардан қорғау керек. Орауышты қалың таспамен немесе қатты арқандармен байлау керек және орауыштағы тасымалдау ережелерін қатаң түрде сақтау керек.

3. Түпнұсқалық орауыш пен көбікті материалдар болашақ тасымалдаулар немесе жылжытулар үшін сақталуы керек.

Тоңазытқышты іске қосудан бұрын, Тоңазытқышты іске қосу алдында келесілерді тексеріңіз:

1. Тоңазытқыштың ішін «Техникалық қызмет көрсету және тазалау» бөлімінде ұсынылғандай тазалаңыз.

2. Тоңазытқыштың ашасын қабырғадағы розеткаға қосыңыз. Тоңазытқыштың есігі ашылған кезде тоңазытқыштың ішкі шамы жанады.

3. Компрессор жұмыс істей бастағанда, дыбыс естіледі. Тоңазыту жүйесінің ішіндегі тығыздалған сұйықтық пен газдар тіпті компрессор жұмыс істеп тұрмаса да шу шығаруы мүмкін және бұл қалыпты жағдай.

4. Тоңазытқыштың алдыңғы шеттері жылы сезілуі мүмкін. Бұл қалыпты. Бұл аумақтар конденсацияны болдырмау үшін жылы болатындай жобаланған.

#### Электр қосылым

Өнімді тиісті көрсеткіші бар сақтандырғышпен қорғалған жерге қосылған розеткаға қосыңыз.

Маңызды:

Қосылым ұлттық ережелерге сәйкес болуы керек.

- Орнатудан кейін қуат ашасына қол жеткізу оңай болуы керек.
- Тоңазытқышыңыздың электр қауіпсіздігіне үйіңіздегі жер жүйесі стандарттарға сәйкес болған жағдайда ғана кепілдік беріледі.
- Өнімнің сол ішкі жағында орналасқан жапсырмада көрсетілген кернеу желілік кернеуге тең болуы керек.
- Қосылу үшін ұзартқыш кабельдер мен көп ашаны пайдалануға болмайды.

⚠ Зақымдалған қуат кабелін білікті электрик ауыстыруы керек.

⚠ Жөндемей тұрып өнімді пайдалануға болмайды! Электр тогының соғу қаупі бар!

## Орауышты тастау

Орауыш материалдары балалар үшін қауіпті болуы мүмкін. Орауыш материалдарын балалардың қолы жетпейтін жерде сақтаңыз немесе оларды жергілікті билік органдары берген қалдықтар жөніндегі нұсқауларға сәйкес жіктеп тастаңыз. Кәдімгі үй қоқыстарымен бірге тастамаңыз, орауышты жергілікті билік органдары белгілеген жинау орындарында тастаңыз.

Тоңазытқыштың орауышы қайта өңдеуге болатын материалдардан жасалған.

## Ескі тоңазытқышты қоқысқа тастау

Ескі тоңазытқышыңызды қоршаған ортаға зиян келтірмей тастаңыз.

- Тоңазытқышты қоқысқа тастау жөнінде сіз өкілетті дилерден немесе әкімшіліктің қоқыс жинау орталығынан кеңес ала аласыз.

Тоңазытқышты қоқысқа тастамаc бұрын электр ашаны кесіп алыңыз және есігінде құлыптар болса, балаларды кез келген қауіптен қорғау үшін оларды жарамсыз етіңіз.

## Орнату

⚠ Егер тоңазытқыш орнатылатын бөлменің кіреберіс есігі тоңазытқыштың өтуі үшін жеткілікті кең емес болса, онда өкілетті сервистік орталыққа қоңырау шалып, тоңазытқыштың есіктерін шешіп, есіктен бүйірден өткізіңіз.

**1.** Тоңазытқышты пайдалануға ыңғайлы жерге орнатыңыз.

**2.** Тоңазытқышты жылу көздерінен, ылғалды жерлерден және тік күн жарығынан аулақ ұстаңыз.

**3.** Тиімді жұмыс істеуі үшін тоңазытқыштың айналасында тиісті ауа желдетуі болуы керек. Егер тоңазытқышты қабырғадағы ойыққа қою керек болса, онда төбеден кемінде 5 см қашықтықта және қабырғадан кемінде 5 см қашықтық болуы керек. Өнімді кілем сияқты материалдардың үстіне қоймаңыз.

**4.** Дірілдемеуі үшін тоңазытқышты тегіс еден бетіне қойыңыз.

## Жарықтандыру шамын ауыстыру

Тоңазытқыштың жарықтандыруға пайдаланылатын шамын/жарық диодын ауыстыру үшін өкілетті қызмет орталығына қоңырау шалыңыз.

Осы құрылғыда пайдаланылған шам(дар) үй бөлмесін жарықтандыруға үйлесімсіз. Бұл шамның мақсаты — пайдаланушыға тамақ өнімдерін қауіпсіз және жайлы түрде тоңазытқышқа/мұздатқышқа салуға көмектесу. Бұл құрылғыда пайдаланылатын шамдар -20 °C-тан төмен температуралар сияқты ауыр физикалық жағдайларға төзімді болуы керек.

(тек кеуде және тік мұздатқыш)

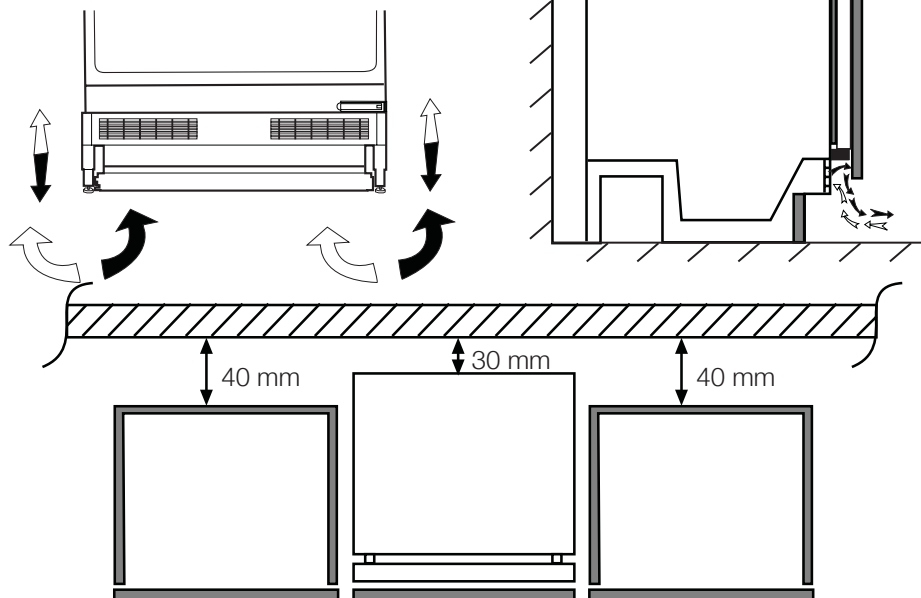
## Тоңазытқышты сөрениң астына қою және табандарын реттеу

Тоңазытқышты орналастырған кезде оның және қабырғаның арасындағы қашықтық суретте көрсетілгендей кемінде 30 мм болуы керек.

Тоңазытқыш өнімділігі төмендемеуі үшін желдету арналары жабылмауы керек. (140 см<sup>2</sup>)

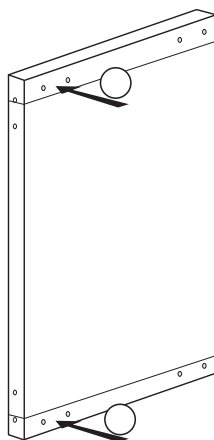
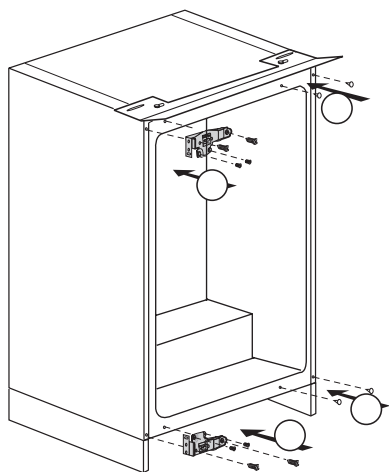
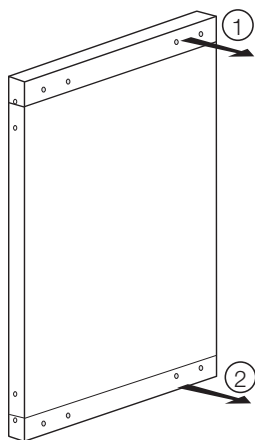
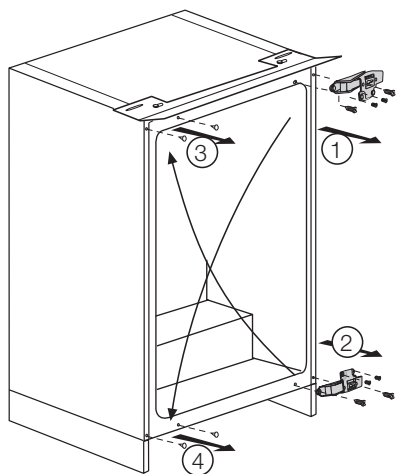
Егер сіздің тоңазытқышыңыз тұрақсыз болса;

Тоңазытқыштың алдыңғы табанын теңестіру үшін суретте көрсетілгендей бұруға болады. Табанды қара көрсеткі бағытында бұрған кезде, табан бұрышы төмендейді; табанды қарсы бағытта бұрған кезде ол көтеріледі. Мұны орындаған кезде, біреу құрылғыны сәл көтеруге көмектессе, сізге оңайырақ болады.



## Есіктерді кері қою

Сандық ретпен жалғастырыңыз

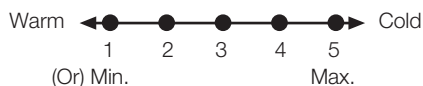
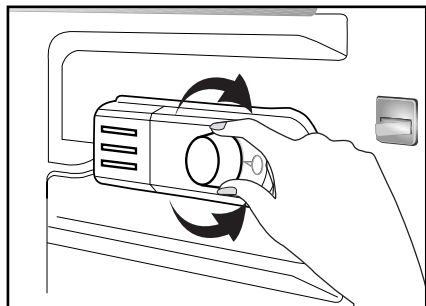


## 4 Дайындау

- i** Тоңазытқышыңыз плиталар, пештер, орталық жылытқыш және пештер сияқты жылу көздерінен кемінде 30 см қашықтықта және электр пештерден кемінде 5 см қашықтықта орнатылуы керек және тік күн жарығының астында орналаспауы керек.
- i** Тоңазытқышты орнататын бөлменің қоршаған ортаның температурасы кемінде 5 °C болуы керек. Тоңазытқышты осыдан салқынырақ жағдайларда пайдалану тиімділігіне байланысты ұсынылмайды.
- i** Тоңазытқыштың іші мұқият тазаланғанына көз жеткізіңіз.
- i** Егер екі тоңазытқышты қатар қою керек болса, олардың арасында кемінде 2 см қашықтық болуы керек.
- i** Тоңазытқышты бірінші рет пайдаланған кезде алғашқы алты сағат ішінде келесі нұсқауларды орындаңыз.
  - Есікті жиі ашуға болмайды.
  - Ол ішінде ешбір тамақсыз, бос жұмыс істеуі керек.
  - Тоңазытқышты розеткадан ажыратпаңыз. Егер бақылауыңыздан тыс электр қуаты өшірілсе, «Мәселелердің ұсынылған шешімдері» бөліміндегі ескертулерді қараңыз.
- i** Түпнұсқалық орауыш пен көбікті материалдар болашақ тасымалдаулар немесе жылжытулар үшін сақталуы керек.

## 5 Тоңазытқышты пайдалану

Жұмыс температурасын реттеу  
Жұмыс температурасы  
температура реттегішімен реттеледі.



**1 = Ең төмен салқындату параметрі (Ең жылы параметр)**

**5 = Ең жоғары салқындату параметрі (Ең суық параметр) (Немесе)**

**Мин. = Ең төменгі салқындату параметрі**

**(Ең жылы параметр)**

**Макс. = ең жоғары салқындату параметрі**

**(Ең салқын параметр)**

Тоңазытқыш ішіндегі орташа температура шамамен +5 °C болуы керек.

Қажетті температураға сәйкес параметрді таңдаңыз.

Салқындату аумағында әртүрлі температуралар болатынын ескеріңіз.

Ең суық аймақ тікелей көкөніс бөлімінің үстінде орналасқан.

Ішкі температура сонымен бірге қоршаған ортаның температурасына, есіктің ашылу жиілігіне және ішіндегі тамақ мөлшеріне байланысты.

Есікті жиі ашу ішкі температураның көтерілуіне әкеледі.

Осы себепті есікті пайдаланудан кейін мүмкіндігінше тезірек жабу ұсынылады.

### Ішкі бөлімдерді пайдалану

Жылжымалы сәрелер: Сәрелер арасындағы қашықтықты қажет болған жағдайда реттеуге болады.

Көкөністерге арналған суырмалы жәшік: Көкөністер мен жемістер бұл бөлімде ұзақ уақыт шірімей сақталады.

Бөтелке сәресі: Бұл сәрелерде бөтелкелерді, шыны құтыларды және консервілерді орналастыруға болады.

### Салқындату

Тамақты сақтау

Тоңазытқыш бөлімі жаңа тағамдар мен сусындарды қысқа мерзімге сақтауға арналған.

Сүт өнімдерін тоңазытқыштағы тиісті бөлімде сақтаңыз.

Бөтелкелерді бөтелке ұстағышта немесе есіктің бөтелкелер сәресінде сақтауға болады.

Шикі ет полиэтилен пакетте, тоңазытқыштың ең төменгі бөлігінде ең жақсы сақталады.



Тоңазытқышқа салмас бұрын ыстық тамақ пен сусындарды бөлме температурасына дейін суытыңыз.

- Назар аударыңыз

Концентрацияланған алкогольді тек тік күйдегі және тығыз жабылған түрде сақтаңыз.

- Назар аударыңыз

Бұл құрылғыда жарылғыш заттарды немесе жанғыш ұшқыр газдар бар ыдыстарды (консервіленген крем, спрей құтылары, т.б.) сақтамаңыз. Жарылу қаупі бар.

## **Еріту**

Тоңазытқыш бөлімі автоматты түрде ерітіледі. Еріген су ағызу түтігі арқылы құрылғының артындағы су жинайтын контейнерге ағып кетеді..

Ерітілген кезде буландырғыштан тоңазытқыштың артқы қабырғасында су тамшылары пайда болуы мүмкін.

Егер барлық тамшылар ағып кетпесе, олар қайтадан қатып қалуы мүмкін, ерігеннен кейін оларды жылы суға малынған шүберекпен алып тастаңыз, бірақ қатты немесе өткір затпен қырмаңыз.

## 6 Техникалық қызмет көрсету және тазалау

- ⚠ Газолинді, бензинді немесе ұқсас заттарды тазалау мақсатында ешқашан пайдаланбаңыз.
- ⚠ Құрылғыны тазаламас бұрын розеткадан ажырату ұсынылады.
- ⚠ Тазалау үшін ешқашан өткір абразивті құралды, сабынды, тұрмыстық тазартқышты, жуғыш затты және балауыз лактарын ешқашан пайдаланбаңыз.
- ⚠ In producten die geen No Frost hebben ontstaan er op de achterwand van het koelvak waterdruppels en een vingerdikke ijslaag. Maak het niet schoon; doe er nooit olie op soortgelijke middelen op.
- ⚠ Gebruik uitsluitend licht vochtige microvezeldoeken om de buitenkant van het product schoon te maken. Sponzen en andere soorten schoonmaakdoeken kunnen het oppervlak krassen.
- ⚠ Қатпайтын өнімдер үшін тоңазытқыш бөлімінің артқы қабырғасында су тамшылары және саусақтың еніне дейін аяз пайда болады. Оны тазаламаңыз; оған ешқашан май немесе ұқсас заттарды қолданбаңыз.
- ⚠ Өнімнің сыртқы бетін тазалау үшін тек аздап дымқыл микрофибра маталарды қолданыңыз. Губкалар және басқа да тазартқыш шүберектер бетін тырнауы мүмкін.
- ℹ Тоңазытқыштың шкафын тазарту үшін жылы суды пайдаланыңыз және құрғатып сүртіңіз.
- ℹ Ішін бір шай қасық сода бикарбонаты мен бір пинта су ерітіндісінен сығылған дымқыл шүберекті пайдаланып тазалаңыз, содан кейін оны құрғатып сүртіңіз.
- ⚠ Шамның корпусына және басқа электрлік заттарға су кірмейтініне көз жеткізіңіз.
- ⚠ Егер тоңазытқышыңыз ұзақ уақыт бойы пайдаланылмайтын болса, қуат кабелін розеткадан ажыратыңыз, барлық тағамдарды алыңыз, оны тазалаңыз және есікті ашық қалдырыңыз.
- ℹ Есіктің тығыздағыштары таза екенін және оларда тамақ бөлшектері жоқ екенін үнемі тексеріп отырыңыз.
- ⚠ Есік сөрелерін алып тастау үшін ішіндегісінің барлығын алып тастаңыз, содан кейін есік сөресін негізінен жоғары қарай итеріңіз.
- ⚠ Өнімнің сыртқы беттерін және хроммен қапталған бөліктерін тазалау үшін құрамында хлор бар тазалағыш заттарды немесе суды ешқашан пайдаланбаңыз. Хлор мұндай металл беттерде коррозияны тудырады.

⚠ Пластик бөліктегі баспалардың алынуы мен деформациясын болдырмау үшін өткір, абразивті құралдарды, сабынды, тұрмыстық тазартқыш заттарды, жуғыш заттарды, керосинді, мазутты, лактарды, т.б. пайдаланбаңыз. Тазалау үшін жылы су мен жұмсақ шүберекті пайдаланыңыз, содан кейін оны құрғатып сүртіңіз.

### **Пластик беттерді қорғау**

❗ Сұйық майларды немесе маймен пісірілген тағамдарды тоңазытқышқа жабық ыдыста салмаңыз, себебі олар тоңазытқыштың пластик беттерін бүлдіреді. Пластик беттерге май төгілген немесе жағылған жағдайда, беттің тиісті бөлігін бірден жылы сумен жуып, шайыңыз.

## 7 Ақаулықтарды жою

Сервистік орталыққа қоңырау шалу алдында осы тізімді қарап шығыңыз. Бұл уақытыңыз бен ақшаңызды үнемдейді. Бұл тізім ақаулықпен жасауға немесе материалдарды пайдалануға қатысты емес жиі болатын шағымдарды қамтиды. Мұнда сипатталған кейбір мүмкіндіктер сіздің өніміңізде болмауы мүмкін.

### Тоңазытқыш жұмыс істемейді.

- Аша розеткаға дұрыс қосылмаған. >>>Ашаны розеткаға берік түрде қосыңыз.
- Тоңазытқышыңыз қосылған розетканың сақтандырғышы немесе негізгі сақтандырғыш күйіп кетті. >>>Сақтандырғышты тексеріңіз.

Тоңазытқыш бөлімінің бүйірлік қабырғасындағы конденсат (MULTI ZONE (БІРЕНШЕ АЙМАҚ), COOL CONTROL (САЛҚЫНДАТУДЫ БАСҚАРУ) және FLEXI ZONE (ИКЕМДІ АЙМАҚ)).

- Есік жиі ашылған. >>>Тоңазытқыштың есігін жиі ашып-жаппаңыз.
- Қоршаған орта өте ылғалды. >>>Тоңазытқышты ылғалдылығы жоғары жерге қоймаңыз.
- Құрамында сұйықтық бар тағам ашық ыдыста сақталады. >>>Сұйықтығы бар тағамды ашық ыдыстарда сақтамаңыз.
- Тоңазытқыштың есігі ашық қалдырылған. >>>Тоңазытқыштың есігін жабыңыз.
- Термостат өте суық деңгейге орнатылған. >>>Термостатты қолайлы деңгейге орнатыңыз.

### Компрессор жұмыс істемей тұр.

- Тоңазытқыштың салқындату жүйесіндегі салқындатқыштың қысымы әлі теңдестірілмегендіктен, электр қуатының кенеттен өшуі немесе розеткадан суырулар және қосулар кезінде компрессордың қорғаныш термикасы сөніп қалады. Тоңазытқыш шамамен 6 минуттан кейін жұмыс істей бастайды. Осы мерзім аяқталған кезде тоңазытқыш іске қосылмаса, сервистік орталыққа қоңырау шалыңыз.
- Тоңазытқыш еріту циклында. >>>Бұл толығымен автоматты ерететін тоңазытқыш үшін қалыпты болып табылады. Еріту циклы мезгіл-мезгіл жүреді.
- Тоңазытқыш розеткаға қосылмаған. >>>Ашаның розеткаға сай екеніне көз жеткізіңіз.
- Температура параметрлері дұрыс орнатылмаған. >>>Қолайлы температура мәнін таңдаңыз.
- Электр қуаты сөніп қалды. >>>Тоңазытқыш қуат қалпына келтірілгенде қалыпты жұмысына оралады.

Тоңазытқыш жұмыс істеп тұрған кезде жұмыс шуы күшейеді.
<ul style="list-style-type: none"> <li>• Тоңазытқыштың жұмыс өнімділігі қоршаған орта температурасының өзгеруіне байланысты өзгеруі мүмкін. Бұл ақаулық емес, қалыпты жағдай.</li> </ul>
Тоңазытқыш жиі немесе ұзақ уақыт бойы жұмыс істейді.
<ul style="list-style-type: none"> <li>• Жаңа өнім алдындағысынан кеңірек болуы мүмкін. Үлкен тоңазытқыштар ұзақ уақыт бойы жұмыс істейді.</li> <li>• Бөлме температурасы тым жоғары болуы мүмкін. &gt;&gt;&gt;Өнімнің ыстық ортада ұзағырақ уақыт бойы жұмыс істеуі қалыпты болып табылады.</li> <li>• Тоңазытқыш жақында розеткаға қосылған болуы мүмкін немесе оған тамақ салынған болуы мүмкін. &gt;&gt;&gt;Жақында тоңазытқыш электр желісіне қосылса немесе оған азық-түлік салынса, оның орнатылған температураға жетуіне ұзағырақ уақыт кетеді. Бұл қалыпты.</li> <li>• Жақында тоңазытқышқа ыстық тамақ көп мөлшерде салынған болуы мүмкін. &gt;&gt;&gt;Тоңазытқышқа ыстық тамақты салмаңыз.</li> <li>• Есіктер жиі ашылуы немесе ұзақ уақытқа ашық қалдырылған болуы мүмкін. &gt;&gt;&gt;Тоңазытқышқа кірген жылы ауа тоңазытқыштың ұзағырақ уақыт бойы жұмыс істеуіне әкеледі. Есіктерді жиі ашпаңыз.</li> <li>• Мұздатқыш немесе тоңазытқыш бөлімінің есігі ашық қалдырылған болуы мүмкін. &gt;&gt;&gt;Есіктердің толығымен жабылғанын тексеріңіз.</li> <li>• Тоңазытқыш өте төмен температураға реттелген. &gt;&gt;&gt;Тоңазытқыштың температурасын жылырақ градусқа реттеңіз және температураға жеткенше күтіңіз.</li> <li>• Тоңазытқыштың немесе мұздатқыштың есік тығыздағышы ластануы, тозуы, жыртылуы немесе дұрыс отырмауы мүмкін. &gt;&gt;&gt;Тығыздағышты тазалаңыз немесе ауыстырыңыз. Зақымдалған/жыртылған тығыздағыш тоңазытқыштың ағымдағы температураны ұстап тұру үшін ұзағырақ уақыт бойы жұмыс істеуіне әкеледі.</li> </ul>
Тоңазытқыштың температурасы жеткілікті кезде мұздатқыштың температурасы өте төмен болады.
<ul style="list-style-type: none"> <li>• Мұздатқыш температурасы өте төмен мәнге реттелген. &gt;&gt;&gt;Мұздатқыштың температурасын жылырақ градусқа реттеңіз және тексеріңіз.</li> </ul>
Тоңазытқыштың температурасы өте төмен, ал мұздатқыштың температурасы жеткілікті.
<ul style="list-style-type: none"> <li>• Тоңазытқыштың температурасы өте төмен мәнге реттелген. &gt;&gt;&gt;Тоңазытқыштың температурасын жылырақ градусқа реттеңіз және тексеріңіз.</li> </ul>

Тоңазытқыш бөлімі тартпаларында сақталған тағамдар мұздатылған.
<ul style="list-style-type: none"> <li>• Тоңазытқыштың температурасы өте жоғары мәнге реттелген. &gt;&gt;&gt;Тоңазытқыш температурасын төмен мәнге реттеп, тексеріңіз.</li> </ul>
Тоңазытқыштағы немесе мұздатқыштағы температура өте жоғары.
<ul style="list-style-type: none"> <li>• Тоңазытқыштың температурасы өте жоғары мәнге реттелген. &gt;&gt;&gt;Тоңазытқыш бөлімінің температура параметрі мұздатқыштың температурасына әсер етеді. Тоңазытқыштың немесе мұздатқыштың температурасын өзгертіңіз және тиісті бөлімдер жеткілікті температураға жеткенше күтіңіз.</li> <li>• Есіктер жиі ашылады немесе ұзақ уақытқа ашық қалдырылады. &gt;&gt;&gt;Есіктерді тым жиі ашпаңыз.</li> <li>• Есік ашық. &gt;&gt;&gt;Есікті толығымен жабыңыз.</li> <li>• Жақында тоңазытқыш розеткаға қосылды немесе оған тамақ салынды. &gt;&gt;&gt;Бұл қалыпты болып табылады. Тоңазытқыш жақында электр желісіне қосылса немесе оған тамақ салынса, оның белгіленген температураға жетуіне ұзағырақ уақыт кетеді.</li> <li>• Жақында тоңазытқышқа ыстық тамақ көп мөлшерде салынған болуы мүмкін. &gt;&gt;&gt;Тоңазытқышқа ыстық тамақты салмаңыз.</li> </ul>
Дірілдер немесе шу.
<ul style="list-style-type: none"> <li>• Еден тегіс немесе тұрақты емес. &gt;&gt;&gt;Егер тоңазытқыш баяу қозғалтқанда шайқалса, оны табандарын реттеу арқылы теңестіріңіз. Сондай-ақ, еденнің тоңазытқышты көтеру үшін жеткілікті берік және тегіс екеніне көз жеткізіңіз.</li> <li>• Тоңазытқыш үстіне қойылған нәрселер шу тудыруы мүмкін. &gt;&gt;&gt;Тоңазытқыштың үстіндегі нәрселерді алыңыз.</li> </ul>
Тоңазытқыштан сұйықтық ағып жатқан, бұрку, т.б. сияқты шулар шығады.
<ul style="list-style-type: none"> <li>• Сұйықтық және газ ағындары тоңазытқышыңыздың жұмыс істеу принциптеріне сәйкес орын алады. Бұл ақаулық емес, қалыпты жағдай.</li> </ul>
Тоңазытқыштан ысқырық шығады.
<ul style="list-style-type: none"> <li>• Тоңазытқышты салқындату үшін желдеткіштер пайдаланылады. Бұл ақаулық емес, қалыпты жағдай.</li> </ul>
Тоңазытқыштың ішкі қабырғаларындағы конденсация.
<ul style="list-style-type: none"> <li>• Ыстық немесе ылғалды ауа райы мұздануды және конденсацияны арттырады. Бұл ақаулық емес, қалыпты жағдай.</li> <li>• Есіктер жиі ашылады немесе ұзақ уақытқа ашық қалдырылады. &gt;&gt;&gt;Есіктерді тым жиі ашпаңыз. Егер ашық болса, оларды жабыңыз.</li> <li>• Есік ашық. &gt;&gt;&gt;Есікті толығымен жабыңыз.</li> </ul>

Тоңазытқыштың сыртында немесе есіктердің арасында ылғалдылық пайда болады.

- Ауада ылғал болуы мүмкін; бұл ылғалды ауа райында қалыпты болып табылады. Ылғалдылық азырақ кезде конденсация жоғалады.

Тоңазытқыш ішіндегі жағымсыз иіс.

- Тұрақты тазалау жүргізілмейді. >>>Тоңазытқыштың ішін губкамен, жылы сумен немесе суда еріген карбонатпен үнемі тазалап отырыңыз.
- Кейбір контейнерлер немесе орауыш материалдары иісті тудыруы мүмкін. >>>Басқа контейнерді немесе басқа маркалы орауыш материалын пайдаланыңыз.
- Тағам тоңазытқышқа қақпағы жоқ ыдыстарда салынған. >>>Тағамды жабық ыдыстарда ұстаңыз. Микроағзалар жабылмаған ыдыстардан жайылып, жағымсыз иістер тудыруы мүмкін.
- Мерзімі аяқталған және бұзылған тағамдарды тоңазытқыштан алыңыз.

Есік жабылмай жатыр.

- Тамақ орауыштары есіктің жабылуына жол бермейді. >>>Есікке кедергі келтіріп тұрған орауыштарды ауыстырыңыз.
- Тоңазытқыш еденде толығымен тегіс тұрған жоқ. >>>Тоңазытқышты теңгеру үшін табандарды реттеңіз.
- Еден тегіс немесе қатты емес. >>>Еденнің тегіс екеніне және тоңазытқышты көтере алатындығына көз жеткізіңіз.

Жемістер мен көкөністер контейнері тұрып қалды.

- Тағам тартпаның төбесіне тиіп тұр. >>>Тартпадағы тағамды қайта орналастырыңыз.

Егер өнімнің беті ыстық болса.

- Өнім жұмыс істеп тұрған кезде екі есіктің арасында, бүйірлік панельдерде және артқы грильде жоғары температуралар байқалуы мүмкін. Бұл қалыпты және қызмет көрсетуді қажет етпейді!