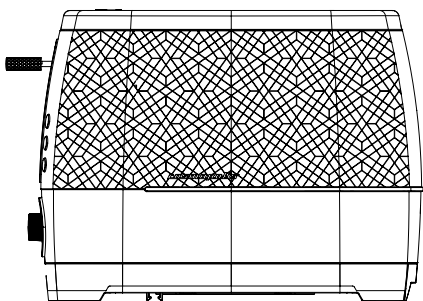


Toaster

User Manual



TAM8202B
TAM8202T
TAM8202W

EN

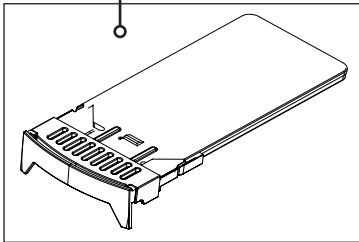
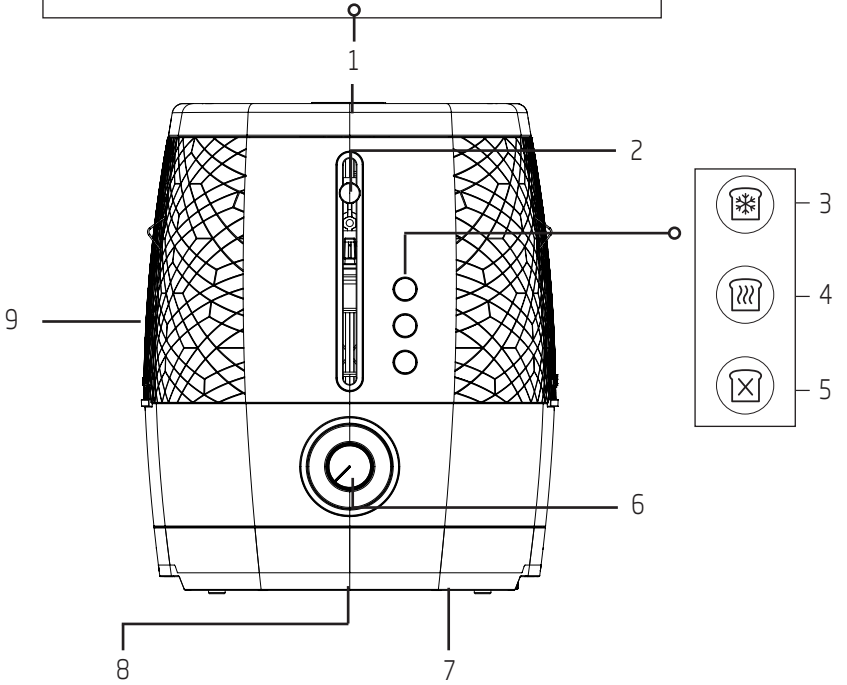
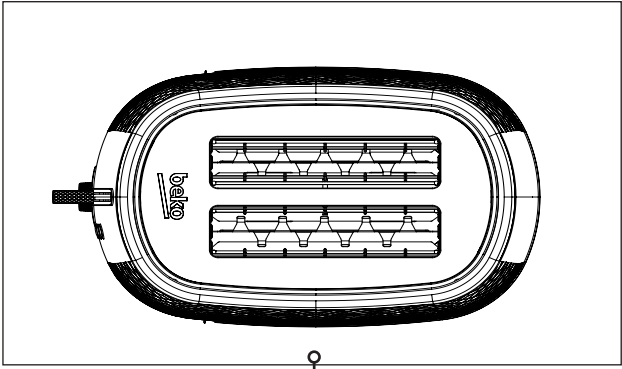
01M-8816373200-3019-02

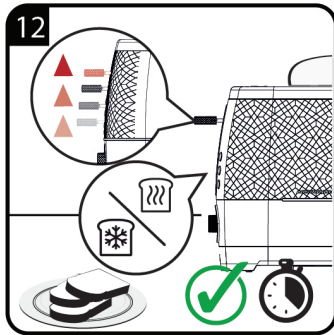
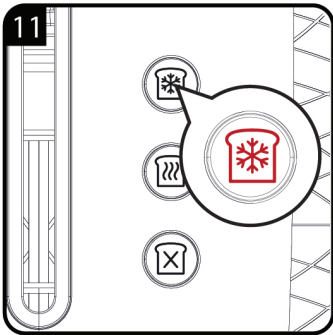
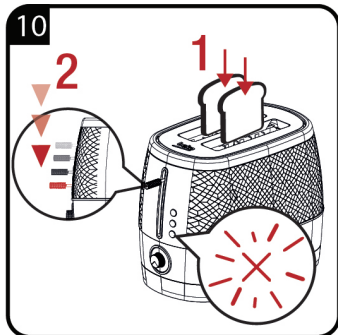
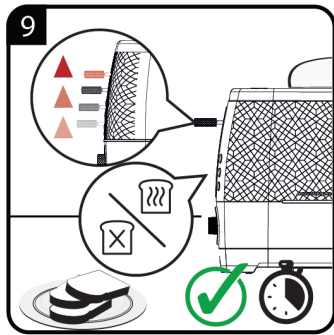
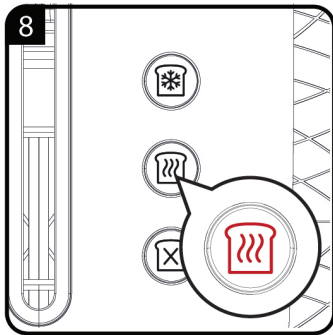
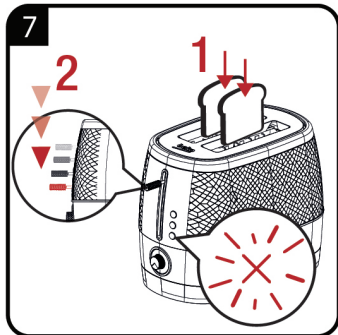
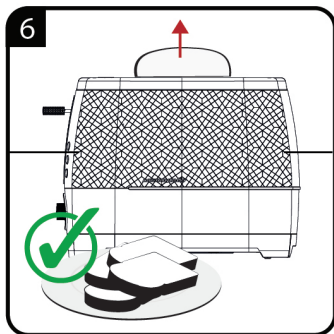
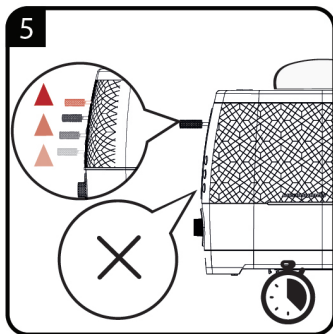
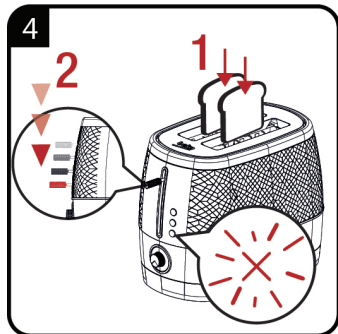
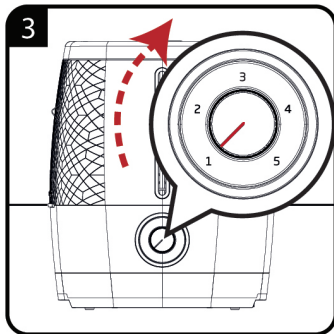
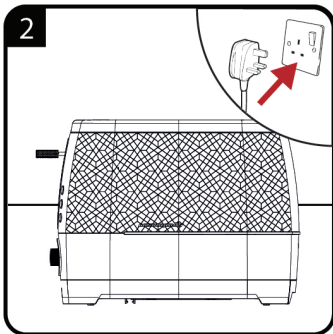
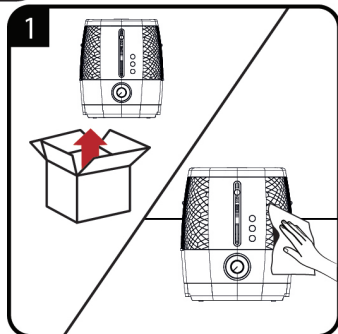
beko

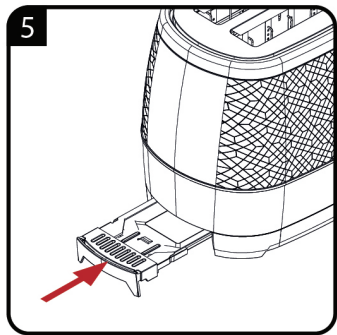
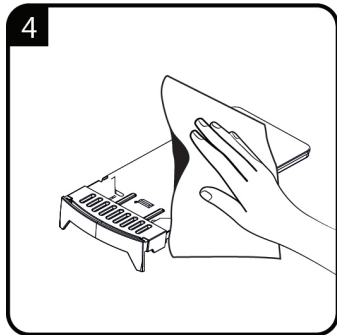
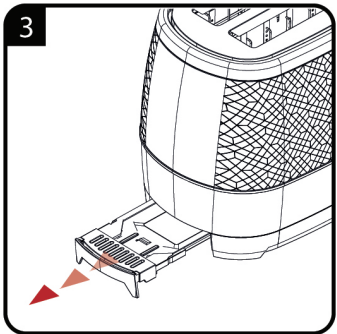
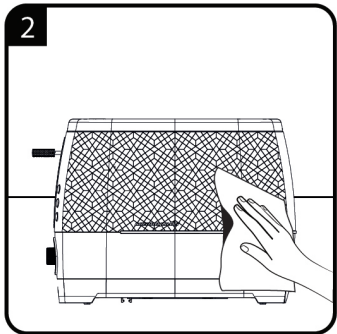
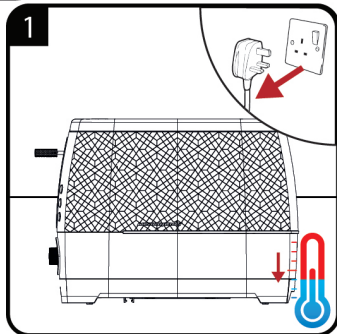
CONTENTS

ENGLISH

07-12







| | | |
|----|-----------|-------------------|
| | | |
| EN | OPERATION | CLEANING AND CARE |

Please read this user manual first!

Dear Customers,

Thank you for selecting a Beko product. We hope that you get the best results from your product which has been manufactured with high quality and state-of-the-art technology. Therefore, please read this entire user manual and all other accompanying documents carefully before using the product and keep it as a reference for future use. If you handover the product to someone else, give the user manual as well. Follow all warnings and information in the user manual.

1. Bread slot
2. Start lever
3. Defrost button
4. Reheat button
5. Stop button
6. Browning control
7. Cable storage housing
8. Crumb tray
9. Body

Meanings of the symbols

Following symbols are used in the various section of this manual:



Important information and useful hints about usage.



WARNING: Warnings for dangerous situations concerning the safety of life and property.



WARNING: Warning for hot surfaces.



Suitable for contact with food.



Do not immerse the appliance in water.

Technical data

Power supply: 220-240V~ 50-60Hz

Power: 750-900 W

Technical and design modifications reserved.

The values which are declared in the markings affixed on your appliance or the other printed documents supplied with it represent the values which were obtained in the laboratories pursuant to the pertinent standards. These values may vary according to the usage of the appliance and ambient conditions.



This product has been produced in environmentally-friendly, state-of-the-art facilities.

Complies with the WEEE Directive.



It does not contain PCB.

This chapter contains safety instructions that will help protect from risk of personal injury or material damage.

Failure to follow these instructions will void the granted warranty.

1.1 General safety

- This appliance complies with the international safety standards.
- This appliance can be used by children who are at the age of 8 and above and by people who have reduced physical, perceptual or mental abilities or by people who are deficient in terms of experience and knowledge as long as they are supervised and given the instructions regarding the safe use of the appliance and dangers encountered. Children should not play with the appliance.
- Cleaning and maintenance should not be performed by children unless they are older than 8 years old and supervised.
- Keep the appliance and its power cable so that they are inaccessible by children under 8 years old.
- Do not use the appliance if the power cable or the appliance itself is damaged. Contact an authorised service.
- Your mains power supply should comply with the information supplied on the rating plate of the appliance.
- For additional protection, this appliance should be connected to a household residual current device with a rating of 30 mA maximum.
- Use the appliance with a grounded outlet only.
- Do not use the appliance with an extension cord.
- Prevent damage to the power cord by not squeezing, bending, or rubbing it on sharp edges.
- Do not touch the plug of the appliance with damp or wet hands.
- Do not unplug the appliance by pulling the power cable.
- Do not immerse the appliance or its cable in water.
- Do not leave the appliance unattended while it is plugged in.

1

Important instructions for safety and environment

- Exterior surface gets hot while the appliance is in use. Do not touch hot surfaces to avoid risk of burning.
- Do not leave metal cooking utensils and items on cooking plates.
- Operate and store the appliance on a stable surface.
- Do not attempt to dismantle the appliance.
- Only use the original parts or parts recommended by the manufacturer.
- Unplug the appliance before cleaning and let it completely dry after cleaning.
- The appliance is not suitable for outdoor use.
- Food items can catch fire due to overheating. Do not allow the appliance to get in contact or be covered with flammable items such as curtains, fabric, wall panels and etc.
- Do not use the appliance in or near the areas where combustible or inflammable places and materials exist.
- Do not operate the appliance with an external timer or with another remote control system.
- If you keep the packaging materials, store them out of the reach of children.
- Keep the appliance and its power cable so that they are inaccessible by children under 8 years old.
- Allow the appliance to cool before storing it in a cupboard, on a shelf and etc.

2 Operation



When using the appliance for the first time, smoke can develop due to production residues. However, this does not mean the appliance is defective. The first time you switch it on use the appliance as you normally would but without bread. It is recommended to use the medium setting of the browning control (6). Ensure for proper room ventilation.



Selecting 1 from the browning control (6) will give the lightest degree of browning and selecting 5 the darkest.



To cancel the toasting process before it has finished, press the stop button (5). The start lever (2) springs back up and the toast slices can be taken out of the toaster.



After the start lever (2) springs back up, you can use the high-lift function by pushing the start lever (2) upwards.



WARNING: Be very careful when taking the toast slices out of the toaster as the metal parts of the toaster and also the bread can become very hot.



If toast slices get stuck in the toaster, switch the toaster off immediately by pressing the stop button (5). Pull the power plug out of the wall socket. Let the toaster cool down completely. Carefully try to take the bread out of the toaster without damaging the sensitive heating elements and other parts. Do not use any electroconductive objects to remove the bread from the toaster.



WARNING: Be very careful when taking the toast slices out of the toaster as the metal parts of the toaster and also the bread can become very hot.



If you accidentally activate the wrong mode (defrost instead of re-heat or reheat instead of defrost), then the selected mode must be cancelled first by pressing the stop button (5) before you can select the right mode.

3 Information

3.1 Cleaning and care



WARNING: Never use petrol solvents, abrasive cleaners, metal objects or hard brushes to clean the appliance.



WARNING: Never put the appliance or power cord in water or any other liquids.



Before using the appliance after cleaning, dry all parts carefully using a soft towel.

3.2 Compliance with the WEEE Directive and Disposing of the Waste Product:

This product complies with EU WEEE Directive (2012/19/EU). This product bears a classification symbol for waste electrical and electronic equipment (WEEE).



This symbol indicates that this product shall not be disposed with other household wastes at the end of its service life. Used device must be returned to official collection point for recycling of

electrical and electronic devices. To find these collection systems please contact to your local authorities or retailer where the product was purchased. Each household performs important role in recovering and recycling of old appliance. Appropriate disposal of used appliance helps prevent potential negative consequences for the environment and human health.

3.3 Compliance with RoHS Directive

The product you have purchased complies with EU RoHS Directive (2011/65/EU). It does not contain harmful and prohibited materials specified in the Directive.

3.4 Package information



Packaging materials of the product are manufactured from recyclable materials in accordance with our National Environment Regulations. Do not dispose of the packaging materials together with the domestic or other wastes. Take them to the packaging material collection points designated by the local authorities.

3 Information

3.5 Plug Wiring

The moulded plug on this appliance incorporates a 13 A fuse. Should the fuse need to be replaced an ASTA approved BS1362 fuse of the same rating must be used. Do not forget to refit the fuse cover. In the event of losing the fuse cover, the plug must not be used until a replacement fuse cover has been fitted. Colour of the replacement fuse cover must be the same colour as that visible on the pin face of the plug. Fuse covers are available from any good electrical store.

• Fitting a different plug

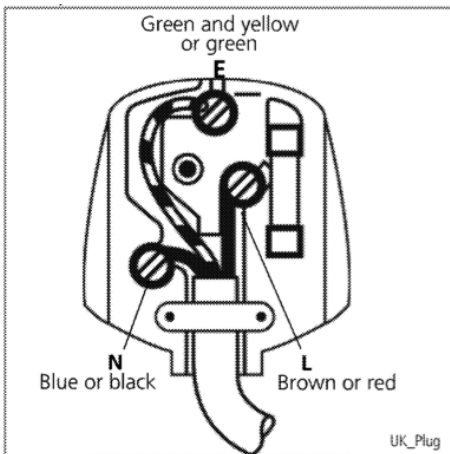
- As the colours of the wires in the mains lead of this appliance may not correspond with the coloured markings identifying the terminals on your plug, proceed as follows:
- Brown cable = L (Live)
- Blue cable = N (Neutral)
- Green/yellow cable must be connected to ground (E) \equiv line
- With the alternative plugs a 13 A fuse must be fitted either in the plug or adaptor or in the main fuse box. If in doubt contact a qualified electrician.

3.6 Storage

- If you do not plan to use the appliance for a long period of time, please store it carefully.
- Make sure the appliance is unplugged, cooled down and completely dry.
- Wrap the power cord around the cable coil on the bottom of the toaster.
- Store the appliance in a cool, dry place.
- Make sure the appliance is kept out of the reach of children.

3.7 Handling and transportation

- During handling and transportation, carry the appliance in its original packaging. The packaging of the appliance protects it against physical damages.
- Do not place heavy loads on the appliance or the packaging. The appliance may be damaged.
- Dropping the appliance will render it non-operational or cause permanent damage.



Product Guarantee

12 months breakdown and repair guarantee

Guarantor: **Beko plc, 1 Greenhill Crescent, Watford, Hertfordshire. WD18 8UF**

The guarantee does not in any way diminish your statutory or legal rights.

Your **appliance** has the benefit of our manufacturer's guarantee which covers the product for 12 months from the date of original purchase.

This gives you reassurance that if within that time, your **appliance** is proven to be defective because of either workmanship or materials, we will at our discretion either repair or replace your **appliance**.

The **appliance** must be correctly installed, located and operated in accordance with the instructions contained in the user manual. The guarantor disclaims any liability for accidental or consequential damage.

The Guarantee is subject to the following conditions:

- Documentary proof of the original purchase date is provided.
- The appliance has been installed and operated correctly and in accordance with our operating and maintenance instructions.
- The appliance is used only on the electricity supply on the rating plate.
- The appliance has only been used for normal domestic purposes.
- The appliance has not been altered, serviced, dismantled or otherwise interfered with by any person.
- The appliance is used in the United Kingdom or Republic of Ireland.
- Any parts removed during repair work or any product that has been replaced becomes our property.
- The guarantee is not transferrable if the product is resold.

The Guarantee does not cover:

- Transit, installation or delivery damage.
- Accidental damage.
- Misuse or abuse.
- Replacement of any consumable item or accessories. These include but are not limited to: plugs, cables, light bulbs, knobs, filters and flaps.
- Repairs or replacements required as a result of unauthorised repairs or inexperienced installation that fails to meet the requirements contained in the user guide or instruction book.
- Repairs to products used in commercial or non-residential household premises.

How to obtain after sales service, help or general advice


Please keep your purchase receipt or other proof of purchase in a safe place as you will need to show us this document if your product requires attention within the guarantee period.

Please also record your product details below, which will allow you to access our services more quickly and help us identify your product. The model number is printed on the front of the user guide and the serial and model number is shown on your products rating plate.

| Model number | Serial number | Purchased from | Date of purchase |
|---------------------|----------------------|-----------------------|-------------------------|
| | | | |

Please call our UK based Customer Service department if you need help or advice from us:

United Kingdom and Northern Ireland: **0333 207 9710**
Republic of Ireland: **01 862 3411**
You can also contact us through our website: **www.beko.co.uk**



Arçelik A.Ş.
Karaağaç Cad. No:2-6 Sütluçe,
34445, İstanbul, Türkiye

www.beko.co.uk