



Built-in Oven

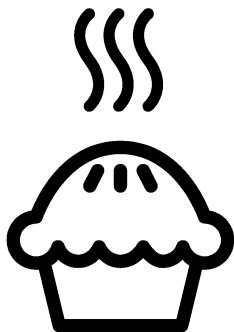
User Manual

Horno empotrado

Manual del usuario

Sisseehitatav ahi

Kasutusjuhend



BIE22000X

EN / ES / ET

285.4486.12/R.AB/26.11.2019/2-1

7757888404

Please read this user manual first!

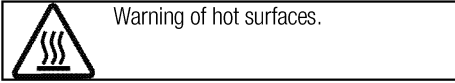
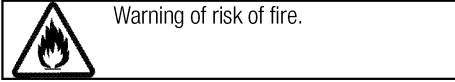
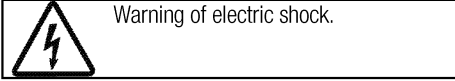
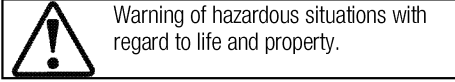
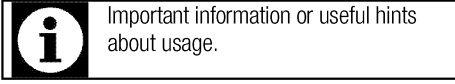
Dear Customer,

Thank you for purchasing this Beko product. We hope that you get the best results from your product which has been manufactured with high quality and state-of-the-art technology. Therefore, please read this entire user manual and all other accompanying documents carefully before using the product and keep it as a reference for future use. If you handover the product to someone else, give the user manual as well. Follow all warnings and information in the user manual.

Remember that this user manual is also applicable for several other models. Differences between models will be identified in the manual.

Explanation of symbols

Throughout this user manual the following symbols are used:



Arçelik A.Ş.
Karaağaç caddesi No:2-6
34445 Sütlüce/İstanbul/TURKEY
Made in TURKEY



This product was manufactured using the latest technology in environmentally friendly conditions.

TABLE OF CONTENTS

1 Important instructions and warnings for safety and environment 4

General safety	4
Electrical safety	4
Product safety	5
Intended use	7
Safety for children.....	7
Disposing of the old product.....	8
Package information	8

2 General information 9

Overview	9
Package contents	10
Technical specifications	11

3 Installation 12

Before installation	12
Installation and connection	14
Future Transportation.....	16

4 Preparation 17

Tips for saving energy	17
------------------------------	----

Initial use.....	17
First cleaning of the appliance.....	17
Initial heating	17

5 How to operate the oven 18

General information on baking, roasting and grilling	18
How to operate the electric oven	18
Operating modes.....	19
Cooking times table.....	19
How to operate the grill.....	21
Cooking times table for grilling.....	21

6 Maintenance and care 22

General information	22
Cleaning the control panel	22
Cleaning the oven	22
Removing the oven door	23
Removing the door inner glass.....	23
Replacing the oven lamp.....	24

7 Troubleshooting 25

1 Important instructions and warnings for safety and environment

This section contains safety instructions that will help protect from risk of personal injury or property damage. Failure to follow these instructions shall void any warranty.

General safety

- This appliance can be used by children aged from 8 years and above and persons with reduced physical, sensory or mental capabilities or lack of experience and knowledge if they have been given supervision or instruction concerning use of the appliance in a safe way and understand the hazards involved.

Children shall not play with the appliance. Cleaning and user maintenance shall not be made by children without supervision.

- The appliance is not to be used by persons (including children) with reduced physical, sensory or mental capabilities, or lack of experience and knowledge, unless they have been given supervision or instruction. Children should be supervised and ensure they do not play with the appliance
- If the product is handed over to someone else for personal use or second-hand use purposes, the

user manual, product labels and other relevant documents and parts should be also given.

- Installation and repair procedures must always be performed by Authorised Service Agents. The manufacturer shall not be held responsible for damages arising from procedures carried out by unauthorised persons which may also void the warranty. Before installation, read the instructions carefully.
- Do not operate the product if it is defective or has any visible damage.
- Ensure that the product function knobs are switched off after every use.

Electrical safety

- If the product has a failure, it should not be operated unless it is repaired by an Authorised Service Agent. There is the risk of electric shock!
- Only connect the product to a grounded outlet/line with the voltage and protection as specified in the "Technical specifications". Have the grounding installation made by a qualified electrician while using the product with or without a

transformer. Our company shall not be liable for any problems arising due to the product not being earthed in accordance with the local regulations.

- Never wash the product by spreading or pouring water onto it! There is the risk of electric shock!
- The product must be disconnected during installation, maintenance, cleaning and repairing procedures.
- If the power connection cable for the product is damaged, it must be replaced by the manufacturer, its service agent or similarly qualified persons in order to avoid a hazard.
- The appliance must be installed so that it can be completely disconnected from the mains supply. The separation must be provided by a switch built into the fixed electrical installation, according to construction regulations.
- Rear surface of the oven gets hot when it is in use. Make sure that the electrical connection does not contact the rear surface; otherwise, connections can get damaged.
- Do not trap the mains cable between the oven door and frame and do not route it over hot surfaces. Otherwise, cable

insulation may melt and cause fire as a result of short circuit.

- Any work on electrical equipment and systems should only be carried out by authorised and qualified persons.
- In case of any damage, switch off the product and disconnect it from the mains. To do this, turn off the fuse at home.
- Make sure that fuse rating is compatible with the product.

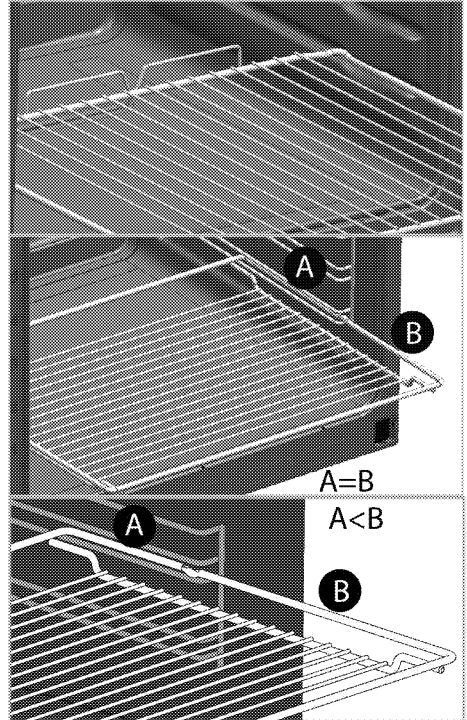
Product safety

- **WARNING:** The appliance and its accessible parts become hot during use. Care should be taken to avoid touching heating elements. Children less than 8 years of age shall be kept away unless continuously supervised.
- Never use the product when your judgment or coordination is impaired by the use of alcohol and/or drugs.
- Be careful when using alcoholic drinks in your dishes. Alcohol evaporates at high temperatures and may cause fire since it can ignite when it comes into contact with hot surfaces.
- **Food Poisoning Hazard:** Do not let food sit in oven for more than 1 hour before or after cooking. Doing so can result in food poisoning or sickness.

- Do not place any flammable materials close to the product as the sides may become hot during use.
- During use the appliances becomes hot. Care should be taken to avoid touching heating elements inside the oven.
- Keep all ventilation slots clear of obstructions.
- Do not heat closed tins and glass jars in the oven. The pressure that would build-up in the tin/jar may cause it to burst.
- Do not place baking trays, dishes or aluminium foil directly onto the bottom of the oven. The heat accumulation might damage the bottom of the oven.
- Do not use harsh abrasive cleaners or sharp metal scrapers to clean the oven door glass since they can scratch the surface, which may result in shattering of the glass.
- Do not use steam cleaners to clean the appliance as this may cause an electric shock.
- (Varies depending on the product model.)

Placing the wire shelf and tray onto the wire racks properly
It is important to place the wire shelf and/or tray onto the rack properly. Slide the wire shelf or tray between 2 rails and make

sure that it is balanced before placing food on it (Please see the following figure).



- Do not use the product if the front door glass removed or cracked.
- Always use heat resistant oven gloves when putting in or removing dishes into/from the hot oven.
- Place the baking paper into the cooking pot or on to the oven accessory (tray, wire grill etc) together with the food and then insert all into the preheated oven. Remove the excess parts of the baking paper overflowing from the accessory or the pot in order to prevent the risk of touching the

oven's heating elements. Never use the baking paper in an operating temperature higher than the indicated value for the baking paper. Do not place the baking paper directly on the base of the oven.

- **WARNING:** Ensure that power cord of the appliance is unplugged or circuit breaker is switched off before replacing the lamp to avoid the possibility of electric shock.
- The appliance must not be installed behind a decorative door in order to avoid overheating.

Prevention against possible fire risk!

- Ensure all electrical connections are secure and tight to prevent risk of arcing.
- Do not use damaged cables or extension cables.
- Ensure liquid or moisture is not accessible to the electrical connection point.

Intended use

- This product is designed for domestic use. Commercial use will void the guarantee.
- **CAUTION:** This appliance is for cooking purposes only. It must not be used for other purposes, for example room heating.
- This product should not be used for warming the plates under the grill, drying towels, dish cloths etc.

by hanging them on the oven door handles. This product should also not be used for room heating purposes.

- The manufacturer shall not be liable for any damage caused by improper use or handling errors.
- The oven can be used for defrosting, baking, roasting and grilling food.

Safety for children

- **WARNING:** Accessible parts may become hot during use. Young children should be kept away.
- The packaging materials will be dangerous for children. Keep the packaging materials away from children. Please dispose of all parts of the packaging according to environmental standards.
- Electrical products are dangerous to children. Keep children away from the product when it is operating and do not allow them to play with the product.
- Do not place any items above the appliance that children may reach for.
- When the door is open, do not load any heavy object on it and do not allow children to sit on it. It may overturn or door hinges may get damaged.

Disposing of the old product

Compliance with the WEEE Directive and Disposing of the Waste Product:



This product complies with EU WEEE Directive (2012/19/EU). This product bears a classification symbol for waste electrical and electronic equipment (WEEE).

This product has been manufactured with high quality parts and materials which can be reused and are suitable for recycling. Do not dispose of the waste product with normal domestic and other wastes at the end of its service life. Take it to the collection center for the recycling of electrical and electronic equipment.

Please consult your local authorities to learn about these collection centers.

Compliance with RoHS Directive:

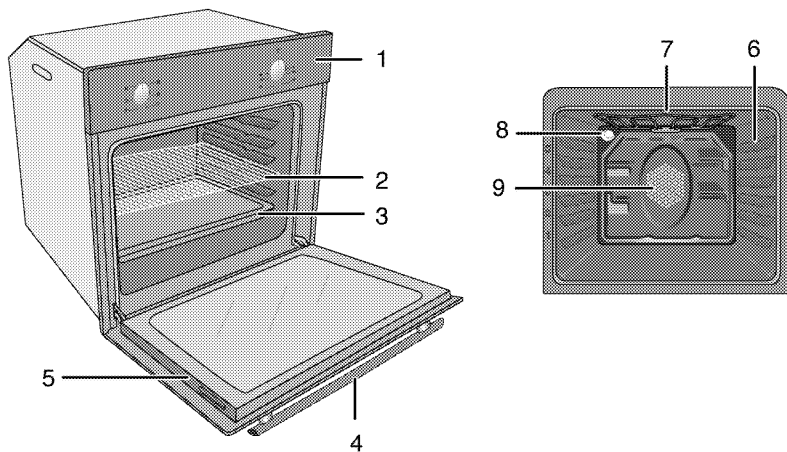
The product you have purchased complies with EU RoHS Directive (2011/65/EU). It does not contain harmful and prohibited materials specified in the Directive.

Package information

- Packaging materials of the product are manufactured from recyclable materials in accordance with our National Environment Regulations. Do not dispose of the packaging materials together with the domestic or other wastes. Take them to the packaging material collection points designated by the local authorities.

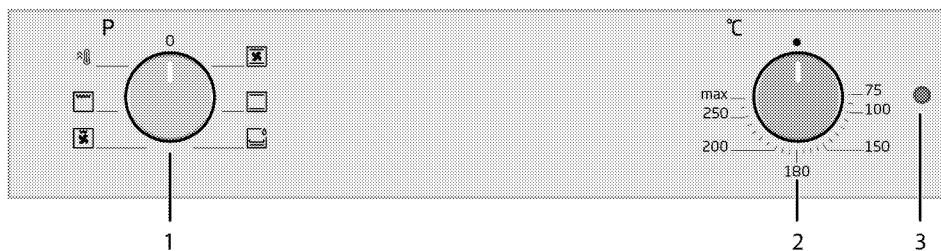
2 General information

Overview



- 1 Control panel
- 2 Wire shelf
- 3 Tray
- 4 Handle
- 5 Door

- 6 Shelf positions
- 7 Top heating element
- 8 Lamp
- 9 Fan motor (behind steel plate)



- 1 Function knob
- 2 Thermostat knob
- 3 Thermostat lamp

Package contents

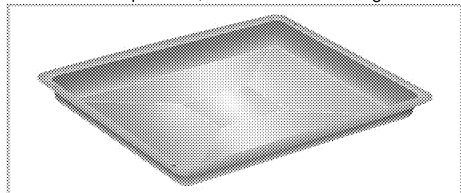


Accessories supplied can vary depending on the product model. Not every accessory described in the user manual may exist on your product.

1. **User manual**

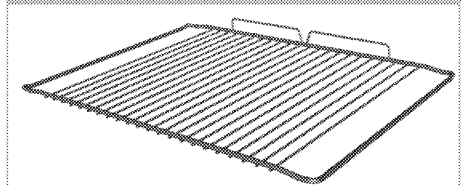
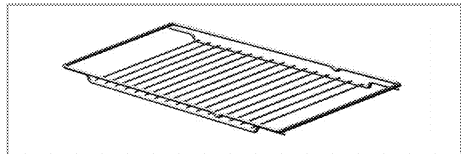
2. **Standard tray**

Used for pastries, frozen foods and big roasts.



3. **Wire grill**

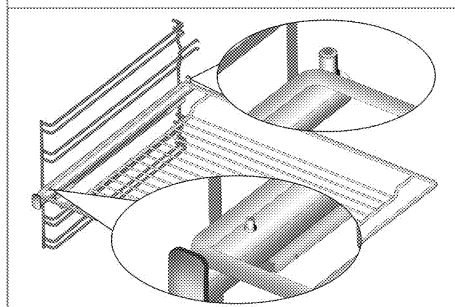
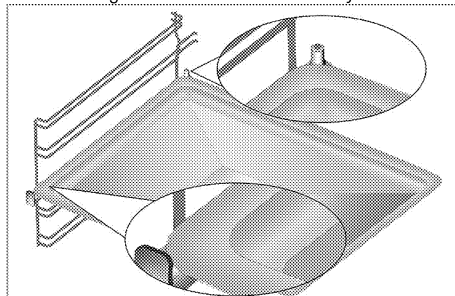
Used for roasting and for placing the food to be baked, roasted or cooked in casserole dishes to the desired rack.



4. **Placing the wire shelf and tray onto the telescopic racks properly**
(This feature is optional. It may not exist on your product.)

Telescopic racks allow you to install and remove the trays and wire shelf easily.

When using the tray and wire shelf with telescopic racks, make sure that the pins at the rear section of the telescopic rack stands against the edges of the wire shelf and tray.



Technical specifications

Voltage / frequency	220-240 V ~ 50 Hz
Total power consumption	2.4kW
Cable type / section	min.H05W-FG 3 x 1,5 mm ²
External dimensions (height / width / depth)	595 mm/594 mm/567 mm
Installation dimensions (height / width / depth)	**590 or 600 mm/560 mm/min. 550 mm
Main oven	Multifunction oven
Inner lamp	15/25 W
Grill power consumption	2.2 kW

Basics: Information on the energy label of electrical ovens is given in accordance with the EN 60350-1 / IEC 60350-1 standard. Those values are determined under standard load with bottom-top heater or fan assisted heating (if any) functions.

Energy efficiency class is determined in accordance with the following prioritization depending on whether the relevant functions exist on the product or not. 1-Cooking with eco-fan, 2- Turbo slow cooking, 3- Turbo cooking, 4- Fan assisted bottom/top heating, 5-Top and bottom heating.

** See. *Installation, page 12.*



Technical specifications may be changed without prior notice to improve the quality of the product.



Figures in this manual are schematic and may not exactly match your product.



Values stated on the product labels or in the documentation accompanying it are obtained in laboratory conditions in accordance with relevant standards. Depending on operational and environmental conditions of the product, these values may vary.

3 Installation

Product must be installed by a qualified person in accordance with the regulations in force. The manufacturer shall not be held responsible for damages arising from procedures carried out by unauthorized persons which may also void the warranty.



Preparation of location and electrical installation for the product is under customer's responsibility.



DANGER:

The product must be installed in accordance with all local electrical regulations.



DANGER:

Prior to installation, visually check if the product has any defects on it. If so, do not have it installed.

Damaged products cause risks for your safety.

Before installation

The appliances must not be installed behind a decorative door in order to avoid overheating. The appliance is intended for installation in commercially available kitchen cabinets. A safety distance must be left between the appliance and the kitchen walls and furniture. See figure (values in mm).

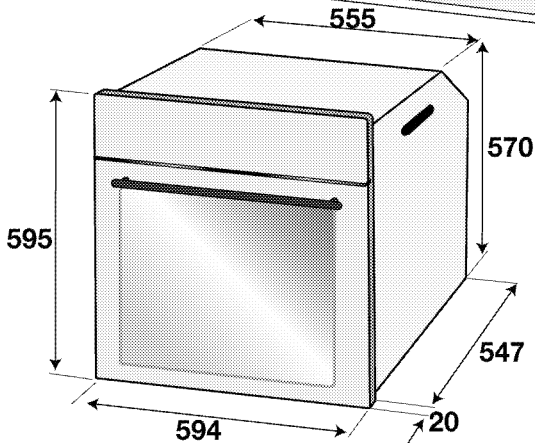
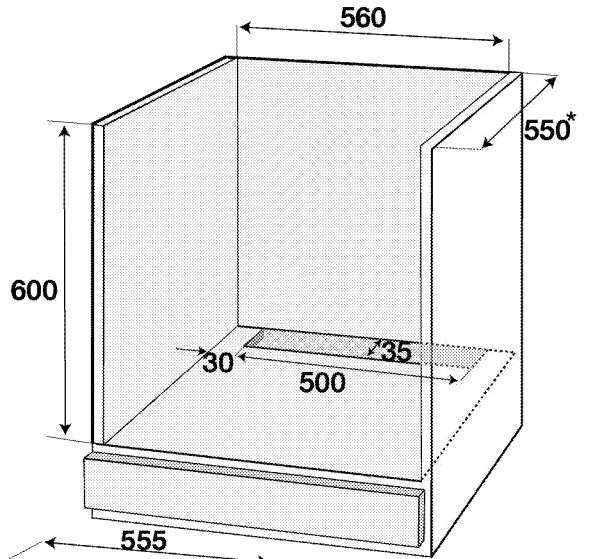
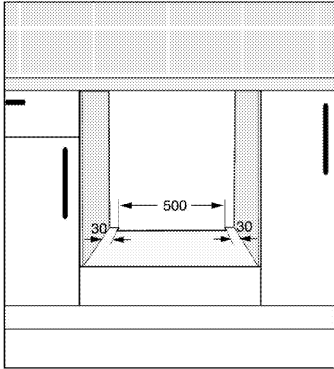
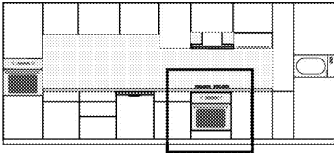
- Surfaces, synthetic laminates and adhesives used must be heat resistant (100 °C minimum).
- Kitchen cabinets must be set level and fixed.
- If there is a drawer beneath the oven, a shelf must be installed in order to separate from the oven and drawer.
- Carry the appliance with at least two persons.
- Hold the oven from the slots for handling on both sides to move it.
- Before installing the product, remove all materials and documents inside.
- Kitchen furniture must be in compliance with the dimensions given in the figure below. At the rear section of the kitchen furniture, an opening must be cut out with the dimensions given in the figure below to ensure sufficient ventilation.



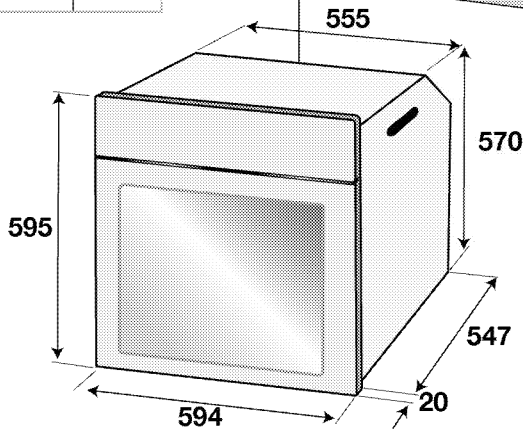
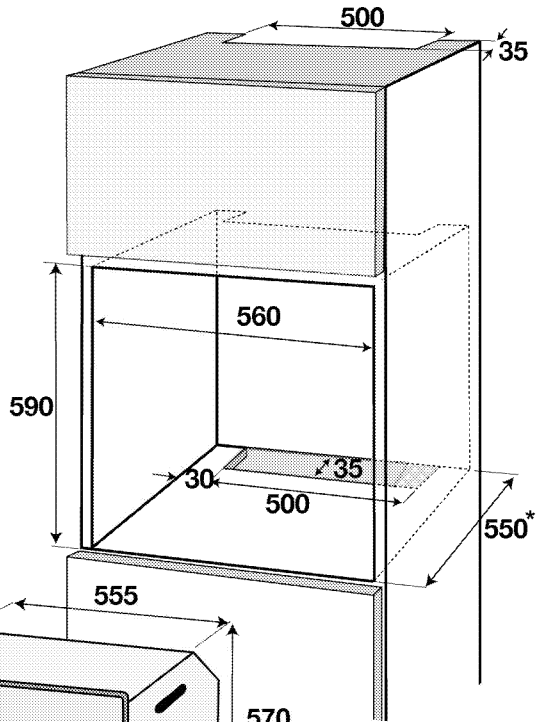
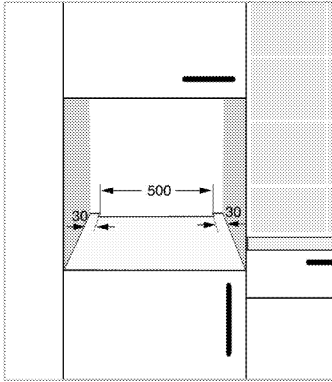
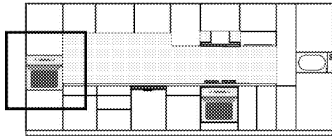
Do not install the appliance next to refrigerators or freezers. The heat emitted by the appliance will lead to an increased energy consumption of cooling appliances.



The door and/or handle must not be used for lifting or moving the appliance.



* min.



* min.

Installation and connection

- The product must be installed in accordance with all local gas and electrical regulations.

Electrical connection


Connect the product to a grounded outlet/line protected by a miniature circuit breaker of suitable capacity as stated in the "Technical specifications" table. Have the grounding installation made by a qualified electrician while using the product with or without a transformer. Our company shall not be liable for any damages that will arise due to using the

product without a grounding installation in accordance with the local regulations.




DANGER:

The product must be connected to the mains supply only by an authorised and qualified person. The product's warranty period starts only after correct installation. Manufacturer shall not be held responsible for damages arising from procedures carried out by unauthorised persons.

DANGER:

 The power cable must not be clamped, bent or trapped or come into contact with hot parts of the product.
 A damaged power cable must be replaced by a qualified electrician. Otherwise, there is risk of electric shock, short circuit or fire!

- Connection must comply with national regulations.
- The mains supply data must correspond to the data specified on the type label of the product. Open the front door to see the type label.
- Power cable of your product must comply with the values in "Technical specifications" table.

DANGER:

 Before starting any work on the electrical installation, disconnect the product from the mains supply.
 There is the risk of electric shock!

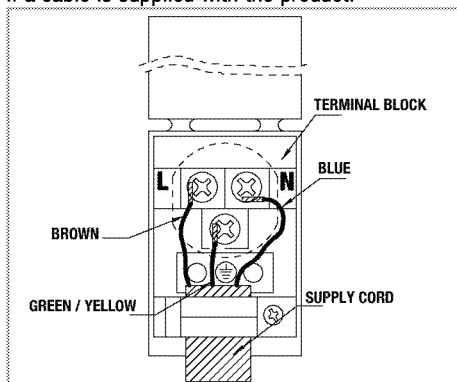
Connecting the power cable

i While performing the wiring, you must apply with the national/local electrical regulations and must use the appropriate socket outlet/line and plug for oven. In case of the product's power limits are out of current carrying capability of plug and socket outlet/line, the product must be connected through fixed electrical installation directly without using plug and socket outlet/line.



1. If it is not possible to disconnect all poles in the supply power, a disconnection unit with at least 3 mm contact clearance (fuses, line safety switches, contactors) must be connected and all the poles of this disconnection unit must be adjacent to (not above) the product in accordance with IEE directives. Failure to obey this instruction may cause operational problems and invalidate the product warranty.

Additional protection by a residual current circuit breaker is recommended.

If a cable is supplied with the product:

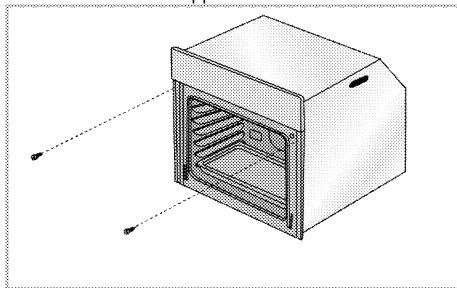


2. For single-phase connection, connect the wires as identified below:

- Brown/Black cable = L (Phase)
 - Blue/Grey cable = N (Neutral)
 - Green/yellow cable = (E)  (Ground)
- » or
- Grey/Black cable = L (Phase)
 - Blue/Brown cable = N (Neutral)
 - Green/yellow cable = (E)  (Ground)

Installing the product

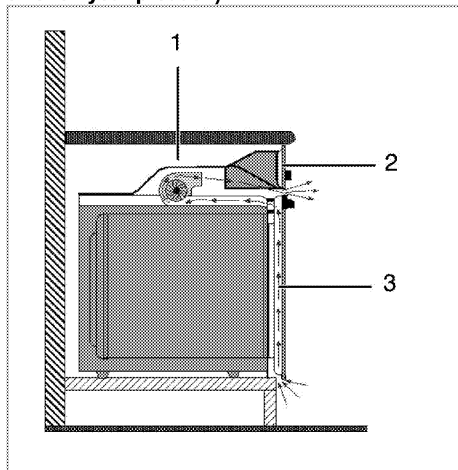
1. Slide the oven into the cabinet, align and secure it while making sure that the power cable is not broken and/or trapped.



Secure the oven with 2 screws as illustrated.

After the installation, make sure that the screws are sufficiently tightened and the oven does not move. Oven may tip over during use if it is not installed as per the instructions and if the screws are not sufficiently tightened.

For products with cooling fan (This may not exist on your product.)



- 1 Cooling fan
- 2 Control panel
- 3 Door

The built-in cooling fan cools both the built-in cabinet and the front of the product.



Cooling fan continues to operate for about 20-30 minutes after the oven is switched off.

Final check

1. Operate the product.
2. Check the functions.

Future Transportation

- Keep the product's original carton and transport the product in it. Follow the instructions on the carton. If you do not have the original carton, pack the product in bubble wrap or thick cardboard and tape it securely.
- To prevent the wire grill and tray inside the oven from damaging the oven door, place a strip of cardboard onto the inside of the oven door that lines up with the position of the trays. Tape the oven door to the side walls.
- Do not use the door or handle to lift or move the product.



Do not place any objects onto the product and move it in upright position.



Check the general appearance of your product for any damages that might have occurred during transportation.

4 Preparation

Tips for saving energy

The following information will help you to use your appliance in an ecological way, and to save energy:

- Use dark coloured or enamel coated cookware in the oven since the heat transmission will be better.
- While cooking your dishes, perform a preheating operation if it is advised in the user manual or cooking instructions.
- Do not open the door of the oven frequently during cooking.
- Try to cook more than one dish in the oven at the same time whenever possible. You can cook by placing two cooking vessels onto the wire shelf.
- Cook more than one dish one after another. The oven will already be hot.
- You can save energy by switching off your oven a few minutes before the end of the cooking time. Do not open the oven door.
- Defrost frozen dishes before cooking them.

Initial use

First cleaning of the appliance



The surface might get damaged by some detergents or cleaning materials.

Do not use aggressive detergents, cleaning powders/creams or any sharp objects during cleaning.

Do not use harsh abrasive cleaners or sharp metal scrapers to clean the oven door glass since they can scratch the surface, which may result in shattering of the glass.

1. Remove all packaging materials.
2. Wipe the surfaces of the appliance with a damp cloth or sponge and dry with a cloth.

Initial heating

Heat up the product for about 30 minutes and then switch it off. Thus, any production residues or layers will be burnt off and removed.



WARNING

Hot surfaces cause burns!

Product may be hot when it is in use. Never touch the hot burners, inner sections of the oven, heaters and etc. Keep children away. Always use heat resistant oven gloves when putting in or removing dishes into/from the hot oven.

Electric oven

1. Take all baking trays and the wire grill out of the oven.
2. Close the oven door.
3. Select Static position.
4. Select the highest oven power; See *How to operate the electric oven, page 18*.
5. Operate the oven for about 30 minutes.
6. Turn off your oven; See *How to operate the electric oven, page 18*

Grill oven

1. Take all baking trays and the wire grill out of the oven.
2. Close the oven door.
3. Select the highest grill power; see *How to operate the grill, page 21*.
4. Operate the grill about 15 minutes.
5. Turn off your grill; see *How to operate the grill, page 21*



Smoke and smell may emit for a couple of hours during the initial operation. This is quite normal. Ensure that the room is well ventilated to remove the smoke and smell. Avoid directly inhaling the smoke and the smell that emits.

5 How to operate the oven

General information on baking, roasting and grilling



WARNING

Hot surfaces cause burns!
Product may be hot when it is in use. Never touch the hot burners, inner sections of the oven, heaters and etc. Keep children away. Always use heat resistant oven gloves when putting in or removing dishes into/from the hot oven.



DANGER:

Be careful when opening the oven door as steam may escape.
Exiting steam can scald your hands, face and/or eyes.

Tips for baking

- Use non-sticky coated appropriate metal plates or aluminum vessels or heat-resistant silicone moulds.
- Make best use of the space on the rack.
- Place the baking mould in the middle of the shelf.
- Select the correct rack position before turning the oven or grill on. Do not change the rack position when the oven is hot.
- Keep the oven door closed.

Tips for roasting

- Treating whole chicken, turkey and large piece of meat with dressings such as lemon juice and black pepper before cooking will increase the cooking performance.
- It takes about 15 to 30 minutes longer to roast meat with bones when compared to roasting the same size of meat without bones.
- Each centimeter of meat thickness requires approximately 4 to 5 minutes of cooking time.
- Let meat rest in the oven for about 10 minutes after the cooking time is over. The juice is better distributed all over the roast and does not run out when the meat is cut.
- Fish should be placed on the middle or lower rack in a heat-resistant plate.

Tips for grilling

When meat, fish and poultry are grilled, they quickly get brown, have a nice crust and do not get dry. Flat pieces, meat skewers and sausages are particularly suited for grilling as are vegetables with high water content such as tomatoes and onions.

- Distribute the pieces to be grilled on the wire shelf or in the baking tray with wire shelf in such a way that the space covered does not exceed the size of the heater.
- Slide the wire shelf or baking tray with grill into the desired level in the oven. If you are grilling on the wire shelf, slide the baking tray to the lower rack to collect fats. The baking tray to be slid must be of a size that covers the whole grilling area. This tray might not be provided with the product. Add some water in the baking tray for easy cleaning.

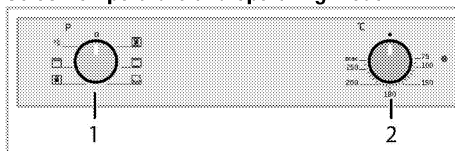


Foods that are not suitable for grilling carry the risk of fire. Only grill food which is suitable for intensive grilling heat.

Do not place the food too far in the back of the grill. This is the hottest area and fatty food may catch fire.

How to operate the electric oven

Select temperature and operating mode



1 Function knob

2 Thermostat knob

1. Set the Function knob to the desired operating mode.
2. Set the Temperature knob to the desired temperature.

» Oven heats up to the adjusted temperature and maintains it. During heating, temperature lamp stays on.

Switching off the electric oven

Turn the function knob and temperature knob to off (upper) position.

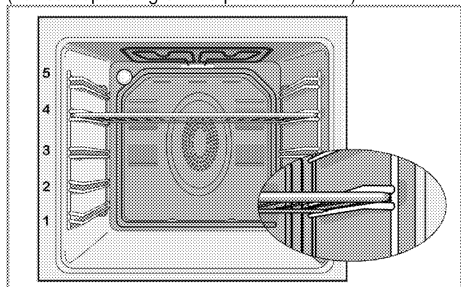
Rack positions (For models with wire shelf)

It is important to place the wire shelf onto the side rack correctly. Wire shelf must be inserted between the side racks as illustrated in the figure.

Do not let the wire shelf stand against the rear wall of the oven. Slide your wire shelf to the front section of

the rack and settle it with the help of the door in order to obtain a good grill performance.

(Varies depending on the product model.)



Operating modes

The order of operating modes shown here may be different from the arrangement on your product.

Top and bottom heating



Top and bottom heating are in operation. Food is heated simultaneously from the top and bottom. For example, it is suitable for cakes, pastries, or cakes and casseroles in baking moulds. Cook with one tray only.

Bottom heating



Only bottom heating is in operation. It is suitable for pizza and for subsequent browning of food from the bottom.



This function must be used for easy steam cleaning as well.

Fan supported bottom/top heating



Top heating, bottom heating plus fan (in the rear wall) are in operation. Hot air is evenly distributed throughout the oven rapidly by means of the fan. Cook with one tray only.

Full grill



Large grill at the ceiling of the oven is in operation. It is suitable for grilling large amount of meat.

- Put big or medium-sized portions in correct rack position under the grill heater for grilling.
- Turn the food after half of the grilling time.

Grill+Fan



Grilling effect is not as strong as in Full Grill

- Put small or medium-sized portions in correct shelf position under the grill heater for grilling.
- Turn the food after half of the grilling time.

Booster



This function is used to heat the oven rapidly; it is not suitable for cooking food.

- Select the desired temperature after selecting this function. Temperature light turns on and oven is heated.
- Light turns off after the heating process is completed. Now select the desired function to cook your food.

Cooking times table















The timings in this chart are meant as a guide. Timings may vary due to temperature of food, thickness, type and your own preference of cooking.

Baking and roasting



1st rack of the oven is the **bottom** rack.





Dish	Cooking level number	Accessory to use	Operating mode	Rack position	Temperature (°C)	Cooking time (approx. in min.)
Cakes in tray	One level	Standard tray*		3	160	25 ... 30
Cakes in mould	One level	Cake mold on wire grill**		2	180	40 ... 50
Small cakes	One level	Standard tray*		3	160	25 ... 35

Sponge cake	One level	Round springform pan with a diameter of 26 cm on wire grill**		3	160	25 ... 35
Cookies	One level	Pastry tray*		3	180	25 ... 30
Dough pastry	One level	Standard tray*		2	200	30 ... 40
Rich pastry	One level	Standard tray*		2	200	25 ... 35
Leaven	One level	Standard tray*		2	200	35 ... 45
Lasagna	One level	Glass/metal rectangular pan on wire grill**		2-3	200	30 ... 40
Pizza	One level	Standard tray*		2	200 ... 220	15 ... 20
Beef steak (whole) / Roast	One level	Standard tray*		3	25 min. 250/max, then 180 ... 190	100 ... 120
Leg of Lamb (casserole)	One level	Standard tray*		3	25 min. 220 then 180 ... 190	70 ... 90
Roasted chicken (1,8-2 kg)	One level	Standard tray*		2	15 min. 250/max, then 180 ... 190	60 ... 60
Turkey (5.5 kg)	One level	Standard tray*		1	25 min. 250/max, then 180 ... 190	150 ... 210
Fish	One level	Standard tray*		3	200	20 ... 30

It is suggested to perform preheating for all foods.
* These accessories may not be supplied with the product.
** These accessories are not supplied with the product. They are commercially available accessories.

Cooking table for test meals

Meals in this cooking table are prepared according to EN 60350-1 to make it easier for control institutes to test the product

Dish	Cooking level number	Accessory to use	Operating mode	Rack position	Temperature (°C)	Cooking time (approx. in min.)
Shortbread	One level	Standard tray*		3	140	20 ... 30
Small cakes	One level	Standard tray*		3	160	25 ... 35
Sponge cake	One level	Round springform pan with a diameter of 26 cm on wire grill**		3	160	25 ... 35
Apple pie	One level	Round black metal dish with a diameter of 20 cm on wire grill**		2	180	50 ... 60

It is suggested to perform preheating for all foods.
* These accessories may not be supplied with the product.
** These accessories are not supplied with the product. They are commercially available accessories.

Tips for baking cake

- If the cake is too dry, increase the temperature by 10°C and decrease the cooking time.
- If the cake is wet, use less liquid or lower the temperature by 10°C.
- If the cake is too dark on top, place it on a lower rack, lower the temperature and increase the cooking time.
- If cooked well on the inside but sticky on the outside use less liquid, lower the temperature and increase the cooking time.

Tips for baking pastry

- If the pastry is too dry, increase the temperature by 10°C and decrease the cooking time. Dampen the layers of dough with a sauce composed of milk, oil, egg and yoghurt.
- If the pastry takes too long to bake, pay care that the thickness of the pastry you have prepared does not exceed the depth of the tray.
- If the upper side of the pastry gets browned, but the lower part is not cooked, make sure that the amount of sauce you have used for the pastry is not too much at the bottom of the pastry. Try to

scatter the sauce equally between the dough layers and on the top of pastry for an even browning.



Cook the pastry in accordance with the mode and temperature given in the cooking table. If the bottom part is still not browned enough, place it on one lower rack next time.

Tips for cooking vegetables

- If the vegetable dish runs out of juice and gets too dry, cook it in a pan with a lid instead of a tray. Closed vessels will preserve the juice of the dish.
- If a vegetable dish does not get cooked, boil the vegetables beforehand or prepare them like canned food and put in the oven.

How to operate the grill



WARNING

Close oven door during grilling.
Hot surfaces may cause burns!

Switching on the grill

1. Turn the Function knob to the desired grill symbol.
2. Then, select the desired grilling temperature.
3. If required, perform a preheating of about 5 minutes.

» Temperature light turns on.

Switching off the grill

1. Turn the Function knob to Off (top) position.



Foods that are not suitable for grilling carry the risk of fire. Only grill food which is suitable for intensive grilling heat.

Do not place the food too far in the back of the grill. This is the hottest area and fatty food may catch fire.

Cooking times table for grilling

Grilling with electric grill

Food	Accessory to use	Rack position	Recommended temperature (°C)**	Cooking time (approx. in min.)
Fish	Wire grill	4..5	250	20...25 min.*
Sliced chicken	Wire grill	4..5	250	25...35 min.
Lamb chops	Wire grill	4..5	250	20...25 min.
Roast beef	Wire grill	4..5	250	25...30 min.*
Veal chops	Wire grill	4..5	250	25...30 min.*
Toast bread*	Wire grill	4	250	1...3 min.

*depending on thickness

*Preheat for 5 minutes

**If the grill temperature of your product cannot be adjusted, the grill will work at the recommended temperature.

Meals in this cooking table are prepared according to EN 60350-1 to make it easier for control institutes to test the product

Food	Accessory to use	Rack position	Temperature (°C)	Cooking time (approx. in min.)
Toast bread	Wire grill	4	250	1...3 min.
Meatballs (beef) - 12 pieces	Wire grill	4	250	25...35 min.

Turn the food after 2/3 of the total grilling time.

It is suggested to perform 5 minutes preheating for all foods broiling.

6 Maintenance and care

General information

Service life of the product will extend and the possibility of problems will decrease if the product is cleaned at regular intervals.



DANGER:

Disconnect the product from mains supply before starting maintenance and cleaning works.
There is the risk of electric shock!



DANGER:

Allow the product to cool down before you clean it.
Hot surfaces may cause burns!

- Clean the product thoroughly after each use. In this way it will be possible to remove cooking residues more easily, thus avoiding these from burning the next time the appliance is used.
- No special cleaning agents are required for cleaning the product. Use warm water with washing liquid, a soft cloth or sponge to clean the product and wipe it with a dry cloth.
- Always ensure any excess liquid is thoroughly wiped off after cleaning and any spillage is immediately wiped dry.
- Do not use cleaning agents that contain acid or chloride to clean the stainless or inox surfaces and the handle. Use a soft cloth with a liquid detergent (not abrasive) to wipe those parts clean, paying attention to sweep in one direction.



The surface might get damaged by some detergents or cleaning materials.

Do not use aggressive detergents, cleaning powders/creams or any sharp objects during cleaning.

Do not use harsh abrasive cleaners or sharp metal scrapers to clean the oven door glass since they can scratch the surface, which may result in shattering of the glass.



Do not use steam cleaners to clean the appliance as this may cause an electric shock.

Cleaning the control panel

Clean the control panel and knobs with a damp cloth and wipe them dry.



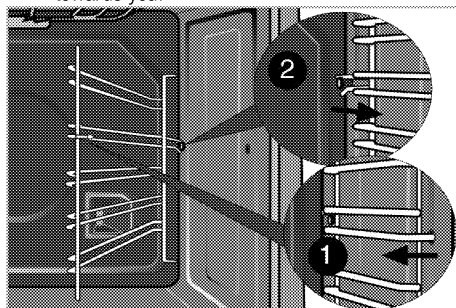
If your product is equipped with buttons/knobs do not remove the control buttons/knobs to clean the control panel.
Control panel may get damaged!

Cleaning the oven

To clean the side wall (Varies depending on the product model.)

(This feature is optional. It may not exist on your product.)

1. Remove the front section of the side rack by pulling it in the opposite direction of the side wall.
2. Remove the side rack completely by pulling it towards you.

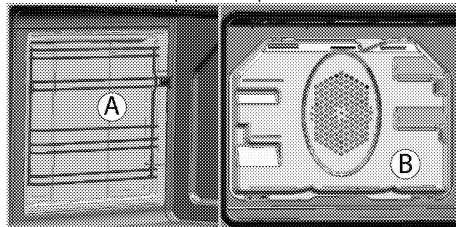


Catalytic walls

(This feature is optional. It may not exist on your product.)

The inner side walls (A) and/or the rear wall (B) of your product may be coated with catalytic enamel. Catalytic walls have a light matte colour and a porous surface. Catalytic walls of the oven should not be cleaned.

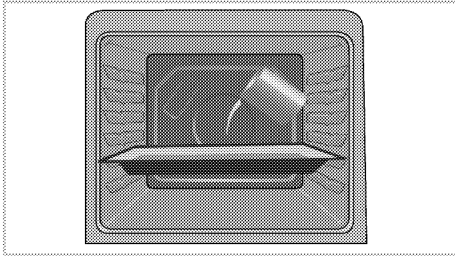
Thanks to their perforated structure, catalytic surfaces absorb grease and once the surface is filled with grease, they start to shine. In this case, it is recommended to replace the parts.



Easy Steam Cleaning

It ensures easy cleaning because the dirt (having waited not for too long) is softened with the steam that forms inside the oven and the water drops condensing on the inner surfaces of the oven.

1. Remove all accessories inside the oven.
2. Pour 500 ml of water into the oven tray and place the tray at the 2nd rack of the oven.



3. Set the oven to easy steam cleaning mode and run at 100°C for 25 minutes.
4. Open the door and wipe the inner surfaces of the oven with a damp sponge or cloth.
5. Use warm water with washing liquid, a soft cloth or sponge to clean the persistent dirt and wipe it with a dry cloth.



During the easy steam cleaning mode, water that is placed in the tray to soften lightly formed residues/dirt within the oven cavity will evaporate and condense in the oven cavity and inner glass of the oven door, therefore water may drip when the oven door is opened. Wipe away the condensation as soon as the oven door is opened.

Clean oven door

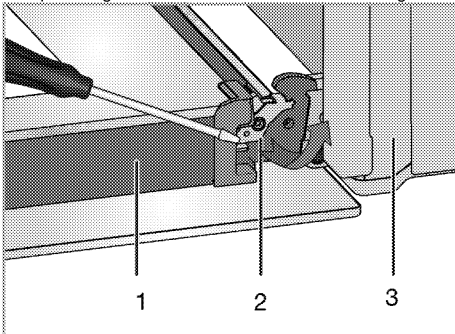
To clean the oven door, use warm water with washing liquid, a soft cloth or sponge to clean the product and wipe it with a dry cloth.



Don't use any harsh abrasive cleaners or sharp metal scrapers for cleaning the oven door. They could scratch the surface and destroy the glass.

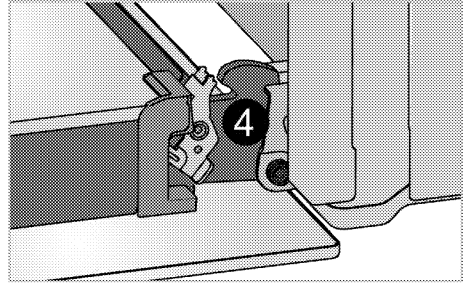
Removing the oven door

1. Open the front door (1).
2. Open the clips at the hinge housing (2) on the right and left hand sides of the front door by pressing them down as illustrated in the figure.

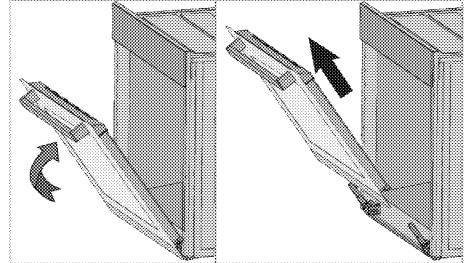


1 Door

- 2 Hinge lock(closed position)
- 3 Oven
- 4 Hinge lock(open position)



3. Move the front door to half-way.



4. Remove the front door by pulling it upwards to release it from the right and left hinges.



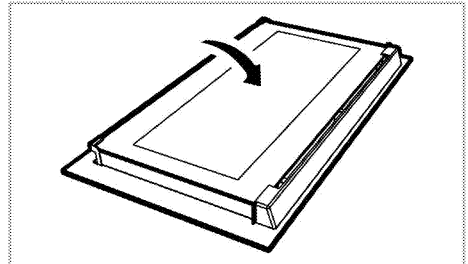
Steps carried out during removing process should be performed in reverse order to install the door. Do not forget to close the clips at the hinge housing when reinstalling the door.

Removing the door inner glass

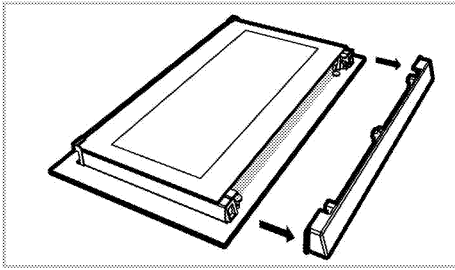
(This feature is optional. It may not exist on your product.)

The inner glass panel of the oven door can be removed for cleaning.

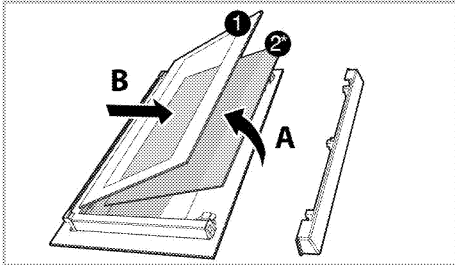
1. Open the oven door.



2. Pull towards yourself and remove the plastic part installed to upper section of the front door.



3. As illustrated in figure, raise the innermost glass panel (1) slightly in direction **A** and pull it out in direction **B**.



- 1 Innermost glass panel
- 2* Inner glass panel (This may not exist on your product.)
4. If your product is equipped with an inner glass panel; repeat the same procedure to remove the inner glass panel (2).
5. The first step to regroup the door is reinstalling inner glass panel (2). Place the chamfered corner of the glass panel so that it will rest in the chamfered corner of the plastic slot. (If your product is equipped with an inner glass panel). Inner glass panel (2) must be installed into the plastic slot close the innermost glass panel (1).
6. When installing the innermost glass panel (1), make sure that the printed side of the panel faces towards the inner glass panel. It is important to seat lower corner of innermost glass panel (1) into the lower plastic slot.
7. Push the plastic part towards the frame until you hear a "click".

Replacing the oven lamp



DANGER:

Before replacing the oven lamp, make sure that the product is disconnected from mains and cooled down in order to avoid the risk of an electrical shock.
Hot surfaces may cause burns!



In this oven, an incandescent lamp with a power of less than 40 W, a height of less than 60 mm, a diameter of less than 30 mm or a halogen lamp with socket type G9, a power of less than 60 W is used. The lamps are suitable for operation at temperatures above 300 °C. Oven lamps can be obtained from Authorised Service Agents or technician with licence.



Position of lamp might vary from the figure.



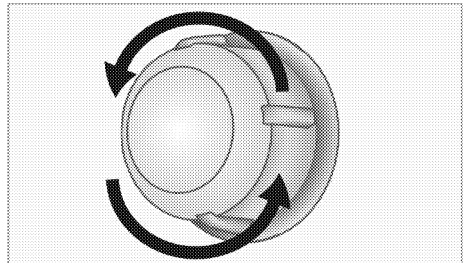
The lamp used in this appliance is not suitable for household room illumination. The intended purpose of this lamp is to assist the user to see foodstuffs.



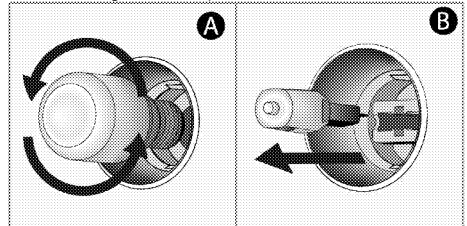
The lamps used in this appliance have to withstand extreme physical conditions such as temperatures above 50 °C.

If your oven is equipped with a round lamp:

1. Disconnect the product from mains.
2. Turn the glass cover counter clockwise to remove it.



3. If your oven lamp is of type (A) shown in the figure below, remove it by rotating as shown and replace it. If it is of type (B), pull and remove it as shown in the figure and replace it.



4. Install the glass cover.

7 Troubleshooting

Oven emits steam when it is in use.

- It is normal that steam escapes during operation. >>> *This is not a fault.*

Product emits metal noises while heating and cooling.

- When the metal parts are heated, they may expand and cause noise. >>> *This is not a fault.*

Product does not operate.

- The mains fuse is defective or has tripped. >>> *Check fuses in the fuse box. If necessary, replace or reset them.*
- Product is not plugged into the (grounded) socket. >>> *Check the plug connection.*

Oven light does not work.

- Oven lamp is defective. >>> *Replace oven lamp.*
- Power is cut. >>> *Check if there is power. Check the fuses in the fuse box. If necessary, replace or reset the fuses.*

Oven does not heat.

- Might not be set to a certain cooking function and/or temperature. >>> *Set the oven to a certain cooking function and/or temperature.*
- Power is cut. >>> *Check if there is power. Check the fuses in the fuse box. If necessary, replace or reset the fuses.*

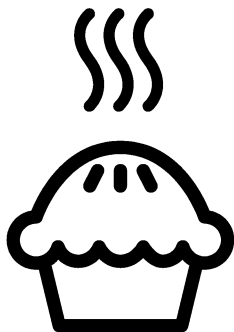


Consult the Authorised Service Agent or technician with licence or the dealer where you have purchased the product if you can not remedy the trouble although you have implemented the instructions in this section. Never attempt to repair a defective product yourself.



Horno empotrado

Manual del usuario



ES

Lea este manual en primer lugar.

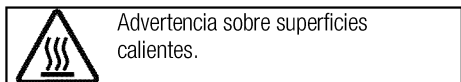
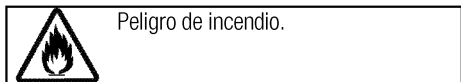
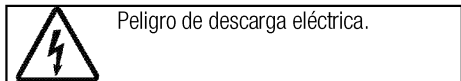
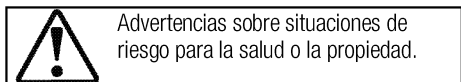
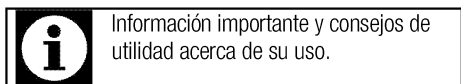
Estimado cliente:

Le agradecemos la compra de un producto Beko. Esperamos que obtenga los mejores resultados de este producto fabricado con materiales de alta calidad y la más avanzada tecnología. Por lo tanto, le rogamos que lea detenidamente el manual de usuario y la documentación que lo acompaña antes de utilizar el producto y los guarde para futuras consultas. Si cede el aparato a un tercero, entréguele también el manual del usuario. Cumpla con todas las advertencias e información del manual de usuario.

Recuerde que este manual del usuario puede ser también aplicable a otros modelos. Las diferencias entre los modelos se identificarán en el manual.

Explicación de los símbolos

A lo largo del manual se utilizan los siguientes símbolos:



Arçelik A.Ş.
Karaağaç caddesi No:2-6
34445 Sütlüce/Istanbul/TURKEY
Made in TURKEY

1 Instrucciones y advertencias importantes para la seguridad y el medio ambiente 4

Seguridad general.....4
 Seguridad eléctrica.....4
 Seguridad del producto.....5
 Uso previsto.....7
 Seguridad de los niños.....8
 Eliminación del aparato.....8
 Eliminación del material de embalaje.....8

2 Información general 9

Resumen.....9
 Contenidos del paquete.....10
 Especificaciones técnicas.....11

3 Instalación 12

Antes de la instalación.....12
 Instalación y conexión.....14
 Eliminación del aparato.....16

4 Preparaciones 17

Consejos para ahorrar energía.....17

Uso por primera vez.....17
 Primera limpieza de la unidad.....17
 Primer calentamiento.....17

5 Cómo usar el horno 18

Información general sobre horneado, asado y gratinado.....18
 Cómo utilizar el horno eléctrico.....18
 Modos de funcionamiento.....19
 Tabla de tiempos de cocción.....20
 Cómo utilizar el gratinador.....22
 Tabla de tiempos de cocción para el asado a la parrilla.....22

6 Mantenimiento y cuidados 23

Información general.....23
 Limpieza del panel de control.....23
 Limpieza del horno.....23
 Retirada de la puerta del horno.....24
 Retirada del vidrio interior de la puerta.....24
 Sustitución de la lámpara del horno.....25

7 Resolución de problemas 27

1 Instrucciones y advertencias importantes para la seguridad y el medio ambiente

En esta sección se indican instrucciones sobre la seguridad que le ayudarán a evitar riesgos de lesiones y daños materiales. El incumplimiento de estas instrucciones anulará cualquier garantía.

Seguridad general

- Este aparato podrá ser utilizado por niños mayores de 8 años o adultos con sus capacidades físicas, sensoriales o mentales reducidas, o que carezcan de experiencia y conocimientos, siempre y cuando lo hagan bajo la supervisión de una persona responsable de su seguridad o que ésta les haya dado instrucciones acerca de su uso, y que sean conscientes de los riesgos.

Los niños no deben jugar con el aparato. Los niños no deben acometer las tareas de limpieza y mantenimiento de usuario sin supervisión.

- Este aparato no está destinado a ser utilizado por personas (incluidos niños) con minusvalía física, sensorial o mental, o por falta de experiencia y conocimiento, a menos que sean supervisados o instruidos acerca

del uso por una persona responsable de su seguridad.

Los niños bajo supervisión no deben jugar con el aparato.

- Si da el aparato a otra persona para uso personal o de segunda mano, dele también el manual de instrucciones, las etiquetas del producto y el resto de documentos y piezas correspondientes.
- Deje los procedimientos de instalación y reparación siempre en manos de agentes de servicio autorizados. El fabricante declina toda responsabilidad por los posibles daños derivados de la realización de los citados procedimientos por parte de personas no autorizadas, pudiendo declarar nula la garantía. Antes de la instalación, lea la instrucciones detenidamente.
- No utilice el producto si presenta algún defecto o daño visible.
- Asegúrese de apagar los mandos de función del producto después de cada uso.

Seguridad eléctrica

- Si el aparato tiene una anomalía, no lo use hasta que no lo repare un agente de servicio autorizado.

Existe el riesgo de descarga eléctrica.

- Conecte el aparato únicamente a una toma de corriente o línea provista de toma de tierra y con el voltaje y las medidas de protección que se indican en la tabla "Especificaciones técnicas". Solicite a un electricista cualificado la instalación de la toma de tierra mientras utiliza el aparato con o sin un transformador. Nuestra compañía no se hará responsable de ningún daño que pudiera derivarse del uso del aparato sin conexión a tierra en conformidad con la normativa local.
- Nunca lave el aparato rociando o vertiendo agua sobre él. Existe el riesgo de descarga eléctrica.
- Es preciso desenchufar el aparato durante las operaciones de instalación, mantenimiento, limpieza y reparación.
- En caso de que el cable de alimentación del aparato esté dañado, deberá solicitar su sustitución al fabricante, su agente de servicio técnico o personal cualificado similar con el fin de evitar riesgos.
- El aparato debe instalarse de manera que pueda desconectarse completamente de la red. Ello debe ser posible por medio de un

enchufe de alimentación o de un interruptor integrado en la instalación eléctrica fija, de acuerdo con las normativas de construcción.

- La superficie trasera del horno se calienta durante su uso. Asegúrese de que ni la conexión eléctrica en contacto con la superficie trasera; de lo contrario, las conexiones podrían resultar dañadas.
- No permita que el cable de alimentación quede atrapado entre la puerta y el bastidor del horno, ni que pase por encima de superficies calientes. De lo contrario, el aislante del cable podría fundirse y causar un incendio como consecuencia de un cortocircuito.
- Deje en manos de personal autorizado y cualificado cualquier operación que deba realizarse sobre sistemas y equipos eléctricos.
- En caso de daños, apague el aparato y desconéctelo de la red eléctrica. Para ello, desconecte el fusible de su hogar.
- Asegúrese de que la corriente del fusible sea compatible con el aparato.

Seguridad del producto

- **ADVERTENCIA:** El aparato y sus piezas accesibles alcanzan

temperaturas elevadas durante el uso. Procure no tocar las partes calientes. Mantenga alejados a los niños menores de 8 años a no ser que los someta a vigilancia continua.

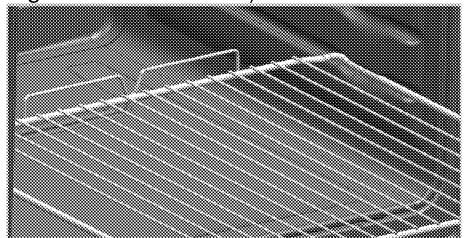
- Nunca use el aparato con las facultades de coordinación o discernimiento alteradas por el consumo de alcohol o drogas.
- Tenga cuidado al utilizar bebidas alcohólicas en sus platos. El alcohol se evapora a altas temperaturas y puede ocasionar un incendio, ya que puede prender al entrar en contacto con superficies calientes.
- No coloque materiales inflamables junto al aparato, ya que sus laterales pueden alcanzar temperaturas elevadas durante el uso.
- Durante el uso, el aparato alcanza temperaturas elevadas. Procure no tocar los elementos calentadores del interior del horno.
- Mantenga todas las ranuras de ventilación libres de obstáculos.
- No caliente latas cerradas ni recipientes de cristal en el horno. La presión que se generaría en el interior del recipiente podría hacerlo explotar.
- No deposite bandejas de horneado, platos o papel de aluminio directamente sobre la

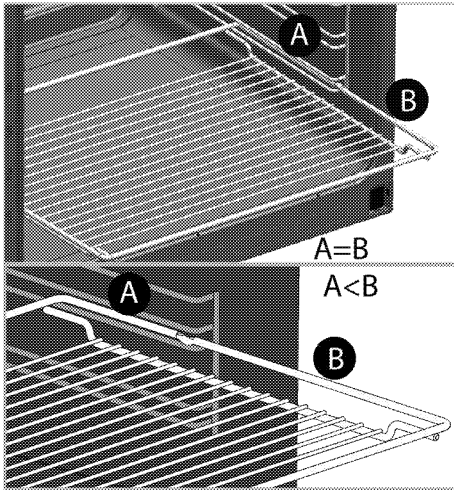
parte inferior del horno, ya que esta podría sufrir daños debido a la acumulación de calor.

- No use limpiadores abrasivos fuertes ni raspadores afilados de metal para limpiar el vidrio de la puerta del horno, pues podrían rayar la superficie y romper el cristal.
- No use limpiadores al vapor para limpiar el aparato, ya que esto podría causar una descarga eléctrica.
- (Varía en función del modelo del producto.)

Colocación correcta de la rejilla de alambre y la bandeja en los estantes

Es importante colocar la rejilla y/o la bandeja correctamente sobre el estante. Deslice la rejilla de alambre o la bandeja entre los dos rieles y asegúrese de que esté equilibrada antes de depositar alimentos en ella (vea la siguiente ilustración).





- No use el horno si el vidrio de la puerta frontal se ha retirado o presenta grietas.
- Utilice siempre guantes resistentes al calor al colocar platos en el horno caliente o retirarlos de él.
- Coloque el papel para hornear en la olla de cocina o en el accesorio del horno (bandeja, parrilla, etc.) junto con los alimentos y luego introduzca ambos en el horno precalentado. Retire el papel para hornear restante que sobresalga del accesorio o de la olla de cocina para evitar el riesgo de tocar los elementos calefactores del horno. Nunca use el papel para hornear a una temperatura superior al valor indicado del papel para hornear. No coloque el papel para hornear directamente en la base del horno.

- **ADVERTENCIA:** Asegúrese de que el cable de alimentación del aparato esté desenchufado o de que el disyuntor esté apagado antes de sustituir la lámpara para evitar la posibilidad de sufrir una descarga.
- El aparato no debe instalarse detrás de una puerta decorativa para evitar un sobrecalentamiento.

Para evitar riesgos de incendio:

- Asegúrese de que el enchufe encaje bien en la toma, así como de que no se produzcan chispas.
- No use el cable original si presenta daños o está cortado, ni use cables de extensión.
- Asegúrese de que el enchufe no esté mojado ni húmedo.

Uso previsto

- Este aparato ha sido diseñado para uso doméstico. No está permitido su uso comercial.
- **PRECAUCIÓN:** Este electrodoméstico está destinado únicamente a la cocción de alimentos. No debe utilizarse para ningún otro propósito, por ejemplo para caldear una estancia
- No utilice este aparato como calefacción, para calentar platos con el gratinador ni para secar toallas, paños de cocina u objetos similares colgándolos de las asas.

- El fabricante no asumirá ninguna responsabilidad en caso de daños derivados de un uso o manejo inadecuados.
- El horno puede utilizarse para descongelar, asar, hornear, gratinar y asar a la parrilla alimentos.

Seguridad de los niños

- **ADVERTENCIA:** Las piezas accesibles pueden alcanzar temperaturas elevadas durante el uso. Mantenga a los niños pequeños alejados.
- Los materiales de embalaje son peligrosos para los niños. Mantenga a los niños alejados de los materiales de embalaje. Deshágase de estas piezas del embalaje en conformidad con las normativas en materia medioambiental.
- Los aparatos eléctricos son peligrosos para los niños. Mantenga a los niños alejados del aparato cuando esté en funcionamiento y no les permita jugar con él.
- No deposite encima del aparato artículos que puedan quedar al alcance de los niños.

- Cuando la puerta esté abierta, no deposite sobre ella ningún objeto pesado y no permita que los niños se sienten en ella. El aparato podría volcar o las bisagras de las puertas resultar dañadas.

Eliminación del aparato

Conformidad con la normativa WEEE y eliminación del aparato al final de su vida útil:



Este producto es conforme con la directiva de la UE sobre residuos de aparatos eléctricos y electrónicos (WEEE) (2012/19/UE). Este producto incorpora el símbolo de la clasificación selectiva para los residuos de aparatos eléctricos y electrónicos (WEEE). Este aparato se ha fabricado con piezas y materiales de primera calidad, que pueden ser reutilizados y son aptos para el reciclado. No se deshaga del producto junto con sus residuos domésticos normales y de otros tipos al final de su vida útil. Llévelo a un centro de reciclaje de dispositivos eléctricos y electrónicos. Solicite a las autoridades locales información acerca de dichos centros de recogida.

Cumplimiento de la directiva RoHS:

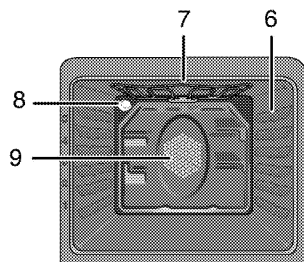
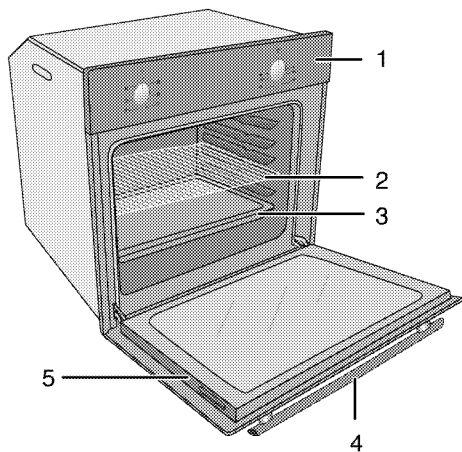
El producto que ha adquirido es conforme con la directiva de la UE sobre la restricción de sustancias peligrosas (RoHS) (2011/65/UE). No contiene ninguno de los materiales nocivos o prohibidos especificados en la directiva.

Eliminación del material de embalaje

- Los materiales de embalaje son peligrosos para los niños. Guarde los materiales de embalaje en un lugar seguro y lejos del alcance de los niños. Los materiales de embalaje del aparato se han fabricado con materiales reciclables. Deshágase de ellos de forma adecuada y clasifíquelos según las instrucciones para el reciclaje de residuos. No los arroje a la basura junto con los residuos domésticos normales.

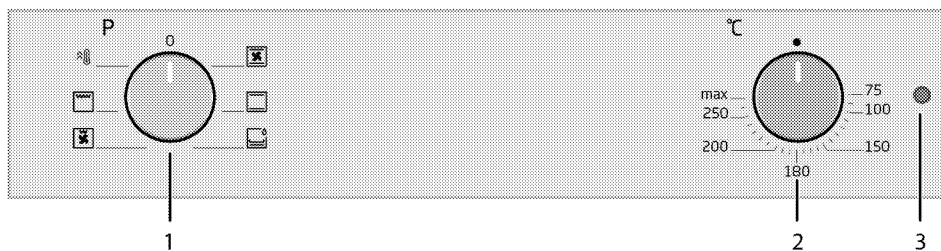
2 Información general

Resumen



- 1 Panel de control
- 2 Rejilla de alambre
- 3 Bandeja
- 4 Asa
- 5 Puerta

- 6 Posiciones del estante
- 7 Elemento calentador superior
- 8 Piloto
- 9 Motor del ventilador (tras la placa de acero)



- 1 Mando de función
- 2 Mando del termostato
- 3 Piloto del termostato

Contenidos del paquete

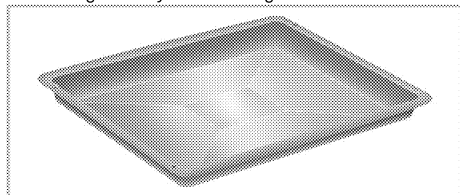


Los accesorios suministrados pueden variar en función del modelo del producto. Puede que alguno de los accesorios descritos en el manual del usuario no esté presente en su producto.

1. **Manual del usuario**

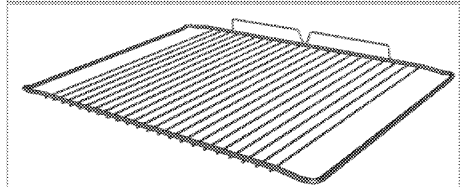
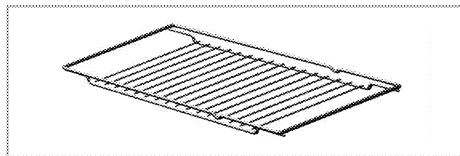
2. **Bandeja estándar**

Se utiliza para preparar pasteles, alimentos congelados y asados de gran tamaño.



3. **Parrilla de alambre**

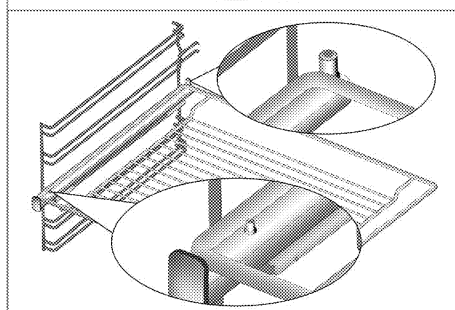
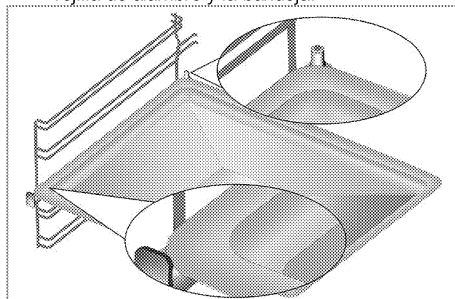
Se utilizar para asar y para colocar en el estante deseado los alimentos que se van a hornear, asar o cocer en cazuela.



4. **Colocación correcta de la rejilla de alambre y la bandeja en los estantes telescópicos (Esta característica es opcional. Puede que no esté presente en su producto.)**

Los estantes telescópicos le permiten colocar y retirar con facilidad las bandejas y la rejilla de alambre.

Cuando utilice la bandeja y la rejilla de alambre junto con los estante telescópicos, asegúrese de que las clavijas situadas en la parte posterior del estante telescópico se oponen a los bordes de la rejilla de alambre y la bandeja.



Especificaciones técnicas

Voltaje/frecuencia	220-240 V ~ 50 Hz
Consumo energético total	2.4kW
Tipo de cable / sección	min.H05W-FG 3 x 1,5 mm ²
Dimensiones externas (altura/anchura/profundidad)	595 mm/594 mm/567 mm
Dimensiones de instalación (altura/anchura/profundidad)	**590 o bien la tecla 600 mm/560 mm/min. 550 mm
Horno principal	Horno multifunción
Lámpara interna	15/25 W
Consumo energético del gratinador	2.2 kW

Información básica: los valores presentes en las etiquetas energéticas de los hornos eléctricos se proporcionan en conformidad con la norma EN 60350-1 / IEC 60350-1. Esos valores se determinan bajo condiciones de carga estándar y con las funciones de calentamiento inferior-superior o calentamiento con ventilador (si están disponibles).

La clase de eficiencia energética se determina según la siguiente priorización, en función de si las funciones pertinentes están disponibles en el aparato o no. 1: Cocción con ventilador "eco", 2: Cocción turbo lenta, 3: Cocción turbo, 4: Calentamiento inferior/superior con ventilador, 5: Calentamiento inferior y superior.

** Vea *Instalación*, pág. 12.



Las especificaciones técnicas pueden cambiar sin previo aviso con el fin de mejorar la calidad del producto.



Las ilustraciones presentes en el manual son esquemáticas y es posible que no se correspondan exactamente con su producto.



Los valores que se indican en las etiquetas de los productos o en la documentación que los acompaña se obtienen en condiciones de laboratorio de acuerdo con las normativas pertinentes. Estos valores pueden variar en función de las condiciones de funcionamiento y entorno del aparato.

3 Instalación

La instalación del aparato debe correr a cargo de una persona cualificada, en conformidad con las normativas vigentes. De lo contrario, la garantía quedará anulada. El fabricante declina toda responsabilidad por los posibles daños derivados de la realización de los citados procedimientos por parte de personas no autorizadas, pudiendo declarar nula la garantía.



La preparación de la ubicación y de las instalaciones de electricidad son responsabilidad del cliente.



PELIGRO:

La instalación del electrodoméstico debe llevarse a cabo en conformidad con todas las normativas locales sobre gas y electricidad.



PELIGRO:

Antes de proceder a la instalación, compruebe visualmente si el aparato presenta alguna anomalía. Si fuese el caso, no lo instale. Los productos con anomalías suponen un riesgo para la seguridad.

Antes de la instalación

El aparato ha sido diseñado para su instalación en los armarios de cocina disponibles en el mercado. Es preciso dejar una distancia de seguridad entre el aparato y las paredes de la cocina y los muebles. Vea la ilustración (valores en mm).

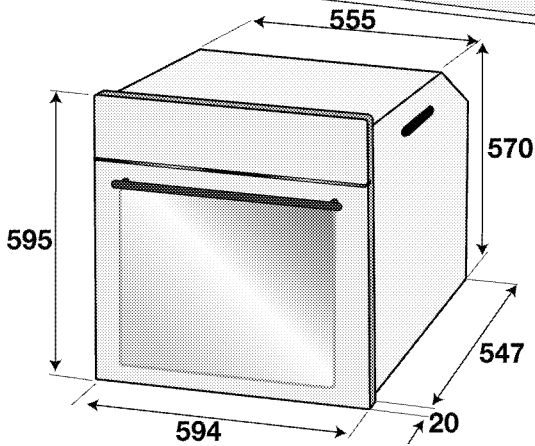
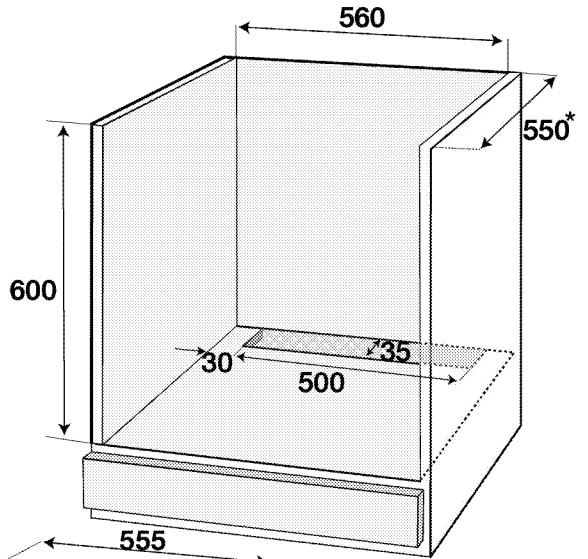
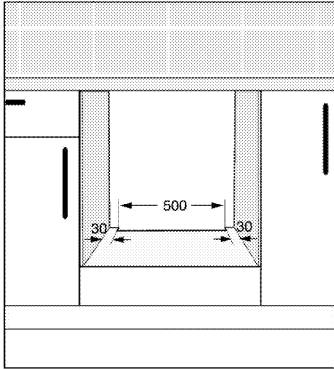
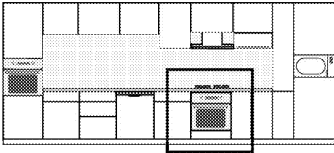
- Las superficies, laminados sintéticos y adhesivos utilizados deben ser resistentes al calor (100 °C como mínimo).
- Los armarios de cocina deben colocarse nivelados y fijarse.
- Si hay un cajón bajo el horno, es preciso instalar un estante entre el horno y el cajón.
- El transporte del aparato debe llevarse a cabo entre dos personas como mínimo.
- Mantenga el horno alejado de las ranuras para manipularlo por ambos lados para poder moverlo.
- Antes de instalar el producto, retire todos los materiales y documentos del interior.
- Los muebles de cocina deben cumplir con las dimensiones indicadas en la siguiente figura. En la parte trasera de los muebles de cocina, se debe efectuar una abertura con las dimensiones indicadas en la siguiente figura para garantizar una ventilación suficiente.



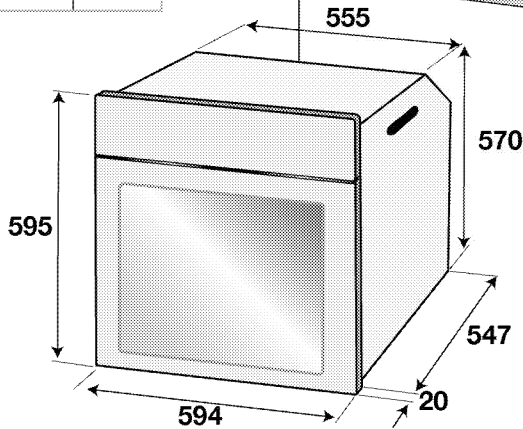
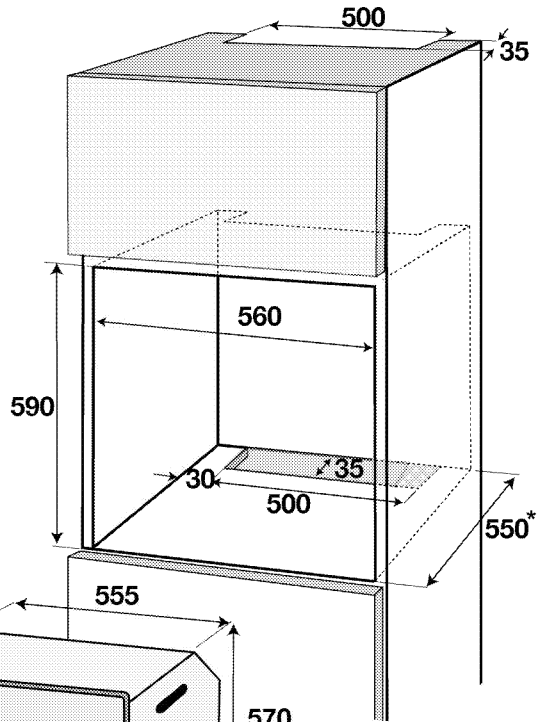
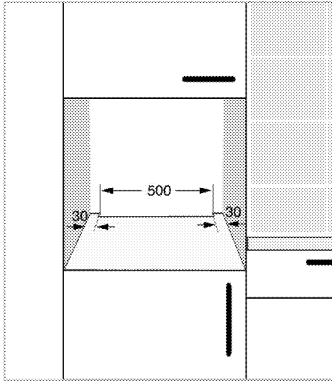
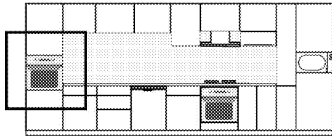
No instale el aparato en las proximidades de neveras o congeladores. El calor emitido por el aparato incrementará el consumo de energía de los aparatos de cocina.



No utilice la puerta ni el asa para transportar o mover el aparato.



* min.



* min.

Instalación y conexión

- La instalación del electrodoméstico debe llevarse a cabo en conformidad con todas las normativas locales sobre gas y electricidad.

Conexión eléctrica

Conecte el aparato a una toma o línea provista de toma de tierra y protegida por un disyuntor en miniatura de capacidad adecuada, según se indica en la tabla "Especificaciones técnicas". Solicite a un electricista cualificado la instalación de la toma de tierra mientras utiliza el aparato con o sin un transformador. Nuestra compañía no se hará

responsable de ningún daño que pudiera derivarse del uso del aparato sin una instalación de toma de tierra en conformidad con la normativa local.



PELIGRO:

La conexión del producto a la red eléctrica será realizada exclusivamente por un técnico cualificado. El periodo de garantía del producto comienza sólo tras la correcta instalación. El fabricante declina toda responsabilidad por los posibles daños derivados de la realización de los citados procedimientos por parte de personas no autorizadas.

PELIGRO:
 El cable de alimentación no debe estar aprisionado, doblado o entrar en contacto con piezas calientes del producto.
 Si el cable está dañado, deberá sustituirlo un electricista cualificado. En caso contrario existe riesgo de descarga eléctrica, cortocircuito o incendio.

- La conexión debe cumplir con las normativas nacionales.
- Los datos de la red de suministro de electricidad deben corresponderse con los de la placa de tipo del aparato. Abra la puerta frontal para ver la placa de tipo.
- El cable de corriente de su aparato debe cumplir con los valores recogidos en la "Tabla de especificaciones".

PELIGRO:
 Antes de iniciar cualquier trabajo sobre la instalación eléctrica, desconecte el producto de la red de alimentación eléctrica. Existe el riesgo de descarga eléctrica.

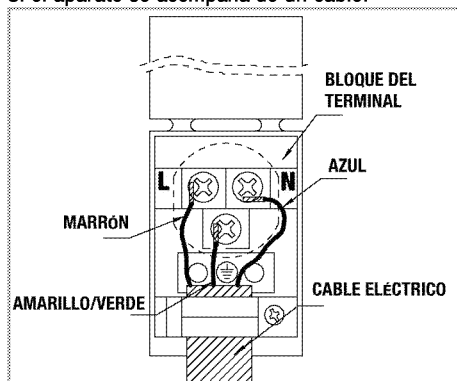
Conexión del cable de alimentación

i Al realizar el cableado, debe respetar las regulaciones eléctricas locales/nacionales y debe utilizar la línea/salida de enchufe apropiada y el conector para hornos. En el caso de que los límites de potencia del electrodoméstico estén fuera de la capacidad de conducir corriente de la línea/salida de enchufe, el electrodoméstico debe conectarse a través de una instalación eléctrica fija directamente sin utilizar un enchufe y una línea/salida de enchufe.

1. En caso de que no sea posible desconectar todos los polos en la fuente de suministro eléctrico, deberá conectarse una unidad de desconexión cuya separación entre contactos sea de 3 mm como mínimo (fusibles, interruptores de seguridad de línea, contactores) y cuyos polos estén adyacentes al aparato (pero no encima de él), en conformidad con la normativa del IEE. La no observancia de estas instrucciones puede ocasionar problemas de funcionamiento y la anulación de la garantía del aparato.

Se recomienda una protección adicional en forma de disyuntor de corriente residual.

Si el aparato se acompaña de un cable:

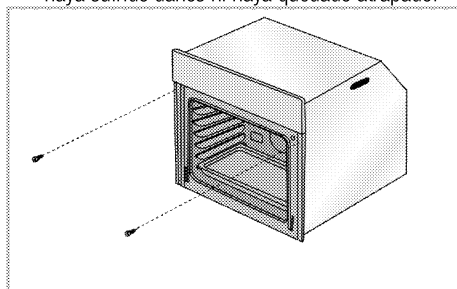


2. En caso de conexión monofásica, conecte los hilos de la forma que se indica a continuación:

- Cable marrón/negro = L (fase)
 - Cable azul/gris = N (Neutro)
 - Cable verde/amarillo = (E) (Tierra)
- » o bien la tecla
- Cable gris/negro = L (fase)
 - Cable azul/marrón = N (Neutro)
 - Cable verde/amarillo = (E) (Tierra)

Instalación del producto

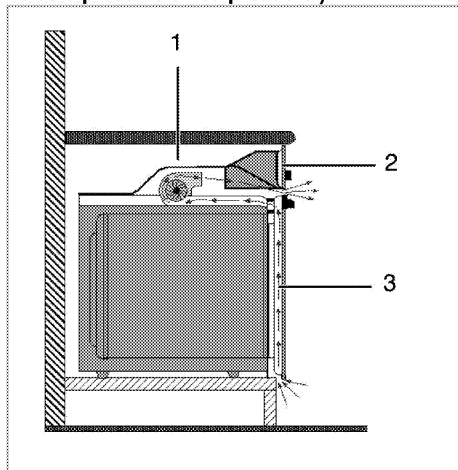
1. Introduzca al horno en el armario, alinéelo y fíjelo, asegurándose de que el cable de alimentación no haya sufrido daños ni haya quedado atrapado.



Fije el horno con 2 tornillos de la forma que se indica en la ilustración.

Después de la instalación, asegúrese de que los tornillos estén suficientemente apretados y de que el horno no se mueva. El horno puede volcarse durante el uso si no se instala según las instrucciones y si los tornillos no están suficientemente apretados.

Para aparatos dotados de ventilador (Puede que no esté presente en su producto.)



- 1 Ventilador
- 2 Panel de control
- 3 Puerta

El ventilador integrado refrigera tanto el interior del armario empotrado como la parte frontal del aparato.



El ventilador sigue en funcionamiento durante 20 o 30 minutos una vez apagado el horno.

Comprobación final

1. Utilizar el producto.
2. Compruebe las funciones.

Eliminación del aparato

- Guarde la caja de cartón original del aparato y transporte en ella el producto. Siga las instrucciones indicadas en la caja. Si no dispone de la caja de cartón original, envuelva el aparato en plástico de burbujas o cartón grueso y sujételo con cinta adhesiva.
- Para impedir que la parrilla de alambre y la bandeja situadas en el interior del horno dañen la puerta del mismo, coloque una tira de cartulina en el interior de la puerta del horno de manera que quede alineada con la posición de las bandejas. Sujete con cinta adhesiva la puerta del horno a las paredes laterales.
- No utilice la puerta ni el asa para elevar o mover el aparato.



No coloque ningún objeto sobre el aparato y desplácelo en posición vertical.



Compruebe el aspecto general del aparato con el fin de identificar posibles daños producidos durante el transporte.

4 Preparaciones

Consejos para ahorrar energía

La siguiente información le ayudará a utilizar su aparato de manera respetuosa con el medio ambiente y a ahorrar energía.

- Utilice utensilios de cocina oscuros o esmaltados en el horno, ya que la transferencia del calor será mejor.
- Antes de cocinar sus platos, precaliente el horno si así se recomienda en el manual del usuario o en la receta.
- No abra con frecuencia la puerta del horno durante el proceso de cocción.
- Siempre que le sea posible, trate de preparar más de un plato en el horno al mismo tiempo. Puede cocinar colocando dos recipientes de cocina sobre la parrilla de alambre.
- Prepare más de un plato consecutivo, ya que así aprovechará que el horno estará ya caliente.
- Puede ahorrar energía apagando el horno unos pocos minutos antes de la finalización del tiempo de cocción. No abra la puerta del horno.
- Descongele los platos congelados antes de cocinarlos.

Uso por primera vez

Primera limpieza de la unidad



La superficie podría resultar dañada por la acción de algunos detergentes o agentes de limpieza.

No utilice detergentes agresivos, polvos/cremas limpiadoras, ni tampoco ningún objeto afilado.

1. Retire todos los materiales de embalaje.
2. Pase un paño humedecido o una esponja por todas las superficies de la unidad y seque con un trapo.

Primer calentamiento

Caliente el aparato durante unos 30 minutos y a continuación apáguelo. De esta manera eliminará cualquier residuo o capa que pueda quedar del proceso de fabricación.



ADVERTENCIA

Las superficies calientes pueden causar quemaduras.

El aparato podría alcanzar temperaturas elevadas durante su uso. Nunca toque quemadores, secciones interiores del horno, calentadores, etc., cuando estén calientes.

Mantenga alejados a los niños.

Utilice siempre guantes resistentes al calor al colocar platos en el horno caliente o retirarlos de él.

Horno eléctrico

1. Saque del horno todas las bandejas de horneado y la parrilla de alambre.
2. Cierre la puerta del horno.
3. Seleccione la posición Static (Estático).
4. Seleccione la potencia máxima del gratinador; vea *Cómo utilizar el horno eléctrico*, pág. 18.
5. Deje el horno en funcionamiento durante 30 minutos.
6. Apague el horno; vea *Cómo utilizar el horno eléctrico*, pág. 18

Horno gratinador

1. Saque del horno todas las bandejas de horneado y la parrilla de alambre.
2. Cierre la puerta del horno.
3. Seleccione la potencia máxima del gratinador; vea *Cómo utilizar el gratinador*, pág. 22.
4. Deje el horno en funcionamiento durante 15 minutos.
5. Apague el gratinador; vea *Cómo utilizar el gratinador*, pág. 22



Es posible que el horno emita humo y olores durante un par de horas la primera vez que se caliente. Esto es bastante normal. Asegúrese de que la habitación esté bien ventilada para permitir la salida del humo y olores. Evite inhalar directamente los humos y olores que el aparato emite.

5 Cómo usar el horno

Información general sobre horneado, asado y gratinado



ADVERTENCIA

Las superficies calientes pueden causar quemaduras.

El aparato podría alcanzar temperaturas elevadas durante su uso. Nunca toque quemadores, secciones interiores del horno, calentadores, etc., cuando estén calientes.

Mantenga alejados a los niños.

Utilice siempre guantes resistentes al calor al colocar platos en el horno caliente o retirarlos de él.



PELIGRO:

Tenga cuidado al abrir la puerta del horno, ya que puede salir vapor.

El vapor puede escaldar sus manos, cara y/u ojos.

Consejos sobre el horneado

- Utilice bandejas metálicas adecuadas y provistas de recubrimiento antiadherente, recipientes de aluminio o moldes de silicona resistentes al calor.
- Optimice el uso del espacio en la bandeja.
- Coloque el molde de horneado en el centro del estante.
- Seleccione la posición de estante adecuada antes de encender el horno o el gratinador. No cambie la posición de estante cuando el horno esté caliente.
- Mantenga la puerta del horno cerrada.

Consejos sobre el asado

- Aderezar antes de la cocción los pollos enteros y las grandes piezas de carne, por ejemplo con zumo de limón o pimienta negra, mejorará los resultados de la cocción.
- Una pieza de carne con huesos tarda entre 15:30 minutos más en asarse que una pieza de las mismas características deshuesada.
- Por cada centímetro de grosor de la carne se requieren entre 4 y 5 minutos más de cocción.
- Deje reposar la carne dentro del horno unos 10 minutos una vez finalizado el tiempo de cocción. El jugo se distribuye mejor por todo el asado y no se derrama al cortar la carne.
- Los pescados deben depositarse en una bandeja resistente al calor que se depositará en el estante central o inferior.

Consejos para el asado a la parrilla

Al asar a la parrilla carnes, pescados o aves, éstas se doran rápidamente, cobran una agradable costra y no se secan. Las piezas planas, las brochetas y las salchichas, así como las verduras con un alto contenido en agua (p. ej. tomates y cebollas) son particularmente adecuadas para el asado a la parrilla.

- Distribuya las piezas que vaya a gratinar sobre la parrilla de alambre o bien en la bandeja de armado con la parrilla de alambre de manera que el espacio cubierto no exceda las dimensiones del calentador.
- Introduzca la parrilla de alambre o la bandeja de horneado con la parrilla dentro en el nivel deseado del horno. Si va utilizar la parrilla de alambre, coloque la bandeja de horneado en el estante inferior para recoger la grasa. La bandeja de horneado a introducir debe tener el tamaño suficiente para cubrir toda el área de horneado. Es posible que esta bandeja no se suministre junto con el electrodoméstico. Ponga un poco de agua en la bandeja de horneado para facilitar su posterior limpieza.



Los alimentos no adecuados para el asado a la parrilla suponen un riesgo de incendio. Sólo deben asarse a la parrilla alimentos adecuados para el calor intenso de este proceso.

No coloque los alimentos demasiado cerca de la parte trasera de la parrilla. Ese es el lugar más caliente y los alimentos con grasa podrían prenderse.

Cómo utilizar el horno eléctrico

Selección de temperatura y del modo de funcionamiento



- 1 Mando de función
 - 2 Mando del termostato
1. Sitúe el mando de función en el modo de funcionamiento deseado.

2. Fije el mando de temperatura a la temperatura deseada.

» El horno se calienta hasta alcanzar la temperatura ajustada y la mantiene. Durante el calentamiento, el piloto de la temperatura permanece encendido.

Apagado del horno eléctrico

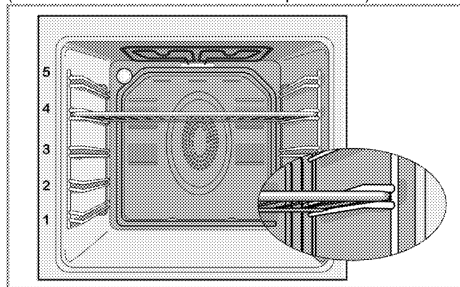
Ponga los mandos de función y de temperatura en la posición de apagado (posición superior).

Posiciones de los estantes (para modelos con parrilla de alambre)

Es importante colocar correctamente la parrilla de alambre sobre la rejilla de alambre. La parrilla de alambre debe insertarse entre las rejillas de alambre, tal y como se muestra la figura.

No permita que la parrilla de alambre entre en contacto con la pared trasera del horno. Deslice la parrilla de alambre hacia la parte delantera del estante y acabe de colocarla con ayuda de la puerta, con el fin de gozar de un buen rendimiento de gratinado.

(Varía en función del modelo del producto.)



Modos de funcionamiento

El orden de los modos de funcionamiento que aquí se muestra puede variar con respecto a su aparato.

Calentamiento superior e inferior



El calentamiento superior e inferior está en funcionamiento. Los alimentos se calientan simultáneamente desde arriba y desde abajo. Por ejemplo, este modo de calentamiento es adecuado para bizcochos, piezas de repostería, o bizcochos y guisos en moldes de horno. Cocine con una sola bandeja.

Calentamiento inferior



Solo el calentamiento inferior está en funcionamiento. Es adecuado p.ej. para pizzas y para el posterior dorado de los alimentos desde la parte inferior.



Esta función debe usarse también para facilitar la limpieza al vapor también.

Calentamiento superior/ inferior con ventilador



Las fuentes de calor superior e inferior más el ventilador (en la pared posterior) están activados. El ventilador distribuye el aire caliente de forma uniforme y rápida a través del horno. Cocine con una sola bandeja.

Gratinador grande



El gratinador grande situado en el techo del horno está en funcionamiento. Es adecuado para asar a la parrilla una gran cantidad de carne.

- Para asar a la parrilla, coloque porciones de tamaño grande o mediano en el estante adecuado debajo del gratinador.
- Dé la vuelta a los alimentos transcurrida la mitad del tiempo de asado.

Gratinador+ventilador



El efecto de gratinado no es tan fuerte como con el gratinador grande.

- Para asar a la parrilla, coloque porciones de pequeño o mediano tamaño en la posición correcta en la bandeja bajo el gratinador.
- Dé la vuelta a los alimentos transcurrida la mitad del tiempo de asado.

Función de refuerzo



Esta función se utiliza para calentar rápidamente el horno, no es apta para cocinar alimentos.

- Tras seleccionar la función, seleccione la temperatura que desee. La luz de la temperatura se enciende y el horno se calienta.
- La luz se apaga una vez completado el proceso de calentamiento. A continuación, seleccione la función que desee para cocinar sus alimentos.

Tabla de tiempos de cocción



Los tiempos que se indican en esta tabla son una simple guía, ya que pueden variar debido a la temperatura, el grosor y el tipo de alimento, así como a sus propias preferencias culinarias.

Horneado y asado



El primer estante del horno es el estante inferior.

Plato	Número de bandeja	Accesorio a utilizar	Modo de funcionamiento	Posición de la rejilla	Temperatura (°C)	Tiempo de cocción aproximado (min.)
Bizcochos en bandeja	Una bandeja	Bandeja estándar*		3	180	25 ... 30
Bizcochos en molde	Una bandeja	Molde de pastel sobre parrilla de alambre**		2	180	40 ... 50
Bizcochos pequeños	Una bandeja	Bandeja estándar*		3	160	25 ... 35
Bizcocho esponjoso	Una bandeja	Bandeja redonda con forma de resorte con un diámetro de 26 cm en la parrilla de alambre**		3	160	25 ... 35
Galletas	Una bandeja	Bandeja para pasteles*		3	180	25 ... 30
Masa de repostería	Una bandeja	Bandeja estándar*		2	200	30 ... 40
Masa fuerte	Una bandeja	Bandeja estándar*		2	200	25 ... 35
Levadura	Una bandeja	Bandeja estándar*		2	200	35 ... 45
Lasaña	Una bandeja	Bandeja rectangular de vidrio/metal sobre rejilla de alambre**		2 - 3	200	30 ... 40
Pizza	Una bandeja	Bandeja estándar*		2	200 ... 220	15 ... 20
Filete de ternera (entero) / Asado	Una bandeja	Bandeja estándar*		3	25 mín. 250/max. A continuación: 180 ... 190	100 ... 120
Pierna de cordero (cocido)	Una bandeja	Bandeja estándar*		3	25 mín. 220 A continuación: 180 ... 190	70 ... 90
Pollo asado (1,8-2 kg)	Una bandeja	Bandeja estándar*		2	15 mín. 250/max. A continuación: 180 ... 190	60 ... 80
Pavo (5.5 kg)	Una bandeja	Bandeja estándar*		1	25 mín. 250/max. A continuación: 180 ... 190	150 ... 210
Pescado	Una bandeja	Bandeja estándar*		3	200	20 ... 30

Se recomienda precalentar siempre el horno.

* Es posible que estos accesorios no se suministren con el producto.

** Estos accesorios no se suministran con el producto. Son accesorios disponibles en el mercado.

Tabla de cocción para comprobar las comidas

Las comidas de esta tabla de cocción se preparan según la norma EN 60350-1 para facilitar a los institutos de control la comprobación del producto.

Plato	Número de bandeja	Accesorio a utilizar	Modo de funcionamiento	Posición de la rejilla	Temperatura (°C)	Tiempo de cocción aproximado (min.)
Mantecada	Una bandeja	Bandeja estándar*		3	140	20 ... 30
Bizcochos pequeños	Una bandeja	Bandeja estándar*		3	160	25 ... 35
Bizcocho esponjoso	Una bandeja	Bandeja redonda con forma de resorte con un diámetro de 26 cm en la parrilla de alambre**		3	160	25 ... 35
Tarta de manzana	Una bandeja	Plato redondo de metal negro con un diámetro de 20 cm en la parrilla de alambre**		2	180	50 ... 60

Se recomienda precalentar siempre el horno.

* Es posible que estos accesorios no se suministren con el producto.

** Estos accesorios no se suministran con el producto. Son accesorios disponibles en el mercado.

Consejos para el horneado de bizcochos

- Si el bizcocho está demasiado seco, incremente la temperatura en unos 10 °C y reduzca el tiempo de cocción.
- Si el bizcocho está húmedo, utilice menos líquido o reduzca la temperatura en unos 10 °C.
- Si la parte superior del bizcocho está demasiado dorada, colóquelo en un estante más bajo, reduzca la temperatura e incremente el tiempo de cocción.
- Si el bizcocho está bien cocido por dentro pero pegajoso por fuera utilice menos líquido, reduzca la temperatura e incremente el tiempo de cocción.

Consejos sobre el horneado de masa

- Si la masa está demasiado seca, incremente la temperatura en unos 10 °C y reduzca el tiempo de cocción. Aplique a las capas de masa una salsa a base de leche, aceite, huevo y yogur.
- Si la masa tarda demasiado en hacerse, compruebe que su grosor no exceda la profundidad de la bandeja.
- Si la parte superior de la masa se dora pero la parte inferior no está hecha, asegúrese de que la salsa utilizada para la masa no esté concentrada en su mayor parte en la zona inferior. Procure esparcir la salsa por igual entre las capas de masa y por la parte superior para obtener un dorado uniforme.



Hornee la masa en el modo y la temperatura indicados en la tabla de cocción. Si la parte inferior sigue sin hacerse lo suficiente, la próxima vez colóquelo en el estante del nivel inmediatamente inferior.

Consejos para la cocción de verduras

- Si el plato de verduras consume todo el jugo y queda demasiado seco, prepárelo en una cazuela con tapa en lugar de en una bandeja. Los recipientes cerrados preservarán los jugos del plato.
- Si las verduras quedan sin hacer, hiérvalas previamente o prepárelas como si fueran alimentos enlatados y deposítelas en el horno.

Cómo utilizar el gratinador



ADVERTENCIA

Cierre la puerta del horno cuando utilice el gratinador.

Las superficies calientes pueden causar quemaduras.

Encendido del gratinador

1. Gire el mando de función hasta el símbolo de gratinado que desee.
2. A continuación, fije la temperatura que desee para el gratinador.
3. En caso necesario, precaliente durante unos 5 minutos.

» La luz de la temperatura se enciende.

Apagado del gratinador

1. Gire el mando de función hasta la posición de apagado (posición superior).



Los alimentos no adecuados para el asado a la parrilla suponen un riesgo de incendio. Sólo deben asarse a la parrilla alimentos adecuados para el calor intenso de este proceso. No coloque los alimentos demasiado cerca de la parte trasera de la parrilla. Ese es el lugar más caliente y los alimentos con grasa podrán prenderse.

Tabla de tiempos de cocción para el asado a la parrilla

Asado a la parrilla con gratinador eléctrico

Alimento	Accesorio a utilizar	Posición de la rejilla	Temperatura recomendada (°C)**	Tiempo de asado (aprox.)
Pescado	Parrilla de alambre	4..5	250	20..25 min. #
Pollo fileteado	Parrilla de alambre	4..5	250	25..35 min.
Chuletas de cordero	Parrilla de alambre	4..5	250	20..25 min.
Ternera asada	Parrilla de alambre	4..5	250	25..30 min. #
Chuletas de ternera	Parrilla de alambre	4..5	250	25..30 min. #
Pan tostado *	Parrilla de alambre	4	250	1..3 min.

en función del grosor

*Precaliente durante 5 minutos

**Si no se puede ajustar la temperatura de la parrilla de su producto, la parrilla funcionará a la temperatura recomendada.

Las comidas de esta tabla de cocción se preparan según la norma EN 60350-1 para facilitar a los institutos de control la comprobación del producto.

Alimento	Accesorio a utilizar	Posición de la rejilla	Temperatura (°C)	Tiempo de cocción aproximado (min.)
Pan tostado	Parrilla de alambre	4	250	1..3 min.
Albóndigas de carne (ternera) - 12 piezas	Parrilla de alambre	4	250	25..35 min.

Voltee la comida después de 2/3 del tiempo total de asado.

Se recomienda precalentar el horno durante 5 minutos siempre que vaya a asar a la parrilla cualquier alimento.

6 Mantenimiento y cuidados

Información general

La limpieza a intervalos regulares del aparato prolongará su vida útil y reducirá la frecuencia de aparición de los problemas más frecuentes.



PELIGRO:

Desconecte el producto de la red de alimentación antes de iniciar las tareas de mantenimiento y limpieza.
Existe el riesgo de descarga eléctrica.



PELIGRO:

Antes de limpiar el aparato deje que se enfríe.
Las superficies calientes pueden causar quemaduras.

- Limpie el producto concienzudamente después de cada uso. De esta manera eliminará los residuos de alimentos con mayor facilidad, evitando que se quemen la próxima vez que utilice el aparato.
- No es necesario utilizar agentes limpiadores especiales para limpiar el aparato. Limpie el aparato con un paño suave o esponja humedecida en agua caliente con un producto limpiador y séquelo con un paño suave.
- Asegúrese de secar bien la placa tras la limpieza y de enjuagar inmediatamente cualquier líquido derramado.
- No utilice productos de limpieza que contengan ácido o cloro para limpiar las superficies inoxidable y el asa. Utilice un paño suave con un detergente líquido no abrasivo para la limpieza de esas partes, procurando pasar el paño siempre la misma dirección.



La superficie podría resultar dañada por la acción de algunos detergentes o agentes de limpieza.

No utilice detergentes agresivos, polvos/cremas limpiadoras, ni tampoco ningún objeto afilado.



No use limpiadores al vapor para limpiar el aparato, ya que esto podría causar una descarga eléctrica.

Limpieza del panel de control

Limpie el panel y los mandos de control con un paño húmedo y a continuación séquelos.



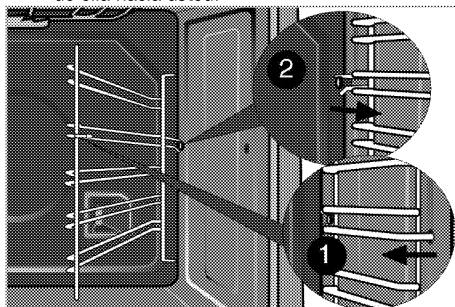
Si su aparato viene equipado con botones/mandos no retire los mandos de control para limpiar el panel de control.
Puede dañarse el panel de control.

Limpieza del horno

Limpieza de las paredes laterales (Varía en función del modelo del producto.)

(Esta característica es opcional. Puede que no esté presente en su producto.)

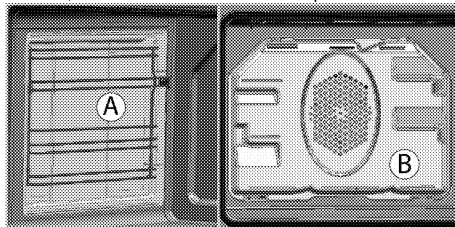
1. Retire la sección frontal de la rejilla lateral tirando de ella en dirección opuesta a la pared lateral.
2. Extraiga completamente la rejilla lateral tirando de ella hacia usted.



Paredes catalíticas

(Esta característica es opcional. Puede que no esté presente en su producto.)

Es posible que las paredes laterales internas (A) y/o la pared trasera (B) de su electrodoméstico estén recubiertas de un esmalte catalítico. Las paredes catalíticas presentan un color claro mate y una textura porosa. Las paredes catalíticas del horno no deben limpiarse. Gracias a su estructura porosa, las superficies catalíticas absorben la grasa y una vez se llenen, comienzan a brillar. En caso de que esto suceda, se recomienda cambiar las partes.

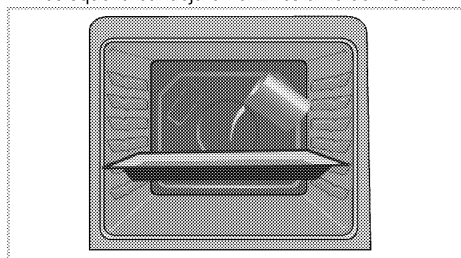


Limpieza al vapor fácil

La función facilita la limpieza porque la suciedad se ablanda por medio del vapor que se forma en el

interior del horno y las gotas de agua que se condensan en sus superficies interiores (siempre y cuando no se espere demasiado tiempo a aplicarla).

1. Retire todos los accesorios del interior del horno.
2. Vierta 500 ml de agua en la bandeja del horno y coloque la bandeja en el 2º estante del horno.



3. Ajuste el horno a modo de limpieza a vapor fácil con correr a 100 ° C durante 25 minutos.
4. Abra la puerta y pase una esponja o un paño húmedo por las superficies interiores.
5. Elimine la suciedad persistente con un paño suave o esponja humedecido en agua caliente con un producto limpiador y pase a continuación un paño seco.



Durante el modo de limpieza fácil con vapor, el agua que se coloca en la bandeja para ablandar la suciedad/residuos presentes en la cavidad del horno se evaporará y condensará en la cavidad del horno y en el cristal interior de la puerta del horno, por lo que el agua podrá gotear cuando se abra la puerta del horno. Limpie la condensación tan pronto como se abra la puerta del horno.

Limpeza de la puerta del horno

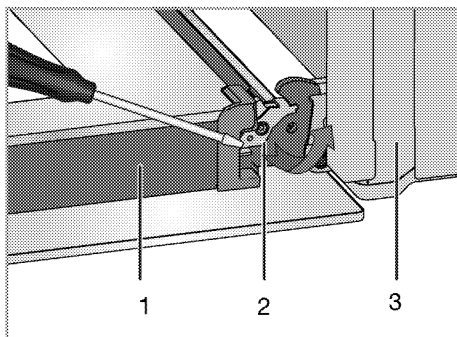
Limpie la puerta del horno con un paño suave o una esponja humedecidos en agua caliente con un producto limpiador y séquela con un paño suave.



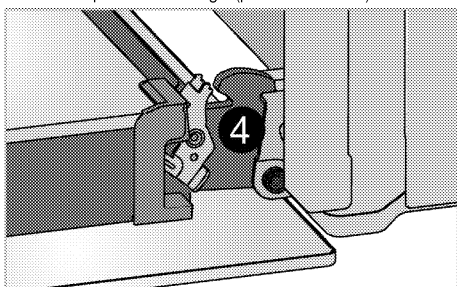
No use limpiadores abrasivos fuertes ni raspadores afilados de metal para limpiar la puerta del horno. Podría rayar la superficie y romper el cristal.

Retirada de la puerta del horno

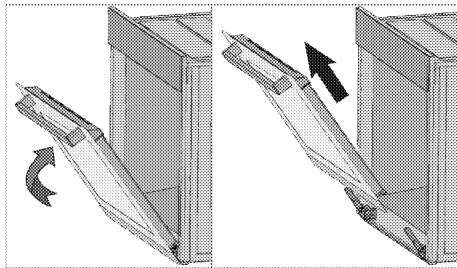
1. Abra la puerta frontal (1).
2. Abra las abrazaderas del alojamiento de la bisagra (2) ubicadas a derecha e izquierda de la puerta frontal haciendo presión sobre ellas hacia abajo tal y como se ilustra en la figura.



- 1 Puerta
- 2 Bloqueo de la bisagra(posición cerrada)
- 3 Horno
- 4 Bloqueo de la bisagra(posición abierta)



3. Abra la puerta frontal hasta la mitad de su recorrido.



4. Retire la puerta frontal tirando de ella hacia arriba para liberarla de las bisagras derecha e izquierda.



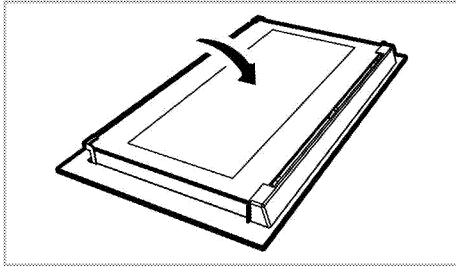
Para volver a colocar la puerta, es preciso aplicar en orden inverso los pasos del procedimiento de retirada. No olvide cerrar las abrazaderas del alojamiento de las bisagras una vez vuelva a colocar la puerta.

Retirada del vidrio interior de la puerta

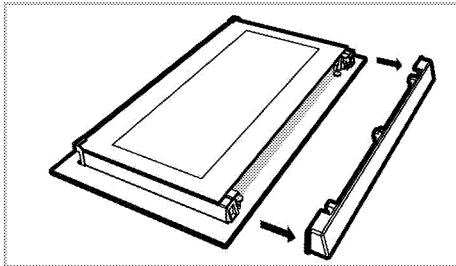
(Esta característica es opcional. Puede que no esté presente en su producto.)

El panel de vidrio interior de la puerta del horno puede retirarse para su limpieza.

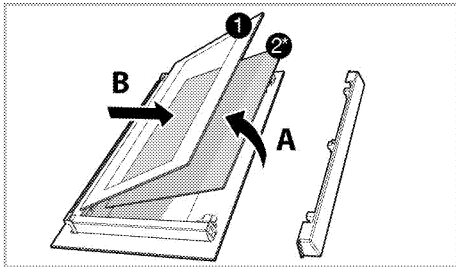
1. Abra la puerta del horno.



2. Tire hacia usted y retire la pieza de plástico instalada en la sección superior de la puerta frontal.



3. Levante ligeramente el panel de vidrio más interno (1) en la dirección A y extráigalo tirando de él en la dirección B, tal y como se muestra en la ilustración.



- 1 Panel de vidrio más interno
- 2* Panel de vidrio interior (Puede que no esté presente en su producto.)
4. Si su producto está equipado con un panel de vidrio interior (2); repita la operación para retirar el panel de vidrio interior (2).
5. El primer paso para volver a montar la puerta consiste en volver a colocar el panel de vidrio interior (2). Coloque la esquina biselada del panel de vidrio de forma que descansa en la esquina biselada de la ranura de plástico. (Si su producto está equipado con un panel de vidrio interior). El panel de vidrio interior (2) debe instalarse en la

ranura de plástico cercana al panel de vidrio más interno (1).

6. Al instalar el panel de vidrio más interno (1), asegúrese de que el lado impreso del panel mira hacia el panel de vidrio interior. Es importante asentar la esquina inferior del panel de vidrio más interior (1) en la ranura de plástico inferior.
7. Empuje la pieza de plástico hacia el marco hasta que escuche un clic.

Sustitución de la lámpara del horno



PELIGRO:

Antes de sustituir la bombilla del horno, asegúrese de que el aparato esté desconectado de la alimentación y se haya enfriado con el fin de evitar el riesgo de una descarga eléctrica.

Las superficies calientes pueden causar quemaduras.



En este horno se utiliza una lámpara incandescente con una potencia inferior a 40 W, una altura inferior a 60 mm, un diámetro inferior a 30 mm o una lámpara halógena con casquillo tipo G9, una potencia inferior a 60 W. Las lámparas son adecuadas para funcionar a temperaturas superiores a 300 ° C. Las lámparas del horno se pueden obtener de los agentes de servicio autorizados o de un técnico con licencia.



La posición de la lámpara puede variar con respecto a la ilustración.



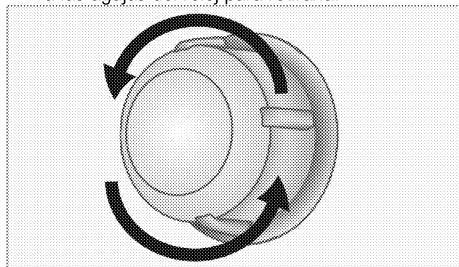
La luz utilizada en este electrodoméstico está pensada para la iluminación de una estancia doméstica. La finalidad de esta lámpara es ayudar al usuario a ver los productos alimenticios.



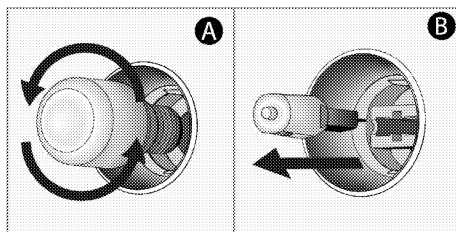
Las lámparas utilizadas en este electrodoméstico tienen que soportar condiciones físicas extremas como temperaturas superiores a 50 ° C.

Si su horno dispone de una lámpara redonda:

1. Desconecte el horno de la red eléctrica.
2. Gire la cubierta de vidrio en la dirección contraria a las agujas del reloj para retirarla.



3. Si la lámpara del horno es de tipo (A) como la mostrada en la figura siguiente, quítela girándola como se muestra y reemplácela. Si la lámpara es de tipo (B), tire y quítela como se muestra en la figura y reemplácela.



4. Vuelva a colocar la cubierta de vidrio.

7 Resolución de problemas

El horno emite vapor cuando está en funcionamiento.

- La formación de vapor durante el funcionamiento es normal. >>> *Esto no constituye ninguna anomalía.*

El aparato emite ruidos metálicos durante el calentamiento y el enfriamiento.

- Las piezas metálicas se calientan y pueden expandirse y causar ruido. >>> *Esto no constituye ninguna anomalía.*

El aparato no funciona.

- El fusible de red es defectuoso o se ha disparado. >>> *Compruebe los fusibles contenidos en la caja de fusibles. En caso necesario, sustitúyalos o reinícielos.*
- El producto no está conectada a la toma (con conexión a tierra). >>> *Compruebe la conexión del enchufe.*

La luz del horno no funciona.

- La lámpara del horno está defectuosa. >>> *Sustituya la lámpara del horno.*
- Hay un corte en el suministro de fluido eléctrico. >>> *Compruebe si hay corriente eléctrica. Compruebe los fusibles de la caja de fusibles. En caso necesario, sustitúyalos o reinícielos.*

El horno no se calienta.

- Es posible que no esté configurada a una determinada función de cocción y/o temperatura. >>> *Configure el horno a una determinada función de cocción y/o temperatura.*
- Hay un corte en el suministro de fluido eléctrico. >>> *Compruebe si hay corriente eléctrica. Compruebe los fusibles de la caja de fusibles. En caso necesario, sustitúyalos o reinícielos.*

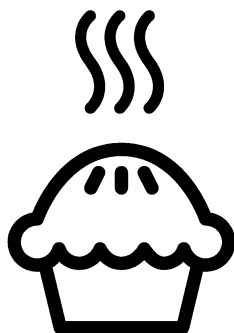


Consulte a un servicio técnico autorizado o al comercio donde haya adquirido el producto si no puede solucionar el problema después de seguir las instrucciones de esta sección. No intente reparar usted mismo un producto defectuoso.

beko

Sisseehitatav ahi

Kasutusjuhend



ET

Tutvuge palun esmalt käesoleva kasutusjuhendiga!

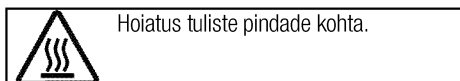
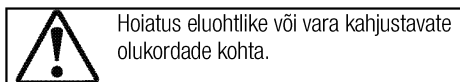
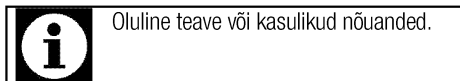
Lugupeetud klient!

Aitäh, et otsustasite Bekou toote kasuks. Loodetavasti jääte selle kaasaegse tehnoloogia järgi valmistatud kvaliteetse toote tööga rahule. Selleks tutvuge enne toote kasutamist hoolikalt kasutusjuhendi ja kõigi kaasasolevate dokumentidega ja hoidke need alles. Kui annate toote üle uuele omanikule, pange kaasa ka kasutusjuhend. Järgige kõiki kasutusjuhendis toodud hoiatusi ja juhiseid.

Pidage meeles, et kasutusjuhendis võib olla juttu mitmest mudelist. Mudelite erinevused on kasutusjuhendis välja toodud.

Sümbolite tähendused

Kasutusjuhendis kasutatakse järgmisi sümboleid:



Arçelik A.Ş.
Karaağaç caddesi No:2-6
34445 Sütlüce/Istanbul/TURKEY
Made in TURKEY

**1 Olulised hoiatused ning juhised
ohutuse tagamiseks ja keskkonna
sästmiseks 4**

Üldine ohutus	4
Elektriohutus	4
Toote ohutu kasutamine	5
Ettenähtud otstarve	7
Laste ohutuse tagamine	7
Toote kõrvaldamine kasutuselt	8
Pakkematerjali kõrvaldamine	8

2 Üldine teave 9

Ülevaade	9
Pakendi sisu	10
Tehnilised andmed	11

3 Paigaldamine 12

Enne paigaldamist	12
Paigaldamine ja ühendamine	14
Toote kõrvaldamine kasutuselt	16

4 Ettevalmistused 17

Nõuandeid energia säästmiseks	17
Esimene kasutuskord	17
Seadme esmane puhastamine	17
Esmane kuumutamine	17

5 Kuidas ahju kasutada 18

Üldine teave küpsetamise, röstimise ja grillimise kohta	18
Elektriahju kasutamine	18
Töörežiimid	19
Küpsetusaegade tabel	19
Kuidas grilli kasutada	21
Küpsetamisaegade tabel grillimiseks	21

6 Hoidmine ja hooldus 22

Üldine teave	22
Juhtpaneeli puhastamine	22
Ahju puhastamine	22
Ahjuukse eemaldamine	23
Ukse siseklaasi eemaldamine	23
Ahjuvalgusti pirni vahetamine	24

7 Probleemide lahendamine 25

1 Olulised hoiatused ning juhised ohutuse tagamiseks ja keskkonna säästmiseks

Käesolev peatükk sisaldab ohutusjuhiseid, mis aitavad teil vältida kehavigastusi ja varalist kahju. Nende juhiste eiramisel kaotab garantii kehtivuse.

Üldine ohutus

- Üle 8-aastased lapsed ja füüsilise, meelevõi vaimupuudega inimesed või isikud, kellel puuduvad vastavad kogemused või teadmised, võivad seadet kasutada juhul, kui nad teevad seda järelevalve all või on saanud seadme kasutamiseks vajalikud juhised ning mõistavad sellega kaasnevat ohte.

Lapsed ei tohi seadmega mängida. Lapsed ei tohi omapead seadet puhastada ja hooldada.

- Seadet ei tohi kasutada lapsed ega füüsilise, meelevõi vaimse puudega isikud või kogemusteta ja vastavate teadmisteta isikud, kui nad ei tegutse nende ohutuse eest vastutava isiku järelevalve või juhendamise all.

Lapsed ei tohi seadmega mängida, kui puudub järelevalve.

- Kui toode antakse kellelegi teisele isiklikuks kasutamiseks või uuele omanikule, tuleb anda kaasa ka kasutusjuhend, toote etiketid ja

muud olulised dokumendid ja osad.

- Paigaldus- ja remonttööd tuleb alati jätta volitatud teeninduse hooleks. Tootja ei vastuta kahjude eest, mis tulenevad volitamatu isikute tehtud protseduuridest ja võivad muuta garantii kehtetuks. Enne paigaldamist tutvuge hoolikalt juhistega.
- Ärge kasutage toodet, kui see on rikkis või sellel on nähtavaid vigastusi.
- Kontrollige pärast iga kasutuskorda, et toote funktsiooninupud on välja lülitatud.

Elektriohutus

- Rikkis toodet ei tohi kasutada, vaid see tuleb lasta volitatud teeninduses korda teha. Elektrilöögi oht!
- Toote võib ühendada ainult maandatud elektrikontakti/-liiniga, mille pinge ja kaitse vastavad tabelile "Tehnilised andmed". Laske maandus paigaldada kvalifitseeritud elektrikul olenemata sellest, kas kasutate toodet transformaatoriga või ilma. Meie ettevõtte ei vastuta probleemide eest, mis on tingitud toote kasutamisest ilma

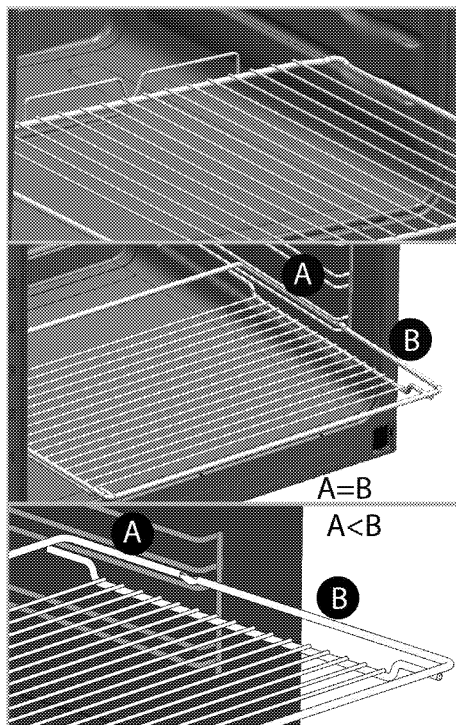
- kohalikele eeskirjadele vastava maanduseta.
- Ärge kunagi peske toodet veega uhtudes või üle kallates!
Elektrilöögi oht!
 - Paigaldamise, hoolduse, puhastamise ja remondi ajaks tuleb toode vooluvõrgust lahutada.
 - Kui toote toitejuhe saab viga, peab tootja, hooldusfirma või vastava kvalifikatsiooniga elektrik ohu vältimiseks selle välja vahetama.
 - Seade tuleb paigaldada nii, et selle saab võrgust täielikult lahti ühendada. Lahtiühendamise võimalus tuleb tagada voolupistikuga või püsielektrisüsteemi paigaldatud lülitiga, mis vastab ehitusnõuetele.
 - Kasutamisel ahju tagakülg kuumeneb. Veenduge, et elektrijuhtmed ei puutu vastu ahju tagakülge, sest kuumus võib neid kahjustada.
 - Ärge muljuge toitejuhet ahjuukse ja korpuse vahele ja ärge asetage seda tuliste pindade peale. Juhtme isolatsioon võib sulada ning lühise tõttu võib tekkida tulekahju.
 - Elektriseadmetel ja -süsteemidel peaksid töid teostama ainult volitatud ja vastava kvalifikatsiooniga isikud.

- Kahjustuste tekkimisel lülitage toode välja ning lahutage see vooluvõrgust. Selleks lülitage välja kaitsekork.
- Veenduge, et kaitsme voolutugevus vastab toote niminäitajatele.

Toote ohutu kasutamine

- HOIATUS: Seade ja selle välispinnad muutuvad kasutamise käigus tuliseks. Kindlasti tuleb hoiduda kokkupuutest kuumutuselementidega. Alla 8-aastased lapsed tuleb seadme eemal hoida, välja arvatud juhul, kui nad on täiskasvanu pideva jälgimise all.
- Ärge kasutage toodet, kui mõtlemisvõime või koordineerimine on alkoholi ja/või uimastite tarbimise tagajärjel halvenenud.
- Olge toitumisesse alkohoolseid jooke lisades ettevaatlik. Kõrgel temperatuuril alkohol aurustub ning võib tuliste pindadega kokku puutudes põhjustada tulekahju.
- Ärge asetage toote lähedusse kergestisüttivaid materjale, kuna selle küljed võivad kasutamise ajal kuumeneda.
- Kasutamise käigus seade kuumeneb. Kindlasti tuleb hoiduda kokkupuutest ahju sees paiknevate kuumutuselementidega.

- Ärge tõkestage ventilatsioonivahendeid.
- Ärge kuumutage ahjus suletud konservikarpe ja klaaspurke. Purgis tekkida võiva surve tagajärjel võib see lõhkeda.
- Ärge asetage küpsetusplaate, nõusid või fooliumit ahju põhja. Kogunev kuumus võib ahju põhja kahjustada.
- Ärge kasutage ahju ukseklaasi puhastamiseks tugevatoimelisi abrasiivseid puhastusvahendeid ega teravaid metallkraabitsaid, sest need võivad pinda kriimustada ning põhjustada klaasi purunemise.
- Ärge kasutage puhastamiseks aurupuhasteid, muidu võite saada elektrilöögi.
- (Varieerub olenevalt toote mudelist.)
Traatrest ja ahjuplaadi asetamine siinidele
Traatrest ja/või ahjuplaat tuleb kindlasti asetada siinidele õigesti. Lükake traatrest või küpsetusplaat kahe siini vahele ja enne sellele toidu asetamist veenduge, et see püsib kindlalt paigas (vt allolevat joonist).



- Ärge kasutage toodet, kui selle esiukse klaas on eemaldatud või mõranenud.
- Toitu kuuma ahju pannes või välja võttes kasutage alati kuumuskindlaid pajakindaid.
- Katke pann või ahjutarvik (nt plaat või rest) küpsetuspaberiga, asetage selle peale toit ning pange kõik eelsoojendatud ahju. Üle ahjutarviku või panni ääre ulatuv küpsetuspaber tuleb eemaldada, et see ei puutuks kütteelementidega kokku. Ärge kunagi kasutage küpsetuspaberit küpsetuspaberi jaoks ettenähtud temperatuurist kõrgemal temperatuuril. Ärge kunagi

asetage küpsetuspaberit vahetult ahjupõhjale.

- HOIATUS: Enne lambipirni vahetamist veenduge, et seadme toitejuhe on pistikust eemaldatud või seade on välja lülitatud - muidu võite saada elektrilöögi.
- Ülekuumenemise vältimiseks ei tohi seadet paigaldada dekoratiivse ukse taha.

Toote tuleohutuse tagamine:

- Veenduge, et pistik on kindlalt pesas, et ei tekiks sädemeid.
- Ärge kasutage kahjustatud või vigastatud juhet. Samuti ei tohi kasutada pikendusjuhet.
- Vältige niiskuse või vedeliku sattumist toote ühendamiseks kasutatud pistikupesale.

Ettenähtud otstarve

- Toode on mõeldud ainult kodukasutuseks. Kasutamine ettevõtluses ei ole lubatud.
- TÄHELEPANU: Seade on mõeldud ainult toidu valmistamiseks. Seda ei tohi kasutada muuks otstarbeks, näiteks ruumi kütmiseks.
- Toodet ei tohi kasutada taldrikute soojendamiseks grillielemendi all, käterätikute ja nõudepesulappide vms kuivatamiseks (riputades need käepidemete külge) ja kütmiseks.
- Tootja ei võta mingit vastutust ebaõige kasutamise või

käsitsemise tagajärjel tekkinud kahjude eest.

- Ahju võib kasutada toidu sulatamiseks, küpsetamiseks, hautamiseks ja grillimiseks.

Laste ohutuse tagamine

- HOIATUS: Ligipääsetavad osad võivad kasutamisel kuumeneda. Väikelapsed tuleb eemal hoida.
- Pakkematerjalid on lastele ohtlikud. Hoidke pakkematerjale väljaspool laste käeulatus. Käidelge kõiki pakendijäätmeid vastavalt keskkonnastandarditele.
- Elektriseadmed on lastele ohtlikud. Hoidke lapsed töötavast seadmest eemal ja ärge laske neil seadmega mängida.
- Ärge asetage seadme kohale asju, mida lapsed võiksid üritada kätte saada.
- Kui uks on avatud, ärge toetage sellele raskeid asju ja ärge lubage lastel selle peal istuda. Muidu võib uks alla vajuda või hinged kahjustada saada.

Toote kõrvaldamine kasutuselt

WEEE direktiivi täitmine ja romuseadme kõrvaldamine:



Seade vastab Euroopa Liidu WEEE direktiivile (2012/19/EL). Seadmel on elektri- ja elektroonikaseadmete jäätmete (WEEE) liigiti kogumise tähis.

Seade on valmistatud kvaliteetsetest osadest ja materjalidest, mis sobivad ringlussevõtmiseks ja taaskasutamiseks. Ärge visake tarbetuks muutunud seadet tavalise olmeprügi ega muude jäätmete hulka. Viige see elektri- ja elektroonikajäätmete

kogumispunkti. Kogumispunktide kohta saate täpsemat teavet kohaliku omavalitsusest.

RoHS-direktiivi täitmine:

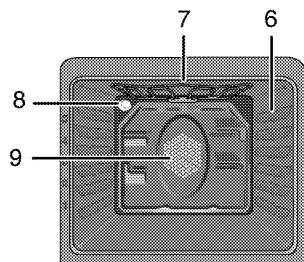
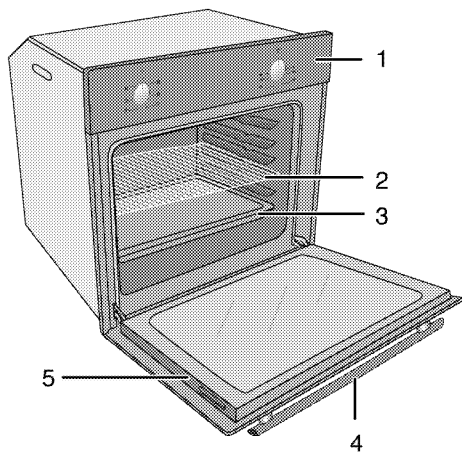
Seade vastab Euroopa Liidu RoHS-direktiivile (2011/65/EL). See ei sisalda direktiivis mainitud kahjulikke ja keelatud materjale.

Pakkematerjali kõrvaldamine

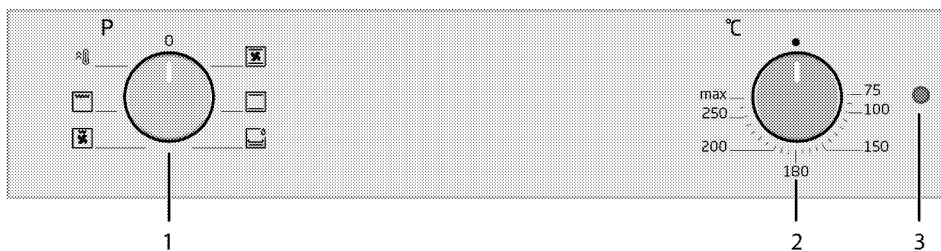
- Pakkematerjalid on lastele ohtlikud. Hoidke pakkematerjale ohutus kohas, kust lapsed neid kätte ei saa. Toote pakend on valmistatud taaskasutatavatest materjalidest. Kõrvaldage pakkematerjalid nõuetekohaselt ja sorteerige vastavalt taaskasutatavate jäätmete kogumise eeskirjadele. Ärge visake neid olmeprügi hulka.

2 Üldine teave

Ülevaade



- | | | | |
|---|------------|---|--|
| 1 | Juhtpaneel | 6 | Riuli asendid |
| 2 | Traatrest | 7 | Ülemine kuumutuselement |
| 3 | Kandik | 8 | Tuli |
| 4 | Käepide | 9 | Ventilaatori mootor (terasplaadi taga) |
| 5 | Uks | | |



- | | |
|---|-----------------|
| 1 | Funktsiooninupp |
| 2 | Termostaatinupp |
| 3 | Termostaadilamp |

Pakendi sisu

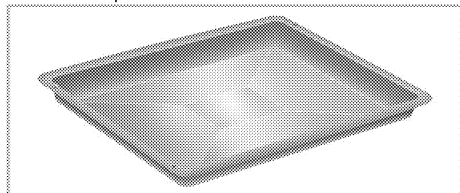


Lisavarustus võib sõltuvalt toote mudelist varieeruda. Kõiki kasutusjuhendis kirjeldatud lisasid ei pruugi teie tootel olla.

1. Kasutusjuhend

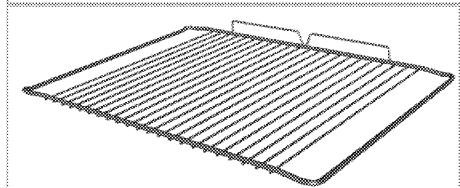
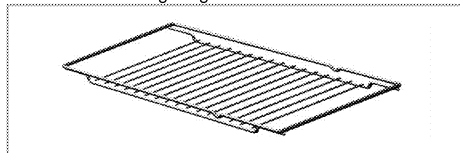
2. Harilik plaat

Kasutatakse küpsetiste, külmutatud toitude ning suurte praadide valmistamiseks.



3. Traatrest

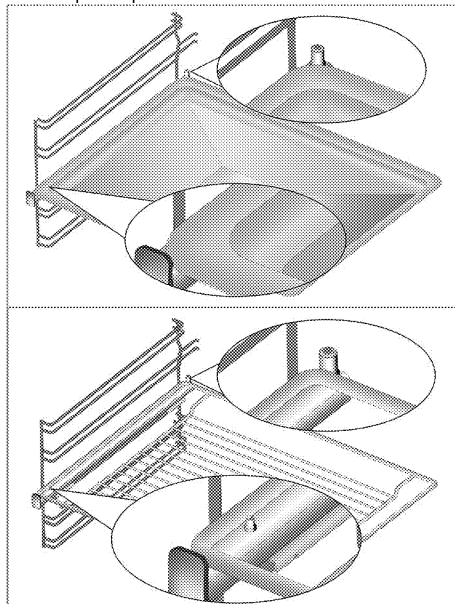
Kasutatakse praadide valmistamiseks või haudenõus valmistatavate roogade asetamiseks soovitud kõrgusega siinile.



4. Traatresti ja küpsetusplaadi asetamine teleskoopsiinidele (See funktsioon on valikuline. Teie tootel ei pruugi seda olla.)

Teleskoopsiinid võimaldavad küpsetusplaate ja traatresti hõlpsasti ahju panna ja ahjust välja võtta.

Kui kasutate küpsetusplaati ja traatresti teleskoopsiinidega, peavad tihvtid teleskoopsiinide tagaosas toetuma traatresti ja küpsetusplaadi servade vastu.



Tehnilised andmed

Pinge/sagedus	220-240 V ~ 50 Hz
Energiatarve kokku	2.4kW
Juhtme tüüp/ristlõige	minH05VV-FG 3 x 1,5 mm ²
Välismõõtmed (kõrgus/laius/sügavus)	595 mm/594 mm/567 mm
Paigaldusmõõtmed (kõrgus/laius/sügavus)	**590 või 600 mm/560 mm/min 550 mm
Peamine ahi	Multifunktsionaalne ahi
Sisevalgusti	15/25 W
Grilli energiatarve	2.2 kW

Põhialused: teave elektriahjude energiamärgise kohta on esitatud vastavalt standardile EN 60350-1 / IEC 60350-1. Need väärtused on saadud standardkoormusel alumise-ülemise kuumutiga või ventilaatoriga kuumutusrežiimis (kui see on olemas).
Energiatõhususe klass määratakse vastavalt järgmistele prioriteetidele olenevalt sellest, kas vastav funktsioon on tootel olemas või mitte. 1 – Ökonoomne ventilaatoriga kuumutamine, 2 – Üliaeglane kuumutamine, 3 – Kiire kuumutamine, 4 – Ventilaatoriga kuumutamine (ülemine ja alumine küttekeha), 5 – Ülemise ja alumise küttekehaga kuumutamine.

** Vt Paigaldamine, lk 12.



Toote kvaliteedi parandamiseks võidakse tehnilisi andmeid etteatamiseta muuta.



Kasutusjuhendis toodud joonised on skemaatilised ning ei pruugi teie tootega täpselt kokku langeda.



Tootel olevatel etiketidel või tootega kaasas olevas dokumentatsioonis toodud väärtused on saadud laboritingimustes vastavalt asjaomastele standarditele. Olenevalt toote töö- ja keskkonnatingimustest võivad tegelikud väärtused varieeruda.

3 Paigaldamine

Toode tuleb lasta paigaldada pädeval spetsialistil vastavalt kehtivatele eeskirjadele. Muidu muutub garantii kehtetuks. Tootja ei vastuta kahjude eest, mis tulenevad volitamata isikute tehtud protseduuridest ja võivad muuta garantii kehtetuks.



Toote paigalduskoha ning elektrisüsteemi ettevalmistamine on kliendi ülesanne.



OHT:

Toote paigaldamisel tuleb järgida kõiki gaasi- ja elektrisüsteemidele kehtestatud kohalikke eeskirju.



OHT:

Enne paigaldamist vaadake üle, kas tootel ei ole defekte. Defektide esinemisel ärge laske toodet paigaldada.
Kahjustatud toode võib kujutada ohtu.

Enne paigaldamist

Seade on mõeldud integreerimiseks kaubandusvõrgus müüdavate köögikappidega. Seadme ning köögiseinte ja -mööbli vahele tuleb jätta ohutuse tagamiseks piisav vahe. Vt joonist (väärtused millimeetrites).

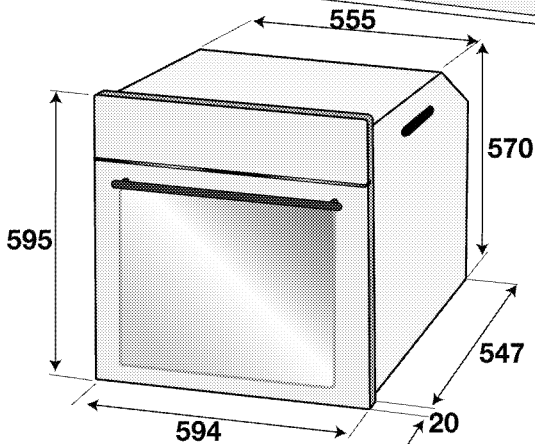
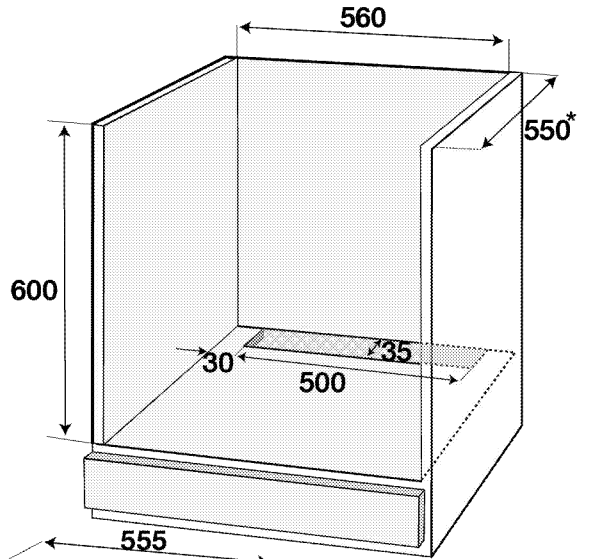
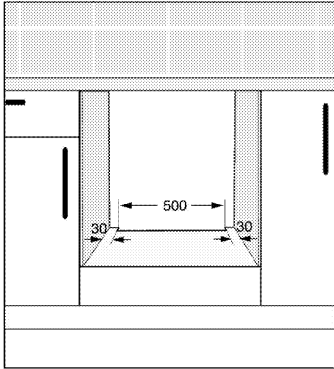
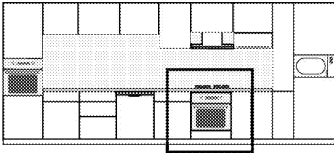
- Pinnad, sünteetilised laminaadid ja kasutatavad puhastusvahendid peavad olema kuumuskindlad (vähemalt 100 °C).
- Köögikapid peavad olema horisontaalsed ja kinnitatud.
- Kui ahju all on sahtel, tuleb ahju ja sahtli vahele paigaldada riiul.
- Kandke seadet vähemalt kahe inimesega.
- Ahju teisaldamisel hoidke ahju selleks ette nähtud avadest.
- Enne toote paigaldamist eemaldage selle seest kõik esemed ja dokumendid.
- Köögimööbel peab vastama alloleval joonisel esitatud mõõtmetele. Köögimööbli tagaküljel peab piisava ventilatsiooni tagamiseks olema alloleval joonisel esitatud mõõtmetega ava.



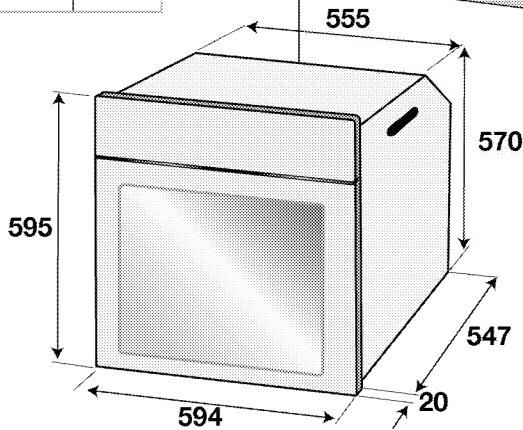
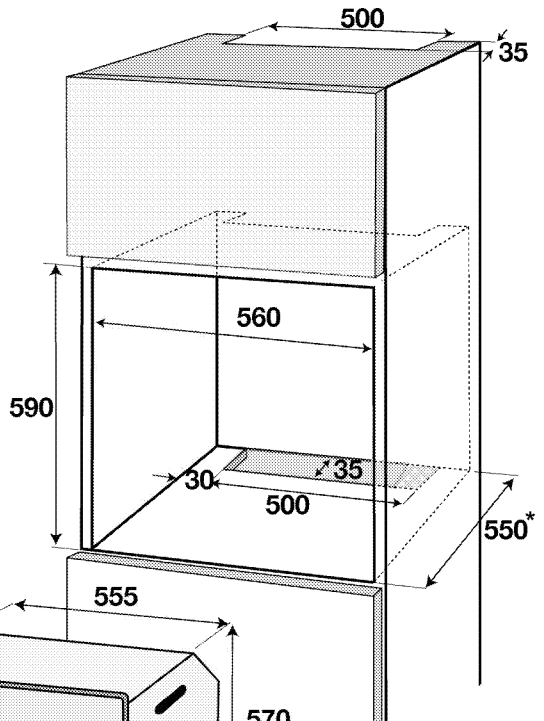
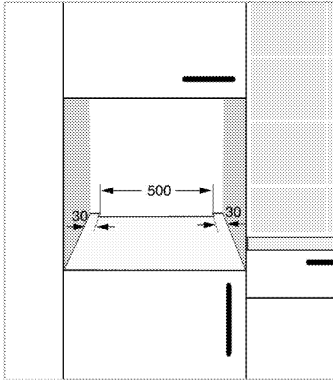
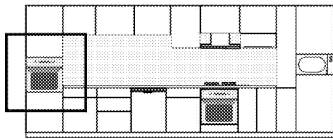
Ärge paigaldage toodet külmkappide ega sügavkülmikute kõrvale. Tootest eralduv soojus suurendab jahutusseadmete energiatarvet.



Ärge kasutage toote tõstmiseks või liigutamiseks ust ega uksekäepidet.



* min



* min

Paigaldamine ja ühendamine

- Toodet tohib paigaldada ja ühendada ainult vastavalt ametlikele paigalduseeskirjadele.

Elektriühendused

Ühendage toode maandatud elektrikontakti/-liiniga, millel on sobivate näitajatega minikaitseüliliiti (vt tabelit "Tehnilised andmed"). Laske maandus paigaldada kvalifitseeritud elektrikul olenemata sellest, kas kasutate toodet transformatoriga või ilma. Meie ettevõtte ei vastuta kahjude eest, mis on tingitud toote kasutamisest ilma kohalikele eeskirjadele vastava maanduseta.



OHT:

Toote võivad vooluvõrku ühendada ainult autoriseeritud ja kvalifitseeritud isikud. Toote garantii algab alles pärast nõuetekohast paigaldamist.

Tootja ei vastuta kahjude eest, mis tulenevad volitamata isikute tehtud protseduuridest.

OHT:
Toitejuhet ei tohi kinnitada klambritega, väänata ega muljuda ning see ei tohi puutuda kokku toote kuumenevate osadega. Kahjustatud toitejuhtme peab välja vahetama kvalifitseeritud elektrik. Muul juhul tuleb arvestada elektrilöögi, lühise või tulekahju ohuga!

- Ühendus peab vastama riiklikele eeskirjadele.
- Võrgutoite näitajad peavad vastama seadme tüübisildile märgitud andmetele. Tüübisildi vaatamiseks avage eesuks.
- Toote toitejuhe peab vastama tehniliste andmete tabelis toodud väärtustele.

OHT:
Enne elektritööde tegemist ühendage toode vooluvõrgust lahti.
Elektrilöögi oht!

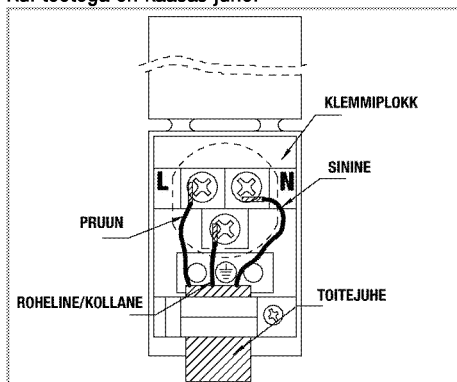
Toitejuhtme ühendamine

i Juhtmestiku paigaldamisel tuleb järgida elektrisüsteemidele kehtestatud siseriiklikke/kohalikke eeskirju ning kasutada ahju jaoks sobivat elektrikontakti/-liini ja pistikut. Kui toote võimsus on suurem kui pistiku ja elektrikontakti/-liini (kestev) taluvusvool, tuleb toode ühendada püsielektrisüsteemi otse, kasutamata pistikut ja elektrikontakti/-liini.

1. Kui toitevoolu kõiki poolusi ei ole võimalik lahutada, tuleb ühendada vähemalt 3 mm kontaktivahega voolukatkestusseade (kaitse, liinikatkestusüliliti, kontaktor) ja kõik voolukatkestusseadme poolused peavad vastavalt IEE direktiividele paiknema toote kõrval (mitte kõrgemal). Selle juhise eiramine võib põhjustada probleeme toote kasutamisel ja muuta garantii kehtetuks.

Soovitav on kasutada lisakaitseks jääkvoolukatkestist.

Kui tootega on kaasas juhe:

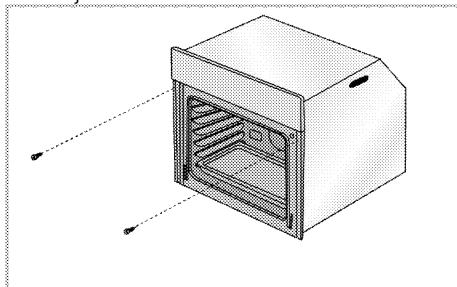


2. **Ühefaasilise ühenduse puhul** ühendage juhtmed alljärgnevalt:

- Pruun/Must juhe = L (Faas)
 - Sinine/hall juhe = N (Neutraal)
 - Roheline/kollane juhe = (E) (maandus)
- » või
- Hall/Must juhe = L (Faas)
 - Sinine/pruun juhe = N (Neutraal)
 - Roheline/kollane juhe = (E) (maandus)

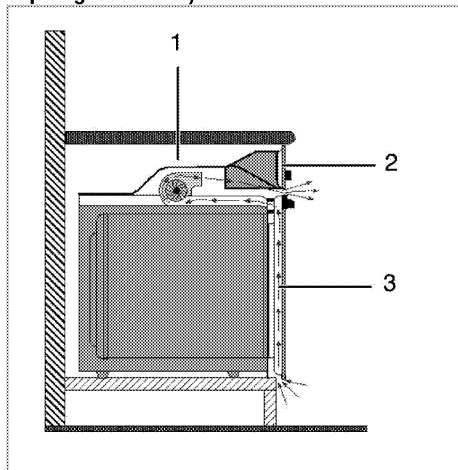
Toote paigaldamine

1. Lükake ahi kappi, rihtige otseks ja kinnitage paika, vältides ühtlasi toitejuhtme vigastamist ja muljumist.



Kinnitage ahi joonisel näidatud viisil kahe kruviga. Pärast paigaldamist veenduge, et kruvid on kõvasti kinni ja ahi ei liigu. Kui ahi pole paigaldatud juhiste järgi või kruvid pole piisavalt tugevasti kinni, võib ahi kasutamise ajal ümber kukkuda.

Jahutusventilaatoriga toodete puhul (Teie tootel ei pruugi seda olla.)



- 1 Jahutusventilaator
2 Juhtpaneel
3 Uks

Sisseehitatud jahutusventilaator jahutab nii toote esikülge kui ka kappi, kuhu toode on paigaldatud.



Jahutusventilaator töötab pärast ahju väljalülitamist veel umbes 20–30 minutit.

Lõppkontroll

1. Toote kasutamine.
2. Kontrollige funktsioone.

Toote kõrvaldamine kasutuselt

- Hoidke toote originaalkarp alles ja kasutage seda toote transportimiseks. Järgige karbile märgitud juhiseid. Kui teil originaalkarpi pole, pakkige toode mullikillesse või paksu kargongi sisse ja kinnitage kindlalt teibiga.
- Et traatrest ja ahjus asuv küpsetusplaat ei saaks kahjustada ahju ust, asetage ahju ukse siseküljele papiriba, mis oleks küpsetusplaatidega ühel joonel. Teipige ahju uks külgseinte külge.
- Ärge kasutage toote tõstmiseks või liigutamiseks ust ega uksekäepidet.



Ärge asetage tootele esemeid ja hoidke seda teiseldamise ajal püstiasendis.



Kontrollige toote üldilmet, et avastada võimalikke transpordi käigus tekkinud defekte.

4 Ettevalmistused

Nõuandeid energia säästmiseks

Alljärgnevad nõuanded aitavad teil oma seadet kasutada ökoloogilisel viisil ja säästa energiat:

- Kasutage ahjus tumedaid ja emailkattega küpsetusnõusid, kuna need juhivad paremini soojust.
- Roogade valmistamisel eelkuumutage ahju, kui nii on soovitatud kasutusjuhendis või retseptis.
- Küpsetamise ajal vältige ahjuukse sagedast avamist.
- Kui vähegi võimalik, küpsetage ahjus korraga mitut rooga. Traatrestile võib asetada kaks hautamisanumat.
- Samuti võib valmistada mitu rooga üksteise järel. Ahi on juba eelnevalt kuum.
- Saate säästa energiat, kui lülitate ahju välja mõned minutid enne küpsetusaja lõppu. Ärge avage ahjuust.
- Külmutatud road sulatage enne kuumutamist üles.

Esimene kasutuskord

Seadme esmane puhastamine



Mõned puhastusained või -vahendid võivad pinda kahjustada.

Ärge kasutage tugevatoimelisi puhastusaineid, puhastuspulbrit või -pastat ega teravaid esemeid.

1. Eemaldage kõik pakkematerjalid.
2. Pühkige seadme pindu niiske lapi või käsna ja kuivatage lapiga.

Esmane kuumutamine

Kuumutage toodet umbes 30 minutit ning seejärel lülitage see välja. Selle käigus põlevad ära võimalikud tootmisjäägid või määrdekihid.



HOIATUS

Kuumad pinnad tekitavad põletusi!

Toode võib kasutamisel olla kuum. Ärge kunagi puudutage kuumi põleleide, ahju sisekülgi, kütteelemente jne. Hoidke lapsed eemal!

Toite kuuma ahju pannes või välja võttes kasutage alati kuumuskindlaid pajakindaid.

Elektriahj

1. Võtke kõik küpsetusplaadid ja traatrest ahjust välja.
2. Sulgege ahjuuks.
3. Valige staatiline asend.
4. Valige kõige võimsam grilli kuumutusaste, vt *Elektriahju kasutamine, lk 18*.
5. Laske ahjul töötada umbes 30 minutit.
6. Lülitage ahi välja, vt *Elektriahju kasutamine, lk 18*

Grillahi

1. Võtke kõik küpsetusplaadid ja traatrest ahjust välja.
2. Sulgege ahjuuks.
3. Valige kõige võimsam grilli kuumutusaste, vt *Kuidas grilli kasutada, lk 21*.
4. Laske ahjul töötada umbes 15 minutit.
5. Lülitage grill välja, vt *Kuidas grilli kasutada, lk 21*



Seadme esimesel kasutuskorral võib paari tunni vältel esineda suitsu ja ebameeldivat lõhna. See on normaalne. Suitsu ja lõhna eemaldamiseks tuulutage ruumi. Vältige tekkiva suitsu ja lõhna sissehingamist.

5 Kuidas ahju kasutada

Üldine teave küpsetamise, röstimise ja grillimise kohta



HOIATUS

Kuumad pinnad tekitavad põletusi!
Toode võib kasutamisel olla kuum. Ärge kunagi puudutage kuumi põleteid, ahju sisekülg, kütteelemente jne. Hoidke lapsed eemal!
Toite kuuma ahju pannes või välja võttes kasutage alati kuumuskindlaid pajakindaid.



OHT:

Ahjuukse avamisel olge ettevaatlik, sest ahjust võib välja paiskuda auru.
Väljuv aur võib kõrvetada käsi, nägu ja/või silmi.

Nõuanded küpsetamiseks

- Kasutage külgevõtmatu kattega sobivaid metall- või alumiiniumnõusid või kuumuskindlaid silikoonvorme.
- Kasutage raami pinda nutikalt.
- Asetage küpsetusvorm resti keskele.
- Enne ahju või grilli sisselülitamist valige õige riulivahe. Ärge vahetage riulivahet, kui ahi on kuum.
- Hoidke ahjuuks suletuna.

Nõuanded röstimiseks

- Terve kana, kalkun ja suured lihatükid küpsevad paremini läbi, kui neid immutada kastmega, nt sidrunimahla ja musta pipraga.
- Kontidega liha küpsetamiseks kulub samas määras kontideta lihaga võrreldes umbes 15–30 minutit kauem aega.
- Liha iga sentimeetri kohta (paksus) tuleb küpsemisaega arvestada umbes 4–5 minutit.
- Laske lihale pärast küpsetusaja lõppu umbes 10 minutit ahjus jahtuda. Mahl jaguneb paremini üle kogu liha ja ei jookse liha lõikamisel välja.
- Kala tuleb asetada kuumuskindla alusega keskmisele või alumisele siinile.

Nõuanded grillimiseks

Liha, kala ja linnuliha muutuvad grillimisel kiirelt pruuniks, saavad kena kooriku ja ei muutu kuivaks. Eriti hästi sobivad grillimiseks lapikud tükid, lihavarstad ja vorstid, aga ka suure veesisaldusega köögiviljad (nt tomatid ja sibulad).

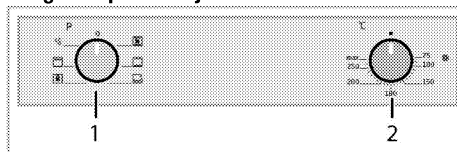
- Jaotage grillitavad tükid traatrestile või küpsetusplaadile nii, et nad ei jääks kuumuti välispiiridest välja.
- Lükake traatriul või restiga küpsetusplaat ahjus soovitud siinile. Kui kasutate grillimisel traatriulit, lükake alumisele siinile küpsetusplaat, et rasv maha ei tilguks. Ahju tuleb lükata küpsetusplaat, mis katab kogu grillimisala. Plaati ei pruugi tootega kaasas olla. Lisage küpsetusplaadile veidi vett, et seda oleks kergem puhastada.



Grillimiseks sobimatus toiduained võivad põhjustada tulekahju. Grillige ainult suurel kuumusel grillimiseks sobilikku toitu.
Ärge paigutage grillitavat toitu liiga kaugele ahju tahaossa. See on kõige kuumem piirkond ning rasvane toit võib süttida.

Elektriahju kasutamine

Valige temperatuur ja töörežiim



1 Funktsiooninupp

2 Termostaatnupp

1. Seadke funktsiooninupp soovitud töörežiimile.
 2. Seadke temperatuurinupp soovitud temperatuurile.
- » Ahi kuumeneb eelseatud temperatuurini ja jääb sellele püsima. Kuumenemise ajal on temperatuurituli sees.

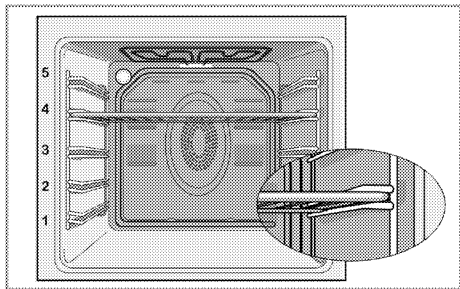
Elektriahju väljalülitamine

Keerake funktsiooninupp ja temperatuurinupp väljalülitatud (ülemisse) asendisse.

Oluline on asetada traatrest traatriulile õigesti. Traatrest tuleb asetada traatriulite vahele, nagu joonisel näidatud.

Ärge lükake traatrest vastu ahju tagaseina. Et grill töötaks tõhusalt, lükake traatrest riuli esiserva juurde ja fikseerige see ukse abil.

(Varieerub olenevalt toote mudelist.)



Töörežiimid

Siin näidatud töörežiimide järjekord võib erineda teie toote süsteemist.

Ülemine ja alumine kuumutus



Töötavad nii ülemine kui ka alumine küttekeha. Toitu kuumutatakse korraga nii pealt kui ka alt. Sobib näiteks kookide ja taignatoodete või vormikookide ja -roogade valmistamiseks. Kasutage küpsetamiseks korraga ainult ühte panni.

Alumine kuumutus



Töötab ainult alumine küttekeha. Sobib pitsa valmistamiseks ja toidu pruunistamiseks altpoolt.



Seda funktsiooni tuleb kasutada ka hõlpsaks auruga puhastamiseks.

Alumine/ülemine kuumutus koos ventilaatoriga



Töötavad ülemine kuumutus, alumine kuumutus ja ventilaator (tagaseinas). Kuumutatud õhk kandub ventilaatori toimel kiiresti üle terve ahju. Kasutage küpsetamiseks korraga ainult ühte panni.

Täisgrill



Töötab suur grill ahju laes. See sobib suure hulga liha grillimiseks.

- Pange suured või keskmise suurusega portsjonid grillimiseks grilli all õigesse riulivahesse.
- Pärast poolt grillimisaega pöörake toitu.

Grill + ventilaator



Grilliefekt on nõrgem kui täisgrilli kasutamisel

- Pange väiksed või keskmise suurusega portsjonid grillimiseks õige riuli asendiga grilli alla.
- Pärast poolt grillimisaega pöörake toitu.

Võimendus



See funktsioon ei sobi toidu küpsetamiseks, vaid seda kasutatakse ahju kiireks kuumutamiseks.

- Valige pärast selle funktsiooni valmist soovitud temperatuur. Temperatuuri märgutuli süttib ja ahi hakkab kuumenema.
- Tuli kustub, kui ahi on kuumaks läinud. Nüüd valige toidu küpsetamiseks soovitud funktsioon.

Küpsetusaegade tabel



Tabelis esitatud ajad on mõeldud orientiiriks. Tegelik aeg võib varieeruda olenevalt toidu temperatuurist, paksusest, tüübist ja teie enda toiduvalmistuseelistustest.

Küpsetamine ja röstimine



1. siiniks loetakse ahju **alumist** riulivahet.

Roog	Plaatide arv	Kasutatavad lisatarvikud	Töörežiim	Silni asend	Temperatuur (°C)	Küpsetusaeg (ligikaudne, min)
Koogid küpsetusplaatil	Üks plaat	Härilik plaat*		3	180	25 ... 30

Koogid vormis	Üks plaat	Koogivorm ja traatrest**		2	180	40 ... 50
Väiksed koogid	Üks plaat	Harilik plaat*		3	160	25 ... 35
Biskviitkook	Üks plaat	26 cm läbimõõduga ümmargune tordivorm traatrestil**		3	160	25 ... 35
Küpised	Üks plaat	Küpsetusplaat*		3	180	25 ... 30
Taignatooted	Üks plaat	Harilik plaat*		2	200	30 ... 40
Muretaigen	Üks plaat	Harilik plaat*		2	200	25 ... 35
Juuretis	Üks plaat	Harilik plaat*		2	200	35 ... 45
Lasanje	Üks plaat	Klaasist/metallist kandiline vorm traatrestil**		2 - 3	200	30 ... 40
Pitsa	Üks plaat	Harilik plaat*		2	200 ... 220	15 ... 20
Bifsteek (suur tükk) / praad	Üks plaat	Harilik plaat*		3	25 min 250/max, seejärel 180 ... 190	100 ... 120
Lambakints (pajaroo)	Üks plaat	Harilik plaat*		3	25 min 220 seejärel 180 ... 190	70 ... 90
Kanapraad (1,8-2 kg)	Üks plaat	Harilik plaat*		2	15 min 250/max, seejärel 180 ... 190	60 ... 80
Kalkun (5.5 kg)	Üks plaat	Harilik plaat*		1	25 min 250/max, seejärel 180 ... 190	150 ... 210
Kala	Üks plaat	Harilik plaat*		3	200	20 ... 30

Kõigi toitude puhul on soovitatav eelkuumutamine.
* Lisatarvikud ei pruugi kuuluda komplekti.
** Lisatarvikud ei kuulu komplekti. Lisatarvikud on kaubanduses saadaval.

Küpsetustabel testitoitudele

Selle küpsetustabeli toidud on valmistatud järgides standardit EN 60350-1, et riiklikel kontrollasutustel oleks tooteid lihtsam testida

Roog	Plaatide arv	Kasutatavad lisatarvikud	Töörežiim	Siini asend	Temperatuur (°C)	Küpsetusaeg (ligikaudne, min)
Murekook	Üks plaat	Harilik plaat*		3	140	20 ... 30
Väiksed koogid	Üks plaat	Harilik plaat*		3	160	25 ... 35
Biskviitkook	Üks plaat	26 cm läbimõõduga ümmargune tordivorm traatrestil**		3	160	25 ... 35
Õunapirukas	Üks plaat	20 cm läbimõõduga ümmargune must metallist nõu traatrestil**		2	180	50 ... 60

Kõigi toitude puhul on soovitatav eelkuumutamine.
* Lisatarvikud ei pruugi kuuluda komplekti.
** Lisatarvikud ei kuulu komplekti. Lisatarvikud on kaubanduses saadaval.

Nõuandeid kookide küpsetamiseks

- Kui kook on liiga kuiv, suurendage temperatuuri umbes 10 °C võrra ja lühendage küpsetusaega.
- Kui kook on liiga niiske, kasutage vähem vedelikku või vähendage temperatuuri 10 °C võrra.

- Kui kook on pealt liiga pruun, asetage see madalamale siinile, vähendage temperatuuri ja pikendage küpsetusaega.
- Kui kook on seest hästi läbi küpsenud, kuid pealt toores, kasutage vähem vedelikku, vähendage temperatuuri ja pikendage küpsetusaega.

Nõuandeid küpsetiste tegemiseks

- Kui küpsetis on liiga kuiv, suurendage temperatuuri umbes 10 °C võrra ja lühendage küpsetusaega. Niisutage taigakihte piimast, õlist, munast ja jogurtist tehtud kastmega.
- Kui küpsemine võtab liiga kaua aega, siis vaadake, et taigen ei ulatuks üle plaadi servade.
- Kui küpsetise pealispind pruunistub, aga alumine osa ei küpse, siis veenduge, et te pole küpsetise alaosas liiga palju kastet kasutanud. Püüdke jaotada kastet taigakihtide vahele ja peale võrdsetes kogustes, et need pruunistuks ühtlaselt.



Küpsetage vastavalt küpsetustabelis toodud režiimile ja temperatuurile. Kui alumine osa pole ikka piisavalt pruunistunud, asetage see järgmine kord madalamale siinile.

Nõuandeid köögiviljade küpsetamiseks

- Kui köögiviljade küpsetusnõus saab mahl otsa ja need hakkavad kuivama, siis tasub köögivilju küpsetada ahjuplaadi asemel kaanega pannil. Kaanega suletud nõus jääb toit mahlaseks.

- Kui köögiviljaroog jääb tooreks, keetke köögiviljad eelnevalt läbi või valmistage neid nagu purgitoitu ja asetage siis ahju.

Kuidas grilli kasutada



HOIATUS

Sulgege grillimise ajaks ahjuuks.
Kuumad pinnad võivad tekitada põletusi!

Grilli sisselülitamine

1. Keerake funktsiooninupp soovitud grillitähisele.
 2. Seejärel valige soovitud grillimistemperatuur.
 3. Vajadusel eelkuumutage ahju umbes 5 minutit.
- » Süttib temperatuuri märgutuli.

Grilli väljalülitamine

1. Keerake funktsiooninupp väljalülitatud (ülemisse) asendisse.



Grillimiseks sobimatud toiduained võivad põhjustada tulekahju. Grillige ainult suurel kuumusel grillimiseks sobilikku toitu.

Ärge paigutage grillitavat toitu liiga kaugele ahju tahaossa. See on kõige kuumem piirkond ning rasvane toit võib süttida.

Küpsetamisaegade tabel grillimiseks

Grillimine elektrigrilliga

Toit	Kasutatavad lisatarvikud	Siini asend	Soovitatav temperatuur (°C)**	Grillimisaeg (ligikaudu)
Kala	Traatrest	4...5	250	20...25 min. #
Villutatud kana	Traatrest	4...5	250	25...35 min.
Lambakarbonaad	Traatrest	4...5	250	20...25 min.
Röstbiif	Traatrest	4...5	250	25...30 min. #
Vasikakarbonaad	Traatrest	4...5	250	25...30 min. #
Röstleib *	Traatrest	4	250	1...3 min.

sõituvalt paksusest

*Eelsoojendage 5 minutit

**Kui teie toote grillimistemperatuuri ei saa reguleerida, töötab grill soovitatav temperatuuril.

Selle küpsetustabeli toidud on valmistatud järgides standardit EN 60350-1, et riiklikel kontrollasutustel oleks tooteid lihtsam testida

Toit	Kasutatavad lisatarvikud	Siini asend	Temperatuur (°C)	Küpsetusaeg (ligikaudne, min)
Röstleib	Traatrest	4	250	1...3 min
Lihapallid (loomaliha) - 12 tüki	Traatrest	4	250	25...35 min

Keerake toitu, kui möödunud on 2/3 kogu grillimisajast.
Kõiki grillitavaid toiduaineid on soovitatav 5 minutit eelkuumutada.

6 Hoidmine ja hooldus

Üldine teave

Toote kasutusiga pikeneb ja probleeme tekib harvem, kui toodet regulaarselt puhastada.

**OHT:**

Enne hooldus- ja puhastustööde alustamist ühendage toode vooluvõrgust lahti. Elektrilöögi oht!

**OHT:**

Enne toote puhastamist laske sellel maha jahtuda. Kuumad pinnad võivad tekitada põletusi!

- Puhastage toodet põhjalikult pärast iga kasutuskorda. Sel viisil on lihtsam eemaldada toiduvalmistusjäätke, vältides nende kõrbemist seadme järgmisel kasutuskorral.
- Toote puhastamiseks pole vaja spetsiaalseid puhastusvahendeid. Kasutage toote puhastamiseks sooja vett koos vedela pesuvahendiga, pehmet lappi või käsna ning kuivatamiseks kuiva lappi.
- Liigne vedelik tuleb pärast puhastamist alati ära pühkida ja pritsmed kohe kuivatada.
- Ärge kasutage roostevabast terasest või inoxid pindade ja käepideme puhastamiseks puhastusvahendeid, mis sisaldavad hapet või kloriidi. Nende osade puhastamiseks kasutage pehmet lappi ja vedelat puhastusvahendit (mitteabasiivset), tõmmates lapiga ainult ühes suunas.



Mõned puhastusained või -vahendid võivad pinda kahjustada.

Ärge kasutage tugevtoimelisi puhastusaineid, puhastuspulbrit või -pastat ega teravaid esemeid.



Ärge kasutage puhastamiseks aurupuhasteid, muidu võite saada elektrilöögi.

Juhtpaneeli puhastamine

Puhastage juhtpaneeli ja nuppe niiske lapiga ning seejärel pühkige need kuivaks.



Ärge eemaldage juhtpaneeli puhastamiseks nuppe, kui teie tootel neid on.

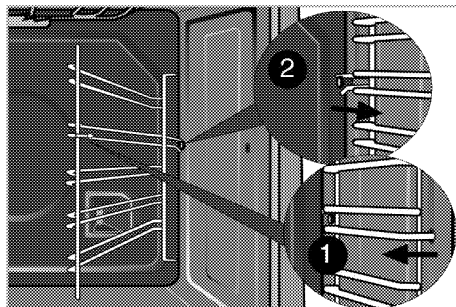
Muidu võite juhtpaneeli kahjustada!

Ahju puhastamine

Külgseinade puhastamine (Varieerub olenevalt toote mudelist.)

(See funktsioon on valikuline. Teie tootel ei pruugi seda olla.)

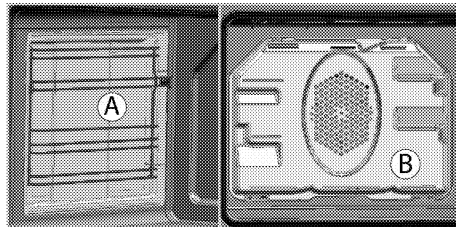
1. Eemaldage küljeraami eesmine osa, tõmmates seda külgseinast eemale.
2. Võtke küljeraam välja, tõmmates seda enda suunas.



Katalüütilised seinad

(See funktsioon on valikuline. Teie tootel ei pruugi seda olla.)

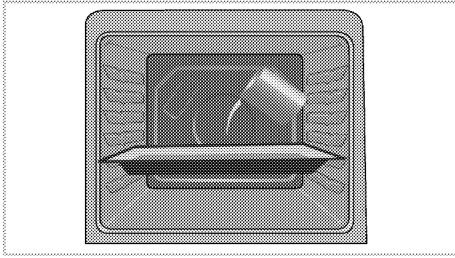
Teie toote külgseinad (A) ja/või tagasein (B) võivad seestpoolt olla kaetud katalüütilise emailiga. Katalüütilised seinad on heledat matti värvi ja poorse pinnaga. Ahju katalüütilisi seinu ei tohiks puhastada. Tänu porfereeritud struktuurile imavad katalüütilised pinnad rasva ja kui pind on rasvaga täitunud, hakkab see läikima. Sellisel juhul on soovitatav osad välja vahetada.



Hõlbus auruga puhastamine

Muudab puhastamise hõlpsaks, kuna mustus (mis ei ole liiga kauaks puhastamata jäänud) pehmeneb ahju sisemuses tekkiva auru ja sisepindadele kondenseeruvate veepiiskade toimele.

1. Võtke ahjust välja kõik lisad.
2. Valage ahjuplaadile 500 ml vett ja asetage plaat ahju teisele restile.



3. Seadke ahju lihtne puhastamine auru režiim ja käivitada 100 ° C juures 25 minutit.
4. Avage uks ja pühkige ahju sisepindu niiske käsna või lapiga.
5. Kasutage tõrksa mustuse eemaldamiseks sooja vett koos vedela pesuvahendiga, pehmet lappi või käsna ning kuivatamiseks kuiva lappi.



Hõlpsa auruga puhastamise režiimi kasutamisel aurustub ahju sisemusse kogunenud jääkide/mustuse pehendamiseks plaadile paigutatud vesi ning ahju sisemusse ja ahjuukse klaasi siseküljele moodustub kondensatsioon, seepärast võib ahjuukse avamisel vett tilkuda. Pühkige kondensatsioon ära kohe, kui avate ahjuukse.

Ahjuukse puhastamine

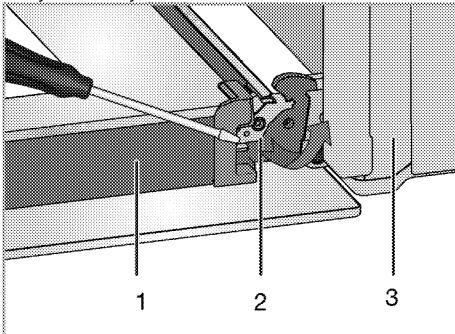
Kasutage ahjuukse puhastamiseks sooja vett koos vedela pesuvahendiga, pehmet lappi või käsna ning kuivatamiseks kuiva lappi.



Ärge kasutage ukse puhastamiseks kareid abrasiivseid puhastusvahendeid või teravaid metallkraabitsaid. Need võivad pinda kriimustada ning klaasi lõhkuda.

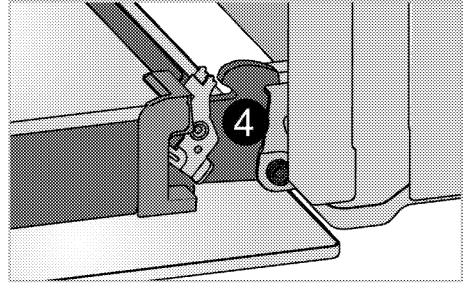
Ahjuukse eemaldamine

1. Avage eesuks (1).
2. Avage eesukse paremal ja vasakul küljel asuva hingede pesa (2) klambrid, vajutades neid alla joonisel kujutatud viisil.

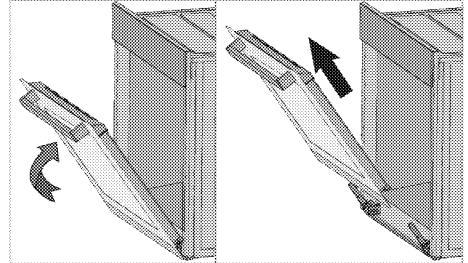


1 Uks

- 2 Hinge lukk(suletud asend)
- 3 Ahi
- 4 Hinge lukk(avatud positsioon)



3. Liigutage eesust poolles ulatuses.



4. Eemaldage eesuks seda ülespoole tõmmates ja paremast ning vasakust hingest vabastades.



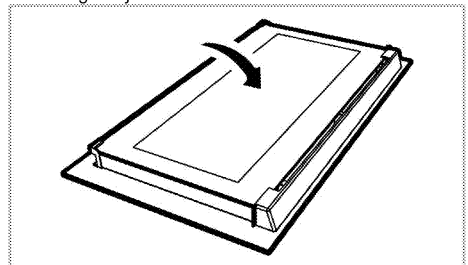
Ukse tagasipanemisel tuleb eemaldamistoiminguid korrata vastupidises järjekorras. Ärge unustage ukse taaspaidamisel sulgeda hinge pesa juures olevaid klambreid.

Ukse siseklaasi eemaldamine

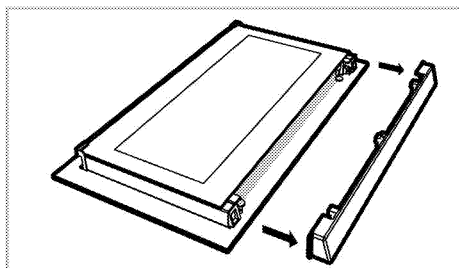
(See funktsioon on valikuline. Teie tootel ei pruugi seda olla.)

Ahjuukse sisemist klaaspaneeli saab puhastamiseks eemaldada.

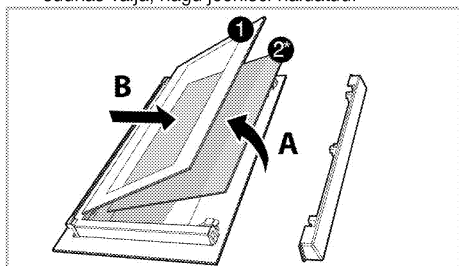
1. Avage ahjuuks.



2. Eemaldage eesukse ülaossa paigaldatud plastosa, tõmmates seda enda poole.



3. Kergitage kõige seespoolsemat klaaspaneeli (1) veidi tähise A suunas ja tõmmake see tähise B suunas välja, nagu joonisel näidatud.



- 1 Kõige seespoolsem klaaspaneel
- 2* Sisemine klaaspaneel (Teie tootel ei pruugi seda olla.)
4. Kui teie toode on varustatud sisemise klaaspaneeliga (2), eemaldage samamoodi ka teine sisemine klaaspaneel (2).
5. Ukse kokkumonteerimisel tuleb esimese asjana paigaldada sisemine klaaspaneel (2). Asetage klaaspaneeli kaldnurk nii, et see toetub plastpesa kaldnurgale. (Kui teie toode on varustatud sisemise klaaspaneeliga). Sisemine klaaspaneel (2) tuleb paigaldada plastist pesasse kõige seespoolsema klaaspaneeli (1) lähedale.
6. Kõige seespoolsema klaaspaneeli (1) paigaldamisel jätke trükiga külg sisemise klaaspaneeli suunas. Kõige sisemise klaaspaneeli (1) alumine nurk peab asetuma alumisse plastpesasse.
7. Suruge plastosa vastu raami, kuni kuulete klõpsatust.

Ahjuvalgusti pirni vahetamine



OHT:

Et vältida elektrilöögi ohtu, vaadake enne ahju lambi vahetamist, et toode oleks vooluvõrgust lahti ühendatud ning maha jahtunud. Kuumad pinnad võivad tekitada põletusi!



Selles ahjus kasutatakse hõõglampi võimsusega alla 40 W, kõrgusega alla 60 mm, läbimõõduga alla 30 mm või halogeenlampi pistikupesaga G9, võimsusega alla 60 W. Lambid sobivad kasutamiseks temperatuuril üle 300 ° C. Ahjulampe saab hankida volitatud hooldusagentidelt või liitsentsiga tehnikutelt.



Valgusti asukoht ei pruugi olla sama mis joonisel.



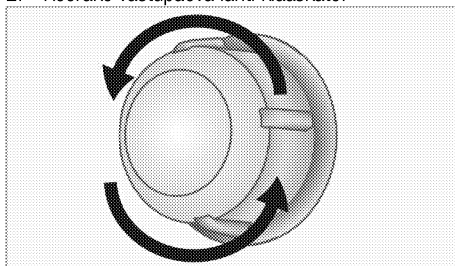
Sellel seadmel kasutatud lamp pole sobiv koduse majapidamise valgustamiseks. Selle lambi eesmärk on aidata kasutajal toiduaineid paremini näha.



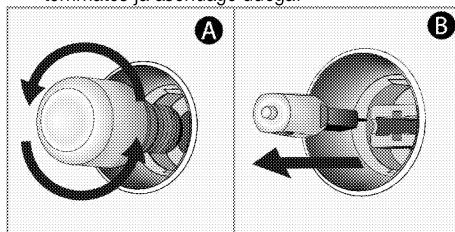
Sellel seadmel kasutatud lambid peavad vastu pidama ekstreemsetele tingimustele, nt üle 50 °C temperatuurile.

Kui ahjul on ümar valgusti:

1. Lahutage toode vooluvõrgust.
2. Keerake vastupäeva lahti klaaskate.



3. Kui teie ahjutuli on alloleval joonisel kujutatud (A) tüüpi, eemaldage see joonisel näidatud viisil keerates ja asendage uuega. Kui teie ahjutuli on (B) tüüpi, eemaldage see joonisel näidatud viisil tõmmates ja asendage uuega.



4. Paigaldage klaaskate tagasi.

7 Probleemide lahendamine

Kasutamise ajal tuleb ahjust auru.

- Auru tekkimine töötamisel on tavaline. >>> *Tegemist ei ole rikkega.*

Toote kuumenemisel ja jahtumisel on kuulda metalset heli.

- Metallosade kuumenemisel võivad need paisuda ning tekitada hääli. >>> *Tegemist ei ole rikkega.*

Toode ei tööta.

- Võrgukaitse on rakendunud või läbi põlenud. >>> *Kontrollige elektrikilbi korke. Vajadusel vahetage või lähtestage need.*
- Toode ei ole ühendatud (maandatud) pistikupessa. >>> *Kontrollige pistiku ühendust.*

Ahju tuli ei tööta.

- Ahju pirn on vigane. >>> *Vahetage pirn välja.*
- Voolukatkestus. >>> *Kontrollige, kas vool on olemas. Kontrollige elektrikilbi kaitsmeid. Vajadusel vahetage või lähtestage kaitsmed.*

Ahi ei lähe soojaks.

- Ei pruugi olla seatud konkreetse küpsetusfunktsiooni ja/või temperatuuri jaoks. >>> *Määrake konkreetne küpsetusfunktsioon ja/või temperatuur.*
- Voolukatkestus. >>> *Kontrollige, kas vool on olemas. Kontrollige elektrikilbi kaitsmeid. Vajadusel vahetage või lähtestage kaitsmed.*



Kui teil ei õnnestu probleemi käesolevas lõigus antud juhiste kohaselt lahendada, konsulteerige volitatud teenindusega või edasimüüjaga, kellelt te toote ostsite. Ärge kunagi üritage rikkis toodet ise parandada.

