

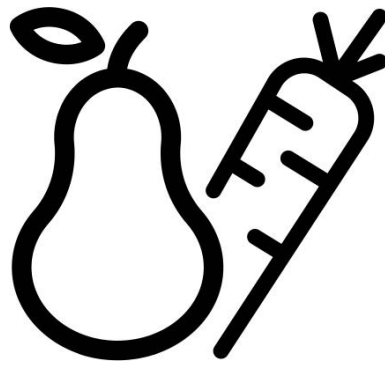


## Chest Freezer

Instruction of use

المجمد الصندوقي

تعليمات الاستخدام



HSA32521

EN-AR





## WARNING!

In order to ensure a normal operation of your refrigerating appliance, which uses a completely environmentally friendly refrigerant the R600a (flammable only under certain conditions) you must observe the following rules:

- ♦ Do not hinder the free circulation of the air around the appliance.
- ♦ Do not use mechanical devices in order to accelerate the defrosting, others than the ones recommended by the manufacturer.
- ♦ Do not destroy the refrigerating circuit.
- ♦ Do not use electric appliances inside the food keeping compartment, other than those that might have been recommended by the manufacturer.

## تحذير !

- لضمان التشغيل الطبيعي لجهاز التبريد لديك، والذي يستخدم سائل تبريد صديق للبيئة تمامًا ( R600a قابل للاشتعال في ظروف معينة فقط)، يتعين عليك مراعاة القواعد التالية:
- ♦ لا تضع شيئاً معوقاً لحرية تدوير الهواء حول الجهاز.
  - ♦ لا تستخدم أدوات ميكانيكية لتسريع عملية إزالة الثلج، بخلاف الأدوات التي توصي بها الجهة المصنعة.
  - ♦ لا تعتمد إلى إتلاف دائرة التبريد.
  - ♦ لا تستخدم أدوات كهربائية داخل صندوق حفظ الطعام بالجهاز، بخلاف تلك الموصى بها من قبل الجهة المصنعة.

EN

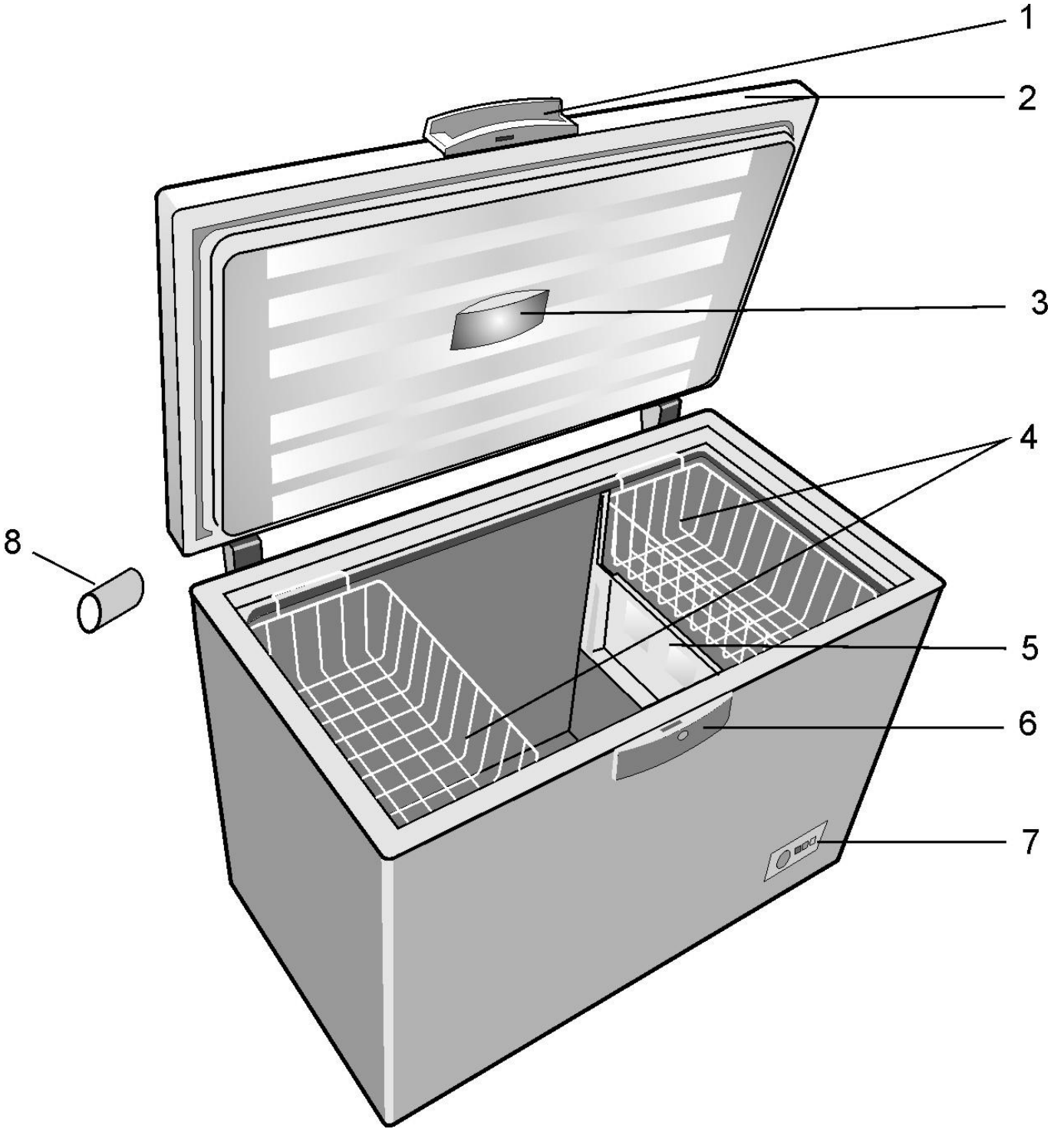
Content

Advice for recycling of the old appliance /1  
Packing Recycling /2  
Transport instructions /2  
Warnings and special advice /2  
Setting up /3  
Electric connection /3  
Switching off /4  
Appliance description /4  
Freezer operation /4  
Advice for food conservation /5  
Defrosting of the appliance /5  
Cleaning of the appliance /6  
Replacing the interior light bulb /6  
Defects finding guide /6

المحتويات

AR

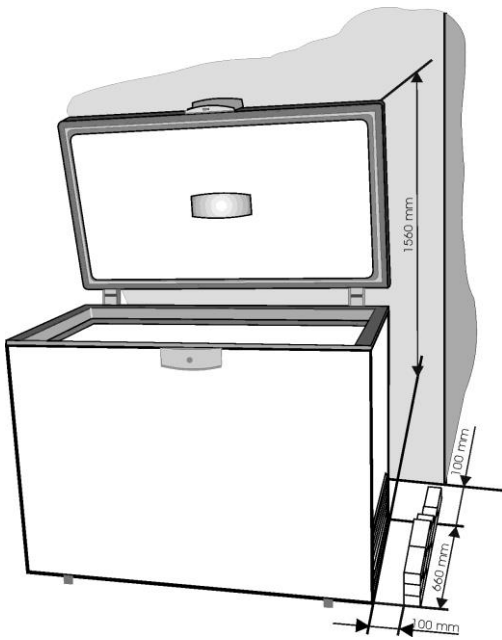
نصائح لإعادة تدوير الجهاز القديم /8  
إعادة تدوير مواد التغليف /9  
إرشادات النقل /9  
التحذيرات ونصائح خاصة /9  
الإعداد /10  
التوصيل الكهربائي /10  
إيقاف التشغيل /11  
وصف الجهاز /11  
تشغيل المجمد /11  
نصائح لحفظ الأطعمة /12  
إزالة الثلج عن الجهاز /12  
تنظيف الجهاز /13  
استبدال مصباح الإضاءة الداخلي /13  
دليل التعرف على الأعطال /13



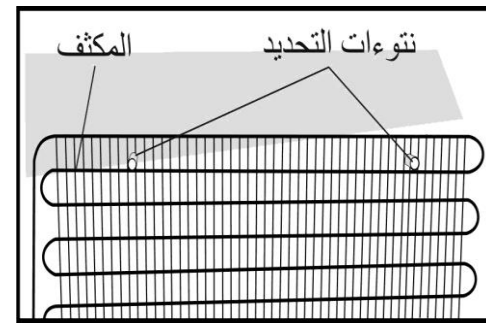
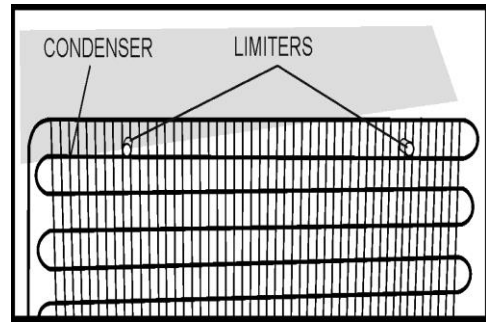
1

**i** Figures that take place in this instruction manual are schematic and may not correspond exactly with your product. If the subject parts are not included in the product you have purchased, then it is valid for other models.

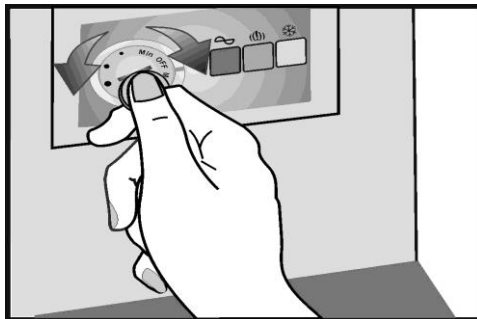
**i** الأشكال الواردة في دليل التعليمات هذا هي رسومات بيانية وقد لا تتطابق تمامًا مع المنتج. تتطابق تمامًا مع الجهاز. إذا لم تكن هذه القطع واردة في هذا الجهاز الذي اشتريته، فإنها مناسبة لأنواع أخرى.



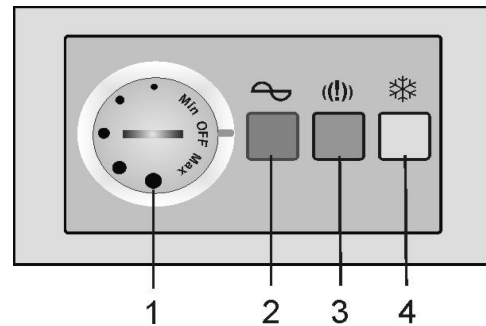
2



3



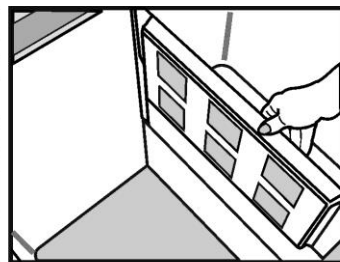
4



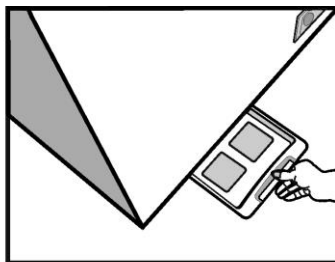
5



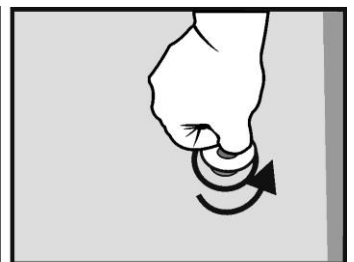
1



2



3



4

## **Congratulations for your choice!**

The chest freezer you have purchased is one in the BEKO products range and represents a harmonious joining between the refrigeration technique with the aestetical outlook. It has a new and attractive design and is built according to the European and national standards which guarantee its operation and safety features. At the same time, the used refrigerant, R600a, is environment-friendly and it does not affect the ozone layer.

In order to use the best your freezer, we advise you to read carefully the information in these user instructions.

## **Advice for recycling your old appliance**

If your newly purchased appliance replaces an older appliance, you must consider a few aspects.

The old appliances are not valueless scrap. Their disposal, while preserving the environment, allows the recovery of important raw materials.

Make your old appliance useless :

- disconnect the appliance from the supply;
  - remove the supply cord (cut it);
  - remove the eventual locks on the door to avoid the blocking of children inside, while playing, and the endangering of their lives.
- The refrigerating appliances contain insulating materials and refrigerants which require a proper recycling.

**This appliance is not intended for use by person with reduced physical, sensory or mental capabilities or lack of experience and knowledge unless they have been given supervision or instruction concerning use of the appliance by a person responsible for their safety. Children should be supervised to ensure that they do not play with the appliance.**

## ***Packing Recycling***

### ***WARNING!***

**Do not allow children to play with the packing or with parts of it. There is the risk of suffocation with parts of corrugated cardboard and with plastic film.**

In order to get to you in good condition, the appliance was protected with a suitable packing. All the materials of the packing are compatible with the environment and recyclable. Please help us recycle the packing while protecting the environment !

### ***IMPORTANT!***

Before putting the appliance in operation, read carefully and entirely these instructions. They contain important information concerning the setting up, use and maintenance of the appliance.

The manufacturer is free of any responsibility if the information in this document are not observed. Keep the instructions in a safe place in order to reach them easily in case of need. They can also be useful subsequently by another user.

### ***ATTENTION!***

**This appliance must be used only for its intended purpose, (household use), in suitable areas, far from rain, moisture or other weather conditions.**

## ***Transport instructions***

The appliance must be transported, as much as possible, only in vertical position. The packing must be in perfect condition during transport.

If during transport the appliance was put in horizontal position (only according to the markings on the packing), it is advised that, before putting it into operation, the appliance is left to rest for 4 hours in order to allow the settling of the refrigerating circuit.

The failure to observe these instructions can cause the breakdown of the motorcompressor and the cancellation of its warranty.

## ***Warnings and general advice***

- Do not plug in the appliance if you noticed a failure.
- The repairs must be done only by qualified personnel.
- In the following situations please unplug the appliance from the mains:
  - when you defrost completely the appliance;
  - when you clean the appliance.

**To unplug the appliance, pull by the plug, not by the cable!**

- Ensure the minimum space between the appliance and the wall against which it is placed.
- Do not climb on the appliance.
- Do not allow the children to play or hide inside the appliance.
- Never use electric appliances inside the freezer, for defrosting.
- Do not use the appliance near heating appliances, cookers or other sources of heat and fire.
- Do not leave the freezer door open more than it is necessary to put in or take out the food.
- Do not leave the food in the appliance if it is not working.
- Do not keep inside products containing flammable or explosive gases.
- Do not keep inside fizzy drinks (juice, mineral water, champagne, etc.) in the freezer: the bottle can explode! Do not freeze drinks in plastic bottles.
- Do not eat ice cubes or icecream immediately after having taken them out of the freezer because they may cause „freezer burns“.
- Never touch cold metal parts or frozen food with wet hands because your hands can quickly freeze on the very cold surfaces.
- For the protection of the appliance during warehousing and transport, it is provided with spacers between the door and the cabinet (in the front and rear side). These spacers will be removed before putting the appliance into operation.

- Excess deposit of ice on the frame and the baskets should be removed regularly with the plastic scraper provided. Do not use any metal parts to remove the ice. The presence of this ice build-up makes impossible to close the door correctly.
- If you do not use your appliance for a few days, it is not advisable to switch it off. If you do not use it for a longer period, please proceed as follows :
  - unplug the appliance;
  - empty the freezer;
  - defrost it and clean it;
  - leave the door open to avoid the formation of unpleasant smells.
- If the supply cord is damaged, it must be replaced by the manufacturer, its service agent or similarly qualified persons in order to avoid a hazard.
- If your appliance has a lock, keep it locked and store the key in a safe place, out of the reach of children. If you are discarding an appliance with lock, make sure that, is made ineffective. This is very important so as to avoid children being trapped inside, which may cause their loss of life.

### Setting up

This appliance was designed to operate at an ambient temperature between +10°C and +43°C (SN-T class). If the ambient temperature is above +43°C, inside the appliance the temperature can increase. Set up the appliance far from any source of heat and fire. Placing it in a warm room, the direct exposure to sunbeams or near a heat source (heaters, cookers, ovens), will increase the energy consumption and shorten the product life.

- Please observe the following minimum distances:
  - 100 cm from the cookers working with coal or oil;
  - 150 cm from the electric and gas cookers.

- Ensure the free circulation of the air around the appliance, by observing the distances shown in Item 2. Assemble on the condenser (in the rear side) the supplied spacers. (Item 3).
- Place the appliance in a perfectly even, dry and well ventilated place. Assemble the supplied accessories.

### Electric connection

Your appliance is intended to operate at a single-phase voltage of 220-240V/50 Hz. Before plugging in the appliance, please make sure that the parameters of the mains in your house (voltage, correct type, frequency) comply to the operation parameters of the appliance.

- The information concerning the supply voltage and the absorbed power is given on the marking label placed in the back side of the freezer.
- The electric installation must comply with the law requirements.
- **The earthing of the appliance is compulsory. The manufacturer has no responsibility for any damage to persons, animals or goods which may arise from the failure to observe the specified conditions.**
- The appliance is endowed with a supply cord and a plug (European type, marked 10/16A) with double earthing contact for safety. If the socket is not the same type with the plug, please ask a specialised electrician to change it.
- Do not use extension pieces or multiple adapters.



## Switching off

The switching off must be possible by taking the plug out of the socket or by means of a mains two-poles switch placed before the socket.

## Operation

Before putting into operation, clean the inside of the appliance (see chapter „Cleaning“). After finishing this operation please plug in the appliance, adjust the thermostat knob to an average position. The green and red LEDs in the signalling block must light. Leave the appliance work for about 2 hours without putting food inside it.

The freezing of the fresh food is possible after min. 20 hours of operation.

## Appliance description

(Item. 1)

1. Door handle
2. Door
3. Lamp housing
4. Basket
5. Tray
6. Lock housing
7. Thermostat box
8. Spacer for transport

## Freezer operation

### Temperature adjustment

The temperature of the freezer is adjusted by means of the knob assembled on the thermostat (item. 4), position „MAX“ being the lowest temperature.

The achieved temperatures can vary according to the conditions of use of the appliance, such as: place of the appliance, ambient temperature, frequency of door opening, extent of filling with food of the freezer. The position of the thermostat knob will change according to these factors. Normally, for an ambient temperature of approx. 32°C, the thermostat will be adjusted on an average position.

**The signalling system** is placed on the front side of the freezer (Item 5).

It includes:

1. Thermostat adjustment knob – the inside temperature is adjusted.
2. green LED – shows that the appliance is supplied with electric energy.
3. red LED – damage – lights if the temperature in the freezer is too high. The LED will operate 15-45 minutes after the putting into operation of the freezer, then it must go off. If the LED goes on during the operation, this means that defects have occurred.
4. Orange button– fast freeze – by pushing it the orange led goes on, showing that the appliance entered into the "fast freeze" mode . The exit of this mode is done by pushing the button again, and the orange led goes off.

The three LEDs give information about the mode of operation of the freezer.

## **Advice for food conservation**

The freezer is intended to keep the frozen food for a long time, as well as to freeze fresh food.

One of the main elements for a successful food freezing is the packing.

The main conditions that the packing must fulfill are the following: to be airtight, to be inert towards the packed food, to resist to low temperatures, to be proof to liquids, grease, water vapours, smells, to be able to be washed.

These conditions are fulfilled by the following types of packings: plastic or aluminium film, plastic and aluminium vessels, waxed cardboard glasses or plastic glasses.

### **IMPORTANT!**

- For freezing the fresh food please use the supplied baskets of the appliance.
- Do not place into the freezer a too large quantity of food at a time. The quality of the food is best kept if they are deeply frozen as quickly as possible. This is why it is advisable not to exceed the freezing capacity of the appliance specified in the "Appliance data sheet" (page 7). In order to reduce the freezing time, push the button for „fast freeze“.
- The fresh food must not come into contact with the food already frozen.
- The frozen food you have bought can be placed into the freezer without having to adjust the thermostat.
- If the freezing date is not mentioned on the packing, please take into consideration a period of max. 3 months, as a general guide.
- The food, even partially defrosted, cannot be frozen again, it must be consumed immediately or cooked and then refrozen.
- The fizzy drinks will not be kept in the freezer.
- In case of a power failure, do not open the door of the appliance. The frozen food will not be affected if the failure lasts less than 36 hours.

### **DO NOT FORGET!**

**After 24 hours since the food was placed inside, please cancel the "fast freeze" mode by pushing again the button 4, when the orange led goes off.**

## **Defrosting of the appliance**

- We advise you to defrost the freezer at least twice a year or when the ice layer has an excessive thickness.

- The ice build-up is a normal phenomenon.
- The quantity and the rapidity of ice build-up depends on the ambient conditions and on the frequency of the door opening.

- We advise you to defrost the appliance when the quantity of frozen food is the least.

- Before defrosting, adjust the thermostat knob to a higher position so that the food stores more cold.

- Unplug the appliance.

- Take out the frozen food, wrap it in several sheets of paper and put them in refrigerator or a cool place.

Take the separator panel and put it under the freezer in the direction of the dripping tube.

Take out the obstructing plug. The water which results will be collected in the special tray (separator panel). After the melting of the ice and the run-off of the water please wipe with a cloth or with a sponge, then dry well. Put the obstruction plug back in its place.

(Item. 6)

For a fast thaw please leave the door open.

**Do not use sharp metal objects to remove the ice.**

**Do not use hairdriers or other electric heating appliances for defrosting.**

### ***Inside cleaning***

Before starting the cleaning, unplug the appliance from the mains.

- It is advisable to clean the appliance when you defrost it.
- Wash the inside with lukewarm water where you add some neutral detergent. Do not use soap, detergent, gasoline or acetone which can leave a strong odour.
- Wipe with a wet sponge and dry with a soft cloth.

During this operation, avoid the excess of water, in order to prevent its entrance into the thermal insulation of the appliance, which would cause unpleasant odours.

Do not forget to clean also the door gasket especially the bellow ribs, by means of a clean cloth.

### ***Outside cleaning***

- Clean the outside of the freezer by means of a sponge soaked in soapy warm water, wipe with a soft cloth and dry.
- The cleaning of the outside part of the refrigerating circuit (motorcompressor, condenser, connection tubes) will be done with a soft brush or with the vacuum-cleaner. During this operation, please take care not to distort the tubes or detach the cables.

**Do not use scouring or abrasive materials!**

- After having finished the cleaning, replace the accessories at their places and plug in the appliance.

### ***Replacing the interior light bulb***

If the lamp burns out, disconnect the appliance from the mains. Take out the lamp trim. Make sure the lamp is screwed correctly. Plug in the appliance again. If the lamp still does not go on, replace it with another one model E14-15W. Mount back the lamp trim in its place.

The lamp(s) used in this appliance is not suitable for household room illumination. The intended purpose of this lamp is to assist the user to place foodstuffs in the refrigerator/freezer in a safe and comfortable way.

The lamps used in this appliance have to withstand extreme physical conditions such as temperatures below -20°C.

### ***Defects finding guide***

#### **The appliance does not work.**

- There is a power failure.
- The plug of the supply cord is not inserted well into the socket.
- The fuse is blown.
- The thermostat is in „OFF” position.

#### **The temperatures are not low enough (red LED on).**

- The food prevents the door closing.
- The appliance was not placed correctly.
- The appliance is placed too close to a heat source.
- The thermostat knob is not in the correct position.

#### **Excessive ice build-up**

- The door was not closed properly.

#### **The inside lighting does not work**

- The lamp is blown. Unplug the appliance from the mains, take out the lamp and replace it with a new one.

#### **The following are not defects**

- Possible noddings and cracks coming from the product: circulation of the refrigerant in the system.

### Noises during operation

In order to keep the temperature at the value you have adjusted, the compressor of the appliance starts periodically.

The noises which can be heard in such situation are normal.

They are reduced as soon as the appliance reaches the operation temperature.

The humming noise is made by the compressor. It can become a little stronger when the compressor starts.

The bubbling and gurgling noises coming from the refrigerant circulating in the pipes of the appliance, are normal operating noises.

### **Warning !**

Never try to repair yourself the appliance or its electric components. Any repair made by an unauthorised person is dangerous for the user and can result in the warranty cancellation.



The symbol  on the product or on packaging indicates that this product may not be treated as household waste. Instead it shall be handed over to the applicable collection point for the recycling of electrical and electronic equipment. By ensuring this product is disposed of correctly, you will help prevent potential negative consequences for the environment and human health, which could otherwise be otherwise be caused by inappropriate waste handling of this product. For more detailed information about recycling of this product, please contact your local city office, your household waste disposal service or the shop where you purchased the product.

## تهانينا لاختيارك!

المجمد الصندوقي الذي قمت بشرائه هو أحد مجموعة منتجات **BEKO** ويمثل الربط المتناغم بين تقنية التبريد والمظهر الجمالي. فهو يتمتع بتصميم جديد وجذاب كما أن بنيته تتوافق مع المعايير الأوروبية والوطنية مما يضمن ميزات التشغيل والسلامة. وفي الوقت نفسه، يتميز سائل التبريد المستخدم، R600a ، بأنه صديق للبيئة وليس له تأثير على طبقة الأوزون. ولضمان الاستخدام الأمثل للمجمد، فإننا نصحك بقراءة المعلومات الواردة في تعليمات المستخدم هذه بعناية.

## نصائح لإعادة تدوير الجهاز القديم

إذا كان الجهاز الذي قمت بشرائه حديثاً سيستبدل جهازاً آخر قديم، فيجب مراعاة بضعة جوانب. الأجهزة القديمة ليست نفاية عديمة القيمة. التخلص منها، بالإضافة إلى كونه حفاظاً على البيئة، يسمح باسترداد المواد الخام ذات الأهمية. اجعل جهازك القديم عديم الفائدة:

- افصل الجهاز من المصدر الطاقة؛
- أزل سلك الطاقة (إقطعه)؛
- أزل الأقفال النهائية الموجودة بالباب لتجنب حبس الأطفال بداخله، أثناء اللعب، مما يعرض حياتهم للخطر .

تحتوي أجهزة التبريد على مواد عازلة وسوائل تبريد والتي تتطلب إعادة تدوير بطريقة صحيحة .

هذا الجهاز غير مخصص للاستخدام بواسطة أشخاص (بما في ذلك الأطفال) ذوي الحاجات الخاصة الجسدية أو الحسية أو الذهنية أو الذين يفتقرون إلى الخبرة والمعرفة ما لم يتم الإشراف عليهم أو إعطائهم تعليمات حول طريقة استخدام الجهاز بواسطة شخص مسئول عن سلامتهم . يجب الإشراف على الأطفال للتأكد من أنهم لا يعبتون بالجهاز.

## إعادة تدوير مواد التغليف

## تحذير !

لا يسمح للأطفال باللعب بمواد التغليف أو بأجزاء منها فقد يتعرضوا لخطر الاختناق بأجزاء من الكرتون المجعد والغشاء البلاستيكي.

لضمان وصول الجهاز إليك في حالة جيدة، تم حماية الجهاز بمواد تغليف مناسبة. جميع مواد التغليف متوافقة مع البيئة ويمكن إعادة استخدامها. الرجاء مساعدتنا في إعادة استخدام مواد التغليف وحماية البيئة!

## هام !

قبل تشغيل الجهاز، اقرأ بعناية هذه التعليمات بالكامل. فهي تحتوي على معلومات هامة تتعلق بإعداد الجهاز واستخدامه وصيانته. لا تتحمل جهة الصنع أية مسؤولية في حالة عدم اتباع المعلومات الموجودة في هذه الوثيقة. احتفظ بهذه التعليمات في مكان آمن للوصول إليها بسهولة في حالة الضرورة. يمكن أيضًا أن تكون مفيدة لاحقًا لمستخدم آخر.

## تنبيه !

يجب استخدام هذا الجهاز للغرض المعد له فقط، (الاستخدام المنزلي)، أو في المناطق المناسبة، أو بعيدًا عن الأمطار، أو الرطوبة، أو ظروف الطقس الأخرى.

## إرشادات النقل

يجب نقل هذا الجهاز، قدر الإمكان، في الوضع الرأسي فقط. يجب أن تكون مواد التغليف في حالة سليمة أثناء النقل. إذا تم وضع الجهاز في الوضع الأفقي أثناء النقل (وفقًا للعلامات على مواد التغليف فقط)، ينصح بترك الجهاز، قبل تشغيله، لمدة 4 ساعة للسماح باستقرار دائرة التبريد. يمكن أن يتسبب الفشل في اتباع هذه التعليمات في عطل محرك الضاغط وإلغاء الضمان الخاص به.

## التحذيرات ونصائح عامة

- لا تقم بتوصيل الطاقة للجهاز في حالة ملاحظة وجود عطل.
- يجب إجراء الإصلاحات بواسطة شخص مؤهل فقط.
- يرجى فصل الجهاز عن مصدر الطاقة الرئيسي في المواقف التالية:
- عند إزالة الثلج عن الجهاز بالكامل؛
- عند تنظيف الجهاز.

## لفصل الجهاز من الطاقة، اسحب القابس، وليس السلك!

- تأكد من توافر الحد الأدنى من المساحة بين الجهاز والجدار الموضوع أمامه الجهاز.
- لا تصعد فوق الجهاز.
- لا تسمح للأطفال باللعب بالجهاز أو الاختفاء بداخله.
- لا تستخدم أجهزة كهربائية للتجميد داخل المجمد مطلقًا.
- لا تستخدم الجهاز بالقرب من أجهزة التدفئة، أو المواقد أو مصادر الحرارة الأخرى أو النيران.
- لا تترك باب المجمد مفتوحًا أكثر من الضروري لإخراج الطعام أو إدخاله.
- لا تترك الطعام بالجهاز في حالة عدم تشغيله.
- ولا تترك بداخله المنتجات التي تحتوي على الغازات الملتهبة أو المتفجرة.
- لا تترك المشروبات الفوارة (العصائر، المياه الغازية، إلخ) داخل المجمد: يمكن أن تنفجر الزجاجات! لا تجمد المشروبات في الزجاجات البلاستيكية.
- لا تأكل مكعبات الثلج أو الآيس كريم مباشرة بعد إخراجها من المجمد لأنها قد تتسبب في "حروق تجميد".
- لا تلمس الأجزاء المعدنية الباردة أو الطعام المجمد بأيدي مبتلة لأن يديك قد تتجمد بسرعة عند ملامسة الأسطح شديدة البرودة.
- لحماية الجهاز أثناء التخزين والنقل، يتم وضع شيء للمحافظة على المسافة بين الباب والصندوق (في الجانب الأمامي والخلفي). ويتم إزالة هذه الأشياء قبل تشغيل الجهاز.

### التوصيل الكهربائي

- هذا الجهاز معد للتشغيل بجهد أحادي المرحلة 220-240 فولت / 50 هرتز. قبل توصيل الجهاز بالطاقة، يرجى التأكد من أن معايير المصدر الرئيسي للطاقة في المنزل (الجهد، نوع الدائرة، التردد) تتوافق مع معايير تشغيل الجهاز.
- المعلومات المتعلقة بجهد مصدر الطاقة والطاقة المستهلكة موضحة على الملصق على الجانب الخلفي من المجمد.
- يجب أن يتوافق التركيب الكهربائي مع المتطلبات القانونية.
- يجب تأريض الجهاز. لا تتحمل جهة الصنع أية مسؤولية تجاه أي ضرر يتعلق بالأشخاص أو الحيوانات أو البضائع والذي يمكن حدوثه من عدم اتباع الشروط الموضحة.
- الجهاز مزود بسلك وقابس (نوع أوروبي، بالعلامة 10/16 أمبير (مزودين بموصلين أرضيين للسلامة. إذا لم يكن المقبس من نفس نوع القابس، يرجى طلب تغييره من كهربائي متخصص).
- لا تستخدم قطع تمديد أو مهابئات متعددة.

- يجب إزالة كميات الثلج الزائدة على الإطار والسلات بانتظام باستخدام المكشطة البلاستيكية المرفقة بالجهاز. لا تستخدم أية قطع معدنية لإزالة الثلج.
- فوجود هذا الثلج المتراكم يمنع قفل الباب بالطريقة الصحيحة.
- في حالة عدم استخدام الجهاز لبضعة أيام، فلا ينصح بإيقافه. في حالة عدم استخدامه لمدة أطول، يرجى القيام بالتالي:
  - افصل الجهاز؛
  - فرغ المجمد؛
  - أزل الثلج منه ونظفه؛
  - اترك الباب مفتوحاً لتجنب تكون الروائح الكريهة.
- يمكن تغيير سلك الطاقة بواسطة الشخص المعتمد.
- إذا كان المجمد يحتوي على قفل، فاقفله واحتفظ بالمفتاح في مكان آمن، بعيداً عن متناول الأطفال. إذا كنت تتخلص من جهاز يحتوي على قفل، فتأكد أنه غير مفعّل. وهذا ضروري لتجنب حبس الأطفال بداخله، مما قد يتسبب في موتهم.

### الإعداد

- هذا الجهاز مصمم للتشغيل في درجة حرارة محيطية بين  $10^{\circ}C$  و  $43^{\circ}C$  (درجة مئوية) (درجة الحرارة العادية الموسمية). إذا كانت درجة الحرارة المحيطة أعلى من  $43^{\circ}C$  أعلى من، يمكن أن ترتفع درجة الحرارة داخل الجهاز.
- قم بإعداد الجهاز بعيداً عن أي مصدر حرارة أو نيران. ففي حالة وضعه في غرفة ساخنة، أو بالتعرض المباشر لأشعة الشمس، أو بالقرب من مصدر حرارة (سخانات، مواقد، أفران)، فسوف يزيد هذا من استهلاك الطاقة ويقصر عمر المنتج.
- يرجى مراجعة الحد الأدنى من المسافات التالية:
  - 100 سم من المواقد التي تعمل بالفحم أو الزيت؛
  - 150 سم من المواقد الغازية أو الكهربائية.
- تأكد من تدوير الهواء بحرية حول الجهاز، من خلال المحافظة على المسافات الموضحة في العنصر 2.
- ركب قطع مباعد الجدار المتوفر مع الجهاز على المكثف (في الجانب الخلفي). (العنصر 3).
- ضع الجهاز في مكان مستو وجاف وجيد التهوية.
- ركب الملحقات المرفقة مع الجهاز.

## تشغيل المجمد

## ضبط درجة الحرارة

يتم ضبط درجة حرارة المجمد عن طريق المقبض الموجود على الترموستات (العنصر 4)، مع كون الوضع ( "MAX" أقصى ) أقل درجة حرارة .

قد تتنوع درجات الحرارة التي تم الوصول إليها وفقاً لظروف استخدام الجهاز، مثل: موضع الجهاز، درجة الحرارة المحيطة، تكرار فتح الباب، مدى الامتلاء بالأطعمة. يتغير موضع مقبض الترموستات وفقاً لهذه العوامل. في الأحوال العادية، درجة الحرارة المحيطة 32<sup>0</sup> درجة مئوية تقريباً، يتم ضبط مقبض الترموستات على وضع متوسط.

نظام الإشارة موجود على الجانب الأمامي من المجمد (العنصر 5).

ويتضمن:

1. مقبض ضبط الترموستات - لضبط درجة الحرارة الداخلية .
2. ضوء LED الأخضر - يوضح إمداد الجهاز بالطاقة الكهربائية.
3. ضوء LED الأحمر - عطل - يضيء عندما تكون درجة الحرارة داخل المجمد عالية جداً. يضيء مصباح LED بعد 15-45 دقيقة من تشغيل المجمد، ثم ينطفئ. في حالة إضاءة مصباح LED أثناء التشغيل، فهذا يعني حدوث أعطال .
4. الزر البرتقالي - تجميد سريع - عند الضغط عليه يضيء المصباح البرتقالي، موضحاً أن الجهاز في وضع "التجميد السريع". يتم الخروج من هذا الوضع بالضغط على هذا الزر مرة أخرى وانطفاء المصباح.
- تعطي مصابيح LED الثلاثة معلومات عن وضع تشغيل المجمد.

## إيقاف التشغيل

يجب أن يكون إيقاف التشغيل ممكناً عن طريق سحب القابض من المقبض أو عن طريق المفتاح الرئيسي ثنائي القطب يتم تركيبه قبل المقبض .

## التشغيل

قبل تشغيل الجهاز، قم بتنظيفه من الداخل (راجع فصل "التنظيف")

بعد الانتهاء من هذه العملية يرجى توصيل الجهاز، وضبط مقبض الترموستات على وضع متوسط. يجب أن يكون الضوءين الأخضر والأحمر في مجموعة الإشارة مضاءين. اترك الجهاز قيد التشغيل لمدة ساعتين دون وضع الطعام بداخله .

يتاح تجميد الطعام الطازج بعد 20 ساعة من التشغيل بحد أدنى.

## وصف الجهاز

(العنصر 1).

1. مقبض الباب
2. الباب
3. مبيت المصباح
4. السلالات
5. الصينية
6. مبيت القفل
7. علبة الترموستات
8. مبعاد الجدار للاستخدام في النقل



## إزالة الثلج عن الجهاز

- إننا ننصح بإزالة الثلج من المجمد مرتين سنويًا على الأقل عندما تكون طبقة الثلج سميكة جدًا .
- تراكم الثلج ظاهرة عادية .
- تعتمد كمية الثلج المتراكمة وتكرارها على الظروف المحيطة وعلى تكرار فتح الباب.
- إننا ننصح بإزالة الثلج عن المجمد عندما تكون كمية الطعام المجمد قليلة .
- قبل إزالة الثلج، اضبط مقبض الترموستات على أعلى وضع حتى يكون الطعام المخزن أكثر برودة .
- افصل الجهاز .
- أخرج الطعام المجمد، وغلفه في عدة طبقات من الورق وضعه في الثلاجة أو في مكان بارد.
- خذ لوحة الفصل وضعها تحت المجمد في اتجاه أنبوب التقطير .
- انزع القابس العائق .سيتم جمع الماء الناتج في الصينية الخاصة (لوحة الفصل )بعد تذويب الثلج وتصريف الماء يرجى مسح الجهاز بقطعة قماش أو أسفنجة، ثم جففه جيدًا .ضع القابس العائق في مكانه مرة أخرى.(العنصر 6 .)
- لتسريع الذوبان يرجى ترك الباب مفتوحًا.

لا تستخدم أية أشياء معدنية حادة لإزالة الثلج.  
لا تستخدم مجففات الشعر أو أي أجهزة تسخين أخرى لإذابة الثلج.

## نصائح لحفظ الأطعمة

يستخدم المجمد بغرض حفظ الطعام المجمد لفترة طويلة، بالإضافة إلى تجميد الطعام الطازج .  
التغليف هو أحد أهم العناصر لنجاح تجميد الطعام .  
الشروط الرئيسية التي يجب أن يستوفيهما التغليف هي الآتي :أن يكون محكمًا، أن يكون ملتصقًا بالطعام المغلف، أن يقاوم درجات الحرارة المنخفضة، أن يكون ضد السوائل والشحوم وأبخرة الماء والروائح، أن يكون قابلاً للغسيل.  
تتوافر هذه الشروط في الأنواع التالية من التغليف :غشاء البلاستيك أو الألومينيوم، أو عبة البلاستيك والألومينيوم، زجاجات الكرتون المعالج بالشمع أو الزجاجات البلاستيكية.

### هام !

- لتجميد الطعام الطازج يرجى استخدام السلالات المرفقة مع الجهاز .
- لا تقم تضع كميات كبيرة من الطعام في المجمد في نفس الوقت .
- يتم الاحتفاظ بجودة الطعام بشكل أفضل عند تجميده بطريقة صحيحة بالكامل في أسرع وقت ممكن .إذا ينصح بعدم تجاوز قدرة التجميد للجهاز الموضحة في "ورقة بيانات الجهاز ."لتقليل وقت التجميد، اضغط على زر "التجميد السريع ."
- يجب ألا يلامس الطعام الطازج الطعام المجمد .
- يمكن وضع الطعام المجمد الذي قمت بشرائه في المجمد دون الحاجة إلى ضبط الترموستات .
- في حالة عدم ذكر تاريخ التجميد على الغلاف، يرجى الأخذ في الاعتبار مدة 3 أشهر كفترة عامة.
- الطعام الذي تم إذابته، ولو جزئيًا، لا يمكن تجميده مرة أخرى، ويجب استهلاكه على الفور أو طهيته وتجميده مرة أخرى.
- لا يتم الاحتفاظ بالمشروبات الفوارة في المجمد.
- في حالة توقف الطاقة، لا تفتح الباب .وحتى إذا استمر توقف الطاقة لمدة 36 ساعة، فإن الطعام المجمد لن يتأثر.

### لا تندسى !

بعد 24 ساعة بعد وضع الطعام في المجمد، يرجى إلغاء وضع "التجميد السريع" بالضغط على الزر 4 مرة أخرى، حتى ينطفئ المصباح البرتقالي.

## استبدال مصباح الإضاءة الداخلي

في حالة انفجار المصباح، يرجى فصل الجهاز عن مصدر الطاقة الرئيسي. انزع غطاء المصباح. تأكد من تثبيت المصباح بشكل صحيح. قم بتوصيل الجهاز مرة أخرى. إذا كان المصباح لا يزال لا يعمل، فاستبدله بأخر من طراز E14-15 واط. ركب غطاء المصباح في مكانه مرة أخرى.

الجهاز هذا في المستخدمة (المصابيح) المصباح المنزلية الغرف في للإضاءة مناسبة غير المستخدم مساعدة هو المصباح لهذا الأساسي الغرض وأمنة سهلة بطريقة المجمد/الثلاجة في الطعام أدوات لوضع تتمثل تحمل قدرة لها الجهاز هذا في المستخدمة المصابيح مئوية درجة 20- من أقل الحرارة درجات في

## دليل التعرف على الأعطال

### الجهاز لا يعمل.

- انقطاع التيار الكهربائي.
- قاييس الإمداد بالطاقة غير مثبت في المقبس على نحو صحيح.
- انفجر المصهر.
- الثرموستات في الوضع ("OFF" إيقاف).

### درجات الحرارة غير منخفضة بالدرجة الكافية (ضوء LED الأحمر مضاء).

- الطعام يمنع إغلاق الباب.
- الجهاز ليس في الوضع الصحيح.
- الجهاز في موضع قريب جدًا من مصدر حرارة.
- مقبض الثرموستات ليس في الوضع الصحيح.
- تراكم الثلج بكمية زائدة
- لا يمكن غلق الباب بصورة صحيحة.
- الإضاءة الداخلية لا تعمل

- انفجر المصباح. افصل الجهاز من المصدر الرئيسي للطاقة، وانزع المصباح واستبدله بمصباح آخر جديد.

### ما يلي ليس عيبًا

- الانحناءات والشقوق الممكنة من المنتج: تدوير سائل التبريد في النظام.

## النظافة الداخلية

- قبل بدء التنظيف، افصل الجهاز عن مصدر الطاقة الرئيسي.
- يمكنك تنظيف الجهاز عند إزالة الثلج.
- غسل الداخل مع الماء الدافئ حيث يمكنك إضافة بعض المنظفات المتعادلة. لا تستخدم الصابون، المنظفات، البنزين أو الأسيتون لأنها قد تترك رائحة قوية.
- امسح بقطعة أسفنجية مبللة وجفف بقطعة قماش ناعمة.
- أثناء هذه العملية تجنب الماء الزائد لتجنب دخوله في العازل الحراري للجهاز، مما قد يتسبب في روائح كريهة.
- لا تنسى تنظيف حشية الباب وبخاصة الدعائم السفلية بقطعة قماش نظيفة.

## النظافة الخارجية

- نظف المجمد من الخارج بأسفنجة مغمورة في الماء الدافئ والصابون، وامسح بقطعة قماش ناعمة وجففه.
- يتم تنظيف الجزء الخارجي من دائرة التبريد (محرك الضاغط، المكثف، أنابيب التصحيح) بفرشاة ناعمة أو بمكنسة كهربائية.
- أثناء هذه العملية، يرجى الانتباه إلى عدم تغيير مسار الأنابيب أو فصل الكبلات.
- لا تستخدم المواد الكاشطة أو المطهرة!
- بعد الانتهاء من التنظيف، أعد تركيب الملحقات في أماكنها وقم بتوصيل الجهاز.

أصوات اليقظة والقرقرة الناشئة عن تدوير سائل التبريد في أنابيب الجهاز، هي أصوات تشغيل عادية .

### تحذير!

لا تحاول إصلاح الجهاز أو مكوناته الكهربائية بنفسك . أي إصلاح يقوم به شخص غير معتمد يكون خطراً على المستخدم كما أنه يتسبب في إلغاء الضمان .


### الأصوات أثناء التشغيل

للحفاظ على درجة الحرارة عند القيمة التي قمت بضبطها، فإن الضاغط يعمل من حين لآخر.

والأصوات التي يمكن سماعها في هذه الحالة عادية. وتقل بمجرد وصول الجهاز إلى درجة حرارة التشغيل.

صوت الطنين الذي يحدثه الضاغط .يمكن أن يكون أقوى قليلاً عندما يبدأ الضاغط بالعمل.



الرمز  الموجود على المنتج أو العبوة يدل على أن هذا المنتج لا يمكن التعامل معه على أنه مخلفات منزلية. وبدلاً من ذلك يجب تسليمه إلى نقطة التجميع لإعادة تدوير المعدات الكهربائية والإلكترونية. ومن خلال التأكد من التخلص من هذا المنتج بشكل سليم، ستساعد على منع الآثار السلبية المحتملة للبيئة والصحة الإنسانية والتي قد تنتج بسبب التعامل غير السليم مع المنتج . للحصول على مزيد من المعلومات حول إعادة تدوير هذا المنتج، يرجى الاتصال ببلدية المدينة المحلية، وخدمة التخلص من المخلفات المنزلية أو المحل الذي اشتريته منه هذا المنتج.

