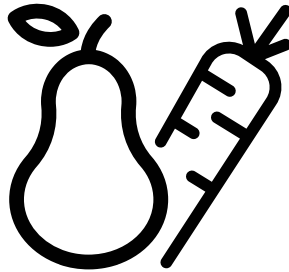


beko

Refrigerator
User Manual
الثلاجة
دليل المستخدم



RDSE600M21B-RDSE510M21S-RDSE600M20S

CE

EN/AR

58 1756 0000/AE EN-AR

Please read this manual before using the product!

Dear Customer,



We'd like you to make the best use of our product, which has been manufactured in modern facilities with care and meticulous quality controls.

Thus, we advise you to read the entire user manual before you use the product. In case the product changes hands, do not forget to hand the guide to its new owner along with the product.

This guide will help you use the product quickly and safely.

- Please read the user guide carefully before installing and operating the product.
- Always observe the applicable safety instructions.
- Keep the user guide within easy reach for future use.
- Please read any other documents provided with the product.

Keep in mind that this user guide may apply to several product models. The guide clearly indicates any variations of different models.

	Important information and useful tips.
	Risk of life and property.
	Risk of electric shock.
	The product's packaging is made of recyclable materials, in accordance with the National Environment Legislation.

1. Safety and environment instructions

1.1. General safety	3
1.1.1 HC warning	4
1.1.2 For models with water dispenser	4
1.2. Intended use	5
1.3. Child safety	5
1.4. Compliance with WEEE Directive and Disposing of the Waste Product	5
1.5. Compliance with RoHS Directive	5
1.6. Package information	5

2 Your Refrigerator

3 Installation

3.1. Right place for installation	7
3.2. Adjusting the feet	8
3.3. Electrical connection	8
3.4. Changing door opening direction	8
3.5. Reversing the doors	9
3.6. Reversing the doors	10

4 Preparation

4.1. Actions to be taken to save energy	11
4.2. First use	11

5 Use of the Product

5.1. Temperature adjustment knob	12
5.2. Fast freezing	12
5.3. Holiday function	13
5.4. Snow defrosting	13
5.5. Door Open Warning	14
5.6. Ice tray	15
5.7. Egg tray	15
5.8. Fan	15
5.9. Crisper	15





6 Maintenance and Cleaning

6.1. Preventing Bad Odour	16
6.2. Protecting Plastic Surfaces	16

7. Troubleshooting

This section provides the safety instructions necessary to prevent the risk of injury and material damage. Failure to observe these instructions will invalidate all types of product warranty.

Intended use

	WARNING: Keep ventilation openings, in the appliance enclosure or in the built-in structure, clear of obstruction.
	WARNING: Do not use mechanical devices or other means to accelerate the defrosting process, other than those recommended by the manufacturer.
	WARNING: Do not damage the refrigerant circuit.
	WARNING: Do not use electrical appliances inside the food storage compartments of the appliance, unless they are of the type recommended by the manufacturer.

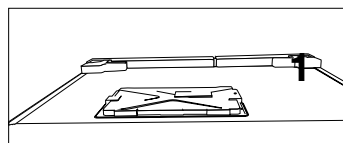
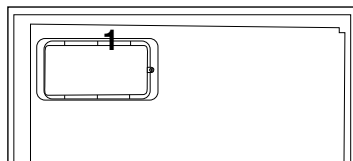
This appliance is intended to be used in household and similar applications such as

- staff kitchen areas in shops, offices and other working environments;
- farm houses and by clients in hotels, motels and other residential type environments;
- bed and breakfast type environments;

– catering and similar non-retail applications.

1.1. General safety

- This product should not be used by persons with physical, sensory and mental disabilities, without sufficient knowledge and experience or by children. The device can only be used by such persons under supervision and instruction of a person responsible for their safety. Children should not be allowed to play with this device.
- In case of malfunction, unplug the device.
- After unplugging, wait at least 5 minutes before plugging in again.
- Unplug the product when not in use.
- Do not touch the plug with wet hands! Do not pull the cable to plug off, always hold the plug.
- Do not plug in the refrigerator if the socket is loose.
- Unplug the product during installation, maintenance, cleaning and repair.
- If the product will not be used for a while, unplug the product and remove any food inside.
- Do not use the product when the compartment with circuit cards located on the upper back part of the product (electrical card box cover) (1) is open.

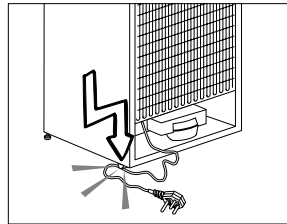


Safety and environmental instructions

- Do not use steam or steamed cleaning materials for cleaning the refrigerator and melting the ice inside. Steam may contact the electrified areas and cause short circuit or electric shock!
- Do not wash the product by spraying or pouring water on it! Danger of electric shock!
- In case of malfunction, do not use the product, as it may cause electric shock. Contact the authorised service before doing anything.
- Plug the product into an earthed socket. Earthing must be done by a qualified electrician.
- If the product has LED type lighting, contact the authorised service for replacing or in case of any problem.
- Do not touch frozen food with wet hands! It may adhere to your hands!
- Do not place liquids in bottles and cans into the freezer compartment. They may explode.
- Place liquids in upright position after tightly closing the lid.
- Do not spray flammable substances near the product, as it may burn or explode.
- Do not keep flammable materials and products with flammable gas (sprays, etc.) in the refrigerator.
- Do not place containers holding liquids on top of the product. Splashing water on an electrified part may cause electric shock and risk of fire.
- Exposing the product to rain, snow, sunlight and wind will cause electrical danger. When relocating

the product, do not pull by holding the door handle. The handle may come off.

- Take care to avoid trapping any part of your hands or body in any of the moving parts inside the product.
- Do not step or lean on the door, drawers and similar parts of the refrigerator. This will cause the product to fall down and cause damage to the parts.
- Take care not to trap the power cable.



1.1.1 HC warning

If the product comprises a cooling system using R600a gas, take care to avoid damaging the cooling system and its pipe while using and moving the product. This gas is flammable. If the cooling system is damaged, keep the product away from sources of fire and ventilate the room immediately.



The label on the inner left side indicates the type of gas used in the product.

1.1.2 For models with water dispenser

- Pressure for cold water inlet shall be maximum 90 psi (620 kPa). If your water pressure exceeds 80 psi

Safety and environmental instructions

(550 kPa), use a pressure limiting valve in your mains system. If you do not know how to check your water pressure, ask for the help of a professional plumber.

- If there is risk of water hammer effect in your installation, always use a water hammer prevention equipment in your installation. Consult Professional plumbers if you are not sure that there is no water hammer effect in your installation.
- Do not install on the hot water inlet. Take precautions against of the risk of freezing of the hoses. Water temperature operating interval shall be 33°F (0.6°C) minimum and 100°F (38°C) maximum.
- Use drinking water only.

1.2. Intended use

- This product is designed for home use. It is not intended for commercial use.
- The product should be used to store food and beverages only.
- Do not keep sensitive products requiring controlled temperatures (vaccines, heat sensitive medication, medical supplies, etc.) in the refrigerator.
- The manufacturer assumes no responsibility for any damage due to misuse or mishandling.
- Original spare parts will be provided for 10 years, following the product purchasing date.

1.3. Child safety

- Keep packaging materials out of children's reach.
- Do not allow the children to play with the product.

- If the product's door comprises a lock, keep the key out of children's reach.

1.4. Compliance with WEEE Directive and Disposing of the Waste Product

This product complies with EU WEEE Directive (2012/19/EU). This product bears a classification symbol for waste electrical and electronic equipment (WEEE).



This product has been manufactured with high quality parts and materials which can be reused and are suitable for recycling. Do not dispose of the waste product with normal domestic and other wastes at the end of its service life. Take it to the collection center for the recycling of electrical and electronic equipment. Please consult your local authorities to learn about these collection centers.

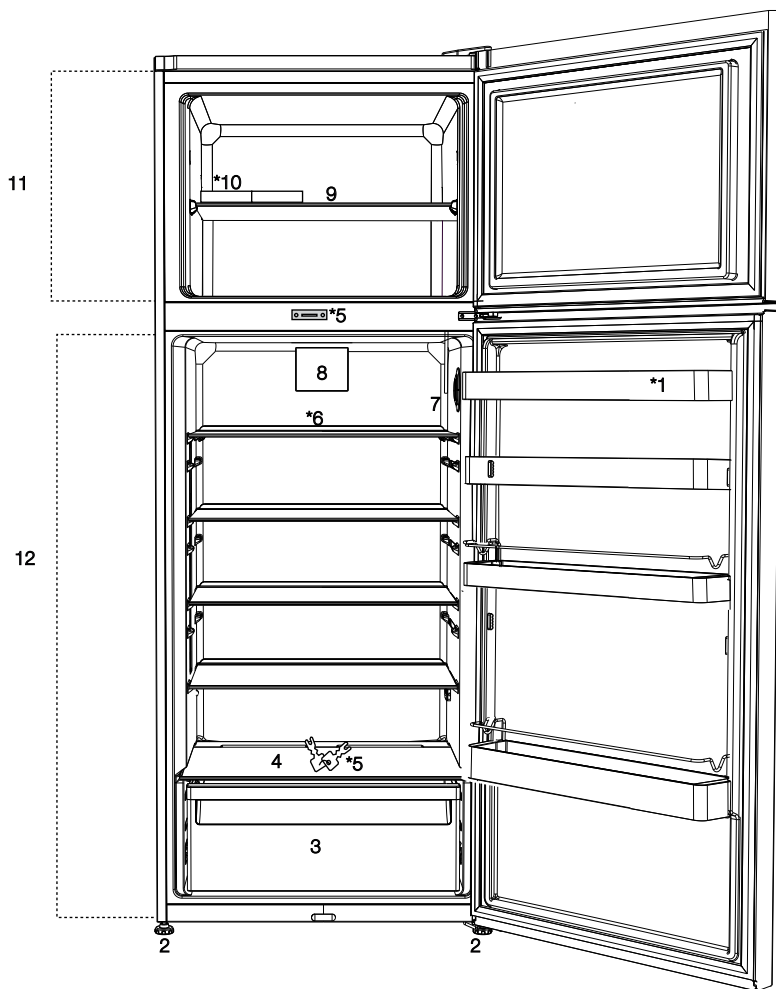
1.5. Compliance with RoHS Directive

- This product complies with EU WEEE Directive (2011/65/EU). It does not contain harmful and prohibited materials specified in the Directive.

1.6. Package information

Packaging materials of the product are manufactured from recyclable materials in accordance with our National Environment Regulations. Do not dispose of the packaging materials together with the domestic or other wastes. Take them to the packaging material collection points designated by the local authorities.

2 Your Refrigerator



1. Door shelf
2. Adjustable feet
3. Crisper
4. Crisper cover
5. Lock and key *
6. Refrigerator compartment glass shelf
7. Temperature adjustment knob
8. Fan
9. Freezer compartment shelf
10. Ice tray
11. Freezer compartment
12. Fridge compartment



***optional:** Figures that take place in this user manual are samples and may not correspond exactly with your product. If the subject parts are not included in the product you have purchased, then the figure is valid for other models.

3 Installation

3.1. Right place for installation

Call the Authorized Service Provider for installation of the product. To make the product ready for use, be careful that the electrical wiring and plumbing are appropriate by referring to the information in the user manual. If not, call a qualified electrician and plumber and have the necessary arrangements made.



WARNING: The manufacturer is not liable for damages caused by operations by unauthorized persons.



WARNING: During the installation, the power plug of the product should not be plugged in. Otherwise, there is a danger of death or serious injury!



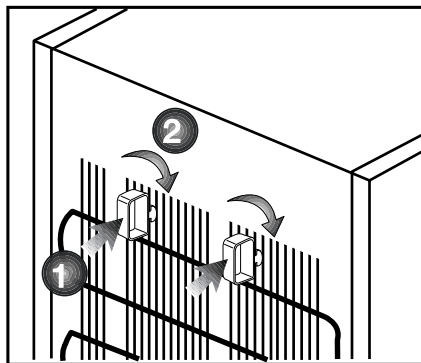
WARNING: : If the doorway of the room to where the product will be placed is so narrow that the product cannot pass through, pass the product by turning it to side; otherwise, call an authorized service.

- To avoid shaking, place the product on a flat surface.
- Install the product at least 30 cm away from heat sources such as cooker, radiators, stove and at least 5 cm away from electrical oven.
- Do not expose the product to direct sunlight and do not store it in humid place.
- Your product requires adequate air circulation to function efficiently. If the product will be placed in an alcove, remember to leave at least 5 cm clearance between the product and the ceiling, rear wall and the side walls.

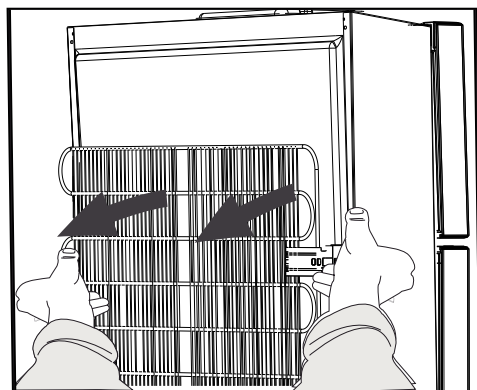
If the product will be placed in an alcove, remember to leave at least 5 cm clearance between the product and the ceiling, rear wall and the side walls. Check if the rear wall clearance protection component is present at its location (if provided with the product). If the component is not available, or if it is lost or fallen, position the product so that at least 5 cm clearance shall be left between the rear surface of the product and the wall of the room. The clearance at the rear is important for efficient operation of the product.

- Do not install the product where the temperature drops below 10 °C.

- Attach 2 plastic wedges as illustrated below. Plastic wedges are intended to keep the distance which will ensure the air circulation between your refrigerator and the wall. (The picture is drawn up as a representation and it is not identical with your product.)



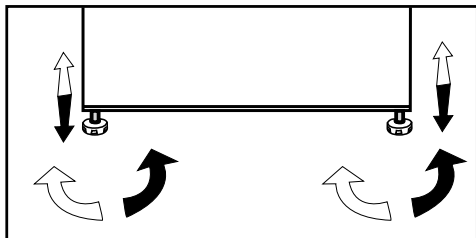
- Condenser of your refrigerator is on the rear side. In order to increase the energy efficiency by minimizing the power consumption, the upper part of the condenser on the rear side of the product must be pulled backwards and locked as shown in the figure. When the condenser is pulled back, the right and left upper holders are locked and the position of the condenser is fixed.



Installation

3.2. Adjusting the feet

If the product is unstable on the place where it is placed, adjust it by turning the front adjustment feet to the right or left.



3.3. Electrical connection



WARNING: Do not make connections to the extension cords or multiple sockets.



WARNING: Damaged power cable must be replaced by an Authorized Service.



If two refrigerators are placed side by side, there should be at least 4 cm space between them.

- Our company will not be liable for any damages that occur when the product is used without grounding and electrical connections that are according to national regulations.
- The power cord plug must be easily accessible after installation.
- Do not use multi-group socket with or without extension cable in between your refrigerator and the wall outlet.

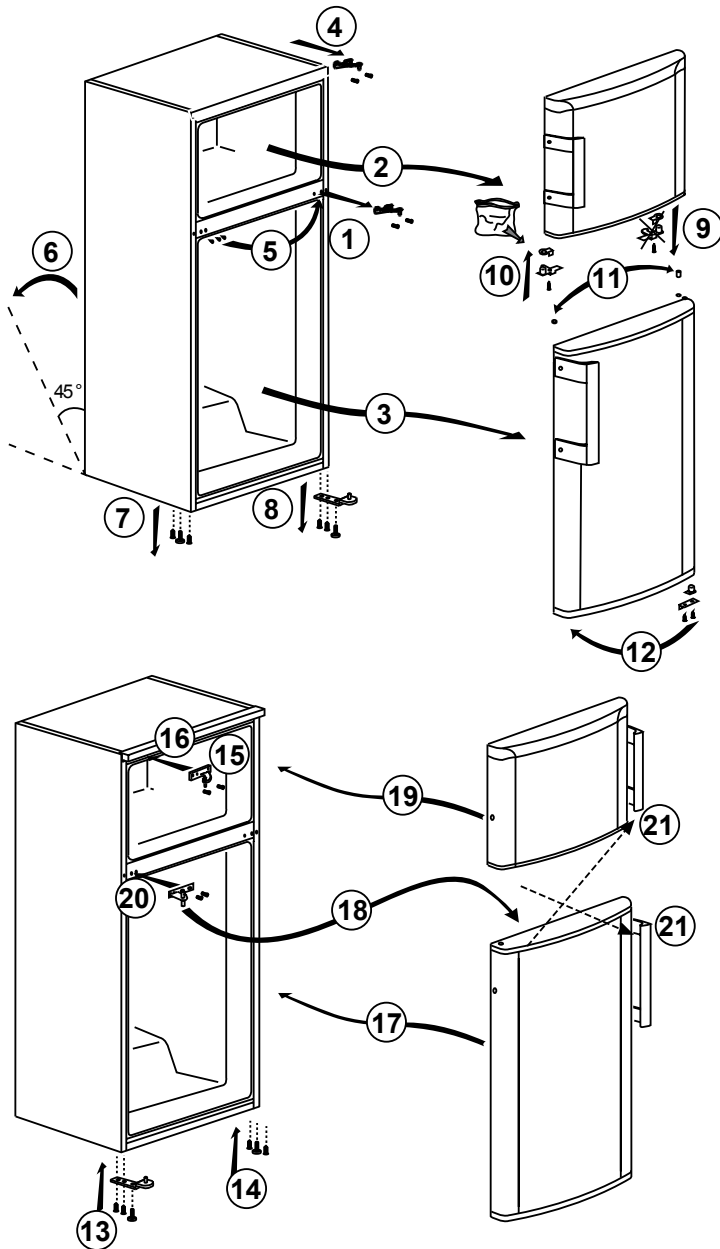
3.4. Changing door opening direction

Based on where you use, your refrigerator's door opening direction can be changed. When you need this, please contact your nearest Authorized Service Point.

Installation

3.5. Reversing the doors

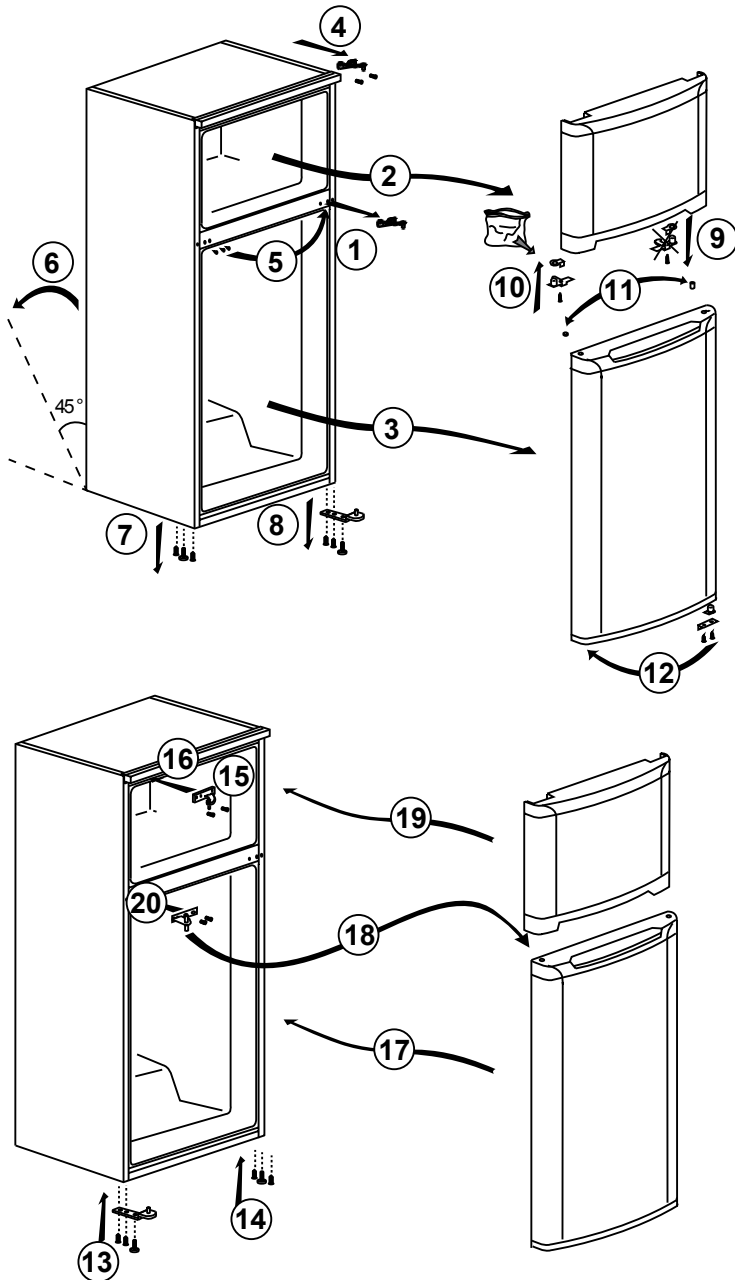
Proceed in numerical order .



Installation

3.6. Reversing the doors

Proceed in numerical order .



4 Preparation

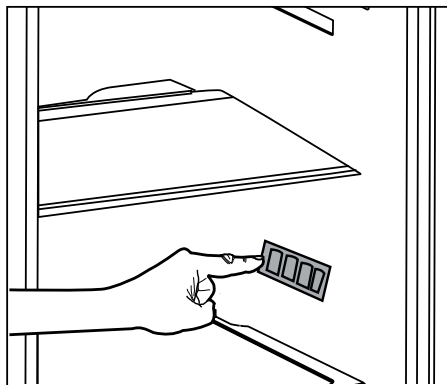
4.1. Actions to be taken to save energy



Connecting the product to electronic energy-saving system is inconvenient as this may damage the product.

- Do not leave the doors of the product open for a long time.
- Do not put hot food or drinks in the product.
- Do not overfill the product. When the inlet air circulation is reduced, its cooling capacity is prevented.
- Put your food in the product in closed containers.
- You can store maximum amount of food items in the freezer compartment of the product when you remove the shelf of the freezer. Energy consumption value stated for the product has been determined by removing freezer shelf and under maximum food load. There is no harm to use a shelf according to the shapes and size of food to be frozen.
- Defrosting the frozen food in fridge compartment will both provide energy saving and preserve the food quality.
- This device is designed to operate at ambient temperatures up to 43°C (90 °F). It is equipped with Advanced Electronic Temperature Control System allowing to keep the frozen food in the freezer defrost even the ambient temperature reduces to -15 °C. When first installed the product **MUST NOT** be placed in low ambient temperatures.
- The baskets/drawers that are provided with the chill compartment must always be in use for low energy consumption and for better storage conditions.
- Food contact with the temperature sensor in the freezer compartment may increase energy consumption of the appliance. Thus any contact with the sensor(s) must be avoided.

- Do not contact the foods to the fridge compartment temperature sensor indicated in the figure below.



4.2. First use

Before you start using your refrigerator, make sure that preparations are made according to the instructions in the “Safety and environmental instructions” and “Installation” sections.

- Run the product empty without putting food for 6 hours and do not open the door unless necessary.



You will hear a sound when the compressor starts. The liquids and gases compressed within the cooling system may produce sound even if the compressor is not running and that sound is normal.



The front edges of the product may be hot. This is normal. These areas are designed to be heated to prevent condensation.

5.1. Temperature adjustment knob

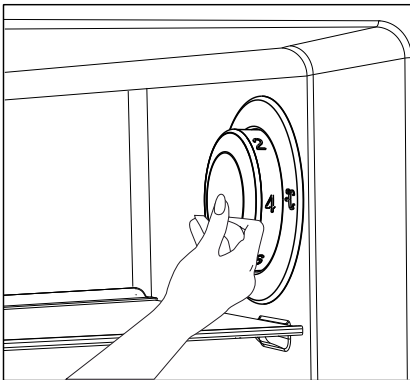
The internal temperature of your refrigerator will vary due to the following reasons:

- Seasonal temperatures,
- Frequently opening the door and the door remaining open for a long time,
- Dishes put hot in your refrigerator before cooling down to room temperature,
- The location of the refrigerator in the room (such as exposure to the sun's heat).
- You can adjust the internal temperature which varies due to these reasons by the adjustment knob.

The numbers around the adjustment knob shows the degree of temperature as “°C”.

If the ambient temperature is 25 °C, it is recommended to use the temperature adjustment knob of the refrigerator at 4 °C.

In other ambient temperatures, this value can be increased or decreased according to need.



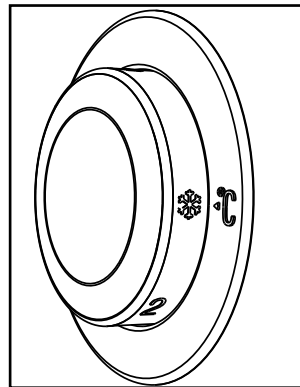
5.2. Fast freezing

If you want to freeze large quantities of fresh food, put the temperature adjustment knob to (❄️) position 24 hours before putting the food in the fast freezing compartment.

In order to freeze maximum amount of fresh food specified as the freezing capacity, it is recommended to keep the knob in this position for at least 24 hours.


Pay particular attention to not mixing food sold as frozen and the fresh food.

Once the food is frozen, remember to bring the temperature adjustment knob to its previous position.



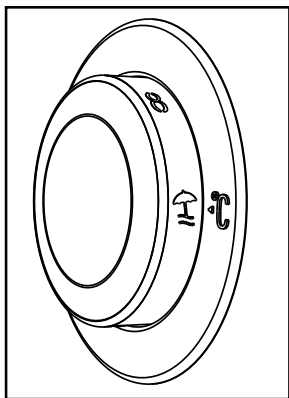
Use of the Product

5.3. Holiday function

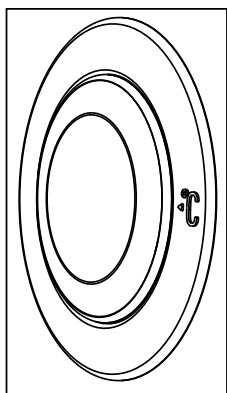
If the doors of the product is not opened for at least 12 hours after the temperature adjustment knob is put to the warmest () position, Holiday function will be activated automatically.

To cancel the function, the adjustment of the knob must be changed.

When the holiday function is active, storing food in the fridge compartment is not recommended.



- After adjustment process is complete, you can hide the temperature adjustment knob by pushing it in.



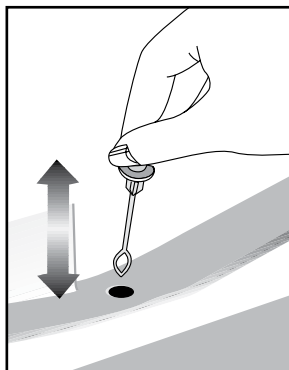
5.4. Snow defrosting

During the cooling of your refrigerator, water droplets and snow up to 7-8 mm thickness are formed on the inside back wall of the fridge compartment. This formation is normal due to the cooling system.

The snow formed in the fridge compartment is defrosted at regular intervals by means of the automatic defrost system contained in the interior rear wall. Therefore, there is no need of scraping snow and cleaning water droplets by the user.

The water formed by defrosting flows to the evaporating dish on the rear of your refrigerator and spontaneously evaporates here.

The water flows to the evaporating dish via a drain pipe contained in the inner back wall. Check whether the drain pipe is blocked at specific time intervals and if blocked, open.



Use of the Product



To avoid deterioration of the frozen food in the freezer compartment, no defrosting is performed automatically. The snow formed in the freezer compartment should be defrosted every 6 months.

For snow defrosting process, it is primarily necessary to stop the operation of your refrigerator. To do this, unplug the power plug. Empty the freezer compartment. Keep your frozen food in a cool place during the snow defrosting process.

The door of the freezer compartment should be kept closed during the defrosting process.

When the snow formed is completely defrosted, take the water collected in the freezer compartment with an absorbent cloth or sponge and dry.

To run your product re-connect the power plug.



WARNING: To speed up the defrosting in your refrigerator, never use materials such as candles, gas lamps and heaters.



Before putting your food back in the freezer compartment run for 2 hours with the doors closed and empty.

5.5. Door Open Warning (This feature is optional)

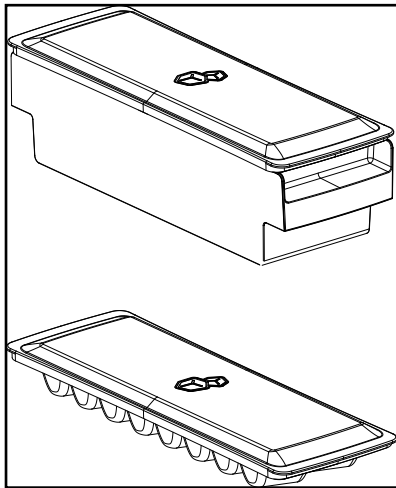
An audio warning signal will be given when the door of your product is left open for at least 1 minute. This warning will be muted when the door is closed or any of the display buttons (if any) are pressed.

Door open warning is given to user both visually and acoustically. If the warning continues for 10 minutes, interior lights will be turned off.

Use of the Product

5.6. Ice tray

- Remove the ice tray from the freezer compartment.
- Fill the ice tray with water.
- Place the ice tray in the freezer compartment. The ice is ready after about two hours.
- Remove the ice tray from the freezer compartment and slightly bend it over the ice cap in which you will serve the ice. The ice will be easily poured into the service cap.



5.7. Egg tray

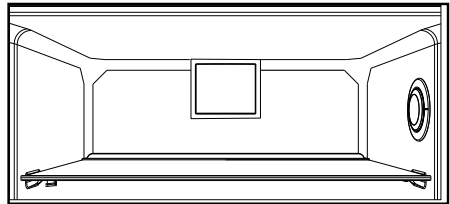
You can put the egg tray on any door or body shelf you want. If to be placed in the body shelf, it is recommended to prefer the bottom cold shelves.



Never put the egg tray in the freezer compartment.

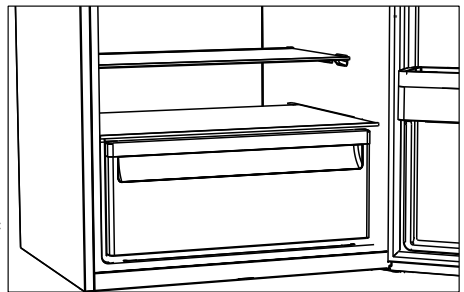
5.8. Fan

Fan is designed to ensure that the cold air in your refrigerator is dissolved and distributed homogeneously. Fan operation time may vary depending on the properties of your product. While in some products fan only works with the compressor, in some products, the control system determines the time when it will work according to the cooling requirements.



5.9. Crisper

Crisper of the product is specially designed to protect the vegetable as fresh without losing its moisture. For this purpose, cold air circulation throughout the crisper is concentrated.



Cleaning the product regularly will prolong its service life.



WARNING: Disconnect the power before cleaning the refrigerator.

- Do not use sharp and abrasive tools, soap, house cleaning materials, detergents, gas, gasoline, varnish and similar substances for cleaning.
- Melt a teaspoonful of carbonate in the water. Moisten a piece of cloth in the water and wring out. Wipe the device with this cloth and dry off thoroughly.
- Take care to keep water away from the lamp's cover and other electrical parts.
- Clean the door using a wet cloth. Remove all items inside to detach the door and chassis shelves. Lift the door shelves up to detach. Clean and dry the shelves, then attach back in place by sliding from above.
- Do not use chloric water or cleaning products on the exterior surface and chrome-coated parts of the product. Chlorine will cause rust on such metallic surfaces.
- Do not use sharp, abrasive tools, soap, household cleaning agents, detergents, kerosene, fuel oil, varnish etc. to prevent removal and deformation of the prints on the plastic part. Use lukewarm water and a soft cloth for cleaning and then wipe it dry.

6.1. Preventing Bad Odour

The product is manufactured free of any odorous materials. However, keeping the food in inappropriate sections and improper cleaning of internal surfaces may lead to malodour.

To avoid this, clean the inside with carbonated water every 15 days.

- Keep the foods in sealed holders. Microorganisms may spread out of unsealed food items and cause malodour.
- Do not keep expired and spoilt foods in the refrigerator.

6.2. Protecting Plastic Surfaces

Oil spilled on plastic surfaces may damage the surface and must be cleaned immediately with warm water.

7 Troubleshooting

Check this list before contacting the service. Doing so will save you time and money. This list includes frequent complaints that are not related to faulty workmanship or materials. Certain features mentioned herein may not apply to your product.

The refrigerator is not working.

- The power plug is not fully settled. >>> Plug it in to settle completely into the socket.
- The fuse connected to the socket powering the product or the main fuse is blown. >>> Check the fuses.

Condensation on the side wall of the cooler compartment (MULTI ZONE, COOL, CONTROL and FLEXI ZONE).

- The door is opened too frequently >>> Take care not to open the product's door too frequently.
- The environment is too humid. >>> Do not install the product in humid environments.
- Foods containing liquids are kept in unsealed holders. >>> Keep the foods containing liquids in sealed holders.
- The product's door is left open. >>> Do not keep the product's door open for long periods.
- The thermostat is set to too low temperature. >>> Set the thermostat to appropriate temperature.

Compressor is not working.

- In case of sudden power failure or pulling the power plug off and putting back on, the gas pressure in the product's cooling system is not balanced, which triggers the compressor thermic safeguard. The product will restart after approximately 6 minutes. If the product does not restart after this period, contact the service.
- Defrosting is active. >>> This is normal for a fully-automatic defrosting product. The defrosting is carried out periodically.
- The product is not plugged in. >>> Make sure the power cord is plugged in.
- The temperature setting is incorrect. >>> Select the appropriate temperature setting.
- The power is out. >>> The product will continue to operate normally once the power is restored.

The refrigerator's operating noise is increasing while in use.

- The product's operating performance may vary depending on the ambient temperature variations. This is normal and not a malfunction.

The refrigerator runs too often or for too long.

- The new product may be larger than the previous one. Larger products will run for longer periods.
- The room temperature may be high. >>> The product will normally run for long periods in higher room temperature.
- The product may have been recently plugged in or a new food item is placed inside. >>> The product will take longer to reach the set temperature when recently plugged in or a new food item is placed inside. This is normal.
- Large quantities of hot food may have been recently placed into the product. >>> Do not place hot food into the product.
- The doors were opened frequently or kept open for long periods. >>> The warm air moving inside will cause the product to run longer. Do not open the doors too frequently.
- The freezer or cooler door may be ajar. >>> Check that the doors are fully closed.
- The product may be set to temperature too low. >>> Set the temperature to a higher degree and wait for the product to reach the adjusted temperature.
- The cooler or freezer door washer may be dirty, worn out, broken or not properly settled. >>> Clean or replace the washer. Damaged / torn door washer will cause the product to run for longer periods to preserve the current temperature.

The freezer temperature is very low, but the cooler temperature is adequate.

- The freezer compartment temperature is set to a very low degree. >>> Set the freezer compartment temperature to a higher degree and check again.

The cooler temperature is very low, but the freezer temperature is adequate.

- The cooler compartment temperature is set to a very low degree. >>> Set the freezer compartment temperature to a higher degree and check again.

Troubleshooting

The food items kept in cooler compartment drawers are frozen.

- The cooler compartment temperature is set to a very low degree. >>> Set the freezer compartment temperature to a higher degree and check again.

The temperature in the cooler or the freezer is too high.

- The cooler compartment temperature is set to a very high degree. >>> Temperature setting of the cooler compartment has an effect on the temperature in the freezer compartment. Wait until the temperature of relevant parts reach the sufficient level by changing the temperature of cooler or freezer compartments.
- The doors were opened frequently or kept open for long periods. >>> Do not open the doors too frequently.
- The door may be ajar. >>> Fully close the door.
- The product may have been recently plugged in or a new food item is placed inside. >>> This is normal. The product will take longer to reach the set temperature when recently plugged in or a new food item is placed inside.
- Large quantities of hot food may have been recently placed into the product. >>> Do not place hot food into the product.

Shaking or noise.

- The ground is not level or durable. >>> If the product is shaking when moved slowly, adjust the stands to balance the product. Also make sure the ground is sufficiently durable to bear the product.
- Any items placed on the product may cause noise. >>> Remove any items placed on the product.

The product is making noise of liquid flowing, spraying etc.

- The product's operating principles involve liquid and gas flows. >>> This is normal and not a malfunction.

There is sound of wind blowing coming from the product.

- The product uses a fan for the cooling process. This is normal and not a malfunction.

There is condensation on the product's internal walls.

- Hot or humid weather will increase icing and condensation. This is normal and not a malfunction.
- The doors were opened frequently or kept open for long periods. >>> Do not open the doors too frequently; if open, close the door.
- The door may be ajar. >>> Fully close the door.

There is condensation on the product's exterior or between the doors.

- The ambient weather may be humid, this is quite normal in humid weather. >>> The condensation will dissipate when the humidity is reduced.

The interior smells bad.

- The product is not cleaned regularly. >>> Clean the interior regularly using sponge, warm water and carbonated water.
- Certain holders and packaging materials may cause odour. >>> Use holders and packaging materials without free of odour.
- The foods were placed in unsealed holders. >>> Keep the foods in sealed holders. Micro-organisms may spread out of unsealed food items and cause malodour. Remove any expired or spoilt foods from the product.

The door is not closing.

- Food packages may be blocking the door. >>> Relocate any items blocking the doors.
- The product is not standing in full upright position on the ground. >>> Adjust the stands to balance the product.
- The ground is not level or durable. >>> Make sure the ground is level and sufficiently durable to bear the product.

The vegetable bin is jammed.

- The food items may be in contact with the upper section of the drawer. >>> Reorganize the food items in the drawer.

If The Surface Of The Product Is Hot.

- High temperatures may be observed between the two doors, on the side panels and at the rear grill while the product is operating. This is normal and does not require service maintenance! Be careful when touching these areas.



WARNING:

If the problem persists after following the instructions in this section, contact your vendor or an Authorised Service. Do not try to repair the product.

يرجى قراءة هذا الدليل قبل استخدام المنتج!


عميلنا العزيز،

إننا نود بلوغ أعلى فعالية لمنتجنا، الذي تم تصنيعه في مرافق حديثة مع ضبط دقيق للجودة.

لذا، ننصحك بقراءة دليل المستخدم بشكل كامل قبل استخدام المنتج. في حال تغير مالك الجهاز، لا تنس منح الدليل مع الجهاز.

سيساعدك هذا الدليل على استخدام المنتج بسرعة وأمان.

- يرجى قراءة دليل المستخدم قبل تركيب الجهاز وتشغيله.
 - تقيد بتعليمات السلامة دائما.
 - احتفظ بدليل المستخدم بالمتناول من أجل الاستخدام المستقبلي.
 - يرجى قراءة أية وثائق أخرى مزودة مع المنتج.
- تذكر أن دليل المستخدم هذا قد ينطبق على عدة موديلات. يشير الدليل بوضوح إلى أية اختلافات في الموديلات.

معلومات هامة ونصائح مفيدة.	
الخطر على الحياة والممتلكات.	
خطر الصدمة الكهربائية.	
إن غلاف المنتج مصنوع من مواد قابلة للتدوير، طبقا لأنظمة البيئة المحلية.	

3	1	تعليمات السلامة والبيئة
6	2	ثلاجتك
	3	
		التركيب 7
7	3.1	المكان المناسب للتركيب
8	3.2	ضبط الأقدام
8	3.3	التوصيل الكهربائي
8	3.4	تغيير اتجاه فتح الباب
9	3.5	قلب الأبواب
10	3.6	قلب الأبواب
11	4	الإعداد
	4.1	الإجراءات اللازمة لتوفير الطاقة
	11	
11	4.2	الاستعمال الأول
12	5	استخدام الجهاز
12	5.1	قرص تعديل درجة الحرارة
	5.2	التجميد السريع
	12	
13	5.3	وظيفة العطلة
13	5.4	إذابة الثلج
14	5.5	تحذير فتح الباب
	5.6	علبة الثلج
15	5.7	طبق البيض
	5.8	المروحة
15	5.9	رف المواد الهشة
16	6	الصيانة
16	6.1	منع الروائح الكريهة
16	6.2	حماية الأسطح البلاستيكية
17	7	استكشاف الأخطاء وإصلاحها

1.1. السلامة العامة

- لا يجوز استخدام هذا الجهاز بواسطة أشخاص يعانون من عجز بدني أو حسي أو عقلي، دون معرفة وخبرة كافية أو بواسطة الأطفال. يمكن استخدام الجهاز من قبل هؤلاء الأشخاص فقط تحت إشراف وتوجيه شخص مسؤول عن سلامتهم. لا يجب السماح للأطفال باللعب بهذا الجهاز.
- في حال حدوث عطل، افصل الجهاز عن الكهرباء.
- بعد فصله عن الكهرباء، انتظر 5 دقائق على الأقل قبل توصيله مرة أخرى. افصل الجهاز عن الكهرباء في حال عدم الاستعمال. لا تلمس القابض بأيدي مبللة! لا تسحب الكبل لنزعه من الكهرباء، امسك القابض دافئاً.
- امسح رأس قابل الطاقة بقماشة ناشفة قبل نزعه من الكهرباء.
- لا توصل الثلاجة بالكهرباء إذا كان المقيس رخوا.
- افضل المنتج أثناء التركيب والصيانة والتنظيف والتصليح.
- إذا كنت لا تنوي استخدام المنتج لفترة معينة، افصله عن الكهرباء وأخرج أي طعام منه.
- لا تستعمل مواد التنظيف بالبخار لتنظيف الثلاجة وإذابة الجليد داخلها. قد يتلامس البخار مع المناطق الكهربائية ويتسبب بقصر الدائرة الكهربائية أو الصدمة الكهربائية!
- لا تغسل المنتج برش الماء أو سكب عليه! خطر الصدمة الكهربائية!
- إذا حدث عطل، لا تستخدم المنتج فقد يتسبب ذلك بصدمة كهربائية. اتصل بخدمة الصيانة المعتمدة قبل القيام بأي شيء.
- لا تستخدم الجهاز إذا كان القسم الموجود على سطح الجهاز أو على ظهره الذي يحوي ألواحاً إلكترونية مطبوعة في الداخل مفتوحاً (غطاء لوح الدائرة الإلكترونية المطبوعة) (1).

يوضح هذا الجزء تعليمات السلامة اللازمة لمنع خطر الإصابة والضرر المادي. يؤدي الإخفاق في التقيد بهذه التعليمات إلى بطلان جميع ضمانات الجهاز.

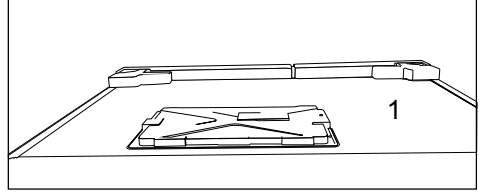
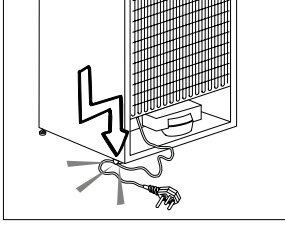
الغرض المخصص

تحذير: حافظ على فتحات التهوية في تجويف الجهاز أو في البنية المدمجة خالية من الانسداد.	
تحذير: لا تستخدم الأجهزة الميكانيكية أو الوسائل الأخرى لتسريع عملية إزالة الصقيع، غير تلك التي يوصي بها المصنع.	
تحذير: لا تتلف الدائرة الكهربائية لمادة التبريد.	
تحذير: لا تستخدم الأجهزة الكهربائية في حجرة المون في الجهاز إلا إذا كانت من النوع الذي يوصي بها المصنع.	
تحذير: لا تقم بتخزين المواد المتفجرة مثل علب الأيروسول حيث تحتوي تلك العلب على مواد قابلة للاشتعال.	

هذا الجهاز مصمم للاستخدام المنزلي والتطبيقات المماثلة مثل

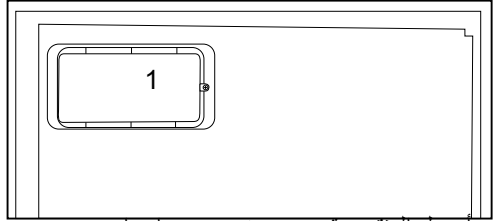
- مناطق كادر الطبخ في المتاجر والمكاتب وبيئات العمل الأخرى؛
- المزارع و النزلاء في الفنادق وفنادق الطرق والبيئات السكنية المماثلة؛ أماكن المبيت والإفطار؛
- أماكن المبيت والإفطار؛
- عمليات الترميم والتطبيقات المماثلة في غير محلات التجزئة.

- احذر أن يعلق كبل الطاقة.



1.1.2 تحذير HC

- إذا كان المنتج يشتمل على نظام تبريد باستخدام غاز R600a ، احذر حتى تتجنب أضرار نظام التبريد وأنبوبه أثناء استخدام الجهاز وتحريكه. هذا الغاز سريع الاشتعال. إذا تعرض نظام التبريد للتلف، أبعاد الجهاز عن مصادر الحريق وقم بتهوئة الغرفة فوراً.



يشير الملصق على الجهة الداخلية اليسرى إلى نوع الغاز المستعمل في المنتج.



- أوصل المنتج بمقبس مؤرض. يجب إجراء التأسيس بواسطة فني كهرباء مؤهل.

- إذا كان الجهاز يحتوي على مصابيح من نوع LED ، اتصل بخدمة الصيانة المعتمدة لاستبدالها أو اتصل بها في حال حدوث أية مشاكل.

- لا تلمس الأطعمة المجمدة بأيدي مبتلة! فقد تلتصق بيديك!

- لا تخزن العبوات الزجاجية أو علب المشروبات في حجرة المجمد. فقد تنتفج!

- ضع السوائل بوضع رأسي بعد إغلاق الغطاء بإحكام.

- لا ترش المواد سريعة الاشتعال قرب الجهاز، فقد يحترق أو ينفجر.

- لا تحتفظ بالمواد سريعة الاشتعال والمنتجات المحتوية على غاز سريع الاشتعال (مواد الرش، الخ) في الثلاجة.

- لا تضع مستويات السوائل على الجهاز. قد يتسبب رش الماء على جزء كهربائي بصدمة كهربائية أو خطر الحريق.

- يؤدي تعريض المنتج للمطر والثلج وأشعة الشمس والرياح إلى أضرار كهربائية. عند تغيير مكان الجهاز، لا تسحبه من مقبض الباب. فقد ينفك المقبض.

- احذر لكي لا يعلق أي جزء من يديك أو جسمك في أية أجزاء متحركة داخل الجهاز.

- لا تطأ أو تتكئ على الباب والجوارير وأجزاء مماثلة من الثلاجة. سيؤدي ذلك إلى سقوط الجهاز وتضرر أجزائه.

1.1.2 للموديلات المحتوية على موزع ماء

- يجب أن يكون ضغط مدخل الماء البارد 90psi كحد أقصى (620 kPa). إذا تجاوز ضغط الماء 80 (550 kPa)، استخدم صمام حد الضغط في نظامك الرئيسي. إذا كنت لا تعلم كيف تفحص ضغط الماء الخاص بك، اطلب المساعدة من سمكري متخصص.
- إذا ظهر خطر تأثير الطرق المائي أثناء التركيب، استخدم معدات منع الطرق المائي في التركيب دائماً. استشر سمكري متخصص إن لم تكن متأكداً من عدم وجود تأثير للطرق المائي في التركيب.
- لا تركبه على مدخل الماء الساخن. يجب أخذ الحيطة من خطر تجمد الخزائيم. يجب أن تكون درجة حرارة الماء 33 ف (0.6 م) كحد أدنى و 100 ف (38 م) كحد أقصى.
- استعمل ماء الشرب فقط.

1.3 الاستخدام المخصص

- هذا المنتج مصمم للاستخدام المنزلي. وهو غير ملائم للاستخدام التجاري أو العام.
- يجب استخدام الجهاز لتخزين الطعام والشراب فقط.
- لا تترك المواد الحساسة التي تتطلب درجات حرارة

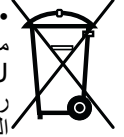
تعليمات السلامة والبيئة

- تحت السيطرة في التلاجة (اللقاحات، الأدوية الحساسة للحرارة، اللوازم الطبية، الخ).
- لا يتحمل المصنع أية مسؤولية عن أي ضرر بسبب سوء الاستعمال أو التعامل.
- سيتم توفير قطع غيار أصلية لمدة 10 أعوامًا، بعد تاريخ الشراء المنتج

1.4. سلامة الأطفال

- احتفظ بمواد التغليف بعيدا عن متناول الأطفال.
- لا تسمح للأطفال بالعبث بالجهاز.
- إذا كان لباب الجهاز قفل، احتفظ بالمفتاح بعيدا عن متناول الأطفال.
- لامثال للتوجيهات الخاصة بنفايات الأجهزة الإلكترونية والكهربائية والتخلص منها:

- هذا المنتج متوافق مع توجيهات EU WEEE (2012/19/EU). يحمل هذا المنتج رمز تصنيف التخلّص من الأجهزة الكهربائية والإلكترونية (WEEE). تم تصنيع هذا المنتج بقطع ومواد عالية الجودة يمكن إعادة استخدامها وهي مناسبة لإعادة التدوير. لا تتخلص من المنتجات التالفة مع النفايات المنزلية العادية والأخرى عند انتهاء عمر الجهاز. بل يجب أخذه إلى مركز التجميع لتدوير الأجهزة الكهربائية والإلكترونية. يرجى استشارة السلطات المحلية لمعرفة مراكز التجميع.



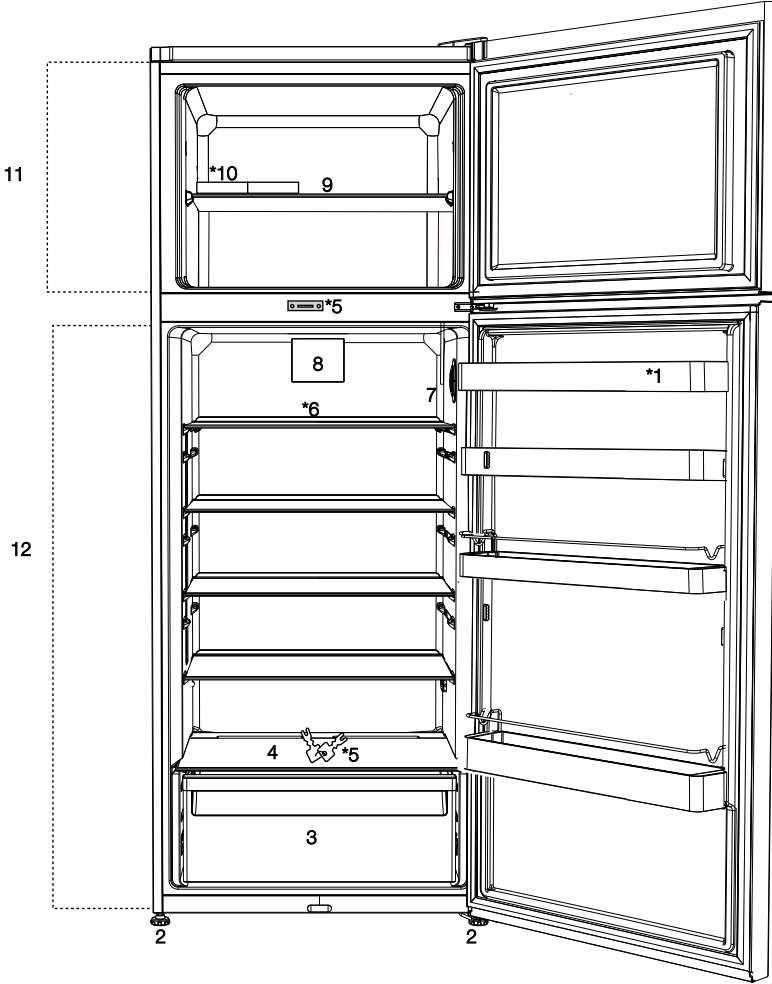
1.5. الامتثال لتوجيهات

حظر المواد الخطرة:

- هذا المنتج متوافق مع توجيهات EU WEEE (2011/65/EU). وهو لا يحتوي على مواد ضارة أو محظورة محددة في التوجيهات.

1.6. معلومات الغلاف

- تم تصنيع مواد تغليف المنتج من مواد قابلة لإعادة التدوير طبقاً لأنظمة البيئة الوطنية. لا تتخلص من مواد التغليف مع النفايات المنزلية وغيرها. قم بنقلها إلى نقاط تجميع مواد التغليف المحددة من قبل السلطات المحلية.



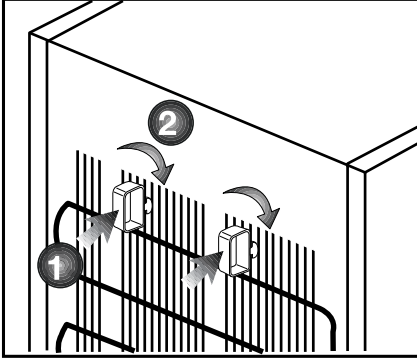
1. رف الباب
2. الأقدام القابلة للتعديل
3. رف المواد الهشة
4. غطاء رف المواد الهشة
5. القفل والمتفاح *
6. الرف الزجاجي لحجرة المبرد
7. قرص تعديل درجة الحرارة
8. مروحة
9. رف حجرة المجمد
10. علبة الثلج
11. حجرة المجمد
12. حجرة المبرد

*اختياري: إن الأشكال المذكورة في دليل المستخدم هذا هي عينات وقد لا تتطابق مع جهازك تماما. إذا كانت الأجزاء ذات الصلة غير مضمنة في الجهاز الذي اشتريته، عندها تنطبق الأشكال على موديلات أخرى.



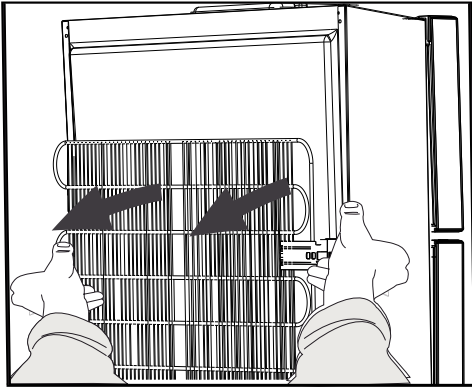
3.1 المكان المناسب للتركيب

- ضع وتدين بلاستيكيين كما هو موضح بالأسفل. إن الهدف من الأوتاد البلاستيكية هو إبقاء المسافة التي ستضمن توزيع الهواء بين التلاجة والجدار. (تم رسم الصورة أعلاه كتوضيح وهي غير مطابقة للجهاز).



تحذير: لا يتحمل المصنع المسؤولية عن الأضرار التي تنجم عن العمليات التي يؤديها أشخاص غير مرخصين.	
تحذير: لا يجب توصيل قابس طاقة الجهاز أثناء التركيب. وإلا قد يلوح خطر الموت أو الإصابة الجسيمة!	
تحذير: إذا كان مدخل الغرفة حيث سيتم وضع الجهاز ضيقاً جداً بحيث لا يمر الجهاز من خلاله، مرور الجهاز بإدارته إلى الجانب، وإلا يمكنك الاتصال بالخدمة المعتمدة.	

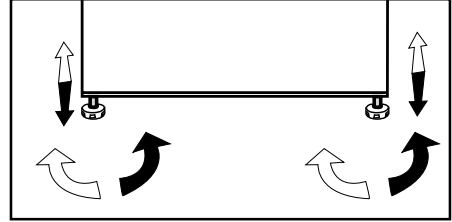
- قع مكثف التلاجة في الخلف. لزيادة فعالية الطاقة بتقليل استهلاك الطاقة، يجب سحب الجزء العلوي من المكثف خلف الجهاز للخلف وقلبه كما يوضح الشكل. عند سحب المكثف، يتم قفل المثبتين الأيمن والأيسر ويتم تثبيت مكان المكثف. يوضح الشكل. عند سحب المكثف، يتم قفل المثبتين الأيمن والأيسر ويتم تثبيت مكان المكثف.



- لتجنب الاهتزاز، ضع الجهاز على سطح منبسط.
- ضع الجهاز على بعد 30 سم على الأقل من مصادر الحرارة مثل الموقد والرادياترات ومصادر الحرارة الأخرى و5 سم على الأقل من الأفران الكهربائية.
- لا تعرض الجهاز لأشعة الشمس المباشرة ولا تخزنه في الأماكن الرطبة.
- يتطلب المنتج الخاص بك توزيع الهواء بصورة كافية حتى يعمل بكفاءة. إذا كنت ستضع الجهاز في تجويف بالجدار، فتذكر ترك خلوص لا يقل عن 5 سم بين الجهاز وكل من السقف والجدار الخلفي والجدران الجانبية.
- إذا كنت ستضع الجهاز في تجويف بالجدار، فتذكر ترك خلوص لا يقل عن 5 سم بين الجهاز وكل من السقف والجدار الخلفي والجدران الجانبية. تأكد أن تكون الحماية الخاص بالخلوص بين الجهاز والجدار الخلفي موجود في مكانه (إذا كان مزوداً مع المنتج). في حالة عدم توفر المكون المشار إليه أعلاه، أو في حالة فقدانه أو سقوطه، ضع الجهاز مع ترك خلوص لا يقل عن 5 سم بين السطح الخلفي للجهاز وجدار الغرفة. الخلوص في خلفية الجهاز مهم لتشغيل الجهاز بكفاءة.
- لا تضع الجهاز في أماكن تقل فيها درجة الحرارة عن 10 مئوية.

3.2 ضبط الأقدام

إذا كان المنتج غير مستقر في مكانه، اضبطه بإدارة أقدام التعديل الأمامية إلى اليمين أو اليسار.



3.3 التوصيل الكهربائي

تحذير: لا تستخدم أسلاك التطويل أو مقابس متعددة.	
تحذير: يجب استبدال كبل الطاقة التالف بواسطة خدمة الصيانة المعتمدة.	
إذا تم وضع ثلاجتين جنباً إلى جنب، يجب ترك فراغ 4 سم بينهما.	

- لا تتحمل شركتنا المسؤولية عن الأضرار التي تقع عند استخدام المنتج دون تأريض أو توصيلات كهربائية وفق الأنظمة الوطنية.
- يجب أن يكون قابس سلك الطاقة سهل الوصول بعد التركيب.
- لا تستخدم قابسا متعدد المجموعات مع أو بدون كبل تطويل بين مقبس الجدار والثلاجة.

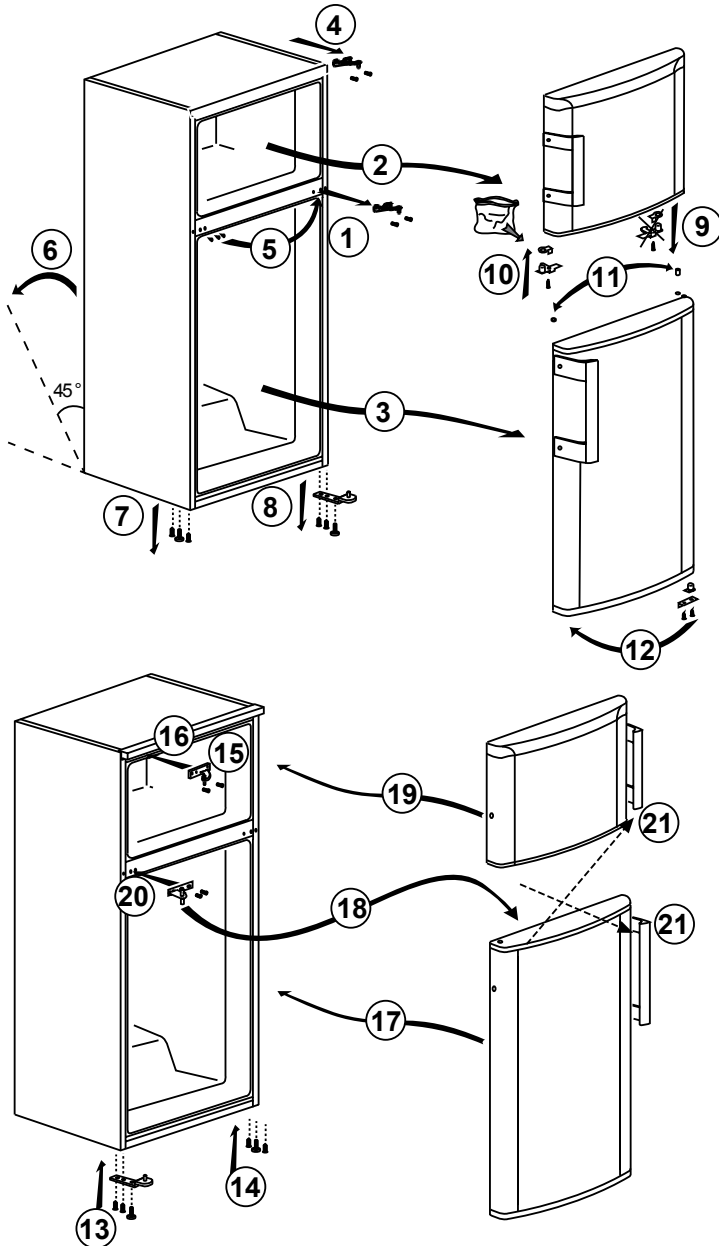
3.4 تغيير اتجاه فتح الباب

حنف ماجتا ربيغتن كمي، أهمدختست ي تلا تميقلا إلى عانب لاصتلا إلى جري، كلذ إلى لجاتحت أمدنع. تمجلاتلا باب دمتعم تمذخرم برقأب.

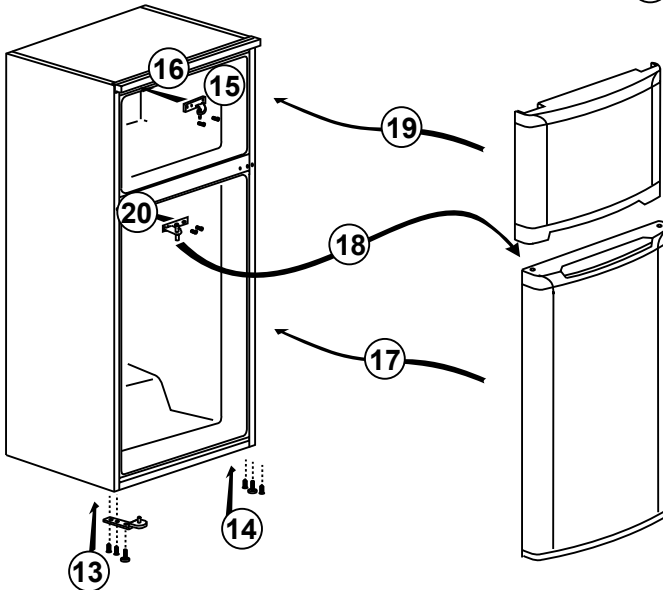
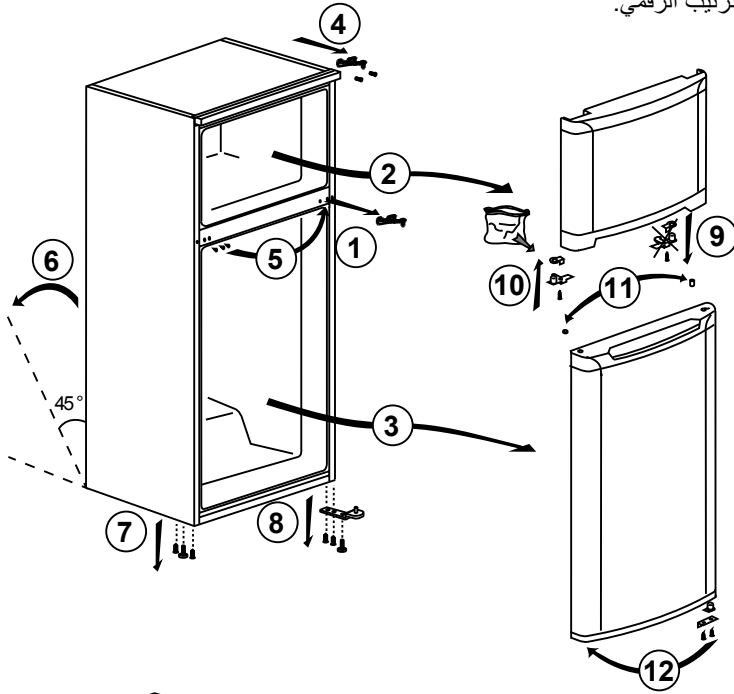
التركيب

3.5 قلب الأبواب

تابع حسب الترتيب الرقمي.

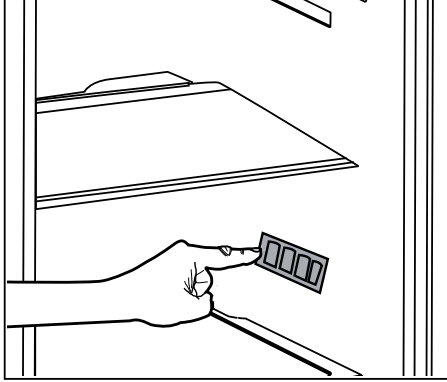


تابع حسب الترتيب الرقمي.



4.1 الإجراءات اللازمة لتوفير الطاقة

يسبب توصيل الجهاز بنظام توفير الطاقة الإلكتروني أضرارا، فقد يتلف المنتج.



4.2 الاستعمال الأول

قبل استخدام ثلاجتك، تأكد من إجراء الإعدادات الضرورية انسجاما مع التعليمات المذكورة في أقسام "تعليمات السلامة والبيئة" و"التركيب".
دع الجهاز يعمل بدون طعام في الداخل لمدة 6 ساعات ولا تفتح الباب، إلا إذا كان ذلك ضروريا للغاية.

سنسمع صوتا عندما يعمل الضاغط قد تصدر السوائل والغازات المضغوطة في نظام التبريد صوتا حتى إذا كان الضاغط لا يعمل ويعتبر هذا الصوت طبيعيا.



قد تصبح حواف المنتج ساخنة. هذا أمر طبيعي. تم تصميم هذه الأجزاء بحيث تسخن لمنع التكدس.



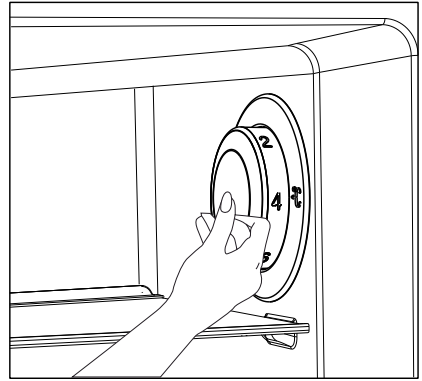
- لا تدع أبواب الجهاز مفتوحة لفترة طويلة.
- لا تضع الأطعمة أو المشروبات الساخنة في الجهاز.
- لا تملأ الجهاز بشكل مفرط عند تقليل توزيع الهواء الداخل، تتم إعاقة قدرة تبريده.
- ضع الطعام في الجهاز بمستويات مغلقة.
- يمكنك تخزين أقصى كمية من الأطعمة في حجرة المجمد عند فك رف المجمد. تم تحديد قيمة استهلاك الطاقة للجهاز بإزالة رف المجمد وتحت أقصى حمولة للطعام. ليس هناك من ضرر في استخدام الرف طبقا لشكل وحجم الطعام المراد تجميده.
- توفر إذابة الطعام المجمد في حجرة المبرد توفيراً للطاقة وتحافظ على جودة الطعام.
- تم تصميم الجهاز للعمل بدرجة حرارة محيط حتى 43 مئوية (90 فهرنهايت). وهو مزود بنظام إلكتروني متقدم للتحكم بدرجة الحرارة بما يسمح بالاحتفاظ في الطعام المجمد في بدون صقيع حتى عندما تقل درجة الحرارة إلى 15- مئوية. عند تركيب الجهاز لأول مرة، لا يجب وضع الجهاز في درجات حرارة متدنيزة.
- يجب استخدام السلال/الجوارير التي تزود مع حجرة التبريد دائما لتقليل استهلاك الطاقة ومن أجل ظروف تخزين أفضل.
- إن احتكاك الطعام مع مجس درجة الحرارة في حجرة المجمد قد يزيد من استهلاك الطاقة في الجهاز. لذا يجب تجنب الاحتكاك مع المجس.
- لا تدع الأطعمة تلامس مجس درجة حرارة حجرة المبرد في الشكل أدناه.

5.1 قرص تعديل درجة الحرارة

تتباين درجة الحرارة الداخلية لثلاجتك بسبب الأسباب التالية:

- درجات الحرارة الموسمية،
- فتح الباب كثيرا وبقاء الباب مفتوحا لفترة طويلة.
- وضع الأطباق في الثلاجة ساخنة قبل أن تبرد إلى درجة حرارة الغرفة،
- مكان الثلاجة في الغرفة (مثل التعرض لأشعة الشمس).
- يمكنك ضبط درجة الحرارة الداخلية التي تتباين طبقا لهذه الأسباب بواسطة قرص التعديل.
- تظهر الأرقام حول قرص التعديل درجة الحرارة كـ "C°".

إذا كانت درجة حرارة المحيط 25 مئوية، يوصى باستخدام قرص تعديل درجة الحرارة عند 4 مئوية. في درجات الحرارة الأخرى، يمكن زيادة هذه القيمة أو تقليلها حسب الحاجة.

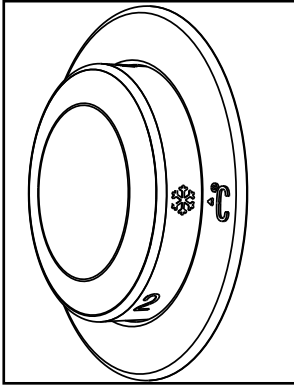


5.2 التجميد السريع

إذا أردت تجميد كميات كبيرة من الطعام الطازج، حرك قرص تعديل درجة الحرارة إلى الوضع (❄️) قبل 24 ساعة من وضع الطعام في حجرة التجميد السريع.

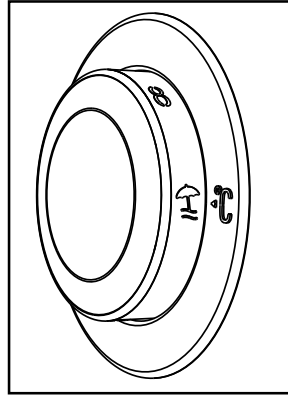
لتجميد أقصى كمية طعام طازج كما هو محدد، يوصى بإبقاء القرص في هذا الوضع لمدة 24 ساعة على الأقل. احذر وانتبه وتجنب مزج الطعام المجمد المباع والطعام الطازج.

حال تجميد الطعام، تذكر إعادة قرص تعديل درجة الحرارة إلى وضعه السابق.



5.3 وظيفة العطلة

إذا لم يتم فتح أبواب الثلاجة لمدة 12 ساعة على الأقل بعد ضبط قرص تعديل درجة الحرارة على الوضع الأسخن (↑)، يتم تفعيل وظيفة العطلة تلقائياً. لإلغاء هذه الوظيفة، يجب تغيير ضبط القرص. عندما تكون وظيفة العطلة نشطة، لا يوصى بتخزين الطعام في حجرة المبرد.



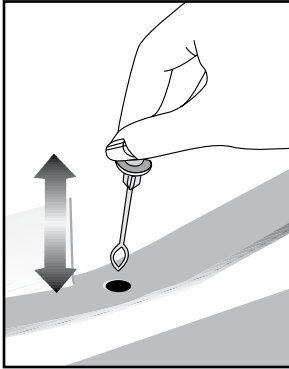
• بعد انتهاء عملية التعديل، يمكنك إخفاء قرص تعديل درجة الحرارة بالضغط عليه.

5.4 إذابة الثلج

أثناء إزالة الصقيع من ثلاجتك، تتشكل قطرات الماء والثلج بسماكة 7-8 مم على الجدار الخلفي الداخلي لحجرة الثلاجة. هذا التشكل الطبيعي بسبب نظام التبريد.

تتم إذابة الثلج المتكون في حجرة الثلاجة بفترات منتظمة بواسطة النظام الآلي لإزالة الصقيع المودود في الجدار الداخلي الخلفي. لذا، ليس هناك حاجة لكشط الثلج وتنظيف قطرات الماء بواسطة المستخدم.

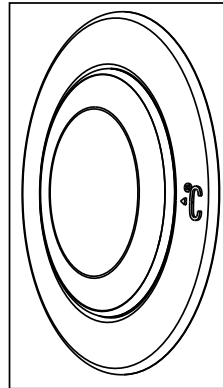
إن الماء المتكون بعد ذوبان الثلج يتدفق إلى طبق البخر على ظهر ثلاجتك ويتبخر هناك على الفور. يتدفق الماء إلى طبق البخر عبر أنبوب تصريف موجود في الجدار الداخلي الخلفي. تحقق ما إذا كان أنبوب التصريف مسدوداً خلال فترات زمنية معينة واقطعه إن كان كذلك.



لتجنب تلف الأطعمة المجمدة في حجرة المدمد، لا يتم إجراء إزالة الصقيع تلقائياً. يجب إزالة الثلج المتكون في حجرة المجمد كل 6 أشهر.



من الضروري فيما يتعلق بعملية إزالة الصقيع إيقاف الثلاجة عن العمل. اسحب قابس الطاقة للقيام بذلك. أفرغ حجرة المجمد. احتفظ بالطعام المجمد في مكان بارد أثناء عملية إزالة الثلج. يجب إبقاء باب المجمد مغلقاً أثناء عملية إزالة الصقيع.



5.5 تحذير فتح الباب (هذه الميزة اختيارية)

تصدر إشارة تحذير صوتية عند ترك باب جهازك مفتوحاً لمدة دقيقة واحدة على الأقل. يتوقف التحذير عند إغلاق الباب أو عند الضغط على أي من أزرار الشاشة (إن وجدت).
ينطلق تحذير فتح الباب بشكل مرئي ومسموع. إذا استمر التحذير لمدة 10 دقائق، تنطفئ الأضواء الداخلية.

عند ذوبان كل الثلج المتشكل، قم بإزالة الماء المجمع في حجرة المجمد بقمشة أو اسفنج ماصة وجففها. لتشغيل الجهاز، أعد توصيل قابس الطاقة.

تحذير: لتسريع إزالة الصقيع في الثلاجة، لا تستخدم مواد مثل الشمع أو مصابيح الغاز أو المدافئ.

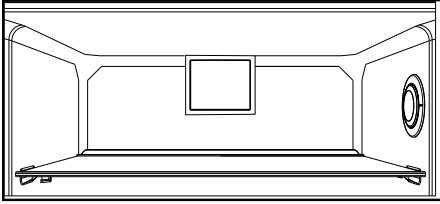


قبل إعادة أطعمتك إلى حجرة المجمد، شغل الجهاز بحيث تكون الأبواب مغلقة وفارغة.



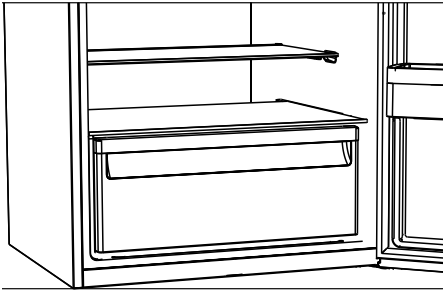
5.8 المروحة

تم تصميم المروحة لضمان توزيع الهواء البارد في الثلاجة بالتساوي. قد يتباين زمن تشغيل المروحة بناءً على مواصفات جهازك.
وفي حين تعمل المروحة في بعض الأجهزة مع الضاغط فقط، يحدد نظام التحكم في بعض المنتجات زمن عملها طبقاً لمتطلبات التبريد.



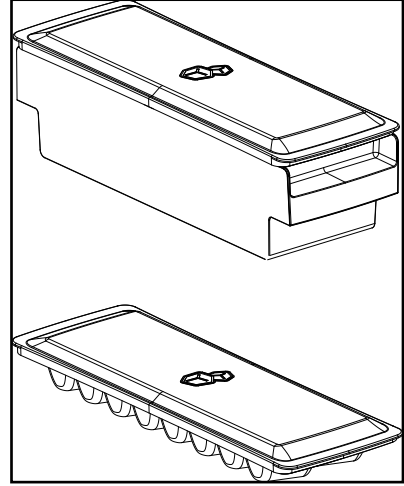
5.9 رف المواد الهشة

تم تصميم هذا الرف لحماية الخضروات نضرة دون فقدان رطوبتها. لهذا الغرض، يتم تركيز توزيع الهواء البارد في جميع أجزاء الرف.



5.6 علبة الثلج

- أخرج مستوعب الثلج من حجرة المجمد.
- املا العلبة بالماء.
- ضع علبة الثلج في حجرة المجمد. سيكون الثلج جاهزاً بعد ساعتين تقريباً.
- أخرج علبة الثلج من الحجرة وقم بثنيه قليلاً فوق غطاء الثلج الذي ستقدم فيه الثلج. يتم سكب الثلج في غطاء التقديم بسهولة.



5.7 طبق البيض

يمكنك وضع طبق البيض على رف الباب أو الهيكل الذي تريد. إذا أردت وضعه على رف الهيكل، يوصى باستخدام الرفوف الباردة السفلية.

لا تضع علبة الثلج في حجرة المجمد أبداً.



• لا تستخدم الماء المحتوي على الكلور أو منتجات التنظيف على السطح الخارجي والأجزاء المطلوبة بالكروم من الجهاز. يسبب الكلور الصدا على هذه الأسطح المعدنية.

• لا تستخدم الأدوات الحادة والكاشطة أو الصابون، أو مواد التنظيف المنزلية، المنظفات، البنزين، الشمع، الخ، وإلا ستزول الأختام على الأجزاء البلاستيكية ويحدث تشوه. استخدم ماء فاترًا وقماشًا ناعمةً للتنظيف والتجفيف.

تحذير: افصل التيار الكهربائي قبل تنظيف الثلاجة.



6.1. منع الروائح الكريهة

تم تصنيع المنتج من مواد خالية من الروائح. إلا أن الاحتفاظ بالطعام في أقسام غير ملائمة وتنظيف الأسطح الداخلية بطريقة خاطئة قد يتسبب بالروائح الكريهة. لتجنب ذلك، نظف الجزء الداخلي بماء مكرين كل 15 يوماً.

• احتفظ بالأطعمة في مستويات مغلقة. قد تنتشر الميكروبات من الأطعمة غير المغلقة مسببة الروائح الكريهة.

• لا تترك الأطعمة التالفة ومنتهية الصلاحية في الثلاجة.

6.2. حماية الأسطح البلاستيكية

قد يتلف الزيت المنسكب على الأسطح البلاستيكية السطح، لذا يجب تنظيفه بالماء الساخن فوراً.

• لا تستخدم الأدوات الحادة والكاشطة، والصابون، مواد التنظيف، المنظفات، الغاز، البنزين، مواد التلميع والمواد المماثلة للتنظيف.

• قم بإذابة معلقة طعام من الكربونات في الماء. بلل قطعة قماش في الماء واعصرها. امسح الجهاز بهذه القماشة وجففه كلياً.

• في غير المنتجات التي تمنع تكون الثلج (No Frost)، يتساقط الماء ويمكن أن يتراكم الثلج بمقدار يصل إلى عرض الإصبع على الجدار الخلفي الداخلي لصندوق الثلاجة. لا تنظفه، ولا تستعمل مطلقاً النفط أو عوامل مماثلة عليه.

• استخدم فقط قطعة قماش من الأنسجة دقيقة رطبة قليلاً لتنظيف السطح الخارجي للمنتج. قد يخدش الإسفنج والأنواع الأخرى من أقمشة التنظيف سطح المنتج.

• احرص على إبعاد الماء عن غطاء المصباح والأجزاء الكهربائية الأخرى.

• نظف الباب بواسطة قماشة رطبة. أخرج جميع المواد الموجودة في الداخل لفصل الباب ورفوف الهيكل. ارفع رفوف الباب للفصل. نظف الرفوف وجففها، ثم ركبها في مكانها ثانية بتمريرها من الأعلى.

بتأنيصلا زكرم لباصلتلا لبق تماقلا مذهب نم قحت تماقلا مذهب نمضنت. لاملاو تقولا ريفوت لكاذ نأش نم لا دقو داوملا وأ عانصلا بويعد تطيترت ما ريغ وواكشلا لفرأهجي إء انه قروكذم تنيعم تامسد قبطنت.

الثلاجة لا تعمل.

- قابس الطاقة غير مستقر كليا. <<< ادفعه بحيث يستقر في المقيس كليا.
- الصمام الموصل بالمقيس الذي يزود الجهاز بالطاقة أو الصمام الرئيسي تالف. <<< افحص الصمامات.

هناك تكاثف على جانب جدار حجرة المبرد (المنطقة المتعددة، منطقة التبريد، التحكم والمنطقة المرنة).

- المكان بارد جدا. <<< لا تضع الجهاز في أماكن تقل فيها درجة الحرارة عن 5- درجة مئوية.
- يتم فتح الباب كثيرا <<< تجنب فتح باب الثلاجة كثيرا.
- المكان رطب جدا. <<< لا تضع الجهاز في أماكن رطبة.

• الأطعمة المحتوية على سوائل تحفظ في مستويات غير محكمة الإغلاق. <<< احتفظ بالأطعمة المحتوية على سوائل في مستويات محكمة الإغلاق.

• ترك الباب مفتوحا. <<< لا تدع أبواب الثلاجة مفتوحة لفترات طويلة.

• تم ضبط الثيرموستات على درجات متدنية جدا. <<< اضبط الثيرموستات على درجة حرارة مناسبة.

الضاغط لا يعمل.

• في حال حدوث انقطاع مفاجئ في التيار الكهربائي أو سحب قابس الطاقة وإعادته مرة أخرى، يصبح ضغط الغاز في نظام تبريد الجهاز غير متوازن، مما يفعل الواقي الحراري للضاغط. يعمل المنتج من جديد بعد 6 دقائق تقريبا. إذا لم يعمل الجهاز بعد هذه الفترة، اتصل بمركز الصيانة.

• إزالة الجليد غير نشطة. <<< هذا أمر طبيعي في جهاز مقاوم للصقيع تلقائيا. تتم إزالة الجليد دوريا.

• الجهاز غير موصل بالكهرباء. <<< تأكد أن سلك الطاقة موصل بالكهرباء.

• إعداد درجة الحرارة غير صحيح. <<< اختر إعدادا صحيحا لدرجة الحرارة.

• لا يوجد تيار كهربائي. <<< يستمر الجهاز بالعمل بشكل طبيعي حال عودة الطاقة.

يزداد ضجيج تشغيل الثلاجة أثناء الاستعمال.

• وقد يتباين أداء عمل الجهاز بناء على تغيرات درجة حرارة المكان. هذا أمر طبيعي ولا يعتبر عطلا.

تعمل الثلاجة لفترة زمنية طويلة.

• ربما يكون المنتج الجديد أكبر من المنتج السابق. تعمل الأجهزة الأكبر فترات زمنية أطول.

• ربما تكون درجة حرارة الغرفة عالية. <<< يعمل الجهاز فترات طويلة في درجات الحرارة العالية.

• ربما تم توصيل الجهاز بالكهرباء مؤخرا أو تم وضع صنف طعام جديد داخله. <<< يستغرق الجهاز فترة أطول لبلوغ درجة الحرارة المعينة عند توصيله بالكهرباء حديثا أو عند وضع صنف طعام جديد داخله. هذا أمر طبيعي.

• ربما تم وضع كميات كبيرة من الطعام الساخن في الجهاز مؤخرا. <<< لا تضع الطعام الساخن داخل الجهاز.

• تم فتح الأبواب كثيرا أو تركت مفتوحة لفترات طويلة. <<< يتسبب الهواء الساخن المتحرك في الداخل في عمل الجهاز فترة أطول. لا تفتح الأبواب كثيرا.

• ربما يكون باب المجمد أو المبرد مواربا. <<< تأكد أن الأبواب مغلقة كليا.

• ربما يكون الجهاز مضبوط على درجة حرارة متدنية جدا. <<< اضبط درجة الحرارة على درجة أعلى وانتظر حتى يصل الجهاز إلى درجة الحرارة المرغوبة.

• ربما تكون فلانة باب المبرد أو المجمد متسخة، أو مهترئة أو مكسورة أو غير مستقرة. <<< نظف أو استبدل الفلانة. تتسبب فلانة الباب التالفة/المهترئة في عمل الجهاز لفترات طويلة للحفاظ على درجة الحرارة الحالية.

درجة حرارة المجمد منخفضة جدا، لكن درجة حرارة المبرد ملائمة.

• تم ضبط درجة حرارة حجرة المجمد على درجة متدنية جدا. <<< اضبط درجة حرارة حجرة المجمد على درجة أعلى وافحص مرة أخرى.

درجة حرارة المبرد منخفضة جدا، لكن درجة حرارة المجمد ملائمة.

• تم ضبط درجة حرارة حجرة المبرد على درجة متدنية جدا. <<< اضبط درجة حرارة حجرة المبرد على درجة أعلى وافحص مرة أخرى.

الأطعمة المحفوظة في جوارير حجرة المبرد متجمدة.

• تم ضبط درجة حرارة حجرة المبرد على درجة متدنية جدا. <<< اضبط درجة حرارة حجرة المجمد على درجة أعلى وافحص مرة أخرى.

درجة الحرارة في المبرد أو المجمد عالية جدا.

- لا يتم تنظيف الجهاز بانتظام. <<< نظف الجزء الداخلي بانتظام مستخدماً إسفنجة وماء دافئ وماء مكرين.
- قد تتسبب بعض المستويات ومواد التغليف بالروائح. <<< استخدم المستويات ومواد التغليف الخالية من الروائح.
- تم وضع الطعام في مستويات غير محكمة الإغلاق. <<< احتفظ بالأطعمة في مستويات محكمة الإغلاق. قد تنتشر الميكروبات من الأطعمة غير المغلقة مسببة الروائح الكريهة.
- تخلص من أية أطعمة فاسدة أو منتهية الصلاحية داخل الجهاز.

الباب لا يغلق.

- تسد أغلفة الطعام الباب أحياناً. <<< غير مكان الأطعمة التي تسد الأبواب.
- لا يقف الجهاز بوضع رأسي كامل على الأرض. <<< اضبط القواعد لموازنة الجهاز.
- الأرض غير مستوية أو متينة. <<< تأكد أن الأرض مستوية ومتينة لدرجة تحمل الجهاز.

سلة الخضار عالقة.

- ربما تلامس الأطعمة الجزء العلوي من الجارور. <<< أعد ترتيب الأطعمة في الجارور.

إذا كان سطح المنتج ساخناً

- قد يلاحظ ارتفاع درجات الحرارة بين البابين، وعلى الألواح الجانبية والشواية الخلفية أثناء تشغيل المنتج. وهذا طبيعي ولا يعد ذلك عيباً يتطلب الصيانة. كن حذراً عند لمس هذه الأماكن.

تحذير: إن استمرت المشكلة بعد اتباع تعليمات هذا القسم، اتصل بالبائع أو بمركز خدمة معتمد. لا تحاول إصلاح الجهاز.



- تم ضبط درجة حرارة حجرة المبرد على درجة عالية جداً. <<< يؤثر إعداد درجة حرارة حجرة المبرد على درجة حرارة حجرة المجمد. قم بتغيير درجة حرارة حجرة المبرد أو المجمد وانتظر حتى تصل الحجرات إلى مستوى درجة الحرارة المرغوبة.
- تم فتح الأبواب كثيراً أو تركت مفتوحة لفترات طويلة. <<< لا تفتح الأبواب كثيراً.
- ربما يكون الباب موارباً. <<< أغلق الباب كلياً.
- ربما تم توصيل الجهاز بالكهرباء مؤخرًا أو تم وضع صنف طعام جديد داخله. <<< هذا أمر طبيعي. يستغرق الجهاز فترة أطول لبلوغ درجة الحرارة المعينة عند توصيله بالكهرباء حديثاً أو عند وضع صنف طعام جديد داخله.
- ربما تم وضع كميات كبيرة من الطعام الساخن في الجهاز مؤخرًا. <<< لا تضع الطعام الساخن داخل الجهاز.

الاهتزاز أو الضجيج.

- الأرض غير مستوية أو متينة. <<< إذا كان الجهاز يهتز عند تحريكه ببطء، اضبط القواعد لموازنة الجهاز. تأكد أن الأرض متينة لدرجة تحمل الجهاز.
- قد تحدث أية مواد موضوعة على الجهاز ضجيجاً. <<< قم بإزالة أية مواد وضعت على الجهاز.

يصدر الجهاز ضجيجاً يشبه تدفق السوائل، أو الرش، الخ.

يتخلل مبادئ تشغيل الجهاز تدفق السوائل والغاز. <<< هذا أمر طبيعي ولا يعتبر عطلاً.

هناك صوت كهبوب الرياح يأتي من الجهاز.

- يستخدم الجهاز مروحة في عملية التبريد. هذا أمر طبيعي ولا يعتبر عطلاً.

هناك تكاثف على الجدران الداخلية للجهاز.

- يزيد الطفس الحار أو الرطب من تشكل الصقيع والتكاثف. هذا أمر طبيعي ولا يعتبر عطلاً.
- تم فتح الأبواب كثيراً أو تركت مفتوحة لفترات طويلة. <<< لا تفتح الأبواب كثيراً؛ إذا كانت مفتوحة، أغلقها.

- ربما يكون الباب موارباً. <<< أغلق الباب كلياً.

هناك تكاثف على السطح الخارجي للجهاز أو بين الأبواب.

- ربما يكون جو المكان رطباً، وهذا أمر طبيعي في الجو الرطب. <<< سيبتدئ التكاثف عندما تقل الرطوبة.

رائحة الجزء الداخلي سيئة.