



## Refrigerator

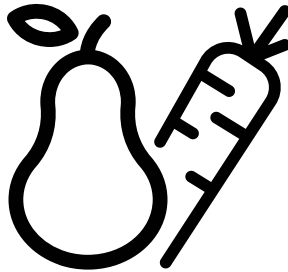
User Manual

Ψυγείο

Εγχειρίδιο Χρήστη

الثلاجة

دليل المستخدم



RDNE510M21W-RDNE510M21M-RDNE510M21X-RDNE550M21W  
RDNE480M21W-RDNE510K21M-RDNE480K21W  
RDNE510K21W-RDNE480K21X



EN/EL/AR

57 5397 0000/BF- EN-EL-AR 1/2

## Please read this user manual first!

Dear Customer,

We hope that your product, which has been produced in modern plants and checked under the most meticulous quality control procedures, will provide you an effective service.

Therefore, read this entire user manual carefully before using the product and keep it as a reference. If you handover the product to someone else, give the user manual as well.

## The user manual will help you use the product in a fast and safe way.



- Read the manual before installing and operating the product.
- Make sure you read the safety instructions.
- Keep the manual in an easily accessible place as you may need it later.
- Read the other documents given with the product.

Remember that this user manual is also applicable for several other models.

Differences between models will be identified in the manual.

## Explanation of symbols

Throughout this user manual the following symbols are used:





	Important information or useful hints.
	Risk of injury and damage to the property.
	Risk of electric shock.
	Packaging materials of the product are manufactured from recyclable materials in accordance with our National Environment Regulations.

# Contents

<b>1. Safety and environment instructions</b>	<b>3</b>	5.10. Moving door shelf .....17	
1.1. General safety .....	3	5.11. Sliding storage container .....17	
1.1.1 HC warning .....	5	5.12. Blue light/HerbFresh.....18	
1.1.2 For models with water dispenser	5	5.13. Humidity controlled crisper ...19	
1.2. Intended use.....	5	5.14. Auto Icematic .....	19
1.3. Child safety .....	5	5.15. Description and cleaning of odor filter.....	20
1.4. Compliance with the WEEE Directive and Disposing of the Waste Product: .....	6	5.16. HerbBox/HerbFresh.....	20
1.5. Compliance with RoHS Directive	6	5.17. Using the water dispenser ....	21
1.6. Package information .....	6	5.18. Using the water dispenser.....	21
<b>2 Your appliance</b>	<b>7</b>	5.19. Filling the water dispenser's tank	22
<b>3 Installation</b>	<b>8</b>	5.20. Cleaning the water tank .....	23
3.1. Appropriate installation location	8	5.21. Drip tray .....	24
3.2. Adjusting the feet .....	8	5.22. Freezing fresh food .....	25
3.3. Electrical connection .....	9	5.23. Recommendations for preserving the frozen food .....	26
3.4. Reversing the doors.....	10	5.24. Deep-freeze information .....	26
3.5. Reversing the doors.....	11	5.25. Placing the food.....	26
<b>4 Preparation</b>	<b>12</b>	5.26. Door open warning .....	27
4.1. Things to be done for energy saving.....	12	5.27. Changing the door opening direction .....	27
4.2. Initial use .....	12	5.28. Illumination lamp.....	27
<b>5 Operating the product</b>	<b>13</b>	<b>6 Maintenance and cleaning</b>	<b>28</b>
5.1. Temperature setting button ...	13	6.1. Avoiding bad odors .....	28
5.2. Fast Cooler .....	13	6.2. Protecting the plastic surfaces	28
5.3. Vacation function .....	14	6.3. Door Glasses .....	28
5.4. Twist Ice - matic .....	15	<b>6 Maintenance and cleaning</b>	<b>29</b>
5.5. Ice container .....	16	<b>7. Troubleshooting</b>	<b>30</b>
5.6. Egg holder .....	16		
5.7. Fan.....	16		
5.8. Crisper.....	16		
5.9. Chiller compartment.....	16		

This section provides the safety instructions necessary to prevent the risk of injury and material damage. Failure to observe these instructions will invalidate all types of product warranty.

## Intended use

	<p><b>WARNING:</b> Keep ventilation openings, in the appliance enclosure or in the built-in structure, clear of obstruction.</p>
	<p><b>WARNING:</b> Do not use mechanical devices or other means to accelerate the defrosting process, other than those recommended by the manufacturer.</p>
	<p><b>WARNING:</b> Do not damage the refrigerant circuit.</p>
	<p><b>WARNING:</b> Do not use electrical appliances inside the food storage compartments of the appliance, unless they are of the type recommended by the manufacturer.</p>

This appliance is intended to be used in household and similar applications such as

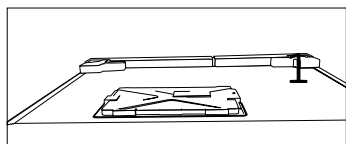
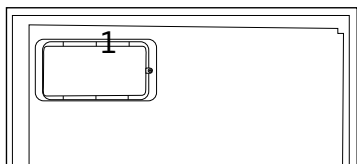
- staff kitchen areas in shops, offices and other working environments;

- farm houses and by clients in hotels, motels and other residential type environments;
- bed and breakfast type environments;
- catering and similar non-retail applications.

## 1.1. General safety

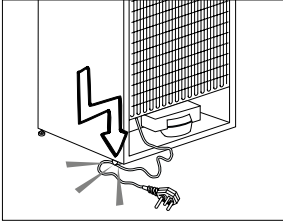
- This product should not be used by persons with physical, sensory and mental disabilities, without sufficient knowledge and experience or by children. The device can only be used by such persons under supervision and instruction of a person responsible for their safety. Children should not be allowed to play with this device.
- In case of malfunction, unplug the device.
- After unplugging, wait at least 5 minutes before plugging in again.
- Unplug the product when not in use.
- Do not touch the plug with wet hands! Do not pull the cable to plug off, always hold the plug.
- Do not plug in the refrigerator if the socket is loose.
- Unplug the product during installation, maintenance, cleaning and repair.
- If the product will not be used for a while, unplug the product and remove any food inside.
- Do not use the product when the compartment with circuit cards located on the upper back part of the product (electrical card box cover) (1) is open.

## Instructions for safety and environment



- Do not use steam or steamed cleaning materials for cleaning the refrigerator and melting the ice inside. Steam may contact the electrified areas and cause short circuit or electric shock!
- Do not wash the product by spraying or pouring water on it! Danger of electric shock!
- In case of malfunction, do not use the product, as it may cause electric shock. Contact the authorised service before doing anything.
- Plug the product into an earthed socket. Earthing must be done by a qualified electrician.
- If the product has LED type lighting, contact the authorised service for replacing or in case of any problem.
- Do not touch frozen food with wet hands! It may adhere to your hands!
- Do not place liquids in bottles and cans into the freezer compartment. They may explode.
- Place liquids in upright position after tightly closing the lid.
- Do not spray flammable substances near the product, as it may burn or explode.
- Do not keep flammable materials and products with flammable gas (sprays, etc.) in the refrigerator.
- Do not place containers holding liquids on top of the product. Splashing water on an electrified part may cause electric shock and risk of fire.
- Exposing the product to rain, snow, sunlight and wind will cause electrical danger. When relocating the product, do not pull by holding the door handle. The handle may come off.
- Take care to avoid trapping any part of your hands or body in any of the moving parts inside the product.
- Do not step or lean on the door, drawers and similar parts of the refrigerator. This will cause the product to fall down and cause damage to the parts.
- Take care not to trap the power cable.

# Instructions for safety and environment



## 1.1.1 HC warning

If the product comprises a cooling system using R600a gas, take care to avoid damaging the cooling system and its pipe while using and moving the product. This gas is flammable. If the cooling system is damaged, keep the product away from sources of fire and ventilate the room immediately.



## 1.1.2 For models with water dispenser

- Pressure for cold water inlet shall be maximum 90 psi (6.2 bar). If your water pressure exceeds 80 psi (5.5 bar), use a pressure limiting valve in your mains system. If you do not know how to check your water pressure, ask for the help of a professional plumber.
- If there is risk of water hammer effect in your installation, always use a water hammer prevention equipment in

your installation. Consult Professional plumbers if you are not sure that there is no water hammer effect in your installation.

- Do not install on the hot water inlet. Take precautions against of the risk of freezing of the hoses. Water temperature operating interval shall be 33°F (0.6°C) minimum and 100°F (38°C) maximum.
- Use drinking water only.

## 1.2. Intended use

- This product is designed for home use. It is not intended for commercial use.
- The product should be used to store food and beverages only.
- Do not keep sensitive products requiring controlled temperatures (vaccines, heat sensitive medication, medical supplies, etc.) in the refrigerator.
- The manufacturer assumes no responsibility for any damage due to misuse or mishandling.
- Original spare parts will be provided for 10 years, following the product purchasing date.

## 1.3. Child safety

- Keep packaging materials out of children's reach.

## Instructions for safety and environment

- Do not allow the children to play with the product.
- If the product's door comprises a lock, keep the key out of children's reach.

### 1.4. Compliance with the WEEE Directive and Disposing of the Waste Product:

This product complies with EU WEEE Directive (2012/19/EU). This product bears a classification symbol for waste electrical and electronic equipment (WEEE).



This symbol indicates that this product shall not be disposed with other household wastes at the end of its service life. Used device must be returned to official collection point for recycling of electrical and electronic devices. To find these collection systems please contact to your local authorities or retailer where the product was purchased. Each household performs important role in recovering and recycling of old appliance. Appropriate disposal of used appliance helps prevent potential negative consequences for the environment and human health.

### 1.5. Compliance with RoHS Directive

The product you have purchased complies with EU RoHS Directive (2011/65/EU). It does not contain harmful and prohibited materials specified in the Directive.

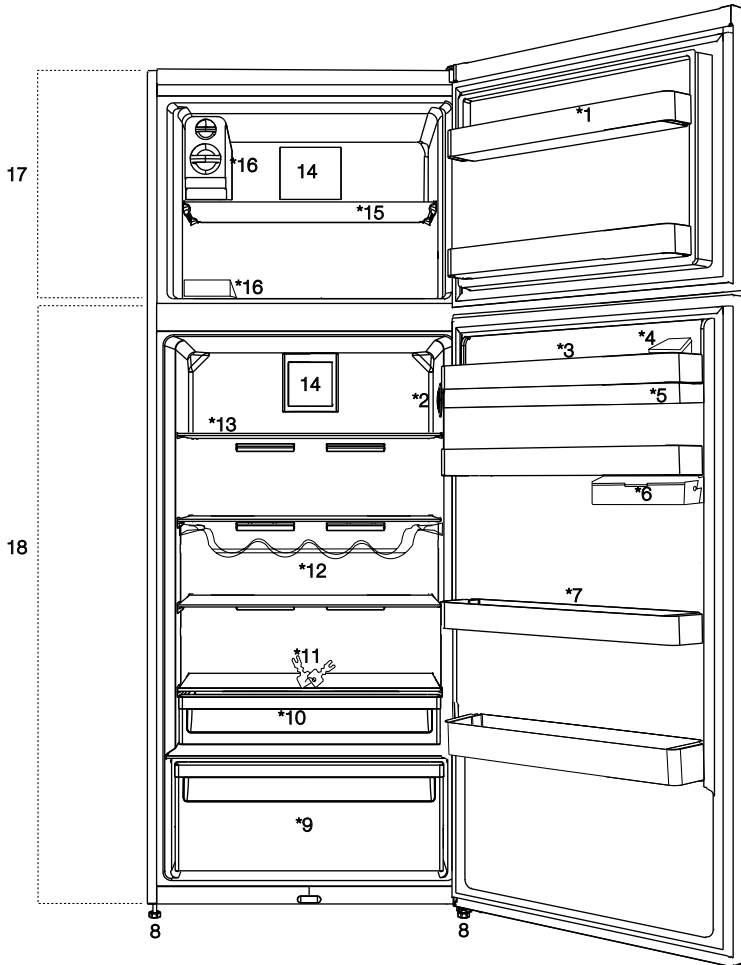
### 1.6. Package information



Packaging materials of the product are manufactured from recyclable materials in accordance with our National Environment Regulations.

Do not dispose of the packaging materials together with the domestic or other wastes. Take them to the packaging material collection points designated by the local authorities.

## 2 Your appliance



1. Fridge - compartment door shelf
2. Temperature setting button
3. Water dispenser filling tank
4. Egg section
5. Water dispenser reservoir
6. Storage container under the door shelf
7. Moving door shelf
8. Adjustable feet
9. Crisper
10. Chiller compartment
11. Lock and key
12. Bottle shelf
13. Fridge - compartment glass shelf
14. Fan
15. Freezer compartment shelf
16. Icebox / Ice-making compartment



**\*optional:** Figures in this user manual are given as an example and may not match the product exactly. If the relevant parts are not available in the product you purchased, the figure applies to other models.



### 3.1. Appropriate installation location

Contact an Authorized Service for the installation of the product. In order to prepare the product for use, refer the information in the user manual and ensure that electrical installation and water installation are appropriate. If not, call a qualified electrician and technician to have any necessary arrangements carried out.



**WARNING:** Manufacturer shall not be held liable for damages that may arise from procedures carried out by unauthorized persons.



**WARNING:** Product must not be plugged in during installation. Otherwise, there is the risk of death or serious injury!



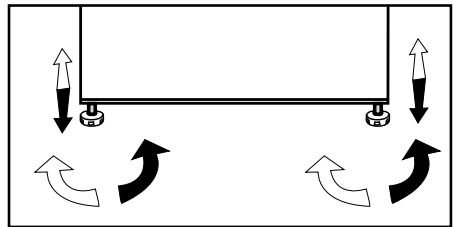
**WARNING:** If the door clearance of the room where the product shall be placed is so tight to prevent passing of the product, remove the door of the room and pass the product through the door by turning it to its side; if this does not work, contact the authorized service.

- Place the product on an even floor surface to prevent jolts.
- Install the product at least 30 cm away from heat sources such as hobs, heater cores and stoves and at least 5 cm away from electrical ovens.
- Product must not be subjected to direct sun light and kept in humid places.
- Your product requires adequate air circulation to function efficiently. If the product will be placed in an alcove, remember to leave at least 5 cm clearance between the product and the ceiling, rear wall and the side walls.

- If the product will be placed in an alcove, remember to leave at least 5 cm clearance between the product and the ceiling, rear wall and the side walls. Check if the rear wall clearance protection component is present at its location (if provided with the product). If the component is not available, or if it is lost or fallen, position the product so that at least 5 cm clearance shall be left between the rear surface of the product and the wall of the room. The clearance at the rear is important for efficient operation of the product.
- Do not install the product in places where the temperature falls below  $-5^{\circ}\text{C}$ .

### 3.2. Adjusting the feet

If the product stands unbalanced after installation, adjust the feet on the front by rotating them to the right or left.



## Installation

### 3.3. Electrical connection



**WARNING:** Do not make connections via extension cables or multi-plugs.



**WARNING:** Damaged power cable must be replaced by the Authorized Service Agent.



If two coolers are to be installed side by side, there should be at least 4 cm distance between them.



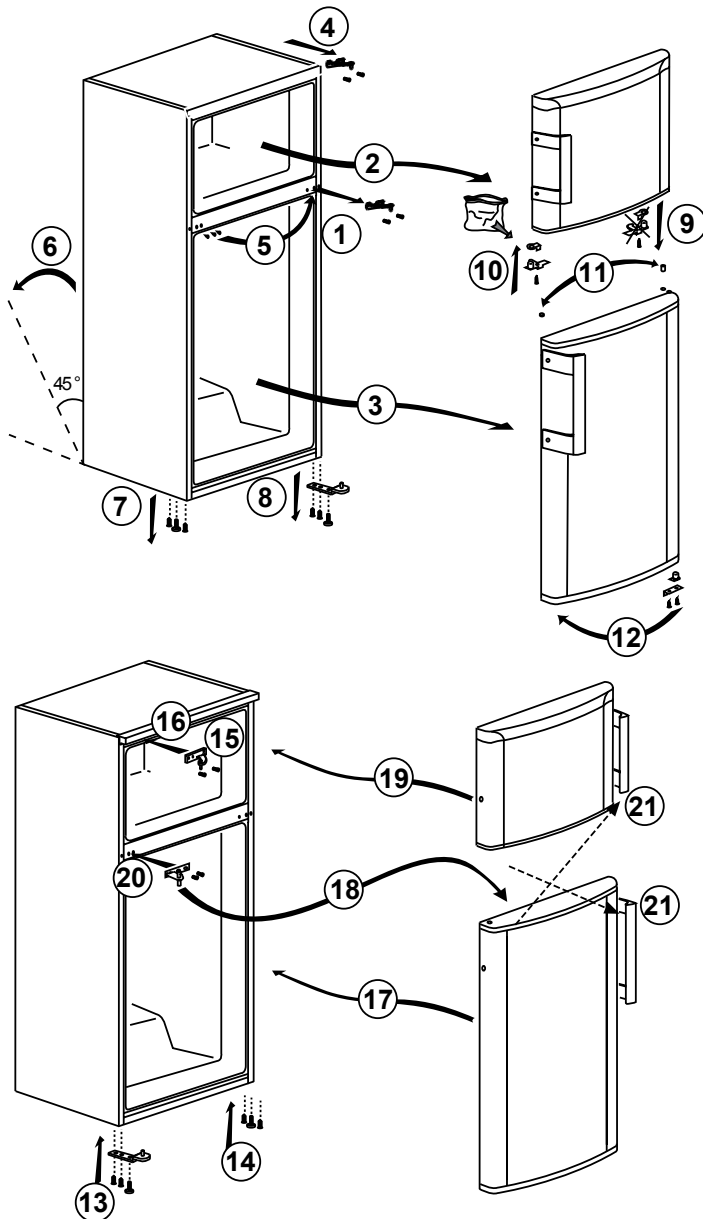
**Hot Surface Warning!**  
Side walls of your product is equipped with refrigerant pipes to improve the cooling system. Refrigerant with high temperatures may flow through these areas, resulting in hot surfaces on the side walls. This is normal and does not need any servicing. Please pay attention while touching these areas.

- Our company shall not be liable for any damages that will arise when the product is used without grounding and electrical connection in accordance with the national regulations.
- Power cable plug must be within easy reach after installation.
- Do not extension cords or cordless multiple outlets between your product and the wall outlet.

## Installation

### 3.4. Reversing the doors

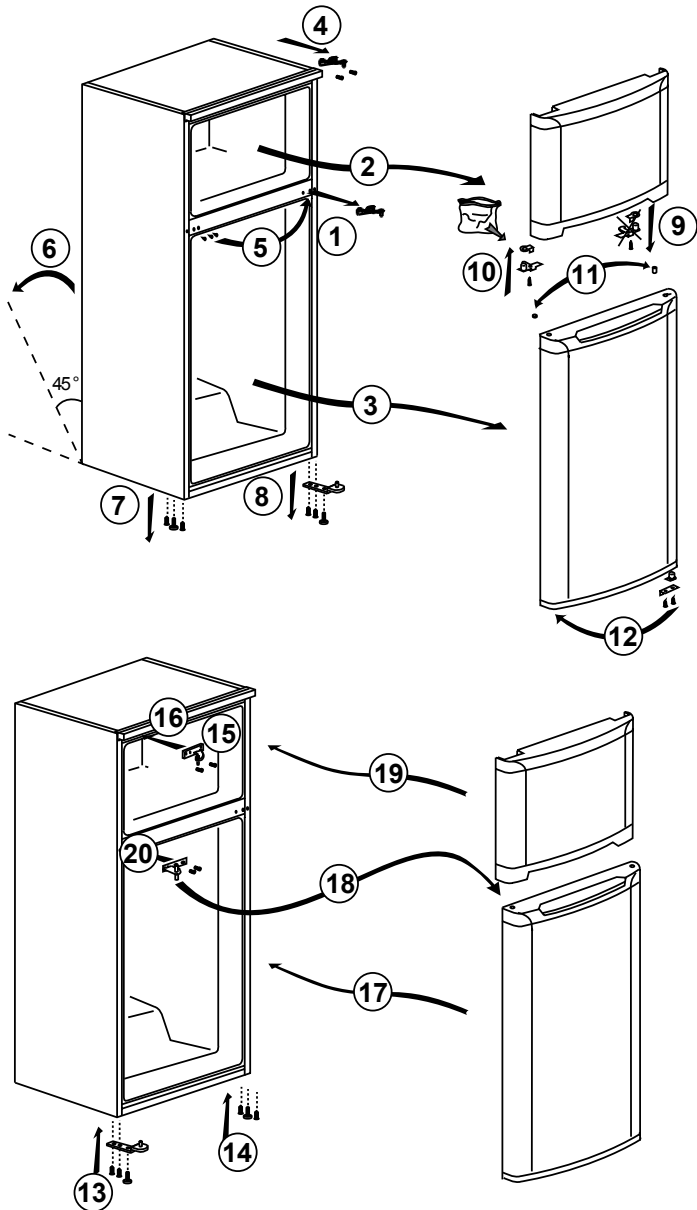
Proceed in numerical order.



## Installation

### 3.5.Reversing the doors

Proceed in numerical order .



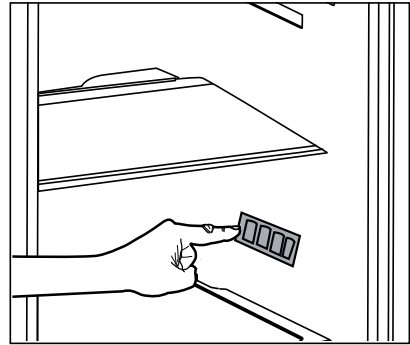
### 4.1. Things to be done for energy saving



Connecting the product to electric energy saving systems is risky as it may cause damage on the product.

- Do not leave the doors of your refrigerator open for a long time.
- Do not put hot food or drinks in your refrigerator.
- Do not overload the refrigerator, cooling capacity will fall when the air circulation inside is hindered.
- In order to store maximum amount of food in the freezer compartment, the icematic, available in the freezer compartment and easily removable by hand, shall be taken out. Net volume and energy consumption values declared on the power data plate of your refrigerator are measured and tested by removing the icematic. Do not remove the shelves inside the freezer compartment and on the door of freezer compartment shall not be removed and they shall always be used they provide ease of use and efficiency in energy consumption.
- Airflow should not be blocked by placing foods on the sides of the freezer compartment fan. A minimum distance of 3 cm shall be provided on the sides of protective fan cover.
- The baskets/drawers that are provided with the chill compartment must always be in use for low energy consumption and for better storage conditions.
- Since hot and humid air will not directly penetrate into your product when the doors are not opened, your product will optimize itself in conditions sufficient to protect your food. Functions and components such as compressor, fan, heater, defrost, lighting, display and so on will operate according to the needs to consume minimum energy under these circumstances.
- Food contact with the temperature sensor in the freezer compartment may increase energy consumption of the appliance. Thus any contact with the sensor(s) must be avoided.
- Depending on the features of your product, thawing frozen food in fridge compartment will both provide energy saving and preserve the food quality.

- Do not allow contact of the food with the fridge compartment temperature sensor shown in the figure below.



### 4.2. Initial use

Before starting to use your refrigerator, ensure that all preparations are made in accordance with the instructions in sections "Instructions for safety and environment" and "Installation".

- Run the product without putting any food for 6 hours and do not open its door unless certainly required.



You will hear a noise when the compressor starts up. The liquids and gases sealed within the refrigeration system may also give rise to noise, even if the compressor is not running and this is quite normal.



Front edges of the product may feel warm. This is normal. These areas are designed to be warm to avoid condensation.



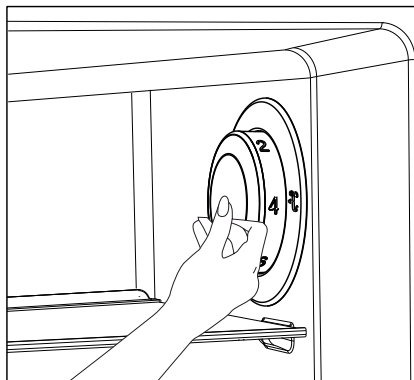
In some models, the instrument panel automatically turns off 5 minutes after the door has closed. It will be reactivated when the door has opened or pressed on any key.

## 5 Operating the product

### 5.1. Temperature setting button

The interior temperature of your refrigerator changes for the following reasons;

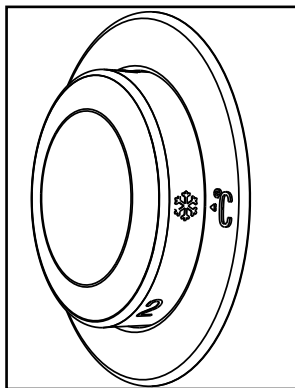
- Seasonal temperatures,
- Frequent opening of the door and leaving the door open for long periods,
- Food put into the refrigerator without cooling down to the room temperature,
- The location of the refrigerator in the room (e.g. exposing to sunlight),
- You may adjust the varying interior temperature due to such reasons by using the setting button.
- The numbers around the control knob indicate the temperature values in "°C".
- If the ambient temperature is 25°C, we recommend you to use the temperature control knob of your refrigerator at 4°C. This value may be increased or decreased as required in other ambient temperatures.



### 5.2. Fast Cooler

If large quantities of fresh food are to be refrigerated, adjust the temperature control knob to (❄️) max. 24 hours before putting the fresh food in the fast cooler compartment.

It is highly recommended to keep the switch in this position for at least 1 hours to cool the maximum amount of fresh food declared as the cooling capacity. Be especially careful not to mix chilled food with fresh food.



**\*Optional:** Figures in this user manual are schematic and may not match the product exactly. If the subject parts are not included in the product you have purchased, then those parts are valid for other models.

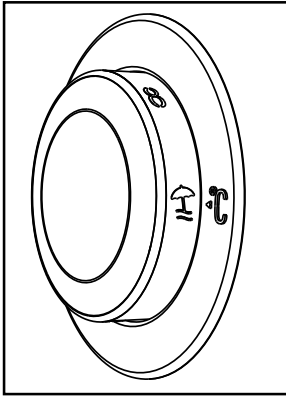
## Operating the product

Remember to turn the temperature control knob back to its previous position once food has frozen.

### 5.3. Vacation function

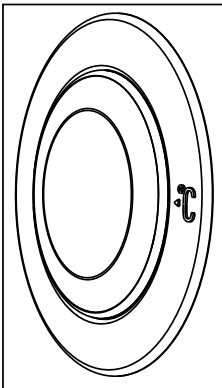
If the doors of the product are not opened for 12 hours after the temperature control knob is switched to the hottest position, then the vacation function will be activated automatically.

- When the setting operation is completed, you may press the temperature control knob and have it hidden.



To cancel the function, change the knob setting.

It is not recommended to store food in cooler compartment when the vacation function is active.

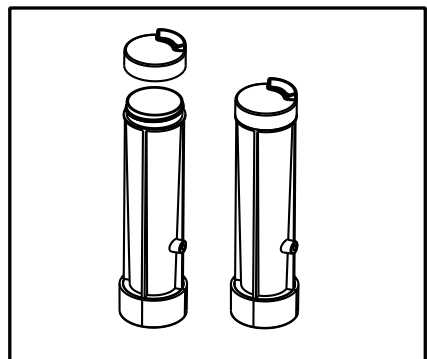
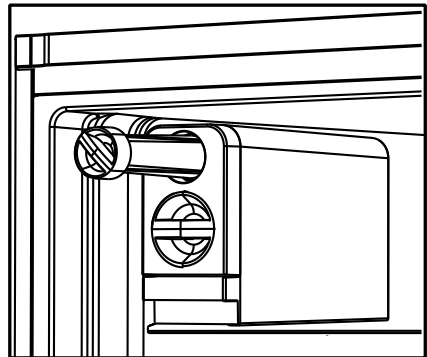
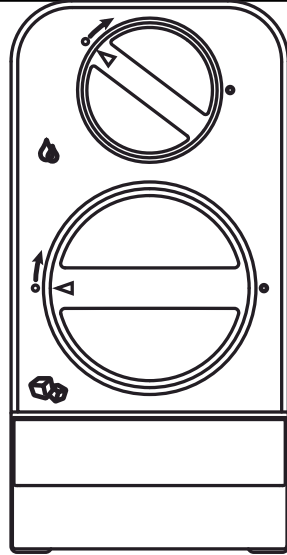


## Operating the product

### 5.4. Twist Ice - matic

#### (This feature is optional)

- Remove the water tank by rotating it to the left.
- Open the water tank cover by turning it and add water to the water tank up to the lower part of the water tank cover.
- Place the water tank on its place as shown in the figure after adding water and have it seated by rotating it on the direction of the arrow. Water shall be poured down to the icebank.
- When ice has formed, rotate icebank knob in the direction of the arrow to allow that the ice is dropped down to the ice drawer.
- Take the ice cubes by pulling ice drawer out.
- Pull the front face towards you in order to wash the icebank, and put it on the slides on the interior area and push it to its place in order to replace it.
- Pull the twist icematic unit towards you in order to remove the unit, and put it on the slides on the ceiling and push it to its place in order to replace it.





## Operating the product

### 5.5. Ice container

- Remove the ice container from the freezer compartment.
- Fill the ice container with water.
- Place the ice container in the freezer compartment. About two hours later, the ice is ready.
- Remove the ice container from the freezer compartment and bend it over the service plate. Ice cubes will easily fall down to the service plate.

### 5.6. Egg holder

You can install the egg holder to the desired door or body shelf. If it will be placed on body shelves than the lower cooler shelves are recommended.

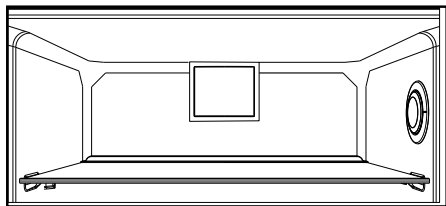


Never place the egg holder in the freezer compartment

### 5.7. Fan

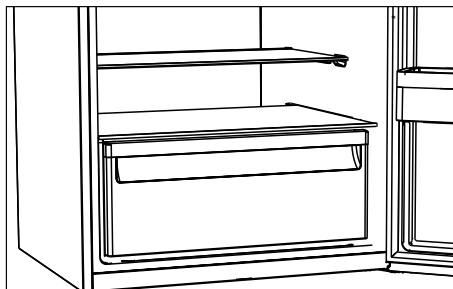
Fan is designed to ensure homogeneous distribution and circulation of the cold air inside your refrigerator. Operation time of the fan may vary depending on the properties of your product.

While the fan works only with the compressor in some products, the control system determines its operation time in some products in accordance with the cooling requirement.



### 5.8. Crisper

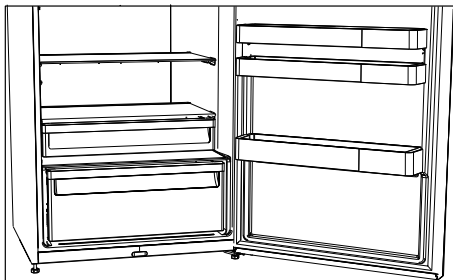
Crisper of the product is designed specially to keep the vegetables fresh without losing their humidity. For this purpose, cool air circulation is intensified around the crisper in general.



### 5.9. Chiller compartment

**(This feature is optional)**

Use this compartment to store delicatessen that shall be stored in a lower temperature or meat products that you will consume in a short time. Chiller compartment is the coolest place in your refrigerator where you can keep dairy products, meat, fish and poultry under ideal storage conditions. Fruits and vegetables should not be stored in this compartment.



## Operating the product

### 5.10. Moving door shelf

**(This feature is optional)**

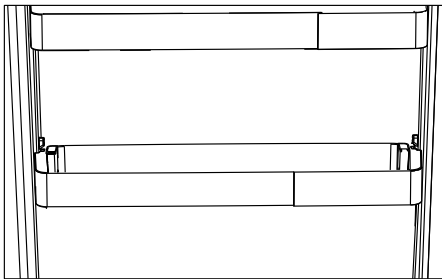
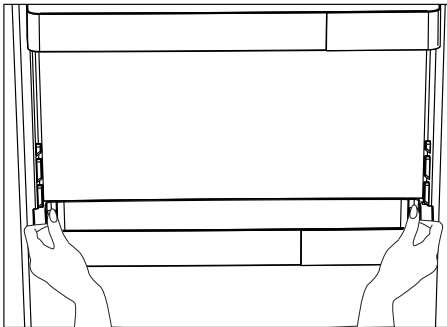
Moving door shelf may be fixed in 3 different positions.

Press the buttons shown in the sides at the same amount in order to move the shelf. Shelf shall be movable.

Move the shelf up or down.

Release the buttons when you have the shelf in the desired position.

Shelf shall be fixed on the position where you release the buttons.

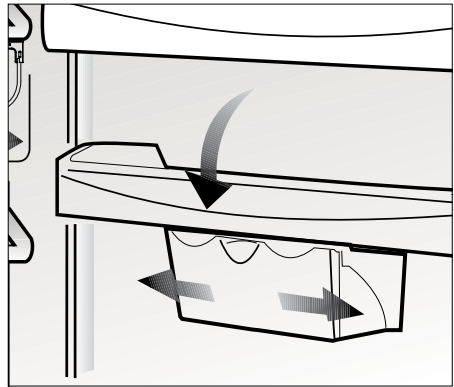


### 5.11. Sliding storage container

**(This feature is optional)**

This accessory is designed to increase the usable volume of the door shelves.

It allows you to easily place the tall bottles, jars and tins to the lower bottle shelf thanks to its ability to move right or left.



## Operating the product

### 5.12. Blue light/ HarvestFresh

**\*May not be available in all models**

#### **For the blue light,**

Fruits and vegetables stored in the crispers that are illuminated with a blue light continue their photosynthesis by means of the wavelength effect of blue light and thus preserve their vitamin content.

#### **For HarvestFresh,**

Fruits and vegetables stored in crispers illuminated with the HarvestFresh technology preserve their vitamins for a longer time thanks to the blue, green, red lights and dark cycles, which simulate a day cycle.

If you open the door of the refrigerator during the dark period of the HarvestFresh technology, the refrigerator will automatically detect this and enable the blue-green or red light to illuminate the crisper for your convenience. After you have closed the door of the refrigerator, the dark period will continue, representing the night time in a day cycle.

## Operating the product

### 5.13. Humidity controlled crisper

#### (FreSHelf)

#### (This feature is optional)

Humidity rates of the vegetables and fruit are kept under control with the feature of humidity-controlled crisper and the food is ensured to stay fresh for longer.

We recommend you to place the leafy vegetables such as lettuce, spinach and the vegetables which are sensitive to humidity loss, in a horizontal manner as much as possible inside the crisper, not on their roots in a vertical position.

While the vegetables are being placed, specific gravity of the vegetables should be taken into consideration. Heavy and hard vegetables should be put at the bottom of the crisper and the lightweight and soft vegetables should be placed over.

Never leave the vegetables inside the crisper in their bags. If the vegetables are left inside their bags, this will cause them to decompose in a short period of time. In case contacting with other vegetables is not preferred for hygiene concerns, use a perforated paper and other similar packaging materials instead of a bag.

Do not place together the pear, apricot, peach, etc. and apple in particular which have a high level of generation of ethylene gas in the same crisper with the other vegetables and fruit. The ethylene gas which is emitted by these fruit may cause the other fruit to ripen faster and decompose in a shorter time.

### 5.14. Auto Icematic

#### (This feature is optional)

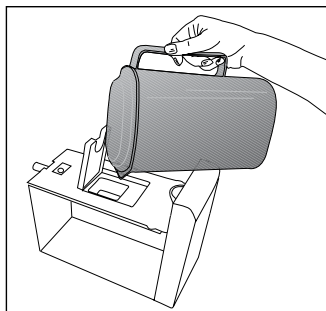
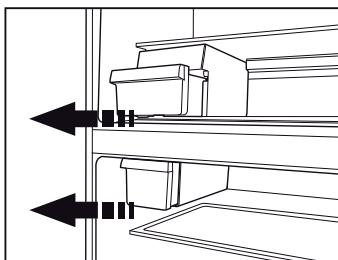
The Auto Icematic allows you to make ice in the fridge easily. Remove the water tank in the fridge compartment, fill it with water and install it back to obtain ice from the Icematic.

First ice cubes will be ready in approximately 2 hours in the Icematic drawer located in the freezer compartment.

If you fill the water tank completely, you will be able to obtain approximately 60-70 ice cubes. Change the water in water tank if it has waited around 2-3 weeks.



For the products having automatic Icematic, sound may be heard during ice pouring. This sound is normal and does not signal any error.



## Operating the product

### 5.15. Description and cleaning of odor filter

**(This feature is optional)**

Odor filter prevents unpleasant odor build-up in your product.

1. Pull the cover into which the odor filter is installed downwards from the front section and remove as illustrated.
2. Leave the filter under sunlight for one day. Filter will be cleaned during this time.
3. Install the filter back to its place.



Odor filter must be cleaned once in a year.

### 5.16. HerbBox/ HerbFresh

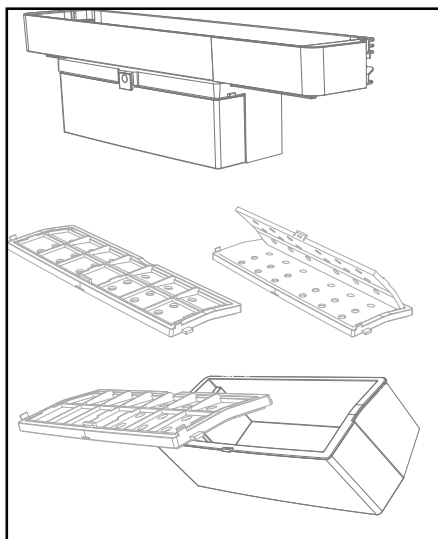
Remove the film container from HerbBox/HerbFresh+

Take the film out of the bag and put it into the film container as shown in the image.

Seal the container again and replace it into HerbBox/HerbFresh+ unit.

HerbBox-HerbFresh+ sections are especially ideal for storage of various herbs that are supposed to be kept in delicate conditions. You can store your unbagged herbs (parsley, dill, etc.) in this section horizontally and keep them fresh for a much longer period.



The film shall be replaced in every six months.



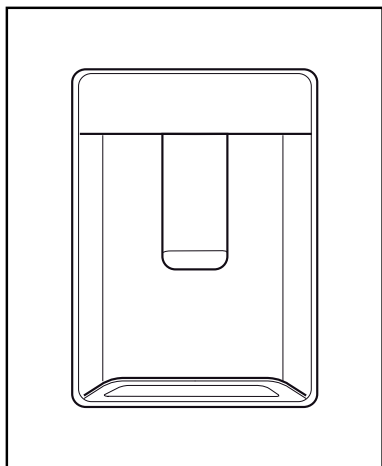
## Operating the product

### 5.17. Using the water dispenser

**\*optional**

	It is normal for the first few glasses of water taken from the dispenser to be warm.
	If the water dispenser is not used for a long period of time, dispose of first few glasses of water to obtain fresh water.



1. Push in the lever of the water dispenser with your glass. If you are using a soft plastic cup, pushing the lever with your hand will be easier.
2. After filling the cup up to the level you want, release the lever.



Please note, how much water flows from the dispenser depends on how far you depress the lever. As the level of water in your cup / glass rises, gently reduce the amount of pressure on the lever to avoid overflow. If you slightly press the arm, the water will drip; this is quite normal and not a failure.

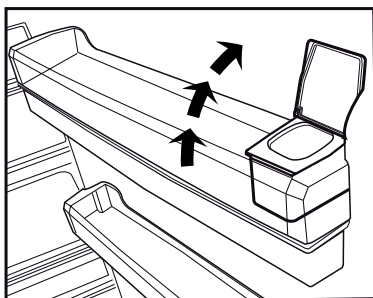
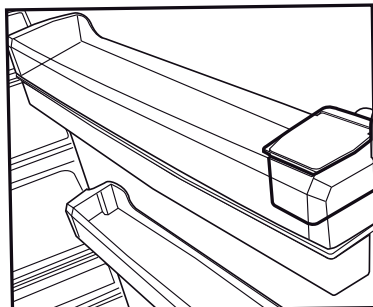
### 5.18. Using the water dispenser

**\*optional**

	It is normal for the first few glasses of water taken from the dispenser to be warm.
	If the water dispenser is not used for a long period of time, dispose of first few glasses of water to obtain fresh water.

1. Push in the lever of the water dispenser with your glass. If you are using a soft plastic cup, pushing the lever with your hand will be easier.
2. After filling the cup up to the level you want, release the lever.

## Operating the product



Please note, how much water flows from the dispenser depends on how far you depress the lever. As the level of water in your cup / glass rises, gently reduce the amount of pressure on the lever to avoid overflow. If you slightly press the arm, the water will drip; this is quite normal and not a failure.



Do not fill the water tank with any other liquid except for water such as fruit juices, carbonated beverages or alcoholic drinks which are not suitable to use in the water dispenser. Water dispenser will be irreparably damaged if these kinds of liquids are used. Warranty does not cover such usages. Some chemical substances and additives contained in these kinds of drinks/liquids may damage the water tank.



Use clean drinking water only.



Capacity of the water tank is 3 litres; do not overfill.

### 5.19. Filling the water dispenser's tank

Water tank filling reservoir is located inside the door rack.

1. Open the cover of the tank.
2. Fill the tank with fresh drinking water.
3. Close the cover.

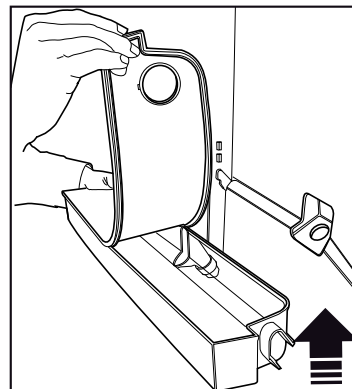
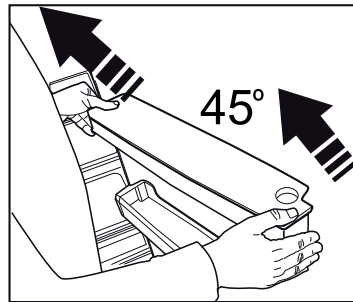
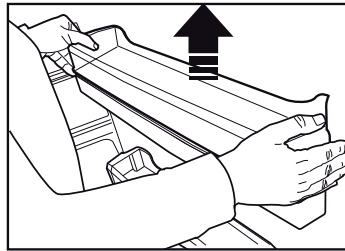
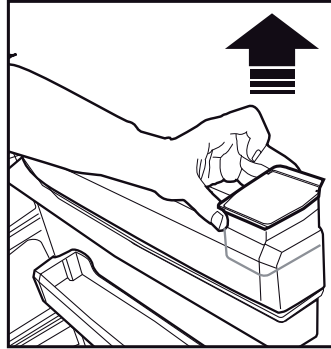
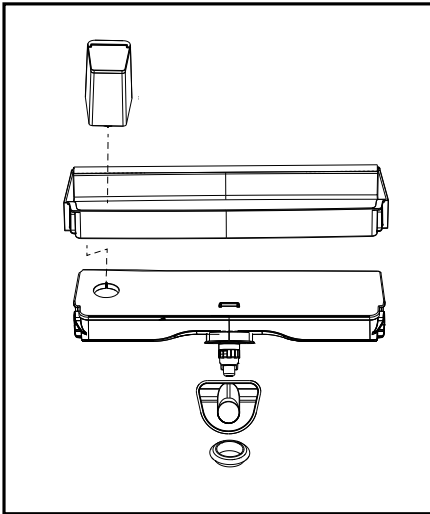
## Operating the product

### 5.20. Cleaning the water tank

1. Remove the water filling reservoir inside the door rack.
2. Remove the door rack by holding from both sides.
3. Grab the water tank from both sides and remove it with an angle of 45°.
4. Remove the cover of the water tank and clean the tank.



Components of the water tank and water dispenser should not be washed in dishwasher.





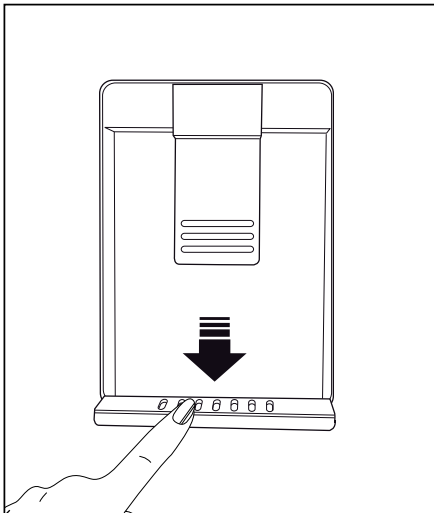
## Operating the product

### 5.21. Drip tray

Water that dripped while using the water dispenser accumulates in the spillage tray.

Remove the plastic filter as shown in the figure.

With a clean and dry cloth, remove the water that has accumulated.



## Operating the product

### 5.22. Freezing fresh food

- In order to preserve the quality of the food, it shall be frozen as quickly as possible when it is placed in the freezer compartment, use the fast freezing feature for this purpose.
- You may store the food longer in freezer compartment when you freeze them while they are fresh.
- Pack the food to be frozen and close the packing so that it would not allow entrance of air.
- Ensure that you pack your food before putting them in the freezer. Use freezer containers, foils and moisture-proof papers, plastic bags and other packing materials instead of traditional packing papers.
- Label each pack of food by adding the date before freezing. You may distinguish the freshness of each food pack in this way when you open your freezer each time. Store the food frozen before in the front side of compartment to ensure that they are used first.



The freezer compartment defrosts automatically.

- Frozen food must be used immediately after they are thawed and they should not be re-frozen.
- Do not freeze too large quantities of food at one time.

Freezer Compartment Setting	Fridge compartment Setting	Remarks
-18°C	4°C	This is the normal recommended setting.
-20, -22 or -24°C	4°C	These settings are recommended when the ambient temperature exceeds 30°C.
Quick Freeze	4°C	Use when you wish to freeze your food in a short time. Your product will return to its previous mode when the process is over.
-18°C or colder	2°C	Use these settings if you think that your fridge compartment is not cold enough because of the hot ambient conditions or frequent opening and closing of the door.

## Operating the product

### 5.23. Recommendations for preserving the frozen food

Compartment shall be set to  $-18^{\circ}\text{C}$  at least.

1. Put packages in the freezer as quickly as possible after purchase without allowing the to thaw.
2. Check whether the "Use By" and "Best Before" dates on the packaging are expired or not before freezing it.
3. Ensure that the package of the food is not damaged.

### 5.24. Deep-freeze information

According to IEC 62552 standards, the product shall freeze at least 4.5 kg of food at  $25^{\circ}\text{C}$  ambient temperature to  $-18^{\circ}\text{C}$  or lower within 24 hours for every 100-litres of freezer volume.

It is possible to preserve the food for a long time only at  $-18^{\circ}\text{C}$  or lower temperatures.

You can keep the freshness of food for many months (at  $-18^{\circ}\text{C}$  or lower temperatures in the deep freeze).

Foods to be frozen should not be allowed to come in contact with the previously frozen items to prevent them from getting thawed partially.

Boil the vegetables and drain their water in order to store vegetables for a longer time as frozen. After draining their water, put them in air-proof packages and place them inside the freezer. Food such as bananas, tomatoes, lettuce, celery, boiled eggs, potatoes are not suitable for freezing. When these foods are frozen, only their nutritional value and taste shall be affected negatively. They shall not be spoiled so that they would create a risk for human health.

### 5.25. Placing the food

Freezer compartment shelves	Various frozen food such as meat, fish, ice cream, vegetables and etc.
Refrigerator compartment shelves	Food in pans, covered plates and closed containers, eggs (in closed container)
Door shelves of fridge compartment	Small and packaged food or beverage
Crisper	Vegetables and fruits
Fresh zone compartment	Delicatessen (breakfast food, meat products that shall be consumed in a short time)

## Operating the product

### 5.26. Door open warning

#### (This feature is optional)

Door open warning is given to user both visually and acoustically. If the warning continues for 10 minutes, interior lights will be turned off.

### 5.27. Changing the door opening direction

Door opening direction of your refrigerator can be changed according to the place you are using it. If this is necessary, please call your nearest Authorized Service.

Above description is a general expression. For information on changing the opening direction of the door, you must refer to the warning label located on the inner side of the door.

### 5.28. Illumination lamp

LED lamps are used as illumination lamps. Contact authorized service in case of any problem with this type of light.

The lamp(s) used in this appliance is not suitable for household room illumination. The intended purpose of this lamp is to assist the user to place foodstuffs in the refrigerator/freezer in a safe and comfortable way.

Service life of the product is increase if it is regularly cleaned



**WARNING:** First unplug the product before cleaning your refrigerator.

- Never use any sharp and abrasive tools, soap, household cleaners, detergent and wax polish for cleaning.
- Dissolve one teaspoon of carbonate in half liter of water. Soak a cloth with the solution and wrung it thoroughly. Wipe the interior of the appliance with this cloth and the dry thoroughly.
- Make sure that no water enters the lamp housing and other electrical items.
- Clean the door with a damp cloth. To remove door and body shelves, remove all of its contents. Remove door shelves by moving them upwards. After cleaning, slide them from top to bottom to install.
- Never use cleaning agents or water that contain chlorine to clean the outer surfaces and chromium coated parts of the product. Chlorine causes corrosion on such metal surfaces.
- Do not use sharp, abrasive tools, soap, household cleaning agents, detergents, kerosene, fuel oil, varnish etc. to prevent removal and deformation of the prints on the plastic part. Use lukewarm water and a soft cloth for cleaning and then wipe it dry.

## 6.1. Avoiding bad odors

Materials that may cause odor are not used in the production of our appliances. However, due to inappropriate food preserving conditions and not cleaning the inner surface of the appliance as required can bring forth the problem of odor.

Therefore, clean the refrigerator with carbonate dissolved in water every 15 days.

- Keep the food in closed containers. Microorganisms spreading out from uncovered containers can cause unpleasant odours.
- Never keep the food that have expired best before dates and spoiled in the refrigerator.

## 6.2. Protecting the plastic surfaces

Clean with arm water immediately as the oil may cause damage on the surface when it is poured on plastic surfaces.

## 6.3. Door Glasses

Remove the protective foil on the glasses.

There is a coating on the surface of the glasses. This coating minimizes the stain build-up and helps to remove the possible stains and dirt easily. Glasses that are not protected with such a coating may be subject to persistent binding of air or water based organic or inorganic dirt such as limescale, mineral salts, unburned hydrocarbons, metal oxides and silicones that can easily and quickly cause stains or material damage. Keeping the glass clean becomes too difficult despite the regular cleaning. Consequently, the appearance and the transparency of the glass deteriorates. Harsh and corrosive cleaning methods and compounds will intensify these defects and speed up the deterioration process.

Water-based cleaning products that are not alkaline and corrosive must be used for regular cleaning purposes.

Non-alkaline and non-corrosive materials must be used for cleaning so that the

service life of this coating lasts for a long time.

These glasses are tempered to increase their durability against impacts and breaking. A safety film is also applied to their rear surfaces as an extra safety measure in order to prevent them from causing damage to their surrounding in case of a breakage.

\*Alkali is a base that forms hydroxide ions ( $\text{OH}^-$ ) when it is dissolved in water. Li (Lithium), Na (Sodium), K (Potassium) Rb (Rubidium), Cs (Cesium) and artificial and radioactive Fr (Francium) metals are called ALKALI METALS.

Check this list before contacting the service. Doing so will save you time and money. This list includes frequent complaints that are not related to faulty workmanship or materials. Certain features mentioned herein may not apply to your product.

## The refrigerator is not working.

- The power plug is not fully settled. >>> Plug it in to settle completely into the socket.
- The fuse connected to the socket powering the product or the main fuse is blown. >>> Check the fuses.

## Condensation on the side wall of the cooler compartment (MULTI ZONE, COOL, CONTROL and FLEXI ZONE).

- The door is opened too frequently >>> Take care not to open the product's door too frequently.
- The environment is too humid. >>> Do not install the product in humid environments.
- Foods containing liquids are kept in unsealed holders. >>> Keep the foods containing liquids in sealed holders.
- The product's door is left open. >>> Do not keep the product's door open for long periods.
- The thermostat is set to too low temperature. >>> Set the thermostat to appropriate temperature.

## Compressor is not working.

- In case of sudden power failure or pulling the power plug off and putting back on, the gas pressure in the product's cooling system is not balanced, which triggers the compressor thermic safeguard. The product will restart after approximately 6 minutes. If the product does not restart after this period, contact the service.
- Defrosting is active. >>> This is normal for a fully-automatic defrosting product. The defrosting is carried out periodically.
- The product is not plugged in. >>> Make sure the power cord is plugged in.
- The temperature setting is incorrect. >>> Select the appropriate temperature setting.
- The power is out. >>> The product will continue to operate normally once the power is restored.

## The refrigerator's operating noise is increasing while in use.

- The product's operating performance may vary depending on the ambient temperature variations. This is normal and not a malfunction.

## The refrigerator runs too often or for too long.

- The new product may be larger than the previous one. Larger products will run for longer periods.
- The room temperature may be high. >>> The product will normally run for long periods in higher room temperature.
- The product may have been recently plugged in or a new food item is placed inside. >>> The product will take longer to reach the set temperature when recently plugged in or a new food item is placed inside. This is normal.
- Large quantities of hot food may have been recently placed into the product. >>> Do not place hot food into the product.
- The doors were opened frequently or kept open for long periods. >>> The warm air moving inside will cause the product to run longer. Do not open the doors too frequently.
- The freezer or cooler door may be ajar. >>> Check that the doors are fully closed.
- The product may be set to temperature too low. >>> Set the temperature to a higher degree and wait for the product to reach the adjusted temperature.
- The cooler or freezer door washer may be dirty, worn out, broken or not properly settled. >>> Clean or replace the washer. Damaged / torn door washer will cause the product to run for longer periods to preserve the current temperature.

## The freezer temperature is very low, but the cooler temperature is adequate.

- The freezer compartment temperature is set to a very low degree. >>> Set the freezer compartment temperature to a higher degree and check again.

# Troubleshooting

## **The cooler temperature is very low, but the freezer temperature is adequate.**

- The cooler compartment temperature is set to a very low degree. >>> Set the freezer compartment temperature to a higher degree and check again.

## **The food items kept in cooler compartment drawers are frozen.**

- The cooler compartment temperature is set to a very low degree. >>> Set the freezer compartment temperature to a higher degree and check again.

## **The temperature in the cooler or the freezer is too high.**

- The cooler compartment temperature is set to a very high degree. >>> Temperature setting of the cooler compartment has an effect on the temperature in the freezer compartment. Wait until the temperature of relevant parts reach the sufficient level by changing the temperature of cooler or freezer compartments.
- The doors were opened frequently or kept open for long periods. >>> Do not open the doors too frequently.
- The door may be ajar. >>> Fully close the door.
- The product may have been recently plugged in or a new food item is placed inside. >>> This is normal. The product will take longer to reach the set temperature when recently plugged in or a new food item is placed inside.
- Large quantities of hot food may have been recently placed into the product. >>> Do not place hot food into the product.

## **Shaking or noise.**

- The ground is not level or durable. >>> If the product is shaking when moved slowly, adjust the stands to balance the product. Also make sure the ground is sufficiently durable to bear the product.
- Any items placed on the product may cause noise. >>> Remove any items placed on the product.

## **The product is making noise of liquid flowing, spraying etc.**

- The product's operating principles involve liquid and gas flows. >>> This is normal and not a malfunction.

## **There is sound of wind blowing coming from the product.**

- The product uses a fan for the cooling process. This is normal and not a malfunction.

## **There is condensation on the product's internal walls.**

- Hot or humid weather will increase icing and condensation. This is normal and not a malfunction.
- The doors were opened frequently or kept open for long periods. >>> Do not open the doors too frequently; if open, close the door.
- The door may be ajar. >>> Fully close the door.

## **There is condensation on the product's exterior or between the doors.**

- The ambient weather may be humid, this is quite normal in humid weather. >>> The condensation will dissipate when the humidity is reduced.

## **The interior smells bad.**

- The product is not cleaned regularly. >>> Clean the interior regularly using sponge, warm water and carbonated water.
- Certain holders and packaging materials may cause odour. >>> Use holders and packaging materials without free of odour.
- The foods were placed in unsealed holders. >>> Keep the foods in sealed holders. Micro-organisms may spread out of unsealed food items and cause malodour. Remove any expired or spoilt foods from the product.

## **The door is not closing.**

- Food packages may be blocking the door. >>> Relocate any items blocking the doors.
- The product is not standing in full upright position on the ground. >>> Adjust the stands to balance the product.



# Troubleshooting

- The ground is not level or durable. >>> Make sure the ground is level and sufficiently durable to bear the product.

## **The vegetable bin is jammed.**

- The food items may be in contact with the upper section of the drawer. >>> Reorganize the food items in the drawer.

## **If The Surface Of The Product Is Hot.**

- High temperatures may be observed between the two doors, on the side panels and at the rear grill while the product is operating. This is normal and does not require service maintenance! Be careful when touching these areas.



### **WARNING:**


If the problem persists after following the instructions in this section, contact your vendor or an Authorised Service. Do not try to repair the product.

- Αγαπητέ Πελάτη,
- Θα θέλαμε να έχετε τη μέγιστη απόδοση από το προϊόν μας, το οποίο κατασκευάστηκε σε μοντέρνες εγκαταστάσεις με σχολαστικούς ελέγχους ποιότητας.
- Για το σκοπό αυτό, διαβάστε πλήρως τις οδηγίες χρήσης πριν χρησιμοποιήσετε το προϊόν και φυλάξτε τις ως πηγή αναφοράς. Αν παραδώσετε το προϊόν σε άλλο άτομο, παραδώστε μαζί και αυτές τις οδηγίες.

### **Οι οδηγίες χρήσης διασφαλίζουν τη γρήγορη και ασφαλή χρήση του προϊόντος.**

- Διαβάστε τις οδηγίες χρήσης πριν την εγκατάσταση και τη λειτουργία του προϊόντος.
  - Πάντα να τηρείτε τις εφαρμόσιμες οδηγίες ασφαλείας.
  - Να διατηρείτε τις οδηγίες χρήσης σε σημείο με εύκολη πρόσβαση, για μελλοντική χρήση.
  - Παρακαλούμε να διαβάστε και οποιαδήποτε άλλη τεκμηρίωση συνοδεύει το προϊόν.
  - Να έχετε υπόψη σας ότι αυτές οι οδηγίες χρήσης μπορεί να έχουν εφαρμογή σε περισσότερα από ένα μοντέλα του προϊόντος. Ο οδηγός υποδεικνύει με σαφήνεια τυχόν παραλλαγές των διάφορων μοντέλων.
- **Σύμβολα και παρατηρήσεις**
  - **Στις οδηγίες χρήσης χρησιμοποιούνται τα ακόλουθα σύμβολα:**

	Σημαντικές πληροφορίες και χρήσιμες συμβουλές.
	Κίνδυνος για τη ζωή και την περιουσία.
	Κίνδυνος ηλεκτροπληξίας.

	Η συσκευασία του προϊόντος είναι κατασκευασμένη από ανακυκλώσιμα υλικά σύμφωνα με την Εθνική νομοθεσία προστασίας του περιβάλλοντος.
-----------------------------------------------------------------------------------	--------------------------------------------------------------------------------------------------------------------------------------

# Πίνακας περιεχομένων

<b>1 Οδηγίες για την ασφάλεια και το περιβάλλον</b>	<b>3</b>	5.8. Συρτάρι λαχανικών . . . . .	16
1.1. Γενική ασφάλεια. . . . .	3	5.9. Διαμέρισμα έντονης ψύξης . . . . .	16
1.1.1 Προειδοποίηση HC . . . . .	5	5.10. Κινητό ράφι πόρτας . . . . .	17
1.1.2 Για μοντέλα με διανομέα νερού. . . . .	5	5.11. Συρόμενο δοχείο αποθήκευσης . . . . .	17
1.2. Προβλεπόμενη χρήση . . . . .	6	5.12. Μπλε φως/HarvestFresh . . . . .	17
1.3. Ασφάλεια των παιδιών. . . . .	6	5.13. Συρτάρι λαχανικών ελεγχόμενης υγρασίας . . . . .	18
1.4. Συμμόρφωση με την Οδηγία περί αποβλήτων ηλεκτρικού και ηλεκτρονικού εξοπλισμού (ΑΗΗΕ) και τελική διάθεση του προϊόντος: . . . . .	6	5.14. Αυτόματο Icematic . . . . .	18
1.5. Συμμόρφωση με την Οδηγία περί περιορισμού χρήσης ορισμένων επικίνδυνων ουσιών (RoHS): . . . . .	6	5.15. Περιγραφή και καθαρισμός του φίλτρου οσμών . . . . .	19
1.6. Πληροφορίες σχετικά με τη συσκευασία . . . . .	6	5.16. Χρήση του διανομέα νερού . . . . .	19
<b>2 Ψυγείο</b>	<b>7</b>	5.17. Χρήση του διανομέα νερού . . . . .	19
<b>3 Εγκατάσταση</b>	<b>8</b>	5.18. Γέμισμα του δοχείου του διανομέα νερού. . . . .	20
3.1. Σωστή θέση εγκατάστασης . . . . .	8	5.19. Καθαρισμός του δοχείου νερού . . . . .	20
3.2. Ρύθμιση των ποδιών . . . . .	8	5.20. Δίσκος συλλογής σταγόνων. . . . .	21
3.3. Σύνδεση ρεύματος . . . . .	9	5.21. Τμήματα μυρωδικών - HerbBox/HerbFresh. . . . .	22
3.4. Αντιστροφή της φοράς ανοίγματος των πορτών . . . . .	10	5.22. Κατάψυξη νωπών τροφίμων . . . . .	23
3.5. Αντιστροφή της φοράς ανοίγματος των πορτών . . . . .	11	5.23. Υποδείξεις για τη φύλαξη κατεψυγμένων τροφίμων . . . . .	23
<b>4 Προετοιμασία</b>	<b>12</b>	5.24. Λεπτομέρειες για τη βαθιά κατάψυξη . . . . .	23
4.1. Τι πρέπει να κάνετε για εξοικονόμηση ενέργειας. . . . .	12	5.25. Τοποθέτηση των τροφίμων . . . . .	24
4.2. Αρχική χρήση. . . . .	12	5.26. Ειδοποίηση ανοικτής πόρτας (προαιρετ.) . . . . .	24
<b>5 Χρήση του προϊόντος</b>	<b>13</b>	5.27. Εσωτερικό φως . . . . .	24
5.1. Κουμπί ρύθμισης θερμοκρασίας . . . . .	13	<b>6 Συντήρηση και καθαρισμός</b>	<b>25</b>
5.2. Ταχεία ψύξη . . . . .	13	6.1. Αποτροπή δυσάρεστων οσμών. . . . .	25
5.3. Λειτουργία διακοπών . . . . .	14	6.2. Προστασία των πλαστικών επιφανειών . . . . .	25
5.4. Twist Icematic . . . . .	15	<b>6 Συντήρηση και καθαρισμός</b>	<b>26</b>
5.5. Παγοθήκη. . . . .	16	6.3. Τζάμια πόρτας . . . . .	26
5.6. Αυγοθήκη. . . . .	16	<b>7 Επίλυση προβλημάτων</b>	<b>27</b>
5.7. Ανεμιστήρας. . . . .	16		

Αυτή η ενότητα παρέχει τις οδηγίες ασφαλείας που είναι απαραίτητες για την αποτροπή κινδύνου τραυματισμού και υλικής ζημιάς. Η μη τήρηση αυτών των οδηγιών θα ακυρώσει κάθε τύπο εγγύησης του προϊόντος.

## Προβλεπόμενος σκοπός χρήσης



### ΠΡΟΣΟΧΗ:

βεβαιωθείτε ότι οι οπές εξαερισμού δεν είναι κλεισμένοι όταν η συσκευή είναι στη δική συσκευασία της και όταν είναι εγκατεστημένη.

### ΠΡΟΣΟΧΗ:

Για να επιταχυνθεί η λειτουργία απόψυξης, παρακαλούμε να μη χρησιμοποιείτε κανένα άλλο μηχανικό ή άλλο εξοπλισμό εκτός από τα οπεία που συνιστώνται από τον κατασκευαστή.

### ΠΡΟΣΟΧΗ:

Μην καταστρέφετε το ψυκτικό κύκλωμα.

### ΠΡΟΣΟΧΗ:

Μην χρησιμοποιείτε ηλεκτρικές συσκευές που δεν συνιστώνται από τον κατασκευαστή στους χώρους αποθήκευσης τροφίμων.

Αυτή η συσκευή έχει σχεδιαστεί για χρήση στο σπίτι ή στις παρακάτω περιοχές εφαρμογής

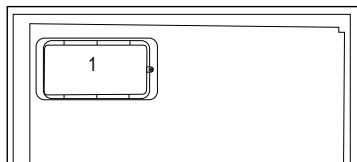
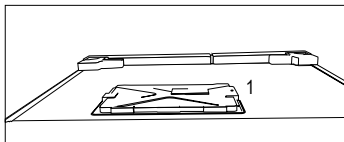
- Μπορεί να χρησιμοποιηθεί στις κουζίνες των γραφείων, μαγαζιών και των άλλων των εργασιακών περιβαλλόντων,
- Μπορεί να χρησιμοποιηθεί από τους πελάτες στα αγρόκτηματα, ξενοδοχεία, μοτέλ και στα άλλα περιβάλλοντα καταλύματος,
- Στα περιβάλλοντα όπως πανσιόν,
- Στους τόπους όπου δεν υπάρχει υπηρεσία τροφοδοσίας και στις παρόμοιες εφαρμογές.

## 1.1. Γενική ασφάλεια

- Αυτό το προϊόν δεν πρέπει να χρησιμοποιείται από άτομα με μειωμένες σωματικές, αισθητηριακές και πνευματικές ικανότητες, από άτομα που δεν έχουν επαρκή γνώση και εμπειρία και από παιδιά. Η συσκευή αυτή μπορεί να χρησιμοποιείται από τέτοια άτομα υπό την επίβλεψη και καθοδήγηση ατόμου υπεύθυνου για την ασφάλειά τους. Δεν πρέπει να επιτρέπεται σε παιδιά να παίζουν με αυτή τη συσκευή.
- Σε περίπτωση δυσλειτουργίας, αποσυνδέστε τη συσκευή από την πρίζα.
- Μετά την αποσύνδεση της συσκευής από την πρίζα, περιμένετε τουλάχιστον 5 λεπτά πριν τη συνδέσετε πάλι. Αποσυνδέετε το προϊόν από την πρίζα όταν δεν χρησιμοποιείται. Μην αγγίζετε το φινι ρευματοληψίας με υγρά χέρια! Μην τραβάτε το καλώδιο για αποσύνδεση από την πρίζα, πάντα να τραβάτε μόνο το φινι.
- Σκουπίστε τους ακροδέκτες του φινι ρευματοληψίας με ένα στεγνό πανί πριν συνδέσετε το φινι στην πρίζα.
- Μη συνδέσετε το ψυγείο στην πρίζα, αν η πρίζα δεν είναι καλά στερεωμένη.
- Αποσυνδέετε το προϊόν πριν από εργασίες εγκατάστασης, συντήρησης, καθαρισμού και επισκευής.
- Αν το προϊόν δεν πρόκειται να χρησιμοποιηθεί για μεγάλο χρονικό διάστημα, αποσυνδέστε το από την πρίζα και αφαιρέστε όλα τα τρόφιμα από το εσωτερικό του.
- Μη χρησιμοποιείτε ατμό ή μέσα καθαρισμού που παράγουν ατμό για τον καθαρισμό του ψυγείου και την τήξη του πάγου στο εσωτερικό του. Ο ατμός μπορεί να έρθει σε επαφή με σημεία που βρίσκονται υπό τάση και να προκαλέσει βραχυκύκλωμα ή ηλεκτροπληξία!

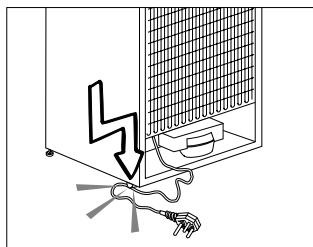
# Οδηγίες για την ασφάλεια και το περιβάλλον

- Μην πλένετε το προϊόν ψεκάζοντας ή χύνοντας νερό πάνω του! Κίνδυνος ηλεκτροπληξίας!
- Σε καμία περίπτωση μη χρησιμοποιήσετε το προϊόν αν είναι ανοικτό το τμήμα στο πάνω ή πίσω μέρος του προϊόντος που περιέχει τις πλακάτες τυπωμένων κυκλωμάτων (κάλυμμα τυπωμένων κυκλωμάτων) (1).



- Σε περίπτωση δυσλειτουργίας μη χρησιμοποιήσετε το προϊόν, γιατί κάτι τέτοιο θα μπορούσε να είναι αιτία ηλεκτροπληξίας. Πριν κάνετε οτιδήποτε απευθυνθείτε σε εξουσιοδοτημένο σέρβις.
- Συνδέστε το προϊόν σε πρίζα με γείωση. Η γείωση πρέπει να έχει γίνει από εξειδικευμένο ηλεκτρολόγο.
- Αν το προϊόν διαθέτει φωτισμό τύπου LED, απευθυνθείτε σε εξουσιοδοτημένο σέρβις για αντικατάσταση ή σε περίπτωση οποιουδήποτε προβλήματος.
- Μην αγγίζετε κατεψυγμένα τρόφιμα με υγρά χέρια! Μπορεί να κολλήσουν στα χέρια σας!
- Μην τοποθετείτε μέσα στο θάλαμο κατάψυξης υγρά σε μπουκάλια ή μεταλλικά κουτάκια. Μπορεί να σκάσουν!
- Τοποθετείτε τα δοχεία υγρών σε όρθια θέση με σφιχτά κλεισμένο το κάλυμμα.
- Μην ψεκάζετε εύφλεκτες ουσίες κοντά στο προϊόν, γιατί μπορεί να προκληθεί φωτιά ή έκρηξη.
- Μη διατηρείτε μέσα στο ψυγείο εύφλεκτα υλικά και προϊόντα που περιέχουν εύφλεκτο αέριο (σπρέι κλπ.).

- Μην τοποθετείτε πάνω στο προϊόν δοχεία που περιέχουν υγρά. Τυχόν πιπίλισμα νερού πάνω σε εξάρτημα υπό τάση μπορεί να προκαλέσει ηλεκτροπληξία και κίνδυνο φωτιάς.
- Η έκθεση του προϊόντος σε βροχή, χιόνι, ηλιακή ακτινοβολία και άνεμο θα προκαλέσει ηλεκτρικό κίνδυνο. Όταν αλλάζετε θέση στο προϊόν, μην το τραβήξετε από τη λαβή της πόρτας. Η λαβή μπορεί να αποκολληθεί.
- Προσέξτε να αποφύγετε την παγίδευση οποιουδήποτε τμήματος των χεριών ή του σώματός σας σε οποιοδήποτε από τα κινούμενα μέρη στο εσωτερικό του προϊόντος.
- Μην ανεβαίνετε και μη στηρίζετε στην πόρτα, τα συρτάρια και παρόμοια μέρη του ψυγείου. Κάτι τέτοιο θα προκαλέσει πτώση του προϊόντος και ζημιά στα μέρη της συσκευής.
- Προσέξτε να μην παγιδευτεί το καλώδιο ρεύματος.



Όταν τοποθετείτε τη συσκευή, βεβαιωθείτε ότι το καλώδιο ρεύματος δεν θα μαγκωθεί και δεν θα υποστεί ζημιά.

- Μην τοποθετείτε πολύπριζα ή φορητά τροφοδοτικά πίσω από τη συσκευή.

Παιδιά ηλικίας από 3 •  
έως 8 ετών επιτρέπεται να  
εναποθέτουν και να αποσύρουν  
φαγώσιμα από ψυκτικές οικιακές  
συσκευές

# Οδηγίες για την ασφάλεια και το περιβάλλον

Για την αποφυγή μόλυνσης των τροφίμων, παρακαλούμε να τηρείτε τις εξής οδηγίες

Το άνοιγμα της πόρτας για μεγάλα χρονικά διαστήματα μπορεί να προκαλέσει σημαντική αύξηση της θερμοκρασίας στα διαμερίσματα της συσκευής

Να καθαρίζετε τακτικά τις επιφάνειες που μπορεί να έρθουν σε επαφή με τρόφιμα, καθώς και τα προσπελάσιμα συστήματα αποστράγγισης

Να καθαρίζετε τα δοχεία νερού αν δεν έχουν χρησιμοποιηθεί για 48 ώρες. Να ξεπλένετε το σύστημα νερού που συνδέεται σε παροχή νερού αν δεν έχει καταναλωθεί νερό για 5 ημέρες

Να φυλάσσετε το ωμό κρέας και ψάρια σε κατάλληλα δοχεία μέσα στο ψυγείο, ώστε να μην έρχονται σε επαφή με φαγητά και να μη στάζουν πάνω σε αυτά

Τα διαμερίσματα δύο αστέρων για κατεψυγμένα τρόφιμα είναι κατάλληλα για φύλαξη προκατεψυγμένων τροφίμων, για φύλαξη ή παρασκευή παγωτού και για παρασκευή παγοκύβων

Τα διαμερίσματα ενός, δύο και τριών αστέρων δεν είναι κατάλληλα για την κατάψυξη νωπών τροφίμων

Αν η ψυκτική οικιακή συσκευή μένει κενή για μεγάλα χρονικά διαστήματα, απενεργοποιήστε τη, κάντε απόψυξη, καθαρίστε τη, στεγνώστε τη και αφήστε την πόρτα ανοικτή ώστε να αποφύγετε την ανάπτυξη μούχλας εντός της συσκευής

## 1.1.1 Προειδοποίηση HC

- Αν το προϊόν περιλαμβάνει ψυκτικό σύστημα που χρησιμοποιεί το αέριο R600a, προσέξτε να αποφύγετε την πρόκληση ζημιάς στο ψυκτικό σύστημα και στους σωλήνες τους όταν χρησιμοποιείτε και μεταφέρετε το προϊόν. Αυτό το αέριο είναι εύφλεκτο. Αν έχει υποστεί ζημιά το ψυκτικό σύστημα, κρατήστε το προϊόν μακριά από πηγές φλόγας ή σπινθήρες και αερίστε αμέσως το δωμάτιο.



Η ετικέτα στην εσωτερική αριστερή πλευρά υποδεικνύει τον τύπο αερίου που χρησιμοποιείται στο προϊόν.

## 1.1.2 Για μοντέλα με διανομέα νερού

- Η μέγιστη πίεση για την είσοδο κρύου νερού θα είναι 90 psi (620 kPa). Αν η πίεση νερού υπερβαίνει τα 80 psi (550 kPa), χρησιμοποιήστε μια βαλβίδα περιορισμού πίεσης στο σύστημα παροχής νερού σας. Αν δεν γνωρίζετε πώς να ελέγξετε την πίεση νερού, ζητήστε τη βοήθεια επαγγελματία υδραυλικού.
- Αν υπάρχει κίνδυνος φαινομένου υδραυλικού πλήγματος (απότομης μεταβολής πίεσης του νερού) στην εγκατάστασή σας, πάντα να χρησιμοποιείτε στην εγκατάσταση εξοπλισμό αποτροπής του υδραυλικού πλήγματος. Συμβουλευτείτε επαγγελματίες υδραυλικούς αν δεν είστε σίγουροι ότι δεν υπάρχει φαινόμενο υδραυλικού πλήγματος στην εγκατάστασή σας.
- Μην εγκαταστήσετε στην είσοδο ζεστού νερού. Λάβετε μέτρα προφύλαξης έναντι του κινδύνου να παγώσουν οι εύκαμπτοι σωλήνες. Η περιοχή θερμοκρασιών νερού λειτουργίας είναι από ελάχιστη 0,6 °C (33 °F) έως μέγιστη 38 °C (100 °F).
- Να χρησιμοποιείτε μόνο πόσιμο νερό.
- Να χρησιμοποιείτε μόνο πόσιμο νερό.

# Οδηγίες για την ασφάλεια και το περιβάλλον

## 1.2. Προβλεπόμενη χρήση

- Αυτό το προϊόν έχει σχεδιαστεί για οικιακή χρήση. Δεν προορίζεται για επαγγελματική χρήση.
- Το προϊόν θα πρέπει να χρησιμοποιείται μόνο για τη φύλαξη τροφίμων και ποτών.
- Μη διατηρείτε μέσα στο ψυγείο ευαίσθητα προϊόντα που χρειάζονται ελεγχόμενες θερμοκρασίες (εμβόλια, φάρμακα ευαίσθητα στη θερμοκρασία, ιατρικά υλικά κλπ.).
- Ο κατασκευαστής δεν αποδέχεται καμία ευθύνη για οποιαδήποτε ζημία λόγω κακής χρήσης ή κακής μεταχείρισης.
- Γνήσια ανταλλακτικά θα είναι διαθέσιμα για 10 έτη από την ημερομηνία αγοράς του προϊόντος.

## 1.3. Ασφάλεια των παιδιών

- Κρατάτε τα υλικά συσκευασίας μακριά από τα παιδιά.
- Μην επιτρέψετε σε παιδιά να παίζουν με το προϊόν.
- Αν η πόρτα του προϊόντος περιλαμβάνει κλειδαριά, κρατάτε το κλειδί μακριά από παιδιά.

## 1.4. Συμμόρφωση με την Οδηγία περί αποβλήτων ηλεκτρικού και ηλεκτρονικού εξοπλισμού (ΑΗΗΕ) και τελική διάθεση του προϊόντος:

Το προϊόν αυτό συμμορφώνεται με την Οδηγία της Ευρωπαϊκής Ένωσης περί αποβλήτων ηλεκτρικού και ηλεκτρονικού εξοπλισμού (ΑΗΗΕ) (2012/19/ΕΕ). Το προϊόν φέρει σύμβολο ταξινόμησης για απόβλητα ηλεκτρικού και ηλεκτρονικού εξοπλισμού (ΑΗΗΕ).



Αυτό το σύμβολο υποδεικνύει ότι το προϊόν αυτό δεν πρέπει να απορριφθεί μαζί με τα υπόλοιπα οικιακά απορρίμματα στο τέλος της ωφέλιμης ζωής του.

Η χρησιμοποιημένη συσκευή πρέπει να επιστραφεί σε επίσημο σημείο συλλογής για

ανακύκλωση ηλεκτρικών και ηλεκτρονικών συσκευών. Για να βρείτε αυτά τα σημεία συλλογής επικοινωνήστε με τις τοπικές σας αρχές ή με το κατάστημα όπου αγοράσατε το προϊόν. Κάθε νοικοκυριό παίζει σημαντικό ρόλο στην ανάκτηση και την ανακύκλωση παλιών συσκευών. Η σωστή απόρριψη της χρησιμοποιημένης συσκευής συμβάλλει στην αποτροπή ενδεχόμενων αρνητικών συνεπειών για το περιβάλλον και την ανθρώπινη υγεία.

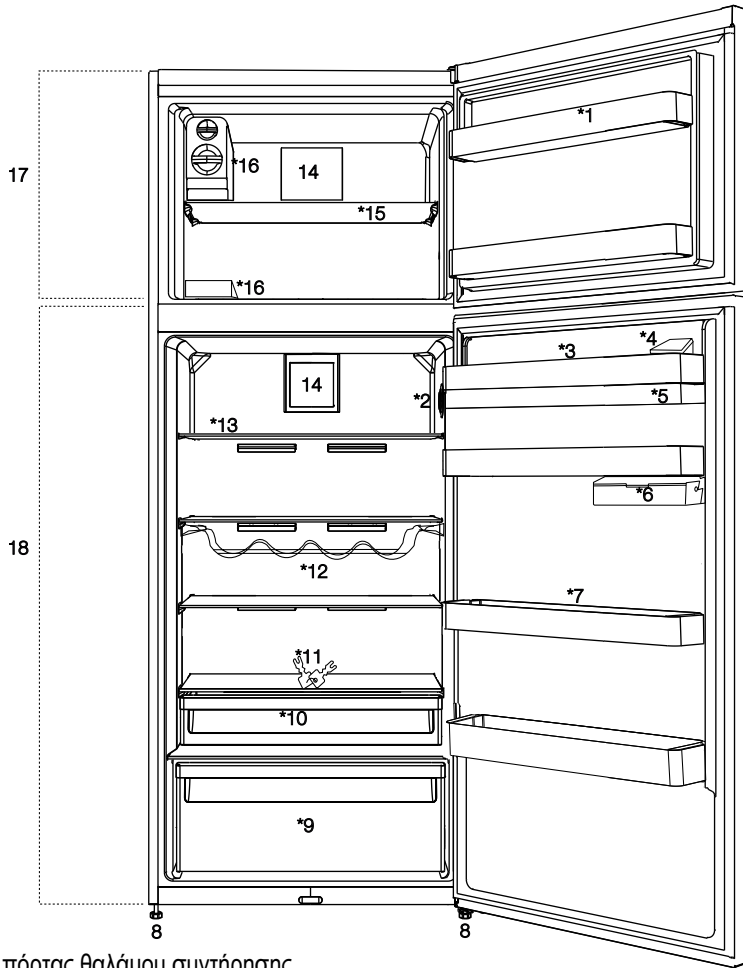
## 1.5. Συμμόρφωση με την Οδηγία περί περιορισμού χρήσης ορισμένων επικίνδυνων ουσιών (RoHS):

Το προϊόν που έχετε προμηθευτεί συμμορφώνεται με την Οδηγία της Ευρωπαϊκής ένωσης περί περιορισμού χρήσης ορισμένων επικίνδυνων ουσιών (RoHS) (2011/65/ΕΕ). Δεν περιέχει επικίνδυνα και απαγορευμένα υλικά που ορίζονται στην Οδηγία.

## 1.6. Πληροφορίες σχετικά με τη συσκευασία



Τα υλικά συσκευασίας του προϊόντος είναι κατασκευασμένα από ανακυκλώσιμα υλικά σύμφωνα με τους εθνικούς μας κανονισμούς προστασίας του περιβάλλοντος. Μην απορρίψετε τα υλικά συσκευασίας μαζί με τα οικιακά ή άλλα απορρίμματα. Παραδώστε τα στα σημεία συλλογής υλικών συσκευασίας που έχουν καθοριστεί από τις τοπικές αρχές.



1. Ράφι πόρτας θαλάμου συντήρησης
2. Κουμπί ρύθμισης θερμοκρασίας
3. Δοχείο πλήρωσης διανομέα νερού
4. Θήκη αυγών
5. Ρεζερβουάρ διανομέα νερού
6. Δοχείο φύλαξης κάτω από το ράφι πόρτας
7. Κινητό ράφι πόρτας
8. Ρυθμιζόμενο ποδαράκι
9. Συρτάρι λαχανικών
10. Διαμέρισμα έντονης ψύξης
11. Κλειδαριά και κλειδί
12. Ράφι μπουκαλιών
13. Γυάλινο ράφι θαλάμου συντήρησης
14. Ανεμιστήρας
15. Ράφι θαλάμου κατάψυξης
16. Κιβώτιο πάγου / Διαμέρισμα παρασκευής πάγου
17. Θάλαμος κατάψυξης
18. Θάλαμος συντήρησης






\*Προαιρετικός εξοπλισμός: Οι εικόνες σε αυτές τις οδηγίες χρήσης είναι σχηματικές και μπορεί να μην ταιριάζουν ακριβώς στο προϊόν σας. Αν το προϊόν σας δεν περιλαμβάνει τα σχετικά εξαρτήματα, οι πληροφορίες αφορούν άλλα μοντέλα.



## 3 Εγκατάσταση

### 3.1. Σωστή θέση εγκατάστασης

Για την εγκατάσταση του προϊόντος, απευθυνθείτε στο Εξουσιοδοτημένο σέρβις. Για να ετοιμάσετε το προϊόν για εγκατάσταση, ανατρέξτε στις πληροφορίες των οδηγιών χρήσης και βεβαιωθείτε ότι οι παροχές ρεύματος και νερού είναι σύμφωνες με τις απαιτήσεις. Διαφορετικά, καλέστε ηλεκτρολόγο και/ή υδραυλικό για την απαιτούμενη προετοιμασία των παροχών.

	<b>ΠΡΟΕΙΔΟΠΟΙΗΣΗ:</b> Ο κατασκευαστής δεν αποδέχεται καμία ευθύνη για οποιαδήποτε ζημία προκύψει από εργασίες που εκτελέστηκαν από μη εξουσιοδοτημένα άτομα.
	<b>ΠΡΟΕΙΔΟΠΟΙΗΣΗ:</b> Το καλώδιο ρεύματος του προϊόντος πρέπει να είναι αποσυνδεδεμένο από την πρίζα κατά την εγκατάσταση. Σε αντίθετη περίπτωση, μπορεί να προκληθεί θάνατος ή σοβαροί τραυματισμοί!
	<b>ΠΡΟΕΙΔΟΠΟΙΗΣΗ:</b> Αν το άνοιγμα της πόρτας του δωματίου είναι πολύ μικρό για να περάσει το προϊόν, αφαιρέστε την πόρτα και γυρίστε το προϊόν στο πλάι. Αν και αυτό δεν ωφελήσει, απευθυνθείτε στο εξουσιοδοτημένο σέρβις.

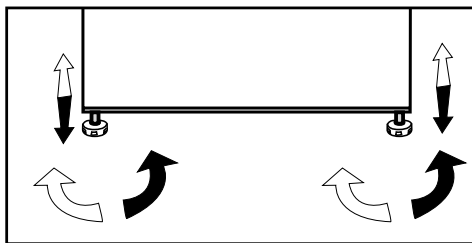
- Τοποθετήστε το προϊόν σε επίπεδη επιφάνεια, για να αποφύγετε κραδασμούς.
- Τοποθετήστε το προϊόν τουλάχιστον 30 cm μακριά από σόμπα, συσκευή κουζίνας και παρόμοιες πηγές θερμότητας και τουλάχιστον 5 cm από ηλεκτρικούς φούρνους.
- Μην εκθέτετε το προϊόν σε άμεση ηλιακή ακτινοβολία και μην το κρατάτε σε περιβάλλον με υγρασία.
- Το προϊόν σας χρειάζεται επαρκή κυκλοφορία αέρα για να λειτουργεί αποδοτικά. Αν το προϊόν πρόκειται να τοποθετηθεί μέσα σε εσοχή τοίχου, μην παραλείψετε να αφήσετε ελεύθερη απόσταση τουλάχιστον 5 cm ανάμεσα στο προϊόν και την οροφή, τον πίσω τοίχο και τους πλευρικούς τοίχους. Αν το προϊόν πρόκειται να τοποθετηθεί μέσα σε εσοχή τοίχου, μην παραλείψετε να

αφήσετε ελεύθερη απόσταση τουλάχιστον 5 cm ανάμεσα στο προϊόν και την οροφή, τον πίσω τοίχο και τους πλευρικούς τοίχους. Ελέγξτε αν υπάρχει στη θέση του το εξάρτημα προστασίας της απόστασης από τον πίσω τοίχο (αν παρέχεται με το προϊόν). Αν το εξάρτημα δεν είναι διαθέσιμο, ή αν έχει χαθεί ή πέσει, ρυθμίστε τη θέση του προϊόντος έτσι ώστε να παραμένει διάκενο τουλάχιστον 5 cm ανάμεσα στην πίσω επιφάνεια του προϊόντος και τον τοίχο του δωματίου. Το διάκενο στην πίσω πλευρά είναι σημαντικό για την αποδοτική λειτουργία του προϊόντος.

- Μην εγκαταστήσετε το προϊόν σε περιβάλλον με θερμοκρασία κάτω από -5°C.

### 3.2. Ρύθμιση των ποδιών

Αν το προϊόν δεν έχει ισοροπήσει καλά στη θέση του, ρυθμίστε τα μπροστινά ρυθμιζόμενα πόδια περιστρέφοντας τα δεξιά ή αριστερά.



### 3.3. Σύνδεση ρεύματος



**ΠΡΟΕΙΔΟΠΟΙΗΣΗ:** Μη χρησιμοποιείτε καλώδια επέκτασης ή πολύπριζα για τη σύνδεση ρεύματος.



**ΠΡΟΕΙΔΟΠΟΙΗΣΗ:** Αν το καλώδιο έχει υποστεί ζημιά, πρέπει να αντικατασταθεί από το εξουσιοδοτημένο σέρβις.



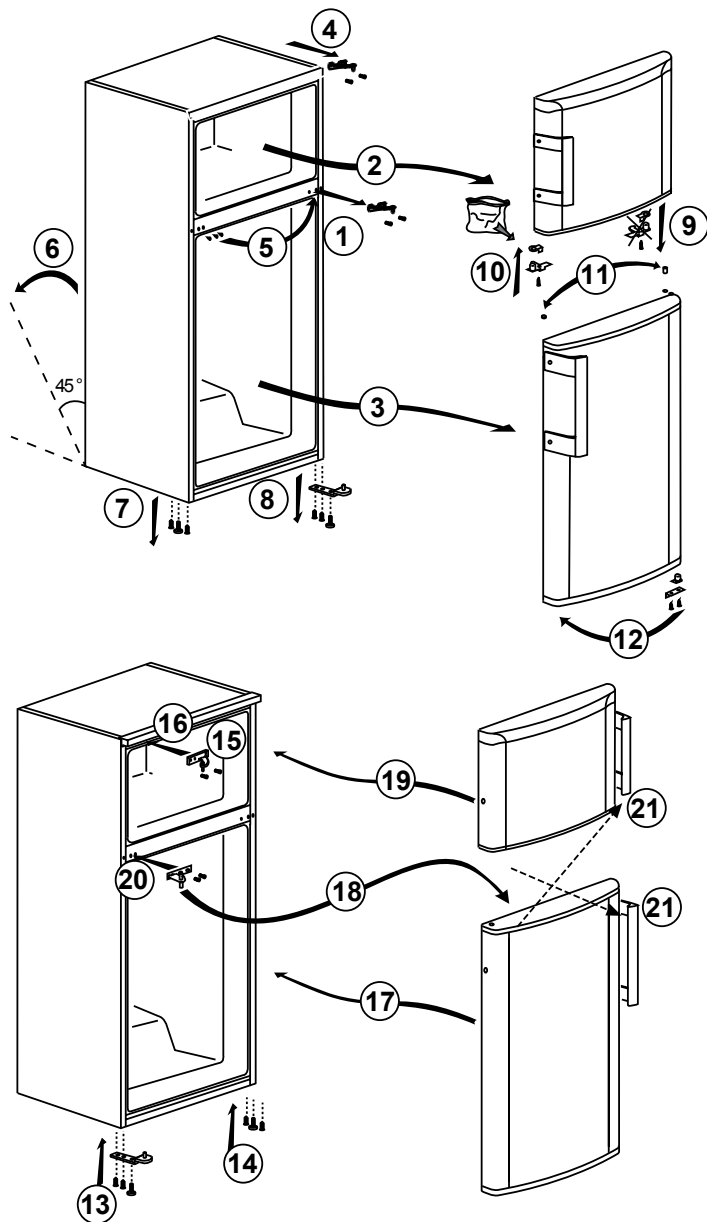
Όταν τοποθετείτε δύο ψυγεία το ένα δίπλα στο άλλο, αφήστε απόσταση τουλάχιστον 4 cm ανάμεσα στις δύο μονάδες.

- Η εταιρεία μας δεν θα αναλάβει ευθύνη για οποιεσδήποτε ζημιές λόγω χρήσης του προϊόντος χωρίς γείωση και χωρίς σύνδεση ρεύματος που συμμορφώνεται με τους εθνικούς κανονισμούς.
- Το φινις του καλωδίου ρεύματος πρέπει να είναι εύκολα προσπελάσιμο μετά την εγκατάσταση.
- Μη χρησιμοποιείτε πολύπριζο με ή χωρίς καλώδιο επέκτασης ανάμεσα στην πρίζα τοίχου και στο ψυγείο.



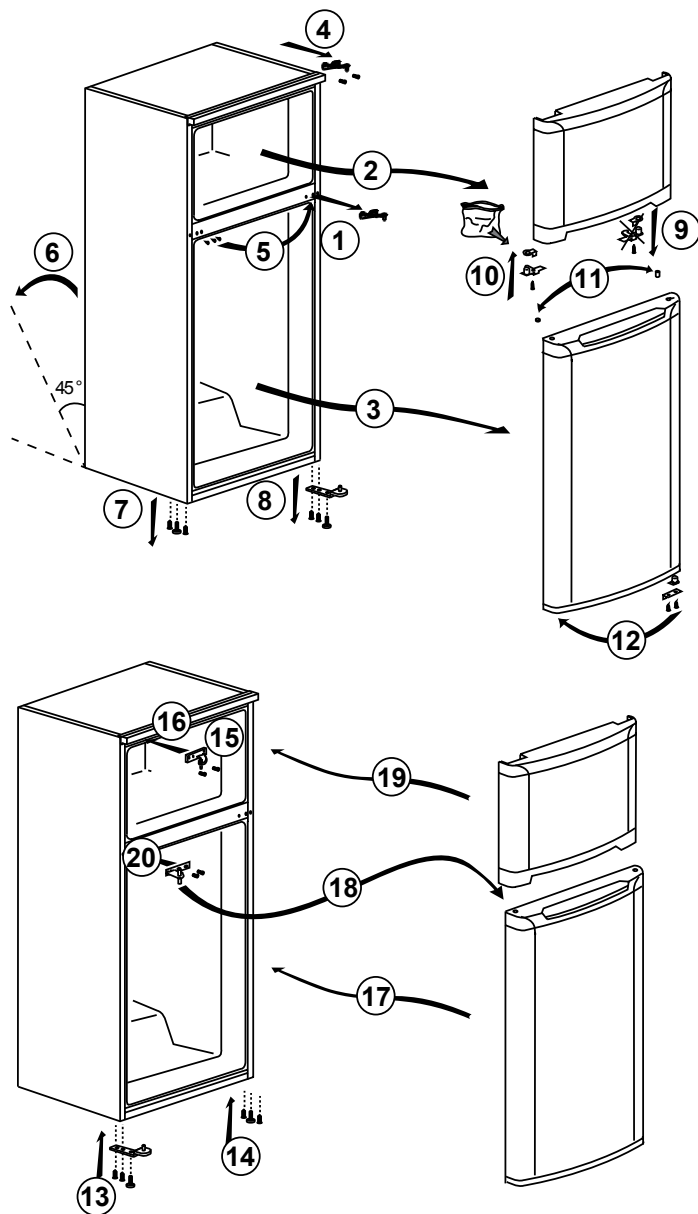
Προειδοποίηση για επιφάνειες υψηλής θερμοκρασίας  
Τα πλευρικά τοιχώματα του προϊόντος περιλαμβάνουν σωλήνες ψυκτικού, για βελτίωση του ψυκτικού συστήματος. Σε αυτές τις περιοχές μπορεί να διέρχεται ψυκτικό σε υψηλές θερμοκρασίες, με αποτέλεσμα να υπάρχουν επιφάνειες υψηλής θερμοκρασίας στα πλευρικά τοιχώματα. Αυτό είναι κάτι κανονικό και δεν απαιτείται σέρβις. Παρακαλούμε να προσέχετε όταν αγγίζετε αυτές τις περιοχές.

## 3.4. Αντιστροφή της φοράς ανοίγματος των πορτών



## Εγκατάσταση

### 3.5. Αντιστροφή της φοράς ανοίγματος των πορτών



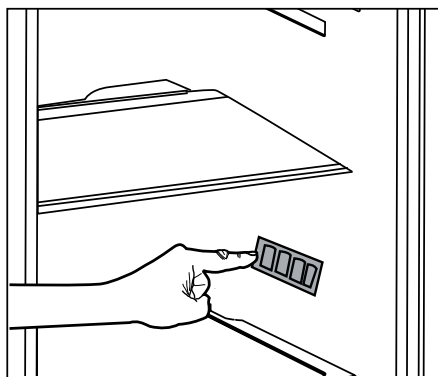
## 4 Προετοιμασία

### 4.1. Τι πρέπει να κάνετε για εξοικονόμηση ενέργειας



Η σύνδεση του προϊόντος σε συστήματα εξοικονόμησης ηλεκτρικής ενέργειας είναι επικίνδυνη, γιατί μπορεί να προξενήσει ζημιά στο προϊόν.

- Μην αφήνετε τις πόρτες του ψυγείου ανοικτές για μεγάλο χρονικό διάστημα.
- Μην τοποθετείτε ζεστά φαγητά ή ποτά στο ψυγείο σας.
- Μην υπερφορτώνετε το ψυγείο - η ψυκτική ικανότητα θα υποβαθμιστεί αν εμποδίζεται η κυκλοφορία του εσωτερικού αέρα.
- Για να αποθηκεύσετε τη μέγιστη ποσότητα τροφίμων στο διαμέρισμα κατάψυξης, θα πρέπει να αφαιρεθεί το σύστημα Icematic, που υπάρχει στο θάλαμο κατάψυξης και μπορεί να αφαιρεθεί εύκολα με το χέρι. Οι τιμές ωφέλιμου όγκου και κατανάλωσης ενέργειας που δηλώνονται στην πινακίδα δεδομένων ισχύος του ψυγείου σας έχουν μετρηθεί και δοκιμαστεί μετά την αφαίρεση του Icematic. Μην αφαιρείτε τα ράφια από το εσωτερικό και την πόρτα του θαλάμου κατάψυξης - αυτά πρέπει να χρησιμοποιούνται πάντα επειδή παρέχουν ευκολία χρήσης και αποδοτικότητα από άποψης κατανάλωσης ενέργειας.
- Δεν πρέπει να εμποδίζετε την κυκλοφορία του αέρα τοποθετώντας τρόφιμα στα πλαίσια του ανεμιστήρα του θαλάμου κατάψυξης. Πρέπει να διατηρείτε ελάχιστη απόσταση 3 cm στα πλαίσια του προστατευτικού καλύμματος του ανεμιστήρα.
- Επειδή όταν δεν ανοίγονται οι πόρτες της συσκευής δεν θα εισέρχεται απευθείας ζεστός και υγρός αέρας, η συσκευή θα βελτιστοποιεί τη λειτουργία της σε συνθήκες επαρκείς για την προστασία των τροφίμων σας. Λειτουργίες και επί μέρους μονάδες όπως συμπιεστής, ανεμιστήρας, θερμαντήρας, απόψυξη, φωτισμός, οθόνη κλπ. θα λειτουργούν σύμφωνα με τις απαιτήσεις, ώστε να καταναλώνεται η ελάχιστη ενέργεια υπό τις δεδομένες συνθήκες.
- Πρέπει να χρησιμοποιείτε πάντα τα καλάθια/συρτάρια που παρέχονται με το διαμέρισμα έντονης ψύξης, για χαμηλή κατανάλωση ενέργειας και καλύτερες συνθήκες φύλαξης των τροφίμων.
- Η επαφή τροφίμων με τον αισθητήρα θερμοκρασίας στο θάλαμο κατάψυξης μπορεί να αυξήσει την κατανάλωση ενέργειας της συσκευής. Επομένως πρέπει να αποφεύγετε κάθε επαφή τροφίμων με τον αισθητήρα (τους αισθητήρες).
- Ανάλογα με τα χαρακτηριστικά του προϊόντος σας, αν αποψύχετε τα κατεψυγμένα τρόφιμα στο θάλαμο συντήρησης, εξοικονομείτε ενέργεια και διατηρείτε την ποιότητα των τροφίμων.
- Μην επιτρέπετε την επαφή των τροφίμων με τον αισθητήρα θερμοκρασίας του θαλάμου συντήρησης που φαίνεται στην παρακάτω εικόνα.



### 4.2. Αρχική χρήση

Πριν ξεκινήσετε τη χρήση του ψυγείου σας, βεβαιωθείτε ότι έχουν γίνει όλες οι προετοιμασίες σύμφωνα με τις οδηγίες στις ενότητες "Οδηγίες για την ασφάλεια και το περιβάλλον" και "Εγκατάσταση".

- Αφήστε το προϊόν λειτουργήσει 6 ώρες πριν τοποθετήσετε τρόφιμα και μην ανοίξετε την πόρτα του εκτός αν απαιτείται οπωσδήποτε.



Θα ακούσετε ένα θόρυβο όταν αρχίσει η λειτουργία του συμπιεστή. Τα υγρά και τα αέρια που είναι στεγανά κλεισμένα μέσα στο ψυκτικό σύστημα μπορούν επίσης να προκαλέσουν θόρυβο, ακόμα και όταν δεν λειτουργεί ο συμπιεστής, και αυτό είναι πολύ φυσιολογικό.

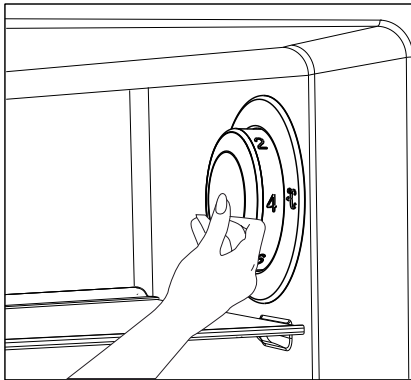


Οι μπροστινές πλευρές του προϊόντος μπορεί να είναι ζεστές. Αυτό είναι φυσιολογικό. Αυτές οι περιοχές είναι σχεδιασμένες να θερμαίνονται για την αποτροπή συμπύκνωσης.



Σε ορισμένα μοντέλα, ο πίνακας οργάνων απενεργοποιείται αυτόματα 5 λεπτά μετά το κλείσιμο της πόρτας. Θα ενεργοποιηθεί πάλι όταν ανοίξει η πόρτα ή πατηθεί οποιοδήποτε κουμπί.

## 5 Χρήση του προϊόντος



### 5.2. Ταχεία ψύξη

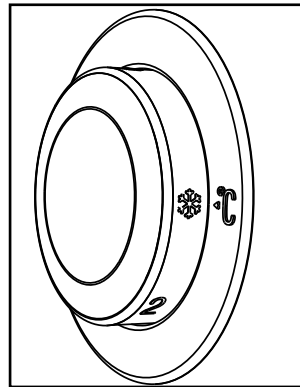
Εάν πρόκειται να καταψυχθούν μεγάλες ποσότητες φρέσκων τροφίμων, ρυθμίστε το κουμπί ελέγχου θερμοκρασίας στο (❄️) μέγ. 24 ώρες πριν τοποθετήσετε τα φρέσκα τρόφιμα στο θάλαμο ταχείας ψύξης.

Συνιστάται ιδιαίτερα να κρατάτε το διακόπτη σε αυτή τη θέση για τουλάχιστον 1 ώρα για να κρυώσετε τη μέγιστη ποσότητα φρέσκων τροφίμων που δηλώνεται ως ικανότητα ψύξης. Προσέξτε ιδιαίτερα να μην αναμειγνύετε τα παγωμένα τρόφιμα με φρέσκα τρόφιμα.

### 5.1. Κουμπί ρύθμισης θερμοκρασίας

Η εσωτερική θερμοκρασία του ψυγείου αλλάζει για τους εξής λόγους:

- Εποχικές διακυμάνσεις της θερμοκρασίας.
- Συχνό άνοιγμα της πόρτας και παραμονή της πόρτας ανοικτής για μεγάλα χρονικά διαστήματα.
- Τοποθέτηση τροφίμων στο ψυγείο χωρίς να έχουν ψυχθεί σε θερμοκρασία δωματίου.
- Θέση του ψυγείου στο δωμάτιο (π.χ. έκθεση στον ήλιο).
- Χρησιμοποιώντας το κουμπί ρύθμισης, μπορείτε να ρυθμίσετε την εσωτερική θερμοκρασία που μεταβάλλεται εξαιτίας όλων αυτών των αιτιών.
- Οι αριθμοί γύρω από το περιστροφικό κουμπί ελέγχου δείχνουν τις τιμές θερμοκρασίας σε "°C".
- Αν η θερμοκρασία περιβάλλοντος είναι 25 °C, συνιστούμε να χρησιμοποιήσετε το κουμπί ρύθμισης θερμοκρασίας του ψυγείου σας στους 4 °C. Σε άλλες θερμοκρασίες περιβάλλοντος, μπορείτε να αυξήσετε ή να μειώσετε αυτήν την τιμή όπως απαιτείται.



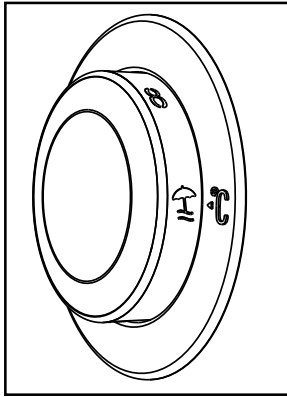
**\*προαιρετικός εξοπλισμός:** Οι εικόνες σε αυτές τις οδηγίες χρήσης είναι σχηματικές και μπορεί να μην ταιριάζουν ακριβώς στο προϊόν σας. Αν το προϊόν σας δεν περιλαμβάνει τα σχετικά εξαρτήματα, οι πληροφορίες αφορούν άλλα μοντέλα.

## Χρήση του προϊόντος

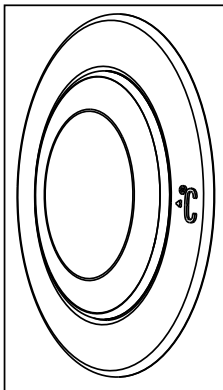
### 5.3. Λειτουργία διακοπών

Αν οι πόρτες του προϊόντος δεν ανοιχτούν για 12 ώρες μετά την τοποθέτηση του περιστροφικού κουμπιού ελέγχου θερμοκρασίας στην πιο θερμή θέση, τότε η λειτουργία διακοπών θα ενεργοποιηθεί αυτόματα.

- Όταν ολοκληρωθεί η διαδικασία ρύθμισης, μπορείτε να πατήσετε το περιστροφικό κουμπί ελέγχου θερμοκρασίας και να το αποκρύψετε.



Για να ακυρώσετε αυτή τη λειτουργία, αλλάξτε τη ρύθμιση του περιστροφικού κουμπιού. Δεν συνιστάται να αποθηκεύετε τρόφιμα στο θάλαμο συντήρησης όταν είναι ενεργή η λειτουργία διακοπών.

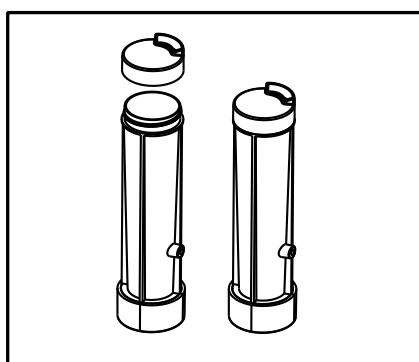
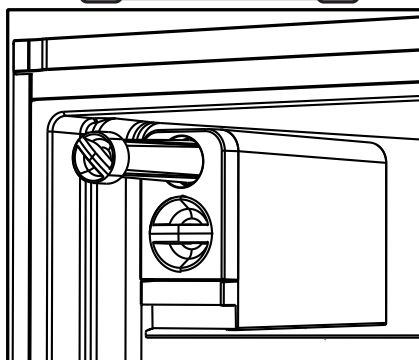
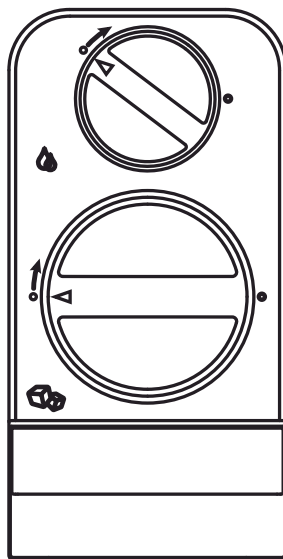


## Χρήση του προϊόντος

### 5.4. Twist Icematic

(Αυτή η λειτουργία είναι προαιρετική)

- Αφαιρέστε το δοχείο νερού περιστρέφοντάς το προς τα αριστερά.
- Ανοίξτε το κάλυμμα του δοχείου νερού περιστρέφοντάς το και προσθέστε νερό στο δοχείο ως το κάτω μέρος του καλύμματος του δοχείου.
- Τοποθετήστε το δοχείο νερού στη θέση του όπως δείχνει η εικόνα μετά την προσθήκη νερού και στερεώστε το περιστρέφοντάς το στην κατεύθυνση του βέλους. Το νερό θα ρέει προς τα κάτω προς το δοχείο πάγου.
- Όταν έχει σχηματιστεί πάγος, περιστρέψτε τη λαβή του δοχείου πάγου προς την κατεύθυνση του βέλους για να επιτρέψετε να πέσει πάγος μέσα στο συρτάρι πάγου.
- Μπορείτε να πάρετε παγοκύβους τραβώντας έξω το συρτάρι πάγου.
- Τραβήξτε την πρόσοψη προς το μέρος σας για να πλύνετε το δοχείο πάγου. Κατόπιν τοποθετήστε το πάνω στους ολισθητήρες στο εσωτερικό και σπρώξτε το στη θέση του για να το επανατοποθετήσετε.
- Τραβήξτε τη μονάδα twist icematic προς το μέρος σας για να αφαιρέσετε τη μονάδα και τοποθετήστε την πάνω στους ολισθητήρες στο πάνω μέρος και σπρώξτε τη στη θέση της για να την επανατοποθετήσετε.





### 5.5. Παγοθήκη

- Αφαιρέστε την παγοθήκη από το θάλαμο κατάψυξης.
- Γεμίστε την παγοθήκη με νερό.
- Τοποθετήστε την παγοθήκη στο θάλαμο κατάψυξης. Δύο ώρες αργότερα, ο πάγος είναι έτοιμος.
- Αφαιρέστε την παγοθήκη από το θάλαμο κατάψυξης και λυγίστε τη πάνω από το πιάτο σερβιρίσματος. Τα παγάκια θα πέσουν εύκολα πάνω στο πιάτο σερβιρίσματος.

### 5.6. Αυγοθήκη

Μπορείτε να τοποθετήσετε την αυγοθήκη στο επιθυμητό ράφι πόρτας ή κυρίως ράφι. Αν το τοποθετήσετε σε κυρίως ράφι, συνιστώνται τα κάτω, πιο κρύα ράφια.

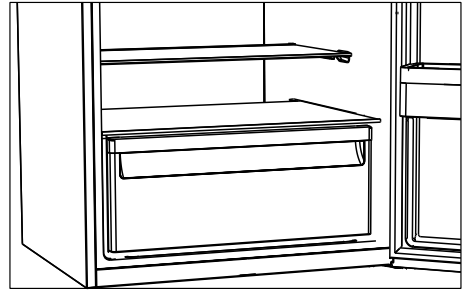
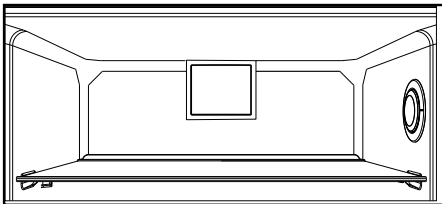


Μην τοποθετείτε ποτέ την αυγοθήκη στο θάλαμο κατάψυξης.

### 5.7. Ανεμιστήρας

Ο ανεμιστήρας έχει σχεδιαστεί για να διασφαλίζει ομοιογενή κατανομή και κυκλοφορία του αέρα στο εσωτερικό του ψυγείου σας. Ο χρόνος λειτουργίας του ανεμιστήρα μπορεί να διαφέρει ανάλογα με τα χαρακτηριστικά του προϊόντος σας.

Ενώ σε ορισμένα προϊόντα ο ανεμιστήρας λειτουργεί μόνο μαζί με το συμπιεστή, σε ορισμένα πάλι προϊόντα το σύστημα ελέγχου καθορίζει το χρόνο λειτουργίας του ανεμιστήρα σύμφωνα με τις απαιτήσεις ψύξης.



### 5.8. Συρτάρι λαχανικών

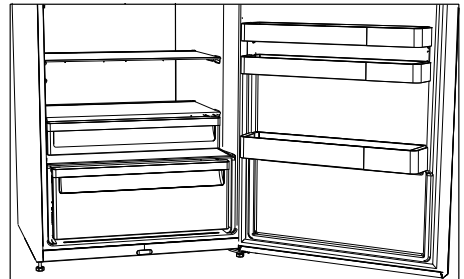
Το συρτάρι λαχανικών του προϊόντος έχει σχεδιαστεί ειδικά για να διατηρεί τα λαχανικά φρέσκα χωρίς να χάνουν την υγρασία τους. Για το σκοπό αυτό, η κυκλοφορία κρύου αέρα είναι πιο έντονη γύρω από το συρτάρι λαχανικών γενικά.

### 5.9. Διαμέρισμα έντονης ψύξης

**(Αυτή η λειτουργία είναι προαιρετική)**

Χρησιμοποιήστε αυτό το διαμέρισμα για φύλαξη προϊόντων ντελικατέσεν που πρέπει να αποθηκεύονται σε χαμηλότερες θερμοκρασίες ή προϊόντα κρέατος που πρέπει να καταναλώσετε σύντομα.

Το διαμέρισμα έντονης ψύξης είναι η πιο κρύα θέση στη συντήρηση, όπου μπορείτε να φυλάσσετε γαλακτοκομικά, κρέας, ψάρια και πουλερικά σε ιδανικές συνθήκες. Δεν πρέπει να αποθηκεύετε φρούτα και λαχανικά σε αυτό το διαμέρισμα.



### 5.10. Κινητό ράφι πόρτας

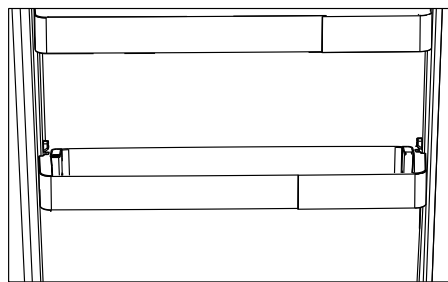
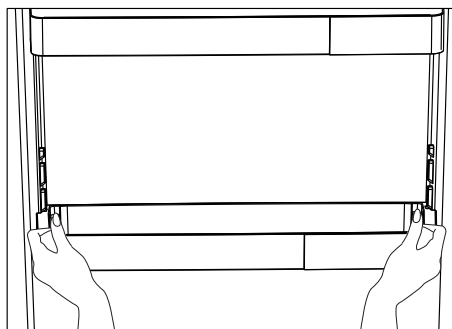
(Αυτή η λειτουργία είναι προαιρετική)

Το κινητό ράφι πόρτας μπορεί να σταθεροποιηθεί σε 3 διαφορετικές θέσεις.

Πατήστε τα κουμπιά που φαίνονται στα πλαιϊνά στον ίδιο βαθμό για να κινησετε το ράφι. Το ράφι θα πρέπει να μπορεί να κινηθεί.

Κινήστε το ράφι προς τα πάνω ή κάτω.

Ελευθερώστε τα κουμπιά όταν το ράφι είναι στην επιθυμητή θέση. Το ράφι θα πρέπει να σταθεροποιηθεί στη θέση όπου ελευθερώσατε τα κουμπιά.

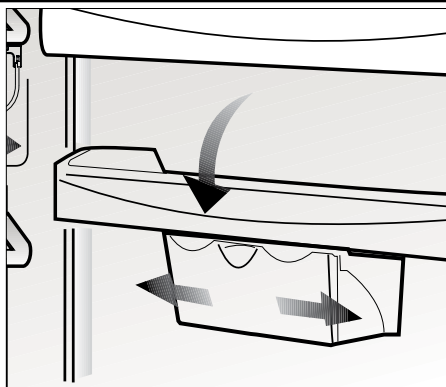


### 5.11. Συρόμενο δοχείο αποθήκευσης

(Αυτή η λειτουργία είναι προαιρετική)

Αυτό το αξεσουάρ έχει σχεδιαστεί για να αυξάνει τον ωφέλιμο όγκο των ραφιών πόρτας.

Σας επιτρέπει να τοποθετήσετε εύκολα τα ψηλά μπουκάλια, βάζα και μεταλλικά κουτιά στο κάτω ράφι μπουκαλιών χάρη στη δυνατότητά του να μετακινείται δεξιά ή αριστερά.



### 5.12. Μπλε φως/HarvestFresh

\*Ενδέχεται να μη διατίθεται σε όλα τα μοντέλα

**Για το μπλε φως,**

Τα φρούτα και λαχανικά που έχουν αποθηκευτεί στα συρτάρια λαχανικών που φωτίζονται με μπλε φως συνεχίζουν τη φωτοσύνθεσή τους λόγω της επίδρασης του μήκους κύματος του μπλε φωτός και έτσι διατηρούν το περιεχόμενό τους σε βιταμίνες.

**Για το HarvestFresh,**

Τα φρούτα και λαχανικά που έχουν αποθηκευτεί σε συρτάρια λαχανικών που φωτίζονται με τεχνολογία HarvestFresh διατηρούν τις βιταμίνες τους για μεγαλύτερο χρονικό διάστημα χάρη στους κύκλους με μπλε, πράσινο, κόκκινο φως και σκοτάδι, που μιμούνται έναν ημερήσιο κύκλο. Αν ανοίξετε την πόρτα του ψυγείου κατά τη σκοτεινή περίοδο της τεχνολογίας HarvestFresh, το ψυγείο θα το ανιχνεύσει αυτόματα και θα ενεργοποιήσει το μπλε-πράσινο ή κόκκινο φως για να φωτίσει το συρτάρι λαχανικών για διευκόλυνσή σας. Αφού κλείσετε την πόρτα του ψυγείου, η σκοτεινή περίοδος θα συνεχιστεί, αντιπροσωπεύοντας τη νύχτα σε έναν ημερήσιο κύκλο.

### 5.13. Συρτάρι λαχανικών ελεγχόμενης υγρασίας

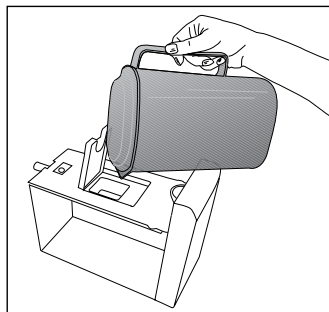
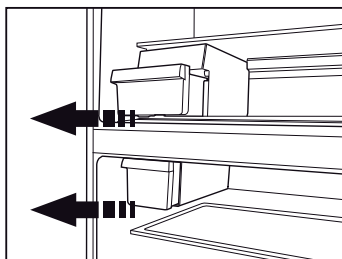
(FreShelf)

**(Αυτή η λειτουργία είναι προαιρετική)**

Η περιεκτικότητα σε υγρασία των λαχανικών και των φρούτων διατηρείται υπό έλεγχο με τη δυνατότητα του συρταριού λαχανικών ρυθμιζόμενης υγρασίας. Έτσι διασφαλίζεται ότι τα τρόφιμα διατηρούνται φρέσκα για περισσότερο χρόνο.

Συνιστούμε να τοποθετείτε τα φυλλώδη λαχανικά όπως το μαρούλι, το σπανάκι καθώς και τα λαχανικά που είναι ευαίσθητα στην απώλεια υγρασίας, σε όσο το δυνατόν οριζόντια θέση μέσα στο συρτάρι λαχανικών και όχι πάνω στις ρίζες τους σε κάθετη θέση.

Όταν τοποθετείτε τα λαχανικά, θα πρέπει να λαμβάνετε υπόψη το ειδικό βάρος τους. Τα βαριά και σκληρά λαχανικά πρέπει να τοποθετούνται στο κάτω μέρος του συρταριού λαχανικών και τα ελαφριά και μαλακά λαχανικά πρέπει να τοποθετούνται από πάνω τους.



Ποτέ μην αφήνετε τα λαχανικά μέσα στις σακούλες τους όταν τα τοποθετείτε στο συρτάρι λαχανικών. Αν αφήσετε τα λαχανικά μέσα στις σακούλες τους, αυτό θα τα κάνει να αποσυντεθούν σε μικρό χρονικό διάστημα. Σε περίπτωση που η επαφή με άλλα λαχανικά δεν είναι επιθυμητή για λόγους υγιεινής, χρησιμοποιήστε ένα διάτρητο χαρτί και άλλα παρόμοια υλικά συσκευασίας, εκτός από σακούλα.

Μην τοποθετείτε αχλάδι, βερίκοκο, ροδάκινο κλπ. και μήλα, ειδικά όταν έχουν υψηλά επίπεδα παραγωγής αιθυλενίου, στο ίδιο συρτάρι λαχανικών με άλλα λαχανικά και φρούτα. Το αιθυλένιο που εκπέμπεται από αυτά τα φρούτα μπορεί να επιταχύνει την ωρίμανση των άλλων φρούτων και να τα κάνει να αποσυντεθούν σε μικρότερο χρονικό διάστημα.

### 5.14. Αυτόματο Icematic

**(Αυτή η λειτουργία είναι προαιρετική)**

Το Αυτόματο Icematic σας επιτρέπει να παρασκευάσετε εύκολα πάγο στο ψυγείο σας. Αφαιρέστε το δοχείο νερού από το θάλαμο συντήρησης, γεμίστε το με νερό και τοποθετήστε το πάλι στη θέση του για να αποκτήσετε πάγο από το Icematic.

Τα πρώτα παγάκια θα είναι έτοιμα περίπου σε 2 ώρες στο συρτάρι του Icematic που βρίσκεται στο θάλαμο κατάψυξης.

Αν γεμίσετε πλήρως το δοχείο νερού, θα μπορείτε να αποκτήσετε περίπου 60-70 παγάκια. Αλλάζετε το νερό στο δοχείο νερού αν έχει παραμείνει αχρησιμοποίητο περίπου 2-3 εβδομάδες.



Για τα προϊόντα που έχουν αυτόματο Icematic, μπορεί να ακούγεται ήχος κατά την πώση του πάγου. Ο ήχος είναι κανονικός και δεν είναι ένδειξη βλάβης.

### 5.15. Περιγραφή και καθαρισμός του φίλτρου οσμών

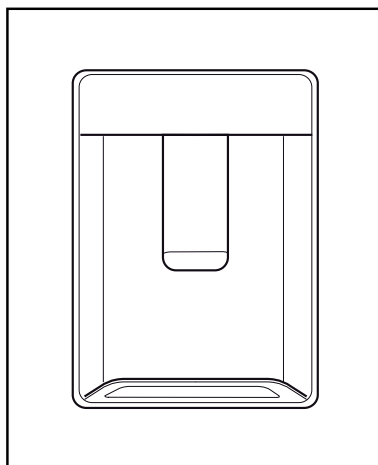
(Αυτή η λειτουργία είναι προαιρετική)

Το φίλτρο οσμών εμποδίζει το σχηματισμό δυσάρεστων οσμών μέσα στο προϊόν.

1. Τραβήξτε το κάλυμμα του φίλτρου οσμών προς τα κάτω από το μπροστινό τμήμα και αφαιρέστε το όπως δείχνει η εικόνα.
2. Αφήστε το φίλτρο στον ήλιο για μία ημέρα. Σε αυτό το χρονικό διάστημα το φίλτρο θα καθαριστεί.
3. Τοποθετήστε το φίλτρο πάλι πίσω στη θέση του.



Το φίλτρο οσμών πρέπει να καθαρίζεται μία φορά το χρόνο.



Παρακαλούμε να έχετε υπόψη σας, ότι η ροή του νερού από το διανομέα εξαρτάται από το πόσο πολύ πιέζετε το μοχλό. Καθώς αυξάνεται η στάθμη του νερού στο κύπελλο/ ποτήρι σας, μειώστε απαλά την πίεση στο μοχλό για να αποφύγετε υπερχειλίση. Αν πιέσετε ελαφρά το βραχίονα, το νερό θα στάξει. Αυτό είναι πολύ φυσιολογικό και όχι σύμπτωμα βλάβης.

### 5.16. Χρήση του διανομέα νερού

\*προαιρετικός εξοπλισμός



Είναι φυσιολογικό να είναι ζεστά τα πρώτα λίγα ποτήρια νερού που παίρνετε από το διανομέα.



Αν ο διανομέας νερού δεν χρησιμοποιηθεί για πολύ χρόνο, πετάξτε τα πρώτα λίγα ποτήρια νερού για να έχετε φρέσκο νερό.

1. Σπρώξτε με το ποτήρι σας το μοχλό του διανομέα νερού προς τα μέσα. Αν χρησιμοποιείτε μαλακό πλαστικό ποτήρι, θα είναι προτιμότερο να σπρώξετε το μοχλό με το χέρι σας.
2. Αφού γεμίσετε το ποτήρι ως τη στάθμη που θέλετε, ελευθερώστε το μοχλό.

### 5.17. Χρήση του διανομέα νερού

\*προαιρετικός εξοπλισμός



Είναι φυσιολογικό να είναι ζεστά τα πρώτα λίγα ποτήρια νερού που παίρνετε από το διανομέα.



Αν ο διανομέας νερού δεν χρησιμοποιηθεί για πολύ χρόνο, πετάξτε τα πρώτα λίγα ποτήρια νερού για να έχετε φρέσκο νερό.

1. Σπρώξτε με το ποτήρι σας το μοχλό του διανομέα νερού προς τα μέσα. Αν χρησιμοποιείτε μαλακό πλαστικό ποτήρι, θα είναι προτιμότερο να σπρώξετε το μοχλό με το χέρι σας.
2. Αφού γεμίσετε το ποτήρι ως τη στάθμη που θέλετε, ελευθερώστε το μοχλό.

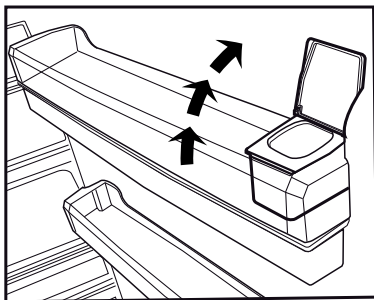
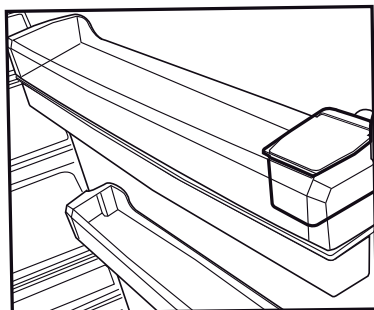


Παρακαλούμε να έχετε υπόψη σας, ότι η ροή του νερού από το διανομέα εξαρτάται από το πόσο πολύ πιέζετε το μοχλό. Καθώς αυξάνεται η στάθμη του νερού στο κύπελλο/ ποτήρι σας, μειώστε απαλά την πίεση στο μοχλό για να αποφύγετε υπερχειλίση. Αν πιέσετε ελαφρά το βραχίονα, το νερό θα στάξει. Αυτό είναι πολύ φυσιολογικό και όχι σύμπτωμα βλάβης.

### 5.18. Γέμισμα του δοχείου του διανομέα νερού

Το ρεζερβουάρ πλήρωσης του δοχείου νερού βρίσκεται μέσα στην υποδοχή της πόρτας.

1. Ανοίξτε το κάλυμμα του δοχείου.
2. Γεμίστε το δοχείο με φρέσκο πόσιμο νερό.
3. Κλείστε το κάλυμμα.



Μη γεμίσετε το δοχείο νερού με οποιοδήποτε άλλο υγρό εκτός από νερό. Οι χυμοί φρούτων, τα ανθρακούχα αναψυκτικά ή οινοπνευματώδη ποτά, κλπ. δεν είναι κατάλληλα για χρήση στο διανομέα νερού. Ο διανομέας νερού θα υποστεί ανεπανόρθωτη ζημιά αν χρησιμοποιηθούν αυτά τα είδη υγρών. Η εγγύηση δεν καλύπτει χρήσεις αυτού του είδους. Ορισμένες χημικές ουσίες και πρόσθετα που περιέχονται σε αυτά τα είδη ποτών/υγρών μπορεί να προξενήσουν ζημιά στο δοχείο νερού.



Να χρησιμοποιείτε μόνο καθαρό πόσιμο νερό.



Η χωρητικότητα του δοχείου νερού είναι 3 λίτρα. Μη γεμίσετε το δοχείο υπερβολικά.

### 5.19. Καθαρισμός του δοχείου νερού

1. Αφαιρέστε το ρεζερβουάρ προσθήκης νερού από μέσα από την υποδοχή πόρτας.
2. Αφαιρέστε την υποδοχή πόρτας κρατώντας την και από τις δύο πλευρές.
3. Πιάστε το δοχείο νερού και από τις δύο πλευρές και αφαιρέστε το από γωνία 45°C.
4. Αφαιρέστε το κάλυμμα του δοχείου νερού και καθαρίστε το δοχείο.

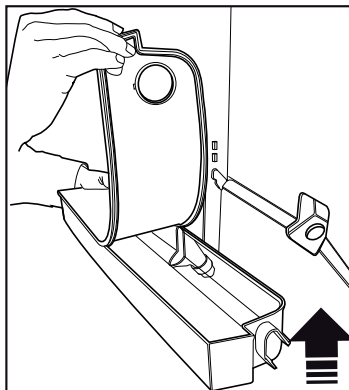
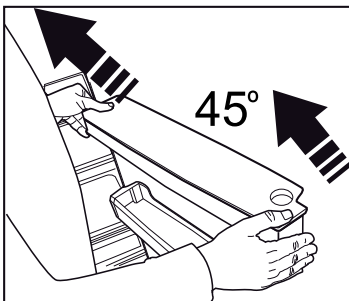
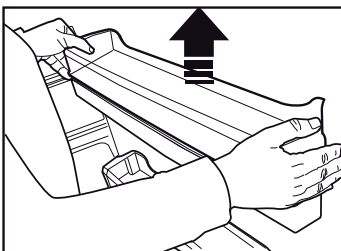
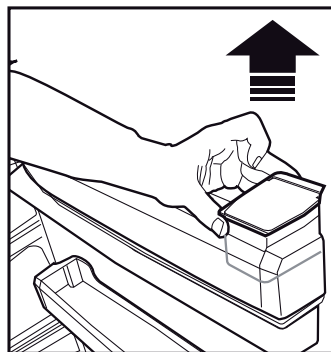
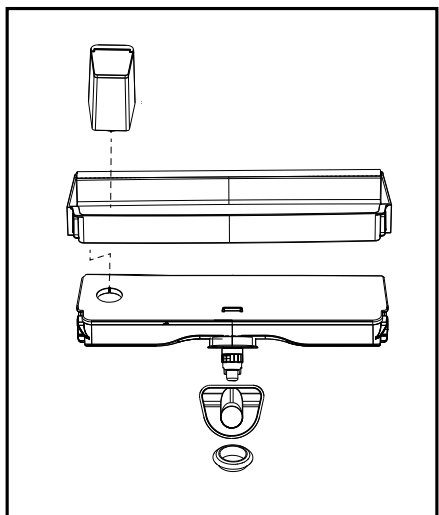
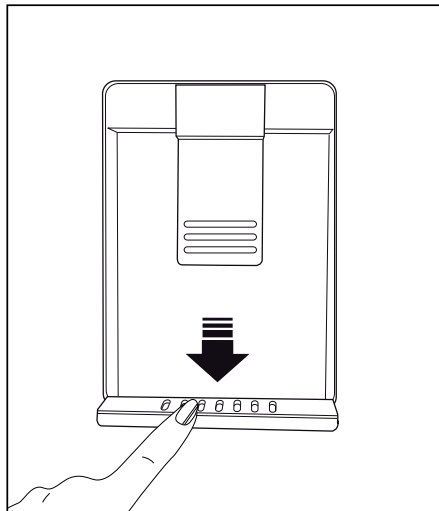


Τα μέρη του δοχείου νερού και του διανομέα νερού δεν πρέπει να πλένονται σε πλυντήριο πιάτων.

### 5.20. Δίσκος συλλογής σταγόνων

Σταγόνες νερού που τυχόν στάζουν ενώ χρησιμοποιείτε το διανομέα νερού συγκεντρώνονται στο δίσκο συλλογής σταγόνων. Αφαιρέστε το πλαστικό φίλτρο όπως δείχνει η εικόνα.

Με ένα καθαρό και στεγνό πανί, αφαιρέστε το νερό που έχει συσσωρευτεί.



### 5.21. Τμήματα μυρωδικών - HerbBox/HerbFresh

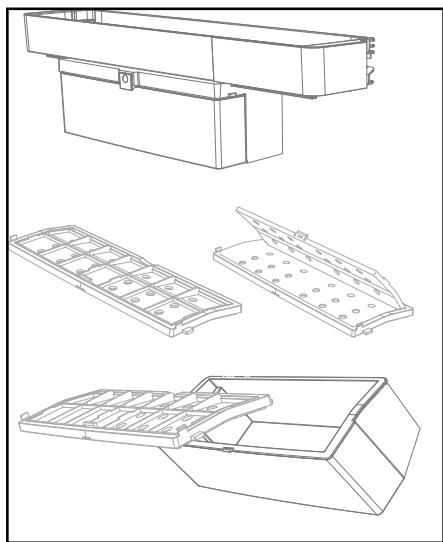
Αφαιρέστε τον περιέκτη της μεμβράνης από το τμήμα HerbBox/HerbFresh+

Αφαιρέστε τη μεμβράνη από τη σακούλα και τοποθετήστε την μέσα στην υποδοχή μεμβράνης όπως δείχνει η εικόνα.

Σφραγίστε πάλι την υποδοχή και τοποθετήστε την μέσα στο τμήμα HerbBox/HerbFresh+.

Τα τμήματα HerbBox-HerbFresh+ είναι ιδιαίτερα κατάλληλα για την αποθήκευση διάφορων μυρωδικών που πρέπει να διατηρούνται σε προστατευμένες συνθήκες. Μπορείτε σε αυτό το τμήμα να αποθηκεύσετε τα μη συσκευασμένα μυρωδικά σας (μαϊντανό, άνηθο κλπ.) σε οριζόντια θέση και να τα διατηρήσετε φρέσκα για πολύ περισσότερο χρόνο.

Η μεμβράνη πρέπει να αντικαθίσταται κάθε έξι μήνες.



### 5.22. Κατάψυξη νωπών τροφίμων

- Για να διατηρηθεί η ποιότητα των τροφίμων, τα είδη που τοποθετούνται μέσα στο θάλαμο συντήρησης πρέπει να καταψύχονται όσο το δυνατόν πιο γρήγορα, χρησιμοποιείτε τη λειτουργία ταχείας κατάψυξης.
- Η κατάψυξη των τροφίμων όταν είναι φρέσκα θα επεκτείνει το χρόνο φύλαξης στο θάλαμο κατάψυξης.
- Συσκευάζετε τα τρόφιμα σε αεροστεγείς συσκευασίες και καλά σφραγισμένα.
- Να βεβαιώνετε ότι τα τρόφιμα έχουν συσκευαστεί πριν τοποθετηθούν μέσα στην κατάψυξη. Να χρησιμοποιείτε δοχεία για κατάψυξη, αλουμινόχαρτο και χαρτί μη διαπερατό στην υγρασία, πλαστικές σακούλες ή παρόμοια υλικά συσκευασίας αντί για το παραδοσιακό χαρτί συσκευασίας.
- Αναγράψτε σε κάθε συσκευασία τροφίμων την ημερομηνία πριν την καταψύξετε. Έτσι θα μπορείτε εύκολα να διαπιστώσετε τη φρεσκάδα κάθε πακέτου, κάθε φορά που ανοίγετε την κατάψυξη. Διατηρείτε τα πιο παλιά είδη στο μπροστινό μέρος για να βεβαιωθείτε ότι θα χρησιμοποιηθούν πρώτα.
- Τα κατεψυγμένα τρόφιμα πρέπει να χρησιμοποιούνται αμέσως μετά την απόψυξη και δεν θα πρέπει να καταψύχονται πάλι.
- Μην καταψύχετε μεγάλες ποσότητες τροφίμων ταυτόχρονα.

### 5.23. Υποδείξεις για τη φύλαξη κατεψυγμένων τροφίμων

Η θερμοκρασία στο θάλαμο πρέπει να ρυθμιστεί σε τουλάχιστον  $-18^{\circ}\text{C}$ .

1. Τοποθετήστε τα τρόφιμα στον καταψύκτη όσο το δυνατόν γρηγορότερα, για να αποφευχθεί η απόψυξη.
2. Πριν τα τοποθετήσετε στην κατάψυξη, ελέγξτε την "Ημερομηνία Λήξης" που αναγράφεται στη συσκευασία για να βεβαιωθείτε ότι δεν έχουν λήξει.
3. Βεβαιωθείτε ότι δεν υπάρχουν ζημιές στη συσκευασία των τροφίμων.

### 5.24. Λεπτομέρειες για τη βαθιά κατάψυξη

Σύμφωνα με τα πρότυπα IEC 62552, ο θάλαμος κατάψυξης πρέπει να έχει τουλάχιστον τη δυναμικότητα κατάψυξης 4,5 κιλών τροφίμων στους  $-18^{\circ}\text{C}$  ή χαμηλότερες θερμοκρασίες σε 24 ώρες για κάθε 100 λίτρα όγκου του θαλάμου κατάψυξης. Τα τρόφιμα μπορούν να διατηρηθούν για παρατεταμένες περιόδους μόνο σε θερμοκρασίες  $-18^{\circ}\text{C}$  ή χαμηλότερες. Μπορείτε να διατηρήσετε τα τρόφιμα φρέσκα για μήνες (στη βαθιά κατάψυξη σε ή κάτω από θερμοκρασίες  $-18^{\circ}\text{C}$ ).

Τα προς κατάψυξη τρόφιμα δεν πρέπει να έρχονται σε επαφή με τα ήδη καταψυγμένα τρόφιμα, για την αποφυγή μερικής απόψυξης των δεύτερων.

Βράστε τα λαχανικά και φιλτράρετε το νερό για να επεκτείνετε το χρόνο φύλαξης των κατεψυγμένων. Τοποθετείτε τα τρόφιμα σε αεροστεγείς συσκευασίες αφού τα φιλτράρετε και τοποθετήστε τα στην κατάψυξη. Μπανάνες, ντομάτες, μαρούλι, σέλινο, βραστά αυγά, πατάτες και παρόμοια τρόφιμα δεν πρέπει να καταψύχονται. Η κατάψυξη αυτών των τροφίμων απλά θα προκαλέσει μείωση της διατροφικής αξίας και της ποιότητας των τροφίμων, καθώς και ενδεχόμενη αλλοίωση που είναι επιβλαβής για την υγεία.



## Χρήση του προϊόντος

Ρύθμιση θαλάμου Κατάψυξης	Ρύθμιση θαλάμου Συντήρησης	Περιγραφές
-18°C	4°C	Αυτή είναι η προεπιλεγμένη, συνιστώμενη ρύθμιση.
-20, -22 ή -24°C	4°C	Αυτές οι ρυθμίσεις συνιστώνται για θερμοκρασίες περιβάλλοντος που δεν υπερβαίνουν τους 30°C.
Hızlı Dondur	4°C	Χρησιμοποιείτε αυτή τη ρύθμιση για να καταψύξετε τρόφιμα σε σύντομο χρόνο, το προϊόν θα επανέλθει στις προηγούμενες ρυθμίσεις όταν ολοκληρωθεί η διαδικασία.
-18°C ή χαμηλότερη θερμοκρασία	2°C	Χρησιμοποιείτε αυτές τις ρυθμίσεις αν πιστεύετε ότι ο θάλαμος συντήρησης δεν είναι αρκετά κρύος, λόγω της θερμοκρασίας περιβάλλοντος ή συχνού ανοίγματος της πόρτας. Ψυγείο / Οδηγίες Χρήσης

### 5.25. Τοποθέτηση των τροφίμων

Ράφια θαλάμου κατάψυξης Ράφια θαλάμου	Διάφορα κατεψυγμένα τρόφιμα περιλαμβανομένου κρέατος, ψαριών, παγωτού, λαχανικών κλπ.
συντήρησης Ράφια πόρτας	Τρόφιμα μέσα σε σκεύη, σκεπασμένα πιάτα και σκεπασμένες θήκες, αυγά (σε σκεπασμένες θήκες)
συντήρησης Συρτάρι λαχανικών	Μικρά και συσκευασμένα τρόφιμα ή ποτά
θαλάμου	Φρούτα και λαχανικά
Διαμέρισμα νωπών τροφίμων	Ντελικατέσεν (είδη πρωινού, προϊόντα κρέατος για άμεση κατανάλωση)

### 5.26. Ειδοποίηση ανοικτής πόρτας (προαιρ.)

Θα ακουστεί μια ηχητική ειδοποίηση αν η πόρτα του προϊόντος παραμείνει ανοικτή για 1 λεπτό. Η ηχητική ειδοποίηση θα σταματήσει όταν κλείσετε την πόρτα ή πατήσετε οποιοδήποτε κουμπί στην οθόνη (αν διατίθεται).

### 5.27. Εσωτερικό φως

Για το εσωτερικό φως χρησιμοποιείται μια λάμπα τύπου LED. Για οποιαδήποτε προβλήματα με αυτή τη λάμπα απευθυνθείτε στο εξουσιοδοτημένο σέρβις.

## 6 Συντήρηση και καθαρισμός

Ο τακτικός καθαρισμός του προϊόντος θα επιμηκύνει την ωφέλιμη διάρκεια ζωής του.



**ΠΡΟΕΙΔΟΠΟΙΗΣΗ:** Αποσυνδέστε το ψυγείο από το ρεύμα δικτύου πριν τον καθαρισμό.

- Μη χρησιμοποιείτε εργαλεία που είναι αιχμηρά ή χαράζουν, σαπουνί, οικιακά καθαριστικά, απορρυπαντικά, αέριο, βενζίνη, αραιωτικά και παρόμοιες ουσίες για τον καθαρισμό.
- Σε προϊόντα που δεν είναι No Frost, στο πίσω τοίχωμα του θαλάμου συντήρησης σχηματίζονται σταγόνες και πάχνη πάχους έως ενός δακτύλου. Μην καθαρίζετε και μην απλώνετε λάδι ή παρόμοια υλικά.
- Χρησιμοποιείτε μόνο ελαφρώς υγρά πανιά μικροϊνών για τον καθαρισμό της εξωτερικής επιφάνειας του προϊόντος. Οι σπόγγοι και άλλοι τύποι πανιών καθαρισμού μπορεί να χαράξουν την επιφάνεια.
- Διαλύστε μια κουταλιά του γλυκού μαγειρικής σόδας σε νερό. Υγράνετε στο νερό αυτό ένα πανί και στύψτε το. Σκουπίστε τη συσκευή με αυτό το πανί και στεγνώστε το σχολαστικά.
- Προσέξτε να κρατήσετε το νερό μακριά από το κάλυμμα της λάμπας και άλλα ηλεκτρικά εξαρτήματα.
- Καθαρίστε την πόρτα χρησιμοποιώντας ένα υγρό πανί. Αφαιρέστε όλα τα είδη μέσα από το ψυγείο για να αφαιρέσετε την πόρτα και τα ράφια των θαλάμων. Ανυψώστε τα ράφια πόρτας για να τα αποσυνδέσετε. Καθαρίστε και στεγνώστε τα ράφια, και κατόπιν επανατοποθετήστε τα συρτά από το πάνω μέρος.

- Μη χρησιμοποιείτε χλωρίνη ή καθαριστικά προϊόντα στην εξωτερική επιφάνεια και στα επιχρωμιωμένα μέρη του προϊόντος. Η χλωρίνη θα προκαλέσει σκουριά σε τέτοιες μεταλλικές επιφάνειες.
- Μη χρησιμοποιείτε εργαλεία που κόβουν και χαράζουν ή σαπουνί, οικιακά καθαριστικά, απορρυπαντικά βενζίνη, βενζόλιο, κεριά κλπ, διαφορετικά οι στάμπες στα πλαστικά εξαρτήματα θα σβήσουν και θα προκύψει παραμόρφωση. Για τον καθαρισμό χρησιμοποιήστε χλιαρό νερό και ένα μαλακό πανί και σκουπίστε για να στεγνώσει.

### 6.1. Αποτροπή δυσάρεστων οσμών

Το προϊόν κατασκευάζεται χωρίς υλικά που αναδίδουν οσμές. Ωστόσο, η φύλαξη των τροφίμων σε ακατάλληλα τμήματα και ο ακατάλληλος καθαρισμός των εσωτερικών επιφανειών μπορεί να έχει ως αποτέλεσμα ανάπτυξη δυσάρεστων οσμών.

Για να το αποφύγετε αυτό, καθαρίζετε το εσωτερικό με διάλυμα μαγειρικής σόδας σε νερό κάθε 15 ημέρες.

- Να διατηρείτε τα τρόφιμα σε κλειστά δοχεία. Από τα μη σφραγισμένα τρόφιμα μπορεί να εξαπλωθούν μικροοργανισμοί και να προκληθούν δυσάρεστες οσμές.
- Μην τοποθετείτε μέσα στο ψυγείο ληγμένα και αλλοιωμένα τρόφιμα.

### 6.2. Προστασία των πλαστικών επιφανειών

Αν χυθεί λάδι στις πλαστικές επιφάνειες μπορεί να προκληθεί ζημιά στην επιφάνεια και πρέπει να καθαρίζονται άμεσα με χλιαρό νερό.

### 6.3. Τζάμια πόρτας

- Αυτά τα τζάμια είναι σκληρυμένα για να αυξηθεί η ανθεκτικότητά τους σε κτυπήματα και θραύση.
- Επίσης, στην πίσω επιφάνειά τους έχει εφαρμοστεί μια μεμβράνη ασφαλείας, ως πρόσθετο μέτρο ασφαλείας, για να αποτρέψει την πρόκληση ζημιάς από τα τζάμια στα γύρω αντικείμενα σε περίπτωση θραύσης.
- Αφαιρέστε την προστατευτική μεμβράνη από τα τζάμια.
- Υπάρχει μια επικάλυψη στην επιφάνεια των τζαμιών. Αυτή η επικάλυψη ελαχιστοποιεί τη συσσώρευση λεκέδων και βοηθά να αφαιρούνται εύκολα ενδεχόμενοι λεκέδες και ρύποι. Τα τζάμια που δεν προστατεύονται από τέτοια επικάλυψη μπορεί να υπόκεινται σε επίμονη προσκόλληση οργανικών ή ανόργανων ρύπων βάσης αέρα ή νερού, όπως άλατα σκληρότητας, ανόργανα άλατα, άκαυστους υδρογονάνθρακες, μεταλλικά οξειδία και σιλικόνες, τα οποία μπορούν να προκαλέσουν εύκολα και γρήγορα λεκέδες ή υλική ζημιά. Η διατήρηση της καθαριότητας των τζαμιών γίνεται υπερβολικά δύσκολη παρά τον τακτικό καθαρισμό. Επομένως, υποβαθμίζεται η εμφάνιση και η διαφάνεια του τζαμιού. Οι σκληρές και διαβρωτικές μέθοδοι καθαρισμού και τα παρόμοια καθαριστικά θα επιδεινώσουν αυτά τα προβλήματα και θα επιταχύνουν την υποβάθμιση.
- Για τον τακτικό καθαρισμό πρέπει να χρησιμοποιούνται καθαριστικά προϊόντα βάσης νερού τα οποία δεν είναι αλκαλικά και διαβρωτικά.
- Για τον καθαρισμό πρέπει να χρησιμοποιούνται μη αλκαλικά και μη διαβρωτικά υλικά ώστε να διατηρηθεί για μεγάλο χρονικό διάστημα η ωφέλιμη ζωή αυτής της επικάλυψης.
- Αυτά τα τζάμια είναι σκληρυμένα για να αυξηθεί η ανθεκτικότητά τους σε κτυπήματα και θραύση.
- Επίσης, στην πίσω επιφάνειά τους έχει εφαρμοστεί μια μεμβράνη ασφαλείας, ως πρόσθετο μέτρο ασφαλείας, για να αποτρέψει την πρόκληση ζημιάς από τα τζάμια στα γύρω αντικείμενα σε περίπτωση θραύσης.
- \*Το αλκαλι είναι μια βάση η οποία σχηματίζει ιόντα υδροξυλίου ( $\text{OH}^-$ ) όταν διαλύεται σε νερό.
- Τα μέταλλα Li (λίθιο), Na (νάτριο), K (κάλιο), Rb (ρουβίδιο), Cs (καίσιο) και το τεχνητό και ραδιενεργό μέταλλο Fr (φράγκιο) ονομάζονται ΑΛΚΑΛΙΚΑ ΜΕΤΑΛΛΑ.

## 7 Επίλυση προβλημάτων

Ελέγξτε αυτή τη λίστα πριν απευθυνθείτε στο σέρβις. Αν το κάνετε αυτό θα εξοικονομήσετε χρόνο και χρήματα. Αυτή η λίστα περιλαμβάνει συχνά παράπονα που δεν έχουν σχέση με ελαττωματική εργασία ή υλικά. Ορισμένες λειτουργίες που αναφέρονται εδώ ίσως να μην έχουν εφαρμογή στο προϊόν σας.

### Το ψυγείο δεν λειτουργεί.

- Το φινι ρευματοληψίας δεν έχει εισαχθεί πλήρως. >>> *Συνδέστε το ώστε να εισέλθει πλήρως στην πρίζα.*
- Έχει καεί η ασφάλεια που συνδέεται στην πρίζα που τροφοδοτεί το προϊόν ή η γενική ασφάλεια. >>> *Ελέγξτε τις ασφάλειες.*

### Συμπύκνωση στο πλευρικό τοίχωμα του θαλάμου συντήρησης (MULTI ZONE, COOL, CONTROL και FLEXI ZONE).

- Η πόρτα ανοιγόταν πολύ συχνά >>> *Προσέξτε να μην ανοίγετε πολύ συχνά την πόρτα του προϊόντος.*
- Το περιβάλλον είναι πολύ υγρό. >>> *Μην εγκαταστήσετε το προϊόν σε υγρό περιβάλλον.*
- Τρόφιμα που περιέχουν υγρά φυλάσσονται σε ανοικτά δοχεία. >>> *Να διατηρείτε τα τρόφιμα που περιέχουν υγρά σε κλειστά δοχεία.*
- Η πόρτα του προϊόντος έχει μείνει ανοικτή. >>> *Μην κρατάτε την πόρτα του προϊόντος ανοικτή για πολλή ώρα.*
- Ο θερμοστάτης έχει ρυθμιστεί σε πολύ χαμηλή θερμοκρασία. >>> *Ρυθμίστε το θερμοστάτη σε κατάλληλη θερμοκρασία.*

### Ο συμπιεστής δεν λειτουργεί.

- Σε περίπτωση αιφνίδιας διακοπής ρεύματος ή αποσύνδεσης του φινι ρευματοληψίας από την πρίζα και επανασύνδεσής του, η πίεση αερίου στο ψυκτικό σύστημα του προϊόντος δεν είναι ισορροπημένη, με αποτέλεσμα να ενεργοποιείται η θερμική προστασία του συμπιεστή. Το προϊόν θα αρχίσει πάλι να λειτουργεί μετά από περίπου 6 λεπτά. Αν η λειτουργία του προϊόντος δεν ξεκινήσει πάλι μετά από αυτό το χρονικό διάστημα, απευθυνθείτε στο σέρβις.
- Η απόψυξη είναι ενεργή. >>> *Αυτό είναι φυσιολογικό για προϊόν με πλήρως αυτόματη απόψυξη. Η απόψυξη διενεργείται περιοδικά.*
- Το προϊόν δεν έχει συνδεθεί στην πρίζα. >>> *Βεβαιωθείτε ότι έχει συνδεθεί το καλώδιο ρεύματος.*
- Η ρύθμιση θερμοκρασίας είναι λανθασμένη. >>> *Επιλέξτε την κατάλληλη ρύθμιση θερμοκρασίας.*
- Έγινε διακοπή ρεύματος. >>> *Το προϊόν θα συνεχίσει να λειτουργεί κανονικά όταν αποκατασταθεί το ρεύμα.*

### Ο θόρυβος λειτουργίας του ψυγείου αυξάνεται κατά τη χρήση.

- Η απόδοση λειτουργίας του προϊόντος μπορεί να διαφέρει ανάλογα με τις μεταβολές της θερμοκρασίας περιβάλλοντος. Αυτό είναι φυσιολογικό και δεν αποτελεί δυσλειτουργία.

### Το ψυγείο τίθεται σε λειτουργία πολύ συχνά ή όχι για πολύ χρόνο.

## Επίλυση προβλημάτων

- Το νέο προϊόν μπορεί να είναι μεγαλύτερο από το προηγούμενο. Τα μεγαλύτερα προϊόντα θα λειτουργούν για μεγαλύτερη χρονική διάρκεια.
- Η θερμοκρασία του δωματίου μπορεί να είναι υψηλή. >>> *Το προϊόν κανονικά θα λειτουργεί για μεγαλύτερα χρονικά διαστήματα για μεγαλύτερη θερμοκρασία δωματίου.*
- Το προϊόν μπορεί να έχει συνδεθεί πρόσφατα στην πρίζα ή μπορεί να τοποθετήθηκαν νέα τρόφιμα στο εσωτερικό του. >>> *Θα χρειαστεί περισσότερος χρόνος για να φθάσει το προϊόν τη ρυθμισμένη θερμοκρασία όταν έχει συνδεθεί πρόσφατα στην πρίζα ή τοποθετήθηκαν νέα τρόφιμα στο εσωτερικό του. Αυτό είναι φυσιολογικό.*
- Μπορεί να τοποθετήθηκαν πρόσφατα μεγάλες ποσότητες θερμών τροφίμων μέσα στο προϊόν. >>> *Μην τοποθετείτε μέσα στο προϊόν ζεστά τρόφιμα.*
- Οι πόρτες ανοίγονταν συχνά ή διατηρήθηκαν ανοικτές για μεγάλες χρονικές περιόδους. >>> *Ο ζεστός αέρας που εισέρχεται στο εσωτερικό του, θα κάνει το προϊόν να λειτουργεί για περισσότερο χρόνο. Μην ανοίγετε τις πόρτες πολύ συχνά.*
- Η πόρτα κατάψυξης ή συντήρησης μπορεί να είναι μισάνοιχτη. >>> *Ελέγξτε ότι οι πόρτες έχουν κλείσει καλά.*
- Το προϊόν μπορεί να έχει ρυθμιστεί σε πολύ χαμηλή θερμοκρασία. >>> *Ρυθμίστε τη θερμοκρασία σε υψηλότερη θερμοκρασία και περιμένετε να επιτύχει το προϊόν τη ρυθμισμένη θερμοκρασία.*
- Η στεγανοποίηση της πόρτας συντήρησης ή κατάψυξης μπορεί να είναι λερωμένη, φθαρμένη, σπασμένη ή να μην εδράζει σωστά. >>> *Καθαρίστε ή αντικαταστήστε τη στεγανοποίηση. Αν η στεγανοποίηση της πόρτας έχει υποστεί ζημιά / φθορά, το προϊόν θα λειτουργεί για μεγαλύτερες περιόδους για να διατηρήσει την τρέχουσα θερμοκρασία.*

**Η θερμοκρασία κατάψυξης είναι πολύ χαμηλή, αλλά η θερμοκρασία της συντήρησης είναι επαρκής.**

- Η θερμοκρασία του θαλάμου κατάψυξης έχει ρυθμιστεί σε πολύ μικρή τιμή. >>> *Ρυθμίστε τη θερμοκρασία του θαλάμου κατάψυξης σε υψηλότερη τιμή και ελέγξτε πάλι.*

**Η θερμοκρασία συντήρησης είναι πολύ χαμηλή, αλλά η θερμοκρασία της κατάψυξης είναι επαρκής.**

- Η θερμοκρασία του θαλάμου συντήρησης έχει ρυθμιστεί σε πολύ μικρή τιμή. >>> *Ρυθμίστε τη θερμοκρασία του θαλάμου συντήρησης σε υψηλότερη τιμή και ελέγξτε πάλι.*

**Τα τρόφιμα που φυλάσσονται στα συρτάρια του θαλάμου συντήρησης είναι παγωμένα.**

- Η θερμοκρασία του θαλάμου συντήρησης έχει ρυθμιστεί σε πολύ μικρή τιμή. >>> *Ρυθμίστε τη θερμοκρασία του θαλάμου κατάψυξης σε υψηλότερη τιμή και ελέγξτε πάλι.*

**Η θερμοκρασία στη συντήρηση ή κατάψυξης είναι πολύ υψηλή.**

## Επίλυση προβλημάτων

- Η θερμοκρασία του θαλάμου συντήρησης έχει ρυθμιστεί σε πολύ υψηλή τιμή. >>> *Η ρύθμιση της θερμοκρασίας θαλάμου συντήρησης επηρεάζει τη θερμοκρασία θαλάμου κατάψυξης. Αλλάξτε τη θερμοκρασία του θαλάμου συντήρησης ή κατάψυξης και περιμένετε έως ότου οι αντίστοιχοι θάλαμοι έχουν επιτύχει το ρυθμισμένο επίπεδο θερμοκρασίας.*
- Οι πόρτες ανοίγονταν συχνά ή διατηρήθηκαν ανοικτές για μεγάλες χρονικές περιόδους. >>> *Μην ανοίγετε τις πόρτες πολύ συχνά.*
- Η πόρτα μπορεί να είναι μισάνοιχτη. >>> *Κλείστε τελείως την πόρτα.*
- Το προϊόν μπορεί να έχει συνδεθεί πρόσφατα στην πρίζα ή μπορεί να τοποθετήθηκαν νέα τρόφιμα στο εσωτερικό του. >>> *Αυτό είναι φυσιολογικό. Θα χρειαστεί περισσότερος χρόνος για να φθάσει το προϊόν τη ρυθμισμένη θερμοκρασία όταν έχει συνδεθεί πρόσφατα στην πρίζα ή τοποθετήθηκαν νέα τρόφιμα στο εσωτερικό του.*
- Μπορεί να τοποθετήθηκαν πρόσφατα μεγάλες ποσότητες θερμών τροφίμων μέσα στο προϊόν. >>> *Μην τοποθετείτε μέσα στο προϊόν ζεστά τρόφιμα.*

### Ταλάντευση ή θόρυβος

- Το δάπεδο δεν είναι επίπεδο, οριζόντιο και ανθεκτικό. >>> *Αν το προϊόν ταλαντεύεται όταν το μετακινείτε αργά, ρυθμίστε τα πόδια για να ισορροπήσετε το προϊόν. Επίσης βεβαιωθείτε ότι το δάπεδο έχει αρκετή φέρουσα ικανότητα ώστε να αντέχει το προϊόν.*
- Οποιαδήποτε είδη έχουν τοποθετηθεί πάνω στο προϊόν μπορεί να προκαλέσουν θόρυβο. >>> *Αφαιρέστε οποιαδήποτε είδη έχουν τοποθετηθεί πάνω στο προϊόν.*

### Το προϊόν παράγει θόρυβο ροής ή ψεκασμού υγρού κλπ.

- Οι αρχές λειτουργίας του προϊόντος περιλαμβάνουν ροή υγρού και αερίου. >>> *Αυτό είναι φυσιολογικό και δεν αποτελεί δυσλειτουργία.*

### Ακούγεται φύσημα αέρα από το προϊόν.

- Το προϊόν χρησιμοποιεί έναν ανεμιστήρα για τη διαδικασία ψύξης. Αυτό είναι φυσιολογικό και δεν αποτελεί δυσλειτουργία.

### Υπάρχει συμπύκνωση στα εσωτερικά τοιχώματα του προϊόντος.

- Ο θερμός ή υγρός καιρός μπορεί να αυξήσει τη συσσώρευση πάγου και τη συμπύκνωση. Αυτό είναι φυσιολογικό και δεν αποτελεί δυσλειτουργία.
- Οι πόρτες ανοίγονταν συχνά ή διατηρήθηκαν ανοικτές για μεγάλες χρονικές περιόδους. >>> *Μην ανοίγετε τις πόρτες πολύ συχνά, αν κάποια πόρτα είναι ανοικτή, κλείστε την.*
- Η πόρτα μπορεί να είναι μισάνοιχτη. >>> *Κλείστε τελείως την πόρτα.*

### Υπάρχει συμπύκνωση στα εξωτερικά τοιχώματα του προϊόντος ή ανάμεσα στις πόρτες.

- Ο καιρός μπορεί να είναι υγρός, αυτό είναι πολύ φυσιολογικό σε κρύο καιρό. >>> *Η συμπύκνωση θα πάψει όταν μειωθεί η υγρασία.*

### Δυσσομία στο εσωτερικό.

- Το προϊόν δεν καθαρίζεται τακτικά. >>> *Καθαρίζετε το εσωτερικό τακτικά με σφουγγάρι, χλιαρό νερό και διάλυμα μαγειρικής σόδας σε νερό.*
- Ορισμένες συσκευασίες και υλικά συσκευασίας μπορεί να παράγουν οσμές. >>> *Χρησιμοποιείτε δοχεία και υλικά συσκευασίας που δεν παράγουν οσμές.*
- Τα τρόφιμα τοποθετήθηκαν σε μη σφραγισμένα δοχεία. >>> *Να διατηρείτε τα τρόφιμα σε σφραγισμένα δοχεία. Από τα μη σφραγισμένα τρόφιμα μπορεί να εξαπλωθούν μικροοργανισμοί και να προκαληθούν δυσάρεστες οσμές.*
- Απομακρύνετε από το προϊόν τυχόν τρόφιμα που έχουν λήξει ή αλλοιωθεί.

### Η πόρτα δεν κλείνει.

## Επίλυση προβλημάτων

- Οι συσκευασίες των τροφίμων μπορεί να εμποδίζουν την πόρτα. >>> *Αλλάξτε θέση σε τυχόν είδη που εμποδίζουν τις πόρτες.*
- Το προϊόν δεν στέκεται σε τελείως όρθια θέση στο δάπεδο. >>> *Ρυθμίστε τα πόδια για να ισορροπήσετε σωστά το προϊόν.*
- Το δάπεδο δεν είναι επίπεδο, οριζόντιο και ανθεκτικό. >>> *Βεβαιωθείτε ότι το δάπεδο είναι επίπεδο και οριζόντιο και αρκετά ανθεκτικό για το βάρος του προϊόντος.*

### Το συρτάρι λαχανικών έχει σφηνώσει.

- Τα τρόφιμα μπορεί να έρχονται σε επαφή με το άνω τμήμα του συρταριού. >>> *Αναδιοργανώστε τα τρόφιμα μέσα στο συρτάρι.*

### Αν Η Επιφάνεια Του Προϊόντος Είναι Θερμη.

- Ενδέχεται να παρατηρηθούν υψηλές θερμοκρασίες ανάμεσα στις δύο πόρτες, στα πλευρικά πλαίσια και στην πίσω σχάρα κατά τη λειτουργία του προϊόντος. Αυτό είναι φυσιολογικό και το προϊόν δεν χρειάζεται συντήρηση! Προσοχή όταν αγγίζετε αυτές τις επιφάνειες.



**ΠΡΟΕΙΔΟΠΟΙΗΣΗ:** Αν το πρόβλημα επιμένει αφού ακολουθήσετε τις οδηγίες σε αυτή την ενότητα, απευθυνθείτε στο κατάστημα αγοράς ή σε Εξουσιοδοτημένο σέρβις. Μην επιχειρήσετε να επισκευάσετε μόνοι σας το προϊόν.

## ΠΑΡ. ΣΕΪΤΑΝΙΔΗΣ Α.Ε.

ΠΟΛΥΣΤΥΛΟ ΚΑΒΑΛΑΣ ΤΗΛ 2510 392 180-3  
ΥΠΟΚΑΤΑΣΤΗΜΑ ΑΘΗΝΩΝ  
ΑΛΙΜΟΥ 8 ΚΑΙ ΖΑΛΟΓΓΟΥ, ΑΛΙΜΟΣ  
ΤΗΛ 211 012 2829-30-31-32  
E-mail: seitanidis@otenet.gr



## ΕΓΓΥΗΣΗ

Η εταιρεία ΠΑΡ.ΣΕΪΤΑΝΙΔΗΣ Α.Ε. σας ευχαριστεί για την προτίμηση που δείξατε αγοράζοντας τις συσκευές beko και σας παρέχει τον παρακάτω χρόνο εγγύησης από την ημερομηνία αγοράς τους. Αν μέσα στην διάρκεια της εγγύησης η συσκευή σας χρειαστεί επισκευή, μπορείτε να ενημερωθείτε για τα εξουσιοδοτημένα service από το τηλεφωνικό κέντρο της εταιρεία μας στο τηλέφωνο **2510 392511 / 2510 392512**

<b>ΨΥΓΕΙΑ</b>	3 ΧΡΟΝΙΑ	<b>ΚΑΤΑΨΥΚΤΕΣ</b>	3 ΧΡΟΝΙΑ
<b>ΚΟΥΖΙΝΕΣ</b>	3 ΧΡΟΝΙΑ	<b>ΦΟΥΡΝΟΙ ΜΙΚΡΟΚΥΜΑΤΩΝ</b>	2 ΧΡΟΝΙΑ
<b>ΠΛΥΝΤΗΡΙΑ</b>	3 ΧΡΟΝΙΑ	<b>ΜΙΚΡΟΣΥΣΚΕΥΕΣ - ΣΚΟΥΠΕΣ</b>	2 ΧΡΟΝΙΑ

ΟΝΟΜΑΤΕΠΩΝΥΜΟ ΑΓΟΡΑΣΤΗ..... ΑΡ. ΕΓΓΥΗΣΗΣ.....

..... ΑΡ. ΠΑΡΑΣΤΑΤ. ΑΓΟΡΑΣ.....

ΔΙΕΥΘΥΝΣΗ..... ΜΟΝΤΕΛΟ ΣΥΣΚΕΥΗΣ.....

..... ΣΕΙΡΙΑΚΟΣ ΑΡΙΘΜΟΣ ΣΥΣΚΕΥΗΣ.....

ΤΗΛ : ..... ΗΜΕΡ/ΝΙΑ ΑΓΟΡΑΣ.....

**ΣΦΡΑΓΙΔΑ & ΥΠΟΓΡΑΦΗ ΠΩΛΗΤΗ.....**



ΑΡ. ΕΓΓΥΗΣΗΣ.....

ΑΡ. ΠΑΡΑΣΤΑΤ. ΑΓΟΡΑΣ.....

ΟΝΟΜΑΤΕΠΩΝΥΜΟ ΑΓΟΡΑΣΤΗ..... ΜΟΝΤΕΛΟ ΣΥΣΚΕΥΗΣ.....

..... ΣΕΙΡΙΑΚΟΣ ΑΡΙΘΜΟΣ ΣΥΣΚΕΥΗΣ.....

ΔΙΕΥΘΥΝΣΗ..... ΗΜΕΡ/ΝΙΑ ΑΓΟΡΑΣ.....

.....

ΤΗΛ : ..... **ΣΦΡΑΓΙΔΑ & ΥΠΟΓΡΑΦΗ ΠΩΛΗΤΗ.....**

.....



## ΟΡΟΙ ΚΑΙ ΠΡΟΫΠΟΘΕΣΕΙΣ ΙΣΧΥΟΣ ΤΗΣ ΠΑΡΟΥΣΗΣ ΕΓΓΥΗΣΗΣ

1. Για να ισχύει η παρούσα εγγύηση θα πρέπει να συμπληρωθούν πλήρως και να υπογραφούν δεόντως με φροντίδα του πελάτη και τα δύο μέρη της εγγύησης. Το απόκομμα για την εταιρεία θα πρέπει να ταχυδρομηθεί με συστημένη επιστολή ή να προσκομηθεί στα γραφεία της εταιρείας μας (Πολύστιλο Καβάλας, Τ.Θ 1402, Τ.Κ.64003) εντός 10 ημερών από την ημερομηνία αγοράς.
2. Η εργοστασιακή εγγύηση καλύπτει τον χρόνο που αναγράφεται στον σχετικό πίνακα για κάθε συσκευή, κάθε ανωμαλία ή βλάβη που οφείλεται αποκλειστικά σε κατασκευαστικό ελάττωμα ή ελαττωματικό εξάρτημα της συσκευής. Η αποκατάσταση της βλάβης γίνεται εντελώς δωρεάν δια της αντικατάστασης ή επισκευής του ελαττωματικού εξαρτήματος. Σε καμία περίπτωση δεν προβλέπεται η **αντικατάσταση** της συσκευής. Ο καταναλωτής οφείλει με δικές του δαπάνες να πάει την συσκευή στο κοντινότερο εξουσιοδοτημένο service της εταιρίας.
3. Η εταιρεία μας διατηρεί το δικαίωμα να καθορίζει τον τρόπο και τόπο επισκευής των βλαβών κατά την απόλυτη κρίση της.
4. Η εγγύηση δεν καλύπτει βλάβες που οφείλονται άμεσα ή έμμεσα σε αμέλεια, παράλειψη, κακή εγκατάσταση και πάσης φύσεως επέμβαση στη συσκευή από μη εξουσιοδοτημένο συνεργείο, κακή χρήση και ελλιπή συντήρηση της συσκευής. Επίσης η εταιρεία μας δεν ευθύνεται για βλάβες που οφείλονται σε κακή ηλεκτρική σύνδεση σε τάση διαφορετική από την αναγραφόμενη στη πινακίδα της συσκευής, σε μη γειωμένο ρευματοδότη ή σε μεταβολές της τάσης. Στις καλύψεις της εγγύησης δεν συμπεριλαμβάνονται τα εύθραυστα εξαρτήματα όπως ενδεικτικά αναφέρουμε :γυάλινες και πλαστικές επιφάνειες, λυχνίες κ.α.
5. Η εγγύηση παρέχεται προς τον αρχικό αγοραστή και ισχύει από την ημερομηνία αγοράς της συσκευής.
6. Η παρούσα εγγύηση πρέπει να συνοδεύεται από τιμολόγιο ή δελτίο λιανικής πώλησης ή φωτοαντίγραφο **αυτού**.

Αποφύγετε την αλλοίωση της εγγύησης και της πινακίδας μητρώου που βρίσκεται στο πίσω μέρος της συσκευής.

Φυλάξτε την εγγύηση και μετά την λήξη της.

Προσκομίστε την σε κάθε αίτημα για επισκευή.

### ΠΡΟΣΟΧΗ

ΣΕ ΠΕΡΙΠΤΩΣΗ ΠΟΥ ΔΕΝ ΣΤΑΛΕΙ Η ΚΑΡΤΑ ΕΓΓΥΗΣΕΩΣ ΕΝΤΟΣ 10 ΗΜΕΡΩΝ ΣΤΗΝ ΕΤΑΙΡΕΙΑ ΔΕΝ ΙΣΧΥΕΙ Η ΕΓΓΥΗΣΗ ΤΗΣ ΣΥΣΚΕΥΗΣ ΠΟΥ ΕΠΙΛΕΞΑΤΕ

#### SERVICE ΔΕΥΚΩΝ ΣΥΣΚΕΥΩΝ

<b>ΑΘΗΝΑ</b> ΜΑΚΡΗΣ ΦΩΤΙΟΣ	210 2116649 6932366733	<b>ΘΕΣΣΑΛΟΝΙΚΗ</b> ΓΙΑΓΟΥΡΗΣ Π. Κ ΣΙΑ Ο.Ε.	6947424284 6936065106
<b>ΠΑΤΡΑ</b> ΧΟΡΜΠΑΣ ΝΙΚΟΛΑΟΣ	2610 640810 6932 437700	<b>ΒΟΛΟΣ</b> ΝΑΟΥΜΙΔΗΣ ΓΕΩΡΓΙΟΣ	22410 94130 6981972363
<b>ΙΩΑΝΝΙΝΑ</b> ΤΣΟΥΓΙΑΣ ΧΡΗΣΤΟΣ	26510 31947 6945 306990	<b>ΚΟΜΟΤΗΝΗ</b> ΠΑΠΑΖΟΥΔΗΣ ΚΩΝΣΤΑΝΤΙΝΟΣ	25310 33711 6932 587473

#### SERVICE ΤΗΛΕΟΡΑΣΕΩΝ – HiFi

<b>ΑΘΗΝΑ</b> ΜΑΝΩΛΟΠΟΥΛΟΣ ΓΕΩΡΓΟΣ	210 8836512	<b>ΘΕΣΣΑΛΟΝΙΚΗ</b> ΣΑΜΙΟΣ ΠΑΡΑΣΧΟΣ	2310 429229
<b>ΠΑΤΡΑ</b> ΗΛΙΟΠΟΥΛΟΣ ΔΗΜΗΤΡΙΟΣ	2610 622388	<b>ΒΟΛΟΣ</b> ΜΑΡΓΑΡΙΤΟΥΛΗΣ ΘΕΟΔΩΡΟΣ	24210 30113



ΠΡΟΣ : 

ΧΩΡΟΣ  
ΓΡΑΜ / ΜΟΥ

**ΠΑΡ. ΣΕΪΤΑΝΙΔΗΣ Α.Ε.**

**ΠΟΛΥΣΤΥΛΟ ΚΑΒΑΛΑΣ**  
**Τ.Θ 1402, Τ.Κ.64003**  
**ΤΗΛ 2510 392180-3**

## الثلاجة/ دليل المستخدم


يرجى قراءة هذا الدليل قبل استخدام المنتج!

عملنا العزيز،

إننا نود بلوغ أعلى فعالية لمنتجاتنا، الذي تم تصنيعه في مرافق حديثة مع ضبط دقيق للجودة. لذا، ننصحك بقراءة دليل المستخدم بشكل كامل قبل استخدام المنتج. في حال تغير مالك الجهاز، لا تنس منح الدليل مع الجهاز.

سيساعدك هذا الدليل على استخدام المنتج بسرعة وأمان.

- يرجى قراءة دليل المستخدم قبل تركيب الجهاز وتشغيله.
  - تقيد بتعليمات السلامة دائما.
  - احتفظ بدليل المستخدم بالمتناول من أجل الاستخدام المستقبلي.
  - يرجى قراءة أية وثائق أخرى مزودة مع المنتج.
- تذكر أن دليل المستخدم هذا قد ينطبق على عدة موديلات. يشير الدليل بوضوح إلى أية اختلافات في الموديلات.

معلومات هامة ونصائح مفيدة.	
الخطر على الحياة والممتلكات.	
خطر الصدمة الكهربائية.	
إن غلاف المنتج مصنوع من مواد قابلة للتدوير، طبقا لأنظمة البيئة المحلية.	



يوضح هذا الجزء تعليمات السلامة اللازمة لمنع خطر الإصابة والضرر المادي. يؤدي الإخفاق في التقيد بهذه التعليمات إلى بطلان جميع ضمانات الجهاز.

### الغرض المخصص

#### 1.1 السلامة العامة

• لا يجوز استخدام هذا الجهاز بواسطة أشخاص يعانون من عجز بدني أو حسي أو عقلي، دون معرفة وخبرة كافية أو بواسطة الأطفال. يمكن استخدام الجهاز من قبل هؤلاء الأشخاص فقط تحت إشراف وتوجيه شخص مسؤول عن سلامتهم. لا يجب السماح للأطفال باللعب بهذا الجهاز.

• في حال حدوث عطل، افصل الجهاز عن الكهرباء.

• بعد فصله عن الكهرباء، انتظر 5 دقائق على الأقل قبل توصيله مرة أخرى. افصل الجهاز عن الكهرباء في حال عدم الاستعمال. لا تلمس القابس بأيدي مبللة! لا تسحب الكبل لنزعه من الكهرباء، امسك القابس دائماً.

• امسح رأس قابل الطاقة بقماشة ناشفة قبل نزعه من الكهرباء.

• لا توصل التلاجة بالكهرباء إذا كان المقبس رخواً.

• افصل المنتج أثناء التركيب والصيانة والتنظيف والتوصيل.

• إذا كنت لا تنوي استخدام المنتج لفترة معينة، افصله عن الكهرباء وأخرج أي طعام منه.

• لا تستعمل مواد التنظيف بالبخار لتنظيف التلاجة وإذابة الجليد داخلها. قد يتلامس البخار مع المناطق المكهربة ويتسبب بقصر الدائرة الكهربائية أو الصدمة الكهربائية!

• لا تغسل المنتج برش الماء أو سكب عليه! خطر الصدمة الكهربائية!

• إذا حدث عطل، لا تستخدم المنتج فقد يتسبب ذلك بصدمة كهربائية. اتصل بخدمة الصيانة المعتمدة قبل القيام بأي شيء.

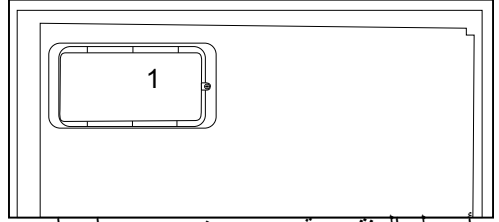
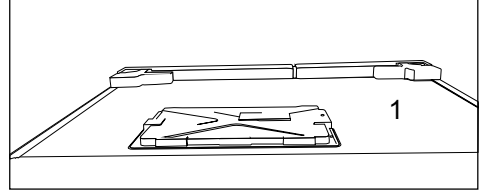
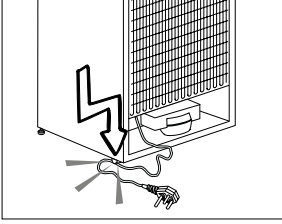
• لا تستخدم الجهاز إذا كان القسم الموجود على سطح الجهاز أو على ظهره الذي يحوي ألواحاً إلكترونية مطبوعة في الداخل مفتوحاً (غطاء لوح الدائرة الإلكترونية المطبوعة) (1).

تحذير: حافظ على فتحات التهوية في تجويف الجهاز أو في البنية المدمجة خالية من الانسداد.	
تحذير: لا تستخدم الأجهزة الميكانيكية أو الوسائل الأخرى لتسريع عملية إزالة الصقيع، غير تلك التي يوصي بها المصنع.	
تحذير: لا تتلف الدائرة الكهربائية لمادة التبريد.	
تحذير: لا تستخدم الأجهزة الكهربائية في حجرة المون في الجهاز إلا إذا كانت من النوع الذي يوصي بها المصنع.	
تحذير: لا تقم بتخزين المواد المتفجرة مثل علب الأيروسول حيث تحتوي تلك العلب على مواد قابلة للاشتعال.	

هذا الجهاز مصمم للاستخدام المنزلي والتطبيقات المماثلة مثل

- مناطق كادر الطبخ في المتاجر والمكاتب وبيئات العمل الأخرى؛
- المزارع و النزلاء في الفنادق وفنادق الطرق والبيئات السكنية المماثلة؛ أماكن المبيت والإفطار؛
- أماكن المبيت والإفطار؛
- عمليات التموين والتطبيقات المماثلة في غير محلات التجزئة.

- وتضرر أجزائه.
- احذر أن يعلق كبل الطاقة.



### 1.2 تحذير HC

- إذا كان المنتج يشتمل على نظام تبريد باستخدام غاز R600a ، احذر حتى تتجنب

أضرار نظام التبريد وأنبويه أثناء استخدام الجهاز وتحريكه. هذا الغاز سريع الاشتعال. إذا تعرض نظام التبريد للتلف، أبعاد الجهاز عن مصادر الحريق وقم بنهوية الغرفة فوراً.

يشير الملصق على الجهة الداخلية اليسرى إلى نوع الغاز المستعمل في المنتج.



- أوصل المنتج بمقبس مؤرض. يجب إجراء التأسيس بواسطة فني كهرباء مؤهل.
- إذا كان الجهاز يحتوي على مصابيح LED ، اتصل بخدمة الصيانة المعتمدة لاستبدالها أو اتصل بها في حال حدوث أية مشاكل.
- لا تلمس الأطعمة المجمدة بأيدي مبتلة! فقد تلتصق بيديك!
- لا تخزن العبوات الزجاجية أو علب المشروبات في حجرة المجمد. فقد تنفجر!

ضع السوائل بوضع رأسي بعد إغلاق الغطاء بإحكام.

- لا ترش المواد سريعة الاشتعال قرب الجهاز، فقد يحترق أو ينفجر.

• لا تحتفظ بالمواد سريعة الاشتعال والمنتجات المحتوية على غاز سريع الاشتعال (مواد الرش، الخ) في الثلاجة.

- لا تضع مستوعبات السوائل على الجهاز. قد يتسبب رش الماء على جزء كهربائي بصدمة كهربائية أو خطر الحريق.

• يؤدي تعريض المنتج للمطر والثلج وأشعة الشمس والرياح إلى أضرار كهربائية. عند تغيير مكان الجهاز، لا تسحبه من مقبض الباب. فقد ينفك المقبض.

- احذر لكي لا يعلق أي جزء من يديك أو جسمك في أية أجزاء متحركة داخل الجهاز.

• لا تطأ أو تنكئ على الباب والجوارير وأجزاء مماثلة من الثلاجة. سيؤدي ذلك إلى سقوط الجهاز

### 1.1.2 للموديلات

#### المحتوية على موزع ماء

- يجب أن يكون ضغط مدخل الماء البارد 90psi كحد أقصى (620 kPa). إذا تجاوز ضغط الماء (80 550 kPa)، استخدم صمام حد الضغط في نظامك الرئيسي. إذا كنت لا تعلم كيف تفحص ضغط الماء الخاص بك، اطلب المساعدة من سمكري متخصص.

• إذا ظهر خطر تأثير الطرق المائي أثناء التركيب، استخدم معدات منع الطرق المائي في التركيب دائماً. استشر سمكري متخصص إن لم تكن متأكداً من عدم وجود تأثير للطرق المائي في التركيب.

- لا تركيبه على مدخل الماء الساخن.
- يجب أخذ الحيطة من خطر تجمد الخرطوم.
- يجب أن تكون درجة حرارة الماء 33 ف

### 1.5 الامتثال لتوجيهات RoHS

عم قفاوتي هتيرتشا يذلا جتنملا اذه  
ال (EU / 2011/65 RoHS) تاهي جوت  
تدحمل تروظحمل قراضلا داوملا يل ع يوتحت  
هيجوتلا يف.

### 1.6 معلومات الغلاف



فيل غتلا داوم عينصت متي  
داوم نم جتنملا ب ع صاغل  
أقفو ريودتلا قداعال قلباق  
ال. ةين طولا ةئي بلبا حى اولل  
تايفنل عم فال غل داوم نم صلختت  
يف عض. يدخال تايفنل وأ ةيلزنملا  
لبق نم تدحمل ةيب عتلا داوم عيمجت عطقن  
ةيلحمل تااطلسلا

(0.6 م) كحد أدنى و100 ف (38 م) كحد  
أقصى.

• استعمال ماء الشرب فقط.

### 1.3 الاستخدام المخصص

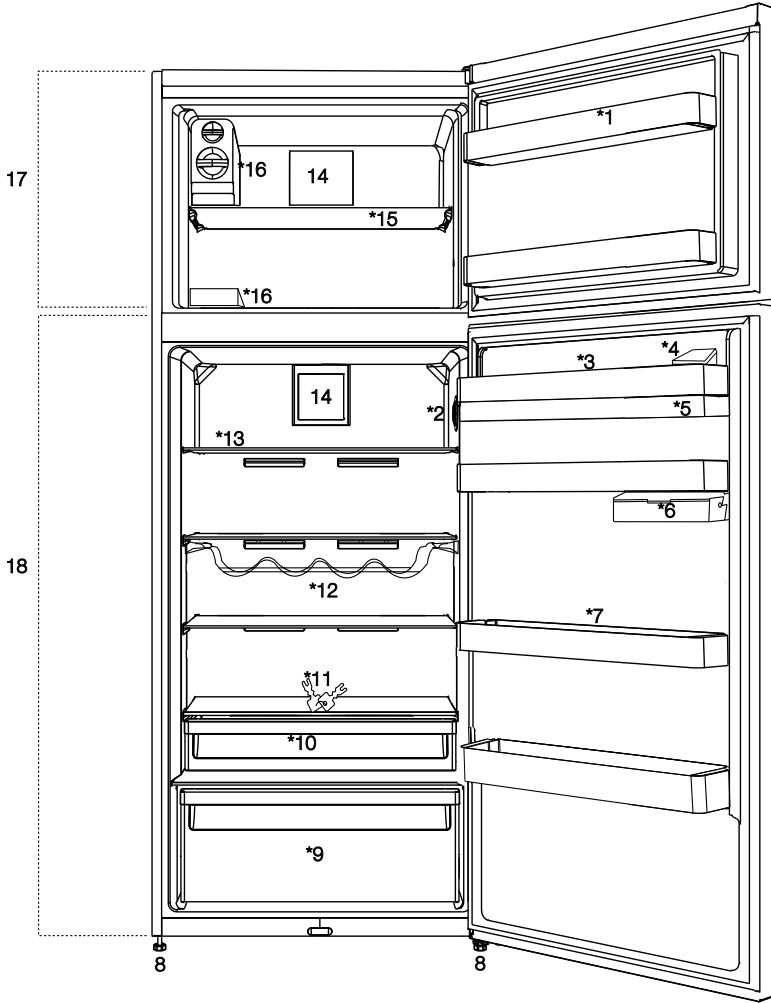
• هذا المنتج مصمم للاستخدام المنزلي. وهو  
غير ملائم للاستخدام التجاري أو العام.  
• يجب استخدام الجهاز لتخزين الطعام  
والشراب فقط.  
• لا تترك المواد الحساسة التي تتطلب  
درجات حرارة تحت السيطرة في التلاجة  
(اللقاحات، الأدوية الحساسة للحرارة، اللوازم  
الطبية، الخ).  
• لا يتحمل المصنع أية مسؤولية عن أي  
ضرر بسبب سوء الاستعمال أو التعامل.  
• سيتم توفير قطع غيار أصلية لمدة 10  
أعوامًا، بعد تاريخ الشراء المنتج

### 1.4 الامتثال لتوجيه WEEE والتخلص من المنتجات:

EU WEEE هيجوت عم جتنملا اذه قفاوتي  
جتنملا اذه لمحي (EU / 2012/19)  
ةيئابرهكل تادعمل فينصتلا أزم  
(WEEE) قلمعتسمل ةينورتكلال او



بجي ال من إيل زمرلا اذه ريوشي  
عم جتنملا اذه نم صلختلا  
يدخال ةيلزنملا تايفنل  
يلغي غشتل مرمع ةيانه يف  
إل مدختسمل زاوجل قداعال بجي  
ريودت قداعال ةيمسرل عيمجتلا عطقن  
ةينورتكلال او ةيئابرهكل فزهجال  
ي جري، هذه عيمجتلا قمظنأ يل ع روثحلل  
رجات وأ ةيلحمل تااطلسلاب لاصتال  
يدوي. جتنملا رابتخا مت شيح ةينزجتلا  
فزهجال قداعتسا يف أهمم ارود لزنم لك  
صلختلا دعاسي. امر يودت قداعال قميدقلا  
عنم يف قمذختسمل فزهجال نم بسانملا  
ةييبلا يل ع قلمتحمل ةييبلسلا راتال  
ناسنإل ةحصو



- |                                                                                                                                                                                                                               |                                                                                                                                                                                                                                     |
|-------------------------------------------------------------------------------------------------------------------------------------------------------------------------------------------------------------------------------|-------------------------------------------------------------------------------------------------------------------------------------------------------------------------------------------------------------------------------------|
| <p>10. حيز التبريد<br/>11. القفل والمفتاح<br/>12. رف الزجاجات<br/>13. رف صندوق الثلجة الزجاجي<br/>14. مروحة<br/>15. رف صندوق الفريزر<br/>16. صندوق الثلج / حجيرة إعداد الثلج<br/>17. مقصورة الفريزر<br/>18. مقصورة الثلجة</p> | <p>1. رف باب صندوق الثلجة<br/>2. زر ضبط درجة الحرارة<br/>3. رف تجويف باب الفريزر<br/>4. موزع المياه ملء خزان القسم الببيض<br/>5. خزان موزع المياه<br/>6. تحريك رف الباب<br/>7. الأرجل القابلة للضبط<br/>8. مقصورة الطعام الطازج</p> |
|-------------------------------------------------------------------------------------------------------------------------------------------------------------------------------------------------------------------------------|-------------------------------------------------------------------------------------------------------------------------------------------------------------------------------------------------------------------------------------|




\*اختياري إن الأشكال الواردة في هذا الدليل عبارة عن رسومات بيانية وقد لا تتطابق تمامًا مع المنتج. إذا لم تكن الأجزاء ذات الصلة غير متاحة في المنتج الذي قمت بشرائه، ينطبق الشكل على الموديلات الأخرى.

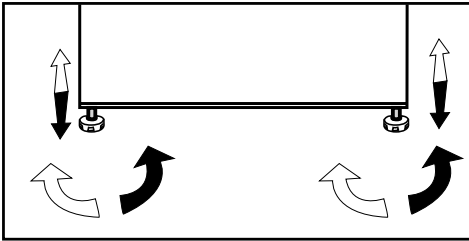


• لا تقم بتركيب الجهاز في أماكن تقل فيها درجة الحرارة عن 5-°م.

### 3.2 ضبط الأقدام

إذا كان المنتج غير متزن بعد عملية التركيب، فاضبط القدم على المقدمة بعد تدويرها لليمين أو اليسار. التوصليل الكهربائي

	<b>تحذير:</b> لا تقم بعمل الوصلات من خلال كابلات إطالة أو قوابس متعددة.
	<b>تحذير:</b> يجب أن يقوم مندوب خدمة معتمد باستبدال كابل الطاقة التالف.
	إذا كنت بصدد تركيب مبردين جنباً إلى جنب، يجب المباعدة بينهما بمسافة 4 سم على الأقل.



### 3.1 موقع التركيب الملائم

اتصل بمركز خدمة معتمد لتركيب الجهاز. لتحضير الجهاز للاستخدام، راجع المعلومات الواردة في دليل المستخدم وتأكد من أن التركيبات الكهربائية وتركيبات المياه سليمة. إذا لم يكن الأمر كذلك، اتصل بفني كهربائي ومهندس معتمد لإجراء أية ترتيبات مطلوبة.

	<b>تحذير:</b> لن تكون الشركة المصنعة مسؤولة عن التلف الذي يحدث نتيجة إجراء أعمال التركيب والصيانة من قبل أشخاص غير معتمدين.
	<b>تحذير:</b> لا يجوز توصيل قابس الجهاز بالكهرباء أثناء التركيب. وإلا، قد يكون هناك خطر الوفاة أو الإصابات الخطيرة!!
	<b>تحذير:</b> إذا كان خلوص الباب في الغرفة غير كافٍ في موضع تركيب الجهاز بدرجة تمنع تمرير الجهاز، فاخلع باب الغرفة وقم بتمرير الجهاز عبر الباب من خلال تدويره إلى الجوانب؛ فإذا لم ينجح ذلك، اتصل بمركز الخدمة المعتمد.

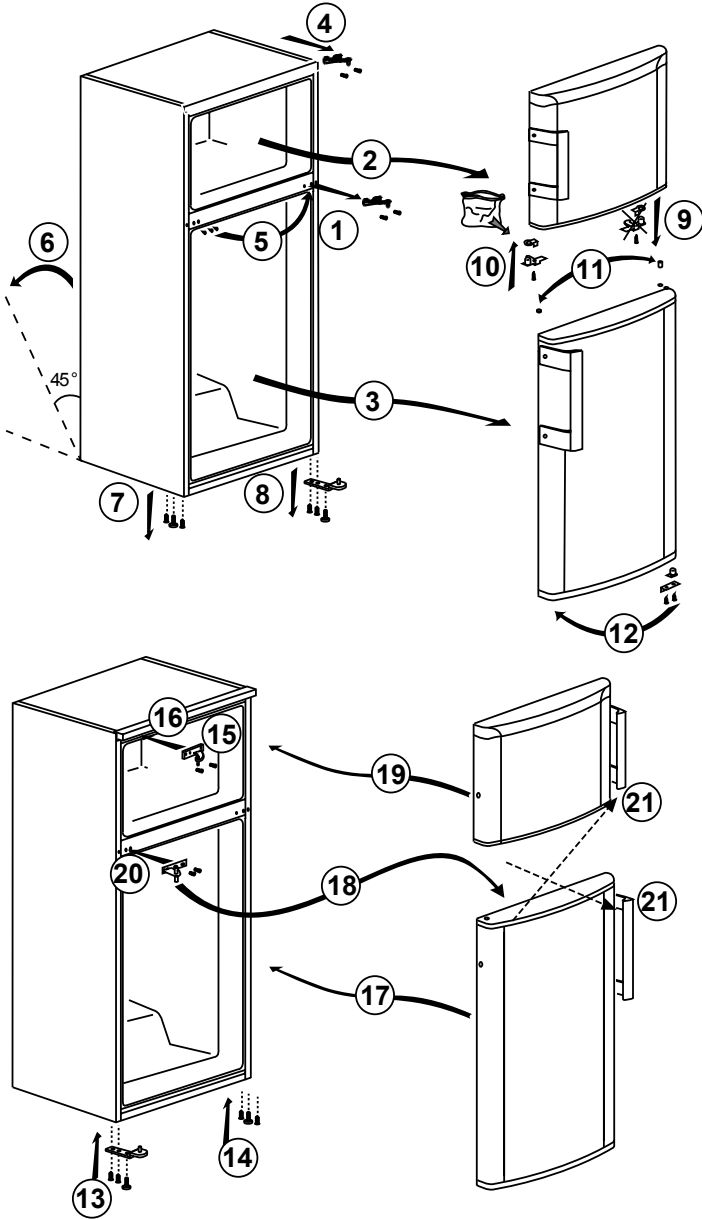
- ضع المنتج على سطح مستو لمنع الحركة المفاجئة.
- قم بتركيب الجهاز على مسافة لا تقل عن 30 سم من مصادر الحرارة، مثل المواقد والسخانات والأفران وعلى مسافة لا تقل عن 5 سم من الأفران الكهربائية.
- لا يجوز أن يتعرض الجهاز لضوء الشمس المباشر ويحفظ في أماكن رطبة.
- يتطلب المنتج الخاص بك توزيع الهواء بصورة كافية حتى يعمل بكفاءة. إذا كنت ستضع الجهاز في تجويف بالجدار، فتذكر ترك خلوص لا يقل عن 5 سم بين الجهاز وكل من السقف والجدار الخلفي والجدران الجانبية.
- إذا كنت ستضع الجهاز في تجويف بالجدار، فتذكر ترك خلوص لا يقل عن 5 سم بين الجهاز وكل من السقف والجدار الخلفي والجدران الجانبية. تأكد أن مكوّن الحماية الخاص بالخلوص بين الجهاز والجدار الخلفي موجود في مكانه (إذا كان مزوداً مع المنتج). في حالة عدم توفر المكون المشار إليه أعلاه، أو في حالة فقدانه أو سقوطه، ضع الجهاز مع ترك خلوص لا يقل عن 5 سم بين السطح الخلفي للجهاز وجدار الغرفة. الخلوص في خلفية الجهاز مهم لتشغيل الجهاز بكفاءة.



- لن تكون شركتنا مسؤولة عن أي تلف يحدث نتيجة استخدام المنتج بدون عمل التأريض والتوصيل بالكهرباء وفقاً للوائح المحلية.
- يجب أن يكون قابس كابل الطاقة في مكان قريب من مكان التركيب.
- لا تقم بعمل وصلات إطالة للأسلاك أو المقابس المتعددة بين جهازك والمقبس الحائطي.

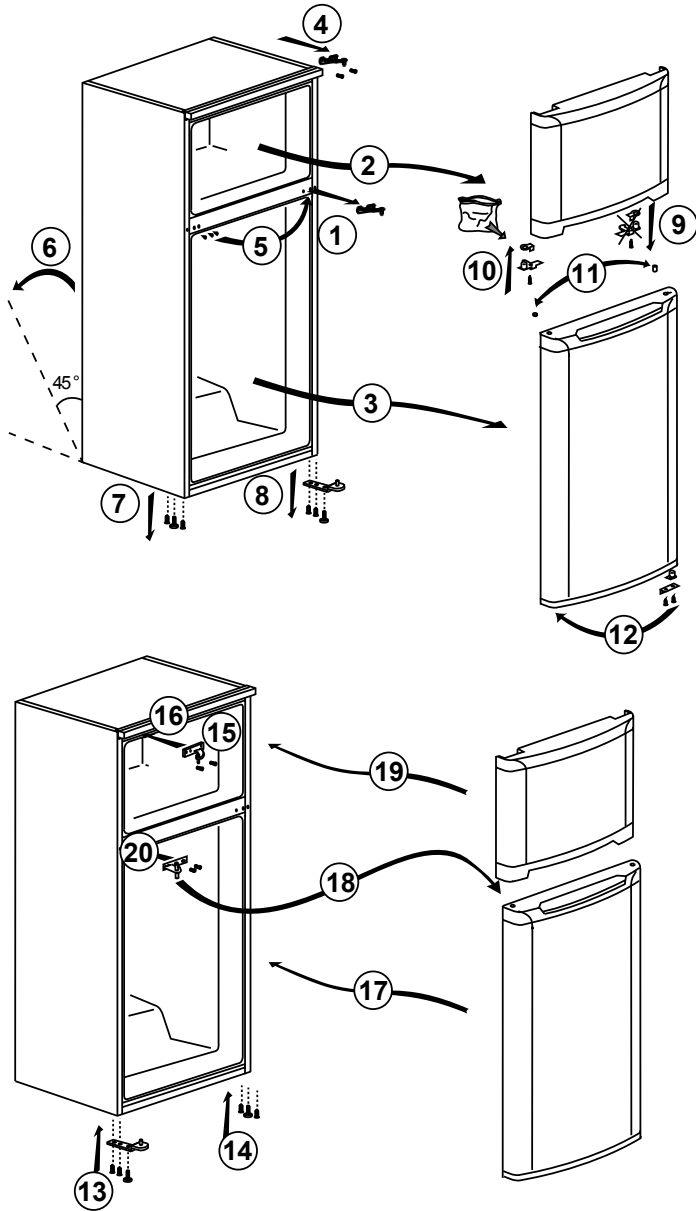
تحذير السطح الساخن  
زودت الجدران الجانبية لجهازك  
بأنابيب تبريد لتحسين مبرد نظام الطهي  
وقد تتدفق درجات حرارة عالية عبر  
هذه المناطق، مما يسخن الأسطح على  
الجدران الجانبية. هذا أمر طبيعي ولا  
يتطلب أي صيانة. يرجى الانتباه أثناء  
لمس هذه المناطق.





3.4 عكس الأبواب

اتبع الترتيب الرقمي



## 4.1. أشياء يجب عملها لتوفير الطاقة

بعد توصيل الجهاز بأنظمة توفير الطاقة الكهربائية أمرًا خطيرًا حيث قد يتسبب في تلف الجهاز.






- نظرًا لأن الهواء الساخن والرطب لن يدخل مباشرة إلى المنتج الخاص بك عند عدم فتح الأبواب، فسوف يحسن المنتج الخاص بك نفسه في ظروف كافية لحماية طعامك. ستعمل الوظائف والمكونات مثل الضاغط والمروحة والسخان وإزالة التجميد والإضاءة وشاشة العرض وما إلى ذلك وفقًا لاحتياجات استهلاك الحد الأدنى من الطاقة في هذه الظروف.
- إن احتكاك الطعام مع مجس درجة الحرارة في حجرة المجمد قد يزيد من استهلاك الطاقة في الجهاز. لذا يجب تجنب الاحتكاك مع المجس.
- لا تسمح للأطعمة بلامسة مستشعر درجة حرارة حيز التجميد الموضح في الشكل أدناه.

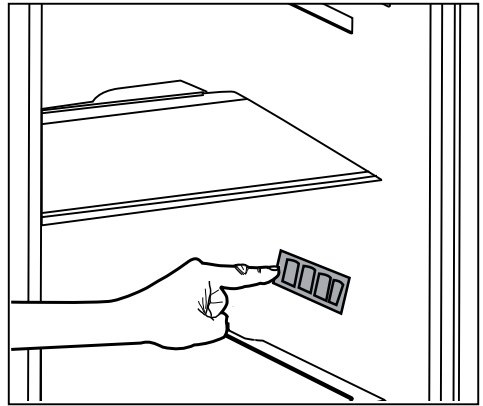
- لا تترك أبواب الثلاجة مفتوحة لفترة طويلة.
- لا تضع الأطعمة أو الخضروات الساخنة في الثلاجة.
- لا تفرط في وضع الأطعمة في الثلاجة، حيث يتسبب ذلك في تقليل قدرة التبريد عند منع تدوير الهواء بالداخل.
- لتخزين أكبر قدر ممكن من الأطعمة في حيز الفريزر، فإن صندوق الثلج الموجود في حيز الفريزر يمكن فكه يدويًا بسهولة وسحب للخارج. تم قياس واختبار قيم الحجم الصافي واستهلاك الطاقة الموضحة في لوحة بيانات الطاقة لثلاجتك في ظل إزالة صندوق الثلج. لا تخلع الأرفف الموجودة في حيز الفريزر وعلى باب حيز الفريزر، ويجب استخدامها بشكل دائم لضمان سهولة الاستخدام وكفاءة استغلال الطاقة.
- لا يجوز إعاقة تدفق الهواء من خلال وضع الأطعمة على جوانب مروحة حيز الفريزر. يجب توافر مسافة لا تقل عن 3 سم على جوانب غطاء المروحة الواقية.
- حسب الخصائص المتوفرة في جهاز، فإن إذابة الطعام المجمد في مقصورة الجهاز يوفر الطاقة ويحفظ جودة الطعام.
- يجب استخدام السلال/الجوارير التي تزود مع حجرة التبريد دائما لتقليل استهلاك الطاقة ومن أجل ظروف تخزين أفضل.

## 4.2. الاستخدام للمرة الأولى

- قبل البدء في تشغيل ثلاجتك، تأكد من القيام بجميع الأعمال التحضيرية حسب الإرشادات الموضحة في أقسام "إرشادات الأمان والبيئة" و "التركيب".
- قم بتشغيل الجهاز دون وضع أي أطعمة بداخلها لمدة 6 ساعات ولا تقم بفتح الباب ما لم تكن هناك ضرورة.

سوف تسمع ضوضاء عند بدء عمل جهاز ضغط الهواء. قد تؤدي السوائل والغازات المتسربة من نظام التبريد إلى إحداث ضوضاء، حتى إن كان جهاز ضغط الهواء لا يعمل وهذا أمر طبيعي.	
قد يكون ملمس الحواف الأمامية للجهاز دافئًا. هذا شيء طبيعي. حيث تم تصميم هذه المناطق حتى تكون دافئة تجنبًا للتكاثف.	

في بعض الموديلات، تتوقف لوحة الأدوات 5 دقائق بعد إغلاق الباب. سيتم إعادة تفعيلها عند فتح الباب أو الضغط على أي مفتاح.	
-----------------------------------------------------------------------------------------------------------------------	------------------------------------------------------------------------------------

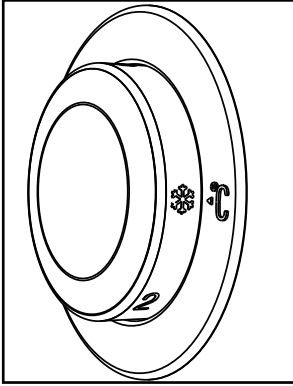


**5.2. التجميد السريع**

في حالة تجميد كميات كبيرة من الأطعمة الطازجة، اضبط مفتاح التحكم على الوضع ( ❄️ ) بفترة 24 ساعة قبل وضع الأطعمة الطازجة في صندوق التجميد السريع.

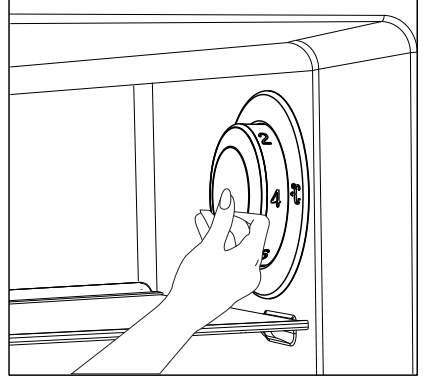
يوصى بشدة أن يتم بالإبقاء على المفتاح في هذا الوضع لمدة 25 ساعة لتجميد أكبر كمية من الأطعمة الطازجة المسموح بها حسب سعة التجميد. توخ الحذر جيداً لعدم خلط الأطعمة المجمدة بالأطعمة الطازجة.

تذكر أن تدير مفتاح التحكم في درجة الحرارة إلى موضعه السابق بمجرد تجميد الطعام.

**5.1. مبرد سريع**

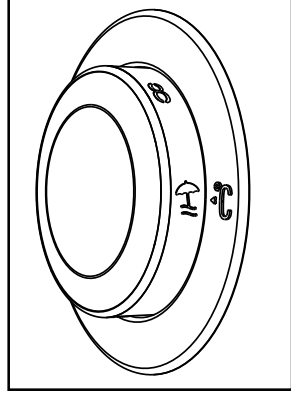
إذا كنت تريد تبريد كميات كبيرة من الطعام الطازج ، فاضبط مقبض التحكم في درجة الحرارة على ( ❄️ ) كحد أقصى. 24 ساعة قبل وضع الطعام الطازج في حجرة التبريد السريع.

يوصى بشدة بإبقاء المفتاح في هذا الوضع لمدة ساعة واحدة على الأقل لتبريد أكبر كمية من الطعام الطازج المعلنة كقدرة تبريد. كن حريصاً بشكل خاص على عدم خلط الأطعمة المبردة بالطعام الطازج.



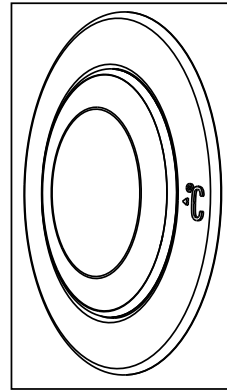
### 5.3. وظيفة الأجزاء

إذا لم يتم فتح أبواب المنتج لمدة 12 ساعة بعد ضبط مفتاح التحكم في درجة الحرارة على أعلى وضع درجة حرارة، فسيتم تشغيل وظيفة الأجزاء تلقائياً. لإلغاء الوظيفة، قم بتغيير إعداد المفتاح.



لا ينصح بتخزين الطعام أثناء تفعيل خاصية الأجزاء.

- عند الانتهاء من عملية الإعداد، يمكنك الضغط على مفتاح التحكم في درجة الحرارة وإخفاؤه.



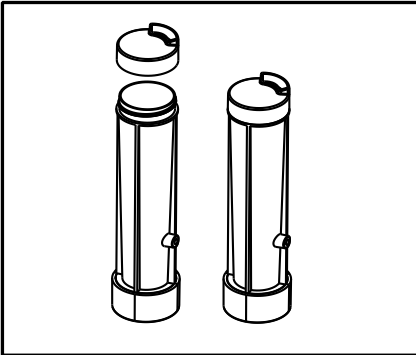
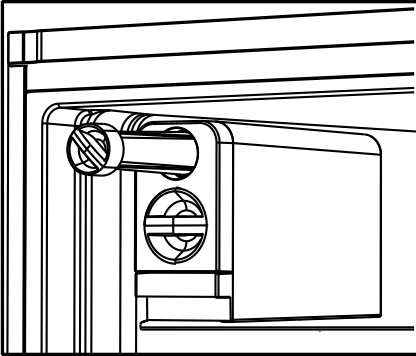
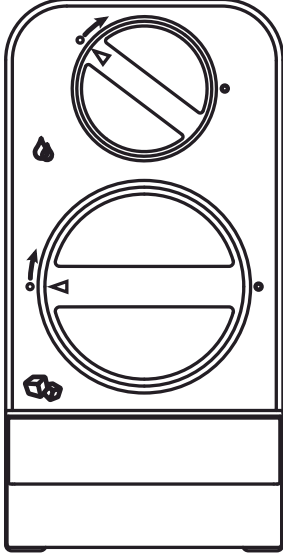
\*اختياري: إن الأشكال الواردة في هذا الدليل عبارة عن رسومات بيانية وقد لا تتطابق تمامًا مع المنتج. إذا لم تكن هذه القطع واردة في هذا الجهاز الذي اشتريته، فهذا يعني أن هذه الأجزاء مناسبة لأنواع أخرى.



## 5.4. الثلج - جهاز عمل الثلج

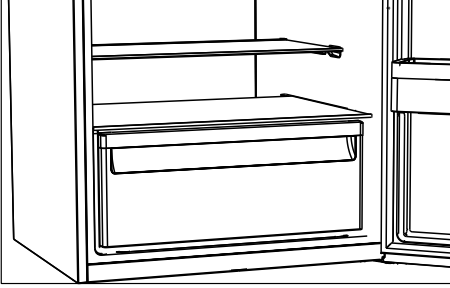
(هذه الخاصية اختيارية)

- اخلع خزان الماء من خلال تدويره لليساار .
- افتح غطاء خزان الماء من خلال تدويره وأضف الماء إلى خزان الماء حتى الجزء السفلي من غطاء خزان الماء .
- ضع خزان الماء في موضعه كما هو موضح في الشكل بعد إضافة الماء، وقم بتثبيتته من خلال تدويره في اتجاه السهم. يجب صب الماء لأسفل على قاعدة الثلج.
- بعد أن يتكون الثلج، أدر مقبض قاعدة الثلج في اتجاه السهم للسماح للثلج بالسقوط في درج الثلج.
- استخرج مكعبات الثلج من خلال سحب درج الثلج للخارج.
- اسحب الواجهة الأمامية تجاهك لغسل قاعدة الثلج، ثم ضعها على الفضبان الانزلاقية على النطاق الداخلي واضغطها في موضعها لتركيبها في مكانها.
- اسحب وحدة إعداد الثلج تجاهك لإزالة الوحدة، ثم ضعها على الفضبان الانزلاقية على النطاق العلوي واضغطها في موضعها لتركيبها في مكانها.



### 5.8. مقصورة الطعام الطازج

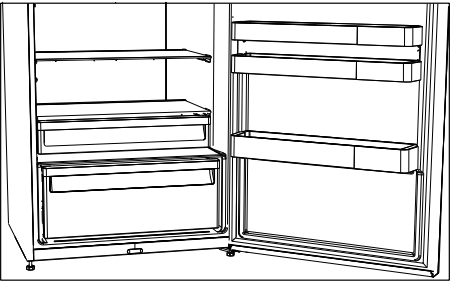
صممت مقصورة الطعام الطازج بالتلاجة خصيصاً بحيث تحتفظ بالخضروات طازجة دون فقدان رطوبتها. لهذا الغرض، تكون دورة الهواء البارد مكثفة حول الدرج بوجه عام.



### 5.9. حيز التبريد

(هذه الخاصية اختيارية)

استخدم هذا الحيز لتخزين الأطعمة الحساسة التي يجب حفظها في درجة حرارة منخفضة أو منتجات اللحوم التي ترغب في استهلاكها خلال فترة قصيرة. مقصورة التبريد هي أبرد مكان في ثلاجتك، حيث يمكنك الاحتفاظ بمنتجات الألبان، واللحوم، والأسماك، والدواجن في ظروف التخزين المثالية. لا ينبغي تخزين الفواكه في هذه المقصورة.



### 5.5. حاوية الثلج

- قم بإزالة حاوية الثلج من مقصورة الفريزر.
- قم بتعبئة حاوية الثلج بالمياه.
- ضع حاوية الثلج في مقصورة الفريزر. وبعد ساعتين، سيكون الثلج جاهزاً.
- قم بإزالة حاوية الثلج من مقصورة الفريزر وقم بثنيتها على لوحة الخدمة. ستسقط مكعبات الثلج بسهولة في لوحة الخدمة.

### 5.6. حامل البيض

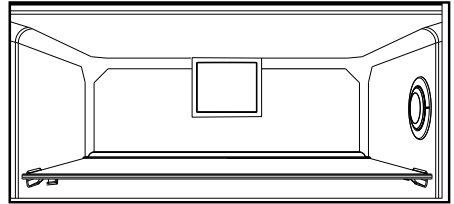
يمكن تركيب حامل البيض بالباب المطلوب أو رف الجسم. إذا كان سيتم وضعه على أرفف الجسم فعنها يوصى بالأرفف ذات أقل تبريد.

لا تضع حامل البيض في مقصورة الفريزر أبداً.



### 5.7. المروحة

تم تصميم المروحة لضمان التوزيع المتناسق وتدوير الهواء في شكل متناغم داخل التلاجة. وقد تختلف فترة تشغيل المروحة حسب خصائص جهازك. أثناء تشغيل المروحة فقط مع الضاغط في بعض المنتجات، يحدد نظام التحكم وقت التشغيل في بعض المنتجات وفقاً لمتطلبات التبريد.





## 5.10. تحريك رف الباب

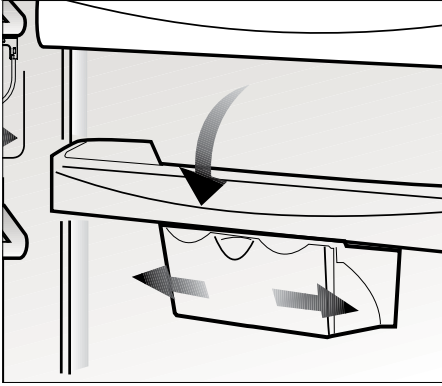
(هذه الخاصية اختيارية)

يمكن تثبيت رف الباب المتحرك على 3 مواضع مختلفة.

اضغط الأزرار الموضحة في الجوانب في نفس الوقت لتحريك الرف. يجب أن يكون الرف قابلاً للحركة.

حرك الرف لأعلى أو لأسفل.

اترك الأزرار عند ضبط الرف في الوضع المرغوب. يجب تثبيت الرف على الوضع عند ترك الأزرار.



## 5.12. الضوء الأزرق / HarvestFresh

\* قد لا تتوافر جميع الموديلات

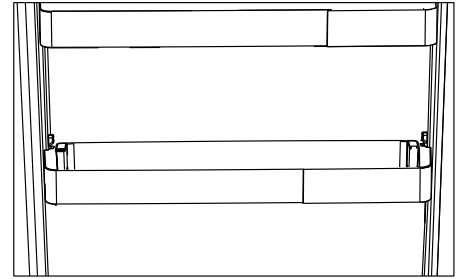
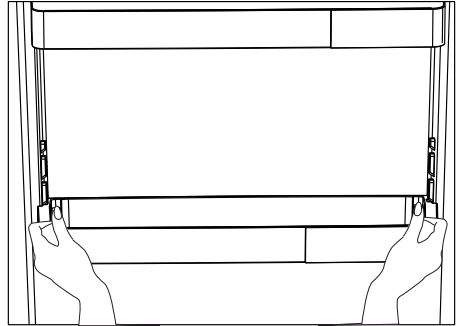
بالنسبة للضوء الأزرق،

فإن الفاكهة والخضروات التي يتم تخزينها في الأقسام المخصصة لها في الثلاجة، وهي الأقسام المضاءة بالضوء الأزرق، تستمر في عملية التمثيل الضوئي بفضل تأثير طول موجة الضوء الأزرق، ومن ثم فإنها تحتفظ بالفيتامينات التي تحتوي عليها.

بالنسبة ل HarvestFresh،

فإن الفاكهة والخضروات التي يتم تخزينها في الأقسام المخصصة لها في الثلاجة، والتي تتم إضاءتها بتقنية HarvestFresh، تحتفظ بفيتاميناتها لمدة أطول بفضل دورات الأضواء الزرقاء والخضراء والحمراء والظلام، التي تحاكي دورة اليوم الكامل.

إذا فتحت باب الثلاجة خلال فترة الظلام المُفعَّلة بواسطة تقنية HarvestFresh، فسوف تكتشف الثلاجة ذلك الأمر تلقائياً وسوف تمكّن الضوء الأزرق أو الأخضر والأحمر من إضاءة قسم الخضروات والفاكهة ليبتسر لك القيام بما تريد. بعد أن تغلق باب الثلاجة، سوف تستمر فترة الظلام، لتكون بمثابة الفترة الليلية من دورة اليوم.



## 5.11. مقصورات التخزين المائلة

(هذه الخاصية اختيارية)

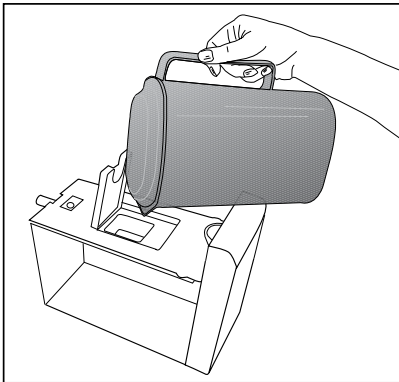
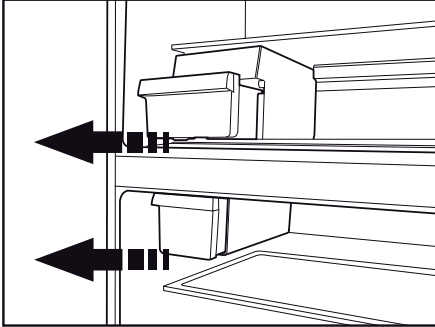
تم تصميم هذا الملحق للاستفادة من حجم أرفف الباب بشكل أكثر كفاءة.

فهو يسمح لك بوضع الزجاجات الطويلة والمرطبات والعلب في صف الزجاجات السفلي بفضل قدرته على الحركة لليمين أو اليسار.

### 5.14 خاصية تكوين الثلج الأوتوماتيكية (هذه الخاصية اختيارية)

تسمح لك خاصية تكوين الثلج الأوتوماتيكية بصنع الثلج في الثلاجة بسهولة. قم بإزالة خزان المياه في مقصورة الثلجة، واملأه بالمياه وقم بتركيبه مرة أخرى للحصول على الثلجة من درج الثلج. ستكون أول مكعبات ثلجية جاهزة في خلال ساعتين تقريباً في درج الثلج الموجود في مقصورة الفريزر. إذا ملئت خزان المياه بالكامل، ستستطيع الحصول على حوالي 60-70 مكعب ثلجي. قم بتغيير المياه في خزان المياه إذا ظلت هناك لمدة 2-3 أسابيع.

للمنتجات التي بها خاصية تكوين الثلج الأوتوماتيكية، قد تسمع صوتاً أثناء صب الثلج. هذا الصوت صوتاً طبيعياً وليس علامة لوجود خطأ بالمنتج.



### 5.13 مقصورة الطعام الطازج المحكومة من حيث الرطوبة

(FreSHelf)

(هذه الخاصية اختيارية)

مع خاصية درج التحكم بالرطوبة تظل معدلات الرطوبة للخضروات والفواكة تحت التحكم ويظل الطعام طازج لمدة أطول.

ننصحك بوضع الخضروات الورقية مثل الخس والسبانخ والخضروات الحساسة لفقدان الرطوبة في وضع أفقي قدر الإمكان في الدرج وليس على جذورها وبوضع رأسي.

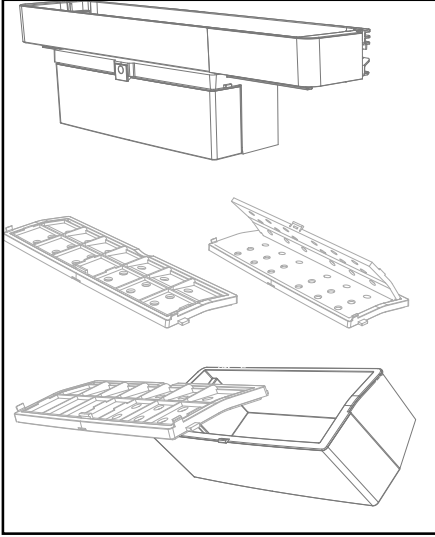
أثناء وضع الخضروات يجب أن نأخذ في الاعتبار أن نضعها بوضع جاذبية معين. الخضروات الثقيلة والصلبة يجب وضعها في أسفل الدرج والخضروات الخفيفة والناعمة يجب أن توضع بالأعلى.

لا تترك الخضروات أبداً داخل الدرج في أكياسها. إذا تركت الخضروات في أكياسها، سينسبب هذا في تحللها في فترة قصيرة. في حالة تلامس الخضروات ببعضها وهو أمر غير صحي، استخدم ورق مثقوب أو أي مادة أخرى مشابهة من مواد التغليف بدلاً من الأكياس.

لا تضع الكمثرى والمشمش والخوخ وغيرها معاً في نفس الدرج مع الخضار والفواكه الأخرى، وعلى وجه الخصوص التفاح والذي به مستوى عال من توليد غاز الإيثيلين. غاز الإيثيلين الذي ينبعث من هذه الفاكهة قد يتسبب في نضج الفاكهة الأخرى بشكل أسرع والتحلل في وقت أقل.

## 5.16 منتج الأعشاب HerbBox/ HerbFresh

انزع مستوعب الشريط عن HerbBox/  
+HerbFresh  
أخرج الشريط من الكيس وضعه في مستوعب الشريط  
كما توضح الصورة.  
سد المستوعب بإحكام مرة أخرى وأعدّه إلى وحدة  
HerbBox/HerbFresh.  
تعتبر أجزاء HerbBox/HerbFresh + مثالية  
لتخزين مختلف أنواع الأعشاب المفترض أن تحفظ  
في ظروف خاصة.  
يمكنك تخزين أعشابك غير المحفوظة في أكياس  
(البقدونس، الشبت، الخ) في هذا الجزء أفقياً والحفاظ  
على نضارتها أطول فترة ممكنة.  
روهش تيسل كم ليفلا لادبتسا بجير.





## 5.15 وصف فلتر الروائح وتنظيفه:

\* اختياري


يمنع فلتر الروائح تراكم الروائح الكريهة  
داخل الثلاجة. اجذب الغطاء، الذي يتم فيه  
تركيب فلتر الروائح، لأسفل وأخرجه كما هو  
موضح في الشكل. اترك الفلتر تحت أشعة  
الشمس لمدة يوم. سيتم تنظيف الفلتر أثناء  
ذلك الوقت. قم بتركيب الفلتر في مكانه مره  
أخرى. يجب تنظيف فلتر الروائح مرة كل  
عام.

## 5.17. استخدام موزع المياه

\*اختياري

من الطبيعي أن تكون أكواب المياه القليلة الأولى المأخوذة من وحدة التوزيع دافئة.	
إذا لم يتم استخدام موزع المياه لفترة طويلة، فتخلص من أكواب المياه الأولى التي تحصل عليها من الماء العذب.	

1. اضغط على مزلاج صنوبر الماء بالكوب. إذا كنت تستخدم كوب بلاستيكي ضعيف، فدفع الصنوبر بيديك سيكون أسهل.
2. بعد تعبئة الكوب حتى المستوى الذي تريد، قم بتحرير الصنوبر.

يرجى ملاحظة أن كمية تدفق المياه تعتمد على مدى وكلما ارتفع مستوى المياه في الكوب / الكأس، خفف كمية الضغط على المزلاج لتجنب زيادة التدفق. إذا ضغطت برفق على الذراع، سيقطر الماء، وهذا أمر طبيعي وليس عيباً.	
-----------------------------------------------------------------------------------------------------------------------------------------------------------------------------------------------------------	------------------------------------------------------------------------------------

## 5.18. وحدة صنع الثلج وصندوق تخزين الثلج

\*اختياري

### استخدام وحدة صنع الثلج

- أملء جهاز عمل الثلج بالمياه وضعه في مكانه. سيتم إعداد الثلج في حوالي ساعتين تقريباً. لا تخرج صندوق الثلج من مكانه لإخراج الثلج.
- أدر المقابض في صهرج الثلج باتجاه عقارب الساعة 90 درجة.

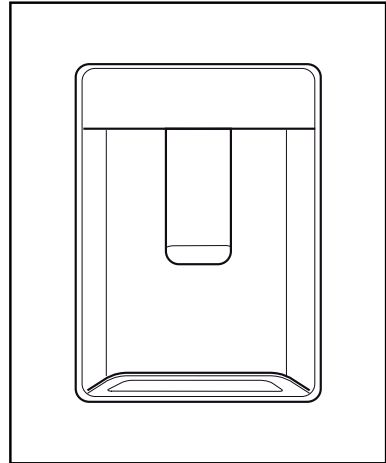
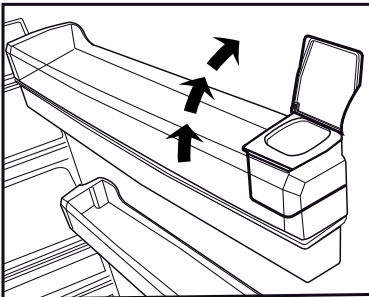
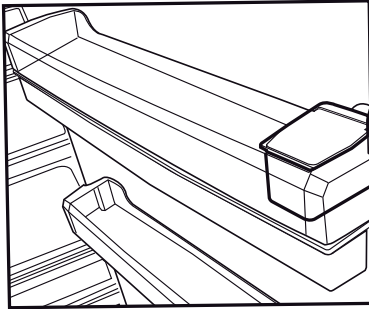
ستسقط مكعبات الثلج التي في المقصورة إلى خزان الثلج أدناه.

يمكن إخراج خزان الثلج وتقديم مكعبات الثلج.

يمكن الاحتفاظ بمكعبات الثلج في خزان الثلج إذا أردت.

### رف تخزين الثلج

فخزان الثلج مخصص فقط لتجميع مكعبات الثلج. لا تضع ماء فيه. وإلا فينكسر.



## 5.19 استخدام موزع المياه

\*اختياري

استخدم مياه الشرب النظيفة فقط.



سعة خزان المياه 3 لتر، لا تملأه على نحو مفرط.



## 5.21 تنظيف خزان المياه

1. قم بفك صهريج تعبئة المياه داخل رف الباب.
2. قم بفك رف الباب بإمساكه من كلا الجانبين.
3. امسك خزان المياه من كلا الجانبين وقم بفكه بزاوية 45 درجة .
4. قم بإزالة غطاء خزان المياه وتنظيف الخزان.

يجب ألا يتم غسل أجزاء خزان المياه وموزع المياه في غسالة الأطباق.



من الطبيعي أن تكون أكواب المياه القليلة الأولى المأخوذة من وحدة التوزيع دافئة.



إذا لم يتم استخدام موزع المياه لفترة طويلة، فتخلص من أكواب المياه الأولى التي تحصل عليها من الماء العذب.



1. اضغط على مزلاج صنوبر الماء بالكوب. إذا كنت تستخدم كوب بلاستيكي ضعيف، فدفع الصنوبر بيديك سيكون أسهل.
2. بعد تعبئة الكوب حتى المستوى الذي تريد، قم بتحريك الصنوبر.

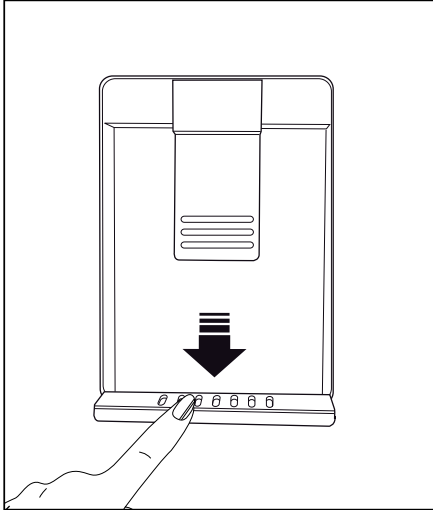
يرجي ملاحظة أن كمية تدفق المياه تعتمد على مدى وكلما ارتفع مستوى المياه في الكوب / الكأس، خفف كمية الضغط على المزلاج لتجنب زيادة التدفق. إذا ضغطت برفق على الذراع، سيقطر الماء، وهذا أمر طبيعي وليس عيباً.



## 5.20 تعبئة خزان توزيع المياه

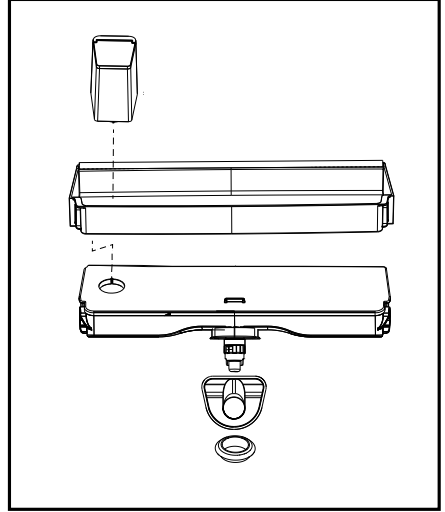
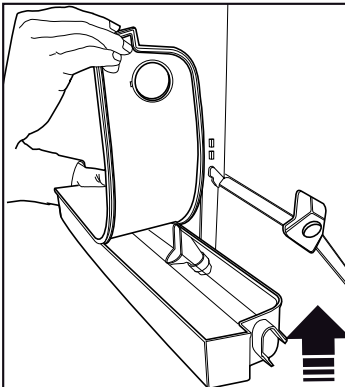
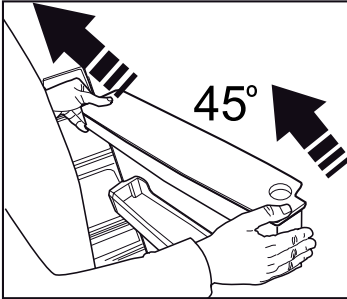
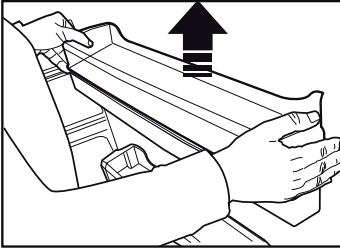
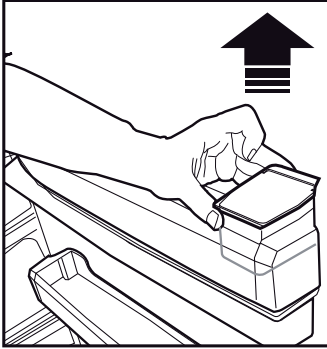
- يوجد صهريج ملى خزان المياه بداخل رف الباب.
1. افتح غطاء الخزان.
  2. قم بتعبئة الخزان بمياه شرب نقية.
  3. أغلق الغطاء.

• لا تملأ خزان المياه بأى سائل آخر غير مياه الشرب والمشروبات مثل عصائر الفاكهة والمشروبات الغازية، أما المشروبات الكحولية فغير مناسبة للاستخدام في موزع المياه. سيتلف موزع المياه بشكل لا يمكن إصلاحه إذا تم استخدام هذا النوع من السوائل. ولا يشمل الضمان هذا النوع من الاستخدامات في بعض المواد الكيماوية والإضافات الموجودة في هذه السوائل/ المشروبات قد تتلف مواد خزان المياه.



## 5.22. درج المياه

المياه التي تتساقط أثناء استخدام موزع المياه تتجمع في درج المياه.  
اسحب الفلتر البلاستيكي كما يظهر في الشكل.  
بقطعة قماش نظيفة وجافة، قم بإزالة المياه التي تراكمت.



## 5.23. تجميد الأطعمة الطازجة

- للحفاظ على جودة الأطعمة، فيجب تجميدها بأسرع ما يمكن عند وضعها في صندوق الفريزر، واستخدام خاصية التجميد السريع لهذا الغرض.
- ويمكنك تخزين الأطعمة لفترة أطول في صندوق الفريزر عند تجميدها وهي طازجة.
- قم بتغليف الأطعمة المطلوب تجميدها وأغلق الأغطية بحيث لا تسمح بدخول الهواء.
- تأكد من تغليف الأطعمة قبل وضعها في الفريزر. استخدم أوعية مناسبة للفريزر ورقائق وورق مقاوم للرطوبة وأكياس بلاستيكية وغيرها من خامات التغليف بدلاً من أوراق التغليف العادية.
- قم بتمييز كل عبوة من خلال وضع تاريخ التجميد عليها. يمكنك التقريب بين درجة طازجة كل عبوة من عبوات الطعام بهذه الطريقة عندما تفتح الفريزر في كل مرة. قم بتخزين الطعام المجمد السابق في الجانب الأمامي من الصندوق لضمان استهلاكه أولاً.
- يجب استهلاك الطعام المجمد مباشرة بعد إذابته، كما يجب عدم إعادة تجميده.
- لا تقم بتجميد كميات كبيرة من الطعام مرة واحدة في نفس الوقت.

## 5.24. توصيات المحافظة

## على الأطعمة المجمدة

يجب ضبط الصندوق على درجة حرارة  $18^{\circ}$  - م على الأقل.

1. توضع العبوات في الفريزر بأسرع ما يمكن بعد الشراء دون تركها حتى يذوب عنها التجمد.
2. تفحص ما إذا تم تجاوز تواريخ "يستخدم بحلول" و "صالح حتى" على العبوة أم لا قبل التجميد.
3. تأكد أن أغلفة الأطعمة غير نالفة.

## 5.25. معلومات عن التجميد

تبعاً لمواصفات IEC 62552، يمكن للجهاز تجميد 4.5 كجم من الطعام عند درجة حرارة 25 درجة مئوية إلى  $18^{\circ}$  - درجة مئوية أو أقل في خلال 24 ساعة لكل 100 لتر من حجم الفريزر. يمكن الحفاظ على الطعام لفترة أطول فقط عند درجة حرارة  $18^{\circ}$  - درجة مئوية أو درجات حرارة أقل. يمكنك الحفاظ على طعام طازج لشهور عديدة (عند درجة حرارة  $18^{\circ}$  - مئوية أو أقل في الديب فريزر). يجب عدم ملامسة الأطعمة المزمع تجميدها للمواد المذابة سابقاً لمنع الإذابة الجزئية.

يقوم تجويف الفريزر بإزالة الثلج بشكل تلقائي.



ملاحظات	إعداد صندوق التبريد	إعداد صندوق الفريزر
هذا هو الضبط الموصى به بشكل طبيعي.	4 درجات مئوية	$18^{\circ}$ - درجة مئوية
هذه هي إعدادات الضبط الموصى بها عندما تتجاوز درجة الحرارة المحيطة 30 درجة مئوية.	4 درجات مئوية	-20 أو -22 - أو -24 درجة مئوية
استخدم هذا عندما ترغب في تجميد الطعام في وقت قصير. سترجع الثلجة إلى وضعها السابق عندما تنتهي هذه العملية.	4 درجات مئوية	التجميد السريع
استخدم هذه الإعدادات إذا اعتقدت أن مقصورة الثلجة غير باردة بدرجة كافية بسبب الظروف المحيطة الساخنة أو الفتح المتكرر للأبواب أو إغلاقها، فيمكن الضبط على هذه القيم.	2 درجة مئوية	$18^{\circ}$ - درجة مئوية أو أقل

### 5.28. تغيير اتجاه فتحة الباب

يمكن تغيير اتجاه فتحة باب الثلاجة طبقاً لمكان الاستخدام. إذا كان ذلك ضرورياً، فيرجى الاتصال بأقرب مركز صيانة معتمد لديك. الوصف أعلاه هو تعبير عام. للمعلومات بشأن تغيير اتجاه فتح الباب، ينبغي عليك الرجوع إلى ملصق التحذير الموجود على الجانب الداخلي في الباب.

### 5.29. مصباح الإضاءة

تُستخدم لمبات LED كلمبات إضاءة. اتصل بمركز خدمة معتمد في حالة وجود مشكلة مع هذا النوع من الإضاءة.

المصباح (المصابيح) المستخدمة في هذا الجهاز غير مناسبة للإضاءة في الغرف المنزلية. الغرض الأساسي لهذا المصباح هو مساعدة المستخدم لوضع أدوات الطعام في الثلاجة/المجمد بطريقة سهلة وأمنة

قم بغلي الخضروات وتصفيتها من الماء لحفظها لفترة أطول وهي منجمدة. بعد تصفية مياه الخضروات، ضعها في أغلفة محكمة ضد تسريب الهواء ثم ضعها في الفريزر. بعض الأطعمة مثل الموز والبطاطم والخس والكرفس والبيض المسلوق والبطاطس غير مناسبة للتجميد. عند تجميد هذه الأطعمة، فإن قيمتها الغذائية ومذاقها يتأثران بشكل سلبي. ولا يجوز إتلافها حتى لا تمثل خطورة على صحة الأشخاص.

### 5.26. وضع الطعام

أرفف مقصورة الفريزر	طعام مجمد متنوع مثل اللحم والسك والأيس كريم والخضروات إلخ.
أرفف مقصورة الثلاجة	الطعام في معلبات وأطباق مغطاة وعلب مغلقة، بيض (في عبوات مغلقة).
أرفف باب مقصورة الثلاجة	طعام قليل أو مغلف أو مشروبات
مقصورة الطازج	الخضروات والفاكهة
درج المنطقة الطازجة	الأطعمة الحساسة (طعام الإفطار، اللحوم التي يجب استهلاكها خلال فترة قصيرة)

### 5.27. تحذير فتح الباب

(هذه الخاصية اختيارية)

يُسمع صوت تحذير عندما يكون باب صندوق الفريزر أو الثلاجة مفتوحاً لفترة زمنية معينة.. سيصمت هذا الصوت عند الضغط على أي زر على المؤشر أو عندما يتم إغلاق الباب. يتم تنبيه المستخدم بأن الباب مفتوح بتحذير صوتي ومرئي. في حال استمرار التحذير لمدة 10 دقائق تغلق الإضاءة الداخلية.



- ينبغي عدم الاحتفاظ بالأطعمة منتهية الصلاحية والأطعمة الفاسدة في الثلاجة.

يتم إطالة العمر الافتراضي للجهاز في حالة تنظيفه بانتظام.



**تحذير:** فصل الثلاجة أولاً عن الكهرباء قبل التنظيف.

## 6.1 حماية الأسطح البلاستيكية

قم بتنظيفها على الفور بالماء لأن الزيوت قد تتسبب في تلف الأسطح في حالة انسكابها على الأسطح البلاستيكية.

## 6.2 زجاج الباب

قم بإزالة رقاقة الحماية عن الزجاج.

توجد طبقة على سطح الزجاج. هذه الطبقة تقلل تراكم البقع وتساعد في إزالة البقع والأوساخ التي قد تتعرض لها بسهولة. الزجاج غير المحمي بتلك الطبقة يمكن أن يتعرض لآتساخات عنيدة ذات قاعدة هوائية أو مائية، مثل الترسبات الجيرية والأملاح المعدنية والأكاسيد المعدنية والسيليكون، وهي مواد يمكن أن تتسبب بسرعة وبسهولة في ظهور بقع وأضرار على السطح. من الصعب للغاية الحفاظ على نظافة الزجاج رغم التنظيف المنتظم. ولذلك، يتدهور شكل وشفافية الزجاج. طرق التنظيف العنيفة والمركبات الضارة تزيد من التأثيرات السلبية وتعجل بعملية تدهور مظهر الزجاج.

يجب استخدام منتجات تنظيف بقاعدة مائية غير قلوية وغير ضارة لأغراض التنظيف المنتظم. ويجب استخدام خامات غير قلوية وغير ضارة للتنظيف لإطالة العمر الافتراضي لهذه الطبقة حتى تستمر لفترة طويلة.

الزجاج صلب لزيادة متانته ضد الصدمات والكسر. يتم أيضاً وضع غشاء أمان على الأسطح الخلفية كإجراء أمان إضافي لمنعها من التسبب في تلف ما يحيط بها في حالة الكسر.

\*القلويات عبارة عن قاعدة تُكون أيونات هيدروكسيد (OH<sup>-</sup>) عند إذابتها في الماء.

المواد Li (ليثيوم) و Na (صوديوم) و K (البوتاسيوم) و Rb (الروبيديوم) و Cs (السيزيوم) والمعادن الاصطناعية والإشعاعية Fr (الفانزيوم) تسمى معادن قلوية.

- لا تستخدم أبداً الأدوات الحادة وكاشطة، والصابون، والمنظفات المنزلية، ومنظفات غسيل أو شمع التلميع عند التنظيف.
- قم بإذابة مقدار ملعقة شاي من الكربون في نصف لتر ماء. انقع قطع قماش في المحلول واعصرها بعناية. امسح الجزء الخارجي من الثلاجة باستخدام هذه القماشة وجفف الثلاجة بعناية.
- تأكد من عدم دخول المياه إلى مبيت المصباح وغيره من العناصر الكهربائية.
- قم بتنظيف الباب بقطعة قماش مبللة. لإزالة الباب وأرفق الجسم، عليك إزالة جميع محتوياتها.
- قم بإزالة أرفق الباب قبل التحريك لأعلى. بعد التنظيف، مررهم من الأعلى للأسفل للتركيب.
- لا تستخدم أبداً مواد التنظيف أو المياه التي تحتوي على الكلورين لتنظيف الأسطح الخارجية والأجزاء المطلية بالكروم من المنتج. فالكلورين يتسبب في تآكل هذه الأسطح المعدنية.

تجنب الروائح الكريهة

لم يتم استخدام المواد التي قد تنتج روائح عند تصنيع منتجاتنا. إلا أنه قد تصادف مشكلة انبعاث روائح بسبب الأحوال غير المناسبة لحفظ الطعام وعدم تنظيف السطح الداخلي للثلاجة كما هو مطلوب. لذلك، قم بتنظيف الثلاجة بكميات مذبابة في الماء كل 15 يوماً.

- يجب حفظ الأطعمة في أوعية مغطاة. حيث قد تتسبب الكائنات الدقيقة الصادرة عن الأطعمة غير المغطاة في انبعاث روائح كريهة.

نم. بتايصلا زكرمبل اصتلا لبق ءمئاقلما مذهب نم ققحت عواكشلا ءمئاقلما مذهب منصنت. لاملماو تقولا ريفوت لكاذ نأش قبطنت لا ذقو. داوملا وأ ءعاصملا بوبعب ءمطبرتملا ريغ لئرا هاج عى انه ءروكزم ءنيمع تامسد.

الثلاجة لا تعمل.

- قابس الطاقة غير مستقر كليا. <<< ادفعه بحيث يستقر في المقبس كليا.
- الصمام الموصول بالمقبس الذي يزود الجهاز بالطاقة أو الصمام الرئيسي تالف. <<< افحص الصمامات.

هناك تكاثف على جانب جدار حجرة المبرد (المنطقة المتعددة، منطقة التبريد، التحكم والمنطقة المرنة).

- المكان بارد جدا. <<< لا تضع الجهاز في أماكن تقل فيها درجة الحرارة عن 5- درجة مئوية.
- يتم فتح الباب كثيرا <<< تجنب فتح باب الثلاجة كثيرا.
- المكان رطب جدا. <<< لا تضع الجهاز في أماكن رطبة.

- الأطعمة المحتوية على سوائل تحفظ في مستوعبات غير محكمة الإغلاق. <<< احتفظ بالأطعمة المحتوية على سوائل في مستوعبات محكمة الإغلاق.
- ترك الباب مفتوحا. <<< لا تدع أبواب الثلاجة مفتوحة لفترات طويلة.
- تم ضبط الثيرموستات على درجات متدنية جدا. <<< اضبط الثيرموستات على درجة حرارة مناسبة.

الضاغط لا يعمل.

- في حال حدوث انقطاع مفاجئ في التيار الكهربائي أو سحب قابس الطاقة وإعادته مرة أخرى، يصبح ضغط الغاز في نظام تبريد الجهاز غير متوازن، مما يفعل الواقي الحراري للضاغط. يعمل المنتج من جديد بعد 6 دقائق تقريبا. إذا لم يعمل الجهاز بعد هذه الفترة، اتصل بمركز الصيانة.

- إزالة الجليد غير نشطة. <<< هذا أمر طبيعي في جهاز مقاوم للصدع تلقائيا. تتم إزالة الجليد دوريا.
- الجهاز غير موصول بالكهرباء. <<< تأكد أن سلك الطاقة موصول بالكهرباء.
- إعداد درجة الحرارة غير صحيح. <<< اختر إعدادا صحيحا لدرجة الحرارة.
- لا يوجد تيار كهربائي. <<< يستمر الجهاز بالعمل بشكل طبيعي حال عودة الطاقة.

يزداد ضجيج تشغيل الثلاجة أثناء الاستعمال.

- وقد يتباين أداء عمل الجهاز بناء على تغيرات درجة حرارة المكان. هذا أمر طبيعي ولا يعتبر عطلا.
- تعمل الثلاجة لفترة زمنية طويلة.

- ربما يكون المنتج الجديد أكبر من المنتج السابق. تعمل الأجهزة الأكبر فترات زمنية أطول.
- ربما تكون درجة حرارة الغرفة عالية. <<< يعمل الجهاز فترات طويلة في درجات الحرارة العالية.
- ربما تم توصيل الجهاز بالكهرباء مؤخرا أو تم وضع صنف طعام جديد داخله. <<< يستغرق الجهاز فترة أطول ليبلوغ درجة الحرارة المعينة عند توصيله بالكهرباء حديثا أو عند وضع صنف طعام جديد داخله. هذا أمر طبيعي.

- ربما تم وضع كميات كبيرة من الطعام الساخن في الجهاز مؤخرا. <<< لا تضع الطعام الساخن داخل الجهاز.

- تم فتح الأبواب كثيرا أو تركت مفتوحة لفترات طويلة. <<< يتسبب الهواء الساخن المتحرك في الداخل في عمل الجهاز فترة أطول. لا تفتح الأبواب كثيرا.

- ربما يكون باب المجمد أو المبرد مواربا. <<< تأكد أن الأبواب مغلقة كليا.

- ربما يكون الجهاز مضبوط على درجة حرارة متدنية جدا. <<< اضبط درجة الحرارة على درجة أعلى وانتظر حتى يصل الجهاز إلى درجة الحرارة المرغوبة.

- ربما تكون فلكة باب المبرد أو المجمد متسخة، أو مهترئة أو مكسورة أو غير مستقرة. <<< نظف أو استبدل الفلكة. تتسبب فلكة الباب التالفة/المهترئة في عمل الجهاز لفترات طويلة للحفاظ على درجة الحرارة الحالية.

درجة حرارة المجمد منخفضة جدا، لكن درجة حرارة المبرد ملائمة.

- تم ضبط درجة حرارة حجرة المجمد على درجة متدنية جدا. <<< اضبط درجة حرارة حجرة المجمد على درجة أعلى وافحص مرة أخرى.

درجة حرارة المبرد منخفضة جدا، لكن درجة حرارة المجمد ملائمة.

- تم ضبط درجة حرارة حجرة المبرد على درجة متدنية جدا. <<< اضبط درجة حرارة حجرة المبرد على درجة أعلى وافحص مرة أخرى.

الأطعمة المحفوظة في جوارير حجرة المبرد متجمدة.

- تم ضبط درجة حرارة حجرة المبرد على درجة متدنية جدا. <<< اضبط درجة حرارة حجرة المجمد على درجة أعلى وافحص مرة أخرى.

درجة الحرارة في المبرد أو المجمد عالية جدا.

- لا يتم تنظيف الجهاز بانتظام. << نظف الجزء الداخلي بانتظام مستخدما إسفنجة وماء دافئ وماء مكرين.
- قد تتسبب بعض المستويات ومواد التغليف بالروائح. << استخدم المستويات ومواد التغليف الخالية من الروائح.
- تم وضع الطعام في مستويات غير محكمة الإغلاق. << احتفظ بالأطعمة في مستويات محكمة الإغلاق. قد تنتشر الميكروبات من الأطعمة غير المغلقة مسببة الروائح الكريهة.
- تخلص من أية أطعمة فاسدة أو منتهية الصلاحية داخل الجهاز.

### الباب لا يغلق.

- تسد أغطية الطعام الباب أحيانا. << غير مكان الأطعمة التي تسد الأبواب.
- لا يقف الجهاز بوضع رأسي كامل على الأرض. << اضبط القواعد لموازنة الجهاز.
- الأرض غير مستوية أو متينة. << تأكد أن الأرض مستوية ومتينة لدرجة تحمل الجهاز.

### سلة الخضار عالقة.

- ربما تلامس الأطعمة الجزء العلوي من الجارور. << أعد ترتيب الأطعمة في الجارور.

### إذا كان سطح المنتج ساخناً

- قد يلاحظ ارتفاع درجات الحرارة بين البابين، وعلى الألواح الجانبية والشواية الخلفية أثناء تشغيل المنتج. وهذا طبيعي ولا يعد ذلك عيباً يتطلب الصيانة. كن حذراً عند لمس هذه الأماكن.

تحذير: إن استمرت المشكلة بعد اتباع تعليمات هذا القسم، اتصل بالبايع أو بمركز خدمة معتمد. لا تحاول إصلاح الجهاز.



- تم ضبط درجة حرارة حجرة المبرد على درجة عالية جدا. << يؤثر إعداد درجة حرارة حجرة المبرد على درجة حرارة حجرة المجمد. قم بتغيير درجة حرارة حجرة المبرد أو المجمد وانظر حتى تصل الحجرات إلى مستوى درجة الحرارة المرغوبة.
- تم فتح الأبواب كثيرا أو تركت مفتوحة لفترات طويلة. << لا تفتح الأبواب كثيرا.
- ربما يكون الباب مواربا. << أغلق الباب كليا.
- ربما تم توصيل الجهاز بالكهرباء مؤخرا أو تم وضع صنف طعام جديد داخله. << هذا أمر طبيعي. يستغرق الجهاز فترة أطول لبلوغ درجة الحرارة المعنية عند توصيله بالكهرباء حديثا أو عند وضع صنف طعام جديد داخله.
- ربما تم وضع كميات كبيرة من الطعام الساخن في الجهاز مؤخرا. << لا تضع الطعام الساخن داخل الجهاز.

### الاهتزاز أو الضجيج.

- الأرض غير مستوية أو متينة. << إذا كان الجهاز يهتز عند تحريكه ببضع، اضبط القواعد لموازنة الجهاز. تأكد أن الأرض متينة لدرجة تحمل الجهاز.
- قد تحدث أية مواد موضوعة على الجهاز ضجيجا. << قم بإزالة أية مواد وضعت على الجهاز.

### يصدر الجهاز ضجيجا يشبه تدفق السوائل، أو الرش، الخ.

- يتخلل مبادئ تشغيل الجهاز تدفق السائل والغاز. << هذا أمر طبيعي ولا يعتبر عطلا.

### هناك صوت كهبوب الرياح يأتي من الجهاز.

- يستخدم الجهاز مروحة في عملية التبريد. هذا أمر طبيعي ولا يعتبر عطلا.

### هناك تكاثف على الجدران الداخلية للجهاز.

- يزيد الطقس الحار أو الرطب من تشكل الصقيع والتكاثف. هذا أمر طبيعي ولا يعتبر عطلا.
- تم فتح الأبواب كثيرا أو تركت مفتوحة لفترات طويلة. << لا تفتح الأبواب كثيرا؛ إذا كانت مفتوحة، أغلقها.

### ربما يكون الباب مواربا. << أغلق الباب كليا.

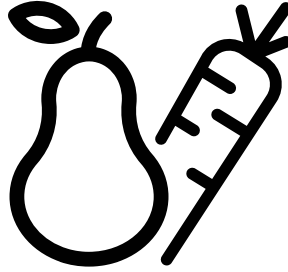
### هناك تكاثف على السطح الخارجي للجهاز أو بين الأبواب.

- ربما يكون جو المكان رطبا، وهذا أمر طبيعي في الجو الرطب. << سيتبدد التكاثف عندما تقل الرطوبة.

### رائحة الجزء الداخلي سيئة.



**Buzdolabı**  
Kullanma Kılavuzu



RDNE510M21W-RDNE510M21M-RDNE510M21X-RDNE550M21W  
RDNE480M21W-RDNE510K21M-RDNE480K21W  
RDNE510K21W-RDNE480K21X



**TR**

## Lütfen önce bu kılavuzu okuyun!

Değerli Müşterimiz,

Modern tesislerde üretilen ve titiz kalite kontrol işlemlerinden geçirilen üründen en iyi verimi almanızı istiyoruz.

### **Kullanma kılavuzu ürünü hızlı ve güvenli bir şekilde kullanmanıza yardımcı olur.**

- Güvenlikle ilgili talimatlara mutlaka uyun.
- Daha sonra ihtiyacınız olabileceği için kullanma kılavuzunu kolay ulaşabileceğiniz bir yerde saklayın.
- Ürünle birlikte verilen diğer belgeleri de okuyun.
- Üretici ürün üzerinde değişiklik yapma hakkını saklı tutar.

Bu kullanma kılavuzunun başka modeller için de geçerli olabileceğini unutmayın.

### **Semboller ve açıklamaları**

#### **Kullanma kılavuzunda şu semboller yer almaktadır:**

	Önemli bilgiler veya faydalı ipuçları.
	Can ve mal tehlikesi.
	Elektrik çarpması riski.
	Ürünün ambalajı, Ulusal Çevre Mevzuatımız gereği geri dönüştürülebilir malzemelerden üretilmiştir.

Bu ürün çevreye saygılı modern tesislerde doğaya zarar vermeden üretilmiştir.



AEEE yönetmeliğine uygundur.

PCB içermez

# İçindekiler

## 1. Güvenlikle ve Çevreyle İlgili Önemli Talimatlar 3

- 1.1. Kullanım amacı..... 3
- 1.1.1 Genel Güvenlik..... 3
- 1.1.2 Hidrokarbon (HC) Uyarısı..... 6
- 1.1.3 Su Pınarı/Buz Makinesi Olan Ürünler İçin ..... 6
- 1.2. Kullanım Amacı ..... 7
- 1.3. Çocukların Güvenliği ..... 7
- 1.4. AEEE Direktifine Uygunluk ve Atık Ürünün Elden Çıkarılması: ..... 7
- 1.5. RoHS Direktifine Uygunluk: ..... 8
- 1.6. Ambalaj Bilgileri..... 8

## 2 Buzdolabınız 9

### 3 Kurulum 10

- 3.1. Kurulum için doğru yer ..... 10
- 3.2. Ayakların ayarlanması ..... 10
- 3.3. Elektrik bağlantısı..... 11

### 4 Ön hazırlık 12

- 4.1. Enerji tasarrufu için yapılması gerekenler ..... 12
- 4.2. İlk kullanım ..... 12

### 5 Ürünün kullanımı 13

- 5.1. Sıcaklık ayar düğmesi..... 13
- 5.2. Hızlı soğutma ..... 13
- 5.3. Tatil fonksiyonu..... 14
- 5.4. Twist buzmatik ..... 15
- 5.5. Buz kabı..... 16
- 5.6. Yumurtalık ..... 16
- 5.7. Fan..... 16
- 5.8. Sebzelik ..... 16
- 5.9. Sıfır derece bölmesi ..... 17

- 5.10.Hareketli kapı rafı..... 17
- 5.11.Kayar saklama kabı ..... 17
- 5.12.Nem kontrollü sebzelik ..... 18
- 5.13.Otomatik buz makinası ..... 18
- 5.14.Koku filtresi ..... 19
- 5.15.Mavi ışık..... 19
- 5.16.HerbBox/HerbFresh..... 19
- 5.17.Su pınarı ..... 20
- 5.18.Su Pınarının Kullanılması ..... 20
- 5.19.Su pınarının su deposunun doldurulması..... 20
- 5.20.Su deposunun temizlenmesi .. 21
- 5.21.Su tepsisi ..... 22
- 5.22.Taze yiyeceklerin dondurulması 23
- 5.23.Donmuş gıdaların saklanmasıyla ilgili tavsiyeler ..... 24
- 5.24.Derin dondurucu bilgileri..... 24
- 5.25.Gıdaların yerleştirilmesi ..... 24
- 5.26.Kapı açık uyarısı ..... 24
- 5.27.Kapı açılış yönü değişimi ..... 25
- 5.28.Aydınlatma lambası ..... 25

### 6 Bakım ve temizlik 26

- 6.1. Kötü kokuların önlenmesi ..... 26
- 6.2. Plastik yüzeylerin korunması .. 27
- 6.3. Kapı camları ..... 27


### 7. Sorun Giderme 28

### 8 Müşteri Hizmetleri 32

# 1 Güvenlikle ve Çevreyle İlgili Önemli Talimatlar

Bu kısım, bedensel yaralanma ya da malın hasar görmesi riskinden korunmanıza yardımcı olacak güvenlik talimatları içermektedir. Bu talimatlara uyulmaması halinde ürün herhangi bir garanti kapsamında olmayacaktır.

## 1.1. Kullanım amacı

	<b>UYARI:</b> Cihaz muhafazasında veya yerleştirildiğinde ha valandırma deliklerinin kapanmadığından emin olun.
	<b>UYARI:</b> Buz çözme işlemi hızlandırmak amacıyla üretici tarafından yapılan öneriler dışında herhangi bir mekanik cihaz veya başka bir cihaz kullanmayın.
	<b>UYARI:</b> Soğutucu akışken devresine hasar vermeyin.
	<b>UYARI:</b> Cihazın yiyecek saklama bölümleri içinde üretici tarafından önerilmeyen elektrikli cihazlar kullanmayın.

Bu cihaz evde veya aşağıdaki benzer uygulamalar için kullanılmak üzere tasarlanmıştır.

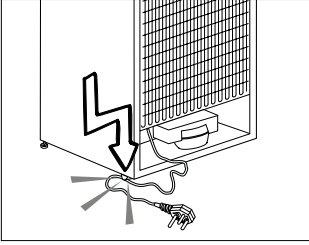
- Mağazalarda, ofislerde ve diğer çalışma ortamlarındaki personel mutfağında kullanılmak üzere;
- Çiftlik evlerinde ve otellerde, motellerde ve konaklama yapılan diğer ortamlarda müşteriler tarafından kullanılmak üzere.
- pansiyon türü ortamlarda;
- yemek hizmeti ve perakendeci olmayan benzer uygulamalarda.

## 1.1.1 Genel Güvenlik

- Bu ürün, fiziksel, duyuşal, zihinsel engelleri bulunan; tecrübe ve bilgi eksikliği olan kişilerin ve çocukların kullanımına, cihaza yaklaşımlarına, oynamalarına ve içine girmelerine uygun değildir.
- Cihazın bu kişilerce kullanımı ancak bu kişilerin güvenliğinden sorumlu birinin gözetimi altında gerekli talimatların verilmesi durumunda uygundur.
- Belirtilen şekilde talimatlara uyulmaması ve kontrolsüz kullanım tehlikeli sonuçlara neden olur!
- Kullanım esnasında bir arıza olması halinde ürünün fişini çekin.
- Üründe bir arıza olması durumunda, ürün, yetkili servis tarafından onarıla kadar çalıştırılmamalıdır. Elektrik çarpması riski vardır!
- Ürünü, cihazın değer levhasında bulunan değerle uyumlu bir sigorta tarafından korunan topraklı bir prize takın. Topraklama işlemini kalifiye bir elektrikçiye yaptırın. Şirketimiz, ürünün yerel düzenlemelere uygun şekilde topraklı bir prizde kullanılmamasından doğan hasarlardan sorumlu tutulamaz.
- Ürünü kullanmıyorken fişini çekin.
- Ürünü asla üzerine su püskürterek veya dökerek yıkamayın! Elektrik çarpması riski vardır!
- Fişe asla ıslak elle dokunmayın!

## Güvenlik ve çevre talimatları

- Ürünü prizden asla kabloyu çekerek çıkarmayın; her zaman fişi, prizden tutarak çekin.



- Cihazı konumlandırırken güç kablosunun sıkışmamasına ve hasar görmemesine dikkat edin.
- Cihazın arkasına çoklu, taşınabilir priz veya taşınabilir güç kaynakları yerleştirmeyin.
- Priz gevşekse buzdolabının fişini takmayın.
- Buzdolabınızı asla elektrik tasarruf cihazlarına bağlamayın. Bu tür sistemler ürün için zararlıdır.
- Kurulum, bakım, temizlik ve onarım işlemleri sırasında ürünün fişini çekin.
- Ürünün kurulumunu ve elektrik bağlantılarını daima **Yetkili Servis'e** yaptırın. Yetkili olmayan kişiler tarafından yapılan işlemlerin neden olduğu hasarlardan üretici sorumlu tutulamaz.
- Külahlı dondurmaları ve buz küplerini dondurucu bölmesinden çıkarır çıkarmaz yemeyin! Ağzınızda soğuk yanığına neden olabilir!
- Dondurulmuş gıdalara ıslak elle dokunmayın! Elinize yapışabilirler!
- Şişe ve kutulardaki sıvı içecekleri dondurucu bölmesine koymayın. Patlayabilirler!
- Buzdolabını temizlemek ya da buzlarını çözmek için asla buhar ya da buhar destekli temizlik malzemeleri kullanmayın. Buhar, buzdolabınızda elektrik akımı olan bölgelere temas ederek kısa devreye veya elektrik çarpmasına neden olur!
- Buz çözmeyi hızlandırmak için üreticinin önerdiklerinin dışında mekanik gereçler ya da başka araçlar kullanmayın.
- Buzdolabınızdaki kapı ve çekmece gibi kısımları hiçbir şekilde destek veya basamak aracı olarak kullanmayın. Bu, ürünün devrilmesine veya parçalarının zarar görmesine neden olabilir.
- Soğutma gazı dolaşımının gerçekleştiği soğutma devresine kesici ve delici aletler kullanarak zarar vermeyin. Evaporatördeki gaz kanallarının, boru uzantılarının ve üst yüzey kaplamalarının delinmesi durumunda püskürecek soğutma gazı cilt tahrişine ve göz yaralanmalarına sebep olur.
- Buzdolabınızdaki havalandırma deliklerinin üzerini örtmeyin ve herhangi bir cisimle kapatmayın.
- Alkol oranı yüksek içkileri, ağızlarını sıkı bir şekilde kapatarak ve dik olarak yerleştirin.
- Yangın ya da patlama riski olabileceğinden, ürünün yakınında gazlı spreyler kullanmayın!
- Yanıcı ve yanıcı gaz ihtiva eden mamulleri (ör. sprey)



## Güvenlik ve çevre talimatları

- ve patlayıcı maddeleri cihazınızda kesinlikle bulundurmayın.
- İçerisinde sıvı bulunan kapları ürünün üzerine yerleştirmeyin. Elektrikli bir parçanın üzerine su sıçraması elektrik çarpmasına ya da yangın tehlikesine yol açabilir.
- Hassas sıcaklık ayarı gerektiren ürünleri (aşılar, ısıya duyarlı ilaçlar, bilimsel materyaller vb.) buzdolabında saklamayın.
- Ürünü uzun bir süre kullanmayacaksanız fişini prizden çekin ve içerisindeki gıdaları çıkarın.
- Buzdolabınızda mavi ışık varsa bu ışığa optik aletlerle bakmayın.
- Ürünü yağmura, kara, güneşe ve rüzgara maruz bırakmak elektrik güvenliği açısından tehlikelidir.
- Mekanik kontrollü (termostatlı) ürünlerde, ürünü prizden çıkardıktan sonra fişini yeniden takmak için 5 dakika bekleyin.
- Ürünü kapasitesinden fazla doldurmayın. Kapı açıldığında buzdolabının içindékilerin düşmesi sonucu yaralanmalar veya hasar meydana gelebilir. Benzer sorunlar, ürün üzerine herhangi bir nesne yerleştirildiğinde de ortaya çıkabilir.
- Üründe kapı kolu bulunuyorsa ürünün yerini değiştirirken kapı kolundan çekmeyin. Kapı kolu gevşek olabilir.
- Ellerinizi ve gövdenizin herhangi bir bölümünü ürünün içerisinde bulunan hareketli parçalara sıkıştırmamaya dikkat edin.
- Buzmakinesi çalışırken içine elinizi veya yabancı cisimler sokmayın.
- **Side by Side buzdolabınıza su bağlantısı yapılmalıdır. Henüz musluğunuz mevcut değilse ve bir tesisatçı çağırmanız gerekiyorsa dikkat ediniz: Evinizde yerden ısıtma sistemi varsa, beton tavana delik açmak bu ısıtma sistemine zarar verebilir.**
- **3 - 8 yaş arası çocukların soğutucu ürüne yükleme yapması ve ürünü boşaltması uygundur.**
- **Besin kirlenmesinin yaşanmaması için lütfen aşağıdaki uyarılara dikkat edin :**
- **Uzun süre kapıların açık kalması ürünün içindeki sıcaklığın yükselmesine sebep olabilir.**
- **Gıdalla temas eden ve ulaşılabilir tahliye sistemlerini düzenli olarak temizleyin.**
- **48 saattir kullanılmayan su tanklarını ve 5 günden fazla süredir kullanılmayan şebeke beslemeli su sistemlerini temizleyin.**
- **Çiğ et ve balık ürünlerini ürünlerdeki uygun bölmelerde muhafaza edin. Böylece diğer gıdaların üzerine damlamaz ve temas etmez.**

## Güvenlik ve çevre talimatları

- İki yıldızlı dondurucu bölmeler önceden doldurulmuş gıdaların saklanması, buz ve dondurma yapımı ve saklanması için kullanılır.
- Bir, iki ve üç yıldızlı bölmeler taze gıdaların dondurulması için uygun değildir.
- Eğer soğutucu ürün uzun zamandır boş bırakıldıysa ürünün gövdesinin korunması için ürünü kapatın, buzu çözdürün, ürünü temizleyin, kurutun ve kapılarını açık bir şekilde bırakın.

### 1.1.2 Hidrokarbon (HC) Uyarısı

- Ürününüzdeki soğutma sistemi R600a içeriyorsa: Bu gaz yanıcıdır. Bu nedenle, kullanım ve taşıma sırasında soğutma sisteminin ve boruların zarar görmemesine özen gösterin. Zarar meydana gelmesi halinde, ürünü, alev almasına neden olabilecek potansiyel yangın kaynaklarından uzak tutun ve ürünü bulunduğu odayı havalandırın.



Ürün hasar görmüşse ve gaz çıkışı gözlemlerseniz lütfen gazdan uzak durun; cilt temasında soğuk yanığına neden olabilir. (R134 dâhil)



Ürününüzdeki soğutma sistemi R134a gazı içeriyorsa bu uyarıyı dikkate almayın.



Ürününüzün üretiminde kullanılan gazın türü, ürünün içinde sol tarafta yer alan plakada belirtilmektedir.



#### **UYARI:**

Ürünü kesinlikle ateşe atarak imha etmeyin.

### 1.1.3 Su Pınarı/ Buz Makinesi Olan Ürünler için

- Soğuk su girişi için basınç maksimum 90 PSi (620 kPa) olmalıdır. Eğer su basıncınız 80PSi (550 kPa) değerini aşıyor ise sebecke sisteminizde basınç limitleme valfi kullanınız. Eğer su basıncınızı nasıl kontrol edeceğinizi bilmiyorsanız profesyonel tesisatçılardan yardım isteyin.
- Tesisatınızda su darbesi etkisi riski varsa söz konusu tesisatta daima su darbesi önleme ekipmanı kullanın. Tesisatınızda su darbesi etkisi olup olmadığından emin değilseniz profesyonel su tesisatçılarına danışın.
- Sıcak su girişine kurulum yapmayın.
- Yalnızca içme suyu kullanın.
- Hortumların donma riskine karşı gereken önlemleri alın.

## Güvenlik ve çevre talimatları

Su sıcaklığı çalışma aralığı minimum 0,6°C (33°F) ve maksimum 38°C (100°F) olmalıdır.



**UYARI:**  
Ürünü kesinlikle 550 kPa ve üzeri (80 psi) basınçlı soğuk su şebekesine bağlamayınız.

### 1.2. Kullanım Amacı

- Bu ürün evlerde kullanılmak üzere tasarlanmıştır. Ticari kullanıma uygun değildir ve kullanım amacı dışında kullanılmamalıdır.
- Ürün yalnızca gıda saklamak için kullanılmalıdır.
- Üretici, yanlış kullanımdan ya da nakliyeden kaynaklanan herhangi bir hasarın sorumluluğu üstlenmemektedir.
- Ürünün satın alma tarihinden itibaren 10 yıl boyunca orijinal yedek parçalar sağlanacaktır.

### 1.3. Çocukların Güvenliği

- Ürünün kapısında kilit varsa anahtar çocukların ulaşamayacağı bir yerde muhafaza edilmelidir.
- Çocukların ürünle oynamaları önlenmelidir.



### TEHLİKE:

Eski buzdolabınızı ya da dondurucunuzu atmadan önce:

- Çocuklar içinde kalabilir.
- Kapılarını çıkarın.
- Çocukların ürünün içine kolayca girmesini önlemek için rafları yerinde bırakın.

### 1.4. AEEE Direktifine Uygunluk ve Atık Ürünün Elden Çıkarılması:



Bu ürün AB AEEE Direktifine (2012/19/AB) uygundur. Bu üründe, atık elektrikli ve elektronik donanımları (AEEE) belirten

bir sınıflandırma sembolü bulunmaktadır. Bu ürün, tekrar kullanılabilen ve geri dönüşüm için uygun olan yüksek kaliteli parça ve malzemelerden üretilmiştir. Atık ürünü kullanım ömrünün sonunda normal evsel atıklarla veya diğer atıklarla birlikte atmayın. Elektrikli ve elektronik ürünlerin geri dönüşümüyle ilgilenen bir toplama merkezine iade edin. Bu toplama merkezlerini öğrenmek için lütfen yerel yönetimle irtibata geçin.

## Güvenlik ve çevre talimatları

### 1.5. RoHS Direktifine Uygunluk:

Satın almış olduğunuz bu ürün AB RoHS Direktifine (2011/65/AB) uygundur. Ürün, bu Direktifte belirtilen zararlı ve yasak malzemeleri içermez.

### 1.6. Ambalaj Bilgileri

- Ürünün ambalaj malzemeleri, Ulusal Çevre Mevzuatına uygun geri dönüştürülebilir malzemelerden üretilmiştir. Ambalaj malzemelerini evsel atıklarla veya diğer atıklarla birlikte atmayın. Bu malzemeleri, yerel makamların belirlediği geri dönüşüm noktalarına götürün.

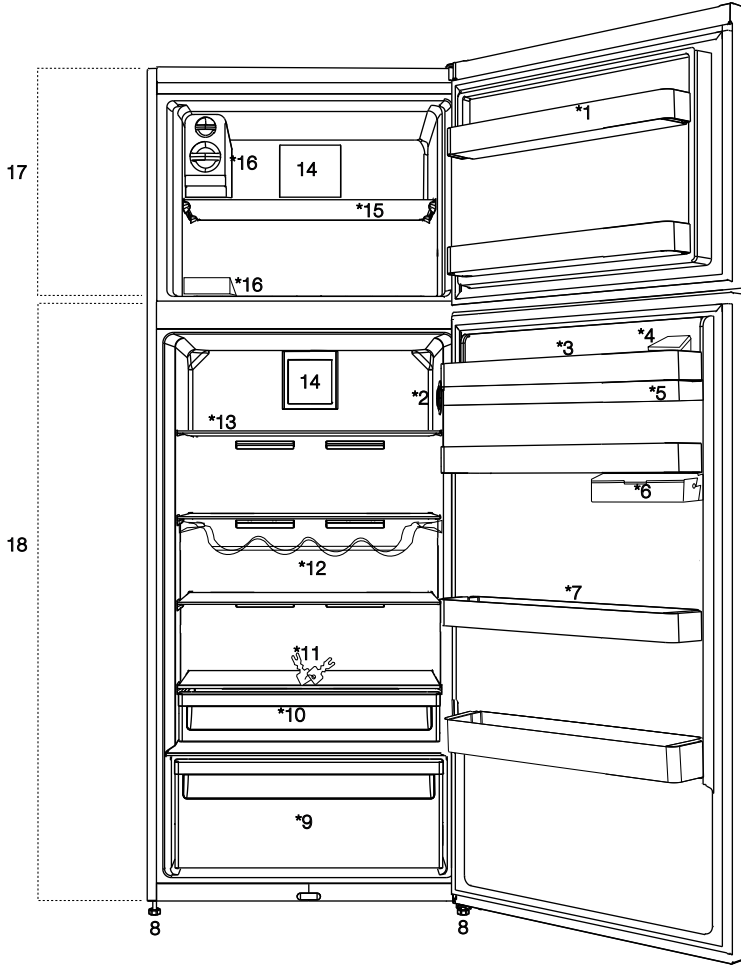
### TEHLİKE:

#### Yangın ya da Patlama Riski:

- Yanıcı soğutucu malzeme kullanılmaktadır.
- Buzdolabının buzlarını çözmek için mekanik cihazlar kullanmayın.
- Temizlik için kimyasal madde kullanmayın.
- Soğutucu borusunu delmeyin.
- Soğutucu borusu delinirse yalnızca eğitimli servis personeli tarafından onarılmalıdır.
- Bu üründe temizlik yapmadan önce onarım kılavuzuna/ kullanım kılavuzuna başvurun. Tüm güvenlik uyarıları dikkate alınmalıdır.
- Ürünü federal ya da yerel düzenlemelere uygun olarak atın.



## 2 Buzdolabınız



1. Soğutucu bölme kapı rafı
2. Sıcaklık ayar düğmesi
3. Yumurtalık
4. Su pınarı doldurma haznesi
5. Su pınarı deposu
6. Kapı rafı altı saklama kabı
7. Hareketli kapı rafı
8. Ayarlanabilir ayaklar
9. Sebzelik
10. Sıfır derece bölmesi
11. Kilit ve anahtar
12. Şişe rafı
13. Soğutucu bölme cam rafı
14. Fan
15. Dondurucu bölme rafı
16. Buz kabı / Buz yapma bölgesi
17. Dondurucu bölme
18. Soğutucu bölme



**\*opsiyonel:** Bu kullanma kılavuzunda yer alan şekiller örnek olarak verilmiş olup ürününüzle birebir aynı olmayabilir. Satın almış olduğunuz üründe ilgili parçalar yoksa, şekil başka modeller için geçerlidir.

### 3.1. Kurulum için doğru yer

Ürünün kurulumu için Yetkili Servisi arayın. Ürünü kullanıma hazır duruma getirmek için, kullanma kılavuzundaki bilgilere bakarak elektrik tesisatı ve su tesisatının uygun olmasına dikkat edin. Değilse ehliyetli bir elektrikçi ve tesisatçı çağırarak gerekli düzenlemeleri yaptırın.



**UYARI:** Yetkili olmayan kişilerce yapılan işlemlerin neden olabileceği zararlardan üretici firma sorumlu değildir.



**UYARI:** Kurulum esnasında ürünün elektrik fişi prize takılı olmamalıdır. Aksi halde ölüm ya da ciddi yaralanma tehlikesi vardır!



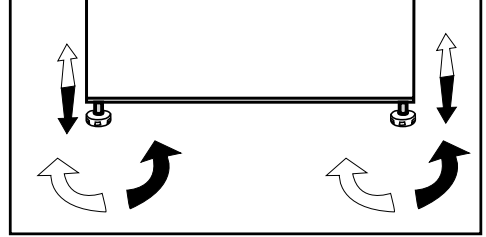
**UYARI:** : Ürünün yerleştirileceği odanın kapı aralığı, ürünün geçemeyeceği kadar darsa, olmuyorsa yetkili servisi arayın.

- Sarsıntıları önlemek için ürünü düz bir zemine yerleştirin.
- Ürünü ocak, kalorifer peteği ve soba gibi ısı kaynaklarından en az 30 cm, elektrikli fırınlardan en az 5 cm uzağa kurun.
- Ürünü doğrudan güneş ışığına maruz bırakmayın ve rutubetli yerde bulundurmeyin.
- Ürününün verimli çalışabilmesi için çevresinde uygun bir hava dolaşımı olmalıdır. Ürünü duvara girintili bir yere yerleştirilecekseniz tavanla ve yan duvarlarla arasında en az 5 cm boşluk olmasına dikkat edin. Ürünle birlikte (verilmiş ise) arka duvar mesafe koruma parçasının yerinde olduğunu kontrol edin. Parça yoksa, kaybolur ya da düşerse ürünün arka yüzeyi ile oda duvarı arasında en az 5 cm boşluk olacak şekilde ürünü konumlandırın. Arkadaki boşluk ürünün verimli çalışması için önemlidir.

- Sıcaklığın  $-5^{\circ}\text{C}$ 'nin altına düştüğü ortamlara ürünü kurmayın.




### 3.2. Ayakların ayarlanması

Ürün, yerleştirdiğiniz yerde dengesiz duruyorsa öndeki ayak ayarlarını sağa veya sola döndürerek ayarlayın.




## Kurulum

### 3.3.Elektrik bağlantısı

	<b>UYARI:</b> Uzatma kabloları ya da çoklu prizlerle bağlantı yapmayın.
	<b>UYARI:</b> Hasar görmüş elektrik kablosu Yetkili Servis tarafından değiştirilmelidir.
	İki soğutucu yan yana yerleştiriliyorsa aralarında en az 4 cm boşluk bırakılmalıdır.

- Ürünün ulusal yönetmeliklere uygun topraklama ve elektrik bağlantısı yapılmadan kullanılması halinde ortaya çıkacak zararlardan firmamız sorumlu olmayacaktır.
- Elektrik kablosunun fişi, kurulumdan sonra kolay erişilebilir olmalıdır.
- Buzdolabınız ile duvar prizi arasında uzatma kablolu veya kablosuz çoklu grup priz kullanmayınız.

	<b>Sıcak yüzey uyarısı!</b> Ürününüzün yan duvarları soğutma sistemini geliştirmek için soğutucu boruları ile donatılmıştır. Yüksek sıcaklıktaki akışkan bu yüzeylerden akabilir ve yan duvarlarda sıcak yüzeylere neden olabilir. Bu normal bir durumdur ve herhangi bir servis ihtiyacı yoktur. Bu alanlara dokunurken dikkat ediniz.
-------------------------------------------------------------------------------------	--------------------------------------------------------------------------------------------------------------------------------------------------------------------------------------------------------------------------------------------------------------------------------------------------------------------------------------------

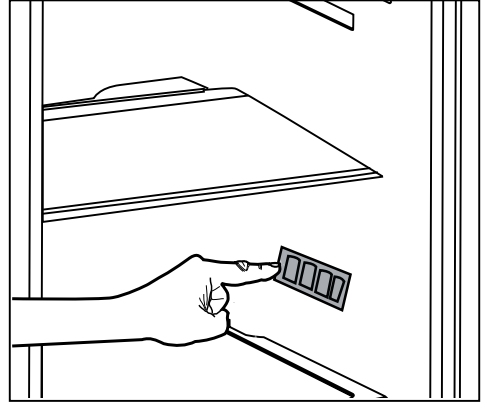
### 4.1. Enerji tasarrufu için yapılması gerekenler



Ürünün elektronik enerji tasarruf sistemlerine bağlanması, ürüne zarar verebileceği için sakıncalıdır.

- Buzdolabınızın kapılarını uzun süre açık tutmayın.
- Buzdolabınıza sıcak yiyecek ya da içecek koymayın.
- Buzdolabını aşırı doldurmayın, içerideki hava akımı engellendiğinde soğutma kapasitesi düşer.
- Dondurucu bölmede azami miktarda gıda saklamak için, dondurucu bölme içinde bulunan ve el ile rahatlıkla sökülebilir olan buzmatik çıkarılmalıdır. Buzdolabınızın enerji etiketinde deklare edilen net hacim ve enerji tüketim değerleri, dondurucu bölmesindeki buzmatik çıkartılarak ölçülmüş ve test edilmiştir. Kolaylık ve enerji tüketiminde verimlilik sağladığı için dondurucu bölmenin içinde ve kapısında bulunan raflar çıkarılmamalı ve her zaman kullanılmalıdır.
- Dondurucu bölme fanı yanlarına gıda koyarak hava akışı bloke edilmemelidir. Koruyucu fan kapağı yanlarında minimum 3 cm boşluk bırakılmalıdır.
- Ürününüzün özelliğine bağlı olarak; dondurulmuş gıdaları soğutucu bölmede çözdürmeniz, hem enerji tasarrufu sağlayacak hem de gıdanın kalitesini koruyacaktır.
- Enerji tasarrufu sağlamak ve gıdaları daha iyi ortamda korumak ve için soğutma bölmesindeki çekmeceler kullanılarak gıdalar saklanmalıdır.
- Dondurucu bölme yer alan sıcaklık sensörü ile gıda paketlerinin doğrudan teması engellenmelidir. Sensör ile temas olması halinde cihazın enerji tüketiminde artış görülebilir.

- Yiyecekleri aşağıdaki şekilde belirtilen soğutucu bölme sıcaklık sensörüne temas ettirmeyin.



### 4.2. İlk kullanım

Buzdolabınızı kullanmaya başlamadan önce, “Güvenlik ve çevre talimatları” ve “Kurulum” bölümündeki talimatlara uygun hazırlıkların yapıldığından emin olun.

- Ürünü 6 saat boyunca yiyecek koymadan boş olarak çalıştırın ve kapısını çok gerekmedikçe açmayın.



Kompresör çalışmaya başladığında bir ses duyacaksınız. Soğutma sistemi içerisindeki sıkışmış sıvı ve gazlar, kompresör çalışmıyor olsa da ses çıkarabilir ve bu normaldir.



Ürünün ön kenarları sıcak olabilir. Bu normaldir. Bu alanlar, yoğuşmayı önlemek için ısınacak şekilde tasarlanmıştır.



Bazı modellerde gösterge paneli kapı kapandıktan 5 dakika sonra otomatik olarak sönmektedir. Kapı açıldığında veya herhangi bir tuşa basıldığında, tekrar aktif hale gelecektir.



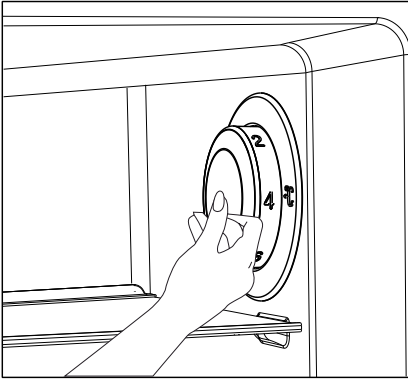
### 5.1. Sıcaklık ayar düğmesi

Buzdolabınızın iç sıcaklığı aşağıda belirtilen nedenlerden dolayı değişiklik gösterir:

- Mevsim sıcaklıkları,
- Kapısının sık sık açılması ve uzun süre açık kalması,
- Oda sıcaklığına düşürülmeden buzdolabınıza sıcak konan yemekler,
- Buzdolabının oda içerisindeki konumu (güneş ısısına maruz kalması gibi).
- Bu nedenlerden dolayı değişiklik gösteren iç sıcaklığı, ayar düğmesi vasıtasıyla ayarlayabilirsiniz.

Ayar düğmesi'nin etrafındaki rakamlar "°C" olarak sıcaklık derecelerini göstermektedir.

Ortam sıcaklığı 25°C ise, buzdolabının sıcaklık ayar düğmesi 4°C konumunda kullanılması önerilmektedir. Diğer ortam sıcaklıklarında bu değer ihtiyaca göre artırılıp azaltılabilir.

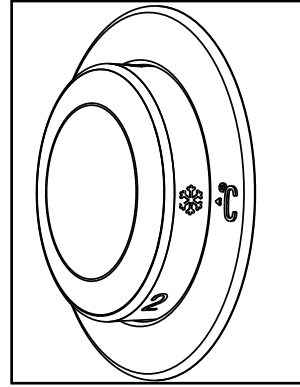


### 5.2. Hızlı soğutma

Büyük miktarda taze gıda soğutmak istiyorsanız gıdaları hızlı soğutma bölmesine koymadan 24 saat önce sıcaklık ayar düğmesini (❄️) konumuna getirin.

Soğutma kapasitesi olarak belirtilen maksimum miktarda taze gıdayı soğutmak için düğmenin en az 1 saat süreyle bu konumda tutulması önerilir. Soğutulmuş olarak satılan gıdalarla taze gıdaların karışmamasına özellikle dikkat edin.

Gıda soğutulduktan sonra sıcaklık ayar düğmesini önceki konumuna getirmeyi unutmayın.




**\*Opsiyonel:** Bu kullanıcı kılavuzunda yer alan şekiller taslaaktır ve ürünle birebir aynı olmayabilir. Satın almış olduğunuz üründe ilgili parçalar yoksa, bunlar başka modeller için geçerlidir.

## Ürünün kullanımı

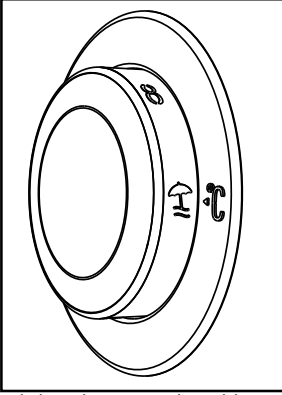
### 5.3. Tatil fonksiyonu

Sıcaklık ayar düğmesi en sıcak

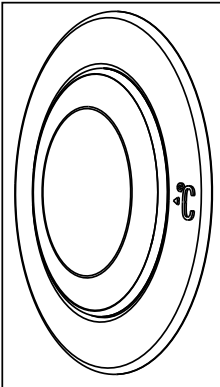
konuma (  ) alındıktan sonra ürünün kapıları en az 12 saat açılmaz ise Tatil fonksiyonu otomatik olarak devreye girecektir.

Fonksiyonu iptal etmek için düğme ayarı değiştirilmelidir.

Tatil fonksiyonu aktifken soğutucu bölmede gıda saklanması önerilmez.



- Ayar işlemi tamamlandıktan sonra, sıcaklık ayar düğmesi'ni içeri bastırarak gizlenmesini sağlayabilirsiniz.

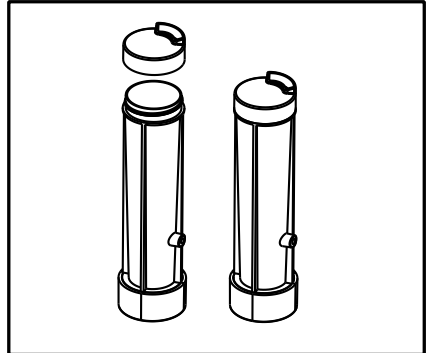
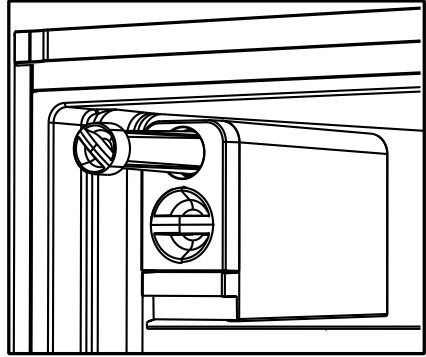
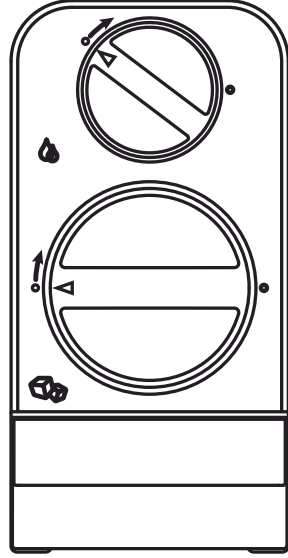


## Ürünün kullanımı

### 5.4. Twist buzmatik

#### (Bu özellik opsiyoneldir)

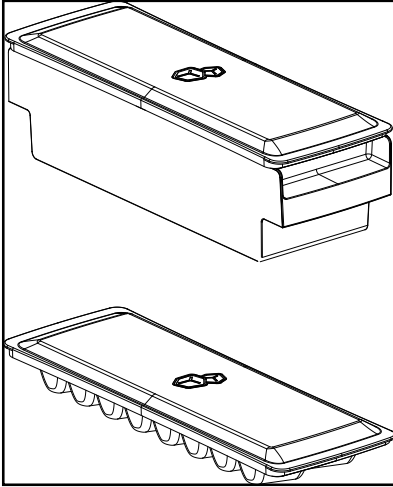
- Su deposunu sola döndürerek yuvasından çıkarınız.
- Su deposu kapağını çevirerek açınız ve su deposuna su deposu kapağı alt hizasına kadar su doldurunuz.
- Su deposunu, su doldurduktan sonra aşağıdaki şekilde gösterildiği gibi yuvasına yerleştirip ok yönünde çevirerek yerine oturtunuz. Su, buz haznesine dökülecektir.
- Buz oluştuğundan sonra buz haznesi düğmesini ok yönünde çevirerek buzların Buz Çekmecesine dökülmesini sağlayınız.
- Buz çekmecelerini çekerek buzları alınız.
- Buz haznesini yıkamak için ön yüzeyi kendinize doğru çekiniz ,tekrar yerine takmak için iç bölümdaki kızıklara oturtarak yerine itiniz.
- Twist buzmatik ünitesini yerinden çıkarmak için kendinize doğru çekiniz ,tekrar yerine takmak için tavandaki kızıklara oturtarak yerine itiniz.



## Ürünün kullanımı

### 5.5. Buz kabı

- Buz kabını dondurucu bölmeden çıkarın.
- Buz kabını suyla doldurun.
- Buz kabını dondurucu bölmeye yerleştirin. Yaklaşık iki saat sonra buz hazırdır.
- Buz kabını dondurucu bölmeden çıkartıp buzları servis edeceğiniz kabin üzerinde hafifçe bükün. Buzlar kolayca servis kabına dökülecektir.



### 5.6. Yumurtalık

Yumurtalığı istediğiniz kapı veya gövde rafına koyabilirsiniz. Gövde rafına koyulacaksa daha soğuk alt rafların tercih edilmesi önerilir.

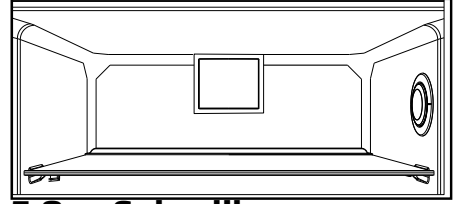


Yumurtalığı kesinlikle dondurucu bölmeye koymayın.

### 5.7. Fan

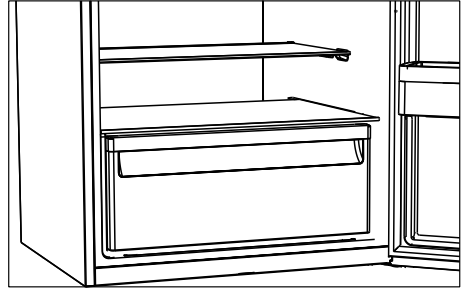
Fan buzdolabınızın içindeki soğuk havanın homojen olarak dağılmasını ve dolaşmasını sağlamak için tasarlanmıştır. Fanın çalışma zamanı ürününüzün özelliğine göre farklılık gösterebilir.

Bazı ürünlerde fan sadece kompresör ile birlikte çalışırken, bazılarında soğutma ihtiyacına göre çalışacağı zamanı kontrol sistemi belirler.



### 5.8. Sebzelik

Ürünün sebzeligi, özellikle sebzelerin nemini kaybetmeden taze olarak korunması için tasarlanmıştır. Bu amaçla, sebzeligin genelinde soğuk hava dolaşımı yoğunlaştırılmıştır.

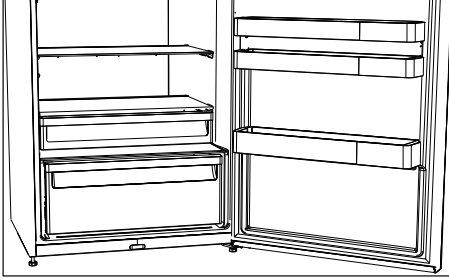


## Ürünün kullanımı

### 5.9. Sıfır derece bölümü

#### (Bu özellik opsiyoneldir)

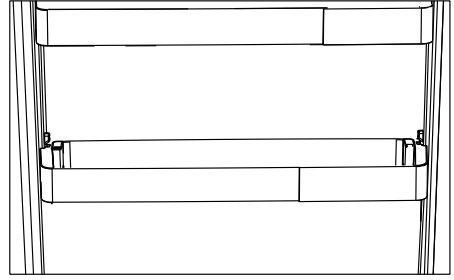
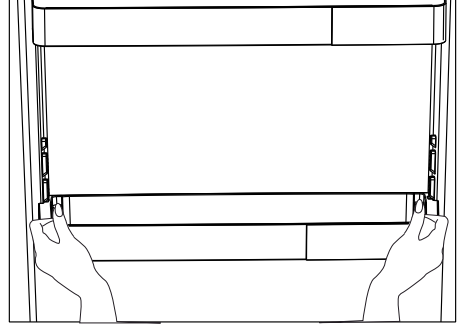
Bu bölme için daha düşük sıcaklıkta saklanması gereken şarküteri ürünlerini veya hemen tüketileceğiniz et ürünlerini saklamak için kullanın. Sıfır derece bölümü, buzdolabınızda süt mamülleri, et, balık veya tavuk gibi gıdaların ideal saklama koşullarında saklanabileceği en soğuk yerdir. Sebze ve/veya meyveler bu bölümde saklanmamalıdır.



### 5.10. Hareketli kapı rafı

#### (Bu özellik opsiyoneldir)

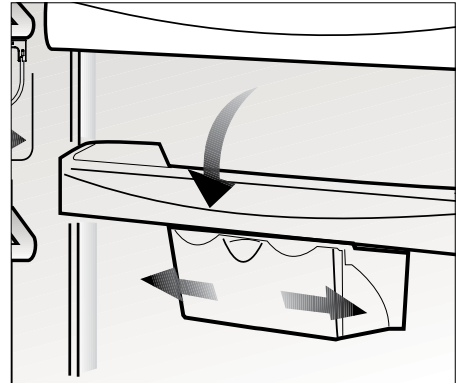
Hareketli Kapı Rafı, 3 ayrı pozisyonda sabitlenebilmektedir. Rafı hareket ettirmek için kenarlarda görülen butonlara aynı oranda basınız. Raf, hareket edebilir duruma gelecektir. Rafı aşağı ya da yukarı hareket ettiriniz. Rafı istediğiniz konuma getirdiğinizde butonları bırakınız. Raf, butonları bıraktığınız yerde tekrar sabitlenecektir.



### 5.11. Kayar saklama kabı

#### (Bu özellik opsiyoneldir)

Bu aksesuar kapı raflarının kullanım hacmini arttırmak için tasarlanmıştır. Sağa ve sola hareket etme özelliği sayesinde bir alttaki şişe rafına koyduğunuz uzun şişe, kavanoz veya kutuları rahatlıkla yerleştirebilmenizi sağlar.



## Ürünün kullanımı

### 5.12. Nem kontrollü sebzelik

#### (FreSHelf)

#### (Bu özellik opsiyoneldir)

Nem kontrollü sebzelik özelliği ile sebze ve meyvelerin nem oranları kontrol altında tutulmakta ve gıdaların daha uzun süre taze kalmaları sağlanmaktadır.

Marul, ıspanak gibi yapraklı sebzeleri ve nem kaybına duyarlı benzer sebzeleri, kökleri üzerinde dik değil, mümkün mertebe yatay konumda sebzeliğe yerleştirmenizi tavsiye ederiz.

Sebzelerin yerleştirilmesi sürecinde sebzelerin özgül ağırlıklarını göz önünde bulundurup, ağır ve sert sebzeleri altta, hafif ve yumuşak sebzeleri üstte kalacak şekilde konumlandırınız.

Sebzelik içerisinde sebzeleri kesinlikle poşet içinde bırakmayınız. Sebzelerin poşet içinde kalmaları, kısa sürede çürümelerine neden olur. Hijyen açısından diğer sebzeler ile temasın tercih edilmediği durumlarda poşet yerine, belirli bir gözenekliliğe sahip kağıt vb. ambalaj malzemeleri kullanınız.

Elma başta olmak üzere, etilen gazı üretimi yüksek olan armut, kayısı, şeftali gibi meyveleri, diğer sebze-meyveler ile aynı sebzelik içerisine yerleştirmeyiniz. Bu meyvelerden açığa çıkan etilen gazı, diğer sebze-meyvelerinizin daha hızlı olgunlaşmasına ve daha kısa sürede çürümelerine neden olabilir.

### 5.13. Otomatik buz makinesi

#### (Bu özellik opsiyoneldir)

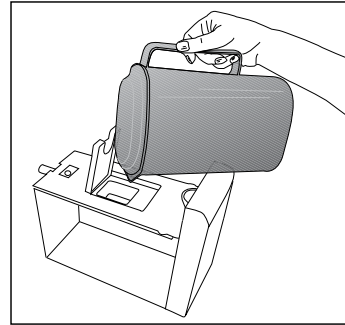
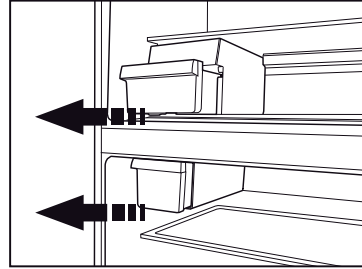
Otomatik buz makinesi, buzdolabında kolayca buz yapmanızı sağlar. Buz makinasından buz elde etmek için soğutucu bölmedeki su tankını çıkarın, suyla doldurun ve yerine takın.

İlk buzlar yaklaşık 2 saat içinde dondurucu bölmedeki Buz makinesi çekmecesinde hazır olacaktır.

Su tankı tamamıyla dolu yerleştirildikten boşalana kadar yaklaşık 60-70 küp buz elde edilebilir. Su tankındaki su 2-3 hafta beklediye değiştirilmelidir.



Otomatik buz makineli ürünlerde, buz dökme esnasında ses oluşabilir. Oluşan bu ses normal olup, hata belirtisi değildir.



## Ürünün kullanımı

### 5.14. Koku filtresi

(Bu özellik opsiyoneldir)

Koku filtresi buzdolabınızın içerisinde kötü kokuların oluşmasını önler.

Koku filtresinin temizliği yılda bir kez yapılmalıdır.

### 5.15. Mavi ışık

(Bu özellik opsiyoneldir)

Mavi ışık ile aydınlatılan sebzeliklerde saklanan gıdalar, mavi ışığın dalga boyu etkisi ile fotosentez yapmaya devam ederek, C vitamini değerlerini korumaktadır.

### 5.16. HerbBox/ HerbFresh

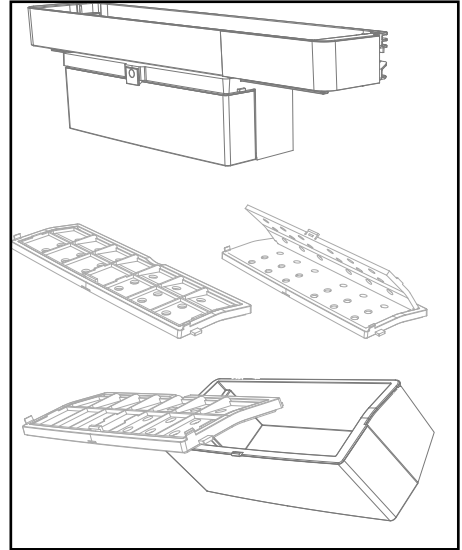
(Bu özellik opsiyoneldir)

Film muhafazasını HerbBox/  
HerbFresh+'dan çıkarınız.

Filmi torbasından çıkararak şekildeki gibi film muhafazasının içine yerleştiriniz.

Muhafazayı kapatarak tekrar HerbBox/HerbFresh+ ünitesine yerleştiriniz.

HerbBox-HerbFresh+ bölmeleri, özellikle hassas koşullarda saklanması gereken ot çeşitlerinin depolanması için idealdir. Poşetinden çıkarılmış yeşilliklerinizi (maydanoz, dereotu vb.) bu bölmede yatay konumda daha uzun süre taze olarak saklayabilirsiniz. Filmin 6 ayda bir değiştirilmesi gerekmektedir.

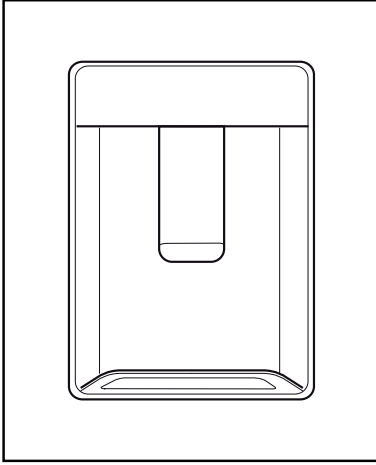


## Ürünün kullanımı

### 5.17. Su pınarı

**(Bu özellik opsiyoneldir)**

Su pınarı, dolabınızın kapısını açmadan soğuk suya ulaşmaya dayalı son derece kullanışlı bir özelliktir. Buzdolabınızın kapısını sık açmanız gerekmediği için elektrik tasarrufu sağlamış olursunuz.



### 5.18. Su Pınarının Kullanılması

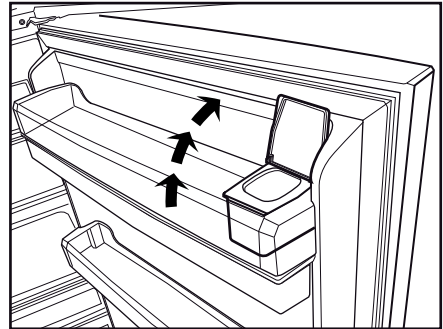
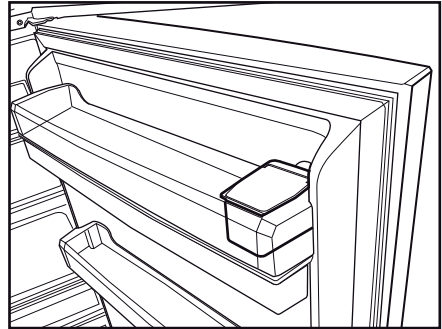
Su pınarınızın kolunu bardağınızla ittirin. Kolu bıraktığınızda pınarın çalışması durur.

Su pınarını çalıştırırken kola tam basıldığında maksimum akış sağlanır. Pınardan ne kadar su aktığının, kola hangi oranda bastırduğünüza bağlı olduğunu lütfen unutmayın.

Bardağınızdaki/kabınızdaki su seviyesi yükseldikçe taşmayı önlemek için kol üzerindeki baskı miktarını hafifçe azaltın. Kola az miktarda basarsanız su damlayacaktır; bu tamamen normaldir ve bir arıza değildir.

### 5.19. Su pınarının su deposunun doldurulması

Su deposu doldurma haznesi kapı rafının içindedir. Haznenin kapağı açarak saf ve temiz içme suyunu doldurabilirsiniz. Sonrasında kapağı tekrar kapatınız





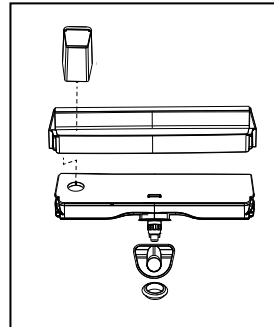
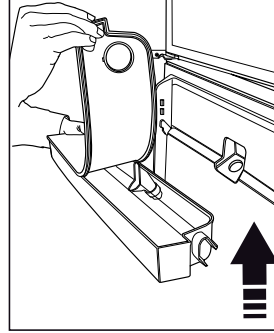
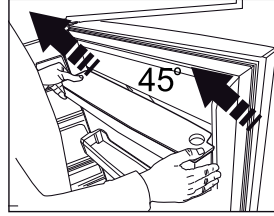
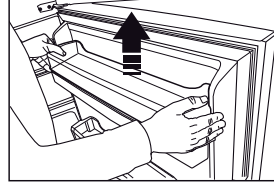
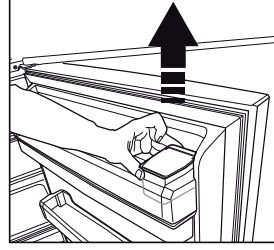
# Ürünün kullanımı

## Dikkat!

- Su deposuna su dışında, meyve suyu, karbonatlı gazlı içecekler, alkollü içecekler gibi su pınarıyla kullanıma uygun olmayan başka bir sıvı doldurmayın. Bu tür sıvılar kullanılırsa su pınarı arızalanacak ve onarılamaz hasar meydana gelecektir. Garanti, bu tür kullanımları kapsamaz. Bu tür içecek / sıvılardaki bazı kimyasal maddeler ve katkı maddeleri de su deposu malzemesine zarar verebilir.
- Sadece temiz ve saf içme suyu kullanın.
- Su deposunun kapasitesi 3 litredir, aşırı doldurmayın.
- Su pınarı kolunu sert bir bardakla ittirin. Plastik atılabilir bardak kullanıyorsanız kolu, bardağın arkasından parmaklarınızla ittirin.

## 5.20. Su deposunun temizlenmesi

- Kapı rafı içindeki su doldurma haznesini çıkarın.
- Kapı rafını her iki tarafından tutarak yerinden çıkarın.
- Su deposunu her iki tarafından tutarak 45° derece açı ile yerinden çıkarın.
- Su deposu kapağını çıkararak temizleyin.



Su deposu ve su pınarı bileşenleri bulaşık makinesinde yıkanmamalıdır.

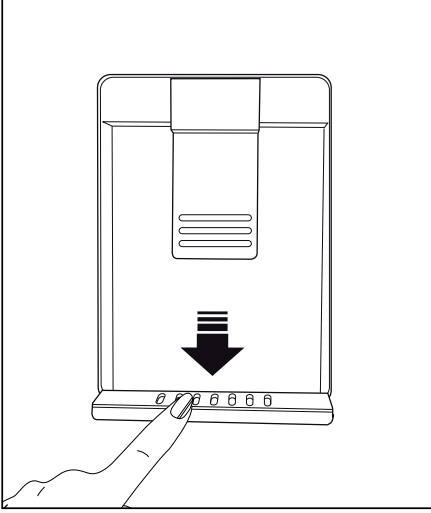
## Ürünün kullanımı

### 5.21. Su tepsisi

Su pınarı kullanılırken damlayan su, damlama tepsisinde birikir.

Plastik süzgeç parçasını şemada gösterildiği gibi çıkartın.

Kuru ve temiz bir bez ile biriken suyu temizleyin



## Ürünün kullanımı

### 5.22. Taze yiyeceklerin dondurulması

- Gıdaların kalitesinin korunabilmesi için dondurucu bölmeye konulduğunda mümkün olduğunca hızlı dondurulmalıdır, bunun için hızlı dondurma özelliğini kullanın.
- Gıdaları tazeyken dondurmanız halinde, dondurucu bölmede daha uzun saklayabilirsiniz.
- Dondurulacak gıdaları paketleyerek, hava almayacak şekilde ağzlarını iyice kapatın.
- Gıdalarınızı dondurucuya koymadan önce paketlenmeye dikkat edin. Klasik ambalaj kağıtları yerine, dondurucu kaplarını, folyolarını ve nem geçirmeyen kağıdı, plastik torba veya diğer paketleme malzemelerini kullanın.

- Dondurmadan önce her besin paketini, tarih yazarak etiketleyin. Dondurucunuzu her açtığınızda, her besinin tazeliğini bu şekilde ayırt edebilirsiniz. Daha önce dondurulan besinleri ön tarafta saklayarak ilk olarak kullanılmasını sağlayın.
- Dondurulmuş gıdalar çözöldükten sonra derhal kullanılmalı ve tekrar dondurulmamalıdır.
- Çok fazla miktarda yiyeceği bir seferde dondurmayın.



Dondurucu bölmelerindeki buzlar otomatik olarak çözöür.

Dondurucu Bölmesi Ayarı	Soğutucu Bölmesi Ayarı	Açıklamalar
-18°C	4°C	Bu, normal tavsiye edilen ayardır.
-20,-22 veya -24°C	4°C	Bu ayarlar, ortam sıcaklığı 30°C'yi geçtiğinde tavsiye edilir.
Hızlı Dondur	4°C	Yiyeceklerinizi kısa zamanda dondurmak istediğinizde kullanın. İşlem bittiği zaman ürününüz önceki konumuna geri dönecektir.
-18°C veya daha soğuk	2°C	Ortamın sıcak olması veya kapının sık açılıp kapanmasından dolayı soğutucu bölmenizin yeterince soğuk olmadığını düşünüyorsanız, bu ayarları kullanın.

## Ürünün kullanımı

### 5.23. Donmuş gıdaların saklanmasıyla ilgili tavsiyeler

Bölüm en az -18°C dereceye ayarlı olmalıdır.

1. Ürünleri satın aldıktan sonra çözülmesine fırsat vermeden, olabildiğince kısa süre içinde dondurucuya koyun.
2. Ürünü dondurmada önce paketin üzerindeki "Son Kullanma" tarihinin geçmediğinden emin olmak için kontrol edin.
3. Gıda ambalajının hasarlı olmamasına dikkat edin.

### 5.24. Derin dondurucu bilgileri

IEC 62552 standartlarına göre, her 100 litre dondurucu bölme hacmi için ürünün 25°C oda sıcaklığında 4,5 kg'lık gıda maddesini -18°C veya daha düşük sıcaklıklarda 24 saatte dondurabilmesini gerektirir. Gıda maddelerinin uzun süre korunması ancak -18°C ve daha düşük sıcaklıkta mümkündür.

Gıda maddelerinin tazeliğini (derin dondurucuda -18°C ve daha düşük sıcaklıklarda) aylarca koruyabilirsiniz. Dondurulacak gıda maddeleri daha önce dondurulan yiyeceklerin kısmen çözülmelerini önlemek için onlarla temas ettirilmemelidir.

Sebzelerin dondurulmuş halde depolama sürelerini uzatmak için haşlayın ve suyunu süzün.

Süzdükten sonra hava geçirmeyen ambalajlara koyun ve dondurucuya yerleştirin. Muz, domates, marul, kereviz, haşlanmış yumurta, patates vb. besinler dondurulmaya uygun değildir. Bu besinlerin dondurulması durumunda sadece besin değerleri ve yeme kaliteleri olumsuz etkilenecektir. İnsan sağlığını tehdit eden bir bozulma söz konusu değildir.

### 5.25. Gıdaların yerleştirilmesi

Dondurucu bölme rafları	Et, balık, dondurma, sebze vb. gibi farklı donmuş gıdalar.
Soğutucu bölme rafları	Tencere, kapalı tabak ve kapalı kaplardaki gıdalar, yumurta (kapalı kaptaki)
Soğutucu bölme kapı rafları	Küçük ve paketlenmiş gıda ya da içecekler
Sebzelik	Sebzeler ve meyveler
Taze gıda bölmesi	Şarküteri ürünleri (kahvaltılık ürünler), kısa sürede tüketilecek et ürünleri)

### 5.26. Kapı açık uyarısı

#### (Bu özellik opsiyoneldir)

Ürününüzün kapısı en az 1 dakika süre açık kaldığında uyarı sesi duyulur. Kapı kapatıldığında veya varsa, ekran butonlarından herhangi birine basıldığında bu ses kesilir.

Kapı açık uyarısı hem sesli hem de görsel olarak kullanıcıya gösterilir. Uyarı 10 dk boyunca devam ettiği takdirde iç aydınlatmalar kapanır.

## Ürünün kullanımı

### 5.27. Kapı açılış yönü deęiřimi

Kullandığınız yere göre buzdolabınızın kapı açılış yönü deęiřtirilebilir. Buna ihtiyaç duyduğunuzda mutlaka size en yakın Yetkili Servis'e bařvurunuz.

Yukarıdaki açıklama genel bir ifadedir. Kapı açılış yönü deęiřebilirlięi ile ilgili olarak ürünün kapı içinde bulunan, uyarı etiketine bakılmalıdır.

### 5.28. Aydınlatma lambası

Aydınlatma lambası olarak led tipi lamba kullanılmaktadır. Bu lamba ile ilgili herhangi bir sorunda yetkili servisi çağırın.

Bu üründe kullanılan aydınlatma lambaları ev aydınlatması için tasarlanmamıştır ve buna uygun deęildir. Buzdolabı ve/veya dondurucunuzdaki aydınlatma lambalarının amacı, rahat ve güvenli şekilde gıda yüklemeyi saęlamak içindir.

Ürünün düzenli temizlenmesi halinde kullanım ömrü uzar



**UYARI:** Buzdolabınızı temizlemeden önce elektrik bağlantısını kesin.

- Temizlik için keskin ve aşındırıcı aletler, sabun, ev temizlik maddeleri, deterjan, gaz, benzin, cila vb. maddeler kullanmayın.
- Bir çay kaşığı karbonatı yarım litre suda eritin. Bir bezle bu sıvıyla ıslatıp iyice sıkın. Bu bezle cihazınızın içini silin ve ardından iyice kurulaşın.
- Lamba muhafazasına ve diğer elektrikli kısımlara su girmemesine dikkat edin.
- Kapıyı nemli bir bez ile temizleyin. Kapı ve gövde raflarını çıkarmak için içindekilerin tümünü alın. Kapı raflarını yukarı doğru kaldırarak çıkarın. Temizleyip kuruladıktan sonra yukarıdan aşağıya doğru kaydırarak yerine takın.
- Ürünün dış yüzey temizliğinde ve krom kaplı parçaların temizliğinde asla klor içeren su ya da temizlik maddesi kullanmayınız. Klor, bu tür metal yüzeylerde paslanmaya neden olur.
- Plastik parça üzerindeki baskıların kalkmaması ve deforme olmaması için keskin, aşındırıcı aletler, sabun, ev temizlik maddeleri, deterjan, gaz, benzin, cila vb. maddeler kullanmayın. Temizlik için ılık su ile yumuşak bez kullanın ve kurulaşın.

### 6.1. Kötü kokuların önlenmesi

Ürününüzün üretiminde kokuya neden olacak hiçbir madde kullanılmamaktadır. Ancak uygun olmayan yiyecek saklamaya ve ürün iç yüzeyinin gerektiği şekilde temizlenmemesine bağlı olarak koku ortaya çıkabilir.

Bu sorunu önlemek için 15 günde bir karbonatlı suyla temizleyin.

- Yiyecekleri kapalı kaplarda saklayın. Ağız açık saklanan gıdalardan yayılan mikroorganizmalar kötü kokuya neden olur.
- Saklama süresi dolan ve bozulan gıdaları kesinlikle buzdolabınızda saklamayın.



Çay bilinen en iyi koku alıcılarından biridir.

Demlemiş olduğunuz çay posasını ağız açık bir kap içinde ürünün içine yerleştirin ve en geç 12 saat sonra alın. Çay posasını ürünün içinde 12 saatten fazla tutarsanız, kokuya sebep olan organizmaları bünyesinde toplayacağı için kokunun kaynağı haline gelebilir.

## Bakım ve temizlik

### 6.2. Plastik yüzeylerin korunması

Plastik yüzeylere yağ dökülmesi durumunda yüzeye zarar verebileceği için ılık suyla hemen temizlenmelidir.

### 6.3. Kapı camları

Camların üzerindeki koruyucu folyoyu çıkartınız.

Camların yüzeyinde bir kaplama vardır. Bu kaplama leke oluşumunu en aza indiren ve oluşan lekelerin ve kirlerin kolay temizlenmesini sağlayan bir kaplamadır. Kaplama ile korunmamış camlar, kısa sürede ve kolayca, lekelenmeye ve fiziksel hasara yol açan kireç taşı, mineral tuzları, yanmamış hidrokarbonlar, metal oksitler ve silikonlar gibi organik veya anorganik, hava ve su kökenli kirlenici etkenlerin kalıcı olarak bağlanmasına maruz kalabilir. Düzenli yıkamaya rağmen camın temiz tutulması, imkansız olmasada çok zor hale gelir. Bunun sonucu olarak, camın berraklığı ve görünümü bozulur. Sert ve aşındırıcı temizleme yöntemleri ve bileşikleri bu kusurları daha da arttırır ve bozulma sürecini hızlandırır.

Rutin temizlik işlemleri için \*alkali ve aşındırıcı olmayan, su bazlı temizlik ürünleri kullanılması gerekir.

Bu kaplamanın ömrünün kalıcı olabilmesi için temizlik sırasında alkali ve aşındırıcı olan maddeler kullanılmamalıdır.

Bu camların darbelere ve kırılmaya karşı dayanıklılıklarını arttırmak için temperleme işlemi uygulanmıştır. Ayrıca bu camlara ek güvenlik olarak, kırılması durumunda çevreye zarar vermemesi için arka yüzeylerine güvenlik filmi uygulanmıştır.

\*Alkali, suda çözüldüğünde hidroksit iyonları ( $\text{OH}^-$ ) oluşturan bir bazdır. Li (Lityum), Na (Sodyum), K (Potasyum) Rb (Rubidyum), Cs (Sezyum) ile yapay ve radyoaktif Fr (Fan-siyum) metallerine ALKALI METALLER denir.

Servis çağırmadan önce bu listeyi gözden geçirin. Bu, zamandan ve paradan tasarruf etmenizi sağlar. Bu liste hatalı işçiliğe ya da malzeme kullanımına bağlı olmayan, sık rastlanabilecek şikayetleri içermektedir. Burada açıklanan bazı özellikler sizin ürününüzde olmayabilir.

### Buzdolabı çalışmıyor.

- Fişi düzgün bir şekilde prize takılı değildir > > Fişi prize düzgün bir şekilde takın.
- Buzdolabınızın bağlandığı priz in sigortası ya da ana sigorta atmıştır. > > Sigortayı kontrol edin.

### Soğutucu bölmenin yan duvarında nemlenme (MULTIZONE, COOL CONTROL ve FLEXI ZONE).

- Kapı çok sık açılmıştır. > > Buzdolabının kapısını çok sık açıp kapatmayın.
- Ortam çok nemlidir. > > Buzdolabını nemin çok fazla olduğu yerlere kurmayın.
- İçinde sıvı bulunan gıdalar açık kaplarda dolaba konmuştur. > > İçinde sıvı bulunan gıdaları açık kaplarda dolaba koymayın.
- Buzdolabının kapısı aralık kalmıştır. > > Buzdolabınızın kapılarını uzun süre açık tutmayın.
- Termostat çok soğuk bir seviyeye ayarlanmıştır. > > Termostatı uygun bir seviyeye ayarlayın.

### Kompresör çalışmıyor

- Buzdolabı soğutma sistemindeki gazın basıncı henüz dengelenmemiş olduğu için ani elektrik kesintisinde veya fişin çıkarılıp takılmasında kompresör koruyucu termiği atar. Yaklaşık 6 dakika sonra buzdolabınız çalışmaya başlayacaktır. Bu süre sonunda buzdolabı çalışmaya başlamazsa lütfen Yetkili Servisi çağırın.
- Dondurucu buz çözme döngüsünde. > > Bu, tam otomatik buz çözme yapan bir buzdolabı için normaldir. Buz çözme döngüsü periyodik olarak gerçekleşir.
- Buzdolabının fişi prize takılı değildir. > > Fişin prize uyduğundan emin olun.
- Sıcaklık ayarları doğru bir şekilde yapılmamıştır. > > Doğru sıcaklık değerini seçin.
- Elektrik kesintisi vardır. > > Buzdolabı tekrar elektrik almaya başladığında normal çalışmasına döner.

### Buzdolabı çalışırken çalışma sesi artıyor.

- Buzdolabının çalışma performansı, ortam sıcaklığındaki değişikliklere göre farklılık gösterebilir. Bu normaldir ve bir arıza değildir.

### Buzdolabı çok sık ya da çok uzun çalışıyor.



# Sorun giderme

- Yeni ürününüz eskisinden daha büyük olabilir. Daha büyük buzdolapları daha uzun süre çalışır.
- Oda sıcaklığı yüksek olabilir. >>> Sıcak ortamlarda ürünün daha uzun çalışması normal bir durumdur.
- Buzdolabının fişi daha yeni takılmış ya da buzdolabı yiyeceklerle doldurulmuştur. >>> Buzdolabının fişi prize yeni takıldığında veya buzdolabı yiyeceklerle yeni doldurulduğunda, ürünün ayarlarına sıcaklığa ulaşması daha uzun sürer. Bu, normal bir durumdur.
- Yakın zamanda buzdolabına büyük miktarda sıcak yiyecek konmuş olabilir. >>> Buzdolabına sıcak gıdalar koymayın.
- Kapılar sıkça açılmış veya uzun süre aralık kalmış olabilir. >>> İçeri giren ılık hava buzdolabının daha uzun süre çalışmasına neden olur. Kapılarını sıkça açmayın.
- Dondurucu ya da soğutucu bölme kapısı aralık kalmış olabilir. >>> Kapıların tam olarak kapanıp kapanmadığını kontrol edin.
- Buzdolabı çok düşük bir sıcaklığa ayarlanmıştır. >>> Buzdolabının sıcaklığını daha yüksek bir dereceye ayarlayın ve bu sıcaklığa ulaşılan kadar bekleyin.
- Soğutucu ya da dondurucu bölme kapısının sızdırmaz contası kirlenmiş, eskimış, parçalanmış ya da tam oturmamış olabilir. >>> Sızdırmaz contayı temizleyin veya değiştirin. Hasarlı/kopuk kapı lastiği, buzdolabının mevcut sıcaklığı korumak için daha uzun süre çalışmasına neden olur.

**Soğutucu sıcaklığı yeterli fakat dondurucu sıcaklığı çok düşük.**

- Dondurucu bölme sıcaklığı çok düşük bir değere ayarlanmıştır. >>> Dondurucu bölme sıcaklığını daha yüksek bir dereceye ayarlayıp kontrol edin.

**Dondurucu sıcaklığı yeterli fakat soğutucu sıcaklığı çok düşük.**

- Soğutucu bölme sıcaklığı çok düşük bir değere ayarlanmıştır. >>> Soğutucu bölme sıcaklığını daha yüksek bir dereceye ayarlayıp kontrol edin.

**Soğutucu bölme çekmecelerinde saklanan yiyecekler donuyor.**

- Soğutucu bölme sıcaklığı çok yüksek bir değere ayarlanmıştır. >>> Soğutucu bölme sıcaklığını daha düşük bir dereceye ayarlayıp kontrol edin.

**Soğutucudaki ya da dondurucudaki sıcaklık çok yüksek.**

- Soğutucu bölme sıcaklığı çok yüksek bir değere ayarlanmıştır. >>> Soğutucu bölme ayarının dondurucu bölme sıcaklığı üzerinde etkisi vardır. Soğutucu ya da dondurucu bölme sıcaklığı yeterli seviyeye gelene kadar, soğutucu ya da dondurucu bölme sıcaklığını değiştirin.
- Kapılar sıkça açılmış veya uzun süre aralık kalmış olabilir. >>> Kapıları sıkça açmayın.
- Kapı aralık kalmıştır. >>> Kapıyı tamamen kapatın.
- Buzdolabının fişi daha yeni takılmıştır ya da buzdolabı yiyeceklerle doldurulmuştur. >>> Bu, normal bir durumdur. Buzdolabının fişi daha yeni takılmış ya da buzdolabı yiyeceklerle doldurulmuş ise ürünün ayar sıcaklığına ulaşması daha uzun sürer.
- Yakın zamanda buzdolabına büyük miktarda sıcak yiyecek konmuş olabilir. >>> Buzdolabına sıcak gıdalar koymayın.

# Sorun giderme

## Sarsılma ya da gürültü.

- Zemin sabit veya düz değildir. >>> Buzdolabı hafiften hareket ettirildiğinde sallanıyorsa ayaklarından ayarlayarak dengede durmasını sağlayın. Zeminin düz ve buzdolabını taşıyabilecek sağlamlıkta olduğundan emin olun.
- Buzdolabının üzerine yerleştirilen eşyalar gürültüye sebebiyet verebilir. >>> Buzdolabının üzerindeki eşyaları kaldırın.

## Buzdolabından sıvı dökülmesi veya püskürmesi gibi sesler geliyor.

- Buzdolabının çalışma prensipleri doğrultusunda sıvı ve gaz akışı gerçekleşir. >>> Bu normaldir ve bir arıza değildir.

## Buzdolabından ısıklık sesi geliyor.

- Buzdolabını soğutmak için fanlar kullanılmaktadır. Bu normaldir ve bir arıza değildir.

## Buzdolabının iç duvarlarında nem birikiyor.

- Havanın sıcak ve nemli olması buzlanmayı ve nem oluşumunu artırır. Bu normaldir ve bir arıza değildir.
- Kapılar sıkça açılmış veya uzun süre aralık kalmış olabilir. >>> Kapıları sıkça açmayın. Açıkta kapıları kapatın.
- Kapı aralık kalmıştır. >>> Kapıyı tamamen kapatın.

## Buzdolabının dışında ya da kapıların arasında nem oluşuyor.

- Hava rutubetli olabilir; nemli havalarda bu gayet normaldir. >>> Nem daha az olduğunda nem oluşumu yok olacaktır.
- Ürününüz nadiren kullanılıyorsa iki buzdolabı kapısı arasındaki bölgede harici yoğunlaşma olabilir, bu doğaldır. Yoğunlaşma sık kullanım sonrasında ortadan kalkacaktır.

## Buzdolabının içi kötü kokuyor.

- Düzenli temizlik yapılmamıştır. >>> Buzdolabının içini sünger, ılık su veya karbonatlı su ile temizleyin.
- Bazı kaplar veya paketleme malzemeleri kokuya neden oluyordur. >>> Başka bir kap ya da farklı bir markanın paketleme malzemesini kullanın.
- Gıdalar buzdolabına üzeri örtülmemiş kaplar içinde konmuştur. >>> Gıdaları kapalı kaplarda muhafaza edin. Üzeri örtülmemiş kaplardan yayılan mikroorganizmalar hoş kokulara sebebiyet verebilir.
- Bozulmuş veya son kullanma tarihi geçmiş gıdaları buzdolabından çıkarın.

## Kapı kapanmıyor.

- Gıda paketleri kapının kapanmasını engelliyor. >>> Kapıları engelleyen paketlerin yerlerini değiştirin.
- Buzdolabı zemin üzerinde tam olarak düz durmuyordur. >>> Buzdolabının dengesini sağlamak için ayaklarından gerekli ayarı yapın.
- Zemin düz ya da sağlam değildir. >>> Zeminin düz olduğundan ve buzdolabını taşıyabileceğinden emin olun.

## Sebzelikler sıkışmış.

- Gıdalar çekmecenin tavanına değişiyor. >>> Çekmedeki yiyecekleri yeniden düzenleyin.

## Ürününüzün Yüzeyinde Sıcaklık Varsa.

## Sorun giderme

Ürününüz çalışırken, iki kapı arasında, yan panellerde ve arka ızgara bölgesinde yüksek sıcaklık görülebilir. Bu normal bir durumdur ve herhangi bir servis ihtiyacı yoktur!

### **Kapı açıldığında fan çalışmaya devam ediyor.**

Dondurucu kapısı açıldığında fan çalışmaya devam edebilir.

### **Kablosuz ağ göstergesi sürekli yanıp sönüyor.**

Kablosuz bağlantı yapılamadığında bu gösterge sürekli yanıp söner, internet bağlantı ayarlarını kontrol ediniz.



**UYARI:** Bu bölümdeki talimatları uygulamanıza rağmen sorun devam ediyorsa bayinize veya Yetkili Servise danışın. Çalışmayan bir ürünü asla kendiniz onarmaya çalışmayın.

## Müşteri Hizmetleri

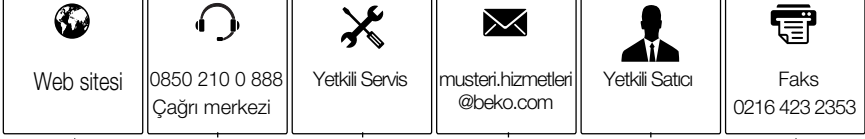
## Müşteri Memnuniyeti Politikası

- Müşterilerimizin istek ve önerilerini her kanaldan karşılamaktan mutluluk duyarız.  
Kanallarımız:
  - \* Çağrı Merkezimiz: 0850 210 0 888 (Sabit telefonlardan veya cep telefonlarından alan kodu çevirmeden arayın\*)
  - \* Diğer Numaramız 0216 585 8 888
  - Çağrı Merkezimiz haftanın 7 günü 24 saat hizmet vermektedir.
  - Çağrı Merkezimiz ile yaptığımız görüşmeler iletişim hizmeti aldığımız operatör firma tarafından sizin için tanımlanan tarifeye göre ücretlendirilir.
  - Sabit veya cep telefonlarınızdan alan kodu tuşlamadan çağrı merkezi numaramızı arayarak ürününüz ile ilgili arzu ettiğiniz hizmeti talep edebilirsiniz.
  - \* Whatsapp Numaramız: 0544 444 08 88
  - \* Faks Numaramız: 0216 423 2353
  - \* Web Adresimiz: [www.beko.com.tr](http://www.beko.com.tr)
  - \* e-posta Adresimiz: [musteri.hizmetleri@beko.com](mailto:musteri.hizmetleri@beko.com)
  - \* Sosyal Medya Hesaplarımız:
    - <https://www.instagram.com/bekoturkiye/>
    - [https://twitter.com/beko\\_tr](https://twitter.com/beko_tr)
    - <https://www.facebook.com/bekoturkiye/>
    - <https://www.youtube.com/user/BekoChannel>
  - \* Posta Adresimiz:
    - Arçelik A.Ş. Karaağaç Caddesi No:2-6,34445, Söğütözü / İSTANBUL
  - \* Bayilerimiz,
    - <https://www.beko.com.tr/yetkili-saticilar/>
  - \* Yetkili Servislerimiz,
    - <https://www.beko.com.tr/yetkili-servis/>
    - Tüm yetkili servis istasyonu bilgilerimiz, Ticaret Bakanlığı tarafından oluşturulan "Servis Bilgi Sistemi"nde ([www.servis.gov.tr](http://www.servis.gov.tr)) yer almaktadır.
    - Yedek parça malzemeleri yetkili servislerimizden temin edilebilir.
- Müşterilerimizden iletilen istek ve önerilerin Arçelik'e ulaştığı bilgisini, müşteri profili ayrımı yapılmaksızın kendilerine 24 saat içinde veririz.
  - Müşteri Hizmetleri sürecimiz:
    - Müşterilerimizin istek ve önerilerini;
    - \* İzlenebilir, raporlanabilir, şeffaf ve güvenli tek bir bilgi havuzunda toplarız.
    - \* Yasal düzenlemelere uygun, objektif, adil ve gizlilik içinde ele alır ve değerlendiririz.
    - \* Bu geri bildirimleri süreçlerimizin daha mükemmel hale getirilmesinde kullanırız.
  - Arçelik olarak, mükemmel müşteri deneyimini yaşatmayı ana ilke olarak kabul eder, müşteri odaklı bir yaklaşım benimseriz.
  - Bütün süreçlerimizi yönetim sistemi ile entegre ederek birbirini kontrol eden bir yapı geliştirilmesini sağlarız.
  - Yönetim hedeflerini de bu sistem üzerinden besleriz.
- Aşağıdaki önerilere uymanızı rica ederiz.**
- Ürününüzü aldığınızda Garanti belgesini Yetkili Satıcınıza onaylatırınız.
  - Ürününüzü kullanma kılavuzu esaslarına göre kullanınız.
  - Ürününüz ile ilgili hizmet talebiniz olduğunda yukarıdaki telefon numaralarından Çağrı Merkezimize başvurunuz.
  - Hizmet için gelen teknisyene "teknisyen kimlik kartı" nı sorunuz.
  - İşiniz bittiğinde Yetkili servis teknisyeninden "Hizmet Fişi" istemeyi unutmayınız. Alacağınız "Hizmet Fişi", ilerde ürününüzde meydana gelebilecek herhangi bir sorunda size yarar sağlayacaktır.
  - Ürünün kullanım ömrü: 10 yıldır. (Ürünün fonksiyonunu yerine getirebilmesi için gerekli yedek parça bulundurma süresi)

## Hizmet talebinin değerlendirilmesi

1

### Müşteri Başvurusu



2

### Başvuru kaydı

Başvuru Konusu  
Müşteri Adı, Soyadı  
Müşteri Telefonu  
Müşteri Adresi

3

### Hizmet talebinin alınması

- Hizmet talebi analizi
- Hizmet hakkında müşterinin bilgilendirilmesi (Keşif,nakliye,montaj,bilgi,onarım,değişim vb.)
- Hizmet hakkında gerekli işlemin gerçekleştirilmesi

4

### Müşteri memnuniyetinin alınması

Memnun

Memnun  
değil

5

### Başvuru kaydının kapatılıp, bilgilerin saklanması

## **Uygun Kullanım ve Garanti ile İlgili Dikkat Edilmesi Gereken Hususlar;**

### **Bu kılavuzu okumadan ürününüzü çalıştırmayınız.**

Aşağıda belirtilen sorunların giderilmesi ücret karşılığında yapılır. Bu durumlar için garanti şartları uygulanmaz;

- 1) Kullanım hatalarından kaynaklanan hasar ve arızalar,
- 2) Malın tüketiciye tesliminden sonraki yükleme, boşaltma, taşıma vb. sırasında oluşan hasar ve arızalar,
- 3) Malın kullanıldığı yerin elektrik (priz, gerilim, topraklama vb.), su (su basıncı, musluk vb.), doğalgaz, telefon, internet vb. şebekesi ve/veya altyapısı (gider, zemin, ortam vb.) kaynaklı meydana gelen hasar ve arızalar,
- 4) Doğa olayları ve yangın, su baskını vb. kaynaklı meydana gelen hasar ve arızalar,
- 5) Malın tanıtma ve kullanma kılavuzlarında yer alan hususlara aykırı kullanılmasından kaynaklanan hasar ve arızalar,
- 6) Malın, 6502 sayılı Tüketicinin Korunması Hakkındaki Kanununda tarif edilen şekli ile ticari veya mesleki amaçlarla kullanımı durumunda ortaya çıkan hasar ve arızalar,
- 7) Mala yetkisiz kişiler tarafından bakım, onarım veya başka bir nedenle müdahale edilmesi durumlarında mala verilmiş garanti sona erecektir.Garanti uygulaması sırasında değiştirilen malın garanti süresi, satın alınan malın kalan garanti süresi ile sınırlıdır.

Arçelik A.Ş. tarafından üretilmiştir.

Arçelik A.Ş. Karaağaç Caddesi No:2-6, 34445,  
Sütlüce / İSTANBUL

Menşei: Türkiye

### GARANTİ ŞARTLARI

- 1) Garanti süresi, malın teslim tarihinden itibaren başlar ve 3 yıldır.
- 2) Mala ilişkin tanıtırma ve kullanma kılavuzunda gösterildiği şekilde kullanılması ve Arçelik A.Ş.'nin yetkili kıldığı servis çalışanları dışındaki şahıslar tarafından bakım, onarım veya başka bir nedenle müdahale edilmemiş olması şartıyla, malın bütün parçaları dahil olmak üzere tamamını; malzeme, işçilik ve üretim hatalarına karşı malın teslim tarihinden itibaren yukarıda belirtilen süre kadar garanti eder.
- 3) Malın ayıplı olduğunun anlaşılması durumunda tüketici, 6502 sayılı Tüketicinin Korunması Hakkında Kanununun 11 inci maddesinde yer alan;
  - a- Sözleşmeden dönme,
  - b- Satış bedelinden indirim isteme,
  - c- Ücretsiz onarılmasını isteme,
  - ç- Satılanın ayıpsız bir misli ile değiştirilmesini isteme, haklarından birini kullanabilir.
- 4) Tüketicinin bu haklardan ücretsiz onarım hakkını seçmesi durumunda satıcı; işçilik masrafı, değiştirilen parça bedeli ya da başka herhangi bir ad altında hiçbir ücret talep etmeksizin malın onarımını yapmak veya yaptırmakla yükümlüdür. Tüketicisi ücretsiz onarım hakkını üretici veya ithalatçıya karşı da kullanabilir. Satıcı, üretici ve ithalatçı tüketicinin bu hakkını kullanmasından müteselsilen sorumludur.
- 5) Tüketicinin, ücretsiz onarım hakkını kullanması halinde malın;
  - Garanti süresi içinde tekrar arızalanması,
  - Tamiri için gereken azami sürenin aşılması,
  - Tamirinin mümkün olmadığını, yetkili servis istasyonu, satıcı, üretici veya ithalatçı tarafından bir raporla belirlenmesi durumlarında;
 tüketici malın bedel iadesini, ayıp oranında bedel indirimi veya imkân varsa malın ayıpsız misli ile değiştirilmesini satıcıdan talep edebilir. Satıcı, tüketicinin talebini reddedemez. Bu talebin yerine getirilmemesi durumunda satıcı, üretici ve ithalatçı müteselsilen sorumludur.
- 6) İlgili mevzuatlarda belirlenen kullanım ömrü süresince malın azami tamir süresi 20 iş gününü, geçemez. Bu süre, garanti süresi içerisinde mala ilişkin arızanın yetkili servis istasyonuna veya satıcıya bildirim tarihi, garanti süresi dışında ise malın yetkili servis istasyonuna teslim tarihinden itibaren başlar. Garanti kapsamı içerisindeki malın arızasının 10 iş günü içerisinde giderilememesi halinde, üretici veya ithalatçı; malın tamiri tamamlanuncaya kadar, benzer özelliklere sahip başka bir malı tüketicinin kullanımına tahsis etmek zorundadır. Benzer özelliklere sahip başka bir malın tüketici tarafından istenmemesi halinde üretici veya ithalatçılar bu yükümlülükten kurtulur. Malın garanti süresi içerisinde arızalanması durumunda, tamirde geçen süre garanti süresine eklenir.
- 7) Malın kullanma kılavuzunda yer alan hususlara aykırı kullanılmasından kaynaklanan hasar ve arızalar garanti kapsamı dışındadır.
- 8) Tüketici, garantiden doğan haklarının kullanılması ile ilgili olarak çıkabilecek uyuşmazlıklarda yerleşim yerinin bulunduğu veya tüketici işleminin yapıldığı yerdeki Tüketici Hakem Heyetine veya Tüketici Mahkemesine başvurabilir.
- 9) Satıcı tarafından bu Garanti Belgesinin verilmemesi durumunda tüketici, Ticaret Bakanlığı Tüketicinin Korunması ve Piyasa Gözetimi Genel Müdürlüğüne başvurabilir.

<b>Üretici veya İthalatçı Firmanın;</b>		<b>Malın</b>	
<b>Unvanı:</b>	Arçelik A.Ş.	<b>Markası:</b>	Beko
<b>Adresi:</b>	Arçelik A.Ş. Karaağaç Caddesi No:2-6, 34445, Sütlüce / İSTANBUL	<b>Cinsi:</b>	Buzdolabı
<b>Telefonu:</b>	(0-216) 585 8 888	<b>Modeli:</b>	
<b>Faks:</b>	(0-216) 423 23 53	<b>Bandrol ve Seri No:</b>	
<b>web adresi:</b>	www.beko.com.tr	<b>Garanti Süresi:</b>	3 YIL
		<b>Azami Tamir Süresi:</b>	20 İş günü

GENEL MÜDÜR

*Hakan Bıçıl*

**Arçelik A.Ş.**

GENEL MÜDÜR YRD.

*Ölçüm*

<b>Satıcı Firmanın:</b>		<b>Fatura Tarih ve Sayısı:</b>	
<b>Unvanı:</b>		<b>Teslim Tarihi ve Yeri:</b>	
<b>Adresi:</b>		<b>Yetkilinin İmzası:</b>	
<b>Telefonu:</b>		<b>Firmanın Kaşesi:</b>	
<b>Faks:</b>			
<b>e-posta:</b>			

Bu bölümü, ürünü aldığınız Yetkili Satıcı imzalayacak ve kaşeleyecektir.