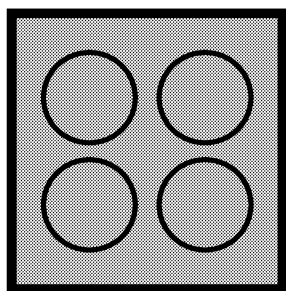


# Built-in Hob

User manual



HIZM 64121 SX

**EN** | **LV** | **RU** | **BS**

185.9100.47/R.AC/02.11.2017/2-1

## Please read this user manual first!

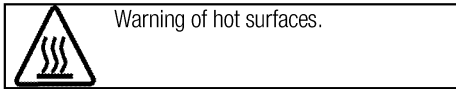
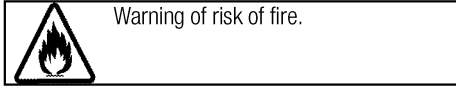
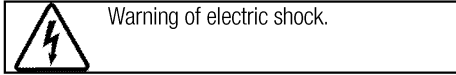
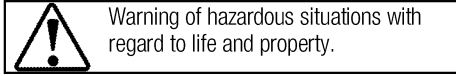
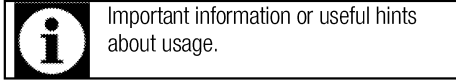
Dear Customer,

Thank you for purchasing this Beko product. We hope that you get the best results from your product which has been manufactured with high quality and state-of-the-art technology. Therefore, please read this entire user manual and all other accompanying documents carefully before using the product and keep it as a reference for future use. If you handover the product to someone else, give the user manual as well. Follow all warnings and information in the user manual.

Remember that this user manual is also applicable for several other models. Differences between models will be identified in the manual.

### Explanation of symbols

Throughout this user manual the following symbols are used:



**Arçelik A.Ş.**  
Karaağaç caddesi No:2-6  
34445 Sütlüce/İstanbul/TURKEY  
Made in TURKEY

CE

This product was manufactured using the latest technology in environmentally friendly conditions.

## TABLE OF CONTENTS

### **1 Important instructions and warnings for safety and environment 4**

General safety .....	4
Safety when working with gas.....	4
Electrical safety .....	5
Product safety .....	6
Intended use .....	7
Safety for children.....	7
Disposing of the old product.....	8
Package information .....	8

### **2 General information 9**

Overview .....	9
Technical specifications .....	10
Injector table .....	10

### **3 Installation 11**

Before installation .....	11
Installation and connection .....	12
Future Transportation.....	14

### **4 Preparation 15**

Tips for saving energy .....	15
Initial use.....	15
First cleaning of the appliance.....	15

### **5 How to use the hob 16**

General information about cooking .....	16
Using the hobs.....	16

### **6 Maintenance and care 18**

General information.....	18
Cleaning the hob.....	18
Cleaning the control panel .....	18

### **7 Troubleshooting 19**

## **1 Important instructions and warnings for safety and environment**

This section contains safety instructions that will help protect from risk of personal injury or property damage. Failure to follow these instructions shall void any warranty.

### **General safety**

- This appliance can be used by children aged from 8 years and above and persons with reduced physical, sensory or mental capabilities or lack of experience and knowledge if they have been given supervision or instruction concerning use of the appliance in a safe way and understand the hazards involved.

Children shall not play with the appliance. Cleaning and user maintenance shall not be made by children without supervision.

- The appliance is not to be used by persons (including children) with reduced physical, sensory or mental capabilities, or lack of experience and knowledge, unless they have been given supervision or instruction.

Children should be supervised and ensure they do not play with the appliance

- If the product is handed over to someone else for personal use or second-hand use purposes, the user manual, product labels and

other relevant documents and parts should be also given.

- Installation and repair procedures must always be performed by Authorised Service Agents. The manufacturer shall not be held responsible for damages arising from procedures carried out by unauthorised persons which may also void the warranty. Before installation, read the instructions carefully.
- Do not operate the product if it is defective or has any visible damage.
- Ensure that the product function knobs are switched off after every use.

### **Safety when working with gas**

- Any works on gas equipment and systems may only be carried out by authorised qualified persons who are Gas Safe registered.
- Prior to the installation, ensure that the local distribution conditions (nature of the gas and gas pressure) and the adjustment of the appliance are compatible.
- This appliance is not connected to a combustion products or evacuation device. It shall be installed and connected in accordance with current installation regulations. Particular attention shall be given to the

relevant requirements regarding ventilation; See *Before installation*, page 11

- CAUTION: The use of gas cooking appliance results in the production of heat and moisture in the room in which it is installed. Ensure that the kitchen is well ventilated: keep natural ventilation holes open or install a mechanical ventilation device (mechanical extractor hood). Prolonged intensive use of the appliance may call for additional ventilation, for example increasing the level of the mechanical ventilation where present.
- Gas appliances and systems must be regularly checked for proper functioning. Regulator, hose and its clamp must be checked regularly and replaced within the periods recommended by its manufacturer or when necessary.
- Clean the gas burners regularly. The flames should be blue and burn evenly.
- This product should be used in a room which incorporates a properly adjusted and functioning Carbon Monoxide sensor. Make sure the Carbon Monoxide sensor works properly and is maintained frequently. Carbon Monoxide sensor should be installed maximum 2 meters away from the product.

- Good combustion is required in gas appliances. In case of incomplete combustion, carbon monoxide (CO) might develop. Carbon monoxide is a colourless, odourless and very toxic gas, which has a lethal effect even in very small doses.
- Request information about gas emergency telephone numbers and safety measures in case of gas smell from you local gas provider.

### **What to do when you smell gas**

- Do not use open flame or do not smoke. Do not operate any electrical buttons (e.g. lamp button, door bell and etc.) Do not use fixed or mobile phones. Risk of explosion and toxication!
- Open doors and windows.
- Turn off all valves on gas appliances and gas meter at the main control valve, unless it's in a confined space or cellar.
- Check all tubes and connections for tightness. If you still smell gas leave the property.
- Warn the neighbours.
- Call the fire-brigade. Use a telephone outside the house.
- Do not re-enter the property until you are told it is safe to do so.

### **Electrical safety**

- If the product has a failure, it should not be operated unless it is repaired by an Authorised Service Agent. There is the risk of electric shock!

- Only connect the product to a grounded outlet/line with the voltage and protection as specified in the “Technical specifications”. Have the grounding installation made by a qualified electrician while using the product with or without a transformer. Our company shall not be liable for any problems arising due to the product not being earthed in accordance with the local regulations.
  - Never wash the product by spreading or pouring water onto it! There is the risk of electric shock!
  - Never touch the plug with wet hands! Never unplug by pulling on the cable, always pull out by holding the plug.
  - The product must be disconnected during installation, maintenance, cleaning and repairing procedures.
  - If the power connection cable for the product is damaged, it must be replaced by the manufacturer, its service agent or similarly qualified persons in order to avoid a hazard.
  - The appliance must be installed so that it can be completely disconnected from the mains supply. The separation must be provided by a switch built into the fixed electrical installation, according to construction regulations.
  - Any work on electrical equipment and systems should only be carried out by authorised and qualified persons.
  - In case of any damage, switch off the product and disconnect it from the mains. To do this, turn off the fuse at home.
  - Make sure that fuse rating is compatible with the product.
- Product safety**
- **WARNING:** The appliance and its accessible parts become hot during use. Care should be taken to avoid touching heating elements. Children less than 8 years of age shall be kept away unless continuously supervised.
  - Never use the product when your judgment or coordination is impaired by the use of alcohol and/or drugs.
  - Be careful when using alcoholic drinks in your dishes. Alcohol evaporates at high temperatures and may cause fire since it can ignite when it comes into contact with hot surfaces.
  - Do not place any flammable materials close to the product as the sides may become hot during use.
  - Keep all ventilation slots clear of obstructions.

- Do not use steam cleaners to clean the appliance as this may cause an electric shock.
- **WARNING:** Unattended cooking on a hob with fat or oil can be dangerous and may result in fire. NEVER try to extinguish a fire with water, but switch off the appliance and then cover flame e.g. with a lid or a fire blanket.
- **CAUTION:** The cooking process has to be supervised. A short term cooking process has to be supervised continuously.
- **WARNING:** Danger of fire: Do not store items on the cooking surfaces.
- The appliance is not intended to be operated by means of an external timer or separate remote-control system.
- **WARNING:** Use only hob guards designed by the manufacturer of the cooking appliance or indicated by the manufacturer of the appliance in the instructions for use as suitable or hob guards incorporated in the appliance. The use of inappropriate guards can cause accidents.

#### Prevention against possible fire risk!

- Ensure all electrical connections are secure and tight to prevent risk of arcing.
- Do not use damaged cables or extension cables.
- Ensure liquid or moisture is not accessible to the electrical connection point.
- To prevent gas leakage ensure that the gas connection is sound.

#### **Intended use**

- This product is designed for domestic use. Commercial use will void the guarantee.
- **CAUTION:** This appliance is for cooking purposes only. It must not be used for other purposes, for example room heating.
- The manufacturer shall not be liable for any damage caused by improper use or handling errors.

#### **Safety for children**

- **WARNING:** Accessible parts may become hot during use. Young children should be kept away.
- The packaging materials will be dangerous for children. Keep the packaging materials away from children. Please dispose of all parts of the packaging according to environmental standards.
- Electrical and/or gas products are dangerous to children. Keep children away from the product when it is operating and do not allow them to play with the product.
- Do not place any items above the appliance that children may reach for.

## **Disposing of the old product**

### **Compliance with the WEEE Directive and Disposing of the Waste Product:**



This product complies with EU WEEE Directive (2012/19/EU). This product bears a classification symbol for waste electrical and electronic equipment (WEEE).

This product has been manufactured with high quality parts and materials which can be reused and are suitable for recycling. Do not dispose of the waste product with normal domestic and other wastes at the end of its service life. Take it to the collection center for the recycling of electrical and electronic equipment. Please consult your local authorities to learn about these collection centers.

### **Compliance with RoHS Directive:**

The product you have purchased complies with EU RoHS Directive (2011/65/EU). It does not contain harmful and prohibited materials specified in the Directive.

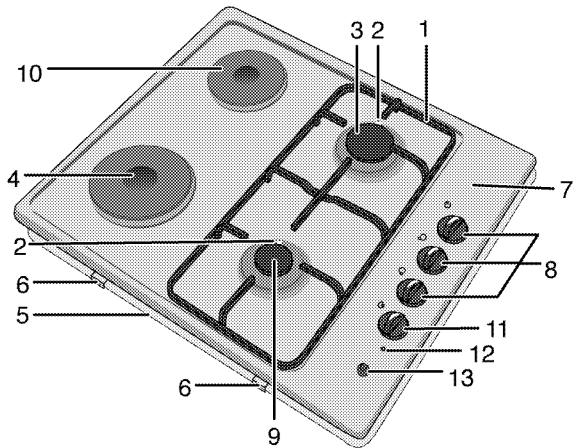
### **Package information**

- Packaging materials of the product are manufactured from recyclable materials in accordance with our National Environment Regulations. Do not dispose of the packaging materials together with the domestic or other wastes. Take them to the packaging material collection points designated by the local authorities.

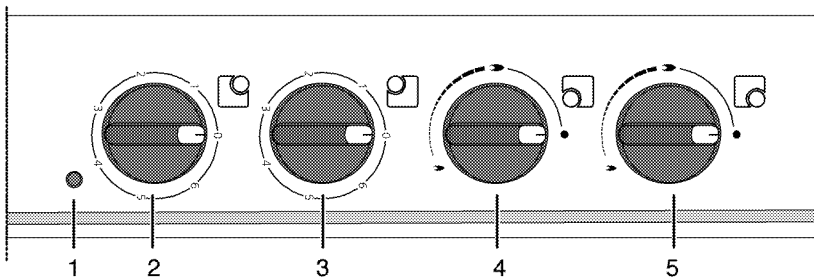


## 2 General information

### Overview



- |   |                |    |                  |
|---|----------------|----|------------------|
| 1 | Pan support    | 7  | Burner plate     |
| 2 | Spark plug     | 8  | Gas burners knob |
| 3 | Normal burner  | 9  | Auxiliary burner |
| 4 | Rapid burner   | 10 | Hotplate         |
| 5 | Base cover     | 11 | Hotplates knob   |
| 6 | Assembly clamp | 12 | Warning lamp     |



- |   |                     |   |                              |
|---|---------------------|---|------------------------------|
| 1 | Warning lamp        | 4 | Auxiliary burner Front right |
| 2 | Hotplate Rear left  | 5 | Normal burner Rear right     |
| 3 | Hotplate Front left |   |                              |

## Technical specifications

Voltage / frequency	220-240 V ~ 50 Hz
Total power consumption	3.0 kW
Fuse	16 A
Cable type / section	min.H05V2V2-F 3 x 1,5 mm <sup>2</sup>
Category of gas product	II 2H3B/P / I 2H
Gas type / pressure	LPG G 30/28-30 mbar
Total gas consumption	3.0 kW
Converting the gas type / pressure <sup>S</sup>	NG G 20/20 mbar
– optional	NG G 20/13 mbar - Propane G 31/37 mbar
External dimensions (height / width / depth)	84 mm/580 mm/510 mm
Installation dimensions (width / depth)	560 mm/490 mm
<b>Burners</b>	
Rear left	<b>Hotplate</b>
Dimension	145 mm
Power	1000 W
Front left	<b>Hotplate</b>
Dimension	180 mm
Power	2000 W
Front right	<b>Auxiliary burner</b>
Power	1 kW
Rear right	<b>Normal burner</b>
Power	2 kW



Technical specifications may be changed without prior notice to improve the quality of the product.



Figures in this manual are schematic and may not exactly match your product.



Values stated on the product labels or in the documentation accompanying it are obtained in laboratory conditions in accordance with relevant standards. Depending on operational and environmental conditions of the product, these values may vary.

## Injector table

Position hob zone	1 kW	2 kW
Gas type / Gas pressure	Front right	Rear right
G 20/13 mbar	84	116
G 20/20 mbar	72	103
G 30/28-30 mbar	50	72
G 31/ 37 mbar	50	72

### 3 Installation

Product must be installed by a qualified person in accordance with the regulations in force. The manufacturer shall not be held responsible for damages arising from procedures carried out by unauthorized persons which may also void the warranty.



Preparation of location and electrical and gas installation for the product is under customer's responsibility.



**DANGER:**

The product must be installed in accordance with all local gas and/or electrical regulations.



**DANGER:**

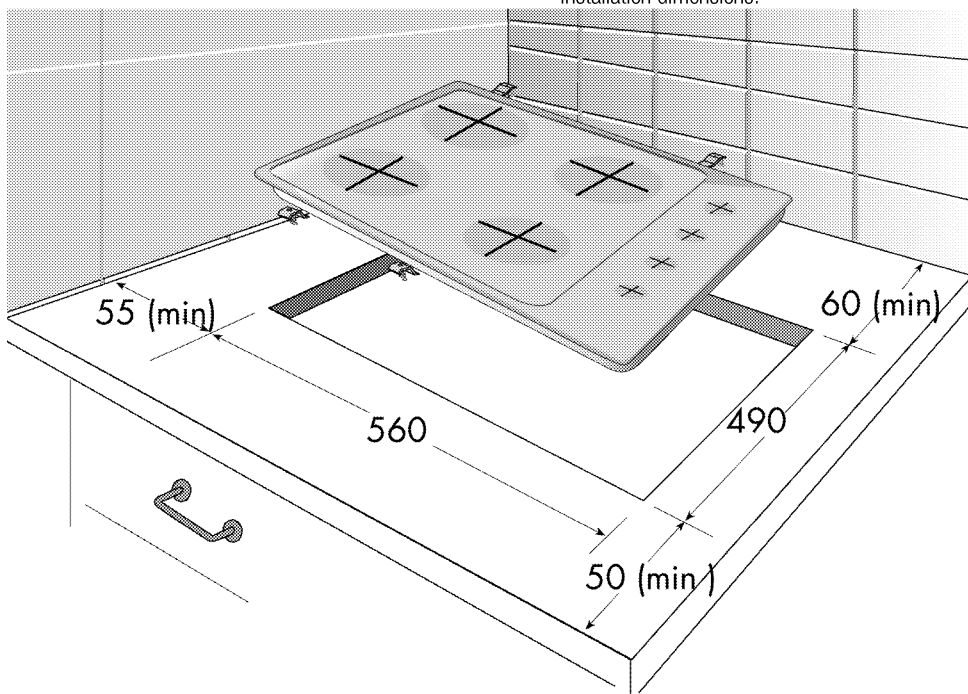
Prior to installation, visually check if the product has any defects on it. If so, do not have it installed.

Damaged products cause risks for your safety.

#### Before installation

The hob is designed for installation into commercially available work tops. A safety distance must be left between the appliance and the kitchen walls and furniture. See figure (values in mm).

- It can also be used in a free standing position. Allow a minimum distance of 750 mm above the hob surface.
- (\*) If a cooker hood is to be installed above the cooker, refer to cooker hood manufacturer' instructions regarding installation height (min 650 mm)
- Remove packaging materials and transport locks.
- Surfaces, synthetic laminates and adhesives used must be heat resistant (100 °C minimum).
- The worktop must be aligned and fixed horizontally.
- Cut aperture for the hob in worktop as per installation dimensions.



#### Room ventilation

All rooms require an openable window, or equivalent, and some rooms will require a permanent vent as well. The air for combustion is taken from the room air and the exhaust gases are emitted directly into the room. Good ventilation is essential for safe operation of your appliance.

### Rooms with doors and/or windows which open directly to the outer environment

The doors and/or windows that open directly to the outer environment must have a total ventilation opening of the dimensions specified in the table below which is based on the total gas power of the appliance (total gas power consumption of the appliance is shown in the technical specification table of this user manual). If the doors and/or windows do not have a total ventilation opening corresponding to the total gas consumption of the appliance as specified in the table below, then there must definitely be an additional fixed ventilation opening in the room to ensure that the total minimum ventilation requirements for the total gas consumption of the appliance is achieved. The fixed ventilation opening can include openings for existing airbricks, extraction hood ducting opening dimension etc.

Total gas consumption (kW)	min. Ventilation opening (cm <sup>2</sup> )
0-2	100
2-3	120
3-4	175
4-6	300
6-8	400
8-10	500
10-11.5	600
11.5-13	700
13-15.5	800
15.5-17	900
17-19	1000
19-24	1250

### Rooms that do not have openable doors and/or windows that open directly to the outer environment

If the room where the appliance is installed does not have a door and/or a window that opens directly to the outer environment, other products shall be sought that definitely provide a fixed nonadjustable and non-closable ventilation opening which meets the total minimum ventilation opening requirements for the total gas consumption of the appliance as indicated in the above table. Also the appropriate building regulations advise should be followed.

Where a room or internal space contains more than one gas appliance, additional ventilation area shall be provided on top of the requirement given in the table above. Size of additional ventilation area shall be appropriate to regulations of other gas appliances.

There should also be a minimum clearance of 10mm on the bottom edge of the door that opens to the inner environment in the room where the appliance is installed. You must ensure that items such as carpets and other floorcoverings etc., do not affect the clearance when the door is closed.

The cooker may be located in a kitchen, kitchen/diner or a bed-sitting room, but not in a room containing a bath or a shower. The cooker must not be installed in a bed-sitting room of less than 20m<sup>3</sup>.

Do not install this appliance in a room below ground level unless it is open to ground level on at least one side.

### Installation and connection

- The product must be installed in accordance with all local gas and electrical regulations.

#### Electrical connection

Connect the product to a grounded outlet/line protected by a miniature circuit breaker of suitable capacity as stated in the "Technical specifications" table. Have the grounding installation made by a qualified electrician while using the product with or without a transformer. Our company shall not be liable for any damages that will arise due to using the product without a grounding installation in accordance with the local regulations.



#### DANGER:

The product must be connected to the mains supply only by an authorised and qualified person. The product's warranty period starts only after correct installation. Manufacturer shall not be held responsible for damages arising from procedures carried out by unauthorised persons.



#### DANGER:

The power cable must not be clamped, bent or trapped or come into contact with hot parts of the product. A damaged power cable must be replaced by a qualified electrician. Otherwise, there is risk of electric shock, short circuit or fire!

- Connection must comply with national regulations.
- The mains supply data must correspond to the data specified on the type label of the product. Type label is at the rear housing of the product.
- Power cable of your product must comply with the values in "Technical specifications" table.

**DANGER:**

Before starting any work on the electrical installation, disconnect the product from the mains supply.  
There is the risk of electric shock!



Power cable plug must be within easy reach after installation (do not route it above the hob).



While performing the wiring, you must apply with the national/local electrical regulations and must use the appropriate socket outlet/line and plug for oven. In case of the product's power limits are out of current carrying capability of plug and socket outlet/line, the product must be connected through fixed electrical installation directly without using plug and socket outlet/line.

Plug the power cable into the socket.

**Gas connection****DANGER:**

Product can be connected to gas supply system only by an authorised and qualified person or technician with licence.

Risk of explosion or toxication due to unprofessional repairs!

Manufacturer shall not be held responsible for damages arising from procedures carried out by unauthorised or unlicensed persons.

**DANGER:**

Before starting any work on the gas installation, disconnect the gas supply.  
There is the risk of explosion!

- Gas adjustment conditions and values are stated on labels (or on type label).



Your product is equipped for liquefied petroleum gas (LPG).

**Connecting the gas hose**

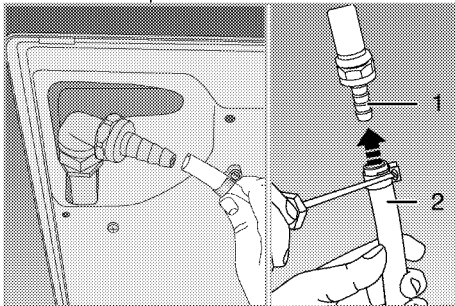
- Have your product connected in a way that it will be close to the gas connection and not gas leakage will exist.
- Plastic hose to be used must not be longer than 125 cm.
- Install the clamp to the hose. Soak one end of the hose (15 mm inner diameter) into boiling water for one minute to soften it.
- Then, slip the softened end of the hose completely onto the sharp hose tip of your product. Finally, tighten the clamp completely with a screwdriver.

- Repeat the same procedure for the other end of the hose and complete the gas cylinder connection.
- Never forget to make the gas leakage control.

**DANGER:**

Risk of explosion and suffocation!  
Do not keep LPG cylinders in home.

- If you need to use your product later with a different type of gas, you must consult the Authorised Service Agent for the related conversion procedure.



- 1 LPG hose tip
- 2 Plastic hose

**Leakage control at the connection point**

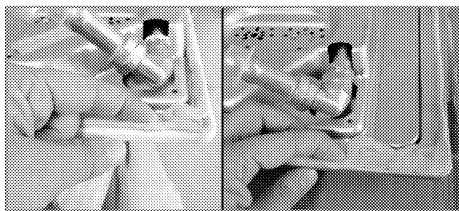
- Make sure that all knobs on the product are turned off. Make sure that the gas supply is open. Prepare soapy foam and apply it onto the connection point of the hose for gas leakage control.
- Soapy part will froth if there is a gas leakage. In this case, inspect the gas connection once again.



Never use a match or lighter to make the gas leakage control.

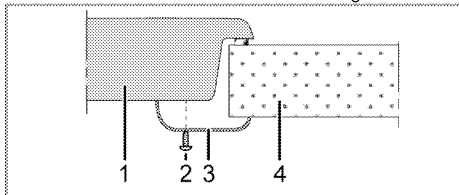
**Installing the product**

1. Remove burners, burner caps and grills on the hob from the product.
2. Turning the hob upside down, place it on a flat surface.
3. In order to avoid the foreign substances and liquids penetrate between the hob and the counter, please apply the putty supplied in the package on the contours of the lower housing of the hob but make sure that the putty does not overlap.
4. Fill the corners by forming bends at the corners as illustrated in the figure. Form as much bend as required to fill the gap in the corners.



**i** Make sure that the skirting sections on the lower housing of the hob are filled with putty.

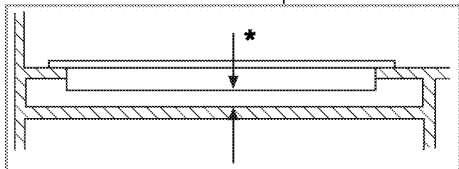
5. Place the hob on the counter and align it.



- 1 Hob
- 2 Screw
- 3 Installation clamp
- 4 Counter

**i** When installing the hob onto a cabinet, a shelf must be installed in order to separate the cabinet from the hob as illustrated in the above figure. This is not required when installing onto a built-under oven.

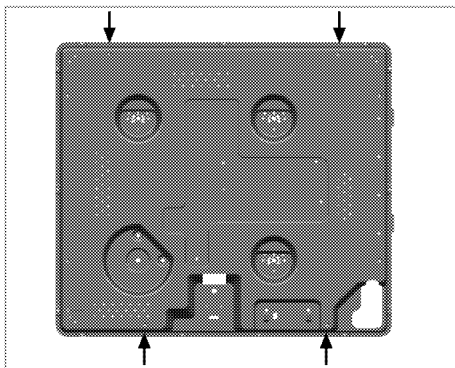
For example, if it is possible to touch the bottom of the product since it is installed onto a drawer, this section must be covered with a wooden plate.



\* min. 15 mm

**Rear view (connection holes)**

**i** Location of the connection holes shown in the below figure are schematic, may vary depending on the product model. Fix them according to connection holes on your product.



Place the burner plates, burner plate caps and grills back to their seating after installation.

**DANGER:**  
Making connections to different holes is not a good practice in terms of safety since it can damage the gas and electrical system.

**DANGER:**  
There are gas and electrical components contained within this hob, therefore when fitting the mounting springs/clamps only attach the supplied fixings to the connection holes shown in this manual. Failure to observe this advise may lead to life and property safety

**Final check**

1. Operate the product.
2. Check the functions.
3. Open gas supply.
4. Check gas installations for secure fitting and tightness.
5. Ignite burners and check appearance of the flame.

**i** Flame must be blue and have a regular shape. If the flame is yellowish, check if the burner cap is seated securely or clean the burner.

**Future Transportation**

- Keep the product's original carton and transport the product in it. Follow the instructions on the carton. If you do not have the original carton, pack the product in bubble wrap or thick cardboard and tape it securely.
- Secure the caps and pan supports with adhesive tape.

**i** Check the general appearance of your product for any damages that might have occurred during transportation.

## 4 Preparation

### Tips for saving energy

The following information will help you to use your appliance in an ecological way, and to save energy:

- Defrost frozen dishes before cooking them.
- Use pots/pans with cover for cooking. If there is no cover, energy consumption may increase 4 times.
- Select the burner which is suitable for the bottom size of the pot to be used. Always select the correct pot size for your dishes. Larger pots require more energy.
- Pay attention to use flat bottom pots when cooking with electric hobs.  
Pots with thick bottom will provide a better heat conduction. You can obtain energy savings up to 1/3.
- Vessels and pots must be compatible with the hotplates. Bottom of the vessels or pots must not be smaller than the hotplate.
- Keep the hotplates and bottom of the pots clean. Dirt will decrease the heat conduction between the hotplate and bottom of the pot.
- For long cookings, turn off the hotplate 5 or 10 minutes before the end of cooking time. You can obtain energy savings up to 20% by using the residual heat.

### Initial use

#### First cleaning of the appliance



The surface might get damaged by some detergents or cleaning materials.

Do not use aggressive detergents, cleaning powders/creams or any sharp objects during cleaning.

Do not use harsh abrasive cleaners or sharp metal scrapers to clean the oven door glass since they can scratch the surface, which may result in shattering of the glass.

1. Remove all packaging materials.
2. Wipe the surfaces of the appliance with a damp cloth or sponge and dry with a cloth.

## 5 How to use the hob

### General information about cooking



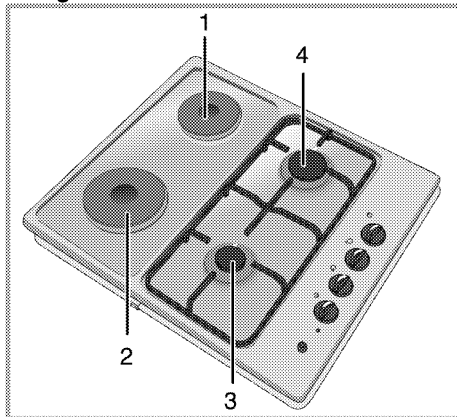
Never fill the pan with oil more than one third of it. Do not leave the hob unattended when heating oil. Overheated oils bring risk of fire. **Never attempt to extinguish a possible fire with water!** When oil catches fire, cover it with a fire blanket or damp cloth. Turn off the hob if it is safe to do so and call the fire department.

- Before frying foods, always dry them well and gently place into the hot oil. Ensure complete thawing of frozen foods before frying.
- Do not cover the vessel you use when heating oil.
- Place the pans and saucepans in a manner so that their handles are not over the hob to prevent heating of the handles. Do not place unbalanced and easily tilting vessels on the hob.
- Do not place empty vessels and saucepans on cooking zones that are switched on. They might get damaged.
- Operating a cooking zone without a vessel or saucepan on it will cause damage to the product. Turn off the cooking zones after the cooking is complete.
- As the surface of the product can be hot, do not put plastic and aluminum vessels on it. Such vessels should not be used to keep foods either.
- Use flat bottomed saucepans or vessels only.
- Put appropriate amount of food in saucepans and pans. Thus, you will not have to make any unnecessary cleaning by preventing the dishes from overflowing.  
Do not put covers of saucepans or pans on cooking zones.  
Place the saucepans in a manner so that they are centered on the cooking zone. When you want to move the saucepan onto another cooking zone, lift and place it onto the cooking zone you want instead of sliding it.

### Gas cooking

- Size of the vessel and the flame must match each other. Adjust the gas flames so that they will not extend the bottom of the vessel and center the vessel on saucepan carrier.

### Using the hobs



- 1 Hotplate 145 mm
- 2 Hotplate 180 mm
- 3 Auxiliary burner 12-18 cm
- 4 Normal burner 18–20 cm is list of advised diameter of pots to be used on related burners.



### WARNING

Do not use cooking pans beyond the dimension limits given above. Using larger pans causes risk of carbon monoxide poisoning, overheating of adjacent surfaces and control knobs. Using smaller pans causes your risk of being burned by the flame.

Large flame symbol indicates the highest cooking power and small flame symbol indicates the lowest cooking power. In turned off position (top), gas is not supplied to the burners.

### Igniting the gas burners

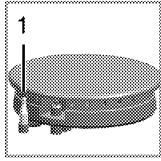
1. Keep burner knob pressed.
2. Turn it counter clockwise to large flame symbol.  
» Gas is ignited with the spark created.
3. Adjust it to the desired cooking power.

### Turning off the gas burners

Turn the keep warm zone knob to off (upper) position.



## Gas shut off safety system (in models with thermic component)



1. Gas shut off safety

As a counter measure against blow out due to fluid overflows at burners, safety mechanism trips and shuts off the gas.

- Push the knob inwards and turn it counter clockwise to ignite.
- After the gas ignites, keep the knob pressed for 3-5 seconds more to engage the safety system.
- If the gas does not ignite after you press and release the knob, repeat the same procedure by keeping the knob pressed for 15 seconds.



### **DANGER:**

Release the button if the burner is not ignited within 15 seconds.  
Wait at least 1 minute before trying again.  
There is the risk of gas accumulation and explosion!

## Using hotplates

Hotplate knobs can be turned in both directions in a way that will provide temperature control in steps.



If the hob is equipped with hotplates featuring Booster function, relevant hotplate will be marked with a red dot.

## Overheating protection

Hotplates that have a power above 1000 W are equipped with an overheating protection. Overheating protection decreases the power of the hotplate in following cases:

- There is no vessel or saucepan on the hotplate.
- There is an empty vessel or saucepan on the hotplate.
- The bottom of the vessel or saucepan is not flat.

## Turning on the hotplates

Use hotplate knobs to operate the hotplates. Move the hotplate knobs to the relevant level in order to obtain the desired cooking level.

Cooking level	1	2 — 3	4 — 6
	warming	stewing, simmering	cooking, roasting, boiling

## Turning off the hotplates

Turn the hotplate knob to OFF (upper) position.

## 6 Maintenance and care

### General information

Service life of the product will extend and the possibility of problems will decrease if the product is cleaned at regular intervals.

**DANGER:**

Disconnect the product from mains supply before starting maintenance and cleaning works.

There is the risk of electric shock!

**DANGER:**

Allow the product to cool down before you clean it.

Hot surfaces may cause burns!

- Clean the product thoroughly after each use. In this way it will be possible to remove cooking residues more easily, thus avoiding these from burning the next time the appliance is used.
- No special cleaning agents are required for cleaning the product. Use warm water with washing liquid, a soft cloth or sponge to clean the product and wipe it with a dry cloth.
- Always ensure any excess liquid is thoroughly wiped off after cleaning and any spillage is immediately wiped dry.
- Do not use cleaning agents that contain acid or chloride to clean the stainless or inox surfaces and the handle. Use a soft cloth with a liquid detergent (not abrasive) to wipe those parts clean, paying attention to sweep in one direction.



The surface might get damaged by some detergents or cleaning materials.

Do not use aggressive detergents, cleaning powders/creams or any sharp objects during cleaning.

Do not use harsh abrasive cleaners or sharp metal scrapers to clean the oven door glass since they can scratch the surface, which may result in shattering of the glass.



Do not use steam cleaners to clean the appliance as this may cause an electric shock.

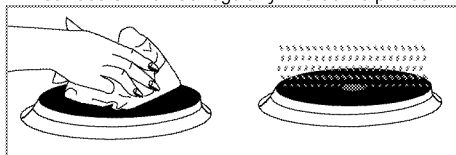
### Cleaning the hob

#### Gas hobs

1. Remove and clean the saucepan carriers and burner caps.
2. Clean the hob.
3. Install the burner caps and make sure that they are seated correctly.
4. When installing the upper grills, pay attention to place the saucepan carriers so that the burners are centered.

#### Electric hobs

1. Turn off the hotplates and wait until they cool down.
2. If necessary, clean the plates with a cleaning agent (you can obtain cleaners/softeners from specialty stores).
3. Warm only for a few minutes after cleaning in order to have their top section dried.
4. Apply a thin layer of machine oil onto the top surface of the hob regularly in order to protect it.



### Cleaning the control panel

Clean the control panel and knobs with a damp cloth and wipe them dry.



If your product is equipped with buttons/knobs do not remove the control buttons/knobs to clean the control panel.

Control panel may get damaged!

## 7 Troubleshooting

### **Product emits metal noises while heating and cooling.**

- When the metal parts are heated, they may expand and cause noise. >>> *This is not a fault.*

### **Product does not operate.**

- The mains fuse is defective or has tripped. >>> *Check fuses in the fuse box. If necessary, replace or reset them.*
- Product is not plugged into the (grounded) socket. >>> *Check the plug connection.*

### **There is no ignition spark.**

- No current. >>> *Check fuses in the fuse box.*

### **There is no gas.**

- Main gas valve is closed. >>> *Open gas valve.*
- Gas pipe is bent. >>> *Install gas pipe properly.*

### **Burners are not burning properly or at all.**

- Burners are dirty. >>> *Clean burner components.*
- Burners are wet. >>> *Dry the burner components.*
- Burner cap is not mounted safely. >>> *Mount the burner cap properly.*
- Gas valve is closed. >>> *Open gas valve.*
- Gas cylinder is empty (when using LPG). >>> *Replace gas cylinder.*

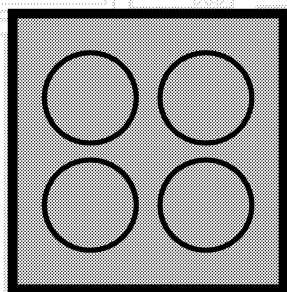


Consult the Authorised Service Agent or technician with licence or the dealer where you have purchased the product if you can not remedy the trouble although you have implemented the instructions in this section. Never attempt to repair a defective product yourself.



# Iebūvēta plīts virsma

Lietotāja rokasgrāmata



LV

**beko**

## Lūdzu, vispirms izlasiet šo lietošanas rokasgrāmatu!

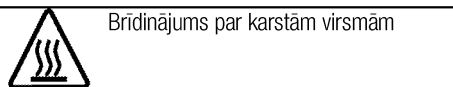
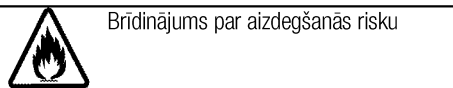
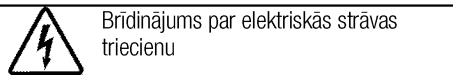
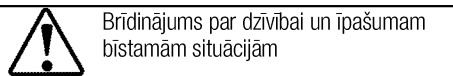
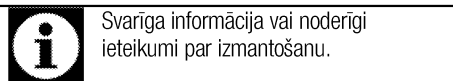
Cienījamais pircēj!

Paldies, ka izvēlējāties Beko produktu. Mēs ceram, ka šī iekārta, kas izgatavota ar augstu kvalitāti un modernu tehnoloģiju, jums nodrošinās vislabākos rezultātus. Tādēļ lūdzam pirms šīs iekārtas izmantošanas rūpīgi izlasīt visu lietošanas rokasgrāmatu un citus pievienotos dokumentus saglabāt tos atsaucēi arī nākotnē. Ja atdosiet šo iekārtu kādam citam, pievienojiet tai arī šo lietošanas rokasgrāmatu. Ņemiet vērā visus šajā lietošanas rokasgrāmatā dotos brīdinājumus un norādījumus.

Atcerieties, ka šī lietošanas rokasgrāmatā var attiekties arī uz vairākiem citiem modeļiem. Šajā rokasgrāmatā būs norādītas atšķirības starp modeļiem.

### Simbolu paskaidrojums

Šajā lietošanas rokasgrāmatā ir izmantoti tālāk norādītie simboli.



**Arçelik A.Ş.**  
Karaağaç caddesi No:2-6  
34445 Sütlüce/Istanbul/TURKEY  
Made in TURKEY

**1 Svarīgi norādījumi un brīdinājumi par drošību un vides aizsardzību 4**

Vispārējā drošība .....	4
Drošība gāzes izmantošanas laikā .....	4
Elektriskā drošība .....	5
Produkta drošība .....	6
Paredzētā lietošana .....	7
Bērnu drošība .....	7
Atbrīvošanās no vecās iekārtas .....	8
Atbrīvošanās no iepakojuma materiāla .....	8

**2 Vispārīgā informācija 9**

Pārskats .....	9
Tehniskā specifikācija .....	10
Inžektora tabula .....	10

**3 Uzstādīšana 11**

Pirms uzstādīšanas .....	11
Uzstādīšana un pievienošana .....	12
Atbrīvošanās no vecās iekārtas .....	14

**4 Sagatavošana 15**

Padomi par elektroenerģijas taupīšanu .....	15
Sākotnējā izmantošana .....	15
Iekārtas pirmā tīrīšanas reize .....	15

**5 Plīts virsmas izmantošana 16**

Vispārīga informācija par ēdiena gatavošanu .....	16
Plīts virsmu izmantošana .....	16

**6 Apkope un tīrīšana 18**

Vispārīga informācija .....	18
Plīts virsmas tīrīšana .....	18
Vadības paneļa tīrīšana .....	18

**7 Traucējummeklēšana 19**

## **1 Svarīgi norādījumi un brīdinājumi par drošību un vides aizsardzību**

Šajā sadaļā ir drošības noteikumi, kas palīdzēs izvairīties no traumas vai īpašuma bojājuma riska. Šo noteikumu neievērošana atcelts jebkuru garantiju.

### **Vispārējā drošība**

- Šo iekārtu var izmantot bērni vecumā no 8 gadiem un personas ar mazākām fiziskajām, garīgajām un uztveres spējām vai bez pieredzes un zināšanām, ja vien šīs personas netiek uzraudzītas vai nav saņēmušas norādījumus par iekārtas drošu izmantošanu un sapratušas saistītos riskus. Bērni nedrīkst spēlēties ar šo iekārtu. Tīrīšanu un apkopi nedrīkst veikt bērni, kuri netiek uzraudzīti.
- Ierīci nedrīkst izmantot personas (tai skaitā bērni) ar kustību traucējumiem, invaliditāti vai garīgās veselības traucējumiem, vai bez specifiskām zināšanām un pieredzes, izņemot gadījumus, kad šīs personas tiek uzraudzītas vai ir saņēmušas atbilstošu instruktāžu. Nodrošiniet, lai bērni nespēlējas ar šo iekārtu.
- Ja iekārta tiek nodota citai personai personīgai lietošanai vai kā lietota prece, ir jānodod arī lietotāja rokasgrāmata, iekārtas uzlīmes un citi saistītie dokumenti un daļas.

- Uzstādīšanu un remontu vienmēr jāveic pilnvarotam pakalpojuma sniedzējam. Ražotājs neuzņemsies atbildību par bojājumiem, kas radušies nepilnvarotu personu veiktu darbību rezultātā, un tas var atcelt iekārtas garantiju. Pirms uzstādīšanas uzmanīgi izlasiet instrukcijas.
- Neizmantojiet iekārtu, ja tā ir bojāta vai ja redzams kāds bojājums.
- Pēc katras izmantošanas reizes pārbaudiet, vai iekārtas funkciju pārslēgi ir novietoti izslēgtā pozīcijā.

### **Drošība gāzes izmantošanas laikā**

- Jebkurus darbus, kas saistīti ar gāzes aprikojumu un sistēmām, drīkst veikt tikai pilnvaroti speciālisti.
- Pirms uzstādīšanas pārliecinieties, ka vietējie piegādes nosacījumi (gāzes tips un gāzes spiediens) un iekārtas noregulētie parametri ir savietojami.
- Šī iekārta nav pievienota sadegšanas produktu nosūkņēšanas ierīcei. Tā var tikt uzstādīta un pievienota atbilstoši spēkā esošajiem uzstādīšanas noteikumiem. Īpaša uzmanība jāpievērš attiecīgajām prasībām par ventilāciju; skatiet *Pirms uzstādīšanas, Lappuse 11*



- **UZMANĪBU!** Gāzes iekārtas izmantošana rada karstumu, mitrumu un sadegšanas produktus telpā, kurā tā ir novietota. Nodrošiniet virtuvē labu ventilāciju, it īpaši iekārtas izmantošanas laikā: turiet atvērtus dabiskos ventilācijas avotus vai uzstādiet mehānisku ventilācijas iekārtu (mehānisko nosūcēju). Ilgstoša, intensīva iekārtas izmantošana var radīt nepieciešamību pēc papildu ventilācijas, piemēram, mehāniskās ventilācijas – ja tāda tiek izmantota – jaudas palielināšanas.
- Regulāri jāpārbauda, vai gāzes iekārtas un sistēmas pareizi darbojas. Regulatoru, šļūteni un tās apskavu ir regulāri jāpārbauda un jānomaina pēc ražotāja ieteiktā laika paiešanas vai nepieciešamības gadījumā.
- Regulāri tīriet gāzes degļus. Liesmām jābūt zilā krāsā un vienmērīgām.
- Šo izstrādājumu jālieto telpā, kurā darbojas pareizi uzstādīts un noregulēts oglekļa monoksīda jeb tvana gāzes sensors. Nodrošiniet, lai oglekļa monoksīda sensors darbotos pareizi un tiktu bieži apkopts. Oglekļa monoksīda sensors jāuzstāda ne vairāk kā 2 metru attālumā no izstrādājuma.
- Gāzes iekārtām nepieciešama laba sadegšana. Ja sadegšana ir nepilnīga, var rasties tvana gāze

(CO). Tvana gāze ir bezkrāsaina un ļoti indīga gāze bez jebkādas smaržas, kas ir letāla pat ļoti nelielās devās.

- Pieprasiet gāzes ārkārtas izsaukuma dienesta tālruna numuru un informāciju par drošības pasākumiem gadījumā, ja jūtama gāzes smaka.

### **Ko darīt, ja jūtama gāzes smaka**

- Neizmantojiet atklātu liesmu un nesmēķējiet! Neizmantojiet elektrības ieslēgšanas/izslēgšanas pogas (piem., lampas pogu, durvju zvanu utt.). Neizmantojiet fiksēto vai mobilo tālruni. Sprādziena un intoksikācijas risks!
- Atveriet durvis un logus.
- Aizveriet visus gāzes iekārtu un gāzes skaitītāju ventiļus.
- Pārbaudiet, vai visas caurules un savienojumi ir cieši savienoti. Ja vēl arvien jūtama gāzes smaka, atstājiet dzīvokli.
- Brīdiniet kaimiņus.
- Izsauciet ugunsdzēsējus. Izmantojiet tālruni ārpus mājas.
- Neejiet iekšā ēkā, ja vien nav paziņots, ka tas ir droši.

### **Elektriskā drošība**

- Ja iekārta ir bojāta, to nevajadzētu izmantot, kamēr iekārtu nav salabojis pilnvarots pakalpojuma sniedzējs. Pastāv elektriskās strāvas trieciena risks.
- Pievienojiet iekārtu tikai pie iezemētas

kontaktligzdas/elektrolīnijas ar tabulā "Tehniskās specifikācijas" norādītajām vērtībām atbilstošu spriegumu un aizsardzību.

Neatkarīgi no tā, vai iekārtai ir vai nav transformators, lieciet iekārtu iezemēt kvalificētam elektriķim.

Mūsu uzņēmums nebūs atbildīgs par problēmām, kas radīsies iekārtu izmantojot bez iezemējuma atbilstoši vietējiem noteikumiem.

- Nekādā gadījumā nemazgājiet iekārtu, uz tās uzlejot vai uzšļakstot ūdeni! Pastāv elektriskās strāvas trieciena risks.
- Nekādā gadījumā neaiztieciet kontaktspraudni ar mitrām rokām. Nekādā gadījumā neatvienojiet iekārtu no kontaktligzdas, to velkot aiz kabeļa. Vienmēr velciet aiz kontaktspraudņa.
- Iekārtas uzstādīšanas, apkopes, tīrīšanas un remonta laikā to jāatvieno no barošanas avota.
- Ja iekārtas barošanas savienojuma kabelis ir bojāts, lai izvairītos no riska tā nomaiņa jāuztic ražotājam, ražotāja pakalpojumu sniedzējam vai līdzīgi kvalificētām personām.
- Iekārta jāuzstāda tā, lai to varētu pilnīgi atvienot no tīkla. Atbilstoši konstrukcijas prasībām, jābūt iespējamai atvienošanai vai nu ar barošanas vada kontaktspraudni, vai ar fiksētā elektroinstalācijā iebūvētu slēdzi.

- Jebkurus darbus, kas saistīti ar elektroaprīkojumu un sistēmām, vajadzētu veikt tikai pilnvarotiem un kvalificētiem speciālistiem.
- Bojājuma gadījumā izslēdziet iekārtu un atvienojiet no strāvas avota. Lai to izdarītu, atvienojiet atbilstošo mājas drošinātāju.
- Pārlicinieties, vai drošinātāja pretestība atbilst produkta specifikācijai.

### **Produkta drošība**

- **BRĪDINĀJUMS:** Šī iekārta un tās ārējās daļas lietošanas laikā sakarst. Rīkojieties uzmanīgi un nepieskarieties sildelementiem. Par 8 gadiem jaunāki bērni nedrīkst atrasties iekārtas tuvumā, ja vien viņi netiek pastāvīgi uzraudzīti.
- Nekādā gadījumā neielietojiet iekārtu tad, kad jūsu spriešanas spējas vai koordinācija ir pasliktinājusies alkohola un/vai medikamentu lietošanas rezultātā.
- Uzmanieties, ja traukos atrodas alkoholiskie dzērieni. Alkohols augstā temperatūrā izgaro un var izraisīt ugunsgrēku, jo nonākot saskarē ar karstām virsmām var aizdegties.
- Nenovietojiet blakus iekārtai viegli uzliesmojošus materiālus, jo izmantošanas laikā iekārtas sāni var sakarst.
- Neaizsprostojiet ventilācijas atveres.
- Ierīces tīrīšanai neizmantojiet tvaika tīrītājus, jo tas var izraisīt elektriskās strāvas triecienu.

- **BRĪDINĀJUMS:** Ar taukiem un eļļu gatavota ēdiena atstāšana uz ieslēgtas plīts bez uzraudzības var izraisīt ugunsgrēku. **NEKAD** nemēģiniet nodzēst uguni ar ūdeni, bet izslēdziet iekārtu un nosedziet liesmu, piemēram, ar vāku vai ugunsdzēsamo segu.
- **UZMANĪBU!** Ēdiena gatavošanas process ir jāuzrauga. Ātras ēdiena gatavošanas process ir jāuzrauga nepārtraukti.
- **BRĪDINĀJUMS:** Aizdeģšanās risks! Neglabājiet lietas uz ēdiena gatavošanas virsmām.
- Šī iekārta nav paredzēta izmantošanai ar ārējā taimera vai atsevišķas tālvadības sistēmas palīdzību.
- **BRĪDINĀJUMS:** Lietojiet tikai ēdiena gatavošanas iekārtas ražotāja izstrādātos vai lietošanas instrukcijās kā piemērotus norādītos plīts virsmas aizsargus vai iekārtā integrētos plīts virsmas aizsargus. Nepiemērotu aizsargu lietošana var izraisīt nelaimes gadījumus.

Lai nodrošinātu iekārtas ugunsdrošību, rīkojieties šādi.

- Pārliedziniet, ka spraudkontakts labi atbilst kontaktligzdai, kā arī nedzirksteļo.
- Neizmantojiet bojātu vai iepīlusušu vadu vai pagarinātāju, atskaitot oriģinālo vadu.
- Nodrošiniet, lai uz iekārtas ligzdas nenokļūst šķidrums vai mitrums.

- Pārliedziniet, vai ierīce pievienota gāzes avotam un nenotiek gāzes noplūde.

### **Paredzētā lietošana**

- Šī iekārta ir paredzēta izmantošanai mājāsaimniecībā. Tās lietošana komerciālām vajadzībām nav pieļaujama.
- **UZMANĪBU!** Šī iekārta ir paredzēta tikai ēdiena gatavošanai. To nevajadzētu izmantot nekādiem citiem mērķiem, piemēram, telpas apsildīšanai.
- Ražotājs neuzņemsies atbildību par bojājumiem, kas radušies nepareizas izmantošanas vai apiešanās rezultātā.

### **Bērnu drošība**

- **BRĪDINĀJUMS:** Ārējās daļas lietošanas laikā var sakarst. Neļaujiet tuvumā atrasties maziem bērniem.
- Iepakojuma materiāli var būt bīstami bērniem. Neļaujiet bērniem spēlēties ar iepakojuma materiāliem. Lūdzu, atbrīvojieties no visām iepakojuma daļām atbilstoši vides standartiem.
- Elektriskās un/vai gāzes iekārtas ir bīstamas bērniem. Iekārtas darbības laikā neļaujiet bērniem atrasties tās tuvumā, un neļaujiet bērniem spēlēties ar iekārtu.
- Nenovietojiet virs iekārtas nekādus priekšmetus, pēc kuriem bērni varētu sniegties.

## Atbrīvošanās no vecās iekārtas

### Atbilstība EEIA direktīvai un atkritumu pārstrāde:



Šī iekārta atbilst ES EEIA direktīvas (2012/19/ES) prasībām. Šis izstrādājums ir marķēts ar elektrisko un elektronisko iekārtu atkritumu (EEA) klasifikācijas simbolu.

Šī iekārta ir izgatavota no augstas kvalitātes detaļām un materiāliem, kas ir atkārtoti izmantojami un piemēroti otrreizējai pārstrādei. Pēc iekārtas kalpošanas laika beigām neizmetiet to kopā ar parastajiem mājāsaimniecības un citiem atkritumiem. Nogādājiet to elektrisko un elektronisko iekārtu savākšanas centrā, lai varētu veikt otrreizējo pārstrādi. Plašāku informāciju par savākšanas centriem varat uzzināt vietējā pašvaldībā.

### Atbilstība direktīvai par bīstamo vielu ierobežošanu elektroniskajā un elektriskajā aprīkojumā:

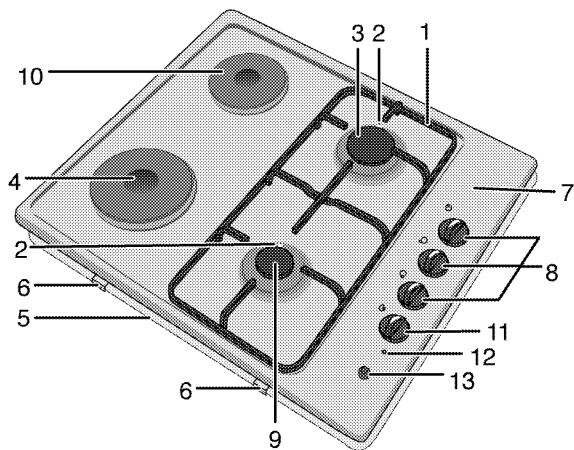
Jūsu nopirktā iekārta atbilst ES direktīvas par bīstamo vielu ierobežošanu elektroniskajā un elektriskajā aprīkojumā (2011/65/ES) prasībām. Tās sastāvā nav šajā direktīvā norādīto kaitīgo un aizliegto materiālu.

### Atbrīvošanās no iepakojuma materiāla

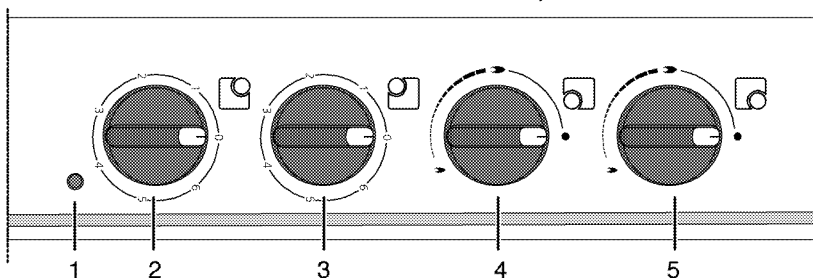
- Iepakojuma materiāli ir bīstami bērniem. Turiet iepakojuma materiālus drošā vietā, kurā tiem nevar piekļūt bērni. Iekārtas iepakojuma materiāli ir izgatavoti no otrreizēji pārstrādājamiem materiāliem. Atbrīvojieties no tiem pareizi un sašķīrojiet atbilstoši noteikumiem par atkritumu pārstrādi. Neatbrīvojieties no tiem kopā ar parastajiem mājāsaimniecības atkritumiem.

## 2 Vispārīgā informācija

### Pārskats



- |   |                         |    |                        |
|---|-------------------------|----|------------------------|
| 1 | Pannas atbalsts         | 7  | Degļa plāksne          |
| 2 | Aizdedzes svece         | 8  | Gāzes degļu poga       |
| 3 | Parasts deglis          | 9  | Papildu deglis         |
| 4 | Ātri izmantojams deglis | 10 | Sildriņķis             |
| 5 | Pamatnes vāks           | 11 | Sildriņķu poga         |
| 6 | Montāžas skava          | 12 | Brīdinājuma indikators |



- |   |                                   |   |                                     |
|---|-----------------------------------|---|-------------------------------------|
| 1 | Brīdinājuma indikators            | 4 | Papildu deglis Priekšpusē labā puse |
| 2 | Sildriņķis Aizmugures kreisā puse | 5 | Parasts deglis Aizmugures labā puse |
| 3 | Sildriņķis Priekšpusē kreisā puse |   |                                     |

## Tehniskā specifikācija

Spriegums/frekvence	220-240 V ~ 50 Hz
Kopējais jaudas patēriņš	3.0 kW
Drošinātājs	16 A
Kabeļa tips/šķērsriezums	min.H05V2V2-F 3 x 1,5 mm <sup>2</sup>
Gāzes iekārtas kategorija	II 2H3B/P / I 2H
Gāzes tips/spiediens	LPG G 30/28-30 mbar
Kopējais gāzes patēriņš	3.0 kW
Gāzes tipa/spiediena konvertešana <sup>s</sup>	NG G 20/20 mbar
– izveles iespēja	NG G 20/13 mbar - Propāns G 31/37 mbar
Arējie izmēri (augstums/platums/dziļums)	84 mm/580 mm/510 mm
Uzstādīšanas izmēri (platums/dziļums)	560 mm/490 mm
<b>Degļi</b>	
Aizmugures kreisā puse	<b>Sildriņķis</b>
Izmērs	145 mm
Jauda	1000 W
Priekšpuses kreisā puse	<b>Sildriņķis</b>
Izmērs	180 mm
Jauda	2000 W
Priekšpuses labā puse	<b>Papildu deglis</b>
Jauda	1 kW
Aizmugures labā puse	<b>Parasts deglis</b>
Jauda	2 kW



Tehniskā specifikācija var mainīties bez iepriekšēja brīdinājuma, lai uzlabotu iekārtas kvalitāti.



Attēli šajā rokasgrāmatā ir shematiski un, iespējams, precīzi neatbilst jūsu produktam.



Uz iekārtas uzlīmēm vai dokumentācijā norādītās vērtības ir iegūtas laboratorijas apstākļos, atbilstoši attiecīgajiem standartiem. Atkarībā no iekārtas lietošanas un vides apstākļiem, šīs vērtības var atšķirties.

## Inžektora tabula

Plīts virsma zona	1 kW	2 kW
Gāzes tips / Gāzes spiediens	Priekšpuses labā puse	Aizmugures labā puse
G 20/13 mbar	84	116
G 20/20 mbar	72	103
G 30/28-30 mbar	50	72
G 31/ 37 mbar	50	72

### 3 Uzstādīšana

Iekārtu jāuzstāda kvalificētam speciālistam atbilstoši spēkā esošajiem noteikumiem. Pretējā gadījumā garantija tiks atcelta. Ražotājs neuzņemsies atbildību par bojājumiem, kas radušies nepilnvarotu personu veiktu darbību rezultātā, un tas var atcelt iekārtas garantiju.



Par iekārtas novietošanas vietas sagatavošanu un pievienošanu elektrotīklam un gāzesvadam ir atbildīgs pats klients.



#### **BĪSTAMI:**

Šī iekārta jāuzstāda atbilstoši visiem vietējiem gāzes un/vai elektrības noteikumiem.



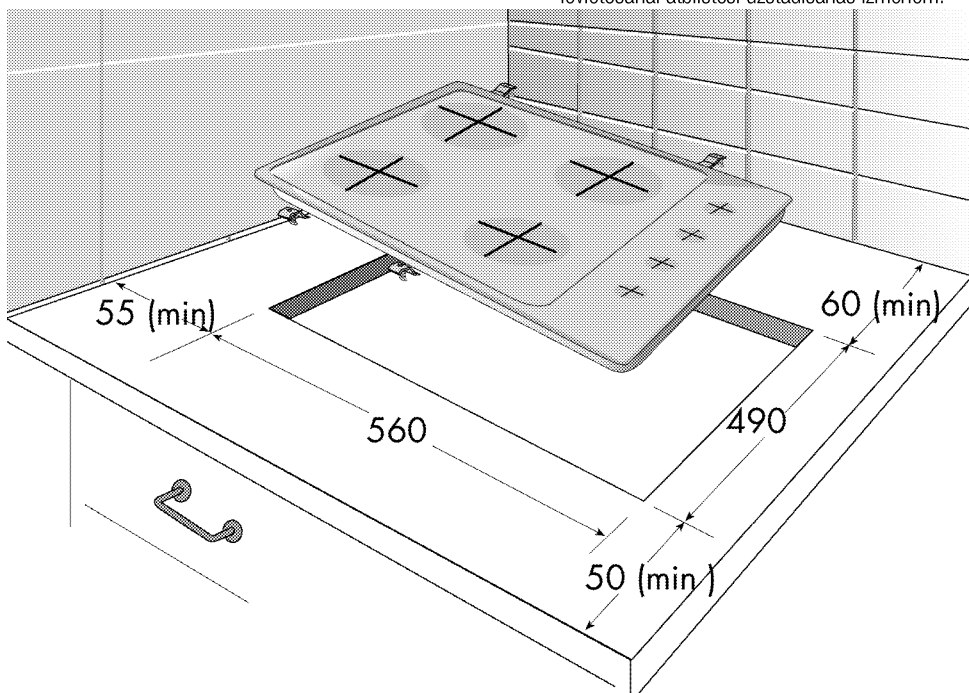
#### **BĪSTAMI:**

Pirms uzstādīšanas vizuāli pārbaudiet, vai nav redzami iekārtas bojājumi. Ja redzami bojājumi, tad neuzstādiet iekārtu. Bojātas iekārtas var radīt risku jūsu drošībai.

### Pirms uzstādīšanas

Plīts virsma ir paredzēta uzstādīšanai uz komerciālām vajadzībām izmantojamās darbvirsmas. Starp iekārtu un virtuves sienām un mēbelēm ir jānodrošina droša distance. Skatiet attēlu (vērtības norādītas mm).

- Tas var tikt izmantots arī atsevišķi novietotām iekārtām. Virs plīts virsmas atstājiet vismaz 750 mm.
- (\*) Ja virs plīts ir jāuzstāda nosūcējs, tad uzstādīšanas augstumu skatieties plīts nosūcēja ražotāja norādījumos par uzstādīšanu (min. augstums ir 650 mm).
- Nonemiet iepakojuma materiālus un transportēšanas laikā izmantotos stiprinājumus.
- Izmantotajām virsmām, sintētiskajiem lamināta materiāliem un līmēm jābūt karstumizturīgiem (min. 100 °C).
- Darbvirsmā jāatrodas tajā pašā līmenī un jābūt horizontāli nostiprinātai.
- Izgrieziet darbvirsmā spraugu plīts virsmas ievietošanai atbilstoši uzstādīšanas izmēriem.



### Istabas ventilācija

Visās telpās vajadzīgs vismaz viens atverams logs vai durvis, un dažās telpās nepieciešama pastāvīga vēdināšana. Sasildāmais gaiss tiek ņemts no telpas, un

izplūdes gāzes nokļūst tieši istabā. Laba istabas ventilācija ir ļoti svarīga drošai iekārtas darbībai.

**Istabas ar durvīm un/vai logiem, ko var atvērt tieši uz ārējo vidi**

Uz ārējo vidi atveramām durvīm un/vai logiem ir jābūt tādai ventilācijas atverei, kas atbilst zemāk tabulā norādītajiem izmēriem. Tie ir balstīti uz iekārtas kopējo gāzes jaudu (kopējais iekārtas gāzes jaudas patēriņš ir norādīts tehnikas specifikācijas tabulā lietotāja rokasgrāmatā). Ja durvīm un/vai logiem nav pietiekoši lielas ventilācijas atveres, kas atbilst zemāk tabulā norādītajam kopējam iekārtas gāzes patēriņam, tad istabā ir jāierīko papildus ventilācijas atvere, lai nodrošinātu iekārtas gāzes patēriņa minimālas ventilācijas prasības. Ventilācijas atveri var ierīkot, izmantojot dobus ķieģeļus ar ventilācijas atverumiem, tvaika un izplūdes nosūcējus u.c.

Kopējais gāzes patēriņš (kW)	minimāla ventilācijas atvere (cm <sup>2</sup> )
0-2	100
2-3	120
3-4	175
4-6	300
6-8	400
8-10	500
10-11,5	600
11,5-13	700
13-15,5	800
15,5-17	900
17-19	1000
19-24	1250

### Istabas, kurās nav tieši uz ārējo vidi atveramas durvis un/vai logi

Ja telpā, kurā tiek uzstādīta iekārta, nav tieši uz ārējo vidi atveramas durvis vai loga, tajā noteikti ir jāierīko pastāvīga atvērta un neregulējama ventilācijas atvere, kas atbilst augstāk tabulā norādītajām iekārtas gāzes patēriņa minimālām ventilācijas prasībām. Turklāt jāievēro arī attiecīgie būvniecības noteikumi.

Ja telpā ir vairāk kā viena gāzes iekārta, papildus augstāk tabulā norādītajām prasībām istabā ir jāierīko vēl plašāka ventilācijas zona. Papildus ventilācijas zonas izmēram ir jābūt atbilstošam citu gāzes iekārtu ventilācijas prasībām. Iekārtas iekšējā atveramo durvju apakšpusē ir jābūt vismaz 10 mm brīvai vietai. Nedrīkst pieļaut, ka paklājs vai citi grīdas segumi bloķē gaisa piekļuvi šajā spraugā, kad durvis ir aizvērtas.

Plīts var tikt novietota virtuvē, ēdamistabā vai viesistabā, taču to nedrīkst novietot telpā, kurā atrodas vanna vai dušas kabīne. Plīts nedrīkst tikt uzstādīta viesistabā, kas ir mazāka par 20 m<sup>3</sup>.

Neuzstādiēt šo iekārta istabā, kas atrodas zem virszemes līmeņa, ja vien vismaz vienā pusē tā nav atvērta uz virszemes līmeni.

### Uzstādīšana un pievienošana

- Iekārta var uzstādīt un pievienot tikai atbilstoši valstī pieņemtajiem noteikumiem par uzstādīšanu.

### Pievienošana elektroīklam

Pievienojiet iekārta pie iezemētas kontaktligzdas/linijas, kas aizsargāta ar tabulā "Tehniskā specifikācija" norādītajām vērtībām atbilstošu mazgabarīta bloķēšanas sistēmu. Neatkarīgi no tā, vai iekārta ir vai nav transformators, lieciet iekārta iezemēt kvalificētām elektriķim. Mūsu uzņēmums nebūs atbildīgs par bojājumiem, kas radīsies iekārta izmantojot bez iezemējuma atbilstoši vietējiem noteikumiem.



#### BĪSTAMI:

Iekārta pie barošanas avota drīkst pievienot tikai pilnvarots un kvalificēts speciālists. Iekārtas garantijas periods sākas tikai pēc pareizas uzstādīšanas. Ražotājs neuzņemas atbildību par bojājumiem, kas radīsies nepilnvarotu personu veiktu darbību rezultātā.



#### BĪSTAMI:

Barošanas kabelis nedrīkst tikt saspiests, salocīts vai iespiests vai saskarties ar iekārtas karstajām detaļām. Bojāta barošanas kabeļa nomaiņa ir jāveic kvalificētām elektriķim. Pretējā gadījumā pastāv elektriskās strāvas trieciena, issavienojuma vai aizdegšanās risks!

- Savienojumam jāatbilst valsts noteikumiem.
- Strāvas avota datiem jāatbilst datiem, kas norādīti uz iekārtas tipa uzlīmes. Tipa uzlīme atrodas iekārtas korpusa aizmugurē.
- Iekārtas barošanas kabelim ir jāatbilst vērtībām, kas norādītas tabulā "Tehniskā specifikācija".



#### BĪSTAMI:

Pirms jebkura darba, kas saistīts ar elektroinstalāciju, sāksšanas atvienojiet šo iekārta no strāvas avota. Pastāv elektriskās strāvas trieciena risks.



Pēc uzstādīšanas barošanas kabeļa spraudnim ir jābūt viegli sasniedzamam (nenovietojiet kabeli virs plīts vismas).



Veicot elektroinstalāciju, jums jāpakļaujas nacionālajiem/vietējiem elektrības noteikumiem un jāizmanto piemērota rozete un kontaktdakša, pieslēdzot plīti. Ja izstrādājuma maksimālā strāva pārsniedz pašreizējās rozetes un kontaktdakšas iespējas, izstrādājums ir jāpieslēdz tiešā veidā caur fiksētu elektroinstalāciju, neizmantojot rozeti un kontaktdakšu.

Iespraudiet barošanas kabeli kontaktligzdā.



## Gāzes savienojums



### **BĪSTAMI:**

Iekārtu pie gāzes tīkla drīkst pievienot tikai pilnvarots un kvalificēts speciālists. Sprādziena vai intoksikācijas risks neprofesionāla remonta rezultātā. Ražotājs neuzņemas atbildību par bojājumiem, kas radīšies nepilnvarotu personu veiktā darbību rezultātā.



### **BĪSTAMI:**

Pirms jebkura darba, kas saistīts ar gāzes instalāciju, atslēdziet gāzes padevi. Pastāv sprādziena risks!

- Gāzes regulēšanas nosacījumi un vērtības ir norādīti uz uzlīmēm (vai jona tipa uzlīmes).



Jūsu iekārta ir aprīkota darbam ar sašķidrināto naftas gāzi (SNG).

## Gāzes šļūtenes pievienošana

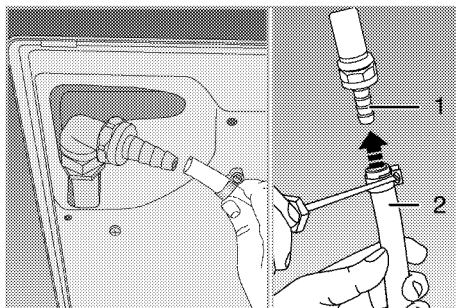
- Pievienojiet iekārtu tā, lai iekārta atrastos tuvu gāzes savienojuma vietai un netiktu pieļauta gāzes noplūde.
- Izmantotā plastmasas šļūtene nedrīkst būt garāka par 125 cm.
- Uzlieciet uz šļūtenes skavu. Iemērciet vienu šļūtenes galu (ar iekšējo diametru 15 mm) uz vienu minūti verdošā ūdenī, lai tā kļūtu mīkstāka.
- Pēc tam pilnībā uzslidiniet šļūtenes mīksto galu uz iekārtas cietās šļūtenes gala. Nobeigumā, ar skrūvgriezi cieši pievelciet skavu.
- Atkārtojiet šo pašu darbību ar šļūtenes otru galu un pabeidziet gāzes balona pievienošanu.
- Nekādā gadījumā neaizmirsiet pārbaudīt, vai nenotiek gāzes noplūde.



### **BĪSTAMI:**

Sprādziena vai nosmakšanas risks!  
Neturiet SNG cilindrus mājās.

- Ja vēlāk iekārtu nepieciešams izmantot ar citu gāzes veidu, jums jākonsultējas ar pilnvarotu pakalpojuma sniedzēju par attiecīgo konversijas procedūru.



- 1 LPG šļūtenes uzgalis
- 2 Plastmasas šļūtene

## Noplūdes pārbaude savienojuma vietā

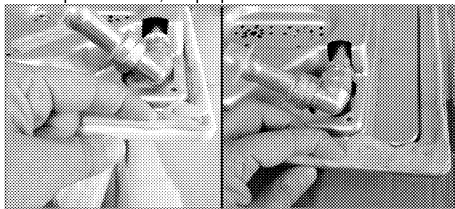
- Pārlicinieties, ka visas iekārtas pogas ir izslēgtas. Pārlicinieties, ka gāzes avots ir atvērts. Sagatavojiet ziepju putas un uzklājiet uz šļūtenes savienojuma vietas, lai pārbaudītu, vai nenotiek gāzes noplūde.
- Ja notiek gāzes noplūde, tad ziepjinā daļa putas. Šādā gadījumā vēlreiz pārbaudiet gāzes savienojumu.



Nekādā gadījumā gāzes noplūdes pārbaudei neizmantojiet sērskābi vai šķītavas.

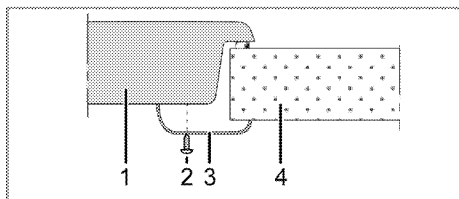
## Iekārtas uzstādīšana

1. Noņemiet iekārtas degļus, degļu vāciņus un plīts virsmas režģus.
2. Pagrieziet plīts virsmu ar augšu uz leju un novietojiet uz plakanas virsmas.
3. Lai izvairītos no svešķermeņu un šķidrumu iekļūšanas starp plīts virsmu un leti, lūdzu, ar komplektācijā iekļauto tēpi pārklājiet plīts virsmas apakšējā korpusa malas. Uzmanieties, lai tepe nenokļūst ārpus malām.
4. Stūros piepildiet stūrus līdzās profila izliekumiem, kā parādīts attēlā. Izveidojiet tik lielu izliekumu, cik nepieciešams, lai piepildītu caurumu stūros.



Pārlicinieties, vai plīts virsmas korpusa apakšējās malas daļa ir piepildīta ar tēpi.

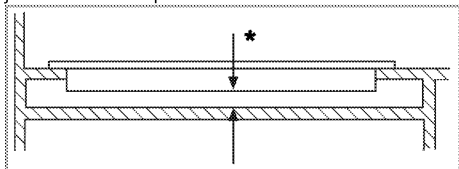
5. Novietojiet plīts virsmu un letes un nocentrējiet.



- 1 Plīts virsma
- 2 Skrūve
- 3 Uzstādīšanas skava
- 4 Lete

**i** Pēc plīts virsmas novietošanas uz skapiša, plauktu var uzstādīt, lai atdalītu skapīti no plīts virsmas, kā parādīts attēlā augstāk. Tas nav nepieciešams, uzstādot iebūvēto krāsni.

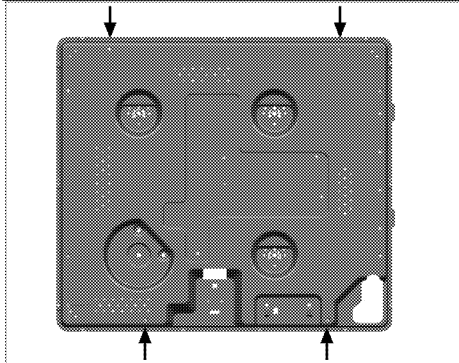
Piemēram, ja ir iespējams pieskarties pie iekārtas apakšas, jo tā ir uzstādīta atvilktnē, tad šo daļu ir jānosedz ar koka plāksni.



\* min. 15 mm

#### Skats no aizmugures (savienojuma atveres)

**i** Savienojuma atveru atrašanās vietas attēlā tālāk ir parādītas shematiski un var atšķirties atkarībā no ierīces modeļa. Pielāgojiet tās atbilstoši ierīces savienojuma atverēm.



Pēc uzstādīšanas ielieciet atpakaļ to līdzdās degļu plāksnes, degļu plāksņu vāciņus un grilus.



#### BĪSTAMI:

Pievienošana pie dažādiem caurumiem nav ieteicama drošības apsvērumu dēļ, jo tas var sabojāt gāzes un elektrisko sistēmu.



#### BĪSTAMI:

Plīts virsma ir aprīkota ar detaļām, kas darbojas ar gāzi un elektrību. Šī iemesla dēļ, plīts virsmas nostiprināšanai ir atļauts izmantot tikai tam paredzētas stiprinājumu vietas, izmantojot tikai komplektācijā iekļautos stiprinājumus un skrūves, saskaņā ar lietošanas instrukcijas norādēm. Ja šie nosacījumi netiks ievēroti, tiks radīti draudi dzīvībai un īpašumam.

#### Pēdējā pārbaude

1. Izstrādājuma lietošana
2. Pārbaudiet funkcijas.
3. Atveriet gāzes avotu.
4. Pārbaudiet, vai gāzes iekārta ir droši un cieši pievienota.
5. Piešķiliet degļus un pārbaudiet, kāda izskatās liesma.



Ir jābūt zilai un regulāras formas liesmai. Ja liesmas ir dzeltenīgas, pārbaudiet, vai degļa vāciņš ir droši novietots, vai notīriet degli.

#### Atbrīvošanās no vecās iekārtas

- Saglabājiet iekārtas oriģinālo kastī un transportējiet iekārtu tajā. Ievērojiet uz kartona kastes dotos norādījumus. Ja jums nav oriģinālās kartona kastes, iepakojiet iekārtu burbuļplēvē vai biežā kartonā un rūpīgi aptiniet ar līmlenti.
- Nostipriniet degļu vāciņus un katlu atbalsta režģus ar līmlenti.



Aplūkojiet savu iekārtu un pārliecinieties, vai transportēšanas laikā tā nav tikusi bojāta.

## 4 Sagatavošana

### Padomi par elektroenerģijas taupīšanu

Šī informācija jums palīdzēs izmantot iekārtu ekoloģiski un ekonomiski.

- Pirms saldētu ēdienu gatavošanas tos atlaidiniet.
- Ēdiena gatavošanai izmantojiet katlus/pannas ar vākiem. Gatavojot ēdienu bez vāka, elektroenerģijas patēriņš var būt 4 reizes lielāks.
- Izvēlieties izmantojamā katla pamatnes izmēram piemērotu degli. Vienmēr izvēlieties ēdieniem piemērota izmēra katlu. Lielākiem katliem ir nepieciešams lielāks elektroenerģijas daudzums.
- Gatavojot ēdienu uz elektriskajām plīts virsmām, izmantojiet katlus ar plakanu pamatni. Katli ar biezāku pamatni nodrošinās labāku siltuma vadīšanu. Varat ietaupīt līdz pat 1/3 elektroenerģijas.
- Traukiem un katliem jābūt piemērotiem sildplāksnēm. Trauku vai katlu apakšai nevajadzētu būt mazākai par sildplāksni.
- Sildplāksnēm un katlu apakšām vajadzētu būt tīrām. Netīrumi samazinās siltuma vadīšanu no sildplāksnes uz katla pamatni.
- Ilgāka ēdiena gatavošanas laika gadījumā izslēdziet sildplāksni 5 līdz 10 minūtes pirms ēdiena gatavošanas laika beigām. Izmantojot atlikušo siltumu, varat ietaupīt līdz pat 20% elektroenerģijas.

### Sākotnējā izmantošana

#### Iekārtas pirmā tīrīšanas reize



Virsmu var sabojāt zināmi mazgāšanas līdzekļi vai tīrīšanas materiāli.

Tīrīšanai neizmantojiet agresīvus mazgāšanas līdzekļus, tīrīšanas pulverus/krēmus vai citus asus priekšmetus.

1. Noņemiet visus iepakojuma materiālus.
2. Noslaukiet iekārtas virsmas ar mitru drāniņu vai sūkļīti un noslaukiet ar drāniņu.

## 5 Plīts virsmas izmantošana

### Vispārīga informācija par ēdiena gatavošanu



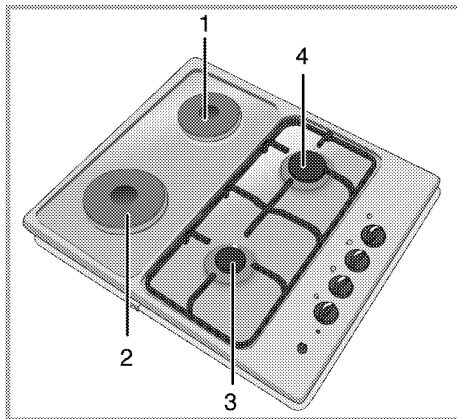
Nekādā gadījumā nepiepildiet pannu ar vairāk vienu trešdaļu eļļas. Eļļas sakarsēšanas laikā neatstājiet plīts virsmu bez uzraudzības. Pārkarasēta eļļa rada aizdegšanās risku. **Nekad nemēģiniet dzēst uguni ar ūdeni!** Kad eļļa aizdegas, apsedziet to ar ugunsdzēsamo segu vai mitru drānu. Izslēdziet plīts virsmu, ja tas nerada draudus jūsu drošībai, un piezvaniet ugunsdzēsības dienestam.

- Pirms ēdiena cepšanas vienmēr to labi nosusiniet un uzmanīgi ielieciet sakarsētā eļļā. Pirms cepšanas pārlicinieties, ka saldētā pārtika ir pilnīgi atlaidzināta.
- Nelieciet vāku uz trauka, ko izmantojiet eļļas sakarsēšanai.
- Novietojiet pannas un kastroļus tā, lai to rokturi neatrodas virs plīts virsmas un netiek sakarsēti. Nelieciet uz plīts virsmas nestabilus traukus, kas var viegli sašķībties.
- Nelieciet tukšus traukus un kastroļus uz ieslēgtām ēdiena gatavošanas zonām. Tie var tikt sabojāti.
- Ēdiena gatavošanas zonas izmantošana bez trauka vai kastroļa radīs iekārtas bojājumu. Pēc ēdiena gatavošanas pabeigšanas izslēdziet ēdiena gatavošanas zonas.
- Tā kā iekārtas virsma var būt karsta, nelieciet uz tās plastmasas un alumīnija traukus. Šādus traukus nevajadzētu izmantot arī ēdiena glabāšanai.
- Izmantojiet tikai kastroļus un traukus ar plakānu apakšu.
- Ievietojiet kastroļus un pannas atbilstošu ēdiena daudzumu. Tādejādi jūs izvairīsieties no nevajadzīgas pāri malām pārlijuša ēdiena tīrīšanas. Nelieciet ēdiena gatavošanas zonās kastroļu vai pannu vākus. Novietojiet kastroļus tā, lai tie atrodas ēdiena gatavošanas zonas centrā. Kad vēlaties pārvietot kastroli uz citu ēdiena gatavošanas zonu, nebedziet to, bet paceliet un nolieciet vēlamajā ēdiena gatavošanas zonā.

### Ēdiena gatavošana uz gāzes

- Trauka un liesmas izmēram ir jāsakrīt. Noregulējiet gāzes liesmas tā, lai liesmas atrastos zem katla apakšas, un novietojiet trauku pa vidu uz kastroļu turētāja.

### Plīts virsmu izmantošana



- 1 Sildriņķis 145 mm
- 2 Sildriņķis 180 mm
- 3 Papildu deglis 12-18 cm
- 4 Parasts deglis 18–20 cm ir saraksts ar ieteicamo katlu diametru, kādu vajadzētu izmantot uz attiecīgajiem degļiem.



### BRĪDINĀJUMS

Nelietojiet cepešpannas, kuru izmērs pārsniedz norādītos ierobežojumus. Lielāku cepešpannu izmantošana rada risku saindēties ar oglekļa monoksīdu, kā arī iespējamu blakus esošo gatavošanas virsmu un vadības rokturu pārkaršanu. Mazāku cepešpannu lietošana rada apdegumu gūšanas draudus.

Liels liesmas simbols norāda uz vislielāko ēdiena gatavošanas jaudu, bet mazs liesmas simbols norāda uz vismazāko ēdiena gatavošanas jaudu. Izslēgtā stāvoklī (uz augšu) nenotiek gāzes padeve degļiem.

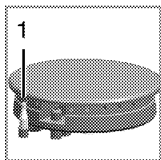
### Gāzes degļu aizdegšana

1. Turiet degļa pārslēgu nospiesti.
  2. Pagrieziet to pretēji pulksteņrādītāju kustības virzienam līdz lielās liesmas simbolam.
- » Gāze aizdegas ar radīto dzirksteli.
3. Noregulējiet vēlamo ēdiena gatavošanas jaudu.

## Gāzes degļu izslēgšana

Turiet silta ēdiena saglabāšanas zonas pārslēgu izslēgtā (augšējā) pozīcijā.

## Drošības sistēma gāzes izslēgšanai (modeļiem ar termisko elementu)



Skaitlītājs mēra izplūdi dēļ šķīduma pārplūdes pie degļiem un drošības mehānisms nostrādā un pārtrauc gāzes padevi.

### 1. Droša gāzes izslēgšana

- Pabīdīet pārslēgu uz iekšpusi un pagrieziet pārslēgu pretēji pulkstenrādītāju kustības virzienam, lai aizdegtu.
- Pēc gāzes aizdegšanās turiet pārslēgu nospiestu vēl 3-5 sekundes, lai aktivizētu drošības sistēmu.
- Ja pēc pārslēga nospiešanas un atlaišanas gāze neaizdegas, atkārtojiet to pašu procedūru, turot pārslēgu nospiestu 15 sekundes.



### **BĪSTAMI:**

Atlaidiet pogu, ja deglis neaizdegas pēc 15 sekundēm.

Pirms atkārtota mēģinājuma pagaidiet vismaz 1 minūti. Pastāv gāzes uzkrāšanās un sprādziena risks!

## Sildriņķu izmantošana

Sildriņķus var pagriezt abos virzienos, lai nodrošinātu pakāpenisku temperatūras kontroli.



Ja plīts virsmai ir sildriņķi ar pastiprinātāja funkciju, tad attiecīgais sildriņķis ir atzīmēts ar sarkanu punktu.

## Aizsardzība pret pārkaršanu

Sildriņķiem, kuru jauda ir lielāka par 1000 W, ir sistēmai aizsardzībai pret pārkaršanu. Aizsardzība pret pārkaršanu samazina sildriņķa jaudu šādos gadījumos.

- Uz sildriņķa neatrodas trauks vai kastrolis.
- Uz sildriņķa atrodas tukšs trauks vai kastrolis.
- Trauka vai kastroļa pamatne nav plakana.

## Sildriņķu ieslēgšana

Sildriņķu izmantošanai lietojiet sildriņķu pārslēgus. Pārvietojiet sildriņķu pārslēgus līdz attiecīgajam līmenim, lai panāktu vēlamo ēdiena gatavošanas līmeni.

Ēdiena gatavošanas līmenis	1	2 — 3	4 — 6
	sildīšana	sautēšana, vārīšana uz lēnas uguns	ēdiena gatavošana, apcepšana, vārīšana

## Sildriņķu izslēgšana

Pagrieziet sildriņķa pārslēgu (augšējā) IZSLĒGTĀ pozīcijā.

## 6 Apkope un tīrīšana

### Vispārīga informācija

Regulāra tīrīšana pagarina iekārtas kalpošanas laiku un samazina bieži sastopamas problēmas.



#### **BĪSTAMI:**

Pirms apkalpošanas un tīrīšanas darbu uzsākšanas atvienojiet iekārtu no barošanas avota.

Pastāv elektriskās strāvas trieciena risks.



#### **BĪSTAMI:**

Pirms tīrīšanas sākšanas ļaujiet iekārtai atdzist.

Karstas virsmas var izraisīt apdegumus!

- Pēc katras lietošanas reizes rūpīgi notīriet iekārtu. Šādi būs iespējams daudz vieglāk notīrīt pēc ēdiena gatavošanas palikušās atliekas, tādējādi izvairoties no to piedegšanas nākamajā iekārtas izmantošanas reizē.
- Iekārtas tīrīšanai nav nepieciešami īpaši tīrīšanas līdzekļi. Iekārtas tīrīšanai izmantojiet siltu ūdeni un mazgāšanas šķidrums, mīkstu drāniņu vai švammīti un noslaukiet iekārtu ar mīkstu drāniņu.
- Vienmēr pārliecinieties, vai pēc tīrīšanas un uzreiz pēc izšķakstīšanas ir rūpīgi noslaucīts viss lielais ūdens.
- Nerūsējošā tērauda virsmu un roktura tīrīšanai neizmantojiet tīrīšanas līdzekļus, kuru sastāvā ir skābe vai hlorīds. Lai notīrītu šīs daļas, izmantojiet mīkstu drāniņu un šķidro mazgāšanas līdzekli (kas nav abrazīvs) un slaukiet tikai vienā virzienā.



Virsmu var sabojāt zināmi mazgāšanas līdzekļi vai tīrīšanas materiāli.

Tīrīšanai neizmantojiet agresīvus mazgāšanas līdzekļus, tīrīšanas pulverus/krēmus vai citus asus priekšmetus.



Ierīces tīrīšanai neizmantojiet tvaika tīrītājus, jo tas var izraisīt elektriskās strāvas triecienu.

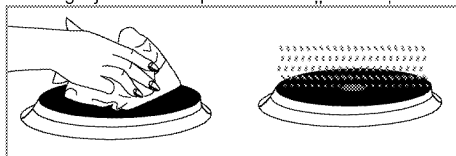
### Plīts virsmas tīrīšana

#### Gāzes plīts virsmas

1. Noņemiet un notīriet kastroļu turētājus un degļu vāciņus.
2. Notīriet plīts virsmu.
3. Uzlieciet degļu vāciņus un pārliecinieties, ka tie ir pareizi uzlikti.
4. Uzliekot augšējos režģus, novietojiet kastroļu turētājus tā, lai degļi būtu centrā.

#### Elektriskās plīts virsmas

1. Izslēdziet sildriņķus un pagaidiet, līdz tie atdziest.
2. Ja nepieciešams, notīriet plāksnes ar tīrīšanas līdzekli (varat iegādāties tīrītājus/mikstinātājus specializētos veikalos).
3. Pēc notīrīšanas tikai pāris minūtes pasildiet, lai nožāvētu to virsmu.
4. Lai aizsargātu plīts virsmu, regulāri pārklājiet tās augšējo virsmu ar plānu mašīnēllas kārtiņu.



### Vadības paneļa tīrīšana

Notīriet vadības paneli un pogas ar mitru drāniņu un noslaukiet sausus.



Ja jūsu izstrādājumam ir pogas/rokturi, tīrot vadības paneli, nenoņemiet vadības rokturus. Var tikt sabojāts vadības panelis!

## 7 Traucējummeklēšana

### Iekārta sakaršanas un atdzišanas laikā rada metāliskus trokšņus.

- Kad metāla daļas ir sakarsušas, tās var izplesties un radīt troksni. >>> *Tā nav darbības kļūda.*

### Iekārta nedarbojas.

- Galvenais drošinātājs ir bojāts vai atvienojies. >>> *Pārbaudiet drošinātājus, kas atrodas drošinātāju kārbā. Ja nepieciešams, tos nomainiet vai atkal aktivizējiet.*
- Iekārta nav pievienota (iezemētai) kontaktligzdai. >>> *Pārbaudiet spraudkontakta savienojumu.*

### Nav aizdedzes dzirksteles.

- Nav strāvas. >>> *Pārbaudiet drošinātājus, kas atrodas drošinātāju kārbā.*

### Nav gāzes.

- Galvenais gāzes krāns ir aizvērts. >>> *Atveriet gāzes krānu.*
- Gāzes šļūtenīte ir saliekta. >>> *levietojiet gāzes šļūtenīti pareizi.*

### Degļi nedeg vai nedeg pareizi.

- Degļi ir netīri. >>> *Notīriet degļu sastāvdaļas.*
- Degļi ir slapji. >>> *Noslaukiet degļu sastāvdaļas.*
- Degļa vāciņš nav kārtīgi uzlikts. >>> *Uzlieciet degļa vāciņu pareizi.*
- Gāzes krāns ir aizvērts. >>> *Atveriet gāzes krānu.*
- Gāzes balons ir tukšs (izmantojot LPG). >>> *Nomainiet gāzes balonu.*



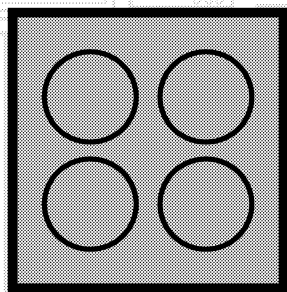
Ja nevarat novērst problēmu arī pēc visu šajā sadaļā doto norādījumu izpildes, tad sazinieties ar pilnvarotu apkalpošanas speciālistu vai šīs iekārtas pārdevēju. Nekādā gadījumā nemēģiniet pats salabot bojāto iekārtu.





# Встраиваемая варочная поверхность

Руководство пользователя



RU

**beko**

## Перед началом эксплуатации прочитайте это руководство пользователя!

Уважаемый покупатель!

Спасибо за то, что отдали предпочтение продукции компании «Веко». Надеемся, что это высококачественное изделие, изготовленное с применением самых современных технологий, будет демонстрировать наилучшие результаты эксплуатации. Для этого перед началом эксплуатации внимательно прочитайте это руководство и всю сопутствующую документацию и используйте его в дальнейшем в качестве справочника. Если вы передаете изделие новому владельцу, передайте ему и руководство пользователя. Придерживайтесь всех предупреждений и информации, содержащихся в руководстве.

Помните, что данное руководство пользователя также может быть применимо к некоторым другим моделям. Различия между моделями будут указаны в руководстве.

### Пояснения к символам

В данном руководстве пользователя используются следующие символы:



Важная информация или полезные советы по использованию.



Предупреждение о ситуациях, опасных для жизни людей и имущества.



Предупреждение об опасности поражения электрическим током.



Предупреждение об опасности пожара.



Предупреждение о горячих поверхностях.

**Производитель: компания Арчелик (Arcelik A.S.)**

**Юридический адрес: Караач Джаддеси № 2-6 34445**

**Сютлюдже/Стамбул/Турция**



**Произведено в Турции**

## **1 Важные инструкции и предупреждения по технике безопасности и охране окружающей среды** **4**

Общие правила техники безопасности.....	4
Правила техники безопасности при работе с газовым оборудованием.....	5
Электробезопасность.....	6
Безопасность изделия.....	8
Использование по назначению.....	9
Безопасность детей.....	9
Утилизация старого изделия.....	10
Утилизация упаковочных материалов.....	10

## **2 Общие сведения** **11**

Обзор.....	11
Технические характеристики.....	12
Характеристики горелок.....	12

## **3 Установка** **13**

До начала установки.....	13
Установка и подключение.....	15
Для будущей транспортировки.....	18

## **4 Подготовка к эксплуатации** **19**

Рекомендации по экономии электроэнергии.....	19
Подготовка к эксплуатации.....	19
Очистка прибора перед началом эксплуатации.....	19

## **5 Правила эксплуатации варочной панели** **20**

Общие сведения о приготовлении пищи.....	20
Эксплуатация варочных панелей.....	20

## **6 Уход и техническое обслуживание** **22**

Общие сведения.....	22
Чистка варочной панели.....	22
Чистка панели управления.....	22

## **7 Поиск и устранение неисправностей** **23**

## **1 Важные инструкции и предупреждения по технике безопасности и охране окружающей среды**

В данном разделе содержатся инструкции по технике безопасности, которые помогут вам избежать травм и повреждений. При несоблюдении этих правил все гарантийные обязательства аннулируются.

Общие правила техники безопасности

- Это изделие может эксплуатироваться детьми старше 8 лет и людьми с ограниченными физическими, сенсорными или умственными способностями, а также лицами, не имеющими достаточного опыта и знаний, только в том случае, если они находятся под наблюдением лиц, ответственных за их безопасность, или проинструктированы на предмет безопасного использования изделия и осознают связанные с этим риски.

Следите за тем, чтобы дети не играли с устройством. Дети могут чистить и обслуживать устройство только под наблюдением.

- Прибор не должен использоваться лицами

(включая детей) с ограниченными физическими, сенсорными или умственными способностями или недостатком опыта и знаний, за исключением случаев, когда использование происходит под непосредственным контролем или в соответствии с указаниями.

Следите за детьми, чтобы они не играли с прибором.

- В случае передачи изделия третьему лицу в личное пользование или в целях вторичного использования необходимо также передать руководство пользователя, наклейки изделия, а также другие связанные с ним документы и компоненты.
- Работы по установке и ремонту должны выполняться только представителями авторизованной сервисной службы. Производитель не несет ответственности за повреждения в результате выполнения работ лицами, не имеющими соответствующей квалификации. Это также может привести к аннулированию гарантии.

Перед установкой внимательно прочтите инструкции.

- Не пользуйтесь неисправным изделием, а также при наличии на нем заметных повреждений.
- Проверяйте, чтобы после каждого использования переключатели функций изделия были выключены.

Правила техники безопасности при работе с газовым оборудованием

- Все работы с газовыми приборами и системами должны выполнять только квалифицированные специалисты, имеющие право на выполнение таких работ.
- Перед установкой проверьте, соответствуют ли параметры местной распределительной сети (давление и тип газа) настройкам прибора.
- Это устройство не подсоединяется к устройству для удаления продуктов горения. Это устройство не подсоединяется к устройству для удаления продуктов горения. Установка и подключение прибора должны выполняться в соответствии с действующими нормами и правилами. Особое внимание

следует уделить требованиям к вентиляции (см. раздел *До начала установки, стр. 13*).

- **ОСТОРОЖНО:** Во время эксплуатации газовой плиты она выделяет тепло, влагу и продукты сгорания в помещении, в котором установлена. Убедитесь, что кухня хорошо проветривается, в особенности во время использования прибора: держите открытыми отверстия, через которые осуществляется естественная вентиляция, или установите прибор для искусственной вентиляции (механическую надплитную вытяжку). Длительное интенсивное использование прибора может требовать дополнительной вентиляции, например, увеличения уровня мощности механической вытяжки, если она имеется.
- Необходимо регулярно проверять исправность газовых приборов и систем. Регулятор, шланг и его хомут следует проверять регулярно и заменять в сроки, рекомендованные производителем, или по мере необходимости.
- Регулярно очищайте газовые горелки. Горелка должна

гореть ровным голубым пламенем.

- Данное изделие должно использоваться в помещении, где установлен правильно отрегулированный и работоспособный датчик угарного газа. Убедитесь, что датчик угарного газа работает правильно и регулярно проходит техническое обслуживание. Датчик угарного газа должен устанавливаться на расстоянии не более 2 м от изделия.
- В газовых приборах необходимо обеспечить полное сжигание газа, так как при неполном сгорании газа выделяется угарный газ (СО). Угарный газ (монооксид углерода) - это очень ядовитый бесцветный газ без запаха, который даже в очень малых дозах вызывает отравление и смерть.
- Узнайте у своего поставщика газа телефон местной аварийной службы газа, а также ознакомьтесь с мерами предосторожности, которые необходимо предпринимать при обнаружении запаха газа.

Меры предосторожности при обнаружении запаха газа

- Не пользуйтесь открытым пламенем и не курите. Не пользуйтесь электрическими выключателями (например, выключателем освещения, дверным звонком и т.д.). Не пользуйтесь стационарными и мобильными телефонами. Остерегайтесь взрыва и отравления газом!
  - Перекройте все краны газовых приборов и газовых счетчиков
  - Откройте окна и двери.
  - Проверьте все трубы и соединения на герметичность. Если запах газа не исчезает, покиньте помещение.
  - Предупредите соседей.
  - Вызовите пожарную команду. Звоните по телефонному аппарату, который находится за пределами дома.
  - Не входите в помещение, пока вам не сообщат, что это безопасно.
- Электробезопасность
- В случае неисправности следует прекратить эксплуатацию изделия, пока оно не будет отремонтировано в авторизованном сервисном центре. Существует риск

- поражения электрическим током!
- Изделие можно подключать только к заземленной розетке/линии, напряжение и уровень защиты которой соответствуют параметрам, указанным в разделе «Технические характеристики». Установку заземления должен выполнять квалифицированный специалист (при использовании прибора с трансформатором или без него). Наша компания не несет ответственности за какие-либо проблемы, возникшие вследствие использования изделия без заземления, выполненного в соответствии с местными нормами и правилами.
  - Никогда не лейте воду на изделие во время мытья! Существует риск поражения электрическим током!
  - Категорически запрещается дотрагиваться к штепсельной вилке влажными руками! Не тяните за кабель питания. Вынимая вилку из розетки, беритесь непосредственно за вилку.
  - Прежде чем приступить к установке, техническому обслуживанию, чистке и ремонту, изделие необходимо отключить от электросети.
  - Во избежание несчастных случаев при повреждении кабеля питания его замену должен выполнять производитель, его специалист по сервису или лицо, имеющее аналогичную квалификацию.
  - Электроприбор следует устанавливать таким образом, чтобы его можно было полностью отсоединить от сети электропитания. Отсоединение должно осуществляться с помощью штепсельной вилки или выключателя, встроенного в фиксированную сеть электропитания, в соответствии со строительными нормативами и правилами.
  - Все работы с электрическим оборудованием и системами должны выполняться только квалифицированными специалистами, допущенными к выполнению таких работ.
  - В случае какого-либо повреждения выключите прибор и отсоедините его от электросети. Для этого выключите общий предохранитель в доме.

- Проверьте, соответствуют ли изделию номинальные характеристики предохранителя.

#### Безопасность изделия

- **ВНИМАНИЕ:** Данное изделие и его внешние части нагреваются в процессе использования. Будьте осторожны, не касайтесь нагревательных элементов. Детей младше 8 лет следует допускать к духовому шкафу только под постоянным присмотром взрослых.
- Не пользуйтесь прибором, находясь под воздействием алкоголя или лекарственных препаратов, снижающих скорость реакции или нарушающих координацию движений.
- Будьте осторожны при использовании спиртных напитков в приготовляемых блюдах. При высокой температуре спирт испаряется и при соприкосновении с горячими поверхностями может загореться и вызвать пожар.
- Не располагайте рядом с прибором легковоспламеняющиеся материалы, так как во время

работы его боковые поверхности могут сильно нагреваться.

- Следите за тем, чтобы вентиляционные отверстия были полностью открыты.
- Не используйте для чистки устройства пароочистители, поскольку это может привести к поражению электрическим током.
- **ВНИМАНИЕ:** При приготовлении пищи с жиром или маслом не оставляйте варочную панель без присмотра, поскольку это может привести к возгоранию. Категорически **ЗАПРЕЩАЕТСЯ** гасить такое пламя водой; следует выключить устройство и накрыть огонь, например, крышкой или противопожарным покрытием.
- **ОСТОРОЖНО:** За процессом приготовления пищи необходимо следить. За кратковременным процессом приготовления пищи необходимо следить постоянно.
- **ВНИМАНИЕ:** Опасность пожара: не храните предметы на конфорках.
- Конструкция данного устройства не предусматривает управление



им с помощью внешнего таймера или отдельной системы дистанционного управления.

- **ВНИМАНИЕ:** Используйте только защитные ограждения для плиты, разработанные производителем вашего кухонного оборудования или указанные производителем в руководстве пользователя вашего оборудования как подходящие для него, либо же защитные ограждения, встроенные в ваше кухонное оборудование производителем. Использование несоответствующих защитных ограждений может привести к несчастному случаю.

Для обеспечения пожарной безопасности изделия соблюдайте нижеуказанные правила.

- Убедитесь, что вилка плотно вставлена в розетку и не искрит.
- Запрещается использовать поврежденный либо обрезанный кабель, а также удлинитель; можно пользоваться только оригинальным кабелем.
- Убедитесь, что в розетке, к которой подключается изделие,

отсутствуют жидкость или влага.

- Убедитесь, что подключение газа выполнено таким образом, чтобы исключить утечку газа.

Использование по назначению

- Данное изделие предназначено исключительно для бытового использования. Запрещается использовать прибор в коммерческих целях.
- **ОСТОРОЖНО:** Данное изделие предназначено исключительно для приготовления пищи. Его запрещено использовать для других целей, например, для обогрева помещения."
- Производитель не несет ответственности за повреждение в результате использования изделия не по назначению или неправильного обращения с ним.

Безопасность детей

- **ВНИМАНИЕ:** Доступные части прибора могут сильно нагреваться при использовании. Не допускайте к ним детей.
- Упаковочные материалы опасны для детей. Храните упаковочные материалы в недоступном для детей месте.

Утилизируйте все упаковочные материалы в соответствии с нормами по охране окружающей среды.

- Электрическое и/или газовое оборудование представляют опасность для детей. Во время работы духового шкафа не допускайте к нему детей, а также не разрешайте им играть с ним.
- Не размещайте над прибором предметы, которые дети могут попытаться достать.

#### Утилизация старого изделия

Соответствие Директиве ЕС об утилизации электрического и электронного оборудования (WEEE) и утилизация вышедшего из употребления оборудования:



Данное изделие соответствует Директиве ЕС об утилизации электрического и электронного оборудования (2012/19/EU). Данное изделие имеет маркировку, указывающую на утилизацию

его как электрического и электронного оборудования (WEEE).

Это изделие произведено из высококачественных деталей и материалов, которые подлежат повторному использованию и переработке. Поэтому не выбрасывайте изделие с обычными бытовыми отходами после завершения его эксплуатации. Его следует сдать в соответствующий центр по утилизации электрического и электронного оборудования. О местонахождении таких центров вы можете узнать в местных органах власти.

#### Соответствие Директиве ЕС об ограничении содержания вредных веществ (RoHS):

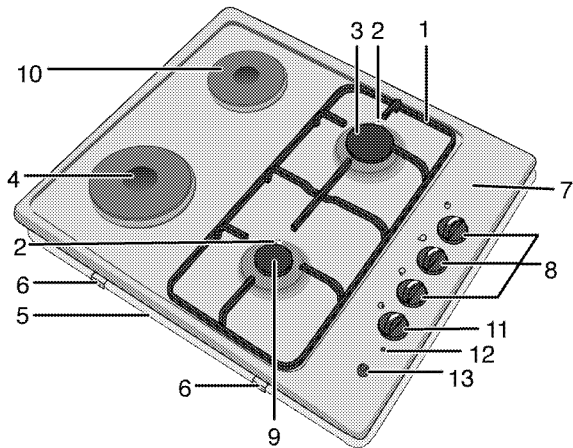
Приобретенное вами изделие соответствует Директиве ЕС о правилах ограничения содержания вредных веществ (2011/65/EU). Оно не содержит вредных и запрещенных материалов, указанных в Директиве.

#### Утилизация упаковочных материалов

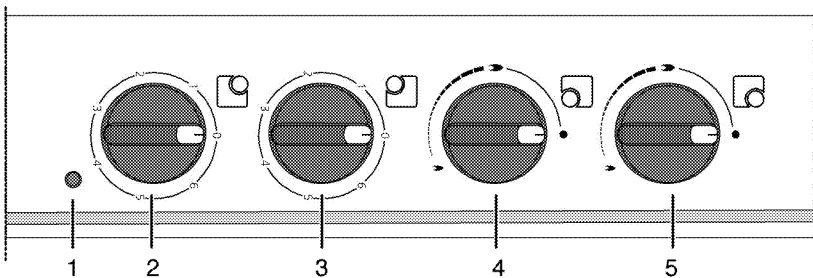
- Упаковочные материалы опасны для детей. Храните упаковочные материалы в безопасном и недоступном для детей месте. Упаковочные материалы изделия изготовлены из материалов, подлежащих вторичной переработке. Утилизируйте их соответствующим образом и сортируйте согласно инструкций по обращению с отходами, подлежащими вторичной переработке. Не утилизируйте их вместе с обычными бытовыми отходами.

## 2 Общие сведения

### Обзор



- |   |                           |    |                                    |
|---|---------------------------|----|------------------------------------|
| 1 | Подставка для посуды      | 7  | Крышка конфорки                    |
| 2 | Свеча зажигания           | 8  | Ручка регулировки газовой конфорки |
| 3 | Нормальная конфорка       | 9  | Дополнительная конфорка            |
| 4 | Конфорка быстрого нагрева | 10 | Электроконфорка                    |
| 5 | Основная крышка           | 11 | Ручка регулировки электроконфорки  |
| 6 | Монтажный зажим           | 12 | Сигнальная лампочка                |



- |   |                                |   |   |
|---|--------------------------------|---|---|
| 1 | Сигнальная лампочка            | 4 | Дополнительная конфорка Передняя правая |
| 2 | Электроконфорка Задняя левая   | 5 | Нормальная конфорка Задняя правая       |
| 3 | Электроконфорка Передняя левая |   |   |

## Технические характеристики

Напряжение/частота	220-240 В ~ 50 Гц
Общая потребляемая мощность	3.0 кВт
Предохранитель	16 А
Тип кабеля/сечение	мин. H05V2V2-F 3 x 1,5 мм <sup>2</sup>
Категория газового прибора	II 2НЗВ/Р / I 2Н
Тип газа/давление	LPG G 30/28-30 мбар
Общий расход газа	3.0 кВт
Переход на тип газа/давление <sup>8</sup>	NG G 20/20 мбар
– дополнительно	NG G 20/13 мбар - пропан G 31/37 мбар
Габариты (высота / ширина / глубина)	84 мм/580 мм/510 мм
Установочные размеры (ширина/глубина)	560 мм/490 мм
<b>Конфорки</b>	
Задняя левая	<b>Электроконфорка</b>
Размеры	145 мм
Мощность	1000 Вт
Передняя левая	<b>Электроконфорка</b>
Размеры	180 мм
Мощность	2000 Вт
Передняя правая	<b>Дополнительная конфорка</b>
Мощность	1 кВт
Задняя правая	<b>Нормальная конфорка</b>
Мощность	2 кВт



При усовершенствовании качества продукции технические характеристики могут быть изменены без предварительного уведомления.



Иллюстрации в данном руководстве являются схематичными и могут несколько отличаться от конкретного изделия.



Значения, указанные на этикетках изделия или в сопроводительной документации, получены в лабораторных условиях согласно соответствующим стандартам. Эти данные могут быть иными в зависимости от условий эксплуатации изделия.

## Характеристики горелок

Расположение конфорки Тип газа / давление	1 кВт	2 кВт
	Передняя правая	Задняя правая
G 20/13 мбар	84	116
G 20/20 мбар	72	103
G 30/28-30 мбар	50	72
G 31/ 37 мбар	50	72

### 3 Установка

Прибор должен устанавливаться квалифицированным специалистом в соответствии с действующими нормами и правилами. В противном случае гарантия аннулируется. Производитель не несет ответственности за повреждения в результате выполнения работ лицами, не имеющими соответствующей квалификации. Это может привести к аннулированию гарантии.



Подготовка места установки, электрического и газового оборудования обеспечивается покупателем.



**ОПАСНО:**

Бытовой прибор следует устанавливать в соответствии со всеми местными нормами по подключению газового и/или электрического оборудования.



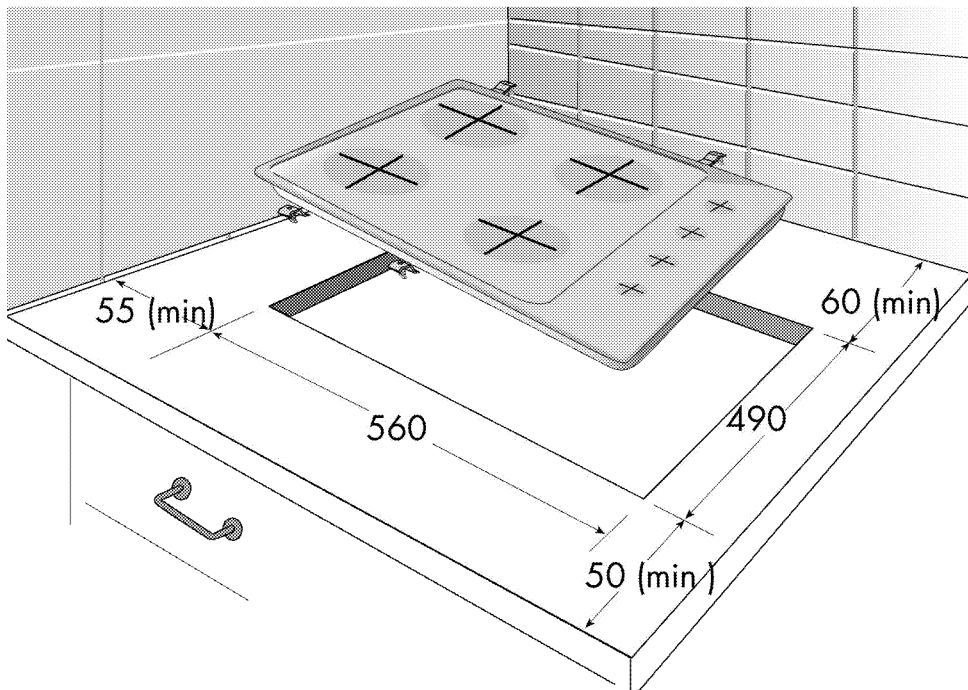
**ОПАСНО:**

Прежде чем приступить к установке, визуально проверьте отсутствие внешних дефектов духового шкафа. При наличии дефектов не устанавливайте его. Поврежденные электроприборы представляют собой угрозу вашей безопасности.

### До начала установки

Варочная панель предназначена для установки в стандартную столешницу фабричного изготовления. Между бытовой техникой, стенами кухни и мебелью следует оставить определенное безопасное расстояние. См. рисунок (размеры приведены в миллиметрах).

- Плита может также стоять отдельно. Обеспечьте свободное расстояние не менее 750 мм от поверхности плиты до поверхностей над ней.
- В случае установки надплитного воздухоочистителя соблюдайте инструкции его производителя в отношении высоты монтажа устройства (мин. 650 мм).
- Снимите все упаковочные материалы и фиксаторы для транспортировки.
- Используемые поверхности, синтетические покрытия и клеи должны быть термостойкими (не менее 100 °С).
- Столешница должна быть выровнена по уровню и закреплена.
- Сделайте вырез в столешнице в соответствии с установочными размерами варочной панели.



### Вентиляция помещения

Во всех помещениях должно быть открывающееся окно, а в некоторых помещениях потребуется также наличие постоянной вентиляции. Забор воздуха для процесса горения производится в помещении, и уходящие газы выделяются непосредственно в помещение. Поэтому для безопасной эксплуатации устройства необходимо обеспечить в помещении хорошую вентиляцию.

### Помещения с дверями и (или) окнами, которые открываются непосредственно наружу

В дверях и (или) окнах, которые открываются непосредственно наружу, должно быть общее вентиляционное отверстие с размерами, указанными в таблице ниже, с учетом общей мощности газового потока устройства (общая потребляемая мощность газового потока устройства показана в таблице технических характеристик в данном руководстве пользователя). Если в дверях и (или) окнах нет общего вентиляционного отверстия, соответствующего общему расходу газа устройства, как указано в таблице ниже, тогда в помещении обязательно должно быть дополнительное постоянное вентиляционное

отверстие, чтобы обеспечить выполнение общих минимальных требований к вентиляции в соответствии с общим расходом газа в данном устройстве. В качестве постоянного вентиляционного отверстия можно применить отверстия для существующих воздуховодов, например отверстия с размерами воздуховода бытовой вытяжки и т. д.

Общий расход газа (кВт)	мин. вентиляционное отверстие (см <sup>2</sup> )
0-2	100
2-3	120
3-4	175
4-6	300
6-8	400
8-10	500
10-11,5	600
11,5-13	700
13-15,5	800
15,5-17	900
17-19	1000
19-24	1250

## Помещения, не имеющие дверей и (или) окон, которые могут открываться непосредственно наружу

Если в помещении, где устанавливается устройство, отсутствуют дверь и (или) окно, которые открываются непосредственно наружу, следует найти иную продукцию, определенно позволяющую обеспечить наличие постоянного регулируемого и незакрываемого вентиляционного отверстия и выполнение общих минимальных требований к вентиляции в соответствии с общим расходом газа в данном устройстве, как указано в приведенной выше таблице. Кроме того, следует соблюдать соответствующие рекомендации по строительным нормам.

Если помещение или внутреннее пространство содержит более одного газового устройства, то в дополнение к требованию, указанному в таблице выше, должна быть обеспечена зона дополнительной вентиляции. Размер дополнительной вентиляционной зоны должен соответствовать требованиям других газовых приборов.

В помещении, где установлено изделие, также должен быть предусмотрен минимальный свободный зазор 10 мм между полом и нижним краем двери, которая открывается внутрь помещения. Необходимо обеспечить, чтобы такие изделия, как ковры, перекрытия и т. д., не перекрывали данное свободное пространство, когда дверь закрыта.

Плита может устанавливаться в кухне, в кухне-столовой или в жилой комнате, но не в помещении с ванной или душем. Плиты запрещается устанавливать в жилой комнате площадью менее 20 кв. м.<sup>3</sup>

Не устанавливайте плиту в помещении, находящемся ниже уровня поверхности, если оно не выходит на уровень поверхности хотя бы одной стороной.

## Установка и подключение

- Бытовой прибор следует устанавливать в соответствии со всеми местными нормами по подключению газового и электрического оборудования.

### Подключение к электросети

Подключайте изделие к розетке или линии с заземлением, защищенной миниатюрным автоматическим выключателем с соответствующим номиналом, который указан в

таблице «Технические характеристики». Установку заземления должен выполнять квалифицированный электрик (при использовании изделия с трансформатором или без него). Наша компания не несет ответственности за ущерб, понесенный вследствие использования изделия без заземления, выполненного в соответствии с местными нормами и правилами.



#### ОПАСНО:

Подключение прибора к электросети должен выполнять квалифицированный специалист, имеющий право на выполнение таких работ. Гарантийный период начинается только после правильной установки. Производитель не несет ответственности за повреждения в результате выполнения работ лицами, не имеющими соответствующей квалификации.



#### ОПАСНО:

Шнур питания не должен быть сдавлен, изогнут или зажат, а также не должен соприкасаться с нагревающимися компонентами изделия. Замену поврежденного шнура питания должен выполнять квалифицированный электрик. В противном случае это может привести к поражению электрическим током, короткому замыканию или возгоранию!

- Подключение должно выполняться в соответствии с национальными нормами.
- Параметры электрической сети должны соответствовать данным, указанным на паспортной табличке прибора. Паспортная табличка находится на задней стороне корпуса прибора.
- Шнур питания прибора должен соответствовать параметрам, указанным в таблице "Технические характеристики".



#### ОПАСНО:

Перед выполнением каких-либо электромонтажных работ отключите прибор от электрической сети. Существует риск поражения электрическим током!

**i** К штепсельной вилке шнура питания после установки должен быть обеспечен легкий доступ (не прокладывайте шнур над варочной поверхностью).

**i** При монтаже проводки необходимо соблюдать национальные/местные электротехнические правила и нормы, а также использовать соответствующие розетки/штепсельные вилки и вилку для духовки. В случае если предельные значения мощности продукции превышают допустимую нагрузку на вилку и розетку, изделие должно быть подключено через стационарное электрическое оборудование напрямую без использования вилки и розетки.

Включите шнур питания в розетку.

### Подключение газа

**!** **ОПАСНО:**  
Подключение прибора к электрической сети должен выполнять квалифицированный специалист, имеющий право на выполнение таких работ.  
Непрофессиональный ремонт может привести к взрыву или отравлению газом! Производитель не несет ответственности за повреждения в результате выполнения работ лицами, не имеющими соответствующей квалификации.

**!** **ОПАСНО:**  
Перед выполнением каких-либо работ по монтажу газовых приборов перекройте подачу газа.  
Это может привести к взрыву!

- Тип и давление газа, на которые отрегулирован прибор, указаны на паспортной таблице или маркировке.

**i** На ваше изделие может подаваться сжиженный нефтяной газ (LPG).

### Подсоединение газового шланга

- Устанавливайте прибор в непосредственной близости от места подключения к источнику газа и следите за тем, чтобы не было утечки газа.

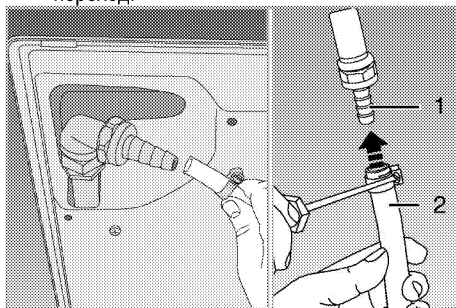
- Длина пластикового шланга для подключения газа не должна превышать 125 см.
- Наденьте на шланг хомут. Опустите один конец шланга (с внутренним диаметром 15 мм) на одну минуту в кипяток, чтобы он стал мягче.
- Натяните размягченный конец шланга на штуцер прибора до упора. Затем затяните хомут с помощью отвертки.
- Подсоедините таким же образом другой конец шланга к газовому баллону.
- Обязательно проверьте, нет ли утечки газа.



### ОПАСНО:

Остерегайтесь взрыва и удушья!  
Не храните баллоны со сжиженным нефтяным газом дома.

- Если впоследствии возникнет необходимость перевести прибор на другой вид газа, обратитесь в фирменный сервисный центр для получения консультации о том, как выполнить такой переход.



- 1 Штуцер для сжиженного нефтяного газа
- 2 Пластмассовый шланг

### Проверка соединения на утечку газа

- Установите все регуляторы прибора в положение "Выключено". Убедитесь, что открыт кран подачи газа. Для проверки утечки газа приготовьте мыльную пену и нанесите ее на места подсоединения шланга.
- В случае утечки газа мыльная пена будет пузыриться. В этом случае еще раз проверьте подсоединение газового шланга.

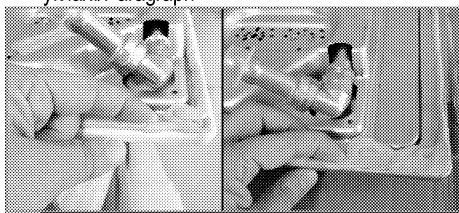


Ни в коем случае не используйте для проверки утечки газа спички или зажигалку.

### Инструкция по монтажу

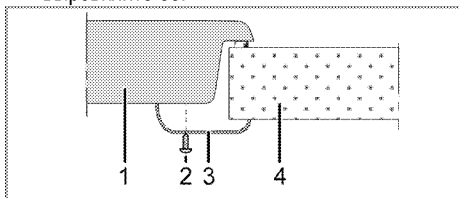


1. Снимите с варочной панели горелки, накладки горелок и решетки.
2. Переверните варочную панель и положите ее на ровную поверхность.
3. Для предотвращения попадания посторонних веществ и жидкостей между варочной панелью и столешницей перед установкой нанесите на столешницу герметик из комплекта поставки по контуру нижней части корпуса варочной панели, не допуская при этом наложения слоев герметика.
4. Заполните углы формовочными дугами, как показано на рисунке. Согните дугу, насколько необходимо, чтобы заполнить зазор в углах. /Paragraph



**i** Приплинтусовые секции внизу корпуса варочной панели должны быть заполнены герметиком.

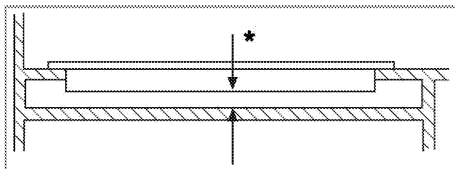
5. Положите варочную панель на столешницу и выровняйте ее.



- 1 Варочная панель
- 2 Винт
- 3 Монтажный зажим
- 4 Столешница

**i** Если варочная панель устанавливается на кухонный шкафчик, необходимо отделить ее от шкафчика полкой, как показано на рисунке выше. При установке над встроенной духовкой в этом нет необходимости.

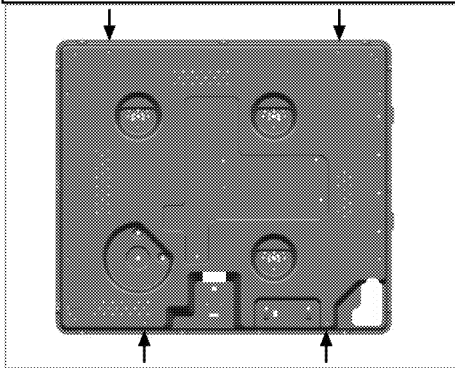
Если под варочной панелью находится выдвижной ящик, что позволяет дотронуться до нее снизу, необходимо закрыть нижнюю сторону корпуса деревянной панелью.



\* мин. 15 мм

#### Вид сзади (отверстия для подсоединения)

**i** Расположение соединительных отверстий, показанное на рисунке ниже, является схематическим и может отличаться в зависимости от модели изделия. Закрепите их в соответствии с соединительными отверстиями на вашем изделии.



После окончания установки вставьте на место конфорки, накладки конфорок и решетки.

**!** **ОПАСНО:**  
Не рекомендуется использовать для присоединения другие отверстия, так при этом можно повредить газовую и электрическую системы.

**!** **ОПАСНО:**  
Варочная панель содержит компоненты, работающие на газе и электроэнергии. По этой причине ее крепление на барной стойке следует производить только в крепежных отверстиях, используя при этом только прилагающиеся фиксирующие элементы и винты и руководствуясь указаниями, приведенными в руководстве. В противном случае она будет представлять опасность для безопасности жизни и имущества.

### Окончательная проверка

1. Эксплуатация изделия.
2. Проверьте, произошло ли включение.
3. Откройте подачу газа.
4. Проверьте места подключения газа на надежность закрепления и герметичность.
5. Зажгите горелки и проверьте внешний вид пламени.



Пламя должно быть голубым и иметь обычную форму. Если пламя имеет желтоватый оттенок, проверьте положение накладки горелки или прочистите горелку.

### Для будущей транспортировки

- Сохраните оригинальную упаковочную коробку и перевозите прибор в ней. Следуйте указаниям, нанесенным на упаковке. Если оригинальная упаковочная коробка не сохранилась, заверните изделие в пузырчатую упаковку или поместите в плотный картон. Надежно заклейте клейкой лентой.
- Закрепите накладки горелок и подставки для посуды клейкой лентой.



Осмотрите прибор снаружи на предмет возможных повреждений при транспортировке.

## 4 Подготовка к эксплуатации

### Рекомендации по экономии электроэнергии

Эти рекомендации помогут вам использовать изделие экологически чистым способом и экономить электроэнергию.

- Размораживайте замороженные продукты перед приготовлением.
- Готовьте пищу в закрытой посуде. При приготовлении в открытой посуде энергопотребление может возрасти в 4 раза.
- Выбирайте конфорку соответственно размеру дна посуды. Обязательно выбирайте посуду соответственно объему приготовляемого блюда. Чем больше объем посуды, тем выше энергопотребление.
- Для приготовления пищи на электрических конфорках используйте посуду только с плоским дном.  
Посуда с толстым дном лучше проводит тепло, что позволяет на треть сократить потребление энергии.
- Размер посуды должен соответствовать размеру электрической конфорки. Не

следует использовать посуду с дном меньшего диаметра, чем диаметр конфорки.

- Следите за тем, чтобы конфорки и дно посуды были чистыми. Загрязнения ухудшают теплопередачу между конфоркой и дном посуды.
- Если блюдо готовится долго, выключайте конфорку за 5-10 минут до окончания приготовления. Использование остаточного тепла позволяет сэкономить до 20% электроэнергии.

### Подготовка к эксплуатации

#### Очистка прибора перед началом эксплуатации



Некоторые моющие средства и чистящие материалы могут повредить поверхность. Не используйте для чистки агрессивные моющие средства, чистящие порошки/кремы, а также острые предметы.

1. Снимите все упаковочные материалы.
2. Протрите поверхность прибора влажной тканью или губкой и вытрите насухо.

## 5 Правила эксплуатации варочной панели

### Общие сведения о приготовлении пищи



Не заполняйте кастрюлю растительным маслом более чем на одну треть. При нагревании масла не оставляйте варочную панель без присмотра. Остерегайтесь возгорания раскаленных масел. **Не тушите огонь водой!** При возгорании масла накройте посуду одеялом или влажной тканью. По возможности выключите варочную панель и позвоните в пожарную службу.

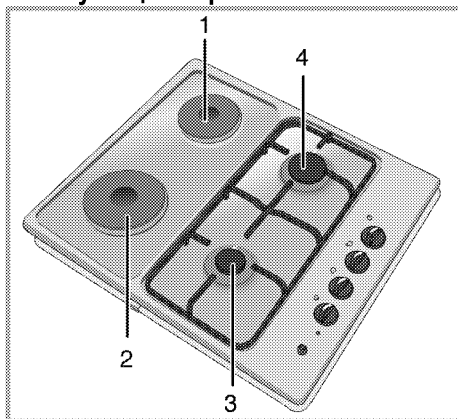
- Перед жареньем продукты нужно обязательно обсушивать. Опускайте продукты в горячий жир с осторожностью. Замороженные продукты перед жареньем следует полностью разморозить.
- Посуду, в которой разогревается жир, накрывать нельзя.
- Посуду следует ставить на плиту таким образом, чтобы ручки не нагревались над горячей поверхностью плиты. Не ставьте на плиту неустойчивую посуду, которая легко опрокидывается.
- Не ставьте на включенные конфорки пустую посуду – это может привести к ее повреждению.
- Не оставляйте включенными конфорки, на которых нет посуды – это может привести к повреждению плиты. Обязательно выключайте конфорки после окончания приготовления пищи.
- Не ставьте на плиту пластмассовую или алюминиевую посуду, так как на горячей поверхности они могут расплавиться. Такую посуду также не следует использовать для хранения пищевых продуктов.
- Можно использовать только посуду с плоским дном.
- Размер посуды должен соответствовать количеству продуктов. Тогда продукты не будут выплескиваться из посуды, и не придется лишний раз мыть плиту.

Не кладите на конфорки крышки кастрюль. Размещайте посуду по центру конфорки. Если нужно переместить посуду на другую конфорку, поднимите ее и переставьте. Ни в коем случае не передвигайте посуду по поверхности плиты.

### Приготовление пищи на газовой конфорке

- Диаметр пламени должен соответствовать размеру посуды. Пламя газовой конфорки следует регулировать таким образом, чтобы оно не выходило за пределы дна посуды. Посуду следует ставить по центру конфорки.

### Эксплуатация варочных панелей



- 1 Электрokonфорка 145 мм
- 2 Электрokonфорка 180 мм
- 3 Дополнительная конфорка 12-18 см
- 4 Нормальная конфорка 18–20 см список рекомендованных диаметров посуды для использования на соответствующих конфорках.



### ПРЕДУПРЕЖДЕНИЕ!

Не пользуйтесь посудой вне указанной зоны. Использование посуды большого размера вызывает опасность отравления угарным газом, перегрев прилегающих поверхностей и ручек управления. Использование небольшой посуды приводит к риску получения ожогов от пламени.

Большой символ пламени соответствует максимальному уровню мощности, а маленький символ пламени – минимальному. В положении

«выключено» (верхняя точка) подача газа к горелкам прекращается.

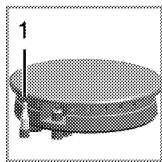
### Розжиг газовых горелок

1. Прижмите регулятор горелки и
  2. поверните его против часовой стрелки в сторону большого символа пламени.
- » При этом вспыхнет искра, и газ загорится.
3. Установите нужный уровень мощности.

### Выключение газовых горелок

Поверните регулятор зоны подогрева в положение «Выключено» (вверх).

### Система предотвращения утечки газа (в моделях с термопарой)



1. Система предотвращения утечки газа

Горелки снабжены предохранительным механизмом, прекращающим подачу газа, если пламя внезапно погаснет, например, его зальет жидкость.

- Для розжига прижмите регулятор и поверните его против часовой стрелки.
- Чтобы включить систему защиты, после воспламенения газа удерживайте регулятор в нажатом положении еще 3-5 секунд.
- Если после нажатия и отпускания регулятора пламя погаснет, повторите те же действия, удерживая регулятор в нажатом положении в течение 15 секунд.



#### ОПАСНО:

Если в течение 15 секунд розжиг горелки не произошел, отпустите кнопку. Повторите попытку не ранее, чем через 1 минуту. Существует риск накопления газа и взрыва!

### Использование конфорок

Регуляторы варочной панели можно поворачивать в любом направлении. Регулирование температуры выполняется ступенчато.



Если варочная панель оснащена конфорками с режимом ускоренного нагрева, соответствующие конфорки обозначаются красной точкой.

### Защита от перегрева

Конфорки мощностью более 1000 Вт оснащены устройством защиты от перегрева. Устройство защиты от перегрева снижает мощность конфорки в таких случаях:

- на конфорке нет посуды;
- посуда на конфорке пустая;
- дно посуды неровное.

### Включение конфорок

Управление конфорками осуществляется с помощью регуляторов. Чтобы установить нужный уровень мощности, переведите регулятор конфорки в соответствующее положение.

Уровень мощности	1	2-3	4-6
	разогревание	тушение, приготовление на медленном огне	варка, жарение, кипячение

### Выключение конфорок

Поверните регулятор конфорки в положение «ВЫКЛ.» (вверх).

## 6 Уход и техническое обслуживание

### Общие сведения

Регулярно выполняйте чистку прибора. Это позволит продлить срок его службы, а также избежать многих проблем.



#### ОПАСНО:

Перед выполнением работ по обслуживанию и чистке отключите прибор от электрической сети. Существует риск поражения электрическим током!



#### ОПАСНО:

Дайте изделию остыть, прежде чем приступать к чистке. Горячие поверхности могут причинить ожоги!

- Прибор следует тщательно чистить после каждого использования. Так легче удалять остатки пищи, которые могут пригореть при следующем использовании прибора.
- Для чистки прибора не требуются специальные чистящие средства. Прибор можно вымыть теплой водой с добавлением жидким моющего средства, используя мягкую ткань или губку. А затем протереть сухой тканью.
- Обязательно протирайте прибор насухо после чистки и сразу же удалите попавшую на него жидкость.
- Не используйте для чистки ручки и поверхностей из нержавеющей стали чистящие средства, содержащими кислоту или хлор. Эти детали можно протирать мягкой тканью, смоченной в жидком моющем средстве (без абразивных добавок), стараясь тереть в одном направлении.



Некоторые моющие средства и чистящие материалы могут повредить поверхность. Не используйте для чистки агрессивные моющие средства, чистящие порошки/кремы, а также острые предметы.



Не используйте для чистки устройства пароочистители, поскольку это может привести к поражению электрическим током.

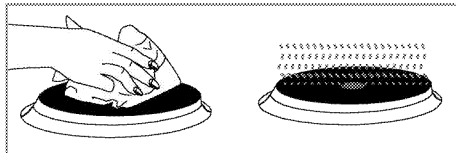
### Чистка варочной панели

#### Газовые варочные панели

1. Снимите и вымойте конфорки и накладки горелок.
2. Вымойте варочную панель.
3. Аккуратно установите накладки горелок на свои места.
4. При установке верхних решеток следите за тем, чтобы горелки находились точно по центру конфорок.

#### Электрические варочные панели

1. Выключите все конфорки и дождитесь, пока они остынут.
2. При необходимости очистите конфорки каким-либо моющим средством (такие средства можно приобрести в специализированных магазинах).
3. После чистки включите конфорки на несколько минут для просушки.
4. Для защиты от ржавчины регулярно смазывайте поверхность конфорок тонким слоем машинного масла.



### Чистка панели управления

Очистьте панель управления и ручки-регуляторы влажной тканью и вытрите насухо.



Если ваш прибор оснащен кнопками/ручками, не снимайте ручки-регуляторы для чистки панели управления. Так можно повредить панель управления!

## 7 Поиск и устранение неисправностей

### При нагревании и охлаждении прибор издает металлические шумы.

- При нагревании металлические детали могут расширяться и издавать звуки. >>> *Это не является неисправностью.*

### Прибор не работает.

- Плавкий предохранитель неисправен или сработал. >>> *Проверьте плавкие предохранители в блоке предохранителей. При необходимости замените их или включите.*
- Духовой шкаф не включен в (заземленную) розетку электросети. >>> *Проверьте соединение штепсельной вилки.*

### При розжиге не вспыхивает искра.

- Нет тока. >>> *Проверьте предохранители в блоке предохранителей.*

### Газ не поступает.

- Перекрыт общий газовый кран. >>> *Откройте газовый кран.*
- Перегиб газового шланга. >>> *Правильно расположите газовый шланг.*

### Горелки плохо горят или вообще не горят.

- Горелки засорены. >>> *Очистите компоненты горелки.*
- Горелки влажные. >>> *Просушите компоненты горелки.*
- Накладка горелки плохо установлена. >>> *Правильно установите накладку горелки.*
- Перекрыт газовый кран. >>> *Откройте газовый кран.*
- Газовый баллон пуст (при использовании сжиженного газа). >>> *Замените газовый баллон.*



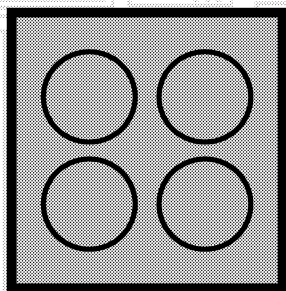
Если вы не можете устранить неполадки, несмотря на выполнение инструкций, приведенных в данном разделе, обратитесь к представителю авторизованной сервисной службы. Не пытайтесь самостоятельно отремонтировать неисправный электроприбор.





# Ugradbena ploča za kuhanje

Uputstvo za upotrebu



BS

**beko**

## Molimo prvo pročitajte ovaj priručnik za korisnika!

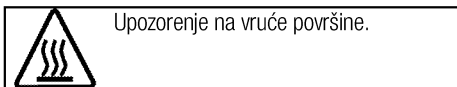
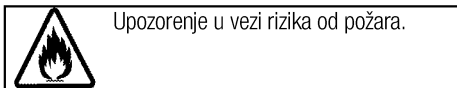
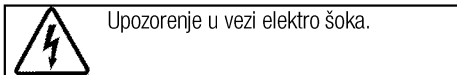
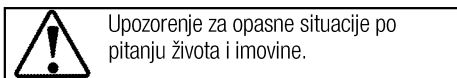
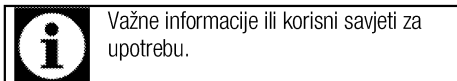
Poštovani Korisniče,

Hvala vam što ste izabrali Beko proizvod. Nadamo se da ćete uživati u najboljim rezultatima vašeg proizvoda koji je proizveden pomoću najmodernije tehnologije visoke kvalitete. Stoga, molimo vas pažljivo pročitajte ovaj cijeli priručnik za korisnika i sve druge prateće dokumente prije upotrebe proizvoda i čuvajte ih kao referencu za buduću upotrebu. Ako uručite ovaj proizvod nekom drugom, također mu/joj predajte i ovaj priručnik za korisnika. Slijedite sva upozorenja i informacije u ovom priručniku za korisnika.

Zapamtite da se ovaj priručnik za korisnika može primijeniti i za nekoliko drugih modela. Razlike između modela će biti identifikovane u ovim uputstvima.

### Pojašnjenje simbola

Sljedeći simboli su korišteni u ovom priručniku za korisnika:



**Arçelik A.Ş.**  
Karaağaç caddesi No:2-6  
34445 Sütlüce/Istanbul/TURKEY  
Made in TURKEY

**1 Važna uputstva i upozorenja za sigurnost i okoliš 4**

Opće mjere sigurnosti .....	4
Sigurnost kada se radi sa plinom .....	4
Električna sigurnost.....	6
Sigurnost proizvoda.....	6
Predviđena upotreba.....	7
Sigurnost za djecu .....	8
Odlaganje starog proizvoda.....	8
Odlaganje materijala za pakovanje .....	8

**2 Opće informacije 9**

Pregled .....	9
Tehničke specifikacije .....	10
Tabela brizgaljki.....	10

**3 Instalacija 11**

Prije instalacije .....	11
Instalacija i povezivanje .....	12
Odlaganje starog proizvoda.....	14

**4 Priprema 15**

Savjeti za uštedu energije .....	15
Prva upotreba .....	15
Prvo čišćenje uređaja .....	15

**5 Kako koristiti ploču za kuhanje 16**

Opšte informacije o kuhanju.....	16
Upotreba ploče za kuhanje.....	16

**6 Održavanje i njega 18**

Opšte informacije.....	18
Čišćenje ploče za kuhanje.....	18
Čišćenje kontrolne ploče.....	18

**7 Rješavanje problema 19**

## **1 Važna uputstva i upozorenja za sigurnost i okoliš**

Ovaj odjeljak sadrži sigurnosna uputstva koja će vam pomoći da se zaštitite od rizika od lične povrede ili oštećenja imovine. Ne pridržavanje ovih uputstava će poništiti svaku garanciju.

### **Opće mjere sigurnosti**

- Ovaj uređaj mogu koristiti djeca dobi od 8 godina i starija kao i osobe sa reduciranim fizičkim, čulnim ili mentalnim sposobnostima ili sa nedostatkom iskustva i znanja ukoliko im je obezbijeden nadzor ili uputstvo u vezi upotrebe uređaja na bezbijedan način i razumijevanja opasnosti koje mogu biti uključene.  
Djeca se ne smiju igrati sa uređajem. Djeca bez nadzora ne smiju obavljati radnje oko čišćenja i održavanja.
- Uređaj nije namijenjen za upotrebu od strane osoba (uključujući djecu) sa smanjenim fizičkim, osjetilnim ili mentalnim sposobnostima ili s nedostatkom iskustva i znanja, osim ako su pod nadzorom ili ako su instruirani po pitanju upotrebe uređaja.  
Djeca koju nadgledate ne smiju se igrati s uređajem.
- Ako je proizvod uručen nekom drugom za ličnu upotrebu ili da se koristi kao rabljeni proizvod,

takođe treba uručiti priručnik za korisnika, oznake proizvoda i druge relevantne dokumente kao i dijelove proizvoda .

- Postupke ugradnje i opravke uvijek moraju izvoditi ovlaštene serviseri. Proizvođač se neće držati odgovornim za oštećenja nastala usljed procedura koje su izvodile neovlaštene osobe što takođe može prouzrokovati da garancija bude nevažeća. Prije ugradnje, pažljivo pročitajte uputstva.
- Nemojte koristiti uređaj ukoliko je u kvaru ili ako na njemu ima vidljivih oštećenja.
- Uvjerite se da su funkcijske tipke proizvoda isključene nakon svake upotrebe.

### **Sigurnost kada se radi sa plinom**

- Sve radove na plinskoj opremi i sistemima mogu obavljati samo ovlaštene kvalificirane osobe koje imaju licencu za postavljanje plinskih instalacija.
- Prije instaliranja, provjerite jesu li lokalni distribucijski uvjeti (vrsta plina i pritisak plina) i podešavanje uređaja kompatibilni.
- Ovaj uređaj nije povezan sa napravom za evakuiranje produkata sagorijevanja. On se mora instalirati i spojiti u skladu sa važećim propisima o

instaliranju. Posebnu pažnju treba obratiti na relevantne zahtjeve u pogledu prozračivanja; Pogledati *Prije instalacije, Stranica 11*

- OPREZ: Upotreba plinskog aparata za kuhanje rezultira proizvodnjom !toplote, vlage i produkata nastalih sagorijevanjem u prostoriji u kojoj je on ugrađen. Osigurajte da kuhinja !bude dobro prozračena Posebno kada je ovaj uređaj u upotrebi: Držite otvore za prirodnu ventilaciju otvorenim ili ugradite mehanički uređaj za ventilaciju (mehanička hauba za izbacivanje zraka). Duža upotreba uređaja može stvoriti potrebu za dodatnim prozračivanjem, na primjer povećanjem stepena mehaničkog prozračivanja tamo gdje je ono prisutno.
- Plinski uređaji i sistemi moraju se redovno provjeravati kako bi se osiguralo njihovo pravilno funkcioniranje. Regulator, crijevo i njegova spojnica moraju se provjeravati redovno i moraju se zamijeniti u vremenskom roku koji je preporučen od strane proizvođača ili kada je to neophodno.
- Redovno čistite plinske gorionike. Plamen treba biti plave boje i treba ravnomjerno goriti.
- Ovaj proizvod treba koristiti u prostoriji koja uključuje ispravno

prilagođen i funkcionalan senzor za ugljen monoksid. Pobrinite se da senzor za ugljen monoksid radi ispravno i da se isti održava redovno. Senzor za ugljen monoksid treba instalirati na maksimalnoj udaljenosti od 2 metra od proizvoda.

- Za plinske uređaje potrebno je dobro sagorijevanje plina. U slučaju nepotpunog sagorijevanja, može doći do stvaranja ugljičnog monoksida (CO). Ugljični monoksid je bez boje i mirisa i jako je otrovan plin, koji ima smrtonosni učinak čak i jako malim dozama.
- Od svog lokalnog dobavljača plina tražite informacije o brojevima telefona za hitne intervencije na plinskim instalacijama i sigurnosnim mjerama u slučaju da osjetite miris plina.

### **Šta učiniti kad osjetite miris plina**

- Nemojte koristiti otvoreni plamen ili nemojte pušiti. Nemojte stavljati u pogon bilo kakve električne prekidače (npr. prekidač za svjetlo, zvono vrata itd.) Nemojte koristiti fiksne ili mobilne telefone. Rizik od eksplozije i trovanja!
- Zatvorite sve ventile na plinskim uređajima i mjeraču potrošnje plina
- Otvorite vrata i prozore.

- Provjerite nepropusnost svih cijevi i spojeva. Ako još uvijek osjećate miris plina, izađite iz stana ili kuće.
- Upozorite susjede.
- Pozovite vatrogasce. Koristite telefo izvan kuće.
- Nemojte opet ulaziti u stan ili kuću dok vam se ne kaže da je to sigurno.

### **Električna sigurnost**

- Ukoliko proizvod ima grešku, ne bi trebalo njim rukovati dok se greška ne popravi od strane zastupnika iz ovlaštenog servisa. Postoji rizik od elektro šoka!
- Proizvod spojite samo na uzemljeni izlaz/vod s naponom i zaštitu kao što je specificirano u odjeljku "Tehničke specifikacije". Neka uzemljenje izvrši kvalifikovani električar dok se proizvod koristi sa ili bez transformatora. Naša kompanija neće biti odgovorna za bilo kakve probleme nastale zbog toga što proizvod nije bio uzemljen u skladu sa lokalnim regulativama.
- Nikada ne perite proizvod poljevanjem ili posipanjem vode po njemu! Postoji rizik od elektro šoka!
- Nikada ne dodirujte utikač mokrim rukama! Nikada ne iskopčavajte povlačenjem za kabal, uvijek povlačite hvatajući rukom za utikač.
- Proizvod mora biti iskopčan za vrijeme ugradnje, održavanja, čišćenja i popravke.
- Ako je napojni kabal za priključivanje proizvoda oštećen, isti se mora zamijeniti od strane proizvođača, njegovog zastupnika ili sličnih kvalifikovanih osoba da bi se izbjegli neželjeni rizici.
- Uređaj mora biti ugrađen tako da se može u potpunosti iskopčati sa mreže. Separacija mora biti obezbijeđena bilo pomoću glavnog utikača, bilo pomoću sklopke ugrađene u fiksnu električnu instalaciju, u skladu sa konstrukcionim propisima.
- Sve radove na električnoj opremi i sistemima trebaju izvoditi samo ovlaštene i kvalificirane osobe.
- U slučaju bilo kakvog oštećenja, isključite uređaj i iskopčajte ga sa napajanja. Da biste ovo uradili, isključite osigurač u kući.
- Provjerite da je jačina osigurača kompatibilna sa vašim proizvodom.

### **Sigurnost proizvoda**

- **UPOZORENJE:** Uređaj i njegovi dostupni dijelovi postaju vrela za vrijeme upotrebe. Potrebno je voditi računa da bi se izbjeglo dodirivanje grijnih elemenata. Djecu mlađu od 8 godina treba držati dalje od uređaja ukoliko nisu pod stalnim nadzorom.

- Osobe čije su prosudbe ili koordinacija smanjene pod uticajem alkohola i/ili droga ne smiju koristiti uređaj.
  - Budite oprezni kada koristite alkoholna pića u vašem posuđu. Alkohol isparava na visokim temperaturama i može izazvati požar jer se zapali kada stupi u kontakt sa vrućim površinama.
  - Nemojte stavljati nikakve zapaljive materijale u blizini proizvoda jer i bočne strane mogu postati vruće tokom upotrebe.
  - Držite sve otvore za ventilaciju očišćenim od prepreka.
  - Nemojte koristiti čistače na paru da čistite uređaj jer bi to moglo prouzrokovati strujni udar.
  - UPOZORENJE: Kuhanje bez nadzora na ploči za kuhanje sa masnoćom ili uljem može biti opasno i može izazvati požar. NIKADA ne pokušavajte gasiti vatru vodom, nego isključite uređaj i potom pokrijte plamen sa, npr. poklopcem ili dekom.
  - OPREZ: Proces kuhanja se mora nadgledati. Kratkotrajni proces kuhanja se mora neprestano nadgledati.
  - UPOZORENJE: Opasnost od požara: Nemojte ostavljati stvari na površinama za kuhanje.
  - Uređaj nije namijenjen za rukovanje sredstvima nekog eksternog programatora ili posebnog sistema daljinskog upravljača.
  - UPOZORENJE: Koristite samo štitnike ploče za kuhanje dizajnirane od strane proizvođača uređaja za kuhanje ili one koji su naznačeni od strane proizvođača uređaja u uputstvima za upotrebu kao pogodne za štitnike ploče za kuhanje, ugrađene u uređaj. Korištenje neadekvatnih štitnika može prouzrokovati nezgode.
- Za sigurnost od požara na proizvodu;
- Provjerite da li utikač odgovara utičnici kao i to da ne uzrokuje iskrenje.
  - Ne upotrebljavajte oštećen ili sječen ili produžni kabal osim originalnog kabla.
  - Budite sigurni da tečnost ili vlaga na utičnici ne dospiju u proizvod preko utikača.
  - Budite sigurni da je plinsko priključivanje ugrađeno propisno da ne bi uzrokovalo curenje.
- Predviđena upotreba**
- Ovaj proizvod je dizajniran za upotrebu u domaćinstvu. Komercijalna upotreba nije dopuštena.
  - OPREZ: Ovaj uređaj je samo za kuhanje. On se ne smije koristiti u druge svrhe, na primjer grijanje prostorije.

- Proizvođač nije odgovoran za bilo kakve štete uzrokovane nepropisnim korištenjem ili greškama pri rukovanju.

### Sigurnost za djecu

- **UPOZORENJE:** Pristupačni dijelovi mogu postati vrući tokom upotrebe. Malu djecu treba držati dalje od uređaja.
- Ambalažni materijali mogu predstavljati opasnost za djecu. Držite ambalažne materijale dalje od dohvata djece. Molimo odložite sve dijelove pakovanja i skladu sa ekološkim propisima.
- Električni i/ili plinski proizvodi predstavljaju opasnost za djecu. Držite djecu dalje od proizvoda kada je on u funkciji i nemojte dozvoliti djeci da se igraju s tim proizvodom.
- Ne ostavljajte iznad uređaja bilo kakve predmete koje djeca mogu dosegnuti.

### Odlaganje starog proizvoda

**Usklađenost sa WEEE Direktivom i odlaganje otpadnog proizvoda:**



Ovaj proizvod je u skladu sa EU WEEE Direktivom (2012/19/EU). Ovaj proizvod posjeduje klasifikacijski simbol za otpadnu električnu i elektroničku opremu (WEEE).

Ovaj proizvod je proizveden od visoko kvalitetnih dijelova koji se mogu ponovo upotrijebiti i koji su pogodni za recikliranje. Nemojte odlagati otpadni proizvod s običnim kućnim i drugim otpadima čiji je vijeka trajanja prošao. Odnosite taj otpad na odlagalište za reciklažu električne i elektroničke opreme. Molimo vas posavjetujte se sa lokalnim institucijama da saznate gdje se nalaze ova odlagališta.

**Usklađenost sa RoHS Direktivom:**

Proizvod koji ste kupili je u skladu sa EU RoHS Direktivom (2011/65/EU). On ne sadrži nikakve štetne i zabranjene materijale specificirane u ovoj Direktivi.

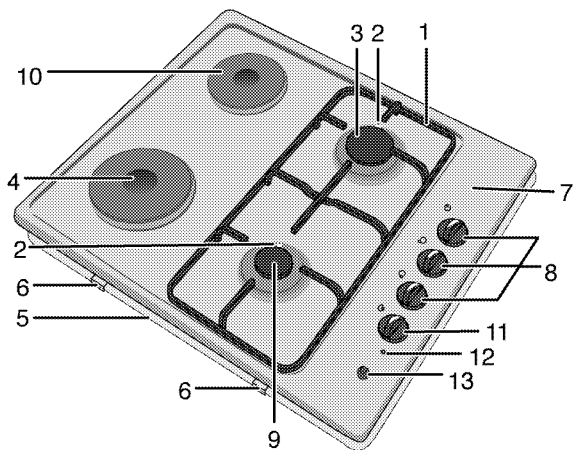
### Odlaganje materijala za pakovanje

- Materijal za pakovanje predstavlja opasnost po djecu. Čuvajte materijal za pakovanje na sigurnom mjestu van dohvata djece. Materijali za pakovanje ovog proizvoda napravljeni su od reciklirajućeg materijala. Pravilno ih odložite i sortirajte ih u skladu sa uputstvima za reciklažu otpada. Nemojte ih odlagati zajedno sa običnim kućnim otpadom.

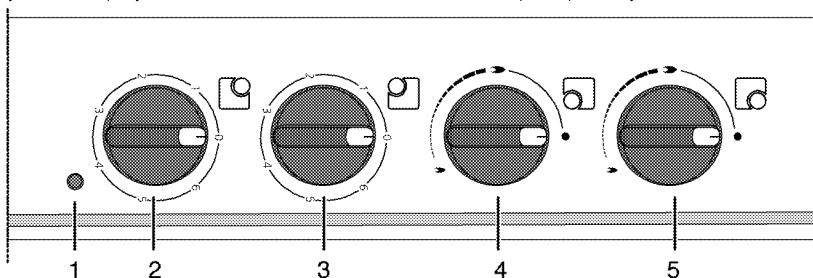


## 2 Opće informacije

### Pregled



- |   |                       |    |                          |
|---|-----------------------|----|--------------------------|
| 1 | Držač za posuđe       | 7  | Ploča gorionika          |
| 2 | Svjećica za paljenje  | 8  | Tipka plinskih gorionika |
| 3 | Normalni gorionik     | 9  | Pomoćni gorionik         |
| 4 | Brzi gorionik         | 10 | Ringla                   |
| 5 | Poklopac dna          | 11 | Tipka ringli             |
| 6 | Spojnica za sklapanje | 12 | Lampica upozorenja       |



- |   |                        |   |                                  |
|---|------------------------|---|----------------------------------|
| 1 | Lampica upozorenja     | 4 | Pomoćni gorionik Prednji desni   |
| 2 | Ringla Stražnji lijevi | 5 | Normalni gorionik Stražnji desni |
| 3 | Ringla Prednji lijevi  |   |                                  |

## Tehničke specifikacije

Napon/frekvencija	220-240 V ~ 50 Hz
Ukupna potrošnja električne energije	3.0 kW
Osigurač	16 A
Vrsta kabla/poprečni presjek	min.H05V2V2-F 3 x 1,5 mm <sup>2</sup>
Kategorija plinskog uređaja	II 2H3B/P / I 2H
Vrsta/pritisak plina	LPG G 30/28-30 mbar
Ukupna potrošnja plina	3.0 kW
Konverzija vrste/pritisaka plina <sup>§</sup>	NG G 20/20 mbar
– opcionalno	NG G 20/13 mbar - Propan G 31/37 mbar
Vanjske dimenzije (visina/širina/dubina)	84 mm/580 mm/510 mm
Dimenzije za ugradnju (širina/dubina)	560 mm/490 mm
<b>Gorionici</b>	
Stražnji lijevi	<b>Ringla</b>
Dimenzije	145 mm
Snaga	1000 W
Prednji lijevi	<b>Ringla</b>
Dimenzije	180 mm
Snaga	2000 W
Prednji desni	<b>Pomoćni gorionik</b>
Snaga	1 kW
Stražnji desni	<b>Normalni gorionik</b>
Snaga	2 kW



Tehničke specifikacije su podložne izmjenama bez prethodne obavijesti kako bi se poboljšao kvalitet uređaja.



Slike u ovom priručniku su shematske i moguće je da se ne podudaraju tačno s vašim uređajem.



Vrijednosti prikazane na naljepnicama uređaja ili u priloženoj dokumentaciji postignute su u laboratorijskim uvjetima u skladu sa relevantnim standardima. Ovisno o uvjetima okoline i rada uređaja, ove vrijednosti mogu varirati.

## Tabela brizgaljki

Zona postavljanja ploče za kuhanje	1 kW Prednji desni	2 kW Stražnji desni
<b>Vrsta plina/Pritisak plina</b>		
G 20/13 mbar	84	116
G 20/20 mbar	72	103
G 30/28-30 mbar	50	72
G 31/ 37 mbar	50	72

### 3 Instalacija

Proizvod mora biti ugrađen od strane ovlaštene osobe u skladu sa propisima koji su na snazi. U suprotnom, garancija će postati nevažeća. Proizvođač se neće držati odgovornim za oštećenja nastala usljed procedura koje su izvodile neovlaštene osobe i garancija može biti nevažeća.



Priprema lokacije i elektro i plinske instalacije za ovaj proizvod je u nadležnosti korisnika.



#### OPASNOST:

Prilikom instalacije, uređaj mora biti spojen u skladu sa svim lokalnim propisima o plinskim i/ili električnim instalacijama.



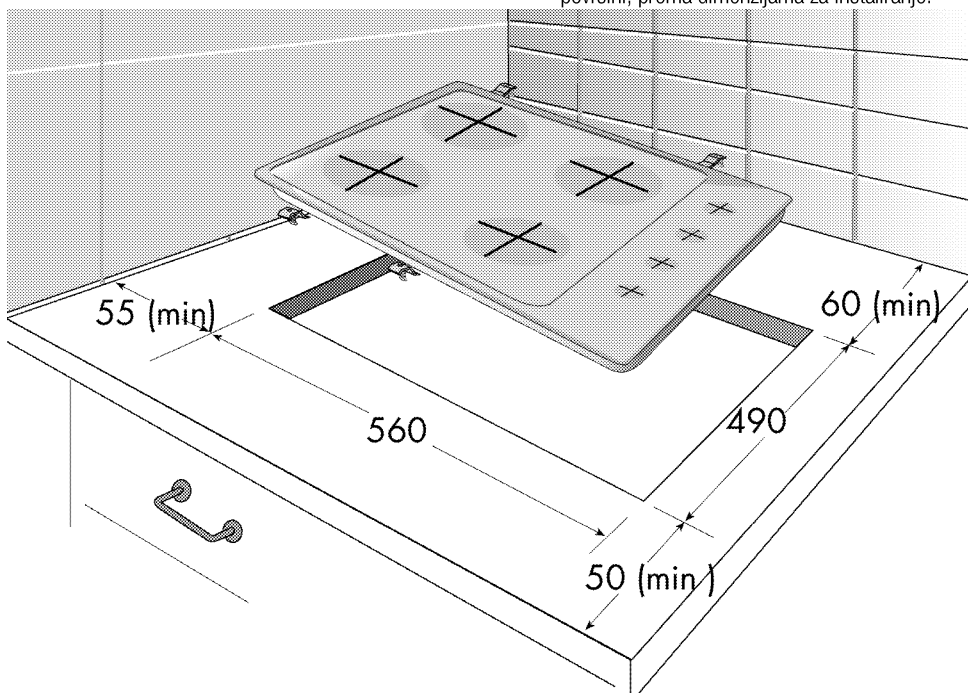
#### OPASNOST:

Prije instalacije, izvršiti vizuelnu proveru da li na proizvodu ima bilo kakvih nedostataka. Ako da, nemojte vršiti instalaciju. Oštećeni proizvodi predstavljaju rizik za vašu sigurnost.

### Prije instalacije

Ploča za kuhanje namijenjena je instaliranju u komercijalno dostupne radne površine. Između uređaja i kuhinjskih zidova i namještaja mora se ostaviti dovoljno prostora radi sigurnosti. Pogledati sliku (mjere u mm).

- Može se koristiti i kao samostojeći uređaj. Omogućite minimalnu razdaljinu od 750 mm iznad površine ploče za kuhanje.
- (\*) Kada je potrebno ugraditi kuhinjsku napu iznad štednjaka, pogledajte priložena uputstva od proizvođača kuhinjske nape za pravilno određivanje visine ugradnje (min 650 mm).
- Skinite materijale korištene za pakovanje i transportne graničnike.
- Površine, sintetički laminati i ljepila moraju biti otporna na toplotu (minimalno 100 °C).
- Radna površina mora biti poravnata i učvršćena u horizontalnom položaju.
- Isijecite prorez za ploču za kuhanje na radnoj površini, prema dimenzijama za instaliranje.



### Provjetravanje prostorije

Sve prostorije moraju imati prozor koji se može otvoriti, ili neki ekvivalent prozoru, a za neke prostorije potrebna je i stalna ventilacija. Zrak za sagorijevanje uzima se iz

prostorije, a ispušni plinovi emituju se direktno u prostoriju. Dobro provjetravanje od ključnog je značaja za siguran rad vašeg uređaja.

## Prostorije s vratima i/ili prozorima koji se otvaraju direktno prema vanjskom okruženju

Vrata i/ili prozori koji se otvaraju direktno prema vanjskom okruženju moraju imati ukupan otvor za ventilaciju u skladu s dimenzijama koje su navedene u tabeli u nastavku koje se zasnivaju na ukupnoj plinskoj energiji uređaja (ukupna potrošnja plinske energije uređaja prikazana je u tehničkim specifikacijama u tabeli u ovom priručniku za korisnika). Ako vrata i/ili prozori nemaju ukupan otvor za ventilaciju koji odgovara ukupnoj potrošnji plina ovog uređaja kao što je navedeno u tabeli u nastavku, u tom slučaju definitivno mora postojati dodatni fiksni otvor za ventilaciju u prostoriji kako bi se osiguralo da su postignuti ukupni zahtjevi za minimalnu ventilaciju za ukupnu potrošnju plina datog uređaja. Fiksni otvori za ventilaciju mogu uključivati otvore za postojeće šuplje cigle, otvorene dimenzije sistema kanala nape za izvlačenje itd.

Ukupna potrošnja plina (kW)	minimalni otvor za ventilaciju (cm <sup>2</sup> )
0-2	100
2-3	120
3-4	175
4-6	300
6-8	400
8-10	500
10-11,5	600
11,5-13	700
13-15,5	800
15,5-17	900
17-19	1000
19-24	1250

## Prostorije koje nemaju vrata i/ili prozore koji se otvaraju direktno prema vanjskom okruženju

Ako prostorija u kojoj je uređaj postavljen nema vrata i/ili prozor koji se mogu otvoriti direktno prema vanjskom okruženju, potrebno je potražiti druge proizvode koji definitivno osiguravaju fiksni nepodesivi otvor za ventilaciju koji se ne može zatvoriti i koji zadovoljava ukupne zahtjeve za minimalan otvor za ventilaciju za ukupnu potrošnju plina datog uređaja kao što je naznačeno u gornjoj tabeli. Takođe je potrebno pridržavati se odgovarajućih savjeta za propise objekta. Gdje prostorija ili unutrašnji prostor sadrže više od jednog plinskog uređaja, mora se osigurati dodatna ventilacija pored zahtjeva koji su dati u gornjoj tabeli. Veličina područja za dodatnu ventilaciju treba odgovarati propisima drugih plinskih uređaja. Trebao bi takođe postojati minimalan zazor od 10 mm na donjem rubu vrata koja se otvaraju prema unutrašnjem okruženju u prostoriji gdje je proizvod

postavljen. Morate osigurati da stavke poput tepiha i drugih podnih prostirki ne utiču na smanjenje zazora kada su vrata zatvorena.

Štednjak se može postaviti u kuhinju, kuhinju s trpezarijom ili dnevnu/spavaću sobu, ali ne i u prostoriju u kojoj se nalazi kada ili tuš. Štednjak se ne smije instalirati u dnevnu/spavaću sobu koja ima manje od 20 m<sup>3</sup>.

Nemojte instalirati uređaj u prostoriji ispod prizemlja ako ista nije otvorena prema prizemlju na barem jednoj strani.

## Instalacija i povezivanje

- Proizvod se isključivo može instalirati i priključiti u skladu sa statutarim pravilima instalacije.

## Električno spajanje

Priključite proizvod na uzemljenu utičnicu/vod koji su zaštićeni minijaturnom automatskom sklopkom odgovarajućeg kapaciteta kao što je navedeno u tabeli "Tehničke specifikacije". Neka uzemljenje uradi kvalifikovani električar dok se proizvod koristi sa ili bez transformatora. Naša kompanija neće biti odgovorna za bilo kakva oštećenja koja mogu nastati zbog korištenja proizvoda bez uzemljenja u skladu s lokalnim propisima.



### OPASNOST:

Uređaj mora biti spojen na napojnu mrežu samo od strane ovlaštene i kvalifikovane osobe. Period garancije za proizvod počinje samo nakon ispravno izvršene instalacije. Proizvođač se neće držati odgovornim za oštećenja nastala usljed procedura koje su izvodile neovlaštene osobe.



### OPASNOST:

Kabal za napajanje se ne smije pritiskati, savijati ili gnječiti, niti doći u kontakt sa vrućim dijelovima na proizvodu. Oštećeni kabal za napajanje se mora zamijeniti od strane kvalifikovanog električara. U suprotnom, postoji rizik od elektro šoka, kratkog spoja ili požara!

- Pri spajanju mora se pridržavati državnih propisa.
- Podaci napojnog voda moraju odgovarati podacima navedenim na etiketi o tipu proizvoda. Etiketa o tipu nalazi se na stražnjem dijelu kućišta proizvoda.
- Napojni kabal vašeg proizvoda se mora slagati sa vrijednostima iz tabele "Tehničke specifikacije".

**OPASNOST:**

Prije započinjanja bilo kakvog rada na električnim instalacijama, iskopčajte uređaj iz napajanja.  
Postoji rizik od elektro šoka!



Utikač napojnog kabla mora biti lako dokučiv nakon instalacije (nemojte ga voditi iznad ploče za kuhanje).



Dok obavljate spajanje žica, morate se pridržavati nacionalnih/lokalnih propisa o električnoj energiji i morate koristiti odgovarajuću utičnicu/vod i utikač za pećnicu. U slučaju da su energetska ograničenja proizvoda izvan trenutnog kapaciteta nosivosti utikača i utičnice/voda, proizvod se mora spojiti direktno preko fiksne električne instalacije, bez korištenja utikača i utičnice/voda.

Uključite napojni kabal u utičnicu.

**Plinski spoj****OPASNOST:**

Proizvod može biti spojen na sistem plinskog napajanja samo od strane ovlaštene i kvalifikovane osobe.

Rizik od eksplozije ili trovanja zbog nestručnih popravki!

Proizvođač se neće držati odgovornim za oštećenja nastala usljed procedura koje su izvodile neovlaštene osobe.

**OPASNOST:**

Prije započinjanja bilo kakvih radova na plinskim instalacijama isključite dovod plina.  
Postoji rizik od eksplozije!

- Prilagođavanje uslova i vrijednosti plina navedeni su na etiketama (ili jonskom tipu etikete).



Vaš proizvod je opremljen za ukapljeni petrolej plin (LPG).

**Spajanje plinskog crijeva**

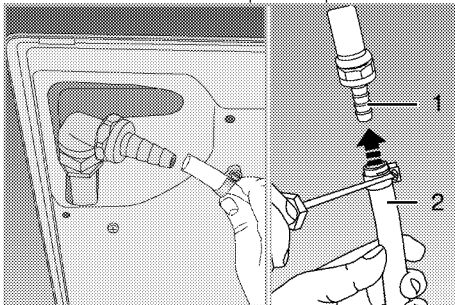
- Spojite vaš proizvod tako da bude blizu plinske veze i da ne dolazi do curenja plina.
- Plastično crijevo koje se koristi ne smije biti duže od 125 cm.
- Postavite obujmicu na crijevo. Potopite jedan kraj crijeva (unutrašnjeg prečnika 15 mm) u klučalu vodu na jednu minutu kako biste ga omekšali.
- Zatim, u potpunosti navucite omekšani kraj crijeva na oštri vrh ispusta na vašem proizvodu. Na kraju, odvijačem stegnite obujmicu u potpunosti.
- Ponovite isti postupak za drugi kraj crijeva i dovršite povezivanje na plinski cilindar.

- Ne zaboravite provjeriti ima li curenja na nekom mjestu na crijevu.

**OPASNOST:**

Rizik od eksplozije i gušenja!  
Nemojte čuvati LPG cilindre u kući.

- Ako kasnije budete trebali koristiti vaš proizvod sa drugom vrstom plina, morate se obratiti ovlaštenom serviseru kako bi obavio potrebne preinake.



- 1 Vrh LPG crijeva
- 2 Plastično crijevo

**Provjera mogućeg curenja plina na spojnim tačkama**

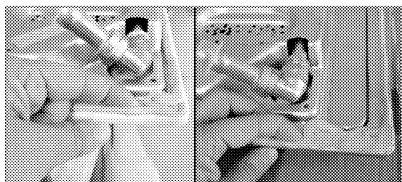
- Pazite da svi regulatori na uređaju budu isključeni. Osigurajte da dovod plina bude otvoren. Pripremite pjenu od sapuna i nanesite je na spojnu tačku crijeva kako biste ustanovili ima li curenja plina.
- Na nanesenom rastvoru vode i sapuna pojavit će se pjena ukoliko negdje curi plin. Ako se to desi, još jednom provjerite plinski spoj.



Nikad nemojte koristiti šibicu ili upaljač kako biste provjerili da li plin negdje curi na instalacijama.

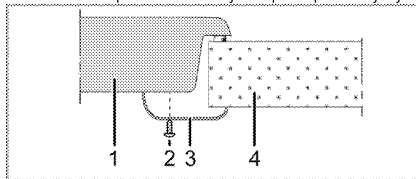
**Instalacija proizvoda**

1. Uklonite gorionike, poklopce gorionika i rešetke na ploči za kuhanje sa proizvoda.
2. Okrećući ploču za kuhanje na drugu stranu, postavite je na ravnu površinu.
3. Kako biste izbjegli da neželjene supstance i tečnosti prodiru između ploče za kuhanje i pulta, molimo nanesite kit koji je isporučen u pakovanju na niže konture kućišta ploče za kuhanje ali osigurajte da kit ne iscuri.
4. Popunite uglove tako što ćete formirati pregibe na uglovima kao što je prikazano na slici. Formirajte koliko god je potrebno pregiba da biste popunili praznine u uglovima.



**i** Budite sigurni da bočni odjelci na nižem kućištu ploče za kuhanje budu ispunjeni i zakitovani.

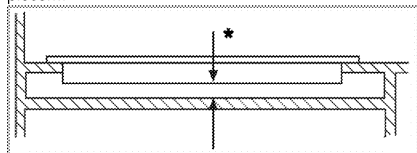
5. Postavite ploču za kuhanje na pult i poravnajte je.



- 1 Ploča za kuhanje
- 2 Vijak
- 3 Instalaciona spojica
- 4 Pult

**i** Kada instalirate ploču za kuhanje na kabinet, mora se ugraditi polica da biste razdvojili kabinet od ploče za kuhanje kao što je prikazano na slici gore. Ovo se ne zahtijeva kada se instalira na ugradbenu pećnicu.

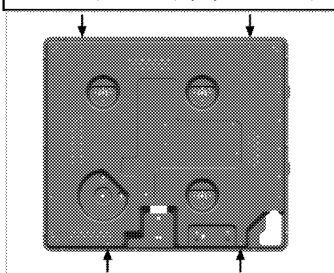
Na primjer, ako je moguće dotaketi dno proizvoda jer je instaliran na ladici, ova sekcija mora biti pokrivena drvenom pločom.



\* min. 15 mm

## Pogled odstraga (rupe za povezivanje)

**i** Položaj rupa za spajanje prikazan na donjoj slici je šematski, može se razlikovati u zavisnosti od modela proizvoda. Fiksirajte ih u skladu sa rupama za spajanje na vašem proizvodu.



Nakon instaliranja, stavite ploče gorionika, kape ploča gorionika i rešetke natrag na njihove odgovarajuće položaje.

**OPASNOST:**  
Spajanje na drugačije rupe nije dobro u pogledu sigurnosti jer može doći do oštećenja na plinskom ili električnom sistemu.

**OPASNOST:**  
Ploča za kuhanje sadrži komponente koje rade na plin i struju. Iz tog razloga ploča za kuhanje bi trebala biti pričvršćena na pult samo kroz rupice za pričvršćivanje, koristeći samo osiguravajuće elemente i vijke koji su isporučeni i kao što je naznačeno u ovom priručniku. U suprotnom, to će predstavljati opasnost za bezbjednost po život i imovinu.

## Završna provjera

1. Rukovanje proizvodom.
2. Provjerite funkcije.
3. Otvorite plinski dovod.
4. Provjerite da li su svi plinski spojevi čvrsto stegnuti i nepropusni.
5. Upalite gorionike i provjerite izgled plamena.

**i** Plamen mora biti plav i imati pravilan oblik. Ako je plamen žučkast, provjerite da li je kapica gorionika nalegala pravilno ili očistite gorionik.

## Odlaganje starog proizvoda.

- Sačuvajte originalnu kutiju u koju je proizvod bio upakovan i transportujte proizvod u istoj. Slijedite uputstva na kutiji. Ukoliko nemate originalnu kutiju, upakujte proizvod u zaštitnu foliju sa zračnim mjehurićima ili debelu kartonsku ambalažu i čvrsto omotajte ljepljivom trakom.
- Osigurajte kape i postolja za posude ljepljivom trakom.

**i** Provjerite generalno izgled vašeg proizvoda radi bilo kakvih oštećenja koja su se mogla desiti tokom transporta.

## 4 Priprema

### Savjeti za uštedu energije

Sljedeće informacije će vam pomoći da koristite vaš uređaj na ekološki način i da štedite energiju:

- Odmrznite zamrznuta jela prije kuhanja.
- Koristite šerpe/tave sa poklopcima za kuhanje. Ukoliko nema poklopca, potrošnja energije se može uvećati 4 puta.
- Odaberite gorionik koji je prikladan za veličinu dna posude koju ćete koristiti za kuhanje. Uvijek odaberite ispravno veličinu posude za spremanje vaših jela. Veće posude zahtijevaju više energije.
- Vodite računa o tome da koristite posude sa ravnim dnom kada kuhate na električnoj ploči za kuhanje.  
Posude sa debelim dnom će omogućiti bolju provodljivost toplote. Možete postići uštedu energije i do 1/3.
- Posude za kuhanje moraju biti kompatibilne sa kolima za kuhanje. Dno posude ne smije biti manje nego što je kolo na kojem će se kuhati.
- Održavajte kola za kuhanje i dna posuda čistim. Prijavština će umanjiti provodljivost toplote između kola za kuhanje i dna posude.
- Za duža kuhanja, isključite kola za kuhanje 5 ili 10 minuta prije isteka vremena kuhanja. Možete postići uštedu energije i do 20% koristeći preostalu toplotu.

### Prva upotreba

#### Prvo čišćenje uređaja



Neki deterdženti i materijali za čišćenje mogu izazvati oštećenja na površini.

Nemojte koristiti agresivne deterdžente, praškove/kreme za čišćenje ili bilo kakve oštre predmete dok čistite.

1. Uklonite sve materijale korištene za pakovanje
2. Obrišite površine uređaja vlažnom krpom ili spužvom i posušite krpom.

## 5 Kako koristiti ploču za kuhanje

### Opšte informacije o kuhanju



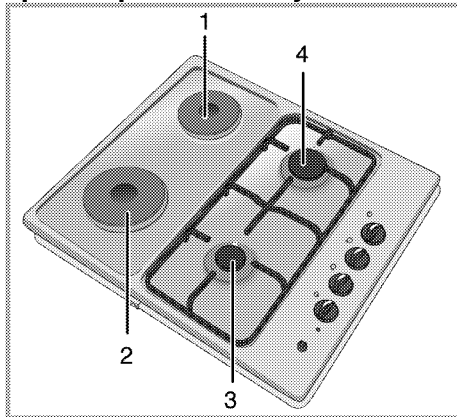
Nikada nemojte puniti tavu uljem više od jedne trećine. Ne ostavljajte ploču za kuhanje bez nadzora kada se zagrijava ulje. Pregrijano ulje predstavlja rizik od požara. **Nikada nemojte pokušavati gasiti mogući požar vodom!** Kada je ulje zahvaćeno vatrom, pokrijte ga protivpožarnim ćebetom ili vlažnom krpom. Isključite ploču za kuhanje ako je bezbjedno da se to uradi i pozovite vatrogasnu službu.

- Prije prženja hrane, uvijek ju dobro posušite i nježno stavite u vrelo ulje. Osigurajte da se smrznuta hrana u potpunosti otopi prije prženja.
- Nemojte pokrivati posude koje koristite kada zagrijavate ulje.
- Postavite tave i duboke tave na način da njihove ručke ne budu iznad ringle kako biste spriječili grijanje ručki. Nemojte stavljati na ringle posude koje nisu balansirane i koje se lako naginju.
- Ne stavljajte prazne posude i duboke tave na zone kuhanja koje su uključene. Mogle bi se oštetiti.
- Ako uključite zone kuhanja da rade bez posude ili duboke tave na njima to može prouzrokovati oštećenja na proizvodu. Isključite zone kuhanja nakon završetka kuhanja.
- Obzirom da površine na proizvodu mogu biti vruće, ne stavljajte plastične i aluminijske posude na njih. Takve posude se ne bi trebale koristiti niti za čuvanje hrane.
- Koristite tave ili drugo posuđe samo sa ravnim dnom.
- Stavite odgovarajuću količinu hrane u duboke tave ili drugo posuđe. Stoga nećete trebati činiti bilo kakva nepotrebna čišćenja jer ćete time sprječiti da jela kipe van. Ne stavljajte poklopce tava ili drugog posuđa na zone kuhanja. Stavite tave tako da su one centrirane na zoni kuhanja. Kada želite premjestiti posudu na drugu zonu kuhanja, podignite je i postavite na zonu kuhanja koju odaberete, nemojte je vući po površini.

### Plinsko kuhanje

- Veličina posude i plamena moraju odgovarati jedno drugom. Prilagodite plinski plamen tako da on ne premašuje dno posude i centrirajte posudu na nosaču za posude.

### Upotreba ploče za kuhanje



- 1 Ringla 145 mm
- 2 Ringla 180 mm
- 3 Pomoćni gorionik 12-18 cm
- 4 Normalni gorionik 18-20 cm je popis predloženih prečnika posuda koje treba koristiti na odgovarajućim gorionicima.



### UPOZORENJE

Nemojte koristiti posude za kuhanje čije dimenzije premašuju gore navedena ograničenja. Korištenje većih posuda izaziva opasnost od trovanja ugljen monoksidom, od pregrijavanja susjednih površina i upravljačkih tipki. Korištenje manjih posuda izaziva opasnost od opekotina plamenom.

Simbol velikog plamena označava najjači nivo kuhanja, a simbol malog plamena označava najslabiji nivo kuhanja. U isključenom položaju (prema gore), plin ne dolazi do gorionika.

### Paljenje plinskih gorionika

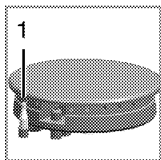
1. Držite tipku gorionika pritisnutom.
  2. Okrenite je u smjeru suprotnom od smjera kretanja kazaljke na satu do položaja simbola velikog plamena.
- » Plin se pali pomoću iskre koja se stvara.
3. Podesite na željenu jačinu kuhanja.



## Isključivanje plinskih gorionika

Okrenite tipku zone za zadržavanje toplote u položaj isključeno (prema gore).

## Sigurnosni sistem za prekid dotoka plina (kod modela sa termičkom komponentom)



1. Sigurnosne mjere prekida plina

Kada brojač izmjeri suprotno ispuhivanje zbog prekomjernog toka fluida u gorionicima, sigurnosni mehanizam isključuje i prekida plin.

- Gurnite tipku prema unutra i okrenite je u smjeru suprotnom od smjera kretanja kazaljke na satu radi paljenja.
- Nakon što se plin upali, držite tipku pritisnutom još za 3-5 sekundi duže da omogućite sigurnosni sistem.
- Ako se plin ne upali nakon što ste pritisnuli i otpustili tipku, ponovite istu proceduru držeći tipku pritisnutom 15 sekundi.



### OPASNOST:

Otpustite tipku ukoliko se gorionik nije upalio u roku od 15 sekundi.

Sačekajte najmanje 1 minutu prije ponovnog pokušaja. Postoji rizik od akumulacije plina i eksplozije!

## Uoptreba ringli

Tipke na ploči za kuhanje mogu se okretati u oba pravca na način koji obezbjeđuje kontrolu temperature korak po korak.



Ako je ploča za kuhanje opremljena s obilježjem "Booster" funkcije za ringle, odgovarajuća ringla će biti označena crvenom tačkom.

## Zaštita od pregrijavanja

Ringle čija je snaga preko 1000 W opremljene su sa zaštitom od pregrijavanja. Zaštita od pregrijavanja umanjuje snagu ringle u slijedećim slučajevima:

- Ukoliko nema nikakve posude ili duboke tave na ringli.
- Ukoliko se na ringli nalazi prazna posuda ili duboka tava.
- Ukoliko dno posude ili duboke tave nije ravno.

## Uključivanje ringli

Koristite tipke za ringle da rukujete ringlama. Podesite tipke za ringle na odgovarajući nivo kako biste postigli željenu jačinu kuhanja.

Jačina kuhanja	1	2 – 3	4 – 6
	zagrijavanje	pirjanje, krčkanje	kuhanje, prženje, vrenje

## Isključivanje ringli

Okrenite tipku za ringle u položaj "OFF" (isključeno) (prema gore).

## 6 Održavanje i njega

### Opšte informacije

Životni vijek proizvoda će biti produžen, a učestali problemi će se smanjiti ukoliko se proizvod čisti u redovnim intervalima.



#### OPASNOST:

Isključite uređaj s glavnog napajanja prije započinjanja aktivnosti oko održavanja i čišćenja.

Postoji rizik od elektro šoka!



#### OPASNOST:

Sačekajte da se uređaj ohladi prije čišćenja. Vruće površine mogu izazvati opekotine!

- Očistite temeljito proizvod nakon svake upotrebe. Na taj način će biti moguće lakše uklanjanje ostataka kuhanja, te oni neće gorjeti prilikom narednog korištenja uređaja.
- Za čišćenje uređaja nisu potrebna posebna sredstva za čišćenje. Koristite toplu vodu s tečnošću za pranje, mekanu krpu ili spužvu da očistite proizvod i zatim ga prebrišite suhom krpom.
- Uvijek osigurajte da bilo kakav višak tečnosti bude temeljito obrisano nakon čišćenja i sve što je proljevano da se odmah posuši brisanjem.
- Nemojte koristiti sredstva za čišćenje koja sadrže kiseline ili hlorid da biste čistili površine od nehrđajućeg materijala ili od inoksa niti za čišćenje ručke. Koristite mekanu krpu sa tečnim deterdžentom (ne abrazivnim) da prebrišete te dijelove, obratite pažnju da brišete u jednom smjeru.



Neki deterdženti i materijali za čišćenje mogu izazvati oštećenja na površini.

Nemojte koristiti agresivne deterdžente, praškove/kreme za čišćenje ili bilo kakve oštre predmete dok čistite.



Nemojte koristiti čistače na paru da čistite uređaj jer bi to moglo prouzrokovati strujni udar.

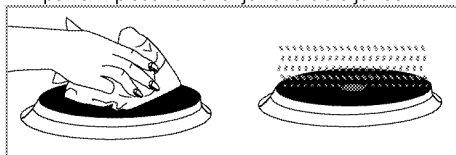
### Čišćenje ploče za kuhanje.

#### Plinske ploče za kuhanje

1. Uklonite i očistite nosače posuda i čepove gorionika.
2. Očistite ploču za kuhanje.
3. Vratite čepove gorionika na mjesto i budite sigurni da su nalegli ispravno.
4. Kada postavljate gornje rešetke, obratite pažnju da nosače posuda postavite tako da gorionici budu centrirani.

#### Električne ploče za kuhanje

1. Isključite kola za kuhanje i sačekajte da se ohlade
2. Ako je potrebno, očistite kola sa sredstvom za čišćenje (sredstva za čišćenje/omekšivače možete pronaći u specijalizovanim prodavnicama).
3. Zagrijete samo na par minuta nakon čišćenja kako bi se njihovi gornji odjelci osušili.
4. Redovno nanosite tanki sloj mašinskog ulja po površini ploče za kuhanje kako biste je zaštitili.



### Čišćenje kontrolne ploče

Očistite kontrolnu ploču i kontrolne tipke vlažnom krpom te ih potom osušite.



Ako je proizvod opremljen dugmadima/tipkama, nemojte uklanjati kontrolnu dugmad da čistite kontrolnu tablu. Kontrolna tabla bi se mogla oštetiti!

## 7 Rješavanje problema

### Proizvod odašilje metalne zvukove dok se zagrijava i hladi.

- Kada se metalni dijelovi zagrijavaju, mogu se širiti i praviti zvukove. >>> *Nije riječ o kvaru.*

### Proizvod ne radi.

- Osigurač napajanja je pokvaren ili je pregorio. >>> *Provjerite osigurače u kutiji s osiguračima. Ako je potrebno, zamijenite ih ili vratite u početni položaj.*
- Proizvod nije uključen u (uzemljen) utičnicu. >>> *Provjerite utikač na kablju.*

### Nema iskre paljenja.

- Nema struje. >>> *Provjerite osigurače u kutiji s osiguračima.*

### Nema plina.

- Glavni plinski ventil je zatvoren. >>> *Otvorite plinski ventil.*
- Plinski ventil je kriv. >>> *Pravilno montirajte plinsku cijev.*

### Gorionici ne gore pravilno ili ne gore nikako.

- Gorionici su prljavi. >>> *Očistite komponente gorionika.*
- Gorionici su mokri. >>> *Osušite komponente gorionika.*
- Kapica gorionika nije bezbjedno montirana. >>> *Pravilno montirajte kapicu gorionika.*
- Plinski ventil je zatvoren. >>> *Otvorite plinski ventil.*
- Plinski cilindar je prazan (kada se koristi LPG). >>> *Zamijenite plinski cilindar.*



Ukoliko ne možete ukloniti problem čak i ako ste implementirali uputstva iz ovog odjeljka, posavjetujte se sa ovlaštenim serviserom ili trgovcem kod kojeg ste kupili vaš proizvod. Nikada ne pokušavajte sami popravljati neispravan proizvod.

