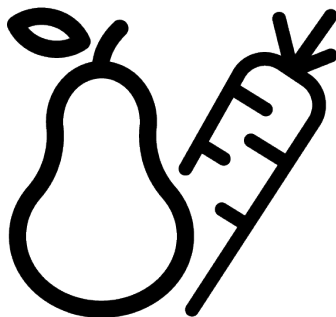


beko

Refrigerator / User Manual

Hűtőszekrény / Felhasználói kézikönyv

Frigorifero / Manuale Utente



GN163130SN-GN163140SN

58 4755 0000/ EN/ HU/ IT/ AL_1/4/ 10/07/23 16:28
7285548797_7298348743



Please read this manual first!

Dear Customer

Please read this manual before using the product.

Thank you for choosing this product. We would like you to achieve the optimal efficiency from this high quality product which has been manufactured with state of the art technology. To do this, carefully read this manual and any other documentation provided before using the product and keep it as a reference.

Heed all information and warnings in the user manual. This way, you will protect yourself and your product against the dangers that may occur.

Keep the user manual. Include this manual with the unit if you hand it over to someone else.

The following symbols are used in the user manual:



Hazard that may result in death or injury.



Important information or useful tips on operation.



Read the user manual.



Combustible material, warning against fire hazard.

NOTICE A hazard that may cause material damage to the product or its surroundings





  SUPPLIER'S NAME  MODEL IDENTIFIER → (*) 	<p>The model information as stored in the product data base can be reached by entering following website and searching for your model identifier (*) found on energy label.</p> <p>https://eprel.ec.europa.eu/</p>
---	--

Table of Content

1	Safety Instructions.....	4
1.1	Intention of Use	4
1.2	Safety of Children, Vulnerable Persons and Pets	4
1.3	Electrical Safety.....	5
1.4	Handling Safety	6
1.5	Installation Safety.....	6
1.6	Operational Safety.....	8
1.7	Food Storage Safety.....	10
1.8	Maintenance and Cleaning Safety	11
1.9	Disposal of the Old Product.....	12
2	Environmental Instructions.....	12
2.1	Compliance with the WEEE Dir- ective and Disposing of the Waste Product	12
3	Your Refrigerator	13
4	Installation	14
4.1	Electrical Connection	15
5	Preparation.....	16
5.1	What To Do For Energy Saving	16
5.2	First Use	16
5.3	Climate Class and Definitions	17
6	Operating the Product.....	17
7	Control Panel of the Product.....	18
8	Using The Product.....	20
8.1	Replacing the Illumination Lamp..	22
8.2	Door Open Alert	22
9	Product Features	23
9.1	The ice storage area.....	23
9.2	Egg holder	23
9.3	Crisper	23
9.4	Crisper Technologies	24
9.5	Humidity Controlled Crisper	24
10	Maintenance and Cleaning	24
11	Troubleshooting.....	25

1 Safety Instructions

- This section includes the safety instructions necessary to prevent the risk of personal injury or material damage.
- Our company shall not be held responsible for damages that may occur if these instructions are not observed.



Always have installation and repair operations performed by manufacturer, authorized service or a person who will be described by importer company.



Use original spare parts and accessories only.



Do not repair or replace any component of the product unless it is clearly specified in the user manual.



Do not perform any modifications on the product.

1.1 Intention of Use

- This product is not suitable for commercial use and should not be used for a purpose other than its intended use.
- This product is intended for operating interiors, such as households or similar.

For example;

In the staff kitchens of the stores, offices and other working environments,

In farm houses,

In the units of hotels, motels or other resting facilities that are used by the customers,

In hostels, or similar environments,

In catering services and similar non-retail applications.

- This product shall not be used in open or enclosed external environments such as vessels, camper vans, balconies or terraces. Exposing the product to rain, snow, sunlight and wind may cause risk of fire.

1.2 Safety of Children, Vulnerable Persons and Pets



- This product may be used by children aged 8 years and older and persons with underdeveloped physical, sensory or mental capabilities or lack of experience and knowledge if they are being supervised or have been given instruction concerning use of the appliance in a safe way and the hazards involved.

- Children between 3 and 8 years are allowed to put and take out food into/from the cooler product.
- Electrical products are dangerous for children and pets. Children and pets must not play with, climb on, or enter the product.
- Cleaning and user maintenance should not be performed by children unless there is someone overseeing them.
- Keep the packaging materials away from children. Risk of injury and suffocation.

Before disposing of old products that shall not be used any more:

1. Unplug the power cord from the mains socket.
 2. Cut the power cable and remove it from the appliance together with the plug.
 3. Do not remove the racks and drawers from the product to prevent children from getting inside the appliance.
 4. Remove the doors.
 5. Store the product so that it shall not be tipped over.
 6. Do not allow children to play with the scrapped product.
- Do not dispose of the product by throwing it into fire. Risk of explosion.

- If there is a lock available on the product's door, keep the key out of children's reach.

1.3 Electrical Safety

- The product shall not be plugged into the outlet during installation, maintenance, cleaning, repair, and transportation operations.
- If the power cable is damaged, it shall only be replaced by authorized service to avoid any risks that may occur.
- Do not tuck the power cable under the product or to the rear of the product. Do not put heavy items on the power cable. The power cable should not be bent, crushed, and come into contact with any heat source.
- Do not use an extension cord, multi-plug or adaptor to operate your product.
- Portable multi-plugs or portable power supplies may overheat and cause fire. Thus, do not have a multi-plug, portable power sources behind or in the vicinity of the product.
- Do not plug the product's power cord in a loose or damaged power outlet. These types of connections may overheat and cause fire.

- The plug shall be easily accessible. If this is not possible, a mechanism that meets the electrical legislation and that disconnects all terminals from the mains (fuse, switch, main switch, etc.) shall be available on the electrical installation.
- Do not touch the plug with wet hands.
- When unplugging the appliance, don't hold the power cord, but the plug.

1.4 Handling Safety

- Make sure to unplug the appliance before carrying the product.
- This product is heavy, do not handle it by yourself. Injuries may occur if the product falls on you. Do not bump into places or drop the product while transporting it.
- Always close the doors and do not hold the product by its doors while transporting it.
- Be careful not to damage the cooling system and the pipes while handling the product. Do not operate the product if the pipes are damaged, and contact an authorized service.

1.5 Installation Safety

- Contact the Authorized Service for the product's installation. To prepare the product for use, see the information in the user manual and make sure the electric and water utilities are as required. If not, call a qualified electrician and plumber to arrange the utilities as necessary. Failure to do so may result in electric shock, fire, problems with the product, or injury.
- The product is designed for use in areas 2000 metres below sea level.
- Check for any damage on the product before installing it. Do not have the product installed if it is damaged.
- Always use personal protective equipment (gloves, etc.) during product installation, maintenance and repair. Risk of Injury!
- Place the product on a clean, level and hard surface and balance it with the adjustable legs (by rotating the front feet to the right or left). Otherwise, the refrigerator may tip over and cause injuries.
- The product shall be installed in a dry and ventilated environment. Do not keep carpets,

rugs or similar covers under the product. This may cause risk of fire as a result of inadequate ventilation!

- Do not block or cover ventilation holes. Otherwise, power consumption increases and your product may be damaged.
- When placing the product, make sure that the supply cable is not damaged or pinched.
- The product must not be connected to supply systems such as solar power supply. Otherwise, your product may be damaged due to sudden voltage changes!
- The more refrigerant a refrigerator contains, the bigger its installation room should be. In very small rooms, a flammable gas-air mixture may occur in case of a gas leak in the cooling system. At least 1 m³ of volume is required for each 8 grams of refrigerant. The amount of the refrigerant available in your product is specified in the Type Label.
- The installation place of the product shall not be exposed to direct sunlight and it shall not be in the vicinity of a heat source such as stoves, radiators, etc. If you cannot prevent installation of the product in the vicinity of a heat source, use a suitable insulation plate and make sure the minimum distance to the heat source is as specified below:
 - At least 30 cm away from heat sources such as stoves, ovens, heating units and heaters, etc.,
 - And at least 5 cm away from electrical ovens.
- Your product has the protection class of I.
- Plug the product in a grounded socket that conforms with the Voltage, Current and Frequency values specified in the type label. The socket must have a 10A – 16A fuse. Our firm will not assume responsibility for any damages due to usage without earthing and without power connection in compliance with local and national regulations.
- The product's power cable must be unplugged during installation. Otherwise, risk of electric shock and injury may occur!
- Do not plug the product's power cord in loose, dislocated, broken, dirty, oily power outlets which have a risk of water contact. These types of connections may cause overheating and fire.

- Place the power cable and hoses (if any) of the product so that they shall not cause a risk of tripping over.
- Penetration of humidity and liquid to live parts or to the power cord may cause short circuit. Thus, do not use the product in humid environments or in areas where water may splash (e.g. garage, laundry room, etc.) If the refrigerator is wet by water, unplug it and contact an authorized service.
- Do not ever connect your refrigerator to power saving devices. These systems are harmful for the product.
- There is a risk of contact with electrical parts when removing the electronic board cover and the compressor rear cover (if fitted). Do not remove the electronic board cover and the compressor rear cover (if fitted). There is a risk of electrocution!
- In case of a failure of the product, unplug it and do not operate until it is repaired by the authorized service. There is a risk of electric shock!
- Do not place a source of flame (e.g. candles, cigarettes, etc.) on the product or in the vicinity of it.
- Do not get on the product. Risk of falling and injury!
- Do not cause damage to the pipes of the cooling system using sharp and piercing tools. The refrigerant that sprays out in case of puncturing the gas pipes, pipe extensions or upper surface coatings may cause irritation of skin and injury to the eyes.
- Do not place and operate electrical appliances inside the refrigerator/freezer unless it is advised by the manufacturer.
- Do not jam any parts of your hands or your body to the moving parts inside the product. Be careful to prevent jamming of your fingers between the refrigerator and its door. Be careful while opening or closing the door if there are children around.

1.6 Operational Safety

- Do not ever use chemical solvents on the product. These materials contain an explosion risk.

- Do not put ice cream, ice cubes or frozen food to your mouth as soon as you take them out of the freezer. Risk of frostbite!
- Do not touch the inner walls, metal parts of the freezer or food kept inside the freezer with wet hands. Risk of frostbite!
- Do not place soda cans or cans and bottles that contain fluids that may be frozen to the freezer compartment. Cans or bottles may explode. Risk of injury and material damage!
- Do not use or place materials sensitive against temperature such as flammable sprays, flammable objects, dry ice or other chemical agents in the vicinity of the refrigerator. Risk of fire and explosion!
- Do not store explosive materials such as aerosol cans with flammable materials inside the product.
- Do not place cans containing fluids over the product an open state. Splashing of water on an electrical part may cause an electric shock or a fire.
- This product is not intended for storage and cooling of medicines, blood plasma, laboratory preparations or similar materials and products that are subject to the Medical Products Directive.
- If the product is used against its intended purpose, it may cause damage to or deterioration of the products kept inside.
- If your refrigerator is equipped with blue light, do not look at this light with optical devices. Do not stare directly at UV LED light for a long time. Ultraviolet rays may cause eye strain.
- Do not fill the product with more contents than its capacity. Injuries or damages may occur if the contents of the refrigerator fall when the door is opened. Similar problems may also occur when an object is placed over the product.
- Ensure that you have removed any ice or water that may have fallen to the floor to prevent injuries.
- Change the locations of the racks/bottle racks on the door of your refrigerator only when the racks are empty. Danger of injury!
- Do not place objects that may fall/tip over on the product. These objects may fall while opening or closing the door and cause injuries and/or material damages.

- Do not hit or exert excessive pressure on glass surfaces. Broken glass may cause injuries and/or material damages.
- The cooling system in your product contains R600a refrigerant. The refrigerant type used in the product is specified in the type label. This gas is flammable. Therefore, be careful not to damage the cooling system and the pipes while operating the product. In case of damage to the pipes;
 1. Do not touch the product or the power cable.
 2. Keep the product away from potential sources of fire that may cause the product to catch fire.
 3. Ventilate the area where the product is placed. Do not use a fan.
 4. Contact Authorized Service.

If the product is damaged and you observe gas leak, please stay away from the gas. Gas may cause frostbite if it contacts your skin.

Before disposing of old products that shall not be used any more:

1. Unplug the power cord from the mains socket.
2. Cut the power cable and remove it from the appliance together with the plug.

3. Do not remove the racks and drawers from the product to prevent children from getting inside the appliance.
 4. Remove the doors.
 5. Store the product so that it shall not be tipped over.
 6. Do not allow children to play with the scrapped product.
- Do not dispose of the product by throwing it into fire. Risk of explosion.
 - If there is a lock available on the product's door, keep the key out of children's reach.

1.7 Food Storage Safety

Please pay attention to the following warnings to avoid food spoilage:

- Leaving the doors open for a long time may cause the temperature inside the product to rise.
- Regularly clean the accessible drainage systems in contact with food.
- Clean the water tanks that have not been used for 48 hours and mains-fed water systems that have not been used for more than 5 days.
- Store raw meat and fish products in appropriate compartments within the product.

Thus, it does not drip on or come into contact with other foods.

- Two-star freezer compartments are used for storing pre-filled foods, making and storing ice and ice cream.
- One, two and three-star compartments are not appropriate for freezing fresh food.
- If the cooling product has been left empty for a long time, turn off the product, defrost, clean, and dry the product in order to protect the housing of the product.

1.8 Maintenance and Cleaning Safety

- Unplug the refrigerator before cleaning it or starting to perform maintenance.
- Do not pull by the door handle if you shall move the product for cleaning purposes. Handle may cause injuries if it is pulled too hard.
- Do not put your hands etc. under the refrigerator. Jamming may occur or any sharp edge may cause personal injuries.
- Do not clean the product by spraying or pouring water on the product and inside the product. Risk of electric shock and fire.
- When cleaning the product, do not use sharp and abrasive tools or household cleaning agents, detergent, gas, gasoline, thinner, alcohol, varnish, and similar substances. Use only cleaning and maintenance agents that are not harmful for food inside the product.
- Do not ever use steam or steamed cleaning materials for cleaning the product and thawing the ice inside it. Steam contacts the live areas in your refrigerator and causes short circuit or electric shock.
- Do not use any mechanical tools or any other tools than the recommendations of the manufacturer to speed up the defrost operation.
- Take care to keep water away from the ventilation holes, electronic circuits or lighting of the product.
- Use a clean, dry cloth to wipe the dust or foreign material on the tips of the plugs. Do not use a wet or damp piece of cloth to clean the plug. Otherwise, risk of fire or electric shock may occur.



1.9 Disposal of the Old Product

When disposing of your old product follow the instructions below:

- To prevent children from accidentally locking themselves into the product, if there is door lock, make it deactivated.
- Splash of coolant is harmful to the eyes. Do not damage any part of the cooling system while disposing of the product.

2 Environmental Instructions

2.1 Compliance with the WEEE Directive and Disposing of the Waste Product



This product complies with EU WEEE Directive (2012/19/EU). This product bears a classification symbol for waste electrical and electronic equipment (WEEE).

This symbol indicates that this product shall not be disposed with other household wastes at the end of its service life. Used device must be returned to official collection point for recycling of electrical and electronic devices. To find these collection systems please contact to your local authorities or retailer where the product was purchased. Each household performs important role in recovering and recycling of old appliance. Appropriate disposal of used

- It may be fatal if the compressor oil is swallowed or if it penetrates the respiratory tract.
- Cooling system of your product includes R600a gas as specified in the type label. This gas is flammable. Do not dispose of the product by throwing it into fire. Risk of explosion!

appliance helps prevent potential negative consequences for the environment and human health.

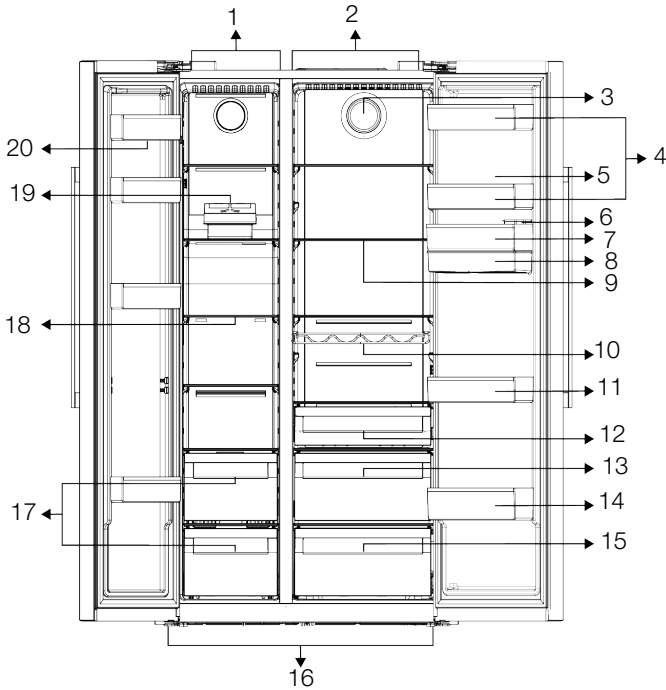
Compliance with RoHS Directive

The product you have purchased complies with EU RoHS Directive (2011/65/EU). It does not contain harmful and prohibited materials specified in the Directive.



Package information

Packaging materials of the product are manufactured from recyclable materials in accordance with our National Environment Regulations. Do not dispose of the packaging materials together with the domestic or other wastes. Take them to the packaging material collection points designated by the local authorities.



- | | |
|-------------------------------------|---------------------------------------|
| 1 Freezer Compartment | 2 Cooler compartment |
| 3 Fan | 4 *Cooler compartment door shelves |
| 5 Egg holder | 6 Water dispenser filling tank |
| 7 *Cooler compartment door shelves | 8 Water dispenser reservoir |
| 9 *Cooler compartment glass shelves | 10 *Bottle shelf |
| 11 *Cooler compartment door shelves | 12 *Dairy (cold storage) bin |
| 13 *Crispers | 14 *Bottle shelf |
| 15 *Crispers | 16 Adjustable legs |
| 17 Frozen food storing compartments | 18 *Freezer compartment glass shelves |
| 19 Icematic | 20 Freezer compartment door shelves |

***Optional:** Figures in this user manual are schematic and may not exactly match your product. If your product does not comprise the relevant parts, the information pertains to other models.

4 Installation

Right place for installation



Read the "Safety Instructions" section first!

Your product requires adequate air circulation to function efficiently. If the product will be placed in an alcove, remember to leave at least 5 cm clearance between the product and the ceiling, rear wall and the side walls. Check if the rear wall clearance protection component is present at its location (if provided with the product). If the component is not available, or if it is lost or fallen, position the product so that at least 5 cm clearance shall be left between the rear surface of the product and the wall of the room. The clearance at the rear is important for efficient operation of the product.

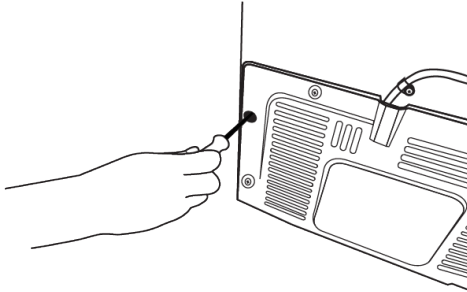


Do not use extension or multi sockets in the power connection.

Attaching the plastic wedges

Use the plastic wedges provided with the product to maintain sufficient space for air circulation between the product and the wall.

- Remove the screws on the product and mount the screws provided with the wedges.



- Attach 2 plastic wedges on the ventilation cover as shown in the figure.



The manufacturer assumes no responsibility for any damage caused by the work carried out by unauthorized persons.

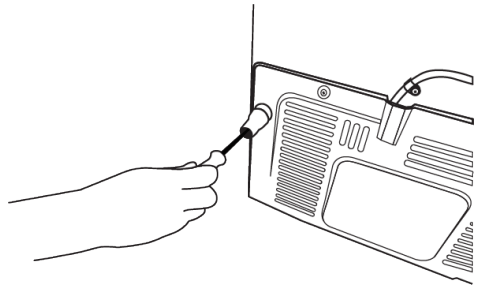


The product's power cable must be unplugged during installation. Failure to do so may result in death or serious injuries!



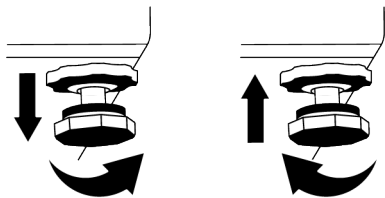
If the door span is too narrow for the product to pass, remove the door and turn the product sideways; if this does not work, contact the authorized service.

- Place the product on a flat surface to avoid vibration
- Place the product at least 30 cm away from the heater, stove and similar sources of heat and at least 5 cm away from electric ovens.
- Do not expose the product to direct sunlight or keep in damp environments.



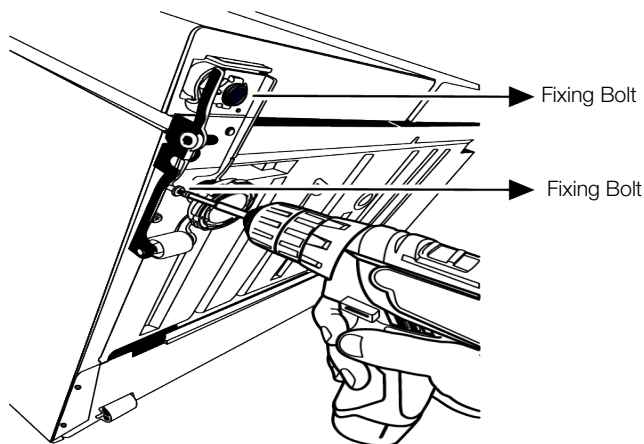
Adjusting the Legs

If the product is not in a balanced position, you can adjust the balance of the product by rotating the stands on the front right or left.



For adjusting the doors vertically,

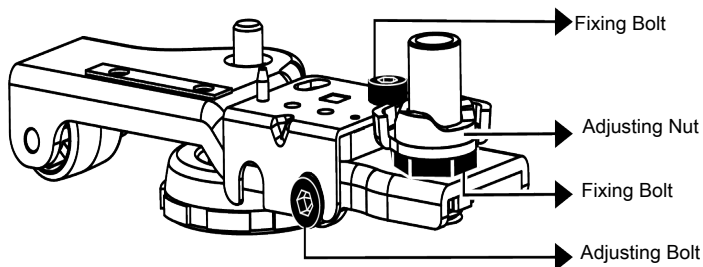
Loosen the fixing bolt at the bottom. Turn the adjusting bolt towards the position (clockwise/counter clockwise) of the door. Tighten the fixing bolt to immobilize the position.



For adjusting the doors horizontally,

Loosen the fixing bolt at the bottom. Loosen the fixing bolt at the top. Turn the adjusting bolt on the side towards the posi-

tion (clockwise/counter clockwise) of the door. In order to immobilize the position, tighten the fixing bolt at the top. Tighten the fixing bolt at the bottom.



4.1 Electrical Connection



WARNING: Do not use extension or multi sockets in power connection.



WARNING: Damaged power cable must be replaced by Authorized Service.

- Our firm will not assume responsibility for any damages due to usage without earthing and power connection in compliance with national regulations.

- The power cable plug must be easily accessible after installation.



Hot surface warning!

The side walls of your product are equipped with cooler pipes to enhance the cooling system. High pressure fluid may flow through these surfaces, and cause hot surfaces on the side walls. This is normal and it does not require servicing. Be careful when you contact these areas.

5 Preparation



Read the "Safety Instructions" section first!

5.1 What To Do For Energy Saving



Connecting the product to electronic energy-saving systems is harmful, as it may damage the product.

- This refrigerating appliance is not intended to be used as a built in appliance.
- Do not keep the refrigerator doors open for long periods.
- Do not place hot food or beverages into the refrigerator.
- Do not overfill the refrigerator; blocking the internal air flow will reduce cooling capacity.
- Since hot and humid air will not directly penetrate into your product when the doors are not opened, your product will optimize itself in conditions sufficient to protect your food. Under these circumstances, functions and components such as compressor, fan, heater, defrost, lighting, display and so on will operate according to the needs by consuming minimum energy.
- In case that multiple options are present, glass shelves must be placed so that the air outlets at the rear wall are not blocked and preferably, in a way that air outlets remain below the glass shelf. This combination may help improving air distribution and energy efficiency.

- Using the below drawer when storing is strongly recommended.
- Food shall be stored using the drawers in the cooler compartment in order to ensure energy saving and protect food in better conditions.

5.2 First Use

Before using your refrigerator, make sure the necessary preparations are made in line with the instructions in "Safety and Environmental Instructions" and "Installation" sections.

- Keep the product running without placing any food inside for 6 hours and do not open the door, unless absolutely necessary.
- The temperature change caused by opening and closing of the door while using the product may normally lead to condensation on door/body shelves and glassware placed in the product.



A sound will be heard when the compressor is engaged. It is normal for the product to make noise even if the compressor is not running, as fluid and gas may be compressed in the cooling system.



It is normal for the front edges of the refrigerator to be warm. These areas are designed to warm up in order to prevent condensation.



For some models, indicator panel turns off automatically 1 minute after the door closes. It will be re-activated when the door is opened or any button is pressed.

5.3 Climate Class and Definitions

Please refer to the Climate Class on the rating plate of your device. One of the following information is applicable to your device according to the Climate Class.

- **SN:** Long Term Temperate Climate: This cooling device is designed for use at ambient temperatures between 10 °C and 32 °C.
- **N:** Temperate Climate: This cooling device is designed for use at ambient temperatures between 16°C and 32 °C.
- **ST:** Subtropical Climate: This cooling device is designed for use at ambient temperatures between 16°C and 38°C.
- **T:** Tropical Climate: This cooling device is designed for use at ambient temperatures between 16°C and 43°C.

6 Operating the Product



Read the "Safety Instructions" section first!

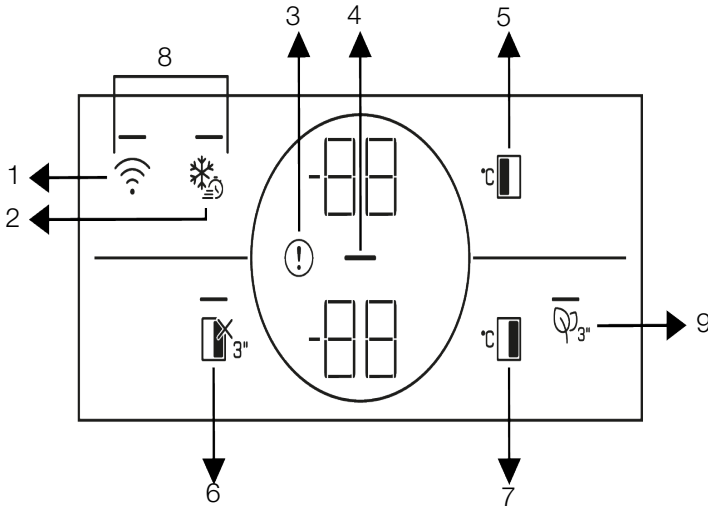
- Do not use any mechanical tools or any other tools than the recommendations of the manufacturer to speed up the defrost operation.
- Do not use parts of your refrigerator such as the door or drawers as a support or a step. This may cause the product to trip over or its components to be damaged.
- The product shall be used for storing food only.

- Turn off the water valve if you will be away from home (e.g. at vacation) and you will not be using the Icematic or the water dispenser for a long period of time. Otherwise, water leaks may occur.


Unplugging the Product

- If you are not going to use the product for a long time, unplug the product from the socket.
- Remove the food to prevent odours,
- Wait for the ice to melt, clean the interior and let it dry, leave the doors open to avoid damaging the inner body plastics.

7 Control Panel of the Product



- | | |
|---|---|
| 1 *Wireless | 2 Quick Freezing |
| 3 High Temperature/Fault Alert | 4 Energy Saving (Display Off) |
| 5 The Freezer Compartment Temperature Setting | 6 Vacation Function |
| 7 Cooler Compartment Temperature Setting | 8 *Key for Resetting Wireless Connection Settings |
| 9 *Deodoriser Module Key | |

 Read the "Safety Instructions" section first.

*Optional: Shown functions are optional, there may be differences of shape and location in functions found on your appliance's indicator panel.

Auditory and visual functions on the indicator panel will assist you in using the refrigerator.

1. *Wireless Key

You can use this key to make a wireless connection with your product via HomeWhiz mobile app.

When the key is pressed for a long period (3 seconds), the wireless connection symbol on the display/screen flashes slowly (at 0.5 second intervals). The home network is introduced to the product firstly in this way. After achieving wireless connection with the product, wireless connection symbol illuminates continuously. After completing the initial installation, you can activate/deactivate it for pressing this key. Wireless connection symbol illuminates quickly (at 0.2 seconds intervals) until

the connection is made. When the connection is active, the wireless network symbol will illuminate continuously.

If the connection cannot be established for a long period, check your connection settings and refer to the "Troubleshooting" section provided in the user manual.

Use HomeWhiz application for wireless connection. You can find the installation steps in the application during installation. The installation steps are described on the application during installation.

You may access the application by reading the QR code available on the HomeWhiz label on the product. Application is offered through App Store for IOS devices, and through Play Store for Android devices.

Visit <https://www.homewhiz.com/> address for detailed information.

2. Quick Freezing Key

When you press the quick freezing key, the LED on the key is illuminated and the quick freezing function will be activated. Freezer compartment temperature is set to -27 Celsius. Press the key again to cancel the function. The quick freezing function will be cancelled automatically. To freeze a large amount of fresh food, press the quick freezing key before placing the food in the freezer compartment.

3. High temperature / fault alert

This indicator will be active when your refrigerator cannot perform adequate cooling or in case of any sensor error. "E" will be displayed on the freezer compartment temperature indicator and figures such as 1,2,3... will be displayed on the cooler compartment temperature indicator. These figures provide information to the authorized service on the error that has occurred.

Exclamation mark may be displayed for a while when you load warm food to the freezer compartment or keep the door open for a long period of time. This is not a fault, this warning will be removed when the food is cooled down or when any key is pressed.

4. Energy Saving (Display Off) Indicator

Energy saving function is enabled automatically and the energy saving symbol lights up when the door of the product is not opened or closed for some period of time. When you activate the energy saving function, all symbols on the screen other than the energy saving symbol will be turned off. When you activate the energy-saving function, if you press any key or open the door of the product, the energy saving function of the refrigerator will be deactivated and the symbols on the screen will return to normal. The energy saving function is a function activated ex-factory and cannot be cancelled.

5. The Freezer Compartment Temperature Setting Key

In order to set freezer compartment temperature, press on this key. When you press on this key, the freezer compartment temperature can be set to -18,-19,-20,-21,-22,-23,-24 Celsius values.

6. Cooler Compartment Off (Vacation)

Function Key

Press on the key for 3 seconds to activate the vacation function. Vacation mode is activated and the LED on the key is illuminated. "-.-" will be displayed on the Cooler Compartment temperature indicator and the cooler compartment does not actively perform cooling. When you activate this function, it is not suitable to store your food in the cooler compartment. Other compartments will continue to cool according to their adjusted temperatures. Press the key for 3 seconds again to cancel this function.

7. Cooler Compartment Temperature

Setting Key

In order to set cooler compartment temperature, press on this key. When you press on this key, the cooler compartment temperature can be set to 8,7,6,5,4,3,2 and 1 Celsius values.

8. *Key for Resetting Wireless Connection Settings*

To reset the wireless connection settings, press on Quick freezing and Wireless connection keys simultaneously for 3 seconds. All user information recorded previously are removed on a product where wireless connection settings are reset/restored to factory defaults.

8 Using The Product



Read the "Safety Instructions" section first!

Storing food in the freezer compartment

- You can activate Quick Freezing function 4-6 hours before freezing function and perform a faster cooling.
- Bring hot meals to the room temperature before placing them in the freezer compartment.
- Foods to be frozen must be divided into portions according to a size to be consumed, and frozen in separate packages.
- It is recommended to pack the foods before placing them in the freezer.
- In order to prevent expiration of storage time, write the freezing date, time and name of the product on the package according to the storage times of different foods.
- Consume the foods you have defrosted quickly. Defrosted foods cannot be frozen again unless they are cooked. It is not safe to consume the refrozen fresh foods without cooking after they are defrosted.
- As you freeze fresh foods, do not bring them in contact with already frozen foods. Otherwise, frozen foods will be defrosted.

9. *Deodoriser Module Key

Press this key for 3 seconds to activate/deactivate the deodoriser feature. When the deodoriser feature is active, the LED on the respective key is illuminated. When the feature is active, the deodoriser module will be operated periodically.

Storing the foods, which are sold frozen

- Always follow the instructions of the producer in relation to the time during which you are required to store your foods. Do not exceed the time specified in these instructions!
- In order to protect the quality of the food, keep the time interval between purchasing transaction and storing as short as possible.
- Buy frozen food which are stored at -18°C or lower temperatures.
- Avoid buying foods whose packages are covered with ice etc. This means that the product could be partially defrosted and refrozen. Temperature impacts the quality of the food.
- Do not exceed the storing time recommended by the food producer. Remove only the food as much as you need from the freezer.
- Except the cases where extreme circumstances are available in the environment, if your product (on the recommended set values table) is set to the specified set values, the food keep their freshness for a longer time both in the fresh product compartment and freezer compartment.
- If fresh food compartment is set to a lower temperature, fresh fruits and vegetables may be partially frozen.

Recommended set values table

Freezer Compartment Setting	Fridge Compartment Setting	Remarks
-18 °C	4 °C	This is the default, recommended setting. This setting is recommended if ambient temperature is below 30 °C.
-20, -22 or -24 °C	4 °C	These settings are recommended for ambient temperatures exceeding 30 °C.
Quick Freeze	4 °C	Use when you want to freeze your food in a short time. When the process ends, the product's settings will return to previous position.
-18 °C or colder	2 °C	Use these settings if you believe the cooler compartment is not cold enough due to ambient temperature or frequently opening the door.

Quick freezing

1. Activate the quick freezing function 24 hours before placing your fresh foods.
2. After 24 hours after pressing the button, place your food that you want to freeze in the third or fourth drawers with higher freezing capacity.
3. The quick freezing function will be automatically deactivated after 24 hours.

Freezer details

As per the IEC 62552 standards, the freezer must have the capacity to freeze 4.5 kg of food items at -18 °C or lower temperatures at 25 °C room temperature in 24 hours for each 100 litres of freezer compartment volume.

Food products can only be preserved for extended periods at or below temperature of -18 °C.

You can keep the foods fresh for months (in freezer at or below temperatures of -18 °C).

The food products to be frozen must not contact the already-frozen food inside to avoid partial defrosting.

Boil the vegetables and filter the water to extend the frozen storage time. Place the food in air-tight packages after filtering and place in the freezer. Bananas, tomatoes, lettuce, celery, boiled eggs, potatoes and similar food items should not be frozen. In case these foods are frozen, only nutritional values and eating qualities will be negatively affected. A rotting that would threaten human health is not in question.

Placing the food

Freezer compartment shelves: Different frozen foods like meat, fish, ice cream, vegetables etc.

Cooler compartment shelves: Food items inside pots, capped plate and capped cases, eggs (in closed case)

Cooler compartment door shelves: Small and packaged food or beverages

Crisper: Vegetables and fruits

Fresh food compartment: Delicatessen (breakfast food, meat products to be consumed in short time)

Storing food in the cooler compartment

- Compartment temperatures rise prominently if compartment door is opened and closed frequently and kept open for a long time, this can reduce the life span of the food and cause the food to spoil.
- In order not to cause odour and taste changes, the food should be stored in the closed containers.
- Do not store too much food in your refrigerator. To achieve a better and homogeneous cooling, place the food separately in a way that cold air can wander through them.
- Provide air flow by leaving a space between the food and internal wall. If you lean the food against the rear wall, the food may freeze.
- Bring cooked hot meals to the room temperature before placing them in the refrigerator. Then, you can place the tepid meal in the lower shelves of your refrigerator. Do not place the tepid meals close to the foods which may easily spoil.

- Defrost your frozen food in the fresh food compartment. Thereby, you can cool fresh food compartment by using frozen food and save energy.
- Storing unripe tropical fruits (mango, melon varieties, papaya, banana, pineapple) in the refrigerator may speed up the ripening process. This is not recommended because it will cause shorter storage time.
- You should store onions, garlics, ginger and other root vegetables in dark and cold room conditions, not in the refrigerator.
- If you notice that a food has spoiled in the refrigerator, throw away that food and clean the accessories which have come into contact with it.
- In order to cool the meals like soups and stews, which are cooked in the large pots, quickly, you can put them in the refrigerator by separating them into their own shallow containers.
- Do not place unpackaged food close to eggs.
- Keep the fruits and vegetables separately and store each variety together (for example; apples with apples, carrots with carrots)
- Take green vegetables out of the plastic bag and place them in the refrigerator after wrapping them in a paper towel or drying cloth. If you wash this type of food before placing them in the refrigerator, remember to dry them.
- You can both create a damp environment and provide an air flow by keeping fruits and vegetables, which are prone to drying, in the perforated or unsealed plastic bags.
- Except the cases where extreme circumstances are available in the environment, if your product (on the recommended set values table) is set to the specified set values, the food keep their freshness for a longer time both in the fresh product compartment and freezer compartment.

Store different food in different places according to their properties.

Food	Location
Egg	Door Shelf
Dairy products (butter, cheese)	If available, zero degree (for breakfast food) compartment
Fruits, vegetables and greenery	Fruit-vegetable compartment, crisper or EverFresh+ compartment (if available)
Fresh meat, poultry, fish, sausage etc. Cooked foods	If available, zero degree (for breakfast food) compartment
Ready to serve foods, packaged products, canned foods and pickles	Top shelves or door shelf
Beverages, bottles, spices and snacks	Door Shelf

8.1 Replacing the Illumination Lamp

Call the Authorized Service when the Bulb/LED used for lighting in your refrigerator will be replaced.

Lamp(s) used in this appliance cannot be used for house lighting. Intended use of this lamp is to help the user place food into the refrigerator / freezer safely and comfortably.

8.2 Door Open Alert

The door open alert system of your refrigerator may differ depending on the model.

Version 1;

If the door of the product remains open for a certain time (between 60 s and 120 s), an audio warning signal sounds; depending on the product model, a visual warning signal (light flash) can also be displayed. If you

close the door of the device or press a button on the screen of the device, if any, the warning sound will stop.

Version 2;

If the door of the device remains open for a certain period of time (between 60 s and 120 s), the door open alert is sounded. The door open alert is sounded gradually. First,

an audible warning starts to sound. After 4 minutes, if the door is still not closed, a visual warning (lighting flash) is activated. The door open alert will be delayed for a certain period of time (between 60 s and 120 s) when any key on the product screen, if any, is pressed. Then the process will start again. When the device door is closed, the door open alert will be cancelled.

9 Product Features

9.1 The ice storage area

Icematic and Ice Storage Box

Fill the icematic with water and put in place. The ice will be ready after approximately two hours. Do not remove the the ice maker to take the ice.



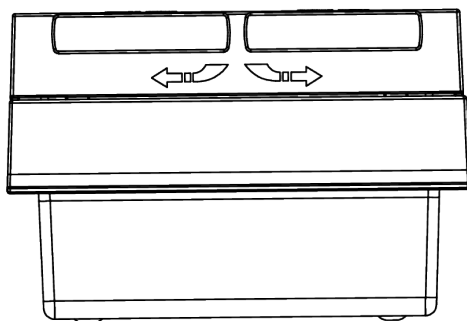
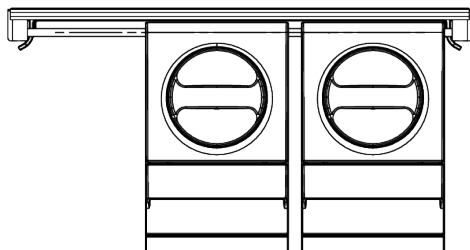
The ice storage box is intended for storing ice only. Do not freeze water in it. Doing so will cause it to break.



NOTICE

A sound may be made during ice pouring. This sound is normal.

Turn the buttons on the ice chambers right-hand side by 90°; the ice will fall to the ice storage box below. You may then remove the ice storage box and serve the ice.



9.2 Egg holder

You can place the egg holder on the door or body shelf you wish.

If the egg holder is to be placed on the body shelf, we recommend you to choose colder lower shelves.



Never place the egg holder on the freezer compartment

9.3 Crisper

The refrigerator's crisper is designed to keep vegetables fresh by preserving their humidity. For this purpose, the overall cold air circulation is intensified in the crisper. Keep fruits and vegetables in this compartment. Keep the green-leaved vegetables and fruits separately to prolong their life.

9.4 Crisper Technologies

Blue Light

Fruits and vegetables stored in the crispers that are illuminated with a blue light continue their photosynthesis by means of the wavelength effect of blue light and thus preserve their vitamin content.

Fruits and vegetables stored in crispers illuminated with the technology preserve their vitamins for a longer time thanks to the blue, green, red lights and dark cycles, which simulate a day cycle.

When the door of your refrigerator is opened during the dark period of the technology, your refrigerator shall sense this automatically and illuminate the crisper with one of the blue, green or red lights respectively for your convenience. After you have closed the door of the refrigerator, the dark period will continue, representing the night time in a day cycle.

9.5 Humidity Controlled Crisper

With the humidity controlled crisper feature, the humidity of vegetables and fruits is kept under control and the food is kept fresh for a longer period of time.

10 Maintenance and Cleaning

**WARNING:**

Read the "Safety Instructions" section first.

**WARNING:**

Unplug the refrigerator before cleaning it.

- Do not use sharp or abrasive tools to clean the product. Do not use materials such as household cleaning agents, soap, detergents, gas, gasoline, thinner, alcohol, wax, etc.

We recommend that you place leafy vegetables such as lettuce, spinach and similar vegetables that are sensitive to moisture loss in the crisper, not upright on their roots, but as horizontally as possible. When placing the vegetables, place heavy and hard vegetables at the bottom and light and soft ones on the top, taking into account the specific weights of vegetables. Never leave vegetables in plastic bags in the crisper. Leaving them in plastic bags causes vegetables to rot in a short time. In situations where contact with other vegetables is not preferred, use packaging materials such as paper that has a certain level of porosity in terms of hygiene. Do not put fruits that have a high ethylene gas production such as pear, apricot, peach and particularly apple in the same crisper with other vegetables and fruits. The ethylene gas coming out of these fruits might cause other vegetables and fruits to mature faster and rot in a shorter period of time.

- The dust shall be removed from the ventilation grill on the rear of the product at least once a year (without opening the cover). Clean the product with a dry cloth.
- Take care to keep water away from the lamp's cover and other electrical parts.
- Clean the door with a damp cloth. Remove all contents to remove the door and body racks. Remove the door racks by lifting them upwards. Clean and dry the shelves, then attach back in place by sliding from above.

- Do not use chlorinated water or cleaning products on the exterior surface and chrome-coated parts of the product. Chlorine will cause rust on such metallic surfaces.
- Do not use sharp and abrasive tools, soap, house cleaning materials, detergents, gas, gasoline, varnish and similar substances to prevent deformation of the plastic part and removal of prints on the part. Use warm water and a soft cloth for cleaning, and then dry it.
- On the products without a No-Frost feature, water droplets and icing up to a thickness of a finger may occur on the rear wall of the freezer compartment. Do not clean, and never apply oils or similar materials.
- Use a mildly dampened micro-fibre cloth to clean the external surface of the product. Sponges and other types of cleaning clothes may cause scratches.
- To clean all removable components during the cleaning of the interior surface of the product, wash these components with a mild solution consisting of soap, water and carbonate. Wash and dry thoroughly. Prevent contact of water with illumination components and the control panel.

**CAUTION:**

Do not use vinegar, rubbing alcohol or other alcohol based cleaning agents on any interior surface.

Stainless Steel External Surfaces

Use a non-abrasive stainless steel cleaning agent and apply it with a soft lint-free cloth. To polish, gently wipe the surface with a micro-fibre cloth dampened with water and use dry polishing chamois. Always follow the veins of the stainless steel.

Preventing Odours

The product is manufactured free of any odorous materials. However, keeping the food in inappropriate sections and improper cleaning of internal surfaces may lead to odours.

- To avoid this, clean the inside with carbonated water every 15 days.
- Keep the foods in sealed holders, as micro-organisms arising from foods kept in unsealed containers will cause bad odour.
- Do not keep expired and spoilt foods in the refrigerator.

Protecting Plastic Surfaces

Oil spilled on plastic surfaces may damage the surface and must be cleaned immediately with warm water.

11 Troubleshooting

Check this list before contacting the service. Doing so will save you time and money. This list includes frequent complaints that are not related to faulty workmanship or materials. Certain features mentioned herein may not apply to your product.

The refrigerator is not working.

- The power plug is not fully settled. >>> Plug it in to settle completely into the socket.
- The fuse connected to the socket powering the product or the main fuse is blown. >>> Check the fuse.

Condensation on the side wall of the cooler compartment (MULTI ZONE, COOL CONTROL and FLEXI ZONE).

- The door is opened too frequently. >>> Take care not to open the product's door too frequently.
- The environment is too humid. >>> Do not install the product in humid environments.
- Foods containing liquids are kept in unsealed holders. >>> Keep the foods containing liquids in sealed holders.
- The product's door is left open. >>> Do not keep the product's door open for long periods.

- The thermostat is set to a very cool temperature. >>> Set the thermostat to an appropriate temperature.

Compressor is not working.

- In case of sudden power failure or pulling the power plug off and putting back on, the gas pressure in the product's cooling system is not balanced, which triggers the compressor thermic safeguard. The product will restart after approximately 6 minutes. If the product does not restart after this period, contact the service.
- Defrosting is active. >>> This is normal for a fully-automatic defrosting product. The defrosting is carried out periodically.
- The product is not plugged in. >>> Make sure the power cord is plugged in.
- The temperature setting is incorrect. >>> Select the appropriate temperature setting.
- The power is out. >>> The product will continue to operate normally once the power is restored.

The refrigerator's operating noise is increasing while in use.

- The product's operating performance may vary depending on the ambient temperature variations. This is normal and not a malfunction.

The refrigerator runs too often or for too long.

- The new product may be larger than the previous one. Larger products will run for longer periods.
- The room temperature may be high. >>> The product will normally run for long periods in higher room temperature.
- The product may have been recently plugged in or a new food item is placed inside. >>> The product will take longer to reach the set temperature when recently plugged in or a new food item is placed inside. This is normal.
- Large quantities of hot food may have been recently placed into the product. >>> Do not place hot food into the product.

- The doors were opened frequently or kept open for long periods. >>> The warm air moving inside will cause the product to run longer. Do not open the doors too frequently.
- The freezer or cooler door may be ajar. >>> Check that the doors are fully closed.
- The product may be set to a temperature that is too low. >>> Set the temperature to a higher degree and wait for the product to reach the adjusted temperature.
- The cooler or freezer door washer may be dirty, worn out, broken or not properly settled. >>> Clean or replace the gasket. Damaged / torn door washer will cause the product to run for longer periods to preserve the current temperature.

The freezer temperature is very low, but the cooler temperature is adequate.

- The freezer compartment temperature is set to a very low degree. >>> Set the freezer compartment temperature to a higher degree and check again.

The cooler temperature is very low, but the freezer temperature is adequate.

- The cooler compartment temperature is set to a very low degree. >>> Set the cooler compartment temperature to a higher degree and check again.

The food items kept in cooler compartment drawers are frozen.

- The cooler compartment temperature is set to a very low degree. >>> Set the cooler compartment temperature to a higher degree and check again.

The temperature in the cooler or the freezer is too high.

- The cooler compartment temperature is set to a very high degree. >>> Temperature setting of the cooler compartment has an effect on the temperature in the freezer compartment. Wait until the temperature of relevant parts reach the sufficient level by changing the temperature of cooler or freezer compartments.

- The doors were opened frequently or kept open for long periods. >>> Do not open the doors too frequently.
- The door may be ajar. >>> Fully close the door.
- The product may have been recently plugged in or a new food item is placed inside. >>> This is normal. The product will take longer to reach the set temperature when recently plugged in or a new food item is placed inside.
- Large quantities of hot food may have been recently placed into the product. >>> Do not place hot food into the product.

Shaking or noise.

- The surface is not flat or durable >>> If the product is shaking when moved slowly, adjust the stands to balance the product. Also make sure the ground is sufficiently durable to bear the product.
- Any items placed on the product may cause noise. >>> Remove any items placed on the product.
- The product is making noise of liquid flowing, spraying etc.
- The product's operating principles involve liquid and gas flows. >>> This is normal and not a malfunction.

There is sound of wind blowing coming from the product.

- The product uses a fan for the cooling process. This is normal and not a malfunction.

There is condensation on the product's internal walls.

- Hot or humid weather will increase icing and condensation. This is normal and not a malfunction.
- The doors were opened frequently or kept open for long periods. >>> Do not open the doors too frequently; if open, close the door.
- The door may be ajar. >>> Fully close the door.

There is condensation on the product's exterior or between the doors.

- The ambient weather may be humid, this is quite normal in humid weather. >>> The condensation will dissipate when the humidity is reduced.

The interior smells bad.

- The product is not cleaned regularly. >>> Clean the interior regularly using sponge, warm water and carbonated water.
- Certain holders and packaging materials may cause odour. >>> Use holders and packaging materials without free of odour.
- The foods were placed in unsealed holders. >>> Keep the foods in sealed holders. Microorganisms may spread out of unsealed food items and cause bad odour.
- Remove any expired or spoiled foods from the product.

The door is not closing.

- Food packages may be blocking the door. >>> Relocate any items blocking the doors.
- The product is not standing in full upright position on the ground. >>> Adjust the stands to balance the product.
- The surface is not flat or durable >>> Make sure the surface is flat and sufficiently durable to bear the product.

The crisper is jammed.

- The food items may be in contact with the upper section of the drawer. >>> Reorganize the food items in the drawer.

Temperature on the product surface.

- High temperature may be observed between two doors, on the side panels and on the rear grill area while your product is operated. This is normal and it does not require servicing.

Fan continues to operate when the door is opened.

- Fan may continue to operate when the freezer door is open.



WARNING: If the problem persists after following the instructions in this section, contact your vendor or an Authorized Service. Do not try to repair the product. This is normal.

DISCLAIMER / WARNING

Some (simple) failures can be adequately handled by the end-user without any safety issue or unsafe use arising, provided that they are carried out within the limits and in accordance with the following instructions (see the "Self-Repair" section).

Therefore, unless otherwise authorized in the "Self-Repair" section below, repairs shall be addressed to registered professional repairers in order to avoid safety issues. A registered Professional repairer is a professional repairer that has been granted access to the instructions and spare parts list of this product by the manufacturer according to the methods described in legislative acts pursuant to Directive 2009/125/EC.

However, only the service agent (i.e. authorized professional repairers) that you can reach through the phone number given in the user manual/warranty card or through your authorized dealer may provide service under the guarantee terms. Therefore, please be advised that repairs by professional repairers (who are not authorized by) shall void the guarantee.

Self-Repair

Self-repair can be done by the end-user with regard to the following spare parts: door handles, door hinges, trays, baskets and door gaskets (an updated list is also available as of 1st March 2021). Moreover, to ensure product safety and to prevent risk of serious injury, the mentioned self-repair shall be done following the instructions in the user manual for self-repair or which are available in . For your safety, unplug the product before attempting any self-repair.

Packaging sorting information

Please scan the QR code which places on the outer packaging of the product to find all the information relating to the packaging and how to manage the packaging waste.

Repair and repair attempts by end-users for parts not included in such list and/or not following the instructions in the user manuals for self-repair or which are available in , might give rise to safety issues not attributable to , and will void the warranty of the product.

Therefore, it is highly recommended that end-users refrain from the attempt to carry out repairs falling outside the mentioned list of spare parts, contacting in such cases authorized professional repairers or registered professional repairers. On the contrary, such attempts by end-users may cause safety issues and damage the product and subsequently cause fire, flood, electrocution and serious personal injury to occur.

By way of example, but not limited to, the following repairs must be addressed to authorized professional repairers or registered professional repairers: compressor, cooling circuit, main board, inverter board, display board, etc.

The manufacturer/seller cannot be held liable in any case where end-users do not comply with the above.

The spare part availability of the refrigerator that you purchased is 10 years. During this period, original spare parts will be available to operate the refrigerator properly. The minimum duration of guarantee of the refrigerator that you purchased is 24 months.

This product is equipped with a lighting source of the "G" energy class.

The lighting source in this product shall only be replaced by Professional repairer.

See also

Considerations Regarding Errors of Use and Warranty

The following defects can be rectified for a fee. Warranty conditions do not apply for any of these cases;

1. Damages and malfunctions caused by errors in use,
2. Damages and malfunctions during loading, unloading, transport, etc. following the delivery of the goods to the consumer,
3. Damages and malfunctions arising from the electricity (socket, voltage, grounding, etc.), water (water pressure, tap, etc.), natural gas, telephone, internet, etc. network and / or infrastructure (drain, floor, environment, etc.) of the location where the goods are used,
4. Damages and malfunctions caused by Acts of God, fire, flood, etc,
5. Damages and malfunctions arising from the use of the goods contrary to the issues in the description and user manuals,
6. Damages and malfunctions arising from the use of the goods for commercial or professional purposes as defined in the Law No. 6502 on the Protection of Consumers,
7. In the event of maintenance, repair or any other intervention to the goods by unauthorised persons, the warranty given to the goods shall expire.

The warranty period of the goods replaced during the warranty application is limited to the remaining warranty period of the purchased goods.

Manufactured by Arçelik A.Ş.

Origin: Turkey

Kérjük, először olvassa el ezt a kézikönyvet!

Kedves Vásárló!


A termék használata előtt olvassa el ezt a kézikönyvet.


Köszönjük, hogy a terméket választotta! Szeretnénk, ha ezzel a kiváló minőségű termékkel, amelyet a legkorszerűbb technológiával gyártottak, optimális hatékonyságot érne el. Ehhez gondosan olvassa el ezt a kézikönyvet és minden egyéb dokumentációt, mielőtt a terméket felhasználná, és őrizze meg ezeket referenciaként.


Vegye figyelembe a felhasználói kézikönyvben szereplő összes információt és figyelmeztetést. Így megvédi magát és termékét a felmerülő veszélyektől.


Tartsa meg a felhasználói kézikönyvet. Ha a terméket átadja másnak, adja át vele ezt a kézikönyvet is.

A felhasználói kézikönyv a következő szimbólumokat használja:





	Halált vagy sérülést eredményező veszély.
--	---

	Fontos információk vagy hasznos tippek a működtetéshez.
--	---

	Olvassa el a felhasználói kézikönyvet!
--	--

	Éghető anyag, figyelmeztetés tűzveszélyre.
--	--


MEGJEGYZÉS Veszély, amely anyagi kárt okozhat a termékben vagy annak környezetében


		A termékadatbázisban tárolt modellinformációkat a következő weboldalra belépve és az energiacímkén található modellazonosítót (*) keresve érheti el. https://eprel.ec.europa.eu/
SUPPLIER'S NAME	MODEL IDENTIFIER → (*)	
		


1 Biztonsági útmutató	36
1.1 Felhasználási szándék.....	36
1.2 Gyermekek, veszélyeztetett személyek és háziállatok biztonsága	36
1.3 Elektromos biztonság	37
1.4 Biztonságos kezelés	38
1.5 Biztonságos telepítés.....	38
1.6 Biztonságos működtetés.....	40
1.7 Biztonságos élelmiszertárolás	43
1.8 BIZTONSÁGOS KARBANTARTÁS ÉS TISZTÍTÁS	43
1.9 A régi termék ártalmatlanítása.....	44
2 Környezetvédelmi utasítások	44
2.1 A WEEE-irányelvnek való megfelelés és hulladékártalmatlanítás...	44
3 Az Ön hűtőszekrénye	46
4 Üzembe helyezés.....	47
4.1 Elektromos csatlakoztatások.....	49
5 Előkészületek.....	49
5.1 Teendők az energiatakarékosság érdekében	49
5.2 Első használat	49
5.3 Klímaosztály és meghatározások	50
6 A termékek üzemeltetése	50
7 A termék kezelőpanelje.....	51
8 A termék használata.....	53
8.1 A megvilágító lámpa cseréje	55
8.2 Ajtó nyitva riasztás.....	56
9 A termék jellemzői	56
9.1 A jégtároló terület.....	56
9.2 Tojástartó.....	56
9.3 Zöldségtároló rekesz	56
9.4 Zöldségtároló rekesz technológiák.....	57
9.5 Páratartalom szabályozott zöldségtároló rekesz.....	57
10 Karbantartás és tisztítás	57
11 Hibaelhárítás	58


1 Biztonsági útmutató

- Ez a fejezet a személyi sérülés vagy anyagi kár kockázatának megelőzéséhez szükséges biztonsági utasításokat tartalmazza.
- Cégünk nem vállal felelősséget azokért a károkért, amelyek ezen utasítások be nem tartása esetén keletkeznek.

 A beszerelési és javítási műveleteket mindig a gyártó, a hivatalos szerviz vagy az importőr cég által megjelölt személy végezze el.

 Csak eredeti pótalkatrészeket és tartozékokat használjon.

 Ne javítsa vagy cserélje ki a termék egyetlen alkatrészét sem, hacsak a felhasználói kézikönyvben nincs egyértelműen meghatározva.

 Ne végezzen semmilyen módosítást a terméken.

1.1 Felhasználási szándék

- A készülék nem alkalmas kereskedelmi használatra, és a rendeltetésszerű használaton kívül ne használja másra.
- A termék belső terekben, például háztartásokban vagy hasonló helyiségekben történő üzemeltetésre szolgál.

Például;

Személyzeti konyhában, irodában és más munkakörnyezetekben,
Gazdasági épületekben,
Szállodák, motelek vagy egyéb pihenőhelyek helyiségeiben, amelyeket az ügyfelek használnak,
Szállóknban vagy hasonló környezetben,
Vendéglátóipari egységekben és hasonló, nem kiskereskedelmi célú használatra.

- A termék nem használható nyitott vagy elkerített külső környezetben, például hajón, lakókocsiban, erkélyen vagy teraszon. Az esőnek, hónak, napfénynek és szélnek való kitettség tűzveszély szempontjából kockázatos.

1.2 Gyermekek, veszélyeztetett személyek és háziállatok biztonsága

- A terméket 8 éves és idősebb gyermekek, valamint fejletlen fizikai, érzékszervi vagy szellemi képességekkel, illetve tapasztalat és ismeretek hiányával rendelkező személyek csak felügyelet mellett használhatják, vagy ha kaptak a készülék

biztonságos használatára és az azzal járó veszélyekre vonatkozó eligazítást.

- A 3 és 8 év közötti gyermekek betehetnek és kivehetnek ételt a hűtő termékből.
- Az elektromos termékek veszélyesek a gyermekekre és a háziállatokra. Gyermekek és háziállatok nem játszhatnak a termékkel, nem mászhatnak fel rá, és nem mászhatnak be a készülékbe.
- A tisztítást és a felhasználói karbantartást gyermekek csak felügyelet mellett végezhetik.
- A csomagolóanyagokat tartsa távol a gyermekektől. Sérülés- és fulladásveszély.

A régi, már nem használható termékek ártalmatlanítása előtt:

1. Húzza ki a tápkábelt a hálózati aljzatból.
2. Vágja el a tápkábelt, és a dugóval együtt távolítsa el a készülékből.
3. Ne távolítsa el a termékből a rekeszeket és a fiókokat, megakadályozandó, hogy gyermekek bejussanak a készülék belsejébe.
4. Távolítsa el az ajtókat.
5. Úgy tárolja a készüléket, hogy ne lehessen felborítani.
6. Ne engedje, hogy gyermekek játsszanak a leselejtezett készülékkel.

- Ne dobja a terméket tűzbe. Robbanásveszély.
- Ha a termék ajtaján van zár, a kulcsot tartsa gyermekek számára elérhetetlen helyen.



1.3 Elektromos biztonság

- A terméket a telepítés, karbantartás, tisztítás, javítás és szállítás során nem szabad a konnektorba csatlakoztatni.
- Ha a tápkábel megsérül, a felmerülő kockázatok elkerülése érdekében csak hivatalos szerviz cserélheti ki.
- Ne dugja a tápkábelt a termék alá vagy a termék hátuljára. Ne tegyen nehéz tárgyakat a tápkábelre. A tápkábelt nem szabad meghajlítani, összenyomni, és nem érintkezhet hőforrással.
- Ne használjon hosszabbítót, többdugós csatlakozót vagy adaptert a termék működtetéséhez.
- A hordozható többdugós csatlakozók vagy hordozható tápegységek túlmelegedhetnek és tüzet okozhatnak. Ezért ne legyen a termék mögött vagy közelében többdugós, hordozható áramforrás.

- Ne csatlakoztassa a termék tápkábelét kilazult vagy sérült konnektorba. Az ilyen csatlakozások túlmelegedhetnek és tüzet okozhatnak.
- A dugó legyen könnyen hozzáférhető. Ha ez nem lehetséges, akkor az elektromos berendezésen rendelkezésre kell állnia egy, az elektronikai szabályozásoknak megfelelő, az összes csatlakozót a hálózatról leválasztó mechanizmusnak (biztosíték, kapcsoló, főkapcsoló stb.).
- Ne érintse meg a dugót nedves kézzel.
- A készülék kihúzásakor ne a tápkábelt, hanem a dugót fogja meg.

1.4 Biztonságos kezelés

- A termék szállítása előtt feltétlenül húzza ki a készüléket a konnektorból.
- A termék nehéz, ne mozgassa egyedül. Ha a termék Önre esik, sérüléseket okozhat. Szállítás közben ne ütközzön helyeknek, és ne ejtse le a terméket.
- Szállítás közben mindig zárja be az ajtókat, és ne fogja a terméket az ajtóknál fogva.

- A termék mozgatása során ügyeljen arra, hogy ne sértse meg a hűtőrendszert és a csöveket. Ne működtesse a terméket, ha a csövek megsérültek, és forduljon hivatalos szervizhez.

1.5 Biztonságos telepítés

- A termék telepítésével kapcsolatban forduljon a hivatalos szervizhez. A termék használatra való előkészítéséhez olvassa el a használati útmutatóban található információkat, és győződjön meg arról, hogy az elektromos hálózat és vízellátás megfelel az előírásoknak. Ha nem, hívjon szakképzett villanyszerelőt és vízvezeték-szerelőt, hogy a közműveket a szükséges módon kialakítsák. Ennek elmulasztása áramütést, tüzet, a termékkel kapcsolatos problémákat vagy sérülést okozhat.
- A terméket 2000 méteres tengerszint feletti magasságig terjedő területeken történő használatra tervezték.
- Telepítés előtt ellenőrizze, hogy a terméken nincsenek-e sérülések. Ha a termék sérült, ne telepítse.

- A termék telepítése, karbantartása és javítása során mindig használjon egyéni védőfelszerelést (kesztyűt stb.). Sérülésveszély!
- Helyezze a terméket egy tiszta, vízszintes és kemény felületre, és egyensúlyozza ki az állítható lábakkal (az első lábak jobbra vagy balra történő elforgatásával). Ellenkező esetben a hűtőszekrény felborulhat és sérüléseket okozhat.
- A terméket száraz és jól szellőző környezetben kell elhelyezni. Ne tegyen a termék alá szőnyeget, takarót vagy hasonlókat. Ez a nem megfelelő szellőzés miatt tűzveszélyt okozhat!
- Ne zárja el és ne takarja el a szellőzőnyílásokat. Ellenkező esetben megnő az energiafogyasztás, és a termék károsodhat.
- A termék elhelyezésekor ügyeljen arra, hogy a tápkábel ne sérüljön meg és ne legyen becsípdve.
- A termék nem csatlakoztatható olyan ellátórendszerekhez, mint például napelemek. Ellenkező esetben a termék a hirtelen feszültségváltozások miatt károsodhat!
- Minél több hűtőközeget tartalmaz egy hűtőszekrény, annál nagyobbak kell lennie a telepítési helyiségnek. A nagyon kis helyiségekben a hűtőrendszerben fellépő gázszivárgás esetén gyúlékony gáz-levegő keverék keletkezhet. Minden 8 gramm hűtőközeghez legalább 1 m³ térfogat szükséges. A termékben rendelkezésre álló hűtőközeg mennyiségét a típuscímke tartalmazza.
- A termék telepítési helye nem lehet közvetlen napfénynek kitéve, és nem lehet hőforrás, például kályha, radiátor stb. közelében. Ha nem lehet elkerülni, hogy a terméket hőforrás közelében telepítse, használjon megfelelő szigetelőlemezt, és gondoskodjon arról, hogy a hőforrástól való minimális távolság az alábbiakban meghatározott legyen:
 - Legalább 30 cm távolságra hőforrásoktól, például kályhától, sütőtől, fűtőberendezéstől, fűtőtesttől stb.,
 - és legalább 5 cm távolságra az elektromos sütőtől.
- Az Ön terméke az I. védelmi osztályba tartozik.
- A terméket olyan földelt konnektorba csatlakoztassa, amely megfelel a típus táblán megadott feszültség-, áram- és frekvenciaértékeknek. A konnektornak 10A–16A biztosítékkal kell rendelkeznie. Cégünk

nem vállal felelősséget a helyi és nemzeti előírásoknak megfelelő földelés és hálózati csatlakozás nélküli használatból eredő károkért.

- Telepítés közben ne dugja be a hűtőt a konnektorba. Ellenkező esetben áramütés és sérülés veszélye áll fenn!
- Ne csatlakoztassa a termék tápkábelét laza, elmozdult, törött, piszkos, olajos konnektorokba, ahol fennáll a vízzel való érintkezés veszélye. Az ilyen csatlakozások túlmelegedhetnek és tüzet okozhatnak.
- A termék tápkábelét és a tömlőket (ha vannak) úgy helyezze el, hogy azok ne okozzanak botlásveszélyt.
- A nedvesség és a folyadék behatolása a feszültség alatt álló részekre vagy a tápkábelre rövidzárlatot okozhat. Ezért ne használja a terméket párás környezetben, illetve olyan helyiségekben, ahol víz fröccsenhet rá (pl. garázs, mosókonyha stb.). Ha a hűtőszekrény elázott, húzza ki a hálózathoz, és forduljon hivatalos szervizhez.
- Soha ne csatlakoztassa a hűtőszekrényt energiatakarékos eszközökhöz. Ezek a rendszerek károsak a termékre.

- Az elektronikai lap fedelének és a kompresszor hátsó fedelének (ha van) eltávolításakor fennáll az elektromos alkatrészekkel való érintkezés veszélye. Ne távolítsa el az elektronikai lap fedelét és a kompresszor hátsó fedelét (ha van). Fennáll az áramütés veszélye!



1.6 Biztonságos működtetés

- Soha ne használjon kémiai oldószereket a terméken. Ezek az anyagok robbanásveszélyesek.
- A termék meghibásodása esetén húzza ki a készüléket a hálózathoz, és ne működtesse, amíg a hivatalos szerviz meg nem javítja. Elektromos áramütés veszélye áll fenn!
- Ne helyezzen lángforrást (pl. gyertyát, cigarettát stb.) a termékre vagy annak közelébe.
- Ne másszon fel a termékre. Leesés- és sérülésveszély!
- Ne okozzon kárt a hűtőrendszer csöveiben éles és szűrőszerszámokkal. A gázcsövek, csőhosszabbítások vagy felső felületi bevonatok átszúrása esetén kifröccsenő hűtőközeg bőrirritációt és szemsérülést okozhat.

- Ne helyezzen el és ne működtessen elektromos készülékeket a hűtőszekrény/fagyasztó belsejében, kivéve, ha a gyártó ezt tanácsolja.
- Ügyeljen arra, hogy ne szoruljon be a kezének vagy testének bármely része a termék belsejében lévő mozgó alkatrészek közé. Vigyázzon, hogy ujjai ne szoruljanak be a hűtőszekrény és az ajtaja közé. Legyen óvatos az ajtó nyitásakor vagy zárásakor, ha gyermekek vannak a közelben.
- Ne tegyen jégkrémet, jégkockát vagy fagyasztott ételt a szájához, amikor kiveszi a fagyasztóból. Fagyásveszély!
- Ne érintse meg nedves kézzel a fagyasztó belső falait, fémrészeit vagy a fagyasztóban tárolt élelmiszereket. Fagyásveszély!
- Ne helyezzen a fagyasztórekeszbe üdítő dobozokat vagy olyan folyadékot tartalmazó dobozokat és palackokat, amelyek megfagyhatnak. A dobozok vagy palackok felrobbanhatnak. Sérülés- és anyagi kár veszélye!
- A hűtőszekrény közelében ne használjon és ne helyezzen el hőmérsékletre érzékeny anyagokat, például gyúlékony spray-ket, gyúlékony tárgyakat, szárazjeget vagy más vegyi anyagokat. Tűz- és robbanásveszély!
- Ne tároljon robbanásveszélyes anyagokat, például gyúlékony anyagokat tartalmazó aeroszolos dobozokat a termék belsejében.
- Ne helyezzen folyadékot tartalmazó dobozokat a termék fölé nyitott állapotban. A víz elektromos alkatrészeire fröccsenése áramütést vagy tüzet okozhat.
- Ez a termék nem alkalmas gyógyszerek, vérplazma, laboratóriumi készítmények vagy hasonló anyagok és termékek tárolására és hűtésére, amelyek az orvosi termékekről szóló irányelv hatálya alá tartoznak.
- Ha a terméket nem rendeltetésszerűen használják, az a benne tárolt termékek károsodását vagy megromlását okozhatja.
- Ha a hűtőszekrénye kék fényrel van felszerelve, ne nézzen ebbe a fénybe optikai eszközökkel. Ne nézzen hosszabb ideig közvetlenül az UV LED fénybe. Az ultraibolya sugarak szemfáradtságot okozhatnak.
- Ne töltsön a termékbe a kapacitásánál nagyobb mennyiségű tartalmat. Sérülések vagy károk keletkezhetnek, ha a hűtő-

sze krény tartalma az ajtó kinyitása kor leesik. Hasonló problémák akkor is előfordulhatnak, ha egy tárgyat helyeznek a termék re.

- A sérülések megelőzése érdekében győződjön meg arról, hogy eltávolította a padlóra esett jeget vagy vizet.
- A hűtősze krény ajtaján lévő állványok/palacktartók helyét csak akkor változtassa meg, ha az állványok üresek. Sérülésveszély!
- Ne helyezzen a termékre olyan tárgyakat, amelyek leeshetnek/felborulhatnak. Ezek a tárgyak az ajtó nyitása kor vagy zárása kor leeshetnek, és sérülést és/vagy anyagi kárt okozhatnak.
- Ne üsse meg, és ne gyakoroljon túlzott nyomást az üvegfelületekre. A törött üveg sérülést és/vagy anyagi kárt okozhat.
- A termék hűtőrendszere R600a hűtőköze get tartalmaz. A termékben használt hűtőköze get típusát a típuscímke tartalmazza. Ez a gáz gyúlékony. Ezért ügyeljen arra, hogy működtetés közben ne sértse meg a hűtőrendszert és a csöveket. A csövek sérülése esetén;

1. Ne érintse meg a terméket vagy a tápkábelt.

2. Tartsa a terméket távol a lehetséges tűzforrásoktól, amelyek a termék kigyulladását okozhatják.
3. Szellőztesse a területet, ahol a terméket elhelyezte. Ne használjon ventilátort.
4. Forduljon hivatalos szervizhez.

Ha a termék megsérült, és gázszivárgást észlel, kérjük, maradjon távol a gáztól. A gáz fagyási sérüléseket okozhat, ha a bőrrel érintkezik.

A régi, már nem használható termékek ártalmatlanítása előtt:

1. Húzza ki a tápkábelt a hálózati aljzatból.
 2. Vágja el a tápkábelt, és a dugóval együtt távolítsa el a készülékből.
 3. Ne távolítsa el a termékből a rekeszeket és a fiókokat, megakadályozandó, hogy gyermekek bejussanak a készülék belsejébe.
 4. Távolítsa el az ajtókat.
 5. Úgy tárolja a készüléket, hogy ne lehessen felborítani.
 6. Ne engedje, hogy gyermekek játsszanak a leselejtezett készülékkel.
- Ne dobja a terméket tűzbe. Robbanásveszély.

- Ha a termék ajtaján van zár, a kulcsot tartsa gyermekek számára elérhetetlen helyen.

1.7 Biztonságos élelmiszerszállítás

Kérjük, az élelmiszerek megromlásának elkerülése érdekében vegye figyelembe az alábbi figyelmeztetéseket:

- Az ajtók hosszú ideig történő nyitva hagyása a termék belsejében lévő hőmérséklet emelkedését okozhatja.
- Rendszeresen tisztítsa meg az élelmiszerekkel érintkező, hozzáférhető vízelvezető rendszereket.
- Tisztítsa meg a 48 órán át nem használt víztartályokat és az 5 napnál hosszabb ideig nem használt hálózati vízrendszereket.
- A nyers hús- és haltermékeket a terméken belül a megfelelő rekeszekben tárolja. Így nem csöpöghet, illetve nem érintkezhet más élelmiszerekkel.
- A kétcsillagos fagyasztórekeszek előre töltött élelmiszerek tárolására, jég és fagyalt készítésére és tárolására szolgálnak.
- Az egy-, két- és háromcsillagos rekeszek nem alkalmasak friss élelmiszerek fagyasztására.

- Ha a hűtőkészülék hosszabb ideig üresen áll, kapcsolja ki, olvassa le, tisztítsa meg és szárítsa meg a készülékház védelme érdekében.

1.8 BIZTONSÁGOS KARBANTARTÁS ÉS TISZTÍTÁS

- Húzza ki a hűtőszekrényt a hálozathoz, mielőtt tisztítani kezdené vagy karbantartási munkálatokat végezne.
- Ne húzza a készüléket az ajtó fogantyújánál fogva, ha tisztítás céljából mozgatnia kell. A fogantyú túl erős meghúzás esetén sérüléseket okozhat.
- Ne tegye a kezét stb. a hűtőszekrény alá. Beszorulhat, vagy valamely éles perem személyi sérülést okozhat.
- Ne tisztítsa a terméket úgy, hogy vizet permetez vagy önt a termékre és a belsejébe. Áramütés- és tűzveszély áll fenn.
- A termék tisztításakor ne használjon éles és koptató szerszámokat vagy háztartási tisztítószereket, mosószert, gázt, benzint, hígítót, alkoholt, lakkot és hasonló anyagokat. Csak olyan tisztító- és karbantartószereket használjon, amelyek nem károsak a termék belsejében lévő élelmiszerekre.

- Soha ne használjon gőzt vagy gőzzel működő tisztítókészüléket a termék tisztításához és a benne lévő jég felolvasztásához. A gőz érintkezésbe kerül a hűtőszekrény elektromos területeivel és rövidzárlatot vagy áramütést okoz.
- Ügyeljen arra, hogy ne érje víz a termék szellőzőnyílásait, elektronikus áramköreit vagy világítását.
- Tiszta, száraz ruhával törölje le a port vagy idegen anyagot a dugók hegyéről. Ne használjon nedves vagy vizes ruhadarabot a dugó tisztításához. Ellenkező esetben tűz és áramütés veszélye áll fenn.



1.9 A régi termék ártalmatlanítása

A régi termék megsemmisítésekor kövesse az alábbi utasításokat:

- Annak megakadályozása érdekében, hogy a gyermekek véletlenül bezárják magukat a termékbe, ha van ajtózárr, kapcsolja ki azt.
- A hűtőfolyadék fröccsenése károsítja a szemet. A termék ártalmatlanítása során ne sértse meg a hűtőrendszer egyetlen részét sem.
- A kompresszorolaj lenyelése vagy légutakba jutása halált okozhat.
- A termék hűtőrendszere R600a gázt tartalmaz a típusablán megadottak szerint. Ez a gáz gyúlékony. Ne dobja a terméket tűzbe. Robbanásveszély!

2 Környezetvédelmi utasítások

2.1 A WEEE-irányelvnek való megfelelés és hulladékártalmatlanítás



A termék megfelel a WEEE (elektromos és elektronikus berendezések hulladékairól szóló 2012/19/EU) irányelv követelményeinek. Ez a termék az elektromos és elektronikus berendezések hulladékainak osztályozási szimbólumát (WEEE) viseli.

Ez a szimbólum azt jelzi, hogy a terméket az élettartama végén nem szabad közösen más háztartási hulladékokkal együtt kidobni. A használt eszközt vissza kell vinni a hivatalos gyűjtőhelyre az elektromos és elektronikus eszközök újrahasznosítása céljából. A gyűjtőrendszerek megtalálásához vegye fel a kapcsolatot a helyi hatóságokkal vagy a kereskedővel, ahol a terméket vásárolták. A háztartások fontos szerepet játszanak a régi készülékek elszállításában és újrahasznosításában. A használt készülék megfelelő ártalmatlanítása segít megelőzni

a környezetre és emberi egészségre gyakorolt potenciálisan kedvezőtlen következményeket.

Az RoHS irányelv betartása

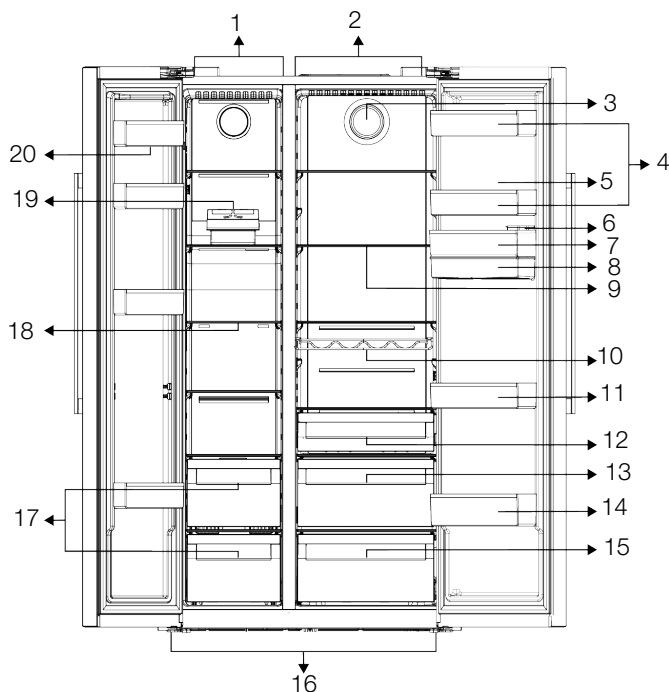
A megvásárolt termék megfelel az EU RoHS Irányelvének (2011/65/EU). Nem tartalmaz az irányelvben meghatározott káros és tiltott anyagokat.



A csomagolásra vonatkozó információk

A termék csomagolóanyagait újrahasznosítható anyagokból gyártjuk, a Nemzeti Környezetvédelmi Szabályzatunkkal összhangban. A csomagolóanyagokat ne dobja el a háztartási vagy egyéb hulladékok közé. Vigye őket a helyi hatóságok által kijelölt csomagolóanyag-gyűjtő helyekre.

3 Az Ön hűtőszekrénye



1 Fagyasztórekesz

3 Ventilátor

5 Tojástartó

7 *Hűtőrekesz ajtópolcok

9 *Hűtőrekesz üvegpolcok

11 *Hűtőrekesz ajtópolcok

13 *Zöldségtároló rekeszek

15 *Zöldségtároló rekeszek

19 Icematic

17 Fagyasztott élelmiszert tároló rekeszek

2 Hűtőszekrény

4 *Hűtőrekesz ajtópolcok

6 Vízagoló töltőtartály

8 Vízagoló tároló

10 *Palacktartó

12 *Tejtermékek (hűtve tárolás) tartálya

14 *Palacktartó

16 Beállítható lábak

18 *Fagyasztórekesz üvegpolcok

20 Fagyasztórekesz ajtó polcai

***Opcionális:** A felhasználói útmutatóban szereplő adatok vázlatosak, és lehet, hogy nem egyeznek pontosan a termékével. Ha a

termék nem tartalmazza a vonatkozó alkatrészeket, akkor az információ más modellekre vonatkozik.

4 Üzembe helyezés

Megfelelő elhelyezés



Először olvassa el a „Biztonsági előírások” részt!

Az Ön terméke a hatékony működéshez megfelelő légáramlást igényel. Ha a terméket egy alkóvba helyezi, ne felejtse el hagyni legalább 5 cm távolságot a termék, a mennyezet és a hátsó és oldal falak között. Ellenőrizze, hogy a hátsó fal védőkomponense a helyén van-e (ha a termékkel együtt szállították). Ha az alkatrész nem áll rendelkezésre, vagy elveszett vagy leesett, helyezze el a terméket úgy, hogy legalább 5 cm szabad hely maradjon a termék hát-sze és a szoba fala között. A termék hatékony működése szempontjából fontos a hátsó hézag.

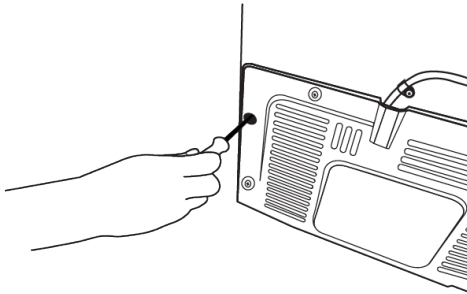


Az elektromos csatlakozáshoz ne használjon hosszabbítót vagy elosztó aljzatot.

A műanyag ékek rögzítése

A mellékelt műanyag ékek segítenek megtartani a szükséges távolságot a hűtő és a fal között, és így a levegő szabadon tud áramolni.

- Csavarozza ki a jelenlegieket, és szerelje fel azokat a csavarokat, amelyek az ékek tartalmazó zacskóban vannak.



- Helyezzen 2 műanyag éket a szellőzőfedélre az ábra szerint.



A gyártó nem vállal felelősséget az illetéktelen személyek által végzett munkából származó károkért.

HU

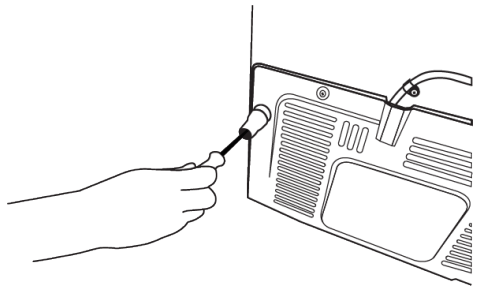


Telepítés közben ne dugja be a hűtőt a konnektorba. Ellenkező esetben súlyos vagy halálos sérülést szenvedhet.



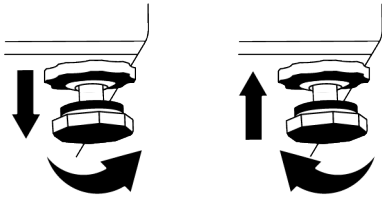
Amennyiben a hűtőszekrény tárolására kijelölt szoba ajtaja nem elég széles, a hűtők ajtajainak eltávolításához hívja ki a hivatalos szervizt.

- A rázkódások elkerülése érdekében a hűtőszekrényt egyenes padlón helyezze el
- A hűtőt legalább 30 cm-re kell elhelyezni minden hőforrástól (pl. kandalló, sütő, főzőlap) és legalább 5 cm-re az elektromos sütőktől.
- Ne tegye ki a terméket közvetlen napfénynek, és ne tartsa nedves környezetben.



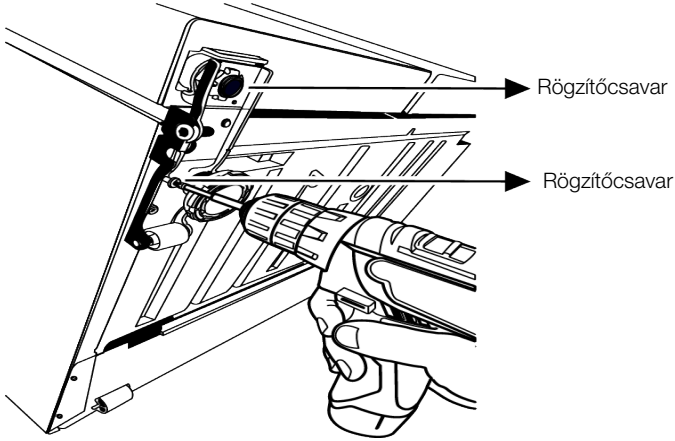
A lábak beállítása

Ha a termék nincs kiegyensúlyozott helyzetben, akkor az elülső állványok jobbra vagy balra történő elforgatásával beállíthatja a termék egyensúlyát.



Az ajtók függőleges beállításához,

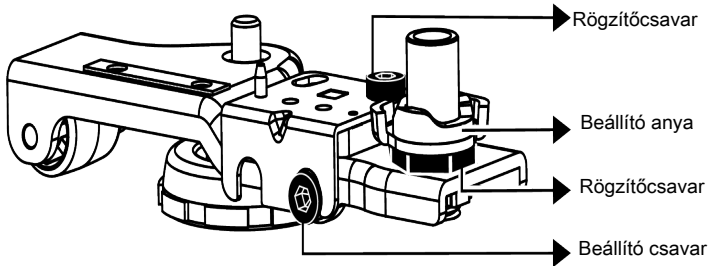
Lazítsa meg az alsó rögzítő csavart. Fordítsa a beállítócsavart az ajtó pozíciója felé (az óramutató járásával megegyező/az óramutató járásával ellentétes irányba). Húzza meg a rögzítőcsavart a pozíció rögzítéséhez.



Az ajtók vízszintes irányú beállításához,

Lazítsa meg az alsó rögzítő csavart. Lazítsa meg a felső rögzítőcsavart. Fordítsa el a beállítócsavart az ajtó pozíciója felé (az

óramutató járásával megegyező/az óramutató járásával ellentétes irányban). A pozíció rögzítése érdekében húzza meg a felső rögzítőcsavart. Húzza meg az alsó rögzítő csavart.



4.1 Elektromos csatlakoztatások



FIGYELMEZTETÉS: Az elektromos csatlakozáshoz ne használjon hosszabbítót vagy elosztó aljzatot.



FIGYELMEZTETÉS: A sérült tápkábelt a hivatalos szerviznek kell kicserélnie.

- A vállalatunk nem vállal semmiféle felelősséget azokért a károkért, melyek a hűtőszelekrény nem a nemzeti előírásoknak megfelelő földeléssel vagy elektromos összeköttetéssel való használatából erednek.

- Ügyeljen rá, hogy a tápkábel könnyen hozzáférhető legyen a hűtő elhelyezése után.



Forró felület figyelmeztetés!

A termék oldalfalai hűtő csövekkel vannak felszerelve, a hűtőrendszer teljesítményének növelése érdekében. Ezek a felületek nagynyomású folyadék áramolhat, és az oldalfalakon forró felületeket okozhat. Ez normális, és nem igényel karbantartást. Legyen óvatos, amikor megérinti ezeket a felületeket.

5 Előkészületek



Először olvassa el a „Biztonsági előírások” részt!

5.1 Teendők az energiatakarékoság érdekében



A termék csatlakoztatása elektromos energiatakarékos rendszerekhez káros és károsíthatja a terméket.

- Ezt a hűtőkészüléket nem beépített készülékként történő felhasználásra szánták.
- Ne hagyja sokáig nyitva a hűtő ajtaját.
- Ne tegyen meleg ételt vagy italt a hűtőbe.
- Csak annyi ételt/italt tegyen a hűtőbe, hogy az ne akadályozza a belső levegő cirkulációt.
- Mivel a forró és nedves levegő nem hatol be közvetlenül a termékébe, ha az ajtókat nem nyitják ki, a termék önmagát olyan körülmények között optimalizálja, amely elegendő az ételek védelméhez. Ilyen körülmények között az olyan funkciók és alkatrészek, mint a kompresszor, a ventilátor, a fűtés, a leolvasztás, a világítás, a kijelző stb. az igényeknek megfelelően, minimális energiafogyasztással működnek.

- Többféle lehetőség esetén az üvegpolicokat úgy kell elhelyezni, hogy a hátsó falon lévő szellőzőnyílások ne legyenek elzárva, és lehetőleg úgy, hogy a szellőzőnyílások az üvegpolic alatt maradjanak. Ez a kombináció segíthet a levegőelosztás és az energiahatékonyság javításában.
- Az alsó fiók használata tároláskor erősen ajánlott.
- Az energiatakarékoság és az ételek minőségének megőrzése érdekében az ételeket a hűtőszelekrény fiókjaiban kell tárolni.

5.2 Első használat

A hűtőszelekrény használata előtt győződjön meg róla, hogy elvégezte a „Biztonsági és környezetvédelmi utasítások” és az „Üzembe helyezés” bekezdés alatt felsorolt összes előkészületi műveletet.

- Működtesse a terméket étel behelyezése nélkül 6 óráig és ne nyissa ki az ajtót, kivéve ha ez elengedhetetlenül fontos.
- A termék használata közben az ajtó nyitása és zárása által okozott hőmérsékletváltozás általában páralecsapódáshoz vezethet az ajtó/test polcain és a termékben elhelyezett üvegárukon.



A kompresszor bekapcsolását egy hangjelzés jelzi. Normális, hogy a termék akkor is zajt csap, ha a kompresszor nem működik, mivel a hűtőrendszerben folyadék és gáz sűrűsödhet össze.



Normális, hogy a hűtőszekrény elülső széléi melegek. Ezek a részek azért melegednek fel, hogy így eljuttassák a páralecsapódásnak.



Néhány modell esetén a kijelző az ajtó bezárása után 1 perccel automatikusan kikapcsol. Ismét bekapcsol, ha kinyitja az ajtót vagy lenyom egy gombot.

5.3 Klímaosztály és meghatározások

Kérjük, olvassa el a készülék adattábláján található klímaosztályt. Az alábbi információk egyike vonatkozik az Ön készülékére a klímaosztály szerint.

- **SN:** Hosszú távú mérsékelt éghajlat: Ez a hűtőberendezés 10°C és 32°C közötti környezeti hőmérsékleten történő használatra készült.
- **N:** Mérsékelt éghajlat: Ez a hűtőberendezés 16°C és 32°C közötti környezeti hőmérsékleten történő használatra készült.
- **ST:** Szubtrópusi éghajlat: Ez a hűtőberendezés 16°C és 38°C közötti környezeti hőmérsékleten történő használatra készült.
- **T:** Trópusi éghajlat: Ez a hűtőberendezés 16°C és 43°C közötti környezeti hőmérsékleten történő használatra készült.

6 A termékek üzemeltetése



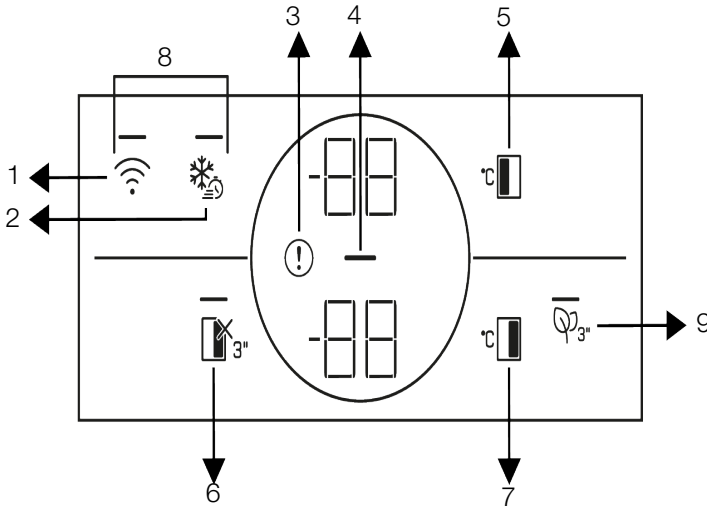
Először olvassa el a „Biztonsági előírások” részt!

- A felolvasztás felgyorsításához ne használjon semmilyen mechanikus vagy egyéb szerszámot, csak a gyártó ajánlásait.
- Ne használja a hűtőszekrény egyes részeit, például az ajtót vagy a fiókokat támaszként vagy lépcsőként. Ez a termék meghibásodását vagy alkatrészeinek károsodását okozhatja.
- A termék kizárólag élelmiszerek tárolására használható.

- Zárja el a vízszellepet, ha elutazik (pl. nyaraláskor), és hosszú ideig nem használja a jégkészítőt vagy a vízadagolót. Ellenkező esetben vízszivárgás léphet fel.

A termék kihúzása a konnektorból

- Ha hosszabb ideig nem használja a készüléket, húzza ki a konnektorból.
- Vegye ki az ételt a kellemetlen szagok megelőzése érdekében.
- Várja meg, amíg a jég leolvad, tisztítsa meg a belső teret és hagyja megszáradni, hagyja nyitva az ajtókat, hogy elkerülje a belső rész műanyagainak károsodását.



- | | |
|--|--|
| 1 *Vezeték nélküli | 2 Gyorsfagyasztás |
| 3 Magas hőmérséklet/hiba riasztás | 4 Energiatakarékosság (a kijelző ki van kapcsolva) |
| 5 Fagyasztórekesz hőmérséklet-beállító | 6 Vakáció funkció |
| 7 Hűtőrekesz hőmérséklet-beállító | 8 *Gomb a vezeték nélküli kapcsolat beállításainak visszaállításához |
| 9 * Szagtalanító modul gomb | |



Először olvassa el a „Biztonsági útmutató” részt.

*Opcionális: A feltüntetett funkciók opcionálisak, a készülék kijelzőpanelén található funkciók formája és elhelyezkedése eltérhet.

A jelzőpanel audió és vizuális funkciói segítik a hűtőszekrény használatát.

1. *WIFI-gomb

Ezzel a kulccsal vezeték nélküli kapcsolatot létesíthet a készülékkel a HomeWhiz mobilalkalmazáson keresztül.

Ha a gombot hosszabb ideig (3 másodpercig) lenyomja, a vezeték nélküli kapcsolat szimbóluma a képernyőn / képernyőn lassan villog (0,5 másodperces időközökkel). A termék így inicializálja az otthoni hálózatot.

Miután a készülékkel a vezeték nélküli kapcsolat létrejött, a vezeték nélküli kapcsolat szimbóluma folyamatosan világít.

A kezdeti telepítés befejezése után a gomb megnyomásával aktiválhatja/deaktiválhatja. A vezeték nélküli kapcsolat szimbóluma gyorsan villog (0,2 másodperces időközön-

ként), amíg a kapcsolat létre nem jön. Ha a kapcsolat aktív, a vezeték nélküli hálózat szimbóluma folyamatosan világít.

Ha a kapcsolatot hosszú ideig nem lehet létrehozni, ellenőrizze a csatlakozási beállításokat, és olvassa el a felhasználói kézikönyv „Hibaelhárítás” szakaszát.

A vezeték nélküli kapcsolathoz a HomeWhiz alkalmazást használja. A telepítés lépéseit az alkalmazásban találja a telepítés során. A telepítés lépéseit a telepítés során az alkalmazásban olvashatja.

Az alkalmazáshoz a termék HomeWhiz címkéjén található QR-kód elolvasásával férhet hozzá. Az alkalmazást az App Store-on keresztül kínálják az IOS-eszközökhöz, és a Play Store-on keresztül az Android-eszközökhöz.

Részletes információkért látogasson el a <https://www.homewhiz.com/> oldalra.

2. Gyorsfagyasztás gomb

A gyorsfagyasztás gomb megnyomásakor a gombon lévő LED világítani kezd, és a gyorsfagyasztás funkció aktiválódik. A fagyasztótér hőmérsékletét -27 Celsius-ra állítja. A funkció törléséhez nyomja meg ismét a gombot. A gyorsfagyasztás funkció automatikusan törlődik. Nagy mennyiségű friss élelmiszer fagyasztása esetén mielőtt az élelmiszert a fagyasztórekeszbe helyezi, nyomja meg a gyorsfagyasztás gombot.

3. Magas hőmérséklet/hiba riasztás

Ez a jelzés akkor aktív, ha a hűtőszekrény nem képes megfelelő hűtésre, vagy bármilyen szenzorhiba lépett fel. A fagyasztórekesz hőmérséklet-jelzőjén az „E” jelzés látható, a hűtőrekesz hőmérséklet-jelzőjén pedig az 1,2,3... számok. Ezek a jelzések tájékoztatást nyújtanak a hivatalos szerviznek a bekövetkezett hibáról.

Felkiáltójel jelenhet meg, ha meleg étel rak a fagyasztórekeszbe, vagy ha az ajtót hosszú ideig nyitva hagyja. Ez nem hiba, a figyelmeztetés megszűnik, ha az étel lehűl, vagy ha bármelyik gombot megnyomja.

4. Energiatakarékosság (a kijelző ki van kapcsolva) jelző

Ha a termék ajtaját bizonyos ideig nem nyitják vagy zárják, az energiatakarékosság funkció automatikusan bekapcsol, és megjelenik az energiatakarékosság szimbólum. Ha az energiatakarékosság funkció aktív, a képernyőn az összes energiatakarékos jelzésen kívüli szimbólum ki lesz kapcsolva. Az energiatakarékos funkció aktiválásakor, ha megnyom egy gombot, vagy kinyitja a termék ajtaját, a hűtőszekrény energiatakarékos funkciója kikapcsol, és a képernyőn megjelenő szimbólumok visszaállnak a normál állapotba. Az energiatakarékosság funkció gyárilag aktivált funkció, és nem törölhető.

5. Fagyasztórekesz hőmérséklet-beállító gomb

A fagyasztótér hőmérsékletének beállításához nyomja meg ezt a gombot. A gomb megnyomásakor a fagyasztórekesz hőmérséklete -18,-19,-20,-21,-22,-23,-24°C értékekre állítható be.

6. Hűtőrekesz kikapcsolása (vakáció)

funkciógomb

Nyomja meg a gombot 3 másodpercig a vakáció funkció aktiválásához. A Vakáció mód be van kapcsolva, és a gombon lévő LED világít. A hűtőrekesz hőmérséklet-jelzőjén „-” jelzés jelenik meg, és a hűtőrekesz nem hűt. Amikor aktiválja ezt a funkciót, nem alkalmas élelmiszerek tárolására a hűtőrekeszben. A egyéb rekeszek a beállított hőmérsékletnek megfelelően tovább hűtenek. A funkció törléséhez nyomja meg ismét 3 másodpercig a gombot.

7. Hűtőrekesz hőmérséklet-beállító

gomb

A fagyasztótér hőmérsékletének beállításához nyomja meg ezt a gombot. A gomb megnyomásakor a fagyasztórekesz hőmérséklete 8,7,6,5,4,3,2 és 1 °C értékekre állítható be.

8. *Gomb a vezeték nélküli kapcsolat beállításainak visszaállításához*



A vezeték nélküli kapcsolat beállításainak visszaállításához nyomja meg a Gyorsfagyasztás és Vezeték nélküli kapcsolat gombokat egyidejűleg 3 másodpercig. Ha a vezeték nélküli kapcsolat beállításait törlik/visszaállítják a gyári alapértékekre, az összes korábban rögzített felhasználói információt eltávolítja a termékről.

8 A termék használata



Először olvassa el a „Biztonsági előírások” részt!

Étel tárolása a fagyasztórekeszben

- A gyorsfagyasztás funkciót 4-6 órával a fagyasztási funkció előtt aktiválhatja, így gyorsabb hűtést végezhet.
- A főtt meleg ételeket szobahőmérsékletre kell hűteni, mielőtt a fagyasztórekeszbe helyezi őket.
- A lefagyasztandó ételeket a fogyasztásra szánt mennyiségnek megfelelően adagokra kell osztani, és külön csomagokban kell lefagyasztani.
- Az ételeket ajánlott becsomagolni, mielőtt a fagyasztóba helyezi őket.
- A tárolási idő lejáratának megelőzése érdekében írja fel a csomagolásra a fagyasztás dátumát, idejét és a termék nevét a különböző élelmiszerek tárolási idejének megfelelően.
- A kiolvasztott élelmiszereket hamar fogyassza el. A kiolvasztott élelmiszereket csak akkor lehet újra lefagyasztani, ha megfőzi őket. Az újfagyasztott friss élelmiszerek felolvasztás után főzés nélkül nem biztonságosak.
- Amikor a friss élelmiszereket lefagyasztja, azok ne érintkezzenek a már lefagyasztott élelmiszerekkel. Ellenkező esetben a fagyasztott élelmiszerek kiolvadnak.

9. *Szagtalanító modul gomb



Nyomja meg ezt a gombot 3 másodpercig a szagtalanító funkció aktiválásához/deaktiválásához. Ha a szagtalanító funkció aktív, a LED világít a megfelelő gombon. Ha a funkció aktív, a szagtalanító modul időszakisosan működik.

A fagyasztva értékesített élelmiszerek tárolása

- Mindig kövesse a gyártó utasításait azzal kapcsolatban, hogy mennyi ideig kell tárolhatja az élelmiszereket. Ne lépje túl az ezekben az utasításokban megadott időt!
- Az élelmiszerek minőségének megóvása érdekében a lehető legrövidebb időintervallumot tartsa be a vásárlás és az eltárolás között.
- Vásároljon -18°C -on vagy annál alacsonyabb hőmérsékleten tárolt fagyasztott élelmiszereket.
- Kerülje az olyan élelmiszerek vásárlását, amelyek csomagolását jég stb. borítja. Ez azt jelenti, hogy a termék részben kiolvadt és újra megfagyott. A hőmérséklet befolyásolja az élelmiszer minőségét.
- Ne lépje túl az élelmiszer gyártója által ajánlott tárolási időt. Csak annyi élelmiszert vegyen ki a fagyasztóból, amennyire szüksége van.
- A szélsőséges környezeti körülmények kivételével ha a készülékét (az ajánlott beállítási értékek táblázatában) a megadott értékekre állítja be, az élelmiszerek hosszabb ideig megőrzik frissességüket mind a friss termék rekeszben, mind a fagyasztórekeszben.
- Ha a friss élelmiszer rekesz alacsonyabb hőmérsékletre van állítva, a friss gyümölcsök és zöldségek részben megfagyhatnak.

Ajánlott beállítási értékek táblázata

Fagyasztó rekesz beállítás	Hűtőrekesz beállítások	Megjegyzések
-18 °C	4 °C	Ez az alapértelmezett, ajánlott beállítás. Ez a beállítás javasolt, ha a környezeti hőmérséklet 30°C alatt van.
-20, -22 vagy -24 °C	4 °C	Ezeket a beállításokat 30 °C-ot meghaladó környezeti hőmérsékleten ajánljuk.
Quick Freeze - Gyorsfagyasztás	4 °C	Akkor használja, ha az élelmiszereket rövid idő alatt szeretné lefagyasztani. A folyamat végeztével a termék beállításai visszatérnek az előző pozícióba.
-18 °C vagy ennél hidegebb	2 °C	Használja ezeket a beállításokat, ha úgy gondolja, hogy a hűtőtér nem elég hideg a környezeti hőmérséklet vagy az ajtó gyakori kinyitása miatt.

Gyorsfagyasztás

1. A gyorsfagyasztás funkciót 24 órával a friss élelmiszerek elhelyezése előtt aktiválja.
2. A gomb megnyomása után 24 órával helyezze a fagyasztani kívánt ételeket a harmadik vagy negyedik, nagyobb fagyasztási kapacitású fiókba.
3. A gyorsfagyasztás funkció 24 óra után után automatikusan törlődik.

Fagyasztó adatai

Az IEC 62552 szabvány szerint a fagyasztónak 100 liter fagyasztórekesz térfogatára vetítve 24 óra alatt 4,5 kg élelmiszert kell -18°C-ra vagy annál alacsonyabb hőmérsékletre lefagyasztania, 25°C-os szobahőmérsékleten.

Az élelmiszerek csak -18°C-os vagy annál alacsonyabb hőmérsékleten tarthatók el hosszabb ideig.

Az élelmiszerek hónapokig frissen tarthatók (fagyasztóban -18°C-os vagy annál alacsonyabb hőmérsékleten).

A lefagyasztandó élelmiszerek a részleges leolvasztás elkerülése érdekében nem érintkezhetnek a már lefagyasztott élelmiszerekkel.

Forraljuk fel a zöldségeket és szűrjük le a vizet a fagyasztott tárolási idő meghosszabbítása érdekében. Szűrés után helyezze az ételt légmentesen lezárt csomagokba, és tegye a fagyasztóba. A banánt, paradicsomot, salátát, zellert, főtt tojást, burgonyát és hasonló ételeket nem szabad fagyasztani. Amennyiben ezeket az élelmiszereket lefagyasztja, csak a tápértékek és

az étkezési tulajdonságok sérülnek. Az emberi egészséget veszélyeztető rothadásról nem beszélhetünk.

Az ételek elhelyezése

Fagyasztórekesz polcok: Különböző fagyasztott ételek, pl. hús, hal, fagyalt, zöldségek stb.

Hűtőrekesz polcok: Élelmiszerek edényekben, fedett tányérban és fedeles dobozban, tojás (zárt dobozban)

Hűtőrekesz ajtópolcok: Kicsi és csomagolt ételek vagy italok

Zöldségtároló rekesz: Zöldségek és gyümölcsök

Friss élelmiszer rekesz: Delikát élelmiszerek (reggelire való élelmiszer, rövid időn belüli elfogyasztásra szánt húskészítmények)

Étel tárolása a hűtőrekeszben

- A rekeszek hőmérséklete jelentősen megemelkedik, ha a rekesz ajtaját gyakran nyitják és zárják, illetve hosszú ideig nyitva tartják, ez csökkentheti az élelmiszerek élettartamát, és az élelmiszerek megromlását okozhatja.
- Annak érdekében, hogy ne történjen szag- és ízváltozás, az élelmiszereket zárt tárolóedényekben kell tárolni.
- Ne tároljon túl sok élelmiszert a hűtőszekrényben. A jobb és egyenletesebb hűtés érdekében egymástól elválasztva helyezze el az élelmiszereket úgy, hogy a hideg levegő átjárhassa őket.

- Biztosítsa a levegő áramlását úgy, hogy helyet hagy az élelmiszer és a belső fal között. Ha az élelmiszereket a hátsó falhoz támasztja, az ételek megfagyhatnak.
- A főtt meleg ételeket szobahőmérsékletre kell hűteni, mielőtt a hűtőszekrénybe helyezi őket. Ezután a langyos ételt a hűtőszekrény alsó polcaira helyezheti. A langyos ételeket ne tegye olyan élelmiszerek közelébe, amelyek könnyen megromolhatnak.
- A fagyasztott ételeket a friss ételek rekeszében olvassa ki. Ezáltal a friss élelmiszerek rekeszét a fagyasztott élelmiszerekkel hűtheti, és energiát takaríthat meg.
- Az éretlen trópusi gyümölcsök (mangó, dinnyefajták, papaya, banán, ananász) hűtőben való tárolása felgyorsíthatja az érési folyamatot. Ez nem ajánlott, mert rövidebb tárolási időhöz vezet.
- A hagymát, fokhagymát, gyömbért és más gyökérzöldségeket sötét és hideg szobai körülmények között tárolja, ne a hűtőszekrényben.
- Ha észreveszi, hogy egy élelmiszer megromlott a hűtőszekrényben, dobja ki az adott ételt, és tisztítsa meg a vele érintkező tartozékokat.
- Annak érdekében, hogy a nagy fazekakban főzött ételeket, például levest és a pörköltet gyorsan lehűtse, a hűtőszekrényben különálló, sekély edényekbe szétosztva helyezze el őket.
- Ne tegyen csomagolatlan ételeket tojás közelébe.
- Tartsa a gyümölcsöket és a zöldségeket külön, és az egyes fajtákat együtt tárolja (például: alma az almával, sárgarépa a sárgarépával).
- Vegye ki a zöld zöldségeket a műanyag zacskóból, és tegye őket a hűtőszekrénybe, miután papírtörülőbe vagy száraz kendőbe csomagolta őket. Ha megmossa az ilyen típusú élelmiszereket, mielőtt a hűtőszekrénybe teszi őket, ne felejtse el megszáradítani őket.
- Egyszerre teremthet nedves környezetet és biztosíthatja a levegő áramlását, ha a kiszáradásra hajlamos gyümölcsöket és zöldségeket perforált vagy lezáratlan műanyag zacskókban tartja.
- A szélsőséges környezeti körülmények kivételével ha a készülékét (az ajánlott beállítási értékek táblázatában) a megadott értékekre állítja be, az élelmiszerek hosszabb ideig megőrzik frissességüket mind a friss termék rekeszben, mind a fagyasztórekeszben.

A különböző élelmiszereket tulajdonságaiknak megfelelően tárolja különböző helyeken.

Élelmiszer	Elhelyezés
Tojás	Ajtópolc
Tejtermékek (vaj, sajt)	Ha van, nulla fokos (reggelihez való ételeknél) rekesz
Gyümölcsök, zöldségek és leveles növények	Gyümölcs-zöldségrekesz, zöldségtartó vagy EverFresh+ rekesz (ha van)
Friss hús, baromfi, hal, kolbász stb. Főtt ételek	Ha van, nulla fokos (reggelihez való ételeknél) rekesz
Tálalásra kész élelmiszerek, csomagolt termékek, konzervek és savanyúságok	Felső polcok vagy ajtópolc
Italok, palackok, fűszerek és snackek	Ajtópolc

8.1 A megvilágító lámpa cseréje

Hívja a hivatalos szervizt, ha a hűtőszekrényt megvilágító izzót/LED-et ki kell cserélni.

A készülékben használt lámpa (ka) t nem lehet a ház világítására használni. A lámpa célja, hogy segítse a felhasználót az élelmiszerek biztonságos és kényelmes elhelyezésében a hűtőszekrényben / fagyasztóban.

8.2 Ajtó nyitva riasztás

A hűtőszekrény ajtónyitásra figyelmeztető rendszere modelltől függően eltérő lehet.

1. Verzió;

Ha a termék ajtaja egy bizonyos ideig (60 s és 120 s között) nyitva marad, hangjelzés hallható; a termék modelltől függően vizuális figyelmeztető jelzés (fényvillanás) is megjelenhet. Ha becsukja a készülék ajtaját, vagy megnyomja a készülék képernyőjén lévő gombot, ha van ilyen, a figyelmeztető hang megszűnik.

2. Verzió;

Ha a készülék ajtaja egy bizonyos ideig (60 s és 120 s között) nyitva marad, az ajtó nyitva riasztás megszólal. Az ajtó nyitva riasztás fokozatosan megszólal. Először egy hangjelzés kezd el szólni. Ha 4 perc elteltével az ajtó még mindig nem záródik, akkor vizuális figyelmeztetés (villogó fény) aktiválódik. Az ajtónyitási riasztás egy bizonyos ideig (60 s és 120 s között) késleltetve lesz, ha a termék képernyőjén lévő bármelyik gombot megnyomják, ha van ilyen. Ezután a folyamat újraindul. Ha a készülék ajtaját becsukja, az ajtó nyitva riasztás megszűnik.

9 A termék jellemzői

9.1 A jégtároló terület

Icematic és Jégtároló doboz

Töltse fel az icematic-ot vízzel és tegye a helyére. A jég kb. 2 óra alatt lesz kész. Ne vegye ki a jégkészítőt, hogy a jég kivételéhez.



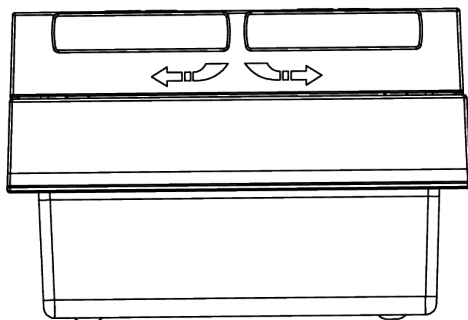
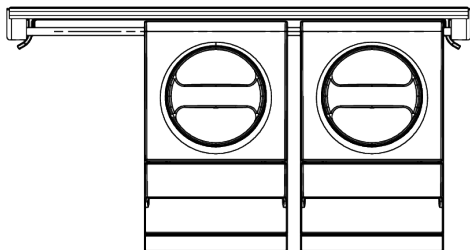
A jégtároló doboz csak jég tárolására szolgál. Ne fagyasszon benne vizet. Ha így tesz, akkor eltörhet.



MEGJEGYZÉS

A jég kiesése közben hangot lehet hallani. Ez a hang normális.

Fordítsa el a jégkamrák jobb oldali gombjait 90 ° -kal; a jég az alatta lévő jégtároló dobozba hull. Ezután eltávolíthatja a jégtároló dobozt és tálalhatja a jeget.



9.2 Tojástartó

A tojástartót elhelyezheti az ajtó- vagy a test polcára, ha szeretné.

Ha a tojástartó a test polcra kerül, javasoljuk, hogy hidegebb alsó polcokat válasszon.



Soha ne helyezze a tojástartót a fagyasztórekeszre

9.3 Zöldségtároló rekesz

A hűtő zöldségtároló rekesze frissen tartja a zöldségeket a nedvességtartalmuk megőrzésével. Ezért a hideg levegő keringetése fokozott a zöldségtároló rekeszben. Tartsa a gyümölcsöket és zöldségeket ebben a re-

keszben. A felhasználhatóságuk meghosszabbítása érdekében tartsa külön a leveles zöldségeket és a gyümölcsöket.

9.4 Zöldségtároló rekesz technológiák

Kék megvilágítás

A kék fényvel megvilágított zöldségtároló rekeszben tárolt gyümölcsök és zöldségek a kék fény hullámhosszának hatására tovább fotoszintetizálnak, így megőrzik vitamintartalmukat.

A technológiával megvilágított zöldségtároló rekeszben tárolt gyümölcsök és zöldségek hosszabb ideig megőrzik vitamintartalmukat a kék, zöld, piros fény és sötét ciklusoknak köszönhetően, amelyek a napi ciklust szimulálják.

Ha hűtőszekrény ajtaját a technológia sötét időszakában nyitja ki, akkor a hűtőszekrény ezt automatikusan érzékeli, és az Ön kényelme érdekében a kék, zöld vagy piros lámpák egyikével világítja meg a zöldségtároló rekeszt. Miután becsukta a hűtőszekrény ajtaját, a sötét periódus folytatódik, ami a napi ciklusban az éjszakai időszakot jelenti.

9.5 Páratartalom szabályozott zöldségtároló rekesz

A páratartalom-szabályozott zöldségtároló rekesz funkcióval a zöldségek és gyümölcsök páratartalma kontrollálva van, és az élelmiszerek hosszabb ideig frissek maradnak.

Javasoljuk, hogy a leveles zöldségeket, például fejes salátát, spenótot és hasonló, a nedvességvesztésre érzékeny zöldségeket ne a gyökereikre állítva, hanem a lehető leg-egyenesebben, vízszintesen helyezze a zöldségtároló rekeszbe.

A zöldségek berámolásakor a nehéz és kemény zöldségeket alulra, a könnyű és puha zöldségeket pedig felülre helyezze a zöldséget adott súlyát figyelembe véve.

Soha ne hagyja a zöldségeket műanyag zacskóban a zöldségtároló rekeszben. Ha műanyag zacskókban hagyja a zöldségeket, akkor hamar elrohadnak.

Amennyiben kerülni kell a zöldségek egymással való érintkezését, akkor használjon higiéniai szempontból megfelelő porozítással rendelkező papírt.

A többi zöldséggel és gyümölccsel együtt ne helyezzen a zöldségtartóba olyan gyümölcsöt, mely sok etilengázt termel, pl. körte, sárgabarack, őszibarack és alma. A gyümölcsök által kibocsátott etilengáz felgyorsítja a többi zöldség és gyümölcs érési folyamatát és ezért hamarabb elrohadnak.

10 Karbantartás és tisztítás



FIGYELMEZTETÉS:

Először olvassa el a „Biztonsági útmutató” részt.



FIGYELMEZTETÉS:

Tisztítás előtt húzza ki a hűtőszekrény hálózati csatlakozóját.

- A termék tisztításához ne használjon éles vagy súrolószert. Ne használjon olyan anyagokat, mint háztartási tisztítószerek, szappan, mosószerek, gáz, benzin, alkohol, viasz stb.
- A port a termék hátulján lévő szellőzőrácsról évente legalább egyszer el kell távolítani (a fedél kinyitása nélkül). A kiegészítéket nedves törlőkendővel tisztítsa.
- Ügyeljen arra, hogy a lámpa burkolatától és egyéb elektromos alkatrészekről távol tartsa a vizet.

- Tisztítsa meg az ajtót nedves ruhával. Távolítsa el minden tartalmat az ajtó és a polcok eltávolításához. Távolítsa el az ajtótartókat felfelé emeléssel. Tisztítsa és szárítsa meg a polcokat, majd felülről csúsztatva helyezze vissza a helyükre.
- Ne használjon klóros vizet vagy tisztítószereket a termék külső felületén és krómzott részein. A klór az ilyen fémfelületek rozsdásodását okozza.
- Ne használjon éles és dörzsölő szerszámokat, szappant, házi tisztítószereket, tisztítószereket, gázt, benzint, lakkot és hasonló anyagokat a műanyag rész deformálódásának és a nyomatok eltávolításának megakadályozása érdekében. Használjon meleg vizet és puha ruhát a tisztításhoz, majd szárítsa meg.
- A No-Frost funkcióval nem rendelkező termékeknél vízcseppek és ujjnyi vastagságú jegesedés fordulhat elő a fagyasztótér hátsó falán. Ne tisztítson, és soha ne használjon olajat vagy hasonló anyagokat.
- Enyhén nedvesített mikroszálas kendővel tisztítsa meg a termék külső felületét. A szivacsok és más típusú ruhákkal való tisztítás karcosodást okozhat.
- Az összes eltávolítható alkatrész tisztításához a termék belső felületének tisztítása során mossa le ezeket az alkatrészeket szappanból, vízből és karbonátból álló enyhe oldattal. Alaposan mossa le és

szárítsa meg. Kerülje a víz érintkezését a világító alkatrészekkel és a kezelőpanellel.



VIGYÁZAT:

A belső felületen ne használjon ecetet, alkoholt vagy más alkohol-alapú tisztítószeret.

Rozsdamentes acél külső felületek

Használjon nem koptató rozsdamentes acél tisztítószeret, és vigye fel puha, szőszmentes ruhával. A fényezéshez óvatosan törölje le a felületet vízzel megnedvesített mikroszálas kendővel, és használjon száraz polírozó szarvasbőrt. Mindig kövesse a rozsdamentes acél szálait.

Szagok megelőzése

A terméket szagtalan anyagoktól mentesen gyártják. Az étel nem megfelelő szakaszokban tartása és a belső felületek nem megfelelő tisztítása azonban szagokat okozhat.

- Ennek elkerülése érdekében 15 naponta tisztítsa meg a belsejét szénsavas vízzel.
- Az élelmiszereket tartsa lezárt tartókban, mivel a le nem zárt tartókban lévő élelmiszerekből származó mikroorganizmusok rossz szagot okoznak.
- Ne tartsa lejárt és elrontott ételeket a hűtőszekrényben.

Műanyag felületek védelme

A műanyag felületekre ömlött olaj károsíthatja a felületet, ezért azonnal meleg vízzel meg kell tisztítani.

11 Hibaelhárítás

Ellenőrizze ezt a listát, mielőtt felveszi a kapcsolatot a szervizzel. Ezzel időt és pénzt takaríthat meg. Ez a lista olyan gyakori panaszokat tartalmaz, amelyek nem a hibás kivitelezéssel vagy anyaghibával kapcsolatosak. Előfordulhat, hogy az itt említett egyes funkciók nem vonatkoznak az Ön termékére.

A hűtőszekrény nem működik.

- A hálózati csatlakozó nincs teljesen rögzítve. >>> Dugja be úgy, hogy teljesen illeszkedjen az aljzatba.
- A termék áramellátását adó, aljzathoz tartozó biztosíték vagy a fő biztosíték kiégett. >>> Ellenőrizze a biztosítékot.

Kondenzáció a hűtőrekesz oldalfalán (MULTI ZONE, COOL CONTROL és FLEXI ZONE).

- Az ajtó túl gyakran van kinyitva. >>> Ügyeljen rá, hogy ne nyissa ki túl gyakran a termék ajtaját.
- A környezet túl párás. >>> Ne telepítse a terméket párás környezetbe.
- A folyadékokat tartalmazó élelmiszerek lezáratlan tartóban vannak. >>> A folyadékokat tartalmazó élelmiszereket tartsa lezárt tartókban.
- A készülék ajtaja nyitva maradt. >>> Ne tartsa a termék ajtaját hosszú ideig nyitva.
- A termosztát nagyon alacsony hőmérsékletre van beállítva. >>> Állítsa a termosztátot megfelelő hőmérsékletre.

A kompresszor nem működik.

- Hirtelen áramkimaradás vagy a hálózati csatlakozó kihúzása és visszahelyezése esetén a termék hűtőrendszerében a gáznyomás nem kerül egyensúlyba, ami beindítja a kompresszor termikus védelmét. A készülék körülbelül 6 perc elteltével újraindul. Ha a termék ezen időtartam után sem indul újra, forduljon a szervizhez.
- A leolvasztás aktív. >>> Ez normális egy teljesen automatikus leolvasztással rendelkező termék esetében. A leolvasztás időszakosan történik.
- A termék nincs bedugva. >>> Ellenőrizze, hogy a tápkábel be van-e dugva.
- A hőmérséklet beállítása helytelen. >>> Válassza ki a megfelelő hőmérséklet-beállítást.
- Nincs áramellátás. >>> Az áramellátás helyreállítása után a termék normálisan működik tovább.

A hűtőszekrény működési zaja használat közben megnő.

- A termék működési teljesítménye a környezeti hőmérséklet-változásoktól függően változhat. Ez normális és nem üzemzavar.

A hűtőszekrény túl gyakran vagy túl sokáig működik.

- Az új termék nagyobb lehet, mint az előző. A nagyobb termékek hosszabb ideig működnek.
- A helyiség hőmérséklete magas lehet. >>> A termék magasabb szobahőmérsékleten általában hosszú ideig működik.
- Lehet, hogy a terméket nemrég csatlakoztatták, vagy új élelmiszer került bele. >>> A terméknek tovább tart elérni a beállított hőmérsékletet, ha nemrég csatlakoztatták, vagy új élelmiszer került bele. Ez normális.
- Lehet, hogy nemrégiben nagy mennyiségű forró ételt helyeztek a készülékbe. >>> Ne tegyen forró ételt a készülékbe.
- Az ajtókat gyakran kinyitották vagy hosszú ideig nyitva tartották. >>> A bent mozgó meleg levegő hatására a készülék hosszabb ideig üzemel. Ne nyissa ki túl gyakran az ajtókat.
- A fagyasztó vagy a hűtő ajtaja lehet, hogy rénsnyire nyitva van. >>> Ellenőrizze, hogy az ajtók teljesen zárva vannak-e.
- Lehet, hogy a termék túl alacsony hőmérsékletre van beállítva. >>> Állítsa a hőmérsékletet magasabbra, és várja meg, amíg a készülék eléri a beállított hőmérsékletet.
- A hűtő vagy a fagyasztó ajtó alátéte lehet, hogy piszkos, elhasználódott, eltört vagy nem megfelelően van beállítva. >>> Tisztítsa meg vagy cserélje ki a tömítést. A sérült/szakadt ajtó alátét miatt a termék hosszabb ideig üzemel, hogy megőrizze az aktuális hőmérsékletet.

A fagyasztó hőmérséklete nagyon alacsony, de a hűvösebb hőmérséklet megfelelő.

- A fagyasztórekesz hőmérséklete nagyon alacsonyra van beállítva. >>> Állítsa magasabbra a fagyasztótér hőmérsékletét, és ellenőrizze újra.

A hűtő hőmérséklete nagyon alacsony, de a fagyasztó hőmérséklete megfelelő.

- A hűtőrekesz hőmérséklete nagyon alacsonyra van beállítva. >>> Állítsa magasabbra a hűtőtér hőmérsékletét, és ellenőrizze újra.

A hűtőrekesz fiókaiban tárolt élelmiszerek fagyaszottak.

- A hűtőrekesz hőmérséklete nagyon alacsonyra van beállítva. >>> Állítsa magasabbra a hűtőtér hőmérsékletét, és ellenőrizze újra.

A hűtő vagy a fagyasztó hőmérséklete túl magas.

- A hűtőrekesz hőmérséklete nagyon magas értékre van beállítva. >>> A hűtőrekesz hőmérsékletének beállítása hatással van a fagyasztórekesz hőmérsékletére. Várja meg, amíg az érintett részek hőmérséklete eléri a megfelelő szintet a hűtő- vagy fagyasztórekeszek hőmérsékletének megváltoztatásával.
- Az ajtókat gyakran kinyitották vagy hosszú ideig nyitva tartották. >>> Ne nyissa ki túl gyakran az ajtókat.
- Az ajtó lehet, hogy résnyire nyitva van. >>> Csukja be teljesen az ajtót.
- Lehet, hogy a terméket nemrég csatlakoztatták, vagy új élelmiszer került bele. >>> Ez normális. A terméknek tovább tart elérni a beállított hőmérsékletet, ha nemrég csatlakoztatták, vagy új élelmiszer került bele.
- Lehet, hogy nemrégiben nagy mennyiségű forró ételt helyeztek a készülékbe. >>> Ne tegyen forró ételt a készülékbe.

Rázkódás vagy zaj.

- A felület nem sík vagy strapabíró >>> Ha a termék lassú mozgatkör remeg, állítsa be a lábakat a termék kiegyensúlyozásához. Győződjön meg arról is, hogy a padló kellően strapabíró a termék elbírásához.
- A termékre helyezett bármilyen tárgy zajt okozhat. >>> Távolítsa el a készülékre helyezett tárgyakat.

- A készülékből folyadékcsorgás, permetezés stb. zaja hallatszik.
- A termék működése folyadék- és gázáramlással jár. >>> Ez normális és nem üzemzavar.

A termékből szélfújás hangja hallatszik.

- A termék ventilátort használ a hűtési folyamathoz. Ez normális és nem üzemzavar.

A termék belső falain páralecsapódás keletkezik.

- A meleg vagy párás időjárás fokozza a jegesedést és a kondenzációt. Ez normális és nem üzemzavar.
- Az ajtókat gyakran kinyitották vagy hosszú ideig nyitva tartották. >>> Ne nyissa ki túl gyakran az ajtókat; ha nyitva van, csukja be.
- Az ajtó lehet, hogy résnyire nyitva van. >>> Csukja be teljesen az ajtót.

A készülék külső felületén vagy az ajtók között páralecsapódás van.

- A környezet párás lehet, ez párás időben teljesen normális. >>> A páralecsapódás el fog oszlani, ha a páratartalom csökken.

A belső térnek rossz szaga van.

- A terméket nem tisztítják rendszeresen. >>> A belső teret rendszeresen tisztítsa meg szivaccsal, meleg vízzel és szénsavas vízzel.
- Bizonyos tartályok és csomagolóanyagok rossz szagot okozhatnak. >>> Használjon szagmentes tartókat és csomagolóanyagokat.
- Az élelmiszereket lezártatlan tartókban helyezték el. >>> Tartsa az élelmiszereket lezárt tartókban. A nem zárt élelmiszerekből mikroorganizmusok terjedhetnek el, és rossz szagot okozhatnak.
- Távolítsa el a lejárt vagy romlott élelmiszereket a készülékből.

Az ajtó nem záródik.

- Előfordulhat, hogy az élelmiszercsomagok elzárják az ajtót. >>> Távolítsa el az ajtókat eltorlaszoló tárgyakat.

- A termék nem áll teljesen függőlegesen a padlón. >>> Állítsa be a lábakat a készülék kiegyensúlyozásához.
- A felület nem sík vagy nem strapabíró >>> Győződjön meg róla, hogy a felület sík és kellően strapabíró ahhoz, hogy elbírja a terméket.

A zöldségtartó beragadt.

- Az élelmiszerek érintkezhetnek a fiók felső részével. >>> Rendezze át az élelmiszereket a fiókban.

A készülék felületének hőmérséklete.

- A készülék működése közben magas hőmérséklet figyelhető meg a két ajtó között, az oldallapokon és a hátsó rácsfelületen. Ez normális, és nem igényel karbantartást.

A ventilátor továbbra is működik, ha az ajtó nyitva van.

- A ventilátor továbbra is működhet, ha a fagyasztó ajtaja nyitva van.



FIGYELMEZTETÉS: Ha a probléma az ebben a fejezetben leírtak elvégzése után is fennáll, forduljon a forgalmazóhoz vagy hivatalos szervizhez. Ne próbálja megjavítani a készüléket. Ez normális.

NYILATKOZAT / FIGYELMEZTETÉS

Egyes (egyszerű) meghibásodásokat a végfelhasználó is megfelelően kezelhet anélkül, hogy bármilyen biztonsági probléma vagy nem biztonságos használat következne be, feltéve, hogy azokat a határokon belül és az alábbi utasításoknak megfelelően végzi el (lásd az „Önálló javítás” fejezetet). Ezért, hacsak az alábbi „Önálló javítás” fejezet nem engedélyezi, a javításokat a biztonsági problémák elkerülése érdekében regisztrált szakszerviznek kell elvégeznie. A regisztrált szakszerviz olyan szakszerviz, akinek a gyártó a 2009/125/EK irányelv szerinti jogszabályban leírt módszereknek megfelelően hozzáfértést biztosított a termék használati utasításaihoz és pótalkatrészjegyzékéhez.

A garanciális feltételek alapján azonban csak az a szerviz (azaz hivatalos szakszerviz) nyújthat szolgáltatást, amelyet a használati útmutatóban/garanciaakártyán megadott telefonszámon vagy a hivatalos kereskedőn keresztül érhet el. Ezért felhívjuk figyelmét, hogy a által nem engedélyezett szakszervizek által végzett javítások esetén a garancia érvényét veszti.

Önálló javítás

Az önálló javítást a végfelhasználó a következő pótalkatrészek tekintetében végezheti: ajtókilincsek, ajtópántok, tálcák, kosarak és ajtótomítések (2021. március 1-től frissített lista is elérhető).

Továbbá, a termék biztonsága és a súlyos sérülések megelőzése érdekében az említett önálló javítást az ahhoz szükséges felhasználói kézikönyvben vagy az alábbiakban található utasítások szerint kell elvégezni: . Saját biztonsága érdekében húzza ki a terméket a hálózathoz, mielőtt bármilyen önálló javítást kísérelne meg.

A végfelhasználók által az ilyen listán nem szereplő alkatrészekkel végzett javítások és javítási kísérletek és/vagy az önálló javításra vonatkozó felhasználói kézikönyvekben szereplő, vagy a oldalon elérhető utasítások be nem tartása olyan biztonsági problémákat vethet fel, amelyek nem a -nak tulajdoníthatók, és a termékre vonatkozó garancia érvényét veszti.

Ezért erősen ajánlott, hogy a végfelhasználók tartózkodjanak az említett alkatrészlistán kívül eső javítási kísérletektől, és ilyen esetekben forduljanak hivatalos szakszervizhez vagy regisztrált szakszervizhez. Ellenkező esetben a végfelhasználók ilyen kísérletei biztonsági problémákat vethetnek fel, és károsíthatják a terméket, majd ezt

követően tűz, elázás, áramütés és súlyos személyi sérülések bekövetkezését okozhatják.

Példaként, de nem kizárólagosan, a következő javításokat kell hivatalos szakszerviznek vagy regisztrált szakszerviznek végeznie: kompresszor, hűtőkör, főpanel, inverterpanel, kijelzőpanel stb.

A gyártó/eladó nem vállal felelősséget abban az esetben, ha a végfelhasználók nem tartják be a fentieket.

Az Ön által megvásárolt hűtőszekrény pótalkatrész-ellátási ideje 10 év. Ezen időszak alatt elérhetőek eredeti pótalkatrészek a hűtőszekrény megfelelő üzemeltetéséhez.

A megvásárolt hűtőberendezésre vonatkozó minimum garancia 24 hónap.

A termék „G” energiaosztályú fényforrással van felszerelve.

A termékben lévő fényforrást csak szakszerviz cserélheti ki.

Lásd még

2 DISCLAIMER / WARNING [} 28]

Cortesemente leggi prima questo manuale!

Gentile Cliente,

Cortesemente leggi il presente manuale prima di iniziare ad usare il prodotto.

Ti ringraziamo per aver scelto questo prodotto. Vorremmo che il prodotto, che è stato realizzato con la tecnologia più avanzata, ti possa offrire l'efficienza ottimale. Per questo, prima di utilizzare il prodotto leggi attentamente questo manuale e qualsiasi altra documentazione fornita e conservali per riferimenti futuri.

Presta particolare attenzione alle informazioni e alle avvertenze contenute nel manuale utente. In questo modo proteggerai te stesso e il tuo prodotto da possibili pericoli.

Conserva il manuale utente. Se dovessi consegnare il prodotto a qualcun altro, non dimenticare di includere questo manuale.

Nel manuale utente sono utilizzati i seguenti simboli:



Pericolo che potrebbe causare morte o lesioni.



Informazioni importanti o suggerimenti utili sul funzionamento.





Leggi il manuale utente.



Materiale combustibile, pericolo di incendio.

AVVISO Un pericolo che potrebbe causare danni materiali al prodotto o all'ambiente circostante

 	Le informazioni sul modello memorizzate nella banca dati del prodotto possono essere ottenute entrando nel seguente sito web e cercando il proprio identificatore di modello (*) che si trova sull'etichetta energetica. https://eprel.ec.europa.eu/
SUPPLIER'S NAME MODEL IDENTIFIER → (*)	
	

1 Istruzioni di sicurezza.....	70
1.1 Uso previsto	70
1.2 Sicurezza dei bambini, dei disabili e degli animali domestici	70
1.3 Sicurezza elettrica	71
1.4 Manipolazione in sicurezza	72
1.5 Installazione in sicurezza.....	72
1.6 Funzionamento in sicurezza.....	74
1.7 Sicurezza nella conservazione degli alimenti	77
1.8 Manutenzione e pulizia in sicurezza.....	78
1.9 Smaltimento del vecchio prodotto.....	78
2 Istruzioni relative all'ambiente.....	79
2.1 Conformità con la direttiva WEEE e con la normativa sullo smaltimento dei prodotti di scarico.	79
3 Il vostro frigorifero.....	80
4 Installazione	81
4.1 Collegamenti elettrici	83
5 Preparazione	83
5.1 Cosa fare per risparmiare energia	83
5.2 Uso previsto	83
5.3 Classe climatica e definizioni	84
6 Funzionamento del prodotto	84
7 Pannello di controllo del prodotto	85
8 Uso del prodotto	87
8.1 Sostituzione della lampada	90
8.2 Avviso di sportello aperto	90
9 Caratteristiche del prodotto	91
9.1 L'area di conservazione del ghiaccio.....	91
9.2 Porta uova.....	91
9.3 Cassetto frutta e verdura	91
9.4 Tecnologie del Crisper	91
9.5 Crisper a umidità controllata	92
10 Manutenzione e pulizia	92
11 Guida alla risoluzione dei problemi.....	93

1 Istruzioni di sicurezza

Questa sezione include le istruzioni sulla sicurezza necessarie per evitare il rischio di lesioni personali e danni materiali.

La nostra azienda non è da ritenersi responsabile per i danni causati dall'inosservanza delle presenti istruzioni.

Le operazioni di installazione e riparazione dovranno sempre essere eseguite da un servizio di assistenza autorizzato.

Servirsi unicamente di pezzi di ricambio e accessori originali.

I pezzi di ricambio originali saranno forniti per 10 anni dalla data di acquisto del prodotto.

Non riparare o sostituire alcun componente del prodotto a meno che ciò non venga chiaramente specificato nel manuale utente.

Non eseguire modifiche sul prodotto.

1.1 Uso previsto

Questo prodotto non è adatto all'uso commerciale e non dovrebbe essere usato per usi diversi da quelli previsti. Questo prodotto è progettato per essere usato in ambienti chiusi, in casa e in luoghi simili.

Ad esempio:

- Nelle cucine del personale di negozi, uffici e altri ambienti di lavoro,
- Nelle cascine,
- Nelle unità di alberghi, motel o altre strutture di riposo utilizzate dai clienti,
- In ostelli o ambienti simili,
- Nei servizi di catering e similari, purché in scenari non retail.

Questo prodotto non deve essere utilizzato in ambienti esterni aperti o chiusi, come navi, balconi o terrazze. L'esposizione del prodotto a pioggia, neve, luce solare e vento potrebbe causare rischi di incendio.

1.2 Sicurezza dei bambini, dei disabili e degli animali domestici

- Questo prodotto può essere utilizzato da bambini dagli 8 anni in su e da persone con capacità fisiche, sensoriali o mentali insufficienti o prive di esperienza e conoscenza purché supervisionati o abbiano ricevuto istruzioni sull'uso dell'apparecchio in modo sicuro e sui relativi pericoli connessi.

- I bambini tra i 3 e gli 8 anni sono autorizzati a mettere ed estrarre cibo da/nel prodotto raffreddato.
- I dispositivi elettrici sono pericolosi per i bambini e gli animali domestici. I bambini e gli animali domestici non devono giocare, salire o entrare nel prodotto.
- Gli interventi di pulizia e manutenzione non devono essere eseguiti dai bambini a meno che sotto la supervisione di una persona adulta.
- Tenere i materiali di imballaggio lontano dalla portata dei bambini. Pericolo di lesioni e soffocamento.

Prima di smaltire i vecchi prodotti che non devono più essere utilizzati:

1. Scollegare il cavo di alimentazione dalla presa di corrente.
2. Tagliare il cavo di alimentazione e rimuoverlo dall'apparecchio insieme alla spina.
3. Per evitare che i bambini entrino nell'apparecchio non rimuovere i ripiani e i cassetti dal prodotto.
4. Rimuovere le porte.
5. Conservare il prodotto in modo da non ribaltarlo.

6. Non permettere ai bambini di giocare con il prodotto anche se vecchio e non più utilizzato.

- Non smaltire il prodotto gettandolo nel fuoco. Pericolo di esplosione.
- Se la porta del prodotto dispone di serratura, tenere la chiave fuori dalla portata dei bambini.



1.3 Sicurezza elettrica

- Durante le operazioni di installazione, manutenzione, pulizia, riparazione e trasporto, il prodotto non deve essere collegato alla presa di corrente.
- Se il cavo di alimentazione è danneggiato, deve essere sostituito da un servizio di assistenza autorizzato, per evitare qualsiasi rischio.
- Non infilare il cavo di alimentazione sotto il prodotto o sul retro del prodotto. Non appoggiare oggetti pesanti sul cavo di alimentazione. Il cavo di alimentazione non deve essere piegato, schiacciato e non deve venire a contatto con alcuna fonte di calore.
- Non utilizzare prolunghe, multiple o adattatori per azionare il prodotto.
- Le multi prese portatili o gli alimentatori portatili possono surriscaldarsi e causare incen-

di. Pertanto, non disporre una presa multipla dietro o nelle vicinanze del prodotto.

- La spina deve essere facilmente accessibile. Se ciò non è possibile, sull'impianto elettrico deve essere disponibile un meccanismo che soddisfi la regolamentazione in materia di elettricità e che scolleghi tutti i terminali dalla rete elettrica (fusibile, interruttore, interruttore principale, ecc.).
- Non toccare la spina con le mani bagnate.
- Quando si scollega l'apparecchio, non tenere il cavo di alimentazione, ma la spina.

1.4 Manipolazione in sicurezza

- Prima di trasportare il prodotto, assicurarsi di scollegare l'apparecchio.
- Il prodotto è pesante, non maneggiarlo da soli. La caduta del prodotto potrebbe provocare lesioni. Non urtare o far cadere il prodotto durante il trasporto.
- Chiudere sempre le porte e non tenere il prodotto dalle porte durante il trasporto.
- Fare attenzione a non danneggiare il sistema di raffreddamento e le tubazioni durante la manipolazione del prodotto.

Non azionare il prodotto se i tubi sono danneggiati e contattare il servizio di assistenza autorizzato.

1.5 Installazione in sicurezza

- Rivolgersi al Servizio Autorizzato per l'installazione del prodotto. Per preparare il prodotto all'uso, consultare le informazioni contenute nel manuale utente e accertarsi che le utenze elettriche e idriche siano conformi a quanto necessario. In caso contrario, chiamare un elettricista qualificato e un idraulico per sistemare le utenze come necessario. Il non rispetto di tali istruzioni potrebbe aumentare il rischio di scosse elettriche, incendi, danni al prodotto o lesioni.
- Il prodotto è progettato per l'uso in aree a 2000 metri sotto il livello del mare.
- Controllare che non vi siano danni al prodotto prima di installarlo. Non far installare il prodotto se è danneggiato.
- Utilizzare sempre i dispositivi di protezione individuale (guanti, ecc.) durante l'installazione, la manutenzione e la riparazione del prodotto. Rischio di lesioni!

- Posizionare il prodotto su una superficie pulita, piana e dura e bilanciarlo con le gambe regolabili (ruotando i piedini anteriori a destra o a sinistra). In caso contrario, il frigorifero potrebbe ribaltarsi e causare lesioni.
- Il prodotto deve essere installato in un ambiente asciutto e ventilato. Non tenere tappeti, moquette, o coperture simili sotto il prodotto. In caso contrario, la ventilazione inadeguata potrebbe determinare un rischio di incendio!
- Non bloccare o coprire i fori di ventilazione. In caso contrario, il consumo di energia aumenta e il prodotto potrebbe danneggiarsi.
- Quando si posiziona il prodotto, assicurarsi che il cavo di alimentazione non sia danneggiato o schiacciato.
- Il prodotto non deve essere collegato a sistemi di alimentazione come l'alimentazione solare. Altrimenti, il prodotto potrebbe danneggiarsi a causa di improvvisi cambiamenti di tensione!
- Più refrigerante contiene un frigorifero, più grande deve essere lo spazio necessario per la sua installazione. In locali molto piccoli, in caso di perdita di gas nel sistema di raffreddamento potrebbe verificarsi una miscela gas-aria infiammabile. Per ogni 8 grammi di refrigerante è necessario almeno 1 m³ di volume. La quantità di refrigerante disponibile nel prodotto è specificata nella targhetta di identificazione.
- Il luogo di installazione del prodotto non dovrà essere esposto alla luce diretta del sole e non dovrà essere nelle vicinanze di una fonte di calore come stufe, radiatori, ecc. Se non è possibile evitare l'installazione del prodotto in prossimità di una fonte di calore, utilizzare una piastra isolante adeguata e assicurarsi che la distanza minima dalla fonte di calore sia quella specificato di seguito:
 - Almeno 30 cm di distanza da fonti di calore come stufe, forni, radiatori, riscaldatori, ecc,
 - Almeno 5 cm di distanza dai forni elettrici.
- Il prodotto ha la classe di protezione I.
- Inserire il prodotto in una presa con messa a terra conforme ai valori di tensione, corrente e frequenza specificati nella targhetta d'identificazione. La presa deve avere un fusibile da

10A - 16A. La nostra azienda non si assumerà alcuna responsabilità per gli eventuali danni dovuti ad un uso senza previa messa a terra e con collegamento elettrico non conforme alle normative locali e nazionali.

- Durante l'installazione, il cavo di alimentazione del prodotto deve essere scollegato. In caso contrario sussiste il pericolo di scosse elettriche e lesioni!
- Non collegare il cavo di alimentazione del prodotto a prese di corrente allentate, dislocate, rotte, sporche, oleose e a rischio di contatto con l'acqua. Questi tipi di collegamenti potrebbero causare surriscaldamento e incendi.
- Collocare il cavo di alimentazione e i tubi flessibili (se disponibili) del prodotto in modo che non comportino il rischio di inciampare.
- La penetrazione dell'umidità e liquidi nelle parti sotto tensione o nel cavo di alimentazione potrebbe causare un cortocircuito. Pertanto, non utilizzare il prodotto in ambienti umidi o in zone in cui l'acqua possa schizzare (ad esempio garage, lavanderia, ecc.) Se il frigorife-

ro viene bagnato dall'acqua, staccare la spina e contattare il servizio di assistenza autorizzato.

- Non collegare mai il frigorifero a dispositivi di risparmio energetico. Questi sistemi sono dannosi per il prodotto.
- La rimozione del coperchio della scheda elettronica e del coperchio posteriore del compressore (se presente) comporta il rischio di contatto con parti elettriche. Non rimuovere il coperchio della scheda elettronica e il coperchio posteriore del compressore (se presente). Sussiste il rischio di elettrocuzione!



1.6 Funzionamento in sicurezza

- Non utilizzare mai solventi chimici sul prodotto. Questi materiali comportano un rischio di esplosione.
- In caso di guasto del prodotto, scollegare la spina e non far funzionare fino a quando non viene riparato dal servizio di assistenza autorizzato. In caso contrario, vi è il rischio di scossa elettrica!

- Non collocare una fonte di fiamma (ad es. candele, sigarette, ecc.) sul prodotto o nelle sue vicinanze.
- Non salire sul prodotto. Pericolo di caduta e lesioni!
- Non danneggiare i tubi dell'impianto di raffreddamento con attrezzi affilati e perforanti. Il refrigerante spruzzato fuori in caso di foratura dei tubi del gas, prolunghe o rivestimenti superficiali potrebbe causare irritazione della pelle e lesioni agli occhi.
- Non collocare e mettere in funzione apparecchi elettrici all'interno dei frigoriferi/congelatore, a meno che non sia stato consigliato dal produttore.
- Non incastrare mani o parti del corpo nelle parti in movimento e all'interno del prodotto. Fare attenzione a non incastrare le dita tra il frigorifero e la sua porta. Prestare attenzione durante l'apertura o la chiusura della porta in presenza di bambini.
- Non mettere in bocca gelati, cubetti di ghiaccio o cibi surgelati non appena tolti dal congelatore. Pericolo di congelamento!
- Non toccare con le mani bagnate le pareti interne, le parti metalliche del congelatore o gli alimenti conservati al suo interno. Pericolo di congelamento!
- Non collocare nello scomparto congelatore lattine o bottiglie contenenti liquidi che possono congelarsi. Lattine o bottiglie possono esplodere. Pericolo di lesioni e danni materiali!
- Non utilizzare o collocare materiali sensibili alla temperatura come spray infiammabili, oggetti infiammabili, ghiaccio secco o altri agenti chimici nelle vicinanze del frigorifero. Pericolo di incendio ed esplosione!
- Non conservare materiali esplosivi come bombolette spray assieme a materiali infiammabili all'interno del prodotto.
- Non collocare lattine aperte contenenti liquidi sopra il prodotto. Gli spruzzi d'acqua su una parte elettrica potrebbero causare scosse elettriche o incendi.
- Questo prodotto non è destinato allo stoccaggio e al raffreddamento di medicinali, plasma sanguigno, preparati o materiali di laboratorio e prodotti simili, soggetti a direttive sui prodotti medici.

- Se il prodotto viene utilizzato in modo non conforme alla sua destinazione, può causare danni o deterioramento dei prodotti conservati al suo interno.
- Se il frigorifero è dotato di luce blu, non guardare questa luce con dispositivi ottici. Non guardare direttamente la luce UV LED per lungo tempo. I raggi ultravioletti possono causare affaticamento visivo.
- Non riempire il prodotto più di quanto consentito dalla sua capacità. Potrebbero verificarsi lesioni o danni se il contenuto del frigorifero cade quando lo sportello è aperto. Problemi simili potrebbero verificarsi anche quando un oggetto viene posto sopra il prodotto.
- Assicurarsi di aver rimosso il ghiaccio o l'acqua che potrebbe essere caduta a terra per evitare lesioni.
- Cambiare la posizione dei ripiani/porta bottiglie sulla porta del frigorifero solo quando i ripiani sono vuoti. Pericolo di lesioni fisiche!
- Non appoggiare oggetti che potrebbero cadere/ribaltarsi sul prodotto. Questi oggetti potrebbero cadere durante l'apertura o la chiusura della porta e causare lesioni e/o danni materiali.
- Non urtare e non esercitare una pressione eccessiva sulle superfici di vetro. La rottura del vetro potrebbe causare lesioni e/o danni materiali.
- Il sistema di raffreddamento del prodotto contiene refrigerante R600a. Il tipo di refrigerante utilizzato nel prodotto è specificato nella targhetta d'identificazione. Questo gas è infiammabile. Pertanto, fare attenzione a non danneggiare il sistema di raffreddamento e le tubazioni durante il funzionamento del prodotto. In caso di danni alle tubazioni:
 1. Non toccare il prodotto o il cavo di alimentazione.
 2. Tenere il prodotto lontano da potenziali fonti di calore che potrebbero causare il surriscaldamento e l'incendio del prodotto.
 3. Assicurare la ventilazione dell'area in cui è collocato il prodotto. Non utilizzare un ventilatore.
 4. Contattare il servizio di assistenza autorizzato.

Se il prodotto è danneggiato e si osservano perdite di gas, stare lontani dal gas. Il gas potrebbe causare congelamento se entra in contatto con la pelle.

Prima di smaltire i vecchi prodotti che non devono più essere utilizzati:

1. Scollegare il cavo di alimentazione dalla presa di corrente.
 2. Tagliare il cavo di alimentazione e rimuoverlo dall'apparecchio insieme alla spina.
 3. Per evitare che i bambini entrino nell'apparecchio non rimuovere i ripiani e i cassetti dal prodotto.
 4. Rimuovere le porte.
 5. Conservare il prodotto in modo da non ribaltarlo.
 6. Non permettere ai bambini di giocare con il prodotto anche se vecchio e non più utilizzato.
- Non smaltire il prodotto gettandolo nel fuoco. Pericolo di esplosione.
 - Se la porta del prodotto dispone di serratura, tenere la chiave fuori dalla portata dei bambini.



1.7 Sicurezza nella conservazione degli alimenti

Per evitare il deterioramento degli alimenti, si prega di prestare attenzione alle seguenti avvertenze:

- Lasciare gli sportelli aperti per molto tempo potrebbe fare aumentare la temperatura all'interno del prodotto.
- Pulire regolarmente i sistemi di drenaggio accessibili a contatto con gli alimenti.
- Pulire i serbatoi d'acqua che non sono stati usati per 48 ore e i sistemi d'acqua alimentati dalla rete che non sono stati usati per più di 5 giorni.
- Conservare i prodotti crudi di carne e pesce in scomparti appropriati all'interno del prodotto. In tal modo, non sgoccioleranno e non entreranno in contatto con altri alimenti.
- Gli scomparti del congelatore a due stelle sono utilizzati per conservare gli alimenti precotti, fare e conservare il ghiaccio e i gelati.
- Gli scomparti a una, due e tre stelle non sono appropriati per congelare alimenti freschi.

- Se il congelatore è stato lasciato vuoto per molto tempo, spegnerlo, sbrinare, pulire e asciugare il prodotto per proteggere il suo alloggiamento.

1.8 **Manutenzione e pulizia in sicurezza**

- Non tirare la maniglia della porta se si deve spostare il prodotto per la pulizia. La maniglia potrebbe causare lesioni, se tirata troppo forte.
- Non pulire il prodotto spruzzando o versando acqua sul prodotto e al suo interno. Pericolo di scosse elettriche e incendi.
- Quando si pulisce il prodotto, non usare strumenti taglienti e abrasivi o detersivi domestici, detersivi, gas, benzina, diluente, alcol, vernice e sostanze simili. Utilizzare solo detersivi e agenti per la pulizia che non siano dannosi per gli alimenti contenuti nel prodotto.
- Non utilizzare mai detersivi a vapore o materiali per la pulizia a vapore per pulire il prodotto e scongelare il ghiaccio al suo interno. Il vapore che entra in contatto con le parti sotto ten-

sione del frigorifero provoca cortocircuiti o scosse elettriche.

- Tenere l'acqua lontana dai circuiti elettronici o dal sistema di illuminazione del prodotto.
- Utilizzare un panno pulito e asciutto per rimuovere la polvere o un qualsiasi materiale estraneo sulle spine. Non utilizzare un panno umido o bagnato per pulire la spina. In caso contrario, vi è il rischio di incendio o scossa elettrica.

1.9 **Smaltimento del vecchio prodotto**

Quando smaltisci il tuo vecchio prodotto segui le istruzioni riportate di seguito:

- Per evitare che i bambini si blocchino accidentalmente nel prodotto, nel caso in cui sia presente la serratura della porta, disattivarla.
- Gli schizzi di fluido refrigerante sono pericolosi per gli occhi. Non danneggiare alcuna parte dell'impianto di raffreddamento durante lo smaltimento del prodotto.
- Potrebbe essere fatale se l'olio del compressore venisse ingerito o se penetrasse nel tratto respiratorio.

- L'impianto di raffreddamento del prodotto include il gas R600 come specificato nell'etichetta informativa. Questo gas

è infiammabile. Non smaltire il prodotto gettandolo nel fuoco. Rischio di esplosione!

2 Istruzioni relative all'ambiente

2.1 Conformità con la direttiva WEEE e con la normativa sullo smaltimento dei prodotti di scarico.



Questo prodotto è conforme alla direttiva WEEE dell'UE (2012/19/EU). Questo prodotto porta un simbolo di classificazione per la strumentazione elettrica ed elettronica di scar-

to (WEEE).

Questo simbolo indica che questo prodotto alla fine della sua vita utile non deve essere smaltito con altri rifiuti domestici. Il dispositivo usato deve essere restituito al punto di raccolta ufficiale per il riciclaggio dei dispositivi elettrici ed elettronici. Per trovare questi sistemi di raccolta si prega di contattare le autorità locali o il rivenditore presso il quale è stato acquistato il prodotto. Ogni famiglia svolge un ruolo importante nel re-

cupero e nel riciclaggio di vecchie apparecchiature. Un adeguato smaltimento dell'apparecchiatura usata aiuta a prevenire potenziali conseguenze negative per l'ambiente e la salute umana.

Conformità con la direttiva RoHS

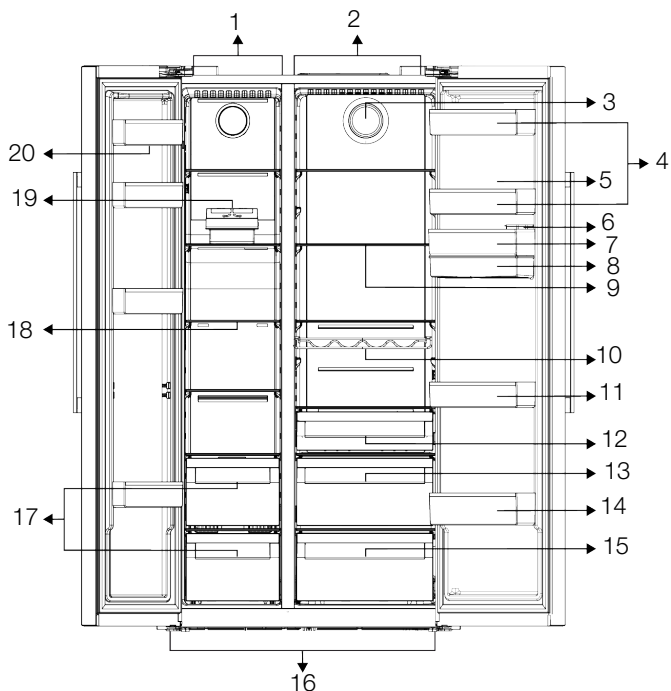
Il prodotto acquistato è conforme con la Direttiva UE RoHS (2011/65/EU). Non contiene materiali dannosi e proibiti e indicati nella Direttiva.



Informazioni sull'imballaggio

I materiali che compongono l'imballaggio del prodotto sono realizzati a partire da materiali riciclabili in conformità con le nostre Normative Ambientali Nazionali. Non smaltire i materiali dell'imballaggio congiuntamente ai rifiuti domestici o ad altri rifiuti. Portarli presso i punti di raccolta imballaggi indicati dalle autorità locali.

3 Il vostro frigorifero




- | | | | |
|----|--|----|--|
| 1 | Scomparto congelatore | 2 | Scomparto raffreddatore |
| 3 | Ventola | 4 | * Ripiani della porta dello scomparto raffreddatore |
| 5 | Porta uova | 6 | Riempimento del serbatoio dell'erogatore di acqua |
| 7 | * Ripiani della porta dello scomparto raffreddatore | 8 | Serbatoio dell'erogatore di acqua |
| 9 | * Ripiani in vetro dello scomparto raffreddatore | 10 | * Ripiano per bottiglie |
| 11 | * Ripiani della porta dello scomparto raffreddatore | 12 | * Cella per prodotti lattiero-caseari (conservazione a freddo) |
| 13 | * Cassetti frutta e verdura | 14 | * Ripiano per bottiglie |
| 15 | * Cassetti frutta e verdura | 16 | Gambe regolabili |
| 17 | Scomparti per la conservazione di alimenti congelati | 18 | * Ripiani in vetro scomparto congelatore |
| 19 | Macchina del ghiaccio | 20 | Ripiani della porta dello scomparto congelatore |


***Opzionale:** Le figure in questo manuale utente sono schematiche, e potrebbero non corrispondere esattamente al prodotto.

4 Installazione

Luogo idoneo per l'installazione

 Leggere prima la sezione "Istruzioni di sicurezza"!

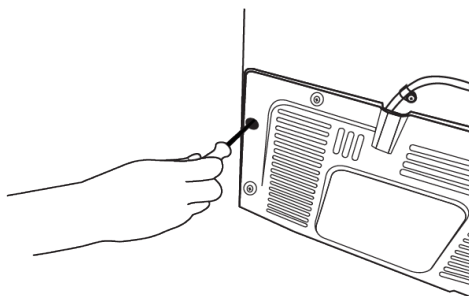
Il prodotto necessita di adeguata ventilazione per un funzionamento efficiente. Se il prodotto viene collocato in una alcova, lasciare almeno 5 cm di spazio tra il prodotto, il soffitto, i muri laterali e il muro retrostante. Controllare se il componente di protezione della parete posteriore è presente e nel suo alloggiamento (se fornito con il prodotto). Se il componente non è disponibile, o se è stato smarrito o è caduto, posizionare il prodotto in modo tale da lasciare almeno 5 cm di spazio libero tra il retro del prodotto e le pareti del locale. Lo spazio libero nella parte posteriore è importante per il funzionamento efficiente del prodotto.

 Non usare prolunghe o multi-prese per il collegamento elettrico.


Fissaggio dei cunei in plastica


Per garantire una circolazione d'aria sufficiente fra il prodotto e la parete, servirsi dei cunei in plastica forniti in dotazione con il prodotto.


- Rimuovere le viti sul prodotto e montare le viti fornite in dotazione con i cunei.



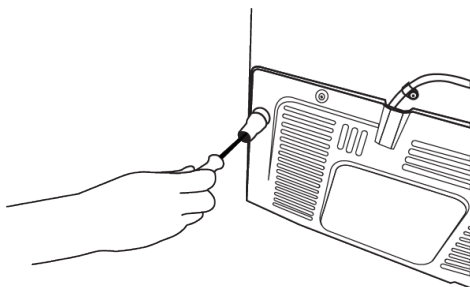
Qualora il prodotto non contenga le parti descritte, l'informazione riguarda altri modelli.

 Il produttore non si assume alcuna responsabilità per gli eventuali danni causati dagli interventi eseguiti da personale non autorizzato.

 Durante l'installazione, il cavo di alimentazione del prodotto deve essere scollegato. Il mancato rispetto di queste istruzioni potrebbe provocare morte o altre gravi lesioni!

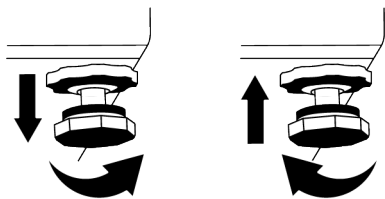
 Qualora la porta fosse troppo stretta per consentire il passaggio del prodotto, togliere la porta e ruotarla; qualora ciò non funzioni, contattare il servizio autorizzato.

- Per evitare vibrazioni, posizionare il prodotto su una superficie piana
- Collocare il prodotto ad almeno a 30 cm dal termosifone, dalla stufa e da altre fonti di calore e ad almeno 5 cm da eventuali forni elettrici.
- Non esporre il prodotto alla luce solare diretta e non tenerlo in ambienti umidi.
- Fissare 2 cunei in plastica sul coperchio della ventilazione, come indicato nella figura.



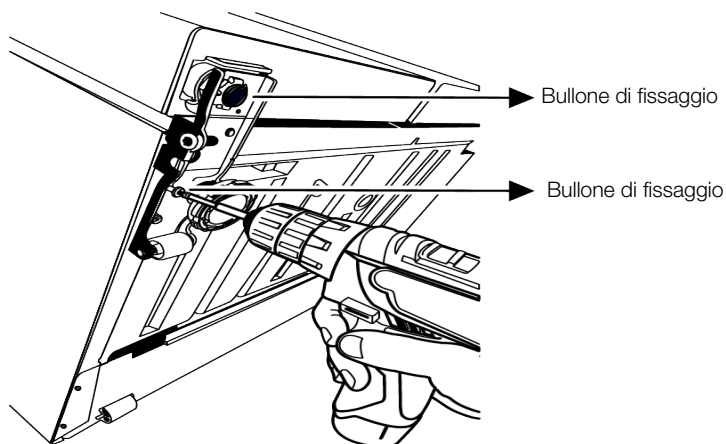
Regolazione delle gambe

Se il prodotto non è in posizione bilanciata, è possibile regolarne l'equilibrio ruotando i supporti sulla parte anteriore a destra o a sinistra.



Per regolare gli sportelli in verticale,

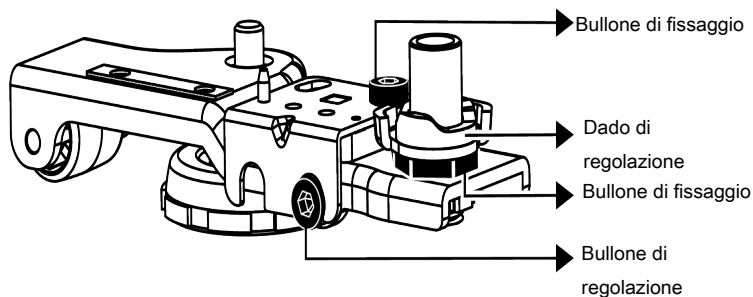
Allentare il bullone di fissaggio che si trova in basso. Ruotare il bullone di regolazione verso la posizione (orario/antiorario) dello sportello. Serrare il bullone di fissaggio per fissare la posizione.



Per regolare gli sportelli in orizzontale,

Allentare il bullone di fissaggio che si trova in basso. Allentare il bullone di fissaggio che si trova in alto. Ruotare il bullone di re-

golazione sul lato verso la posizione (orario/antiorario) dello sportello. Per fissare la posizione, serrare il bullone di fissaggio in alto. Serrare il bullone di fissaggio in basso.



4.1 Collegamenti elettrici



ATTENZIONE: Non usare prolungher o multi prese per il collegamento elettrico.



ATTENZIONE: I cavi di alimentazione danneggiati vanno sostituiti dal servizio autorizzato.

- La nostra azienda non si assume alcuna responsabilità per gli eventuali danni dovuti a un uso senza messa a terra e collegamento elettrico non conforme alle normative nazionali.

- Il cavo di corrente deve essere facilmente accessibile dopo l'installazione.



Avvertenza: superficie calda!
Le pareti laterali del prodotto sono dotate di tubi di raffreddamento per migliorare il sistema generale di raffreddamento. L'elevata pressione del fluido potrebbe fluire attraverso queste superfici, causando il riscaldamento eccessivo delle superfici sulle pareti laterali. Ciò è normale e non richiede interventi di manutenzione. Fare attenzione quando si toccano queste aree.

5 Preparazione



Leggere prima la sezione "Istruzioni di sicurezza"!

5.1 Cosa fare per risparmiare energia



Collegare il prodotto a sistemi di risparmio energetico elettronici potrebbe danneggiare il prodotto.

- Questo apparecchio refrigerante non è destinato ad essere utilizzato come apparecchio da incasso.
- Non tenere aperte a lungo le porte del frigorifero.
- Non mettere alimenti caldi o bevande direttamente dentro al frigorifero.
- Non riempire eccessivamente il frigorifero; il blocco del flusso d'aria interno ne ridurrà la capacità di raffreddamento.
- L'aria calda e umida, non penetrando direttamente nel prodotto quando le porte non sono aperte, permetterà al prodotto di ottimizzare la funzione di protezione degli alimenti. In queste circostanze, funzioni e componenti come il compressore, la ventola, il riscaldatore, lo sbrinamento, l'illuminazione, il display e così via funzioneranno in base alle esigenze di consumo minimo di energia.

- Nel caso in cui siano presenti più opzioni, i ripiani in vetro devono essere posizionati in modo da non bloccare le uscite d'aria sulla parete posteriore e, preferibilmente, in modo che le uscite d'aria rimangano al di sotto del ripiano in vetro. Questa combinazione potrebbe aiutare a migliorare la distribuzione dell'aria e l'efficienza energetica.
- Per la conservazione, si raccomanda vivamente di utilizzare il cassetto sottostante.
- Per garantire il risparmio energetico e tenere sempre gli alimenti nelle condizioni migliori, gli alimenti devono essere conservati utilizzando i cassetti dello scomparto raffreddatore.

5.2 Uso previsto

Prima di iniziare a usare il frigorifero, accertarsi che tutti i preparativi necessari vengano eseguiti in conformità con le istruzioni contenute nelle sezioni "Istruzioni di sicurezza e relative all'ambiente" e "Installazione".

- Tenere il prodotto in funzione senza alimenti al suo interno per 6 ore e non aprire la porta a meno che ciò non sia assolutamente necessario.
- La variazione di temperatura causata dall'apertura e dalla chiusura della porta durante l'uso del prodotto potrebbe por-

tare a normale formazione di condensa sul cibo posto sui ripiani della porta/del vano frigo e sui contenitori di vetro posti nel prodotto.



Si sentirà un suono quando viene attivato il compressore. È normale che il prodotto faccia rumore anche se il compressore non è in funzione, poiché il fluido e il gas potrebbero essere compressi nel sistema di raffreddamento.



È normale che le estremità anteriori del frigorifero siano calde. Queste aree sono state progettate per riscaldarsi per evitare la condensa.



Per alcuni modelli, il pannello indicatore si spegne automaticamente 1 minuto dopo la chiusura della porta. Si riattiva quando la porta è aperta o si preme un qualsiasi pulsante.

6 Funzionamento del prodotto



Leggere prima la sezione "Istruzioni di sicurezza"!

- Per accelerare le operazioni di scongelamento, non utilizzare attrezzi meccanici o altri utensili diversi da quelli raccomandati dal produttore.
- Non utilizzare mai parti del frigorifero, come la porta o i cassetti, come supporto o come gradini. Ciò potrebbe causare il ribaltamento del prodotto o il danneggiamento dei suoi componenti.
- Il prodotto dovrebbe essere usato unicamente per la conservazione di alimenti.
- Spegnerla la valvola dell'acqua se si è lontani da casa (ad esempio in vacanza) e si prevede di non utilizzare la macchinetta

5.3 Classe climatica e definizioni

Si prega di fare riferimento alla classe climatica indicata sulla targhetta del dispositivo. Una delle seguenti informazioni è applicabile al proprio dispositivo secondo la classe climatica.

- **SN:** Clima temperato a lungo termine: Questo dispositivo di raffreddamento è progettato per l'uso a temperature ambiente tra 10 °C e 32 °C.
- **N:** Clima temperato: Questo dispositivo di raffreddamento è progettato per l'uso a temperature ambiente tra 16°C e 32 °C.
- **ST:** Clima subtropicale: Questo dispositivo di raffreddamento è progettato per l'uso a temperature ambiente tra 16°C e 38°C.
- **T:** Clima tropicale: Questo dispositivo di raffreddamento è progettato per l'uso a temperature ambiente tra 16°C e 43°C.

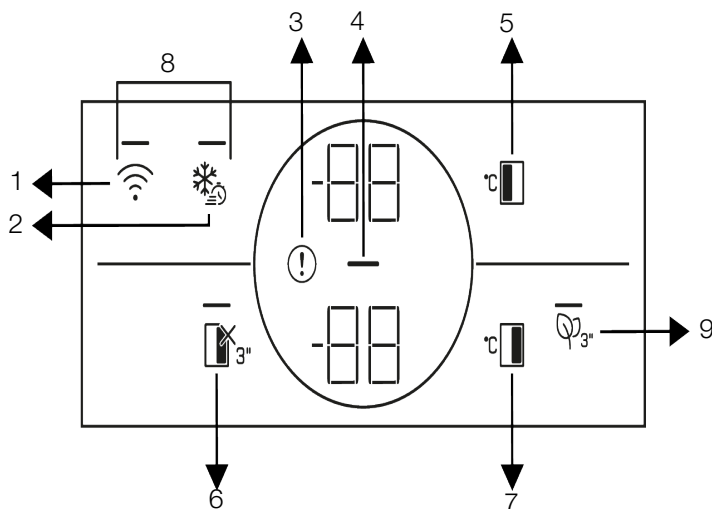
per il ghiaccio o l'erogatore d'acqua per un lungo periodo di tempo. In caso contrario, potrebbero verificarsi perdite d'acqua.

Messa in pausa del programma

- Se non si intende usare il prodotto per un lungo periodo, scollegarlo dalla presa.
- Rimuovere gli alimenti per evitare cattivi odori.
- Aspettare che il ghiaccio si scioglia, pulire l'interno e lasciarlo asciugare, lasciare le porte aperte per evitare di danneggiare le plastiche interne del corpo dell'apparecchio.

7 Pannello di controllo del prodotto

IT



- | | |
|--|--|
| 1 *Senza fili | 2 Congelamento rapido |
| 3 Allarme di temperatura elevata/di guasto | 4 Risparmio energetico (display off) |
| 5 Impostazione della temperatura dello scomparto congelatore | 6 Funzione vacanza |
| 7 Impostazione della temperatura dello scomparto raffreddatore | 8 *Tasto per il ripristino delle impostazioni della connessione wireless |
| 9 *Tasto del modulo deodorante | |



Leggere prima la sezione "Istruzioni di sicurezza".

*Opzionale: Le funzioni mostrate sono opzionali, ci potrebbero essere differenze di forma e posizione nelle funzioni che si trovano sul pannello indicatore dell'elettrodomestico.

Le funzioni audio e video sul pannello indicatore assisteranno l'utente nell'utilizzo del frigorifero.

1. * Tasto wireless

È possibile usare questo tasto per effettuare una connessione wireless con il proprio prodotto tramite l'applicazione mobile HomeWhiz.

Quando si preme il tasto per un lungo periodo (3 secondi), sul display/schermo il simbolo di connessione wireless lampeggia lentamente (ad intervalli di 0,5 secondi). A questo punto, sul prodotto, viene anzitutto attivata la rete domestica.

Dopo aver raggiunto la connessione wireless con il prodotto, il simbolo di connessione wireless si illumina continuamente (fisso).

Dopo aver completato l'installazione iniziale, è possibile attivarla/disattivarla premendo questo tasto. Il simbolo della connessione wireless si illumina rapidamente (a intervalli di 0,2 sec.) fino a quando non viene effettuata la connessione. Quando la connessione è attiva, il simbolo della connessione wireless si illuminerà in maniera continua (fisso).

Se la connessione non può essere stabilita per un lungo periodo di tempo, controllare le impostazioni per la connessione e consultare la sezione "Risoluzione dei problemi" del manuale utente.

Per la connessione wireless, utilizzare l'applicazione HomeWhiz. Le fasi di installazione sono riportate nell'applicazione durante l'installazione. Le varie fasi di installazione sono descritte sull'applicazione durante l'installazione.

È possibile accedere all'applicazione leggendo il codice QR disponibile sull'etichetta HomeWhiz del prodotto. L'applicazione è offerta attraverso App Store per i dispositivi IOS e attraverso Play Store per i dispositivi Android.

Visitare l'indirizzo <https://www.homewhiz.com/> per informazioni dettagliate.

2. Tasto di congelamento rapido

Quando si preme il tasto di congelamento rapido, il LED del tasto si illumina e verrà attivata la funzione di congelamento rapido. La temperatura dello scomparto congelatore è impostata a -27 gradi Celsius. Per annullare la funzione premere nuovamente sul tasto. La funzione di congelamento rapido sarà automaticamente annullata. Per congelare grandi quantitativi di alimenti freschi, premere il tasto di congelamento rapido prima di collocare gli alimenti all'interno dello scomparto congelatore.

3. Allarme di temperatura elevata/di guasto

Questo indicatore sarà attivo quando il frigorifero non è in grado di eseguire un raffreddamento adeguato o in caso di errore del sensore. La lettera "E" sarà visualizzata sull'indicatore della temperatura dello scomparto congelatore e cifre come 1,2,3... saranno visualizzate sull'indicatore della temperatura dello scomparto raffreddatore. Queste cifre forniscono informazioni al servizio autorizzato sull'errore verificatosi.

Quando si caricano alimenti caldi nello scomparto freezer o si tiene aperto lo sportello per un lungo periodo di tempo potrebbe visualizzarsi per un pò un punto esclamativo. Non si tratta di un guasto, questa avvertenza sarà rimossa quando il cibo viene raffreddato o quando viene premuto un tasto qualsiasi.

4. Indicatore della funzione di risparmio energetico (display off)

Quando la porta del prodotto non viene aperta o chiusa per un certo periodo di tempo, la funzione di risparmio energetico viene attivata automaticamente e il simbolo del risparmio energetico si illumina. Quando si attiva la funzione di risparmio energetico, tutti i simboli sullo schermo, ad eccezione del simbolo del risparmio energetico, saranno spenti. Quando si attiva la funzione di risparmio energetico, se si preme un tasto qualsiasi o si apre lo sportello del prodotto, la funzione di risparmio energetico del frigorifero si disattiverà e i simboli sullo schermo torneranno normali. La funzione di risparmio energetico è una funzione attiva per impostazione predefinita e non può essere annullata.

5. Tasto di impostazione della temperatura dello scomparto congelatore

Per impostare la temperatura dello scomparto congelatore, premere questo tasto. Premendo questo tasto, la temperatura del-

lo scomparto congelatore può essere impostata su valori di -18,-19,-20,-21,-22,-23,-24 gradi Celsius.

6. Tasto funzione dello scomparto raffreddatore Off (Vacanza)

Per attivare la funzione vacanza premere sul tasto per 3 secondi. La modalità vacanza è attivata e il LED sul tasto è illuminato. Sull'indicatore della temperatura dello scomparto raffreddatore sarà visualizzato "-." e quindi non eseguirà il raffreddamento. Quando si attiva questa funzione, non è possibile conservare gli alimenti nello scomparto raffreddatore. Gli altri scomparti continueranno ad essere raffreddati in base alle regolazioni delle loro temperature. Per annullare questa funzione, premere di nuovo il tasto per 3 secondi.

7. Tasto di impostazione della temperatura dello scomparto raffreddatore

Per impostare la temperatura dello scomparto raffreddatore, premere questo tasto. Premendo questo tasto, la temperatura del-

lo scomparto raffreddatore può essere impostata su valori di 8,7,6,5,4,3,2 e 1 grado Celsius.

8. *Tasto per il ripristino delle impostazioni della connessione wireless

Per ripristinare le impostazioni della connessione wireless, premere contemporaneamente i tasti Congelamento rapido e connessione wireless per 3 secondi. Tutte le informazioni dell'utente registrate in precedenza vengono annullate e le impostazioni della connessione wireless vengono ripristinate/resettate ai valori predefiniti di fabbrica.

9. *Tasto del modulo deodorante

Premere questo tasto per 3 secondi per attivare/disattivare la funzione deodorante. Quando la funzione deodorante è attiva, il LED sul rispettivo tasto è illuminato. Quando la funzione è attiva, il modulo deodorante sarà azionato periodicamente.

8 Uso del prodotto



Leggere prima la sezione "Istruzioni di sicurezza"!

Conservare il cibo nello scomparto congelatore (freezer)

- È possibile attivare la funzione di congelamento rapido 4-6 ore prima della funzione di congelamento ed eseguire così un raffreddamento più rapido.
- Prima di metterli nello scomparto congelatore, portare i pasti caldi a temperatura ambiente.
- Gli alimenti da congelare vanno suddivisi in porzioni a seconda della dimensione da consumare e vanno congelati in pacchetti separati.
- Consigliamo di confezionare gli alimenti prima di riporli all'interno del congelatore.

- Al fine di evitarne la scadenza, annotare la data, l'ora di congelamento e il nome dell'alimento sulla confezione, in base ai periodi di conservazione dei diversi prodotti alimentari.
- Consumare rapidamente gli alimenti che sono stati scongelati. Gli alimenti scongelati non possono essere ricongelati, a meno che siano cotti. Non è sicuro consumare i cibi freschi ricongelati senza cottura dopo che sono stati scongelati.
- Quando vengono congelati alimenti freschi, evitare che gli stessi entrino in contatto con alimenti già congelati. Altrimenti, i cibi congelati si scongeleranno.

Conservare gli alimenti che sono venduti congelati

- Seguire sempre le istruzioni del produttore in relazione al tempo di conservazione degli alimenti. Non superare il tempo specificato in queste istruzioni!

- Per proteggere la qualità degli alimenti, mantenere l'intervallo di tempo tra l'acquisto e la conservazione il più breve possibile.
- Acquistare gli alimenti congelati che sono conservati a -18°C o a temperature inferiori.
- Evitare di acquistare alimenti le cui confezioni sono coperte di ghiaccio ecc. Questo significa che il prodotto potrebbe essere stato parzialmente scongelato e ricongelato. La temperatura influisce sulla qualità degli alimenti.
- Non superare il tempo di conservazione raccomandato dal produttore dell'alimento. Togliere dal congelatore solo il cibo di cui si ha bisogno.
- Tranne i casi in cui vi siano delle circostanze ambientali estreme, se il prodotto (sulla tabella dei valori nominali raccomandati) è impostato sui valori nominali specificati, gli alimenti manterranno la loro freschezza più a lungo sia nello scomparto prodotti freschi che nello scomparto congelatore.
- Se lo scomparto degli alimenti freschi è impostato su una temperatura più bassa, la frutta e la verdura fresche potrebbero subire il parziale congelamento.

Tabella dei valori di impostazione consigliati

Impostazione dello scomparto congelatore	Impostazione dello scomparto frigorifero	Consigli
-18 °C	4 °C	Questa è l'impostazione predefinita consigliata. Questa impostazione è raccomandata se la temperatura ambiente è inferiore a 30 °C.
-20, -22 o -24 °C	4 °C	Queste impostazioni sono consigliate quando la temperatura ambiente supera i 30 °C.
Congelamento rapido	4 °C	Usare quando si desidera congelare alimenti in modo rapido. Al termine del processo, le impostazioni del prodotto torneranno a quelle precedenti.
-18 °C o inferiore	2 °C	Usare queste impostazioni se si ritiene che lo scomparto del congelatore non sia sufficientemente freddo, a causa della temperatura ambiente, o a causa delle frequenti aperture della porta.

Congelamento rapido

1. Attivare la funzione di congelamento rapido 24 ore prima di inserire gli alimenti freschi.
2. 24 ore dopo aver premuto il pulsante, mettere gli alimenti che si desidera congelare sul terzo e quarto cassetto, che hanno una capacità di congelamento superiore.
3. La funzione di congelamento rapido verrà automaticamente disattivata dopo 24 ore.

Dettagli per il congelatore

Conformemente agli standard IEC 62552, il congelatore deve avere la capacità di congelare 4,5 kg di alimenti a -18 °C o a tempe-

rature inferiori a 25 °C in 24 ore per ogni 100 litri di volume dello scomparto congelatore.

Gli alimenti possono essere conservati solo per lunghi periodi di tempo a temperature uguali o inferiori a -18°.

Sarà possibile conservare gli alimenti freschi per mesi (all'interno del congelatore a temperature uguali o inferiori a -18°).

Per evitare uno scongelamento parziale, gli alimenti da congelare non devono entrare in contatto con gli altri alimenti già congelati all'interno del congelatore.

Bollire le verdure e filtrare l'acqua per estendere il tempo di conservazione del congelato. Collocare gli alimenti in sacchetti ermetici, dopo aver eseguito il filtraggio e il posizionamento all'interno del congelato-

re. Banane, pomodori, lattuga, sedano, uova bollite, patate e altri alimenti simili non dovrebbero essere congelati. Nel caso in cui questi alimenti si congelino, solo i valori nutrizionali e le qualità alimentari ne risentiranno negativamente. Non si tratta di una minaccia per la salute umana.

Posizionamento degli alimenti

Ripiani dello scomparto congelatore: Vari alimenti congelati quali ad esempio carne, pesce, gelato, verdura, eccetera.

Ripiani dello scomparto raffreddatore: Alimenti all'interno di pentole, vassoi e contenitori, uova (all'interno di una confezione chiusa)

Ripiani della porta dello scomparto raffreddatore: Piccoli alimenti o bevande confezionati

Cassetto frutta e verdura: Verdura e frutta

Scomparto alimenti freschi: Prodotti gastronomici, (alimenti per la colazione, prodotti a base di carne da consumare in tempi brevi)

Conservare il cibo nello scomparto frigorifero

- Le temperature dello scomparto aumentano notevolmente se la porta dello scomparto viene aperta e chiusa frequentemente e tenuta aperta per molto tempo; questo può ridurre la durata degli alimenti e causare il loro precoce deterioramento.
- Per non causare cambiamenti di odore e sapore, gli alimenti dovrebbero essere conservati in contenitori chiusi.
- Non conservare troppi alimenti nel frigorifero. Per ottenere un raffreddamento migliore e omogeneo, disporre gli alimenti separatamente in modo che l'aria fredda possa attraversarli.
- Garantire il flusso d'aria lasciando uno spazio tra gli alimenti e la parete interna. Se gli alimenti vengono appoggiati sulla parete posteriore potrebbero congelarsi.
- Portare i pasti caldi cotti a temperatura ambiente prima di metterli in frigorifero. Quindi, mettere il pasto tiepido nei ripiani

inferiori del frigorifero. Non mettere i pasti tiepidi vicino agli alimenti che potrebbero facilmente deperirsi.

- Scongelerare gli alimenti congelati nello scomparto degli alimenti freschi. In questo modo, è possibile raffreddare lo scomparto degli alimenti freschi utilizzando gli alimenti congelati così da risparmiare energia.
- Conservare la frutta tropicale acerba (mango, varietà di melone, papaya, banana, ananas) nel frigorifero potrebbe accelerare il processo di maturazione. Questo quindi non è raccomandato perché farà ridurre i tempi di conservazione.
- Cipolle, aglio, zenzero e altri ortaggi a radice dovrebbero essere conservati in condizioni di buio e freddo, non in frigorifero.
- Se si nota che un alimento si è deperito nel frigorifero, buttare via quell'alimento e pulire gli accessori che sono entrati in contatto con esso.
- Per raffreddare rapidamente zuppe e stufati, che sono cucinati in grandi pentole, è possibile metterli in frigorifero distribuendoli in contenitori poco profondi
- Non mettere gli alimenti non confezionati vicino alle uova.
- Conservare la frutta e la verdura separatamente e raggruppandola secondo la varietà (per esempio: mele con mele, carote con carote)
- Togliere le verdure verdi dal sacchetto di plastica e metterle in frigorifero dopo averle avvolte in un tovagliolo di carta o in un panno asciutto. Se prima di metterli in frigorifero questi alimenti sono stati lavati, ricordarsi di asciugarli.
- Per creare un ambiente umido e fornire un flusso d'aria a frutta e verdura, che sono inclini a seccarsi, conservarle nei sacchetti di plastica perforati o non sigillati.
- Tranne i casi in cui vi siano delle circostanze ambientali estreme, se il prodotto (sulla tabella dei valori nominali raccomandati) è impostato sui valori nominali specificati, gli alimenti manterranno la lo-

ro freschezza più a lungo sia nello scomparto prodotti freschi che nello scomparto congelatore.

Conservare alimenti diversi in luoghi diversi a seconda delle loro caratteristiche.

Alimenti	Ubicazione
Uova	Ripiano porta
Prodotti caseari (burro, formaggio)	Se disponibile, scomparto a zero gradi (per il cibo della colazione)
Frutta, vegetali e verdura a foglia verde	Scomparto per frutta e verdura, crisper o Scomparto EverFresh+ (se disponibile)
Carne fresca, pollame, pesce, salsicce, ecc. Cibi cotti	Se disponibile, scomparto a zero gradi (per il cibo della colazione)
Cibi pronti da servire, prodotti confezionati, cibi in scatola e sottaceti	Ripiani superiori o ripiano della porta
Bevande, bottiglie, spezie e snack	Ripiano porta

8.1 Sostituzione della lampada

Quando la lampadina/LED usata per l'illuminazione del frigorifero deve essere sostituita, chiamare il servizio assistenza autorizzato.

La lampada o le lampade utilizzate in questa apparecchiatura non possono essere utilizzate per l'illuminazione della casa.

L'uso previsto di questa lampada è quello di aiutare l'utente a mettere il cibo nel frigorifero/congelatore in modo sicuro e confortevole.

8.2 Avviso di sportello aperto

Il sistema di avviso di sportello aperto del frigorifero può differire a seconda del modello.

Versione 1;

Se lo sportello del prodotto rimane aperto per un determinato periodo di tempo (tra 60 e 120 secondi), viene emesso un segnale acustico di avviso; a seconda del model-

lo di prodotto, può essere visualizzato anche un segnale di avvertimento visivo (luce lampeggiante). Se si chiude lo sportello del dispositivo o se si preme un pulsante sullo schermo del dispositivo, se presente, l'avviso sonoro si arresterà.

Versione 2;

Se lo sportello del dispositivo resta aperto per un determinato periodo di tempo (tra 60 e 120 secondi) viene emesso l'avviso porta aperta. L'avviso di porta aperta viene emesso gradualmente. Prima un avviso udibile inizia a suonare. Dopo 4 minuti, se lo sportello non è ancora stato chiuso, si attiva un avviso visivo (luce lampeggiante). L'avviso di sportello aperto verrà ritardato per un certo periodo di tempo (tra 60 s e 120 s) quando si preme un qualsiasi tasto sullo schermo del prodotto, se presente. Quindi il processo ricomincerà. Quando lo sportello del dispositivo è chiuso, l'avviso di sportello aperto verrà annullato.

9 Caratteristiche del prodotto

9.1 L'area di conservazione del ghiaccio

Macchinetta del ghiaccio e scatola di conservazione del ghiaccio

Riempire la macchina del ghiaccio con acqua e posizionare. Il ghiaccio sarà pronto all'incirca dopo due ore. Non rimuovere la macchinetta del ghiaccio per prendere il ghiaccio.



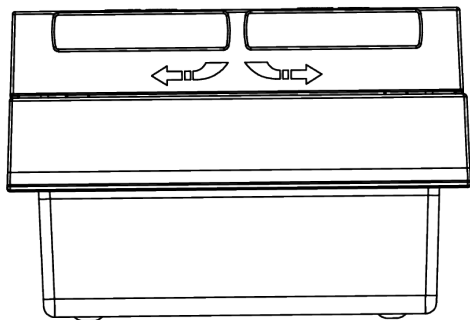
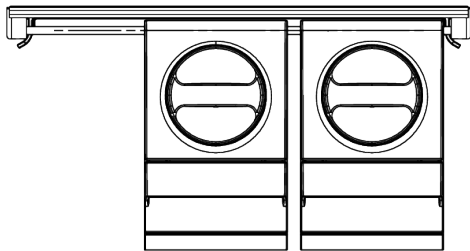
Il contenitore del ghiaccio è stato pensato unicamente per contenere ghiaccio. Non congelare l'acqua al suo interno. Questa operazione potrebbe provocarne la rottura.



AVVISO

Durante il versamento del ghiaccio potrebbe essere emesso un suono. Tale suono è normale.

Ruotare di 90° in senso orario i pulsanti delle camere del ghiaccio (lato destro); il ghiaccio cadrà nella scatola di stoccaggio del ghiaccio più sotto. Sarà poi possibile rimuovere la scatola di stoccaggio del ghiaccio e servire il ghiaccio stesso.



9.2 Porta uova

È possibile posizionare il portauovo sullo sportello o sul ripiano del corpo/struttura che si desidera.

Se il portauovo deve essere posizionato sul ripiano del corpo, si consiglia di scegliere ripiani inferiori più freddi.



Non collocare mai il portauova sullo scomparto congelatore

9.3 Cassetto frutta e verdura

Il cassetto frutta e verdura del frigorifero è stato pensato per tenere fresche le verdure preservando al tempo stesso il loro grado di umidità. A tal fine, all'interno del cassetto, la circolazione complessiva dell'aria fredda è più intensa. Consigliamo di tenere frutta e verdura all'interno di questo scomparto. Tenere le verdure con foglie verdi e i frutti in luoghi separati, al fine di prolungarne la durata.

9.4 Tecnologie del Crisper

Luce blu

Frutta e verdura conservate nei cassetti illuminati con luce blu continuano la loro fotosintesi grazie all'effetto della lunghezza d'onda della luce blu e conservano così il loro contenuto di vitamine.

Frutta e verdura conservate in cassetti illuminati con la tecnologia conservano le loro vitamine più a lungo grazie alle luci blu, verdi, rosse e ai cicli di buio che simulano un ciclo diurno.

Quando la porta del frigorifero viene aperta durante il periodo di buio della tecnologia, il frigorifero lo percepirà automaticamente e illuminerà il cassetto (crisper) con una delle luci blu, verdi o rosse a seconda della situazione. Dopo aver chiuso lo sportello del frigorifero, il periodo di buio continuerà, come fosse il periodo notturno in un ciclo diurno.

IT

9.5 Crisper a umidità controllata

Con la funzione crisper a umidità controllata, l'umidità delle verdure e della frutta è tenuta sotto controllo e il cibo è mantenuto fresco per un periodo di tempo più lungo. Raccomandiamo di mettere le verdure a foglia come la lattuga, gli spinaci e altre verdure simili che sono sensibili alla perdita di umidità nel crisper, non in verticale sulle loro radici, ma il più orizzontalmente possibile.

Quando si posizionano le verdure, sistemare quelle pesanti e dure in basso e quelle leggere e morbide in alto, tenendo conto del loro peso specifico.

Non lasciare mai le verdure in sacchetti di plastica nel crisper. Lasciare quel tipo di alimenti in sacchetti di plastica farà marcire le verdure in breve tempo.

In situazioni in cui è preferibile non mettere in contatto diversi tipi di verdure, utilizzare materiali da imballaggio come la carta che abbia un certo grado di porosità in termini di igiene.

Non mettere la frutta che ha un'alta produzione di gas etilene come la pera, l'albicocca, la pesca e in particolare la mela nello stesso cassetto con altre verdure e frutti. Il gas etilene che fuoriesce da questi frutti potrebbe far maturare più velocemente altri ortaggi e frutti e farli marcire in un periodo di tempo più breve.

10 Manutenzione e pulizia



ATTENZIONE:

Leggere prima la sezione "Istruzioni di sicurezza".



ATTENZIONE:

Scollegare il frigorifero prima di pulirlo.

- Non utilizzare utensili affilati o abrasivi per pulire il prodotto. Non usare materiali come detersivi domestici, sapone, detersivi, gas, benzina, diluenti, alcool, cera, ecc.
- La polvere deve essere rimossa dalla griglia di ventilazione sul retro del prodotto almeno una volta all'anno (senza aprire il coperchio). Pulire il prodotto servendosi di un panno asciutto.
- Fare attenzione a tenere l'acqua lontana dalla copertura delle lampade e dalle altre componenti elettriche.
- Pulire la porta servendosi di un panno umido. Per rimuovere la porta e i vari ripiani, rimuovere prima tutto il contenuto. Rimuovere i ripiani della porta sollevandoli verso l'alto. Pulire e asciugare i ripiani, poi fissare nuovamente in posizione facendo scorrere da sopra.
- Non usare acqua con cloro o prodotti detersivi sulla superficie esterna e sulle componenti rivestite in cromo. Il cloro provoca ruggine su queste superfici metalliche.
- Per evitare la deformazione della parte in plastica e rimuovere le impronte, non utilizzare utensili affilati e abrasivi, sapone, materiali per la pulizia della casa, detersivi, gas, benzina, vernice e sostanze simili. Per pulire, usare acqua tiepida e un panno morbido, quindi asciugare.
- Sui prodotti senza la funzione No-Frost, sulla parete posteriore dello scomparto congelatore potrebbero formarsi goccioline d'acqua e ghiaccio fino allo spessore di un dito. Non pulirla; non applicare mai olio o sostanze simili.
- Per pulire la superficie esterna del prodotto utilizzare un panno in micro-fibra leggermente inumidito. Spugne e altri tipi di panni per la pulizia potrebbero graffiare la superficie.

- Per pulire tutti i componenti rimovibili durante la pulizia della superficie interna del prodotto, lavare questi componenti con una soluzione delicata composta da sapone, acqua e carbonato. Risciacquare e asciugare completamente. Evitare il contatto dell'acqua con i componenti dell'illuminazione e con il pannello di controllo.



ATTENZIONE:

Non utilizzare aceto, alcool o altri detergenti a base di alcool su nessuna delle superfici interne.

Superfici esterne in acciaio inossidabile

Utilizzare un detergente non abrasivo per acciaio inossidabile e applicarlo con un panno morbido privo di pelucchi. Per lucidare, strofinare delicatamente la superficie con un panno in micro-fibra inumidito con

acqua e utilizzare una pelle di camoscio per lucidare a secco. Seguire sempre le venature in acciaio inossidabile.

Prevenzione dei cattivi odori

Il prodotto è stato realizzato con materiali che non emettono cattivi odori. Il posizionamento degli alimenti in sezioni non adeguate e la pulizia delle superfici interne effettuata in modo non corretto potrebbe provocare cattivi odori.

- A tal fine consigliamo di pulire l'interno con acqua gassata ogni 15 giorni.
- Conservare gli alimenti in contenitori sigillati, poiché i microrganismi derivanti da alimenti tenuti in contenitori non sigillati causano cattivi odori.
- Non conservare alimenti scaduti e marci all'interno del frigorifero.

Protezione delle superfici in plastica

L'olio rovesciato sulle superfici in plastica potrebbe danneggiare la superficie, e deve essere pulito immediatamente servendosi di acqua tiepida.

11 Guida alla risoluzione dei problemi

Controllare questo elenco prima di contattare il servizio clienti. Questa operazione vi consentirà di risparmiare soldi. Questo elenco contiene le lamentele più frequenti che non riguardano problemi a livello di manodopera o materiali. Alcune funzioni qui indicate potrebbero non essere valide per il prodotto in questione.

Il frigorifero non funziona.

- La presa di corrente non è stata inserita correttamente. >>> Spingerla fino a inserirla completamente nella presa.
- Il fusibile collegato alla presa che alimenta il prodotto, oppure il fusibile principale, è bruciato. >>> Controllare il fusibile.

Condensa sulla parete laterale dello scomparto raffreddatore (MULTI ZONE, COOL, CONTROL e FLEXI ZONE).

- La porta viene aperta troppo spesso. >>> Fare attenzione a non aprire troppo frequentemente la porta del prodotto.
- L'ambiente è troppo umido. >>> Non installare il prodotto in ambienti umidi.

- Gli alimenti contenenti liquidi sono conservati in contenitori non sigillati. >>> Tenere gli alimenti contenenti liquidi in contenitori sigillati.
- La porta del prodotto viene lasciata aperta. >>> Non tenere aperte a lungo le porte del frigorifero.
- Il termostato è impostato su una temperatura molto fredda. >>> Impostare il termostato su una temperatura adeguata.

Il compressore non funziona.

- In caso di improvviso black out, o nel caso in cui la spina venga tolta e poi reinserita, la pressione del gas nel sistema di raffreddamento del prodotto non è equilibrata, il che fa scattare la protezione termica del compressore. Il prodotto si riavvierà dopo circa 6 minuti. Qualora il prodotto non si riavvii dopo questo periodo, contattare l'assistenza.

- La modalità di scongelamento è attiva. >>> Si tratta di una condizione normale per un frigorifero con funzione di sbrinamento completamente automatica. Lo sbrinamento avviene a intervalli periodici.
- Il prodotto non è collegato. >>> Verificare che il cavo di alimentazione sia collegato.
- L'impostazione della temperatura è sbagliata. >>> Selezionare l'impostazione di temperatura adeguata.
- Non c'è corrente. >>> Il prodotto continuerà a funzionare normalmente quando verrà ripristinata la corrente elettrica.

Il rumore di funzionamento del frigorifero aumenta col passare del tempo.

- Le prestazioni del prodotto potrebbero variare a seconda delle variazioni della temperatura ambiente. Ciò è normale e non è un'anomalia di funzionamento.

Il frigorifero funziona troppo spesso o troppo a lungo.

- Il nuovo prodotto potrebbe essere più grande di quello precedente. I prodotti più grandi funzioneranno più a lungo.
- La temperatura della stanza potrebbe essere alta. >>> Il prodotto funzionerà normalmente per lunghi periodi di tempo con temperature ambiente superiori.
- Il prodotto potrebbe essere stato di recente collegato alla corrente, oppure al suo interno potrebbero essere stati recentemente aggiunti vari alimenti. >>> Al prodotto servirà più tempo per raggiungere la temperatura impostata, se collegato di recente, oppure nel caso in cui siano stati collocati nuovi alimenti al suo interno. Ciò è normale.
- Forse di recente sono state introdotte nel frigorifero grandi quantità di alimenti caldi. >>> Non mettere alimenti caldi direttamente dentro al frigorifero.
- Le porte sono state aperte frequentemente o tenute aperte a lungo. >>> L'aria calda che si muove all'interno provocherà un funzionamento più prolungato. Non aprire le porte con troppa frequenza.

- Le porte del congelatore o del raffreddatore potrebbero essere socchiuse. >>> Controllare che le porte siano totalmente chiuse.
- Il prodotto potrebbe essere impostato su una temperatura troppo bassa. >>> Impostare la temperatura su un livello più alto e attendere che il prodotto raggiunga la temperatura desiderata.
- La rondella della porta del raffreddatore o del congelatore potrebbe essere sporca, usurata, rotta o non correttamente configurata. >>> Pulire o sostituire la guarnizione. Le rondelle consumate e usurate faranno funzionare il prodotto più a lungo per conservare la temperatura attuale.

La temperatura del congelatore è molto bassa, ma la temperatura del raffreddatore è corretta.

- La temperatura dello scomparto congelatore è impostata su un livello molto basso. >>> Impostare la temperatura dello scomparto congelatore su un livello più alto, quindi eseguire un controllo.

La temperatura del raffreddatore è molto bassa, ma la temperatura del congelatore è corretta.

- Impostare la temperatura dello scomparto raffreddatore su un livello più alto, quindi eseguire un controllo. >>> Impostare la temperatura dello scomparto raffreddatore su un livello più alto, quindi eseguire un nuovo controllo.

Gli alimenti conservati nei cassetti dello scomparto raffreddatore sono congelati.

- Impostare la temperatura dello scomparto raffreddatore su un livello più alto, quindi eseguire un controllo. >>> Impostare la temperatura dello scomparto raffreddatore su un livello più alto, quindi eseguire un nuovo controllo.

La temperatura nello scomparto raffreddatore e congelatore è troppo alta.

- La temperatura dello scomparto raffreddatore è impostata su un livello molto alto. >>> L'impostazione della temperatura dello scomparto raffreddatore ha un ef-

fetto sulla temperatura dello scomparto congelatore. Attendere che la temperatura delle parti interessate raggiunga il livello sufficiente modificando la temperatura degli scomparti del raffreddatore o del congelatore.

- Le porte sono state aperte frequentemente o tenute aperte a lungo. >>> Non aprire le porte con troppa frequenza.
- La porta potrebbe essere socchiusa. >>> Chiudere completamente la porta.
- Il prodotto potrebbe essere stato di recente collegato alla corrente, oppure al suo interno potrebbero essere stati recentemente aggiunti vari alimenti. >>> Non si tratta di un'anomalia. >>> Al prodotto servirà più tempo per raggiungere la temperatura impostata, se collegato di recente, oppure nel caso in cui siano stati collocati nuovi alimenti al suo interno.
- Forse di recente sono state introdotte nel frigorifero grandi quantità di alimenti caldi. >>> Non mettere alimenti caldi direttamente dentro al frigorifero.

Vibrazioni o rumore.

- >>> Se il prodotto vibra quando viene spostato lentamente, regolare i supporti per equilibrarlo. Verificare inoltre che la superficie di appoggio sia sufficientemente resistente per supportarne il peso.
- Gli eventuali oggetti collocati sul prodotto potrebbero causare rumori. >>> Togliere gli eventuali elementi collocati sul prodotto.
- Il prodotto emette rumori, come ad esempio liquido che scorre, spruzzo, eccetera
- I principi operativi del prodotto prevedono flussi di liquido e di gas. >>> Ciò è normale e non è un'anomalia di funzionamento.

C'è un rumore, simile a un soffio, che proviene dal prodotto.

- Il prodotto si serve di una ventola per il processo di raffreddamento. Ciò è normale e non è un'anomalia di funzionamento.

Si è formata condensa sulle pareti interne del prodotto.

- Le temperature calde o umide aumenteranno la formazione di ghiaccio e la condensa. Ciò è normale e non è un'anomalia di funzionamento.
- Le porte sono state aperte frequentemente o tenute aperte a lungo. >>> Non aprire le porte con troppa frequenza; se la porta è aperta, chiuderla.
- La porta potrebbe essere socchiusa. >>> Chiudere completamente la porta.

Si è formata condensa sulla superficie esterna del prodotto o fra le porte.

- Le condizioni ambientali potrebbero essere umide, e ciò è normale. >>> La condensa si dissiperà alla riduzione dell'umidità.

L'interno emette cattivi odori.

- Il prodotto non è stato pulito regolarmente. >>> Pulire la superficie interna a intervalli regolari servendosi di spugna, acqua tiepida, e acqua gassata.
- Alcuni supporti e materiali da confezionamento potrebbero causare cattivi odori. >>> Servirsi di supporti confezionamento che non emettano cattivi odori.
- Gli alimenti sono stati collocati in supporti non sigillati. >>> Tenere gli alimenti in contenitori sigillati. I microrganismi potrebbero fuoriuscire dagli alimenti non sigillati causando così cattivi odori.
- Rimuovere gli eventuali alimenti scaduti o rovinati dal prodotto.

La porta non si chiude correttamente.

- Le confezioni degli alimenti potrebbero bloccare la porta. >>> Trovare una nuova posizione per gli alimenti che bloccano le porte.
- Il prodotto non è in posizione verticale, appoggiato per terra. >>> Regolare i supporti per l'equilibrio del prodotto.
- La superficie non è piatta o resistente >>> Assicurarsi che la superficie sia piatta e sufficientemente resistente per sostenere il prodotto.

Il cassetto frutta e verdura è inceppato.

- Gli alimenti potrebbero entrare in contatto con la sezione superiore del cassetto.
>>> Ri-organizzare gli alimenti nel cassetto.

Temperatura sulla superficie del prodotto.

- Mentre il prodotto è in funzione, potrebbero generarsi temperature elevate tra le due porte, sui pannelli laterali e sulla griglia posteriore. Ciò è normale e non richiede interventi di manutenzione.

La ventola continua a funzionare quando la porta è aperta.

- La ventola potrebbe continuare a funzionare quando la porta del congelatore è aperta.



ATTENZIONE: Qualora il problema persista dopo aver seguito le istruzioni contenute in questa selezione, contattare il proprio fornitore oppure un Servizio Autorizzato. Evitare in ogni caso di riparare il prodotto. Ciò è normale.

Informazioni sulla classificazione dell'imballaggio

Scansiona il Qrcode che si trova sull'imballo del prodotto per trovare tutte le informazioni relative all'imballo e come gestirne il suo corretto smaltimento.

DISCLAIMER/AVVERTIMENTO

Alcuni guasti (semplici) possono essere gestiti adeguatamente dall'utente finale senza che si verifichino problemi di sicurezza o di utilizzo non sicuro, a condizione che vengano eseguiti entro i limiti e in conformità alle seguenti istruzioni (vedere la sezione "Autoriparazione").

Pertanto, se non diversamente autorizzato nella sezione "Autoriparazione", per evitare problemi di sicurezza, le riparazioni devono essere effettuate da riparatori professionisti registrati. Un riparatore professionale registrato è un riparatore professionale a cui il produttore ha concesso l'accesso alle istruzioni e all'elenco delle parti di ricambio di questo prodotto secondo i metodi descritti negli atti legislativi ai sensi della direttiva 2009/125/CE.

Solo gli agenti di assistenza (cioè i riparatori professionali autorizzati) raggiungibili tramite il numero di telefono indicato nel manuale d'uso/scheda di garanzia o tramite il rivenditore autorizzato possono, tuttavia, fornire assistenza in base ai termini della garanzia. Pertanto, si ricorda che le riparazioni effettuate da riparatori professionisti (non autorizzati da) annulleranno la garanzia.

Autoriparazione

L'utente finale può effettuare l'autoriparazione dei seguenti pezzi di ricambio: maniglie, cerniere, vassoi, cestini e guarnizioni dello sportello (un elenco aggiornato è disponibile anche su a partire dal 1° marzo 2021).

Inoltre, per garantire la sicurezza del prodotto e prevenire il rischio di gravi lesioni, l'autoriparazione menzionata deve essere eseguita seguendo le istruzioni contenute nel manuale d'uso per l'autoriparazione o disponibili su . Per la sicurezza dell'utente, prima di tentare qualsiasi riparazione, staccare la spina del prodotto.

I tentativi di riparazione da parte degli utenti finali per parti non incluse in tale elenco e/o non seguendo le istruzioni contenute nei manuali d'uso per l'autoriparazione o disponibili su , potrebbero causare problemi di sicurezza non imputabili a e invalideranno la garanzia del prodotto.

Pertanto, si raccomanda vivamente agli utenti finali di astenersi dal tentare di effettuare riparazioni che non rientrano nell'elenco dei pezzi di ricambio indicati, rivolgendosi in questi casi a riparatori professionali autorizzati o registrati. Al contrario, tali ten-

tativi da parte degli utenti finali potrebbero causare problemi di sicurezza e danneggiare il prodotto, con conseguenti incendi, allagamenti, folgorazioni e gravi lesioni personali.

A titolo esemplificativo, ma non esaustivo, le seguenti riparazioni devono essere affidate a riparatori professionali autorizzati o registrati: compressore, circuito di raffreddamento, scheda principale, scheda inverter, scheda display, ecc.

Il produttore/venditore non può essere ritenuto responsabile in ogni caso di mancata osservanza di quanto sopra da parte degli utenti finali.

La disponibilità dei pezzi di ricambio del frigorifero acquistato è di 10 anni. Durante questo periodo, i pezzi di ricambio originali saranno disponibili per il corretto funzionamento del frigorifero.

La durata minima della garanzia del frigorifero acquistato è di 24 mesi.

Questo prodotto è dotato di una sorgente luminosa di classe energetica "G".

La sorgente luminosa di questo prodotto deve essere sostituita solo da un riparatore professionista

Vedi anche

2 DISCLAIMER / WARNING [} 28]