

GRUNDIG

Coffee Maker

User Manual

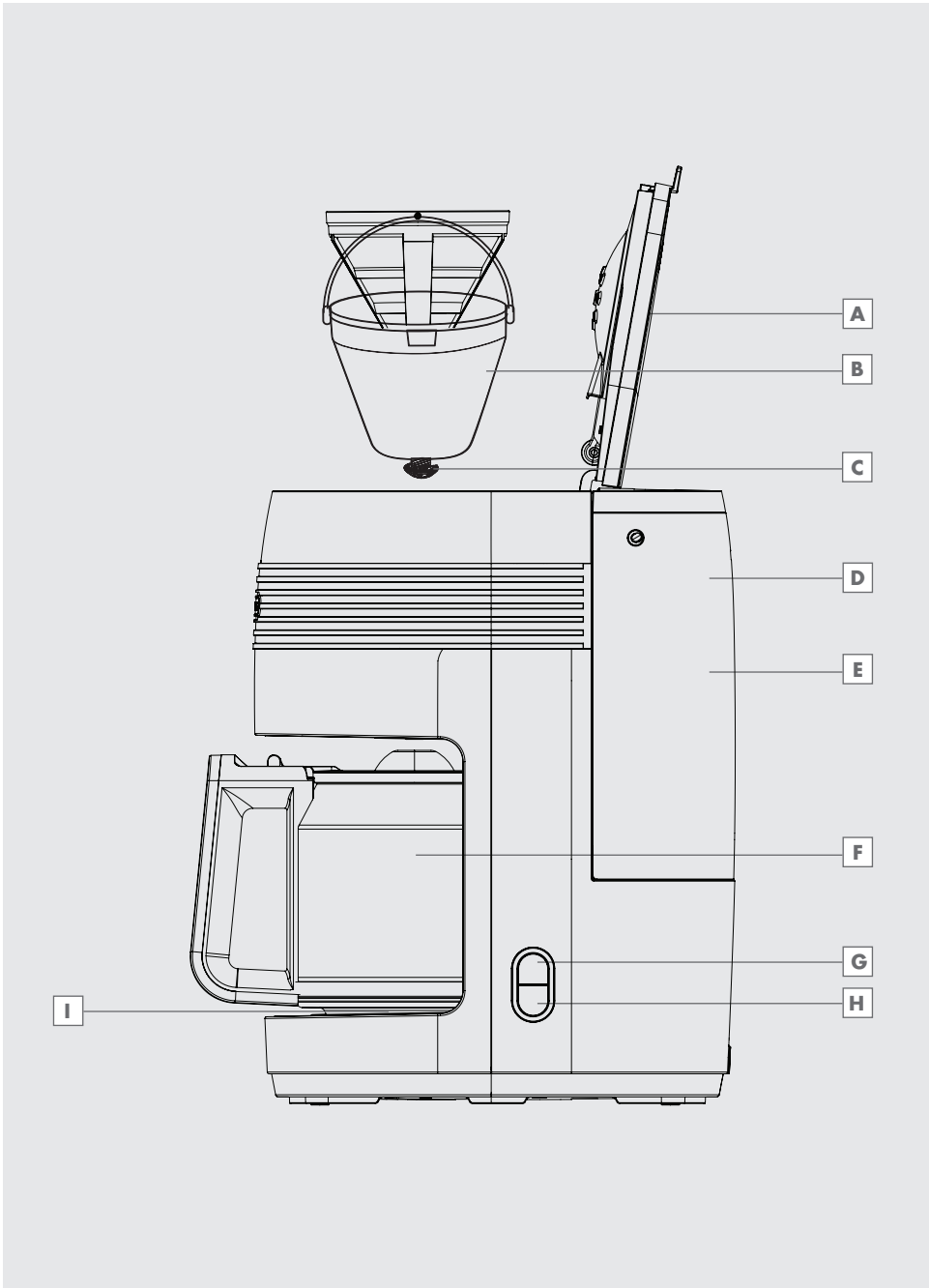


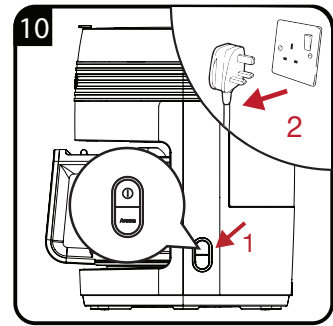
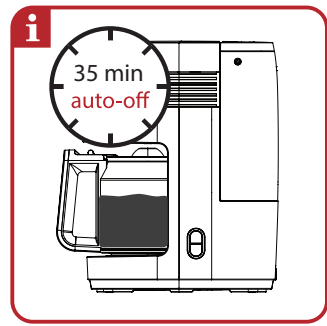
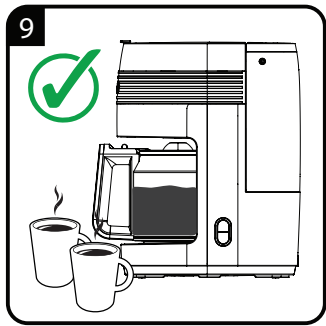
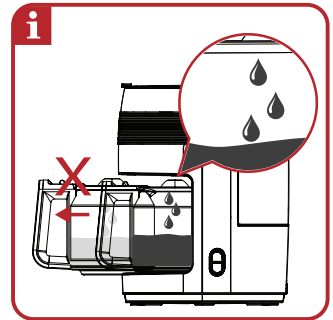
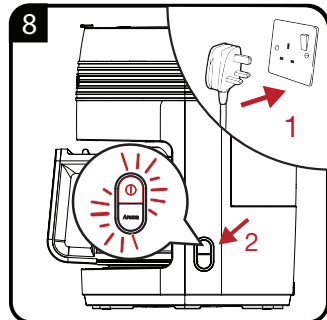
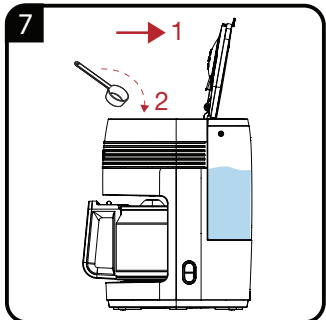
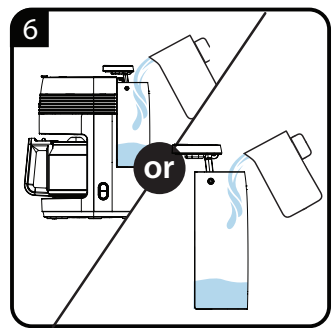
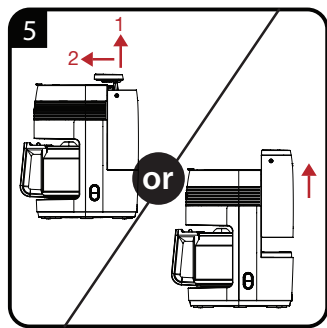
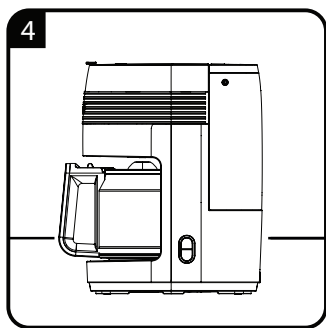
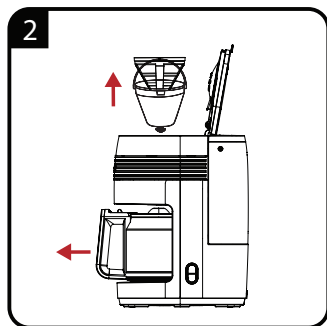
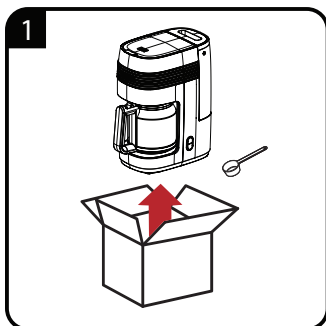
KM 7850 B

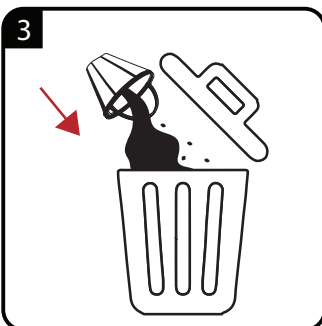
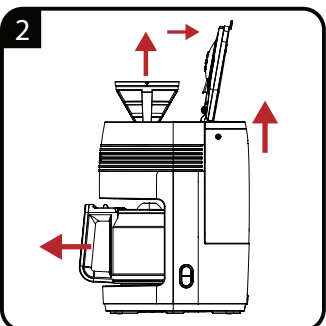
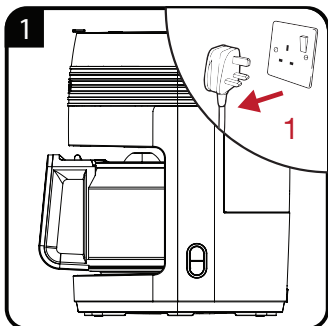
EN

ENGLISH

06-15







SAFETY AND SET-UP

Please read this instruction manual thoroughly prior to using this appliance! Follow all safety instructions in order to avoid damage due to improper use!

Keep the instruction manual for future reference. Should this appliance be given to a third party, then this instruction manual must also be handed over.

- This appliance is intended to be used in household and similar applications such as:
 - Staff kitchen areas in shops, offices and other working environments;
 - Farm houses
 - By clients in hotels, and other residential type environments;
 - Bed and Breakfast type environments.
- It is not fit for industrial use.
- Do not use the appliance in the bathroom.
- Check if the mains voltage on the rating label corresponds to your local mains supply. The only way to disconnect the appliance from the mains is to pull out the plug.
- For additional protection, this appliance should be connected to a residual current protection switch with more than 30 mA. Please contact an electrician for advice.
- Do not immerse the appliance, power cord or power plug in water or any other liquids. Do not hold it under running water and do not clean any parts in the dishwasher. Only the filter basket and glass jug can be cleaned safely in the upper shelf of the dishwasher or with water and washing-up liquid.
- Disconnect the power plug after using the appliance, before cleaning the appliance, before leaving the room, or if a fault occurs. Do not disconnect the plug by pulling on the cord.
- Do not squeeze or bend the power cord and do not rub it on sharp edges in order to prevent any damage.
- Keep the power cord away from hot surfaces and open flame.
- Do not use an extension cord with the appliance.

SAFETY AND SET-UP

- Never use the appliance if the power cord or the appliance is damaged. Contact the authorized service.
- Our GRUNDIG Household Appliances meet applicable safety standards, if the appliance or power cord is damaged, it must be repaired or replaced by a service centre to avoid any dangers. Faulty or unqualified repair work may be dangerous and cause risk to the user.
- Do not dismantle the appliance under any circumstances. No warranty claims are accepted for damage caused by improper handling.
- Always keep the appliance out of the reach of children.
- This appliance can be used by children aged from 8 years and above and persons with reduced physical, sensory or mental capabilities or lack of experience and knowledge if they have been given supervision or instruction concerning use of the appliance in a safe way and understand the hazards involved. Children shall not play with the appliance. Cleaning and user maintenance shall not be made by children unless they are older than 8 and supervised.
- Always keep the appliance and its cord out of reach of children aged less than 8 years.
- Before using the appliance for the first time, clean all parts carefully which come into contact with water or coffee. Please see full details in the "Cleaning and Care" section.
- Dry the appliance and all accessories before connecting it to mains supply and before attaching any parts.

SAFETY AND SET-UP

- Never operate or place any part of this appliance on or near hot surfaces such as a gas burner, hotplate or heated oven.
- Do not use the appliance for anything other than its intended use. The coffee maker is designed for preparing coffee. Do not use the appliance to heat any other liquids or tinned, jarred, and bottled foods.
- Do not disconnect the plug by pulling on the cord.
- Do not wrap the power cord around the appliance.
- Never use the appliance in or near to combustible or inflammable places and materials.
- Operate the appliance with the delivered parts only.
- Do not use the appliance with damp or wet hands.
- Always use the appliance on a stable, flat, clean, dry, and non-slip surface.
- Make sure that there is no danger that the power cord could be accidentally pulled or that someone could trip over it when the appliance is in use.
- The appliance has to be positioned in such a way that the plug is always accessible.
- Avoid contact with hot surfaces and hold the glass jug by the handle only as there is the danger of burning. The glass jug becomes hot during use.
- Do not move the appliance while there is hot liquid in the glass jug or if the appliance is still hot.
- Do not open the cover or filter basket during the brewing process.
- Position the lid of the appliance in a way that the hot steam is not directed to you.
- Never fill the appliance above the maximum level indicator. If it is filled above the maximum level, water flows out of the appliance through safety drainage.
- Never operate the appliance if brewing or keeping the coffee hot is not required.
- Fill the appliance with cold and fresh drinking water only.
- Put water in the tank only when the appliance has been unplugged.

SAFETY AND SET-UP

- The appliance should not be operated with an external clock timer or separate remote control system.
- Pour water in the water tank carefully.
- In case of any water splashes during water pouring, ensure that glass jug and heating platform are dry.
- Use the glass jug only with the coffee maker.
- Never operate the appliance without water inside.
- Do not use a cracked glass jug or a glass jug with a loose or weakened handle.
- Use the appliance with a grounded outlet only.
- Appliance is not built-in coffee-makers and is not designed use in cabinet. The coffee maker shall not be place in a cabinet when in use.
- If you shall store the packaging materials, keep them out of reach of the children.

AT A GLANCE

Dear Customer,

congratulations to the purchase of your new GRUNDIG Coffee Maker KM 7850 B.

Please read the following user guide carefully to ensure that you have many years of enjoyment from your quality Grundig product at home.

Responsible trading!



Both internally and for suppliers, GRUNDIG insists on contractually guaranteed social working conditions with fair wages, efficient use of raw materials with continuous reduction in waste of several

tonnes of plastic each year - and at least 5 years availability for all accessories.

For a future worth living.
Grundig.

Controls and parts

See the figure on page 3.

- A** Filter basket cover
- B** Filter basket
- C** Drip-stop
- D** Water level indicator
- E** Water tank
- F** Glass jug
- G** On/Off button
- H** Aroma button
- I** Warming plate

Accessories

Coffee measuring spoon



Important information and useful hints about usage.



WARNING: Warnings for dangerous situations concerning the safety of life and property.



Do not immerse the appliance, power cord or power plug in water or in other liquids.



Materials are intended to be in contact with food.

OPERATION

Notes

- Use only clean, cold, and fresh drinking water.
- Before using the appliance after cleaning, dry all parts carefully with a soft cloth or paper towel.
- You can also use white vinegar and lemon acid instead of a commercially available descaler.
- For a better aroma, first press On/off button **G** for switching on the machine then use aroma button **H** which activates a unique brewing process that enhances the flavor and aroma of your coffee. To reach this rich flavor, the coffee maker advances through several continuous cycles.

Caution

- If the glass jug **F** is not placed accurately, the drip-stop **C** function will not function properly. It could cause hot water or hot coffee to overflow.
- Make sure to place the glass jug **F** on the warming plate **I** quickly (max. 30 seconds). Otherwise the brewed coffee from the filter could overflow. If you want to use the glass jug for more than 30 seconds switch off the appliance.
- Never pull out the filter basket **B** during the brewing process even if no water is draining. Extremely hot water or coffee can spill out from the filter basket and cause injury.
- If water/coffee is not draining from the filter basket **B** after several seconds with the glass jug **F** properly in place **I** immediately unplug the appliance and wait 10 minutes before opening and checking the filter basket **B**.
- When the brewing process ends and the water level indicator **D** is empty, there will still be hot liquid in the filter basket **B**. Wait a few minutes for the rest of the liquid to drip into the glass jug **F**.
- Never use petrol solvents, abrasive cleaners, metal objects or hard brushes to clean the appliance.
- Never put the appliance or power cord in water or any other liquid.

Brewing Coffee

- 1 Pull off and fill the glass jug **F** with the required amount of water, but do not fill past the MAX mark. The brewed amount of coffee will be 10% less than the filled water, because it is absorbed by the coffee grounds and the filter.

Hints and Tips

- Use softened or filtered water to prevent lime build-up.
- Store unused coffee in a cool, dry place. After opening a package of coffee reseal it tightly to maintain its freshness.
- Do not reuse the coffee sediment in the filter since this will reduce the flavour.
- Reheating coffee is not recommended as coffee is at its peak flavour immediately after brewing.
- Optionally, you can use the device with an additional paper filter.

Cleaning and care

Descaling the appliance

Descaling extends the life of your appliance. Descale your coffee maker at least 4 times per year. The period depends on the water hardness in your area. The harder the water is, the more often the appliance has to be descaled.

- 1 Purchase a suitable descaler from a speciality store. Please ask naming the device.
- 2 Prior to commencing the descaling process thoroughly read the manufacturer's package insert of the descaler. Should the manufacturer's instructions differ from the ones listed below, then follow the manufacturer's instructions.
- 3 Fill the water tank to the «MAX» mark and add descaler. Mixing ratio: 4 parts water to 1 part descaler.
- 4 Turn the appliance on and allow approximately one large coffee cup to run through the appliance.
- 5 Turn the appliance off.
- 6 Let the mixture soak for about 15 minutes.
- 7 Repeat steps 4 - 6.
- 8 Now turn the appliance on and let the entire mixture run through.
- 9 Fill the water tank with cold, fresh drinking water and run all the water through.
- 10 Repeat step 9 four times.
- 11 Now you may brew coffee again.

INFORMATION

Storage

- If you do not plan to use the appliance for a long period of time, please store it carefully. Make sure the appliance is unplugged and completely dry.
- Store the appliance in a cool, dry place. Make sure the appliance is kept out of the reach of children.

Handling and transportation

- During handling and transportation, carry the appliance in its original packaging. The packaging of the appliance protects it against physical damages.
- Do not place heavy loads on the appliance or the packaging. The appliance may be damaged.
- Dropping the appliance will render it non-operational or cause permanent damage.

Compliance with the WEEE Directive and Disposing of the Waste Product:

This product complies with EU WEEE Directive (2012/19/EU). This product bears a classification symbol for waste electrical and electronic equipment (WEEE).



This symbol indicates that this product shall not be disposed with other household wastes at the end of its service life. Used device must be returned to official collection point for recycling of electrical and electronic devices. To find these collection systems please contact to your local authorities or retailer where the product was purchased. Each household performs important role in recovering and recycling of old appliance. Appropriate disposal of used appliance helps prevent potential negative consequences for the environment and human health.

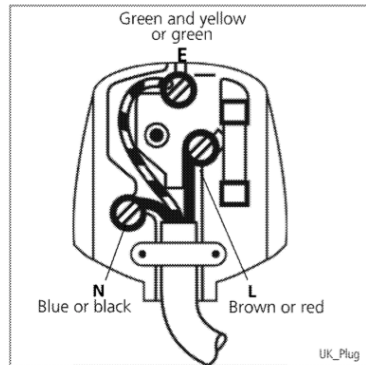
To find these collection systems please contact to your local authorities or retailer where the product was purchased. Each household performs important role in recovering and recycling of old appliance. Appropriate disposal of used appliance helps prevent potential negative consequences for the environment and human health.

Compliance with RoHS Directive

The product you have purchased complies with EU RoHS Directive (2011/65/EU). It does not contain harmful and prohibited materials specified in the Directive.

Fiting a different plug

- As the colours of the wires in the mains lead of this appliance may not correspond with the coloured markings identifying the terminals on your plug, proceed as follows:
- Brown cable = L (Live)
- Blue cable = N (Neutral)
- Green/yellow cable must be connected to ground (E) \equiv line
- With the alternative plugs a 13 A fuse must be fitted either in the plug or adaptor or in the main fuse box. If in doubt contact a qualified electrician.



Compliance with RoHS Directive

The product you have purchased complies with EU RoHS Directive (2011/65/EU). It does not contain harmful and prohibited materials specified in the Directive.

INFORMATION

Package information



Packaging materials of the product are manufactured from recyclable materials in accordance with our National Environment Regulations. Do not dispose of the packaging materials together with the domestic or other wastes. Take them to the packaging material collection points designated by the local authorities.

Technical data

Power supply: 220-240 V~, 50-60 Hz

Power: 1000 W

Keep warm: 35 min

Technical and design modifications reserved.



For commissioning, general use and cleaning, please observe the instructions on pages 4-5 of this operating manual.

24 months breakdown and repair guarantee

Guarantor: **Beko plc, 1 Greenhill Crescent, Watford, Hertfordshire. WD18 8UF**

The guarantee does not in any way diminish your statutory or legal rights.

Your appliance has the benefit of our manufacturer's guarantee which covers the product for 24 months from the date of original purchase.

This gives you reassurance that if within that time, your appliance is proven to be defective because of either workmanship or materials, we will at our discretion either repair or replace your appliance.

The appliance must be correctly installed, located and operated in accordance with the instructions contained in the user manual. The guarantor disclaims any liability for accidental or consequential damage.

The Guarantee is subject to the following conditions:

- Documentary proof of the original purchase date is provided.
- The appliance has been installed and operated correctly in accordance with our operating and maintenance instructions.
- The appliance is used only on the electricity supply shown on the rating plate.
- The appliance has only been used for normal domestic purposes.
- The appliance has not been altered, serviced, dismantled or otherwise interfered with by any person.
- The appliance is used in the United Kingdom or the Republic of Ireland.
- Any parts removed during repair work or any product that has been replaced becomes our property.
- The guarantee is not transferrable if the product is resold.

The Guarantee does not cover:

- Transit, installation or delivery damage.
- Accidental damage.
- Misuse or abuse.
- Replacement of any consumable item or accessories. These include but are not limited to: plugs, cables, light bulbs, knobs, filters and flaps.
- Repairs or replacements required as a result of unauthorised repairs or inexpert installation that fails to meet the requirements contained in the user guide or instruction book.
- Repairs to products used in commercial or non-residential household premises.

How to obtain after sales service, help or general advice

Please keep your purchase receipt or other proof of purchase in a safe place as you will need to show us this document if your product requires attention within the guarantee period.

Please also record your product details below, which will allow you to access our services more quickly and help us identify your product. The model number is printed on the front of the user guide and the serial and model number is shown on your products rating plate.

Model number	Serial number	Purchased from	Date of purchase

Please call our UK based Customer Service department if you need urgent help or advice from us:

United Kingdom and Northern Ireland: **0333 207 9920**
Republic of Ireland: **01 691 0203**
You can also contact us through our website: **www.grundig.co.uk**

Beko Grundig Deutschland GmbH
Thomas-Edison-Platz 3
63263 Neu-Isenburg

www.grundig.co.uk