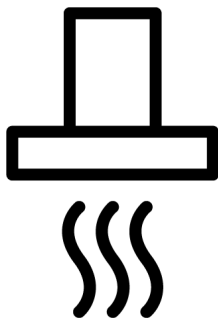


# beko

**Hood / User Manual**  
**Hotte murale / Manuel d'utilisation**  
**Exaustor / Manual do utilizador**



BHCB91622BXH

185732554/ EN/ FR/ PT/ R.AA/ 12/10/23 09:12  
7706331120



## Welcome!

---

Dear Customer,

Thank you for choosing the Beko product. We want your product, manufactured with high quality and technology, to offer you the best efficiency. Therefore, carefully read this manual and any other documentation provided before using the product.

Keep in mind all the information and warnings stated in the user's manual. This way, you will protect yourself and your product against the dangers that may occur.

Keep the user's manual. If you give the product to someone else, give the manual with it. The warranty conditions, usage and troubleshooting methods for your product are provided in this manual.

### The symbols and their descriptions in the user's manual:



Hazard that may result in death or injury.



Important information or useful usage tips.



Read the user's manual.



Hot surface warning.

**NOTICE** Hazard that may result in material damage to the product or its environment.

**Arçelik A.Ş.**

Karaağaç caddesi No:2-6  
34445 Söğütözü/İstanbul/TURKEY

Made in TURKEY

## Table of Contents

<b>1</b>	<b>Safety Instructions .....</b>	<b>4</b>
1.1	Intended Use .....	4
1.2	Child, Vulnerable Person and Pet Safety .....	4
1.3	Electrical Safety .....	5
1.4	Transportation Safety .....	6
1.5	Installation Safety.....	7
1.6	Safety of Use.....	8
1.7	Maintenance and Cleaning Safety .....	9
<b>2</b>	<b>Environmental Instructions .....</b>	<b>9</b>
2.1	Waste Directive .....	9
2.1.1	Compliance with the WEEE Directive and Disposing of the Waste Product .....	9
2.2	Package Information .....	10
<b>3</b>	<b>Your product .....</b>	<b>11</b>
3.1	Product Introduction .....	11
3.2	Product Accessories .....	11
3.3	Technical Specifications .....	13
<b>4</b>	<b>First Use .....</b>	<b>14</b>
4.1	Initial Cleaning .....	14
<b>5</b>	<b>Using the Hood .....</b>	<b>14</b>
<b>6</b>	<b>Maintenance and Cleaning .....</b>	<b>14</b>
6.1	General Cleaning Information .....	14
6.2	Cleaning the Control Panel.....	15
6.3	Aluminium Filter.....	16
6.4	Carbon Filter (Usage without a flue).....	16
6.5	Hood Lamp.....	16
<b>7</b>	<b>Troubleshooting .....</b>	<b>17</b>

## 1 Safety Instructions

- This section includes the safety instructions necessary to prevent the risk of personal injury or material damage.
- If the product is handed over to someone else for personal use or second-hand use purposes, the user's manual, product labels and other relevant documents and parts should also be given.
- Our company shall not be held responsible for damages that may occur if these instructions are not observed.
- Failure to follow these instructions shall void any warranty.
- Always have the installation and repair works made by the manufacturer, the authorised service or a person that the importer company shall designate.
- Use original spare parts and accessories only.
- Do not repair or replace any component of the product unless it is clearly specified in the user's manual.
- Do not make technical modifications on the product.

### 1.1 Intended Use

- This product is designed to be used at home. It is not suitable for commercial use.
- Do not use the product in gardens, balconies or other outdoors. This product is intended to be used in households and in the staff kitchens of shops, offices and other working environments.

### 1.2 Child, Vulnerable Person and Pet Safety

- This product can be used by children 8 years of age and older, and people who are underdeveloped in physical, sensory or mental skills, or who have lack of experience and knowledge, as long as they are supervised or trained about the safe use and hazards of the product.
- Children should not play with the product. Cleaning and user maintenance should not be performed by children unless there is someone overseeing them.
- This product should not be used by people with limited physical, sensory or mental capacity (including children),

unless they are kept under supervision or receive the necessary instructions.

- Children should be supervised to ensure that they do not play with the product.
- Electrical products are dangerous for children and pets. Children and pets should not play with the product.
- Keep the packaging materials out of the reach of children. There is a hazard of injury and suffocation.
- Before discarding worn out and useless products:
  1. Unplug and disconnect the power plug (if the product is plugged in).
  2. Cut off the power cable and disconnect it with the plug from the product.
  3. Do not allow children to play with product when it is in idle mode.

### **1.3 Electrical Safety**

- Plug the product into a grounded outlet protected by a fuse that matches the current ratings indicated on the type label. Have the grounding installation made by a qualified electrician. Do not use the product without grounding in accordance with local / national regulations.
- The plug or the electrical connection of the appliance shall be in an easily accessible place. If this is not possible, there should be a mechanism (fuse, switch, key switch, etc.) on the electrical installation to which the product is connected, in compliance with the electrical regulations and separating all poles from the network.
- Unplug the product or switch off the fuse before repair, maintenance and cleaning.
- Plug the product into an outlet that meets the voltage and frequency values specified on the type label.
- (If your product does not have a mains cable) only use the connecting cable described in the "Technical specifications" section.
- Do not plug your hood in until it is mounted.
- Do not jam the power cable under and behind the product. Do not put a heavy object on the power cable. The power cable should not be bent, crushed, and come into contact with any heat source.
- Do not install the electricity cord near the heaters. The cable might melt, causing a fire.

- Make sure that the power cable is not jammed while putting the product to its place after assembly or cleaning.
- Do not plug your hood in until it is mounted.
- Use original cable only. Do not use cut or damaged cables.
- Do not use an extension cord or multi-plug to operate your product.
- Contact the authorized service centre or importer to use the approved adapter in cases where the use of a converter adapter (for plug type) is necessary.
- Contact the importer or the authorized service centre if the length of the power line is inadequate.
- Portable power sources or multiple plugs may overheat and catch fire. Keep multiple plugs and portable power sources away from the product.
- If the power cable is damaged, it must be replaced by the manufacturer, an authorized service or a person to be specified by the importer company in order to prevent possible dangers.
- If your product has plug, do not make electrical connections by disconnecting the

plug during installation. Connections made by cutting off render the product warranty void and pose a danger to user safety.

If your product has a power cable and plug:

- Never put the product plug into a broken, loose, or out-of-socket plug. Make sure the plug is fully inserted into the socket. Otherwise the connections may overheat and cause a fire.
- Avoid inserting the device into plugs that are greasy, unclean, or potentially exposed to water (such as those near a worktop where water may escape). Otherwise there is a risk of short circuit and electrocution.
- Never touch the plug with wet hands!
- Pull the plug out of the socket using the plug's body rather than the cord itself.



#### **1.4 Transportation Safety**

- Disconnect the product from the mains before transporting the product.
- The product is heavy, carry the product with at least two people.

- Do not place items on the appliance. Carry the appliance vertically.
- When you need to transport the product, wrap it with bubble wrap packaging material or thick cardboard and tape it tightly. Secure the moving parts of the product firmly to prevent damage.
- Before the product is installed, check the product for any damage after transport. Contact the importer or the authorized service centre if damaged.
- Before beginning the installation, de-energize the power line to which the product will be connected by turning off the fuse.
- Always wear protective gloves during transport and installation. Otherwise there is a risk of injury from sharp edges!
- Before the product is installed, check the product for any damage. Do not have it installed if the product is damaged.
- Avoid using any heat-insulating materials to cover the interior of the furniture that will be installed.
- Direct sunlight and heat sources, such as electric or gas heaters, must not be present in the area where the product is installed.
- If there is a socket behind the place where the product will be installed, it must be ensured that the product does not come into contact with the socket nor with the plug plugged into the socket.
- For usage with chimney connections, have qualified individuals assess the suitability of the chimney to which the product will be connected.

## 1.5 Installation Safety

- To have your product ready for use, first provide the place of installation and have the electrical installation made. Always have the installation made by the manufacturer, the authorised service or a person that the importer company shall designate.
- To have your product ready for use, first provide the place of installation and have the electrical installation made. Then, call the Authorised Service to have the installation performed. After installation by the authorized service, the warranty period begins.

- Height between the bottom surface of your hood and the top surface of the hob should be no less than 650 mm. Otherwise, your product will be affected by the heat or flame of the hob and pose a safety hazard.
- Never attach the hood to flues used as a flame heater or flame-emitting heaters. Comply with local regulations on purging the outflow.
- Use pipes with a diameter of 120 mm when connecting a flue to your product. The pipe connection should be as short as possible and with few bends.
- Ensure that the appliance is switched off after every use.
- Don't use the product if it breaks down or gets damaged while being used. Disconnect the product from the electricity. Contact the importer or the authorized service centre.
- Do not touch the lamps of your hood after operating the hood for a long time. Hot lamps may burn your hand.
- Do not operate the appliance without an oil filter. Do not remove the filters while the appliance is operating. Otherwise the product and electrical connections may be adversely affected by the oil.

## 1.6 Safety of Use

- **Poisoning Danger!** While the appliance is operating, air is drawn from the whole house. If adequate ventilation is not provided, air flow occurs and the waste and toxic gases released as a result of combustion in the house are reabsorbed. Do not operate the product together with products that provide air circulation and may emit toxic gas (wood, gas, oil and coal stoves, boilers, water heaters, etc.).
- Do not create a high flame under the product. Otherwise, the oil in the oil filter may ignite, causing a fire.
- Turn off the oven before taking the cooking pots, pans, etc. from the ovens. Otherwise, your product could be harmed by flame and growing heat.
- Never set anything combustible or items prone to falling on your hood. Otherwise, it could fall on the hob and risk burning them or fall into the food and hurt the user,
- Do not keep easily flammable materials under your hood.



- (Except for goods that return exhaust air to the room) The room needs to be well ventilated if the hood is utilized in the same area as gas or liquid fuel burning equipment.
- The chimney of appliances like room heaters that run on gas or liquid fuel must be entirely insulated in the environment where the hood is utilized, or the appliance must be hermetic.
- If there is another appliance operating with energy other than electrical energy in the same environment with the hood, the negative pressure in the room should be at most 0.04 mbar so that the exhaust of the other appliance is not drawn back into the room by the hood.
- Easily flammable and combustible materials should not be hung on the hood handles (if any).

- There should not be open fire under the hood. (for example: flambe)
- **Caution:** Accessible parts can heat up when used with a cooker.



### 1.7 Maintenance and Cleaning Safety

- The grease accumulated on the hood and grease filter must be cleaned at the specified intervals. Otherwise, there is a risk of fire!
- It is recommended to clean the filter once a month under normal usage. If not, the build-up of oil in the filter could catch fire and pose a hazard.
- Never wash the product by spraying or pouring water on it! There is the risk of electric shock!
- Do not use steam cleaners to clean the product as this may cause an electric shock.

## 2 Environmental Instructions

### 2.1 Waste Directive

#### 2.1.1 Compliance with the WEEE Directive and Disposing of the Waste Product

This product complies with EU WEEE Directive (2012/19/EU). This product bears a classification symbol for waste electrical and electronic equipment (WEEE).



This product has been manufactured with high quality parts and materials which can be reused and are suitable for recycling. Therefore, do not dispose of the waste product with normal domestic and other wastes at the end of its service life. Take it to a collection point for the recycling of electrical and electronic equipment. You can ask your local administration about these collection

points. Disposing of the appliance properly helps prevent negative consequences for the environment and human health.

---

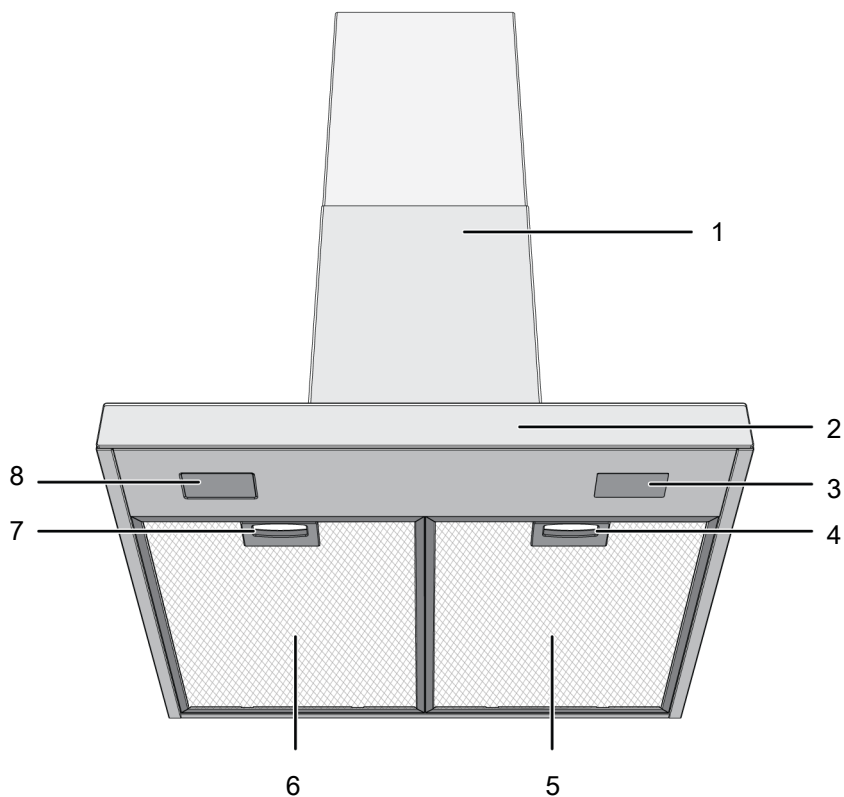
**Compliance with RoHS Directive:**

The product you have purchased complies with EU RoHS Directive (2011/65/EU). It does not contain harmful and prohibited materials specified in the Directive.

## 2.2 Package Information

Packaging materials of the product are manufactured from recyclable materials in accordance with our National Environment Regulations. Do not dispose of the packaging waste with the household or other wastes, take it to the packaging material collection points designated by the local authorities.

### 3.1 Product Introduction



1 Hood body

3 Lamp

5 Aluminium filter

7 Aluminium filter lock

2 Control panel

4 Aluminium filter lock

6 Aluminium filter

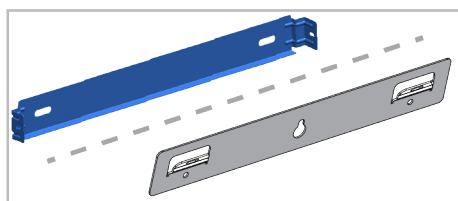
8 Lamp

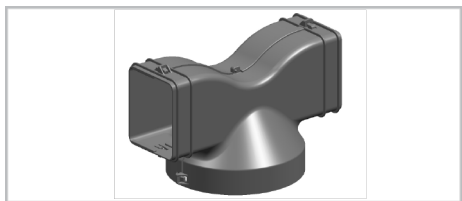
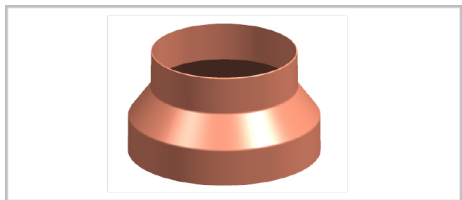
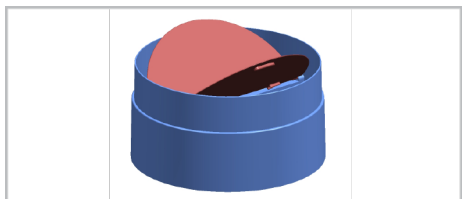
\* Dependent on the model. It may not be available on your product.

### 3.2 Product Accessories

Depending on the product model, the supplied accessory varies. All accessories described in the user's manual may not be available in your product.

#### Wall mounting part



**Air router****Flue connection adapter****Covers to prevent reverse airflow**

### 3.3 Technical Specifications

Product external dimensions (height/width/depth) (mm)	min. 735 - max. 1025 /898 /505
Voltage/Frequency	220-240 V ~1N; 50 Hz
Total power consumption	max. 240 W
Suction power	605 m <sup>3</sup> /h
Diameter of air outlet pipe	120-150 mm

Control	
Model A	3 levels
Model B	3 levels + 1 booster
Model C	3 levels + 1 booster



Technical specifications may be changed without prior notice to improve the quality of the product.



Figures in this manual are schematic and may not exactly match your product.



Values stated on the product labels or in the documentation accompanying it are obtained in laboratory conditions in accordance with relevant standards. Depending on operational and environmental conditions of the product, these values may vary.

## 4 First Use

Before you start using your product, it is recommended to do the following stated in the following sections respectively.

### 4.1 Initial Cleaning

1. Remove all packaging materials.

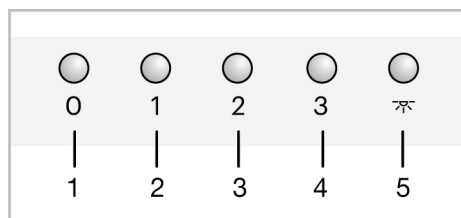
2. Wipe the surfaces of the product with a wet cloth or sponge and dry with a cloth.

**NOTICE:** Some detergents or cleaning agents may cause damage to the surface. Do not use abrasive detergents, cleaning powders, cleaning creams or sharp objects during cleaning.

## 5 Using the Hood

The hood has an engine with various speeds. For a good performance, we recommend using low speeds under normal conditions and high speeds in case of strong odour and vapour condensation.

### MODEL A



- 1 Off button
- 2 Speed 1 button
- 3 Speed 2 button
- 4 Speed 3 button
- 5 Lamp button

### Operating the hood

1. Press the speed level button you have selected to operate the hood.
  - ⇒ The hood starts to operate in the adjusted speed level.
2. You can press the other speed level buttons to change the speed level.

### Turning off the hood

1. When your hood is operated at any level, press the off button.

### Operating the lamp

1. Press the button to operate the lamp.
  - ⇒ Hood lamp lights.

### Turning off the lamp

1. You can turn off the hood lamp by pressing the button again.

## 6 Maintenance and Cleaning

### 6.1 General Cleaning Information

#### General warnings

- Wait for the product to cool before cleaning the product. Hot surfaces may cause burns!
- Do not apply the detergents directly on the hot surfaces. This may cause permanent stains.
- The product should be thoroughly cleaned and dried after each operation. Thus, food residues shall be easily cleaned and these residues shall be prevented from burning when the product is

used again later. Thus, the service life of the appliance extends and frequently faced problems are decreased.

- Do not use steam cleaning products for cleaning.
- Some detergents or cleaning agents cause damage to the surface. Unsuitable cleaning agents are: bleach, cleaning products containing ammonia, acid or chloride, steam cleaning products, descaling agents, stain and rust removers, abrasive cleaning products (cream cleaners, scouring powder, scouring cream, abrasive and scratching scrubber, wire, sponges, cleaning cloths containing dirt and detergent residues).

- No special cleaning material is needed in the cleaning made after each use. Clean the appliance using dishwashing detergent, warm water and a soft cloth or sponge and dry it with a dry cloth.
- Be sure to completely wipe off any remaining liquid after cleaning and immediately clean any food splashing around during cooking.
- Do not wash any component of your appliance in a dishwasher unless otherwise stated in the user's manual.
- Under no circumstances should the dried-up residue on the glass surface be cleaned off with serrated knives, wire wool or similar scratching tools.
- You can remove the calcium stains (yellow stains) on the glass surface with the commercially available descaling agent, with a descaling agent such as vinegar or lemon juice.
- If the surface is heavily soiled, apply the cleaning agent on the stain with a sponge and wait a long time for it to work properly. Then clean the glass surface with a wet cloth.
- Discolorations and stains on the glass surface are normal and not defects.

### **Inox - stainless surfaces**

- Do not use acid or chlorine-containing cleaning agents to clean stainless-inox surfaces and handles.
- Stainless-inox surface may change colour in time. This is normal. After each operation, clean with a detergent suitable for the stainless or inox surface.
- Clean with a soft soapy cloth and liquid (non-scratching) detergent suitable for inox surfaces, taking care to wipe in one direction.
- Remove lime, oil, starch, milk and protein stains on the glass and inox surfaces immediately without waiting. Stains may rust under long periods of time.
- Cleaners sprayed/applied to the surface should be cleaned immediately. Abrasive cleaners left on the surface cause the surface to turn white.

### **Glass surfaces**

- When cleaning glass surfaces, do not use hard metal scrapers and abrasive cleaning materials. They can damage the glass surface.
- Clean the appliance using dishwashing detergent, warm water and a microfiber cloth specific for glass surfaces and dry it with a dry microfiber cloth.
- If there is residual detergent after cleaning, wipe it with cold water and dry with a clean and dry microfiber cloth. Residual detergent may damage the glass surface next time.

### **Plastic parts and painted surfaces**

- Clean plastic parts and painted surfaces using dishwashing detergent, warm water and a soft cloth or sponge and dry them with a dry cloth.
- Do not use hard metal scrapers and abrasive cleaners. They may damage the surfaces.
- Ensure that the joints of the components of the product are not left damp and with detergent. Otherwise, corrosion may occur on these joints.

## **6.2 Cleaning the Control Panel**


- When cleaning the panels with knob-control, wipe the panel and knobs with a damp soft cloth and dry with a dry cloth. Do not remove the knobs and gaskets underneath to clean the panel. The control panel and knobs may be damaged.
- While cleaning the inox panels with knob control, do not use inox cleaning agents around the knob. The indicators around the knob can be erased.
- Clean the touch control panels with a damp soft cloth and dry with a dry cloth. If your product has a key lock feature, set the key lock before performing control panel cleaning. Otherwise, incorrect detection may occur on the keys.

### 6.3 Aluminium Filter

This filter serves to retain oil particles in the air. **It is recommended to clean the filter once a month under normal usage.** To achieve this:

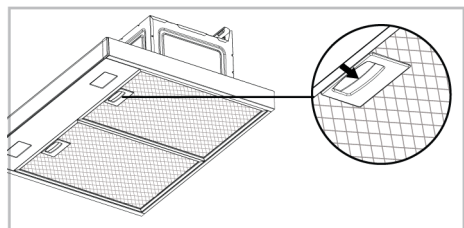
1. Remove the aluminium filters.
2. Wash the filters in water using liquid detergent and reinstall after drying.

Aluminium filters may change colour as they are washed; this is normal and does not require replacing your filters.

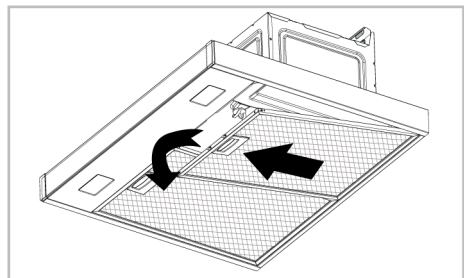
 You can also wash the aluminium filter in the dishwasher. (max. 70 °C)

#### Removing aluminium filters

1. Push the aluminium filter lock forward.



2. Lower the filter slightly and pull it forward. Otherwise, you can tilt the filter.




3. Reinstall the aluminium filter in its slot after flushing by following the above steps in reverse.

### 6.4 Carbon Filter (Usage without a flue)

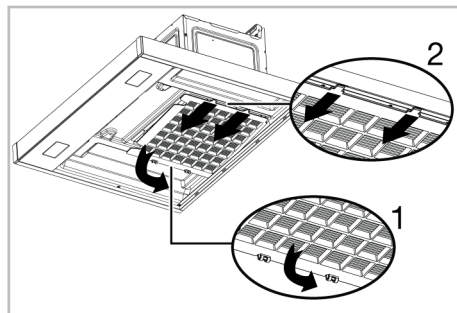
#### General warnings

- If you have installed your product without a flue, you should replace your carbon filters every 4 months in normal use. You can obtain the carbon filter from Authorized Services.
- The carbon filter should never be washed.
- If you do not follow the rules for cleaning and replacing the filters of your hood, you may cause a fire.

 In carbon-filtered usage, the sound level increases and the flow rate performance decreases.

#### Removing carbon filter

1. Remove the aluminium filters.
2. Release the locks of the carbon filter from their slots (1).



3. Remove the pins on the other end of the carbon filter from its socket and pull it out in the direction of the arrow (2).
4. Reverse this process, first insert the tabs into the slot of the new carbon filter and then push the locks upwards.
5. Install the aluminium filters.

### 6.5 Hood Lamp

In the event of a lamp malfunction in the hood, contact your local dealer or the Customer Service, and ensure that the lamp is replaced.



## 7 Troubleshooting

If the problem persists after following the instructions in this section, contact your vendor or an Authorized Service. Never try to repair your product yourself.

### **Product is not working.**

- Fuse may be faulty or blown. >>> Check the fuses in the fuse box. Change them if necessary or reactivate them.
- The product may not be plugged in. >>> Check if the product is plugged in to the outlet or not.
- The speed button may not be set. >>> Press/touch the desired speed button.
- There may be no electricity. >>> Ensure the mains is operational and check the fuses in the fuse box. Change the fuses if necessary or reactivate them.

### **Hood light is not on.**

- Hood lamp may be faulty. >>> Contact your local dealer where you purchased your product or the Customer Service, and ensure that the lamp is replaced.
- There may be no electricity. >>> Ensure the mains is operational and check the fuses in the fuse box. Change the fuses if necessary or reactivate them.

## **Bienvenue !**

---

Cher client, chère cliente

Nous vous remercions d'avoir choisi l'appareil Beko . Nous voulons que votre appareil de haute qualité et doté d'une technologie de pointe vous offre une efficacité optimale. Pour ce faire, lisez attentivement ce manuel et tout autre document fourni avant d'utiliser l'appareil.

Tenez compte de toutes les informations et avertissements figurant dans le manuel d'utilisation. Ainsi, vous vous protégez, vous et votre produit, contre d'éventuels dangers.

Conservez le manuel d'utilisation. Si vous donnez l'appareil à quelqu'un d'autre, donnez également le manuel. Les conditions de garantie, les méthodes d'utilisation et de dépannage de votre appareil sont indiquées dans ce manuel.

### **Les symboles et leurs descriptions dans le manuel de l'utilisateur :**



Danger pouvant entraîner la mort ou des blessures.



Informations importantes et conseils d'utilisation utiles.



Lisez le manuel d'utilisation.



Attention aux surfaces chaudes.

**RE-  
MARQUE**

Danger pouvant entraîner des dommages matériels à l'appareil ou à son environnement.

**Arçelik A.Ş.**

Karaağaç caddesi No:2-6  
34445 Sütlüce/Istanbul/TURKEY

Made in TURKEY

## Table des matières

<b>1</b>	<b>Consignes de sécurité .....</b>	<b>20</b>
1.1	Utilisation prévue.....	20
1.2	Sécurité des enfants, des personnes vulnérables et des animaux domestiques .....	20
1.3	Sécurité électrique.....	21
1.4	Sécurité des transports.....	23
1.5	Sûreté des installations.....	23
1.6	Sécurité d'utilisation.....	24
1.7	Sécurité relative à l'entretien et au nettoyage .....	26
<b>2</b>	<b>Instructions relatives à l'environnement .....</b>	<b>26</b>
2.1	Directive sur les déchets .....	26
2.1.1	Conformité avec la directive DEEE et élimination des déchets .....	26
2.2	Informations sur l'emballage .....	27
<b>3</b>	<b>Votre appareil.....</b>	<b>27</b>
3.1	Présentation de l'appareil .....	27
3.2	Accessoires de l'appareil .....	28
3.3	Spécifications techniques.....	29
<b>4</b>	<b>Première utilisation .....</b>	<b>30</b>
4.1	Premier nettoyage .....	30
<b>5</b>	<b>Utilisation de la hotte .....</b>	<b>30</b>
<b>6</b>	<b>Entretien et nettoyage .....</b>	<b>30</b>
6.1	Consignes de nettoyage générales.....	30
6.2	Nettoyage du panneau de commande.....	32
6.3	Filtre en aluminium.....	32
6.4	Filtre à charbon (utilisation sans conduit de fumée).....	33
6.5	Lampe de la hotte .....	33
<b>7</b>	<b>Dépannage .....</b>	<b>33</b>



## 1 Consignes de sécurité

- Cette section contient les instructions de sécurité nécessaires à la prévention des risques de dommage corporel ou de dommage matériel.
- Si l'appareil est remis à une autre personne pour un usage personnel ou à des fins d'utilisation d'occasion, le manuel d'utilisation, les étiquettes de l'appareil et les autres documents et pièces pertinents doivent également être remis.
- Notre entreprise ne peut être tenue pour responsable des dommages qui peuvent survenir si ces instructions ne sont pas respectées.
- Le non-respect de ces instructions annule toute garantie.
- Faites toujours effectuer les travaux d'installation et de réparation par le fabricant, le service agréé ou une personne que l'entreprise importatrice désignera.
- Utilisez uniquement des pièces d'origine et des accessoires d'origine.
- Évitez de réparer ou de remplacer tout composant de l'appareil sauf si cela est clairement spécifié dans le manuel d'utilisation.

- N'apportez pas de modifications techniques à l'appareil.



### 1.1 Utilisation prévue

- Cet appareil est conçu pour être utilisé à domicile. Il n'est pas destiné à un usage commercial.
- N'utilisez pas l'appareil dans les jardins, les balcons ou autres environnements extérieurs. Cet appareil est destiné à une utilisation dans les ménages et dans les cuisines du personnel de magasins, de bureaux et d'autres environnements de travail.

### 1.2 Sécurité des en-



### fants, des personnes vulnérables et des animaux domestiques

- Cet appareil peut être utilisé par des enfants de 8 ans et plus et par des personnes dont les aptitudes physiques, sensorielles ou mentales sont sous-développées, ou qui manquent d'expérience et de connaissances, à condition qu'ils soient encadrés ou formés à l'utilisation sécuritaire et aux dangers de l'appareil.

- Les enfants ne doivent pas jouer avec l'appareil. Ne laissez pas les enfants effectuer le nettoyage et l'entretien de l'appareil, à moins qu'ils soient sous surveillance.
  - Cet appareil ne doit pas être utilisé par des personnes ayant des capacités physiques, sensorielles ou mentales limitées (y compris les enfants), sauf si elles sont gardées sous surveillance ou reçoivent les instructions nécessaires.
  - Les enfants doivent être surveillés afin de s'assurer qu'ils ne jouent pas avec l'appareil.
  - Les appareils électriques sont dangereux pour les enfants et les animaux domestiques. Les enfants et les animaux de compagnie ne doivent pas jouer avec l'appareil.
  - Conservez les matériaux d'emballage hors de la portée des enfants. Ils pourraient entraîner des lésions ou une asphyxie.
  - Avant de mettre au rebut un appareil usagé ou hors service :
    1. Débranchez l'appareil (s'il est branché).
    2. Coupez le câble d'alimentation et détachez-le de l'appareil avec la fiche.
3. Ne laissez pas les enfants jouer avec l'appareil lorsqu'il est en veille.

### 1.3 Sécurité électrique

- Branchez l'appareil à un courant avec prise de terre protégée par un fusible qui correspond aux courants nominaux indiqués sur la plaque signalétique. Contactez un technicien qualifié pour l'installation de la mise à la terre. N'utilisez pas l'appareil sans prise de terre conformément aux réglementations locales / nationales.
- La fiche ou les raccords électriques de l'appareil doivent être facilement accessibles. Si cela est impossible, il doit y avoir un mécanisme (fusible, interrupteur, interrupteur à clé, etc.) sur l'installation électrique à laquelle l'appareil est connecté, conforme à la réglementation électrique et séparant tous les pôles du réseau.
- Débranchez l'appareil ou coupez le fusible avant toute tâche de réparation, de maintenance ou de nettoyage.
- Branchez l'appareil dans une prise conforme aux valeurs de tension et de fréquence indiquées sur la plaque signalétique.

- (Si l'appareil n'est pas équipé d'un câble d'alimentation) utilisez uniquement le câble de connexion présenté dans la section « Spécifications techniques ».
  - Ne branchez pas votre hotte avant qu'elle ne soit montée.
  - Ne bloquez pas le cordon d'alimentation sous et derrière l'appareil. Ne placez aucun objet lourd sur le cordon d'alimentation. Le cordon d'alimentation ne doit pas être plié, coincé, ni entrer en contact avec une source de chaleur.
  - N'installez pas le cordon d'alimentation près d'un radiateur. Le câble pourrait fondre et provoquer un incendie.
  - Assurez-vous de ne pas coincer le câble d'alimentation lors de la mise en place de l'appareil après le montage ou le nettoyage.
  - Ne branchez pas votre hotte avant qu'elle ne soit montée.
  - Utilisez uniquement des câbles originaux. N'utilisez pas de câbles endommagés.
  - N'utilisez pas de rallonge ni de multiprises pour brancher l'appareil.
  - Contactez le service technique agréé ou l'importateur pour utiliser l'adaptateur approuvé lorsque l'utilisation d'un adaptateur convertisseur (pour le type à brancher) est nécessaire.
  - Contactez l'exportateur ou le service technique agréé si la longueur du cordon d'alimentation est inappropriée.
  - Les sources d'alimentation portables ou les multiprises peuvent surchauffer ou prendre feu. Tenez les sources d'alimentation portables ou les multiprises loin de l'appareil.
  - Si le cordon d'alimentation est endommagé, il doit être remplacé par le fabricant, un service autorisé ou une personne désignée par l'entreprise importatrice afin de prévenir d'éventuels dangers.
  - Si votre appareil est équipé d'une fiche, n'effectuez pas de connexions électriques en débranchant la fiche pendant l'installation. Les connexions réalisées par coupure rendent la garantie du produit nulle et constituent un danger pour la sécurité de l'utilisateur.
- Si votre appareil est équipé d'un cordon et d'une fiche :
- Ne branchez jamais la fiche de l'appareil dans une prise cassée, détachée ou démontée. Assurez-vous que la fiche est entièrement insérée dans la

prise. Sinon, les branchements peuvent surchauffer ou prendre feu.

- Évitez d'insérer l'appareil dans des prises huileuses, sales ou potentiellement exposées à de l'eau (telles que celles près d'un plan de travail exposé à des fuites d'eau). Sinon, il y a un risque de court-circuit ou d'électrocution.
- Évitez de toucher la fiche avec des mains humides !
- Tirez la fiche de la prise en tenant le corps de la fiche plutôt que le cordon d'alimentation.

#### 1.4 Sécurité des transports

- Avant le nettoyage, débranchez le produit de l'alimentation électrique avant de porter l'appareil.
- L'appareil est lourd, il doit être porté par au moins deux personnes.
- Ne posez pas d'objets sur l'appareil. Portez l'appareil verticalement.
- Lorsque vous souhaitez transporter l'appareil, emballez-le avec du matériel d'emballage à bulles ou du carton épais et attachez-le avec du ruban adhésif. Maintenez les parties

mobiles de l'appareil bien fermes afin d'éviter tout dommage.

- Avant d'installer l'appareil, vérifiez s'il présente des dommages résultant du transport. Contactez l'exportateur ou le service technique autorisé s'il présente des dommages.

#### 1.5 Sûreté des installations

- Pour que votre appareil soit prêt à l'emploi, il faut premièrement indiquer le lieu d'installation et faire réaliser l'installation électrique. Faites toujours réaliser l'installation par le fabricant, le service technique agréé ou un technicien désigné par l'exportateur.
- Pour que votre appareil soit prêt à l'emploi, il faut premièrement indiquer le lieu d'installation et faire réaliser l'installation électrique. Contactez ensuite le service technique agréé pour faire réaliser l'installation. Une fois l'installation effectuée par le service technique agréé, la période de garantie commence.
- Avant de commencer l'installation, coupez la ligne d'alimentation à laquelle sera branché l'appareil en désactivant le fusible.

- Portez toujours des gants de protection lors du transport et de l'installation. Le non-respect de cette consigne peut entraîner un risque de blessure à cause de bords pointus.
- Avant d'installer l'appareil, vérifiez s'il présente des dommages. Ne faites pas installer l'appareil si celui-ci est endommagé.
- Évitez d'utiliser des matériaux d'isolation thermique pour recouvrir l'intérieur du meuble à installer.
- La zone d'installation de l'appareil ne doit être exposée aux rayons solaires ni à des sources de chaleur telles que les brûleurs électriques ou à gaz.
- Lorsqu'il se trouve une prise derrière l'emplacement d'installation de l'appareil, il est nécessaire de s'assurer que l'appareil n'est pas en contact avec cette prise ni qu'aucune fiche n'est branchée sur cette prise.
- Pour une utilisation avec des raccordements de cheminée, faites évaluer la cheminée à laquelle l'appareil sera raccordé par des techniciens qualifiés.
- La hauteur entre la surface inférieure de la hotte et la surface supérieure de la cuisinière doit être au minimum de 650 mm. À défaut, votre appareil peut être affecté par la chaleur ou les flammes de la cuisinière, ce qui présente un risque de sécurité.
- Ne raccordez pas la hotte à des cheminées utilisées comme des chauffe-flammes ou des radiateurs à flammes. Respectez les réglementations locales en matière de purge de l'écoulement.
- Utilisez des tuyaux d'un diamètre de 120 mm pour raccorder un conduit de fumée à votre appareil. Le raccordement des tuyaux doit être aussi court que possible et comporter peu de coudes.



## 1.6 Sécurité d'utilisation

- **Danger d'empoisonnement !**  
Pendant que l'appareil fonctionne, l'air est aspiré dans toute la maison. Si la ventilation n'est pas suffisante, le flux d'air, les déchets et les gaz toxiques libérés par la combustion dans la maison sont réabsorbés. Ne faites pas fonctionner l'appareil avec des appareils qui assurent la circulation de l'air et qui peuvent



émettre des gaz toxiques (bois, gaz, poêle à pétrole à charbon, chaudières, chauffe-eau, etc.)

- Assurez-vous d'éteindre l'appareil après chaque utilisation.
- Cessez d'utiliser l'appareil s'il connaît une panne ou s'il est endommagé pendant l'utilisation. Débranchez l'appareil de la prise électrique. Contactez l'importateur ou le service technique agréé.
- Ne touchez pas les lampes de votre hotte après avoir utilisé la hotte pendant une longue période. Sinon, vous risquez de vous brûler la main.
- N'utilisez pas l'appareil sans filtre à huile. Ne retirez pas les filtres lorsque l'appareil est en marche. Autrement l'huile peut compromettre les performances de l'appareil et la sécurité des branchements électriques.
- Ne créez pas de flamme vive sous l'appareil. Autrement, l'huile retenue par le filtre à huile peut prendre feu, ce qui pourrait causer un incendie.
- Éteignez le four avant de retirer les casseroles, poêles, etc. des fours. Autrement, les performances de l'appareil peuvent être compromises par les flammes et la chaleur croissante.
- Évitez de placer des objets combustibles ou susceptibles de tomber sur la hotte. Autrement, ces objets pourraient tomber sur la hotte, brûler ou tomber dans celle-ci et heurter l'utilisateur.
- Ne gardez pas de matériaux facilement inflammables sous votre hotte.
- (À l'exception des denrées qui renvoient de l'air vicié dans la pièce) Le pièce doit être ventilée lorsque la hotte est utilisée à proximité de brûleurs à gaz ou à combustible liquide.
- La cheminée des appareils tels que les radiateurs fonctionnant au gaz ou au combustible liquide doit être entièrement isolé dans l'environnement d'utilisation de la haute, ou ces appareils doivent être de type hermétique.
- Si un autre appareil fonctionnant avec une énergie autre qu'électrique se trouve dans le même environnement avec ventilation, la pression négative dans la pièce doit être au maximum de 0,04 mbar afin que les gaz d'échappement de

l'autre appareil ne soient pas aspirés dans la pièce par la ventilation.

- Évitez d'accrocher des matériaux inflammables sur les poignées de la hotte lorsque celle-ci en a.
- Il ne doit pas y avoir de feu ouvert sous le capot. (par exemple : flambé)
- **Mise en garde** : Les parties accessibles peuvent chauffer lorsqu'elles sont utilisées avec une cuisinière.
- Il est recommandé de nettoyer le filtre une fois par mois dans des conditions normales d'utilisation. Sinon, l'huile accumulée dans le filtre peut prendre feu, ce qui constitue une situation dangereuse.
- Ne lavez jamais l'appareil par pulvérisation ou aspersion d'eau ! Il existe un risque d'électrocution !
- N'utilisez pas de nettoyeur vapeur pour nettoyer l'appareil, car il peut provoquer un choc électrique.

## 1.7 Sécurité relative à



### l'entretien et au nettoyage

- La graisse accumulée dans la hotte et le filtre à huile doit être nettoyée à intervalles réguliers. Autrement, un incendie pourrait survenir !

## 2 Instructions relatives à l'environnement

### 2.1 Directive sur les déchets

#### 2.1.1 Conformité avec la directive DEEE et élimination des déchets

Cet appareil est conforme à la directive DEEE de l'Union européenne (2012/19/UE). Le produit possède un symbole de classification attribué aux déchets d'équipements électriques et électroniques (DEEE).



Ce produit a été fabriqué avec des pièces et matériaux de qualité supérieure, réutilisables et adaptés au recyclage. Par conséquent, ne le mettez pas au rebut avec les ordures mé-

nagères et d'autres déchets à la fin de sa durée de vie. Rendez-vous dans un point de collecte pour le recyclage de tout matériel électrique et électronique. Vous pouvez demander à votre administration locale quels sont ces points de collecte. L'élimination correcte de l'appareil permet d'éviter les conséquences négatives pour l'environnement et la santé humaine.

#### Conformité avec la directive RoHS :

Votre appareil est conforme à la directive RoHS de l'Union européenne (2011/65/UE). Il ne comporte pas de matériaux dangereux et interdits mentionnés dans la directive.

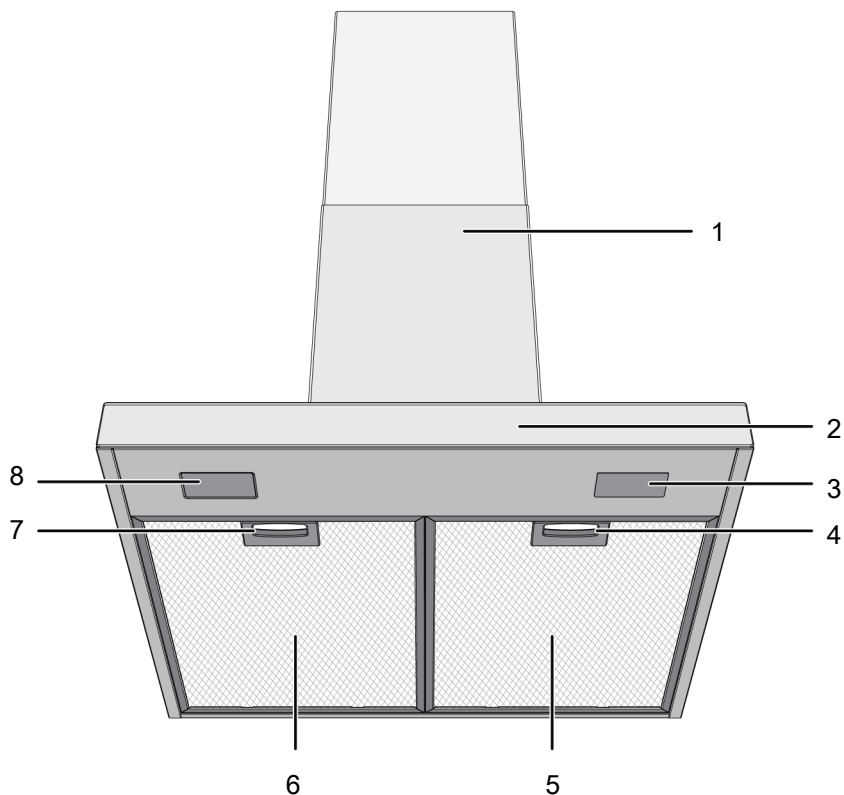
## 2.2 Informations sur l'emballage

Les matériaux d'emballage de cet appareil sont fabriqués à partir de matériaux recyclables, conformément à nos réglementations nationales en matière d'environnement.

Ne jetez pas les déchets d'emballage avec les déchets ménagers ou autres, apportez-les aux points de collecte des matériaux d'emballage désignés par les autorités locales.

## 3 Votre appareil

### 3.1 Présentation de l'appareil



1 Corps de la hotte

3 Lampe

5 Filtre en aluminium

7 Verrouillage du filtre en aluminium

2 Panneau de commande

4 Verrouillage du filtre en aluminium

6 Filtre en aluminium

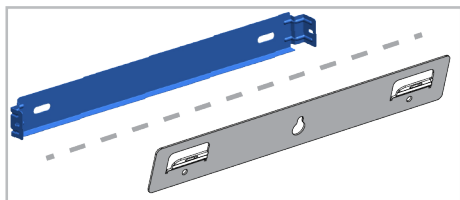
8 Lampe

\* En fonction du modèle. Il se peut qu'il ne soit pas disponible pour votre appareil.

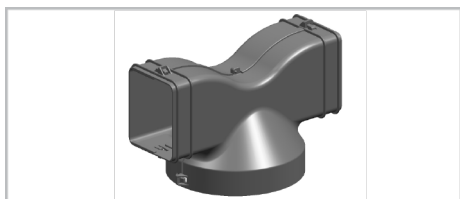
## 3.2 Accessoires de l'appareil

Selon le modèle de l'appareil, l'accessoire fourni varie. Tous les accessoires décrits dans le manuel d'utilisation peuvent ne pas être disponibles dans votre appareil.

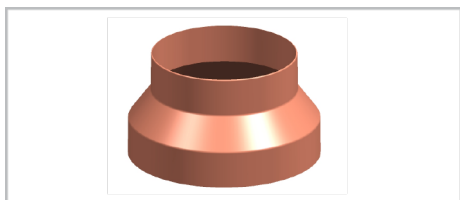
### Pièce de fixation murale



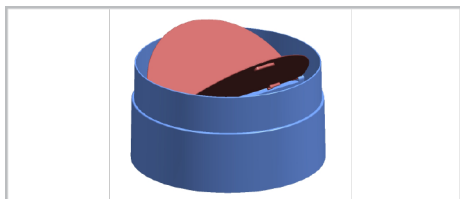
### Routeur aérien



### Adaptateur de raccordement au conduit de fumée



### Protections pour empêcher l'inversion du flux d'air



### 3.3 Spécifications techniques

Dimension externe de l'appareil (hauteur/largeur/profondeur)(mm)	min. 735 - max. 1025 /898 /505
Tension/fréquence	220-240 V ~1N; 50 Hz
Consommation totale d'énergie	max. 240 W
Puissance d'aspiration	605 m3/h
Diamètre du tuyau de sortie d'air	120-150 mm

FR

Contrôle	
Modèle A	3 niveaux
Modèle B	3 niveaux + 1 booster
Modèle C	3 niveaux + 1 booster



Les spécifications techniques peuvent être modifiées sans préavis afin d'améliorer la qualité de l'appareil.



Les illustrations présentées dans ce manuel sont schématiques et peuvent ne pas correspondre exactement à votre appareil.



Les valeurs indiquées sur les étiquettes de l'appareil ou dans la documentation accompagnant l'appareil sont obtenues dans des conditions de laboratoire, en conformité avec les normes applicables. Ces valeurs peuvent varier en fonction des conditions d'utilisation et l'environnement de l'appareil.

## 4 Première utilisation

Avant de commencer à utiliser votre appareil, il est recommandé de suivre les étapes décrites dans les sections suivantes :

### 4.1 Premier nettoyage

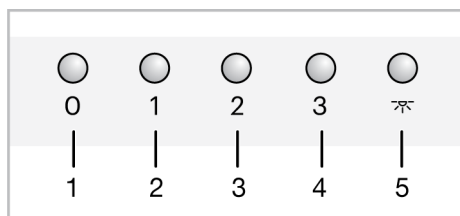
1. Retirez tous les emballages.
2. Essuyez les surfaces du produit avec un chiffon ou une éponge humide et séchez-les avec un chiffon.

**REMARQUE** : Certains détergents ou agents de nettoyage peuvent endommager la surface. N'utilisez pas de détergents

## 5 Utilisation de la hotte

La hotte est équipée d'un moteur à plusieurs vitesses. Pour une bonne performance, nous recommandons d'utiliser des vitesses faibles dans des conditions normales et des vitesses élevées en cas de forte odeur et de condensation de la vapeur.

### MODÈLE A



- 1 Bouton d'arrêt
- 2 Bouton de vitesse 1
- 3 Bouton de vitesse 2
- 4 Bouton de vitesse 3
- 5 Bouton de la lampe

abrasifs, de poudres de nettoyage, de crèmes de nettoyage ou d'objets pointus pendant le nettoyage.

**REMARQUE** : Lors de la première utilisation, de la fumée et des odeurs peuvent se dégager pendant plusieurs heures. C'est normal et vous avez juste besoin d'une bonne ventilation pour l'éliminer. Évitez d'inhaler directement la fumée et les odeurs qui se forment.

### Utilisation de la hotte

1. Appuyez sur le bouton du niveau de vitesse que vous avez sélectionné pour faire fonctionner la hotte.
  - ⇒ La hotte commence à fonctionner au niveau de vitesse réglé.
2. Vous pouvez appuyer sur les autres boutons de niveau de vitesse pour modifier le niveau de vitesse.

### Désactivation de la hotte

1. Lorsque votre hotte est utilisée à n'importe quel niveau, appuyez sur le bouton d'arrêt.

### Utilisation de la lampe

1. Appuyez sur la touche pour faire fonctionner la lampe,
  - ⇒ La lampe de la hotte s'allume.

### Activation de la Lampe

1. Vous pouvez éteindre la lampe de la hotte en appuyant à nouveau sur le bouton.

## 6 Entretien et nettoyage

### 6.1 Consignes de nettoyage générales

#### Avertissements généraux

- Attendez que l'appareil refroidisse avant de le nettoyer. Les surfaces chaudes peuvent causer des brûlures !

- N'appliquez pas les détergents directement sur les surfaces chaudes. Ils peuvent provoquer des taches permanentes.

- L'appareil doit être soigneusement nettoyé et séché après chaque utilisation. Ainsi, les résidus alimentaires sont faciles à nettoyer et ces résidus ne brûlent pas lorsque l'appareil est réutilisé ultérieurement. Ainsi, la durée de vie de l'appareil est prolongée et les problèmes fréquemment rencontrés sont réduits.
- N'utilisez pas de produits de nettoyage à vapeur pour le nettoyage.
- Certains détergents ou agents de nettoyage endommagent la surface. Les produits de nettoyage inadaptés sont : l'eau de Javel, les produits de nettoyage contenant de l'ammoniac, de l'acide ou du chlorure, les produits de nettoyage à vapeur, les détartrants, les détachants et les antirouilles, les produits de nettoyage abrasifs (crèmes nettoyantes, poudre à récurer, crème à récurer, épurateur abrasif et grattant, fil de fer, éponges, torchons de nettoyage contenant de la saleté et des résidus de détergent).
- Aucun produit de nettoyage spécial n'est nécessaire lors du nettoyage effectué après chaque utilisation. Nettoyez l'appareil à l'aide d'un détergent pour lave-vaisselle, d'eau chaude et d'un chiffon doux ou d'une éponge, puis séchez-le avec un chiffon sec. Nettoyez l'appareil à l'aide d'un détergent à vaisselle, d'eau chaude et d'un chiffon doux ou d'une éponge et séchez-le à l'aide d'un chiffon sec.
- Assurez-vous d'essuyer complètement tout le liquide restant après le nettoyage et nettoyez immédiatement toute éclaboussure d'aliments pendant la cuisson.
- Ne lavez aucun composant de votre appareil au lave-vaisselle, sauf indication contraire dans le manuel d'utilisation.

### **Inox - surfaces inoxydables**

- N'utilisez pas d'agents de nettoyage contenant de l'acide ou du chlore pour nettoyer les surfaces et les poignées en acier inoxydable ou en inox.
- La surface en acier inoxydable ou en inox peut changer de couleur avec le temps. C'est normal. Après chaque opé-

ration, nettoyez avec un détergent adapté à la surface en acier inoxydable ou en inox.

- Nettoyez à l'aide d'un chiffon doux savonneux et d'un détergent liquide (non abrasif) adapté à la surface en inox, en prenant soin d'essuyer dans un sens.
- Élimine immédiatement et sans attendre les taches de calcaire, d'huile, d'amidon, de lait et de protéines sur les surfaces en verre et en inox. À la longue, les taches peuvent causer la rouille.
- Les nettoyeurs pulvérisés/appliqués sur la surface doivent être nettoyés immédiatement. Les nettoyeurs abrasifs qui restent sur la surface la font blanchir.

### **Surfaces en verre**

- Lorsque vous nettoyez des surfaces en verre, n'utilisez pas de grattoirs métalliques durs ni de produits de nettoyage abrasifs. Ils peuvent endommager la surface en verre.
- Nettoyez l'appareil à l'aide d'un détergent à vaisselle, d'eau chaude et d'un chiffon en microfibres spécifique pour les surfaces en verre et séchez-le à l'aide d'un chiffon sec en microfibres.
- Si des résidus de détergent restent après le nettoyage, nettoyez-les avec de l'eau froide et séchez à l'aide d'un chiffon en microfibres sec et propre. Les résidus de détergent peuvent endommager la surface du verre la prochaine fois.
- Les résidus séchés sur la surface du verre ne doivent en aucun cas être nettoyés avec des couteaux dentelés, du fil laine métallique ou des outils de grattage similaires.
- Vous pouvez éliminer les taches de calcium (taches jaunes) sur la surface du verre à l'aide d'un agent de détartrage disponible sur le marché, tel que le vinaigre ou le jus de citron.
- Si la surface est très sale, appliquez le produit de nettoyage sur la tache à l'aide d'une éponge et patientez longtemps qu'il agisse correctement. Nettoyez ensuite la surface en verre à l'aide d'un chiffon humide.

- Les décolorations et les taches sur la surface en verre sont normales et ne présentent pas de défauts.

### Pièces en plastique et surfaces peintes

- Nettoyez les pièces en plastiques et les surfaces peintes à l'aide d'un détergent à vaisselle, d'eau chaude et d'un chiffon doux ou d'une éponge et séchez-les à l'aide d'un chiffon sec.
- N'utilisez pas de grattoirs métalliques durs ni de produits de nettoyage abrasifs. Ils peuvent endommager les surfaces.
- Assurez-vous que les joints des composants de l'appareil ne sont pas laissés humides et avec du détergent. Autrement, ces joints risquent de se corroder

### 6.2 Nettoyage du panneau de commande

- Lors du nettoyage des panneaux et du bouton de commande, essuyez le panneau et les boutons à l'aide d'un chiffon doux humide et séchez-les à l'aide d'un chiffon sec. Ne retirez pas les boutons et les joints en dessous pour nettoyer le panneau. Le panneau de commande et les boutons peuvent être endommagés.
- Lors du nettoyage des panneaux en inox et du bouton de commande, n'utilisez pas d'agents de nettoyage pour inox autour du bouton. Les indicateurs situés autour du bouton peuvent être effacés.
- Nettoyez les panneaux de commande tactiles à l'aide d'un chiffon doux humide et séchez-les à l'aide d'un chiffon sec. Si votre produit est doté d'une fonction de verrouillage des touches, réglez le verrouillage des touches avant de procéder au nettoyage du panneau de commande. Dans le cas contraire, une détection incorrecte peut se produire sur les touches.

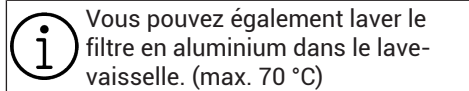
### 6.3 Filtre en aluminium

Ce filtre capte les particules d'huile présentes dans l'air. **Il est recommandé de nettoyer le filtre une fois par mois dans des conditions normales d'utilisation.**

Pour y parvenir :

1. Retirez les filtres en aluminium.
2. Lavez les filtres dans l'eau avec un détergent liquide et réinstallez-les après séchage.

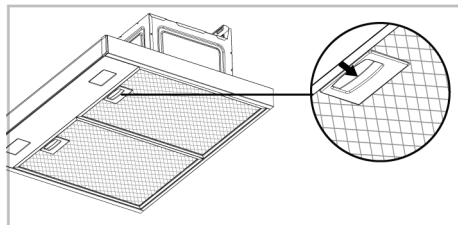
Les filtres en aluminium peuvent changer de couleur au cours du lavage ; ceci est normal et ne nécessite pas de remplacer vos filtres.



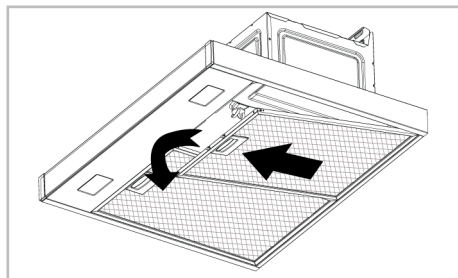
Vous pouvez également laver le filtre en aluminium dans le lave-vaisselle. (max. 70 °C)

#### Retrait des filtres en aluminium

1. Poussez le verrou du filtre en aluminium vers l'avant.



2. Abaissez légèrement le filtre et tirez-le vers l'avant. Sinon, vous risquez d'incliner le filtre.



3. Réinstallez le filtre en aluminium dans son emplacement après le rinçage en suivant les étapes ci-dessus en sens inverse.



## 6.4 Filtre à charbon (utilisation sans conduit de fumée)

### Avertissements généraux

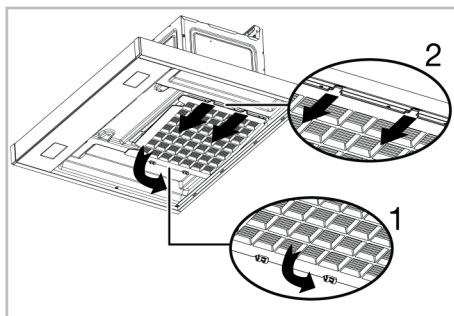
- Si vous avez installé votre appareil sans conduit de fumée, vous devez remplacer vos filtres à charbon tous les 4 mois en utilisation normale. Vous pouvez vous procurer le filtre à charbon auprès des services agréés.
- Le filtre à charbon ne doit jamais être lavé.
- Si vous ne respectez pas les règles de nettoyage et de remplacement des filtres de votre hotte, vous risquez de provoquer un incendie.



Lorsque vous l'utilisez avec des filtres à charbon, le niveau de bruit augmente et le débit diminue.

### Démontage du filtre à charbon

1. Retirez les filtres en aluminium.
2. Dégagez les verrous du filtre à charbon de leurs fentes (1).



3. Retirez les goupilles de l'autre extrémité du filtre à charbon de son support et tirez-le dans le sens de la flèche (2).
4. Inversez ce processus, insérez premièrement les languettes dans la fente du nouveau filtre à charbon, puis poussez les verrous vers le haut.
5. Installez les filtres en aluminium.

## 6.5 Lampe de la hotte

En cas de dysfonctionnement de la lampe dans la hotte, contactez votre revendeur local ou le service clientèle, et veillez à ce que la lampe soit remplacée.

## 7 Dépannage

Si le problème persiste même après observation des instructions contenues dans cette partie, contactez votre fournisseur ou un service de maintenance agréé. N'essayez jamais de réparer votre appareil par vous-même.

### L'appareil ne fonctionne pas.

- Le fusible peut être défilant ou grillé. >>> Vérifiez les fusibles dans la boîte à fusibles. Remplacez-les si nécessaire ou remettez-les en marche.
- Le produit n'est peut-être pas branché. >>> Vérifiez si le produit est branché à la prise ou non.
- Le bouton de vitesse peut ne pas être réglé. >>> Appuyez/touchez le bouton de vitesse souhaité.

- Il se peut qu'il n'y ait pas d'électricité. >>> Vérifiez que le réseau électrique est opérationnel et vérifiez les fusibles dans la boîte à fusibles. Changez les fusibles si nécessaire ou réactivez-les.

### Le voyant de la hotte n'est pas allumé.

- La lampe de la hotte est peut-être défectueuse. >>> Contactez le revendeur local où vous avez acheté votre appareil ou le service clientèle, et veillez à ce que la lampe soit remplacée.
- Il se peut qu'il n'y ait pas d'électricité. >>> Vérifiez que le réseau électrique est opérationnel et vérifiez les fusibles dans la boîte à fusibles. Changez les fusibles si nécessaire ou réactivez-les.

## Bem-vindo!

---

Caro Cliente,

Obrigado por escolher o Beko produto. Queremos que o seu produto, fabricado com alta qualidade e tecnologia, para lhe oferecer a melhor eficiência. Portanto, deve ler cuidadosamente este manual e qualquer outra documentação fornecida antes de utilizar o produto.

Ter em atenção toda a informação e as advertências especificadas no manual do utilizador. Desta forma, irá proteger-se a si mesmo e ao seu produto contra os perigos que podem ocorrer.

Guardar o manual do utilizador. Se entregar este produto a mais alguém, entregar também o respetivo manual. As condições de garantia, métodos de utilização e resolução de problemas do seu produto são fornecidas neste manual do utilizador.

### Os símbolos e as respetivas descrições no manual do utilizador.



Risco que pode resultar em morte ou lesões.



Informações importantes ou dicas úteis de utilização.



Ler o manual do utilizador.



Advertência de superfície quente.

**OBSERVAÇÃO**

Risco que pode resultar em danos no material no produto e para o meio ambiente.

**Arçelik A.Ş.**  
Karaağaç caddesi No:2-6  
34445 Sütlüce/Istanbul/TURKEY  
Made in TURKEY

# Índice

<b>1</b>	<b>Instruções de segurança .....</b>	<b>36</b>
1.1	Uso previsto .....	36
1.2	Segurança de crianças, pessoas vulneráveis e animais de estimação.....	36
1.3	Segurança elétrica.....	37
1.4	Segurança no transporte.....	39
1.5	Segurança da instalação.....	39
1.6	Segurança durante a utilização ...	40
1.7	Segurança da manutenção e limpeza .....	42
<b>2</b>	<b>Instruções ambientais .....</b>	<b>42</b>
2.1	Diretiva de resíduos.....	42
2.1.1	Em conformidade com a Diretiva REEE e Eliminação de Resíduos: .....	42
2.2	Informação da embalagem.....	43
<b>3</b>	<b>O seu produto .....</b>	<b>43</b>
3.1	Apresentação do produto.....	43
3.2	Acessórios do produto .....	44
3.3	Especificações técnicas .....	45
<b>4</b>	<b>Primeira utilização .....</b>	<b>46</b>
4.1	Limpeza inicial .....	46
<b>5</b>	<b>Usar o exaustor.....</b>	<b>46</b>
<b>6</b>	<b>Manutenção e limpeza.....</b>	<b>46</b>
6.1	Informações gerais de limpeza....	46
6.2	Limpar o painel de controlo .....	48
6.3	Filtro de alumínio .....	48
6.4	Filtro de carvão (Uso sem conduta).....	48
6.5	Lâmpada do exaustor.....	49
<b>7</b>	<b>Resolução de problemas .....</b>	<b>49</b>

## 1 Instruções de segurança

- Esta secção inclui as instruções de segurança necessárias para prevenir risco de lesões e danos materiais.
- Se o produto for transferido para uma outra pessoa para uso pessoal ou para fins de utilização em segunda-mão, o manual do utilizador, as etiquetas do produto e outros documentos e partes relevantes devem igualmente ser entregues.
- A nossa empresa não será considerada responsável por danos que possam ocorrer caso estas instruções não sejam seguidas.
- O incumprimento destas instruções anula qualquer garantia.
- A instalação e as reparações devem ser sempre realizadas pelo fabricante, por serviço de assistência autorizado ou por uma pessoa especificada pelo importador.
- Utilizar apenas peças de substituição e acessórios originais.
- Não reparar ou substituir qualquer componente do produto exceto se especificamente mencionado no manual do utilizador.
- Não fazer modificações técnicas no produto.

### 1.1 Uso previsto

- Este produto é destinado ao uso doméstico. Não é adequado para utilização comercial.
- Não usar o produto em jardins, varandas ou outros ambientes exteriores. Este produto é destinado ao uso doméstico e nas cozinhas comunitárias de lojas, escritórios e outros ambientes de trabalho.

### 1.2 Segurança de crianças, pessoas vulneráveis e animais de estimação

- Este produto pode ser usado por crianças com 8 anos de idade ou mais e por pessoas com debilidade físicas, sensoriais e mentais, ou com falta de experiência e conhecimento desde que supervisionadas ou instruídas sobre um uso seguro e sobre os riscos do produto.

- As crianças não devem brincar com o produto. A limpeza e manutenção do utilizador não deve ser feita por crianças a menos que sejam supervisionadas.
  - Este produto não deve ser usado por pessoas com capacidades físicas, sensoriais e mentais limitadas (incluindo crianças) exceto se forem supervisionadas ou receberem as instruções necessárias.
  - As crianças devem ser supervisionadas de modo a assegurar que não brincam com o produto.
  - Os produtos elétricos são perigosos para as crianças e para os animais domésticos. As crianças e os animais não devem brincar com o produto.
  - Manter todo o material de embalagem afastado do alcance das crianças. Existe o perigo de lesões e de sufocarem.
  - Antes de eliminar produtos usados e sem utilidade:
    1. Desligar e retirar a ficha de alimentação (se o produto estiver ligado).
    2. Cortar o cabo de alimentação e desligar o mesmo com a ficha do produto.
3. Não permitir que as crianças brinquem com o produto quando estiver em modo inativo.



### **1.3 Segurança elétrica**

- Ligar o produto a tomada com ligação terra protegida por um fusível que coincida com a classificação de corrente indicada na etiqueta do tipo. A instalação da ligação a terra deve ser feita por um eletricista qualificado. Não usar o produto sem ligação à terra em conformidade com as regulamentações locais/nacionais.
- A ficha ou a ligação elétrica do aparelho deve estar em local de fácil acesso. Se isto não for possível, tem de existir um mecanismo (fusível, interruptor, etc.) na instalação elétrica ao qual o produto é ligado, em conformidade com as regulamentações elétricas e todos os pólos têm de estar separados da rede.
- Desligar o produto da tomada ou desligar o fusível antes de reparar, manter ou limpar.
- Ligar o produto numa tomada com ligação terra que esteja de acordo com os valores de

tensão, corrente e frequência especificados na etiqueta de classificação.

- (Se o seu produto não tiver um cabo elétrico) usar apenas o cabo de ligação descrito na secção "Especificações técnicas".
- Não ligar o seu exaustor até que esteja montado.
- Não prender o cabo de alimentação por baixo ou atrás do produto. Não colocar objetos pesados em cima do cabo de alimentação. O cabo de alimentação não pode ser dobrado, esmagado ou entrar em contacto com qualquer fonte de calor.
- Não instalar o cabo elétrico perto de aquecedores. O cabo pode derreter, provocando um incêndio.
- Assegurar que os cabos de alimentação não estão presos enquanto estiver a colocar o produto no respetivo local depois de o montar ou limpar.
- Não ligar o seu exaustor até que esteja montado.
- Usar apenas o cabo original. Não usar cabos cortados ou danificados.
- Não usar um cabo de extensão, uma extensão múltipla um para utilizar o seu produto.
- Entrar em contacto com o centro de assistência ou importador autorizado para usar o adaptador aprovado nos casos em que for necessário o uso de um adaptador conversor (para o tipo de ficha).
- Entrar em contacto com o centro de assistência ou importador autorizado se o comprimento do cabo de alimentação for inadequado.
- As fontes de energia portáteis ou fichas múltiplas podem sobreaquecer e incendiar-se. Manter fichas múltiplas e fontes de energia portáteis afastadas do produto.
- Se o cabo de alimentação estiver danificado, tem de ser substituído por um fabricante, um serviço autorizado ou uma pessoa a ser especificada pela empresa de importação de modo a evitar possíveis perigos.
- Se o seu produto tiver ficha, não fazer as ligações elétricas desligando a ficha durante a instalação. As ligações feitas cortando as mesmas tornam a garantia do produto nula e constituem um perigo para a segurança do utilizador.

Se o seu aparelho tiver um cabo de alimentação e ficha:

- Nunca colocar a ficha do produto numa tomada partida, solta ou fora da tomada. Assegurar que a ficha está totalmente inserida na tomada. Caso contrário, as ligações podem sobreaquecer e ocasionar um incêndio.
- Evitar inserir o dispositivo em tomadas gordurosas, sujas ou potencialmente expostas à água (como as que estão junto a uma bancada onde pode ser atingida por água). Caso contrário, existe risco de curto-circuito e eletrocussão.
- Nunca tocar na ficha com as mãos molhadas!
- Retirar a ficha da tomada usando o corpo da ficha em vez do cabo da mesma.

#### **1.4 Segurança no transporte**

- Desligar o produto da corrente elétrica antes de o transportar.
- O produto é pesado, tem de ser transportado pelo menos com duas pessoas.
- Não colocar itens sobre o aparelho. Transportar o aparelho verticalmente.
- Quando precisar de transportar o seu produto, envolver o mesmo com material de embalagem de bolhas ou com cartão grosso

e passar com fita cola com firmeza. Prender firmemente as partes móveis do produto para evitar danos.

- Antes de o produto ser instalado, verificar o produto relativamente a quaisquer danos de transporte. Contactar o importador ou o centro de assistência autorizada se estiver danificado.

#### **1.5 Segurança da instalação**

- Para ter o seu produto pronto a ser utilizado, deve primeiro providenciar o local de instalação e ter a instalação elétrica já realizada. A instalação deve ser sempre realizada pelo fabricante, por assistência autorizada ou por uma pessoa designada pelo importador.
- Para ter o seu produto pronto a ser utilizado, deve primeiro providenciar o local de instalação e ter a instalação elétrica já realizada. Em seguida, contacte a Assistência autorizada para fazer a instalação. Depois da instalação pela assistência autorizada, inicia-se o período de garantia.

- Antes de iniciar a instalação, desligar a linha elétrica à qual o produto será conectado, desligando o fusível.
- Usar sempre luvas de proteção durante o transporte e a instalação. Caso contrário, existe o perigo de lesões ocasionados por arestas vivas!
- Antes de o produto ser instalado, verificar o produto relativamente a quaisquer danos. Não instalar o mesmo se o produto estiver danificado.
- Evitar usar qualquer material isolante térmico para cobrir o interior dos móveis que serão instalados.
- A luz direta do sol e fontes de calor, como aquecedores elétricos ou a gás, não devem estar presentes na zona onde o produto está instalado.
- Caso haja uma tomada atrás do local onde o produto será instalado, deve assegurar que o produto não entra em contacto com a tomada nem com a ficha inserida na tomada.
- Para utilização com ligações de chaminé, solicitar a pessoas qualificadas para avaliar a adequação da chaminé à qual o produto será ligado.
- A altura entre a superfície inferior do exaustor e a superfície superior da placa não deve ser inferior a 650 mm. Caso contrário, o seu produto será afetado pelo calor ou pela chama da placa e representará um risco de segurança.
- Nunca fixar o exaustor em chaminés usadas como aquecedores de chama ou aquecedores emissores de chama. Cumprir com os regulamentos locais em relação à purga da saída.
- Usar tubos com um diâmetro de 120 mm quando ligar uma conduta ao seu produto. A ligação do tubo deve ser o mais curta possível e com poucas curvas.



## 1.6 Segurança durante a utilização

- **Perigo de intoxicação!**  
Enquanto o aparelho está a funcionar, o ar é obtido a partir de toda a casa. Se não for fornecida a ventilação adequada, ocorre fluxo de ar e os gases residuais e tóxicos libertados em resultado da combustão na casa são



- reabsorvidos. Não operar o produto em conjunto com produtos que forneçam circulação de ar e que possam emitir gás tóxico (madeira, gás, fornos a óleo e a carvão, caldeiras, esquentadores, etc.).
- Assegurar que o aparelho é desligado após cada utilização.
  - Não usar o produto se partir ou for danificado enquanto usar o mesmo. Desligar o produto da eletricidade. Contactar o importador ou o centro de assistência autorizada.
  - Não tocar nas lâmpadas do seu exaustor quando o exaustor tiver estado em funcionamento durante muito tempo. As lâmpadas podem queimar-lhe a mão.
  - Não utilizar o aparelho sem um filtro de óleo. Não retirar os filtros enquanto a aparelho estiver em funcionamento. Caso contrário, o produto e as ligações elétricas podem ser afetados de forma adversa pelo óleo.
  - Não gerar uma chama alta por baixo do produto. Caso contrário, o óleo no filtro pode inflamar-se ocasionando um incêndio.
  - Desligar o forno antes de remover os recipientes, cozedura, etc. do forno. Caso contrário, o seu produto pode ser danificado por chamas e aumento de calor.
  - Nunca colocar nada inflamável ou itens propensos a cair sobre o seu exaustor. Caso contrário, pode cair e correr o risco de queimar ou cair no alimento e ferir o utilizador,
  - Não manter materiais facilmente inflamáveis por baixo do seu exaustor.
  - (Exceto para produtos que retornam o ar de exaustão para a sala) A sala precisa de ser bem ventilada se o exaustor for utilizado na mesma zona que o equipamento de queima de combustível líquido ou gás.
  - A chaminé de aparelhos como aquecedores de ambiente que funcionam com gás ou combustível líquido deve ser totalmente isolada no ambiente onde o exaustor é utilizado, ou o aparelho deve ser hermético.
  - Se houver outro aparelho a funcionar com outra energia além da energia elétrica no mesmo ambiente que o exaustor, a pressão negativa

na divisão deve ser de pelo menos 0,04 mbar de modo a que a exaustão do outro aparelho não seja disseminada de volta para a divisão pelo exaustor.

- Materiais facilmente inflamáveis e combustíveis não devem estar pendurados nas pegas do exaustor (se houver).
- Não deve existir lume forte por baixo do exaustor. (por exemplo: flambé)
- **Cuidado:** As peças acessíveis podem aquecer quando usadas com um fogão.



## 1.7 Segurança da manutenção e limpeza

- A gordura acumulada no exaustor e no filtro de gordura deve ser limpa nos intervalos especificados. Caso contrário, há o risco de incêndio!
- É recomendado limpar o filtro após uma vez por mês de utilização normal. Se não, a acumulação de óleo no filtro pode incendiar-se e constituir um perigo.
- Nunca lavar o produto pulverizando-o ou deitando água sobre o mesmo! Existe risco de choque elétrico!
- Não usar equipamentos de limpeza a vapor para limpar o produto dado isso poder originar um choque elétrico.

## 2 Instruções ambientais

### 2.1 Diretiva de resíduos

#### 2.1.1 Em conformidade com a Diretiva REEE e Eliminação de Resíduos:

Este produto está em conformidade com a Diretiva UE REEE (2012/19/UE). Este produto possui um símbolo de classificação para resíduos de equipamento elétrico e eletrónico (REEE).



Este produto foi produzido com peças de elevada qualidade e materiais que podem ser reutilizados e são adequados para reciclagem.

Portanto, não eliminar o produto usado com o lixo doméstico normal e com outros resíduos no final da

vida útil. Colocar o mesmo num ponto de recolha para a reciclagem de equipamentos elétricos e eletrónicos. Pode perguntar à sua administração local sobre estes pontos de recolha. A eliminação do aparelho ajuda adequadamente a evitar possíveis consequências negativas para o meio ambiente e para a saúde humana.

#### Conformidade com a Diretiva RoHS:

O produto que comprou cumpre com a Diretiva RSP UE (2011/65/UE). Não contém materiais nocivos e proibidos especificados na Diretiva.

## 2.2 Informação da embalagem

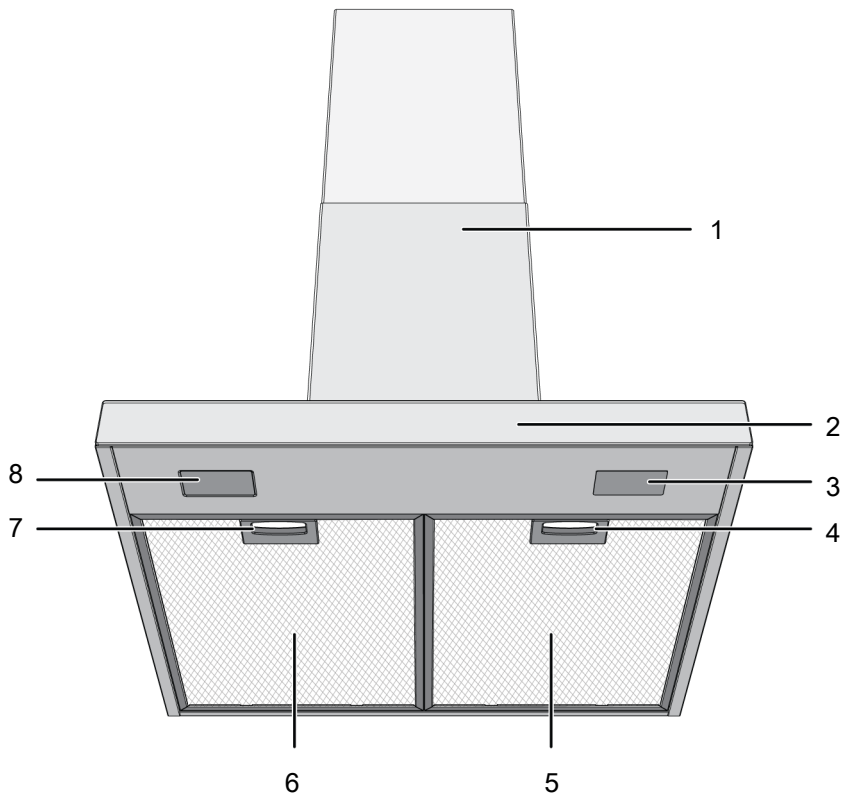
Os materiais de embalagem do produto são fabricados com materiais recicláveis de acordo com os nossos Regulamentos Ambientais Nacionais. Não eliminar os

resíduos de embalagens com o lixo doméstico ou com outros resíduos, eliminar os mesmos nos pontos de recolha de embalagens especificadas pelas autoridades locais.

PT

## 3 O seu produto

### 3.1 Apresentação do produto



1 Estrutura do exaustor

3 Lâmpada

5 Filtro de alumínio

7 Bloqueio do filtro de alumínio

2 Painel de controlo

4 Bloqueio do filtro de alumínio

6 Filtro de alumínio

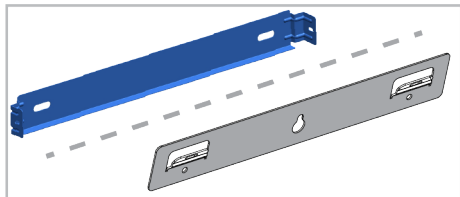
8 Lâmpada

\* Depende do modelo. Pode não estar disponíveis no seu produto.

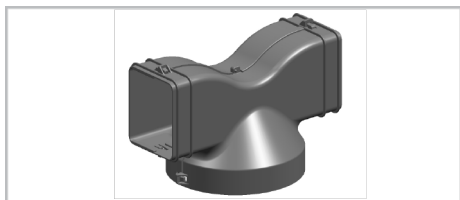
### 3.2 Acessórios do produto

Dependendo do modelo do produto, os acessórios fornecidos variam. Todos os acessórios descritos no manual do do utilizador podem não ser disponibilizados com o produto.

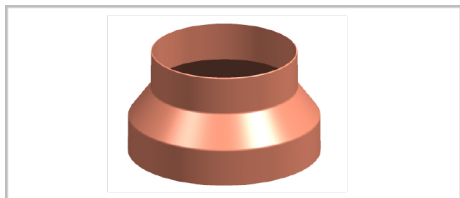
#### Peça de montagem na parede



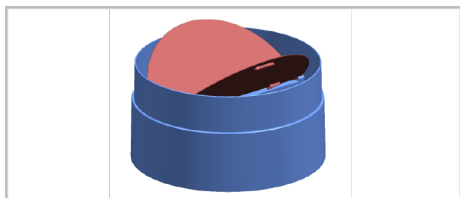
#### Encaminhador do ar



#### Adaptador de ligação da conduta



#### Tampas para impedir fluxo de ar reverso



### 3.3 Especificações técnicas

As dimensões exteriores do produto (altura/largura/profundidade) (mm)	min. 735 - max. 1025 /898 /505
Tensão/Frequência	220-240 V ~1N; 50 Hz
Consumo total de energia	max. 240 W
Potência de sucção	605 m3/h
Diâmetro do tubo de saída do ar	120-150 mm

PT

Controlo	
Modelo A	3 níveis
Modelo B	3 níveis + 1 propulsor
Modelo C	3 níveis + 1 propulsor



As especificações técnicas podem ser alteradas sem aviso prévio para melhorar a qualidade do produto.



As imagens neste manual são esquemáticas e podem não coincidir exactamente com o seu produto.



Os valores indicados nas etiquetas do produto ou na documentação que acompanha o mesmo são obtidos em condições laboratoriais em conformidade com as normas relevantes. Dependendo das condições operacionais e ambientais do produto, estes valores podem variar.

## 4 Primeira utilização

Antes de começar a utilizar o seu produto, é recomendado fazer o seguinte que está indicado nas secções seguintes respetivamente.

### 4.1 Limpeza inicial

1. Remover todos os materiais de embalagem.
2. Limpar as superfícies do produto com um pano ou esponja humedecidos e secar com um pano.

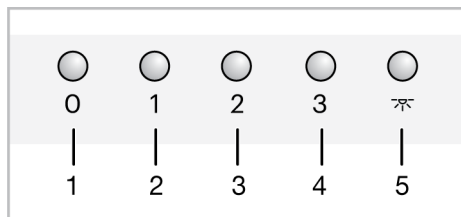
**OBSERVAÇÃO:** Alguns detergentes ou soluções de limpeza podem provocar danos na superfície. Não usar detergentes abrasivos, pós de limpeza, cremes de limpeza ou objetos afiados durante a limpeza.

**OBSERVAÇÃO:** Durante a primeira utilização, pode surgir um odor e fumo durante várias horas. Isto é normal e só necessita de uma boa ventilação para o remover. Evitar inalar diretamente o fumo e os odores que se formam.

## 5 Usar o exaustor

O exaustor tem um motor com várias velocidades. Para um melhor desempenho, recomendamos usar velocidades reduzidas em condições normais e velocidades elevadas no caso de odores fortes e de vapor da condensação.

### MODELO A



- 1 Botão Desligar
- 2 Tecla da velocidade 1
- 3 Tecla da velocidade 2
- 4 Tecla da velocidade 3
- 5 Botão da lâmpada

### Operar com o exaustor

1. Premir o botão de nível de velocidade que selecionou para operar com o exaustor.
  - ⇒ O exaustor começa a operar no nível ajustado.
2. Pode premir os outros botões de nível de velocidade para alterar o nível de velocidade.

### Desligar o exaustor

1. Quando o seu exaustor é colocado a funcionar em qualquer nível, premir o botão desligar.

### Operar a lâmpada

1. Premir o botão para operar a lâmpada.
  - ⇒ A lâmpada do exaustor acende.

### Desligar a lâmpada

1. Pode desligar a lâmpada do exaustor premindo novamente o botão.

## 6 Manutenção e limpeza

### 6.1 Informações gerais de limpeza

#### Advertências gerais

- Deixar que o produto arrefeça antes de iniciar a limpeza do mesmo. As superfícies quentes podem provocar queimaduras!

- Não aplicar detergentes sobre as superfícies quentes. Isto pode originar manchas permanentes.
- O produto deve ser completamente limpo e seco após cada utilização. Portanto, os resíduos de alimentos são facilmente limpos e é evitado que estes resíduos se queimem quando o produto for usado novamente mais tarde.

Portanto, a vida útil do aparelho estende-se e diminuem os problemas frequentemente enfrentados.

- Não usar aparelhos de limpeza a vapor para limpar o aparelho.
- Alguns detergentes ou soluções de limpeza podem provocar danos na superfície. Os agentes de limpeza inadequados são: lixívia, produtos de limpeza que contenham amoníaco, ácido ou cloreto, produtos de limpeza a vapor, agentes de desincrustação, tira-nódoas e ferrugem, produtos de limpeza abrasivos (produtos de limpeza em creme, pó de limpeza, creme de limpeza, esfregão abrasivo e de raspagem, palha de aço, esponjas, panos de limpeza com sujidade e resíduos de detergente).
- Não é necessário material de limpeza especial na limpeza feita após cada utilização. Limpar o produto usando um detergente para a loiça, água morna e uma pano macio ou esponja e secar o mesmo com um pano seco.
- Assegurar que limpa totalmente qualquer líquido que permaneça depois da limpeza e limpar imediatamente quaisquer salpicos de alimentos ocorridos durante a cozedura.
- Não lave nenhum componente do seu aparelho na máquina de lavar louça, salvo indicação em contrário no manual do usuário.

### **Inox - Superfícies em aço inoxidável**

- Não usar soluções de limpeza ácidas ou que contenham cloro para limpar as superfícies de aço-inox e as pegas.
- A superfície de aço inoxidável-inox pode mudar de cor com o tempo. Isto é normal. Após cada utilização, limpar com um detergente adequado para as superfícies em inox ou aço inoxidável.
- Limpar com um pano macio embebido e detergente líquido adequado para superfícies em inox, tendo o cuidado de limpar num único sentido.
- Remover de imediato as manchas de calcário, óleo, amidos e proteínas nas superfícies de vidro e de inox . As

manchas podem enferrujar quando permanecerem por longos períodos de tempo.

- Os pulverizadores de limpeza/aplicados na superfície deve ser limpa imediatamente. As soluções de limpeza abrasivas sobre a superfície fazem com que a superfície fuque branca.

### **Superfícies de vidro**

- Quando da limpeza das superfícies de vidro, não usar raspadores de metal rijos e materiais de limpeza abrasivos. Podem danificar a superfície de vidro.
- Limpar o aparelho usando um detergente para a loiça, água morna e uma pano de microfibra específico para superfícies de vidro e secar o mesma com um pano seco de microfibra.
- Se após a limpeza ainda existir detergente residual, deve limpar o mesmo com água fria e secar com um pano de microfibra limpo e seco. Os resíduos do detergente residual podem danificar a superfície de vidro da próxima vez que for utilizada.
- Em circunstância alguma os resíduos secos na superfície de vidro devem ser limpos com facas de serrilha, palha de aço ou utensílios semelhantes para raspar.
- Pode remover as manchas de calcário (manchas amarelas) na superfície de vidro com soluções descalcificadoras existentes no mercado, com uma solução descalcificante como vinagre ou sumo de limão.
- Se a superfície estiver muito suja, aplicar a solução de limpeza sobre a mancha com uma esponja e aguardar o tempo necessário para que a mesma atue devidamente. Nunca limpar a superfície de vidro com um pano húmido.
- As descolorações e as manchas na superfície de vidro são normais e não podem ser consideradas defeitos.

### Peças em plástico e superfícies pintadas

- Limpar as peças de plástico e as superfícies pintadas usando um detergente para a loiça, água morna e uma pano macio ou esponja e secar os mesmos com um pano seco.
- Não usar raspadores de metal rijo ou soluções de limpeza abrasivas. Pode danificar as superfícies.
- Assegurar que as juntas dos componentes do produto não são deixadas húmidas e com detergente. Caso contrário, pode ocorrer corrosão nestas juntas.

### 6.2 Limpar o painel de controlo

- Quando limpar os painéis com o botão de controlo, deve limpar o painel e os botões com um pano macio humedecido e secar com um pano seco. Não remover os botões e os vedantes que se encontram por baixo para limpar o painel. O painel de controlo e os botões podem ficar danificados.
- Enquanto estiver a limpar os painéis de inox com o botão de controlo, não usar soluções de limpeza para inox em volta dos botões. Os indicadores em volta do botão podem ser apagados.
- Limpar os painéis tácteis de controlo com um pano macio humedecido e secar com um pano seco. Se o seu produto estiver equipado com a função de bloqueio de teclas, deve definir o mesmo antes de iniciar a limpeza do painel de controlo. Caso contrário, pode ocorrer uma deteção incorreta nas teclas.

### 6.3 Filtro de alumínio

Este filtro serve para reter as partículas de óleo no ar. **É recomendado limpar o filtro após uma vez por mês de utilização normal.** Para conseguir isto:

1. Remover os filtros de alumínio.
2. Lavar os filtros em água usando um detergente líquido e voltar a instalar os mesmos depois de secarem.

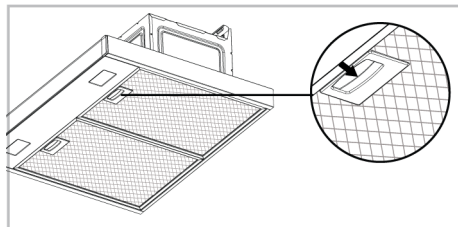
Os filtros de alumínio podem mudar de cor quando são lavados; isto é normal e não significa que exijam a substituição dos mesmos.



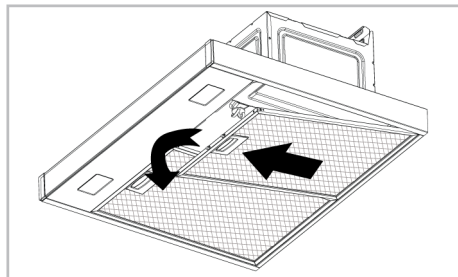
Pode também lavar o filtro de alumínio na máquina da loiça. (máx. 70°C)

### Remover os filtros de alumínio

1. Empurrar para a frente o fecho do filtro em alumínio.



2. Baixar ligeiramente o filtro de alumínio e empurrar o mesmo para a frente. Caso contrário, pode inclinar o filtro.



3. Voltar a reinstalar o filtro de alumínio no respetivo encaixe seguindo os passos acima na forma inversa.

### 6.4 Filtro de carvão (Uso sem conduta)

#### Advertências gerais

- SE instalou o seu produto sem uma conduta, deve substituir os filtros de carvão em cada 4 meses na utilização normal. Pode obter o filtro de carvão na Assistência Autorizada.
- O filtro de carvão nunca deve ser lavado.



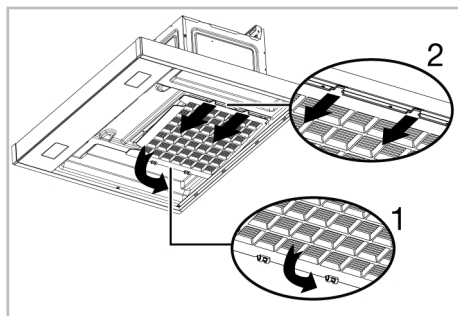
- Se não seguir as regras para a limpeza e substituir os filtros do seu exaustor, pode provocar um incêndio.



Na utilização com filtro de carvão, o nível do som aumenta e o desempenho da taxa de fluxo diminui.

### Remover o filtro de carvão

1. Remover os filtros de alumínio.
2. Libertar os fechos do filtro de carvão dos respetivos encaixes (1).



## 7 Resolução de problemas

Se o problema persistir após ter seguido as instruções nesta secção, contactar o seu vendedor ou um Serviço Autorizado. Nunca tentar reparar autonomamente o seu produto.

### O produto não está a funcionar.

- O fusível pode estar defeituoso ou queimado. >>> Verificar os fusíveis na caixa de fusíveis. Substituir os mesmo se necessário ou reativar os mesmos.
- O produto pode não estar ligado >>> Verificar se o produto está ligado na tomada ou não.
- O botão de velocidade pode não estar definido. >>> Premir/tocar o botão de velocidade pretendido.
- Pode não haver eletricidade. >>> Assegurar se a corrente elétrica está operacional e verificar os fusíveis na caixa dos mesmos. Substituir os fusíveis se necessário ou reativar os mesmos.

3. Remover os pinos na outra extremidade do filtro de carvão do respetivo suporte e puxar o mesmo para fora na direção da seta (2).
4. Inverter este processo, inserir primeiro no encaixe do novo filtro de carvão e depois empurrar os fechos para cima.
5. Instalar os filtros de alumínio. Instalar o filtro de de alumínio.

### 6.5 Lâmpada do exaustor

Na eventualidade de um mau funcionamento da lâmpada, contactar o seu revendedor local ou a Assistência ao Cliente e assegurar que a lâmpada é substituída.

### A luz do exaustor não está acesa.

- A lâmpada do exaustor pode estar defeituosa. >>> Contactar o seu revendedor local onde comprou o seu produto ou o Serviço ao Cliente e assegurar que a lâmpada é substituída.
- Pode não haver eletricidade. >>> Assegurar se a corrente elétrica está operacional e verificar os fusíveis na caixa dos mesmos. Substituir os fusíveis se necessário ou reativar os mesmos.





