

beko

Refrigerator

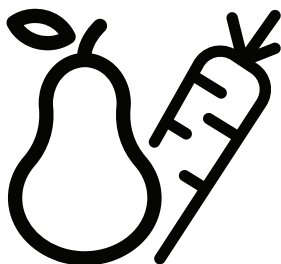
User manual

Холодильник

Руководство пользователя

Тоңазытқыш

Пайдаланушы нұсқаулығы



BU 1200 HCA

EN / RUS / KK



RECYCLED &
RECYCLABLE PAPER



ПЕРЕРАБОТАННАЯ И
ПЕРЕРАБАТЫВАЕМАЯ
БУМАГА



ҚАЙТА ӨНДЕЛГЕН ЖӘНЕ
ҚАЙТА ӨНДЕУГЕ
БОЛАТЫН ҚАҒАЗ

48 9344 0000/AL

Please read this manual first!

Dear Customer,

We hope that your product, which has been produced in modern plants and checked under the most meticulous quality control procedures, will provide you an effective service.

For this, we recommend you to carefully read the entire manual of your product before using it and keep it at hand for future references.




This manual

- Will help you use your appliance in a fast and safe way.
- Read the manual before installing and operating your product.
- Follow the instructions, especially those for safety.
- Keep the manual in an easily accessible place as you may need it later.
- Besides, read also the other documents provided with your product.

Please note that this manual may be valid for other models as well.

Symbols and their descriptions

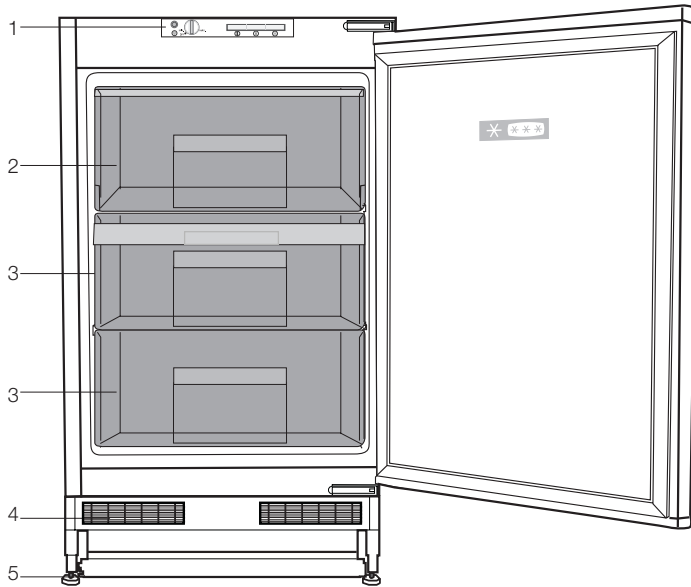
This instruction manual contains the following symbols:

-  Important information or useful usage tips.
-  Warning against dangerous conditions for life and property.
-  Warning against electric voltage.

CONTENTS

1 Your freezer	4	4 Preparation	13
2 Important Safety Warnings	5	5 Using your freezer	14
Intended use	5	Setting the operating temperature ...	14
For products with a water dispenser; ..	7	Freezing.....	14
Child safety.....	7	Defrost	15
HCA Warning	7	LED indicators and control panel	16
Technical specifications of your freezer	8	6 Maintenance and cleaning	17
Things to be done for energy saving ..	8	Protection of plastic surfaces	17
3 Installation	9	7 Recommended solutions for the problems	18
Points to be considered when re-transporting your refrigerator	9		
Before operating your refrigerator	9		
Electric connection	9		
Disposing of the packaging	10		
Disposing of your old refrigerator	10		
Placing and Installation	10		
Placing the freezer under the counter and adjusting the legs.....	11		
Reversing the doors	12		

1 Your freezer



- 1- Control panel
- 2- Fast freeze compartment
- 3- Frozen food storage compartment
- 4- Ventilation lid
- 5- Adjustable legs

Figures that take place in this instruction manual are schematic and may not correspond exactly with your product. If the subject parts are not included in the product you have purchased, then it is valid for other models.

2 Important Safety Warnings

Please review the following information. Failure to observe this information may cause injuries or material damage. Otherwise, all warranty and reliability commitments will become invalid.

The usage life of the unit you purchased is 10 years. This is the period for keeping the spare parts required for the unit to operate as described.

Intended use

This product is intended to be used

- indoors and in closed areas such as homes;
- in closed working environments such as stores and offices;
- in closed accommodation areas such as farm houses, hotels, pensions.
- This product should not be used outdoors.

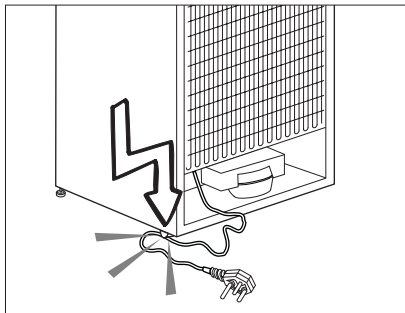
General safety

- When you want to dispose/scrap the product, we recommend you to consult the authorized service in order to learn the required information and authorized bodies.
- Consult your authorized service for all your questions and problems related to the refrigerator. Do not intervene or let someone intervene to the refrigerator without notifying the authorised services.
- For products with a freezer compartment; Do not eat cone ice cream and ice cubes immediately after you take them out of the freezer compartment! (This may cause frostbite in your mouth.)
- For products with a freezer compartment; Do not put bottled and canned liquid beverages in the freezer compartment. Otherwise, these may burst.
- Do not touch frozen food by hand; they may stick to your hand.
- Unplug your refrigerator before cleaning or defrosting.
- Vapor and vaporized cleaning materials should never be used in cleaning and defrosting processes of your refrigerator. In such cases, the vapor may get in contact with the electrical parts and cause short circuit or electric shock.
- Never use the parts on your refrigerator such as the door as a means of support or step.
- Do not use electrical devices inside the refrigerator.
- Do not damage the parts, where the refrigerant is circulating, with drilling or cutting tools. The refrigerant that might blow out when the gas channels of the evaporator, pipe extensions or surface coatings are punctured causes skin irritations and eye injuries.
- Do not cover or block the ventilation holes on your refrigerator with any material.
- Electrical devices must be repaired by only authorised persons. Repairs performed by incompetent persons create a risk for the user.
- In case of any failure or during a maintenance or repair work, disconnect your refrigerator's mains

supply by either turning off the relevant fuse or unplugging your appliance.

- Do not pull by the cable when pulling off the plug.
- Place the beverage with higher proofs tightly closed and vertically.
- Never store spray cans containing flammable and explosive substances in the refrigerator.
- Do not use mechanical devices or other means to accelerate the defrosting process, other than those recommended by the manufacturer.
- This product is not intended to be used by persons with physical, sensory or mental disorders or unlearned or inexperienced people (including children) unless they are attended by a person who will be responsible for their safety or who will instruct them accordingly for use of the product
- Do not operate a damaged refrigerator. Consult with the service agent if you have any concerns.
- Electrical safety of your refrigerator shall be guaranteed only if the earth system in your house complies with standards.
- Exposing the product to rain, snow, sun and wind is dangerous with respect to electrical safety.
- Contact authorized service when there is a power cable damage to avoid danger.
- Never plug the refrigerator into the wall outlet during installation. Otherwise, risk of death or serious injury may arise.
- This refrigerator is intended for only storing food items. It must not be used for any other purpose.
- Label of technical specifications is located on the left wall inside the refrigerator.
- Never connect your refrigerator to electricity-saving systems; they may damage the refrigerator.
- If there is a blue light on the refrigerator, do not look at the blue light with optical tools.
- For manually controlled refrigerators, wait for at least 5 minutes to start the refrigerator after power failure.
- This operation manual should be handed in to the new owner of the product when it is given to others.
- Avoid causing damage on power cable when transporting the refrigerator. Bending cable may cause fire. Never place heavy objects on power cable. Do not touch the plug with wet hands when plugging the product.
- Do not plug the refrigerator if the wall outlet is loose.
- Water should not be sprayed directly on inner or outer parts of the product for safety purposes.
- Do not spray substances containing inflammable gases such as propane gas near the refrigerator to avoid fire and explosion risk.
- Never place containers filled with water on top of the refrigerator, otherwise this may cause electric shock or fire.
- Do not overload your refrigerator with excessive amounts of food. If overloaded, the food items may fall

down and hurt you and damage refrigerator when you open the door. Never place objects on top of the refrigerator; otherwise, these objects may fall down when you open or close the refrigerator's door.



- As they require a precise temperature, vaccines, heat-sensitive medicine and scientific materials and etc. should not be kept in the refrigerator.
- If not to be used for a long time, refrigerator should be unplugged. A possible problem in power cable may cause fire.
- The plug's tip should be regularly cleaned; otherwise, it may cause fire.
- Refrigerator may move if adjustable legs are not properly secured on the floor. Properly securing adjustable legs on the floor can prevent the refrigerator to move.
- When carrying the refrigerator, do not hold it from door handle. Otherwise, it may be snapped.
- When you have to place your product next to another refrigerator or freezer, the distance between devices should be at least 8cm. Otherwise, adjacent side walls may be humidified.

For products with a water dispenser;

Pressure of water mains should be minimum 1 bar. Pressure of water mains should be maximum 8 bars.

- Use only potable water.

Child safety

- If the door has a lock, the key should be kept away from reach of children.
- Children must be supervised to prevent them from tampering with the product.

HCA Warning

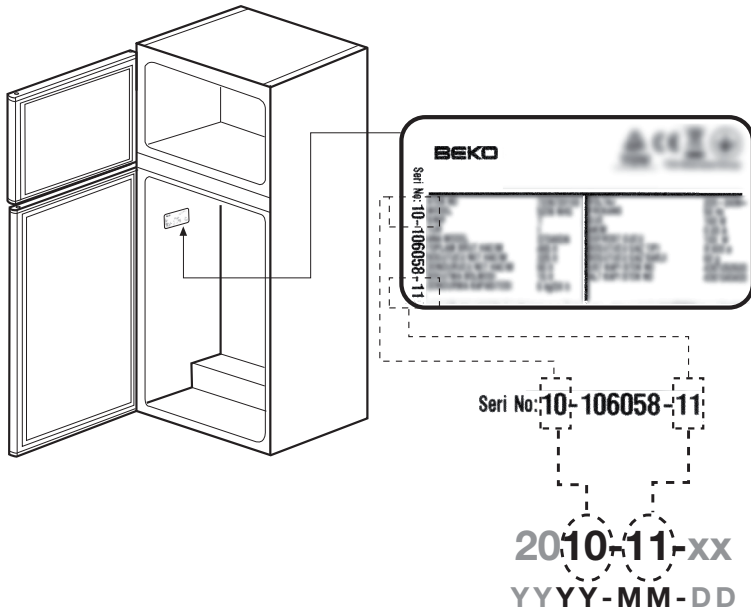
If your product's cooling system contains R600a:

This gas is flammable. Therefore, pay attention to not damaging the cooling system and piping during usage and transportation. In the event of damage, keep your product away from potential fire sources that can cause the product catch a fire and ventilate the room in which the unit is placed.

Ignore this warning if your product's cooling system contains R134a.

Type of gas used in the product is stated in the type plate which is on the left wall inside the refrigerator.

Never throw the product in fire for disposal.



Things to be done for energy saving

- Do not leave the doors of your refrigerator open for a long time.
- Do not put hot food or drinks in your refrigerator.
- Do not overload your refrigerator so that the air circulation inside of it is not prevented.
- Do not install your refrigerator under direct sunlight or near heat emitting appliances such as ovens, dishwashers or radiators.
- Pay attention to keep your food in closed containers.
- For products with a freezer compartment; You can store maximum amount of food items in the freezer when you remove the shelf or drawer of the freezer. Energy consumption value stated for your refrigerator has been determined by removing freezer shelf or drawer and under maximum load. There is no harm to use a shelf or drawer according to the shapes and size of food to be frozen.
- Thawing frozen food in fridge compartment will both provide energy saving and preserve the food quality.

Technical specifications of your freezer	
Energy efficiency class	A
Protection class	1

3 Installation

⚠ Please remember that the manufacturer shall not be held liable if the information given in the instruction manual is not observed.

Points to be considered when re-transporting your refrigerator

1. Your refrigerator must be emptied and cleaned prior to any transportation.
2. Shelves, accessories, crisper and etc. in your refrigerator must be fastened securely by adhesive tape against any jolt before repackaging.
3. Packaging must be tied with thick tapes and strong ropes and the rules of transportation printed on the package must be followed.

Please do not forget...

Every recycled material is an indispensable source for the nature and for our national resources.

If you wish to contribute to recycling the packaging materials, you can get further information from the environmental bodies or local authorities.

Before operating your refrigerator

Before starting to use your refrigerator check the following:

1. Is the interior of the refrigerator dry and can the air circulate freely in the rear of it?
2. Please install the 2 plastic wedges as illustrated in the figure. Plastic wedges will provide the required distance between your refrigerator and the wall

in order to allow the air circulation. (The illustrated figure is only an example and does not match exactly with your product.)

3. Clean the interior of the refrigerator as recommended in the "Maintenance and cleaning" section.
4. You will hear a noise as the compressor starts up. The liquid and gases sealed within the refrigeration system may also give rise to noise, even if the compressor is not running and this is quite normal.
5. Front edges of the refrigerator may feel warm. This is normal. These areas are designed to be warm to avoid condensation

Electric connection

Connect your product to a grounded socket which is being protected by a fuse with the appropriate capacity.

Important:

- The connection must be in compliance with national regulations.
- The power cable plug must be easily accessible after installation.
- The specified voltage must be equal to your mains voltage.
- Extension cables and multiway plugs must not be used for connection.

⚠ A damaged power cable must be replaced by a qualified electrician.

⚠ Product must not be operated before it is repaired! There is danger of electric shock!

Disposing of the packaging

The packing materials may be dangerous for children. Keep the packing materials out of the reach of children or dispose of them by classifying them in accordance with the waste instructions. Do not dispose of them along with the normal household waste.

The packing of your refrigerator is produced from recyclable materials.


Disposing of your old refrigerator

Dispose of your old refrigerator without giving any harm to the environment.

- You may consult your authorised dealer or waste collection center of your municipality about the disposal of your refrigerator.

Before disposing of your refrigerator, cut out the electric plug and, if there are any locks on the door, make them inoperable in order to protect children against any danger.

Placing and Installation

 If the entrance door of the room where the refrigerator will be installed is not wide enough for the refrigerator to pass through, then call the authorised service to have them remove the doors of your refrigerator and pass it sideways through the door.

1. Install your refrigerator to a place that allows ease of use.
2. Keep your refrigerator away from heat sources, humid places and direct sunlight.
3. There must be appropriate air ventilation around your refrigerator in order to achieve an efficient operation.

If the refrigerator is to be placed in a recess in the wall, there must be at least 5 cm distance with the ceiling and at least 5 cm with the wall. If the floor is covered with a carpet, your product must be elevated 2.5 cm from the floor.

4. Place your refrigerator on an even floor surface to prevent jolts.

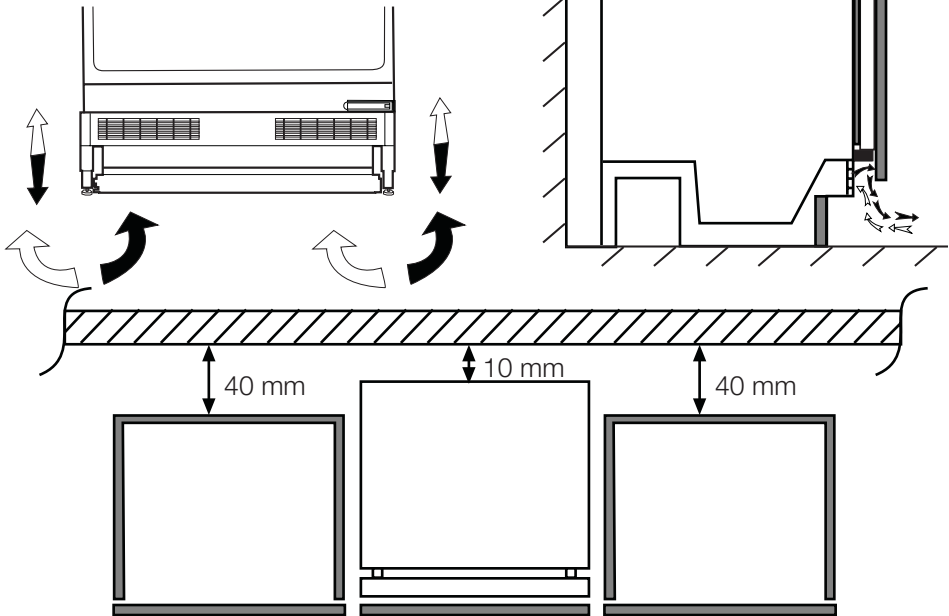
Placing the freezer under the counter and adjusting the legs

When you place your freezer, the distance between the product and the wall must be at least 10 cm, as seen in the figure.

The air sucking channels must not be blocked so that the performance of your freezer does not decrease. (140 cm²)

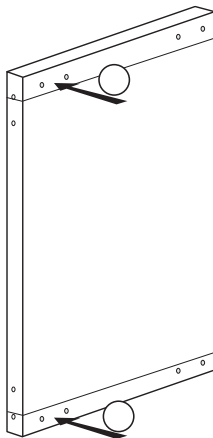
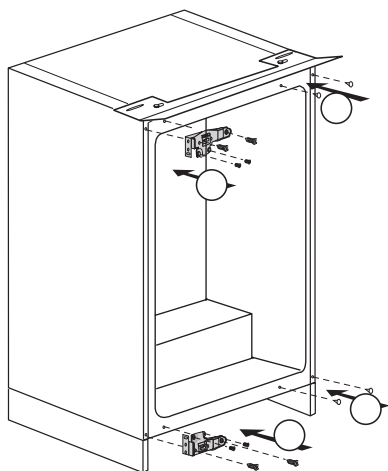
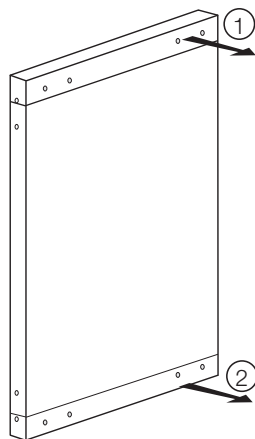
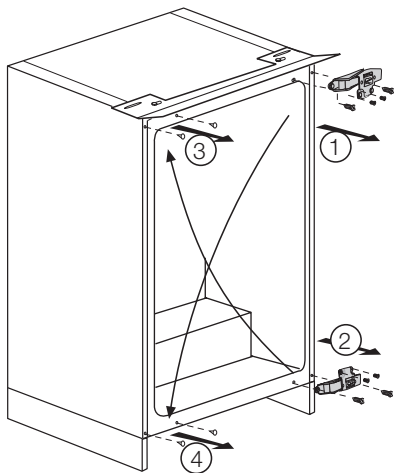
If your freezer is unstable

You may turn the front legs of your freezer as seen in the figure and make it stay balanced. The corner of the leg lowers when the leg is turned in the direction of the black arrow; it rises when the leg is turned in the opposite direction. It will be easier for you when you get some help from someone to lift the unit a little during this process.



Reversing the doors

Proceed in numerical order



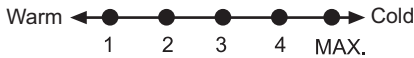
4 Preparation

- i** Your freezer should be installed at least 30 cm away from heat sources such as hobs, ovens, central heater and stoves and at least 5 cm away from electrical ovens and should not be located under direct sunlight.
- i** The ambient temperature of the room where you install your freezer should at least be 10°C. Operating your freezer under cooler conditions than this is not recommended with regard to its efficiency.
- i** Please make sure that the interior of your freezer is cleaned thoroughly.
- i** If two freezers are to be installed side by side, there should be at least 2 cm distance between them.
- i** When you operate your freezer for the first time, please observe the following instructions during the initial six hours.
 - The door should not be opened frequently.
 - It must be operated empty without any food in it.
 - Do not unplug your freezer. If a power failure occurs out of your control, please see the warnings in the “Recommended solutions for the problems” section.
- i** Original packaging and foam materials should be kept for future transportations or moving.

5 Using your freezer

Setting the operating temperature

The operating temperature is regulated by the temperature control.



Please choose the setting according to the desired temperature.

The interior temperature also depends on ambient temperature, the frequency with which the door is opened and the amount of foods kept inside.

Frequently opening the door causes the interior temperature to rise.

For this reason, it is recommended to close the door again as soon as possible after use.

The normal storage temperature of your appliance should be $-18\text{ }^{\circ}\text{C}$ ($0\text{ }^{\circ}\text{F}$). Lower temperatures can be obtained by adjusting the thermostat knob towards Position 4 (or Max.).

We recommend checking the temperature with a thermometer to ensure that the storage compartments are kept to the desired temperature. Remember to take the reading immediately since the thermometer temperature will rise very rapidly after you remove it from the freezer.

Freezing

Freezing food

The freezing compartment is marked with *** ** *** this symbol.

You can use the appliance for freezing fresh food as well as for storing pre-frozen food.

Please refer to the recommendations given on the packaging of your food.

⚠ Attention

Do not freeze fizzy drinks, as the bottle may burst when the liquid in it is frozen.

Be careful with frozen products such as coloured ice-cubes.

Do not exceed the freezing capacity of your appliance in 24 hours. See the rating label.

In order to maintain the quality of the food, the freezing must be effected as rapidly as possible.

Thus, the freezing capacity will not be exceeded, and the temperature inside the freezer will not rise.

⚠ Attention

Keep the already deep-frozen food always separated with freshly placed food.

When deep-freezing hot food, the cooling compressor will work until the food is completely frozen. This can temporarily cause excessive cooling of the refrigeration compartment.

If you find the freezer door difficult to open just after you have closed it, don't worry. This is due to the pressure difference which will equalize and allow the door to open normally after a few minutes.

You will hear a vacuum sound just after closing the door. This is quite normal.

- Frozen food can be stored up to 3 months in general in temperatures under -18°C . Storage periods may vary depending on the type of the food. Storage periods of expiry dates of such food are indicated on the food package by their manufacturers.
- Frozen food that you have purchased should be placed in the freezer before they thaw.
- Frozen food may be kept in the compartments with drawers.

To ensure that the high quality achieved by the frozen food manufacturer and the food retailer is maintained the following should be remembered:

1. Put packets in the freezer as quickly as possible after purchase.
2. Do not exceed "Use By", "Best Before" dates on the packaging.
3. Please note that drawers, baskets, flaps, trays are all removable.

Defrost

Increase in the thickness of the ice that forms on the evaporator of your freezer will decrease the cooling efficiency of it.

Therefore, you must defrost the ice when the thickness of the ice layer around the evaporator reaches to approximately 5 mm. It is recommended to defrost the ice when the freezer is not filled too much or is empty.

Wrap the food in the freezer by a few sheets of paper and keep them in the coolest place possible or in another freezer.

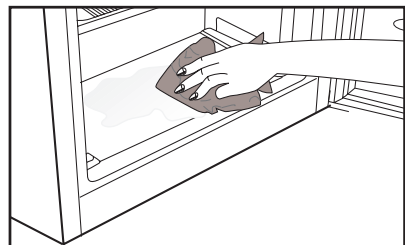
Turn the thermostat setting button to "off" or unplug the power cable in order to perform the defrosting.

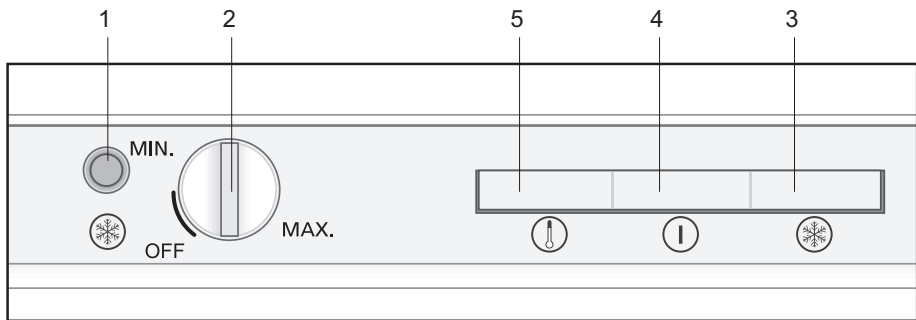
Remove the drawers of your freezer (it is not required to remove the lid of the compartment equipped with a lid). After some time, the water that melts will accumulate in the pool located at the bottom of your freezer.

Remove the accumulating water by means of a soft sponge or etc. and dry the pool thoroughly.

Do not forget to turn the thermostat setting button to a position other than the "off" in order to restart your freezer.

Operate your freezer for 2 hours while it is empty and its doors are closed before replacing your food into it.





LED indicators and control panel

LED indicators in the front section of your freezer are intended to help you in monitoring the operation of your appliance.

Keep your food in the freezer in a safe manner by monitoring and using these LEDs and controls as explained below:

Fast Freeze Button (1): Used to freeze the food fastly. Compressor may not operate immediately but after some time when the button is pressed and this is quite normal.

Thermostat Setting Button (2): Used to set your freezer between minimum and maximum values.

The appliance may go to OFF position when the knob is adjusted below MIN. When the green indicator light is OFF, the appliance is turned OFF also.

Once it is turned OFF (even for defrosting), please adjust the knob somewhere above MIN to be sure that it is turned ON again. When the appliance is turned ON, the green indicator will light up.

Orange LED (3): Lights up when the fast freeze button on the LED panel is pressed. In this case, your freezer operates continuously.

Press the button again when the food you would like to fast freeze comes to the desired temperature and the orange LED will turn off.

Green LED (4): Lights up continuously after plugging in your freezer.

Red LED (5): It warns you by lighting up continuously when your freezers start to operates, if not enough cooling effect is obtained, when the door remains open for a long time and when excessive food is loaded.

If the red LED lights up continuously when the conditions stated in the adjacent column do not exist, then call our Authorized Service.

6 Maintenance and cleaning

- ⚠ Never use gasoline, benzene or similar substances for cleaning purposes.
- ⚠ We recommend that you unplug the appliance before cleaning.
- ⚠ Never use any sharp abrasive instrument, soap, household cleaner, detergent and wax polish for cleaning.
- ℹ Use lukewarm water to clean the cabinet of your freezer and wipe it dry.
- ℹ Use a damp cloth wrung out in a solution of one teaspoon of bicarbonate of soda to one pint of water to clean the interior and wipe it dry.
- ⚠ Make sure that no water enters the lamp housing and other electrical items.
- ⚠ If your freezer is not going to be used for a long period of time, unplug the power cable, remove all food, clean it and leave the door ajar.

ℹ Check door seals regularly to ensure they are clean and free from food particles.

⚠ To remove door racks, remove all the contents and then simply push the door rack upwards from the base.

Protection of plastic surfaces

ℹ Do not put the liquid oils or oil-cooked meals in your freezer in unsealed containers as they damage the plastic surfaces of your freezer. In case of spilling or smearing oil on the plastic surfaces, clean and rinse the relevant part of the surface at once with warm water.

7 Recommended solutions for the problems

Please review this list before calling the service. It might save you time and money. This list includes frequent complaints that are not arising from defective workmanship or material usage. Some of the features described here may not exist in your product.

The freezer does not operate.

- Is the freezer properly plugged in? Insert the plug to the wall socket.
- Is the fuse of the socket which your freezer is connected to or the main fuse blown out? Check the fuse.

Condensation on the side wall of the fridge compartment (MULTIZONE, COOL CONTROL and FLEXI ZONE).

- Very cold ambient conditions. Frequent opening and closing of the door. Highly humid ambient conditions. Storage of food containing liquid in open containers. Leaving the door ajar. Switching the thermostat to a colder degree.
- Decreasing the time the door left open or using it less frequently.
- Covering the food stored in open containers with a suitable material.
- Wipe the condensation using a dry cloth and check if it persists.

Compressor is not running

- Protective thermic of the compressor will blow out during sudden power failures or plug-out plug-ins as the refrigerant pressure in the cooling system of the freezer has not been balanced yet. Your freezer will start running approximately after 6 minutes. Please call the service if the freezer does not startup at the end of this period.
- The fridge is in defrost cycle. This is normal for a full-automatically defrosting freezer. Defrosting cycle occurs periodically.
- Your freezer is not plugged into the socket. Make sure that the plug is properly fit into the socket.
- Are the temperature adjustments correctly made?
- Power might be cut off.

The fridge is running frequently or for a long time.

- Your new product may be wider than the previous one. This is quite normal. Large freezers operate for a longer period of time.
- The ambient room temperature may be high. This is quite normal.
- The freezer might have been plugged in recently or might have been loaded with food. Cooling down of the freezer completely may last for a couple of hours longer.
- Large amounts of hot food might have been put in the freezer recently. Hot food causes longer running of the freezer until they reach the safe storage temperature.
- Doors might have been opened frequently or left ajar for a long time. The warm air that has entered into the freezer causes the freezer to run for longer periods. Open the doors less frequently.
- Freezer or fridge compartment door might have been left ajar. Check if the doors are tightly closed.
- The freezer is adjusted to a very low temperature. Adjust the freezer temperature to a warmer degree and wait until the temperature is achieved.
- Door seal of the fridge or freezer may be soiled, worn out, broken or not properly seated. Clean or replace the seal. Damaged/broken seal causes the freezer to run for a longer period of time in order to maintain the current temperature.

Freezer temperature is very low while the fridge temperature is sufficient.

- The freezer temperature is adjusted to a very low temperature. Adjust the freezer temperature to a warmer degree and check.

Fridge temperature is very low while the freezer temperature is sufficient.

- The fridge temperature might have been adjusted to a very low temperature. Adjust the fridge temperature to a warmer degree and check.

Food kept in the fridge compartment drawers are freezing.

- The fridge temperature might have been adjusted to a very low temperature. Adjust the fridge temperature to a warmer degree and check.

Temperature in the fridge or freezer is very high.

- The fridge temperature might have been adjusted to a very high degree. Fridge adjustment has an effect on the temperature of the freezer. Change the temperature of the fridge or freezer until the fridge or freezer temperature reaches to a sufficient level.
- Doors might have been opened frequently or left ajar for a long time; open them less frequently.
- Door might have been left ajar; close the door completely.
- Large amount of hot food might have been put in the freezer recently. Wait until the fridge or freezer reaches the desired temperature.
- The freezer might have been plugged in recently. Cooling down of the freezer completely takes time.

The operation noise increases when the freezer is running.

- The operating performance of the freezer may change due to the changes in the ambient temperature. It is normal and not a fault.

Vibrations or noise.

- The floor is not even or it is weak. The freezer rocks when moved slowly. Make sure that the floor is strong enough to carry the freezer, and level.
- The noise may be caused by the items put onto the freezer. Items on top of the freezer should be removed.

There are noises coming from the freezer like liquid spilling or spraying.

- Liquid and gas flows happen in accordance with the operating principles of your freezer. It is normal and not a fault.

There is a noise like wind blowing.

- Fans are used in order to cool the freezer. It is normal and not a fault.

Condensation on the inner walls of freezer.

- Hot and humid weather increases icing and condensation. It is normal and not a fault.
- Doors might have been left ajar; make sure that the doors are closed fully.
- Doors might have been opened frequently or left ajar for a long time; open them less frequently.

Humidity occurs on the outside of the freezer or between the doors.

- There might be humidity in the air; this is quite normal in humid weather. When the humidity is less, condensation will disappear.

Bad odor inside the freezer.

- Inside of the freezer must be cleaned. Clean the inside of the freezer with a sponge, lukewarm water or carbonated water.
- Some containers or package materials might cause the smell. Use a different container or different brand packaging material.

The door is not closing.

- Food packages may prevent the door's closing. Replace the packages that are obstructing the door.
- The freezer is not completely upright on the floor and rocking when slightly moved. Adjust the elevation screws.
- The floor is not level or strong. Make sure that the floor is level and capable to carry the freezer.

Crispers are stuck.

- The food might be touching the ceiling of the drawer. Rearrange food in the drawer.

Producer: «Arcelik A.S.»

Address: Karaağaç Caddesi No:2-6 Sütlüce, 34445, Turkey

Made in Turkey

Importer in Russia: «BEKO LLC»

Address: 601010, Vladimirskaia oblast, Kirjach region, factory «BEKO»

The manufacture date is included in the serial number of a product specified on rating label, which is located on a product, namely: first two figures of serial number indicate the year of manufacture, and last two – the month. For example, "10-100001-05» indicates that the product was produced in May, 2010.

You can ask for certification number from our Call Center 8-800-200-23-56

Обязательно прочтите данное руководство!

Уважаемый покупатель!

Надеемся, что наше изделие, изготовленное на современном оборудовании, и прошедшее тщательный контроль качества, будет надежно служить вам.

Поэтому, прежде чем пользоваться прибором, рекомендуем внимательно изучить данное руководство и всегда держать его под рукой в качестве справочника.




Данное руководство

- Поможет вам быстро освоить этот прибор и безопасно им пользоваться.
- Прежде чем устанавливать прибор и пользоваться им, прочтите это руководство.
- Соблюдайте инструкции, в особенности, правила техники безопасности.
- Храните это руководство в легкодоступном месте, так как оно может понадобиться вам в будущем.
- Ознакомьтесь со всеми остальными документами, которые прилагаются к прибору.

Учтите, что данное руководство по эксплуатации может применяться и для других моделей.

Условные обозначения

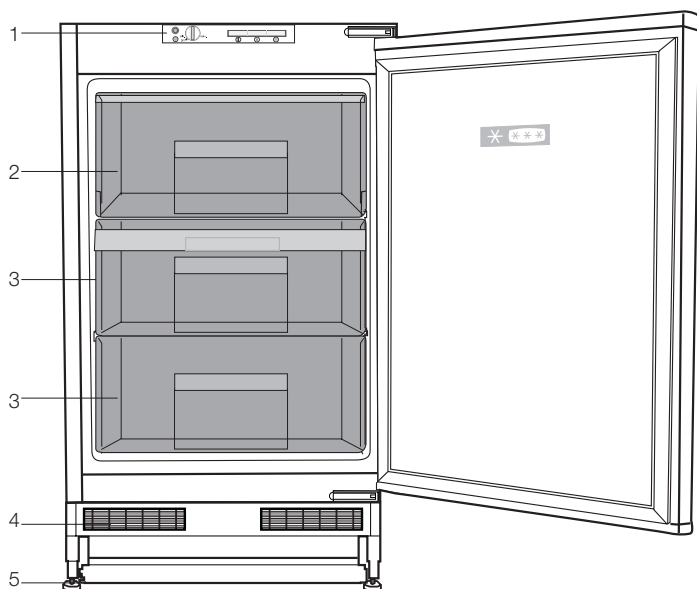
В данном руководстве по эксплуатации используются следующие условные обозначения:

-  Важная информация или полезные советы по эксплуатации.
-  Предупреждение об опасности для жизни и имущества.
-  Предупреждение об опасном электрическом напряжении.

СОДЕРЖАНИЕ

1 Описание морозильника	4	4 Подготовка	16
2 Важные указания по технике безопасности	5	5 Эксплуатация морозильника	17
Использование по назначению.....	5	Установка рабочей температуры	17
Для изделий с раздатчиком охлажденной воды:	9	Замораживание.....	17
Безопасность детей.....	10	Размораживание.....	18
Соответствие Директиве ЕС об утилизации электрического и электронного оборудования (WEEE) и утилизация вышедшего из употребления оборудования:.....	10	Светодиодные индикаторы и панель управления.....	19
Соответствие Директиве ЕС об ограничении содержания вредных веществ (RoHS):	10	6 Обслуживание и чистка	20
Информация об упаковке	10	Защита пластмассовых поверхностей	20
Рекомендации по экономии электроэнергии.....	11	7 Поиск и устранение неисправностей	21
Технические характеристики морозильника.....	11		
3 Установка	12		
Правила транспортировки холодильника	12		
Подготовка к эксплуатации	12		
Утилизация упаковки	13		
Утилизация старого холодильника	13		
Размещение и установка	13		
Установка морозильника под стойкой и регулировка ножек	14		
Перевешивание дверей.....	15		

I Описание морозильника



- 1- Панель управления
- 2- Отделение быстрого замораживания
- 3- Отделение для хранения замороженных продуктов
- 4- Вентиляционная крышка
- 5- Регулируемые ножки




❗ Иллюстрации в данной инструкции являются схематичными и могут не соответствовать вашей модели. Некоторые компоненты, которые не входят в состав приобретенного вами изделия, используются в других моделях.

2 Важные указания по технике безопасности

Обязательно ознакомьтесь со следующей информацией. Игнорирование данной информации может привести к причинению травм или повреждению имущества. Кроме того, гарантийные обязательства и обязательства по эксплуатационной надёжности утратят силу.

Оригинальные запасные части будут предоставлены в течение 10 лет с момента покупки изделия.

Использование по назначению

	ПРЕДУПРЕЖДЕНИЕ: Во время хранения или установки устройства убедитесь в том, что его вентиляционные отверстия открыты.
	ПРЕДУПРЕЖДЕНИЕ: Для ускорения процесса оттаивания льда не пользуйтесь какими-либо механическими устройствами или другими устройствами, за исключением рекомендуемых производителем.
	ПРЕДУПРЕЖДЕНИЕ: Не допускайте повреждения цепи хладагента.



ПРЕДУПРЕЖДЕНИЕ:

Не пользуйтесь в отсеках для хранения продуктов питания устройства электрическими приборами, не рекомендуемыми изготовителем.

Это устройство разработано для использования в быту или подобных условиях

- Для использования на служебных кухнях магазинов, офисов и других рабочих мест;

- Для использования клиентами в фермерских домах и отелях, мотелях и других гостиничных заведениях.

- в пансионатах;

- в других сферах

применения, за исключением предприятий общественного питания и розничной торговли.

Общие правила техники безопасности

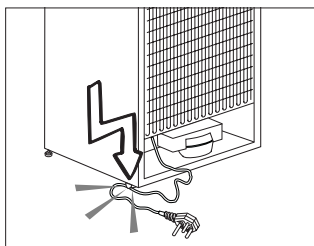
- В случае необходимости утилизировать или уничтожить изделие для получения необходимой информации рекомендуется обратиться в фирменный сервисный центр, а также в местные органы власти.
- По всем вопросам, касающимся холодильника, обращайтесь в фирменный

- сервисный центр. Не вмешивайтесь в работу изделия и не разрешайте этого другим без уведомления фирменного сервисного центра.
- Для изделий с морозильным отделением: не ешьте мороженое в рожках и кубики льда сразу после их извлечения из морозильного отделения! (Это может вызвать обморожение полости рта.)
 - Для изделий с морозильным отделением: не помещайте напитки в бутылках и банках в морозильное отделение. Они могут лопнуть.
 - Не дотрагивайтесь до замороженных продуктов – они могут примерзнуть к рукам.
 - Отключайте холодильник от сети перед чисткой или размораживанием.
 - Ни в коем случае не используйте для чистки и размораживания холодильника пар или аэрозольные чистящие средства. В этом случае пар может попасть на электрические компоненты, что приведет к короткому замыканию или поражению электрическим током.
 - Ни в коем случае не используйте холодильник или его части (например, дверцу) в качестве подставки или опоры.
 - Не используйте электрические приборы внутри холодильника.
 - Не допускайте повреждения частей, в которых циркулирует хладагент, используя режущие или сверильные инструменты. Хладагент может вырваться из пробитого испарителя, трубопроводов или покрытий поверхности и вызвать раздражение кожи и поражение глаз.
 - Ни в коем случае не закрывайте и не закупоривайте вентиляционные отверстия холодильника.
 - Ремонт электрического оборудования должны производить только квалифицированные специалисты. Ремонт, выполненный некомпетентными лицами, может создать опасность для потребителя.
 - В случае неполадок во время эксплуатации, а также при проведении техобслуживания или ремонта отключите холодильник, выключив соответствующий предохранитель или вынув шнур питания из розетки.
 - Не тяните за сетевой шнур, вынимая вилку из розетки.

- Крепкие алкогольные напитки должны плотно закрываться крышкой и храниться в вертикальном положении .
- Нельзя хранить в холодильнике банки с горючими и взрывоопасными веществами.
- Для ускорения процесса размораживания не используйте механические устройства или другие средства, кроме тех, которые рекомендованы производителем.
- Данный электроприбор не предназначен для использования лицами (включая детей) с ограниченными физическими, сенсорными и интеллектуальными возможностями либо не имеющими опыта и знаний. Они могут пользоваться электроприбором только под наблюдением лица, ответственного за их безопасность, или под его руководством.
- Ни в коем случае нельзя пользоваться неисправным холодильником. При возникновении вопросов обращайтесь к квалифицированному специалисту.
- Электрическая безопасность гарантируется только в том случае, если система заземления в вашем доме соответствует стандартам.
- Воздействие на устройство дождя, снега, солнца или ветра опасно с точки зрения электробезопасности.
- В случае повреждения шнура питания и т.п. обратитесь в фирменный сервисный центр, чтобы не подвергать себя опасности.
- Ни в коем случае нельзя включать холодильник в розетку во время установки. Это может привести к серьезным травмам или смерти.
- Этот холодильник предназначен только для хранения пищевых продуктов. Его нельзя использовать для каких-либо иных целей.
- Табличка с техническими характеристиками находится слева на внутренней стенке холодильника.
- Ни в коем случае нельзя подключать холодильник к электронным системам экономии электроэнергии, поскольку это может привести к его поломке.
- Если в холодильнике есть источник синего света, не смотрите на него долгое время ни незащищенными глазами, ни через какие-либо оптические приборы или инструменты.
- При отключении от сети электропитания холодильника с ручным

управлением подождите не менее 5 минут, прежде чем подключать его снова.

- В случае продажи изделия эту инструкцию по эксплуатации следует передать новому владельцу.
- При транспортировке холодильника избегайте повреждения шнура питания. Изгибание шнура питания может привести к возгоранию. Не ставьте на него тяжелые предметы. При подключении холодильника к сети электропитания не прикасайтесь к вилке влажными руками.

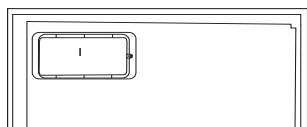
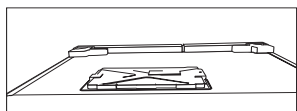


- Ни в коем случае нельзя подключать холодильник к плохо закрепленной стенной розетке сети электропитания.
- Из соображений безопасности не допускайте попадания воды на внешние или внутренние части холодильника.
- Не распыляйте рядом с холодильником воспламеняющиеся газы, такие как газ пропан, ввиду риска пожара или взрыва.

- Не ставьте сосуды с водой на холодильник, поскольку это может привести к поражению электрическим током или пожару.
- Не загружайте холодильник продуктами сверх меры. Если холодильник перегружен, продукты могут выпасть при открытии дверцы и травмировать вас или повредить холодильник. Не кладите предметы на холодильник, поскольку они могут упасть при открытии или закрытии дверцы.
- В холодильнике нельзя хранить вещества, требующие определенных температурных условий, такие как вакцины, термочувствительные медикаменты, материалы для научных исследований и т.п.
- Холодильник следует отключить от электросети, если он не будет использоваться в течение длительного времени. Неисправность шнура питания может привести к возгоранию.
- Холодильник может смещаться, если регулируемые ножки не зафиксированы на полу. Фиксирование регулируемых ножек на полу предотвратит смещение холодильника.
- При перемещении холодильника не держите

его за ручку. В противном случае он может сломаться.

- При установке холодильника расстояние между ним и другим холодильником или морозильником должно составлять минимум 8 см. В противном случае боковые прилегающие стенки будут увлажняться.
- Никогда не используйте данное изделие, если его часть, расположенная сверху или сзади и имеющая электронные печатные платы внутри, открыта (крышка электронной печатной платы) (I).



Для изделий с раздатчиком охлажденной воды:

- Давление холодной воды на входе должно составлять максимум 90 фунтов на квадратный дюйм (620 kPa). Если давление воды будет превышать 80 фунтов

на квадратный дюйм (550 kPa), следует использовать для в водопроводной системы клапан ограничения давления. Если Вы не знаете, как проверить давление воды, обратитесь за помощью к профессиональному сантехнику.

- Если во время установки существует риск гидравлического удара, всегда используйте оборудование для предотвращения гидроудара. Если Вы не уверены в отсутствии риска гидроудара, обратитесь к профессиональным сантехникам.
- Не устанавливать на входе горячей воды. Следует предпринять необходимые меры предосторожности для предотвращения риска замерзания шлангов. Рабочий интервал температур воды будет составлять не менее 33°F (0,6°C) и не более 100°F (38°C).
- Используйте только питьевую воду.

Безопасность детей

- Если на дверце есть замок, ключ следует хранить в недоступном для детей месте.
- Следует присматривать за детьми и не разрешать им портить холодильник.

Соответствие Директиве ЕС об утилизации электрического и электронного оборудования (WEEE) и утилизация вышедшего из употребления оборудования:



Данное изделие соответствует Директиве ЕС об утилизации электрического и электронного оборудования (2012/19/EU). Данное изделие

имеет маркировку, указывающую на утилизацию его как электрического и электронного оборудования (WEEE). Это изделие произведено из высококачественных деталей и материалов, которые подлежат повторному использованию и переработке. Поэтому не выбрасывайте изделие с обычными бытовыми отходами после завершения его эксплуатации. Его следует сдать в соответствующий центр по утилизации электрического и электронного оборудования. О местонахождении таких центров вы можете узнать в местных органах власти.

Соответствие Директиве ЕС об ограничении содержания вредных веществ (RoHS):

Приобретенное вами изделие соответствует Директиве ЕС о правилах ограничения содержания вредных веществ (2011/65/EU). Оно не содержит вредных и запрещенных материалов, указанных в Директиве.

Информация об упаковке

Упаковочные материалы изделия изготовлены из материалов, подлежащих вторичной переработке, в соответствии с местными нормативами и правилами касательно защиты окружающей среды. Не утилизируйте упаковочные материалы вместе с бытовыми или другими отходами. Отнесите их в один из пунктов приема упаковочных материалов, назначенных местными органами власти.

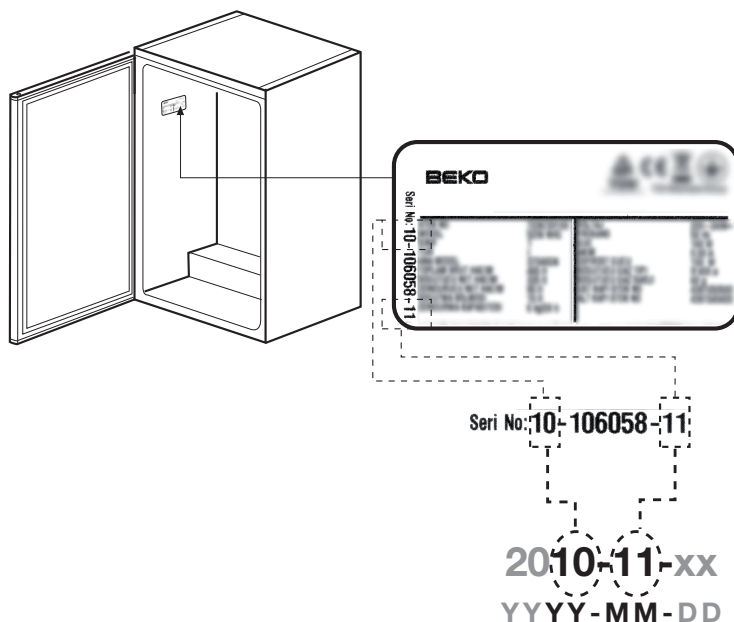
Если система охлаждения вашего изделия содержит R600a:

Этот газ огнеопасен, поэтому будьте осторожны, чтобы не повредить систему охлаждения и трубопроводы при эксплуатации и во время транспортировки. В случае повреждения уберите устройство подальше от потенциальных источников огня, которые могут привести к возгоранию, а также проветривайте помещение, в котором находится устройство.

Не обращайте внимания на предупреждение, если система охлаждения вашего изделия содержит R134a.

Тип газа, используемого изделием, указан на паспортной табличке, расположенной слева на внутренней стенке холодильника.

Не сжигайте изделие в целях утилизации.



Рекомендации по экономии электроэнергии

- Не оставляйте дверцу холодильника открытой на длительное время.
- Не кладите в холодильник горячие продукты или напитки.
- Не перегружайте холодильник, чтобы не нарушать циркуляцию воздуха.
- Не устанавливайте холодильник в местах, где на него попадают прямые солнечные лучи, или поблизости от источников тепла, таких как плита, посудомоечная машина или радиатор отопления.
- Следите за тем, чтобы контейнеры с продуктами были закрыты.
- Для изделий с морозильным отделением: в морозильное отделение холодильника можно заложить максимальное количество продуктов, если достать из него полку или ящик. Указанное в технических характеристиках энергопотребление холодильника определено при условии, что полка или ящик морозильного отделения извлечены, и в него загружено максимально возможное количество продуктов. Полку и ящик можно использовать для замораживания продуктов в соответствии с их формой и размером.
- Таяние замороженных продуктов в холодильном отделении обеспечит экономию электроэнергии и сохранение качества продуктов.

Технические характеристики морозильника	
Класс энергопотребления	A
Класс защиты	I

- Степень защиты IP 42

3 Установка

i Учтите, что производитель не несет ответственности в случае несоблюдения указаний, приведенных в данном руководстве.

Правила транспортировки холодильника

1. Перед транспортировкой следует вынуть из холодильника все продукты и вымыть его.
2. Перед упаковкой следует надежно закрепить все полки, оборудование, контейнеры для овощей и фруктов и т.п. при помощи клейкой ленты, чтобы предохранить их от тряски.
3. Холодильник следует обвязать лентами из плотного материала и прочными веревками. При транспортировке следует придерживаться правил, напечатанных на упаковке.

Не забывайте о том, что...

Вторичное использование материалов очень важно для сохранения природы и наших национальных богатств.

Если вы решите сдать упаковочные материалы на переработку, обратитесь за подробной информацией в организации по охране окружающей среды или в местные органы власти.

Подготовка к эксплуатации

Перед началом эксплуатации холодильника выполните следующие действия.

1. Убедитесь, что внутри холодильника сухо, и воздух может свободно циркулировать позади холодильника.
2. Можно установить два пластиковых упора, как показано на рисунке. Пластиковые упоры обеспечат необходимое расстояние между холодильником и стеной для надлежащей циркуляции воздуха. (Изображение на рисунке предназначено только для иллюстрации и не совпадает полностью с вашим изделием.)
3. Выполните чистку холодильника в соответствии с рекомендациями, приведенными в разделе "Обслуживание и чистка".
4. Подключите холодильник к электрической сети. При открытии двери холодильника включается лампочка внутреннего освещения.
5. При запуске компрессора будет слышен шум. Жидкость и газы, находящиеся внутри герметичной системы охлаждения, также могут создавать шум, независимо от того, работает компрессор или нет, что является вполне нормальным явлением.
6. Передние кромки холодильника могут казаться теплыми на ощупь. Это нормально. Эти области подогреваются, чтобы предупредить конденсацию.

Подключение к электросети
Подсоедините холодильник к заземленной розетке с предохранителем соответствующего номинала.

- **Важное замечание**
- Подключение следует выполнять в соответствии с местными нормами и правилами.
- Место подключения шнура питания к розетке должно быть легкодоступным.
- Напряжение в сети должно соответствовать данным, указанным в характеристиках холодильника.
- Запрещается использовать при установке удлинители и многоместные розетки.

⚠ Замену поврежденного шнура питания должен выполнять квалифицированный электрик.

⚠ Запрещается пользоваться неисправным электроприбором! Это может привести к поражению электрическим током.

Утилизация упаковки

Упаковочные материалы могут быть опасны для детей. Храните упаковочные материалы в недоступном для детей месте или выбросьте их, рассортировав в соответствии с правилами утилизации отходов. Не выбрасывайте их вместе с обычными бытовыми отходами.

Упаковка холодильника изготовлена из материалов, подлежащих вторичной переработке.

Утилизация старого холодильника

Утилизация старого прибора должна выполняться экологически безопасным способом.

- Сведения об утилизации прибора можно получить у официального дилера или в пункте сбора отходов по месту жительства.

Перед утилизацией холодильника следует отрезать шнур питания и сломать замки на дверцах (при наличии), чтобы предотвратить опасные ситуации для детей.

Размещение и установка

⚠ Если дверь помещения, в котором будет установлен холодильник, недостаточно широка, можно снять дверцы холодильника и внести его в дверь боком. Для того чтобы снять дверцы, обратитесь в фирменный сервисный центр.

1. Устанавливайте холодильник в удобном для использования месте.
2. Холодильник следует устанавливать в местах, защищенных от прямых солнечных лучей, вдали от источников тепла и повышенной влажности.
3. Для более эффективной работы необходимо обеспечить хорошую вентиляцию вокруг холодильника.
4. Если холодильник устанавливается в нише, минимальное расстояние до потолка и стен должно быть не менее 5 см. При установке на ковровое покрытие следует приподнять холодильник на 2,5 см от пола.
5. Холодильник следует устанавливать на ровную поверхность, иначе может возникать вибрация.

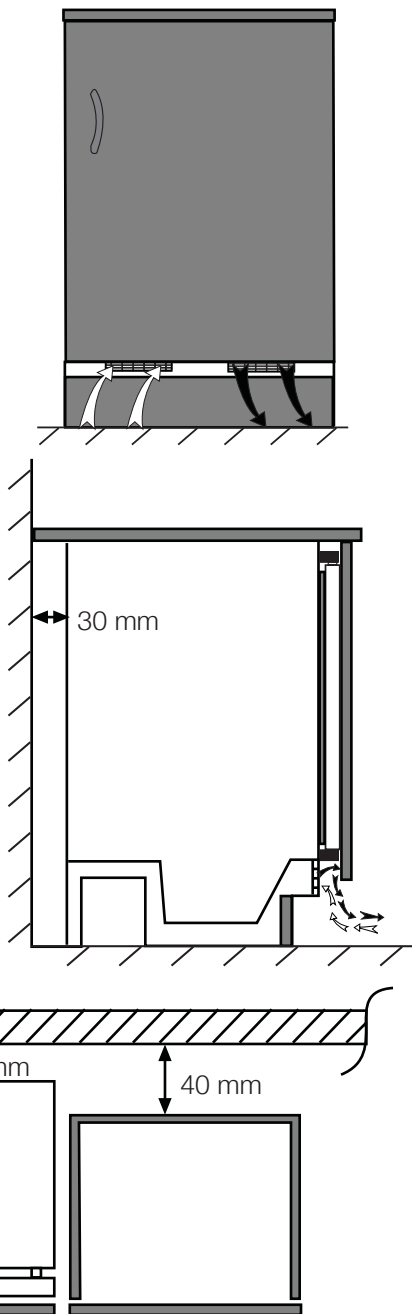
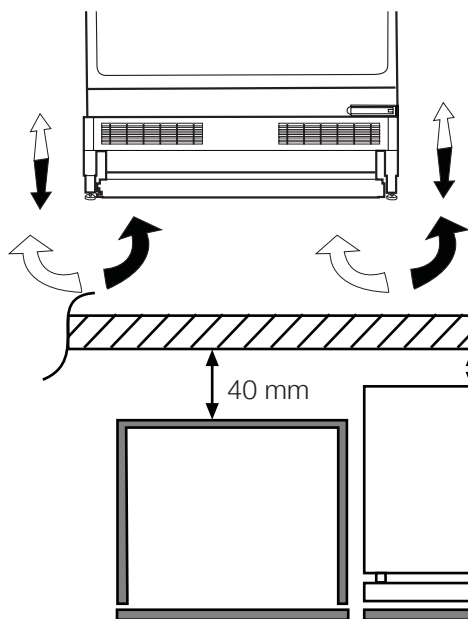
Установка морозильника под стойкой и регулировка ножек

При установке морозильника расстояние между стеной и изделием не должно быть меньше 30 см, как показано на рисунке.

Воздуховод не должен быть закупорен во избежание снижения производительности морозильника. (140 см²)

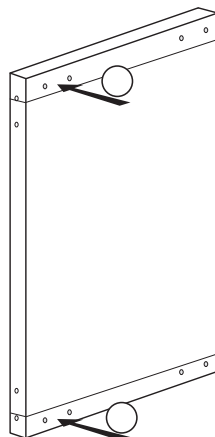
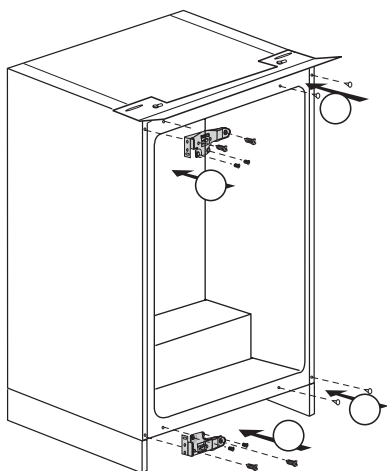
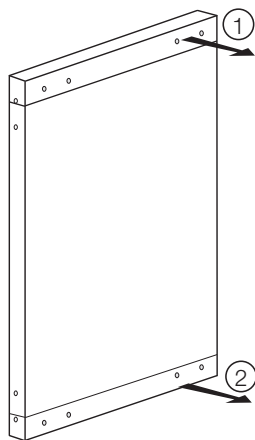
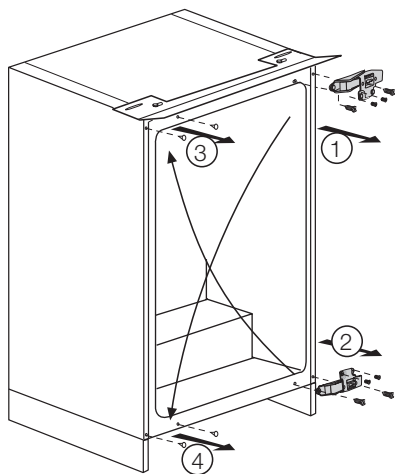
Если морозильник расположен неустойчиво:

морозильник можно сбалансировать, поворачивая передние ножки, как показано на рисунке. Угол морозильника, в котором находится ножка, будет опускаться, если поворачивать по направлению черной стрелки, и подниматься, если поворачивать в обратном направлении. Если кто-то может приподнять морозильник, это облегчит процесс.



Перевешивание дверей

Выполните описанные действия в указанной последовательности.



4 Подготовка

- i** Ваш морозильник следует установить, по крайней мере, в 30 см от источников тепла, таких как газовые конфорки, плиты, батареи центрального отопления и печи, и, по крайней мере, в 5 см от электрических плит, в месте, куда не попадает прямой солнечный свет.
- i** Температура воздуха в помещении, где устанавливается морозильник, должна быть не менее 10°C. Использовать морозильник при более низкой температуре не рекомендуется в связи с его низкой эффективностью в таких условиях.
- i** Содержите внутреннее пространство морозильника в чистоте.
- i** Если два морозильника устанавливаются рядом, то между ними должно быть расстояние не менее 2 см.
- i** При первом включении морозильника просим соблюдать следующие инструкции во время первых шести часов работы.

 - Не открывайте дверцу слишком часто.
 - Не загружайте в морозильник продукты.
 - Не отключайте морозильник от электрической сети. Если произошло отключение электроэнергии не по вашей вине, см. указания в разделе «Рекомендации по устранению неполадок».
- i** Оригинальную упаковку и пленку следует сохранить для последующей транспортировки или перевозки изделия.

5 Эксплуатация морозильника

Установка рабочей температуры

Рабочая температура регулируется соответствующим регулятором.



Установите значение, соответствующее нужной температуре.

Температура внутри морозильника также зависит от температуры окружающей среды, частоты открывания дверцы и количества хранимых продуктов.

Если дверца открывается часто, то температура внутри повышается.

По этой причине рекомендуется как можно скорее закрывать дверцу.

Нормальная температура хранения продуктов в морозильнике должна составлять -18°C . Для установки более низкой температуры ручку термостата необходимо поворачивать в направлении положения 4.

Мы советуем проверять температуру при помощи термометра, чтобы убедиться, что в отделениях для хранения продуктов она соответствует желаемому значению. Снимать показания термометра необходимо очень быстро, так как его температура после извлечения из морозильной камеры будет стремительно повышаться.

Замораживание

Замораживание продуктов

Морозильное отделение обозначено символом ❄️❄️❄️.

Прибор можно использовать для замораживания свежих продуктов, а также для хранения предварительно замороженных продуктов.

Следуйте рекомендациям, приведенным на упаковке продуктов.

⚠️ Внимание!

Не замораживайте газированные напитки, потому что бутылка может взорваться при замерзании в ней жидкости.

Будьте осторожны с замороженными продуктами, например, с цветными кубиками льда.

Не превышайте суточной производительности морозильника по замораживанию. См. паспортную табличку.

Для сохранения качества продуктов замораживание следует проводить как можно быстрее.

При этом мощность по замораживанию не должна превышать, и температура внутри морозильного отделения не будет повышаться.

⚠️ Внимание!

Продукты глубокой заморозки всегда храните отдельно от только что помещенных в морозильное отделение продуктов.

При глубокой заморозке горячих продуктов компрессор охлаждения будет работать до тех пор, пока они не будут полностью заморожены. Это может привести к временному чрезмерному охлаждению морозильного отделения.

Не беспокойтесь, если дверцу морозильной камеры тяжело открыть сразу же после того, как вы ее закрыли. Это связано с перепадом давления, которое через несколько минут уравнивается, и дверцу можно будет нормально открыть.

Сразу после закрытия дверцы вы услышите звук вакуума. Это вполне нормально.

- Замороженные продукты могут храниться до 3 месяцев, как правило, при температурах ниже -18°C . Сроки хранения зависят от типа продуктов. Сроки хранения и сроки годности таких продуктов указаны производителями на упаковке продуктов.
- Купленные мороженые продукты следует поместить в морозильное отделение, не допуская их оттаивания.
- Замороженные продукты можно хранить в отделениях с выдвижными контейнерами.

Чтобы обеспечить сохранение наилучшего качества замороженных производителем и продавцом продуктов, следует помнить следующее:

1. Поместите пакеты в морозильник как можно быстрее после их приобретения.

2. Не превышайте сроки употребления в пищу, указанные на упаковке.

3. Обратите внимание, что все выдвижные ящики, корзины, дверцы и лотки являются съемными.

Размораживание

Увеличение толщины льда, образующегося на испарителе морозильной камеры, ведет к уменьшению ее охлаждающей способности.

Поэтому следует размораживать лед, когда толщина его слоя на испарителе достигает приблизительно 5 мм. Размораживание рекомендуется осуществлять, когда морозильная камера не заполнена до отказа или пуста.

Заверните продукты в несколько слоев бумаги и положите в наиболее прохладное место или в другой морозильник.

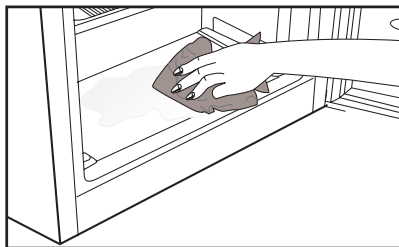
Для размораживания выключите термостат, повернув его ручку в положение “off” (выкл.), или выньте шнур питания из розетки.

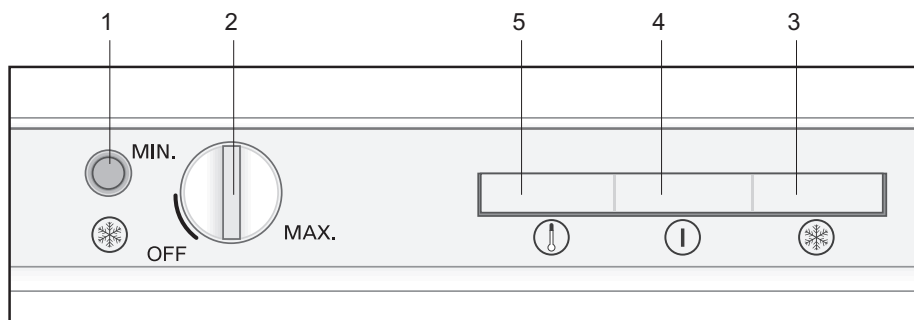
Извлеките выдвижные контейнеры из морозильной камеры (снимать крышку отделения, оборудованного крышкой, не нужно). Через некоторое время талая вода начнет стекать в углубление, расположенное в нижней части морозильной камеры.

Удалите талую воду с помощью мягкой губки или ткани и тщательно вытрите углубление насухо.

Чтобы снова включить морозильную камеру, не забудьте повернуть ручку термостата в другое положение, кроме “off”.

Прежде чем снова помещать продукты в морозильную камеру, дайте ей поработать 2 часа, пока она пустая, с закрытой дверцей.





Светодиодные индикаторы и панель управления

Светодиодные индикаторы с передней стороны морозильной камеры предназначены для того, чтобы помочь вам контролировать ее работу.

Надежно сохраняйте продукты в морозильнике, контролируя эти индикаторы и пользуясь ими, как описано ниже:

Кнопка быстрого замораживания (1): используется для быстрого замораживания продуктов. Компрессор может включиться не сразу, а через некоторое время после нажатия кнопки, это вполне нормально.

Ручка регулировки термостата (2): используется для регулировки температуры морозильника в пределах между минимальной и максимальной величиной.

Изделие может быть выключено поворотом ручки регулировки за минимальное положение (MIN). Когда зеленая индикаторная лампочка гаснет, это означает, что изделие выключено.

Если изделие выключилось (даже в процессе размораживания), установите ручку регулировки в положение выше минимального (MIN), чтобы быть уверенным, что оно снова

включится. Когда изделие включится, то снова загорится зеленая индикаторная лампочка.

Оранжевый светодиодный индикатор (3): загорается, когда нажата кнопка быстрого замораживания на панели управления. В этом случае морозильная камера работает непрерывно.

Когда продукты, которые вы хотите быстро заморозить, достигнут нужной температуры, нажмите кнопку еще раз и оранжевый светодиодный индикатор погаснет.

Зеленый светодиодный индикатор (4): загорается постоянным светом после включения морозильника в сеть.

Красный светодиодный индикатор (5): Когда морозильная камера начинает работать, индикатор предупреждает вас, загораясь постоянным красным светом, о том, что еще не достигнута нужная степень охлаждения, о том, что дверца надолго оставлена открытой, а также о загрузке чрезмерного количества продуктов.

Если красный светодиодный индикатор горит постоянным светом при отсутствии условий, приведенных в колонке рядом, обратитесь в авторизованную сервисную службу.

6 Обслуживание и чистка

- ⚠ Ни в коем случае не используйте бензин, бензол или подобные вещества для чистки.
- ⚠ Перед чисткой рекомендуем отсоединить изделие от электросети.
- ⓘ Не используйте для чистки острые абразивные инструменты, мыло, бытовые чистящие средства, моющие средства и восковую политуру.
- ⓘ Если говорить об изделиях без автоматического размораживания, то на задней стенке холодильной камеры образуются стекающие капли воды и слой наледи размером с ширину пальца. Запрещается чистить, наносить масло или аналогичные вещества.
- ⓘ Используйте только слегка увлажненные ткани из микрофибры для очистки наружной поверхности изделия. Губки и другие типы чистящих салфеток могут поцарапать поверхность.
- ⓘ Корпус изделия промойте теплой водой и затем вытрите насухо.
- ⓘ Протрите внутреннюю поверхность изделия хорошо отжатой тканью, смоченной в растворе пищевой соды (1 чайная ложка на пол-литра воды), и вытрите насухо.
- ⚠ Не допускайте попадания воды в корпус лампочки и в другие электрические компоненты.
- ⚠ Если холодильник не будет использоваться в течение длительного времени, отключите сетевой шнур, извлеките все продукты, выполните чистку и оставьте дверцу приоткрытой.

- ⓘ Регулярно проверяйте, не испачканы ли уплотнители дверцы частицами пищи.
- ⓘ Для снятия полок в дверце полностью разгрузите их, а затем просто приподнимите вверх.
- ⓘ Для чистки наружных поверхностей и хромированных деталей изделия ни в коем случае не используйте чистящие средства или воду, содержащие хлор. Хлор вызывает коррозию таких металлических поверхностей.
- ⓘ Не используйте острые и абразивные инструменты или мыло, бытовые чистящие средства, синтетические моющие средства, бензин, бензол, воск и т.д., иначе маркировка на пластиковых деталях исчезнет, и будет иметь место деформация. Используйте для очистки и вытирания насухо теплую воду и мягкую ткань.

Защита пластмассовых поверхностей

- Не храните жидкое масло или продукты, приготовленные с добавлением масла, в морозильной камере в открытых контейнерах, так как они могут повредить пластмассовые поверхности. Если же масло протекло или попало на пластмассовую поверхность, сразу же очистите и промойте это место теплой водой.

Прежде чем обращаться в сервисный центр, ознакомьтесь с данным разделом. Это поможет вам сэкономить ваше время и деньги. В этом списке описаны наиболее частые жалобы, не относящиеся к браку производства или материалов. Некоторые упомянутые ниже функции могут быть не применимы к вашей модели.

Холодильник не работает.

- Вилка недостаточно прочно зафиксирована. >>> *Воткните ее так, чтобы он полностью вошел в розетку.*
- Перегорел предохранитель, соединяющийся с питающей продук розеткой или основной предохранитель. >>> *Проверьте предохранители.*

Образование конденсата на боковой стенке холодильной камеры (MULTI ZONE, COOL, CONTROL и FLEXI ZONE).

- Дверца открывается слишком часто >>> *Старайтесь не открывать дверцу устройства слишком часто.*
- Слишком влажно. >>> *Не устанавливайте устройство в среде с высокой влажностью.*
- Пищевые продукты, содержащие жидкости, хранятся в незакрытых упаковках. >>> *Храните содержащие жидкости продукты в закрытых упаковках.*
- Дверца устройства оставлена открытой. >>> *Не оставляйте дверцу устройства открытой надолго.*
- Термостат установлен на слишком низкую температуру. >>> *Установите термостат на надлежащую температуру.*

Не работает компрессор.

- В случае внезапного отключения электропитания или вытаскивания, а затем включения вилки обратно в розетку давление газа в холодильной системе устройства разбалансируется, это вызывает включение теплового предохранителя компрессора. Устройство перезапустится примерно через 6 минут. Если устройство не перезапустилось по истечении этого времени, обратитесь в сервисную службу.
- Включена разморозка. >>> *Это стандартная установка для полностью автоматического размораживающего устройства. Разморозка проводится периодически.*
- Вилка устройства не включена в розетку. >>> *Убедитесь, что шнур электропитания включен в розетку.*
- Неверная установка температуры. >>> *Выберите подходящие настройки температуры.*
- Отключено электропитание. >>> *Устройство заработает в стандартном режиме, как только будет возобновлено электропитание.*

Звук работающего холодильника в ходе работы становится громче.

- Рабочие характеристики устройства могут меняться в зависимости от изменений температуры окружающей среды. Это нормально и не является поломкой.

Холодильник течет слишком часто или слишком долго.

- Новый холодильник может быть больше предыдущего. Большие холодильники текут дольше.
- Комнатная температура может быть высокой. >>> При более высокой температуре холодильник обычно течет более длительные периоды времени.
- Холодильник недавно подключен или внутрь помещен новый пищевой продукт. >>> Когда холодильник недавно подключен или внутрь помещен новый продукт, для достижения установленной температуры требуется больше времени. Это нормально.
- Возможно, в холодильник недавно поместили большое количество горячей пищи. >>> Не помещайте в холодильник горячую пищу.
- Дверцы открывались часто или оставались открытыми длительные периоды времени. >>> Попадание внутрь теплого воздуха приведет к тому, что холодильник течет дольше. Не открывайте дверцы слишком часто.
- Дверца морозильной или холодильной камеры может быть неплотно закрыта. >>> Убедитесь, что дверцы плотно закрыты.
- Устройство может быть установлено на слишком низкую температуру. >>> Установите холодильник на более высокий показатель и дождитесь, когда он достигнет исправленной температуры.
- Шайба дверцы холодильной или морозильной камеры может быть загрязнена, изношена, сломана или не установлена должным образом. >>> Очистите или замените шайбу. Поврежденная/порванная шайба может привести к тому, что устройство будет течь дольше, чтобы сохранить текущую температуру.

Температура морозильной камеры очень низкая, но температура холодильной камеры правильная.

- Температура морозильной камеры установлена на очень низкий уровень. >>> *Установите температуру морозильной камеры на более высокий уровень и проверьте заново.*

Температура холодильной камеры очень низкая, но температура морозильной камеры правильная.

- Температура холодильной камеры установлена на очень низкий уровень. >>> *Установите температуру холодильной камеры на более высокий уровень и проверьте заново.*

Пищевые продукты, содержащиеся на полках холодильной камеры, заморожены.

- Температура холодильной камеры установлена на очень низкий уровень. >>> Установите температуру морозильной камеры на более высокий уровень и проверьте заново.

Слишком высокая температура в холодильной или морозильной камере.

- Температура холодильной камеры установлена на очень высокий уровень. >>> *Настройки температуры холодильной камеры влияют на температуру в морозильной камере. Измените температуру в холодильной или морозильной камере и дождитесь, когда в соответствующей камере будет достигнута новая температура.*
- Дверцы открывались часто или оставались открытыми длительные периоды времени. >>> *Не открывайте дверцы слишком часто.*
- Дверца закрыта неплотно. >>> *Закройте дверцу плотно.*
- Холодильник недавно подключен или внутрь помещен новый пищевой продукт. >>> *Это нормально. Когда устройство недавно подключено или внутрь помещен новый продукт, для достижения установленной температуры требуется больше времени.*
- Возможно, в холодильник недавно поместили большое количество горячей пищи. >>> *Не помещайте в устройство горячую пищу.*

Тряска или шум.

- Поверхность пола неровная или неустойчивая. >>> *Если устройство трясется при медленном перемещении, отрегулируйте стойки для выравнивания устройства. Также проверьте, достаточно ли устойчива поверхность для размещения на ней устройства.*
- Размещение любых предметов на холодильнике может вызвать шум. >>> *Уберите любые предметы с устройства.*

Холодильник издает звуки текущей воды, распыления и т.п.

- Принципы работы устройства включают в себя потоки воды и газа. >>> Это нормально и не является поломкой.

Из холодильника слышен звук, похожий на порывы ветра.

- Устройство использует для процесса охлаждения вентилятор. Это нормально и не является поломкой.

На внутренних стенках холодильника образовывается конденсат.

- Жаркая или влажная погода провоцирует обледенение и конденсацию. Это нормально и не является поломкой.
- Дверцы открывались часто или оставались открытыми длительные периоды времени. >>> *Не открывайте дверцы слишком часто; если открыли, закройте.*
- Дверца закрыта неплотно. >>> *Закройте дверцу плотно.*

На внешней стороне устройства или между дверцами образуется конденсат.

- Погода окружающей среды может быть влажной, это вполне нормально при влажной погоде. >>> Конденсат исчезнет, когда снизится влажность.

Внутри плохо пахнет.

- Устройство не очищается регулярно. >>> Регулярно очищайте внутри устройства губкой, теплой и сатурированной водой.
- Некоторые виды материалов, из которых состоят контейнеры и упаковки, могут давать запах. >>> Используйте контейнеры и упаковки из не пахнущих материалов.
- Продукты были помещены в незакрывающиеся контейнеры. >>> Храните продукты в закрытых контейнерах. Из незакрытых пищевых продуктов могут выделяться микроорганизмы, вызывающие неприятные запахи.
- Убирайте испорченные или продукты с истекшим сроком хранения из холодильника.

Дверца не закрывается.

- Упаковки с продуктами могут мешать закрытию дверцы. >>> Переместите предметы, блокирующие дверцу.
- Устройство не стоит на поверхности строго вертикально. Отрегулируйте стойки для балансировки холодильника.
- Поверхность пола неровная или неустойчивая. >>> Проверьте, достаточно ли ровна и устойчива поверхность для размещения на ней холодильника.

Емкость для овощей застрял.

- Пищевые продукты могут задевать верхнюю часть ящика. >>> Переложите пищевые продукты в ящике.



ПРЕДУПРЕЖДЕНИЕ: Если после следования инструкциям этого раздела проблема не решена, свяжитесь с вашим поставщиком или авторизованной сервисной службой. Не пытайтесь починить устройство самостоятельно.

Изготовитель: «Arcelik A.S.» Юридический адрес: Караач Джаддеси № 2-6 34445
Сютлюдже Стамбул, Турция (Karaağaç Caddesi No:2-6 Sütlüce, 34445,Turkey)

Произведено в Турции

Импортер на территории РФ: ООО «БЕКО» Юридический адрес: 601021 Россия,
Владимирская обл., Киржачский р-н, МОСП Першинское, дер. Федоровское, ул.
Сельская, д. 49.

Информацию о сертификации продукта Вы можете уточнить, позвонив на горячую
линию 8-800-200-23-56.

Официальный представитель на территории Украины: ООО "Беко Украина", адрес:
01021, г. Киев, ул. Кловский спуск, д. 5.

Информацию о сертификации можно получить в информационно-справочной службе
по телефону 0-800-500-4-3-2

Дата производства включена в серийный номер продукта, указанный на этикетке,
расположенной на продукте, а именно: первые две цифры серийного номера
обозначают год производства, а последние две – месяц. Например, "10-100001-05"
обозначает, что продукт произведен в мае 2010 года.

Изготовитель оставляет за собой право на внесение изменений в конструкцию,
дизайн и комплектацию электроприбора.

изготовитель оставляет за собой право вносить изменения в конструкцию, дизайн и
комплектацию электроприбора.



Алдымен, осы пайдаланушы нұсқаулығын оқыңыз!

Құрметті тұтынушы,

Заманауи зауыттарда шығарылған және сапаны бақылаудың ең мұқият процедуралары бойынша тексерілген өніміңіз сізге тиімді қызмет көрсетеді деп үміттенеміз.

Сондықтан, өнімді пайдалану алдында осы пайдаланушы нұсқаулығын толығымен оқып шығыңыз және анықтама ретінде сақтаңыз. Егер өнім басқа біреуге тапсырылса, осы нұсқаулықты да беріңіз.

Пайдаланушы нұсқаулығы өнімді жылдам әрі қауіпсіз пайдалануға көмектеседі.

- Өнімді орнату және пайдалану алдында нұсқаулықты оқып шығыңыз.
- Қауіпсіздік туралы нұсқауларды оқып шығыңыз.
- Нұсқаулықты оңай қол жететін жерде сақтаңыз, өйткені ол кейінірек сізге қажет болуы мүмкін.
- Өніммен бірге берілген басқа құжаттарды оқыңыз.

Бұл пайдаланушы нұсқаулығы бірнеше басқа модельге де қатысты екенін ұмытпаңыз. Модельдер арасындағы айырмашылықтар нұсқаулықта көрсетіледі.

Таңбалар түсініктемесі

Осы пайдаланушы нұсқаулығында келесі таңбалар пайдаланылады:

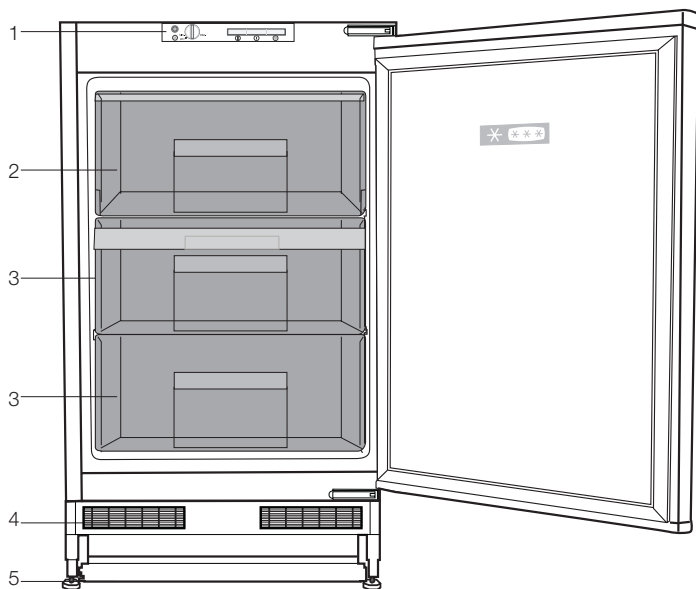
❏ Маңызды ақпарат немесе пайдалы кеңестер.

⚠ Өмір мен мүлікке қауіпті жағдайлар туралы ескерту.

⚠ Электр кернеуі туралы ескерту.

1 Тоңазытқышыңыз	3	4 Дайындау	15
2 Қауіпсіздік туралы маңызды ескертулер	4	5 Тоңазытқышты пайдалану	16
Қолданылу саласы.....	4	Қатыру.....	16
Жалпы қауіпсіздік.....	4	Еріту.....	17
Су диспенсері	8	Жарықдиодты индикаторлар және басқару тақтасы	18
бар өнімдер үшін;.....	8	6 Техникалық қызмет көрсету және тазалау	20
Балалар қауіпсіздігі.....	9	Пластик беттерді қорғау	21
WEEE директивасына және қоқыс өнімді лақтыру талаптарына сәйкестік:	9	7 Ақаулықтарды жою	22
Орама туралы ақпарат	9		
HC ескертуі.....	9		
Энергияны үнемдеу шаралары ...	10		
3 Орнату	11		
Тоңазытқыштың орнын ауыстыру кезінде назар аудару қажет тұстар.....	11		
Электр қосылым.....	11		
Жарықтандыру шамын ауыстыру	12		
Орауышты тастау	12		
Ескі тоңазытқышты қоқысқа тастау.....	12		
Орнату	12		
Placing the refrigerator under the counter and adjusting the legs.....	13		
Есіктерді кері қою.....	14		

1 Тоңазытқышыңыз



1. Бақылау тақтасы
2. Жедел мұздатқыш бөлімі
3. Мұздатылған тамақты сақтау бөлімі
4. Желдету желісінің қақпағы
5. Реттелетін табандар




❗ Осы пайдалану нұсқаулығында келтірілген суреттер схемалық болып табылады және сіздің өніміңізге дәл сәйкес келмеуі мүмкін. Егер қарастырылып жатқан бөліктер сіз сатып алған өнімде қамтылмаса, онда ол басқа модельдер үшін жарамды.


2 Қауіпсіздік туралы маңызды ескертулер


Келесі ақпаратты қарап шығыңыз. Бұл ақпаратты ескермеу жарақатқа немесе материалдық зиянға әкелуі мүмкін. Ескермегенде, кепілдік пен сенімділікке қатысты барлық міндеттемелер жарамсыз болады.

Түпнұсқалық қосалқы бөлшектер өнімнің сатып алынған күнінен кейін 10 жыл бойы қамтамасыз етіледі.

Қолданылу саласы

	ЕСКЕРТУ: Құрылғы корпусы мен кірістірілген құрылымдағы саңылауларды кедергілері жоқ күйде ұстаңыз.
	ЕСКЕРТУ: Еріту процесін тездету үшін өндіруші ұсынғаннан басқа механикалық құрылғыларды немесе басқа құралдарды пайдалануға болмайды.
	ЕСКЕРТУ: Хладагент контурын зақымдап алмаңыз.

	ЕСКЕРТУ: Өндіруші ұсынған түрге жататын болмаса, электр құрылғыларды құрылғының тамақ сақтау бөлімдерінің ішінде пайдаланбаңыз.
---	--

	ЕСКЕРТУ: Бұл құрылғыда тұтанғыш қысылған зат бар аэрозоль банкалары сияқты жарылғыш заттарды сақтамаңыз.
---	---

Бұл құрылғы үй тұрмысында және келесіге ұқсас қолданыстарда пайдалануға арналған:

- дүкендердегі, кеңселердегі және басқа жұмыс орталарындағы қызметкерлердің асүй аумақтарында;
- қонақ үйлердегі, мотельдердегі және басқа тұрғын орталарындағы клиенттер;
- төсек және таңғы ас түріндегі орталар;
- қоғамдық тамақтану және аналогтық бөлшектік емес қолданбалар.

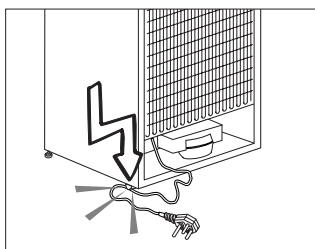
Жалпы қауіпсіздік

- Өнімді қоқысқа тастағыңыз келсе, қажетті ақпаратты және өкілетті органдарды білу үшін өкілетті сервистік орталыққа қоңырау шалу ұсынылады.

- Тоңазытқышқа қатысты барлық сұрақтар мен мәселелер туралы өкілетті сервистік орталыққа хабарласыңыз. Өкілетті сервистік орталыққа хабарламастан тоңазытқышқа араласпаңыз немесе біреудің араласуына жол бермеңіз.
- Мұздатқыш бөлімі бар өнімдер үшін; Конус балмұздақ пен мұз текшелерін мұздатқыш бөлімінен шығарғаннан кейін бірден жеуге болмайды! (Бұл аузыңызда үсікке әкелуі мүмкін).
- Мұздатқыш бөлімі бар өнімдер үшін; Бөтелкедегі және консервіленген сұйық сусындарды мұздатқыш бөліміне салмаңыз. Әйтпесе, олар жарылуы мүмкін.
- Мұздатылған тағамды қолмен ұстамаңыз; ол қолыңызға жабысып қалуы мүмкін.
- Тоңазытқышты тазалау немесе еріту алдында электр желісінен ажыратыңыз.
- Бу мен буланған тазартқыш материалдарды тоңазытқышты тазалау және ері у процедураларында ешқашан қолдануға болмайды. Мұндай жағдайларда бу электрлік бөліктерге тиіп, қысқа тұйықталуға немесе электр тоғының соғуына әкелуі мүмкін.
- Тоңазытқыштағы есік сияқты бөліктерді ешқашан тіреу немесе баспалдақ құралы ретінде ешқашан пайдаланбаңыз.
- Тоңазытқыш ішінде электр құрылғыларын пайдаланбаңыз.
- Салқындатқыш айналатын бөлшектерді бұрғылауға немесе кесуге арналған құралдармен зақымдамаңыз. Буландырғыштың газ каналдары, түтік ұзартқыштары немесе беткі қабаттар тесілген кезде жарылуы мүмкін салқындатқыш теріні тітіркендіреді және көзді жарақаттайды.
- Тоңазытқыштағы желдеткіш саңылауларды ешбір материалмен жаппаңыз немесе бұғаттамаңыз.
- Электр құрылғыларын тек уәкілетті адамдар жөндеуі тиіс. Біліктілігі жоқ адамдар орындаған жөндеу пайдаланушыға қауіп тудырады.

- Кез келген ақаулық болған жағдайда я болмаса техникалық қызмет көрсету немесе жөндеу жұмыстары кезінде тоңазытқыштың электр желісін қатысты сақтандырғышты өшіру немесе құрылғыны розеткадан ажырату арқылы ажыратыңыз.
- Ашаны суырғанда кабельден тартпаңыз.
- Алкогольді ішімдіктердің қақпағы бекітіліп, тігінен қойылып, қауіпсіз сақталуын қамтамасыз етіңіз.
- Жанғыш және жарылғыш заттары бар спрей құтыларын тоңазытқышта ешқашан сақтамаңыз.
- Еріту процесін тездету үшін өндіруші ұсынғаннан басқа механикалық құрылғыларды немесе басқа құралдарды пайдалануға болмайды.
- Бұл өнімді физикалық, сезім немесе психикалық ауытқулары бар адамдардың немесе білімі жоқ немесе тәжірибесіз адамдардың (оның ішінде балалардың) пайдалануына тыйым салынады. Олардың қауіпсіздігіне жауапты немесе өнімді пайдалану туралы тиісті нұсқаулар беріп тұратын адам қадағаласа ғана, бұған рұқсат етіледі.
- Зақымдалған тоңазытқышты пайдаланбаңыз. Егер сізде қандай да бір мәселелер болса, сервистік орталық агентімен кеңесіңіз.
- Тоңазытқышыңыздың электр қауіпсіздігіне үйіңіздегі жер жүйесі стандарттарға сәйкес болған жағдайда ғана кепілдік беріледі.
- Өнімге жаңбыр, қар, күн және жел әсерін тигізу электр қауіпсіздігіне қатысты қауіпті болып табылады.
- Қауіпті болдырмау үшін қуат кабелінің зақымдануы болған кезде өкілетті сервистік орталыққа хабарласыңыз.
- Орнату кезінде тоңазытқышты ешқашан қабырғадағы розеткаға қоспаңыз. Әйтпесе, өлім немесе ауыр жарақат алу қаупі туындауы мүмкін.
- Бұл тоңазытқыш тек тамақ өнімдерін сақтауға арналған. Оны ешбір басқа мақсатта пайдалануға болмайды.
- Техникалық сипаттамалардың белгісі тоңазытқыш ішіндегі сол жақ қабырғада орналасқан.
- Тоңазытқышты ешқашан электр қуатын үнемдеу жүйелеріне ешқашан қоспаңыз; олар тоңазытқышты зақымдауы мүмкін.

- Егер тоңазытқышта көк шам болса, оптикалық құралдармен көк жарыққа қарамаңыз.
- Қолмен басқарылатын тоңазытқыштар үшін тоңазытқышты электр қуаты үзілгеннен кейін іске қосу үшін кемінде 5 минут бойы күтіңіз.
- Бұл пайдалану нұсқаулығы басқаларға берілген кезде өнімнің жаңа иесіне тапсырылуы керек.
- Тоңазытқышты тасымалдау кезінде электр кабеліне зақым келтірмеңіз. Майысатын кабель өртке әкелуі мүмкін. Қуат кабеліне ауыр заттарды ешқашан қоймаңыз. Өнімді розеткаға қосқанда, ашаны дымқыл қолмен ұстамаңыз

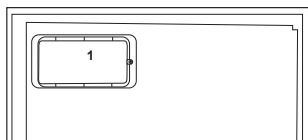
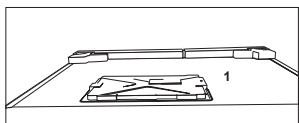


- Розетка тым бос болса, тоңазытқышты розеткаға қоспаңыз.
- Қауіпсіздік мақсатында өнімнің ішкі немесе сыртқы бөліктеріне суды шашуға болмайды.
- Өрт пен жарылыс қаупін болдырмау үшін

тоңазытқыштың жанына пропан газы сияқты жанғыш газдары бар заттарды бүркімеңіз.

- Сумен толтырылған ыдыстарды ешқашан тоңазытқыштың үстіне қоймаңыз; төгілген жағдайда, бұл электр тоғының соғуына немесе өртке әкелуі мүмкін.
- Тоңазытқышты тамақпен шамадан тыс жүктемеңіз. Егер шамадан тыс жүктелсе, тамақтар құлап, сізді жарақаттауы және есікті ашқан кезде тоңазытқышқа зақым келтіруі мүмкін.
- Тоңазытқыштың үстіне заттарды ешқашан қоймаңыз; әйтпесе, тоңазытқыштың есігін ашқанда немесе жапқанда бұл заттар құлап кетуі мүмкін.
- Дәл температураны қажет ететіндіктен вакциналарды, ыстыққа сезімтал дәрі-дәрмектерді және ғылыми материалдарды және басқаларын тоңазытқышта сақтауға болмайды.
- Егер ұзақ уақыт бойы пайдаланбайтын болсаңыз, тоңазытқышты розеткадан ажырату керек. Қуа кабеліндегі ықтимал мәселе өртке себеп болуы мүмкін.

- Реттелетін табандар еденге дұрыс бекітілмеген болса, тоңазытқыш қозғалуы мүмкін. Реттелетін табандарды дұрыс бекіту тоңазытқыштың қозғалуына жол бермейді.
- Тоңазытқышты тасымалдау кезінде есік тұтқасынан ұстамаңыз. Әйтпесе, оны құлатып алуыңыз мүмкін.
- Өнімді басқа тоңазытқыштың немесе мұздатқыштың жанына қою керек болған кезде, құрылғылар арасындағы қашықтық кемінде 8 см болуы керек. Әйтпесе, іргелес бүйірлік қабырғалар ылғалдануы мүмкін.
- Өніміңіздің жоғарғы жағында немесе артында орналасқан және электронды тақталар бар (электронды тақта қорабының қақпағы) бөлімі (1) ашық тұрған кезде өнімді ешқашан пайдаланбау керек.



Су диспенсері

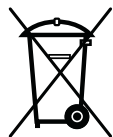
бар өнімдер үшін;

- Суық судың қысымы ең көбі 90 psi (6,2 бар) болуы керек. Егер судың қысымы 80 psi (5,5 бар) мәнінен асса, желі жүйесінде қысымды шектейтін клапанды пайдаланыңыз. Егер судың қысымын қалай тексеруді білмесеңіз, кәсіби сантехниктен көмек сұраңыз.
- Егер орнатуыңызда су балғасы әсерінің болуы қаупі бар болса, онда әрқашан су балғасының алдын-алу құралын пайдаланыңыз. Орнатуыңызда су балғасы әсерінің бар-жоқтығын білмесеңіз, кәсіби сантехниктерге хабарласыңыз.
- Ыстық су кірісіне орнатпаңыз. Шлангілердің қатып қалу қаупіне қарсы сақтық шараларын қолданыңыз. Су температурасының жұмыс аралығы ең азы 33 °C (0,6 °C) және ең көбі 100 °F (38 °C) болуы керек.
- Тек ішетін суды пайдаланыңыз.

Балалар қауіпсіздігі

- Егер есіктің құлпы болса, кілтті балалардың қолы жетпейтін жерде сақтау керек.
- Балалардың өнімге зиян тигізбеуін қадағалап отыру қажет.

WEEE директивасына және қоқыс өнімді лақтыру талаптарына сәйкестік:



Бұл өнім ЕО WEEE директивасының(2012/19/EU) талаптарына сай. Бұл өнімде қоқыс электр және электрондық өнімнің (WEEE) сыныптама

таңбасы бар.

Бұл өнім қайта пайдалануға болатын және қайта өңдеуге жарамды жоғары сапалы бөліктер мен материалдар көмегімен өндірілген. Сондықтан, қызмет көрсету мерзімі аяқталғанда өнімді қалыпты тұрмыстық қоқыстармен бірге лақтырмаңыз. Оны электр және электрондық жабдықты қайта өңдеуге арналған жинау орталығына апарыңыз. Ең жақын жинау орталықтары туралы мәліметтер алу үшін жергілікті билік органдарына хабарласыңыз. Пайдаланылған өнімдерді қайта өңдеу арқылы қоршаған ортаны және табиғи ресурстарды қорғауға көмектесіңіз.

Балалардың қауіпсіздігі үшін қуат кабелін кесіңіз және бар болса, есіктің құлыптау механизмін сындырыңыз, сонда ол өнімді тастағанға дейін жұмыс істемейді.

Орама туралы ақпарат

Өнімнің орама материалдары ұлттық қоршаған орта туралы ережелерімізге сай қайта өңдеуге болатын материалдардан өндірілген. Орама материалдарын тұрмыстық немесе басқа қоқыстармен бірге лақтырмаңыз. Оларды жергілікті билік органдары белгілеген орама материалын жинау орындарына апарыңыз. Ұмытпаңыз...

Қайта өңделген кез келген зат табиғат пен ұлттық байлығымыз үшін таптырмас зат болып табылады.

Егер сіз орауыш материалдарын қайта бағалауға үлес қосқыңыз келсе, сіз қоршаған ортаны қорғау ұйымдарынан немесе сіз орналасқан муниципалитеттерден кеңес ала аласыз.

НС ескертуі

Егер өніміңіздің салқындату жүйесінде R600a болса:

Бұл газ тұтанғыш. Сондықтан пайдалану және тасымалдау кезінде салқындату жүйесі мен құбырларға зақым келтірмеуге назар аударыңыз. Зақымданған жағдайда, өнімді өрттің шығуына әкелетін ықтимал өрт көздерінен аулақ ұстаңыз және құрылғы орналасқан бөлмені желдетіңіз. Өнімнің салқындату жүйесінде R134a болса, бұл ескертуді елеменіз.

Өнімде пайдаланылатын газдың түрі тоңазытқыш ішіндегі сол жақ қабырғада орналасқан затбелгіде көрсетілген.

Өнімді жою үшін ешқашан отқа тастамаңыз.

Энергияны үнемдеу шаралары

- Тоңазытқыштың есіктерін ұзақ уақыт бойы ашық қалдырмаңыз.
- Тоңазытқышқа ыстық тамақ немесе сусындар салмаңыз.
- Ішіндегі ауа айналымы тоқтап қалмауы үшін тоңазытқышты шамадан тыс жүктемеңіз.
- Тоңазытқышты күн жарығының астында немесе пештер, ыдыс жуғыш машиналар немесе радиаторлар сияқты жылу шығаратын құрылғылардың жанында орнатпаңыз. Тоңазытқышты жылу шығаратын көздерден кемінде 30 см, электр пештерден кемінде 5 см қашықтықта ұстаңыз.
- Тамағыңызды жабық ыдыста ұстауға назар аударыңыз.
- Мұздатқыш бөлімі бар өнімдер үшін; Мұздатқыштың сөресін немесе тартпасын алғанда, тағамның максималды мөлшерін мұздатқышта сақтауға болады. Тоңазытқыш үшін көрсетілген энергия тұтыну мәні мұздатқыш сөресін немесе тартпасын алып тастау және максималды жүктеме салу арқылы анықталды. Сөрені немесе тартпаны мұздатылатын тағамның пішіні мен өлшеміне сәйкес пайдаланудың зияны жоқ.
- Мұздатылған тағамды тоңазытқыш бөлімінде еріту энергияны үнемдеуге және тағамның сапасын сақтауға мүмкіндік береді.

3 Орнату

⚠ Пайдаланушы нұсқаулығында берілген ақпарат ескерілмеген жағдайда, өндіруші бұл үшін ешқандай жауапкершілік алмайды.

Тоңазытқыштың орнын ауыстыру кезінде назар аудару қажет тұстар

1. Тоңазытқышыңыз розеткадан суырылған болуы керек. Тасымалдау алдында тоңазытқышты босату және тазалау керек.

2. Қайта орамас бұрын, тоңазытқыш ішіндегі сөрелерді, керек-жарақтарды, жемістер мен көкөністер контейнерін, т.б. жабысқақ лентамен бекіту және соққылардан қорғау керек. Орауышты қалың таспамен немесе қатты арқандармен байлау керек және орауыштағы тасымалдау ережелерін қатаң түрде сақтау керек.

3. Түпнұсқалық орауыш пен көбікті материалдар болашақ тасымалдаулар немесе жылжытулар үшін сақталуы керек.

Тоңазытқышты іске қосудан бұрын, Тоңазытқышты іске қосу алдында келесілерді тексеріңіз:

1. Тоңазытқыштың ішін «Техникалық қызмет көрсету және тазалау» бөлімінде ұсынылғандай тазалаңыз.

2. Тоңазытқыштың ашасын қабырғадағы розеткаға қосыңыз. Тоңазытқыштың есігі ашылған кезде тоңазытқыштың ішкі шамы жанады.

3. Компрессор жұмыс істей бастағанда, дыбыс естіледі. Тоңазыту жүйесінің ішіндегі тығыздалған сұйықтық пен газдар тіпті компрессор жұмыс істеп тұрмаса да шу шығаруы мүмкін және бұл қалыпты жағдай.

4. Тоңазытқыштың алдыңғы шеттері жылы сезілуі мүмкін. Бұл қалыпты. Бұл аумақтар конденсацияны болдырмау үшін жылы болатындай жобаланған.

Электр қосылым

Өнімді тиісті көрсеткіші бар сақтандырғышпен қорғалған жерге қосылған розеткаға қосыңыз.

Маңызды:

Қосылым ұлттық ережелерге сәйкес болуы керек.

- Орнатудан кейін қуат ашасына қол жеткізу оңай болуы керек.
- Тоңазытқышыңыздың электр қауіпсіздігіне үйіңіздегі жер жүйесі стандарттарға сәйкес болған жағдайда ғана кепілдік беріледі.
- Өнімнің сол ішкі жағында орналасқан жапсырмада көрсетілген кернеу желілік кернеуге тең болуы керек.
- Қосылу үшін ұзартқыш кабельдер мен көп ашаны пайдалануға болмайды.

⚠ Зақымдалған қуат кабелін білікті электрик ауыстыруы керек.

⚠ Жөндемей тұрып өнімді пайдалануға болмайды! Электр тогының соғу қаупі бар!

Орауышты тастау

Орауыш материалдары балалар үшін қауіпті болуы мүмкін. Орауыш материалдарын балалардың қолы жетпейтін жерде сақтаңыз немесе оларды жергілікті билік органдары берген қалдықтар жөніндегі нұсқауларға сәйкес жіктеп тастаңыз. Кәдімгі үй қоқыстарымен бірге тастамаңыз, орауышты жергілікті билік органдары белгілеген жинау орындарында тастаңыз.

Тоңазытқыштың орауышы қайта өңдеуге болатын материалдардан жасалған.

Ескі тоңазытқышты қоқысқа тастау

Ескі тоңазытқышыңызды қоршаған ортаға зиян келтірмей тастаңыз.

- Тоңазытқышты қоқысқа тастау жөнінде сіз өкілетті дилерден немесе әкімшіліктің қоқыс жинау орталығынан кеңес ала аласыз.

Тоңазытқышты қоқысқа тастамаc бұрын электр ашаны кесіп алыңыз және есігінде құлыптар болса, балаларды кез келген қауіптен қорғау үшін оларды жарамсыз етіңіз.

Орнату

⚠ Егер тоңазытқыш орнатылатын бөлменің кіреберіс есігі тоңазытқыштың өтуі үшін жеткілікті кең емес болса, онда өкілетті сервистік орталыққа қоңырау шалып, тоңазытқыштың есіктерін шешіп, есіктен бүйірден өткізіңіз.

1. Тоңазытқышты пайдалануға ыңғайлы жерге орнатыңыз.

2. Тоңазытқышты жылу көздерінен, ылғалды жерлерден және

тік күн жарығынан аулақ ұстаңыз.

3. Тиімді жұмыс істеуі үшін тоңазытқыштың айналасында тиісті ауа желдетуі болуы керек. Егер тоңазытқышты қабырғадағы ойыққа қою керек болса, онда төбеден кемінде 5 см қашықтықта және қабырғадан кемінде 5 см қашықтық болуы керек. Өнімді кілем сияқты материалдардың үстіне қоймаңыз.

4. Дірілдемеуі үшін тоңазытқышты тегіс еден бетіне қойыңыз.

Жарықтандыру шамын ауыстыру

Тоңазытқыштың жарықтандыруға пайдаланылатын шамын/жарық диодын ауыстыру үшін өкілетті қызмет орталығына қоңырау шалыңыз.

Осы құрылғыда пайдаланылған шам(дар) үй бөлмесін жарықтандыруға үйлесімсіз. Бұл шамның мақсаты — пайдаланушыға тамақ өнімдерін қауіпсіз және жайлы түрде тоңазытқышқа/мұздатқышқа салуға көмектесу. Бұл құрылғыда пайдаланылатын шамдар -20 °C-тан төмен температуралар сияқты ауыр физикалық жағдайларға төзімді болуы керек.

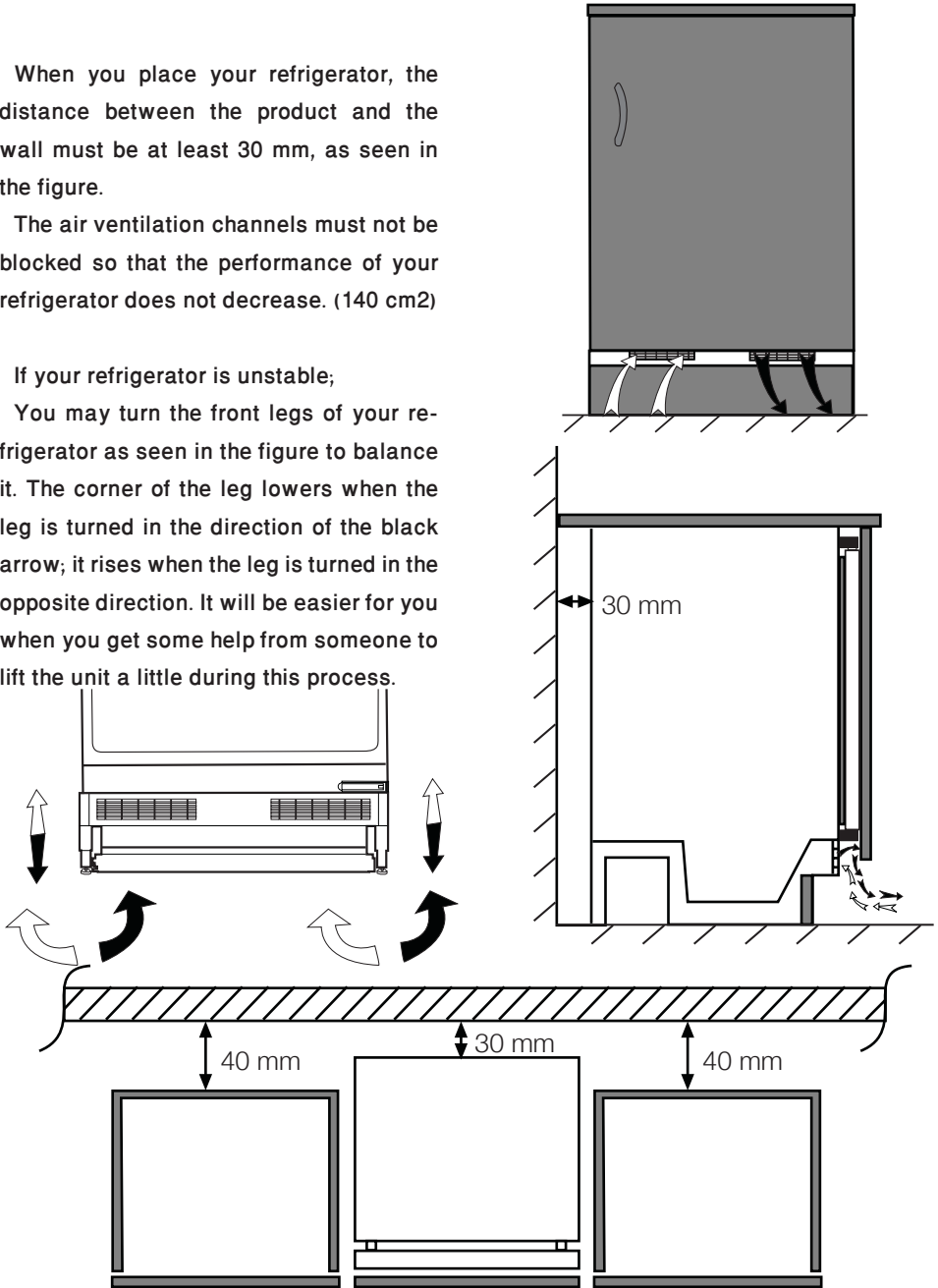
(тек кеуде және тік мұздатқыш)

Placing the refrigerator under the counter and adjusting the legs

When you place your refrigerator, the distance between the product and the wall must be at least 30 mm, as seen in the figure.

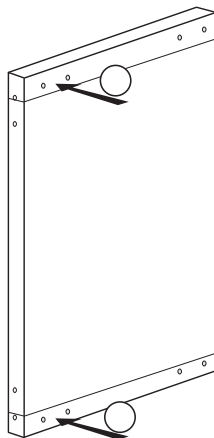
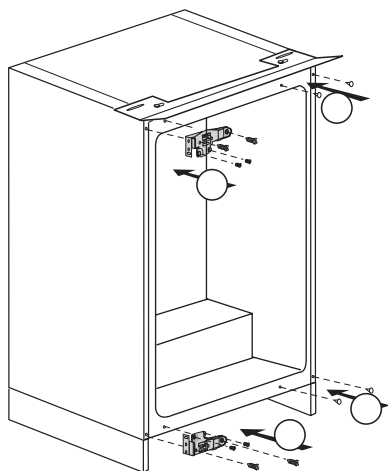
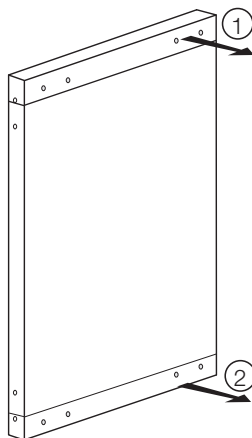
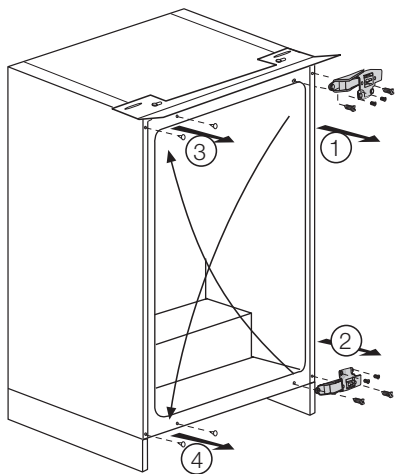
The air ventilation channels must not be blocked so that the performance of your refrigerator does not decrease. (140 cm²)

If your refrigerator is unstable;
You may turn the front legs of your refrigerator as seen in the figure to balance it. The corner of the leg lowers when the leg is turned in the direction of the black arrow; it rises when the leg is turned in the opposite direction. It will be easier for you when you get some help from someone to lift the unit a little during this process.



Есіктерді кері қою

Сандық ретпен жалғастырыңыз

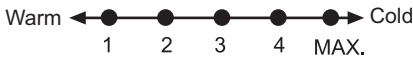


4 Дайындау

- i** Тоңазытқышыңыз плиталар, пештер, орталық жылытқыш және пештер сияқты жылу көздерінен кемінде 30 см қашықтықта және электр пештерден кемінде 5 см қашықтықта орнатылуы керек және тік күн жарығының астында орналаспауы керек.
- i** Тоңазытқышты орнататын бөлменің қоршаған ортаның температурасы кемінде 5 °C болуы керек. Тоңазытқышты осыдан салқынырақ жағдайларда пайдалану тиімділігіне байланысты ұсынылмайды.
- i** Тоңазытқыштың іші мұқият тазаланғанына көз жеткізіңіз.
- i** Егер екі тоңазытқышты қатар қою керек болса, олардың арасында кемінде 2 см қашықтық болуы керек.
- i** Тоңазытқышты бірінші рет пайдаланған кезде алғашқы алты сағат ішінде келесі нұсқауларды орындаңыз.
 - Есікті жиі ашуға болмайды.
 - Ол ішінде ешбір тамақсыз, бос жұмыс істеуі керек.
 - Тоңазытқышты розеткадан ажыратпаңыз. Егер бақылауыңыздан тыс электр қуаты өшірілсе, «Мәселелердің ұсынылған шешімдері» бөліміндегі ескертулерді қараңыз.
- i** Түпнұсқалық орауыш пен көбікті материалдар болашақ тасымалдаулар немесе жылжытулар үшін сақталуы керек.

5 Тоңазытқышты пайдалану

Жұмыс температурасын реттеу
Жұмыс температурасы
температура реттегішімен
реттеледі.



Қажетті температураға сәйкес параметрді таңдаңыз.

Ішкі температура сонымен бірге қоршаған ортаның температурасына, есіктің ашылу жиілігіне және ішіндегі тамақ мөлшеріне байланысты.

Есікті жиі ашу ішкі температураның көтерілуіне әкеледі.

Осы себепті есікті пайдаланудан кейін мүмкіндігінше тезірек жабу ұсынылады.

Құрылғының қалыпты сақтау температурасы -18°C (0°F) болуы керек. Төмен температураға термостат тұтқасын 4 (немесе Макс.) күйіне орнату арқылы қол жеткізуге болады.

Сақтау бөлімдерінде қажетті температураның сақталуын қамтамасыз ету үшін температураны термометрмен тексеруді ұсынамыз. Көрсетілген мәндерді бірден алуды ұмытпаңыз, өйткені термометрді мұздатқыштан шығарғаннан кейін оның температурасы өте тез көтеріледі.

❏ Осы пайдалану нұсқаулығында келтірілген суреттер схемалық болып табылады және сіздің өніміңізге дәл сәйкес келмеуі мүмкін. Егер қарастырылып жатқан бөліктер сіз сатып алған өнімде қамтылмаса, онда ол басқа модельдер үшін жарамды.

Қатыру

Тамақты қатыру

Қатыру бөлімі мына таңбамен ******* белгіленген.

Құрылғыны жаңа піскен тағамдарды қатыру үшін, сондай-ақ алдын ала қатырылған тағамдарды сақтау үшін пайдалануға болады.

Азық-түлік қаптамасында көрсетілген ұсыныстарды орындаңыз.

⚠ Назар аударыңыз

Көпіршікті сусындарды қатырмаңыз, өйткені ондағы сұйықтық қатып қалған кезде, бөтелке жарылып кетуі мүмкін.

Түрлі-түсті мұз текшелері сияқты мұздатылған тағамдармен сақ болыңыз.

Құрылғының қатыру қуатын 24 сағат бойы асырмаңыз. Техникалық сипаттамалары бар тақтаны қараңыз.

Тағамның сапасын сақтау үшін қатыруды мүмкіндігінше тез жүргізу керек.

Осылайша, қатыру қуаты асып кетпейді және мұздатқыштың ішіндегі температура көтерілмейді.

▲ Назар аударыңыз

Бұрын қатырылған тағамдарды жаңа қатырылғандардан бөлек сақтаңыз.

Ыстық тағамдарды қатты қатырған кезде, тоңазытқыш компрессоры өнімдер толығымен мұздатылғанға дейін жұмыс істейді. Бұл уақытша тоңазытқыш бөлімінің шамадан тыс салқындауына әкеп соғуы мүмкін.

Егер сіз мұздатқыштың есігін жапқаннан кейін бірден ашу қиын екенін байқасаңыз, алаңдамаңыз. Бұл қысым айырмашылығына байланысты, ол бірнеше минуттан кейін тураланады және есіктің қалыпты ашылуына мүмкіндік береді.

Есікті жапқаннан кейін бірден сору дыбысын естисіз. Бұл қалыпты жағдай.

- Қатырылған тағамды -18°C дейінгі температурада 3 айға дейін сақтауға болады, сақтау мерзімі тағам түріне байланысты өзгеруі мүмкін. Мұндай өнімдердің сақтау мерзімі мен жарамдылық мерзімі оларды өндірушілердің өнімдерінің қаптамасында көрсетілген.
- Сіз сатып алған қатырылған тағамдарды ерігенге дейін мұздатқышқа салу керек.
- Қатырылған тағамдарды алмалы жәшіктері бар бөлімдерде сақтауға болады.

Қатырылған тағам өндірушісі мен бөлшек сауда сатушысы қол жеткізген жоғары сапаны қамтамасыз ету үшін мыналарды есте ұстаған жөн:

1. Сатып алғаннан кейін бірден өнімдерді мұздатқышқа салып қойыңыз.

2. Қаптамада көрсетілген «Жарамдылық мерзімі» және «Пайдалану мерзімі» күндерінен асырмаңыз.

3. Жәшіктер, себеттер, қақпақтар, науалар алынбалы екенін ескеріңіз.

Еріту

Мұздатқыштың буландырғышында пайда болатын мұз қалыңдығының үлкеюі оның салқындату тиімділігін төмендетеді.

Сондықтан буландырғыштың айналасындағы мұз қабатының қалыңдығы шамамен 5 мм жеткенде, мұзды еріту керек. Мұздатқыш аса көп толтырылмаған немесе бос болған кезде мұзды еріту ұсынылады.

Азық-түлікті мұздатқышқа бірнеше парақ қағазбен орап, оларды ең салқын жерде немесе басқа мұздатқышта сақтаңыз.

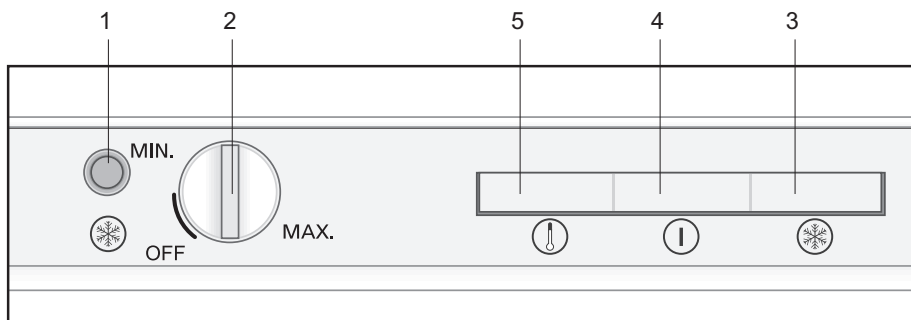
Еріту үшін термостатты реттеу түймесін «Өшірулі» күйіне қойыңыз немесе электр сымының ашасын розеткадан суырып алыңыз.

Мұздатқыштың тартпаларын шығарып алыңыз (қақпақпен жабдықталған бөліктің қақпағын алу қажет емес). Біраз уақыттан кейін еріген су мұздатқыштың түбінде орналасқан ыдысқа жиналады.

Жиналған суды жұмсақ ысқышпен немесе сол сияқты құралмен алып тастаңыз және ыдысты жақсылап құрғатыңыз.

Мұздатқышты қайта қосу үшін термостатты реттеу түймесін «Өшірулі» күйіне ауыстыруды ұмытпаңыз.

Азық-түлікті мұздатқышқа салудың алдында, оны бос және есіктер жабық күйінде 2 сағатқа қосыңыз.



Жарықдиодты индикаторлар және басқару тақтасы

Сіздің мұздатқышыңыздың алдыңғы бөліміндегі жарықдиодты индикаторлар сізге құрылғының жұмысын бақылауға көмектесу үшін жасалған.

Осы жарықдиодты шамдар мен басқару элементтерін төменде сипатталғандай қадағалау және пайдалану арқылы өз тағамдарыңызды мұздатқышта қауіпсіз сақтаңыз:

Жедел қатыру түймесі (1): Тамақты жылдам қатыру үшін пайдаланылады. Компрессор түймені басқаннан кейін бірден жұмыс істемеуі мүмкін, бірақ біраз уақыт өткен соң қосылады, бұл қалыпты жағдай.

Термостатты реттеу түймесі (2):

Сіздің мұздатқышыңызды ең төмен және ең жоғары мәндер арасында орнату үшін қолданылады.

Тұтқа ең төмен (MIN) мәннің астына орнатылса, құрылғы «Өшірулі» (OFF) күйіне өтуі мүмкін. Жасыл индикатор шамы өшірулі болған кезде, құрылғы да өшіріледі.

Өшірілгеннен кейін (тіпті еріту үшін), оның қайта қосылғанына көз жеткізу үшін тұтқаны ең төмен (MIN) деңгейден жоғары орнатуыңыз қажет. Құрылғыны қосқан кезде, жасыл индикатор шамы жанады.

Қызғылт сары жарықдиодты шам (3):

Жарықдиодты панельдегі жылдам қатыру түймесін басқан кезде жанады. Бұл жағдайда сіздің мұздатқышыңыз үздіксіз жұмыс істейді.

Жылдам қатырғыңыз келген тағамдарыңыз тиісті температураға жеткенде және қызғылт сары жарық диоды сөнген кезде, түймені қайта басыңыз.

Жасыл жарықдиодты шам (4):

Мұздатқышыңызды розеткаға қосқаннан кейін ол үздіксіз жанып тұрады.

Қызыл жарықдиодты шам (5):

Ол мұздатқыштар жұмыс істей бастаған кезде, салқындату әсері жеткіліксіз болған кезде, есік ұзақ уақыт ашық тұрған кезде және тым көп тағам жүктелген кезде, тұрақты жанып тұрып сізге ескертеді.

Егер қызыл жарықдиодты шамдар үнемі жанып тұрса, егер көрші бағанда көрсетілген жағдайлар болмаса, онда біздің уәкілетті сервистік қызметімізге хабарласыңыз.

6 Техникалық қызмет көрсету және тазалау

- ⚠ Газолинді, бензинді немесе ұқсас заттарды тазалау мақсатында ешқашан пайдаланбаңыз.
- ⚠ Құрылғыны тазаламас бұрын розеткадан ажырату ұсынылады.
- ⚠ Тазалау үшін ешқашан өткір абразивті құралды, сабынды, тұрмыстық тазартқышты, жуғыш затты және балауыз лактарын ешқашан пайдаланбаңыз.
- ⚠ In producten die geen No Frost hebben ontstaan er op de achterwand van het koelvak waterdruppels en een vingerdikke ijslaag. Maak het niet schoon; doe er nooit olie op soortgelijke middelen op.
- ⚠ Gebruik uitsluitend licht vochtige microvezeldoeken om de buitenkant van het product schoon te maken. Sponzen en andere soorten schoonmaakdoeken kunnen het oppervlak krassen.
- ⚠ Қатпайтын өнімдер үшін тоңазытқыш бөлімінің артқы қабырғасында су тамшылары және саусақтың еніне дейін аяз пайда болады. Оны тазаламаңыз; оған ешқашан май немесе ұқсас заттарды қолданбаңыз.
- ⚠ Өнімнің сыртқы бетін тазалау үшін тек аздап дымқыл микрофибра маталарды қолданыңыз. Губкалар және басқа да тазартқыш шүберектер бетін тырнауы мүмкін.
- ℹ Тоңазытқыштың шкафын тазарту үшін жылы суды пайдаланыңыз және құрғатып сүртіңіз.
- ℹ Ішін бір шай қасық сода бикарбонаты мен бір пинта су ерітіндісінен сығылған дымқыл шүберекті пайдаланып тазалаңыз, содан кейін оны құрғатып сүртіңіз.
- ⚠ Шамның корпусына және басқа электрлік заттарға су кірмейтініне көз жеткізіңіз.
- ⚠ Егер тоңазытқышыңыз ұзақ уақыт бойы пайдаланылмайтын болса, қуат кабелін розеткадан ажыратыңыз, барлық тағамдарды алыңыз, оны тазалаңыз және есікті ашық қалдырыңыз.
- ℹ Есіктің тығыздағыштары таза екенін және оларда тамақ бөлшектері жоқ екенін үнемі тексеріп отырыңыз.
- ⚠ Есік сөрелерін алып тастау үшін ішіндегісінің барлығын алып тастаңыз, содан кейін есік сөресін негізінен жоғары қарай итеріңіз.
- ⚠ Өнімнің сыртқы беттерін және хроммен қапталған бөліктерін тазалау үшін құрамында хлор бар тазалағыш заттарды немесе суды ешқашан пайдаланбаңыз. Хлор мұндай металл беттерде коррозияны тудырады.

⚠ Пластик бөліктегі баспалардың алынуы мен деформациясын болдырмау үшін өткір, абразивті құралдарды, сабынды, тұрмыстық тазартқыш заттарды, жуғыш заттарды, керосинді, мазутты, лактарды, т.б. пайдаланбаңыз. Тазалау үшін жылы су мен жұмсақ шүберекті пайдаланыңыз, содан кейін оны құрғатып сүртіңіз.

Пластик беттерді қорғау

❗ Сұйық майларды немесе маймен пісірілген тағамдарды тоңазытқышқа жабық ыдыста салмаңыз, себебі олар тоңазытқыштың пластик беттерін бүлдіреді. Пластик беттерге май төгілген немесе жағылған жағдайда, беттің тиісті бөлігін бірден жылы сумен жуып, шайыңыз.

7 Ақаулықтарды жою

Сервистік орталыққа қоңырау шалу алдында осы тізімді қарап шығыңыз. Бұл уақытыңыз бен ақшаңызды үнемдейді. Бұл тізім ақаулықпен жасауға немесе материалдарды пайдалануға қатысты емес жиі болатын шағымдарды қамтиды. Мұнда сипатталған кейбір мүмкіндіктер сіздің өніміңізде болмауы мүмкін.

Тоңазытқыш жұмыс істемейді.

- Аша розеткаға дұрыс қосылмаған. >>>Ашаны розеткаға берік түрде қосыңыз.
- Тоңазытқышыңыз қосылған розетканың сақтандырғышы немесе негізгі сақтандырғыш күйіп кетті.
>>>Сақтандырғышты тексеріңіз.

Тоңазытқыш бөлімінің бүйірлік қабырғасындағы конденсат (MULTI ZONE (БІРЕНШЕ АЙМАҚ), COOL CONTROL (САЛҚЫНДАТУДЫ БАСҚАРУ) және FLEXI ZONE (ИКЕМДІ АЙМАҚ)).

- Есік жиі ашылған. >>>Тоңазытқыштың есігін жиі ашып-жаппаңыз.
- Қоршаған орта өте ылғалды. >>>Тоңазытқышты ылғалдылығы жоғары жерге қоймаңыз.
- Құрамында сұйықтық бар тағам ашық ыдыста сақталады.
>>>Сұйықтығы бар тағамды ашық ыдыстарда сақтамаңыз.
- Тоңазытқыштың есігі ашық қалдырылған.
>>>Тоңазытқыштың есігін жабыңыз.
- Термостат өте суық деңгейге орнатылған.
>>>Термостатты қолайлы деңгейге орнатыңыз.
- Компрессор жұмыс істемей тұр.

- Тоңазытқыштың салқындату жүйесіндегі салқындатқыштың қысымы әлі теңдестірілмегендіктен, электр қуатының кенеттен өшуі немесе розеткадан суырулар және қосулар кезінде компрессордың қорғаныш термикасы сөніп қалады. Тоңазытқыш шамамен 6 минуттан кейін жұмыс істей бастайды. Осы мерзім аяқталған кезде тоңазытқыш іске қосылмаса, сервистік орталыққа қоңырау шалыңыз.
- Тоңазытқыш еріту циклында. >>>Бұл толығымен автоматты ерітетін тоңазытқыш үшін қалыпты болып табылады. Еріту циклы мезгіл-мезгіл жүреді.
- Тоңазытқыш розеткаға қосылмаған. >>>Ашаның розеткаға сай екеніне көз жеткізіңіз.
- Температура параметрлері дұрыс орнатылмаған. >>>Қолайлы температура мәнін таңдаңыз.
- Электр қуаты сөніп қалды. >>>Тоңазытқыш қуат қалпына келтірілгенде қалыпты жұмысына оралады.

Тоңазытқыш жұмыс істеп тұрған кезде жұмыс шуы күшейеді.

- Тоңазытқыштың жұмыс өнімділігі қоршаған орта температурасының өзгеруіне байланысты өзгеруі мүмкін. Бұл ақаулық емес, қалыпты жағдай.

Тоңазытқыш жиі немесе ұзақ уақыт бойы жұмыс істейді.

- Жаңа өнім алдындағысынан кеңірек болуы мүмкін. Үлкен тоңазытқыштар ұзақ уақыт бойы жұмыс істейді.
- Бөлме температурасы тым жоғары болуы мүмкін. >>>Өнімнің ыстық ортада ұзағырақ уақыт бойы жұмыс істеуі қалыпты болып табылады.
- Тоңазытқыш жақында розеткаға қосылған болуы мүмкін немесе оған тамақ салынған болуы мүмкін. >>>Жақында тоңазытқыш электр желісіне қосылса немесе оған азық-түлік салынса, оның орнатылған температураға жетуіне ұзағырақ уақыт кетеді. Бұл қалыпты.
- Жақында тоңазытқышқа ыстық тамақ көп мөлшерде салынған болуы мүмкін. >>>Тоңазытқышқа ыстық тамақты салмаңыз.
- Есіктер жиі ашылуы немесе ұзақ уақытқа ашық қалдырылған болуы мүмкін. >>>Тоңазытқышқа кірген жылы ауа тоңазытқыштың ұзағырақ уақыт бойы жұмыс істеуіне әкеледі. Есіктерді жиі ашпаңыз.
- Мұздатқыш немесе тоңазытқыш бөлімінің есігі ашық қалдырылған болуы мүмкін. >>>Есіктердің толығымен жабылғанын тексеріңіз.
- Тоңазытқыш өте төмен температураға реттелген. >>>Тоңазытқыштың температурасын жылырақ градусқа реттеңіз және температураға жеткенше күтіңіз.
- Тоңазытқыштың немесе мұздатқыштың есік тығыздағышы ластануы, тозуы, жыртылуы немесе дұрыс отырмауы мүмкін. >>>Тығыздағышты тазалаңыз немесе ауыстырыңыз. Зақымдалған/жыртылған тығыздағыш тоңазытқыштың ағымдағы температураны ұстап тұру үшін ұзағырақ уақыт бойы жұмыс істеуіне әкеледі.

Тоңазытқыштың температурасы жеткілікті кезде мұздатқыштың температурасы өте төмен болады.

- Мұздатқыш температурасы өте төмен мәнге реттелген. >>>Мұздатқыштың температурасын жылырақ градусқа реттеңіз және тексеріңіз.

Тоңазытқыштың температурасы өте төмен, ал мұздатқыштың температурасы жеткілікті.

- Тоңазытқыштың температурасы өте төмен мәнге реттелген. >>>Тоңазытқыштың температурасын жылырақ градусқа реттеңіз және тексеріңіз.

Тоңазытқыш бөлімі тартпаларында сақталған тағамдар мұздатылған.
<ul style="list-style-type: none"> • Тоңазытқыштың температурасы өте жоғары мәнге реттелген. >>>Тоңазытқыш температурасын төмен мәнге реттеп, тексеріңіз.
Тоңазытқыштағы немесе мұздатқыштағы температура өте жоғары.
<ul style="list-style-type: none"> • Тоңазытқыштың температурасы өте жоғары мәнге реттелген. >>>Тоңазытқыш бөлімінің температура параметрі мұздатқыштың температурасына әсер етеді. Тоңазытқыштың немесе мұздатқыштың температурасын өзгертіңіз және тиісті бөлімдер жеткілікті температураға жеткенше күтіңіз. • Есіктер жиі ашылады немесе ұзақ уақытқа ашық қалдырылады. >>>Есіктерді тым жиі ашпаңыз. • Есік ашық. >>>Есікті толығымен жабыңыз. • Жақында тоңазытқыш розеткаға қосылды немесе оған тамақ салынды. >>>Бұл қалыпты болып табылады. Тоңазытқыш жақында электр желісіне қосылса немесе оған тамақ салынса, оның белгіленген температураға жетуіне ұзағырақ уақыт кетеді. • Жақында тоңазытқышқа ыстық тамақ көп мөлшерде салынған болуы мүмкін. >>>Тоңазытқышқа ыстық тамақты салмаңыз.
• Дірілдер немесе шу.
<ul style="list-style-type: none"> • Еден тегіс немесе тұрақты емес. >>>Егер тоңазытқыш баяу қозғалтқанда шайқалса, оны табандарын реттеу арқылы теңестіріңіз. Сондай-ақ, еденнің тоңазытқышты көтеру үшін жеткілікті берік және тегіс екеніне көз жеткізіңіз. • Тоңазытқыш үстіне қойылған нәрселер шу тудыруы мүмкін. >>>Тоңазытқыштың үстіндегі нәрселерді алыңыз.
Тоңазытқыштан сұйықтық ағып жатқан, бүрку, т.б. сияқты шулар шығады.
<ul style="list-style-type: none"> • Сұйықтық және газ ағындары тоңазытқышыңыздың жұмыс істеу принциптеріне сәйкес орын алады. Бұл ақаулық емес, қалыпты жағдай.
Тоңазытқыштан ысқырық шығады.
<ul style="list-style-type: none"> • Тоңазытқышты салқындату үшін желдеткіштер пайдаланылады. Бұл ақаулық емес, қалыпты жағдай.

Тоңазытқыштың ішкі қабырғаларындағы конденсация.

- Ыстық немесе ылғалды ауа райы мұздануды және конденсацияны арттырады. Бұл ақаулық емес, қалыпты жағдай.
- Есіктер жиі ашылады немесе ұзақ уақытқа ашық қалдырылады. >>>Есіктерді тым жиі ашпаңыз. Егер ашық болса, оларды жабыңыз.
- Есік ашық. >>>Есікті толығымен жабыңыз.

Тоңазытқыштың сыртында немесе есіктердің арасында ылғалдылық пайда болады.

- Ауада ылғал болуы мүмкін; бұл ылғалды ауа райында қалыпты болып табылады. Ылғалдылық азырақ кезде конденсация жоғалады.

Тоңазытқыш ішіндегі жағымсыз иіс.

- Тұрақты тазалау жүргізілмейді. >>>Тоңазытқыштың ішін губкамен, жылы сумен немесе суда еріген карбонатпен үнемі тазалап отырыңыз.
- Кейбір контейнерлер немесе орауыш материалдары иісті тудыруы мүмкін. >>>Басқа контейнерді немесе басқа маркалы орауыш материалын пайдаланыңыз.
- Тағам тоңазытқышқа қақпағы жоқ ыдыстарда салынған. >>>Тағамды жабық ыдыстарда ұстаңыз. Микроағзалар жабылмаған ыдыстардан жайылып, жағымсыз иістер тудыруы мүмкін.
- Мерзімі аяқталған және бұзылған тағамдарды тоңазытқыштан алыңыз.

Есік жабылмай жатыр.

- Тамақ орауыштары есіктің жабылуына жол бермейді. >>>Есікке кедергі келтіріп тұрған орауыштарды ауыстырыңыз.
- Тоңазытқыш еденде толығымен тегіс тұрған жоқ. >>>Тоңазытқышты теңгеру үшін табандарды реттеңіз.
- Еден тегіс немесе қатты емес. >>>Еденнің тегіс екеніне және тоңазытқышты көтере алатындығына көз жеткізіңіз.

Жемістер мен көкөністер контейнері тұрып қалды.

- Тағам тартпаның төбесіне тиіп тұр. >>>Тартпадағы тағамды қайта орналастырыңыз.

Егер өнімнің беті ыстық болса.

- Өнім жұмыс істеп тұрған кезде екі есіктің арасында, бүйірлік панельдерде және артқы грильде жоғары температуралар байқалуы мүмкін. Бұл қалыпты және қызмет көрсетуді қажет етпейді!