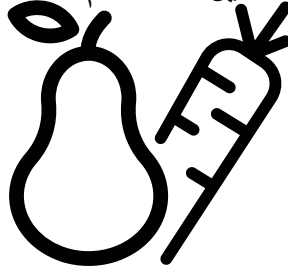


# beko

**Refrigerator**  
User Manual  
**Réfrigérateur**  
Manuel d'Utilisateur

الثلاجة

دليل المستخدم



RDNE700E40XB

CE

EN/FR/AR

58 8232 0000/AA EN-FR-AR



RECYCLED &  
RECYCLABLE PAPER

**Dear Customer,**

**Please read this manual before using the product.**

Thank you for choosing this product. We would like you to achieve the optimal efficiency from this high quality product which has been manufactured with state of the art technology. To do this, carefully read this manual and any other documentation provided before using the product and keep it as a reference.


Heed all information and warnings in the user manual. This way, you will protect yourself and your product against the dangers that may occur.

Keep the user manual. Include this guide with the unit if you hand it over to someone else.

The following symbols are used in the user guide:










 Hazard that may result in death or injury.

**NOTICE** A hazard that may cause material damage to the product or its surroundings

 Important information or useful tips on operation.


 Read the user manual.


 Risk of fire / Flammable materials


<b>1 Safety Instructions</b>	<b>3</b>	6.3 Humidity controlled crisper (EverFresh+) . . . 16
 1.1 Purpose of usage . . . . .	3	6.4 Blue Light/HarvestFresh . . . . . 16
 1.2 Safety of children, vulnerable persons and pets. . . . .	3	6.5 Anti-Odour Module . . . . . 17 (FreshGuard) . . . . . 17
 1.3 Electrical safety . . . . .	4	6.6 Ice bucket . . . . . 18
 1.4 Handling Safety . . . . .	4	6.7 Ice maker. . . . . 18
 1.5 Installation Safety . . . . .	4	6.8 The dairy (cold storage) bin . . . . . 18
 1.6 Operational safety . . . . .	5	6.9 Crisper . . . . . 19
 1.7 Maintenance and cleaning safety . . . . .	7	6.10 Crisper . . . . . Separator . . . . . 19
 1.8 HomeWhiz . . . . .	7	6.11 Cleaning of the Ethylene Filter . . . . . 19
 1.9 Lighting . . . . .	7	6.12 Cleaning of the Crisper Separator . . . . . 20
<b>2 Environmental instructions</b>	<b>8</b>	6.13 Freezing fresh food. . . . . 21
2.1 Compliance with the WEEE Directive and Disposing of the Waste Product: . . . . .	8	6.14 Recommendations for storing frozen foods in the freezer compartment . . . . . 21
2.2 Compliance with RoHS Directive . . . . .	8	6.15 Deep freezer details . . . . . 22
2.3 Package information. . . . .	8	6.16 Placing food . . . . . 22
<b>3 Your Refrigerator</b>	<b>9</b>	6.17 Door open alert . . . . . 22
<b>4 Installation</b>	<b>10</b>	6.18 Illumination lamp . . . . . 22
4.1 The right place for installation . . . . .	10	<b>7 Maintenance and cleaning</b>
4.2 For Products With Water Fountain / Ice Maker	10	7.1 Stainless Steel External Surfaces. . . . . 23
4.3 Attaching the plastic wedges . . . . .	10	7.2 Cleaning of the Products with Glass Doors. . 23
4.4 Adjustment of the feet. . . . .	11	<b>7 Maintenance and cleaning</b>
4.5 Electrical connection. . . . .	11	7.3 Preventing Odours. . . . . 24
<b>5 Preparation</b>	<b>12</b>	7.4 Protecting Plastic Surfaces . . . . . 24
5.1 What to do for energy saving . . . . .	12	<b>8 Troubleshooting</b>
5.2 First operation . . . . .	12	<b>25</b>
<b>6 Operating the Product</b>	<b>13</b>	
6.1 Turning off the product . . . . .	13	
<b>6 Operation of the Product</b>	<b>14</b>	
6.2 Indicator panel . . . . .	14	


# 1 Safety Instructions


- This section includes the safety instructions necessary to prevent the risk of personal injury or material damage.
- Our company shall not be held responsible for damages that may occur if these instructions are not observed.

 Installation and repair operations shall always be performed by Authorized Service.

 Always use genuine spare parts and accessories.

 Original spare parts will be provided for 10 years, following the product purchasing date.

 Do not repair or replace any part of the product unless specified expressly in the user manual.

 Do not perform any modifications on the product.

## 1.1 Purpose of usage

- This product is not intended for commercial use and it shall not be used out of its intended purpose.

This product is intended for operating interiors, such as households or similar.

For example;

- In the staff kitchens of the stores, offices and other working environments,
- In farm houses,
- In the units of hotels, motels or other resting facilities that are used by the customers,
- In hostels, or similar environments,
- In catering services and similar non-retail applications.

This product shall not be used in open or enclosed external environments such as vessels, balconies or terraces. Exposing the product to rain, snow, sunlight and wind may cause risk of fire.

## 1.2 Safety of children, vulnerable persons and pets

- This product may be used by children aged 8 years and older and persons with underdeveloped physical, sensory or mental capabilities or lack of experience and knowledge if they have been given supervision or instruction concerning use of the appliance in a the product safe way and the hazards involved.
- Children between 3 and 8 years are allowed to put and take out food to/ from the cooler product.
- Electrical products are dangerous for children and pets. Children and pets must not play with, climb on, or enter the product.
- Cleaning and user maintenance should not be performed by children unless there is someone overseeing them.
- Keep the packaging materials away from children. Risk of injury and suffocation.
- Before disposing of old products that shall not be used any more:
  1. Unplug the power cord from the mains socket.
  2. Cut the power cord and remove it from the appliance together with the plug.
  3. Do not remove the racks and drawers from the product to prevent children from getting inside the appliance.
  4. Remove the doors.
  5. Store the product so that it shall not be tipped over.
  6. Do not allow children to play with the scrapped product.
- Do not dispose of the product by throwing it into fire. Risk of explosion.
- If there is a lock available in the product's door, keep the key out of children's reach.

# Important safety and environment instructions

## 1.3 Electrical safety

- The product shall not be plugged into the outlet during installation, maintenance, cleaning, repair, and transportation operations.
- If the power the cord is damaged, it shall be replaced by authorized service only to avoid any risk that may occur.
- Do not tuck the power cord under the product or to the rear of the product. Do not put heavy items on the power cord. The power cord should not be bent, crushed, and come into contact with any heat source.
- Do not use an extension cord, multi-plug or adaptor to operate your product.
- Portable multi sockets or portable power supplies may overheat and cause fire. Thus, do not have a multi-plug behind or in the vicinity of the product.
- The plug shall be easily accessible. If this is not possible, a mechanism that meets the electrical legislation and that disconnects all terminals from the mains (fuse, switch, main switch, etc.) shall be available on the electrical installation.
- Do not touch the plug with wet hands.
- When unplugging the appliance, don't hold the power cord, but the plug.
- When positioning the appliance, ensure the supply cord is not trapped or damaged
- Do not locate multiple portable socket-outlets or portable power supplies at the rear of the appliance.

## 1.4 Handling Safety

- This product is heavy, do not handle it by yourself.
- Do not hold the product from its door while handling the product.

- Be careful not to damage the cooling system and the pipes while handling the product. Do not operate the product if the pipes are damaged, and contact an authorized service.

## 1.5 Installation Safety

- Contact the Authorized Service for the product's installation. To prepare the product for installation, see the information in the user guide and make sure the electric and water utilities are as required. If the installation is not suitable, call a qualified electrician and plumber to have them make the necessary arrangements. Otherwise, electric shock, fire, issues with the product or injuries may occur.
- Check for any damage on the product before installing it. Do not have the product installed if it is damaged.
- Place the product on a level and hard surface and balance with the adjustable legs. Otherwise, the refrigerator may tip over and cause injuries.
- The product shall be installed in a dry and ventilated environment. Do not keep carpets, rugs or similar floor covers under the product. This may cause risk of fire as a result of inadequate ventilation!
- Do not block or cover ventilation holes. Otherwise, power consumption may be increased and damage to your product may occur.
- Do not connect the product to supply systems such as solar power supplies. Otherwise, damage to your product may occur as a result of the abrupt voltage fluctuations!
- The more refrigerant a refrigerator contains, the bigger its installation room shall be. In very small rooms,

# Important safety and environment instructions

a flammable gas-air mixture may occur in case of a gas leak in the cooling system. At least 1 m<sup>3</sup> of volume is required for each 8 grams of refrigerant. The amount of the refrigerant available in your product is specified in the Type Label.

- The installation place of the product shall not be exposed to direct sunlight and it shall not be in the vicinity of a heat source such as stoves, radiators, etc.

If you cannot prevent installation of the product in the vicinity of a heat source, you shall use a suitable insulation plate and the minimum distance to the heat source shall be as specified below.

- At least 30 cm away from heat sources such as stoves, heating units and heaters, etc.,
- And at least 5 cm away from electric ovens.

- Your product has the protection class of I. Plug the product in a grounded socket that conforms with the Voltage, Current and Frequency values specified in the type label. The socket outlet shall be equipped with a fuse with a rating of 10 A - 16 A. Our company shall not be responsible for the damages that shall be incurred as a result of operating the product without ensuring ground and electrical connections made as per local or national regulations.
- The product's power cable must be unplugged during installation. Otherwise, risk of electric shock and injury may occur!
- Do not plug the product to loose, broken, dirty, greasy sockets or sockets that has come out their seats or sockets with a risk of water contact.
- Place the power cord and hoses (if available) of the product so that they shall not cause a risk of tripping over.
- Penetration of humidity to live parts or to the power cord may cause short circuit. Thus, do not use the product in humid environments or in areas where water may splash (e.g. garage, laundry room, etc.) If the refrigerator is wet by water, unplug it and contact an authorized service.
- Do not connect your refrigerator to power saving devices. These systems are harmful for the product.

## 1.6 Operational safety

- Do not use chemical solvents on the product. These materials contain an explosion risk.
- In case of a failure of the product, unplug it and do not operate until it is repaired by the authorized service. There is a risk of electric shock!
- Do not place a source of flame (e.g. candles, cigarettes, etc.) on the product or in the vicinity of it.
- Do not get on the product. Risk of falling and injury!
- Do not cause damage to the pipes of the cooling system using sharp and piercing tools. The refrigerant that sprays out in case of puncturing the gas pipes, pipe extensions or upper surface coatings may cause irritation of skin and injuries of the eyes.
- Do not place and operate electric appliances inside the refrigerators/deep freezer unless it is advised by the manufacturer.
- Do not jam any parts of your hands or your body to the moving parts inside the product. Be careful to prevent jamming of your fingers between the refrigerator and its door. Be careful while opening or closing the door if there are children around.
- Do not put ice cream, ice cubes or frozen food to your mouth as soon as you take them out of the freezer. Risk of frostbite!
- Do not touch the inner walls, metal parts of the freezer or food kept inside the refrigerator with wet hands. Risk of frostbite!
- Do not place soda cans or cans and bottles that contain fluids that may be frozen to the freezer compartment. Cans or bottles may explode. Risk of injury and material damage!

## Important safety and environment instructions

- Do not use or place materials sensitive against temperature such as flammable sprays, flammable objects, dry ice or other chemical agents in the vicinity of the refrigerator. Risk of fire and explosion!
- Do not store explosive materials such as aerosol cans with flammable materials inside the product.
- Do not place cans containing fluids over the product. Splashing of water on an electrical part may cause the risk of an electric shock or a fire.
- This product is not intended for storage and cooling of medicines, blood plasma, laboratory preparations or similar materials and products that are subject to the Medical Products Directive.
- If the product is used against its intended purpose, it may cause damage to or deterioration of the products kept inside.
- If your refrigerator is equipped with blue light, do not look at this light with optical devices. Do not stare directly at UV LED light for a long time. Ultraviolet rays may cause eye strain.
- Do not fill the product with more food than its capacity. Injuries or damages may occur if the contents of the refrigerator falls when the door is opened. Similar problems may occur when an object is placed over the product.
- Ensure that you have removed any ice or water that may have fallen to the floor to prevent injuries.
- Change the locations of the racks/ bottle racks on the door of your refrigerator while the racks are empty only. Danger of physical injury!
- Do not place objects that may fall/ tipped over on the product. These objects may fall while opening or closing the door and cause injuries and/or material damages.
- Do not hit or exert excessive pressure on glass surfaces. Broken glass may cause injuries and/or material damages.
- The cooling system in your product contains R600a refrigerant. The refrigerant type used in the product is specified in the the type label. This gas is flammable. Therefore, be careful not to damage the cooling system and the pipes while operating the product. In case of damage to the pipes;
  - do not touch the product or the power cord,
  - Keep the product away from potential sources of fire that may cause the product to catch fire.
  - ventilation the area where the product is placed. Do not use a fan.
  - Contact authorized service.
- If the product is damaged and you observe gas leak, please stay away from the gas. Gas may cause frostbite if it contacts your skin.

### For Products With Water Fountain / Ice Maker

- Use only drinking water. Do not fill the water tank with fruit juice, milk, fizzy beverages, alcoholic beverages or any other liquids incompatible for use in the water fountain. This may cause risk to your health and safety.
- Do not allow the children to play with the water dispenser or Ice Maker to prevent accidents and injuries.
- Do not insert your fingers or other objects inside the hole of the water dispenser, ice channel or inside the container of the Ice Maker. This may cause injuries or material damages.

# Important safety and environment instructions

## 1.7 Maintenance and cleaning safety

- Do not pull by the door handle if you shall move the product for cleaning purposes. Handle may cause injuries if it is pulled too hard.
- Do not clean the product by spraying or pouring water on the product and inside the product. Risk of electric shock and fire.
- Do not use sharp or abrasive tools to clean the product. Do not use materials such as household cleaning agents, detergents, gas, gasoline, alcohol, wax, etc.
- Use cleaning and maintenance agents that are not harmful for food only inside the product.
- Do not use steam or steamed cleaning materials for cleaning the product and thawing the ice inside it. Steam contacts the live areas in your refrigerator and causes short circuit or electric shock!
- Take care to keep water away from the electronic circuits or lighting of the product.
- Use a clean, dry cloth to wipe the dust or foreign material on the tips of the plugs. Do not use a wet or damp piece of cloth to clean the plug. Otherwise, risk of fire or electric shock may occur.

## 1.8 HomeWhiz

**(May not be applicable for all models)**

- Follow the safety warnings even if you are away from the product while operating the product via HomeWhiz app. Also, pay attention to the warnings in the app.

## 1.9 Lighting

**(May not be applicable for all models)**

- Contact an authorized service when you shall replace the LED / bulb using for lighting.



## 2 Environmental instructions

### 2.1 Compliance with the WEEE Directive and Disposing of the Waste Product:

This product complies with EU WEEE Directive (2012/19/EU). This product bears a classification symbol for waste electrical and electronic equipment (WEEE).



This symbol indicates that this product shall not be disposed with other household wastes at the end of its service life. Used device must be returned to official collection point for recycling of electrical

and electronic devices. To find these collection systems please contact to your local authorities or retailer where the product was purchased. Each household performs important role in recovering and recycling of old appliance. Appropriate disposal of used appliance helps prevent potential negative consequences for the environment and human health.

### 2.2 Compliance with RoHS Directive

The product you have purchased complies with EU RoHS Directive (2011/65/EU). It does not contain harmful and prohibited materials specified in the Directive.

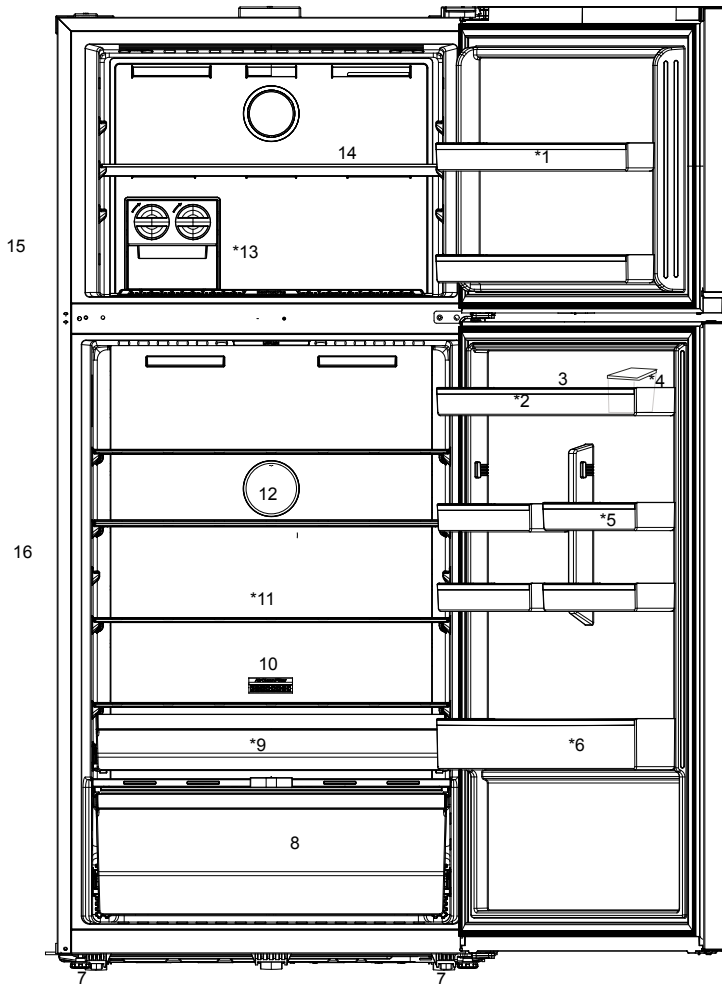
### 2.3 Package information



Packaging materials of the product are manufactured from recyclable materials in accordance with our National Environment Regulations. Do not dispose

of the packaging materials together with the domestic or other wastes. Take them to the packaging material collection points designated by the local authorities.

### 3 Your Refrigerator



- |   |                                     |
|---|-------------------------------------|
| 1- Freezer compartment door shelves               | 10- Filter                          |
| 2- Cooler compartment door shelves                | 11- Glass shelves                   |
| 3- Egg Holder                                     | 12- Fan                             |
| 4- Water fountain                                 | 13- Icemats                         |
| 5- Cooler compartment small door shelves          | 14- Freezer compartment glass shelf |
| 6- Bottle shelf                                   | 15- Freezer compartment             |
| 7- Adjustable stands                              | 16- Cooler compartment              |
| 8- Crisper, Crisper separator and ethylene filter |                                     |
| 9- The dairy (cold storage) bin                   |                                     |



\*Optional: Figures in this user guide are schematic and may not be exactly match your product. If your product does not comprise the relevant parts, the information pertains to other models.

### 4.1 The right place for installation

Your product requires adequate air circulation to function efficiently. If the product will be placed in an alcove, remember to leave at least 5 cm clearance between the product and the ceiling, rear wall and the side walls.

If the product will be placed in an alcove, remember to leave at least 5 cm clearance between the product and the ceiling, rear wall and the side walls. Check if the rear wall clearance protection component is present at its location (if provided with the product). If the component is not available, or if it is lost or fallen, position the product so that at least 5 cm clearance shall be left between the rear surface of the product and the wall of the room. The clearance at the rear is important for efficient operation of the product.

### 4.2 For Products With Water Fountain / Ice Maker

- The hose sets supplied with the product shall be used. Do not use the old hose sets. Do not extend the hoses!
- Always connect your product to cold water inlet. Do not perform installation on the hot water inlet. The pressure for the cold water inlet shall be 80 PSI (550 kPa) maximum. If your water pressure exceeds 80Psi or has a water impact effect, use a pressure limiting valve on your mains system. Ask help from professional plumbers if you do not know how to control your water pressure.

High pressure may cause damage to the hose connections and pose a risk of flooding.

- Take required precautions against the risk of freezing of hoses. The operating water temperature interval shall be 0.6°C (33°F) minimum and 38°C (100°F) maximum. There is a risk of flooding if the hose is cracked/perforated.



**WARNING:** Do not use extension or multi sockets in power connection.



**WARNING:** The manufacturer assumes no responsibility for any damage caused by the work carried out by unauthorized persons.



**WARNING:** The product's power cable must be unplugged during installation. Failure to do so may result in death or serious injuries!



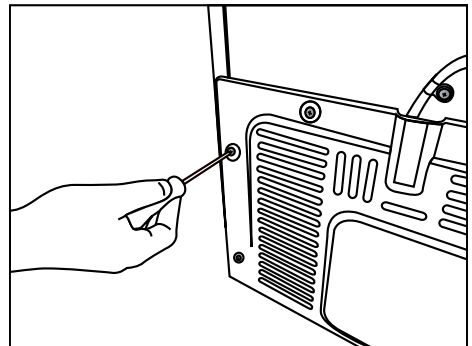
**WARNING:** : If the door span is too narrow for the product to pass, remove the door and turn the product sideways; if this does not work, contact the authorized service.

- Place the product on a flat surface to avoid vibration.
- Place the product at least 30 cm away from the heater, stove and similar sources of heat and at least 5 cm away from electric ovens.
- Do not expose the product to direct sunlight or keep in damp environments.
- The product requires adequate air circulation to function efficiently. If the product will be placed in an alcove, remember to leave at least 5 cm distance between the product and the ceiling and the walls.

### 4.3 Attaching the plastic wedges

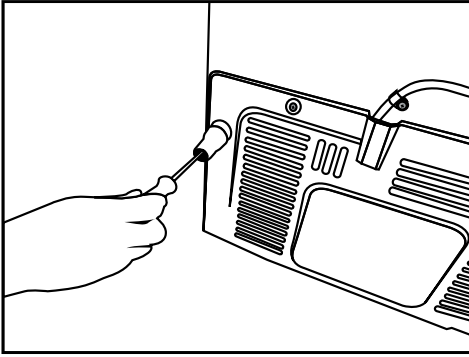
Use the plastic wedges in the provided with the product to provide sufficient space for air circulation between the product and the wall.

1. To attach the wedges, remove the screws on the product and use the screws provided with the wedges.



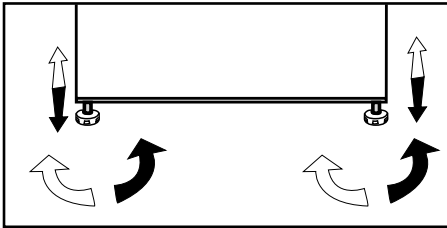
## Installation

2. Attach 2 plastic wedges on the ventilation cover as shown in the figure.



### 4.4 Adjustment of the feet

If the product is not in balanced position, adjust the front adjustable stands by rotating right or left.



### 4.5 Electrical connection



**WARNING:** Do not use extension or multi sockets in power connection.



**WARNING:** Damaged power cable must be replaced by Authorized Service.

- Our firm will not assume responsibility for any damages due to usage without earthing and power connection in compliance with national regulations.
- The power cable plug must be easily accessible after installation.



#### Hot surface warning!

The side walls of your product are equipped with cooler pipes to enhance the cooling system. High pressure fluid may flow through these surfaces, and cause hot surfaces on the side walls. This is normal and it does not require servicing. Be careful when you contact these areas.

## 5 Preparation



Read the "Safety Instructions" section first!

### 5.1 What to do for energy saving



Connecting the product to electronic energy-saving systems is harmful, as it may damage the product.

- Do not keep the refrigerator doors open for long periods.
- Do not place hot food or beverages into the refrigerator.
- Do not overfill the refrigerator; blocking the internal air flow will reduce cooling capacity.
- Depending on the product's features; defrosting frozen foods in the cooler compartment will ensure energy saving and preserve food quality.
- Since hot and humid air will not directly penetrate into your product when the doors are not opened, your product will optimize itself in conditions sufficient to protect your food. Functions and components such as compressor, fan, heater, defrost, lighting, display and so on will operate according to the needs to consume minimum energy under these circumstances.
- Food shall be stored using the drawers in the cooler compartment in order to ensure energy saving and protect food in better conditions.

### 5.2 First operation

Before using your refrigerator, make sure the necessary preparations are made in line with the instructions in "Safety and environment instructions" and "Installation" sections.

- Keep the product running without placing any food inside for 12 hours and do not open the door, unless absolutely necessary.



A sound will be heard when the compressor is engaged. It is normal to hear sound even when the compressor is inactive, due to the compressed liquids and gasses in the cooling system.



It is normal for the front edges of the refrigerator to be warm. These areas are designed to warm up in order to prevent condensation.



For some models, indicator panel turns off automatically 1 minutes after the door closes. It will be reactivated when the door is open or any button is pressed.

## **6** Operating the Product

- Do not use any mechanical tools or any other tools than the recommendations of the manufacturer to speed up the thawing operation.
- Do not use parts of your refrigerator such as the door or drawers as a support or a step. This may cause the product to trip over or its components to be damaged.
- The product shall be used for storing food only.
- Turn off the water valve if you will be away from home (e.g. at vacation) and you will not be using the Ice Maker or the water dispenser for a long period of time. Otherwise, water leaks may occur.

### **6.1 Turning off the product**

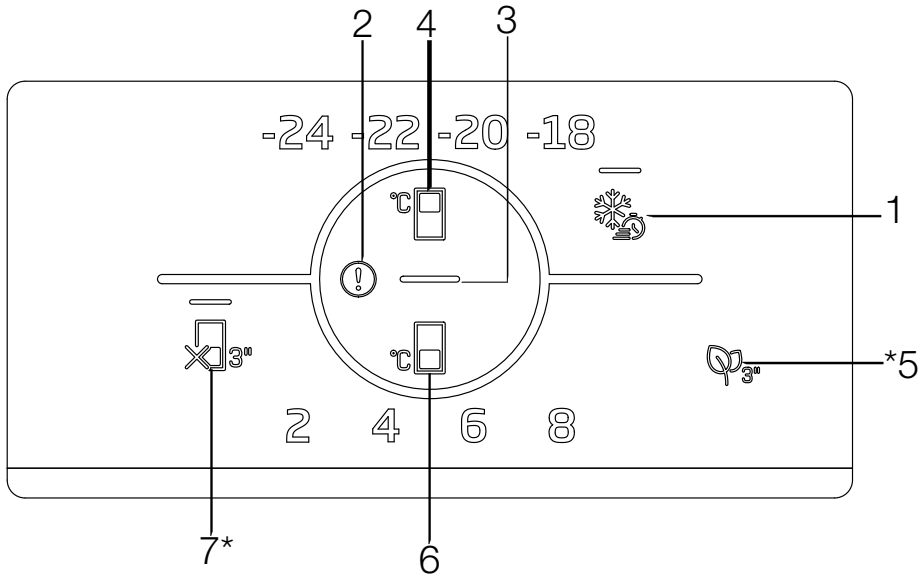
- If you shall not be using the product for a long period;
  - unplug it,
  - remove the food to prevent odours,
  - wait until the ice is thawed,
  - clean the inside and wait until it is dried.
  - leave the doors open to prevent damage to internal body plastics.

## 6 Operation of the Product

### 6.2 Indicator panel

Indicator panels may vary depending on the model of your product.

Audial and visual functions of the indicator panel will assist in using the refrigerator.



1. Quick Freezing Key/ Handle Light Function Setting Key
2. Fault Condition Indicator
3. Energy Saving (Display Off) Indicator
4. Freezer Compartment Temperature Setting Key
5. Odor Removal Module Key
6. Cooling Compartment Temperature Setting Key
7. Cooling Compartment OFF (Vacation) Function Key




\*Optional: Figures in this user guide are schematic and may not be exactly match your product. If your product does not comprise the relevant parts, the information pertains to other models.

## Using the product


### 1. Quick Freezing Key

When the quick freeze key is pressed, the LED on the key is illuminated and the quick freeze function shall be activated. The freezer compartment temperature is set to  $-27^{\circ}\text{C}$ . Press the key again to cancel Quick freeze function will automatically self-cancel in 52 hours. To freeze a large amount of fresh food, press the quick freeze key before placing the food in the freezer compartment.

### \*Handle Light Function Setting Key

Handle light function might be switched between open and closed modes by pressing quick freezing button () for 3 seconds. In the closed mode, the handle light is only activated when the appliance door is opened and it goes out after a while after the door is closed. In the open mode, the handle light is activated when the appliance door is opened, the handle light stays on dimly after a while after the door is closed. The handle light function is set to the ex-factory closed mode.


### 2. Fault Condition Indicator

This indicator () shall be active when your refrigerator cannot perform adequate cooling or in case of any sensor error. The letter "E" in the freezer compartment temperature indicator, and digits like 1,2,3... on the cooling compartment temperature indicator will be displayed.

These figures provide information to the authorized service on the error that has occurred.

Exclamation mark may be displayed when you load warm food to the freezing compartment or keep the door open for a long period of time. This is not a fault, this warning shall be removed when the food is cooled down or when any key is pressed.

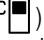
### 3. Energy Saving (Display Off) Indicator

Energy saving function is enabled automatically and the energy saving symbol () is displayed when the door of the product is not opened or closed for some period of time. When the energy saving function is active, all symbols on the screen other than the energy saving symbol shall be turned off.

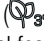
When the energy-saving function is active, pressing any key or opening the door will deactivate the energy-saving function and the display signals

will return to normal. The energy-saving function is a function activated ex-factory and cannot be cancelled.


### 4. Freezing Compartment Temperature Setting Key

Temperature setting is made for cooler compartment. Pressing the key () will enable the freezer compartment temperature to be set at  $-18, -20, -22, -24$  Celsius.


### 5. Odor Removal Module Key

Press this key for 3 seconds to enable/disable odor removal feature. The () LED on the key turns on when odor removal feature is enabled. When the feature is enabled, odor removal module works periodically.

### 6. Cooling Compartment Temperature Setting Key

Allows setting of temperature for cooler compartment (). Pressing the key will enable the cooling compartment temperature to be set at  $2, 4, 6, 8$  Celsius.

### 7. Cooling Compartment OFF (Vacation) Function Key

To activate vacation function () , press the button for 3 seconds. The vacation mode will be activated and the LED on the button will be lit.

The cooling compartment does not perform active cooling function. You shall not keep your food in the cooling compartment when this function is activated. The other compartments continue to cool according to the set temperatures. Press the key for 3 seconds again to cancel this function.



## Using the product

### 6.3 Humidity controlled crisper (EverFresh+)

#### (Optional)

Thanks to the humidity controlled crisper, vegetables and fruits may be stored for a longer period at an environment with ideal humidity conditions. With the humidity setting system with 3 options in front of your crisper, you may control the humidity inside the compartment as per the food you store. We recommend you to store your food by selecting vegetable option when you store vegetables only, fruit option when you store fruit only and mixed option when you store mixed food.

We recommend that the vegetables and fruits shall not be stored in bags to improve the storage period of the food and to better benefit from the humidity control system. Leaving them in plastic bags causes vegetables to rot in a short time.

We recommend that cucumbers and broccolis, in particular, are not stored in closed bags. In situations where contact with other vegetables is not preferred, use packaging materials such as paper that has a certain level of porosity in terms of hygiene.

When placing the vegetables, place heavy and hard vegetables at the bottom and light and soft ones on the top, taking into account the specific weights of vegetables.

Do not put fruits that have a high ethylene gas production such as pear, apricot, peach and particularly apple in the same crisper with other vegetables and fruits. The ethylene gas coming out of these fruits might cause other vegetables and fruits to mature faster and rot in a shorter period of time.

### 6.4 Blue Light/HarvestFresh (Optional)

#### For Blue light,

Vegetables and fruit stored in crispers illuminated with blue light continue to perform photosynthesis and retain their levels of C vitamin thanks to the effect of the wavelength of the blue light.

#### For HarvestFresh,

Vegetables and fruit stored in crispers illuminated with HarvestFresh technology retain their vitamin levels (vitamins A and C) for a longer period thanks to the cycles of blue, green, red lights and dark that simulate the cycle of the day.

When the door of your refrigerator is opened during the dark period of the HarvestFresh technology, your refrigerator shall sense this automatically and illuminate the crisper with one of the blue, green or red lights respectively for your convenience. The dark period shall be continued when you close the door of your refrigerator so that it shall represent the night period of the day cycle.

### 6.5 Anti-Odour Module

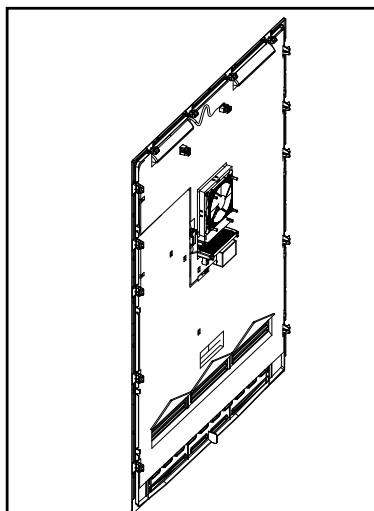
#### (FreshGuard)

#### (This feature is optional)

Anti-odour module removes odour that occur inside your refrigerator before it permeates on the surfaces. Thanks to this module positioned on the roof the fresh food compartment, bad odour is removed while the air is actively passed through the odour filter, and the air cleaned in the filter is directed back to the fresh food compartment. Thus, undesired odour that may occur during the storage of food inside the refrigerator is removed from the environment before it permeates on the surfaces.

This feature is provided with the fan, LED and odour filter placed inside the module. Anti-odour module shall be automatically activated periodically. If the door of the fresh food compartment is opened while the module is active, fan is stopped temporarily, and it continues to operate when the door is closed. In case of a power failure, anti-odour module starts to operate when the power is restored.

**info:** To prevent bad odours that may occur with the mixture of odours from different food, we recommend you to store aromatic food such as cheese, olives and delicatessen in their packaging and with their lids closed. For the safety of other food stored and to prevent bad odours, we recommend you to remove the food that you have observed to be spoilt from the refrigerator as soon as possible.



## Using the product

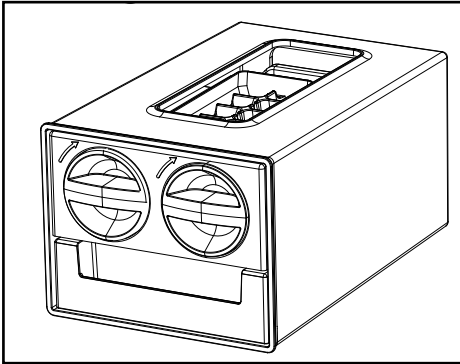
### 6.6 Ice bucket

#### (This feature is optional)

Ice bucket allows you take ice easily from the refrigerator.

#### Using the ice bucket

1. Take the ice bucket from the freezer compartment.
2. Fill the ice bucket with water.
3. Place the ice bucket into the freezer compartment. The ice will be ready after approximately two hours.
4. Take the ice bucket from the freezer compartment and bend in slightly over the holder that you are going to serve. Ice will easily pour into the serving holder.



### 6.7 Ice maker

#### (This feature is optional)

Ice maker allows you take ice easily from the refrigerator.

Using the ice bucket

1. Remove the water tank in the cooler compartment.
2. Fill the water tank with water.
3. Place the water tank back. First ice will be ready in about 4 hours in the ice maker drawer in the freezer compartment.



You may obtain about 60-70 cubes of ice when the water tank is full.



Water inside the water tank shall be replaced within 2-3 weeks at most.

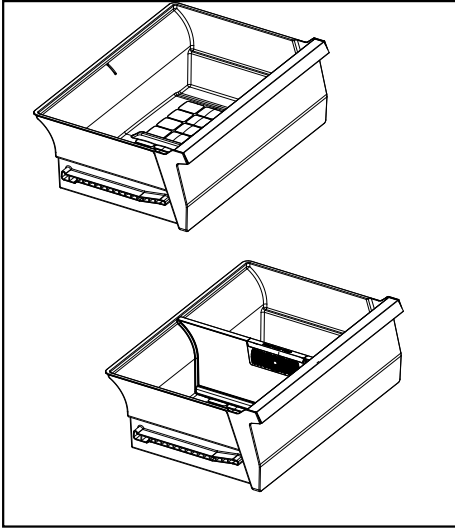
### 6.8 The dairy (cold storage) bin

The dairy (cold storage) bin " provides lower temperature within the refrigerator compartment. Use this bin to store delicatessen (salami, sausages, dairy products and etc. ) that requires lower storage temperature or meat, chicken or fish products for immediate consumption. Do not store fruits and vegetables inside this bin.

## Using the product

### 6.9 Crisper

The refrigerator's crisper is designed to keep vegetables fresh by preserving humidity. For this purpose, the overall cold air circulation is intensified in the crisper. Keep fruits and vegetables in this compartment. Keep the green-leaved vegetables and fruits separately to prolong their life.



### 6.10 Crisper Separator

#### Ethylene Filter

The ethylene retaining filter helps to remove the ethylene gas and bad odours released from the vegetables and fruits in the crisper.

You may store the fruits such as pear, apricot, peach and particularly apples, which generate high amount of ethylene gas, separately with other vegetables and fruits in the same crisper thanks to the vegetable separator.

The ethylene gas released from these fruits may cause your other vegetables and fruits to ripen faster and rot in a shorter time.

Thanks to this feature, you may keep your fresh food and particularly your green vegetables that are sensitive to ethylene gas fresh for a longer period of time.

You may store your food for a longer period of time by placing the foods sensitive to ethylene gas in one of the compartments separated by the crisper separator, and the foods that generate ethylene gas in the other compartment.

Foods that generate ethylene gas and that are sensitive to ethylene gas are listed below.

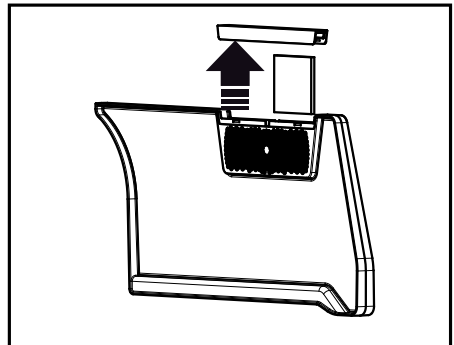
Food that generate ethylene gas	Food that are sensitive to ethylene gas
Apple, pear, apricot, peach, nectarine, avocado, kiwi, plum, fig, quince, tomato	Fresh green vegetables (such as lettuce, parsley), strawberry, cherry, grapes, orange, tangerine, pineapple, cherry, lemon, cucumber, broccoli, pepper, eggplant, okra, zucchini

### 6.11 Cleaning of the Ethylene Filter

Ethylene filter shall be cleaned once a year.

Remove the ethylene filter by pulling the filter cover upwards as shown in the figure.

Leave the ethylene filter under sunlight for a day. Thus, your filter shall be cleaned.



## Using the product

Put the filter back, and close the upper cover.

To provide maximum effectiveness of your filter and to preserve its performance, avoid contact with oil and similar fluids, and materials such as water and detergents. Communicate with the service to replace your filter with a new one after such contact.

### 6.12 Cleaning of the Crisper Separator

To prevent blockage of the clean air holes of the crisper separator, wipe it with a clean, dry cloth in specified intervals. If the separator shall be washed, always remove the filter from the separator.



**WARNING:** Ensure that the holes around the filter are not blocked to ensure air circulation.

## Using the product

### 6.13 Freezing fresh food

- Activate the fast freezing function by pressing the «Fast Freeze» button 24 hours before loading the food to be frozen.
- 24 hours after pressing the button, place your hot food on glass shelf of the product.
- The fast freezing function will be automatically inactivated after 52 hours.
- Do not try to freeze a large quantity of food at a time. Within 24 hours, this product can freeze the maximum food quantity specified as «Freezing Capacity ... kg/24 hours» on its type label. It is not convenient to put more unfrozen/fresh foods than the quantity specified on the label.
- When you put unfrozen food into the product, avoid placing them contacting frozen food.
- Freezing the food items when fresh will extend the storage time in the freezer compartment.
- Pack the food items in air-tight packs and seal tightly.
- Make sure the food items are packed before putting in the freezer. Use freezer holders, tinfoil and damp-proof paper, plastic bag or similar packaging materials instead of traditional packaging paper.
- Mark each food pack by writing the date on the package before freezing. This will allow you to determine the freshness of each pack every time the freezer is opened. Keep the earlier food items in the front to ensure they are used first.
- Frozen food items must be used immediately after defrosting and should not be frozen again.
- Do not free large quantities of food at once.

Freezer Compartment Temperature Setting	Cooler Compartment Temperature Setting	Details:
-18°C	4°C	This is the default, recommended setting.
-20,-22 or -24°C	4°C	These settings are recommended for ambient temperatures exceeding 30°C.
Quick Freeze	4°C	Use when you want to freeze your food in a short time. When the process ends, the product will regain its position.
-18°C or colder	2°C	Use these settings if you believe the cooler compartment is not cold enough due to ambient temperature or frequently opening the door.

### 6.14 Recommendations for storing frozen foods in the freezer compartment

The compartment must be set to at least -18°C.

1. Place the food items in the freezer as quickly as possible to avoid defrosting.
2. Before freezing, check the "Expiry Date" on the package to make sure it is not expired.
3. Make sure the food's packaging is not damaged.

## Using the product

### 6.15 Deep freezer details

As per the IEC 62552 standards, at 25°C room temperature, the freezer must have the capacity to freeze 4,5 kg of food items at -18°C or lower temperatures in 24 hours for each 100 litres of freezer compartment volume.

Food items can only be preserved for extended periods at or below temperature of -18°C .

You can keep the foods fresh for months (in deep freezer at or below temperatures of 18°C ).

The food items to be frozen must not contact the already-frozen food inside to avoid partial defrosting.

Boil the vegetables and filter the water to extend the frozen storage time. Place the food in air-tight packages after filtering and place in the freezer. Bananas, tomatoes, lettuce, celery, boiled eggs, potatoes and similar food items should not be frozen. In case this food rots, only nutritional values and eating qualities will be negatively affected. A rotting threatening human health is not in question.

### 6.16 Placing food

Freezer compartment shelves	Various frozen goods including meat, fish, ice cream, vegetables etc.
Cooler compartment shelves	Food items inside pots, capped plate and capped cases, eggs (in capped case)
Cooler compartment door shelves	Small and packed food or beverages
Crisper	Fruits and vegetables
Fresh food compartment	Delicatessen (breakfast food, meat products to be consumed in short notice)

### 6.17 Door open alert

An audible alert will be heard if the product's door remains open for 1,5 minute. The audible alert will stop when the door is closed or any button on the display (if available) is pressed.

### 6.18 Illumination lamp

Interior light uses a LED type lamp. Contact the authorized service for any problems with this lamp. Lamp(s) used in this appliance cannot be used for house lighting. Intended use of this lamp is to help the user place food into the refrigerator / freezer safely and comfortably.

## 7 Maintenance and cleaning



**WARNING:** Read the “Safety Instructions” section first!.



**WARNING:** Unplug the refrigerator before cleaning it.

- Do not use sharp or abrasive tools to clean the product. Do not use materials such as household cleaning agents, soap, detergents, gas, gasoline, alcohol, wax, etc.
- The dust shall be removed from the ventilation grill on the rear of the product at least once a year (without opening the cover). Cleaning shall be performed with a dry cloth.

### For Products With Water Fountain / Ice Maker

- If the water in the water tank has waited for 2-3 weeks, it shall be replaced.
- The water tank and the components of the water fountain shall not be washed in dishwashers.
- Melt a teaspoonful of carbonate in the water. Moisten a piece of cloth in the water and wring out. Wipe the device with this cloth and dry off thoroughly.
- Take care to keep water away from the lamp's cover and other electrical parts.
- Clean the door with a damp cloth. Remove all contents to remove the door and body racks. Remove the door racks by lifting them upwards. Clean and dry the shelves, then attach back in place by sliding from above.
- Do not use chlorinated water or cleaning products on the exterior surface and chrome-coated parts of the product. Chlorine will cause rust on such metallic surfaces.
- Do not use sharp and abrasive tools, soap, house cleaning materials, detergents, gas, gasoline, varnish and similar substances to prevent deformation of the plastic part and removal of prints on the part. Use warm water and a soft cloth for cleaning, and then dry it.
- On the products without a No-Frost feature, water droplets and icing up to a thickness of a finger may occur on the rear wall of the freezer

compartment. Do not clean, and never apply oils or similar materials.

- Use a mildly dampened micro-fiber cloth to clean the external surface of the product. Sponges and other types of cleaning clothes may cause scratches.
- To clean all removable components during the cleaning of the interior surface of the product, wash these components with a mild solution consisting of soap, water and carbonate. Wash and dry thoroughly. Prevent contact of water with illumination components and the control panel.



### CAUTION:

Do not use vinegar, rubbing alcohol or other alcohol based cleaning agents on any interior surface.

## 7.1 Stainless Steel External Surfaces

Use a non-abrasive stainless steel cleaning agent and apply it with a soft lint-free cloth. To polish, gently wipe the surface with a micro-fiber cloth dampened with water and use dry polishing chamois. Always follow the veins of the stainless steel.

## 7.2 Cleaning of the Products with Glass Doors

Remove the protective foil on the glasses. There is a coating on the surface of the glasses. This coating minimizes formation of stains and provides easy cleaning of the stains and dirt that have been formed. Glass that is not protected by coating may be exposed to permanent bonding of organic or inorganic, air and water-based contaminants such as limestone, mineral salts, unburned hydrocarbons, metal oxides and silicones, which cause staining and physical damage easily in a short period of time. Keeping the glasses clean becomes very difficult, if not impossible, despite the fact they are cleaned regularly. As a result, the transparency and appearance of the glass deteriorates. Hard and abrasive cleaning methods and agents further increase these defects and accelerate the process of deterioration.



## 7 Maintenance and cleaning

For routine cleaning processes, \*non-alkaline and non-corrosive water based cleaning products shall be used.

In order to have a longer service life of this coating, alkaline and corrosive substances shall not be used during cleaning.

A tempering process is applied to increase the resistance of these glasses against impacts and breakage.

As an additional safety precaution, a safety film has been applied to the rear surface of these glasses to prevent harm to the environment in case it breaks.

### 7.3 Preventing Odours

The product is manufactured free of any odorous materials. However, keeping the food in inappropriate sections and improper cleaning of internal surfaces may lead to odours.

To avoid this, clean the inside with carbonated water every 15 days.

- Keep the foods in sealed holders.

Microorganisms may spread out of unsealed food items and cause malodour.

- Do not keep expired and spoilt foods in the refrigerator.



Tea is one of the most effective odour removers. Place the pulp of the brewed tea in the product inside an open container and remove it after 12 hours at the latest. If you keep the tea pulp inside the product for longer than 12 hours, it will collect the organisms that cause the odour so it can be the source of odour itself.

### 7.4 Protecting Plastic Surfaces

Oil spilled on plastic surfaces may damage the surface and must be cleaned immediately with warm water.

## 8 Troubleshooting

Check this list before contacting the service. Doing so will save you time and money. This list includes frequent complaints that are not related to faulty workmanship or materials. Certain features mentioned herein may not apply to your product.

### **The refrigerator is not working.**

- The power plug is not fully settled. >>> Plug it in to settle completely into the socket.
- The fuse connected to the socket powering the product or the main fuse is blown. >>> Check the fuse.

### **Condensation on the side wall of the cooler compartment (MULTI ZONE, COOL, CONTROL and FLEXI ZONE).**

- The door is opened too frequently >>> Take care not to open the product's door too frequently.
- The environment is too humid. >>> Do not install the product in humid environments.
- Foods containing liquids are kept in unsealed holders. >>> Keep the foods containing liquids in sealed holders.
- The product's door is left open. >>> Do not keep the product's door open for long periods.
- The thermostat is set to a very cool temperature. >>> Set the thermostat to an appropriate temperature.

### **Compressor is not working.**

- In case of sudden power failure or pulling the power plug off and putting back on, the gas pressure in the product's cooling system is not balanced, which triggers the compressor thermic safeguard. The product will restart after approximately 6 minutes. If the product does not restart after this period, contact the service.
- Defrosting is active. >>> This is normal for a fully-automatic defrosting product. The defrosting is carried out periodically.
- The product is not plugged in. >>> Make sure the power cord is plugged in.
- The temperature setting is incorrect. >>> Select the appropriate temperature setting.
- The power is out. >>> The product will continue to operate normally once the power is restored.

### **The refrigerator's operating noise is increasing while in use.**

- The product's operating performance may vary depending on the ambient temperature variations. This is normal and not a malfunction.

### **The refrigerator runs too often or for too long.**

## Troubleshooting

- The new product may be larger than the previous one. Larger products will run for longer periods.
- The room temperature may be high. >>> The product will normally run for long periods in higher room temperature.
- The product may have been recently plugged in or a new food item is placed inside. >>> The product will take longer to reach the set temperature when recently plugged in or a new food item is placed inside. This is normal.
- Large quantities of hot food may have been recently placed into the product. >>> Do not place hot food into the product.
- The doors were opened frequently or kept open for long periods. >>> The warm air moving inside will cause the product to run longer. Do not open the doors too frequently.
- The freezer or cooler door may be ajar. >>> Check that the doors are fully closed.
- The product may be set to temperature too low. >>> Set the temperature to a higher degree and wait for the product to reach the adjusted temperature.
- The cooler or freezer door washer may be dirty, worn out, broken or not properly settled. >>> Clean or replace the gasket. Damaged / torn door washer will cause the product to run for longer periods to preserve the current temperature.

### **The freezer temperature is very low, but the cooler temperature is adequate.**

- The freezer compartment temperature is set to a very low degree. >>> Set the freezer compartment temperature to a higher degree and check again.

### **The cooler temperature is very low, but the freezer temperature is adequate.**

- The cooler compartment temperature is set to a very low degree. >>> Set the freezer compartment temperature to a higher degree and check again.

### **The food items kept in cooler compartment drawers are frozen.**

- The cooler compartment temperature is set to a very low degree. >>> Set the freezer compartment temperature to a higher degree and check again.

### **The temperature in the cooler or the freezer is too high.**

- The cooler compartment temperature is set to a very high degree. >>> Temperature setting of the cooler compartment has an effect on the temperature in the freezer compartment. Wait until the temperature of relevant parts reach the sufficient level by changing the temperature of cooler or freezer compartments.
- The doors were opened frequently or kept open for long periods. >>> Do not open the doors too frequently.
- The door may be ajar. >>> Fully close the door.
- The product may have been recently plugged in or a new food item is placed inside. >>> This is normal. The product will take longer to reach the set temperature when recently plugged in or a new food item is placed inside.
- Large quantities of hot food may have been recently placed into the product. >>> Do not place hot food into the product.

### **Shaking or noise.**

- The ground is not level or durable. >>> If the product is shaking when moved slowly, adjust the stands to balance the product. Also make sure the ground is sufficiently durable to bear the product.
- Any items placed on the product may cause noise. >>> Remove any items placed on the product.

### **The product is making noise of liquid flowing, spraying etc.**

- The product's operating principles involve liquid and gas flows. >>> This is normal and not a malfunction.

## Troubleshooting

### **There is sound of wind blowing coming from the product.**

- The product uses a fan for the cooling process. This is normal and not a malfunction.

### **There is condensation on the product's internal walls.**

- Hot or humid weather will increase icing and condensation. This is normal and not a malfunction.
- The doors were opened frequently or kept open for long periods. >>> Do not open the doors too frequently; if open, close the door.
- The door may be ajar. >>> Fully close the door.

### **There is condensation on the product's exterior or between the doors.**

- The ambient weather may be humid, this is quite normal in humid weather. >>> The condensation will dissipate when the humidity is reduced.

### **The interior smells bad.**

- The product is not cleaned regularly. >>> Clean the interior regularly using sponge, warm water and carbonated water.
- Certain holders and packaging materials may cause odour. >>> Use holders and packaging materials without free of odour.
- The foods were placed in unsealed holders. >>> Keep the foods in sealed holders. Micro-organisms may spread out of unsealed food items and cause malodour.
- Remove any expired or spoilt foods from the product..

### **The door is not closing.**

- Food packages may be blocking the door. >>> Relocate any items blocking the doors.
- The product is not standing in full upright position on the ground. >>> Adjust the stands to balance the product.
- The ground is not level or durable. >>> Make sure the ground is level and sufficiently durable to bear the product.

### **The crisper is jammed.**

- The food items may be in contact with the upper section of the drawer. >>> Reorganize the food items in the drawer.

### **In case of a Hot Surface on the Product,**

- High temperature may be observed between two doors, on the side panels and on the rear grill area while your product is operated. This is normal and it does not require servicing!

### **Fan continues to operate when the door is opened.**

- Fan may continue to operate when the the freezer door is open.



**WARNING:** If the problem persists after following the instructions in this section, contact your vendor or an Authorized Service. Do not try to repair the product.

This product is equipped with a lighting source of the "G" energy class.  
The lighting source in this product shall only be replaced by professional repairers.

**Cher client,**

**Veillez lire ce manuel avant d'utiliser l'appareil.**

Nous vous remercions d'avoir choisi ce produit. Nous aimerions que vous obteniez une efficacité optimale de ce produit de haute qualité qui a été fabriqué avec une technologie de pointe. À cette fin, lisez attentivement ce manuel et toute autre documentation fournie avant d'utiliser le produit et conservez-les comme référence.

Tenez compte de toutes les informations et de tous les avertissements figurant dans le manuel d'utilisation. De cette façon, vous vous protégez, vous et votre produit, contre les dangers qui peuvent survenir.

Conservez le manuel d'utilisation. Joignez ce guide à l'unité si vous le remettez à quelqu'un d'autre.

Les symboles suivants sont utilisés dans le manuel d'utilisation :



Il s'agit d'un danger qui peut entraîner la mort ou des blessures.

**AVERTISSEMENT** Un danger qui peut causer des dommages matériels au produit ou à son environnement



Informations importantes ou conseils utiles sur le fonctionnement.



Lisez le manuel d'utilisation.




Risque d'incendie/matériaux inflammables


<b>1. Consignes de sécurité</b>	<b>3</b>	6.3 Bac à légumes à humidité contrôlée (EverFresh+) . . . . . 17
 1.1 Utilisation prévue. . . . . 3		6.4 Lumière bleue/HarvestFresh . . . . . 17
 1.2 - Sécurité des enfants, des personnes vulnérables et des animaux domestiques . . 3		6.5 Module Anti-Odeur . . . . . 18 (Garde fraîche) . . . . . 18
 1.3 - Sécurité électrique . . . . . 4		6.6 Seau à glace . . . . . 19
 1.4 - Sécurité des transports . . . . . 4		6.7 Machine à glaçons . . . . . 19
 1.5 - Sécurité d'installation . . . . . 4		6.8 Le compartiment des produits laitiers (entrepôt frigorifique) . . . . . 19
 1.6- Sécurité opérationnelle. . . . . 5		6.9 Bac à légumes . . . . . 19
 1.7- Sécurité de maintenance et de nettoyage7		6.11 Nettoyage du filtre à éthylène . . . . . 20
 1.8- HomeWhiz. . . . . 7		6.12 Nettoyage du séparateur de crise . . . . . 20
 1.9- Éclairage . . . . . 7		6.10 Séparateur de crise . . . . . 20
<b>2 Instructions environnementales</b>	<b>8</b>	6.13 Congélation des aliments frais . . . . . 21
2.1 Conformité avec la Directive WEEE et Mise au rebut des appareils usagés : . . . . . 8		6.14 Recommandations pour la conservation des aliments congelés dans le compartiment congélateur . . . . . 21
2.2 Conformité avec la Directive RoHS . . . . . 8		6.15 Informations relatives au congélateur . . . . 22
2.3 Informations sur l'emballage. . . . . 8		6.16 Placement de la nourriture . . . . . 22
<b>3 Votre réfrigérateur</b>	<b>9</b>	6.17 Alerte de porte ouverte . . . . . 22
<b>4 Installation</b>	<b>10</b>	6.18 Lampe d'éclairage . . . . . 22
4.1 Le bon endroit pour l'installation . . . . . 10		<b>7 Entretien et nettoyage</b>
4.2 Pour les produits avec fontaine d'eau / machine à glace . . . . . 10		<b>23</b>
4.3 Fixation des cales en plastique . . . . . 10		7.1 Surfaces extérieures en acier inoxydable . . 23
4.4 Ajustement des pieds . . . . . 11		7.2 Nettoyage des produits avec des portes en verre . . . . . 23
4.5. Raccordement électrique . . . . . 11		<b>7 Entretien et nettoyage</b>
<b>5 Préparation</b>	<b>12</b>	<b>24</b>
5.1 Comment économiser l'énergie . . . . . 12		7.3 Prévention des odeurs . . . . . 24
5.2 Première opération . . . . . 12		7.4 Protection des surfaces en plastique . . . . 24
<b>6 Fonctionnement de l'appareil</b>	<b>13</b>	<b>8 Dépannage</b>
6.1 Éteindre le produit . . . . . 13		<b>25</b>
<b>6 Fonctionnement du produit</b>	<b>14</b>	
6.2 Panneau indicateur. . . . . 14		


# 1. Consignes de sécurité


- Cette section contient des consignes de sécurité qui vous aideront à vous protéger contre les risques de dommages corporels ou matériels.
- Notre société n'est pas responsable des dommages qui peuvent survenir lorsque ces instructions ne sont pas suivies.

 Les opérations d'installation et de réparation sont toujours effectuées par le fabricant, un agent de service agréé ou une personne qualifiée désignée par l'importateur.

 N'utilisez que des pièces et accessoires d'origine.

 Les pièces de rechange d'origine seront fournies pendant 10 ans, à compter de la date d'achat du produit.

 Ne pas réparer ou remplacer une partie du produit, sauf si cela est expressément spécifié dans le manuel d'utilisation.

 N'apportez aucune modification technique au produit.

## 1.1 Utilisation prévue

- Le présent produit ne peut être utilisé à des fins commerciales et ne doit pas être utilisé hors de son usage prévu.

Le présent produit est destiné à être utilisé dans les maisons et les lieux intérieurs.

Par exemple :

- Cuisines du personnel dans les magasins, bureaux et autres environnements de travail,

- Exploitations agricoles,
- Zones utilisées par les clients dans les hôtels, motels et autres types d'hébergement,
- Hôtels de type lit & petit déjeuner, pensionnats,
- Applications telles que la restauration et la vente au détail.

Il faut éviter d'utiliser ce produit à l'extérieur avec ou sans tente au-dessus, par exemple sur les bateaux, les balcons ou les terrasses. Il ne faut pas exposer le produit à la pluie, à la neige, au soleil ou au vent.

Le risque d'incendie est bien présent !

## 1.2 - Sécurité des enfants, des personnes vulnérables et des animaux domestiques

- Cet appareil peut être utilisé par des enfants âgés d'au moins 8 ans et par des personnes ayant des capacités physiques, sensorielles ou mentales réduites ou dénuées d'expérience ou de connaissance, s'ils (si elles) sont correctement surveillé(es) ou si des instructions relatives à l'utilisation de l'appareil en toute sécurité leur ont été données et si les risques encourus ont été appréhendés. Les enfants ne doivent pas jouer avec l'appareil. Le nettoyage et l'entretien par l'utilisateur doivent pas être effectués par des enfants sans surveillance.
- Les produits électriques sont dangereux pour les enfants et les animaux domestiques. Les enfants et les animaux ne doivent pas jouer avec, grimper ou entrer dans le produit.
- Le nettoyage et l'entretien des utilisateurs sont interdits aux enfants, sauf s'ils sont surveillés par quelqu'un.
- Gardez les matériaux d'emballage hors de portée des enfants. Le risque de blessure et d'étouffement est bien présent !
- Avant de se débarrasser du produit ancien ou obsolète :

**1.** Débranchez le produit en le saisissant par la fiche.

**2.** Coupez le câble d'alimentation et retirez-le de l'appareil avec sa fiche

# Instructions importantes en matière de sécurité et d'environnement

3. Ne retirez pas les étagères ou les tiroirs afin qu'il soit plus difficile pour les enfants d'entrer dans le produit.
4. Enlever les portes.
5. Gardez le produit de manière à ce qu'il ne bascule pas.
6. Ne laissez pas les enfants jouer avec l'ancien produit.
  - Ne jetez jamais le produit au feu pour l'éliminer. Cela pourrait entraîner une explosion !
  - S'il y a un verrou sur la porte du produit, la clé doit être gardée hors de la portée des enfants.

## 1.3 - Sécurité électrique

- Le produit doit être débranché pendant les procédures d'installation, d'entretien, de nettoyage, de réparation et de déplacement.
- Si le câble d'alimentation est endommagé, il doit être remplacé par une personne qualifiée désignée par le fabricant, l'agent de service autorisé ou l'importateur afin d'éviter tout danger potentiel.
- Ne comprimez pas le câble d'alimentation sous ou derrière le produit. Ne placez pas d'objets lourds sur le câble d'alimentation. Le câble d'alimentation ne doit pas être trop plié, pincé ou entrer en contact avec une source de chaleur.
- N'utilisez pas de rallonges, de multiprises ou d'adaptateurs pour faire fonctionner le produit.
- Les multiprises ou les sources d'alimentation portables peuvent surchauffer et provoquer un incendie. Par conséquent, ne gardez aucune prise multiple derrière ou près du produit.
- La prise doit être facilement accessible. En cas d'impossibilité, l'installation électrique à laquelle le produit est connecté doit comporter un dispositif (tel qu'un fusible, un interrupteur, un disjoncteur, etc.) conforme à la réglementation électrique et qui déconnecte tous les pôles du réseau.
- Il ne faut pas toucher la prise de courant avec les mains mouillées.

- Retirez la fiche de la prise en saisissant la fiche et non le câble.
- Lors du positionnement de l'appareil, assurez-vous que le cordon d'alimentation n'est pas coincé ou endommagé.
- N'installez pas plusieurs prises d'alimentation portatives ou blocs d'alimentation portatifs à l'arrière de l'appareil.

## 1.4 - Sécurité des transports

- Le produit est lourd ; ne le déplacez pas seul.
- Ne tenez pas sa porte lorsque vous déplacez le produit.
- Assurez-vous de ne pas endommager le système de refroidissement ou la tuyauterie pendant le transport. Si la tuyauterie est endommagée, n'utilisez pas le produit et appelez l'agent de service agréé.

## 1.5 - Sécurité d'installation

- Adressez-vous à l'agent de service agréé pour l'installation du produit. Pour que le produit soit prêt à l'emploi, vérifiez les informations contenues dans le manuel de l'utilisateur pour vous assurer que les installations d'électricité et d'eau sont adaptées. En cas contraire, appelez un électricien et un plombier qualifiés pour prendre les dispositions nécessaires. Dans le cas contraire, il y a risque de choc électrique, d'incendie, de problèmes avec le produit ou de blessures !
- Avant de procéder à l'installation, vérifiez si le produit présente des défauts. Si le produit est endommagé, ne le faites pas installer.
- Déposez le produit sur une surface propre, plane et solide et équilibrez-le à l'aide de pieds réglables. Dans le cas contraire, le produit peut se renverser et provoquer des blessures.
- Il faut que le lieu d'installation soit sec et bien ventilé. Il ne faut pas placer de tapis, de moquettes ou de couvertures similaires sous le produit. Le manque de ventilation fait courir un risque d'incendie !



# Instructions importantes en matière de sécurité et d'environnement

- Il ne faut pas couvrir ou bloquer les ouvertures de ventilation. Dans le cas contraire, la consommation d'énergie augmente et votre produit risque d'être endommagé.
- Il ne faut pas que le produit soit connecté à des systèmes d'alimentation tels que les alimentations solaires. Dans le cas contraire, votre produit risque d'être endommagé par des changements de tension soudains !
- Plus un réfrigérateur contient de réfrigérant, plus l'emplacement d'installation doit être grand. Si le lieu d'installation est trop petit, un mélange inflammable de réfrigérant et d'air s'accumulera en cas de fuite de réfrigérant dans le système de refroidissement. L'espace requis pour chaque 8 gr de réfrigérant est de 1 m<sup>3</sup> minimum. La quantité de réfrigérant dans votre produit est indiquée sur l'étiquette de type.
- Il ne faut pas installer le produit dans des endroits exposés à la lumière directe du soleil et il faut le tenir éloigné des sources de chaleur telles que les plaques de cuisson, les radiateurs, etc.
- Il ne faut pas brancher le produit dans des prises qui sont desserrées, disloquées, cassées, sales, graisseuses ou qui risquent d'entrer en contact avec de l'eau.
- Faites passer le câble d'alimentation et les tuyaux (le cas échéant) du produit de manière à ce qu'ils ne risquent pas de trébucher.
- L'exposition des pièces sous tension ou du câble d'alimentation à l'humidité peut provoquer un court-circuit. Par conséquent, n'installez pas le produit dans des endroits tels que les garages ou les buanderies où l'humidité est élevée ou l'eau peut éclabousser. Si le réfrigérateur est mouillé par de l'eau, débranchez-le et appelez l'agent de service agréé.
- Ne connectez jamais votre réfrigérateur à des appareils à économie d'énergie. Ces systèmes sont nocifs pour votre produit.

S'il est inévitable d'installer le produit à proximité d'une source de chaleur, une plaque isolante appropriée doit être utilisée entre les deux et les distances minimales suivantes doivent être respectées par rapport à la source de chaleur :

- Distance minimale de 30 cm des sources de chaleur telles que les plaques de cuisson, les fours, les appareils de chauffage ou les poêles,
- Minimum 5 cm des fours électriques.
- La classe de protection de votre produit est de type I. Branchez le produit dans une prise de terre conforme aux valeurs de tension, de courant et de fréquence indiquées sur la plaque signalétique du produit. La prise doit être équipée d'un disjoncteur de 10 A - 16 A. Notre société n'est pas responsable des dommages qui pourraient survenir lorsque le produit est utilisé sans mise à la terre et sans connexion électrique conformément aux réglementations locales et nationales.
- Le produit ne doit pas être branché pendant l'installation. Dans le cas contraire, il y a risque de choc électrique et de blessure !



## 1.6- Sécurité opérationnelle

- Il ne faut jamais utiliser de solvants chimiques sur le produit. Cela pourrait entraîner une explosion !
- Au cas où le produit fonctionnerait mal, débranchez-le et ne le faites pas fonctionner tant qu'il n'a pas été réparé par le service après-vente agréé. Il y a un risque de choc électrique !
- Il ne faut pas placer de sources de flamme (bougies allumées, cigarettes, etc.) sur ou à proximité du produit.
- Ne montez pas sur le produit. Le risque de tomber et de se blesser est bien présent !
- Il ne faut pas endommager les tuyaux du système de refroidissement avec des objets pointus ou pénétrants. Le fluide frigorigène qui peut sortir lorsque les tuyaux, les extensions de tuyaux ou les revêtements de surface sont percés provoque des irritations de la peau et des lésions oculaires.
- Il ne faut pas placer ou utiliser d'appareils électriques à l'intérieur du réfrigérateur/ congélateur profond, sauf si le fabricant le recommande.

# Instructions importantes en matière de sécurité et d'environnement

- Veillez à ne pas vous coincer les mains ou toute autre partie de votre corps dans les pièces mobiles à l'intérieur du réfrigérateur. Faites attention à ne pas serrer vos doigts entre la porte et le réfrigérateur. Soyez prudent lorsque vous ouvrez et fermez la porte, surtout s'il y a des enfants autour.
- Ne mangez jamais de crème glacée, de glaçons ou d'aliments surgelés juste après les avoir sortis du réfrigérateur. Le risque d'engelures est bien présent !
- Il faut éviter de toucher les parois intérieures ou les parties métalliques du congélateur ou les aliments qui y sont stockés lorsque vous avez les mains mouillées. Le risque d'engelures est bien présent !
- Il ne faut pas placer dans le compartiment congélateur des boîtes ou des bouteilles contenant des boissons gazeuses ou des liquides congelables. Les boîtes et les bouteilles peuvent éclater. Le risque de blessures et de dommages matériels est bien présent !
- Il ne faut pas placer ou utiliser de sprays inflammables, de matériaux inflammables, de glace sèche, de substances chimiques ou de matériaux thermosensibles similaires à proximité du réfrigérateur. Le risque d'incendie et d'explosion est bien présent !
- Il ne faut pas stocker dans votre produit des matières explosives qui contiennent des matières inflammables, comme les bombes aérosols.
- Il ne faut pas placer des récipients remplis de liquide sur le produit. Les éclaboussures d'eau sur une partie électrique peuvent provoquer un choc électrique ou un risque d'incendie.
- Ce produit n'est pas destiné à conserver des médicaments, du plasma sanguin, des préparations de laboratoire ou des substances et produits médicaux similaires soumis à la directive sur les produits médicaux.
- Le fait d'utiliser le produit contre sa destination peut entraîner la détérioration ou l'altération des produits stockés à l'intérieur de celui-ci.
- Il faut éviter de regarder cette lumière avec des outils optiques car votre réfrigérateur est équipé d'une lumière bleue. Il ne faut pas fixer directement la lampe LED UV pendant une longue période. La lumière ultraviolette peut provoquer une fatigue oculaire.
- Il ne faut pas surcharger le produit. Des objets dans le réfrigérateur peuvent tomber lorsque la porte est ouverte, provoquant des blessures ou des dommages. Des problèmes similaires peuvent survenir si un objet est placé sur le produit.
- Afin d'éviter les blessures, assurez-vous d'avoir nettoyé toute la glace et l'eau qui ont pu tomber ou éclabousser le sol.
- Changez la position des étagères / porte-bouteilles sur la porte de votre réfrigérateur uniquement lorsqu'ils sont vides. Le risque de blessure est bien présent !
- Il ne faut pas placer d'objets qui peuvent tomber ou basculer sur le produit. Ces objets peuvent tomber lors de l'ouverture de la porte et provoquer des blessures et / ou des dommages matériels.
- Il ne faut pas frapper ou exercer une force excessive sur les surfaces vitrées. Le verre brisé peut provoquer des blessures et / ou des dommages matériels.
- Le système de refroidissement de votre produit contient du réfrigérant R600a : Le type de réfrigérant utilisé dans le produit est indiqué sur l'étiquette type. Ce réfrigérant est inflammable. Par conséquent, faites attention à ne pas endommager le système de refroidissement ou la tuyauterie pendant l'utilisation du produit. Si la tuyauterie est endommagée :
  - Il ne faut pas toucher le produit ni le câble d'alimentation,
  - Tenez à l'écart les sources potentielles d'incendie qui pourraient provoquer un incendie du produit.
  - Aérez la zone où se trouve le produit. Il ne faut pas utiliser de ventilateurs.
  - Appelez l'agent de service autorisé.
- Si le produit est endommagé et que vous voyez une fuite de réfrigérant, veuillez vous éloigner du réfrigérant. Le réfrigérant peut provoquer des gelures en cas de contact avec la peau.

# Instructions importantes en matière de sécurité et d'environnement

## Pour les produits avec distributeur d'eau / machine à glaçons

- N'utilisez que de l'eau potable. Il ne faut pas remplir le réservoir d'eau avec des liquides - tels que des jus de fruits, du lait, des boissons gazeuses ou des boissons alcoolisées - qui ne conviennent pas à l'utilisation dans le distributeur d'eau.
- Le risque pour la santé et la sécurité est bien présent !
- Il ne faut pas laisser les enfants jouer avec le distributeur d'eau ou la machine à glace (Icematic) afin d'éviter les accidents ou les blessures.
- Il ne faut pas insérer les doigts ou d'autres objets dans le trou du distributeur d'eau, le canal d'eau ou le récipient de la machine à glace. Le risque de blessure ou de dommage matériel est bien présent !

## 1.7- Sécurité de maintenance et de nettoyage

- Il ne faut pas tirer sur la poignée de la porte si vous devez déplacer le produit pour le nettoyer. En cas de force excessive exercée sur la poignée, celle-ci peut se briser et causer des blessures.
- Il ne faut pas vaporiser ou verser de l'eau sur ou à l'intérieur du produit pour le nettoyer. Le risque d'incendie et de choc électrique est bien présent !
- Il ne faut pas utiliser d'outils tranchants ou abrasifs pour nettoyer le produit. Il ne faut pas utiliser de produits d'entretien ménager, de détergent, de gaz, d'essence, de diluant, d'alcool, de vernis, etc.
- Utilisez uniquement des produits de nettoyage et d'entretien à l'intérieur du produit qui ne sont pas nocifs pour les aliments.

- Il ne faut jamais utiliser de la vapeur ou des nettoyeurs à vapeur pour nettoyer ou décongeler le produit. La vapeur entre en contact avec les pièces sous tension de votre réfrigérateur, provoquant un court-circuit ou un choc électrique !
- Assurez-vous qu'aucune eau ne pénètre dans les circuits électroniques ou les éléments d'éclairage du produit.
- Utilisez un chiffon propre et sec pour essuyer les matières étrangères ou la poussière sur les broches de la fiche. Il ne faut pas utiliser un chiffon humide ou mouillé pour nettoyer la prise. Le risque d'incendie et de choc électrique est bien présent !

## 1.8- HomeWhiz

- Quand vous faites fonctionner votre produit par l'application HomeWhiz, il vous faut respecter les avertissements de sécurité même lorsque vous vous éloignez du produit. Vous devez également suivre les avertissements de l'application.

## 1.9- Éclairage

- Appelez le service autorisé lorsqu'il est nécessaire de remplacer la LED / ampoule utilisée pour l'éclairage.

## 2 Instructions environnementales

### 2.1 Conformité avec la Directive WEEE et Mise au rebut des appareils usagés :

Cet appareil est conforme à la directive WEEE de l'Union européenne (2012/19/EU). Le produit possède un symbole de classification attribué aux déchets d'équipements électriques et électroniques (WEEE).



Ce symbole indique que cet appareil ne doit pas être mis au rebut avec les ordures ménagères à la fin de sa durée de vie. Les appareils usagés doivent être retournés au point de collecte officiel

pour le recyclage des dispositifs électriques et électroniques. Pour trouver ces systèmes de collecte, veuillez contacter les autorités locales ou le détaillant à l'endroit où l'appareil a été acheté. Chaque ménage joue un rôle important dans la récupération et le recyclage des vieux appareils ménagers. La mise au rebut appropriée des appareils usagés permet de prévenir les conséquences négatives potentielles pour l'environnement et la santé humaine.

### 2.2 Conformité avec la Directive RoHS

Votre appareil est conforme à la directive RoHS de l'Union européenne (2011/65/EU). Il ne comporte pas de matériaux dangereux et interdits mentionnés dans la directive.

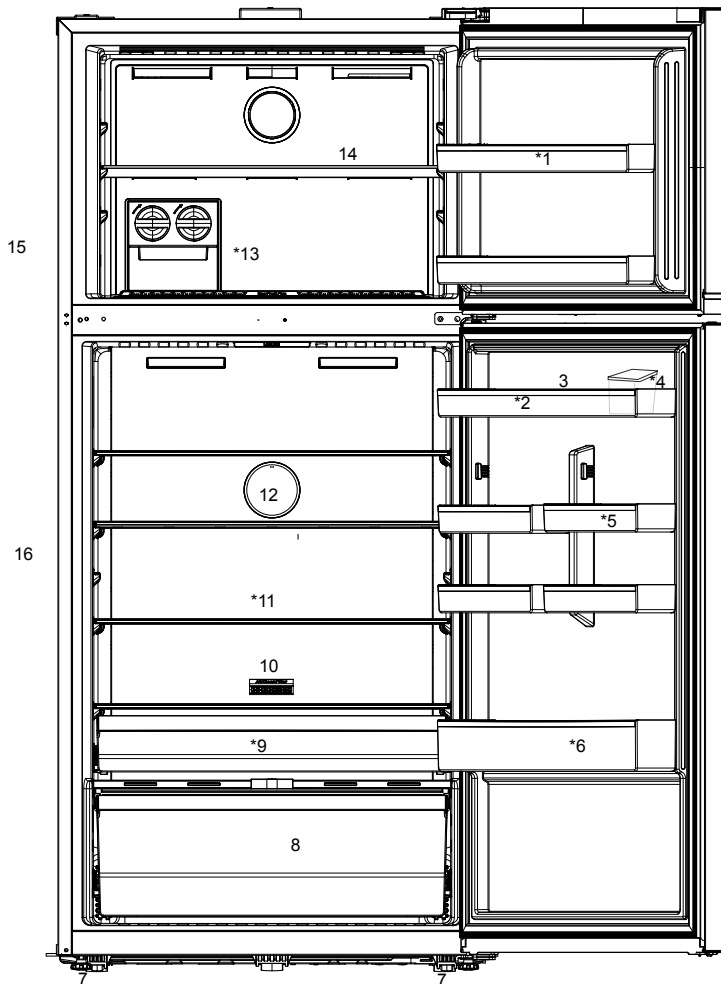
### 2.3 Informations sur l'emballage



Les matériaux d'emballage de cet appareil sont fabriqués à partir de matériaux recyclables, conformément à nos réglementations nationales en matière d'environnement.

Ne mettez pas les matériaux d'emballage au rebut avec les ordures ménagères et d'autres déchets. Déposez-les plutôt aux points de collecte des matériaux d'emballage, désignés par les autorités locales.

### 3 Votre réfrigérateur



- 1- Balconnets de la porte du compartiment congélateur
- 2- Balconnets de la porte du compartiment réfrigérateur
- 3- Porte-œuf
- 4- Fontaine à eau
- 5- Compartiment réfrigéré petites étagères de porte
- 6- Étagère pour les bouteilles
- 7- Pieds réglables

- 8- Crisper, séparateur de cristaux et filtre à éthylène
- 9- Le compartiment des produits laitiers (entrepôt frigorifique)
- 10- Filtre
- 11- Clayettes en verre
- 12- Ventilateur
- 13- Machine à glaçons
- 14- Étagère en verre du compartiment congélateur
- 15- Compartiment congélateur
- 16- Compartiment réfrigérateur



\*En option : Les illustrations présentées dans ce manuel d'utilisation sont schématiques et peuvent ne pas correspondre exactement à votre produit. Si votre appareil ne présente pas les parties citées, alors l'information s'applique à d'autres modèles.

## 4 Installation

### 4.1 Le bon endroit pour l'installation

Votre produit nécessite une circulation d'air adéquate pour pouvoir fonctionner efficacement. S'il est placé dans une alcôve, n'oubliez pas de laisser un espace d'au moins 5 cm entre l'appareil, le plafond, la paroi arrière et les parois latérales.

S'il est placé dans une alcôve, n'oubliez pas de laisser un espace d'au moins 5 cm entre l'appareil, le plafond, la paroi arrière et les parois latérales. Vérifiez que l'élément de protection d'espace de la façade arrière est présent à son emplacement (au cas où il est fourni avec l'appareil). Si l'élément n'est pas disponible, perdu ou tombé, positionnez l'appareil de manière à laisser un espace d'au moins 5 cm entre la surface arrière de l'appareil et les murs de la pièce. L'espace prévu à l'arrière est important pour le fonctionnement efficace de l'appareil.

### 4.2 Pour les produits avec fontaine d'eau / machine à glace

- Les jeux de tuyaux fournis avec le produit doivent être utilisés. N'utilisez pas les anciens jeux de tuyaux. Ne rallongez pas les tuyaux !

- Branchez toujours votre produit à une arrivée d'eau froide. Il ne faut pas effectuer l'installation sur l'arrivée d'eau chaude. La pression à l'entrée de l'eau froide doit être de 80 PSI (550 kPa) maximum. En cas de pression d'eau supérieure à 80Psi ou d'impact sur l'eau, utilisez une vanne de limitation de pression sur votre réseau.

Demandez l'aide de plombiers professionnels si vous ne savez pas comment contrôler la pression de votre eau.

La haute pression peut endommager les raccords des tuyaux et présenter un risque d'inondation.

- Prenez les précautions nécessaires contre le risque de gel des tuyaux. L'intervalle de température de l'eau de fonctionnement est de 0,6°C (33°F) au minimum et de 38°C (100°F) au maximum. Il y a un risque d'inondation si le tuyau est fissuré/perforé.



**AVERTISSEMENT :** Ne branchez pas le réfrigérateur sur une rallonge ou une multiprise.



**AVERTISSEMENT :** Le fabricant ne sera pas tenu responsable en cas de problèmes causés par des travaux effectués par des personnes non autorisées.



**AVERTISSEMENT :** Débranchez le câble d'alimentation du réfrigérateur pendant l'installation. Le non-respect de cette consigne peut entraîner la mort ou des blessures graves !



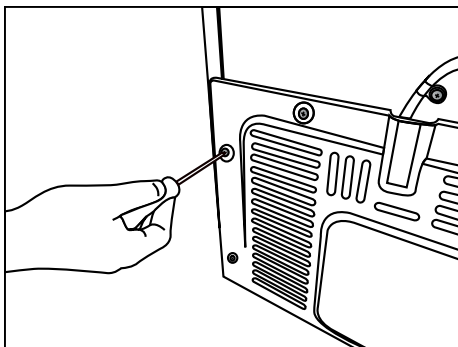
**AVERTISSEMENT :** Si le cadre de la porte est trop étroit pour laisser passer l'appareil, retirez la porte et faites passer l'appareil sur les côtés ; si cela ne fonctionne pas, contactez le service agréé.

- Placez l'appareil sur une surface plane pour éviter les vibrations.
- Placez l'appareil à 30 cm du chauffage, de la cuisinière et des autres sources de chaleur similaires et à au moins 5 cm des fours électriques.
- N'exposez pas le produit directement à lumière du soleil et ne le laissez pas dans des environnements humides.
- Le bon fonctionnement de votre réfrigérateur nécessite la bonne circulation de l'air. Si le réfrigérateur est placé dans un encastrement mural, il doit y avoir un espace d'au moins 5 cm avec le plafond et le mur.

### 4.3 Fixation des cales en plastique

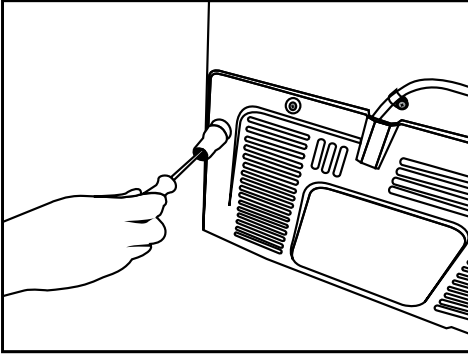
Utilisez les cales en plastiques fournies avec le réfrigérateur pour créer une circulation d'air suffisante entre le réfrigérateur et le mur.

1. Pour fixer les cales, retirez les vis du réfrigérateur et utilisez celles fournies avec les cales.



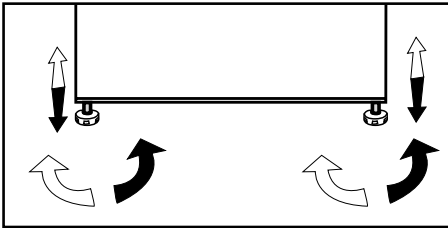
## Installation

2. Fixez 2 cales en plastique sur le couvercle de ventilation tel qu'illustré par l'image.



### 4.4 Ajustement des pieds

Si le réfrigérateur n'est pas équilibré, réglez les pieds avant en les tournant vers la gauche ou la droite.



### 4.5. Raccordement électrique



**AVERTISSEMENT :** Ne branchez pas le réfrigérateur sur une rallonge ou une multiprise.



**AVERTISSEMENT :** Les câbles d'alimentation endommagés doivent être remplacés par le service agréé.

- Notre entreprise ne sera pas tenue responsable de tout dommage résultant de l'utilisation de l'appareil sans prise de mise à la terre ou branchement électrique conforme à la norme nationale en vigueur.
- Gardez la fiche du câble d'alimentation à portée de main après l'installation.



Attention aux surfaces chaudes !  
Les parois latérales de votre produit sont équipées de tuyaux de refroidissement pour améliorer le système de refroidissement. Un fluide à haute pression peut s'écouler à travers ces surfaces, et provoquer des surfaces chaudes sur les parois latérales. C'est normal et cela ne nécessite pas d'entretien. Faites attention lorsque vous contactez ces zones.

## 5 Préparation



Lisez d'abord la section « Instructions de sécurité » !

### 5.1 Comment économiser l'énergie



Il est dangereux de connecter l'appareil aux systèmes électroniques d'économie d'énergie, ils pourraient l'endommager.

- Ne laissez pas la porte du réfrigérateur ouverte longtemps.
- Ne conservez pas des aliments ou des boissons chauds dans le réfrigérateur.
- Ne surchargez pas le réfrigérateur, l'obstruction du flux d'air interne réduira la capacité de réfrigération.
- Selon les caractéristiques de l'appareil, le dégivrage des aliments congelés dans le compartiment réfrigérateur assurera l'économie d'énergie et la préservation de la qualité des aliments.
- Comme l'air chaud et humide ne pénètre pas directement dans votre produit lorsque les portes ne sont pas ouvertes, votre produit s'optimisera dans des conditions suffisantes pour protéger vos aliments. Les fonctions et les composants tels que le compresseur, le ventilateur, le chauffage, le dégivrage, l'éclairage, l'affichage, etc. fonctionneront en fonction des besoins pour consommer un minimum d'énergie dans ces circonstances.
- Les aliments sont stockés à l'aide des tiroirs du compartiment réfrigéré afin de garantir une économie d'énergie et de protéger les aliments dans de meilleures conditions.

### 5.2 Première opération

Avant d'utiliser votre réfrigérateur, assurez-vous que les installations nécessaires sont conformes aux instructions des sections « Instructions en matière de sécurité et d'environnement » et « Installation ».

- Laissez l'appareil fonctionner à vide pendant 12 heures, et ne l'ouvrez pas sauf en cas de nécessité absolue.



Un son retentit à l'activation du compresseur. Il est également normal d'entendre ce son lorsque le compresseur est inactif, en raison des liquides et des gaz comprimés présents dans le système de réfrigération.



Il est normal que les bords avant du réfrigérateur soient chauds. Ces parties doivent en principe être chaudes afin d'éviter la condensation.



Pour certains modèles, le panneau indicateur s'éteint automatiquement 1 minute après la fermeture des portes. Il s'active à nouveau à l'ouverture de la porte ou lorsque vous appuyez sur n'importe quelle touche.



## 6 Fonctionnement de l'appareil

- Il ne faut pas utiliser d'outils mécaniques ou autres que les recommandations du fabricant pour accélérer l'opération de décongélation.
- Évitez d'utiliser des parties de votre réfrigérateur, telles que la porte ou les tiroirs, comme support ou comme marchepied. Cela peut faire trébucher le produit ou endommager ses composants.
- Le produit ne doit être utilisé que pour la conservation des aliments.
- Fermez le robinet d'eau si vous vous absentez de chez vous (par exemple, en vacances) et que vous n'utilisez pas le distributeur d'eau ou le distributeur de glace pendant une longue période. Dans le cas contraire, des fuites d'eau peuvent se produire.

### 6.1 Éteindre le produit

En cas de non-utilisation prolongée du produit ;

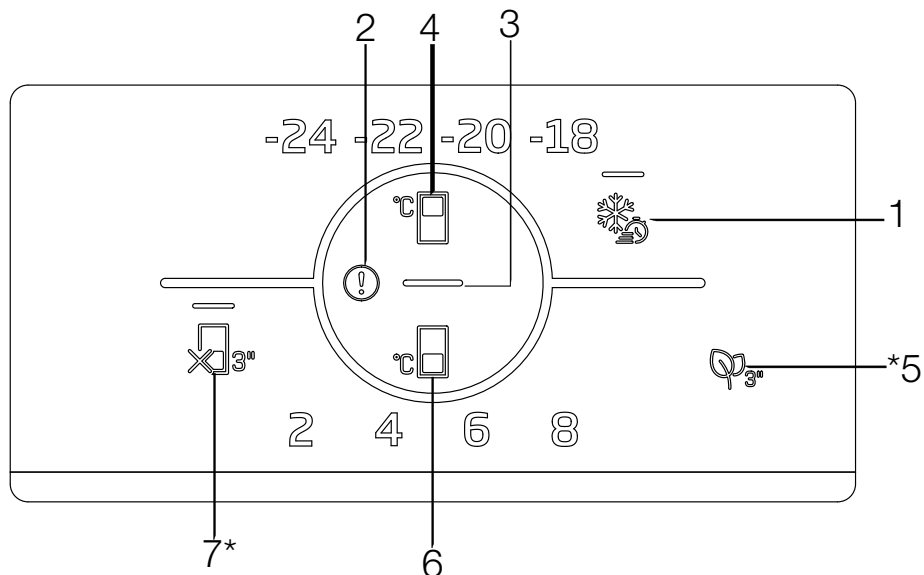
- Débranchez-le,
- enlevez la nourriture pour éviter les odeurs,
- Il faut attendre que la glace soit dégelée,
- Il faut nettoyer l'intérieur et attendre qu'il soit sec.
- Il faut laisser les portes ouvertes pour éviter d'endommager les plastiques internes du corps.

## 6 Fonctionnement du produit

### 6.2 Panneau indicateur

Les panneaux indicateurs varient en fonction du modèle de votre appareil.

Les fonctions sonores et visuelles dudit panneau vous aident à utiliser votre réfrigérateur.



1. Touche Congélation rapide / Touche de réglage de la fonction de la lumière de la poignée
2. Indicateur d'état d'erreur
3. Indicateur d'économie d'énergie (affichage éteint)
4. Clé de réglage de la température du compartiment congélateur
5. Clé du module de suppression des odeurs
6. Clé de réglage de la température du compartiment de refroidissement
7. Touche de fonction ARRÊT du compartiment réfrigéré (vacances)




\*En option : Les illustrations présentées dans ce manuel d'utilisation sont schématiques et peuvent ne pas correspondre exactement à votre produit. Si votre appareil ne présente pas les parties citées, alors l'information s'applique à d'autres modèles.

## Utilisation de l'appareil


### 1. Clé de congélation rapide

Dès que vous appuyez sur la touche d'arrêt rapide, le voyant lumineux de la touche s'allume et la fonction d'arrêt rapide est activée. La température du compartiment congélateur est réglée à -27°C. Appuyez de nouveau sur la touche pour annuler. La fonction de congélation rapide s'annule automatiquement au bout de 52 heures. Pour congeler une grande partie d'aliments frais, appuyez sur la touche de congélation rapide, avant de mettre les aliments dans le compartiment congélateur.

### \*Touche de réglage de la fonction de la lumière de la poignée


La fonction d'éclairage de la poignée peut être commutée entre les modes ouvert et fermé en appuyant sur le bouton de congélation rapide (  ) pendant 3 secondes. En mode fermé, le voyant de la poignée n'est activé que lorsque la porte de l'appareil est ouverte et il s'éteint un moment après la fermeture de la porte. En mode ouvert, la lumière de la poignée est activée lorsque la porte de l'appareil est ouverte, la lumière de la poignée reste faiblement allumée un moment après la fermeture de la porte. La fonction d'éclairage de la poignée est réglée sur le mode fermé en usine.

### 2. Indicateur d'état d'erreur

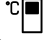
Cet indicateur (  ) doit être activé lorsque votre réfrigérateur ne peut pas assurer un refroidissement adéquat ou en cas d'erreur de capteur. Cet indicateur doit être activé lorsque votre réfrigérateur ne peut pas assurer un refroidissement adéquat ou en cas d'erreur de capteur. Un ou plusieurs indicateurs de température s'allument en même temps que l'icône d'avertissement. (par exemple, 8 sets et l'icône d'avertissement s'allument ensemble). Ces indications informent le service lié à l'erreur qui s'est produite. Le point d'exclamation peut s'allumer en alternance avec les indicateurs de température pendant un certain temps lorsque vous placez des aliments chauds dans le

compartiment congélateur ou que vous laissez la porte ouverte pendant une longue période. Il ne s'agit pas d'un défaut, cet avertissement disparaît lorsque l'aliment est refroidi ou lorsqu'on appuie sur une touche quelconque.

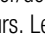
### 3. Indicateur d'économie d'énergie (affichage éteint)

La fonction d'économie d'énergie est activée automatiquement et le symbole d'économie d'énergie (  ) s'affiche lorsque la porte du produit n'est pas ouverte ou fermée pendant un certain temps. Lorsque la fonction d'économie d'énergie est active, tous les symboles sur l'écran autres que le symbole d'économie d'énergie doivent être désactivés. Lorsque cette fonction est utilisée, la pression sur une touche quelconque ou l'ouverture de la porte entraîne sa désactivation et les voyants allumés retournent à la normale. La fonction d'économie d'énergie est une fonction activée départ usine et ne peut être annulée.

### 4. Clé de réglage de la température du compartiment congélateur


Le réglage de la température est effectué pour le compartiment réfrigéré. En appuyant sur cette touche (  ) la température du compartiment congélateur peut être réglée à 18, -20, -22, -24 Celsius.

### 5. Clé du module de suppression des odeurs


Appuyez sur cette touche pendant 3 secondes pour activer/désactiver la fonction de suppression des odeurs. Le voyant (  ) de la touche s'allume lorsque la fonction d'élimination des odeurs est activée. Lorsque la fonction est activée, le module d'élimination des odeurs fonctionne périodiquement.

## Utilisation de l'appareil

### 6. Clé de réglage de la température du compartiment de refroidissement

Permet de régler la température du compartiment réfrigérateur (°C ). En appuyant sur cette touche, la température du compartiment de refroidissement peut être réglée à 2,4,6,8 Celsius.

### 7. Touche de fonction ARRÊT du compartiment réfrigéré (vacances)

Pour activer la fonction vacances () , appuyez sur le bouton pendant 3 secondes. Le mode vacances s'active et le voyant LED sur le bouton s'allume.

Le compartiment de refroidissement n'assure pas la fonction de refroidissement actif. Vous ne devez pas conserver vos aliments dans le compartiment réfrigéré lorsque cette fonction est activée. Les autres compartiments continuent à se refroidir en fonction des températures fixées. Il suffit d'appuyer à nouveau sur la touche pendant 3 secondes pour annuler cette fonction.

### 6.3 Bac à légumes à humidité contrôlée (EverFresh+)

#### (Facultatif)

Grâce au bac à légumes à humidité contrôlée, les légumes et les fruits peuvent être conservés plus longtemps dans un environnement aux conditions d'humidité idéales. Grâce au système de réglage de l'humidité avec 3 options devant votre bac à légumes, vous pouvez contrôler l'humidité à l'intérieur du compartiment en fonction des aliments que vous stockez. Nous vous recommandons de stocker vos aliments en sélectionnant l'option légumes lorsque vous stockez des légumes uniquement, l'option fruits lorsque vous stockez des fruits uniquement et l'option mixte lorsque vous stockez des aliments mélangés.

Nous recommandons de ne pas stocker les légumes et les fruits dans des sacs afin d'améliorer la durée de conservation des aliments et de mieux profiter du système de contrôle de l'humidité. En les laissant dans des sacs en plastique, les légumes pourrissent en peu de temps. Nous recommandons de ne pas conserver les concombres et les brocolis, en particulier, dans des sacs fermés. Dans les situations où le contact avec d'autres légumes n'est pas privilégié, utilisez des matériaux d'emballage tels que le papier qui présente un certain niveau de porosité en termes d'hygiène.

Lorsque vous placez les légumes, placez les légumes lourds et durs en bas et les légumes légers et tendres en haut, en tenant compte du poids spécifique des légumes.

Il ne faut pas mettre les fruits qui ont une forte production de gaz d'éthylène comme la poire, l'abricot, la pêche et surtout la pomme dans le même bac à légumes avec d'autres fruits et légumes. Le gaz d'éthylène qui sort de ces fruits pourrait faire mûrir plus rapidement d'autres légumes et fruits et les faire pourrir dans un laps de temps plus court.

### 6.4 Lumière bleue/HarvestFresh (Facultatif)

#### Voyant lumineux bleu,

Les légumes et les fruits conservés dans des bacs à légumes éclairés par une lumière bleue continuent à effectuer la photosynthèse et à conserver leur taux de vitamine C grâce à l'effet de la longueur d'onde de la lumière bleue.

#### Pour HarvestFresh,

Les légumes et les fruits conservés dans des bacs à légumes éclairés par la technologie HarvestFresh conservent leurs niveaux de vitamines (vitamines A et C) plus longtemps grâce aux cycles de lumières bleues, vertes, rouges et sombres qui simulent le cycle de la journée.

Lorsque la porte de votre réfrigérateur est ouverte pendant la période d'obscurité de la technologie HarvestFresh, votre réfrigérateur le détecte automatiquement et allume le bac à légumes avec l'une des lumières bleues, vertes ou rouges respectivement pour votre confort. La période d'obscurité se poursuit lorsque vous fermez la porte de votre réfrigérateur afin qu'elle représente la période de nuit du cycle de jour.

### 6.5 Module Anti-Odeur

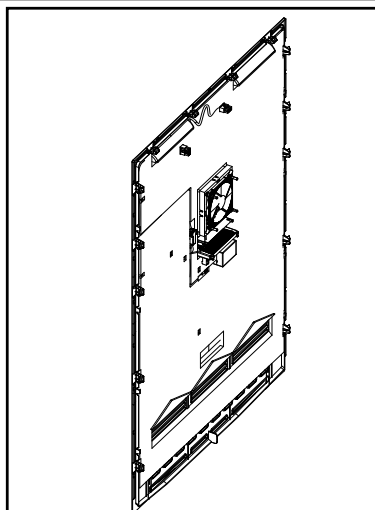
#### (Garde fraîche)

##### (Cette caractéristique est en option)

Le module anti-odeur élimine les odeurs qui se produisent à l'intérieur de votre réfrigérateur avant qu'elles ne s'infiltrent sur les surfaces. Grâce à ce module placé sur le toit du compartiment des aliments frais, les mauvaises odeurs sont éliminées pendant que l'air passe activement à travers le filtre à odeurs, et l'air nettoyé dans le filtre est renvoyé vers le compartiment des aliments frais. Ainsi, l'odeur indésirable qui peut se produire pendant le stockage des aliments à l'intérieur du réfrigérateur est éliminée de l'environnement avant qu'elle ne s'infiltré sur les surfaces.

Cette fonction est fournie avec le ventilateur, la LED et le filtre à odeurs placés à l'intérieur du module. Le module anti-odeur est automatiquement activé périodiquement. En cas d'ouverture de la porte du compartiment des aliments frais pendant que le module est actif, le ventilateur est temporairement arrêté et continue à fonctionner lorsque la porte est fermée. En cas de panne de courant, le module anti-odeur commence à fonctionner lorsque le courant est rétabli.

**Info :** Il est recommandé de conserver les aliments aromatiques tels que le fromage, les olives et les charcuteries dans leur emballage et avec leur couvercle fermé, afin d'éviter les mauvaises odeurs qui peuvent se dégager du mélange d'odeurs provenant de différents aliments. Pour la sécurité des autres aliments conservés et pour éviter les mauvaises odeurs, nous vous recommandons de retirer le plus rapidement possible du réfrigérateur les aliments dont vous avez constaté l'altération.



## Utilisation de l'appareil

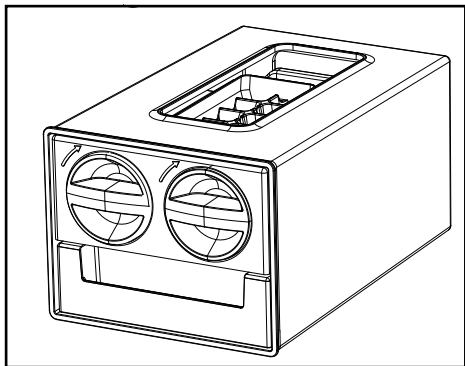
### 6.6 Seau à glace

#### (Cette caractéristique est en option)

Le seau à glace vous permet de prendre facilement de la glace dans le réfrigérateur.

#### Utilisation du seau à glace

1. Prenez le seau à glace dans le compartiment du congélateur.
2. Remplissez le seau à glace avec de l'eau.
3. Placez le seau à glace dans le compartiment du congélateur. Les glaçons seront prêts après environ deux heures.
4. Sortez le seau à glace du compartiment congélateur et penchez-vous légèrement sur le support que vous allez servir. La glace se verse facilement dans le récipient de service.



### 6.7 Machine à glaçons

#### (Cette caractéristique est en option)

Le seau à glace vous permet de prendre facilement de la glace dans le réfrigérateur.

#### Utilisation du seau à glace

1. Retirez le réservoir d'eau dans le compartiment de la glacière.
2. Remplissez le réservoir d'eau.
3. Remettez le réservoir d'eau en place. La première glace sera prête dans environ 4 heures dans le tiroir de la machine à glace du compartiment congélateur.



Vous pouvez obtenir environ 60-70 cubes de glace lorsque le réservoir d'eau est plein.



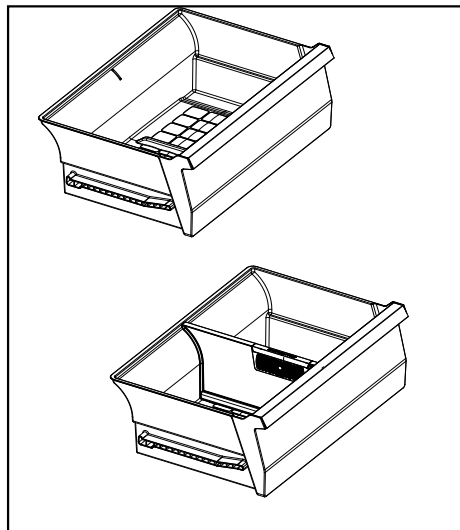
L'eau à l'intérieur du réservoir doit être remplacée dans un délai maximum de 2 à 3 semaines.

### 6.8 Le compartiment des produits laitiers (entrepôt frigorifique)

Le compartiment des produits laitiers (entrepôt frigorifique) » fournit une température plus basse que celle du compartiment réfrigérateur. Utilisez ce compartiment pour conserver les charcuteries (salami, saucisses, produits laitiers, etc.) qui nécessitent une température de conservation plus basse ou des produits à base de viande, de poulet ou de poisson destinés à une consommation immédiate. Ne conservez pas les fruits et les légumes dans ce compartiment.

### 6.9 Bac à légumes

Le bac à légumes du réfrigérateur est conçu pour conserver les légumes frais en préservant l'humidité. À cette fin, la circulation générale d'air froid est intensifiée dans le bac à légumes. Conservez les fruits et les légumes dans ce compartiment. Conservez séparément les légumes verts et les fruits pour prolonger leur durée de vie.



## Utilisation de l'appareil

### 6.10 Séparateur de crise

#### Filtre à éthylène

Le filtre retenant l'éthylène aide à éliminer le gaz d'éthylène et les mauvaises odeurs dégagées par les légumes et les fruits dans le bac à légumes.

Vous pouvez stocker les fruits tels que les poires, les abricots, les pêches et surtout les pommes, qui génèrent une grande quantité de gaz éthylène, séparément des autres légumes et fruits dans le même bac à légumes grâce au séparateur de légumes.

Le gaz d'éthylène libéré par ces fruits peut faire mûrir plus rapidement vos autres légumes et fruits et les faire pourrir en moins de temps.

Grâce à cette fonction, vous pouvez conserver plus longtemps la fraîcheur de vos aliments frais et notamment de vos légumes verts sensibles au gaz éthylène.

Vous pouvez conserver vos aliments plus longtemps en plaçant les aliments sensibles au gaz éthylène dans l'un des compartiments séparés par le séparateur de cristaux, et les aliments qui génèrent du gaz éthylène dans l'autre compartiment.

Les aliments qui génèrent du gaz éthylène et qui sont sensibles au gaz éthylène sont énumérés ci-dessous.

Les aliments qui génèrent du gaz éthylène	Les aliments sensibles au gaz éthylène
Pomme, poire, abricot, pêche, nectarine, avocat, kiwi, prune, figue, coing, tomate	Légumes verts frais (tels que laitue, persil), fraise, cerise, raisin, orange, mandarine, ananas, cerise, citron, concombre, brocoli, poivre, aubergine, gombo, courgette

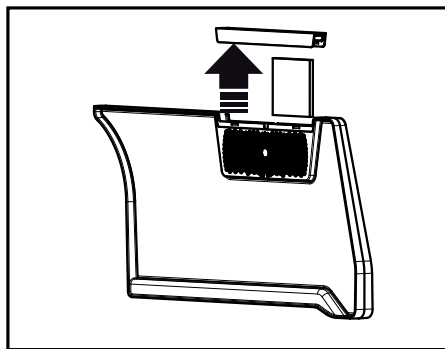
### 6.11 Nettoyage du filtre à éthylène

Le filtre à éthylène doit être nettoyé une fois par an.

Retirez le filtre à éthylène en tirant le couvercle du filtre vers le haut, comme indiqué sur la figure.

Laissez le filtre à éthylène à la lumière du soleil pendant une journée. Ainsi, votre filtre doit être nettoyé.

Remettez le filtre en place et fermez le couvercle supérieur.



Afin d'assurer une efficacité maximale de votre filtre et de préserver ses performances, évitez tout contact avec l'huile et les fluides similaires, ainsi qu'avec des matériaux tels que l'eau et les détergents.

Communiquez avec le service pour remplacer votre filtre par un nouveau après un tel contact.

### 6.12 Nettoyage du séparateur de crise

Afin d'éviter que les trous d'air propre du séparateur de bacs à légumes ne se bouchent, essuyez-le avec un chiffon propre et sec à intervalles réguliers. En cas de lavage du séparateur, il faut toujours retirer le filtre du séparateur.



**AVERTISSEMENT :** Veillez à ce que les trous autour du filtre ne soient pas bouchés pour assurer la circulation de l'air.



## Utilisation de l'appareil

### 6.13 Congélation des aliments frais

- Activez la fonction Congélation rapide en appuyant sur la touche « Congélation rapide » 24 heures avant de placer les aliments à congeler.
  - 24 heures après avoir appuyé sur le bouton, placez vos aliments chauds sur une étagère en verre du produit.
  - La fonction Congélation rapide se désactive automatiquement après 52 heures.
  - Ne congelez pas une quantité trop importante d'aliments à la fois. Dans un délai de 24 heures, cet appareil peut congeler la quantité maximale d'aliments spécifiée comme « Capacité de congélation ... kg/24 heures » sur son étiquette type. Il n'est pas pratique de mettre plus d'aliments décongelés/frais que la quantité indiquée sur l'étiquette.
  - Lorsque vous mettez des aliments non congelés dans le produit, évitez de les mettre en contact avec des aliments congelés.
  - Le fait de congeler les denrées à l'état frais prolongera la durée de conservation dans le compartiment congélateur.
- Emballez les aliments dans des emballages sous vide et scellez-les correctement.
  - Assurez-vous que les aliments sont emballés avant de les placer dans le congélateur. Utilisez des récipients pour congélateur, du papier aluminium et du papier résistant à l'humidité, des sacs en plastique ou du matériel d'emballage similaire au lieu d'un papier d'emballage ordinaire.
  - Marquez chaque emballage en y écrivant la date avant de le placer au congélateur. Ceci vous permettra de déterminer la fraîcheur de chaque paquet lors des ouvertures du congélateur. Mettez les aliments les plus anciens à l'avant pour vous assurer qu'ils sont utilisés en premier.
  - Les aliments congelés doivent être utilisés immédiatement après le dégivrage et ne doivent pas être congelés à nouveau.
- Ne retirez pas de grandes quantités d'aliments au même moment.

Réglage de la température du compartiment congélateur	Réglage de la température du compartiment réfrigérateur	Détails :
-18 °C	4°C	Ce réglage est celui qui est recommandé par défaut.
-20, -22 ou -24 °C	4°C	Ces réglages sont recommandés pour des températures ambiantes excédant 30 °C.
Congélation rapide	4°C	Est utilisée lorsque vous voulez congeler vos denrées pendant une courte période. À la fin du processus, le produit retrouvera sa position.
Inférieure ou égale à -18 °C	2°C	Utilisez ces paramètres si à votre avis le compartiment réfrigérateur n'est pas assez froid en raison de la température ambiante ou de l'ouverture fréquente de la porte.

### 6.14 Recommandations pour la conservation des aliments congelés dans le compartiment congélateur

Le compartiment doit être réglé à -18 °C minimum.

1. Placez les aliments dans le congélateur le plus rapidement possible pour éviter leur dégivrage.
2. Avant de les faire dégivrer, vérifiez la « date d'expiration » sur l'emballage pour vous assurer de l'état des aliments.
3. Assurez-vous que l'emballage de l'aliment n'est pas endommagé.

## Utilisation de l'appareil

### 6.15 Informations relatives au congélateur

Selon les normes IEC 62552, à une température ambiante de 25°C, le congélateur doit pouvoir congeler 4,5 kg de denrées alimentaires à -18°C ou à des températures inférieures en 24 heures pour chaque 100 litres de volume du compartiment congélateur.

Les aliments peuvent être préservés pour des périodes prolongées uniquement à des températures inférieures ou égales à -18 °C. Vous pouvez garder les aliments frais pendant des mois (dans le congélateur à des températures inférieures ou égales à 18 °C).

Les aliments à congeler ne doivent pas être en contact avec ceux déjà congelés pour éviter un dégivrage partiel.

Faites bouillir les légumes et filtrez l'eau pour prolonger la durée de conservation à l'état congelé. Placez les aliments dans des emballages sous vide après les avoir filtrés et placez-les dans le réfrigérateur. Les bananes, les tomates, les feuilles de laitue, le céleri, les œufs durs, les pommes de terre et les aliments similaires ne doivent pas être congelés. Au cas où cette nourriture pourrit, seules les valeurs nutritionnelles et les qualités alimentaires seront affectées négativement. Une pourriture menaçant la santé humaine n'est pas en cause.

### 6.16 Placement de la nourriture

Balconnets du compartiment congélateur	Les aliments congelés incluent notamment la viande, le poisson, la crème glacée, les légumes, etc.
Balconnets du compartiment réfrigérateur	Les aliments contenus dans des casseroles, des plats couverts, des gamelles et les œufs (dans des gamelles)
Balconnets de la porte du compartiment réfrigérateur	Aliments emballés et de petite taille ou des boissons
Bac à légumes	Fruits et légumes
Compartiment des aliments frais	Épicerie fine (aliments pour petit déjeuner, produits carnés à consommer à court terme)

### 6.17 Alerte de porte ouverte

Un signal sonore est émis si la porte de l'appareil reste ouverte pendant 1,5 minute. Le signal sonore s'arrête à la fermeture de la porte ou lorsqu'on appuie sur bouton de l'écran (si disponible).

### 6.18 Lampe d'éclairage

L'éclairage intérieur utilise une lampe de type DEL. Contactez le service agréé pour tout problème lié à cette lampe.

La ou les lampes utilisées dans cet appareil ne peuvent pas être utilisées pour l'éclairage de la maison. L'objectif de cette lampe est d'aider l'utilisateur à placer les aliments dans le réfrigérateur/congélateur de manière sûre et confortable.

## 7 Entretien et nettoyage



**AVERTISSEMENT :** Lisez d'abord la section "Instructions de sécurité" !.



**AVERTISSEMENT :** Débranchez l'appareil avant le nettoyage.

- N'utilisez pas des objets pointus ou des produits de nettoyage abrasifs pour nettoyer l'appareil. Il ne faut pas utiliser de matériaux tels que des produits d'entretien ménager, du savon, des détergents, du gaz, de l'essence, de l'alcool, de la cire, etc.
- La poussière doit être enlevée de la grille de ventilation située à l'arrière du produit au moins une fois par an (sans ouvrir le couvercle). Le nettoyage doit être effectué à l'aide d'un chiffon sec.

### Pour des appareils dotés d'un distributeur d'eau/machine à glaçons,

- Dans le cas où l'eau du réservoir a attendu 2 à 3 semaines, elle doit être remplacée.
- Le réservoir d'eau et les composants de la fontaine à eau ne doivent pas être lavés au lave-vaisselle.
- Faites dissoudre une cuillerée à café de carbonate dans de l'eau. Trempez un morceau de tissu dans cette eau et essorez-le. Nettoyez soigneusement l'appareil avec ce chiffon et ensuite avec un chiffon sec.
- Veillez à ne pas mouiller le logement de la lampe ainsi que d'autres composants électriques.
- Nettoyez la porte avec un chiffon humide. Retirez tout le contenu pour enlever la porte et les supports de carrosserie. Retirez les supports de porte en les soulevant vers le haut. Nettoyez et séchez les étagères, puis refixez-les en les faisant glisser à partir du haut.
- N'utilisez pas d'eau contenant du chlore, ou des produits de nettoyage pour les surfaces externes et les pièces chromées de l'appareil. Le chlore entraîne la corrosion de ce type de surfaces métalliques.
- Il ne faut pas utiliser d'outils tranchants et abrasifs, de savon, de produits d'entretien ménager, de détergents, de gaz, d'essence, Réfrigérateur/Manuel d'utilisation

de vernis et de substances similaires pour empêcher la déformation de la pièce en plastique et l'élimination des empreintes sur la pièce. Utilisez de l'eau chaude et un chiffon doux pour le nettoyage, puis séchez-le.

- Sur les produits sans fonction « No-Frost », des gouttelettes d'eau et un givre pouvant atteindre l'épaisseur d'un doigt peuvent se former sur la paroi arrière du compartiment congélateur. Ne nettoyez pas et n'appliquez jamais d'huiles ou de produits similaires.
- Utilisez un chiffon en microfibres légèrement humidifié pour nettoyer la surface extérieure du produit. Les éponges et autres types de vêtements de nettoyage peuvent provoquer des éraflures.
- Afin de nettoyer tous les composants amovibles pendant le nettoyage de la surface intérieure du produit, il faut laver ces composants avec une solution douce composée de savon, d'eau et de carbonate. Lavez et séchez soigneusement. Evitez le contact de l'eau avec les composants d'éclairage et le panneau de contrôle.



### ATTENTION :

N'utilisez pas de vinaigre, d'alcool à friction ni de produits nettoyants à base d'alcool sur les surfaces intérieures.

### 7.1 Surfaces extérieures en acier inoxydable

Utilisez un produit de nettoyage non abrasif pour l'acier inoxydable et appliquez-le avec un chiffon doux non pelucheux. Pour polir, essuyez doucement la surface avec un chiffon en microfibres humidifié à l'eau et utilisez une peau de chamois sèche. Suivez toujours les veines de l'acier inoxydable.

### 7.2 Nettoyage des produits avec des portes en verre

Enlevez le film de protection des lunettes. Il y a un revêtement sur la surface des verres. Ce revêtement minimise la formation de taches et permet de nettoyer facilement les taches et

les salissures qui se sont formées. Le verre qui n'est pas protégé par un revêtement peut être exposé à une liaison permanente de contaminants organiques ou inorganiques, à base d'air et d'eau, tels que le calcaire, les sels minéraux, les hydrocarbures imbrûlés, les oxydes métalliques et les silicones, qui provoquent facilement des taches et des dommages physiques en peu de temps. Gardez les verres propres devient très difficile, voire impossible, malgré le fait qu'ils soient nettoyés régulièrement. En conséquence, la transparence et l'apparence du verre se détériorent. Les méthodes et agents de nettoyage durs et abrasifs augmentent encore ces défauts et accélèrent le processus de détérioration.

Pour les processus de nettoyage de routine, \*des produits de nettoyage non alcalins et non corrosifs à base d'eau doivent être utilisés.

Afin de prolonger la durée de vie de ce revêtement, les substances alcalines et corrosives ne doivent pas être utilisées lors du nettoyage.

Un procédé de trempe est appliqué pour augmenter la résistance de ces verres aux chocs et à la casse.

En guise de précaution supplémentaire, un film de sécurité a été appliqué sur la surface arrière de ces lunettes pour éviter de nuire à l'environnement en cas de bris.

### 7.3 Prévention des odeurs

À sa sortie d'usine, cet appareil ne contient aucun matériau odorant. Cependant, la conservation des aliments dans des sections inappropriées et le mauvais nettoyage de l'intérieur peuvent donner lieu aux mauvaises odeurs.

Pour éviter cela, nettoyez l'intérieur à l'aide de carbonate dissout dans l'eau tous les 15 jours.

- Conservez les aliments dans des récipients fermés. Des micro-organismes peuvent se proliférer dans des récipients non fermés et émettre de mauvaises odeurs.
- Ne conservez pas d'aliments périmés ou avariés dans le réfrigérateur.



Le thé est l'un des désodorisants les plus efficaces. Placez la pulpe du thé infusé dans le produit à l'intérieur d'un récipient ouvert et retirez-la au plus tard au bout de 12 heures. Une fois que la pulpe de thé a été conservée dans le produit pendant plus de 12 heures, les organismes à l'origine de l'odeur s'y accumulent et peuvent être à l'origine de l'odeur elle-même.

### 7.4 Protection des surfaces en plastique

Si de l'huile se répand sur les surfaces en plastique, il faut immédiatement les nettoyer avec de l'eau tiède, sinon elles seront endommagées.

## 8 Dépannage

Vérifiez la liste suivante avant de contacter le service après-vente. Cela devrait vous éviter de perdre du temps et de l'argent. Cette liste répertorie les plaintes fréquentes ne provenant pas de vices de fabrication ou des défauts de pièces. Certaines fonctionnalités mentionnées dans ce manuel peuvent ne pas exister sur votre modèle.

### **Le réfrigérateur ne fonctionne pas.**

- La fiche électrique n'est pas correctement insérée. >>> Branchez-la en l'enfonçant complètement dans la prise.
- Le fusible branché à la prise qui alimente l'appareil ou le fusible principal est grillé. >>> Vérifiez les fusibles.

### **Condensation sur la paroi latérale du congélateur (MULTI ZONE, COOL, CONTROL et FLEXI ZONE).**

- La porte a été ouverte trop fréquemment >>> Évitez d'ouvrir trop fréquemment la porte de l'appareil.
- L'environnement est trop humide. >>> N'installez pas l'appareil dans des endroits humides.
- Les aliments contenant des liquides sont conservés dans des récipients non fermés. >>> Conservez ces aliments dans des emballages scellés.
- La porte de l'appareil est restée ouverte. >>> Ne laissez pas la porte de l'appareil ouverte longtemps.
- Le thermostat est réglé sur une température très froide
- . >>> Réglez le thermostat à la température appropriée.

### **Le compresseur ne fonctionne pas.**

- En cas de coupure soudaine de courant ou de débranchement intempestif, la pression du gaz dans le système de réfrigération de l'appareil n'est pas équilibrée, ce qui déclenche la fonction de conservation thermique du compresseur. L'appareil se remet en marche au bout de 6 minutes environ. Dans le cas contraire, veuillez contacter le service de maintenance.
- Le dégivrage est actif. >>> Ce processus est normal pour un appareil à dégivrage complètement automatique. Le dégivrage se déclenche périodiquement.
- L'appareil n'est pas branché. >>> Vérifiez que le cordon d'alimentation est connecté à la prise.
- Le réglage de la température est incorrect. >>> Sélectionnez le réglage de température approprié.
- Absence d'énergie électrique. >>> L'appareil continue de fonctionner normalement dès le retour du courant.

### **Le bruit du réfrigérateur en fonctionnement s'accroît pendant son utilisation.**

- Le rendement de l'appareil en fonctionnement peut varier en fonction des fluctuations de la température ambiante. Ceci est normal et ne constitue pas un dysfonctionnement.

### **Le réfrigérateur fonctionne fréquemment ou pendant de longues périodes.**

## Dépannage

- Il se peut que le nouvel appareil soit plus grand que l'ancien. Les appareils plus grands fonctionnent plus longtemps.
- La température de la pièce est peut-être trop élevée. >>> Il est normal que l'appareil fonctionne plus longtemps quand la température de la pièce est élevée.
- L'appareil vient peut-être d'être branché ou chargé de nouvelles denrées alimentaires. >>> L'appareil met plus longtemps à atteindre la température réglée s'il vient d'être branché ou récemment rempli de denrées. C'est normal.
- Il est possible que des quantités importantes d'aliments chauds aient été récemment placées dans l'appareil. >>> Ne mettez pas d'aliments chauds à l'intérieur de l'appareil.
- Les portes étaient ouvertes fréquemment ou sont restées longtemps ouvertes. >>> L'air chaud circulant à l'intérieur de l'appareil le fera fonctionner plus longtemps. N'ouvrez pas les portes trop fréquemment.
- Il est possible que la porte du congélateur soit entrouverte. >>> Vérifiez que les portes sont complètement fermées.
- L'appareil peut être réglé à une température trop basse. >>> Réglez la température à un degré supérieur et attendez que l'appareil atteigne la nouvelle température.
- Le joint de la porte du congélateur peut être sale, usé, cassé, ou mal positionné. >>> Nettoyez ou remplacez le joint d'étanchéité. Si le joint du congélateur est endommagé ou arraché, l'appareil prendra plus longtemps à conserver la température actuelle.

### **La température du congélateur est très basse, alors que celle du réfrigérateur est appropriée.**

- La température du compartiment congélateur est très basse. >>> Réglez la température du compartiment congélateur à un degré supérieur et vérifiez à nouveau.

### **La température du réfrigérateur est très basse, alors que celle du congélateur est appropriée.**

- La température du compartiment réfrigérateur est très basse. >>> Réglez la température du compartiment congélateur à un degré supérieur et vérifiez à nouveau.

### **Les aliments conservés dans le compartiment réfrigérateur sont congelés.**

- La température du compartiment réfrigérateur est très basse. >>> Réglez la température du compartiment congélateur à un degré supérieur et vérifiez à nouveau.

### **La température du compartiment réfrigérateur ou congélateur est très élevée.**

- La température du compartiment réfrigérateur est réglée à un degré très élevé. >>> Le réglage de la température du compartiment réfrigérateur a une incidence sur la température du compartiment congélateur. Attendez jusqu'à ce que la température des pièces correspondantes atteigne le niveau d'efficacité requis en changeant la température des compartiments réfrigérateur ou congélateur.
- Les portes étaient ouvertes fréquemment ou sont restées longtemps ouvertes. >>> N'ouvrez pas les portes trop fréquemment.
- La porte peut être entrouverte. >>> Fermez complètement la porte.
- L'appareil vient peut-être d'être branché ou chargé de nouvelles denrées alimentaires. >>> Cela est normal. L'appareil met plus longtemps à atteindre la température réglée s'il vient d'être branché ou récemment rempli de denrées.
- Il est possible que des quantités importantes d'aliments chauds aient été récemment placées dans l'appareil. >>> Ne mettez pas d'aliments chauds à l'intérieur de l'appareil.

### **En cas de vibrations ou de bruits.**

- Le sol n'est pas assez solide et durable. >>> Si l'appareil balance lorsqu'il est déplacé doucement, ajustez les supports afin de le remettre en équilibre. Assurez-vous également que le sol est assez solide pour supporter l'appareil.
- Les éléments placés sur l'appareil peuvent être à l'origine du bruit. >>> Retirez tous les éléments placés sur l'appareil.

### **L'appareil émet un bruit d'écoulement de liquide ou de pulvérisation, etc.**

- Les principes de fonctionnement de l'appareil impliquent des écoulements de liquides et des émissions de gaz. >>> Ceci est normal et ne constitue pas un dysfonctionnement.

### **L'appareil émet un sifflement.**

## Dépannage

- L'appareil effectue le refroidissement à l'aide d'un ventilateur. Ceci est normal et ne constitue pas un dysfonctionnement.

### **Il y a de la condensation sur les parois internes de l'appareil.**

- Un climat chaud ou humide accélère le processus de givrage et de condensation. Ceci est normal et ne constitue pas un dysfonctionnement.
- Les portes étaient ouvertes fréquemment ou sont restées longtemps ouvertes. >>> N'ouvrez pas les portes trop fréquemment ; fermez-les lorsqu'elles sont ouvertes.
- La porte peut être entrouverte. >>> Fermez complètement la porte.

### **Il y a de la condensation sur les parois externes ou entre les portes de l'appareil.**

- Il se peut que le climat ambiant soit humide, auquel cas cela est normal. >>> La condensation se dissipe lorsque l'humidité baisse.

### **Présence d'une odeur désagréable dans l'appareil.**

- L'appareil n'est pas nettoyé régulièrement. >>> Nettoyez régulièrement l'intérieur à l'aide d'une éponge, de l'eau tiède et du carbonate dissout dans l'eau.
- Certains récipients et matériaux d'emballage sont peut-être à l'origine des mauvaises odeurs. >>> Utilisez des récipients et des emballages exempts de toute odeur.
- Les aliments étaient placés dans des récipients ouverts. >>> Conservez les aliments dans des récipients fermés. Des micro-organismes peuvent se proliférer dans des récipients non fermés et causer des mauvaises odeurs.
- Retirez tous les aliments périmés ou avariés de l'appareil.

### **La porte ne se ferme pas.**

- Les paquets d'aliments peuvent bloquer la porte. >>> Déplacez tout ce qui bloque les portes.
- L'appareil ne se tient pas parfaitement droit sur le sol. >>> Ajustez les supports afin de remettre l'appareil en équilibre.
- Le sol n'est pas assez solide et durable. >>> Assurez-vous que le sol soit assez solide pour supporter l'appareil.

### **Le bac à légumes est bloqué.**

- Il est possible que les aliments soient en contact avec la section supérieure du bac. >>> Reclassez les aliments dans le bac.

### **En cas de présence d'une surface chaude sur le produit,**

- Une température élevée peut être observée entre deux portes, sur les panneaux latéraux et sur la zone du grill arrière lorsque votre produit est utilisé. C'est normal et cela ne nécessite pas d'entretien !

### **Le ventilateur continue de fonctionner lorsque la porte est ouverte.**

- Le ventilateur peut continuer à fonctionner lorsque la porte du congélateur est ouverte.



**AVERTISSEMENT :** Si le problème persiste même après observation des instructions contenues dans cette partie, contactez votre fournisseur ou un service de maintenance agréé. N'essayez pas de réparer vous-même l'appareil.

Cet appareil est doté d'une source d'éclairage de classe énergétique "G". Seuls des réparateurs qualifiés sont autorisés à procéder au remplacement de la source d'éclairage de cet appareil.

عملنا العزيز،

يرجى قراءة هذا الدليل قبل استخدام المنتج.

نشكرك على اختيارك هذا المنتج. نتمنى أن تصل إلى الكفاءة المثلى من هذا المنتج عالي الجودة الذي تم تصنيعه بأحدث التقنيات. للقيام بذلك ، اقرأ هذا الدليل بعناية وأية وثائق أخرى مقدمة قبل استخدام المنتج واحتفظ به كمرجع. انتبه إلى جميع المعلومات والتحذيرات الموجودة في دليل المستخدم. بهذه الطريقة ، ستحمي نفسك ومنتجك من الأخطار التي قد تحدث.

احتفظ بدليل المستخدم. قم بتضمين هذا الدليل مع الجهاز إذا قمت بتسليمه إلى شخص آخر.

تستخدم الرموز التالية في دليل المستخدم:

⚠️ خطر قد يؤدي إلى الوفاة أو الإصابة.

ⓘ تنبيه خطر قد يتسبب في تلف مادي بالمنتج أو المناطق المحيطة به

ⓘ معلومات مهمة أو نصائح مفيدة حول التشغيل.

📖 اقرأ دليل المستخدم.

⚠️ خطر حريق/ مواد قابلة للاشتعال:



6.3	درج الخضار ذو التحكم في الرطوبة (+EverFresh)
15	6.4 الضوء الأزرق / الحصاد الطازج HarvestFresh
15	6.5 وحدة مكافحة الرائحة
16	6.6 علبه الثلج (فريش جارد FreshGuard)
17	6.7 صانع الثلج
17	6.8 توفر حاوية تخزين الألبان (التخزين البارد)»
18	6.9 درج الخضروات
18	6.10 فاصل درج الخضراوات
18	6.11 تنظيف فلتر الإيثيلين
19	6.12 تنظيف فاصل درج الخضروات
20	6.13 تجميد الأطعمة الطازجة
20	6.14 توصيات لتخزين الأطعمة المجمدة في حجرة التجميد
21	6.15 تفاصيل المجدد العميق
21	6.16 وضع الطعام
21	6.17 منبه فتح الباب
21	6.18 مصباح الإضاءة

## 7 الصيانة والتنظيف 22

22	7.1 الأسطح الخارجية من الفولاذ المقاوم للصدأ
22	7.2 تنظيف المنتجات تاذ الأبواب الزجاجية
22	7.3 منع الروائح
23	7.4 حماية الأسطح البلاستيكية

## 7 الصيانة والتنظيف 23

## 8 استكشاف المشاكل وإصلاحها 24

## 1 تعليمات الأمان 3

3	1.1 غرض الاستخدام
3	1.2 سلامة الأطفال والأشخاص الضعفاء والحيوانات الأليفة
3	1.3 السلامة الكهربائية
4	1.4 السلامة عند حمل الجهاز
4	1.5 السلامة عند التركيب
4	1.6 السلامة التشغيلية
5	1.7 السلامة عند الصيانة والتنظيف
6	1.8 برنامج HomeWhiz
6	1.9 الإضاءة

## 2 تعليمات بينية 7

7	2.1 الامتثال للتوجيهات الخاصة بنفايات الأجهزة والتخلص منها:
7	2.2 الامتثال لتوجيهات حظر المواد الخطرة:
7	2.3 معلومات الغلاف

## 3 ثلاجتك 8

## 4 التركيب 9

9	4.1 المكان المناسب للتركيب
9	4.2 للمنتجات ذات موزع الماء / صانع الثلج
9	4.3 تثبيت الأوتاد البلاستيكية
10	4.4 تعديل الأقدام
10	4.5 التوصيل الكهربائي

## 5 الإعداد 11

11	5.1 إجراءات توفير الطاقة
11	5.2 التشغيل لأول مرة

## 6 تشغيل المنتج 12

12	6.1 إيقاف تشغيل المنتج
----	------------------------

## 6 تشغيل المنتج 13

13	6.2 لوحة المؤشر
----	-----------------

- يوضح هذا الجزء تعليمات السلامة اللازمة لمنع خطر الإصابة أو الضرر المادي.
- لا تتحمل شركتنا المسؤولية عن أي أضرار قد تقع إذا لم يتم التقيد بهذه التعليمات.
- ! يجب أن تُجرى عمليات التشييب والإصلاح دائماً لدى مركز خدمة متعمد.
- ! استخدم دائماً قطع غيار وملحقات أصلية.
- ! سيتم توفير قطع الغيار الأصلية لمدة 10 سنوات بعد تاريخ شراء المنتج.
- ! لا تصلح أو تستبدل أي جزء من الجهاز إلا إذا ذكر ذلك صراحة في دليل المستخدم.
- ! لا تُجرى أي تعديلات على المنتج.

1. أفضل سلك الطاقة من مأخذ التيار.
2. اقطع سلك الطاقة وقم بإزالته من الجهاز مع القابس.
3. لا تقم بإزالة الرفوف والأدراج من المنتج لمنع الأطفال من الدخول إلى الجهاز.
4. فك الأبواب
5. قم بتخزين المنتج بحيث لا ينقلب.
6. لا تسمح للأطفال بالعبث بالجهاز المفك.

### 1.3 السلامة الكهربائية

- يجب عدم توصيل المنتج بالمأخذ أثناء عمليات التركيب والصيانة والتنظيف والإصلاح والنقل.
- في حالة تلف سلك الطاقة ، يجب استبداله بواسطة الخدمة المعتمدة فقط لتجنب أي خطر قد يحدث.
- لا تضع سلك الطاقة أسفل المنتج أو في الجزء الخلفي منه. لا تضع عناصر ثقيلة على سلك الطاقة. يجب عدم ثني سلك الطاقة أو الضغط فوقه أو ملامسته لأي مصدر حرارة.
- لا تستخدم سلك تمديد أو مقبس متعدد أو محول لتشغيل منتجك.
- قد تؤدي المقابس المتعددة المحمولة أو مصادر الطاقة المحمولة إلى زيادة الحرارة وتسبب الحريق. وبالتالي ، لا تضع مقبس متعدد خلف المنتج أو بالقرب منه.
- يجب أن تكون هناك سهولة في الوصول إلى المقبس. إذا لم يكن ذلك ممكناً ، فيجب توفير آلية في التركيب تتوافق مع التشريعات الكهربائية وتفصل جميع المحطات الطرفية عن تمديدات الشبكة (المصهر ، والمفتاح الرئيسي، الخ).
- لا تلمس القابس بأيدي متبللة!
- عند فصل الجهاز ، لا تمسك سلك الطاقة، بل القابس.

- ! لا تصلح أو تستبدل أي جزء من الجهاز إلا إذا ذكر ذلك صراحة في دليل المستخدم.
- ! لا تُجرى أي تعديلات على المنتج.

### 1.1 غرض الاستخدام

- هذا المنتج غير مصمم للاستخدام التجاري ولا يجب استعماله خارج نطاق الغرض الذي صمم لأجله.
- هذا المنتج مخصص للتشغيل في المساحات الداخلية، مثل المنازل أو ما شابه ذلك.
- مثال؛
  - في مطابخ الموظفين بالمطاجر والمكاتب وبيئات العمل الأخرى ،
  - المزارع،
  - في وحدات الفنادق أو الموتيلات أو مرافق الاستراحة الأخرى التي يستخدمها الزبائن،
  - في المنزل أو البيئات المماثلة ،
  - في خدمات الضيافة وتقديم الطعام والتطبيقات المماثلة في غير محلات التجزئة.
- لا يجوز استخدام هذا المنتج في البيئات الخارجية المفتوحة أو المغلقة مثل السفن أو الشرفات أو التراسات. قد يؤدي تعريض المنتج للمطر والتلج وأشعة الشمس والرياح إلى خطر نشوب حريق.

### 1.2 سلامة الأطفال والأشخاص

#### الضعفاء والحيوانات الأليفة

- يمكن للأطفال بعمر 8 أعوام فأكثر والأشخاص الذين يعانون من قدرات بدنية أو حسية أو عقلية محدودة أو يفقدون للخبرة والمعرفة استخدام هذا المنتج تحت الإشراف أو وفقاً للتعليمات الخاصة باستخدام الجهاز بطريقة آمنة شريطة أن يكونوا مدركين للمخاطر المتعلقة بذلك.

## 1.4 السلامة عند حمل الجهاز

- هذا المنتج ثقيل، لا تحمله لوحده.
- لا تمسك المنتج من بابيه أثناء نقله.
- احرص على عدم إتلاف نظام التبريد والأنابيب أثناء نقل المنتج. لا تقم بتشغيل المنتج في حالة تلف الأنابيب، واتصل بخدمة معتمدة.

## 1.5 السلامة عند التركيب

- اتصل بمركز الخدمة المعتمد من أجل تركيب الجهاز. لإعداد الجهاز للتركيب، انظر المعلومات في دليل المستخدم وتأكد أن منافع الكهرباء والماء كما هو مطلوب. إذا لم يكن التركيب مناسباً، فاتصل بفني كهربائي وسببك موهل كي يتخذوا الترتيبات اللازمة. خلاف ذلك، قد تحدث صدمة كهربائية، أو حريق، أو مشاكل في المنتج أو إصابات.
- تحقق من عدم وجود أي ضرر في المنتج قبل تثبيته. لا توصل الجهاز بالكهرباء إذا كان متضرراً.
- ضع المنتج على سطح مستو وصلب ووزانه عبر الأرجل القابلة للتعديل. وإلا فقد تتقلب الثلاجة وتتسبب في حدوث إصابات.
- يجب تركيب المنتج في بيئة جافة وجيدة التهوية. لا تضع سجاد أو بسط أو أغطية أرضيات مشابهة أسفل المنتج. قد يؤدي ذلك إلى نشوب حريق نتيجة التهوية الغير كافية!

- لا تسد أو تغطي فتحات التهوية. خلاف ذلك، قد يزداد استهلاك الطاقة وقد يحدث تلف بالمنتج الخاص بك.

- لا تقم بتوصيل المنتج بأنظمة إمداد الطاقة مثل مصادر الطاقة الشمسية. خلاف ذلك، قد يحدث تلف لمنتجك نتيجة لتقلبات الجهد المفاجئة!
- كلما زادت كمية غاز التبريد في الثلاجة، زادت مساحة الغرفة التي يجب تركيب الثلاجة بها. في الغرف الصغيرة جداً، قد يتشكل خليط غاز-هواء قابل للاشتعال في حالة تسرب الغاز في نظام التبريد. يطلب ما لا يقل عن 1 متر مكعب من الحجم لكل 8 جرام من سائل التبريد. تم تحديد كمية مادة التبريد المتوفرة في منتجك في ملصق النوع.
- يجب ألا يتعرض مكان تركيب المنتج لأشعة الشمس المباشرة ولا يجب أن يكون بالقرب من مصدر حرارة مثل المواقد والرادياتير وما إلى ذلك.

- إذا لم تتمكن من تجنب تركيب المنتج بالقرب من مصدر حرارة، فيجب عليك استخدام لوحة عازلة مناسبة ويجب أن يكون الحد الأدنى للمسافة بين الثلاجة ومصدر الحرارة كما هو محدد أدناه.

- على بعد 30 سم على الأقل من مصادر الحرارة مثل المواقد ووحدة التسخين والسخانات وما إلى ذلك،

- وعلى بعد 5 سم على الأقل من الأفران الكهربائية.
- يحتوي منتجك على فئة الحماية I. قم بتوصيل المنتج بمقيس موزن يتوافق مع قيم الجهد والتيار والتردد المحددة في ملصق النوع. يجب أن يكون منفذ المقيس مزوداً بصمام ذو تصنيف 10 A - 16 A. لن تكون شركتنا مسؤولة عن الأضرار التي قد تحدث نتيجة لتشغيل المنتج دون ضمان التوصيلات الأرضية والكهربائية المحددة وفقاً للمواصفات المحلية أو اللوائح الوطنية.

- يجب فصل كبل طاقة الجهاز أثناء التركيب. خلاف ذلك، قد يحدث خطر حدوث صدمة كهربائية وإصابة! لا تقم بتوصيل المنتج بمقاييس أو مآخذ مفكوكة أو مكسورة أو متسخة أو دهنية أو خارجة عن مواضعها أو مقاييس ذات خطر ملامسة الماء.
- ضع سلك الطاقة وخرائط المنتج (إن وجدت) بحيث لا تسبب خطر التعثر.

- قد يتسبب دخول الرطوبة إلى الأجزاء الكهربائية أو سلك الطاقة في حدوث قصر في الدائرة الكهربائية. بالتالي، لا تستخدم المنتج في البيئات الرطبة أو في المناطق التي قد تتناثر فيها المياه (مثل المراب وغرفة الغسيل وما إلى ذلك) إذا كانت الثلاجة مبللة بالمياه، افصلها واتصل بالخدمة المعتمدة.
- لا تقم بتوصيل ثلاجتك بأجهزة توفير الطاقة. هذه الأنظمة ضارة بالمنتج.

## 1.6 السلامة التشغيلية

- لا تستخدم المذيبات الكيميائية على المنتج. تسبب هذه المواد خطر الانفجار.

- في حالة تعطل المنتج، افصله ولا تشغيله حتى يتم إصلاحه بواسطة الخدمة المعتمدة. فهناك خطر الصدمة الكهربائية!

- لا تضع مصدرًا للهب (مثل الشموع والسجائر وما إلى ذلك) على المنتج أو بالقرب منه.

- لا تصعد على المنتج. هناك خطر السقوط والإصابة!
- لا تتلف أنابيب نظام التبريد باستخدام أدوات حادة وثاقبه. قد يتسبب سائل التبريد الذي قد يتم رشه في حالة ثقب أنابيب الغاز أو تمديدات الأنابيب أو غلاف السطح العلوي في حدوث تهيج للجلد وإصابات في العين.

- لا تضع وتشغل الأجهزة الكهربائية داخل الثلاجات / المجمد العميق ما لم ينصح المصنع بذلك.

- لا تحشر أي جزء من يديك أو جسمك في الأجزاء المتحركة داخل المنتج. احرص على عدم انحشار أصابعك بين الثلاجة وبابها. كن حذراً أثناء فتح وإغلاق الباب إذا كان هناك أطفال بالجوار.

## تعليمات هامة عن السلامة والبيئة

- لا تضع المتلجات أو مكعبات الثلج أو الأطعمة المجمدة في فمك بمجرد إخراجها من الفريزر. خطر حدوث عضة صقيع!
  - لا تلمس الجدران الداخلية أو الأجزاء المعدنية من المجمد أو الأطعمة المحفوظة داخل الثلاجة وبداك مبتلة. خطر حدوث عضة صقيع!
  - لا تضع علب الصودا أو العلب والزجاجات التي تحتوي على سوائل يمكن تجميدها في حجرة التجميد. قد تتفجر العلب أو الزجاجات. هناك خطر حدوث إصابة وأضرار مادية!
  - لا تستخدم أو تضع موادًا حساسة ضد درجة الحرارة مثل البخاخات القابلة للاشتعال، والأشياء القابلة للاشتعال، والثلج الجاف أو غيرها من المواد الكيميائية في محيط الثلاجة. خطورة الحريق والانفجار!
  - لا تخزن المواد القابلة للانفجار مثل علب الأيروسول التي تحتوي على مواد قابلة للاشتعال داخل المنتج.
  - لا تضع العلب التي تحتوي على سوائل فوق المنتج. قد يؤدي تناثر الماء على جزء كهربائي إلى خطر حدوث صدمة كهربائية أو نشوب حريق.
  - هذا المنتج غير مخصص لتخزين وتبريد الأدوية أو بلازما الدم أو المستحضرات المخبرية أو المواد والمنتجات المماثلة التي تخضع لتوجيه المنتجات الطبية.
  - إذا تم استخدام المنتج لغرض غير الغرض المقصود منه، فقد يتسبب ذلك في تلف المنتجات الموجودة بالداخل أو تدهور جودتها.
  - إذا كانت ثلاجتك مزودة بضوء أزرق، فلا تنظر إلى هذا الضوء بالأجهزة البصرية. لا تحدد مباشرة في ضوء الأشعة فوق البنفسجية LED لفترة طويلة. قد تسبب الأشعة فوق البنفسجية إجهاد العين.
  - لا تملأ المنتج بطعام أكثر من سعته. قد تحدث إصابات أو أضرار إذا سقطت محتويات الثلاجة عند فتح الباب. قد تحدث مشكلات مماثلة عند وضع شيء ما فوق المنتج.
  - تأكد من إزالة أي جليد أو ماء قد يكون سقط على الأرض لمنع الإصابات.
  - قم بتغيير أماكن الرفوف / أرفف الزجاجات على باب الثلاجة عندما تكون الأرفف فارغة فقط. خطر الإصابة الشخصية!
  - لا تضع أشياء قد تسقط / تنقلب على المنتج. قد تسقط هذه الأشياء أثناء فتح الباب أو إغلاقه وتسبب إصابات و / أو أضرار مادية.
  - لا تضرب أو تمارس ضغطًا زائدًا على الأسطح الزجاجية. قد يتسبب الزجاج المكسور في حدوث إصابات و / أو أضرار مادية.
  - يحتوي نظام التبريد في منتجك على مبرد R600a. يتم تحديد نوع مادة التبريد المستخدمة في المنتج في ملصق النوع. هذا الغاز سريع الاشتعال. لذلك احرص على عدم إتلاف نظام التبريد والأنابيب أثناء تشغيل المنتج. في حالة تلف الأنابيب؛ - لا تلمس المنتج أو سلك الطاقة، - احتفظ بالمنتج بعيدًا عن مصادر الحريق المحتملة التي قد تتسبب في اشتعال المنتج.
  - - قم بتهوئة المنطقة التي وضع فيها المنتج. لا تستخدم مروحة.
  - - قم بالاتصال بالخدمة المعتمدة.
  - في حالة تلف المنتج ولاحظت تسرب الغاز، يرجى الابتعاد عن الغاز. قد يسبب الغاز قزمة الصقيع إذا لامس جلدك.
- ### للمنتجات مع موزع الماء / صانع الجليد
- استعمل ماء الشرب فقط. لا تملأ خزان الماء بعصير الفواكه، الحليب، أو المشروبات الفوارة أو المشروبات الكحولية أو أية سوائل أخرى غير منسجمة مع استخدام موزع الماء. قد يتسبب ذلك في مخاطر على صحتك وسلامتك.
  - لا تسمح للأطفال باللعب بموزع المياه أو صانع الثلج لمنع الحوادث والإصابات.
  - لا تدخل أصابعك أو أي أشياء أخرى داخل فتحة موزع المياه أو قناة الثلج أو داخل حاوية صانع الثلج. قد يسبب هذا إصابات أو أضرار مادية.
- ### 1.7 السلامة عند الصيانة والتنظيف
- لا تسحب من مقبض الباب إذا كان عليك نقل المنتج لأغراض التنظيف. قد يتسبب المقبض في حدوث إصابات إذا تم سحبه بشدة.
  - لا لتنظف المنتج عن طريق رش الماء أو سكب على المنتج وداخله. خطر حدوث صدمة كهربائية وحريق.
  - لا تستخدم أدوات حادة أو كاشطة لتنظيف المنتج. لا تستخدم مواد مثل مواد التنظيف المنزلية والمنظفات والغاز والبنزين والكحول والشمع وما إلى ذلك.
  - استخدم فقط عوامل التنظيف والصيانة غير الضارة بالطعام داخل المنتج.

## تعليمات هامة عن السلامة والبيئة

- لا تستخدم مواد التنظيف بالبخار أو البخار لتنظيف المنتج وإذابة الثلج بداخله. يلامس البخار المناطق الكهربائية في ثلاجتك ويسبب مأساً كهربائياً أو صدمة كهربائية!
- احرص على إبقاء الماء بعيداً عن الدوائر الإلكترونية أو إضاءة المنتج.
- استخدم قطعة قماش نظيفة وجافة لمسح الغبار أو المواد الغريبة على أطراف القوابس. لا تستخدم قطعة قماش رطبة أو مبللة لتنظيف القابس. خلاف ذلك ، قد يحدث خطر نشوب حريق أو صدمة كهربائية.

### 1.8 برنامج HomeWhiz ⚠

(قد لا تنطبق على جميع الموديلات)

- اتبع تحذيرات الأمان حتى إذا كنت بعيداً عن المنتج أثناء تشغيل المنتج عبر تطبيق هوم ويز HomeWhiz. انتبه أيضاً إلى التحذيرات الموجودة في التطبيق.

### 1.9 الإضاءة ⚠

(قد لا تنطبق على جميع الموديلات)

- اتصل بالخدمة المعتمدة عندما يتعين عليك استبدال مصباح ليد LED / المصباح المستخدم للإضاءة.

## 2.1 الامتثال للتوجيهات الخاصة بنفايات الأجهزة والتخلص منها:

هذا المنتج متوافق مع توجيهات (EU) 2012/19/WEEE. يحمل هذا المنتج رمز تصنيف التخلّص من الأجهزة الكهربائية والإلكترونية (WEEE).

يشير هذا الرمز إلى أنه لا يجب التخلص من هذا المنتج مع النفايات المنزلية الأخرى في نهاية عمره التشغيلي. يجب إعادة الجهاز المستخدم إلى نقطة التجميع الرسمية لإعادة تدوير الأجهزة الكهربائية والإلكترونية. للعثور على أنظمة التجميع هذه، يرجى الاتصال بالسلطات



المحلية أو بائع التجزئة الذي تم شراء المنتج منه. تؤدي كل أسرة دوراً مهماً في استعادة وإعادة تدوير الأجهزة القديمة. يساعد التخلص المناسب من الأجهزة المستعملة على منع النتائج السلبية المحتملة على البيئة وصحة الإنسان.

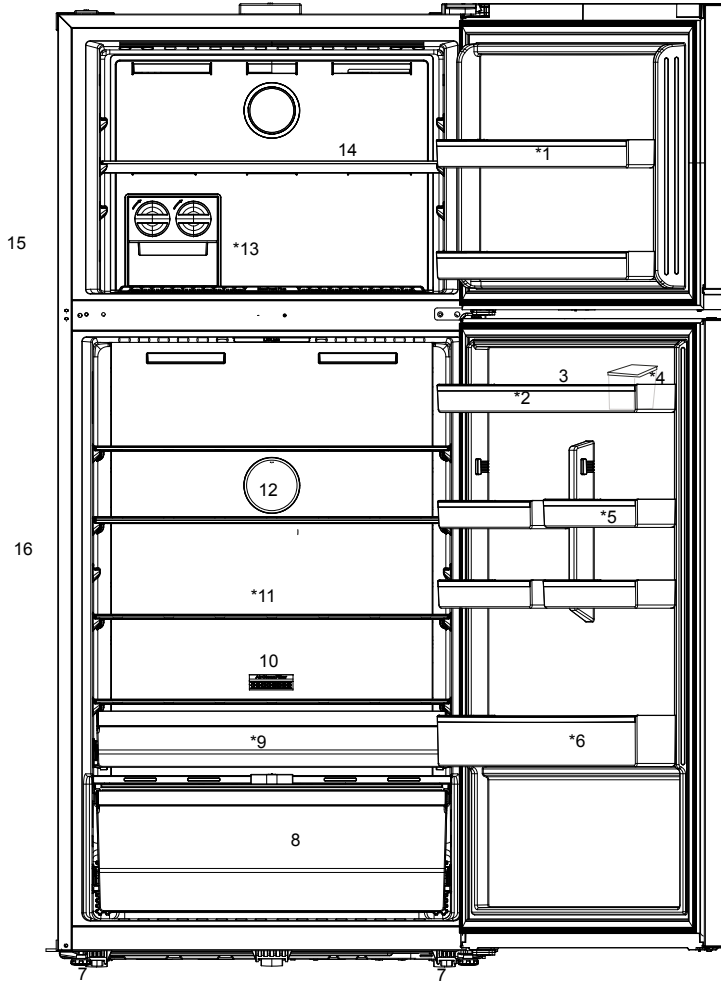
## 2.2 الامتثال لتوجيهات حظر المواد الخطرة:

هذا المنتج متوافق مع توجيهات (EU) 2011/65/RoHS. وهو لا يحتوي على مواد ضارة أو محظورة محددة في التوجيهات.

## 2.3 معلومات الغلاف

تم تصنيع مواد تغليف المنتج من مواد قابلة لإعادة التدوير طبقاً لأنظمة البيئة الوطنية. لا تتخلص من مواد التغليف مع النفايات المنزلية وغيرها. قم بنقلها إلى نقاط تجميع مواد التغليف المحددة من قبل السلطات المحلية.





- 1- رفوف باب جرة المجمد
- 2- رفوف باب حجرة المبرد
- 3- حامل البيض
- 4- موزع الماء
- 5- رفوف باب حجرة المبرد الصغير
- 6- رف زجاجات
- 7- القواعد القابلة للتعديل
- 8- درج الخضار، فاصل درج الخضار، هش وفلتر إيثيلين
- 9- توفر حاوية تخزين الألبان (التخزين البارد)
- 10- الفلتر
- 11- الرفوف الزجاجية
- 12- المروحة
- 13- آلة الثلج
- 14- الرف الزجاجي لحجرة المجمد
- 15- حجرة المجمد
- 16- حجرة المبرد

\*اختياري: إن الأشكال المذكورة في دليل المستخدم هذا هي تخطيطه وقد لا تتطابق مع جهازك تماما. إذا كان جهازك لا يشمل على الأجزاء ذات الصلة، فإن المعلومات تعود لموديلات أخرى.



## 4.1 المكان المناسب للتركيب

يتطلب المنتج الخاص بك توزيع الهواء بصورة كافية حتى يعمل بكفاءة. إذا كنت ستضع الجهاز في تجويف بالجدار، فتذكر ترك خلوص لا يقل عن 5 سم بين الجهاز وكل من السقف والجدار الخلفي والجدران الجانبية.

إذا كنت ستضع الجهاز في تجويف بالجدار، فتذكر ترك خلوص لا يقل عن 5 سم بين الجهاز وكل من السقف والجدار الخلفي والجدران الجانبية. تأكد أن مَكُون الحماية الخاص بالخلوص بين الجهاز والجدار الخلفي موجود في مكانه (إذا كان مزودًا مع المنتج). في حالة عدم توفر المكون المشار إليه أعلاه، أو في حالة فقدانه أو سقوطه، ضع الجهاز مع ترك خلوص لا يقل عن 5 سم بين السطح الخلفي للجهاز وجدار الغرفة. الخلوصل في خلفية الجهاز مهم لتشغيل الجهاز بكفاءة.

## 4.2 للمنتجات ذات موزع الماء / صانع الثلج

• يجب استخدام مجموعات الخراطيم المتوفرة مع المنتج. لا تستخدم مجموعات الخراطيم القديمة. لا تقم بتمديد الخراطيم!

• قم دائمًا بتوصيل منتجك بمدخل الماء البارد. لا تقم بتوصيل منتجك بمدخل الماء الساخن. يجب أن يكون ضغط مدخل الماء البارد 80 رطل / بوصة مربعة (550 كيلو باسكال) كحد أقصى. إذا تجاوز ضغط الماء 80 رطل / بوصة مربعة أو كان له تأثير مائي، فاستخدم صمام لتحديد الضغط في نظام الشبكة لديك. اطلب المساعدة من سباكين محترفين إذا كنت لا تعرف كيفية التحكم في ضغط المياه لديك.

قد يتسبب الضغط المرتفع في إتلاف وصلات الخراطيم وقد يؤدي إلى حدوث فيضان.

• قم باتخاذ الاحتياطات اللازمة ضد مخاطر تجمد الخراطيم. يجب أن يكون نطاق درجة حرارة ماء التشغيل بين 0.6 درجة مئوية (33 درجة فهرنهايت) كحد أدنى و 38 درجة مئوية (100 درجة فهرنهايت) كحد أقصى. هناك خطر حدوث فيضان إذا كان الخرطوم مشققًا / مثقوبًا.

**تحذير:** لا تستخدم أدوات التويل أو المقاييس المتعددة في توصيل الطاقة.



**تحذير:** لا يتحمل المصنع أية مسؤولية عن الأضرار الناجمة عن الأعمال المنفذة بواسطة أشخاص غير مرخصين.



**تحذير:** يجب فصل كبل طاقة الجهاز أثناء التركيب. قد يؤدي الإخفاق في ذلك إلى الموت أو إصابات خطيرة!



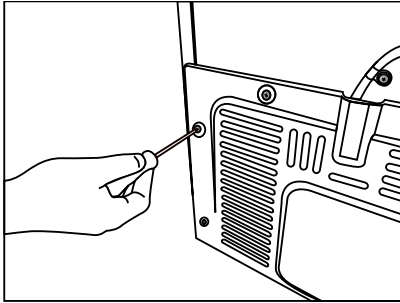
**تحذير:** إذا كان حجم الباب ضيقًا لدخول الجهاز، قم بفك الباب وأدر الجهاز إلى جانبه؛ إذا لم ينجح ذلك، اتصل بخدمة الصيانة المعتمدة.



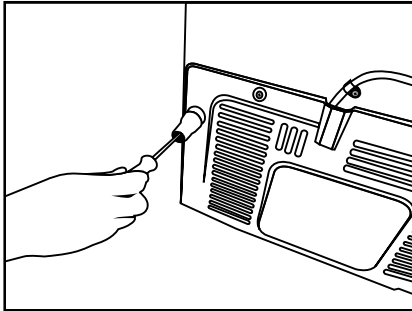
- ضع الجهاز على سطح منبسط لتجنب الاهتزاز.
- ضع الجهاز على بعد 30 سم على الأقل من المدفأة والموقد مصادر الحرارة الأخرى و5 سم على الأقل من الأفران الكهربائية.
- لا تعرض الجهاز لأشعة الشمس المباشرة أو تبقية في أماكن رطبة.
- يتطلب الجهاز توزيعًا كافيًا للهواء حتى يعمل بشكل فعال. إذا كنت ستضع الجهاز في فجوة، تذكر ترك 5 سم على الأقل بين الجهاز والسقف والجدران.

## 4.3 تثبيت الأوتاد البلاستيكية

استخدم الأوتاد البلاستيكية المزودة مع الجهاز لتوفير مساحة كافية لتوزيع الهواء بين الجهاز والجدار.





1. لتثبيت الأوتاد، فك البراغي الموجودة على المنتج واستخدم البراغي المزودة مع الأوتاد.





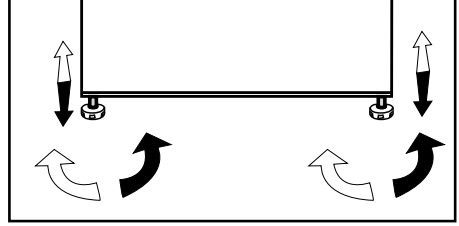
2. ركب وتدبن على غطاء التهوية كما هو موضح في الشكل.

#### 4.5 التوصيل الكهربائي


<p><b>تحذير:</b> لا تستخدم أدوات التويل أو المقابس المتعددة في توصيل الطاقة.</p>	
<p><b>تحذير:</b> يجب استبدال كبل الطاقة التالف بواسطة خدمة الصيانة المعدة.</p>	

#### 4.4 تعديل الأقدام

إن لم يكن الجهاز في وضع متوازن، اضبط القواعد الأمامية القابلة للتعديل بإدارتها إلى اليمين أو اليسار.



- لا تتحمل شركتنا المسؤولية عن أية أضرار بسبب الاستعمال بدون تأريض وتوصيل الطاقة طبقاً للأنظمة المحلية.
- يجب أن يكون قابس كبل الطاقة سهل الوصول بعد التركيب.

<p><b>تحذير سطح ساخن!</b> تم تجهيز الجدران الجانبية لمنتجك بأنابيب تبريد لتعزيز نظام التبريد. قد يتدفق السائل ذو الضغط المرتفع عبر هذه الأسطح، ويسبب سخونة للأسطح على الجدران الجانبية. هذا أمر طبيعي ولا يتطلب صيانة. كن حذرًا عند لمس هذه المناطق.</p>	
--	---

يمكن سماع صوت عندما يعمل الضاغط. من الطبيعي أن تسمع صوتاً حتى عندما يكون الضاغط غير نشط، بسبب السوائل والغازات المضغوطة في نظام التبريد.



ومن الطبيعي أن تكون الحواف الأمامية للثلاجة ساخنة. تم تصميم هذه الأجزاء لرفع درجة الحرارة لمنع التكدس.



في بعض الطرازات، تتوقف لوحة المؤشر عن العمل تلقائياً بعد مرور 1 دقائق على غلق الباب. سنتم إعادة تنشيطها مرة أخرى عند فتح الباب أو عند الضغط على أي زر.



اقرأ قسم "تعليمات الأمان" أولاً!



## 5.1 إجراءات توفير الطاقة

بسبب توصيل الجهاز بنظام توفير الطاقة الإلكتروني أضراراً، فقد يتلف المنتج.



- لا تدع أبواب الثلاجة مفتوحة لفترات طويلة.
- لا تضع الأطعمة أو المشروبات الساخنة في الثلاجة.
- لا تضع كميات مفرطة في الثلاجة؛ إن إعاقة تدفق الهواء الداخلي يقلل من قدرة التبريد.
- بناء على سمات المنتج، تضمن إذابة الأطعمة المجمدة في حجرة المبرد توفير الطاقة والمحافظة على جودة الطعام.
- يجب تخزين الطعام باستخدام الأدراج في حجرة المبرد لضمان توفير الطاقة وحماية الطعام في ظروف أفضل.
- تأكد أن الأطعمة لا تلامس مجس درجة حرارة حجرة المبرد المذكور أدناه.

## 5.2 التشغيل لأول مرة

- قبل استخدام ثلاجتك، تأكد من إجراء الإعدادات الضرورية انسجاماً مع التعليمات المذكورة في أقسام "تعليمات السلامة والبيئة" و"التركيب".
- قم بتشغيل الجهاز دون وضع أي أطعمة داخله لمدة 12 ساعات مع عدم فتح الباب إلا للضرورة القصوى.

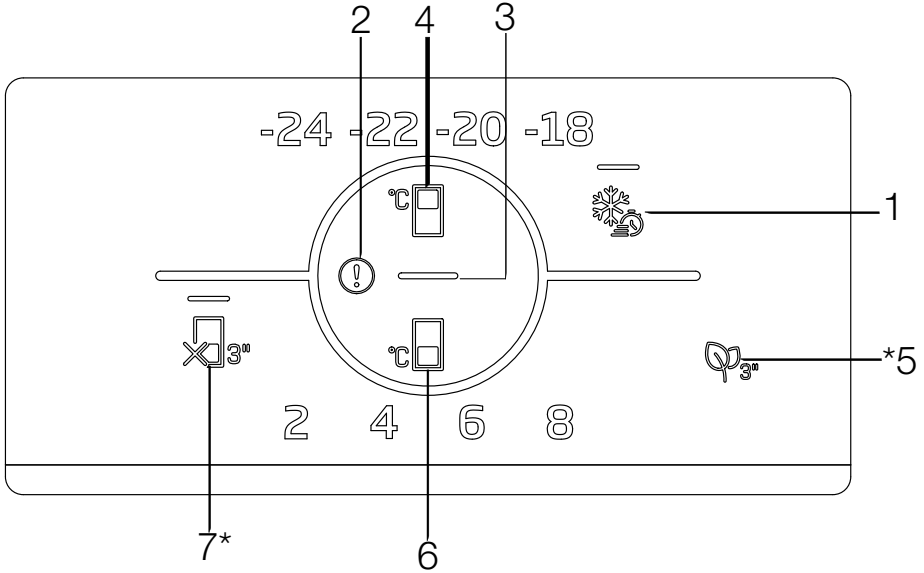
- لا تستخدم أي أدوات ميكانيكية أو أي أدوات أخرى لتسريع عملية الذوبان غير الأدوات التي توصي بها الشركة المصنعة.
- لا تستخدم أجزاء من ثلاجتك مثل الباب أو الأدراج كداعم للإسناد أو الاستناد. قد يتسبب ذلك في انقلاب المنتج أو تلف مكوناته.
- يجب استخدام المنتج لتخزين المواد الغذائية فقط.
- أغلق صمام المياه إذا كنت ستبقى بعيداً عن المنزل (على سبيل المثال في إجازة) ولن تستخدم صانع الثلج أو موزع المياه لفترة طويلة من الوقت. خلاف ذلك ، قد يحدث تسرب للمياه.

### 6.1 إيقاف تشغيل المنتج

- إذا كنت لن تستخدم المنتج لفترة طويلة ؛
  - أفصل المنتج،
  - قم بإزالة الطعام لمنع الروائح ،
  - انتظر حتى يذوب الجليد ،
  - نظف الداخل وانتظر حتى يجف.
  - اترك الأبواب مفتوحة لمنع تلف المواد البلاستيكية الداخلية للهيكل.

## 6.2 لوحة المؤشر

قد تتباين ألواح المؤشرات بناء على موديل جهازك.  
ستساعدك الوظائف الصوتية والبصرية للوحة المؤشرات على استخدام الثلاجة.



1. مفتاح التجميد السريع/مفتاح إعداد وظيفة ضوء المقبض
2. مؤشر حالة العطل
3. مؤشر توفير الطاقة (إيقاف الشاشة)
4. مفتاح ضبط درجة حرارة حجرة المجمد
5. مفتاح وحدة إزالة الروائح
6. مفتاح ضبط درجة حرارة حجرة المبرد
7. مفتاح وظيفة إيقاف تشغيل حجرة التبريد (وضع العطل)

\*اختياري: إن الأشكال المذكورة في دليل المستخدم هذا هي تخطيطه وقد لا تتطابق مع جهازك تماما. إذا كان جهازك لا يشمل على الأجزاء ذات الصلة، فإن المعلومات تعود لموديلات أخرى.



**1. مفتاح التجميد السريع**

عند الضغط على مفتاح التجميد السريع ، يضيء مؤشر LED الموجود على المفتاح ويتم تنشيط وظيفة التجميد السريع. تم تعيين درجة حرارة حجرة التجميد على -27 درجة مئوية. اضغط على المفتاح مرة أخرى لإلغاء وظيفة التجميد السريع، وسيتم الإلغاء الذاتي تلقائيًا خلال 52 ساعة. لتجميد كمية كبيرة من الطعام الطازج، اضغط على زر التجميد السريع قبل وضع الطعام في حجرة المجمد.

**\*مفتاح إعداد وظيفة ضوء المقبض**

يمكن تبديل وظيفة ضوء المقبض بين وضعي الفتح والإغلاق بالضغط على زر التجميد السريع (❄️) لمدة 3 ثوانٍ. في وضع الإغلاق، لا يُنشط ضوء المقبض سوى عند فتح باب الجهاز وينطفئ بعد فترة من إغلاق الباب. أما في وضع الفتح، فيُنشط ضوء المقبض عند فتح باب الجهاز ويظل مضيئًا بشكل خافت بعد فترة من إغلاق الباب. وتُضبط وظيفة ضوء المقبض على وضع الإغلاق المضبوط مسبقًا بالمصنع.

**2. مؤشر حالة العطل**

يكون هذا المؤشر (!) نشطًا عندما يتعذر على تلاجتك إجراء التبريد الكافي أو في حالة وجود أي خطأ في المستشعر. سيتم عرض الحرف "E" في مؤشر درجة حرارة حجرة المجمد، والأرقام مثل 1، 2، 3... على مؤشر درجة حرارة حجرة التبريد.

توفر هذه الرموز معلومات إلى الخدمة المعتمدة بشأن الخطأ الذي حدث.

قد تُعرض علامة تعجب عند وضع الطعام الدافئ في حجرة التجميد أو إبقاء الباب مفتوحًا لفترة طويلة. هذا ليس خطأ ، ينبغي زوال هذا التحذير عند تبريد الطعام أو عند الضغط على أي مفتاح.

**3. مؤشر توفير الطاقة (إيقاف الشاشة)**

يتم تفعيل وظيفة توفير الطاقة تلقائيًا ويظهر رمز توفير الطاقة (⏻) عندما لا يتم فتح باب المنتج أو إغلاقه لمدة من الوقت. عندما تكون وظيفة توفير الطاقة نشطة، يتم إيقاف تشغيل جميع الرموز التي تظهر على الشاشة باستثناء رمز توفير الطاقة. عندما تكون وظيفة توفير الطاقة نشطة، يؤدي الضغط على أي زر أو فتح الباب إلى تنشيط وظيفة توفير الطاقة وتعود إشارات الشاشة إلى طبيعتها. وظيفة توفير الطاقة هي وظيفة يتم تنشيطها مسبقًا في المصنع ولا يمكن إلغاؤها.

**4. مفتاح ضبط درجة حرارة حجرة التجميد**

يتم ضبط درجة حرارة مقصورة المبرد. سيؤدي الضغط على المفتاح (🌡️) إلى تمكين ضبط درجة حرارة حجرة التجميد على 18، -20، -22، -24. مئوية.

**5. مفتاح وحدة إزالة الروائح**

اضغط على هذا المفتاح لمدة 3 ثوانٍ لتمكين/تعطيل ميزة إزالة الروائح. يضيء مؤشر LED (👃) الموجود على المفتاح عند تمكين ميزة إزالة الروائح. عند تمكين الميزة، تعمل وحدة إزالة الروائح بشكل دوري.

**6. مفتاح ضبط درجة حرارة حجرة المبرد**

يسمح بضبط درجة حرارة حجرة المبرد (🌡️). سيؤدي الضغط على هذا المفتاح إلى تمكين ضبط درجة حرارة حجرة التبريد على 2، 4، 6، 8. مئوية.

**7. مفتاح وظيفة إيقاف تشغيل حجرة التبريد (وضع****العطلة)**

لتنشيط وظيفة العطلة (🛑)، اضغط على المفتاح لمدة 3 ثوانٍ. سيتم تنشيط وضع العطلة وسيضيء مؤشر LED الموجود على الزر. حجرة التبريد لا تؤدي وظيفة التبريد النشط. يجب ألا تحتفظ بطعامك في حجرة التبريد عند تنشيط هذه الوظيفة. تستمر الأجزاء الأخرى في التبريد وفقًا لدرجات الحرارة المحددة. اضغط على المفتاح لمدة 3 ثوانٍ مرة أخرى لإلغاء هذه الوظيفة.

### 6.3 درج الخضار ذو التحكم في الرطوبة (+EverFresh) (اختيارية)

بفضل درج التلاجة ذو خاصية التحكم في الرطوبة ، يمكن تخزين الخضار والفواكه لفترة أطول في بيئة ذات ظروف رطوبة مثالية. مع نظام ضبط الرطوبة الذي يحتوي على 3 خيارات والذي يوجد أمام درج الخضروات ، يمكنك التحكم في الرطوبة داخل الحجرة وفقاً للطعام الذي تخزنه. نوصيك بتخزين طعامك عن طريق تحديد خيار الخضار عند تخزين الخضار فقط ، وخيار الفاكهة عند تخزين الفاكهة فقط وخيار مختلط عند تخزين الأطعمة المختلفة.

نوصي بعدم تخزين الخضار والفواكه في أكياس لتحسين فترة تخزين الطعام وللاستفادة بشكل أفضل من نظام التحكم في الرطوبة. يؤدي تركها في أكياس بلاستيكية إلى تعفن الخضار في وقت قصير. نوصي على وجه الخصوص بعدم تخزين الخيار والقرنبيط في أكياس مغلقة. في الحالات التي لا يفضل فيها تماس خضراوات بالخضروات الأخرى ، استخدم مواد التعبئة والتغليف مثل الورق الذي يحتوي على مستوى معين من المسامية بحيث يضمن النظافة.

عند وضع الخضار ، ضع الخضار الثقيلة والقاسية في الأسفل ، والخضار الخفيفة والطيرية في الأعلى ، مع مراعاة أوزان الخضار الخاصة. لا تضع الفواكه التي تحتوي على نسبة عالية من إنتاج غاز الإيثيلين مثل الكمثرى والمشمش والخوخ وخاصة التفاح في نفس درج الخضروات والفواكه الأخرى. قد يتسبب غاز الإيثيلين الخارج من هذه الفاكهة في نضوج الخضروات والفواكه الأخرى بشكل أسرع وتعفنها في فترة زمنية أقصر.

### 6.4 الضوء الأزرق / الحصاد الطازج HarvestFresh (اختيارية)

#### للضوء الأزرق ،

جاردأ في تمتزج خلا تهكافلو تاورضخا رمتست قيلمع ءارجا في قرزلأ ءوضلا ءءاضملا تاورضخا لضفب يس نيماتف تايوتسمب طافتحلاو يئوضلا بيكرتلا قرزلأ ءوضلا يجوملا لوطلا ريثأ.

#### بالنسبة للحصاد الطازج HarvestFresh ،

جاردأ في تمتزج خلا مكوفلو تاورضخا ظفاحت جزاطلا ءاصحا ءيمقتب ءءاضملا تاورضخا ءصاخلا تانيماتيفلا تايوتسم يء HarvestFresh ءوضلا تارود لضفب لوطأ ءرقل (C و A تانيماتيف) اهد ءرود يكاحت يئلا ملاظلا ورحلاؤ رضحلاؤ قرزلأ موبلا.

ءينقتل ءملظملا ءرقتلا ل لاخت ءجلالء ءابا حءف مءب امدء ءجلالءا رعشتس ، HarvestFresh جزاطلا ءاصحلا ءاقرزلا ءوضلا ءحأب ءجلالءا جرد ءي ضئو ائناقلت ءالءب ءتحران مضل يلاوتلا يء ءارمحا وأ ءارضخا وأ لشمء شحب ءجلالءا ءابا قلاء ءء ءملظملا ءرقتلا رمتست موبلا ءرود نم ءميلللا ءرقتلا.

## 6.5 وحدة مكافحة الرائحة

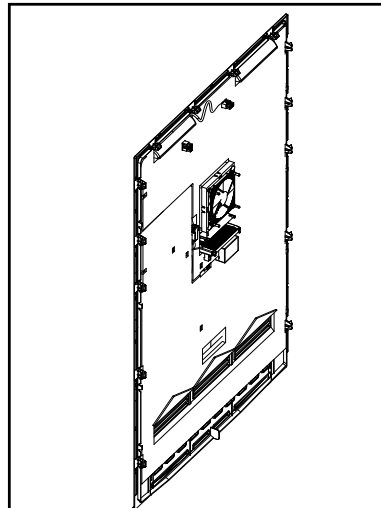
## (فريش جارد FreshGuard)

(هذه الميزة اختيارية)

تزيل وحدة مكافحة الروائح الروائح التي تحدث داخل الثلاجة قبل أن تنتشر على الأسطح. بفضل هذه الوحدة الموضوعية على سطح حجرة الطعام الطازج ، تتم إزالة الرائحة الكريهة أثناء مرور الهواء بفعالية عبر فلتر الرائحة ، ويتم توجيه الهواء النظيف في الفلتر إلى حجرة الطعام الطازج. وبالتالي ، فإن الرائحة الكريهة التي قد تحدث أثناء تخزين الطعام داخل الثلاجة يتم إزالتها من البيئة قبل أن تنتشر على الأسطح.

يتم توفير هذه الميزة مع المروحة ومصباح ليد LED و فلتر الرائحة الموجود داخل الوحدة. يجب تنشيط وحدة مكافحة الرائحة تلقائيًا بشكل دوري. إذا كان باب حجرة الطعام الطازج مفتوحًا أثناء تشغيل الوحدة ، يتم إيقاف المروحة مؤقتًا ، وتستمر في العمل عند إغلاق الباب. في حالة انقطاع التيار الكهربائي ، تبدأ الوحدة المضادة للرائحة في العمل عند استعادة الطاقة.

**معلومات:** لمنع الروائح الكريهة التي قد تحدث مع خليط الروائح من الأطعمة المختلفة ، نوصيك بتخزين الأطعمة العطرية مثل الجبن والزيتون والأطعمة المعلبة في عبواتها وبحيث تكون أغطيتها مغلقة. من أجل سلامة الأطعمة الأخرى المخزنة ولمنع الروائح الكريهة ، نوصيك بإزالة الطعام الذي لاحظت أنه فاسد من الثلاجة في أسرع وقت ممكن.



## 6.8 توفر حاوية تخزين الألبان (التخزين البارد) (هذه الميزة اختيارية)

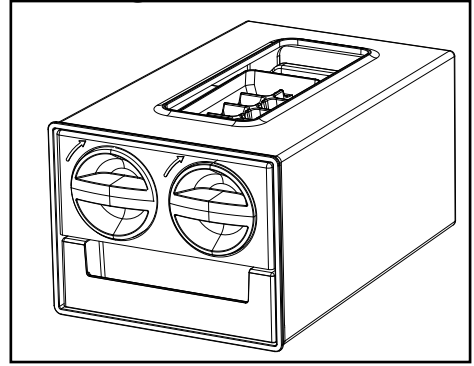
درجة حرارة منخفضة داخل حجرة التلاجة.  
استخدم هذه الحاوية لتخزين الأطعمة المعلبة  
(السلامي والفتنق ومنتجات الألبان وغيرها)  
التي تتطلب درجة حرارة تخزين أقل أو منتجات  
اللحوم أو الدجاج أو الأسماك للاستهلاك الفوري.  
لا تُخزن الفواكه والخضروات داخل هذه الحاوية.

## 6.6 علب التلج (هذه الميزة اختيارية)

تسمح لك علب التلج بأخذ التلج من التلاجة بسهولة.

### استخدام علب التلج

1. أخرج علب التلج من حجرة المجمد.
2. امأ العلب بالماء.
3. ضع علب التلج في حجرة المجمد. سيكون التلج جاهزاً بعد ساعتين تقريباً.
4. أخرج علب التلج من حجرة المجمد وقم بإمالتها قليلاً فوق الحامل الذي ستستخدمه للتقديم. سيسكب التلج بسهولة في حامل التقديم.



## 6.7 صانع التلج (هذه الميزة اختيارية)

يسمح لك صانع التلج بأخذ التلج بسهولة من التلاجة.

### استخدام علب التلج

1. قم بإزالة خزان المياه الموجود في حجرة المبرد.
2. امأ خزان الماء بالماء.
3. ضع خزان المياه في الخلف. سيكون أول تلج جاهزاً في غضون 4 ساعات تقريباً في درج صانع التلج في حجرة المجمد.

يمكنك الحصول على حوالي 60-70 مكعباً من التلج عندما يكون خزان المياه ممتلئاً.



يجب استبدال الماء الموجود داخل خزان المياه خلال 2-3 أسابيع على الأكثر.



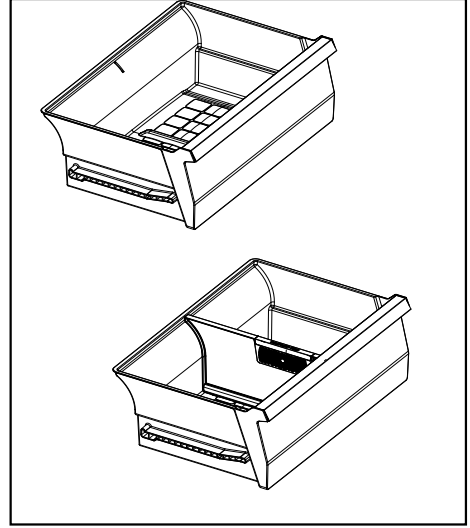


## 6.9 درج الخضروات

الأطعمة الحساسة لغاز الإيثيلين في إحدى الحجرات المفصولة بفاصل الخضروات ووضع الأطعمة التي تولد غاز الإيثيلين في الحجرة الأخرى. الأطعمة التي تولد غاز الإيثيلين والأطعمة الحساسة لغاز الإيثيلين مذكورة أدناه.

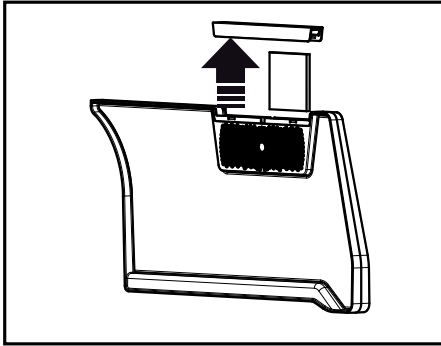
تم تصميم درج خضار الثلجة للحفاظ على الخضار طازجة من خلال المحافظة على الرطوبة. لهذه الغاية، يتم تكثيف التوزيع الكلي للماء البارد في درج الخضار. احتفظ بالفواكه والخضار في هذه الحجرة. احتفظ بالخضروات ذات الأوراق الخضراء والفواكه بشكل منفصل لإطالة عمرها.

الأطعمة التي تولد غاز الإيثيلين	الأطعمة الحساسة لغاز الإيثيلين
التفاح ، الكمثرى ، المشمش ، الدراق، النكتارين ، الأفوكادو ، الكيوي ، الخوخ ، التين ، السفرجل ، الطماطم	الخضار الطازجة (مثل الخس والبقدونس) والفراولة والكرز والعنب والبرتقال واليوسفي والأناناس والكرز والليمون والخيار والبروكلي والفلفل والبانجان واليامية والكوسة



## 6.11 تنظيف فلتر الإيثيلين

يتم تنظيف فلتر الإيثيلين مرة في السنة. قم بإزالة فلتر الإيثيلين عن طريق سحب غطاء الفلتر لأعلى كما هو موضح في الشكل. اترك فلتر الإيثيلين تحت أشعة الشمس لمدة يوم. وبذلك يتم تنظيف الفلتر الخاص بك.



## 6.10 فاصل درج الخضروات

## فلتر الإيثيلين

يساعد فلتر الاحتفاظ بالإيثيلين على إزالة غاز الإيثيلين والروائح الكريهة المنبعثة من الخضار والفاكهة في الثلجة.

يمكنك تخزين الفاكهة مثل الكمثرى والمشمش والخوخ وعلى وجه الخصوص التفاح ، والتي تولد كمية كبيرة من غاز الإيثيلين ، بشكل منفصل عن الخضار والفواكه الأخرى في نفس درج الخضروات بفاصل الخضروات.

قد يتسبب غاز الإيثيلين المنبعث من هذه الفاكهة في نضج الخضروات والفواكه الأخرى بشكل أسرع وتعفنهما في وقت أقصر.

بفضل هذه الميزة ، يمكنك الاحتفاظ بطعامك الطازج وخاصة الخضار الخضراء الحساسة لغاز الإيثيلين لفترة أطول من الوقت.

يمكنك تخزين طعامك لفترة أطول من خلال وضع

أعد الفلتر وأغلق الغطاء العلوي.  
لتوفير أقصى قدر من الفعالية للفلتر وللحفاظ على أدائه ،  
تجنب ملامسته للزيت والسوائل المماثلة ، و المواد مثل الماء  
والمنظفات. اتصل بالخدمة لاستبدال الفلتر بفلتر جديد بعد  
تماس الفلتر بهذه المواد.

### 6.12 تنظيف فاصل درج الخضروات

لمنع انسداد فتحات الهواء التنظيف في فاصل الخضروات  
، امسحها بقطعة قماش نظيفة وجافة على فترات زمنية  
محددة. في حالة وجوب غسل الفاصل ، قم دائماً بإزالة  
الفلتر من الفاصل.

**تحذير:** تأكد من عدم انسداد الفتحات  
الموجودة حول الفلتر لضمان دوران الهواء.



**6.13 تجميد الأطعمة الطازجة**

- قم بتنشيط وظيفة التجميد السريع عن طريق الضغط على زر «التجميد السريع» قبل مرور 24 ساعة على وضع الأطعمة المراد تجميدها.
- بعد 24 ساعة من الضغط على الزر ، ضع طعامك الساخن على الرف الزجاجي للمنتج.
- سيتم تعطيل وظيفة التجميد السريع تلقائيًا بعد مرور 52 ساعة.
- لا تحاول تجميد كميات كبيرة من الأطعمة في وقت واحد. ففي غضون 24 ساعة، يمكن للجهاز تجميد الحد الأقصى من الأطعمة المحدد في "سعة التجميد ... كجم/24 ساعة" على ملصق نوع المنتج. من غير المناسب وضع كميات زائدة من الأطعمة غير المجمدة/ الطازجة تتخطى الكميات المحددة في الملصق.
- عند وضع الأطعمة غير المجمدة في المنتج ، تجنب وضعها على تماس بالطعام المجمد.
- يؤدي تجميد الأطعمة عندما تكون طازجة إلى إطالة زمن تخزينها في حجرة المجمد.
- غلف الأطعمة في أغلفة مانعة للهواء وأحكم إغلاقها.
- تأكد من تغليف الأطعمة قبل وضعها في المجمد.
- استخدم مستوعبات المجمد، ورق القصدير والورق المضاد للرطوبة، أو الأكياس البلاستيكية أو مواد

التفاصيل:	إعداد درجة حرارة حجرة المبرد	إعداد درجة حرارة حجرة المجمد
هذا هو الإعداد الافتراضي المفضل.	4°C	-18°C
يوصى بهذه الإعدادات لدرجات الحرارة التي تتعدى 30 مئوية.	4°C	-20، أو -22 أو -24 درجة مئوية
استخدمه عندما تود تجميد طعامك خلال زمن قصير. عندما تنتهي العملية ، سيستعيد المنتج وضعه الأصلي.	4°C	التجميد السريع
استخدم هذه الإعدادات إذا كنت تعتقد أن حجرة المبرد ليست باردة بما يكفي بسبب درجة حرارة المحيط أو فتح الباب بشكل متكرر.	2°C	-18 مئوية أو أقل

**6.14 توصيات لتخزين الأطعمة****المجمدة في حجرة التجميد**

- يجب ضبط الحجرة على درجة 18- مئوية على الأقل.
1. ضع الأطعمة في المجمد بأسرع وقت ممكن لتجنب ذوبانها.
  2. قبل التجميد، تحقق من "تاريخ الصلاحية" على الغلاف للتأكد من أنها غير منتهية الصلاحية.
  3. تأكد أن غلاف الطعام غير تالف.

### 6.15 تفاصيل المجمد العميق

بحسب تعليمات IEC 62552، يجب أن يتمتع المجمد عند درجة حرارة الغرفة 25 درجة مئوية بقدرة تجميد 4.5 كغم من الأطعمة عند درجة 18- مئوية أو أقل خلال 24 ساعة لكل 100 لتر من حجم حجرة المجمد. يمكن الاحتفاظ بالأطعمة لفترات طويلة عند درجة حرارة 18- أو أقل.

يمكنك المحافظة على نضارة الأطعمة لعدة أشهر (في المجمد العميق أو تحت درجة 18 مئوية). يجب أن لا تتلامس الأطعمة المراد تجميدها مع الأطعمة المجمدة سلفاً في الداخل لتجنب الذوبان الجزئي. اسلق الخضار ونقي الماء لإطالة زمن تخزين المجمدات. ضع الطعام في أغلفة مانعة للهواء بعد التنقية و تخزينها في المجمد. لا يجب تجميد الموز، الطماطم، الخس، الكرفس، البيض المسلوق، البطاطا والأطعمة المماثلة. في حالة تعفن هذا الطعام، ستتأثر القيم الغذائية وجودة الأكل سلباً فقط. لا يوجد تعفن يهدد صحة الإنسان.

### 6.16 وضع الطعام

الأصناف المجمدة المختلفة بما يشمل اللحم، السمك، الأيس كريم، الخضار، الخ.	رفوف حجرة المجمد
أصناف الطعام داخل القدور، الأطباق المغطاة والعلب المغطاة، البيض (في علب مغطاة)	رفوف حجرة المبرد
المأكولات والمشروبات الصغيرة والمغلقة	رفوف باب حجرة المبرد
الفواكه والخضار	رف المواد الهشة
الأطعمة اليومية (طعام الإفطار، اللحوم التي تستهلك خلال فترة قصيرة)	حجرة الطعام الطازج

### 6.17 منبه فتح الباب

يمكنك سماع منبه صوتي إذا بقي باب الجهاز مفتوحاً لمدة 1.5 دقيقة. يتوقف المنبه الصوتي عند إغلاق الباب أو الضغط على أي زر على الشاشة (إن توفر).

### 6.18 مصباح الإضاءة

يستخدم الضوء الداخلي مصباح نوع LED. اتصل بخدمة الصيانة المعتمدة بخصوص أية مشاكل تتعلق بهذا المصباح. لا يمكن استخدام المصباح (المصابيح) المستخدمة في هذا الجهاز لإضاءة المنزل. الغرض من استخدام هذا المصباح هو مساعدة المستخدم على وضع الطعام في الثلاجة / المجمد بأمان وراحة.

معتدل يتكون من الصابون والماء والكريونات. اشطفه وجففه كلياً. امنع ملامسة الماء لمكونات الإضاءة ولوحة التحكم.



تحذير: اقرأ قسم "تعليمات الأمان" أولاً!.

#### تنبيه:

لا تستخدم الخل أو الكحول المحمر أو مواد التنظيف الأخرى التي تحتوي على الكحول على أي سطح داخلي.



تحذير: افصل التلاجة قبل تنظيفها.

- لا تستخدم أدوات حادة أو كاشطة لتنظيف المنتج.
- لا تستخدم مواد مثل مواد التنظيف المنزلية والصابون والمنظفات والغاز والبنزين والكحول والشمع وما إلى ذلك.
- يجب إزالة الغبار من شبكة التهوية الموجودة في الجزء الخلفي من المنتج مرة واحدة في السنة على الأقل (بدون فتح الغطاء). يجب التنظيف بقطعة قماش جافة.

#### للمنتجات مع موزع الماء / صانع الجليد

- إذا بقي الماء في خزان المياه لمدة 2-3 أسابيع، يجب استبداله.
- لا يجوز غسل خزان المياه ومكونات موزع المياه في غسالات الأطباق.

- قم بإذابة معلقة طعام من الكريونات في الماء. بلل قطعة قماش في الماء واعصرها. امسح الجهاز بهذه القماشية وجففه كلياً.

- احرص على إبعاد الماء عن غطاء المصباح والأجزاء الكهربائية الأخرى.

- نظف الباب بقطعة قماش رطبة. قم بإزالة جميع المحتويات لإزالة الباب ورفوف الهيكل. قم بإزالة روفوف الباب برفعهما لأعلى. نظف الرفوف وجفّفها، ثم ركبها في مكانها ثانية بتمريرها من الأعلى.

- لا تستخدم الماء المحتوي على الكلور أو منتجات التنظيف على السطح الخارجي والأجزاء المطلية بالكروم من الجهاز. يسبب الكلور الصدأ على هذه الأسطح المعدنية.

- لا تستخدم الأدوات الحادة والكاشطة والصابون ومواد تنظيف المنزل والمنظفات والغاز والبنزين والورنيش والمواد المماثلة لمنع تشوه الجزء البلاستيكي وإزالة المطبوعات الموجودة عليه. استخدم الماء الدافئ وقماشية ناعمة للتنظيف ثم جفف الجهاز.

- بالنسبة للمنتجات التي لا تحتوي على ميزة تبريد مضاد للصدأ No-Frost، قد تظهر قطرات الماء وتلج بسمك الإصبع على الجدار الخلفي لحجرة المجمد. لا تنظف، ولا تستخدم الزيوت أو المواد الشاهبة.

- استخدم قطعة قماش من الألياف الدقيقة مبللة قليلاً لتنظيف السطح الخارجي للمنتج. قد تسبب الإسفنج وأنواع تنظيف الملابس الأخرى خدوشاً.

- لتنظيف جميع المكونات القابلة للإزالة أثناء تنظيف السطح الداخلي للمنتج، اغسل هذه المكونات بمحلول

### 7.1 الأسطح الخارجية من الفولاذ المقاوم للصدأ

استخدم مادة تنظيف غير كاشطة مصنوعة من الفولاذ المقاوم للصدأ وقم بتطبيقها بقطعة قماش ناعمة وخالية من النسالة، للتلميع، امسح السطح برفق بقطعة قماش من الألياف الدقيقة مبللة بالماء واستخدم قطعة قماش شمواه جافة للتلميع. اتبع دائماً اتجاه عروق الفولاذ المقاوم للصدأ.

### 7.2 تنظيف المنتجات تاذ الأبواب الزجاجية

قم بإزالة الرقاقة الواقية عن الزجاج. يوجد غلاف على سطح الزجاج يقلل هذا الطلاء من تكون البقع ويوفر تنظيفاً سهلاً للبقع والأوساخ التي تكونت. قد يتعرض الزجاج غير المحمي بالطلاء للاتصاق الدائم للملوثات العضوية أو غير العضوية والملوثات بأساس هوائي أو مائي مثل الحجر الجيري والأملاح المعدنية والهيدروكربونات غير المحترقة وأكاسيد المعادن والسيليكون، والتي تسبب تلطيخاً وأضراراً فيزيائية بسهولة في فترة قصيرة من الوقت. يصبح الحفاظ على الزجاج نظيفاً أمراً صعباً للغاية، إن لم يكن مستحيلًا، حتى لو كان ينظف بانتظام. نتيجة لذلك، تتدهور شفافية الزجاج ومظهره. تؤدي طرق وعوامل التنظيف الصلبة والكاشطة إلى زيادة هذه العيوب وتسريع عملية التدهور.

لعمليات التنظيف الروتينية، \* يجب استخدام منتجات التنظيف بأساس مائي غير القلوية وغير المسببة للتآكل. من أجل الحصول على عمر خدمة أطول لهذا الطلاء، يجب عدم استخدام المواد القلوية والمواد المسببة للتآكل أثناء التنظيف.

يتم تطبيق عملية تقسية لزيادة مقاومة هذا الزجاج ضد الصدمات والكسر.

كإجراء احترازي إضافي للسلامة، تم وضع فيلم أمان على السطح الخلفي لهذا الزجاج لمنع الإضرار بالبيئة في حالة كسره.

### 7.3 منع الروائح

تم تصنيع المنتج من مواد خالية من الروائح. إلا أن الاحتفاظ بالطعام في أقسام غير ملائمة وتنظيف الأسطح

الداخلية بطريقة خاطئة قد يتسبب بالروائح.  
لتجنب ذلك، نظف الجزء الداخلي بماء مكرين كل 15 يوماً.

- احتفظ بالأطعمة في مستوعبات مغلقة. قد تنتشر الميكروبات من الأطعمة غير المغلقة مسببة الروائح الكريهة.
- لا تترك الأطعمة التالفة ومنتھية الصلاحية في الثلاجة.

الشاي هو أحد أكثر مزيلات الروائح فعالية. ضع لب الشاي المخمر في المنتج داخل وعاء مفتوح وقم بإزالته بعد 12 ساعة على أبعد تقدير. إذا احتفظت بلب الشاي داخل المنتج لمدة تزيد عن 12 ساعة، فسوف يجمع الكائنات الحية التي تسبب الرائحة ويصبح بنفسه مصدر الرائحة.



#### 7.4 حماية الأسطح البلاستيكية

قد يتلف الزيت المنسكب على الأسطح البلاستيكية السطح، لذا يجب تنظيفه بالماء الساخن فوراً.

**تعمل الثلجة لفترة زمنية طويلة.**

- ربما يكون المنتج الجديد أكبر من المنتج السابق. تعمل الأجهزة الأكبر فترات زمنية أطول.
- ربما تكون درجة حرارة الغرفة عالية. <<< يعمل الجهاز فترات طويلة في درجات الحرارة العالية.
- ربما تم توصيل الجهاز بالكهرباء مؤخرا أو تم وضع صنف طعام جديد داخله. <<< يستغرق الجهاز فترة أطول لبلوغ درجة الحرارة المعنية عند توصيله بالكهرباء حديثا أو عند وضع صنف طعام جديد داخله. هذا أمر طبيعي.
- ربما تم وضع كميات كبيرة من الطعام الساخن في الجهاز مؤخرا. <<< لا تضع الطعام الساخن داخل الجهاز.
- تم فتح الأبواب كثيرا أو تركت مفتوحة لفترات طويلة. <<< يتسبب الهواء الساخن المتحرك في الداخل في عمل الجهاز فترة أطول. لا تفتح الأبواب كثيرا.
- ربما يكون باب المجمد أو المبرد مواربا. <<< تأكد أن الأبواب مغلقة كليا.

- ربما يكون الجهاز مضبوط على درجة حرارة متدنية جدا. <<< اضبط درجة الحرارة على درجة أعلى وانتظر حتى يصل الجهاز إلى درجة الحرارة المرغوبة.
- ربما تكون فلجة باب المبرد أو المجمد متسخة، أو مهترنة أو مكسورة أو غير مستقرة. <<< نظف أو استبدل مانع التسرب. تتسبب فلجة الباب التالفة/المهترنة في عمل الجهاز لفترات طويلة للحفاظ على درجة الحرارة الحالية.

**درجة حرارة المجمد منخفضة جدا، لكن درجة حرارة المبرد ملائمة.**

- تم ضبط درجة حرارة حجرة المجمد على درجة متدنية جدا. <<< اضبط درجة حرارة حجرة المجمد على درجة أعلى وافحص مرة أخرى.

**درجة حرارة المبرد منخفضة جدا، لكن درجة حرارة المجمد ملائمة.**

- تم ضبط درجة حرارة حجرة المبرد على درجة متدنية جدا. <<< اضبط درجة حرارة حجرة المجمد على درجة أعلى وافحص مرة أخرى.

**الأطعمة المحفوظة في جوارير حجرة المبرد متجمدة.**

- تم ضبط درجة حرارة حجرة المبرد على درجة متدنية جدا. <<< اضبط درجة حرارة حجرة المجمد على درجة أعلى وافحص مرة أخرى.

**درجة الحرارة في المبرد أو المجمد عالية جدا.**

تحقق من هذه القائمة قبل الاتصال بمركز الصيانة. من شأن ذلك توفير الوقت والمال. تتضمن هذه القائمة الشكاوى غير المرتبطة بعيوب الصناعة أو المواد. وقد لا تنطبق سمات معينة المذكورة هنا على جهازك.

**الثلجة لا تعمل.**

- قاس الطاقة غير مستقر كليا. <<< ادفعه بحيث يستقر في المقبس كليا.
- الصمام الموصل بالمقيس الذي يزود الجهاز بالطاقة أو الصمام الرئيسي تالف. <<< افحص الصمام.

**هناك تكاثف على جانب جدار حجرة المبرد (المنطقة المتعددة، منطقة التبريد، التحكم والمنطقة المرنة).**

- يتم فتح الباب كثيرا <<< تجنب فتح باب الثلجة كثيرا.
- المكان رطب جدا. <<< لا تضع الجهاز في أماكن رطبة.
- الأطعمة المحتوية على سوائل تحفظ في مستويات غير محكمة الإغلاق. <<< احتفظ بالأطعمة المحتوية على سوائل في مستويات محكمة الإغلاق.
- ترك الباب مفتوحا. <<< لا تدع أبواب الثلجة مفتوحة لفترات طويلة.
- تم ضبط منظم الحرارة على درجة حرارة باردة جدا.
- حرارة عالية للغسل. <<< اضبط الثيرموستات على درجة حرارة مناسبة.

**الضاغط لا يعمل.**

- في حال حدوث انقطاع مفاجئ في التيار الكهربائي أو سحب قابس الطاقة وإعادته مرة أخرى، يصبح ضغط الغاز في نظام تبريد الجهاز غير متوازن، مما يفعل الواقي الحراري للضاغط. يعمل المنتج من جديد بعد 6 دقائق تقريبا. إذا لم يعمل الجهاز بعد هذه الفترة، اتصل بمركز الصيانة.
- إزالة الجليد غير نشطة. <<< هذا أمر طبيعي في جهاز مقاوم للصقيع تلقائيا. تتم إزالة الجليد دوريا.
- الجهاز غير موصل بالكهرباء. <<< تأكد أن سلك الطاقة موصل بالكهرباء.
- إعداد درجة الحرارة غير صحيح. <<< اختر إعدادا صحيحا لدرجة الحرارة.
- لا يوجد تيار كهربائي. <<< يستمر الجهاز بالعمل بشكل طبيعي حال عودة الطاقة.

**يزداد ضجيج تشغيل الثلجة أثناء الاستعمال.**

- وقد يتباين أداء عمل الجهاز بناء على تغيرات درجة حرارة المكان. هذا أمر طبيعي ولا يعتبر عطلا.

- لا يتم تنظيف الجهاز بانتظام. << نظف الجزء الداخلي بانتظام مستخدماً إسفنجة وماء دافئ وماء مكرين.
- قد تتسبب بعض المستوعبات ومواد التغليف بالروائح << استخدم المستوعبات ومواد التغليف الخالية من الروائح.
- تم وضع الطعام في مستوعبات غير محكمة الإغلاق. << احتفظ بالأطعمة في مستوعبات محكمة الإغلاق. قد تنتشر الميكروبات من الأطعمة غير المغلقة مسببة الروائح الكريهة.
- تخلص من أية أطعمة فاسدة أو منتهية الصلاحية داخل الجهاز..

### الباب لا يغلق.

- تسد أغلفة الطعام الباب أحياناً. << غير مكان الأطعمة التي تسد الأبواب.
- لا يقف الجهاز بوضع رأسي كامل على الأرض. << اضبط القواعد لموازنة الجهاز.
- الأرض غير مستوية أو متينة. << تأكد أن الأرض مستوية ومتينة لدرجة تحمل الجهاز.

### درج الخضروات مشحور.

- ربما تلامس الأطعمة الجزء العلوي من الجارور. << أعد ترتيب الأطعمة في الجارور.

### في حالة وجود سطح ساخن في المنتج ،

- يمكن ملاحظة ارتفاع درجة الحرارة بين البابين ، على الألواح الجانبية وعلى منطقة الشبكة الخلفية أثناء تشغيل المنتج. هذا أمر طبيعي ولا يتطلب صيانة.

### تستمر المروحة في العمل عند فتح الباب.

- قد تستمر المروحة في العمل عندما يكون باب المجمد مفتوحاً.

**تحذير:** إن استمرت المشكلة بعد اتباع تعليمات هذا القسم، اتصل بالبائع أو بمركز خدمة معتمد. لا تحاول إصلاح الجهاز.



- تم ضبط درجة حرارة حجرة المبرد على درجة عالية جدا. << يؤثر إعداد درجة حرارة حجرة المبرد على درجة حرارة حجرة المجمد. انتظر حتى تصل الأجزاء ذات الصلة إلى مستوى درجة الحرارة المرغوبة عبر تغيير درجة حرارة حجرة المجمد أو المبرد.
- تم فتح الأبواب كثيراً أو تركت مفتوحة لفترات طويلة. << لا تفتح الأبواب كثيراً.
- ربما يكون الباب موارباً. << أغلق الباب كلياً.
- ربما تم توصيل الجهاز بالكهرباء مؤخرًا أو تم وضع صنف طعام جديد داخله. << هذا أمر طبيعي. يستغرق الجهاز فترة أطول لبلوغ درجة الحرارة المعينة عند توصيله بالكهرباء حديثاً أو عند وضع صنف طعام جديد داخله.
- ربما تم وضع كميات كبيرة من الطعام الساخن في الجهاز مؤخرًا. << لا تضع الطعام الساخن داخل الجهاز.

### الاهتزاز أو الضجيج.

- الأرض غير مستوية أو متينة. << إذا كان الجهاز يهتز عند تحريكه ببطء، اضبط القواعد لموازنة الجهاز. تأكد أن الأرض متينة لدرجة تحمل الجهاز.
- قد تحدث أية مواد موضوعة على الجهاز ضجيجاً. << قم بإزالة أية مواد وضعت على الجهاز.

### يصدر الجهاز ضجيجاً يشبه تدفق السوائل، أو الرش، الخ.

- يتخلل مبادئ تشغيل الجهاز تدفق السائل والغاز. << هذا أمر طبيعي ولا يعتبر عطلاً.

### هناك صوت كهبوب الرياح يأتي من الجهاز.

- يستخدم الجهاز مروحة في عملية التبريد. هذا أمر طبيعي ولا يعتبر عطلاً.

### هناك تكاثف على الجدران الداخلية للجهاز.

- يزيد الطقس الحار أو الرطب من تشكل الصقيع والتكاثف. هذا أمر طبيعي ولا يعتبر عطلاً.
- تم فتح الأبواب كثيراً أو تركت مفتوحة لفترات طويلة. << لا تفتح الأبواب كثيراً؛ إذا كانت مفتوحة، أغلقها.
- ربما يكون الباب موارباً. << أغلق الباب كلياً.

### هناك تكاثف على السطح الخارجي للجهاز أو بين الأبواب.

- ربما يكون جو المكان رطباً، وهذا أمر طبيعي في الجو الرطب. << سيبتدد التكاثف عندما تقل الرطوبة.

### رائحة الجزء الداخلي سيئة.

هذا المنتج مجهز بمصدر إضاءة من فئة الطاقة "G". يجب عدم استبدال مصدر الإضاءة في هذا المنتج سوى بواسطة فنيي تصليح متخصصين.