



## Dehumidifier

User Manual



BDPM020

**EN - IT - SQ - SR - SL - HR - BG**



01M-8511493200-3424-01

# CONTENTS

---

<b>ENGLISH</b>	<b>03-29</b>
<b>ITALIANO</b>	<b>30-57</b>
<b>SHQIP</b>	<b>58-84</b>
<b>SRPSKI</b>	<b>85-111</b>
<b>SLOVENŠČINA</b>	<b>112-137</b>
<b>HRVATSKI</b>	<b>138-163</b>
<b>БЪЛГАРСКИ</b>	<b>164-193</b>


# Please read this user manual first!

Dear Customer,

Thank you for preferring a Beko product. We hope that you get the best results from your product which has been manufactured with high quality and state-of-the-art technology. Therefore, please read this entire user manual and all other accompanying documents carefully before using the product and keep it as a reference for future use. If you handover the product to someone else, give the user manual as well. Follow all warnings and information in the user manual.

## Meanings of the symbols


Following symbols are used in the various section of this manual:

	Important information or useful hints about usage.
--	--


	<b>Warning</b> for hazardous situations with regard to life and property.
--	---


	<b>Warning</b> to actions that must never perform.
--	--


	<b>Warning</b> for electric shock.
---	------------------------------------

	This symbol shows that information is available such as the operating manual or installation manual.
--	--

	Do not cover it.
--	------------------

	This symbol shows that the operation manual should be read carefully.
---	---

	This symbol shows that a service personnel should be handling this equipment with reference to the installation manual.
---	---

	This symbol shows that this appliance used a flammable refrigerant. If the refrigerant is leaked and exposed to an external ignition source, there is a risk of fire.
(For R32/R290 gas type)	

# 1 Important safety and environmental instructions

## Very important!

Please do not install or use your dehumidifier before you have carefully read this manual. Please keep this instruction manual for an eventual product warranty and for future reference.

### Warning:



1. Do not use means to accelerate the defrosting process or to clean, other than those recommended by the manufacturer.
2. The appliance shall be stored in a room without continuously operating open flames (for example an operating gas appliance) and ignition sources (for example an operating electric heater).
3. Do not pierce or burn.
4. Be aware the refrigerants may not contain an odour.
5. Appliance shall be installed, operated and stored in a room with a floor area larger than 4 m<sup>2</sup>.

### Warning:



Specific information regarding appliances with R290 refrigerant gas.

- Thoroughly read all of the warnings.
- When defrosting and cleaning the appliance, do not use any tools other than those recommended by the manufacturing company.
- The appliance must be placed in an area without any continuously sources of ignition (for example: open flames , gas or electrical appliances in operation).
- Do not puncture and do not burn.
- This appliance contains Y g (see rating label back of unit) of R290 refrigerant gas.
- R290 is a refrigerant gas that complies with the European directives on the environment. Do not puncture any part of the refrigerant circuit.
- If the appliance is installed, operated or stored in a nonventilated area, the room must be designed to prevent to the accumulation of refrigerant leaks resulting in a risk of fire or explosion due to ignition of the refrigerant caused by electric heaters, stoves, or other sources of ignition.
- The appliance shall be stored so as to prevent mechanical damage from occurring.

# 1 Important safety and environmental instructions



## **Warning:**

- Individuals who operate or work on the refrigerant circuit must have the appropriate certification issued by an accredited organization that ensures competence in handling refrigerants according to a specific evaluation recognized by associations in the industry.
- The appliance shall be stored in a well-ventilated area where the room size corresponds to the room area as specified for operation.
- Repairs must be performed based on the recommendation from the manufacturing company. Maintenance and repairs that require the assistance of other qualified personnel must be performed under the supervision of an individual specified in the use of flammable refrigerants.
- Do not use a bad or unsuitable socket.
- Do not use machines in the following situations
  - A: Near to source of fire.
  - B: An area where oil is likely to splash.
  - C: An area exposed to direct sunlight.
  - D: An area where water is likely to splash.
  - E: Near a bath, a shower or a swimming pool.
- Never insert your fingers, rods into the air outlet. Take special care to warn children of these dangers.

# 1 Important safety and environmental instructions



## **Warning:**

- Keep the unit upward while transport and storage, for the compressor locates properly.
- Before cleaning the appliance, always turn off or disconnect the power supply.
- When moving the appliance, always turn off and disconnect the power supply, and move it slowly.
- To avoid the possibility of fire disaster, the appliance shall not be covered.
- All the appliance sockets must comply with the local electric safety requirements. If necessary, please check it for the requirements.
- Young children should be supervised to ensure that they do not play with the appliance.
- This appliance is not intended for use by persons (including children) with reduced physical, sensory, or mental capacities, or lack of experience and knowledge, unless they have been given supervision or instruction concerning use of the appliance by a person responsible for their safety.
- If the supply cord is damaged, it must be replaced by the manufacturer, its service agent or similarly qualified persons in order to avoid a hazard.

# 1 Important safety and environmental instructions

## Warning:

- This appliance can be used by children aged from 8 years and above and persons with reduced physical, sensory or mental capabilities or lack of experience and knowledge if they have been given supervision or instruction concerning use of the appliance in a safe way and understand the hazards involved. Children shall not play with the appliance. Cleaning and user maintenance shall not be made by children without supervision.
- The appliance shall be installed in accordance with national wiring regulations.
- Details of type and rating of fuses: T, 250V AC, 2A. or 3.15A
- Recycling



This marking indicates that this product should not be disposed with other household wastes throughout the EU. To prevent possible harm to the environment or human health from uncontrolled waste disposal, recycle it responsibly to promote the sustainable reuse of material resources. To return your used device, please use the return and collection systems or contact the retailer where the product was purchased. They can take this product for environmental safe recycling.

# 1 Important safety and environmental instructions

## Warning:

- GWP: R290: 3
- Contact authorized service technician for repair or maintenance of this unit.
- Do not pull, deform, or modify the power supply cord, or immerse it in water. Pulling or misuse of the power supply cord can result in damage to the unit and cause electrical shock.
- Compliance with national gas regulations shall be observed.
- Keep ventilation openings clear of obstruction.
- Any person who is involved with working on or breaking into a refrigerant circuit should hold a current valid certificate from an industry-accredited assessment authority, which authorizes their competence to handle refrigerants safely in accordance with an industry recognized assessment specification.
- Servicing shall only be performed as recommended by the equipment manufacturer. Maintenance and repair requiring the assistance of other skilled personnel shall be carried out under the supervision of the person competent in the use of flammable refrigerants.



## Warning:

- Do not operate or stop the unit by inserting or pulling out the power plug, it may cause electric shock or fire due to heat generation.
- Unplug the unit if strange sounds, smell, or smoke comes from it.



- If any parts are damaged, please contact the dealer or a designated repair shop;
- In case of any damage, please turn off the air switch, disconnect the power supply, and contact the dealer or a designated repair shop;
- In any case, the power cord shall be firmly grounded.
- To avoid the possibility of danger, if the power cord is damaged, please turn off the air switch and disconnect the power supply. It must be replaced from the dealer or a designated repair shop.





## 2 General instructions

### 2.1 Checks to the area

Prior to beginning work on systems containing flammable refrigerants, safety checks are necessary to ensure that the risk of ignition is minimized. For repair to the refrigerating system, the following precautions shall be complied with prior to conducting work on the system.

### 2.2 Work procedure

Work shall be undertaken under a controlled procedure so as to minimize the risk of a flammable gas or vapor being present while the work is being performed.

### 2.3 General work area

All maintenance staff and others working in the local area shall be instructed on the nature of work being carried out. Work in confined spaces shall be avoided. The area around the workspace shall be sectioned off. Ensure that the conditions within the area have been made safe by control of flammable material.

### 2.4 Checking for presence of refrigerant

The area shall be checked with an appropriate refrigerant detector prior to and during work, to ensure the technician is aware of potentially flammable atmospheres. Ensure that the leak detection equipment being used is suitable for use with flammable refrigerants, i.e. no-sparks, adequately sealed or intrinsically safe.

### 2.5 Presence of fire extinguisher

If any hot work is to be conducted on the refrigeration equipment or any associated parts, appropriate fire extinguishing equipment shall be available to hand. Have a dry powder or CO<sub>2</sub> fire extinguisher adjacent to the charging area.

### 2.6 No ignition sources

No person carrying out work in relation to a refrigeration system which involves exposing any pipe work that contains or has contained flammable refrigerant shall use any sources of ignition in such a manner that it may lead to the risk of fire or explosion. All possible ignition sources, including smoking, should be kept sufficiently far away from the site of installation, repairing, removing and disposal, during which flammable refrigerant can possibly be released to the surrounding space. Prior to work taking place, the area around the equipment is to be surveyed to make sure that there are no flammable hazards or ignition risks. "No Smoking" signs shall be displayed.

### 2.7 Ventilated area

Ensure that the area is in the open or that it is adequately ventilated before breaking into the system or conducting any hot work. A degree of ventilation shall continue during the period that the work is carried out. The ventilation should safely disperse any released refrigerant and preferably expel it externally into the atmosphere.

## 2 General instructions

### 2.8 Checks to the refrigeration equipment

Where electrical components are being changed, they shall be fit for the purpose and to the correct specification. At all times the manufacturer's maintenance and service guidelines shall be followed. If in doubt consult the manufacturer's technical department for assistance. The following checks shall be applied to installations using flammable refrigerants: the charge size is in accordance with the room size within which the refrigerant containing parts are installed; the ventilation machinery and outlets are operating adequately and are not obstructed; if an indirect refrigerating circuit is being used, the secondary circuit shall be checked for the presence of refrigerant; marking to the equipment continues to be visible and legible. Markings and signs that are illegible shall be corrected; refrigeration pipe or components are installed in a position where they are unlikely to be exposed to any substance which may corrode refrigerant containing components, unless the components are constructed of materials which are inherently resistant to being corroded or are suitably protected against being so corroded.

### 2.9 Checks to electrical devices

Repair and maintenance to electrical components shall include initial safety checks and component inspection procedures. If a fault exists that could compromise safety, then no electrical supply shall be connected to the circuit until it is satisfactorily dealt with. If the fault cannot be corrected immediately but it is necessary to continue operation, an adequate temporary solution shall be used. This shall be reported to the owner of the equipment so all parties are advised.

Initial safety checks shall include: that capacitors are discharged: this shall be done in a safe manner to avoid possibility of sparking; that there no live electrical components and wiring are exposed while charging, recovering or purging the system; that there is continuity of earth bonding.

## 3 Repairs to sealed components

During repairs to sealed components, all electrical supplies shall be disconnected from the equipment being worked upon prior to any removal of sealed covers, etc. If it is absolutely necessary to have an electrical supply to equipment during servicing, then a permanently operating form of leak detection shall be located at the most critical point to warn of a potentially hazardous situation.

Particular attention shall be paid to the following to ensure that by working on electrical components, the casing is not altered in such a way that the level of protection is affected.

This shall include damage to cables, excessive number of connections, terminals not made to original specification, damage to seals, incorrect fitting of glands, etc. Ensure that apparatus is mounted securely. Ensure that seals or sealing materials have not degraded such that they no longer serve the purpose of preventing the ingress of flammable atmospheres. Replacement parts shall be in accordance with the manufacturer's specifications.



The use of silicon sealant may inhibit the effectiveness of some types of leak detection equipment. Intrinsically safe components do not have to be isolated prior to working on them.

### 3.1 Repair to intrinsically safe components

Do not apply any permanent inductive or capacitance loads to the circuit without ensuring that this will not exceed the permissible voltage and current permitted for the equipment in use.

Intrinsically safe components are the only types that can be worked on while live in the presence of a flammable atmosphere. The test apparatus shall be at the correct rating. Replace components only with parts specified by the manufacturer. Other parts may result in the ignition of refrigerant in the atmosphere from a leak.

### 3.2 Cabling

Check that cabling will not be subject to wear, corrosion, excessive pressure, vibration, sharp edges or any other adverse environmental effects. The check shall also take into account the effects of aging or continual vibration from sources such as compressors or fans.

### 3.3 Detection of flammable refrigerants

Under no circumstances shall potential sources of ignition be used in the searching for or detection of refrigerant leaks. A halide torch (or any other detector using a naked flame) shall not be used.

## 3 Repairs to sealed components

### 3.4 Leak detection methods

The following leak detection methods are deemed acceptable for systems containing flammable refrigerants. Electronic leak detectors shall be used to detect flammable refrigerants, but the sensitivity may not be adequate, or may need recalibration. (Detection equipment shall be calibrated in a refrigerant-free area.) Ensure that the detector is not a potential source of ignition and is suitable for the refrigerant used. Leak detection equipment shall be set at a percentage of the LFL of the refrigerant and shall be calibrated to the refrigerant employed and the appropriate percentage of gas (25 % maximum) is confirmed. Leak detection fluids are suitable for use with most refrigerants but the use of detergents containing chlorine shall be avoided as the chlorine may react with the refrigerant and corrode the copper pipework. If a leak is suspected, all naked flames shall be removed/extinguished. If a leakage of refrigerant is found which requires brazing, all of the refrigerant shall be recovered from the system, or isolated (by means of shut off valves) in a part of the system remote from the leak. Oxygen free nitrogen (OFN) shall then be purged through the system both before and during the brazing process.

### 3.5 Removal and evacuation

When breaking into the refrigerant circuit to make repairs – or for any other purpose – conventional procedures shall be used. However, it is important that best practice is followed since flammability is a consideration. The following procedure shall be adhered to: remove refrigerant; purge the circuit with inert gas; evacuate; purge again with inert gas; open the circuit by cutting or brazing. The refrigerant charge shall be recovered into the correct recovery cylinders. The system shall be “flushed” with OFN to render the unit safe. This process may need to be repeated several times. Compressed air or oxygen shall not be used for this task. Flushing shall be achieved by breaking the vacuum in the system with OFN and continuing to fill until the working pressure is achieved, then venting to atmosphere, and finally pulling down to a vacuum. This process shall be repeated until no refrigerant is within the system. When the final OFN charge is used, the system shall be vented down to atmospheric pressure to enable work to take place. This operation is absolutely vital if brazing operations on the pipework are to take place. Ensure that the outlet for the vacuum pump is not close to any ignition sources and there is ventilation available.

## 3 Repairs to sealed components

### 3.6 Charging procedures

In addition to conventional charging procedures, the following requirements shall be followed.

- Ensure that contamination of different refrigerants does not occur when using charging equipment. Hoses or lines shall be as short as possible to minimise the amount of refrigerant contained in them.
- Cylinders shall be kept upright.
- Ensure that the refrigeration system is earthed prior to charging the system with refrigerant.
- Label the system when charging is complete (if not already).
- Extreme care shall be taken not to overfill the refrigeration system.

Prior to recharging the system it shall be pressure tested with OFN. The system shall be leak tested on completion of charging but prior to commissioning. A follow up leak test shall be carried out prior to leaving the site.

### 3.7 Decommissioning

Before carrying out this procedure, it is essential that the technician is completely familiar with the equipment and all its detail. It is recommended good practice that all refrigerants are recovered safely. Prior to the task being carried out, an oil and refrigerant sample shall be taken in case analysis is required prior to re-use of reclaimed refrigerant. It is essential that electrical power is available before the task is commenced.

- Become familiar with the equipment and its operation.
- Isolate system electrically.
- Before attempting the procedure ensure that: mechanical handling equipment is available, if required, for handling refrigerant cylinders; all personal protective equipment is available and being used correctly; the recovery process is supervised at all times by a competent person; recovery equipment and cylinders conform to the appropriate standards.
- Pump down refrigerant system, if possible.
- If a vacuum is not possible, make a manifold so that refrigerant can be removed from various parts of the system.
- Make sure that cylinder is situated on the scales before recovery takes place.
- Start the recovery machine and operate in accordance with manufacturer's instructions.
- Do not overfill cylinders. (No more than 80 % volume liquid charge).
- Do not exceed the maximum working pressure of the cylinder, even temporarily.
- When the cylinders have been filled correctly and the process completed, make sure that the cylinders and the equipment are removed from site promptly and all isolation valves on the equipment are closed off.
- Recovered refrigerant shall not be charged into another refrigeration system unless it has been cleaned and checked.

## 3 Repairs to sealed components

### 3.8 Labelling

Equipment shall be labelled stating that it has been de-commissioned and emptied of refrigerant. The label shall be dated and signed.

Ensure that there are labels on the equipment stating the equipment contains flammable refrigerant.

### 3.9 Recovery

When removing refrigerant from a system, either for servicing or decommissioning, it is recommended good practice that all refrigerants are removed safely. When transferring refrigerant into cylinders, ensure that only appropriate refrigerant recovery cylinders are employed. Ensure that the correct number of cylinders for holding the total system charge are available. All cylinders to be used are designated for the recovered refrigerant and labelled for that refrigerant (i.e. special cylinders for the recovery of refrigerant). Cylinders shall be complete with pressure relief valve and associated shut-off valves in good working order. Empty recovery cylinders are evacuated and, if possible, cooled before recovery occurs.

The recovery equipment shall be in good working order with a set of instructions concerning the equipment that is at hand and shall be suitable for the recovery of flammable refrigerants. In addition, a set of calibrated weighing scales shall be available and in good working order. Hoses shall be complete with leak-free disconnect couplings and in good condition.

Before using the recovery machine, check that it is in satisfactory working order, has been properly maintained and that any associated electrical components are sealed to prevent ignition in the event of a refrigerant release. Consult manufacturer if in doubt.

The recovered refrigerant shall be returned to the refrigerant supplier in the correct recovery cylinder, and the relevant Waste Transfer Note arranged. Do not mix refrigerants in recovery units and especially not in cylinders.

If compressors or compressor oils are to be removed, ensure that they have been evacuated to an acceptable level to make certain that flammable refrigerant does not remain within the lubricant. The evacuation process shall be carried out prior to returning the compressor to the suppliers. Only electric heating to the compressor body shall be employed to accelerate this process. When oil is drained from a system, it shall be carried out safely.

### 3.10 Competence of service personnel

#### 3.10.1 General

Special training additional to usual refrigerating equipment repair procedures is required when equipment with flammable refrigerants is affected.

In many countries, this training is carried out by national training organisations that are accredited to teach the relevant national competency standards that may be set in legislation.

## 3 Repairs to sealed components

The achieved competence should be documented by a certificate.

### 3.10.2 Training

The training should include the substance of the following:

Information about the explosion potential of flammable refrigerants to show that flammables may be dangerous when handled without care.

Information about potential ignition sources, especially those that are not obvious, such as lighters, light switches, vacuum cleaners, electric heaters.

Information about the different safety concepts:

Unventilated – (see Clause GG.2) Safety of the appliance does not depend on ventilation of the housing. Switching off the appliance or opening of the housing has no significant effect on the safety. Nevertheless, it is possible that leaking refrigerant may accumulate inside the enclosure and flammable atmosphere will be released when the enclosure is opened.

Ventilated enclosure – (see Clause GG.4) Safety of the appliance depends on ventilation of the housing. Switching off the appliance or opening of the enclosure has a significant effect on the safety. Care should be taken to ensure a sufficient ventilation before.

Ventilated room – (see Clause GG.5) Safety of the appliance depends on the ventilation of the room. Switching off the appliance or opening of the housing has no significant effect on the safety.

The ventilation of the room shall not be switched off during repair procedures.

Information about the concept of sealed components and sealed enclosures according to IEC 60079-15:2010.

Information about the correct working procedures:

#### Commissioning

- Ensure that the floor area is sufficient for the refrigerant charge or that the ventilation duct is assembled in a correct manner.
- Connect the pipes and carry out a leak test before charging with refrigerant.
- Check safety equipment before putting into service.

#### Maintenance

- Portable equipment shall be repaired outside or in a workshop specially equipped for servicing units with flammable refrigerants.
- Ensure sufficient ventilation at the repair place.
- Be aware that malfunction of the equipment may be caused by refrigerant loss and a refrigerant leak is possible.
- Discharge capacitors in a way that won't cause any spark. The standard procedure to short circuit the capacitor terminals usually creates sparks.
- Reassemble sealed enclosures accurately. If seals are worn, replace them.
- Check safety equipment before putting into service.

## 3 Repairs to sealed components

### Repair

- Portable equipment shall be repaired outside or in a workshop specially equipped for servicing units with flammable refrigerants.
- Ensure sufficient ventilation at the repair place.
- Be aware that malfunction of the equipment may be caused by refrigerant loss and a refrigerant leak is possible.
- Discharge capacitors in a way that won't cause any spark.
- When brazing is required, the following procedures shall be carried out in the right order:
- Remove the refrigerant. If the recovery is not required by national regulations, drain the refrigerant to the outside. Take care that the drained refrigerant will not cause any danger. In doubt, one person should guard the outlet. Take special care that drained refrigerant will not float back into the building.
- Evacuate the refrigerant circuit.
- Purge the refrigerant circuit with nitrogen for 5 min.
- Evacuate again.
- Remove parts to be replaced by cutting, not by flame.
- Purge the braze point with nitrogen during the brazing procedure.
- Carry out a leak test before charging with refrigerant.
- Reassemble sealed enclosures accurately. If seals are worn, replace them.
- Check safety equipment before putting into service.

### Decommissioning

- If the safety is affected when the equipment is putted out of service, the refrigerant charge shall be removed before decommissioning.
- Ensure sufficient ventilation at the equipment location.
- Be aware that malfunction of the equipment may be caused by refrigerant loss and a refrigerant leak is possible.
- Discharge capacitors in a way that won't cause any spark.
- Remove the refrigerant. If the recovery is not required by national regulations, drain the refrigerant to the outside. Take care that the drained refrigerant will not cause any danger. In doubt, one person should guard the outlet. Take special care that drained refrigerant will not float back into the building.
- Evacuate the refrigerant circuit.
- Purge the refrigerant circuit with nitrogen for 5 min.
- Evacuate again.
- Fill with nitrogen up to atmospheric pressure.
- Put a label on the equipment that the refrigerant is removed.

### Disposal

- Ensure sufficient ventilation at the working place.
- Remove the refrigerant. If the recovery is not required by national regulations, drain the refrigerant to the outside. Take care that the drained refrigerant will not cause any danger. In doubt, one person should guard the outlet. Take special care that drained refrigerant will not float back into the building.
- Evacuate the refrigerant circuit.



## 3 Repairs to sealed components

- Purge the refrigerant circuit with nitrogen for 5 min.
- Evacuate again.
- Cut out the compressor and drain the oil.

### Transportation, marking and storage for units that employ flammable refrigerants

Transport of equipment containing flammable refrigerants.

Attention is drawn to the fact that additional transportation regulations may exist with respect to equipment containing flammable gas. The maximum number of pieces of equipment or the configuration of the equipment, permitted to be transported together will be determined by the applicable transport regulations.

Marking of equipment using signs

Signs for similar appliances used in a work area generally are addressed by local regulations and give the minimum requirements for the provision of safety and/or health signs for a work location.

All required signs are to be maintained and employers should ensure that employees receive suitable and sufficient instruction and training on the meaning of appropriate safety signs and the actions that need to be taken in connection with these signs.

The effectiveness of signs should not be diminished by too many signs being placed together.

Any pictograms used should be as simple as possible and contain only essential details.

Disposal of equipment using flammable refrigerants

See national regulations.

Storage of equipment/appliances

The storage of equipment should be in accordance with the manufacturer's instructions.

Storage of packed (unsold) equipment

Storage package protection should be constructed such that mechanical damage to the equipment inside the package will not cause a leak of the refrigerant charge.

The maximum number of pieces of equipment permitted to be stored together will be determined by local regulations.

### General Safety Instruction



#### Warning:

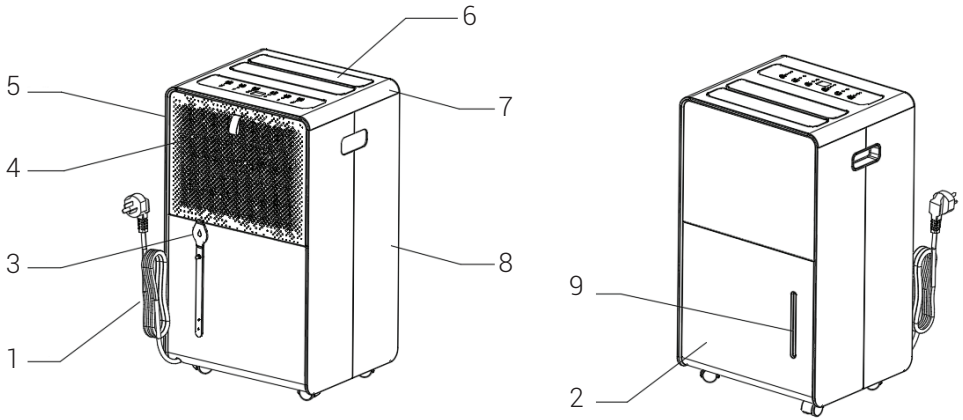
Before you use the machine, please read the instructions carefully so that you can maximize the use of all the features of the machine. This instruction is for guidance only and is not part of the contract, we reserve the right to make technical changes and we will not notify you before the amendment.

## 3 Repairs to sealed components

### Notice before use:

1. "PLEASE MAKE SURE THE PRODUCT VENTILATES ALL THE TIME"! Please make sure the inlet and outlet ventilation is not blocked at all times.
2. Operate this unit on a horizontal surface to avoid water leakage.
3. Do not operate this unit in an explosive or corrosive atmosphere.
4. Machine working environment temperature: cooling at 5 °C - 35 °C.
5. When the unit is shut off, please wait at least 3 minutes before restarting this is to prevent the compressor from being damaged.
6. Use separate power supply, prohibit the sharing of a socket with other electrical appliances, Power outlet specifications should not be less than 10A, sockets must be firmly safe.
7. Power: **220-240V/50hz.**
8. Discard water that has collected in the tank as required.
9. Do not submerge the unit in water, or place the unit close to water.
10. Do not sit or stand on the unit.
11. Do not operate the dehumidifier in a closed area such as inside a closet, as it may cause a fire.
12. Install drain piping at a downhill grade to make sure that condensed water can be drained continuously.

## 4 Part figure



### 2.1 Control and parts

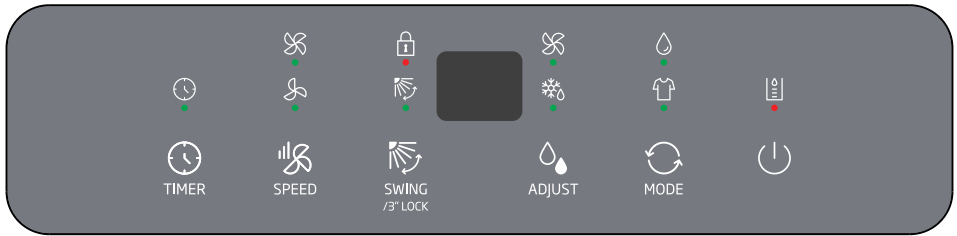
1. Supply cord
2. Tank
3. Continuous drainage/Power cable collection
4. Filter screen
5. Back shell
6. Air outlet
7. Top cover
8. Front shell
9. Water indicator

## 4 Part figure

### 2.2 Specifications

<b>Model name</b>	<b>BDPM020</b>
Refrigerant	R290
Total Refrigerant Amount (g)	47
Protection against electric shock	Class I
Rated Dehumidifying Capacity (27°C RH60%) (L/day)	11
Rated Dehumidifying Capacity (30°C RH80%) (L/day)	20
Voltage/Frequency/Phase (V/Hz/Phase)	220V-240V / 50Hz
Sound Power Level (dBA)	63/61
Rated Power Input (W)	430
Rated Current Input (A)	2.3
RH Range Manual	30%-90%
Ambient temp	5-35
Unit Net Dimension (WxHxD) mm	290x500x250
Unit Net Weight (kg)	12.5

## 5 Operating instructions



### Power button:

Press the power button to turn on the appliance. The air outlet cover opens automatically.

Press the button again to turn off the appliance. The air outlet cover closes automatically.

After startup, the current humidity is displayed; The humidity first defaults to "Co" and the compressor is allowed to start immediately to begin dehumidification.

### SPEED button:

Press the fan speed button to select low or high fan speed. The corresponding indicator light will illuminate.

### ADJUST button:

Press the ADJUST button, the indicator light of "Co" illuminates. When the humidity is set, the humidity is set as follows: "Co" (continuous) → 30% → 35% → 40% → 45% → 50 → ..... → 85 → 90 → "Co" (continuous) cycle.

The setting will be in effect in approx. 5 seconds with no further operations. The digital display will turn back to show the room humidity.

### Timer button

Timer ON setting:

- When the appliance is off, press the button "TIMER", the corresponding indicator light will illuminate.
- Keep pressing the button "TIMER" to select a desired ON time from 0-24 hours. The setting will be in effect in approx. 5seconds with no further operations.
- The appliance will automatically turn on once the set time has passed.

Timer OFF setting:

- When the appliance is working, press the button "TIMER", the corresponding indicator light will illuminate.
- Keep pressing the button "TIMER" to select a desired OFF time from 0-24 hours. The setting will be in effect in approx. 5 seconds with no further operations. The digital display will turn back to show the humidity level.
- The appliance will automatically turn off once the set time has passed.

### Mode button

Press the mode button to select your desired mode: dehumidification mode, fan mode or clothes drying mode.

## 5 Operating instructions

### SWING button

Press the swing button to turn on/off the swing function of the air outlet cover.

Lock: Long press the SWING button for 3 seconds to select the child lock ;

- In the state of power on: After the child lock is turned on, all the buttons except the child lock and the power button cannot be operated (Note: the power button can be shut down).
- In the off state: the child lock function can be opened and closed. After the child lock is opened, all other key operations except the child lock button cannot be operated (note: the power button cannot be operated either).
- After opening the child lock function, the child lock indicator lights up.

The water full light is red, the double 8 screen on the display board is white, and the other indicator lights are white.



After 20 seconds of operation, all indicator lights (including double 8) will be dimmed.

### 5.1 Description of functions

#### Dehumidification function:

1. When the "Co" (continuous) dehumidification operation is set, the dehumidifier will continue to run (compressor, fan operation) regardless of the humidity level at that time.
2. If the indoor humidity is higher than or equal to 3% of the set humidity, the compressor will start to run dehumidification, and the compressor and fan will run.

3. After the indoor humidity is dehumidified, when the humidity drops below 2% of the set humidity, the compression mechanism will stop the dehumidification, the compressor will enter the protection for three minutes, and the fan will stop after 3 minutes.
4. If the indoor humidity rises to 3% higher than or equal to the set humidity after the dehumidifier stops dehumidification, if the compressor has passed the protection state for three minutes, the compressor will start to run dehumidification.
5. According to the above cycle operation, the indoor humidity can be maintained at about the set humidity.

#### Clothes drying function:

1. When this function is enabled, the dehumidifier will run continuously (compressor and fan run) no matter the humidity is high or low when "Co" (continuous) operation is carried out.
2. The wind speed is locked to high speed and cannot be adjusted.
3. Humidity setting button is not adjustable.

#### FAN function:

1. The compressor does not work.
2. The fan can be operated in two modes: high wind and low wind.
3. Humidity setting button is not adjustable in air supply mode.

## 5 Operating instructions

### Full water protection function:

1. When the water tank is full, the Tank Full Indicator (FULL) light will turn on, the Dehumidifier will stop running automatically and the buzzer will beep 15 times.
2. Press any button to stop the buzzer. The compressor and fan will shut down and
3. all functions will not working until the Water Tank has been emptied and replaced.

### Defrosting function:

1. When defrosting, the compressor is shut down, the fan keeps running as high speed for defrosting, and the defrosting indicator light is always on.
2. When the room temperature is less than or equal to 16°C, the coil temperature will not be detected. According to the action of room temperature, the details are as follows:
3. When the room temperature  $\leq 12^{\circ}\text{C}$ , the compressor runs for 30 minutes, shutdown defrosting for 10 minutes, and then return to the setting mode before defrosting.
4. When  $12^{\circ}\text{C} < \text{room temperature} \leq 16^{\circ}\text{C}$ , the compressor will run for 45 minutes and stop for defrosting for 10 minutes, and then return to the setting mode before defrosting.
5. When the room temperature is greater than 16°C, According to the coil temperature action, the details are as follows: When the compressor runs for 30 minutes, if the coil temperature is less than 1, stop the machine to de-

frost for 10 minutes, and then return to the setting mode before defrosting.



During defrosting, the defrosting light is always on.

### Compressor delay protection:

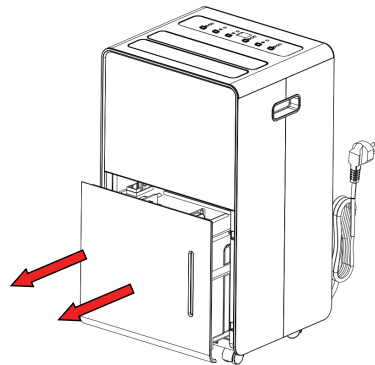
1. The compressor is allowed to start immediately each time it is started;
2. After the compressor stops, start again, there should be an interval of at least 3 minutes.

### Water tank drain

When the drainage tank is full, the tank full indicator light will turn on, the operation will stop automatically and the buzzer will beep 15 times to alert the user, that the water need to be emptied from the drainage tank.

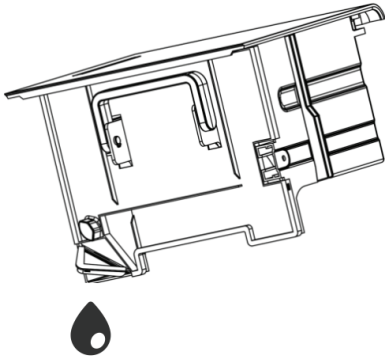
### Empty tank

1. Gently press on the sides of the tank and pull the tank out with both hands.

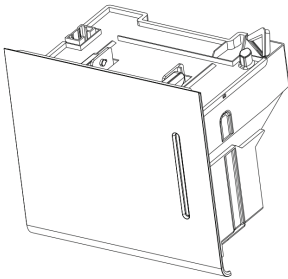


## 5 Operating instructions

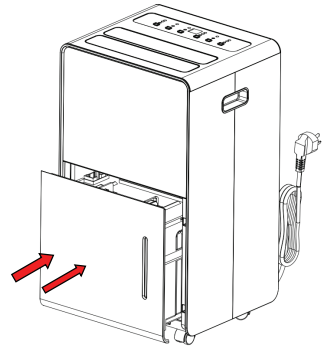
2. Empty the water in the tank.



1. Do not remove the floater in the water tank, otherwise, the water sensor will not be able to sense the water level so that it can not operate normally.



2. If the tank is dirty, use cold water or warm water cleaning. It is not possible to use detergents, steel velvet, chemical treated dusting cloth, gasoline, benzene, thinner or other solvents, because it may damage the water tank and cause water leakage.
3. When putting into the tank, press the tank tightly with both hands. If the water tank is not placed, the full water sensor will still be activated, and the dehumidifier will not work.

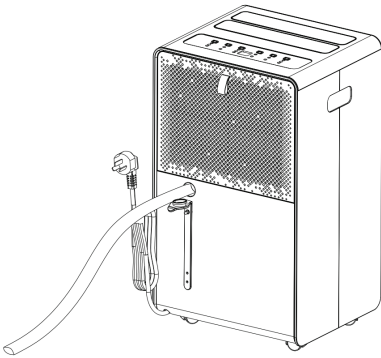




## 5 Operating instructions

### Continuous drainage

The dehumidifier has a continuous drainage hole, using a plastic tube (diameter 10mm) inserted in partition drainage hole, then outgoing from the tank side. When the water tank should be installed in place, and the drainage pipe straightened out, the water can be drained from the machine through the drainage hole.



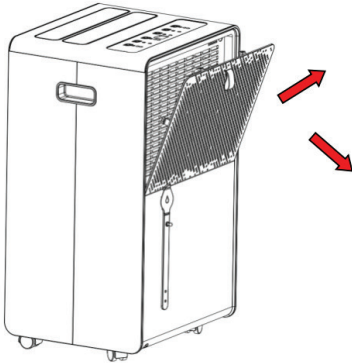
## 6 Maintenance

### 6.1 Body cleaning

wipe the body with a soft, damp cloth.

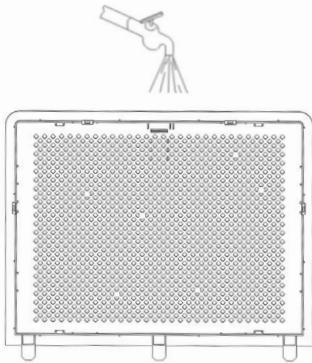
### 6.2 Filter cleaning

1. Pull up the filter.



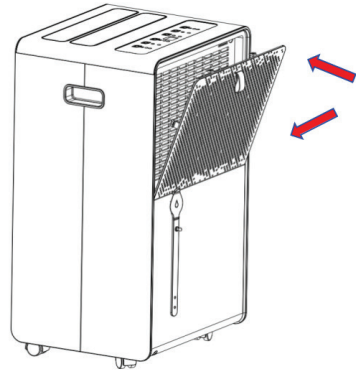
2. Clean Filter

Use a vacuum cleaner to gently absorb dust on filter screen surface. If very dirty, use warm water and gentle detergent. Keep dry.



3. Filter Installation

Insert the filter into the machine, and push the two hooks of the filter in place.



### 6.3 Dehumidifier storage

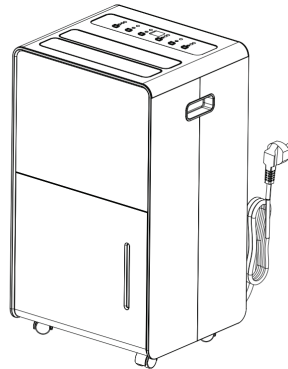
When you do not use this product for a long time and intend to store it, pay attention to the following steps

Empty the water in the tank.

Roll up the power cord.

Cleaning strainer.

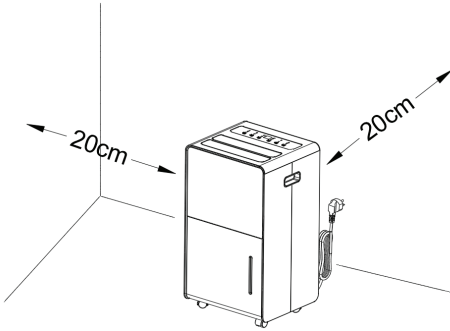
Place in a cool and dry place.



## 6 Maintenance

### 6.4 Space distance

When the dehumidifier is working, make sure that the minimum distance between them is as shown in the following picture.



## 7 Troubleshooting

If a condition listed below occurs, please check the following items before calling customer service.

Problem	Possible Cause	Solution
The unit doesn't operate	Has the power cord been disconnected?	Plug the power cord into the outlet.
	Is the tank full indication lamp blinking? (The tank is full or in a wrong position.)	Empty the water in the water tank and then reposition the tank.
	Is the temperature of the room above 35 °C or below 5 °C?	The protection device is activated and the unit cannot be started.
The dehumidifying function doesn't work	Is the air filter clogged?	Clean the air filter as instructed under "Cleaning the dehumidifier".
	Is the intake duct or discharge duct obstructed?	Remove the obstruction from the discharge duct or intake duct.
No air is discharged	Is the air filter clogged?	Clean the air filter as instructed under "Cleaning the dehumidifier".
Operation is noisy	Is the unit tilted or unsteady?	Move the unit to a stable, sturdy location.
	Is the air filter clogged?	Clean the air filter as instructed under "Cleaning the dehumidifier".
E1 Code	Coil sensor short circuit or open circuit	Check whether the line is loose or replace the coil sensor.

## 8 Installation instructions

### 8.1 F-Gas instruction

This product contains fluorinated greenhouse gases.

The fluorinated greenhouse gases are contained in hermetically sealed equipment.

Installs, services, maintains, repairs, checks for leaks or decommissions equipment and product recycling should be carried out by natural persons that hold relevant certificates.

If the system has a leakage detection system installed, leakage checks should be performed at least every 12 months, make sure system operate properly.

If product must be performed leakage checks, it should specify inspection cycle, establish and save records of leakage checks.



For hermetically sealed equipment, local air conditioner, window air conditioner and dehumidifier, if CO<sub>2</sub> equivalent of fluorinated greenhouse gases is less than 10 tonnes, it should not perform leakage checks.


# Leggere questo manuale d'uso prima dell'utilizzo!


Gentile Cliente,

Grazie per aver scelto di acquistare un prodotto BEKO. Ci auguriamo tu ottenga i migliori risultati dal tuo prodotto, che è stato fabbricato con standard di alta qualità e tecnologia all'avanguardia. Per questo motivo, ti preghiamo di leggere attentamente tutto il presente manuale d'uso e tutti gli altri documenti forniti in dotazione prima di utilizzare il prodotto, e di conservarli come riferimento per l'uso futuro. Se si dovesse consegnare il prodotto a qualcun altro, consegnare anche il manuale d'uso. Osservare tutte le avvertenze e le informazioni nel manuale dell'utente.

## Significato dei simboli


I seguenti simboli sono utilizzati in varie sezioni di questo manuale:


 Informazioni importanti. Suggerimenti utili relativamente all'uso.


 **Avvertenza** per situazioni di pericolo relativamente a durata di vita e proprietà.


 **Avvertenza** riguardo alle azioni che non bisogna mai eseguire.


 **Avvertenza** per le scosse elettriche.

 Questo simbolo indica che sono disponibili informazioni come le istruzioni per l'uso o il manuale di installazione.

 Non coprire.

 Questo simbolo indica che è necessario leggere con attenzione le istruzioni per l'uso.

 Questo simbolo indica che il personale di servizio deve maneggiare con cura questo apparecchio facendo sempre affidamento sul manuale.

 Questo simbolo indica che questo apparecchio utilizza un refrigerante infiammabile. Se il refrigerante fuoriesce e viene esposto ad una fonte di ignizione esterna, si corre il rischio di incendio.  
(Per il tipo a gas R32/R290)

# 1 Importanti istruzioni di sicurezza e ambientali

## Molto importante!

Non installare o utilizzare il deumidificatore prima di aver letto attentamente il presente manuale. Conservare il presente manuale di istruzioni per un'eventuale garanzia del prodotto e per future consultazioni.

### Attenzione:



1. Non utilizzare strumenti diversi da quelli raccomandati dal produttore, per accelerare il processo di sbrinamento o per la pulizia.
2. L'apparecchio deve essere conservato in un locale privo di fiamme libere continuamente in funzione (ad esempio un apparecchio a gas in funzione) e di fonti di accensione (ad esempio un riscaldatore elettrico in funzione).
3. Non perforare o bucare.
4. Bisogna essere sicuri che i refrigeranti non presentino alcun odore.
5. L'apparecchio deve essere installato, utilizzato e conservato in un locale con una superficie superiore a 4m<sup>2</sup>.

### Attenzione:



- Informazioni specifiche sulle apparecchiature con gas refrigerante R290.
- Leggere attentamente tutte le avvertenze.
  - Per lo sbrinamento e la pulizia dell'apparecchio, non utilizzare strumenti diversi da quelli raccomandati dal produttore.
  - L'apparecchio deve essere collocato in un'area priva di fonti di accensione continue (ad esempio: fiamme libere, apparecchi a gas o elettrici in funzione).
  - Non forare e non bruciare.
  - Questo apparecchio contiene Y g (vedere etichetta di classificazione sul retro dell'unità) di gas refrigerante R290.
  - L'R290 è un gas refrigerante conforme alle direttive europee sull'ambiente. Non forare nessuna parte del circuito del refrigerante.
  - Se l'apparecchio viene installato, utilizzato o immagazzinato in un'area non ventilata, il locale deve essere progettato in modo da evitare l'accumulo di perdite di refrigerante con conseguente rischio di incendio o esplosione dovuto all'accensione del refrigerante, causata da riscaldatori elettrici, stufe o altre fonti di accensione.
  - L'apparecchio deve essere conservato in modo da evitare danni meccanici.

# 1 Importanti istruzioni di sicurezza e ambientali



## Attenzione:

- Le persone che operano o lavorano sul circuito del refrigerante devono essere in possesso di un'adeguata certificazione rilasciata da un'organizzazione accreditata che garantisca la competenza nella manipolazione dei refrigeranti secondo una valutazione specifica riconosciuta dalle associazioni del settore.
- L'apparecchio deve essere conservato in un'area ben ventilata, le cui dimensioni corrispondano alla superficie del locale specificata per il funzionamento.
- Le riparazioni devono essere eseguite in base alle raccomandazioni dell'azienda produttrice. Eventuali manutenzioni e riparazioni che necessitano dell'assistenza di altro personale specializzato devono essere svolte sotto la supervisione di una persona qualificata nell'utilizzo di refrigeranti infiammabili.
- Non utilizzare una presa difettosa o inadatta.
- Non utilizzare le macchine nelle seguenti situazioni
  - A: Vicino ad una fonte potenziale di incendio.
  - B: Un'area in cui è probabile che schizzi dell'olio.
  - C: Un'area esposta alla luce diretta del sole.
  - D: Un'area in cui è probabile che schizzi dell'acqua.
  - E: Vicino a un bagno, una doccia o una piscina.
- Non inserire mai le dita o delle aste nell'uscita dell'aria. Fare particolare attenzione a mettere in guardia i bambini da questi pericoli.



# 1 Importanti istruzioni di sicurezza e ambientali



## Attenzione:

- Durante il trasporto e lo stoccaggio tenere l'unità verso l'alto durante, in modo che il compressore sia posizionato correttamente.
- Prima di pulire l'apparecchio, spegnere o scollegare sempre l'alimentazione elettrica.
- Quando si sposta l'apparecchio, spegnere e scollegare sempre l'alimentazione elettrica e spostarlo lentamente.
- Per evitare incendi, l'apparecchio non deve essere coperto.
- Tutte le prese degli apparecchi devono essere conformi ai requisiti di sicurezza elettrica locali. Se necessario, verificare i requisiti.
- I bambini dovrebbero essere sempre sorvegliati per assicurarsi che non giochino con l'apparecchio.
- L'elettrodomestico non può essere utilizzato da persone (bambini compresi) le cui capacità fisiche, sensoriali o mentali siano ridotte, o con mancanza di esperienza o conoscenza, eccetto in caso di supervisione o istruzioni concernenti l'uso dell'elettrodomestico fornite da una persona responsabile della sicurezza.
- Se il cavo di alimentazione è danneggiato, deve essere sostituito dal produttore, da un tecnico autorizzato o da una persona qualificata per evitare situazioni di pericolo.

# 1 Importanti istruzioni di sicurezza e ambientali

## Attenzione:

- Questo apparecchio può essere utilizzato da bambini dagli 8 anni in su e da persone con ridotte capacità fisiche, sensoriali o mentali o con mancanza di esperienza e conoscenze, se sotto supervisione o se hanno ricevuto istruzioni sull'uso dell'apparecchio in modo sicuro e ne comprendono i pericoli. I bambini non devono giocare con l'apparecchio. Le operazioni di pulizia e manutenzione non devono essere eseguite da bambini non sorvegliati.
- L'apparecchio deve essere installato in conformità alle normative nazionali in materia di cablaggi.
- Dettagli sul tipo e sulla potenza dei fusibili: T, 250V AC, 2A. o 3.15A
- Riciclaggio



Questo simbolo indica che, al termine della sua vita utile, questo prodotto non dovrà essere smaltito insieme ad altri rifiuti domestici in tutta l'Unione Europea. Onde evitare possibili danni all'ambiente o alla salute umana dovuti allo smaltimento incontrollato dei rifiuti, riciclateli in modo responsabile per promuovere il riutilizzo sostenibile delle risorse materiali. Per la restituzione di un dispositivo usato, utilizzare i sistemi di restituzione e raccolta o contattare il rivenditore presso il quale è stato acquistato il prodotto. Può riciclare questo prodotto in modo sicuro per l'ambiente.

# 1 Importanti istruzioni di sicurezza e ambientali

## Attenzione:

- Potenziale di riscaldamento globale (GWP): R290: 3
- Contattare un tecnico autorizzato per la riparazione o la manutenzione dell'unità.
- Non tirare, deformare o modificare il cavo di alimentazione e non immergerlo in acqua. Lo strappo o l'uso improprio del cavo di alimentazione può danneggiare l'unità e causare scosse elettriche.
- In materia di gas è necessario rispettare le normative nazionali.
- Mantenere tutte le fessure di ventilazione libere da ostruzioni.
- Chiunque sia coinvolto nel lavoro o nell'accesso a un circuito refrigerante deve essere in possesso di un certificato valido rilasciato da un'autorità di valutazione accreditata dal settore, che ne autorizzi la competenza a maneggiare i refrigeranti in modo sicuro in conformità a una specifica di valutazione riconosciuta dal settore.
- La manutenzione deve essere svolta seguendo le istruzioni del produttore dell'apparecchio. Eventuali manutenzioni e riparazioni che necessitano dell'assistenza di altro personale specializzato devono essere svolte sotto la supervisione di una persona qualificata nell'utilizzo di refrigeranti infiammabili.



## Attenzione:

- Non azionare o arrestare l'unità inserendo o estraendo la spina di alimentazione Die, in quanto ciò potrebbe causare scosse elettriche o incendi dovuti alla generazione di calore.
- Scollegare l'unità se da essa provengono suoni, odori o fumo strani.



- In caso di danni alle parti, rivolgersi al rivenditore o a un'officina specializzata;
- In caso di danni, spegnere l'interruttore dell'aria, scollegare l'alimentazione e contattare il rivenditore o un'officina specializzata;
- In ogni caso, il cavo di alimentazione deve essere saldamente collegato a terra.
- Per evitare pericoli, se il cavo di alimentazione è danneggiato, spegnere l'interruttore dell'aria e scollegare l'alimentazione. Per la sostituzione, rivolgersi al rivenditore o a un'officina specializzata.



## 2 Istruzioni generali

### 2.1 Controlli nell'area

Prima di iniziare a lavorare su sistemi contenenti refrigeranti infiammabili è necessario attuare dei controlli di sicurezza per garantire che il rischio di accensione sia ridotto al minimo. Per la riparazione dell'impianto di refrigerazione, prima di eseguire i lavori sull'impianto è necessario osservare le seguenti precauzioni.

### 2.2 Procedura di lavoro

I lavori devono essere eseguiti con una procedura controllata in modo da ridurre al minimo il rischio di presenza di gas o vapori infiammabili durante l'esecuzione dei lavori.

### 2.3 Area di lavoro generale

Tutto il personale addetto alla manutenzione e le altre persone che lavorano nell'area locale dovranno essere istruiti sulla natura del lavoro da svolgere. Un lavoro in spazi confinati dovrà essere evitato. L'area intorno allo spazio di lavoro dovrà essere delimitata. Assicurarsi che le condizioni all'interno dell'area siano state rese sicure dal controllo del materiale infiammabile.

### 2.4 Controllo della presenza di refrigerante

Controllare l'area con un apposito rilevatore di refrigerante prima e durante il lavoro, per garantire che il tecnico sia a conoscenza di atmosfere potenzialmente infiammabili.

Assicurarsi che l'apparecchio di rilevamento delle perdite utilizzato sia idoneo all'uso con refrigeranti infiammabili, anti-scintilla e sigillato in modo adeguato.

### 2.5 Presenza di un estintore

Se si devono eseguire lavori a caldo sull'apparecchiatura di refrigerazione o sulle parti associate, si deve avere a disposizione un'attrezzatura antincendio adeguata. Tenere un estintore a secco o a CO<sub>2</sub> vicino all'area di ricarica.

### 2.6 Nessuna fonte di accensione

Chiunque svolga lavori in relazione a un sistema di refrigerazione che comportino l'esposizione di tubazioni che contengono o hanno contenuto refrigerante infiammabile non deve utilizzare fonti di accensione in modo tale da comportare il rischio di incendio o esplosione. Tutte le possibili fonti di accensione, compreso il fumo, devono essere tenute sufficientemente lontane dal luogo di installazione, riparazione, rimozione e smaltimento, durante i quali il refrigerante infiammabile può essere rilasciato nello spazio circostante. Prima di iniziare i lavori, l'area intorno all'apparecchiatura deve essere esaminata per verificare che non vi siano rischi di infiammabilità o di accensione. Dovranno essere esposti cartelli di divieto di fumo.

## 2 Istruzioni generali

### 2.7 Area ventilata

Assicurarsi che l'area sia all'aperto o che sia adeguatamente ventilata prima di accedere al sistema o di eseguire dei lavori a caldo. Durante l'esecuzione dei lavori deve essere garantita una buona ventilazione. La ventilazione deve disperdere in modo sicuro il refrigerante rilasciato, preferibilmente all'esterno nell'atmosfera.

### 2.8 Controlli dell'attrezzatura di refrigerazione

In caso di sostituzione di componenti elettrici, questi devono essere idonei allo scopo e conformi alle specifiche. Ci si dovrà sempre attenere alle linee guida del produttore per quanto riguarda la manutenzione e l'assistenza. In caso di dubbi, consultare l'ufficio tecnico del produttore per ricevere assistenza. Le installazioni che utilizzano refrigeranti infiammabili dovranno essere sottoposte ai seguenti controlli: la dimensione della carica è conforme alla dimensione del locale in cui sono installate le parti contenenti refrigerante; le macchine e le uscite di ventilazione funzionano adeguatamente e non sono ostruite; se si utilizza un circuito di refrigerazione indiretto, il circuito secondario deve essere controllato per verificare la presenza di refrigerante; la marcatura dell'apparecchiatura continua a essere visibile e leggibile.

Le marcature e i segnali illeggibili dovranno essere corretti; le tubazioni o i componenti di refrigerazione sono installati in una posizione in cui è improbabile che siano esposti a sostanze che possono corrodere i componenti contenenti refrigerante, a meno che i componenti non siano costruiti con materiali intrinsecamente resistenti alla corrosione o siano adeguatamente protetti contro la corrosione.

### 2.9 Controlli sui dispositivi elettrici

La riparazione e la manutenzione dei componenti elettrici devono comprendere i controlli di sicurezza iniziali e le procedure di ispezione dei componenti. Se un guasto compromette la sicurezza, finché il problema non viene risolto non collegare alcun alimentatore elettrico. Se il guasto non può essere corretto immediatamente, ma è necessario continuare con il funzionamento, si dovrà ricorrere a una soluzione temporanea. Questo deve essere comunicato al proprietario dell'apparecchio in modo che tutte le parti siano informate.

I controlli di sicurezza iniziali dovranno comprendere: che i condensatori siano scaricati: ciò deve essere fatto in modo sicuro per evitare la possibilità di scintille; che non vi siano componenti elettrici e cablaggi sotto tensione esposti durante la carica, il recupero o lo spurgo del sistema; che vi sia continuità del collegamento a terra.

## 3 Riparazione di componenti sigillati

Durante le riparazioni dei componenti sigillati, tutte le alimentazioni elettriche devono essere scollegate dall'apparecchio su cui si lavora prima di rimuovere le coperture sigillate, ecc. Mantenere l'alimentazione elettrica dell'apparecchio, durante la manutenzione, solo se è assolutamente necessario, un sistema di rilevamento delle perdite in funzione permanente deve essere collocato nel punto più critico per segnalare una situazione potenzialmente pericolosa.

Si deve prestare particolare attenzione a quanto segue per garantire che, lavorando sui componenti elettrici, l'involucro non venga alterato in modo tale da compromettere il livello di protezione.

Ciò includerà danni ai cavi, numero eccessivo di connessioni, terminali non realizzati secondo le specifiche originali, danni alle guarnizioni, montaggio errato dei premistoppa, ecc. Assicurarsi che tutta l'unità sia correttamente montata. Assicurarsi che le guarnizioni o i materiali di tenuta non si siano degradati al punto da non riuscire a prevenire le infiltrazioni di atmosfere infiammabili. Le parti di ricambio dovranno essere conformi alle specifiche del produttore.



L'uso del sigillante siliconico può inibire l'efficacia di alcuni tipi di apparecchiature di rilevamento delle perdite. I componenti a sicurezza intrinseca non devono essere isolati prima di intervenire su di essi.

### 3.1 Riparazione di componenti a sicurezza intrinseca

Non applicare carichi induttivi o capacitivi permanenti al circuito senza assicurarsi che non superino la tensione e la corrente consentite per l'apparecchiatura in uso.

I componenti a sicurezza intrinseca sono gli unici su cui si può lavorare anche in presenza di un'atmosfera infiammabile. L'apparecchio di prova deve avere una valutazione corretta. Sostituire i componenti solo con quelli specificati dal produttore. Altre parti possono provocare l'accensione del refrigerante nell'atmosfera a causa di una perdita.

### 3.2 Cablaggio

Verificare che il cablaggio non sia soggetto a usura, corrosione, pressione eccessiva, vibrazioni, bordi taglienti o altri effetti ambientali avversi. La verifica deve tenere conto anche degli effetti dell'invecchiamento o delle vibrazioni continue provenienti da fonti quali compressori o ventole.

### 3.3 Rilevamento di refrigeranti infiammabili

In nessun caso devono essere utilizzate fonti potenziali di accensione per la ricerca o l'individuazione di perdite di refrigerante. L'uso di una lampada di salgemma non è consentito (vale per qualsiasi altro rilevatore che utilizzi una fiamma libera).

## 3 Riparazione di componenti sigillati

### 3.4 Metodi di rilevamento delle perdite

I metodi di rilevamento delle perdite seguenti sono considerati idonei per i sistemi che contengono refrigeranti infiammabili. I rilevatori elettronici di perdite dovranno essere utilizzati per rilevare i refrigeranti infiammabili, ma la sensibilità potrebbe non essere adeguata o potrebbe essere necessario ricalibrarla. (L'apparecchiatura di rilevamento dovrà essere calibrata in un'area priva di refrigerante) Assicurarsi che il rilevatore non sia una potenziale fonte di accensione e che sia adatto al refrigerante usato. L'apparecchio di rilevamento delle perdite deve essere impostato su una percentuale dell'LFL del refrigerante e deve essere calibrata in base al refrigerante utilizzato, confermando la percentuale appropriata di gas (25 % massimo). I fluidi per il rilevamento delle perdite sono adatti all'uso con la maggior parte dei refrigeranti, ma si deve evitare l'uso di detergenti contenenti cloro, poiché quest'ultimo potrebbe reagire con il refrigerante e corrodere le tubature in rame. Se si sospetta una perdita, tutte le fiamme libere dovranno essere rimosse o spente. Se si riscontra una perdita di refrigerante che richiede la brasatura, tutto il refrigerante deve essere recuperato dal sistema o isolato (mediante valvole di intercettazione) in una parte del sistema lontana dalla perdita. L'azoto esente da ossigeno (OFN) dovrà essere spurgato attraverso il sistema sia prima che durante il processo di brasatura.

### 3.5 Rimozione ed evacuazione

Quando si accede al circuito del refrigerante per effettuare delle riparazioni o per qualsiasi altro scopo, si dovranno utilizzare le procedure convenzionali poiché sussiste il rischio di infiammabilità. La procedura da seguire è la seguente: rimuovere il refrigerante; spurgare il circuito con gas inerte; evacuare; spurgare nuovamente con gas inerte; aprire il circuito tagliando o brasando. La carica di refrigerante dovrà essere recuperata nelle bombole di recupero corrette. Il sistema dovrà essere lavato con l'azoto esente da ossigeno (OFN) per rendere l'unità sicura. Questo processo può essere ripetuto più volte. Per questa operazione non si dovrà usare aria compressa o ossigeno. Il lavaggio deve essere effettuato rompendo il vuoto nel sistema con l'azoto esente da ossigeno (OFN) fino a raggiungere la pressione di esercizio, quindi sfiatando nell'atmosfera e infine riducendo il vuoto. Questo processo deve essere ripetuto fino al termine del refrigerante. Quando viene utilizzata la carica finale di azoto esente da ossigeno (OFN), il sistema dovrà essere sfiatato fino a raggiungere la pressione atmosferica per potere eseguire il lavoro. Questa operazione è cruciale nel caso si dovessero eseguire lavori di brasatura sulla tubazione.

## 3 Riparazione di componenti sigillati

Assicurarsi che l'uscita della pompa a vuoto non sia vicina a fonti di accensione e che sia disponibile una ventilazione.

### 3.6 Procedure di ricarica

Oltre a rispettare le procedure di ricarica convenzionali, dovranno essere rispettati i requisiti seguenti.

- Assicurarsi che non si verifichi una contaminazione di refrigeranti diversi quando si utilizza l'apparecchiatura di carica. I tubi o le linee dovranno essere il più corti possibile per ridurre al minimo la quantità di refrigerante contenuta in essi.
- Le bombole devono essere tenute in posizione verticale.
- Assicurarsi che il sistema di refrigerazione sia collegato a terra prima di caricare il sistema con il refrigerante.
- Etichettare il sistema quando la carica viene completata (se non lo è già).
- Occorre prestare la massima attenzione a non riempire eccessivamente il sistema di refrigerazione.

Prima di ricaricare il sistema, questo deve essere sottoposto a una prova di pressione con l'azoto esente da ossigeno (OFN). Il sistema deve essere sottoposto a prove di tenuta al termine del caricamento, prima della messa in funzione. Prima di lasciare il sito, deve essere eseguita una prova di controllo.

### 3.7 Disattivazione

Prima di eseguire questa procedura è essenziale che il tecnico conosca completamente l'apparecchio e tutti i suoi dettagli. È raccomandato recuperare tutti i refrigeranti in modo sicuro. Prima di eseguire l'operazione, dovrà essere prelevato un campione di olio e di refrigerante nel caso in cui sia necessaria un'analisi prima del riutilizzo del refrigerante rigenerato. È essenziale che l'alimentazione elettrica sia disponibile prima di iniziare l'intervento.

- Acquisire familiarità con l'apparecchiatura e il suo funzionamento.
- Isolare elettricamente il sistema.
- Prima di intraprendere la procedura, accertarsi che: siano disponibili le attrezzature di movimentazione meccanica, se necessarie, per la movimentazione delle bombole di refrigerante; siano disponibili e utilizzati correttamente tutti i dispositivi di protezione individuale; il processo di recupero sia supervisionato in ogni momento da una persona competente; le attrezzature di recupero e le bombole siano conformi agli standard appropriati.
- Se possibile, spegnere il sistema di refrigerazione con una pompa.
- Se non è possibile farlo, realizzare un collettore in modo che il refrigerante possa essere rimosso dalle varie parti del sistema.
- Prima, assicurarsi che la bombola sia posizionata sulla bilancia.
- Avviare la macchina di recupero e farla funzionare secondo le istruzioni del produttore.



## 3 Riparazione di componenti sigillati

- Non riempire eccessivamente le bombole. (Non più dell'80 % di carica liquida).
- Non superare la pressione massima di esercizio della bombola, nemmeno temporaneamente.
- Una volta che le bombole sono state riempite correttamente e il processo è stato completato, assicurarsi che le bombole e l'apparecchio vengano rimosse tempestivamente dal sito e che tutte le valvole di isolamento dell'apparecchio siano chiuse.
- Il refrigerante recuperato deve essere caricato in un altro sistema di refrigerazione solo se è stato pulito e controllato.

### 3.8 Etichettatura

L'apparecchiatura deve essere etichettata indicando che è stata messa fuori servizio e svuotata del refrigerante. Sull'etichetta dovranno essere apposte data e firma.

Assicurarsi che sull'apparecchio siano presenti etichette che indichino che contiene refrigerante infiammabile.

### 3.9 Recupero

Quando il refrigerante viene rimosso da dei sistemi, sia per la manutenzione che per la messa fuori servizio, si raccomanda di rimuoverlo in modo sicuro. Quando si trasferisce il refrigerante nelle bombole, bisogna assicurarsi che vengano utilizzate solo bombole di recupero adatte allo scopo. Assicurarsi che sia disponibile il numero corretto di bombole per la carica totale del sistema.

Tutte le bombole da utilizzare sono designate per il refrigerante recuperato ed etichettate per tale refrigerante (ad esempio, bombole speciali per il recupero del refrigerante). Le bombole devono essere complete di valvola di scarico della pressione e di valvole di intercettazione in buono stato di funzionamento. Le bombole di recupero vuote vengono svuotate e, se possibile, raffreddate prima di procedere al recupero.

L'apparecchiatura di recupero dovrà essere in buono stato di funzionamento con una serie di istruzioni relative all'apparecchiatura a portata di mano e dovrà essere adatta al recupero di refrigeranti infiammabili. Inoltre, dovrà essere disponibile una serie di bilance calibrate e in buono stato di funzionamento. I tubi devono essere completi di raccordi di disconnessione, privi di perdite e in buone condizioni.

Prima di utilizzare la macchina di recupero: verificare che sia in buone condizioni di funzionamento, che sia stata sottoposta a una corretta manutenzione e che i componenti elettrici associati siano sigillati per evitare l'accensione qualora avvenga una dispersione del refrigerante. In caso di dubbi, consultare il produttore.

Il refrigerante recuperato deve essere restituito al fornitore della bombola di recupero corretta e la relativa nota di trasferimento dei rifiuti deve essere compilata. Non mescolare i refrigeranti nelle unità di recupero e soprattutto nelle bombole.

## 3 Riparazione di componenti sigillati

Se i compressori o gli oli per compressori devono essere rimossi, assicurarsi che siano stati evacuati a un livello accettabile per garantire che il refrigerante infiammabile non rimanga nel lubrificante. Il processo di evacuazione deve essere eseguito prima di restituire il compressore ai fornitori. Per accelerare questo processo si deve ricorrere esclusivamente al riscaldamento elettrico del corpo del compressore. Quando l'olio viene drenato da un sistema, l'operazione deve essere eseguita in modo sicuro.

### 3.10 Competenza del personale di assistenza

#### 3.10.1 Aspetti generali

Quando si ha a che fare con apparecchiature con refrigeranti infiammabili, è necessario un addestramento speciale in aggiunta alle normali procedure di riparazione delle apparecchiature di refrigerazione.

In molti paesi, questa formazione viene svolta da organizzazioni nazionali di formazione accreditate per l'insegnamento degli standard di competenza nazionali pertinenti, eventualmente stabiliti dalla legislazione.

La competenza raggiunta deve essere documentata da un certificato.

#### 3.10.2 Formazione

La formazione deve includere i seguenti argomenti:

Informazioni sul potenziale di esplosione dei refrigeranti infiammabili per dimostrare che gli infiammabili possono essere pericolosi se maneggiati senza attenzione.

Informazioni sulle potenziali fonti di accensione, soprattutto quelle non evidenti, come accendini, interruttori della luce, aspirapolvere, stufe elettriche.

Informazioni sui diversi concetti di sicurezza:

Non ventilato - (vedere clausola GG.2) La sicurezza dell'apparecchio non dipende dalla ventilazione dell'involucro. Lo spegnimento dell'apparecchio o l'apertura dell'involucro non hanno alcun effetto significativo sulla sicurezza. Tuttavia, è possibile che il refrigerante fuoriuscito si accumuli all'interno dell'involucro e che l'atmosfera infiammabile venga rilasciata quando l'involucro viene aperto.

Involucro ventilato - (vedere clausola GG.4) La sicurezza dell'apparecchio dipende dalla ventilazione dell'involucro. Lo spegnimento dell'apparecchio o l'apertura dell'involucro hanno un effetto significativo sulla sicurezza. Prima di procedere alla ventilazione, è necessario assicurarsi che la ventilazione sia sufficiente.

## 3 Riparazione di componenti sigillati

Stanza ventilata - (vedere clausola GG.5)

La sicurezza dell'apparecchio dipende dalla ventilazione della stanza. Lo spegnimento dell'apparecchio o l'apertura dell'involucro non hanno alcun effetto significativo sulla sicurezza. La ventilazione della stanza non deve essere interrotta durante le procedure di riparazione.

Informazioni sul concetto di componenti e involucri sigillati secondo la norma IEC 60079-15:2010.

Informazioni sulle corrette procedure di lavoro:

- Scaricare i condensatori in modo da non provocare scintille. Solitamente la procedura standard per cortocircuitare i terminali del condensatore crea delle scintille.
- Rimontare accuratamente gli involucri sigillati. Se le guarnizioni sono usurate, sostituirle.
- Controllare i dispositivi di sicurezza prima della messa in servizio.

### Messa in servizio

- Assicurarsi che la superficie del pavimento sia sufficiente per la carica di refrigerante o che il condotto di ventilazione sia montato in modo corretto.
- Collegare le tubazioni ed effettuare una prova di tenuta prima di caricare il refrigerante.
- Controllare i dispositivi di sicurezza prima della messa in servizio.

### Manutenzione

- Le apparecchiature portatili dovranno essere riparate all'esterno o in un'officina appositamente attrezzata per la manutenzione di unità con refrigeranti infiammabili.
- Assicurare una ventilazione sufficiente nel luogo di riparazione.
- Tenere presente che il malfunzionamento dell'apparecchiatura potrebbe essere causato dalla perdita di refrigerante e che una perdita di refrigerante è assolutamente possibile.

### 3 Riparazione di componenti sigillati

#### Riparazione

- Le apparecchiature portatili dovranno essere riparate all'esterno o in un'officina appositamente attrezzata per la manutenzione di unità con refrigeranti infiammabili.
- Assicurare una ventilazione sufficiente nel luogo di riparazione.
- Tenere presente che il malfunzionamento dell'apparecchiatura potrebbe essere causato dalla perdita di refrigerante e che una perdita di refrigerante è assolutamente possibile.
- Scaricare i condensatori in modo da non provocare scintille.
- Quando è richiesta la brasatura, le seguenti procedure devono essere eseguite nell'ordine corretto:
- Rimuovere il refrigerante. Se il recupero non è richiesto dalle normative nazionali, scaricare il refrigerante all'esterno. Fare attenzione che il refrigerante drenato non causi alcun pericolo. In caso di dubbi, una persona dovrebbe sorvegliare l'uscita. Prestare particolare attenzione affinché il refrigerante drenato non torni a galleggiare nell'edificio.
- Evacuare il circuito del refrigerante.
- Spurgare il circuito del refrigerante con azoto per 5 minuti.
- Evacuare di nuovo.
- Rimuovere le parti da sostituire tagliando, non con la fiamma.
- Spurgare il punto di brasatura con azoto durante la procedura di brasatura.
- Effettuare una prova di tenuta prima di caricare il refrigerante.
- Rimontare accuratamente gli involucri sigillati. Se le guarnizioni sono usurate, sostituirle.

- Controllare i dispositivi di sicurezza prima della messa in servizio.

#### Disattivazione

- Se la sicurezza è compromessa quando l'apparecchiatura viene messa fuori servizio, prima della messa fuori servizio/disattivazione, la carica di refrigerante dovrà essere rimossa.
- Assicurare una ventilazione sufficiente del luogo in cui si trova l'apparecchiatura.
- Tenere presente che il malfunzionamento dell'apparecchiatura potrebbe essere causato dalla perdita di refrigerante e che una perdita di refrigerante è assolutamente possibile.
- Scaricare i condensatori in modo da non provocare scintille.
- Rimuovere il refrigerante. Se il recupero non è richiesto dalle normative nazionali, scaricare il refrigerante all'esterno. Fare attenzione che il refrigerante drenato non causi alcun pericolo. In caso di dubbi, una persona dovrebbe sorvegliare l'uscita. Prestare particolare attenzione affinché il refrigerante drenato non torni a galleggiare nell'edificio.
- Evacuare il circuito del refrigerante.
- Spurgare il circuito del refrigerante con azoto per 5 minuti.
- Evacuare di nuovo.
- Riempire con azoto fino alla pressione atmosferica.
- Apporre un'etichetta sull'apparecchiatura per indicare che il refrigerante è stato rimosso.

## 3 Riparazione di componenti sigillati

### Smaltimento

- Assicurare una ventilazione sufficiente nel luogo in cui si effettua l'operazione.
- Rimuovere il refrigerante. Se il recupero non è richiesto dalle normative nazionali, scaricare il refrigerante all'esterno. Fare attenzione che il refrigerante drenato non causi alcun pericolo. In caso di dubbi, una persona dovrebbe sorvegliare l'uscita. Prestare particolare attenzione affinché il refrigerante drenato non torni a galleggiare nell'edificio.
- Evacuare il circuito del refrigerante.
- Spurgare il circuito del refrigerante con azoto per 5 minuti.
- Evacuare di nuovo.
- Scollegare il compressore e scaricare l'olio.

### Trasporto, marcatura e stoccaggio di unità che impiegano refrigeranti infiammabili

Trasporto di apparecchiature contenenti refrigeranti infiammabili.

Si richiama l'attenzione sul fatto che possono esistere ulteriori norme di trasporto per le apparecchiature contenenti gas infiammabili. Il numero massimo di apparecchiature o la configurazione delle stesse, che possono essere trasportate insieme, sarà determinato dalle norme di trasporto applicabili.

Marcatura delle apparecchiature mediante cartelli

La segnaletica per apparecchiature simili utilizzate in un'area di lavoro è generalmente disciplinata dalle normative locali e fornisce i requisiti minimi per la fornitura di segnaletica di sicurezza e/o salute per un luogo di lavoro.

Tutti i cartelli richiesti devono essere mantenuti e i datori di lavoro devono garantire che i dipendenti ricevano istruzioni e formazione adeguate e sufficienti sul significato dei cartelli di sicurezza appropriati e sulle azioni da intraprendere in relazione a tali cartelli.

L'efficacia dei cartelli non deve essere diminuita da un numero eccessivo di cartelli posizionati.

I pittogrammi utilizzati devono essere il più possibile semplici e contenere solo i dettagli essenziali.

Smaltimento di apparecchiature contenenti refrigeranti infiammabili

Vedere le normative nazionali.

Stoccaggio di attrezzature/apparecchi

Lo stoccaggio delle apparecchiature deve essere conforme alle istruzioni del produttore.

Stoccaggio di attrezzature imballate (invendute)

La protezione della confezione di stoccaggio deve essere eseguita in modo tale che i danni meccanici agli apparecchi all'interno della confezione non causino una perdita della carica di refrigerante.

Il numero massimo di apparecchi che possono essere stoccati insieme viene determinato dalle normative locali.

## 3 Riparazione di componenti sigillati

### Istruzioni generali sulla sicurezza



#### Attenzione:

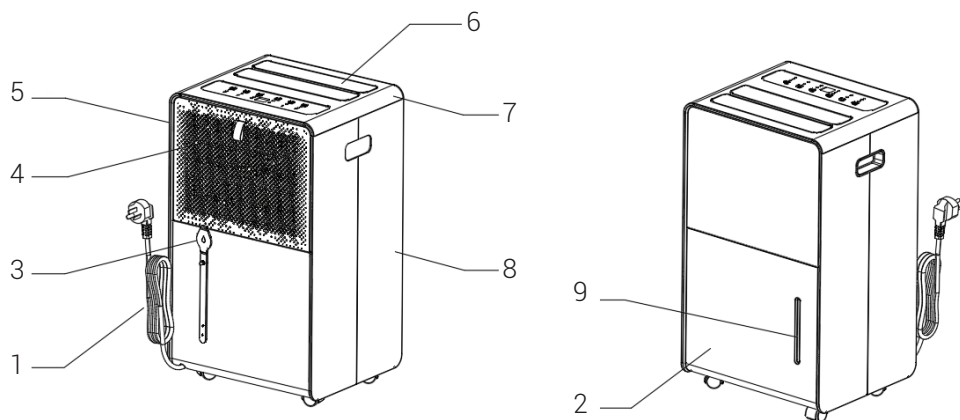
Prima di utilizzare la macchina, per poter sfruttare al massimo tutte le funzioni della macchina, leggere attentamente le istruzioni. Queste istruzioni sono solo indicative e non fanno parte del contratto; ci riserviamo il diritto di apportare modifiche tecniche e non vi informeremo prima della modifica.

10. Non sedersi o stare in piedi sull'unità.
11. Non mettere in funzione il deumidificatore in un ambiente chiuso, ad esempio all'interno di un armadio, per evitare di provocare un incendio.
12. Installare le tubazioni di drenaggio in discesa per garantire che l'acqua di condensa possa essere scaricata in modo continuo.

### Avviso prima dell'uso:

1. "ASSICURARSI CHE IL PRODOTTO SIA SEMPRE VENTILATO"! Assicurarsi che la ventilazione in entrata e in uscita non sia mai bloccata.
2. Utilizzare l'unità su una superficie orizzontale per evitare perdite d'acqua.
3. Non utilizzare questa unità in un'atmosfera esplosiva o corrosiva.
4. Temperatura ambiente di lavoro della macchina: raffreddamento a 5 °C-35 °C.
5. Quando l'unità viene spenta, attendere almeno 3 minuti prima di riavviarla per evitare di danneggiare il compressore..
6. Utilizzare un'alimentazione separata, vietare la condivisione della presa con altri apparecchi elettrici, le specifiche della presa di corrente non devono essere inferiori a 10A, le prese devono essere saldamente sicure.
7. Potenza: **220-240V/50hz.**
8. Eliminare l'acqua che si è accumulata nel serbatoio, se necessario.
9. Non immergere l'unità nell'acqua e non collocarla in prossimità dell'acqua.

## 4 Immagine delle componenti



### 2.1 Comandi e parti

1. Cavo di alimentazione
2. Serbatoio
3. Drenaggio continuo/raccolta dei cavi di alimentazione
4. Schermo filtrante
5. Guscio posteriore
6. Uscita dell'aria
7. Coperchio superiore
8. Guscio anteriore
9. Indicatore dell'acqua

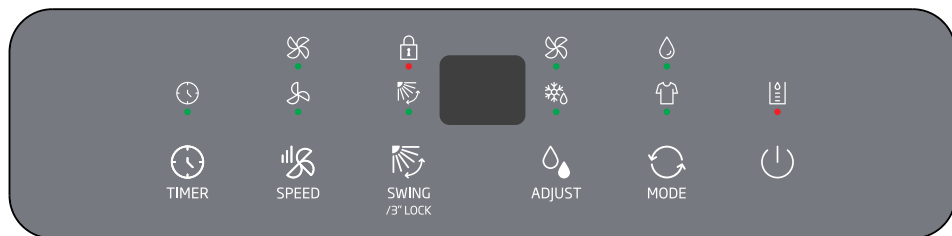
## 4 Immagine delle componenti

### 2.2 Specifiche

Nome del modello	BDPM020
Refrigerante	R290
Quantità totale di refrigerante (g)	47
Protezione contro le scosse elettriche	Classe I
Capacità di deumidificazione nominale (27°C/RH60%) (L/giorno)	11
Capacità di deumidificazione nominale (30°C/RH80%) (L/giorno)	20
Tensione/Frequenza/Fase (V/Hz/Fase)	220V-240V / 50Hz
Livello di potenza acustica (dBA)	63/61
Potenza nominale assorbita (W)	430
Corrente di ingresso nominale (A)	2,3
Manuale della gamma RH	30%-90%
Temperatura ambiente	5-35
Dimensione netta unità (LxAxP) in mm	290x500x250
Peso netto unità (kg)	12,5



## 5 Istruzioni di funzionamento



### Pulsante di alimentazione:

Premere il pulsante di alimentazione per accendere l'apparecchio. Il coperchio dell'uscita dell'aria si apre automaticamente.

Premere di nuovo il pulsante per spegnere l'apparecchio. Il coperchio di uscita dell'aria si chiude automaticamente.

Dopo l'avvio, viene visualizzata l'umidità corrente; l'umidità è prima impostata su "Co" e il compressore può avviarsi immediatamente per iniziare la deumidificazione.

### Pulsante SPEED:

Premere il pulsante della velocità della ventola per selezionare la velocità bassa o alta della ventola. La spia si illuminerà.

### Pulsante ADJUST:

Premere il pulsante ADJUST, la spia "Co" si accende. Quando si imposta l'umidità, questa viene impostata come segue: "Co" (continuo) →30%→35%→40%→45%→50→..... →85→90→ciclo "Co" (continuo).

L'impostazione sarà attiva dopo circa 5 secondi senza ulteriori operazioni. Il display digitale tornerà a visualizzare l'umidità ambientale.

### Pulsante timer

Impostazione ON del timer:

- Quando l'apparecchio è spento, premere il pulsante "TIMER": la spia corrispondente si accenderà.
- Tenere premuto il pulsante "TIMER" per selezionare l'orario di accensione desiderato da 0 a 24 ore. L'impostazione sarà attiva dopo circa 5 secondi senza ulteriori operazioni.
- L'apparecchio si accenderà automaticamente una volta trascorso il tempo impostato.

Impostazione OFF del timer:

- Con l'apparecchio in funzione, premere il pulsante "TIMER": la spia corrispondente si accenderà.
- Tenere premuto il pulsante "TIMER" per selezionare l'orario di spegnimento desiderato da 0 a 24 ore. L'impostazione sarà attiva dopo circa 5 secondi senza ulteriori operazioni. Il display digitale tornerà a visualizzare l'umidità ambientale.
- L'apparecchio si spegnerà automaticamente una volta trascorso il tempo impostato.

### Pulsante modalità

Premere il pulsante della modalità per selezionare la modalità desiderata: deumidificazione, ventilazione o asciugatura dei vestiti.

## 5 Istruzioni di funzionamento

### Pulsante SWING

Premere il pulsante Swing per attivare/disattivare la funzione di oscillazione del coperchio di uscita dell'aria.

Blocco: Premere a lungo il pulsante SWING per 3 secondi per selezionare il blocco bambini.

- In stato di accensione: Dopo l'attivazione del blocco bambini, tutti i pulsanti, tranne il blocco bambini e il pulsante di accensione, non possono essere azionati (nota: il pulsante di accensione può essere disattivato).
- In stato di spegnimento: la funzione di blocco bambini può essere aperta e chiusa. Dopo l'apertura del blocco bambini, non è più possibile azionare tutti gli altri pulsanti, tranne il pulsante del blocco bambini (nota: non è possibile azionare nemmeno il pulsante di accensione).
- Dopo aver aperto la funzione di blocco bambini, l'indicatore/spia del blocco bambini si accende.

La spia dell'acqua piena è rossa, la doppia schermata 8 sul tabellone è bianca e le altre spie sono bianche.



Dopo 20 secondi di funzionamento, tutte le spie (compresa la doppia 8) si spegneranno.

### 5.1 Descrizione delle funzioni

#### Funzione di deumidificazione:

1. Quando è impostato il funzionamento di deumidificazione "Co" (continuo), il deumidificatore continuerà a funzionare (compressore, ventilatore) indi-

pendentemente dal livello di umidità in quel momento.

2. Se l'umidità interna è superiore o uguale al 3% dell'umidità impostata, il compressore inizia a eseguire la deumidificazione e il compressore e il ventilatore funzionano.
3. Dopo la deumidificazione dell'umidità interna, quando l'umidità scende al di sotto del 2% dell'umidità impostata, il meccanismo di compressione interrompe la deumidificazione, il compressore entra in protezione per tre minuti e il ventilatore si ferma dopo 3 minuti.
4. Se l'umidità interna sale al 3% superiore o uguale all'umidità impostata dopo che il deumidificatore ha interrotto la deumidificazione, se il compressore ha superato lo stato di protezione per tre minuti, il compressore inizierà a eseguire la deumidificazione.
5. In base al ciclo di funzionamento sopra descritto, l'umidità interna può essere mantenuta all'incirca all'umidità impostata.

#### Funzione di asciugatura dei vestiti:

1. Quando questa funzione è abilitata, il deumidificatore funziona in modo continuo (compressore e ventola funzionano) indipendentemente dall'umidità elevata o bassa quando si esegue il funzionamento "Co" (continuo).
2. La velocità del vento è bloccata su una velocità elevata e non può essere regolata.
3. Il pulsante di impostazione dell'umidità non è regolabile.

## 5 Istruzioni di funzionamento

### Funzione FAN (VENTILATORE):

1. Il compressore non funziona.
2. Il ventilatore può funzionare in due modalità: vento forte e vento debole.
3. Il pulsante di impostazione dell'umidità non è regolabile in modalità di erogazione dell'aria.

### Funzione di protezione serbatoio pieno:

1. Quando il serbatoio dell'acqua è pieno, la spia del serbatoio pieno (FULL) si accende, il deumidificatore smette di funzionare automaticamente e il cicalino emette 15 segnali acustici.
2. Premere un qualsiasi pulsante per arrestare il cicalino. Il compressore e la ventola si spengono
3. e tutte le funzioni sono bloccate finché il serbatoio dell'acqua non sarà stato svuotato e sostituito.

### Funzione di sbrinamento:

1. Durante lo sbrinamento, il compressore viene spento, la ventola continua a funzionare ad alta velocità per lo sbrinamento e la spia di sbrinamento è sempre accesa.
2. Quando la temperatura ambiente è inferiore o uguale a 16°C, la temperatura della bobina non viene rilevata. In base all'azione della temperatura ambiente, i dettagli sono i seguenti:
3. Quando la temperatura ambiente è ≤ 12°C, il compressore funziona per 30 minuti, interrompe lo sbrinamento per 10 minuti e torna alla modalità di impostazione prima dello sbrinamento.

4. Quando la temperatura ambiente è fra i 12°C e i 16°C, il compressore funziona per 45 minuti e si ferma per 10 minuti per lo sbrinamento, quindi torna alla modalità di impostazione prima dello sbrinamento.
5. Quando la temperatura ambiente è superiore a 16°C, in base all'azione della temperatura della bobina, i dettagli sono i seguenti: Quando il compressore funziona per 30 minuti, se la temperatura della bobina è inferiore a 1, arrestare la macchina per sbrinare per 10 minuti, quindi tornare alla modalità di impostazione prima dello sbrinamento.



Durante lo sbrinamento, la spia di sbrinamento è sempre accesa.

### Protezione del ritardo del compressore:

1. Il compressore può avviarsi immediatamente ogni volta che viene azionato;
2. Dopo l'arresto del compressore e possibile riavviarlo ma deve esserci un intervallo di almeno 3 minuti.

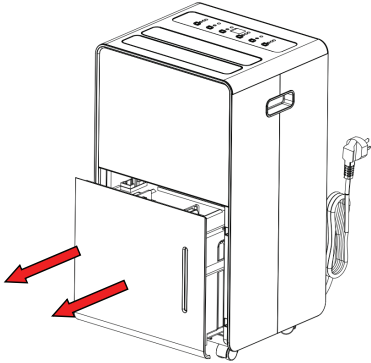
### Drenaggio del serbatoio dell'acqua

Quando il serbatoio di drenaggio è pieno, la spia del serbatoio pieno si accende, il funzionamento si arresta automaticamente e il cicalino emette 15 segnali acustici per avvisare l'utente che è necessario svuotare l'acqua dal serbatoio di drenaggio.

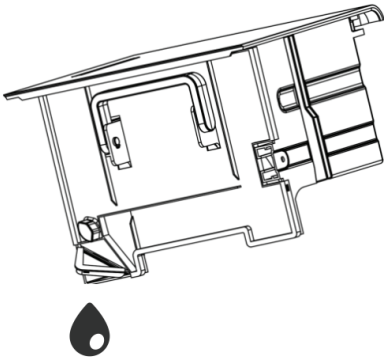
## 5 Istruzioni di funzionamento

### Serbatoio vuoto

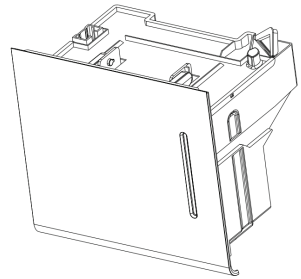
1. Premere delicatamente sui lati del serbatoio ed estrarlo con entrambe le mani.



2. Svotare l'acqua nel serbatoio.

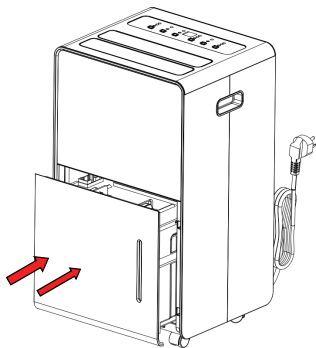


1. Non rimuovere il galleggiante nel serbatoio dell'acqua, altrimenti il sensore dell'acqua non sarà in grado di rilevare il livello dell'acqua e non potrà funzionare normalmente.



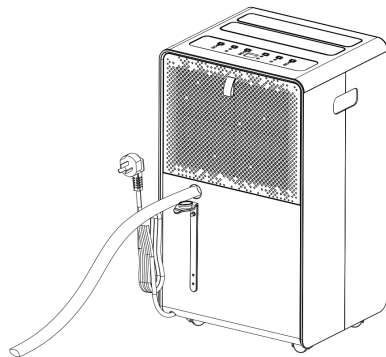
## 5 Istruzioni di funzionamento

2. Se il serbatoio è sporco, utilizzare la pulizia con acqua fredda o calda. Non è possibile utilizzare detergenti, velluto d'acciaio, panno per spolverare trattato chimicamente, benzina, benzene, diluente o altri solventi, perché potrebbero danneggiare il serbatoio e causare perdite d'acqua.
3. Quando si inserisce il serbatoio, premere con forza il serbatoio con entrambe le mani. Se il serbatoio dell'acqua non è ben posizionato, il sensore di acqua piena si attiverà comunque e il deumidificatore non funzionerà.



### Drenaggio continuo

Il deumidificatore è dotato di un foro di drenaggio continuo, utilizzando un tubo di plastica (diametro 10 mm) inserito nel foro di drenaggio divisorio, quindi in uscita dal lato del serbatoio. Quando il serbatoio dell'acqua deve essere installato in posizione e il tubo di drenaggio raddrizzato, l'acqua può essere scaricata dalla macchina attraverso il foro di drenaggio.



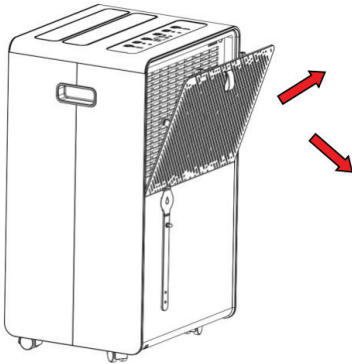
## 6 Manutenzione

### 6.1 Pulizia del corpo macchina

Pulire il corpo macchina con un panno morbido e umido.

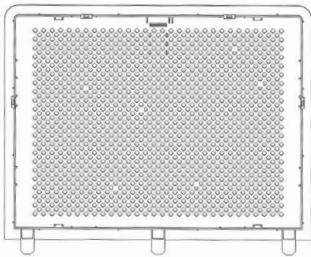
### 6.2 Pulizia del filtro

1. Tirare su il filtro.



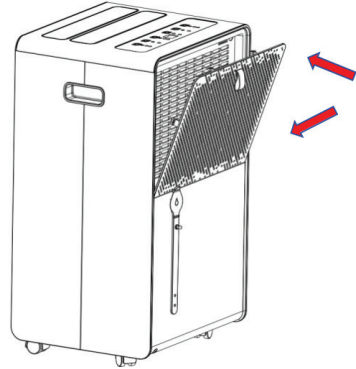
2. Pulire il filtro

Utilizzare un aspirapolvere per assorbire delicatamente la polvere sulla superficie del filtro. Se molto sporco, utilizzare acqua calda e un detergente delicato. Asciugare.



3. Installazione del filtro

Inserire il filtro nella macchina e spingere i due ganci del filtro in posizione.



### 6.3 Conservazione del deumidificatore

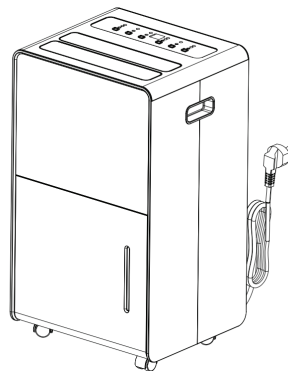
Se non si utilizza il prodotto per un lungo periodo di tempo e si intende conservarlo, prestare attenzione ai seguenti passaggi

Svuotare l'acqua nel serbatoio.

Arrotolare il cavo di alimentazione.

Pulire il filtro.

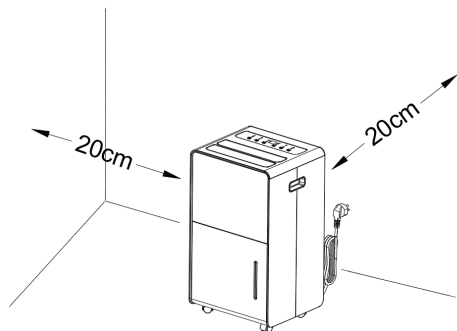
Posizionare in un luogo fresco e asciutto.



## 6 Manutenzione

### 6.4 Distanza

Quando il deumidificatore è in funzione, accertarsi che la distanza minima tra i due sia quella indicata nella figura seguente.



## 7 Risoluzione dei problemi

Se si verifica una delle condizioni elencate di seguito, controllare i seguenti elementi prima di chiamare il servizio clienti.

Problema	Possibile causa	Soluzione
L'unità non funziona	Il cavo di alimentazione è stato scollegato?	Inserire il cavo di alimentazione nella presa di corrente.
	La spia del serbatoio pieno lampeggia? (Il serbatoio è pieno o in posizione errata)	Svuotare l'acqua nel serbatoio dell'acqua e riposizionare il serbatoio.
	La temperatura della stanza è superiore a 35 °C o inferiore a 5 °C?	Il dispositivo di protezione è attivato e l'unità non può essere avviata.
La deumidificazione non funziona	Il filtro dell'aria è intasato?	Pulire il filtro dell'aria come indicato in "Pulizia del deumidificatore".
	Il condotto di aspirazione o di scarico è ostruito?	Rimuovere l'ostruzione dal condotto di scarico o di aspirazione.
Non viene scaricata aria	Il filtro dell'aria è intasato?	Pulire il filtro dell'aria come indicato in "Pulizia del deumidificatore".
Il funzionamento è rumoroso	L'unità è inclinata o instabile?	Spostate l'unità in una posizione stabile e solida.
	Il filtro dell'aria è intasato?	Pulire il filtro dell'aria come indicato in "Pulizia del deumidificatore".
Codice E1	Cortocircuito o circuito aperto del sensore della bobina	Controllare se la linea è allentata o sostituire il sensore della bobina.



## 8 Istruzioni di installazione

### 8.1 Istruzioni F-Gas

Questo prodotto contiene gas fluorurati ad effetto serra.

I gas fluorurati ad effetto serra sono contenuti in apparecchiature sigillate ermeticamente.

L'installazione, l'assistenza, la manutenzione, la riparazione, il controllo delle perdite o la dismissione degli apparecchi e il riciclaggio dei prodotti possono essere eseguiti solo da persone certificate.

Se l'impianto è dotato di un sistema di rilevamento delle perdite, i controlli devono essere eseguiti almeno ogni 12 mesi, per assicurarsi che il sistema funzioni correttamente.

Se il prodotto deve essere sottoposto a controlli di conformità è necessario specificare il ciclo di ispezione, redigere e salvare le relative documentazioni.



Per le apparecchiature ermeticamente sigillate, i condizionatori d'aria locali, i condizionatori d'aria da finestra e i deumidificatori e se l'equivalente di CO<sub>2</sub> dei gas fluorurati ad effetto serra è inferiore a 10 tonnellate, non è necessario eseguire controlli sulle perdite.


# Ju lutemi të lexoni më parë manualin e përdoruesit!


I dashur klient,

Ju falënderojmë që keni preferuar një produkt të Beko-s. Ne shpresojmë që të merrni rezultatet më të mira nga produkti juaj i cili është prodhuar me cilësi të lartë dhe me një teknologji të përparuar. Prandaj, para se ta përdorni këtë produkt, ju lutemi ta lexoni plotësisht e me kujdes këtë manual përdorimi dhe dokumentet shoqëruese dhe t'i ruani për t'iu referuar në të ardhmen. Nëse ia jepni produktin dikujt tjetër, jepini edhe këtë manual përdorimi. Ndiqni të gjitha paralajmërimet dhe informacionet që gjenden në manualin e përdorimit.


## Kuptimet e simboleve

Simbolet e mëposhtme përdoren në pjesë të ndryshme të këtij manual:


	Informacione të rëndësishme ose sugjerime të dobishme për përdorimin.
--	---

	Ky simbol tregon se manuali i përdorimit duhet të lexohet me kujdes.
---	--


	<b>Paralajmërim</b> për situata të rrezikshme për jetën dhe pronën.
--	---


	Ky simbol tregon se kjo pajisje duhet të menaxhohet nga personeli i shërbimit duke iu referuar manualit të instalimit.
---	--

	<b>Paralajmërim</b> për veprimet që nuk duhet të kryhen kurrë.
--	--

	Ky simbol tregon se kjo pajisje përdor një ftohës të ndezshëm. Nëse ftohësi rrjedh dhe ekspozohet ndaj një burimi të jashtëm ndezjeje, ekziston rreziku i zjarrit.
(Për llojin e gazit R32/R290)	

	<b>Paralajmërim</b> për goditje elektrike.
---	--

	Ky simbol tregon se ka informacione si p.sh. në manualin e përdorimit ose në manualin e instalimit.
--	---

	Mos e mbuloni.
--	----------------

# 1 Udhëzime të rëndësishme për sigurinë dhe mjedisin

## Shumë e rëndësishme!

Mos e instaloni ose mos përdorni thithësin e lagështirës përpara se të lexoni me kujdes këtë manual. Mbajeni këtë manual udhëzimi për garancinë përfundimtare të produktit dhe për referencë në të ardhmen.

### Paralajmërim:



1. Mos përdorni mënyra për të përshpejtuar procesin e shkrirjes ose për pastrim, përveç atyre të rekomanduara nga prodhuesi.
2. Pajisja duhet të ruhet në një dhomë pa flakë të pambrojtura që funksionojnë në vazhdimësi (p.sh. një pajisje gazi në punë) dhe burime ndezëse (p.sh. një ngrohës elektrik në punë).
3. Mos e shponi apo digjni.
4. Kini parasysh se ftohësit mund të mos kenë erë.
5. Pajisja duhet të instalohet, përdoret dhe ruhet në një dhomë me sipërfaqe më të madhe se 4 m<sup>2</sup>.

### Paralajmërim:



Informacione specifike në lidhje me pajisjet me gaz ftohës R290.

- Lexoni me kujdes të gjitha paralajmërimet.
- Gjatë shkrirjes dhe pastrimit të pajisjes, mos përdorni mjete të tjera përveç atyre të rekomanduara nga kompania prodhuese.
- Pajisja duhet të vendoset në një zonë pa burime të vazhdueshme ndezjeje (p.sh. flakë të hapura, pajisje me gaz ose pajisje elektrike në punë).
- Mos shponi dhe mos digjni.
- Kjo pajisje përmban Y g (shikoni etiketën e vlerësimit në pjesën e pasme të njësisë) gaz ftohës R290.
- R290 është një gaz ftohës që është në përputhje me direktivat evropiane për mjedisin. Mos shponi asnjë pjesë të qarkut të ftohësit.
- Nëse pajisja instalohet, përdoret ose ruhet në një zonë jo të ajrosur, dhoma duhet të planifikohet për të parandaluar akumulimin e rrjedhjeve të ftohësit që sjellin rrezik zjarri ose shpërthimi për shkak të ndezjes së ftohësit që mund të shkaktohet nga ngrohësit elektrikë, sobat ose burime të tjera të ndezjes.
- Pajisja duhet të ruhet në mënyrë të tillë që të parandalohen dëmtimet mekanike.

# 1 Udhëzime të rëndësishme për sigurinë dhe mjedisin



## Paralajmërim:

- Individët që veprojnë ose punojnë në qarkun e ftohësit duhet të kenë certifikatën e duhur të lëshuar nga një organizatë e akredituar që siguron kompetencë në trajtimin e ftohësve sipas një vlerësimi specifik të njohur nga shoqatat në industrinë në fjalë.
- Pajisja duhet të ruhet në një zonë të ajrosur mirë ku madhësia e dhomës përputhet me zonën e dhomës siç është specifikuar për përdorim.
- Riparimet duhet të kryhen në bazë të rekomandimit nga kompania prodhuese. Mirëmbajtja dhe riparimi që kërkon ndihmën e personelit tjetër të aftë duhet të kryhen nën mbikëqyrjen e një individi të specifikuar për përdorimin e ftohësve të ndezshëm.
- Mos përdorni një prizë të keqe ose të papërshtatshme.
- Mos përdorni pajisjet në situatat e mëposhtme
  - A: Pranë burimit të zjarrit.
  - B: Një zonë ku mund të spërkatet me vaj.
  - C: Një zonë e ekspozuar ndaj rrezeve direkte të diellit.
  - D: Një zonë ku mund të spërkatet me ujë.
  - E: Pranë një banjë, dushi ose pishine.
- Asnjëherë mos futni gishtat ose shufra në daljen e ajrit. Tregoni kujdes të veçantë për të paralajmëruar fëmijët për këto rreziqe.

# 1 Udhëzime të rëndësishme për sigurinë dhe mjedisin



## Paralajmërim:

- Mbajeni njësinë vertikalisht gjatë transportit dhe ruajtjes, sepse kompresori ndodhet të qëndrojë në vendin e duhur.
- Para se të pastroni pajisjen, gjithmonë fikni ose shkëputni furnizimin me energji elektrike.
- Kur lëvizni pajisjen, gjithmonë fikeni dhe shkëputni furnizimin me energji elektrike dhe lëvizeni ngadalë.
- Për të shmangur mundësinë e katastrofave nga zjarri, pajisja nuk duhet të mbulohet.
- Të gjitha prizat e pajisjes duhet të jenë në përputhje me kërkesat lokale për sigurinë elektrike. Nëse është e nevojshme, kontrollojeni atë në lidhje me kërkesat.
- Fëmijët e vegjël duhet të mbikëqyren për t'u siguruar që të mos luajnë me pajisjen.
- Kjo pajisje nuk është planifikuar të përdoret nga persona (duke përfshirë fëmijët) me aftësi më të ulëta fizike, ndjesore ose mendore, ose me mungesë përvoja dhe njohurish, përveçse nëse janë nën mbikëqyrje ose janë udhëzuar në lidhje me përdorimin e pajisjes nga një person përgjegjës për sigurinë e tyre.
- Nëse kordoni elektrik është i dëmtuar, ai duhet të zëvendësohet nga prodhuesi, agjenti i tij i shërbimit ose persona me kualifikime të ngjashme për të shmangur rreziqet e mundshme.

# 1 Udhëzime të rëndësishme për sigurinë dhe mjedisin

## Paralajmërim:

- Pajisja mund të përdoret nga fëmijët e moshës 8 vjeç e lart dhe nga personat me aftësi të reduktuara fizike, ndijore a mendore ose me mungesë eksperience dhe njohurie, nëse janë nën mbikëqyrje apo janë udhëzuar për përdorimin e pajisjes në një mënyrë të sigurt dhe i kuptojnë rreziqet e përfshira. Fëmijët nuk duhet të luajnë me pajisjen. Pastrimi dhe mirëmbajtja nga përdoruesi nuk duhet të kryhen nga fëmijët e pambikëqyrur.
- Pajisja duhet të instalohet në përputhje me rregulloret kombëtare për instalimet elektrike.
- Detajet për llojin dhe vlerësimin e siguresave: T, 250 V AC, 2 A ose 3.15A
- Riciklimi



Kjo shenjë tregon se ky produkt nuk duhet të hidhet pas përdorimit me mbeturina të tjera shtëpiake në BE. Për të parandaluar dëmtimin e mundshëm të mjedisit ose shëndetit të njerëve nga asgjësimi i pakontrolluar i mbetjeve, riciklojini ato me përgjegjësi për të promovuar ripërdorimin e qëndrueshëm të burimeve materiale. Për të kthyer pajisjen tuaj të përdorur, përdorni sistemet e kthimit dhe grumbullimit ose kontaktoni me shitësin ku është blerë produkti. Shitësi mund ta marrë këtë produkt për riciklim të sigurt në lidhje me mjedisin.

# 1 Udhëzime të rëndësishme për sigurinë dhe mjedisin

## Paralajmërim:

- GWP: R290: 3
- Kontaktoni me teknikun e autorizuar të shërbimit për riparimin ose mirëmbajtjen e kësaj njësie.
- Mos e tërhiqni, deformoni ose modifikoni kordonin e furnizimit me energji elektrike ose mos e zhytni në ujë. Tërheqja ose keqpërdorimi i kordonit të furnizimit me energji mund të rezultojë në dëmtimin e njësisë dhe të shkaktojë goditje elektrike.
- Duhet të respektohet përputhja me rregulloret kombëtare të gazit.
- Mbajini vrimat e ventilimit pa pengesa.
- Çdo person që është i përfshirë në punën ose qasjen në një qark frigoriferik duhet të mbajë një certifikatë aktuale të vlefshme nga një autoritet vlerësimi i akredituar nga industria, i cili autorizon kompetencën e tyre për të trajtuar ftohësit në mënyrë të sigurt në përputhje me një specifikim vlerësimi të njohur nga industria.
- Servisi duhet të kryhet vetëm siç rekomandohet nga prodhuesi i pajisjes. Mirëmbajtja dhe riparimi që kërkon ndihmën e personelit tjetër të aftë do të kryhet nën mbikëqyrjen e personit kompetent për përdorimin e ftohësve të ndezshëm.



## Paralajmërim:

- Mos e vini në punë ose mos e ndaloni njësinë duke futur ose tërhequr spinën elektrike, kjo mund të shkaktojë goditje elektrike ose zjarr për shkak të gjenerimit të nxehtësisë.
- Hiqeni nga priza njësinë nëse prej saj vijnë tinguj të çuditshëm, erë ose tym.



- Nëse ndonjë pjesë dëmtohet, ju lutemi kontaktoni me shitësin ose një dyqan të përcaktuar për riparimin;
- Në rast dëmtimi, fikni çelësin e ajrit, shkëputni furnizimin me energji elektrike dhe kontaktoni me shitësin ose një dyqan të përcaktuar për riparimin;
- Në çdo rast, kordoni elektrik duhet të jetë i tokëzuar mirë.
- Për të shmangur mundësinë e rrezikut, nëse kordoni elektrik është i dëmtuar, fikni çelësin e ajrit dhe shkëputni furnizimin me energji elektrike. Ai duhet të zëvendësohet nga tregtari ose një dyqan i përcaktuar për riparimin.



## 2 Udhëzime të përgjithshme

### 2.1 Kontrolllet në zonë

Përpara fillimit të punës në sistemet që përmbajnë ftohës të ndezshëm, kontrolllet e sigurisë janë të nevojshme për të siguruar që rreziku i ndezjes është minimizuar. Për riparimin e sistemit të ftohjes, duhet të respektohen masat paraprake të mëposhtme përpara kryerjes së punës në sistem.

### 2.2 Procedura e punës

Puna duhet të kryhet sipas një procedure të kontrolluar në mënyrë që të minimizohet rreziku i pranisë së një gazi ose avulli të ndezshëm gjatë kryerjes së punës.

### 2.3 Zona e përgjithshme e punës

I gjithë personeli i mirëmbajtjes dhe të tjerët që punojnë në zonën lokale do të udhëzohen për natyrën e punës që po kryhet. Puna në hapësira të mbyllura duhet të shmanget. Zona përreth hapësirës së punës duhet të ndahet. Sigurohuni që kushtet brenda zonës të jenë bërë të sigurta duke kontrolluar materialet e ndezshme.

### 2.4 Kontrolli për praninë e ftohësit

Zona duhet të kontrollohet me një detektor të përshtatshëm ftohës para dhe gjatë punës, për t'u siguruar që tekniku është në dijeni të atmosferave potencialisht të ndezshme. Sigurohuni që pajisjet e zbulimit të rrjedhjeve që përdoren të jenë të përshtatshme për përdorim me ftohësit e ndezshëm, d.m.th. pa shkëndija, të izoluar në mënyrën e duhur dhe të sigurta në vetvete.

### 2.5 Prania e fikëses së zjarrit

Nëse do të kryhet ndonjë punë me nxehtësi në pajisjet ftohëse ose në ndonjë pjesë përkatëse, duhet të kini në dispozicion pajisjet e duhura për fikjen e zjarrit. Mbani një fikëse zjarri me pluhur të thatë ose CO<sub>2</sub> ngjitur me zonën e karikimit.

### 2.6 Nuk ka burime ndezeje

Asnjë person që kryen punë në lidhje me një sistem ftohjeje që përfshin ekspozimin e çdo tubacioni që përmban ose ka ftohës të ndezshëm nuk duhet të përdorë asnjë burim ndezejeje në mënyrë të tillë që mund të sjellë rrezik zjarri ose shpërthimi. Të gjitha burimet e mundshme të ndezjes, duke përfshirë duhani, duhet të mbahen mjaft larg nga vendi i instalimit, riparimit, heqjes dhe asgjësimit, gjatë të cilit ftohësi i ndezshëm mund të lëshohet në hapësirën përreth. Përpara fillimit të punës, zona përreth pajisjes duhet të kontrollohet për t'u siguruar që nuk ka rreziqe ndezejeje ose materiale të ndezshme. Duhet të vendosen tabela "Ndalohet pirja e duhanit".

### 2.7 Zona e ajrosur

Sigurohuni që zona të jetë e hapur ose të jetë e ajrosur në mënyrë të përshtatshme përpara se të hyni në sistem ose të kryeni ndonjë punë me nxehtësi. Ajrimi duhet të vazhdojë gjatë periudhës që kryhet puna. Ventilimi duhet të shpërndajë në mënyrë të sigurt çdo ftohës të lëshuar dhe mundësisht ta nxjerrë jashtë në atmosferë.



## 2 Udhëzime të përgjithshme

### 2.8 Kontrollat e pajisjeve ftohëse

Kur komponentët elektrikë janë duke u ndërruar, ata duhet të jenë të përshtatshëm për qëllimin dhe specifikimet e duhura. Duhet të ndiqen gjatë gjithë kohës udhëzimet e prodhuesit për mirëmbajtjen dhe shërbimin. Nëse keni dyshime, konsultohuni me departamentin teknik të prodhuesit për ndihmë. Kontrollat e mëposhtme do të zbatohen për instalimet që përdorin ftohës të ndezshëm: madhësia e ngarkesës është në përputhje me madhësinë e dhomës brenda së cilës janë instaluar pjesët që përmbajnë ftohës; pajisjet e ventilimit dhe daljet funksionojnë në mënyrën e duhur dhe nuk kanë pengesa; nëse përdoret një qark ftohës indirekt, qarku sekondar duhet të kontrollohet për praninë e ftohësit; shënimi në pajisje vazhdon të jetë i dukshëm dhe i lexueshëm. Shenjat dhe shënimet që nuk janë të lexueshme duhet të korrigjohen, tubat ose komponentët ftohës janë instaluar në një pozicion ku nuk ka gjasa të ekspozohen ndaj ndonjë substance që mund të gërryjë komponentët që përmbajnë ftohës, përveç nëse komponentët janë ndërtuar nga materiale që janë rezistente ndaj gërryerjes ose janë të mbrojtura siç duhet kundër gërryerjes.

### 2.9 Kontrollat e pajisjeve elektrike

Riparimidhemirëmbajtjaekomponentëve elektrikë duhet të përfshijnë kontrollat fillestare të sigurisë dhe procedurat e inspektimit të komponentëve. Nëse ka një defekt që mund të rrezikojë sigurinë, burimi i furnizimit me energji elektrike nuk duhet të lidhet me qarkun derisa problemi të zgjidhet në mënyrën e duhur. Nëse defekti nuk mund të korrigjohet menjëherë, por është e nevojshme të vazhdohet funksionimi, duhet të përdoret një zgjidhje e duhur e përkohshme. Kjo duhet t'i raportohet pronarit të pajisjes në mënyrë që të gjitha palët të këshillohen.

Kontrollat fillestare të sigurisë duhet të përfshijnë: që kondensatorët janë shkarkuar: kjo duhet të bëhet në mënyrë të sigurt për të shmangur mundësinë e ndezjes; që nuk janë ekspozuar tela dhe komponentë elektrikë aktivë gjatë karikimit, rikuperimit ose pastrimit të sistemit; që ka vazhdimësi të lidhjes së tokës.

## 3 Riparime të komponentëve të izoluar

Gjatë riparimeve të komponentëve të izoluar, të gjitha furnizimet elektrike duhet të shkëputen nga pajisja në të cilën punohet përpara çdo heqjeje të kapakut të izoluar etj. Nëse është absolutisht e nevojshme që pajisjet të kenë një furnizim elektrik gjatë servisit, atëherë një formë rrjedhjeje e përhershme funksionale zbulimi duhet të vendoset në pikën më kritike për të paralajmëruar një situatë ndoshta të rrezikshme.

Vëmendje e veçantë duhet t'i kushtohet sa më poshtë për t'u siguruar që nga puna në komponentët elektrikë, kutia nuk ndryshohet në mënyrë të tillë që të preket niveli i mbrojtjes.

Kjo do të përfshijë dëmtimin e kablove, numrin e tepërt të lidhjeve, terminalet që nuk janë bërë sipas specifikimeve origjinale, dëmtimin e vulave, montimin e gabuar të nyjave etj. Sigurohuni që aparati të jetë montuar mirë. Sigurohuni që izolimet ose materialet izoluese nuk janë dëmtuar aq sa të mos shërbejnë më për të parandaluar hyrjen e atmosferave të ndezshme. Pjesët e ndërrimit duhet të jenë në përputhje me specifikimet e prodhuesit.



Përdorimi i izoluesve të silikonit mund të pengojë efektivitetin e disa llojeve të pajisjeve për zbulimin e rrjedhjeve. Komponentët e sigurt në vetvete nuk duhet të izoloohen përpara se të punoni në to.

### 3.1 Riparimi në komponentë qenësisht të sigurt

Mos aplikoni asnjë ngarkesë të përhershme induktive ose kapaciteti në qark pa u siguruar që kjo nuk do të tejkalojë tensionin dhe rrymën e lejuar për pajisjen në përdorim.

Komponentët qenësisht të sigurt janë llojet e vetme ku mund të punohet kur janë në prani të një atmosfere të ndezshme. Aparati i testimit duhet të ketë vlerën nominale të duhur. Zëvendësoni komponentët vetëm me pjesë të specifikuar nga prodhuesi. Pjesë të tjera mund të rezultojnë në ndezjen e ftohësit në atmosferë nga një rrjedhje.

### 3.2 Kablloja

Kontrolloni që kabllojt nuk do të jenë objekt i konsumimit, gërryerjes, presionit të tepërt, dridhjeve, skajeve të mprehta ose ndonjë efekti tjetër negativ mjedisor. Kontrolli duhet të marrë parasysh gjithashtu efektet e vjetërsisë ose dridhjeve të vazhdueshme nga burime si kompresorët ose ventilatorët.

### 3.3 Zbulimi i ftohësve të ndezshëm

Në asnjë rrethanë nuk duhet të përdoren burimet e mundshme të ndezjes për kërkimin ose zbulimin e rrjedhjeve të ftohësit. Nuk duhet të përdoret një pishtar me halide (ose çdo detektor tjetër që përdor flakë të zhveshura).

## 3 Riparime të komponentëve të izoluar

### 3.4 Metodat e zbulimit të rrjedhjeve

Metodat e mëposhtme të zbulimit të rrjedhjeve konsiderohen të pranueshme përsisteimet që kanë ftohës në ndezshëm. Detektorët elektronikë të rrjedhjeve duhet të përdoren për të zbuluar ftohësit e ndezshëm, por ndjeshmëria mund të mos jetë e mjaftueshme ose mund të ketë nevojë për rikalibrim. (Pajisja e zbulimit duhet të kalibrohet në një zonë pa ftohës.) Sigurohuni që detektori të mos jetë një burim i mundshëm i ndezjes dhe që të jetë i përshtatshëm për ftohësin e përdorur. Pajisjet për zbulimin e rrjedhjeve do të vendosen në një përqindje të LFL të ftohësit dhe do të kalibrohen në frigoriferin e përdorur dhe përqindja e duhur e gazit (maksimumi 25 %) do të konfirmohet. Lëngjet e zbulimit të rrjedhjeve janë të përshtatshme për t'u përdorur me shumicën e ftohësve, por përdorimi i detergjenteve që përmbajnë klor duhet të shmangët pasi klori mund të reagojë me ftohësin dhe të gjëryejë tubacionin e bakrit. Nëse dyshohet për rrjedhje, të gjitha flakët e pambrojitura duhet të hiqen/fiken. Nëse konstatohet një rrjedhje e ftohësit që kërkon saldimit, i gjithë ftohësi duhet të rikuperohet nga sistemi ose të izolohet (me anë të valvulave të mbylljes) në një pjesë të sistemit në largësi nga rrjedhja. Azoti pa oksigjen (OFN) më pas do të pastrohet përmes sistemit para dhe gjatë procesit të saldimit.

### 3.5 Largimi dhe evakuimi

Kur hyni në qarkun e ftohësit për të bërë riparime - ose për ndonjë qëllim tjetër - duhet të përdoren procedurat konvencionale. Megjithatë, është e rëndësishme që të ndiqet praktika më e mirë pasi duhet të merret parasysh mundësia e ndezjes. Duhet të respektohet procedura e mëposhtme: hiqni ftohësin; pastroni qarkun me gaz inert; evakuoni; pastroni përsëri me gaz inert; hapni qarkun duke prerë ose salduar. Ngarkesa e ftohësit duhet të rikuperohet në cilindrat e duhur të rikuperimit. Sistemi duhet "të pastrohet" me OFN për ta bërë pajisjen të sigurt. Ky proces mund të duhet të përsëritet disa herë. Ajri i kompresuar ose oksigjeni nuk duhet të përdoret për këtë detyrë. Spastrimi duhet të arrihet duke thyer vakumin në sistem me OFN dhe duke vazhduar mbushjen derisa të arrihet presioni i punës, pastaj duke e venteluar në atmosferë dhe në fund duke ulur presionin në vakum. Ky proces duhet të përsëritet derisa të mos ketë ftohës brenda sistemit. Kur përdoret ngarkesa përfundimtare OFN, sistemi duhet të ventillohet deri në presionin atmosferik për të bërë të mundur kryerjen e punës. Ky veprim është absolutisht thelbësor nëse duhen kryer saldime në tubacione. Sigurohuni që priza e pompës së vakumit të mos jetë afër një burimi ndezjeje dhe të ketë ventilim të disponueshëm.

## 3 Riparime të komponentëve të izoluar

### 3.6 Procedurat e ngarkimit

Përveç procedurave konvencionale të ngarkimit, duhet të ndiqen kërkesat e mëposhtme.

- Sigurohuni që të mos ndodhë ndotja e ftohësve të ndryshëm kur përdorni pajisjen e ngarkimit. Tubat ose linjat duhet të jenë sa më të shkurtra që të jetë e mundur për të minimizuar sasinë e ftohësit që gjendet në to.
- Cilindrat duhet të mbahen vertikalisht.
- Sigurohuni që sistemi ftohës të tokëzohet para se të mbushni sistemin me ftohës.
- Etiketoni sistemin kur të përfundojë ngarkimi (nëse jo tashmë).
- Duhet pasur jashtëzakonisht shumë kujdes që të mos tejmbushet sistemi ftohës.

Përpara ringarkimit të sistemit duhet të testohet presioni me OFN. Sistemi duhet të testohet për rrjedhje pas përfundimit të ngarkimit, por përpara vënies në punë. Para se të largoheni nga vendi, duhet të kryhet një test vijues i rrjedhjeve.

### 3.7 Heqja nga funksionimi

Përpara se të kryeni këtë procedurë, është thelbësore që tekniku të njihet plotësisht me pajisjen dhe të gjitha detajet e saj. Rekomandohet si praktikë e mirë që të gjithë ftohësit të rikuperohen në mënyrë të sigurt. Para kryerjes së detyrës, do të merret një mostër e vajit dhe ftohësit në rast se analiza është e nevojshme para ripërdorimit të ftohësit të rikuperuar. Është thelbësore që energjia elektrike të jetë e disponueshme para fillimit të punës.

- Njihuni me pajisjen dhe funksionimin e saj.
- Izoloni sistemin në mënyrë elektrike.
- Përpara se të provoni procedurën, sigurohuni që: nëse kërkohet, ka pajisje mekanike trajtimi për trajtimin e cilindrave të ftohësit; të gjitha pajisjet mbrojtëse personale janë në dispozicion dhe përdoren në mënyrën e duhur; procesi i rikuperimit mbikëqyret gjatë gjithë kohës nga një person kompetent; pajisjet e rikuperimit dhe cilindrat janë në përputhje me standardet e duhura.
- Zbrazni sistemin ftohës, nëse është e mundur.
- Nëse vakumi nuk është i mundur, bëni një manikotë që ftohësi të mund të hiqet nga pjesë të ndryshme të sistemit.
- Sigurohuni që cilindri të vendoset në peshore përpara se të bëhet rikuperimi.
- Ndizni pajisjen e rikuperimit dhe veproni në përputhje me udhëzimet e prodhuesit.
- Mos i mbushni shumë cilindrat. (Jo më shumë se 80 % e ngarkesës së lëngshme të vëllimit).
- Mos e tejkalooni presionin maksimal të punës së cilindrit, qoftë edhe përkohësisht.
- Kur cilindrat të jenë mbushur si duhet dhe procesi të ketë përfunduar, sigurohuni që cilindrat dhe pajisjet të hiqen menjëherë nga vendi dhe të gjitha valvulat izoluuese në pajisje të jenë mbyllur.
- Ftohësi i rikuperuar nuk do të ngarkohet në një sistem tjetër ftohës, përveçse nëse është pastruar dhe kontrolluar.

## 3 Riparime të komponentëve të izoluar

### 3.8 Etiketimi

Pajisja duhet të etiketohet duke deklaruar se është hequr nga funksionimi dhe e zbrazur nga ftohësi. Etiketa duhet të jetë me datë dhe firmë.

Sigurohuni që të ketë etiketa në pajisje që tregojnë se pajisja përmban ftohës të ndezshëm.

### 3.9 Rikuperimi

Kur hiqni ftohësin nga një sistem, për mirëmbajtje ose heqjen nga funksionimi, rekomandohet si praktikë e mirë që i gjithë ftohësi të hiqet në mënyrë të sigurt. Kur transferoni ftohësin në cilindra, sigurohuni që të përdoren vetëm cilindra të përshtatshëm të rikuperimit të ftohësit. Sigurohuni që të jetë i disponueshëm numri i duhur i cilindrave për mbajtjen e ngarkesës totale të sistemit. Të gjithë cilindrat që do të përdoren janë përcaktuar për ftohësin e rikuperuar dhe etiketuar për atë ftohës (d.m.th. cilindra të veçantë për rikuperimin e ftohësit). Cilindrat duhet të jenë të pajisur me valvulën e çlirimit të presionit dhe valvulat përkatëse të mbylljes të jenë në gjendje të mirë pune. Cilindrat e boshatisur të rikuperimit evakuohen dhe, nëse është e mundur, ftohen përpara se të ndodhë rikuperimi.

Pajisja e rikuperimit duhet të jetë në gjendje të mirë pune me një grup udhëzimesh në lidhje me pajisjet që janë pranë dhe duhet të jetë e përshtatshme për rikuperimin e ftohësve të ndezshëm. Përveç kësaj, një grup peshorësh të kalibruara duhet të jenë në dispozicion dhe në gjendje të mirë pune.

Tubat duhet të jenë të plotë me kapëse shkëputëse pa rrjedhje dhe në gjendje të mirë.

Para se të përdorni pajisjen e rikuperimit, kontrolloni që ajo të jetë në gjendje të mirë pune, e mirëmbajtur siç duhet dhe që çdo komponent elektrik përkatës të jetë i izoluar për të parandaluar ndezjen në rast të çlirimit të ftohësit. Konsultohuni me prodhuesin nëse keni dyshime.

Ftohësi i rikuperuar do t'i kthehet furnizuesit të ftohësit në cilindrin e duhur të rikuperimit dhe duhet të përgatitet shënimi përkatës për transferimin e mbeturinave. Mos i përzieni ftohësit në njësitë e rikuperimit dhe veçanërisht jo në cilindra.

Nëse kompresorët ose vajrat e kompresorit duhet të hiqen, sigurohuni që ata të jenë evakuuar në një nivel të pranueshëm për t'u siguruar që ftohësi i ndezshëm të mos mbetet brenda lubrifikantit. Procesi i evakuimit duhet të kryhet përpara kthimit të kompresorit te furnizuesit. Për të përshpejtuar këtë proces do të përdoret vetëm ngrohja elektrike e trupit të kompresorit. Kur vaji shkarkohet nga një sistem, ai duhet të kryhet në mënyrë të sigurt.

### 3.10 Kompetenca e personelit të shërbimit

#### 3.10.1 Të përgjithshme

Trajnimi i veçantë shtesë ndaj procedurave të zakonshme të riparimit të pajisjeve frigoriferike kërkohet kur preken pajisjet me ftohës të ndezshëm.

## 3 Riparime të komponentëve të izoluar

Në shumë shtete, ky trajnim kryhet nga organizata kombëtare të trajnimit që janë të akredituara për të mësuar standardet përkatëse kombëtare të kompetencave që mund të përcaktohen në legjislacion.

Kompetenca e arritur duhet të dokumentohet me certifikatë.

### 3.10.2 Trajnimi

Trajnimi duhet të përfshijë thelbin e sa vijon:

Informacione në lidhje me potencialin e shpërthimit të ftohësve të ndezshëm për të treguar se lëndët e ndezshme mund të jenë të rrezikshme kur trajtohen pa kujdes.

Informacion në lidhje me burimet e mundshme të ndezjes, veçanërisht ato që nuk janë të dukshme, si çakmakët, çelësat e dritave, fshesat me korrent, ngrohësit elektrikë etj.

Informacione rreth koncepteve të ndryshme të sigurisë:

E paajrosur – (shikoni Dispozitën GG.2) Siguria e pajisjes nuk varet nga ajrimi i kasës. Fikja e pajisjes ose hapja e kapakut nuk ka efekt të rëndësishëm në lidhje me sigurinë. Megjithatë, është e mundur që ftohësi që rrjedh mund të grumbullohet brenda kasës dhe atmosfera e ndezshme të çlirohet kur të hapet kasa.

Kasa e ajrosur – (shikoni Dispozitën GG.4) Siguria e pajisjes varet nga ajrimi i kasës. Fikja e pajisjes ose hapja e kasës nuk ka efekt të rëndësishëm në lidhje me sigurinë. Duhet pasur kujdes për të siguruar një ventilim të mjaftueshëm përpara.

Dhoma e ajrosur – (shikoni Dispozitën GG.5) Siguria e pajisjes varet nga ajrimi i dhomës. Fikja e pajisjes ose hapja e kapakut nuk ka efekt të rëndësishëm në lidhje me sigurinë. Ventilimi i dhomës nuk duhet të fiket gjatë procedurave të riparimit.

Informacione rreth konceptit të komponentëve të mbyllur dhe kasave të izoluar sipas IEC 60079-15:2010.

Informacione në lidhje me procedurat e duhura të punës:

#### Vendosja në punë

- Sigurohuni që sipërfaqja e dyshemesë të jetë e mjaftueshme për ngarkimin e ftohësit ose që kanali i ventilimit të jetë montuar në mënyrën e duhur.
- Lidhni tubat dhe kryeni një test rrjedhjeje përpara se të ngarkoni ftohësin.
- Kontrolloni pajisjet e sigurisë përpara se të vihen në shërbim.

#### Mirëmbajtja

- Pajisjet portative duhet të riparohen jashtë ose në një punishte të pajisur posaçërisht për servisimin e njësive me ftohës të ndezshëm.
- Siguroni ventilim të mjaftueshëm në vendin e riparimit.
- Kini parasysh se humbja e ftohësit mund të shkaktojë mosfunksionim të pajisjes dhe mund të ketë rrjedhje të ftohtësit.
- Shkarkoni kondensatorët në një mënyrë që të mos shkaktohet ndonjë shkëndijë. Procedura standarde për qarkun e shkurtër të terminaleve të kondensatorit zakonisht krijon shkëndija.

## 3 Riparime të komponentëve të izoluar

- Rimontoni kasat e izoluar me saktësi. Nëse gominat janë të konsumuara, zëvendësoni ato.
- Kontrolloni pajisjet e sigurisë përpara se të vihen në shërbim.
- Rimontoni kasat e izoluar me saktësi. Nëse gominat janë të konsumuara, zëvendësoni ato.
- Kontrolloni pajisjet e sigurisë përpara se të vihen në shërbim.

### Riparimi

- Pajisjet portative duhet të riparohen jashtë ose në një punishte të pajisur posaçërisht për servisën e njërive me ftohës të ndezshëm.
- Siguroni ventilim të mjaftueshëm në vendin e riparimit.
- Kini parasysh se humbja e ftohësit mund të shkaktojë mosfunksionim të pajisjes dhe mund të ketë rrjedhje të ftohtësit.
- Shkarkoni kondensatorët në një mënyrë që të mos shkaktohet ndonjë shkëndijë.
- Kur kërkohet saldimit, procedurat e mëposhtme duhet të kryhen në rendin e duhur:
- Hiqni ftohësin. Nëse rikuperimi nuk kërkohet nga rregulloret kombëtare, shkarkojeni ftohësin jashtë. Tregoni kujdes që ftohësi i shkarkuar të mos shkaktojë ndonjë rrezik. Nëse keni dyshime, një person duhet të ruajë daljen. Kini kujdes të veçantë që ftohësi i shkarkuar të mos rrjedhë përsëri në ndërtesë.
- Boshatisni qarkun e ftohësit.
- Pastroni qarkun e ftohësit me nitrogjen për 5 minuta.
- Boshatiseni përsëri.
- Hiqni pjesët që do të zëvendësohen me prerje, jo me flakë.
- Pastroni pikën e saldimit me nitrogjen gjatë procedurës së saldimit.
- Kryeni një test rrjedhjeje përpara se të ngarkoni me ftohës.
- Siguroni ventilim të mjaftueshëm në vendndodhjen e pajisjes.
- Kini parasysh se humbja e ftohësit mund të shkaktojë mosfunksionim të pajisjes dhe mund të ketë rrjedhje të ftohtësit.
- Shkarkoni kondensatorët në një mënyrë që të mos shkaktohet ndonjë shkëndijë.
- Hiqni ftohësin. Nëse rikuperimi nuk kërkohet nga rregulloret kombëtare, shkarkojeni ftohësin jashtë. Tregoni kujdes që ftohësi i shkarkuar të mos shkaktojë ndonjë rrezik. Nëse keni dyshime, një person duhet të ruajë daljen. Kini kujdes të veçantë që ftohësi i shkarkuar të mos rrjedhë përsëri në ndërtesë.
- Boshatisni qarkun e ftohësit.
- Pastroni qarkun e ftohësit me nitrogjen për 5 minuta.
- Boshatiseni përsëri.
- Mbushni me azot deri në presionin atmosferik.
- Vendosni një etiketë në pajisje se ftohësi është hequr.

### Heqja nga funksionimi

## 3 Riparime të komponentëve të izoluar

### Asgjësimi

- Siguroni ventilim të mjaftueshëm në vendin e punës.
- Hiqni ftohësin. Nëse rikuperimi nuk kërkohet nga rregulloret kombëtare, shkarkojeni ftohësin jashtë. Tregoni kujdes që ftohësi i shkarkuar të mos shkaktojë ndonjë rrezik. Nëse keni dyshime, një person duhet të ruajë daljen. Kini kujdes të veçantë që ftohësi i shkarkuar të mos rrjedhë përsëri në ndërtesë.
- Boshatisni qarkun e ftohësit.
- Pastroni qarkun e ftohësit me nitrogjen për 5 minuta.
- Boshatiseni përsëri.
- Prisni kompresorin dhe shkarkoni vajin.

### Transporti, shënimi dhe ruajtja për njësitë që përdorin ftohës të ndezshëm

Transporti i pajisjeve që përmbajnë ftohës të ndezshëm.

I kushtohet vëmendje faktit se mund të ekzistojnë rregulla shtesë transporti në lidhje me pajisjet që përmbajnë gaz të ndezshëm. Numri maksimal i pjesëve të pajisjeve ose konfigurimi i pajisjeve, të lejuara për t'u transportuar së bashku, do të përcaktohet nga rregulloret e transportit në fuqi.

Shënimi i pajisjeve duke përdorur shenja Shenjat për pajisje të ngjashme të përdorura në një zonë pune përgjithësisht trajtohen nga rregulloret lokale dhe japin kërkesat minimale për sigurimin e tabelave të sigurisë dhe/ose për shëndetin për një vend pune.

Të gjitha tabelat e kërkuara duhet të mirëmbahen dhe punëdhënësit duhet të sigurojnë që punonjësit të marrin udhëzime dhe trajnime të përshtatshme dhe të mjaftueshme për kuptimin e tabelave të duhura të sigurisë dhe veprimet që duhet të ndërmerren në lidhje me këto.

Efektiviteti i shenjave nuk duhet të zvogëlohet nga vendosja e shumë shenjave së bashku.

Çdo piktogram i përdorur duhet të jetë sa më i thjeshtë dhe të përmbajë vetëm detaje thelbësore.

Asgjësimi i pajisjeve që përdorin ftohës të ndezshëm

Shikoni rregulloret kombëtare.

Ruajtja e pajisjes/pajisjeve

Ruajtja e pajisjeve duhet të jetë në përputhje me udhëzimet e prodhuesit.

Ruajtja e pajisjeve të paketuara (të pashitura).

Mbrojtja e paketës së ruajtjes duhet të ndërtohet në mënyrë që dëmtimi mekanik i pajisjes brenda paketimit të mos shkaktojë rrjedhje të ngarkesës së ftohësit.

Numri maksimal i pjesëve të pajisjeve që lejohet të ruhen së bashku do të përcaktohet nga rregulloret lokale.



## 3 Riparime të komponentëve të izoluar

### Udhëzime të përgjithshme të sigurisë



#### Paralajmërim:

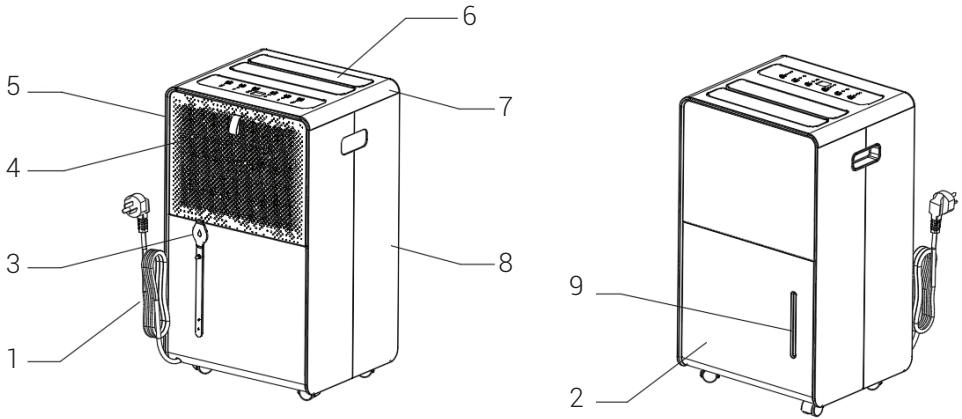
Përpara se të përdorni pajisjen, lexoni me kujdes udhëzimet në mënyrë që të mund të maksimizoni përdorimin e të gjitha veçorive të pajisjes. Ky udhëzim është vetëm për orientim dhe nuk është pjesë e kontratës, ne rezervojmë të drejtën për të bërë ndryshime teknike dhe nuk do t'ju njoftojmë përpara ndryshimit.

8. Hidhni ujin që është mbledhur në depozitë sipas nevojës.
9. Mos e zhytni njësinë në ujë ose mos e vendosni njësinë afër ujit.
10. Mos u ulni ose mos qëndroni në njësi.
11. Mos e përdorni thithësin e lagështirës në një zonë të mbyllur, si p.sh. brenda një dollapi, pasi mund të shkaktojë zjarr.
12. Instaloni tubacionet e shkarkimit në kënd zbritës për t'u siguruar që uji i kondensuar mund të shkarkohet vazhdimisht.

### Njoftim para përdorimit:

1. "SIGUROHUNI QË PRODUKTI TË AJROSET GJITHË KOHËN"! Sigurohuni që ajrimi i hyrjes dhe daljes të mos jetë i bllokuar në çdo rast.
2. Përdoreni këtë njësi në një sipërfaqe horizontale për të shmangur rrjedhjen e ujit.
3. Mos e përdorni këtë njësi në një atmosferë shpërthyesë ose gërryese.
4. Temperatura e ambientit të punës për pajisjen: ftohje në 5 °C - 35 °C.
5. Kur njësia është e fikur, prisni të paktën 3 minuta përpara se ta rindizni, kjo është për të parandaluar dëmtimin e kompresorit.
6. Përdorni furnizim të veçantë me energji elektrike, ndaloni përdorimin e një prize të përbashkët me pajisje të tjera elektrike; specifikimet e prizës nuk duhet të jenë më të vogla se 10 A, prizat duhet të jenë shumë të sigurta.
7. Fuqia: **220-240 V/50 Hz.**

## 4 Figura e pjesës



### 2.1 Kontrollat dhe pjesët

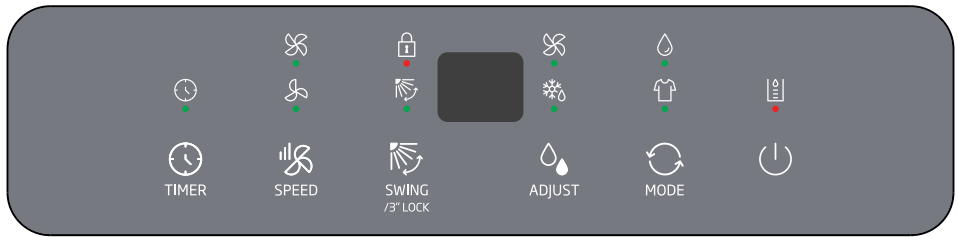
1. Kordoni i furnizimit
2. Depozita
3. Shkarkimi i vazhdueshëm/mbledhja e kablove elektrike
4. Ekran i filtrit
5. Kapaku i pasmë
6. Dalja e ajrit
7. Kapaku i sipërm
8. Kapaku i përparmë
9. Treguesi i ujit

## 4 Figura e pjesës

### 2.2 Specifikimet

Emri i modelit	BDPM020
Ftohësi	R290
Sasia totale e ftohësit (g)	47
Mbrojtja nga goditjet elektrike.	Klasa I
Kapaciteti i vlerësuar i thithjes së lagështirës (27 ° C RH 60%) (L/ditë)	11
Kapaciteti i vlerësuar i thithjes së lagështirës (30 ° C RH 80%) (L/ditë)	20
Tensioni/frekuenca/faza (V/Hz/faza)	220 V-240 V / 50 Hz
Niveli i fuqisë së zhurmës (dBA)	63/61
Fuqia e vlerësuar e hyrjes (W)	430
Hyrja aktuale e vlerësuar (A)	2,3
Gama e lagështirës relative, manuale	30%-90%
Temperatura e ambientit	5-35
Përmasat neto të njësisë (GjxLxTh) mm	290x500x250
Pesha neto e njësisë (kg)	12,5

## 5 Udhëzimet e përdorimit



### Butoni i energjisë:

Shtypni butonin e energjisë për ta ndezur pajisjen. Kapaku i daljes së ajrit hapet automatikisht.

Shtypni përsëri butonin për ta fikur pajisjen. Kapaku i daljes së ajrit mbyllet automatikisht.

Pas ndezjes, shfaqet lagështia aktuale; lagështia fillimisht vendoset në "Co" dhe kompresori lejohet të fillojë menjëherë për të filluar thithjen e lagështisë.

### Butoni i shpejtësisë:

Shtypni butonin e shpejtësisë së ventilatorit për të zgjedhur shpejtësinë e ulët ose të lartë të ventilatorit. Drita treguese përkatëse do të ndizet.

### Butoni i rregullimit:

Shtypni butonin e rregullimit, drita treguese e "Co" ndizet. Kur vendoset lagështia, lagështia vendoset si më poshtë: "Co" (i vazhdueshëm) → 30% → 35% → 40% → 45% → 50 → ..... → 85 → 90 → "Co" (cikli i vazhdueshëm).

Cilësimi do të jetë në fuqi për afërsisht 5 sekonda pa asnjë veprim të mëtejshëm. Ekрани dixhital do të kthehet për të treguar lagështinë e dhomës.

### Butoni i kohëmatësit

Cilësimi i aktivizimit të kohëmatësit:

- Kur pajisja është e fikur, shtypni butonin e kohëmatësit "TIMER", drita treguese përkatëse do të ndizet.
- Vazhdoni të shtypni butonin e kohëmatësit "TIMER" për të zgjedhur kohën e dëshiruar të aktivizimit nga 0-24 orë. Cilësimi do të jetë në fuqi për afërsisht 5 sekonda pa asnjë veprim të mëtejshëm.
- Pajisja do të ndizet automatikisht pasi të ketë kaluar koha e caktuar.

Cilësimi i çaktivizimit të kohëmatësit:

- Kur pajisja është në punë, shtypni butonin e kohëmatësit "TIMER", drita treguese përkatëse do të ndizet.
- Vazhdoni të shtypni butonin e kohëmatësit "TIMER" për të zgjedhur kohën e dëshiruar të çaktivizimit nga 0-24 orë. Cilësimi do të jetë në fuqi për afërsisht 5 sekonda pa asnjë veprim të mëtejshëm. Ekрани dixhital do të kthehet për të treguar nivelin e lagështisë.
- Pajisja do të fiket automatikisht pasi të ketë kaluar koha e caktuar.

### Butoni i modalitetit

Shtypni butonin e modalitetit për të zgjedhur modalitetin tuaj të dëshiruar: modaliteti i heqjes së lagështirës, modaliteti i ventilatorit ose modaliteti i tharjes së rrobave.

## 5 Udhëzimet e përdorimit

### Butoni i lëkundjes SWING:

Shtypni butonin e lëkundjes për të ndezur/fikur funksionin e lëkundjes së kapakut të daljes së ajrit.

Kyçja: Mbani shtypur butonin e lëkundjes SWING për 3 sekonda për të zgjedhur kyçjen për fëmijët;

- Në gjendjen ndezur: Pasi të jetë aktivizuar kyçja për fëmijët, nuk mund të përdoret asnjë buton përveç kyçjes për fëmijët dhe butonit i energjisë (shënim: butoni i energjisë mund të jetë për fikjen).
- Në gjendje të fikur: funksioni i kyçjes për fëmijët mund të hapet dhe mbyllet. Pasi të hapet kyçi për fëmijët, të gjitha veprimet e tjera kryesore përveç butonit të kyçit për fëmijët nuk mund të përdoren (shënim: as butoni i ndezjes nuk mund të përdoret).
- Pas hapjes së funksionit të kyçit për fëmijët, treguesi i kyçit për fëmijët ndizet.

Drita e mbushjes plot me ujë është e kuqe, ekrani me 8 drita dyshe në panelin e ekranit është i bardhë dhe dritat e tjera treguese janë të bardha.



Pas 20 sekondash përdorimi, të gjitha dritat treguese (duke përfshirë ekranin me 8 drita dyshe) do të errësohen.

### 5.1 Përshkrimi i funksioneve:

#### Funksioni i thithjes së lagështisë:

1. Kur caktohet funksioni i heqjes së lagështirës "Co" (i vazhdueshëm), thithësi i lagështisë do të vazhdojë të funksionojë (funksionimi i kompresorit,

ventilatorit) pavarësisht nga niveli i lagështisë në atë kohë.

2. Nëse lagështia e ambientit të brendshëm është më e lartë ose e barabartë me 3% të lagështisë së caktuar, kompresori do të fillojë të thithë lagështirën dhe kompresori dhe ventilatori do të punojnë.
3. Pasi lagështia e ambientit të brendshëm të hiqet, kur lagështia të bjerë nën 2% të lagështisë së caktuar, mekanizmi i kompresorit do të ndalojë thithjen e lagështirës, kompresori do të hyjë në mbrojtje për tre minuta dhe ventilatori do të ndalojë pas 3 minutash.
4. Nëse lagështia e ambientit të brendshëm rritet në 3% më e lartë ose e barabartë me lagështinë e caktuar pasi thithësi i lagështirës ndalon punën, nëse kompresori e ka kaluar gjendjen e mbrojtjes për tre minuta, kompresori do të fillojë të kryejë thithjen e lagështisë.
5. Sipas funksionimit të ciklit të mësipërm, lagështia e ambientit të brendshëm mund të mbahet rreth lagështisë së caktuar.

#### Funksioni i tharjes së rrobave:

1. Kur aktivizohet ky funksion, thithësi i lagështisë do të funksionojë vazhdimisht (kompresori dhe ventilatori) pavarësisht se lagështia është e lartë ose e ulët kur kryhet funksionimi "Co" (i vazhdueshëm).
2. Shpejtësia e erës është e kyçur në shpejtësi të lartë dhe nuk mund të rregullohet.

## 5 Udhëzimet e përdorimit

3. Butoni i cilësimit të lagështisë nuk është i rregullueshëm.

### Funksioni i ventilatorit:

1. Kompresori nuk punon.
2. Ventilatori mund të përdoret në dy modaliteti: erë e fortë dhe erë e ulët.
3. Butoni i cilësimit të lagështisë nuk është i rregullueshëm në modalitetin e furnizimit me ajër.

### Funksioni i mbrojtjes nga mbushja e ujit:

1. Kur depozita e ujit të jetë e mbushur, drita e treguesit të depozitës plot (FULL) do të ndizet; thithësi i lagështisë do të ndalojë së punuari automatikisht dhe zilja do të bjerë 15 herë.
2. Shtypni një buton për të ndaluar alarmin. Kompresori dhe ventilatori do të fiket dhe
3. të gjitha funksionet nuk do të punojnë derisa depozita e ujit të zbrazet dhe të rivendoset.

### Funksioni i shkrijes:

1. Gjatë shkrijes, kompresori fiket, ventilatori vazhdon të punojë me shpejtësi të lartë për shkrijen dhe drita treguese e shkrijes qëndron gjithmonë e ndezur.
2. Kur temperatura e dhomës është më e vogël ose e barabartë me 16 ° C, temperatura e bobinës nuk do të zbulohet. Sipas veprimit të temperaturës së dhomës, detajet janë si më poshtë:
3. Kur temperatura e dhomës është  $\leq 12^{\circ}\text{C}$ , kompresori funksionon për

30 minuta, mbyll për shkrijen për 10 minuta dhe më pas kthehet në modalitetin e cilësimit përpara shkrijes.

4. Kur  $12^{\circ}\text{C} <$  temperatura e dhomës  $\leq 16^{\circ}\text{C}$ , kompresori do të funksionojë për 45 minuta dhe do të ndalojë për shkrijen për 10 minuta dhe më pas do të kthehet në modalitetin e cilësimit përpara shkrijes.
5. Kur temperatura e dhomës është më e madhe se  $16^{\circ}\text{C}$ , sipas veprimit të temperaturës së bobinës, detajet janë si më poshtë: Kur kompresori punon për 30 minuta, nëse temperatura e bobinës është më e vogël se 1, ndaloni pajisjen që të shkrijë për 10 minuta dhe më pas kthehuni në modalitetin e cilësimit përpara shkrijes.



Gjatë shkrijes, drita e shkrijes është gjithmonë e ndezur.

### Mbrojtja nga vonesa e kompresorit:

1. Kompresori lejohet të fillojë menjëherë sa herë që niset;
2. Pasi të ndalojë kompresori, filloni përsëri, duhet të ketë një interval prej të paktën 3 minutash.

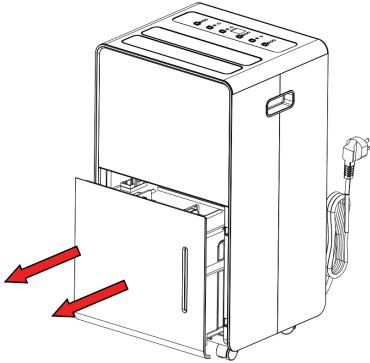
### Shkarkimi i depozitës së ujit:

Kur depozita e shkarkimit të jetë e mbushur, drita treguese e mbushjes së depozitës do të ndizet, funksionimi do të ndalojë automatikisht dhe sinjalizuesi do të bjerë 15 herë për të paralajmëruar përdoruesin se duhet të zbrazet uji nga depozita e shkarkimit.

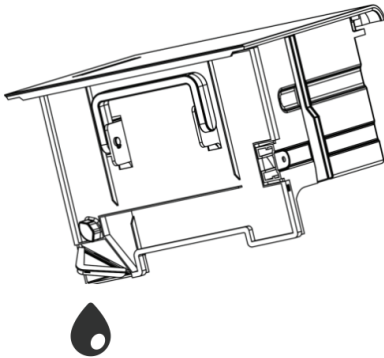
## 5 Udhëzimet e përdorimit

### Boshatisni depozitën

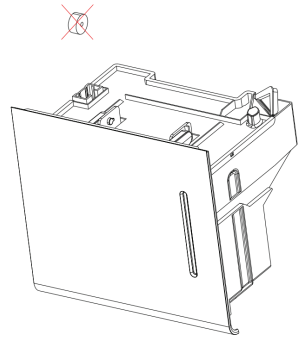
1. Shtypni lehtë në anët e depozitës dhe tërhiqeni me të dyja duart.



2. Zbrazni ujin në depozitë.

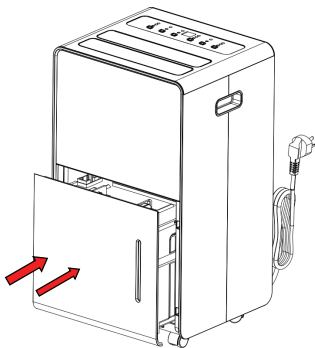


1. Mos e hiqni pluskuesin në depozitën e ujit, në rast të kundërt sensori i ujit nuk do të jetë në gjendje të kuptojë nivelin e ujit dhe mund të mos funksionojë si normalisht.

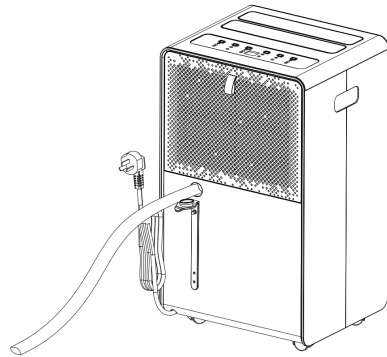


## 5 Udhëzimet e përdorimit

2. Nëse depozita është e papastër, përdorni pastrimin me ujë të ftohtë ose ujë të ngrohtë. Nuk mund të përdorni detergjentë, tela gërryes, pecetë pluhurash trajtuar me kimikate, benzinë, benzen, hollues ose tretës të tjerë sepse mund të dëmtojë depozitën e ujit dhe të shkaktojë rrjedhje uji.
3. Kur vendosni depozitën, shtypeni fort depozitën me të dyja duart. Nëse depozita e ujit nuk vendoset, sensori i mbushjes me ujë do të jetë përsëri aktiv dhe thithësi i lagështisë nuk do të funksionojë.



të ndarjes, i cili më pas del nga ana e depozitës. Kur depozita e ujit duhet të instalohet në vendin përkatës dhe tubi i shkarkimit të drejtohet, uji mund të shkarkohet nga pajisja përmes vrimës së shkarkimit.



### Shkarkimi i vazhdueshëm

Thithësi i lagështisë ka një vrimë shkarkimi të vazhdueshëm, duke përdorur një tub plastik (me diametër 10 mm) të futur në vrimën e shkarkimit



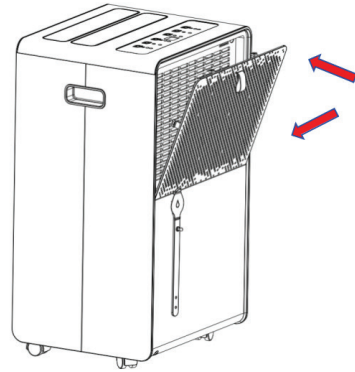
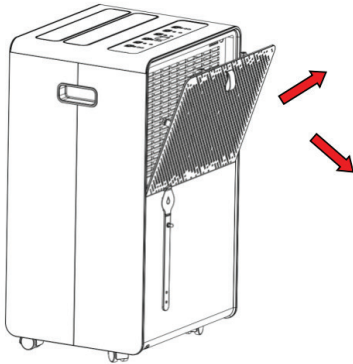
## 6 Mirëmbajtja

### 6.1 Pastrimi i trupin

Pastrojeni trupin me një pecetë të butë të njomë.

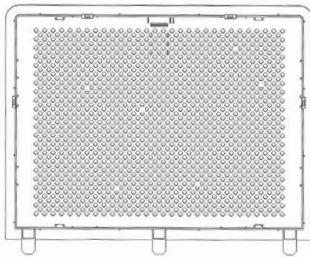
### 6.2 Pastrimi i filtrit

1. Tërhiqeni filtrin lart.



2. Pastroni filtrin

Përdorni një fshesë me korrent për të thithur lehtë pluhurin në sipërfaqen e ekranit të filtrit. Nëse është shumë i ndotur, përdorni ujë të ngrohtë dhe detergjent të butë. Mbajeni të thatë.



3. Instalimi i filtrit

Fusni filtrin në pajisje dhe shtyni dy kapëset e filtrit në vend.

### 6.3 Ruajtja e thithësit të lagështirës

Kur nuk e përdorni këtë produkt për një kohë të gjatë dhe keni ndërmend ta ruani, kushtojini vëmendje hapave të mëposhtëm

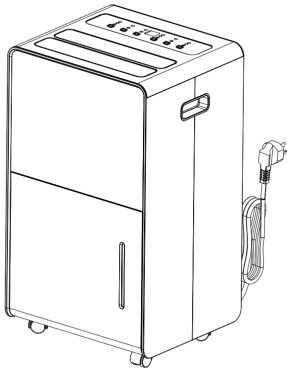
Zbrazni ujin në depozitë.

Mblidhni kordonin elektrik.

Pastrimi i kullësës.

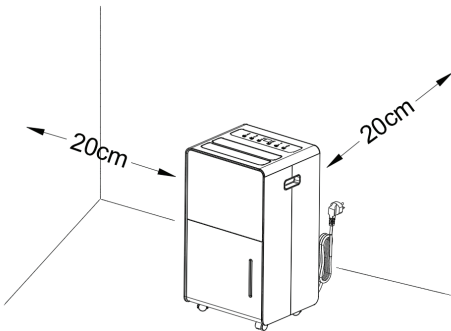
Ruajeni atë në një vend të freskët dhe të thatë.

## 6 Mirëmbajtja



### 6.4 Distanca në hapësirë

Kur thithësi i lagështisë është duke punuar, sigurohuni që distanca minimale ndërmjet tyre të jetë siç tregohet në fotografinë e mëposhtme.



## 7 Zgjidhja e problemeve

Nëse ndodh një kusht i renditur më poshtë, ju lutemi kontrolloni pikat e mëposhtme përpara se të telefononi shërbimin ndaj klientit.

Problemi	Shkaku i mundshëm	Zgjidhja
Njësia nuk punon	A është shkëputur kordoni elektrik?	Vëreni spinën elektrike në prizë.
	A pulson llamba treguese e mbushjes së depozitës? (Depozita është plot ose në një pozicion të gabuar.)	Zbrazni ujin në depozitën e ujit dhe më pas rivendosni depozitën.
	A është temperatura e dhomës mbi 35°C apo nën 5°C?	Pajisja mbrojtëse është aktivizuar dhe njësia nuk mund të niset.
Funksioni i thithjes së lagështisë nuk punon	A është bllokuar filtri i ajrit?	Pastroni filtrin e ajrit siç udhëzohet te "Pastrimi i thithësit të lagështirës".
	A është bllokuar kanali i marrjes ose i shkarkimit?	Hiqni pengesën nga kanali i shkarkimit ose i marrjes.
Nuk del ajër	A është bllokuar filtri i ajrit?	Pastroni filtrin e ajrit siç udhëzohet te "Pastrimi i thithësit të lagështirës".
Funksionimi është i zhurmshëm	A është njësia e anuar apo e paqëndrueshme?	Lëvizeni njësinë në një vend të qëndrueshëm dhe të fortë.
	A është bllokuar filtri i ajrit?	Pastroni filtrin e ajrit siç udhëzohet te "Pastrimi i thithësit të lagështirës".
Kodi E1	Qark i shkurtër ose qark i hapur i sensorit të bobinës	Kontrolloni nëse linja është e lirshme ose zëvendësoni sensorin e bobinës.

## 8 Udhëzimet për montimin

### 8.1 Udhëzimet për gazin F

Ky produkt përmban gaze të fluorizuara të efektit serrë.

Gazet e fluorizuara të efektit serrë gjenden në pajisje të mbyllura hermetikisht.

Instalimet, shërbimet, mirëmbajtja, riparimet, kontrollet për rrjedhje ose nxjerrje jashtë përdorimit të pajisjeve dhe riciklimi i produkteve duhet të kryhen nga persona fizikë që kanë certifikatat përkatëse.

Nëse sistemi ka të instaluar një sistem zbulimi të rrjedhjeve, kontrollet e rrjedhjeve duhet të kryhen të paktën çdo 12 muaj, sigurohuni që sistemi të funksionojë siç duhet.

Nëse për produktin duhet të kryhen kontrolle të rrjedhjeve, ai duhet të specifikojë ciklin e inspektimit, si dhe të krijojë dhe të ruajë të dhënat e kontrolleve të rrjedhjeve.



Për pajisjet e mbyllura hermetikisht, kondicionerin lokal, kondicionerin e dritareve dhe thithësin e lagështisë, nëse ekuivalenti i CO<sub>2</sub> për gazet e fluorizuara të efektit serrë është më pak se 10 ton, ai nuk duhet të kryejë kontrolle të rrjedhjeve.


# Prvo pročitajte ovo uputstvo za upotrebu!

Poštovani kupci,

Zahvaljujemo vam što ste odabrali proizvod kompanije Beko. Nadamo se da ćete na najbolji mogući način iskoristiti svoj uređaj koji je napravljen sa visokim kvalitetom i vrhunskom tehnologijom. Iz tog razloga, pročitajte ovo uputstvo za upotrebu i sve druge prateće dokumente pažljivo pre korišćenja proizvoda i sačuvajte ih za buduću upotrebu. Ako ovaj aparat predate trećem licu, priložite i ovo uputstvo za upotrebu. Pratite uputstva obraćajući pažnju na sve informacije i upozorenja navedena u uputstvu za upotrebu.

## Značenje simbola


Sledeći simboli se koriste u različitim odeljcima ovog priručnika:

	Važne informacije ili korisni saveti o korišćenju.
--	--


	<b>Upozorenje</b> na opasne situacije po život i imovinu.
--	---


	<b>Upozorenje</b> na radnje koje se nikada ne smeju izvršiti.
--	---


	<b>Upozorenje</b> na strujni udar.
---	------------------------------------

	Ovaj simbol pokazuje da su dostupne informacije kao što su uputstvo za upotrebu ili uputstvo za instalaciju.
--	--

	Nemojte ga pokrivati.
--	-----------------------

	Ovaj simbol pokazuje da uputstvo za upotrebu treba pažljivo pročitati.
---	--

	Ovaj simbol pokazuje da servisno osoblje treba da rukuje ovom opremom u skladu sa uputstvom za instalaciju.
---	---

	Ovaj simbol pokazuje da je ovaj uređaj koristio zapaljivo rashladno sredstvo. Ako rashladno sredstvo procuri i bude izloženo spoljnom izvoru zapaljenja, postoji opasnost od požara.
(za tip gasa R32/ R290)	

# 1 Važna uputstva u vezi sa bezbednošću i zaštitom životne sredine

## Veoma važno!

Nemojte instalirati ili koristiti svoj odvlaživač vazduha pre nego što pažljivo pročitate ovo uputstvo. Sačuvajte ovo uputstvo za eventualnu garanciju proizvoda i za buduću upotrebu.

### Upozorenje:



1. Nemojte koristiti sredstva za ubrzavanje procesa odmrzavanja ili za čišćenje, osim onih koje preporučuje proizvođač.
2. Uređaj treba čuvati u prostoriji bez kontinuirano aktivnih otvorenih plamenova (na primer uređaj na aktivni plin) i izvora paljenja (na primer aktivni električni grejač).
3. Nemojte probijati ili spaljivati.
4. Budite svesni da rashladna sredstva možda nemaju miris.
5. Uređaj treba biti instaliran, korišćen i čuvan u prostoriji sa površinom poda većom od 4 m<sup>2</sup>.

### Upozorenje:



- Specifične informacije u vezi sa uređajima sa rashladnim gasom R290.
- Pažljivo pročitajte sva upozorenja.
  - Prilikom odmrzavanja i čišćenja uređaja, nemojte koristiti nikakve alate osim onih koje preporučuje kompanija proizvođač.
  - Uređaj mora biti postavljen u području bez kontinuiranih izvora paljenja (na primer: otvoreni plamenovi, plinski ili električni uređaji koji rade).
  - Nemojte probijati i nemojte spaljivati.
  - Ovaj uređaj sadrži Y g (videti nalepnicu sa ocenom na zadnjem delu uređaja) rashladnog gasa R290.
  - R290 je rashladni gas koji je u skladu sa evropskim direktivama o zaštiti životne sredine. Nemojte probijati bilo koji deo rashladnog kruga.
  - Ako je uređaj instaliran, korišćen ili čuvan u neventilisanom području, prostorija mora biti dizajnirana tako da spreči nakupljanje curenja rashladnog sredstva koje može prouzrokovati rizik od požara ili eksplozije zbog paljenja rashladnog sredstva uzrokovanog električnim grejačima, pećima ili drugim izvorima paljenja.
  - Uređaj treba čuvati tako da se spreče mehanička oštećenja.

# 1 Važna uputstva u vezi sa bezbednošću i zaštitom životne sredine



## Upozorenje:

- Osobe koje rukovode ili rade na rashladnom krugu moraju imati odgovarajuću sertifikaciju izdatu od strane akreditovane organizacije koja obezbeđuje kompetenciju za rukovanje rashladnim sredstvima prema specifičnoj evaluaciji priznatoj od strane industrijskih udruženja.
- Uređaj treba čuvati u dobro provetrenom području gde veličina prostorije odgovara površini prostorije konkretno navedenoj za rad.
- Popravke moraju biti izvršene na osnovu preporuke proizvodne kompanije. Održavanje i popravke koje zahtevaju pomoć drugih kvalifikovanih lica moraju biti izvršene pod nadzorom osobe koja je kompetentna za upotrebu zapaljivih rashladnih sredstava.
- Nemojte koristiti lošu ili neodgovarajuću utičnicu.
- Nemojte koristiti mašine u sledećim situacijama:
  - A: Blizu izvora vatre.
  - B: U području gde je verovatno prskanje ulja.
  - C: U području izloženom direktnoj sunčevoj svetlosti.
  - D: U području gde je verovatno prskanje vode.
  - E: Blizu kade, tuša ili bazena.
- Nikada nemojte ubacivati prste, štapove u otvor za vazduh. Posebno pazite da upozorite decu na ove opasnosti.

# 1 Važna uputstva u vezi sa bezbednošću i zaštitom životne sredine



## Upozorenje:

- Držite uređaj uspravno tokom transporta i skladištenja, kako bi kompresor bio pravilno postavljen.
- Pre čišćenja uređaja, uvek isključite uređaj ili ga raskačite s napajanja.
- Kada pomerate uređaj, uvek isključite i odvojite napajanje, i pomerajte ga polako.
- Da biste izbegli mogućnost požara, uređaj ne sme biti pokriven.
- Sve utičnice uređaja moraju biti u skladu sa lokalnim zahtevima za električnu bezbednost. Ako je potrebno, proverite da li su usklađene sa zahtevima.
- Deca treba da budu pod nadzorom kako bi se osiguralo da se ne igraju sa uređajem.
- Ovaj uređaj nije namenjen da ga koriste osobe (uključujući i decu) sa smanjenim fizičkim, senzornim ili mentalnim sposobnostima ili sa nedostatkom iskustva i znanja, osim ako su pod nadzorom ili primaju instrukcije u vezi sa upotrebom uređaja od lica koje je odgovorno za njihovu bezbednost.
- Ako je kabl za napajanje oštećen, mora ga zameniti proizvođač, njegov serviser ili slično kvalifikovano lice kako bi se izbegla opasnost.



# 1 Važna uputstva u vezi sa bezbednošću i zaštitom životne sredine

## Upozorenje:

- Ovaj uređaj mogu da koriste deca koja imaju 8 i više godina, osobe sa nepotpuno razvijenim telesnim, senzornim ili mentalnim sposobnostima, kao i osobe koje nemaju dovoljno potrebnog znanja i iskustva sve dok su pod nadzorom ili im se daju uputstva u pogledu bezbedne upotrebe i dok shvataju rizike koji su obuhvaćeni upotrebom proizvoda. Deca ne smeju da se igraju uređajem. Čišćenje i korisničko održavanje ne smeju da obavljaju deca bez nadzora.
- Uređaj treba biti instaliran u skladu sa nacionalnim propisima za ožičenje.
- Detalji o tipu i oceni osigurača: T, 250V AC, 2A. ili 3.15A.
- Recikliranje



Ova oznaka označava da ovaj proizvod ne bi trebalo odlagati zajedno s ostalim kućnim otpadom u EU. Da biste sprečili moguće štetne posledice po životnu sredinu ili zdravlje ljudi usled nekontrolisanog odlaganja otpada, reciklirajte ga odgovorno kako biste promovisali održivu ponovnu upotrebu materijalnih resursa. Da biste vratili svoj korišćeni uređaj, koristite sisteme za povrat i prikupljanje ili kontaktirajte trgovca kod kojeg je proizvod kupljen. Oni mogu preuzeti ovaj proizvod kako bi se obavilo ekološki sigurno recikliranje.

# 1 Važna uputstva u vezi sa bezbednošću i zaštitom životne sredine

## Upozorenje:

- PGZ: R290: 3
- Kontaktirajte ovlašćenog servisera za popravku ili održavanje ovog uređaja.
- Nemojte vući, deformisati ili modifikovati kabl za napajanje, niti ga uranjati u vodu. Povlačenje ili neadekvatno korišćenje kabla za napajanje može prouzrokovati oštećenje uređaja i izazvati strujni udar.
- Mora se poštovati usklađenost sa nacionalnim propisima o gasu.
- Držite otvore za ventilaciju slobodnim od prepreka.
- Svaka osoba koja radi na rashladnom krugu ili ga otvara treba da poseduje važeći sertifikat izdat od strane industrijski akreditovanog tela za ocenjivanje, koji potvrđuje njihovu kompetenciju za sigurno rukovanje rashladnim sredstvima u skladu sa industrijski priznatim specifikacijama za ocenjivanje.
- Servisiranje treba izvoditi samo prema preporukama proizvođača opreme. Održavanje i popravke koje zahtevaju pomoć drugih kvalifikovanih osoba moraju se obavljati pod nadzorom osobe kompetentne za upotrebu zapaljivih rashladnih sredstava.



## Upozorenje:

- Nemojte uključivati ili isključivati uređaj ubacivanjem ili izvlačenjem utikača, jer može doći do strujnog udara ili požara zbog stvaranja toplote.
- Isključite uređaj ako dolazi do neobičnih zvukova, mirisa ili dima.



- Ako dođe do oštećenja delova, obratite se prodavcu ili ovlašćenoj radionici za popravku;
- U slučaju bilo kakve štete, isključite vazdušni prekidač, odspojite napajanje i obratite se prodavcu ili ovlašćenoj radionici za popravku;
- U svakom slučaju, kabl za napajanje mora biti čvrsto uzemljen.
- Da bi se izbegla mogućnost opasnosti, ako je kabl za napajanje oštećen, isključite vazdušni prekidač i odspojite napajanje. Mora biti zamenjen od strane prodavca ili ovlašćene radionice za popravku.



## 2 Opšta bezbednost

### 2.1 Provera područja

Pre nego što počnete radove na sistemima koji sadrže zapaljive rashladne materijale, neophodne su sigurnosne provere kako bi se osiguralo da je rizik od paljenja sveden na minimum. Za popravku rashladnog sistema, sledeće mere predostrožnosti moraju biti poštovane pre izvođenja radova na sistemu.

### 2.2 Radna procedura

Rad treba da se izvodi po kontrolisanom postupku kako bi se sveo na minimum rizik od prisustva zapaljivog gasa ili pare tokom izvođenja radova.

### 2.3 Opšte radno područje

Svo osoblje za održavanje i drugi koji rade u lokalnom području treba da budu obavešteni o prirodi radova koji se izvode. Rad u skućenim prostorima treba izbegavati. Područje oko radnog prostora treba biti ograđeno. Osigurajte da su uslovi u tom području bezbedni kontrolom zapaljivih materijala.

### 2.4 Provera prisustva rashladnog sredstva

Područje treba proveriti odgovarajućim detektorom rashladnog sredstva pre i tokom rada, kako bi se osiguralo da je tehničar svestan potencijalno zapaljivih okruženja. Osigurajte da oprema za detekciju curenja koja se koristi bude pogodna za upotrebu sa zapaljivim rashladnim sredstvima, tj. da ne proizvodi iskre, da je adekvatno zaptivena ili inherentno sigurna.

### 2.5 Prisustvo aparata za gašenje požara

Ako se izvode radovi sa vrućim elementima na rashladnoj opremi ili bilo kojim povezanim delovima, odgovarajuća oprema za gašenje požara mora biti dostupna. Imajte aparat za gašenje požara sa suvim prahom ili CO<sub>2</sub> u neposrednoj blizini područja punjenja.

### 2.6 Nepostojanje izvora paljenja

Nijedna osoba koja izvodi radove na rashladnom sistemu koji uključuju izlaganje cevi koje sadrže ili su sadržale zapaljivo rashladno sredstvo ne sme koristiti izvore paljenja na način koji može dovesti do rizika od požara ili eksplozije. Svi mogući izvori paljenja, uključujući pušenje, treba da budu dovoljno udaljeni od mesta ugradnje, popravke, uklanjanja i odlaganja, tokom kojih zapaljivo rashladno sredstvo može biti oslobođeno u okolni prostor. Pre početka rada, područje oko opreme treba pregledati kako bi se osiguralo da nema zapaljivih opasnosti ili rizika od paljenja. Znakovi „Zabranjeno pušenje” treba da budu istaknuti.

### 2.7 Ventilirano područje

Osigurajte da je područje na otvorenom ili da je adekvatno provetreno pre nego što započnete radove na sistemu ili izvođenje bilo kakvih radova sa toplotom. Nivo ventilacije treba da bude kontinuiran tokom izvođenja radova.

## 2 Opšta bezbednost

Ventilacija treba da bezbedno rasprši bilo koje oslobođeno rashladno sredstvo i po mogućstvu ga izbací napolje u atmosferu.

### 2.8 Provera rashladne opreme

Kada se menjaju električne komponente, one moraju biti odgovarajuće za tu svrhu i pribavljene prema tačnoj specifikaciji. Uvek se moraju poštovati smernice za održavanje i servisiranje proizvođača. Ako ste u nedoumici, konsultujte se sa tehničkim odeljenjem proizvođača za pomoć. Sledeće provere treba primeniti na instalacije koje koriste zapaljiva rashladna sredstva: veličina punjenja je u skladu sa veličinom prostorije u kojoj su instalirani delovi koji sadrže rashladno sredstvo; ventilaciona mašina i otvori rade adekvatno i nisu blokirani; ako se koristi indirektni rashladni krug, sekundarni krug treba proveriti na prisustvo rashladnog sredstva; obeležja na opremi su i dalje vidljiva i čitljiva. Označavanje i znakovi koji su nečitljivi treba da se isprave; rashladne cevi ili komponente su instalirane na mestu gde verovatno neće biti izložene bilo kojoj supstanci koja može korodirati komponente koje sadrže rashladno sredstvo, osim ako su komponente napravljene od materijala koji su inherentno otporni na koroziju ili su odgovarajuće zaštićeni od korozije.

### 2.9 Provere električnih uređaja

Popravka i održavanje električnih komponenti treba da uključuje početne sigurnosne provere i postupke inspekcije komponenti. Ako postoji kvar koji bi mogao ugroziti bezbednost, tada se električno napajanje ne sme povezivati na krug dok se problem ne reši zadovoljavajuće. Ako se kvar ne može odmah otkloniti, ali je potrebno nastaviti sa radom, treba koristiti odgovarajuće privremeno rešenje. Ovo treba prijaviti vlasniku opreme kako bi svi bili obavešteni.

Početne sigurnosne provere treba da uključuju: da su kondenzatori ispražnjeni: ovo treba uraditi na bezbedan način kako bi se izbegla mogućnost varničenja; da nema izloženih komponenti i ožičenja sa „živom“ strujom tokom punjenja, oporavka ili čišćenja sistema; da postoji kontinuitet uzemljenja.

## 3 Popravke zaptivenih komponenti

Tokom popravke zaptivenih komponenti, sva električna napajanja treba da budu isključena sa opreme na kojoj se radi pre uklanjanja zapečaćenih poklopaca, itd. Ako je apsolutno neophodno imati električno napajanje na opremi tokom servisiranja, tada treba postaviti stalno operativni oblik detekcije curenja na najkritičnijem mestu kako bi upozorio na potencijalno opasnu situaciju.

Posebnu pažnju treba posvetiti sledećem kako bi se osiguralo da radom na električnim komponentama, kućište nije izmenjeno na način da nivo zaštite bude ugrožen.

Ovo uključuje oštećenje kablova, preveliki broj priključaka, priključke koji nisu izrađeni prema originalnoj specifikaciji, oštećenje zaptivki, nepravilno postavljanje kablova, itd. Osigurajte da je aparat stabilno montiran. Osigurajte da zaptivke ili materijali za zaptivanje nisu istrošeni toliko da više ne služe svrsi sprečavanja prodora zapaljivih atmosfera. Zamenske delove treba koristiti u skladu sa specifikacijama proizvođača.



Upotreba silikonskog zaptivača može ometati efikasnost nekih tipova opreme za detekciju curenja. Intrinzično sigurne komponente ne moraju biti izolovane pre rada na njima.

### 3.1 Popravka intrinzično sigurnih komponenti

Nemojte primenjivati nikakva trajna induktivna ili kapacitivna opterećenja na krug a da prethodno ne osigurate da to neće prekoračiti dozvoljeni napon i struju za opremu koja se koristi.

Inherentno sigurne komponente su jedine vrste na kojima se može raditi dok su pod naponom u prisustvu zapaljive atmosfere. Aparatura za testiranje treba da bude odgovarajuće ocene. Zamenjujte komponente samo sa delovima koje je proizvođač naveo u specifikaciji. Neki drugi delovi mogu dovesti do paljenja rashladnog sredstva u atmosferi usled curenja.

### 3.2 Ožičenje

Proverite da ožičenje neće biti izloženo habanju, koroziji, prekomernom pritisku, vibracijama, ostrim ivicama ili bilo kojim drugim nepovoljnim uticajima iz okoline. Provera takođe treba da uzme u obzir efekte starenja ili stalnih vibracija iz izvora kao što su kompresori ili ventilatori.

### 3.3 Detekcija zapaljivih rashladnih sredstava

Ni pod kojim okolnostima ne smeju se koristiti potencijalni izvori paljenja za traženje ili detekciju curenja rashladnog sredstva. Halidna baklja (ili bilo koji drugi detektor koji koristi otvoreni plamen) se ne sme koristiti.

## 3 Popravke zaptivenih komponenti

### 3.4 Metode detekcije curenja

Sledeće metode detekcije curenja smatraju se prihvatljivim za sisteme koji sadrže zapaljiva rashladna sredstva. Elektronski detektori curenja treba da se koriste za detekciju zapaljivih rashladnih sredstava, ali osetljivost možda neće biti adekvatna ili će možda biti potrebna rekaliبرacija. (Detekciona oprema treba da bude kalibrisana u oblasti bez rashladnih sredstava.) Osigurajte da detektor nije potencijalni izvor paljenja i da je prikladan za rashladno sredstvo koje se koristi. Oprema za detekciju curenja treba da bude postavljena na procenat LFL rashladnog sredstva i treba da bude kalibrisana prema korišćenom rashladnom sredstvu i odgovarajućem procentu gasa (maksimum 25%). Tečnosti za detekciju curenja su pogodne za upotrebu sa većinom rashladnih sredstava, ali treba izbegavati upotrebu deterđženata koji sadrže hlor jer hlor može reagovati sa rashladnim sredstvom i korodirati bakarne cevi. Ako se sumnja na curenje, svi otvoreni plamenovi treba da budu uklonjeni/ugašeni. Ako se pronađe curenje rashladnog sredstva koje zahteva lemljenje, sav rashladni gas treba da se povuče iz sistema, ili izoluje (pomoću zapornih ventila) u delu sistema udaljenom od curenja. Kroz sistem treba propuštati azot bez kiseonika (OFN) pre i tokom procesa lemljenja.

### 3.5 Uklanjanje i evakuacija

Kada se prekida rashladni krug radi popravki ili iz bilo kog drugog razloga, treba koristiti konvencionalne postupke. Međutim, važno je pridržavati se najboljih praksi s obzirom da je zapaljivost u pitanju. Sledeći postupak treba slediti: ukloniti rashladno sredstvo; isprati krug inertnim gasom; evakuisati; ponovo isprati inertnim gasom; otvoriti krug sečenjem ili lemljenjem. Punjenje rashladnog sredstva treba da se povuče u odgovarajuće cilindre za povraćaj. Sistem treba „isprati“ OFN-om kako bi se jedinica učinila sigurnom. Ovaj proces može biti potrebno ponoviti nekoliko puta. Komprimovani vazduh ili kiseonik se ne smeju koristiti za ovaj zadatak. Ispiranje treba postići tako što se prekine vakuum u sistemu pomoću OFN-a (kiseonikom bez azota) i nastavi punjenje dok se ne postigne radni pritisak, zatim se ventilira u atmosferu, i na kraju ponovo stvara vakuum. Ovaj proces se ponavlja dok sistem ne ostane bez rashladnog sredstva. Kada se koristi poslednje OFN punjenje, sistem treba ventilirati do atmosferskog pritiska kako bi se omogućio rad. Ova operacija je apsolutno neophodna ako se na cevovodima obavljaju radovi lemljenja. Osigurajte da izlaz vakuum pumpe nije blizu bilo kojeg izvora paljenja i da postoji ventilacija.

## 3 Popravke zaptivenih komponenti

### 3.6 Procedure za punjenje

Pored konvencionalnih postupaka punjenja, sledeći zahtevi se moraju poštovati:

- Osigurajte da ne dođe do kontaminacije različitih rashladnih sredstava prilikom korišćenja opreme za punjenje. Creva ili vodovi treba da budu što kraće kako bi se smanjila količina rashladnog sredstva u njima.
- Cilindri treba da budu uspravno postavljeni.
- Osigurajte da je rashladni sistem uzemljen pre nego što se napuni rashladnim sredstvom.
- Označite sistem kada je punjenje završeno (ako već nije).
- Treba biti izuzetno oprezan da ne prepunite rashladni sistem.

Pre ponovnog punjenja sistema, treba ga testirati na pritisak sa OFN-om. Sistem treba testirati na curenje nakon punjenja, ali pre puštanja u rad. Prateći test na curenje treba izvršiti pre napuštanja lokacije.

### 3.7 Deaktivacija

Pre izvođenja ovog postupka, tehničar mora biti potpuno upoznat sa opremom i svim njenim detaljima. Preporučuje se dobra praksa da se sva rashladna sredstva bezbedno povuku. Pre nego što se zadatak obavi, uzima se uzorak ulja i rashladnog sredstva u slučaju da je potrebna analiza pre ponovne upotrebe povraćenog rashladnog sredstva. Neophodno je da električna energija bude dostupna pre nego što se započne zadatak.

- Upoznajte se sa opremom i njenim radom.
- Električno izolujte sistem.
- Pre nego što pokušate postupak, osigurajte da: mehanička oprema za rukovanje bude dostupna, ako je potrebno, za rukovanje cilindrima rashladnog sredstva; sva lična zaštitna oprema bude dostupna i da se pravilno koristi; proces povlačenja nadgleda kompetentna osoba u svakom trenutku; oprema za povlačenje i cilindri budu u skladu sa odgovarajućim standardima.
- Ispumpajte rashladni sistem, ako je moguće.
- Ako vakuum nije moguć, napravite razvodnik tako da se rashladno sredstvo može ukloniti iz različitih delova sistema.
- Osigurajte da je cilindar postavljen na vagu pre početka povlačenja.
- Pokrenite mašinu za povlačenje i radite u skladu sa uputstvima proizvođača.
- Nemojte prepuniti cilindre. (Ni više od 80% zapremine tečnog punjenja).
- Nemojte prelaziti maksimalni radni pritisak cilindra, čak ni privremeno.
- Kada su cilindri ispravno napunjeni i proces završen, osigurajte da cilindri i oprema budu brzo uklonjeni sa lokacije i svi zaporni ventili na opremi budu zatvoreni.
- Izvučeno rashladno sredstvo se ne sme puniti u drugi rashladni sistem osim ako nije očišćeno i provereno.

## 3 Popravke zaptivenih komponenti

### 3.8 Obeležavanje

Oprema treba biti označena etiketom koja navodi da je deaktivirana i ispražnjena od rashladnog sredstva. Etiketa treba biti datirana i potpisana.

Osigurajte da na opremi postoje oznake koje navode da oprema sadrži zapaljivo rashladno sredstvo.

### 3.9 Povlačenje

Kada se uklanja rashladno sredstvo iz sistema, bilo radi servisiranja ili deaktiviranja, preporučuje se dobra praksa da se sva rashladna sredstva bezbedno povuku. Kada se rashladno sredstvo prenosi u cilindre, osigurajte da se koriste samo odgovarajući cilindri za povlačenje rashladnog sredstva. Osigurajte da je dostupan tačan broj cilindara za držanje ukupne količine punjenja sistema. Svi cilindri koji se koriste moraju biti namenjeni za povučeno rashladno sredstvo i označeni za to rashladno sredstvo (tj. specijalni cilindri za povraćaj rashladnog sredstva). Cilindri moraju biti opremljeni ventilom za rasterećenje pritiska i pripadajućim zapornim ventilima koji su u dobrom radnom stanju. Prazni cilindri za povlačenje se evakušu i, ako je moguće, hlade pre nego što se povlačenje izvrši.

Oprema za povlačenje treba da bude u dobrom radnom stanju sa setom uputstava o opremi koja je pri ruci i treba da bude pogodna za povlačenje zapaljivih rashladnih sredstava. Pored toga, treba biti dostupan set kalibrisanih vaga u dobrom radnom stanju.

Creva treba da budu opremljena spojnicama bez curenja i u dobrom stanju.

Pre korišćenja mašine za povlačenje, proverite da li je u zadovoljavajućem radnom stanju, da li je pravilno održavana i da li su svi povezani električni delovi zapečaćeni kako bi se sprečilo paljenje u slučaju oslobađanja rashladnog sredstva. Konsultujte se sa proizvođačem ako ste u nedoumici.

Povučeno rashladno sredstvo treba vratiti dobavljaču rashladnog sredstva u odgovarajućem cilindru za povraćaj, i obezbediti odgovarajuću belešku o transferu otpada. Nemojte mešati rashladna sredstva u jedinicama za povraćaj i posebno ne u cilindrima.

Ako se kompresori ili ulja iz kompresora uklanjaju, osigurajte da su evakuisani na prihvatljiv nivo kako bi se osiguralo da zapaljivo rashladno sredstvo ne ostane u mazivu. Proces evakuacije treba sprovesti pre vraćanja kompresora dobavljačima. Za ubrzavanje ovog procesa treba koristiti samo električno grejanje tela kompresora. Kada se ulje ispusti iz sistema, to treba uraditi na bezbedan način.

### 3.10 Kompetencija servisnog osoblja

#### 3.10.1 Opšte

Potrebna je posebna obuka dodatno uobičajenim procedurama za popravku rashladne opreme kada je u pitanju oprema sa zapaljivim rashladnim sredstvima.



## 3 Popravke zaptivenih komponenti

U mnogim zemljama, ovu obuku sprovede nacionalne organizacije za obuku koje su akreditovane za predavanje relevantnih nacionalnih standarda kompetencije koji mogu biti postavljeni zakonom.

Postignuta kompetencija treba da bude dokumentovana sertifikatom.

### 3.10.2 Obuka

Obuka treba da uključuje sledeće:

Informacije o potencijalu eksplozije zapaljivih rashladnih sredstava kako bi se pokazalo da zapaljiva sredstva mogu biti opasna kada se rukuje njima bez pažnje.

Informacije o potencijalnim izvorima paljenja, posebno onima koji nisu očigledni, kao što su upaljači, prekidači za svetlo, usisivači, električni grejači.

Informacije o različitim sigurnosnim konceptima:

Neventilisano - (videti Klauzulu GG.2) Sigurnost uređaja ne zavisi od ventilacije kućišta. Isključivanje uređaja ili otvaranje kućišta nema značajan uticaj na sigurnost. Ipak, moguće je da curenje rashladnog sredstva može da se akumulira unutar kućišta i zapaljiva atmosfera će biti oslobođena kada se kućište otvori.

Ventilisano kućište - (pogledajte Klauzulu GG.4) Bezbednost uređaja zavisi od ventilacije kućišta. Isključivanje uređaja ili otvaranje kućišta ima značajan uticaj na bezbednost. Treba voditi računa da se pre toga osigura dovoljna ventilacija.

Ventilisana prostorija - (pogledajte Klauzulu GG.5) Bezbednost uređaja zavisi od ventilacije prostorije. Isključivanje uređaja ili otvaranje kućišta nema značajan uticaj na sigurnost. Ventilacija prostorije ne sme biti isključena tokom postupaka popravke.

Informacije o konceptu zaptivenih komponenti i zaptivenih kućišta prema IEC 60079-15:2010.

Informacije o pravilnim radnim postupcima:

#### Puštanje u rad

- Osigurajte da je površina poda dovoljna za punjenje rashladnim sredstvom ili da je ventilacioni kanal pravilno montiran.
- Povežite cevi i obavite test curenja pre punjenja rashladnim sredstvom.
- Proverite sigurnosnu opremu pre puštanja u rad.

#### Održavanje

- Prenosiva oprema treba da se popravlja napolju ili u radionici posebno opremljenoj za servisiranje jedinica sa zapaljivim rashladnim sredstvima.
- Osigurajte dovoljnu ventilaciju na mestu popravke.
- Budite svesni da kvar opreme može biti uzrokovan gubitkom rashladnog sredstva i da je moguće curenje rashladnog sredstva.
- Ispraznite kondenzatore na način koji neće izazvati varnicu. Standardni postupak kratkog spoja na terminalima kondenzatora obično stvara varnice.
- Precizno ponovo sastavite zaptivena kućišta. Ako su zaptivke istrošene, zamenite ih.

### 3 Popravke zaptivenih komponenti

- Proverite sigurnosnu opremu pre puštanja u rad.

#### Popravka

- Prenosiva oprema treba da se popravlja napolju ili u radionici posebno opremljenoj za servisiranje jedinica sa zapaljivim rashladnim sredstvima.
- Osigurajte dovoljnu ventilaciju na mestu popravke.
- Budite svesni da kvar opreme može biti uzrokovan gubitkom rashladnog sredstva i da je moguće curenje rashladnog sredstva.
- Ispraznite kondenzatore na način koji neće izazvati varnicu.
- Kada je potrebno lemljenje, sljedeće procedure treba sprovesti adekvatnim redosledom:
- Uklonite rashladno sredstvo. Ako nacionalni propisi ne zahtevaju povrat rashladnog sredstva, ispustite rashladno sredstvo vani. Vodite računa da ispusteno rashladno sredstvo ne prouzrokuje opasnost. U slučaju sumnje, jedna osoba treba da čuva izlaz. Posebno vodite računa da ispusteno rashladno sredstvo ne dospe nazad u zgradu.
- Evakušite rashladni krug.
- Pročistite rashladni krug azotom 5 minuta.
- Ponovo evakušite.
- Uklonite delove koje treba zameniti rezanjem, a ne plamenom.
- Pročistite tačku lemljenja azotom tokom lemljenja.
- Izvršite test curenja prije punjenja rashladnim sredstvom.
- Precizno ponovo sastavite zaptivena kućišta. Ako su zaptivke istrošene, zamenite ih.

- Proverite sigurnosnu opremu pre puštanja u rad.

#### Deaktivacija

- Ako je sigurnost ugrožena prilikom stavljanja opreme van upotrebe, rashladno sredstvo treba ukloniti pre demontaže.
- Osigurajte dovoljnu ventilaciju na lokaciji opreme.
- Budite svesni da kvar opreme može biti uzrokovan gubitkom rashladnog sredstva i da je moguće curenje rashladnog sredstva.
- Ispraznite kondenzatore na način koji neće izazvati varnicu.
- Uklonite rashladno sredstvo. Ako nacionalni propisi ne zahtevaju povrat rashladnog sredstva, ispustite rashladno sredstvo vani. Vodite računa da ispusteno rashladno sredstvo ne prouzrokuje opasnost. U slučaju sumnje, jedna osoba treba da čuva izlaz. Posebno vodite računa da ispusteno rashladno sredstvo ne dospe nazad u zgradu.
- Evakušite rashladni krug.
- Pročistite rashladni krug azotom 5 minuta.
- Ponovo evakušite.
- Napunite azotom do atmosferskog pritiska.
- Nalepite etiketu na opremu da je rashladno sredstvo uklonjeno.

#### Odlaganje

- Osigurajte dovoljnu ventilaciju na radnom mestu.

### 3 Popravke zaptivenih komponenti

- Uklonite rashladno sredstvo. Ako nacionalni propisi ne zahtevaju povrat rashladnog sredstva, ispustite rashladno sredstvo vani. Vodite računa da ispusteno rashladno sredstvo ne prouzrokuje opasnost. U slučaju sumnje, jedna osoba treba da čuva izlaz. Posebno vodite računa da ispusteno rashladno sredstvo ne dospe nazad u zgradu.
- Evakušite rashladni krug.
- Pročistite rashladni krug azotom 5 minuta.
- Ponovo evakušite.
- Izrežite kompresor i ispustite ulje.

#### **Transport, obeležavanje i skladištenje jedinica koje koriste zapaljive rashladne gasove**

Transport opreme koja sadrži zapaljive rashladne gasove.

Skreće se pažnja na činjenicu da mogu postojati dodatni propisi o transportu u vezi sa opremom koja sadrži zapaljive gasove. Maksimalan broj komada opreme ili konfiguracija opreme koja je dozvoljena za zajednički transport biće određena prema važećim propisima o transportu.

Označavanje opreme pomoću znakova

Znakovi za slične uređaje koji se koriste u radnom području generalno su obuhvaćeni lokalnim propisima i daju minimalne zahteve za postavljanje sigurnosnih i/ili zdravstvenih znakova za radno mesto.

Svi potrebni znakovi se moraju održavati, a poslodavci treba da osiguraju da zaposleni dobiju odgovarajuće i

dovoljno uputstvo i obuku o značenju odgovarajućih sigurnosnih znakova i akcijama koje treba preduzeti u vezi s tim znakovima.

Efikasnost znakova ne treba da bude umanjena prevelikim brojem znakova postavljenih zajedno.

Bilo koji piktogrami koji se koriste treba da budu što jednostavniji i da sadrže samo osnovne detalje.

Odlaganje opreme koja koristi zapaljive rashladne tvari

Pogledajte nacionalne propise.

Skladištenje opreme/uređaja

Skladištenje opreme treba biti u skladu sa uputstvima proizvođača.

Skladištenje zapakovane (neprodane) opreme

Zaštita paketa za skladištenje treba biti konstruisana tako da mehanička oštećenja opreme unutar paketa neće izazvati curenje rashladnog sredstva.

Maksimalan broj komada opreme dozvoljen za skladištenje zajedno će biti određen lokalnim propisima.

#### **Opšta bezbednosna uputstva**



#### **Upozorenje:**

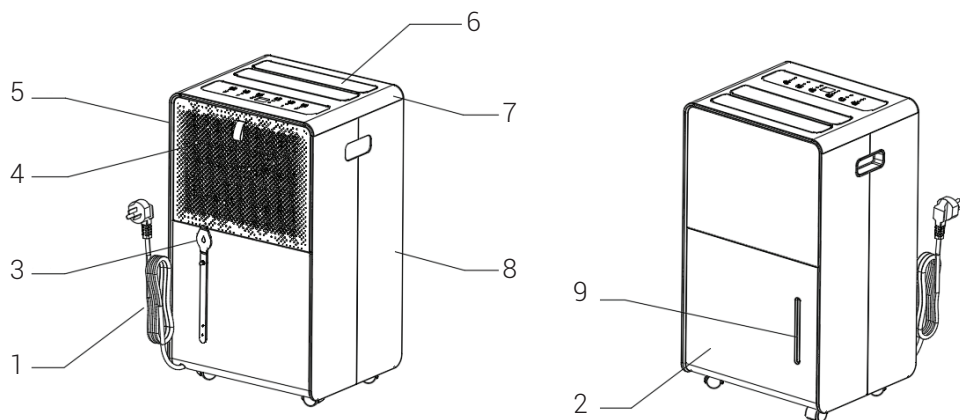
Pre upotrebe mašine, pažljivo pročitajte uputstva kako biste mogli maksimalno iskoristiti sve funkcije mašine. Ovo uputstvo je samo za smernice i nije deo ugovora, zadržavamo pravo na tehničke promene i nećemo vas obavestavati pre izmene.

## 3 Popravke zaptivenih komponenti

### Napomena pre upotrebe:

1. „OSIGURAJTE DA PROIZVOD UVEK VENTILIRA“! Osigurajte da ulazna i izlazna ventilacija nikada nisu blokirane.
2. Koristite ovaj uređaj na horizontalnoj površini kako biste izbegli curenje vode.
3. Ne koristite ovaj uređaj u eksplozivnoj ili korozivnoj atmosferi.
4. Radna temperatura mašine: hlađenje na 5 °C - 35 °C.
5. Kada se uređaj isključi, sačekajte najmanje 3 minuta pre ponovnog pokretanja kako bi se sprečilo oštećenje kompresora.
6. Koristite zaseban izvor napajanja, zabranjeno je deljenje utičnice s drugim električnim uređajima. Specifikacije utičnice ne bi trebale biti manje od 10A, utičnice moraju biti čvrsto sigurne.
7. Snaga: **220-240V/50hz.**
8. Ispraznite vodu koja se sakupila u rezervoaru prema potrebi.
9. Nemojte potapati uređaj u vodu, niti postavljati uređaj blizu vode.
10. Ne sedite niti stojte na uređaju.
11. Nemojte koristiti odvlaživač vazduha u zatvorenom prostoru kao što je unutrašnjost ormara, jer može izazvati požar.
12. Instalirajte odvodne cevi s nagibom prema dole kako biste osigurali kontinuirano odvođenje kondenzovane vode.

## 4 Slike delova



### 2.1 Kontrole i delovi

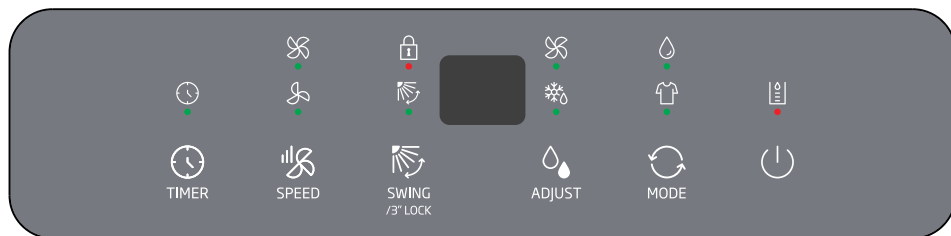
1. Kabal za napajanje
2. Rezervoar
3. Kontinuirano odvodnjavanje/sakupljanje kablova za napajanje
4. Filter ekran
5. Zadnji oklop
6. Izlaz za vazduh
7. Gornji poklopac
8. Prednji oklop
9. Indikator vode

## 4 Slike delova

### 2.2 Specifikacije

Naziv modela	BDPM020
Rashladno sredstvo	R290
Ukupna količina rashladnog sredstva (g)	47
Zaštita od strujnog udara	Klasa I
Nominalni kapacitet odvlaživanja (27°C RH60%) (L/dan)	11
Nominalni kapacitet odvlaživanja (30°C RH80%) (L/dan)	20
Napon/Frekvencija/Faza (V/Hz/Faza)	220V-240V / 50Hz
Nivo zvučne snage (dBA)	63/61
Nominalni ulaz snage (W)	430
Nominalni ulaz struje (A)	2,3
Raspon relativne vlažnosti vazduha ručno	30%-90%
Ambijentalna temperatura	5-35
Neto dimenzije uređaja (ŠxVxD) mm	290x500x250
Neto težina jedinice (kg)	12,5

## 5 Uputstva za rad



### Dugme za napajanje:

Pritisnite dugme za uključivanje da biste uključili uređaj. Poklopac izlaza vazduha se automatski otvara.

Ponovno pritisnite dugme da biste isključili uređaj. Poklopac izlaza vazduha se automatski zatvara.

Nakon pokretanja, prikazuje se trenutna vlažnost; Vlažnost je prvobitno podešena na „Co“ i kompresoru je dozvoljeno da se odmah pokrene kako bi započeo odvlaživanje.

### Dugme za funkciju SPEED (BRZINA):

Pritisnite dugme za brzinu ventilatora da biste izabrali nisku ili visoku brzinu ventilatora. Odgovarajuća indikatorska lampica će se upaliti.

### Dugme za funkciju ADJUST (PODEŠAVANJE):

Pritisnite dugme ADJUST, upaliće se indikatorska lampica „Co“. Kada je vlažnost podešena, vlažnost se podešava na sledeći način: „Co“ (kontinuirano) → 30% → 35% → 40% → 45% → 50 → ..... → 85 → 90 → „Co“ (kontinuirani) ciklus.

Podešavanje će stupiti na snagu za otprilike 5 sekundi bez daljih operacija.

Digitalni prikaz će se vratiti da pokazuje vlažnost vazduha u prostoriji.

### Dugme tajmera

Podešavanje tajmera UKLJUČENO (ON):

- Kada je uređaj isključen, pritisnite dugme „TIMER“, upaliće se odgovarajuća indikatorska lampica.
- Nastavite pritiskati dugme „TIMER“ da biste izabrali željeno vreme uključivanja od 0-24 sata. Podešavanje će stupiti na snagu za otprilike 5 sekundi bez daljih operacija.
- Uređaj će se automatski uključiti nakon što prođe podešeno vreme.

Podešavanje tajmera ISKLJUČENO (OFF):

- Kada uređaj radi, pritisnite dugme „TIMER“, upaliće se odgovarajuća indikatorska lampica.
- Nastavite pritiskati dugme „TIMER“ da biste izabrali željeno vreme isključivanja od 0-24 sata. Podešavanje će stupiti na snagu za otprilike 5 sekundi bez daljih operacija. Digitalni prikaz će se povratiti da pokaže nivo vlažnosti.
- Uređaj će se automatski isključiti nakon što prođe podešeno vreme.

## 5 Uputstva za rad

### Dugme za režim rada

Pritisnite dugme za režim da biste izabrali željeni režim rada: režim odvlaživanja, režim ventilatora ili režim sušenja odeće.

### Dugme za funkciju SWING (Pomeranje):

Pritisnite dugme za pomeranje da biste uključili/isključili funkciju zamaha poklopcu izlaza vazduha.

Zaključavanje: Dugo pritisnite dugme SWING 3 sekunde da biste izabrali zaključavanje zbog dece;

- U stanju uključenosti: Nakon što se zaključavanje zbog dece uključi, svi dugmići osim zaključavanje zbog dece i dugmeta za uključivanje ne mogu biti korišćeni (Napomena: dugme za uključivanje može isključiti uređaj).
- U stanju isključenosti: funkcija zaključavanja zbog dece može se uključiti i isključiti. Nakon što je zaključavanje zbog dece aktivirano, sve ostale funkcije osim dugmeta za zaključavanje zbog dece ne mogu se koristiti (napomena: dugme za uključivanje takođe ne može biti korišćeno).
- Nakon aktiviranja funkcije zaključavanja zbog dece, indikator zaključavanja zbog dece se uključuje.

Lampica koja ukazuje da je pun nivo vode je crvena, dvostruki 8 ekran na kontrolnoj tabli je beo, a ostale indikatorske lampice su bele.



Nakon 20 sekundi rada, sve indikatorske lampice (uključujući dvostruki 8) će se prigušiti.

### 5.1 Opis funkcija:

#### Funkcija odvlaživanja vazduha:

1. Kada je podešeno „Co“ (kontinuirano) odvlaživanje, odvlaživač vazduha će nastaviti da radi (kompresor, rad ventilatora) bez obzira na trenutni nivo vlažnosti.
2. Ako je unutrašnja vlažnost veća ili jednaka 3% podešene vlažnosti, kompresor će početi sa odvlaživanjem, a kompresor i ventilator će raditi.
3. Nakon što je unutrašnja vlažnost smanjena, kada vlažnost padne ispod 2% podešene vlažnosti, mehanizam za kompresiju će prestati sa odvlaživanjem, kompresor će ući u zaštitu na tri minuta, a ventilator će se zaustaviti nakon 3 minuta.
4. Ako se unutrašnja vlažnost poveća na 3% iznad ili jednako podešenoj vlažnosti nakon što odvlaživač prestane sa odvlaživanjem, ako je kompresor prošao stanje zaštite od tri minuta, kompresor će početi sa odvlaživanjem.
5. Prema gore opisanom ciklusu rada, unutrašnja vlažnost može biti održavana oko podešene vlažnosti.

#### Funkcija sušenja odeće:

1. Kada je ova funkcija aktivirana, odvlaživač će raditi neprekidno (kompresor i ventilator rade) bez obzira na nivo vlažnosti kada je aktiviran „Co“ (kontinuirani) režim.
2. Brzina ventilatora je zaključana na visoku brzinu i ne može se podešavati.
3. Dugme za podešavanje vlažnosti nije podesivo.



## 5 Uputstva za rad

### Funkcija Ventilatora:

1. Kompresor ne radi.
2. Ventilator može raditi u dva režima: visokog nivoa izduvavanja i niskog nivoa izduvavanja.
3. Dugme za podešavanje vlažnosti nije podesivo u režimu ventilacije.

### Funkcija zaštite od punog nivoa vode:

1. Kada je rezervoar za vodu pun, upaliće se indikatorska lampica (FULL tj. PUNO) za pun rezervoar, odvlaživač će automatski prestati sa radom i zujalica će se oglasiti 15 puta.
2. Pritisnite bilo koje dugme da zaustavite zujalicu. Kompresor i ventilator će se isključiti i
3. nijedna funkcija neće raditi dok se rezervoar za vodu ne isprazni i ne vrati na svoje mesto.

### Funkcija odmrzavanja:

1. Prilikom odmrzavanja, kompresor je isključen, ventilator radi velikom brzinom za odmrzavanje, a indikatorska lampica za odmrzavanje je stalno upaljena.
2. Kada je sobna temperatura manja ili jednaka  $16^{\circ}\text{C}$ , temperatura zavojnice neće biti detektovana. Prema akciji sobne temperature, detalji su sledeći:
3. Kada je sobna temperatura  $\leq 12^{\circ}\text{C}$ , kompresor radi 30 minuta, isključuje se za odmrzavanje na 10 minuta, a zatim se vraća u režim podešavanja pre odmrzavanja.

4. Kada je sobna temperatura između  $12^{\circ}\text{C} < i \leq 16^{\circ}\text{C}$ , kompresor će raditi 45 minuta i zaustaviti se za odmrzavanje na 10 minuta, a zatim se vraća u režim podešavanja pre odmrzavanja.
5. Kada je sobna temperatura veća od  $16^{\circ}\text{C}$ , prema akciji temperature zavojnice, detalji su sledeći: Kada kompresor radi 30 minuta, ako je temperatura zavojnice manja od 1, zaustavlja se mašina za odmrzavanje na 10 minuta, a zatim se vraća u režim podešavanja pre odmrzavanja.



Tokom odmrzavanja, lampica za odmrzavanje je stalno upaljena.

### Zaštita kompresora od kašnjenja:

1. Kompresor se može pokrenuti odmah svaki put kada se startuje;
2. Nakon što se kompresor zaustavi, pre ponovnog pokretanja treba da prođe najmanje 3 minuta.

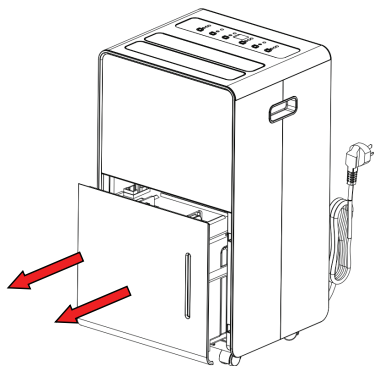
### Ispuštanje vode iz rezervoara:

Kada je rezervoar za vodu pun, upaliće se indikatorska lampica za pun rezervoar, rad će se automatski zaustaviti i zujalica će se oglasiti 15 puta kako bi obavestila korisnika da je potrebno isprazniti vodu iz rezervoara.

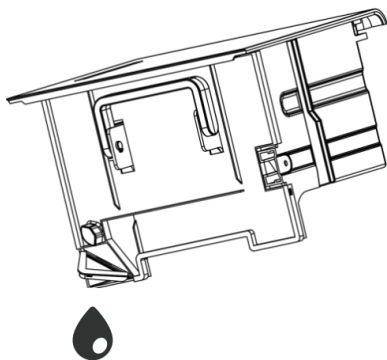
## 5 Uputstva za rad

### Praznjenje rezervoara:

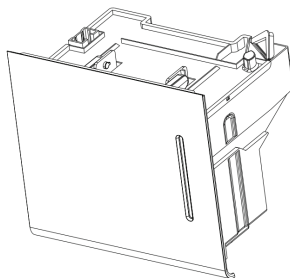
1. Pažljivo pritisnite sa strane rezervoara i izvucite rezervoar sa obe ruke.



2. Ispraznite vodu iz rezervoara.

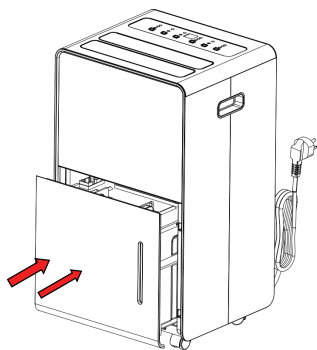


1. Nemojte uklanjati plovak u rezervoaru za vodu, jer senzor za vodu neće biti u stanju da detektuje nivo vode i neće moći normalno da funkcioniše.



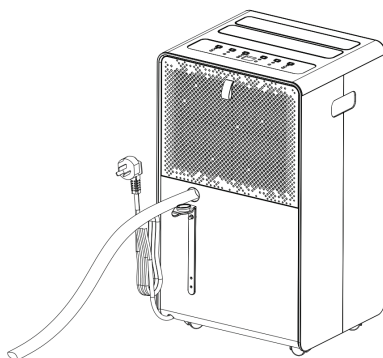
## 5 Uputstva za rad

2. Ako je rezervoar prljav, koristite hladnu ili toplu vodu za čišćenje. Ne mogu se koristiti deterdženti, čelična vuna, hemijski tretirane krpe za brisanje, benzin, benzen, razređivač ili drugi rastvarači, jer mogu oštetiti rezervoar za vodu i izazvati curenje vode.
3. Kada vraćate rezervoar, pritisnite rezervoar čvrsto sa obe ruke. Ako rezervoar za vodu nije pravilno postavljen, senzor pune vode će i dalje biti aktiviran, i odvlaživač neće raditi.



### Kontinuirano pražnjenje

Odvlaživač ima otvor za kontinuirano odvodnjavanje. Koristeći plastičnu cev (prečnika 10 mm) umetnutu u rupu za odvodnjavanje, voda može izaći sa strane rezervoara. Kada se rezervoar za vodu postavi na mesto i odvodna cev ispravi, voda može da se ispusti iz uređaja kroz rupu za odvodnjavanje.



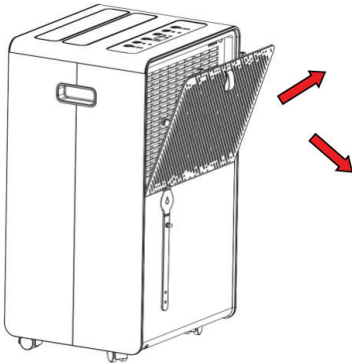
## 6 Održavanje

### 6.1 Čišćenje kućišta

Obrišite kućište mekom, vlažnom krpom.

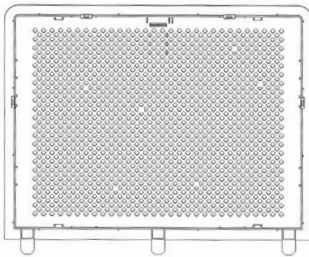
### 6.2 Čišćenje filtera

1. Izvucite filter.



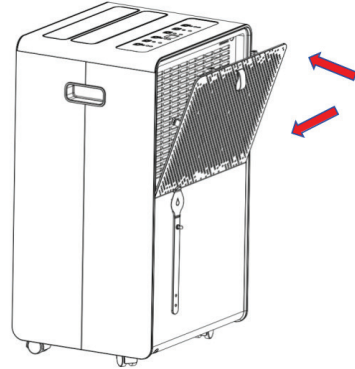
2. Čišćenje filtera

Koristite usisivač da nežno usisate prašinu sa površine filtera. Ako je veoma prljav, koristite toplu vodu i blagi deterđent. Čuvati na suvom mestu.



3. Ugradnja filtera

Ubacite filter u uređaj i gurnite dve kuke filtera na mesto.



### 6.3 Skladištenje odvlaživača

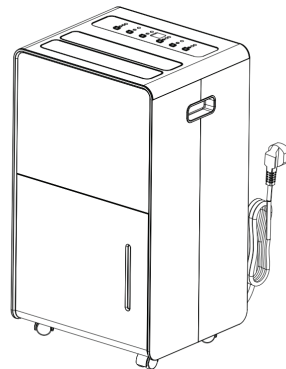
Kada ne koristite ovaj proizvod duže vreme i nameravate ga skladištiti, obratite pažnju na sledeće korake:

Ispraznite vodu iz rezervoara.

Namotajte strujni kabl.

Čišćenje filtera.

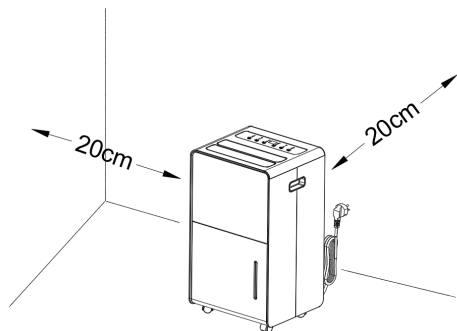
Postavite na hladno i suvo mesto.



## 6 Održavanje

### 6.4 Prostorni razmak

Kada odvlaživač radi, osigurajte da minimalna udaljenost između uređaja bude kao što je prikazano na sledećoj slici.



## 7 Rješavanje problema

Ako se pojavi neki od dole navedenih uslova, proverite sledeće stavke pre nego što pozovete korisničku podršku.

Problem	Mogući uzrok	Rešenje
Uređaj ne radi	Da li je kabal za napajanje isključen?	Priključite kabal za napajanje u utičnicu.
	Da li trepće lampica indikatora punog rezervoara? (Rezervoar je pun ili nije adekvatno postavljen.)	Ispraznite vodu iz rezervoara i zatim postavite rezervoar na pravo mesto.
	Da li je temperatura sobe iznad 35°C ili ispod 5°C?	Zaštitni uređaj je aktiviran i uređaj se ne može pokrenuti.
Funkcija odvlaživanja ne radi	Da li je filter za vazduh začepljen?	Očistite filter za vazduh prema uputstvima u delu „Čišćenje odvlaživača vazduha“.
	Da li je usisni ili izduvni kanal zapušten?	Uklonite prepreku iz izduvnog ili usisnog kanala.
Nema izduvavanja vazduha	Da li je filter za vazduh začepljen?	Očistite filter za vazduh prema uputstvima u delu „Čišćenje odvlaživača vazduha“.
Rad je bučan	Da li je uređaj nagnut ili nestabilan?	Premestite uređaj na stabilno, čvrsto mesto.
	Da li je filter za vazduh začepljen?	Očistite filter za vazduh prema uputstvima u delu „Čišćenje odvlaživača vazduha“.
E1 kôd	Kratak spoj ili prekid u senzoru zavojnice	Proverite da li je linija labava ili zamenite senzor zavojnice.

## 8 Uputstva za instalaciju

### 8.1 uputstvo za F-Gas

Ovaj proizvod sadrži fluorovane gasove staklene bašte.

Fluorovani gasovi staklene bašte su sadržani u hermetički zatvorenoj opremi.

Instaliranje, servisiranje, održavanje, popravka, proveravanje curenja ili deaktiviranje opreme i reciklaža proizvoda treba da se obavlja od strane osoba koje poseduje relevantne sertifikate.

Ako sistem ima instaliran sistem za detekciju curenja, provere curenja treba da se obavljaju najmanje svakih 12 meseci, osigurajte da sistem pravilno funkcioniše.

Ako proizvod mora biti podvrgnut proverama curenja, treba da se navede ciklus inspekcije, uspostavi i čuva evidencija o proverama curenja.



Za hermetički zatvorenu opremu, lokalne klima uređaje, prozorske klima uređaje i odvlaživače, ako je ekvivalent CO<sub>2</sub> fluorovanih gasova staklene bašte manji od 10 tona, nije potrebno obavljati provere curenja.


# Najprej preberite ta uporabniški priročnik!


Dragi uporabnik,


Zahvaljujemo se vam, da ste se odločili za izdelek Beko. Upamo, da vam bo izdelek nudil največjo učinkovitost, saj je bil izdelan kot visoko kakovosten in z najmodernejšo tehnologijo. Zato vas prosimo, da natančno preberete ta celotna navodila in vse druge spremljajoče dokumente preden uporabljate izdelek in jih hranite kot referenco za prihodnjo uporabo. Če izdelek izročate nekemu drugemu, priložite tudi uporabniški priročnik. Upoštevajte vsa opozorila in podatke v navodilih za uporabo.


## Pomen simbolov

V različnih poglavjih tega priročnika so uporabljeni naslednji simboli:

	Pomembne informacije ali koristni nasveti o uporabi.
--	--


	Ta simbol pomeni, da je treba natančno prebrati navodila za uporabo.
---	--

	<b>Opozorilo za</b> nevarne situacije v zvezi z življenjem in premoženjem.
--	--


	Ta simbol kaže, da mora z opremo ravnati servisno osebje v skladu s priročnikom za namestitvev.
---	---

	<b>Opozorilo na</b> dejanja, ki jih ne smete nikoli izvesti.
--	--

	<b>Opozorilo pred</b> električnim udarom.
---	---

	Ta simbol označuje, da so na voljo informacije, na primer priročnik za uporabo ali priročnik za namestitvev.
--	--

	Ne pokrivajte ga.
--	-------------------

	Ta simbol označuje, da se v tej napravi uporablja vnetljivo hladilno sredstvo. Če hladilno sredstvo izteče in je izpostavljeno zunanjemu viru vžiga, obstaja nevarnost požara.
(Za plinsko vrsto R32/R290)	



# 1 Pomembna varnostna in okoljska navodila

## Zelo pomembno!

Ne nameščajte in ne uporabljajte izsuševalnika zraka, dokler ne preberete tega priročnika. Ta navodila za uporabo shranite zaradi morebitne garancije za izdelek in za uporabo v prihodnosti.

### Opozorilo:



1. Ne uporabljajte drugih sredstev za pospeševanje odmrzovanja ali čiščenje, razen tistih, ki jih priporoča proizvajalec.
2. Napravo je treba hraniti v prostoru brez stalno delujočega odprtega ognja (na primer delujoča plinska naprava) in virov vžiga (na primer delujoč električni grelnik).
3. Ne prebadajte in ne zažigajte.
4. Zavedajte se, da hladilna sredstva ne smejo imeti vonja.
5. Naprava se namesti, upravlja in shranjuje v prostoru s površino, večjo od 4 m<sup>2</sup>.

### Opozorilo:



- Posebne informacije o napravah s hladilnim plinom R290.
- Natančno preberite vsa opozorila.
  - Pri odmrzovanju in čiščenju aparata ne uporabljajte drugega orodja kot tistega, ki ga je priporočilo proizvodno podjetje.
  - Napravo je treba postaviti v prostor brez stalnih virov vžiga (na primer: odprtega ognja, delujočih plinskih ali električnih naprav).
  - Ne prebodite in ne zažgite.
  - Ta naprava vsebuje Y g (glej nalepko z nazivom na zadnji strani naprave) hladilnega plina R290.
  - R290 je hladilni plin, ki je v skladu z evropskimi direktivami o okolju. Ne prebodite nobenega dela kroga hladilnega sredstva.
  - Če je naprava nameščena, deluje ali se skladišči v neprevetrenem prostoru, mora biti prostor zasnovan tako, da preprečuje kopičenje puščanja hladilnega sredstva, kar lahko povzroči nevarnost požara ali eksplozije zaradi vžiga hladilnega sredstva, ki ga povzročijo električni grelniki, peči ali drugi viri vžiga.
  - Napravo je treba hraniti tako, da ne pride do mehanskih poškodb.

# 1 Pomembna varnostna in okoljska navodila



## Opozorilo:

- Osebe, ki upravljajo ali delajo v krogu hladilnega sredstva, morajo imeti ustrezno potrdilo, ki ga izda akreditirana organizacija, ki zagotavlja usposobljenost za ravnanje s hladilnimi sredstvi v skladu s posebnim vrednotenjem, ki ga priznavajo združenja v panogi.
- Naprava mora biti shranjena v dobro prezračevanem prostoru, katerega velikost ustreza površini prostora, kot je določena za delovanje.
- Popravila je treba opraviti na podlagi priporočil proizvednega podjetja. Vzdrževanje in popravila, pri katerih je potrebna pomoč drugega usposobljenega osebja, je treba izvajati pod nadzorom osebe, ki je usposobljena za uporabo vnetljivih hladilnih sredstev.
- Ne uporabljajte slabe ali neprimerne vtičnice.
- Ne uporabljajte strojev v naslednjih primerih
  - A: V bližini vira požara.
  - B: Območje, kjer lahko pride do brizganja olja.
  - C: Območje, ki je izpostavljeno neposredni sončni svetlobi.
  - D: Območje, na katerem lahko brizgne voda.
  - E: V bližini kopalnice, tuša ali bazena.
- Nikoli ne vstavljajte prstov ali palic v odprtino za dovod zraka. Otroke še posebej pazite, da jih opozorite na te nevarnosti.



## Opozorilo:

- Med prevozom in skladiščenjem držite enoto obrnjeno navzgor, da se kompresor pravilno namesti.
- Pred čiščenjem naprave vedno izklopite ali izključite napajanje.
- Pri premikanju naprave vedno izklopite in odklopite napajanje ter jo premikajte počasi.
- Da bi se izognili možnosti požara, naprava ne sme biti pokrita.
- Vse vtičnice morajo ustrezati lokalnim zahtevam za električno varnost. Po potrebi preverite zahteve.
- Nadzorujte otroke in poskrbite, da se ne igrajo z aparatom.
- Osebe (vključno z otroki) z zmanjšanimi fizičnimi, senzoričnimi ali duševnimi sposobnostmi ali s premalo izkušnjami in znanja smejo uporabljati ta aparat samo, če jih oseba, ki je odgovorna za njihovo varnost, nadzira in pouči o uporabi aparata.
- Če je napajalni kabel poškodovan, ga mora zamenjati proizvajalec, njegov serviser ali podobno usposobljena oseba, da se izognete nevarnosti.

# 1 Pomembna varnostna in okoljska navodila

## Opozorilo:

- Otroci, stari 8 let ali več, in osebe z zmanjšanimi fizičnimi, senzoričnimi ali duševnimi zmožnostmi ali s premalo izkušnjami in znanja lahko uporabljajo ta aparat, če jih kdo nadzira ali jim svetuje o varni uporabi aparata in če poznajo tveganja, povezana z uporabo aparata. Otroci se ne smejo igrati z aparatom. Otroci ne smejo čistiti in vzdrževati naprave brez nadzora.
- Naprava mora biti nameščena v skladu z nacionalnimi predpisi o napeljavi.
- Podatki o vrsti in nazivni vrednosti varovalk: T, 250 V AC, 2 A ali 3.15A
- Recikliranje



Ta oznaka označuje, da se ta izdelek ne sme odlagati skupaj z drugimi gospodinjstvi odpadki po vsej EU. Da bi preprečili morebitno škodo za okolje ali zdravje ljudi zaradi nenadzorovanega odlaganja odpadkov, jih odgovorno reciklirajte in tako spodbudili trajnostno ponovno uporabo materialnih virov. Če želite vrniti uporabljeno napravo, uporabite sistem za vračilo in prevzem ali se obrnite na prodajalca, pri katerem ste izdelek kupili. Ta izdelek lahko prevzamejo za okoljsko varno recikliranje.

# 1 Pomembna varnostna in okoljska navodila

## Opozorilo:

- GWP: R290: 3
- Za popravilo ali vzdrževanje te enote se obrnite na pooblaščenega serviserja.
- Napajalnega kabla ne vleci, deformiraj ali spreminjaj ter ga ne potapljaj v vodo. Poteg ali napačna uporaba napajalnega kabla lahko povzroči poškodbe enote in električni udar.
- Upoštevat je treba nacionalne predpise o plinu.
- Prezračevalne odprtine naj ne bodo ovirane.
- Vsaka oseba, ki je vključena v delo na hladilnem krogu ali vdiranje vanj, mora imeti veljavno potrdilo ocenjevalnega organa, akreditiranega v panogi, ki potrjuje njeno usposobljenost za varno ravnanje s hladilnimi sredstvi v skladu z industrijsko priznano specifikacijo za ocenjevanje.
- Servisiranje se izvaja le v skladu s priporočili proizvajalca opreme. Vzdrževanje in popravilo, pri katerem je potrebna pomoč drugega usposobljenega osebja, se izvaja pod nadzorom osebe, ki je usposobljena za uporabo vnetljivih hladilnih sredstev.



## Opozorilo:

- Enote ne upravljajte ali ustavljajte tako, da vstavite ali izvlečete napajalni vtič Die, saj lahko to povzroči električni udar ali požar zaradi nastajanja toplote.
- Če se iz naprave pojavijo čudni zvoki, vonj ali dim, jo izklopite iz električnega omrežja.



- Če se kateri koli del poškoduje, se obrnite na prodajalca ali pooblaščen servisno delavnico;
- V primeru poškodb izklopite zračno stikalo, odklopite napajanje in se obrnite na prodajalca ali pooblaščen servisno delavnico;
- V vsakem primeru mora biti napajalni kabel trdno ozemljen.
- Če je napajalni kabel poškodovan, izklopite zračno stikalo in izklopite napajanje, da se izognete nevarnosti. Zamenjati ga mora prodajalec ali pooblaščen servisier.



## 2 Splošna navodila

### 2.1 Pregledi območja

Pred začetkom del na sistemih, ki vsebujejo vnetljiva hladilna sredstva, je treba opraviti varnostne preglede, da se čim bolj zmanjša nevarnost vžiga. Pri popravilu hladilnega sistema je treba pred začetkom del na sistemu upoštevati naslednje varnostne ukrepe.

### 2.2 Postopek dela

Delo se izvaja po nadzorovanem postopku, da se čim bolj zmanjša tveganje prisotnosti vnetljivega plina ali hlapov med izvajanjem dela.

### 2.3 Splošno delovno območje

Vse vzdrževalno osebje in druge osebe, ki delajo na lokalnem območju, je treba poučiti o vrsti del, ki se izvajajo. Izogibati se je treba delu v zaprtih prostorih. Območje okoli delovnega prostora je ločeno. Prepričajte se, da so razmere na območju varne z nadzorom vnetljivega materiala.

### 2.4 Preverjanje prisotnosti hladilnega sredstva

Pred začetkom dela in med njim se območje preveri z ustreznim detektorjem hladilnega sredstva, da se zagotovi, da je tehnik seznanjen s potencialno vnetljivim ozračjem. Prepričajte se, da je uporabljena oprema za odkrivanje uhajanja primerna za uporabo z vnetljivimi hladilnimi sredstvi, tj. da ne povzroča iskrenja, da je ustrezno zatesnjena ali notranje varna.

### 2.5 Prisotnost gasilnega aparata

Če se na hladilni opremi ali povezanih delih izvajajo vroča dela, mora biti na voljo ustrezna oprema za gašenje požara. V bližini polnilnega prostora imejte gasilni aparat na suhi prah ali CO<sub>2</sub>.

### 2.6 Ni virov vžiga

Nobena oseba, ki opravlja dela v zvezi s hladilnim sistemom, ki vključujejo izpostavljanje cevovodov, ki vsebujejo ali so vsebovali vnetljivo hladilno sredstvo, ne sme uporabljati virov vžiga na način, ki bi lahko povzročil nevarnost požara ali eksplozije. Vsi možni viri vžiga, vključno s kajenjem, morajo biti dovolj oddaljeni od mesta namestitve, popravila, odstranjevanja in odstranjevanja, med katerim se lahko vnetljivo hladilno sredstvo sprosti v okoliški prostor. Pred začetkom dela je treba pregledati območje okoli opreme in se prepričati, da ni nevarnosti vnetljivosti ali vžiga. Nameščeni morajo biti znaki »kajenje prepovedano«.

### 2.7 Prezračevano območje

Pred vdorom v sistem ali opravljanjem vročih del se prepričajte, da je območje odprto ali da je ustrezno prezračevano. Med izvajanjem del mora biti zagotovljeno ustrezno prezračevanje. Prezračevanje mora varno razpršiti morebitno sproščeno hladilno sredstvo in ga po možnosti izločiti navzven v ozračje.

## 2 Splošna navodila

### 2.8 Pregledi hladilne opreme

Če se zamenjujejo električne komponente, morajo biti primerne za ta namen in ustrezati pravilnim specifikacijam. Vedno je treba upoštevati proizvajalčeve smernice za vzdrževanje in servisiranje. V primeru dvoma se za pomoč obrnite na tehnični oddelek proizvajalca. Pri napravah, v katerih se uporabljajo vnetljiva hladilna sredstva, je treba opraviti naslednje preglede: velikost polnjenja je v skladu z velikostjo prostora, v katerem so nameščeni deli, ki vsebujejo hladilno sredstvo; prezračevalni stroji in izpusti delujejo ustrezno in niso ovirani; če se uporablja posredni hladilni krog, se v sekundarnem krogu preveri prisotnost hladilnega sredstva; oznaka na opremi je še vedno vidna in čitljiva. Označbe in znaki, ki so nečitljivi, se popravijo; hladilne cevi ali sestavni deli so nameščeni na mestu, kjer ni verjetno, da bodo izpostavljeni kakršni koli snovi, ki lahko povzročijo korozijo sestavnih delov, ki vsebujejo hladilno sredstvo, razen če so sestavni deli izdelani iz materialov, ki so po naravi odporni proti koroziji, ali so ustrezno zaščiteni pred korozijo.

### 2.9 Pregledi električnih naprav

Popravila in vzdrževanje električnih sestavnih delov vključujejo začetne varnostne preglede in postopke pregleda sestavnih delov. Če obstaja napaka, ki bi lahko ogrozila varnost, na tokokrog ne sme biti priključen noben električni tok, dokler ni zadovoljivo odpravljena. Če napake ni mogoče takoj odpraviti, vendar je treba nadaljevati z delovanjem, je treba uporabiti ustrezno začasno rešitev.

O tem je treba obvestiti lastnika opreme, da so o tem obveščene vse strani.

Začetni varnostni pregledi vključujejo: ali so kondenzatorji izpraznjeni: to je treba opraviti na varen način, da se prepreči možnost iskrenja; ali med polnjenjem, obnavljanjem ali čiščenjem sistema ni izpostavljenih električnih komponent in napeljav pod napetostjo; ali je zagotovljena neprekinjena ozemljitev.

## 3 Popravila zaprtih sestavnih delov

Med popravili zapečatenih sestavnih delov je treba pred odstranitvijo zapečatenih pokrovov itd. izklopiti vse električne napeljave iz opreme, na kateri se dela. Če je med servisiranjem nujno potrebno električno napajanje opreme, je treba na najbolj kritični točki namestiti stalno delujočo obliko zaznavanja uhajanja, ki opozarja na potencialno nevarno situacijo.

Posebno pozornost je treba nameniti naslednjemu, da se zagotovi, da se pri delu na električnih komponentah ohišje ne spremeni tako, da bi to vplivalo na raven zaščite.

To vključuje poškodbe kablov, preveliko število priključkov, sponke, ki niso izdelane v skladu z originalnimi specifikacijami, poškodbe tesnil, nepravilno vgradnjo dilatacij itd. Prepričajte se, da je naprava varno nameščena. Prepričajte se, da tesnila ali tesnilni materiali niso tako poškodovani, da ne bi več služili preprečevanju vdora vnetljive atmosfere. Nadomestni deli morajo biti v skladu s specifikacijami proizvajalca.



Uporaba silikonske tesnilne mase lahko ovira učinkovitost nekaterih vrst opreme za odkrivanje uhajanja. Ineskozno varnih sestavnih delov ni treba izolirati pred delom na njih.

### 3.1 Popravila na jekleno varnih sestavnih delih

Na tokokrog ne priključujte trajnih induktivnih ali kapacitivnih bremen, ne da bi se prepričali, da ne bodo preseгла dovoljene napetosti in toka, ki sta dovoljena za uporabljeno opremo.

Ikrsko varne komponente so edine vrste, ki jih je mogoče obdelovati pod napekostjo v prisotnosti vnetljivega ozračja. Preskusna naprava mora imeti ustrezno nazivno vrednost. Sestavne dele zamenjajte samo z deli, ki jih je določil proizvajalec. Drugi deli lahko zaradi puščanja povzročijo vžig hladilnega sredstva v ozračju.

### 3.2 Ožičenje

Preverite, da kabli ne bodo izpostavljeni obrabi, koroziji, prekomernemu pritisku, vibracijam, ostrim robovom ali drugim škodljivim vplivom okolja. Pri preverjanju se upoštevajo tudi učinki staranja ali stalnih vibracij iz virov, kot so kompresorji ali ventilatorji.

### 3.3 Odkrivanje vnetljivih hladilnih sredstev

Pri iskanju ali odkrivanju uhajanja hladilnega sredstva se v nobenem primeru ne smejo uporabljati potencialni viri vžiga. Halogenidni gorilnik (ali kateri koli drug detektor z odprtim plamenom) se ne sme uporabljati.

## 3 Popravila zaprtih sestavnih delov

### 3.4 Metode odkrivanja puščanja

Za sisteme, ki vsebujejo vnetljiva hladilna sredstva, so sprejemljive naslednje metode odkrivanja uhajanja. Za odkrivanje vnetljivih hladilnih sredstev se uporabljajo elektronski detektorji uhajanja, vendar njihova občutljivost morda ni ustrezna ali pa je potrebna ponovna kalibracija. (Oprema za zaznavanje se umeri v prostoru brez hladilnega sredstva.) Prepričajte se, da detektor ni potencialni vir vžiga in da je primeren za uporabljeno hladilno sredstvo. Oprema za odkrivanje uhajanja je nastavljena na odstotek LFL hladilnega sredstva in je umerjena na uporabljeno hladilno sredstvo, pri čemer se potrdi ustrezen odstotek plina (največ 25 %). Tekočine za odkrivanje puščanja so primerne za uporabo z večino hladilnih sredstev, vendar se je treba izogibati uporabi čistil, ki vsebujejo klor, saj lahko klor reagira s hladilnim sredstvom in razjeda bakrene cevi. Če obstaja sum uhajanja, je treba odstraniti/ugasiti ves odprt ogenj. Če se ugotovi uhajanje hladilnega sredstva, ki ga je treba spajkati, je treba iz sistema odstraniti vse hladilno sredstvo ali ga izolirati (z zapornimi ventili) v delu sistema, ki je oddaljen od uhajanja. Dušik brez kisika (OFN) se nato pred in med postopkom spajkanja spusti skozi sistem.

### 3.5 Odstranitev in evakuacija

Pri vdoru v krog hladilnega sredstva zaradi popravil ali za kakršen koli drug namen se uporabljajo običajni postopki. Vendar je pomembno, da se upošteva najboljša praksa, saj gre za vnetljivost. Upoštevat je treba naslednji postopek: odstraniti hladilno sredstvo; očistiti krog z inertnim plinom; izprazniti; ponovno očistiti z inertnim plinom; odpreti krog z rezanjem ali spajkanjem. Polnjenje hladilnega sredstva je treba obnoviti v ustrezne jeklenke za obnovo. Sistem se »splakne« z OFN, da je enota varna. Ta postopek bo morda treba večkrat ponoviti. Za to nalogo ne smete uporabljati stisnjene zraka ali kisika. Izpiranje se doseže tako, da se vakuum v sistemu prekine z OFN in nadaljuje s polnjenjem, dokler se ne doseže delovni tlak, nato se izpusti v ozračje in nazadnje potegne v vakuum. Ta postopek se ponavlja, dokler v sistemu ni več hladilnega sredstva. Ko se uporabi zadnje polnjenje OFN, je treba sistem odzračiti na atmosferski tlak, da se omogoči delo. Ta postopek je nujno potreben, če se na cevovodih izvaja spajkanje.

Prepričajte se, da izhod za vakuumsko črpalko ni v bližini virov vžiga in da je na voljo prezračevanje.



## 3 Popravila zaprtih sestavnih delov

### 3.6 Postopki polnjenja

Poleg običajnih postopkov polnjenja je treba upoštevati naslednje zahteve.

- Zagotovite, da pri uporabi opreme za polnjenje ne pride do kontaminacije različnih hladilnih sredstev. Cevi ali vodi morajo biti čim krajši, da se zmanjša količina hladilnega sredstva v njih.
- Jeklenke morajo biti v pokončnem položaju.
- Pred polnjenjem hladilnega sistema s hladilnim sredstvom se prepričajte, da je hladilni sistem ozemljen.
- Po končanem polnjenju sistem označite (če še ni).
- Izjemno pazite, da hladilnega sistema ne napolnite preveč.

Pred ponovnim polnjenjem sistema se opravi tlačni preskus z OFN. Sistem je treba po končanem polnjenju, vendar pred začetkom obratovanja, preizkusiti na tesnost. Pred odhodom z gradbišča se opravi naknadni preskus tesnosti.

### 3.7 Razgradnja

Pred izvedbo tega postopka mora biti tehnik v celoti seznanjen z opremo in vsemi njenimi podrobnostmi. Priporočljiva dobra praksa je, da se vsa hladilna sredstva zajemajo varno. Pred izvedbo naloge se odvzame vzorec olja in hladilnega sredstva, če je pred ponovno uporabo regeneriranega hladilnega sredstva potrebna analiza. Pred začetkom dela je treba zagotoviti električno napajanje.

- Seznanite se z opremo in njenim delovanjem.
- Električno izolirajte sistem.

- Pred začetkom postopka se prepričajte, da: je na voljo mehanska oprema za ravnanje z jeklenkami hladilnega sredstva, če je potrebna; je na voljo vsa osebna zaščitna oprema, ki se pravilno uporablja; postopek zajema ves čas nadzoruje pristojna oseba; oprema za zajem in jeklenke ustrezajo ustreznim standardom.
- Če je mogoče, izčrpajte hladilni sistem.
- Če vakuum ni mogoč, naredite razdelilnik, da lahko hladilno sredstvo odstranite iz različnih delov sistema.
- Prepričajte se, da je cilinder nameščen na tehtnici, preden se izvede obnovitev.
- Zagon stroja za regeneracijo in delovanje v skladu z navodili proizvajalca.
- Ne polnite preveč jeklenk. (Največ 80 % prostornine tekočega polnjenja).
- Ne prekoračite največjega delovnega tlaka jeklenke, tudi začasno ne.
- Ko so jeklenke pravilno napolnjene in postopek končan, poskrbite, da se jeklenke in oprema nemudoma odstranijo z mesta in da so vsi izolacijski ventili na opremi zaprti.
- Obnovljeno hladilno sredstvo se ne sme polniti v drug hladilni sistem, dokler ni očiščeno in preverjeno.

### 3.8 Označevanje

Oprema mora biti označena z nalepko, na kateri je navedeno, da je bila razgrajena in izpraznjena hladilnega sredstva. Nalepka mora biti datirana in podpisana.

Prepričajte se, da so na opremi nalepke, na katerih je navedeno, da oprema vsebuje vnetljivo hladilno sredstvo.

## 3 Popravila zaprtih sestavnih delov

### 3.9 Izterjava

Pri odstranjevanju hladilnega sredstva iz sistema zaradi servisiranja ali razgradnje je priporočljiva dobra praksa, da se vsa hladilna sredstva odstranijo varno. Pri pretakanju hladilnega sredstva v jeklenke poskrbite, da se uporabljajo samo ustrezne jeklenke za rekuperacijo hladilnega sredstva. Zagotovite, da je na voljo ustrezno število jeklenk za celotno polnjenje sistema. Vse jeklenke, ki jih je treba uporabiti, so namenjene za zajeto hladilno sredstvo in označene za to hladilno sredstvo (tj. posebne jeklenke za zajem hladilnega sredstva). Jeklenke so opremljene z varnostnim ventilom in pripadajočimi zapornimi ventili, ki dobro delujejo. Prazne jeklenke za rekuperacijo se pred rekuperacijo izpraznijo in, če je mogoče, ohladijo.

Oprema za rekuperacijo mora biti v dobrem stanju, opremljena z navodili za uporabo opreme, ki je na voljo in je primerna za rekuperacijo vnetljivih hladilnih sredstev. Poleg tega mora biti na voljo komplet umerjenih tehtnic, ki morajo biti v dobrem stanju. Cevi morajo biti opremljene s spojkami, ki ne puščajo, in v dobrem stanju.

Pred uporabo naprave za rekuperacijo preverite, ali je naprava zadovoljivo delujoča, ali je bila ustrezno vzdrževana in ali so vse povezane električne komponente zaprte, da se prepreči vžig v primeru izpusta hladilnega sredstva. V primeru dvoma se posvetujte s proizvajalcem.

Pridobljeno hladilno sredstvo se vrne dobavitelju hladilnega sredstva v ustrezni jeklenki za zajem in uredi se ustrezen zapisnik o prenosu odpadkov.

Ne mešajte hladilnih sredstev v enotah za rekuperacijo in zlasti ne v jeklenkah.

Če je treba kompresorje ali kompresorska olja odstraniti, se prepričajte, da so bili izpraznjeni do sprejemljive ravni, da se zagotovi, da vnetljivo hladilno sredstvo ne ostane v mazivu. Postopek izpraznitve se izvede pred vrnitvijo kompresorja dobaviteljem. Za pospeševanje tega procesa se uporablja samo električno segrevanje ohišja kompresorja. Kadar se iz sistema izpušča olje, je treba to opraviti varno.

### 3.10 Usposobljenost servisnega osebja

#### 3.10.1 Splošno

Kadar je prizadeta oprema z vnetljivimi hladilnimi sredstvi, je poleg običajnih postopkov popravila hladilne opreme potrebno posebno usposabljanje.

V številnih državah to usposabljanje izvajajo nacionalne organizacije za usposabljanje, ki so akreditirane za poučevanje ustreznih nacionalnih standardov usposobljenosti, ki so lahko določeni v zakonodaji.

Doseženo usposobljenost je treba dokumentirati s potrdilom.

#### 3.10.2 Usposabljanje

Usposabljanje mora vključevati naslednje vsebine:

Informacije o možnosti eksplozije vnetljivih hladilnih sredstev, ki kažejo, da so lahko vnetljiva sredstva nevarna, če se z njimi ravna neprevidno.

## 3 Popravila zaprtih sestavnih delov

Informacije o možnih virih vžiga, zlasti tistih, ki niso očitni, kot so vžigalniki, stikala za luči, sesalniki, električni grelniki.

Informacije o različnih varnostnih konceptih:

Neprevetreno – (glejte določbo GG.2) Varnost naprave ni odvisna od prezračevanja ohišja. Izklop naprave ali odpiranje ohišja nima bistvenega vpliva na varnost. Kljub temu je mogoče, da se v ohišju nabira puščajoče hladilno sredstvo in se ob odprtju ohišja sprosti vnetljiva atmosfera.

Prezračevano ohišje – (glejte točko GG.4) Varnost naprave je odvisna od prezračevanja ohišja. Izklop naprave ali odpiranje ohišja pomembno vpliva na varnost. Poskrbeti je treba za zadostno prezračevanje pred.

Prezračen prostor – (glejte točko GG.5) Varnost naprave je odvisna od prezračevanja prostora. Izklop naprave ali odpiranje ohišja nima bistvenega vpliva na varnost. Prezračevanje prostora se med popravilom ne sme izklopiti.

Informacije o konceptu zatesnjenih sestavnih delov in zatesnjenih ohišij v skladu z IEC 60079-15:2010.

Informacije o pravih delovnih postopkih:

### Oddaja v uporabo

- Prepričajte se, da je talna površina zadostna za polnjenje s hladilnim sredstvom ali da je prezračevalni kanal pravilno sestavljen.
- Pred polnjenjem s hladilnim sredstvom priključite cevi in opravite preskus tesnosti.

- Pred začetkom uporabe preverite varnostno opremo.

### Vzdrževanje

- Prenosna oprema se popravlja zunaj ali v delavnici, ki je posebej opremljena za servisiranje enot z vnetljivimi hladilnimi sredstvi.
- Na mestu popravila zagotovite zadostno prezračevanje.
- Zavedajte se, da lahko pride do nepravilnega delovanja opreme zaradi izgube hladilnega sredstva in da je možno uhajanje hladilnega sredstva.
- Kondenzatorje izpraznite tako, da ne povzročijo iskrenja. Standardni postopek kratkega stika sponk kondenzatorja običajno povzroči iskre.
- Natančno sestavite zaprta ohišja. Če so tesnila obrabljena, jih zamenjajte.
- Pred začetkom uporabe preverite varnostno opremo.

## 3 Popravila zaprtih sestavnih delov

### Popravila

- Prenosna oprema se popravlja zunaj ali v delavnici, ki je posebej opremljena za servisiranje enot z vnetljivimi hladilnimi sredstvi.
- Na mestu popravila zagotovite zadostno prezračevanje.
- Zavedajte se, da lahko pride do nepravilnega delovanja opreme zaradi izgube hladilnega sredstva in da je možno uhajanje hladilnega sredstva.
- Kondenzatorje izpraznite tako, da ne povzročijo iskrenja.
- Kadar je potrebno spajkanje, je treba v pravilnem vrstnem redu izvesti naslednje postopke:
- Odstranite hladilno sredstvo. Če nacionalni predpisi ne zahtevajo rekupe-racije, izpusnite hladilno sredstvo na prosto. Pazite, da izpraznjeno hladilno sredstvo ne bo povzročilo nevarnosti. V dvomu naj vtičnico varuje ena oseba. Posebej pazite, da izpuščeno hladilno sredstvo ne bo zaplavilo nazaj v stavbo.
- Izpraznite krog hladilnega sredstva.
- Očistite hladilni krog z dušikom za 5 min.
- Ponovno se evakuirajte.
- Dele, ki jih je treba zamenjati, odstranite z rezanjem in ne s plamenom.
- Med postopkom spajkanja spajkalno točko očistite z dušikom.
- Pred polnjenjem s hladilnim sredstvom opravite preskus tesnosti.
- Natančno sestavite zaprta ohišja. Če so tesnila obrabljena, jih zamenjajte.
- Pred začetkom uporabe preverite varnostno opremo.

### Razgradnja

- Če je varnost ogrožena, ko oprema preneha delovati, je treba pred razgradnjo odstraniti polnilo hladilnega sredstva.
- Zagotovite zadostno prezračevanje na mestu namestitve opreme.
- Zavedajte se, da lahko pride do nepravilnega delovanja opreme zaradi izgube hladilnega sredstva in da je možno uhajanje hladilnega sredstva.
- Kondenzatorje izpraznite tako, da ne povzročijo iskrenja.
- Odstranite hladilno sredstvo. Če nacionalni predpisi ne zahtevajo rekupe-racije, izpusnite hladilno sredstvo na prosto. Pazite, da izpraznjeno hladilno sredstvo ne bo povzročilo nevarnosti. V dvomu naj vtičnico varuje ena oseba. Posebej pazite, da izpuščeno hladilno sredstvo ne bo zaplavilo nazaj v stavbo.
- Izpraznite krog hladilnega sredstva.
- Očistite hladilni krog z dušikom za 5 min.
- Ponovno se evakuirajte.
- Napolnite z dušikom do atmosferskega tlaka.
- Na opremo namestite oznako, da je hladilno sredstvo odstranjeno.

### Odstranjevanje

- Zagotovite zadostno prezračevanje na delovnem mestu.
- Odstranite hladilno sredstvo. Če nacionalni predpisi ne zahtevajo rekupe-racije, izpusnite hladilno sredstvo na prosto. Pazite, da izpraznjeno hladilno sredstvo ne bo povzročilo nevarnosti. V dvomu naj vtičnico varuje ena oseba. Posebej pazite, da izpuščeno hladilno sredstvo ne bo zaplavilo nazaj v stavbo.
- Izpraznite krog hladilnega sredstva.

### 3 Popravila zaprtih sestavnih delov

- Očistite hladilni krog z dušikom za 5 min.
- Ponovno se evakuirajte.
- Izključite kompresor in izpraznite olje.

#### **Prevoz, označevanje in skladiščenje enot, ki uporabljajo vnetljiva hladilna sredstva**

Prevoz opreme, ki vsebuje vnetljiva hladilna sredstva.

Opozarjamo, da lahko za opremo, ki vsebuje vnetljiv plin, obstajajo dodatni predpisi o prevozu. Največje število kosov opreme ali konfiguracija opreme, ki jo je dovoljeno prevažati skupaj, je določeno z veljavnimi predpisi o prevozu.

Označevanje opreme z znaki

Znaki za podobne naprave, ki se uporabljajo na delovnem območju, so na splošno obravnavani v lokalnih predpisih in določajo minimalne zahteve za zagotavljanje varnostnih in/ali zdravstvenih znakov na delovnem mestu.

Vse zahtevane znake je treba vzdrževati, delodajalci pa morajo zagotoviti, da so zaposleni deležni ustreznih in zadostnih navodil in usposabljanja o pomenu ustreznih varnostnih znakov in ukrepov, ki jih je treba sprejeti v zvezi s temi znaki.

Učinkovitost znakov se ne sme zmanjšati, če je preveč znakov postavljenih skupaj.

Vsi uporabljeni piktogrami morajo biti čim bolj preprosti in vsebovati le bistvene podatke.

Odstranjevanje opreme, ki uporablja vnetljiva hladilna sredstva

Glej nacionalne predpise.

Skladiščenje opreme/opreme

Opremo je treba hraniti v skladu z navodili proizvajalca.

Skladiščenje pakirane (neprodane) opreme

Zaščita skladiščnega paketa mora biti izdelana tako, da mehanske poškodbe opreme v paketu ne povzročijo uhajanja polnila hladilnega sredstva.

Največje število kosov opreme, ki jih je dovoljeno skladiščiti skupaj, določajo lokalni predpisi.

#### **Splošna varnostna navodila**

##### **Opozorilo:**



Pred uporabo stroja natančno preberite navodila, da boste lahko kar najboljše izkoristili vse funkcije stroja. Ta navodila so le informativnega značaja in niso del pogodbe, pridržujemo si pravico do tehničnih sprememb, o katerih vas pred spremembo ne bomo obvestili.

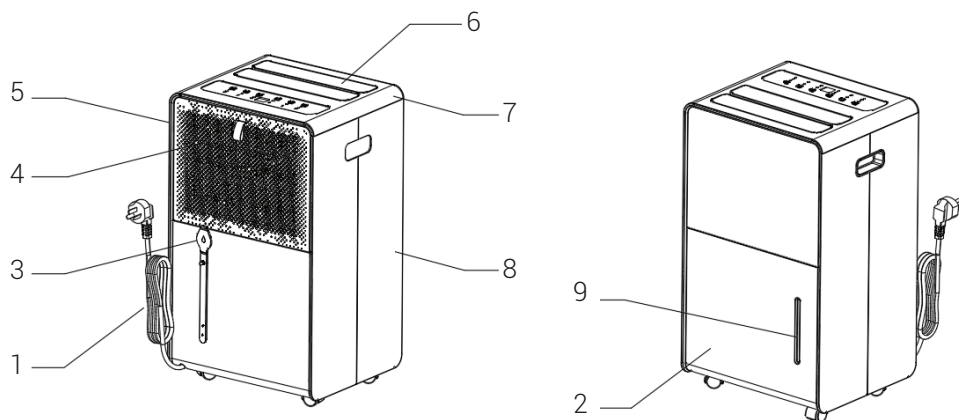
#### **Obvestilo pred uporabo:**

1. »POSKRIBITE, DA SE IZDELEK VES ČAS PREZRAČUJE!« Poskrbite, da vstopno in izstopno prezračevanje ni vedno blokirano.

### 3 Popravila zaprtih sestavnih delov

2. Napravo uporabljajte na vodoravni površini, da preprečite uhajanje vode.
3. Te enote ne uporabljajte v eksplozivnem ali korozivnem ozračju.
4. Temperatura delovnega okolja stroja: hlajenje pri 5 °C- 35 °C.
5. Ko je enota izklopljena, pred ponovnim zagonom počakajte vsaj 3 minute, da se kompresor ne poškoduje.
6. Uporabljajte ločeno napajanje, prepo-vedujte souporabo vtičnice z drugimi električnimi napravami, specifikacije vtičnice ne smejo biti manjše od 10 A, vtičnice morajo biti trdno zaščitene.
7. Moč: **220 – 240 V/50 Hz.**
8. Vodo, ki se je nabrala v rezervoarju, po potrebi odstranite.
9. Enote ne potaplajte v vodo ali je postavite v bližino vode.
10. Na enoti ne sedite ali stojite.
11. Odvlaževalnika ne uporabljajte v zaprtem prostoru, na primer v omari, saj lahko povzroči požar.
12. Odtočne cevi namestite v smeri navzdol, da zagotovite neprekinjeno odtekanje kondenzirane vode.

## 4 Slika deli



### 2.1 Upravljanje in deli

1. Napajalni kabel
2. Rezervoar
3. Neprekinjeno odvodnjavanje/zbiranje napajalnega kabla
4. Filtrirni zaslon
5. Hrbtna lupina
6. Izhod za zrak
7. Zgornji pokrov
8. Sprednja lupina
9. Indikator vode

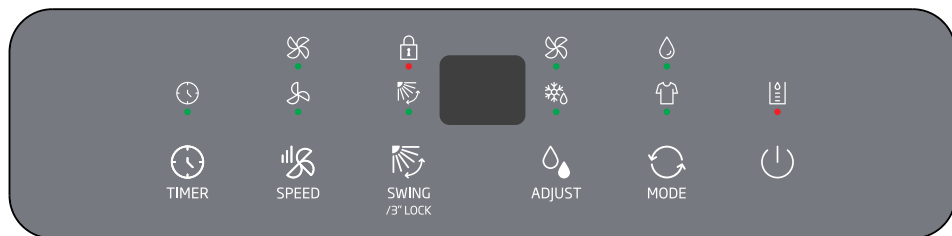
## 4 Slika deli

### 2.2 Specifikacija

Ime modela	BDPM020
Hladilno sredstvo	R290
Skupna količina hladilnega sredstva (g)	47
Zaščita pred električnim udarom	Razred I
Nazivna zmogljivost razvlaževanja (27°C RH60%) (L/dan)	11
Nazivna zmogljivost razvlaževanja (30°C RH80%) (L/dan)	20
Napetost/frekvenca/faza (V/Hz/faza)	220V-240V / 50Hz
Raven zvočne moči (dBA)	63/61
Nazivna vhodna moč (W)	430
Nazivni vhodni tok (A)	2,3
Priročnik za območje RH	30%-90%
Temperatura okolja	5-35
Enota neto dimenzija (Š x V x G) mm	290 x 500 x 250
Enota Neto teža (kg)	12,5



## 5 Navodila za uporabo



### Gumb za vklop:

Pritisnite gumb za vklop, da vklopite aparat. Pokrov odprtine za dovod zraka se samodejno odpre.

Ponovno pritisnite gumb, da izklopite aparat. Pokrov odprtine za dovod zraka se samodejno zapre.

Po zagonu se prikaže trenutna vlažnost; vlažnost je najprej privzeta na »Co« in kompresor se lahko takoj zažene, da se začne razvlaževanje.

### Gumb SPEED:

Pritisnite gumb za hitrost ventilatorja, da izberete nizko ali visoko hitrost ventilatorja. Prižge se ustrezna kontrolna lučka.

### Gumb ADJUST:

Pritisnite gumb ADJUST, indikator "Co" zasveti. Ko je nastavljena vlažnost, je vlažnost nastavljena na naslednji način: "Co" (neprekinjeno) →30%→35% →40%→45%→50→..... →85→90→" "Co" (neprekinjen) cikel.

Nastavitev začne veljati v približno 5 sekundah brez nadaljnjih postopkov. Digitalni prikazovalnik se bo obrnil nazaj in prikazal vlažnost v prostoru.

### Gumb časovnika

Nastavitev časovnika ON:

- Ko je aparat izklopljen, pritisnite gumb "TIMER", zasveti ustrezna kontrolna lučka.
- S pritiskom na gumb "TIMER" izberite želeni čas vklopa od 0 do 24 ur. Nastavitev bo začela veljati v približno 5 sekundah brez nadaljnjih postopkov.
- Naprava se samodejno vklopi po preteku nastavljenega časa.

Nastavitev časovnika OFF:

- Ko aparat deluje, pritisnite gumb "TIMER", zasveti se ustrezna kontrolna lučka.
- S pritiskom na gumb "TIMER" izberite želeni čas izklopa od 0 do 24 ur. Nastavitev začne veljati v približno 5 sekundah brez nadaljnjih postopkov. Digitalni prikazovalnik se bo vrnil in prikazal stopnjo vlažnosti.
- Naprava se samodejno izklopi po preteku nastavljenega časa.

### Gumb za način

Pritisnite gumb za način in izberite želeni način: način razvlaževanja, ventilatorski način ali način sušenja oblačil.

## 5 Navodila za uporabo

### Gumb SWING

Pritisnite gumb za nihanje, da vklopite/izklopite funkcijo nihanja pokrova odprtine za zrak.

Zaklep: Dolgo pritisnite gumb SWING za 3 sekunde, da izberete otroško ključavnico;

- V stanju vklopa: Ko je otroška ključavnica vklopljena, vseh gumbov, razen otroške ključavnice in gumba za vklop, ni mogoče upravljati (Opomba: gumb za vklop je mogoče izklopiti).
- V izklopljenem stanju: funkcijo otroške ključavnice je mogoče odpreti in zapreti. Ko je otroška ključavnica odprta, ni mogoče upravljati vseh drugih tipk, razen gumba za otroško ključavnico (opomba: tudi gumba za vklop ni mogoče upravljati).
- Ko odprete funkcijo otroške ključavnice, zasveti indikator otroške ključavnice.

Lučka za polno vodo je rdeča, dvojni zaslon 8 na zaslonski plošči je bel, druge kontrolne lučke pa so bele.



Po 20 sekundah delovanja se vse kontrolne lučke (vključno z dvojno 8) zatemnijo.

### 5.1 Opis funkcij:

#### Funkcija razvlaževanja:

1. Ko je nastavljeno delovanje izsuševanja »Co« (neprekinjeno), bo izsuševalnik še naprej deloval (delovanje kompresorja, ventilatorja) ne glede na stopnjo vlažnosti v tem času.

2. Če je notranja vlažnost višja ali enaka 3 % nastavljene vlažnosti, kompresor začne izvajati razvlaževanje, kompresor in ventilator pa delujeta.

3. Po razvlaževanju notranjih prostorov, ko vlažnost pade pod 2 % nastavljene vlažnosti, kompresijski mehanizem ustavi razvlaževanje, kompresor za tri minute preide v zaščito, ventilator pa se po treh minutah ustavi.

4. Če se vlažnost v notranjosti dvigne za 3 % nad nastavljeno vlažnostjo ali ji je enaka, potem ko izsuševalnik preneha razvlaževati, če je kompresor tri minute v stanju zaščite, bo kompresor začel izvajati razvlaževanje.

5. V skladu z zgornjim ciklom delovanja se lahko vlažnost v prostoru vzdržuje na približno nastavljeni vlažnosti.

#### Funkcija sušenja oblačil:

1. Ko je ta funkcija omogočena, bo izsuševalnik deloval neprekinjeno (kompresor in ventilator delujeta) ne glede na to, ali je vlažnost visoka ali nizka, ko se izvaja »Co« (neprekinjeno) delovanje.

2. Hitrost vetra je zaklenjena na visoko hitrost in je ni mogoče prilagoditi.

3. Gumb za nastavitev vlažnosti ni nastavljen.

#### Funkcija FAN:

1. Kompresor ne deluje.

2. Ventilator lahko deluje v dveh načinih: pri močnem vetru in pri šibkem vetru.

3. Gumb za nastavitev vlažnosti ni nastavljen v načinu dovajanja zraka.

## 5 Navodila za uporabo

### Funkcija popolne zaščite pred vodo:

1. Ko je rezervoar za vodo poln, se prižge indikator polnosti rezervoarja (FULL), izsuševalnik zraka samodejno preneha delovati, zvočni signal pa se 15-krat oglasi.
2. Če želite ustaviti zvočni signal, pritisnite kateri koli gumb. Kompresor in ventilator se izklopita in
3. vse funkcije ne bodo delovale, dokler ne izpraznite in zamenjate rezervoarja za vodo.

### Funkcija odmrzovanja:

1. Pri odmrzovanju se kompresor izklopi, ventilator za odmrzovanje deluje z visoko hitrostjo, indikator odmrzovanja pa je vedno prižgan.
2. Če je temperatura prostora nižja ali enaka  $16^{\circ}\text{C}$ , se temperatura tuljave ne zazna. Glede na delovanje sobne temperature so podrobnosti naslednje:
3. Ko je temperatura prostora  $\leq 12^{\circ}\text{C}$ , kompresor deluje 30 minut, za 10 minut prekine odmrzovanje in se pred odmrzovanjem vrne v nastavitveni način.
4. Ko je temperatura  $12^{\circ}\text{C} <$  temperatura prostora  $\leq 16^{\circ}\text{C}$ , bo kompresor deloval 45 minut in se za 10 minut ustavil zaradi odmrzovanja, nato pa se pred odmrzovanjem vrnil v način nastavitve.
5. Če je temperatura prostora višja od  $16^{\circ}\text{C}$ , so podrobnosti glede na delovanje temperature tuljave naslednje: Če kompresor deluje 30 minut in je temperatura tuljave nižja od 1, ustavite stroj, da se odmrzne za 10 minut, in se pred odmrzovanjem vrnite v način nastavitve.



Med odmrzovanjem je lučka za odmrzovanje vedno prižgana.

### Zaščita pred zakasnitvijo kompresorja:

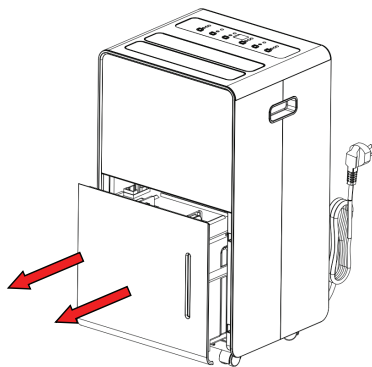
1. Kompresor se lahko takoj zažene ob vsakem zagonu;
2. Ko se kompresor ustavi, ga ponovno zaženite, pri čemer mora biti presledek vsaj 3 minute.

### Odvajanje vode iz rezervoarja za vodo

Ko je posoda za odvajanje vode polna, se prižge indikator polne posode, delovanje se samodejno ustavi, zvočni signal pa 15-krat zapiska, da uporabnika opozori, da je treba vodo izprazniti iz posode za odvajanje vode.

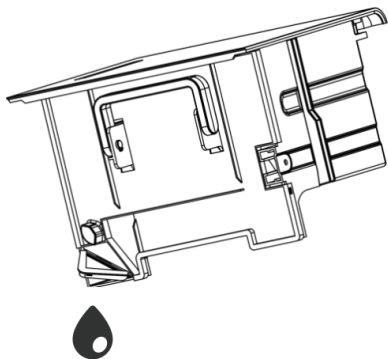
### Prazen rezervoar

1. Nežno pritisnite na stranice rezervoarja in ga z obema rokama izvlcite.

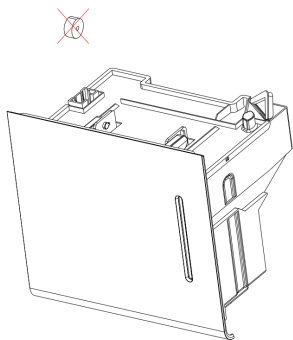


## 5 Navodila za uporabo

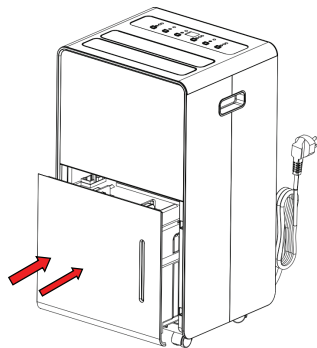
2. Izpraznite vodo v rezervoarju.



1. Ne odstranite plovca v rezervoarju za vodo, sicer vodni senzor ne bo mogel zaznati nivoja vode, zato ne bo mogel normalno delovati.



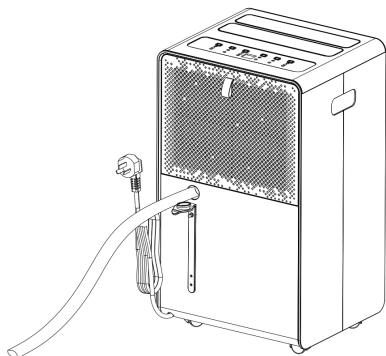
2. Če je rezervoar umazan, ga očistite s hladno ali toplo vodo. Ni mogoče uporabljati detergentov, jeklenega žameta, kemično obdelane krpe za prah, bencina, benzena, razredčila ali drugih topil, ker lahko poškodujejo posodo za vodo in povzročijo uhajanje vode.
3. Pri vstavljanju v rezervoar ga z obema rokama močno stisnite. Če rezervoarja za vodo ne namestite, se senzor polne vode še vedno aktivira, izsuševalnik pa ne bo deloval.



## 5 Navodila za uporabo

### Neprekinjeno odvajanje vode

Odvlaževalnik ima neprekinjeno drenažno odprtino, v katero se vstavi plastična cev (premera 10 mm), ki se odvaja s strani rezervoarja. Ko je treba namestiti rezervoar za vodo na svoje mesto in poravnati drenažno cev, lahko vodo iz stroja spustite skozi drenažno odprtino.



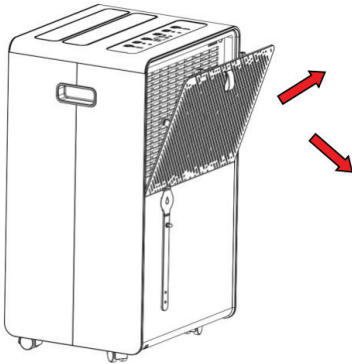
## 6 Vzdrževanje

### 6.1 Čiščenje telesa

telo obrišite z mehko in vlažno krpo.

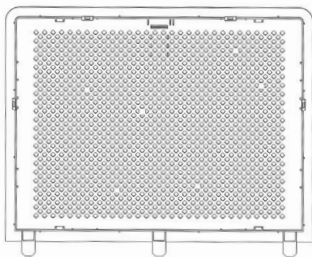
### 6.2 Čiščenje filtra

1. Dvignite filter.



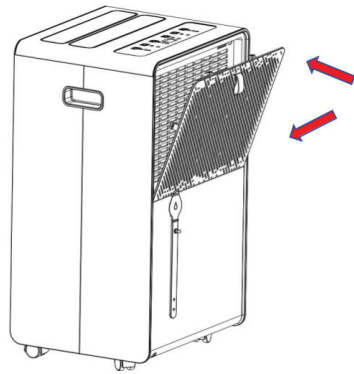
2. Čisti filter

S sesalnikom nežno posesajte prah na površini filtracijskega zaslona. Če je zelo umazan, uporabite toplo vodo in nežen detergent. Hranite na suhem.



3. Namestitev filtra

Vstavite filter v stroj in potisnite dva kaveljčka filtra na mesto.



### 6.3 Shranjevanje izsuševalnika zraka

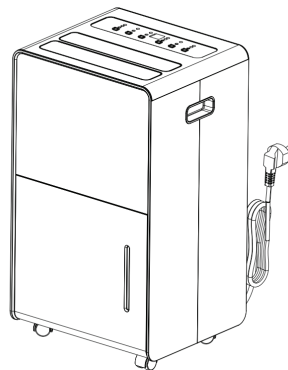
Če izdelka dalj časa ne uporabljate in ga nameravate shraniti, upoštevajte naslednje korake

Izpraznite vodo v rezervoarju.

Navijte napajalni kabel.

Čiščenje cedila.

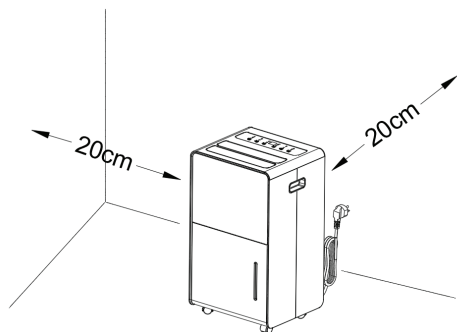
Postavite na hladno in suho mesto.



## 6 Vzdrževanje

### 6.4 Prostorska razdalja

Ko izsuševalnik deluje, poskrbite, da je najmanjša razdalja med njima takšna, kot je prikazana na naslednji sliki.



## 7 Odpravljanje težav

Če pride do spodaj navedenega stanja, pred klicem službe za pomoč uporabnikom preverite naslednje elemente.

Težava	Možen vzrok	Rešitev
Enota ne deluje	Ali je bil napajalni kabel odklopljen?	Napajalni kabel priključite v vtičnico.
	Ali utripa indikator polnega rezervoarja? (Rezervoar je poln ali v napačnem položaju.)	Izpraznite vodo iz rezervoarja za vodo in ga ponovno namestite.
	Ali je temperatura v sobi višja od 35 °C ali nižja od 5 °C?	Zaščitna naprava je aktivirana in enote ni mogoče zagnati.
Funkcija razvlaževanja ne deluje	Ali je zračni filter zamašen?	Očistite zračni filter v skladu z navodili v poglavju »Čiščenje izsuševalnika zraka«.
	Ali je dovodni ali odvodni kanal zamašen?	Odstranite oviro iz izpustnega ali sesalnega kanala.
Zrak se ne izpušča	Ali je zračni filter zamašen?	Očistite zračni filter v skladu z navodili v poglavju »Čiščenje izsuševalnika zraka«.
Delovanje je hrupno	Ali je enota nagnjena ali nestabilna?	Napravo prestavite na stabilno in trdno mesto.
	Ali je zračni filter zamašen?	Očistite zračni filter v skladu z navodili v poglavju »Čiščenje izsuševalnika zraka«.
Koda E1	Senzor tuljave kratek stik ali odprt tokokrog	Preverite, ali je cev zrahljana, ali zamenjajte senzor tuljave.



## 8 Navodila za namestitve

### 8.1 navodilo za uporabo plina F

Ta izdelek vsebuje fluorirane toplogredne pline.

Fluorirani plini iz plinskih hlapov so v hermetično zaprti opremi.

Vgradnjo, servisiranje, vzdrževanje, popravila, preverjanje tesnosti ali razgradnjo opreme in recikliranje izdelkov morajo opravljati fizične osebe, ki imajo ustrezna potrdila.

Če je v sistem vgrajen sistem za odkrivanje uhajanja, je treba preverjanje uhajanja opraviti vsaj vsakih 12 mesecev in se prepričati, da sistem deluje pravilno.

Če je treba opraviti preglede uhajanja, je treba določiti cikel pregledov, vzpostaviti in shraniti zapise o pregledih uhajanja.



Če je CO<sub>2</sub> ekvivalent fluoriranih toplogrednih plinov manjši od 10 ton, pri hermetično zaprti opremi, lokalni klimatski napravi, okenski klimatski napravi in izsuševalniku zraka ni treba preverjati uhajanja.


# Molimo, prvo pročitajte ovaj priručnik!

Poštovani korisniče,


Zahvaljujemo na odabiru proizvoda tvrtke Beko. Nadamo se da ćete biti zadovoljni sjajnim rezultatima ovog proizvoda koji je proizveden primjenom visokokvalitetne i najsuvremenije tehnologije. Stoga vas molimo, pročitajte pažljivo ovaj priručnik u cijelosti kao i ostalu isporučenu dokumentaciju prije uporabe proizvoda i čuvajte ga za buduću uporabu. Ako proizvod odlučite proslijediti nekom drugom tada mu prosljedite i ovaj priručnik. Pridržavajte se svih upozorenja i informacija u korisničkom priručniku.

## Značenje simbola


Sljedeći simboli koriste se u raznim odjeljcima ovog priručnika.


	Važne informacija i korisni savjeti o načinu korištenja.
--	--


	<b>Upozorenje</b> za situacije opasne po život i imovinu.
--	---


	<b>Upozorenje</b> za radnje koje se nikad ne smiju uraditi.
--	---


	<b>Upozorenje</b> na strujni udar.
---	------------------------------------

	Ovi simboli pokazuju dostupnost informacija, poput korisničkog priručnika ili priručnika za instalaciju.
--	--

	Ne prekrivati.
--	----------------

	Ovaj simbol pokazuje kako se korisnički priručnik treba pažljivo pročitati.
---	---

	Ovaj simbol pokazuje kako servisno osoblje treba rukovati ovom opremom u skladu s korisničkim priručnikom.
---	--

	Ovaj simbol pokazuje kako ovaj uređaj koristi zapaljivo rashladno sredstvo. Ako rashladno sredstvo iscuri i bude izloženo vanjskom izvoru zapaljenja, postoji opasnost od požara.
(Za vrstu plina R32/ R290)	

# 1 Važne upute za sigurnost i očuvanje okoliša

## Iznimno važno!

Nemojte instalirati ili koristiti odvlaživač zraka ako prije toga niste pažljivo pročitali ovaj priručnik. Ovaj korisnički priručnik čuvajte ako bude potreban za jamstvo proizvođača te za buduću upotrebu.

### Upozorenje:



1. Ne koristite sredstva za ubrzavanje procesa odmrzavanja ili čišćenje osim onih koje je preporučio proizvođač.
2. Uređaj se mora skladištiti u prostoriji bez stalne primjene otvorenog plamena (na primjer plinski uređaj koji radi) i izvora paljenja (na primjer električni grijač koji radi).
3. Ne bušiti i ne paliti.
4. Morate znati kako rashladna sredstva možda nemaju neugodan miris.
5. Uređaj se treba postaviti, koristiti i skladištiti u prostoriji čija je podna površina veća od 4 m<sup>2</sup>.

### Upozorenje:



- Posebne informacije o uređajima s rashladnim plinom R290.
- Pažljivo pročitate sva upozorenja.
  - Prilikom odmrzavanja i čišćenja uređaja ne koristite nikakve alate osim onih koje je preporučila tvrtka proizvođača.
  - Uređaj se treba postaviti u prostor bez stalnih izvora paljenja (na primjer: otvoreni plamen, plinski ili električni uređaji koji rade).
  - Ne bušiti i ne paliti.
  - Ovaj uređaj sadrži Y g (pogledajte naljepnicu s oznakom na stražnjoj strani jedinice) rashladnog plina R290.
  - R290 je rashladni plin koji je sukladan europskim direktivama o okolišu. Ne bušite niti jedan dio rashladnog kruga.
  - Ako se uređaj instalira, koristi ili skladišti u neprozračenom prostoru, prostorija mora biti projektirana tako da spriječi nakupljanje iscrenog rashladnog sredstva što rezultira opasnošću od požara ili eksplozije uslijed paljenja rashladnog sredstva kojeg izazivaju električni grijači, štednjaci ili drugi izvori paljenja.
  - Uređaj treba skladištiti tako da ne dođe do mehaničkih oštećenja.

# 1 Važne upute za sigurnost i očuvanje okoliša



## Upozorenje:

- Pojedinci koji rukuju ili rade na rashladnom krugu moraju imati odgovarajuću certifikaciju izdanu od ovlaštene organizacije koja osigurava stručnost u rukovanju rashladnim sredstvima prema posebnoj procjeni koju priznaju udruge u industriji.
- Uređaj treba pohraniti u dobro prozračenom prostoru gdje veličina prostorije odgovara površini prostorije određenoj za rad.
- Popravci se trebaju obavljati na temelju preporuke tvrtke proizvođača. Održavanje i popravci koji zahtijevaju pomoć drugog kvalificiranog osoblja moraju se obavljati pod nadzorom osobe koja je ovlaštena koristiti zapaljiva rashladna sredstva.
- Ne koristite lošu ili neprikladnu utičnicu.
- Uređaj ne koristite u sljedećim situacijama
  - A: U blizini izvora plamena.
  - B: Na prostoru na kojem postoji vjerojatnost od prskanja ulja.
  - C: U prostoru izloženom izravnom sunčevom svjetlu.
  - D: Na prostoru na kojem postoji vjerojatnost od prskanja vode.
  - E: U blizini kada, tuševa ili bazena za plivanje.
- Nikada ne gurajte prste, šipke u otvor za zrak. Posebno pazite i upozorite djecu na ove opasnosti.



## Upozorenje:

- Uređaj treba biti u uspravnom položaju prilikom transporta i skladištenja, kako bi kompresor bio u ispravnom položaju.
- Prije čišćenja uređaja uvijek isključite ili odspojite napajanje
- Prilikom premještanja uređaja, uvijek ga isključite i odspojite iz struje te ga pomičite polako.
- Kako biste izbjegli mogućnost požara, uređaj se ne smije pokrivati.
- Sve utičnice uređaja moraju biti u skladu s lokalnim zahtjevima električne sigurnosti. Ako je potrebno, provjerite zahtjeve.
- Mala djeca trebaju biti pod nadzorom te treba voditi računa da se ne igraju s uređajem.
- Ovaj uređaj ne smiju upotrebljavati osobe smanjenih fizičkih, osjetilnih ili mentalnih sposobnosti (uključujući djecu) i osobe s nedovoljno iskustva i znanja, osim ako ih nadzire osoba odgovorna za njihovu sigurnost ili im daje upute za upotrebu uređaja.
- Ako je strujni kabel oštećen, mora ga zamijeniti proizvođač, ovlašteni serviser ili slična kvalificirana osoba kako bi se izbjegla opasnost.

# 1 Važne upute za sigurnost i očuvanje okoliša

## Upozorenje:

- Ovaj uređaj mogu koristiti djeca starija od 8 godina te osobe sa smanjenim tjelesnim, osjetilnim ili mentalnim sposobnostima ili s nedostatnim iskustvom i znanjem, ako su pod nadzorom osobe odgovorne za njihovu sigurnost ili ako im ona daje potrebne upute za rad s uređajem na siguran način te ako razumiju moguće opasnosti. Djeca se ne smiju igrati s uređajem. Djeca bez nadzora ne smiju čistiti ni vršiti korisničko održavanje uređaja.
- Uređaj mora biti instaliran u skladu s nacionalnim propisima o ožičenju.
- Pojediniosti o vrsti i snazi osigurača: T, 250V AC, 2A. ili 3.15A
- Recikliranje



Ova oznaka pokazuje kako se ovaj proizvod ne smije odlagati s drugim kućanskim otpadom u EU. Radi sprječavanja mogućeg onečišćenja okoliša ili narušavanja ljudskog zdravlja zbog nekontroliranog odlaganja otpada, odgovorno reciklirajte ovaj proizvod radi promoviranja održivog ponovnog korištenja materijalnih resursa. Za vraćanje rabljenog uređaja koristite sustave povrata i prikupljanja ili se obratite prodavaču kod kojeg ste kupili proizvod. Oni mogu preuzeti proizvod radi postupka recikliranja kojim se čuva okoliš.

# 1 Važne upute za sigurnost i očuvanje okoliša

## Upozorenje:

- GWP (potencijal globalnog zatopljenja): R290: 3
- Obratite se tehničaru ovlaštenog servisa za popravak ili održavanje ovog uređaja.
- Nemojte povlačiti, deformirati ili modificirati strujni kabel ili ga uranjati u vodu. Povlačenje ili pogrešna uporaba strujnog može rezultirati oštećenjem uređaja i izazvati strujni udar.
- Mora se poštovati usklađenost s nacionalnim propisima o plinu.
- Ventilacijski otvori ne smiju biti zatvoreni.
- Svaka osoba koja je uključena u rad ili djelovanje na rashladni krug treba posjedovati važeći certifikat od tijela za ocjenjivanje koje je ovlašteno u industriji, a koji potvrđuje njihovu osposobljenost za sigurno rukovanje rashladnim sredstvima u skladu s odgovarajućim ocjenjivanjem priznatim u industriji.
- Servisiranje treba obavljati samo prema preporuci proizvođača opreme. Održavanje i popravak koji zahtijevaju pomoć drugog kvalificiranog osoblja moraju se provoditi pod nadzorom osobe koja je stručno osposobljena za korištenje zapaljivih rashladnih sredstava.



## Upozorenje:

- Nemojte pokretati ili zaustavljati uređaj umetanjem ili izvlačenjem strujnog utikača, to može izazvati strujni udar ili požar zbog stvaranja topline.
- Iskopčajte uređaj iz strujne utičnice ako iz nje dopiru čudni zvukovi, miris ili dim.



- Ako se bilo koji dio ošteti, obratite se prodavaču ili ovlaštenom servisu za popravak;
- U slučaju bilo kakvog oštećenja, isključite zračni prekidač, odspojite napajanje i kontaktirajte prodavača ili ovlaštenu servis zbog popravka;
- U svakom slučaju, strujni kabel treba biti dobro uzemljen.
- Kako biste izbjegli moguće opasnosti, ako je strujni kabel oštećen, isključite zračni prekidač i odspojite napajanje. Treba ga zamijeniti prodavač ili ovlaštenu servis.



## 2 Opće upute

### 2.1 Provjere prostora

Prije početka rada na sustavima koji sadrže zapaljiva rashladna sredstva, potrebne su sigurnosne provjere kako bi se osiguralo da je rizik od zapaljenja sveden na najmanju moguću mjeru. Za popravak rashladnog sustava, prije izvođenja radova na sustavu, potrebno je pridržavati se sljedećih mjera opreza.

### 2.2 Radni postupak

Rad se mora izvoditi prema kontroliranom postupku kako bi se smanjio rizik od prisutnosti zapaljivog plina ili pare tijekom izvođenja radova.

### 2.3 Opće područje rada

Svo osoblje održavanja i ostali koji rade na lokalnom području moraju biti upućeni u prirodu posla koji se obavlja. Treba izbjegavati rad u skućenim prostorima. Područje oko radnog prostora mora biti odvojeno. Kontrolom zapaljivog materijala osigurajte da su uvjeti unutar područja sigurni.

### 2.4 Provjera prisutnosti rashladnog sredstva

Područje se mora provjeriti odgovarajućim detektorom rashladnog sredstva prije i tijekom rada, kako bi se osiguralo da je tehničar svjestan potencijalno zapaljive atmosfere. Pripazite je li oprema za otkrivanje curenja koja se koristi prikladna za upotrebu sa zapaljivim rashladnim sredstvima, tj. da ne iskri, da je odgovarajuće zabrtvljena ili zaista sigurna.

### 2.5 Prisutnost aparata za gašenje požara

Ako se na rashladnoj opremi ili bilo kojim pripadajućim dijelovima trebaju izvoditi bilo kakve radove s alatima koji stvaraju visoku temperaturu, odgovarajuća oprema za gašenje požara mora biti dostupna u neposrednoj blizini. Neka aparat za gašenje požara sa suhim prahom ili CO<sub>2</sub> bude u blizini mjesta punjenja.

### 2.6 Bez izvora zapaljenja

Nijedna osoba koja izvodi radove povezane s rashladnim sustavom koji uključuje izlaganje bilo kakvog cjevovoda koji sadrži ili je sadržavao zapaljivo rashladno sredstvo ne smije koristiti izvore zapaljenja na takav način da to može predstavljati opasnost od požara ili eksplozije. Svi mogući izvori zapaljenja, uključujući pušenje, trebaju biti dovoljno udaljeni od mjesta instalacije, popravka, uklanjanja i odlaganja, pri čemu se zapaljivo rashladno sredstvo može ispustiti u okolni prostor. Prije obavljanja posla potrebno je pregledati područje oko opreme kako bi se osiguralo da nema opasnosti od zapaljenja ili rizika od paljenja. Znakovi „Zabranjeno pušenje“ trebaju biti istaknuti.

### 2.7 Prozračeno područje

Osigurajte da je područje na otvorenom ili da je dovoljno prozračeno prije pristupa unutar sustava ili izvođenja bilo kakvih radova pomoću alata koji stvaraju visoku temperaturu. Određeni stupanj prozračivanja mora se nastaviti tijekom razdoblja izvođenja radova.

## 2 Opće upute

Ventilacija bi trebala sigurno raspršiti ispušteno rashladno sredstvo i po mogućnosti ga izbaciti van u atmosferu.

### 2.8 Provjere rashladne opreme

Ako se mijenjaju električni dijelovi, oni moraju odgovarati namjeni i ispravnim specifikacijama. U svakom trenutku treba se pridržavati smjernica proizvođača za održavanje i servisiranje. Ako ste u nedoumici, obratite se tehničkom odjelu proizvođača za pomoć. Sljedeće provjere moraju se primijeniti na instalacije koje koriste zapaljiva rashladna sredstva: veličina punjenja je u skladu s veličinom prostorije unutar koje su ugrađeni dijelovi koji sadrže rashladno sredstvo; ventilacijski strojevi i otvori rade ispravno i nisu začepljeni; ako se koristi neizravni rashladni krug, u sekundarnom krugu mora se provjeriti prisutnost rashladnog sredstva; oznake na opremi su vidljive i čitljive. Oznake i znakovi koji su nečitljivi moraju se ispraviti; rashladna cijev ili dijelovi instalirani su na mjestu gdje je malo vjerojatno da će biti izložene bilo kojoj tvari koja može nagrizati dijelove koji sadrže rashladno sredstvo, osim ako su dijelovi izrađeni od materijala koji su sami po sebi otporni na koroziju ili su prikladno zaštićeni od korozije.

### 2.9 Provjere električnih uređaja

Popravlak i održavanje električnih dijelova uključuje početne sigurnosne provjere i postupke pregleda dijelova. Ako postoji pogreška (kvar) koja bi mogla ugroziti sigurnost, tada se električno napajanje ne smije spajati na krug dok se ne riješi na zadovoljavajući način. Ako se pogreška (kvar) ne može odmah otkloniti, a potrebno je nastaviti s radom, treba koristiti odgovarajuće privremeno rješenje. O ovome treba obavijestiti vlasnika opreme kako bi se obavijestile sve strane.

Početne sigurnosne provjere uključuju: jesu li kondenzatori ispražnjeni: to treba učiniti na siguran način kako bi se izbjegla mogućnost iskrenja; provjera kako tijekom punjenja, oporavka ili pražnjenja sustava nema izloženih električnih komponenti i ožičenja pod naponom; postoji li kontinuitet uzemljenja.



## 3 Popravci zabrtvljenih dijelova

Tijekom popravaka zabrtvljenih dijelova, sva električna napajanja moraju biti isključena na opremi na kojoj se radi prije bilo kakvog uklanjanja zabrtvljenih poklopaca, itd. Ako je apsolutno neophodno imati električno napajanje opreme tijekom servisiranja, tada se trajno aktivni oblik detekcije curenja nalazi na najkritičnijoj točki kako bi upozorio na potencijalno opasnu situaciju.

Posebnu pažnju treba obratiti na sljedeće, kako bi se osiguralo da se radom na električnim dijelovima, kućište ne promijeni na takav način da to utječe na razinu zaštite.

Ovo uključuje oštećenje kabela, preveliki broj priključaka, priključke koji nisu napravljeni prema izvornim specifikacijama, oštećenje brtvi, neispravno postavljanje uvodnica, itd. Provjerite je li uređaj sigurno montiran. Provjerite kako brtve ili brtveni materijali nisu degradirani tako da više ne služe svrsi sprječavanja ulaska zapaljive atmosfere. Zamjenski dijelovi moraju biti u skladu sa specifikacijama proizvođača.



Upotreba silikonskog brtvlila može spriječiti učinkovitost nekih vrsta opreme za otkrivanje curenja. Potpuno sigurne dijelove ne treba izolirati prije rada na njima.

### 3.1 Popravak potpuno sigurnih dijelova

Nemojte primjenjivati nikakva trajna induktivna ili kapacitivna opterećenja na krug ako niste osigurali da to ne premašuje dopušteni napon i struju dopuštenu za opremu koja se koristi.

Potpuno sigurni dijelovi jedina su vrste na kojima se može raditi dok su pod naponom u prisutnosti zapaljive atmosfere. Ispitni uređaj mora imati ispravne parametre. Zamijenite dijelove samo dijelovima koje je naveo proizvođač. Drugi dijelovi mogu izazvati zapaljenje rashladnog sredstva u atmosferi zbog curenja.

### 3.2 Kabeli

Provjerite kako kabeli nisu podložni habanju, koroziji, prekomjernom pritisku, vibracijama, oštrim rubovima ili bilo kojim drugim štetnim utjecajima iz okoline. Provjera također mora uzeti u obzir učinke starenja ili kontinuirane vibracije iz izvora kao što su kompresori ili ventilatori.

### 3.3 Detekcija zapaljivih rashladnih sredstava

Ni pod kojim okolnostima ne smiju se koristiti potencijalni izvori zapaljenja prilikom traženja ili otkrivanja (detekcije) curenja rashladnog sredstva. Ne smije se koristiti halogeni plamenik (ili bilo koji drugi detektor koji koristi otvoreni plamen).

## 3 Popravci zabrtvljenih dijelova

### 3.4 Metode otkrivanja curenja

Sljedeće metode otkrivanja curenja smatraju se prihvatljivima za sustave koji sadrže zapaljiva rashladna sredstva. Za otkrivanje zapaljivih rashladnih sredstava koristit će se elektronički detektori curenja, ali osjetljivost možda neće biti odgovarajuća ili će možda trebati ponovno kalibriranje. (Oprema za detekciju mora se kalibrirati u području bez rashladnog sredstva.) Uvjerite se da detektor nije potencijalni izvor zapaljenja i da je prikladan za korišteno rashladno sredstvo. Oprema za otkrivanje curenja postavlja se na postotak LFL-a rashladnog sredstva i mora se kalibrirati prema korištenom rashladnom sredstvu i potvrđuje se odgovarajući postotak plina (najviše 25 %). Tekućine za otkrivanje curenja prikladne su za korištenje s većinom rashladnih sredstava, ali treba izbjegavati upotrebu deterdženata koji sadrže klor jer bi klor mogao reagirati s rashladnim sredstvom i nagristi bakrene cijevi. Ako se sumnja na curenje, potrebno je ukloniti/ugasiti sve otvorene plamene. Ako se pronađe curenje u rashladnom sredstvu koje zahtijeva tvrdo lemljenje, sva količina rashladnog sredstva mora se oporabiti iz sustava ili izolirati (pomoću zapornih ventila) u dijelu sustava koji je udaljen od mjesta curenja. Dušik bez kisika (OFN) tada će se propuhati kroz sustav prije i tijekom procesa tvrdog lemljenja.

### 3.5 Uklanjanje i evakuacija

Pri proboja u rashladni krug radi popravka – ili u bilo koju drugu svrhu – treba koristiti konvencionalne postupke. Međutim, važno je slijediti najbolju praksu budući jer treba uzeti u obzir zapaljivost. Treba se pridržavati sljedećeg postupka: uklonite rashladno sredstvo; pročititi krug inertnim plinom; evakuirati; ponovno pročititi inertnim plinom; otvorite krug rezanjem ili tvrdim lemljenjem. Punjenje rashladnog sredstva oporabit će se u odgovarajućim cilindrima za oporabu. Sustav se treba „isprati“ s OFN-om kako bi jedinica bila sigurna. Ovaj postupak će možda trebati ponoviti nekoliko puta. Komprimirani zrak ili kisik ne smiju se koristiti za ovaj zadatak. Ispiranje se postiže razbijanjem vakuuma u sustavu pomoću OFN-a i nastavkom punjenja dok se ne postigne radni tlak, zatim odzračivanjem u atmosferu i na kraju spuštanjem do vakuuma. Ovaj postupak treba ponavljati sve dok rashladno sredstvo ne bude u sustavu. Kada se koristi posljednje punjenje OFN-a, sustav se mora ispustiti do atmosferskog tlaka kako bi se omogućio rad. Ovaj postupak je ključan ako se planiraju postupci tvrdog lemljenja na cjevovodu. Provjerite kako izlaz za vakuumsku pumpu nije u blizini izvora zapaljenja i je li ventilacija dostupna.

## 3 Popravci zabrtvljenih dijelova

### 3.6 Postupci punjenja

Uz konvencionalne postupke punjenja, moraju se poštovati sljedeći zahtjevi.

- Pobrinite se da ne dođe do kontaminacije različitim rashladnim sredstvima kada koristite opremu za punjenje. Crijeva ili vodovi moraju biti što kraći kako bi se smanjila količina rashladnog sredstva sadržanog u njima.
- Cilindri trebaju biti u uspravnom položaju.
- Provjerite je li rashladni sustav uzemljen prije punjenja sustava rashladnim sredstvom.
- Označite sustav kada je punjenje završeno (ako već niste).
- Posebno treba pripaziti da se rashladni sustav ne prepuni.

Prije ponovnog punjenja treba provjeriti tlak sustava s OFN-om. Treba se ispitati nepropusnost sustava nakon završetka punjenja, ali prije puštanja u pogon. Naknadno ispitivanje nepropusnosti mora se provesti prije napuštanja lokacije.

### 3.7 Povlačenje iz upotrebe

Prije izvođenja ovog postupka, bitno je da se tehničar potpuno upozna s opremom i svim njezinim pojedinostima. Preporuča se dobra praksa kako bi se sva rashladna sredstva sigurno oporabila. Prije izvođenja zadatka treba uzeti uzorak ulja i rashladnog sredstva u slučaju da je potrebna analiza prije ponovne uporabe regeneriranog rashladnog sredstva. Neophodno je da električna energija bude dostupna prije početka zadatka.

- Upoznajte se s opremom i njenim radom.
- Potrebna je električna izolacija sustava.
- Prije pokušaja obavljanja postupka osigurajte sljedeće: mehanička oprema za rukovanje je dostupna, ako je potrebna, za rukovanje bocama rashladnog sredstva; sva osobna zaštitna oprema je dostupna i pravilno se koristi; proces oporabe cijelo vrijeme nadzire stručna osoba; oprema za oporabu i cilindri u skladu su s odgovarajućim standardima.
- Ispumpajte rashladni sustav, ako je moguće.
- Ako vakuum nije moguće postići, napravite razvodnik tako da se rashladno sredstvo može ukloniti iz raznih dijelova sustava.
- Pobrinite se da se cilindar nalazi na vagi prije nego što dođe do oporabe.
- Pokrenite stroj za oporabu i radite u skladu s uputama proizvođača.
- Nemojte prepuniti cilindre. (Ne više od 80 % volumena tekućeg punjenja).
- Nemojte prekoračiti maksimalni radni tlak cilindra, čak ni privremeno.
- Kada su cilindri pravilno napunjeni i postupak je završen, pobrinite se i odmah uklonite cilindre i opremu s lokacije te zatvorite sve izolacijske ventile na opremi.
- Oporabljeno rashladno sredstvo ne smije se puniti u drugi rashladni sustav osim ako nije očišćeno i provjereno

### 3.8 Označavanje

Opremu treba označiti navodeći da je stavljena izvan pogona i da je rashladno sredstvo ispražnjeno. Oznaka mora imati datum i potpis.

## 3 Popravci zabrtvljenih dijelova

Pobrinite se da na opremi postoje oznake na kojima je navedeno kako oprema sadrži zapaljivo rashladno sredstvo.

### 3.9 Regeneracija

Prilikom uklanjanja rashladnog sredstva iz sustava, bilo radi servisiranja ili stavljanja izvan pogona, preporučuje se dobra praksa tako da se sva rashladna sredstva uklone na siguran način. Prilikom prijenosa rashladnog sredstva u cilindre, pripazite neka se koriste samo odgovarajući cilindri za uporabu rashladnog sredstva. Pobrinite se neka bude dostupan točan broj cilindara u kojima će se držati ukupno punjenje sustava. Svi cilindri koji se koriste trebaju biti namijenjeni za oporabljeno rashladno sredstvo i označeni za to rashladno sredstvo (tj. posebni cilindri za uporabu rashladnog sredstva). Cilindri trebaju biti opremljeni odušnim ventilom i pripadajućim zapornim ventilima koji trebaju biti u dobrom radnom stanju. Prazni cilindri za uporabu se isprazne i, ako je moguće, ohlade prije nego što dođe do uporabe.

Oprema za uporabu mora biti u dobrom radnom stanju sa skupom uputa za opremu koja je pri ruci i mora biti prikladna za uporabu zapaljivih rashladnih sredstava. Osim toga, komplet kalibriranih vaga za vaganje mora biti dostupan i u dobrom radnom stanju. Crijeva moraju biti kompletna s nepropusnim spojnica- ma za odvajanje i u dobrom stanju.

Prije uporabe stroja za uporabu provjerite je li u zadovoljavajućem radnom stanju, pravilno održavan i jesu li sve pove- zane električne komponente zabrtvljene

kako bi se spriječilo zapaljenje u slučaju ispuštanja rashladnog sredstva. Ako ste u nedoumici potražite savjet proizvođača.

Oporabljeno rashladno sredstvo mora se vratiti dobavljaču rashladnog sredstva u ispravnom cilindru za uporabu i složiti odgovarajuću Potvrdu o prijenosu otpada. Ne miješajte rashladna sredstva u jedinicama za uporabu, a posebno ne u cilindrima.

Ako kompresore ili kompresorska ulja treba ukloniti, pobrinite se da se isprazne do prihvatljive razine kako biste bili sigurni da zapaljivo rashladno sredstvo ne preostaje u mazivu. Postupak pražnjenja mora se provesti prije vraćanja kompresora dobavljačima. Za ubrzanje ovog procesa smije se koristiti samo električno grijanje kućišta kompresora. Kada se ulje ispusti iz sustava, to se treba izvesti na siguran način.

### 3.10 Osposobljenost servisnog osoblja

#### 3.10. 1 Općenito

Potrebna je posebna izobrazba uz uobičajene postupke popravka rashladne opreme kada je riječ o opremi sa zapaljivim rashladnim sredstvima

U mnogim državama ovu izobrazbu provode nacionalne organizacije za izobrazbu koje su akreditirane za poučavanje relevantnih nacionalnih standarda kompetencija koji mogu biti utvrđeni zakonima.

Razinu postignute izobrazbe potrebno je dokumentirati certifikatom.

## 3 Popravci zabrtvljenih dijelova

### 3.10.2 Izobrazba

Izobrazba bi trebala sadržavati sljedeći sadržaj:

Informacije o potencijalu eksplozije zapaljivih rashladnih sredstava koje pokazuju da zapaljive tvari mogu biti opasne ako se njima nepažljivo rukuje.

Informacije o mogućim izvorima zapaljenja, posebno onima koji nisu očiti, kao što su upaljači, prekidači za svjetlo, usisavači, električne grijalice.

Informacije o različitim konceptima sigurnosti:

Bez ventilacije – (pogledajte klauzulu GG.2) Sigurnost uređaja ne ovisi o ventilaciji kućišta. Isključivanje uređaja ili otvaranje kućišta nema značajan utjecaj na sigurnost. Unatoč tome, moguće je da se rashladno sredstvo koje curi nakupi unutar kućišta te će se zapaljiva atmosfera osloboditi kada se kućište otvori.

Ventilirano kućište – (vidi klauzulu GG.4) Sigurnost uređaja ovisi o ventilaciji kućišta. Isključivanje uređaja ili otvaranje kućišta značajno utječe na sigurnost. Prije toga potrebno je osigurati dovoljnu ventilaciju.

Prozračena prostorija – (vidi klauzulu GG.5) Sigurnost uređaja ovisi o ventilaciji prostorije. Isključivanje uređaja ili otvaranje kućišta nema značajan utjecaj na sigurnost. Ventilacija prostorije ne smije se isključivati tijekom popravaka.

Informacije o konceptu zatvorenih komponenti i zatvorenih kućišta prema IEC 60079-15:2010.

Informacije o ispravnim radnim postupcima:

### Puštanje u rad

- Provjerite je li podna površina dovoljno izdržljiva za punjenje rashladnog sredstva ili je li ventilacijski kanal pravilno sastavljen.
- Spojite cijevi i provedite ispitivanje nepropusnosti prije punjenja rashladnim sredstvom.
- Provjerite sigurnosnu opremu prije puštanja u rad.

### Održavanje

- Prijenosnu opremu treba popraviti na otvorenim ili u radionici posebno opremljenoj za servisiranje jedinica sa zapaljivim rashladnim sredstvima.
- Osigurajte odgovarajuću ventilaciju na mjestu popravka.
- Imajte na umu da kvar opreme može biti izazvan gubitkom rashladnog sredstva i da je moguće curenje rashladnog sredstva.
- Ispraznite kondenzatore na način koji neće izazvati iskrenje. Standardni postupak kratkog spoja na priključcima kondenzatora obično stvara iskre.
- Točno ponovno sastavite zapečaćena kućišta. Ako su brtve istrošene, zamijenite ih.
- Provjerite sigurnosnu opremu prije puštanja u rad.

## 3 Popravci zabrtvljenih dijelova

### Popravak

- Prijenosnu opremu treba popraviti na otvorenim ili u radionici posebno opremljenoj za servisiranje jedinica sa zapaljivim rashladnim sredstvima.
- Osigurajte odgovarajuću ventilaciju na mjestu popravka.
- Imajte na umu da kvar opreme može biti izazvan gubitkom rashladnog sredstva i da je moguće curenje rashladnog sredstva.
- Ispraznite kondenzatore na način koji neće izazvati iskrenje.
- Kada je potrebno obaviti tvrdo lemljenje, sljedeći se postupci trebaju provesti pravilnim redoslijedom:
- Uklonite rashladno sredstvo. Ako nacionalni propisi ne zahtijevaju uporabu, ispuštite rashladno sredstvo na otvorenom. Pazite da ispušteno rashladno sredstvo ne izazove nikakvu opasnost. Ako imate nedoumica, jedna osoba treba čuvati utičnicu. Posebno pazite da ispušteno rashladno sredstvo ne otpluta natrag u zgradu.
- Ispraznite rashladni krug.
- Pročistite krug rashladnog sredstva dušikom 5 min.
- Ponovno ga ispraznite.
- Dijelove koje treba zamijeniti uklonite rezanjem, a ne plamenom.
- Pročistite točku lemljenja dušikom tijekom postupka tvrdog lemljenja.
- Provedite ispitivanje nepropusnosti prije punjenja rashladnim sredstvom.
- Točno ponovno sastavite zapečaćena kućišta. Ako su brtve istrošene, zamijenite ih.
- Provjerite sigurnosnu opremu prije puštanja u rad.

### Povlačenje iz upotrebe

- ko je sigurnost ugrožena kada se oprema stavi van upotrebe, potrebno je ukloniti rashladno sredstvo prije povlačenja iz upotrebe.
- Osigurajte odgovarajuću ventilaciju na lokaciji opreme.
- Imajte na umu da kvar opreme može biti izazvan gubitkom rashladnog sredstva i da je moguće curenje rashladnog sredstva.
- Ispraznite kondenzatore na način koji neće izazvati iskrenje.
- Uklonite rashladno sredstvo. Ako nacionalni propisi ne zahtijevaju uporabu, ispuštite rashladno sredstvo na otvorenom. Pazite da ispušteno rashladno sredstvo ne izazove nikakvu opasnost. Ako imate nedoumica, jedna osoba treba čuvati utičnicu. Posebno pazite da ispušteno rashladno sredstvo ne otpluta natrag u zgradu.
- Ispraznite rashladni krug.
- Pročistite krug rashladnog sredstva dušikom 5 min.
- Ponovno ga ispraznite.
- Napunite dušikom do atmosferskog tlaka.
- Na opremu stavite naljepnicu da se zna kako je rashladno sredstvo uklonjeno.

### Zbrinjavanje

- Osigurajte odgovarajuću ventilaciju na mjestu rada.
- Uklonite rashladno sredstvo. Ako nacionalni propisi ne zahtijevaju uporabu, ispuštite rashladno sredstvo na otvorenom. Pazite da ispušteno rashladno sredstvo ne izazove nikakvu opasnost. Ako imate nedoumica, jedna osoba treba čuvati utičnicu.

### 3 Popravci zabrtvljenih dijelova

- Posebno pazite da ispušteno rashladno sredstvo ne otpluta natrag u zgradu.
- Ispraznite rashladni krug.
- Pročistite krug rashladnog sredstva dušikom 5 min.
- Ponovno ga ispraznite.
- Isključite kompresor i ispustite ulje.

#### **Prijevoz, označavanje i skladištenje jedinica koje koriste zapaljive rashladne tvari**

Prijevoz opreme koja sadrži zapaljive rashladne tvari.

Upozoravamo na činjenicu da mogu postojati dodatni propisi o prijevozu u vezi s opremom koja sadrži zapaljivi plin. Maksimalan broj dijelova opreme ili konfiguracija opreme koji se dopuštaju zajedno prevoziti bit će određen važećim transportnim propisima.

Označavanje opreme pomoću znakova

Oznake za slične uređaje koji se koriste u području rada općenito su regulirane lokalnim propisima i navode minimalne zahtjeve za postavljanje sigurnosnih i/ili zdravstvenih znakova na lokaciji rada.

Svi potrebni znakovi moraju se održavati, a poslodavci trebaju osigurati da zaposlenici dobiju odgovarajuće i dostatne upute i izobrazbu o značenju odgovarajućih sigurnosnih znakova i radnjama koje je potrebno poduzeti u vezi s tim znakovima.

Učinkovitost znakova ne smije biti smanjena postavljanjem previše znakova zajedno.

Svi korišteni piktogrami trebaju biti što jednostavniji i sadržavati samo bitne detalje.

Zbrinjavanje opreme koja koristi zapaljiva rashladna sredstva

Pogledajte nacionalne propise.

Skladištenje opreme/uređaja

Skladištenje opreme mora biti u skladu s uputama proizvođača.

Skladištenje zapakirane (neprodane) opreme

Zaštita pakiranja za pohranjivanje treba biti izrađena tako da mehanička oštećenja opreme unutar pakiranja neće izazvati curenje punjenja rashladnog sredstva.

Najveći broj komada opreme koji je dopušteno skladištiti zajedno bit će određen lokalnim propisima.

#### **Općenite sigurnosne upute**

##### **Upozorenje:**



Prije korištenja stroja pažljivo pročitajte upute kako biste maksimalno iskoristili sve značajke stroja. Ova uputa služi samo kao smjernica i nije dio ugovora, zadržavamo pravo tehničkih izmjena i nećemo vas obavijestiti prije izmjene.

#### **Napomena prije upotrebe:**

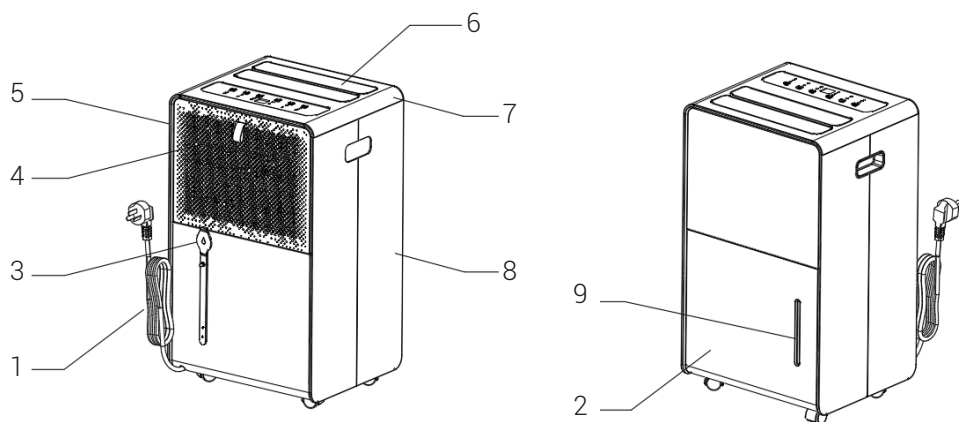
1. „MOLIMO PROVJERITE PROZRAČUJE LI SE PROIZVOD U SVAKOM TRENUTKU!“ Pazite da ulazna i izlazna ventilacija nisu blokirani ni u jednom trenutku.
2. Ovom jedinicom rukujte na vodoravnoj površini kako biste izbjegli curenje vode.

### 3 Popravci zabrtvljenih dijelova

3. Ne koristite ovaj uređaj u eksplozivnoj ili korozivnoj atmosferi.
4. Temperatura radne okoline stroja: hlađenje pri temperaturi od 5 °C - 35 °C.
5. Kada je jedinica isključena, pričekajte najmanje 3 minute prije ponovnog pokretanja i tako spriječite oštećenje kompresora.
6. Koristite odvojeno napajanje, zabranjeno je dijeljenje utičnice s drugim električnim uređajima, specifikacije utičnice ne smiju biti manje od 10 A, utičnice moraju biti dobro pričvršćene.
7. Napajanje: **220-240V/50hz.**
8. Bacite vodu koja se skupila u spremniku, ako je potrebno.
9. Ne uranjajte jedinicu u vodu niti je postavljajte blizu vode.
10. Nemojte sjediti ili stajati na uređaju.
11. Ne koristite odvlaživač u zatvorenom prostoru, kao što je unutar ormara, jer može izazvati požar.
12. Postavite odvodnu cijev na nagibu kako biste omogućili da se kondenzirana voda može kontinuirano odvoditi.



## 4 Slika dijela



### 2.1 Upravljački elementi i dijelovi

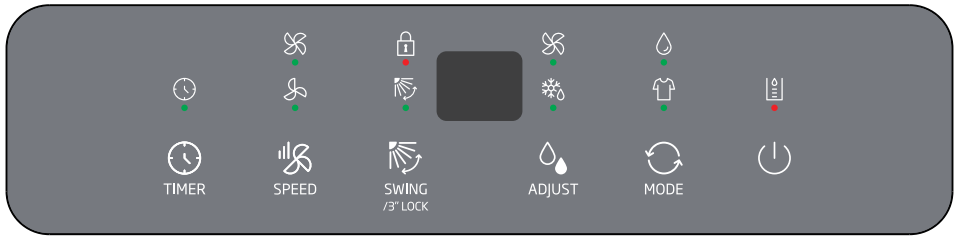
1. Strujni kabel
2. Spremnik
3. Neprekidni odvod/skup strujnih kabela
4. Mrežica filtra
5. Stražnja oplata
6. Otvor za zrak
7. Gornji poklopac
8. Prednja oplata
9. Pokazatelj vode

## 4 Slika dijela

### 2.2 Specifikacije

Naziv modela	BDPM020
Rashladno sredstvo	R290
Ukupna količina rashladnog sredstva (g)	47
Zaštita od strujnog udara	Razred I
Nazivni kapacitet odvlaživanja (27°C RH60%) (l/dan)	11
Nazivni kapacitet odvlaživanja (30°C RH80%) (l/dan)	20
Napon/frekvencija/faza (V/Hz/faza)	220V-240V / 50Hz
Razina snage zvuka (dBA)	63/61
Nazivna ulazna snaga (W)	430
Nazivna ulazna struja (A)	2,3
Raspon relativne vlažnosti (ručni)	30 %-90 %
Temperatura okoline	5-35
Neto dimenzije uređaja (ŠxVxD) mm	290x500x250
Neto težina uređaja (kg)	12,5

## 5 Upute za rukovanje



### Gumb uključivanja/isključivanja:

Pritisnite gumb uključivanja/isključivanja i uključite uređaj. Poklopac otvora za izlaz zraka otvara se automatski.

Ponovno pritisnite gumb i isključite uređaj. Poklopac otvora za izlaz zraka automatski se zatvara.

Nakon pokretanja prikazuje se trenutna vlažnost; Vlažnost je prvo podešena na „Co“ i kompresor se može odmah pokrenuti kako bi započeo odvlaživanje.

### Gumb SPEED (brzina):

Pritisnite gumb za brzinu ventilatora za odabir niske ili visoke brzine ventilatora. Zasljetlit će svijetlo odgovarajućeg pokazatelja.

### Gumb ADJUST (prilagodi):

Pritisnite gumb ADJUST (prilagodi) i zasvijetlit će svjetlo pokazatelja „Co“. Kada je vlažnost podešena, vlažnost se podešava na sljedeći način: „Co“ (continuous - neprekidno) →30 %→35 %→40 %→45 %→50→..... →85→90→“Co“ (continuous -neprekidno) ciklus.

Postavka će se aktivirati za pribl. 5 sekundi bez daljnjih radnji. Digitalni zaslon će se vratiti kako bi prikazao vlažnost u prostoriji.

### Gumb mjerača vremena

Postavka „Timer ON“ (mjerač vremena uključen):

- Kada je uređaj isključen, pritisnite gumb „TIMER“ (mjerač vremena), zasvijetlit će svijetlo odgovarajućeg pokazatelja.
- Nastavite pritiskati gumb „TIMER“ (mjerač vremena) i odaberite željeno vrijeme UKLJUČIVANJE u rasponu od 0-24. Postavka će se aktivirati za pribl. 5 sekundi bez daljnjih radnji.
- Uređaj će se automatski uključiti kada istekne podešeno vrijeme.

Postavka „Timer OFF“ (mjerač vremena isključen):

- Kada je uređaj radi, pritisnite gumb „TIMER“ (mjerač vremena), zasvijetlit će svijetlo odgovarajućeg pokazatelja.
- Nastavite pritiskati gumb „TIMER“ (mjerač vremena) i odaberite željeno vrijeme ISKLJUČIVANJA u rasponu od 0-24. Postavka će se aktivirati za pribl. 5 sekundi bez daljnjih radnji. Digitalni zaslon će se vratiti kako bi prikazao razinu vlažnosti.
- Uređaj će se automatski isključiti kada istekne podešeno vrijeme.

## 5 Upute za rukovanje

### Gumb načina rada

Pritisnite gumb načina rada kako biste odabrali željeni način rada: način odvlaživanja, način ventilatora ili način sušenja odjeće.

### Gumb SWING (zakretanje)

Pritisnite gumb zakretanja i uključite/isključite funkciju zakretanja poklopca otvora za zrak.

Blokada: Dugo pritisnite gumb SWING (zakretanje) na 3 sekunde za odabir blokade za zaštitu djece;

- Kada je uključena: Nakon što je blokada za zaštitu djece uključena, ne može se rukovati niti jednim drugim gumbima osim blokade za zaštitu djece i gumba uključivanja/isključivanja (napomena: gumb uključivanja/isključivanja može se koristiti za isključivanje).
- Kada je isključena: funkcija blokade za zaštitu djece može se otvoriti i zatvoriti. Nakon što je blokada za zaštitu djece otvorena, ne može se rukovati niti jednim drugim gumbima osim blokade za zaštitu djece (napomena: ne može se rukovati ni gumbom uključivanja/isključivanja).
- Kada se otvori funkcija blokade za zaštitu djece, svijetli pokazatelj blokade za zaštitu djece.

Svijetlo pune napunjenosti vode svijetli crvenim svjetlom, zaslon dvostruke 8 na ploči zaslona svijetli bijelim svjetlom, a svjetla drugih pokazatelja svijetle bijelim svjetlom.



Nakon 20 sekundi rada svijetla svih pokazatelja (uključujući dvostruku 8) će se prigušiti.

### 5.1 Opis funkcija:

#### Funkcija odvlaživanja:

1. Kada je podešen „Co“ (continuous - neprekidni) rad odvlaživanja, odvlaživač će nastaviti raditi (kompresor, rad ventilatora) bez obzira na razinu vlažnosti u tom trenutku.
2. Ako je unutarnja vlažnost veća od ili jednaka 3 % podešene vlažnosti, kompresor će započeti s odvlaživanjem, a kompresor i ventilator će raditi.
3. Nakon odvlaživanja unutarnje vlage, kada vlažnost padne ispod 2 % podešene vlažnosti, kompresijski mehanizam će zaustaviti odvlaživanje, kompresor će ući u zaštitu na tri minute, a ventilator će se zaustaviti nakon 3 minute.
4. Ako unutarnja vlažnost poraste za 3 % više od ili jednake podešenoj vlažnosti nakon što odvlaživač zaustavi odvlaživanje, ako je kompresor prošao stanje zaštite na tri minute, kompresor će započeti s odvlaživanjem.
5. Prema gornjem ciklusu rada, unutarnja vlažnost može se održavati na približno podešenoj vlažnosti.

#### Funkcija sušenja odjeće:

1. Kada je ova funkcija aktivirana, odvlaživač će raditi neprekidno (kompresor i ventilator rade) bez obzira je li vlažnost visoka ili niska kada se obavlja način rada „Co“ (continuous - neprekidan).
2. Brzina vjetra je blokirana na veliku brzinu i ne može se prilagoditi.
3. Gumb podešavanja vlažnosti ne može se podesiti.

## 5 Upute za rukovanje

### Funkcija FAN (ventilatora):

1. Kompresor ne radi.
2. Ventilator ima dva načina rada: jak vjetar i slab vjetar.
3. Gumb podešavanje vlažnosti ne može se podesiti u načinu rada dovoda zraka.

### Zaštitna funkcija punog spremnika vode:

1. Kada je spremnik za vodu pun, uključit će se svjetlo indikatora punosti spremnika (FULL -pun), odvlaživač će automatski prestati s radom i zvučni signal će se oglasiti 15 puta.
2. Za zaustavljanje alarma pritisnite bilo koji gumb. Kompresor i ventilator će se isključiti
3. te sve funkcije neće raditi dok se spremnik za vodu ne isprazni i zamijeni.

### Funkcija odmrzavanja:

1. Tijekom odmrzavanja, kompresor se isključuje, ventilator nastavlja raditi velikom brzinom kako bi se omogućilo odmrzavanje, a svjetlo pokazatelja odmrzavanja neprekidno svijetli.
2. Kada je sobna temperatura niža od ili jednaka  $16^{\circ}\text{C}$ , temperatura zavojnice neće biti detektirana. Pojediniosti prema djelovanju sobne temperature:
3. Kada je sobna temperatura  $\leq 12^{\circ}\text{C}$ , kompresor radi 30 minuta, isključuje odmrzavanje na 10 minuta, a zatim se vraća u način rada podešavanja prije odmrzavanja.

4. Kada je sobna temperatura  $>12^{\circ}\text{C} < i \leq 16^{\circ}\text{C}$ , kompresor će raditi 45 minuta i zaustaviti se radi odmrzavanja na 10 minuta, a zatim se vratiti u način rada podešavanja prije odmrzavanja.
5. Kada je sobna temperatura viša od  $16^{\circ}\text{C}$ , prema djelovanju temperature zavojnice, ovo su pojediniosti: Kada kompresor radi 30 minuta, ako je temperatura zavojnice manja od 1, zaustavite uređaj radi odmrzavanja na 10 minuta, a zatim se vratite u način rada podešavanja prije odmrzavanja.



Tijekom odmrzavanja svjetlo odmrzavanja neprekidno svijetli.

### Zaštitna odgoda kompresora:

1. Kompresor se može odmah pokrenuti svaki put kada se pokrene;
2. Nakon što se kompresor zaustavi, prije ponovnog pokretanja, trebao bi postojati interval od najmanje 3 minute.

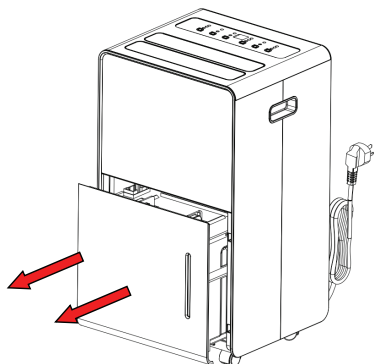
### Odvod spremnika za vodu

Kada je spremnik za pražnjenje pun, upalit će se lampica pokazatelja napunjenosti spremnika, rad će se automatski zaustaviti, a zvučni signal će se oglasiti 15 puta kako bi upozorio korisnika da vodu treba isprazniti iz spremnika za pražnjenje.

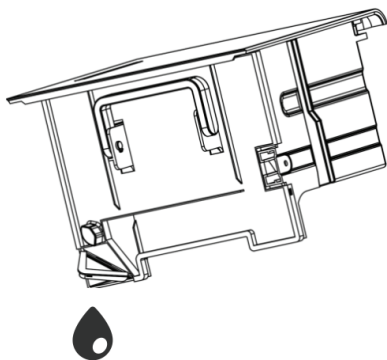
## 5 Upute za rukovanje

### Prazni spremnik

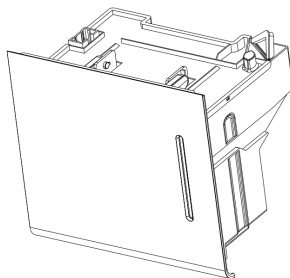
1. Lagano pritisnite bočne strane spremnika i izvucite spremnik s obje ruke.



2. Ispraznite vodu iz spremnika.

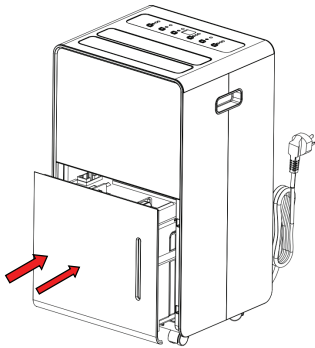


1. Ne uklanjajte plovak iz spremnika za vodu, inače senzor za vodu neće moći utvrditi razinu vode te neće moći normalno raditi.



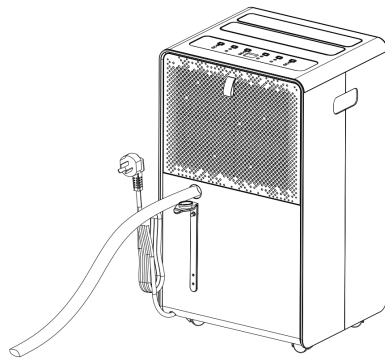
## 5 Upute za rukovanje

2. Ako je spremnik prljav, za čišćenje koristite hladnu ili toplu vodu. Ne smiju se koristiti deterdženti, žičane spužvice, kemijski tretirane krpe za prašinu, benzin, benzen, razrjeđivač ili druga otapala jer mogu oštetiti spremnik za vodu i izazvati curenje vode.
3. Kada vraćate spremnik na njegovo mjesto, čvrsto pritisnite spremnik s obje ruke. Ako spremnik za vodu nije postavljen, senzor napunjenosti vode će i dalje biti aktiviran, a odvlaživač neće raditi.



### Neprekidno pražnjenje

Odvlaživač ima otvor za neprekidno pražnjenje, plastičnu cijev (promjera 10 mm) umetnite u pregradni otvor za pražnjenje koji izlazi na strani spremnika. Kada se spremnik za vodu postavi na svoje mjesto, a odvodna cijev ispravi, voda se može ispustiti iz stroja kroz odvodni otvor.



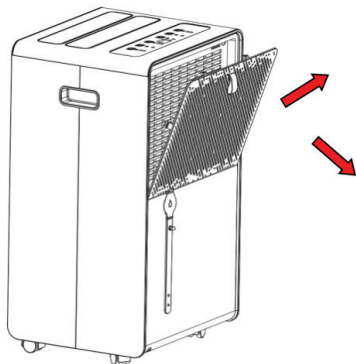
## 6 Održavanje

### 6.1 Čišćenje kućišta

kućište obrišite mekanom vlažnom krpom.

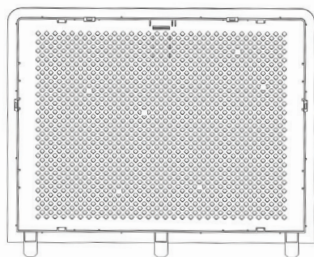
### 6.2 Čišćenje filtra

1. Izvucite filtar povlačenjem prema gore.



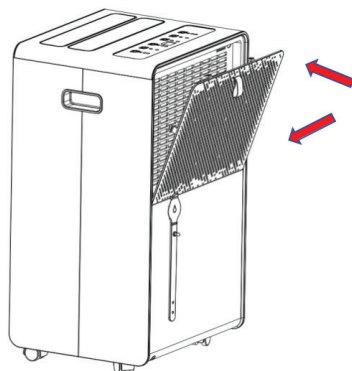
2. Čišćenje filtra

Koristite usisivač koji će lagano usisati prašinu s površine mrežice filtra. Ako je jako prljav, koristite toplu vodu i blagi deterđent. Čuvati na suhom.



3. Ugradnja filtra

Umetnite filtar u uređaj i gurnite dvije kuke filtra na njihovo mjesto.



### 6.3 Skladištenje odvlaživača

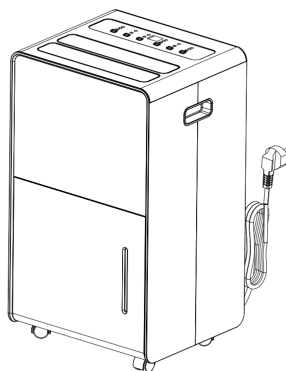
Kada proizvod ne koristite duže vrijeme i mislite ga pohraniti, vodite računa o sljedećim koracima

Ispraznite vodu iz spremnika.

Smotajte strujni kabel.

Očistite sito.

Čuvajte na hladnom i suhom mjestu.

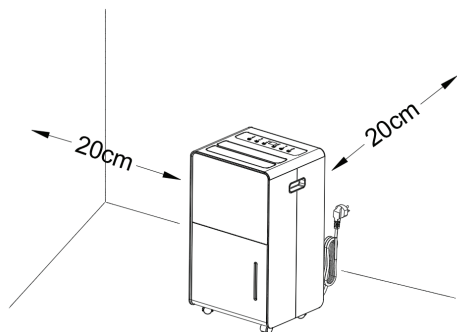




## 6 Održavanje

### 6.4 Razmak

Kada odvlaživač radi, provjerite je li minimalna udaljenost poput one prikazane na sljedećoj slici.



## 7 Rješavanje problema

Ako se dogodi stanje navedeno u nastavku, provjerite sljedeće stavke prije nego što nazovete korisničku podršku.

Problem	Mogući uzrok	Rješenje
Uređaj ne radi	Je li napajanje odspojeno?	Ukopčajte strujni kabel u zidnu strujnu utičnicu.
	Treperi li svjetlo pokazatelja napunjenosti spremnika? (Spremnik je pun ili u krivom položaju.)	Ispraznite vodu iz spremnika za vodu i ponovno stavite spremnik na njegovo mjesto.
	Je li temperatura sobe iznad 35 °C ili ispod 5 °C?	Zaštitni uređaj je aktiviran i uređaj se ne može pokrenuti.
Funkcija odvlaživanja ne radi.	Je li filter zraka začepljen?	Očistite filter zraka prema uputama u dijelu „Čišćenje odvlaživača“.
	Je li dovodna ili odvodna cijev začepljena?	Uklonite prepreke iz dovodne ili odvodne cijevi.
Zrak se ne ispušta	Je li filter zraka začepljen?	Očistite filter zraka prema uputama u dijelu „Čišćenje odvlaživača“.
Bučan rad	Je li uređaj nagnut ili nestabilan?	Pomaknite uređaj na stabilno, čvrsto mjesto.
	Je li filter zraka začepljen?	Očistite filter zraka prema uputama u dijelu „Čišćenje odvlaživača“.
E1 šifra	Kratki spoj ili otvoreni krug senzora zavojnice	Provjerite je li vod labav ili zamijenite senzor zavojnice.

## 8 Upute za instalaciju

### 8.1 Upute za F-plin

Ovaj proizvod sadrži fluorirane stakleničke plinove.

Fluorirani staklenički plinovi nalaze se u hermetički zatvorenoj opremi.

Instalacije, servisiranje, održavanje, popravke, provjere curenja ili oprema povučena iz upotrebe i recikliranje proizvoda trebaju provoditi fizičke osobe koje posjeduju odgovarajuće certifikate.

Ako sustav ima instaliran sustav za otkrivanje curenja, provjere curenja treba obavljati najmanje svakih 12 mjeseci, provjerite radi li sustav ispravno.

Ako se na proizvodu moraju izvršiti provjere curenja, treba navesti ciklus inspekcije, uspostaviti i pohraniti zapise o provjerama curenja.



Za hermetički zatvorenu opremu, lokalni klima uređaj, klima uređaj za prozore i odvlaživač zraka, ako je CO<sub>2</sub> ekvivalent fluoriranih stakleničkih plinova manji od 10 tona, ne bi trebalo provoditi provjere curenja.


# Моля, първо прочетете това ръководство за потребителя!


Уважаеми клиенти,

Благодарим ви, че закупихте продукт на Веко. Надяваме се, че ще получите най-добрите резултати от вашия продукт, който е произведен с високо качество и модерна технология. Затова, моля, прочетете внимателно цялото ръководство за потребителя и всички други придружаващи документи, преди да използвате продукта, и го запазете като справка за бъдеща употреба. Ако предадете продукта на някой друг, дайте и ръководството на потребителя. Следвайте всички предупреждения и информация в ръководството за потребителя.

## Значения на символите


Следните символи се използват в различни раздели на това ръководство:


	Важна информация или полезни съвети при употреба.
--	---


	<b>Предупреждение</b> за опасни ситуации по отношение на живота и имуществото.
--	--


	<b>Предупреждение</b> за действия, които никога не трябва да се извършват.
---	--


	<b>Предупреждение</b> за токов удар.
--	--------------------------------------

	Този символ показва, че е налична информация като ръководство за експлоатация или ръководство за монтаж.
--	--

	Не го покривайте.
--	-------------------

	Този символ показва, че ръководството за експлоатация трябва да се прочете внимателно.
---	--

	Този символ показва, че сервизен персонал трябва да работи с това оборудване в съответствие с ръководството за монтаж.
---	--

	Този символ показва, че този уред е използвал запалим хладилен агент. Ако хладилният агент изтече и бъде изложен на външен източник на запалване, съществува риск от пожар.
(За тип газ R32/ R290)	

# 1 Важни инструкции за безопасност и опазване на околната среда

## Много важно!

Моля, не монтирайте и не използвайте вашия влагоабсорбатор, преди да сте прочели внимателно това ръководство. Моля, запазете това ръководство с инструкции за евентуална гаранция на продукта и за бъдещи справки.

### Внимание:



1. Не използвайте средства за ускоряване на процеса на размразяване или за почистване, различни от препоръчаните от производителя.
2. Уредът трябва да се съхранява в помещение без непрекъснато работещ открит пламък (например работещ газов уред) и източници на запалване (например работещ електрически нагревател).
3. Не пробивайте и не изгаряйте.
4. Имайте предвид, че хладилните агенти може да не съдържат миризма.
5. Уредът трябва да се монтира, експлоатира и съхранява в помещение с площ над 4 m<sup>2</sup>.

# 1 Важни инструкции за безопасност и опазване на околната среда

## Внимание:

Специфична информацията относно уреди с хладилен газ R290.

- Внимателно прочетете всички предупреждения.
- Когато размразявате и почиствате уреда, не използвайте инструменти, различни от препоръчаните от фирмата производител.
- Уредът трябва да бъде поставен на място без постоянни източници на запалване (например: открит пламък, работещи газови или електрически уреди).
- Не пробивайте и не изгаряйте.
- Този уред съдържа Y g (вижте етикета с данни на гърба на уреда) хладилен газ R290.
- R290 е хладилен газ, който отговаря на европейските директиви за околната среда. Не пробивайте никоя част от веригата на хладилния агент.
- Ако уредът се монтира, работи или се съхранява в непроветриво помещение, помещението трябва да бъде проектирано така, че да предотвратява натрупването на течове на хладилен агент, което води до риск от пожар или експлозия поради запалване на хладилния агент, причинено от електрически нагреватели, печки или други източници на запалване.
- Уредът трябва да се съхранява така, че да не се допускат механични повреди.



# 1 Важни инструкции за безопасност и опазване на околната среда

## Внимание:

- Лицата, които обслужват или работят по веригата на хладилния агент, трябва да притежават подходящ сертификат, издаден от акредитирана организация, която гарантира компетентност при работа с хладилни агенти съгласно специфична оценка, призната от асоциациите в бранша.
- Уредът трябва да се съхранява в добре проветриво помещение, където размерът на помещението съответства на площта на помещението, както е посочено за работа.
- Ремонтите трябва да се извършват въз основа на препоръката на фирмата производител. Поддръжката и ремонтите, които изискват помощта на друг квалифициран персонал, трябва да се извършват под наблюдението на лице, упълномощено да използва запалими хладилни агенти.
- Не използвайте лош или неподходящ контакт.
- Не използвайте машини в следните ситуации
- А: Близко до източник на огън.
- В: Район, където е вероятно петролът да се пръсне.
- С: Място, изложено на пряка слънчева светлина.
- D: Място, където има вероятност да пръска вода.
- Е: В близост до вана, душ или басейн.
- Никога не пъхайте пръстите си или пръчки в изхода за въздух. Обърнете специално внимание, за да предупредите децата за тези опасности.



# 1 Важни инструкции за безопасност и опазване на околната среда

## Внимание:

- Дръжте уреда в исправено положение по време на транспортиране и съхранение, за да може компресорът да е разположен правилно.
- Преди да почистите уреда, винаги го изключвайте от захранването.
- Когато местите уреда, винаги го изключвайте от захранването и го движете бавно.
- За да се избегне възможността от пожар, уредът не трябва да се покрива.
- Всички контакти на уреда трябва да отговарят на местните изисквания за електрическа безопасност. Ако е необходимо, моля, проверете за изискванията.
- Малките деца трябва да бъдат наблюдавани, за да се гарантира, че не си играят с уреда.
- Този уред не е предназначен за използване от лица (включително деца) с намалени физически, сетивни или умствени способности или липса на опит и познания, освен ако не са били наблюдавани или инструктирани относно използването на уреда от лице, отговорно за тяхната безопасност.
- Ако захранващият кабел е повреден, той трябва да бъде заменен от производителя, негов сервизен агент или лица с подобна квалификация, за да се избегне опасност.





# 1 Важни инструкции за безопасност и опазване на околната среда

## Внимание:

- Този уред може да се използва от деца над 8 годишна възраст, хора с физически, слухови или умствени затруднения, както и от хора с липса на опит или познания, ако е осигурен контрол или им е предоставена информация относно опасностите. Децата не трябва да си играят с уреда. Почистването и потребителската поддръжка не трябва да се извършват от деца без надзор.
- Уредът трябва да бъде монтиран в съответствие с националните разпоредби за окабеляване.
- Подробности за типа и номинала на предпазителите: T, 250V AC, 2A. или 3.15A
- Рециклиране



Тази маркировка показва, че продуктът не трябва да се изхвърля заедно с другите битови отпадъци в ЕС. За да предотвратите възможно увреждане на околната среда или човешкото здраве от неконтролирано изхвърляне на отпадъци, рециклирайте го отговорно, за да насърчите устойчивото повторно използване на материални ресурси. За да върнете вашето използвано устройство, моля, използвайте системите за връщане и събиране или се свържете с търговеца, от който е закупен продуктът. Те могат да предадат този продукт за рециклиране, безопасно за околната среда.

# 1 Важни инструкции за безопасност и опазване на околната среда

## Внимание:

- GWP: R290: 3
- Свържете се с оторизиран сервизен техник за ремонт или поддръжка на това устройство.
- Не дърпайте, не деформирайте и не модифицирайте захранващия кабел и не го потапяйте във вода. Дърпането или неправилното използване на захранващия кабел може да доведе до повреда на устройството и да причини токов удар.
- Трябва да се спазват националните газови разпоредби.
- Пазете вентилационните отвори чисти от препятствия.
- Всяко лице, което обработва или има достъп до охладителна верига, трябва да притежава актуално валиден сертификат от акредитиран от индустрията орган за оценка, който упълномощава неговата компетентност да борави безопасно с хладилни агенти в съответствие с призната в индустрията спецификация за оценка.
- Обслужването трябва да се извършва само според препоръките на производителя на оборудването. Поддръжката и ремонтът, изискващи помощта на друг квалифициран персонал, трябва да се извършват под наблюдението на лицето, компетентно в използването на запалими хладилни агенти.



## Внимание:

- Не включвайте и не спирайте уреда чрез поставяне или издърпване на захранващия шепсел, това може да причини токов удар или пожар поради генериране на топлина.
- Изключете уреда от контакта, ако от него излизат странни звуци, миризма или дим.



# 1 Важни инструкции за безопасност и опазване на околната среда



- Ако някоя част се повреди, моля, свържете се с търговеца или с определен сервиз;
- В случай на повреда, моля, изключете въздушния превключвател, изключете захранването и се свържете с търговеца или определен сервиз;
- Във всеки случай захранващият кабел трябва да бъде здраво заземен.
- За да избегнете възможността от опасност, ако захранващият кабел е повреден, моля, изключете въздушния превключвател и изключете захранването. Той трябва да бъде сменен от дилъра или от определен сервиз.

## 2 Общи инструкции

### 2.1 Проверки на района

Преди започване на работа със системи, съдържащи запалими хладилни агенти, са необходими проверки за безопасност, за да се гарантира, че рискът от възпламеняване е сведен до минимум. За ремонт на хладилната система трябва да се спазват следните предпазни мерки преди извършване на работа по системата.

### 2.2 Процедура на работа

Работата трябва да се извършва при контролирана процедура, така че да се сведе до минимум рискът от наличие на запалим газ или пари по време на извършване на работата.

### 2.3 Обща работна зона

Целият персонал по поддръжката и другите, работещи в района, трябва да бъдат инструктирани относно естеството на извършваната работа. Трябва да се избягва работа в затворени пространства. Зоната около работното пространство трябва да бъде разделена. Уверете се, че условията в зоната са направени безопасни чрез контрол на запалими материали.

### 2.4 Проверка за наличие на хладилен агент

Зоната трябва да бъде проверена с подходящ детектор за хладилен агент преди и по време на работа, за да се гарантира, че техникът е наясно с потенциално запалими атмосфери.

Уверете се, че използваното оборудване за откриване на течове е подходящо за използване със запалими хладилни агенти, т.е. без искри, адекватно запечатано или искробезопасно.

### 2.5 Наличие на пожарогасител

Ако трябва да се извършва гореща работа по хладилното оборудване или свързаните с него части, трябва да има под ръка подходящо пожарогасително оборудване. Поставете пожарогасител със сух прах или CO<sub>2</sub> в близост до зоната за зареждане.

### 2.6 Няма източници на запалване

Никое лице, което извършва работа във връзка с хладилна система, която включва излагане на тръбопроводи, които съдържат или са съдържали запалим хладилен агент, не трябва да използва никакви източници на запалване по начин, който може да доведе до риск от пожар или експлозия. Всички възможни източници на запалване, включително пушенето, трябва да се държат достатъчно далеч от мястото на инсталиране, ремонт, отстраняване и изхвърляне, по време на което е възможно запалим хладилен агент да бъде изпуснат в околното пространство. Преди започване на работа, зоната около оборудването трябва да бъде проучена, за да се уверите, че няма запалими опасности или рискове от възпламеняване. Трябва да се поставят табели „Пушенето е забранено“.

## 2 Общи инструкции

### 2.7 Проветрива зона

Уверете се, че зоната е на открито или че е подходящо проветрена, преди да проникнете в системата или да извършвате каквато и да е работа при гореща вода. Степента на вентилация трябва да продължи през периода, през който се извършва работата. Вентилацията трябва безопасно да разпръсква всеки отделен хладилен агент и за предпочитане да го изхвърля навън в атмосферата.

### 2.8 Проверки на хладилното оборудване

Когато електрическите компоненти се променят, те трябва да са подходящи за целта и да отговарят на правилната спецификация. През цялото време трябва да се спазват указанията за поддръжка и обслужване на производителя. Ако имате съмнения, консултирайте се с техническия отдел на производителя за съдействие. Следните проверки трябва да се прилагат за инсталации, използващи запалими хладилни агенти: размерът на зареждането е в съответствие с размера на помещението, в което са монтирани частите, съдържащи хладилен агент; вентилационните съоръжения и изходите работят правилно и не са запушени; ако се използва индиректна хладилна верига, вторичната верига се проверява за наличие на хладилен агент; маркировката на оборудването продължава да бъде видима и четлива. Нечетливите маркировки и знаци се коригират; хладилната тръба или

компонентите са монтирани на място, където е малко вероятно да бъдат изложени на каквото и да е вещество, което може да корозира компонентите, съдържащи хладилен агент, освен ако компонентите не са изработени от материали, които по своята същност са устойчиви на корозия или са подходящо защитени срещу корозия.

### 2.9 Проверки на електрически устройства

Ремонтът и поддръжката на електрическите компоненти трябва да включват първоначални проверки за безопасност и процедури за проверка на компонентите. Ако съществува повреда, която може да направи компромис с безопасността, тогава към веригата не трябва да се свързва електрическо хранване, докато не бъде отстранено задоволително. Ако повредата не може да бъде отстранена незабавно, но е необходимо да продължи работата, трябва да се използва подходящо временно решение. Това трябва да бъде докладвано на собственика на оборудването, така че всички страни да бъдат уведомени. Първоначалните проверки за безопасност включват: че кондензаторите са разредени: това трябва да се направи по безопасен начин, за да се избегне възможността за искрене; че няма открити електрически компоненти и кабели под напрежение по време на зареждане, възстановяване или прочистване на системата; че има непрекъснатост на земната връзка.

## 3 Ремонт на запечатани компоненти

По време на ремонт на запечатани компоненти, всички електрически захранвания трябва да бъдат изключени от оборудването, върху което се работи, преди всяко отстраняване на запечатани капацити и т.н. Ако е абсолютно необходимо да има електрическо захранване на оборудването по време на обслужването, тогава постоянно действаша форма на теч откриването се намира в най-критичната точка, за да предупреждава за потенциално опасна ситуация.

Трябва да се обърне специално внимание на следното, за да се гарантира, че при работа върху електрически компоненти корпусът не се променя по начин, който да повлияе на нивото на зашита.

Това включва повреда на кабели, прекомерен брой връзки, клеми, които не са направени според оригиналната спецификация, повреда на уплътненията, неправилно монтиране на уплътнения и т.н. Уверете се, че устройството е монтирано здраво. Уверете се, че уплътненията или уплътнителните материали не са се разградили така, че да не служат повече за предотвратяване на навлизането на запалими атмосфери. Резервните части трябва да са в съответствие със спецификациите на производителя.



Използването на силиконов уплътнител може да попречи на ефективността на някои видове оборудване за откриване на течове. Не е необходимо искробезопасните компоненти да бъдат изолирани преди работа по тях.

### 3.1 Ремонт на искробезопасни компоненти

Не прилагайте никакви постоянни индуктивни или капацитивни товари към веригата, без да сте сигурни, че това няма да превиши допустимото напрежение и ток, разрешени за използването оборудване.

Искробезопасните компоненти са единствените типове, върху които може да се работи, докато са живи в присъствието на запалима атмосфера. Апаратурата за изпитване трябва да бъде с правилната номинална стойност. Сменяйте компонентите само с части, посочени от производителя. Други части могат да доведат до запалване на хладилен агент в атмосферата от теч.

## 3 Ремонт на запечатани компоненти

### 3.2 Окабеляване

Проверете дали кабелите няма да бъдат подложени на износване, корозия, прекомерно налягане, вибрации, остри ръбове или други неблагоприятни въздействия на околната среда. Проверката също така трябва да вземе предвид ефектите от стареене или непрекъснати вибрации от източници като компресори или вентилатори.

### 3.3 Откриване на запалими хладилни агенти

При никакви обстоятелства не трябва да се използват потенциални източници на запалване при търсене или откриване на течове на хладилен агент. Не трябва да се използва халогенна горелка (или друг детектор, използваш открит пламък).

### 3.4 Методи за откриване на течове

Следните методи за откриване на течове се считат за приемливи за системи, съдържащи запалими хладилни агенти. Трябва да се използват електронни детектори за течове за откриване на запалими хладилни агенти, но чувствителността може да не е адекватна или може да се наложи повторно калибриране. (Оборудването за откриване трябва да бъде калибрирано в зона без хладилен агент.) Уверете се, че детекторът не е потенциален източник на запалване и е подходящ за използвания хладилен агент. Оборудването за откриване на

течове трябва да бъде настроено на процент от LFL на хладилния агент и трябва да бъде калибрирано спрямо използвания хладилен агент и подходящият процент газ (максимум 25 %) се потвърждава. Течностите за откриване на течове са подходящи за използване с повечето хладилни агенти, но трябва да се избягва използването на почистващи препарати, съдържащи хлор, тъй като хлорът може да реагира с хладилния агент и да корозира медните тръби. Ако има съмнение за теч, всички открити пламъци трябва да бъдат отстранени/загасени. Ако се открие изтичане на хладилен агент, което изисква запояване, целият хладилен агент трябва да бъде възстановен от системата или изолиран (чрез спирателни вентили) в част от системата, отдалечена от теча. След това безкислородният азот (OFN) трябва да бъде продухан през системата преди и по време на процеса на спояване.

### 3.5 Премахване и евакуация

При проникване във веригата на хладилния агент за извършване на ремонт – или за друга цел – трябва да се използват конвенционални процедури. Въпреки това е важно да се следва най-добрата практика, тъй като запалимостта е съображение. Трябва да се спазва следната процедура: отстраняване на хладилния агент; прочистете веригата с инертен газ; евакуирайте; продухайте отново с инертен газ; отворете веригата чрез рязане или спояване. Зареждането с

## 3 Ремонт на запечатани компоненти

хладилен агент трябва да се възстанови в правилните цилиндри за възстановяване. Системата трябва да бъде „промиа“ с OFN, за да направи устройството безопасно. Може да се наложи този процес да се повтори няколко пъти. Въздух под налягане или кислород не трябва да се използват за тази задача. Промиването трябва да се постигне чрез прекъсване на вакуума в системата с OFN и продължаване на пълненето до достигане на работното налягане, след това изпускане в атмосферата и накрая издърпване надолу до вакуум. Този процес трябва да се повтаря, докато в системата не остане хладилен агент. Когато се използва окончателното зареждане на OFN, системата трябва да бъде обезвъздушена до атмосферно налягане, за да може да се извърши работа. Тази операция е абсолютно жизненоважна, ако трябва да се извършват операции по запояване на тръбопровода. Уверете се, че изходът на вакуумната помпа не е близо до източници на запалване и има налична вентилация.

### 3.6 Процедури за зареждане

В допълнение към конвенционалните процедури за зареждане трябва да се спазват следните изисквания.

- Уверете се, че не се получава замърсяване с различни хладилни агенти, когато използвате оборудване за зареждане. Маркучите или тръбопроводите трябва да са възможно най-къси, за да се сведе до минимум

количеството хладилен агент, съдържащ се в тях.

- Цилиндриите трябва да се държат изправени.
- Уверете се, че хладилната система е заземена, преди да заредите системата с хладилен агент.
- Етикетирайте системата, когато зареждането приключи (ако вече не е).
- Трябва да се внимава изключително много да не се препълни хладилната система.

Преди презареждане системата трябва да бъде тествана под налягане с OFN. Системата трябва да бъде тествана за теч след завършване на зареждането, но преди пускане в експлоатация. Преди напускане на обекта трябва да се извърши последващ тест за течове.

### 3.7 Извеждане от експлоатация

Преди извеждането на тази процедура е важно техникът да е напълно запознат с оборудването и всичките му подробности. Препоръчва се добра практика всички хладилни агенти да се възстановяват безопасно. Преди изпълнението на задачата трябва да се вземе проба от масло и хладилен агент, в случай че е необходим анализ преди повторно използване на регенериран хладилен агент. От съществено значение е да има налично електрическо захранване, преди да започне задачата.

- Запознайте се с оборудването и неговата работа.
- Изолирайте системата електрически.



## 3 Ремонт на запечатани компоненти

- Преди да опитате процедурата, се уверете, че: е налично механично оборудване за манипулиране, ако е необходимо, за манипулиране на бутилки с хладилен агент; всички лични предпазни средства са налични и се използват правилно; процесът на възстановяване се наблюдава през цялото време от компетентно лице; оборудването и бутилките за възстановяване отговарят на съответните стандарти.
- Намалете охладителната система, ако е възможно.
- Ако вакуумът не е възможен, направете колектор, така че хладилният агент да може да бъде отстранен от различни части на системата.
- Уверете се, че цилиндърът е разположен върху везната, преди да започне възстановяването.
- Стартирайте машината за възстановяване и работете в съответствие с инструкциите на производителя.
- Не препълвайте цилиндрите. (Не повече от 80 % обемен течен заряд).
- Не превишавайте максималното работно налягане на цилиндъра, дори временно.
- Когато цилиндрите са напълнени правилно и процесът е завършен, уверете се, че цилиндрите и оборудването са отстранени от обекта незабавно и всички изолационни вентили на оборудването са затворени.
- Възстановеният хладилен агент не трябва да се зарежда в друга хладилна система, освен ако не е бил почистен и проверен.

### 3.8 Етикетиране

Оборудването трябва да бъде етикетирано, че е изведено от експлоатация и изпразнено от хладилен агент. Етикетът трябва да бъде с дата и подпис.

Уверете се, че има етикети на оборудването, указващи, че оборудването съдържа запалим хладилен агент.

### 3.9 Възстановяване

Когато отстранявате хладилен агент от система, било то за обслужване или извеждане от експлоатация, се препоръчва добра практика всички хладилни агенти да се отстраняват безопасно. Когато прехвърляте хладилен агент в бутилки, уверете се, че се използват само подходящи цилиндри за възстановяване на хладилен агент. Уверете се, че са налични правилният брой цилиндри за задържане на общото зареждане на системата. Всички бутилки, които ще се използват, са предназначени за възстановявания хладилен агент и са етикетиранни за този хладилен агент (т.е. специални цилиндри за възстановяване на хладилен агент). Цилиндрите трябва да бъдат окомплектовани с предпазен клапан и свързаните спирателни вентили в добро работно състояние. Празните цилиндри за възстановяване се евакуират и, ако е възможно, се охлаждат, преди да настъпи възстановяването.

## 3 Ремонт на запечатани компоненти

Оборудването за възстановяване трябва да е в добро работно състояние с набор от инструкции относно оборудването, което е под ръка, и трябва да е подходящо за възстановяване на запалими хладилни агенти. В допълнение, набор от калибрирани везни за претегляне трябва да е наличен и в добро работно състояние. Маркучите трябва да бъдат окомплектовани със съединители без течове и в добро състояние.

Преди да използвате машината за възстановяване, проверете дали тя е в задоволително работно състояние, поддържана е правилно и дали всички свързани електрически компоненти са запечатани, за да се предотврати запалване в случай на изпускане на хладилен агент. Консултирайте се с производителя, ако се съмнявате.

Възстановеният хладилен агент трябва да бъде върнат на доставчика на хладилен агент в правилния цилиндър за регенериране и да бъде подредена съответната бележка за прехвърляне на отпадъци. Не смесвайте хладилни агенти в блоковете за възстановяване и особено в цилиндрите.

Ако компресорите или компресорните масла трябва да бъдат отстранени, уверете се, че са изпразнени до приемливо ниво, за да сте сигурни, че запалимият хладилен агент не остава в смазката. Процесът на евакуация трябва да се извърши преди връщането на компресора на доставчиците. За ускоряване на този процес трябва да се използва само електрическо нагряване на тялото на компресора.

Когато маслото се източва от системата, това трябва да се извърши безопасно.

### 3.10 Компетентност на обслужващия персонал

#### 3.10.1 Общи

Изисква се специално обучение в допълнение към обичайните процедури за ремонт на хладилно оборудване, когато е засегнато оборудване със запалими хладилни агенти.

В много страни това обучение се провежда от национални организации за обучение, които са акредитирани да преподават съответните национални стандарти за компетентност, които могат да бъдат определени в законодателството.

Постигнатата компетентност трябва да бъде документирана със сертификат.

#### 3.10.2 Обучение

Обучението трябва да включва съдържанието на следното:

Информация за потенциала на експлозия на запалими хладилни агенти, за да покаже, че запалимите могат да бъдат опасни, когато се боравят без грижи.

Информация за потенциални източници на запалване, особено тези, които не са очевидни, като запалки, ключове за осветление, прахосмукачки, електрически нагреватели.

### 3 Ремонт на запечатани компоненти

Информация за различните концепции за безопасност:

Невентилиран – (вижте точка GG.2) Безопасността на уреда не зависи от вентилацията на корпуса. Изключването на уреда или отварянето на корпуса няма значително влияние върху безопасността. Независимо от това е възможно изтичащият хладилен агент да се натрупа вътре в корпуса и при отваряне на корпуса да се освободи запалима атмосфера.

Вентилиран корпус – (вижте точка GG.4) Безопасността на уреда зависи от вентилацията на корпуса. Изключването на уреда или отварянето на корпуса има значително влияние върху безопасността. Преди това трябва да се внимава да се осигури достатъчна вентилация.

Вентилирано помещение – (вижте точка GG.5) Безопасността на уреда зависи от вентилацията на помещението. Изключването на уреда или отварянето на корпуса няма значително влияние върху безопасността. Вентилацията на помещението не трябва да се изключва по време на ремонтни процедури.

Информация относно концепцията за запечатани компоненти и запечатани кутии съгласно IEC 60079-15:2010.

Информация за правилните работни процедури:

#### Въвеждане в експлоатация

- Уверете се, че площта на пода е достатъчна за зареждането с хладилен агент или че вентилационният канал е сглобен по правилен начин.
- Свържете тръбите и извършете тест за течове преди зареждане с хладилен агент.
- Проверете оборудването за безопасност преди пускане в експлоатация.

#### Поддръжка

- Преносимото оборудване трябва да се ремонтира на открито или в сервиз, специално оборудван за обслужване на агрегати със запалими хладилен агенти.
- Осигурете достатъчна вентилация на мястото на ремонта.
- Имайте предвид, че неизправността на оборудването може да бъде причинена от загуба на хладилен агент и е възможно изтичане на хладилен агент.
- Разрежете кондензаторите по начин, който няма да причини искра. Стандартната процедура за късо съединение на клемите на кондензатора обикновено създава искри.
- Сглобете прецизно запечатаните заграждения. Ако уплътненията са износени, сменете ги.
- Проверете оборудването за безопасност преди пускане в експлоатация.

### 3 Ремонт на запечатани компоненти

#### Ремонт

- Преносимото оборудване трябва да се ремонтира на открито или в сервиз, специално оборудван за обслужване на агрегати със запалими хладилни агенти.
- Осигурете достатъчна вентилация на мястото на ремонта.
- Имайте предвид, че неизправността на оборудването може да бъде причинена от загуба на хладилен агент и е възможно изтичане на хладилен агент.
- Разрежете кондензаторите по начин, който няма да причини искра.
- Когато се изисква запояване, следните процедури трябва да се извършат в правилния ред:
- Отстранете хладилния агент. Ако възстановяването не се изисква от националните разпоредби, източете хладилния агент навън. Внимавайте източеният хладилен агент да не причини опасност. При съмнение един човек трябва да пази изхода. Обърнете специално внимание, че източеният хладилен агент няма да изплува обратно в сградата.
- Евакуирайте веригата на хладилния агент.
- Продушайте веригата на хладилния агент с азот за 5 мин.
- Евакуирайте отново.
- Отстранете частите, които трябва да бъдат заменени, чрез рязане, а не чрез пламък.
- Прочистете точката на спояване с азот по време на процедурата на спояване.
- Извършете тест за теч, преди да заредите с хладилен агент.

- Сглобите прецизно запечатаните заграждения. Ако уплътненията са износени, сменете ги.
- Проверете оборудването за безопасност преди пускане в експлоатация.

#### Извеждане от експлоатация

- Ако безопасността е засегната, когато оборудването бъде изведено от експлоатация, зареждането с хладилен агент трябва да бъде отстранено преди извеждане от експлоатация.
- Осигурете достатъчна вентилация на мястото на оборудването.
- Имайте предвид, че неизправността на оборудването може да бъде причинена от загуба на хладилен агент и е възможно изтичане на хладилен агент.
- Разрежете кондензаторите по начин, който няма да причини искра.
- Отстранете хладилния агент. Ако възстановяването не се изисква от националните разпоредби, източете хладилния агент навън. Внимавайте източеният хладилен агент да не причини опасност. При съмнение един човек трябва да пази изхода. Обърнете специално внимание, че източеният хладилен агент няма да изплува обратно в сградата.
- Евакуирайте веригата на хладилния агент.
- Продушайте веригата на хладилния агент с азот за 5 мин.
- Евакуирайте отново.
- Напълнете с азот до атмосферно налягане.
- Поставете етикет върху оборудването, че хладилният агент е отстранен.

### 3 Ремонт на запечатани компоненти

#### Изхвърляне

- Осигурете достатъчна вентилация на работното място.
- Отстранете хладилния агент. Ако възстановяването не се изисква от националните разпоредби, източете хладилния агент навън. Внимавайте източеният хладилен агент да не причини опасност. При съмнение един човек трябва да пази изхода. Обърнете специално внимание, че източеният хладилен агент няма да изплува обратно в сградата.
- Евакуирайте веригата на хладилния агент.
- Продушайте веригата на хладилния агент с азот за 5 мин.
- Евакуирайте отново.
- Изрежете компресора и източете маслото.

#### Транспортиране, маркиране и съхранение на модули, които използват запалими хладилни агенти

Транспортиране на оборудване, съдържашо запалими хладилни агенти. Обръща се внимание на факта, че може да съществуват допълнителни правила за транспортиране по отношение на оборудване, съдържашо запалим газ. Максималният брой части от оборудването или конфигурацията на оборудването, разрешени за транспортиране заедно, се определят от приложимите транспортни разпоредби.

Маркиране на оборудване с помощта на знаци

Знаците за подобни уреди, използвани в работна зона, обикновено се разглеждат от местните разпоредби и дават минималните изисквания за осигуряване на знаци за безопасност и/или здраве за работно място.

Всички изисквани знаци трябва да се поддържат и работодателите трябва да гарантират, че служителите получават подходящи и достатъчни инструкции и обучение относно значението на подходящите знаци за безопасност и действията, които трябва да бъдат предприети във връзка с тези знаци.

Ефективността на знаците не трябва да се намалява от твърде много знаци, поставени заедно.

Всички използвани пиктограми трябва да бъдат възможно най-прости и да съдържат само съществени подробности.

Изхвърляне на оборудване, използвашо запалими хладилни агенти  
Вижте националните разпоредби.

Съхранение на оборудване/уреди

Съхранението на оборудването трябва да бъде в съответствие с инструкциите на производителя.

Съхранение на опаковано (непродадено) оборудване

Зашитата на опаковката за съхранение трябва да бъде конструирана така, че механичното увреждане на оборудването вътре в опаковката да не причини изтичане на заредения хладилен агент.

### 3 Ремонт на запечатани компоненти

Максималният брой части от оборудването, разрешени за съхранение заедно, ще се определя от местните разпоредби.

#### Общи инструкции за безопасност



#### Внимание:

Преди да използвате машината, моля, прочетете внимателно инструкциите, за да можете да използвате максимално всички функции на машината. Тази инструкция е само за ориентиране и не е част от договора, ние си запазваме правото да правим технически промени и няма да ви уведомяваме преди изменението.

#### Забележка преди употреба:

1. „МОЛЯ, УВЕРЕТЕ СЕ, ЧЕ ПРОДУКТЪТ СЕ ПРОВЕТРЯВА ПРЕЗ ЦЯЛОТО ВРЕМЕ“! Моля, уверете се, че входната и изходната вентилация не са блокирани през цялото време.
2. Работете с този уред на хоризонтална повърхност, за да избегнете изтичане на вода.
3. Не работете с този уред в експлозивна или корозивна атмосфера.
4. Температура на работната среда на машината: охлаждане при 5 °C - 35 °C.
5. Когато уредът е изключен, моля, изчакайте поне 3 минути, преди да рестартирате, за да предотвратите повреда на компресора.

6. Използвайте отделно захранване, забранете споделянето на контакт с други електрически уреди. Спецификациите на електрическия контакт не трябва да са по-малко от 10 A, контактите трябва да са здраво обезопасени.

7. Мощност: **220-240V/50hz.**

8. Изхвърлете водата, която се е събрала в резервоара, както е необходимо.

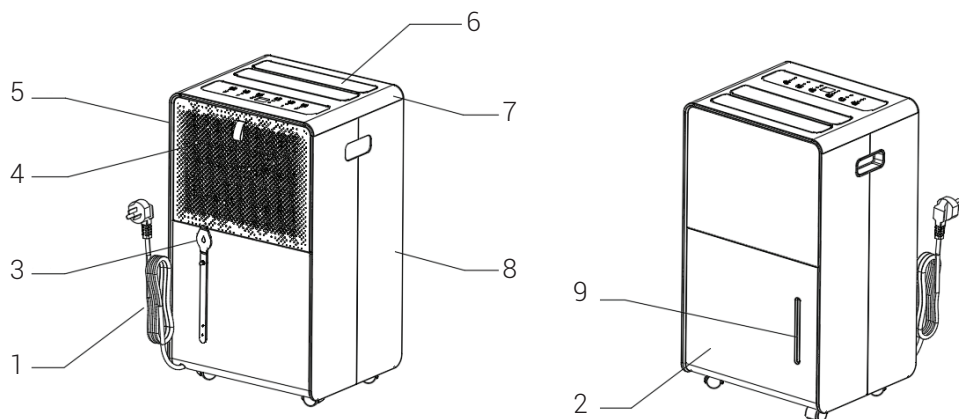
9. Не потапяйте уреда във вода и не го поставяйте близо до вода.

10. Не сядайте и не стойте върху уреда.

11. Не работете с влагоабсорбатора в затворено пространство, като например в килер, тъй като това може да причини пожар.

12. Монтирайте дренажната тръба под наклон, за да сте сигурни, че кондензираната вода може да се оттича непрекъснато.

## 4 Схема на части



### 2.1 Контролни механизми и части

1. Захранващ кабел
2. Резервоар
3. Непрекъснато събиране на дренаж/захранващ кабел
4. Филтърен екран
5. Задна обвивка
6. Изход за въздух
7. Горен капак
8. Предна обвивка
9. Воден индикатор

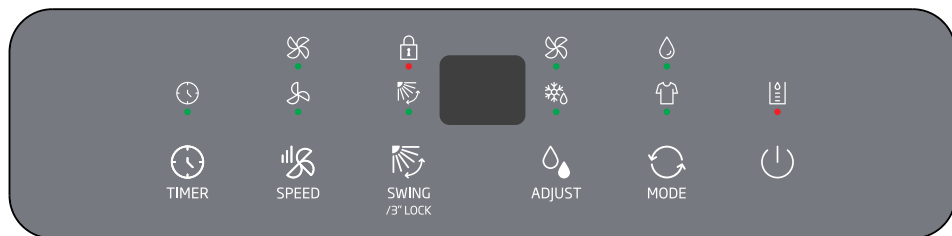
## 4 Схема на части

### 2.2 Спецификации

Име на модела	BDPM020
Хладилен агент	R290
Общо количество хладилен агент (g)	47
Зашита срещу токов удар	Клас I
Номинален капацитет на изсушаване (27°C RH60%) (л/ден)	11
Номинален капацитет на изсушаване (30°C RH80%) (L/ден)	20
Напрежение/Честота/Фаза (V/Hz/Фаза)	220V-240V / 50Hz
Ниво на звукова мощност (dBA)	63/61
Номинална консумирана мощност (W)	430
Номинален входен ток (A)	2,3
Ръководство за обхвата на RH	30%-90%
температура на околната среда	5-35
Нетни размери на уреда (ШxВxД) mm	290x500x250
Нетно тегло на уреда (кг)	12,5



## 5 Инструкции за експлоатация



### Бутон за включване:

Натиснете бутона за включване/изключване, за да включите уреда. Капакът на изходящия въздух се отваря автоматично.

Натиснете отново бутона, за да изключите уреда. Капакът на изходящия въздух се затваря автоматично.

След стартиране се показва текущата влажност; Влажността първо е зададена по подразбиране на „Со“ и компресорът може да стартира незабавно, за да започне обезвлажняването.

### Бутон СКОРОСТ:

Натиснете бутона за скорост на вентилатора, за да изберете ниска или висока скорост на вентилатора. Съответният светлинен индикатор ще светне.

### Бутон РЕГУЛИРАНЕ:

Натиснете бутона РЕГУЛИРАНЕ, светлинният индикатор на „Со“ светва. Когато влажността е зададена, влажността се настройва както следва: „Со“ (непрекъснат) →30%→35%→40%→45%→50→..... →85→90→„Со“ (непрекъснат) цикъл.

Настройката ще влезе в сила след припл. 5 секунди без допълнителни операции. Цифровият дисплей ще се върне обратно, за да покаже влажността в помещението.

### Таймер бутон

Настройката на таймера за ВКЛЮЧВАНЕ:

- Когато уредът е изключен, натиснете бутона „ТАЙМЕР“, съответният светлинен индикатор ще светне.
- Продължете да натискате бутона „ТАЙМЕР“, за да изберете желано време за ВКЛЮЧВАНЕ от 0-24 часа. Настройката ще влезе в сила след припл. 5 секунди без допълнителни операции.
- Уредът ще се включи автоматично след изтичане на зададеното време.

Настройка на таймера за ИЗКЛЮЧВАНЕ:

- Когато уредът работи, натиснете бутона „TIMER“, съответният светлинен индикатор ще светне.
- Продължете да натискате бутона „TIMER“, за да изберете желано време за ИЗКЛЮЧВАНЕ от 0-24 часа. Настройката ще влезе в сила след припл. 5 секунди без допълнителни операции.

## 5 Инструкции за експлоатация

Цифровият дисплей ще се върне обратно, за да покаже нивото на влажност.

- Уредът ще се изключи автоматично след изтичане на зададеното време.

### Бутон за режим

Натиснете бутона за режим, за да изберете желания режим: режим на изсушаване, режим на вентилатор или режим на сушене на дрехи.

### Бутон ВЪРТЕНЕ

Натиснете бутона за въртене, за да включите/изключите функцията за въртене на капака на изходящия отвор за въздух.

Заклучване: Натиснете продължително бутона ВЪРТЕНЕ за 3 секунди, за да изберете родителски контрол;

- В състояние на захранване: След като родителския контрол е включен, всички бутони с изключение на родителски контрол и бутона за захранване не могат да се управляват (Забележка: бутонът за захранване може да се изключи).
- В изключено състояние: функцията родителски контрол може да се отваря и затваря. След отваряне на родителски контрол не могат да се управляват всички други клавишни операции, с изключение на бутона за родителски контрол (забележка: бутонът за захранване също не може да се управлява).
- След отваряне на функцията родителски контрол, индикаторът за родителски контрол светва.

Индикаторът за пълна вода е червен, двойният 8 екран на таблото на дисплея е бял, а другите индикаторни светлини са бели.



След 20 секунди работа всички светлинни индикатори (включително двойните 8) ще бъдат затъмнени.

## 5.1 Описание на функциите:

### Функция за обезвлажняване:

1. Когато е зададен режим на изсушаване "Со" (непрекъснато), влагоабсорбаторът ще продължи да работи (компресор, вентилатор) независимо от нивото на влажност в този момент.
2. Ако вътрешната влажност е по-висока или равна на 3% от зададената влажност, компресорът ще започне да извършва обезвлажняване, а компресорът и вентилаторът ще работят.
3. След изсушаване на вътрешната влажност, когато влажността падне под 2% от зададената влажност, компресионният механизъм ще спре изсушаването, компресорът ще влезе в защитата за три минути и вентилаторът ще спре след 3 минути.
4. Ако вътрешната влажност се повиши до 3% по-висока или равна на зададената влажност, след като влагоабсорбаторът спре изсушаването, ако компресорът е преминал защитното състояние за три минути.

## 5 Инструкции за експлоатация

ти, компресорът ще започне да изсушава.

5. Съгласно горната операция на цикъла, вътрешната влажност може да се поддържа около зададената влажност.

### Функция за сушене на дрехи:

1. Когато тази функция е активирана, влагоабсорбаторът ще работи непрекъснато (компресорът и вентилаторът работят), независимо дали влажността е висока или ниска, когато се извършва „Со“ (непрекъсната) операция.
2. Скоростта на вятъра е заключена на висока скорост и не може да се регулира.
3. Бутонът за настройка на влажността не се регулира.

### ВЕНТИЛАТОРНА функция:

1. Компресорът не работи.
2. Вентилаторът може да работи в два режима: силен вятър и слаб вятър.
3. Бутонът за настройка на влажността не може да се регулира в режим на подаване на въздух.

### Пълна функция за защита от вода:

1. Когато резервоарът за вода е пълен, индикаторът за пълен резервоар (ПЪЛЕН) ще светне, влагоабсорбаторът ще спре да работи автоматично и зумерът ще бипне 15 пъти.
2. Натиснете произволен бутон, за да спрете звънеца. Компресорът и вентилаторът ще се изключат и

3. всички функции няма да работят, докато резервоарът за вода не бъде изпразнен и сменен.

### Функция размразяване:

1. При размразяване компресорът се изключва, вентилаторът продължава да работи с висока скорост за размразяване и светлинният индикатор за размразяване винаги свети.
2. Когато стайната температура е пониска или равна на 16°C, температурата на намотката няма да бъде открита. Според действието на стайната температура детайлите са както следва:
3. Когато стайната температура е  $\leq 12^{\circ}\text{C}$ , компресорът работи 30 минути, спира размразяването за 10 минути и след това се връща в режим на настройка преди размразяването.
4. Когато  $12^{\circ}\text{C} <$  стайна температура  $\leq 16^{\circ}\text{C}$ , компресорът ще работи 45 минути и ще спре за размразяване за 10 минути, след което ще се върне в режим на настройка преди размразяване.
5. Когато стайната температура е по-висока от 16°C, според действието на температурата на бобината, подробностите са както следва: Когато компресорът работи 30 минути, ако температурата на намотката е по-малка от 1, спрете машината за размразяване за 10 минути и след това се върнете в режим на настройка преди размразяване.

## 5 Инструкции за експлоатация



По време на размразяване лампата за размразяване винаги свети.

### Защита от забавяне на компресора:

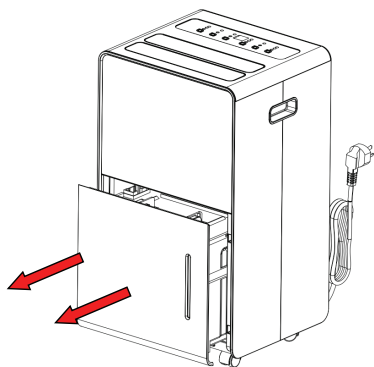
1. Компресорът може да стартира незабавно при всяко включване;
2. След като компресорът спре, стартирайте отново, трябва да има интервал от поне 3 минути.

### Източване на резервоара за вода

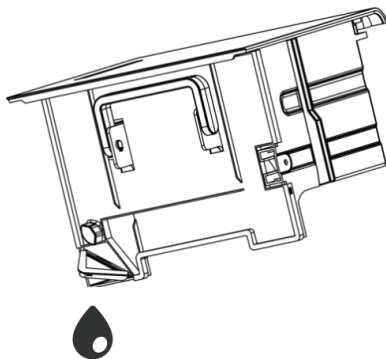
Когато дренажният резервоар е пълен, светлинният индикатор за пълен резервоар ще се включи, операцията ще спре автоматично и зумерът ще бипне 15 пъти, за да предупреди потребителя, че водата трябва да се изпразни от дренажния резервоар.

### Изпразване на резервоара

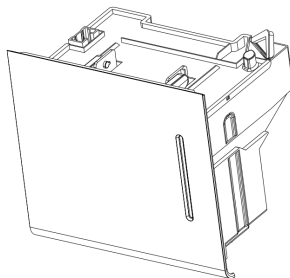
1. Внимателно натиснете страните на резервоара и издърпайте резервоара с две ръце.



2. Изпразнете водата в резервоара.

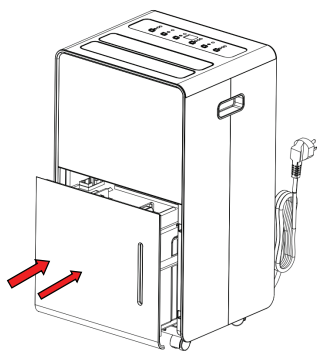


1. Не отстранявайте поплавъка в резервоара за вода, в противен случай сензорът за вода няма да може да усети нивото на водата, така че да не може да работи нормално.



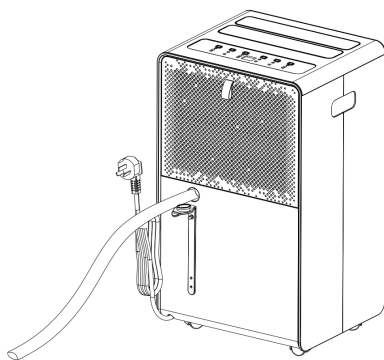
## 5 Инструкции за експлоатация

2. Ако резервоарът е замърсен, използвайте студена или топла вода за почистване. Не е възможно да използвате почистващи препарати, стоманено кадифе, третирана с химикали кърпа за прах, бензин, бензол, разреждател или други разтворители, защото това може да повреди резервоара за вода и да причини изтичане на вода.
3. Когато поставяте резервоара, натиснете плътно резервоара с две ръце. Ако резервоарът за вода не е поставен, сензорът за пълна вода все още ще бъде активиран и влагоабсорбаторът няма да работи.



### Непрекъснат дренаж

Влагоабсорбаторът има непрекъснат дренажен отвор, използваш пластмасова тръба (диаметър 10 mm), поставена в преградния дренажен отвор, след което излиза от страната на резервоара. Когато резервоарът за вода трябва да бъде монтиран на място и дренажната тръба е изправена, водата може да се източи от машината през дренажния отвор.



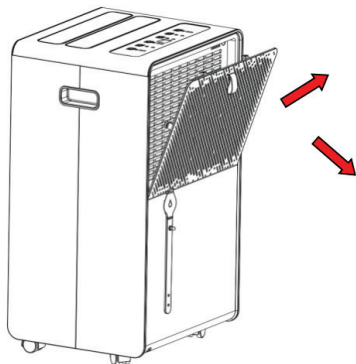
## 6 Поддръжка

### 6.1 Почистване на корпуса

избършете корпуса с мека, влажна кърпа.

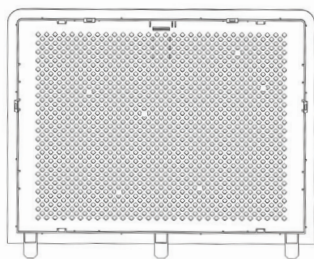
### 6.2 Почистване на филтъра

1. Издърпайте филтъра.



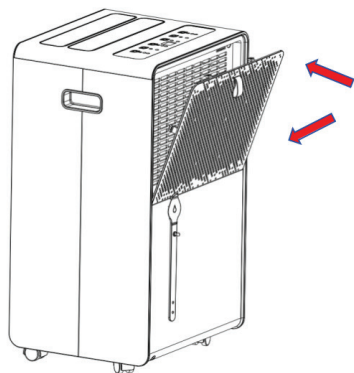
2. Почистете филтъра

Използвайте прахосмукачка, за да попиете внимателно праха от повърхността на филтърния екран. Ако е много мръсен, използвайте топла вода и нежен почистващ препарат. Пазете сухо.



3. Монтаж на филтър

Поставете филтъра в машината и натиснете двете куки на филтъра на място.



### 6.3 Съхранение на влагоабсорбатор

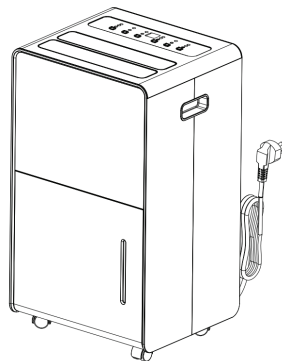
Когато не използвате този продукт дълго време и възнамерявате да го съхранявате, обърнете внимание на следните стъпки

Изпразнете водата в резервоара.

Навийте захранващия кабел.

Цедка за почистване.

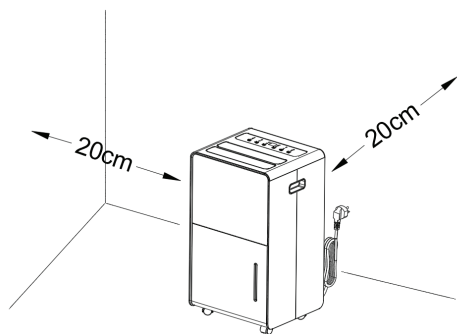
Поставете на хладно и сухо място.



## 6 Поддръжка

### 6.4 Разстояние между пространството

Когато влагоабсорбатора работи, уверете се, че минималното разстояние между тях е както е показано на следващата снимка.



## 7 Отстраняване на неизправности

Ако възникне състояние, изброено по-долу, моля, проверете следните елементи, преди да се обадите на отдела за обслужване на клиенти.

Проблем	Възможна причина	Решение
Устройството не работи	Изключен ли е захранващият кабел?	Включете захранващия кабел в контакта.
	Индикаторната лампа за пълнен резервоар мига ли? (Резервоарът е пълнен или е в грешна позиция.)	Изпразнете водата в резервоара за вода и след това преместете резервоара.
	Температурата на помещението над 35 °C или под 5 °C ли е?	Защитното устройство е активирано и уредът не може да бъде стартиран.
Функцията за обезвлажняване не работи	Въздушният филтър запушен ли е?	Почистете въздушния филтър, както е указано в „Почистване на влагоабсорбатора“.
	Запушен ли е всмукателният или изпускателният канал?	Отстранете препятствието от изпускателния или всмукателния канал.
Не се изпуска въздух	Въздушният филтър запушен ли е?	Почистете въздушния филтър, както е указано в „Почистване на влагоабсорбатора“.
Работи шумно	Уредът е наклонен или нестабилен?	Преместете уреда на стабилно и здраво място.
	Въздушният филтър запушен ли е?	Почистете въздушния филтър, както е указано в „Почистване на влагоабсорбатора“.
E1 Код	Късо съединение или отворена верига на сензора на бобината	Проверете дали кабелът е разхлабен или сменете сензора на бобината.



## 8 Инструкции за монтаж

### 8.1 Инструкция за F-газ

Този продукт съдържа флуорирани парникови газове.

Флуорираните парникови газове се съдържат в херметически затворено оборудване.

Монтирането, обслужването, поддръжката, ремонтите, проверките за течове или извеждането от експлоатация на оборудването и рециклирането на продукта трябва да се извършват от физически лица, които притежават съответните сертификати.

Ако системата има инсталирана система за откриване на течове, проверките за течове трябва да се извършват поне на всеки 12 месеца, уверете се, че системата работи правилно.

Ако трябва да се извършат проверки за изтичане на продукта, трябва да се посочи цикъл на инспекция, да се създадат и запазят записи за проверките за изтичане.



За херметично затворено оборудване, локален климатик, климатик за прозорци и влагоуловител, ако еквивалентът на CO<sub>2</sub> на флуорирани парникови газове е по-малък от 10 тона, той не трябва да извършва проверки за течове.

Arçelik A.Ş. Karaağaç Caddesi No:2-6,  
34445, Sötlüce / İSTANBUL / TÜRKİYE

[www.beko.com](http://www.beko.com)