



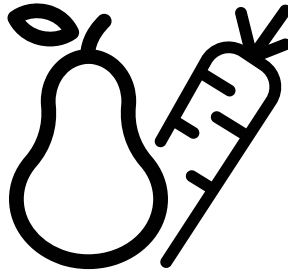
Refrigerator

User Manual

מדריך
למשתמש

الثلاجة

دليل المستخدم مقرر



RDNE455M10XB-RDNE456M10XB_IL-RDNE456M10W_IL



EN/HE/AR

58 5387 0000/AE-EN-HE-AR

Please read this user manual first!

Dear Customer,

We hope that your product, which has been produced in modern plants and checked under the most meticulous quality control procedures, will provide you an effective service.

Therefore, read this entire user manual carefully before using the product and keep it as a reference. If you handover the product to someone else, give the user manual as well.

The user manual will help you use the product in a fast and safe way.







- Read the manual before installing and operating the product.
- Make sure you read the safety instructions.
- Keep the manual in an easily accessible place as you may need it later.
- Read the other documents given with the product.

Remember that this user manual is also applicable for several other models. Differences between models will be identified in the manual.

Explanation of symbols

Throughout this user manual the following symbols are used:

	Important information or useful hints.
	Risk of injury and damage to the property.
	Risk of electric shock.
	Packaging materials of the product are manufactured from recyclable materials in accordance with our National Environment Regulations.

	INFORMATION	
	ENERGY 	
<small>SUPPLIER'S NAME</small>	<small>MODEL IDENTIFIER</small> → (*)	
		

.The model information as stored in the product data base can be reached by entering following website and searching for your model identifier (*) found on energy label.

<https://eprel.ec.europa.eu/>

Contents

1. Safety and environment instructions	3	5.9. Fan.....26
1.1. General safety.....3		5.10. Crisper.....26
1.1.1 HC warning.....6		5.11. Chiller compartment.....26
1.1.2 For models with water dispenser.....6		5.12. Moving door shelf.....27
1.2. Intended use.....7		5.13. Sliding storage container.....27
1.3. Child safety.....7		5.14. Humidity controlled crisper.....28
1.4. Compliance with the WEEE Directive and Disposing of the Waste Product:.....7		5.15. Auto Icematic.....28
1.5. Compliance with RoHS Directive.....7		5.16. Description and cleaning of odor filter.....29
1.6. Package information.....8		5.17. Blue light/HarvestFresh.....29
2 Your appliance	9	5.18. HerbBox/HerbFresh.....29
3 Installation	10	5.19. Using the water dispenser.....30
3.1. Appropriate installation location.....10		5.20. Using the water dispenser.....30
3.2. Installing the plastic wedges.....10		5.21. Filling the water dispenser's tank.....31
3.3. Adjusting the feet.....11		5.22. Cleaning the water tank.....32
3.4. Electrical connection.....11		5.23. Drip tray.....33
3.5. Reversing the doors.....12		5.24. Freezing fresh food.....34
3.6. Reversing the doors.....13		5.25. Recommendations for preserving the frozen food.....35
4 Preparation	14	5.26. Deep-freeze information.....35
4.1. Things to be done for energy saving.....14		5.27. Placing the food.....35
4.2. Initial use.....14		5.28. Door open warning.....35
5 Operating the product	15	5.29. Changing the door opening direction.....36
5.1. Temperature setting button.....15		5.30. Illumination lamp.....36
5.2. Fast freeze.....15		6 Maintenance and cleaning 37
5.3. Vacation function.....16		6.1. Avoiding bad odors.....37
5.4. Indicator panel.....17		6.2. Protecting the plastic surfaces.....37
5.5. Indicator panel.....19		6.3. Door Glasses.....37
5.6. Twist Ice - matic.....25		6 Maintenance and cleaning 38
5.7. Ice container.....26		7. Troubleshooting 39
5.8. Egg holder.....26		

1 Safety and environment instructions

This section provides the safety instructions necessary to prevent the risk of injury and material damage. Failure to observe these instructions will invalidate all types of product warranty.

Intended use

**WARNING:**

Keep ventilation openings, in the appliance enclosure or in the built-in structure, clear of obstruction.

**WARNING:**

Do not use mechanical devices or other means to accelerate the defrosting process, other than those recommended by the manufacturer.

**WARNING:**

Do not damage the refrigerant circuit.

**WARNING:**

Do not use electrical appliances inside the food storage compartments of the appliance, unless they are of the type recommended by the manufacturer.

This appliance is intended to be used in household and similar applications such as

- staff kitchen areas in shops, offices and other working environments;
- farm houses and by clients in hotels, motels and other residential type environments;
- bed and breakfast type environments;
- catering and similar non-retail applications.

1.1. General safety

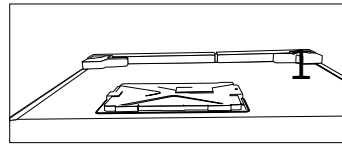
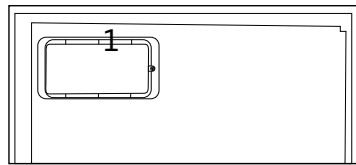
- This product should not be used by persons with physical, sensory and mental disabilities, without sufficient knowledge and experience or by

Instructions for safety and environment

children. The device can only be used by such persons under supervision and instruction of a person responsible for their safety. Children should not be allowed to play with this device.

- In case of malfunction, unplug the device.
- After unplugging, wait at least 5 minutes before plugging in again.
- Unplug the product when not in use.
- Do not touch the plug with wet hands! Do not pull the cable to plug off, always hold the plug.
- Do not plug in the refrigerator if the socket is loose.
- Unplug the product during installation, maintenance, cleaning and repair.
- If the product will not be used for a while, unplug the product and remove any food inside.

- Do not use the product when the compartment with circuit cards located on the upper back part of the product (electrical card box cover) (1) is open.

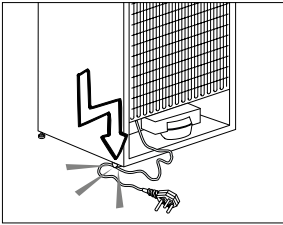


- Do not use steam or steamed cleaning materials for cleaning the refrigerator and melting the ice inside. Steam may contact the electrified areas and cause short circuit or electric shock!
- Do not wash the product by spraying or pouring water on it! Danger of electric shock!

Instructions for safety and environment

- In case of malfunction, do not use the product, as it may cause electric shock. Contact the authorized service before doing anything.
- Plug the product into an earthed socket. Earthing must be done by a qualified electrician.
- If the product has LED type lighting, contact the authorized service for replacing or in case of any problem.
- Do not touch frozen food with wet hands! It may adhere to your hands!
- Do not place liquids in bottles and cans into the freezer compartment. They may burst out!
- Place liquids in upright position after tightly closing the lid.
- Do not spray flammable substances near the product, as it may burn or explode.
- Do not keep flammable materials and products with flammable gas (sprays, etc.) in the refrigerator.
- Do not place containers holding liquids on top of the product. Splashing water on an electrified part may cause electric shock and risk of fire.
- Exposing the product to rain, snow, sunlight and wind will cause electrical danger. When relocating the product, do not pull by holding the door handle. The handle may come off.
- Take care to avoid trapping any part of your hands or body in any of the moving parts inside the product.
- Do not step or lean on the door, drawers and similar parts of the refrigerator. This will cause the product to fall down and cause damage to the parts.
- Take care not to trap the power cable.

Instructions for safety and environment



1.1.1 HC warning

If the product comprises a cooling system using R600a gas, take care to avoid damaging the cooling system and its pipe while using and moving the product. This gas is flammable. If the cooling system is damaged, keep the product away from sources of fire and ventilate the room immediately.



The label on the inner left side indicates the type of gas used in the product.

1.1.2 For models with water dispenser

- Pressure for cold water inlet shall be maximum 90 psi (6.2 bar). If your water pressure exceeds 80 psi (5.5 bar), use a pressure limiting valve in your mains system. If you do not know how to check your water pressure, ask for the help of a professional plumber.
- If there is risk of water hammer effect in your installation, always use a water hammer prevention equipment in your installation. Consult Professional plumbers if you are not sure that there is no water hammer effect in your installation.
- Do not install on the hot water inlet. Take precautions against of the risk of freezing of the hoses. Water temperature operating interval shall be 33°F

Instructions for safety and environment

(0.6°C) minimum and 100°F (38°C) maximum.

- Use drinking water only.

1.2. Intended use

- This product is designed for home use. It is not intended for commercial use.
- The product should be used to store food and beverages only.
- Do not keep sensitive products requiring controlled temperatures (vaccines, heat sensitive medication, medical supplies, etc.) in the refrigerator.
- The manufacturer assumes no responsibility for any damage due to misuse or mishandling.
- Original spare parts will be provided for 10 years, following the product purchasing date.

1.3. Child safety

- Keep packaging materials out of children's reach.

- Do not allow the children to play with the product.
- If the product's door comprises a lock, keep the key out of children's reach.

1.4. Compliance with the WEEE Directive and Disposing of the Waste Product:

This product complies with EU WEEE Directive (2012/19/EU). This product bears a classification symbol for waste electrical and electronic equipment (WEEE).



This symbol indicates that this product shall not be disposed with other household wastes at the end of its service life. Used device must be returned to official collection point for recycling of electrical and electronic devices. To find these collection systems please contact to your local authorities or retailer where the product was purchased. Each household performs important role in recovering and recycling of old appliance. Appropriate disposal of used appliance helps prevent potential negative consequences for the environment and human health.

1.5. Compliance with RoHS Directive

The product you have purchased complies with EU RoHS Directive (2011/65/EU). It does not contain harmful and prohibited materials specified in the Directive.

Instructions for safety and environment

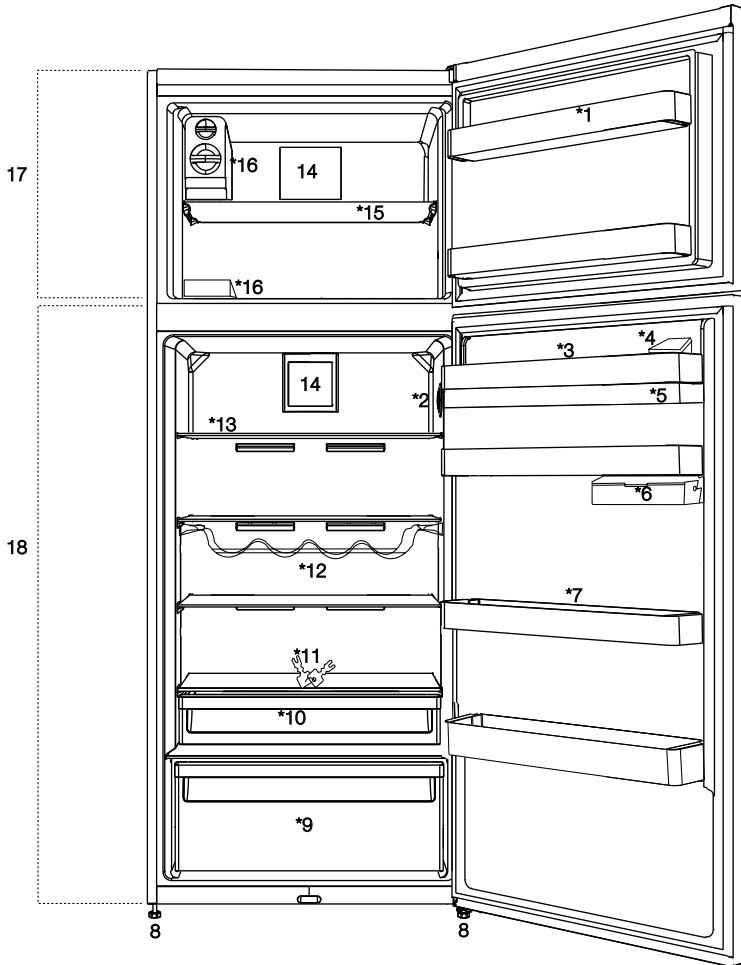
1.6. Package information



Packaging materials of the product are manufactured from recyclable materials in accordance with our National Environment Regulations.

Do not dispose of the packaging materials together with the domestic or other wastes. Take them to the packaging material collection points designated by the local authorities.

2 Your appliance






1. Fridge - compartment door shelf
2. Temperature setting button
3. Water dispenser filling tank
4. Egg section
5. Water dispenser reservoir
6. Storage container under the door shelf
7. Moving door shelf
8. Adjustable feet
9. Crisper
10. Chiller compartment
11. Lock and key
12. Bottle shelf
13. Fridge - compartment glass shelf
14. Fan
15. Freezer compartment shelf
16. Icebox / Ice-making compartment



***optional:** Figures in this user manual are given as an example and may not match the product exactly. If the relevant parts are not available in the product you purchased, the figure applies to other models.

3.1. Appropriate installation location

Contact an Authorized Service for the installation of the product. In order to prepare the product for use, refer the information in the user manual and ensure that electrical installation and water installation are appropriate. If not, call a qualified electrician and technician to have any necessary arrangements carried out.

	WARNING: Manufacturer shall not be held liable for damages that may arise from procedures carried out by unauthorized persons.
	WARNING: Product must not be plugged in during installation. Otherwise, there is the risk of death or serious injury!
	WARNING: If the door clearance of the room where the product shall be placed is so tight to prevent passing of the product, remove the door of the room and pass the product through the door by turning it to its side; if this does not work, contact the authorized service.

- Place the product on an even floor surface to prevent jolts.
- Install the product at least 30 cm away from heat sources such as hobs, heater cores and stoves and at least 5 cm away from electrical ovens.
- Product must not be subjected to direct sun light and kept in humid places.
- Your product requires adequate air circulation to function efficiently. If the product will be placed in an alcove, remember to leave at least 5 cm clearance between the product and the ceiling, rear wall and the side walls.

- If the product will be placed in an alcove, remember to leave at least 5 cm clearance between the product and the ceiling, rear wall and the side walls. Check if the rear wall clearance protection component is present at its location (if provided with the product). If the component is not available, or if it is lost or fallen, position the product so that at least 5 cm clearance shall be left between the rear surface of the product and the wall of the room. The clearance at the rear is important for efficient operation of the product.
- Do not install the product in places where the temperature falls below -5°C .

3.2. Installing the plastic wedges

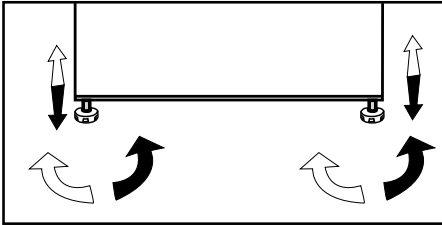
Plastic wedges supplied with the product are used to create the distance for the air circulation between the product and the rear wall.

1. To install the wedges, remove the screws on the product and use the screws supplied together with the wedges.
2. Insert the 2 plastic wedges onto the rear ventilation cover as illustrated in the figure.

Installation

3.3. Adjusting the feet

If the product stands unbalanced after installation, adjust the feet on the front by rotating them to the right or left.



Hot Surface Warning!
Side walls of your product is equipped with refrigerant pipes to improve the cooling system. Refrigerant with high temperatures may flow through these areas, resulting in hot surfaces on the side walls. This is normal and does not need any servicing. Please pay attention while touching these areas.

3.4. Electrical connection



WARNING: Do not make connections via extension cables or multi-plugs.



WARNING: Damaged power cable must be replaced by the Authorized Service Agent.



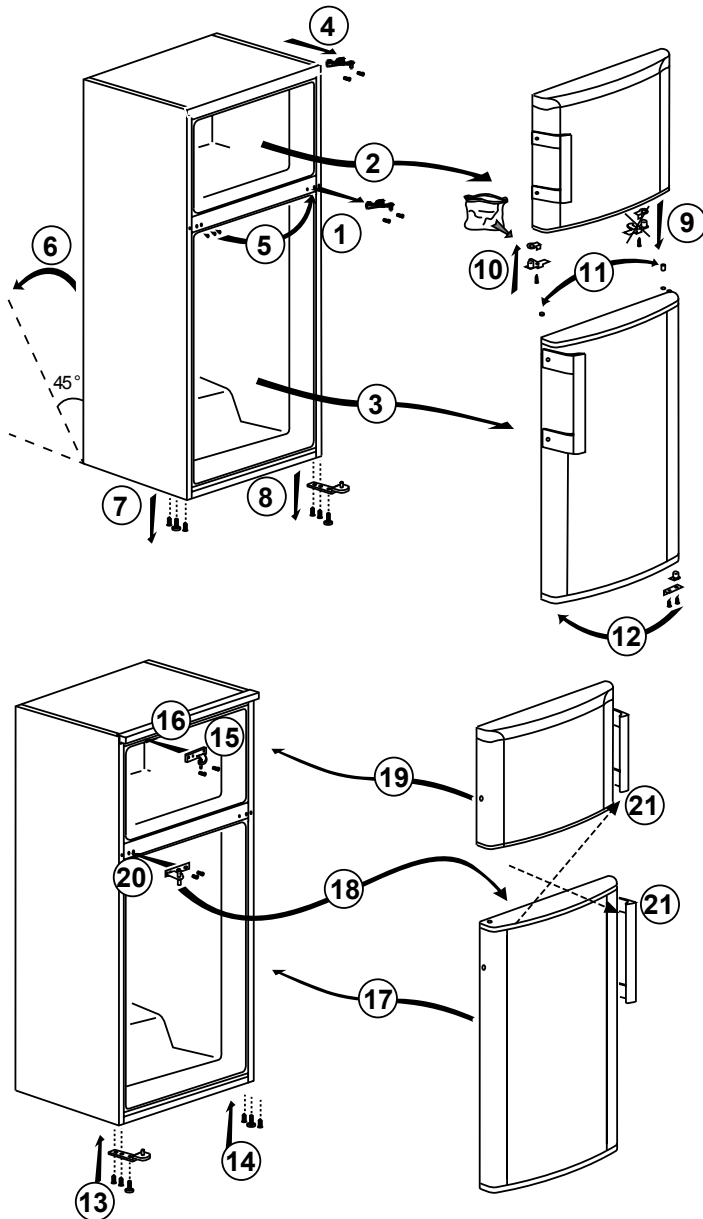
If two coolers are to be installed side by side, there should be at least 4 cm distance between them.

- Our company shall not be liable for any damages that will arise when the product is used without grounding and electrical connection in accordance with the national regulations.
- Power cable plug must be within easy reach after installation.
- Do not extension cords or cordless multiple outlets between your product and the wall outlet.

Installation

3.5.Reversing the doors

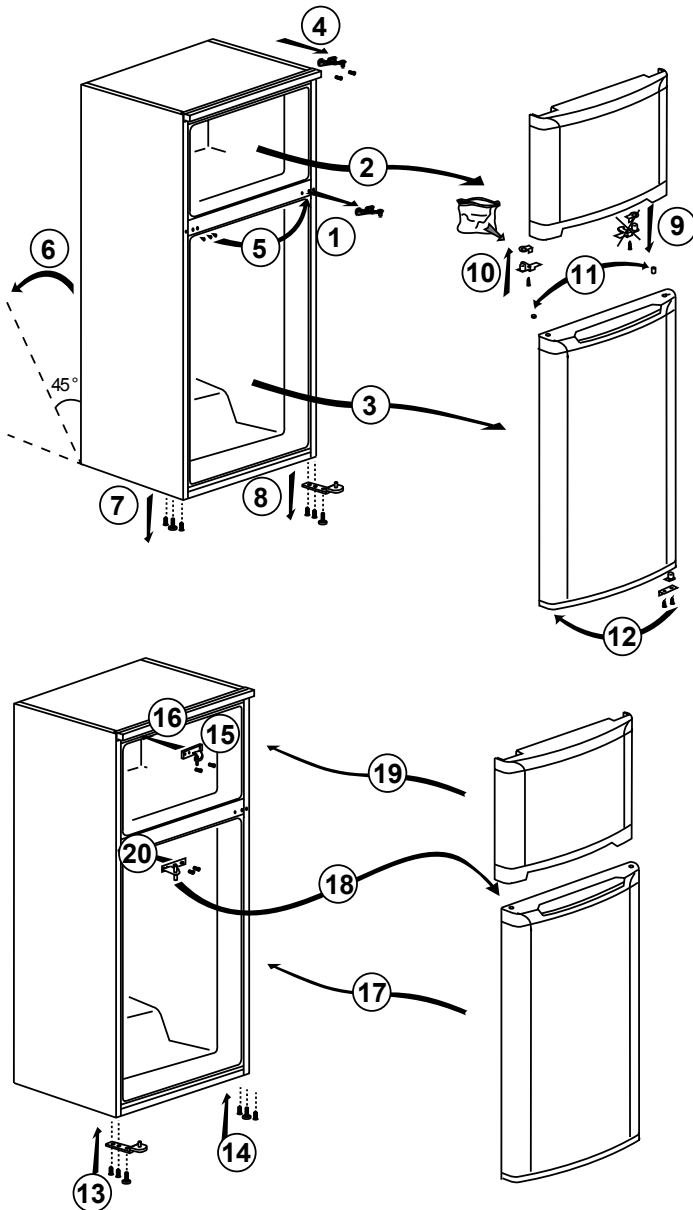
Proceed in numerical order .



Installation

3.6. Reversing the doors

Proceed in numerical order .



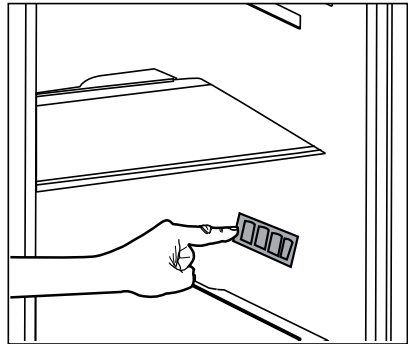
4.1. Things to be done for energy saving



Connecting the product to electric energy saving systems is risky as it may cause damage on the product.

- For a freestanding appliance; 'this refrigerating appliance is not intended to be used as a built-in appliance' ;
- Do not leave the doors of your refrigerator open for a long time.
- Do not put hot food or drinks in your refrigerator.
- Do not overload the refrigerator, cooling capacity will fall when the air circulation inside is hindered.
- In order to store maximum amount of food in the freezer compartment, the icematic, available in the freezer compartment and easily removable by hand, shall be taken out. Net volume and energy consumption values declared on the power data plate of your refrigerator are measured and tested by removing the icematic. Do not remove the shelves inside the freezer compartment and on the door of freezer compartment shall not be removed and they shall always be used they provide ease of use and efficiency in energy consumption.
- Since hot and humid air will not directly penetrate into your product when the doors are not opened, your product will optimize itself in conditions sufficient to protect your food. Functions and components such as compressor, fan, heater, defrost, lighting, display and so on will operate according to the needs to consume minimum energy under these circumstances.
- Airflow should not be blocked by placing foods on the sides of the freezer compartment fan. A minimum distance of 3 cm shall be provided on the sides of protective fan cover.
- The baskets/drawers that are provided with the chill compartment must always be in use for low energy consumption and for better storage conditions.
- Food contact with the temperature sensor in the freezer compartment may increase energy consumption of the appliance. Thus any contact with the sensor(s) must be avoided.

- Depending on the features of your product, thawing frozen food in fridge compartment will both provide energy saving and preserve the food quality.



- Do not allow contact of the food with the fridge compartment temperature sensor shown in the figure below.

4.2. Initial use

Before starting to use your refrigerator, ensure that all preparations are made in accordance with the instructions in sections "Instructions for safety and environment" and "Installation".

- Run the product without putting any food for 6 hours and do not open its door unless certainly required.



You will hear a noise when the compressor starts up. The liquids and gases sealed within the refrigeration system may also give rise to noise, even if the compressor is not running and this is quite normal.



Front edges of the product may feel warm. This is normal. These areas are designed to be warm to avoid condensation.



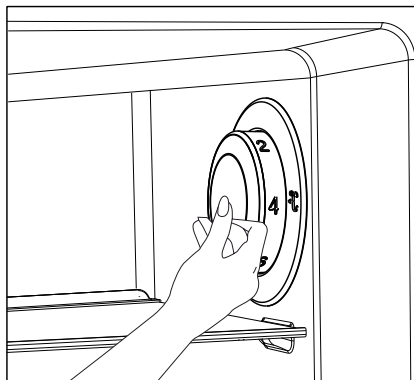
In some models, the instrument panel automatically turns off 5 minutes after the door has closed. It will be reactivated when the door has opened or pressed on any key.

5 Operating the product

5.1. Temperature setting button

The interior temperature of your refrigerator changes for the following reasons;

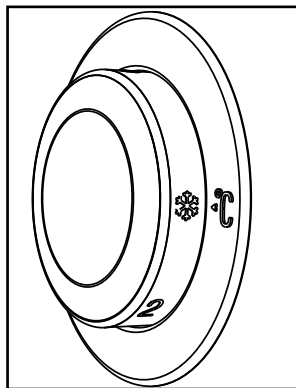
- Seasonal temperatures,
- Frequent opening of the door and leaving the door open for long periods,
- Food put into the refrigerator without cooling down to the room temperature,
- The location of the refrigerator in the room (e.g. exposing to sunlight),
- You may adjust the varying interior temperature due to such reasons by using the setting button.
- The numbers around the control knob indicate the temperature values in "°C".
- If the ambient temperature is 25°C, we recommend you to use the temperature control knob of your refrigerator at 4°C. This value may be increased or decreased as required in other ambient temperatures.



5.2. Fast freeze

If large amounts of fresh food are going to be frozen, adjust the temperature control knob to (❄️) max. 24 hours before putting the fresh food in the fast freeze compartment.

It is strongly recommended to keep the knob at this position at least 24 hours to freeze maximum amount of fresh food declared as freezing capacity. Take special care not to mix frozen food and fresh food.



***Optional:** Figures in this user manual are schematic and may not match the product exactly. If the subject parts are not included in the product you have purchased, then those parts are valid for other models.

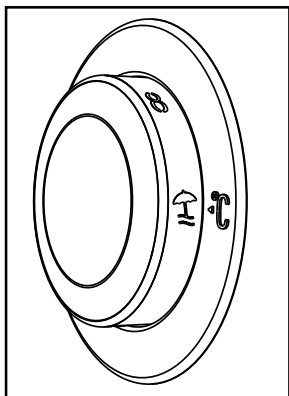
Operating the product

Remember to turn the temperature control knob back to its previous position once food has frozen.

5.3. Vacation function

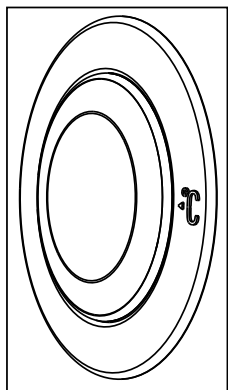
If the doors of the product are not opened for 12 hours after the temperature control knob is switched to the hottest position, then the vacation function will be activated automatically.

- When the setting operation is completed, you may press the temperature control knob and have it hidden.



To cancel the function, change the knob setting.

It is not recommended to store food in cooler compartment when the vacation function is active.

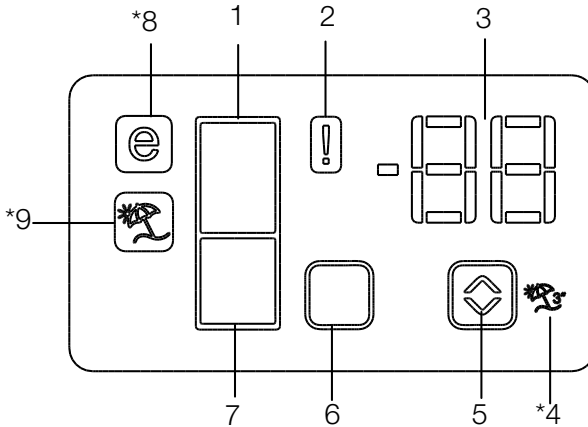


Operating the product

5.4. Indicator panel

Indicator panels may vary according to the product model.

Audio - visual functions on the indicator panel helps you in using your product.



1. Fridge Compartment Indicator
2. Error status indicator
3. Temperature indicator
4. Vacation function button
5. Temperature setting button
6. Compartment selection button
7. Freezer compartment indicator
8. Economy mode indicator
9. Vacation function indicator

***optional**



***Optional:** Figures in this user manual are schematic and may not match the product exactly. If the subject parts are not included in the product you have purchased, then those parts are valid for other models.

Operating the product

1. Fridge compartment indicator

Fridge compartment light is illuminated while the fridge compartment temperature is set.

2. Error status indicator

If your refrigerator does not perform enough cooling or in case of a sensor fault, this indicator is activated.

When this indicator is activated, "E" is displayed on the freezer compartment temperature indicator, and numbers such as "1,2,3..." are displayed on the fridge compartment temperature indicator. These numbers on the indicator inform service personnel about the error.

3. Temperature indicator

Indicates freezer, fridge compartment temperature.

4. Vacation function button

Press on Vacation Button for 3 seconds to activate this function.

When the vacation function is activated, "- -" is displayed on the fridge compartment temperature indicator and no active cooling is performed on the fridge compartment. It is not suitable to keep the food in the fridge compartment when this function is activated. Other compartments shall be continued to be cooled as per their set temperature.

To cancel this function press **Vacation** button again.

5. Temperature setting button

Changes the temperature of the relevant compartment between -24°C... -18°C and 8°C...1°C.

6. Compartment selection button

Selection button: Press compartment selection button to switch between fridge and freezer compartments.

7. Freezer compartment indicator

Fridge compartment light is illuminated while the freezer compartment temperature is set.

8. Economy mode indicator

Indicates that the refrigerator operates in energy saving mode. This display shall be activated if the freezer compartment temperature is set to -18°C.

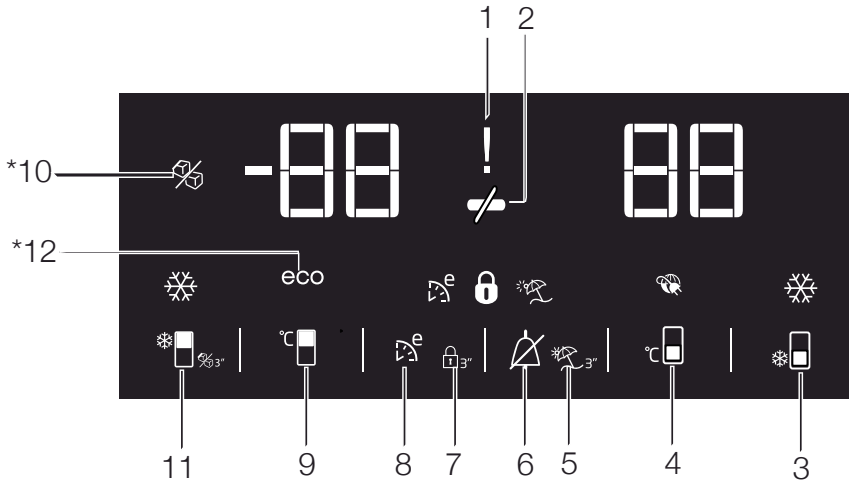
9. Vacation function indicator

Indicates that vacation is activated.

Operating the product

5.5. Indicator panel

Indicator panel allows you to set the temperature and control the other functions related to the product without opening the door of the product. Just press the inscriptions on relevant buttons for function settings.



1. Power failure/High temperature / error warning indicator

This indicator (⚡) illuminates during power failure, high temperature failures and error warnings. During sustained power failures, the highest temperature that the freezer compartment reaches will flash on the digital display. After checking the food located in the freezer compartment (🔪) press the alarm off button to clear the warning.

2. Energy saving function (display off):

If the product doors are kept closed for a long time energy saving function is

automatically activated and energy saving symbol is illuminated. (🔒) When energy saving function is activated, all symbols on the display other than energy saving symbol will turn off. When the Energy Saving function is activated, if any button is pressed or the door is opened, energy saving function will be canceled and the symbols on display will return to normal. Energy saving function is activated during delivery from factory and cannot be canceled.



***Optional:** Figures in this user manual are schematic and may not match the product exactly. If the subject parts are not included in the product you have purchased, then those parts are valid for other models.

Operating the product

3. Quick fridge function

The button has two functions. To activate or deactivate the quick cool function press it briefly. Quick Cool indicator will turn off and the product will return to its normal settings. (●📱)



Use quick cooling function when you want to quickly cool the food placed in the fridge compartment. If you want to cool large amounts of fresh food, activate this function before putting the food into the product.



If you do not cancel it, quick cooling will cancel itself automatically after 1 hours or when the fridge compartment reaches to the required temperature.



If you press the quick cooling button repeatedly with short intervals, the electronic circuit protection will be activated and the compressor will not start up immediately.



This function is not recalled when power restores after a power failure.

4. Fridge compartment temperature setting button

Press this button to set the temperature of the fridge compartment to 8, 7, 6, 5, 4, 3, 2, 8... respectively. Press this button to set the fridge compartment temperature to the desired value. (c📱)

5. Vacation Function

In order to activate vacation function, press the this button (☀️) for 3 seconds, and the vacation mode indicator (☀️) will be activated. When the vacation function is activated, “- -” is displayed on the fridge compartment temperature indicator and no active cooling is performed on the fridge compartment. It is not suitable to keep the food in the fridge compartment when this function is activated. Other compartments shall be continued to be cooled as per their set temperature.

To cancel this function press **Vacation function** button again.

6. Alarm off warning:

In case of power failure/high temperature alarm, after checking the food located in the freezer compartment press the alarm off button (🔇) to clear the warning.

7. Key lock

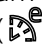
Press key lock button (🔒) simultaneously for 3 seconds. Key lock symbol

(🔒) will light up and key lock mode will be activated. Buttons will not function if the Key lock mode is active. Press key lock button simultaneously for 3 seconds again. Key lock symbol will turn off and the key lock mode will be exited.

Press the **key lock** button if you want to prevent changing of the temperature setting of the refrigerator (🔒).


Operating the product

8. Eco fuzzy

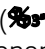
Press and hold eco fuzzy button for 1 seconds to activate eco fuzzy function. Refrigerator will start operating in the most economic mode at least 6 hours later and the economic usage indicator will turn on when the function is active (). Press and hold eco fuzzy function button for 3 seconds to deactivate eco fuzzy function.

This indicator is illuminated after 6 hours when eco fuzzy is activated.

9. Freezer compartment temperature setting button

Press this button to set the temperature of the freezer compartment to -18,-19,-20,-21,-22,-23,-24,-18... respectively. Press this button to set the freezer compartment temperature to the desired value. ()


10. Icematic off indicator

Indicates whether the icematic is on or off. () If On, then the icematic is not operating. To operate the icematic again press and hold the On-Off button for 3 seconds.



Water flow from water tank will stop when this function is selected. However, ice made previously can be taken from the icematic.

11. Quick freeze function button/ icematic on-off button

Press this button to activate or deactivate the quick freezing function. When you activate the function, the freezer compartment will be cooled to a temperature lower than the set value. ()

To turn on and off the icematic press and hold it for 3 seconds.



Use the quick freeze function when you want to quickly freeze the food placed in fridge compartment. If you want to freeze large amounts of fresh food, activate this function before putting the food into the product.

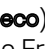


If you do not cancel it, Quick Freeze will cancel itself automatically after 25 hours or when the fridge compartment reaches to the required temperature.



This function is not recalled when power restores after a power failure.

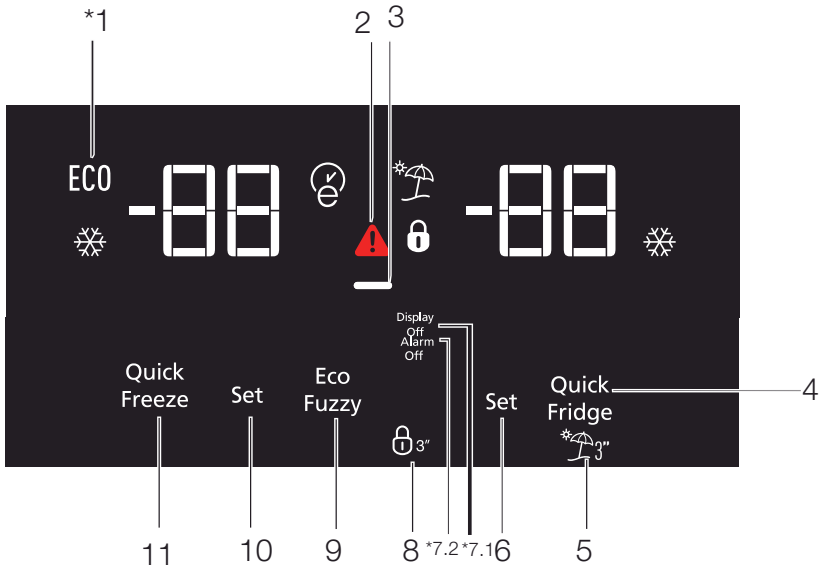
12. Economic usage indicator

Indicates that the product is running in energy-efficient mode. () This indicator will be active if the Freezer Compartment temperature is set to -18 or the energy efficient cooling is being performed due to Eco-Extra function.



Economic usage indicator is turned off when quick cooling or quick freeze functions are selected.

Operating the product



1. Economy

This symbol is illuminated when the freezer compartment is set to -18°C as the most economical setting value (ECO). Economy indicator is turned off when quick cooling or quick freeze functions are selected.

2. High temperature / error warning indicator

This indicator (⚠) illuminates during high temperature failures and error warnings.

3. Energy saving function (display off)

If the product doors are kept closed for a long time energy saving function is automatically activated and energy saving symbol is illuminated. When energy saving function is activated, all symbols on the display other than energy saving symbol will turn off. When the Energy Saving function is activated, if any button is pressed or the door is opened, energy saving function will be canceled and the symbols on display will return to normal.


Energy saving function is activated during delivery from factory and cannot be canceled.




***Optional:** Figures in this user manual are schematic and may not match the product exactly. If the subject parts are not included in the product you have purchased, then those parts are valid for other models.

Operating the product

4. Quick cool


Quick cooling indicator () is illuminated when quick cooling function is activated and fridge compartment temperature indicator value is displayed as 1. To cancel this function press Quick cooling button again. Quick cooling indicator will turn off and refrigerator will return to its normal settings. Quick cooling function is canceled automatically in 1 hour if you do not cancel it before. If you want to cool large amounts of fresh food, press the Quick cooling button before putting the food into the fridge compartment.

5. Vacation function

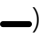


In order to activate vacation function, press the button () for 3 seconds, and the vacation mode indicator activates. When the vacation function is activated, "- -" is displayed on the fridge compartment temperature indicator and no active cooling is performed on the fridge compartment. It is not suitable to keep the food in the fridge compartment when this function is activated. Other compartments shall be continued to be cooled as per their set temperature.

To cancel this function press **Vacation function** button again.

6. Fridge compartment temperature setting

When the button is pressed, you may set the temperature of the fridge compartment to 8,7,6,5,4,3,2 and 1 respectively (.


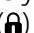
7.1 Energy saving function (display off)


Energy saving symbol () is illuminated and Energy saving function is activated when you press this button (). When energy saving function is activated, all symbols on the display other than energy saving symbol will turn off. When the Energy Saving function is activated, if any button is pressed or the door is opened, energy saving function will be canceled and the symbols on display will return to normal. Energy saving symbol is turned off and energy saving function is deactivated when you press this button () again.

7.2 Alarm off warning

In case of power failure/high temperature alarm, after checking the food located in the freezer compartment press the alarm off button to clear the warning.

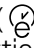
8. Key lock

Press key lock button () simultaneously for 3 seconds. Key lock symbol () will light up and key lock mode will be activated. Buttons will not function if the Key lock mode is active. Press key lock button simultaneously for 3 seconds again. Key lock symbol will turn off and the key lock mode will be exited.

Press the **key lock** button if you want to prevent changing of the temperature setting of the refrigerator (.

Operating the product

9. Eco fuzzy


Press and hold eco fuzzy button for 1 seconds to activate eco fuzzy function. Refrigerator will start operating in the most economic mode at least 6 hours later and the economic usage indicator will turn on when the function is active (). Press and hold eco fuzzy function button for 3 seconds to deactivate eco fuzzy function.


This indicator is illuminated after 6 hours when eco fuzzy is activated.

10. Freezer compartment temperature setting

Temperature setting for freezer compartment is performed here. When button is pressed, you may set the temperature of the freezer compartment to -18, -19, -20, -21, -22, -23 and -24 respectively.

11. Fast freeze

Press button for fast freeze operation, quick freeze indicator () shall be activated.

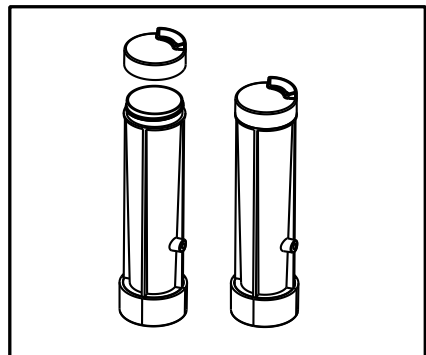
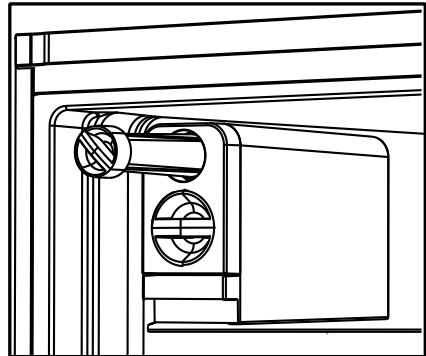
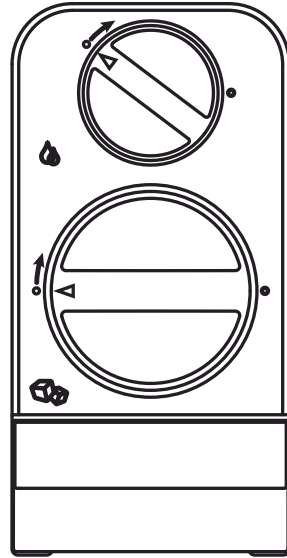
Quick freeze indicator is illuminated when quick freeze function is activated and fridge compartment temperature indicator is displayed as -27. To cancel this function press quick freeze button () again. Quick freeze indicator will turn off and refrigerator will return to its normal settings. Quick freeze function is canceled automatically in 25 hour if you do not cancel it before. If you want to freeze large amounts of fresh food, press the quick freeze button before putting the food into the freezer compartment.

Operating the product

5.6. Twist Ice - matic

(This feature is optional)

- Remove the water tank by rotating it to the left.
- Open the water tank cover by turning it and add water to the water tank up to the lower part of the water tank cover.
- Place the water tank on its place as shown in the figure after adding water and have it seated by rotating it on the direction of the arrow. Water shall be poured down to the icebank.
- When ice has formed, rotate icebank knob in the direction of the arrow to allow that the ice is dropped down to the ice drawer.
- Take the ice cubes by pulling ice drawer out.
- Pull the front face towards you in order to wash the icebank, and put it on the slides on the interior area and push it to its place in order to replace it.
- Pull the twist icematic unit towards you in order to remove the unit, and put it on the slides on the ceiling and push it to its place in order to replace it.



Operating the product

5.7. Ice container

- Remove the ice container from the freezer compartment.
- Fill the ice container with water.
- Place the ice container in the freezer compartment. About two hours later, the ice is ready.
- Remove the ice container from the freezer compartment and bend it over the service plate. Ice cubes will easily fall down to the service plate.

5.8. Egg holder

You can install the egg holder to the desired door or body shelf. If it will be placed on body shelves than the lower cooler shelves are recommended.

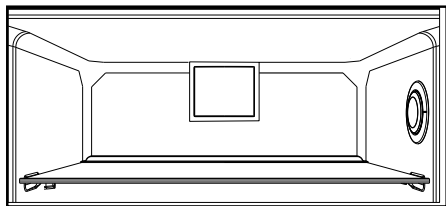


Never place the egg holder in the freezer compartment

5.9. Fan

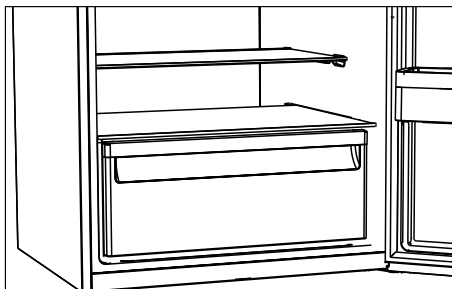
Fan is designed to ensure homogeneous distribution and circulation of the cold air inside your refrigerator. Operation time of the fan may vary depending on the properties of your product.

While the fan works only with the compressor in some products, the control system determines its operation time in some products in accordance with the cooling requirement.



5.10. Crisper

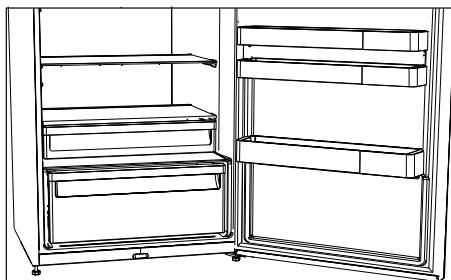
Crisper of the product is designed specially to keep the vegetables fresh without losing their humidity. For this purpose, cool air circulation is intensified around the crisper in general.



5.11. Chiller compartment

(This feature is optional)

Use this compartment to store delicatessen that shall be stored in a lower temperature or meat products that you will consume in a short time. Chiller compartment is the coolest place in your refrigerator where you can keep dairy products, meat, fish and poultry under ideal storage conditions. Fruits and vegetables should not be stored in this compartment.



Operating the product

5.12. Moving door shelf

(This feature is optional)

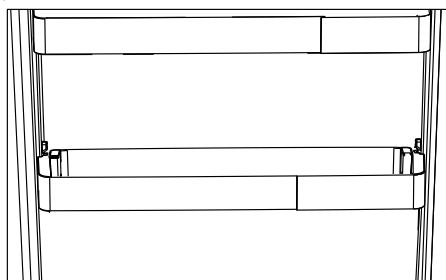
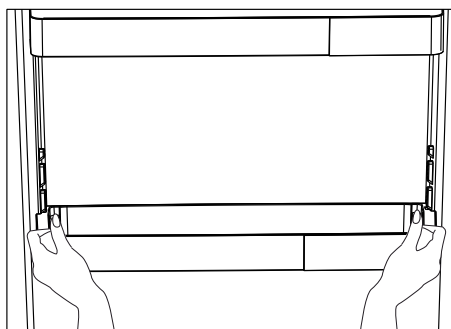
Moving door shelf may be fixed in 3 different positions.

Press the buttons shown in the sides at the same amount in order to move the shelf. Shelf shall be movable.

Move the shelf up or down.

Release the buttons when you have the shelf in the desired position.

Shelf shall be fixed on the position where you release the buttons.

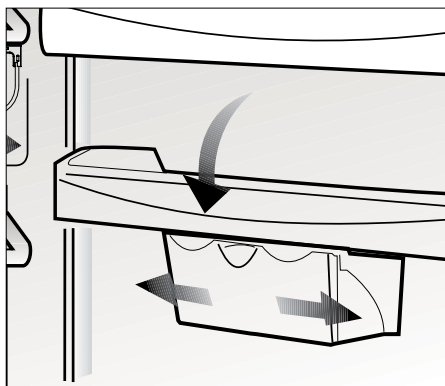


5.13. Sliding storage container

(This feature is optional)

This accessory is designed to increase the usable volume of the door shelves.

It allows you to easily place the tall bottles, jars and tins to the lower bottle shelf thanks to its ability to move right or left.



Operating the product

5.14. Humidity controlled crisper

(FreSHelf)

(This feature is optional)

Humidity rates of the vegetables and fruit are kept under control with the feature of humidity-controlled crisper and the food is ensured to stay fresh for longer.

We recommend you to place the leafy vegetables such as lettuce, spinach and the vegetables which are sensitive to humidity loss, in a horizontal manner as much as possible inside the crisper, not on their roots in a vertical position.

While the vegetables are being placed, specific gravity of the vegetables should be taken into consideration. Heavy and hard vegetables should be put at the bottom of the crisper and the lightweight and soft vegetables should be placed over.

Never leave the vegetables inside the crisper in their bags. If the vegetables are left inside their bags, this will cause them to decompose in a short period of time. In case contacting with other vegetables is not preferred for hygiene concerns, use a perforated paper and other similar packaging materials instead of a bag.

Do not place together the pear, apricot, peach, etc. and apple in particular which have a high level of generation of ethylene gas in the same crisper with the other vegetables and fruit. The ethylene gas which is emitted by these fruit may cause the other fruit to ripen faster and decompose in a shorter time.

5.15. Auto Icematic

(This feature is optional)

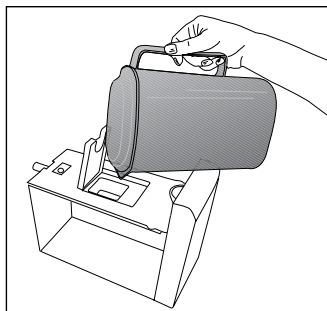
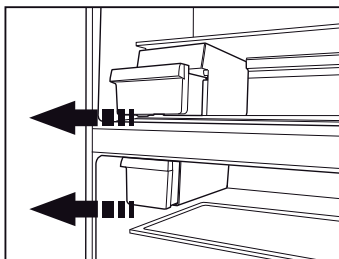
The Auto Icematic allows you to make ice in the fridge easily. Remove the water tank in the fridge compartment, fill it with water and install it back to obtain ice from the Icematic.

First ice cubes will be ready in approximately 2 hours in the Icematic drawer located in the freezer compartment.

If you fill the water tank completely, you will be able to obtain approximately 60-70 ice cubes. Change the water in water tank if it has waited around 2-3 weeks.



For the products having automatic Icematic, sound may be heard during ice pouring. This sound is normal and does not signal any error.



Operating the product

5.16. Description and cleaning of odor filter

(This feature is optional)

Odor filter prevents unpleasant odor build-up in your product.

1. Pull the cover into which the odor filter is installed downwards from the front section and remove as illustrated.
2. Leave the filter under sunlight for one day. Filter will be cleaned during this time.
3. Install the filter back to its place.



Odor filter must be cleaned once in a year.

5.17. Blue light/ HarvestFresh

*May not be available in all models

For the blue light,

Fruits and vegetables stored in the crispers that are illuminated with a blue light continue their photosynthesis by means of the wavelength effect of blue light and thus preserve their vitamin content.

For HarvestFresh,

Fruits and vegetables stored in crispers illuminated with the HarvestFresh technology preserve their vitamins for a longer time thanks to the blue, green, red lights and dark cycles, which simulate a day cycle.

If you open the door of the refrigerator during the dark period of the HarvestFresh technology, the refrigerator will automatically detect this and enable the blue-green or red light to illuminate the crisper for your convenience. After you have closed

the door of the refrigerator, the dark period will continue, representing the night time in a day cycle.

5.18. HerbBox/ HerbFresh

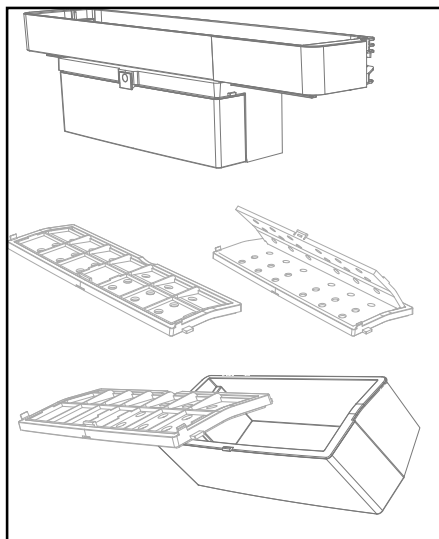
Remove the film container from HerbBox/HerbFresh+

Take the film out of the bag and put it into the film container as shown in the image.

Seal the container again and replace it into HerbBox/HerbFresh+ unit.

HerbBox-HerbFresh+ sections are especially ideal for storage of various herbs that are supposed to be kept in delicate conditions. You can store your unbagged herbs (parsley, dill, etc.) in this section horizontally and keep them fresh for a much longer period.



The film shall be replaced in every six months.



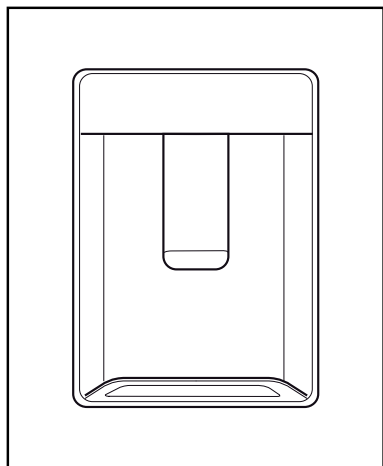
Operating the product

5.19. Using the water dispenser

***optional**

	It is normal for the first few glasses of water taken from the dispenser to be warm.
	If the water dispenser is not used for a long period of time, dispose of first few glasses of water to obtain fresh water.



1. Push in the lever of the water dispenser with your glass. If you are using a soft plastic cup, pushing the lever with your hand will be easier.
2. After filling the cup up to the level you want, release the lever.



Please note, how much water flows from the dispenser depends on how far you depress the lever. As the level of water in your cup / glass rises, gently reduce the amount of pressure on the lever to avoid overflow. If you slightly press the arm, the water will drip; this is quite normal and not a failure.

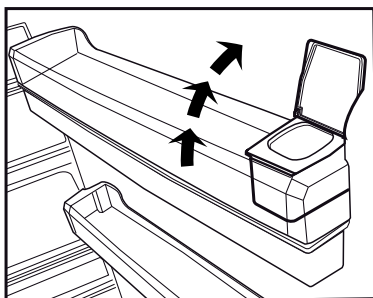
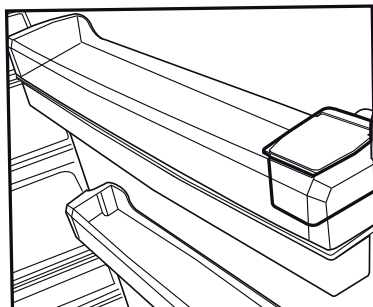
5.20. Using the water dispenser

***optional**

	It is normal for the first few glasses of water taken from the dispenser to be warm.
	If the water dispenser is not used for a long period of time, dispose of first few glasses of water to obtain fresh water.

1. Push in the lever of the water dispenser with your glass. If you are using a soft plastic cup, pushing the lever with your hand will be easier.
2. After filling the cup up to the level you want, release the lever.

Operating the product



Please note, how much water flows from the dispenser depends on how far you depress the lever. As the level of water in your cup / glass rises, gently reduce the amount of pressure on the lever to avoid overflow. If you slightly press the arm, the water will drip; this is quite normal and not a failure.



Do not fill the water tank with any other liquid except for water such as fruit juices, carbonated beverages or alcoholic drinks which are not suitable to use in the water dispenser. Water dispenser will be irreparably damaged if these kinds of liquids are used. Warranty does not cover such usages. Some chemical substances and additives contained in these kinds of drinks/liquids may damage the water tank.



Use clean drinking water only.



Capacity of the water tank is 3 litres; do not overfill.

5.21. Filling the water dispenser's tank

Water tank filling reservoir is located inside the door rack.

1. Open the cover of the tank.
2. Fill the tank with fresh drinking water.
3. Close the cover.

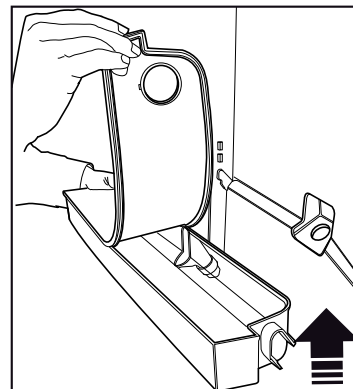
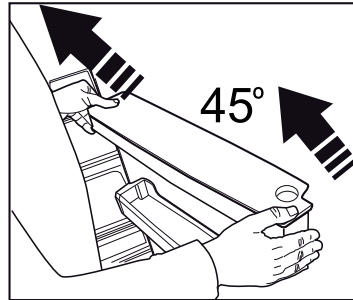
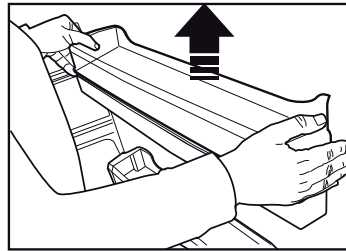
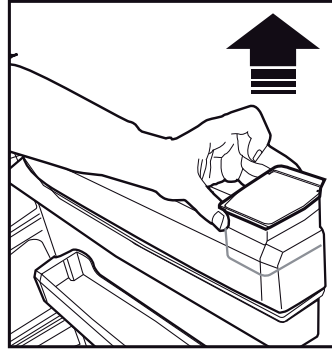
Operating the product

5.22. Cleaning the water tank

1. Remove the water filling reservoir inside the door rack.
2. Remove the door rack by holding from both sides.
3. Grab the water tank from both sides and remove it with an angle of 45°.
4. Remove the cover of the water tank and clean the tank.



Components of the water tank and water dispenser should not be washed in dishwasher.



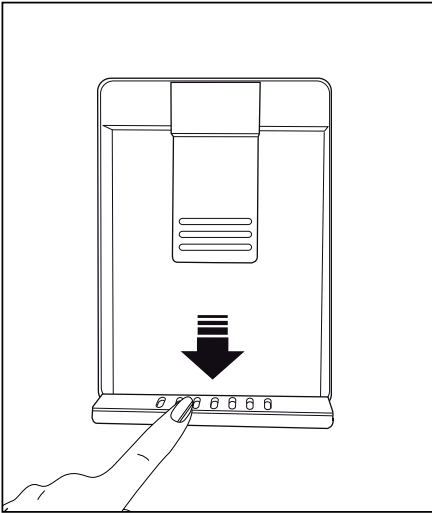
Operating the product

5.23. Drip tray

Water that dripped while using the water dispenser accumulates in the spillage tray.

Remove the plastic filter as shown in the figure.

With a clean and dry cloth, remove the water that has accumulated.



Operating the product

5.24. Freezing fresh food

- In order to preserve the quality of the food, it shall be frozen as quickly as possible when it is placed in the freezer compartment, use the fast freezing feature for this purpose.
- You may store the food longer in freezer compartment when you freeze them while they are fresh.
- Pack the food to be frozen and close the packing so that it would not allow entrance of air.
- Ensure that you pack your food before putting them in the freezer. Use freezer containers, foils and moisture-proof papers, plastic bags and other packing materials instead of traditional packing papers.
- Label each pack of food by adding the date before freezing. You may distinguish the freshness of each food pack in this way when you open your freezer each time. Store the food frozen before in the front side of compartment to ensure that they are used first.



The freezer compartment defrosts automatically.

- Frozen food must be used immediately after they are thawed and they should not be re-frozen.
- Do not freeze too large quantities of food at one time.

Freezer Compartment Setting	Fridge compartment Setting	Remarks
-18°C	4°C	This is the normal recommended setting.
-20,-22 or -24°C	4°C	These settings are recommended when the ambient temperature exceeds 30°C.
Quick Freeze	4°C	Use when you wish to freeze your food in a short time. Your product will return to its previous mode when the process is over.
-18°C or colder	2°C	Use these settings if you think that your fridge compartment is not cold enough because of the hot ambient conditions or frequent opening and closing of the door.

Operating the product

5.25. Recommendations for preserving the frozen food

Compartment shall be set to -18°C at least.

1. Put packages in the freezer as quickly as possible after purchase without allowing the to thaw.
2. Check whether the "Use By" and "Best Before" dates on the packaging are expired or not before freezing it.
3. Ensure that the package of the food is not damaged.

5.26. Deep-freeze information

According to IEC 62552 standards, the product shall freeze at least 4.5 kg of food at 25°C ambient temperature to -18°C or lower within 24 hours for every 100-litres of freezer volume.

It is possible to preserve the food for a long time only at -18°C or lower temperatures.

You can keep the freshness of food for many months (at -18°C or lower temperatures in the deep freeze).

Foods to be frozen should not be allowed to come in contact with the previously frozen items to prevent them from getting thawed partially.

Boil the vegetables and drain their water in order to store vegetables for a longer time as frozen. After draining their water, put them in air-proof packages and place them inside the freezer. Food such as bananas, tomatoes, lettuce, celery, boiled eggs, potatoes are not suitable for freezing. When these foods are frozen, only their nutritional value and taste shall be affected negatively. They shall not be spoiled so that they would create a risk for human health.

5.27. Placing the food

Freezer compartment shelves	Various frozen food such as meat, fish, ice cream, vegetables and etc.
Refrigerator compartment shelves	Food in pans, covered plates and closed containers, eggs (in closed container)
Door shelves of fridge compartment	Small and packaged food or beverage
Crisper	Vegetables and fruits
Fresh zone compartment	Delicatessen (breakfast food, meat products that shall be consumed in a short time)

5.28. Door open warning

(This feature is optional)

The door open alert system of your refrigerator may differ depending on the model.

Version 1;

If the door of the product remains open for a certain time (between 60 s and 120 s), an audio warning signal sounds; depending on the product model, a visual warning signal (light flash) can also be displayed. If you close the door of the device or press a button on the screen of the device, if any, the warning sound will stop.

Version 2;

If the door of the device remains open for a certain period of time (between 60 s and 120 s), the door open alert is sounded. The door open alert is sounded gradually. First, an audible warning starts to sound. After 4

Operating the product

minutes, if the door is still not closed, a visual warning (lighting flash) is activated. The door open alert will be delayed for a certain period of time (between 60 s and 120 s) when any key on the product screen, if any, is pressed. Then the process will start again. When the device door is closed, the door open alert will be cancelled.

5.29. Changing the door opening direction

Door opening direction of your refrigerator can be changed according to the place you are using it. If this is necessary, please call your nearest Authorized Service.

Above description is a general expression. For information on changing the opening direction of the door, you must refer to the warning label located on the inner side of the door.

5.30. Illumination lamp

LED lamps are used as illumination lamps. Contact authorized service in case of any problem with this type of light.

The lamp(s) used in this appliance is not suitable for household room illumination. The intended purpose of this lamp is to assist the user to place foodstuffs in the refrigerator/freezer in a safe and comfortable way.

Service life of the product is increase if it is regularly cleaned



WARNING: First unplug the product before cleaning your refrigerator.

- Never use any sharp and abrasive tools, soap, household cleaners, detergent and wax polish for cleaning.
- Dissolve one teaspoon of carbonate in half liter of water. Soak a cloth with the solution and wrung it thoroughly. Wipe the interior of the appliance with this cloth and the dry thoroughly.
- Make sure that no water enters the lamp housing and other electrical items.
- Clean the door with a damp cloth. To remove door and body shelves, remove all of its contents. Remove door shelves by moving them upwards. After cleaning, slide them from top to bottom to install.
- Never use cleaning agents or water that contain chlorine to clean the outer surfaces and chromium coated parts of the product. Chlorine causes corrosion on such metal surfaces.
- Do not use sharp, abrasive tools, soap, household cleaning agents, detergents, kerosene, fuel oil, varnish etc. to prevent removal and deformation of the prints on the plastic part. Use lukewarm water and a soft cloth for cleaning and then wipe it dry.

6.1. Avoiding bad odors

Materials that may cause odor are not used in the production of our appliances. However, due to inappropriate food preserving conditions and not cleaning the inner surface of the appliance as required can bring forth the problem of odor.

Therefore, clean the refrigerator with carbonate dissolved in water every 15 days.

- Keep the food in closed containers. Microorganisms spreading out from uncovered containers can cause unpleasant odours.
- Never keep the food that have expired best before dates and spoiled in the refrigerator.

6.2. Protecting the plastic surfaces

Clean with arm water immediately as the oil may cause damage on the surface when it is poured on plastic surfaces.

6.3. Door Glasses

Remove the protective foil on the glasses.

There is a coating on the surface of the glasses. This coating minimizes the stain build-up and helps to remove the possible stains and dirt easily. Glasses that are not protected with such a coating may be subject to persistent binding of air or water based organic or inorganic dirt such as limescale, mineral salts, unburned hydrocarbons, metal oxides and silicones that can easily and quickly cause stains or material damage. Keeping the glass clean becomes too difficult despite the regular cleaning. Consequently, the appearance and the transparency of the glass deteriorates. Harsh and corrosive cleaning methods and compounds will intensify these defects and speed up the deterioration process.

Water-based cleaning products that are not alkaline and corrosive must be used for regular cleaning purposes.

Non-alkaline and non-corrosive materials must be used for cleaning so that the service life of this coating lasts for a long time.

These glasses are tempered to increase their durability against impacts and breaking. A safety film is also applied to their rear surfaces as an extra safety measure in order to prevent them from causing damage to their surrounding in case of a breakage.

*Alkali is a base that forms hydroxide ions (OH^-) when it is dissolved in water. Li (Lithium), Na (Sodium), K (Potassium) Rb (Rubidium), Cs (Cesium) and artificial and radioactive Fr (Francium) metals are called ALKALI METALS.

7 Troubleshooting

Check this list before contacting the service. Doing so will save you time and money. This list includes frequent complaints that are not related to faulty workmanship or materials. Certain features mentioned herein may not apply to your product.

The refrigerator is not working.

- The power plug is not fully settled. >>> Plug it in to settle completely into the socket.
- The fuse connected to the socket powering the product or the main fuse is blown. >>> Check the fuses.

Condensation on the side wall of the cooler compartment (MULTI ZONE, COOL, CONTROL and FLEXI ZONE).

- The door is opened too frequently >>> Take care not to open the product's door too frequently.
- The environment is too humid. >>> Do not install the product in humid environments.
- Foods containing liquids are kept in unsealed holders. >>> Keep the foods containing liquids in sealed holders.
- The product's door is left open. >>> Do not keep the product's door open for long periods.
- The thermostat is set to too low temperature. >>> Set the thermostat to appropriate temperature.

Compressor is not working.

- In case of sudden power failure or pulling the power plug off and putting back on, the gas pressure in the product's cooling system is not balanced, which triggers the compressor thermic safeguard. The product will restart after approximately 6 minutes. If the

product does not restart after this period, contact the service.

- Defrosting is active. >>> This is normal for a fully-automatic defrosting product. The defrosting is carried out periodically.
- The product is not plugged in. >>> Make sure the power cord is plugged in.
- The temperature setting is incorrect. >>> Select the appropriate temperature setting.
- The power is out. >>> The product will continue to operate normally once the power is restored.

The refrigerator's operating noise is increasing while in use.

- The product's operating performance may vary depending on the ambient temperature variations. This is normal and not a malfunction.

The refrigerator runs too often or for too long.

- The new product may be larger than the previous one. Larger products will run for longer periods.
- The room temperature may be high. >>> The product will normally run for long periods in higher room temperature.
- The product may have been recently plugged in or a new food item is placed inside. >>> The product will take longer to reach the set temperature when recently plugged in or a new food item is placed inside. This is normal.
- Large quantities of hot food may have been recently placed into the product. >>> Do not place hot food into the product.

Troubleshooting

- The doors were opened frequently or kept open for long periods. >>> The warm air moving inside will cause the product to run longer. Do not open the doors too frequently.
- The freezer or cooler door may be ajar. >>> Check that the doors are fully closed.
- The product may be set to temperature too low. >>> Set the temperature to a higher degree and wait for the product to reach the adjusted temperature.
- The cooler or freezer door washer may be dirty, worn out, broken or not properly settled. >>> Clean or replace the washer. Damaged / torn door washer will cause the product to run for longer periods to preserve the current temperature.

The freezer temperature is very low, but the cooler temperature is adequate.

- The freezer compartment temperature is set to a very low degree. >>> Set the freezer compartment temperature to a higher degree and check again.

The cooler temperature is very low, but the freezer temperature is adequate.

- The cooler compartment temperature is set to a very low degree. >>> Set the freezer compartment temperature to a higher degree and check again.

The food items kept in cooler compartment drawers are frozen.

- The cooler compartment temperature is set to a very low degree. >>> Set the freezer compartment temperature to a higher degree and check again.

The temperature in the cooler or the freezer is too high.

- The cooler compartment temperature is set to a very high degree. >>> Temperature setting of the cooler compartment has an effect on the temperature in the freezer compartment. Wait until the temperature of relevant parts reach the sufficient level by changing the temperature of cooler or freezer compartments.
- The doors were opened frequently or kept open for long periods. >>> Do not open the doors too frequently.
- The door may be ajar. >>> Fully close the door.
- The product may have been recently plugged in or a new food item is placed inside. >>> This is normal. The product will take longer to reach the set temperature when recently plugged in or a new food item is placed inside.
- Large quantities of hot food may have been recently placed into the product. >>> Do not place hot food into the product.

Shaking or noise.

- The ground is not level or durable. >>> If the product is shaking when moved slowly, adjust the stands to balance the product. Also make sure the ground is sufficiently durable to bear the product.
- Any items placed on the product may cause noise. >>> Remove any items placed on the product.

The product is making noise of liquid flowing, spraying etc.

Troubleshooting

- The product's operating principles involve liquid and gas flows. >>> This is normal and not a malfunction.

There is sound of wind blowing coming from the product.

- The product uses a fan for the cooling process. This is normal and not a malfunction.

There is condensation on the product's internal walls.

- Hot or humid weather will increase icing and condensation. This is normal and not a malfunction.
- The doors were opened frequently or kept open for long periods. >>> Do not open the doors too frequently; if open, close the door.
- The door may be ajar. >>> Fully close the door.

There is condensation on the product's exterior or between the doors.

- The ambient weather may be humid, this is quite normal in humid weather. >>> The condensation will dissipate when the humidity is reduced.

The interior smells bad.

- The product is not cleaned regularly. >>> Clean the interior regularly using sponge, warm water and carbonated water.
- Certain holders and packaging materials may cause odour. >>> Use holders and packaging materials without free of odour.
- The foods were placed in unsealed holders. >>> Keep the foods in sealed holders. Micro-organisms may spread out of unsealed food items and cause malodour. Remove any expired or spoiled foods from the product.

The door is not closing.

- Food packages may be blocking the door. >>> Relocate any items blocking the doors.
- The product is not standing in full upright position on the ground. >>> Adjust the stands to balance the product.
- The ground is not level or durable. >>> Make sure the ground is level and sufficiently durable to bear the product.

The vegetable bin is jammed.

- The food items may be in contact with the upper section of the drawer. >>> Reorganize the food items in the drawer.

If The Surface Of The Product Is Hot.

- High temperatures may be observed between the two doors, on the side panels and at the rear grill while the product is operating. This is normal and does not require service maintenance! Be careful when touching these areas.



WARNING:

If the problem persists after following the instructions in this section, contact your vendor or an Authorised Service. Do not try to repair the product.

- This product is equipped with a lighting source of the "G" energy class.
- The lighting source in this product shall only be replaced by professional repairers.

לקוח יקר, אנא קרא מדריך למשתמש זה לפני השימוש במוצר!

לקוח יקר,

היינו רוצים כי תשיג את היעילות המקסימלית ממוצרנו, אשר יוצר באמצעים מודרניים עם בקרת איכות קפדנית.


לכן, אנו מייעצים לך לקרוא מדריך למשתמש זה בכללותו לפני השימוש במוצר. ומקרה שאתה מעביר את המוצר לאדם אחר, אל תשכח להעביר אותו יחד עם המדריך למשתמש.






מדריך זה יבטיח שימוש מהיר וקל במוצר.

- אנא קרא את המדריך למשתמש לפני התקנת ותפעול המוצר.
- בדוק תמיד את הוראות הבטיחות הישימות.
- ודא גישה נוחה למדריך למשתמש למען שימוש עתידי.
- אנא קרא את כל המסמכים הנוספים המסופקים עם המוצר.

שים לב כי מדריך למשתמש זה רלוונטי למספר דגמי מוצר. המדריך מציין בבירור את כל הווריאציות הרלוונטיות לדגמים השונים.

מידע חשוב וטיפים שימושיים	
סיכון חיים ורכוש	
סיכון להתחשמלות	

אריזת המוצר עשויה מחומרים הניתנים למחזור, בהתאם לחקיקה הסביבתית הלאומית.	
--	--

 INFORMATION	
 	ידי לע, סירצומה ינותנ סיסבב ורמשנש יפכ, סגדה יטרפ לא עיגהל ותינ תיוות לע עיפומ רשא רלש (*) סגדה ההזמ שופיחו אבה רתאב רוקיב היגרנאה תכירצ
SUPPLIER'S NAME → MODEL IDENTIFIER → (*)	https://eprel.ec.europa.eu/
 	

22	5.7	מכל קרח
22	5.8	מתקן לאחסון ביצים
22	5.9	המאוורר
22	5.10	מגירת ירקות
22	5.11	תא קירור באפס מעלות
23	5.12	מדף דלת נשלף
23	5.13	מכל אחסון נשלף
23	5.14	אור כחול/HarvestFresh
24	5.15	מגירת ירקות עם בקרת לחות
24	5.16	מתקן אוטומטי ליצירת קוביות הקרח
25	5.17	שימוש במתקן המים
25	5.18	שימוש במתקן המים
26	5.19	מילוי מכל המים של מתקן המים
27	5.20	ניקוי מכל המים
27	5.21	מגש גלישת המים
28	5.22	הקפאת מזון טרי
29	5.23	המלצות לשימור המזון הקפוא
29	5.24	פרטים על הקפאה עמוקה
29	5.25	הנחת המזון
29	5.26	אזהרת פתיחת דלת
29	5.27	שינוי כיוון פתיחת הדלת
29	5.28	הנורה הפנימית
30		6 אחזקה וניקיון
31		7 פתרון בעיות

1	הוראות סביבה ובטיחות
2	המכשיר
3	התקנה
3.1	מיקום התקנה הולם
3.2	התקנת טריזי פלסטיק
3.3	חיבור חשמלי
3.4	כוונון הרגליות
3.5	החזרת הדלתות למקומן
3.6	החזרת הדלתות למקומן
4	הכנה
4.1	פעולות לחיסכון באנרגיה
4.2	המלצות המתייחסות לתא הקירור
4.3	שימוש ראשון
5	שימוש במכשיר
5.1	לחץ הגדרת הטמפרטורה
5.2	הקפאה מהירה
5.3	פונקציית חופשה
5.4	לוח מחוונים
5.5	לוח מחוונים
5.6	המתקן לייצור קוביות קרח על ידי סיבוב??

1.1 בטיחות כללית

- חל איסור על אנשים עם מוגבלויות פיסיות, חושיות או נפשיות, וכן על ילדים, להשתמש במוצר זה ללא הדרכה מספקת. אנשים אלו יכולים להשתמש במוצר אך ורק כאשר הם תחת השגחה ומקבלים הוראות בטיחות מאדם אחראי. אין להתיר לילדים לשחק עם מכשיר זה.
- במקרה של תפקוד לקוי, נתק את התקע מהחשמל
- לאחר הניתוק, המתן לפחות חמש דקות לפני חיבורו. נתק את המכשיר מהחשמל כאשר הוא לא נמצא בשימוש אין לגעת בשקע עם ידיים רטובות! אין למשוך את כבל החשמל בשביל לנתק מהחשמל, יש תמיד להשתמש בתקע.
- אין לחבר את המקרר במידה והשקע רפוי.
- נתק את המכשיר בזמן התקנה, תחזוקה, ניקוי ותיקון.
- אם אתה הולך לא להשתמש במוצר לתקופה, נתק אותו מהחשמל והוצא כל מזון שנמצא בפנים.
- אין להשתמש בניקוי באדים או בחומרי ניקוי מאודים בשביל לנקות את המקרר ולהפשיר את הקרח בפנים. האדים עלולים לגעת באזורים חשמליים ולגרום לקצר חשמלי או התחשמלות!
- אין לשטוף את המוצר על ידי התזת מים! סיכון להתחשמלות!
- לעולם אין להשתמש במוצר במידה ובחלק העליון או התחתון של המוצר שלך יש ציור של מעגל חשמלי פתוח (הדפס של מעגל חשמלי פתוח) (1)

מקטע זה מספק את הוראות הבטיחות הדרושות כדי למנוע פציעה ונזקה לרכוש. אי ציות להוראות אלו מבטל כל סוג של אחריות על המוצר.

השימוש המיועד

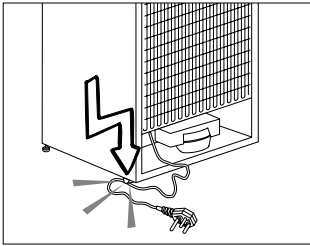
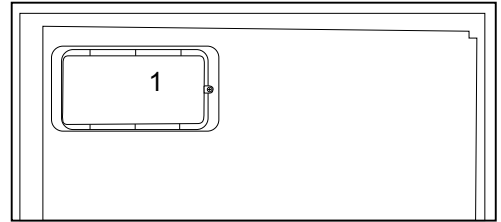
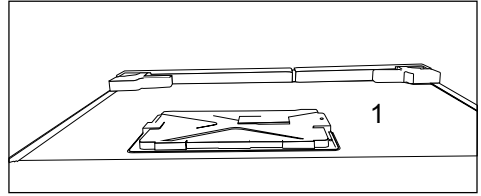
	אזהרה: ודא שפתחי האוורור, גם במעטפת המכשיר וגם בחלקו הפנימי, אינם חסומים.
	אזהרה: אסור לזרז את תהליך ההפשרה בעזרת מכשירים מכניים או באמצעים אחרים, אלא רק בדרכים שהומלצו ע"י היצרן.
	אזהרה: אסור לפגוע במעגל החשמלי של המקרר.
	אזהרה: אסור להשתמש במכשירי חשמל בתוך תאי אחסון המזון של המכשיר, אלא אם כן הם מסוג שהומלץ ע"י היצרן.
	אזהרה: אין לאחסן במכשיר חומרים נפיצים כמו תרסיסים עם חומר נפץ דליק.

יר מיועד לשימוש ביתי ולשימושים

דומים, כגון:

- אזור המטבח לעובדים, בחנויות, במשרדים ובסביבות עבודה אחרות
- אורחים במלונות, בהוסטלים ובסוגים אחרים של בתי הארחה
- צימרים
- קייטרינג ושימושים לא קמעונאיים דומים

- חשיפת המוצר לגשם, שלג, שמש ישירה ורוח עלולים לגרום לנזק חשמלי. בעת העברת המוצר, אין למשוך בידיה הדלת. הידית עלולה להתנתק.
- המנע מלתקוע את ידיך או גופך באחד מהחלקים הנעים של המוצר.
- אין לדרוך או להישען על הדלת, המגירות או חלקים דומים של המקרר.
- זה יגרום לנפילת המוצר ולנזק לחלקיו.
- שים לב שכבל החשמל או ילכד.



1.1.1 הזהרת HCA

במידה והמוצר מכיל מערכת קירור גז R600a, המנע מנזק למערכת הקירור ולצינורותיה בזמן השימוש וההובלה של המוצר. הגז דליק. במידה ומערכת הקירור פגומה, הרחק את המוצר ממקורות אש ואוורר את החדר



התווית על הצד השמאלי הפנימי מציינת את סוג הגז הנמצא בשימוש במוצר.

1.1.2 עבור דגמים עם מזרקת מים

- לחץ כניסת המים הקרים יגיע ל-psi 90 (ליברה לאינץ') (620 kPa) מקסימום. אם לחץ המים עובר את 80 psi (550 kPa) (ברי), השתמש בשסתום להגבלת לחץ במערכת אספקת המים. אם אינך יודע כיצד לבדוק את לחץ המים, בקש עזרה משרברב מקצועי.
- אם קיים סיכון לתופעת הלם מים בהתקן שלך, השתמש תמיד בהתקן

- במקרה של תפקוד לקוי, אין להשתמש במוצר, הדבר עלול לגרום להתחשמלות. צור קשר עם השירות המורשה לפני ביצוע כל פעולה.
- חבר את המוצר לשקע מוארק.
- העיגון צריך להיעשות על ידי חשמלאי מורשה.
- במידה ויש למוצר תאורת LED, צור קשר עם שירות מורשה לצורכי החלפה או תיקון.
- אין לגעת במוצרים קפואים עם ידיים רטובות! זה עשוי להזיק לידיים!
- אין לשים נוזלים בתוך בקבוקים או פחיות בתא המקפיא. הם עלולים להתפוצץ!
- מקם נוזלים במצב מאוזן לאחר סגירת המכסה בזהירות.
- אין לרסס חומצות דליקות ליד המוצר, הוא עלול להישרף או להתפוצץ.
- אין לאחסן חומרים דליקים ומוצרים עם גז דליק במקרר.
- אין לשים מכליות המכילות נוזלים מעל המכשיר. התזת מים על חלק מוליך חשמל עלולה לגרום להתחשמלות או שריפה.



תורישה ייח מוסי מע יכ וייצמ הז למס דחי הפשאל הז רצומ קילשהל ויא, ולש רישכמ. תרחא תיתיב תלוספ מע פוסיאה תדוקנל ריזחהל שי שמושם סיילמשח פירישכמ רזחמל תימשרה רוציל שי, פוסיאה תונחת תאיצמל. סינורטקלאו יאנועמקה מע וא תוימוקמה תיושרה מע רשק דיקפת אלממ תיב קשמ לכ. רצומה שכרנ ולצאש תכלשה. נשי רישכמ לש רזחמבו רזחחשב בושח תענומ הנוכח הרוצב הפשאל שמושם רישכמ סדאה תואירב לעו הביבסה לע תוילילש תוכלשה.

1.5 תאימות להנחיית RoHS (ההנחיה להגבלת חומרים מסוכנים)

לש RoHS תייחנה תא סאות תשכרש רצומה ליכמ וניא אוה. (2011/65/EU) יפוריאה דוחיאה היחנהב פניוצמה פירוסא וא סיקיזמ פירמוח

1.6 פרטי האריזה



פירצוימ רצומה לש הזירא ירמוח סאתהב רזחמל סינתינה פירמוחמ הביבסה תוכיאל תוימואלה תונקתל הזירא ירמוח הפשאל קלסל ויא. ונלש תלוספ וא תיתיב הפשא מע דחיב ירמוח לש פוסיאה תדוקנל סתוא חק. תרחא תוימוקמה תיושרה רכ משל וצקהש הזיראה

בציוד למניעת הלם מים. היוועץ בשרברבים מקצועיים אם אינך בטוח שקיימת בהתקן שלך תופעת הלם מים.

- אין להתקין את כניסת המים החמים. נקוט אמצעי זהירות אם קיים סיכון לקפיאת הצינורות. המרווח התפעולי של טמפרטורת המים יהיה בין $F^{\circ}33 (0.6^{\circ}C)$ מינימום לבין $F^{\circ}100 (38^{\circ}C)$ מקסימום.
- השתמש במי שתיה בלבד

1.2 שימוש מכוון

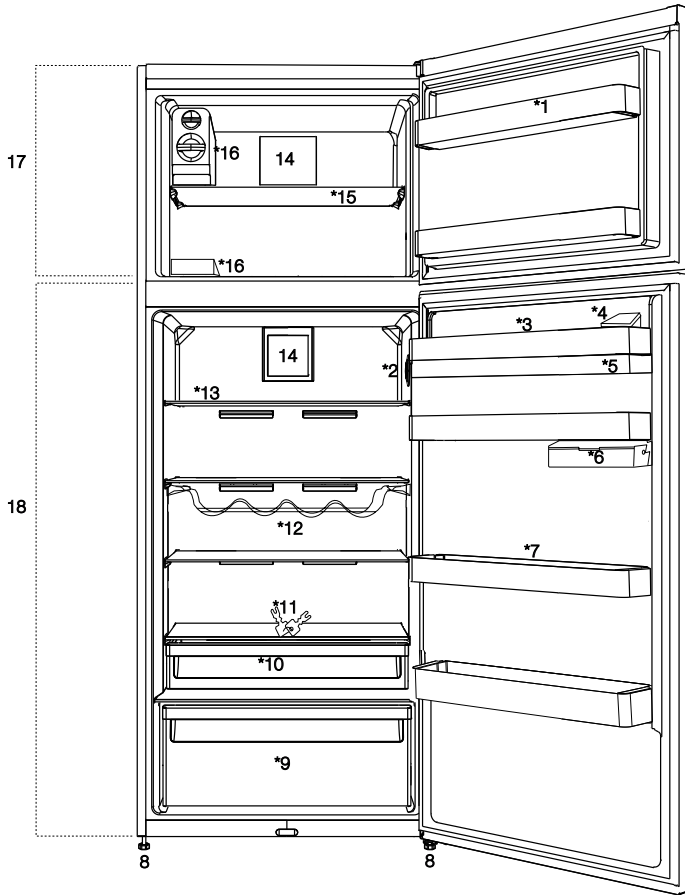
- מוצר זה מעוצב עבור שימוש ביתי הוא אינו מתאים לשימוש מסחרי או ציבורי.
- יש להשתמש במוצר לאחסון מזון ומשקאות בלבד
- אין לאחסן מוצרים רגישים הדורשים טמפ' מבוקרות (חיסונים, תרופות הרגישות לחום, מוצרים רפואיים וכו') במקרר.
- היצרן לא לוקח אחריות על נזק כתוצאה משימוש לקוי.
- חלקי חילוף מקוריים יסופקו במשך 10 שנים, החל מתאריך הרכישה של המוצר

1.3 בטיחות ילדים

- הרחק את חומרי האריזה מהישג ידם של ילדים.
- אין להתיר לילדים לשחק עם מכשיר זה.
- עם דלת המוצר מכילה מנעול, הרחק את המפתח מהישג ידם של ילדים.

1.4 תאימות להנחיית WEEE (על פסולת של מכשירים חשמליים ואלקטרוניים) וסילוק פסולת המוצר:

דוחיאה לש WEEE היחנהל תייצמ הז רצומ אשונ הז רישכמ. (2012/19/EU) יפוריאה סיילמשח פירישכמ לש תלוספל ויימ למס (WEEE) סינורטקלאו




- | | | | |
|----------------------------|-----|---------------------------|-----|
| מדף דלת של תא במקרר | .1 | מנעול ומפתח | .11 |
| לחצן הגדרת הטמפרטורה | .2 | מדף לביקבוקים | .12 |
| מכל למילוי מתקן המים | .3 | מדף זכוכית של תא במקרר | .13 |
| אגף הביצים | .4 | המאוורר | .14 |
| מכל מתקן המים | .5 | מדף של תא ההקפאה | .15 |
| מכל האחסון שמתחת למדף הדלת | .6 | תיבת קרח / תא להכנת גלידה | .16 |
| הזזת מדף הדלת | .7 | תא ההקפאה | .17 |
| רגליות מתכווננות | .8 | תא הקירור | .18 |
| מגירת ירקות | .9 | | |
| תא קירור באפס מעלות | .10 | | |

*אופציונאלי: האיורים במדריך הוראות זה מוצגים לצורך המחשה וייתכן שלא יתאימו בדיוק למוצר שברשותך. אם החלקים הרלוונטיים אינם קיימים במוצר שרכשת, האיור מתייחס לדגמים אחרים.



- המוצר לשמש ישירה או להציב אותו במקומות לחים.
- מוצר זה דורש אוורור נאות כדי לתפקד ביעילות. אם המוצר ימוקם בחדרון, זכרו להשאיר מרווח של לפחות 5 ס"מ בין המוצר לבין התקרה והקירות.
 - אם המוצר ימוקם בחדרון, זכרו להשאיר מרווח של לפחות 5 ס"מ בין המוצר לבין התקרה והקירות. ודאו שרכיב ההגנה על המרווח מהקיר האחורי נמצא במקומו (אם סופק עם המוצר). אם הרכיב אינו זמין, או אם הוא אבד או נפל, יש למקם את המוצר כך שיישאר מרווח של לפחות 5 ס"מ בין המוצר לקירות החדר. המרווח מאחור חשוב עבור תפעול יעיל של המוצר.
 - אין להניח את המוצר על אריגים כמו של מרבד או שטיח.
 - הצב את המקרר על משטח רצפה מאוזן כדי למנוע זעזועים.
 - אין להתקין את המקרר במקומות שבהם הטמפרטורה צונחת אל מתחת ל-10°C.



אם מתקינים שני מקררים זה לצד זה, יש להקפיד על מרחק של לפחות 8 ס"מ ביניהם. אם מרחק זה לא יישמר, עלולה להצטבר לחות על הדפנות החיצוניות הסמוכות.

3.2 התקנת טריזי פלסטיק


- טריזי פלסטיק משמשים ליצירת מרחק כדי לאפשר זרימת אוויר בין המוצר לקיר האחורי. הכנס את 2 טריזי הפלסטיק למכסה האוורור האחורי, כפי שמודגם באיור. להתקנת הטרזים, הסר את הברגים מהמוצר והשתמש בברגים שסופקו באותו נרתיק עם הטרזים.

הקפד תמיד שפעולות ההתקנה והתיקון יבוצעו על ידי נציג שירות מוסמך. היצרן לא יישא באחריות לנזקים שעלולים להיגרם כתוצאה מפעולות שנעשו על ידי גורמים בלתי מוסמכים. פנה לנציג שירות מוסמך הקרוב למקום מגוריך לשם התקנת המוצר. להכנת המוצר לשימוש, ודא שמערכת החשמל תקינה לפני שתקרא לנציג שירות מוסמך. אם היא אינה תקינה, הזמן חשמלאי מוסמך שיבצע את הפעולות הדרושות.

<p>הכנת המיקום למתקני החשמל במקום ההתקנה היא באחריות הלקוח.</p>	
<p>אין לחבר את המוצר לחשמל במהלך ההתקנה. חיבור המוצר לחשמל מהווה סכנת מוות או פציעה קשה!</p>	
<p>אזהרה: פעולות ההתקנה והחיבורים החשמליים של המוצר יבוצעו על ידי נציג שירות מוסמך. היצרן לא יישא באחריות לנזקים שעלולים להיגרם כתוצאה מפעולות שנעשו על ידי גורמים בלתי מוסמכים.</p>	
<p>אזהרה: לפני ההתקנה הסתכל אם יש למוצר פגמים כלשהם. אם יש, דאג שהמוצר לא יותקן. מוצרים פגומים מהווים סכנה לבטיחותך.</p>	
<p>ודא שכבל החשמל אינו מקופל או מעוך ושלא מופעל עליהם לחץ בעת דחיפת המוצר למקומו לאחר פעולות ההתקנה והניקוי.</p>	

3.1 מיקום התקנה הולם

אזהרה: אם דלת החדר שבו יוצב המקרר קטנה מדי ואינה מאפשרת את מעברת המקרר דרך הדלת, יש להסיר את הדלת ולסובב את המקרר על צדו כדי שיעבור דרך הדלת.




- בחר מקום שבו תוכל להשתמש במוצר בנוחות.
- התקן את המוצר במרחק של לפחות 30 ס"מ ממקורות חום, כמו כיריים, תנורי גז לבישול, תנורי חימום ושל לפחות 5 ס"מ מתנורים חשמליים. כמו כן, אין להציבו כשהוא חשוף לשמש ישירה. לאחר ההתקנה אין לחשוף את

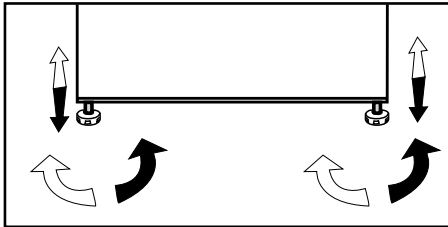
3.3 חיבור חשמלי

3.4 כוונן הרגליות

אם המוצר אינו יציב כשהוא ניצב על הרצפה, לאחר ההתקנה, כוונן את הרגליות לשם כך, בקש ממישהו שיעזור לך להרים מעט את המוצר.

<p>אזהרה: ראשית, נתק את המוצר מהחשמל. יש לוודא שהמוצר לא יהיה מחובר לחשמל בעת כוונן הרגליות. קיימת סכנת התחשמלות!</p>	
--	---

סובב את הרגליות הקדמיות כדי לאזן את המוצר. הפינה שבה נמצאת הרגלית מונמכת כאשר מסובבים אותה בכיוון החץ השחור ומוגבהת כאשר מסובבים אותה בכיוון ההפוך.

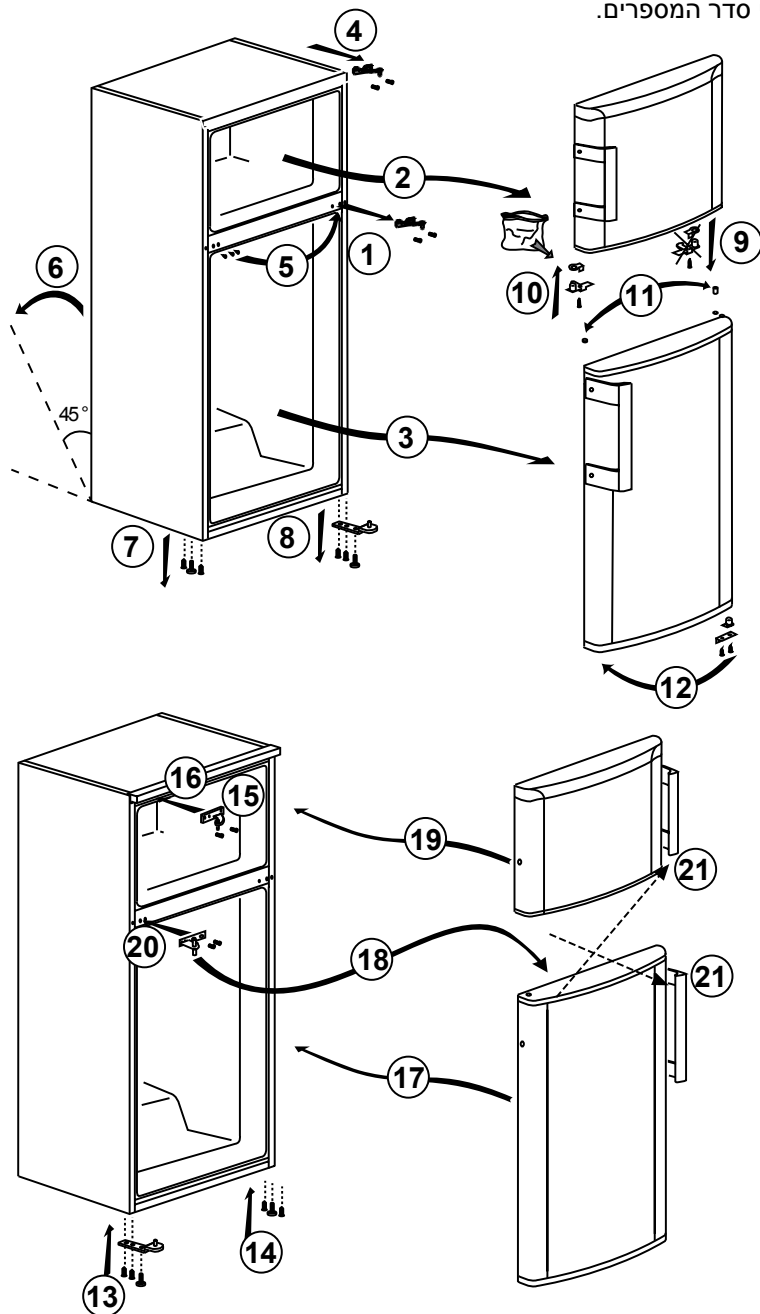


- חבר את המוצר לשקע מוארק המוגן על ידי נתיך המתאים לערכים הנקובים בתווית הנתונים. החברה שלנו לא תישא באחריות לנזקים כלשהם שייגרמו עקב שימוש במוצר ללא הארקה, בהתאם לתקנות המקומיות.
- על החיבור לחשמל להתבצע בהתאם לתקנות הארציות.
- על תקע כבל החשמל להיות נגיש בקלות לאחר ההתקנה.
- המתח והגנת הנתיכים או מפסק הזרם המותרת מצוינים בתווית הנתונים המודבקות בחלקו הפנימי של המוצר. אם הערך הנוכחי של הנתיך או מפסק הזרם בבית אינם תואמים לערך המצוין בתווית הנתונים, הזמן חשמלאי מוסמך להתקנת נתיך מתאים.
- על המתח המצוין להיות שווה למתח החשמל.
- אין לבצע חיבורים בעזרת כבלים מאריכים או מפצלים.

<p>אזהרה: כבל חשמל פגום יוחלף על ידי נציג שירות מורשה.</p>	
<p>אזהרה: אם קיימת תקלה במוצר, יש להפעילו אך ורק לאחר שתוקן על ידי נציג שירות מוסמך! קיימת סכנת התחשמלות!</p>	
<p>אזהרה מפני משטח חם בדפנות המוצר קיימים צינורות קרר שנועדו לשפר את יעילות מערכת הקירור. דרך אזורים אלו עשוי לזרום קרר בטמפרטורה גבוהה, וכתוצאה מכך משטחי הדפנות עשויים להתחמם. זוהי תופעה רגילה, והיא אינה מצריכה כל טיפול. נא לנקוט זהירות במהלך מגע באזורים אלו.</p>	

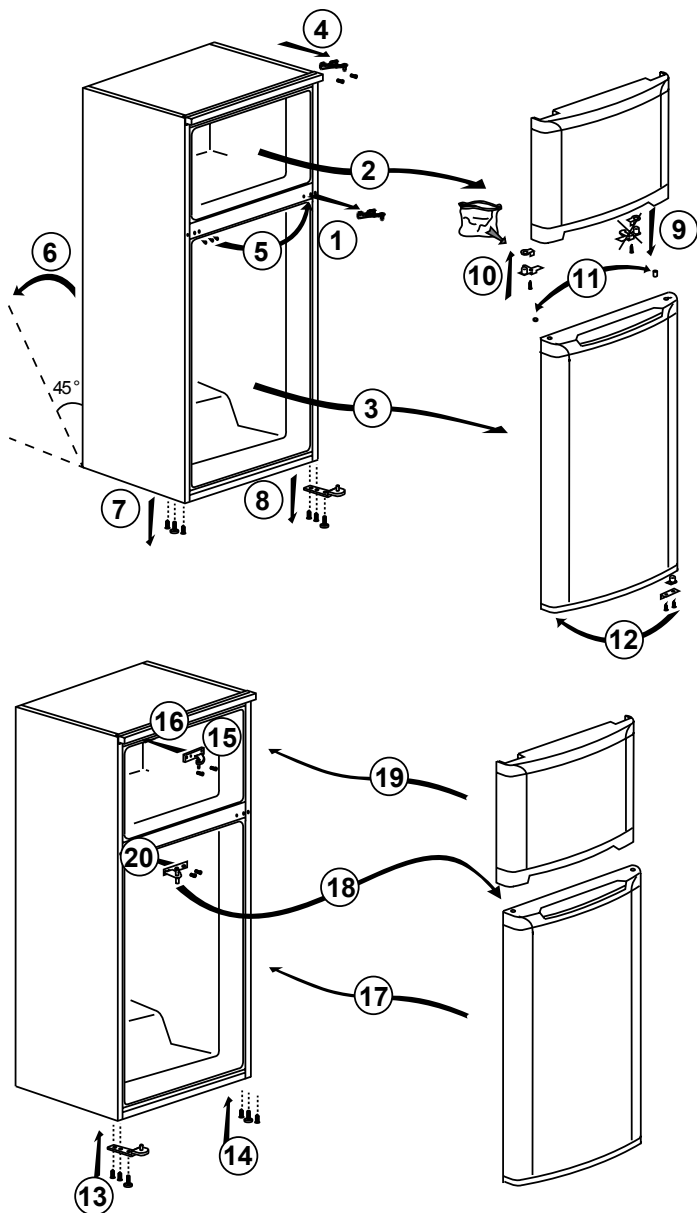
3.5 החזרת הדלתות למקומן

המשך לפי סדר המספרים.



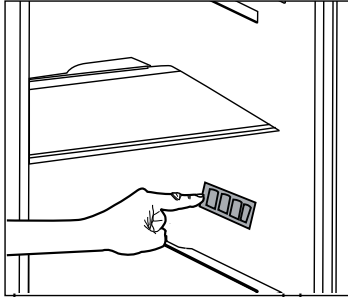
3.6 החזרת הדלתות למקומן

המשך לפי סדר המספרים.




- כל מגע של מזון עם חיישן הטמפרטורה בתא הקירור עלול להגביר את צריכת האנרגיה של המכשיר, ולפיכך יש למנוע כל מגע עם החיישן/ים.
- אין להכניס למוצר מזון ומשקאות חמים.


4.3 שימוש ראשון



- לפני שתתחיל להשתמש במוצר, ודא שנעשו כל ההכנות בהתאם להוראות המופיעות בפרקים "הוראות בטיחות חשובות" ו"התקנה".
- נקה את פנים המוצר לפי ההמלצות המופיעות בפרק "תחזוקה וניקוי". לפני הפעלת המקרר ודא שהוא יבש מבפנים.
 - חבר את המוצר אל שקע החשמל המוארק. כאשר הדלת נפתחת נדלקת הנורה הפנימית.
 - הפעל את המוצר בלי להכניס לתוכו מזון במשך 6 שעות ואין לפתוח את הדלת אלא אם כן ממש חייבים.




<p>נשמע רעש כשהמדחס מתחיל לפעול. הנוזלים והגזים האטומים במערכת הקירור עשויים גם הם להשמיע רעש גם אם המדחס אינו פועל; זוהי תופעה רגילה.</p>	
<p>ייתכן שהקצוות הקדמיים של המוצר יהיו חמים למגע. זה נורמלי. אזורים אלה נועדו להיות חמים כדי למנוע התעבות.</p>	
<p>בדגמים מסוימים, פאנל המכשירים נכבה אוטומטית 5 דקות לאחר סגירת הדלת. פאנל זה יופעל שוב לאחר שהדלת תיפתח, או בעקבות לחיצה על מקש כלשהו.</p>	

4.1 פעולות לחיסכון באנרגיה



מסוכן לחבר את המוצר למערכות חשמל לחיסכון באנרגיה, מכיוון שהן עלולות לגרום נזק למוצר.

- אין להשאיר את דלתות המוצר פתוחות לזמן ממושך.
- אין להכניס למוצר מזון או משקאות חמים.
- אין להעמיס את המקרר במזון יתר על המידה. יכולת הקירור תפחת אם תעוכב זרימת האוויר בתוכו.
- אין להציב את המוצר במקומות החשופים לשמש ישירה. התקן את המוצר במרחק של לפחות 30 ס"מ ממקורות חום, כמו כיריים, תנורי גז לבישול, תנורי חימום ושל לפחות 5 ס"מ מתנורים חשמליים. כמו כן, אין להציבו כשהוא חשוף לשמש ישירה.
- אחסן את המזון במוצר במכלים סגורים.
- תוכל להעמיס כמות מרבית של מזון בתא ההקפאה של המוצר על ידי הסרת המדף או המגירה של תא ההקפאה. ערך צריכת האנרגיה המוצהרת של המוצר נקבע כאשר המדף או המגירה של תא ההקפאה הוסרו וכשהוא מכיל כמות מרבית של מזון. אין כל סכנה אם משתמשים במדף או במגירה בהתאם לצורות ולגדלים של המזון שיש להקפיא.
- הפשרת מזון קפוא בתא הקירור גם תגרום לחיסכון באנרגיה וגם תשמר את איכות המזון.

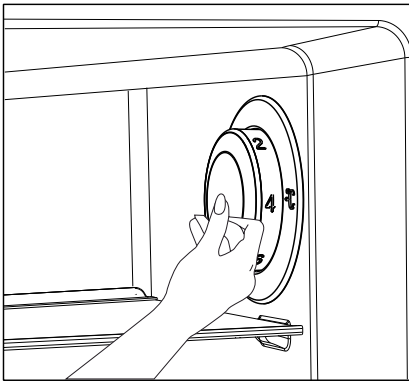
<p>טמפרטורת החדר שבו יותקן המוצר חייבת להיות לפחות 5- C מעלות צלזיוס. לא מומלץ להפעיל את המוצר בטמפרטורה נמוכה יותר.</p>	
<p>יש לנקות את המוצר מבפנים.</p>	
<p>אם מתקנים שני מקררים זה לצד זה, יש להקפיד על מרחק של לפחות 4 ס"מ ביניהם.</p>	

4.2 המלצות המתייחסות לתא הקירור

- אין לאפשר למזון לגעת בחיישן הטמפרטורה בתא הקירור. כדי לאפשר לתא הקירור לשמור על טמפרטורת האחסון האידיאלית שלו, אזור שהמזון יפריע בפעולתו.
- השימוש בסלים/מגירות המסופקים עם תא הקירור מפחית את צריכת האנרגיה ומשפר את תנאי האחסון, ולפיכך יש להשתמש בהם תמיד.

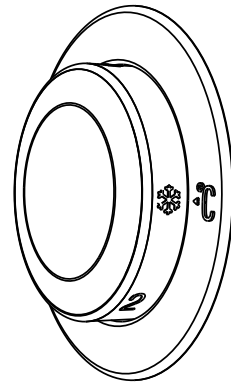
5.2. הקפאה מהירה

אם עליך להקפיא כמויות גדולות של מזון טרי, כוונן את כפתור הבקרה של הטמפרטורה למקסימום 24 שעות (❄️) לפני הנחת המזון הטרי בתא ההקפאה המהירה. מומלץ מאוד להשאיר את הכפתור במצב זה לפחות 24 שעות, כדי להקפיא כמות מרבית של מזון טרי בקיבולת ההקפאה המוצהרת של המקפיא. הקפד במיוחד שלא לערבב מזון קפוא במזון טרי.



5.1. לחצן הגדרת הטמפרטורה

- הטמפרטורה הפנימית של המקרר משתנה מהסיבות הבאות:
- טמפרטורות עונתיות,
 - פתיחות תכופות של דלת המקרר והשארת הדלת פתוחה לפרקי זמן ארוכים,
 - מזון המונח במקרר מבלי להמתין להתקררותו ולהגעתו לטמפרטורת החדר.
 - מיקום המקרר בחדר (לדוגמה, חשיפה לאור השמש).
 - ניתן לכוונן את הטמפרטורה הפנימית המשתנה עקב הסיבות הנ"ל באמצעות לחצן ההגדרות.
 - המספרים סביב כפתור הבקרה מציינים את ערכי הטמפרטורה ב-°C.
 - אם טמפרטורת הסביבה 25°C, מומלץ להשתמש בכפתור בקרת הטמפרטורה של המקרר ב-4°C. אפשר להגדיל או להקטין ערך זה לפי הצורך בטמפרטורות סביבה אחרות.



***אופציונאלי** האירורים במדריך הוראות זה מוצגים לצורך המחשה וייתכן שלא יתאימו בדיוק למוצר שברשותך. אם החלקים הרלוונטיים אינם קיימים במוצר שרכשת, האיור מתייחס לדגמים אחרים.

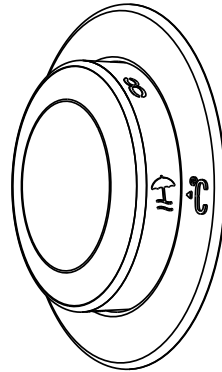


זכור לסובב את כפתור בקרת הטמפרטורה חזרה למצב הקודם שלו לאחר שהמזון קפא.

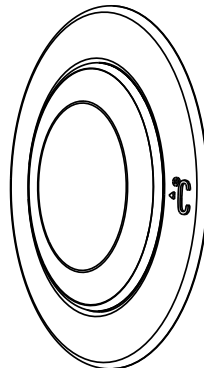
5.3. פונקציית חופשה

אם דלתות המוצר אינן נפתחות במשך 12 שעות לאחר כיוון כפתור בקרת הטמפרטורה למצב החם ביותר, פונקציית החופשה תפעל אוטומטית.

לביטול הפונקציה, שנה את הגדרת הכפתור. אין זה מומלץ לאחסן מזון בתא קר יותר כאשר פונקציית החופשה פעילה.

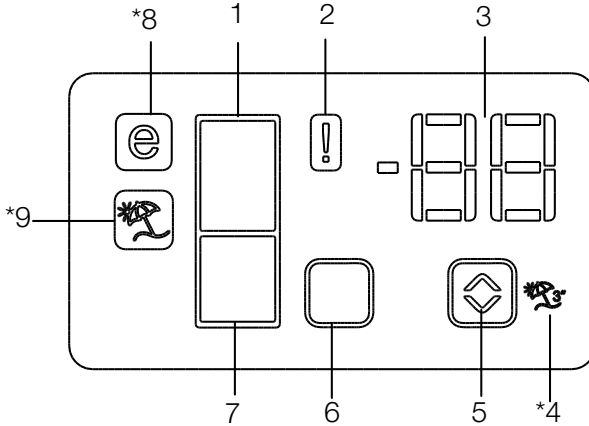


- עם סיום פעולת ההגדרה, תוכל ללחוץ על כפתור בקרת הטמפרטורה ולהסתיר אותה.



5.4 לוח מחוונים

לוחות המחוונים עשויים להשתנות בהתאם לדגם המוצר.
פונקציות אורקוליות בלוח המחוונים מסייעות בשימוש במוצר.



1. מחוון תא הקירור
2. מחוון סטאטוס שגיאה
3. מחוון טמפרטורה
4. לחצן פונקציית חופשה
5. לחצן הגדרת הטמפרטורה
6. לחצן בחירת תא
7. מחוון תא הקפאה
8. מחוון מצב חיסכון
9. מחוון פונקציית חופשה

***אופציונאלי**

***אופציונאלי** האיורים במדריך הוראות זה מוצגים לצורך המחשה וייתכן שלא יתאימו בדיוק למוצר שברשותך. אם החלקים הרלוונטיים אינם קיימים במוצר שרכשת, האיור מתייחס לדגמים אחרים.



1. מחוון תא הקירור

נורת תא הקירור מאירה לאחר הגדרת טמפרטורת תא הקירור.

2. מחוון סטאטוס שגיאה

מחוון זה יופעל אם המקרר אינו מקרר במידה מספקת או אם קיימת תקלת חיישן. כאשר מחוון זה פעיל, במחוון טמפרטורת תא ההקפאה תוצג האות "E" ובמחוון טמפרטורת תא הקירור יוצגו מספרים כמו "1,2,3...". מספרים אלה במחוון מספקים מידע על השגיאה לאנשי השירות.

3. מחוון טמפרטורה

מציין את טמפרטורת תא ההקפאה ותא הקירור.

4. לחצן פונקציית חופשה

לחץ על לחצן חופשה במשך 3 שניות כדי להפעיל את הפונקציה הזאת. כאשר פונקציית החופשה פעילה, הכיתוב "-" - יוצג במחוון הטמפרטורה של תא הקירור ולא יבוצע קירור בפועל בתא הקירור. אין זה מתאים להחזיק מזון בתא הקירור כשפונקציה זו פעילה. תאים אחרים ימשיכו לקרר לפי הטמפרטורה שהוגדרה להם.

כדי לבטל את הפונקציה הזאת, לחץ שוב על לחצן חופשה.

5. לחצן הגדרת הטמפרטורה

משנה את טמפרטורת התא הרלוונטי בין 18°C - 24°C ... ו- 1°C ... 8°C .

6. לחצן בחירת תא

לחצן בחירה: לחץ על לחצן בחירת התא כדי לעבור בין תא הקירור לתא ההקפאה.

7. מחוון תא הקפאה

נורת תא הקירור מאירה לאחר הגדרת טמפרטורת תא ההקפאה.

8. מחוון מצב חיסכון

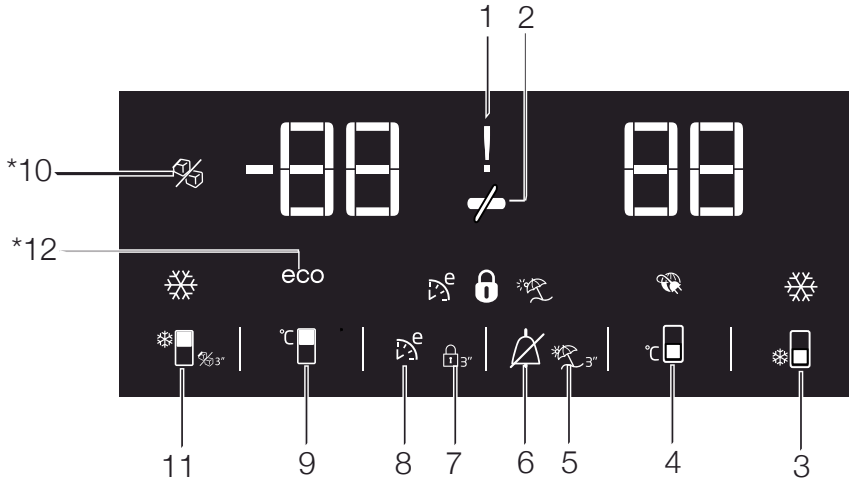
מציין שהמקרר פועל במצב חיסכון באנרגיה. תצוגה זו תופעל אם טמפרטורת תא ההקפאה תהיה מכוונת ל- 18°C ..

9. מחוון פונקציית חופשה

מציין שמצב חופשה הופעל.

5.5. לוח מחוונים

לוחות המחוונים עשויים להשתנות בהתאם לדגם המוצר. פונקציות אורקוליות בלוח המחוונים מסייעות בשימוש במוצר.




אם הפונקציה חיסכון באנרגיה מופעלת, כל הסמלים בתצוגה, שאינם חיסכון באנרגיה, יכבו. כאשר הפונקציה חיסכון באנרגיה מופעלת, לחיצה על לחצן כלשהו או פתיחת הדלת יגרמו לביטול הפונקציה חיסכון באנרגיה, והסמלים בתצוגה יחזרו למצבם הרגיל.

הפונקציה חיסכון באנרגיה מופעלת במהלך ההובלה מהיצרן ולא ניתן לבטלה.

3. פונקציית הקירור המהיר


ללחצן שתי פונקציות. לחץ על לחצן זה במהירות כדי להפעיל את פונקציית הקירור המהיר או לבטל את הפעלתו. מחוון הקירור המהיר יכבה והמוצר יחזור להגדרות הרגילות שלו. (🔒)

השתמש בפונקציית הקירור המהיר כשאתה רוצה לקרר במהירות את המזון המונח בתא הקירור. אם ברצונך לקרר כמויות גדולות של מזון טרי, הפעל פונקציה זו לפני שתכניס את המזון למוצר. 


1. מחוון תקלה בחשמל / טמפרטורה גבוהה / אזהרת שגיאה

מחוון זה (🔔) יאיר בעת תקלה בחשמל, תקלות בטמפרטורה הגבוהה ובעת אזהרות שגיאה. במשך תקלות ממושכות בחשמל, הטמפרטורה הגבוהה ביותר שאליה יגיע תא ההקפאה תהבהב בתצוגה הדיגיטלית. לאחר בדיקת המזון הנמצא בתא ההקפאה (🔔), לחץ על 2. פונקציית החיסכון באנרגיה (התצוגה כבויה):

אם דלתות המוצר נשארות סגורות במשך זמן ממושך, פונקציית החיסכון באנרגיה מופעלת אוטומטית וסמל החיסכון באנרגיה מואר. (🔒)

*אופציונאלי האיורים במדריך הוראות זה מוצגים לצורך המחשה וייתכן שלא יתאימו בדיוק למוצר שברשותך. אם החלקים הרלוונטיים אינם קיימים במוצר שרכשת, האיור מתייחס לדגמים אחרים. 


שוב על לחצן נעילת מקשים בו זמנית במשך 3 שניות. סמל נעילת מקשים יכבה והמקשים יצאו ממצב נעילה.
 לחץ על הלחצן **נעילת מקשים** אם ברצונך למנוע את שינוי הגדרת הטמפרטורה של המקרר (Ⓜ).




אם אינך רוצה לבטל אותה, התכונה 'קירור מהיר' תבטל אוטומטית כעבור 1 שעות או כאשר תא הקירור יגיע לטמפרטורה הרצויה.

Eco Fuzzy 8

לחץ על הלחצן Eco Fuzzy והחזק אותו לחוץ במשך שנייה אחת, כדי להפעיל את הפונקציה Eco Fuzzy. המקרר יתחיל לפעול במצב החסכוני ביותר לפחות 6 שעות מאוחר יותר ומחווני השימוש החסכוני ידלוק כשהפונקציה תהיה פעילה (Ⓜ). לחץ על הפונקציה Eco Fuzzy והחזק אותה לחוצה במשך 3 שניות, כדי לבטל את הפעלת הפונקציה Eco Fuzzy. מחווני זה יואר לאחר 6 שעות כשהפונקציה eco fuzzy מופעלת.



אם תלחץ על הלחצן 'קירור מהיר' שוב ושוב בהפרשי זמן קצרים, תופעל ההגנה על המעגל החשמלי והמדחס לא יתחיל לפעול מיד.



לא ניתן לשחזר פונקציה זו לאחר הפסקת חשמל.

9. כפתור הגדרת טמפרטורת תא ההקפאה
 לחץ על לחצן זה כדי להגדיר את טמפרטורת תא ההקפאה ל-18, 19-, 20-, 21-, 22-, 23-, 24-, 18... בהתאמה. לחץ על לחצן זה כדי להגדיר את טמפרטורת תא ההקפאה לערך הרצוי. (Ⓜ)


4. כפתור הגדרת טמפרטורת תא הקירור
 לחץ על לחצן זה כדי לכוון את הטמפרטורה של תא הקירור ל-8, 7, 6, 5, 4, 3, 2, 1... בהתאמה. לחץ על לחצן זה כדי לקבוע את טמפרטורת תא הקירור לערך הרצוי. (Ⓜ)

10. מחווני כיבוי מתקן קוביות הקרח
 מציינין אם מתקן קוביות הקרח מופעל או כבוי. (Ⓜ) אם פונקציית כיבוי מתקן קוביות הקרח מופעלת, המתקן אינו פועל. כדי להפעיל שוב את מתקן קוביות הקרח, לחץ על לחצן הפעלה-כיבוי והחזק אותו לחוץ במשך 3 שניות.

5. פונקציית חופשה

להפעלת פונקציית החופשה, לחץ על לחצן זה (Ⓜ) והחזק אותו לחוץ במשך 3 שניות, ומחווני מצב חופשה (Ⓜ) יופעל. כאשר פונקציית החופשה פעילה, הכיתוב "- -" יוצג במחווני הטמפרטורה של תא הקירור ולא יבוצע קירור בפועל בתא הקירור. אין זה מתאים להחזיק מזון בתא הקירור כשפונקציה זו פעילה. תאים אחרים ימשיכו לקרר לפי הטמפרטורה שהוגדרה להם.

כדי לבטל פונקציה זו, לחץ שוב על הפונקציה חופשה.



זרימת המים ממכל המים תיעצר בעת בחירת פונקציה זו. אולם, ניתן להוציא מהמתקן קרח שכבר קיים בו.

11. לחצן פונקציית ההקפאה המהירה / לחצן הפעלה-כיבוי של מתקן קוביות קרח

לחץ על לחצן זה כדי להפעיל את פונקציית ההקפאה המהירה או לבטל את הפעלתה. כאשר אתה מפעיל את הפונקציה, תא ההקפאה יתקרר ויגיע לטמפרטורה נמוכה מהערך שהוגדר. (Ⓜ) להפעלה וכיבוי של מתקן קוביות הקרח, לחץ

6. אזהרת התראה פועלת:

במקרה של התראת תקלה בחשמל/טמפרטורה גבוהה, לאחר בדיקת המזון הנמצא בתא ההקפאה, לחץ על הלחצן 'התראה פועלת' (Ⓜ) כדי לנקות את האזהרה.

7. נעילת מקשים

לחץ על לחצן נעילת מקשים (Ⓜ) בו זמנית במשך 3 שניות. סמל נעילת המקשים (Ⓜ) ידלוק ומצב נעילת מקשים יופעל. הלחצנים לא יפעלו אם מצב נעילת מקשים פעיל. לחץ

על לחצן ההפעלה-כיבוי שלו והחזק אותו לחוץ במשך 3 שניות.

השתמש בפונקציית ההקפאה המהירה כשאתה רוצה להקפיא במהירות את המזון המונח בתא הקירור. אם ברצונך להקפיא כמויות גדולות של מזון טרי, הפעל פונקציה זו לפני שתכניס את המזון למוצר.



אם אינך רוצה לבטל אותה, התכונה 'הקפאה מהירה' תבטל אוטומטית כעבור 25 שעות או כאשר תא הקירור יגיע לטמפרטורה הרצויה.



לא ניתן לשחזר פונקציה זו לאחר הפסקת חשמל.

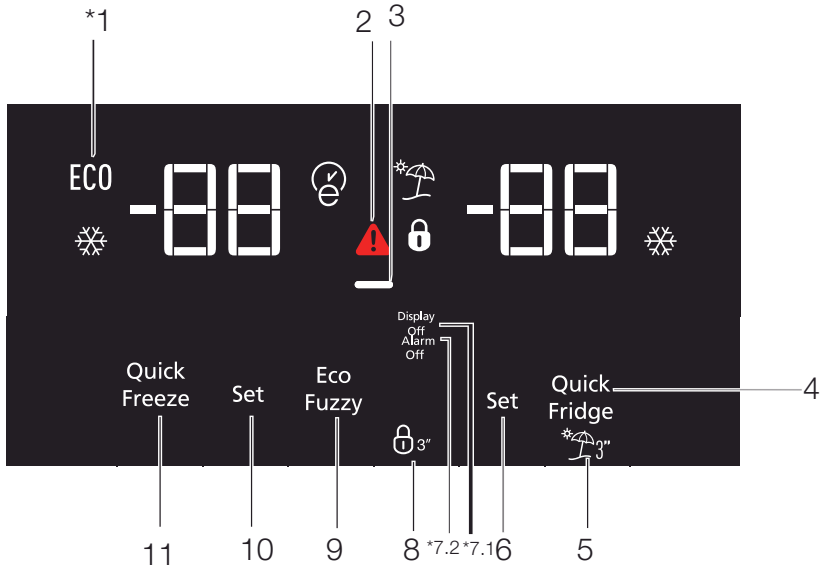


12. מחוון השימוש החסכוני

מציין שהמוצר פועל במצב של יעילות בצריכת החשמל. (eco)מחוון זה יהיה פעיל אם טמפרטורת תא ההקפאה נקבעה ל--18 או שמבוצע קירור יעיל מבחינת צריכת החשמל בזכות פונקציית החיסכון הנוסף.

מחוון השימוש החסכוני נכבה כאשר בוחרים את פונקציית הקירור המהיר או את פונקציית ההקפאה המהירה.





הפונקציה חיסכון באנרגיה, והסמלים בתצוגה יחזרו למצבם הרגיל.
הפונקציה חיסכון באנרגיה מופעלת במהלך ההובלה מהיצרן ולא ניתן לבטלה.

4. קירור מהיר

מחונן הקירור המהיר (❄️) יאיר כאשר פונקציית הקירור המהיר תהיה פעילה וערך המחונן של טמפרטורת תא הקירור יוצג כ-1. כדי לבטל את הפונקציה הזאת, לחץ שוב על הלחצן קירור מהיר. מחונן הקירור המהיר יכבה והמקור יחזור להגדרות הרגילות שלו. הפונקציה קירור מהיר תבוטל אוטומטית תוך שעה אחת, אם לא תבטל אותה לפני כן באופן ידני. אם ברצונך לקרר כמויות גדולות של מזון טרי, לחץ על לחצן הקירור המהיר לפני הנחת המזון בתא הקירור.

1. חיסכון

סמל זה יאיר כאשר תא ההקפאה מוגדר ל-18°C--; זהו הערך החסכוני ביותר המוגדר (ECO). מחונן החיסכון נכבה כאשר בוחרים את פונקציית הקירור המהיר או את פונקציית ההקפאה המהירה.

2. מחונן טמפרטורה גבוהה / אזהרת שגיאה

מחונן זה (⚠️) יאיר בעת תקלות בטמפרטורה הגבוהה ובעת אזהרות שגיאה. יש לעיין בסעיף "הפתרונות המומלצים לתיקון תקלות" במדריך שלך, אם אתה רואה שמחונן זה מאיר.

3. פונקציית החיסכון באנרגיה (התצוגה כבויה)

אם דלתות המוצר נשארות סגורות במשך זמן ממושך, פונקציית החיסכון באנרגיה מופעלת אוטומטית וסמל החיסכון באנרגיה מואר. אם הפונקציה חיסכון באנרגיה מופעלת, כל הסמלים בתצוגה, שאינם חיסכון באנרגיה, יכבו. כאשר הפונקציה חיסכון באנרגיה מופעלת, לחיצה על לחצן כלשהו או פתיחת הדלת יגרמו לביטול

*אופציונאלי האוירוס במדריך הוראות זה מוצגים לצורך המחשה וייתכן שלא יתאימו בדיוק למוצר שברשותך. אם החלקים הרלוונטיים אינם קיימים במוצר שרכשת, האוירוס מתייחס לדגמים אחרים.



לחץ על הלחצן **נעילת מקשים** אם ברצונך למנוע את שינוי הגדרת הטמפרטורה של המקרר (⊖).

Eco Fuzzy 9

לחץ על הלחצן Eco Fuzzy והחזק אותו לחוץ במשך שנייה אחת, כדי להפעיל את הפונקציה Eco Fuzzy. המקרר יתחיל לפעול במצב החסכוני ביותר לפחות 6 שעות מאוחר יותר ומחווני השימוש החסכוני ידלוק כשהפונקציה תהיה פעילה (⊖). לחץ על הפונקציה Eco Fuzzy והחזק אותה לחוצה במשך 3 שניות, כדי לבטל את הפעלת הפונקציה Eco Fuzzy. מחווני זה יואר לאחר 6 שעות כשהפונקציה eco fuzzy מופעלת.

10. הגדרת הטמפרטורה בתא ההקפאה

הגדרת הטמפרטורה לתא ההקפאה מבוצעת כאן. כשתלחץ על לחצן זה, תוכל להגדיר את טמפרטורת תא ההקפאה ל-18, -19, -20, -21, -22, -23 ו-24 בהתאמה.

11. הקפאה מהירה

לחץ על לחצן להפעלת ההקפאה המהירה, מחווני ההקפאה המהירה (⊖) יופעל.

מחווני ההקפאה המהירה יאיר כאשר פונקציית ההקפאה המהירה תהיה פעילה והמחווני של טמפרטורת תא הקירור יוצג כ-27--. כדי לבטל את הפונקציה הזאת, לחץ שוב על הלחצן הקפאה מהירה (⊖). מחווני ההקפאה המהירה יכבה והמקרר יחזור להגדרות הרגילות שלו. הפונקציה 'הקפאה מהירה' תבטל אוטומטית תוך 25 שעות, אם לא תבטל אותה לפני כן באופן ידני. אם ברצונך להקפיא כמויות גדולות של מזון טרי, לחץ על לחצן ההקפאה המהירה לפני הנחת המזון בתא ההקפאה.

5. פונקציית חופשה

להפעלת פונקציית החופשה, לחץ על לחצן זה (⊖) והחזק אותו לחוץ במשך 3 שניות, ומחווני מצב חופשה יופעל. כאשר פונקציית החופשה פעילה, הכיתוב "- -" יוצג במחווני הטמפרטורה של תא הקירור ולא יבוצע קירור בפועל בתא הקירור. אין זה מתאים להחזיק מזון בתא הקירור כשפונקציה זו פעילה. תאים אחרים ימשיכו לקרר לפי הטמפרטורה שהוגדרה להם. כדי לבטל פונקציה זו, לחץ שוב על **הפונקציה חופשה**.

6. הגדרת הטמפרטורה של תא הקירור

כשתלחץ על הלחצן, הגדר את טמפרטורת תא הקירור ל-2, 3, 4, 5, 6, 7, 8 ו-1 בהתאמה (⊖).

7.1 פונקציית החיסכון באנרגיה (התצוגה כבויה)

הסמל חיסכון באנרגיה (—) יאיר והפונקציה חיסכון באנרגיה תופעל בעת הלחיצה על לחצן זה (—). אם הפונקציה חיסכון באנרגיה מופעלת, כל הסמלים בתצוגה, שאינם חיסכון באנרגיה, יכבו. כאשר הפונקציה חיסכון באנרגיה מופעלת, לחיצה על לחצן כלשהו או פתיחת הדלת יגרמו לביטול הפונקציה חיסכון באנרגיה, והסמלים בתצוגה יחזרו למצבם הרגיל. הסמל חיסכון באנרגיה יכבה ופעולת הפונקציה חיסכון באנרגיה תבוטל כשתלחץ שוב על לחצן זה (—).

7.2 אזהרת התראה פועלת

במקרה של התראת תקלה בחשמל/טמפרטורה גבוהה, לאחר בדיקת המזון הנמצא בתא ההקפאה, לחץ על הלחצן 'התראה פועלת' כדי לנקות את האזהרה.

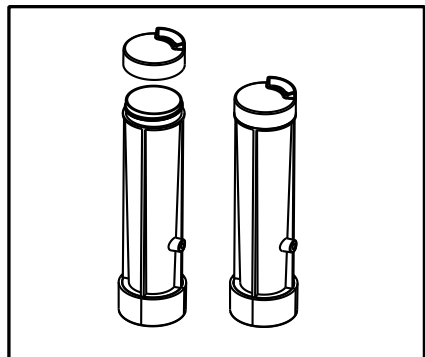
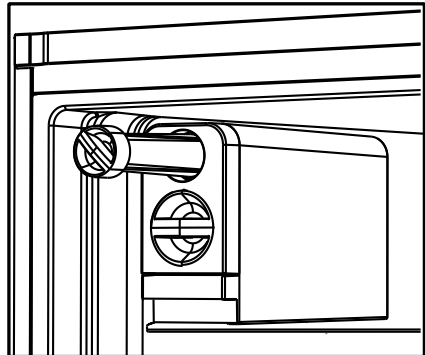
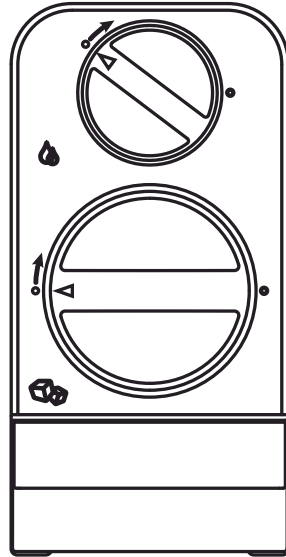
8. נעילת מקשים

לחץ על לחצן נעילת מקשים (⊖) בו זמנית במשך 3 שניות. סמל נעילת המקשים (⊖) ידלוק ומצב נעילת מקשים יופעל. הלחצנים לא יפעלו אם מצב נעילת מקשים פעיל. לחץ שוב על לחצן נעילת מקשים בו זמנית במשך 3 שניות. סמל נעילת מקשים יכבה והמקשים יצאו ממצב נעילה.

5.6. המתקן לייצור קוביות קרח על ידי סיבוב??

(תכונה זו היא אופציונאלית)

- הסר את מכל המים על ידי סיבוב שמאלה.
- פתח את מכסה מכל המים על ידי סיבוב והוסף מים למכל המים עד לחלקו התחתון של מכסה מכל המים.
- הנח את מכל המים במקומו כפי שמודגם באיור לאחר הוספת המים וקבע אותו על ידי סיבובו בכיוון החץ. המים יימזגו למכל הקרח.
- לאחר שנוצר קרח, סובב את כפתור מכל הקרח בכיוון החץ כדי לאפשר לקרח ליפול למגירת הקרח.
- קח את קוביות הקרח על ידי משיכת מגירת הקרח החוצה.
- משוך את החלק הקדמי כלפיך כדי לשטוף את מכל הקרח, והנח אותו על המסילות בחלק הפנימי ודחף אותו למקומו כדי להחזיר אותו למקומו.
- משוך את מתקן קוביות הקרח בסיבוב?? כלפיך כדי להסירו, והנח אותו על המסילות שבתקרה שלו ודחף אותו למקומו כדי להחזיר אותו למקומו.



5.7. מכל קרח

- הסר את תא הקרח מתא ההקפאה.
- מלא את מכל הקרח במים.
- הסר את תא הקרח מתא ההקפאה. הקרח יהיה מוכן כשעתיים מאוחר יותר.
- הסר את תא הקרח מתא ההקפאה וכופף אותו מעל צלחת ההגשה. קוביות הקרח ייפלו בקלות לצלחת ההגשה.

5.8. מתקן לאחסון ביצים

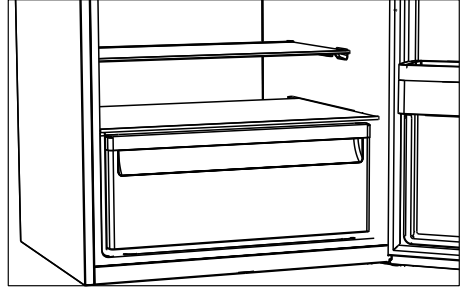
ניתן להתקין את המתקן לאחסון ביצים בדלת הרצויה במדף הרצוי בגוף המקרר. אם הוא יונח על מדפים בתוך המקרר, מומלץ להניח אותו על מדפים נמוכים וקרים יותר במקרר.

אין לשים את המתקן לאחסון ביצים בתא ההקפאה.



5.10. מגירת הירקות

מגירת הירקות במוצר נועדה באופן מיוחד לשמור על הירקות טריים מבלי שיאבדו את הלחות שבהם. לשם כך, באופן כללי מתגברת זרימת אוויר קר סביב מגירת הירקות.



5.11. תא קירור באפס מעלות

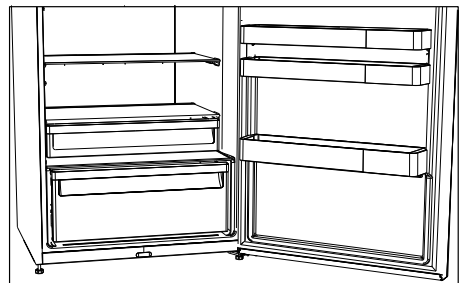
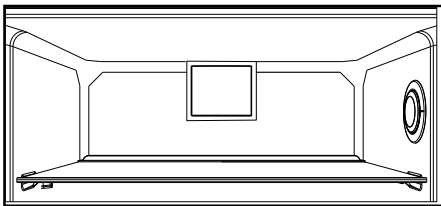
(תכונה זו היא אופציונאלית)

השתמש בתא זה כדי לאחסן מעדנים שיאוחסנו בטמפרטורה נמוכה יותר או מוצרי בשר שתצרוך תוך זמן קצר.

תא הקירור באפס מעלות הוא המקום הקר ביותר במקרר, שבו באפשרותך להחזיק מוצרי חלב, בשר, דגים ועופות בתנאי אחסון אידיאליים. אין לאחסן בתא זה פירות וירקות.

5.9. המאוורר

המאוורר נועד להבטיח פיזור וזרימה אחידים של אוויר קר בתוך המקרר. פעולת המאוורר עשויה להשתנות בהתאם לתכונות המוצר. בעוד שהמאוורר פועל אך ורק בעזרת מדחס בחלק מהמקררים, מערכת הבקרה קובעת את זמן ההפעלה שלו בחלק אחר של המקררים, בהתאם לדרישת הקירור.



5.12. מדף דלת נשלף

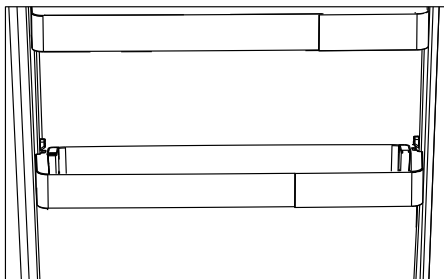
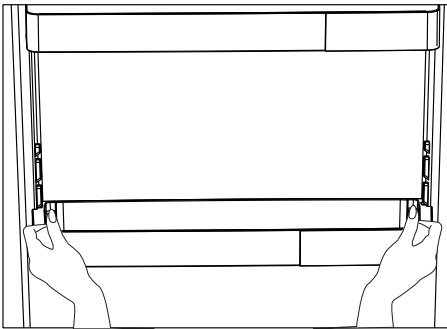
(תכונה זו היא אופציונאלית)

את מדף הדלת הנשלף ניתן לקבע בשלושה מצבים שונים.

לחץ על הלחצנים המוצגים בצדדים במידה שווה כדי לשלוף את המדף. ניתן לשלוף את המדף.

הרם או הורד את המדף.

שחרר את הלחצנים כשהמדף הגיע למצב הרצוי. יש לקבע את המדף במצב שבו אתה משחרר את הלחצנים.

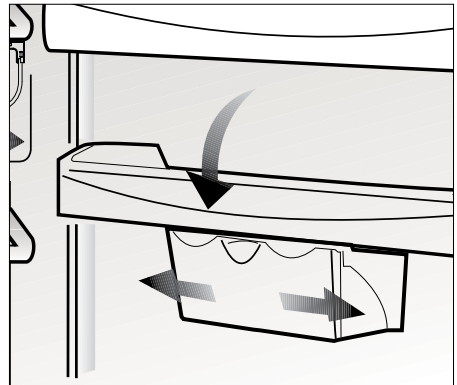


5.13. מכל אחסון נשלף

(תכונה זו היא אופציונאלית)

אביזר זה נועד להגדיל את קיבולת מדפי הדלת.

הוא מאפשר לך להכניס בקלות בקבוקים גבוהים וצנצנות ופחיות גבוהות למדף הבקבוקים הנמוך יותר בזכות יכולתו לנוע ימינה או שמאלה.



5.14. אור כחול/HarvestFresh

*ייתכן שלא יהיה זמין בכל הדגמים

עבור אור כחול,

ירקות ופירות המאוחסנים בתאי הפירות והירקות שמוארים באור כחול ממשיכים את תהליך הפוטוסינתזה הודות להשפעת אורך הגל של אור זה, ומשום כך הם משמרים את תכולת הוויטמינים שלהם.

עבור HarvestFresh,

פירות וירקות המאוחסנים בתאי הפירות והירקות שמוארים בטכנולוגיית HarvestFresh משמרים את תוכן הוויטמינים שלהם למשך זמן ארוך יותר הודות לאור הכחול, הירוק והאדום וכן למחזורי החושך, אשר מדמים את מחזור היום.

אם תפתח את דלת המקרר בזמן ההחשכה של טכנולוגיית HarvestFresh, המקרר יזהה זאת באופן אוטומטי ויפעיל לנוחיותך תאורה כחולה-ירוקה או אדמה בתא הפירות והירקות. לאחר שתסגור את דלת המקרר המערכת תמשיך את זמן ההחשכה שמייצג את שעות הלילה במחזור היום.

5.16 מתקן אוטומטי ליצירת קוביות הקרח

(תכונה זו היא אופציונאלית)

המתקן האוטומטי ליצירת קוביות הקרח מאפשר להכין בקלות קרח במקרר. הסר את מכל המים הנמצא בתא הקירור, מלא אותו במים והתקן אותו בחזרה כדי לקבל קרח ממתקן קוביות הקרח.

בתחילה, יהיו קוביות הקרח מוכנות תוך כשעתיים במגירת קוביות הקרח הממוקמת בתא ההקפאה.

אם תמלא את מכל המים במלואו, תוכל לקבל כ-60-70 קוביות קרח.

החלף את המים במכל המים אם הם עמדו בו כשבועיים עד שלושה שבועות.

במוצרים שבהם מותקן מתקן אוטומטי ליצירת קוביות קרח, עשוי להישמע צליל במהלך מזיגת קוביות הקרח. זוהי תופעה רגילה; היא אינה מעידה על שגיאה כלשהי.



5.15 מגירת ירקות עם בקרת לחות

(FreSHelf)

(תכונה זו היא אופציונאלית)

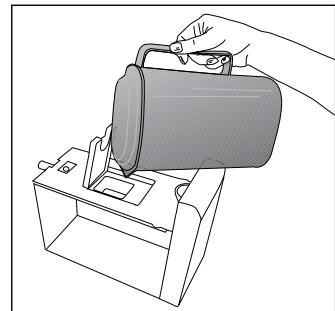
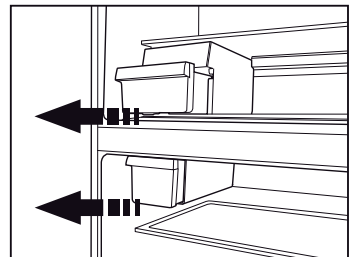
שיעורי הלחות של הירקות והפירות נשמרים מאוזנים באמצעות התכונה מגירת ירקות מבוקרת לחות ומובטח שהמזון יישאר טרי לפרק זמן ממושך יותר.

מומלץ להניח את הירקות בעלי העלים, כמו חסה, תרד וירקות הרגישים לאובדן לחות, בצורה אנכית ככל האפשר בתוך מגירת הירקות, ואל תעמיד אותם על השורשים שלהם בצורה אנכית.

כשמניחים את הירקות, יש לקחת בחשבון גם את המשקל הסגולי שלהם. ירקות כבדים וקשים יש להניח בתחתית מגירת הירקות, ואת הירקות הרכים והקלים יש להניח מעליהם.

בשום פנים ואופן אין להשאיר את הירקות שבמגירת הירקות בתוך שקית. אם הירקות נשארים בתוך שקית, הם יירקבו תוך פרק זמן קצר. אם מסיבות של היגיינה אתה מעדיף שהירקות לא יבואו במגע עם ירקות אחרים, השתמש בנייר נקובי, וחומרי אריזה דומים במקום בשקית.

אין להניח אגסים, אפרסקים, וכו', ובאופן מיוחד תפוחים המייצרים גז אתילן ברמה גבוהה באותה מגירת ירקות עם ירקות ופירות אחרים. גז האתילן הנפלט מפירות אלה עלול לגרום לפירות אחרים להיות בשלים מהר יותר ולהירקב תוך פרק זמן קצר יותר.



5.17. שימוש במתקן המים

*אופציונאלי

1. לחץ על דוושת מתקן המים באמצעות הכוס שבידך. אם אתה משתמש בכוס פלסטיק רכה, יהיה לך קל יותר לדחוף את הדוושה בידך.

2. אחרי מילוי הכוס בכמות הרצויה, שחרר את הדוושה.



זוהי תופעה רגילה שהמים בכוסות הראשונות היוצאות מהמתקן חמים.



אם לא נעשה שימוש במתקן המים במשך זמן ממושך, יש לשפוך את הכוחות הראשונות כדי לקבל מים טריים.



שים לב, כמות המים הזורמים ממתקן המים תלויה במרחק שעד אליו דוחפים את הדוושה. ככל שעולה מפלס המים בספל / כוס, הרפה בעדינות את הלחץ מהדוושה כדי למנוע גלישת מים. אם אתה לוחץ מעט על הדוושה, יישפכו מים, זוהי תופעה רגילה ואינה מעידה על תקלה.

5.18. שימוש במתקן המים

*אופציונאלי



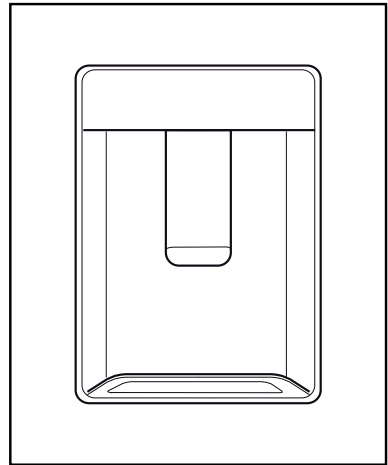
זוהי תופעה רגילה שהמים בכוסות הראשונות היוצאות מהמתקן חמים.



אם לא נעשה שימוש במתקן המים במשך זמן ממושך, יש לשפוך את הכוחות הראשונות כדי לקבל מים טריים.

1. לחץ על דוושת מתקן המים באמצעות הכוס שבידך. אם אתה משתמש בכוס פלסטיק רכה, יהיה לך קל יותר לדחוף את הדוושה בידך.

2. אחרי מילוי הכוס בכמות הרצויה, שחרר את הדוושה.



שים לב, כמות המים הזורמים ממתקן המים תלויה במרחק שעד אליו דוחפים את הדושה. ככל שעולה מפלס המים בספל / כוס, הרפה בעדינות את הלחץ מהדושה כדי למנוע גלישת מים. אם אתה לוחץ מעט על הדושה, יישפכו מים, זוהי תופעה רגילה ואינה מעידה על תקלה.



אין למלא את מכל המים בשום נזל אחר, למעט מים; משקאות כמו מיצי פירות, משקאות מוגזים או משקאות אלכוהול אינם מתאימים לשימוש במתקן המים. מתקן המים יינזק באופן בלתי הפיך, אם ייעשה שימוש במשקאות הנ"ל. האחריות אינה מכסה שימוש בסוג זה. כמה מהחומרים הכימיים והתוספים הקיימים במשקאות/נוזלים אלה עלולים לגרום נזק למכל המים.



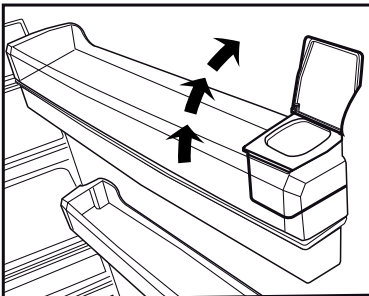
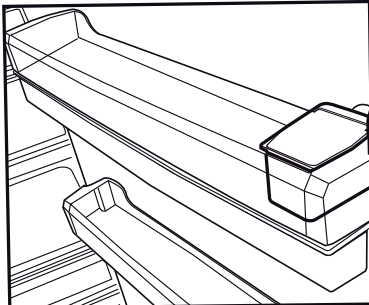
5.19. מילוי מכל המים של מתקן המים

1. המכל למילוי מים ממוקם בתוך מגש הדלת. פתח את מכסה המכל.
2. מלא את המכל במי שתייה טריים.
3. סגור את המכסה.

השתמש אך ורק במי שתייה נקיים.

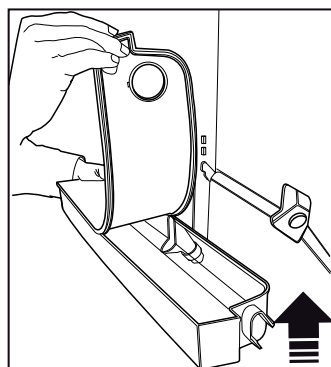
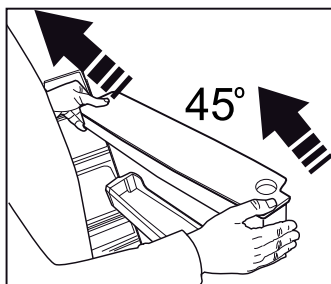
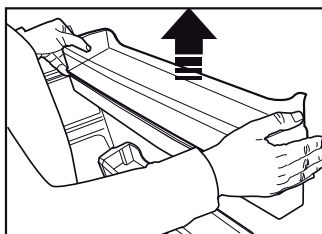
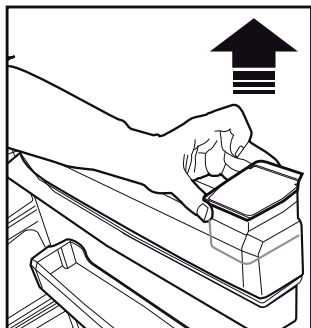


קיבולת המים במכל היא 3 ליטרים, אין למלא אותו יתר על המידה.



5.20. ניקוי מכל המים

1. הסר את המכל למילוי מים בתוך מגש הדלת.
2. הסר את מגש הדלת על ידי אחיזתו משני צדיו.
3. משוך את מכל המים משני צדיו והסר אותו בזווית של 45°C .
4. הסר את מכסה המכל.

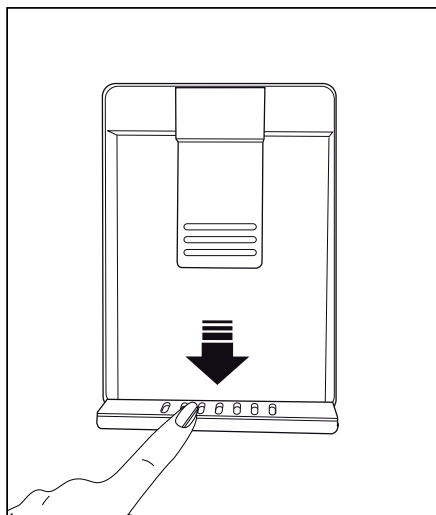


אין להדיח במדיח כלים את מכל המים ואת מתקן המים.



5.21. מגש גלישת המים

- מים שמטפטפים במהלך השימוש במתקן המים מצטברים במגש גלישת המים. הסר את מסנן הפלסטיק כפי שמוצג באיור. בעזרת מטלית נקיה ויבשה הסר את המים שהצטברו.



5.22. הקפאת מזון טרי

- יש להשתמש במזון קפוא מיד לאחר הפשרתו ואין להקפיא שוב לאחר שהופשר.
- אין להקפיא כמויות מזון גדולות מדי בבת אחת.

- כדי לשמר את איכות המזון, יש להקפיא אותו במהירות האפשרית כשהוא מונח בתא ההקפאה. לשם כך יש להשתמש בתכונה הקפאה מהירה.
- תוכל לאחסן את המזון לפרק זמן ממושך יותר בתא ההקפאה כשהמזון המוקפא טרי.
- ארוז את המזון המיועד להקפאה וסגור את האריזה כך שלא יוכל לחדור אליה אוויר.
- הקפד לארוז את המזון לפני הכנסתו למקפיא. השתמש במכלים המיועדים למקפיא, רידידים וניירות עמידים בפני לחות, שקיות פלסטיק וחומרי אריזה אחרים במקום ניירות אריזה מסורתיים.
- לפני ההקפאה תייג כל אריזת מזון על ידי הוספת התאריך. באופן זה תוכל לדעת מהי רמת הטרייות של כל אריזה כשאתה פותח את המקפיא. אחסן את המזון לפי סדר זמני ההקפאה. המזון שהוקפא קודם יוצב בחלקו הקדמי של התא, זאת כדי להבטיח את צריכתו תחילה.

תא ההקפאה יפשיר באופן אוטומטי



הערות	הקפאת תא הקירור	הגדרת תא ההקפאה
זוהי ההמלצה המומלצת הרגילה.	4°C	-18°C
הגדרות אלה מומלצות כאשר טמפרטורת החדר עולה על 30 מעלות צלזיוס.	4°C	-20°C, -22°C או -24°C
השתמש בה אם ברצונך להקפיא את המזון תוך זמן קצר. המוצר יחזור למצבו הקודם עם תום התהליך.	4°C	הקפאה מהירה
השתמש בהגדרות אלה אם נראה לך שתא הקירור אינו קר מספיק עקב תנאי הסביבה החמים או עקב פתיחות וסגירות תכופות של הדלת.	2°C	-18°C מעלות צלזיוס או קר יותר

מגירת ירקות	ירקות ופירות
תא עם אזור למזון טרי	מעדנים (מצרכי מזון לארוחת בוקר, מוצרי בשר שייצרכו תוך זמן קצר)

5.23. המלצות לשימור המזון הקפוא

- יש לכוון את התא ל 18°C -- לפחות.
1. הנח את החבילות במקפיא מהר ככל האפשר לאחר הקנייה לפני שיפשירו.
 2. לפני ההקפאה בדוק אם "תאריך השימוש האחרון" ו"תאריך התפוגה" הרשומים על החבילה עברו.
 3. ודא שאריזת המזון אינה פגומה.

5.26. אזהרת פתיחת דלת

(תכונה זו היא אופציונאלית)

אזהרת פתיחת דלת למשתמש גם נראית וגם נשמעת. אם האזהרה נמשכת במשך 10 דקות, הנורות הפנימיות יכבו.

5.24. פרטים על הקפאה עמוקה

לפי תקני IEC 62552, על המוצר להקפיא לפחות 4.5 ק"ג של מצרכי מזון מטמפרטורת סביבה של 25 מעלות צלזיוס ל 18- מעלות צלזיוס או פחות תוך 24 שעות לכל 100 ליטר של נפח תא המקפיא.

אפשר לשמור את המזון במקפיא לתקופה ממושכת רק אם הטמפרטורה בתא ההקפאה מגיעה ל 18- מעלות צלזיוס או פחות. ניתן לשמור על טריות המזון למשך חודשים רבים (בטמפרטורה של 18- מעלות צלזיוס או פחות בהקפאה עמוקה).

אין לאפשר למוצרי מזון המיועדים להקפאה לבוא במגע עם פריטי מזון שכבר הוקפאו קודם לכן, וזאת כדי למנוע הפשרה חלקית. הרחח את הירקות ונקז מהם את המים כדי לאחסן ירקות למשך פרק זמן ממושך יותר כשהם מוקפאים. לאחר ניקוז המים הכנס את הירקות לאריזות אוטומות מפני אוויר והכנס אותן למקפיא. מזון כמו בננות, עגבניות, חסה, סלרי, ביצים קשות, תפוחי אדמה, אינם מתאימים להקפאה. כשמצרכי מזון אלה מוקפאים, רק הערך התזונתי והטעם שלהם ייפגע. הם לא יתקלקלו באופן שיהוו סיכון בריאותי.

5.27. שינוי כיוון פתיחת הדלת

את כיוון פתיחת דלת המקרר ניתן לשנות בהתאם למקום שבו אתה משתמש בו. אם יש צורך, פנה אל נציג השירות המורשה הקרוב אל מקום מגוריך.

התיאור שלהלן הוא ביטוי כללי. למידע על שינוי כיוון פתיחת הדלת, עליך לעיין בתווית האזהרה הממוקמת בצדה הפנימי של הדלת.

5.28. הנורה הפנימית

נורות ה-LED משמשות לצורכי תאורה. צור קשר עם נציג שירות מוסמך, אם התעוררה בעיה כלשהי בסוג זה של נורה. הנורות המשמשות למכשיר זה אינן מתאימות לתאורה של חדרי הבית. המטרה שלשמה נועדה הנורה היא לעזור למשתמש להכניס מצרכי מזון למקרר/מקפיא בצורה בטוחה ונוחה.

5.25. הנחת המזון

מדפי תא ההקפאה	מצרכי מזון שונים קפואים, כמו בשר, דגים, גלידות, ירקות וכו'.
מדפי תא הקירור	מזון בסירים, צלחות מכוסות ומכלים סגורים, ביצים (במכלי סגור)
מדפי דלת תא הקירור	מצרכי מזון או שתייה קטנים וארוזים

ניקוי המוצר באופן סדיר יאריך את חייו.



אזהרה: נתק את החשמל לפני ניקוי המקרר.

6.2 הגנה על משטחי פלסטיק

- שמן שנשפך על משטחי הפלסטיק עלול לגרום נזק למשטח ויש לנקותו מיד עם מים חמים.

6.3 זכוכית הדלת

הסר את רידד המגן שעל הזכוכית.

קיים ציפוי על גבי הזכוכית. ציפוי זה ממזער את הצטברות הכתמים ומסייע להסיר בקלות כתמים אפשריים ולכלוך. זכוכית שאינה מוגנת בציפוי זה עלולה להיות נתונה להצטברות תמידית של לכלוך אורגני ולא אורגני על בסיס אוויר או מים, כמו אבנית, מלחים מינרליים, פחמימנים בלתי שרופים, תחמוצות מתכתיות ותרכובות סיליקון שיכולים לגרום לכתמים או לנזק גופני בקלות ובמהירות. קשה מדי לשמור על ניקיון הזכוכית למרות הניקוי הקבוע. כתוצאה מכך, מראה הזכוכית ושקיפותה נעכרים. שיטות ניקוי ותכשירי ניקוי נוקשים הגורמים לשריטות יחמירו את הפגמים ויאיצו את תהליך ההעכרה.

לניקוי קבוע יש להשתמש בתכשירי ניקוי על בסיס מים, שאינם אלקליים או גורמים לשריטות.

יש להשתמש לצורך ניקוי בחומרים שאינם אלקליים או גורמים לשריטות, כדי שחיי השירות של ציפוי זה ימשכו לאורך זמן.

זכוכית זו היא זכוכית משוריינת שנועדה להגביר את עמידותה בפני חבטות ושבירה.

סרט בטיחות מודבק גם הוא במשטח האחורי של הזכוכית כאמצעי בטיחות נוסף כדי למנוע נזק לאזורים שמסביב במקרה של שבירה.

*אלקלי הוא בסיס שיוצר יוני מימה (OH⁻)

כשהוא מומס במים.

המתכות Li (ליתיום), Na (נתרן), K (אשלגן) Rb (רובידיום), Cs (צסיום) ו-Fr (פרנציום) Fan-) (sium) מלאכותי או רדיואקטיבי נקראות מתכות אלקליות.

- המס כפית מלאה בנתר במים. הרטב סמרטוט במים וסחוט. נקה את המכשיר עם מטלית זו ונגב.

- ודא להרחיק את המים ממכסה המנורה וחלקים חשמליים אחרים.

- נקה את הדלת באמצעות סמרטוט רטוב. הסר את כל הפריטים בפנים ונתק את הדלת ואת המדפים. הרם את המדפים כלפי מעלה על מנת לנתק. נקה ויבש את המדפים, לאחר מכן חבר אותם בחזרה למקום על ידי החלקתם מלמעלה.

- במוצרים שאינם No Frost, טיפות מים ושכבת קרח בעובי של רוחב אצבע נוצרות בדופן האחורית של תא הקירור. אל תנקה אותן; בשום פנים ואופן אין לטפס עליהן שמן או חומרים דומים.

- השתמש אך ורק במטליות מיקרופיבר לחות מעט כדי לנקות את המשטח החיצוני של המוצר. ספוגים וסוגים אחרים של מטליות ניקוי עלולים לשרוט את המשטח.

- אין להשתמש במים כלוריים או מוצרי ניקוי על המשטח החיצוני והחלקים המצופים בכרום של המוצר. כלור יגרום לחלודה על חלקים מתכתיים.

- אין להשתמש בכלים חדים ושוחקים, חומרים ניקוי ביתיים, גז, בנזין, שעווה וכו'. אחרת החותמות על חלקי הפלסטיק ירדו והכלי יאבד מצורתו. השתמש במים חמים ומטלית רכה לניקוי ונגב ליבוש.

6.1 מניעת ריח רע

- המוצר יותר ללא מוצרים היוצרים ריח רע. אולם, אחסון המזון באזורים לא הולמים או ניקוי בלתי הולם של משטחים פנימיים עלול ליצור ריח רע.

- כדי למנוע זאת, נקה מבפנים עם מי סודה כל 15 ימים.

- אחסן את המזון באריזות אטומות. בקטריה עלול להתפשט מתוך פריטי מזון לא אטומים וליצור ריח רע.

- אין לאחסן מזונות מקולקלים או שפג תוקפה במקרר.

המקרר פועל לעיתים תכופות מדי לתקופות ארוכות מדי.

- ייתכן כי המוצר החדש גדול יותר מהקודם. מוצרים גדולים יותר עובדים לתקופות ארוכות יותר.
- ייתכן כי טמפרטורת החדר גבוהה מדי. <<< המוצר עובד לתקופות ארוכות בטמפ' חדר גבוהה יותר.
- ייתכן כי המוצר חובר לאחרונה או כי פריט מזון חדש הוכנס פנימה. <<< ייקח למוצר יותר זמן להגיע לטמפ' המוגדרת כאשר הוא חובר לאחרונה לחשמל או כאשר פריט מזון חדש הוכנס. הדבר נורמלי.
- ייתכן כי כמויות גדולות של מזון חם הוכנסו למוצר לאחרונה. <<< אין לאחסן מזון חם בתוך המוצר.
- הדלתות נפתחו לאחרונה או נשארו פתוחות לתקופות ארוכות. <<< האוויר החם שנכנס פנימה יגרום למוצר לקרר לתקופות זמן ארוכות יותר. אין לפתוח את הדלתות לעיתים קרובות מדי.
- ייתכן כי דלת המקפיא או המקרר לא סגורה כראוי. <<< בדוק כי הדלתות סגורות לגמרי.
- ייתכן כי המוצר מוגדר לטמפ' נמוכה מדי. <<< הגדר את הטמפ' למעלה הגבוהה ביותר והמתן עד שהמוצר מגיעה
- ייתכן כי דסקית המקרר או המקפיא מלוכלכת, שחוקה, שבורה או לא יושבת טוב במקום. <<< נקה או החלף את הדסקית. דסקית דלת פגומה / קרועה תגרום למוצר לעבוד לתקופות ארוכות על מנת לשמור על הטמפ' הנוכחית.

טמפ' המקפיא נמוכה מדי, אך טמפ' המקרר מתאימה.

- תא המקפיא מכוון על טמפ' נמוכה מדי. <<< כוון את טמפ' המקפיא למעלה גבוהה יותר ובדוק שוב.

טמפ' המקרר נמוכה מדי, אך טמפ' המקפיא מתאימה.

- * תא המקרר מכוון על טמפ' נמוכה מדי. <<< כוון את טמפ' המקפיא למעלה גבוהה יותר ובדוק שוב.

פריטי המזון המאוחסנים במגירות תא המקרר קפואים.

- תא המקרר מכוון על טמפ' נמוכה מדי. <<< כוון את טמפ' המקפיא למעלה גבוהה יותר ובדוק שוב.

הטמפ' במקרר קרה מדי והטמפ' במקפיא חמה מדי.

עיינ ברשימה זו לפני הפניה למרכז השירות. הדבר יחסוך לך זמן וכסף. רשימה זו כוללת טענות נפוצות אשר קשורות לטעויות אנוש או חומרים. חלק מהאפשרויות שהוזכרו כאן עלולות להיות לא רלוונטיות למוצרך.

המקרר לא עובד.

- תקע החשמל לא ממוקם היטב. <<< חבר אותו שוב כדי שיהיה מחובר היטב לשקע.
- הנתך במחובר לשקע אליו מחובר המוצר או הנתך המרכזי שרוף. <<< בדוק את הנתכים.

התעבות על הקיר הצדדי של תא המקרר (MULTI ZONE, COOL ו- FLEXI ZONE).

- הדלת נפתחת בתדירות גבוהה מדי <<< שים לב לא לפתוח את דלת המוצר לעיתים קרובות מדי.
- הסביבה לחה מדי. <<< אין להתקין את המוצר בסביבות לחות מדי.
- מזונות המכילים נוזלים נשמרים באריזות לא אטומות. <<< אחסן את המזון באריזות אטומות.
- דלת המוצר נשארה פתוחה. <<< אין להשאיר את דלת המקרר פתוחה לתקופות ארוכות.
- התרמוסטט מכוון לטמפ' נמוכה מדי. <<< כוון את התרמוסטט לטמפ' מתאימה

המדחס לא עובד.

- במקרה של כשל חשמלי פתאומי או הוצאת תקע החשמל והחזרתו, לחץ הגז במערכת הקירור של המוצר לא מאוזן, מה שמפעיל את ההגנה הטרמית של המדחס. המוצר יתחיל מחדש לפעול לאחר 6 דקות. במידה והמוצר לא מתחיל לפעול לאחר תקופה זו, צור קשר עם השירות.
- ההפשרה פעילה. <<< הדבר נורמלי עבור מוצר מפשיר אוטומטי במלואו. ההפשרה נערכת מעת לעת.
- המוצר לא מחובר. <<< ודא כי תקע החשמל מחובר.
- הגדרת הטמפ' לא נכונה. <<< בחר את הגדרת הטמפ' הראויה.
- * החשמל מכובה. <<< המוצר ימשיך לפעול נורמלית ברגע שכבל החשמל יוחזר.

רעש ההפעלה של המקרר גובר במהלך השימוש.

- התפעול של המקרר עלול להשתנות בהתאם לטמפ' החדר. זה נורמלי וזה אינו תפקוד לקוי.

- אתה לא מנקה את המוצר באופן סדיר. <<<
- נקה את פנים המוצר באופן סדיר באמצעות ספוג, מים חמים ומי סודה.
- חומרי אריזה ואחסון מסוימים עשויים ליצור ריח. <<< השתמש בחומרי אריזה ללא ריח.
- * המזונות מוקמו בקופסאות לא אטומות. <<< אחסן את המזון באריזות אטומות.
- בקטריה עלול להתפשט מתוך פריטי מזון לא אטומים וליצור ריח רע.
- * הסר מוצרים מקולקלים או שפג תוקפם מהמוצר.

הדלת לא נסגרת.

- יתכן כי אריזות מזון חוסמות ת הדלת. <<< שנה את מיקום הפריטים החוסמים את הדלתות.
- המוצר לא עומד בצורה מאוזנת על הקרקע. <<< כוונן את המעמדים על מנת לאזן את המוצר.
- האדמה לא מפולסת או מוצקה. <<< ודא גם כי האדמה קשה מספיק על מנת לשאת את המוצר.
- סלסלת הירקות תקועה.
- פריטי המזון נמצאים במגע עם המקטע העליון של המגירה. <<< זהה את מוצרי המזון במגירה.

סלסלת הירקות תקועה.

- פריטי המזון נמצאים במגע עם המקטע העליון של המגירה. <<< זהה את מוצרי המזון במגירה.



אזהרה: אם הבעיות ממשיכות לאחר ההוראות במקטע זה, תור קשר עם המוכר שמכר לך את המוצר או עם שירות מורשה. אל תנסה לתקן את המוצר.

מוצר זה מצויד במשטח תאורה ברמת אנרגיה "G".

רק איש מקצוע מוסמך רשאי להחליף את משטח התאורה זה.

- תא המקרר מכוון על טמפ' גבוהה מדי. <<< לטמפ' תא המקרר יש השפעה על טמפ' תא המקפיא. שנה את טמפ' תא המקפיא או המקרר והמתן עד שהתאים יגיעו לרצת המתאימה.
- הדלתות נפתחו לאחרונה או נשארו פתוחות לתקופות ארוכות. <<< אין לפתוח את הדלתות לעיתים קרובות מדי.
- יתכן כי הדלת לא סגורה היטב. <<< סגור היטב את הדלת.
- ייתכן כי המוצר חובר לאחרונה או כי פריטי מזון חדש הוכנס פנימה. <<< הדבר נורמלי. ייקח למוצר יותר זמן להגיע לטמפ' המוגדרת כאשר הוא חובר לאחרונה לחשמל או כאשר פריטי מזון חדש הוכנס.
- * יתכן כי כמויות גדולות של מזון חם הוכנסו למוצר לאחרונה. <<< אין לאחסן מזון חם בתוך המוצר.

רעד או רעש.

- האדמה לא מפולסת או מוצקה. <<< במידה והמוצר רועד כאשר הוא הוזז לאט, התאם את המעמדים על מנת לאזן את המוצר. ודא גם כי האדמה קשה מספיק על מנת לשאת את המוצר.
- יתכן כי פריטים שהוכנסו למוצר יוצרים רעש. <<< הכנס את המוצרים שהוכנסו למוצר.

המוצר יוצר רעש של זרימת נוזלים, ריסוס וכו'.

- עקרונות ההפעלה של המוצר כוללים זרימת גז ונוזל. <<< זה נורמלי וזה אינו תפקוד לקוי.

ש רעש של רוח נושבת מהמוצר.

- * המוצר משתמש במאוורר למען תהליך הקירור. זה נורמלי וזה אינו תפקוד לקוי. יש התעבות בקירות הפנימיים של המוצר.
- מזג אוויר חם או לח יגביר את ההתקררות וההתעבות. זה נורמלי וזה אינו תפקוד לקוי.
- הדלתות נפתחו לאחרונה או נשארו פתוחות לתקופות ארוכות. <<< אין לפתוח את הדלתות לעיתים קרובות מדי; אם הדלת פתוחה, סגור אותה.
- יתכן כי הדלת לא סגורה היטב. <<< סגור היטב את הדלת.

יש התעבות בחלק החיצוני של המוצר או בין שתי הדלתות.

- * יתכן כי טמפ' החדר לחה מדי, הדבר נורמלי במזג אוויר לח. <<< ההתעבות תתפזר כאשר הלחות תרד.
- פנים המוצר מריח רע.

שרות

כל התערבות שהיא במוצר שרכשתם, חייבת להיות מבוצעת ע"י טכנאי שהוסמך על ידי **BRIMAG** שירות.

על-מנת לאפשר לנו לתת לכם את השרות האיכותי והמהיר ביותר, בעת שתתקשרו תבקשו לציין את מס' הלקוח שלכם ופרטי המוצר שברשותכם (סוג ודגם). פרטים אלו, מופיעים בתעודת האחריות ועל התווית בגב או בחזית המוצר.

לתשומת ליבכם

חברתנו אחראית לפעולתו התקינה של המוצר בתנאי עבודה ואחזקה נכונים. אין החברה אחראית לכל נזק או קלקול אשר ייגרם למוצר כתוצאה מתקלות והפרעות חיצוניות, או כתוצאה משימוש הנוגד את הוראות הפעלה אלו.

מחלקת השרות של חברת **BRIMAG** שירות, תשמח לעמוד לשירותכם בבדיקה, הדרכה, ייעוץ ושרות בכל עת, בין הימים א' – ה' בין השעות 08:00 עד 19:00 ובימי שישי וערבי חג, בין השעות 08:00 עד 12:00.



ליצירת קשר עם כל מעבדות השרות, נא חייגו:



*8404



Email: main@brimag-service.co.il

מרכז	"בריימאג שירות"	הבנאי 12, א.ת. חולון	פקס: 03-5586196
צפון	"בריימאג שירות"	ההסתדרות 88, חיפה	פקס: 04-8424411
דרום	"בריימאג שירות"	הנגרים 5, ב"ש	פקס: 08-6232838
ירושלים	"בריימאג שירות"	כנפי נשרים 24, ירושלים	פקס: 02-6527468
אילת	"בריימאג שירות"	הבנאי 3, א.ת. אילת	פקס: 03-5586196

פירותכם **BRIMAG** שירות **ככל את!**



يرجى قراءة دليل المستخدم هذا أولاً!

عميلنا العزيز،






نأمل أن هذا المنتج والذي تم إنتاجه في مصانع حديثة وفحصه بإجراءات صارمة لرقابة الجودة سيقدّم لكم خدمة فعّالة. لذا، اقرأ دليل المستخدم بالكامل بعناية قبل استخدام المنتج واحتفظ به كمرجع. إذا قمت بإعطاء المنتج لشخص آخر، فقم بإعطائه دليل المستخدم كذلك.

سيساعدك على استخدام المنتج بسرعة وبطريقة مأمونة.

- يرجى قراءة هذا الدليل قبل تركيب المنتج وتشغيله.
 - تأكد من قراءة تعليمات السلامة.
 - احتفظ بهذا الدليل في مكان يسهل الوصول إليه عند الحاجة إليه في المستقبل.
 - اقرأ المستندات الأخرى المرفقة مع المنتج.
- تذكر أن دليل المستخدم هذا ينطبق على العديد من الموديلات الأخرى. سوف يتم تحديد الاختلافات بين الموديلات في هذا الدليل.

شرح الرموز

معلومات مهمة وإرشادات مفيدة.	
خطر الإصابة وتلف الممتلكات.	
خطر من التعرض لصدمة كهربائية.	
تم تصنيع مواد التغليف الخاصة بهذا المنتج من مواد قابلة لإعادة التصنيع وفقاً للوائح البيئية المحلية الخاصة بنا.	

	INFORMATION
	
SUPPLIER'S NAME	MODEL IDENTIFIER (*)
	

يمكن الوصول إلى معلومات الموديل المخزنة في قاعدة بيانات المنتج بزيارة الموقع التالي والبحث عن معرف الموديل (*) المطبوع على ملصق الطاقة

<https://eprel.ec.europa.eu/>



الورق المعاد تدويره
والقابل لإعادة التدوير

22	البيض	3	1 تعليمات السلامة والبيئة
22	5.9 المروحة	3	1.1 السلامة العامة
22	5.10 مقصورة الطعام الطازج	4	1.2 تحذير HC
22	5.11 حيز التبريد	4	1.1.2 للموكلات المحتوية على موزع ماء
22	5.12 تحريك رف الباب	5	1.3 الاستخدام المخصص
23	5.13 مقصورات التخزين المائلة	5	1.4 الأطفال
23	5.14 HarvestFresh / الأزرق	5	1.5 لتوجيهات حظر المواد الخطرة:
٢٣	5.15 مقصورة الطعام الطازج المحكومة من حيث الرطوبة	5	1.6 معلومات الغلاف
24	5.16 تكوين الثلج الأوتوماتيكية	6	2 جهازك
24	5.17 فلتر الروائح وتنظيفه:	7	3 التركيب
52	5.18 الأعشاب HerbBox/HerbFresh	7	3.1 التركيب الملائم
25	5.19 استخدام موزع المياه	7	3.2 الأسافين البلاستيكية
26	5.20 وحدة صنع الثلج وصندوق تخزين الثلج	7	3.3 الأقدام
26	5.21 استخدام موزع المياه	9	3.4 الأبواب
26	5.22 تعبئة خزان توزيع المياه	10	3.5 الأبواب
27	5.23 تنظيف خزان المياه	11	4 التحضير
28	5.24 درج المياه	11	4.1 يجب عملها لتوفير الطاقة
28	5.25 تجميد الأطعمة الطازجة	11	4.2 الاستخدام للمرة الأولى
29	5.26 توصيات المحافظة على الأطعمة المجمدة	12	5 تشغيل الجهاز
29	5.27 معلومات عن التجميد	12	5.1 زر ضبط درجة الحرارة
29	5.28 وضع الطعام	12	5.2 التسريع
30	5.29 تحذير فتح الباب	13	5.3 الأجزاء
30	5.30 تغيير اتجاه فتحة الباب	14	5.4 المؤشر
30	5.31 مصباح الإضاءة	14	5.5 لوحة المؤشر
30	5.31 الإضاءة	16	5.6 جهاز عمل الثلج
31	6 والصيانة	21	5.7 الثلج
31	6.1 حماية الأسطح البلاستيكية	22	5.8 حامل
31	6.2 زجاج الباب	22	
31	32 استكشاف الأخطاء وإصلاحها		

يوضح هذا الجزء تعليمات السلامة اللازمة لمنع خطر الإصابة والضرر المادي. يؤدي الإخفاق في التقيد بهذه التعليمات إلى بطلان جميع ضمانات الجهاز.

الغرض المخصص

1.1. السلامة العامة

- لا يجوز استخدام هذا الجهاز بواسطة أشخاص يعانون من عجز بدني أو حسي أو عقلي، دون معرفة وخبرة كافية أو بواسطة الأطفال. يمكن استخدام الجهاز من قبل هؤلاء الأشخاص فقط تحت إشراف وتوجيه شخص مسؤول عن سلامتهم. لا يجب السماح للأطفال باللعب بهذا الجهاز.

- في حال حدوث عطل، افصل الجهاز عن الكهرباء.

- بعد فصله عن الكهرباء، انتظر 5 دقائق على الأقل قبل توصيله مرة أخرى. افصل الجهاز عن الكهرباء في حال عدم الاستعمال. لا تلمس القابس بأيدي مبللة! لا تسحب الكبل لنزعه من الكهرباء، امسك القابس دائماً.

- امسح رأس قابل الطاقة بقماشة ناشفة قبل نزعه من الكهرباء.
- لا توصل التلاجة بالكهرباء إذا كان المقبس رخوا.

- افصل المنتج أثناء التركيب والصيانة والتنظيف والتصلح.

- إذا كنت لا تنوي استخدام المنتج لفترة معينة، افصله عن الكهرباء وأخرج أي طعام منه.

- لا تستعمل مواد التنظيف بالبخار لتنظيف التلاجة وإذابة الجليد داخلها. قد يتلامس البخار مع المناطق المكهربة ويتسبب بقصر الدائرة الكهربائية أو الصدمة الكهربائية!

- لا تغسل المنتج برش الماء أو سكه عليه! خطر الصدمة الكهربائية!

- إذا حدث عطل، لا تستخدم المنتج فقد يتسبب ذلك بصدمة كهربائية. اتصل بخدمة الصيانة المعتمدة قبل القيام بأي شيء.

- لا تستخدم الجهاز إذا كان القسم الموجود على سطح الجهاز أو على ظهره الذي يحوي ألواحاً إلكترونية مطبوعة في الداخل مفتوحاً (غطاء لوح الدائرة الإلكترونية المطبوعة) (1).

تحذير: حافظ على فتحات التهوية في تجويف الجهاز أو في البنية المدمجة خالية من الأنسداد.	
تحذير: لا تستخدم الأجهزة الميكانيكية أو الوسائل الأخرى لتسريع عملية إزالة الصقيع، غير تلك التي يوصي بها المصنع.	
تحذير: لا تتلف الدائرة الكهربائية لمادة التبريد.	
تحذير: لا تستخدم الأجهزة الكهربائية في حجرة المون في الجهاز إلا إذا كانت من النوع الذي يوصي بها المصنع.	
تحذير: لا تقم بتخزين المواد المتفجرة مثل علب الأيروسول حيث تحتوى تلك العلب على مواد قابلة للاشتعال.	

هذا الجهاز مصمم للاستخدام المنزلي والتطبيقات المماثلة مثل

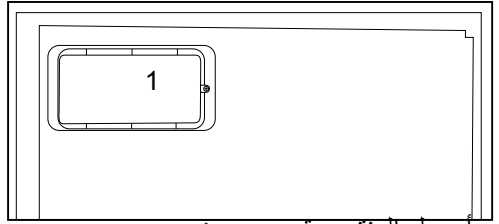
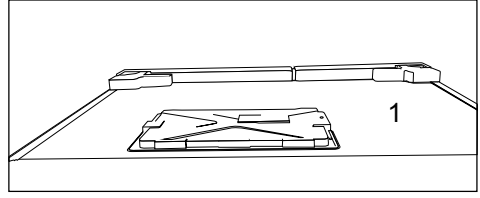
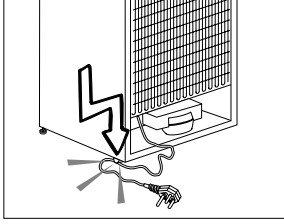
- مناطق كادر الطبخ في المتاجر والمكاتب وبيئات العمل الأخرى؛

- المزارع و النزلاء في الفنادق وفنادق الطرق والبيئات السكنية المماثلة؛ أماكن المبيت والإفطار؛

- أماكن المبيت والإفطار؛

- عمليات التموين والتطبيقات المماثلة في غير محلات التجزئة.

- لا تطأ أو تتكئ على الباب والجوارير وأجزاء مماثلة من الثلاجة. سيؤدي ذلك إلى سقوط الجهاز وتضرر أجزائه.
- احذر أن يعلق كبل الطاقة.



1.2 تحذير HC

- إذا كان المنتج يشتمل على نظام تبريد باستخدام غاز R600a ، احذر حتى تتجنب أضرار نظام التبريد وأنبويه أثناء استخدام الجهاز وتحريكه. هذا الغاز سريع الاشتعال. إذا تعرض نظام التبريد للتلوث، أبعاد الجهاز عن مصادر الحريق وقم بتهوية الغرفة فوراً.

يشير الملصق على الجهة الداخلية اليسرى إلى نوع الغاز المستعمل في المنتج.



- أوصل المنتج بمقبس مؤرض. يجب إجراء التأريض بواسطة فني كهرباء مؤهل.
- إذا كان الجهاز يحتوي على مصابيح من نوع LED ، اتصل بخدمة الصيانة المعتمدة لاستبدالها أو اتصل بها في حال حدوث أية مشاكل.
- لا تلمس الأطعمة المجمدة بأيدي مبتلة! فقد تلتصق بيديك!

- لا تخزن العبوات الزجاجية أو علب المشروبات في حجرة المجمد. فقد تنفجر!
- ضع السوائل بوضع رأسي بعد إغلاق الغطاء بإحكام.

- لا ترش المواد سريعة الاشتعال قرب الجهاز، فقد يحترق أو ينفجر.
- لا تحتفظ بالمواد سريعة الاشتعال والمنتجات المحتوية على غاز سريع الاشتعال (مواد الرش، الخ) في الثلاجة.
- لا تضع مستوعبات السوائل على الجهاز. قد يتسبب رش الماء على جزء كهربائي بصدمة كهربائية أو خطر الحريق.
- يؤدي تعريض المنتج للمطر والثلج وأشعة الشمس والرياح إلى أخطار كهربائية. عند تغيير مكان الجهاز، لا تسحبه من مقبض الباب. فقد ينفك المقبض.
- احذر لكي لا يعلق أي جزء من يديك أو جسمك في أية أجزاء متحركة داخل الجهاز.

1.1.2 للموديلات

المحتوية على موزع ماء

- يجب أن يكون ضغط مدخل الماء البارد 90psi كحد أقصى (620 kPa). إذا تجاوز ضغط الماء 80 550 kPa، استخدم صمام حد الضغط في نظامك الرئيسي. إذا كنت لا تعلم كيف تفحص ضغط الماء الخاص بك، اطلب المساعدة من سمكري متخصص.
- إذا ظهر خطر تأثير الطرق المائي أثناء التركيب، استخدم معدات منع الطرق المائي في التركيب دائماً. استشر سمكري متخصص إن لم تكن متأكداً من عدم وجود تأثير للطرق المائي في التركيب.

1.4. سلامة الأطفال

- احتفظ بمواد التغليف بعيدا عن متناول الأطفال.
- لا تسمح للأطفال بالعبث بالجهاز.
- إذا كان لباب الجهاز قفل، احتفظ بالمفتاح بعيدا عن متناول الأطفال.
- لامثال للتوجيهات الخاصة بنفايات الأجهزة الإلكترونية والكهربائية والتخلص منها:

هذا المنتج متوافق

مع توجيهات EU WEEE

(2012/19/EU). يحمل هذا المنتج

رمز تصنيف التخلق من الأجهزة

الكهربائية والإلكترونية (WEEE).

تم تصنيع هذا المنتج بقطع ومواد عالية

الجودة يمكن إعادة استخدامها وهي

مناسبة لإعادة التدوير. لا تتخلص من المنتجات التالفة

مع النفايات المنزلية العادية والأخرى عند انتهاء

عمر الجهاز. بل يجب أخذه إلى مركز التجميع لتدوير

الأجهزة الكهربائية والإلكترونية. يرجى استشارة

السلطات المحلية لمعرفة مراكز التجميع.



1.3. الاستخدام المخصص

- هذا المنتج مصمم للاستخدام المنزلي. وهو غير ملائم للاستخدام التجاري أو العام.
- يجب استخدام الجهاز لتخزين الطعام والشراب فقط.
- لا تترك المواد الحساسة التي تتطلب درجات حرارة تحت السيطرة في الثلاجة (اللقاحات، الأدوية الحساسة للحرارة، اللوازم الطبية، الخ).
- لا يتحمل المصنع أية مسؤولية عن أي ضرر بسبب سوء الاستعمال أو التعامل.
- سيتم توفير قطع غيار أصلية لمدة 10 أعوامًا، بعد تاريخ الشراء المنتج

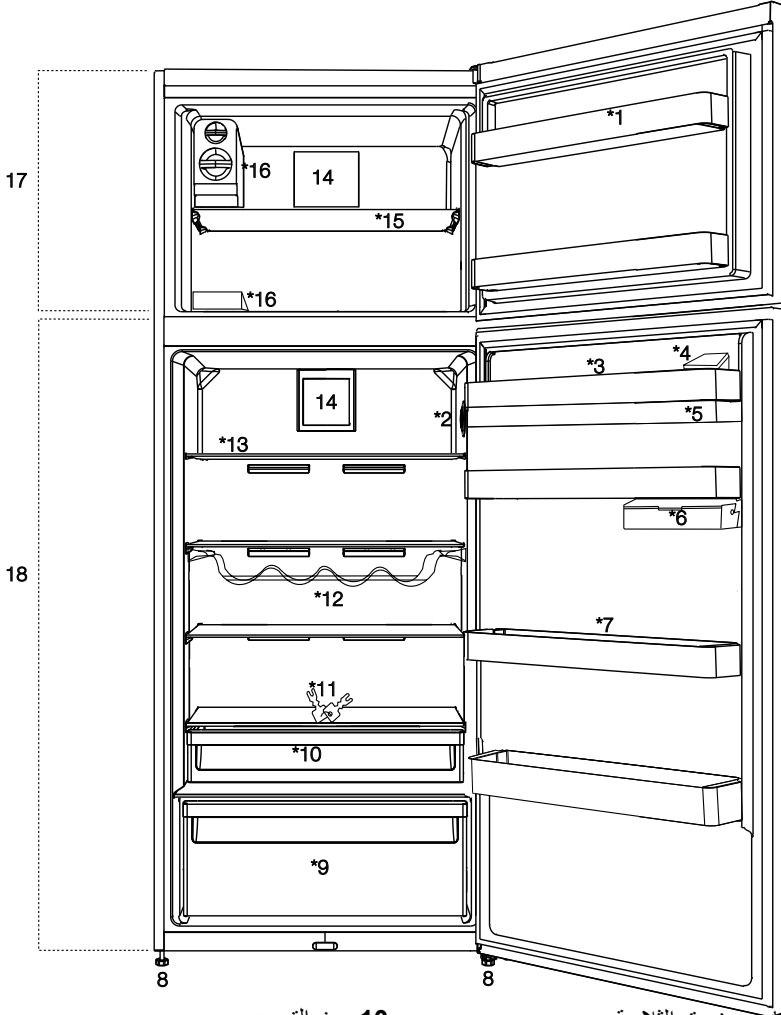
1.5. الامثال لتوجيهات حظر

المواد الخطرة:

- هذا المنتج متوافق مع توجيهات EU WEEE (2011/65/EU). وهو لا يحتوي على مواد ضارة أو محظورة محددة في التوجيهات.

1.6. معلومات الغلاف

- تم تصنيع مواد تغليف المنتج من مواد قابلة لإعادة التدوير طبقا لأنظمة البيئة الوطنية. لا تتخلص من مواد التغليف مع النفايات المنزلية وغيرها. قم بنقلها إلى نقاط تجميع مواد التغليف المحددة من قبل السلطات المحلية.



10. حيز التبريد
11. القفل والمفتاح
12. رف الزجاجات
13. رف صندوق الثلجة الزجاجي
14. مروحة
15. رف صندوق الفريزر
16. صندوق الثلج / حجرة إعداد الثلج
17. مقصورة الفريزر
18. مقصورة الثلجة

1. رف باب صندوق الثلجة
2. زر ضبط درجة الحرارة
3. رف تجويف باب الفريزر
4. موزع المياه ملء خزان
5. القسم البيض
6. خزان موزع المياه
7. تحريك رف الباب
8. الأرجل القابلة للضبط
9. مقصورة الطعام الطازج

*اختياري إن الأشكال الواردة في هذا الدليل عبارة عن رسومات بيانية وقد لا تتطابق تمامًا مع المنتج. إذا لم تكن الأجزاء ذات الصلة غير متاحة في المنتج الذي قمت بشرائه، ينطبق الشكل على الموديلات الأخرى.



3.2 تركيب الأسافين البلاستيكية

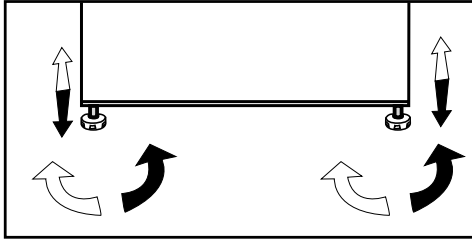
يتم استخدام الأسافين البلاستيكية الموردة مع الجهاز لإيجاد مسافة لتدوير الهواء بين المنتج والحائط الخلفي.

1. لتركيب الأسافين، اخلع البراغي الموجودة على الجهاز واستخدم البراغي الموردة مع الأسافين.

2. ادخل الطرفان البلاستيكيان داخل فتحة التهوية الخلفية كما هو موضح في الشكل.

3.3 ضبط الأقدام

إذا كان المنتج غير متزن بعد عملية التركيب، فاضبط القدم على المقدمة بعد تدويرها لليمين أو اليسار. التوصيل الكهربائي



3.1 موقع التركيب الملائم

اتصل بمركز خدمة معتمد لتركيب الجهاز. لتحضير الجهاز للاستخدام، راجع المعلومات الواردة في دليل المستخدم وتأكد من أن التركيبات الكهربائية وتركيبات المياه سليمة. إذا لم يكن الأمر كذلك، اتصل بفني كهربائي ومهندس معتمد لإجراء أية ترتيبات مطلوبة.

تحذير: لن تكون الشركة المصنعة مسؤولة عن التلف الذي يحدث نتيجة إجراء أعمال التركيب والصيانة من قبل أشخاص غير معتمدين.



تحذير: لا يجوز توصيل قابس الجهاز بالكهرباء أثناء التركيب. وإلا، قد يكون هناك خطر الوفاة أو الإصابات الخطيرة!!



تحذير: إذا كان خلوص الباب في الغرفة غير كافٍ في موضع تركيب الجهاز بدرجة تمنع تمرير الجهاز، فاخلع باب الغرفة وقم بتمرير الجهاز عبر الباب من خلال تدويره إلى الجوانب؛ فإذا لم ينجح ذلك، اتصل بمركز الخدمة المعتمد.






- ضع المنتج على سطح مستو لمنع الحركة المفاجئة.
- قم بتركيب الجهاز على مسافة لا تقل عن 30 سم من مصادر الحرارة، مثل المواقد والسخانات والأفران وعلى مسافة لا تقل عن 5 من الأفران الكهربائية.
- لا يجوز أن يتعرض الجهاز لضوء الشمس المباشر ويحفظ في أماكن رطبة.
- يجب أن تتوفر التهوية المناسبة حول المنتج للحصول على تشغيل يتسم بالكفاءة. إذا كان سيتم وضع المنتج في تجويف داخل الحائط، فاحرص على ترك مسافة 5 سم على الأقل بين السقف والحوائط الجانبية.
- لا تقم بتركيب الجهاز في أماكن تقل فيها درجة الحرارة عن 5° م.

تحذير السطح الساخن

زودت الجدران الجانبية لجهازك بأنايب تبريد لتحسين مبرد نظام الطهي وقد تتدفق درجات حرارة عالية عبر هذه المناطق، مما يسخن الأسطح على الجدران الجانبية. هذا أمر طبيعي ولا يتطلب أي صيانة. يرجى الانتباه أثناء لمس هذه المناطق.

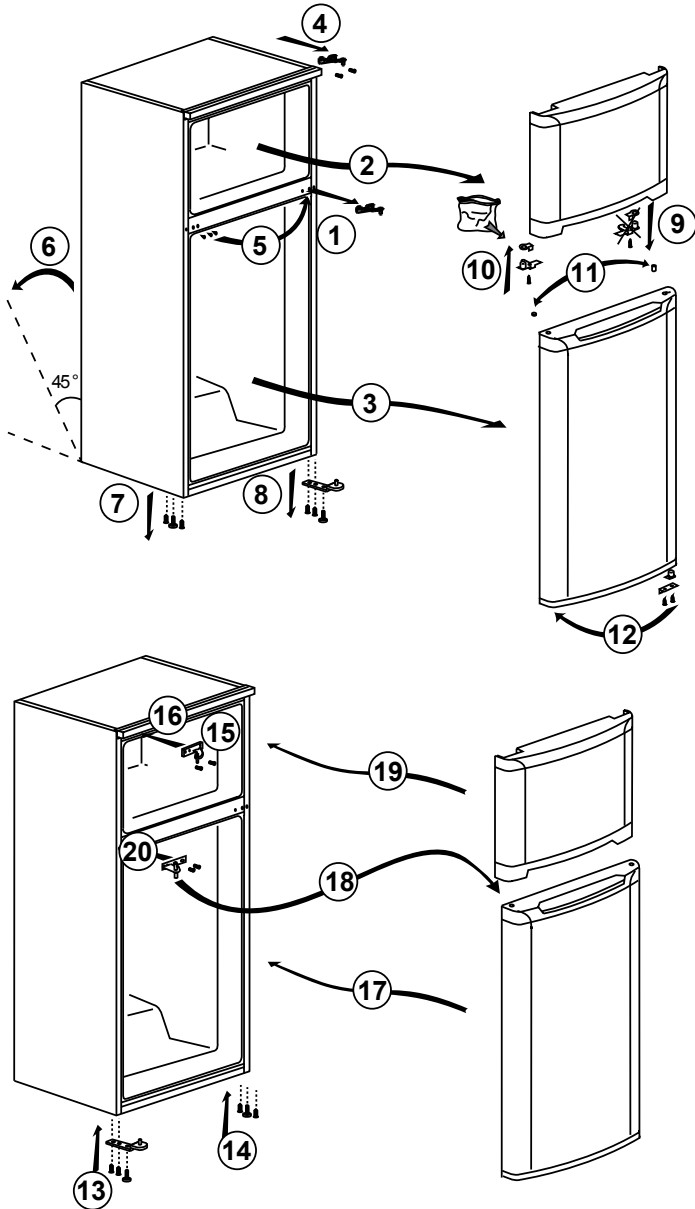


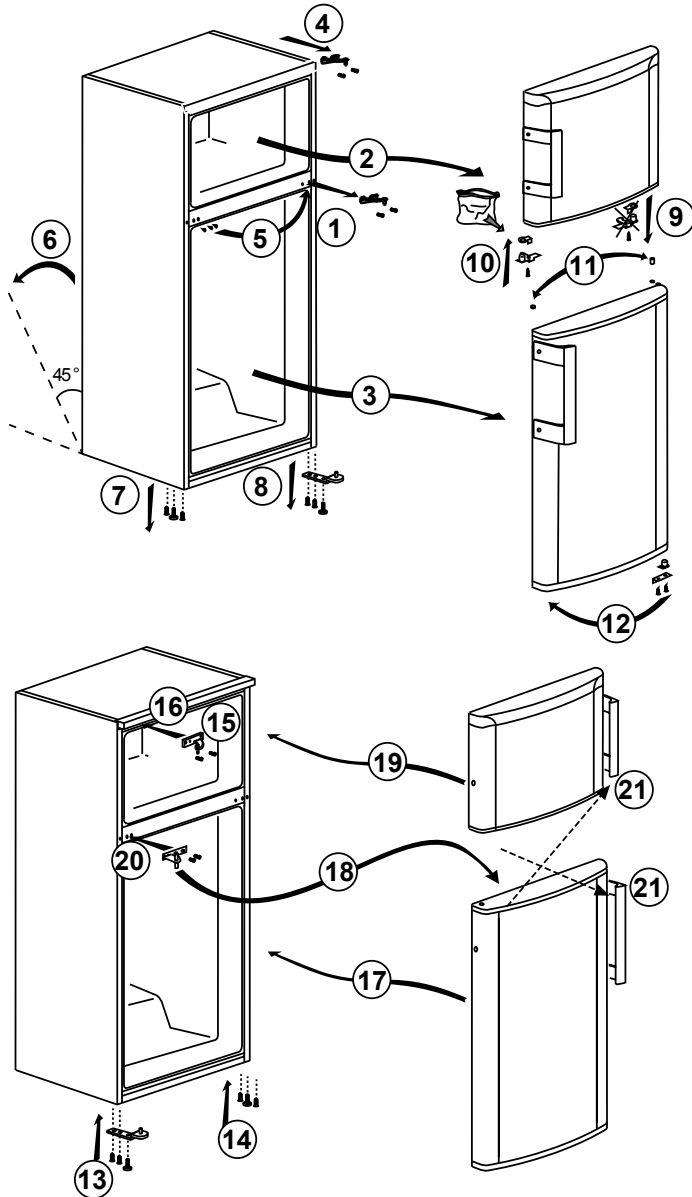
<p>تحذير: لا تقم بعمل الوصلات من خلال كابلات إطالة أو قوابس متعددة.</p>	
<p>تحذير: يجب أن يقوم مندوب خدمة معتمد باستبدال كابل الطاقة التالف.</p>	
<p>إذا كنت بصدد تركيب مبردين جنبًا إلى جنب، يجب المباعرة بينهما بمسافة 4 سم على الأقل.</p>	

- لن تكون شركتنا مسؤولة عن أي تلف يحدث نتيجة استخدام المنتج بدون عمل التأسيس والتوصيل بالكهرباء وفقًا للوائح المحلية.
- يجب أن يكون قابس كابل الطاقة في مكان قريب من مكان التركيب.
- لا تقم بعمل وصلات إطالة للأسلاك أو المقابس المتعددة بين جهازك والمقبس الحائطي.

3.4 عكس الأبواب

اتبع الترتيب الرقمي



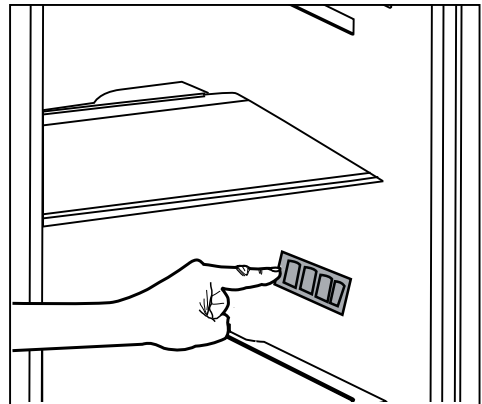


4.1. أشياء يجب عملها لتوفير الطاقة

بعد توصيل الجهاز بأنظمة توفير الطاقة الكهروإتانية أمراً خطراً حيث قد يتسبب في تلف الجهاز.



- لا تترك أبواب التلاجة مفتوحة لفترة طويلة.
- لا تضع الأطعمة أو الخضروات الساخنة في التلاجة.
- لا تفرط في وضع الأطعمة في التلاجة، حيث يتسبب ذلك في تقليل قدرة التبريد عند منع تدوير الهواء بالداخل.
- لتخزين أكبر قدر ممكن من الأطعمة في حيز الفريزر، فإن صندوق الثلج الموجود في حيز الفريزر يمكن فكه يدوياً بسهولة وسحبه للخارج. تم قياس واختبار قيم الحجم الصافي واستهلاك الطاقة الموضحة في لوحة بيانات الطاقة لتلاجتك في ظل إزالة صندوق الثلج. لا تخلع الأرفف الموجودة في حيز الفريزر وعلى باب حيز الفريزر، ويجب استخدامها بشكل دائم لضمان سهولة الاستخدام وكفاءة استغلال الطاقة.
- لا يجوز إعاقة تدفق الهواء من خلال وضع الأطعمة على جوانب مروحة حيز الفريزر. يجب توافر مسافة لا تقل عن 3 سم على جوانب غطاء المروحة الواقية.
- حسب الخصائص المتوفرة في جهاز، فإن إذابة الطعام المجمد في مقصورة الجهاز يوفر الطاقة ويحفظ جودة الطعام.
- يجب استخدام السلال/الجوارير التي تزود مع حجرة التبريد دائماً لتقليل استهلاك الطاقة ومن أجل ظروف تخزين أفضل.
- إن احتكاك الطعام مع مجس درجة الحرارة في حجرة المجمد قد يزيد من استهلاك الطاقة في الجهاز. لذا يجب تجنب الاحتكاك مع المجس.
- لا تسمح للأطعمة بملامسة مستشعر درجة حرارة حيز التجميد الموضح في الشكل أدناه.



4.2. الاستخدام للمرة الأولى

قبل البدء في تشغيل تلاجتك، تأكد من القيام بجميع الأعمال التحضيرية حسب الإرشادات الموضحة في أقسام "إرشادات الأمان والبيئة" و "التركيب".

- قم بتشغيل الجهاز دون وضع أي أطعمة بداخلها لمدة 6 ساعات ولا تقم بفتح الباب ما لم تكن هناك ضرورة.

سوف تسمع ضوضاء عند بدء عمل جهاز ضغط الهواء. قد تؤدي السوائل والغازات المتسربة من نظام التبريد إلى إحداث ضوضاء، حتى إن كان جهاز ضغط الهواء لا يعمل وهذا أمر طبيعي.



قد يكون ملمس الحواف الأمامية للجهاز دافئاً. هذا شيء طبيعي. حيث تم تصميم هذه المناطق حتى تكون دافئة تجنباً للتكاثف.



في بعض الموديلات، تتوقف لوحة الأدوات 5 دقائق بعد إغلاق الباب. سيتم إعادة تفعيلها عند فتح الباب أو الضغط على أي مفتاح.

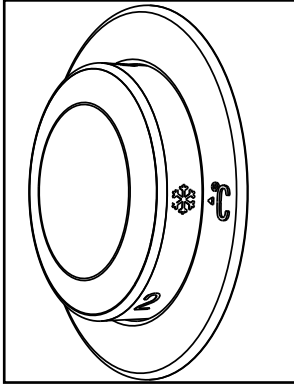


5.2. التجميد السريع

في حالة تجميد كميات كبيرة من الأطعمة الطازجة، اضبط مفتاح التحكم على الوضع (❄️) بفترة 24 ساعة قبل وضع الأطعمة الطازجة في صندوق التجميد السريع.

يوصى بشدة أن يتم بالإبقاء على المفتاح في هذا الوضع لمدة 24 ساعة لتجميد أكبر كمية من الأطعمة الطازجة المسموح بها حسب سعة التجميد. توخ الحذر جيداً لعدم خلط الأطعمة المجمدة بالأطعمة الطازجة.

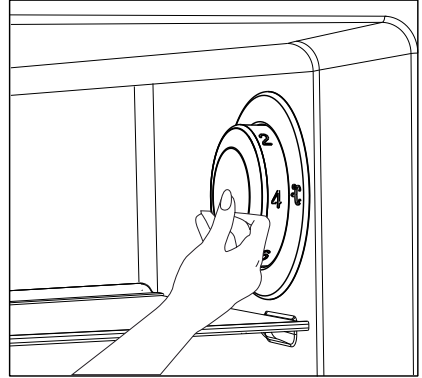
تذكر أن تدير مفتاح التحكم في درجة الحرارة إلى موضعه السابق بمجرد تجميد الطعام.



5.1. زر ضبط درجة الحرارة

تتغير درجة حرارة الثلاجة للأسباب التالية:

- درجات الحرارة الموسمية
 - فتح باب الثلاجة بشكل متكرر وتركه مفتوحاً لفترات طويلة،
 - الطعام الذي تم وضعه في الثلاجة بدون تبريده إلى درجة حرارة الغرفة،
 - مكان الثلاجة في الغرفة (مثل التعرض لأشعة الشمس).
 - يمكنك ضبط درجة حرارة الثلاجة المتغيرة لهذه الأسباب بواسطة زر الضبط.
- الأعداد الموضحة حول مفتاح التحكم توضح قيم درجة الحرارة بالدرجة المئوية "°C".
- إذا كانت درجة الحرارة المحيطة 25°م، فإننا ننصحك باستخدام مفتاح التحكم في درجة الحرارة لثلاجتك وضبطه على 4°م. ويمكن زيادة أو خفض هذه القيمة حسب ما تقتضيه درجة الحرارة المحيطة.

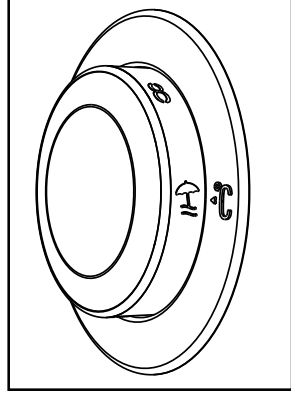


*اختياري: إن الأشكال الواردة في هذا الدليل عبارة عن رسومات بيانية وقد لا تتطابق تماماً مع المنتج. إذا لم تكن هذه القطع واردة في هذا الجهاز الذي اشتريته، فهذا يعني أن هذه الأجزاء مناسبة لأنواع أخرى.



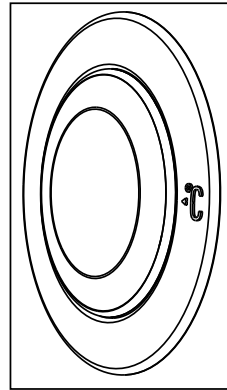
5.3. وظيفة الأجازات

إذا لم يتم فتح أبواب المنتج لمدة 12 ساعة بعد ضبط مفتاح التحكم في درجة الحرارة على أعلى وضع درجة حرارة، فسيتم تشغيل وظيفة الأجازات تلقائياً. لإلغاء الوظيفة، قم بتغيير إعداد المفتاح.



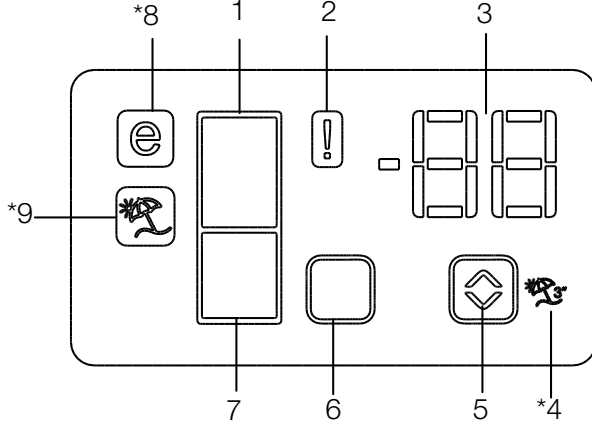
لا ينصح بتخزين الطعام أثناء تفعيل خاصية الأجازات.

- عند الانتهاء من عملية الإعداد، يمكنك الضغط على مفتاح التحكم في درجة الحرارة وإخفاؤه.



5.4 لوحة المؤشر

قد تختلف لوحات المؤشر وفقاً لموديل المنتج الخاص بك.
الصوت - الوظائف البصرية على لوحة المؤشر تساعدك على استخدام جهازك.



1. مؤشر مقصورة الثلاجة
 2. مؤشر حالة الخطأ
 3. مؤشر درجة الحرارة
 4. زر وظيفة الأجزاء
 5. زر ضبط درجة الحرارة
 6. مفتاح تحديد المقصورة
 7. مؤشر مقصورة الفريزر
 8. مؤشر الوضع الاقتصادي
 9. مؤشر وظيفة الإجازة
- *اختياري

*اختياري: إن الأشكال الواردة في هذا الدليل عبارة عن رسومات بيانية وقد لا تتطابق تماماً مع المنتج. إذا لم تكن هذه القطع واردة في هذا الجهاز الذي اشتريته، فهذا يعني أن هذه الأجزاء مناسبة لأنواع أخرى.



تشغيل الجهاز

1. مؤشر مقصورة الثلجة

يومض ضوء مقصورة الثلجة عند تعديل درجة حرارة مقصورة الثلجة.

2. مؤشر حالة الخطأ

إذا لم تعمل ثلاجتك بتبريد كاف أو في حالة عطل في المستشعر، سيتم تفعيل هذا المؤشر. عندما يتم تنشيط هذا المؤشر، يعرض مؤشر درجة حرارة مقصورة الفريزر "E" ويعرض مؤشر درجة حرارة مقصورة الثلجة أرقامًا مثل "1" و"2" و"3...". توفر تلك الأرقام الموجودة على المؤشر معلومات حول الخطأ بالنسبة لموظفي الخدمة.

3. مؤشر درجة الحرارة

يشير إلى درجة حرارة الفريزر، ومقصورة الثلجة.

4. زر وظيفة الأجازات

اضغط على زر الإجازات لمدة 3 ثوان لتتنشيط هذه الوظيفة. عند تنشيط وظيفة الأجازة، تظهر العلامة "-". على مؤشر درجة حرارة مقصورة الثلجة ولا يتم التبريد داخل مقصورة الثلجة. في هذه الوظيفة، من غير المناسب الاحتفاظ بالطعام في مقصورة الثلجة عند تفعيلها. ستستمر المقصورات الأخرى في البرودة وفقاً لدرجات الحرارة المضبوطة لها. لإلغاء هذا الوظيفة، اضغط على زر الأجازة Vacation مرة أخرى.

5. زر ضبط درجة الحرارة

تغيير درجة الحرارة للمقصورة ذات الصلة بين 24- درجة مئوية و 18- درجة مئوية.

6. مفتاح تحديد المقصورة

زر التحديد: اضغط على مفتاح تحديد المقصورة للتبديل بين مقصورة الثلجة والفريزر.

7. مؤشر مقصورة الفريزر

يومض ضوء مقصورة الثلجة عند تعديل درجة حرارة مقصورة الثلجة.

8. مؤشر الوضع الاقتصادي

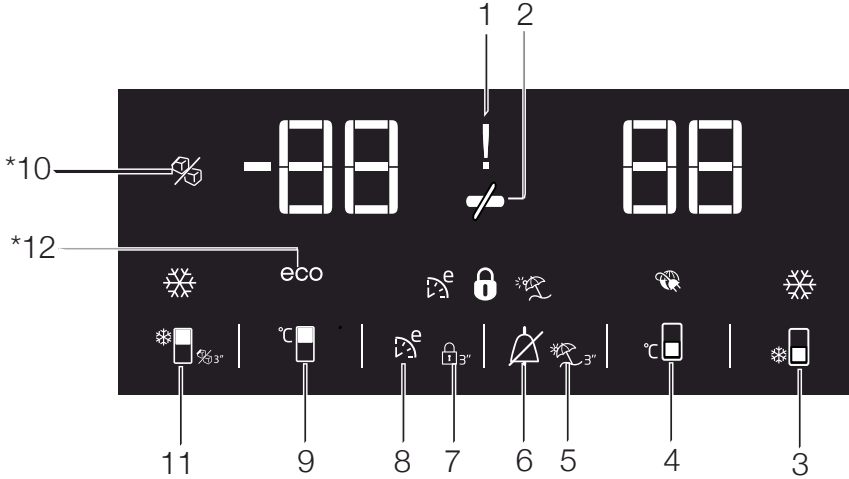
يشير إلى أن الثلجة تعمل بوضع حفظ الطاقة. سيتم تفعيل هذه الشاشة إذا تم ضبط درجة حرارة مقصورة الفريزر عند 18- درجة مئوية.

9. مؤشر وظيفة الأجازة

يشير إلى أنه قد تم تفعيل وظيفة الأجازة

5.5. لوحة المؤشر

تسمح لك لوحة المؤشر بضبط درجة الحرارة والتحكم في الوظائف الأخرى المتعلقة بالجهاز بدون فتح باب الجهاز. فقط اضغط على الكلمات على الأزرار المعنية لإعدادات الوظائف.



1. انقطاع الكهرباء/مؤشر درجة الحرارة المرتفعة / التحذير بوقوع خطأ

يضيء المؤشر (⚡) في حالة أعتال درجة الحرارة المرتفعة، انقطاع الكهرباء والتحذير بوقوع أخطاء. خلال انقطاع التيار الكهربائي المستمر، تظهر أعتال درجة الحرارة المرتفعة على شاشة العرض الرقمية لمقصورة الفريزر. بعد التحقق من الطعام الموجود في مقصورة الثلجة (❄️) اضغط على زر الإنذار لإلغاء التحذير.

2. وظيفة توفير الطاقة (الشاشة مطفأة):

يتم تشغيل وظيفة توفير الطاقة تلقائياً ويتم تفعيل رمز توفير الطاقة في حال ظلت ابواب الثلجة مفتوحة لفترة طويلة. (⏻)

حينما تكون وظيفة توفير الطاقة قيد التفعيل، يتم إطفاء جميع الرموز على الشاشة. عند تفعيل وظيفة توفير الطاقة، إذا تم الضغط على أي مفتاح أو تم فتح الباب، سيتم الخروج من وظيفة توفير الطاقة وستعود

الأيقونة على الشاشة إلى الوضع الطبيعي.

يتم تنشيط وظيفة توفير الطاقة أثناء التسليم من المصنع ولا يمكن أن تلغى.

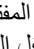
3. وظيفة التبريد السريع


لهذا الزر وظيفتين. اضغط على هذا الزر لفترة قصيرة لتنشيط أو تعطيل وظيفة التبريد السريع. ينطفئ مؤشر التبريد السريع وتعود الإعدادات إلى الوضع الطبيعي. (❄️)

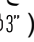
*اختياري: إن الأشكال الواردة في هذا الدليل عبارة عن رسومات بيانية وقد لا تتطابق تماماً مع المنتج. إذا لم تكن هذه القطع واردة في هذا الجهاز الذي اشتريته، فهذا يعني أن هذه الأجزاء مناسبة لأنواع أخرى.



7. قفل المفتاح

اضغط على زر قفل المفتاح () في نفس الوقت لمدة 3 ثوانٍ. رمز قفل المفتاح

() يضيء ويتم تفعيل وضع قفل المفتاح. لن تعمل الأزرار إذا كان وضع قفل المفتاح نشطاً. اضغط على زر قفل المفتاح في نفس الوقت لمدة 3 ثوانٍ. سيطفاً رمز قفل المفتاح وسيتم إلغاء تنشيط وضع قفل المفتاح.


اضغط على زر **key lock** (قفل المفتاح) إذا أردت منع تغيير إعدادات درجة الحرارة الخاصة بالثلاجة ().

8. الاستخدام الاقتصادي

اضغط واستمر بالضغط على زر **eco fuzzy**

(الاستخدام الاقتصادي) لمدة ثانية واحدة لتفعيل

وظيفة الاستخدام الاقتصادي. سيبدأ تشغيل الثلاجة في أقصى وضع اقتصادي بعد مرور 6 ساعات تقريباً وسيتم تشغيل مؤشر الاستخدام الاقتصادي عند تنشيط

الوظيفة (). اضغط واستمر بالضغط على زر

وظيفة **eco fuzzy** (الاستخدام الاقتصادي) لمدة 3 ثوانٍ لإيقاف فعالية وظيفة الاستخدام الاقتصادي.

يضيء هذا المؤشر بعد 6 عند تفعيل وظيفة الاستخدام الاقتصادي.

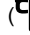
9. زر ضبط درجة حرارة مقصورة الفريزر

اضغط على هذا الزر لضبط درجة حرارة مقصورة

الفريزر على 18-، 19-، 20-، 21-، 22-، 23-،

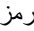
24-، 18- على الترتيب. اضغط على هذا الزر

لضبط درجة حرارة مقصورة الفريزر على القيمة

المطلوبة. ()

10. مؤشر إيقاف تكوين الثلج

يشير ما إذا كان مقصورة الثلج قيد التشغيل أو

الإيقاف. يشير هذا الرمز () إلى أن مقصورة

الثلج ليست قيد التشغيل. لتشغيل مقصورة الثلج مرة

أخرى اضغط واستمر بالضغط على زر تشغيل-إيقاف

لمدة 3 ثوانٍ.

سيتوقف تدفق المياه من خزان المياه عندما يتم اختيار هذه الوظيفة. ومع ذلك، يمكن إخراج الثلج الموجود من وحدة التوزيع.



استخدم وظيفة التجميد السريع عندما تحتاج لتجميد الطعام الموضوع في مقصورة الثلاجة سريعاً. إذا أردت تبريد كمية كبيرة من الطعام الطازج، يوصى بتنشيط هذه الميزة قبل وضع الطعام في الثلاجة.



إذا لم يتم إلغاؤها، ستلغي وظيفة التبريد السريع نفسها تلقائياً بعد مرور 1 ساعات أو عندما تصل درجة حرارة مقصورة الثلاجة إلى الدرجة المطلوبة.



إذا ضغطت على زر التبريد السريع بشكل متكرر لفترات قصيرة، سيتم تنشيط حماية الدائرة الإلكترونية ولن يبدأ تشغيل الضاغط فوراً.

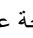


لن يتم استدعاء هذه الوظيفة عندما يتم استعادة التيار الكهربائي بعد انقطاعه.




4. زر ضبط درجة حرارة مقصورة الثلاجة

اضغط على هذا الزر لضبط درجة حرارة مقصورة الثلاجة على 8، 7، 6، 5، 4، 3، 2، 8...

بالترتيب. اضغط على هذا الزر لضبط درجة حرارة مقصورة الثلاجة على القيمة المطلوبة. ()

5. وظيفة الإجازات

يهدف تفعيل وظيفة العطلة، اضغط على الزر () لمدة 3 ثوانٍ، وسيبدأ بعدها مؤشر وضع العطلة بالعمل. عند تنشيط وظيفة الإجازة، تظهر العلامة "-"

"- على مؤشر درجة حرارة مقصورة الثلاجة ولا يتم التبريد داخل مقصورة الثلاجة. في هذه الوظيفة، من غير المناسب الاحتفاظ بالطعام في مقصورة الثلاجة

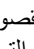
عند تفعيلها. ستستمر المقصورات الأخرى في البرودة وفقاً لدرجات الحرارة المضبوطة لها.

لإلغاء هذا الوظيفة، اضغط على زر وظيفة الإجازة / Vacation مرة أخرى.

لإلغاء هذا الوظيفة، اضغط على زر وظيفة الإجازة / Vacation مرة أخرى.

6. إلغاء التحذير:

في حال إنقطاع التيار الكهربائي/ تحذير من درجة الحرارة المرتفعة، بعد التحقق من الطعام الموجود

في مقصورة الثلاجة اضغط على زر الإنذار () لمسح التحذير.

11. زر التجميد السريع "Quick freeze"

مفتاح تشغيل-إيقاف التجميد

اضغط على هذا الزر لفترة قصيرة لتنشيط أو تعطيل وظيفة التجميد السريع. عند تفعيلك لهذه الوظيفة، سيتم تبريد مقصورة الفريزر إلى درجة حرارة أقل من القيمة المحددة. (🔌)

لتنشيط أو تفعيل صنع الثلج اضغط واستمر بالضغط عليه لمدة 3 ثوان.

استخدم وظيفة التجميد السريع، قم بتنشيطها عندما تحتاج لتجميد الطعام الموضوع في مقصورة الثلجة سريعا. إذا أردت تجميد كمية كبيرة من الطعام، يوصى بتنشيط هذه الميزة قبل وضع الطعام في الثلجة.



إذا لم يتم إبعاده، ستلغى وظيفة التجميد السريع نفسها تلقائيا بعد مرور 25 ساعات أو عندما تصل درجة الحرارة مقصورة الثلجة إلى الدرجة المطلوبة.



لن يتم استدعاء هذه الوظيفة عندما يتم استعادة التيار الكهربائي بعد انقطاعه.

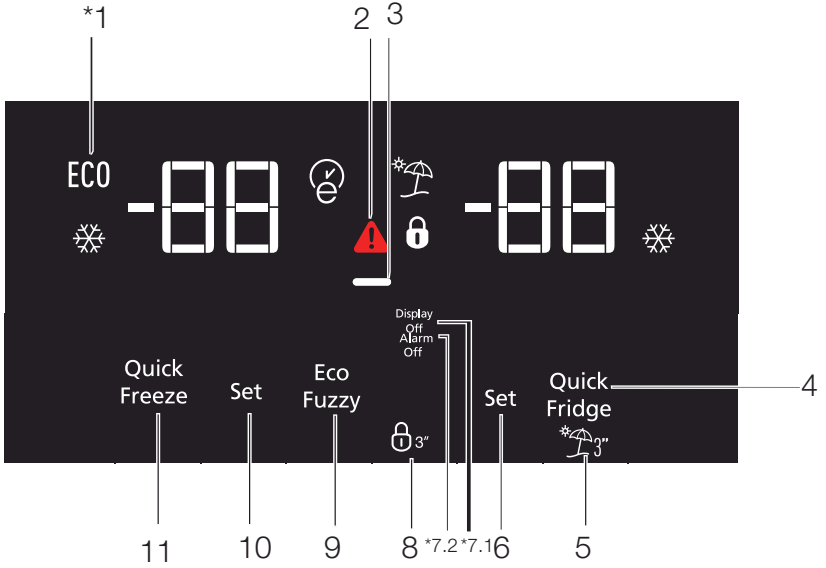


12. مؤشر الاستخدام الاقتصادي

يشير إلى أن الثلجة في وضع موفر للطاقة. (eco)
 (يكون هذا المؤشر نشطا إذا تم ضبط الوظيفة على درجة حرارة من 0 إلى -18 درجة مئوية أو كانت وظيفة التبريد الموفرة للطاقة تعمل نتيجة لوظيفة التوفير الإضافي. Eco-Extra .

يتوقف مؤشر الاستخدام الاقتصادي عند تحديد وظائف التبريد السريع أو التجميد السريع.





1. التوفير

يضيء هذا الرمز عند ضبط مقصورة الفريزر على 18- درجة مئوية والتي هي أقصى إعداد للتوفير (ECO). يتوقف الاستخدام الاقتصادي عند تحديد وظائف التبريد السريع أو التجميد السريع.

2. مؤشر درجة الحرارة المرتفعة / التحذير بوقوع خطأ

يضيء المؤشر (⚠️) في حالة أعطال درجة الحرارة المرتفعة والتحذير بوقوع أخطاء. برجاء الرجوع إلى قسم "استكشاف الأعطال وإصلاحها" في الدليل إذا لاحظت أن المؤشر لا يضيء.

3. وظيفة توفير الطاقة (عرض إيقاف)

عند الاحتفاظ بأبواب المنتج مغلقة لفترة طويلة فسوف يتم أوتوماتيكياً تفعيل وظيفة توفير الطاقة ويضيء رمز توفير الطاقة. عند تفعيل وظيفة توفير الطاقة، فسوف تتطفيء كل الرموز في الشاشة ما عدا رمز توفير الطاقة. عندما تكون وظيفة توفر الطاقة مفعلة، فعند الضغط على أي زر أو فتح الباب، سيتم إلغاء وظيفة توفير الطاقة وسوف ترجع الرموز على

الشاشة إلى الوضع الطبيعي. وظيفة توفير الطاقة تكون مفعلة عند التوريد من المصنع ولا يمكن إلغاؤها.

4. التبريد السريع

يضيء مؤشر التبريد السريع (❄️) عند تفعيل وظيفة التبريد السريع وتظهر قيمة مؤشر درجة حرارة مقصورة الثلاجة بقيمة 1. لإلغاء هذه الوظيفة، اضغط زر التبريد السريع مرة أخرى. ينطفئ مؤشر التبريد السريع وتعود الثلاجة إلى إعداداتها العادية. يتم إلغاء وظيفة التبريد السريع أوتوماتيكياً خلال ساعة واحدة إذا لم تقم بإلغاؤها قبل ذلك. إذا أردت تبريد كمية كبيرة من الطعام الطازج يرجى الضغط على زر

Quick cooling (التبريد السريع) قبل وضع الطعام في صندوق التبريد.

5. وظيفة الأجازات

لتفعيل وظيفة الأجازات، اضغط على الزر رقم (❄️) لمدة 3 ثوان، فيتم تفعيل مؤشر وضع الأجازات. عند تنشيط وظيفة الأجازات، تظهر العلامة " - " على



*اختياري: إن الأشكال الواردة في هذا الدليل عبارة عن رسومات بيانية وقد لا تتطابق تماماً مع المنتج. إذا لم تكن هذه القطع واردة في هذا الجهاز الذي اشتريته، فهذا يعني أن هذه الأجزاء مناسبة لأنواع أخرى.

وظيفة الاستخدام الاقتصادي. سيبدأ تشغيل الثلاجة في أقصى وضع اقتصادي بعد مرور 6 ساعات تقريباً وسيتم تشغيل مؤشر الاستخدام الاقتصادي عند تنشيط الوظيفة (⊗). اضغط واستمر بالضغط على زر وظيفة eco fuzzy (الاستخدام الاقتصادي) لمدة 3 ثوانٍ لإيقاف فعالية وظيفة الاستخدام الاقتصادي. يضيء هذا المؤشر بعد 6 عند تفعيل وظيفة الاستخدام الاقتصادي.

10. ضبط درجة حرارة صندوق الفريزر

يتم ضبط درجة حرارة صندوق الفريزر من هنا. عند الضغط على الزر رقم 9، يمكنك ضبط درجة حرارة صندوق الفريزر على 18- و 19- و 20- و 21- و 22- و 23- و 24- بالتتابع.

11. التجميد السريع

اضغط على الزر رقم لتشغيل التجميد السريع، ويتم تفعيل مؤشر التجميد السريع (⊗).

يضيء مؤشر التجميد السريع عند تفعيل وظيفة التجميد السريع ويظهر مؤشر درجة حرارة مقصورة التبريد بقيمة 27-. لإلغاء هذه الوظيفة، اضغط على زر التجميد السريع (⊗) مرة أخرى. ينطفئ مؤشر التجميد السريع وتعود الثلاجة إلى إعداداتها العادية. يتم إلغاء وظيفة التجميد السريع أوتوماتيكياً خلال ساعة واحدة إذا لم تقم بإلغائها قبل ذلك. إذا كنت ترغب في تجميد كميات كبيرة من الطعام الطازج، فاضغط على زر quick freeze (التجميد السريع) قبل وضع الطعام في صندوق التجميد.

مؤشر درجة حرارة مقصورة الثلاجة ولا يتم التبريد داخل مقصورة الثلاجة. في هذه الوظيفة، من غير المناسب الاحتفاظ بالطعام في مقصورة الثلاجة عند تفعيلها. ستستمر المقصورات الأخرى في البرودة وفقاً لدرجات الحرارة المضبوطة لها.

لإلغاء هذا الوظيفة، اضغط على زر Vacation (وظيفة الأجازات) مرة أخرى.

6. ضبط درجة حرارة مقصورة التبريد

عند الضغط على الزر رقم ، يمكنك ضبط درجة حرارة مقصورة التبريد على 8 و 7 و 6 و 5 و 4 و 3 و 2 و 1 بالتتابع (⊗).

7.1 وظيفة توفير الطاقة (الشاشة مطفاة):

يضيء رمز توفير الطاقة (—) ويتم تفعيل وظيفة توفير الطاقة عندما تضغط على هذا الزر (—). إذا تم تفعيل وظيفة توفير الطاقة، يتم إيقاف جميع الرموز على الشاشة بخلاف رمز الطاقة. عند تنشيط وضع توفير الطاقة، إذا تم الضغط على زر أو إذا تم فتح الباب، يتم إلغاء وضع توفير الطاقة وستعود كل الرموز على الشاشة للوضع الطبيعي. ينطفئ رمز توفير الطاقة ويتم إيقاف فعالية وظيفة توفير الطاقة عندما تضغط على هذا الزر (—) مرة أخرى.

7.2 إلغاء التحذير

في حال صدور إنذار قصور الطاقة/ارتفاع درجة الحرارة، فقم بعد التحقق من الطعام الموجود في غرفة المجمد، بالضغط على زر انطفاء الإنذار للتغلب على التحذير.

8. قفل المفتاح

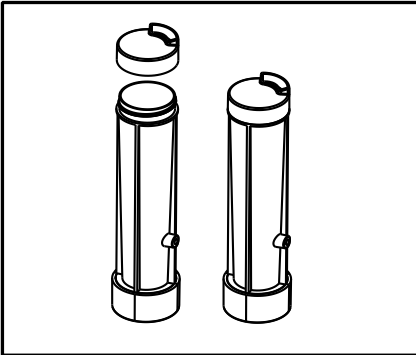
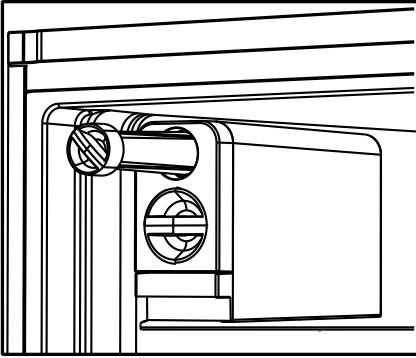
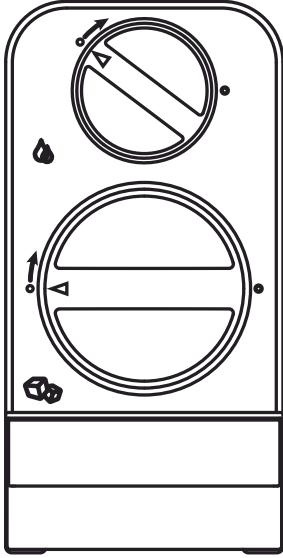
اضغط على زر قفل المفتاح (⊗) في نفس الوقت لمدة 3 ثوانٍ. رمز قفل المفتاح (⊗) يضيء ويتم تفعيل وضع قفل المفتاح. لن تعمل الأزرار إذا كان وضع قفل المفتاح نشطاً. اضغط على زر قفل المفتاح في نفس الوقت لمدة 3 ثوانٍ. ينطفئ زر قفل المفتاح ويتم الخروج من وضع قفل المفتاح. اضغط على زر key lock (قفل المفتاح) إذا أردت منع تغيير إعدادات درجة الحرارة الخاصة بالثلاجة (⊗).

9. الاستخدام الاقتصادي

اضغط واستمر بالضغط على زر eco fuzzy (الاستخدام الاقتصادي) لمدة ثانية واحدة لتفعيل

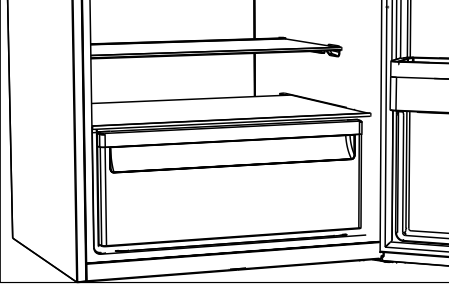
5.6 الثلج - جهاز عمل الثلج (هذه الخاصية اختيارية)

- اخلع خزان الماء من خلال تدويره لليساار .
- افتح غطاء خزان الماء من خلال تدويره وأضف الماء إلى خزان الماء حتى الجزء السفلي من غطاء خزان الماء .
- ضع خزان الماء في موضعه كما هو موضح في الشكل بعد إضافة الماء، وقم بتثبيتته من خلال تدويره في اتجاه السهم. يجب صب الماء لأسفل على قاعدة الثلج.
- بعد أن يتكون الثلج، أدر مقبض قاعدة الثلج في اتجاه السهم للسماح للثلج بالسقوط في درج الثلج.
- استخرج مكعبات الثلج من خلال سحب درج الثلج للخارج.
- اسحب الواجهة الأمامية تجاهك لغسل قاعدة الثلج، ثم ضعها على الفضبان الانزلاقية على النطاق الداخلي واضغطها في موضعها لتركيبها في مكانها.
- اسحب وحدة إعداد الثلج تجاهك لإزالة الوحدة، ثم ضعها على الفضبان الانزلاقية على النطاق العلوي واضغطها في موضعها لتركيبها في مكانها.



5.10 مقصورة الطعام الطازج

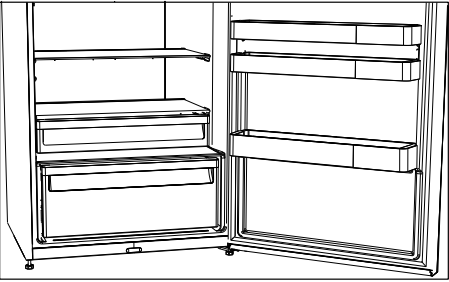
صممت مقصورة الطعام الطازج بالتلاجة خصيصاً بحيث تحتفظ بالخضروات طازجة دون فقدان رطوبتها. لهذا الغرض، تكون دورة الهواء البارد مكثفة حول الدرج بوجه عام.



5.11 حيز التبريد

(هذه الخاصية اختيارية)

استخدم هذا الحيز لتخزين الأطعمة الحساسة التي يجب حفظها في درجة حرارة منخفضة أو منتجات اللحوم التي ترغب في استهلاكها خلال فترة قصيرة. مقصورة التبريد هي أبرد مكان في ثلاجتك، حيث يمكنك الاحتفاظ بمنتجات الألبان، واللحوم، والأسماك، والدواجن في ظروف التخزين المثالية. لا ينبغي تخزين الفواكه في هذه المقصورة.



5.7 حاوية الثلج

- قم بإزالة حاوية الثلج من مقصورة الفريزر.
- قم بتعبئة حاوية الثلج بالمياه.
- ضع حاوية الثلج في مقصورة الفريزر. وبعد ساعتين، سيكون الثلج جاهزاً.
- قم بإزالة حاوية الثلج من مقصورة الفريزر وقم بثنيتها على لوحة الخدمة. ستسقط مكعبات الثلج بسهولة في لوحة الخدمة.

5.8 حامل البيض

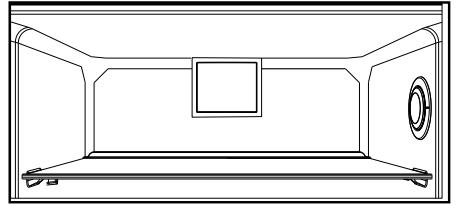
يمكن تركيب حامل البيض بالباب المطلوب أو رف الجسم. إذا كان سيتم وضعه على أرفف الجسم فعنها يوصى بالأرفف ذات أقل تبريد.

لا تضع حامل البيض في مقصورة الفريزر أبداً.



5.9 المروحة

تم تصميم المروحة لضمان التوزيع المتناسق وتدوير الهواء في شكل متناغم داخل التلاجة. وقد تختلف فترة تشغيل المروحة حسب خصائص جهازك. أثناء تشغيل المروحة فقط مع الضاغط في بعض المنتجات، يحدد نظام التحكم وقت التشغيل في بعض المنتجات وفقاً لمتطلبات التبريد.



5.12. تحريك رف الباب

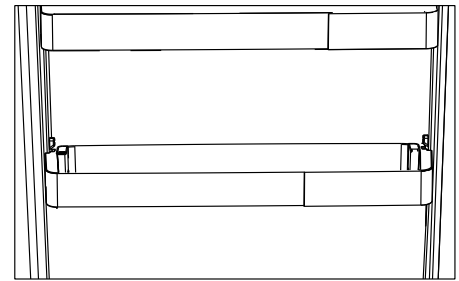
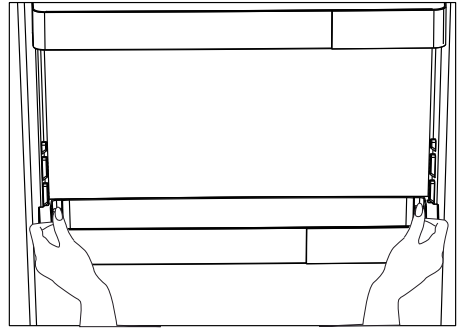
(هذه الخاصية اختيارية)

يمكن تثبيت رف الباب المتحرك على 3 مواضع مختلفة.

اضغط الأزرار الموضحة في الجوانب في نفس الوقت لتحريك الرف. يجب أن يكون الرف قابلاً للحركة.

حرك الرف لأعلى أو لأسفل.

اترك الأزرار عند ضبط الرف في الوضع المرغوب. يجب تثبيت الرف على الوضع عند ترك الأزرار.

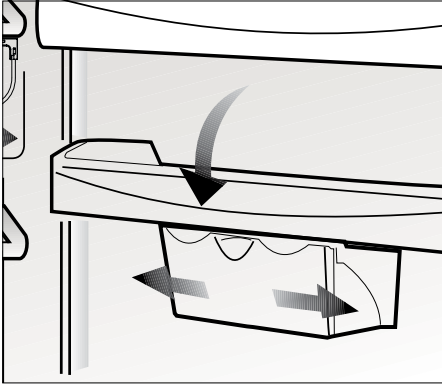


5.13. مقصورات التخزين المائلة

(هذه الخاصية اختيارية)

تم تصميم هذا الملحق للاستفادة من حجم أرفف الباب بشكل أكثر كفاءة.

فهو يسمح لك بوضع الزجاجات الطويلة والمرطبات والعلب في صف الزجاجات السفلي بفضل قدرته على الحركة لليمين أو اليسار.



5.14. الضوء الأزرق / HarvestFresh

* قد لا تتوافر جميع الموديلات

بالنسبة للضوء الأزرق،

فإن الفاكهة والخضروات التي يتم تخزينها في الأقسام المخصصة لها في الثلاجة، وهي الأقسام المضأة بالضوء الأزرق، تستمر في عملية التمثيل الضوئي بفضل تأثير طول موجة الضوء الأزرق، ومن ثم فإنها تحتفظ بالفيتامينات التي تحتوي عليها.

بالنسبة ل HarvestFresh،

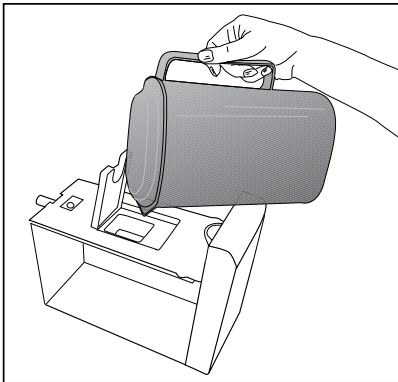
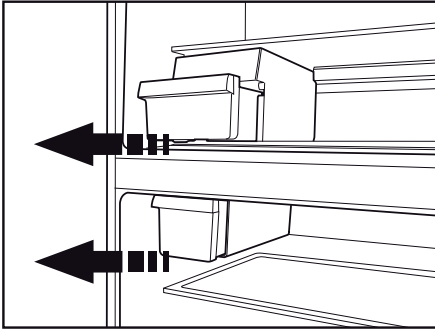
فإن الفاكهة والخضروات التي يتم تخزينها في الأقسام المخصصة لها في الثلاجة، والتي تتم إضاءتها بتقنية HarvestFresh، تحتفظ بفيتاميناتها لمدة أطول بفضل دورات الأضواء الزرقاء والخضراء والحمراء والظلام، التي تحاكي دورة اليوم الكامل.

إذا فتحت باب الثلاجة خلال فترة الظلام المُفعَّلة بواسطة تقنية HarvestFresh، فسوف تكتشف الثلاجة ذلك الأمر تلقائياً وسوف تمكّن الضوء الأزرق أو الأخضر والأحمر من إضاءة قسم الخضروات والفاكهة ليتيسر لك القيام بما تريد. بعد أن تغلق باب الثلاجة، سوف تستمر فترة الظلام، لتكون بمثابة الفترة الليلية من دورة اليوم.

5.16 خاصية تكوين الثلج الأوتوماتيكية (هذه الخاصية اختيارية)

تسمح لك خاصية تكوين الثلج الأوتوماتيكية بصنع الثلج في الثلاجة بسهولة. قم بإزالة خزان المياه في مقصورة الثلاجة، واملأه بالمياه وقم بتركيبه مرة أخرى للحصول على الثلج من درج الثلج. ستكون أول مكعبات ثلجية جاهزة في خلال ساعتين تقريباً في درج الثلج الموجود في مقصورة الفريزر. إذا ملئت خزان المياه بالكامل، ستستطيع الحصول على حوالي 60-70 مكعب ثلجي. قم بتغيير المياه في خزان المياه إذا ظلت هناك لمدة 2-3 أسابيع.

للمنتجات التي بها خاصية تكوين الثلج الأوتوماتيكية، قد تسمع صوتاً أثناء صب الثلج. هذا الصوت صوتاً طبيعياً وليس علامة لوجود خطأ بالمنتج.



5.15 مقصورة الطعام الطازج المحكومة من حيث الرطوبة

(FreSHelf)

(هذه الخاصية اختيارية)

مع خاصية درج التحكم بالرطوبة تظل معدلات الرطوبة للخضروات والفواكة تحت التحكم ويظل الطعام طازج لمدة أطول.

ننصحك بوضع الخضروات الورقية مثل الخس والسبانخ والخضروات الحساسة لفقدان الرطوبة في وضع أفقي قدر الإمكان في الدرج وليس على جذورها وبوضع رأسي.

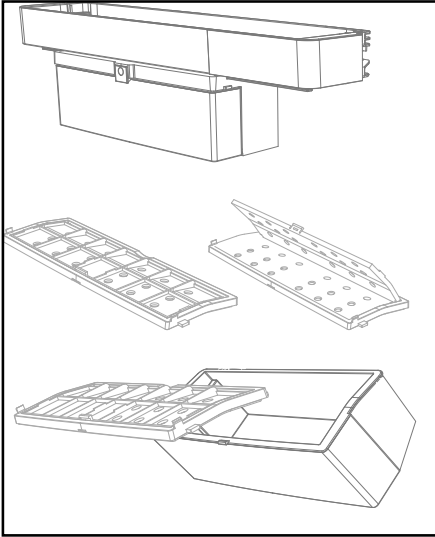
أثناء وضع الخضروات يجب أن نأخذ في الاعتبار أن نضعها بوضع جاذبية معين. الخضروات الثقيلة والصلبة يجب وضعها في أسفل الدرج والخضروات الخفيفة والناعمة يجب أن توضع بالأعلى.

لا تترك الخضروات أبداً داخل الدرج في أكياسها. إذا تركت الخضروات في أكياسها، سينسبب هذا في تحللها في فترة قصيرة. في حالة تلامس الخضروات ببعضها وهو أمر غير صحي، استخدم ورق مثقوب أو أي مادة أخرى مشابهة من مواد التغليف بدلاً من الأكياس.

لا تضع الكمثرى والمشمش والخوخ وغيرها معاً في نفس الدرج مع الخضار والفواكه الأخرى، وعلى وجه الخصوص التفاح والذي به مستوى عال من توليد غاز الإيثيلين. غاز الإيثيلين الذي ينبعث من هذه الفاكهة قد يتسبب في نضج الفاكهة الأخرى بشكل أسرع والتحلل في وقت أقل.

5.18 منتج الأعشاب/ HerbBox/ HerbFresh

انزع مستوعب الشريط عن HerbBox/
+HerbFresh
أخرج الشريط من الكيس وضعه في مستوعب الشريط
كما توضح الصورة.
سد المستوعب بإحكام مرة أخرى وأعدّه إلى وحدة
HerbBox/HerbFresh.
تعتبر أجزاء HerbBox/HerbFresh + مثالية
لتخزين مختلف أنواع الأعشاب المفترض أن تحفظ
في ظروف خاصة.
يمكنك تخزين أعشابك غير المحفوظة في أكياس
(البقدونس، الشبت، الخ) في هذا الجزء أفقياً والحفاظ
على نضارتها أطول فترة ممكنة.
روهش تيسل كمليفلا لادبتسا بجي.





5.17 وصف فلتر الروائح وتنظيفه: * اختياري


يمنع فلتر الروائح تراكم الروائح الكريهة
داخل الثلاجة. اجذب الغطاء، الذي يتم فيه
تركيب فلتر الروائح، لأسفل وأخرجه كما هو
موضح في الشكل. اترك الفلتر تحت أشعة
الشمس لمدة يوم. سيتم تنظيف الفلتر أثناء
ذلك الوقت. قم بتركيب الفلتر في مكانه مره
أخرى. يجب تنظيف فلتر الروائح مرة كل
عام.

5.19 استخدام موزع المياه

*اختياري

من الطبيعي أن تكون أكواب المياه القليلة الأولى المأخوذة من وحدة التوزيع دافئة.	
إذا لم يتم استخدام موزع المياه لفترة طويلة، فتخلص من أكواب المياه الأولى التي تحصل عليها من الماء العذب.	

1. اضغط على مزلاج صنوبر الماء بالكوب. إذا كنت تستخدم كوب بلاستيكي ضعيف، فدفع الصنوبر بيديك سيكون أسهل.
2. بعد تعبئة الكوب حتى المستوى الذي تريد، قم بتحرير الصنوبر.

يرجي ملاحظة أن كمية تدفق المياه تعتمد على مدى وكلما ارتفع مستوى المياه في الكوب / الكأس، خفت كمية الضغط على المزلاج لتجنب زيادة التدفق. إذا ضغطت برفق على الذراع، سيقطر الماء، وهذا أمر طبيعي وليس عيباً.	
---	--

5.20 وحدة صنع الثلج وصندوق تخزين الثلج

*اختياري

استخدام وحدة صنع الثلج



- أملء جهاز عمل الثلج بالمياه وضعه في مكانه. سيتم إعداد الثلج في حوالي ساعتين تقريباً. لا تخرج صندوق الثلج من مكانه لإخراج الثلج.
- أدر المقابض في صهرج الثلج باتجاه عقارب الساعة 90 درجة.
- ستسقط مكعبات الثلج التي في المقصورة إلى خزان الثلج أدناه.
- يمكن إخراج خزان الثلج وتقديم مكعبات الثلج.
- يمكن الاحتفاظ بمكعبات الثلج في خزان الثلج إذا أردت.

رف تخزين الثلج

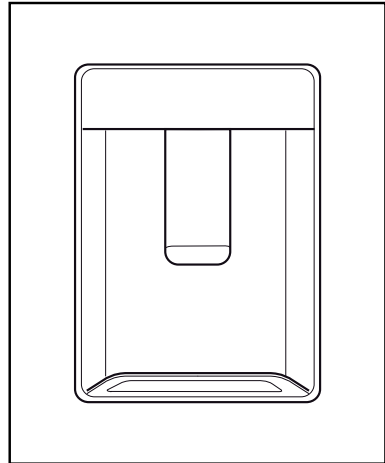
فخزان الثلج مخصص فقط لتجميع مكعبات الثلج. لا تضع ماء فيه. وإلا فينكسر.

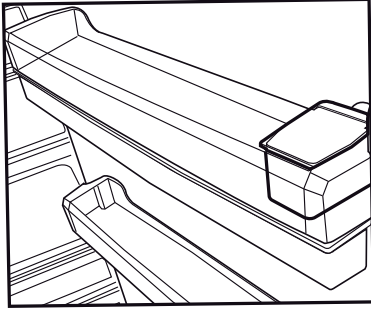
5.21 استخدام موزع المياه

*اختياري

من الطبيعي أن تكون أكواب المياه القليلة الأولى المأخوذة من وحدة التوزيع دافئة.	
إذا لم يتم استخدام موزع المياه لفترة طويلة، فتخلص من أكواب المياه الأولى التي تحصل عليها من الماء العذب.	

1. اضغط على مزلاج صنوبر الماء بالكوب. إذا كنت تستخدم كوب بلاستيكي ضعيف، فدفع الصنوبر بيديك سيكون أسهل.
2. بعد تعبئة الكوب حتى المستوى الذي تريد، قم بتحرير الصنوبر.





يرجى ملاحظة أن كمية تدفق المياه تعتمد على مدى وكلما ارتفع مستوى المياه في الكوب / الكأس، خفت كمية الضغط على المزلاج لتجنب زيادة التدفق. إذا ضغطت برفق على الذراع، سيقطر الماء، وهذا أمر طبيعي وليس عيباً.



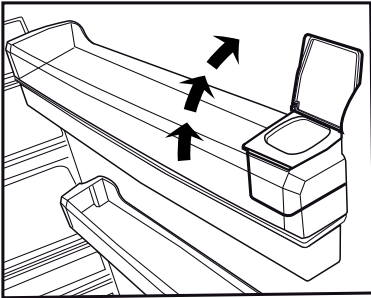
5.22. تعبئة خزان توزيع المياه

يوجد صهريج مملئ خزان المياه بداخل رف الباب.

1. افتح غطاء الخزان.

2. قم بتعبئة الخزان بمياه شرب نقية.

3. أغلق الغطاء.



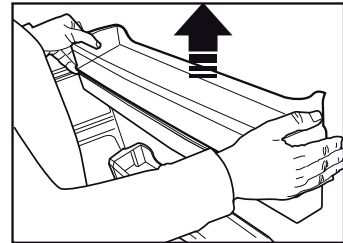
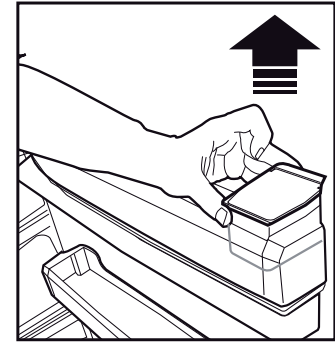
• لا تملأ خزان المياه بأى سائل آخر غير مياه الشرب والمشروبات مثل عصائر الفاكهة والمشروبات الغازية، أما المشروبات الكحولية فغير مناسبة للاستخدام في موزع المياه. سيتلف موزع المياه بشكل لا يمكن إصلاحه إذا تم استخدام هذا النوع من السوائل. ولا يشمل الضمان هذا النوع من الاستخدامات فبعض المواد الكيماوية والإضافات الموجودة في هذه السوائل/ المشروبات قد تتلف مواد خزان المياه.



استخدم مياه الشرب النظيفة فقط.

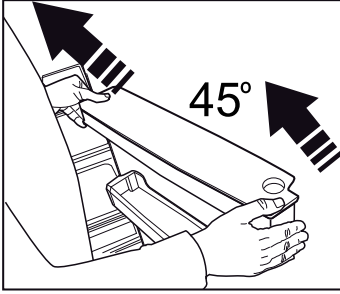


سعة خزان المياه 3 لتر، لا تملأه على نحو مفرط.



5.23. تنظيف خزان المياه

1. • قم بفتح صهريج تعبئة المياه داخل رف الباب.
2. • قم بفتح رف الباب بإمساكه من كلا الجانبين.
3. • أمسك خزان المياه من كلا الجانبين وقم بفتحه بزاوية 45 درجة .
4. • قم بإزالة غطاء خزان المياه وتنظيف الخزان.

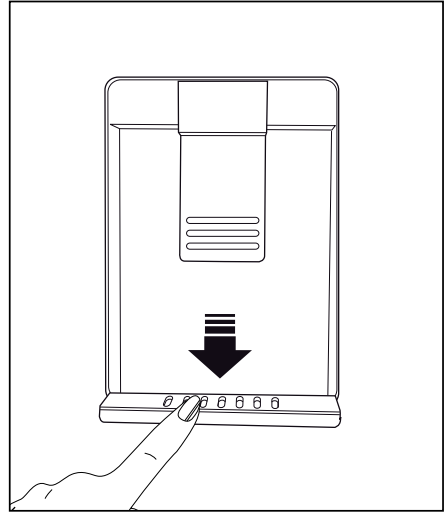
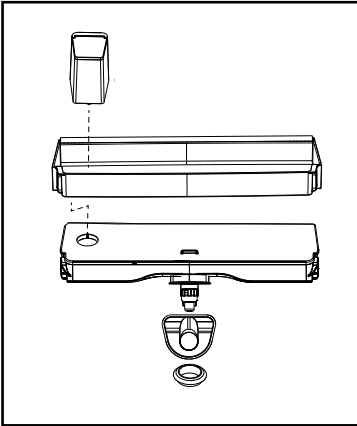
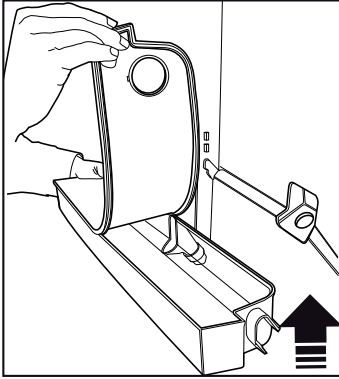


يجب ألا يتم غسل أجزاء خزان المياه وموزع المياه في غسالة الأطباق.



5.24. درج المياه

- المياه التي تتساقط أثناء استخدام موزع المياه تتجمع في درج المياه.
- اسحب الفلتر البلاستيكي كما يظهر في الشكل.
- بقطعة قماش نظيفة وجافة، قم بإزالة المياه التي تراكمت.



5.25. تجميد الأطعمة الطازجة

- للحفاظ على جودة الأطعمة، فيجب تجميدها بأسرع ما يمكن عند وضعها في صندوق الفريزر، واستخدام خاصية التجميد السريع لهذا الغرض.
- ويمكنك تخزين الأطعمة لفترة أطول في صندوق الفريزر عند تجميدها وهي طازجة.
- قم بتغليف الأطعمة المطلوب تجميدها وأغلق الأغطية بحيث لا تسمح بدخول الهواء.
- تأكد من تغليف الأطعمة قبل وضعها في الفريزر. استخدم أوعية مناسبة للفريزر ورقائق وورق مقاوم للرطوبة وأكياس بلاستيكية وغيرها من خامات التغليف بدلاً من أوراق التغليف العادية.
- قم بتمييز كل عبوة من خلال وضع تاريخ التجميد عليها. يمكنك التقريب بين درجة طازجة كل عبوة من عبوات الطعام بهذه الطريقة عندما تفتح الفريزر في كل مرة. قم بتخزين الطعام المجمد السابق في الجانب الأمامي من الصندوق لضمان استهلاكه أولاً.
- يجب استهلاك الطعام المجمد مباشرة بعد إذابته، كما يجب عدم إعادة تجميده.
- لا تقم بتجميد كميات كبيرة من الطعام مرة واحدة في نفس الوقت.

5.26. توصيات المحافظة

على الأطعمة المجمدة

يجب ضبط الصندوق على درجة حرارة 18° - م على الأقل.

1. توضع العبوات في الفريزر بأسرع ما يمكن بعد الشراء دون تركها حتى يذوب عنها التجمد.
2. تفحص ما إذا تم تجاوز تواريخ "يستخدم بحلول" و "صالح حتى" على العبوة أم لا قبل التجميد.
3. تأكد أن أغلفة الأطعمة غير تالفة.

5.27. معلومات عن التجميد

تبعاً لمواصفات IEC 62552، يمكن للجهاز تجميد

4.5 كجم من الطعام عند درجة حرارة 25° درجة

مئوية إلى 18° - درجة مئوية أو أقل في خلال 24 ساعة لكل 100 لتر من حجم الفريزر.

يمكن الحفاظ على الطعام لفترة أطول فقط عند درجة

حرارة 18° - درجة مئوية أو درجات حرارة أقل.

يمكنك الحفاظ على طعام طازج لشهور عديدة (عند

درجة حرارة 18° - مئوية أو أقل في الديب فريزر).

يجب عدم ملامسة الأطعمة المزمع تجميدها للمواد

المذابة سابقاً لمنع الإذابة الجزئية.

يقوم تجويف الفريزر بإزالة الثلج بشكل تلقائي.



ملاحظات	إعداد صندوق التبريد	إعداد صندوق الفريزر
هذا هو الضبط الموصى به بشكل طبيعي.	4 درجات مئوية	18° - درجة مئوية
هذه هي إعدادات الضبط الموصى بها عندما تتجاوز درجة الحرارة المحيطة 30° درجة مئوية.	4 درجات مئوية	20° أو 22° - 24° - درجة مئوية
استخدم هذا عندما ترغب في تجميد الطعام في وقت قصير. سترجع الثلجة إلى وضعها السابق عندما تنتهي هذه العملية.	4 درجات مئوية	التجميد السريع
استخدم هذه الإعدادات إذا اعتقدت أن مقصورة الثلجة غير باردة بدرجة كافية بسبب الظروف المحيطة الساخنة أو الفتح المتكرر للأبواب أو إغلاقها، فيمكن الضبط على هذه القيم.	2 درجة مئوية	18° - درجة مئوية أو أقل

5.30. تغيير اتجاه فتحة الباب

يمكن تغيير اتجاه فتحة باب الثلاجة طبقاً لمكان الاستخدام. إذا كان ذلك ضرورياً، فيرجى الاتصال بأقرب مركز صيانة معتمد لديك. الوصف أعلاه هو تعبير عام للمعلومات بشأن تغيير اتجاه فتح الباب، ينبغي عليك الرجوع إلى ملصق التحذير الموجود على الجانب الداخلي في الباب.

5.31. مصباح الإضاءة

تُستخدم لمبات LED كلمبات إضاءة. اتصل بمركز خدمة معتمد في حالة وجود مشكلة مع هذا النوع من الإضاءة.

المصباح (المصابيح) المستخدمة في هذا الجهاز غير مناسبة للإضاءة في الغرف المنزلية. الغرض الأساسي لهذا المصباح هو مساعدة المستخدم لوضع أدوات الطعام في الثلاجة/المجمد بطريقة سهلة وأمنة

قم بغلي الخضروات وتصفيتها من الماء لحفظها لفترة أطول وهي منجمدة. بعد تصفية مياه الخضروات، ضعها في أغلفة محكمة ضد تسريب الهواء ثم ضعها في الفريزر. بعض الأطعمة مثل الموز والطماطم والخس والكرفس والبيض المسلوق والبطاطس غير مناسبة للتجميد. عند تجميد هذه الأطعمة، فإن قيمتها الغذائية ومذاقها يتأثران بشكل سلبي. ولا يجوز إتلافها حتى لا تمثل خطورة على صحة الأشخاص.

5.28. وضع الطعام

أرفف مقصورة الفريزر	طعام مجمد متنوع مثل اللحم والسّمك والأيس كريم والخضروات إلخ.
أرفف مقصورة الثلاجة	الطعام في معلبات وأطباق مغطاة وعلب مغلقة، بيض (في عبوات مغلقة).
أرفف باب مقصورة الثلاجة	طعام قليل أو مغلف أو مشروبات
مقصورة الطمازج	الخضروات والفاكهة
درج المنطقة الطازجة	الأطعمة الحساسة (طعام الإفطار، اللحوم التي يجب استهلاكها خلال فترة قصيرة)

5.29. تحذير فتح الباب

(هذه الخاصية اختيارية)

يُسمع صوت تحذير عندما يكون باب صندوق الفريزر أو الثلاجة مفتوحاً لفترة زمنية معينة.. سيصمت هذا الصوت عند الضغط على أي زر على المؤشر أو عندما يتم إغلاق الباب. يتم تنبيه المستخدم بأن الباب مفتوح بتحذير صوتي ومرئي. في حال استمرار التحذير لمدة 10 دقائق تغلق الإضاءة الداخلية.

يتم إطالة العمر الافتراضي للجهاز في حالة تنظيفه بانتظام.



تحذير: فصل التلاجة أولاً عن الكهرباء قبل التنظيف.

6.1. حماية الأسطح البلاستيكية

قم بتنظيفها على الفور بالماء لأن الزيوت قد تتسبب في تلف الأسطح في حالة انسكابها على الأسطح البلاستيكية.

6.2. زجاج الباب

قم بإزالة رقاقة الحماية عن الزجاج.

توجد طبقة على سطح الزجاج. هذه الطبقة تقلل تراكم البقع وتساعد في إزالة البقع والأوساخ التي قد تتعرض لها بسهولة. الزجاج غير المحمي بتلك الطبقة يمكن أن يتعرض لآتساخات عديدة ذات قاعدة هوائية أو مائية، مثل الترسبات الجيرية والأملاح المعدنية والأكاسيد المعدنية والسيليكون، وهي مواد يمكن أن تتسبب بسرعة وبسهولة في ظهور بقع وأضرار على السطح. من الصعب للغاية الحفاظ على نظافة الزجاج رغم التنظيف المنتظم. ولذلك، يتدهور شكل وشفافية الزجاج. طرق التنظيف العنيفة والمركبات الصارة تزيد من التأثيرات السلبية وتجعل بعملية تدهور مظهر الزجاج.

يحب استخدام منتجات تنظيف بقاعدة مائية غير قلوية وغير ضارة لأغراض التنظيف المنتظم. ويحب استخدام خامات غير قلوية وغير ضارة للتنظيف لإطالة العمر الافتراضي لهذه الطبقة حتى تستمر لفترة طويلة.

الزجاج صلب لزيادة متانته ضد الصدمات والكسر. يتم أيضاً وضع غشاء أمان على الأسطح الخلفية كإجراء أمان غضاقي لمنعها من التسبب في تلف ما يحيط بها في حالة الكسر.

*القلويات عبارة عن قاعدة تُكون أيونات هيدروكسيد (OH⁻) عند إذابتها في الماء.

المواد Li (الليثيوم) و Na (صوديوم) و K (البوتاسيوم) و Rb (الروبيديوم) و Cs (السيوميوم) والمعادن الاصطناعية والإشعاعية Fr (الفانزيوم) تسمى معادن قلوية.

- لا تستخدم أبداً الأدوات الحادة وكاشطة، والصابون، والمنظفات المنزلية، ومنظفات غسيل أو شمع التلميع عند التنظيف.
- قم بإذابة مقدار ملعقة شاي من الكربون في نصف لتر ماء. انقع قطع قماش في المحلول واعصرها بعناية. امسح الجزء الخارجي من التلاجة باستخدام هذه القماشة وجفف التلاجة بعناية.
- تأكد من عدم دخول المياه إلى مبيت المصباح وغيره من العناصر الكهربائية.
- قم بتنظيف الباب بقطعة قماش مبللة لإزالة الباب وأرفق الجسم، عليك إزالة جميع محتوياتها.
- قم بإزالة أرفق الباب قبل التحريك لأعلى. بعد التنظيف، مرهم من الأعلى للأسفل للتركيب.
- لا تستخدم أبداً مواد التنظيف أو المياه التي تحتوي على الكلورين لتنظيف الأسطح الخارجية والأجزاء المطلوبة بالكروم من المنتج. فالكلورين يتسبب في تآكل هذه الأسطح المعدنية.

تجنب الروائح الكريهة

لم يتم استخدام المواد التي قد تنتج روائح عند تصنيع منتجاتنا. إلا أنه قد تصادف مشكلة انبعاث روائح بسبب الأحوال غير المناسبة لحفظ الطعام وعدم تنظيف السطح الداخلي للتلاجة كما هو مطلوب.

لذلك، قم بتنظيف التلاجة بكميات مذبابة في الماء كل 15 يوماً.

- يجب حفظ الأطعمة في أوعية مغطاة. حيث قد تتسبب الكائنات الدقيقة الصادرة عن الأطعمة غير المغطاة في انبعاث روائح كريهة.
- ينبغي عدم الاحتفاظ بالأطعمة منتهية الصلاحية والأطعمة الفاسدة في التلاجة.

نم. يتباصلا زكرم لاصتلا لبقه تمناقلا مدهنم ققحت
يواكشلا تمناقلا مدهنم مضنت. لاملاو تقولا ريفوت لكذ نأش
قبطنت لا دقو. داوملا وأ اعانصلا بويعد تمطبرتملا ريغ
لكزهاج لي اعانه. ةروكذم تنيعم تامسد

الثلاجة لا تعمل.

- ربما يكون المنتج الجديد أكبر من المنتج السابق. تعمل الأجهزة الأكبر فترات زمنية أطول.
- ربما تكون درجة حرارة الغرفة عالية. <<< يعمل الجهاز فترات طويلة في درجات الحرارة العالية.
- ربما تم توصيل الجهاز بالكهرباء مؤخرا أو تم وضع صنف طعام جديد داخله. <<< يستغرق الجهاز فترة أطول لبلوغ درجة الحرارة المعينة عند توصيله بالكهرباء حديثا أو عند وضع صنف طعام جديد داخله. هذا أمر طبيعي.
- ربما تم وضع كميات كبيرة من الطعام الساخن في الجهاز مؤخرا. <<< لا تضع الطعام الساخن داخل الجهاز.

- قابس الطاقة غير مستقر كليا. <<< ادفعه بحيث يستقر في المقبس كليا.
- الصمام الموصول بالمقبس الذي يزود الجهاز بالطاقة أو الصمام الرئيسي تالف. <<< افحص الصمامات.

هناك تكاثف على جانب جدار حجرة المبرد (المنطقة المتعددة، منطقة التبريد، التحكم والمنطقة المرنة).

- تم فتح الأبواب كثيرا أو تركت مفتوحة لفترات طويلة. <<< يتسبب الهواء الساخن المتحرك في الداخل في عمل الجهاز فترة أطول. لا تفتح الأبواب كثيرا.
- ربما يكون باب المجمد أو المبرد مواربا. <<< تأكد أن الأبواب مغلقة كليا.
- ربما يكون الجهاز مضبوط على درجة حرارة متدنية جدا. <<< اضبط درجة الحرارة على درجة أعلى وانظر حتى يصل الجهاز إلى درجة الحرارة المرغوبة.
- ربما تكون فلحة باب المبرد أو المجمد متسخة، أو مهترئة أو مكسورة أو غير مستقرة. <<< نظف أو استبدل الفلحة. تتسبب فلحة الباب التالفة/المهترئة في عمل الجهاز لفترات طويلة للحفاظ على درجة الحرارة الحالية.

- المكان بارد جدا. <<< لا تضع الجهاز في أماكن تقل فيها درجة الحرارة عن 5- درجة مئوية.
- يتم فتح الباب كثيرا <<< تجنب فتح باب الثلاجة كثيرا.
- المكان رطب جدا. <<< لا تضع الجهاز في أماكن رطبة.

- الأطعمة المحتوية على سوائل تحفظ في مستويات غير محكمة الإغلاق. <<< احتفظ بالأطعمة المحتوية على سوائل في مستويات محكمة الإغلاق.
- ترك الباب مفتوحا. <<< لا تدع أبواب الثلاجة مفتوحة لفترات طويلة.
- تم ضبط الثيرموستات على درجات متدنية جدا. <<< اضبط الثيرموستات على درجة حرارة مناسبة.

الضماغط لا يعمل.

درجة حرارة المجمد منخفضة جدا، لكن درجة حرارة المبرد ملائمة.

- في حال حدوث انقطاع مفاجئ في التيار الكهربائي أو سحب قابس الطاقة وإعادة مرة أخرى، يصبح ضغط الغاز في نظام تبريد الجهاز غير متوازن، مما يفعل الواقي الحراري للضماغط. يعمل المنتج من جديد بعد 6 دقائق تقريبا. إذا لم يعمل الجهاز بعد هذه الفترة، اتصل بمركز الصيانة.

- تم ضبط درجة حرارة حجرة المجمد على درجة متدنية جدا. <<< اضبط درجة حرارة حجرة المجمد على درجة أعلى وافحص مرة أخرى.

درجة حرارة المبرد منخفضة جدا، لكن درجة حرارة المجمد ملائمة.

- إزالة الجليد غير نشطة. <<< هذا أمر طبيعي في جهاز مقاوم للصفيق تلقائيا. تتم إزالة الجليد دوريا.
- الجهاز غير موصول بالكهرباء. <<< تأكد أن سلك الطاقة موصول بالكهرباء.

- تم ضبط درجة حرارة حجرة المبرد على درجة متدنية جدا. <<< اضبط درجة حرارة حجرة المبرد على درجة أعلى وافحص مرة أخرى.

- إعداد درجة الحرارة غير صحيح. <<< اختر إعدادا صحيحا لدرجة الحرارة.
- لا يوجد تيار كهربائي. <<< يستمر الجهاز بالعمل بشكل طبيعي حال عودة الطاقة.

الأطعمة المحفوظة في جوارير حجرة المبرد متجمدة.

- تم ضبط درجة حرارة حجرة المبرد على درجة متدنية جدا. <<< اضبط درجة حرارة حجرة المجمد على درجة أعلى وافحص مرة أخرى.

درجة الحرارة في المبرد أو المجمد عالية جدا.

يزداد ضجيج تشغيل الثلاجة أثناء الاستعمال.

- وقد يتباين أداء عمل الجهاز بناء على تغيرات درجة حرارة المكان. هذا أمر طبيعي ولا يعتبر عطلا.
- تعمل الثلاجة لفترة زمنية طويلة.

- لا يتم تنظيف الجهاز بانتظام. << نظف الجزء الداخلي بانتظام مستخدماً إسفنجة وماء دافئ وماء مكرين.
- قد تتسبب بعض المستوعبات ومواد التغليف بالروائح. << استخدم المستوعبات ومواد التغليف الخالية من الروائح.
- تم وضع الطعام في مستوعبات غير محكمة الإغلاق. << احتفظ بالأطعمة في مستوعبات محكمة الإغلاق. قد تنتشر الميكروبات من الأطعمة غير المغلقة مسببة الروائح الكريهة.
- تخلص من أية أطعمة فاسدة أو منتهية الصلاحية داخل الجهاز.

الباب لا يغلق.

- تسد أغلفة الطعام الباب أحياناً. << غير مكان الأطعمة التي تسد الأبواب.
- لا يقف الجهاز بوضع رأسي كامل على الأرض. << اضبط القواعد لموازنة الجهاز.
- الأرض غير مستوية أو متينة. << تأكد أن الأرض مستوية ومتينة لدرجة تحمل الجهاز.

سلة الخضار عالقة.

- ربما تلامس الأطعمة الجزء العلوي من الجارور. << أعد ترتيب الأطعمة في الجارور.

إذا كان سطح المنتج ساخناً

- قد يلاحظ ارتفاع درجات الحرارة بين البابين، وعلى الألواح الجانبية والشواية الخلفية أثناء تشغيل المنتج. وهذا طبيعي ولا يعد ذلك عيباً يتطلب الصيانة. كن حذراً عند لمس هذه الأماكن.

تحذير: إن استمرت المشكلة بعد اتباع تعليمات هذا القسم، اتصل بالبايع أو بمرکز خدمة معتمد. لا تحاول إصلاح الجهاز.



ذا المنتج مجهز بمصدر إضاءة من فئة الطاقة "G".

جب عدم استبدال مصدر الإضاءة في هذا المنتج سوى بواسطة فنيي تصليح متخصصين.

- تم ضبط درجة حرارة حجرة المبرد على درجة عالية جداً. << يؤثر إعداد درجة حرارة حجرة المبرد على درجة حرارة حجرة المجمد. قم بتغيير درجة حرارة حجرة المبرد أو المجمد وانتظر حتى تصل الحجرات إلى مستوى درجة الحرارة المرغوبة.
- تم فتح الأبواب كثيراً أو تركت مفتوحة لفترات طويلة. << لا تفتح الأبواب كثيراً.
- ربما يكون الباب موارباً. << أغلق الباب كلياً.
- ربما تم توصيل الجهاز بالكهرباء مؤخرًا أو تم وضع صنف طعام جديد داخله. << هذا أمر طبيعي. يستغرق الجهاز فترة أطول لبلوغ درجة الحرارة المعينة عند توصيله بالكهرباء حديثاً أو عند وضع صنف طعام جديد داخله.
- ربما تم وضع كميات كبيرة من الطعام الساخن في الجهاز مؤخرًا. << لا تضع الطعام الساخن داخل الجهاز.

الاهتزاز أو الضجيج.

- الأرض غير مستوية أو متينة. << إذا كان الجهاز يهتز عند تحريكه ببضع، اضبط القواعد لموازنة الجهاز. تأكد أن الأرض متينة لدرجة تحمل الجهاز.
- قد تحدث أية مواد موضوعة على الجهاز ضجيجاً. << قم بإزالة أية مواد وضعت على الجهاز.

يصدر الجهاز ضجيجاً يشبه تدفق السوائل، أو الرش، الخ.

يتخلل مبادئ تشغيل الجهاز تدفق السائل والغاز. << هذا أمر طبيعي ولا يعتبر عطلاً.

هناك صوت كهبوب الرياح يأتي من الجهاز.

- يستخدم الجهاز مروحة في عملية التبريد. هذا أمر طبيعي ولا يعتبر عطلاً.

هناك تكاثف على الجدران الداخلية للجهاز.

- يزيد الطقس الحار أو الرطب من تشكل الصقيع والتكاثف. هذا أمر طبيعي ولا يعتبر عطلاً.
- تم فتح الأبواب كثيراً أو تركت مفتوحة لفترات طويلة. << لا تفتح الأبواب كثيراً؛ إذا كانت مفتوحة، أغلقها.
- ربما يكون الباب موارباً. << أغلق الباب كلياً.

هناك تكاثف على السطح الخارجي للجهاز أو بين الأبواب.

- ربما يكون جو المكان رطباً، وهذا أمر طبيعي في الجو الرطب. << سيتبدد التكاثف عندما تقل الرطوبة.

رائحة الجزء الداخلي سيئة.