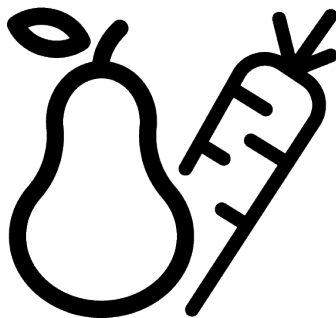


beko

Refrigerator / User Manual

ثلاجة / دليل المستخدم

מקרר / מדריך למשתמש



RCNE726X

K83646NE

11 5075 11800/ EN/ AR/ HE/ AB/ 01.04.24 10:12
7296547262



Please read this manual first!

Dear Customer

Please read this manual before using the product.

Thank you for choosing this Beko product. We would like you to achieve the optimal efficiency from this high quality product which has been manufactured with state of the art technology. To do this, carefully read this manual and any other documentation provided before using the product and keep it as a reference.

Heed all information and warnings in the user manual. This way, you will protect yourself and your product against the dangers that may occur.

Keep the user manual. Include this manual with the unit if you hand it over to someone else.

The following symbols are used in the user manual:



Hazard that may result in death or injury.



Important information or useful tips on operation.



Read the user manual.



Combustible material, warning against fire hazard.

NOTICE A hazard that may cause material damage to the product or its surroundings

  SUPPLIER'S NAME  MODEL IDENTIFIER → (*) 	<p>The model information as stored in the product data base can be reached by entering following website and searching for your model identifier (*) found on energy label.</p> <p>https://eprel.ec.europa.eu/</p>
--	--

1	Safety Instructions.....	4
1.1	Intention of Use	4
1.2	Safety of Children, Vulnerable Persons and Pets	4
1.3	Electrical Safety.....	5
1.4	Handling Safety	5
1.5	Installation Safety.....	6
1.6	Operational Safety.....	8
1.7	Food Storage Safety.....	10
1.8	Maintenance and Cleaning Safety	11
1.9	Disposal of the Old Product.....	12
2	Environmental Instructions.....	12
2.1	Compliance with the WEEE Dir- ective and Disposing of the Waste Product	12
3	Your Refrigerator	13
4	Installation	13
4.1	Right Place For Installation.....	14
4.2	Electrical Connection	14
4.3	Adjusting the Legs.....	14
4.4	Hot Surface Warning.....	14
5	Preparation.....	15
5.1	What To Do For Energy Saving	15
5.2	First Use	15
5.3	Climate Class and Definitions	15
6	Control Panel of the Product.....	16
7	Using The Product.....	18
7.1	Storing Food in the Freezer and Cooler Compartment.....	18
7.2	Replacing the Illumination Lamp..	20
7.3	Door Open Alert	20
7.4	Freezing Fresh Foods.....	21
7.5	Reversing the Door Opening Side.	21
8	Product Features	21
8.1	Crisper Technologies	21
8.2	Crisper	21
8.3	Dairy Products Cold Storage Area	21
8.4	The ice storage area.....	22
8.5	Egg holder	22
8.6	AeroFlow	22
9	Maintenance and Cleaning	22
10	Troubleshooting.....	23

1 Safety Instructions

- This section includes the safety instructions necessary to prevent the risk of personal injury or material damage.
- Our company shall not be held responsible for damages that may occur if these instructions are not observed.



Always have installation and repair operations performed by manufacturer, authorized service or a person who will be described by importer company.



Use original spare parts and accessories only.



Do not repair or replace any component of the product unless it is clearly specified in the user manual.



Do not perform any modifications on the product.

1.1 Intention of Use

- This product is not suitable for commercial use and should not be used for a purpose other than its intended use.
- This product is intended for operating interiors, such as households or similar.

For example;

In the staff kitchens of the stores, offices and other working environments,

In farm houses,
In the units of hotels, motels or other resting facilities that are used by the customers,
In hostels, or similar environments,
In catering services and similar non-retail applications.

- This product shall not be used in open or enclosed external environments such as vessels, camper vans, balconies or terraces. Exposing the product to rain, snow, sunlight and wind may cause risk of fire.



1.2 Safety of Children, Vulnerable Persons and Pets

- This product may be used by children aged 8 years and older and persons with underdeveloped physical, sensory or mental capabilities or lack of experience and knowledge if they are being supervised or have been given instruction concerning use of the appliance in a safe way and the hazards involved.
- Children between 3 and 8 years are allowed to put and take out food into/from the cooler product.

- Children and pets must not play with, climb on, or get inside the product.
- Children and pets must be kept away from the cabin area (compressor) where electrical parts are located.
- Cleaning and user maintenance must not be performed by children unless there is someone overseeing them.
- Keep the packaging materials away from children. Risk of injury and suffocation.
- Portable multi-plugs or portable power supplies may overheat and cause fire. Thus, do not have a multi-plug, portable power sources behind or in the vicinity of the product.
- Do not plug the product's power cord in a loose or damaged power outlet. These types of connections may overheat and cause fire.
- The plug shall be easily accessible. If this is not possible, a mechanism that meets the electrical legislation and that disconnects all terminals from the mains (fuse, switch, main switch, etc.) shall be available on the electrical installation.

1.3 Electrical Safety

- The product shall not be plugged into the outlet during installation, maintenance, cleaning, repair, and transportation operations.
- If the power cable is damaged, it shall only be replaced by authorized service to avoid any risks that may occur.
- Do not tuck the power cable under the product or to the rear of the product. Do not put heavy items on the power cable. The power cable should not be bent, crushed, and come into contact with any heat source.
- Do not use an extension cord, multi-plug or adaptor to operate your product.
- Do not use the product when your feet are bare or your body is wet.
- Do not touch the plug with wet hands.
- When unplugging the appliance, don't hold the power cord, but the plug.

1.4 Handling Safety

- Make sure to unplug the appliance before carrying the product.

- This product is heavy, do not handle it by yourself. Injuries may occur if the product falls on you. Do not bump into places or drop the product while transporting it.
- Always close the doors and do not hold the product by its doors while transporting it.
- Be careful not to damage the cooling system and the pipes while handling the product. Do not operate the product if the pipes are damaged, and contact an authorized service.
- Check for any damage on the product before installing it. Do not have the product installed if it is damaged.
- Always use personal protective equipment (gloves, etc.) during product installation, maintenance and repair. Risk of Injury!
- Place the product on a clean, level and hard surface and balance it with the adjustable legs (by rotating the front feet to the right or left). Otherwise, the refrigerator may tip over and cause injuries.

1.5 Installation Safety

- Contact the Authorized Service for the product's installation. To prepare the product for use, see the information in the user manual and make sure the electric and water utilities are as required. If not, call a qualified electrician and plumber to arrange the utilities as necessary. Failure to do so may result in electric shock, fire, problems with the product, or injury.
- This product is designed for use at a maximum altitude of 2000 metres above sea level.
- Keep children away from installation area.
- The product shall be installed in a dry and ventilated environment. Do not keep carpets, rugs or similar covers under the product. This may cause risk of fire as a result of inadequate ventilation!
- Do not block or cover ventilation holes. Otherwise, power consumption increases and your product may be damaged.
- When placing the product, make sure that the supply cable is not damaged or pinched.
- The product must not be connected to supply systems and power sources which may cause sudden voltage changes (i.e. a portable solar-energy power source). Otherwise,

damage to your product may occur as a result of the abrupt voltage fluctuations!

- The more refrigerant a refrigerator contains, the bigger its installation room shall be. In very small rooms, a flammable gas-air mixture may occur in case of a gas leak in the cooling system. At least 1 m³ of volume is required for each 8 grams of refrigerant. The amount of the refrigerant available in your product is specified in the Type Label.
- The product must never be placed in such a way that power cables, the metal hose of the gas stove, metal gas or water pipes come into contact with the product's rear wall (or the condenser).
- The installation place of the product must not be exposed to direct sunlight and it shall not be in the vicinity of a heat source such as stoves, radiators, etc. If you cannot prevent installation of the product in the vicinity of a heat source, use a suitable insulation plate and make sure the minimum distance to the heat source is as specified below:
 - At least 30 cm away from heat sources such as stoves, ovens, heating units and heaters, etc.,
 - And at least 5 cm away from electrical ovens.
- Your product has the protection class of I.
- Plug the product in a grounded socket that conforms with the Voltage, Current and Frequency values specified in the type label. The socket must have a 10A – 16A fuse. Our firm will not assume responsibility for any damages due to usage without earthing and without power connection in compliance with local and national regulations.
- The product's power cable must be unplugged during installation. Otherwise, risk of electric shock and injury may occur!
- Do not plug the product's power cord in loose, dislocated, broken, dirty, oily power outlets which have a risk of water contact. These types of connections may cause overheating and fire.
- Place the power cable and hoses (if any) of the product so that they shall not cause a risk of tripping over.

- Penetration of humidity and liquid to live parts or to the power cord may cause short circuit. Thus, do not use the product in humid environments or in areas where water may splash (e.g. garage, laundry room, etc.) If the refrigerator is wet by water, unplug it and contact an authorized service.
- Do not ever connect your refrigerator to power saving devices. These systems are harmful for the product.
- There is a risk of contact with electrical parts when removing the electronic board cover and the compressor rear cover (if fitted). Do not remove the electronic board cover and the compressor rear cover (if fitted). There is a risk of electrocution!
- Do not place a source of flame (e.g. candles, cigarettes, etc.) on the product or in the vicinity of it.
- Do not get on the product. Risk of falling and injury!
- Do not cause damage to the pipes of the cooling system using sharp and piercing tools. The refrigerant that sprays out in case of puncturing the gas pipes, pipe extensions or upper surface coatings may cause irritation of skin and injury to the eyes.
- Do not place and operate electrical appliances inside the refrigerator/freezer unless it is advised by the manufacturer.
- Do not jam any parts of your hands or your body to the moving parts inside the product. Be careful to prevent jamming of your fingers between the refrigerator and its door. Be careful while opening or closing the door if there are children around.
- Do not put ice cream, ice cubes or frozen food to your mouth as soon as you take them out of the freezer. Risk of frostbite!

1.6 Operational Safety

- Do not ever use chemical solvents on the product. These materials contain an explosion risk.
- In case of a failure of the product, unplug it and do not operate until it is repaired by the authorized service. There is a risk of electric shock!

- Do not touch the inner walls, metal parts of the freezer or food kept inside the freezer with wet hands. Risk of frost-bite!
- Do not place soda cans or cans and bottles that contain fluids that may be frozen to the freezer compartment. Cans or bottles may explode. Risk of injury and material damage!
- Do not use or place materials sensitive against temperature such as flammable sprays, flammable objects, dry ice or other chemical agents in the vicinity of the refrigerator. Risk of fire and explosion!
- Do not store explosive materials such as aerosol cans with flammable materials inside the product.
- Do not place cans containing fluids over the product an open state. Splashing of water on an electrical part may cause an electric shock or a fire.
- Due to risk of breaking, do not store glass containers with liquid inside in the freezer compartment.
- This product is not intended for storage and cooling of medicines, blood plasma, laboratory preparations or similar materials and products that are subject to the Medical Products Directive.
- If the product is used against its intended purpose, it may cause damage to or deterioration of the products stored inside.
- If your refrigerator is equipped with blue light, do not look at this light with optical devices. Do not stare directly at UV LED light for a long time. Ultraviolet rays may cause eye strain.
- Do not fill the product with more contents than its capacity. Injuries or damages may occur if the contents of the refrigerator fall when the door is opened. Similar problems may also occur when an object is placed over the product.
- Ensure that you have removed any ice or water that may have fallen to the floor to prevent injuries.
- Change the locations of the racks/bottle racks on the door of your refrigerator only when the racks are empty. Danger of injury!
- Do not place objects that may fall/tip over on the product. These objects may fall while opening or closing the door and cause injuries and/or material damages.

- Do not hit or exert excessive pressure on glass surfaces. Broken glass may cause injuries and/or material damages.
- The cooling system in your product contains R600a refrigerant. The refrigerant type used in the product is specified in the type label. This gas is flammable. Therefore, be careful not to damage the cooling system and the pipes while operating the product. In case of damage to the pipes;
 1. Do not touch the product or the power cable.
 2. Keep the product away from potential sources of fire that may cause the product to catch fire.
 3. Ventilate the area where the product is placed. Do not use a fan.
 4. Contact Authorized Service.If the product is damaged and you observe gas leak, please stay away from the gas. Gas may cause frostbite if it contacts your skin.

Before disposing of old products that shall not be used any more:

 1. Unplug the power cord from the mains socket.
 2. Cut the power cable and remove it from the appliance together with the plug.
- 3. Do not remove the racks and drawers from the product to prevent children from getting inside the appliance.
- 4. Remove the doors.
- 5. Store the product so that it shall not be tipped over.
- 6. Do not allow children to play with the scrapped product.
- Do not dispose of the product by throwing it into fire. Risk of explosion.
- If there is a lock available on the product's door, keep the key out of children's reach.

1.7 Food Storage Safety

Please pay attention to the following warnings to avoid food spoilage:

- Leaving the doors open for a long time may cause the temperature inside the product to rise.
- Regularly clean the accessible drainage systems in contact with food.
- Clean the water tanks that have not been used for 48 hours and mains-fed water systems that have not been used for more than 5 days.
- Store raw meat and fish products in appropriate compartments within the product.

Thus, it does not drip on or come into contact with other foods.

- Two-star freezer compartments are used for storing pre-filled foods, making and storing ice and ice cream.
- One, two and three-star compartments are not appropriate for freezing fresh food.
- If the cooling product has been left empty for a long time, turn off the product, defrost, clean, and dry the product in order to protect the housing of the product.



1.8 Maintenance and Cleaning Safety

- Unplug the refrigerator before cleaning it or starting to perform maintenance.
- Do not pull by the door handle if you shall move the product for cleaning purposes. Handle may cause injuries if it is pulled too hard.
- Do not put your hands etc. under the refrigerator. Jamming may occur or any sharp edge may cause personal injuries.
- Do not clean the product by spraying or pouring water on the product and inside the product. Risk of electric shock and fire.

- When cleaning the product, do not use sharp and abrasive tools or household cleaning agents, detergent, gas, gasoline, thinner, alcohol, varnish, and similar substances. Use only cleaning and maintenance agents that are not harmful for food inside the product.
- Do not ever use steam or steamed cleaning materials for cleaning the product and thawing the ice inside it. Steam contacts the live areas in your refrigerator and causes short circuit or electric shock.
- Do not use any mechanical tools or any other tools than the recommendations of the manufacturer to speed up the defrost operation.
- Take care to keep water away from the ventilation holes, electronic circuits or lighting of the product.
- Use a clean, dry cloth to wipe the dust or foreign material on the tips of the plugs. Do not use a wet or damp piece of cloth to clean the plug. Otherwise, risk of fire or electric shock may occur.

1.9 Disposal of the Old Product

When disposing of your old product follow the instructions below:

- To prevent children from accidentally locking themselves into the product, if there is door lock, disable it.
- Splash of coolant is harmful to the eyes. Do not damage any part of the cooling system while disposing of the product.

- It may be fatal if the compressor oil is swallowed or if it penetrates the respiratory tract.
- Cooling system of your product includes R600a gas as specified in the type label. This gas is flammable. Do not dispose of the product by throwing it into fire. Risk of explosion!
- C-Pentane is used as a blowing agent in insulation foam and it is a flammable substance. Do not dispose of the product by throwing it into fire.

2 Environmental Instructions

2.1 Compliance with the WEEE Directive and Disposing of the Waste Product



This product complies with EU WEEE Directive (2012/19/EU). This product bears a classification symbol for waste electrical and electronic equipment (WEEE).

This symbol indicates that this product shall not be disposed with other household wastes at the end of its service life. Used device must be returned to official collection point for recycling of electrical and electronic devices. To find these collection systems please contact to your local authorities or retailer where the product was purchased. Each household performs important role in recovering and recycling of old appliance. Appropriate disposal of used

appliance helps prevent potential negative consequences for the environment and human health.

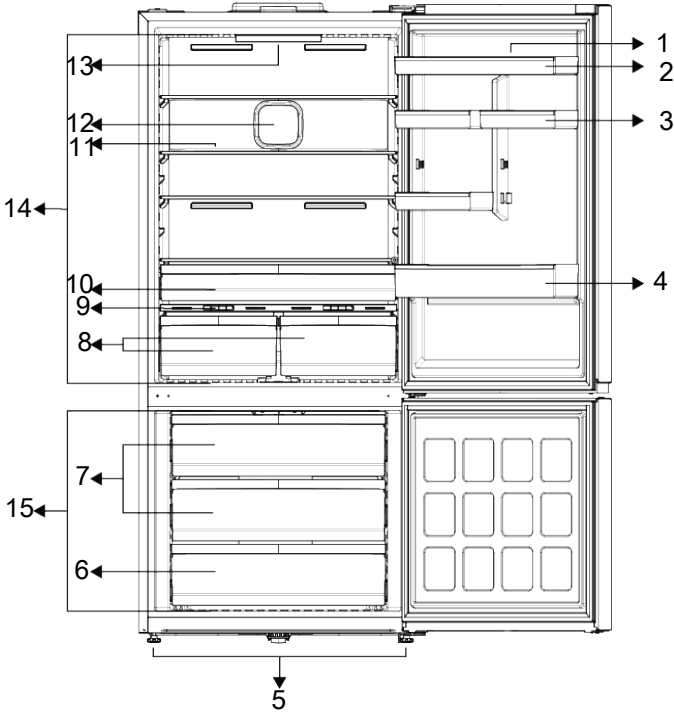
Compliance with RoHS Directive

The product you have purchased complies with EU RoHS Directive (2011/65/EU). It does not contain harmful and prohibited materials specified in the Directive.



Package information

Packaging materials of the product are manufactured from recyclable materials in accordance with our National Environment Regulations. Do not dispose of the packaging materials together with the domestic or other wastes. Take them to the packaging material collection points designated by the local authorities.



- | | |
|-------------------------------------|-------------------------------------|
| 1 Egg holder | 2 *Door Shelf |
| 3 *Adjustable Small Door Shelf | 4 *Bottle Shelf |
| 5 Adjustable legs | 6 *Freezer Compartment Small Drawer |
| 7 *Freezer Compartment Large Drawer | 8 *Vegetable Drawer |
| 9 Crisper Cover | 10 *Cold Storage Drawer |
| 11 *Adjustable Glass Shelf | 12 Fan |
| 13 Lighting | 14 Cooler Compartment |
| 15 Freezer Compartment | |

***Optional:** Figures in this user manual are schematic and may not exactly match your product. If your product does not comprise the relevant parts, the information pertains to other models.

4 Installation



Read the "Safety Instructions" section first!

4.1 Right Place For Installation

Contact the Authorized Service for the product's installation. To prepare the product for installation, see the information in the user manual and make sure the electric and water utilities are as required. If not, call an electrician and plumber to arrange the utilities as necessary.



WARNING:

The manufacturer assumes no responsibility for any damages caused by the work carried out by unauthorized persons.



WARNING:

The product's power cable must be unplugged during installation. Failure to do so may result in death or serious injuries!



WARNING:

If the door span is too narrow for the product to pass, remove the door and turn the product sideways; if this does not work, contact the authorized service.

- Place the product on a flat surface to avoid vibration.
- Place the product at least 30 cm away from the heater, stove and similar sources of heat and at least 5 cm away from electric ovens.
- Do not expose the product to direct sunlight or keep it in damp environments.
- Your product requires adequate air circulation to function efficiently. If the product will be placed in an alcove, remember to leave at least 5 cm clearance between the product and the ceiling, rear wall and the side walls.
- Check if the rear wall clearance protection component is present at its location (if provided with the product).
- If the component is not available, or if it is lost or fallen, position the product so that at least 5 cm clearance shall be left between the rear surface of the product

and the wall of the room. The clearance at the rear is important for efficient operation of the product.

4.2 Electrical Connection



Do not use extension cables or multi sockets in power connection.



Damaged power cable must be replaced by Authorized Service.

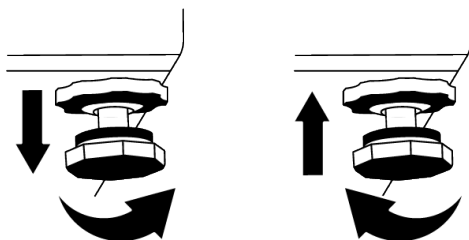


When placing two coolers in adjacent position, leave at least 4 cm distance between the two units.

- Our firm will not assume responsibility for any damages due to usage without earthing and without power connection in compliance with national regulations.
- The power cable plug must be easily accessible after installation.
- Do not use multi-group plug with or without extension cable between the wall socket and the refrigerator.

4.3 Adjusting the Legs

If the product is not in balanced position, adjust the front adjustable legs by rotating them to right or left.



4.4 Hot Surface Warning

The side walls of your product are equipped with cooler pipes to enhance the cooling system. High pressure fluid may flow through these surfaces, and cause hot surfaces on the side walls. This is normal and it does not require servicing. Be careful when you contact these areas.

5 Preparation



Read the "Safety Instructions" section first!

5.1 What To Do For Energy Saving



Connecting the product to electronic energy-saving systems is harmful, as it may damage the product.

- This refrigerating appliance is not intended to be used as a built in appliance.
- Do not keep the refrigerator doors open for long periods.
- Do not place hot food or beverages into the refrigerator.
- Do not overfill the refrigerator; blocking the internal air flow will reduce cooling capacity.
- Since hot and humid air will not directly penetrate into your product when the doors are not opened, your product will optimize itself in conditions sufficient to protect your food. Under these circumstances, functions and components such as compressor, fan, heater, defrost, lighting, display and so on will operate according to the needs by consuming minimum energy.
- In case that multiple options are present, glass shelves must be placed so that the air outlets at the rear wall are not blocked and preferably, in a way that air outlets remain below the glass shelf. This combination may help improving air distribution and energy efficiency.
- Using the below drawer when storing is strongly recommended.
- Food shall be stored using the drawers in the cooler compartment in order to ensure energy saving and protect food in better conditions.

5.2 First Use

Before using your refrigerator, make sure the necessary preparations are made in line with the instructions in "Safety and Environmental Instructions" and "Installation" sections.

- Keep the product running without placing any food inside for 6 hours and do not open the door, unless absolutely necessary.
- The temperature change caused by opening and closing of the door while using the product may normally lead to condensation on door/body shelves and glassware placed in the product.



A sound will be heard when the compressor is engaged. It is normal for the product to make noise even if the compressor is not running, as fluid and gas may be compressed in the cooling system.



It is normal for the front edges of the refrigerator to be warm. These areas are designed to warm up in order to prevent condensation.



For some models, indicator panel turns off automatically 1 minute after the door closes. It will be re-activated when the door is opened or any button is pressed.

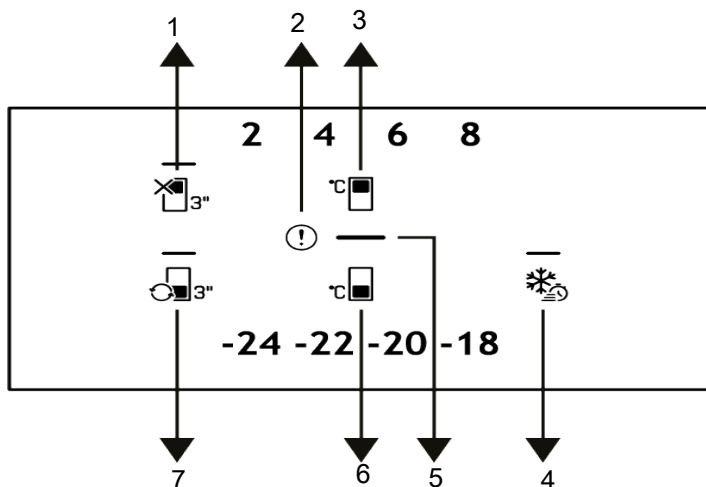
5.3 Climate Class and Definitions

Please refer to the Climate Class on the rating plate of your device. One of the following information is applicable to your device according to the Climate Class.

- **SN:** Long Term Temperate Climate: This cooling device is designed for use at ambient temperatures between 10 °C and 32 °C.

- **N:** Temperate Climate: This cooling device is designed for use at ambient temperatures between 16°C and 32 °C.
- **ST:** Subtropical Climate: This cooling device is designed for use at ambient temperatures between 16°C and 38°C.
- **T:** Tropical Climate: This cooling device is designed for use at ambient temperatures between 16°C and 43°C.

6 Control Panel of the Product



- 1 *Cooler Compartment Off Vacation Function Key
- 3 Cooler Compartment Temperature Setting Key
- 5 Energy Saving (Display Off) Indicator
- 7 *Compartment Conversion Key

- 2 Error Status Indicator
- 4 *Quick Freezing Key
- 6 Freezer Compartment Temperature Setting Key



Read the "Safety Instructions" section first.

*Optional: Shown functions are optional, there may be differences of shape and location in functions found on your appliance's indicator panel.

Auditory and visual functions on the indicator panel will assist you in using the refrigerator.

1. Cooler Compartment Off (Vacation)

Function Key 3"

Press the key for 3 seconds to activate the vacation function. Vacation mode is activated and the vacation symbol is illuminated. "--" shall be displayed on the Cooler Compartment temperature indicator and the cooler compartment does not actively perform cooling.

You should not keep your food in the cooler compartment if you activate this function.

Other

compartments continue to cool according to temperatures set before. Press the key for 3 seconds again to cancel this function.

2. Error Condition Indicator

When your refrigerator cannot perform adequate cooling or in case of any sensor error, this indicator will be active. When you put hot food in the freezer compartment or remain the door open for a long time, an exclamation mark may be illuminated for a certain time. This is not a fault, this warning will be removed when the food is cooled down or when any key is pressed.

3. Cooler Compartment Temperature

Setting Key

Allows setting of temperature for cooler compartment. Pressing the key will enable the cooler compartment temperature to be set at 8,6,4,2 °C.

4. Quick Freezing Key

When the quick freezing key is pressed, the quick freezing symbol shall be illuminated and the quick freezing function shall be activated. The freezer compartment temperature is set to -27 °C. Press the key again to cancel the function. The quick freezing function will be cancelled automatically. To freeze a large amount of fresh food, press the quick freezing key before placing the food in the freezer compartment.

5. Energy Saving (Display Off) Indicator

Energy saving function is enabled automatically and the energy saving symbol lights up when the door of the product is not opened or closed for some period of time. When the energy saving function is active, all symbols on the screen except the energy saving symbol will be turned off. When the energy saving function is active, pressing any key or opening the door will deactivate the energy saving function and the display signals will return to normal. The energy saving function is a function activated ex-factory and cannot be cancelled.

6. The Freezer Compartment Temperature Setting Key


Temperature setting is made for freezer compartment. Pressing the key will enable the freezer compartment temperature to be set at -18, -20, -22, -24 °C.

7. *Compartment Conversion Key 3"

By pressing compartment conversion key for 3 seconds, the freezer compartment can be set to the cooler compartment, off and the freezer compartment, respectively. While the freezer compartment is running, the light of the selected freezer compartment temperature value is illuminated, the light on the conversion key is turned

off. -24-22-20-18  3"

While the cooler compartment is running, all the lights of the freezer compartment temperature values go off, the light on the conversion key is illuminated. The compartment operates as cooler.

2 4 6 8 , -24-22-20-18  3"

When the freezer compartment is closed, all the lights of the freezer compartment temperature values and the light on the conversion key go off. For this selection, no food exists at the compartment.

-24-22-20-18.

7 Using The Product



Read the "Safety Instructions" section first!

7.1 Storing Food in the Freezer and Cooler Compartment

Storing food in the freezer compartment

- You can activate Quick Freezing function 4-6 hours before freezing function and perform a faster cooling.
- Bring hot meals to the room temperature before placing them in the freezer compartment.
- Foods to be frozen must be divided into portions according to a size to be consumed, and frozen in separate packages.
- It is recommended to pack the foods before placing them in the freezer.
- In order to prevent expiration of storage time, write the freezing date, time and name of the product on the package according to the storage times of different foods.
- Consume the foods you have defrosted quickly. Defrosted foods cannot be frozen again unless they are cooked. It is not safe to consume the refrozen fresh foods without cooking after they are defrosted.
- As you freeze fresh foods, do not bring them in contact with already frozen foods. Otherwise, frozen foods will be defrosted.

Recommended set values table

Freezer Compartment Setting	Fridge Compartment Setting	Remarks
-20°C	4°C	This is the default, recommended setting.
-20°C or colder	2°C	Use these settings if you believe the cooler compartment is not cold enough due to ambient temperature or frequently opening the door.
Quick Freeze	4°C	Use when you want to freeze your food in a short time. When the process ends, the product's settings will return to previous position.

Quick freezing

1. Activate the quick freezing function 24 hours before placing your fresh foods.

Storing the foods, which are sold frozen

- Always follow the instructions of the producer in relation to the time during which you are required to store your foods. Do not exceed the time specified in these instructions!
- In order to protect the quality of the food, keep the time interval between purchasing transaction and storing as short as possible.
- Buy frozen food which are stored at -18 °C or lower temperatures.
- Avoid buying foods whose packages are covered with ice etc. This means that the product could be partially defrosted and refrozen. Temperature impacts the quality of the food.
- Do not exceed the storing time recommended by the food producer. Remove only the food as much as you need from the freezer.
- Except the cases where extreme circumstances are available in the environment, if your product (on the recommended set values table) is set to the specified set values, the food keep their freshness for a longer time both in the fresh product compartment and freezer compartment.
- If fresh food compartment is set to a lower temperature, fresh fruits and vegetables may be partially frozen.

2. After 24 hours after pressing the button, place your food that you want to freeze on the first shelf with higher freezing capacity.

3. The quick freezing function will be automatically deactivated after 48 hours.

Quick freezing

1. Activate the quick freezing function 24 hours before placing your fresh foods.
2. After 24 hours after pressing the button, place your food that you want to freeze on the first drawer with higher freezing capacity.
3. The quick freezing function will be automatically deactivated after 48 hours.

Place the food you want to cool quickly on the fourth rack.

Freezer details

As per the IEC 62552 standards, the freezer must have the capacity to freeze 4,5 kg of food items at -18°C or lower temperatures at 25°C room temperature in 24 hours for each 100 litres of freezer compartment volume.

Food products can only be preserved for extended periods at or below temperature of -18 °C.

You can keep the foods fresh for months (in freezer at or below temperatures of -18 °C).

The food products to be frozen must not contact the already-frozen food inside to avoid partial defrosting.

Boil the vegetables and filter the water to extend the frozen storage time. Place the food in air-tight packages after filtering and place in the freezer. Bananas, tomatoes, lettuce, celery, boiled eggs, potatoes and similar food items should not be frozen. In case these foods are frozen, only nutritional values and eating qualities will be negatively affected. A rotting that would threaten human health is not in question.

Placing the food

Freezer compartment shelves:Different frozen foods like meat, fish, ice cream, vegetables etc.

Cooler compartment shelves:Food items inside pots, capped plate and capped cases, eggs (in closed case)

Cooler compartment door shelves:Small and packaged food or beverages

Crisper:Vegetables and fruits

Fresh food compartment:Delicatessen (breakfast food, meat products to be consumed in short time)

Storing food in the cooler compartment

- Compartment temperatures rise prominently if compartment door is opened and closed frequently and kept open for a long time, this can reduce the life span of the food and cause the food to spoil.
- In order not to cause odour and taste changes, the food should be stored in the closed containers.
- Do not store too much food in your refrigerator. To achieve a better and homogeneous cooling, place the food separately in a way that cold air can wander through them.
- Provide air flow by leaving a space between the food and internal wall. If you lean the food against the rear wall, the food may freeze.
- Bring cooked hot meals to the room temperature before placing them in the refrigerator. Then, you can place the tepid meal in the lower shelves of your refrigerator. Do not place the tepid meals close to the foods which may easily spoil.
- Defrost your frozen food in the fresh food compartment. Thereby, you can cool fresh food compartment by using frozen food and save energy.
- Storing unripe tropical fruits (mango, melon varieties, papaya, banana, pineapple) in the refrigerator may speed up the ripening process. This is not recommended because it will cause shorter storage time.
- You should store onions, garlcs, gingers and other root vegetables in dark and cold room conditions, not in the refrigerator.
- If you notice that a food has spoiled in the refrigerator, throw away that food and clean the accessories which have come into contact with it.

- In order to cool the meals like soups and stews, which are cooked in the large pots, quickly, you can put them in the refrigerator by separating them into their own shallow containers.
- Do not place unpackaged food close to eggs.
- Keep the fruits and vegetables separately and store each variety together (for example; apples with apples, carrots with carrots).
- Take green vegetables out of the plastic bag and place them in the refrigerator after wrapping them in a paper towel or drying cloth. If you wash this type of food before placing them in the refrigerator, remember to dry them.
- You can both create a damp environment and provide an air flow by keeping fruits and vegetables, which are prone to drying, in the perforated or unsealed plastic bags.
- Except the cases where extreme circumstances are available in the environment, if your product (on the recommended set values table) is set to the specified set values, the food keep their freshness for a longer time both in the fresh product compartment and freezer compartment.

Store different food in different places according to their properties.

Food	Location
Egg	Door Shelf
Dairy products (butter, cheese)	If available, zero degree (for breakfast food) compartment
Fruits, vegetables and greenery	Fruit-vegetable compartment, crisper or EverFresh+ compartment (if available)
Fresh meat, poultry, fish, sausage etc. Cooked foods	If available, zero degree (for breakfast food) compartment
Ready to serve foods, packaged products, canned foods and pickles	Top shelves or door shelf
Beverages, bottles, spices and snacks	Door Shelf

7.2 Replacing the Illumination Lamp

Call the Authorized Service when the Bulb/LED used for lighting in your refrigerator will be replaced.

Lamp(s) used in this appliance cannot be used for house lighting. Intended use of this lamp is to help the user place food into the refrigerator / freezer safely and comfortably.

7.3 Door Open Alert

The door open alert system of your refrigerator may differ depending on the model.

Version 1;

If the door of the product remains open for a certain time (between 60 s and 120 s), an audio warning signal sounds; depending on the product model, a visual warning signal (light flash) can also be displayed. If you

close the door of the device or press a button on the screen of the device, if any, the warning sound will stop.

Version 2;

If the door of the device remains open for a certain period of time (between 60 s and 120 s), the door open alert is sounded. The door open alert is sounded gradually. First, an audible warning starts to sound. After 4 minutes, if the door is still not closed, a visual warning (lighting flash) is activated. The door open alert will be delayed for a certain period of time (between 60 s and 120 s) when any key on the product screen, if any, is pressed. Then the process will start again. When the device door is closed, the door open alert will be cancelled.

7.4 Freezing Fresh Foods

It is recommended to place the food in the refrigerator by wrapping it or covering it. Hot food should be cooled to room temperature before placing it in the refrigerator. The food items you want to freeze must be of good quality and fresh.

Food items should be divided into portions according to the family's daily or meal portion requirements.

Even if the food items will be stored for a short time, they should be packed in an airtight manner to prevent them from drying out.

The materials used in packaging the food should be resistant to cold, moisture, tearing, odour, oil and acid and should be airtight.

In addition, it should properly cover it, and be of useful and deep material.

Frozen food items must be used immediately after defrosting and must not be frozen again.

To obtain the best result, apply the following instructions:

1. Do not freeze large amounts of food at the same time. The best possible way to preserve the quality of food is to freeze them deeply as quickly as possible.
2. When hot food is placed in the freezer compartment, the cooling system works continuously for a while to cool these foods until they are completely hardened.
3. Take special care not to mix frozen food with fresh food.

7.5 Reversing the Door Opening Side

The door opening side of your refrigerator can be reversed according to the place you put it. When you need this, you should definitely call the nearest Authorized Service.

8 Product Features

8.1 Crisper Technologies

Blue Light

Fruits and vegetables stored in the crispers that are illuminated with a blue light continue their photosynthesis by means of the wavelength effect of blue light and thus preserve their vitamin content.

HarvestFresh

Fruits and vegetables stored in crispers illuminated with the HarvestFresh technology preserve their vitamins for a longer time thanks to the blue, green, red lights and dark cycles, which simulate a day cycle.

When the door of your refrigerator is opened during the dark period of the HarvestFresh technology, your refrigerator shall sense this automatically and illuminate the crisper with one of the blue, green or red lights respectively for your convenience. After you have closed the door of the refrigerator, the dark period will continue, representing the night time in a day cycle.

8.2 Crisper

The refrigerator's crisper is designed to keep vegetables fresh by preserving their humidity. For this purpose, the overall cold air circulation is intensified in the crisper. Keep fruits and vegetables in this compartment. Keep the green-leaved vegetables and fruits separately to prolong their life.

8.3 Dairy Products Cold Storage Area

Cold Storage Drawer

The Cold Storage Drawer can reach lower temperatures in the cooler compartment. Use this drawer for delicatessen products (salami, sausage, etc.) and dairy products that require colder storage conditions, or for meat, chicken or fish to be consumed quickly. It is not suitable to store fruits and vegetables in this drawer.

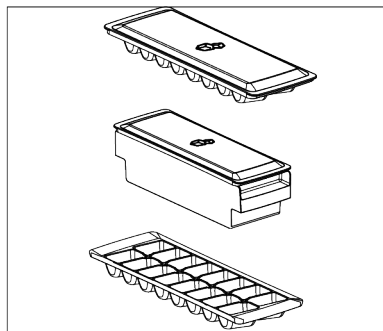
8.4 The ice storage area

Ice Container

Ice bucket allows you take ice easily from the refrigerator.

Using the ice bucket

1. Take the ice bucket out of the freezer compartment.
2. Fill the ice bucket with water.
3. Place the ice bucket into the freezer compartment. The ice will be ready after approximately two hours.
4. Take the ice bucket from the freezer compartment and bend in slightly over the holder that you are going to serve. Ice will easily pour into the serving holder.



8.5 Egg holder

You can place the egg holder on the door or body shelf you wish.

If the egg holder is to be placed on the body shelf, we recommend you to choose colder lower shelves.



Never place the egg holder on the freezer compartment

8.6 AeroFlow

It is an air distribution system that provides homogeneous temperature distribution. With the air circulation, the homogeneous temperature distribution is ensured in the fresh food storage compartment, and the temperature fluctuations are kept at low levels. No direct air blowing over the food is realized and this helps to reduce moisture loss. It preserves the freshness of the food stored in the fresh food compartment of the refrigerator. In this way, your food is stored at more stable temperatures and the contact with air is reduced. The drying and shrinking of foods by losing moisture is prevented and freshness is provided for a longer time.

9 Maintenance and Cleaning



WARNING:

Read the "Safety Instructions" section first.



WARNING:

Unplug the refrigerator before cleaning it.

- Do not use sharp or abrasive tools to clean the product. Do not use materials such as household cleaning agents, soap, detergents, gas, gasoline, thinner, alcohol, wax, etc.
- The dust shall be removed from the ventilation grill on the rear of the product at least once a year (without opening the cover). Clean the product with a dry cloth.
- Take care to keep water away from the lamp's cover and other electrical parts.
- Clean the door with a damp cloth. Remove all contents to remove the door and body racks. Remove the door racks by lifting them upwards. Clean and dry the shelves, then attach back in place by sliding from above.
- Do not use chlorinated water or cleaning products on the exterior surface and chrome-coated parts of the product. Chlorine will cause rust on such metallic surfaces.
- Do not use sharp and abrasive tools, soap, house cleaning materials, detergents, gas, gasoline, varnish and similar substances to prevent deformation of the

plastic part and removal of prints on the part. Use warm water and a soft cloth for cleaning, and then dry it.

- On the products without a No-Frost feature, water droplets and icing up to a thickness of a finger may occur on the rear wall of the freezer compartment. Do not clean, and never apply oils or similar materials.
- Use a mildly dampened micro-fibre cloth to clean the external surface of the product. Sponges and other types of cleaning clothes may cause scratches.
- To clean all removable components during the cleaning of the interior surface of the product, wash these components with a mild solution consisting of soap, water and carbonate. Wash and dry thoroughly. Prevent contact of water with illumination components and the control panel.



CAUTION:

Do not use vinegar, rubbing alcohol or other alcohol based cleaning agents on any interior surface.

10 Troubleshooting

Check this list before contacting the service. Doing so will save you time and money. This list includes frequent complaints that are not related to faulty workmanship or materials. Certain features mentioned herein may not apply to your product.

The refrigerator is not working.

- The power plug is not fully settled. >>> Plug it in to settle completely into the socket.
- The fuse connected to the socket powering the product or the main fuse is blown. >>> Check the fuse.

Stainless Steel External Surfaces

Use a non-abrasive stainless steel cleaning agent and apply it with a soft lint-free cloth. To polish, gently wipe the surface with a micro-fibre cloth dampened with water and use dry polishing chamois. Always follow the veins of the stainless steel.

Preventing Odours

The product is manufactured free of any odorous materials. However, keeping the food in inappropriate sections and improper cleaning of internal surfaces may lead to odours.

- To avoid this, clean the inside with carbonated water every 15 days.
- Keep the foods in sealed holders, as micro-organisms arising from foods kept in unsealed containers will cause bad odour.
- Do not keep expired and spoilt foods in the refrigerator.

Protecting Plastic Surfaces

Oil spilled on plastic surfaces may damage the surface and must be cleaned immediately with warm water.

Condensation on the side wall of the cooler compartment (MULTI ZONE, COOL CONTROL and FLEXI ZONE).

- The door is opened too frequently. >>> Take care not to open the product's door too frequently.
- The environment is too humid. >>> Do not install the product in humid environments.
- Foods containing liquids are kept in unsealed holders. >>> Keep the foods containing liquids in sealed holders.
- The product's door is left open. >>> Do not keep the product's door open for long periods.
- The thermostat is set to a very cool temperature. >>> Set the thermostat to an appropriate temperature.

Compressor is not working.

- In case of sudden power failure or pulling the power plug off and putting back on, the gas pressure in the product's cooling system is not balanced, which triggers the compressor thermic safeguard. The product will restart after approximately 6 minutes. If the product does not restart after this period, contact the service.
- Defrosting is active. >>> This is normal for a fully-automatic defrosting product. The defrosting is carried out periodically.
- The product is not plugged in. >>> Make sure the power cord is plugged in.
- The temperature setting is incorrect. >>> Select the appropriate temperature setting.
- The power is out. >>> The product will continue to operate normally once the power is restored.

The refrigerator's operating noise is increasing while in use.

- The product's operating performance may vary depending on the ambient temperature variations. This is normal and not a malfunction.

The refrigerator runs too often or for too long.

- The new product may be larger than the previous one. Larger products will run for longer periods.
- The room temperature may be high. >>> The product will normally run for long periods in higher room temperature.
- The product may have been recently plugged in or a new food item is placed inside. >>> The product will take longer to reach the set temperature when recently plugged in or a new food item is placed inside. This is normal.
- Large quantities of hot food may have been recently placed into the product. >>> Do not place hot food into the product.
- The doors were opened frequently or kept open for long periods. >>> The warm air moving inside will cause the product to run longer. Do not open the doors too frequently.

- The freezer or cooler door may be ajar. >>> Check that the doors are fully closed.
- The product may be set to a temperature that is too low. >>> Set the temperature to a higher degree and wait for the product to reach the adjusted temperature.
- The cooler or freezer door washer may be dirty, worn out, broken or not properly settled. >>> Clean or replace the gasket. Damaged / torn door washer will cause the product to run for longer periods to preserve the current temperature.

The freezer temperature is very low, but the cooler temperature is adequate.

- The freezer compartment temperature is set to a very low degree. >>> Set the freezer compartment temperature to a higher degree and check again.

The cooler temperature is very low, but the freezer temperature is adequate.

- The cooler compartment temperature is set to a very low degree. >>> Set the cooler compartment temperature to a higher degree and check again.

The food items kept in cooler compartment drawers are frozen.

- The cooler compartment temperature is set to a very low degree. >>> Set the cooler compartment temperature to a higher degree and check again.

The temperature in the cooler or the freezer is too high.

- The cooler compartment temperature is set to a very high degree. >>> Temperature setting of the cooler compartment has an effect on the temperature in the freezer compartment. Wait until the temperature of relevant parts reach the sufficient level by changing the temperature of cooler or freezer compartments.
- The doors were opened frequently or kept open for long periods. >>> Do not open the doors too frequently.
- The door may be ajar. >>> Fully close the door.

- The product may have been recently plugged in or a new food item is placed inside. >>> This is normal. The product will take longer to reach the set temperature when recently plugged in or a new food item is placed inside.
- Large quantities of hot food may have been recently placed into the product. >>> Do not place hot food into the product.

Shaking or noise.

- The surface is not flat or durable >>> If the product is shaking when moved slowly, adjust the stands to balance the product. Also make sure the ground is sufficiently durable to bear the product.
- Any items placed on the product may cause noise. >>> Remove any items placed on the product.
- The product is making noise of liquid flowing, spraying etc.
- The product's operating principles involve liquid and gas flows. >>> This is normal and not a malfunction.

There is sound of wind blowing coming from the product.

- The product uses a fan for the cooling process. This is normal and not a malfunction.

There is condensation on the product's internal walls.

- Hot or humid weather will increase icing and condensation. This is normal and not a malfunction.
- The doors were opened frequently or kept open for long periods. >>> Do not open the doors too frequently; if open, close the door.
- The door may be ajar. >>> Fully close the door.

There is condensation on the product's exterior or between the doors.

- The ambient weather may be humid, this is quite normal in humid weather. >>> The condensation will dissipate when the humidity is reduced.

The interior smells bad.

- The product is not cleaned regularly. >>> Clean the interior regularly using sponge, warm water and carbonated water.
- Certain holders and packaging materials may cause odour. >>> Use holders and packaging materials without free of odour.
- The foods were placed in unsealed holders. >>> Keep the foods in sealed holders. Microorganisms may spread out of unsealed food items and cause bad odour.
- Remove any expired or spoiled foods from the product.

The door is not closing.

- Food packages may be blocking the door. >>> Relocate any items blocking the doors.
- The product is not standing in full upright position on the ground. >>> Adjust the stands to balance the product.
- The surface is not flat or durable >>> Make sure the surface is flat and sufficiently durable to bear the product.

The crisper is jammed.

- The food items may be in contact with the upper section of the drawer. >>> Reorganize the food items in the drawer.

Temperature on the product surface.

- High temperature may be observed between two doors, on the side panels and on the rear grill area while your product is operated. This is normal and it does not require servicing.

Fan continues to operate when the door is opened.

- Fan may continue to operate when the freezer door is open.



WARNING: If the problem persists after following the instructions in this section, contact your vendor or an Authorized Service. Do not try to repair the product. This is normal.

Some (simple) failures can be adequately handled by the end-user without any safety issue or unsafe use arising, provided that they are carried out within the limits and in accordance with the following instructions (see the "Self-Repair" section).

Therefore, unless otherwise authorized in the "Self-Repair" section below, repairs shall be addressed to registered professional repairers in order to avoid safety issues. A registered Professional repairer is a professional repairer that has been granted access to the instructions and spare parts list of this product by the manufacturer according to the methods described in legislative acts pursuant to Directive 2009/125/EC.

However, only the service agent (i.e. authorized professional repairers) that you can reach through the phone number given in the user manual/warranty card or through your authorized dealer may provide service under the guarantee terms. Therefore, please be advised that repairs by professional repairers (who are not authorized by) Beko shall void the guarantee.

Self-Repair

Self-repair can be done by the end-user with regard to the following spare parts: door handles, door hinges, trays, baskets and door gaskets (an updated list is also available support.beko.com as of 1st March 2021).

Moreover, to ensure product safety and to prevent risk of serious injury, the mentioned self-repair shall be done following the instructions in the user manual for self-repair or which are available in support.beko.com. For your safety, unplug the product before attempting any self-repair. Repair and repair attempts by end-users for parts not included in such list and/or not following the instructions in the user manuals for self-repair or which are available in

support.beko.com, might give rise to safety issues not attributable to Beko, and will void the warranty of the product.

Therefore, it is highly recommended that end-users refrain from the attempt to carry out repairs falling outside the mentioned list of spare parts, contacting in such cases authorized professional repairers or registered professional repairers. On the contrary, such attempts by end-users may cause safety issues and damage the product and subsequently cause fire, flood, electrocution and serious personal injury to occur.

By way of example, but not limited to, the following repairs must be addressed to authorized professional repairers or registered professional repairers: compressor, cooling circuit, main board, inverter board, display board, etc.

The manufacturer/seller cannot be held liable in any case where end-users do not comply with the above.

The spare part availability of the refrigerator that you purchased is 10 years. During this period, original spare parts will be available to operate the refrigerator properly. The minimum duration of guarantee of the refrigerator that you purchased is 24 months.

This product is equipped with a lighting source of the "G" energy class.

The lighting source in this product shall only be replaced by Professional repairer.

يرجى قراءة دليل المستخدم هذا أولاً.

عميلنا العزيز،

يرجى قراءة هذا الدليل قبل استخدام المنتج.

نشكرك على اختيارك هذا المنتج Beko. نتمنى أن تصل إلى الكفاءة المثلى من هذا المنتج عالي الجودة الذي تم تصنيعه بأحدث التقنيات. للقيام بذلك ، اقرأ هذا الدليل بعناية وأية وثائق أخرى مقدمة قبل استخدام المنتج واحتفظ به كمرجع.

انتبه إلى جميع المعلومات والتحذيرات الموجودة في دليل المستخدم. بهذه الطريقة ، ستحمي نفسك ومنتجك من الأخطار التي قد تحدث.

احتفظ بدليل المستخدم. قم بتضمين هذا الدليل مع الجهاز إذا قمت بتسليمه إلى شخص آخر.

تستخدم الرموز التالية في دليل المستخدم:

خطر قد يؤدي إلى الوفاة أو الإصابة.



معلومات مهمة أو نصائح مفيدة حول التشغيل.



اقرأ دليل المستخدم.



مادة قابلة للاشتعال، تحذير من مخاطر الحريق.



تنبه خطر قد يتسبب في تلف مادي بالمنتج أو المناطق المحيطة به

يمكن الوصول إلى معلومات الموديل المخزنة في قاعدة بيانات المنتج بزيارة الموقع التالي والبحث عن معرف الموديل (*) المطبوع على ملصق الطاقة.

[/https://eprel.ec.europa.eu](https://eprel.ec.europa.eu)



ENERG



SUPPLIER'S NAME

MODEL IDENTIFIER → (*)

A

A

١ تعليمات السلامة.....	30
١-١ طريقة الاستخدام.....	30
٢-١ سلامة الأطفال والضعفاء والحيوانات الأليفة.....	30
٣-١ السلامة الكهربائية.....	31
٤-١ سلامة نقل المنتج.....	31
٥-١ سلامة التركيب.....	32
٦-١ السلامة التشغيلية.....	33
٧-١ سلامة تخزين الطعام.....	35
٨-١ سلامة الصيانة والتنظيف.....	36
٩-١ التخلص من المنتج القديم.....	36
٢ التعليمات البيئية.....	37
١-٢ الامتثال للتوجيهات الخاصة بنفايات الأجهزة والتخلص منها.....	37
٣ نلأجتك.....	38
٤ التركيب.....	38
١-٤ المكان المناسب للتركيب.....	39
٢-٤ التوصيلات الكهربائية.....	39
٣-٤ ضبط أقدام المنتج.....	39
٤-٤ تحذير سطح ساخن.....	39
٥ الإعداد.....	40
١-٥ إجراءات توفير الطاقة.....	40
٢-٥ الاستخدام لأول مرة.....	40
٣-٥ فئة المناخ والتعاريف.....	40
٦ لوحة التحكم في منتجك.....	41
٧ استخدام المنتج.....	42
١-٧ تخزين الطعام في حجرة المجمد والمبرد.....	42
٢-٧ استبدال مصباح الإضاءة.....	45
٣-٧ تحذير فتح الباب.....	45
٤-٧.....	45
٥-٧ عكس جانب فتح الباب.....	45
٨ مواصفات المنتج.....	45
١-٨ تقنيات درج الخضروات.....	45
٢-٨ رف الخضروات.....	45
٣-٨ منطقة التخزين البارد لمنتجات الألبان.....	45
٤-٨ منطقة تخزين الثلج.....	46
٥-٨ حامل البيض.....	46

في وحدات الفنادق أو الموتيلا أو مرافق الاستراحة الأخرى التي يستخدمها الزبائن، في النزل أو البيئات المماثلة، في خدمات الضيافة وتقديم الطعام والتطبيقات المماثلة في غير محلات التجزئة.

• لا يجوز استخدام هذا المنتج في البيئات الخارجية المفتوحة أو المغلقة مثل السفن أو عربات التخيم أو الشرفات. قد يؤدي تعريض المنتج للمطر والثلج وأشعة الشمس والرياح إلى خطر نشوب حريق.

٢-١ سلامة الأطفال

والضعفاء والحيوانات الأليفة


• يمكن للأطفال بعمر 8 أعوام فأكثر والأشخاص الذين يعانون من قدرات بدنية أو حسية أو عقلية محدودة أو يفتقرون للخبرة والمعرفة استخدام هذا المنتج تحت الإشراف أو وفقاً للتعليمات الخاصة باستخدام الجهاز بطريقة آمنة شريطة أن يكونوا مدركين للمخاطر المتعلقة بذلك.


• يُسمح للأطفال الذين تتراوح أعمارهم بين 3 و 8 سنوات بوضع وإخراج الطعام من / إلى المنتج المبرد.


• يجب على الأطفال والحيوانات الأليفة عدم اللعب بالمنتج، أو التسلق عليه، أو دخوله.


• يوضح هذا الجزء تعليمات السلامة اللازمة لمنع خطر الإصابة أو الضرر المادي.

• لا تتحمل شركتنا المسؤولية عن أي أضرار قد تقع إذا لم يتم التقيد بهذه التعليمات.

 قم دائماً بإجراء عمليات التثبيت والإصلاح من قبل الشركة المصنعة أو الخدمة المعتمدة أو الشخص الذي سيتم وصفه من قبل شركة المستورد.

 لا تستخدم سوى قطع الغيار والملحقات الأصلية.

 لا تصلح أو تستبدل أي جزء من الجهاز إلا إذا ذكر ذلك صراحة في دليل المستخدم.

 لا تُجرى أي تعديلات على المنتج.

١-١ طريقة الاستخدام

• هذا المنتج غير مناسب للاستخدام التجاري ولا ينبغي استخدامه لأي غرض آخر غير الغرض المقصود منه.

• هذا المنتج مخصص للتشغيل في المساحات الداخلية، مثل المنازل أو ما شابه ذلك.

مثال؛

في مطابخ الموظفين بالمتاجر، والمكاتب وبيئات العمل الأخرى، في المزارع،

- يجب أن تكون هناك سهولة في الوصول إلى المقبس. إذا لم يكن ذلك ممكناً ، فيجب توفير آلية في التركيب تتوافق مع التشريعات الكهربائية وتفصل جميع المحطات الطرفية عن تمديدات الشبكة (المصهر ، والمفتاح الرئيسي، الخ).

- يجب عدم تشغيل المنتج باستخدام جهاز تحويل خارجي مثل مؤقت، أو نظام تحكم عن بعد.

- لا تستخدم المنتج عندما تكون قدميك عاريتين أو يكون جسمك مبللاً.
- لا تلمس القابس بأيدي مبللة!
- عند فصل الجهاز ، لا تمسك سلك الطاقة، بل القابس.

٤-١ ⚠️ سلامة نقل المنتج

- تأكد من فصل الجهاز عن الكهرباء قبل حمل المنتج.
- هذا المنتج ثقيل، لا تحمله بمفردك. فقد تحدث إصابات إذا وقع المنتج عليك. لا تصطدم المنتج أو تسقطه أثناء نقله.
- أغلق الأبواب دائماً ولا تمسك المنتج من أوابه أثناء نقله.
- احرص على عدم إتلاف نظام التبريد والأنابيب أثناء نقل المنتج. لا تقم بتشغيل المنتج في حالة تلف الأنابيب ، واتصل بخدمة معتمدة.

- ويجب إبعاد الأطفال والحيوانات الأليفة عن منطقة الكابينة (الضاغط) حيث توجد بها الأجزاء الكهربائية.
- يجب ألا يقوم الأطفال بالتنظيف وصيانة المستخدم ما لم يكن هناك من يشرف عليهم.
- ابعد مواد التغليف عن الأطفال. خطر الاصابة والاختناق.

٣-١ ⚠️ السلامة الكهربائية

- يجب عدم توصيل المنتج بالمأخذ أثناء عمليات التركيب والصيانة والتنظيف والإصلاح والنقل.
- في حالة تلف سلك الطاقة، فيجب استبداله بواسطة الخدمة المعتمدة فقط لتجنب أي خطر قد يحدث.
- لا تضع سلك الطاقة أسفل المنتج أو في الجزء الخلفي منه. لا تضع عناصر ثقيلة على سلك الطاقة. يجب عدم ثني سلك الطاقة أو الضغط فوقه أو ملاسته لأي مصدر حرارة.
- لا تستخدم سلك تمديد أو مقبس متعدد أو محول لتشغيل منتجك.
- قد تؤدي المقابس المتعددة المحمولة أو مصادر الطاقة المحمولة إلى زيادة الحرارة وتسبب الحريق. وبالتالي، لا تضع مصادر طاقة محمولة متعددة المقابس خلف المنتج أو بالقرب منه.
- لا تقم بتوصيل سلك الطاقة الخاص بالمنتج بمأخذ طاقة مفكوك أو تالف. قد ترتفع درجة حرارة هذه الأنواع من الوصلات وتسبب في نشوب حريق.

- يجب تركيب المنتج في بيئة جافة وجيدة التهوية. لا تضع سجاد أو بسط أو أغطية مشابهة أسفل المنتج. قد يؤدي ذلك إلى نشوب حريق نتيجة التهوية الغير كافية!
- لا تسد أو تغطي فتحات التهوية.
- بخلاف ذلك، يزيد استهلاك الطاقة وقد يتلف منتجك.
- عند وضع المنتج، تأكد من أن كابل الإمداد غير تالف أو مقروص.
- يجب ألا يكون المنتج متصلاً بأنظمة الإمداد ومصادر الطاقة التي قد تسبب تغييرات مفاجئة في الجهد (أي، مصدر طاقة شمسي محمول). خلاف ذلك ، قد يحدث تلف لمنتجك نتيجة لتقلبات الجهد المفاجئة!
- كلما زادت كمية غاز التبريد في الثلاجة ، زادت مساحة الغرفة التي يجب تركيب الثلاجة بها. في الغرف الصغيرة جداً ، قد يتشكل خليط غاز-هواء قابل للاشتعال في حالة تسرب الغاز في نظام التبريد. يطلب ما لا يقل عن 1 متر مكعب من الحجم لكل 8 جرام من سائل التبريد. تم تحديد كمية مادة التبريد المتوفرة في منتجك في ملصق النوع.
- لا يجوز أبداً وضع المنتج بطريقة تجعل كابلات الطاقة، أو الخرطوم المعدني لموقد الغاز، أو أنابيب الغاز المعدني أو أنابيب المياه تتلامس مع الجدار الخلفي للمنتج (أو المكثف).

- اتصل بخدمة الصيانة المعتمدة من أجل تركيب الجهاز. لإعداد الجهاز للاستخدام، انظر المعلومات في دليل المستخدم وتأكد أن منافع الكهرباء والماء كما هو مطلوب. إذا لم يكن الأمر كذلك، فاتصل بغني كهربائي وسباك مؤهل لترتيب المرافق حسب الضرورة. قد يؤدي عدم القيام بذلك إلى حدوث صدمة كهربائية أو نشوب حريق أو مشاكل بالمنتج أو حدوث إصابة.
- صُمم هذا المنتج للاستخدام على ارتفاع أقصاه 2000 متر فوق مستوى سطح البحر.
- ابعد الأطفال بعيداً عن منطقة التثبيت.
- تحقق من عدم وجود أي ضرر في المنتج قبل تثبيته. لا توصل الجهاز بالكهرباء إذا كان متضرراً.
- استخدم دائماً معدات الحماية الشخصية (القفازات، إلخ) أثناء تركيب المنتج وصيانته وإصلاحه. خطر حدوث إصابات!
- ضع المنتج على سطح نظيف ومستو وصلب وقم بموازنته مع الأرجل القابلة للتعديل (عن طريق تدوير القدمين الأماميتين إلى اليمين أو اليسار). وإلا فقد تتقلب الثلاجة وتتسبب في حدوث إصابات.

- يجب ألا يتعرض مكان تركيب المنتج لأشعة الشمس المباشرة، كما يجب ألا يكون بالقرب من مصدر حرارة مثل المواقد، والرادياتير وما إلى ذلك، وإذا لم تتمكن من منع تركيب المنتج بالقرب من مصدر الحرارة، فاستخدم لوح عزل مناسب وتأكد من أن الحد الأدنى للمسافة إلى مصدر الحرارة كما هو محدد أدناه:
- - على بعد 30 سم على الأقل من مصادر الحرارة مثل المواقد والأفران ووحدات التسخين والسخانات وما إلى ذلك،
- - وعلى بعد 5 سم على الأقل من الأفران الكهربائية.
- منتجك من فئة الحماية الأولى.
- قم بتوصيل المنتج بمقبس مؤرض يتوافق مع قيم الجهد والتيار والتردد المحددة في ملصق النوع. يجب أن يحتوي المقبس على فتيل 10 أمبير - 16 أمبير. لا تتحمل شركتنا المسؤولية عن أية أضرار بسبب الاستعمال بدون تأريض أو بدون توصيل الطاقة طبقاً للأنظمة المحلية.
- يجب فصل كبل طاقة الجهاز أثناء التركيب. خلاف ذلك، قد يحدث خطر حدوث صدمة كهربائية وإصابة!
- لا تقم بتوصيل سلك الطاقة الخاص بالمنتج بمنافذ طاقة مفكوكة أو مخلوطة أو مكسورة أو متسخة أو زبينة قد تتعرض لخطر ملامسة الماء.
- قد ترتفع درجة حرارة هذه الأنواع من الوصلات وتسبب في نشوب حريق.
- ضع سلك الطاقة وخراطيم المنتج (إن وجدت) بحيث لا تسبب خطر التعثر.
- قد يتسبب دخول الرطوبة أو السوائل إلى الأجزاء الكهربائية أو سلك الطاقة في حدوث قصر في الدائرة الكهربائية. بالتالي، لا تستخدم المنتج في البيئات الرطبة أو في المناطق التي قد تتأثر فيها المياه (مثل المرآب وغرفة الغسيل وما إلى ذلك) إذا كانت الثلجة مبللة بالمياه، أفضلهما واتصل بالخدمة المعتمدة.
- لا تقم بتوصيل تلاجتك بأجهزة توفير الطاقة. هذه الأنظمة ضارة بالمنتج.
- هناك خطر ملامسة الأجزاء الكهربائية عند إزالة غطاء اللوحة الإلكترونية والغطاء الخلفي للضاغط (إذا تم تركيبه). لا تقم بإزالة غطاء اللوحة الإلكترونية والغطاء الخلفي للضاغط (إذا تم تركيبه). هناك خطر حدوث صق كهربائي!

⚠️ ٦-١ السلامة التشغيلية

- لا تستخدم المذيبات الكيميائية على المنتج. تسبب هذه المواد خطر الانفجار.
- في حالة تعطل المنتج، أفضله ولا تشغله حتى يتم إصلاحه بواسطة الخدمة المعتمدة. فهناك خطر الصدمة الكهربائية!

- لا تضع مصدراً للهب (مثل الشموع والسجائر وما إلى ذلك) على المنتج أو بالقرب منه.
- لا تصعد على المنتج. هناك خطر السقوط والإصابة!
- لا تلتف أنابيب نظام التبريد باستخدام أدوات حادة وثاقبه. قد يتسبب سائل التبريد الذي قد يتم رشه في حالة ثقب أنابيب الغاز أو تمديدات الأنابيب أو غلاف السطح العلوي في حدوث تهيج للجلد وإصابات في العين.
- لا تضع وتشغل الأجهزة الكهربائية داخل الثلاجات / المجمد ما لم ينصح المصنع بذلك.
- لا تحشر أي جزء من يديك أو جسمك في الأجزاء المتحركة داخل المنتج. احرص على عدم انحسار أصابعك بين الثلاجة وبابها. كن حذراً أثناء فتح وإغلاق الباب إذا كان هناك أطفال بالجوار.
- لا تضع الثلجات أو مكعبات الثلج أو الأطعمة المجمدة في فمك بمجرد إخراجها من الفريزر. خطر حدوث عضة صقيع!
- لا تلمس الجدران الداخلية أو الأجزاء المعدنية من المجمد أو الأطعمة المحفوظة داخل المجمد ويداك مبتلة. خطر حدوث عضة صقيع!
- لا تضع علب الصودا أو العلب والزجاجات التي تحتوي على سائل يمكن تجميدها في حجرة التجميد. قد تتفجر العلب أو الزجاجات. هناك خطر حدوث إصابة وأضرار مادية!
- لا تستخدم أو تضع مواداً حساسة ضد درجة الحرارة مثل البخاخات القابلة للاشتعال ، والأشياء القابلة للاشتعال ، والتلج الجاف أو غيرها من المواد الكيميائية في محيط الثلاجة. خطورة الحريق والانفجار!
- لا تخزن المواد القابلة للانفجار مثل علب الأيروسول التي تحتوي على مواد قابلة للاشتعال داخل المنتج.
- لا تضع العلب المحتوية على سائل فوق المنتج بشكل مفتوح. قد يؤدي تآثر الماء على جزء كهربائي إلى حدوث صدمة كهربائية أو نشوب حريق.
- لا تخزن الأوعية الزجاجية التي تحتوي على سائل بداخلها في حجرة التجميد نظراً لخطر حدوث كسر.
- هذا المنتج غير مخصص لتخزين وتبريد الأدوية أو بلازما الدم أو المستحضرات المخبرية أو المواد والمنتجات المماثلة التي تخضع لتوجيه المنتجات الطبية.
- إذا تم استخدام المنتج لغرض غير الغرض المقصود منه، فقد يتسبب ذلك في تلف المنتجات المخزنة بالداخل أو تدهور جودتها.
- إذا كانت ثلاجتك مزودة بضوء أزرق ، فلا تنظر إلى هذا الضوء بالأجهزة البصرية. لا تحق مباشرة في ضوء الأشعة فوق البنفسجية LED لفترة طويلة. قد تسبب الأشعة فوق البنفسجية إجهاد العين.

في حالة تلف المنتج ولاحظت تسرب الغاز، يرجى الابتعاد عن الغاز. قد يسبب الغاز قسمة الصقيع إذا لامس جلدك.

قبل التخلص من المنتجات القديمة التي لا يجب استخدامها بعد الآن:

1. أفضل سلك الطاقة من مأخذ التيار.
2. اقطع سلك الطاقة وقم بإزالته من الجهاز مع القابس.
3. لا تقم بإزالة الرفوف والأدراج من المنتج لمنع الأطفال من الدخول إلى الجهاز.
4. فك الأبواب
5. قم بتخزين المنتج بحيث لا ينقلب.
6. لا تسمح للأطفال بالعبث بالجهاز المفك.

• لا تتخلص من المنتج برميهِ في النار. خطر الانفجار.

• إذا كان هناك قفل متوفر في باب المنتج، احفظ مفتاح القفل بعيداً عن متناول الأطفال.

٧-١ ⚠️ سلامة تخزين الطعام

يرجى الانتباه إلى التحذيرات التالية لتجنب تلف الطعام:

- قد يؤدي ترك الأبواب مفتوحة لفترة طويلة إلى ارتفاع درجة الحرارة داخل المنتج.
- نظف بانتظام أنظمة الصرف التي يمكن الوصول إليها عند ملامستها للطعام.

• لا تملأ المنتج بمحتويات تزيد عن سعته. قد تحدث إصابات أو أضرار إذا سقطت محتويات الثلاجة عند فتح الباب. قد تحدث مشكلات مماثلة عند وضع شيء ما فوق المنتج.

• تأكد من إزالة أي جليد أو ماء قد يكون سقط على الأرض لمنع الإصابات.

• قم بتغيير أماكن الرفوف / أرفف الزجاجات على باب الثلاجة عندما تكون الأرفف فارغة فقط. خطر الإصابة!

• لا تضع أشياء قد تسقط / تنقلب على المنتج. قد تسقط هذه الأشياء أثناء فتح الباب أو إغلاقه وتسبب إصابات و / أو أضرار مادية.

• لا تضرب أو تمارس ضغطاً زائداً على الأسطح الزجاجية. قد يتسبب الزجاج المكسور في حدوث إصابات و / أو أضرار مادية.

• يحتوي نظام التبريد في منتجك على مبرد R600a. يتم تحديد نوع مادة التبريد المستخدمة في المنتج في ملصق النوع. هذا الغاز سريع

الاشتعال. لذلك احرص على عدم إتلاف نظام التبريد والأنابيب أثناء

تشغيل المنتج. في حالة تلف الأنابيب ؛

1. لا تلمس المنتج أو سلك الطاقة،
2. احتفظ بالمنتج بعيداً عن مصادر الحريق المحتملة التي قد تتسبب في اشتعال المنتج.

3. قم بتهوية المنطقة التي وضع فيها المنتج. لا تستخدم مروحة.

4. قم بالاتصال بالخدمة المعتمدة.

- قم بتنظيف خزانات المياه التي لم يتم استخدامها لمدة 48 ساعة وأنظمة المياه التي يتم تغذيتها بالتيار الكهربائي والتي لم يتم استخدامها لأكثر من 5 أيام.
- قم بتخزين اللحوم النيئة ومنتجات الأسماك في أجزاء مناسبة داخل المنتج. بحيث لا تقطر أو تتلامس مع الأطعمة الأخرى.
- تُستخدم حجرات المجمد ذات النجمتين لتخزين الأطعمة المعبأة مسبقاً، وصنع وتخزين الثلج والآيس كريم.
- المقصورات ذات النجوم الواحدة والنجمة والثلاثة نجوم، غير مناسبة لتجميد الأطعمة الطازجة.
- إذا تم ترك منتج التبريد فارغاً لفترة طويلة، فقم بإيقاف تشغيل المنتج، وقم بإذابة المنتج وتنظيفه وتجفيفه من أجل حماية غلاف المنتج.

٨-١ ⚠️ سلامة الصيانة والتنظيف

- أفضل التلاجة قبل تنظيفها أو البدء في إجراء الصيانة.
- لا تسحب من مقبض الباب إذا كان عليك نقل المنتج لأغراض التنظيف. قد يتسبب المقبض في حدوث إصابات إذا تم سحبه بشدة.
- لا تضع يديك وما إلى ذلك تحت التلاجة. فقد يحدث سحق ليدك أو قد تتسبب أي حافة حادة في حدوث إصابات شخصية.

٩-١ ⚠️ التخلص من المنتج القديم

- عند التخلص من منتجك القديم، اتبع التعليمات التالية:
- لمنع الأطفال من القفل على أنفسهم عن طريق الخطأ داخل المنتج، إذا كان هناك قفل باب، فقم بتعطيله.

- يعد رذاذ سائل التبريد ضاراً بالعينين.
- لا تتلف أي جزء من نظام التبريد أثناء التخلص من المنتج.
- قد يكون زيت الضاغط مميئاً إذا تم ابتلاعه أو إذا احترق الجهاز التنفسي.
- يشتمل نظام التبريد الخاص بمنتجك على غاز R600a كما هو محدد في ملصق النوع. هذا الغاز سريع الاشتعال. لا تتخلص من المنتج برميته في النار. خطر الانفجار!
- ج - يُستخدم البنتان كمادة نفخ في الرغوة العازلة وهو مادة قابلة للاشتعال. لا تتخلص من المنتج برميته في النار.

٢ التعليمات البيئية

استعادة وإعادة تدوير الأجهزة القديمة. يساعد التخلص المناسب من الأجهزة المستعملة على منع النتائج السلبية المحتملة على البيئة وصحة الإنسان.

الامتثال لتوجيهات حظر المواد الخطرة

هذا المنتج متوافق مع توجيهات EU RoHS (2011/65/EU). وهو لا يحتوي على مواد ضارة أو محظورة محددة في التوجيهات.

معلومات مواد التغليف



تم تصنيع مواد تغليف المنتج من مواد قابلة لإعادة التدوير طبقاً للوائح البيئية الوطنية. لا تتخلص من مواد التغليف مع النفايات المنزلية وغيرها. قم بنقلها إلى نقاط تجميع مواد التغليف المحددة من قبل السلطات المحلية.

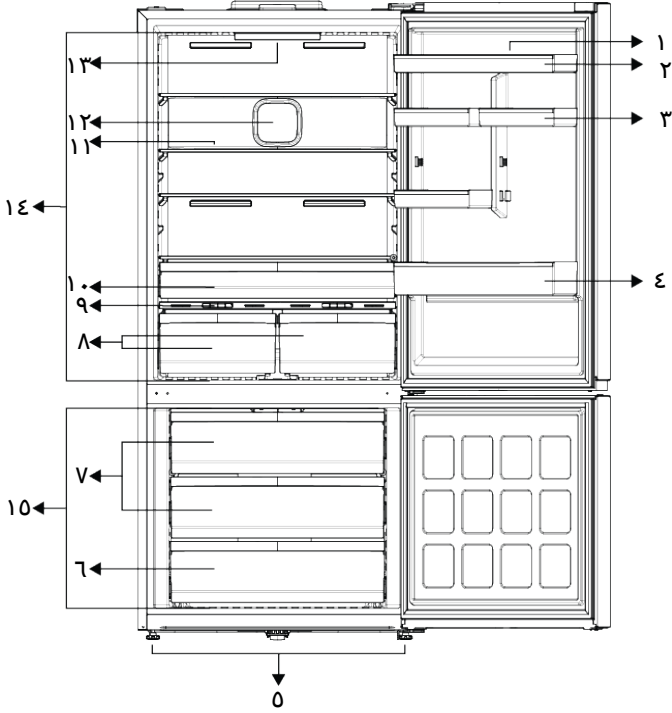
١-٢ الامتثال للتوجيهات الخاصة بنفايات الأجهزة والتخلص منها

يتوافق هذا المنتج مع توجيه الاتحاد الأوروبي الخاص بالنفايات الكهربائية والأجهزة الإلكترونية (EU/2012/19). يحمل هذا المنتج رمز تصنيف التخلُّق من الأجهزة الكهربائية والإلكترونية



(WEEE).

يشير هذا الرمز إلى أنه لا يجب التخلص من هذا المنتج مع النفايات المنزلية الأخرى في نهاية عمره التشغيلي. يجب إعادة الجهاز المستخدم إلى نقطة التجميع الرسمية لإعادة تدوير الأجهزة الكهربائية والإلكترونية. للعثور على أنظمة التجميع هذه، يرجى الاتصال بالسلطات المحلية أو بائع التجزئة الذي تم شراء المنتج منه. تؤدي كل أسرة دوراً مهماً في



- | | |
|---------------------------|----------------------------------|
| ٢* رف الباب | ١ حامل البيض |
| ٤* رف الزجاجات | ٣* رف باب صغير قابل للتعديل |
| ٦* درج صغيرة لحجرة المجمد | ٥ الأرجل القابلة للتعديل |
| ٨* درج الخضروات | ٧* درج كبير لحجرة المجمد |
| ١٠* درج التخزين البارد | ٩ غطاء درج الخضروات |
| ١٢ مروحة | ١١* الرف الزجاجي القابلة للتعديل |
| ١٤ حجرة المبرد | ١٣ الإنارة |
| | ١٥ مقصورة المجمد |

***اختياري:** إن الأشكال المذكورة في دليل المستخدم هذا هي تخطيطه وقد لا تتطابق مع جهازك تماما. إذا كان جهازك لا يشتمل على الأجزاء ذات الصلة، فإن المعلومات تعود لطراز أخرى.

٤ التركيب

اقرأ قسم "تعليمات الأمان" أولاً!



٢-٤ التوصيلات الكهربائية

لا تستخدم كابلات التطويل أو المقابس المتعددة في توصيل الطاقة.



يجب استبدال كبل الطاقة التالف بواسطة خدمة الصيانة المعتدة.



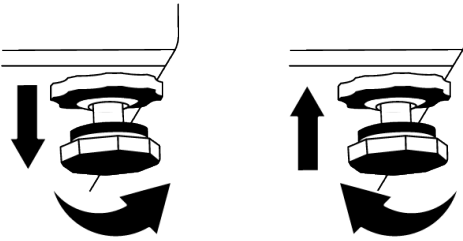
عند وضع مبردين في موضع مجاور، اترك مسافة 4 سم على الأقل بين الوحدتين.



- لا تتحمل شركتنا المسؤولية عن أية أضرار بسبب الاستعمال بدون تأريض وبدون توصيل الطاقة طبقاً للأنظمة المحلية.
- يجب أن يكون قابس كبل الطاقة سهل الوصول بعد التركيب.
- لا تستخدم قابساً متعدد المجموعات مع أو بدون كابل تمديد بين مقبس الحائط والثلاجة.

٣-٤ ضبط أقدام المنتج

إن لم يكن الجهاز في وضع متوازن، اضبط الأقدام الأمامية القابلة للتعديل بإدارتها إلى اليمين أو اليسار.



٤-٤ تحذير سطح ساخن

تم تجهيز الجدران الجانبية لمنتجك بأنايب تبريد لتعزيز نظام التبريد. قد يتدفق السائل ذو الضغط المرتفع عبر هذه الأسطح، ويسبب سخونة للأسطح على الجدران الجانبية. هذا أمر طبيعي ولا يتطلب صيانة. كن حذراً عند لمس هذه المناطق.

اتصل بخدمة الصيانة المعتمدة من أجل تركيب الجهاز. لإعداد الجهاز للتركيب، انظر المعلومات في دليل المستخدم وتأكد أن منافع الكهرباء والماء كما هو مطلوب. إذا لم يكن الأمر كذلك، فاتصل بفني كهربائي وسباك مؤهل لترتيب المرافق حسب الضرورة.

تحذير:



لا يتحمل المصنع أية مسؤولية عن الأضرار الناجمة عن الأعمال المنفذة بواسطة أشخاص غير مرخصين.

تحذير:



يجب فصل كبل طاقة الجهاز أثناء التركيب. قد يؤدي الإخفاق في ذلك إلى الموت أو إصابات خطيرة!

تحذير:



إذا كان حجم الباب ضيقاً لدخول الجهاز، قم بفك الباب وأدر الجهاز إلى جانبه؛ إذا لم ينجح ذلك، اتصل بخدمة الصيانة المعتمدة.

- ضع الجهاز على سطح منبسط لتجنب الاهتزاز.
- ضع الجهاز على بعد 30 سم على الأقل من المدفأة والموقد مصادر الحرارة الأخرى و5 سم على الأقل من الأفران الكهربائية.
- لا تعرض الجهاز لاشعة الشمس المباشرة أو تبقيه في أماكن رطبة.
- يتطلب المنتج الخاص بك توزيع الهواء بصورة كافية حتى يعمل بكفاءة. إذا كنت ستضع الجهاز في تجويف بالجدار، فتذكر ترك خلوص لا يقل عن 5 سم بين الجهاز وكل من السقف والجدار الخلفي والجدران الجانبية.
- تأكد أن مكوّن الحماية الخاص بالخلوص بين الجهاز والجدار الخلفي موجود في مكانه (إذا كان مزوداً مع المنتج).
- في حالة عدم توفر المكون المشار إليه أعلاه، أو في حالة فقدانه أو سقوطه، ضع الجهاز مع ترك خلوص لا يقل عن 5 سم بين السطح الخلفي للجهاز وجدار الغرفة. الخلوص في خلفية الجهاز مهم لتشغيل الجهاز بكفاءة.

- قد يؤدي تغيير درجة الحرارة الناجم عن فتح وإغلاق الباب أثناء استخدام المنتج عادةً إلى تشكل تكاثف على أرفف الباب / الهيكل والأواني الزجاجية الموضوعة في المنتج.

اقرأ قسم "تعليمات الأمان" أولاً!



1-0 إجراءات توفير الطاقة

يمكن سماع صوت عندما يعمل الضاغط. من الطبيعي أن يصدر المنتج ضوضاء حتى في حالة عدم تشغيل الضاغط، حيث قد يتم ضغط السوائل والغاز في نظام التبريد.



ومن الطبيعي أن تكون الحواف الأمامية للتلاجة ساخنة. صُممت هذه الأجزاء لرفع درجة الحرارة لمنع التكاثف.



في بعض الطرازات، تتوقف لوحة المؤشر عن العمل تلقائيًا بعد مرور 1 دقائق على غلق الباب. سيتم إعادة تنشيطها مرة أخرى عند فتح الباب أو عند الضغط على أي زر.



3-0 فئة المناخ والتعاريف

يرجى الرجوع إلى فئة المناخ على لوحة التصنيف الخاصة بجهازك. تنطبق إحدى المعلومات التالية على جهازك وفقاً لفئة المناخ.

- SN: المناخ المعتدل على المدى الطويل: تم تصميم جهاز هذا للاستخدام في درجات حرارة محيطية تتراوح بين 10 درجة مئوية و 32 درجة مئوية.
- N: المناخ المعتدل: تم تصميم جهاز هذا للاستخدام في درجات حرارة محيطية تتراوح بين 16 درجة مئوية و 32 درجة مئوية.
- ST: المناخ شبه الاستوائي: تم تصميم جهاز هذا للاستخدام في درجات حرارة محيطية تتراوح بين 16 درجة مئوية و 38 درجة مئوية.
- T: المناخ الاستوائي: تم تصميم جهاز هذا للاستخدام في درجات حرارة محيطية تتراوح بين 16 درجة مئوية و 43 درجة مئوية.

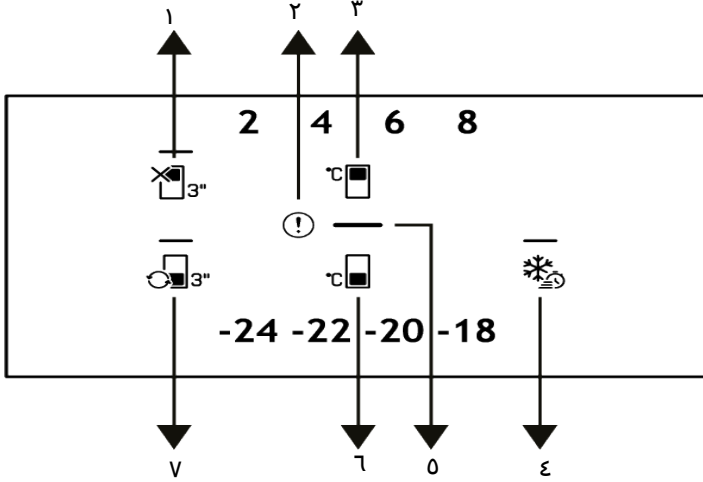
يسبب توصيل الجهاز بنظام توفير الطاقة الإلكتروني أضراراً، فقد يتلف المنتج.



- جهاز التبريد هذا غير مخصص للاستخدام كجهاز مدمج؛
- لا تدع أبواب التلاجة مفتوحة لفترات طويلة.
- لا تضع الأطعمة أو المشروبات الساخنة في التلاجة.
- لا تضع كميات مفرطة في التلاجة؛ إن إعاقة تدفق الهواء الداخلي يقلل من قدرة التبريد.
- نظراً لأن الهواء الساخن والرطب لن يتغلغل بشكل مباشر في منتجك عند عدم فتح الأبواب، فإن منتجك سيحسّن نفسه في ظروف كافية لحماية طعامك. في ظل هذه الظروف، ستعمل الوظائف والمكونات مثل الضاغط، والمروحة، والسخان، وخاصة إزالة الصقيع، والإضاءة، والشاشة، وما إلى ذلك، وفقاً للاحتياجات من خلال استهلاك الحد الأدنى من الطاقة.
- في حالة وجود خيارات متعددة، يجب وضع أرفف زجاجية بحيث لا يتم سد منافذ الهواء الموجودة في الجدار الخلفي، ويفضل بحيث تبقى منافذ الهواء أسفل الرف الزجاجي. قد يساعد هذا المزيج في تحسين توزيع الهواء وكفاءة الطاقة.
- يوصى بشدة باستخدام الدرج السفلي عند التخزين.
- يجب تخزين الطعام باستخدام الأدراج في حجرة المبرد لضمان توفير الطاقة وحماية الطعام في ظروف أفضل.

2-0 الاستخدام لأول مرة

- قبل استخدام تلاجتك، تأكد من إجراء الإعدادات الضرورية انسجاماً مع التعليمات المذكورة في أقسام "تعليمات السلامة والبيئة" و"التركيب".
- قم بتشغيل الجهاز دون وضع أي أطعمة داخله لمدة 6 ساعات مع عدم فتح الباب إلا للضرورة القصوى.



- ١ *مفتاح وظيفة إيقاف تشغيل مقصورة المبرد
وضع العطللة
- ٢ مؤشر حالة الخطأ
- ٣ مفتاح ضبط درجة حرارة حجرة المبرد
- ٤ *مفتاح التجميد السريع
- ٥ مؤشر توفير الطاقة (إيقاف الشاشة)
- ٦ مفتاح ضبط درجة حرارة مقصورة المُجمّد
- ٧ مفتاح تحويل الحجرة

1. مفتاح وظيفة إيقاف تشغيل مقصورة المبرد (وضع

العطللة) 3"

اضغط على المفتاح لمدة 3 ثوانٍ لتشيط وضع العطللة. يتم تشيط وضع العطللة وبضوء رمز العطللة. يتم عرض "-" على مؤشر درجة حرارة حجرة التبريد ولا تقوم حجرة التبريد بالتبريد بشكل فعال.

ينبغي ألا تحتفظ بطعامك في حجرة المبرد عند تشيط هذه الوظيفة. تستمر

الحجرات الأخرى في التبريد وفقاً لدرجات الحرارة المضبوطة سلفاً. اضغط على المفتاح لمدة 3 ثوانٍ مرة أخرى لإلغاء هذه الوظيفة.

اقرأ قسم "تعليمات الأمان" أولاً!



*اختياري: إن الوظائف المعروضة اختيارية، فقد توجد اختلافات في الشكل والموقع في الوظائف الموجودة على لوحة مؤشر جهازك. ستساعدك الوظائف الصوتية والبصرية للوحة المؤشرات على استخدام الثلاجة.

2. مؤشر حالة العطل!

نشطة، فسيتم إيقاف تشغيل جميع الرموز التي تظهر على الشاشة باستثناء رمز توفير الطاقة. عندما تكون وظيفة توفير الطاقة نشطة، يؤدي الضغط على أي زر أو فتح الباب إلى تنشيط وظيفة توفير الطاقة وتعود إشارات الشاشة إلى طبيعتها. وظيفة توفير الطاقة عبارة عن وظيفة يتم تنشيطها مسبقاً في المصنع ولا يمكن إلغاؤها.

6. مفتاح ضبط درجة حرارة مقصورة المُجمد

يتم ضبط درجة حرارة مقصورة المبرد. سيؤدي الضغط على المفتاح إلى تمكين ضبط درجة حرارة حجرة المُجمد على -18، -20، -22، 24 درجة مئوية.

7. *مفتاح تحويل الحجرة* 3

بالضغط على مفتاح تحويل الحجرة لمدة 3 ثوانٍ، يمكن ضبط حجرة التجميد على حجرة المبرد، وإيقافها، وحجرة التجميد، على التوالي. أثناء تشغيل حجرة التجميد، يضيء ضوء قيمة درجة حرارة حجرة التجميد المحددة، وينطفئ الضوء على

مفتاح التحويل. -24-22-20-18 3

أثناء تشغيل حجرة المبرد، تنطفئ جميع مصابيح قيم درجة حرارة حجرة المجمد، ويضيء مفتاح التحويل. تعمل المقصورة كمبرد.

8 6 4 2 ، -24-22-20-18 3

عند إغلاق حجرة التجميد، تنطفئ جميع مصابيح قيم درجة حرارة حجرة المجمد ومصباح مفتاح التحويل. لهذا الاختيار، لا يوجد طعام في المقصورة. -24-22-20-18-

عندما يتعذر على ثلاجتك إجراء التبريد الكافي أو في حالة وجود أي خطأ في المستشعر، فسيكون هذا المؤشر نشطاً. عندما تضع طعاماً ساخناً في حجرة المجمد أو تترك الباب مفتوحاً لفترة طويلة، فقد تضيء علامة التعجب لفترة معينة. هذا ليس خطأ، وسيزول هذا التحذير عند تبريد الطعام أو عند الضغط على أي مفتاح.

3. مفتاح ضبط درجة حرارة حجرة المبرد

يسمح بضبط درجة حرارة حجرة المبرد. سيؤدي الضغط على هذا المفتاح إلى تمكين ضبط درجة حرارة حجرة المبرد على 2، 4، 6، 8، 2، 4 درجة مئوية.

4. *مفتاح التجميد السريع*

عند الضغط على مفتاح التجميد السريع، يضيء رمز التجميد السريع وتنشيط وظيفة التجميد السريع. تم تعيين درجة حرارة حجرة التجميد على -27 درجة مئوية. اضغط على المفتاح مرة أخرى للإلغاء الوظيفة. سيتم إلغاء وظيفة التجميد السريع تلقائياً. لتجميد كمية كبيرة من الطعام الطازج، اضغط على زر التجميد السريع قبل وضع الطعام في مقصورة المجمد.

5. مؤشر توفير الطاقة (إيقاف الشاشة)

يتم تفعيل وظيفة توفير الطاقة تلقائياً ويضيء رمز توفير الطاقة عندما لا يتم فتح باب المنتج أو إغلاقه لمدة من الوقت. عندما تكون وظيفة توفير الطاقة

٧ استخدام المنتج

- من أجل منع انتهاء صلاحية وقت التخزين، اكتب تاريخ التجميد ووقته واسم المنتج على العبوة وفقاً لأوقات تخزين الأطعمة المختلفة.
- استهلك الأطعمة التي قمت بإذابتها بسرعة. لا يمكن تجميد الأطعمة التي تم إذابتها مرة أخرى إلا إذا تم طهيها. ليس من الآمن تناول الأطعمة الطازجة المجمدة دون طهيها بعد إذابتها.
- أثناء تجميد الأطعمة الطازجة، لا تجعلها تتلامس مع الأطعمة المجمدة بالفعل. بخلاف ذلك، سيتم إذابة الأطعمة المجمدة.

اقرأ قسم "تعليمات الأمان" أولاً!



١-٧ تخزين الطعام في حجرة المجمد والمبرد

تخزين الطعام في مقصورة المجمد

- يمكنك تنشيط وظيفة التجميد السريع قبل 4-6 ساعات من وظيفة التجميد وإجراء تبريد أسرع.
- ضع الوجبات الساخنة في درجة حرارة الغرفة قبل وضعها في مقصورة المجمد.
- يجب تقسيم الأطعمة المراد تجميدها إلى حصص حسب الكمية المراد استهلاكها، مع تجميدها في عبوات منفصلة.
- يوصى بتعبئة الأطعمة قبل وضعها في المجمد.

تخزين الأطعمة المعبأة مجمدة

- اتبع دائماً تعليمات المنتج فيما يتعلق بالوقت الذي يُطلب منك خلاله تخزين الأطعمة الخاصة بك. لا تفرط في الوقت المحدد في هذه التعليمات!
- من أجل حماية جودة الطعام، حافظ على الفاصل الزمني بين معاملة الشراء والتخزين قصيراً قدر الإمكان.
- اشترى الأطعمة المجمدة التي يتم تخزينها في -18 درجة مئوية أو درجات حرارة منخفضة.
- تجنب شراء الأطعمة التي تكون عبواتها مغطاة بالثلج وما إلى ذلك. وهذا يعني أنه يمكن إذابة المنتج جزئياً وإعادة تجميده. تؤثر درجة الحرارة على جودة الطعام.

جدول القيم الموصى بها

إعداد مقصورة المجمد	ضبط مقصورة المبرد	الملاحظات
20°C-	4°C	هذا هو الإعداد الافتراضي المفضل.
20- درجة مئوية أو أكثر برودة	2°C	استخدم هذه الإعدادات إذا كنت تعتقد أن حجرة المبرد ليست باردة بما يكفي بسبب درجة حرارة المحيط أو فتح الباب بشكل متكرر.
التجميد السريع	4°C	استخدمه عندما تود تجميد طعامك خلال زمن قصير. عندما تنتهي العملية، ستعود إعدادات المنتج إلى الوضع السابق.

تفاصيل المجمد

وفقاً لمعايير IEC 62552، يجب أن يتمتع المجمد بالقدرة على تجميد 4.5 كجم من المواد الغذائية عند -18 درجة مئوية أو درجات حرارة منخفضة عند درجة حرارة الغرفة 25 درجة مئوية خلال 24 ساعة لكل 100 لتر من حجم حجرة التجميد. يمكن الاحتفاظ بالأطعمة لفترات طويلة عند درجة حرارة -18 أو أقل.

يمكنك المحافظة على نضارة الأطعمة لعدة أشهر (في المجمد أو تحت درجة -18 مئوية).

يجب أن لا تتلامس الأطعمة المراد تجميدها مع الأطعمة المجمدة سلفاً في الداخل لتجنب الذوبان الجزئي.

اسلق الخضار ونقي الماء لإطالة زمن تخزين المجمدات. ضع الطعام في أغلفة مانعة للهواء بعد التنقية وخبزها في المجمد. يجب عدم تجميد الموز، الطماطم، الخس، الكرفس، البيض المسلوق، البطاطا والأطعمة المماثلة. في حالة تجميد هذه

التجميد السريع

1. نشط وظيفة التجميد السريع قبل 24 ساعة من وضع أطعمتك الطازجة.
2. بعد 24 ساعة من الضغط على الزر، ضع طعامك الذي تريد تجميده على الرف الأول بسعة تجميد أعلى.
3. سيتم إلغاء تنشيط وظيفة التجميد السريع تلقائياً بعد 48 ساعة.

التجميد السريع

1. نشط وظيفة التجميد السريع قبل 24 ساعة من وضع أطعمتك الطازجة.
 2. بعد 24 ساعة من الضغط على الزر، ضع طعامك الذي تريد تجميده على الدرج الأول بأعلى سعة تجميد.
 3. سيتم إلغاء تنشيط وظيفة التجميد السريع تلقائياً بعد 48 ساعة.
- ضع الطعام الذي تريد تبريده بسرعة على الرف الرابع.

الأطعمة، ستأثر القيم الغذائية ونوعية الأكل سلبيًا فقط. والتعفن الذي من شأنه أن يهدد صحة الإنسان ليس موضع تساؤل.

وضع الطعام

أرفف مقصورة المجمد: الأصناف المجمدة المختلفة بما يشمل اللحم، السمك، الأيس كريم، الخضار، الخ.
أرفف مقصورة المبرد: أصناف الطعام داخل القدر، الأطباق المغطاة والعلب المغطاة، البيض (في علبه مغطاة)

أرفف باب مقصورة المبرد: الأطعمة والمشروبات الصغيرة والمعبأة

درجة الخضروات: الخضروات والفواكه
مقصورة الأطعمة الطازجة: الأطعمة اليومية (طعام الإفطار، اللحوم التي تستهلك خلال فترة قصيرة)

تخزين الطعام في مقصورة المبرد

- ترتفع درجات حرارة المقصورة بشكل بارز إذا تم فتح باب الحجرة وإغلاقه بشكل متكرر وظل مفتوحًا لفترة طويلة، فقد يؤدي ذلك إلى تقليل العمر الافتراضي للطعام وتلف الطعام.
- من أجل عدم إحداث تغييرات في الرائحة والمذاق، يجب تخزين الطعام في عبوات مغلقة.
- لا تخزن الكثير من الطعام الزائد في ثلاجتك.
- لتحقيق تبريد أفضل ومتجانس، ضع الطعام بشكل منفصل بحيث يمكن للهواء البارد أن يتجول فيه.
- قم بتوفير تدفق الهواء من خلال ترك مسافة بين الطعام والجدار الداخلي. إذا قمت بوضع الطعام على الحائط الخلفي، فقد يتجمد الطعام.
- أترك الوجبات الساخنة المطبوخة حتى تصل إلى درجة حرارة الغرفة قبل وضعها في الثلاجة. بعد ذلك، يمكنك وضع الوجبة الفاترة في الأرفف السفلية للثلاجة. لا تضع الوجبات الفاترة بالقرب من الأطعمة التي قد تفسد بسهولة.
- قم بإذابة طعامك المجمد في حجرة الطعام الطازج. وبالتالي، يمكنك تبريد حجرة الطعام الطازج باستخدام الأطعمة المجمدة وتوفير الطاقة.

- قد يؤدي تخزين الفواكه الاستوائية غير الناضجة (المانجو وأصناف البطيخ والبابايا والموز والأناناس) في الثلاجة، إلى تسريع عملية النضج، ولا ينصح بذلك لأنه سيؤدي إلى تقليل وقت التخزين.

- يجب تخزين البصل والثوم والأصابع والخضروات الجذرية الأخرى في ظروف الغرفة المظلمة والباردة، وليس في الثلاجة.
- إذا لاحظت تلف الطعام في الثلاجة، فتخلص من هذا الطعام ونظف الملحقات التي لامست الطعام.

- من أجل تبريد وجبات الطعام مثل الحساء والخبتان، والتي يتم طهيها في القدر الكبير، يمكنك بسرعة وضعها في الثلاجة عن طريق فصلها في أوانيها الصالحة.

- لا تضع الأطعمة غير المعبأة بالقرب من البيض.
- احتفظ بالفواكه والخضروات بشكل منفصل وقم بتخزين كل نوع معًا (على سبيل المثال، تفاح مع تفاح وجزر مع جزر).

- أخرج الخضروات من الكيس البلاستيكي وضعها في الثلاجة بعد لفها بمنشفة ورقية أو قطعة قماش تجفيف. إذا قمت بغسل هذا النوع من الطعام قبل وضعه في الثلاجة، فتذكر أن تجففهم.
- يمكنك إنشاء بيئة رطبة وتوفير تدفق للهواء عن طريق الاحتفاظ بالفواكه والخضروات المعرضة للجفاف في الأكياس البلاستيكية المثقبة أو غير المغلقة.

- باستثناء الحالات التي تتوفر فيها ظروف بيئية شديدة، إذا تم ضبط منتجك (في جدول القيم المحددة الموصى بها) على القيم المحددة المحددة، فإن الطعام يحافظ على نضارته لفترة أطول في كل من حجرة المنتج الطازج ومقصورة المجمد.

تخزين المواد الغذائية المختلفة في أماكن مختلفة حسب خصائصها.

الموقع	الطعام
أرفف الباب	البيض
إذا كانت متوفرة، حجرة الدرجة الصفر (لطعام الإفطار)	منتجات الألبان (الزبدة والجبن)
حجرة الفواكه والخضروات أو درج الخضروات أو مقصورة EverFresh+ (إذا وجدت)	الفواكه والخضروات والنباتات الخضراء

الموقع	الطعام
إذا كانت متوفرة، حجرة الدرجة الصفر (لطعام الإفطار)	اللحوم الطازجة والدواجن والأسماك والتفاح وما إلى ذلك الأطعمة المطبوخة
الأرفف العلوية أو رف الباب	الأطعمة الجاهزة للتقديم والمنتجات المعبأة والأطعمة المعلبة والمخللات
أرفف الباب	المشروبات والزجاجات والتوابل والوجبات الخفيفة

النسخة 2:

يتم إصدار تحذير فتح الباب، إذا ظل باب الجهاز مفتوحاً لفترة زمنية معينة (بين 60 ثانية و 120 ثانية). يُطلق تحذير فتح الباب تدريجياً. أولاً، يبدأ صوت تحذير مسموع. بعد 4 دقائق، إذا كان الباب لا يزال مفتوحاً، يتم تنشيط تحذير مرئي (وميض ضوئي). سيأخر تحذير فتح الباب لفترة زمنية معينة (بين 60 ثانية و 120 ثانية) عند الضغط على أي مفتاح على شاشة المنتج، إن وجدت. ثم ستبدأ العملية مرة أخرى. سيتم إيقاف تحذير فتح الباب بمجرد إغلاق باب الجهاز.

٤-٧

٥-٧ عكس جانب فتح الباب

يمكن عكس جانب فتح باب الثلاجة وفقاً للمكان الذي تضعه فيه. عندما تحتاج إلى هذا، يجب عليك بالتأكد الاتصال بأقرب خدمة معتمدة.

٢-٧ استبدال مصباح الإضاءة

اتصل بالخدمة المعتمدة عند الرغبة في استبدال المصباح / LED المستخدم للإضاءة في ثلاجتك. لا يمكن استخدام المصباح (المصابيح) المستخدمة في هذا الجهاز لإضاءة المنزل. الغرض من استخدام هذا المصباح هو مساعدة المستخدم على وضع الطعام في الثلاجة / المجمد بأمان وراحة.

٣-٧ تحذير فتح الباب

قد يختلف نظام تحذير فتح الباب في ثلاجتك تبعاً للطراز.

النسخة 1:

إذا ظل باب المنتج مفتوحاً لفترة معينة (بين 60 ثانية و 120 ثانية)، تصدر إشارة تحذير صوتية ، اعتماداً على طراز المنتج، يمكن أيضاً عرض إشارة تحذير مرئية (وميض ضوئي). إذا أغلقت باب الجهاز أو ضغطت على أي زر على شاشة الجهاز، إن وجدت، فسيتوقف صوت التحذير.

٨ مواصفات المنتج

١-٨ تقنيات درج الخضروات

الضوء الأزرق

فإن الفاكهة والخضروات التي يتم تخزينها في الأقسام المخصصة لها في الثلاجة، وهي الأقسام المضادة بالضوء الأزرق، تستمر في عملية التمثيل الضوئي بفضل تأثير طول موجة الضوء الأزرق، ومن ثم فإنها تحتفظ بالفيتامينات التي تحتوي عليها.

HarvestFresh

فإن الفاكهة والخضروات التي يتم تخزينها في الأقسام المخصصة لها في الثلاجة، والتي تتم إضاءتها بتقنية HarvestFresh، تحتفظ بفيتاميناتها لمدة أطول بفضل دورات الضوء الأزرق والخضراء والحمراء والظلام، التي تحاكي دورة اليوم الكامل. عندما يتم فتح باب ثلاجتك خلال الفترة المظلمة لتقنية الحصاد الطازج HarvestFresh، ستشعر الثلاجة بذلك تلقائياً وتضيء درج الثلاجة بأحد الأضواء

الزرقاء أو الخضراء أو الحمراء على التوالي لضمان راحتك. بعد أن تغلق باب الثلاجة، سوف تستمر فترة الظلام، لتكون بمثابة الفترة الليلية من دورة اليوم.

٢-٨ رف الخضروات

تم تصميم درج خضار الثلاجة للحفاظ على الخضار طازجة من خلال المحافظة على الرطوبة. لهذه الغاية، يتم تكثيف التوزيع الكلي للماء البارد في درج الخضار. احتفظ بالفواكه والخضار في هذه الحجرة. احتفظ بالخضروات ذات الأوراق الخضراء والفواكه بشكل منفصل لإطالة عمرها.

٣-٨ منطقة التخزين البارد لمنتجات الألبان

درج التخزين البارد

يمكن أن يصل درج التخزين البارد إلى درجات حرارة منخفضة في حجرة المبرد. استخدم هذا الدرج للمنتجات الرهيفة (السلامي، السجق، إلخ) ومنتجات

٥-٨ حامل البيض

يمكنك وضع حامل البيض على الباب أو رف الجسم الذي تريده.
في حالة وضع حامل البيض على رف الهيكل، نوصيك باختيار أرفف سفلية أكثر برودة.

لا تضع حامل البيض في حجرة الفريزر أبدًا



٦-٨ AeroFlow

هو نظام توزيع الهواء الذي يوفر توزيعاً متجانساً لدرجة الحرارة. فمع دوران الهواء، يتم ضمان التوزيع المتجانس لدرجة الحرارة في حجرة تخزين الطعام الطازج، ويتم الحفاظ على تقلبات درجات الحرارة عند مستويات منخفضة. ولا يحدث هبوب مباشر للهواء فوق الطعام مما يساعد على تقليل فقد الرطوبة. ويحافظ على نضارة الطعام المخزن في حجرة الطعام الطازج بالتلاجة. بهذه الطريقة، يتم تخزين طعامك في درجات حرارة أكثر استقراراً وتقليل التلامس مع الهواء. يُمنع تجفيف الأطعمة وانكماشها بفقدان الرطوبة وتوفير نضارة لفترة أطول.

الألبان التي تتطلب ظروف تخزين أكثر برودة، أو لاستهلاك اللحوم أو الدجاج أو الأسماك بسرعة. ليس من المناسب تخزين الفواكه والخضروات في هذا الدرج.

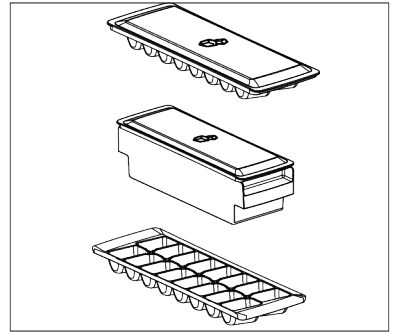
٤-٨ منطقة تخزين الثلج

حاوية الثلج

تسمح لك علبة الثلج بأخذ الثلج من التلاجة بسهولة.

استخدام علبة الثلج

1. أخرج علبة الثلج من مقصورة المجمد.
2. املا العلبة بالماء.
3. ضع علبة الثلج في حجرة المجمد. سيكون الثلج جاهزاً بعد ساعتين تقريباً.
4. أخرج علبة الثلج من حجرة المجمد وقم بإمالاته قليلاً فوق الحامل الذي ستستخدمه للتقديم. سيسكب الثلج بسهولة في حامل التقديم.



٩ الصيانة والتنظيف

تحذير:

اقرأ قسم "تعليمات الأمان" أولاً!



تحذير:

افصل التلاجة قبل تنظيفها.



- احرص على إبعاد الماء عن غطاء المصباح والأجزاء الكهربائية الأخرى.
- نظف الباب بقطعة قماش رطبة. قم بإزالة جميع المحتويات لإزالة الباب ورفوف الهيكل. قم بإزالة رفوف الباب برفعها لأعلى. نظف الرفوف وجففها، ثم ركبها في مكانها ثانية بتمريرها من الأعلى.
- لا تستخدم الماء المحتوي على الكلور أو منتجات التنظيف على السطح الخارجي والأجزاء المطلوبة بالكروم من الجهاز. يسبب الكلور الصدأ على هذه الأسطح المعدنية.
- لا تستخدم الأدوات الحادة والكاشطة والصابون ومواد تنظيف المنزل والمنظفات والغاز والبنزين والورنيش والمواد المماثلة لمنع تشوه الجزء

- لا تستخدم أدوات حادة أو كاشطة لتنظيف المنتج.
- لا تستخدم مواد مثل مواد التنظيف المنزلية والصابون والمنظفات والغاز والبنزين والكحول والشمع وما إلى ذلك.
- يجب إزالة الغبار من شبكة التهوية الموجودة في الجزء الخلفي من المنتج مرة واحدة في السنة على الأقل (بدون فتح الغطاء). نظف المنتج بقطعة قماش جافة

الأسطح الخارجية من الفولاذ المقاوم للصدأ

استخدم مادة تنظيف غير كاشطة مصنوعة من الفولاذ المقاوم للصدأ وقم بتطبيقها بقطعة قماش ناعمة وخالية من النسالة. للتلميع، امسح السطح برفق بقطعة قماش من الألياف الدقيقة مبللة بالماء واستخدم قطعة قماش شمواه جافة للتلميع. اتبع دائماً اتجاه عروق الفولاذ المقاوم للصدأ.

منع الروائح

- تم تصنيع المنتج من مواد خالية من الروائح. إلا أن الاحتفاظ بالطعام في أقسام غير ملائمة وتطهير الأسطح الداخلية بطريقة خاطئة قد يتسبب بالروائح.
- لتجنب ذلك، نظف الجزء الداخلي بماء مكرين كل 15 يوماً.
- احتفظ بالأطعمة في حوامل مغلقة، لأن الكائنات الحية الدقيقة الناتجة عن الأطعمة المحفوظة في عبوات غير محكمة الغلق تسبب رائحة كريهة.
- لا تترك الأطعمة التالفة ومتهية الصلاحية في الثلاجة.

حماية الأسطح البلاستيكية

قد يتلف الزيت المنسكب على الأسطح البلاستيكية السطح، لذا يجب تنظيفه بالماء الساخن فوراً.

البلاستيكي وإزالة المطبوعات الموجودة عليه. استخدم الماء الدافئ وقماسة ناعمة للتنظيف ثم جفف الجهاز.

- بالنسبة للمنتجات التي لا تحتوي على ميزة تبريد مضاد للصقيع No-Frost، قد تظهر قطرات الماء وتلج بسلك الإصبع على الجدار الخلفي لمقصورة المجمد. لا تنظف، ولا تستخدم الزيوت أو المواد الشابهة.
- استخدم قطعة قماش من الألياف الدقيقة مبللة قليلاً لتنظيف السطح الخارجي للمنتج. قد تسبب الإسفنج وأنواع تنظيف الملابس الأخرى خدوشاً.
- لتنظيف جميع المكونات القابلة للإزالة أثناء تنظيف السطح الداخلي للمنتج، اغسل هذه المكونات بمحلول معتدل يتكون من الصابون والماء والكربونات. اشطفه وجففه كلياً. امنع ملامسة الماء لمكونات الإضاءة ولوحة التحكم.

تنبيه:



لا تستخدم الخل أو الكحول المحمر أو مواد التنظيف الأخرى التي تحتوي على الكحول على أي سطح داخلي.

١٠ استكشاف الأخطاء وإصلاحها

تحقق من هذه القائمة قبل الاتصال بمركز الصيانة. من شأن ذلك توفير الوقت والمال. تتضمن هذه القائمة الشكاوى غير المرتبطة بعيوب الصناعة أو المواد. وقد لا تنطبق سمات معينة مذكورة هنا على جهازك.

الثلاجة لا تعمل.

- قابس الطاقة غير مستقر كلياً. <<< ادفعه بحيث يستقر في المقبس كلياً.
- الصمام الموصول بالمقبس الذي يزود الجهاز بالطاقة أو الصمام الرئيسي تالف. <<< افحص الصمام.

هناك تكاثف على جانب جدار حجرة المبرد (المنطقة المتعددة، منطقة التبريد، التحكم والمنطقة المرنة).

- يتم فتح الباب بشكل متكرر. <<< احرص على عدم فتح باب المنتج كثيراً.
- المكان رطب جداً. <<< لا تضع الجهاز في أماكن رطبة.

- الأطعمة المحتوية على سوائل تحفظ في مستوعبات غير محكمة الإغلاق. <<< احتفظ بالأطعمة المحتوية على سوائل في مستوعبات محكمة الإغلاق.
- ترك الباب مفتوحاً. <<< لا تدع أبواب الثلاجة مفتوحة لفترات طويلة.
- تم ضبط منظم الحرارة على درجة حرارة باردة جداً. <<< اضبط الثرموستات على درجة حرارة مناسبة.
- الضاغط لا يعمل.
- في حال حدوث انقطاع مفاجئ في التيار الكهربائي أو سحب قابس الطاقة وإعادته مرة أخرى، يصبح ضغط الغاز في نظام تبريد الجهاز غير متوازن، مما يفعل الواقي الحراري للضاغط. يعمل المنتج من جديد بعد 6 دقائق تقريباً. إذا لم يعمل الجهاز بعد هذه الفترة، اتصل بمركز الصيانة.
- إزالة الجليد غير نشطة. <<< هذا أمر طبيعي في جهاز مقاوم للصقيع تلقائياً. تتم إزالة الجليد دورياً.

درجة حرارة المبرد منخفضة جدا، لكن درجة حرارة المجمد ملائمة.

- تم ضبط درجة حرارة حجرة المبرد على درجة متدنية جدا. <<< اضبط درجة حرارة حجرة المبرد على درجة أعلى وافحص مرة أخرى.

الأطعمة المحفوظة في جوارير حجرة المبرد متجمدة.

- تم ضبط درجة حرارة حجرة المبرد على درجة متدنية جدا. <<< اضبط درجة حرارة حجرة المبرد على درجة أعلى وافحص مرة أخرى.

درجة الحرارة في المبرد أو المجمد عالية جدا.

- تم ضبط درجة حرارة حجرة المبرد على درجة عالية جدا. <<< يؤثر إعداد درجة حرارة حجرة المبرد على درجة حرارة مقصورة المجمد. انتظر حتى تصل الأجزاء ذات الصلة إلى مستوى درجة الحرارة المرغوبة عبر تغيير درجة حرارة مقصورة المجمد أو المبرد.
- تم فتح الأبواب كثيرا أو تركت مفتوحة لفترات طويلة. <<< لا تفتح الأبواب كثيرا.
- ربما يكون الباب مواربا. <<< أغلق الباب كليا.
- ربما تم توصيل الجهاز بالكهرباء مؤخرا أو تم وضع صنف طعام جديد داخله. <<< هذا أمر طبيعي.
- يستغرق الجهاز فترة أطول لبلوغ درجة الحرارة المعينة عند توصيله بالكهرباء حديثا أو عند وضع صنف طعام جديد داخله.
- ربما تم وضع كميات كبيرة من الطعام الساخن في الجهاز مؤخرا. <<< لا تضع الطعام الساخن داخل الجهاز.

الاهتزاز أو الضجيج.

- السطح ليس مسطحا أو متينا <<< إذا كان المنتج يهتز عند تحريكه ببطء، فاضبط الحامل لموازنة المنتج. تأكد أن الأرض متينة لدرجة تحمل الجهاز.
- قد تحدث أية مواد موضوعة على الجهاز ضجيجا. <<< قم بإزالة أية مواد وضعت على الجهاز.
- يصدر الجهاز ضجيجا يشبه تدفق السوائل، أو الرش، الخ.
- يتخلل مبادئ تشغيل الجهاز تدفق السائل والغاز. <<< هذا أمر طبيعي ولا يعتبر عطلا.

هناك صوت كهبوب الرياح يأتي من الجهاز.

- يستخدم الجهاز مروحة في عملية التبريد. هذا أمر طبيعي ولا يعتبر عطلا.

- الجهاز غير موصول بالكهرباء. <<< تأكد أن سلك الطاقة موصول بالكهرباء.

- إعداد درجة الحرارة غير صحيح. <<< اختر إعدادا صحيحا لدرجة الحرارة.

- لا يوجد تيار كهربائي. <<< يستمر الجهاز بالعمل بشكل طبيعي حال عودة الطاقة.

يزداد ضجيج تشغيل التلاجة أثناء الاستعمال.

- وقد يتباين أداء عمل الجهاز بناء على تغيرات درجة حرارة المكان. هذا أمر طبيعي ولا يعتبر عطلا.

تعمل التلاجة لفترة زمنية طويلة.

- ربما يكون المنتج الجديد أكبر من المنتج السابق. تعمل الأجهزة الأكبر فترات زمنية أطول.
- ربما تكون درجة حرارة الغرفة عالية. <<< يعمل الجهاز فترات طويلة في درجات الحرارة العالية.
- ربما تم توصيل الجهاز بالكهرباء مؤخرا أو تم وضع صنف طعام جديد داخله. <<< يستغرق الجهاز فترة أطول لبلوغ درجة الحرارة المعينة عند توصيله بالكهرباء حديثا أو عند وضع صنف طعام جديد داخله. هذا أمر طبيعي.
- ربما تم وضع كميات كبيرة من الطعام الساخن في الجهاز مؤخرا. <<< لا تضع الطعام الساخن داخل الجهاز.
- تم فتح الأبواب كثيرا أو تركت مفتوحة لفترات طويلة. <<< يتسبب الهواء الساخن المتحرك في الداخل في عمل الجهاز فترة أطول. لا تفتح الأبواب كثيرا.
- ربما يكون باب المجمد أو المبرد مواربا. <<< تأكد أن الأبواب مغلقة كليا.
- ربما يكون الجهاز مضبوط على درجة حرارة متدنية جدا. <<< اضبط درجة الحرارة على درجة أعلى وانتظر حتى يصل الجهاز إلى درجة الحرارة المرغوبة.
- ربما تكون فلانة باب المبرد أو المجمد متسخة، أو مهترنة أو مكسورة أو غير مستقرة. <<< نظف أو استبدل مانع التسرب. تتسبب فلانة الباب النالفة/ المهترنة في عمل الجهاز لفترات طويلة للحفاظ على درجة الحرارة الحالية.

درجة حرارة المجمد منخفضة جدا، لكن درجة حرارة المبرد ملائمة.

- تم ضبط درجة حرارة مقصورة المجمد على درجة متدنية جدا. <<< اضبط درجة حرارة مقصورة المجمد على درجة أعلى وافحص مرة أخرى.

هناك تكائف على الجدران الداخلية للجهاز.

- يزيد الطقس الحار أو الرطب من تشكل الصقيع والتكائف. هذا أمر طبيعي ولا يعتبر عطلا.
- تم فتح الأبواب كثيرا أو تركت مفتوحة لفترات طويلة. <<< لا تفتح الأبواب كثيرا؛ إذا كانت مفتوحة، أغلقها.
- ربما يكون الباب مواربا. <<< أغلق الباب كليا.

هناك تكائف على السطح الخارجي للجهاز أو بين الأبواب.

- ربما يكون جو المكان رطبا، وهذا أمر طبيعي في الجو الرطب. <<< سيتبدد التكائف عندما تقل الرطوبة.

رائحة الجزء الداخلي سيئة.

- لا يتم تنظيف الجهاز بانتظام. <<< نظف الجزء الداخلي بانتظام مستخدما إسفنجة وماء دافئ وماء مكرين.
- قد تسبب بعض المستوعبات ومواد التغليف بالروائح. <<< استخدم المستوعبات ومواد التغليف الخالية من الروائح.
- تم وضع الطعام في مستوعبات غير محكمة الإغلاق. <<< احتفظ بالأطعمة في مستوعبات محكمة الإغلاق. قد تنتشر الميكروبات من الأطعمة غير المغلقة مسببة الروائح الكريهة.
- تخلص من أية أطعمة فاسدة أو منتهية الصلاحية داخل الجهاز..

الباب لا يغلق.

- تسد أغلفة الطعام الباب أحيانا. <<< غير مكان الأطعمة التي تسد الأبواب.
- لا يقف الجهاز بوضع رأسي كامل على الأرض. <<< اضبط القواعد لموازنة الجهاز.
- السطح ليس مسطحا أو متينا <<< تأكد من أن السطح مسطح ومتين بدرجة كافية لتحمل المنتج.

درج الخضروات محشور.

- ربما تلامس الأطعمة الجزء العلوي من الجارور. <<< أعد ترتيب الأطعمة في الجارور.

درجة الحرارة على سطح المنتج.

- يمكن ملاحظة ارتفاع درجة الحرارة بين البابين ، على الألواح الجانبية وعلى منطقة الشبكة الخلفية أثناء تشغيل المنتج. هذا أمر طبيعي ولا يتطلب صيانة.

تستمر المروحة في العمل عند فتح الباب.

- قد تستمر المروحة في العمل عندما يكون باب المجمد مفتوحا.



تحذير: إن استمرت المشكلة بعد اتباع تعليمات هذا القسم، اتصل بالبائع أو بمركز خدمة معتمد. لا تحاول إصلاح الجهاز. هذا أمر طبيعي.

קראו תחילה את מדריך ההוראות!

לקוח יקר,

אנא קרא את המדריך לפני השימוש במוצר.


תודה שבחרתם במוצר Beko הזה. אנו רוצים שתשיג את היעילות האופטימלית מהמוצר האיכותי הזה שיוצר עם הטכנולוגיה המתקדמת ביותר. לשם כך, קרא בעיון מדריך זה וכל תיעוד אחר שסופק לפני השימוש במוצר ושומר אותו כנקודת עזר.

שימו לב לכל המידע והאזהרות המופיעות במדריך למשתמש. כך תוכלו להגן על עצמכם ועל המוצר שלכם מפני הסכנות שעלולות להתרחש.


שמרו את המדריך למשתמש. כלול את המדריך הזה עם היחידה אם אתה מוסר אותה למישהו אחר.

במדריך למשתמש נעשה שימוש בסמלים הבאים:

מפגע שעלול לגרום למוות או לפציעה. 

מידע חשוב או עצות שימושיות לגבי תפעול. 

קרא את מדריך המשתמש. 

חומר נפיץ, אזהרה מפני סכנת התלקחות. 

שמו לב מפגע שעלול לגרום לנזק מהותי למוצר או לסביבתו

ניתן להגיע אל פרטי הדגם, כפי שנשמרו בבסיס נתוני המוצרים, על ידי ביקור באתר הבא וחיפוש מזהה הדגם (*) שלך אשר מופיע על תווית צריכת האנרגיה. /https://eprel.ec.europa.eu		ENERG 	
	SUPPLIER'S NAME	MODEL IDENTIFIER → (*)	
			

52	הוראות בטיחות	1
52	השימוש המיועד	1.1
52	בטיחות ילדים, אנשים פגיעים וחיות מחמד	1.2
52	בטיחות בחשמל	1.3
53	בטיחות בטיפול	1.4
53	בטיחות במהלך ההתקנה	1.5
55	בטיחות בהפעלה	1.6
56	בטיחות אחסון מזון	1.7
57	בטיחות תחזוקה וניקוי	1.8
57	סילוק מוצר ישן	1.9
58	הנחיות סביבתיות	2
58	בהתאמה להוראת ה-WEEE ופינוי מוצר הפסולת	2.1
59	המקרר שלכם	3
59	התקנה	4
60	מקום ההתקנה הנכון	4.1
60	חיבור חשמל	4.2
60	כוונון הרגליות	4.3
60	אזהרת משטח חם	4.4
60	הכנה	5
61	מה ניתן לעשות על מנת לחסוך באנרגיה	5.1
61	השימוש הראשון	5.2
61	דרוג אקלים והגדרות	5.3
62	לוח הבקרה של המכשיר	6
63	שימוש במוצר	7
63	אחסון מזון במקפיא ובתא הקר	7.1
65	החלפת נורת התאורה	7.2
65	התראת פתיחת דלת	7.3
65		7.4
65	היפוך כיוון פתיחת הדלת	7.5
65	תכונות מוצר	8
65	טכנולוגיית Crisper	8.1
66	קריספר	8.2
66	אזור אחסון קר למוצרי חלב	8.3
66	אזור אחסון קרח	8.4
66	התקן אחסון ביצים	8.5
66	AeroFlow	8.6
66	תחזוקה וניקוי	9
67	טיפול בתקלות	10

1 הוראות בטיחות

HE

- סעיף זה כולל את הוראות הבטיחות הנחוצות כדי למנוע את הסיכון לפציעה אישית או לנזק חומרי.
- חברתנו לא תישא באחריות לנזקים שעלולים להתרחש אם הנחיות אלו לא יקוימו.

1.2 בטיחות ילדים, אנשים פגיעים וחיות מחמד

- מוצר זה עשוי לשמש ילדים מגיל 8 שנים ומעלה ואנשים עם יכולות גופניות, חושיות או נפשיות לא מפותחות או חוסר ניסיון וידע אם הם תחת פיקוח או קיבלו הדרכה בנוגע לשימוש במכשיר בצורה בטוחה ולסכנות הכרוכות בכך.
- ילדים בגילאי 3 עד 8 שנים רשאים לשים ולהוציא מזון אל/ממוצר הקירור.
- אסור לילדים וחיות מחמד לשחק, לטפס על המוצר או להיכנס אליו.
- יש להרחיק ילדים וחיות מחמד מאזור התא (מדחס) שם נמצאים חלקי חשמל.
- ילדים לא צריכים לבצע ניקוי ותחזוקת משתמש אלא אם יש מישהו שמפקח עליהם.
- הרחק את חומרי האריזה מילדים. סיכון לפציעה וחנק.

1.3 בטיחות בחשמל

- המוצר לא יחובר לשקע במהלך פעולות התקנה, תחזוקה, ניקוי, תיקון והובלה.
- אם הכבל החשמלי פגום, הוא יוחלף על ידי שירות מורשה בלבד כדי למנוע כל סיכון שעלול להתרחש.

ההתקנה והתיקונים חייבים להתבצע על ידי היצרן, שירות מורשה או על ידי אדם שיתואר על ידי חברת היבוא.



יש להשתמש בחלקי חילוף ואביזרים מקוריים בלבד.



אין לתקן או להחליף כל חלק במוצר אלא אם צוין במפורש במדריך למשתמש.



אל תבצע שינויים במוצר.



1.1 השימוש המיועד

- מוצר זה אינו מתאים לשימוש מסחרי ואין להשתמש בו למטרה השונה מזו שלה הוא מיועד.
- מוצר זה מיועד להפעלה פנימית, כגון משקי בית או דומים. לדוגמה; במטבחי הצוות של החנויות, המשרדים וסביבות עבודה אחרות, בבתי חווה, ביחידות של בתי מלון, מוטלים או מתקני מנוחה אחרים המשמשים את הלקוחות, בהוסטלים או בסביבות דומות, בשירותי הסעדה ואפליקציות דומות שאינן קמעונאיות.

- המוצר הזה כבד, אל תטפל בו לבד.
- פציעות עלולות להתרחש אם המוצר נופל עליך. אין להיתקל במקומות או להפיל את המוצר בזמן ההעברה.
- יש לסגור את הדלתות ולא לאחוז את המוצר בדלתות בזמן ההעברה.
- היזהר לא לגרום נזק למערכת הקירור ולצינורות בזמן הטיפול במוצר. אל תפעיל את המוצר אם הצינורות פגומים, וצור קשר עם שירות מורשה.

1.5 בטיחות במהלך ההתקנה

- צור קשר עם השירות המורשה עבור התקנת המוצר. כדי להכין את המוצר להתקנה, עיין במידע במדריך למשתמש וודא ששירותי החשמל והמים מתאימים לדרישות. במידה ולא, התקשרו לחשמלאי ואינסטלטור מוסמכים כדי לבצע את הסידורים הנדרשים. אחרת, קיימת סכנת התחשמלות, התלקחות, תקלות במוצר, או פגיעה.
- המוצר מיועד לשימוש באזורים הנמצאים בגובה מרבי של 2000 מטר מעל לפני הים.
- יש להרחיק ילדים מאזור ההתקנה.
- בדוק אם יש נזק כלשהו במוצר לפני התקנתו. אל תתקינו את המוצר אם הוא פגום.
- יש להשתמש תמיד בצידוד מגן אישי (כפפות וכו') במהלך התקנת המוצר, תחזוקה ותיקון. סכנת פציעה!
- יש להניח את המוצר על משטח ישר נקי וקשיח ולאזן אותו עם הרגליים המתכווננות (על ידי סיבוב הרגלים

- אל תכניס את כבל החשמל מתחת למוצר או לחלק האחורי של המוצר. אין לשים חפצים כבדים על כבל החשמל. אין לכופף, למעוך את כבל החשמל ולבוא במגע עם מקור חום כלשהו.
- אין להשתמש בכבל מאריך, בתקע רב או במתאם להפעלת המוצר.
- שקעים מרובים ניידים או ספקי כוח ניידים עלולים להתחמם ולגרום לשריפה. לפיכך, אל תחזיק שקעים מרובים מאחורי או בקרבת המוצר. אין לחבר את כבל החשמל של המכשיר כשקע משוחרר או פגום.
- חיבורים מסוג זה עשויים להתחמם יתר על המידה ולגרום לשריפה.
- התקע יהיה נגיש בקלות. אם הדבר אינו אפשרי, יהיה זמין במתקן החשמל מנגנון העומד בחקיקת החשמל ומנתק את כל המסופים מרשת החשמל (נתיך, מתג, מתג ראשי וכדומה).
- אין להפעיל את המכשיר באמצעות התקן מתג הפעלה חיצוני כגון טיימר או מערכת שליטה מרחוק.
- אין להשתמש במכשיר עם רגליים יחפות או גוף רטוב.
- אל תיגע בתקע בידיים רטובות.
- כאשר מנתקים את המכשיר, אל תחזיק את כבל החשמל, אלא את התקע.

1.4 בטיחות בטיפול

- יש לוודא שניתקת את המוצר לפני נשיאתו.

הקדמיות ימינה או שמאלה). אחרת, המקרר עשוי להתהפך ולגרום לפציעות.

• המוצר מותקן בסביבה יבשה

ומאווררת. אין להניח שטיחים או

כיסויי רצפה דומים מתחת למוצר. זה עלול לגרום לסכנת שריפה כתוצאה מאוורור לא מספק!

• אל תחסום או תכסה חורי אוורור.

אחרת, צריכת החשמל עולה והמוצר עשוי להינזק.

• בזמן הנחת המוצר, יש לוודא שכבל החשמל לא ניזוק או נצבט.

• אין לחבר את המכשיר למערכות

אספקת מתח ומקורות מתח העשויות לגרום לשינויי מתח פתאומיים

(לדוגמה, מקור אנרגיה סולארי נייד).

אחרת, עלול להיווצר נזק למוצר שלך כתוצאה מתנודות מתח פתאומיות!

• ככל שמקרר מכיל יותר חומר קירור,

כך חדר ההתקנה שלו יהיה גדול

יותר. בחדרים קטנים מאוד עלולה

להתרחש תערובת גז-אוויר דליק

במקרה של דליפת גז במערכת

הקירור. יש צורך בנפח של לפחות 1

m^3 לכל 8 גרם של נוזל קירור. כמות

הקירור הזמינה במוצר שלך מצוינת בתווית הסוג.

• אסור להציב את המוצר בצורה כזו

שכבלי חשמל, צינור המתכת של

תנור הגז, צינורות גז מתכת או מים

יבואו במגע עם הקיר האחורי של

המוצר (או הקבל).

• אסור שמקום ההתקנה של המוצר

יהיה חשוף לשמש ישירה ולא יהיה

בקרבת מקור חום כגון תנורים,

רדיאטורים וכדומה. אם אין

באפשרותך למנוע את התקנת

המוצר בקרבת מקור חום, יש

להשתמש באמצעי בידוד מתאימים

ולוודא שהמרחק המינימלי למקור

החום הוא כמפורט להלן:

– במרחק של 30 ס"מ לפחות

ממקורות חום כגון תנורים, יחידות

חימום ותנורי חימום וכדומה,

– ובמרחק של 5 ס"מ לפחות

מתנורים חשמליים.

• למכשיר רמת הגנה של I.

• יש לחבר את המוצר לשקע מוארק

התואם את ערכי המתח, הזרם

והתדר המפורטים בתווית הסוג.

השקע חייב להיות מחובר לנתיך

16A – 10A. החברה שלנו לא תישא

באחריות לנזקים כלשהם עקב

שימוש ללא הארקה וחיבור לחשמל

בהתאם לתקנות הלאומיות

והמקומיות.

• יש לנתק את כבל המתח של המוצר

במהלך ההתקנה. אחרת, עלולה

להיווצר סיכון להתחשמלות ולפציעה!

• אין לחבר את כבל החשמל של

המוצר לשקעי חשמל רופפים,

מפורקים, שבורים, מלוכלכים

ושמנוניים שיש בהם סיכון למגע עם

מים. חיבורים מסוג זה עשויים

להתחמם יתר על המידה ולגרום

לשריפה.

• הנח את כבל החשמל והצינורות (אם

זמינים) של המוצר כך שהם לא יגרמו

לסכנת מעידה.

• חדירת לחות לחלקים חיים או לכבל

החשמל עלולה לגרום לקצר. לפיכך,

אל תשתמש במוצר בסביבות לחות

או באזורים שבהם מים עלולים

- להתיז (למשל מוסך, חדר כביסה וכו') אם המקרר נרטב ממים, נתק אותו מהחשמל ופנה לשירות מורשה.
 - אל תחבר את המקרר שלך למכשירים לחיסכון בחשמל. מערכות אלו מזיקות עבור המוצר.
 - קיים סיכון למגע עם חלקים חשמליים בעת הסרת כיסוי הלוח האלקטרוני והכיסוי האחורי של המדחס (אם מותקן). אין להסיר את כיסוי הלוח האלקטרוני ואת הכיסוי האחורי של המדחס (אם מותקן). קיימת סכנת התחשמלות!
- ### 1.6 בטיחות בהפעלה
- אל תשתמש בממסים כימיים על המוצר. חומרים אלה מכילים סיכון פיצוץ.
 - במקרה של תקלה במוצר, נתק אותו מהחשמל ואל תפעיל אותו עד לתיקון על ידי השירות המורשה. קיים סיכון להתחשמלות!
 - אל תניח מקור להבה (כגון נרות, סיגריות וכדומה) על המוצר או בקרבתו.
 - אין לעלות על המוצר. סכנת נפילה ופציעה!
 - אל תגרמו נזק לצינורות מערכת הקירור באמצעות כלים חדים ונוקבים. נזל הקירור שמתז החוצה במקרה של ניקוב צינורות הגז, הארכות צינורות או ציפוי משטחים עליונים עלול לגרום לגירוי בעור ולפציעת העיניים.
 - אין למקם ולהפעיל מכשירים חשמליים בתוך המקררים/המקפיא העמוק, אלא אם כן היצרן ייעץ לעשות זאת.
 - אין להדביק חלקים כלשהם בידיים או בגופך לחלקים הנעים בתוך המוצר. יש להקפיד למנוע חסימת אצבעותיך בין המקרר לדלת שלו. היזהר בעת פתיחת או סגירת הדלת אם יש ילדים בסביבה.
 - אין להכניס לפה גלידה, קוביות קרח או מזון קפוא ברגע שמוציאים אותם מהמקפיא. סיכון של כוויות קור!
 - אין לגעת בדפנות הפנימיות, בחלקי המתכת של המקפיא או במזון השמור בתוך המקרר בידיים רטובות. סיכון של כוויות קור!
 - אין להניח פחיות סודה או פחיות ובקבוקים המכילים נוזלים שעלולים להיות קפואים לתא ההקפאה. פחיות או בקבוקים עלולים להתפוצץ. סכנת פציעה ופגיעה חומרית!
 - אל תשתמש ואל תניח חומרים רגישים לטמפרטורה כגון תרסיסים דליקים, חפצים דליקים, קרח יבש או חומרים כימיים אחרים בקרבת המקרר. סיכון של שריפה ופיצוץ!
 - אין לאחסן חומרים נפצים כגון פחיות אירוסול עם חומרים דליקים בתוך המוצר.
 - אין להניח קופסאות שימורים פתוחות המכילות נוזלים מעל המוצר. התזת מים על חלק חשמלי עלולה לגרום להתחשמלות או שריפה.
 - בשל סכנת שבירה, אין לאחסן מכלי זכוכית מלאים בנוזלים בתא המקפיא.

הסוג. גז זה הוא דליק. לכן, היזהר לא לפגוע במערכת הקירור ובצנרת בזמן הפעלת המוצר. במקרה של נזק לצינורות;

1. אין לגעת במוצר או בכבל המתח.
 2. יש להרחיק את המוצר ממקורות אש פוטנציאליים שעלולים לגרום למוצר להתלקח.
 3. אווררו האזור שבו מוצב המוצר. אל תשתמשו במאוורר.
 4. צור קשר עם שירות מורשה.
- אם המוצר פגום ואתה רואה דליפת גז, אנא התרחק מהגז. גז עלול לגרום לכוויות קור אם הוא יוצר מגע בעור שלך.
- לפני השלכת מוצרים ישנים שלא ישתמשו בהם יותר:
1. נתק את כבל החשמל מהשקע.
 2. חתכו את כבל החשמל והוציאו אותו מהמכשיר יחד עם התקע.
 3. אל תסיר את המתלים והמגירות מהמוצר כדי למנוע מילדים להיכנס לתוך המכשיר.
 4. הסר את הדלתות.
 5. אחסן את המוצר כך שהוא לא יטופל.
 6. אל תאפשר לילדים לשחק עם המוצר שנשפז.
- אין להשליך את המוצר באמצעות השלכתו לאש. סכנת התפוצצות.
 - אם קיים מנעול זמין בדלת המוצר, הרחיקו את המפתח מהישג ידם של ילדים.

1.7 ⚠️ בטיחות אחסון מזון

יש לשים לב לאזהרות הבאות על מנת להימנע מקלקול מזון:

- מוצר זה אינו מיועד לאחסון וקירור של תרופות, פלזמה דם, תכשירי מעבדה או חומרים ומוצרים דומים הכפופים להוראת המוצרים הרפואיים.
- אם נעשה שימוש במוצר נגד ייעודו, הוא עלול לגרום לנזק או לפגום במוצרים השמורים בפנים.
- אם המקרר שלך מצויד באור כחול, אל תסתכל על האור הזה עם התקנים אופטיים. אל תבהה ישירות באור LED UV במשך זמן רב. קרניים אולטרה סגולות עלולות לגרום ללחץ על העיניים.
- אין למלא את המוצר בתחולה גדולה יותר מהקיבולת שלו. פציעות או נזקים עלולים להתרחש אם תכולת המקרר נופלת כאשר הדלת נפתחת בעיות דומות עלולות להתרחש גם כאשר חפץ ממוקם מעל המוצר.
- ודא שהסרת כל קרח או מים שייתכן שנפלו על הרצפה כדי למנוע פציעות.
- שנה את המיקום של המדפים/מדפי הבקבוקים בדלת המקרר שלך כאשר המתלים ריקים בלבד. סכנה לפציעה פיזית!
- אל תניח על המוצר חפצים שעלולים ליפול/להתהפך. חפצים אלו עלולים ליפול תוך כדי פתיחה או סגירה של הדלת ולגרום לפציעות ו/או נזקים חומריים.
- אל תפגע ואל תפעיל לחץ מוגזם על משטחי זכוכית. זכוכית שבורה עלולה לגרום לפציעות ו/או לנזק חומרי.
- מערכת הקירור במוצר שלך מכילה קרר R600a. סוג נזל הקירור שבו משתמשים במוצר מצויין בתווית

- השארת הדלתות פתוחות לאורך זמן עלולה לגרום לעליית הטמפרטורה בתוך המקרר.
- יש לנקות בעקביות את מערכות הניקוז הנגישות הנמצאות במגע עם מזון.
- נקו את מיכלי המים שלא היו בשימוש במשך 48 שעות ואת מערכות המים המוזנות מהרשת שלא היו בשימוש יותר מ-5 ימים.
- אחסנו מוצרי בשר ודגים נאים בתאים המתאימים של המקרר. כך שלא יטפטפו או יהיו במגע עם מוצרי מזון אחרים.
- תאי הקפאה בדרגת שני כוכבים משמשים לאחסון מזון מהוכן מראש, הכנה ואחסון של גלידה וקרח.
- התאים עם כוכב אחד, שניים ושלושה כוכבים אינם מתאימים להקפאת מזון טרי.
- אם המקרר נותר ריק במשך זמן רב, יש לכבותו, להפשיר אותו, לנקות וליבש אותו, על מנת להגן עליו.

1.8 ⚠️ בטיחות תחזוקה וניקוי

- יש לנתק את המקרר לפני הניקוי או ביצוע פעולות תחזוקה.
- אל תמשוך בידיה הדלת אם תזיז את המוצר לצורכי ניקוי. הידית עלולה לגרום לפציעות אם מושכים אותה חזק מדי.
- אין להניח ידיים מתחת למקרר. הידיים עשויות להיתקע או שקצה חד עלול לגרום לפציעות אישיות.

- אין לנקות את המוצר על ידי ריסוס או יציקת מים על המוצר ובתוכו. סיכון של התחשמלות ושריפה.
- בעת ניקוי המוצר, אין להשתמש בכלים חדים ושוחקים או בחומרי ניקוי ביתיים, חומרי ניקוי, גז, בנזין, מדלל, אלכוהול, לכה וחומרים דומים. השתמש בחומרי ניקוי ותחזוקה שאינם מזיקים למזון הנמצא במקרר.
- אין להשתמש באדים או בתכשירי אידוי לניקוי המוצר ולהפשרת הקרח שבתוכו. קיטור לפגוע באזורים עם חיבור חשמל במקרר וגורם לקצר חשמלי או להתחשמלות.
- אין להשתמש בכלי עבודה מכאניים או בכל כלי אחר מלבד אלו המומלצים על ידי היצרן כדי להאיץ את פעולת ההפשרה.
- הקפד להרחיק מים מהמעגלים האלקטרוניים או מהתאורה של המוצר.
- השתמש במטלית נקייה ויבשה כדי לנגב את האבק או החומרים הזרים על קצות התקעים. אין להשתמש בחתיכת בד רטובה או לחה כדי לנקות את התקע. אחרת, עלולה להיווצר סיכון של שריפה או התחשמלות.

1.9 ⚠️ סילוק מוצר ישן

- בעת השלכת המוצר הישן שלך, עקוב אחר ההוראות שלהלן:
- כדי למנוע מילדים לנעול את עצמם בטעות במוצר, אם יש מנעול לדלת, השבת אותו.

- התזה של נוזל קירור מזיקה לעיניים. אל תפגע באף חלק של מערכת הקירור בזמן השלכת המוצר.
- אחרת, עלולה להתרחש פגיעה קטלנית במקרה של בליעת שמן המדחס או חדירתו לדרכי הנשימה.
- מערכת הקירור של המוצר שלך כוללת גז R600a כמפורט בתווית הסוג. גז זה הוא דליק. אין להשליך את המוצר באמצעות השלכתו לאש. סכנת התפוצצות!
- C-Pentane משמש כאביזר נשיפה בקצף בידוד והינו חומר דליק. אין להשליך את המוצר באמצעות השלכתו לאש.

2 הנחיות סביבתיות

מכשיר ישן. סילוק הולם של מכשיר משומש מסייע במניעת השלכות שליליות אפשריות על הסביבה ועל בריאות האדם.

2.1 בהתאמה להוראת ה-WEEE ופינוי מוצר הפסולת

מוצר זה תואם להנחיית האיחוד האירופי (2012/19/EU) WEEE. מוצר זה נושא סמל סיווג לפסולת ציוד חשמלי ואלקטרוני (WEEE). סמל זה מצוין שאסור להשליך מוצר זה יחד עם אשפה ביתית אחרת בתום חיי השירות שלו. יש להחזיר את המכשיר המשומש לנקודת איסוף רשמית לצורך מיחזור של מכשירים חשמליים ואלקטרוניים. כדי למצוא את מערכות האיסוף הללו, אנא צור קשר עם הרשויות המקומיות או הקמעונאי שבו המוצר נרכש. כל משק בית ממלא תפקיד חשוב בשיחזור ומיחזור של



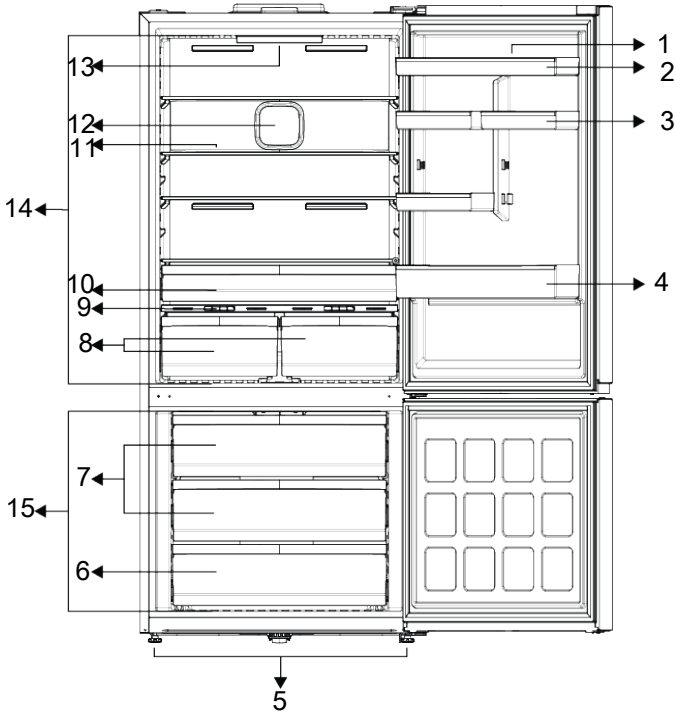
בהתאמה להוראת RoHS

המוצר שרכשת עומד בדרישות ה-RoHS של האיחוד האירופי (EU/2011/65). הוא אינו מכיל חומרים מזיקים ואסורים המפורטים בדירקטיבה.

פרטי אריזה



חומרי האריזה של המוצר מיוצרים מחומרים הניתנים למחזור בהתאם לתקנות הסביבה הלאומית שלנו. אל תשליכו את חומרי האריזה יחד עם הפסולת הביתית או אחרת. קחו אותם לנקודות איסוף חומרי האריזה שיועדו על ידי הרשויות המקומיות.



- | | |
|---------------------------|----------------------------|
| 2 *מדף הדלת | 1 התקן אחסון ביצים |
| 4 *מדף בקבוקים | 3 * מדף דלת קטן מתכוון |
| 6 *מגירה קטנה של תא הקפאה | 5 רגליות מתכווננות |
| 8 *מגירת ירקות | 7 *מגירה גדולה של תא הקפאה |
| 10 *מגירה לאחסון קר | 9 מכסה צינור |
| 12 מאורר | 11 *מדף זכוכית נמתכוון |
| 14 תא קירור | 13 תאורה |
| | 15 תא מקפיא |

***אופציונלי:** התרשימים שבמדריך זה הינם סכמתיים וייתכן שלא יהיו תואמים בדיוק למוצר שברשותך. אם המוצר שברשותך אינו תואם לחלקים הרלבנטיים, המידע מתייחס לדגמים שונים.

4 התקנה

קרא קודם את הסעיף "הוראות בטיחות"!



4.1 מקום ההתקנה הנכון

צור קשר עם השירות המורשה עבור התקנת המוצר. כדי להכין את המוצר להתקנה, עיין במידע במדריך למשתמש וודא ששירותי החשמל והמים מתאימים לדרישות. במידה ולא, התקשרו לחשמלאי ואינסטלטור מוסמכים כדי לבצע את הסידורים הנדרשים.

4.2 חיבור חשמל

אין להשתמש בכבל חשמל מאריך או רב-שקעים בחיבור לחשמל.



כבל חשמל פגום חייב להיות מוחלף על ידי שירות מורשה.



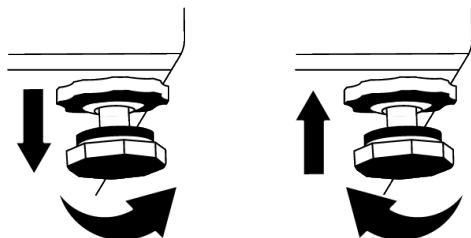
כאשר מציבים שני מקררים בסמוך האחד לשני, יש להשאיר מרחק של לפחות 4 ס"מ בין שתי היחידות.



- החברה לא תישא באחריות לנזקים כלשהם עקב שימוש ללא הארקה וללא חיבור לחשמל בהתאם לתקנות הלאומיות.
- על תקע כבל החשמל להיות נגיש בקלות לאחר ההתקנה.
- אין להשתמש ברב-שקע עם או בלי כבל מאריך בין השקע בקיר למקרר.

4.3 כוונן הרגליות

אם המוצר אינו במצב מאוזן, כוונן את הרגליות הקדמיות על ידי סיבוב ימינה או שמאלה.



4.4 אזהרת משטח חם

הדפנות הצדדיות של המוצר שלך מצוידות בצינורות קירור כדי לשפר את מערכת הקירור. נוזל בלחץ גבוה עלול לזרום דרך משטחים אלו, ולגרום למשטחים חמים בדפנות הצדדיות. זה נורמלי ואינו מצריך טיפול. היזהר כאשר אתה יוצר קשר עם אזורים אלה.

אזהרה:
היצרן אינו נושא באחריות לכל נזק שנגרם מהעבודה שבוצעה על ידי אנשים לא מורשים.



אזהרה:
יש לנתק את כבל המתח של המוצר במהלך ההתקנה. אי ביצוע פעולה זו עלולה לגרום למוות או לפציעות חמורות!



אזהרה:
אם טווח הדלת צר מכדי שהמוצר יוכל לעבור, הסר את הדלת וסובב את המוצר הצידה; אם זה לא עובד, צור קשר עם השירות המורשה.



- הנח את המוצר על משטח שטוח כדי למנוע רעידות.
- הנח את המוצר במרחק של לפחות 30 ס"מ מתנור החימום, הכיריים ומקורות חום דומים ובמרחק של לפחות 5 ס"מ מתנורים חשמליים.
- אין לחשוף את המוצר לשמש ישירה ואל תשמור בסביבה לחה.
- מוצר זה דורש אוורור נאות כדי לתפקד ביעילות. אם המוצר ימוקם בחדרון, זכרו להשאיר מרווח של לפחות 5 ס"מ בין המוצר לבין התקרה והקירות.
- ודאו שרכיב ההגנה על המרווח מהקיר האחורי נמצא במקומו (אם סופק עם המוצר).
- אם הרכיב אינו זמין, או אם הוא אבד או נפל, יש למקם את המוצר כך שישאר מרווח של לפחות 5 ס"מ בין המוצר לקירות החדר. המרווח מאחור חשוב עבור תפעול יעיל של המוצר.

5 הכנה

קרא קודם את הסעיף "הוראות בטיחות"!



5.1 מה ניתן לעשות על מנת לחסוך באנרגיה

HE

חיבור המוצר למערכות אלקטרוניות חיסכון באנרגיה מזיק, מכיוון שהוא עלול להזיק למוצר.



- מקרר זה אינו מיועד לשימוש כמקרר מובנה.
- אל תשאיר את דלתות המקרר פתוחות לפרקי זמן ארוכים.
- אין להכניס מזון או משקאות חמים לתוך המקרר.
- אין למלא את המקרר יתר על המידה; חסימת זרימת האוויר הפנימית תפחית את כושר הקירור.
- מכיוון שאוויר חם ולח לא יחדור ישירות למוצר שלך כאשר הדלתות אינן נפתחות, המוצר שלך ימטב את עצמו בתנאים מספיקים כדי להגן על המזון שלך. בתנאים אלו, פונקציות ורכיבים כגון מדחס, מאוורר, תנור חימום, הפשרה, תאורה, תצוגה וכן הלאה יפעלו בהתאם לצרכים על מנת לצמצם למינימום את צריכת האנרגיה.
- במקרה של אפשרויות מרובות יש למקם מדפי זכוכית כך שפתחי האוויר בדופן האחורית לא ייחסמו, עדיף ששקעי האוויר יישארו מתחת למדף הזכוכית. השילוב עשוי לאפשר שיפור בפזור האוויר ויעילות אנרגטית.
- מומלץ לאחסן מזון במגירה התחתונה.
- מזון יישמר באמצעות המגירות בתא הקירור על מנת להבטיח חיסכון באנרגיה ולהגן על מזון בתנאים טובים יותר.

5.2 השימוש הראשון

- לפני השימוש במקרר שלך, ודא שההכנות הדרושות נעשות בהתאם להנחיות בסעיפים "הוראות בטיחות וסביבה" ו"התקנה".
- שמור את המוצר פועל מבלי להניח מזון בפנים למשך 6 שעות ואל תפתח את הדלת, אלא אם כן הכרחי.

- שינוי הטמפרטורה הנגרם כתוצאה מפתיחה וסגירה של הדלת בזמן השימוש במוצר עלול בדרך כלל לגרום לעיבוי על מדפי הדלת/הגוף ומכלי זכוכית הנמצאים במוצר.

ישמע צליל כאשר המדחס מופעל. השמעת רעש היא תופעה רגילה גם כאשר המדחס אינו פועל, יתכן שנוזלים וגזים נדחסים למערכת הקירור.



זה נורמלי שהשוליים הקדמיים של המקרר יהיו חמים. אזורים אלה מיועדים להתחמם על מנת למנוע עיבוי.

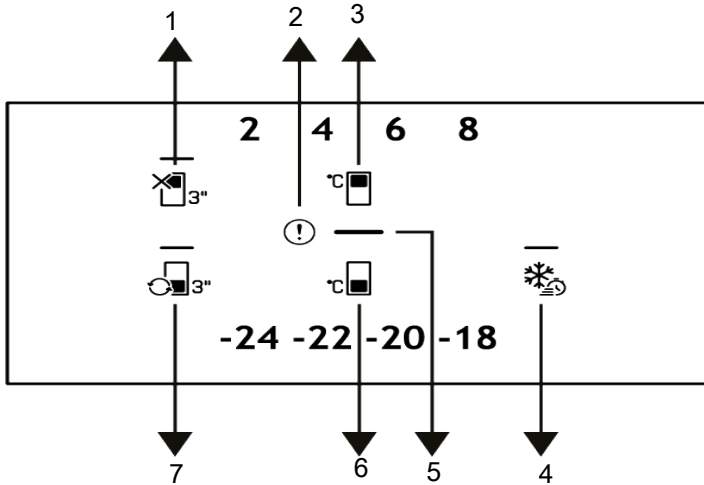


בדגמים מסוימים, לוח המחוונים נכבה אוטומטית דקה אחת לאחר סגירת הדלת. הוא יופעל מחדש כאשר הדלת תיפתח או כפתור ילחץ.



5.3 דרוג אקלים והגדרות

- עיינו בדירוג האקלים הנמצא על לוחית הדירוג של המכשיר. אחד מהפרטים הבאים חל על המכשיר שלכם בהתאם לדירוג האקלים.
- **SN:** אקלים ממוזג לטווח ארוך: התקן הקירור מיועד לשימוש בטמפרטורות סביבתיות שבין 10 °C ובין 32 °C.
- **N:** אקלים ממוזג: התקן הקירור מיועד לשימוש בטמפרטורות סביבתיות שבין 16 °C ובין 32 °C.
- **ST:** אקלים סב-טרופי: התקן הקירור מיועד לשימוש בטמפרטורות סביבתיות שבין 16 °C ובין 38 °C.
- **T:** אקלים טרופי: התקן הקירור מיועד לשימוש בטמפרטורות סביבתיות שבין 16 °C ובין 43 °C.



- 2 מחוון מצב תקלה
- 4 * מקש הקפאה מהירה
- 6 מקש הגדרת טמפרטורת תא הקפאה

- 1 * מקש פונקציה כבוי חופשה תא קירור
- 3 מקש קביעת טמפרטורת התא הקר יותר
- 5 מחוון חיסכון באנרגיה (צג כבוי)
- 7 * מקש המרה של תא

האחרים ממשיכים להתקרר לפי הטמפרטורות שנקבעו. לחץ על המקש למשך 3 שניות שוב כדי לבטל פונקציה זו.

2. מחוון מצב תקלה

מחוון זה יהיה פעיל כאשר המקרר לא יכול לקרר מספק או במקרה של שגיאת חיישן, כלשהי. אם תניח אוכל חם בתא ההקפאה או תשאיר את דלתו פתוחה למשך זמן ממושך, סימן קריאה יכול להידלק. אין זו תקלה, אזהרה זו תוסר כאשר האוכל מתקרר או כאשר מקש כלשהו נלחץ.

3. מקש קביעת טמפרטורת התא הקר יותר

מאפשר הגדרת טמפרטורה עבור תא הקירור. לחיצה על מקש זה תאפשר את הגדרת טמפרטורת תא הקירור ל-2, 4, 6, 8 מעלות צלזיוס.

קרא קודם את הסעיף "הוראות בטיחות".



*אופציונלי: הפונקציות המוצגות הן אופציונליות, ייתכנו הבדלים בצורה ובמיקום הפונקציות שנמצאות בלוח התצוגה של המכשיר שלך.

פונקציות שמע ותצוגה של לוח המחוונים יסייעו לכם בזמן השימוש במקרר.

1. מקש פונקציה כבוי (חופשה) תא קירור

לחצו על מקש זה 3 שניות להפעלת פונקציית החופשה. מצב חופשה מופעל וסמל החופשה דולק. " - " יוצג על מחוון טמפרטורת תא הקירור ותא הקירור אינו מבצע קירור באופן אקטיבי. אם מפעילים פונקציה זו, לא מתאים לאחסן מזון בתא הקירור. התאים

4. *מקש הקפאה מהירה

כאשר מקש ההקפאה המהירה נלחץ סמל ההקפאה המהירה מואר ופונקציית ההקפאה המהירה תופעל. טמפרטורת תא ההקפאה נקבעת על -27°C . לחיצה נוספת על המקש תבטל את הפעולה. פונקציית ההקפאה המהירה תבוטל באופן אוטומטי. להקפאת כמות גדולה של מזון טרי, לחץ על מקש ההקפאה המהירה לפני הכנסת המזון לתא ההקפאה.

5. מחוון חיסכון באנרגיה (צג כבוי)

פונקציית חיסכון באנרגיה מופעלת באופן אוטומטי וסמל החיסכון באנרגיה מואר כאשר דלת המוצר לא נפתחת או נסגרת במשך פרק זמן מסוים. כאשר פונקציית החיסכון באנרגיה פעילה, כל הסמלים על המסך מלבד סמל החיסכון באנרגיה יהיו כבויים. כאשר פונקציית החיסכון באנרגיה פעילה, לחיצה על מקש כלשהו או פתיחת הדלת תבטל את פונקציית החיסכון באנרגיה ואותות התצוגה יחזרו לקדמותם. פונקציית חיסכון באנרגיה היא פונקציה שהפעלה מהיצרן ולא ניתנת לביטול.

6. מקש הגדרת טמפרטורת תא הקפאה

הגדרת הטמפרטורה נעשית עבור תא ההקפאה. לחיצה על המקש תאפשר לכוון את טמפרטורת תא ההקפאה ל- 18°C , 20°C , 22°C , 24°C מעלות צלזיוס.

7. * מקש המרה של תאי

לחיצה על מקש המרת תא למשך 3 שניות, מקטע המקפיא עובר בין מצבי קירור, כבוי ומצב מקפיא בהתאמה.

בזמן שתא ההקפאה פועל, נורית ערך טמפרטורת תא ההקפאה שנבחר מוארת, האור במפתח

ההמרה כבוי. 18°C , 20°C , 22°C , 24°C

בזמן שתא הקירור פועל, כל הנורות של ערכי הטמפרטורה של תא ההקפאה כבויים, הנורית במפתח ההמרה נדלקת. התא פועל כמקור.

2 4 6 8 , 18°C , 20°C , 22°C , 24°C

בזמן שתא הקירור פועל, כל הנורות של ערכי הטמפרטורה של תא ההקפאה כבויים והתאורה של מקש ההמרה נכבית. בבחירה זו, אין מזון בתא. 18°C - 22°C - 24°C .

7 שימוש במוצר

אחסון מזון הנמכר קפוא

- יש לפעול תמיד לפי הוראות היצרן ביחס למזן שבו ניתן לאחסן את המזון. אין לחרוג מהזמן המצויין בהוראות אלו!
- להגנה על איכות המזון, יש להקפיד על זמן אחסון קצר ככל האפשר בין הרכישה והשימוש.
- יש לקנות מזון קפוא המאוחסן בטמפרטורה של -18°C או פחות.
- יש להימנע מקניית מזונות שאריזותיהם מכוסות בקרח וכו'. יתכן שהמוצר הופשר חלקית וקפא מחדש. הטמפרטורה משפיעה על איכות המזון.
- אין לחרוג מזמן האחסון שהומלץ על ידי יצרן המזון. יש להוציא מהמקפיא רק את הכמות שאותה אתם צריכים.
- למעט המקרים שבהם קיימות נסיבות קיצוניות בסביבה, אם המוצר שלך (בטבלת הערכים המומלצים המומלצים) מוגדר לערכים שנקבעו, המזון שומר על טריותו לאורך זמן רב יותר הן בתא המוצרים הטרירים והן בתא ההקפאה.
- אם תא המזון הטרירי מוגדר לטמפרטורה נמוכה מדי, פירות וירקות טריים עלולים לקפוא.

קרא קודם את הסעיף "הוראות בטיחות"!



7.1 אחסון מזון במקפיא ובתא הקר

אחסון מזון במקפיא

- ניתן להפעיל את פונקציית ההקפאה המהירה 4-6 שעות לפני פונקציית ההקפאה ולבצע קירור מהיר.
- הביאו ארוחות חמות לטמפרטורת החדר לפני הכנסתן לתא ההקפאה.
- יש לחלק למנות מזון שמיועד להקפאה בהתאם לכמות הצריכה, ולארוז אותן באריזות נפרדות.
- מומלץ לארוז את המזון לפני הכנסתו למקפיא.
- על מנת למנוע פגיעת זמן האחסון יש לרשום על האריזה את תאריך ההקפאה, השעה ושם המוצר בהתאם לזמני האחסון של מזונות שונים.
- יש לצרוך מזון שהופשר במהירות. לא ניתן לבקפיא מחדש מזון שהוקפא, אלא אם הוא עבר בישול. לא בטוח לצרוך מזון טרי שהוקפא מבלי לבשלו לאחר שהפשיר.
- בזמן שמקפיאים מזון טרי, יש להימנע ממגע בינו לבין מזון שכבר קפוא. אחרת, המזון הקפוא יופשר.

הגדרות תא המקיף	הגדרות תא המקרר	הערות
20°C-	4°C	זוהי ההגדרה המומלצת, המהווה ברירת מחדל
-20°C או פחות	2°C	השתמש בהגדרות אלו אם נראה לך שאת הקירור אינו קר מספיק, עקב טמפרטורת החדר או משום שהדלת נפתחת לעיתים קרובות.
הקפאה מהירה	4°C	השתמשו בהגדרה זו אם ברצונכם להקפיא מזון תוך זמן קצר. כאשר התהליך מסתיים, הגדרות המוצר יחזרו למצבן.

הקפאה מהירה

1. הפעילו את אפשרות ההקפאה המהירה למשך 24 שעות לפני הכנסת מזון טרי.
 2. 24 שעות לאחר הלחיצה על הכפתור, הניחו את המזון שתרצו להקפיא על המדף הראשון שבו יכולת הקפאה גבוהה יותר.
 3. אפשרות ההקפאה המהירה תושבת אוטומטית לאחר 48 שעות.
- הניחו את המזון שתרצו לקרר במהירות במדף הרביעי.

פריטי המקפיא

בהתאם לתקני IEC 62552, בטמפרטורת החדר של 25°C, על המקפיא להיות בעל יכולת להקפיא 4.5 ק"ג של מוצרי מזון בטמפרטורות של 18°C - או נמוכות יותר תוך 24 שעות עבור כל 100 ליטר של נפח תא ההקפאה.

ניתן לשמר פריטי מזון לתקופות ממושכות בלבד בטמפרטורה של 18°C - או מתחתיה.

ניתן לשמור את המזון טרי במשך חודשים (במקפיא עמוק בטמפרטורות של 18°C - או מתחת).

אסור לפריטי המזון להקפאה להיות במגע עם המזון שכבר קפוא בפנים כדי למנוע הפשרה חלקית.

מרחיחים את הירקות ומסננים את המים להארכת זמן האחסון הקפוא. מניחים את המזון באריזות אוטומות לאחר סינון ומכניסים למקפיא. אסור להקפיא בנות, עגבניות, חסה, סלרי, ביצים מבושלות, תפוחי אדמה ופריטים דומים. במקרה שפריטים אלה קפואו, רק ערכים תזונתיים ואיכויות אכילה יושפעו לרעה. פריט שנרקב מאיים על בריאות האדם אינו מוטל בספק.

הנחת המזון

מדפים של המקפיא: מוצרים קפואים שונים כולל בשר, דגים, גלידה, ירקות וכו'.

מדפי תא המקרר: פריטי מזון בתוך סירים, צלחת עם מכסים, ביצים (במארז עם מכסה)

מדפי דלת תא המקרר: מזון באריזות קטנות, משקאות

קריספר ירקות ופירות

תא מזון טרי: מעדנים (מזון ארוחת בוקר, מוצרי בשר לצריכה בהתראה קצרה)

אחסון מזון בתא הקריר

- טמפרטורות התא עולות בצורה משמעותית אם דלת התא נפתחת ונסגרת לעתים קרובות ונשמרת פתוחה לאורך זמן, הדבר עלול להפחית את תוחלת החיים של המזון ולגרום לקלקול המזון.
- כדי לא לגרום לשינויי ריח וטעם, יש לאחסן את המזון במכלים סגורים.
- אין לאחסן במקרר יותר מדי מזון. כדי להשיג קירור טוב והומוגני, יש להניח את פריטי המזון מפוזר בצורה שאוויר קר יוכל לזרום בניהם.
- יש לאפשר זרימת אוויר על ידי השארת מרווחים בין מוצרי המזון והדופן הפנימית. מוצרים הנשענים על הדופן האחורית עלולים לקפוא.
- יש לקרר ארוחות חמות לטמפרטורת החדר לפני הכנסתן לתא ההקפאה. לאחר מכן, תוכלו להניח את הארוחות הפושרות במדפים התחתונים של המקרר. אין להניח מזון פושר קרוב מזון העלול להתקלקל בקלות.
- יש להפשיר מזון קפוא בתא המזון הטרי. ניתן לקרר את תא המזון הטרי באמצעות מזון קפוא ולחסוך באנרגיה.
- אחסון פירות טרופיים שאינם בשלים (מנגו, זני מלון, פפאיה, בננה, אנס) במקרר עשוי לזרז את תהליך ההבשלה. אולם אחסון של פירות בוסר אינו מומלץ מאחר שפעולה זו תקצר את זמן האחסון שלהם.
- כדאי לאחסן בצל, שום, ג'ינג'ר ושאר ירקות שורש בתנאי חדר חשוך וקר, לא במקרר.
- אם מבחינים במאכל שהתקלקל במקרר, יש לזרוק את המזון ולנקות את האביזרים שבאו איתו במגע.
- על מנת לצנן במהירות מאכלים כמו מרקים ותבשילים, שמתבשלים בסירים גדולים, ניתן להכניס אותם למקרר והפרדתם לכלים רדודים משלהם.
- אין לאחסן מזון שאינו ארוז קרוב לביצים.

- למעט המקרים שבהם קיימות נסיבות קיצוניות בסביבה, אם המוצר שלך (בטבלת הערכים המומלצים המומלצים) מוגדר לערכים שנקבעו, המזון שומר על טריותו לאורך זמן רב יותר הן בתא המוצרים הטריים והן בתא ההקפאה.
- יש לאחסן סוגי מזון שונים במקומות שונים בהתאם לתכונותיהם.**

- יש לשמור פירות וירקות בנפרד ולאחסן כל זן ביחד (לדוגמה; תפוחים עם תפוחים, גזר עם גזר).
- יש להוציא ירקות וירקות משקית הניילון ולהניח אותם במקרר כשהם עטופים בנייר סופג או מטלית יבשה. יש ליבש ירקות שטופים לפני שמכניסים אותם למקרר.
- ניתן גם ליצור סביבה לחה ולספק זרימת אוויר על ידי שמירת פירות וירקות, הנוטים להתייבש, בשקיות ניילון מחוררות או בלתי אטומות.

מיקום	מזון
מדף הדלת	ביצה
אם נמצא, בתא אפס מעלות (מוצרים לארוחת בוקר)	מוצרי חלב (חמאה, גבינה)
תא ירקות - פירות, קריספר או תא EverFresh+ (אם נמצא)	פירות, ירקות וירקות עליים
אם נמצא, בתא אפס מעלות (מוצרים לארוחת בוקר)	בשר טרי, עוף, דגים, נקניקיות וכדומה. מזון מבושל
מדפים עליונים או מדף הדלת	מזון מוכן להגשה, מוצרים ארוזים, שימורים וחמוצים
מדף הדלת	משקאות, בקבוקים, תבלינים וחסטיפים

גרסה 2;

אם דלת המוצר נשארת פתוחה למשך זמן מסוים (בין 60 שניות ל-120 שניות), נשמע אות אזהרה קולי. התראת פתיחת דלת נשמעת בעוצמה מדורגת. ראשית, מתחילה להישמע התראה קולית. לאחר 4 דקות, אם הדלת עדיין פתוחה, תופעל התראה חזותית (הבהוב אור). התראת פתיחת דלת תוצג למשך זמן מסוים (בין 60 ו-120 שניות) כאשר לוחצים על מקש כלשהו בצג, אם קיים. לאחר מכן התהליך יתחיל מחדש. כאשר הדלת תיסגר, תבוטל התראת פתיחת הדלת.

7.4

7.5 היפוך כיוון פתיחת הדלת

ניתן לשנות את הדלת פתיחת כיוון של המקרר לפי למקום שבו אתם משתמשים בו. בזמן הביצוע, חובה עליכם ליצור קשר עם מרכז השירות המורשה.

7.2 החלפת נורת התאורה

יש להתקשר למרכז שירות כאשר יש צורך להחליף את הנורה/LED המשמשים לתאורה. לא ניתן להשתמש במנורות המשמשות במכשיר זה לתאורת בית. השימוש המיועד במנורה זו הוא לעזור למשתמש להכניס מזון למקרר/מקפיא בצורה בטוחה ונוחה.

7.3 התראת פתיחת דלת

מערכת התראת פתיחת דלת עשויה להיות שונה בהתאם לדגם.

גרסה 1;

אם דלת המוצר נשארת פתוחה למשך זמן מסוים (בין 60 שניות ל-120 שניות), נשמע אות אזהרה קולי; בהתאם לדגם המוצר, ניתן להציג גם אות אזהרה חזותי (הבהוב אור). כשסוגרים את הדלת או לוחצים על לחצן שעל מסך המוצר, אם קיים, ההתראה הקולית תיכבה.

8 תכונות מוצר

8.1 טכנולוגיית Crisper

אור כחול

ירקות ופירות המאוחסנים בתאי הפירות והירקות שמוארים באור כחול ממשיכים את תהליך הפוטוסינתזה הודות להשפעת אורך הגל של אור זה, ומשום כך הם משמרים את תכולת הוויטמינים שלהם.

HarvestFresh

פירות וירקות המאוחסנים בתאי הפירות והירקות שמוארים בטכנולוגיית HarvestFresh משמרים את תכולת הוויטמינים שלהם. זמן ארוך יותר הודות לאור הכחול, הירוק והאדום וכן למחזורי החושך, אשר מדמים את מחזור היום. כאשר דלת המקרר שלך נפתחת במהלך תקופת החשיכה של טכנולוגיית HarvestFresh, המקרר שלך יחוש זאת באופן אוטומטי ויאיר את ה-Crisper

באחת מהאורות הכחולים, הירוקים או האדומים, בהתאמה, לנוחיותך. לאחר סגירת דלת המקרר המערכת תמשיך את זמן ההחשכה שמייצג את שעות הלילה במחזור היום.

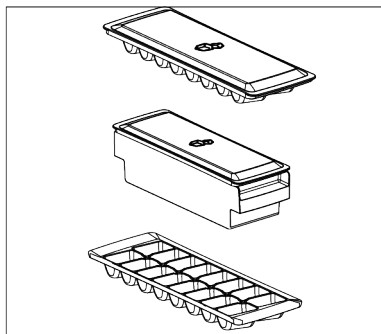
8.2 קריספר

הקריספר של המקרר נועד לשמור על טריות הירקות על ידי שמירה על לחות. לשם כך מועצמת מחזור האוויר הקר הכולל בקריספר. שמור פירות וירקות בתא זה. שמור בנפרד את הירקות והפרות בעלי העלים הירוקים כדי להאריך את חייהם.

8.3 אזור אחסון קר למוצרי חלב

מגירה לאחסון קר

במגירת האחסון הקר יכולה להיות טמפרטורה נמוכה יותר מאשר בתא המקרר. השתמשו במגירה זו לאחסון מעדנים (נקניקים, נקניקיות וכדומה) ומוצרי חלב הדורשים טמפרטורת אחסון נמוכה יותר או מוצרי בשר, עוף או דגים לצריכה מיידית. מגירה זו אינה מתאימה לאחסן פירות וירקות.



8.5 התקן אחסון ביצים

ניתן להניח את התקן אחסון הביצים על הדלת או על מדף לבחירתכם.

אם מניחים את התקן אחסון הביצים על מדף, אנו ממליצים לבחור את המדף התחתון הקר יותר.

אין להניח את התקן אחסון ביצים בתא המקפיא



AeroFlow 8.6

זוהי מערכת לפיזור אוויר המספקת פיזור אחיד של הטמפרטורה. עם זרימת האוויר, חלוקת הטמפרטורה ההומוגנית מובטחת בתא אחסון המזון הטרי, ותנודות הטמפרטורה נשמרות ברמות נמוכות. אין זרימת אוויר ישירה מעל המזון, אפשרות המאפשרת את הפחתת אובדן הלחות. המערכת שומרת על טריות המזון המאוחסן בתא המזון הטרי של המקרר. בדרך זו, המזון מאוחסן בטמפרטורות יותר יציבות והמגע עם האוויר מופחת. הייבוש והכיווץ של המזון בגלל איבוד לחות נמנע והטריות נשמרת לזמן ארוך יותר.

8.4 אזור אחסון קרח

מכל קרח

דלי קרח מאפשר לקחת קרח מהמקרר בקלות.

באמצעות דלי הקרח

- יש להוציא את דלי הקרח מתא ההקפאה.
- ממלאים את דלי הקרח במים.
- הנח את דלי הקרח בתא ההקפאה. הקרח יהיה מוכן לאחר שעתיים בערך.
- קחו את דלי הקרח מתא ההקפאה והתכופפו מעט פנימה על התושבת שאתם הולכים להגיש. קרח יתמזג בקלות לתוך מחזיק ההגשה.

9 תחזוקה וניקוי

אזהרה

קרא קודם את הסעיף "הוראות בטיחות".



אזהרה

נתק את המקרר מהשמל לפני הניקוי.



- יש להסיר את האבק מגריל האוורור בגב המוצר לפחות פעם בשנה (מבלי לפתוח את המכסה). נקה את המכשיר במטלית יבשה.
- הקפד להרחיק מים ממכסה המנורה ומחלקי חשמל אחרים.
- נקה את הדלת במטלית לחה. הסר את כל התכולה כדי להסיר את הדלת ואת מתלי הגוף. הסר את מדפי הדלתות על ידי הרמתם כלפי מעלה. נקו וייבשו את המדפים, ולאחר מכן חברו חזרה למקומם על ידי החלקה מלמעלה.

- אל תשתמש בכלים חדים או שוחקים כדי לנקות את המוצר. אין להשתמש בחומרים כגון חומרי ניקוי ביתיים, סבון, דטרגנטים, גז, בנזין, מדלל צבע, אלקהוול, שעווה וכו'.



זהירות:

אין להשתמש בחומץ, אלכוהול או חומרי ניקוי אחרים המבוססים על אלכוהול על פני כל משטח פנימי.

פני שטח חיצוניים מפלדת אל חלד

השתמש בחומר ניקוי מנירוסטה לא שוחק והמרח אותו עם מטלית רכה נטולת מוך. להברקה, נגבו בעדינות את פני השטח עם מטלית מיקרופיבר רטובה במים והשתמשו בעור צבי להברקה יבשה. עקבו תמיד אחר הוורידים של הנירוסטה.

מניעת ריחות

- המוצר מיוצר ללא חומרים ריחניים כלשהם. עם זאת, שמירה על המזון בחלקים לא מתאימים וניקוי לא נכון של משטחים פנימיים עלולים להוביל לריחות.
- כדי למנוע זאת, נקו את החלק הפנימי במי סודה כל 15 יום.
- יש לשמור על מזון במכלים סגורים, מאחר ומיקרו-אורגניזמים שיעלו ממזון שאינו במכל סגור יגרמו לריחות לא נעימים.
- אין לשמור מזון שפג תוקפם ומקולקל במקרר.

הגנת משטחי הפלסטיק

שמן שנשפך על משטחי פלסטיק עלול לפגוע במשטח ויש לנקות אותו מיד במים חמימים.

- אין להשתמש במים עם כלור או במוצרי ניקוי על פני השטח החיצוניים ועל חלקים המצופים בכרום של המוצר. כלור יגרום לחלודה במשטחים מתכתיים כאלה.
- אין להשתמש בכלים חדים ושוחקים, סבון, חומרי ניקוי לבית, דטרגנטים, גז, בנזין, לכה וחומרים דומים למניעת עיוות של חלק הפלסטיק והסרת הדפסים על החלק. השתמש במים חמים ומטלית רכה לניקוי, ולאחר מכן יבש אותו.
- במוצרים ללא תכונת ללא פרוסט, עלולות להופיע טיפות מים וציפוי עד עובי אצבע בדופן האחורית של תא ההקפאה. אין לנקות, ולעולם אל תמרחו שמנים או חומרים דומים.
- יש להשתמש במטלית מיקרו-פיבר רטובה בעדינות כדי לנקות את פני השטח החיצוניים של המוצר. ספוגים וסוגים אחרים של בגדים לניקוי עלולים לגרום לשריטות.
- כדי לנקות את כל הרכיבים הנשלפים במהלך ניקוי פני השטח הפנימיים של המוצר, יש לשטוף את הרכיבים הללו בתמיסה עדינה המורכבת מסבון, מים וסודה לשתיה. שוטפים ומייבשים היטב. מניעת מגע של מים עם רכיבי תאורה ולוח הבקרה.

10 טיפול בתקלות

- התרמוסטט מוגדר לטמפרטורה נמוכה מאוד. <<< כווננו את התרמוסטט לטמפרטורה מתאימה.
- קומפרסור לא עובד.**
 - במקרה של הפסקת חשמל פתאומית או ניתוק תקע החשמל והחזרה, לחץ הגז במערכת הקירור של המוצר אינו מאוזן, מה שמפעיל את ההגנה התרמית של המדחס. המוצר יופעל מחדש לאחר 6 דקות בערך. אם המוצר לא מופעל מחדש לאחר תקופה זו, צור קשר עם השירות.
 - ההפשרה פעילה. <<< זה נורמלי למוצר הפשרה אוטומטי מלא. ההפשרה מתבצעת מדי פעם.
 - המוצר לא מחובר לחשמל. <<< ודא שכבל החשמל מחובר.
 - הגדרת הטמפרטורה אינה נכונה. <<< בחר בהגדרת הטמפרטורה המתאימה.
 - הכוח כבוי. <<< המוצר ימשיך לפעול כרגיל לאחר שיחזור החשמל.
- רעש הפעלה של המקרר הולך וגדל בזמן השימוש.**
 - ביצועי התפעול של המוצר עשויים להשתנות בהתאם לשונות טמפרטורת הסביבה. זה נורמלי ולא תקלה.
- בדוק את הרשימה הזו לפני שתיצור קשר עם השירות. פעולה זו תחסוך זמן וכסף. רשימה זו כוללת תלונות תכופות שאינן קשורות לביצוע פגום או לחומרים. ייתכן שתכונות מסוימות המוזכרות במסמך זה לא יחולו על המוצר שלך.
- המקרר אינו פועל.**
 - תקע החשמל לא מיושב לגמרי. <<< חבר אותו לחשמל כדי להתייצב לחלוטין בשקע.
 - הפתיל המחובר לשקע המניע את המוצר או הנת"ך הראשי נשרף. <<< בדוק את הפיזו.
- עיבוי על הדופן הצדדי של תא הקירור (MULTI FLEXI ZONE, COOL, CONTROL).**
 - הדלת נפתחת בתדירות גבוהה מדי. הדלת נפתחת בתדירות גבוהה מדי <<< שימו לב לא לפתוח את דלת המוצר לעיתים קרובות מדי.
 - הסביבה לחה מידי <<< אל תתקין את המוצר בסביבה לחה.
 - מזונות המכילים נוזלים נשמרים במארזים לא אטומים. <<< שמור את המזונות המכילים נוזלים במארזים אטומים.
 - דלת המוצר נשארת פתוחה. <<< אין לשמור את דלת המוצר פתוחה לפרקי זמן ארוכים.

המקרה פועל לעיתים קרובות מדי או זמן רב מדי.

- ייתכן שהמוצר החדש גדול יותר מהקודם. מוצרים גדולים יותר יפעלו לפרקי זמן ארוכים יותר.
- ייתכן שטמפרטורת החדר תהיה גבוהה. <<< בדרך כלל המוצר יפעל לתקופות ארוכות בטמפרטורת חדר גבוהה יותר.
- ייתכן שהמוצר חובר לאחרונה לחשמל או שהוכנס בתוכו פריט מזון חדש. ייקח למוצר זמן רב יותר להגיע לטמפרטורה שנקבעה כאשר הוא מחובר לאחרונה לחשמל או כאשר פריט מזון חדש מונח בפנים. זה נורמלי.
- כמויות גדולות של מזון חם עשויות להיות מוכנסות לאחרונה למוצר. <<< אין להניח מזון חם לתוך המוצר.
- הדלתות נפתחו לעיתים תכופות או נשמרו פתוחות לתקופות ארוכות. <<< האוויר החם הנעים פנימה יגרום למוצר לפעול יותר. אל תפתח את הדלתות בתדירות גבוהה מדי.
- דלת המקפיא או הצידנית עשויה להיות פתוחה. <<< בדקו שהדלתות סגורות לגמרי.
- המכשיר עשוי להיות מוגדר לטמפרטורה נמוכה מדי. <<< כווננו את הטמפרטורה לדרגה גבוהה יותר והמתינו עד שהמוצר יגיע לטמפרטורה המתאמת.
- המקרר או מכונת הכביסה של דלת המקפיא עלולים להיות מלוכלכים, בלויים, שבורים או לא מיושבים כראוי. <<< לנקות או להחליף את האטם. מכונת שטיפה לדלת פגומה/קרועה תגרום למוצר לפעול לפרקי זמן ארוכים יותר כדי לשמר את הטמפרטורה הנוכחית.

טמפרטורת המקפיא נמוכה מאוד, אך טמפרטורת הקירור מספקת.

- טמפרטורת תא ההקפאה מוגדרת לדרגה מאוד נמוכה. <<< כווננו את טמפרטורת תא ההקפאה לדרגה גבוהה יותר ובדקו שוב.

טמפרטורת הקירור נמוכה מאוד, אך טמפרטורת המקפיא נאותה.

- טמפרטורת תא הקירור מוגדרת לדרגה מאוד נמוכה. <<< כווננו את טמפרטורת המקרר לדרגה גבוהה יותר ובדקו שוב.

פריטי המזון השמורים במגירות תא קריר יותר קפואים.

- טמפרטורת תא הקירור מוגדרת לדרגה מאוד נמוכה. <<< כווננו את טמפרטורת המקרר לדרגה גבוהה יותר ובדקו שוב.

הטמפרטורה בצידנית או במקפיא גבוהה מדי.

- טמפרטורת תא הקירור נקבעת לדרגה גבוהה מאוד. <<< הגדרת הטמפרטורה של תא הקירור משפיעה על הטמפרטורה בתא המקפיא. המתן עד שהטמפרטורה של החלקים הרלוונטיים תגיע לרמה מספקת על ידי שינוי הטמפרטורה של תאי הצידנית או המקפיא.
- הדלתות נפתחו לעיתים תכופות או נשמרו פתוחות לתקופות ארוכות. <<< אין לפתוח את הדלתות בתדירות גבוהה מדי.
- ייתכן שהדלת פתוחה. <<< סגור לחלוטין את הדלת.
- ייתכן שהמוצר חובר לאחרונה לחשמל או שהוכנס בתוכו פריט מזון חדש. <<< זה נורמלי. ייקח למוצר זמן רב יותר להגיע לטמפרטורה שנקבעה כאשר הוא מחובר לאחרונה לחשמל או כאשר פריט מזון חדש מונח בפנים.
- כמויות גדולות של מזון חם עשויות להיות מוכנסות לאחרונה למוצר. <<< אין להניח מזון חם לתוך המוצר.

טלטול או רעש.

- אם המכשיר אינו מאוזן ועמיד <<< אם המוצר רועד כשמזיזים אותו באיטיות, התאם את המעמדים כדי לאזן את המוצר. כמו כן, ודא שהקרקע עמידה מספיק כדי לשאת את המוצר.
- כל פריט שיוצב על המוצר עלול לגרום לרעש. <<< הסר את כל הפריטים שהוצבו על המוצר.
- המוצר עושה רעש של זרימת נוזלים, ריסוס וכו'.
- עקרונו הפעולה של המוצר כוללים זרימות נוזל וגז. <<< זה נורמלי ולא תקלה.

יש צליל של רוח נושבת מהמוצר.

- המוצר עושה שימוש במאוורר לתהליך הקירור. זה נורמלי ולא תקלה.

יש עיבוי בדפנות הפנימיות של המוצר.

- מזג אוויר חם או לח יגביר את הדובדבן והעיבוי. זה נורמלי ולא תקלה.
- הדלתות נפתחו לעיתים תכופות או נשמרו פתוחות לתקופות ארוכות. <<< אל תפתחו את הדלתות לעיתים קרובות מדי; אם פתוח, סגור את הדלת.
- ייתכן שהדלת פתוחה. <<< סגור לחלוטין את הדלת.

יש עיבוי על החלק החיצוני של המוצר או בין הדלתות.

- מזג האוויר הסביבתי עשוי להיות לח, זה נורמלי למדי במזג אוויר לח. <<< העיבוי יתפוגג כאשר הלחות מצטמצמת.

הפנים מריח לא טוב.

- המוצר אינו מנוקה באופן קבוע. << נקו את הפנים בקביעות באמצעות ספוג, מים חמימים ומים מוגזים..
 - מחזיקים וחומרי אריזה מסוימים עשויים לגרום לריח. << השתמשו במחזיקים ובחומרי אריזה ללא ריח נקי
 - המזונות הוכנסו למחזיקים לא אטומים. << שמור את המזונות במחזיקים אטומים. מיקרואורגניזמים עלולים להתפשט מתוך פריטי מזון שאינם אטומים ולגרום לריח רע.
 - הוציאו את כל המזון שפג תוקפו או המקולקל מהמוצר.
- הדלת אינה נסגרת.**
- ייתכן שאריזות מזון חוסמות את הדלת. << העבירו את כל החפצים החוסמים את הדלתות.
 - המוצר אינו עומד במלוא העמדה זקופה על הקרקע. << התאם את המעמדים לאיזון המוצר.

- המשטח אינו שטוח או עמיד << ודא שהמשטח שטוח ועמיד מספיק כדי לשאת את המוצר.

הקריספר נתקע.

- ייתכן שפריטי המזון במגע עם החלק העליון של המגירה. << ארגן מחדש את מוצרי המזון במגירה.
- הטמפרטורה על פני המכשיר.**
- טמפרטורה גבוהה עשויה להיראות בין שתי דלתות, בפאנלים הצדדיים ובאזור הגריל האחורי בזמן שהמוצר שלך מופעל. זה נורמלי ואינו מצריך טיפול.
- המאוורר ממשיך לפעול עם פתיחת הדלת.**
- המאוורר עשוי להמשיך לפעול כשדלת המקפיא פתוחה.

אזהרה: אם הבעיה נמשכת לאחר ביצוע ההנחיות בסעיף זה, צור קשר עם הספק שלך או עם שירות מורשה. אין לנסות לתקן את המוצר. זה נורמלי.

