

# beko

**Freezer / User Manual**

الفریزر / دليل المستخدم

מקפיא / מדריך למשתמש



RFNE448E35W - RFNE448E36W

58 8283 0000/ EN/ AR/ HE/ AD/ 19/01/2023 15:48  
7278441314



## Please read this manual first!

---

**Dear Customer**

**Please read this manual before using the product.**

Thank you for choosing this product. We would like you to achieve the optimal efficiency from this high quality product which has been manufactured with state of the art technology. To do this, carefully read this manual and any other documentation provided before using the product and keep it as a reference.

Heed all information and warnings in the user manual. This way, you will protect yourself and your product against the dangers that may occur.

Keep the user manual. Include this manual with the unit if you hand it over to someone else.

**The following symbols are used in the user manual:**



Hazard that may result in death or injury.



Important information or useful tips on operation.



Read the user manual.



Combustible material, warning against fire hazard.

NOTICE A hazard that may cause material damage to the product or its surroundings

<b>1</b>	<b>Safety Instructions.....</b>	<b>4</b>
1.1	Intention of Use .....	4
1.2	Safety of Children, Vulnerable Persons and Pets .....	4
1.3	Electrical Safety.....	5
1.4	Handling Safety .....	6
1.5	Installation Safety.....	6
1.6	Operational Safety.....	8
1.7	Food Storage Safety.....	10
1.8	Maintenance and Cleaning Safety	10
1.9	Disposal of the Old Product.....	11
<b>2</b>	<b>Environmental Instructions.....</b>	<b>11</b>
2.1	Compliance with the WEEE Dir- ective and Disposing of the Waste Product .....	11
<b>3</b>	<b>Your Freezer.....</b>	<b>12</b>
<b>4</b>	<b>Installation .....</b>	<b>13</b>
4.1	Right Place For Installation.....	13
4.2	Electrical Connection .....	13
4.3	Attaching the Plastic Wedges .....	13
4.4	Adjusting the Legs.....	14
4.5	Hot Surface Warning .....	14
<b>5</b>	<b>Preparation.....</b>	<b>14</b>
5.1	What To Do For Energy Saving .....	14
5.2	First Use .....	15
5.3	Climate Class and Definitions .....	15
<b>6</b>	<b>Operating the Product.....</b>	<b>16</b>
<b>7</b>	<b>Use of Your Appliance.....</b>	<b>17</b>
7.1	Control Panel of the Product .....	17
7.2	Freezing Fresh Foods.....	19
7.3	Reversing the Door Opening Side.	22
7.4	Door Open Alert .....	22
7.5	Replacing the Illumination Lamp..	22
<b>8</b>	<b>Maintenance and Cleaning .....</b>	<b>23</b>
<b>9</b>	<b>Troubleshooting.....</b>	<b>24</b>

# 1 Safety Instructions

- This section includes the safety instructions necessary to prevent the risk of personal injury or material damage.
- Our company shall not be held responsible for damages that may occur if these instructions are not observed.



Always have installation and repair operations performed by manufacturer, authorized service or a person who will be described by importer company.



Use original spare parts and accessories only.



Do not repair or replace any component of the product unless it is clearly specified in the user manual.



Do not perform any modifications on the product.

## 1.1 Intention of Use

- This product is not suitable for commercial use and should not be used for a purpose other than its intended use.
- This product is intended for operating interiors, such as households or similar.

For example;

In the staff kitchens of the stores, offices and other working environments,

In farm houses,

In the units of hotels, motels or other resting facilities that are used by the customers,

In hostels, or similar environments,

In catering services and similar non-retail applications.

- This product shall not be used in open or enclosed external environments such as vessels, camper vans, balconies or terraces. Exposing the product to rain, snow, sunlight and wind may cause risk of fire.

## 1.2 Safety of Children, Vulnerable Persons and Pets



- This product may be used by children aged 8 years and older and persons with underdeveloped physical, sensory or mental capabilities or lack of experience and knowledge if they are being supervised or have been given instruction concerning use of the appliance in a safe way and the hazards involved.

- Children between 3 and 8 years are allowed to put and take out food into/from the cooler product.
- Electrical products are dangerous for children and pets. Children and pets must not play with, climb on, or enter the product.
- Cleaning and user maintenance should not be performed by children unless there is someone overseeing them.
- Keep the packaging materials away from children. Risk of injury and suffocation.

Before disposing of old products that shall not be used any more:

1. Unplug the power cord from the mains socket.
  2. Cut the power cable and remove it from the appliance together with the plug.
  3. Do not remove the racks and drawers from the product to prevent children from getting inside the appliance.
  4. Remove the doors.
  5. Store the product so that it shall not be tipped over.
  6. Do not allow children to play with the scrapped product.
- Do not dispose of the product by throwing it into fire. Risk of explosion.

- If there is a lock available on the product's door, keep the key out of children's reach.

### 1.3 Electrical Safety

- The product shall not be plugged into the outlet during installation, maintenance, cleaning, repair, and transportation operations.
- If the power cable is damaged, it shall only be replaced by authorized service to avoid any risks that may occur.
- Do not tuck the power cable under the product or to the rear of the product. Do not put heavy items on the power cable. The power cable should not be bent, crushed, and come into contact with any heat source.
- Do not use an extension cord, multi-plug or adaptor to operate your product.
- Portable multi-plugs or portable power supplies may overheat and cause fire. Thus, do not have a multi-plug, portable power sources behind or in the vicinity of the product.
- Do not plug the product's power cord in a loose or damaged power outlet. These types of connections may overheat and cause fire.

- The plug shall be easily accessible. If this is not possible, a mechanism that meets the electrical legislation and that disconnects all terminals from the mains (fuse, switch, main switch, etc.) shall be available on the electrical installation.
- Do not touch the plug with wet hands.
- When unplugging the appliance, don't hold the power cord, but the plug.

#### **1.4 Handling Safety**

- This product is heavy, do not handle it by yourself.
- Do not hold the product from its door while handling the product.
- Be careful not to damage the cooling system and the pipes while handling the product. Do not operate the product if the pipes are damaged, and contact an authorized service.

#### **1.5 Installation Safety**

- Contact the Authorized Service for the product's installation. To prepare the product for use, see the information in the user manual and make sure the electric and water utilities are as required. If not, call a qualified electrician and plumber to

arrange the utilities as necessary. Failure to do so may result in electric shock, fire, problems with the product, or injury.

- Check for any damage on the product before installing it. Do not have the product installed if it is damaged.
- Place the product on a clean, level and hard surface and balance it with the adjustable legs. Otherwise, the refrigerator may tip over and cause injuries.
- The product shall be installed in a dry and ventilated environment. Do not keep carpets, rugs or similar covers under the product. This may cause risk of fire as a result of inadequate ventilation!
- Do not block or cover ventilation holes. Otherwise, power consumption increases and your product may be damaged.
- The product must not be connected to supply systems such as solar power supply. Otherwise, your product may be damaged due to sudden voltage changes!
- When positioning the appliance, ensure the supply cord is not trapped or damaged.

- The more refrigerant a refrigerator contains, the bigger its installation room should be. In very small rooms, a flammable gas-air mixture may occur in case of a gas leak in the cooling system. At least 1 m<sup>3</sup> of volume is required for each 8 grams of refrigerant. The amount of the refrigerant available in your product is specified in the Type Label.
- The installation place of the product shall not be exposed to direct sunlight and it shall not be in the vicinity of a heat source such as stoves, radiators, etc. If you cannot prevent installation of the product in the vicinity of a heat source, use a suitable insulation plate and make sure the minimum distance to the heat source is as specified below:
  - At least 30 cm away from heat sources such as stoves, ovens, heating units and heaters, etc.,
  - And at least 5 cm away from electrical ovens.
- Your product has the protection class of I.
- Plug the product in a grounded socket that conforms with the Voltage, Current and Frequency values specified in the type label. The socket must have a 10A – 16A fuse. Our firm will not assume responsibility for any damages due to usage without earthing and without power connection in compliance with local and national regulations.
- The product's power cable must be unplugged during installation. Otherwise, risk of electric shock and injury may occur!
- Do not plug the product's power cord in loose, dislocated, broken, dirty, oily power outlets which have a risk of water contact. These types of connections may cause overheating and fire.
- Place the power cable and hoses (if any) of the product so that they shall not cause a risk of tripping over.
- Penetration of humidity and liquid to live parts or to the power cord may cause short circuit. Thus, do not use the product in humid environments or in areas where water may splash (e.g. garage, laundry room, etc.) If the refrigerator is wet by water, unplug it and contact an authorized service.

- Do not ever connect your refrigerator to power saving devices. These systems are harmful for the product



## **1.6 Operational Safety**

- Do not ever use chemical solvents on the product. These materials contain an explosion risk.
- In case of a failure of the product, unplug it and do not operate until it is repaired by the authorized service. There is a risk of electric shock!
- Do not place a source of flame (e.g. candles, cigarettes, etc.) on the product or in the vicinity of it.
- Do not get on the product. Risk of falling and injury!
- Do not cause damage to the pipes of the cooling system using sharp and piercing tools. The refrigerant that sprays out in case of puncturing the gas pipes, pipe extensions or upper surface coatings may cause irritation of skin and injury to the eyes.
- Do not place and operate electrical appliances inside the refrigerator/freezer unless it is advised by the manufacturer.
- Do not jam any parts of your hands or your body to the moving parts inside the product. Be careful to prevent jamming of your fingers between the refrigerator and its door. Be careful while opening or closing the door if there are children around.
- Do not put ice cream, ice cubes or frozen food to your mouth as soon as you take them out of the freezer. Risk of frostbite!
- Do not touch the inner walls, metal parts of the freezer or food kept inside the freezer with wet hands. Risk of frostbite!
- Do not place soda cans or cans and bottles that contain fluids that may be frozen to the freezer compartment. Cans or bottles may explode. Risk of injury and material damage!
- Do not use or place materials sensitive against temperature such as flammable sprays, flammable objects, dry ice or other chemical agents in the vicinity of the refrigerator. Risk of fire and explosion!
- Do not store explosive materials such as aerosol cans with flammable materials inside the product.



- Do not place cans containing fluids over the product an open state. Splashing of water on an electrical part may cause the risk of an electric shock or a fire.
- This product is not intended for storage and cooling of medicines, blood plasma, laboratory preparations or similar materials and products that are subject to the Medical Products Directive.
- If the product is used against its intended purpose, it may cause damage to or deterioration of the products kept inside.
- If your refrigerator is equipped with blue light, do not look at this light with optical devices. Do not stare directly at UV LED light for a long time. Ultraviolet rays may cause eye strain.
- Do not fill the product with more food than its capacity. Injuries or damages may occur if the contents of the refrigerator fall when the door is opened. Similar problems may also occur when an object is placed over the product.
- Ensure that you have removed any ice or water that may have fallen to the floor to prevent injuries.
- Change the locations of the racks/bottle racks on the door of your refrigerator only when the racks are empty. Danger of injury!
- Do not place objects that may fall/tip over on the product. These objects may fall while opening or closing the door and cause injuries and/or material damages.
- Do not hit or exert excessive pressure on glass surfaces. Broken glass may cause injuries and/or material damages.
- The cooling system in your product contains R600a refrigerant. The refrigerant type used in the product is specified in the type label. This gas is flammable. Therefore, be careful not to damage the cooling system and the pipes while operating the product. In case of damage to the pipes;
  1. Do not touch the product or the power cable.
  2. Keep the product away from potential sources of fire that may cause the product to catch fire.
  3. Ventilate the area where the product is placed. Do not use a fan.
  4. Contact Authorized Service.

5. If the product is damaged and you observe gas leak, please stay away from the gas. Gas may cause frostbite if it contacts your skin.

### **1.7 Food Storage Safety**

Please pay attention to the following warnings to avoid food spoilage:

- Leaving the doors open for a long time may cause the temperature inside the product to rise.
- Regularly clean the accessible drainage systems in contact with food.
- Clean the water tanks that have not been used for 48 hours and mains-fed water systems that have not been used for more than 5 days.
- Store raw meat and fish products in appropriate compartments within the product. Thus, it does not drip on or come into contact with other foods.
- Two-star freezer compartments are used for storing pre-filled foods, making and storing ice and ice cream.
- One, two and three-star compartments are not appropriate for freezing fresh food.

- If the cooling product has been left empty for a long time, turn off the product, defrost, clean, and dry the product in order to protect the housing of the product.

### **1.8 Maintenance and Cleaning Safety**

- Unplug the refrigerator before cleaning it or starting to perform maintenance.
- Do not pull by the door handle if you shall move the product for cleaning purposes. Handle may cause injuries if it is pulled too hard.
- Do not put your hands etc. under the refrigerator. Jamming may occur or any sharp edge may cause personal injuries.
- Do not clean the product by spraying or pouring water on the product and inside the product. Risk of electric shock and fire.
- When cleaning the product, do not use sharp and abrasive tools or household cleaning agents, detergent, gas, gasoline, thinner, alcohol, varnish, and similar substances. Use only cleaning and maintenance agents that are not harmful for food inside the product.

- Do not ever use steam or steamed cleaning materials for cleaning the product and thawing the ice inside it. Steam contacts the live areas in your refrigerator and causes short circuit or electric shock.
- Do not use any mechanical tools or any other tools than the recommendations of the manufacturer to speed up the defrost operation.
- Take care to keep water away from the ventilation holes, electronic circuits or lighting of the product.
- Use a clean, dry cloth to wipe the dust or foreign material on the tips of the plugs. Do not use a wet or damp piece of cloth to clean the plug. Otherwise, risk of fire or electric shock may occur.



## 1.9 Disposal of the Old Product

When disposing of your old product follow the instructions below:

- To prevent children from accidentally locking themselves into the product, if there is door lock, make it deactivated.
- Splash of coolant is harmful to the eyes. Do not damage any part of the cooling system while disposing of the product.
- It may be fatal if the compressor oil is swallowed or if it penetrates the respiratory tract.
- Cooling system of your product includes R600a gas as specified in the type label. This gas is flammable. Do not dispose of the product by throwing it into fire. Risk of explosion!

## 2 Environmental Instructions

### 2.1 Compliance with the WEEE Directive and Disposing of the Waste Product



This product complies with EU WEEE Directive (2012/19/EU). This product bears a classification symbol for waste electrical and electronic equipment (WEEE).

This symbol indicates that this product shall not be disposed with other household wastes at the end of its service life. Used device must be returned to official collec-

tion point for recycling of electrical and electronic devices. To find these collection systems please contact to your local authorities or retailer where the product was purchased. Each household performs important role in recovering and recycling of old appliance. Appropriate disposal of used appliance helps prevent potential negative consequences for the environment and human health.

### Compliance with RoHS Directive

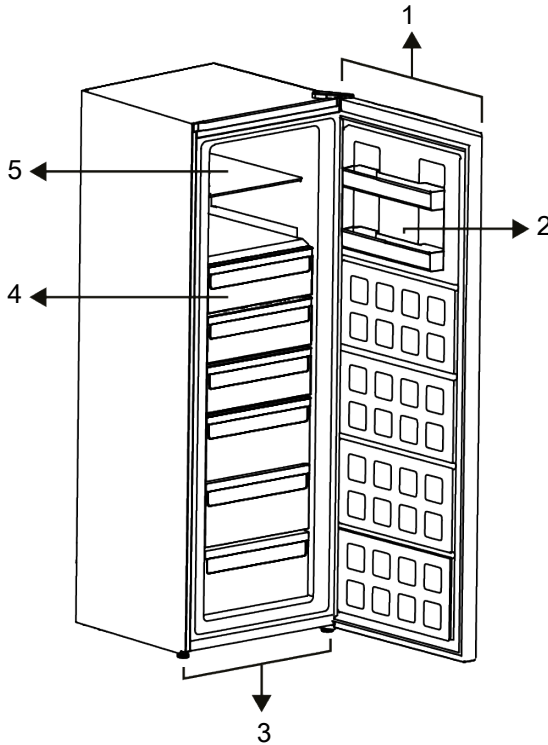
The product you have purchased complies with EU RoHS Directive (2011/65/EU). It does not contain harmful and prohibited materials specified in the Directive.



### Package information

Packaging materials of the product are manufactured from recyclable materials in accordance with our National Environment Regulations. Do not dispose of the packaging materials together with the domestic or other wastes. Take them to the packaging material collection points designated by the local authorities.

## 3 Your Freezer



- 1 Electronic Indicator
- 3 Adjustable Stands
- 5 Glass Rack

- 2 Door Shelf
- 4 Freezer Compartments

**\*Optional:** Figures in this user manual are schematic and may not exactly match your product. If your product does not comprise the relevant parts, the information pertains to other models.

## 4 Installation



Read the "Safety Instructions" section first!

### 4.1 Right Place For Installation

Contact the Authorized Service for the product's installation. To prepare the product for installation, see the information in the user manual and make sure the electric and water utilities are as required. If not, call an electrician and plumber to arrange the utilities as necessary.



**WARNING:**

The manufacturer assumes no responsibility for any damages caused by the work carried out by unauthorized persons.



**WARNING:**

The product's power cable must be unplugged during installation. Failure to do so may result in death or serious injuries!



**WARNING:**

If the door span is too narrow for the product to pass, remove the door and turn the product sideways; if this does not work, contact the authorized service.

- Place the product on a flat surface to avoid vibration.
- Place the product at least 30 cm away from the heater, stove and similar sources of heat and at least 5 cm away from electric ovens.
- Do not expose the product to direct sunlight or keep it in damp environments.
- Your product requires adequate air circulation to function efficiently. If the product will be placed in an alcove, re-

member to leave at least 5 cm clearance between the product and the ceiling, rear wall and the side walls.

- Check if the rear wall clearance protection component is present at its location (if provided with the product).
- If the component is not available, or if it is lost or fallen, position the product so that at least 5 cm clearance shall be left between the rear surface of the product and the wall of the room. The clearance at the rear is important for efficient operation of the product.

### 4.2 Electrical Connection



Do not use extension or multi sockets in power connection.



Damaged power cable must be replaced by Authorized Service.



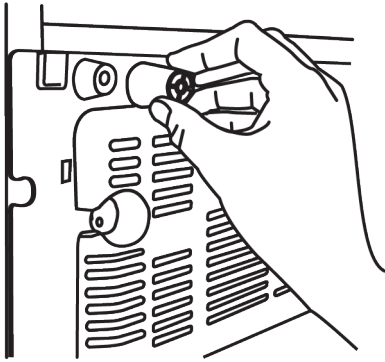
When placing two coolers in adjacent position, leave at least 4 cm distance between the two units.

- Our firm will not assume responsibility for any damages due to usage without earthing and power connection in compliance with national regulations.
- The power cable plug must be easily accessible after installation.
- Do not use multi-group plug with or without extension cable between the wall socket and the refrigerator.

### 4.3 Attaching the Plastic Wedges

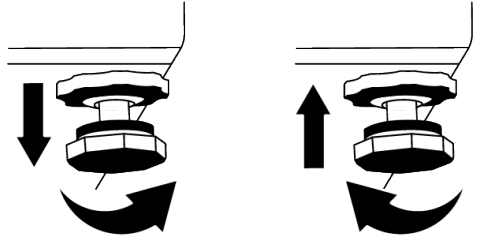
Use the plastic wedges provided with the product to maintain sufficient space for air circulation between the product and the wall.

1. Mount 2 pieces of plastic wedges as shown in the following figure.  
(The indicated picture is drawn representatively, it is not completely same as your product.)



#### 4.4 Adjusting the Legs

If the product is not in balanced position, adjust the front adjustable legs by rotating them to right or left.



#### 4.5 Hot Surface Warning

The side walls of your product are equipped with cooler pipes to enhance the cooling system. High pressure fluid may flow through these surfaces, and cause hot surfaces on the side walls. This is normal and it does not require servicing. Be careful when you contact these areas.



Read the "Safety Instructions" section first!

#### 5.1 What To Do For Energy Saving



Connecting the product to electronic energy-saving systems is harmful, as it may damage the product.

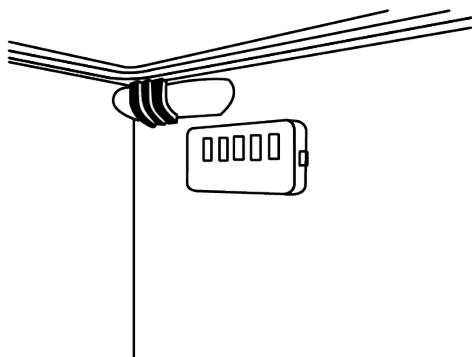
- This refrigerating appliance is not intended to be used as a built in appliance.
- Do not keep the refrigerator doors open for long periods.
- Do not place hot food or beverages into the refrigerator.
- Do not overfill the refrigerator; blocking the internal air flow will reduce cooling capacity.
- Since hot and humid air will not directly penetrate into your product when the doors are not opened, your product will optimize itself in conditions sufficient to

protect your food. Under these circumstances, functions and components such as compressor, fan, heater, defrost, lighting, display and so on will operate according to the needs by consuming minimum energy.

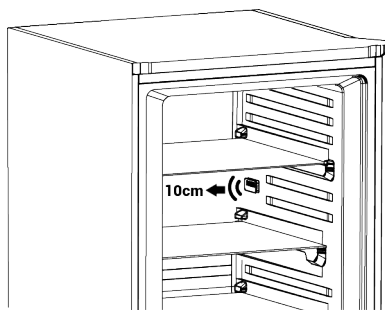
- In case that multiple options are present, glass shelves must be placed so that the air outlets at the rear wall are not blocked and preferably, in a way that air outlets remain below the glass shelf. This combination may help improving air distribution and energy efficiency.
- Using the below drawer when storing is strongly recommended.
- Depending on the product's features; defrosting frozen foods in the cooler compartment will ensure energy saving and preserve food quality.
- In order to load the maximum quantity of food into the freezer compartment of your refrigerator, the upper drawers should be taken out and the food should

be placed onto the wire/glass shelves. Net volume and energy consumption information declared in the energy label of your refrigerator was tested by taking out the upper drawers in the cooler department and the ice bucket, which is easily removable by hand.

- Make sure the foods are not in contact with the cooler compartment temperature sensor described below.



- If they are in contact with the sensor, energy consumption of the appliance might increase
- Food shall be stored using the drawers in the cooler compartment in order to ensure energy saving and protect food in better conditions.
- Food packages shall not be in direct contact with the temperature sensor located in the freezer compartment.
- There should be 10 cm of distance between the sensor and the food.



## 5.2 First Use

Before using your refrigerator, make sure the necessary preparations are made in line with the instructions in "Safety and Environmental Instructions" and "Installation" sections.

- Keep the product running without placing any food inside for 6 hours and do not open the door, unless absolutely necessary.
- The temperature change caused by opening and closing of the door while using the product may normally lead to condensation on door/body shelves and glassware placed in the product.



A sound will be heard when the compressor is engaged. It is normal for the product to make noise even if the compressor is not running, as fluid and gas may be compressed in the cooling system.



It is normal for the front edges of the refrigerator to be warm. These areas are designed to warm up in order to prevent condensation.



For some models, indicator panel turns off automatically 1 minute after the door closes. It will be reactivated when the door is opened or any button is pressed.

## 5.3 Climate Class and Definitions

Please refer to the Climate Class on the rating plate of your device. One of the following information is applicable to your device according to the Climate Class.

- **SN:** Long Term Temperate Climate: This cooling device is designed for use at ambient temperatures between 10 °C and 32 °C.
- **N:** Temperate Climate: This cooling device is designed for use at ambient temperatures between 16°C and 32 °C.

- **ST:** Subtropical Climate: This cooling device is designed for use at ambient temperatures between 16°C and 38°C.

- **T:** Tropical Climate: This cooling device is designed for use at ambient temperatures between 16°C and 43°C.

## 6 Operating the Product

---



Read the "Safety Instructions" section first!

- Do not use any mechanical tools or any other tools than the recommendations of the manufacturer to speed up the defrost operation.
- Do not use parts of your refrigerator such as the door or drawers as a support or a step. This may cause the product to trip over or its components to be damaged.
- The product shall be used for storing food only.

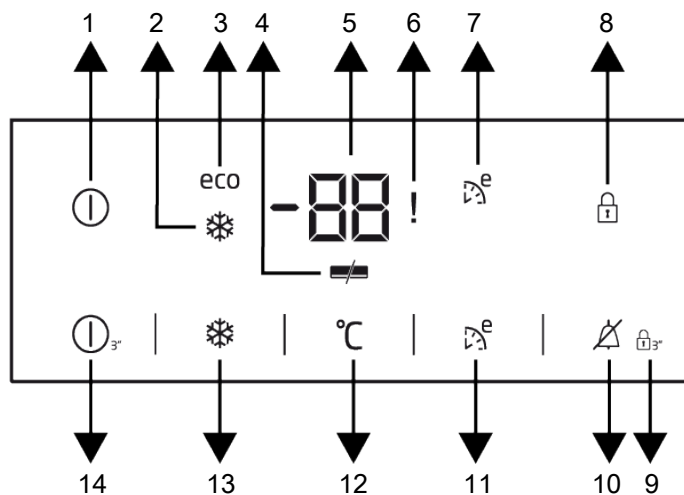
- Turn off the water valve if you will be away from home (e.g. at vacation) and you will not be using the Icematic or the water dispenser for a long period of time. Otherwise, water leaks may occur.

### Unplugging the Product

- If you are not going to use the product for a long time, unplug the product from the socket.
- Remove the food to prevent odours,
- Wait for the ice to melt, clean the interior and let it dry, leave the doors open to avoid damaging the inner body plastics.



### 7.1 Control Panel of the Product



- |   |   |
|---|---|
| 1 On/Off Indicator                        | 2 Quick Freeze Indicator                |
| 3 Economic Use Indicator                  | 4 Energy Saving Indicator               |
| 5 Freezer Compartment Temperature Setting | 6 High Temperature Error Warning        |
| 7 Eco Extra Indicator                     | 8 Key Lock Indicator                    |
| 9 Key Lock Mode                           | 10 High Temperature Warning Termination |
| 11 Eco Extra Function                     | 12 Freezer Adjustment Function          |
| 13 Quick Freeze Function                  | 14 On/Off Function                      |



Read the "Safety Instructions" section first!

Auditory and visual functions on the indicator panel will assist you in using the refrigerator.

**\*Optional:** Shown functions are optional, there may be differences of shape and location in functions found on your appliance's indicator panel.


#### 1. On/Off Indicator

This icon lights when the freezer is off. All other icons go out.

#### 2. Fast Freeze Indicator

This icon lights up when the Quick Freeze Function is on.

#### 3. Economic Use Indicator **eco**

This icon () lights up when the Freezer Compartment is set to  $-18^{\circ}\text{C}$ , the most economical setting. When the Quick Cool or Quick Freeze function is selected, the Economic Use Indicator turns off.

#### 4. Energy Saving Indicator

If the doors of the product are kept closed for a long time, the energy saving function is automatically activated and the energy saving icon lights up. When the energy saving function is activated, all icons on the display go out except the energy saving icon. If any button is pressed or the door is opened while the energy saving function is

activated, the energy saving function is canceled and the icons on the display return to normal.

The energy saving function is factory activated and cannot be canceled.

### 5. Freezer Compartment Temperature Setting Indicator

Shows the temperature you set for the Freezer Compartment.

### 6. High Temperature / Fault Status Indicator !

Lights up for high temperature warning and error warnings. When the freezer compartment temperature warms up to a critical level for frozen food, the hottest value reached by the freezer compartment temperature flashes on the digital display. Check the food in the freezer compartment.

This is not a malfunction. The warning can be cleared by pressing any button or the high temperature warning end button. (Canceling by pressing any button is not valid for all models).

Also, when a sensor malfunction occurs, this indicator illuminates. When this indicator lights up, the temperature display alternately shows the numbers "E" and "1,2,3...". These numbers on the display inform the service personnel about the fault.

### 7. Eco Extra Indicator

This icon lights up when this Function is active.

### 8. Key Lock Indicator

Lights when Key Lock Mode is active.

### 9. Key Lock Mode

For 3 seconds, press and hold the key lock button continuously. The key lock icon lights up and the key lock mode is activated. The buttons do not work while the Key Lock mode is active. For 3 seconds continuously press and hold the Key lock button again. The key lock icon will turn off and the key lock mode will be exited.

### 10. High Temperature Warning Termination

In the event of a high temperature alarm, the warning can be cleared by pressing any button on the display or by pressing the high temperature warning end button for 1 sec after the freezer compartment foods have been checked.

Note: Cancellation by pressing any button is not available on all models.

### 11. Eco Extra Function

For example, when going on vacation, press the Eco Extra button for 3 seconds to activate the Eco Extra function. When the function is active, the freezer will start operating in the most economical mode after approx. 6 hours and the economical use indicator will light up.

### 12. Freezer Adjustment Function

Allows you to set the freezer compartment temperature. By pressing this button, the freezer compartment temperature can be set to -18, -19, -20, -21, -22, -23 and -24°C respectively.

### 13. Quick Freeze Function

When the Quick Freeze function is on, the Quick Freeze indicator lights up. To cancel this function, press the Quick Freeze button again. The Quick Freeze indicator will go out and the normal settings will be restored. The Quick Freeze function automatically cancels itself after 52 hours unless you cancel it. If you want to freeze a large amount of fresh food, press the Quick Freeze button 24 hours before placing the food in the freezer compartment.

### 14. On/Off Function

When held for 3 seconds, it allows you to stop the operation of the product. It can be operated by pressing and holding the On/Off button of the product once more for 3 seconds.

## 7.2 Freezing Fresh Foods

- Foods to be frozen must be divided into portions according to a size to be consumed, and frozen in separate packages. In this way, all the food should be prevented from being re-frozen by thawing.
- In order to protect the nutritional value, the aroma and the colour of the foods as much as possible, vegetables should be boiled for a short period of time before freezing. (Boiling is not necessary for foods such as cucumber, parsley.) Cooking time of the vegetables frozen in this way is shortened by 1/3 than that of the fresh vegetables.
- To extend the storage times of frozen foods, boiled vegetables must first be filtered and then hermetically packaged as in the all types of foods.
- Foods should not be placed in the freezer compartment without package.
- The packaging material of the food to be stored should be air-tight, thick and durable and should not deform with cold and humidity. Otherwise, the food that is hardened by freezing might pierce the package. Sealing the package well is also important in terms of securely storing the food.

### The Following Packaging Types Are Suitable to Freeze Food:

Polyethylene bag, aluminium foil, plastic foil, vacuum bags and cold-resistant storage containers with caps.

### The Use of Following Types of Packaging Is Not Recommended to Freeze Food:

Packaging paper, parchment paper, cellophane (gelatin paper), garbage bag, used bags and shopping bags.

- Hot foods should not be placed in the freezer compartment without cooling.
- When placing unfrozen fresh foods in the freezer compartment, please note that it does not contact with frozen foods. Cool-pack (PCM) can be placed to the rack im-

mediately below the quick freezing rack for preventing them from being getting warm.

- During the freezing time (24 hours) do not place other food to the freezer.
- Place your foods to the freezing shelves or racks by spreading them so that they will not be cramped (it is recommended that the packaging does not come into contact with each other).
- Frozen foods must be immediately consumed in a short period of time after defrosting and must never be frozen again.
- Do not block the ventilation holes by putting your frozen foods in front of the ventilation holes located on the back surface.
- We recommend you to attach a label onto the package and write the name of the foods in the package and the freezing time.

### Foods Suitable for Freezing:

Fish and seafood, red and white meat, poultry, vegetables, fruit, herbaceous spices, dairy products (such as cheese, butter and strained yoghurt), pastries, ready or cooked meals, potato dishes, soufflé and desserts.

### Foods Not Suitable for Freezing:

Yoghurt, sour milk, cream, mayonnaise, leaved salad, red radish, grapes, all fruits (such as apple, pears and peaches).

- For foods to be frozen quickly and thoroughly, the following specified amounts per package should not be exceeded.
  - Fruits and vegetables, 0.5-1 kg
  - Meat, 1-1.5 kg
- A small amount of foods (maximum 2 kg) can also be frozen without the use of the quick freezing function.

To obtain the best result, apply the following instructions:

1. Activate the quick freezing function 24 hours before placing your fresh foods.
2. 24 hours after you have pressed the button, first place your food that you want to freeze to the top shelf with

higher freezing capacity. Place your remaining food, if any, to the rightmost part of the second shelf.

3. The quick freezing function will be automatically deactivated after 52 hours.
  4. Do not try to freeze a large quantity of food at a time. Within 24 hours, this product can freeze the maximum food quantity specified as «Freezing Capacity ... kg/24 hours» on its type label. It is not convenient to put more unfrozen/fresh foods to the freezer compartment than the quantity specified on the label.
- You can review the Meat and Fish, Vegetables and Fruits, Dairy Products tables for placing and storing your foods in the deep-freezer.

#### Advice on Storing Frozen Foods

- While purchasing your frozen foods, make sure that they are frozen at appropriate temperatures and their packages are not broken.
- Put the packages in the freezer compartment as soon as possible after purchasing them.
- Make sure that the expiration date indicated on the packaging is not expired before consuming the packaged ready meals that you remove from the freezer compartment.

#### Defrosting

The ice in the freezer compartments is automatically thawed.

#### Freezer Details

The EN 62552 standard requires (according to specific measurement conditions) that at least 4.5 kg of food for each 100 litres of freezer compartment volume can be frozen at 25 °C ambient temperature in 24 hours.

#### Defrosting the Frozen Foods

Depending on the food diversity and the purpose of use, a selection can be made between the following options for defrosting:

- At room temperature (it is not very suitable to defrost the food by leaving it at room temperature for a long time in terms of maintaining the food quality)
- In the refrigerator
- In the electrical oven (in models with or without fan)
- In the microwave oven

#### CAUTION!

- Never put acidic beverages in glass bottles and cans into your freezer due to the risk of explosion.
- If there is moisture and abnormal swelling in the packaging of frozen foods, it is likely that they were previously stored in an improper storage condition and their contents deteriorated. Do not consume these foods without checking.
- Since the taste of some spices in cooked meals may change when exposed to long-term storage conditions, you must add lesser amount of spices to your foods to be frozen or the desired spices should be added to the foods after the thawing process.

#### Recommended Temperature Settings

Freezer compartment setting	Remarks
-20 °C	This is the default recommended temperature setting.
-21,-22,-23 or -24 °C	These settings are recommended when the ambient temperature is higher than 30 °C or when you think the refrigerator is not cool enough due to frequent opening and closing of the door.
Quick freezing	Use when you want to freeze your foods in a short time. It is recommended to be used for protecting the quality of your fresh foods. There is no need for you to use the quick freezing function when storing your frozen foods. There is no need for you to use the quick freezing function to freeze the small amounts of fresh food up to a maximum of 2 kg daily.

Meat and Fish		Preparation		Longest storage time (month)	
Meat Products	Veal	Steak	By cutting them 2 cm thick and placing foil between them or wrapping tightly with stretch	6-8	
		Roast	By packing the pieces of meat in a refrigerator bag or wrapping them tightly with stretch	6-8	
		Cubes	In small pieces	6-8	
		Schnitzel, chops	By placing foil between cut slices or wrapping individually with stretch	6-8	
	Mutton	Chops	By placing foil between meat pieces or wrapping individually with stretch	4-8	
		Roast	By packing the pieces of meat in a refrigerator bag or wrapping them tightly with stretch	4-8	
		Cubes	By packing the shredded meats in a refrigerator bag or wrapping them tightly with stretch	4-8	
	Beef	Roast	By packing the pieces of meat in a refrigerator bag or wrapping them tightly with stretch	8-12	
		Steak	By cutting them 2 cm thick and placing foil between them or wrapping tightly with stretch	8-12	
		Cubes	In small pieces	8-12	
		Boiled meat	By packaging in small pieces in a refrigerator bag	8-12	
	Mince		Without seasoning, in flat bags	1-3	
	Offal (piece)		In pieces	1-3	
	Fermented sausage - Salami		It should be packaged even if it has casing.	1-3	
Jambon		By placing foil between cut slices	2-3		
Poultry and hunting animals	Chicken and Turkey		By wrapping in foil	4-6	
	Goose		By wrapping in foil (portions should not exceed 2.5 kg)	4-6	
	Duck		By wrapping in foil (portions should not exceed 2.5 kg)	4-6	
	Deer, Rabbit, Roe Deer		By wrapping in foil (portions should not exceed 2.5 kg, and their bones should be separated)	6-8	
Fish and seafood	Freshwater fish (Trout, Carp, Crane, Catfish)		After thoroughly cleaning the inside and scales, it should be washed and dried, and the tail and head parts should be cut when necessary.	2	
	Lean fish (Sea bass, Turbot, Sole)			4-6	
	Fatty fish (Bonito, Mackerel, Bluefish, Red Mullet, Anchovy)			2-4	
	Shellfish			Cleaned and in bags	4-6
	Caviar			In its packaging, in an aluminium or plastic container	2-3

Fruits and Vegetables	Preparation	Longest storage time (month)
String bean and Pole bean	By shock boiling for 3 minutes after washing and cutting into small pieces	10-13
Green pea	By shock boiling for 2 minutes after shelling and washing	10-12
Cabbage	By shock boiling for 1-2 minute(s) after cleaning	6-8

Fruits and Vegetables	Preparation	Longest storage time (month)
Carrot	By shock boiling for 3-4 minutes after cleaning and cutting into slices	12
Pepper	By boiling for 2-3 minutes after cutting the stem, dividing into two and separating the seeds	8-10
Spinach	By shock boiling for 2 minutes after washing and cleaning	6-9
Leek	By shock boiling for 5 minutes after chopping	6-8
Cauliflower	By shock boiling in a little lemon water for 3-5 minutes after separating the leaves, cutting the core into pieces	10-12
Eggplant	By shock boiling for 4 minutes after washing and cutting into 2cm pieces	10-12
Squash	By shock boiling for 2-3 minutes after washing and cutting into 2cm pieces	8-10
Mushroom	By lightly sauteing in oil and squeezing lemon on it	2-3
Corn	By cleaning and packing in cob or granular	12
Apple and Pear	By shock boiling for 2-3 minutes after peeling and slicing	8-10
Apricot and Peach	Divide in half and extract the seeds	4-6
Strawberry and Raspberry	By washing and shelling	8-12
Baked fruit	By adding 10% sugar in the container	12
Plum, Cherry, Sour Cherry	By washing and shelling the stalks	8-12

Dairy Products	Preparation	Longest Storage Time (Month)	Storage Conditions
Cheese (except feta cheese)	By placing foil therebetween, in slices	6-8	It can be left in its original packaging for short term storage. For long-term storage it should also be wrapped in aluminium or plastic foil.
Butter, margarine	In its own packaging	6	In its own packaging or in plastic containers

### 7.3 Reversing the Door Opening Side

The door opening side of your refrigerator can be reversed according to the place you put it. When you need this, you should definitely call the nearest Authorized Service.

### 7.4 Door Open Alert

An audible alert will be heard if the product's door remains open for 1 minute. The audible alert will stop when you close the cabinet door or press any button on the display (if available).

### 7.5 Replacing the Illumination Lamp

Call the Authorized Service when the Bulb/LED used for lighting in your refrigerator will be replaced.

Lamp(s) used in this appliance cannot be used for house lighting. Intended use of this lamp is to help the user place food into the refrigerator / freezer safely and comfortably.

**WARNING:**

Read the "Safety Instructions" section first.

**WARNING:**

Unplug the refrigerator before cleaning it.

- Do not use sharp or abrasive tools to clean the product. Do not use materials such as household cleaning agents, soap, detergents, gas, gasoline, thinner, alcohol, wax, etc.
- The dust shall be removed from the ventilation grill on the rear of the product at least once a year (without opening the cover). Clean the product with a dry cloth.
- Take care to keep water away from the lamp's cover and other electrical parts.
- Clean the door with a damp cloth. Remove all contents to remove the door and body racks. Remove the door racks by lifting them upwards. Clean and dry the shelves, then attach back in place by sliding from above.
- Do not use chlorinated water or cleaning products on the exterior surface and chrome-coated parts of the product. Chlorine will cause rust on such metallic surfaces.
- Do not use sharp and abrasive tools, soap, house cleaning materials, detergents, gas, gasoline, varnish and similar substances to prevent deformation of the plastic part and removal of prints on the part. Use warm water and a soft cloth for cleaning, and then dry it.
- On the products without a No-Frost feature, water droplets and icing up to a thickness of a finger may occur on the rear wall of the freezer compartment. Do not clean, and never apply oils or similar materials.

- Use a mildly dampened micro-fibre cloth to clean the external surface of the product. Sponges and other types of cleaning clothes may cause scratches.
- To clean all removable components during the cleaning of the interior surface of the product, wash these components with a mild solution consisting of soap, water and carbonate. Wash and dry thoroughly. Prevent contact of water with illumination components and the control panel.

**CAUTION:**

Do not use vinegar, rubbing alcohol or other alcohol based cleaning agents on any interior surface.

**Stainless Steel External Surfaces**

Use a non-abrasive stainless steel cleaning agent and apply it with a soft lint-free cloth. To polish, gently wipe the surface with a micro-fibre cloth dampened with water and use dry polishing chamois. Always follow the veins of the stainless steel.

**Preventing Odours**

The product is manufactured free of any odorous materials. However, keeping the food in inappropriate sections and improper cleaning of internal surfaces may lead to odours.

- To avoid this, clean the inside with carbonated water every 15 days.
- Keep the foods in sealed holders, as micro-organisms arising from foods kept in unsealed containers will cause bad odour.
- Do not keep expired and spoilt foods in the refrigerator.

**Protecting Plastic Surfaces**

Oil spilled on plastic surfaces may damage the surface and must be cleaned immediately with warm water.

## 9 Troubleshooting

---

Check this list before contacting the service. Doing so will save you time and money. This list includes frequent complaints that are not related to faulty workmanship or materials. Certain features mentioned herein may not apply to your product.

### **The refrigerator is not working.**

- The power plug is not fully settled. >>> Plug it in to settle completely into the socket.
- The fuse connected to the socket powering the product or the main fuse is blown. >>> Check the fuse.

### **Condensation on the side wall of the cooler compartment (MULTI ZONE, COOL CONTROL and FLEXI ZONE).**

- The door is opened too frequently. >>> Take care not to open the product's door too frequently.
- The environment is too humid. >>> Do not install the product in humid environments.
- Foods containing liquids are kept in unsealed holders. >>> Keep the foods containing liquids in sealed holders.
- The product's door is left open. >>> Do not keep the product's door open for long periods.
- The thermostat is set to a very cool temperature. >>> Set the thermostat to an appropriate temperature.

### **Compressor is not working.**

- In case of sudden power failure or pulling the power plug off and putting back on, the gas pressure in the product's cooling system is not balanced, which triggers the compressor thermic safeguard. The product will restart after approximately 6 minutes. If the product does not restart after this period, contact the service.
- Defrosting is active. >>> This is normal for a fully-automatic defrosting product. The defrosting is carried out periodically.
- The product is not plugged in. >>> Make sure the power cord is plugged in.

- The temperature setting is incorrect. >>> Select the appropriate temperature setting.
- The power is out. >>> The product will continue to operate normally once the power is restored.

### **The refrigerator's operating noise is increasing while in use.**

- The product's operating performance may vary depending on the ambient temperature variations. This is normal and not a malfunction.

### **The refrigerator runs too often or for too long.**

- The new product may be larger than the previous one. Larger products will run for longer periods.
- The room temperature may be high. >>> The product will normally run for long periods in higher room temperature.
- The product may have been recently plugged in or a new food item is placed inside. >>> The product will take longer to reach the set temperature when recently plugged in or a new food item is placed inside. This is normal.
- Large quantities of hot food may have been recently placed into the product. >>> Do not place hot food into the product.
- The doors were opened frequently or kept open for long periods. >>> The warm air moving inside will cause the product to run longer. Do not open the doors too frequently.
- The freezer or cooler door may be ajar. >>> Check that the doors are fully closed.
- The product may be set to a temperature that is too low. >>> Set the temperature to a higher degree and wait for the product to reach the adjusted temperature.
- The cooler or freezer door washer may be dirty, worn out, broken or not properly settled. >>> Clean or replace the gasket.



Damaged / torn door washer will cause the product to run for longer periods to preserve the current temperature.

**The freezer temperature is very low, but the cooler temperature is adequate.**

- The freezer compartment temperature is set to a very low degree. >>> Set the freezer compartment temperature to a higher degree and check again.

**The cooler temperature is very low, but the freezer temperature is adequate.**

- The cooler compartment temperature is set to a very low degree. >>> Set the cooler compartment temperature to a higher degree and check again.

**The food items kept in cooler compartment drawers are frozen.**

- The cooler compartment temperature is set to a very low degree. >>> Set the cooler compartment temperature to a higher degree and check again.

**The temperature in the cooler or the freezer is too high.**

- The cooler compartment temperature is set to a very high degree. >>> Temperature setting of the cooler compartment has an effect on the temperature in the freezer compartment. Wait until the temperature of relevant parts reach the sufficient level by changing the temperature of cooler or freezer compartments.
- The doors were opened frequently or kept open for long periods. >>> Do not open the doors too frequently.
- The door may be ajar. >>> Fully close the door.
- The product may have been recently plugged in or a new food item is placed inside. >>> This is normal. The product will take longer to reach the set temperature when recently plugged in or a new food item is placed inside.
- Large quantities of hot food may have been recently placed into the product. >>> Do not place hot food into the product.

**Shaking or noise.**

- The surface is not flat or durable >>> If the product is shaking when moved slowly, adjust the stands to balance the product. Also make sure the ground is sufficiently durable to bear the product.
- Any items placed on the product may cause noise. >>> Remove any items placed on the product.
- The product is making noise of liquid flowing, spraying etc.
- The product's operating principles involve liquid and gas flows. >>> This is normal and not a malfunction.

**There is sound of wind blowing coming from the product.**

- The product uses a fan for the cooling process. This is normal and not a malfunction.

**There is condensation on the product's internal walls.**

- Hot or humid weather will increase icing and condensation. This is normal and not a malfunction.
- The doors were opened frequently or kept open for long periods. >>> Do not open the doors too frequently; if open, close the door.
- The door may be ajar. >>> Fully close the door.

**There is condensation on the product's exterior or between the doors.**

- The ambient weather may be humid, this is quite normal in humid weather. >>> The condensation will dissipate when the humidity is reduced.

**The interior smells bad.**

- The product is not cleaned regularly. >>> Clean the interior regularly using sponge, warm water and carbonated water.
- Certain holders and packaging materials may cause odour. >>> Use holders and packaging materials without free of odour.

- The foods were placed in unsealed holders. >>> Keep the foods in sealed holders. Microorganisms may spread out of unsealed food items and cause bad odour.
- Remove any expired or spoiled foods from the product.

**The door is not closing.**

- Food packages may be blocking the door. >>> Relocate any items blocking the doors.
- The product is not standing in full upright position on the ground. >>> Adjust the stands to balance the product.
- The surface is not flat or durable >>> Make sure the surface is flat and sufficiently durable to bear the product.

**The crisper is jammed.**

- The food items may be in contact with the upper section of the drawer. >>> Reorganize the food items in the drawer.

**Temperature on the product surface.**

- High temperature may be observed between two doors, on the side panels and on the rear grill area while your product is operated. This is normal and it does not require servicing.

**Fan continues to operate when the door is opened.**

- Fan may continue to operate when the freezer door is open.



**WARNING:** If the problem persists after following the instructions in this section, contact your vendor or an Authorized Service. Do not try to repair the product. This is normal.







## يرجى قراءة دليل المستخدم هذا أولاً.

عملينا العزيز،

يرجى قراءة هذا الدليل قبل استخدام المنتج.

نشكرك على اختيارك هذا المنتج . نتمنى أن تصل إلى الكفاءة المثلى من هذا المنتج عالي الجودة الذي تم تصنيعه بأحدث التقنيات. للقيام بذلك ، اقرأ هذا الدليل بعناية وأية وثائق أخرى مقدمة قبل استخدام المنتج واحتفظ به كمرجع.

انتبه إلى جميع المعلومات والتحذيرات الموجودة في دليل المستخدم. بهذه الطريقة ، ستحمي نفسك ومنتجك من الأخطار التي قد تحدث.

احتفظ بدليل المستخدم. قم بتضمين هذا الدليل مع الجهاز إذا قمت بتسليمه إلى شخص آخر.

تستخدم الرموز التالية في دليل المستخدم:

خطر قد يؤدي إلى الوفاة أو الإصابة.



معلومات مهمة أو نصائح مفيدة حول التشغيل.



اقرأ دليل المستخدم.



مادة قابلة للاشتعال، تحذير من مخاطر الحريق.



تنبه خطر قد يتسبب في تلف مادي بالمنتج أو المناطق المحيطة به

32	1	تعليمات السلامة.....
32	1-1	طريقة الاستخدام .....
32	2-1	سلامة الأطفال والضعفاء والحيوانات الآليفة.....
33	3-1	السلامة الكهربائية .....
33	4-1	سلامة نقل المنتج.....
34	5-1	سلامة التركيب.....
35	6-1	السلامة التشغيلية.....
37	7-1	سلامة تخزين الطعام .....
37	8-1	سلامة الصيانة والتنظيف.....
38	9-1	التخلص من المنتج القديم.....
38	2	التعليمات البيئية.....
38	1-2	الامتثال للتوجيهات الخاصة بنفايات الأجهزة والتخلص منها .....
39	3	المُجمد.....
40	4	التركيب.....
40	1-4	المكان المناسب للتركيب .....
40	2-4	التوصيلات الكهربائية .....
40	3-4	تثبيت الأوتاد البلاستيكية.....
41	4-4	ضبط أقدام المنتج.....
41	5-4	تحذير سطح ساخن.....
41	5	الإعداد.....
41	1-5	إجراءات توفير الطاقة.....
42	2-5	الاستخدام لأول مرة.....
42	3-5	فئة المناخ والتعاريف.....
42	6	تشغيل المنتج.....
43	7	استخدام جهاز.....
43	1-7	لوحة التحكم في منتجك .....
45	2-7	تجميد الأطعمة الطازجة.....
48	3-7	عكس جانب فتح الباب.....
48	4-7	تحذير فتح الباب.....
48	5-7	استبدال مصباح الإضاءة.....
48	8	الصيانة والتنظيف.....
49	9	استكشاف الأخطاء وإصلاحها.....

## ١ تعليمات السلامة

في وحدات الفنادق أو الموتيلا أو مرافق الاستراحة الأخرى التي يستخدمها الزبائن، في النزل أو البيئات المماثلة، في خدمات الضيافة وتقديم الطعام والتطبيقات المماثلة في غير محلات التجزئة.

• لا يجوز استخدام هذا المنتج في البيئات الخارجية المفتوحة أو المغلقة مثل السفن أو عربات التخيم أو الشرفات. قد يؤدي تعريض المنتج للمطر والثلج وأشعة الشمس والرياح إلى خطر نشوب حريق.

### ٢-١ سلامة الأطفال


#### والضعفاء والحيوانات الأليفة


• يمكن للأطفال بعمر 8 أعوام فأكثر والأشخاص الذين يعانون من قدرات بدنية أو حسية أو عقلية محدودة أو يفتقرون للخبرة والمعرفة استخدام هذا المنتج تحت الإشراف أو وفقاً للتعليمات الخاصة باستخدام الجهاز بطريقة آمنة شريطة أن يكونوا مدركين للمخاطر المتعلقة بذلك.


• يُسمح للأطفال الذين تتراوح أعمارهم بين 3 و 8 سنوات بوضع وإخراج الطعام من / إلى المنتج المبرد.


• يوضح هذا الجزء تعليمات السلامة اللازمة لمنع خطر الإصابة أو الضرر المادي.

• لا تتحمل شركتنا المسؤولية عن أي أضرار قد تقع إذا لم يتم التقيد بهذه التعليمات.

 قم دائماً بإجراء عمليات التثبيت والإصلاح من قبل الشركة المصنعة أو الخدمة المعتمدة أو الشخص الذي سيتم وصفه من قبل شركة المورد.

 لا تستخدم سوى قطع الغيار والملحقات الأصلية.

 لا تصلح أو تستبدل أي جزء من الجهاز إلا إذا ذكر ذلك صراحة في دليل المستخدم.

 لا تُجرى أي تعديلات على المنتج.

### ١-١ طريقة الاستخدام

• هذا المنتج غير مناسب للاستخدام التجاري ولا ينبغي استخدامه لأي غرض آخر غير الغرض المقصود منه.

• هذا المنتج مخصص للتشغيل في المساحات الداخلية، مثل المنازل أو ما شابه ذلك.

مثال؛

في مطابخ الموظفين بالمتاجر، والمكاتب وبيئات العمل الأخرى، في المزارع،



- تشكل المنتجات الكهربائية خطورة على الأطفال والحيوانات الأليفة. يجب على الأطفال والحيوانات الأليفة تجنب اللعب بالمنتج أو التسلق عليه أو دخوله.
- لا ينبغي أن يقوم الأطفال بالتنظيف وصيانة المستخدم ما لم يكن هناك من يشرف عليهم.
- أبعاد مواد التغليف عن الأطفال. خطر الاصابة والاختناق.
- قبل التخلص من المنتجات القديمة التي لا يجب استخدامها بعد الآن:
  1. افصل سلك الطاقة من مأخذ التيار.
  2. اقطع سلك الطاقة وقم بإزالته من الجهاز مع القابس.
  3. لا تقم بإزالة الرفوف والأدراج من المنتج لمنع الأطفال من الدخول إلى الجهاز.
  4. فك الأبواب
  5. قم بتخزين المنتج بحيث لا ينقلب.
  6. لا تسمح للأطفال بالعبث بالجهاز المفكك.
- لا تتخلص من المنتج برميهِ في النار. خطر الانفجار!
- إذا كان هناك قفل متوفر في باب المنتج، احفظ مفتاح القفل بعيداً عن متناول الأطفال.
- **3-1**  السلامة الكهربائية
- يجب عدم توصيل المنتج بالمأخذ أثناء عمليات التركيب والصيانة والتنظيف والإصلاح والنقل.
- في حالة تلف سلك الطاقة، فيجب استبداله بواسطة الخدمة المعتمدة فقط لتجنب أي خطر قد يحدث.
- لا تضع سلك الطاقة أسفل المنتج أو في الجزء الخلفي منه. لا تضع عناصر ثقيلة على سلك الطاقة. يجب عدم ثني سلك الطاقة أو الضغط فوقه أو ملامسته لأي مصدر حرارة.
- لا تستخدم سلك تمديد أو مقبس متعدد أو محول لتشغيل منتجك.
- قد تؤدي المقابس المتعددة المحمولة أو مصادر الطاقة المحمولة إلى زيادة الحرارة وتسبب الحريق. وبالتالي، لا تضع مصادر طاقة محمولة متعددة المقابس خلف المنتج أو بالقرب منه.
- لا تقم بتوصيل سلك الطاقة الخاص بالمنتج بمأخذ طاقة مفكوك أو تالف. قد ترتفع درجة حرارة هذه الأنواع من الوصلات وتسبب في نشوب حريق.
- يجب أن تكون هناك سهولة في الوصول إلى المقبس. إذا لم يكن ذلك ممكناً، فيجب توفير آلية في التركيب تتوافق مع التشريعات الكهربائية وتفصل جميع المحطات الطرفية عن تمديدات الشبكة (المصهر، والمفتاح الرئيسي، الخ).
- لا تلمس القابس بأيدي مبللة!
- عند فصل الجهاز، لا تمسك سلك الطاقة، بل القابس.
- **4-1**  سلامة نقل المنتج
- هذا المنتج ثقيل، لا تحمله لوحدك.

- لا تسد أو تغطي فتحات التهوية.
- بخلاف ذلك، يزيد استهلاك الطاقة وقد يتلف منتجك.

- يجب عدم توصيل المنتج بأنظمة الإمداد مثل مصدر الطاقة الشمسية.
- بخلاف ذلك، قد يتلف منتجك بسبب التغيرات المفاجئة في الجهد الكهربائي!

- كلما زادت كمية غاز التبريد في الثلاجة، زادت مساحة الغرفة التي يجب تركيب الثلاجة بها. في الغرف الصغيرة جداً، قد يتشكل خليط غاز-هواء قابل للاشتعال في حالة تسرب الغاز في نظام التبريد. يطلب ما لا يقل عن 1 متر مكعب من الحجم لكل 8 جرام من سائل التبريد. تم تحديد كمية مادة التبريد المتوفرة في منتجك في ملصق النوع.

- يجب ألا يتعرض مكان تركيب المنتج لأشعة الشمس المباشرة، كما يجب ألا يكون بالقرب من مصدر حرارة مثل المواقد والرادياتير وما إلى ذلك، وإذا لم تتمكن من منع تركيب المنتج بالقرب من مصدر الحرارة، فاستخدم لوح عزل مناسب وتأكد من أن الحد الأدنى للمسافة إلى مصدر الحرارة كما هو محدد أدناه:

- - على بعد 30 سم على الأقل من مصادر الحرارة مثل المواقد والأفران ووحدات التسخين والسخانات وما إلى ذلك،

- لا تمسك المنتج من بابه أثناء نقله.
- احرص على عدم إتلاف نظام التبريد والأنابيب أثناء نقل المنتج. لا تقم بتشغيل المنتج في حالة تلف الأنابيب، واتصل بخدمة معتمدة.

## ! 0-1 سلامة التركيب

- اتصل بخدمة الصيانة المعتمدة من أجل تركيب الجهاز. لإعداد الجهاز للاستخدام، انظر المعلومات في دليل المستخدم وتأكد أن منافع الكهرباء والماء كما هو مطلوب. إذا لم يكن الأمر كذلك، فاتصل بغني كهربائي وسباك مؤهل لترتيب المرافق حسب الضرورة. قد يؤدي عدم القيام بذلك إلى حدوث صدمة كهربائية أو نشوب حريق أو مشاكل بالمنتج أو حدوث إصابة.

- تحقق من عدم وجود أي ضرر في المنتج قبل تثبيته. لا توصل الجهاز بالكهرباء إذا كان متضرراً.
- ضع المنتج على سطح نظيف ومستو وصلب ووزانه عبر الأرجل القابلة للتعديل. ولا فقد تنقلب الثلاجة وتتسبب في حدوث إصابات.
- يجب تركيب المنتج في بيئة جافة وجيدة التهوية. لا تضع سجاد أو بسط أو أغشية مشابهة أسفل المنتج. قد يؤدي ذلك إلى نشوب حريق نتيجة التهوية الغير كافية!

• لا تقم بتوصيل ثلاثتك بأجهزة توفير الطاقة. هذه الأنظمة ضارة بالمنتج.

### ⚠️ ٦-١ السلامة التشغيلية

- لا تستخدم المذيبات الكيميائية على المنتج. تسبب هذه المواد خطر الانفجار.
- في حالة تعطل المنتج ، افصله ولا تشغله حتى يتم إصلاحه بواسطة الخدمة المعتمدة. فهناك خطر الصدمة الكهربائية!
- لا تضع مصدراً للهيب (مثل الشموع والسجائر وما إلى ذلك) على المنتج أو بالقرب منه.
- لا تصعد على المنتج. هناك خطر السقوط والإصابة!
- لا تلتف أنابيب نظام التبريد باستخدام أدوات حادة وثاقبه. قد يتسبب سائل التبريد الذي قد يتم رشه في حالة ثقب أنابيب الغاز أو تمديدات الأنابيب أو غلاف السطح العلوي في حدوث تهيج للجلد وإصابات في العين.
- لا تضع وتشغل الأجهزة الكهربائية داخل الثلاجات / المجمد ما لم ينصح المصنع بذلك.
- لا تحشر أي جزء من يديك أو جسمك في الأجزاء المتحركة داخل المنتج. احرص على عدم انحشار أصابعك بين الثلاجة وبابها. كن حذراً أثناء فتح وإغلاق الباب إذا كان هناك أطفال بالجوار.

- - وعلى بعد 5 سم على الأقل من الأفران الكهربائية.

- منتجك من فئة الحماية الأولى.
- قم بتوصيل المنتج بمقبس مؤرض يتوافق مع قيم الجهد والتيار والتردد المحددة في ملصق النوع. يجب أن يحتوي المقبس على فتيل 10 أمبير - 16 أمبير. لا تتحمل شركتنا المسؤولية عن أية أضرار بسبب الاستعمال بدون تأريض أو بدون توصيل الطاقة طبقاً للأنظمة المحلية.
- يجب فصل كبل طاقة الجهاز أثناء التركيب. خلاف ذلك، قد يحدث خطر حدوث صدمة كهربائية وإصابة!
- لا تقم بتوصيل سلك الطاقة الخاص بالمنتج بمنافذ طاقة مفكوكة أو مخلوطة أو مكسورة أو متسخة أو زيتية قد تتعرض لخطر ملامسة الماء. قد ترتفع درجة حرارة هذه الأنواع من الوصلات وتتسبب في نشوب حريق.
- ضع سلك الطاقة وخرطوم المنتج (إن وجدت) بحيث لا تسبب خطر التعثر.
- قد يتسبب دخول الرطوبة أو السوائل إلى الأجزاء الكهربائية أو سلك الطاقة في حدوث قصر في الدائرة الكهربائية. بالتالي، لا تستخدم المنتج في البيئات الرطبة أو في المناطق التي قد تتناثر فيها المياه (مثل المرآب وغرفة الغسيل وما إلى ذلك) إذا كانت الثلاجة مبللة بالمياه ، افصلها واتصل بالخدمة المعتمدة.

- لا تضع المثلجات أو مكعبات الثلج أو الأطعمة المجمدة في فمك بمجرد إخراجها من الفريزر. خطر حدوث عضة صقيع!
- لا تلمس الجدران الداخلية أو الأجزاء المعدنية من المجمد أو الأطعمة المحفوظة داخل المجمد ويداك مبتلة. خطر حدوث عضة صقيع!
- لا تضع علب الصودا أو العلب والزجاجات التي تحتوي على سوائل يمكن تجميدها في حجرة التجميد. قد تتفجر العلب أو الزجاجات. هناك خطر حدوث إصابة وأضرار مادية!
- لا تستخدم أو تضع موادًا حساسة ضد درجة الحرارة مثل البخاخات القابلة للاشتعال ، والأشياء القابلة للاشتعال ، والثلج الجاف أو غيرها من المواد الكيميائية في محيط الثلاجة. خطورة الحريق والانفجار!
- لا تخزن المواد القابلة للانفجار مثل علب الأيروسول التي تحتوي على مواد قابلة للاشتعال داخل المنتج.
- لا تضع العلب المحتوية على سوائل فوق المنتج بشكل مفتوح. قد يؤدي تآثر الماء على جزء كهربائي إلى خطر حدوث صدمة كهربائية أو نشوب حريق.
- هذا المنتج غير مخصص لتخزين وتبريد الأدوية أو بلازما الدم أو المستحضرات المخبرية أو المواد والمنتجات المماثلة التي تخضع لتوجيه المنتجات الطبية.
- إذا تم استخدام المنتج لغرض غير الغرض المقصود منه ، فقد يتسبب ذلك في تلف المنتجات الموجودة بالداخل أو تدهور جودتها.
- إذا كانت ثلاجتك مزودة بضوء أزرق ، فلا تنظر إلى هذا الضوء بالأجهزة البصرية. لا تحرق مباشرة في ضوء الأشعة فوق البنفسجية LED لفترة طويلة. قد تسبب الأشعة فوق البنفسجية إجهاد العين.
- لا تملأ المنتج بطعام أكثر من سعته. قد تحدث إصابات أو أضرار إذا سقطت محتويات الثلاجة عند فتح الباب. قد تحدث مشكلات مماثلة عند وضع شيء ما فوق المنتج.
- تأكد من إزالة أي جليد أو ماء قد يكون سقط على الأرض لمنع الإصابات.
- قم بتغيير أماكن الرفوف / أرفف الزجاجات على باب الثلاجة عندما تكون الأرفف فارغة فقط. خطر الإصابة!
- لا تضع أشياء قد تسقط / تنقلب على المنتج. قد تسقط هذه الأشياء أثناء فتح الباب أو إغلاقه وتسبب إصابات و / أو أضرار مادية.
- لا تضرب أو تمارس ضغطاً زائداً على الأسطح الزجاجية. قد يتسبب الزجاج المكسور في حدوث إصابات و / أو أضرار مادية.
- يحتوي نظام التبريد في منتجك على مبرد R600a. يتم تحديد نوع مادة التبريد المستخدمة في المنتج في

- قم بتخزين اللحوم النيئة ومنتجات الأسماك في أجزاء مناسبة داخل المنتج. بحيث لا تفتقر أو تتلامس مع الأطعمة الأخرى.
- تُستخدم حجرات المجمد ذات النجمتين لتخزين الأطعمة المعبأة مسبقاً، وصنع وتخزين الثلج والآيس كريم.
- المقصورات ذات النجوم الواحدة والنجمة والثلاثة نجوم، غير مناسبة لتجميد الأطعمة الطازجة.
- إذا تم ترك منتج التبريد فارغاً لفترة طويلة، فقم بإيقاف تشغيل المنتج، وقم بإذابة المنتج وتنظيفه وتجفيفه من أجل حماية غلاف المنتج.

### ٨-١ ⚠️ سلامة الصيانة والتنظيف

- أفضل الثلاثة قبل تنظيفها أو البدء في إجراء الصيانة.
- لا تسحب من مقبض الباب إذا كان عليك نقل المنتج لأغراض التنظيف.
- قد يتسبب المقبض في حدوث إصابات إذا تم سحبه بشدة.
- لا تضع يديك وما إلى ذلك تحت الثلاثة. فقد يحدث سحق ليدك أو قد تتسبب أي حافة حادة في حدوث إصابات شخصية.
- لا تنظف المنتج عن طريق رش الماء أو سكب على المنتج وداخله. خطر حدوث صدمة كهربائية وحرق.

- ملصق النوع. هذا الغاز سريع الاشتعال. لذلك احرص على عدم إتلاف نظام التبريد والأنابيب أثناء تشغيل المنتج. في حالة تلف الأنابيب ؛
1. لا تلمس المنتج أو سلك الطاقة،
  2. احتفظ بالمنتج بعيداً عن مصادر الحريق المحتملة التي قد تتسبب في اشتعال المنتج.
  3. قم بتهوئة المنطقة التي وضع فيها المنتج. لا تستخدم مروحة.
  4. قم بالاتصال بالخدمة المعتمدة.
  5. في حالة تلف المنتج ولاحظت تسرب الغاز، يرجى الابتعاد عن الغاز. قد يسبب الغاز قزمة الصقيع إذا لامس جلدك.

### ٧-١ ⚠️ سلامة تخزين الطعام

- يرجى الانتباه إلى التحذيرات التالية لتجنب تلف الطعام:
- قد يؤدي ترك الأبواب مفتوحة لفترة طويلة إلى ارتفاع درجة الحرارة داخل المنتج.
  - نظف بانتظام أنظمة الصرف التي يمكن الوصول إليها عند ملامستها للطعام.
  - قم بتنظيف خزانات المياه التي لم يتم استخدامها لمدة 48 ساعة وأنظمة المياه التي يتم تغذيتها بالتيار الكهربائي والتي لم يتم استخدامها لأكثر من 5 أيام.

## ٩-١ التحلص من المنتج القديم

- عند التحلص من منتجك القديم، اتبع التعليمات التالية:
- لمنع الأطفال من القفل على أنفسهم عن طريق الخطأ داخل المنتج، إذا كان هناك قفل باب، فقم بإلغاء تشييطه.
- يعد رذاذ سائل التبريد ضاراً بالعينين. لا تلتف أي جزء من نظام التبريد أثناء التحلص من المنتج.
- قد يكون زيت الضاغط مميّتاً إذا تم ابتلاعه أو إذا اخترق الجهاز التنفسي.
- يشتمل نظام التبريد الخاص بمنتجك على غاز R600a كما هو محدد في ملصق النوع. هذا الغاز سريع الاشتعال. لا تتخلص من المنتج برميهِ في النار. خطر الانفجار!

- عند تنظيف المنتج، لا تستخدم أدوات حادة وكاشطة أو مواد تنظيف منزلية، ومنظفات، وغاز، وبنزين، ومخفف الدهان، والكحول، والورنيش، والمواد المماثلة. استخدم فقط عوامل التنظيف والصيانة غير الضارة بالطعام داخل المنتج.
- لا تستخدم مواد التنظيف بالبخار أو البخار لتنظيف المنتج وإذابة الثلج بداخله. يلامس البخار المناطق الكهربائية في ثلاجتك ويسبب ماساً كهربائياً أو صدمة كهربائية!
- احرص على إبقاء الماء بعيداً عن فتحات التهوية والدوائر الإلكترونية أو إضاءة المنتج.
- استخدم قطعة قماش نظيفة وجافة لمسح الغبار أو المواد الغريبة على أطراف القوابس. لا تستخدم قطعة قماش رطبة أو مبللة لتنظيف القابس. خلاف ذلك، قد يحدث خطر نشوب حريق أو صدمة كهربائية.

## ٢ التعليمات البيئية

التجميع الرسمية لإعادة تدوير الأجهزة الكهربائية والإلكترونية. للعثور على أنظمة التجميع هذه، يرجى الاتصال بالسلطات المحلية أو بائع التجزئة الذي تم شراء المنتج منه. تؤدي كل أسرة دوراً مهماً في استعادة وإعادة تدوير الأجهزة القديمة. يساعد التحلص المناسب من الأجهزة المستعملة على منع النتائج السلبية المحتملة على البيئة وصحة الإنسان.

### الامثال لتوجيهات حظر المواد الخطرة

هذا المنتج متوافق مع توجيهات EU RoHS (2011/65/EU). وهو لا يحتوي على مواد ضارة أو محظورة محددة في التوجيهات.

### ١-٢ الامتثال للتوجيهات الخاصة بنفايات الأجهزة والتخلص منها

يتوافق هذا المنتج مع توجيه الاتحاد الأوروبي الخاص بالنفايات الكهربائية والأجهزة الإلكترونية (EU/2012/19). يحمل هذا المنتج رمز تصنيف التخلو من الأجهزة الكهربائية والإلكترونية



(WEEE).

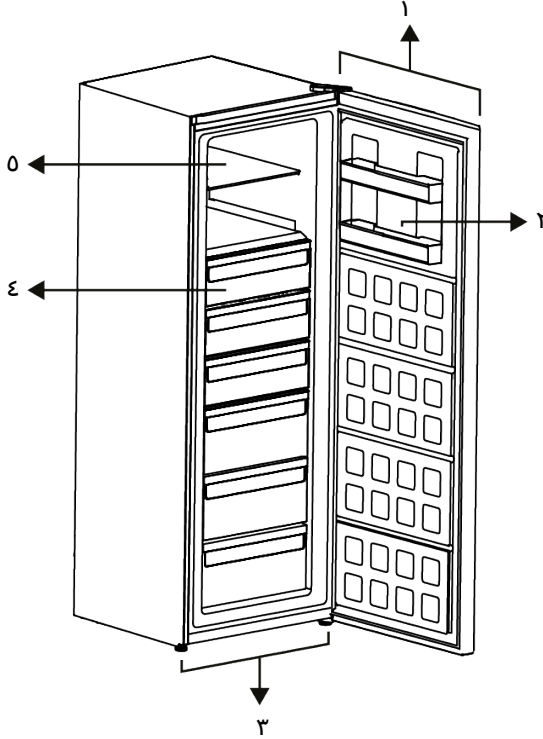
يشير هذا الرمز إلى أنه لا يجب التخلص من هذا المنتج مع النفايات المنزلية الأخرى في نهاية عمره التشغيلي. يجب إعادة الجهاز المستخدم إلى نقطة

### معلومات مواد التغليف



تم تصنيع مواد تغليف المنتج من مواد قابلة لإعادة التدوير طبقاً للوائح البيئية الوطنية. لا تتخلص من مواد التغليف مع النفايات المنزلية وغيرها. قم بنقلها إلى نقاط تجميع مواد التغليف المحددة من قبل السلطات المحلية.

### ٣ المٌجمد



٢ أرفف الباب  
٤ حجرات المٌجمد

١ مؤشّر إلكتروني  
٣ القواعد القابلة للتعديل  
٥ رف زجاجي

\*اختياري: إن الأشكال المذكورة في دليل المستخدم هذا هي تخطيطه وقد لا تتطابق مع جهازك تماماً. إذا كان جهازك لا يشمل على الأجزاء ذات الصلة، فإن المعلومات تعود لموديلات أخرى.

- في حالة عدم توفر المكون المشار إليه أعلاه، أو في حالة فقدانه أو سقوطه، ضع الجهاز مع ترك خلوص لا يقل عن 5 سم بين السطح الخلفي للجهاز وجدار الغرفة. الخلوص في خلفية الجهاز مهم لتشغيل الجهاز بكفاءة.

اقرأ قسم "تعليمات الأمان" أولاً!



#### ٤-١ المكان المناسب للتركيب

اتصل بخدمة الصيانة المعتمدة من أجل تركيب الجهاز. لإعداد الجهاز للتركيب، انظر المعلومات في دليل المستخدم وتأكد أن منافع الكهرباء والماء كما هو مطلوب. إذا لم يكن الأمر كذلك، فاتصل بفني كهربائي وسباك مؤهل لترتيب المرافق حسب الضرورة.

#### ٤-٢ التوصيلات الكهربائية

لا تستخدم أدوات التطويل أو المقابس المتعددة في توصيل الطاقة.



يجب استبدال كبل الطاقة التالف بواسطة خدمة الصيانة المعتمدة.



عند وضع مبردين في موضع مجاور، اترك مسافة 4 سم على الأقل بين الوحدتين.



- لا تتحمل شركتنا المسؤولية عن أية أضرار بسبب الاستعمال بدون تأريض وتوصيل الطاقة طبقاً للأنظمة المحلية.
- يجب أن يكون قابس كبل الطاقة سهل الوصول بعد التركيب.
- لا تستخدم قابساً متعدد المجموعات مع أو بدون كابل تمديد بين مقبس الحائط والثلاجة.

#### ٤-٣ تثبيت الأوتاد البلاستيكية

- استخدم الأوتاد البلاستيكية المزودة مع الجهاز لتوفير مساحة كافية لتوزيع الهواء بين الجهاز والجدار.
1. ركب قطعتين من الأوتاد البلاستيكية كما هو موضح في الشكل التالي.
- (الصورة المشار إليها مرسومة بشكل تمثيلي، فهي ليست تماماً مثل منتجك.)

**تحذير:** لا يتحمل المصنع أية مسؤولية عن الأضرار الناجمة عن الأعمال المنفذة بواسطة أشخاص غير مرخصين.



**تحذير:** يجب فصل كبل طاقة الجهاز أثناء التركيب. قد يؤدي الإخفاق في ذلك إلى الموت أو إصابات خطيرة!

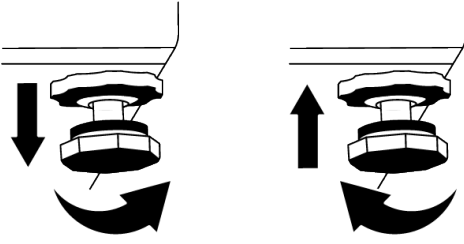


**تحذير:** إذا كان حجم الباب ضيقاً لدخول الجهاز، قم بفك الباب وأدر الجهاز إلى جانبه؛ إذا لم ينجح ذلك، اتصل بخدمة الصيانة المعتمدة.



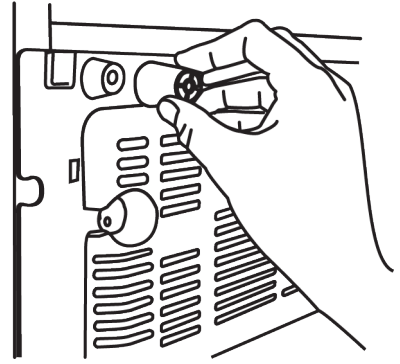
- ضع الجهاز على سطح منبسط لتجنب الاهتزاز.
- ضع الجهاز على بعد 30 سم على الأقل من المدفأة والموقد مصادر الحرارة الأخرى 5 سم على الأقل من الأفران الكهربائية.
- لا تعرض الجهاز لأشعة الشمس المباشرة أو تقيحه في أماكن رطبة.
- يتطلب المنتج الخاص بك توزيع الهواء بصورة كافية حتى يعمل بكفاءة. إذا كنت ستضع الجهاز في تجويف بالجدار، فتذكر ترك خلوص لا يقل عن 5 سم بين الجهاز وكل من السقف والجدار الخلفي والجدران الجانبية.
- تأكد أن مكوّن الحماية الخاص بالخلوص بين الجهاز والجدار الخلفي موجود في مكانه (إذا كان مزوداً مع المنتج).





#### ٥-٤ تحذير سطح ساخن

تم تجهيز الجدران الجانبية لمنتجك بأنايب تبريد لتعزيز نظام التبريد. قد يتدفق السائل ذو الضغط المرتفع عبر هذه الأسطح، وبسبب سخونة للأسطح على الجدران الجانبية. هذا أمر طبيعي ولا يتطلب صيانة. كن حذراً عند لمس هذه المناطق.



#### ٤-٤ ضبط أقدام المنتج

إن لم يكن الجهاز في وضع متوازن، اضبط الأقدام الأمامية القابلة للتعديل بإدائها إلى اليمين أو اليسار.

### ٥ الإعداد

- في حالة وجود خيارات متعددة، يجب وضع أرفف زجاجية بحيث لا يتم سد منافذ الهواء الموجودة في الجدار الخلفي، ويفضل بحيث تبقى منافذ الهواء أسفل الرف الزجاجي. قد يساعد هذا المزيج في تحسين توزيع الهواء وكفاءة الطاقة.
- يوصى بشدة باستخدام الدرج السفلي عند التخزين.
- بناء على سمات المنتج؛ تضمن إذابة الأطعمة المجمدة في حجرة المبرد توفير الطاقة والمحافظة على جودة الطعام.
- من أجل تحميل الحد الأقصى من الأطعمة في مبرد الثلاجة، يجب إخراج الأدراج العلوية ووضع الطعام في الأرفف الزجاجية/السلكية. تم اختبار بيانات صافي الحجم واستهلاك الطاقة الموضحة في ملصق الطاقة لثلاجتك من خلال إخراج الأدراج العلوية من الفريزر وعلبة الثلج التي يسهل فكها يدوياً.
- تأكد أن الأطعمة لا تلامس مجس درجة حرارة حجرة المبرد المذكور أدناه.

اقرأ قسم "تعليمات الأمان" أولاً!



#### ١-٥ إجراءات توفير الطاقة

بسبب توصيل الجهاز بنظام توفير الطاقة الإلكتروني أضراراً، فقد يتلف المنتج.



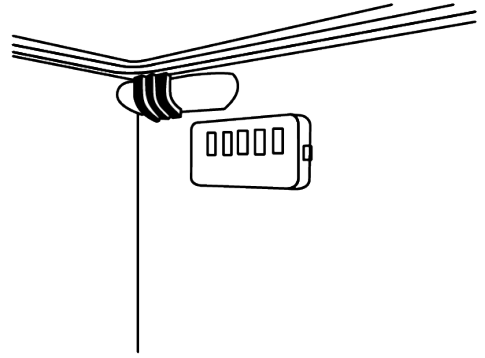
- جهاز التبريد هذا غير مخصص للاستخدام كجهاز مدمج؛
- لا تدع أبواب الثلاجة مفتوحة لفترات طويلة.
- لا تضع الأطعمة أو المشروبات الساخنة في الثلاجة.
- لا تضع كميات مفرطة في الثلاجة؛ إن إعاقة تدفق الهواء الداخلي يقلل من قدرة التبريد.
- نظراً لأن الهواء الساخن والرطب لن يتغلغل بشكل مباشر في منتجك عند عدم فتح الأبواب، فإن منتجك سيحسن نفسه في ظروف كافية لحماية طعامك. في ظل هذه الظروف، ستعمل الوظائف والمكونات مثل الضاغط، والمروحة، والسخان، وخاصة إزالة الصقيع، والإضاءة، والشاشة، وما إلى ذلك، وفقاً للاحتياجات من خلال استهلاك الحد الأدنى من الطاقة.

- قد يؤدي تغيير درجة الحرارة الناجم عن فتح وإغلاق الباب أثناء استخدام المنتج عادة إلى تشكل تكاثف على أرفف الباب / الهيكل والأواني الزجاجية الموضوعة في المنتج.

يمكن سماع صوت عندما يعمل الضاغط. من الطبيعي أن يصدر المنتج ضوضاء حتى في حالة عدم تشغيل الضاغط، حيث قد يتم ضغط السوائل والغاز في نظام التبريد.

ومن الطبيعي أن تكون الحواف الأمامية للتلاجة ساخنة. صُممت هذه الأجزاء لرفع درجة الحرارة لمنع التكاثف.

في بعض الطرازات، تتوقف لوحة المؤشر عن العمل تلقائيًا بعد مرور 1 دقائق على غلق الباب. ستم إعادة تنشيطها مرة أخرى عند فتح الباب أو عند الضغط على أي زر.

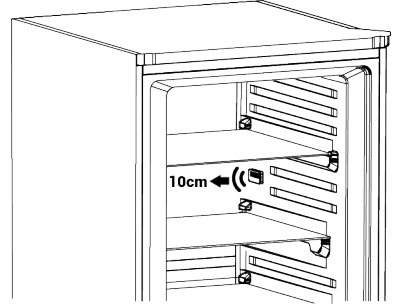


- إذا كانت على تلامس مع المستشعر، فقد يزداد استهلاك الطاقة للجهاز
- يجب تخزين الطعام باستخدام الأدراج في حجرة المبرد لضمان توفير الطاقة وحماية الطعام في ظروف أفضل.
- يجب ألا تكون عبوات الطعام على تلامس مباشر بمستشعر درجة الحرارة الموجود في مقصورة المجمد.
- يجب أن تكون هناك مسافة 10 سم بين المستشعر والطعام.

### ٣-٥ فئة المناخ والتعاريف

يرجى الرجوع إلى فئة المناخ على لوحة التصنيف الخاصة بجهازك. تنطبق إحدى المعلومات التالية على جهازك وفقاً لفئة المناخ.

- SN: المناخ المعتدل على المدى الطويل: تم تصميم جهاز هذا للاستخدام في درجات حرارة محيطية تتراوح بين 10 درجة مئوية و 32 درجة مئوية.
- N: المناخ المعتدل: تم تصميم جهاز هذا للاستخدام في درجات حرارة محيطية تتراوح بين 16 درجة مئوية و 32 درجة مئوية.
- ST: المناخ شبه الاستوائي: تم تصميم جهاز هذا للاستخدام في درجات حرارة محيطية تتراوح بين 16 درجة مئوية و 38 درجة مئوية.
- T: المناخ الاستوائي: تم تصميم جهاز هذا للاستخدام في درجات حرارة محيطية تتراوح بين 16 درجة مئوية و 43 درجة مئوية.



### ٢-٥ الاستخدام لأول مرة

- قبل استخدام ثلاجتك، تأكد من إجراء الإعدادات الضرورية انسجاماً مع التعليمات المذكورة في أقسام "تعليمات السلامة والبيئة" و"التركيب".
- قم بتشغيل الجهاز دون وضع أي أطعمة داخله لمدة 6 ساعات مع عدم فتح الباب إلا للضرورة القصوى.

### ٦ تشغيل المنتج

اقرأ قسم "تعليمات الأمان" أولاً!



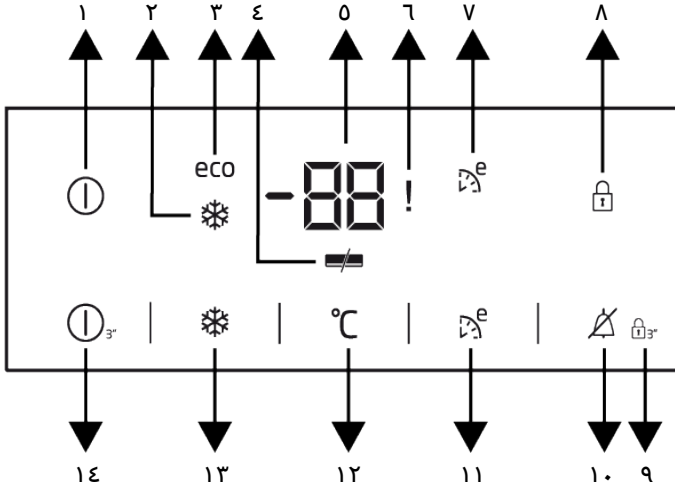
## فصل قاسب المنتج عن الكهرباء

- إذا كنت لن تستخدم المنتج لفترة طويلة، فافصل المنتج من المقبس.
- قم بإزالة الطعام لمنع الروائح،
- انتظر حتى يذوب الثلج، وقم بتنظيف الجزء الداخلي واتركه يجف، واترك الأبواب مفتوحة لتجنب إتلاف البلاستيك الداخلي للجسم.

- لا تستخدم أي أدوات ميكانيكية أو أي أدوات أخرى لتسريع عملية الذوبان غير الأدوات التي توصي بها الشركة المصنعة.
- لا تستخدم أجزاء من ثلاجتك مثل الباب أو الأدراج كداعم للإسناد أو الاستناد. قد يتسبب ذلك في انقلاب المنتج أو تلف مكوناته.
- يجب استخدام المنتج لتخزين المواد الغذائية فقط.
- أغلق صمام المياه إذا كنت ستبقى بعيداً عن المنزل (على سبيل المثال في إجازة) ولن تستخدم صانعة الثلج أو موزع المياه لفترة طويلة من الوقت. خلاف ذلك، قد يحدث تسرب للمياه.

## ٧ استخدام جهاز

### ١-٧ لوحة التحكم في منتجك



- |                                    |                                |
|------------------------------------|--------------------------------|
| ٢ مؤشر التجميد السريع              | ١ مؤشر التشغيل / الإيقاف       |
| ٤ مؤشر توفير الطاقة                | ٣ مؤشر الاستخدام الاقتصادي     |
| ٦ تحذير ارتفاع درجة الحرارة        | ٥ إعداد درجة حرارة حجرة المجمد |
| ٨ مؤشر قفل المفاتيح                | ٧ مؤشر Eco Extra               |
| ١٠ إنهاء تحذير ارتفاع درجة الحرارة | ٩ وضع قفل المفاتيح             |
| ١٢ وظيفة ضبط المجمد                | ١١ وظيفة Eco Extra             |
| ١٤ وظيفة التشغيل / الإيقاف         | ١٣ وظيفة التجميد السريع        |

\*اختياري: إن الوظائف المعروضة اختيارية، فقد توجد اختلافات في الشكل والموقع في الوظائف الموجودة على لوحة مؤشر جهازك.

اقرأ قسم "تعليمات الأمان" أولاً!



ستساعدك الوظائف الصوتية والبصرية للوحة المؤشرات على استخدام الثلاجة.

## 1. مؤشر التشغيل / الإيقاف ①

يضيء هذا الرمز عندما يكون المجمد مغلقاً. وتنطفئ جميع الرموز الأخرى.

## 2. مؤشر التجميد السريع ❄️

يضيء هذا الرمز عند تشغيل وظيفة التجميد السريع.

## 3. مؤشر الاستخدام الاقتصادي eco

يضيء هذا الرمز ( ) عند ضبط حجرة التجميد على 18- درجة مئوية، وهو الإعداد الأكثر اقتصاداً. عند تحديد وظيفة التبريد السريع أو التجميد السريع، يتم إيقاف تشغيل مؤشر الاستخدام الاقتصادي.

## 4. مؤشر توفير الطاقة ⚡

في حالة ترك أبواب المنتج مغلقة لفترة طويلة، فسوف يتم تنشيط خاصية توفير الطاقة تلقائياً وسوف يضيء رمز توفير الطاقة. عند تنشيط وظيفة توفير الطاقة، تنطفئ جميع الرموز الموجودة على الشاشة باستثناء رمز توفير الطاقة. في حالة الضغط على أي زر أو فتح الباب أثناء تنشيط وظيفة توفير الطاقة، يتم إلغاء وظيفة توفير الطاقة وتعود الرموز الموجودة على الشاشة إلى وضعها الطبيعي. تم تنشيط وظيفة توفير الطاقة في المصنع ولا يمكن إلغاؤها.

## 5. مؤشر إعداد درجة حرارة حجره المجمد:

يظهر درجة الحرارة التي قمت بضبطها لحجرة التجميد.

## 6. ارتفاع درجة الحرارة / مؤشر حالة خطأ!

يضيء التحذير من ارتفاع درجة الحرارة وتحذيرات الأخطاء. عندما ترتفع درجة حرارة حجره التجميد إلى مستوى حرج للأطعمة المجمدة، تومض أعلى قيمة وصلت إليها درجة حرارة حجره التجميد على الشاشة الرقمية. افحص الطعام الموجود في حجره المجمد.

هذا ليس عطلاً. يمكن محو التحذير عن طريق الضغط على أي زر أو زر إنهاء التحذير من ارتفاع درجة الحرارة. (لا يعد الإلغاء بالضغط على أي زر صالحاً لجميع الطرازات).

وعند حدوث عطل في جهاز الاستشعار، يضيء هذا المؤشر. عندما يضيء هذا المؤشر، تعرض شاشة عرض درجة الحرارة بالتناوب الأرقام "E" و "1,2,3...". تُعلم هذه الأرقام الموجودة على المؤشر موظفي الخدمة بالخطأ.

## 7. مؤشر الوضع الاقتصادي الإضافي ⚡

يضيء هذا الرمز عندما تكون هذه الوظيفة نشطة.

## 8. مؤشر قفل المفاتيح 🔒

يضيء عندما يكون وضع قفل المفاتيح نشطاً.

## 9. وضع قفل المفاتيح 🔒

لمدة 3 ثوان، اضغط مع الاستمرار على زر قفل المفاتيح باستمرار. يضيء رمز قفل المفاتيح ويتم تنشيط وضع قفل المفاتيح. لا تعمل الأزرار عندما يكون وضع قفل المفاتيح نشطاً. لمدة 3 ثوان، اضغط باستمرار على زر قفل المفاتيح مرة أخرى. سينطفئ رمز قفل المفاتيح وسيتم الخروج من وضع قفل المفاتيح.

## 10. إنهاء تحذير ارتفاع درجة الحرارة 🔥

في حالة إنذار ارتفاع درجة الحرارة، يمكن مسح التحذير عن طريق الضغط على أي زر على الشاشة أو عن طريق الضغط على زر التحذير من ارتفاع درجة الحرارة لمدة ثانية واحدة بعد فحص الأطعمة الموجودة في حجره التجميد. ملاحظة: لا يتوفر الإلغاء بالضغط على أي زر في جميع الطرازات.

## 11. وظيفة الوضع الاقتصادي الإضافي ⚡

على سبيل المثال، عند الذهاب في إجازة، اضغط على زر Eco Extra لمدة 3 ثوان لتنشيط وظيفة Eco Extra. عندما تكون الوظيفة نشطة، سيبدأ المجمد في العمل في الوضع الأكثر اقتصاداً بعد 6 ساعات تقريباً وسيضيء مؤشر الاستخدام الاقتصادي.

## 12. وظيفة ضبط المجمد 🌡️

يسمح لك بضبط درجة حرارة حجره التجميد. بالضغط على هذا الزر، يمكن ضبط درجة حرارة حجره التجميد على -18 و -19 و -20 و -21 و -22 و -23 و -24 درجة مئوية على التوالي.

## 13. وظيفة التجميد السريع ❄️

عند تشغيل وظيفة التجميد السريع، يضيء مؤشر التجميد السريع. لإلغاء هذه الوظيفة، اضغط على زر التجميد السريع مرة أخرى. سينطفئ مؤشر التجميد السريع وستتم استعادة الإعدادات العادية. تلغي وظيفة التجميد السريع نفسها تلقائياً بعد 52 ساعة ما لم تقم بإلغائها. إذا كنت ترغب في تجميد كمية كبيرة من الطعام الطازج، فاضغط على زر التجميد السريع قبل 24 ساعة من وضع الطعام في حجره التجميد.

## 14. وظيفة التشغيل / الإيقاف ①

عند الضغط عليه لمدة 3 ثوان، فإنه يسمح لك بإيقاف تشغيل المنتج. يمكن تشغيله بالضغط مع الاستمرار على زر التشغيل / الإيقاف للمنتج مرة أخرى لمدة 3 ثوان.

## ٢-٧ تجميد الأطعمة الطازجة

- لا تضع أطعمة أخرى في المجمد خلال فترة التجميد (24 ساعة).
- ضع الأطعمة الخاصة بك على حوامل أو أرفف التجميد بحيث تكون منفصلة وليست متلاصقة (يوصى بعدم تلامس مواد التغليف مع بعضها البعض).
- يجب استهلاك الأطعمة المجمدة على الفور في فترة زمنية قصيرة بعد إذابة الثلج، وعدم تجميدها مرة أخرى.
- لا تسد فتحات التهوية بوضع الأطعمة المجمدة أمام فتحات التهوية الموجودة على السطح الخلفي.
- نوصيك بوضع ملصق على العبوة وكتابة اسم الأطعمة الموجودة بداخلها ووقت التجميد.

### الأطعمة المناسبة للتجميد:

الأسماك والمأكولات البحرية واللحوم الحمراء والبيضاء والدواجن والخضروات والفاكهة والتوابل العشبية ومنتجات الألبان (مثل الجبن والزبدة والزبادي) والمعجنات والوجبات الجاهزة أو المطبوخة وأطباق البطاطس والسوفليه والحلويات.

### الأطعمة غير المناسبة للتجميد:

الزبادي والحليب الحامض والكريمة والمايونيز وسلطة الخضروات والفجل الأحمر والعب وجميع الفواكه (مثل التفاح والكمثرى والخوخ).

- كي يتسنى تجميد الأطعمة بسرعة وبدقة، ينبغي عدم تجاوز الكميات المحددة التالية لكل عبوة.
- الفاكهة والخضروات، 0.5-1 كجم
- اللحم، 1-1.5 كجم

- يمكن أيضاً تجميد كمية صغيرة من الأطعمة (بحد أقصى 2 كجم) دون استخدام وظيفة التجميد السريع.

ينبغي تطبيق التعليمات التالية للحصول على أفضل نتيجة:

1. نشط وظيفة التجميد السريع قبل 24 ساعة من وضع أطعمتك الطازجة.
2. بعد 24 ساعة من الضغط على الزر، ضع أولاً الطعام الذي تريد تجميده على الرف العلوي الذي يتميز بقدرة تجميد أعلى. ضع الأطعمة المتبقية، إن وجدت، في أقصى يمين الرف الثاني.
3. سيتم إلغاء تشييط وظيفة التجميد السريع تلقائياً بعد 52 ساعة.

- يجب تقسيم الأطعمة المراد تجميدها إلى حصص حسب الكمية المراد استهلاكها، مع تجميدها في عبوات منفصلة. وبهذه الطريقة لا يتم إعادة تجميد جميع الأطعمة في حالة فك تجميدها.
- يجب كي يتسنى الحفاظ على القيمة الغذائية للأطعمة ورائحتها ولونها قدر الإمكان سلق الخضار لفترة موجزة قبل تجميده. (الغليان ليس ضرورياً للأطعمة مثل الخيار والبقدونس). وبهذه الطريقة ينخفض وقت طهي الخضروات المجمدة بمقدار 1/3 مقارنة بالخضروات الطازجة.
- كي يتسنى تمديد أوقات تخزين الأطعمة المجمدة، فيجب أولاً تصفية الخضار المسلوقة ثم تعبئته بإحكام كما هو الحال في جميع أنواع الأطعمة.
- يجب عدم وضع الأطعمة في حجرة المجمد دون تغليف.
- يجب أن تكون مواد تغليف المواد الغذائية التي سيتم تخزينها محكمة الغلق، وسميكة ومتينة، مع ضرورة ألا تتشوه بالبرودة والرطوبة. وإلا فيمكن أن يخرق الطعام الذي يتم تجميده مواد التغليف. يُعد إغلاق عبوة التغليف جيداً مهماً أيضاً كي يتسنى تخزين الطعام بشكل آمن.

### أنواع التغليف التالية مناسبة لتجميد الطعام:

أكياس البولي إيثيلين، ورق الألومنيوم، ورق البلاستيك، الأكياس المفرغة، أوعية التخزين المقاومة للبرودة والمزودة بأغطية.

### لا يُنصح باستخدام الأنواع التالية من مواد التغليف لتجميد الطعام:

- ورق تغليف وورق برشمان وسلوفان (ورق جيلاتين) وأكياس قمامة وأكياس مستعملة وأكياس تسوق.
- يجب عدم وضع الأطعمة الساخنة في حجرة المجمد دون تبريد.
- يرجى عند وضع الأطعمة الطازجة غير المجمدة في حجرة المجمد مراعاة ألا تلامس الأطعمة المجمدة. يمكن وضع العبوة الباردة (PCM) على الرف مباشرة أسفل رف المجمد السريع لمنع ارتفاع درجة حرارتها.

4. لا تحاول تجميد كميات كبيرة من الأطعمة في وقت واحد. ففي غضون 24 ساعة، يمكن للجهاز تجميد الحد الأقصى من الأطعمة المحدد في "سعة التجميد ... كجم/24 ساعة" على ملصق نوع المنتج. من غير المناسب وضع كميات زائدة من الأطعمة غير المجمدة/ الطازجة بحجرة المجمد تتخطى الكميات المحددة في الملصق.
- يمكنك مراجعة جداول استهلاك اللحوم والأسماك والخضروات والفواكه ومنتجات الألبان لوضع الأطعمة الخاصة بك وتخزينها في المجمد العميق.

#### نصائح حول تخزين الأطعمة المجمدة

- تأكد عند شراء الأطعمة المجمدة من تجميدها عند درجات حرارة مناسبة وأن عبواتها ليست تالفة.
- ضع العبوات في حجرة المجمد في أسرع وقت ممكن بعد شرائها.
- تأكد من أن تاريخ انتهاء الصلاحية المدون على العبوة لم ينته قبل تناول الوجبات الجاهزة المعبأة التي تخرجها من حجرة المجمد.

#### فك التجميد

يتم إذابة الثلج الموجود في حجرات المجمد تلقائياً.

#### تفاصيل المجمد

يتطلب معيار EN 62552 (وفقاً لظروف القياس المحددة) إمكانية تجميد 4.5 كجم على الأقل من الطعام لكل 100 لتر من حجم حجرة التجميد عند درجة حرارة محيطية تبلغ 25 درجة مئوية خلال 24 ساعة.

#### إعدادات درجة الحرارة الموصى بها

إعدادات مقصورة المجمد	الملاحظات
-20 درجة مئوية	هذا هو إعداد درجة الحرارة الافتراضي الموصى به.
-21، -22، -23 أو -24 درجة مئوية	يوصى بهذه الإعدادات عندما تكون درجة الحرارة المحيطة أعلى من 30 درجة مئوية أو عندما تعتقد أن التلاجة لا تبرد بالشكل الكافي بسبب تكرار فتح الباب وغلغه.
التجميد السريع	استخدمه عندما تود تجميد طعامك خلال زمن قصير. يُوصى باستخدامه للحفاظ على جودة طعامك الطازج. لا تحتاج إلى استخدام وظيفة التجميد السريع عند تخزين الطعام المجمد. ليست هناك حاجة لاستخدام وظيفة التجميد السريع لتجميد كميات صغيرة من الطعام الطازج بحد أقصى 2 كجم يومياً.

#### إذابة الأطعمة المجمدة

- يمكن الاختيار بين الخيارات التالية لفك التجميد اعتماداً على تنوع الطعام والغرض من الاستخدام:
- عند درجة حرارة الغرفة (ليس من المناسب جداً من منظور الحفاظ على جودة الطعام فك تجميد الطعام عن طريق تركه في درجة حرارة الغرفة لفترة طويلة)
  - في التلاجة
  - في الفرن الكهربائي (في الموديلات المزودة بمروحة أو غير المزودة بمروحة)
  - في فرن الميكروويف

#### تنبيه!

- لا تضع المشروبات الحمضية في علب وعبوات زجاجية في المجمد نظراً لوجود خطر انفجارها.
- في حالة وجود رطوبة وارتفاع غير طبيعي في عبوات الأطعمة المجمدة، فمن المحتمل أنه تم تخزينها مسبقاً في وضع تخزين غير مناسب وتلفت محتوياتها. لا تستهلك هذه الأطعمة دون فحص.
- نظراً لأن طعم بعض التوابل في الوجبات المطبوخة قد يتغير مذاقها عند تعرضها لظروف تخزين طويلة الأمد، فيجب إضافة كمية أقل من التوابل إلى الأطعمة المراد تجميدها أو إضافة التوابل المرغوبة إلى الأطعمة بعد عملية تذويبها.

أطول مدة تخزين (شهر)	الإعداد	اللحم والسّمك		
6-8	التقطيع بسّمك 2 سم ووضع رقانق معدنية بين كل شريحة أو لفها بإحكام بغلاف مرن	شريحة لحم		منتجات اللحوم
6-8	تعبئة قطع اللحم في كيس نلاجة أو لفها بإحكام بغلاف مرن	المشاوي		
6-8	قطع صغيرة	المكعبات		
6-8	وضع ورق الألمونيوم بين شرائح مقطعة أو لفها بشكل فردي بغلاف مرن	شرائح، قطع	لحم العجل	
4-8	وضع ورق الألمونيوم بين قطع اللحم أو لفها بشكل فردي بغلاف مرن	قطع	لحم الضأن	
4-8	تعبئة قطع اللحم في كيس نلاجة أو لفها بإحكام بغلاف مرن	المشاوي		
4-8	تعبئة قطع اللحم الصغيرة في كيس نلاجة أو لفها بإحكام بغلاف مرن	المكعبات		
8-12	تعبئة قطع اللحم في كيس نلاجة أو لفها بإحكام بغلاف مرن	المشاوي	لحم بقر	
8-12	التقطيع بسّمك 2 سم ووضع رقانق معدنية بين كل شريحة أو لفها بإحكام بغلاف مرن	شريحة لحم		
8-12	قطع صغيرة	المكعبات		
8-12	التعبئة بقطع صغيرة في كيس نلاجة	اللحم المسلوّق		
1-3	بدون توابل، في أكياس مسطحة	اللحم المفروم		
1-3	قطع	أحشاء (قطع)		
1-3	يجب تعبئته حتى وإن كان مغلقاً.	سجق مخمر - سلامي		
2-3	وضع ورق الألمونيوم بين الشرائح المقطعة	جامبون		
4-6	يتم لفه في ورق ألمونيوم	الدجاج والديك الرومي		
4-6	يتم لفه في ورق ألمونيوم (ينبغي ألا يزيد وزن الحصص عن 2.5 كجم)	الاورز		الدواجن وحيوانات الصيد
4-6	يتم لفه في ورق ألمونيوم (ينبغي ألا يزيد وزن الحصص عن 2.5 كجم)	البط		
6-8	يتم لفه في ورق ألمونيوم (ينبغي ألا يزيد وزن الحصص عن 2.5 كجم، مع ضرورة فصل العظام)	أيل، أرنب، يحمور أوروبي		
2	يجب بعد التنظيف الشامل من الداخل وإزالة القشور غسل الأسماك وتجفيفها وقطع الذيل وأجزاء الرأس عند الضرورة.	أسماك المياه العذبة (التراوت، الكارب، الكركي، القرموط)		الأسماك والماكولات البحرية
4-6		الأسماك قليلة الدهون (القاروص، الطربوت، موسى)		
2-4		الأسماك الدهنية (بوينتو، ماركيل، بلوفيش، بوري أحمر، أنشوجة)		
4-6		البكلوز		
2-3	يُوضع بعبوته، في وعاء من الألمونيوم أو البلاستيك	الكافيار		

أطول مدة تخزين (شهر)	الإعداد	الفاكهة والخضروات	
10-13	غليان مفاجئ لمدة 3 دقائق بعد الغسيل والتقطيع إلى قطع صغيرة	اللوباء والفول القطبي	
10-12	غليان مفاجئ لمدة دقيقتين بعد إزالة القشور والغسل	البازلاء الخضراء	
6-8	غليان مفاجئ لمدة 1-2 دقيقة بعد التنظيف	ملغوف	

أطول مدة تخزين (شهر)	الإعداد	الفاكهة والخضروات
12	غليان مفاجئ لمدة 3-4 دقائق بعد الغسيل والتقطيع إلى شرائح	الجزر
8-10	غليان لمدة 2-3 دقائق بعد تقطيع الساق، وتقسيم الثمرة إلى قسمين وفصل البذور	الفلفل
6-9	غليان مفاجئ لمدة دقيقتين بعد الغسل والتنظيف	السيانخ
6-8	غليان مفاجئ لمدة 5 دقائق بعد التقطيع	الكراث
10-12	غليان مفاجئ في القليل من ماء الليمون لمدة 3-5 دقائق بعد فصل الأوراق، وتقطيع اللب إلى قطع	قرنبيط
10-12	غليان مفاجئ لمدة 4 دقائق بعد الغسيل والتقطيع إلى قطع 2 سم	بادنجان
8-10	الغليان المفاجئ لمدة 2-3 دقائق بعد الغسيل والتقطيع إلى قطع 2 سم	سيانخ
2-3	القلي قليلاً في الزيت وعصر الليمون عليه	الفطر
12	التنظيف والتعبئة سواءً بالقوالح أو حبوب	ذرة
8-10	الغليان المفاجئ لمدة 2-3 دقائق بعد التقشير والتقطيع إلى شرائح	التفاح والكمثرى
4-6	يقسم إلى نصفين ويستخرج البذور	المشمش والخوخ
8-12	عن طريق الغسل وإزالة القشور	الفراولة والتوت
12	بإضافة 10٪ سكر في الوعاء	فواكه مخبوزة
8-12	الغسل وإزالة قشور السيقان	البرقوق والكرز والكرز الحامض

شروط التخزين	أطول مدة تخزين (شهر)	الإعداد	منتجات الألبان
يمكن تركها في عبوتها الأصلية للتخزين على المدى القصير. للتخزين طويل الأجل، يجب أيضاً تغليفها بورق المنيوم أو بلاستيك.	6-8	تقطع في شكل شرائح يتم فصلها من خلال وضع أوراق ألومنيوم بينهما	الجبنة (ماعدا جبنة الفيتا)
في عبوتها أو الأوعية البلاستيكية	6	في عبوتها	الزبدة والسمن

## ٥-٧ استبدال مصباح الإضاءة

اتصل بالخدمة المعتمدة عند الرغبة في استبدال المصباح / LED المستخدم للإضاءة في ثلاجتك. لا يمكن استخدام المصباح (المصابيح) المستخدمة في هذا الجهاز لإضاءة المنزل. الغرض من استخدام هذا المصباح هو مساعدة المستخدم على وضع الطعام في الثلاجة / المجمد بأمان وراحة.

## ٣-٧ عكس جانب فتح الباب

يمكن عكس جانب فتح باب الثلاجة وفقاً للمكان الذي تضعه فيه. عندما تحتاج إلى هذا، يجب عليك بالتأكد الاتصال بأقرب خدمة معتمدة.

## ٤-٧ تحذير فتح الباب

يمكنك سماع منه صوتي إذا بقي باب الجهاز مفتوحاً لمدة 1 دقيقة. سيتوقف التنبيه المسموع عندما تغلق الباب أو تغط على أي زر على الشاشة (إن وجد).

## ٨ الصيانة والتنظيف

**تحذير:**  أفضل الثلاجة قبل تنظيفها.

**تحذير:**  اقرأ قسم "تعليمات الأمان" أولاً!



- لا تستخدم أدوات حادة أو كاشطة لتنظيف المنتج.
- لا تستخدم مواد مثل مواد التنظيف المنزلية والصابون والمنظفات والغاز والبنزين والكحول والشمع وما إلى ذلك.
- يجب إزالة الغبار من شبكة التهوية الموجودة في الجزء الخلفي من المنتج مرة واحدة في السنة على الأقل (بدون فتح الغطاء). نظف المنتج بقطعة قماش جافة
- احرص على إبعاد الماء عن غطاء المصباح والأجزاء الكهربائية الأخرى.
- نظف الباب بقطعة قماش رطبة. قم بإزالة جميع المحتويات لإزالة الباب ورفوف الهيكل. قم بإزالة رفوف الباب برفعها لأعلى. نظف الرفوف وجففها، ثم ركبها في مكانها ثانية بتمريرها من الأعلى.
- لا تستخدم الماء المحتوي على الكلور أو منتجات التنظيف على السطح الخارجي والأجزاء المطلية بالكروم من الجهاز. يسبب الكلور الصدأ على هذه الأسطح المعدنية.
- لا تستخدم الأدوات الحادة والكاشطة والصابون ومواد تنظيف المنزل والمنظفات والغاز والبنزين والورينيش والمواد المماثلة لمنع تشوه الجزء البلاستيكي وإزالة المطبوعات الموجودة عليه.
- استخدم الماء الدافئ وقماسة ناعمة للتنظيف ثم جفف الجهاز.
- بالنسبة للمنتجات التي لا تحتوي على ميزة تبريد مضاد للصقيع No-Frost ، قد تظهر قطرات الماء وتلج بسمك الإصبع على الجدار الخلفي لمقصورة المجمد. لا تنظف ، ولا تستخدم الزيت أو المواد الشابهة.
- استخدم قطعة قماش من الألياف الدقيقة ممبللة قليلاً لتنظيف السطح الخارجي للمنتج. قد تسبب الإسفنج وأنواع تنظيف الملابس الأخرى خدوشاً.

#### تنبيه:



لا تستخدم الخل أو الكحول المحمر أو مواد التنظيف الأخرى التي تحتوي على الكحول على أي سطح داخلي.

### الأسطح الخارجية من الفولاذ المقاوم للصدأ

استخدم مادة تنظيف غير كاشطة مصنوعة من الفولاذ المقاوم للصدأ و قم بتطبيقها بقطعة قماش ناعمة وخالية من النسالة. للتلميع، امسح السطح برفق بقطعة قماش من الألياف الدقيقة ممبللة بالماء واستخدم قطعة قماش شمواه جافة للتلميع. اتبع دائماً اتجاه عروق الفولاذ المقاوم للصدأ.

### منع الروائح

- تم تصنيع المنتج من مواد خالية من الروائح. إلا أن الاحتفاظ بالطعام في أقسام غير ملائمة وتنظيف الأسطح الداخلية بطريقة خاطئة قد يتسبب بالروائح.
- لتجنب ذلك، نظف الجزء الداخلي بماء مكرين كل 15 يوماً.
- احتفظ بالأطعمة في حوامل مغلقة، لأن الكائنات الحية الدقيقة الناتجة عن الأطعمة المحفوظة في عبوات غير محكمة الغلق تسبب رائحة كريهة.
- لا تترك الأطعمة النالفة ومنتھية الصلاحية في الثلاجة.

### حماية الأسطح البلاستيكية

قد يتلف الزيت المنسكب على الأسطح البلاستيكية السطح، لذا يجب تنظيفه بالماء الساخن فوراً.

## ٩ استكشاف الأخطاء وإصلاحها

- تحقق من هذه القائمة قبل الاتصال بمركز الصيانة. من شأن ذلك توفير الوقت والمال. تتضمن هذه القائمة الشكاوى غير المرتبطة بعيوب الصناعة أو المواد. وقد لا تنطبق سمات معينة مذكورة هنا على جهازك.
- **الثلاجة لا تعمل.**
- قابس الطاقة غير مستقر كليا. <<< ادفعه بحيث يستقر في المقبس كليا.
- الصمام الموصل بالمقبس الذي يزيد الجهاز بالطاقة أو الصمام الرئيسي تالف. <<< افحص الصمام.
- هناك تكاثف على جانب جدار حجرة المبرد (المنطقة المتعددة، منطقة التبريد، التحكم والمنطقة المرنة).
- يتم فتح الباب بشكل متكرر. <<< احرص على عدم فتح باب المنتج كثيراً.

- المكان رطب جدا. <<< لا تضع الجهاز في أماكن رطبة.
- الأطعمة المحتوية على سوائل تحفظ في مستوعبات غير محكمة الإغلاق. <<< احتفظ بالأطعمة المحتوية على سوائل في مستوعبات محكمة الإغلاق.
- ترك الباب مفتوحا. <<< لا تدع أبواب التلاجة مفتوحة لفترات طويلة.
- تم ضبط منظم الحرارة على درجة حرارة باردة جدا. <<< اضبط الثيرموستات على درجة حرارة مناسبة.

### الضاغط لا يعمل.

- في حال حدوث انقطاع مفاجئ في التيار الكهربائي أو سحب قابس الطاقة وإعادته مرة أخرى، يصبح ضغط الغاز في نظام تبريد الجهاز غير متوازن، مما يفعل الواقي الحراري للضاغط. يعمل المنتج من جديد بعد 6 دقائق تقريبا. إذا لم يعمل الجهاز بعد هذه الفترة، اتصل بمركز الصيانة.
- إزالة الجليد غير نشطة. <<< هذا أمر طبيعي في جهاز مقاوم للصقيع تلقائيا. تتم إزالة الجليد دوريا.
- الجهاز غير موصول بالكهرباء. <<< تأكد أن سلك الطاقة موصول بالكهرباء.
- إعداد درجة الحرارة غير صحيح. <<< اختر إعدادا صحيحا لدرجة الحرارة.
- لا يوجد تيار كهربائي. <<< يستمر الجهاز بالعمل بشكل طبيعي حال عودة الطاقة.

### يزداد ضجيج تشغيل التلاجة أثناء الاستعمال.

- وقد يتباين أداء عمل الجهاز بناء على تغيرات درجة حرارة المكان. هذا أمر طبيعي ولا يعتبر عطلا.

### تعمل التلاجة لفترة زمنية طويلة.

- ربما يكون المنتج الجديد أكبر من المنتج السابق. تعمل الأجهزة الأكبر فترات زمنية أطول.
- ربما تكون درجة حرارة الغرفة عالية. <<< يعمل الجهاز فترات طويلة في درجات الحرارة العالية.
- ربما تم توصيل الجهاز بالكهرباء مؤخرا أو تم وضع صنف طعام جديد داخله. <<< يستغرق الجهاز فترة أطول لبلوغ درجة الحرارة المعينة عند توصيله بالكهرباء حديثا أو عند وضع صنف طعام جديد داخله. هذا أمر طبيعي.
- ربما تم وضع كميات كبيرة من الطعام الساخن في الجهاز مؤخرا. <<< لا تضع الطعام الساخن داخل الجهاز.

- تم فتح الأبواب كثيرا أو تركت مفتوحة لفترات طويلة. <<< يتسبب الهواء الساخن المتحرك في الداخل في عمل الجهاز فترة أطول. لا تفتح الأبواب كثيرا.
- ربما يكون باب المجمد أو المبرد مواربا. <<< تأكد أن الأبواب مغلقة كليا.
- ربما يكون الجهاز مضبوط على درجة حرارة متدنية جدا. <<< اضبط درجة الحرارة على درجة أعلى وانتظر حتى يصل الجهاز إلى درجة الحرارة المرغوبة.
- ربما تكون فلحة باب المبرد أو المجمد متسخة، أو مهترنة أو مكسورة أو غير مستقرة. <<< نظف أو استبدل مانع التسرب. تتسبب فلحة الباب التالفة/ المهترنة في عمل الجهاز لفترات طويلة للحفاظ على درجة الحرارة الحالية.

### درجة حرارة المجمد منخفضة جدا، لكن درجة حرارة المبرد ملائمة.

- تم ضبط درجة حرارة مقصورة المجمد على درجة متدنية جدا. <<< اضبط درجة حرارة مقصورة المجمد على درجة أعلى وافحص مرة أخرى.

### درجة حرارة المبرد منخفضة جدا، لكن درجة حرارة المجمد ملائمة.

- تم ضبط درجة حرارة حجرة المبرد على درجة متدنية جدا. <<< اضبط درجة حرارة حجرة المبرد على درجة أعلى وافحص مرة أخرى.

### الأطعمة المحفوظة في جوارير حجرة المبرد متجمدة.

- تم ضبط درجة حرارة حجرة المبرد على درجة متدنية جدا. <<< اضبط درجة حرارة حجرة المبرد على درجة أعلى وافحص مرة أخرى.

### درجة الحرارة في المبرد أو المجمد عالية جدا.

- تم ضبط درجة حرارة حجرة المبرد على درجة عالية جدا. <<< يؤثر إعداد درجة حرارة حجرة المبرد على درجة حرارة مقصورة المجمد. انتظر حتى تصل الأجزاء ذات الصلة إلى مستوى درجة الحرارة المرغوبة عبر تغيير درجة حرارة مقصورة المجمد أو المبرد.
- تم فتح الأبواب كثيرا أو تركت مفتوحة لفترات طويلة. <<< لا تفتح الأبواب كثيرا.
- ربما يكون الباب مواربا. <<< أغلق الباب كليا.

- ربما تم توصيل الجهاز بالكهرباء مؤخرا أو تم وضع صنف طعام جديد داخله. <<< هذا أمر طبيعي.
- يستغرق الجهاز فترة أطول لبلوغ درجة الحرارة المعينة عند توصيله بالكهرباء حديثا أو عند وضع صنف طعام جديد داخله.
- ربما تم وضع كميات كبيرة من الطعام الساخن في الجهاز مؤخرا. <<< لا تضع الطعام الساخن داخل الجهاز.

### الاهتزاز أو الضجيج.

- السطح ليس مسطحا أو متينا <<< إذا كان المنتج يهتز عند تحريكه ببطء، فاضبط الحامل لموازنة المنتج. تأكد أن الأرض متينة لدرجة تحمل الجهاز.
- قد تحدث أية مواد موضوعة على الجهاز ضجيجا. <<< قم بإزالة أية مواد وضعت على الجهاز.
- يصدر الجهاز ضجيجا يشبه تدفق السوائل، أو الرش، الخ.
- يتخلل مبادئ تشغيل الجهاز تدفق السائل والغاز. <<< هذا أمر طبيعي ولا يعتبر عطلا.

### هناك صوت كهوب الرياح يأتي من الجهاز.

- يستخدم الجهاز مروحة في عملية التبريد. هذا أمر طبيعي ولا يعتبر عطلا.

### هناك تكاثف على الجدران الداخلية للجهاز.

- يزيد الطقس الحار أو الرطب من تشكل الصقيع والتكاثف. هذا أمر طبيعي ولا يعتبر عطلا.
- تم فتح الأبواب كثيرا أو تركت مفتوحة لفترات طويلة. <<< لا تفتح الأبواب كثيرا؛ إذا كانت مفتوحة، أغلقها.
- ربما يكون الباب مواربا. <<< أغلق الباب كليا.

### هناك تكاثف على السطح الخارجي للجهاز أو بين الأبواب.

- ربما يكون جو المكان رطبا، وهذا أمر طبيعي في الجو الرطب. <<< سيتبدد التكاثف عندما تقل الرطوبة.

### رائحة الجزء الداخلي سيئة.

- لا يتم تنظيف الجهاز بانتظام. <<< نظف الجزء الداخلي بانتظام مستخدما إسفنجة وماء دافئ وماء مكرين.
- قد تتسبب بعض المستوعبات ومواد التغليف بالروائح. <<< استخدم المستوعبات ومواد التغليف الخالية من الروائح.
- تم وضع الطعام في مستوعبات غير محكمة الإغلاق. <<< احتفظ بالأطعمة في مستوعبات محكمة الإغلاق. قد تنتشر الميكروبات من الأطعمة غير المغلقة مسببة الروائح الكريهة.
- تخلص من أية أطعمة فاسدة أو منتهية الصلاحية داخل الجهاز..

### الباب لا يغلق.

- تسد أغلفة الطعام الباب أحيانا. <<< غير مكان الأطعمة التي تسد الأبواب.
- لا يقف الجهاز بوضع رأسي كامل على الأرض. <<< اضبط القواعد لموازنة الجهاز.
- السطح ليس مسطحا أو متينا <<< تأكد من أن السطح مسطح ومثين بدرجة كافية لتحمل المنتج.

### درج الخضروات محشور.

- ربما تلامس الأطعمة الجزء العلوي من الجارور. <<< أعد ترتيب الأطعمة في الجارور.

### درجة الحرارة على سطح المنتج.

- يمكن ملاحظة ارتفاع درجة الحرارة بين البابين، على الألواح الجانبية وعلى منطقة الشبكة الخلفية أثناء تشغيل المنتج. هذا أمر طبيعي ولا يتطلب صيانة.

### تستمر المروحة في العمل عند فتح الباب.

- قد تستمر المروحة في العمل عندما يكون باب المجمد مفتوحا.



**تحذير:** إن استمرت المشكلة بعد اتباع تعليمات هذا القسم، اتصل بالبائع أو بمركز خدمة معتمد. لا تحاول إصلاح الجهاز. هذا أمر طبيعي.

العمر الافتراضي للجهاز لتوافر قطع الغيار ستتان من بعد انتهاء فترة الضمان

الاصلية. لمزيد من المعلومات اتصل بـ 16165









## !קראו תחילה את מדריך ההוראות

לקוח יקר,

**אנא קרא את המדריך לפני השימוש במוצר.**

תודה שבחרתם במוצר הזה. אנו רוצים שתשיג את היעילות האופטימלית מהמוצר האיכותי הזה שיוצר עם הטכנולוגיה המתקדמת ביותר. לשם כך, קרא בעיון מדריך זה וכל תיעוד אחר שסופק לפני השימוש במוצר ושמור אותו כנקודת עזר.

שימו לב לכל המידע והאזהרות המופיעות במדריך למשתמש. כך תוכלו להגן על עצמכם ועל המוצר שלכם מפני הסכנות שעלולות להתרחש.

שמרו את המדריך למשתמש. כלול את המדריך הזה עם היחידה אם אתה מוסר אותה למישהו אחר.

**במדריך למשתמש נעשה שימוש בסמלים הבאים:**



מפגע שעלול לגרום למוות או לפציעה.



מידע חשוב או עצות שימושיות לגבי תפעול.



קרא את מדריך המשתמש.



חומר נפיץ, אזהרה מפני סכנת התלקחות.

שמו לב מפגע שעלול לגרום לנזק מהותי למוצר או לסביבתו



<b>1</b>	<b>הוראות בטיחות.....</b>	<b>58</b>
1.1	השימוש המיועד.....	58
1.2	בטיחות ילדים, אנשים פגיעים וחיות מחמד.....	58
1.3	בטיחות בחשמל.....	59
1.4	בטיחות בטיפול.....	59
1.5	בטיחות במהלך ההתקנה.....	59
1.6	בטיחות בהפעלה.....	61
1.7	בטיחות אחסון מזון.....	62
1.8	בטיחות תחזוקה וניקוי.....	62
1.9	סילוק מוצר ישן.....	63
<b>2</b>	<b>הנחיות סביבתיות.....</b>	<b>63</b>
2.1	ופינוי מוצר WEEE-בהתאמה להוראת הפסולת.....	63
<b>3</b>	<b>המקפיא שלך.....</b>	<b>64</b>
<b>4</b>	<b>התקנה.....</b>	<b>65</b>
4.1	מקום ההתקנה הנכון.....	65
4.2	חיבור חשמל.....	65
4.3	הצמדת טריזי הפלסטיק.....	65
4.4	כוונון הרגליות.....	65
4.5	אזהרת משטח חם.....	66
<b>5</b>	<b>הכנה.....</b>	<b>66</b>
5.1	מה ניתן לעשות על מנת לחסוך באנרגיה.....	66
5.2	השימוש הראשון.....	67
5.3	דרוג אקלים והגדרות.....	67
<b>6</b>	<b>הפעלת המוצר.....</b>	<b>67</b>
<b>7</b>	<b>שימוש במוצר.....</b>	<b>68</b>
7.1	לוח הבקרה של המוצר.....	68
7.2	הקפאת מזון טרי.....	69
7.3	היפוך כיוון פתיחת הדלת.....	72
7.4	התראת פתיחת דלת.....	72
7.5	החלפת נורת התאורה.....	72
<b>8</b>	<b>תחזוקה וניקוי.....</b>	<b>72</b>
<b>9</b>	<b>טיפול בתקלות.....</b>	<b>73</b>

## הוראות בטיחות 1

- סעיף זה כולל את הוראות הבטיחות הנחוצות כדי למנוע את הסיכון לפציעה אישית או לנזק חומרי חברתנו לא תישא באחריות לנזקים שעלולים להתרחש אם הנחיות אלו לא יקוימו.



ההתקנה והתיקונים חייבים להתבצע על ידי היצרן, שירות מורשה או על ידי אדם שיתואר על ידי חברת היבוא.



יש להשתמש בחלקי חילוף ואביזרים מקוריים בלבד.



אין לתקן או להחליף כל חלק במוצר אלא אם צוין במפורש במדריך למשתמש.



אל תבצע שינויים במוצר.

## 1.1 השימוש המיועד

- מוצר זה אינו מתאים לשימוש מסחרי ואין להשתמש בו למטרה השונה מזו שלה הוא מיועד.
- מוצר זה מיועד להפעלה פנימית, כגון משקי בית או דומים.

לדוגמה;

במטבחי הצוות של החנויות, המשרדים, וסביבות עבודה אחרות

בבתי חווה,

ביחידות של בתי מלון, מוטלים או

מתקני מנוחה אחרים המשמשים את הלקוחות,

בהוסטלים או בסביבות דומות

בשירותי הסעדה ואפליקציות דומות

שאינן קמעונאיות.

- אין להשתמש במוצר זה בסביבות חיצוניות פתוחות או סגורות כמו כלי שיט, קרוואנים, מרפסות או טרסות. חשיפת המוצר לגשם, שלג, אור שמש ורוח עלולה לגרום לסיכון של שריפה.

## 1.2 בטיחות ילדים, אנשים פגיעים וחיות מחמד

- מוצר זה עשוי לשמש ילדים מגיל 8 שנים ומעלה ואנשים עם יכולות גופניות, חושיות או נפשיות לא מפותחות או חוסר ניסיון וידע אם הם תחת פיקוח או קיבלו הדרכה בנוגע לשימוש במכשיר בצורה בטוחה ולסכנות הכרוכות בכך.
- ילדים בגילאי 3 עד 8 שנים רשאים לשים ולהוציא מזון אל/ממוצר הקירור.
- מוצרי חשמל מסוכנים לילדים ולבעלי חיים. אסור לילדים וחיות מחמד לשחק, לטפס עליו או להיכנס למוצר.
- ילדים לא צריכים לבצע ניקוי ותחזוקת משתמש אלא אם יש מישהו שמפקח עליהם.
- הרחק את חומרי האריזה מילדים. סיכון לפציעה וחנק לפני השלכת מוצרים ישנים שלא ישתמשו בהם יותר.
  1. נתק את כבל החשמל מהשקע.
  2. חתכו את כבל החשמל והוציאו אותו מהמכשיר יחד עם התקע.
  3. אל תסיר את המתלים והמגירות מהמוצר כדי למנוע מילדים להיכנס לתוך המכשיר.
  4. הסר את הדלתות.

5. אחסן את המוצר כך שהוא לא יטופל.
6. אל תאפשר לילדים לשחק עם המוצר שנשפז.

  - אין להשליך את המוצר באמצעות השלכתו לאש. סכנת התפוצצות.
  - אם קיים מנעול זמין בדלת המוצר, הרחיקו את המפתח מהישג ידם של ילדים.

### 1.3 בטיחות בחשמל

- המוצר לא יחובר לשקע במהלך פעולות התקנה, תחזוקה, ניקוי, תיקון והובלה.
- אם הכבל החשמלי פגום, הוא יוחלף על ידי שירות מורשה בלבד כדי למנוע כל סיכון שעלול להתרחש.
- אל תכניס את כבל החשמל מתחת למוצר או לחלק האחורי של המוצר. אין לשים חפצים כבדים על כבל החשמל. אין לכופף, למעוך את כבל החשמל ולבוא במגע עם מקור חום כלשהו.
- אין להשתמש בכבל מאריך, בתקע רב או במתאם להפעלת המוצר.
- שקעים מרובים ניידים או ספקי כוח ניידים עלולים להתחמם ולגרום לשריפה. לפיכך, אל תחזיק שקעים מרובים מאחורי או בקרבת המוצר.
- אין לחבר את כבל החשמל של המכשיר רשקע משוחרר או פגום. חיבורים מסוג זה עשויים להתחמם יתר על המידה ולגרום לשריפה.
- התקע יהיה נגיש בקלות. אם הדבר אינו אפשרי, יהיה זמין במתקן החשמל מנגנון העומד בחקיקת

החשמל ומנתק את כל המסופים מרשת החשמל (נתיך, מתג, מתג ראשי וכדומה).

- אל תיגע בתקע בידיים רטובות.
- כאשר מנתקים את המכשיר, אל תחזיק את כבל החשמל, אלא את התקע.

### 1.4 בטיחות בטיפול

- המוצר הזה כבד, אל תטפל בו לבד.
- אל תחזיק את המוצר מהדלת שלו בזמן הטיפול במוצר.
- היזהר לא לגרום נזק למערכת הקירור ולצינורות בזמן הטיפול במוצר. אל תפעיל את המוצר אם הצינורות פגומים, וצור קשר עם שירות מורשה.

### 1.5 בטיחות במהלך ההתקנה

- צור קשר עם השירות המורשה עבור התקנת המוצר. כדי להכין את המוצר להתקנה, עיין במידע במדריך למשתמש וודא ששירותי החשמל והמים מתאימים לדרישות. במידה ולא, התקשרו לחשמלאי ואינסטלטור מוסמכים כדי לבצע את הסידורים הנדרשים. אחרת, קיימת סכנת התחשמלות, התלקחות, תקלות במוצר, או פגיעה.
- בדוק אם יש נזק כלשהו במוצר לפני התקנתו. אל תתקינו את המוצר אם הוא פגום.
- יש להניח את המוצר על משטח ישר וקשיח ולאזן אותו עם הרגליים המתכווננות. אחרת, המקרר עשוי להתהפך ולגרום לפציעות.

- המוצר מותקן בסביבה יבשה ומאווררת. אין להניח שטיחים או כיסויי רצפה דומים מתחת למוצר. זה עלול לגרום לסכנת שריפה כתוצאה מאוורור לא מספק!
- אל תחסום או תכסה חורי אוורור. אחרת, צריכת החשמל עולה והמוצר עשוי להינזק.
- אין לחבר את המוצר למערכות אספקה כגון ספקי כוח סולריים. אחרת, המוצר עשוי להינזק בגלל! שינויים פתאומיים במתח בעת מיקום המכשיר, ודא שכבל האספקה אינו לכוד או פגום.
- ככל שמקרר מכיל יותר חומר קירור, כך חדר ההתקנה שלו צריך להיות גדול יותר. בחדרים קטנים מאוד עלולה להתרחש תערובת גז-אוויר דליק במקרה של דליפת גז במערכת הקירור. יש צורך בנפח של לפחות 1 מ<sup>3</sup> לכל 8 גרם של נוזל קירור. כמות מציננת בתווית הסוג.
- מקום ההתקנה של המוצר לא יהיה ולא יהיה בקרבת חשופי לשמש ישיר מקור חום כגון תנורים, רדיאטורים וכדומה. אם אין באפשרותך למנוע את התקנת המוצר בקרבת מקור חום, יש להשתמש באמצעי בידוד מתאימים ולוודא שהמרחק המינימלי למקור החום הוא כמפורט להלן:
  - במרחק של 30 ס"מ לפחות – ממקורות חום כגון תנורים, יחידות חימום ותנורי חימום וכדומה
  - במרחק של 5 ס"מ לפחות – מתנורים חשמליים
- I. למכשיר רמת הגנה של יש לחבר את המוצר לשקע מוארק התואם את ערכי המתח, הזרם והתדר המפורטים בתווית הסוג. השקע חייב להיות מחובר לנתיך החברה שלנו לא תישא 10A – 16A באחריות לנזקים כלשהם עקב שימוש ללא הארקה וחיבור לחשמל בהתאם לתקנות הלאומיות והמקומיות.
- יש לנתק את כבל המתח של המוצר במהלך ההתקנה. אחרת, עלולה! להיווצר סיכון להתחשמלות ולפציעה
- אין לחבר את כבל החשמל של המוצר לשקעי חשמל רופפים, מפורקים, שבורים, מלוכלכים ושמונניים שיש בהם סיכון למגע עם מים. חיבורים מסוג זה עשויים להתחמם יתר על המידה ולגרום לשריפה.
- הנח את כבל החשמל והצינורות (אם זמינים) של המוצר כך שהם לא יגרמו לסכנת מעידה.
- חדירת לחות לחלקים חיים או לכבל החשמל עלולה לגרום לקצר. לפיכך, אל תשתמש במוצר בסביבות לחות או באזורים שבהם מים עלולים להתז (למשל מוסך, חדר כביסה וכו') אם המקרר נרטב ממים, נתק אותו מהחשמל ופנה לשירות מורשה.
- אל תחבר את המקרר שלך למכשירים לחיסכון בחשמל. מערכות אלו מזיקות עבור המוצר

## ⚠️ 1.6 בטיחות בהפעלה

- אל תשתמש בממסים כימיים על המוצר. חומרים אלה מכילים סיכון פיצוץ.
- במקרה של תקלה במוצר, נתק אותו מהחשמל ואל תפעיל אותו עד לתיקון על ידי השירות המורשה. קיים סיכון להתחשמלות!
- אל תניח מקור להבה (כגון נרות, סיגריות וכדומה) על המוצר או בקרבתו.
- אין לעלות על המוצר. סכנת נפילה! ופציעה!
- אל תגרמו נזק לצינורות מערכת הקירור באמצעות כלים חדים ונוקבים. נזל הקירור שמתז החוצה במקרה של ניקוב צינורות הגז, הארכות צינורות או ציפוי משטחים עליונים עלול לגרום לגירוי בעור ולפציעת העיניים.
- אין למקם ולהפעיל מכשירים חשמליים בתוך המקררים/המקפיא העמוק, אלא אם כן היצרן ייעץ לעשות זאת.
- אין להדביק חלקים כלשהם בידיים או בגופך לחלקים הנעים בתוך המוצר. יש להקפיד למנוע חסימת אצבעותיך בין המקרר לדלת שלו. היזהר בעת פתיחת או סגירת הדלת אם יש ילדים בסביבה.
- אין להכניס לפה גלידה, קוביות קרח או מזון קפוא ברגע שמוציאים אותם מהמקפיא. סיכון של כוויות קור
- אין לגעת בדפנות הפנימיות, בחלקי המתכת של המקפיא או במזון השמור בתוך המקרר בידיים רטובות. סיכון של כוויות קור!
- אין להניח פחיות סודה או פחיות ובקבוקים המכילים נוזלים שעלולים להיות קפואים לתא ההקפאה. פחיות או בקבוקים עלולים להתפוצץ. סכנת פציעה ופגיעה חומרית!
- אל תשתמש ואל תניח חומרים רגישים לטמפרטורה כגון תרסיסים דליקים, חפצים דליקים, קרח יבש או חומרים כימיים אחרים בקרבת המקרר. סיכון של שריפה ופיצוץ!
- אין לאחסן חומרים נפצים כגון פחיות אירוסול עם חומרים דליקים בתוך המוצר.
- אין להניח קופסאות שימורים פתוחות המכילות נוזלים מעל המוצר. התזת מים על חלק חשמלי עלולה לגרום לסיכון להתחשמלות או שריפה.
- מוצר זה אינו מיועד לאחסון וקירור של תרופות, פלזמה דם, תכשירי מעבדה או חומרים ומוצרים דומים הכפופים להוראת המוצרים הרפואיים.
- אם נעשה שימוש במוצר נגד ייעודו, הוא עלול לגרום לנזק או הרס של המוצרים השמורים בפנים.
- אם המקרר שלך מצויד באור כחול, אל תסתכל על האור הזה עם התקנים אופטיים. אל תבהה ישירות במשך זמן רב. קרניים LED UV באור אולטרה סגולות עלולות לגרום ללחץ על העיניים.

- אין למלא את המוצר בכמות גדולה יותר של מזון מהיכולת שלו. פציעות או נזקים עלולים להתרחש אם תכולת המקרר נופלת כאשר הדלת נפתחת. בעיות דומות עלולות להתרחש גם כאשר חפץ ממוקם מעל המוצר.

- ודא שהסרת כל קרח או מים שייתכן ששנפלו על הרצפה כדי למנוע פציעות שנה את המיקום של המדפים/מדפי הבקבוקים בדלת המקרר שלך כאשר המתלים ריקים בלבד. סכנה לפציעה פיזית!
- אל תניח על המוצר חפצים שעלולים ליפול/להתהפך. חפצים אלו עלולים ליפול תוך כדי פתיחה או סגירה של הדלת ולגרום לפציעות ו/או נזקים חומריים.
- אל תפגע ואל תפעיל לחץ מוגזם על משטחי זכוכית. זכוכית שבורה עלולה לגרום לפציעות ו/או לנזק חומרי מערכת הקירור במוצר שלך מכילה סוג נזל הקירור שבו R600a קרר משתמשים במוצר מצויין בתווית הסוג. גז זה הוא דליק. לכן, היזהר לא לפגוע במערכת הקירור ובצנרת בזמן הפעלת המוצר. במקרה של נזק; לצינורות

1. אין לגעת במוצר או בכבל המתח.
2. יש להרחיק את המוצר ממקורות אש פוטנציאליים שעלולים לגרום למוצר להתלקח.
3. אזוררו האזור שבו מוצב המוצר. אל תשתמשו במאורר.
4. צור קשר עם שירות מורשה.

5. אם המוצר פגום ואתה רואה דליפת גז, אנא התרחק מהגז. גז עלול לגרום לכוויות קור אם הוא יוצר מגע בעור שלך.

### 1.7 בטיחות אחסון מזון

יש לשים לב לאזהרות הבאות על מנת להימנע מקלקול מזון:

- השארת הדלתות פתוחות לאורך זמן עלולה לגרום לעליית הטמפרטורה בתוך המקרר.
- יש לנקות בעקביות את מערכות הניקוז הנגישות הנמצאות במגע עם מזון.
- נקו את מיכלי המים שלא היו בשימוש במשך 48 שעות ואת מערכות המים המוזנות מהרשת שלא היו בשימוש יותר מ-5 ימים.
- אחסנו מוצרי בשר ודגים נאים בתאים המתאימים של המקרר. כך שלא יטפטפו או יהיו במגע עם מוצרי מזון אחרים.
- תאי הקפאה בדרגת שני כוכבים משמשים לאחסון מזון מהוכן מראש, הכנה ואחסון של גלידה וקרח התאים עם כוכב אחד, שניים ושלושה כוכבים אינם מתאימים להקפאת מזון טרי.
- אם המקרר נותר ריק במשך זמן רב, יש לכבותו, להפשיר אותו, לנקות וליבש אותו, על מנת להגן עליו.

### 1.8 בטיחות תחזוקה וניקוי

- יש לנתק את המקרר לפני הניקוי או ביצוע פעולות תחזוקה.

- השתמש במטלית נקייה ויבשה כדי לנגב את האבק או החומרים הזרים על קצות התקעים. אין להשתמש בחתיכת בד רטובה או לחה כדי לנקות את התקע. אחרת, עלולה להיווצר סיכון של שריפה או התחשמלות.
- אל תמשוך בידית הדלת אם תזיז את המוצר לצורכי ניקוי. הידית עלולה לגרום לפציעות אם מושכים אותה חזק מדי.
- אין להניח ידיים מתחת למקרר. הידיים עשויות להיתקע או שקצה חד עלול לגרום לפציעות אישיות.
- אין לנקות את המוצר על ידי ריסוס או יציקת מים על המוצר ובתוכו. סיכון של התחשמלות ושריפה.
- בעת ניקוי המוצר, אין להשתמש בכלים חדים ושוחקים או בחומרי ניקוי ביתיים, חומרי ניקוי, גז, בנזין, מדלל, אלכוהול, לכה וחומרים דומים. השתמש בחומרי ניקוי ותחזוקה שאינם מזיקים למזון הנמצא במקרר.
- אין להשתמש באדים או בתכשירי אידוי לניקוי המוצר ולהפשרת הקרח שבתוכו. קיטור לפגוע באזורים עם חיבור חשמל במקרר וגורם לקצר חשמלי או להתחשמלות.
- אין להשתמש בכלי עבודה מכאניים או בכל כלי אחר מלבד אלו המומלצים על ידי היצרן כדי להאיץ את פעולת ההפשרה.
- הקפד להרחיק מים מהמעגלים של האלקטרוניים או מהתאורה של המוצר.

## 1.9 סילוק מוצר ישן

- בעת השלכת המוצר הישן שלך, עקוב אחר ההוראות שלהלן:
- כדי למנוע מילדים לנעול את עצמם בטעות במוצר, אם יש מנעול לדלת, השבת אותו.
  - התזה של נוזל קירור מזיקה לעיניים. אל תפגע באף חלק של מערכת הקירור בזמן השלכת המוצר.
  - אחרת, עלולה להתרחש פגיעה קטלנית במקרה של בליעת שמן המדחס או חדירתו לדרכי הנשימה.
  - מערכת הקירור של המוצר שלך כמפורט בתווית R600a כוללת גז הסוג. גז זה הוא דליק. אין להשליך את המוצר באמצעות השלכתו לאש. סכנת התפוצצות!

## 2 הנחיות סביבתיות

### 2.1 ופינוי מוצר WEEE-בהתאמה להוראת הפסולת



מוצר זה תואם להנחיית האיחוד (WEEE (2012/19/EU). האירופי מוצר זה נושא סמל סיווג לפסולת ציוד (WEEE) חשמלי ואלקטרוני

סמל זה מציין שאסור להשליך מוצר זה יחד עם אשפה ביתית אחרת בתום חיי השירות שלו. יש להחזיר את המכשיר המשומש לנקודת איסוף רשמית לצורך מיחזור של מכשירים חשמליים ואלקטרוניים. כדי למצוא את מערכות האיסוף הללו, אנא צור קשר עם הרשויות המקומיות או הקמעונאי שבו המוצר נרכש. כל משק בית ממלא תפקיד חשוב בשיחזור ומיחזור של מכשיר ישן. סילוק הולם של מכשיר משומש מסייע במניעת השלכות שליליות אפשריות על הסביבה ועל בריאות האדם.

## RoHS בהתאמה להוראת

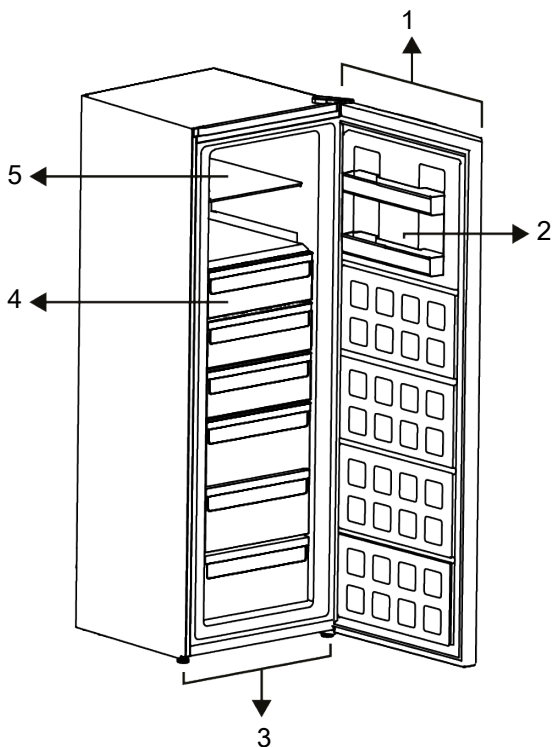
של RoHS-המוצר שרכשת עומד בדרישות ה  
הוא אינו מכיל (2011/65/EU) האיחוד האירופי  
חומרים מזיקים ואסורים המפורטים בדירקטיבה



### פרטי אריזה

חומרי האריזה של המוצר מיוצרים  
מחומרים הניתנים למחזור בהתאם  
לתקנות הסביבה הלאומית שלנו. אל  
תשליכו את חומרי האריזה יחד עם  
הפסולת הביתית או אחרת. קחו אותם  
לנקודות איסוף חומרי האריזה שיועדו על  
ידי הרשויות המקומיות

## 3 המקפיא שלך



1 חיווי אלקטרוני

2 מדף הדלת

3 סטנדים ניתנים להתאמה

4 תאי הקפאה

5 מדף זכוכית

**אופציונלי:** התרשימים שבמדריך זה הינם\*  
סכמתיים וייתכן שלא יהיו תואמים בדיוק למוצר  
שברשותך. אם המוצר שברשותך אינו תואם  
לחלקים הרלבנטיים, המידע מתייחס לדגמים שונים



## 4 התקנה



"קרא קודם את הסעיף "הוראות בטיחות"

### 4.1 מקום ההתקנה הנכון

צור קשר עם השירות המורשה עבור התקנת המוצר. כדי להכין את המוצר להתקנה, עיין במידע במדריך למשתמש וודא ששירותי החשמל והמים מתאימים לדרישות. במידה ולא, התקשרו לחשמלאי ואינסטלטור מוסמכים כדי לבצע את הסידורים הנדרשים.



#### אזהרה:

היצרן אינו נושא באחריות לכל נזק שנגרם מהעבודה שבוצעה על ידי אנשים לא מורשים.



#### אזהרה:

יש לנתק את כבל המתח של המוצר במהלך ההתקנה. אי ביצוע פעולה זו עלולה לגרום למוות או לפציעות חמורות!



#### אזהרה:

אם טווח הדלת צר מכדי שהמוצר יוכל לעבור, הסר את הדלת וסובב את המוצר הצידה; אם זה לא עובד, צור קשר עם השירות המורשה.

- הנח את המוצר על משטח שטוח כדי למנוע רעידות.
- הנח את המוצר במרחק של לפחות 30 ס"מ מתנור החימום, הכיריים ומקורות חום דומים. ובמרחק של לפחות 5 ס"מ מתנורים חשמליים.
- אין לחשוף את המוצר לשמש ישירה ואל תשמור בסביבה לחה.
- מוצר זה דורש אוורור נאות כדי לתפקד ביעילות. אם המוצר ימוקם בחדרון, זכרו להשאיר מרווח של לפחות 5 ס"מ בין המוצר לבין התקרה והקירות.
- ודאו שרכיב ההגנה על המרווח מהקיר האחורי נמצא במקומו (אם סופק עם המוצר).
- אם הרכיב אינו זמין, או אם הוא אבד או נפל, יש למקם את המוצר כך שישאר מרווח של לפחות 5 ס"מ בין המוצר לקירות החדר. המרווח מאחור חשוב עבור תפעול יעיל של המוצר.

### 4.2 חיבור חשמל



אין להשתמש בשקעי הארכה או רב בחיבור לחשמל.



כבל חשמל פגום חייב להיות מוחלף על ידי שירות מורשה.



כאשר מציבים שני מקררים בסמוך האחד לשני, יש להשאיר מרחק של לפחות 4 ס"מ בין שתי היחידות.

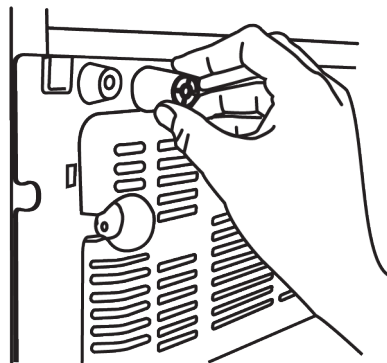
- משרדנו לא יישא באחריות לנזקים כלשהם עקב שימוש ללא הארקה וחיבור לחשמל בהתאם לתקנות הלאומיות.
- על תקע כבל החשמל להיות נגיש בקלות לאחר ההתקנה.
- אין להשתמש ברב-שקע עם או בלי כבל מאריך בין השקע בקיר למקרר.

### 4.3 הצמדת טריזי הפלסטיק

יש להשתמש בטריזי הפלסטיק המצורפים למוצר כדי לספק מספיק מקום לזרימת אוויר בין המוצר לקיר.

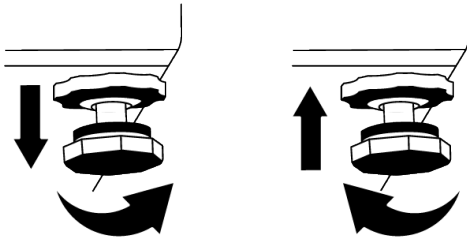
1. שלהלן את התקינו שני טריזי פלסטיק כפי שמוצג באיור 1.

התמונה המצוינת היא תמונה מייצגת, היא אינה שלך (זהה לחלוטין למוצר שלך).



### 4.4 כוונן הרגליות

אם המוצר אינו במצב מאוזן, כוונן את הרגליות הקדמיות על ידי סיבוב ימינה או שמאלה.



## 4.5 אזהרת משטח חם

הדפנות הצדדיות של המוצר שלך מצוידות בצינורות קירור כדי לשפר את מערכת הקירור. נזל בלחץ גבוה עלול לזרום דרך משטחים אלו, ולגרום למשטחים חמים בדפנות הצדדיות. זה נורמלי ואינו מצריך טיפול. היזהר כאשר אתה יוצר קשר עם אזורים אלה.

## 5 הכנה



!"קרא קודם את הסעיף "הוראות בטיחות

### 5.1 מה ניתן לעשות על מנת לחסוך באנרגיה

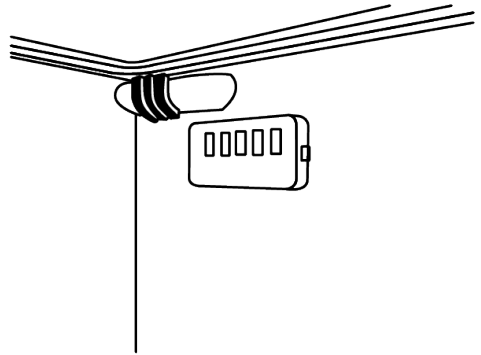


חיבור המוצר למערכות אלקטרוניות חיסכון באנרגיה מזיק, מכיוון שהוא עלול להזיק למוצר.

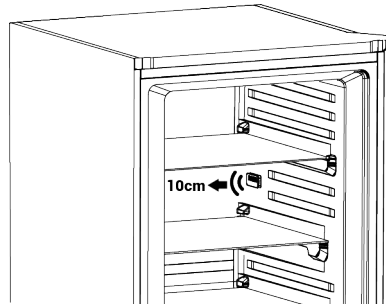
- מקרר זה אינו מיועד לשימוש כמקרר מובנה.
- אל תשאיר את דלתות המקרר פתוחות לפרקי זמן ארוכים.
- אין להכניס מזון או משקאות חמים לתוך המקרר.
- אין למלא את המקרר יתר על המידה; חסימת זרימת האוויר הפנימית תפחית את כושר הקירור מכיוון שאוויר חם ולח לא יחדור ישירות למוצר שלך כאשר הדלתות אינן נפתחות, המוצר שלך ימטב את עצמו בתנאים מספיקים כדי להגן על המזון שלך. בתנאים אלו, פונקציות ורכיבים כגון מדחס, מאוורר, תנור חימום, הפשרה, תאורה, תצוגה וכן הלאה יפעלו בהתאם לצרכים על מנת לצמצם למינימום את צריכת האנרגיה במקרה של אפשרויות מרובות יש למקם מדפי זכוכית כך שפתחי האוויר בדופן האחורית לא ייחסמו, עדיף ששקעי האוויר יישארו מתחת למדף הזכוכית. השילוב עשוי לאפשר שיפור בפזיור האוויר ויעילות אנרגטית.
- מומלץ לאחסן מזון במגירה התחתונה.
- בהתאם לתכונות המוצר, הפשרת מזונות קפואים בתא הקירור תבטיח חיסכון באנרגיה ותשמור על איכות המזון.
- על מנת להעמיס את הכמות המקסימלית של מזון לתא המקפיא של המקרר, יש להוציא את המגירות העליונות ולהניח את המזון על מדפי התיל/זכוכית. מידע על נפח נטו וצריכת אנרגיה

המוצרת בתווית האנרגיה של המקרר נבדקו לאחר הוצאת המגירות העליונות בתא הצינון ודלי הקרח, הנשלף בקלות ביד.

- יש לוודא שהמזון לא בא במגע עם חיישן הטמפרטורה של התא הקר כפי שמתואר להלן.



- במקרה של מגע עם החיישן, צריכת האנרגיה של המכשיר עלולה לעלות.
- מזון יישמר באמצעות המגירות בתא הקירור על מנת להבטיח חיסכון באנרגיה ולהגן על מזון בתנאים טובים יותר.
- אריזות מזון לא אמורות להיות במגע ישיר עם חיישן הטמפרטורה הממוקם בתא המקפיא.
- יש להשאיר מרווח של 10 ס"מ בין החיישן והמזון.



## 5.2 השימוש הראשון

לפני השימוש במקרר שלך, ודא שההכנות הדרושות נעשות בהתאם להנחיות בסעיפים "הוראות בטיחות" ו"התקנה".

- שמור את המוצר פועל מבלי להניח מזון בפנים למשך 6 שעות ואל תפתח את הדלת, אלא אם כן הכרחי.
- שינוי הטמפרטורה הנגרם כתוצאה מפתיחה וסגירה של הדלת בזמן השימוש במוצר עלול בדרך כלל לגרום לעיבוי על מדפי הדלת/הגוף ומכלי זכוכית הנמצאים במוצר.



ישמע צליל כאשר המדחס מופעל. השמעת רעש היא תופעה רגילה גם כאשר המדחס אינו פועל, יתכן שנוזלים וגזים נדחסים למערכת הקירור.



זה נורמלי שהשוליים הקדמיים של המקרר יהיו חמים. אזורים אלה מיועדים להתחמם על מנת למנוע עיבוי.



בדגמים מסוימים, לוח המחוונים נכבה אוטומטית דקה אחת לאחר סגירת הדלת. הוא יופעל מחדש כאשר הדלת תיפתח או כפתור ילחץ.

## 5.3 דרוג אקלים והגדרות

עיינו בדירוג האקלים הנמצא על לוחית הדירוג של המכשיר. אחד מהפרטים הבאים חל על המכשיר שלכם בהתאם לדירוג האקלים.

- אקלים ממוזג לטווח ארוך: התקן הקירור: **SN**: 10 מיועד לשימוש בטמפרטורות סביבתיות שבין 32 °C ובין 10 °C.
- אקלים ממוזג: התקן הקירור מיועד לשימוש: **N**: 32 °C ובין 16 °C בטמפרטורות סביבתיות שבין 32 °C ובין 16 °C.
- אקלים סב-טרופי: התקן הקירור מיועד: **ST**: 16 °C לשימוש בטמפרטורות סביבתיות שבין 38 °C ובין 16 °C.
- אקלים טרופי: התקן הקירור מיועד לשימוש: **T**: 43 °C ובין 16 °C בטמפרטורות סביבתיות שבין 38 °C ובין 16 °C.

## 6 הפעלת המוצר



!"קרא קודם את הסעיף "הוראות בטיחות"

- אין להשתמש בכלי עבודה מכאניים או בכל כלי אחר מלבד אלו המומלצים על ידי היצרן כדי להאיץ את פעולת ההפשרה.
- אל תשתמש בחלקים של המקרר שלך, כגון הדלת או המגירות, כתמיכה או מדרגה. הדבר עלול לגרום למוצר למעוד או להיזק לרכיבים שלו.
- יש להשתמש במוצר רק לאחסון מזון.

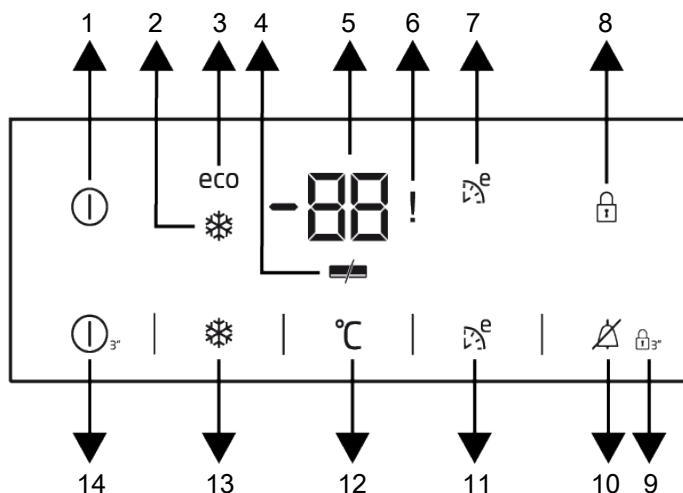
- כבה את שסתום המים אם תיעדר מהבית (למשל בחופשה) ולא תשתמש במכונת הקרח או במתקן המים במשך תקופה ארוכה. אחרת, עלולות להתרחש נזילות מים.

### ניתוק המכשיר


- אם אינכם מתכוונים להשתמש במוצר במשך זמן רב, נתקו את המוצר מהשקע.
- הסר את האוכל כדי למנוע ריחות.
- המתינו להפשרת הקרח, נקו את החלק הפנימי ותנו לו להתייבש, השאירו את הדלתות פתוחות כדי למנוע נזק לפלסטיק הפנימי של הגוף.

## 7 שימוש במוצר

### 7.1 לוח הבקרה של המוצר



- |                            |                                   |
|----------------------------|-----------------------------------|
| 1 מחוון הפעלה/כיבוי        | 2 מחוון הקפאה מהירה               |
| 3 מחוון שימוש חסכוני       | 4 מחוון חיסכון באנרגיה            |
| 5 הגדרת טמפרטורת תא ההקפאה | 6 אזהרת טמפרטורה גבוהה התראת תקלה |
| 7 מחוון Eco Extra          | 8 מחוון נעילת מקשים               |
| 9 מצב נעילת מקשים          | 10 סיום אזהרת טמפרטורה גבוהה      |
| 11 פונקציית Eco Extra      | 12 פונקציית התאמת המקפא           |
| 13 פונקציית הקפאה מהירה    | 14 פונקציית הפעלה/כיבוי           |

 "קרא קודם את הסעיף "הוראות בטיחות"

פונקציית שמע ותצוגה של לוח המחוונים יסייעו לכם בזמן השימוש במקרר.

**אופציונלי:** הפונקציות המוצגות הן אופציונליות\*, ייתכנו הבדלים בצורת ובמיקום בפונקציות שנמצאות בלוח המחוונים של המכשיר שלך.

#### 1. מחוון הפעלה/כיבוי

הסמל מופיע כאשר המקפא כבוי. כל יתר הסמלים נכבים.

#### 2. מחוון הקפאה מהירה

הסמל יידלק כל עוד פונקציית ההקפאה מהירה מופעלת.

#### 3. מחוון שימוש חסכוני eco

הסמל ( ) יידלק כאשר המקפא מוגדר לטמפרטורה שהיא החסכונית ביותר. לאחר בחירת  $-18^{\circ}\text{C}$  של האפשרות של קירור מהיר או הקפאה מהירה, מחוון השימוש החסכוני ייכבה.

#### 4. מחוון חיסכון באנרגיה

כאשר הדלתות סגורות למשך זמן ממושך, מצב חיסכון באנרגיה מופעל אוטומטית וסמל החיסכון באנרגיה נדלק. כאשר אפשרות החיסכון באנרגיה מופעל, כל הסמלים שבצג ייכבו מלבד סמל החיסכון באנרגיה. אם לוחצים על כפתור כלשהו או שהדלת נפתחת בזמן שפונקציית החיסכון באנרגיה מופעלת, פונקציית החיסכון באנרגיה מבטלת והסמלים בתצוגה חוזרים למצב רגיל. פונקציית חיסכון באנרגיה היא פונקציה המופעלת על ידי היצרן ולא ניתנת לביטול.

## 5. מחוון הגדרת טמפרטורת תא המקפיא

מציא את הטמפרטורה שנקבעה בתא המקפיא.

## 6. מחוון טמפרטורה גבוהה / התראת תקלה !

נידלק במקרה של התראת טמפרטורה גבוהה ואזהרות שגיאה. כאשר טמפרטורת המקפיא עולות לרמה קריטית עבור מזון קפוא, הערך החם ביותר שאילו מגיע המקפיא מהבהב בצג הדיגיטלי. יש לבדוק את מזון בתא המקפיא.

זוהי אינה תקלה. ניתן למחוק את התקלה על ידי לחיצה על כל לחצן או לחצן סיום אזהרת טמפרטורה גבוהה. (אפשרות הביטול על ידי לחצן כלשהו אינה קיימת בכל הדגמים)

כמו כן, כאשר מתרחשת תקלה בחיישן, מחוון זה יידלק. כאשר המחוון נדלק, בתצוגת הטמפרטורה וכן "1,2,3... E". מתחלפים לסירוגין הערכים מספרים אלה בצג מציינים בפני אנשי השירות את סוג התקלה.

## 7. מחוון Eco Extra

הסמל יידלק כאשר פונקציה זו מופעלת.

## 8. מחוון נעילת מקשים

יידלק כאשר מצב הנעילה מופעל.

## 9. מצב נעילת מקשים

לחצו במשך 3 שניות על לחצן נעילת המקשים. סמל נעילת המקלדת יידלק ומצב נעילת המקלדת יופעל. כל עוד שמצב הנעילה מופעל, הלחצנים לא יפעלו. לחצו שוב במשך 3 שניות על לחצן נעילת המקשים. סמל הנעילה ייכבה ומצב הנעילה ינותק.

## 10. סיום אזהרת טמפרטורה גבוהה.

טמפרטורה גבוהה, ניתן למחוק, vcr במקרה של אז את האזהרה על ידי לחיצה על כל כפתור בתצוגה או על ידי לחיצה על לחצן סיום אזהרת הטמפרטורה הגבוהה למשך שנייה אחת לאחר בדיקת המזון. בתא ההקפאה.

הערה: אפשרות הביטול על ידי לחצן כלשהו אינה קיימת בכל הדגמים.

## 11. Eco Extra פונקציית

לדוגמה, כאשר יוצאים לחופשה, ניתן ללחוץ על לחצן במשך 3 שניות על מנת להפעיל את Eco Extra פונקציית המקפיא יתחיל לפעול במצב החסכוני ביותר לאחר כ-6 שעות ומחוון השימוש החסכוני יידלק.

## 12. פונקציית התאמת המקפיא

מאפשרת לכם להגדיר את טמפרטורת המקפיא. שלוחצים על מקש זה, ניתן להגדיר את טמפרטורת המקפיא לערכי 18,-, 19,-, 20,-, 21,-, 22,-, 23-24°C. צלזיוס בהתאמה.

## 13. פונקציית הקפאה מהירה

כאשר פונקציית הקפאה מהירה מופעלת, מחוון פונקציית ההקפאה המהירה יידלק. כדי לבטל את הפונקציה, לחצו שוב על לחצן ההקפאה המהירה. מחוון ההקפאה המהירה יכבה והגדרות הרגילות יחזרו לפעול. פונקציית הקפאה מהירה מתבטלת אוטומטית לאחר 52 שעות, אלא אם תבטלו אותה קודם. אם ברצונכם להקפיא כמויות גדולות של מזון טרי, לחצו על לחצן ההקפאה המהירה 24 שעות לפני הכנסת המזון לתא ההקפאה.

## 14. פונקציית הפעלה/כיבוי

לחיצה של 3 שניות מאפשרת לעצור את פעולת המוצר. ניתן להפעילו חזרה על ידי לחיצה ממושכה של 3 שניות על לחצן הפעלה/כיבוי.

## 7.2. הקפאת מזון טרי

- יש לחלק למנות מזון שמיועד להקפאה בהתאם לכמות הצריכה, ולארוז אותן באריזות נפרדות. בדרך זו תימנע הפשרה של כל הכמות והקפאתו מחדש.
- על מנת להגן ככל הניתן על הערכים התזונתיים, הארומה והצבע של המזון, יש להרתיח ירקות למשך זמן קצר לפני ההקפאה. (אין צורך להרתיח ירקות כמו מלפפון או פטרוזיליה). משך זמן הבישול של ירקות המוקפאים בצורה שכזאת יתקצר ב-1/3 לעומת הבישול של ירקות טריים.
- הארכת משך האחסון של מזון קפוא, יש לסנן את הירקות המבושלים ולארוז אותם בצורה הרמטית כמו כל סוגי המזון האחרים.
- אין להכניס לתא המקפיא מזון ללא אריזה.
- האריזה של המזון שיואחסן חייבת להיות אטומה לאוויר, עבה ועמידה ומחומר שאינו מתעוות בסביבה קרה ולחה. אחרת, המזון שיתקשה בהקפאה עלול לנקב את האריזה. איטום האריזה חשוב מבחינת האבטחה של מזון קפוא.

## סוגי האריזות הבאים מתאימים להקפאת מזון

שקיות פוליאטילן, רדיד אלומיניום, ניילון נצמד, שקיות וואקום ומכלים עם מכסים עמידים לקור.

## השימוש בסוגי האריזות הבאים אינם מומלצים

### להקפאת מזון

נייר אריזה, נייר פרגמנט, נייר צלופן (נייר ג'לטין), שקיות אשפה, שקיות משומשות ושקיות קניות.

- אין להכניס לתא המקפיא מזון שאינו קר.
- בזמן הכנסת מזון טרי למקפיא הקפידו, יש להקפיד שלא יבוא במגע עם מזון קפוא. ניתן במדף (PCM) Cool-Pack -להניח את השמתחת למדף ההקפאה המהירה כדי למנוע את התחממותם.
- אין להכניס מזונות אחרים במקפיא במהלך זמן ההקפאה (24 שעות).
- הניחו את המזון על מדפי ההקפאה ופזרו את כף השפריטים לא יהיו דחוסים (מומלץ שהאריזות לא יבואו במגע האחת עם השנייה).
- יש לצרוך מזון קפוא זמן קצר לאחר ההפשרה ואין להקפיאו מחדש.
- אין לחסום את פתחי האוורור על ידי הנחת המזון הקפוא מול פתחי האוורור הנמצאים בחלק האחורי.
- אנו ממליצים לצרף תווית לאריזה ולכתוב את תכולת האריזה ואת מועד ההקפאה.

### מזונות המתאימים להקפאה:

דגים ופירות ים, בשר אדום ולבן, עופות, ירקות, פירות, עשבי תיבול, מוצרי חלב (כגון גבינה, חמאה ויוגורט מסונן), מאפים, ארוחות מוכנות או מבושלות, תבשילי תפוחי אדמה, סופלה וקינוחים.

### מזונות שאינם מתאימים להקפאה:

יוגורט, חלב חמוץ, שמנת, מיוז, סלט עלים, צנון אדום, ענבים, כל הפירות (כגון תפוח עץ, אגסים ואפרסקים).

- על מנת שהמזון יקפא במהירות וביסודית, אין לחרוג מהכמויות המפורטות להלן לכל אריזה.
  - פירות וירקות, 0.5-1 ק"ג
  - בשר, 1-1.5 ק"ג
- ניתן להקפיא כמות קטנה של מזון (עד 2 ק"ג) ללא הפעלת האפשרות של הקפאה מהירה.

לקבלת תוצאות מיטביות, מלאו אחר ההוראות הבאות:

1. הפעילו את אפשרות ההקפאה המהירה למשך 24 שעות לפני הכנסת מזון טרי.
2. שעות לאחר הלחיצה על הכפתור, הניחו 24 את המזון שתרצו להקפיא על המדף העליון שבו יכולת הקפאה גבוהה יותר. הניחו את יתר המזון, אם קיים, בחלק הימני ביותר של המדף השני.
3. אפשרות ההקפאה המהירה תושבת אוטומטית לאחר 52 שעות.

4. אל תנסו להקפיא כמויות גדולות מדי של מזון בו-זמנית. בתוך 24 שעות, מוצר זה יכול להקפיא את כמות המזון המרבית המוגדרת כ"קיבולת הקפאה ... ק"ג / 24 שעות" על תווית הסוג שלו. לא נוח להכניס למקפיא כמות גדולה יותר של מזון לא קפוא / טרי מאשר הכמות שמצוינת בתווית.

- ניתן לעיין בטבלאות הבשר והדגים, הירקות והפירות, מוצרי חלב לגבי הנחה ואחסון המזונות במקפיא.

### עצות לגבי אחסון מזון קפוא

- בזמן רכישת מזון קפוא, עליכם לוודא שהוא קפוא בטמפרטורות מתאימות והאריזות שלמות.
- הניחו את האריזות בתא ההקפאה מיד לאחר הרכישה.
- התפוגה המצוין על האריזה לא פג לפני צריכת הארוחות המוכנות הארוזות שהוצאו מהמקפיא.

### הפשרה

הקרח במקפיא מופשר אוטומטית.

### פרטי המקפיא

מחייב (על פי תנאי מדידה EN 62552 תקן ספציפיים) כי ניתן להקפיא לפחות 4.5 ק"ג מזון לכל 100 ליטר של נפח המקפיא בטמפרטורת חדר של 25°C. תוך 24 שעות.

### הפשרת מזון קפוא

בהתאם למגוון המזון ולמטרת השימוש, ניתן לבחור בין אפשרויות ההפשרה הבאות:

- טמפרטורת החדר (לא מתאים להשאר מזון בטמפרטורת החדר לאורך זמן לצורך הפשרתו מבחינת שמירה על איכות המזון)
- במקרר
- בתנור חשמלי (בדגמים עם או בלי מאוורר)
- במקרר/גול

### זהירות!

- אל תכניסו משקאות חומציים הנמצאים בבקבוקי זכוכית ובפחיות למקפיא בגלל סכנת התפוצצות אם באריזות של מזון קפוא קיימת לחות או נפיחות חריגה, סביר להניח שהם אוחסנו בעבר במצב אחסון לא תקין ותכולתם התקלקלה. אין לצרוך את המזונות הללו מבלי לבדוק אותם תחילה.
- מאחר שהתבלינים מסוימים בארוחות מבושלות עשויים לשנות את טעמם כאשר הם נחשפים לתנאי אחסון לטווח ארוך, כדאי לתבל פחות מזונות קפואים או להוסיף את התבלינים הרצויים למאכלים לאחר תהליך ההפשרה.

## הגדרות טמפרטורה מומלצות

הגדרות תא המקיאי	הערות
-20 °C	זוהי ההגדרה המהווה ברירת מחדל
-24C או -21,-22,-23 °C	או כאשר לדעתכם המקרר °C הגדרות אלו מומלצות כאשר טמפרטורת הסביבה גבוהה מ-30 אינו קר מספיק בגלל פתיחה וסגירה תכופות של הדלת
הקפאה מהירה	השתמשו בהגדרה זו אם ברצונכם להקפיא מזון תוך זמן קצר. מומלץ להשתמש בהגדרה זו לשמירת האיכות של מזון טרי. אין צורך להשתמש בהקפאה מהירה בזמן הוספת מזון קפוא. אין צורך להשתמש בהקפאה מהירה להקפאת כמות קטנה של מזון טרי עד 2 ק"ג ביום

HE

בשר ודגים		הכנה	זמן האחסנה הארוך ביותר (חודש)
מוצרי בשר	בשר עגל	סטייק	6-8
		צלי	6-8
		קוביות	6-8
		שניצל, צלעות	6-8
	בשר עז	צלעות	4-8
		צלי	4-8
		קוביות	4-8
	בקר	צלי	8-12
		סטייק	8-12
		קוביות	8-12
		בשר מבושל	8-12
	בשר טחון		1-3
	חלקי פנים		1-3
	נקניק - סלמי		1-3
פסטרמה		2-3	
עוף ובשר צייד	עוף והודו	על ידי אריזה ברדיד	4-6
	אוז	על ידי אריזה ברדיד (המנות צריכות להיות במשקל של עד 2.5 ק"ג)	4-6
	ברוז	על ידי אריזה ברדיד (המנות צריכות להיות במשקל של עד 2.5 ק"ג)	4-6
	צבי, ארנב	על ידי אריזה ברדיד (המנות צריכות להיות במשקל של עד 2.5 ק"ג ויש להפריד את העצמות)	6-8
דגים ופירות ים	דגי מים מתוקים (פורל, קרפיון, שפמנון וכו')		2
	דגים רזים (בס, פוטיית)		4-6
	דגים שמנים (בוניטו, מקרל, דג כחול, בורי אדום, אנשובי)	לאחר ניקוי יסודי של החלק הפנימי והקשקשים, יש לשטוף ולייבש את הדגים ולחתוך את חלקי הזנב והראש במידת הצורך	2-4
	צדפות	נקיים ובשקיות	4-6
	קוויאר	באריזתו, מיכל פלסטיק או באלומיניום	2-3

זמן האחסנה הארוך ביותר (חודש)	הכנה	פירות וירקות
10-13	על ידי הרתחה במשך 3 דקות לאחר רחצה וקיצוץ לפיסות קטנות	שעועית ושעועית ירוקה
10-12	על ידי הרתחה במשך 2 דקות לאחר רחצה והוצאה מהתרמיל	אפונה
6-8	על ידי הרתחה במשך 2-1 דקות לאחר הניקוי	כרוב
12	על ידי הרתחה במשך 3-4 דקות לאחר ניקוי וקיצוץ לפיסות קטנות	גזר
8-10	על ידי הרתחה במשך 2-3 דקות לאחר חיתוך הגבעול, חלוקה לשניים והוצאת הגרעינים	פלפל
6-9	על ידי הרתחה במשך 2 דקות לאחר רחצה וניקוי	תרד
6-8	על ידי הרתחה במשך 5 דקות לאחר הקיצוץ	כרשה
10-12	לאחר הרתחה במים עם מעט לימון במשך 3-5 דקות לאחר הסרת העלים, הוצאת הליבה וחתוך לחתיכות.	כרובית
10-12	על ידי הרתחה במשך 4 דקות לאחר רחצה וקיצוץ לפיסות בגודל 2 ס"מ	חציל
8-10	על ידי הרתחה במשך 2-3 דקות לאחר רחצה וקיצוץ לפיסות בגודל 2 ס"מ	קישוא
2-3	על ידי טיגון קל וסחיטת לימון מעל	פטריית
12	על ידי ניקוי ואריזה על קלח או גרגירים	תירס
8-10	על ידי הרתחה במשך 2-3 דקות לאחר קילוף ופריסה	תפוח ואגס
4-6	חצו לשניים והוציאו את החרצן	משמש ואפרסק
8-12	על ידי רחיצה	תותים ופטל
12	על ידי הוספת 10% סוכר למיכל	פירות אפויים
8-12	על ידי רחיצה וקילוף	שזיף, דובדבנים, דובדבנים חמוצים

תנאי אחסון	זמן האחסנה הארוך ביותר (חודש)	הכנה	מוצרי חלב
ניתן להשאיר באריזה המקורית לזמן אחסון קצר. לאחסון ארוך, יש לעטוף גם ברדיד אלומיניום או פלסטיק נצמד באריזתו המקורית או במיכל פלסטיק	6-8	על ידי הנחת רדיד בין הפרוסות	גבינה (מלבד גבינת פטה)
	6	באריזה המקורית	חמאה, מרגרינה

### 7.3 היפוך כיוון פתיחת הדלת

ניתן לשנות את הדלת פתיחת כיוון של המקרר לפי המקום שבו אתם משתמשים בו. בזמן הביצוע, חובה עליכם ליצור קשר עם מרכז השירות המורשה.

### 7.4 התראת פתיחת דלת

התראה קולית תישמע אם דלת המוצר נשארת פתוחה למשך דקה אחת. ההתראה הקולית תיפסק כאשר הדלת נסגרת או כפתור כלשהו בתצוגה (אם זמין) נלחץ.

### 8 תחזוקה וניקוי

### 7.5 החלפת נורת התאורה

יש להתקשר למרכז שירות כאשר יש צורך להחליף המשמשים לתאורה LED/את הנורה. לא ניתן להשתמש במנורות המשמשות במכשיר זה לתאורת בית. השימוש המיועד במנורה זו הוא לעזור למשתמש להכניס מזון למקרר/מקפיא בצורה בטוחה ונוחה.

**אזהרה:**  
 "קרא קודם את הסעיף "הוראות בטיחות"

**אזהרה:**  
 נתק את המקרר מהחשמל לפני הניקוי.



- אל תשתמש בכלים חדים או שוחקים כדי לנקות את המוצר. אין להשתמש בחומרים כגון חומרי ניקוי ביתיים, סבון, דטרגנטים, גז, בנזין, מדלל 'צבע, אלכוהול, שעווה וכו'.
- יש להסיר את האבק מגריל האוורור בגב המוצר לפחות פעם בשנה (מבלי לפתוח את המכסה).
- הקפד להרחיק מים ממכסה המנורה ומחלקי חשמל אחרים.
- נקה את הדלת במטלית לחה. הסר את כל התכולה כדי להסיר את הדלת ואת מתלי הגוף. הסר את מדפי הדלתות על ידי הרמתם כלפי מעלה. נקו וייבשו את המדפים, ולאחר מכן חברו חזרה למקומם על ידי החלקה מלמעלה.
- אין להשתמש במים עם כלור או במוצרי ניקוי על פני השטח החיצוניים ועל חלקים המצופים בכרום של המוצר. כלור יגרום לחלודה במשטחים מתכתיים כאלה.
- אין להשתמש בכלים חדים ושוחקים, סבון, חומרי ניקוי לבית, דטרגנטים, גז, בנזין, לכה וחומרים דומים למניעת עיוות של חלק הפלסטיק והסרת הדפסים על החלק. השתמש במים חמים ומטלית רכה לניקוי, ולאחר מכן יבש אותו.
- במוצרים ללא תכונת ללא פרוסט, עלולות להופיע טיפות מים וציפוי עד עובי אצבע בדופן האחורית של תא ההקפאה. אין לנקות, ולעולם אל תמרחו שמנים או חומרים דומים.
- יש להשתמש במטלית מיקרו-פיבר רטובה בעדינות כדי לנקות את פני השטח החיצוניים של המוצר. ספוגים וסוגים אחרים של בגדים לניקוי עלולים לגרום לשריטות.

- כדי לנקות את כל הרכיבים הנשלפים במהלך ניקוי פני השטח הפנימיים של המוצר, יש לשטוף את הרכיבים הללו בתמיסה עדינה המורכבת מסבון, מים וסודה לשתייה. שוטפים ומייבשים היטב. מניעת מגע של מים עם רכיבי תאורה ולוח הבקרה.



#### זהירות:

אין להשתמש בחומץ, אלכוהול או חומרי ניקוי אחרים המבוססים על אלכוהול על פני כל משטח פנימי.

#### פני שטח חיצוניים מפלדת אל חלד

השתמש בחומר ניקוי מנירוסטה לא שוחק והמרח אותו עם מטלית רכה נטולת מוך. להברקה, נגבו בעדינות את פני השטח עם מטלית מיקרו-פיבר רטובה במים והשתמשו בעור צבי להברקה יבשה. עקבו תמיד אחר הוורידים של הנירוסטה.

#### מניעת ריחות

המוצר מיוצר ללא חומרים ריחניים כלשהם. עם זאת, שמירה על המזון בחלקים לא מתאימים וניקוי לא נכון של משטחים פנימיים עלולים להוביל לריחות.

- כדי למנוע זאת, נקו את החלק הפנימי במי סודה כל 15 יום.
- יש לשמור על מזון במכלים סגורים, מאחר ומיקרו-אורגניזמים שיעלו ממזון שאינו במכל סגור יגרמו לריחות לא נעימים.
- אין לשמור מזון שפג תוקפם ומקולקל במקרר.

#### הגנת משטחי הפלסטיק

שמן שנשפך על משטחי פלסטיק עלול לפגוע במשטח ויש לנקות אותו מיד במים חמימים.

## 9 טיפול בתקלות

בדוק את הרשימה הזו לפני שתיצור קשר עם השירות. פעולה זו תחסוך זמן וכסף. רשימה זו כוללת תלונות תכופות שאינן קשורות לביצוע פגום או לחומרים. ייתכן שתכונות מסוימות המוזכרות במסמך זה לא יחולו על המוצר שלך.

#### המקרר אינו פועל

- תקע החשמל לא מיושב לגמרי. <<< חבר אותו לחשמל כדי להתייבב לחלוטין בשקע הפתיל המחובר לשקע המניע את המוצר או הנתך הראשי נשרף. <<< בדוק את הפיזו

#### (MULTI ZONE, COOL, CONTROL i-FLEXI ZONE) עיבוי על הדופן הצדדי של תא הקירור

- הדלת נפתחת בתדירות גבוהה מדי. הדלת נפתחת בתדירות גבוהה מדי <<< שימו לב לא לפתוח את דלת המוצר לעיתים קרובות מדי הסביבה לחה מידי <<< אל תתקין את המוצר בסביבה לחה.
- מזונות המכילים נוזלים נשמרים במארזים לא אטומים. <<< שמור את המזונות המכילים נוזלים במארזים אטומים.
- דלת המוצר נשארת פתוחה. <<< אין לשמור את דלת המוצר פתוחה לפרקי זמן ארוכים.
- התרמוסטט מוגדר לטמפרטורה נמוכה מאוד. <<< כווננו את התרמוסטט לטמפרטורה מתאימה.

## קומפרסור לא עובד

- במקרה של הפסקת חשמל פתאומית או ניתוק תקע החשמל והחזרה, לחץ הגז במערכת הקירור של המוצר אינו מאוזן, מה שמפעיל את ההגנה התרמית של המדחס. המוצר יופעל מחדש לאחר 6 דקות בערך. אם המוצר לא מופעל מחדש לאחר תקופה זו, צור קשר עם השירות.
- ההפשרה פעילה. <<< זה נורמלי למוצר הפשרה אוטומטי מלא. ההפשרה מתבצעת מדי פעם המוצר לא מחובר לחשמל. <<< ודא שכבל החשמל מחובר.
- הגדרת הטמפרטורה אינה נכונה. <<< בחר בהגדרת הטמפרטורה המתאימה.
- הכוח כבוי. <<< המוצר ימשיך לפעול כרגיל לאחר שיחזור החשמל.

## רעש ההפעלה של המקרר הולך וגדל בזמן השימוש

- ביצועי התפעול של המוצר עשויים להשתנות בהתאם לשונות טמפרטורת הסביבה. זה נורמלי וזאת תקלה.
- המקרר פועל לעיתים קרובות מדי או זמן רב מדי ייתכן שהמוצר החדש גדול יותר מהקודם. מוצרים גדולים יותר יפעלו לפרקי זמן ארוכים יותר ייתכן שטמפרטורת החדר תהיה גבוהה. <<< בדרך כלל המוצר יפעל לתקופות ארוכות בטמפרטורת חדר גבוהה יותר ייתכן שהמוצר חובר לאחרונה לחשמל או שהוכנס בתוכו פריט מזון חדש. ייקח למוצר זמן רב יותר להגיע לטמפרטורה שנקבעה כאשר הוא מחובר לאחרונה לחשמל או כאשר פריט מזון חדש מונח בפנים. זה נורמלי.
- כמויות גדולות של מזון חם עשויות להיות מוכנסות לאחרונה למוצר. <<< אין להניח מזון חם לתוך המוצר.
- הדלתות נפתחו לעיתים תכופות או נשמרו פתוחות לתקופות ארוכות. <<< האוויר החם הנעים פנימה יגרום למוצר לפעול יותר. אל תפתח את הדלתות בתדירות גבוהה מדי.
- דלת המקפיא או הצידנית עשויה להיות פתוחה. <<< בדקו שהדלתות סגורות לגמרי.
- המכשיר עשוי להיות מוגדר לטמפרטורה נמוכה מדי. <<< כווננו את הטמפרטורה לדרגה גבוהה יותר והמתינו עד שהמוצר יגיע לטמפרטורה המתאמת.
- המקרר או מכונת הכביסה של דלת המקפיא עלולים להיות מלוכלכים, בלויים, שבורים או לא מיושבים כראוי. <<< לנקות או להחליף את

האטם. מכונת שטיפה לדלת פגומה/קרועה תגרום למוצר לפעול לפרקי זמן ארוכים יותר כדי לשמר את הטמפרטורה הנוכחית.

## טמפרטורת המקפיא נמוכה מאוד, אך טמפרטורת הקירור מספקת

- טמפרטורת תא ההקפאה מוגדרת לדרגה מאוד נמוכה. <<< כווננו את טמפרטורת תא ההקפאה לדרגה גבוהה יותר ובדקו שוב.

## טמפרטורת הקירור נמוכה מאוד, אך טמפרטורת המקפיא נאותה

- טמפרטורת תא הקירור מוגדרת לדרגה מאוד נמוכה. <<< כווננו את טמפרטורת המקרר לדרגה גבוהה יותר ובדקו שוב.

## פריטי המזון השמורים במגירות תא קירור יורר קפואים

- טמפרטורת תא הקירור מוגדרת לדרגה מאוד נמוכה. <<< כווננו את טמפרטורת המקרר לדרגה גבוהה יותר ובדקו שוב.

## הטמפרטורה בציידנית או במקפיא גבוהה מדי

- טמפרטורת תא הקירור נקבעת לדרגה גבוהה מאוד. <<< הגדרת הטמפרטורה של תא הקירור משפיעה על הטמפרטורה בתא המקפיא. המתן עד שהטמפרטורה של החלקים הרלוונטיים תגיע לרמה מספקת על ידי שינוי הטמפרטורה של תאי הציידנית או המקפיא.
- הדלתות נפתחו לעיתים תכופות או נשמרו פתוחות לתקופות ארוכות. <<< אין לפתוח את הדלתות בתדירות גבוהה מדי.
- ייתכן שהדלת פתוחה. <<< סגור לחלוטין את הדלת.
- ייתכן שהמוצר חובר לאחרונה לחשמל או שהוכנס בתוכו פריט מזון חדש. <<< זה נורמלי. ייקח למוצר זמן רב יותר להגיע לטמפרטורה שנקבעה כאשר הוא מחובר לאחרונה לחשמל או כאשר פריט מזון חדש מונח בפנים.
- כמויות גדולות של מזון חם עשויות להיות מוכנסות לאחרונה למוצר. <<< אין להניח מזון חם לתוך המוצר.

## טלטול או רעש

- אם המכשיר אינו מאוזן ועמיד <<< אם המוצר רועד כשמזיזים אותו באיטיות, התאם את המעמדים כדי לאזן את המוצר. כמו כן, ודא שהקרע עמידה מספיק כדי לשאת את המוצר.
- הסר את כל פריטי שיוצב על המוצר עלול לגרום לרעש. <<<
- הסר את כל הפריטים שהוצבו על המוצר.
- המוצר עושה רעש של זרימת נוזלים, ריסוס וכו'.

- עקרונות הפעולה של המוצר כוללים זרימות נזל וגז. <<< זה נורמלי ולא תקלה

#### **יש צליל של רוח נושבת מהמוצר**

- המוצר עושה שימוש במאוורר לתהליך הקירור. זה נורמלי ולא תקלה

#### **יש עיבוי בדפנות הפנימיות של המוצר**

- מזג אוויר חם או לח יגביר את הדובדבן והעיבוי. זה נורמלי ולא תקלה
- הדלתות נפתחו לעיתים תכופות או נשמרו פתוחות לתקופות ארוכות. <<< אל תפתחו את הדלתות לעיתים קרובות מדי; אם פתוח, סגור את הדלת
- ייתכן שהדלת פתוחה. <<< סגור לחלוטין את הדלת

#### **יש עיבוי על החלק החיצוני של המוצר או בין הדלתות**

- מזג האוויר הסביבתי עשוי להיות לח, זה נורמלי למדי במזג אוויר לח. <<< העיבוי יתפוגג כאשר הלחות מצטמצמת

#### **הפנים מריח לא טוב**

- המוצר אינו מנוקה באופן קבוע. <<< נקו את הפנים בקביעות באמצעות ספוג, מים חמימים וזיגים מוגזים
- מחזיקים וחומרי אריזה מסוימים עשויים לגרום לריח. <<< השתמשו במחזיקים ובחומרי אריזה ללא ריח נקי
- המזונות הוכנסו למחזיקים לא אטומים. <<< שמור את המזונות במחזיקים אטומים. מיקרואורגניזמים עלולים להתפשט מתוך פריטי מזון שאינם אטומים ולגרום לריח רע

- הוציאו את כל המזון שפג תוקפו או המקולקל מהמוצר

#### **הדלת אינה נסגרת**

- ייתכן שאריזות מזון חוסמות את הדלת. <<< העבירו את כל החפצים החוסמים את הדלתות המוצר אינו עומד במלוא העמדה זקופה על הקרקע. <<< התאם את המעמדים לאיזון המוצר המשטח אינו שטוח או עמיד <<< ודא שהמשטח שטוח ועמיד מספיק כדי לשאת את המוצר

#### **הקריספר נתקע**

- ייתכן שפריטי המזון במגע עם החלק העליון של המגירה. <<< ארגן מחדש את מוצרי המזון במגירה

#### **הטמפרטורה על פני המכשיר**

- טמפרטורה גבוהה עשויה להיראות בין שתי דלתות, בפאנלים הצדדיים ובאזור הגריל האחורי בזמן שהמוצר שלך מופעל. זה נורמלי ואינו מצריך טיפול

#### **המאוורר ממשיך לפעול עם פתיחת הדלת**

- המאוורר עשוי להמשיך לפעול כשדלת המקפוא פתוחה



**אזהרה:** אם הבעיה נמשכת לאחר ביצוע ההנחיות בסעיף זה, צור קשר עם הספק שלך או עם שירות מורשה. אין לנסות לתקן את המוצר. זה נורמלי









