

beko

Chest Freezer

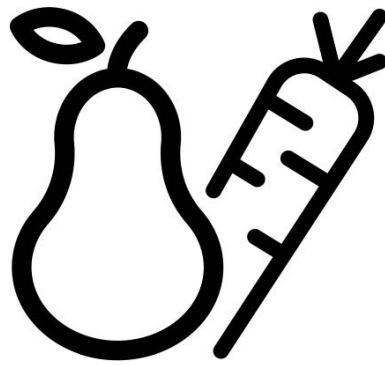
Instruction of use

Congélateur Horizontal

Notice d'utilisation

المجمد الصندوقي

تعليمات الاستخدام



HSA47502

EN-FR-AR



WARNING!

In order to ensure a normal operation of your refrigerating appliance, which uses a completely environmentally friendly refrigerant the R600a (flammable only under certain conditions) you must observe the following rules:

- ♦ Do not hinder the free circulation of the air around the appliance.
- ♦ Do not use mechanical devices in order to accelerate the defrosting, others than the ones recommended by the manufacturer.
- ♦ Do not destroy the refrigerating circuit.
- ♦ Do not use electric appliances inside the food keeping compartment, other than those that might have been recommended by the manufacturer.

ATTENTION!

Pour assurer un fonctionnement normal de votre appareil qui utilise un agent frigorigère complètement écologique, R600a (inflammable seulement dans certaines conditions) vous devez respecter les règles suivantes:

- ♦ N'empêchez pas la libre circulation de l'air autour de l'appareil.
- ♦ N'utilisez pas des dispositifs mécaniques pour accélérer le dégivrage, autres que ceux recommandés par le fabricant.
- ♦ Ne détruisez pas le circuit frigorigère.
- ♦ N'utilisez pas des appareils électriques à l'intérieur du compartiment pour conserver les denrées, apart celles qui sont éventuellement recommandés par le fabricant.



تحذير !

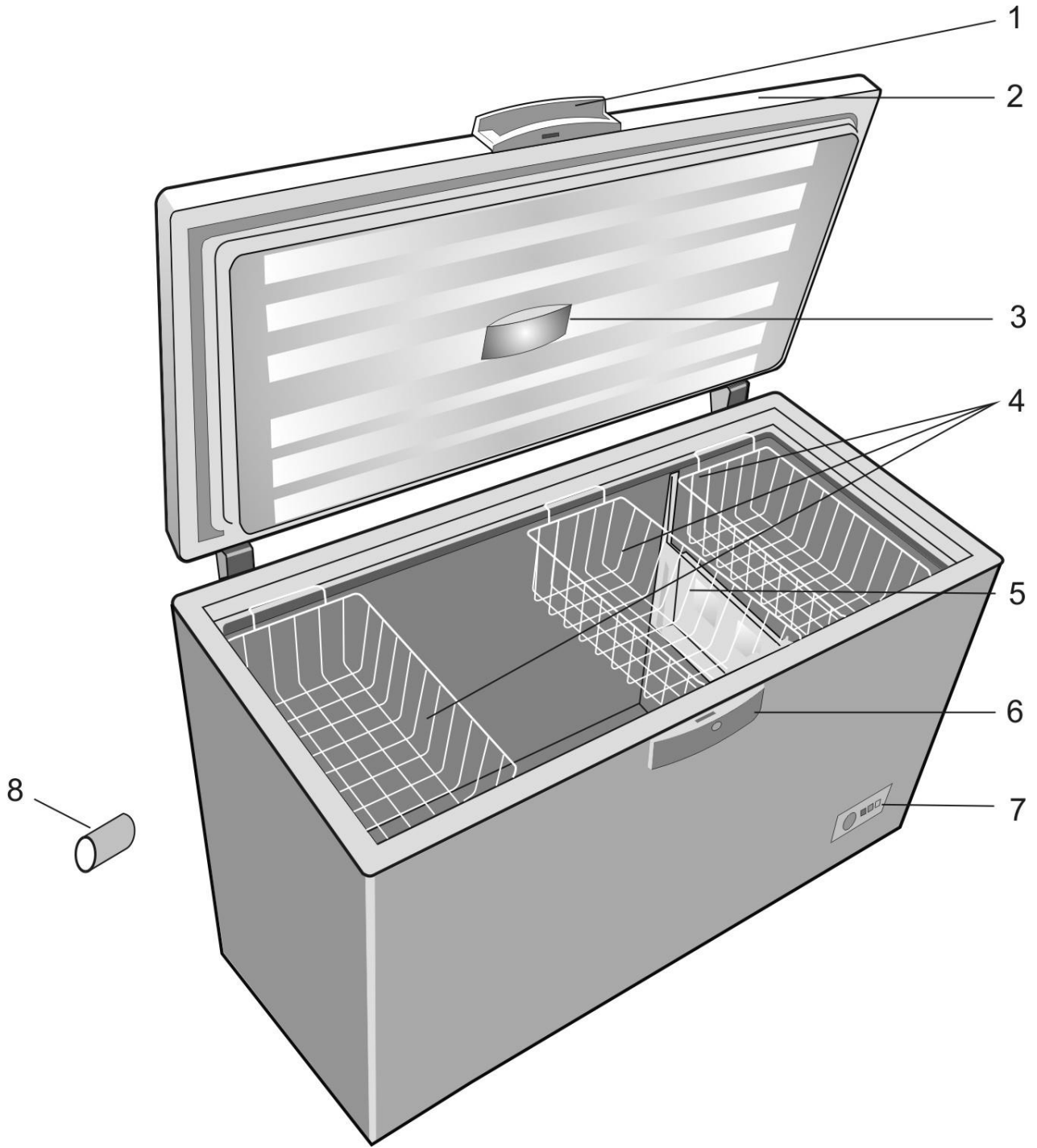
لضمان التشغيل الطبيعي لجهاز التبريد لديك، والذي يستخدم سائل تبريد صديق للبيئة تمامًا (R600a قابل للاشتعال في ظروف معينة فقط)، يتعين عليك مراعاة القواعد التالية:

- ♦ لا تضع شيئاً معوقاً لحرية تدوير الهواء حول الجهاز.
- ♦ لا تستخدم أدوات ميكانيكية لتسريع عملية إزالة الثلج، بخلاف الأدوات التي توصي بها الجهة المصنعة.
- ♦ لا تعتمد إلى إتلاف دائرة التبريد.
- ♦ لا تستخدم أدوات كهربائية داخل صندوق حفظ الطعام بالجهاز، بخلاف تلك الموصى بها من قبل الجهة المصنعة.

Advice for recycling of the old appliance /1
 Packing Recycling /2
 Transport instructions /2
 Warnings and special advice /2
 Setting up /3
 Electric connection /3
 Switching off /3
 Appliance description /4
 Freezer operation /4
 Advice for food conservation /4
 Defrosting of the appliance /5
 Cleaning of the appliance /5
 Replacing the interior light bulb /6
 Defects finding guide /6

Conseils pour le recyclage de l'ancien appareil /7
 Recyclage de l'emballage /8
 Instructions de transport /8
 Avertissements et conseils speciaux/8
 Mise en fonction /9
 Connections electriques /9
 Decouplage /9
 Description de l'appareil /10
 Fonctionnement du congélateur /10
 Conseils pour conserver les denrées /10
 Degivrage de l'appareil /11
 Nettoyage de l'appareil /12
 Replacage de la lampe interieure /12
 Guide pour trouver les defauts /12

نصائح لإعادة تدوير الجهاز القديم /14
 إعادة تدوير مواد التغليف /15
 إرشادات النقل /15
 التحذيرات ونصائح خاصة /15
 الإعداد /16
 التوصيل الكهربائي /16
 إيقاف التشغيل /17
 وصف الجهاز /17
 تشغيل المجمد /17
 نصائح لحفظ الأطعمة /18
 إزالة الثلج عن الجهاز /18
 تنظيف الجهاز /19
 استبدال مصباح الإضاءة الداخلي /19
 دليل التعرف على الأعطال /19

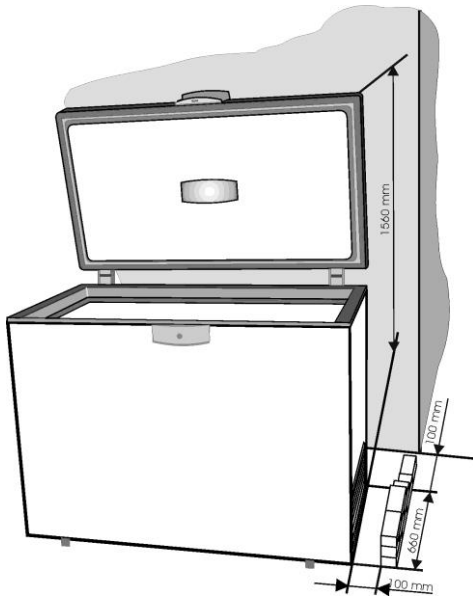


1

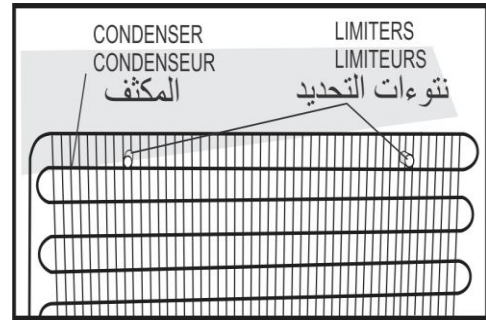
i Figures that take place in this instruction manual are schematic and may not correspond exactly with your product. If the subject parts are not included in the product you have purchased, then it is valid for other models.

i Les illustrations présentées dans cette notice d'utilisation sont schématiques et peuvent ne pas correspondre exactement à votre produit. Si certains fonctions ne sont pas inclus dans le produit que vous avez acheté, ils concerneront d'autres modèles.

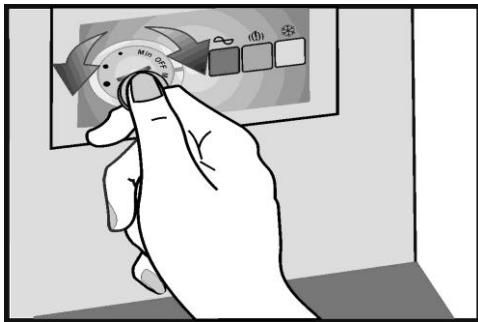
i الأشكال الواردة في دليل التعليمات هذا هي رسومات بيانية وقد لا تتطابق تمامًا مع المنتج. إذا لم تكن هذه القطع واردة في هذا الجهاز الذي اشتريته، فإنها مناسبة لأنواع أخرى. تتطابق تمامًا مع الجهاز.



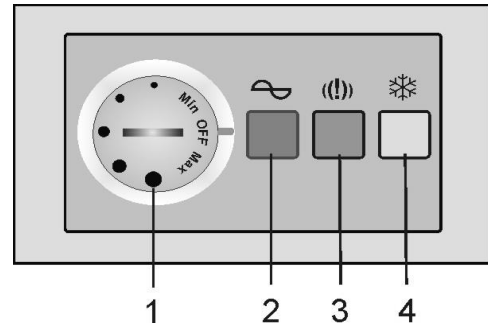
2



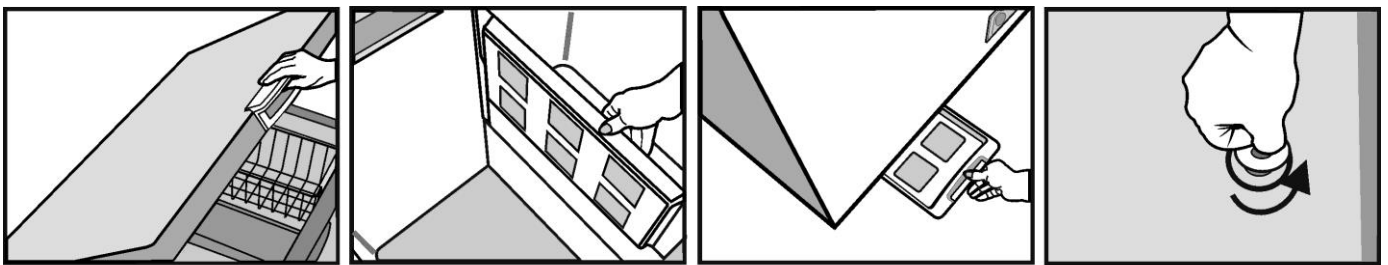
3



4



5



1

2

3

4

6

Congratulations for your choice!

The chest freezer you have purchased is one in the **BEKO** products range and represents a harmonious joining between the refrigeration technique with the aestetical outlook. It has a new and attractive design and is built according to the European and national standards which guarantee its operation and safety features. At the same time, the used refrigerant, R600a, is environment-friendly and it does not affect the ozone layer.

In order to use the best your freezer, we advise you to read carefully the information in these user instructions.

Advice for recycling your old appliance

If your newly purchased appliance replaces an older appliance, you must consider a few aspects.

The old appliances are not valueless scrap. Their disposal, while preserving the environment, allows the recovery of important raw materials.

Make your old appliance useless :

- disconnect the appliance from the supply;
- remove the supply cord (cut it);
- remove the eventual locks on the door to avoid the blocking of children inside, while playing, and the endangering of their lives.

The refrigerating appliances contain insulating materials and refrigerants which require a proper recycling.

Original Spare parts will be provided for 10 years, following the product purchasing date.

**This appliance is not intended for use by person with reduced physical, sensory or mental capabilities or lack of experience and knowledge unless they have been given supervision or instruction concerning use of the appliance by a person responsible for their safety.
Children should be supervised to ensure that they do not play with the appliance.**

Packing Recycling

WARNING!

Do not allow children to play with the packing or with parts of it. There is the risk of suffocation with parts of corrugated cardboard and with plastic film.

In order to get to you in good condition, the appliance was protected with a suitable packing. All the materials of the packing are compatible with the environment and recyclable. Please help us recycle the packing while protecting the environment !

IMPORTANT!

Before putting the appliance in operation, read carefully and entirely these instructions. They contain important information concerning the setting up, use and maintenance of the appliance.

The manufacturer is free of any responsibility if the information in this document are not observed. Keep the instructions in a safe place in order to reach them easily in case of need. They can also be useful subsequently by another user.

ATTENTION!

This appliance must be used only for its intended purpose, (household use), in suitable areas, far from rain, moisture or other weather conditions.

Transport instructions

The appliance must be transported, as much as possible, only in vertical position. The packing must be in perfect condition during transport.

If during transport the appliance was put in horizontal position (only according to the markings on the packing), it is advised that, before putting it into operation, the appliance is left to rest for 4 hours in order to allow the settling of the refrigerating circuit.

The failure to observe these instructions can cause the breakdown of the motorcompressor and the cancellation of its warranty.

Warnings and general advice

- Do not plug in the appliance if you noticed a failure.
- The repairs must be done only by qualified personnel.
- In the following situations please unplug the appliance from the mains:
 - when you defrost completely the appliance;
 - when you clean the appliance.

To unplug the appliance, pull by the plug, not by the cable!

- Ensure the minimum space between the appliance and the wall against which it is placed.
- Do not climb on the appliance.
- Do not allow the children to play or hide inside the appliance.
- Never use electric appliances inside the freezer, for defrosting.
- Do not use the appliance near heating appliances, cookers or other sources of heat and fire.
- Do not leave the freezer door open more than it is necessary to put in or take out the food.
- Do not leave the food in the appliance if it is not working.
- Do not keep inside products containing flammable or explosive gases.
- Do not keep inside fizzy drinks (juice, mineral water, champagne, etc.) in the freezer: the bottle can explode! Do not freeze drinks in plastic bottles.
- Do not eat ice cubes or icecream immediately after having taken them out of the freezer because they may cause „freezer burns”.
- Never touch cold metal parts or frozen food with wet hands because your hands can quickly freeze on the very cold surfaces.
- For the protection of the appliance during warehousing and transport, it is provided with spacers between the door and the cabinet (in the front and rear side). These spacers will be removed before putting the appliance into operation.

- Excess deposit of ice on the frame and the baskets should be removed regularly with the plastic scraper provided. Do not use any metal parts to remove the ice.

The presence of this ice build-up makes impossible to close the door correctly.

- If you do not use your appliance for a few days, it is not advisable to switch it off. If you do not use it for a longer period, please proceed as follows :
 - unplug the appliance;
 - empty the freezer;
 - defrost it and clean it;
 - leave the door open to avoid the formation of unpleasant smells.
- If the supply cord is damaged, it must be replaced by the manufacturer, its service agent or similarly qualified persons in order to avoid a hazard.
- If your appliance has a lock, keep it locked and store the key in a safe place, out of the reach of children. If you are discarding an appliance with lock, make sure that, is made ineffective. This is very important so as to avoid children being trapped inside, which may cause their loss of life.

Setting up

This appliance was designed to operate at an ambient temperature between +10°C and +43°C (SN-T class). If the ambient temperature is above +43°C, inside the appliance the temperature can increase.

Set up the appliance far from any source of heat and fire. Placing it in a warm room, the direct exposure to sunbeams or near a heat source (heaters, cookers, ovens), will increase the energy consumption and shorten the product life.

- Please observe the following minimum distances:
 - 100 cm from the cookers working with coal or oil;
 - 150 cm from the electric and gas cookers.
- Ensure the free circulation of the air around the appliance, by observing the distances shown in Item 2.

Assemble on the condenser (in the rear side) the supplied spacers. (Item 3).

- Place the appliance in a perfectly even, dry and well ventilated place.
Assemble the supplied accessories.

Electric connection

Your appliance is intended to operate at a single-phase voltage of 220-240V/50 Hz. Before plugging in the appliance, please make sure that the parameters of the mains in your house (voltage, current type, frequency) comply to the operation parameters of the appliance.

- The information concerning the supply voltage and the absorbed power is given on the marking label placed in the back side of the freezer.
- The electric installation must comply with the law requirements.
- **The earthing of the appliance is compulsory. The manufacturer has no responsibility for any damage to persons, animals or goods which may arise from the failure to observe the specified conditions.**
- The appliance is endowed with a supply cord and a plug (European type, marked 10/16A) with double earthing contact for safety. If the socket is not the same type with the plug, please ask a specialised electrician to change it.
- Do not use extension pieces or multiple adapters.

Switching off

The switching off must be possible by taking the plug out of the socket or by means of a mains two-poles switch placed before the socket.

Operation

Before putting into operation, clean the inside of the appliance (see chapter „Cleaning“). After finishing this operation please plug in the appliance, adjust the thermostat knob to an average position. The green and red LEDs in the signalling block must light. Leave the appliance work for about 2 hours without putting food inside it.

The freezing of the fresh food is possible after min. 20 hours of operation.

Appliance description

(Item. 1)

1. Door handle
2. Door
3. Lamp housing
4. Baskets
5. Try
6. Lock housing
7. Thermostat box
8. Spacer for transport

Freezer operation

Temperature adjustment

The temperature of the freezer is adjusted by means of the knob assembled on the thermostat (item. 4), position „MAX” being the lowest temperature.

The achieved temperatures can vary according to the conditions of use of the appliance, such as: place of the appliance, ambient temperature, frequency of door opening, extent of filling with food of the freezer. The position of the thermostat knob will change according to these factors. Normally, for an ambient temperature of approx. 32°C, the thermostat will be adjusted on an average position.

The signalling system is placed on the front side of the freezer (Item 5).

It includes:

1. Thermostat adjustment knob – the inside temperature is adjusted.
2. green LED – shows that the appliance is supplied with electric energy.
3. red LED – damage – lights if the temperature in the freezer is too high. The LED will operate 15-45 minutes after the putting into operation of the freezer, then it must go off. If the LED goes on during the operation, this means that defects have occurred.
4. Orange button– fast freeze – by pushing it the orange led goes on, showing that the appliance entered into the "fast freeze" mode . The exit of this mode is done by pushing the button again, and the orange led goes off.

The three LEDs give information about the mode of operation of the freezer.

Advice for food conservation

The freezer is intended to keep the frozen food for a long time, as well as to freeze fresh food. One of the main elements for a successful food freezing is the packing.

The main conditions that the packing must fulfill are the following: to be airtight, to be inert towards the packed food, to resist to low temperatures, to be proof to liquids, grease, water vapours, smells, to be able to be washed. These conditions are fulfilled by the following types of packings: plastic or aluminium film, plastic and aluminium vessels, waxed cardboard glasses or plastic glasses.

IMPORTANT!

- For freezing the fresh food please use the supplied baskets of the appliance.
- Do not place into the freezer a too large quantity of food at a time. The quality of the food is best kept if they are deeply frozen as quickly as possible. This is why it is advisable not to exceed the freezing capacity of the appliance specified in the "Product Fiche". In order to reduce the freezing time, push the button for „fast freeze”.
- The fresh food must not come into contact with the food already frozen.
- The frozen food you have bought can be placed into the freezer without having to adjust the thermostat.
- If the freezing date is not mentioned on the packing, please take into consideration a period of max. 3 months, as a general guide.
- The food, even partially defrosted, cannot be frozen again, it must be consumed immediately or cooked and then refrozen.
- The fizzy drinks will not be kept in the freezer.
- In case of a power failure, do not open the door of the appliance. The frozen food will not be affected if the failure lasts less than 36 hours.

DO NOT FORGET!

After 24 hours since the food was placed inside, please cancel the "fast freeze" mode by pushing again the button 4, when the orange led goes off.

Defrosting of the appliance

- We advise you to defrost the freezer at least twice a year or when the ice layer has an excessive thickness.
 - The ice build-up is a normal phenomenon.
 - The quantity and the rapidity of ice build-up depends on the ambient conditions and on the frequency of the door opening.
 - We advise you to defrost the appliance when the quantity of frozen food is the least.
 - Before defrosting, adjust the thermostat knob to a higher position so that the food stores more cold.
- Unplug the appliance.
- Take out the frozen food, wrap it in several sheets of paper and put them in refrigerator or a cool place.
- Take the separator panel and put it under the freezer in the direction of the dripping tube. Take out the obstructing plug. The water which results will be collected in the special tray (separator panel). After the melting of the ice and the run-off of the water please wipe with a cloth or with a sponge, then dry well. Put the obstruction plug back in its place. (Item. 6)
- For a fast thaw please leave the door open.

Do not use sharp metal objects to remove the ice.

Do not use hairdriers or other electric heating appliances for defrosting.

Inside cleaning

Before starting the cleaning, unplug the appliance from the mains.

- It is advisable to clean the appliance when you defrost it.
- Wash the inside with lukewarm water where you add some neutral detergent. Do not use soap, detergent, gasoline or acetone which can leave a strong odour.
- Wipe with a wet sponge and dry with a soft cloth.

During this operation, avoid the excess of water, in order to prevent its entrance into the thermal insulation of the appliance, which would cause unpleasant odours.

Do not forget to clean also the door gasket especially the bellow ribs, by means of a clean cloth.

Outside cleaning

- Clean the outside of the freezer by means of a sponge soaked in soapy warm water, wipe with a soft cloth and dry.
- The cleaning of the outside part of the refrigerating circuit (motorcompressor, condenser, connection tubes) will be done with a soft brush or with the vacuum-cleaner. During this operation, please take care not to distort the tubes or detach the cables.

Do not use scouring or abrasive materials !

- After having finished the cleaning, replace the accessories at their places and plug in the appliance.

Replacing the interior light bulb

If the lamp burns out, disconnect the appliance from the mains. Take out the lamp trim. Make sure the lamp is screwed correctly. Plug in the appliance again. If the lamp still does not go on, replace it with another one model E14-15W. Mount back the lamp trim in its place.

The lamp(s) used in this appliance is not suitable for household room illumination. The intended purpose of this lamp is to assist the user to place foodstuffs in the refrigerator/freezer in a safe and comfortable way.

The lamps used in this appliance have to withstand extreme physical conditions such as temperatures below -20°C.

Defects finding guide

The appliance does not work.

- There is a power failure.
- The plug of the supply cord is not inserted well into the socket.
- The fuse is blown.
- The thermostat is in „OFF” position.

The temperatures are not low enough (red LED on).

- The food prevents the door closing.
- The appliance was not placed correctly.
- The appliance is placed too close to a heat source.
- The thermostat knob is not in the correct position.

Excessive ice build-up

- The door was not closed properly.

The inside lighting does not work

- The lamp is blown. Unplug the appliance from the mains, take out the lamp and replace it with a new one.

The following are not defects

- Possible noddings and cracks coming from the product: circulation of the refrigerant in the system.

Noises during operation

In order to keep the temperature at the value you have adjusted, the compressor of the appliance starts periodically.

The noises which can be heard in such situation are normal.

They are redced as soon as the appliance reaches the operation temperature.


The humming noise is made by the compressor. It can become a little stronger when the compressor starts.

The bubbling and gurgling noises coming from the refrigerant circulating in the pipes of the appliance, are normal operating noises.

Warning !

Never try to repair yourself the appliance or its electric components. Any repair made by an unauthorised person is dangerous for the user and can result in the warranty cancellation.



The symbol  on the product or on packaging indicates that this product may not be treated as household waste. Instead it shall be handed over to the applicable collection point for the recycling of electrical and electronic equipment. By ensuring this product is disposed of correctly, you will help prevent potential negative consequences for the environment and human health, which could otherwise be otherwise be caused by inappropriate waste handling of this product. For more detailed information about recycling of this product, please contact your local city office, you household waste disposal service or the shop where you purchased the product.

Félicitations pour votre choix!

Le congélateur horizontal que vous avez acheté est un des produits de la gamme **BEKO** et représente un joint harmonieux entre la technique de réfrigération et l'aspect esthétique. Il a un design nouveau et attractif et il est construit conformément aux standards européens et nationaux qui garantissent son fonctionnement et les caractéristiques de sécurité. À la fois, l'agent frigorigère utilisé R600a, est écologique et n'affecte pas la couche d'ozone.

Pour le meilleur emploi de votre congélateur, nous vous conseillons de lire avec attention les informations contenues dans ces instructions d'utilisation.

Conseils pour le recyclage de votre ancien appareil

Si l'appareil que vous venez d'acheter remplace un ancien appareil, vous devez tenir compte de quelques aspects.

Les anciens appareils ne sont pas de déchets sans valeur. Leur recyclage, en protégeant l'environnement, permet la récupération des matières premières importantes.

Rendez inutilisable votre ancien appareil:

- débranchez l'appareil du réseau électrique;
- enlevez le câble d'alimentation (coupez-le);
- enlevez les éventuelles blocages de la porte pour éviter l'attrapement des enfants dans l'appareil, pendant qu'ils jouent, et la mise en danger de leur vies.

Les appareils frigorifiques contiennent des matériaux d'isolation et des agents frigorifiques qui ont besoin d'un recyclage adéquat.

Les pièces détachées d'origine sont disponibles pendant 10 ans, à compter de la date d'achat du produit.

Cet appareil ne sera pas utilisé par des personnes ayant capacités physiques, sensorielles ou mentales réduites, ou sans expérience concernant l'utilisation de l'appareil, si une personne responsable de leur sécurité ne les a pas instruites pour ce but.

Les enfants doivent être surveillés pour avoir la certitude qu'ils ne jouent pas avec l'appareil.

Recyclage de l'emballage

ATTENTION!

Ne permettez pas aux enfants de jouer avec l'emballage ou avec des parts de l'emballage. Il y a le risque de suffocation avec des pièces de carton ondulé et avec du film en plastique.

Pour vous parvenir en bonnes conditions, l'appareil a été protégé avec un emballage approprié. Tous les matériaux de l'emballage sont compatibles avec l'environnement et recyclables. Nous vous prions de nous aider de recycler l'emballage en protégeant l'environnement!

IMPORTANT!

Avant la mise en fonction de l'appareil, lisez avec attention et entièrement ces instructions. Elles contiennent des informations importantes concernant la mise en fonction, l'utilisation et l'entretien de l'appareil.

Le producteur n'a aucune responsabilité si les informations contenues dans ce document ne sont pas respectées. Gardez ces instructions dans un endroit sûr pour les consulter en cas de besoin. Elles peuvent aussi être utiles ultérieurement à un autre utilisateur.

ATTENTION!

Cet appareil doit être utilisé seulement pour le but pour lequel il a été réalisé (utilisation domestique), dans des endroits adéquats, loin de la pluie, humidité ou d'autres conditions atmosphériques.

Instructions de transport

L'appareil doit être transporté, si possible, seulement en position verticale. L'emballage doit être en condition parfaite pendant le transport.

Si pendant le transport l'appareil a été placé en position horizontale (seulement conformément aux marquages de l'emballage), on recommande que, avant la mise en fonction, l'appareil soit laissé reposer 4 heures pour permettre la stabilisation du circuit frigorifique. Si ces instructions ne sont pas respectées cela peut provoquer le dérèglement du moteur et la perte de la garantie.

Avertissements et conseils généraux

- Ne branchez pas l'appareil si vous avez constaté un défaut.
- Les réparations doivent être faites seulement par un personnel qualifié.
- Dans les situations suivantes nous vous prions de débrancher l'appareil:
 - quand vous dégivrez complètement l'appareil
 - quand vous nettoyez l'appareil.

Pour débrancher l'appareil, tirez par la fiche, non pas par le câble!

- Assurez l'espace minimum entre l'appareil et le mur vis-à-vis duquel il est placé.
- Ne montez pas sur l'appareil.
- Ne permettez pas aux enfants de jouer ou se cacher dans l'appareil
- N'employez jamais des appareils électriques dans le congélateur pour le dégivrage.
- N'employez pas l'appareil près des appareils de chauffage, cuisinières ou d'autres sources de chaleur ou de feu.
- Ne laissez pas la porte du congélateur ouverte plus qu'il est nécessaire pour introduire ou enlever les denrées.
- Ne laissez pas les denrées dans l'appareil s'il ne fonctionne pas.
- Ne gardez pas dedans des produits contenant des gaz inflammables ou explosifs.
- Ne gardez pas des boissons acidulées (jus, eau minérale, champagne, etc.) dans le congélateur: la bouteille peut exploser! Ne congélez pas des boissons dans des bouteilles en plastique.
- Ne pas manger des cubes de glace ou de la glace immédiatement après les avoir enlevés du congélateur parce qu'ils peuvent provoquer des „brûlures de congélateur”.
- Ne touchez jamais les parties métalliques froides ou les denrées congelées avec les mains humides parce que vos mains peuvent glacer sur les surfaces très froides.
- Pour la protection de l'appareil pendant le stockage et le transport, il est prévu avec des pièces d'écartement entre la porte et le cabinet (dans la partie avant et arrière). Ces pièces d'écartement seront enlevées avant de mettre l'appareil en fonction.

- L'accumulation excessive de glace sur le cadre et sur les paniers doit être enlevée régulièrement à l'aide de la palette en plastique livrée avec l'appareil. Cette accumulation de glace a pour conséquence l'impossibilité de fermer correctement la porte.
- Si vous n'utilisez pas votre appareil pendant quelques jours, on ne recommande pas de le débrancher. Si vous ne l'utilisez pas pendant une période plus longue, nous vous prions de procéder comme suit:
 - débranchez l'appareil;
 - videz l'appareil;
 - dégivrez-le et nettoyez-le;
 - laissez la porte ouverte pour éviter la formation des odeurs désagréables.
- Si le cordon d'alimentation est endommagé, celui-ci doit être remplacé par le fabricant, ses agents agréés ou tout autre agent qualifié afin d'être à l'abri de tout danger.
- Si votre appareil peut être fermé à clé, gardez-le fermé et gardez la clé dans une place sûre, loin de la portée des enfants. Si vous recyclez un appareil à clé, soyez sûrs que le système de blocage est rendu inutilisable. Cela est très important pour éviter que les enfants soient attrapés dedans, ce qui peut provoquer la perte de leur vies.

Mise en fonction

Cet appareil a été projeté pour fonctionner à une température ambiante entre +10°C et +43°C (classe SN-T). Si la température ambiante est plus de +43°C, dans l'appareil la température peut augmenter.

Mettez l'appareil loin de toute source de chaleur et de feu. Le placement dans une chambre chaude, l'exposition directe aux rayons du soleil ou près d'une source de chaleur (rechauds, cuisinières, fours), va augmenter la consommation d'énergie et raccourcir la vie du produit.

- Nous vous prions de respecter les suivantes distances minimales:
 - 100 cm des cuisinières à charbons ou à l'huile;
 - 150 cm des cuisinières électriques ou à gas présentées dans la figure 2.

Assemblez sur le condenseur (dans la partie arrière) les limiteurs livrés avec l'appareil. (figure 3).

- Placez l'appareil dans une place parfaitement plane, sec et bien aérée. Montez les accessoires livrés.

Connection au réseau

Votre appareil est projeté pour fonctionner à une tension monophasique de 220-240V/50 Hz. Avant de brancher l'appareil, nous vous prions de vous assurer que les paramètres du réseau de votre maison (tension, type de courant, fréquence) correspond aux paramètres de fonctionnement de l'appareil.

- Les informations concernant la tension d'alimentation et la puissance absorbée se trouvent sur l'étiquette de marquage qui se trouve dans la partie arrière du congélateur.
- L'installation électrique doit correspondre aux exigences de la loi.
- **La mise à terre de l'appareil est obligatoire. Le fabricant n'a aucune responsabilité pour tout inconvénient produit aux gens, animaux ou biens, qui peuvent surgir après le non-respect des conditions spécifiées.**
- L'appareil est doté avec un cordon d'alimentation et une fiche (type européen, marque 10/16A) avec un contact double de mise à la terre pour sécurité. Si la prise de courant n'est pas du même type que la fiche, nous vous prions de demander un électricien spécialisé de la changer.
- N'utilisez pas des pièces d'extension ou des adaptateurs multiples.

Decouplage de l'appareil

Le découplage de l'appareil doit être possible en débranchant la fiche de la prise de courant ou par un interrupteur de réseau à deux pôles placé avant la prise.

Operation

Avant la mise en fonction, nettoyez l'intérieur de l'appareil (v. Chapitre „Nettoyage”). Après avoir fini cet operation nous vous prions de brancher l'appareil, et regler le bouton du thermostat a une position moyenne. Les voyants verts et rouges du bloc de signalisation doivent s'allumer. Laissez l'appareil fonctionner pendant environ 2 heures sans mettre des denrées dedans. La congélation des denrées fraiches est possible après min. 20 heures de fonctionnement.

Description de l'appareil

(fig. 1)

- 1 - Poignée
- 2 - Porte
- 3 - Carcasse lampe
- 4 - Paniers
- 5 - Panneau separator
- 6 - Blocage
- 7 - Unite de signalisation
- 8 - Écarteur pour le transport

Fonction de congélateur

Réglage de la temperature

La température du congélateur est réglée par le bouton monte sur le thermostat (fig. 4), position „MAX” étant la position la plus basse.

La température réalisée peut varier en fonction des conditions d'utilisation de l'appareil, comme: place de l'appareil, température ambiante, fréquence de l'ouverture de la porte, degré de remplissage avec des denrées du congélateur. La position du bouton du thermostat va changer conformément a ces facteurs. Normalement, pour une température ambiante d'environ 32°C, le thermostat sera réglé dans une position moyenne.

Le systeme de signalisation se trouve sur la partie frontale du congélateur (fig. 5).

Il contient:

1. Bouton de réglage du thermostat – la température intérieure est réglée .
2. voyant vert – montre que l'appareil est alimenté avec de l'énergie électrique.
3. voyant rouge – détérioration – s'allume si la température dans le congélateur est trop élevée. Le voyant va fonctionner 15-45 minutes après la mise en fonction du congélateur, ensuite il doit s'éteindre. Si le voyant s'allume pendant le fonctionnement, cela signifie l'apparition des défauts.
4. Le bouton orange – congélation rapide – en l'appuyant le voyant orange s'allume, en montrant que l'appareil est entre dans le mode "congélation rapide". La sortie de ce mode est réalisée en appuyant encore une fois sur le bouton, et le voyant orange s'éteint.

Les trois voyants donnent des informations concernant le mode d'opération du congélateur.

Conseils pour la conservation des denrées

Le congélateur est employé pour conserver les denrées congelées pour une longue période de temps, ainsi que pour congeler les denrées fraîches.

Un des éléments principaux pour une bonne congélation des denrées est l'emballage. Les conditions principales que l'emballage doit accomplir sont les suivantes: être imperméable a l'air, inerte pour les denrées emballées, résistant a des températures basses, être imperméable pour les liquides, graisse, vapeurs d'eau, odeurs, de pouvoir être lavé. Ces conditions sont accomplies par les types suivants d'emballage: feuille de plastique ou d'aluminium, récipients de plastique et d'aluminium, verres en carton cire ou verres en plastique.

IMPORTANT!

- Pour congeler des denrées fraîches nous vous prions d'employer des paniers livrés avec l'appareil.
- Ne mettez pas dans le congélateur une quantité trop grande de denrées à la fois. La qualité des denrées est la meilleure si elles sont congelées profondément et si rapidement que possible. C'est pourquoi on recommande de ne pas dépasser la capacité de congélation de l'appareil, spécifiée dans la "Fiche du produit" .
- Pour réduire le temps de congélation, appuyez le bouton pour „congélation rapide”.
- Les denrées fraîches ne doivent pas entrer en contact avec les denrées déjà congelées.
- Les denrées congelées que vous avez achetées peuvent être mises dans le congélateur sans devoir régler le thermostat.
- Si la date de congélation n'est pas spécifiée sur l'emballage, nous vous prions de prendre en considération une période de max. 3 mois, comme guide général.
- Les denrées, même partiellement décongelées, ne peuvent pas être recongelées, elles doivent être consommées immédiatement ou préparées et ensuite recongelées.
- Les boissons acidulées ne seront pas gardées dans le congélateur.
- En cas d'interruption du courant, n'ouvrez pas la porte de l'appareil. Les denrées congelées ne seront pas affectées si l'interruption dure moins de 36 heures.

N'OUBLIEZ PAS!

Après 24 heures depuis l'introduction des denrées, nous vous prions d'annuler le mode "congélation rapide" en appuyant encore une fois le bouton 4, quand le voyant orange s'éteint.

Dégivrage de l'appareil

- Nous vous conseillons de dégivrer le congélateur au moins deux fois par an, ou quand la couche de glace est trop épaisse.
 - La formation de la glace est un phénomène normal.
 - La quantité et la rapidité de formation de la glace dépend des conditions ambiantes et de la fréquence d'ouverture de la porte.
 - Nous vous conseillons de dégivrer l'appareil quand la quantité de denrées est la moindre.
 - Avant le dégivrage, réglez le bouton du thermostat dans une position plus haute, pour permettre aux denrées d'accumuler plus de froid.
 - Débranchez l'appareil.
 - Enlevez les denrées congelées, enveloppez-les dans plusieurs feuilles de papier et mettez-les dans le réfrigérateur ou dans une place froide.
 - Prenez le panneau de séparateur et mettez-le sous le congélateur dans la direction du tube d'écoulement. Enlevez le bouchon d'obturation. L'eau qui résulte sera collectée dans le plateau spécial (panneau séparateur). Après la fonte de la glace et l'écoulement de l'eau, nous vous prions de l'essuyer avec un chiffon ou une éponge, ensuite séchez bien. Mettez à sa place le bouchon d'obturation (Item. 6)
 - Pour une fonte rapide, laissez la porte ouverte.
- N'employez pas des objets métalliques pointus pour enlever la glace.**
N'utilisez pas des sècheurs électriques ou d'autres appareils de chauffage pour le dégivrage.

Nettoyage interieur

Avant de commencer le nettoyage, débranchez l'appareil.

- Nous vous recommandons de nettoyer l'appareil quand vous le degivrez.
- Lavez l'interieur avec de l'eau tiede ou vous ajoutez du détergent neutre. N'employez pas du savon, du detergent, essence, ou acetone qui peuvent laisser un odeur persistant.
- Effacez avec un eponge humide et sechez avec un chiffon mou.

Pendant cet opération, evitez l'exces d'eau, pour prevenir son entrée dans l'isolation thermique de l'appareil, qui peut provoquer des odeurs desagreables.

N'oubliez pas de nettoyer aussi la jointe de la porte, especialement les nervures du soufflet avec un chiffon propre.

Nettoyage exterieur

- Nettoyez l'exterieur du congélateur par un eponge mouille dans d'eau chaude avec du savon, effacez avec un chiffon mou et sec.
- Le nettoyage de la partie exterieure du circuit frigorifique (compresseur, condenseur, tubes de connection) sera fait avec une brosse molle ou avec l'aspirateur. Pendant cette opération, nous vous prions de faire attention de ne pas deformer les tubes ou détacher les cables.

N'utilisez pas des poudres abrasives!

- Après avoir fini le nettoyage, mettez les accessoires a leur place et branchez l'appareil.

Remplacage de la lampe interieure

Si la lampe est grillée, débranchez l'appareil. Détachez l'ornement de la lampe. Assurez-vous que la lampe est vissée correctement. Branchez l'appareil. Si la lampe ne s'allume pas, remplacez-la avec une autre, modele E14-15W. Mettez l'ornement de la lampe à sa place.

La lampe (s) utilisé dans cet appareil ne convient pas pour l'éclairage de la salle de ménage. Le but visé par cette lampe est d'aider à l'utilisateur de placer les aliments dans le réfrigérateur / congélateur d'une manière sûre et confortable. Les voyants utilisés dans cet appareil doivent résister aux conditions physiques extrêmes telles que des températures inférieures à -20°C.

Guide pour trouver les défauts

L'appareil ne fonctionne pas.

- L'alimentation électrique a été interrompue.
- La fiche du cable d'alimentation n'est pas bien introduite dans la prise de courant.
- Le fusible a saute.
- Le thermostat est en position „OFF”.

Les températures ne sont pas assez basses (le voyant rouge s'allume).

- Les denrées empechent la porte de se fermer.
- L'appareil n'est pas place correctement.
- L'appareil est place trop près d'une source de chaleur.
- Le bouton thermostat n'est pas dans la position correcte.

Formation excessive de glace

- La porte n'a pas été bien fermée.

L'eclairage interieure ne fonctionne pas

- La lampe est grillée. Débranchez l'appareil, detachez la lampe et remplacez-la avec une nouvelle lampe.

Les suivantes ne sont pas des défauts:

Possibles cliquetis qui viennent du produit: circulation de l'agent frigorifique dans le systeme.

Bruits pendant le fonctionnement

Pour maintenir la température à la valeur que vous avez réglée, le compresseur de l'appareil se met en marche périodiquement.

Les bruits qu'on entend dans cette situation sont normaux.

Ils se réduisent à mesure que l'appareil atteint la température de fonctionnement.

Le bruit de bourdonnement est fait par le compresseur. Il peut devenir un peu plus fort quand le compresseur démarre.

Le bruit de cliquetis de l'agent frigorigère qui circule dans les tubes de l'appareil, sont des bruits normaux.

Attention!

N'essayez jamais de réparer vous-mêmes l'appareil ou ses parties électriques composantes. Toute réparation effectuée par une personne qui n'est pas autorisée est dangereuse pour l'utilisateur et peut avoir comme résultat la perte de la garantie.

Recyclage



Ce produit est marqué du symbole du tri sélectif, relatif aux déchets d'équipements électriques et électroniques. Cela signifie que ce produit doit être pris en charge par un système de collecte sélectif conformément à la directive européenne 2002/96/CE, afin de pouvoir être recyclé ou démantelé dans le but de réduire tout impact sur l'environnement. Attention les produits électroniques n'ayant pas fait l'objet d'un tri sélectif sont potentiellement dangereux pour l'environnement et la santé humaine en raison de la présence potentielle de substances dangereuses.

تهانينا لاختيارك!

المجمد الصندوقي الذي قمت بشراؤه هو أحد مجموعة منتجات **BEKO** ويمثل الربط المتناغم بين تقنية التبريد والمظهر الجمالي. فهو يتمتع بتصميم جديد وجذاب كما أن بنيته تتوافق مع المعايير الأوروبية والوطنية مما يضمن ميزات التشغيل والسلامة. وفي الوقت نفسه، يتميز سائل التبريد المستخدم، R600a ، بأنه صديق للبيئة وليس له تأثير على طبقة الأوزون. ولضمان الاستخدام الأمثل للمجمد، فإننا ننصحك بقراءة المعلومات الواردة في تعليمات المستخدم هذه بعناية.

نصائح لإعادة تدوير الجهاز القديم

إذا كان الجهاز الذي قمت بشراؤه حديثاً سيستبدل جهازاً آخر قديماً، فيجب مراعاة بضعة جوانب. الأجهزة القديمة ليست نفاية عديمة القيمة. التخلص منها، بالإضافة إلى كونه حفاظاً على البيئة، يسمح باسترداد المواد الخام ذات الأهمية. اجعل جهازك القديم عديم الفائدة:

- افصل الجهاز من المصدر الطاقة؛
- أزل سلك الطاقة (إقطعه)؛
- أزل الأقفال النهائية الموجودة بالباب لتجنب حبس الأطفال بداخله، أثناء اللعب، مما يعرض حياتهم للخطر .

تحتوي أجهزة التبريد على مواد عازلة وسوائل تبريد والتي تتطلب إعادة تدوير بطريقة صحيحة .

هذا الجهاز غير مخصص للاستخدام بواسطة أشخاص (بما في ذلك الأطفال) ذوي الحاجات الخاصة الجسدية أو الحسية أو الذهنية أو الذين يفتقرون إلى الخبرة والمعرفة ما لم يتم الإشراف عليهم أو إعطائهم تعليمات حول طريقة استخدام الجهاز بواسطة شخص مسئول عن سلامتهم . يجب الإشراف على الأطفال للتأكد من أنهم لا يعبتون بالجهاز.

التحذيرات ونصائح عامة

إعادة تدوير مواد التغليف

تحذير !

لا يسمح للأطفال باللعب بمواد التغليف أو بأجزاء منها. فقد يتعرضوا لخطر الاختناق بأجزاء من الكرتون المجعد والغشاء البلاستيكي.

لضمان وصول الجهاز إليك في حالة جيدة، تم حماية الجهاز بمواد تغليف مناسبة. جميع مواد التغليف متوافقة مع البيئة ويمكن إعادة استخدامها. الرجاء مساعدتنا في إعادة استخدام مواد التغليف وحماية البيئة!

هام !

قبل تشغيل الجهاز، اقرأ بعناية هذه التعليمات بالكامل. فهي تحتوي على معلومات هامة تتعلق بإعداد الجهاز واستخدامه وصيانته. لا تتحمل جهة الصنع أية مسؤولية في حالة عدم اتباع المعلومات الموجودة في هذه الوثيقة. احتفظ بهذه التعليمات في مكان آمن للوصول إليها بسهولة في حالة الضرورة. يمكن أيضًا أن تكون مفيدة لاحقًا لمستخدم آخر.

تنبيه !

يجب استخدام هذا الجهاز للغرض المعد له فقط، (الاستخدام المنزلي)، أو في المناطق المناسبة، أو بعيدًا عن الأمطار، أو الرطوبة، أو ظروف الطقس الأخرى.

إرشادات النقل

يجب نقل هذا الجهاز، قدر الإمكان، في الوضع الرأسي فقط. يجب أن تكون مواد التغليف في حالة سليمة أثناء النقل. إذا تم وضع الجهاز في الوضع الأفقي أثناء النقل (وفقًا للعلامات على مواد التغليف فقط)، ينصح بترك الجهاز، قبل تشغيله، لمدة 4 ساعة للسماح باستقرار دائرة التبريد. يمكن أن يتسبب الفشل في اتباع هذه التعليمات في عطل محرك الضاغط وإلغاء الضمان الخاص به.

- لا تقم بتوصيل الطاقة للجهاز في حالة ملاحظة وجود عطل.
- يجب إجراء الإصلاحات بواسطة شخص مؤهل فقط.
- يرجى فصل الجهاز عن مصدر الطاقة الرئيسي في المواقف التالية:
- عند إزالة الثلج عن الجهاز بالكامل؛
- عند تنظيف الجهاز.

لفصل الجهاز من الطاقة، اسحب القابس، وليس السلك!

- تأكد من توافر الحد الأدنى من المساحة بين الجهاز والجدار الموضوع أمامه الجهاز.
- لا تصعد فوق الجهاز.
- لا تسمح للأطفال باللعب بالجهاز أو الاختفاء بداخله.
- لا تستخدم أجهزة كهربائية للتجميد داخل المجمد مطلقًا.
- لا تستخدم الجهاز بالقرب من أجهزة التدفئة، أو المواقد أو مصادر الحرارة الأخرى أو النيران.
- لا تترك باب المجمد مفتوحًا أكثر من الضروري لإخراج الطعام أو إدخاله.
- لا تترك الطعام بالجهاز في حالة عدم تشغيله.
- ولا تترك بداخله المنتجات التي تحتوي على الغازات الملتهبة أو المتفجرة.
- لا تترك المشروبات الفوارة (العصائر، المياه الغازية، إلخ) داخل المجمد: يمكن أن تنفجر الزجاجات! لا تجمد المشروبات في الزجاجات البلاستيكية.
- لا تأكل مكعبات الثلج أو الآيس كريم مباشرة بعد إخراجها من المجمد لأنها قد تتسبب في "حروق تجميد".
- لا تلمس الأجزاء المعدنية الباردة أو الطعام المجمد بأيدي مبتلة لأن يديك قد تتجمد بسرعة عند ملامسة الأسطح شديدة البرودة.
- لحماية الجهاز أثناء التخزين والنقل، يتم وضع شيء للمحافظة على المسافة بين الباب والصندوق (في الجانب الأمامي والخلفي). ويتم إزالة هذه الأشياء قبل تشغيل الجهاز.

التوصيل الكهربائي

- هذا الجهاز معد للتشغيل بجهد أحادي المرحلة 220-240 فولت / 50 هرتز. قبل توصيل الجهاز بالطاقة، يرجى التأكد من أن معايير المصدر الرئيسي للطاقة في المنزل (الجهد، نوع الدائرة، التردد) تتوافق مع معايير تشغيل الجهاز.
- المعلومات المتعلقة بجهد مصدر الطاقة والطاقة المستهلكة موضحة على الملصق على الجانب الخلفي من المجمد.
 - يجب أن يتوافق التركيب الكهربائي مع المتطلبات القانونية.
 - يجب تأريض الجهاز. لا تتحمل جهة الصنع أية مسؤولية تجاه أي ضرر يتعلق بالأشخاص أو الحيوانات أو البضائع والذي يمكن حدوثه من عدم اتباع الشروط الموضحة.
 - الجهاز مزود بسلك وقابس (نوع أوروبي، بالعلامة 10/16 أمبير (مزودين بموصلين أرضيين للسلامة. إذا لم يكن المقبس من نفس نوع القابس، يرجى طلب تغييره من كهربائي متخصص).
 - لا تستخدم قطع تمديد أو مهابئات متعددة.

- يجب إزالة كميات الثلج الزائدة على الإطار والسلات بانتظام باستخدام المكشطة البلاستيكية المرفقة بالجهاز. لا تستخدم أية قطع معدنية لإزالة الثلج.
- فوجود هذا الثلج المتراكم يمنع قفل الباب بالطريقة الصحيحة.
- في حالة عدم استخدام الجهاز لبضعة أيام، فلا ينصح بإيقافه. في حالة عدم استخدامه لمدة أطول، يرجى القيام بالتالي:
 - إفصل الجهاز؛
 - فرغ المجمد؛
 - أزل الثلج منه ونظفه؛
 - اترك الباب مفتوحاً لتجنب تكون الروائح الكريهة.
- يمكن تغيير سلك الطاقة بواسطة الشخص المعتمد.
- إذا كان المجمد يحتوي على قفل، فاقفله واحتفظ بالمفتاح في مكان آمن، بعيداً عن متناول الأطفال. إذا كنت تتخلص من جهاز يحتوي على قفل، فتأكد أنه غير مفعل. وهذا ضروري لتجنب حبس الأطفال بداخله، مما قد يتسبب في موتهم.

الإعداد

- هذا الجهاز مصمم للتشغيل في درجة حرارة محيطية بين $+10^{\circ}$ درجة مئوية و $+43^{\circ}$ درجة مئوية (درجة الحرارة العادية الموسمية). إذا كانت درجة الحرارة المحيطية أعلى من $+43^{\circ}$ أعلى من، يمكن أن ترتفع درجة الحرارة داخل الجهاز. قم بإعداد الجهاز بعيداً عن أي مصدر حرارة أو نيران. ففي حالة وضعه في غرفة ساخنة، أو بالتعرض المباشر لأشعة الشمس، أو بالقرب من مصدر حرارة (سخانات، مواقد، أفران)، فسوف يزيد هذا من استهلاك الطاقة ويقصر عمر المنتج.
- يرجى مراجعة الحد الأدنى من المسافات التالية:
 - 100 سم من المواقد التي تعمل بالفحم أو الزيت؛
 - 150 سم من المواقد الغازية أو الكهربائية.
 - تأكد من تدوير الهواء بحرية حول الجهاز، من خلال المحافظة على المسافات الموضحة في العنصر 2.
 - ركب قطع مبادئ الجدار المتوفر مع الجهاز على المكثف (في الجانب الخلفي). (العنصر 3)
 - ضع الجهاز في مكان مستو وجاف وجيد التهوية.
 - ركب الملحقات المرفقة مع الجهاز.

إيقاف التشغيل

يجب أن يكون إيقاف التشغيل ممكناً عن طريق سحب القابس من المقبس أو عن طريق المفتاح الرئيسي ثنائي القطب يتم تركيبه قبل المقبس .

التشغيل

قبل تشغيل الجهاز، قم بتنظيفه من الداخل (راجع فصل "التنظيف")

بعد الانتهاء من هذه العملية يرجى توصيل الجهاز، وضبط مقبض الثرموستات على وضع متوسط. يجب أن يكون الضوءين الأخضر والأحمر في مجموعة الإشارة مضامين. اترك الجهاز قيد التشغيل لمدة ساعتين دون وضع الطعام بداخله .
يتاح تجميد الطعام الطازج بعد 20 ساعة من التشغيل بحد أدنى.

وصف الجهاز

(العنصر 1).

8. مقبض الباب
9. الباب
10. مبيت المصباح
11. السلالت
12. الصينية
13. مبيت القفل
14. علبة الثرموستات
8. مبعاد الجدار للاستخدام في النقل

تشغيل المجمد

ضبط درجة الحرارة

يتم ضبط درجة حرارة المجمد عن طريق المقبض الموجود على الثرموستات (العنصر 4)، مع كون الوضع ("MAX" أقصى) أقل درجة حرارة .

قد تتنوع درجات الحرارة التي تم الوصول إليها وفقاً لظروف استخدام الجهاز، مثل: موضع الجهاز، درجة الحرارة المحيطة، تكرار فتح الباب، مدى الامتلاء بالأطعمة. يتغير موضع مقبض الثرموستات وفقاً لهذه العوامل. في الأحوال العادية، درجة الحرارة المحيطة 32⁰ درجة مئوية تقريباً، يتم ضبط مقبض الثرموستات على وضع متوسط.

نظام الإشارة موجود على الجانب الأمامي من المجمد (العنصر 5).

ويتضمن:

1. مقبض ضبط الثرموستات - لضبط درجة الحرارة الداخلية .
2. ضوء LED الأخضر - يوضح إمداد الجهاز بالطاقة الكهربائية.
3. ضوء LED الأحمر - عطل - يضيء عندما تكون درجة الحرارة داخل المجمد عالية جداً. يضيء مصباح LED بعد 15-45 دقيقة من تشغيل المجمد، ثم ينطفئ. في حالة إضاءة مصباح LED أثناء التشغيل، فهذا يعني حدوث أعطال .
4. الزر البرتقالي - تجميد سريع - عند الضغط عليه يضيء المصباح البرتقالي، موضحاً أن الجهاز في وضع "التجميد السريع". يتم الخروج من هذا الوضع بالضغط على هذا الزر مرة أخرى وانطفاء المصباح.
- تعطي مصابيح LED الثلاثة معلومات عن وضع تشغيل المجمد.

نصائح لحفظ الأطعمة

يستخدم المجمد بغرض حفظ الطعام المجمد لفترة طويلة، بالإضافة إلى تجميد الطعام الطازج .
التغليف هو أحد أهم العناصر لنجاح تجميد الطعام .
الشروط الرئيسية التي يجب أن يستوفيهما التغليف هي الآتي :أن يكون محكمًا، أن يكون ملتصقًا بالطعام المغلف، أن يقاوم درجات الحرارة المنخفضة، أن يكون ضد السوائل والشحوم وأبخرة الماء والروائح، أن يكون قابلاً للغسيل.
تتوافر هذه الشروط في الأنواع التالية من التغليف :غشاء البلاستيك أو الألومينيوم، أو عية البلاستيك والألومينيوم، زجاجات الكرتون المعالج بالشمع أو الزجاجات البلاستيكية.

هام !

- لتجميد الطعام الطازج يرجى استخدام السلالات المرفقة مع الجهاز .

-لا تقم تضع كميات كبيرة من الطعام في المجمد في نفس الوقت .
يتم الاحتفاظ بجودة الطعام بشكل أفضل عند تجميده بطريقة صحيحة بالكامل في أسرع وقت ممكن .لذا ينصح بعدم تجاوز قدرة التجميد للجهاز الموضحة في "ورقة بيانات الجهاز" .لتقليل وقت التجميد، اضغط على زر "التجميد السريع" .
-يجب ألا يلامس الطعام الطازج المجمد .
-يمكن وضع الطعام المجمد الذي قمت بشرائه في المجمد دون الحاجة إلى ضبط الترموستات .
-في حالة عدم ذكر تاريخ التجميد على الغلاف، يرجى الأخذ في الاعتبار مدة 3 أشهر كفترة عامة .
-الطعام الذي تم إذابته، ولو جزئيًا، لا يمكن تجميده مرة أخرى، ويجب استهلاكه على الفور أو طهيه وتجميده مرة أخرى .
-لا يتم الاحتفاظ بالمشروبات الفوارية في المجمد .
-في حالة توقف الطاقة، لا تفتح الباب .وحتى إذا استمر توقف الطاقة لمدة 36 ساعة، فإن الطعام المجمد لن يتأثر .

لا تنسى !

بعد 24 ساعة بعد وضع الطعام في المجمد، يرجى إلغاء وضع "التجميد السريع" بالضغط على الزر 4 مرة أخرى، حتى ينطفئ المصباح البرتقالي.

إزالة الثلج عن الجهاز

- إننا ننصح بإزالة الثلج من المجمد مرتين سنويًا على الأقل عندما تكون طبقة الثلج سميكة جدًا .
- تراكم الثلج ظاهرة عادية .
- تعتمد كمية الثلج المتراكمة وتكرارها على الظروف المحيطة وعلى تكرار فتح الباب .
- إننا ننصح بإزالة الثلج عن المجمد عندما تكون كمية الطعام المجمد قليلة .
- قبل إزالة الثلج، اضبط مقبض الترموستات على أعلى وضع حتى يكون الطعام المخزن أكثر برودة .
-افصل الجهاز .
-أخرج الطعام المجمد، وغلّفه في عدة طبقات من الورق وضعه في الثلاجة أو في مكان بارد .
خذ لوحة الفصل وضعها تحت المجمد في اتجاه أنبوب التقطير .
انزع القابس العائق .سيتم جمع الماء الناتج في الصينية الخاصة (لوحة الفصل) .بعد تذويب الثلج وتصريف الماء يرجى مسح الجهاز بقطعة قماش أو أسفنجة، ثم جفّفه جيدًا .ضع القابس العائق في مكانه مرة أخرى .(العنصر 6) .
لتسريع الذوبان يرجى ترك الباب مفتوحًا .

لا تستخدم أية أشياء معدنية حادة لإزالة الثلج .
لا تستخدم مجففات الشعر أو أي أجهزة تسخين أخرى لإذابة الثلج .

النظافة الداخلية

استبدال مصباح الإضاءة الداخلي

في حالة انفجار المصباح، يرجى فصل الجهاز عن مصدر الطاقة الرئيسي. انزع غطاء المصباح. تأكد من تثبيت المصباح بشكل صحيح. قم بتوصيل الجهاز مرة أخرى. إذا كان المصباح لا يزال لا يعمل، فاستبدله بأخر من طراز E14-15 واط. ركب غطاء المصباح في مكانه مرة أخرى.

دليل التعرف على الأعطال

الجهاز لا يعمل.

- انقطاع التيار الكهربائي.
- قابس الإمداد بالطاقة غير مثبت في المقبس على نحو صحيح.
- انفجر المصهر.
- الترموستات في الوضع ("OFF" إيقاف).

درجات الحرارة غير منخفضة بالدرجة

الكافية (ضوء LED الأحمر مضاء).

- الطعام يمنع إغلاق الباب.
- الجهاز ليس في الوضع الصحيح.
- الجهاز في موضع قريب جدًا من مصدر حرارة.
- مقبض الترموستات ليس في الوضع الصحيح.
- تراكم الثلج بكمية زائدة
- لا يمكن غلق الباب بصورة صحيحة.
- الإضاءة الداخلية لا تعمل

- انفجر المصباح. افصل الجهاز من المصدر الرئيسي للطاقة، وانزع المصباح واستبدله بمصباح آخر جديد.

ما يلي ليس عيبًا

- الانحناءات والشقوق الممكنة من المنتج: تدوير سائل التبريد في النظام.

قبل بدء التنظيف، افصل الجهاز عن مصدر الطاقة الرئيسي.

- يمكنك تنظيف الجهاز عند إزالة الثلج.
- غسل الداخل مع الماء الدافئ حيث يمكنك إضافة بعض المنظفات المتعادلة. لا تستخدم الصابون، المنظفات، البنزين أو الأسيتون لأنها قد تترك رائحة قوية.
- امسح بقطعة أسفنجية مبللة وجفف بقطعة قماش ناعمة. أثناء هذه العملية تجنب الماء الزائد لتجنب دخوله في العازل الحراري للجهاز، مما قد يتسبب في روائح كريهة. لا تنسى تنظيف حشية الباب وبخاصة الدعامات السفلية بقطعة قماش نظيفة.

النظافة الخارجية

- نظف المجمد من الخارج بأسفنج مغمورة في الماء الدافئ والصابون، وامسح بقطعة قماش ناعمة وجففه.
- يتم تنظيف الجزء الخارجي من دائرة التبريد (محرك الضاغط، المكثف، أنابيب التصحيح) بفرشاة ناعمة أو بمكنسة كهربائية. أثناء هذه العملية، يرجى الانتباه إلى عدم تغيير مسار الأنابيب أو فصل الكبلات.
- لا تستخدم المواد الكاشطة أو المطهرة!
- بعد الانتهاء من التنظيف، أعد تركيب الملحقات في أماكنها وقم بتوصيل الجهاز.

الأصوات أثناء التشغيل

أصوات البقبة والقرقرة الناشئة عن تدوير سائل التبريد في أنابيب الجهاز، هي أصوات تشغيل عادية .

للحفاظ على درجة الحرارة عند القيمة التي قمت بضبطها، فإن الضاغط يعمل من حين لآخر.


تحذير!

لا تحاول إصلاح الجهاز أو مكوناته الكهربائية بنفسك . أي إصلاح يقوم به شخص غير معتمد يكون خطراً على المستخدم كما أنه يتسبب في إلغاء الضمان .

والأصوات التي يمكن سماعها في هذه الحالة عادية. وتقل بمجرد وصول الجهاز إلى درجة حرارة التشغيل.

صوت الطنين الذي يحدثه الضاغط . يمكن أن يكون أقوى قليلاً عندما يبدأ الضاغط بالعمل.



الرمز  الموجود على المنتج أو العبوة يدل على أن هذا المنتج لا يمكن التعامل معه على أنه مخلفات منزلية. وبدلاً من ذلك يجب تسليمه إلى نقطة التجميع لإعادة تدوير المعدات الكهربائية والإلكترونية. ومن خلال التأكد من التخلص من هذا المنتج بشكل سليم، ستساعد على منع الآثار السلبية المحتملة للبيئة والصحة الإنسانية والتي قد تنتج بسبب التعامل غير السليم مع المنتج . للحصول على مزيد من المعلومات حول إعادة تدوير هذا المنتج، يرجى الاتصال ببلدية المدينة المحلية، وخدمة التخلص من المخلفات المنزلية أو المحل الذي اشتريت منه هذا المنتج.

