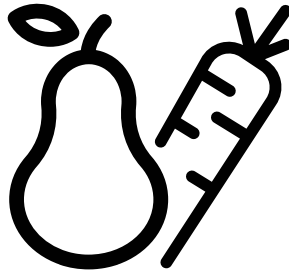


beko

Refrigerator
User Manual
Réfrigérateur
Manuel d'utilisation
الثلاجة
دليل المستخدم



RDSE600M21W-RDP 7501 W-RDSE510M21WB
RDSE510M21M-RDSE535MSX-RDSE535MSW

EN/FR/AR

57 8004 0000/AJ -EN-FR-AR



Please read this manual before using the product!

Dear Customer,




We'd like you to make the best use of our product, which has been manufactured in modern facilities with care and meticulous quality controls.

Thus, we advise you to read the entire user manual before you use the product. In case the product changes hands, do not forget to hand the guide to its new owner along with the product.

This guide will help you use the product quickly and safely.

- Please read the user guide carefully before installing and operating the product.
- Always observe the applicable safety instructions.
- Keep the user guide within easy reach for future use.
- Please read any other documents provided with the product.

Keep in mind that this user guide may apply to several product models. The guide clearly indicates any variations of different models.

	Important information and useful tips.
	Risk of life and property.
	Risk of electric shock.
	The product's packaging is made of recyclable materials, in accordance with the National Environment Legislation.

1. Safety and environment instructions

1.1. General safety	3
1.1.1 HC warning	4
1.1.2 For models with water dispenser	4
1.2. Intended use	5
1.3. Child safety	5
1.4. Compliance with WEEE Directive and Disposing of the Waste Product	5
1.5. Compliance with RoHS Directive	5
1.6. Package information	5

2 Your Refrigerator

3 Installation

3.1. Right place for installation	7
3.2. Adjusting the feet	8
3.3. Electrical connection	8
3.4. Changing door opening direction	8
3.5. Reversing the doors	9
3.6. Reversing the doors	10

4 Preparation

4.1. Actions to be taken to save energy	11
4.2. First use	11

5 Use of the Product

5.1. Temperature adjustment knob	12
5.2. Fast freezing	12
5.3. Holiday function	13
5.4. Snow defrosting	13
5.5. Door Open Warning	14
5.6. Ice tray	15
5.7. Egg tray	15
5.8. Fan	15
5.9. Crisper	15





6 Maintenance and Cleaning

6.1. Preventing Bad Odour	16
6.2. Protecting Plastic Surfaces	16

7. Troubleshooting

This section provides the safety instructions necessary to prevent the risk of injury and material damage. Failure to observe these instructions will invalidate all types of product warranty.

Intended use

	WARNING: Keep ventilation openings, in the appliance enclosure or in the built-in structure, clear of obstruction.
	WARNING: Do not use mechanical devices or other means to accelerate the defrosting process, other than those recommended by the manufacturer.
	WARNING: Do not damage the refrigerant circuit.
	WARNING: Do not use electrical appliances inside the food storage compartments of the appliance, unless they are of the type recommended by the manufacturer.

This appliance is intended to be used in household and similar applications such as

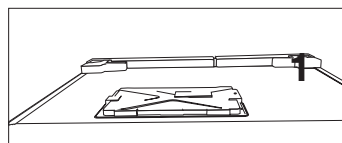
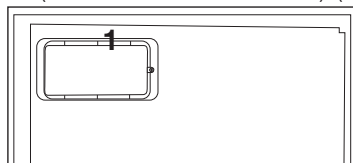
- staff kitchen areas in shops, offices and other working environments;
- farm houses and by clients in hotels, motels and other residential type environments;
- bed and breakfast type environments;
- catering and similar non-retail applications.

1.1. General safety

- This product should not be used by persons with physical, sensory and mental disabilities, without sufficient knowledge and experience or by children. The device can only be used

by such persons under supervision and instruction of a person responsible for their safety. Children should not be allowed to play with this device.

- In case of malfunction, unplug the device.
- After unplugging, wait at least 5 minutes before plugging in again.
- Unplug the product when not in use.
- Do not touch the plug with wet hands! Do not pull the cable to plug off, always hold the plug.
- Do not plug in the refrigerator if the socket is loose.
- Unplug the product during installation, maintenance, cleaning and repair.
- If the product will not be used for a while, unplug the product and remove any food inside.
- Do not use the product when the compartment with circuit cards located on the upper back part of the product (electrical card box cover) (1) is open.

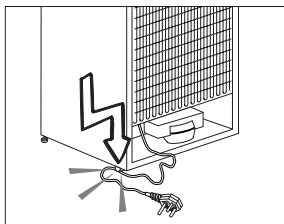


- Do not use steam or steamed cleaning materials for cleaning the refrigerator and melting the ice inside. Steam may contact the electrified areas and cause short circuit or electric shock!
- Do not wash the product by spraying or pouring water on it! Danger of electric shock!

Safety and environmental instructions

- In case of malfunction, do not use the product, as it may cause electric shock. Contact the authorised service before doing anything.
- Plug the product into an earthed socket. Earthing must be done by a qualified electrician.
- If the product has LED type lighting, contact the authorised service for replacing or in case of any problem.
- Do not touch frozen food with wet hands! It may adhere to your hands!
- Do not place liquids in bottles and cans into the freezer compartment. They may explode.
- Place liquids in upright position after tightly closing the lid.
- Do not spray flammable substances near the product, as it may burn or explode.
- Do not keep flammable materials and products with flammable gas (sprays, etc.) in the refrigerator.
- Do not place containers holding liquids on top of the product. Splashing water on an electrified part may cause electric shock and risk of fire.
- Exposing the product to rain, snow, sunlight and wind will cause electrical danger. When relocating the product, do not pull by holding the door handle. The handle may come off.
- Take care to avoid trapping any part of your hands or body in any of the moving parts inside the product.
- Do not step or lean on the door, drawers and similar parts of the refrigerator. This will cause the product to fall down and cause damage to the parts.

- Take care not to trap the power cable.



- When positioning the appliance, ensure the supply cord is not trapped or damaged.
- Do not locate multiple portable socket-outlets or portable power supplies at the rear of the appliance.

1.1.1 HC warning

If the product comprises a cooling system using R600a gas, take care to avoid damaging the cooling system and its pipe while using and moving the product. This gas is flammable. If the cooling system is damaged, keep the product away from sources of fire and ventilate the room immediately.



The label on the inner left side indicates the type of gas used in the product.

1.1.2 For models with water dispenser

- Pressure for cold water inlet shall be maximum 90 psi (620 kPa). If your water pressure exceeds 80 psi (550 kPa), use a pressure limiting valve in your mains system. If you do not know how to check your water pressure, ask for the help of a professional plumber.
- If there is risk of water hammer effect in your installation, always

Safety and environmental instructions

use a water hammer prevention equipment in your installation. Consult Professional plumbers if you are not sure that there is no water hammer effect in your installation.

- Do not install on the hot water inlet. Take precautions against of the risk of freezing of the hoses. Water temperature operating interval shall be 33°F (0.6°C) minimum and 100°F (38°C) maximum.
- Use drinking water only.

1.2. Intended use

- This product is designed for home use. It is not intended for commercial use.
- The product should be used to store food and beverages only.
- Do not keep sensitive products requiring controlled temperatures (vaccines, heat sensitive medication, medical supplies, etc.) in the refrigerator.
- The manufacturer assumes no responsibility for any damage due to misuse or mishandling.
- Original spare parts will be provided for 10 years, following the product purchasing date.

1.3. Child safety

- Keep packaging materials out of children's reach.
- Do not allow the children to play with the product.
- If the product's door comprises a lock, keep the key out of children's reach.

1.4. Compliance with WEEE Directive and Disposing of the Waste Product

This product complies with EU WEEE Directive (2012/19/EU). This product bears a classification symbol for waste electrical and electronic equipment (WEEE).



This product has been manufactured with high quality parts and materials which can be reused and are suitable for recycling. Do not dispose of the waste product with normal domestic and other wastes at the end of its service life. Take it to the collection center for the recycling of electrical and electronic equipment. Please consult your local authorities to learn about these collection centers.

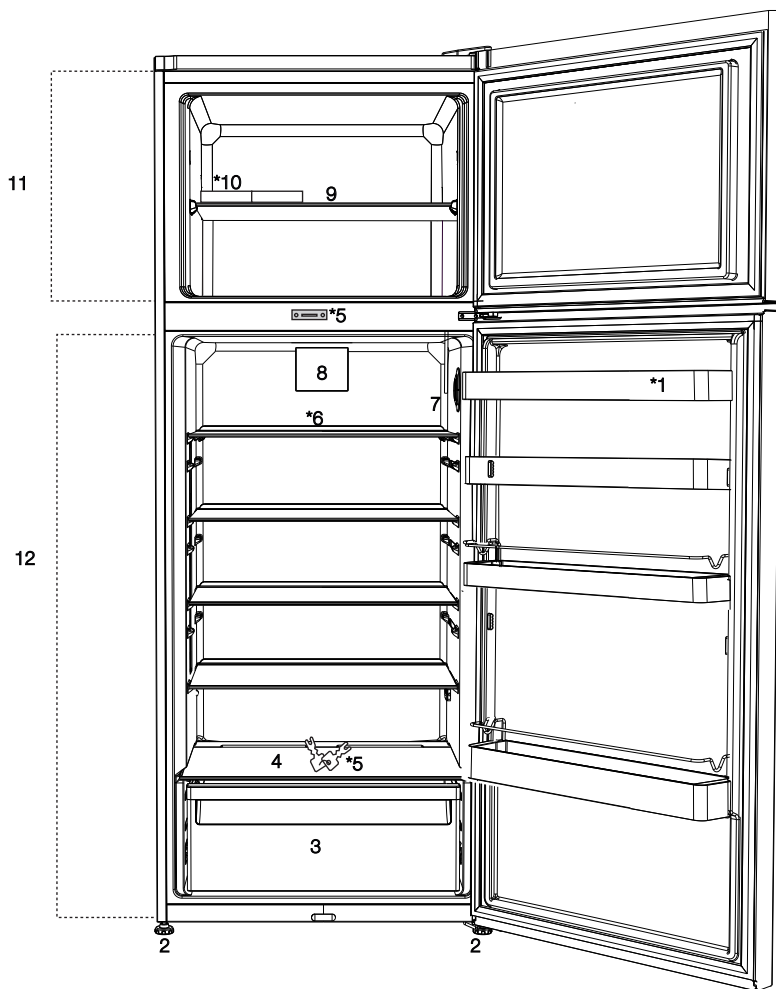
1.5. Compliance with RoHS Directive

- This product complies with EU WEEE Directive (2011/65/EU). It does not contain harmful and prohibited materials specified in the Directive.

1.6. Package information

Packaging materials of the product are manufactured from recyclable materials in accordance with our National Environment Regulations. Do not dispose of the packaging materials together with the domestic or other wastes. Take them to the packaging material collection points designated by the local authorities.

2 Your Refrigerator



1. Door shelf
2. Adjustable feet
3. Crisper
4. Crisper cover
5. Lock and key *
6. Refrigerator compartment glass shelf
7. Temperature adjustment knob
8. Fan
9. Freezer compartment shelf
10. Ice tray
11. Freezer compartment
12. Fridge compartment



***optional:** Figures that take place in this user manual are samples and may not correspond exactly with your product. If the subject parts are not included in the product you have purchased, then the figure is valid for other models.

3.1. Right place for installation

Call the Authorized Service Provider for installation of the product. To make the product ready for use, be careful that the electrical wiring and plumbing are appropriate by referring to the information in the user manual. If not, call a qualified electrician and plumber and have the necessary arrangements made.



WARNING: The manufacturer is not liable for damages caused by operations by unauthorized persons.



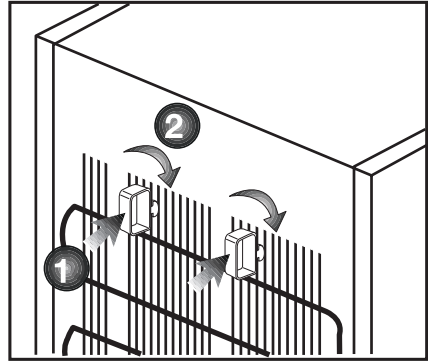
WARNING: During the installation, the power plug of the product should not be plugged in. Otherwise, there is a danger of death or serious injury!



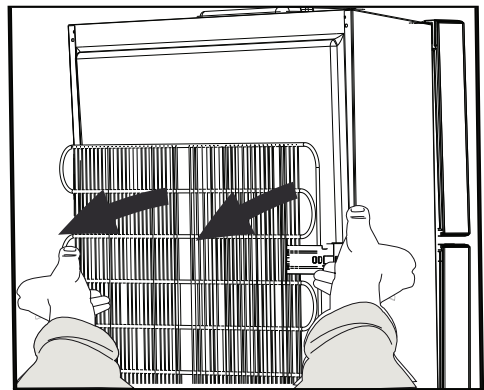
WARNING: : If the doorway of the room to where the product will be placed is so narrow that the product cannot pass through, pass the product by turning it to side; otherwise, call an authorized service.

- To avoid shaking, place the product on a flat surface.
- Install the product at least 30 cm away from heat sources such as cooker, radiators, stove and at least 5 cm away from electrical oven.
- Do not expose the product to direct sunlight and do not store it in humid place.
- A suitable air circulation should be around the product so that it can work efficiently. If the product will be placed in a recessed wall, take care that there is at least 5 cm of space between the ceiling and the side walls.
- Do not install the product where the temperature drops below 10 °C.

- Attach 2 plastic wedges as illustrated below. Plastic wedges are intended to keep the distance which will ensure the air circulation between your refrigerator and the wall. (The picture is drawn up as a representation and it is not identical with your product.)



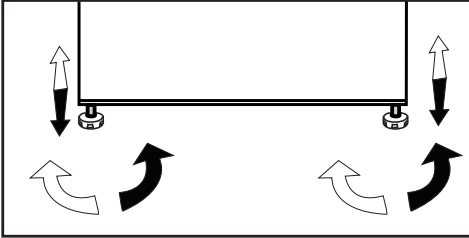
- Condenser of your refrigerator is on the rear side. In order to increase the energy efficiency by minimizing the power consumption, the upper part of the condenser on the rear side of the product must be pulled backwards and locked as shown in the figure. When the condenser is pulled back, the right and left upper holders are locked and the position of the condenser is fixed.



Installation

3.2. Adjusting the feet

If the product is unstable on the place where it is placed, adjust it by turning the front adjustment feet to the right or left.



3.3. Electrical connection



WARNING: Do not make connections to the extension cords or multiple sockets.



WARNING: Damaged power cable must be replaced by an Authorized Service.



If two refrigerators are placed side by side, there should be at least 4 cm space between them.

- Our company will not be liable for any damages that occur when the product is used without grounding and electrical connections that are according to national regulations.
- The power cord plug must be easily accessible after installation.
- Do not use multi-group socket with or without extension cable in between your refrigerator and the wall outlet.

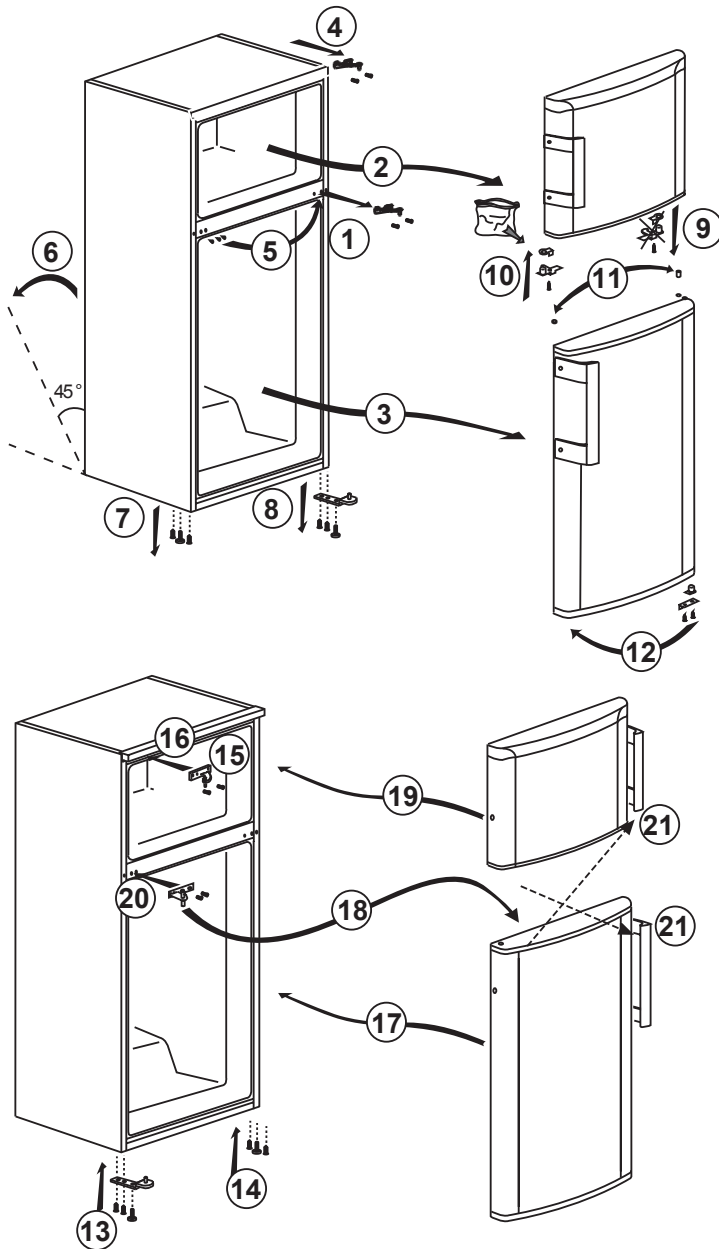
3.4. Changing door opening direction

Based on where you use, your refrigerator's door opening direction can be changed. When you need this, please contact your nearest Authorized Service Point.

Installation

3.5. Reversing the doors

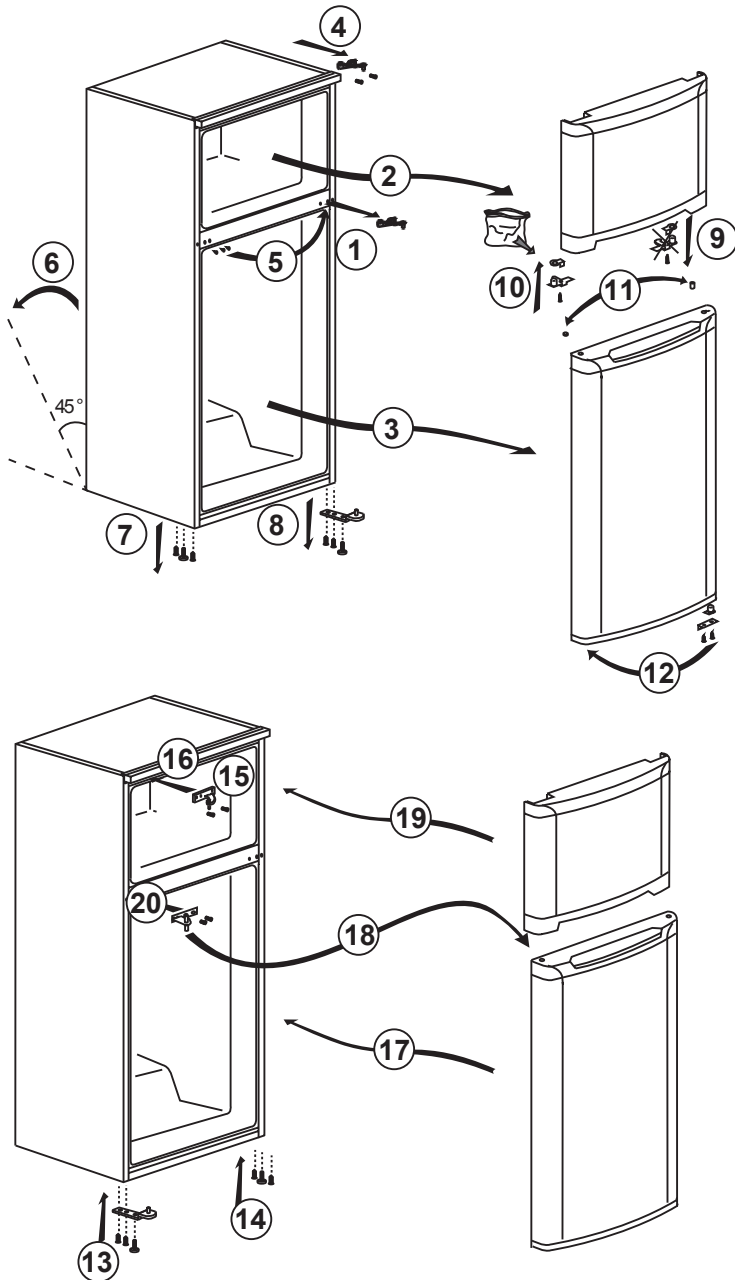
Proceed in numerical order .



Installation

3.6. Reversing the doors

Proceed in numerical order .



4 Preparation

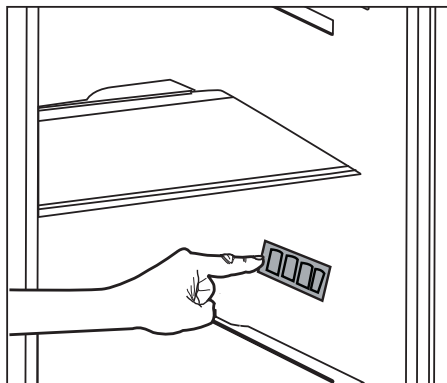
4.1. Actions to be taken to save energy



Connecting the product to electronic energy-saving system is inconvenient as this may damage the product.

- Do not leave the doors of the product open for a long time.
- Do not put hot food or drinks in the product.
- Do not overfill the product. When the inlet air circulation is reduced, its cooling capacity is prevented.
- Put your food in the product in closed containers.
- You can store maximum amount of food items in the freezer compartment of the product when you remove the shelf of the freezer. Energy consumption value stated for the product has been determined by removing freezer shelf and under maximum food load. There is no harm to use a shelf according to the shapes and size of food to be frozen.
- Defrosting the frozen food in fridge compartment will both provide energy saving and preserve the food quality.
- This device is designed to operate at ambient temperatures up to 43°C (90 °F). It is equipped with Advanced Electronic Temperature Control System allowing to keep the frozen food in the freezer defrost even the ambient temperature reduces to -15 °C. When first installed the product **MUST NOT** be placed in low ambient temperatures.
- The baskets/drawers that are provided with the chill compartment must always be in use for low energy consumption and for better storage conditions.
- Food contact with the temperature sensor in the freezer compartment may increase energy consumption of the appliance. Thus any contact with the sensor(s) must be avoided.

- Do not contact the foods to the fridge compartment temperature sensor indicated in the figure below.



4.2. First use

Before you start using your refrigerator, make sure that preparations are made according to the instructions in the “Safety and environmental instructions” and “Installation” sections.

- Run the product empty without putting food for 6 hours and do not open the door unless necessary.



You will hear a sound when the compressor starts. The liquids and gases compressed within the cooling system may produce sound even if the compressor is not running and that sound is normal.



The front edges of the product may be hot. This is normal. These areas are designed to be heated to prevent condensation.

5.1. Temperature adjustment knob

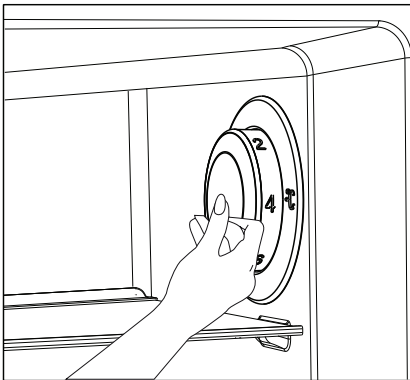
The internal temperature of your refrigerator will vary due to the following reasons:

- Seasonal temperatures,
- Frequently opening the door and the door remaining open for a long time,
- Dishes put hot in your refrigerator before cooling down to room temperature,
- The location of the refrigerator in the room (such as exposure to the sun's heat).
- You can adjust the internal temperature which varies due to these reasons by the adjustment knob.

The numbers around the adjustment knob shows the degree of temperature as “°C”.

If the ambient temperature is 25 °C, it is recommended to use the temperature adjustment knob of the refrigerator at 4 °C.

In other ambient temperatures, this value can be increased or decreased according to need.



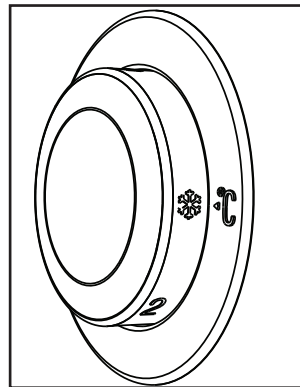
5.2. Fast freezing

If you want to freeze large quantities of fresh food, put the temperature adjustment knob to (❄️) position 24 hours before putting the food in the fast freezing compartment.

In order to freeze maximum amount of fresh food specified as the freezing capacity, it is recommended to keep the knob in this position for at least 24 hours.


Pay particular attention to not mixing food sold as frozen and the fresh food.

Once the food is frozen, remember to bring the temperature adjustment knob to its previous position.



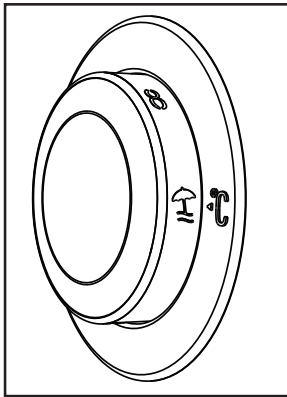
Use of the Product

5.3. Holiday function

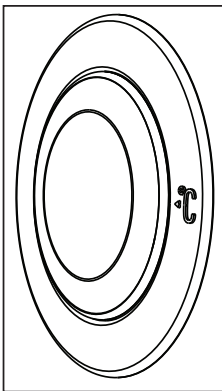
If the doors of the product is not opened for at least 12 hours after the temperature adjustment knob is put to the warmest () position, Holiday function will be activated automatically.

To cancel the function, the adjustment of the knob must be changed.

When the holiday function is active, storing food in the fridge compartment is not recommended.



- After adjustment process is complete, you can hide the temperature adjustment knob by pushing it in.



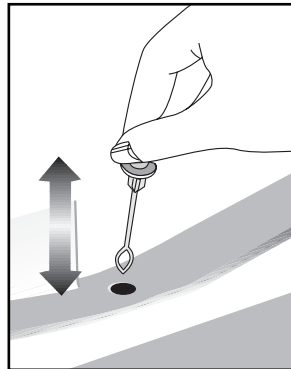
5.4. Snow defrosting

During the cooling of your refrigerator, water droplets and snow up to 7-8 mm thickness are formed on the inside back wall of the fridge compartment. This formation is normal due to the cooling system.

The snow formed in the fridge compartment is defrosted at regular intervals by means of the automatic defrost system contained in the interior rear wall. Therefore, there is no need of scraping snow and cleaning water droplets by the user.

The water formed by defrosting flows to the evaporating dish on the rear of your refrigerator and spontaneously evaporates here.

The water flows to the evaporating dish via a drain pipe contained in the inner back wall. Check whether the drain pipe is blocked at specific time intervals and if blocked, open.



Use of the Product



To avoid deterioration of the frozen food in the freezer compartment, no defrosting is performed automatically. The snow formed in the freezer compartment should be defrosted every 6 months.

For snow defrosting process, it is primarily necessary to stop the operation of your refrigerator. To do this, unplug the power plug. Empty the freezer compartment. Keep your frozen food in a cool place during the snow defrosting process.

The door of the freezer compartment should be kept closed during the defrosting process.

When the snow formed is completely defrosted, take the water collected in the freezer compartment with an absorbent cloth or sponge and dry.

To run your product re-connect the power plug.



WARNING: To speed up the defrosting in your refrigerator, never use materials such as candles, gas lamps and heaters.



Before putting your food back in the freezer compartment run for 2 hours with the doors closed and empty.

5.5. Door Open Warning (This feature is optional)

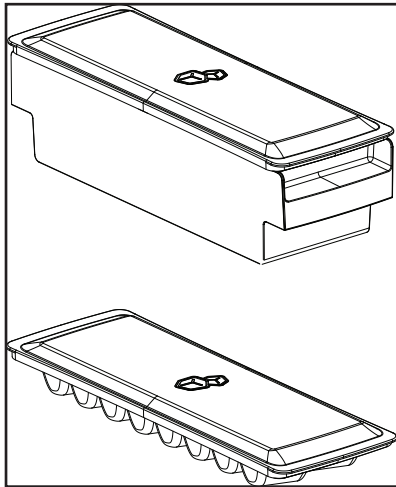
An audio warning signal will be given when the door of your product is left open for at least 1 minute. This warning will be muted when the door is closed or any of the display buttons (if any) are pressed.

Door open warning is given to user both visually and acoustically. If the warning continues for 10 minutes, interior lights will be turned off.

Use of the Product

5.6. Ice tray

- Remove the ice tray from the freezer compartment.
- Fill the ice tray with water.
- Place the ice tray in the freezer compartment. The ice is ready after about two hours.
- Remove the ice tray from the freezer compartment and slightly bend it over the ice cap in which you will serve the ice. The ice will be easily poured into the service cap.



5.7. Egg tray

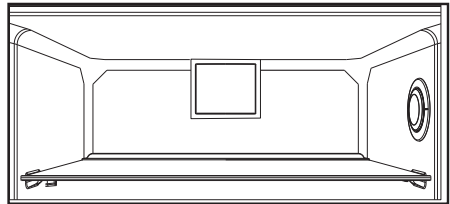
You can put the egg tray on any door or body shelf you want. If to be placed in the body shelf, it is recommended to prefer the bottom cold shelves.



Never put the egg tray in the freezer compartment.

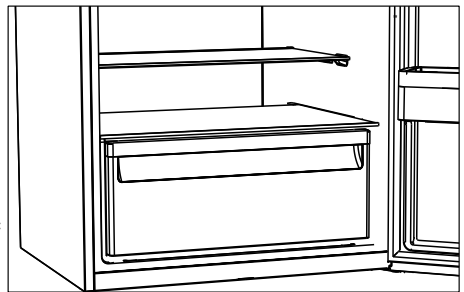
5.8. Fan

Fan is designed to ensure that the cold air in your refrigerator is dissolved and distributed homogeneously. Fan operation time may vary depending on the properties of your product. While in some products fan only works with the compressor, in some products, the control system determines the time when it will work according to the cooling requirements.



5.9. Crisper

Crisper of the product is specially designed to protect the vegetable as fresh without losing its moisture. For this purpose, cold air circulation throughout the crisper is concentrated.



6 Maintenance and Cleaning

Cleaning the product regularly will prolong its service life.



WARNING: Disconnect the power before cleaning the refrigerator.

- Do not use sharp and abrasive tools, soap, house cleaning materials, detergents, gas, gasoline, varnish and similar substances for cleaning.
- Melt a teaspoonful of carbonate in the water. Moisten a piece of cloth in the water and wring out. Wipe the device with this cloth and dry off thoroughly.
- Take care to keep water away from the lamp's cover and other electrical parts.
- Clean the door using a wet cloth. Remove all items inside to detach the door and chassis shelves. Lift the door shelves up to detach. Clean and dry the shelves, then attach back in place by sliding from above.
- Do not use chloric water or cleaning products on the exterior surface and chrome-coated parts of the product. Chlorine will cause rust on such metallic surfaces.
- Do not use sharp, abrasive tools, soap, household cleaning agents, detergents, kerosene, fuel oil, varnish etc. to prevent removal and deformation of the prints on the plastic part. Use lukewarm water and a soft cloth for cleaning and then wipe it dry.

6.1. Preventing Bad Odour

The product is manufactured free of any odorous materials. However, keeping the food in inappropriate sections and improper cleaning of internal surfaces may lead to malodour.

To avoid this, clean the inside with carbonated water every 15 days.

- Keep the foods in sealed holders. Microorganisms may spread out of unsealed food items and cause malodour.
- Do not keep expired and spoilt foods in the refrigerator.

6.2. Protecting Plastic Surfaces

Oil spilled on plastic surfaces may damage the surface and must be cleaned immediately with warm water.

7 Troubleshooting

Check this list before contacting the service. Doing so will save you time and money. This list includes frequent complaints that are not related to faulty workmanship or materials. Certain features mentioned herein may not apply to your product.

The refrigerator is not working.

- The power plug is not fully settled. >>> Plug it in to settle completely into the socket.
- The fuse connected to the socket powering the product or the main fuse is blown. >>> Check the fuses.

Condensation on the side wall of the cooler compartment (MULTI ZONE, COOL, CONTROL and FLEXI ZONE).

- The door is opened too frequently >>> Take care not to open the product's door too frequently.
- The environment is too humid. >>> Do not install the product in humid environments.
- Foods containing liquids are kept in unsealed holders. >>> Keep the foods containing liquids in sealed holders.
- The product's door is left open. >>> Do not keep the product's door open for long periods.
- The thermostat is set to too low temperature. >>> Set the thermostat to appropriate temperature.

Compressor is not working.

- In case of sudden power failure or pulling the power plug off and putting back on, the gas pressure in the product's cooling system is not balanced, which triggers the compressor thermic safeguard. The product will restart after approximately 6 minutes. If the product does not restart after this period, contact the service.
- Defrosting is active. >>> This is normal for a fully-automatic defrosting product. The defrosting is carried out periodically.
- The product is not plugged in. >>> Make sure the power cord is plugged in.
- The temperature setting is incorrect. >>> Select the appropriate temperature setting.
- The power is out. >>> The product will continue to operate normally once the power is restored.

The refrigerator's operating noise is increasing while in use.

- The product's operating performance may vary depending on the ambient temperature variations. This is normal and not a malfunction.

The refrigerator runs too often or for too long.

- The new product may be larger than the previous one. Larger products will run for longer periods.
- The room temperature may be high. >>> The product will normally run for long periods in higher room temperature.
- The product may have been recently plugged in or a new food item is placed inside. >>> The product will take longer to reach the set temperature when recently plugged in or a new food item is placed inside. This is normal.
- Large quantities of hot food may have been recently placed into the product. >>> Do not place hot food into the product.
- The doors were opened frequently or kept open for long periods. >>> The warm air moving inside will cause the product to run longer. Do not open the doors too frequently.
- The freezer or cooler door may be ajar. >>> Check that the doors are fully closed.
- The product may be set to temperature too low. >>> Set the temperature to a higher degree and wait for the product to reach the adjusted temperature.
- The cooler or freezer door washer may be dirty, worn out, broken or not properly settled. >>> Clean or replace the washer. Damaged / torn door washer will cause the product to run for longer periods to preserve the current temperature.

The freezer temperature is very low, but the cooler temperature is adequate.

- The freezer compartment temperature is set to a very low degree. >>> Set the freezer compartment temperature to a higher degree and check again.

The cooler temperature is very low, but the freezer temperature is adequate.

- The cooler compartment temperature is set to a very low degree. >>> Set the freezer compartment temperature to a higher degree and check again.

Troubleshooting

The food items kept in cooler compartment drawers are frozen.

- The cooler compartment temperature is set to a very low degree. >>> Set the freezer compartment temperature to a higher degree and check again.

The temperature in the cooler or the freezer is too high.

- The cooler compartment temperature is set to a very high degree. >>> Temperature setting of the cooler compartment has an effect on the temperature in the freezer compartment. Wait until the temperature of relevant parts reach the sufficient level by changing the temperature of cooler or freezer compartments.
- The doors were opened frequently or kept open for long periods. >>> Do not open the doors too frequently.
- The door may be ajar. >>> Fully close the door.
- The product may have been recently plugged in or a new food item is placed inside. >>> This is normal. The product will take longer to reach the set temperature when recently plugged in or a new food item is placed inside.
- Large quantities of hot food may have been recently placed into the product. >>> Do not place hot food into the product.

Shaking or noise.

- The ground is not level or durable. >>> If the product is shaking when moved slowly, adjust the stands to balance the product. Also make sure the ground is sufficiently durable to bear the product.
- Any items placed on the product may cause noise. >>> Remove any items placed on the product.

The product is making noise of liquid flowing, spraying etc.

- The product's operating principles involve liquid and gas flows. >>> This is normal and not a malfunction.

There is sound of wind blowing coming from the product.

- The product uses a fan for the cooling process. This is normal and not a malfunction.

There is condensation on the product's internal walls.

- Hot or humid weather will increase icing and condensation. This is normal and not a malfunction.
- The doors were opened frequently or kept open for long periods. >>> Do not open the doors too frequently; if open, close the door.
- The door may be ajar. >>> Fully close the door.

There is condensation on the product's exterior or between the doors.

- The ambient weather may be humid, this is quite normal in humid weather. >>> The condensation will dissipate when the humidity is reduced.

The interior smells bad.

- The product is not cleaned regularly. >>> Clean the interior regularly using sponge, warm water and carbonated water.
- Certain holders and packaging materials may cause odour. >>> Use holders and packaging materials without free of odour.
- The foods were placed in unsealed holders. >>> Keep the foods in sealed holders. Micro-organisms may spread out of unsealed food items and cause malodour. Remove any expired or spoilt foods from the product.

The door is not closing.

- Food packages may be blocking the door. >>> Relocate any items blocking the doors.
- The product is not standing in full upright position on the ground. >>> Adjust the stands to balance the product.
- The ground is not level or durable. >>> Make sure the ground is level and sufficiently durable to bear the product.

The vegetable bin is jammed.

- The food items may be in contact with the upper section of the drawer. >>> Reorganize the food items in the drawer.

If The Surface Of The Product Is Hot.

- High temperatures may be observed between the two doors, on the side panels and at the rear grill while the product is operating. This is normal and does not require service maintenance! Be careful when touching these areas.



WARNING:

If the problem persists after following the instructions in this section, contact your vendor or an Authorised Service. Do not try to repair the product.

Veillez d'abord lire ce manuel d'utilisation !

Chère cliente, cher client,

Nous aimerions que vous soyez entièrement satisfait de notre appareil, fabriqué dans des infrastructures modernes et ayant fait l'objet d'un contrôle de qualité minutieux.

À cet effet, veuillez lire en intégralité le manuel d'utilisation avant d'utiliser cet appareil, et conservez-le pour références ultérieures. Si vous offrez cet appareil à une autre personne, remettez-lui également le manuel d'utilisation.

Le manuel d'utilisation garantit l'utilisation rapide et sécurisée du réfrigérateur.

- Veuillez lire le manuel d'utilisation avant d'installer et d'utiliser le réfrigérateur,
- Respectez toujours les instructions de sécurité en vigueur,
- Tenez le manuel d'utilisation à portée pour références ultérieures,
- Veuillez lire tous les autres documents fournis avec l'appareil,

Veillez noter que ce manuel d'utilisation peut se rapporter à plusieurs modèles de cet appareil. Le manuel indique clairement toutes les différences entre les modèles.

Symboles et commentaires

Les symboles suivants sont utilisés dans le manuel d'utilisation :

	Informations importantes et renseignements utiles,
	Avertissement relatif aux conditions dangereuses pour la vie et la propriété,
	Risque d'électrocution,
	L'emballage de l'appareil a été fabriqué à partir de matériaux recyclables, conformément à la législation nationale en matière d'environnement,

1 Instructions en matière de sécurité et d'environnement 3

- 1.1. Sécurité Générale 3
 - 1.1.1 Avertissement HC 5
 - 1.1.2 Pour les Modèles Avec Distributeur D'eau. . 5
- 1.2. Utilisation Prévue. 5
- 1.3. Sécurité Enfants 6
- 1.4. Conformité Avec la Directive DEEE et Mise Au Rebut de Votre Ancien Appareil 6
- 1.5. Conformité Avec la Directive RoHS 6
- 1.6. Informations Relatives à L'emballage 6

2 Votre réfrigérateur 7

3 L'installation 8

- 3.1. L'emplacement correct pour l'installation . . 8
- 3.2. Le rajustement des pieds 9
- 3.3. Le branchement électrique 9
- 3.4. La modification de la direction d'ouverture de la porte 9
- 3.5. Réversibilité des portes 10
- 3.6. Réversibilité des portes 11

4 La préparation préliminaire 12

- 4.1. Ce qu'il faut faire pour la conservation d'énergie. 12
- 4.2. L'usage initial 12

5 L'utilisation du produit 13

- 5.1. Le bouton de réglage de température . . . 13
- 5.2. La surgélation. 13
- 5.3. Le mode vacances 14
- 5.4. Le dégivrage. 14
- 5.5. Avertissement - Porte ouverte 15
- 5.9. Le bac à légumes. 16
- 5.6. Le bac à glaçons. 16
- 5.7. Le panier à œufs. 16
- 5.8. Le ventilateur 16






6 Entretien et nettoyage 17

- 6.1. Prévention des mauvaises odeurs 17
- 6.2. Protection des surfaces en plastique 17

7 Dépannage 18

Cette section fournit les instructions de sécurité nécessaires à la prévention des risques de blessures ou de dommage matériel. Le non-respect de ces instructions annule tous les types de garantie de l'appareil.

Utilisation Préconisée

	<p>AVERTISSEMENT: Assurez-vous que les trous d'aération ne sont pas fermés quand le dispositif est dans son boîtier ou est installé à sa place.</p>
	<p>AVERTISSEMENT: Ne pas utiliser tout dispositif mécanique ou un autre dispositif hors des recommandations du fabricant pour accélérer le processus de décongeler.</p>
	<p>AVERTISSEMENT: Ne pas endommager le circuit de fluide du réfrigérateur.</p>
	<p>AVERTISSEMENT: Ne pas utiliser des appareils électriques non prévus par le fabricant dans les compartiments de conservation des aliments.</p>
	<p>AVERTISSEMENT: Ne conservez pas de substances explosives comme des aérosols avec un liquide inflammable dans cet appareil.</p>

Ce dispositif est conçu pour l'usage domestique ou les applications similaires suivantes :

- Pour être utilisé dans la cuisine de personnel dans les magasins, bureaux et autres environnements de travail ;
- Pour être utilisé par les clients dans les maisons de campagne et hôtels et les autres environnements d'hébergement ;
- Dans des environnements de type de pension de famille

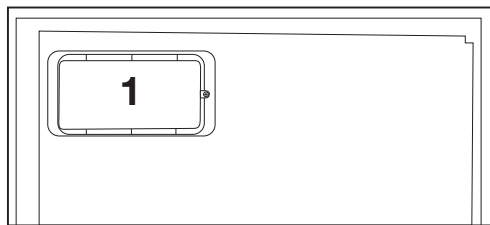
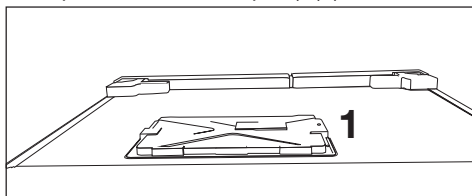
- Dans des applications similaires n'ayant pas de service alimentaire et non détaillants

1.1. Sécurité Générale

- Cet appareil ne doit pas être utilisé par des personnes atteintes de déficience physique, sensorielle ou mentale, des personnes sans connaissances suffisantes et inexpérimentées ou par des enfants. Il ne doit être utilisé par ces personnes que si elles sont supervisées ou sous les instructions d'une personne responsable de leur sécurité. Ne laissez pas les enfants jouer avec l'appareil.
- En cas de dysfonctionnement, débranchez l'appareil.
- Après avoir débranché l'appareil, patientez 5 minutes avant de le rebrancher. Débranchez l'appareil lorsqu'il n'est pas utilisé. Évitez de toucher le cordon d'alimentation avec des mains humides ! Ne le débranchez jamais en tirant le câble, mais plutôt en tenant la prise.
- Nettoyez la fiche du câble d'alimentation à l'aide d'un chiffon sec, avant de le brancher.
- Évitez de brancher le réfrigérateur lorsque la prise est instable.
- Débranchez l'appareil pendant l'installation, l'entretien, le nettoyage et la réparation.
- Si l'appareil ne sera pas utilisé pendant une longue période, débranchez-le et videz l'intérieur.
- N'utilisez pas la vapeur ou de matériel de nettoyage à vapeur pour nettoyer le réfrigérateur et faire fondre la glace. La vapeur peut atteindre les zones électrifiées et causer un court-circuit ou l'électrocution !

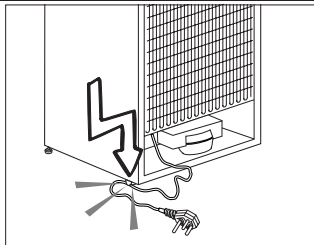
Les consignes de sécurité et d'environnement

- Ne lavez pas l'appareil par pulvérisation ou aspersion d'eau ! Risque d'électrocution !
- Ne jamais utiliser le produit si la section située dans sa partie supérieure ou inférieure avec cartes de circuits imprimés électroniques à l'intérieur est ouverte (couvercle de cartes de circuits imprimés électroniques) (1).



- En cas de dysfonctionnement, n'utilisez pas l'appareil car il peut entraîner une électrocution. Contactez le service agréé avant de procéder à toute intervention.
 - Branchez votre appareil à une prise de mise à la terre. La mise à la terre doit être effectuée par un technicien qualifié.
 - Si l'appareil possède un éclairage de type LED, contactez le service agréé pour tout remplacement ou en cas de problème.
 - Évitez de toucher les aliments congelés avec des mains humides ! Ils pourraient coller à vos mains !
- Ne placez pas de boissons en bouteille ou en canette dans le compartiment de congélation. Elles risquent d'exploser !
 - Placez les boissons verticalement, dans des récipients convenablement fermés.
 - Ne pulvérisiez pas de substances contenant des gaz inflammables près du réfrigérateur pour éviter tout risque d'incendie et d'explosion.
 - Ne conservez pas de substances et produits inflammables (vaporisateurs, etc.) dans le réfrigérateur.
 - Ne placez pas de récipients contenant des liquides au-dessus du réfrigérateur. Les projections d'eau sur des pièces électrifiées peuvent entraîner des électrocutions et un risque d'incendie.
 - L'exposition du produit à la pluie, à la neige, au soleil et au vent présente des risques pour la sécurité électrique. Quand vous transportez le réfrigérateur, ne le tenez pas par la poignée de la porte. Elle peut se casser.
 - Évitez que votre main ou toute autre partie de votre corps ne se retrouve coincée dans les parties amovibles de l'appareil.
 - Évitez de monter ou de vous appuyer contre la porte, les tiroirs ou toute autre partie du réfrigérateur. Cela peut faire tomber l'appareil et l'endommager.
 - Évitez de coincer le câble d'alimentation.

Les consignes de sécurité et d'environnement



- Lors du positionnement de l'appareil, s'assurer que le câble d'alimentation n'est ni coincé, ni endommagé.
- Ne pas placer des prises multiples ou des blocs d'alimentation portables à l'arrière de l'appareil.

1.1.1 Avertissement HC

Si votre réfrigérateur possède un système de refroidissement utilisant le gaz R600a, évitez d'endommager le système de refroidissement et sa tuyauterie pendant l'utilisation et le transport de l'appareil. Ce gaz est inflammable. Si le système de refroidissement est endommagé, éloignez l'appareil des flammes et aérez la pièce immédiatement.



L'étiquette sur la paroi intérieure gauche de l'appareil indique le type de gaz utilisé.

1.1.2 Pour les Modèles Avec Distributeur D'eau

- La pression de l'eau froide à l'entrée ne doit pas excéder 90 psi (620 kPa). Si votre pression d'eau dépasse 80 psi (550 kPa), utilisez une soupape de limitation de pression sur votre réseau de conduite. Si

vous ne savez pas comment vérifier la pression de l'eau, demandez l'assistance d'un plombier professionnel.

- S'il existe un risque d'effet coup de bélier sur votre installation, utilisez systématiquement un équipement de protection contre l'effet coup de bélier sur celle-ci. Consultez des plombiers professionnels si vous n'êtes pas sûr de la présence de cet effet sur votre installation.
- Ne l'installez pas sur l'entrée d'eau chaude. Prenez des précautions contre le risque de congélation des tuyaux. L'intervalle de fonctionnement de la température des eaux doit être de 33 F (0,6°C) au moins et de 100 F (38 C) au plus.
- Utilisez uniquement de l'eau potable.

1.2. Utilisation Prévue

- Cet appareil est exclusivement conçu pour un usage domestique. Il n'est pas destiné à un usage commercial.
- Il doit être exclusivement utilisé pour le stockage des denrées et des boissons.
- Les produits qui nécessitent un contrôle de température précis (vaccins, médicaments sensibles à la chaleur, matériels médicaux, etc.) ne doivent pas être conservés dans le réfrigérateur.
- Le fabricant ne sera pas tenu responsable de tout dommage résultant d'une mauvaise utilisation ou manipulation.

Les consignes de sécurité et d'environnement

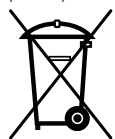
- Les pièces détachées d'origine sont disponibles pendant 10 ans, à compter de la date d'achat du produit.

1.3. Sécurité Enfants

- Conservez les matériaux d'emballage hors de la portée des enfants.
- Ne laissez pas les enfants jouer avec l'appareil.
- Si la porte de l'appareil est dotée d'une serrure, gardez la clé hors de la portée des enfants.

1.4. Conformité Avec la Directive DEEE et Mise Au Rebut de Votre Ancien Appareil

Cet appareil est conforme à la directive DEEE de l'Union européenne (2012/19/UE). Il porte un symbole de classification pour la mise au rebut des équipements électriques et électroniques (DEEE).



Le présent produit a été fabriqué avec des pièces et du matériel de qualité supérieure susceptibles d'être réutilisés et adaptés au recyclage. Ne le mettez pas au rebut avec les ordures ménagères et d'autres déchets à la fin de sa

durée de vie. Rendez-vous dans un point de collecte pour le recyclage de tout matériel électrique et électronique. Rapprochez-vous des autorités de votre localité pour plus d'informations concernant ces points de collecte.

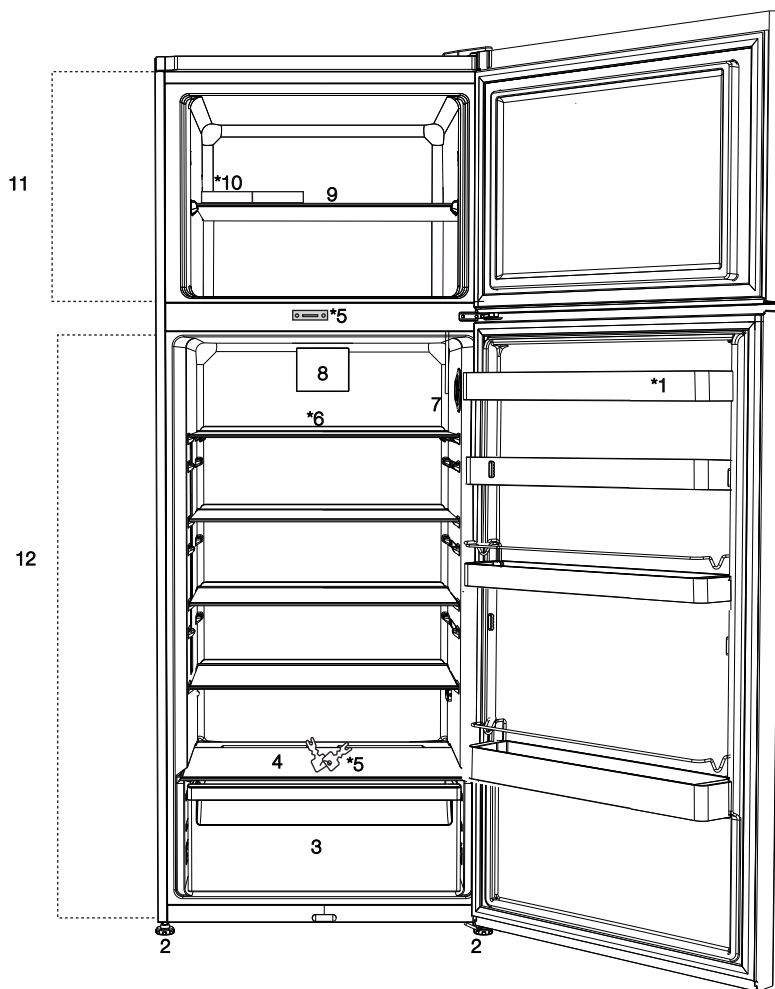
1.5. Conformité Avec la Directive RoHS

- Cet appareil est conforme à la directive DEEE de l'Union européenne (2011/65/UE). Il ne comporte pas les matériaux dangereux et interdits mentionnés dans la directive.

1.6. Informations Relatives à L'emballage

- Les matériaux d'emballage de cet appareil sont fabriqués à partir de matériaux recyclables, conformément à nos réglementations nationales en matière d'environnement. Ne mettez pas les matériaux d'emballage au rebut avec les ordures ménagères et d'autres déchets. Amenez-les plutôt aux points de collecte des matériaux d'emballage, désignés par les autorités locales.

2 Votre réfrigérateur



- | | |
|---|--|
| 1. Le balconnet | 7. Le bouton de réglage de température |
| 2. Les pieds réglables | 8. Le ventilateur |
| 3. Le bac à légumes | 9. La clayette du compartiment congélateur |
| 4. Le capot du bac à légumes | 10. Le bac à glaçons |
| 5. La serrure et la clé * | 11. Le compartiment congélateur |
| 6. La clayette en verre du compartiment réfrigérant | 12. Le compartiment réfrigérant |



***optionnel:** Les figures figurant dans ce guide d'utilisation sont fournies à titre indicatif et peuvent ne pas être identiques à votre produit. La figure est valide pour des autres modèles, si des pièces correspondantes au produit que vous avez acheté sont absentes.

3.1. L'emplacement correct pour l'installation

Appelez le service agréé pour l'installation du produit. Afin de rendre le produit, paré pour l'usage, prêtez de l'attention à ce que l'installation électrique et l'installation d'eau soient convenables en se référant aux renseignements sur le guide d'utilisation. Si non, faites effectuer les arrangements requis en faisant appel à un électricien et plombier compétent.



AVERTISSEMENT: La société fabricante n'est pas responsable des dégâts que les opérations réalisées par des personnes non autorisées peuvent engendrer r.



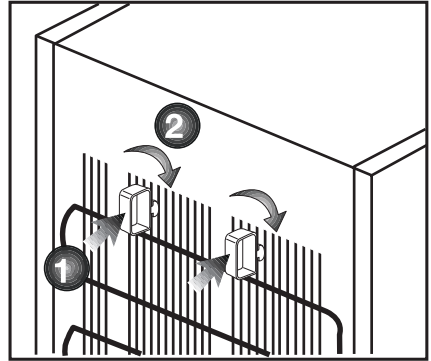
AVERTISSEMENT: la fiche doit être non branchée sur la au cours de l'installation du produit électrique. Sans quoi, il existe un danger de décès ou blessure grave!



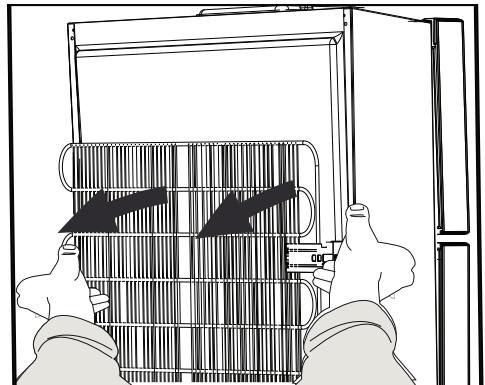
AVERTISSEMENT: Reconduisez le produit enlevant la porte de la chambre et en basculant le produit, si la baie de la porte dans la quelle le produit sera placé au point que le produit ne pourrait pas passer à travers; appelez le service agréé si ça s'avère impossible.

- Posez le produit sur un fond plat afin de prévenir les secousses.
- Installez le produit, à un écart 30 cm d'au moins des sources calorifiques, comme des radiateurs de chauffage et poêles, et à 5 cm d'au moins des fours électriques.
- N'exposez pas le produit aux rayons solaires directes et ne le maintenez pas dans un endroit humide.
- Une circulation d'air convenable hava requise aux alentours du produit, afin que ce dernier puisse fonctionner efficacement. Prêtez de l'attention à ce qu'il y a un dégagement d'au moins de 5 cm entre le plafond et les murs latéraux si vous allez planter le produit à un recoin dans le mur.
- N'installez pas le produit dans des environnements où la température descende au dessous de 10°C.

- Vous pouvez installer les 2 cales en plastique comme illustré dans le schéma. Les cales en plastique maintiendront la distance nécessaire entre votre Congélateur / réfrigérateur et le mur pour permettre une bonne circulation de l'air. (Le schéma présenté est fourni à titre indicatif et peut ne pas correspondre exactement avec votre produit.)



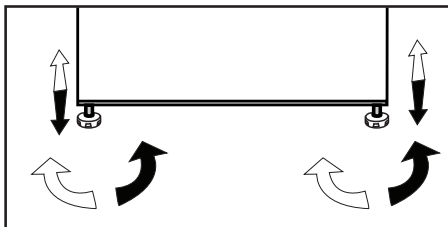
- Le condensateur de votre réfrigérateur se trouve sur la partie antérieure. Il faut que la partie supérieure du condensateur, derrière le produit soit retirée en arrière comme constaté sur la figure et fermer à clef pour que le rendement énergétique soit accru en réduisant la consommation en énergie au moindre possible. Les supports en haut à gauche et à droite sont verrouillés quand le condensateur est retiré vers l'arrière et la position du condensateur est ainsi fixée.



L'installation

3.2. Le rajustement des pieds

Ajustez les pieds de réglage à l'avant, en les pivotant vers la gauche ou la droite si le produit demeure déséquilibré à l'emplacement que vous l'avez posé.



3.3. Le branchement électrique

	AVERTISSEMENT: ne réalisez pas le branchement par des câbles d'allongement ou bien des prises multiples.
	AVERTISSEMENT: Les câbles électriques endommagés doivent être remplacés par le service agréé.
	Une espace d'au moins de 4 cm doit être répartie si deux frigidaires sont placés côte à côte.

- Notre entreprise ne sera pas responsable des dégâts, survenant en cas de l'utilisation du produit, sans la réalisation de la mise à terre et le branchement électrique compatibles aux règlements nationaux.
- La fiche des câbles électriques doit être facilement accessible à la suite de l'installation.
- Faites usage de la prise au groupe multiple avec ou sans câble d'allongement entre votre réfrigérateur et la prise murale.

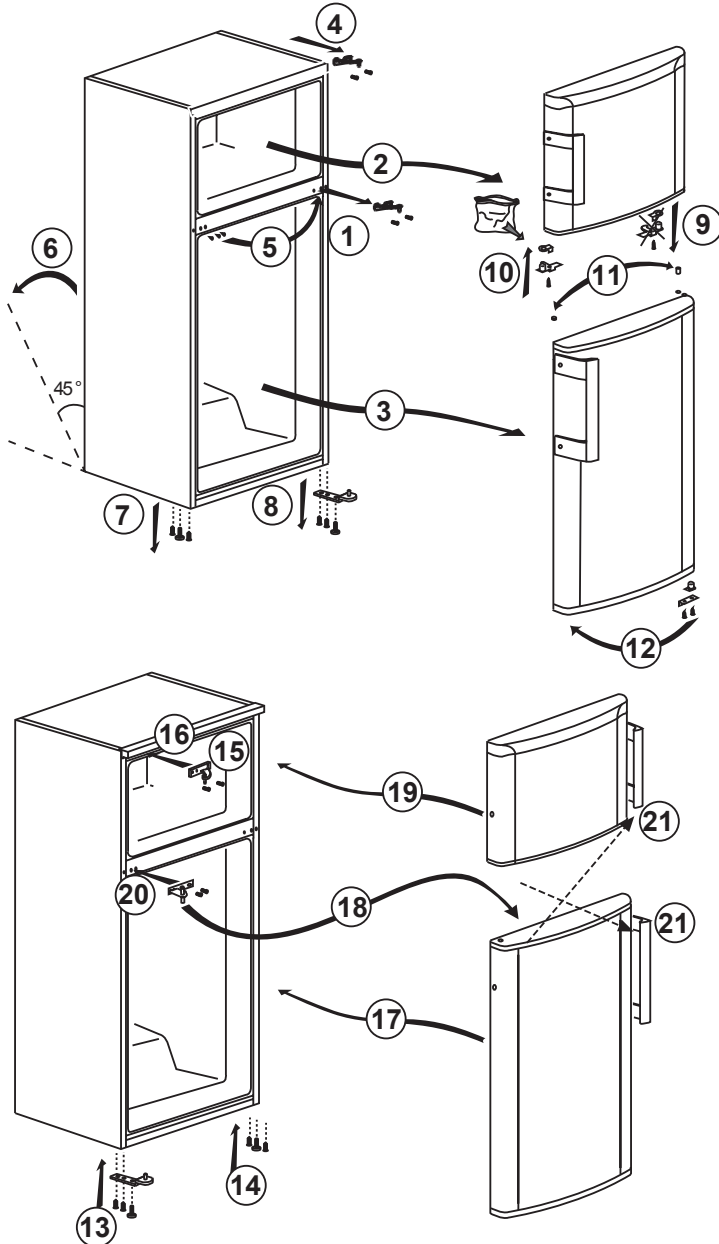
3.4. La modification de la direction d'ouverture de la porte

La direction d'ouverture de la porte de votre réfrigérateur est modifiable selon la location que vous employez. Adressez-vous inmanquablement au service agréé le plus proche chez vous lorsque vous en avez besoin.

L'installation

3.5. Réversibilité des portes

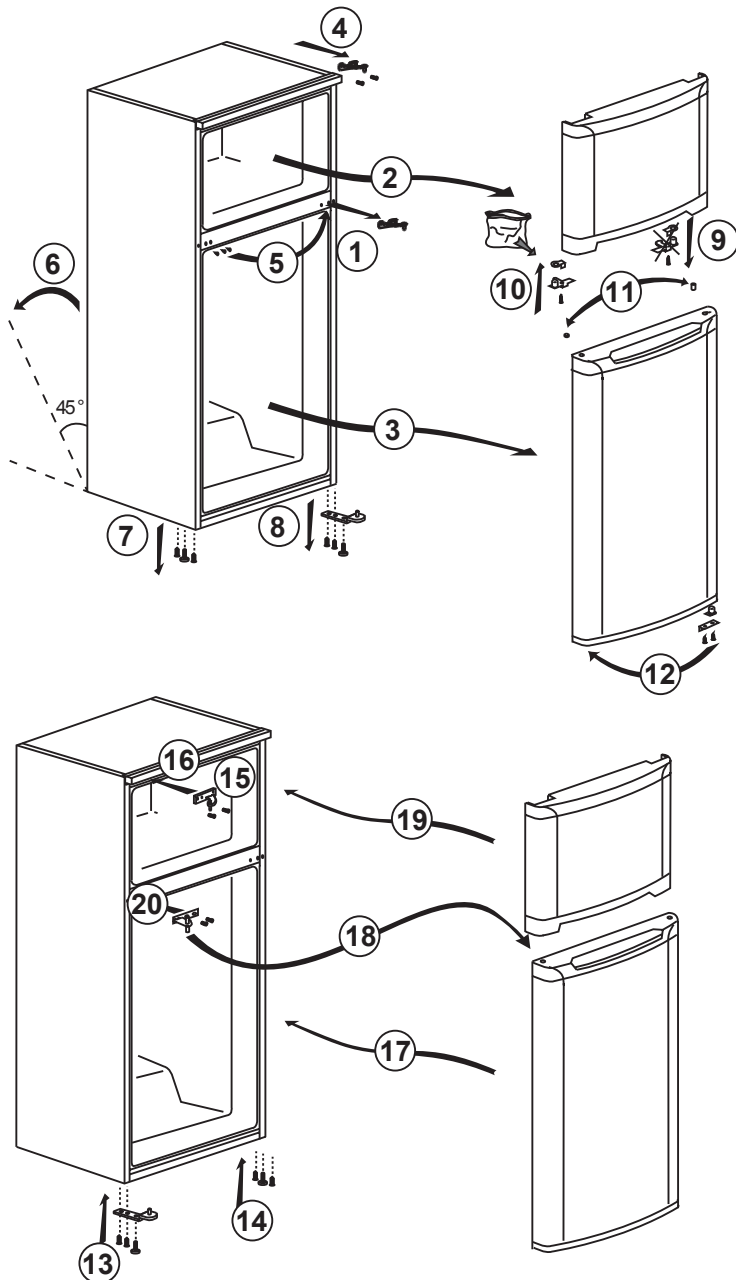
Procédez dans l'ordre numérique



L'installation

3.6. Réversibilité des portes

Procédez dans l'ordre numérique



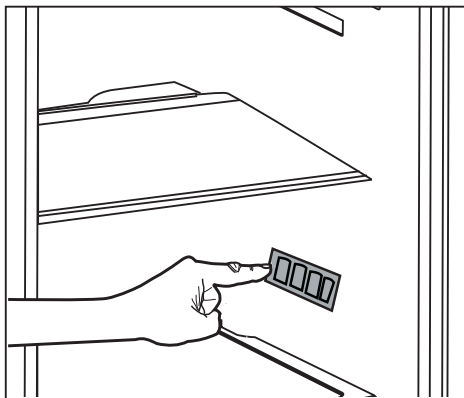
4.1. Ce qu'il faut faire pour la conservation d'énergie



La connexion du produit électronique sur les systèmes d'économie en énergie est préjudiciable, comme elle peut nuire au produit.

- Ne laissez pas les portes du produit ouvertes pour longtemps.
- Ne déposez pas d'aliment ou breuvage chaude dans le produit.
- Ne comblez pas le produit excessivement. Sa capacité de refroidissement chute, lorsque la circulation d'air dedans est empêchée.
- Déposez vos provisions dans des récipients fermés à l'intérieur du produit.
- Vous pouvez charger de vivres en quantité maximale au compartiment congélateur du produit en retirant la clayette du compartiment congélateur. La consommation énergétique déclarée du produit est déterminée, sans tenant la clayette du compartiment congélateur en compte et chargé au maximum de provisions. Il n'existe pas un inconvénient quant à l'utilisation de clayette et ce, en fonction de la forme et le volume des aliments à surgeler.
- Votre dégivrage des aliments surgelés au niveau du compartiment réfrigérant va non seulement assurer l'économie d'énergie mais aussi préserver la qualité des victuailles.
- Ce dispositif est conçu de la manière à pouvoir fonctionner aux températures d'ambiance allant jusqu'à 43 °C (90 °F). Il est doté du système électronique avancé de contrôle de température, assurant l'absence le dégel des provisions surgelés au congélateur, même si la température d'ambiance chute jusqu'à -15 °C'. Le produit NE DOIT PAS ETRE PLACE aux températures d'ambiance basses quand il est installé initialement.
- Les paniers/tiroirs fournis avec le compartiment rafraîchissement doivent être utilisés de manière continue pour une consommation énergétique minimale et de meilleures conditions de conservation.

- Le contact entre le capteur de température et les denrées alimentaires à l'intérieur du compartiment de congélation peut augmenter la consommation énergétique de l'appareil. Pour cette raison, les contacts avec les capteurs doivent être évités.
- Ne laissez pas les provisions contacter le capteur de température du compartiment réfrigérant, indiqué sur la figure en bas.



4.2. L'usage initial

Rassurez-vous que les préparations aptes aux consignes dans le chapitre "des consignes de sécurité et d'environnement" et "l'installation" sont exécutées, avant d'amorcer l'utilisation de votre réfrigérateur.

- Faites marcher le produit vide pendant 6 heures, sans y mettre des provisions et n'ouvrez pas la porte sans cela est strictement requise.



Vous allez entendre un son quand le compresseur se met en marche. Les fluides et gazes, foulés dans le système de refroidissement peut faire de bruit, même si le compresseur ne marche pas et c'est normal.



Les bords antérieurs du produit peuvent être chauds. C'est normal. Ces espaces sont conçues de façon à se chauffer afin de prévenir la condensation.

5 L'utilisation du produit

5.1. Le bouton de réglage de température

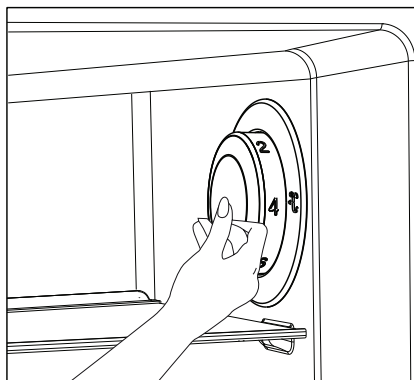
La température interne de votre réfrigérateur peut varier à cause des raisons, spécifiées ci-dessous:

- Les températures saisonnières,
- L'ouverture fréquente de sa porte et qu'elle reste dans cette position pour longtemps,
- Les mets, déposés dans votre réfrigérateur sans avoir été abaissé à la température ambiante,
- La position du réfrigérateur dans la chambre (tel qu'il soit exposé aux rayons solaires).
- Vous pouvez ajuster la température interne, variant du fait de telles raisons, à travers du bouton de réglage.

Les chiffres au voisinage du bouton de réglage indiquent les degrés de température en "°C".

Il est recommandé de se servir du bouton de réglage de température du réfrigérateur à la position de 4°C si la température ambiante est de 25°C.

Cette valeur peut être réduite ou bien accrue en fonction du besoin aux autres températures ambiantes.



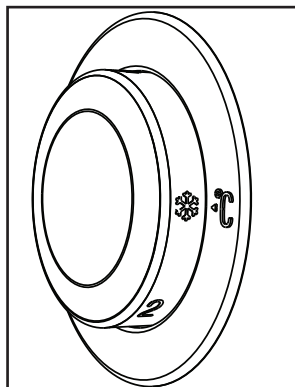
5.2. La surgélation

Ramenez le bouton de réglage de température à la position de (❄️) 24 heures avant de mettre les aliments dans le compartiment de surgélation, si vous désirez de surgeler d'aliments frais en grande quantité.

Il est recommandé de maintenir le bouton pour 24 heures au moins à cette position, afin de surgeler l'aliment frais en quantité maximale, spécifié en tant que la capacité de congélation.


Prêtez de l'attention particulière à ce que les aliments vendus comme surgelés et les aliments frais ne se mélangent pas.

N'oubliez pas de ramener le bouton de réglage de température à sa position précédente après que les provisions soient surgelées.



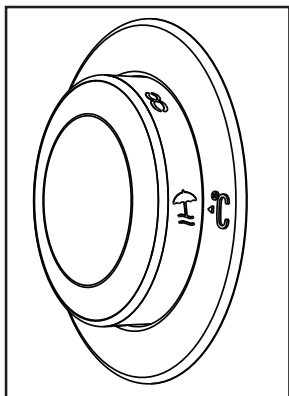
L'utilisation du produit

5.3. Le mode vacances

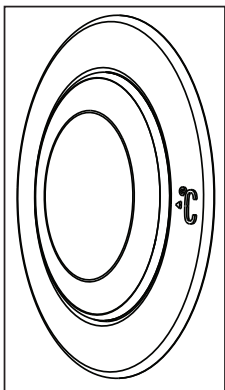
Le mode vacances va automatiquement intervenir, si les portes du produit ne sont pas ouvertes pour au moins 12 heures après que le bouton de réglage de température est ramené à la position la plus chaude ().

Le réglage de bouton doit être altéré afin d'invalider la fonction.

Il n'est pas recommandé de garder des aliments dans le compartiment réfrigérant lorsque le mode vacances est actif.



- Vous pouvez pourvoir que le bouton de réglage de température soit enfoui en poussant sur lui, après avoir achevé l'opération de réglage.



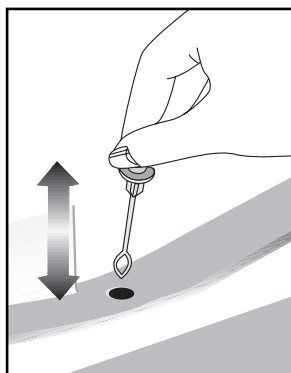
5.4. Le dégivrage

Des gouttelettes d'eau et du dépôt de glace allant jusqu'à 7-8 mm. de l'épaisseur se forment sur la paroi du compartiment réfrigérant, lors du refroidissement de votre réfrigérateur. Cette formation est normale en vertu du système de refroidissement.

La glace formée au niveau du compartiment réfrigérant est dégivrée aux intervalles réguliers grâce au système de dégivrage automatique, situé sur la paroi interne postérieure. De ce fait, il n'est pas nécessaire que la neige soit grattée et que gouttelettes d'eau soient déblayées par l'utilisateur.

L'eau accumulée en conséquence de la fonte coule vers le bol d'évaporation, se trouvant sur l'arrière de votre réfrigérateur et s'évapore là-bas d'elle-même.

L'eau déverse dans le bol d'évaporation à l'aide du tuyau d'évacuation, situé sur la paroi interne postérieure. Vérifiez si le tuyau d'évacuation ait obstruée ou non aux périodicités définies et désengorgez si bouché.



L'utilisation du produit



Le dégivrage n'est pas effectué automatiquement au niveau du compartiment congélateur afin que les aliments surgelés ne se détériorent pas. Les glaces formées dans le compartiment congélateur doit être dégivrées tous les 6 mois.

Il faut que vous arrêtez le fonctionnement de votre réfrigérateur au préalable pour l'opération de dégivrage. Pour ce faire, débranchez la fiche électrique de la prise.

Videz le compartiment congélateur. Conservez vos provisions surgelées dans une location fraîche au cours de l'opération de dégivrage.

La porte du compartiment congélateur doit être maintenue fermée lors du dégivrage.

Puisez et essuyez l'eau accumulée dans le compartiment congélateur avec un chiffon ou éponge absorbant, quand la glace formée soit entièrement fondue.

Rebranchez la fiche électrique afin de votre produit mettre en marche.



AVERTISSEMENT: N'utilisez surtout pas de matériaux tels que bougie, lampe à pétrole et chauffeferette pour accélérer le dégivrage au niveau de votre réfrigérateur.



Faites le marcher pour 2 heures en vide et les portes à la position fermées, avant de remettre vos provisions dans le compartiment congélateur.

5.5. Avertissement - Porte ouverte (Cette caractéristique est en option)

Un signal d'avertissement sonore retentit lorsque la porte du réfrigérateur reste ouverte pendant au moins 1 minute. Cet avertissement s'arrête en refermant la porte ou en appuyant sur n'importe quel bouton de l'affichage.

L'avertissement de 'la porte ouverte' est également montré à l'utilisateur visuel et audio. Si l'avertissement continue pendant 10 minutes, l'éclairage intérieure s'éteint.

L'utilisation du produit

5.6. Le bac à glaçons

- Retirez le bac à glaçons du compartiment congélateur.
- Remplissez le bac à glaçons avec de l'eau.
- Logez Le bac à glaçons dans le compartiment congélateur. Le glaçon est prêt dans approximativement deux heures.
- retirez le bac à glaçons du compartiment congélateur pliez –le légèrement sur le bol dans le quel vous allez servir les glaçons. Les glaçons seront aisément déversés dans le bol de service.

5.7. Le panier à œufs

Vous pouvez mettre le panier à œufs dans la porte ou clayette que vous préférez. Il est recommandé que les clayettes inférieures qui sont plus froides soient préférées si on va les mettre dans la clayette.

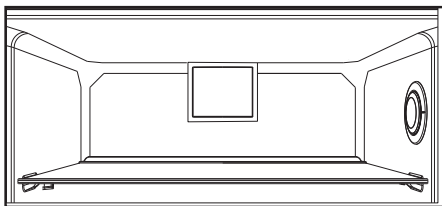


Ne placez le panier à œufs absolument pas dans le compartiment congélateur.

5.8. Le ventilateur

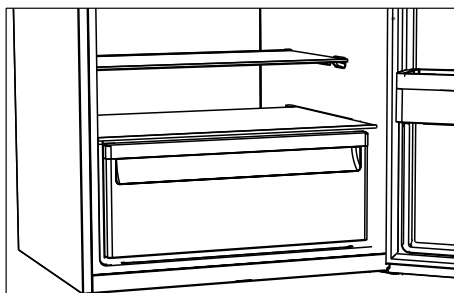
Le ventilateur est conçu afin d'assurer la diffusion et la circulation homogène de l'air fraîche à l'intérieur de votre réfrigérateur. Le délai de fonctionnement du ventilateur peut varier selon les caractéristiques de votre produit.

Tandis que le ventilateur marche uniquement de concert avec le compresseur au niveau de certains produits, le système de contrôle détermine le délai pour le quel il va marcher en fonction du besoin de refroidissement.



5.9. Le bac à légumes

Le bac à légumes du produit est conçu notamment pour la préservation fraîche des légumes, sans que celles-ci ne perdent leur moiteur. A cet effet, la circulation d'air froide est concentrée sur l'intégralité du bac à légumes.



Le nettoyage régulier du produit prolonge sa durée de vie.



AVERTISSEMENT: Débranchez l'alimentation avant de nettoyer le réfrigérateur.

- N'utilisez jamais d'outils pointus et abrasifs, de savon, de produits nettoyage domestiques, d'essence, de carburant, du cirage ou des substances similaires pour le nettoyage du produit.
- Faites dissoudre une cuillerée à café de bicarbonate dans de l'eau. Trempez un morceau de tissu dans cette eau et essorez-le. Nettoyez soigneusement l'appareil avec ce chiffon et ensuite avec un chiffon sec.
- Veillez à ne pas mouiller le logement de la lampe ainsi que d'autres composants électriques.
- Nettoyez la porte à l'aide d'un torchon humide. Retirez tous les aliments de l'intérieur afin de démonter la porte et les étagères du châssis. Relevez les étagères de la porte pour les démonter. Nettoyez et séchez les étagères, puis refixez-les en les faisant glisser à partir du haut.
- N'utilisez pas d'eau contenant du chlore, ou des produits de nettoyage pour les surfaces externes et les pièces chromées de l'appareil. Le chlore entraîne la corrosion de ce type de surfaces métalliques.
- Évitez d'utiliser des objets tranchants ou abrasifs, du savon, des produits ménagers de nettoyage, des détergents, de l'essence, du benzène, de la cire, ect. ; autrement, les marques sur les pièces en plastique pourraient s'effacer et les pièces elles-mêmes pourraient présenter des déformations. Utilisez de l'eau tiède et un torchon doux pour nettoyer et sécher.

6.1. Prévention des mauvaises odeurs

À sa sortie d'usine, cet appareil ne contient aucun matériau odorant. Cependant; la conservation des aliments dans des sections inappropriées et le mauvais nettoyage de l'intérieur peuvent donner lieu aux mauvaises odeurs.

Pour éviter cela, nettoyez l'intérieur à l'aide de bicarbonate dissout dans l'eau tous les 15 jours.

- Conservez les aliments dans des récipients fermés. Des micro-organismes peuvent proliférer des récipients non fermés et émettre de mauvaises odeurs.
- Ne conservez pas d'aliments périmés ou avariés dans le réfrigérateur.

6.2. Protection des surfaces en plastique

Si de l'huile se répand sur les surfaces en plastique, il faut immédiatement les nettoyer avec de l'eau tiède, sinon elles seront endommagées.

7 Dépannage

Parcourez la liste ci-après avant de contacter le service de maintenance. Cela devrait vous éviter de perdre du temps et de l'argent. Cette liste répertorie les plaintes fréquentes ne provenant pas de vices de fabrication ou des défauts de pièces. Certaines fonctionnalités mentionnées dans ce manuel peuvent ne pas exister sur votre modèle.

Le réfrigérateur ne fonctionne pas.

- La prise d'alimentation n'est pas bien fixée. >>> Branchez-la en l'enfonçant complètement dans la prise.
- Le fusible branché à la prise qui alimente l'appareil ou le fusible principal est grillé. >>> Vérifiez le fusible.

Condensation sur la paroi latérale du congélateur (MULTI ZONE, COOL, CONTROL et FLEXI ZONE).

- La porte est ouverte trop fréquemment >>> Évitez d'ouvrir trop fréquemment la porte de l'appareil.
- L'environnement est trop humide. >>> N'installez pas l'appareil dans des endroits humides.
- Les aliments contenant des liquides sont conservés dans des récipients non fermés. Conservez ces aliments dans des emballages scellés.
- La porte de l'appareil est restée ouverte. >>> Ne laissez pas la porte du réfrigérateur ouverte longtemps.
- Le thermostat est réglé à une température trop basse. >>> Réglez le thermostat à la température appropriée.

Le compresseur ne fonctionne pas.

- En cas de coupure soudaine de courant ou de débranchement intempestif, la pression du gaz dans le système de réfrigération de l'appareil n'est pas équilibrée, ce qui déclenche la fonction de conservation thermique du compresseur. L'appareil se remet en marche au bout de 6 minutes environ. Dans le cas contraire, veuillez contacter le service de maintenance.
- L'appareil est en mode dégivrage. >>> Ce processus est normal pour un appareil à dégivrage complètement automatique. Le dégivrage se déclenche périodiquement.
- L'appareil n'est pas branché. >>> Vérifiez que le cordon d'alimentation est connecté à la prise.
- Le réglage de température est inapproprié. >>> Sélectionnez le réglage de température approprié.
- Cas de coupure de courant. >>> L'appareil continue de fonctionner normalement dès le retour du courant.

Le bruit du réfrigérateur en fonctionnement s'accroît pendant son utilisation.

- Le rendement de l'appareil en fonctionnement peut varier en fonction des fluctuations de la température ambiante. Ceci est normal et ne constitue pas un dysfonctionnement.

Le réfrigérateur fonctionne fréquemment ou pendant de longues périodes.

Le dépannage

- Il se peut que le nouvel appareil soit plus grand que l'ancien. Les appareils plus grands fonctionnent plus longtemps.
- La température de la pièce est probablement élevée. Il est normal que l'appareil fonctionne plus longtemps lorsque la température de la pièce est élevée.
- L'appareil vient peut-être d'être branché ou chargé de nouveaux aliments. >>> L'appareil met plus longtemps à atteindre la température réglée s'il vient d'être branché ou récemment rempli d'aliments. Ce phénomène est normal.
- Il est possible que des quantités importantes d'aliments chauds aient été récemment placées dans l'appareil. >>> Ne placez pas d'aliments chauds dans votre appareil.
- Les portes étaient ouvertes fréquemment ou sont restées longtemps ouvertes. >>> L'air chaud circulant à l'intérieur de l'appareil le fera fonctionner plus longtemps. N'ouvrez pas les portes trop régulièrement.
- Le congélateur ou le réfrigérateur est peut-être resté entrouvert. >>> Vérifiez que les portes sont bien fermées.
- L'appareil peut être réglé à une température trop basse. >>> Réglez la température à un degré supérieur et patientez que l'appareil atteigne la nouvelle température.
- Le joint de la porte du réfrigérateur ou du congélateur peut être sale, usé, brisé ou mal positionné. >>> Nettoyez ou remplacez le joint. Si le joint de la porte est endommagé ou arraché, l'appareil mettra plus de temps à conserver la température actuelle.

La température du réfrigérateur est très basse, alors que celle du congélateur est appropriée.

- La température du compartiment congélateur est réglée à un degré très bas. >>> Réglez la température du compartiment congélateur à un degré supérieur et procédez de nouveau à la vérification.

La température du réfrigérateur est très basse, alors que celle du congélateur est appropriée.

- La température du compartiment réfrigérateur est réglée à un degré très bas. >>> Réglez la température du compartiment congélateur à un degré supérieur et procédez de nouveau à la vérification.

Les aliments conservés dans le compartiment réfrigérateur sont congelés.

- La température du compartiment réfrigérateur est réglée à un degré très bas. >>> Réglez la température du compartiment congélateur à un degré supérieur et procédez de nouveau à la vérification.

La température du compartiment réfrigérateur ou congélateur est très élevée.

Le dépannage

- La température du compartiment réfrigérateur est réglée à un degré très élevé. >>> Le réglage de la température du compartiment réfrigérateur a un effet sur la température du compartiment congélateur. Patientez que la température des parties concernées atteigne le niveau suffisant en changeant la température des compartiments réfrigérateur et congélateur.
- Les portes étaient ouvertes fréquemment ou sont restées longtemps ouvertes. >>> N'ouvrez pas les portes trop régulièrement.
- La porte est peut-être restée ouverte. >>> Fermez hermétiquement la porte du réfrigérateur.
- L'appareil vient peut-être d'être branché ou chargé de nouveaux aliments. >>> Ce phénomène est normal. L'appareil met plus longtemps à atteindre la température réglée s'il vient d'être branché ou récemment rempli d'aliments.
- Il est possible que des quantités importantes d'aliments chauds aient été récemment placées dans l'appareil. >>> Ne placez pas d'aliments chauds dans votre appareil.

En cas de vibrations ou de bruits.

- Le sol n'est pas plat ou stable. >>> Si l'appareil n'est pas stable, ajustez les supports afin de le remettre en équilibre. Vérifiez également que le sol est assez solide pour supporter le poids de l'appareil.
- Des éléments placés dans le réfrigérateur pourraient faire du bruit. >>> Veuillez les retirer.

L'appareil émet un bruit d'écoulement de liquide ou de pulvérisation, etc.

- Le fonctionnement de l'appareil implique des écoulements de liquides et des émissions de gaz. >>> Ce phénomène est normal et ne constitue pas un dysfonctionnement.

L'appareil émet un sifflement.

- L'appareil effectue le refroidissement à l'aide d'un ventilateur. Ceci est normal et ne constitue pas un dysfonctionnement.

Les parois internes de l'appareil présentent une condensation.

- Un climat chaud ou humide accélère le processus de givrage et de condensation. Ceci est normal et ne constitue pas un dysfonctionnement.
- Les portes étaient ouvertes fréquemment ou sont restées longtemps ouvertes. >>> N'ouvrez pas les portes trop fréquemment ; fermez-les lorsqu'elles sont ouvertes.
- La porte est peut-être restée ouverte. >>> Fermez hermétiquement la porte du réfrigérateur.

Il y a de la condensation sur les parois externes ou entre les portes de l'appareil.

- Il se peut que le climat ambiant soit humide, auquel cas cela est normal. >>> La condensation se dissipe lorsque l'humidité baisse.

Présence d'une odeur désagréable dans l'appareil.

- • L'appareil n'est pas nettoyé régulièrement. >>> Nettoyez régulièrement l'intérieur du réfrigérateur en utilisant une éponge, de l'eau chaude et du bicarbonate.
- • Certains récipients et matériaux d'emballage sont peut-être à l'origine de mauvaises odeurs. >>> Utilisez des récipients et des emballages exempts de toute odeur.
- • Les aliments ont été placés dans des récipients non fermés. >>> Conservez les aliments dans des récipients fermés. Les micro-organismes pourraient se propager sur les produits alimentaires non fermés et émettre de mauvaises odeurs. Retirez tous les aliments périmés ou avariés de l'appareil.

La porte ne se ferme pas.

Le dépannage

- Des emballages d'aliments peuvent bloquer la porte. >>> Déplacez tout ce qui bloque les portes.
- L'appareil ne se tient pas parfaitement droit sur le sol. >>> Ajustez les pieds afin de remettre l'appareil en équilibre.
- Le sol n'est pas plat ou stable. >>> Assurez-vous que le sol est plat et assez solide pour supporter le poids de l'appareil.

Le bac à légumes est engorgé.

- Il est possible que les aliments soient en contact avec la section supérieure du tiroir. >>> Reclasser les aliments dans le tiroir.

Si La Surface De L'appareil Est Chaude

- Vous pouvez observer une élévation de la température entre les deux portes, sur les panneaux latéraux et au niveau de la grille arrière pendant le fonctionnement de l'appareil. Ce phénomène est normal et ne nécessite aucune opération d'entretien !



AVERTISSEMENT : Si le problème persiste même après observation des instructions contenues dans cette partie, contactez votre fournisseur ou un service de maintenance agréé. N'essayez pas de réparer l'appareil de vous-même.

- لا يتم تنظيف الجهاز بانتظام. <<< نظف الجزء الداخلي بانتظام مستخدماً إسفنجة وماء دافئ وماء مكرين.
- قد تتسبب بعض المستويات ومواد التغليف بالروائح. <<< استخدم المستويات ومواد التغليف الخالية من الروائح.
- تم وضع الطعام في مستويات غير محكمة الإغلاق. <<< احتفظ بالأطعمة في مستويات محكمة الإغلاق. قد تنتشر الميكروبات من الأطعمة غير المغلقة مسببة الروائح الكريهة.
- تخلص من أية أطعمة فاسدة أو منتهية الصلاحية داخل الجهاز.

الباب لا يغلق.

- تسد أغلفة الطعام الباب أحياناً. <<< غير مكان الأطعمة التي تسد الأبواب.
- لا يقف الجهاز بوضع رأسي كامل على الأرض. <<< اضبط القواعد لموازنة الجهاز.
- الأرض غير مستوية أو متينة. <<< تأكد أن الأرض مستوية ومتينة لدرجة تحمل الجهاز.

سلة الخضار عالقة.

- ربما تلامس الأطعمة الجزء العلوي من الجارور. <<< أعد ترتيب الأطعمة في الجارور.

إذا كان سطح المنتج ساخناً

- قد يلاحظ ارتفاع درجات الحرارة بين البابين، وعلى الألواح الجانبية والشوابة الخلفية أثناء تشغيل المنتج، وهذا طبيعي ولا يعد ذلك عيباً يتطلب الصيانة. كن حذراً عند لمس هذه الأماكن.

تحذير: إن استمرت المشكلة بعد اتباع تعليمات هذا القسم، اتصل بالبائع أو بمركز خدمة معتمد، لا تحاول إصلاح الجهاز.



- تم ضبط درجة حرارة حجرة المبرد على درجة عالية جداً. <<< يؤثر إعداد درجة حرارة حجرة المبرد على درجة حرارة حجرة المجمد. قم بتغيير درجة حرارة حجرة المبرد أو المجمد وانتظر حتى تصل الحجرات إلى مستوى درجة الحرارة المرغوبة.
- تم فتح الأبواب كثيراً أو تركت مفتوحة لفترات طويلة. <<< لا تفتح الأبواب كثيراً.
- ربما يكون الباب موارباً. <<< أغلق الباب كلياً.
- ربما تم توصيل الجهاز بالكهرباء مؤخرًا أو تم وضع صنف طعام جديد داخله. <<< هذا أمر طبيعي. يستغرق الجهاز فترة أطول لبلوغ درجة الحرارة المعينة عند توصيله بالكهرباء حديثاً أو عند وضع صنف طعام جديد داخله.
- ربما تم وضع كميات كبيرة من الطعام الساخن في الجهاز مؤخرًا. <<< لا تضع الطعام الساخن داخل الجهاز.

الاهتزاز أو الضجيج.

- الأرض غير مستوية أو متينة. <<< إذا كان الجهاز يهتز عند تحريكه ببطء، اضبط القواعد لموازنة الجهاز. تأكد أن الأرض متينة لدرجة تحمل الجهاز.
- قد تحدث أية مواد موضوعة على الجهاز ضجيجاً. <<< قم بإزالة أية مواد وضعت على الجهاز.

يصدر الجهاز ضجيجاً يشبه تدفق السوائل، أو الرش، الخ.

ينخلل مبادئ تشغيل الجهاز تدفق السائل والغاز. <<< هذا أمر طبيعي ولا يعتبر عطلاً.

هناك صوت كهبوب الرياح يأتي من الجهاز.

- يستخدم الجهاز مروحة في عملية التبريد. هذا أمر طبيعي ولا يعتبر عطلاً.

هناك تكاثف على الجدران الداخلية للجهاز.

- يزيد الطقس الحار أو الرطب من تشكل الصقيع والتكاثف. هذا أمر طبيعي ولا يعتبر عطلاً.
- تم فتح الأبواب كثيراً أو تركت مفتوحة لفترات طويلة. <<< لا تفتح الأبواب كثيراً؛ إذا كانت مفتوحة، أغلقها.

- ربما يكون الباب موارباً. <<< أغلق الباب كلياً.

هناك تكاثف على السطح الخارجي للجهاز أو بين الأبواب.

- ربما يكون جو المكان رطباً، وهذا أمر طبيعي في الجو الرطب. <<< سيبتدئ التكاثف عندما تقل الرطوبة.

رائحة الجزء الداخلي سيئة.

- ربما يكون المنتج الجديد أكبر من المنتج السابق. تعمل الأجهزة الأكبر فترات زمنية أطول.
- ربما تكون درجة حرارة الغرفة عالية. <<< يعمل الجهاز فترات طويلة في درجات الحرارة العالية.
- ربما تم توصيل الجهاز بالكهرباء مؤخرًا أو تم وضع صنف طعام جديد داخله. <<< يستغرق الجهاز فترة أطول لبلوغ درجة الحرارة المعينة عند توصيله بالكهرباء حديثًا أو عند وضع صنف طعام جديد داخله. هذا أمر طبيعي.

- ربما تم وضع كميات كبيرة من الطعام الساخن في الجهاز مؤخرًا. <<< لا تضع الطعام الساخن داخل الجهاز.

- تم فتح الأبواب كثيرا أو تركت مفتوحة لفترات طويلة. <<< يتسبب الهواء الساخن المتحرك في الداخل في عمل الجهاز فترة أطول. لا تفتح الأبواب كثيرا.

- ربما يكون باب المجمد أو المبرد مواربا. <<< تأكد أن الأبواب مغلقة كليا.

- ربما يكون الجهاز مضبوط على درجة حرارة متدنية جدا. <<< اضبط درجة الحرارة على درجة أعلى وانتظر حتى يصل الجهاز إلى درجة الحرارة المرغوبة.

- ربما تكون فلake باب المبرد أو المجمد متسخة، أو مهترئة أو مكسورة أو غير مستقرة. <<< نظف أو استبدل الفلكة. تتسبب فلake الباب التالفة/المهترئة في عمل الجهاز لفترات طويلة للحفاظ على درجة الحرارة الحالية.

- درجة حرارة المجمد منخفضة جدا، لكن درجة حرارة المبرد ملائمة.

- تم ضبط درجة حرارة حجرة المجمد على درجة متدنية جدا. <<< اضبط درجة حرارة حجرة المجمد على درجة أعلى وافحص مرة أخرى.

- درجة حرارة المبرد منخفضة جدا، لكن درجة حرارة المجمد ملائمة.

- تم ضبط درجة حرارة حجرة المبرد على درجة متدنية جدا. <<< اضبط درجة حرارة حجرة المبرد على درجة أعلى وافحص مرة أخرى.

- الأطعمة المحفوظة في جوارير حجرة المبرد متجمدة.

- تم ضبط درجة حرارة حجرة المبرد على درجة متدنية جدا. <<< اضبط درجة حرارة حجرة المجمد على درجة أعلى وافحص مرة أخرى.

- درجة الحرارة في المبرد أو المجمد عالية جدا.

يتناقصا زكرمبل لاصتلا لبق تمناقلا مذهب ققحت تمناقلا مذهب نمضنت. لاملاو تقولا ريفوت لكذ نأش نم لا دقو. داوملا وأمعانصلا بويعد تطبترت لما ريغ وواكشلا لجزاهجى لء انه ؤروكذم تنيعم تامساق بطنت.

الثلاجة لا تعمل.

- قابس الطاقة غير مستقر كليا. <<< ادفعه بحيث يستقر في المقبس كليا.
- الصمام الموصل بالمقبس الذي يزود الجهاز بالطاقة أو الصمام الرئيسي تالف. <<< افحص الصمامات.

هناك تكاثف على جانب جدار حجرة المبرد (المنطقة المتعددة، منطقة التبريد، التحكم والمنطقة المرنة).

- المكان بارد جدا. <<< لا تضع الجهاز في أماكن تقل فيها درجة الحرارة عن 5- درجة مئوية.
- يتم فتح الباب كثيرا <<< تجنب فتح باب الثلاجة كثيرا.
- المكان رطب جدا. <<< لا تضع الجهاز في أماكن رطبة.

- الأطعمة المحتوية على سوائل تحفظ في مستويات غير محكمة الإغلاق. <<< احتفظ بالأطعمة المحتوية على سوائل في مستويات محكمة الإغلاق.

- ترك الباب مفتوحا. <<< لا تدع أبواب الثلاجة مفتوحة لفترات طويلة.

- تم ضبط الثيرموستات على درجات متدنية جدا. <<< اضبط الثيرموستات على درجة حرارة مناسبة.

الضاغط لا يعمل.

- في حال حدوث انقطاع مفاجئ في التيار الكهربائي أو سحب قابس الطاقة وإعادته مرة أخرى، يصبح ضغط الغاز في نظام تبريد الجهاز غير متوازن، مما يفعل الواقي الحراري للضاغط. يعمل المنتج من جديد بعد 6 دقائق تقريبا. إذا لم يعمل الجهاز بعد هذه الفترة، اتصل بمركز الصيانة.

- إزالة الجليد غير نشطة. <<< هذا أمر طبيعي في جهاز مقاوم للصقيع تلقائيا. تتم إزالة الجليد دوريا.
- الجهاز غير موصل بالكهرباء. <<< تأكد أن سلك الطاقة موصل بالكهرباء.

- إعداد درجة الحرارة غير صحيح. <<< اختر إعدادا صحيحا لدرجة الحرارة.

- لا يوجد تيار كهربائي. <<< يستمر الجهاز بالعمل بشكل طبيعي حال عودة الطاقة.

يزداد ضجيج تشغيل الثلاجة أثناء الاستعمال.

- وقد يتباين أداء عمل الجهاز بناء على تغيرات درجة حرارة المكان. هذا أمر طبيعي ولا يعتبر عطلا.

تعمل الثلاجة لفترة زمنية طويلة.

- لا تستخدم الماء المحتوي على الكلور أو منتجات التنظيف على السطح الخارجي والأجزاء المطلية بالكروم من الجهاز. يسبب الكلور الصدا على هذه الأسطح المعدنية.
- لا تستخدم الأدوات الحادة والكاشطة أو الصابون، أو مواد التنظيف المنزلية، المنظفات، البنزين، الشمع، الخ، وإلا سنزول الأختام على الأجزاء البلاستيكية ويحدث تشوه. استخدم ماء فاترا وقماشة ناعمة للتنظيف والتجفيف.

تحذير: افصل التيار الكهربائي قبل تنظيف الثلاجة.



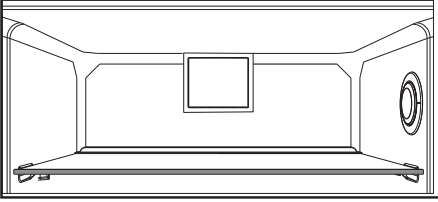
- لا تستخدم الأدوات الحادة والكاشطة، والصابون، مواد التنظيف، المنظفات، الغاز، البنزين، مواد التلميع والمواد المماثلة للتنظيف.
- قم بإذابة معلقة طعام من الكربونات في الماء. بلل قطعة قماش في الماء واعصرها. امسح الجهاز بهذه القماشة وجففه كلياً.
- في غير المنتجات التي تمنع تكون الثلج (No Frost)، يتساقط الماء ويمكن أن يتراكم الثلج بمقدار يصل إلى عرض الإصبع على الجدار الخلفي الداخلي لصندوق الثلاجة. لا تنظفه، ولا تستعمل مطاقاً النفط أو عوامل مماثلة عليه.
- استخدم فقط قطعة قماش من الأنسجة دقيقة رطبة قليلاً لتنظيف السطح الخارجي للمنتج. قد يחדش الإسفنج والأنواع الأخرى من أقمشة التنظيف سطح المنتج.
- احرص على إبعاد الماء عن غطاء المصباح والأجزاء الكهربائية الأخرى.
- نظف الباب بواسطة قماشة رطبة. أخرج جميع المواد الموجودة في الداخل لفصل الباب ورفوف الهيكل. ارفع رفوف الباب للفصل. نظف الرفوف وجففها، ثم ركبها في مكانها ثانية بتمريرها من الأعلى.

6.1 منع الروائح الكريهة

- تم تصنيع المنتج من مواد خالية من الروائح. إلا أن الاحتفاظ بالطعام في أقسام غير ملائمة وتنظيف الأسطح الداخلية بطريقة خاطئة قد يتسبب بالروائح الكريهة.
 - لتجنب ذلك. نظف الجزء الداخلي بماء مكرين كل 15 يوماً.
 - احتفظ بالأطعمة في مستويات مغلقة. قد تنتشر الميكروبات من الأطعمة غير المغلقة مسببة الروائح الكريهة.
 - لا تترك الأطعمة التالفة ومنتھية الصلاحية في الثلاجة.
- ## 6.2 حماية الأسطح البلاستيكية
- قد يتلف الزيت المنسكب على الأسطح البلاستيكية السطح. لذا يجب تنظيفه بالماء الساخن فوراً.

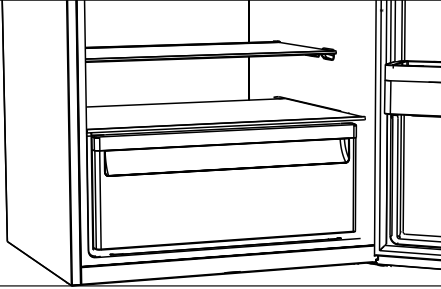
5.8 المروحة

تم تصميم المروحة لضمان توزيع الهواء البارد في الثلاجة بالتساوي. قد يتباين زمن تشغيل المروحة بناءً على مواصفات جهازك.
وفي حين تعمل المروحة في بعض الأجهزة مع الضاغط فقط، يحدد نظام التحكم في بعض المنتجات زمن عملها طبقاً لمتطلبات التبريد.



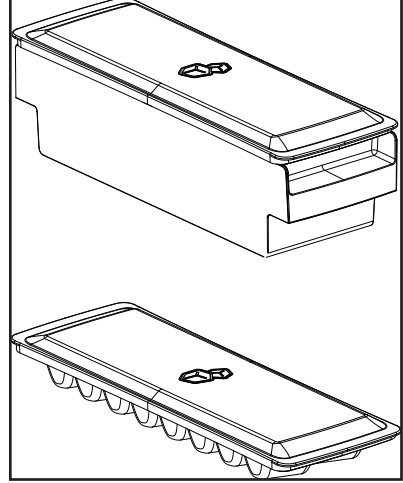
5.9 رف المواد الهشة

تم تصميم هذا الرف لحماية الخضروات نضرة دون فقدان رطوبتها. لهذا الغرض، يتم تركيز توزيع الهواء البارد في جميع أجزاء الرف.



5.6 علبة الثلج

- أخرج مستوعب الثلج من حجرة المجمد.
- املا العلبة بالماء.
- ضع علبة الثلج في حجرة المجمد. سيكون الثلج جاهزاً بعد ساعتين تقريباً.
- أخرج علبة الثلج من الحجرة وقم بثنيه قليلاً فوق غطاء الثلج الذي ستقدم فيه الثلج. يتم سكب الثلج في غطاء التقديم بسهولة.



5.7 طبق البيض

يمكنك وضع طبق البيض على رف الباب أو الهيكل الذي تريد. إذا أردت وضعه على رف الهيكل، يوصى باستخدام الرفوف الباردة السفلية.

لا تضع علبة الثلج في حجرة المجمد أبداً.



5.5 تحذير فتح الباب (هذه الميزة اختيارية)

تصدر إشارة تحذير صوتية عند ترك باب جهازك مفتوحاً لمدة دقيقة واحدة على الأقل. يتوقف التحذير عند إغلاق الباب أو عند الضغط على أي من أزرار الشاشة (إن وجدت).
ينطلق تحذير فتح الباب بشكل مرئي ومسموع. إذا استمر التحذير لمدة 10 دقائق، تنطفئ الأضواء الداخلية.

عند ذوبان كل الثلج المتشكل، قم بإزالة الماء المجمع في حجرة المجمد بـمأشاة أو اسفنجة ماصة وجففها.
لتشغيل الجهاز، أعد توصيل قابس الطاقة.

تحذير: لتسريع إزالة الصقيع في الثلاجة، لا تستخدم مواد مثل الشمع أو مصابيح الغاز أو المدافئ.

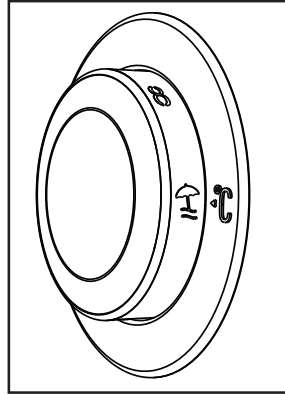


قبل إعادة أطعمتك إلى حجرة المجمد، شغل الجهاز بحيث تكون الأبواب مغلقة وفارغة.



5.3 وظيفة العطلة

إذا لم يتم فتح أبواب الثلاجة لمدة 12 ساعة على الأقل بعد ضبط قرص تعديل درجة الحرارة على الوضع الأسخن (I)، يتم تفعيل وظيفة العطلة تلقائياً. لإلغاء هذه الوظيفة، يجب تغيير ضبط القرص. عندما تكون وظيفة العطلة نشطة، لا يوصى بتخزين الطعام في حجرة المبرد.



• بعد انتهاء عملية التعديل، يمكنك إخفاء قرص تعديل درجة الحرارة بالضغط عليه.

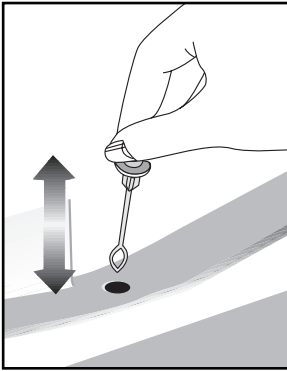
5.4 إذابة الثلج

أثناء إزالة الصقيع من ثلاجتك، تتشكل قطرات الماء والثلج بسماكة 7-8 مم على الجدار الخلفي الداخلي لحجرة الثلاجة. هذا التشكل الطبيعي بسبب نظام التبريد.

تتم إذابة الثلج المتكون في حجرة الثلاجة بفترات منتظمة بواسطة النظام الآلي لإزالة الصقيع المودود في الجدار الداخلي الخلفي. لذا، ليس هناك حاجة لكشط الثلج وتنظيف قطرات الماء بواسطة المستخدم.

إن الماء المتكون بعد ذوبان الثلج يتدفق إلى طبق البخر على ظهر ثلاجتك ويتبخر هناك على الفور.

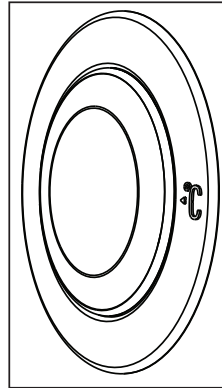
يتدفق الماء إلى طبق البخر عبر أنبوب تصريف موجود في الجدار الداخلي الخلفي. تحقق ما إذا كان أنبوب التصريف مسدوداً خلال فترات زمنية معينة وافتحه إن كان كذلك.



لتجنب تلف الأطعمة المجمدة في حجرة المدمد، لا يتم إجراء إزالة الصقيع تلقائياً. يجب إزالة الثلج المتكون في حجرة المجمد كل 6 أشهر.



من الضروري فيما يتعلق بعملية إزالة الصقيع إيقاف الثلاجة عن العمل. اسحب قابس الطاقة للقيام بذلك. أفرغ حجرة المجمد. احتفظ بالطعام المجمد في مكان بارد أثناء عملية إزالة الثلج. يجب إبقاء باب حجرة المجمد مغلقاً أثناء عملية إزالة الصقيع.

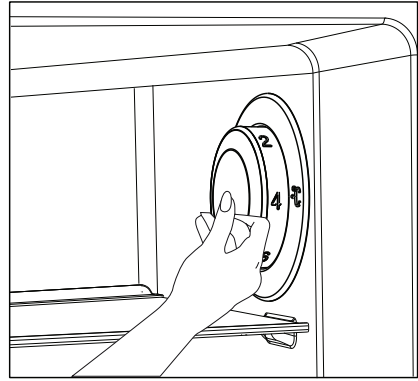


5.1 قرص تعديل درجة الحرارة

تتباين درجة الحرارة الداخلية لثلاجتك بسبب الأسباب التالية:

- درجات الحرارة الموسمية،
- فتح الباب كثيرا وبقاء الباب مفتوحا لفترة طويلة.
- وضع الأطباق في الثلاجة ساخنة قبل أن تبرد إلى درجة حرارة الغرفة،
- مكان الثلاجة في الغرفة (مثل التعرض لأشعة الشمس).
- يمكنك ضبط درجة الحرارة الداخلية التي تتباين طبقا لهذه الأسباب بواسطة قرص التعديل.
- تظهر الأرقام حول قرص التعديل درجة الحرارة كـ "C".

إذا كانت درجة حرارة المحيط 25 مئوية، يوصى باستخدام قرص تعديل درجة الحرارة عند 4 مئوية. في درجات الحرارة الأخرى، يمكن زيادة هذه القيمة أو تقليلها حسب الحاجة.

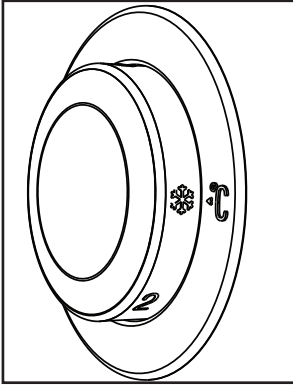


5.2 التجميد السريع

إذا أردت تجميد كميات كبيرة من الطعام الطازج، حرك قرص تعديل درجة الحرارة إلى الوضع (❄️) قبل 24 ساعة من وضع الطعام في حجرة التجميد السريع.

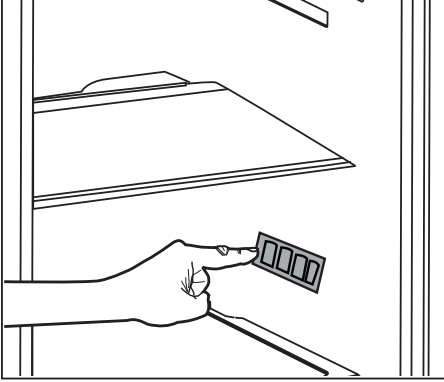
لتجميد أقصى كمية طعام طازج كما هو محدد، يوصى ببقاء القرص في هذا الوضع لمدة 24 ساعة على الأقل. احذر وانتبه وتجنب مزج الطعام المجمد المباع والطعام الطازج.

حال تجميد الطعام، تذكر إعادة قرص تعديل درجة الحرارة إلى وضعه السابق.



4.1 الإجراءات اللازمة لتوفير الطاقة

يسبب توصيل الجهاز بنظام توفير الطاقة الإلكتروني أضراراً، فقد يتلف المنتج.



4.2 الاستعمال الأول

قبل استخدام ثلاجتك، تأكد من إجراء الإعدادات الضرورية انسجاماً مع التعليمات المذكورة في أقسام "تعليمات السلامة والبيئة" و"التركيب".
دع الجهاز يعمل بدون طعام في الداخل لمدة 6 ساعات ولا تفتح الباب، إلا إذا كان ذلك ضرورياً للغاية.

ستسمع صوتاً عندما يعمل الضاغط قد تصدر السوائل والغازات المضغوطة في نظام التبريد صوتاً حتى إذا كان الضاغط لا يعمل ويعتبر هذا الصوت طبيعياً.

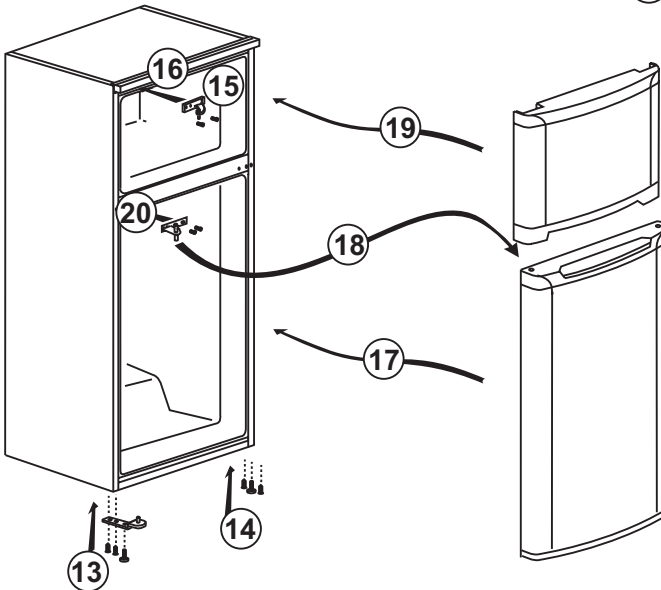
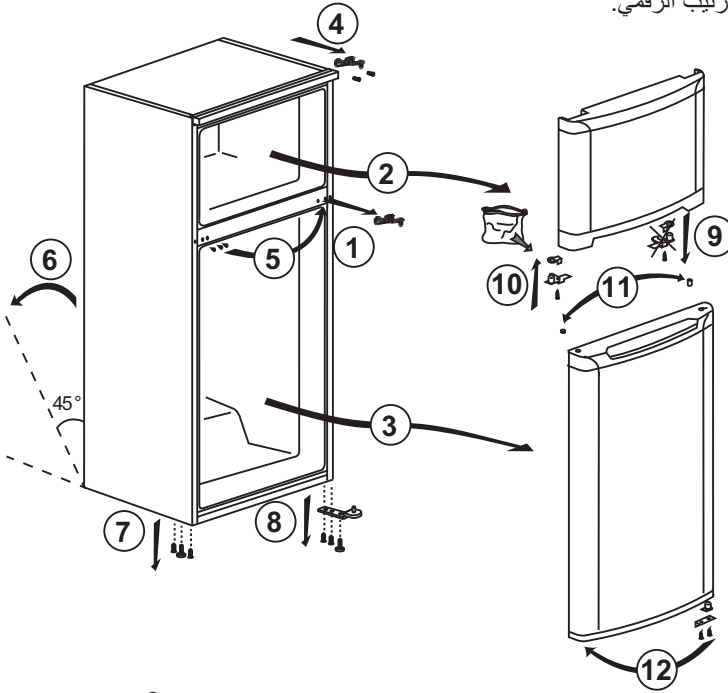


قد تصبح حواف المنتج ساخنة. هذا أمر طبيعي. تم تصميم هذه الأجزاء بحيث تسخن لمنع التكدس.



- لا تدع أبواب الجهاز مفتوحة لفترة طويلة.
- لا تضع الأطعمة أو المشروبات الساخنة في الجهاز.
- لا تملأ الجهاز بشكل مفرط عند تقليل توزيع الهواء الداخل، تتم إعاقة قدرة تبريده.
- ضع الطعام في الجهاز بمستويات مغلقة.
- يمكنك تخزين أقصى كمية من الأطعمة في حجرة المجمد عند فك رف المجمد. تم تحديد قيمة استهلاك الطاقة للجهاز بإزالة رف المجمد وتحت أقصى حمولة للطعام. ليس هناك من ضرر في استخدام الرف طبقاً لشكل وحجم الطعام المراد تجميده.
- توفر إذابة الطعام المجمد في حجرة المبرد توفيراً للطاقة وتحافظ على جودة الطعام.
- تم تصميم الجهاز للعمل بدرجة حرارة محيط حتى 43 مئوية (90 فهرنهايت). وهو مزود بنظام إلكتروني متقدم للتحكم بدرجة الحرارة بما يسمح بالاحتفاظ في الطعام المجمد في بدون صقيع حتى عندما تقل درجة الحرارة إلى 15- مئوية. عند تركيب الجهاز لأول مرة، لا يجب وضع الجهاز في درجات حرارة متدنيتين.
- يجب استخدام السلال/الجوارير التي تزود مع حجرة التبريد دائماً لتقليل استهلاك الطاقة ومن أجل ظروف تخزين أفضل.
- إن احتكاك الطعام مع مجس درجة الحرارة في حجرة المجمد قد يزيد من استهلاك الطاقة في الجهاز. لذا يجب تجنب الاحتكاك مع المجس.
- لا تدع الأطعمة تلامس مجس درجة حرارة حجرة المبرد في الشكل أدناه.

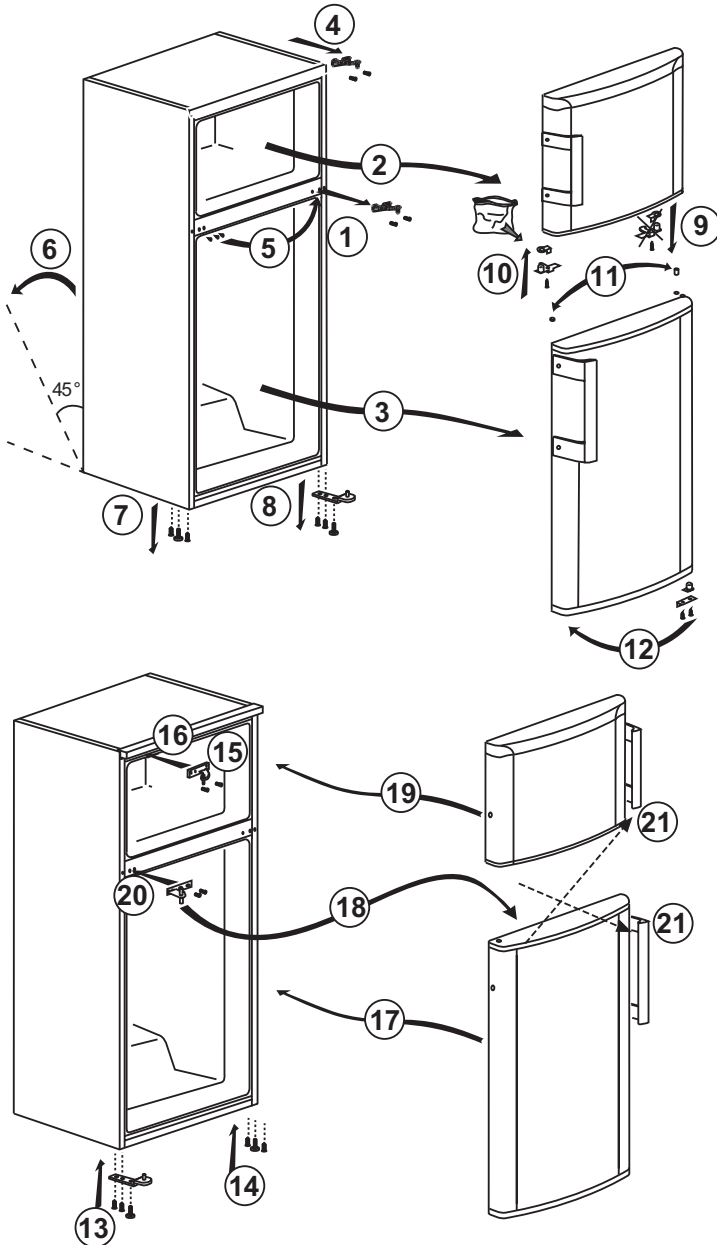
تابع حسب الترتيب الرقمي.



التركيب

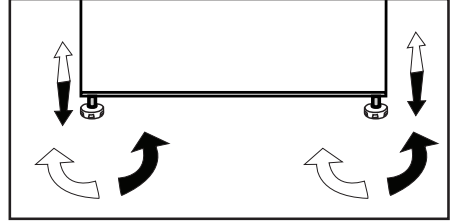
3.5 قلب الأبواب

تابع حسب الترتيب الرقمي.



3.2 ضبط الأقدام

إذا كان المنتج غير مستقر في مكانه، اضبطه بإدارة أقدام التعديل الأمامية إلى اليمين أو اليسار.



3.3 التوصيل الكهربائي

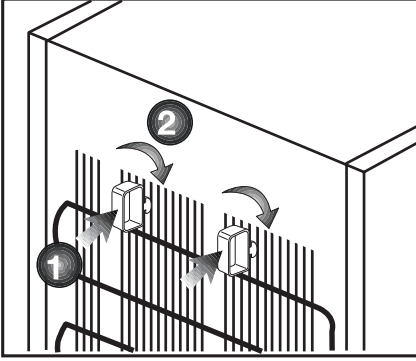
تحذير: لا تستخدم أسلاك التطويل أو مقابس متعددة.	
تحذير: يجب استبدال كبل الطاقة التالف بواسطة خدمة الصيانة المعتمدة.	
إذا تم وضع ثلاجتين جنباً إلى جنب، يجب ترك فراغ 4 سم بينهما.	

- لا تتحمل شركتنا المسؤولية عن الأضرار التي تقع عند استخدام المنتج دون تأريض أو توصيلات كهربائية وفق الأنظمة الوطنية.
- يجب أن يكون قابس سلك الطاقة سهل الوصول بعد التركيب.
- لا تستخدم قابساً متعدد المجموعات مع أو بدون كبل تطويل بين مقبس الجدار والثلاجة.

3.4 تغيير اتجاه فتح الباب n

حذف ماجتا ريبغتن كميد، أهمدختستد ي تلا تميقلا إلى لع عانب لاصتلا إلى جري، كلذ إلى لاجتحت امدنع. بةجلاتلا باب دمتعم تمذخر كم برفأب.

- ضع وتدين بلاستيكيين كما هو موضح بالأسفل. إن الهدف من الأوتاد البلاستيكية هو إبقاء المسافة التي ستضمن توزيع الهواء بين الثلاجة والجدار. (تم رسم الصورة أعلاه كتوضيح وهي غير مطابقة للجهاز).



- قع مكثف الثلاجة في الخلف. لزيادة فعالية الطاقة بتقليل استهلاك الطاقة، يجب سحب الجزء العلوي من المكثف خلف الجهاز للخلف وقلبه كما يوضح الشكل. عند سحب المكثف، يتم قفل المثبتين الأيمن والأيسر ويتم تثبيت مكان المكثف. يوضح الشكل. عند سحب المكثف، يتم قفل المثبتين الأيمن والأيسر ويتم تثبيت مكان المكثف.

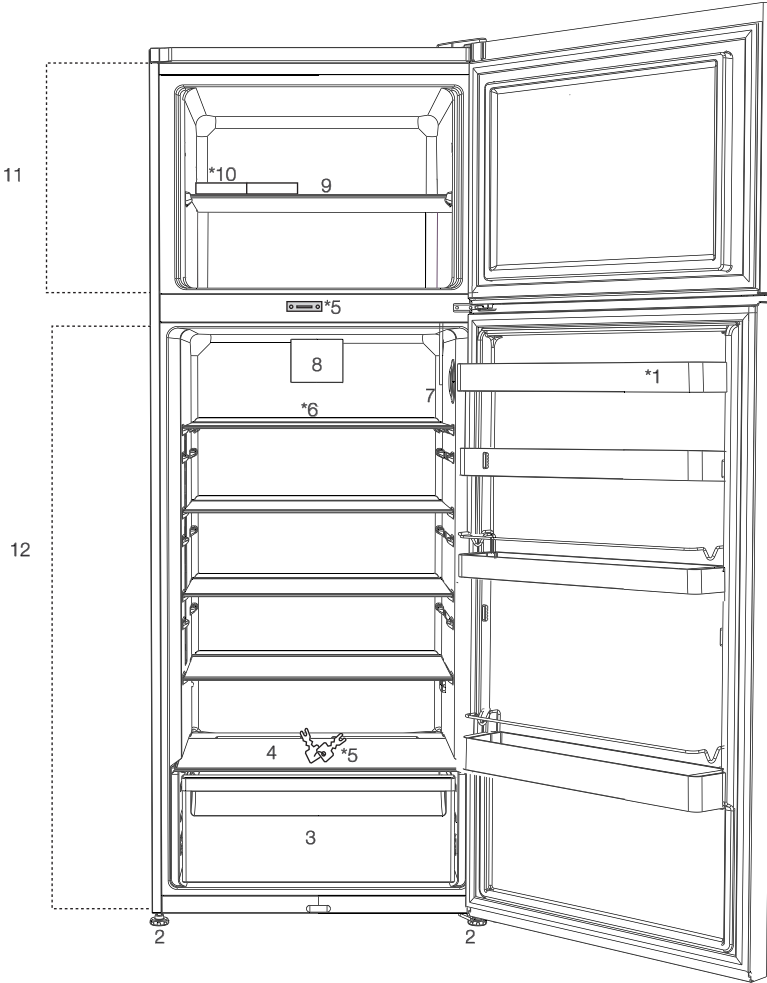


3.1 المكان المناسب للتركيب

اتصل بمزود الخدمة المعتمد لتركيب الجهاز. لتجهيز المنتج للاستخدام، تأكد أن الأسلاك الكهربائية وأعمال السمكرة مناسبة بمراجعة المعلومات في دليل المستخدم. إن لم يكن الأمر كذلك، اتصل بفني كهرباء وسمكري مؤهل لإنجاز الأعمال المطلوبة.

تحذير: لا يتحمل المصنع المسؤولية عن الأضرار التي تنجم عن العمليات التي يؤديها أشخاص غير مرخصين.	
تحذير: لا يجب توصيل قابس طاقة الجهاز أثناء التركيب. وإلا قد يلوح خطر الموت أو الإصابة الجسيمة!	
تحذير: : إذا كان مدخل الغرفة حيث سيتم وضع الجهاز ضيقاً جداً بحيث لا يمر الجهاز من خلاله، مرور الجهاز بإدارته إلى الجانب، وإلا يمكنك الاتصال بالخدمة المعتمدة.	

- لتجنب الاهتزاز، ضع الجهاز على سطح منبسط.
- * ضع الجهاز على بعد 30 سم على الأقل من مصادر الحرارة مثل الموقد والراديتورات ومصادر الحرارة الأخرى و5 سم على الأقل من الأفران الكهربائية.
- لا تعرض الجهاز لأشعة الشمس المباشرة ولا تخزنه في الأماكن الرطبة.
- يجب أن يتوفر توزيع مناسب للهواء حول الجهاز حتى يعمل بشكل فعال. إذا كنت تنوي وضع الجهاز في جدار مجوف، احرص على ترك 5 سم على الأقل بين السقف والجدران الجانبية.
- لا تضع الجهاز في أماكن تقل فيها درجة الحرارة عن 10 مئوية.



1. رف الباب
2. الأقدام القابلة للتعديل
3. رف المواد الهشة
4. غطاء رف المواد الهشة
5. القفل والمنفاح *
6. الرف الزجاجي لحجرة المبرد
7. قرص تعديل درجة الحرارة
8. مروحة
9. رف حجرة المجمد
10. علبة الثلج
11. حجرة المجمد
12. حجرة المبرد

*اختياري: إن الأشكال المذكورة في دليل المستخدم هذا هي عينات وقد لا تتطابق مع جهازك تماما. إذا كانت الأجزاء ذات الصلة غير مضمولة في الجهاز الذي اشتريته، عندها تنطبق الأشكال على موديلات أخرى.



تعليمات السلامة والبيئة

عمر الجهاز. بل يجب أخذه إلى مركز التجميع لتدوير الأجهزة الكهربائية والإلكترونية. يرجى استشارة السلطات المحلية لمعرفة مراكز التجميع.

في التركيب دائماً. استشر سمكري متخصص إن لم تكن متأكدًا من عدم وجود تأثير للطرق المائي في التركيب.

• لا تركبه على مدخل الماء الساخن.

يجب أخذ الحيطة من خطر تجمد الخراطيم. يجب أن تكون درجة حرارة الماء 33 ف (0.6 م) كحد أدنى و100 ف (38 م) كحد أقصى.

• استعمل ماء الشرب فقط.

1.5. الامتثال لتوجيهات

حظر المواد الخطرة:

- هذا المنتج متوافق مع توجيهات EU WEEE (2011/65/EU). وهو لا يحتوي على مواد ضارة أو محظورة محددة في التوجيهات.

1.6. معلومات الغلاف

- تم تصنيع مواد تغليف المنتج من مواد قابلة لإعادة التدوير طبقاً لأنظمة البيئة الوطنية. لا تتخلص من مواد التغليف مع النفايات المنزلية وغيرها. قم بنقلها إلى نقاط تجميع مواد التغليف المحددة من قبل السلطات المحلية.

1.3. الاستخدام المخصص

- هذا المنتج مصمم للاستخدام المنزلي. وهو غير ملائم للاستخدام التجاري أو العام.
- يجب استخدام الجهاز لتخزين الطعام والشراب فقط.

• لا تترك المواد الحساسة التي تتطلب درجات حرارة تحت السيطرة في الثلاجة (اللقاحات، الأدوية الحساسة للحرارة، اللوازم الطبية، الخ).

- لا يتحمل المصنع أية مسؤولية عن أي ضرر بسبب سوء الاستعمال أو التعامل.
- سيتم توفير قطع غيار أصلية لمدة 10 أعواماً، بعد تاريخ الشراء المنتج

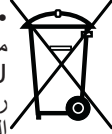
1.4. سلامة الأطفال

- احتفظ بمواد التغليف بعيداً عن متناول الأطفال.
- لا تسمح للأطفال بالعبث بالجهاز.
- إذا كان لباب الجهاز قفل، احتفظ بالمفتاح بعيداً عن متناول الأطفال.

لامتثال للتوجيهات الخاصة بنفايات الأجهزة

الإلكترونية والكهربائية والتخلص منها:

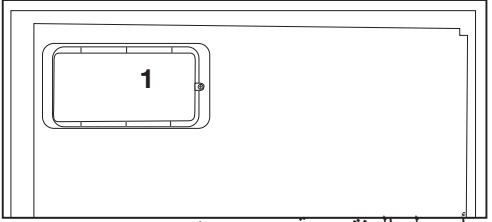
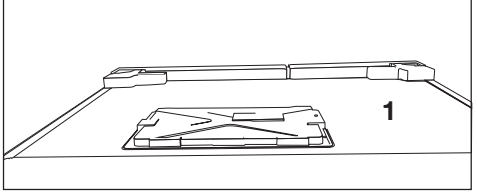
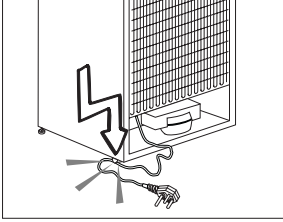
- هذا المنتج متوافق مع توجيهات EU WEEE (2012/19/EU). يحمل هذا المنتج رمز تصنيف التلخ من الأجهزة الكهربائية والإلكترونية (WEEE). تم تصنيع هذا المنتج بقطع ومواد عالية الجودة يمكن إعادة استخدامها وهي



مناسبة لإعادة التدوير. لا تتخلص من المنتجات التالفة مع النفايات المنزلية العادية والأخرى عند انتهاء

تعليمات السلامة والبيئة

- لا تطأ أو تتكئ على الباب والجوارير وأجزاء مماثلة من الثلاجة. سيؤدي ذلك إلى سقوط الجهاز وتضرر أجزائه.
- احذر أن يعلق كبل الطاقة.



عند وضع الجهاز، تأكد من أن سلك الطاقة ليس محصورًا أو تالفًا.
لا تُعين موضع منافذ تيار محمولة متعددة أو مصادر طاقة محمولة عدة في الجزء الخلفي من الجهاز.

1.2 تحذير HC

• إذا كان المنتج يشتمل على نظام تبريد باستخدام غاز R600a ، احذر حتى تتجنب أضرار نظام التبريد وأنبوبه أثناء استخدام الجهاز وتحريكه. هذا الغاز سريع الاشتعال. إذا تعرض نظام التبريد للتلف، أبعاد الجهاز عن مصادر الحريق وقم بتهوية الغرفة فوراً.

بشير الملتصق على الجهة الداخلية اليسرى إلى نوع الغاز المستعمل في المنتج.



- أوصل المنتج بمقبس مؤرض. يجب إجراء التأسيس بواسطة فني كهرباء مؤهل.
- إذا كان الجهاز يحتوي على مصابيح نوع LED ، اتصل بخدمة الصيانة المعتمدة لاستبدالها أو اتصل بها في حال حدوث أية مشاكل.
- لا تلمس الأطعمة المجمدة بأيدي مبتلة! فقد تلتصق بيديك!
- لا تخزن العبوات الزجاجية أو علب المشروبات في حجرة المجمد. فقد تنفجر!
- ضع السوائل بوضع رأسي بعد إغلاق الغطاء بإحكام.
- لا ترش المواد سريعة الاشتعال قرب الجهاز، فقد يحترق أو ينفجر.
- لا تحتفظ بالمواد سريعة الاشتعال والمنتجات المحتوية على غاز سريع الاشتعال (مواد الرش، الخ) في الثلاجة.
- لا تضع مستوعبات السوائل على الجهاز. قد يتسبب رش الماء على جزء كهربائي بصدمة كهربائية أو خطر الحريق.
- يؤدي تعريض المنتج للمطر والثلج وأشعة الشمس والرياح إلى أخطار كهربائية. عند تغيير مكان الجهاز، لا تسحبه من مقبض الباب. فقد ينفك المقبض.
- احذر لكي لا يعلق أي جزء من يديك أو جسمك في أية أجزاء متحركة داخل الجهاز.

1.1.2 للموديلات المحتوية على موزع ماء
• يجب أن يكون ضغط مدخل الماء البارد 90psi كحد أقصى (620 kPa). إذا تجاوز ضغط الماء (550 80 kPa)، استخدم صمام حد الضغط في نظامك الرئيسي. إذا كنت لا تعلم كيف تفحص ضغط الماء الخاص بك، اطلب المساعدة من سمكري متخصص.

• إذا ظهر خطر تأثير الطرق المائي أثناء التركيب، استخدم معدات منع الطرق المائي

- أماكن المبيت والإفطار:

- عمليات التموين والتطبيقات المماثلة في غير محلات التجزئة.

1.1. السلامة العامة

• لا يجوز استخدام هذا الجهاز بواسطة أشخاص يعانون من عجز بدني أو حسي أو عقلي، دون معرفة وخبرة كافية أو بواسطة الأطفال. يمكن استخدام الجهاز من قبل هؤلاء الأشخاص فقط تحت إشراف وتوجيه شخص مسؤول عن سلامتهم. لا يجب السماح للأطفال باللعب بهذا الجهاز.

• في حال حدوث عطل، افصل الجهاز عن الكهرباء.

• بعد فصله عن الكهرباء، انتظر 5 دقائق على الأقل قبل توصيله مرة أخرى. افصل الجهاز عن الكهرباء في حال عدم الاستعمال. لا تلمس القابس بأيدي مبللة! لا تسحب الكبل لنزعه من الكهرباء، امسك القابس دائماً.

• امسح رأس قابل الطاقة بقماشة ناشفة قبل نزعه من الكهرباء.

• لا توصل الثلاجة بالكهرباء إذا كان المقبس رخواً.

• افصل المنتج أثناء التركيب والصيانة والتنظيف والتصلح.

• إذا كنت لا تنوي استخدام المنتج لفترة معينة، افصله عن الكهرباء وأخرج أي طعام منه.

• لا تستعمل مواد التنظيف بالبخار لتنظيف الثلاجة وإذابة الجليد داخلها. قد يتلامس البخار مع المناطق المكهربة ويتسبب بقصر الدائرة الكهربائية أو الصدمة الكهربائية!

• لا تغسل المنتج برش الماء أو سكب عليه! خطر الصدمة الكهربائية!

• إذا حدث عطل، لا تستخدم المنتج فقد يتسبب ذلك بصدمة كهربائية. اتصل بخدمة الصيانة المعتمدة قبل القيام بأي شيء.

• لا تستخدم الجهاز إذا كان القسم الموجود على سطح الجهاز أو على ظهره الذي يحوي ألواحاً إلكترونية مطبوعة في الداخل مفتوحاً (غطاء لوح الدائرة الإلكترونية المطبوعة) (1).

يوضح هذا الجزء تعليمات السلامة اللازمة لمنع خطر الإصابة والضرر المادي. يؤدي الإخفاق في التقيد بهذه التعليمات إلى بطلان جميع ضمانات الجهاز.

الغرض المخصص

تحذير: حافظ على فتحات التهوية في تجويف الجهاز أو في البنية المدمجة خالية من الانسداد.



تحذير: لا تستخدم الأجهزة الميكانيكية أو الوسائل الأخرى لتسريع عملية إزالة الصقيع. غير تلك التي يوصي بها المصنع.



تحذير: لا تتلف الدائرة الكهربائية لمادة التبريد.



تحذير: لا تستخدم الأجهزة الكهربائية في حجرة المؤن في الجهاز إلا إذا كانت من النوع الذي يوصي بها المصنع.



تحذير: لا تقم بتخزين المواد المتفجرة مثل علب الأيروسول حيث تحتوي تلك العلب على مواد قابلة للاشتعال.



هذا الجهاز مصمم للاستخدام المنزلي والتطبيقات المماثلة مثل

- مناطق كادر الطبخ في المتاجر والمكاتب وبيئات العمل الأخرى;

- المزارع والنزلاء في الفنادق وفنادق الطرق والبيئات السكنية المماثلة؛ أماكن المبيت

والإفطار؛

3	1	تعليمات السلامة والبيئة
6	2	ثلاجتك
	3	
	7	التركيب
7	3.1	المكان المناسب للتركيب
8	3.2	ضبط الأقدام
8	3.3	التوصيل الكهربائي
8	3.4	تغيير اتجاه فتح الباب n
9	3.5	قلب الأبواب
10	3.6	قلب الأبواب
11	4	الإعداد
	4.1	الإجراءات اللازمة لتوفير الطاقة
	11	
	4.2	الاستعمال الأول
11	5	استخدام الجهاز
12	5.1	قرص تعديل درجة الحرارة
	5.2	التجميد السريع
	12	
13	5.3	وظيفة العطلة
13	5.4	إذابة الثلج
14	5.5	تحذير فتح الباب
	5.6	علبة الثلج 15
15	5.7	طبق البيض
	5.8	المروحة 15
15	5.9	رف المواد الهشة
16	6	والصيانة
16	6.1	منع الروائح الكريهة
16	6.2	حماية الأسطح البلاستيكية
17	7	استكشاف الأخطاء وإصلاحها


يرجى قراءة هذا الدليل قبل استخدام المنتج!

عميلنا العزيز،

إننا نود بلوغ أعلى فعالية لمنتجنا، الذي تم تصنيعه في مرافق حديثة مع ضبط دقيق للجودة. لذا، ننصحك بقراءة دليل المستخدم بشكل كامل قبل استخدام المنتج. في حال تغير مالك الجهاز، لا تنس منح الدليل مع الجهاز.

سيساعدك هذا الدليل على استخدام المنتج بسرعة وأمان.

- يرجى قراءة دليل المستخدم قبل تركيب الجهاز وتشغيله.
 - تقيد بتعليمات السلامة دائما.
 - احتفظ بدليل المستخدم بالمتناول من أجل الاستخدام المستقبلي.
 - يرجى قراءة أية وثائق أخرى مزودة مع المنتج.
- تذكر أن دليل المستخدم هذا قد ينطبق على عدة موديلات. يشير الدليل بوضوح إلى أية اختلافات في الموديلات.

معلومات هامة ونصائح مفيدة.	
الخطر على الحياة والممتلكات.	
خطر الصدمة الكهربائية.	
إن غلاف المنتج مصنوع من مواد قابلة للتدوير، طبقا لأنظمة البيئة المحلية.	