

beko

Fully Automatic Espresso Machine

User Manual



CEG 7302 B

EN - DE - FR - PL - RO - ES - RU - CS - SK - SR - IT - NL - AR



01M-8914043200-1123-05
01M-8914863200-1123-05

You can download the HomeDirect – SDA application for free from the Apple App Store or Google Play Store to access the recipes.



CONTENTS

ENGLISH	3-26
DEUTSCH	27-51
FRANÇAIS	52-74
POLISH	75-99
ROMÂNĂ	100-126
ESPAÑOL	127-152
РУССКИЙ	153-180
ČESKY	181-202
SLOVENSKÝ	203-224
СРПСКИ	225-246
ITALIANO	247-271
NEDERLANDS	272-294

Please read this user manual first!

Dear Customer,

Thank you for selecting this Beko product. We hope that you get the best results from your product, which has been manufactured to a high quality with state-of-the-art technology. Please read this entire user manual and all other accompanying documents carefully before using the product and keep them as a reference for future use. If you pass on the product to someone else, please give them the user manual as well. Please take into consideration all warnings and information in the user manual.

Explanation of symbols

The following symbols are used in the various section of this manual:



Important information or useful hints about usage.



DANGER: This warning for dangerous situations with regard to life and property.



WARNING: This warning indicates potentially dangerous situations.



CAUTION: This warning indicates the potential for material damage.



Materials are suitable for food contact



**RECYCLED &
RECYCLABLE
PAPER**

1 Important instructions for safety and environment

This section includes the safety instructions that will help provide protection against risks of personal injury and material loss. Failure to follow these instructions invalidates any warranty.

1.1 Danger of electric current

Danger to life due to electric current!

Contact with live wires or components could lead to serious injury or even death!

Observe the following safety precautions to avoid electric shocks:

- Do not use the product if the power cable or the appliance itself is damaged. Contact the authorised service.
- Do not open the housing of the coffee machine. There is a risk of electric shock if live connections are touched and/or the electrical and mechanical configuration is

changed.

- Before cleaning the bean container, unplug the appliance from the mains socket. Danger from the coffee grinder rotating!

1.2 Danger of burning or scalding

Parts of the coffee machine can become very hot during operation! Dispensed drinks and escaping steam are very hot!

Observe the following safety precautions to avoid burning/scalding yourself and/or others:

- Do not touch either of the metal sleeves on both coffee spouts.
- Avoid direct contact of the skin with steam escaping the machine or hot rinsing, cleaning or descaling water.

1 Important instructions for safety and environment

1.3 Basic safety precautions

Observe the following safety precautions to ensure safe handling of the coffee machine:

- Never play with packaging material. There is a risk of suffocation. Keep all packaging materials away from children.
- Inspect the coffee machine for visible signs of damage before use. Do not use a damaged coffee machine. Contact the authorised service.
- If the connecting cable is damaged, it should only be replaced by a service agent recommended by the manufacturer in order to prevent any danger! Please contact the manufacturer or their customer service.
- Repairs to the coffee machine must only be carried out by an authorised specialist or customer service representative. Repairs by unauthorized persons can lead to considerable danger for the user. These actions will also void the warranty.
- Repairs to the coffee machine during the warranty period may only be carried out by service centres authorised by the manufacturer, otherwise the warranty will become void in the event of subsequent damage.
- Defective parts may only be replaced with original spare parts. Only original spare parts guarantee that the safety requirements are met.
- This appliance can be used by children over the age of 8 as well as by persons with reduced physical, sensory or mental abilities or those lacking experience and/or knowledge provided that these persons are supervised or have been instructed as to how to use the appliance in a safe way and have understood the hazards

1 Important instructions for safety and the environment

that could arise from using it. Children must not play with the appliance. Cleaning and user maintenance shall not be carried out by children unless they are over the age of 8 and supervised.

- This appliance is intended to be used in household and similar applications such as:
 - staff kitchen areas in shops, offices and other working environments,
 - farm houses,
 - by customers in hotels, motels and other residential type environments,
 - bed and breakfast type environments.
- Protect the coffee machine against the effects of weather such as rain, frost and direct sunlight. Do not use the coffee machine outdoors.
- Never immerse the coffee machine itself, the mains cable or the mains plug in water or other liquids.
- Do not clean the coffee machine or accessories in a dishwasher.
- Do not pour any liquids other than water or place foodstuffs into the water tank.
- Do not fill the water tank beyond the maximum mark.
- Only operate the machine when the waste container, drip tray and the cup tray are fitted.
- Do not pull the cable to remove the plug from the mains socket or touch with wet hands.
- Do not hold the coffee machine by the mains cable.
- Keep the appliance and its cord out of reach of children aged 8 or under.
- The appliance can only be used to prepare coffee.
- Children should be supervised to ensure that they do not play with the appliance.
- Unplug the appliance before

1 Important instructions for safety and environment

- each clean and when the appliance is not in use.
- Place the appliance in a way that the plug is always accessible.
 - Always use the appliance on a stable, flat, clean, dry and non-slip surface.
 - The appliance is not an integrated coffee machine and is not designed use inside a cabinet. The coffee maker shall not be place in a cabinet while in use.
 - Do not squeeze or bend the power cord and do not rub it on sharp edges in order to prevent any damage to the power cord. Keep the power cord away from hot surfaces and naked flames.
 - Ensure that the mains power supply complies with the information supplied on the rating plate of the appliance.
 - Use the appliance only with a grounded socket.
 - Do not use the appliance with an extension cord.
 - Do not touch the appliance or its plug with wet or damp hands when the appliance is plugged in.
 - -CAUTION: In order to avoid a hazard due to inadvertent resetting of the thermal cut-out, this appliance must not be supplied through an external switching device, such as a timer, or connected to a circuit that is regularly switched on and off by the utility.
 - Warning: avoid spillage on the connector.
 - Do not misuse the appliance to avoid potential injury.
 - And removed below one because this product is detachable power cord.
 - If the supply cord is damaged, it must be replaced by the manufacturer or its agent or similarly qualified person in order to avoid hazard.

1.4 Intended use

The Beko fully automatic coffee machine is intended for use in homes and similar applications, such as in staff kitchens, shops, offices and similar areas or by customers in bed & breakfast, hotels,

1 Important instructions for safety and environment

motels and other living accommodation. This coffee machine is not intended for commercial use. The machine is only intended for preparing coffee and heating milk and water. Any other use other than previously stated is considered as improper use.

Danger resulting from improper use!

If the coffee machine is not used for its intended purpose, it may become a source of danger.



Consequently, the coffee machine must only be used for its intended purpose.



Follow the procedures described in this user manual.

No claims of any kind will be accepted for damage or injury resulting from the use of the coffee machine for purposes other than its intended use. The risk must have been borne solely by the machine owner.

1.5 Limitation of liability

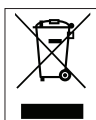
All technical information, data and instructions on installation, operation and maintenance of the coffee machine contained in these operating instructions represent the current status at the time of printing and are based on the best possible knowledge gained by experience and knowhow.

No claims/demands can be inferred from the information, illustrations and explanations in this user manual.

The manufacturer assumes no liability for damage or injury resulting from failure to observe the user manual, use of the product for purposes other than the intended use, unprofessional repairs, unauthorised modifications or use of non-approved spare parts.

1.6 Compliance with the WEEE Directive and Disposing of the Waste Product:

This product complies with EU WEEE Directive (2012/19/EU). This product bears a classification symbol for waste electrical and electronic equipment (WEEE).



This symbol indicates that this product shall not be disposed with other household waste at the end of its service life. The used device must be returned to an official collection point for the recycling of electrical and electronic devices. To find these collection points, please contact your local authority or retailer where the product was purchased. Each household performs an important role in the restoring and recycling of old appliances. The appropriate disposal of used appliance helps prevent potential negative consequences for the environment and human health.

1.7 Compliance with RoHS Directive

The product you have purchased complies with EU RoHS Directive (2011/65/EU). It does not contain harmful and prohibited materials specified in the Directive.

1.8 Package information



The packaging materials of the product were manufactured from recyclable materials in accordance with our National Environment Regulations. Do not dispose of the packaging materials together with domestic or other waste. Take them to the packaging materials collection points designated by local authorities.

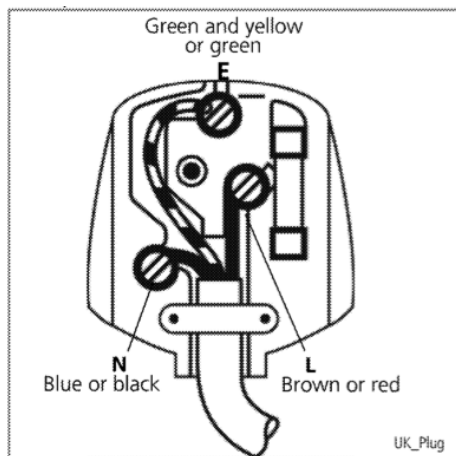
1 Important instructions for safety and environment

1.9 Plug Wiring

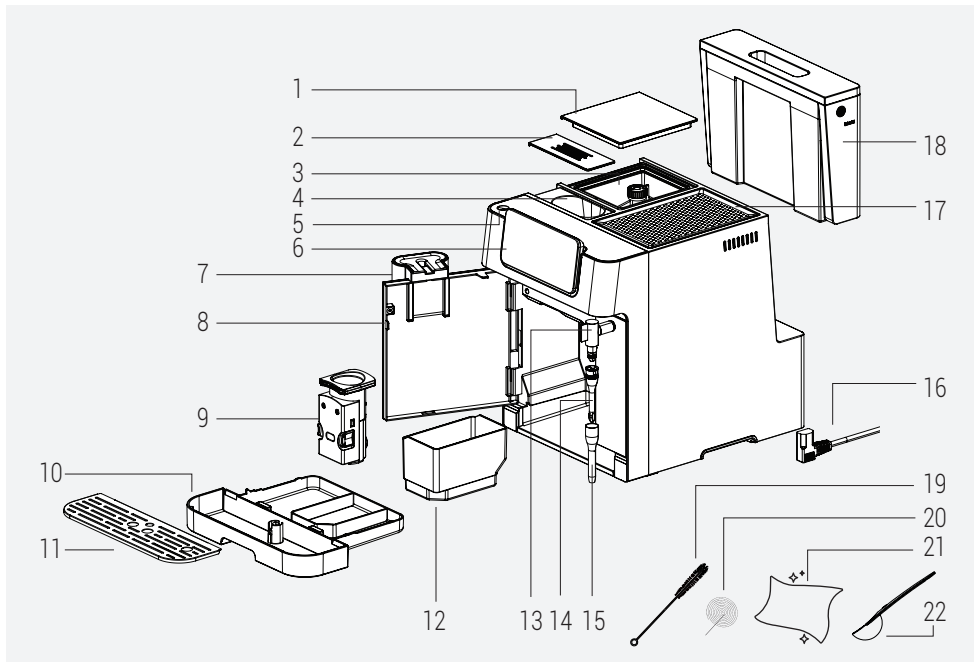
The moulded plug on this appliance incorporates a 13 A fuse. Should the fuse need to be replaced an ASTA approved BS1362 fuse of the same rating must be used. Do not forget to refit the fuse cover. In the event of losing the fuse cover, the plug must not be used until a replacement fuse cover has been fitted. Colour of the replacement fuse cover must be the same colour as that visible on the pin face of the plug. Fuse covers are available from any good electrical store.

• Fiting a different plug

- As the colours of the wires in the mains lead of this appliance may not correspond with the coloured markings identifying the terminals on your plug, proceed as follows:
- Brown cable = L (Live)
- Blue cable = N (Neutral)
- Green/yellow cable must be connected to ground (E) \equiv line
- With the alternative plugs a 13 A fuse must be fitted either in the plug or adaptore or in the main fuse box. If in doubt contact a qualified electrician.



2 Your Fully Automatic Coffee Machine



- | | |
|--------------------------------------|--|
| 1. Coffee Bean Container Cover | 12. Coffee Ground (Residual) Container |
| 2. Pre-ground Coffee Container Cover | 13. Steam Nozzle |
| 3. Coffee Bean Container | 14. Nozzle Cover |
| 4. Pre-ground Coffee Container | 15. Metal Tube |
| 5. Power On/Off Button | 16. Power Cord |
| 6. Digital Control Panel | 17. Cup Warmer |
| 7. Adjustable Coffee Spout | 18. Water Tank |
| 8. Front Cover | 19. Cleaning Brush |
| 9. Brewing Unit | 20. Cleaning Needle |
| 10. Drip Tray | 21. Cleaning Cloth |
| 11. Cup Tray | 22. Pre-ground Coffee Spoon |

2 Your Fully Automatic Coffee Machine

Technical data

Power supply: 220-240 V~, 50-60 Hz

Power: 1350 W

The right to make technical and design changes is reserved.

All declared values on the product and on the printed leaflets were obtained from laboratory measurements performed according to the relevant standards. These values may differ depending on usage and ambient conditions.

Product Dimensions:

27,5 cm (Width) x 35,9 cm (Height) x 41,2 cm (Depth)

Weight: 9.68±0.5kg

Cable Length: 95±5 cm

Ground Coffee Weight (Bean Mode)

Standard: 8±2g

Intense: 10±2g

Drip Tray Capacity: Up to 0.6 L

Coffee Ground (residual) Container Capacity:

Up to 10 cups

Water Tank Capacity: 2.0±5%L

Coffee Bean Container Capacity: 250±5%g

Machine Pre-heating time: <50s

Volume of coffee (Default settings):

Espresso: 30±10ml

Double: 60±10ml

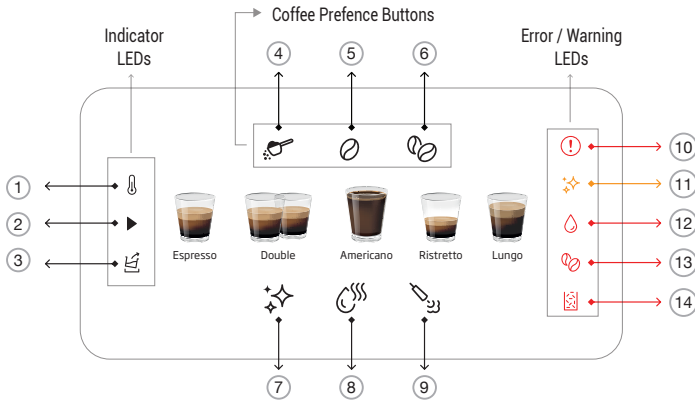
Americano: 150±20ml

Ristretto: 20±5ml

Lungo: 60±10ml

3 Display

3.1 Control Panel

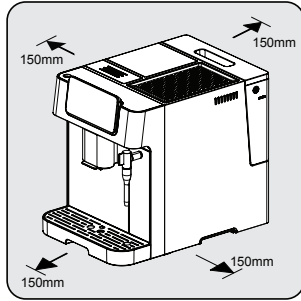


1		Lit During Pre-Heating
2		Lit During Ongoing Process
3		Water Emptying Indicator
4		Used for selecting "Ground Coffee" option.
5		Used for selecting "Standard Bean Coffee" option.
6		Used for selecting "Intense Bean Coffee" option.
7		Used for initiating cleaning and descaling functions.
8		Used for receiving hot water from steam nozzle.
9		Used for steam nozzle function.
10		General Error
11		Descal Warning
12		No Water Error
13		No Coffee Bean Error
14		Residual Container Full Error

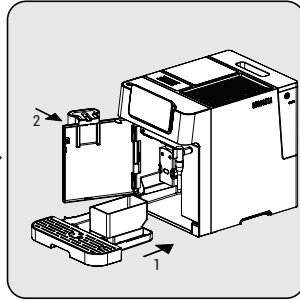
4 Preparation

4.1 Installation

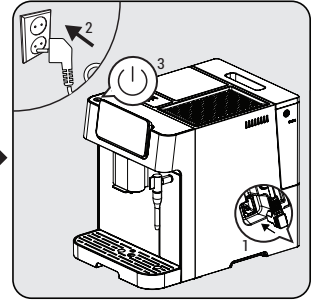
i Remove any protective films, stickers and any other packaging material from the appliance.



Choose a safe and stable surface with an easily reachable power supply and allow the minimum distance from the sides of the machines.



Insert the drip tray. Make sure it is inserted correctly and close the front cover.



Unwind and straighten the power cord and insert the plug into the socket located under the machine. Insert the other end of the power cord into a wall socket with the suitable power voltage. Press the on/off button to turn on the machine.

4.2 Filling the water tank

About the protect program: If the water tank is not fully placed into the machine, a protection mode will be activated 15 seconds into the brewing process. The hot water button will light up on the control panel.

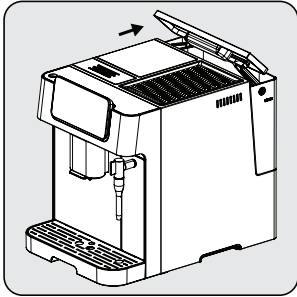


1. Make sure that the water tank is fully inserted into the machine.
2. Press the hot water button. After the hot water is dispensed, the machine will be in idle.

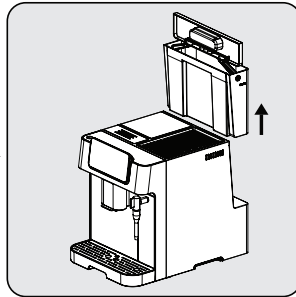


When "⚠" is lit, the water tank is at a low water level and requires filling..

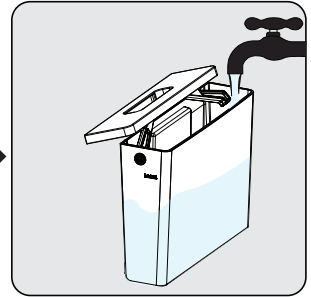
4 Preparation



Lift the water tank by using the lid as the handle.



Take the water tank out.



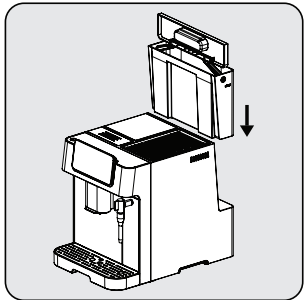
Rinse the water tank with fresh water and then fill the tank to the Max level and place it back into the machine. Make sure it is fully inserted.



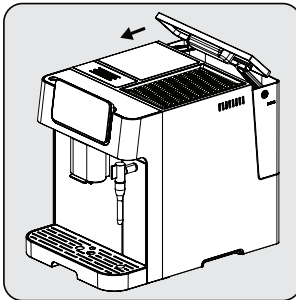
To prevent water overflowing from the water tank, do not add water directly into the appliance from another container.



Never fill the water tank with warm or hot water, sparkling water or any other liquid that might damage the water tank and the machine.



Place the water tank back in by using the lid as the handle.

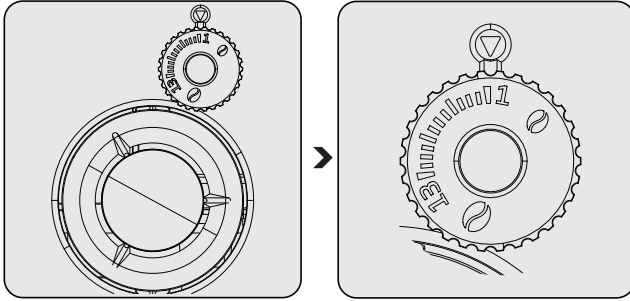


Close the water tank by using the lid.

5 Operation

5.1 Grinding Adjustment

You can adjust the grinding coarseness by turning the adjustment knob on the bean container:



Never do the grinding adjustment when the grinder is not operating. It may damage the grinder.

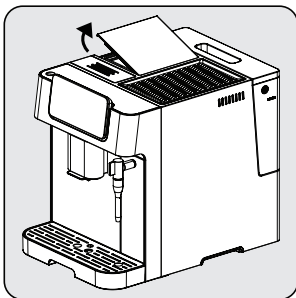


The lines on the adjustment knob indicate the coarseness of the grind. Bigger number means coarser grind level.

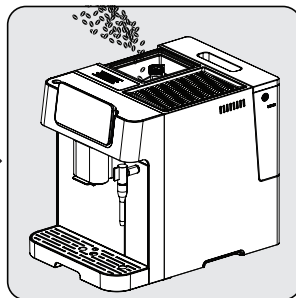
5.2 Filling the bean containers



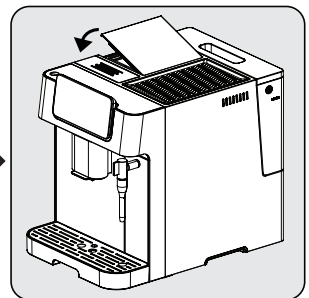
- When "☕" is flashing, the appliance needs to be filled with coffee beans.
- Storing bean in its original vacuum pack is better to ensure longer lasting freshness. Do not use the coffee bean container for storage purposes for better results.



Remove the bean container lid.



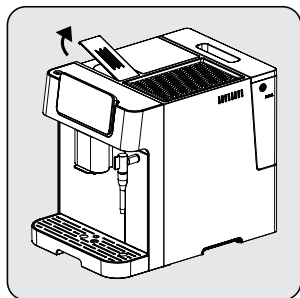
Slowly pour in the coffee beans.



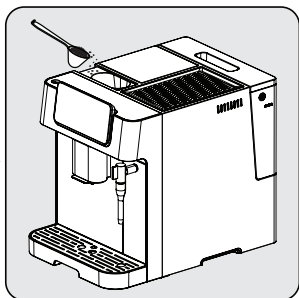
Place the container lid back on.

5 Operation

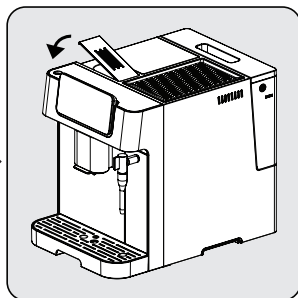
5.3 Using the pre-ground coffee container



Remove the pre-ground coffee container lid.



Slowly put the pre-ground coffee in the pre-ground coffee container.



Place the container lid back on.

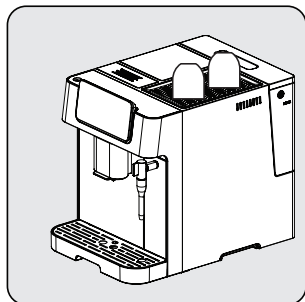


Pre-ground coffee container is not a storage unit, it offers a one-time usage (max 12g). Measurement spoon accessory can be used for suggested amount of ground coffee.



Ground coffee button should be pressed and selected from the screen in order to activate this setting.

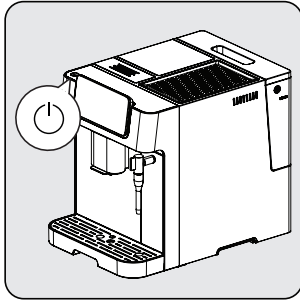
5.4 Using the Cup Warmer



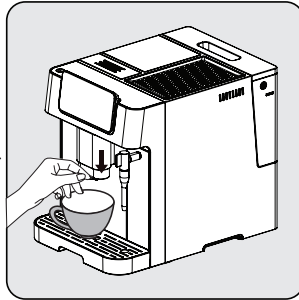
Cups should be placed upside down to ensure internal surface is kept warm and clean (This function uses the internal heat of the machine).

5 Operation

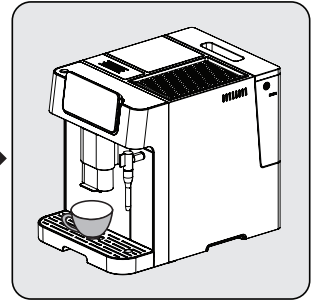
5.5 Preparing Your Coffee



Switch on the appliance by pressing the power on/off button. The appliance turns on, starts pre-heating and auto-cleaning. It is ready for use in idle mode in which all icons are lit.



Place a cup under the coffee spout and adjust the height of the spout according to the cup.

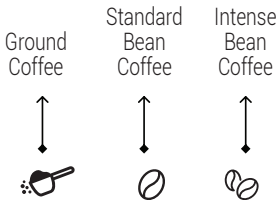


Select your coffee by pressing button and the cup lighter will turn on indicating that the appliance is preparing a cup of coffee. When the appliance returns to idle, the coffee is ready to serve.



Press the espresso, americano, ristretto or lungo button depending on your preference.

5.6 Adjusting The Strength of Your Coffee

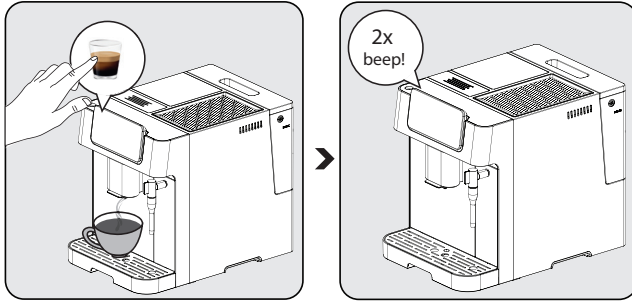


If bean coffee is being used press the "standart bean" or "intense bean" button to adjust the strength of your beverage. If ground coffee is being used, press the "ground coffee" option.

5 Operation

5.7 Adjusting The Volume of Your Coffee / Hot Water

You can save the volume of your desired coffee for all beverages types as well as hot water from 25ml to 250ml. (x2 for double)

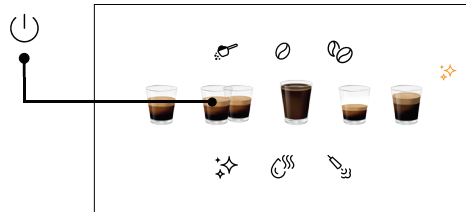
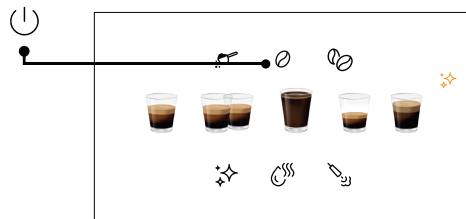


While making your coffee (espresso, doppio, americano, ristretto or lungo), press and hold the button of the coffee you have selected. The appliance will continue to make the cup of coffee for as long as you hold down the button.

When the volume of coffee meets your desired volume, release the button. If you hear two beeps, that indicates the machine has saved this volume of coffee.



Water adjustment can be made during ongoing coffee preparation (after grinding is completed).



To reset all beverages to default/factory settings;

In order to reset to the default settings of all beverage and hot water volume selection saved to memory;

- Press power on/off button and bean button all together for 3 seconds.

To reset single beverage to default/factory settings;

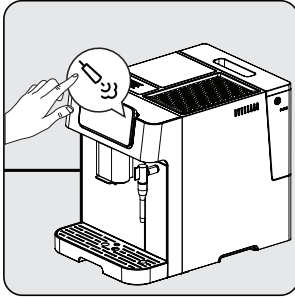
In order to reset to the default settings of any coffee or hot water volume individually;

- Press power on/off button and beverage button (which is desired to be reset) all together for 3 seconds.

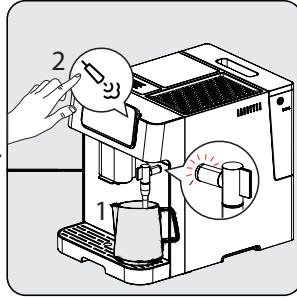
5 Operation

5.8 Preparing Frothy Milk for Coffee

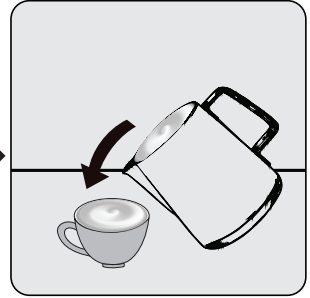
i As the temperature of steam is higher than the temperature of espresso, the espresso should be prepared before making frothy milk. Otherwise, the espresso may burn.



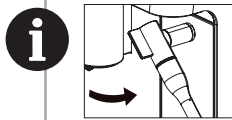
Press steam nozzle icon and wait for steam nozzle to be ready. While steam nozzle is pre-heating, the indicator lights will flash.



When the indicator lights are still, steam nozzle is ready for use. Place a milk filled cup or pitcher under the steam nozzle. Press the steam nozzle button again for starting the milk frothing, and stop by pressing again.



Pour the hot frothy milk onto the espresso. You can now enjoy your coffee!



i Steam nozzle can be rotated towards the right for easier handling purposes.

- i**
- After using the steam nozzle, please clean the nozzle of milk residue by wiping the nozzle with the wet cloth.
 - It is recommended to remove any milk residue that may accumulate on the tip of the nozzle by activating the hot water function from the nozzle.
 - After steam nozzle is ready, if steam nozzle is not used for a certain amount of time; the screen will revert back to idle stage.



- Steam nozzle outlet projection should be over drip tray to prevent water/milk spillage.
- Considering the milk frothing inside the cup/pitcher, do not fill it entirely.
- Be aware that the cup/pitcher can get hot during milk frothing.
- Do not pull away the cup/pitcher without stopping the frothing process.

5 Operation

5.9 Hot Water

The appliance can dispense hot water by simply pressing the hot water button "☺". Press again to stop.



This function can be used to heat up the cup before coffee preparation. First fill the cup with hot water, then pour away the water and use this cup for preparing coffee.

5.10 Mode Selection

The machine has three different settings: the default setting, ECO mode and speed mode. In ECO mode, the appliance saves more energy. In speed mode, the user can make their coffee faster than when in the default settings.

	ECO Mode	Speed Mode	Default Settings
Cup Lighter & Steam Nozzle Indicator Lights	Off	On	On
Pre-brewing*	Yes	No	Yes
Auto-shut off time	10mins	30mins	20mins



The pre-brewing function moistens the coffee inside the brewing unit with a small amount of water before full extraction. This expands the coffee grounds to build up greater pressure in the brewer, which helps extract all the oils and bring out the full flavour of the beans.

1. When the machine is on idle, press and hold the ☺ for 5 seconds.

1. The ☺ will then flash and the following buttons will light up to indicate different settings:

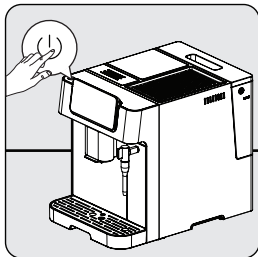
In ECO Mode → ☺ ☺

In Speed Mode → ☺ ☺

In Default Settings → ☺ ☺

2. Press the "Powder Coffee Button" for ECO mode, the "Standart Bean Coffee Button" for Speed Mode and the "Intense Bean Coffee Button" for Default settings. You'll hear two beeps when the mode has been selected.

3. If you would like the setting to remain unchanged, press ☺ again or wait for 5 seconds for the machine to return to idle mode.



5.11 Cancelling

On-off button should be pressed once to cancel any running process. Additionally, pressing over a selected beverage once again after preparation started will also cancel the operation.

6 Cleaning



Pressing the on/off button 2 times will force-shut down the device.

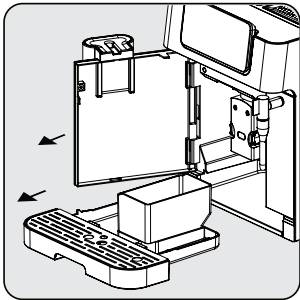
6.1 Cleaning the appliance

1. Disconnect the power cord from the mains supply outlet.
2. Pour away all the water/coffee residual inside the drip tray and coffee residual container.
3. Use a damp cloth or non-scratching cleaning agent to clean the liquid stains on the appliance.

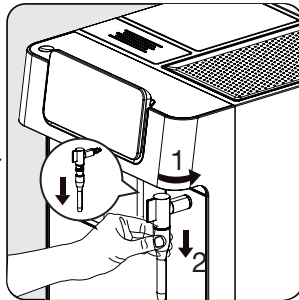


Never use any abrasive, vinegar or descaling agents not included in the box to clean the appliance.

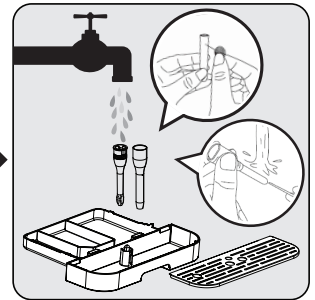
Timely cleaning and maintenance of the appliance is highly important in prolonging its life.



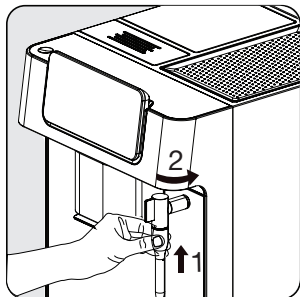
Open the front cover. Remove the drip tray and the coffee residual container.



Remove the metal tube by pulling it down. Then remove the nozzle cover by turning it to the left to disassemble the nozzle cover and metal tube.



Empty the coffee residual container and the drip tray. Wash the metal tube with warm running water and use the needle or the bristles of the brush to clean the hole. Wash the nozzle cover with warm running water and use the needle or the bristles of the brush to clean the hole. Dry them afterwards.

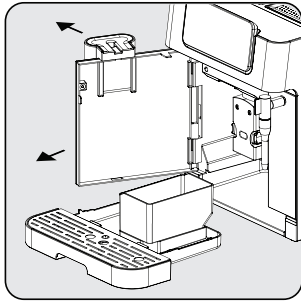


Attach the metal tube back to the nozzle cover. Then push it upward to put the nozzle cover back in its place and turn it to the right to lock it.

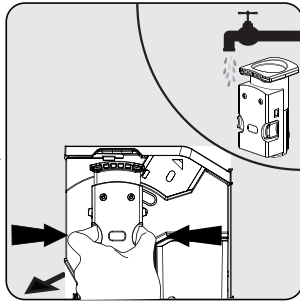
6 Cleaning



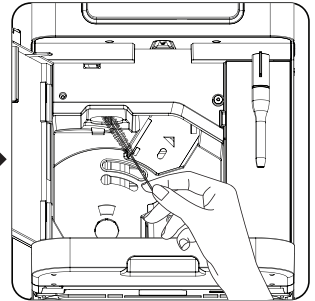
When ☒ lights up, the coffee residual container needs to be emptied. This icon will light up after every 10 coffee brews. Clean the container to fix the error. If the container is clean, remove the container and put it back in its place.



Hold the adjustable coffee spout and pull back slowly to open the front cover.



Remove the brewing unit. Wash with water and dry afterwards.



Clean the coffee outlet line with brush.



- The drip tray should be emptied when the floating indicator is visible.
- Powder coffee funnel should be cleaned after each use with the cleaning brush.



When ⚠ lights up, it indicates that the brewing unit is missing / incorrectly installed. When ⚠ is flashing, it indicates that the front cover is not closed.

6.2 Descaling Function



- Descale is required after predefined brewing cycle.
- Do not use vinegar or other cleaning agents for the self-cleaning of this appliance. Other cleaning agents may damage the appliance.
- Keep the skin/body away from hot water.

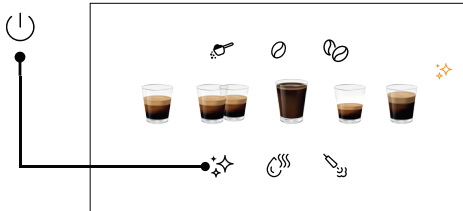
When ✨ lights up, it indicates that the appliance needs to undergo descaling. The appliance will remain in the best condition if this function is performed at least once a month or more regularly depending on the hardness of water used.

To start descaling:

1. Fill the water tank until "Descaling Level" ✨.
2. Add one pack of cleaning agent included in the box to the water tank.

6 Cleaning

3. Place a sufficiently large container under the coffee spout and nozzle.
4. When on idle, press and hold ✨ for 3 seconds. You'll hear a beep and the ✨ will flash until water tank is empty.
5. Fill the water tank once again until "descale level" with water, and press the ✨ button once again to start the second cycle of descaling. If the water tank is removed and placed back, the appliance will detect this action and automatically start the second cycle (without pressing ✨ again).
6. Once the water tank is emptied, the screen will go back to idle condition. Descaling is completed. Fill the water tank with fresh water to start preparing coffee.



To reset descale warning status;

In order to reset descale warning status;

- Press power on/off button and descale button all together for 3 seconds.



Resetting descaling warning status is not suggested for maintaining the best condition of the appliance.

6.3 Empty System Function

Use the empty system function before a long period of non-use and for frost protection.

1. When on idle, press and hold the ⏻ and the hot water button ☉ together for 3 seconds.
2. ☉ will then light up.
3. Remove the water tank from the appliance, process will start automatically.
4. When the empty system function is completed, the appliance will switch off automatically.



When the appliance is reused again for the first time after empty system function is used; press the hot water button until water comes out of the spout.

6 Cleaning

6.4 Manual Cleaning / Rinsing Function

You can manually clean / rinse the coffee nozzle before or after use. When in idle, press ✨ once.

- After cleaning / rinsing, the appliance will return to idle.



- The water that comes out of the coffee nozzle is hot and is collected in the drip tray underneath. Avoid contact as it splashes around.
- If the appliance has not been used for a long period of time, this function is suggested to be used.



Using this function before coffee preparation will also ensure hotter coffee.

Deactivating the auto-clean mode

Your appliance cleans itself automatically before and after each brewing operation. You may follow the steps below to deactivate the auto-clean mode.

- Turn on the appliance by pressing the power on/off button and wait until it goes into idle mode.
- Open the front cover.
- Press the power on/off button for 5 seconds and a beep will sound.
- Close the front cover.
- The auto-clean operation has been cancelled.



We recommend that you use the auto-clean mode actively for healthy use.

To cancel auto-clean for once;

Press on/off button while machine is turning on or off to bypass this function.

7 Troubleshooting

Problem	Cause	Solution
The appliance does not work.	The appliance is not connected to the mains.	Plug in and press the switch. Check the cable and the plug.
No or delayed response in several attempts of pressing a function key on the panel	Appliance is under electromagnetic interference. The panel is dirty.	Unplug the appliance. Restart after a few minutes. Clean the panel with the cloth provided.
The coffee is not hot enough.	The cups have not been preheated. The brewing unit is too cold.	Place your cup on the cup warmer facing down or rinse the cup with hot water. Make sure that the water in the water tank is not too cold.
Coffee is not coming out of the coffee spout.	The empty system function may have been used previously. The coffee spout may not have been cleaned and is blocked by coffee residues.	Press the hot water button until water comes out of the spout. Clean the coffee spout.
The first cup of coffee is of poor quality.	The first running of the grinder does not place a sufficient quantity of coffee into the brewing unit.	Throw the coffee away. The next cups will be better.
The water tank is removed / the water level is very low in the water tank but there is no "☺" alert.	The area near the water tank connector could be wet.	Wipe off the water around the water tank connector.
The internal drip tray is filled with a lot of water.	The ground coffee is too fine, which blocks the water from coming out.	Adjust the coffee fineness to larger grains for the grinding process.
Coffee is delivered too slowly or a drop at a time.	Coffee grounds are too fine, which blocks the water from coming out.	Adjust the coffee fineness to larger grains for the grinding process.
The indicator flashes to inform that there's not enough coffee beans, but there are plenty inside the container.	The internal coffee grounds outlet is blocked.	Follow the steps described for cleaning the coffee grounds outlet.
The brewer or the coffee ground tray is impossible to remove.	The appliance did not finish the self-cleaning process and was switched off.	Please switch on the machine again and let it finish its auto cleaning process.
The appliance no longer performs the rinsing cycle when switched on or off.	Improper handling when servicing the appliance may be the cause.	<ol style="list-style-type: none"> 1. When the appliance is in idle condition, open the front cover. 2. Press and hold the on/off button until you hear 2 beeps. 3. Close the front cover.
The touch buttons are not sensitive.	Not pressing the touch button from the front of the appliance.	Press the lower bottom part of the symbol of the touch button from the front of the appliance.

Product Guarantee

12 months breakdown and repair guarantee

Guarantor: **Beko plc, 1 Greenhill Crescent, Watford, Hertfordshire. WD18 8UF**

The guarantee does not in any way diminish your statutory or legal rights.

Your **appliance** has the benefit of our manufacturer's guarantee which covers the product for 12 months from the date of original purchase.

This gives you reassurance that if within that time, your **appliance** is proven to be defective because of either workmanship or materials, we will at our discretion either repair or replace your **appliance**.

The **appliance** must be correctly installed, located and operated in accordance with the instructions contained in the user manual. The guarantor disclaims any liability for accidental or consequential damage.

The Guarantee is subject to the following conditions:

- Documentary proof of the original purchase date is provided.
- The appliance has been installed and operated correctly and in accordance with our operating and maintenance instructions.
- The appliance is used only on the electricity supply on the rating plate.
- The appliance has only been used for normal domestic purposes.
- The appliance has not been altered, serviced, dismantled or otherwise interfered with by any person.
- The appliance is used in the United Kingdom or Republic of Ireland.
- Any parts removed during repair work or any product that has been replaced becomes our property.
- The guarantee is not transferrable if the product is resold.

The Guarantee does not cover:

- Transit, installation or delivery damage.
- Accidental damage.
- Misuse or abuse.
- Replacement of any consumable item or accessories. These include but are not limited to: plugs, cables, light bulbs, knobs, filters and flaps.
- Repairs or replacements required as a result of unauthorised repairs or inexperienced installation that fails to meet the requirements contained in the user guide or instruction book.
- Repairs to products used in commercial or non-residential household premises.

How to obtain after sales service, help or general advice

Please keep your purchase receipt or other proof of purchase in a safe place as you will need to show us this document if your product requires attention within the guarantee period.

Please also record your product details below, which will allow you to access our services more quickly and help us identify your product. The model number is printed on the front of the user guide and the serial and model number is shown on your products rating plate.

Model number	Serial number	Purchased from	Date of purchase

Please call our UK based Customer Service department if you need help or advice from us:

United Kingdom and Northern Ireland: **0333 207 9710**
Republic of Ireland: **01 862 3411**
You can also contact us through our website: **www.beko.co.uk**

Bitte lesen Sie zuerst dieses Handbuch!

Sehr geehrter Kunde,

vielen Dank, dass Sie sich für dieses Beko-Produkt entschieden haben. Wir hoffen, dass Sie mit Ihrem Gerät, das mit hoher Qualität und modernster Technologie hergestellt wurde, die besten Ergebnisse erzielen. Lesen Sie bitte dieses Benutzerhandbuch und alle anderen mitgelieferten Dokumente sorgfältig durch, bevor Sie das Gerät benutzen, und bewahren Sie sie als Hinweis für den zukünftigen Gebrauch auf. Wenn Sie das Produkt an eine andere Person weitergeben, geben Sie ihr bitte auch das Benutzerhandbuch mit. Bitte beachten Sie alle Warnhinweise und Informationen in der Bedienungsanleitung.

Erläuterung der Symbole

Die folgenden Symbole werden in verschiedenen Abschnitten dieses Handbuchs verwendet:



Wichtige Informationen oder nützliche Hinweise zur Benutzung.



GEFAHR: Warnung vor gefährlichen Situationen in Bezug auf Leben und Eigentum.



WARNUNG: Diese Warnung weist auf potenziell gefährliche Situationen hin.



VORSICHT: Diese Warnung weist auf die Möglichkeit von Sachschäden hin.



Die Materialien sind für den Kontakt mit Lebensmitteln geeignet



RECYCELTES UND
RECYCELBARES
PAPIER

1 Wichtige Hinweise zur Sicherheit und zum Umweltschutz

Dieser Abschnitt enthält die Sicherheitshinweise, die zum Schutz vor Personen- und Materialverlustrisiken beitragen. Nichtbeachtung dieser Anweisungen macht die Garantie ungültig.

1.1 Gefahr von elektrischem Strom

Lebensgefahr durch elektrischen Strom!

Kontakt mit stromführenden Drähten oder Bauteilen kann zu schweren oder sogar tödlichen Verletzungen führen!

Beachten Sie die folgenden Sicherheitsvorkehrungen, um Stromschläge zu vermeiden:

- Verwenden Sie das Produkt nicht, wenn das Netzkabel oder das Gerät selbst beschädigt ist. Kontaktieren Sie den zuständigen Kundendienst.
- Öffnen Sie nicht das Gehäuse der Kaffeemaschine. Stromschlaggefahr bei Berührung unter Spannung stehender

Verbindungen und/oder Änderung der elektrischen und mechanischen Konfiguration.

- Ziehen Sie vor dem Reinigen des Bohnenbehälters den Netzstecker des Gerätes aus der Steckdose. Gefahr durch rotierende Kaffeemühle!

1.2 Verbrennungs- oder Verbrühungsgefahr

Teile der Kaffeemaschine können sich bei der Benutzung stark erhitzen. Abgegebene Getränke und austretender Dampf sind sehr heiß!

Beachten Sie die folgenden Sicherheitsvorkehrungen, um Verbrennungen/Verbrühungen von sich selbst und/oder anderen zu vermeiden:

- Berühren Sie keine der Metallhülsen an beiden Kaffeeausläufen.
- Vermeiden Sie direkten Hautkontakt mit austretendem Dampf oder heißem Spül-, Reinigungs- und

1 Wichtige Hinweise zur Sicherheit und zum Umweltschutz

Entkalkungswasser.

1.3 Grundlegende Sicherheitsvorkehrungen

Beachten Sie die folgenden Sicherheitsvorkehrungen, um einen sicheren Umgang mit der Kaffeemaschine zu gewährleisten:

- Spielen Sie niemals mit Verpackungsmaterial. Es besteht die Gefahr des Erstickens. Halten Sie das Verpackungsmaterial von Kindern fern.
- Überprüfen Sie die Kaffeemaschine vor dem Gebrauch auf sichtbare Anzeichen von Beschädigungen. Verwenden Sie keine beschädigte Kaffeemaschine. Kontaktieren Sie den zuständigen Kundendienst.
- Wenn das Verbindungskabel beschädigt ist, sollte es nur von einem vom Hersteller empfohlenen Kundendienst ausgetauscht werden, um Gefahren zu vermeiden! Bitte wenden Sie sich an den Hersteller oder seinen Kundendienst.
- Reparaturen an der Kaffeemaschine dürfen nur von einem autorisierten Fachmann oder vom Kundendienst durchgeführt werden. Reparaturen durch nicht autorisierte Personen können zu erheblichen Gefahren für den Benutzer führen. Diese Handlungen führen auch zum Erlöschen der Garantie.
- Reparaturen an der Kaffeemaschine während der Garantiezeit dürfen nur von vom Hersteller autorisierten Kundendiensten durchgeführt werden, andernfalls erlischt die Garantie bei späteren Schäden.
- Defekte Teile dürfen nur durch Originalersatzteile ersetzt werden. Nur Originalersatzteile garantieren, dass die Sicherheitsanforderungen erfüllt werden.
- Dieses Gerät kann von Kindern ab 8 Jahren sowie von Personen mit eingeschränkten körperlichen, sensorischen oder geistigen Fähigkeiten oder mit mangelnder Erfahrung und/oder Kenntnissen verwendet werden, wenn diese

1 Wichtige Hinweise zur Sicherheit und zum Umweltschutz

Personen beaufsichtigt werden oder in die Verwendung des Geräts eingewiesen wurden einen sicheren Weg und haben die Gefahren verstanden, die durch die Verwendung entstehen können. Kinder dürfen nicht mit dem Gerät spielen. Reinigung und Wartung dürfen nicht von Kindern durchgeführt werden, sofern diese nicht älter als 8 und unbeaufsichtigt sind.

- Dieses Gerät ist ausschließlich zur Verwendung in einem Haushalt und vergleichbaren Einrichtungen gedacht, darunter:
 - Küchenbereiche für Mitarbeiter in Läden, Büros und vergleichbaren Einrichtungen;
 - landwirtschaftlichen Betrieben,
 - von Gästen in Hotels, Motels und anderen wohnungsähnlichen Umgebungen,
 - kleineren Pensionen oder vergleichbaren Einrichtungen.
- Schützen Sie die Kaffeemaschine vor Witterungseinflüssen wie

Regen, Frost und direkter Sonneneinstrahlung. Verwenden Sie die Kaffeemaschine nicht im Freien.

- Tauchen Sie die Kaffeemaschine selbst, das Netzkabel oder den Netzstecker niemals in Wasser oder andere Flüssigkeiten.
- Reinigen Sie die Kaffeemaschine oder das Zubehör nicht in einer Spülmaschine.
- Gießen Sie keine anderen Flüssigkeiten als Wasser in den Wassertank und legen Sie keine Lebensmittel hinein.
- Füllen Sie den Wassertank nicht über die Maximalmarkierung hinaus.
- Betreiben Sie die Maschine nur, wenn der Abfallbehälter, die Tropfschale und der Tassenrost montiert sind.
- Ziehen Sie nicht am Kabel, um den Stecker aus der Steckdose zu ziehen, und berühren Sie ihn nicht mit nassen Händen.
- Halten Sie die Kaffeemaschine

1 Wichtige Hinweise zur Sicherheit und zum Umweltschutz

nicht mit dem Netzkabel fest.

- Bewahren Sie das Gerät und sein Kabel außerhalb der Reichweite von Kindern unter 8 Jahren auf.
- Das Gerät kann nur zur Zubereitung von Kaffee verwendet werden.
- Kinder müssen beaufsichtigt werden, um dafür zu sorgen, dass sie nicht mit dem Gerät spielen.
- Ziehen Sie den Netzstecker vor jeder Reinigung und wenn das Gerät nicht in Gebrauch ist.
- Das Gerät muss derart aufgestellt werden, dass der Stecker zugänglich ist..
- Verwenden Sie das Gerät immer auf einer stabilen, flachen, sauberen, trockenen und rutschfesten Oberfläche.
- Das Gerät ist keine integrierte Kaffeemaschine und ist nicht für die Verwendung in einem Schrank vorgesehen. Die Kaffeemaschine darf während des Gebrauchs nicht in einem Schrank aufgestellt werden.
- Quetschen oder knicken Sie das

Netzkabel nicht und reiben Sie es nicht an scharfen Kanten, um eine Beschädigung des Netzkabels zu vermeiden. Halten Sie das Netzkabel von erhitzten Oberflächen und offenen Flammen fern.

- Stellen Sie sicher, dass Ihre Netzspannung mit den Angaben auf dem Typenschild des Geräts übereinstimmt.
- Verwenden Sie das Produkt nur mit einer geerdeten Steckdose.
- Verwenden Sie das Gerät nicht mit einem

Verlängerungskabel.

- Berühren Sie das Gerät oder seinen Stecker nicht mit nassen oder feuchten Händen, wenn das Gerät eingesteckt ist.
- -VORSICHT: Um eine Gefährdung durch versehentliches Zurücksetzen des Wärmeschutzes zu vermeiden, darf dieses Gerät nicht über ein externes Schaltgerät, wie z. B. eine Zeitschaltuhr, versorgt oder an einen Stromkreis angeschlossen

1 Wichtige Hinweise zur Sicherheit und zum Umweltschutz

werden, der regelmäßig vom Versorgungsunternehmen ein- und ausgeschaltet wird.

-Warnung: Vermeiden Sie Verschüttungen auf dem Stecker.

-Verwenden Sie das Gerät nicht falsch, um mögliche Verletzungen zu vermeiden.

- Sollte das Netzkabel beschädigt sein, muss es durch den Hersteller oder dessen Kundendienst oder eine Person mit gleicher technischer Qualifikation ausgetauscht werden.

1.4 Verwendungszweck

Die vollautomatische Kaffeemaschine Beko ist für den Einsatz in Privathaushalten und ähnlichen Anwendungen vorgesehen, beispielsweise in Personalküchen, Geschäften, Büros und ähnlichen Bereichen oder von Kunden in Bed & Breakfast, Hotels, Motels und anderen Wohnräumen. Diese Kaffeemaschine ist nicht für den gewerblichen Gebrauch bestimmt. Die Maschine ist nur zum Zubereiten von Kaffee und zum Erhitzen von Milch und Wasser vorgesehen. Jede andere als die zuvor angegebene Verwendung gilt als unsachgemäße Verwendung.

Gefahr bei unsachgemäßer Verwendung!

Wenn die Kaffeemaschine nicht bestimmungsgemäß verwendet wird, kann sie zu einer Gefahrenquelle werden.



Die Kaffeemaschine darf daher nur für den vorgesehenen Zweck verwendet werden.



Befolgen Sie die in dieser Bedienungsanleitung beschriebenen Verfahren.

Für Schäden oder Verletzungen, die durch eine nicht bestimmungsgemäße Verwendung der Kaffeemaschine entstehen, werden keinerlei Ansprüche anerkannt.

Das Risiko muss allein vom Eigentümer des Geräts getragen werden.

1.5 Haftungsbeschränkung

Alle in dieser Bedienungsanleitung enthaltenen technischen Informationen, Daten und Anweisungen zur Installation, zum Betrieb und zur Wartung der Kaffeemaschine geben den aktuellen Stand zum Zeitpunkt des Drucks wieder und basieren auf den bestmöglichen Kenntnissen aus Erfahrung und Know-how.

Aus den Angaben, Abbildungen und Erläuterungen in dieser Bedienungsanleitung können keine Ansprüche abgeleitet werden.

Der Hersteller übernimmt keine Haftung für Schäden oder Verletzungen, die durch Nichtbeachtung des Benutzerhandbuchs, nicht bestimmungsgemäße Verwendung des Produkts, unsachgemäße Reparaturen, unerlaubte Änderungen oder die Verwendung nicht zugelassener Ersatzteile entstehen.

Informationen zur Entsorgung

1.6 Ihre Pflichten als Endnutzer



Dieses Produkt erfüllt die Vorgaben der EU-WEEE-Direktive (2012/19/ EU). Das Produkt wurde mit einem Klassifizierungssymbol für elektrische und elektronische Altgeräte (WEEE) gekennzeichnet.

Dieses Elektro- bzw. Elektronikgerät ist mit einer durchgestrichenen Abfalltonne auf Rädern gekennzeichnet. Das Gerät darf deshalb nur getrennt vom unsortierten Siedlungsabfall

1 Wichtige Hinweise zur Sicherheit und zum Umweltschutz

gesammelt und zurückgenommen werden. Es darf somit nicht in den Hausmüll gegeben werden. Das Gerät kann z.B. bei einer kommunalen Sammelstelle oder ggf. bei einem Verteiler (siehe unten zu deren Rücknahmepflichten in Deutschland) abgegeben werden.

Das gilt auch für alle Bauteile, Unterbaugruppen und Verbrauchsmaterialien des zu entsorgenden Altgeräts.

Bevor das Altgerät entsorgt werden darf, müssen alle Altbatterien und Altakkumulatoren vom Altgerät getrennt werden, die nicht vom Altgerät umschlossen sind. Das gleiche gilt für Lampen, die zerstörungsfrei aus dem Altgerät entnommen werden können. Der Endnutzer ist zudem selbst dafür verantwortlich, personenbezogene Daten auf dem Altgerät zu löschen.

Die ordnungsgemäße Entsorgung gebrauchter Geräte trägt dazu bei, mögliche negative Folgen für die Umwelt und die menschliche Gesundheit zu vermeiden.

1.7 Hinweise zum Recycling



Helfen Sie mit, alle Materialien zu recyceln, die mit diesem Symbol gekennzeichnet sind. Entsorgen Sie solche Materialien, insbesondere

Verpackungen, nicht im Hausmüll, sondern über die bereitgestellten Recyclingbehälter oder die entsprechenden örtlichen Sammelsysteme.

Recyceln Sie zum Umwelt- und Gesundheitsschutz elektrische und elektronische Geräte.

1.8 Rücknahmepflichten der Verteiler

Wer auf mindestens 400 m² Verkaufsfläche Elektro- und Elektronikgeräte vertreibt oder diese gewerblich an Endnutzer abgibt, ist verpflichtet, bei Abgabe eines neuen Gerätes, ein Altgerät des Endnutzers der gleichen Geräteart, das im Wesentlichen die gleichen Funktionen wie das neue Gerät erfüllt, am Ort der Abgabe oder in unmittelbarer Nähe, unentgeltlich zurückzunehmen.

Das gilt auch für Verteiler von Lebensmitteln mit einer Gesamtverkaufsfläche von mindestens 800 m², die mehrmals im Kalenderjahr oder dauerhaft Elektro- und Elektronikgeräte anbieten und auf dem Markt bereitstellen. Solche Verteiler müssen zudem auf Verlangen des Endnutzers Altgeräte, die in keiner äußeren Abmessung größer als 25 cm sind, (kleine Elektrogeräte) im Einzelhandelsgeschäft oder in unmittelbarer Nähe hierzu unentgeltlich zurückzunehmen; die Rücknahme darf in diesem Fall nicht an den Kauf eines Elektro- oder Elektronikgerätes verknüpft, kann aber auf drei Altgeräte pro Geräteart beschränkt werden.

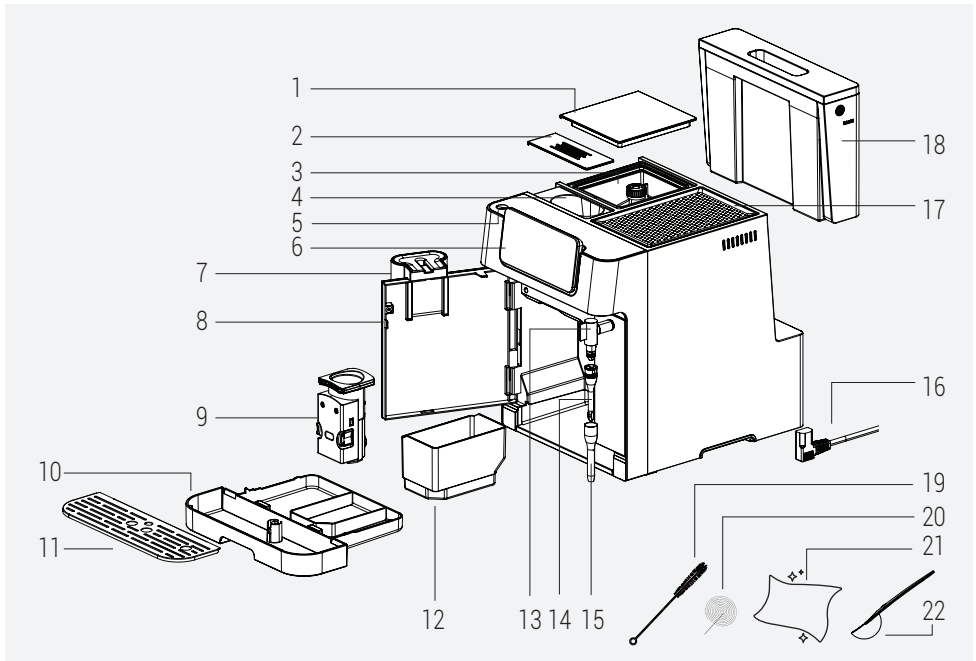
Ort der Abgabe ist auch der private Haushalt, wenn das neue Elektro- oder Elektronikgerät dorthin geliefert wird; in diesem Fall ist die Abholung des Altgerätes für den Endnutzer kostenlos.

Die vorstehenden Pflichten gelten auch für den Vertrieb unter Verwendung von Fernkommunikationsmitteln, wenn die Verteiler Lager- und Versandflächen für Elektro- und Elektronikgeräte bzw. Gesamtlager und Versandflächen für Lebensmittel beinhalten, die den oben genannten Verkaufsflächen entsprechen. Die unentgeltliche Abholung von Elektro- und Elektronikgeräten ist dann aber auf Wärmeüberträger (z.B. Kühlschrank), Bildschirme, Monitore und Geräte, die Bildschirme mit einer Oberfläche von mehr als 100 cm² enthalten und Geräte beschränkt, bei denen mindestens eine der äußeren Abmessungen mehr als 50 cm beträgt. Für alle übrigen Elektro- und Elektronikgeräte muss der Verteiler geeignete Rückgabemöglichkeiten in zumutbarer Entfernung zum jeweiligen Endnutzer gewährleisten; das gilt auch für kleine Elektrogeräte (s.o.), die der Endnutzer zurückgeben möchte, ohne ein neues Gerät zu erwerben.

1.9 Einhaltung von RoHS-Vorgaben:

Das von Ihnen erworbene Produkt erfüllt die Vorgaben der EU-RoHS Richtlinie (2011/65/EU). Es enthält keine in der Richtlinie angegebenen gefährlichen und unzulässigen Materialien.

2 Ihre vollautomatische Kaffeemaschine



- | | |
|---|---|
| 1. Kaffeebohnenbehälterdeckel | 11. Tassentablett |
| 2. Deckel des Behälters für vorgemahlene Kaffee | 12. Behälter für gemahlene Kaffee (Reste) |
| 3. Kaffeebohnenbehälter | 13. Dampfdüse |
| 4. Behälter für vorgemahlene Kaffee | 14. Düsenabdeckung |
| 5. Power EIN-/AUS-Taste | 15. Metallrohr |
| 6. Digitales Bedienfeld | 16. Stromkabel |
| 7. Einstellbarer Kaffeeauslauf | 17. Tassenwärmer |
| 8. Vordere Abdeckung | 18. Wassertank |
| 9. Brüheinheit | 19. Reinigungsbürste |
| 10. Tropfschale | 20. Reinigungsnadel |
| | 21. Reinigungstuch |
| | 22. Löffel für vorgemahlene Kaffee |

2 Ihre vollautomatische Kaffeemaschine

Technische Daten

Stromversorgung: 220-240 V~, 50-60 Hz

Leistung: 1350 W

Die Rechte zur Durchführung technischer und gestalterischer Änderungen bleiben vorbehalten.

Alle auf dem Produkt und den Beipackzetteln angegebenen Werte stammen aus Labormessungen, die gemäß den einschlägigen Normen durchgeführt wurden. Diese Werte können je nach Einsatz und Umgebungsbedingungen abweichen.

Produktabmessungen:

27,5 cm (Breite) x 35,9 cm (Höhe) x 41,2 cm (Tiefe)

Gewicht: 9,68±0,5kg

Kabellänge 95±5 cm

Gewicht des gemahlene Kaffees (Bohnenmodus)

Standard: 8±2g

Intensiv: 10±2g

Fassungsvermögen der Auffangwanne: Bis zu 0,6 l

Fassungsvermögen des Behälters für gemahlene Kaffee (Rest):

Bis zu 10 Tassen

Fassungsvermögen Wassertank: 2.0±5%L

Fassungsvermögen Kaffeebohnenbehälter: 250±5%g

MaschineVorwärmzeit: <50s

Volumen des Kaffees:

Espresso: 30±10ml

Doppelt: 60±10ml

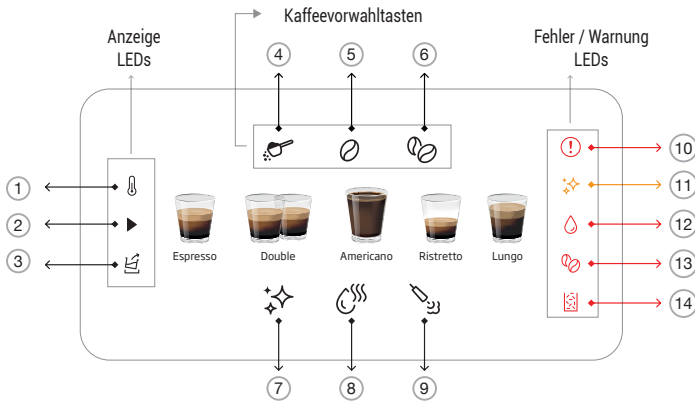
Americano: 150±20ml

Ristretto: 20±5ml

Lungo: 60±10ml

3 Display

3.1 Kontrollfeld



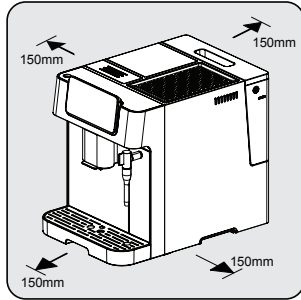
1		Leuchtet während des Vorheizens
2		Leuchtet während des laufenden Prozesses
3		Anzeige für die Wasserentleerung
4		Wird für die Auswahl der Option " Gemahlener Kaffee " verwendet.
5		Wird für die Auswahl der Option " Standard-Bohnenkaffee " verwendet.
6		Wird für die Auswahl der Option " Intensiver Bohnenkaffee " verwendet.
7		Wird zum Auslösen der Reinigungs- und Entkalkungsfunktionen verwendet.
8		Wird zur Aufnahme von heißem Wasser aus der Dampfdüse verwendet.
9		Wird zum Auslösen der Dampfdüsenfunktion verwendet.
10		Allgemeine Fehler
11		Entkalkungswarnung
12		Kein Wasser-Fehler
13		Keine Bohne-Fehler
14		Restbehälter voll-Fehler

4 Vorbereitung

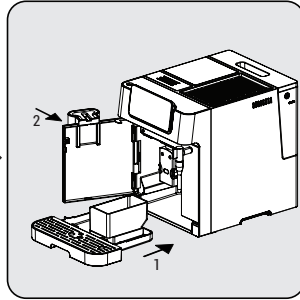
4.1 Installation



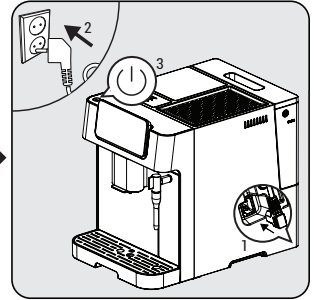
Entfernen Sie alle Schutzfolien, Aufkleber und sonstigen Verpackungsmaterialien vom Gerät.



Wählen Sie eine sichere und stabile Oberfläche mit leicht erreichbarer Stromversorgung und lassen Sie einen Mindestabstand von den Seiten der Maschinen ein.



Setzen Sie die Tropfschale ein. Vergewissern Sie sich, dass es richtig eingesetzt ist, und schließen Sie die vordere Abdeckung.



Wickeln Sie das Netzkabel ab, richten Sie es aus und stecken Sie den Stecker in die Buchse unter der Maschine. Stecken Sie das andere Ende des Netzkabels in eine Steckdose mit geeigneter Netzspannung.

4.2 Füllen des Wassertanks

Über das Schutzprogramm: Wenn der Wassertank nicht vollständig in die Maschine eingesetzt ist, wird 15 Sekunden nach dem Brühvorgang ein Schutzmodus aktiviert. Die Heißwassertaste leuchtet auf dem Bedienfeld auf.

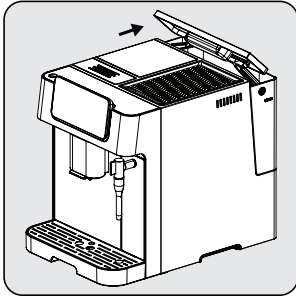


1. Stellen Sie sicher, dass der Wassertank vollständig in die Maschine eingesetzt ist.
2. Drücken Sie die Heißwassertaste. Nachdem das heiße Wasser ausgegeben wurde, befindet sich das Gerät im Leerlauf.

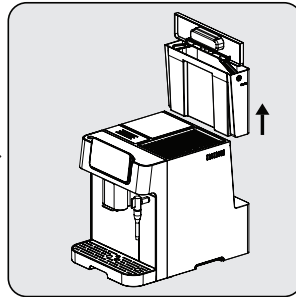


Wenn "D" blinkt, ist der Wasserstand im Wassertank zu gering und es muss Wasser nachgefüllt werden.

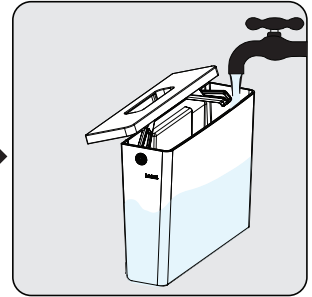
4 Vorbereitung



Heben Sie den Wassertank an, indem Sie den Deckel als Griff verwenden.



Nehmen Sie den Wassertank heraus.



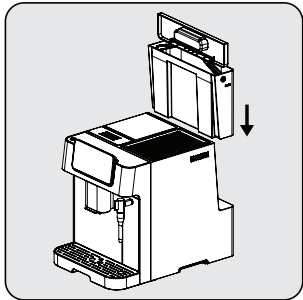
Spülen Sie den Wassertank mit frischem Wasser aus, füllen Sie den Tank bis zum Höchststand und stellen Sie ihn wieder in die Maschine. Stellen Sie sicher, dass es vollständig eingesetzt ist.



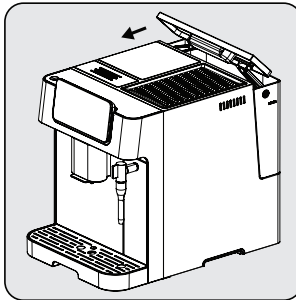
Um zu verhindern, dass Wasser aus dem Wassertank überläuft, sollten Sie kein Wasser aus einem anderen Behälter direkt in das Gerät einfüllen.



Füllen Sie den Wassertank niemals mit warmem oder heißem Wasser, Sprudelwasser oder anderen Flüssigkeiten, die den Wassertank und die Maschine beschädigen könnten.



Setzen Sie den Wassertank wieder ein, indem Sie den Deckel als Griff verwenden.

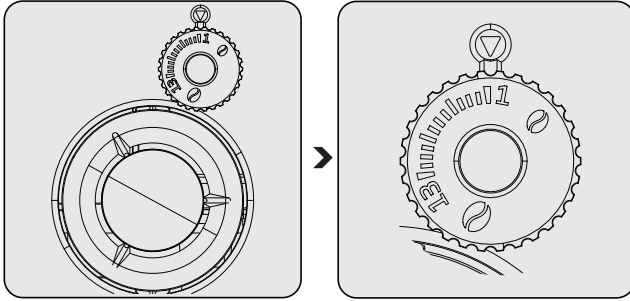


Schließen Sie den Wassertank mit dem Deckel.

5 Betrieb

5.1 Mahleinstellung

You can adjust the grinder to the roast of your coffee by turning the adjustment knob in the bean hopper:




Nehmen Sie die Mühleinstellung niemals vor, wenn die Mühle nicht in Betrieb ist. Dies könnte die Mühle beschädigen.

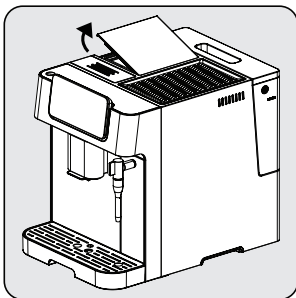


Die Linien auf dem Einstellknopf zeigen die Grobheit des Mahlgrads an. Eine größere Zahl bedeutet einen gröberen Mahlgrad.

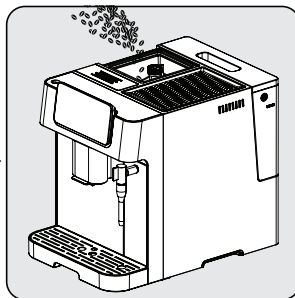
5.2 Bohnenbehälter füllen



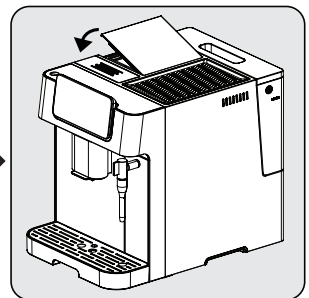
- Wenn  blinkt, muss das Gerät mit Kaffeebohnen gefüllt werden.
- Es ist besser, die Bohnen in der Original-Vakuumverpackung aufzubewahren, um eine länger anhaltende Frische zu gewährleisten. Verwenden Sie den Kaffeebohnenbehälter nicht zur Aufbewahrung, um bessere Ergebnisse zu erzielen.



Entfernen Sie den Deckel des Bohnenbehälters.



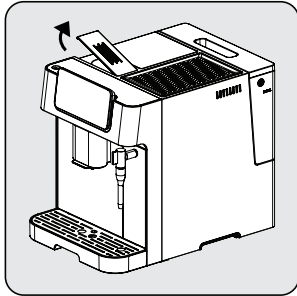
Geben Sie die Kaffeebohnen langsam ein.



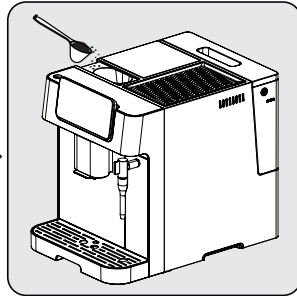
Setzen Sie den Behälterdeckel wieder auf.

5 Betrieb

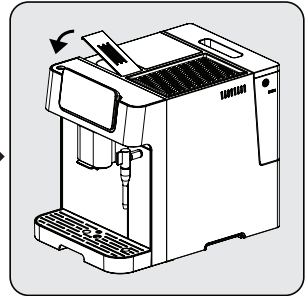
5.3 Verwendung des Behälters für vorgemahlene Kaffee



Nehmen Sie den Deckel des Behälters für vorgemahlene Kaffee ab.



Füllen Sie den vorgemahlene Kaffee langsam in den Behälter für vorgemahlene Kaffee.



Setzen Sie den Behälterdeckel wieder auf.

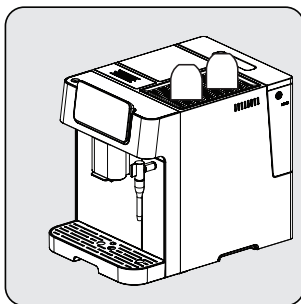


Der Behälter für vorgemahlene Kaffee ist keine Aufbewahrungseinheit, sondern dient der einmaligen Verwendung (max 12g). Für die empfohlene Menge an gemahlenem Kaffee kann ein Messlöffel verwendet werden.



Um diese Einstellung zu aktivieren, muss die Taste für gemahlene Kaffee gedrückt und auf dem Bildschirm ausgewählt werden.

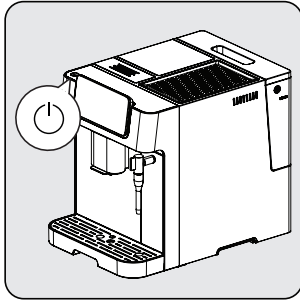
5.4 Verwendung des Tassenwärmers



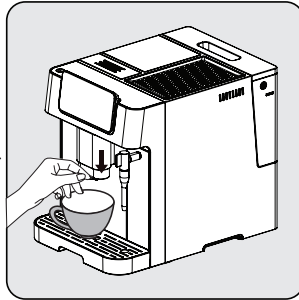
Stellen Sie die Tassen auf den Kopf, um sicherzustellen, dass die Innenfläche warm und sauber bleibt (diese Funktion nutzt die interne Wärme des Geräts).

5 Betrieb

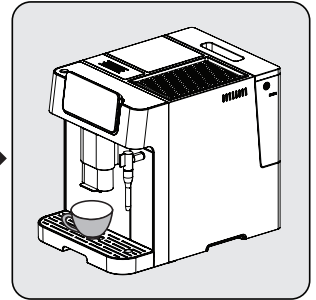
5.5 Zubereiten des Kaffees



Schalten Sie das Gerät durch Drücken der Ein-/Aus-Taste ein. Das Gerät schaltet sich ein, beginnt mit dem Vorheizen und der automatischen Reinigung. Im Ruhezustand, in dem alle Symbole leuchten, ist das Gerät betriebsbereit.



Stellen Sie eine Tasse unter den Kaffeeauslauf und passen Sie die Höhe des Auslaufs an die Tasse an.

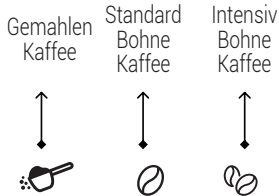


Wählen Sie Ihren Kaffee durch Drücken der Taste, und die Tassenbeleuchtung leuchtet auf, um anzuzeigen, dass das Gerät eine Tasse Kaffee zubereitet. Wenn das Gerät in den Leerlauf zurückkehrt, ist der Kaffee servierbereit.



Drücken Sie die Taste für Espresso, Americano, Ristretto oder Lungo, je nachdem, was Sie bevorzugen.

5.6 Einstellen der Kaffeestärke



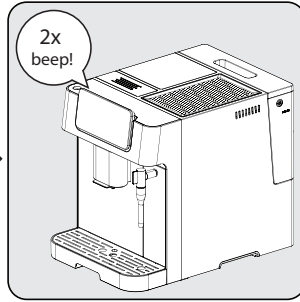
Wenn Sie Bohnenkaffee verwenden, drücken Sie die Taste "Bohnenkaffee

Standard" oder "Bohnenkaffee Intensiv", um die Stärke Ihres Getränks einzustellen. Wenn Sie gemahlene Kaffee verwenden, drücken Sie die Option "Gemahlener Kaffee".

5 Betrieb

5.7 Anpassen der Lautstärke Ihres Kaffees/Heißwassers

Sie können die Menge Ihres gewünschten Kaffees für alle Getränkearten sowie Heißwasser von 25 ml bis 250 ml speichern. (x2 für doppelt)

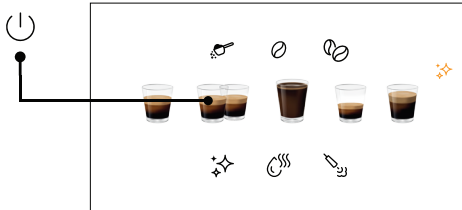
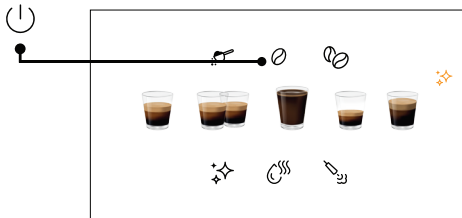


Während Sie Ihren Kaffee zubereiten (Espresso, Doppio, Americano, Ristretto oder Lungo), halten Sie die Taste des von Ihnen gewählten Kaffees gedrückt. Das Gerät bereitet die Tasse Kaffee so lange zu, wie Sie die Taste gedrückt halten.

Wenn die Kaffeemenge Ihrer gewünschten Menge entspricht, lassen Sie die Taste los. Wenn Sie zwei Pieptöne hören, bedeutet dies, dass das Gerät diese Kaffeemenge gespeichert hat.



Die Wassereinstellung kann während der laufenden Kaffeezubereitung (nach dem das Mahlen abgeschlossen ist) vorgenommen werden.



So setzen Sie alle Getränke auf die Standard-/Werkseinstellungen zurück;

Um alle gespeicherten Getränke- und Heißwassermengeneinstellungen auf die Standardeinstellungen zurückzusetzen;

- Drücken Sie die Ein-/Ausschalttaste und die Bohnentaste gleichzeitig für 3 Sekunden.

Um ein einzelnes Getränk auf die Standard-/Werkseinstellungen zurückzusetzen;

Um die Standardeinstellungen einer einzelnen

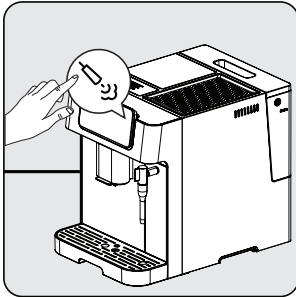
Kaffee- oder Heißwassermenge wiederherzustellen;

- Drücken Sie die Ein-/Ausschalttaste und die Getränketaste (die zurückgesetzt werden soll) zusammen 3 Sekunden lang.

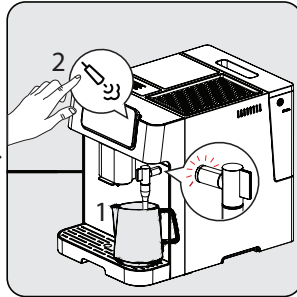
5 Betrieb

5.8 Schaummilch für Kaffee zubereiten

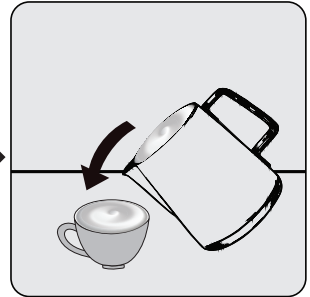
i Da die Dampftemperatur höher als die Espressotemperatur ist, sollte der Espresso vor der Herstellung von schaumiger Milch zubereitet werden. Andernfalls kann der Espresso anbrennen.



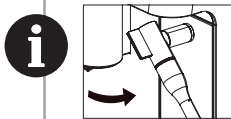
Das Symbol für die Dampfdüse drücken und warten, bis die Dampfdüse bereit ist. Während die Dampfdüse vorheizt, blinken die Kontrollleuchten.



Wenn die Anzeigelampen stillstehen, ist die Dampfdüse einsatzbereit. Stellen Sie eine mit Milch gefüllte Tasse oder einen Krug unter die Dampfdüse. Drücken Sie die Taste der Dampfdüse erneut, um den Milchschaum zu starten, und stoppen Sie durch erneutes Drücken.



Gießen Sie die heiße schaumige Milch in den Espresso. Jetzt können Sie Ihren Kaffee genießen!



Die Dampfdüse kann zur leichteren Handhabung nach rechts gedreht werden.

- Reinigen Sie die Düse nach der Verwendung der Dampfdüse von Milchrückständen, indem Sie die Düse mit einem feuchten Tuch abwischen.
- Es wird empfohlen, Milchreste, die sich an der Spitze der Düse ansammeln können, durch Aktivieren der Heißwasserfunktion aus der Düse zu entfernen.
- Wenn die Dampfdüse eine bestimmte Zeit lang nicht benutzt wird, kehrt der Bildschirm in den Ruhezustand zurück.



- Der Auslass der Dampfdüse sollte über der Abtropfschale liegen, um ein Verschütten von Wasser/Milch zu vermeiden.
- Füllen Sie die Tasse/Kanne nicht ganz voll, da die Milch darin aufgeschäumt wird.
- Beachten Sie, dass die Tasse/Kanne während des Milchaufschäumens heiß werden kann.

5 Betrieb

5.9 Heißwasser

Das Gerät kann heißes Wasser durch einfaches Drücken der Heißwassertaste „☪“ abgeben. Zum Stoppen erneut drücken.



Diese Funktion kann verwendet werden, um die Tasse vor der Kaffeezubereitung aufzuwärmen. Füllen Sie die Tasse zunächst mit heißem Wasser, gießen Sie dann das Wasser weg und verwenden Sie diese Tasse für die Kaffeezubereitung.

5.10 Modusauswahl

Das Gerät verfügt über drei verschiedene Einstellungen: Standardeinstellung, ECO-Modus und Geschwindigkeitsmodus. Im ECO-Modus spart das Gerät mehr Energie. Im Geschwindigkeitsmodus kann der Benutzer seinen Kaffee schneller als in der Standardeinstellungen zubereiten.

	Energiesparmodus	Geschwindigkeitsmodus	Standardeinstellungen
Anzeigeleuchten für Tassenfeuerzeug und Dampfdüse	Nein	Ja	Ja
Vorbrauen*	Ja	Nein	Ja
Automatische Abschaltzeit	10 Min	30 Min	20 Min



Die Vorbrühfunktion befeuchtet den Kaffee in der Brüheinheit mit einer kleinen Menge Wasser vor der vollständigen Extraktion. Dies erweitert den Kaffeesatz, um einen höheren Druck im Brauer aufzubauen, wodurch alle Öle extrahiert und der volle Geschmack der Bohnen hervorgehoben werden.

1. Wenn sich das Gerät im Leerlauf befindet, halten Sie ⏻ 5 Sekunden lang gedrückt.

1. Das ⏻ blinkt dann und die folgenden Tasten leuchten auf, um verschiedene Einstellungen anzuzeigen:



Im ECO-Modus



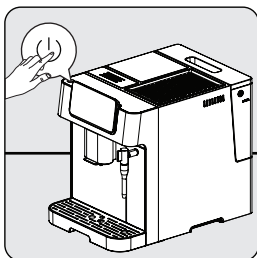
Im Geschwindigkeitsmodus



In Standardeinstellungen

2. Drücken Sie die "Pulverkaffee-Taste" für den ECO-Modus, die "Standart-Bohnenkaffee-Taste" für den Speed-Modus und die "Intensiver-Bohnenkaffee-Taste" für die Standardeinstellungen. Sie hören zwei Pieptöne, wenn der Modus ausgewählt wurde.

3. Wenn Sie möchten, dass die Einstellung unverändert bleibt, drücken Sie erneut ⏻ oder warten Sie 5 Sekunden, bis das Gerät in den Leerlauf zurückkehrt.



5.11 Abbrechen

Um einen laufenden Vorgang abzubrechen, muss die Ein/Aus-Taste einmal gedrückt werden. Zudem wird der Vorgang abgebrochen, wenn Sie nach Beginn der Zubereitung erneut auf ein ausgewähltes Getränk drücken.

6 Reinigung



Durch 2-maliges Drücken der Ein/Aus-Taste wird das Gerät zwangsweise ausgeschaltet.

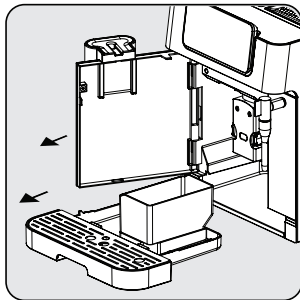
6.1 Reinigung des Gerätes

1. Ziehen Sie das Netzkabel aus der Steckdose.
2. Schütten Sie das gesamte Wasser bzw. die Kaffeereste in der Abtropfschale und dem Restkaffeebehälter weg.
3. Verwenden Sie ein feuchtes Tuch oder ein nicht kratzendes Reinigungsmittel, um die Flüssigkeitsflecken auf dem Gerät zu entfernen.

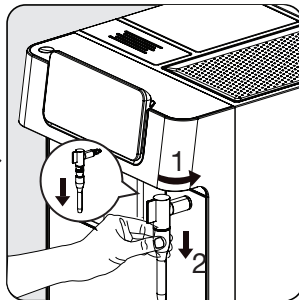


Verwenden Sie zum Reinigen des Geräts niemals Schleifmittel, Essig oder Entkalkungsmittel, die nicht im Lieferumfang enthalten sind.

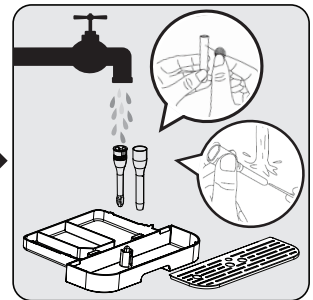
Die rechtzeitige Reinigung und Wartung des Geräts ist äußerst wichtig, um seine Lebensdauer zu verlängern.



Öffnen Sie die vordere Abdeckung. Entfernen Sie die Tropfschale und den Restkaffeebehälter.

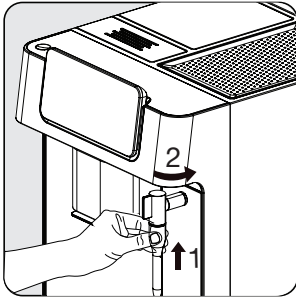


Entfernen Sie das Metallrohr, indem Sie es nach unten ziehen. Entfernen Sie dann den Düsendeckel, indem Sie ihn nach links drehen, um den Düsendeckel und das Metallrohr zu demontieren.



Leeren Sie den Restkaffeebehälter und die Tropfschale aus. Waschen Sie das Metallrohr unter fließendem warmen Wasser aus und verwenden Sie die Nadel oder die Borsten der Bürste, um das Loch zu reinigen. Waschen Sie den Düsendeckel unter fließendem warmen Wasser und reinigen Sie das Loch mit der Nadel oder den Borsten der Bürste. Trocknen Sie sie anschließend.

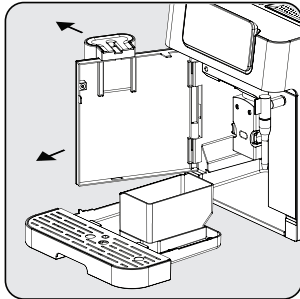
6 Reinigung



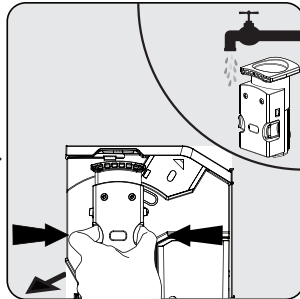
Bringen Sie das Metallrohr wieder an der Düsenabdeckung an. Schieben Sie es dann nach oben, um die Düsenabdeckung wieder an ihren Platz zu setzen, und drehen Sie sie nach rechts, um sie zu verriegeln.



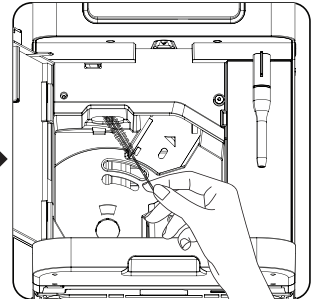
Wenn ☒ aufleuchtet, muss der Restkaffeebehälter geleert werden. Dieses Symbol leuchtet nach jeweils 10 Kaffeezubereitungen auf. Reinigen Sie den Behälter, um den Fehler zu beheben. Wenn der Behälter sauber ist, nehmen Sie ihn heraus und stellen Sie ihn wieder an seinen Platz.



Halten Sie den verstellbaren Kaffeeauslauf und ziehen Sie ihn langsam zurück, um die vordere Abdeckung zu öffnen.



Nehmen Sie die Brühinheit heraus. Mit Wasser abwaschen und anschließend abtrocknen.



Reinigen Sie die Kaffeeauslaufleitung mit einer Bürste.



- Die Tropfschale sollte geleert werden, wenn die schwimmende Anzeige sichtbar ist.
- Der Pulverkaffeeschacht sollte nach jedem Gebrauch mit der Reinigungsbürste gereinigt werden.



Wenn ⚠ leuchtet, bedeutet dies, dass die Brühinheit fehlt bzw. nicht richtig eingesetzt ist. Wenn ⚠ blinkt, bedeutet dies, dass die Frontabdeckung nicht geschlossen ist.

6 Reinigung

6.2 Entkalkungsfunktion

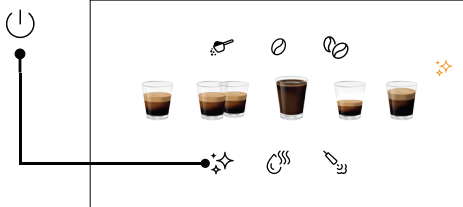


- Die Entkalkung ist nach dem vordefinierten Brühzyklus erforderlich.
- Verwenden Sie zur Selbstreinigung dieses Geräts keinen Essig oder andere Reinigungsmittel. Andere Reinigungsmittel können das Gerät beschädigen.
- Halten Sie Haut/Körper von heißem Wasser fern.

Wenn ✨ aufleuchtet, bedeutet dies, dass das Gerät entkalkt werden muss. Das Gerät bleibt in bestem Zustand, wenn diese Funktion mindestens einmal im Monat oder häufiger ausgeführt wird, abhängig von der verwendeten Wasserhärte.

So starten Sie die Entkalkung:

1. Füllen Sie den Wassertank bis zum "Entkalkungsstufe ✨".
2. Geben Sie eine Packung Reinigungsmittel in die Box in den Wassertank.
3. Stellen Sie einen ausreichend großen Behälter unter den Kaffeeauslauf und die Düse.
4. Wenn sich das Gerät im Leerlauf befindet, halten Sie ✨ 3 Sekunden lang gedrückt. Sie hören einen Piepton und das ✨ blinkt, bis der Wassertank leer ist.
5. Füllen Sie den Wassertank erneut bis zum "Entkalkungsstufe" mit Wasser und drücken Sie erneut die Taste ✨, um den zweiten Entkalkungszyklus zu starten. Wird der Wassertank entnommen und wieder eingesetzt, erkennt das Gerät diesen Vorgang und startet automatisch den zweiten Zyklus (ohne erneutes Drücken von ✨).
6. Sobald der Wassertank geleert ist, kehrt der Bildschirm in den Ruhezustand zurück. Die Entkalkung ist abgeschlossen. Füllen Sie den Wassertank mit frischem Wasser auf, um mit der Kaffeezubereitung zu beginnen.



So setzen Sie die Entkalkungswarnung zurück;

So setzen Sie den Entkalkungswarnstatus zurück;

- Drücken Sie die Ein-/Ausschalttaste und die Entkalkungstaste gleichzeitig für 3 Sekunden.






Das Zurücksetzen des Entkalkungswarnstatus wird nicht empfohlen, um den besten Zustand des Geräts zu erhalten.

6 Reinigung

6.3 Leeres System-Funktion


Verwenden Sie die Funktion "System entleeren" vor längerem Nichtgebrauch und zum Frostschutz.

1. Halten Sie im Leerlauf die Taste  und die Heißwassertaste  gleichzeitig 3 Sekunden lang gedrückt, dann leuchtet die Taste
2.  auf.
3. Nehmen Sie den Wassertank aus dem Gerät, der Vorgang startet automatisch.
4. Wenn die Funktion leeres System abgeschlossen ist, schaltet sich das Gerät automatisch aus.



Wenn das Gerät zum ersten Mal wieder benutzt wird, nachdem die Entleerungsfunktion verwendet wurde, drücken Sie die Heißwassertaste, bis Wasser aus dem Auslauf kommt.

6.4 Manuelle Reinigungs-/Spülfunktion

Sie können die Kaffeedüse vor oder nach dem Gebrauch manuell reinigen/spülen. Drücken Sie im Leerlauf einmal .

- Nach der Reinigung/Spülung schaltet das Gerät in den Leerlauf zurück.



- Das aus der Kaffeedüse austretende Wasser ist heiß und wird in der darunter liegenden Tropfschale gesammelt. Vermeiden Sie Kontakt, da es herumspritzt.
- Wenn das Gerät längere Zeit nicht benutzt wurde, empfiehlt es sich, diese Funktion zu verwenden.



Die Verwendung dieser Funktion vor der Kaffeezubereitung gewährleistet außerdem einen heißeren Kaffee.

Deaktivieren des automatischen Reinigungsmodus

Ihr Gerät reinigt sich automatisch vor und nach jedem Brühvorgang. Gehen Sie wie folgt vor, um die automatische Reinigung zu deaktivieren.

- Schalten Sie das Gerät durch Drücken der Ein-/Ausschalttaste ein und warten Sie, bis es in den Leerlaufmodus übergeht.
- Öffnen Sie die vordere Abdeckung.
- Drücken Sie die Ein-/Ausschalttaste 5 Sekunden lang, bis ein Piepton ertönt.
- Schließen Sie die vordere Abdeckung.
- Der automatische Reinigungsvorgang wurde abgebrochen.

6 Reinigung



Wir empfehlen Ihnen, die automatische Reinigung aktiv zu nutzen, um eine gesunde Nutzung zu gewährleisten.

So brechen Sie die automatische Reinigung einmalig ab;

Drücken Sie die Ein-/Ausschalttaste, während das Gerät ein- oder ausgeschaltet wird, um diese Funktion zu umgehen.

7 Informationen

Technische Daten



Stromversorgung: 220-240 V~, 50-60 Hz

Leistung: 1350 W

Technische und optische Änderungen vorbehalten.

Service und Ersatzteile

Unsere Geräte werden nach den neuesten technischen Erkenntnissen entwickelt, produziert und geprüft. Sollte trotzdem eine Störung auftreten, so bitten wir Sie, sich mit Ihrem Fachhändler bzw. mit der Verkaufsstelle in Verbindung zu setzen. Sollte dies nicht möglich sein, wenden Sie sich bitte an das BEKO GRUNDIG Service-Center unter folgenden Kontaktdaten:

Telefon: 0911 / 590 597 29
(Montag bis Freitag von 08.00 bis 18.00 Uhr)
Telefax: 0911 / 590 597 31
E-Mail: service@grundig.com
<http://www.grundig.com/de-de/support>

Unter den obengenannten Kontaktdaten erhalten Sie ebenfalls Auskunft über den Bezug möglicher Ersatz- und Zubehörteile.

BEKO GRUNDIG Kundenberatungszentrum

Montag bis Freitag von 8.00 bis 18.00 Uhr
Deutschland : 0911 / 590 597 30
Österreich : 0820 / 220 33 22 *
* gebührenpflichtig (0,145 €/Min. aus dem
Festnetz, Mobilfunk: max. 0,20 €/Min.)

Haben Sie Fragen?

Unser Kundenberatungszentrum steht Ihnen werktags stets von 8.00 – 18.00 Uhr zur Verfügung.

8 Problembehandlung

Problem	Ursache	Lösung
Das Gerät funktioniert nicht.	Das Gerät ist nicht an das Stromnetz angeschlossen.	Schließen Sie es an und drücken Sie den Schalter. Überprüfen Sie das Kabel und den Stecker.
Keine oder verzögerte Reaktion in mehreren Versuchen, beim Drücken auf eine Funktionstaste auf dem Bedienfeld.	Das Gerät ist elektromagnetischen Störungen ausgesetzt. Das Panel ist schmutzig.	Ziehen Sie den Gerätenetzstecker. Nach einigen Minuten neu starten. Reinigen Sie das Bedienfeld mit dem mitgelieferten Tuch.
Der Kaffee ist nicht heiß genug.	Die Tassen wurden nicht vorgewärmt. Die Braueinheit ist zu kalt.	Stellen Sie Ihre Tasse mit der Oberseite nach unten auf den Tassenwärmer oder spülen Sie die Tasse mit heißem Wasser aus. Stellen Sie sicher, dass das Wasser im Wassertank nicht zu kalt ist.
Es kommt kein Kaffee aus dem Kaffeeauslauf.	Möglicherweise wurde zuvor die Funktion "System entleeren" verwendet. Der Kaffeeauslauf wurde möglicherweise nicht gereinigt und durch Kaffeereste blockiert.	Drücken Sie die Heißwassertaste, bis Wasser aus dem Auslauf kommt. Reinigen Sie den Kaffeeauslauf.
Die erste Tasse Kaffee ist von schlechter Qualität.	Beim ersten Durchlauf des Mahlwerks wird keine ausreichende Menge Kaffee in die Brüheinheit gegeben.	Werfen Sie den Kaffee weg. Die nächsten Tassen werden besser sein.
Der Wassertank ist entfernt/der Wasserstand im Wassertank ist sehr niedrig, aber es ist keine "W" Warnung vorhanden.	Der Bereich in der Nähe des Wassertankanschlusses könnte nass sein.	Wischen Sie das Wasser um den Wassertankanschluss herum ab.
Die interne Tropfschale ist mit viel Wasser gefüllt.	Der gemahlene Kaffee ist zu fein, wodurch das Wasser nicht austreten kann.	Stellen Sie die Kaffeefeinheit für den Mahlvorgang auf größere Körner ein.
Kaffee wird zu langsam oder tropfenweise geliefert.	Kaffeesatz ist zu fein, wodurch das Wasser nicht austreten kann.	Stellen Sie die Kaffeefeinheit für den Mahlvorgang auf größere Körner ein.
Die Anzeige blinkt, um zu signalisieren, dass nicht genügend Kaffeebohnen vorhanden sind, obwohl sich genügend Bohnen im Behälter befinden.	Der interne Kaffeesatzauslass ist blockiert.	Befolgen Sie die unter Reinigen des Kaffeesatzauslasses beschriebenen Schritte.
Der Brauer oder das Kaffeepulver ist nicht zu entfernen.	Das Gerät hat den Selbstreinigungsvorgang nicht beendet und wurde ausgeschaltet.	Bitte schalten Sie die Maschine erneut ein und lassen Sie sie ihre automatische Reinigung beenden.
Das Gerät führt den Spülzyklus beim Ein- und Ausschalten nicht mehr durch.	Eine unsachgemäße Handhabung bei der Wartung des Geräts kann die Ursache sein.	1. Wenn sich das Gerät im Ruhezustand befindet, öffnen Sie die Frontabdeckung. 2. Halten Sie die Ein-/Aus-Taste gedrückt, bis Sie 2 Pieptöne hören. 3. Schließen Sie die vordere Abdeckung.
Die Touch-Tasten sind nicht empfindlich.	Drücken Sie die Touch-Taste nicht an der Vorderseite des Geräts.	Drücken Sie von der Vorderseite des Geräts aus auf den unteren Teil des Symbols der Berührungstaste.

Sehr geehrte Kundin, sehr geehrter Kunde,

als Käufer eines Haushaltskleingerätes der Marke Beko stehen Ihnen die gesetzlichen Gewährleistungsrechte (Nachbesserung und Nacherfüllung) aus dem Kaufvertrag zu. Die Gewährleistung erfolgt für die Fehlerfreiheit bei Geräteübergabe entsprechend dem jeweiligen Stand der Technik. Über die Gewährleistung hinaus räumt Ihnen der Hersteller eine Garantie ein, diese schränkt die gesetzliche Gewährleistung – die für 24 Monate ab dem Kaufdatum gilt - nicht ein. Garantiert wird die Mängelbeseitigung durch Reparatur oder Austausch nach Wahl des Herstellers.

Sollte eine Störung an Ihrem Gerät auftreten, wenden Sie sich bitte an Ihren Fachhändler bzw. den Verkäufer. Dieser wird vor Ort das Gerät prüfen und den Kundenservice durchführen. Auch soweit Ansprüche aus der Herstellergarantie bestehen, werden diese nur durch den Verkäufer abgewickelt.

Die Garantiezeit beträgt 24 Monate ab Kaufdatum.

Bedingungen:

1. Ein maschinell erstellter Original-Kaufbeleg liegt vor.
2. Das Gerät ist nur mit Original-Zubehör und Original-Ersatzteilen betrieben worden.
3. Die in der Gebrauchsanweisung erwähnten Wartungs- und Reinigungsarbeiten sind entsprechend ausgeführt worden.
4. Das Gerät wurde nicht geöffnet/zerlegt.
5. Bauteile, die einem gebrauchsbedingtem Verschleiß unterliegen, fallen nicht unter die Garantie
6. Ausgewechselte Teile werden Eigentum des Herstellers.
7. Ausgeschlossen von der Garantie sind die Mängel, die durch unsachgemäße Installation, z.B. Nichtbeachtung der VDE-Vorschriften; unsachgemäße Aufstellung, z.B. Nichtbeachtung der Einbau- oder Installationsvorschriften; äußere Einwirkung, z.B. Transportschäden, Beschädigung durch Stoß oder Schlag, Schäden durch Witterungseinflüsse, unsachgemäße Bedienung oder Beanspruchung, z.B. Nichtbeachtung der Gebrauchsanweisungen verursacht wurden.
8. Eine gewerbliche oder gleichzustellende Nutzung, z.B. in Hotels, Pensionen, Gaststätten, Arztpraxen oder Gemeinschaftsanlagen, gilt als eine nicht bestimmungsgemäße Benutzung, die die Garantie ausschließt.
9. Die Mängelbeseitigung verlängert die ursprüngliche Garantiezeit nicht.
10. Schadenersatzansprüche, auch hinsichtlich Folgeschäden, sind, soweit sie nicht auf Vorsatz oder grober Fahrlässigkeit beruhen, ausgeschlossen.
11. Der Anspruch auf Garantieleistung steht nur dem Erstkäufer zu und erlischt bei Weiterverkauf des Produktes durch den Erstkunden.
12. Die Garantie gilt für neue Produkte und nicht für Produkte, die als Gebrauchtgeräte verkauft worden sind und nicht für B-Ware.
13. Die Garantie ist nicht übertragbar.

Diese Garantiezusage ist nur gültig innerhalb der Bundesrepublik Deutschland

Garantiebedingungen - Beko – Version Februar 2021

Veillez d'abord lire ce manuel d'utilisation !

Cher/Chère client(e),

Merci d'avoir choisi un produit Beko. Nous espérons que vous obtenez les meilleurs résultats de votre appareil qui est fabriqué avec une haute qualité et une technologie de pointe. Par conséquent veuillez lire attentivement ce manuel d'utilisation et tous les autres documents d'accompagnement avant d'utiliser l'appareil et conservez-le comme référence pour une utilisation future. Si vous transmettez le produit à quelqu'un d'autre, veuillez lui remettre également le manuel d'utilisation. Veuillez tenir compte de tous les avertissements et informations figurant dans le manuel d'utilisation.

Explication des symboles

Les symboles suivants sont utilisés dans les différentes sections de ce manuel :



Informations importantes ou consignes utiles relatives à l'utilisation.



DANGER : Cet avertissement concerne les situations dangereuses pour la vie et les biens.



AVERTISSEMENT : Cet avertissement indique des situations potentiellement dangereuses.



ATTENTION : Cet avertissement indique le risque de dommages matériels.



Les matériaux sont adaptés au contact alimentaire



FR

Cet appareil, ses accessoires et cordons se recyclent

À DÉPOSER EN MAGASIN



À DÉPOSER EN DÉCHÈTERIE



Points de collecte sur www.quefairedemesdechets.fr
Privilégiez la réparation ou le don de votre appareil !



FR

ÉLÉMENTS PAPIER



PAPIER RECYCLÉ ET RECYCLABLE

1 Consignes importantes sur la sécurité et l'environnement

Cette section comprend les instructions de sécurité qui permettront d'assurer une protection contre les risques de blessures corporelles et de pertes matérielles. Le non-respect de ces instructions annule toute garantie.

1.1 Danger du courant électrique

Danger pour la vie par le courant électrique !

Le contact avec des fils ou des composants sous tension peut entraîner des blessures graves, voire la mort !

Respectez les consignes de sécurité suivantes pour éviter les chocs électriques :

- Ne l'utilisez pas si le câble d'alimentation ou l'appareil lui-même est endommagé. Contactez le service agréé.
- N'ouvrez pas le boîtier de la machine à café. Il y a un risque de choc électrique en cas de contact avec des

connexions sous tension et/ou de modification de la configuration électrique et mécanique.

- Avant de nettoyer le récipient à haricots, débranchez l'appareil de la prise de courant. Danger lié à la rotation du moulin à café !

1.2 Danger de brûlure ou d'échaudage

Certaines parties de la machine à café peuvent devenir très chaudes pendant le fonctionnement ! Les boissons distribuées et les vapeurs qui s'échappent sont très chaudes ! Respectez les consignes de sécurité suivantes pour éviter de vous brûler ou de vous ébouillanter vous-même et/ou les autres :

- Ne touchez à aucun des manchons métalliques des deux becs à café.
- Évitez tout contact direct de la peau avec la vapeur

1 Consignes importantes sur la sécurité et l'environnement

s'échappant de la machine ou avec l'eau chaude de rinçage, de nettoyage ou de détartrage.

1.3 Mesures de sécurité de base

Respectez les consignes de sécurité suivantes pour garantir une manipulation sûre de la machine à café :

- Ne jouez jamais avec le matériel d'emballage. Il y a un risque de suffocation. Tenez tous les emballages hors de la portée des enfants.
- Contrôlez la machine à café avant de l'utiliser pour détecter les signes visibles de dommages. N'utilisez pas une machine à café endommagée. Contactez le service agréé.
- Si le câble de raccordement est endommagé, il ne doit être remplacé que par un agent de service recommandé par le fabricant afin de prévenir tout danger ! Veuillez contacter le fabricant ou son service

clientèle.

- Les réparations de la machine à café ne doivent être effectuées que par un spécialiste ou un représentant du service après-vente agréé. Les réparations effectuées par des personnes non autorisées peuvent entraîner un danger considérable pour l'utilisateur. Ces actions annulent également la garantie.
- Les réparations de la machine à café pendant la période de garantie ne peuvent être effectuées que par des centres de service agréés par le fabricant, faute de quoi la garantie sera annulée en cas de dommages ultérieurs.
- Les pièces défectueuses ne peuvent être remplacées que par des pièces de rechange d'origine. Seules les pièces de rechange d'origine garantissent que les exigences de sécurité soient respectées.
- Cet appareil peut être utilisé

1 Instructions importantes pour la sécurité et l'environnement

- par des enfants de plus de 8 ans ainsi que par des personnes ayant des capacités physiques, sensorielles ou mentales réduites ou manquant d'expérience et/ou de connaissances, à condition que ces personnes soient surveillées ou qu'elles aient reçu des instructions sur la manière d'utiliser l'appareil en toute sécurité et qu'elles aient compris les risques qui pourraient en découler. Ne laissez pas les enfants jouer avec l'appareil. Le nettoyage et l'entretien par l'utilisateur ne doivent pas être effectués par des enfants, sauf s'ils ont plus de 8 ans et sont surveillés.
- Cet appareil est conçu pour être utilisé dans les maisons et des endroits similaires tels que :
 - les espaces de cuisine dans les boutiques, bureaux et autres environnements de travail,
 - maisons de campagne,
 - par les clients des hôtels, motels et autres lieux d'habitation,
 - les gîtes touristiques.
 - Protégez la machine à café contre les effets du temps tels que la pluie, le gel et la lumière directe du soleil. N'utilisez pas la machine à café à l'extérieur.
 - Ne plongez jamais la machine à café elle-même, le câble d'alimentation ou la prise secteur dans l'eau ou d'autres liquides.
 - Ne nettoyez pas la machine à café ou ses accessoires dans un lave-vaisselle.
 - Ne versez pas d'autres liquides que de l'eau et ne placez pas de denrées alimentaires dans le réservoir d'eau.
 - Ne remplissez pas le réservoir d'eau au-delà de la marque maximale.
 - Ne faites fonctionner l'appareil que lorsque le conteneur à déchets, le bac d'égouttage et

1 Consignes importantes sur la sécurité et l'environnement

la grille à tasses sont installés.

- Ne tirez pas sur le câble pour retirer la fiche de la prise de courant et ne touchez pas avec les mains mouillées.
- Ne tenez pas la machine à café avec le câble d'alimentation.
- Gardez l'appareil et son cordon hors de portée des enfants de 8 ans ou moins.
- L'appareil ne peut être utilisé que pour préparer du café.
- Les enfants doivent être surveillés pour s'assurer qu'ils ne jouent pas avec l'appareil.
- Débranchez l'appareil avant chaque nettoyage et lorsque vous ne l'utilisez pas.
- Placez l'appareil de manière à ce que la fiche soit toujours accessible.
- Utilisez toujours l'appareil sur une surface stable, plane, propre, sèche et antidérapante.
- L'appareil n'est pas une machine à café intégrée et n'est pas conçu pour être utilisé à

l'intérieur d'une armoire. La cafetière ne doit pas être placée dans une armoire lorsqu'elle est utilisée.

- Ne serrez pas ou ne pliez pas le cordon d'alimentation et ne le frottez pas sur des bords tranchants afin d'éviter tout dommage au cordon d'alimentation. Gardez le cordon d'alimentation loin des surfaces chaudes et des flammes nues.
- Assurez-vous que l'alimentation secteur est conforme aux informations fournies sur la plaque signalétique de l'appareil.
- N'utilisez l'appareil qu'avec une prise de courant reliée à la terre.
- N'utilisez pas l'appareil avec une rallonge.
- Ne touchez pas l'appareil ou sa fiche avec les mains mouillées ou humides lorsqu'il est branché.
- - ATTENTION : Afin d'éviter tout risque de réenclenchement

1 Consignes importantes sur la sécurité et l'environnement

involontaire du coupe-circuit thermique, cet appareil ne doit pas être alimenté par un dispositif de commutation externe, tel qu'une minuterie, ni raccordé à un circuit qui est régulièrement mis en marche et arrêté par le service public.

-Avertissement : évitez tout débordement sur le connecteur.

-Ne faites pas un mauvais usage de l'appareil pour éviter toute blessure potentielle.

- Si le câble d'alimentation est endommagé, faites-le remplacer par le fabricant, son agent ou toute autre personne qualifiée pour éviter tout risque.

1.4 Utilisation prévue

La machine à café entièrement automatique Beko est destinée à être utilisée à domicile et dans des applications similaires, par exemple dans les cuisines du personnel, les magasins, les bureaux et autres lieux similaires ou par les clients des bed & breakfast, des hôtels, des motels et autres lieux d'habitation. Cette machine à café n'est pas destinée à un usage commercial. La machine est uniquement destinée à la préparation du café et au chauffage du lait et de l'eau. Toute autre utilisation que celle indiquée précédemment est considérée comme une utilisation abusive.

Danger résultant d'une utilisation incorrecte !

Si la machine à café n'est pas utilisée conformément à sa destination, elle peut devenir une source de danger.



Par conséquent, la machine à café ne doit être utilisée que pour l'usage auquel elle est destinée.



Respectez les procédures décrites dans ce manuel d'utilisation.

Aucune réclamation de quelque nature que ce soit ne sera acceptée pour des dommages ou des blessures résultant de l'utilisation de la machine à café à des fins autres que celles auxquelles elle est destinée.

Le risque doit avoir été supporté uniquement par le propriétaire de la machine.

1.5 Limitation de responsabilité

Toutes les informations techniques, données et instructions concernant l'installation, le fonctionnement et l'entretien de la machine à café contenues dans le présent mode d'emploi représentent l'état actuel au moment de l'impression et sont basées sur les meilleures connaissances possibles acquises par l'expérience et le savoir-faire.

Aucune revendication/demande ne peut être déduite des informations, illustrations et explications contenues dans ce manuel d'utilisation.

Le fabricant n'assume aucune responsabilité pour les dommages ou les blessures résultant du non-

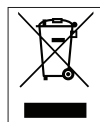
1 Consignes importantes sur la sécurité et l'environnement

respect du manuel d'utilisation, de l'utilisation du produit à des fins autres que celles prévues, de réparations non professionnelles, de modifications non autorisées ou de l'utilisation de pièces de rechange non approuvées.

ménagères et d'autres déchets. Apportez-les aux points de collecte des matériaux d'emballage désignés par les autorités locales.

1.6 Conformité avec la directive WEEE et élimination des déchets :

Ce produit est conforme à la directive européenne WEEE (2012/19/EU). Ce produit porte un symbole de classification pour les déchets d'équipements électriques et électroniques (WEEE).



Ce symbole indique que ce produit ne doit pas être éliminé avec les autres déchets ménagers à la fin de sa vie utile. Les appareils usagés doivent être retournés au point de collecte officiel

pour le recyclage des dispositifs électriques et électroniques. Pour trouver ces systèmes de collecte, veuillez contacter les autorités locales ou le détaillant où l'appareil a été acheté. Chaque ménage joue un rôle important dans la restauration et le recyclage des vieux appareils. La mise au rebut appropriée des appareils usagés permet de prévenir les conséquences négatives potentielles pour l'environnement et la santé humaine.

1.7 Conformité avec la Directive RoHS

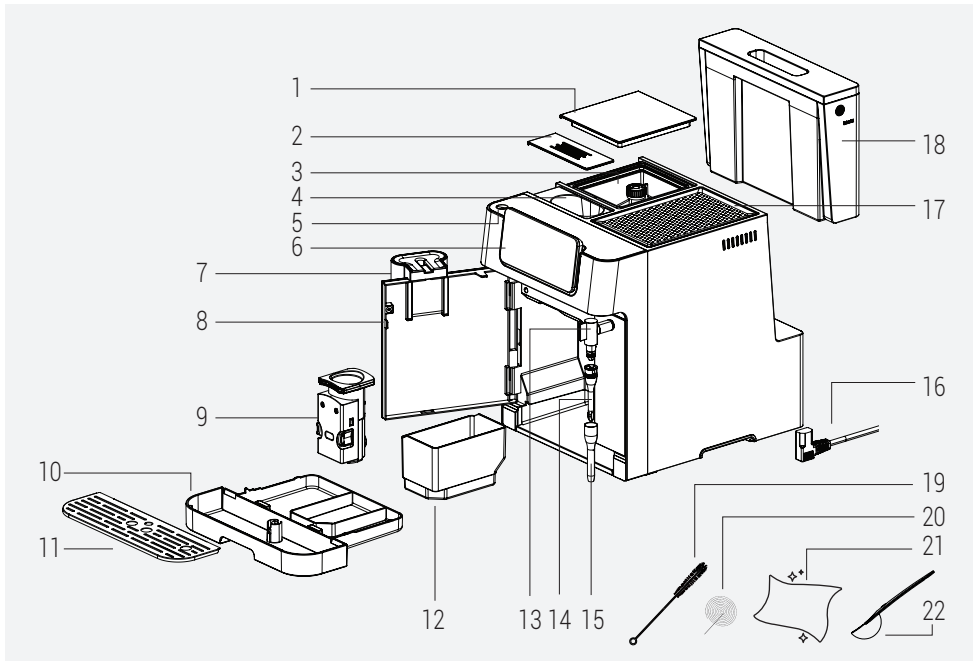
Votre appareil est conforme à la directive RoHS de l'Union européenne (2011/65/UE). Il ne contient pas de matériaux nuisibles et interdits spécifiés dans la directive.

1.8 Informations relatives à l'emballage



Les matériaux d'emballage de cet appareil sont fabriqués à partir de matériaux recyclables, conformément à nos réglementations nationales en matière d'environnement. Ne mettez pas les matériaux d'emballage au rebut avec les ordures

2 Votre Machine à Café Entièrement Automatique



- | | |
|--|--|
| 1. Couverture de Conteneur de Café en Grains | 12. Conteneur de café moulu (résiduel) |
| 2. Couverture du récipient à café pré-moulu | 13. Buse à Vapeur |
| 3. Conteneur de Café en Grains | 14. Couverture de Buse |
| 4. Récipient pour café pré-moulu | 15. Tuyau métallique |
| 5. Bouton Marche/Arrêt | 16. Cordon d'alimentation |
| 6. Panneau de commande numérique | 17. Chauffe-tasses |
| 7. Bec réglable de café | 18. Réservoir d'eau |
| 8. Couverture avant | 19. Brosse de nettoyage |
| 9. Unité de brassage | 20. Aiguille de nettoyage |
| 10. Plateau d'égouttage | 21. Chiffon de nettoyage |
| 11. Plateau à tasses | 22. Cuillère pour café pré-moulu |

2 Votre Machine à Café Entièrement Automatique

Données techniques

Alimentation : 220 à 240 V~, 50 à 60 Hz

Puissance : 1350 W

Les droits d'apporter des modifications techniques et de conception sont réservés.

Toutes les valeurs déclarées sur le produit et sur les dépliants imprimés ont été obtenues à partir de mesures de laboratoire effectuées conformément aux normes en vigueur. Ces valeurs peuvent varier en fonction de l'utilisation et des conditions ambiantes.

Dimension du produit

27,5 cm (largeur) x 35,9 cm (hauteur) x 41,2 cm (profondeur)

Poids : 9,680,5 kg

Longueur du câble : 95±5 cm

Poids du café moulu (mode grain)

Standard : 8±2g

Intense : 10±2g

Capacité du plateau d'égouttage : 0,6 L

Café moulu (résiduel) Capacité du conteneur :

Jusqu'à 10 tasses

Capacité du réservoir d'eau : 2.0±5%L

Capacité du conteneur de grains de café : 250±5%g

Machine Temps de préchauffage : <50s

Volume de café :

Espresso : 30±10ml

Double : 60±10ml

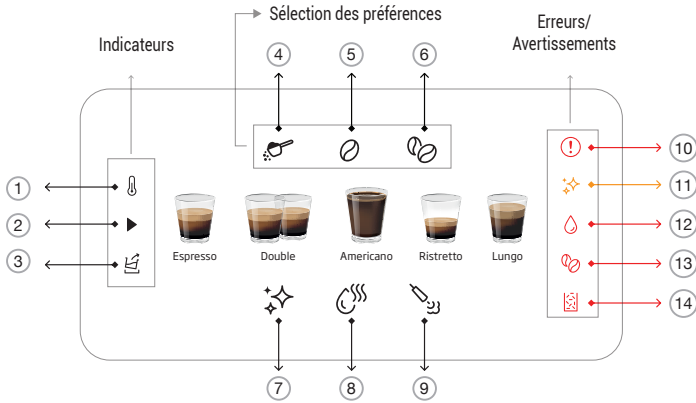
Americano : 150±20ml

Ristretto : 20±5ml

Lungo : 60±10ml

3 Affichage

3.1 Panneau de commande



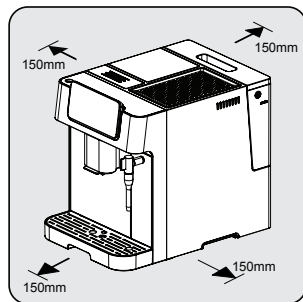
1		Allumé pendant le préchauffage
2		Allumé pendant les processus en cours
3		Indicateur de vidange d'eau
4		Utilisé pour sélectionner l'option "Café moulu"
5		Utilisé pour sélectionner l'option "Café en grains standard "
6		Utilisé pour sélectionner l'option "Café en grains intense"
7		Utilisé pour lancer les fonctions de nettoyage et de détartrage.
8		Utilisé pour recevoir l'eau chaude de la buse à vapeur.
9		Utilisé pour déclencher la fonction de la buse à vapeur.
10		Erreur générale
11		Avertissement de détartrage
12		Erreur Pas d'eau
13		Erreur pas de grains
14		Erreur résiduelle du conteneur plein

4 Préparation

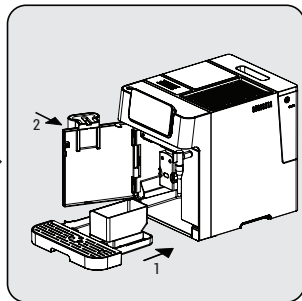
4.1 - Installation



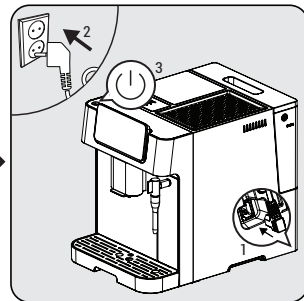
Retirez les films de protection, les autocollants et tout autre matériel d'emballage de l'appareil.



Choisissez une surface sûre et stable avec une alimentation électrique facilement accessible et prévoyez une distance minimale par rapport aux côtés des machines.



Insérez le plateau d'égouttage. Assurez-vous qu'il est correctement inséré et fermez le couvercle avant.



Déroulez et redressez le cordon d'alimentation et insérez la fiche dans la prise située sous la machine. Insérez l'autre extrémité du cordon d'alimentation dans une prise de courant murale ayant une tension appropriée.

4.2. Remplissage du réservoir d'eau



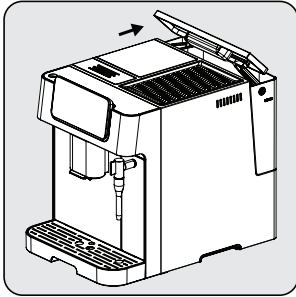
À propos du programme de protection : Si le réservoir d'eau n'est pas entièrement placé dans la machine, un mode de protection sera activé 15 secondes après le début du processus d'infusion. Le bouton d'eau chaude s'allume sur le panneau de commande.

1. Assurez-vous que le réservoir d'eau est entièrement inséré dans la machine.
2. Appuyez sur le bouton d'eau chaude. Une fois l'eau chaude distribuée, la machine est en veille.

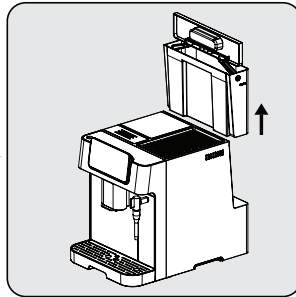


Quand "☺" est allumé, le niveau d'eau est trop bas et le réservoir d'eau doit être rempli.

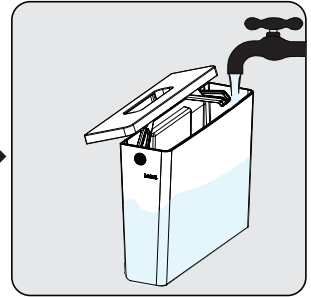
4 Préparation



Soulevez le réservoir d'eau en utilisant le couvercle comme poignée.



Retirez le réservoir d'eau.



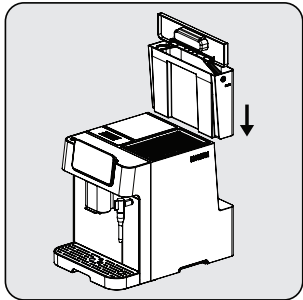
Rincez le réservoir d'eau avec de l'eau douce, puis remplissez le réservoir jusqu'au niveau maximum et remettez-le dans la machine. Assurez-vous qu'il soit bien inséré.



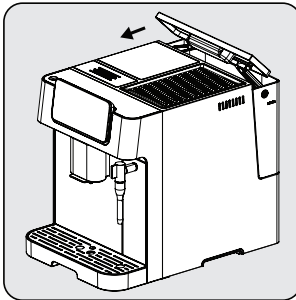
Pour éviter que l'eau ne déborde du réservoir d'eau, n'ajoutez pas d'eau directement dans l'appareil à partir d'un autre récipient.



Ne remplissez jamais le réservoir d'eau avec de l'eau chaude ou tiède, de l'eau gazeuse ou tout autre liquide qui pourrait endommager le réservoir d'eau et la machine.



Remettez le réservoir d'eau en place en utilisant le couvercle comme poignée.

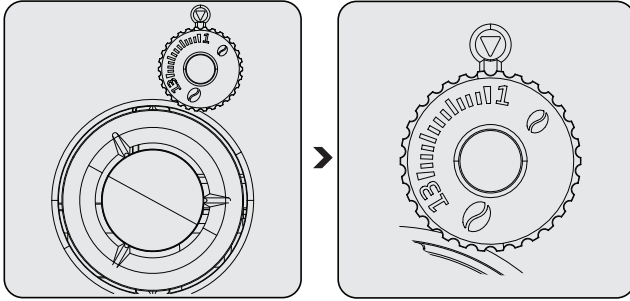


Fermez le réservoir d'eau à l'aide du couvercle.

5 Opération

5.1 Ajustement du Broyage

Vous pouvez régler la grosseur de la mouture en tournant le bouton de réglage sur le récipient à haricots :




N'effectuez jamais le réglage de la meule lorsque la meuleuse ne fonctionne pas. Cela peut endommager la meuleuse.

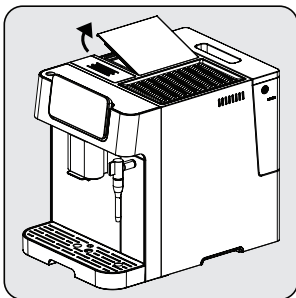


Les lignes sur le bouton de réglage indiquent la grosseur de la mouture. Plus le chiffre est élevé, plus la mouture est grossière.

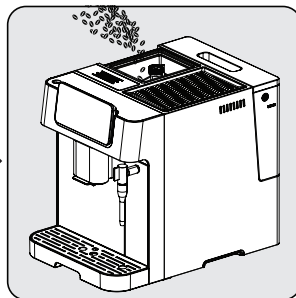
5.2 Remplir le conteneur de grains de café



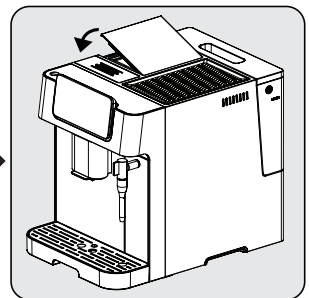
- Lorsque  clignote, l'appareil doit être rempli de grains de café.
- Il est préférable de conserver le haricot dans son emballage sous vide d'origine pour garantir une fraîcheur durable. Pour de meilleurs résultats, n'utilisez pas le récipient à café en grains pour le stocker.



Enlevez le couvercle du conteneur à grains.



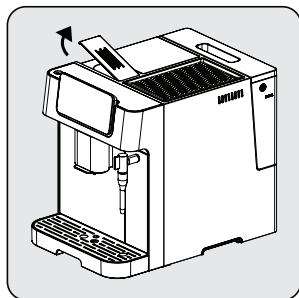
Versez lentement les grains de café.



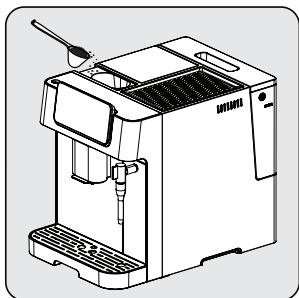
Remettez le couvercle du conteneur en place activé.

5 Opération

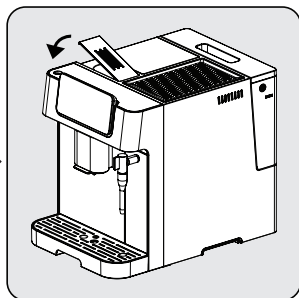
5.3 Utilisation du réservoir de café prémoulu



Retirez le couvercle du récipient de café prémoulu.



Mettez lentement le café prémoulu dans le récipient à café prémoulu.



Remettez le couvercle du conteneur en place activé.

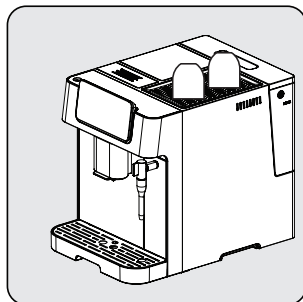


Le conteneur à café prémoulu n'est pas une unité de stockage, il offre un usage unique (max 12g). L'accessoire cuillère de mesure peut être utilisé pour la quantité suggérée de café moulu.



Pour activer ce réglage, il faut appuyer sur le bouton Café moulu et le sélectionner à l'écran.

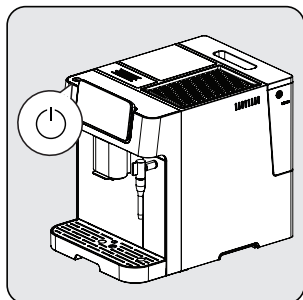
5.4 Utilisation du chauffe-tasse



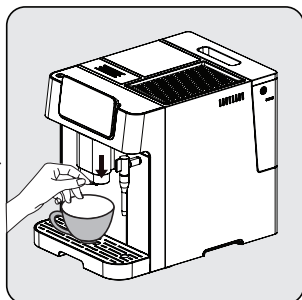
Les tasses doivent être placées à l'envers pour que la surface interne reste chaude et propre (cette fonction utilise la chaleur interne de la machine).

5 Opération

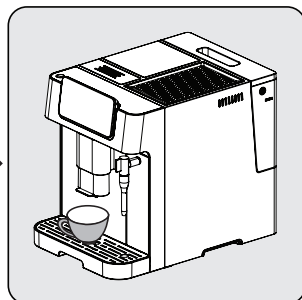
5.5 Préparation de votre café



Allumez l'appareil en appuyant sur le bouton marche/arrêt. L'appareil s'allume, commence le préchauffage et l'autonettoyage. Il est prêt à être utilisé en mode veille, dans lequel toutes les icônes sont allumées.



Placez une tasse sous l'écoulement de café et ajustez la hauteur de l'écoulement en fonction de la tasse.

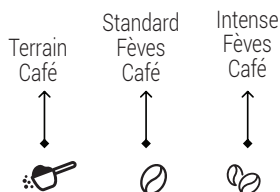


Sélectionnez votre café en appuyant sur le bouton et l'allumeur de tasse s'allume, indiquant que l'appareil prépare une tasse de café. Lorsque l'appareil revient au ralenti, le café est prêt à être servi.



Appuyez sur le bouton espresso, americano, ristretto ou lungo selon votre préférence.

5.6 Réglage de la densité de votre café

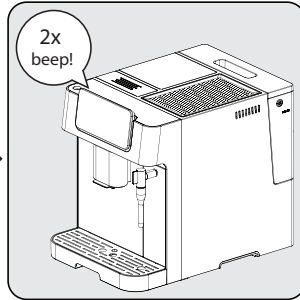


Si vous utilisez du café en grains, appuyez sur le bouton "standart bean" ou "intense bean" pour régler la force de votre boisson. Si vous utilisez du café moulu, appuyez sur l'option "café moulu".

5 Opération

5.7 Ajuster le Volume de Votre Café/Eau Chaude

Vous pouvez enregistrer le volume de votre café souhaité pour tous les types de boissons ainsi que l'eau chaude de 25ml à 250ml. (x2 pour le double)

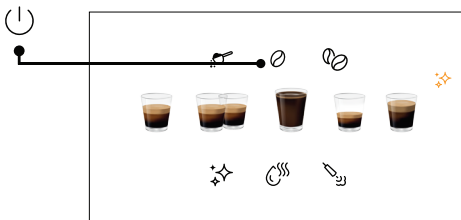


Pendant la préparation de votre café (espresso, doppio, americano, ristretto ou lungo), appuyez et maintenez enfoncé le bouton du café que vous avez sélectionné. L'appareil continue à préparer la tasse de café tant que vous maintenez le bouton enfoncé.

Lorsque le volume de café atteint le volume souhaité, relâchez le bouton. Si vous entendez deux bips, cela signifie que la machine a enregistré ce volume de café.



Le réglage de l'eau peut être effectué pendant la préparation du café (une fois la mouture terminée).



Pour réinitialiser toutes les boissons aux paramètres par défaut/usine ;

Afin de rétablir les paramètres par défaut de toutes les sélections de volumes de boissons et d'eau chaude enregistrées en mémoire ;

- Appuyez sur le bouton marche/arrêt et le bouton haricot en même temps pendant 3 secondes.

Pour réinitialiser une seule boisson aux paramètres par défaut/usine ;

Afin de rétablir les paramètres par défaut de tout

café ou volume d'eau chaude individuellement ;

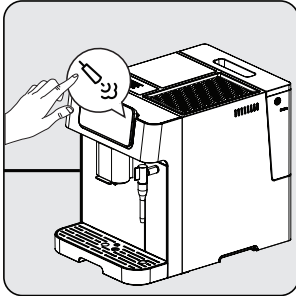
- Appuyez simultanément sur le bouton marche/arrêt et sur le bouton de la boisson (qui doit être réinitialisée) pendant 3 secondes.

5 Opération

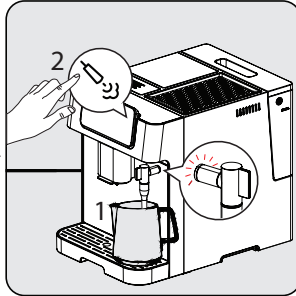
5.8 Préparer du Lait Mousseux pour le Café



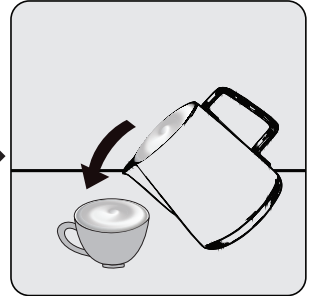
La température de la vapeur étant plus élevée que celle de l'espresso, l'espresso doit être préparé avant de faire du lait mousseux. Sinon, l'espresso risque de brûler.



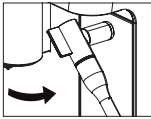
Appuyez sur l'icône de la buse à vapeur et attendez que la buse à vapeur soit prête. Pendant le préchauffage de la buse à vapeur, les voyants lumineux clignotent.



Lorsque les témoins lumineux sont immobiles, la buse à vapeur est prête à être utilisée. Placez une tasse ou un pichet rempli de lait sous la buse de vapeur. Appuyez à nouveau sur le bouton de la buse vapeur pour démarrer le moussage du lait, et arrêtez en appuyant à nouveau.



Versez le lait mousseux chaud dans l'espresso. Vous pouvez maintenant profiter de votre café !



La buse de vapeur peut être tournée vers la droite pour faciliter la manipulation.




- Après avoir utilisé la buse à vapeur, veuillez nettoyer la buse des résidus de lait en l'essuyant avec un chiffon humide.
- Il est recommandé d'éliminer tout résidu de lait qui pourrait s'accumuler à l'extrémité de la buse en activant la fonction d'eau chaude de la buse.
- Une fois que la buse à vapeur est prête, si la buse à vapeur n'est pas utilisée pendant un certain temps, l'écran revient à l'état de repos.



- La projection de la sortie de la buse de vapeur doit se situer au-dessus du plateau d'égouttage pour éviter tout déversement d'eau ou de lait.
- Étant donné que le lait mousse dans la tasse/le pichet, ne le remplissez pas entièrement.
- Sachez que la tasse/le pichet peut devenir chaud pendant le moussage du lait.

5 Opération

5.9 Eau Chaude

L'appareil peut distribuer de l'eau chaude en appuyant simplement sur le bouton d'eau chaude.  Appuyez à nouveau pour arrêter.



Cette fonction peut être utilisée pour chauffer la tasse avant la préparation du café. Remplissez d'abord la tasse d'eau chaude, puis videz l'eau et utilisez cette tasse pour préparer le café.

5.10 Sélection du Mode

L'appareil possède trois réglages différents : le réglage par défaut, le mode ECO et le mode vitesse. En mode ECO, l'appareil permet d'économiser plus d'énergie. En mode vitesse, l'utilisateur peut faire son café plus rapidement que dans le réglage par défaut.

	Mode ECO	Mode Vitesse	Paramètres par défaut
Voyants lumineux de l'al-lume-tasse et de la buse à vapeur	Non	Oui	Oui
Pré-brassage*	Oui	Non	Oui
Temps d'arrêt automatique	10mins	30mins	20mins



La fonction de préinfusion humidifie le café à l'intérieur de l'unité d'infusion avec une petite quantité d'eau avant l'extraction complète. Le grain de café se dilate et la pression dans le brasseur augmente, ce qui permet d'extraire toutes les huiles et de faire ressortir tout l'arôme des grains.

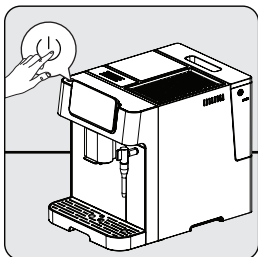
1. Lorsque la machine est en veille, appuyez sur le bouton et maintenez  enfoncée pendant 5 secondes.

1. Le  clignote alors et les boutons suivants s'allument pour indiquer les différents réglages :

En Mode ECO → 
En Mode Vitesse → 
Dans les paramètres par défaut → 

2. Appuyez sur le bouton "Café en poudre" pour le mode ECO, sur le bouton "Café en grains standard" pour le mode Vitesse et sur le bouton "Café en grains intense" pour les réglages par défaut. Vous entendrez deux bips lorsque le mode a été sélectionné.

3. Si vous souhaitez que le réglage reste inchangé, appuyez à nouveau sur le bouton  ou attendez 5 secondes pour que la machine se remette en état de veille.



5.11 Annulation

Il faut appuyer une fois sur le bouton marche-arrêt pour annuler tout processus en cours. En outre, le fait d'appuyer une nouvelle fois sur une boisson sélectionnée après le début de la préparation annule également l'opération.

6 Nettoyage



Si vous appuyez deux fois sur le bouton marche/arrêt, l'appareil s'éteindra de force.

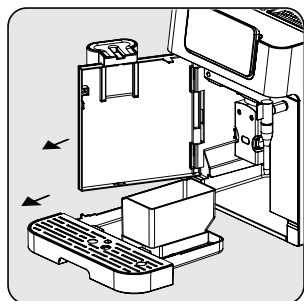
6.1 Nettoyage de l'appareil

1. Débranchez le cordon d'alimentation de la prise de courant.
2. Videz toute l'eau/résidu de café à l'intérieur du bac d'égouttage et du réservoir de résidus de café.
3. Utilisez un chiffon humide ou un nettoyeur non abrasif pour nettoyer les taches d'eau sur l'appareil.

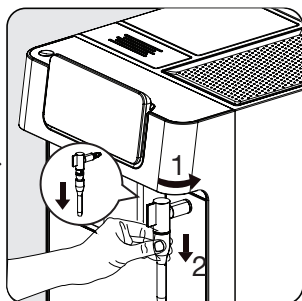


N'utilisez jamais d'abrasif, de vinaigre ou de détartrant non inclus dans la boîte pour nettoyer l'appareil.

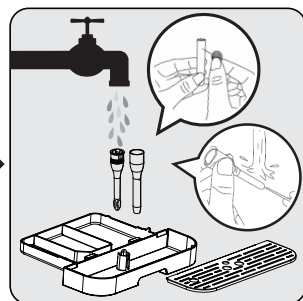
Le nettoyage et l'entretien en temps utile de l'appareil sont très importants pour prolonger sa durée de vie.



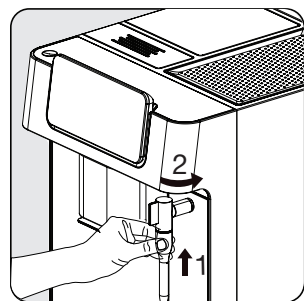
Ouvrez le couvercle avant. Retirez le bac d'égouttage et le réservoir de café résiduel.



Retirez le tube métallique en le tirant vers le bas. Ensuite, retirez le couvercle de la buse en le tournant vers la gauche pour démonter le couvercle de la buse et le tube métallique.



Videz le réservoir de café résiduel et le bac d'égouttage. Lavez le tube métallique à l'eau courante chaude et utilisez l'aiguille ou les poils de la brosse pour nettoyer le trou. Lavez le couvercle de la buse à l'eau courante chaude et utilisez l'aiguille ou les poils de la brosse pour nettoyer le trou. Séchez-les ensuite.

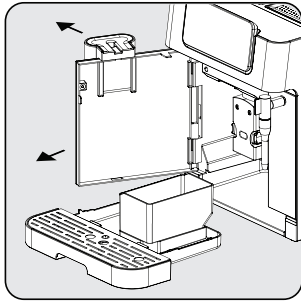


Remontez le tube métallique sur le couvercle de la buse. Poussez-le ensuite vers le haut pour remettre le couvercle de la buse à sa place et tournez-le vers la droite pour le verrouiller.

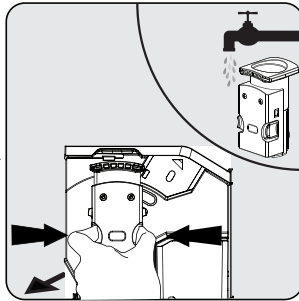
6 Nettoyage



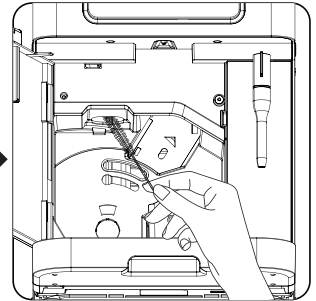
Lorsque ☒ s'allume, le récipient de grain de café doit être vidé. Cette icône s'allume toutes les 10 infusions de café. Nettoyez le conteneur pour réparer l'erreur. Si le récipient est propre, retirez-le et remettez-le à sa place.



Tenez l'écoulement de café réglable et tirez lentement vers l'arrière pour ouvrir le couvercle avant.



Retirez l'unité de brassage. Lavez à l'eau et séchez ensuite.



Nettoyez la ligne de sortie du café avec une brosse.



- Le bac de récupération doit être vidé lorsque l'indicateur de flottaison est visible.
- La goulotte de café en poudre doit être nettoyée après chaque utilisation avec la brosse de nettoyage.



Lorsque ⚠ s'allume, cela indique que l'infuseur est manquant / mal installé.
Lorsque ⚠ clignote, cela indique que le couvercle avant n'est pas fermé.

6.2 Fonction de détartrage



- Un détartrage est nécessaire après un cycle de brassage prédéfini.
- N'utilisez pas de vinaigre ou d'autres produits de nettoyage pour l'auto-nettoyage de cet appareil. D'autres produits de nettoyage peuvent endommager l'appareil.
- Gardez la peau / le corps loin de l'eau chaude.

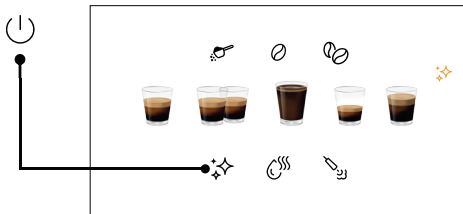
Lorsque ✨ s'allume, cela indique que l'appareil doit réaliser un détartrage. Cela permet de prolonger la durée de vie de l'appareil si cette fonction est assurée au moins une fois par mois ou plus régulièrement selon la dureté de l'eau.

Pour commencer le détartrage :

1. Remplissez le réservoir d'eau jusqu'au "Niveau de détartrage" ✨.
2. Ajouter au réservoir d'eau un paquet de produit de nettoyage inclus dans la boîte.

6 Nettoyage

3. Placer un conteneur suffisamment grand sous l'écoulement et la buse du café.
4. En mode veille, appuyez sur la touche et maintenez-la enfoncée ✨ pendant 3 secondes. Vous entendrez un bip et le ✨ clignotera jusqu'à ce que le réservoir d'eau soit vide.
5. Remplissez à nouveau le réservoir d'eau jusqu'au "niveau de détartrage" et appuyez ✨ à nouveau sur le bouton pour lancer le deuxième cycle de détartrage. Si le réservoir d'eau est retiré et remis en place, l'appareil détecte cette action et lance automatiquement le deuxième cycle (sans avoir à appuyer ✨ de nouveau sur la touche).
6. Une fois le réservoir d'eau vidé, l'écran revient à l'état de repos. Le détartrage est terminé. Remplissez le réservoir d'eau fraîche pour commencer à préparer le café.



Pour réinitialiser l'état d'avertissement de détartrage ;

Afin de réinitialiser l'état d'alerte de détartrage ;

- Appuyez simultanément sur le bouton marche/arrêt et le bouton de détartrage pendant 3 secondes.



La réinitialisation de l'état d'avertissement de détartrage n'est pas suggérée pour maintenir le meilleur état de l'appareil.

6.3 Fonction de Vidange du Système

Utilisez la fonction de vidange du système avant une longue période de non-utilisation et pour la protection contre le gel.


1. En mode veille, appuyez simultanément sur le bouton (⏻) et le bouton d'eau chaude (☁️) pendant 3 secondes.
2. ☁️ s'allume alors.
3. Retirez le réservoir d'eau de l'appareil, le processus démarre automatiquement.
4. Lorsque la fonction de système de vidange est terminée, l'appareil s'éteint automatiquement.



Lorsque l'appareil est réutilisé pour la première fois après l'utilisation de la fonction système vide ; appuyez sur le bouton d'eau chaude jusqu'à ce que l'eau sorte du bec.

6 Nettoyage

6.4 Fonction de nettoyage / rinçage manuel

Vous pouvez nettoyer / rincer manuellement la buse à café avant ou après utilisation. En mode veille, appuyez une  fois.

- Après le nettoyage/rinçage, l'appareil revient au ralenti.



- L'eau qui sort de la buse à café est chaude et est recueillie dans le bac d'égouttage situé en dessous. Évitez tout contact car il y a des éclaboussures.
- Si l'appareil n'a pas été utilisé pendant une longue période, il est conseillé d'utiliser cette fonction.



L'utilisation de cette fonction avant la préparation du café garantit également un café plus chaud.

Désactiver le mode de nettoyage automatique

Votre appareil se nettoie automatiquement avant et après chaque opération de brassage. Vous pouvez suivre les étapes ci-dessous pour désactiver le mode de nettoyage automatique.

- Mettez l'appareil en marche en appuyant sur le bouton marche/arrêt et attendez qu'il passe en mode veille.
- Ouvrez le couvercle avant.
- Appuyez sur le bouton marche/arrêt pendant 5 secondes et un bip retentit.
- Fermez le couvercle avant.
- L'opération de nettoyage automatique a été annulée.



Nous vous recommandons d'utiliser activement le mode de nettoyage automatique pour une utilisation saine.

Pour annuler le nettoyage automatique pour une fois ;

Appuyez sur le bouton marche/arrêt pendant que la machine se met en marche ou s'arrête pour contourner cette fonction..

7 Dépannage

Problème	Cause	Solution
L'appareil ne fonctionne pas.	L'appareil n'est pas branché sur le secteur.	Branchez et appuyez sur l'interrupteur. Vérifiez le câble et la prise.
Absence de réponse ou réponse tardive dans plusieurs essais d'appui sur un bouton de fonction du panel	L'appareil est soumis à une interférence électromagnétique. Le panneau est sale.	Débranchez l'appareil. Redémarrez après quelques minutes. Nettoyez le panneau avec le chiffon fourni.
Le café n'est pas assez chaud.	Les tasses n'ont pas été préchauffées. L'unité de brassage est trop froide.	Placez votre tasse sur le chauffe-tasses, face vers le bas, ou rincez-la à l'eau chaude. Veillez à ce que l'eau du réservoir ne soit pas trop froide.
Le café ne sort pas de l'écoulement de café.	La fonction système vide peut avoir été utilisée précédemment. Le bec du café peut ne pas avoir été nettoyé et bloqué par des résidus de café.	Appuyez sur le bouton d'eau chaude jusqu'à ce que l'eau sorte du bec. Nettoyez le bec du café.
La première tasse de café est de mauvaise qualité.	Le premier passage du broyeur ne permet pas de verser une quantité suffisante de café dans l'unité d'infusion.	Jetez le café. Les prochaines tasses seront meilleures.
Le réservoir d'eau est retiré / le niveau de l'eau est très bas dans le réservoir mais "  " il n'y a pas d'alerte.	La zone près du connecteur du réservoir d'eau pourrait être humide.	Essuyez l'eau autour du raccord du réservoir d'eau.
Le bac d'égouttage interne est rempli de beaucoup d'eau.	Le café moulu est trop fin, ce qui empêche l'eau de sortir.	Réglez la finesse du café pour obtenir des grains plus gros lors de la mouture.
Le café est livré trop lentement ou une goutte à la fois.	Le grain de café est trop fin, ce qui empêche l'eau de sortir.	Réglez la finesse du café pour obtenir des grains plus gros lors de la mouture.
L'indicateur clignote pour indiquer qu'il n'y a pas assez de grains de café, mais qu'il y en a beaucoup à l'intérieur du conteneur.	La sortie interne du grain de café est bloquée.	Suivez les étapes décrites pour le nettoyage de la sortie du grain de café.
Il est impossible de retirer le brasseur ou le plateau à café moulu.	L'appareil n'a pas terminé le processus d'auto-nettoyage et a été éteint.	Veillez rallumer la machine et la laisser terminer son processus de nettoyage automatique.
L'appareil n'effectue plus le cycle de rinçage lorsqu'il est allumé ou éteint.	Une mauvaise manipulation lors de l'entretien de l'appareil peut en être la cause.	1. Lorsque l'appareil est au repos, ouvrez le couvercle avant. 2. Appuyez sur le bouton marche/arrêt et maintenez-le enfoncé jusqu'à ce que vous entendiez 2 bips. 3. Fermez le couvercle avant.
Les boutons tactiles ne sont pas sensibles.	N'appuyez pas sur le bouton tactile depuis l'avant de l'appareil.	Appuyez sur la partie inférieure de l'icône du bouton tactile depuis l'avant de l'appareil.

Proszę najpierw przeczytać tę instrukcję obsługi!

Szanowny Kliencie,

Dziękujemy za wybór tego urządzenia firmy Beko. Mamy nadzieję, że urządzenie to, wyprodukowane z zapewnieniem wysokiej jakości przy użyciu najnowszych technologii, okaże się w pełni zadowalające. Prosimy o dokładne zapoznanie się z całą niniejszą instrukcją obsługi oraz wszystkimi innymi dołączonymi dokumentami przed rozpoczęciem użytkowania urządzenia i zachowanie ich jako odniesienia do przyszłego użytku. Jeśli przekazujesz urządzenie innej osobie, przekazaj jej również instrukcję obsługi. Należy wziąć pod uwagę wszystkie ostrzeżenia i informacje zawarte w instrukcji obsługi.

Objaśnienie symboli

W poszczególnych rozdziałach niniejszej instrukcji stosowane są następujące symbole:



Ważne informacje lub przydatne wskazówki dotyczące obsługi.



NIEBEZPIECZEŃSTWO:

Ostrzeżenie to dotyczy sytuacji niebezpiecznych dla życia i mienia.



OSTRZEŻENIE:

Ostrzeżenie to wskazuje na potencjalnie niebezpieczne sytuacje.



UWAGA: Ostrzeżenie to wskazuje na możliwość wystąpienia szkód materialnych.



Materiały nadają się do kontaktu z żywnością



PAPIER Z RECYKLINGU I
NADAJĄCY SIĘ DO PONOWNEGO
PRZETWORZENIA

1 Ważne instrukcje dotyczące bezpieczeństwa i środowiska

Rozdział ten zawiera instrukcje bezpieczeństwa, które pomogą zapewnić ochronę przed ryzykiem obrażeń ciała i strat materialnych. Nieprzestrzeganietych instrukcji powoduje unieważnienie wszelkich gwarancji.

1.1 Zagrożenie porażeniem elektrycznym

Zagrożenie życia przez prąd elektryczny!

Kontakt z przewodami pod lub komponentami pod napięciem może prowadzić do poważnych obrażeń, a nawet śmierci!

Przestrzegaj następujących środków ostrożności, aby uniknąć porażenia prądem elektrycznym:

- Nie używaj urządzenia, jeśli kabel zasilający lub samo urządzenie są uszkodzone. Skontaktuj się z autoryzowanym serwisem.
- Nie otwieraj obudowy

ekspresu do kawy. Istnieje ryzyko porażenia prądem w przypadku dotknięcia połączeń pod napięciem i/ lub zmiany konfiguracji elektrycznej i mechanicznej.

- Przed przystąpieniem do czyszczenia pojemnika na ziarna należy odłączyć urządzenie od gniazdka sieciowego. Niebezpieczeństwo związane z obracającym się młynkiem do kawy!

1.2 Niebezpieczeństwo poparzenia lub oparzenia

Podczas pracy części ekspresu do kawy mogą się bardzo nagrzewać! Wydawane napoje i wydostająca się para są bardzo gorące!

Przestrzegaj następujących środków ostrożności, aby uniknąć poparzenia siebie i/ lub innych osób:

- Nie dotykaj żadnej z

1 Ważne instrukcje dotyczące bezpieczeństwa i środowiska

metalowych tulejek na obu wylewkach kawy.

- Unikaj bezpośredniego kontaktu skóry z parą wydobywającą się z urządzenia lub gorącą wodą do płukania, czyszczenia lub odkamieniania.

1.3 Podstawowe środki ostrożności

Aby zapewnić bezpieczną obsługę ekspresu do kawy, należy przestrzegać następujących środków ostrożności:

- Nigdy nie baw się materiałem opakowaniowym. Istnieje ryzyko uduszenia. Wszystkie materiały opakowaniowe należy przechowywać poza zasięgiem dzieci.
- Przed użyciem sprawdź ekspres do kawy pod kątem widocznych oznak uszkodzeń. Nie używaj uszkodzonego ekspresu do kawy. Skontaktuj się z autoryzowanym serwisem.

- Jeśli kabel zasilania jest uszkodzony, powinien zostać wymieniony tylko przez serwisanta zalecanego przez producenta, aby uniknąć jakiegokolwiek niebezpieczeństwa! Prosimy o kontakt z producentem lub z działem obsługi klienta.
- Naprawy ekspresu do kawy mogą być przeprowadzane wyłącznie przez autoryzowanego specjalistę lub przedstawiciela działu obsługi klienta. Naprawy wykonywane przez osoby nieuprawnione mogą spowodować poważne zagrożenie dla użytkownika. Działania te powodują również utratę gwarancji.
- Naprawy ekspresu do kawy w okresie gwarancyjnym mogą być wykonywane wyłącznie przez autoryzowane przez producenta centra serwisowe, w przeciwnym razie gwarancja traci ważność w przypadku późniejszych uszkodzeń.

1 Ważne instrukcje dotyczące bezpieczeństwa i środowiska

- Uszkodzone części można wymieniać tylko na oryginalne części zamienne. Tylko oryginalne części zamienne gwarantują spełnienie wymogów bezpieczeństwa.
- Urządzenie może być używane przez dzieci w wieku powyżej 8 lat, jak również przez osoby o ograniczonych zdolnościach fizycznych, sensorycznych lub umysłowych lub osoby nieposiadające doświadczenia i/lub wiedzy, pod warunkiem, że osoby te są nadzorowane lub zostały poinstruowane, jak bezpiecznie korzystać z urządzenia i zrozumiały zagrożenia, które mogą powstać w wyniku jego użytkowania. Dzieciom nie wolno używać urządzenia do zabawy. Czyszczenie i konserwacja nie powinny być wykonywane przez dzieci, chyba że mają one więcej niż 8 lat i są pod nadzorem.
- Urządzenie to jest przeznaczony do użytku w gospodarstwie domowym i podobnych miejscach, takich jak:
 - kuchnie personelu sklepu, biura i inne środowiska pracy;
 - gospodarstwa;
 - przez klientów hoteli, moteli i innych miejsc typu mieszkalnego,
 - pensjonaty;
- Chronić ekspres do kawy przed czynnikami atmosferycznymi, takimi jak deszcz, mróz i bezpośrednie działanie promieni słonecznych. Nie należy używać ekspresu do kawy na zewnątrz pomieszczeń.
- Nigdy nie zanurzaj samego ekspresu do kawy, przewodu sieciowego ani wtyczki sieciowej w wodzie lub innych płynach.
- Nie czyść ekspresu do kawy ani akcesoriów w zmywarce.
- Nie wlewaj do zbiornika na

1 Ważne instrukcje dotyczące bezpieczeństwa i środowiska

wodę żadnych płynów innych niż woda ani nie umieszczaj w nim produktów spożywczych.

- Nie napełniaj zbiornika wody powyżej znaku poziomu maksymalnego.
- Urządzenie należy obsługiwać tylko wtedy, gdy zamontowane są pojemnik na odpady, taca ociekowa i taca na filiżanki.
- Nie ciągnij za kabel w celu wyjęcia wtyczki z gniazdka sieciowego ani nie dotykaj mokrymi rękami.
- Nie trzymaj ekspresu do kawy za kabel sieciowy.
- Urządzenie i jego przewód należy przechowywać w miejscu niedostępnym dla dzieci w wieku 8 lat lub młodszych.
- Urządzenie służy wyłącznie do przygotowywania kawy.
- Dzieci nie należy pozostawiać bez opieki, aby mieć pewność, że nie będą się one bawić urządzeniem.
- Odłącz urządzenie od prądu przed każdym czyszczeniem oraz gdy urządzenie nie jest używane.
- Umieść urządzenie w taki sposób, aby wtyczka była zawsze dostępna.
- Zawsze używaj urządzenia na stabilnej, płaskiej, czystej, suchej i antypoślizgowej powierzchni.
- Urządzenie nie jest zintegrowanym ekspresem do kawy i nie jest przeznaczone do użytku wewnątrz szafki. Podczas używania ekspresu do kawy nie należy umieszczać go w szafce.
- Nie ścisnąć ani nie zginąć przewodu zasilającego i nie pocierać nim o ostre krawędzie, aby nie dopuścić do jego uszkodzenia. Trzymaj przewód zasilający z dala od gorących powierzchni i nieostłoniętych płomieni.
- Upewnij się, że zasilanie sieciowe jest zgodne z

1 Ważne instrukcje dotyczące bezpieczeństwa i środowiska

informacjami podanymi na tabliczce znamionowej urządzenia.

- Używaj urządzenia tylko z uziemionym gniazdkiem.
- Z urządzeniem nie należy używać przedłużaczy.
- Gdy urządzenie jest podłączone nie należy dotykać wtyczki mokrymi lub wilgotnymi rękoma.
- -**UWAGA:** Aby uniknąć zagrożenia spowodowanego **n i e z a m i e r z o n y m** zresetowaniem wyłącznika termicznego, urządzenie nie może być zasilane przez zewnętrzne urządzenie przełączające, takie jak wyłącznik czasowy, ani podłączone do obwodu, który jest regularnie włączany i wyłączany przez zakład energetyczny.

-Ostrzeżenie: unikaj wycieku na złącze.

-Nie używaj urządzenia niezgodnie z przeznaczeniem, aby uniknąć potencjalnych obrażeń.

• And removed below one because this product is detachable power cord.

- W przypadku uszkodzenia przewodu zasilającego musi on zostać wymieniony przez producenta, jego przedstawiciela lub osobę o podobnych kwalifikacjach, aby uniknąć zagrożenia.

1.4 Przeznaczenie

W pełni automatyczny ekspres do kawy Beko jest przeznaczony do użytku w domach i podobnych zastosowaniach, takich jak kuchnie pracownicze, sklepy, biura i podobne pomieszczenia lub przez klientów w pensjonatach, hotelach, motelach i innych obiektach mieszkalnych. Ekspres do kawy nie jest przeznaczony do użytku komercyjnego. Urządzenie jest przeznaczone wyłącznie do przygotowywania kawy i podgrzewania mleka i wody. Każde inne użycie, inne niż podane powyżej, jest uważane za niewłaściwe.

Niebezpieczeństwo wynikające z niewłaściwego użytkowania!

Jeśli ekspres do kawy nie jest używany zgodnie z przeznaczeniem, może stać się źródłem zagrożenia.



W związku z tym ekspres do kawy może być używany wyłącznie zgodnie z jego przeznaczeniem.

1 Ważne instrukcje dotyczące bezpieczeństwa i środowiska



Postępuj zgodnie z procedurami opisanymi w niniejszej instrukcji obsługi.

Żadne roszczenia z tytułu szkód lub obrażeń wynikających z używania ekspresu do kawy do celów innych niż jego przeznaczenie nie będą akceptowane.

Ryzyko ponosi wyłącznie właściciel urządzenia.

1.5 Ograniczenie odpowiedzialności

Wszystkie informacje techniczne, dane i instrukcje dotyczące instalacji, obsługi i konserwacji ekspresu do kawy zawarte w niniejszej instrukcji obsługi przedstawiają stan aktualny w momencie druku i opierają się na najlepszej możliwej wiedzy zdobytej dzięki doświadczeniu i wiedzy specjalistycznej.

Z informacji, ilustracji i wyjaśnień zawartych w niniejszej instrukcji obsługi nie można wyciągać żadnych roszczeń/żądań.

Producent nie ponosi odpowiedzialności za szkody lub obrażenia ciała powstałe w wyniku nieprzestrzegania instrukcji obsługi, użytkowania urządzenia niezgodnie z przeznaczeniem, niefachowych napraw, niedozwolonych modyfikacji lub stosowania niezatwierdzonych części zamiennych.

1.6 Zgodność z dyrektywą WEEE i utylizacja zużytego urządzenia:

Wyrób ten jest zgodny z dyrektywą WEEE Unii Europejskiej (2012/19/UE). Wyrób ten jest oznaczony symbolem klasyfikacyjnym dla zużytego sprzętu elektrycznego i elektronicznego (WEEE).



Ten symbol wskazuje, że po zakończeniu okresu użytkowania tego urządzenia nie należy go wyrzucać razem z innymi odpadami domowymi. Zużyte urządzenie należy oddać do

oficjalnego punktu zbiórki surowców wtórnych urządzeń elektrycznych i elektronicznych. Aby znaleźć te punkty zbiórki, należy skontaktować się z władzami lokalnymi lub sprzedawcą, u którego zakupiono urządzenie. Każde gospodarstwo domowe spełnia ważną rolę w recyklingu starych urządzeń. Odpowiednia utylizacja zużytego urządzenia pomaga zapobiec potencjalnym negatywnym skutkom dla środowiska i zdrowia ludzi.

1.7 Zgodność z dyrektywą RoHS

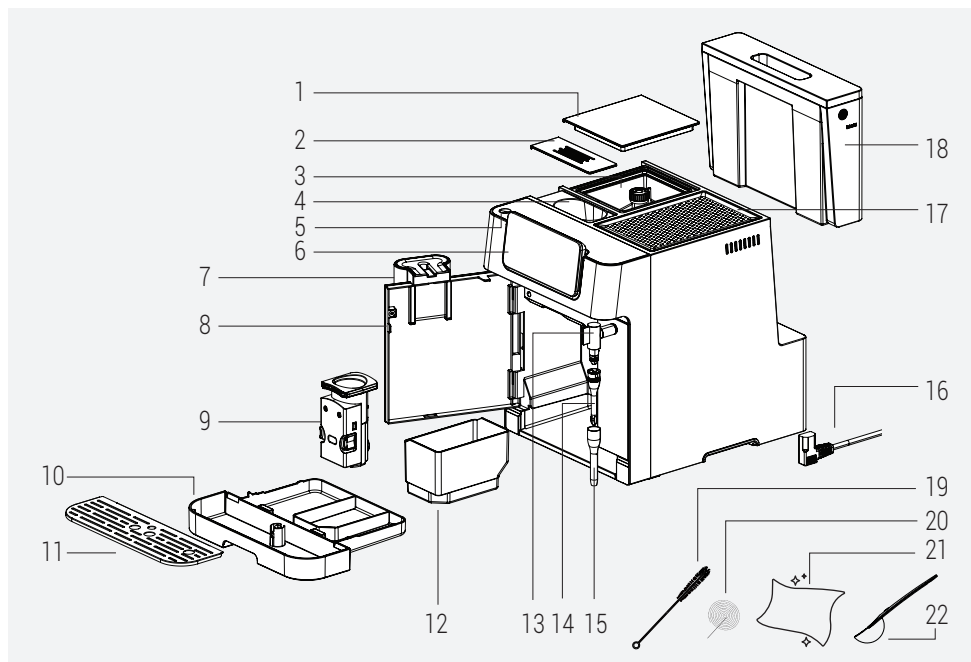
Zakupione urządzenie jest zgodne z dyrektywą UE RoHS (2011/65/UE). Nie zawiera szkodliwych i zakazanych materiałów, podanych w tej dyrektywie

1.8 Informacje o opakowaniu



Materiały opakowaniowe urządzenia zostały wyprodukowane z materiałów nadających się do recyklingu zgodnie z naszymi krajowymi przepisami dotyczącymi ochrony środowiska. Nie wyrzucaj materiałów opakowaniowych razem z odpadami domowymi lub innymi odpadami. Zanieś je do punktów zbiórki materiałów opakowaniowych wyznaczonych przez władze lokalne.

2 Twój w pełni automatyczny ekspres do kawy



- | | |
|---|-------------------------------------|
| 1. Pokrywka pojemnika na ziarna kawy | 11. Taca na filiżanki |
| 2. Pokrywka pojemnika na kawę wstępnie zmieloną | 12. Pojemnik na fusy (pozostałości) |
| 3. Pojemnik na ziarna kawy | 13. Dysza parowa |
| 4. Pojemnik na kawę wstępnie zmieloną | 14. Pokrywa dyszy |
| 5. Przycisk włączania/wyłączania zasilania | 15. Rurka metalowa |
| 6. Cyfrowy panel sterowania | 16. Kabel zasilający |
| 7. Regulowana wylewka kawy | 17. Podgrzewacz do filiżanek |
| 8. Osłona przednia | 18. Zbiornik wody |
| 9. Zaparzac | 19. Szczotka do czyszczenia |
| 10. Taca ociekowa | 20. Igła czyszcząca |
| | 21. Ściereczka do czyszczenia |
| | 22. Łyżeczka do kawy zmielonej |

2 Twój w pełni automatyczny ekspres do kawy

Dane techniczne

Zasilanie: 220-240 V~, 50-60 Hz

Moc: 1350 W

Zastrzega się prawo do wprowadzania zmian technicznych i projektowych.

Wszystkie deklarowane wartości na urządzeniu i na drukowanych ulotkach uzyskano z pomiarów laboratoryjnych przeprowadzonych zgodnie z odpowiednimi normami. Wartości te mogą się różnić w zależności od warunków użytkowania i otoczenia.

Wymiary urządzenia:

27,5 cm (szerokość) x 35,9 cm (wysokość) x 41,2 cm (głębokość)

Waga: 9,68±0,5 kg

Długość kabla: 95±5 cm

Waga kawy mielonej (tryb ziarnisty)

Standardowo: 8±2g

Intensywnie: 10±2g

Pojemność tacy ociekowej: Do 0,6 L

Pojemność pojemnika na fusy (pozostałości):

Do 10 filiżanek

Pojemność zbiornika na wodę: 2,0±5%L

Pojemność pojemnika na ziarna kawy: 250±5%g

Czas wstępnego nagrzewania ekspresu: <50s

Objętość kawy:

Espresso: 30±10 ml

Podwójne: 60±10 ml

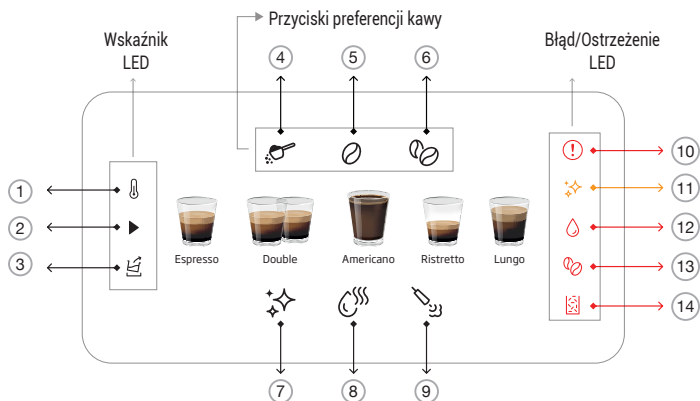
Americano: 150±20 ml

Ristretto: 20±5 ml

Lungo: 60±10 ml

3 Wyświetlacz

3.1 Panel sterowania



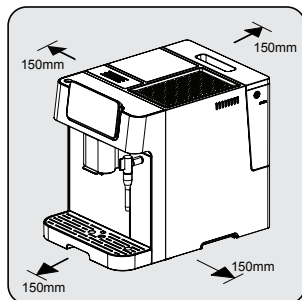
1		Świeci się podczas podgrzewania
2		Świeci się podczas trwających procesów
3		Wskaźnik opróżnienia wody
4		Służy do wyboru opcji „Kawa mielona”.
5		Służy do wyboru opcji „Standardowa kawa ziarnista”.
6		Służy do wyboru opcji „Intensywna kawa ziarnista”.
7		Służy do inicjowania funkcji czyszczenia i odkamieniania.
8		Służy do odbioru gorącej wody z dyszy parowej.
9		Służy do uruchamiania funkcji dyszy parowej.
10		Błąd ogólny
11		Ostrzeżenie o usuwaniu kamienia
12		Błąd braku wody
13		Błąd braku ziaren
14		Błąd pełnego pojemnika na pozostałości

4 Przygotowanie

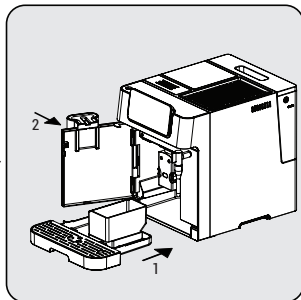
4.1 Instalacja



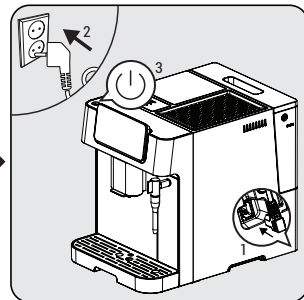
Usuń z urządzenia folie ochronne, naklejki i wszelkie inne materiały opakowaniowe.



Wybierz bezpieczną i stabilną powierzchnię z łatwo dostępnym zasilaniem i pozostaw minimalną odległość od boków maszyn.



Włóż taczkę ociekową. Upewnij się, że jest włożona prawidłowo i zamknij przednią pokrywę.



Rozwiń i wyprostuj przewód zasilający, a następnie włóż wtyczkę do gniazda znajdującego się pod urządzeniem. Włóż drugi koniec przewodu zasilającego do gniazdka ściennego o odpowiednim napięciu zasilania.

4.2 Napełnianie zbiornika na wodę



O programie ochrony: Jeśli zbiornik na wodę nie zostanie w pełni umieszczony w ekspresie, na 15 sekund przed rozpoczęciem procesu parzenia włączy się tryb ochronny. Na panelu sterowania zapali się przycisk gorącej wody.

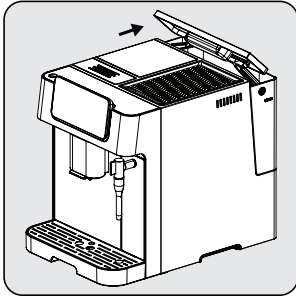
1. Upewnij się, że zbiornik na wodę jest całkowicie włożony do urządzenia.

2. Naciśnij przycisk gorącej wody. Po wydaniu ciepłej wody urządzenie będzie w stanie bezczynności.

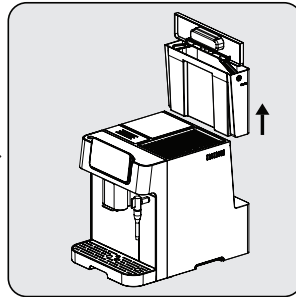


Kiedy świeci się „” oznacza to, że poziom wody w zbiorniku jest za niski i wymaga napełnienia.

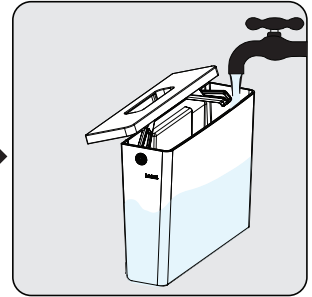
4 Przygotowanie



Podnieś zbiornik na wodę używając pokrywki jako rączki.



Wymij zbiornik na wodę.



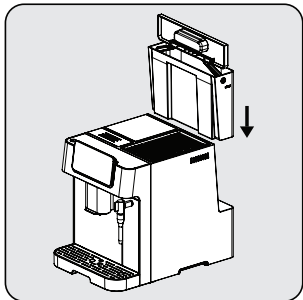
Wypłucz zbiornik na wodę świeżą wodą, a następnie napełnij go do poziomu Max i włóż z powrotem do urządzenia. Upewnij się, że jest włożony do końca.



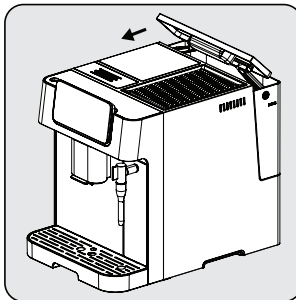
Aby zapobiec przelaniu się wody ze zbiornika na wodę, nie należy dolewać wody bezpośrednio do urządzenia z innego pojemnika.



Nigdy nie napełniaj zbiornika na wodę ciepłą lub gorącą wodą, wodą gazowaną ani żadnym innym płynem, który mógłby uszkodzić zbiornik na wodę i urządzenie.



Umieść zbiornik na wodę z powrotem, używając pokrywki jako uchwytu.

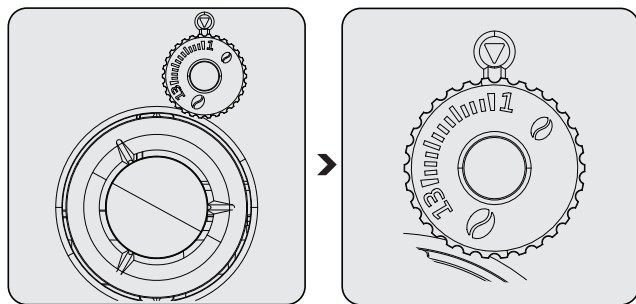


Zamknij zbiornik na wodę używając pokrywki.


5 Obsługa

5.1 Regulacja mielenia


Grubość mielenia można regulować, obracając pokrętkę regulacyjną na pojemniku na ziarna:

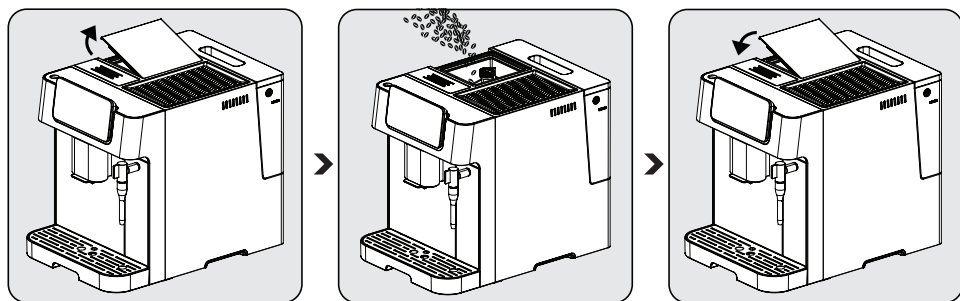


 Nigdy nie reguluj młynka, gdy nie jest włączony. Może to spowodować uszkodzenie młynka.

 Linie na pokrętkle regulacyjnym wskazują na grubość mielenia. Większa liczba oznacza grubsze mielenie.

5.2 Napełnianie pojemników na ziarna kawy

 • Kiedy „☉” miga, urządzenie wymaga napełnienia ziarnami kawy.
• Przechowywanie ziaren w oryginalnym opakowaniu próżniowym jest lepsze dla zapewnienia dłuższej świeżości. Nie używaj pojemnika na ziarna kawy do przechowywania w celu uzyskania lepszych rezultatów.



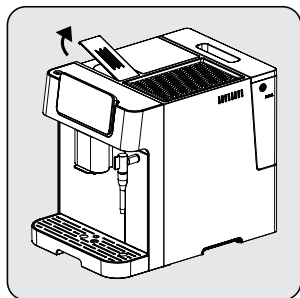
Zdejmij pokrywkę pojemnika na ziarna kawy.

Powoli wsymp ziarna kawy.

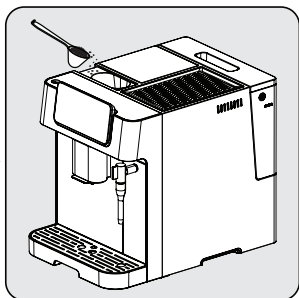
Nałóż z powrotem pokrywkę pojemnika.

5 Obsługa

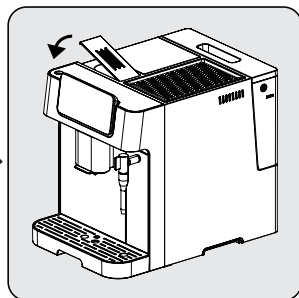
5.3 Korzystanie z pojemnika na kawę wstępnie zmieloną



Zdejmij pokrywę pojemnika na kawę wstępnie zmieloną.



Powoli wsyp do pojemnika wstępnie zmieloną kawę.



Nałóż z powrotem pokrywę pojemnika.

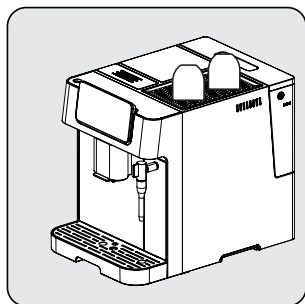


Pojemnik na kawę wstępnie zmieloną nie służy do przechowywania, oferuje jednorazowe użycie (max 12g). Łyżeczka do odmierzania może być użyta do odmierzenia sugerowanej ilości zmielonej kawy.



W celu aktywacji tego ustawienia należy nacisnąć przycisk Kawa mielona i wybrać go z ekranu.

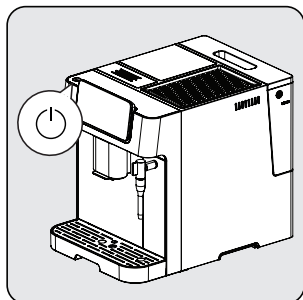
5.4 Używanie podgrzewacza do filiżanek



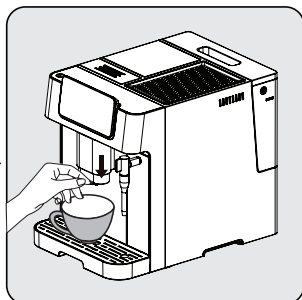
Filiżanki należy postawić do góry nogami, aby zapewnić utrzymanie ciepła i czystości powierzchni wewnętrznej (Funkcja ta wykorzystuje wewnętrzne ciepło urządzenia).

5 Obsługa

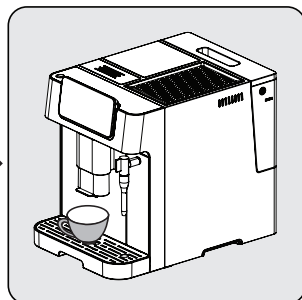
5.5 Przygotowanie kawy



Włącz urządzenie, naciskając przycisk włączania/wyłączania. Urządzenie włącza się, rozpoczyna podgrzewanie wstępne i automatyczne czyszczenie. Jest ono gotowe do pracy w trybie bezczynności, w którym świecą się wszystkie ikonki.



Umieść filiżankę pod wylewką kawy i dopasuj wysokość wylewki do filiżanki.

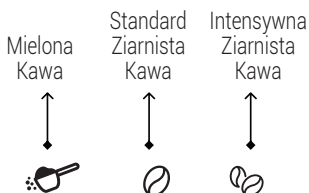


Wybierz kawę naciskając przycisk, a kontrolka filiżanki zapali się wskazując, że urządzenie przygotowuje filiżankę kawy. Gdy urządzenie powróci do stanu spoczynku, kawa jest gotowa do podania.



Naciśnij przycisk espresso, americano, ristretto lub lungo w zależności od preferencji.

5.6 Regulacja mocy kawy

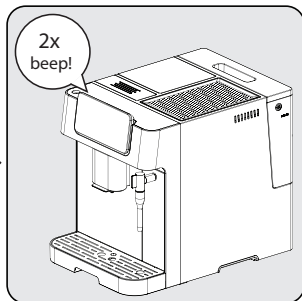


Jeśli używana jest kawa ziarnista, naciśnij przycisk „standardowe ziarno” lub „intensywne ziarno”, aby dostosować moc napoju. Jeśli używana jest kawa mielona, naciśnij opcję „kawa mielona”.

5 Obsługa

5.7 Regulacja objętości kawy / gorącej wody

Możesz zapisać objętość żądanej kawy dla wszystkich jej rodzajów, a także gorącej wody od 25 ml do 250 ml. (x2 dla podwójnego)

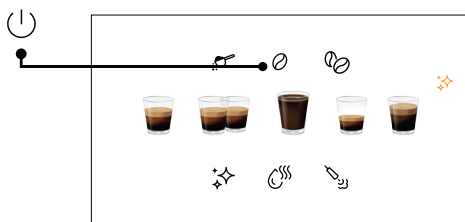


Podczas parzenia kawy (espresso, doppio, americano, ristretto lub lungo), naciśnij i przytrzymaj przycisk wybranej kawy. Urządzenie będzie kontynuować przygotowywanie filiżanki kawy tak długo, jak długo będziesz trzymać przycisk.

Gdy ilość kawy osiągnie żądaną objętość, zwolnij przycisk. Jeśli usłyszysz dwa sygnały dźwiękowe, oznacza to, że urządzenie zapisało tę ilość kawy.



Regulacji wody można dokonać w trakcie trwającego przygotowania kawy (po zakończeniu mielenia).



Aby przywrócić wszystkie napoje do ustawień domyślnych/fabrycznych;

W celu przywrócenia ustawień fabrycznych wszystkich zapisanych w pamięci wyborów objętości napojów i gorącej wody;

- Naciśnij jednocześnie przycisk włączania/wyłączania zasilania i przycisk ziaren kawy przez 3 sekundy.

Aby zresetować pojedynczy napój do ustawień domyślnych/fabrycznych;

W celu przywrócenia ustawień domyślnych

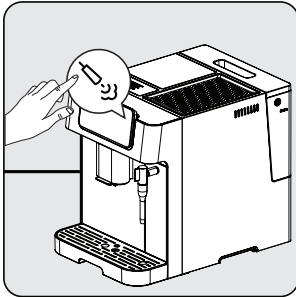
dowolnej ilości kawy lub gorącej wody indywidualnie;

- Naciśnij jednocześnie przycisk włączania/wyłączania zasilania i przycisk napoju (który ma zostać zresetowany) przez 3 sekundy.

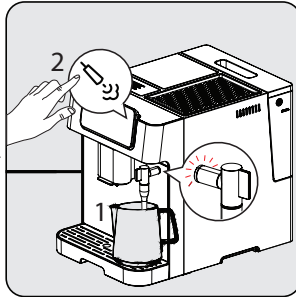
5 Obsługa

5.8 Przygotowanie spienionego mleka do kawy

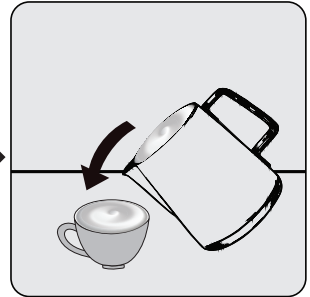
i Ponieważ temperatura pary jest wyższa niż temperatura espresso, espresso należy przygotować przed zrobieniem spienionego mleka. W przeciwnym razie espresso może się przypalić.



Naciśnij ikonkę dyszy parowej i poczekaj, aż dysza parowa będzie gotowa. Podczas gdy dysza parowa jest wstępnie podgrzewana, lampki kontrolne będą migać.

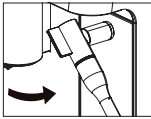


Gdy lampki kontrolne świecą się w sposób ciągły, dysza parowa jest gotowa do użycia. Umieść wypełniony mlekiem kubek lub dzbanek pod dyszą parową. Naciśnij ponownie przycisk dyszy parowej, aby rozpocząć spienianie mleka, i zatrzymaj, naciskając ponownie.



Nalej gorące spienione mleko na espresso. Teraz możesz cieszyć się swoją kawą!

i Dyszę parową można obrócić w prawo w celu ułatwienia obsługi.



- Po użyciu dyszy parowej należy oczyścić ją z pozostałości mleka, przecierając ją wilgotną szmatką.

i

- Zaleca się usunięcie pozostałości mleka, które mogą gromadzić się na końcówce dyszy, poprzez uruchomienie funkcji gorącej wody.
- Po przygotowaniu dyszy parowej, jeśli dysza parowa nie będzie używana przez pewien czas, ekran powróci do stanu spoczynku.



- Wylot dyszy parowej powinien znajdować się nad tacką ociekową, aby zapobiec rozlewaniu się wody/mleka.
- Biorąc pod uwagę spienianie się mleka w filiżance/dzbanku, nie napełniaj go całkowicie.
- Należy pamiętać, że filiżanka/dzbanek może się nagrzać podczas spieniania mleka.

5 Obsługa

5.9 Gorąca woda

Urządzenie może wydawać gorącą wodę po prostu po naciśnięciu przycisku gorącej wody „☪”. Naciśnij ponownie, aby zatrzymać.

i Funkcja ta może służyć do podgrzewania filiżanki przed przygotowaniem kawy. Najpierw napełnij kubek gorącą wodą, następnie odlej wodę i użyj tego kubka do przygotowania kawy.

5.10 Wybór trybu

Urządzenie ma trzy różne ustawienia: ustawienie domyślne, tryb ECO i tryb szybki. W trybie ECO urządzenie oszczędza więcej energii. W trybie prędkości użytkownik może przygotować kawę szybciej niż przy ustawieniach domyślnych.

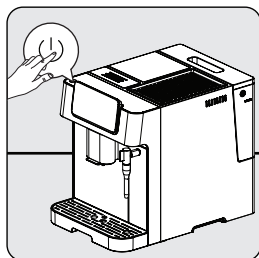
	Tryb ECO	Tryb szybki	Ustawienia domyślne
Lampki kontrolne podświetlenia filiżanki i dyszy parowej	Nie	Tak	Tak
Zaparzanie wstępne*	Tak	Nie	Tak
Czas automatycznego wyłączenia	10 min.	30 min.	20 min.

i Funkcja wstępnego parzenia nawilża kawę wewnątrz zaparacza niewielką ilością wody przed pełną ekstrakcją. Dzięki temu zmielona kawa zwiększa swą objętość i podnosi ciśnienie w zaparzaczu, co pomaga w ekstrakcji wszystkich olejków i wydobyć pełny smak ziaren.

1. Gdy maszyna jest włączona, ale nie pracuje, naciśnij i przytrzymaj przycisk ☪ przez 5 sekund.
1. Następnie ☪ zacznie migać, a kolejne przyciski będą się zapalać, wskazując różne ustawienia:

W trybie ECO → ☪
W trybie szybkim → ☪
W ustawieniach domyślnych → ☪

2. Naciśnij przycisk „Przycisk kawy zmielonej” dla trybu ECO, „Standardowa kawa ziarnista” dla trybu Szybkiego oraz „Intensywna kawa ziarnista” dla ustawień domyślnych. Po wybraniu trybu usłyszysz dwa sygnały dźwiękowe.
3. Jeśli chcesz, aby ustawienie pozostało niezmienione, naciśnij ponownie przycisk ☪ lub odczekaj 5 sekund, aby urządzenie powróciło do trybu bezczynności.



5.11 Anulowanie

Aby anulować uruchomiony proces, należy raz nacisnąć włącznik/wyłącznik. Ponowne naciśnięcie na wybrany napój po rozpoczęciu przygotowywania również anuluje tę operację.

6 Czyszczenie



2-krotne naciśnięcie włącznika/wyłącznika spowoduje wymuszone wyłączenie urządzenia.

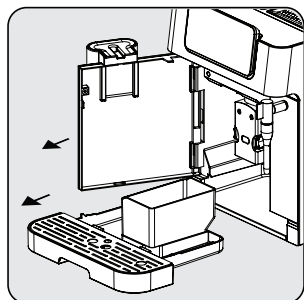
6.1 Czyszczenie urządzenia

1. Wyciągnij wtyczkę z gniazdka.
2. Wylej całą wodę/resztki kawy z tacki ociekowej i pojemnika na resztki kawy.
3. Do czyszczenia płam na urządzeniu użyj wilgotnej szmatki lub nierysującego środka czyszczącego.

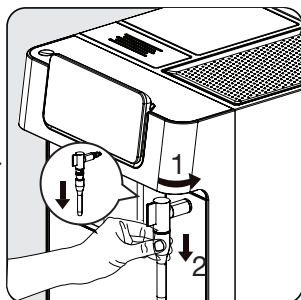


Do czyszczenia urządzenia nie wolno używać żadnych środków ściernych, octu ani środków do usuwania kamienia, które nie są dołączone do opakowania.

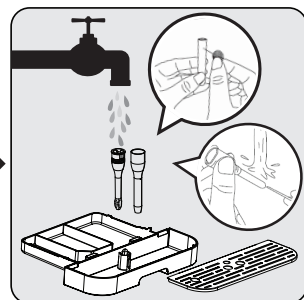
Terminowe czyszczenie i konserwacja urządzenia jest bardzo ważna dla przedłużenia jego żywotności.



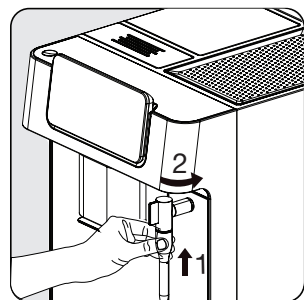
Otwórz przednią osłonę. Wymij tackę ociekową i pojemnik na resztki kawy.



Wymij metalową rurkę, pociągając ją w dół. Następnie zdejmij osłonę dyszy, obracając ją w lewo, wymij też metalową rurkę.




Opróżnij pojemnik na resztki kawy i tackę ociekową. Umyj metalową rurkę ciepłą, bieżącą wodą i użyj igły lub włosia szczotki do wyczyszczenia otworu. Umyj osłonę dyszy ciepłą bieżącą wodą i użyj igły lub włosia szczotki do czyszczenia otworu. Następnie wysusz je.

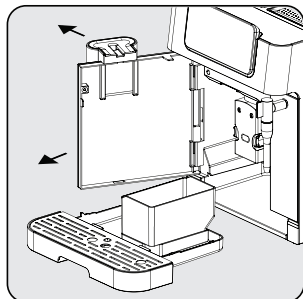


Zamocuj osłonę z powrotem na metalowej rurce. Następnie popchnij ją do góry, aby umieścić osłonę dyszy z powrotem na swoim miejscu i obróć ją w prawo, aby ją zablokować.

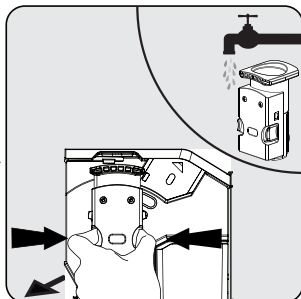
6 Czyszczenie



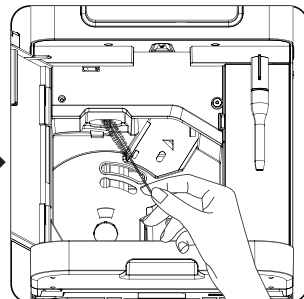
Gdy zapali się , należy opróżnić pojemnik na resztki kawy. Ta ikona zapali się po każdym 10 zaparzeniach kawy. Wyczyść pojemnik, aby usunąć błąd. Jeśli pojemnik jest czysty, wyjmij go i włóż z powrotem.



Przytrzymaj regulowaną wylewkę kawy i pociągnij powoli do tyłu, aby otworzyć przednią osłonę.



Wyjmij zaparzac. Umyj wodą, a następnie wysusz.



Oczyść przewód wylotowy kawy za pomocą szczoteczki.



- Tacka ociekowa powinna być opróżniona, gdy widoczny jest wskaźnik pływający.
- Zsypanie zmielonej kawy powinien być czyszczony po każdym użyciu za pomocą szczotki do czyszczenia.




Gdy świeci się , oznacza to, że brakuje zaparzacza/ jest on nieprawidłowo zainstalowany. Gdy miga , oznacza to, że osłona przednia nie jest zamknięta.


6.2 Funkcja odkamieniania



- Po określonej liczbie cykli parzenia konieczne jest odkamienienie.
- Do samooczyszczania tego urządzenia nie używaj octu ani innych środków czyszczących. Inne środki czyszczące mogą uszkodzić urządzenie.
- Unikaj kontaktu skóry/ciała z gorącą wodą.

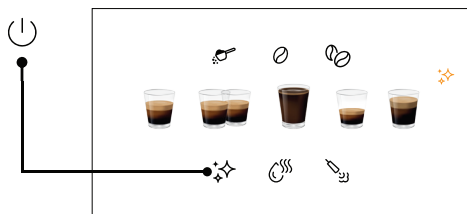
Gdy świeci się , oznacza to, że urządzenie musi zostać poddane procesowi odkamieniania. Urządzenie pozostanie w najlepszym stanie, jeśli ta funkcja będzie wykonywana przynajmniej raz w miesiącu lub częściej, w zależności od twardości używanej wody.

Aby rozpocząć odkamienianie:

1. Napełnij zbiornik wody do „Poziomu odkamieniania ”.

6 Czyszczenie

2. Dodaj jedno opakowanie środka czyszczącego znajdującego się w pudełku do zbiornika na wodę.
3. Podstaw odpowiednio duży pojemnik pod dozownik kawy i dyszę.
4. W stanie bezczynności naciśnij i przytrzymaj przez 3 sekundy przycisk ✨. Usłyszysz sygnał dźwiękowy, a ✨ będzie migać do momentu opróżnienia zbiornika wody.
5. Napełnij zbiornik wody jeszcze raz do „Poziomu odkamieniania” wodą i naciśnij przycisk ✨ jeszcze raz, aby rozpocząć drugi cykl odkamieniania. Jeśli zbiornik wody zostanie wyjęty i umieszczony z powrotem, urządzenie wykryje tę czynność i automatycznie rozpocznie drugi cykl (bez ponownego naciskania przycisku ✨).
6. Po opróżnieniu zbiornika wody, ekran powróci do stanu spoczynku. Odkamienianie zostało zakończone. Napełnij zbiornik na wodę świeżą wodą, aby rozpocząć przygotowywanie kawy.



Aby zresetować status ostrzeżenia o odkamienianiu;

W celu zresetowania statusu ostrzeżenia o odkamienianiu;

- Naciśnij jednocześnie przycisk włączania/wyłączania zasilania i przycisk odkamieniania na 3 sekundy.



Resetowanie stanu ostrzeżenia o odkamienianiu nie jest sugerowane dla utrzymania jak najlepszego stanu urządzenia.

6.3 Funkcja opróżniania systemu

Funkcji pustego systemu należy używać przed długim okresem nieużywania oraz w celu ochrony przed mrozem.

1. W stanie bezczynności jednocześnie naciśnij i przytrzymaj przycisk ⏻ i przycisk gorącej wody ☹️ przez 3 sekundy.
2. ☹️ zaświeci się.
3. Wyjmij zbiornik na wodę z urządzenia, proces rozpocznie się automatycznie.
4. Po zakończeniu procesu opróżniania urządzenie wyłączy się automatycznie.

6 Czyszczenie



Gdy urządzenie jest ponownie używane po raz pierwszy po użyciu funkcji pustego systemu; naciśnij przycisk gorącej wody, aż z wylewki wypłynie woda.

6.4 Funkcja ręcznego czyszczenia/płukania

Można ręcznie wyczyścić/wypłukać dyszę kawy przed lub po użyciu. W stanie bezczynności naciśnij raz przycisk ✨.

- Po czyszczeniu/płukaniu urządzenie powróci do stanu spoczynku.



- Woda, która wypływa z dyszy kawy będzie gorąca i zbierze się w tacce ociekowej pod spodem. Unikaj kontaktu, gdy się rozpryskuje.
- Jeśli urządzenie nie było używane przez dłuższy czas, sugeruje się użycie tej funkcji.



Użycie tej funkcji przed przygotowaniem kawy zapewni również gorętszą kawę.

Wyłączanie trybu automatycznego czyszczenia

Urządzenie czyści się automatycznie przed i po każdym parzeniu. Możesz wykonać poniższe kroki, aby wyłączyć tryb automatycznego czyszczenia.

- Włącz urządzenie, naciskając przycisk włączania/wyłączania zasilania i poczekaj, aż przejdzie w tryb bezczynności.
- Otwórz przednią osłonę.
- Naciśnij przycisk włączania/wyłączania zasilania przez 5 sekund i rozlegnie się sygnał dźwiękowy.
- Zamknij przednią osłonę.
- Operacja automatycznego czyszczenia została anulowana.



Zalecamy aktywne korzystanie z trybu automatycznego czyszczenia dla zdrowego użytkownika.

Aby jednorazowo anulować automatyczne czyszczenie;

Naciśnij przycisk włączania/wyłączania podczas włączania lub wyłączania maszyny, aby pominąć tę funkcję.

7 Rozwiązywanie problemów

Problem	Przyczyna	Rozwiązanie
Urządzenie nie działa.	Urządzenie nie jest podłączone do prądu.	Podłącz i naciśnij przełącznik. Sprawdź kabel i wtyczkę.
Brak lub opóźniona reakcja w kilku próbach naciśnięcia klawisza funkcyjnego na panelu	Urządzenie znajduje się pod wpływem zakłóceń elektromagnetycznych. Panel jest zabrudzony.	Odłącz urządzenie od prądu. Uruchom ponownie po kilku minutach. Wyczyść panel dostarczoną szmatką.
Kawa nie jest wystarczająco gorąca.	Filizanki nie zostały podgrzane. Zaparzacz jest za zimny.	Umieść kubek na podgrzewaczu do kubków skierowany w dół lub opłucz kubek gorącą wodą. Upewnij się, że woda w zbiorniku na wodę nie jest za zimna.
Kawa nie wypływa z wylewki kawy.	Mogła zostać użyta wcześniej funkcja pustego systemu. Wylewka kawy mogła nie zostać wyczyszczona i jest zablokowana przez pozostałości kawy.	Naciskaj przycisk gorącej wody, aż z wylewki wypłynie woda. Wyczyść dozownik kawy.
Pierwsza filizanka kawy jest słabej jakości.	Pierwsze uruchomienie młynka nie umieszcza wystarczającej ilości kawy w jednostce zaparzaczej.	Wylej kawę. Kolejne filizanki będą lepsze.
Zbiornik wody został wyjęty/poziom wody w zbiorniku wody jest bardzo niski, ale nie ma alarmu „  ”.	Obszar w pobliżu złącza zbiornika wody może być mokry.	Wytrzyj wodę wokół złącza zbiornika wody.
Wewnętrzna tacka ociekowa jest wypełniona dużą ilością wody.	Mielona kawa jest zbyt drobna, co blokuje wypływ wody.	Ustaw drobność kawy na większe ziarna do procesu mielenia.
Kawa wypływa zbyt wolno lub kropla po kropli.	Kawa jest zbyt drobno zmielona, co blokuje wypływ wody.	Ustaw drobność kawy na większe ziarna do procesu mielenia.
Wskaźnik miga informując, że nie ma wystarczającej ilości ziaren kawy, ale wewnątrz pojemnika jest ich mnóstwo.	Wewnętrzny wylot fusów jest zatkany.	Wykonaj czynności opisane dla czyszczenia wylotu fusów z kawy.
Nie można wyjąć zaparzacza lub tacki na fusy.	Urządzenie nie zakończyło procesu samooczyszczania i zostało wyłączone.	Włącz ponownie urządzenie i pozwól mu zakończyć proces automatycznego czyszczenia.
Urządzenie nie wykonuje już cyklu płukania po włączeniu lub wyłączeniu.	Przyczyną może być niewłaściwa obsługa podczas serwisowania urządzenia.	1. Gdy urządzenie jest w stanie spoczynku, otwórz przednią osłonę. 2. Naciśnij i przytrzymaj przycisk włączenia/wyłączenia, aż usłyszysz 2 sygnały dźwiękowe. 3. Zamknij przednią osłonę.
Przyciski dotykowe nie działają.	Niewciśnięcie przycisku dotykowego z przodu urządzenia.	Naciśnij dolną część symbolu przycisku dotykowego z przodu urządzenia.

Droży Klienci,

Dziękujemy za zakup naszych produktów. Jesteśmy przekonani, że nasze urządzenia będą służyć przez lata. Każdy produkt firmy Beko jest objęty 2-letnim okresem gwarancji.

Warunki gwarancji Beko S.A. (małe urządzenia AGD)

BEKO spółka akcyjna z siedzibą w Warszawie (02-819), przy ulicy Puławskiej 366, wpisana do rejestru przedsiębiorców prowadzonego przez Sąd Rejonowy dla m.st. Warszawy w Warszawie, XIII Wydział Gospodarczy Krajowego Rejestru Sądowego, pod numerem: 0000078147 (dalej: „BEKO”) udziela gwarancji jakości (dalej: „Gwarancja”) na wprowadzone przez BEKO do obrotu na terenie Polski produkty marki BEKO (dalej: „Urządzenia”) osobom, które nabyły te produkty („Użytkownik”) na następujących warunkach:

I. ZAKRES OCHRONY.

BEKO gwarantuje, że Urządzenie zakupione przez Użytkownika jest wolne od wad produkcyjnych lub materiałowych, powstałych z przyczyn tkwiących w tym Urządzeniu (dalej: „Wada”), które ujawnią się w ciągu terminu określonego w części II. niniejszych Warunków Gwarancji (dalej: „Okres Gwarancyjny”).

W razie ujawnienia się Wady Produktu w trakcie Okresu Gwarancyjnego, zostanie ona usunięta na koszt BEKO w sposób uzależniony od właściwości wady, na zasadach i w zakresie określonym w niniejszych Warunkach Gwarancji.

BEKO zobowiązuje się do usunięcia Wady poprzez dokonanie nieodpłatnej naprawy lub wymiany Urządzenia, bądź też reklamacja zgłoszona na podstawie niniejszych Warunków Gwarancji zostanie rozpatrzona w inny sposób uzgodniony przez BEKO i Użytkownika.

Udzielona gwarancja jest ważna na terytorium Rzeczypospolitej Polskiej.

II. CZAS TRWANIA GWARANCJI.

Okres Gwarancyjny wynosi 24 miesiące licząc od daty zakupu Urządzenia przez pierwszego Użytkownika.

III. PROCEDURA ZGŁOSZENIA REKLAMACYJNEGO.

Wady Urządzenia ujawnione w Okresie Gwarancyjnym będą usuwane pod warunkiem przedstawienia przez Użytkownika dowodu zakupu tego Urządzenia zawierającego oznaczenia niezbędne do jego identyfikacji (model, datę zakupu).

Uprawnienia wynikające z niniejszych Warunków Gwarancji mogą być zrealizowane przez Użytkownika wyłącznie w Autoryzowanych Punktach Serwisowych BEKO (dalej: „Serwis”) po uprzednim dokonaniu zgłoszenia na Infolinii BEKO pod numerem telefonu: 22 250 14 14. Urządzenie powinno być odpowiednio zapakowane i zabezpieczone przez Użytkownika na czas transportu do punktu serwisowego Beko.

Wady Urządzenia będą usunięte w terminie 14 dni od daty zgłoszenia Wady na Infolinii BEKO.

Jeżeli część zamienna wymieniana w ramach uprawnień wynikających z niniejszych Warunków Gwarancji Urządzenia jest sprowadzana z zagranicy, termin naprawy, o którym mowa w punkcie 5 powyżej, może ulec wydłużeniu jednak, nie więcej niż do 30 dni licząc odpowiednio od daty zgłoszenia Wady na Infolinii BEKO. Informacje o spodziewanych terminach napraw dostępne są na Infolinii BEKO pod numerem 22 250 14 14. Po usunięciu Wady, Urządzenie zostanie dostarczone Użytkownikowi na koszt BEKO.

IV. WYŁĄCZENIA.

Warunkiem skorzystania z niniejszych Warunków Gwarancji jest:

- użytkowanie Urządzenia zgodnie z Instrukcją Obsługi dołączoną do tego Urządzenia i jego przeznaczeniem, jak również odpowiednie czyszczenie i konserwacje Urządzenia;
- użytkowanie w warunkach indywidualnego gospodarstwa domowego. Urządzenie nie jest używane do celów prowadzenia działalności gospodarczej lub w zastosowaniach eksploatacji masowej, w

szczegółności w gastronomicznej działalności hoteli, restauracji i innych obiektów turystyczno-rekreacyjnych lub zbiorowego żywienia. Stosowanie osprzętu zalecanego przez producenta; brak ingerencji w Urządzenie przez osoby do tego nieupoważnione; brak ingerencji w tabliczkę znamionową z numerem seryjnym Urządzenia.

Udzielona przez Beko Gwarancja nie obejmuje:

- wad powstałych z przyczyn innych niż tkwiące w Urządzeniu;
- normalnego zużycia elementów eksploatacyjnych tj. akumulatory, baterie, noże, filtry, żarówki, szczotki, itp.;
- czynności przewidzianych w Instrukcji Obsługi, do wykonania których zobowiązany jest Użytkownik Urządzenia we własnym zakresie i na swój koszt, w tym: instruktażu dotyczącego obsługi Urządzenia, instalacji oraz regulacji urządzenia.
- usterek powstałych w wyniku nieprawidłowego lub niewłaściwego użytkowania, niedbalstwa, przypadkowego uszkodzenia Urządzenia, nieodpowiedniego napięcia prądu lub dokonania jakichkolwiek zmian, które mają wpływ na niewłaściwe działanie Urządzenia, i które naprawiane były przez osoby nieupoważnione, używania instalacji niezgodnych z odpowiednimi Polskimi Normami i innych niż wymienione w Instrukcji Obsługi Urządzenia;
- uszkodzeń mechanicznych, termicznych, chemicznych, korozji, innych uszkodzeń spowodowanych działaniem lub zaniedbaniem Użytkownika lub powstałych na skutek działania sił zewnętrznych (do których zalicza się w szczególności wyładowania atmosferyczne, skoki napięcia, wszystkiego rodzaju awarie domowej instalacji wodno-kanalizacyjnej, itp.), a także powstałych na skutek przedostania się zanieczyszczeń lub ciał obcych do Urządzenia, zakamienienia (proces odkamieniania musi być przeprowadzany zgodnie z instrukcją obsługi z użyciem odpowiednich środków czyszczących) elementów ze szkła, plastiku oraz porcelany; odbarwień Urządzenia lub poszczególnych jego części;
- usterek powstałych na skutek przechowywania i użytkowania Urządzenia w warunkach, które są niezgodne z normalnymi warunkami domowymi określonymi wymaganiami powszechnie obowiązujących przepisów prawa i odpowiednich Polskich Norm;

V. POZOSTAŁE POSTANOWIENIA.

Niniejsze warunki gwarancji mają zastosowanie do Urządzeń zakupionych od dnia 01.03.2019 r. Gwarant oświadcza, że niniejsza Gwarancja jest udzielana Użytkownikowi dodatkowo i nie wyłącza, nie ogranicza ani nie zawiesza uprawnień Użytkownika wynikających z przepisów o rękojmi za wady rzeczy sprzedanej na podstawie Kodeksu cywilnego.

Vă rugăm să citi și acest manual de utilizare înainte de folosirea aparatului!

Stimate client,

Vă mulțumim că ați ales acest produs Beko. Sperăm că veți obține cele mai bune rezultate de la acest produs, care a fost fabricat la o calitate înaltă cu tehnologie de ultimă generație. Vă rugăm să citiți cu atenție și în întregime acest manual de utilizare și toate celelalte documente însoțitoare înainte de a utiliza produsul și păstrați-le pentru consultări ulterioare. Dacă predați produsul unei alte persoane, vă rugăm să îi dați și manualul de utilizare. Vă rugăm să țineți cont de toate avertismentele și informațiile din manualul de utilizare.

Explicații privind simbolurile

Următoarele simboluri sunt folosite în diferite secțiuni ale acestui manual:



Informații importante sau sugestii utile despre utilizare.



PERICOL: Acest avertisment se referă la situații periculoase pentru viață și bunuri.



AVERTIZARE: Acest avertisment indică situații potențial periculoase.



ATENȚIE: Această avertizare indică potențialul de deteriorare a materialului.



Materialul este adecvat pentru contactul cu alimentele.



HĂRTIE RECICLATĂ ȘI
RECICLABILĂ

1 Instrucțiuni importante privind siguranța și mediul

Această secțiune include instrucțiunile de siguranță care vă vor ajuta să vă protejați împotriva riscurilor de vătămări corporale și a riscurilor de pierdere materiale. Nerespectarea acestor instrucțiuni anulează orice garanție.

1.1 Pericol de curent electric

Pericol pentru viață generat de curentul electric!

Contactul cu cablurile sub tensiune sau componentele poate duce la vătămări corporale grave sau chiar la deces!

Respectați următoarele măsuri de siguranță pentru a evita șocurile electrice:

- Nu utilizați niciodată produsul dacă cablul de alimentare sau aparatul în sine sunt deteriorate. Contactați service-ul autorizat.
- Nu deschideți carcasa mașinii de cafea. Există pericol de electrocutare dacă sunt atinse

conexiunile sub tensiune și/sau configurația electrică și mecanică este schimbată.

- Înainte de a curăța recipientul de boabe, scoateți aparatul din priză. Pericol din cauza rotirii râșni ei de cafea!

1.2 Pericol de arsură sau opărire

Anumite părți ale mașinii de cafea se pot încălzi în timpul funcționării! Băuturile dozate și aburul eliminat sunt foarte fierbinți!

Respectați următoarele măsuri de siguranță pentru a evita arsură/opărirea dvs. și/sau a altor persoane:

- Nu atingeți niciunul dintre manșoanele metalice de pe ambele guri de scurgere a cafelei.
- Evitați contactul direct al pielii cu aburul care iese din aparat sau cu apa fierbinte de clătire, de curățare sau de decalcifiere.

1 Instrucțiuni importante privind siguranța și mediul

1.3 Măsurile de siguranță de bază

Respectați următoarele măsuri de siguranță pentru a asigura manevrarea în siguranță a mașinii de cafea:

- Nu vă jucați niciodată cu materialele de ambalare. Există risc de sufocare. Păstrați toate materialele de ambalare departe de copii.
- Verificați dacă mașina de cafea prezintă semne vizibile de deteriorare înainte de utilizare. Nu utilizați o mașină de cafea defectă. Contactați service-ul autorizat.
- În cazul în care cablul de conectare este deteriorat, acesta trebuie înlocuit numai de un agent de service recomandat de producător pentru a preveni orice pericol! Vă rugăm să contactați producătorul sau serviciul clienți al acestuia.
- Reparațiile pentru aparatul de cafea trebuie efectuate numai

de către un specialist autorizat sau de către un reprezentant al serviciului de asistență tehnică pentru clienți. Reparațiile efectuate de persoane neautorizate pot duce la un pericol considerabil pentru utilizator. De asemenea, aceste acțiuni vor anula garanția.

- Reparațiile mașinii de cafea aflate în perioada de garanție pot fi efectuate numai de centrele de service autorizate de producător, în caz contrar garanția se va anula dacă vor exista defecte ulterioare.
- Piese defecte pot fi înlocuite numai cu piese de schimb originale. Numai piesele de schimb originale garantează îndeplinirea cerințelor de siguranță.
- Acest aparat poate fi utilizat de copii cu vârsta de peste 8 ani, precum și de persoane cu capacități fizice, senzoriale sau mentale reduse sau de persoane lipsite de experiență

1 Instrucțiuni importante privind siguranța și mediul

- și/sau cunoștințele, cu condiția ca aceste persoane să fie supravegheate sau să fi fost instruite cu privire la modul de utilizare a aparatului în condiții de siguranță și să fi înțeles pericolele care ar putea apărea în urma utilizării acestuia. Copiii nu trebuie să se joace cu aparatul. Curățarea și întreținerea efectuate de utilizatori nu trebuie efectuate de către copii, cu excepția cazului în care aceștia au vârsta de peste 8 ani și sunt supravegheați.
- Acest aparat este destinat pentru a fi folosit în gospodărie sau aplicații similare, precum:
 - chibrituri pentru angajați în magazine, birouri sau alte medii de lucru,
 - ferme,
 - de către clienți în hoteluri, moteluri și alte tipuri de medii rezidențiale,
 - medii de tip pensiune.
 - Protejează mașina de cafea împotriva efectelor meteorologice, cum ar fi ploaia, înghețul și lumina directă a soarelui. Nu folosi mașina de cafea în aer liber.
 - Nu introduce niciodată mașina de cafea, cablul de alimentare sau ștecherul în apă sau în alte lichide.
 - Nu curăța cafetiera sau accesoriile în mașina de spălat vase.
 - Nu turna lichide, altele decât apa și nu introduce alimente în rezervorul de apă.
 - Nu umple rezervorul de apă peste linia maximă.
 - Operează mașina de cafea numai când sunt montate containerul de deșeuri, tava de scurgere și tava pentru cești.
 - Nu trage de cablu pentru a scoate ștecherul din priză și nu-l atinge cu mâinile umeze.
 - Nu ține mașina de cafea de cablul de alimentare.

1 Instrucțiuni importante privind siguranța și mediul

- Păstrați aparatul și cablul acestuia departe de accesul copiilor cu vârsta sub 8 ani.
- Aparatul poate fi utilizat numai pentru prepararea cafelei
- Copiii trebuie să fie supravegheați pentru a asigura faptul că aceștia nu se joacă cu echipamentul.
- Scoateți aparatul din priză înainte de a-l curăța sau când nu îl folosiți.
- Așezați aparatul astfel încât ștecherul să fie întotdeauna accesibil.
- Folosiți aparatul întotdeauna pe o suprafață sigură, dreaptă, curată, uscată și antiderapantă.
- Aparatul nu este un aparat de cafea integrat și nu este conceput pentru a fi utilizat în interiorul unui dulap. Mașina de cafea nu trebuie așezată într-un dulap în timp ce este în funcțiune.
- Pentru a preveni deteriorarea cablului de alimentare, nu îl strângeți, nu îl îndoiți, și nu îl frecați de margini ascuțite. Puneți cablul de alimentare departe de suprafețe încălzite și de flacăra deschisă.
- Asigurați-vă că sursa de alimentare cu energie electrică corespunde cu informațiile de pe placa de informații a aparatului.
- Utilizați aparatul doar cu o priză cu împământare.
- Nu utilizați aparatul cu un prelungitor.
- Dacă aveți mâinile umede, nu atingeți aparatul sau ștecherul acestuia când este conectat la priză.
- -ATENȚIE: Pentru a evita pericolele datorate resetării involuntare a întrerupătorului termic, acest aparat nu trebuie alimentat printr-un dispozitiv de comutare extern, cum ar fi un temporizator, sau conectat la un circuit care este pornit și oprit în mod regulat de către serviciul de utilități.

1 Instrucțiuni importante privind siguranța și mediul

-Atenție: evitați vărsarea lichidelor pe conector.

-Nu utilizați aparatul în mod necorespunzător pentru a evita eventualele răni.

- În cazul în care cablul de alimentare electrică este deteriorat, acesta trebuie înlocuit de producător, reprezentantul său de service sau persoane cu calificări similare pentru a evita orice pericol.

1.4 Utilizarea destinată

Mașina de cafea complet automată Beko este destinată utilizării în casă și aplicații similare, de exemplu în bucătării de personal, magazine, birouri și zone similare sau de către clienți în pensiuni, hoteluri, moteluri și alte spații de cazare. Această mașină de cafea nu este destinată utilizării comerciale. Mașina este destinată exclusiv pregătirii cafelei și încălzirii laptelui și a apei. Orice altă utilizare, alta decât cea menționată anterior, este considerată utilizare necorespunzătoare.

Pericol care rezultă din utilizarea necorespunzătoare!

În cazul în care aparatul de cafea nu este utilizat conform destinației sale, acesta poate deveni o sursă de pericol.



În consecință, mașina de cafea trebuie utilizată numai în scopul pentru care a fost concepută.



Urmăriți procedurile descrise în acest manual de utilizare.

Nu se va accepta nicio reclamație de niciun fel pentru daune sau vătămări care rezultă din utilizarea aparatului de cafea în alte scopuri decât cele prevăzute.

Riscul trebuie să fi fost suportat exclusiv de către proprietarul aparatului.

1.5 Limitarea răspunderii

Toate informațiile tehnice, datele și instrucțiunile privind instalarea, operarea și întreținerea mașinii de cafea cuprinse în aceste instrucțiuni de operare reprezintă starea curentă la momentul tipăririi și se bazează pe cele mai bune cunoștințe și posibile obținute prin experiență și know-how.

Din informațiile, ilustrațiile și explicațiile din acest manual de utilizare nu se poate deduce nicio pretenție/solicitare.

Producătorul nu își asumă nicio răspundere pentru daune sau vătămări care rezultă din nerespectarea manualului de utilizare, utilizarea produsului în alte scopuri decât cele prevăzute, reparații neprofesionale, modificări neautorizate sau utilizarea de piese de schimb neaprobate.

1.6 Conformitatea cu Directiva WEEE și eliminarea produsului uzat:

Acest produs este în conformitate cu Directiva UE privind WEEE (2012/19/UE). Acest produs este prevăzut cu un simbol de clasificare pentru deșeurile de echipamente electrice și electronice (WEEE).

1 Instrucțiuni importante privind siguranța și mediul



Acest simbol arată că acest produs nu trebuie eliminat împreună cu deșeurile menajere la sfârșitul perioadei sale de utilizare. Aparatul uzat trebuie transportat la un punct de colectare pentru reciclarea echipamentelor electrice și electronice. Pentru a găsi aceste puncte de colectare, vă rugăm să contactați autoritatea locală sau comerciantul de la care ați cumpărat produsul. Fiecare gospodărie joacă un rol important în restaurarea și reciclarea aparatelor vechi. Eliminarea corespunzătoare a aparatelor utilizate ajută la prevenirea posibilelor consecințe negative pentru mediu și sănătatea umană.

1.7 Conformitatea cu Directiva RoHS

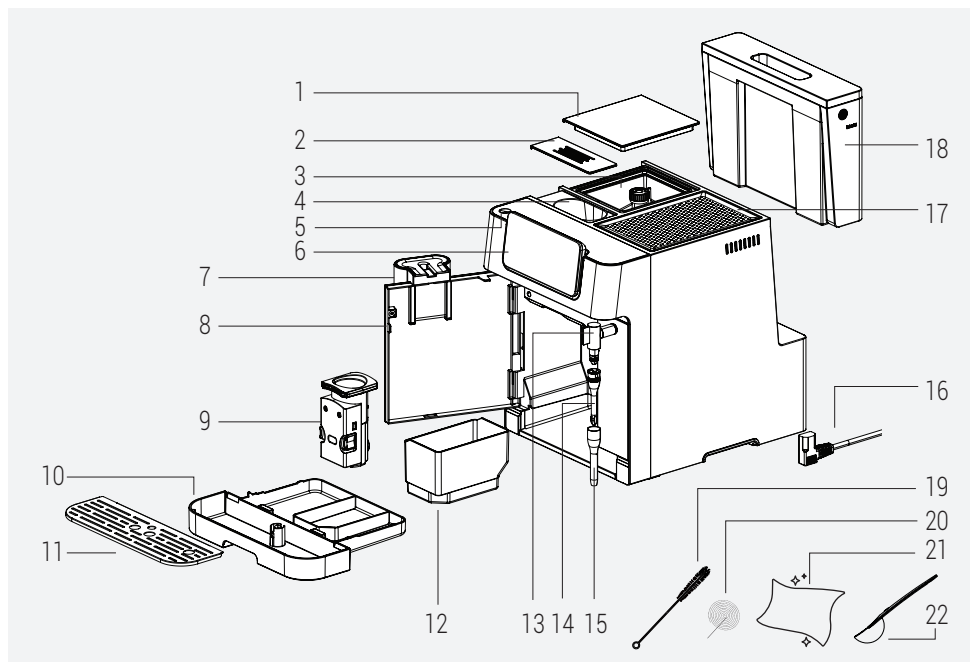
Produsul achiziționat de dumneavoastră este în conformitate cu Directiva UE RoHS (2011/65/UE). Acesta nu conține materiale periculoase și interzise, specificate în această Directivă.

1.8 Informații despre ambalaj



Materialele de ambalare ale produsului au fost fabricate din materiale reciclabile, în conformitate cu reglementările naționale de mediu. Materialele de ambalare nu trebuie eliminate împreună cu deșeurile menajere sau de alt tip. Transportați-le la punctele de colectare pentru ambalaje, amenajate de autoritățile locale.

2 Mașina dvs. de cafea complet automată



1. Capac recipient pentru boabe de cafea
2. Capacul recipientului de cafea pre-măcinată
3. Recipient pentru boabe de cafea
4. Recipientul de cafea pre-măcinată
5. Buton On/Off (Pornit/Oprit)
6. Panou digital control
7. Gură de scurgere reglabilă pentru cafea
8. Capacul frontal
9. Unitate de preparare
10. Tavă de picurare
11. Tavă cești
12. Recipient pentru cafea măcinată (reziduală)
13. Duză de abur
14. Capac duză
15. Tub de metal
16. Cablul de alimentare
17. Încălzitor ceașcă
18. Rezervor de apă
19. Perie de curățare
20. Ac de curățare
21. Lavetă de curățare
22. Lingură de cafea pre-măcinată

2 Mașina dvs. de cafea complet automată

Date tehnice

Sursă de alimentare: 220-240 V, 50-60 Hz

Putere: 1350 W

Ne rezervăm dreptul de a opera modificări tehnice și de design.

Toate valorile declarate pe produs și pe pliantele tipărite au fost obținute din măsurători de laborator efectuate în conformitate cu standardele relevante. Aceste valori pot varia în funcție de condițiile de utilizare și de mediu.

Dimensiunile produsului:

27,5 cm (Lățime) x 35,9 cm (Înălțime) x 41,2 cm (Adâncime)

Greutate: 9,68±0,5kg

Lungimea cablului: 95±5 cm

Greutatea cafelei măcinată (Mod boabe)

Standard: 8±2g

Intens: 10±2g

Capacitate tavă de picurare: Până la 0,6 Litri

Capacitate recipient pentru cafea măcinată (reziduală):

Până la 10 cești

Capacitatea rezervorului de apă: 2.0±5%L

Capacitate recipient pentru boabe de cafea: 250±5%g

Timp de preîncălzire a mașinii: <50s

Volum cafea:

Espresso: 30±10ml

Dublu: 60±10ml

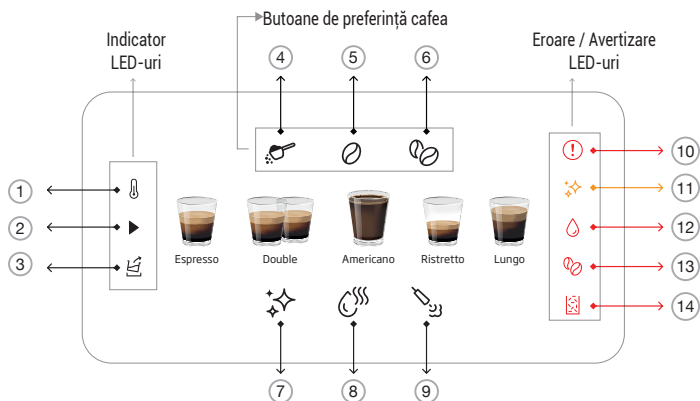
Americano: 150±20ml

Ristretto: 20±5ml

Lungo: 60±10ml

3 Afișaj

3.1. Panoul de comandă



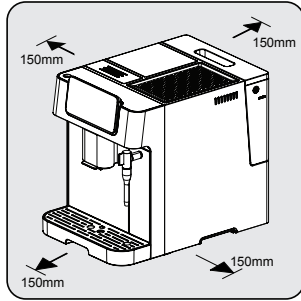
1		Aprins în timpul preîncălzirii
2		Aprins în timpul proceselor în curs
3		Indicator de golire a apei
4		Utilizat pentru a selecta op iunea "Cafea măcinată".
5		Utilizat pentru a selecta op iunea "Cafea boabe standard".
6		Utilizat pentru a selecta op iunea "Cafea boabe intensă".
7		Utilizat pentru ini ierea func iilor de cură are și decalcifiere.
8		Utilizat pentru a primi apă caldă de la duza de abur.
9		Utilizat pentru a declanșa func ia duzei de abur.
10		Eroare generală
11		Avertizare de decalcifiere
12		Eroare lipsă apă
13		Eroare lipsă boabe
14		Eroare de umplere completă a rezervorului rezidual

4 Pregătirea

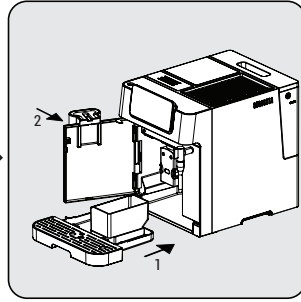
4.1 Instalare



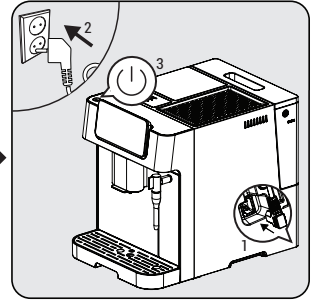
Îndepărtați orice folie de protecție, autocolante și orice alt material de ambalare de pe aparat.



Alegeți o suprafață sigură și stabilă, cu o sursă de alimentare ușor accesibilă și permiteți o distanță minimă față de părțile laterale ale mașinii de cafea.



Introduceți tava de scurgere. Asigurați-vă că capacul frontal este introdus corect și închideți-l.



Desfășurați și îndreptați cablul de alimentare și introduceți ștecherul în mufa de sub mașina de cafea. Introduceți celălalt capăt al cablului de alimentare într-o priză de perete cu tensiune de alimentare adecvată.

4.2 Umplerea rezervorului de apă



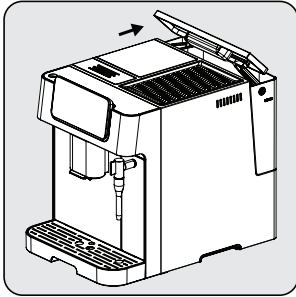
Despre programul de protecție: Dacă recipientul de apă nu este introdus complet în aparat, se va activa un mod de protecție după 15 secunde de la începerea procesului de preparare. Butonul pentru apă caldă se aprinde pe panoul de control.

1. Asigurați-vă că rezervorul de apă este introdus complet în aparat.
2. Apăsând butonul pentru apă caldă. După ce se dozează apa fierbinte, aparatul va intra în starea de repaus.

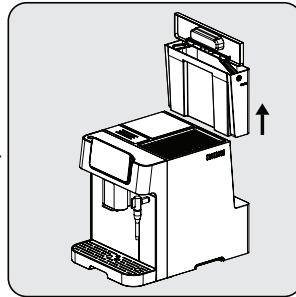


Când "D" este aprins, rezervorul de apă este la un nivel scăzut al apei și necesită umplere.

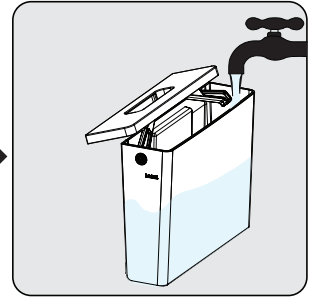
4 Pregătirea



Ridica i rezervorul de apă utilizând capacul ca mâner.



Scoate i rezervorul de apă.



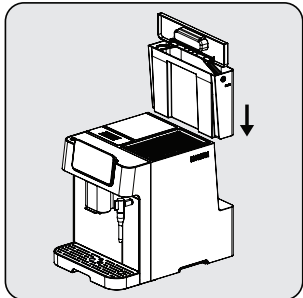
Clăti i rezervorul de apă cu apă curată, apoi umple i rezervorul până la nivelul maxim și introduce i-l înapoi în mașina de cafea. Asigura i-vă că este introdus complet.



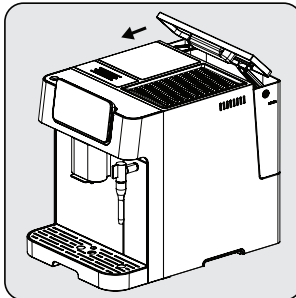
Pentru a preveni revărsarea apei din rezervorul de apă, nu adăuga i apă direct în aparat dintr-un alt recipient.



Nu umple i niciodată rezervorul de apă cu apă caldă sau fierbinte, cu apă minerală sau orice alt lichid care ar putea deteriora rezervorul de apă și mașina de cafea.



Pune i rezervorul de apă la loc utilizând capacul ca mâner.

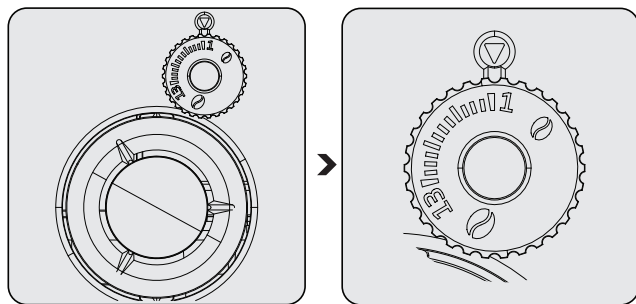


Închide i rezervorul de apă cu capacul.

5 Funcționarea

5.1 Reglarea râșnirii

Puteți regla grosimea măcinării prin rotirea butonului de reglare de pe recipientul pentru boabe:



Nu efectuați niciodată reglajul de măcinare atunci când dispozitivul de măcinare nu este în funcțiune. Acest lucru poate deteriora dispozitivul de măcinare.

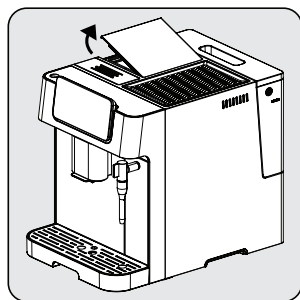


Liniile de pe butonul de reglare indică finețea măcinării. Un număr mai mare înseamnă un nivel de măcinare mai grosier.

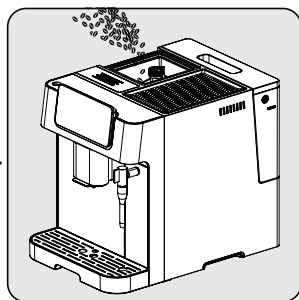
5.2 Umplerea recipientelor pentru boabe



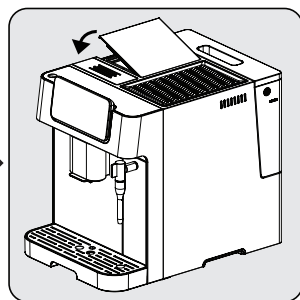
- Când „☉” luminează intermitent, aparatul trebuie umplut cu boabe de cafea.
- Este mai bine să depozitați boabele în ambalajul original în vid pentru a asigura o proaspătăime mai lungă. Pentru rezultate mai bune, nu folosiți pentru depozitare recipientul pentru boabe de cafea.



Scoateți capacul recipientului pentru boabe.



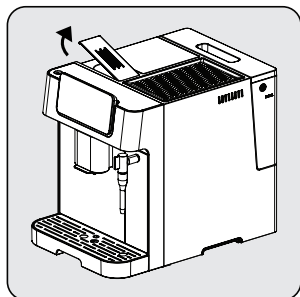
Turnați încet boabele de cafea.



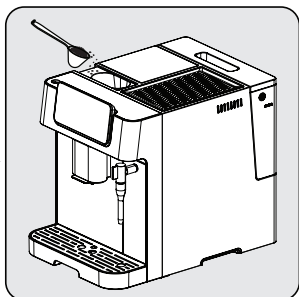
Puneți capacul recipientului la loc.

5 Funcționarea

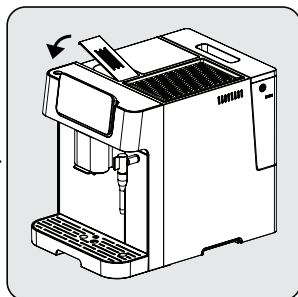
5.3 Utilizarea recipientului pentru cafea pre-măcinată



Îndepărtați capacul recipientului de cafea pre-măcinată.



Puneți încet cafeaua pre-măcinată în recipientul pentru cafea pre-măcinată.



Puneți capacul recipientului la loc.

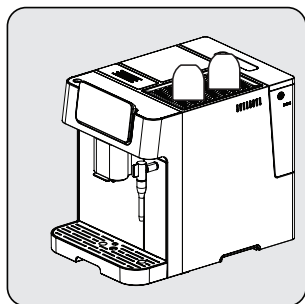


Recipientul de cafea pre-măcinată nu este o unitate de depozitare, ci asigură o utilizare unică (max 12g). Accesoriul lingură de măsurare poate fi utilizat pentru cantitatea sugerată de cafea măcinată.



Butonul de cafea măcinată trebuie apăsat și selectat de pe ecran pentru a activa această setare.

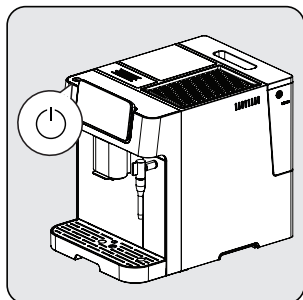
5.4 Utilizarea încălzitorului de cești



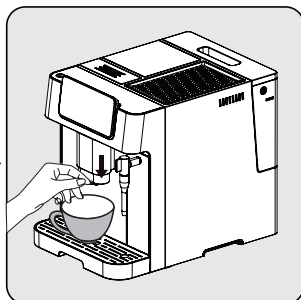
Ceștile trebuie așezate cu capul în jos pentru a se asigura că suprafața internă este menținută caldă și curată (această funcție utilizează căldura internă a aparatului).

5 Funcționarea

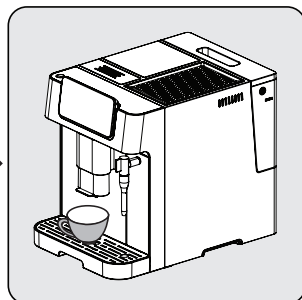
5.5 Prepararea cafelei



Porni i aparatul apăsând butonul On/Off (Pornit/Oprit). Aparatul pornește, începe preîncălzirea și cură area automată. Acesta este gata de utilizare în modul de repaus, în care toate pictogramele sunt aprinse.



Așezi i o ceașcă sub gura de scurgere pentru cafea și reglă i înăl imea gurii de scurgere în funcție de ceașcă.

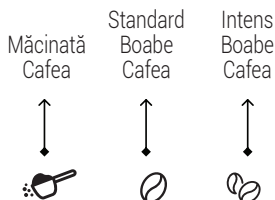


Selectă i cafeaua prin apăsarea butonului și lumina pentru ceașcă se va aprinde, indicând că aparatul pregătește o ceașcă de cafea. Când aparatul revine la starea de repaus, cafeaua este gata să fie servită.



Apăsă i butonul espresso, americano, ristretto sau lungo, în funcie de preferin ele dumneavoastră.

5.6 Reglarea intensității cafelei

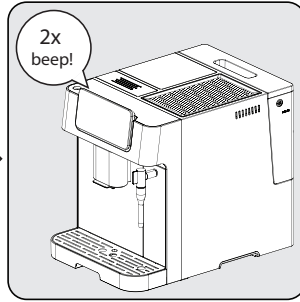


Dacă se folosește cafea boabe, apăsa i butonul "standart bean" (boabe standard) sau "intense bean" (boabe intense) pentru a reglă intensitatea băuturii. În cazul în care se folosește cafea măcinată, apăsa i op iunea "ground coffee" (cafea măcinată).

5 Funcționarea

5.7 Reglarea volumului de cafea/apă fierbinte

Puteți salva volumul de cafea dorit pentru toate tipurile de băuturi, precum și de apă caldă de la 25 ml la 250 ml. (x2 pentru dublu)

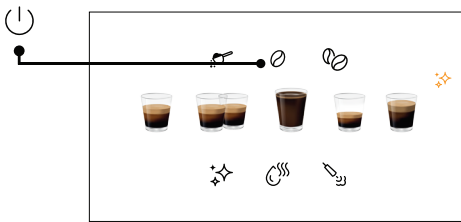


În timp ce vă preparați cafeaua (espresso, doppio, americano, ristretto sau lungo), apăsați și mențineți apăsat butonul cafelei pe care ați ales-o. Aparatul va continua să pregătească o ceașcă de cafea atât timp cât mențineți apăsat butonul.

Când volumul cafelei corespunde volumului dorit, eliberați butonul. Dacă auziți două bipuri, acest lucru indică faptul că aparatul a salvat acest volum de cafea.



Reglarea apei se poate face în timpul preparării în curs a cafelei (după ce s-a terminat măcinarea).



Pentru a reseta toate băuturile la setările implicite/de fabrică;

Pentru a reseta setările implicite ale întregii selecții a volumului de băuturi și de apă caldă salvate în memorie;

- Apăsați simultan butonul de pornire/oprire și butonul pentru boabe timp de 3 secunde.

Pentru a reseta o singură băutură la setările implicite/de fabrică;

Pentru a reseta la setările implicite ale oricărui volum de cafea sau de apă caldă în mod individual;

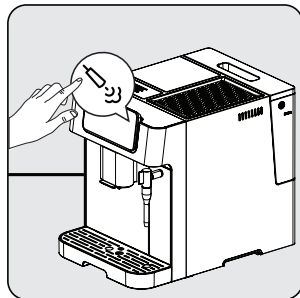
- Apăsați butonul de pornire/oprire și

butonul pentru băuturi (care se dorește a fi resetat) toate împreună timp de 3 secunde.

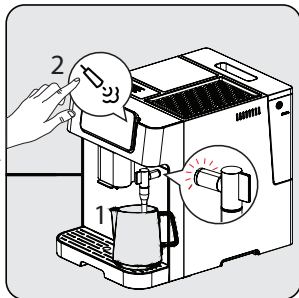
5 Func ionarea

5.8 Pregătirea laptelui cu spumă pentru cafea

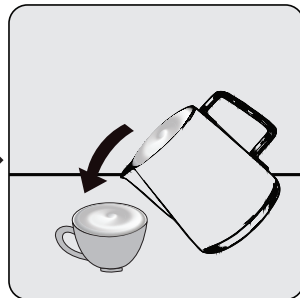
i Deoarece temperatura aburului este mai mare decât temperatura espresso-ului, espresso-ul trebuie preparat înainte de a prepara laptele cu spumă. În caz contrar, espresso s-ar putea arde.



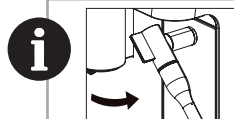
Apăsă i pictograma duzei de abur și aștepta i ca duza de abur să fie pregătită. În timp ce duza de abur se preîncălzește, luminile indicatoare vor clipi.



Atunci când luminile indicatoare nu mai cli-pesc, duza de abur este gata de utilizare. Așeza i o ceașcă sau un ulcior plin cu lap-te sub duza de abur. Apăsă i din nou buto-nul duzei de abur pentru a începe spuma-rea laptelui și opri i apăsând din nou.



Turna i laptele cu spumă fierbinte în espresso. Acum vă pute i savura cafe-aua!



Duza de abur poate fi rotită spre dreapta pentru o manevrare mai ușoară.

- După utilizarea duzei de abur, vă rugăm să cură a i duza de reziduurile de lapte ștergând-o cu o cârpă umedă.

- i**
- Se recomandă îndepărtarea reziduurilor de lapte care se pot acumula pe vârful duzei, prin activarea func iei de apă fierbinte la duză.
 - După ce duza de abur este pregătită, dacă duza de abur nu este utilizată pentru o anumită perioadă de timp, ecranul va reveni la starea de repaus.



- Proiec ia ieșirii duzei de abur trebuie să fie deasupra tăvii de picurare pentru a preveni vărsarea de apă/lapte.
- Având în vedere că laptele este spumat în interiorul paharului, nu umple i paharul complet.
- ine i cont de faptul că ceașca/canalul se poate încălzi în timpul procesului de spumare a laptelui.

5 Funcționarea

5.9 Apa fierbinte

Aparatul poate distribui apă fierbinte prin simpla apăsare a butonului pentru apă fierbinte "☺". Apăsă i din nou pentru a opri.

i Această func ie poate fi utilizată pentru a încălzi ceașca înainte de prepararea cafelei. Umple i mai întâi ceașca cu apă fierbinte, apoi turna i apa și folosi i această ceașcă pentru prepararea cafelei.

5.10 Selectarea modului

Mașina de cafea are trei setări diferite: setarea Default (Implicită), modul ECO și modul Speed (Rapid). În modul ECO, aparatul economisește mai multă energie. În modul Speed (Viteză), utilizatorul poate face cafeaua mai rapid decât în setările implicite.

	ECO Mode (Mod ECO)	Speed Mode (Mod rapid)	Setări implicite
Lumini indicatoare pentru bricheta pentru cești și duza de abur	Nu	Da	Da
Pre-infuzare*	Da	Nu	Da
Timpe de oprire automată	10 minute	30 de minute	20 de minute

i Func ia de pre-infuzare umezește cafeaua din infuzor cu o cantitate mică de apă înainte de extragerea completă. Acest lucru expandează cafeaua măcinată care acumulează o presiune mai mare în infuzor, ceea ce ajută la extragerea tuturor uleiurilor și ob inerea savorii complete a boabelor.

1. Când mașina de cafea este în repaus, ine i apăsă timp ☺ de 5 secunde.

1. Apoi ☺ va clipi, iar următoarele butoane se vor aprinde pentru a indica diferite setări:

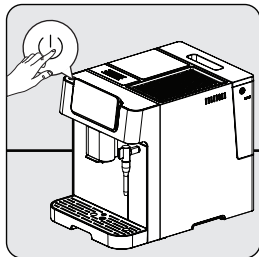
În ECO Mode (Mod ECO) → ☺

În Speed Mode (Mod rapid) → ☺

În setări implicite → ☺

2. Apăsă i butonul "Powder Coffee Button" (buton pentru cafea cu pudră) pentru modul ECO, butonul "Standart Bean Coffee" (buton pentru cafea în boabe) pentru modul de viteză și butonul "Intense Bean Coffee" (buton pentru cafea intensă în boabe) pentru setările implicite. Ve i auzi două bipuri când modul a fost selectat.

3. Dacă dori i ca setarea să rămână neschimbată, apăsă i ☺ din nou sau aștepta i 5 secunde pentru ca mașina de cafea să revină în starea de repaus.



5.11 Anularea

Butonul On-Off (pornire/oprire) trebuie apăsă t dată pentru a anula orice proces în desfășurare. În plus, apăsarea din nou pentru o băutură selectată după ce a început pregătirea va anula, de asemenea, opera iunea.

6 Cură area



Dacă apăsa i de 2 ori butonul on-off (pornire/oprire), dispozitivul se va opri for at.

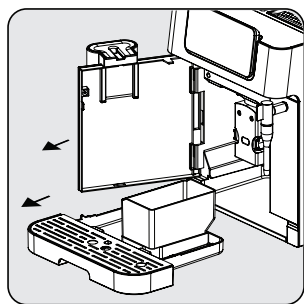
6.1 Cură area aparatului

1. Deconecta i cablul de alimentare.
2. Turna i toată apa/reziduu de cafea din interiorul tăvii de picurare și al recipientului pentru reziduuri de cafea.
3. Utiliza i o cârpă umedă sau un agent de curățare care nu zgârie pentru a cură a petele de lichid de pe aparat.

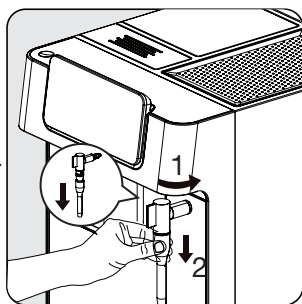


Nu utiliza i niciodată agen i abrazivi, o et sau detartran i care nu sunt incluși în cutie pentru a cură a aparatul.

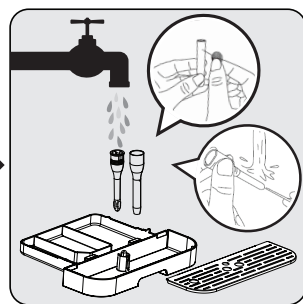
Cură area și între inerea regulată a aparatului este foarte importantă pentru prelungirea duratei de via ă a acestuia.



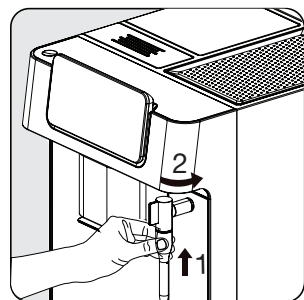
Deschide i capacul frontal. Îndepărta i tava de picurare și recipientul pentru reziduuri de cafea.



Îndepărta i tubul metalic trăgându-l în jos. Apoi îndepărtați capacul duzei rotind-l spre stânga pentru a dezambla capacul duzei și tubul metalic.




Goli i recipientul pentru reziduuri de cafea și tava de scurgere. Spăla i tubul metalic cu apă caldă curentă și folosi i acul sau perii pentru a cură a orificiul. Spăla i capacul duzei cu apă caldă curentă și folosi i acul sau perii pentru a cură a orificiul. Apoi usca i-le.

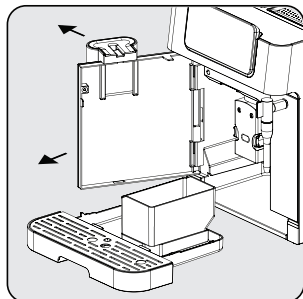


Atașați tubul metalic la capacul duzei. Apoi împinge i-l în sus pentru a pune capacul duzei la locul său și roti i-l spre dreapta pentru a-l bloca.

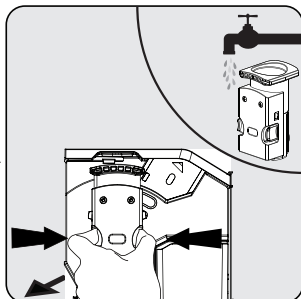
6 Cură area



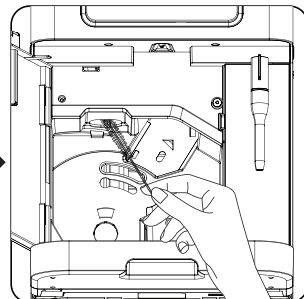
Când  se aprinde, recipientul pentru cafea reziduală trebuie golit. Această pictogramă se va aprinde după fiecare 10 preparări de cafea. Cură a i recipientul pentru a remedia eroarea. Dacă recipientul este curat, scoate i-l și pune i-l înapoi la locul său.



ine i gura de scurgere reglabilă pentru cafea și trage i-o încet înapoi pentru a deschide capacul frontal.



Îndepărta i unitatea de preparare. Se spală cu apă și apoi se usucă.



Cură a i conducta de evacuare a cafelei cu o perie.



- Tava de picurare trebuie golită atunci când indicatorul de plutare este vizibil.
- Jghebul pentru cafea pudră trebuie cură at cu peria de cură are după fiecare utilizare.




Când  se aprinde, indică faptul că unitatea de infuzare lipsește/este instalată incorect. Când  luminează intermitent, indică faptul că ușa frontală nu este închisă.

6.2 Func ia de decalcifiere



- După un ciclu de preparare predefinit este necesară decalcifierea.
- Nu utiliza i o et sau al i agen i de cură are pentru auto-cură area acestui aparat. Alți agenți de cură are pot deteriora aparatul.
- Feriți-vă pielea/corpul de apă fierbinte.

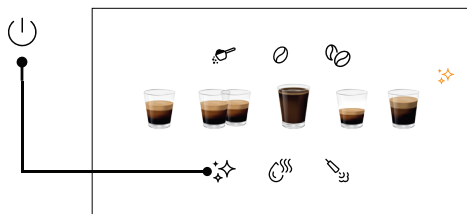
Când  se aprinde, indică faptul că aparatul trebuie să efectueze decalcifiere. Aparatul va fi în cea mai bună stare dacă această func ie este efectuată cel pu în o dată pe lună sau mai regulat, în func ie de duritatea apei utilizate.

Pentru a începe decalcifierea:

1. Umple i recipientul de apă până la "Nivel de decalcifiere .
2. Adăuga i în recipientul de apă un pachet de agent de cură are inclus în cutie.

6 Cură area

3. Așeza i un recipient suficient de mare sub gura de scurgere pentru cafea și duză.
4. Când mașina de cafea este în repaus, ine i apăsat timp ✨ de 5 secunde. Ve i auzi un semnal sonor și ✨ va clipi până când recipientul de apă este gol.
5. Umple i din nou recipientul de apă până la "nivel de decalcifiere" cu apă și apăsa i din nou butonul ✨ pentru a începe al doilea ciclu de decalcifiere. Dacă recipientul de apă este scos și pus la loc, aparatul va detecta această ac iune și va începe automat al doilea ciclu (fără a mai apăsa din nou ✨).
6. Odată ce recipientul de apă este golit, ecranul va reveni la starea de repaus. Decalcifierea este încheiată. Umple i recipientul de apă cu apă proaspătă pentru a începe pregătirea cafelei.



Pentru a reseta starea de avertizare de decalcifiere:

Pentru a reseta starea de avertizare de decalcifiere:

- Apăsa i simultan butonul de pornire/oprire și butonul de decalcifiere timp de 3 secunde.



Pentru ca aparatul să fie în cea mai bună stare de funcționare, resetarea stării de avertizare de decalcifiere nu este recomandată.

6.3 Func ia de sistem gol

Utiliza i func ia de golire a sistemului înainte de o perioadă lungă de neutilizare și pentru protec ia împotriva înghe ului.

1. În starea de repaus, apăsa i continuu ☺ și butonul de apă caldă ☺☺☺ simultan timp de 3 secunde.
2. ☺ apoi se va aprinde.
3. Scoate i recipientul de apă din aparat, procesul va începe automat.
4. După finalizarea procesului de func ie de sistem gol, aparatul se va opri automat.



Atunci când aparatul este reutilizat pentru prima dată după utilizarea func iei de golire a sistemului; apăsa i butonul de apă caldă până când apa iese din gura de scurgere.

6.4 Func ia de cură are / clătire manuală

Pute i cură a / clăti manual duza de cafea înainte sau după utilizare. În starea de repaus, apăsa i o dată ✨.

- După cură are / clătire, aparatul va reveni la starea de repaus.

6 Cură area



- Apa care iese prin duza pentru cafea este fierbinte și este colectată în tava de scurgere de dedesubt. Evitați contactul, deoarece acesta este împrôscată.
- În cazul în care aparatul nu a fost utilizat pentru o perioadă lungă de timp, se sugerează utilizarea acestei funcții.



Utilizarea acestei funcții înainte de prepararea cafelei va asigura, de asemenea, o cafea mai fierbinte.

Dezactivarea modului de cură are automată

Aparatul dumneavoastră se curăă automat înainte și după fiecare opera iune de preparare. Puteți urma pașii de mai jos pentru a dezactiva modul de cură are automată.

- Porniți aparatul apăsând butonul de on/off (pornire/oprire) și așteptați până când acesta intră în starea de repaus.
- Deschideți capacul frontal.
- Apăsăți butonul on/off (pornire/oprire) timp de 5 secunde și se va auzi un semnal sonor.
- Închideți capacul frontal.
- Opera iunea de cură are automată a fost anulată.



Vă recomandăm să folosiți în mod activ modul de curăăare automată pentru o utilizare sănătoasă.

Pentru a anula o singură dată cură area automată;

Apăsăți butonul on/off (pornit/oprit) în timp ce aparatul pornește sau se oprește pentru a ocoli această funcție.

7 Depanarea

Problema	Cauză	Soluție
Aparatul nu funcționează.	Aparatul nu este conectat la rețeaua de alimentare.	Conectați și apăsați comutatorul. Verificați cablul și conectorul.
La mai multe încercări de apăsare a unei taste funcționale de pe panou, răspunsul se obține târziu sau deloc.	Aparatul se află sub interferență electromagnetică. Panoul este murdar.	Deconectați aparatul de la sursa de alimentare. Reporniți după câteva minute. Curățați panoul cu cârpa furnizată.
Cafeaua nu este suficient de fierbinte.	Ceștile nu au fost preîncălzite. Unitatea de infuzare este prea rece.	Așezați ceașca pe încălzitorul de cești cu capul în jos sau clătiți ceașca cu apă caldă. Asigurați-vă că apa din rezervor nu este prea rece.
Cafeaua nu curge din gura de scurgere a cafelei.	Este posibil ca funcția de golire a sistemului să fi fost utilizată anterior. Este posibil ca gura de scurgere a cafelei să nu fi fost curățată și să fie blocată de reziduuri de cafea.	Apăsați butonul pentru apă fierbinte până apa poate ieși prin gura de scurgere. Curățați gura de scurgere a cafelei.
Prima ceașcă de cafea este de calitate slabă.	La prima funcționare a rășinii nu se pune o cantitate suficientă de cafea în unitatea de preparare.	Aruncați cafeaua. Următoarele cești vor fi mai bune.
Recipientul de apă este scos / nivelul apei este foarte scăzut în rezervorul de apă, dar nu există nicio alertă "0".	Zona din apropierea conectorului rezervorului de apă poate fi umedă.	Ștergeți apa din jurul conectorului rezervorului de apă.
Tava de scurgere internă este plină de apă.	Cafeaua măcinată este prea fină, ceea ce blochează ieșirea apei.	Reglați finețea cafelei la boabe mai mari pentru procesul de măcinare.
Cafeaua curge prea încet sau câte o picătură.	Cafeaua măcinată este prea fină, ceea ce blochează ieșirea apei.	Reglați finețea cafelei la boabe mai mari pentru procesul de măcinare.
Indicatorul luminează intermitent pentru a informa că nu există suficiente boabe de cafea, însă există o mulțime de boabe în interiorul recipientului.	Orificiul intern de ieșire a cafelei este blocat.	Urmați pașii descriși la curățarea orificiului de ieșire a cafelei măcinate.
Infuzorul sau tava pentru cafeaua măcinată este imposibil de îndepărtat.	Aparatul nu a finalizat procesul de auto-curățare și a fost oprit.	Porniți din nou mașina de cafea și lăsați-o să finalizeze procesul de auto-curățare.
Aparatul nu mai efectuează ciclul de spălare când este pornit sau oprit.	Cauza poate fi manipularea incorectă în operarea aparatului.	1. Când aparatul este în stare de repaus, deschideți capacul frontal. 2. Apăsați continuu butonul On/Off (Pornit/Oprit) până când auziți 2 bipuri. 3. Închideți capacul frontal.
Butoanele tactile nu sunt sensibile.	Nu apăsați butonul tactil din partea frontală a aparatului.	Apăsați partea inferioară a simbolului butonului tactil din partea frontală a aparatului.



CERTIFICAT DE GARANȚIE

Tensiune de alimentare/frecvență: 220-240V~, 50-60Hz
Importator: ARCTIC S.A., Găești, Dâmbovița, str. 13 Decembrie nr. 210, email: office@arctic.ro

TIP: **Electrocasnice mici de bucătărie**

Cuptor cu microunde

Purificatoare de aer

Model / Serie:.....

VÂNZĂTOR

Nr. factură:.....Data:

Vânzător (firma, localitatea):

CUMPĂRĂTOR

NumeLocalitatea

Str.Nr.BlocSc.Et.Ap.

Județ TelefonE-mail

S-a efectuat proba de funcționare a aparatului, s-a prezentat modul de folosire, s-au predat instrucțiunile de utilizare și toate accesoriile. Am primit aparatul în perfectă stare de funcționare.

Stimați clienți,

La cumpărare vă recomandăm să solicitați efectuarea probei de funcționare și să verificați existența instrucțiunilor de utilizare și a accesoriilor.

Pentru a putea beneficia de toate avantajele produselor și serviciilor noastre vă rugăm:

- să citiți cu atenție și să respectați recomandările prezentate în "Instrucțiunile de utilizare".

- să păstrați cu grijă acest certificat pentru a-l putea prezenta (împreună cu documentul fiscal de achiziție), personalului SERVICE ARCTIC, la orice sesizare efectuată în perioada de garanție.

Vă mulțumim că ați optat pentru cumpărarea unui produs Beko!

Garanția legală de conformitate

Durata medie de utilizare a produsului este de 5 ani!

Perioada de garanție a produsului este de 3 ani de la livrarea produsului*.

Perioada de 3 ani garanție se compune din garanția legală de conformitate de 2 (doi) ani la care se adaugă garanția comercială de durabilitate de 1 (un) an. Acordarea garanției comerciale de durabilitate se acordă în aceleași condiții în care se acordă garanția legală de conformitate.

*prin „produs” se înțelege „bun” conform OUG nr. 140/2021¹

Perioada de garanție legală de conformitate pentru conținutul digital sau serviciul digital în cazul bunurilor cu elemente digitale pentru care contractul de vânzare-cumpărare prevede furnizarea continuă de conținut digital sau a serviciului digital pe durată determinată este de:

a) 2 ani de la livrare, respectiv de la livrarea bunului – pentru produse cu durata medie de utilizare de 5 ani (art. 9 (3) din OUG nr. 140/2021);

b) 5 ani de la livrare, respectiv de la livrarea bunului – pentru produse cu durata medie de utilizare mai mare de 5 ani (art. 9 (3) din OUG nr. 140/2021);

c) Pe tot parcursul perioadei de furnizare a conținutului / serviciului digital – pentru furnizare continuă a conținutului / serviciului digital pe o perioadă mai mare de 5 ani (art. 9 (4) din OUG nr. 140/2021).

¹Ordonanță de urgență 140/2021 privind anumite aspecte referitoare la contractele de vânzare de bunuri



Service-ul acestui produs este asigurat de ARCTIC S.A. cu sediul în Găești, Dâmbovița, str. 13 Decembrie nr. 210. • *9010 • www.arctic.ro • www.beko.ro • e-mail: service@arctic.ro
Program Call Center: Luni - Vineri 08:30 - 20:00; Sâmbătă 08:30 - 17:00



Remedii incluse în garanția legală de conformitate conform OUG nr. 140/2021
(vă rugăm să aveți în vedere prevederile de mai jos)

ARCTIC garantează toate drepturile legale prevăzute de OUG nr. 140/2021 în beneficiul consumatorilor cu privire la garanția legală de conformitate. Dispozițiile prezentului certificat de garanție legală de conformitate se completează, în mod corespunzător, cu dispozițiile OUG nr. 140/2021.

În caz de neconformitate, consumatorul are dreptul de a beneficia de aducerea în conformitate a bunurilor, de a beneficia de o reducere proporțională a prețului sau de a obține încetarea contractului, în condițiile legii - art. 11 (1).

Consumatorii pot să opteze pentru o anumită măsură corectivă în cazul în care neconformitatea bunurilor este constatată la scurt timp după livrare, fără a depăși 30 de zile calendaristice - art. 11 (7).

Pentru ca bunurile să fie aduse în conformitate, consumatorul poate opta între reparație și înlocuire, cu excepția cazului în care măsura corectivă aleasă ar fi imposibilă sau, în comparație cu cealaltă măsură corectivă disponibilă, ar impune vânzătorului costuri care ar fi disproporționate, luând în considerare toate circumstanțele (ex. valoarea bunurilor în cazul în care nu ar fi existat neconformitatea, gravitatea neconformității sau dacă măsura corectivă alternativă ar putea fi executată fără vreun inconvenient semnificativ pentru consumator) - art. 11 (2).

Instalarea incorectă a bunurilor (art. 7).

Orice neconformitate cauzată de instalarea incorectă a bunurilor este considerată ca reprezentând o neconformitate a bunurilor, în oricare din următoarele situații:

- a) instalarea face parte din contractul de vânzare și a fost realizată de vânzător sau sub răspunderea vânzătorului;
- b) instalarea, destinată să fie realizată de consumator, a fost realizată de acesta și instalarea incorectă s-a datorat unor deficiențe în instrucțiunile de instalare furnizate de vânzător sau, în cazul bunurilor cu elemente digitale, de către vânzătorul sau furnizorul conținutului digital sau al serviciului digital.

Proba neconformității.

Orice neconformitate care este constatată în termen de un an de la data la care bunurile (inclusiv cele cu elemente digitale) au fost livrate este prezumată a fi existat deja în momentul livrării bunurilor până la proba contrarie sau cu excepția cazului în care această prezumție este incompatibilă cu natura bunurilor sau cu natura neconformității - art. 10 (1).

În cazul bunurilor cu elemente digitale pentru care contractul de vânzare prevede furnizarea continuă de conținut digital sau de servicii digitale pentru o anumită perioadă, sarcina probei cu privire la conformitatea conținutului digital sau a serviciului digital pe parcursul perioadelor de garanție legală îi revine vânzătorului în cazul unei neconformități care este constatată pe parcursul acestei perioade - art. 10 (3).

Remediere prin reparație.

În cazul în care neconformitatea este remediată prin reparație, termenele de garanție legală se prelungesc cu timpul de nefuncționare a bunului, din momentul la care a fost adusă la cunoștință vânzătorului lipsa de conformitate până la predarea efectivă a bunului în stare de utilizare normală către consumator - art. 12 (6).

Remediere prin înlocuire.

În cazul în care neconformitatea este remediată prin înlocuire, pentru bunurile care înlocuiesc bunurile neconforme, termenele legale de garanție pentru produsul înlocuit încep să curgă de la data înlocuirii cu noul produs - art. 12 (7).

Reducerea prețului și încetarea contractului.

Consumatorul are dreptul fie să obțină o reducere proporțională a prețului în conformitate cu legea, fie să obțină încetarea contractului de vânzare în condițiile legii, în oricare dintre următoarele cazuri - art. 11(4):

- a) vânzătorul nu a finalizat reparația sau înlocuirea sau, după caz, nu a finalizat reparația sau înlocuirea potrivit prevederilor legii sau vânzătorul a refuzat să aducă în conformitate bunurile potrivit prevederilor legii;
- b) se constată o neconformitate, în pofida eforturilor vânzătorului de a o remedia;
- c) neconformitatea este de o asemenea gravitate încât justifică o reducere de preț sau dreptul la încetarea imediată a contractului de vânzare;
- d) vânzătorul a declarat că nu va aduce bunurile în conformitate într-un termen rezonabil sau fără inconveniente semnificative pentru consumator ori acest lucru reiese clar din circumstanțele cazului.

Consumatorul are dreptul de a suspenda plata unei părți restante din prețul bunurilor sau a unei părți a acesteia până în momentul în care vânzătorul își va fi îndeplinit obligațiile care îi revin în temeiul legii - art. 11(6). Reducerea de preț este proporțională cu diminuarea valorii bunurilor primite de consumator în comparație cu valoarea pe care bunurile ar avea-o dacă ar fi în conformitate - art.13.

Încetarea contractului:

- a) nu poate fi solicitată dacă vânzătorul dovedește că neconformitatea este minoră;
- b) poate fi solicitată pentru totalitatea bunurilor achiziționate și livrate, deși motivul de încetare vizează doar anumite bunuri, în cazul în care consumatorul nu i se poate pretinde în mod rezonabil să accepte să păstreze numai bunurile conforme;
- c) determină obligația consumatorului de a returna vânzătorului bunurile, pe cheltuiala vânzătorului;
- d) determină obligația vânzătorului de a rambursa consumatorului prețul plătit pentru bunuri la primirea bunurilor sau a unei dovezii prezentate de consumator că bunurile au fost returnate; vânzătorul va folosi aceleași modalități de plată ca și cele folosite de consumator pentru tranzacția inițială, cu excepția cazului în care consumatorul a fost de acord cu o altă modalitate de plată și cu condiția de a nu cădea în sarcina consumatorului plata de comisioane în urma rambursării.

Garanția legală pentru viciu ascuns este aplicabilă în condițiile legii, conform OG nr. 21/1992 (revizia 2) privind protecția consumatorului, OUG nr. 140/2021 și Codului Civil. Viciul ascuns reprezintă deficiența calitativă a unui produs livrat sau a unui serviciu prestat care nu a fost cunoscută și nici nu putea fi cunoscută de către consumator prin mijloacele obișnuite de verificare.



Service-ul acestui produs este asigurat de ARCTIC S.A. cu sediul în Găești, Dâmbovița, str. 13 Decembrie nr. 210. • *9010 • www.arctic.ro • www.beko.ro • e-mail: service@arctic.ro
Program Call Center: Luni - Vineri 08:30 - 20:00; Sâmbătă 08:30 - 17:00

UNITĂȚILE SERVICE ALE ARCTIC S.A. EXECUTĂ REPARAȚII ÎN TERMENUL DE GARANȚIE ȘI ÎN AFARA ACESTUIA

Nr. crt.	Data Reclamației	Data primirii în reparație	Reparat		Reparația curentă și/sau componenta înlocuită	Prelungirea termenului de garanție		Efectuarea verificării
			Programat	Data ridicării aparatului		Cauza întârzierii	SERVICE	

CONDIȚII SUPPLEMENTARE DE GARANȚIE :

Pentru orice defecțiune aparută în perioada de garanție, apălați la vânzător (respectiv, prin magazinul de unde a fost achiziționat produsul sau direct prin Call Center Arctic). Prelungirea termenului de garanție se va înscrie în certificatul de garanție de către unitatea SERVICE care a efectuat reparația. Garanția acoperă repararea și/sau înlocuirea pieselor constatate ca neconforme în sensul OUG nr. 140/2021 (necauzate de consumator) de către tehnicienii Service Arctic.

Termenul de realizare a operațiilor de reparație, înlocuire sau întreținere este de 15 zile calendaristice de la data la care cumpărătorul a sesizat lipsa de conformitate către vânzător (respectiv, prin magazinul de unde a achiziționat produsul sau direct prin Call Center Arctic).

Reparațiile / înlocuirile se efectuează cu respectarea următoarelor condiții - art. 12(1)-(5) din OUG nr. 140/2021:

a) fără costuri și fără vreun inconvenient semnificativ pentru consumator, ținând seama de natura bunurilor și de scopul pentru care consumatorul a solicitat bunurile în cauză;

b) consumatorul pune bunurile la dispoziția vânzătorului, iar vânzătorul preia bunurile înlocuite pe propria cheltuielă;

c) obligația de a repara sau înlocui bunurile include, după caz, demontarea bunurilor neconforme și instalarea bunurilor de înlocuire sau a bunurilor reparate sau suportarea costurilor aferente demontării și instalării;

d) consumatorul nu este obligat să plătească pentru utilizarea normală a bunurilor înlocuite în perioada care a precedat înlocuirea acestora.

Reclamațiile referitoare la aspectele prevăzute mai jos, se rezolvă numai contra cost:

- piesele și accesoriile care prezintă lovituri, zgârieturi, spărturi sau deformări din vina exclusivă a consumatorului.

PRODUSUL NU BENEFICIAZĂ DE GARANȚIE ÎN URMĂTOARELE CAZURI:

1. Nu au fost respectate instrucțiunile de transport, manipulare, instalare și întreținere prescrite.
2. Subansamblurile și accesoriile casabile care se deteriorează în timpul transportului vor fi înlocuite de vânzător (în cazul în care transportul e asigurat de vânzător sau sub responsabilitatea acestuia).
3. Garanția nu se acordă subansamblelor și accesoriilor casabile ale produselor care suferă deteriorări din vina exclusivă a consumatorului.
4. Tensiunea de alimentare are valori care nu se încadrează în limitele prevăzute de standard (SR EN 50160).
5. Instalația electrică a utilizatorului prezintă improvizații sau neconformități.
6. Produsul a fost folosit în alte scopuri decât cel pentru care a fost proiectat.
7. Produsul a suportat intervenții (reparații, modificări) din partea unor persoane neautorizate de producător.

Drepturile consumatorului sunt cele prevăzute în OUG nr. 140/2021 și OG 21/1992 (republicată).

În cadrul acestui proces, Arctic vă prelucrează date cu caracter personal, cu respectarea legilor aplicabile privind confidențialitatea și protecția datelor. Pentru informații complete despre modul în care vă prelucreăm datele, precum și despre drepturile dumneavoastră, vă rugăm să consultați secțiunea "Protecția datelor personale", accesând site-ul nostru la adresa <https://www.beko.ro/>.

¡Lea el Manual del usuario antes del uso!

Estimado Cliente,

Gracias por elegir un producto Beko. Esperamos que obtenga los mejores resultados con su producto, el cual ha sido fabricado con altas calidades y la última tecnología. Por lo tanto, le rogamos que lea detenidamente este manual de usuario y todos los demás documentos que lo acompañan antes de utilizar el producto y que lo conserve como referencia para un uso futuro. Si entrega el producto a otra persona, también entregue el manual de usuario. Siga todas las advertencias e información del manual de usuario.

Explicación del símbolos

Los siguientes símbolos se utilizan en las distintas secciones de este manual:



Información adicional o consejos útiles sobre el uso.



PELIGRO: Advertencia para situaciones de riesgo con respecto a la vida y la propiedad.



ADVERTENCIA: Esta advertencia indica situaciones potencialmente peligrosas.



PRECAUCIÓN: Esta advertencia indica la posibilidad de daños materiales.



Los materiales son aptos para el contacto con alimentos



**PAPEL RECICLADO
Y RECICLABLE**

1 Instrucciones importantes respecto a seguridad y medio ambiente

Esta sección comprende las instrucciones de seguridad que contribuirán a brindar protección contra los riesgos de lesiones personales y pérdidas materiales. El incumplimiento de estas instrucciones causará la pérdida de cualquier tipo de garantía.

1.1 Peligro de corriente eléctrica

¡Peligro mortal por la corriente eléctrica!

¡Entrar en contacto con cables o componentes en tensión podría provocar lesiones graves o incluso la muerte!

A fin de evitar las descargas eléctricas, respete las siguientes precauciones de seguridad:

- No lo utilice si el cable de corriente o el propio aparato están dañados. Póngase en contacto con el servicio autorizado.
- No abra la carcasa de la cafetera. Corre el riesgo de sufrir una descarga eléctrica en caso de

tocar conexiones con tensión y/o cambiar la configuración eléctrica y mecánica.

- Antes de limpiar el recipiente de café en grano, desenchufe el aparato de la toma de corriente. Peligro por la rotación del molinillo de café.

1.2 Peligro de quemaduras o escaldaduras

¡Es posible que algunas partes de la cafetera se calienten demasiado durante la operación! ¡Las bebidas que se dispensan y el vapor que se escapa estarán muy calientes!

A fin de evitar quemaduras o escaldaduras en usted o en otros, respete las siguientes medidas de seguridad:

- No toque ninguna de las fundas metálicas de las dos salidas de café.
- Evite el contacto directo de la piel con el vapor que escapa o con el agua caliente de enjuague, limpieza y desincrustación.

1 Instrucciones importantes respecto a seguridad y medio ambiente

1.3 Precauciones fundamentales de seguridad

A fin de garantizar un manejo seguro de la cafetera, respete las siguientes precauciones de seguridad:

- Nunca juegues con el material de embalaje. Existe riesgo de asfixia. Mantenga todos los materiales de embalaje lejos de los niños.
- Antes de utilizar la cafetera, revísela para ver si tiene algún daño visible. No utilice una cafetera dañada. Póngase en contacto con el servicio autorizado.
- ¡En caso de que el cable de conexión esté dañado, sólo debe ser sustituido por un agente de servicio recomendado por el fabricante a fin de evitar cualquier peligro! Póngase en contacto con el fabricante o con el servicio al cliente.
- Sólo un especialista autorizado o el servicio de atención al cliente de la fábrica pueden realizar

las reparaciones de la cafetera. En caso de reparaciones no cualificadas, existe un peligro considerable para el usuario. Asimismo, la garantía se anula.

- Cualquier reparación de la cafetera durante el período de garantía sólo puede ser realizada por centros de servicio autorizados por el fabricante, ya que de lo contrario la garantía quedará anulada en caso de daños consecuentes.
- Las piezas defectuosas deben ser sustituidas únicamente por piezas de recambio originales. El cumplimiento de los requisitos de seguridad sólo se garantiza con piezas de repuesto originales.
- Este aparato se puede utilizar por niños mayores de 8 años o por personas con una capacidad física, sensorial o mental reducida, o con falta de experiencia y/o conocimiento siempre y cuando estas personas estén supervisadas o hayan sido instruidas acerca

1 Instrucciones importantes respecto a seguridad y medio ambiente

del uso seguro del aparato y comprenden los riesgos involucrados. Los niños no deben jugar con el aparato. La limpieza y el mantenimiento por el usuario no deberá ser realizado por niños a menos que sean mayores de 8 y estén supervisados.

- Este aparato está destinado para usos domésticos y similares como en:

- áreas de cocina para el personal en tiendas, oficinas y otros entornos de trabajo,

- granjas,

- clientes en hoteles, moteles y otros entornos de tipo residencial,

- entornos de hospedaje en régimen de alojamiento y desayuno.

- Proteja la cafetera contra los efectos de las condiciones climáticas como la lluvia, las heladas y la luz solar directa. No utilice la cafetera al aire libre.
- La cafetera, su cable de

alimentación y su enchufe no deben ser sumergidos en agua u otros líquidos.

- No limpie la cafetera o sus accesorios en un lavavajillas.
- No vierta líquidos distintos al agua ni ponga alimentos en el depósito de agua.
- No llene el depósito de agua por encima de la línea máxima.
- Opere la cafetera únicamente cuando el contenedor de residuos, la bandeja de goteo y la rejilla de taza estén instalados.
- Para desconectar el enchufe de la toma no tire del cable ni lo toque con las manos húmedas.
- No sujete la cafetera por el cable de alimentación.
- Mantenga el aparato y su cable fuera del alcance de los niños menores de 8 años.
- La cafetera sólo se puede utilizar para preparar café.
- Debe vigilarse a los niños a fin de asegurarse que no jueguen con el aparato.

1 Instrucciones importantes respecto a seguridad y medio ambiente

- Desenchufe el aparato antes de cada limpieza y cuando el aparato no esté en uso.
- Coloque el aparato de manera que el enchufe sea siempre accesible.
- Siempre use el aparato en una superficie estable, plana, limpia, seca y antideslizante.
- Esta cafetera no es empotrable y por tanto no debe utilizarse dentro de muebles a tal efecto. Tampoco se deberá colocar la cafetera dentro de ningún mueble mientras esté en uso.
- No apriete ni doble el cable de corriente y no lo roce con bordes afilados para evitar cualquier daño. Mantenga el cable de alimentación alejado de las superficies calientes y de fuentes de fuego.
- Asegúrese de que la alimentación eléctrica cumpla con las indicaciones de la placa de características del aparato.
- Utilice el aparato en un enchufe con toma de tierra.
- No utilice este aparato con un cable alargador.
- No toque el enchufe si sus manos están mojadas o húmedas cuando el aparato está enchufado.
- -PRECAUCIÓN: Con el fin de evitar un peligro debido a un rearme involuntario de la desconexión térmica, este aparato no debe alimentarse a través de un dispositivo de conmutación externo, como un temporizador, ni conectarse a un circuito que sea encendido y apagado regularmente por la compañía eléctrica.
- Advertencia: evite derrames en el conector.
- No haga un mal uso del aparato para evitar posibles lesiones.
- Si el adaptador está dañado, debe ser reemplazado por el fabricante o su agente o por una persona cualificada similar para evitar riesgos.

1.4 Uso previsto


La cafetera totalmente automática de Beko está destinada al uso doméstico y en ámbitos similares, por ejemplo, en cocinas de personal, tiendas, oficinas y zonas similares o por clientes en hostales, hoteles, moteles y otros alojamientos. Esta cafetera no está


1 Instrucciones importantes respecto a seguridad y medio ambiente

destinada al uso comercial. La cafetera sólo está destinada a preparar café y a calentar leche y agua. Todo uso distinto al indicado anteriormente se considera como uso indebido.

¡Peligro por uso indebido!

Si la cafetera no se utiliza para los fines previstos, puede convertirse en una fuente de peligro.

	Por lo tanto, la cafetera se puede utilizar únicamente para su propósito previsto.
--	--

	Observe los procedimientos descritos en este manual de instrucciones.
--	---

No se aceptarán reclamaciones de ningún tipo por daños o lesiones derivadas del uso de la cafetera fuera de su finalidad.

El riesgo será asumido exclusivamente por el propietario de la cafetera.

1.5 Limitación de responsabilidad

Toda la información técnica, los datos y las instrucciones de instalación, operación y mantenimiento de la cafetera que figuran en estas instrucciones representan la situación actual en el momento de la impresión y están basados en el mejor conocimiento posible adquirido por la experiencia y los conocimientos técnicos.

No se puede hacer ninguna reclamación basada en la información, las ilustraciones y las descripciones que figuran en este manual de usuario.

En caso de incumplimiento del manual de instrucciones, de uso distinto al previsto, de reparaciones no profesionales, de modificaciones no autorizadas o

de empleo de piezas de repuesto no aprobadas, el fabricante no asumirá ninguna responsabilidad por los daños o lesiones que se produzcan.

1.6 Cumplimiento de la Directiva WEEE y eliminación del producto

Este aparato cumple con la Directiva WEEE (RAEE) de la EU (2012/19/EU). El presente producto lleva el símbolo de clasificación de residuos de aparatos eléctricos y electrónicos (WEEE).



Este símbolo indica que este producto no debe desecharse junto con otros desechos domésticos al final de su vida útil. El dispositivo usado se debe entregar al punto de recogida oficial para el reciclaje de dispositivos eléctricos y electrónicos. Para encontrar estos sistemas de recogida, póngase en contacto con las autoridades locales o con el minorista donde compró el producto. Cada hogar juega un papel importante en la recuperación y el reciclaje de los electrodomésticos viejos. La eliminación adecuada de los electrodomésticos usados ayuda a prevenir posibles consecuencias negativas para el medio ambiente y la salud humana.

1.7 Cumplimiento de la Directiva RoHS

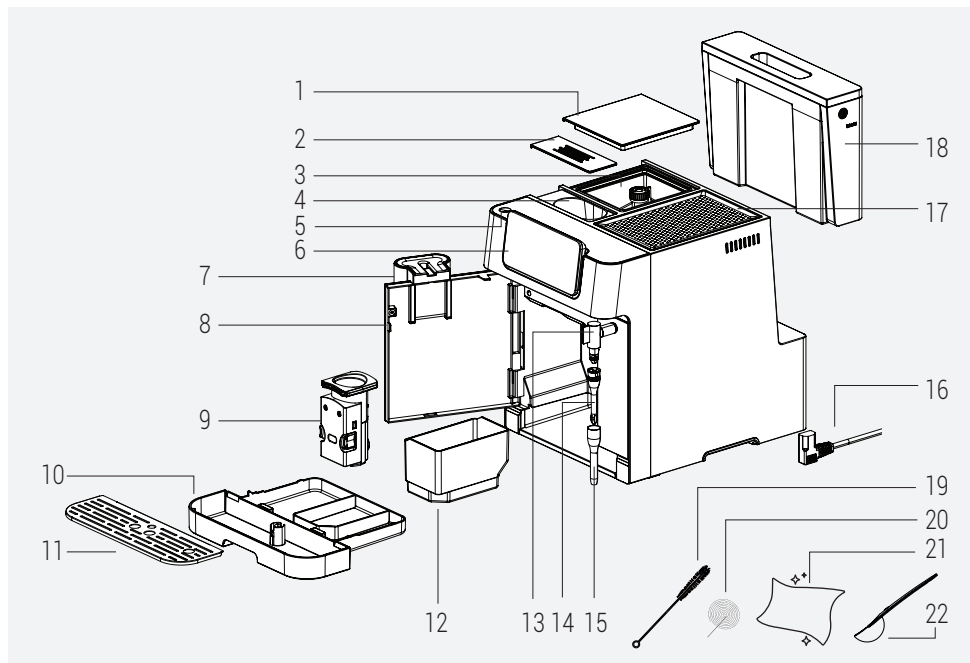
El producto que ha adquirido es conforme con la Directiva RoHS de UE sobre la restricción de sustancias peligrosas (2011/65/EU). No contiene materiales nocivos y prohibidos especificados en la Directiva.

1.8 Información sobre el paquete



Los materiales de embalaje del producto están fabricados con materiales reciclables de acuerdo con nuestras Regulaciones Nacionales del Medio Ambiente. No elimine los materiales de embalaje junto con los desechos domésticos o de otro tipo. Lívelos a los puntos de recolección de material de embalaje designados por las autoridades locales.

2 Su Cafetera Totalmente Automática



- | | |
|---|---------------------------------|
| 1. Cubierta de Recipiente de Granos de Café | 12. Contenedor de Poso de Café |
| 2. Tapa del recipiente de café premolido | 13. Boquilla de Vapor |
| 3. Recipiente de Granos de Café | 14. Cubierta de Boquilla |
| 4. Recipiente para café premolido | 15. Tubo de metal |
| 5. Botón de ENCENDIDO/APAGADO | 16. Cable de alimentación |
| 6. Panel de Control Digital | 17. Calentador de tazas |
| 7. Boquilla de café ajustable | 18. Depósito de agua |
| 8. Tapa frontal | 19. cepillo de limpieza |
| 9. Unidad de preparación | 20. Aguja de limpieza |
| 10. Bandeja de goteo | 21. Trapo de limpieza |
| 11. Bandeja para tazas | 22. Cuchara para café premolido |

2 Su Cafetera Totalmente Automática

Datos técnicos

Corriente: 220-240 V~, 50-60 Hz

Potencia: 1350 W

Se reservan los derechos para realizar cambios técnicos y de diseño.

Todos los valores declarados sobre el producto y en los folletos impresos fueron recopilados después de las mediciones de laboratorio realizadas conforme a los estándares relacionados. Estos valores pueden variar según el uso y las condiciones ambientales.

Dimensión del producto :

27,5 cm (Anchura) x 35,9 cm (Altura) x 41,2 cm (Profundidad)

Peso: 9.68±0.5kg

Longitud del cable 95±5 cm

Peso del café molido (modo en grano)

Estándar 8±2g

Intenso: 10±2g

Capacidad de la bandeja recoge gotas: Hasta 0,6 L

Contenedor de Poso de Café:

Hasta 10 tazas

Capacidad del tanque de agua: 2.0±5%L

Cubierta de Recipiente de Granos de Café: 250±5%g

Tiempo de precalentamiento de lamáquina: <50s

Volumen de café:

Espresso: 30±10ml

Doble: 60±10ml

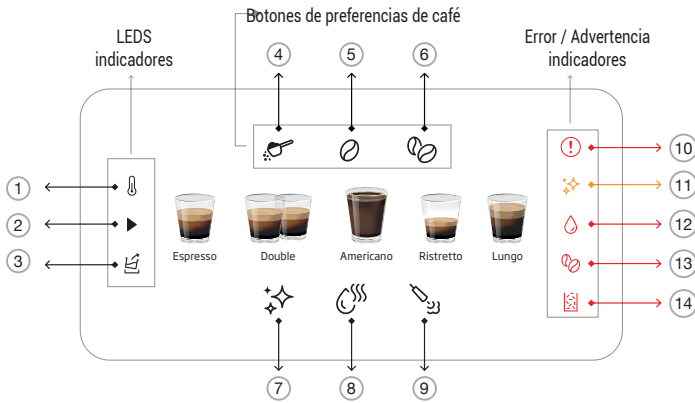
Americano: 150±20ml

Ristretto: 20±5ml

Lungo: 60±10ml

3 Pantalla

3.1 Panel de mandos

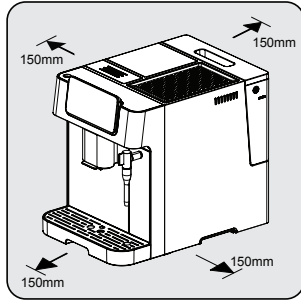


1		Encendido durante el precalentamiento
2		Encendido durante los procesos en curso
3		Indicador de vaciado de agua
4		Se utiliza para seleccionar la opción " Café Molido ".
5		Se utiliza para seleccionar la opción " Café en grano estándar ".
6		Permite seleccionar la opción " Café en grano intenso ".
7		Se utiliza para iniciar las funciones de limpieza y descalcificación.
8		Se utiliza para recibir agua caliente de la boquilla de vapor.
9		Se utiliza para activar la función de boquilla de vapor.
10		Error general
11		Advertencia de descalcificación
12		Error sin agua
13		Error de sin judías
14		Error de recipiente lleno

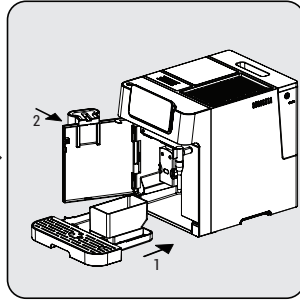
4 Preparación

4.1 Instalación

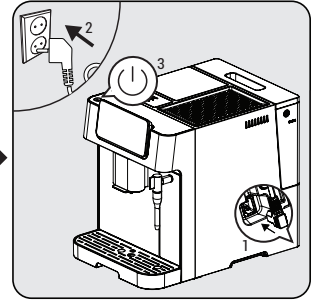
i Retire las películas protectoras, las pegatinas y cualquier otro material de embalaje del aparato.



Elija una superficie segura y estable con una fuente de alimentación de fácil acceso y deje la mínima distancia posible de los lados de las máquinas.



Inserte la bandeja de goteo. Asegúrese de que está insertado correctamente y cierre la tapa frontal.



Afloje y tense el cable de alimentación e inserte el enchufe en la toma situada en la parte inferior de la máquina. Inserte el otro extremo del cable de alimentación en una toma de corriente con la tensión de alimentación adecuada.

4.2 Llenado del depósito de agua

Sobre el programa de protección: Si el depósito de agua no está completamente colocado en el aparato, se activará un modo de protección a los 15 segundos del proceso de infusión. El botón de agua caliente se iluminará en el panel de control.

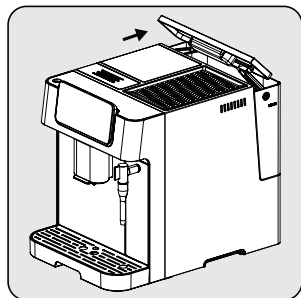


1. Asegúrese de que el depósito de agua esté completamente insertado en la máquina.
2. Pulse el botón de agua caliente. Después de dispensar el agua caliente, la máquina estará en reposo.

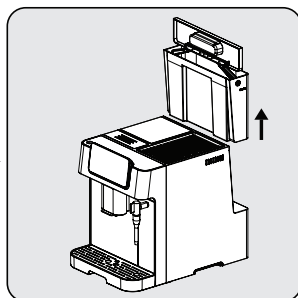


Cuando "☹" está encendido, el nivel de agua del depósito está medio vacío y necesita ser llenado.

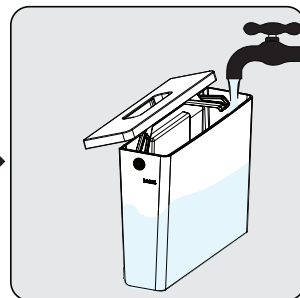
4 Preparación



Eleve el depósito de agua utilizando la tapa como asa.



Retire el depósito de agua.



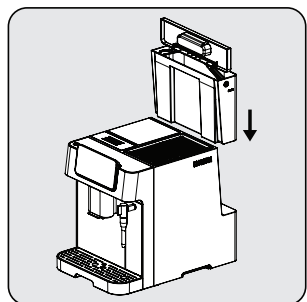
Enjuague el depósito de agua con agua fresca y luego rellene el depósito hasta el nivel Máx y póngalo de nuevo en la máquina. Asegúrese de que esté totalmente insertado.



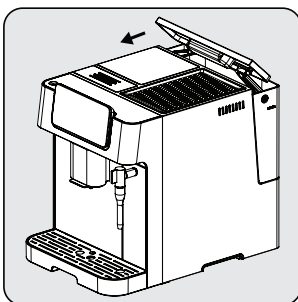
Para evitar el desbordamiento del depósito de agua, no añada agua directamente al aparato desde otro recipiente.



No llene nunca el depósito de agua con agua tibia o caliente, agua con gas o cualquier otro líquido que pueda dañar el depósito de agua y la máquina.



Vuelva a poner el depósito de agua en su lugar utilizando la tapa como asa.

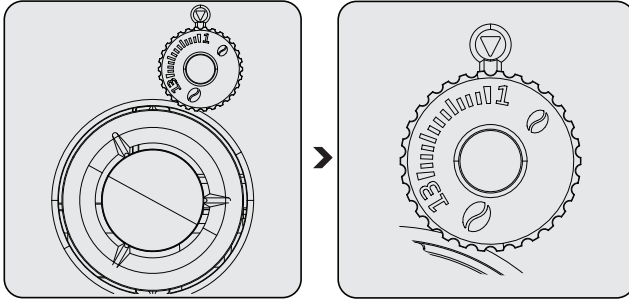


Cierre el depósito de agua utilizando la tapa.

5 Uso

5.1 Ajuste de Molienda

Puede ajustar el grado de molido girando el botón de ajuste del recipiente de granos:



No ajustar nunca el molinillo si no está funcionando. El molinillo podría averiarse.

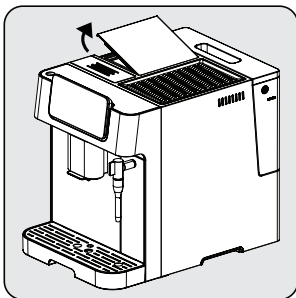


Las líneas del botón de ajuste indican la tosquedad de la molienda. Un número más grande significa un nivel de molido más grueso.

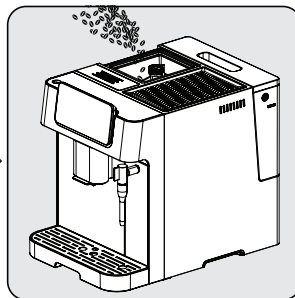
5.2 Llenado del contenedor de granos



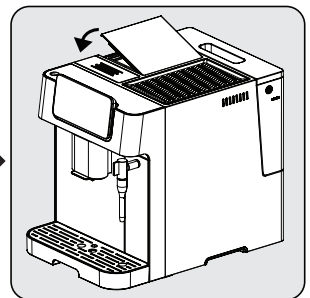
- Si ☪ parpadea, el aparato debe llenarse con granos de café.
- Es mejor guardar el café en grano en su envase al vacío original para garantizar una frescura más duradera. No utilice el recipiente de café en grano para almacenarlo y obtener mejores resultados.



Quite la tapa del contenedor de granos.



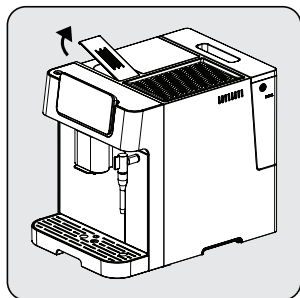
Vierta poco a poco los granos de café.



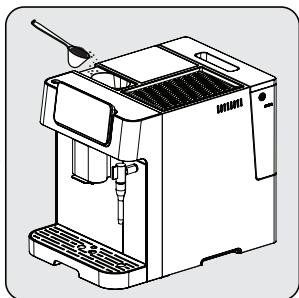
Vuelva a colocar la tapa del recipiente.

5 Uso

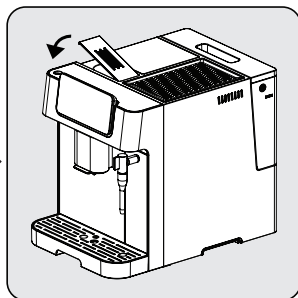
5.3 Utilización del recipiente de café premolido



Retire la tapa del recipiente de café premolido.



Introduzca lentamente el café premolido en el recipiente de café premolido.



Vuelva a colocar la tapa del recipiente.

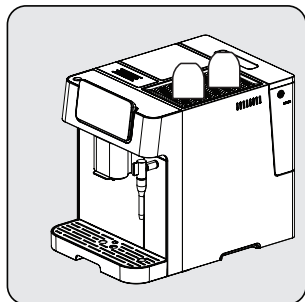


El recipiente para café premolido no es una unidad de almacenamiento, sino de un solo uso (max 12g). El accesorio de cuchara medidora puede utilizarse para la cantidad sugerida de café molido.



Debe pulsar el botón de café molido y seleccionarlo en la pantalla para activar este ajuste.

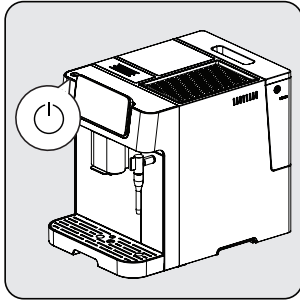
5.4 Uso del calentador de tazas



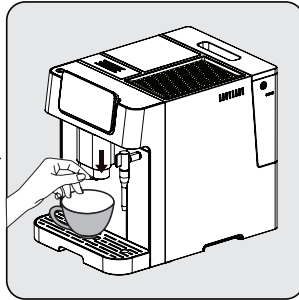
Las tazas deben colocarse boca abajo para garantizar que la superficie interna se mantenga caliente y limpia (Esta función utiliza el calor interno de la máquina).

5 Uso

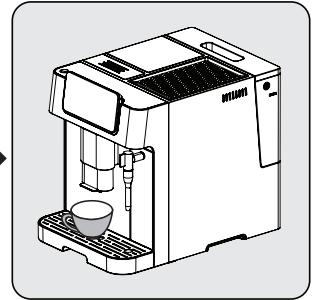
5.5 Preparación de Su Café



Encienda el aparato pulsando el botón de encendido/apagado. El aparato se enciende, inicia el precalentamiento y la autolimpieza. Está lista para su uso en modo inactivo en el que todos los iconos están encendidos.



Ponga una taza debajo de la boquilla de café y ajuste la altura de la boquilla de acuerdo con el tamaño de la taza.

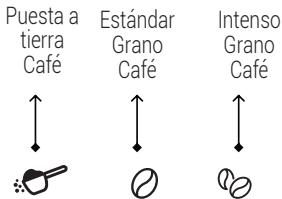


Pulse cualquier botón para seleccionar el tipo de café y el encendedor de tazas se encenderá indicando que el aparato está preparando una taza de café. Cuando el aparato vuelva al modo de reposo, el café estará listo para servir.



Pulse el botón de espresso, americano, ristretto o lungo según sus preferencias.

5.6 Ajuste de Cantidad de Café/Agua Caliente

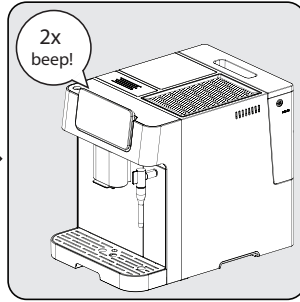


Si se está utilizando café en grano, pulse el botón "grano normal" o "grano intenso" para ajustar la intensidad de su bebida. Si se está utilizando café molido, pulse la opción "café molido".

5 Uso

5.7 Ajuste de Cantidad de Café/Agua Caliente

Puede guardar el volumen de café deseado para todos los tipos de bebidas, así como de agua caliente, de 25 ml a 250 ml. (x2 para el doble)

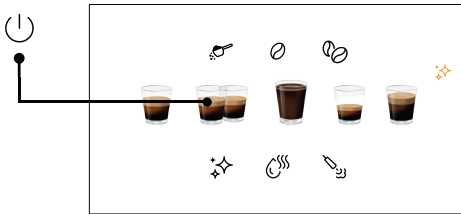
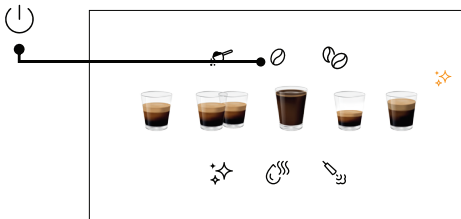


Mientras prepara su café (espresso, americano, ristretto o lungo), mantenga pulsado el botón del café que haya seleccionado. El aparato seguirá preparando la taza de café mientras mantenga pulsado el botón.

Una vez que se alcance la cantidad de café deseada, suelte el botón. La emisión de dos pitidos indica que la máquina ha guardado la cantidad de café que usted prefiere.



El ajuste del agua puede realizarse durante la preparación del café (una vez terminado el molido).



Para restablecer todas las bebidas a los ajustes por defecto/fábrica;

Para restablecer los ajustes predeterminados de todas las bebidas y la selección del volumen de agua caliente guardados en la memoria;

- Pulse el botón de encendido/apagado y el botón de café en grano a la vez durante 3 segundos.

Para restablecer una sola bebida a los ajustes predeterminados/fábrica;

Para restablecer los ajustes predeterminados de

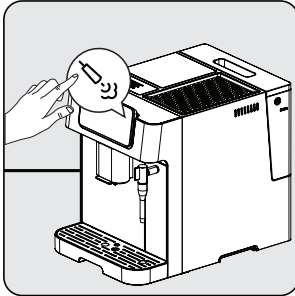
cualquier volumen de café o agua caliente individualmente;

- Pulse el botón de encendido/apagado y el botón de la bebida (que desee restablecer) a la vez durante 3 segundos.

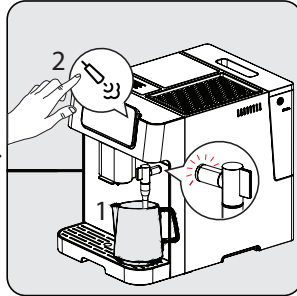
5 Uso

5.8 Preparación de Leche Espumosa para el Café

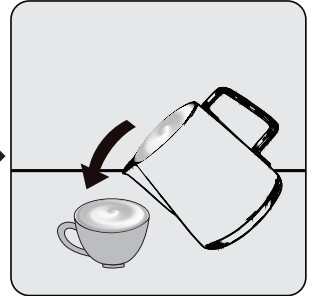
i Café espresso se debe preparar antes de preparar la leche espumosa ya que la temperatura del vapor es más alta que la temperatura del espresso. De lo contrario, el espresso podría quemarse.



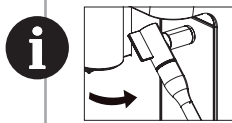
Pulse el icono de la boquilla de vapor y espere a que la boquilla de vapor esté lista. Mientras la boquilla de vapor se precalienta, las luces indicadoras parpadearán.



Cuando las luces indicadoras estén quietas, el boquerel de vapor estará listo para su uso. Coloque una taza o jarra llena de leche debajo de la boquilla de vapor. Pulse de nuevo el botón de la boquilla de vapor para iniciar la formación de espuma de leche y deténgala pulsando de nuevo.



Vierta la leche espumosa caliente en el espresso. Ya puede disfrutar de su café.



La boquilla de vapor puede girarse hacia la derecha para facilitar su manejo.

- Después de utilizar la boquilla de vapor, limpie los restos de leche de la boquilla pasándole un paño húmedo.
- Se recomienda eliminar los restos de leche que puedan acumularse en la punta de la boquilla activando la función de agua caliente desde la boquilla.
- Después de que la boquilla de vapor esté lista, si no se utiliza durante un cierto tiempo, la pantalla volverá a la fase de reposo.



- El saliente de salida de la boquilla de vapor debe estar sobre la bandeja de goteo para evitar derrames de agua/leche.
- Teniendo en cuenta que la leche hace espuma dentro de la taza/jarra, no la llene del todo.
- Tenga en cuenta que la taza/jarra puede calentarse durante el espumado de la leche.

5 Uso

5.9 Agua Caliente

El aparato puede suministrar agua caliente simplemente pulsando el botón de agua caliente "☺". Pulse de nuevo para parar.



Esta función puede utilizarse para calentar la taza antes de preparar el café. Llene primero la taza con agua caliente, vierta después el agua y utilice esta taza para preparar el café.

5.10 Selección de Modo

La máquina cuenta con tres ajustes diferentes: el ajuste predeterminado, el modo ECO y el modo rápido. En el modo ECO, el aparato ahorra más energía. En el modo rápido, el usuario puede preparar su café más rápidamente con respecto al ajuste predeterminado.

	Modo ECO	Modo Rápido	Configuración Predeterminada
Luces indicadoras del encendedor de tazas y de la boquilla de vapor	No	Sí	Sí
Mezcla previa*	Sí	No	Sí
Tiempo de apagado automático	10minutos	30minutos	20minutos



La función de precalentamiento humedece el café dentro de la unidad de preparación con una pequeña cantidad de agua antes de la extracción completa. Esto hace que el café se expanda para crear una mayor presión en la cafetera, lo que ayuda a extraer todos los aceites y sacar todo el sabor de los granos.

1. Cuando la máquina está en modo de espera, mantenga pulsado el botón durante 5 segundos.
1. Parpadeará y el siguiente botón tendrá las siguientes indicaciones para los diferentes ajustes:

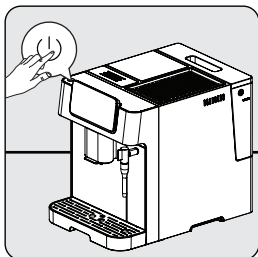
En Modo ECO

En Modo Rápido

En Configuración Predeterminada



2. Pulse el "Botón de café en polvo" para el modo ECO, el "Botón de café en grano normal" para el modo rápido y el "Botón de café en grano intenso" para los ajustes predeterminados. Al seleccionar el modo escuchará dos pitidos.
3. En caso de que desee que el ajuste no cambie, vuelva a pulsar o espere 5 segundos para que la máquina vuelva a la condición de espera.



5.11 Cancelar

Para cancelar cualquier programa en marcha, pulsar una vez el botón de encendido/apagado. También se podrá cancelar pulsando de nuevo un botón de selección de bebida una vez que ya está iniciada la preparación.

6 Limpieza



Si pulsa el botón de encendido/apagado 2 veces, forzará el apagado del aparato.

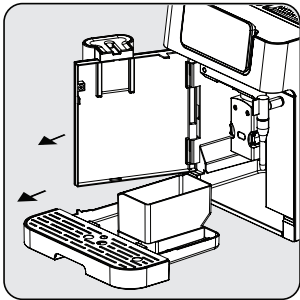
6.1 Limpieza del aparato

1. Desenchufe el cable de alimentación de la toma de corriente.
2. Vacíe todos los restos de agua/café del interior de la bandeja recoge gotas y del recipiente de restos de café.
3. Utilice un paño húmedo o un limpiador que no raye para limpiar las manchas de agua del aparato.

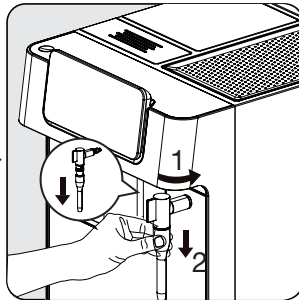


Para limpiar el aparato, nunca utilice agentes abrasivos, vinagre o desincrustantes que no estén incluidos en la caja.

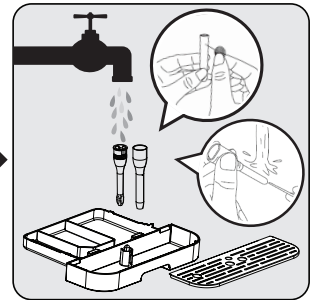
Para prolongar la vida útil del aparato, es muy importante limpiarlo y mantenerlo a tiempo.



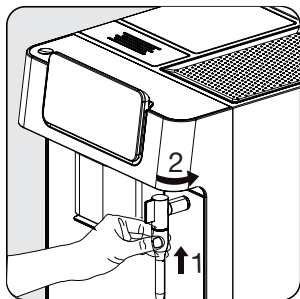
Abra la tapa delantera. Retire la bandeja recoge gotas y el recipiente de residuos de café.



Quite el tubo metálico tirando de él hacia abajo. Luego desbloquee la tapa de boquilla girando hacia la izquierda para desmontar la tapa de boquilla y el tubo metálico.




Vacíe el contenedor de posos de café y la bandeja de goteo. Lave el tubo metálico con agua corriente tibia y utilice aguja o cepillo para limpiar el orificio. Lave la tapa de boquilla con agua corriente tibia y utilice aguja o cepillo para limpiar el orificio. Séquelos posteriormente.

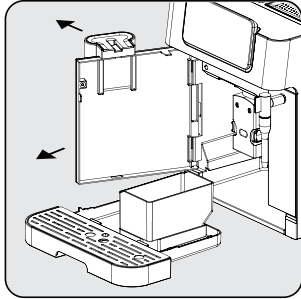


Vuelva a montar el tubo metálico en la cubierta de la boquilla. A continuación, empújela hacia arriba para volver a colocar la tapa de la boquilla en su sitio y gírela hacia la derecha para bloquearla.

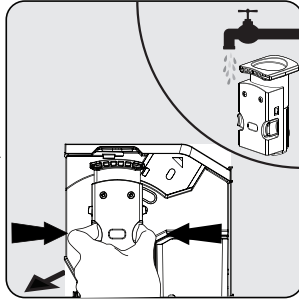
6 Limpieza



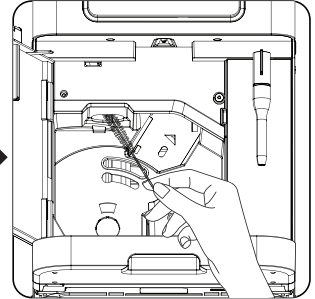
Cuando  se ilumine, significa que es necesario vaciar el recipiente de residuos de café. Este icono se encenderá después de cada 10 extracciones de café. Limpie el recipiente para solucionar el error. Si el recipiente está limpio, retírelo y vuelva a colocarlo en su sitio.



Sujete la salida de café ajustable y tire lentamente hacia atrás para abrir la tapa frontal.



Retire la unidad de infusión. Lávela con agua y séquela después.





Limpie el conducto de salida del café con un cepillo.



- La bandeja recogegotas debe vaciarse cuando el indicador flotante esté visible.
- El conducto de café en polvo debe limpiarse después de cada uso con el cepillo de limpieza.




Cuando  se ilumina, indica que falta la unidad de infusión o que está mal instalada. Cuando  está parpadeando, indica que la tapa frontal no está cerrada.

6.2 Función de descalcificación



- La descalcificación es necesaria después del ciclo de colado predefinido.
- Para la autolimpieza de este aparato no utilice vinagre ni otros agentes de limpieza. Otros productos de limpieza pueden dañar el aparato.
- Mantenga la piel / el cuerpo alejados del agua caliente.

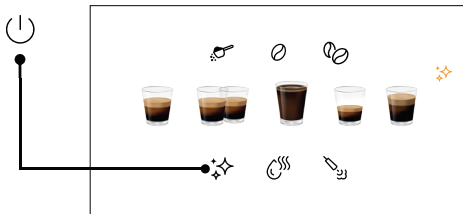
Cuando  se enciende, indica que el aparato necesita someterse a un proceso de descalcificación. El aparato permanecerá en las mejores condiciones si esta función se ejecuta al menos una vez al mes o con mayor regularidad, en función de la dureza del agua utilizada.

Para iniciar la descalcificación

1. Llene el depósito de agua hasta el "Nivel de descalcificación .
2. Agregue un paquete de agente de limpieza en la caja al depósito de agua.

6 Limpieza

3. Ponga un recipiente de suficiente tamaño debajo de la boquilla de café y la salida.
4. Cuando esté en reposo, manténgalo pulsado ✨ durante 3 segundos. Oirá un pitido y la ✨ parpadeará hasta que el depósito de agua esté vacío.
5. Llene de nuevo el depósito de agua hasta el "Nivel de descalcificación" con agua y pulse de nuevo el botón ✨ para iniciar el segundo ciclo de descalcificación. Si se retira el depósito de agua y se vuelve a colocar, el aparato detectará esta acción e iniciará automáticamente el segundo ciclo (sin pulsar ✨ de nuevo).
6. Una vez vaciado el depósito de agua, la pantalla volverá al estado de reposo. La descalcificación ha finalizado. Llene el depósito de agua con agua fresca para empezar a preparar café.



Para restablecer el estado de advertencia de descalcificación

Para restablecer el estado de advertencia de descalcificación

- Pulse el botón de encendido/apagado y el botón de descalcificación a la vez durante 3 segundos.



No se sugiere reajustar el estado de advertencia de descalcificación para mantener el mejor estado del aparato.

6.3 Función de Vaciado del Sistema

Utilice la función de vaciado del sistema antes de un largo periodo de inactividad y para la protección contra heladas.

1. Cuando se encuentre en reposo, mantenga pulsados el botón U y el botón ☕ a la vez durante 3 segundos.
2. ☕ se encenderá.
3. Retire el depósito de agua del aparato, el proceso se iniciará automáticamente.
4. Una vez que la función de vaciado del sistema se complete, el aparato se apagará de forma automática.



Cuando vuelva a utilizar el aparato por primera vez después de haber utilizado la función de vaciado del sistema, pulse el botón de agua caliente hasta que salga agua por la boquilla.

6 Limpieza

6.4 Función de limpieza / aclarado manual

Puede limpiar / enjuagar manualmente la boquilla de café antes o después de su uso. Cuando esté en reposo, pulse  una vez.

- Tras la limpieza / aclarado, el aparato volverá al modo de reposo.



- El agua que sale por la boquilla de café está caliente y se recoge en la bandeja recogegotas situada debajo. Evite el contacto ya que salpica alrededor.
- Si el aparato no se ha utilizado durante un largo periodo de tiempo, se aconseja utilizar esta función.



El uso de esta función antes de la preparación del café también garantizará un café más caliente.

Desactivación del modo de limpieza automática

Su aparato se limpia automáticamente antes y después de cada operación de preparación de café. Puede seguir los pasos que se indican a continuación para desactivar el modo de limpieza automática.

- Encienda el aparato pulsando el botón de encendido/apagado y espere a que se ponga en modo de reposo.
- Abra la tapa delantera.
- Pulse el botón de encendido/apagado durante 5 segundos y sonará un pitido.
- Cierre la tapa frontal.
- La operación de autolimpieza ha sido cancelada.



Le recomendamos que utilice el modo de autolimpieza de forma activa para un uso saludable.

Para cancelar la limpieza automática por una vez

Pulse el botón de encendido/apagado mientras la máquina está encendida o apagada para anular esta función.

7 Solución de problemas

Problema	Causa	Solución
La cafetera no funciona.	El aparato no está conectado a red.	Enchufe y pulse el interruptor. Compruebe el cable y el enchufe.
No hay respuesta o hay respuesta retardada en varios intentos de pulsar una tecla de función en el panel.	El aparato está sometido a interferencias electromagnéticas. El panel está sucio.	Desenchufe el aparato. Vuelva a ponerlo en marcha después de unos minutos. Limpie el panel con el paño suministrado.
El café no está suficientemente caliente.	Las tazas no han sido precalentadas. La unidad de mezcla está demasiado fría.	Coloque la taza en el calienta tazas hacia abajo o enjuague la taza con agua caliente. Asegúrese de que el agua que está en el depósito de agua no esté muy fría.
No sale café por la salida de café.	Es posible que se haya utilizado previamente la función de vaciado del sistema. Es posible que la salida de café no se haya limpiado y esté obstruida por restos de café.	Pulse el botón de agua caliente hasta que salga agua por la boquilla. Limpie la salida de café.
La primera taza de café es de mala calidad.	La primera pasada del molinillo no deposita una cantidad suficiente de café en la unidad de erogación.	Eche el café. Las siguientes tazas serán mejor.
El depósito de agua está retirado / el nivel de agua es muy bajo en el depósito de agua pero no hay ninguna alerta "O".	La zona cercana al conector del depósito de agua podría estar húmeda.	Elimine el agua que hay alrededor del conector del depósito de agua.
La bandeja interna de goteo está llena de mucha agua.	El café molido es muy fino, lo cual bloquea la salida del agua.	Ajuste la finura del café a granos más grandes para el proceso de molienda.
La salida del café es demasiado lenta o una gota a la vez.	El café molido es muy fino, lo cual bloquea la salida del agua.	Ajuste la finura del café a granos más grandes para el proceso de molienda.
El indicador parpadea para informar de que no hay suficientes granos de café, pero hay bastantes dentro del recipiente.	La salida interna de los posos de café está bloqueada.	Siga los pasos descritos para limpiar la salida de los posos de café.
Es imposible quitar el mezclador o la bandeja de posos de café.	El aparato no completó el proceso de autolimpieza y se apagó.	Por favor, encienda la máquina de nuevo y permita que complete el proceso de autolimpieza.
Al conectar o desconectar el aparato, éste no realiza más el ciclo de enjuague.	El manejo inapropiado durante el mantenimiento del aparato puede ser la causa de esto.	1. Cuando el aparato esté en reposo, abra la tapa frontal. 2. Pulse y mantenga pulsado el botón de encendido y apagado hasta que oiga 2 pitidos. 3. Cierre la tapa frontal.
Los botones táctiles no son sensibles.	No pulse el botón táctil desde la parte frontal del aparato.	Pulse la parte inferior del símbolo del botón táctil desde la parte frontal del aparato.



**Contacto para asistencia técnica:
902 877 665 / 932 992 581**

CONDICIONES DE GARANTIA - ESPAÑA

El presente certificado cubre la garantía de reparación de su electrodoméstico de gama blanca y PAE (*) durante el periodo de garantía legal previsto en la ley, a partir de la fecha de venta, contra todo defecto de funcionamiento proveniente de fabricación o materiales; o de sustitución del aparato, salvo que una de estas opciones resulte imposible o desproporcionada respecto de la otra. Cuando usted detecte un defecto o anomalía en el aparato contacte de forma inmediata con nosotros para informarnos de la falta de conformidad. Los pequeños electrodomésticos (PAE) deberán ser entregados en el taller del servicio oficial de la marca para su revisión.

La presente garantía sólo será válida si se presenta factura, ticket de compra o el albarán de entrega correspondiente a la adquisición del producto. La presente garantía es válida en el territorio español y portugués para los aparatos distribuidos por Beko Electronics España S.L.. La garantía sólo tendrá validez sobre el primer comprador o adquirente del producto. La garantía será válida para aquellos aparatos cuya instalación sea correcta y estén ubicados en condiciones climáticas y medioambientales adecuadas para su correcto funcionamiento.

EXCLUSIONES DE LA GARANTIA

El coste de la reparación será a cargo del usuario en los siguientes casos:

- Los aparatos utilizados para uso profesional o no exclusivamente doméstico.
- Los aparatos desmontados o manipulados por personas ajenas a los servicios técnicos expresamente autorizados.
- Las instalaciones, transporte, sustitución de aparatos, puestas en marcha, cambio de sentido de puertas.
- Intervenciones de mantenimiento o de información sobre el uso de los aparatos.
- Cambio de inyectores en aparatos de gas.
- Las averías provocadas por falta de mantenimiento o limpieza o aquellas provocadas por un uso indebido, sobrecarga, abandono o de manera no conforme a las instrucciones de uso o de instalación de los aparatos.
- Las averías producidas por causas fortuitas, siniestros de fuerza mayor o derivados de instalación incorrecta y en general, averías por causas ajenas al propio aparato.
- Las averías provocadas por conexiones que puedan presentar fluctuaciones, irregularidades o falta de uniformidad en el suministro, por ejemplo: suministro de agua impulsado por grupos de presión, energía solar, energía eólica, generadores eléctricos, u otro tipo de suministro no normalizado.
- La sustitución de materiales rotos o deteriorados por desgaste o uso no normal del aparato, o materiales consumibles tales como: juntas, plásticos, gomas, correas, cristales, escobillas, bombillas, asas, tiradores, tapas de quemadores, filtros, rejillas, ánodos de sacrificio (magnesio o similares) de calentadores o calderas, etc.
- Los aparatos que presenten oxidación, o daños por corrosión en esmaltes o pinturas, que puedan ser provocados por efectos químicos o electroquímicos del agua o cualquier otra sustancia, o aceleradas por circunstancias ambientales o climáticas no propicias.
- Defectos estéticos en serigrafía o pintura.
- Los daños de transporte o manipulación, golpes, etc.
- Los aparatos deben instalarse de forma accesible para su reparación, debiendo asumir el usuario los costes necesarios para el acceso al aparato para su reparación y sustitución.

La presente garantía no afecta a los derechos de que dispone el consumidor conforme a lo previsto en la legislación vigente. El Servicio Oficial de Asistencia Técnica resolverá cualquier incidencia que pudiera precisar su electrodoméstico siempre que el aparato esté instalado de forma accesible.

Para asegurarse que su electrodoméstico va a ser intervenido por un técnico oficial autorizado, rogamos solicite el carnet avalado por ANFEL (Asociación Nacional de Fabricantes de Electrodomésticos) a nuestros técnicos.

Las marcas BEKO y GRUNDIG se distribuyen por Beko Electronics España S.L.

DATOS APARATO (a rellenar por el Distribuidor):

Titular:		Sello Establecimiento:
Modelo:	Núm. serie:	
Establecimiento:	Fecha de compra:	

**El garante e importador de su electrodoméstico es: BEKO ELECTRONICS ESPAÑA S.L. Calle Provenza nº 388
3º Barcelona 08025, España.**

Conózanos mejor en nuestra página: www.beko.com Conserve este documento, es importante para usted.

(*) Se consideran electrodomésticos de gama blanca, los aparatos de gran tamaño de cocina, limpieza, refrigeración y ventilación y el pequeño aparato electrodoméstico (PAE) aquellos aparatos de higiene personal, mantenimiento del hogar y preparación de alimentos.



**Contacto para asistencia técnica:
902 877 665 / 932 992 581**

CONDICIONES DE GARANTIA - ESPAÑA

El presente certificado cubre la garantía de reparación de su electrodoméstico de gama blanca y PAE (*) durante el periodo de garantía legal previsto en la ley, a partir de la fecha de venta, contra todo defecto de funcionamiento proveniente de fabricación o materiales; o de sustitución del aparato, salvo que una de estas opciones resulte imposible o desproporcionada respecto de la otra. Cuando usted detecte un defecto o anomalía en el aparato contacte de forma inmediata con nosotros para informarnos de la falta de conformidad. Los pequeños electrodomésticos (PAE) deberán ser entregados en el taller del servicio oficial de la marca para su revisión.

La presente garantía sólo será válida si se presenta factura, ticket de compra o el albarán de entrega correspondiente a la adquisición del producto. La presente garantía es válida en el territorio español y portugués para los aparatos distribuidos por Beko Electronics España S.L.. La garantía sólo tendrá validez sobre el primer comprador o adquirente del producto. La garantía será válida para aquellos aparatos cuya instalación sea correcta y estén ubicados en condiciones climáticas y medioambientales adecuadas para su correcto funcionamiento.

EXCLUSIONES DE LA GARANTIA

El coste de la reparación será a cargo del usuario en los siguientes casos:

- Los aparatos utilizados para uso profesional o no exclusivamente doméstico.
- Los aparatos desmontados o manipulados por personas ajenas a los servicios técnicos expresamente autorizados.
- Las instalaciones, transporte, sustitución de aparatos, puestas en marcha, cambio de sentido de puertas.
- Intervenciones de mantenimiento o de información sobre el uso de los aparatos.
- Cambio de inyectores en aparatos de gas.
- Las averías provocadas por falta de mantenimiento o limpieza o aquellas provocadas por un uso indebido, sobrecarga, abandono o de manera no conforme a las instrucciones de uso o de instalación de los aparatos.
- Las averías producidas por causas fortuitas, siniestros de fuerza mayor o derivados de instalación incorrecta y en general, averías por causas ajenas al propio aparato.
- Las averías provocadas por conexiones que puedan presentar fluctuaciones, irregularidades o falta de uniformidad en el suministro, por ejemplo: suministro de agua impulsado por grupos de presión, energía solar, energía eólica, generadores eléctricos, u otro tipo de suministro no normalizado.
- La sustitución de materiales rotos o deteriorados por desgaste o uso no normal del aparato, o materiales consumibles tales como: juntas, plásticos, gomas, correas, cristales, escobillas, bombillas, asas, tiradores, tapas de quemadores, filtros, rejillas, ánodos de sacrificio (magnesio o similares) de calentadores o calderas, etc.
- Los aparatos que presenten oxidación, o daños por corrosión en esmaltes o pinturas, que puedan ser provocados por efectos químicos o electroquímicos del agua o cualquier otra sustancia, o aceleradas por circunstancias ambientales o climáticas no propicias.
- Defectos estéticos en serigrafía o pintura.
- Los daños de transporte o manipulación, golpes, etc.
- Los aparatos deben instalarse de forma accesible para su reparación, debiendo asumir el usuario los costes necesarios para el acceso al aparato para su reparación y sustitución.

La presente garantía no afecta a los derechos de que dispone el consumidor conforme a lo previsto en la legislación vigente. El Servicio Oficial de Asistencia Técnica resolverá cualquier incidencia que pudiera precisar su electrodoméstico siempre que el aparato esté instalado de forma accesible.

Para asegurarse que su electrodoméstico va a ser intervenido por un técnico oficial autorizado, rogamos solicite el carnet avalado por ANFEL (Asociación Nacional de Fabricantes de Electrodomésticos) a nuestros técnicos.

Las marcas BEKO y GRUNDIG se distribuyen por Beko Electronics España S.L.

DATOS APARATO (a rellenar por el Distribuidor):

Titular:		Sello Establecimiento:
Modelo:	Núm. serie:	
Establecimiento:	Fecha de compra:	

**El garante e importador de su electrodoméstico es: BEKO ELECTRONICS ESPAÑA S.L. Calle Provenza nº 388
3º Barcelona 08025, España.**

Conózcanos mejor en nuestra página: www.beko.com Conserve este documento, es importante para usted.

(*) Se consideran electrodomésticos de gama blanca, los aparatos de gran tamaño de cocina, limpieza, refrigeración y ventilación y el pequeño aparato electrodoméstico (PAE) aquellos aparatos de higiene personal, mantenimiento del hogar y preparación de alimentos.



**Contacte a assistência técnica:
707 014 192 / 215 557 319**

CONDIÇÕES DE GARANTIA - PORTUGAL

Este certificado cobre a garantia de reparação do seu eletrodoméstico da linha branca e pequeno eletrodoméstico (*) durante o período de garantia legal determinado pela legislação em vigor a contar da data de compra, contra defeitos de funcionamento provenientes do fabrico ou dos materiais; ou de substituição do aparelho, a menos que uma dessas opções seja impossível ou desproporcionada em relação à outra. Quando detetar um defeito ou anomalia no aparelho entre imediatamente em contacto connosco para nos informar da não conformidade. Os pequenos eletrodomésticos devem ser entregues na oficina de serviço oficial da marca para a sua revisão.

Esta garantia só será válida se for apresentada a fatura, o recibo de compra, ou a nota de entrega correspondente a aquisição do produto. Esta garantia é válida em território espanhol e português para aparelhos distribuído pela Beko Home Appliances Portugal, Unipessoal, Lda. A garantia só é válida para o primeiro comprador ou adquirente do produto. A garantia será válida para os aparelhos cuja instalação esteja correta e que estejam localizados em condições climáticas e ambientais adequadas para o seu correto funcionamento.

EXCLUSÕES DA GARANTIA

O custo da reparação será pago pelo utilizador nos seguintes casos:

- Aparelhos utilizados para uso profissional ou não exclusivamente doméstico.
- Os equipamentos desmontados ou manuseados por outras pessoas que não os serviços técnicos expressamente autorizados.
- Instalações, transporte, substituição de equipamento, colocação em funcionamento, alteração do sentido das portas.
- Intervenções de manutenção ou informações sobre a utilização dos aparelhos.
- Alteração de injetores em aparelhos a gás.
- As avarias causadas pela falta de manutenção ou limpeza, ou aquelas causadas por um uso inadequado, sobrecarga, abandono ou de uma forma a não respeitar as instruções de uso ou instalação dos aparelhos.
- As avarias provocadas por causas acidentais, sinistros de força maior ou resultantes de instalação inadequada e em geral, avarias por razões não relacionadas com o produto.
- As avarias causadas por ligações que podem apresentar flutuações, irregularidades ou falta de uniformidade no fornecimento, por exemplo: abastecimento de água impulsionado por grupos de pressão, energia solar, energia eólica, geradores de energia elétrica ou outro tipo de fornecimento não-padrão.
- A substituição de materiais quebrados ou danificados por desgaste ou uso não normal do aparelho, ou consumíveis tais como: juntas, plásticos, borracha, correias, vidros, pincéis, lâmpadas, asas, puxadores, tampas de queimadores, filtros, grelhas, ânodos de sacrifício (magnésio ou similares) de aquecedores ou caldeiras, etc.
- Os aparelhos que apresentem oxidação, ou danos por corrosão nos esmaltes ou na pintura, que possam ter sido causados por efeitos químicos ou eletroquímicos da água ou de qualquer outra substância, ou acelerados por circunstâncias ambientais ou climáticas desfavoráveis.
- Defeitos estéticos em serigrafia ou pintura.
- Os danos causados por transporte ou manuseio, colisões, etc.
- Os aparelhos devem ser instalados de forma acessível em caso de reparação, devendo o utilizador assumir os custos necessários para aceder ao aparelho para reparação e substituição.

A presente garantia não afeta os direitos de que o consumidor dispõe conforme o previsto na legislação em vigor. O Serviço Oficial de Assistência Técnica resolverá qualquer incidente que o seu aparelho possa necessitar, desde que o aparelho seja instalado de forma acessível.

As marcas BEKO e GRUNDIG são distribuídas por Beko Home Appliances Portugal, Unipessoal, Lda

DADOS DO APARELHO (a ser preenchido pelo Distribuidor):

Detentor:		Carimbo do estabelecimento:
Modelo:	Nº série:	
Estabelecimento:	Data de compra:	

O fiador e o importador do seu eletrodoméstico é: Beko Home Appliances Portugal, Unipessoal, Lda; Edifício Amoreiras Square; Rua Carlos Alberto da Mota Pinto, nº 17, 3ºA, Amoreiras 1070-313, Lisboa, Portugal.

Conheça-nos melhor na nossa página: www.beko.com Conserve este documento, é importante para si.

(*) São considerados eletrodomésticos da linha branca, os aparelhos de cozinha, limpeza, refrigeração e ventilação de tamanho grande e pequenos eletrodomésticos, os de higiene pessoal, manutenção do lar e preparação de alimentos.



**Contacte a assistência técnica:
707 014 192 / 215 557 319**

CONDIÇÕES DE GARANTIA - PORTUGAL

Este certificado cobre a garantia de reparação do seu eletrodoméstico da linha branca e pequeno eletrodoméstico (*) durante o período de garantia legal determinado pela legislação em vigor a contar da data de compra, contra defeitos de funcionamento provenientes do fabrico ou dos materiais; ou de substituição do aparelho, a menos que uma dessas opções seja impossível ou desproporcionada em relação à outra. Quando detetar um defeito ou anomalia no aparelho entre imediatamente em contacto connosco para nos informar da não conformidade. Os pequenos eletrodomésticos devem ser entregues na oficina de serviço oficial da marca para a sua revisão.

Esta garantia só será válida se for apresentada a fatura, o recibo de compra, ou a nota de entrega correspondente a aquisição do produto. Esta garantia é válida em território espanhol e português para aparelhos distribuído pela Beko Home Appliances Portugal, Unipessoal, Lda. A garantia só é válida para o primeiro comprador ou adquirente do produto. A garantia será válida para os aparelhos cuja instalação esteja correta e que estejam localizados em condições climáticas e ambientais adequadas para o seu correto funcionamento.

EXCLUSÕES DA GARANTIA

O custo da reparação será pago pelo utilizador nos seguintes casos:

- Aparelhos utilizados para uso profissional ou não exclusivamente doméstico.
- Os equipamentos desmontados ou manuseados por outras pessoas que não os serviços técnicos expressamente autorizados.
- Instalações, transporte, substituição de equipamento, colocação em funcionamento, alteração do sentido das portas.
- Intervenções de manutenção ou informações sobre a utilização dos aparelhos.
- Alteração de injetores em aparelhos a gás.
- As avarias causadas pela falta de manutenção ou limpeza, ou aquelas causadas por um uso inadequado, sobrecarga, abandono ou de uma forma a não respeitar as instruções de uso ou instalação dos aparelhos.
- As avarias provocadas por causas acidentais, sinistros de força maior ou resultantes de instalação inadequada e em geral, avarias por razões não relacionadas com o produto.
- As avarias causadas por ligações que podem apresentar flutuações, irregularidades ou falta de uniformidade no fornecimento, por exemplo: abastecimento de água impulsionado por grupos de pressão, energia solar, energia eólica, geradores de energia elétrica ou outro tipo de fornecimento não-padrão.
- A substituição de materiais quebrados ou danificados por desgaste ou uso não normal do aparelho, ou consumíveis tais como: juntas, plásticos, borracha, correias, vidros, pincéis, lâmpadas, asas, puxadores, tampas de queimadores, filtros, grelhas, ânodos de sacrifício (magnésio ou similares) de aquecedores ou caldeiras, etc.
- Os aparelhos que apresentem oxidação, ou danos por corrosão nos esmaltes ou na pintura, que possam ter sido causados por efeitos químicos ou eletroquímicos da água ou de qualquer outra substância, ou acelerados por circunstâncias ambientais ou climáticas desfavoráveis.
- Defeitos estéticos em serigrafia ou pintura.
- Os danos causados por transporte ou manuseio, colisões, etc.
- Os aparelhos devem ser instalados de forma acessível em caso de reparação, devendo o utilizador assumir os custos necessários para aceder ao aparelho para reparação e substituição.

A presente garantia não afeta os direitos de que o consumidor dispõe conforme o previsto na legislação em vigor. O Serviço Oficial de Assistência Técnica resolverá qualquer incidente que o seu aparelho possa necessitar, desde que o aparelho seja instalado de forma acessível.

As marcas BEKO e GRUNDIG são distribuídas por Beko Home Appliances Portugal, Unipessoal, Lda

DADOS DO APARELHO (a ser preenchido pelo Distribuidor):

Detentor:		Carimbo do estabelecimento:
Modelo:	Nº série:	
Estabelecimento:	Data de compra:	

O fiador e o importador do seu eletrodoméstico é: Beko Home Appliances Portugal, Unipessoal, Lda; Edifício Amoreiras Square; Rua Carlos Alberto da Mota Pinto, nº 17, 3ªA, Amoreiras 1070-313, Lisboa, Portugal.

Conheça-nos melhor na nossa página: www.beko.com Conserve este documento, é importante para si.

(*) São considerados eletrodomésticos da linha branca, os aparelhos de cozinha, limpeza, refrigeração e ventilação de tamanho grande e pequenos eletrodomésticos, os de higiene pessoal, manutenção do lar e preparação de alimentos.



Кофемашина зерновая

Руководство по эксплуатации



CEG 7302 B

RU

Перед первым использованием внимательно прочитайте данное руководство!

Уважаемый покупатель,

Благодарим Вас за то, что выбрали продукт Веко. Мы надеемся, что вы получите наилучшие результаты от его использования: прибор был изготовлен с обеспечением высокого качества на базе новейших технологий. Поэтому внимательно прочитайте данное руководство пользователя и все другие сопроводительные документы перед использованием устройства. Рекомендуется сохранить данный документ в качестве справочного пособия для дальнейшего использования. При передаче устройства какому-либо другому лицу приложите к нему руководство пользователя. Примите во внимание все предупреждения и информацию в руководстве пользователя.

Объяснение символов

В различных разделах данного руководства пользователя используются следующие обозначения:



Важная информация или полезные подсказки по использованию машины.



ОПАСНО: Предупреждение о возникновении опасных ситуаций, представляющих угрозу жизни и имуществу.



ПРЕДУПРЕЖДЕНИЕ! Данное предупреждение указывает на потенциально опасные ситуации.



ВНИМАНИЕ: Это предупреждение указывает на потенциальный материальный ущерб.



Материалы подходят для контакта с пищевыми продуктами



ПЕРЕРАБОТАННАЯ И
ПЕРЕРАБАТЫВАЕМАЯ БУМАГА

Важные инструкции по технике безопасности и защите окружающей среды

В этот раздел включены инструкции по технике безопасности, которые помогут обеспечить защиту от травм и материального ущерба. Несоблюдение этих инструкций аннулирует предоставленную гарантию.

1.1 Опасность электрического тока

Опасность для жизни от электрического тока!

Контакт с токоведущими проводами или компонентами может привести к серьезным травмам или даже смерти!

Во избежание поражения электрическим током соблюдайте следующие меры безопасности:

- Никогда не используйте изделие, если поврежден кабель питания или сам прибор. Обратитесь в авторизованный сервисный центр.
- Не открывайте корпус

кофемашины. Опасность поражения электрическим током при прикосновении к токоведущим соединениям и/или изменении электрической и механической конфигурации.

- Перед очисткой контейнера для зерен отключите прибор из розетки. Опасность от вращения кофемолки!

1.2 Опасность ожога

Части кофемашины во время работы могут сильно нагреваться! Раздаваемые напитки и выходящий пар очень горячие!

Соблюдайте следующие меры безопасности, чтобы избежать ожогов себя и / или других:

- Не касайтесь металлических втулок на обоих носиках дозатора кофе.
- Избегайте прямого контакта кожи с паром, выходящим из

Важные инструкции по технике безопасности и защите окружающей среды

машины, или горячей водой для полоскания, очистки или удаления накипи.

1.3 Основные меры безопасности

Для безопасного обращения с кофемашиной соблюдайте следующие меры предосторожности:

- Никогда не играйте с упаковочным материалом. Существует риск получения травмы. Храните все упаковочные материалы в недоступном для детей месте.
- Перед использованием осмотрите кофемашину на предмет видимых признаков повреждений. Не используйте поврежденную кофемашину. Обратитесь в авторизованный сервисный центр.
- Если соединительный кабель поврежден, он должен быть заменен только сервисным

агентом, рекомендованным производителем, во избежание любой опасности! Обратитесь к производителю или в его службу поддержки.

- Ремонт кофемашины должен выполняться только авторизованным специалистом или сервисной службой завода. Ремонт неуполномоченными лицами может привести к значительной опасности для пользователя. Они также аннулируют гарантию.
- Ремонт кофемашины в течение гарантийного срока может выполняться только сервисными центрами, уполномоченными производителем, в противном случае гарантия аннулируется в случае последующего повреждения.
- Неисправные детали можно заменять только оригинальными запчастями. Только оригинальные

1 Важные инструкции по технике безопасности и защите окружающей среды

запчасти гарантируют соблюдение требований безопасности.

- Данным прибором могут пользоваться дети в возрасте от 8 лет, а также лица с ограниченными физическими, сенсорными или умственными способностями или с недостатком опыта и / или знаний, если эти люди находятся под присмотром или были проинструктированы, как использовать прибор безопасным способом и осознали опасности, которые могут возникнуть при его использовании. Дети не должны играть с устройством. Очистка и техническое обслуживание пользователем не должны выполняться детьми, если они младше 8 лет и не находятся под присмотром.
- Прибор предназначен для использования в домашних условиях и для схожих целей, например:
 - поварским персоналом в магазинах, офисах и других рабочих средах;
 - в жилых домах на фермах,
 - постояльцами в гостиницах, отелях и других средах населенных мест,
 - в заведениях типа «ночлег и завтрак».
- Защищайте кофемашину от погодных воздействий, таких как дождь, мороз и прямые солнечные лучи. Не используйте кофемашину на открытом воздухе.
- Ни в коем случае не погружайте кофемашину, сетевой кабель или вилку в воду или другие жидкости.
- Не мойте кофемашину или аксессуары в посудомоечной машине.
- Не наливайте никаких других жидкостей, кроме воды, и

1 Важные инструкции по технике безопасности и защите окружающей среды

- не кладите в резервуар для воды продукты.
- Не заполняйте резервуар для воды сверх максимальной отметки.
- Эксплуатируйте машину только с установленным контейнером для отходов, поддоном для сбора капель и решеткой для чашек.
- Не тяните за кабель, чтобы вынуть вилку из розетки, и не прикасайтесь мокрыми руками.
- Не держите кофемашину за сетевой шнур.
- Храните устройство и шнур питания в месте, недоступном для детей в возрасте менее 8 лет.
- Этот прибор можно использовать только для приготовления кофе.
- Необходимо следить за детьми с целью предотвращения игры с устройством.
- Отключайте прибор от сети перед каждой чисткой и в нерабочее время.
- Размешайте прибор таким образом, чтобы всегда обеспечивался доступ к вилке.
- Всегда используйте прибор на устойчивой, ровной, чистой, сухой и нескользкой поверхности.
- Устройство не является встроенной кофемашинной и не предназначено для использования внутри шкафа. Во время использования кофеварку нельзя ставить в шкаф.
- Не сжимайте и не перегибайте шнур питания и не трите его об острые края, чтобы избежать повреждения. Держите шнур питания вдали от горячих поверхностей и открытого огня.
- Убедитесь, что ваш сетевой блок питания соответствует

1 Важные инструкции по технике безопасности и защите окружающей среды

требованиям, приведенным на табличке прибора.

- Используйте прибор только с заземленной розеткой.
- Не используйте прибор с удлинителем.
- Не прикасайтесь к прибору или вилке прибора влажными или мокрыми руками, когда прибор включен в розетку.
- **ВНИМАНИЕ:** Во избежание опасности, связанной с непреднамеренным сбросом теплового выключателя, этот прибор не должен питаться через внешнее коммутационное устройство, такое как таймер, или подключаться к цепи, которая регулярно включается и выключается коммунальной службой.

-Предупреждение: избегайте попадания жидкости на разъем.

-Не используйте устройство неправильно, чтобы избежать возможных травм.

-Если шнур питания поврежден, он должен быть заменен производителем, дилером по техническому обслуживанию или квалифицированным специалистом во избежание опасности.

1.4 Использование по назначению

Полностью автоматическая кофемашинка Beiko предназначена для использования в домашних условиях и аналогичных сферах, например, на кухнях для персонала, в магазинах, офисах и подобных помещениях или клиентами в гостиницах, отелях и других жилых помещениях. Эта кофемашинка не предназначена для коммерческого использования. Машинка предназначена только для приготовления кофе и нагрева молока и воды. Любое другое использование, кроме ранее заявленного, считается неправильным.

Опасность из-за неправильного использования!

Если устройство используется не по назначению, она может стать источником опасности.



Поэтому кофеварку можно использовать только по прямому назначению.

1 Важные инструкции по технике безопасности и защите окружающей среды



Соблюдайте процедуры, описанные в данном руководстве пользователя.

Никакие претензии в отношении повреждений или травм, возникших в результате использования кофемашины не по прямому назначению, не принимаются.

Риск несет исключительно владелец машины.

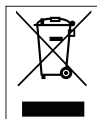
1.5 Ограничение ответственности

Вся техническая информация, данные и инструкции по установке, эксплуатации и техническому обслуживанию кофемашины, содержащиеся в этой инструкции по эксплуатации, отражают текущее состояние на момент печати и основаны на самых лучших знаниях, полученных в результате опыта и наука.

Никакие претензии/требования не могут быть основаны на информации, иллюстрациях и описаниях в этом руководстве пользователя. Изготовитель не несет ответственности за ущерб или травмы, возникшие в результате несоблюдения руководства пользователя, использования не по назначению, непрофессионального ремонта, несанкционированных модификаций или использования неутвержденных запасных частей.

1.6 Соответствие требованиям Директивы WEEE (директива ЕС об отходах электрического и электронного оборудования) и утилизация отработавшего прибора:

Данный продукт соответствует Директиве ЕС WEEE (2012/19/EU). Данный прибор имеет классификационный знак для отработанного электрического и электронного оборудования (WEEE).



Этот символ указывает на то, что прибор нельзя выбрасывать вместе с другими бытовыми отходами по окончании срока службы.

Использованное устройство необходимо вернуть в официальный пункт приема утилизируемых электрических и электронных устройств. Чтобы найти такие системы приема утиля, обратитесь в местные уполномоченные органы или к розничным продавцам, у которых был приобретен продукт. Каждое домашнее хозяйство выполняет важную роль в восстановлении и утилизации старого оборудования. Надлежащая утилизация отработавшего прибора позволяет предотвратить возможные негативные последствия для окружающей среды и здоровья.

1.7 Соответствие требованиям Директивы RoHS

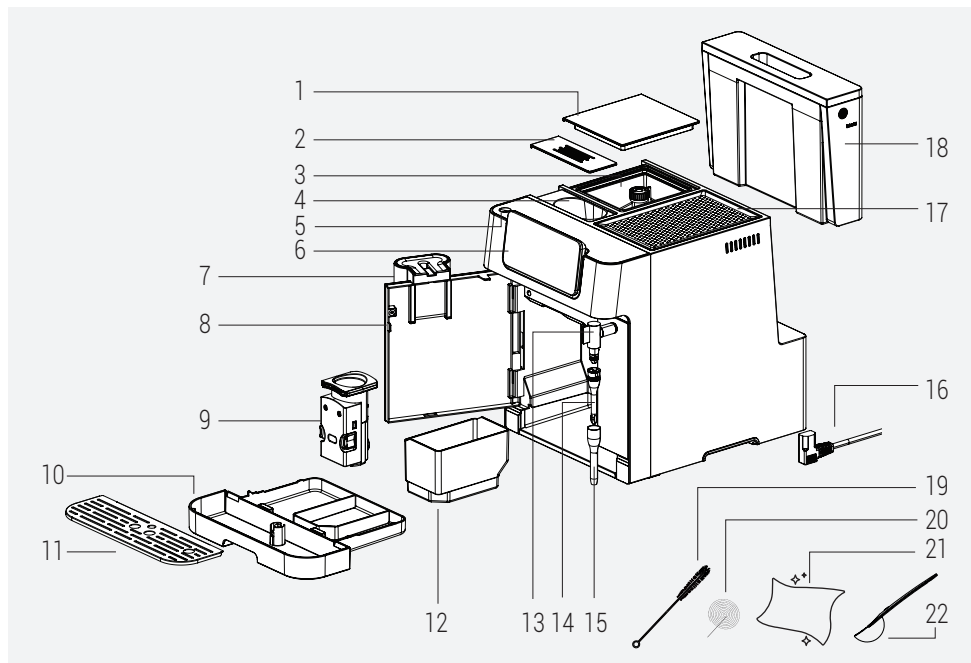
Приобретенный Вами прибор соответствует требованиям Директивы RoHS EC (2011/65/EU). В нем не содержится вредных и запрещенных материалов, указанных в данной Директиве.

1.8 Информация об упаковке



Материалы упаковки устройства произведены из перерабатываемого сырья в соответствии с нашими Национальными нормами по защите окружающей среды. Запрещается выбрасывать упаковочные материалы вместе с бытовыми и другими отходами. Отправьте их в точки сбора упаковочных материалов, указанные местными органами власти.

2 Ваша Полностью Автоматическая Кофемашина



1. Крышка контейнера для кофейных зерен
2. Крышка контейнера для предварительно измельченного кофе
3. Контейнер для кофейных зерен
4. Контейнер для предварительно измельченного кофе
5. Кнопка вкл./выкл.
6. Цифровая панель управления
7. Регулируемый дозатор кофе
8. Передняя крышка
9. Блок заваривания
10. Поддон для сбора капель
11. Поднос для чашек
12. Контейнер для молотого кофе (остатки)
13. Паровое сопло
14. Крышка сопла
15. Металлическая трубка
16. Шнур питания
17. Подогреватель для чашек
18. Резервуар для воды
19. Щетка для чистки
20. Игла для чистки
21. Салфетки для чистки
22. Ложка для предварительно измельченного кофе

2 Ваша Полностью Автоматическая Кофемашина

Технические данные

Источник питания: 220-240 В~, 50-60 Гц

Мощность: 1350 Вт

Компания оставляет за собой право вносить технические изменения и изменения в конструкцию.

Все заявленные значения на устройстве и на печатных листовках получены в результате лабораторных измерений, проведенных в соответствии с соответствующими стандартами. Эти значения могут различаться в зависимости от условий использования и окружающей среды.

Размеры изделия:

27,5 см (ширина) x 35,9 см (высота) x 41,2 см (глубина)

Вес: 9,68±0,5кг

Длина кабеля: 95±5 см

Вес молотого кофе (в зёрнах)

Стандартный режим: 8±2г

Интенсивный: 10±2г

Емкость поддона для сбора капель: До 0,6 л

Кофейная гуща (остатки) Емкость контейнера:

До 10 чашек

Емкость резервуара для воды: 2,0±5%л

Емкость контейнера для кофейных зерен: 250±5%г

Время предварительного нагрева машины: <50 с.

Объем кофе:

Эспрессо: 30±10мл

Двойной: 60±10мл

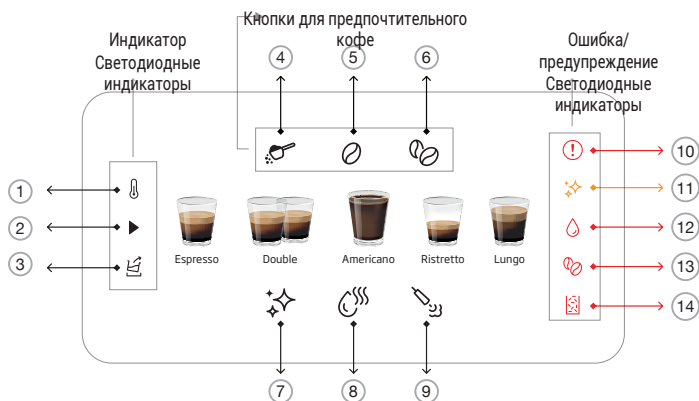
Американо: 150±20мл

Ристретто: 20±5мл

Лунго: 60±10мл

3 Дисплей

3.1 Панель управления



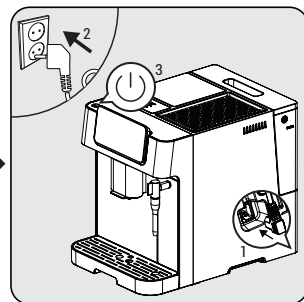
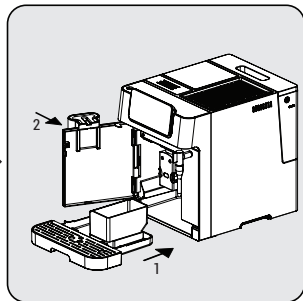
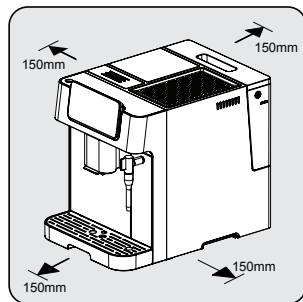
1		Горит во время предварительного нагрева
2		Горит во время текущих процессов
3		Индикатор опорожнения воды
4		Используется для выбора опции "Молотый кофе".
5		Используется для выбора опции "Стандартный кофе в зернах".
6		Используется для выбора опции "Кофе в зернах интенсив".
7		Используется для запуска функций очистки и удаления накипи.
8		Используется для получения горячей воды из парового сопла.
9		Используется для запуска функции паровой форсунки.
10		Общая ошибка
11		Предупреждение о накипи
12		Ошибка отсутствия воды
13		Нет ошибки компонента
14		Ошибка заполнения остаточного контейнера

4 Подготовка

4.1 Установка



Удалите с устройства все защитные пленки, наклейки и другие упаковочные материалы.



Выберите безопасную и устойчивую поверхность с легкодоступным источником питания и соблюдайте минимальное расстояние от боковых сторон машин.

Вставьте поддон для сбора капель. Убедитесь, что он вставлен правильно, и закройте переднюю крышку.

Размотайте и выпрямите шнур питания и вставьте вилку в розетку, расположенную под машиной. Вставьте другой конец шнура питания в розетку с подходящим напряжением питания.

4.2 Заполнение резервуара для воды

О программе защиты: Если резервуар для воды не полностью помещен в кофемашину, режим защиты сработает через 15 секунд во время процесса заваривания. На панели управления загорится кнопка горячей воды.

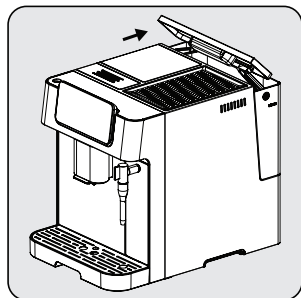


1. Убедитесь, что резервуар для воды полностью вставлен в машину.
2. Нажмите кнопку горячей воды. После подачи горячей воды машина перейдет в режим ожидания.

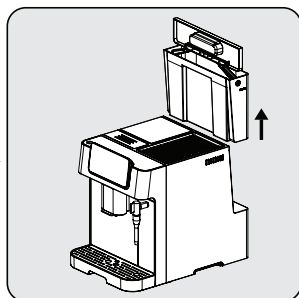


Когда появляется значок "D" в резервуаре низкий уровень воды и необходимо его заполнить.

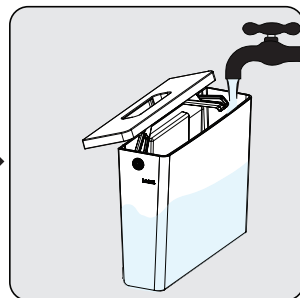
4 Подготовка



Поднимите резервуар для воды, взяв за ручку крышку.



Выньте резервуар для воды.



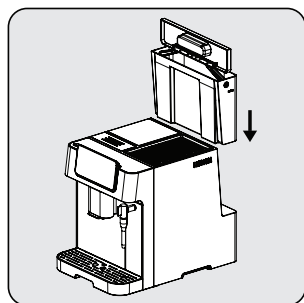
Промойте резервуар для воды пресной водой, затем наполните резервуар до максимального уровня и вставьте его обратно в машину. Убедитесь, что он вставлен полностью.



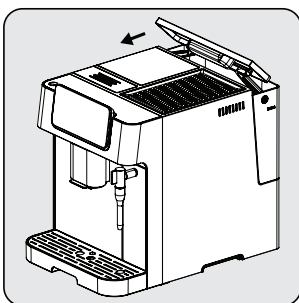
Во избежание перелива воды из резервуара для воды не добавляйте воду непосредственно в прибор из другой емкости.



Никогда не наполняйте резервуар для воды теплой или горячей водой, газированной водой или любой другой жидкостью, которая может повредить резервуар для воды и машину.



Установите резервуар для воды обратно, используя крышку в качестве ручки.

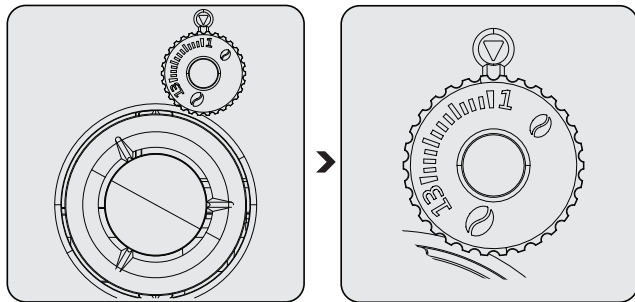


Закройте резервуар для воды крышкой.

5 Эксплуатация

5.1 Регулировка кофемолки

Вы можете отрегулировать крупность помола, повернув регулировочную ручку на контейнере для фасоли:




Никогда не выполняйте регулировку помола в нерабочем состоянии кофемолки. Это может привести к повреждению измельчителя.

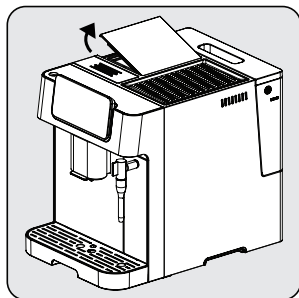


Линии на ручке регулятора указывают на тонкость помола. Большое число означает более грубый помол.

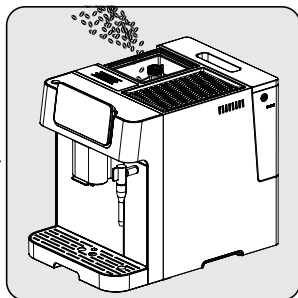
5.2 Наполнение контейнера для кофейных зерен



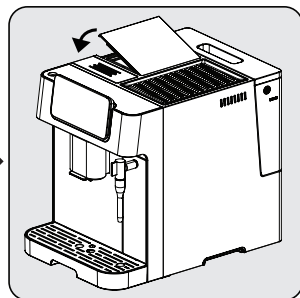
- Когда мигает , необходимо заполнить прибор зернами кофе.
- Для более длительного сохранения свежести кофейные зерна лучше хранить в оригинальной вакуумной упаковке. Для достижения наилучших результатов не используйте контейнер для кофейных зерен в качестве места хранения.



Снимите крышку контейнера для кофейных зерен.



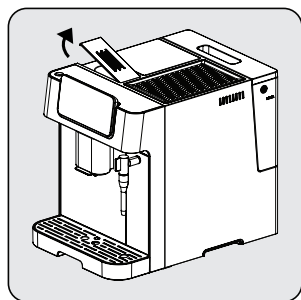
Медленно насыпьте кофейные зерна.



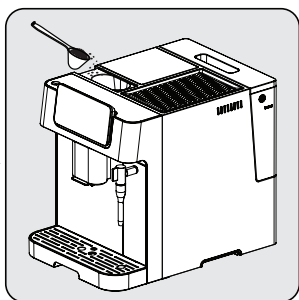
Закройте контейнер крышкой.

5 Эксплуатация

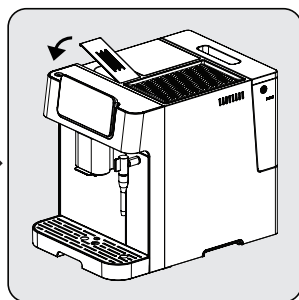
5.3 Использование контейнера для предварительно измельченного кофе



Снимите крышку контейнера для предварительно измельченного кофе.



Медленно насыпьте предварительно молотый кофе в контейнер для предварительно измельченного кофе.



Закройте контейнер крышкой.

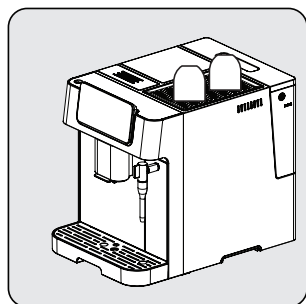


Контейнер для предварительно измельченного кофе - это не место хранения, он предназначен для одноразового использования (max 12g). Мерную ложечку можно использовать для рекомендуемого количества молотого кофе.



Для активации этой настройки следует нажать кнопку "Молотый кофе" и выбрать ее на экране.

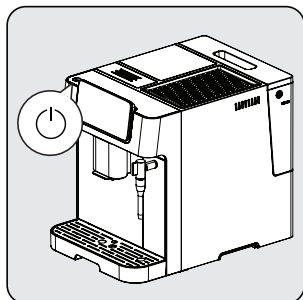
5.4 Использование подогревателя для чашек



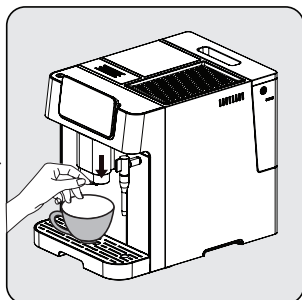
Чашки необходимо ставить вверх дном, чтобы внутренняя поверхность оставалась теплой и чистой (эта функция использует внутреннее тепло устройства).

5 Эксплуатация

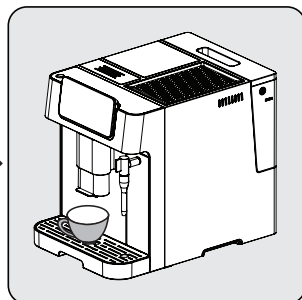
5.5 Приготовление Вашего кофе



Включите прибор, нажав кнопку включения / выключения. Прибор включится, начнет предварительный нагрев и автоматическую очистку. Он будет готов к использованию в режиме ожидания, в котором горят все значки.



Поместите чашку под носик для кофе и отрегулируйте высоту носика в соответствии с размером чашки.

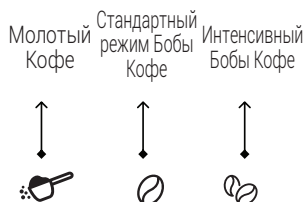


Выберите кофе, нажав кнопку, и загорится индикатор чашки, указывая на то, что прибор готовит чашку кофе. Когда прибор снова перейдет в режим ожидания, кофе будет готов к подаче.



Нажмите кнопку эспрессо, американо, ристретто или лунго в зависимости от ваших предпочтений.

5.6 Регулировка крепости вашего кофе

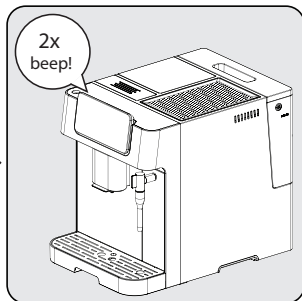


Если используется кофе в зернах, нажмите кнопку "стандартные зерна" или "интенсивные зерна" для регулировки крепости вашего напитка. Если используется молотый кофе, нажмите кнопку "молотый кофе".

5 Эксплуатация

5.7 Регулировка количества кофе / горячей воды

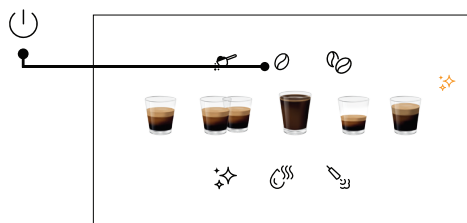
Вы можете сохранить желаемый объем кофе для всех видов напитков, а также горячей воды от 25 мл до 250 мл. (x2 для двойного)



Во время приготовления кофе (эспрессо, двойной, американо, ристретто или лунго) нажмите и удерживайте кнопку выбранного вами кофе. Прибор будет продолжать готовить кофе до тех пор, пока вы удерживаете нажатой кнопку.

Когда количество кофе достигнет желаемого, отпустите кнопку. Если вы услышите два звуковых сигнала, это означает, что машина сохранила этот объем кофе.

i Регулировку воды можно производить во время приготовления кофе (после завершения помола).



Для сброса всех напитков к настройкам по умолчанию / заводским настройкам;

Для возврата к настройкам по умолчанию для всех напитков и выбора объема горячей воды, сохраненных в памяти;

- Нажмите кнопку включения / выключения питания и кнопку bean (зерна) одновременно в течение 3 секунд.

Для сброса одного напитка к настройкам по умолчанию / заводским настройкам;

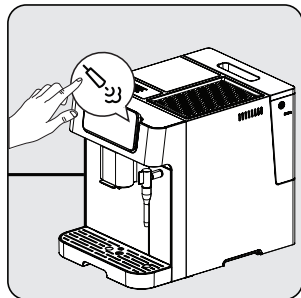
Для того, чтобы сбросить настройки по умолчанию для любого объема кофе или горячей воды по отдельности;

- Нажмите кнопку включения / выключения питания и кнопку напитка (которую желательно сбросить) одновременно в течение 3 секунд.

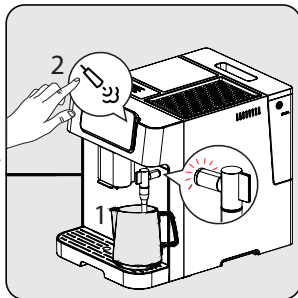
5 Эксплуатация

5.8 Приготовление пенистого молока для кофе

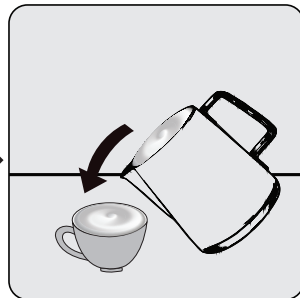
i Поскольку температура пара выше, чем температура эспрессо, эспрессо следует приготовить до приготовления вспененного молока. В противном случае эспрессо может подгореть.



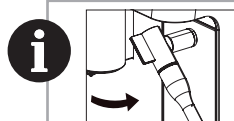
Нажмите на значок паровой форсунки и дождитесь готовности паровой форсунки. Во время предварительного нагрева паровой форсунки будут мигать индикаторные лампочки.



Когда индикаторы не горят, паровая форсунка готова к использованию. Поместите чашку или кувшин с молоком под паровую насадку. Нажмите кнопку парового сопла еще раз, чтобы начать вспенивание молока, и остановитесь, нажав еще раз.



Налейте горячее вспененное молоко в эспрессо. Теперь вы можете наслаждаться кофе!



i Паровое сопло можно поворачивать вправо для облегчения работы.

- После использования паровой насадки, пожалуйста, очистите ее от остатков молока, протерев влажной тканью.

- i** • Рекомендуется удалить остатки молока, которые могут скапливаться на кончике сопла, активировав функцию подачи горячей воды из сопла.
- После того, как паровая форсунка готова, если паровая форсунка не используется в течение определенного времени; экран вернется в режим ожидания.



- Выходное отверстие парового сопла должно быть над поддоном для капель, чтобы предотвратить проливание воды/молока.
- Учитывая, что молоко вспенивается внутри чашки/кувшина, не наполняйте его полностью.
- Имейте в виду, что чашка/кувшин может нагреваться во время вспенивания молока.

5 Эксплуатация

5.9 Горячая вода

Прибор может подавать горячую воду простым нажатием кнопки подачи горячей воды «☺». Нажмите еще раз, чтобы остановить.




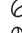




i Данную функцию можно использовать для подогрева чашки перед приготовлением кофе. Сначала наполните чашку горячей водой, слейте воду и используйте эту чашку для приготовления кофе.

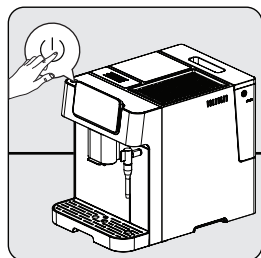
5.10 Выбор режима

У машины есть три различных настройки: настройка по умолчанию, режим ECO и быстрый режим. В режиме ECO прибор экономит больше энергии. В быстром режиме пользователь может приготовить кофе быстрее, чем при настройке по умолчанию.

	Режим ЭКО	Быстрый режим	Настройки по умолчанию
Световые индикаторы прикуривателя и парового сопла	Нет	Да	Да
Предварительное заваривание*	Да	Нет	Да
Время автоматического выключения	10 минут	30 минут	20 минут

i Функция предварительного заваривания увлажняет кофе внутри варочного блока небольшим количеством воды перед полным отжимом. Это расширяет кофейную гушу, чтобы создать большее давление в части для заваривания, что помогает извлечь все масла и раскрыть полный аромат зерен.

1. Когда машина находится в режиме ожидания, нажмите и удерживайте кнопку  в течение 5 секунд.
1.  Затем индикатор замигает и загорятся следующие кнопки, указывающие на различные настройки:
 - 
 - 
 - В режиме ECO → 
В быстром режиме → 
При настройках по умолчанию
2. Нажмите кнопку "Порошковый кофе" для эко-режима, кнопку "Стандартный кофе в зернах" для скоростного режима и кнопку "Интенсивный кофе в зернах" для настроек по умолчанию. Когда режим будет выбран, вы услышите два гудка.
3. Если вы хотите, чтобы настройка оставалась неизменной, снова нажмите  или подождите 5 секунд, пока машина не вернется в режим ожидания.



5.11 Отмена

Для отмены любого запущенного процесса необходимо нажать кнопку включения-выключения один раз. Кроме того, при повторном нажатии на выбранный напиток после начала приготовления операция также отменяется.

6 Очистка



При нажатии кнопки включения/выключения 2 раза устройство принудительно выключится.

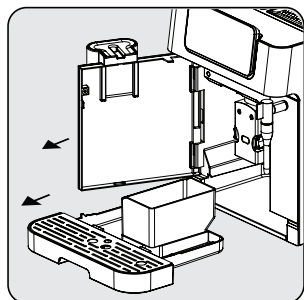
6.1 Очистка прибора

1. Выньте шнур питания из розетки.
2. Вылейте все остатки воды/кофе из поддона для сбора капель и контейнера для остатков кофе.
3. Используйте влажную ткань или не царапающее средство для очистки водяных пятен на приборе.

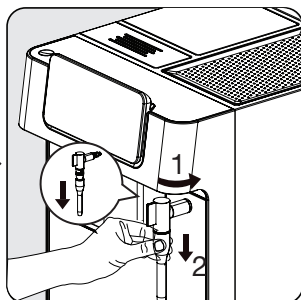


Никогда не используйте для чистки прибора абразивные вещества, уксус или средства для удаления накипи, не входящие в комплект поставки.

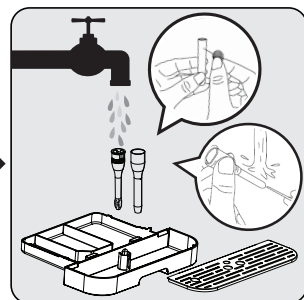
Своевременная чистка и уход за прибором очень важны для продления его срока службы.



Откройте переднюю крышку. Снимите поддон для сбора капель и контейнер для остатков кофе.

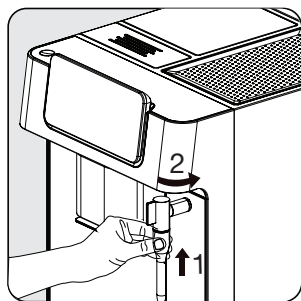


Снимите металлическую трубку, потянув ее вниз. Затем разблокируйте крышку сопла, повернув ее влево, чтобы снять крышку сопла и металлическую трубку.




Опорожните контейнер для кофейной гущи и внешний поддон для капель. Промойте металлическую трубку проточной водой и используйте иглу или щетину кисти, чтобы очистить отверстие. Промойте крышку сопла теплой проточной водой и очистите отверстие иглой или щетиной. После этого просушите их.

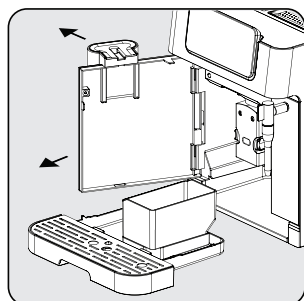
6 Очистка



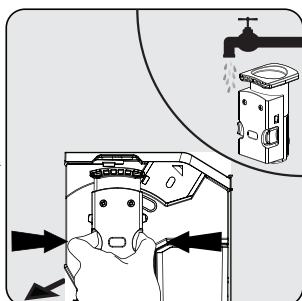
Установите металлическую трубку обратно на крышку сопла. Далее нажмите на нее вверх, чтобы установить крышку сопла на место, и поверните ее вправо, чтобы зафиксировать.



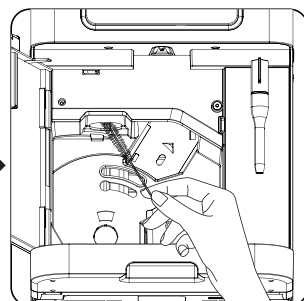
Когда горит , необходимо опорожнить контейнер для кофейной гущи. Этот значок будет загораться после каждых 10 приготовлений кофе. Очистите контейнер для исправления ошибки. Если контейнер чистый, извлеките его и поставьте на место.



Возьмитесь за регулируемый носик для кофе и медленно потяните назад, чтобы открыть переднюю крышку.



Снимите блок заваривания. Промойте водой и высушите.





Очистите линию выпуска кофе щеткой.



- Поддон для сбора капель необходимо будет опорожнить, когда появится индикатор.
- Лоток для кофейного порошка следует очищать после каждого использования с помощью щетки для очистки.



Когда  загорится индикатор, это будет указывать на то, что блок заваривания отсутствует/установлен неправильно.
Когда  мигает, это указывает на то, что передняя крышка не закрыта.

6 Очистка

6.2 Функция удаления накипи



- Требуется удаление накипи после заданного цикла заваривания.
- Не используйте уксус или другие чистящие средства для самоочистки этого прибора. Другие чистящие средства могут повредить прибор.
- Держите кожу/тело подальше от горячей воды.

✦ ✦ Загорающийся индикатор указывает на то, что прибор нуждается в очистке от накипи. Устройство будет оставаться в наилучшем состоянии, если эту функцию выполнять не реже одного раза в месяц или чаще, в зависимости от жесткости используемой воды.

Чтобы начать удаление накипи:

1. Наполните резервуар для воды до "Уровня удаления накипи" ✦ ✦.
2. Добавить содержимое одной упаковки чистящего средства из коробки в резервуар для воды.
3. Поставьте достаточно большую емкость под дозатор кофе и сопло.
4. В режиме ожидания нажмите и удерживайте ✦ ✦ в течение 3 секунд. Вы услышите звуковой сигнал, индикатор ✦ ✦ будет мигать до тех пор, пока резервуар для воды не опорожнится.
5. Снова наполните резервуар для воды водой до "уровня удаления накипи" и нажмите ✦ ✦ кнопку еще раз, чтобы начать второй цикл удаления накипи. Если резервуар для воды снять и установить обратно, прибор обнаружит это действие и автоматически запустит второй цикл (без нажатия кнопки ✦ ✦ очередной раз).
6. Как только резервуар для воды будет опорожнен, экран вернется в режим ожидания. Удаление накипи завершено. Наполните резервуар для воды свежей водой, чтобы запустить приготовление кофе.



Для сброса статуса предупреждения о накипи;

Для сброса статуса предупреждения о накипи;

- Нажмите одновременно кнопку включения/выключения питания и кнопку удаления накипи удерживая 3 секунды.






Сброс статуса предупреждения об удалении накипи не рекомендован для поддержания наилучшего состояния прибора.

6 Очистка

6.3 Функция опустошения системы

Используйте функцию опорожнения системы перед длительным неиспользованием и для защиты от замерзания.

1. В режиме ожидания нажмите и удерживайте кнопку  и кнопка горячей воды  одновременно в течение 3 секунд.
2.  затем загорится.
3. Извлеките резервуар для воды из устройства, процесс начнется автоматически.
4. Когда функция опустошения системы будет завершена, прибор автоматически выключится.



При повторном использовании прибора в первый раз после использования функции опорожнения системы; нажимайте кнопку горячей воды, пока из носика не пойдет вода.

6.4 Функция ручной очистки/ополаскивания

Вы можете вручную очищать/промывать кофейную насадку до или после использования. В режиме ожидания нажмите  один раз.

- После чистки/ополаскивания прибор вернется в режим холостого хода.



- Из сопла для кофе выходит горячая вода, которая собирается в поддоне для капель под ним. Избегайте контакта, так как он разбрызгивается.
- Если прибор не использовался в течение длительного периода времени, рекомендуется воспользоваться этой функцией.



Использование этой функции перед приготовлением кофе также обеспечит более горячий кофе.

Отключение режима автоматической очистки

Ваше устройство автоматически очищается до и после каждого заваривания. Вы можете выполнить следующие действия, чтобы отменить режим автоматической очистки.

- Включите прибор, нажав кнопку включения/выключения питания, и подождите, пока он перейдет в режим ожидания.
- Откройте переднюю крышку.
- Нажмите кнопку включения / выключения питания в течение 5 секунд, и раздастся звуковой сигнал.
- Закройте переднюю крышку.
- Операция автоматической очистки была отменена.

6 Очистка



Мы рекомендуем вам активно использовать режим автоматической очистки для обеспечения бесперебойной работы.

Чтобы отменить автоматическую очистку один раз;

Нажмите кнопку включения/выключения во время включения или выключения машины, чтобы пропустить эту функцию.

7 Устранение неполадок

Неисправность	Причина	Решение
Прибор не работает.	Прибор не подключен к электросети.	Подключите и нажмите на выключатель. Проверьте кабель и вилку.
Отсутствие или задержка отклика в нескольких попытках нажатия функциональной клавиши на панели	Прибор находится под воздействием электромагнитных помех. Панель загрязнена.	Выключите изделие из розетки. Перезапустите через несколько минут. Очистите панель прилагаемой тканью.
Кофе недостаточно горячий.	Чашки не были подогреты. Заварочный блок слишком холодный.	Поставьте чашку на подогреватель для чашек лицевой стороной вниз или промойте чашку горячей водой. Убедитесь, что вода в резервуаре для воды не слишком холодная.
Кофе не вытекает из кофейного носика.	Возможно, ранее использовалась функция пустой системы. Возможно, носик для кофе не был очищен и забит остатками кофе.	Нажимайте кнопку подачи горячей воды до тех пор, пока из носика не начнет вытекать вода. Очистите дозатор кофе.
Первая чашка кофе низкого качества.	При первом запуске кофемолки в варочный агрегат не поступает достаточное количество кофе.	Выбросьте кофе. Следующие чашки будут лучше.
Бак для воды снят / уровень воды в баке очень низкий, но "☺" нет предупреждения.	Область возле разъема резервуара для воды влажная.	Вытрите воду вокруг разъема резервуара для воды.
Внутренний поддон для сбора капель наполнен большим количеством воды.	Молотый кофе слишком мелкий, поэтому вода не может вытекать.	Отрегулируйте степень помола кофе до более крупных зерен для запуска процесса помола.
Кофе подается слишком медленно или по каплям.	Кофейная гуша слишком мелкая, и вода не может вытекать.	Отрегулируйте степень помола кофе до более крупных зерен для запуска процесса помола.
Индикатор мигает, что кофейных зерен недостаточно, но внутри контейнера их много.	Внутренний выход для кофейной гуши заблокирован.	Выполните действия, описанные для очистки выпускного отверстия для кофейной гуши.
Невозможно извлечь часть для заваривания или поддон для кофейной гуши.	Прибор не завершил процесс самоочистки и был выключен.	Пожалуйста, снова включите машину и дайте ей завершить процесс автоматической очистки.
При включении или выключении прибор больше не выполняет цикл ополаскивания.	Причиной может быть неправильное обращение при обслуживании прибора.	1. Во время нахождения прибора в режиме ожидания, откройте переднюю крышку. 2. Нажмите и удерживайте кнопку включения / выключения, пока не услышите 2 звуковых сигнала. 3. Закройте переднюю крышку.
Сенсорные кнопки не чувствительны.	Не нажимайте сенсорную кнопку с передней стороны устройства.	Нажмите на самую нижнюю часть значка сенсорной кнопки со стороны передней части прибора.

Производитель: "Arçelik A.S."
Karaağaç Caddesi No: 2-6 Sütlüce, 34445, Турция
Сделано в Китае

Импортер на территории РФ/ Уполномоченное изготовителем лицо: Юридический
адрес: 601021 Россия, Владимирская обл., Киржачский р-н, дер. Федоровское, ул.
Сельская, д. 49

Дата производства включена в серийный номер продукта, указанный на
этикетке, расположенной на продукте, а именно:
первые две цифры серийного номера обозначают год производства, а последние
две – месяц.
Например, «10-05-100001» обозначает, что продукт произведен в мае 2010 года.

Действует только на территории РФ / Valid for Russian Federation only

beko

ГАРАНТИЯ 2 ГОДА

Адрес: 109004, Россия, Москва, ул. Станиславского, д21, стр 1. <http://www.beko.ru>
Телефон горячей линии 8-800-200-23-56 (Звонок бесплатный на всей территории России)

Гарантийный талон серия RUS №

Модель Серийный номер

Дата продажи

Компания

Подпись продавца

ПЕЧАТЬ

Дата установки

Компания

Подпись мастера

ПЕЧАТЬ

Покупатель Телефон
Фамилия, Имя, Отчество

Изделие проверялось в присутствии покупателя;

Покупатель с условиями гарантии ознакомлен
Подпись Покупателя



Отрывные купоны гарантийного талона являются средством отчетности о выполнении сервисным центром гарантийных работ. Купон изымается из гарантийного талона после удовлетворения Ваших претензий.

beko

серия RUS №

Дата продажи

ПЕЧАТЬ
МАГАЗИНА

3

ГАРАНТИЯ 2 ГОДА

beko

серия RUS №

Дата продажи

ПЕЧАТЬ
МАГАЗИНА

2

ГАРАНТИЯ 2 ГОДА

beko

серия RUS №

Дата продажи

ПЕЧАТЬ
МАГАЗИНА

1

ГАРАНТИЯ 2 ГОДА

Nejprve si přečtěte tento návod, prosím!

Vážení zákazníci,

Děkujeme Vám, že jste si zvolili tento spotřebič Beko. Doufáme, že Vám výrobek, který byl vyroben kvalitně a moderními technologiemi, přinese to nejlepší. Přečtěte si pečlivě celý tento návod a veškerou doprovodnou dokumentaci ještě předtím, než začnete výrobek používat, a uschovejte je pro pozdější nahlédnutí. Pokud výrobek předáte někomu jinému, předejte mu také uživatelskou příručku. Vezměte prosím v úvahu všechna varování a informace uvedené v návodu k použití.

Vysvětlení symbolů

V různých částech tohoto návodu jsou použity tyto symboly.



Důležité informace nebo užitečné rady o použití.



NEBEZPEČÍ: Toto upozornění upozorňuje na nebezpečné situace vůči životu a majetku.



UPOZORNĚNÍ: Toto upozornění označuje potenciálně nebezpečné situace.



VÝSTRAHA: Toto upozornění upozorňuje na možnost vzniku materiálních škod.



Materiály jsou vhodné pro styk s potravinami



**RECYKLOVANÝ A
RECYKLOVATELNÝ
PAPÍR**

1 Důležité pokyny pro bezpečnost a životní prostředí

Tato část obsahuje bezpečnostní pokyny, které pomohou zajistit ochranu před riziky zranění osob a před materiálními škodami. Nedodržení těchto pokynů ruší platnost poskytnuté záruky.

1.1 Nebezpečí zásahu elektrickým proudem

Ohrožení života elektrickým proudem!

Kontakt s vodiči nebo komponenty pod napětím může způsobit vážné zranění nebo dokonce smrt!

Pro zabránění úrazu elektrickým proudem, dodržujte následující bezpečnostní opatření:

- Nepoužívejte produkt, pokud je poškozen napájecí kabel nebo samotný spotřebič. Kontaktujte autorizovaný servis.
- Neotvírejte kryt kávovaru. Hrozí nebezpečí úrazu elektrickým proudem při dotecích pod napětím a/nebo při změně elektrické a mechanické

konfigurace.

- Před čištěním nádoby na kávová zrna odpojte spotřebič od síťové zásuvky. Nebezpečí od otáčejícího se mlýnku na kávu!

1.2 Nebezpečí popálení nebo opaření

Části kávovaru se mohou během provozu velmi zahřát! Vydávané nápoje a unikající pára jsou velmi horké!

Dodržujte následující bezpečnostní opatření, abyste zabránili spálení/opaření sebe a/nebo ostatních:

- Nedotýkejte se ani jednoho z kovových špiček na obou výtocích kávy.
- Zabraňte přímému kontaktu pokožky s párou unikající ze stroje nebo horkou vodou pro oplachování, čištění a odstraňování vodního kamene.

1 Důležité pokyny pro bezpečnost a životní prostředí

1.3 Základní bezpečnostní opatření

Pro bezpečné zacházení s kávovarem dodržujte následující bezpečnostní opatření:

- Nikdy se nehrajte s obalovým materiálem. Riziko udušení. Všechny obalové materiály uchovávejte mimo dosah dětí.
- Před použitím zkontrolujte kávovar, zda nemá viditelné známky poškození. Nepoužívejte poškozený kávovar. Kontaktujte autorizovaný servis.
- Pokud je spojovací kabel poškozen, musí jej vyměnit servisní technik doporučený výrobcem, aby se zabránilo nebezpečí! Obratě se na výrobce nebo jeho zákaznický servis.
- Opravy kávovaru smí provádět pouze autorizovaný odborník nebo Zástupce zákaznického servisu. Opravy prováděné neoprávněnými osobami

mohou vést ke značnému nebezpečí pro uživatele. Tyto činnosti také vedou ke ztrátě záruky.

- Opravy kávovaru během záruční doby mohou provádět pouze servisní střediska autorizované výrobcem, v opačném případě zaniká záruka v případě následného poškození.
- Poškozené díly se mohou vyměnit pouze za originální náhradní díly. Pouze originální náhradní díly zaručují splnění bezpečnostních požadavků.
- Tento spotřebič mohou používat děti starší než 8 let, jakož i osoby se sníženými fyzickými, smyslovými nebo mentálními schopnostmi nebo s nedostatečnými zkušenostmi a / nebo znalostmi, pokud jsou tyto osoby pod dozorem nebo byly poučeny o tom, jak používat spotřebič bezpečným způsobem a porozuměli nebezpečím, které mohou vzniknout při jeho používání.

1 Důležité pokyny pro bezpečnost a životní prostředí

Děti si se spotřebičem nesmějí hrát. Čištění a uživatelskou údržbu nesmějí provádět děti, pokud nejsou starší 8 let a nejsou pod dozorem.

- Toto zařízení je určeno pro použití v domácnosti a v podobných podmínkách, jako jsou například:
 - Kuchyně pro zaměstnance v obchodech, kancelářích a jiných pracovních prostředích,
 - farmové domy,
 - Pro potřeby zákazníků v hotelech, motelech a jiných typech bytových zařízení;
 - bytovací zařízení typu bed and breakfast ;
- Chraňte kávovar před povětrnostními vlivy, jako je déšť, mráz a přímé sluneční záření. Nepoužívejte kávovar venku.
- Nikdy neponořujte samotný kávovar, síťový kabel nebo zástrčku do vody nebo do

jiných tekutin.

- Kávovar nebo jeho příslušenství nečistěte v myčce nádobí.
- Do vody nenalévejte žádné jiné tekutiny, ani do ní nedávejte potraviny.
- Nádržku na vodu nenaplňujte nad maximální značku.
- Stroj obsluhujte pouze tehdy, když je namontována nádoba na odpad, odkapávací mísa a podnos na šálek.
- Netahejte za kabel, abyste vytáhli zástrčku ze zásuvky, ani se ho nedotýkejte mokřýma rukama.
- Kávovar nedržte za síťový kabel.
- Udržujte přístroj a přívodní kabel mimo dosah dětí mladších 8 let.
- Spotřebič je možné používat pouze pro přípravu kávy.
- Děti by měly být pod dohledem, aby si s přístrojem nehrály.
- Před každým čištěním a pokud

1 Důležité pokyny pro bezpečnost a životní prostředí

- se spotřebič nepoužívá, jej odpojte ze zásuvky.
- Umístěte spotřebič tak, aby zástrčka byla vždy přístupná.
 - Spotřebič používejte vždy na stabilním, rovném, čistém, suchém a neklouzavém povrchu.
 - Spotřebič není integrovaný kávovar a není určen k použití uvnitř skříňky. Kávovar nesmí být při používání umístěn ve skříňce.
 - Napájecí kabel nemačkejte ani neohýbejte a nešoupejte jej o ostré hrany, aby nedošlo k jeho poškození napájecího kabelu. Napájecí kabel nepřikládejte k horkým povrchům ani ho nevystavujte otevřenému ohni.
 - Dbejte na to, aby elektrická síť vyhovovala údajům uvedeným na typovém štítku spotřebiče.
 - Spotřebič používejte pouze s uzemněnou zásuvkou.
 - Nepoužívejte spotřebič s prodlužovacím kabelem.
 - Když je spotřebič zapojen do zásuvky, nedotýkejte se ho mokřýma nebo vlhkýma rukama.
 - - **VÝSTRAHA:** Aby se předešlo možnému nebezpečí v důsledku neúmyslného resetování tepelné pojistky, tento spotřebič nesmí být napájen prostřednictvím externího zdroje, jako je například časovač nebo nesmí být připojen k elektrickému obvodu, který se zpravidla zapíná a vypíná pomocí jiného zařízení.
 - Upozornění: vyvarujte se rozlití na konektor.
 - Nepoužívejte spotřebič nesprávně, abyste předešli možnému zranění.
 - Pokud je přívodní kabel poškozen, musí jej vyměnit výrobce nebo jeho zástupce nebo podobně kvalifikovaná osoba, aby se zabránilo riziku.

1 Důležité pokyny pro bezpečnost a životní prostředí

1.4- Běžný účel použití

Plně automatický kávovar Beko je určen pro použití v domácnostech a podobných aplikacích, například v kuchyních pro zaměstnance, obchodech, kancelářích a podobných oblastech nebo zákaznicky v penzionech, hotelích, motelech a jiných obytných zařízeních. Tento kávovar není určen pro komerční použití. Stroj je určen pouze pro přípravu kávy a na ohřev mléka a vody. Každé jiné použití, jak bylo uvedeno výše, se považuje za nesprávné použití.

Nebezpečí způsobené nesprávným použitím!

Pokud se kávovar nepoužívá k určenému účelu, může se stát zdrojem nebezpečí.



Kávovar proto musí používat pouze k určenému účelu.



Následujte postupy uvedené v této uživatelské příručce.

Žádné nároky jakéhokoliv druhu, které vzniknou v důsledku používání kávovaru na jiný než určený účel, nebudou akceptovány za škody nebo zranění. Riziko musí snášet výhradně vlastník stroje.

1.5 Omezení odpovědnosti

Veškeré technické informace, údaje a pokyny o instalaci, provozu a údržbě kávovaru uvedené v tomto návodu k obsluze představují aktuální stav v době tisku a vycházejí z nejlepších možných poznatků získaných zkušenostmi a know-how.

Z informací, ilustrací a popisů v tomto návodu k obsluze nelze vyvozovat žádné nároky/požadavky. Výrobce nenese žádnou odpovědnost za škody nebo zranění způsobená nedodržením návodu k použití, používáním výrobku k jiným účelům, než je určeno, neodbornými opravami, neautorizovanými

úpravami nebo použitím neschválených náhradních dílů.

1.6 Dodržování směrnice WEEE a odstranění odpadů výrobku

Tento výrobek splňuje požadavky směrnice WEEE EU (2012/19/EU). Na tomto produktu je zobrazen symbol klasifikace odpadu elektrických a elektronických zařízení (WEEE).



Tento symbol znamená, že na konci své životnosti se tento výrobek nesmí likvidovat spolu s ostatním domovním odpadem. Použité zařízení se musí odnést na oficiální sběrné místo za účelem recyklace elektrických a elektronických zařízení. Tato sběrná místa naleznete na místním úřadě nebo u prodejce, kde jste výrobek zakoupili. Každá domácnost plní důležitou roli při zhodnocování a recyklaci starých spotřebičů. Správná likvidace použitého spotřebiče pomáhá předcházet možným negativním následkům pro životní prostředí a lidské zdraví.

1.7 Soulad se směrnicí RoHS

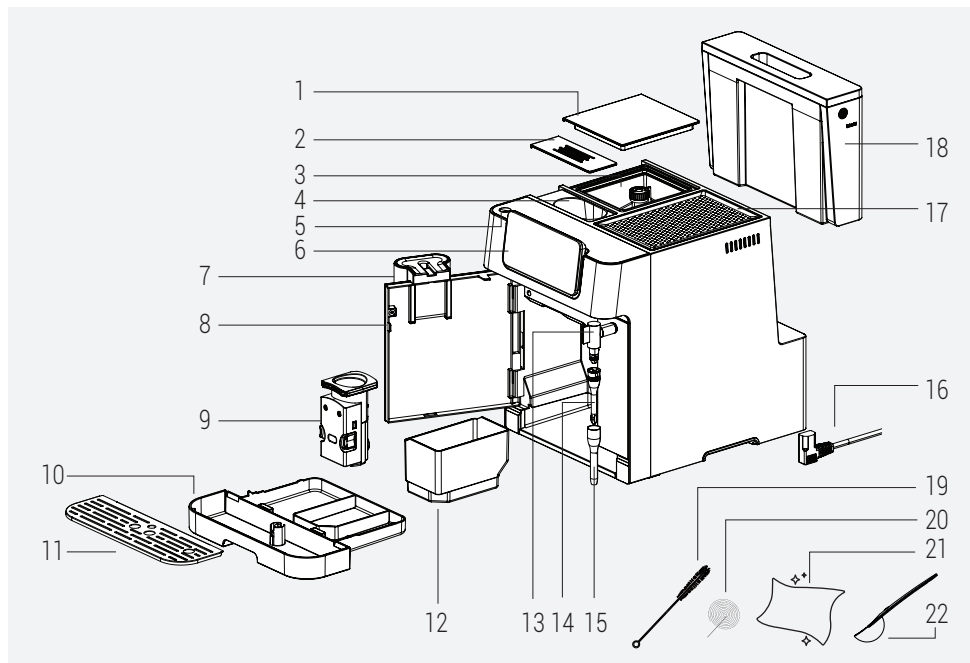
Výrobek, který jste si zakoupili, vyhovuje směrnici EU RoHS (2011/65/EU). Neobsahuje škodlivé a zakázané látky uvedené ve směrnici.

1.8 Informace o balení



Obalové materiály výrobku jsou vyrobeny z recyklovatelných materiálů v souladu s našimi vnitrostátními předpisy o životním prostředí. Nevyhazujte obalové materiály spolu s domácími nebo jinými odpady. Vezměte je do sběrných míst pro obalové materiály určené místními orgány.

2 Váš plně automatický kávovar



1. Obal nádoby na kávová zrna
2. Kryt nádoby na předem umletou kávu
3. Nádoba na kávová zrna
4. Nádoba na předem umletou kávu
5. Tlačítko Zapnutí / Vypnutí
6. Digitální Ovládací panel
7. Nastavitelný výtok kávy
8. Přední kryt
9. Varná jednotka
10. Odkapávací podnos
11. Podnos na sklenice
12. Kontejner na mletou (zbytkovou) kávu
13. Parní tryska
14. Kryt trysky
15. Kovová trubice
16. Napájecí kabel
17. Ohřívač šálek
18. Nádrž na vodu
19. Štěteček na čištění
20. Jehla na čištění
21. Čisticí hadřík
22. Lžice na předem umletou kávu

2 Váš plně automatický kávovar

Technické údaje

Napájení: 220-240 V~, 50-60 Hz

Výkon: 1350 W

Práva na technické a designové změny jsou vyhrazena.

Všechny deklarované hodnoty na výrobku a v tištěných letáčích byly získány z laboratorních měření provedených podle příslušných norem. Tyto hodnoty se mohou lišit v závislosti a použití a od okolních podmínek.

Rozměry výrobku:

27,5 cm (šířka) x 35,9 cm (výška) x 41,2 cm (hloubka)

Hmotnost: 9,68±0,5 kg

Délka kabelu: 95± 5 cm

Hmotnost mleté kávy (Režim zrnkové kávy)

Standardní: 8±2g

Intenzivní: 10±2g

Objem odkapávací misky: Do 0,6 l

Objem nádoby na mletou (zbytkovou) kávu:

Až 10 šáleků

Kapacita nádrže na vodu: 2,0±5% l

Objem nádoby na kávová zrna: 250±5% g

Doba předehřevu stroje: 42.

Objem kávy:

Espresso: 30±10ml

Dvojité: 60±10ml

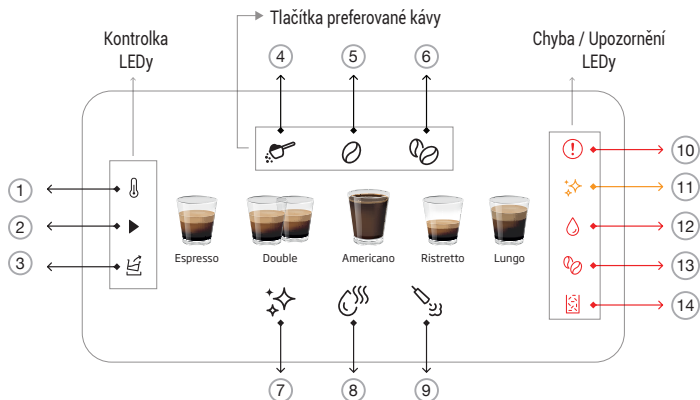
Americano: 150±20ml

Ristretto: 20±5ml

Lungo: 60±10ml

3. Displej

3.1- Ovládací panel



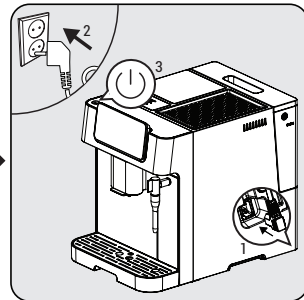
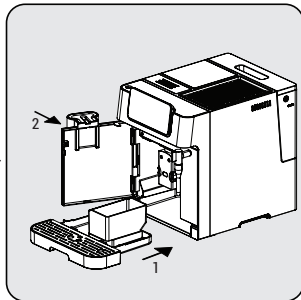
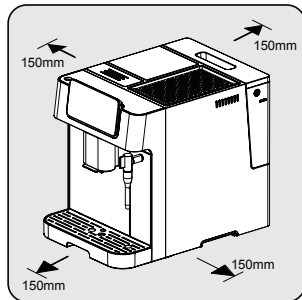
1		Svítl během předehřívání
2		Svítl během probíhajících procesů
3		Kontrolka vyprázdnění vody
4		Slouží k výběru možnosti "Mletá káva".
5		Slouží k výběru možnosti "Standardní zrnková káva".
6		Slouží k výběru možnosti "Intenzivní zrnková káva".
7		Slouží ke spuštění funkcí čištění a odstraňování vodního kamene.
8		Slouží pro příjem horké vody z parní trysky.
9		Slouží ke spuštění funkce parní trysky.
10		Generální porucha
11		Upozornění k odstranění vodního kamene
12		Porucha Nedostatek vody
13		Porucha Nedostatek kávových zrn
14		Porucha Zbytková nádoba plná

4 Příprava

4.1 Instalace



Odstraňte z přístroje veškeré ochranné fólie, nálepky a jakýkoli jiný obalový materiál.



Vyberte si bezpečný a stabilní povrch s lehké dostupným zdrojem energie a umožněte minimální vzdálenost od stran strojů.

Vložte odkapávací misku. Ujistěte se, že je správně vložena, a zavřete přední kryt.

Rozviňte a vyrovnejte napájecí kabel a zapojte zástrčku do zásuvky umístěné pod zařízením. Druhý konec napájecího kabelu zasuňte do síťové zásuvky s vhodným napájecím napětím.

4.2 Plnění nádrže dávkovače vody

O programu ochrany. Pokud nádržka na vodu není zcela vložena do kávovaru, po 15 sekundách vaření se aktivuje ochranný režim. Na ovládacím panelu se rozsvítí tlačítko horké vody.

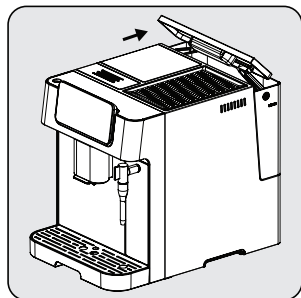


1. Ujistěte se, že je nádržka na vodu zcela zasunuta do stroje.
2. Stiskněte tlačítko horké vody. Po vypuštění horké vody bude stroj v nečinnosti.

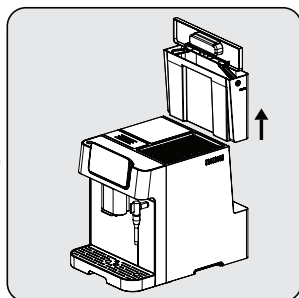


Pokud svítí "D" je v nádrži málo vody a je potřeba jí doplnit.

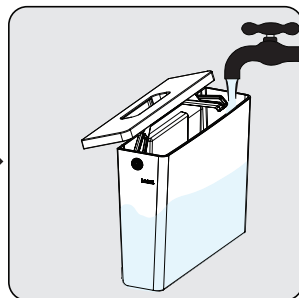
4 Příprava



Zvedněte nádrž na vodu pomocí víka s rukojetí.



Vytažení zásobníku na vodu.



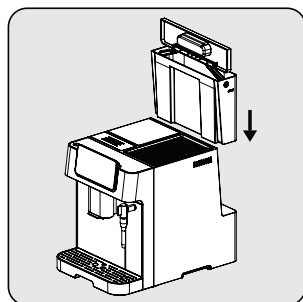
Opláchněte nádržku na vodu čerstvou vodou, pak ji naplňte na úroveň Max a vložte ji zpět do zařízení. Zkontrolujte, zda je zcela zasunuta.



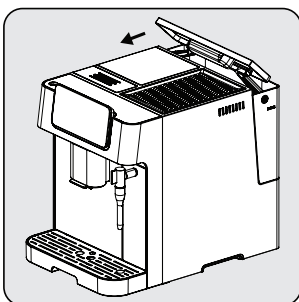
Abyste zabránili přetečení vody ze zásobníku na vodu, nepřidávejte vodu přímo do spotřebiče z jiné nádoby.



Nikdy nenaplňujte nádrž na vodu teplou nebo horkou, perlivou vodou nebo jinou tekutinou, která by mohla poškodit nádrž na vodu a stroj.



Nádobu na vodu vložte zpět pomocí eka s rukojetí.

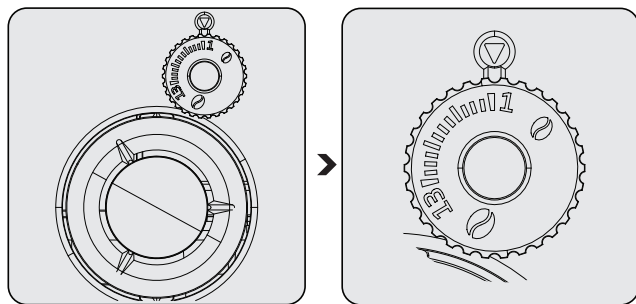


Nádobu na vodu zavřete pomocí víka.

5 Obsluha

5.1 Nastavení mletí

Hrubost mletí můžete nastavit otáčením regulačního knoflíku na nádobě na zrna:

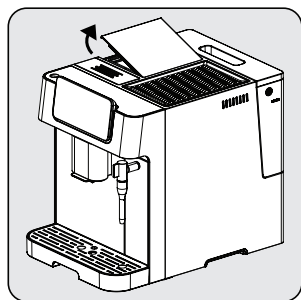


! Nikdy nenastavujte mletí, když mlýnek nepracuje. Může to poškodit mlýnek.

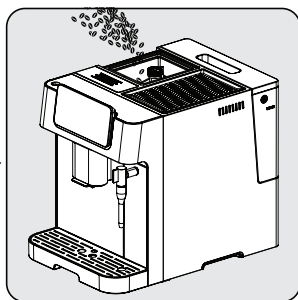
i Čáry na nastavovacím knoflíku označují hrubost mletí. Větší číslo znamená hrubší stupeň mletí.

5.2 Naplňování nádob na zrnkovou kávu

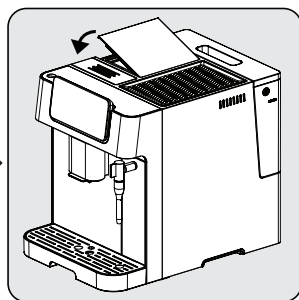
- i**
- Když "☉" bliká, je třeba spotřebič naplnit zrnkovou kávou.
 - Kávová zrna je lepší skladovat v originálním vakuovém obalu, aby se zajistila její delší čerstvost. Pro lepší výsledky pro skladování nepoužívejte nádobu na zrnkovou kávu.



Odstraňte víko nádoby na zrnkovou kávu.



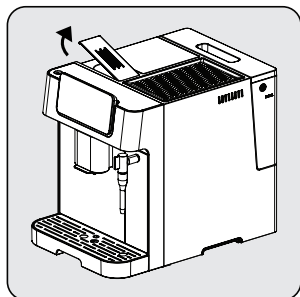
Pomalu nasypete zrnkovou kávu.



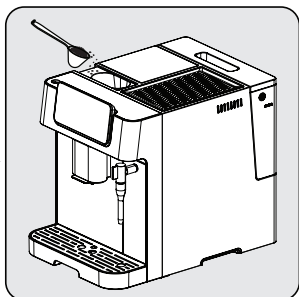
Nasadte zpět víko nádoby.

5 Obsluha

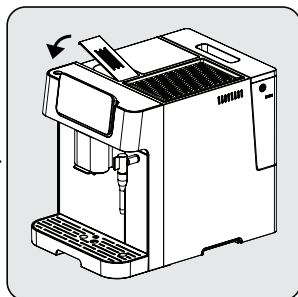
5.3 Používání nádoby na předem namletou kávu



Odstraňte víko nádoby na předem namletou kávu.



Pomalu vložte předem namletou kávu do nádoby na předem namletou kávu.



Nasadte zpět víko nádoby.

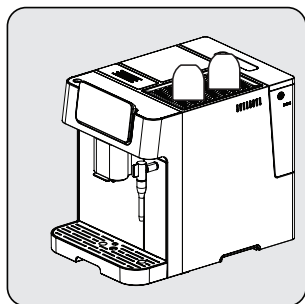


Nádoba na předem namletou kávu není skladovací prostor, nabízí jednorázové použití (max 12g). K odměření navrhovaného množství mleté kávy lze použít odměrnou lžičku.



Pro aktivaci tohoto nastavení je třeba stisknout tlačítko mleté kávy a vyjmout jej na obrazovce.

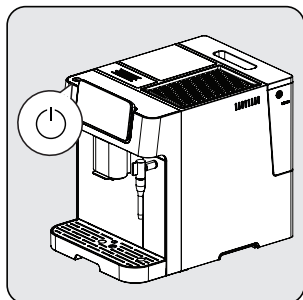
5.4 Používání ohřivače šálek



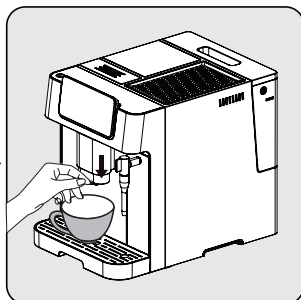
Šálky umístěte vzhůru nohama, pro udržení vnitřního povrchu teplého a čistého (tato funkce využívá vnitřní teplo zařízení).

5 Obsluha

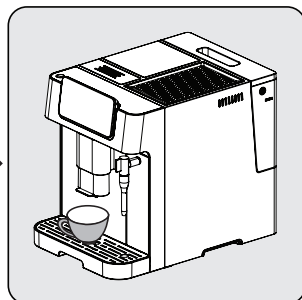
5.5 Příprava vaší kávy



Spotřebič zapnete stisknutím tlačítka zapnutí / vypnutí. Spotřebič se zapne, spustí předehřívání a automatické čištění. Je připraven k použití v režimu nečinnosti, ve kterém jsou všechny ikony rozsvícené.



Dejte šálek pod výlevku kávy a upravte výšku výlevky podle šálku.



Stisknutím tlačítka zvolte kávu a rozsvítí se kontrolka šálku, což znamená, že spotřebič připravuje šálek kávy. Když se spotřebič vrátí do stavu nečinnosti, káva je připravena k podávání.



Stiskněte tlačítko espresso, americano, ristretto nebo lungo v závislosti na vašich preferencích.

5.6 Nastavení síly kávy

Mletá
Káva

Standardní
Zrnková
Káva

Intenzivní
Zrnková
Káva

Pokud se používá zrnková káva, stiskněte tlačítko "standard bean" nebo

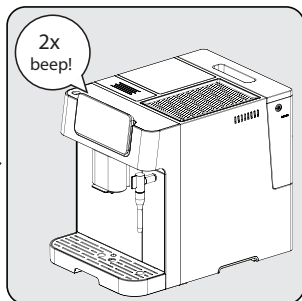


"intense bean", pro nastavení síly nápoje. Pokud se používá mletá káva, stiskněte možnost "mletá káva".

5 Obsluha

5.7 Úprava objemu vaší kávy / horké vody

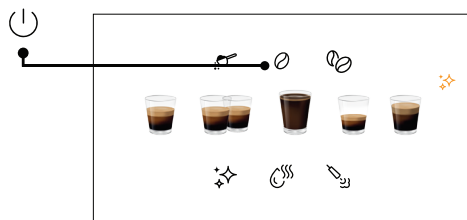
Můžete si uložit objem požadované kávy pro všechny druhy nápojů i horké vody od 25 ml do 250 ml. (x2 pro dvojnásobek)



Během přípravy kávy (espresso, doppio, americano, ristretto nebo lungo) stiskněte a podržte tlačítko zvolené kávy. Spotřebič bude pokračovat v přípravě kávy, dokud budete držet tlačítko stisknuté.

Když objem kávy dosáhne požadovaný objem, tlačítko uvolněte. Pokud uslyšíte dvě pípnutí, znamená to, že kávovar uložil tento objem kávy.

i Úpravu množství vody lze provádět i v průběhu přípravy kávy (po dokončení mletí).



Obnovení výchozích/výrobních nastavení všech nápojů;

Pro obnovení výchozích nastavení všech nápojů a volby objemu teplé vody uložených v paměti;

- Stiskněte tlačítko zapnutí/vypnutí a tlačítko kávových zrn současně na 3 sekundy.

Obnovení výchozích/továrních nastavení jednotlivých nápojů;

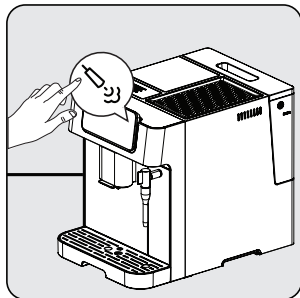
Chcete-li obnovit výchozí nastavení jakékoli kávy nebo objemu horké vody jednotlivě;

- Stiskněte tlačítko zapnutí/vypnutí a tlačítko nápoje (který se má resetovat) společně na 3 sekundy.

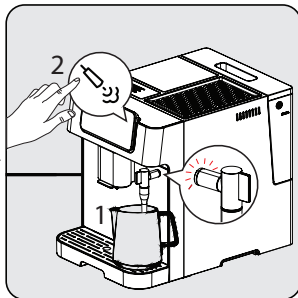
5 Obsluha

5.8 Příprava zpěněného mléka na kávu

i Protože je teplota páry vyšší než teplota espresso, mělo by se espresso připravit před výrobou pěnového mléka. V opačném případě se espresso může připálit.

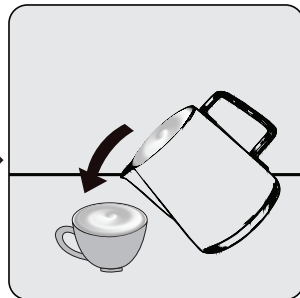


Stiskněte ikonu parní trysky a počkejte, až bude parní tryska připravena. Během předehřívání parní trysky budou blikat kontrolky.

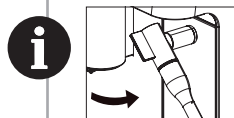


Když kontrolky trvale svítí, parní tryska je připravena k použití. Pod parní trysku umístěte šálek nebo džbán naplněný mlékem. Očíslovaná tlačítka parní trysky spusťte napěnění mléka a opětovným stisknutím jej zastavte.

Parní tryska lze pro účely jednodušší manipulace otočit směrem doprava.



Nalijte horké pěnové mléko do espressa. Nyní si můžete vychutnat svou kávu!



- Po použití parní trysky vyčistěte trysku od zbytků mléka otřením trysky vlhkým hadříkem.

- Zbytky mléka, které se mohou hromadit na konci trysky, se doporučuje odstranit aktivací funkce horké vody z trysky.
- Pokud se parní tryska po určité době nepoužije, obrazovka se vrátí do fáze nečinnosti.



- Výstupní otvor parní trysky musí být nad odkapávací miskou, aby se zabránilo rozlití vody/mléka.
- Vzhledem k tomu, že mléko v šálku/džbánu pění, nenaplňujte ji celou.
- Uvědomte si, že šálek/ džbánek může být během pěnění mléka horký.

5 Obsluha

5.9 Horká voda

Zařízení může vydávat horkou vodu jednoduchým stisknutím tlačítka horké vody "☺". Opětovným stisknutím jej zastavíte.

i Tuto funkci lze použít k ohřátí šálku před přípravou kávy. Nejprve naplňte šálek horkou vodou, poté vodu vylijte a použijte tento šálek pro přípravu kávy.

5.10 Výběr režimu

Stroj má tři různá nastavení: výchozí nastavení, režim ECO a rychlý režim. V režimu ECO přístroj šetří více energie. V rychlém režimu může uživatel kávu zrychlit jako je nastaveno ve výchozích nastavení.

	Režim ECO	Rychlý režim	Výchozí nastavení
Světla kontrolky šálku a kontrolky parní trysky	Ne	Ano	Ano
Předvaření *	Ano	Ne	Ano
Čas automatického vypnutí	10 min	30 min	20 min

i Funkce předspaření zvlhčí kávu uvnitř spařovací jednotky malým množstvím vody před úplnou extrakcí. To rozšiřuje mletou kávu, aby ve varné jednotce vytvořila větší tlak, který pomáhá extrahovat všechny oleje a dosáhnout plnou chuť ze zrn.

1. Když je zařízení v nečinném stavu, stiskněte a podržte ☺ na 5 sekund.

1. Potom ☺ začne blikat a rozsvítí se následující tlačítka, která indikují různá nastavení:

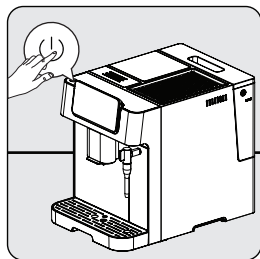
V ECO režimu → ☺

V rychlém režimu → ☺

Ve výchozím nastavení → ☺

2. Stiskněte tlačítko "Powder Coffee Button" pro režim ECO, tlačítko "Standart Bean Coffee Button" pro režim rychlosti a tlačítko "Intense Bean Coffee Button" pro výchozí nastavení. Po volbě režimu uslyšíte dvě pípnutí.

3. Pokud si přejete ponechat nastavení nezměněné, stiskněte ☺ znovu nebo počkejte 5 sekund, dokud se zařízení vrátí do nečinného stavu.



5.11 Zrušení

Pro zrušení jakéhokoli spuštěného procesu je třeba jednou stisknout tlačítko Zapnout/Vypnout. Kromě toho opětovné stisknutí tlačítka zvoleného nápoje po spuštění přípravy rovněž zruší operaci.

6 Čištění



Dvojitím stisknutím tlačítka zapnutí/vypnutí se zařízení vypne.

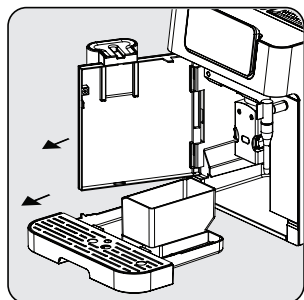
6.1 Čištění spotřebiče

1. Odpojte napájecí kabel z elektrické zásuvky.
2. Vylijte veškerou vodu/zbytky kávy uvnitř odkapávací misky a nádoby na zbytky kávy.
3. K čištění skvrn na přístroji použijte navlhčený hadřík nebo čistící prostředek, který neškrábe.

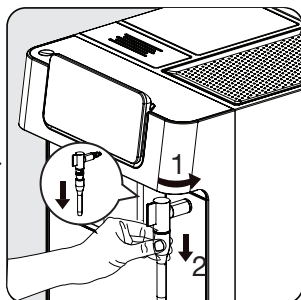


K čištění zařízení nikdy nepoužívejte abrazivní, ocotové nebo odvápnovací prostředky, které nejsou součástí balení.

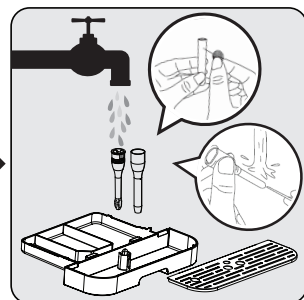
Včasně čištění a údržba spotřebiče jsou vysoce důležité při prodloužení jeho životnosti.



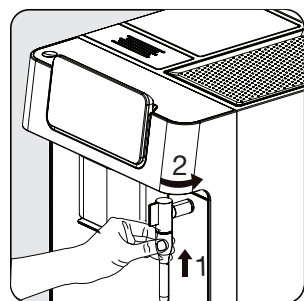
Otevřete přední kryt. Vyměňte odkapávací misku a nádobu na zbytky kávy.



Kovovou trubku vyberte tahem dolů. Potom odstraňte kryt trysky otočením doleva, abyste rozebrali kryt trysky a kovovou trubici.



Vyprázdněte nádobu na zbytky kávy a odkapávací misku. Kovovou trubici omyjte teplou tekoucí vodou a otvor vyčistěte jehlou nebo štětinami kartáčku. Kryt trysky omyjte teplou tekoucí vodou a otvor vyčistěte jehlou nebo štětinami kartáčku. Pak ho osušte.

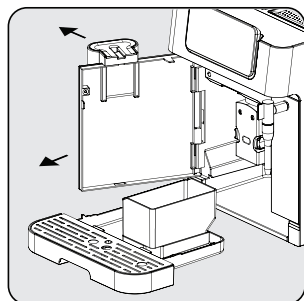


Znovu přiložte kovovou trubku na kryt trysky. Potom ji zatlačte směrem nahoru, aby se kryt trysky vrátil na své místo, a otočením doprava jej zajistěte.

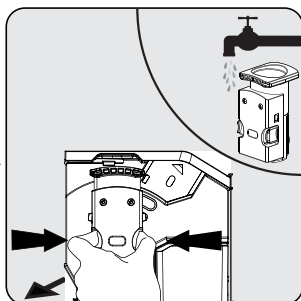
6 Čištění



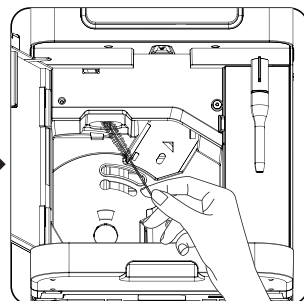
Po rozsvícení ☒ musí být nádoba na kávové zbyšky prázdná. Tato ikona se rozsvítí po každých 10 vařeních kávy. Vyčistěte nádobu, abyste chybu opravili. Pokud je nádoba čistá, vyjměte ji a vraťte na místo.



Podržte nastavitelnou výlevku kávy a pomalým tahem dozadu otevřete přední kryt.



Odstraňte varnou jednotku. Potom ji omyjte vodou a osušte.



Vyčistěte výstupní potrubí kávy pomocí kartáčku.



- Odkapávací miska by se měla vyprázdnit, když je viditelný plovoucí kontrolka.
- Žlábek na sypkou kávu je třeba po každém použití vyčistit čisticím kartáčkem.



Když se rozsvítí kontrolka ☹, znamená to, že varná jednotka chybí / je nesprávně nainstalována. Když bliká ☹, znamená to, že přední kryt není zavřený.

6.2 Funkce odstraňování vodního kamene



- Odvápňení se vyžaduje po předdefinovaném cyklu vaření.
- Na samočištění tohoto zařízení nepoužívejte ocet ani jiný čisticí prostředek. Jiné čisticí prostředky mohou spotřebič poškodit.
- Chraňte pokožku / své tělo od horké vody.

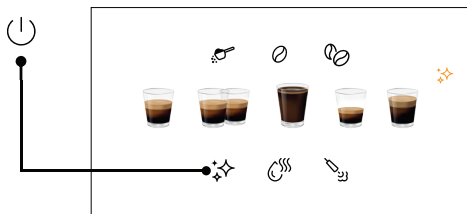
Když se rozsvítí ✨, znamená to, že je třeba spotřebič odvápnit. Spotřebič zůstane v nejlepším stavu, pokud se tato funkce provádí nejméně jednou měsíčně nebo pravidelněji v závislosti na tvrdosti použité vody.

Spuštění odstraňování vodního kamene:

1. Naplňte nádržku na vodu, dokud se nezobrazí "Úroveň odvápňení ✨".

6 Čištění

2. Do nádrže na vodu přidejte jedno balení čisticího prostředku, které je součástí balení.
3. Pod výtok na kávu a trysku vložte dostatečný velkou nádobu.
4. V nečinném stavu stiskněte a podržte ✨ na 3 sekundy tlačítko . Uslyšíte zvukový signál a ✨ bude blikat, dokud se nádržka na vodu nevyprázdní.
5. Naplňte nádržku na vodu ještě jednou vodou až po "hladinu pro odstraňování vodního kamene" a stiskněte tlačítko ✨ ještě jednou, čímž spustíte druhý cyklus odstraňování vodního kamene. Pokud nádržku na vodu vyjmete a vložíte zpět, spotřebič tuto činnost rozpozná a automaticky spustí druhý cyklus (bez opětovného stisknutí tlačítka ✨).
6. Po vyprázdnění nádrže na vodu se obrazovka vrátí do stavu nečinnosti. Odstraňování vodního kamene je dokončeno. Naplňte nádržku na vodu čerstvou vodou a začněte připravovat kávu.



Obnovení stavu upozornění na odstranění vodního kamene;

Pro obnovení stavu upozornění na odstranění vodního kamene;




- Stiskněte tlačítko zapnutí/vypnutí a tlačítko odvápnění současně na 3 sekundy.



Obnovení stavu upozornění na odstranění vodního kamene se nedoporučuje k udržení nejlepšího stavu spotřebiče.

6.3 Funkce vyprázdnění systému

Funkci vyprázdnění systému použijte před delším obdobím nepoužívání ak ochraně před mrazem.


1. Při volnoběhu stiskněte a podržte tlačítko  a tlačítko horké vody  spolu na 3 sekundy.
2.  pak se rozsvítí.
3. Vyjmete nádržku na vodu ze spotřebiče, proces se spustí automaticky.
4. Po dokončení funkce vyprázdnění systému se spotřebič automaticky vypne.



Při prvním opětovném použití spotřebiče po použití funkce prázdného systému; stiskněte tlačítko horké vody, dokud z výtoku nevytéká voda.

6 Čištění

6.4 Funkce manuálního čištění/oplachování

Kávovou trysku můžete před nebo po použití ručně vyčistit/opláchnout. V nečinném stavu stiskněte jednou tlačítko .

- Po vyčištění/opláchnutí se spotřebič vrátí do režimu nečinnosti.



- Voda z kávové trysky je horká a shromáždí se v odkapávací misce pod ní. Zabraňte kontaktu, nakolik šplíchá kolem.
- Pokud se spotřebič delší dobu nepoužíval, doporučuje se použít tuto funkci.



Použitím této funkce před přípravou kávy se zajistí žhavější káva.

Deaktivace režimu automatického čištění

Váš spotřebič se automaticky čistí před a po každém vaření. Chcete-li deaktivovat režim automatického čištění, můžete postupovat podle následujících kroků.

- Zapněte spotřebič stisknutím tlačítka zapnutí/vypnutí a počkejte, než přejde do režimu nečinnosti.
- Otevřete přední kryt.
- Stiskněte tlačítko zapnutí/vypnutí na 5 sekund a ozve se pípnutí.
- Zavřete přední kryt.
- Operace automatického čištění byla zrušena.



Doporučujeme vám aktivně používat režim automatického čištění pro zdravé používání.

Zrušení automatického čištění na jedenkrát;

Stisknutím tlačítka zapnutí/vypnutí během zapínání nebo vypínání stroje tuto funkci obehnete.

7 Řešení problémů

Problém	Příčina	Řešení
Spotřebič nefunguje.	Spotřebič není připojen do site.	Zapojte ho a stiskněte spínač. Zkontrolujte kabel a zástrčku.
Při několika pokusech o stisknutí funkčního tlačítka na panelu není žádná nebo je opožděná odpověď	Spotřebič je pod elektromagnetickým rušením. Panel je špinavý.	Odpojte spotřebič od elektrického napětí. Po několika minutách restartujte. Panel očistěte příloženou hadříkem.
Káva není dost horká.	Sklenice nebyly předeřhřáté. Varná jednotka je příliš studená.	Položte šálek na ohřivač šálků směrem dolů nebo jej opláchněte horkou vodou. Ujistěte se, že voda v nádrži na vodu není příliš studená.
Káva nevychází z výlevky na kávu.	Funkce prázdného systému mohla být použita již dříve. Výpusť kávy nemusel být vyčištěn a je zablokovaný zbytky kávy.	Mačkejte tlačítko horké vody, dokud z výtoku nevytéká voda. Vyčistěte výpusť kávy.
První šálek kávy je nízké kvality.	První spuštění mlýnku nenamele dostatečné množství prášku kávy do varné jednotku.	Vyprázdněte kávu. Další šálky budou lepší.
Nádrž na vodu je odstraněna / hladina vody v nádrži na vodu je velmi nízká, ale  není žádné varování.	Oblast v blízkosti připojení nádrže na vodu může být mokrá.	Otřete vodu kolem připojení nádrže na vodu
Vnitřní odkapávací vanička je naplněna velkým množstvím vody.	Mletá káva je příliš jemná, což blokuje vytékání vody.	Nastavte jemnost kávy na větší zrna pro proces mletí.
Káva vytéká příliš pomalu nebo po kapkách.	Příliš jemný prášek na kávu, který blokuje vytékání vody.	Nastavte jemnost kávy na větší zrna pro proces mletí.
Kontrolka bliká pro informování, že není dostatek kávových zrn, ale uvnitř nádoby je dostatek.	Vnitřní vývod umleté kávy je zablokován.	Postupujte podle kroků popsanych v části čištění výstupu kávových zrn.
Varnou jednotku nebo misku na mletou kávu nelze odstranit.	Spotřebič nedokončil proces samočištění a byl vypnutý.	Znovu zapněte zařízení a nechte ho dokončit proces automatického čištění.
Spotřebič nebude provádět proplachovací cyklus, když je zapnutý nebo vypnutý.	Příčinou může být nesprávná manipulace při údržbě spotřebiče.	<ol style="list-style-type: none"> 1. Když je spotřebič ve stavu nečinnosti, otevřete přední kryt. 2. Stiskněte a podržte tlačítko zapnutí / vypnutí, dokud neuslyšíte 2 pípnutí. 3. Zavřete přední kryt.
Dotyková tlačítka nejsou citlivé.	Nemačkejte dotykové tlačítko na předku spotřebiče.	Stiskněte spodní část symbolu dotykového tlačítka na předku přístroje.

Najprv si prečítajte tento návod, prosím!

Vážení zákazník,

Ďakujeme Vám, že ste si zvolili tento spotrebič Beko. Dúfame, že z vášho produktu, ktorý bol vyrobený pomocou vysoko kvalitnej a najmodernejšej technológie, získate najlepšie výsledky. Pred použitím zariadenia si pozorne prečítajte celú používateľskú príručku a všetky ďalšie sprievodné dokumenty a uschovajte ich ako referenciu pre budúce použitie. Ak produkt odovzdáte niekomu inému, odovzdajte mu tiež návod na použitie. Berte do úvahy všetky upozornenia a informácie uvedené v používateľskej príručke.

Vysvetlenie symbolov

V rôznych častiach tohto návodu sa používajú nasledovné symboly:



Dôležité informácie alebo užitočné rady o použití.



NEBEZPEČENSTVO: Toto upozornenie upozorňuje na nebezpečné situácie voči životu a majetku.



V A R O V A N I E : Toto upozornenie označuje potenciálne nebezpečné situácie.



VÝSTRAHA: Toto upozornenie upozorňuje na možnosť vzniku materiálnych škôd.



Materiály sú vhodné na styk s potravinami



RECYKLOVANÝ A
RECYKLOVATEĽNÝ PAPIER

1 Dôležité pokyny pre bezpečnosť a životné prostredie

Táto časť obsahuje bezpečnostné pokyny, ktoré pomôžu zabezpečiť ochranu pred rizikami zranenia osôb a pred materiálnymi škodami. Nedodržanie týchto pokynov ruší platnosť poskytnutej záruky.

1.1 Nebezpečenstvo zásahu elektrickým prúdom

Ohrozenie života elektrickým prúdom!

Kontakt s vodičmi alebo komponentmi pod napätím môže spôsobiť vážne zranenie alebo dokonca smrť!

Pre zabránenie úrazu elektrickým prúdom, dodržujte nasledujúce bezpečnostné opatrenia:

- Nepoužívajte produkt, ak je poškodený napájací kábel alebo samotný spotrebič. Kontaktujte autorizovaný servis.
- Neotvárajte kryt kávovaru. Nebezpečenstvo úrazu elektrickým prúdom pri

dotykoch pod napätím a/ alebo pri zmene elektrickej a mechanickej konfigurácie.

- Pred čistením nádoby na kávové zrná odpojte spotrebič od sieťovej zásuvky. Nebezpečenstvo od otáčajúceho sa mlynčeka na kávu!

1.2 Nebezpečenstvo popálenia alebo obarenia

Časti kávovaru sa môžu počas prevádzky veľmi zahriať! Vydávané nápoje a unikajúca para sú veľmi horúce!

Dodržiavajte nasledujúce bezpečnostné opatrenia, aby ste zabránili spáleniu / obareniu seba a / alebo ostatných:

- Nedotýkajte sa ani jedného z kovových špičiek na oboch výtokoch kávy.
- Zabráňte priamemu kontaktu pokožky s parou unikajúcou zo stroja alebo horúcou vodou na oplachovanie, čistenie a odstraňovanie vodného

1 Dôležité pokyny pre bezpečnosť a životné prostredie

kameňa.

1.3 Základné bezpečnostné opatrenia

Pre bezpečné zaobchádzanie s kávovarom dodržiavajte nasledujúce bezpečnostné opatrenia:

- Nikdy sa nehrajte s obalovým materiálom. Riziko udusenía. Všetky obalové materiály uchovávajte mimo dosahu detí.
- Pred použitím skontrolujte kávovar, či nemá viditeľné známky poškodenia. Nepoužívajte poškodený kávovar. Kontaktujte autorizovaný servis.
- Ak je spojovací kábel poškodený, musí ho vymeniť servisný technik odporúčaný výrobcom, aby sa zabránilo nebezpečenstvu! Obráťte sa na výrobcu alebo jeho zákaznícky servis.
- Opravy kávovaru smie vykonávať iba autorizovaný odborník alebo Zástupca

zákazníckeho servisu. Opravy vykonávané neoprávnenými osobami môžu viesť k značnému nebezpečenstvu pre používateľa. Tieto činnosti tiež vedú k strate záruky.

- Opravy kávovaru počas záručnej doby môžu vykonávať iba servisné strediská autorizované výrobcom, v opačnom prípade zaniká záruka v prípade následného poškodenia.
- Poškodené diely sa môžu vymeniť iba za originálne náhradné diely. Len originálne náhradné diely zaručujú splnenie bezpečnostných požiadaviek.
- Tento spotrebič môžu používať deti staršie ako 8 rokov, ako aj osoby so zníženými fyzickými, zmyslovými alebo mentálnymi schopnosťami alebo s nedostatočnými skúsenosťami a/alebo znalosťami, ak sú tieto osoby pod dozorom alebo boli poučené o tom, ako

1 Dôležité pokyny pre bezpečnosť a životné prostredie

používať spotrebič bezpečným spôsobom a porozumeli nebezpečenstvám, ktoré môžu vzniknúť pri jeho používaní. Deti sa so spotrebičom nesmú hrať. Čistenie a užívateľskú údržbu nesmú vykonávať deti, pokiaľ nie sú staršie ako 8 rokov a nie sú pod dozorom.

- Toto zariadenie je určené pre použitie v domácnosti a v podobných podmienkach, ako sú napríklad:

- Kuchynské miestnosti pre personál v obchodoch, kanceláriách a v iných pracovných prostrediach;

- Farmové domy;

- pre potreby zákazníkov, v hoteloch, motelloch a iných typoch bytových zariadení;

- ubytovacie zariadenia typu bed and breakfast;

- Chráňte kávovar pred poveternostnými vplyvmi, ako je dážď, mráz a priame slnečné žiarenie. Nepoužívajte kávovar

vonku.

- Nikdy neponárajte samotný kávovar, sieťový kábel alebo zástrčku do vody alebo iných tekutín.
- Kávovar alebo jeho príslušenstvo nečistite v umývačke riadu.
- Do vody nenalievajte žiadne iné tekutiny, ani do nej nedávajte potraviny.
- Nádržku na vodu nenapĺňajte nad maximálnu značku.
- Stroj obsluhujte iba vtedy, keď je namontovaná nádoba na odpad, odkvapkávacia misa a mriežka na šálku.
- Neťahajte za kábel, aby ste vytiahli zástrčku zo zásuvky, ani sa ho nedotýkajte mokrymi rukami.
- Kávovar nedržte za sieťový kábel.
- Udržujte prístroj a prírodný kábel mimo dosahu detí mladších ako 8 rokov.
- Spotrebič je možné používať

1 Dôležité pokyny pre bezpečnosť a životné prostredie

iba na prípravu kávy.

- Deti by mali byť pod dozorom, aby sa nehrali s týmto prístrojom.
- Spotrebič pred každým čistením a v období nepoužívania odpojte od elektrickej siete.
- Spotrebič umiestnite spôsobom, aby bola zásuvka vždy prístupná.
- Spotrebič vždy používajte na stabilnom, rovnom, čistom, suchom a nekĺzavom povrchu.
- Spotrebič nie je integrovaný kávovar a nie je určený na použitie vo vnútri skrinky. Kávovar nesmie byť pri používaní umiestnený v skrinke.
- Napájací kábel nestláčajte ani neohýbajte a nešúchajte ho o ostré hrany, aby nedošlo k jeho poškodeniu. Napájací kábel nestláčajte poškodeniu napájacieho kábla. Udržujte napájací kábel mimo dosahu horúcich povrchov a otvoreného ohňa.
- Dbajte na to, aby elektrická sieť vyhovovala údajom uvedeným na typovom štítku spotrebiča.
- Spotrebič používajte len s uzemnenou zásuvkou.
- Nepoužívajte spotrebič s predlžovacím káblom.
- Keď je spotrebič zapojený do zásuvky, nedotýkajte sa ho mokrymi alebo vlhkými rukami.
- -VÝSTRAHA: Aby sa predišlo možnému nebezpečenstvu v dôsledku neúmyselného resetovania tepelnej poistky, tento spotrebič nesmie byť napájaný prostredníctvom externého zdroja, ako je napríklad časovač alebo nesmie byť pripojený k elektrickému obvodu, ktorý sa spravidla zapína a vypína pomocou iného zariadenia.
- Upozornenie: Zabráňte rozliatiu tekutín na zástrčku.
- Spotrebič nepoužívajte nesprávne, aby ste predišli prípadným zraneniam.
- Ak je napájací kábel poškodený, musí byť vymenený výrobcem, technikom alebo podobne

1 Dôležité pokyny pre bezpečnosť a životné prostredie

kvalifikovanou osobou, aby nedošlo k úrazu.

1.4- Bežný účel použitia

Plne automatický kávovar Beko je určený na použitie v domácnostiach a podobných aplikáciách, napríklad v kuchyniach pre zamestnancov, obchodoch, kanceláriách a podobných oblastiach alebo zákazníkmi v penziónoch, hoteloch, moteloch a iných obytných zariadeniach. Tento kávovar nie je určený na komerčné použitie. Stroj je určený iba na prípravu kávy a na ohrev mlieka a vody. Každé iné použitie, ako bolo uvedené vyššie, sa považuje za nesprávne použitie.

Nebezpečenstvo spôsobené nesprávnym použitím!

Ak sa kávovar nepoužíva na určený účel, môže sa stať zdrojom nebezpečenstva.



Kávovar sa preto musí používať iba na určený účel.



Nasledujte postupy uvedené v tejto používateľskej príručke.

Žiadne nároky akéhokoľvek druhu, ktoré vzniknú v dôsledku používania kávovaru na iný ako určený účel, nebudú akceptované za škody alebo zranenia. Riziko musí znášať výlučne vlastník stroja.

1.5 Obmedzenie zodpovednosti

Všetky technické informácie, údaje a pokyny o inštalácii, prevádzke a údržbe kávovaru uvedené v tomto návode na obsluhu predstavujú aktuálny stav v čase tlače a vychádzajú z najlepších možných poznatkov získaných skúsenosťami a know-how.

Z informácií, ilustrácií a popisov v tomto návode na obsluhu nemožno vyvodzovať žiadne nároky/požiadavky.

Výrobca nenesie žiadnu zodpovednosť za škody alebo zranenia spôsobené nedodržaním návodu na použitie, používaním výrobku na iné účely, ako je určené, neodbornými opravami, neautorizovanými úpravami alebo použitím neschválených náhradných dielov.

1.6 Súlad so smernicou WEEE a Odstránenie odpadov výrobku:

Tento výrobok spĺňa požiadavky smernice WEEE EU (2012/19/EU). Tento výrobok je označený klasifikačným symbolom pre odpad z elektrických a elektronických zariadení (WEEE).



Tento symbol znamená, že na konci svojej životnosti sa tento výrobok nesmie likvidovať spolu s ostatným domovým odpadom. Použitie zariadenie sa musí odniesť na oficiálne zberné miesto na recykláciu elektrických a elektronických zariadení. Tieto zberné miesta nájdete na miestnom úrade alebo u predajcu, kde ste výrobok zakúpili. Každá domácnosť plní dôležitú úlohu pri zhodnocovaní a recyklácii starých spotrebičov. Správna likvidácia použitého spotrebiča pomáha predchádzať možným negatívnym následkom pre životné prostredie a ľudské zdravie.

1.7 Súlad so smernicou RoHS

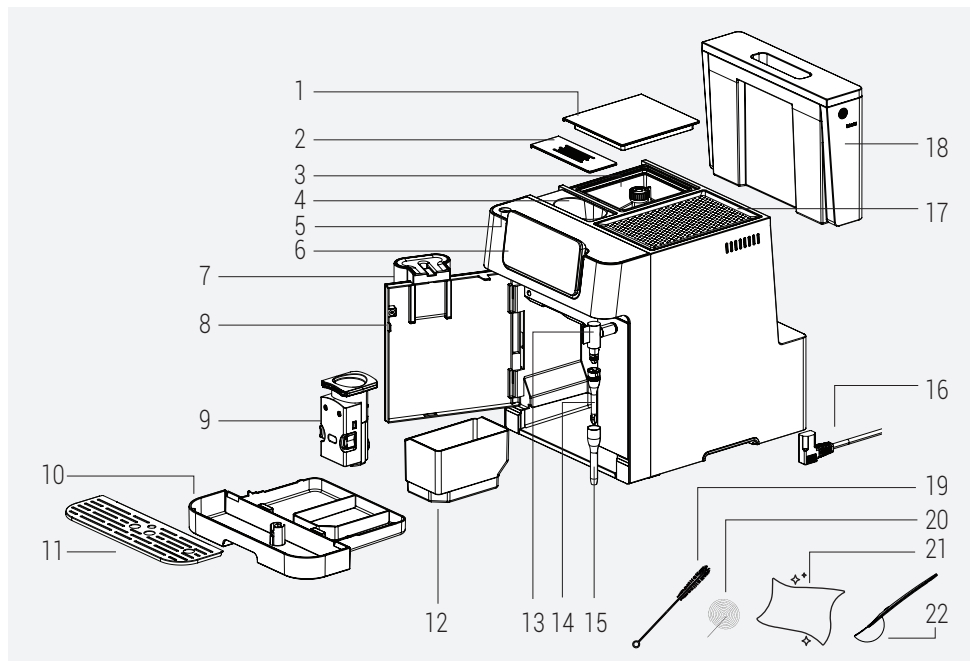
Vami zakúpený produkt spĺňa požiadavky smernice RoHS EU (2011/65/EU). Neobsahuje škodlivé a zakázané látky uvedené v smernici.

1.8 Informácie o balení.



Obalové materiály produktu sú vyrobené z recyklovateľných materiálov v súlade s našimi národnými predpismi o životnom prostredí. Nevyhadzujte obalové materiály spolu s domácim alebo iným odpadom. Vezmite ich do zberných miest pre obalové materiály určené miestnymi orgánmi.

2 Váš plne automatický kávovar



1. Obal nádoby na kávové zrná
2. Kryt nádoby na vopred zomletú kávu
3. Nádoba na kávové zrná
4. Nádoba na vopred zomletú kávu
5. Tlačidlo Zap/vyp napájania
6. Digitálny Ovládací panel
7. Nastaviteľný výtok kávy
8. Predný kryt
9. Varná jednotka
10. Odkvapkávacía miska
11. Podnos na poháre
12. Kontajner na mletú (zvyškovú) kávu
13. Parná tryska
14. Kryt trysky
15. Kovová trubica
16. Napájací kábel
17. Ohrievač šálok
18. Nádrž na vodu
19. Čistiaca kefa
20. Ihla na čistenie
21. Čistiaca handrička
22. Lyžica na vopred zomletú kávu

2 Váš plne automatický kávovar

Technické údaje

Napájanie: 220-240 V~, 50-60 Hz

Napájanie: 1350 W

Práva na technické a dizajnové zmeny vyhradené.

Všetky deklarované hodnoty na výrobku a v tlačенých letádoch boli získané z laboratórnych meraní vykonaných podľa príslušných noriem. Tieto hodnoty sa môžu líšiť v závislosti použitia a od okolitých podmienok.

Rozmery produktu:

27,5 cm (šírka) x 35,9 cm (výška) x 41,2 cm (hĺbka)

Hmotnosť: 9,68± 0,5 kg

Dĺžka kábla: 95± 5cm

Hmotnosť mletej kávy (Režim zrnkovej kávy)

Štandardná: 8± 2g

Intenzívna: 10± 2g

Objem odkvapkávacej misky: Do 0,6 l

Objem nádoby na mletú (zvyškovú) kávu:

Až 10 šálok

Kapacita nádrže na vodu: 2,0±5% l

Objem nádoby na kávové zrná: 250±5% g

Doba predohrevu stroja: <50s

Objem kávy:

Espresso: 30±10ml

Dvojitá 60±10ml

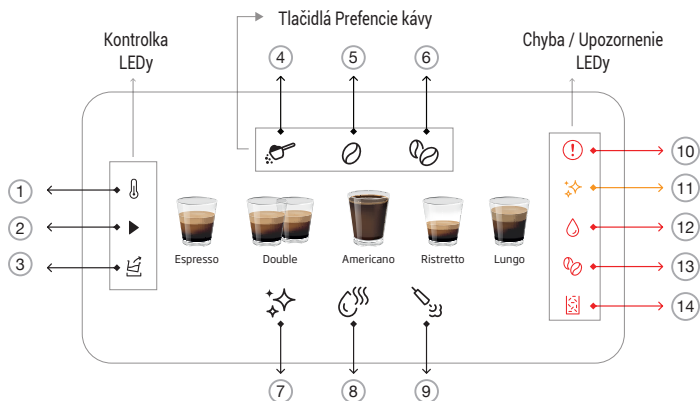
Americano: 150±20ml

Ristretto: 20±5ml

Lungo: 60±10ml

3 Displej

3.1 Ovládací panel



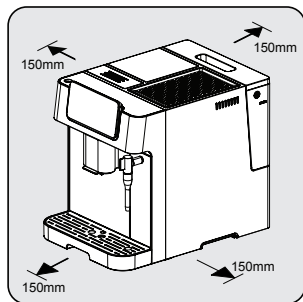
1		Svieti počas predhrievania
2		Svieti počas prebiehajúcich procesov
3		Kontrolka vyprázdnenia vody
4		Slúži na výber možnosti " Mletá káva ".
5		Slúži na výber možnosti " Štandardná zrnková káva ".
6		Slúži na výber možnosti " Intenzívna zrnková káva ".
7		Slúži na spustenie funkcií čistenia a odstraňovania vodného kameňa.
8		Slúži na príjem horúcej vody z parnej trysky.
9		Slúži na spustenie funkcie parnej dýzy.
10		Generálna porucha
11		Upozornenie na odstránenie vodného kameňa
12		Porucha Nedostatok vody
13		Porucha Nedostatok kávových zŕn
14		Porucha Zvyšková nádoba plná

4 Príprava

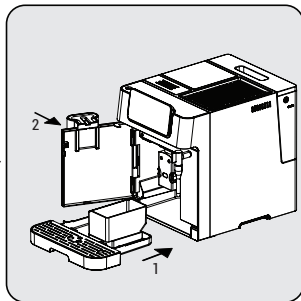
4.1 Inštalácia



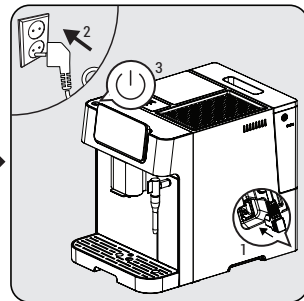
Zo spotrebiča odstráňte všetky ochranné fólie, nálepky a iný obalový materiál.



Vyberte si bezpečný a stabilný povrch s ľahko dostupným zdrojom energie a umožnite minimálnu vzdialenosť od strán strojov.



Vložte odkvapkávaciu misku. Uistite sa, že je správne vložená, a zatvorte predný kryt.



Rozviňte a vyrovnajte napájací kábel a zapojte zástrčku do zásuvky umiestnenej pod zariadením. Druhý koniec napájacieho kábla zasuňte do sieťovej zásuvky s vhodným napájacím napätím.

4.2 Plnenie nádrže dávkovača vody



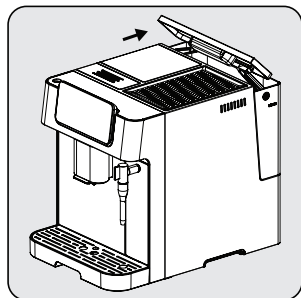
O programe ochrany: Ak nádržka na vodu nie je úplne vložená do kávovaru, po 15 sekundách varenia sa aktivuje ochranný režim. Na ovládacom paneli sa rozsvieti tlačidlo horúcej vody.

1. Uistite sa, že je nádržka na vodu úplne zasunutá do stroja.
2. Stlačte tlačidlo horúcej vody. Po vypustení horúcej vody bude stroj v nečinnosti.

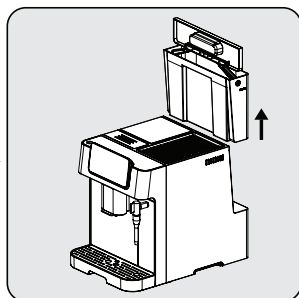


Keď svieti "△" je v nádrži nízka hladina vody a je potrebné ju naplniť.

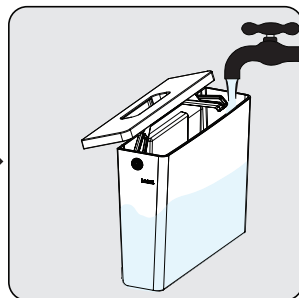
4 Príprava



Zdvihnite nádrž na vodu pomocou veka s rukoväťou.



Vyberte zásobník na vodu.



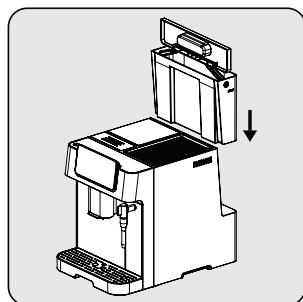
Opláchnite nádržku na vodu čerstvou vodou, potom ju naplňte na úroveň Max a vložte ju späť do zariadenia. Skontrolujte, či je úplne zasunutá.



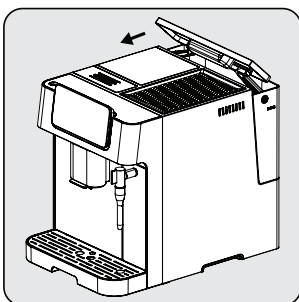
Aby ste zabránili pretečeniu vody zo zásobníka na vodu, nepridávajte vodu priamo do spotrebiča z inej nádoby.



Nikdy nenapĺňajte nádrž na vodu teplou alebo horúcou vodou, perlivou vodou alebo inou tekutinou, ktorá by mohla poškodiť nádrž na vodu a stroj.



Nádobu na vodu vložte späť pomocou veka s rukoväťou.

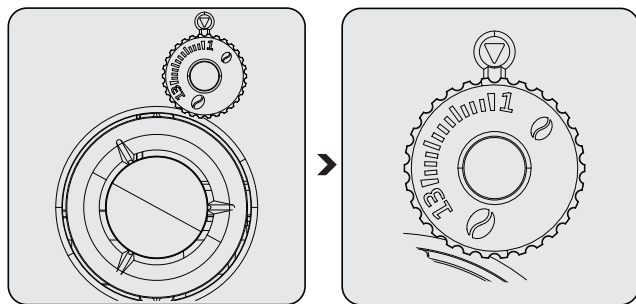


Nádobu na vodu zatvorte pomocou veka.

5 Prevádzka

5.1 Nastavenie mletia

Hrúbosť mletia môžete nastaviť otáčaním regulačného gombíka na nádobe na zrná:




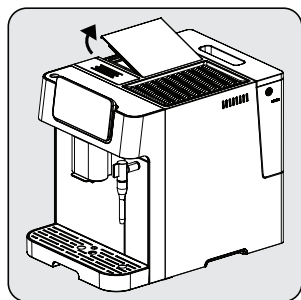
! Nikdy nenastavujte mletie, keď mlynček nepracuje. Môže to poškodiť mlynček.

i Čiary na nastavovacom gombíku označujú hrúbosť mletia. Väčšie číslo znamená hrubší stupeň mletia.

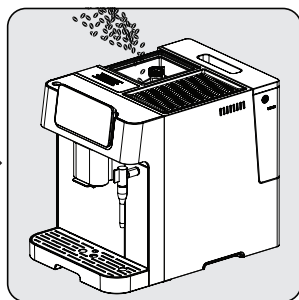
5.2 Napĺňanie nádob na zrnkovú kávu

i

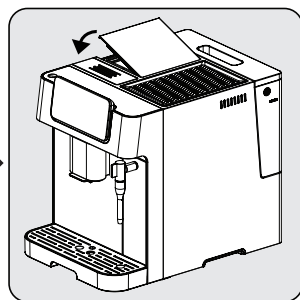
- Keď  bliká, je potrebné spotrebič naplniť zrnkovou kávou.
- Kávové zrná je lepšie skladovať v originálnom vákuovom obale, aby sa zabezpečila jej dlhšia čerstvosť. Pre lepšie výsledky na skladovanie nepoužívajte nádobu na zrnkovú kávu.



Odstráňte veko nádoby na zrnkovú kávu.



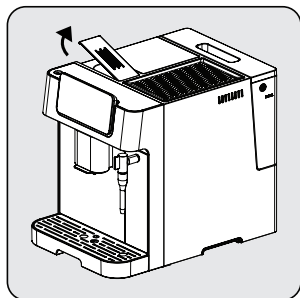
Pomaly nasypťe zrnkovú kávu.



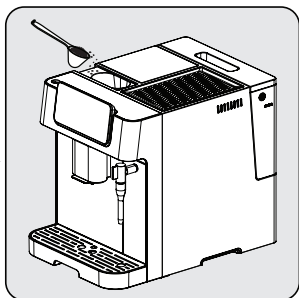
Nasadte späť veko nádoby.

5 Prevádzka

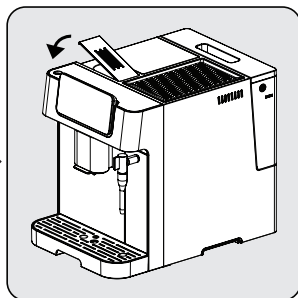
5.3 Používanie nádoby na vopred namletú kávu



Odstráňte veko nádoby na vopred namletú kávu.



Pomaly vložte vopred namletú kávu do nádoby na vopred namletú kávu.



Nasadte späť veko nádoby.

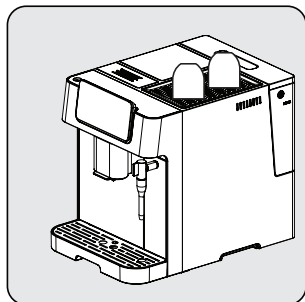


Nádoba na vopred namletú kávu nie je skladovací priestor, ponúka jednorazové použitie (max 12g). Na odmeranie navrhovaného množstva mletej kávy možno použiť odmernú lyžičku.



Na aktiváciu tohto nastavenia je potrebné stlačiť tlačidlo mletej kávy a vybrať ho na obrazovke.

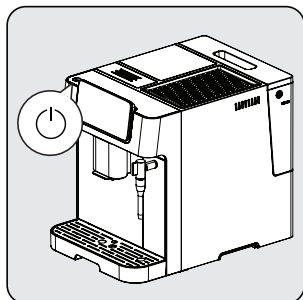
5.4 Používanie ohrievača šálok



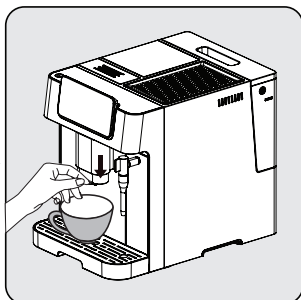
Šálky umiestnite hore nohami, pre udržanie vnútorného povrchu teplého a čistého (táto funkcia využíva vnútorné teplo zariadenia).

5 Prevádzka

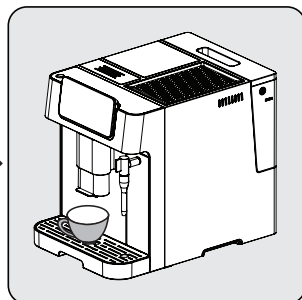
5.5 Príprava vašej kávy



Spotrebič zapnete stlačením tlačidla zapnutia/vypnutia. Spotrebič sa zapne, spustí predhrievanie a automatické čistenie. Je pripravený na použitie v režime nečinnosti, v ktorom sú všetky ikony rozsvietené.



Pod výlevku kávy umiestnite šálku a nastavte výšku výlevky podľa šálky.

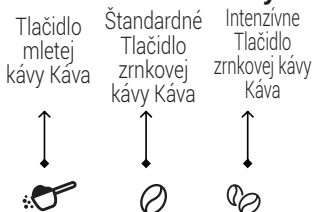


Stlačením tlačidla zvolíte svoju kávu, rozsvieti sa kontrolka šálky, čo znamená, že spotrebič pripravuje šálku kávy. Keď sa spotrebič vráti do stavu nečinnosti, káva je pripravená na podávanie.



Stlačte tlačidlo espresso, americano, ristretto alebo lungo v závislosti od vašich preferencií.

5.6 Nastavenie sily kávy

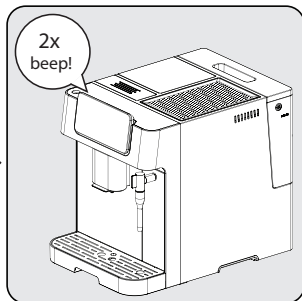


Ak sa používa zrnková káva, stlačte tlačidlo "standard bean" alebo "intense bean", pre nastavenie sily nápoja. Ak sa používa mletá káva, stlačte možnosť "mletá káva".

5 Prevádzka

5.7 Úprava objemu vašej kávy / horúcej vody

Môžete si uložiť objem požadovanej kávy pre všetky druhy nápojov, ako aj horúcej vody od 25 ml do 250 ml. (x2 pre dvojnásobok)

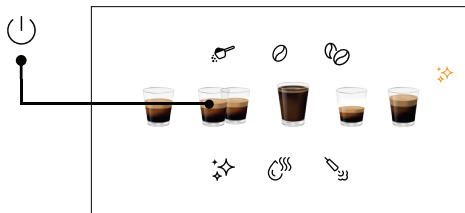
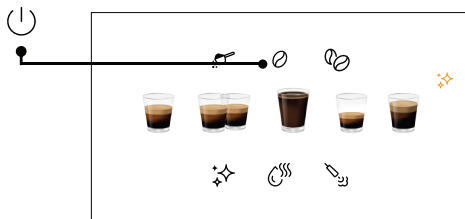


Počas prípravy kávy (espresso, doppio, americano, ristretto alebo lungo) stlačte a podržte tlačidlo zvolenej kávy. Spotrebič bude pokračovať v príprave kávy, kým budete držať tlačidlo stlačené.

Keď objem kávy dosiahne požadovaný objem, tlačidlo uvoľníte. Ak počujete dve pípnutia, znamená to, že kávovar uložil tento objem kávy.



Úpravu vody je možné vykonať počas prebiehajúcej prípravy kávy (po dokončení mletia).



Obnovenie predvolených/ výrobných nastavení všetkých nápojov;

Na obnovenie predvolených nastavení všetkých nápojov a voľby objemu teplej vody uložených v pamäti;

- Stlačte tlačidlo zapnutia/vypnutia a tlačidlo kávových zŕn súčasne na 3 sekundy.

Obnovenie predvolených/ továrnskych nastavení jednotlivých nápojov;

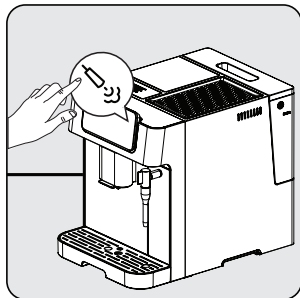
Ak chcete obnoviť predvolené nastavenia akejkoľvek kávy alebo objemu horúcej vody jednotlivu;

- Stlačte tlačidlo zapnutia/vypnutia a tlačidlo nápoja (ktorý sa má resetovať) spoločne na 3 sekundy.

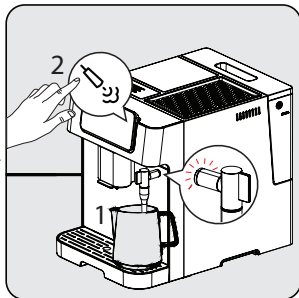
5 Prevádzka

5.8 Príprava speneného mlieka na kávu

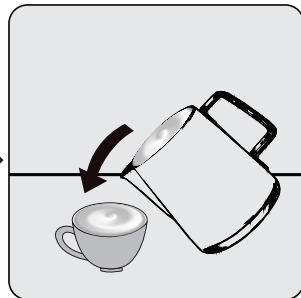
i Pretože je teplota pary vyššia ako teplota espressa, malo by sa espresso pripraviť pred výrobou penivého mlieka. V opačnom prípade sa espresso môže pripáliť.



Stlačte ikonu parnej dýzy a počkajte, kým bude parná tryska pripravená. Počas predhrievania parnej dýzy budú blikať kontrolky.



Keď kontrolky trvale svietia, parná dýza je pripravená na použitie. Pod parnú dýzu umiestnite šálku alebo džbán naplnený mliekom. Opätovným stlačením tlačidla parnej dýzy spustíte napenenie mlieka a opätovným stlačením ho zastavte.



Nalejte horúce penivé mlieko do espressa. Teraz si môžete vychutnať svoju kávu!



Parnú dýzu možno na účely jednoduchšej manipulácie otočiť smerom doprava.

- i**
- Po použití parnej trysky vyčistite dýzu od zvyškov mlieka utretím dýzy vlhkou handričkou.
 - Zvyšky mlieka, ktoré sa môžu hromadiť na konci dýzy, sa odporúča odstrániť aktiváciou funkcie tlačidla horúcej vody z dýzy.
 - Ak sa parná dýza po určitom čase nepoužije, obrazovka sa vráti do fázy nečinnosti.



- Výstupný otvor parnej dýzy musí byť nad odkvapkavacou miskou, aby sa zabránilo rozliatiu vody/mlieka.
- Vzhľadom na napenenie mlieka v šálke/nádobe ju nenapĺňajte úplne.
- Upozorňujeme, že šálka/nádoba môže byť počas napenenia mlieka horúca.

5 Prevádzka

5.9 Horúca voda

Zariadenie môže vydávať horúcu vodu jednoduchým stlačením tlačidla horúcej vody "☺". Opätovným stlačením ho zastavíte.

i Túto funkciu možno použiť na ohriatie šálky pred prípravou kávy. Najprv naplňte šálku horúcou vodou, potom vodu vylejte a použite túto šálku na prípravu kávy.

5.10 Výber režimu

Stroj má tri rôzne nastavenia: predvolené nastavenie, režim ECO režim a rýchly režim. V režime ECO prístroj šetrí viac energie. V rýchlym režime môže užívateľ kávu zrýchliť ako je nastavené v predvolených nastaveniach.

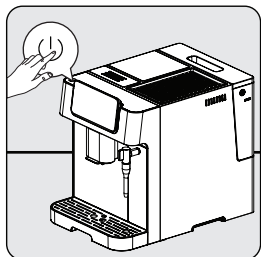
	Režim ECO	Rýchly režim	Predvolené nastavenia
Svetlá kontrolky šálky a kontrolky parnej dýzy	Nie	Áno	Áno
Predvarenie*	Áno	Nie	Áno
Čas automatického vypnutia	10 min	30 min	20 min

i Funkcia predsparenia zvlhčí kávu vo vnútri sparovacej jednotky malým množstvom vody pred úplnou extrakciou. To rozširuje mletú kávu, aby vo varnej jednotke vytvorila väčší tlak, ktorý pomáha extrahovať všetky oleje a dosiahnuť plnú chuť zo zŕn.

1. Keď je zariadenie v nečinnom stave, stlačte a podržte ☺ na 5 sekúnd.
1. Potom začne blikať ☺ a rozsvietia sa nasledujúce tlačidlá, ktoré indikujú rôzne nastavenia:

Režim ECO → ☺
V rýchlym režime → ☺
V predvolených nastaveniach → ☺

2. Stlačte tlačidlo "Powder Coffee Button" pre režim ECO, tlačidlo "Standart Bean Coffee Button" pre režim rýchlosti a tlačidlo "Intense Bean Coffee Button" pre predvolené nastavenia. Po voľbe režimu budete počuť dve pípnutia.
3. Ak si prajete ponechať nastavenie nezmenené, stlačte ☺ znova alebo počkajte 5 sekúnd, kým sa zariadenie vráti do režimu nečinnosti.



5.11 Zrušenie

Pre zrušenie akéhokoľvek spusteného procesu, raz stlačte tlačidlo zapnutia. Okrem toho, opätovným stlačením vybraného nápoja po začatí

6 Čistenie

prípravy sa operácia zruší.



Stlačením tlačidla zapnutia/vypnutia 2-krát sa zariadenie vypne.

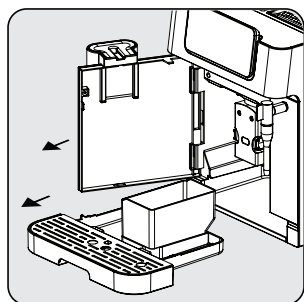
6.1 Čistenie spotrebiča

1. Odpojte napájací kábel z elektrickej zásuvky.
2. Vylejte všetku vodu/zvyšky kávy vo vnútri odkvapkávacej misky a nádoby na zvyšky kávy.
3. Na čistenie škvŕn na prístroji použite vlhkú handričku alebo čistiaci prostriedok, ktorý neškrabe.

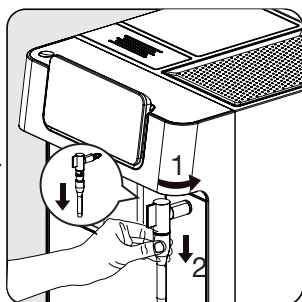


Na čistenie zariadenia nikdy nepoužívajte abrazívne, octové alebo odvápnovacie prostriedky, ktoré nie sú súčasťou balenia.

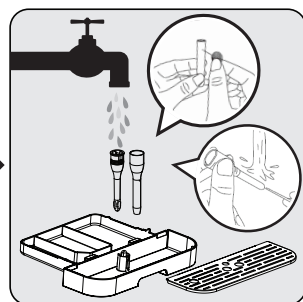
Včasná čistenie a údržba spotrebiča sú veľmi dôležité pri predĺžení jeho životnosti.



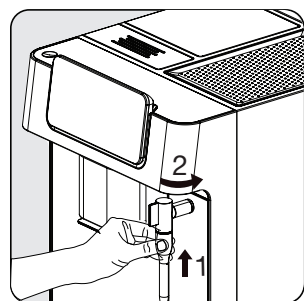
Otvorte predný kryt. Vyberte odkvapkávaciu misku a nádobu na zvyšky kávy.



Odstráňte kovovú rúrku jej stiahnutím nadol. Potom odstráňte trysky otočením tlačidla dolava, aby ste rozobrali kryt trysky a kovovú trubicu.




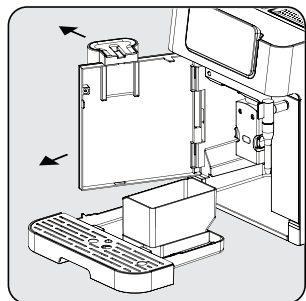
Vyprázdňte nádobu na zvyšky kávy a odkvapkávaciu misku. Kovovú trubicu umyte teplou tečúcou vodou a otvor vyčistite ihlou alebo štetinami kefky. Kryt trysky umyte teplou tečúcou vodou a otvor vyčistite ihlou alebo štetinami kefky. Potom ho osušte.



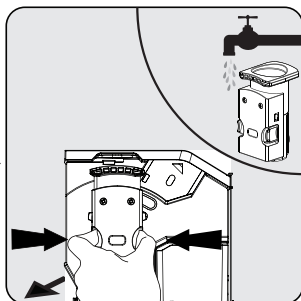
6 Čistenie

Pripevnite kovovú rúrku späť ku krytu dýzy. Potom ju zatlačte smerom nahor, aby sa kryt dýzy vrátil na svoje miesto, a otočením doprava ho zaistíte.

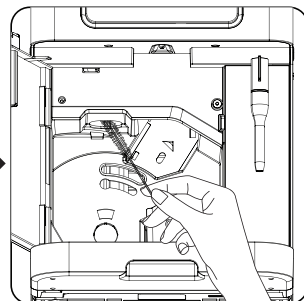
i Po rozsvietení  musí byť nádoba na kávové zvyšky vyprázdnená. Táto ikona sa rozsvieti po každých 10 vareníach kávy. Vyčistite nádobu, aby ste chybu opravili. Ak je nádoba čistá, vyberte ju a vráťte na miesto.



Podržte nastaviteľnú výlevku kávy a pomalým ťahom dozadu otvorte predný kryt.





Odstráňte varnú jednotku. Potom ju umyte vodou a osušte.



Vyčistite výstupné potrubie kávy pomocou kefy.


- i**
- Odkvapkávacia miska by sa mala vyprázdniť, keď je viditeľný plávajúca kontrolka.
 - Žlab na práškovú kávu po každom použití vyčistite pomocou čistiacej kefy.

i Keď sa rozsvieti kontrolka , znamená to, že varná jednotka chýba/je nesprávne nainštalovaná. Keď bliká , znamená to, že predný kryt nie je zatvorený.

6.2 Funkcia odstraňovania vodného kameňa



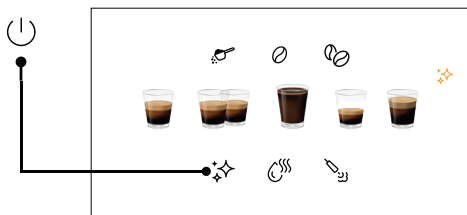
- Odvápnenie sa vyžaduje po preddefinovanom cykle varenia.
- Na samočistenie tohto zariadenia nepoužívajte ocot ani iný čistiaci prostriedok. Iné čistiace prostriedky môžu spotrebič poškodiť.
- Chráňte pokožku / svoje telo od horúcej vody.

Keď sa rozsvieti , znamená to, že je potrebné spotrebič odvápniť. Spotrebič zostane v najlepšom stave, ak sa táto funkcia vykonáva najmenej raz mesačne alebo pravidelnejšie v závislosti od tvrdosti použitej vody.

Spustenie odstraňovania vodného kameňa:

6 Čistenie

1. Naplňte nádržku na vodu, až kým sa nezobrazí "Úroveň odvápnenia ✨".
2. Do nádrže na vodu pridajte jedno balenie čistiaceho prostriedku, ktoré je súčasťou balenia.
3. Pod výtok na kávu a trysku vložte dostatočný veľkú nádobu.
4. V nečinnom stave stlačte a podržte na 3 sekundy tlačidlo ✨. Budete počuť zvukový signál a ✨ bude blikať, kým sa nádržka na vodu nevyprázdni.
5. Naplňte nádržku na vodu ešte raz vodou až po "hladinu na odstraňovanie vodného kameňa" a stlačte tlačidlo ✨ ešte raz, čím spustíte druhý cyklus odstraňovania vodného kameňa. Ak nádržku na vodu vyberiete a vložíte späť, spotrebič túto činnosť rozpozná a automaticky spustí druhý cyklus (bez opätovného stlačenia tlačidla ✨).
6. Po vyprázdnení nádrže na vodu sa obrazovka vráti do stavu nečinnosti. Odstraňovanie vodného kameňa je dokončené. Naplňte nádržku na vodu čerstvou vodou a začnite pripravovať kávu.



Obnovenie stavu upozornenia na odstránenie vodného kameňa;

Pre obnovenie stavu upozornenia na odstránenie vodného kameňa;

- Stlačte tlačidlo zapnutia/vypnutia a tlačidlo odvápnenia súčasne na 3 sekundy.



Obnovenie stavu upozornenia na odstránenie vodného kameňa sa neodporúča na udržanie najlepšieho stavu spotrebiča.

6.3 Funkcia vyprázdnenia systému

Funkciu vyprázdnenia systému použijete pred dlhším obdobím nepoužívania a na ochranu pred mrazom.

1. Pri volnobehu stlačte a podržte tlačidlo ☺ a tlačidlo horúcej vody ☺ spolu na 3 sekundy.
2. ☺ potom sa rozsvieti.
3. Vyberte nádržku na vodu zo spotrebiča, proces sa spustí automaticky.

6 Čistenie

4. Po dokončení funkcie vyprázdnenia systému sa spotrebič automaticky vypne.



Pri prvom opätovnom použití spotrebiča po použití funkcie prázdneho systému; stlačte tlačidlo horúcej vody, kým z výtoku nevyteká voda.

6.4 Funkcia manuálneho čistenia/oplachovania

Kávovú dýzu môžete pred alebo po použití ručne vyčistiť/opláchnuť. V nečinnosti stlačte raz tlačidlo ✨.

- Po vyčistení/opláchnutí sa spotrebič vráti do režimu nečinnosti.



- Voda vychádzajúca z kávovej trysky je horúca a zhromažďí sa v odkvapkávacej miske pod ňou. Zabráňte kontaktu, nakoľko špliecha okolo.
- Ak sa spotrebič dlhší čas nepoužíval, odporúča sa použiť túto funkciu.



Použitím tejto funkcie pred prípravou kávy sa zabezpečí horúcejšia káva.

Deaktivácia režimu automatického čistenia

Váš spotrebič sa automaticky čistí pred a po každom varení. Ak chcete deaktivovať režim automatického čistenia, môžete postupovať podľa nasledujúcich krokov.

- Zapnite spotrebič stlačením tlačidla zapnutia/vypnutia a počkajte, kým prejde do režimu nečinnosti.
- Otvorte predný kryt.
- Stlačte tlačidlo zapnutia/vypnutia na 5 sekúnd a ozve sa pípnutie.
- Zatvorte predný kryt.
- Operácia automatického čistenia bola zrušená.



Odporúčame vám aktívne používať režim automatického čistenia pre zdravé používanie.

7 Riešenie problémov

Zrušenie automatického čistenia na jedenkrát;

Stlačením tlačidla zapnutia/vypnutia počas zapínania alebo vypínania stroja túto funkciu obídete.

Problém	Príčina	Riešenie
Spotrebič nefunguje.	Spotrebič nie je pripojený do siete.	Zapojte ho a stlačte spínač. Skontrolujte kábel a zástrčku.
Pri niekoľkých pokusoch o stlačenie funkčného tlačidla na paneli nie je žiadna alebo je oneskorená odpoveď	Spotrebič je vystavený elektromagnetickému rušeniu. Panel je špinavý.	Odpojte spotrebič od elektrického napätia. Po niekoľkých minútach reštartujte. Panel očistite priloženou handričkou.
Káva nie je dosť horúca.	Poháre neboli predhriate. Varná jednotka je príliš studená.	Položte šálku na ohrievač šálok smerom nadol alebo ju opláchnite horúcou vodou. Uistite sa, že voda v nádrži na vodu nie je príliš studená.
Káva nevychádza z výlevky na kávu.	Funkcia prázdneho systému mohla byť použitá už skôr. Výlevka na kávu možno nebola vyčistená a je zablokovaná zvyškami kávy.	Stláčajte tlačidlo horúcej vody, kým z výtoku nevyteká voda. Vyčistite výstup kávy.
Prvá šálka kávy je nekalitná.	†Pri prvom spustení mlynčeka sa do sparovacej jednotky nedostane dostatočné množstvo kávy.	Vyprázdňte kávu. Ďalšie šálky budú lepšie.
Nádrž na vodu je odstránená / hladina vody v nádrži na vodu je veľmi nízka, ale nie je žiadne varovanie "☹".	Oblasť v blízkosti pripojenia nádrže na vodu môže byť mokrá.	Utrite vodu okolo pripojenia nádrže na vodu.
Vnútoraná odkvapkávací vanička je naplnená veľkým množstvom vody.	Mletá káva je príliš jemná, čo blokuje vytekanie vody.	Nastavte jemnosť kávy na väčšie zrná pre proces mletia.
Káva vyteká príliš pomaly alebo po kvapkách.	Príliš jemný prášok na kávu, ktorý blokuje vytekanie vody.	Nastavte jemnosť kávy na väčšie zrná pre proces mletia.
Kontrolka bliká, aby informoval o nedostatku kávových zŕn, ale v nádobe je ich dostatok.	Vnútorný vývod zomletej kávy je zablokovaný.	Postupujte podľa krokov popísaných v časti Čistenie výstupu kávovej usadeniny.
Varná jednotka alebo misku na mletú kávu nie je možné odstrániť.	Spotrebič nedokončil proces samočistenia a bol vypnutý.	Znova zapnite zariadenie a nechajte ho dokončiť proces automatického čistenia.
Spotrebič nebude vykonávať cyklus preplachovania, keď je zapnutý alebo vypnutý.	Príčinou môže byť nesprávna manipulácia pri údržbe spotrebiča.	1. Keď je spotrebič v stave nečinnosti, otvorte predný kryt. 2. Stlačte a podržte tlačidlo zapnutia/vypnutia, kým nebudete počuť 2 pípnutia. 3. Zatvorte predný kryt.
Dotykové tlačidlá nie sú citlivé	Nestláčajte dotykové tlačidlo z prednej strany spotrebiča.	Stlačte spodnú časť symbolu dotykového tlačidla z prednej strany prístroja.

Prvo pročitajte ovo korisničko uputstvo!

Poštovani kupci,

Zahvaljujemo vam na odabiru ovog proizvoda kompanije Beko. Nadamo se da ćete dobiti najbolje rezultate od svog proizvoda koji je proizveden vrlo kvalitetnom i najmodernijom tehnologijom. Pažljivo pročitajte ovaj kompletan korisnički priručnik i sve ostale priložene dokumente pre korišćenja proizvoda i sačuvajte ga kao referencu za buduću upotrebu. Ako ovaj aparat predate trećem licu, priložite i ovo uputstvo za upotrebu. Sledite sva upozorenja i informacije u korisničkom priručniku.

Objašnjenje simbola

Sledeći simboli se koriste u različitim odeljcima ovog priručnika:



Važne informacije ili korisni saveti o korišćenju.



OPASNOST: Ovo upozorenje na opasne situacije po život i imovinu.



UPOZORENJE: Ovo upozorenje ukazuje na potencijalno opasne situacije.



OPREZ: Ovo upozorenje ukazuje na mogućnost materijalne štete.



Materijali su pogodni za kontakt sa hranom



RECIKLIRANI PAPIR I PAPIR ZA
RECIKLAŽU

1 Važna uputstva za bezbednost i zaštitu životne sredine

Ovajodeljaksadrži bezbednosna uputstva koja će pomoći u pružanju zaštite od ličnih povreda i rizika od materijalnog gubitka. Nepoštovanje ovih uputstava poništava garanciju.

1.1 Opasnost od električne energije

Električna energija opasna po život!

Kontakt sa ogoljenim žicama ili komponentama može dovesti do ozbiljnih povreda pa čak i smrti!

Pridržavajte se sledećih mera predostrožnosti kako biste izbegli strujne udare:

- Ne koristite uređaj ako je kabl za napajanje ili sam uređaj oštećen. Obratite se ovlašćenom servisu.
- Ne otvarajte kućište aparata za kafu. Opasnost od strujnog udara ako se direktno dodiruju priključci i/ili se promeni elektro i mehanička konfiguracija.
- Pre čišćenja posude za pasulj,

isključite uređaj iz električne utičnice. Opasnost od okretanja mlina za kafu!

1.2 Opasnost od opekotina ili opekline

Delovi aparata za kafu mogu postati veoma vrući tokom rada! Izlivena pića i ispuštena para su veoma vrući!

Pridržavajte se sledećih mera predostrožnosti kako biste vi i/ili drugi izbegli opekotine ili opekline:

- Ne dodirujte metalne levke ni na jednom od dva izlaza za točenje kafe.
- Izbegavajte direktan kontakt kože sa izlazećom parom ili vrućom vodom za ispiranje, čišćenje i uklanjanje kamenca.

1 Važna uputstva za bezbednost i zaštitu životne sredine

1.3 Osnovne mere predostrožnosti

Pridržavajte se sledećih mera predostrožnosti kako biste osigurali bezbedno rukovanje aparatom za kafu:

- Nikada se ne igrajte sa ambalažnim materijalom. Postoji opasnost od povreda. Svu ambalažu držite van domašaja dece.
- Pre upotrebe pregledajte da li aparat za kafu ima vidljivih oštećenja. Ne koristite oštećeni aparat za kafu. Obratite se ovlašćenom servisu.
- Ako je priključni kabl oštećen, zamenu istog treba da obavi isključivo agent servisa koji je preporučio proizvođač, kako bi se sprečila bilo kakva opasnost! Kontaktirajte proizvođača ili njegovu službu za korisnike.
- Popravke aparata za kafu mora da vrši samo ovlašćeno stručno lice ili predstavnik servisne službe za korisnike. Popravke

koje izvrše nekvalifikovane osobe mogu dovesti do znatne opasnosti po korisnika. Takve aktivnosti će, takođe, poništiti garanciju.

- Popravke aparata za kafu tokom garantnog perioda mogu obavljati samo servisni centri koje je ovlastio proizvođač, u suprotnom garancija će postati nevažeća u slučaju naknadnih oštećenja.
- Neispravni delovi se mogu zameniti samo originalnim rezervnim delovima. Samo originalni rezervni delovi garantuju da su bezbednosni uslovi ispunjeni.
- Ovaj aparat mogu koristiti deca starija od 8, i osobe sa ograničenim fizičkim, čulnim ili mentalnim sposobnostima, osobe koje nemaju dovoljno iskustva ili znanja ukoliko su pod nadzorom ili su im data uputstva koja se tiču upotrebe aparata na bezbedan način i ako razumeju opasnosti koje

1 Važna uputstva za bezbednost i zaštitu životne sredine

mogu nastati usled njegovog korišćenja. Deca ne smeju da se igraju sa uređajem. Čišćenje i održavanje od strane korisnika ne bi trebalo da obavljaju deca osim ako su starija od 8 godina i ako su pod nadzorom.

- Ovaj uređaj je namenjen za upotrebu u domaćinstvima i sličnim objektima kao što su:

- kuhinje za zaposlene u prodavnicama, kancelarijama i drugim radnim okruženjima,
- kuće na farmama,

- od strane klijenata u hotelima i ostalim stambenim okruženjima,

- objekti koji nude noćenje i doručak.

- Zaštitite aparat za kafu od uticaja vremenskih prilika kao što su kiša, mraz i direktna sunčeva svetlost. Ne koristite aparat za kafu napolju.

- Nikada ne uranjajte aparat za kafu, kabl za napajanje ili utikač u vodu ili druge tečnosti.

- Ne perite aparat za kafu ili pribor u mašini za pranje suđa.
- Ne sipajte druge tečnosti osim vode i ne stavljajte prehrambene proizvode u posudu za vodu.
- Nemojte puniti rezervoar za vodu preko oznake za maksimum.
- Aparat koristite isključivo kada su podešeni odeljak za otpad, posuda za kapanje i rešetka na koju se postavljaju šoljice.
- Ne povlačite kabl da biste izvadili utikač iz utičnice i ne dodirujte mokrim rukama.
- Ne držite aparat za kafu povlačenjem za kabl za napajanje.
- Držite aparat i kabl van dohvata dece od 8 godina i mlađe.
- Aparat se može koristiti samo za pripremu kafe.
- Deca treba da budu pod nadzorom kako bi se osiguralo da se ne igraju sa uređajem.
- Isključite aparat sa napajanja pre svakog čišćenja i kada

1 Važna uputstva za bezbednost i zaštitu životne sredine

aparata ne koristite.

- Postavite aparat na način da utikač bude uvijek dostupan.
- Aparat uvek koristite na stabilnoj, ravnoj, čistoj, suvoj i neklizavoj površini.
- Aparat nije ugradni aparat za kafu i nije predviđen za upotrebu u kuhinjskim elementima. Aparat za kafu se ne sme stavljati u kuhinjski element tokom korišćenja.
- Ne pritiskajte i ni savijajte kabl za napajanje i ne povlačite ga po oštrim ivicama kako se kabl za napajanje ne bi oštetiо. Držite kabl za napajanje dalje od vrućih površina i izvora plamena.
- Obezbedite da vaše mrežno napajanje strujom bude u skladu sa informacijama na pločici na uređaju.
- Uređaj koristite samo sa uzemljenom utičnicom.
- Nemojte koristiti aparat s produžnim kablom.
- Ne dodirujte aparat ni utikač

uređaja vlažnim ili mokrim rukama dok je aparat priključen na napajanje električnom energijom.

- -OPREZ: Kako bi se izbegla opasnost zbog nenamernog resetovanja termičkog isključivanja, ovaj uređaj se ne sme napajati preko spoljnog prekidača, kao što je tajmer, niti biti povezan na strujno kolo koje se redovno uključuje i isključuje od strane preduzeća za snabdevanje električnom energijom.

-Upozorenje: vodite računa da ne prosipate sadržaj na priključak.

- Nemojte nepropisno koristiti uređaj da biste izbegli potencijalne povrede.

- Ako dođe do oštećenja kabla za napajanje, mora ga zameniti proizvođač ili njegov predstavnik ili slična kvalifikovana osoba da bi se izbegla opasnost.

1.4 Predviđena upotreba


Potpuno automatski aparat za kafu marke Beko namenjen je za upotrebu u domaćinstvima i sličnim prostorima, na primer, u kuhinjama za zaposlene, prodavnicama, kancelarijama i sličnim


1 Važna uputstva za bezbednost i zaštitu životne sredine

prostorijama ili od strane kupaca u objektima koji nude noćenje i doručak, hotelima, motelima i drugim vrstama smeštaja. Ovaj aparat za kafu nije namenjen za komercijalnu upotrebu. Aparat je namenjen samo za pripremu kafe i grejanje mleka i vode. Bilo koja druga upotreba osim ranije navedene smatra se nepravilnom upotrebom.

Opasnost od nepravilne upotrebe!

Ako se aparat za kafu ne koristi za predviđenu svrhu, može postati izvor opasnosti.

	Stoga se aparat za kafu sme koristiti samo prema predviđenoj nameni.
--	--

	Pridržavajte se postupaka opisanih u ovom uputstvu za korišćenje.
--	---

Nikakvi zahtevi za bilo kakvu odštetu neće biti prihvaćeni usled oštećenja ili povreda nastalih upotrebom aparata za kafu za svrhe drugačije od njegove predviđene upotrebe.

Rizik će obavezno snositi isključivo vlasnik aparata.

1.5 Ograničenje odgovornosti

Sve tehničke informacije, podaci i uputstva o ugradnji, radu i održavanju aparata za kafu sadržani u ovim uputstvima za upotrebu predstavljaju aktuelno stanje u trenutku štampanja i zasnovana su na najboljem mogućem znanju stečenom iskustvom i znanjem.

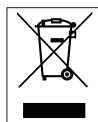
Nikakve zahteve za odštetu/potraživanja nije moguće podneti po osnovu informacija, ilustracija i opisa u ovom korisničkom uputstvu.

Proizvođač ne preuzima nikakvu odgovornost za oštećenja ili povrede nastale usled nepostupanja u skladu sa korisničkim uputstvom, upotrebe

proizvoda za svrhe za koje nije predviđen, neprofesionalne popravke, neovlašćene modifikacije ili korišćenja rezervnih delova koji nisu odobreni.

1.6 Usaglašenost sa WEEE direktivom i odlaganje otpada:

Ovaj proizvod je usaglašen sa WEEE direktivom Evropske unije (2012/19/EU). Ovaj proizvod nosi simbol klasifikacije za odlaganje električne i elektronske opreme (WEEE).



Ovaj simbol označava da se ovaj proizvod ne sme odlagati zajedno s ostalim kućnim otpadom na kraju njegovog radnog veka. Korišćeni aparat mora se vratiti na službeno mesto za sakupljanje za recikliranje električnih i elektronskih uređaja. Da biste pronašli ova mesta za sakupljanje, obratite se lokalnom nadležnom telu ili prodavcu gde je proizvod kupljen. Svako domaćinstvo ima važnu ulogu u vraćanju i recikliranju starih uređaja. Odgovarajuće odlaganje korišćenog uređaja pomaže u sprečavanju potencijalnih negativnih posledica po životnu sredinu i zdravlje ljudi.

1.7 Usklađenost sa RoHS Direktivom

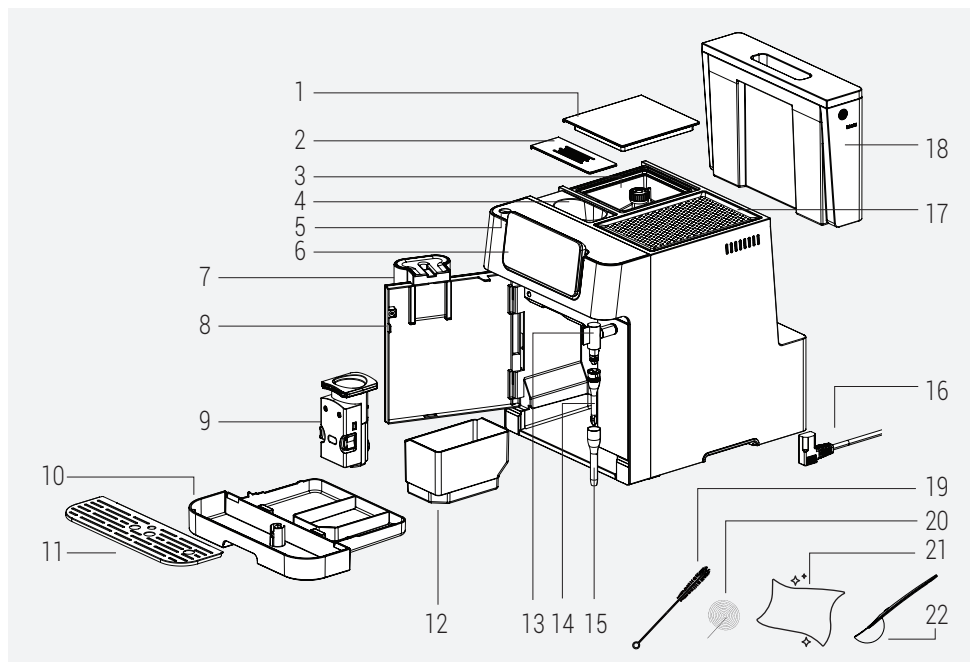
Proizvod koji ste kupili u saglasnosti je sa RoHS Direktivom Evropske unije (2011/65/EU). On ne sadrži štetne i zabranjene materijale navedene u Direktivi.

1.8 Informacije o pakovanju



Ambalažni materijali ovog proizvoda su napravljeni od materijala koji mogu da se recikliraju u skladu sa nacionalnim propisima o zaštiti životne sredine. Ne bacajte materijal pakovanja zajedno sa kućnim ili drugim otpadom. Odnosite ih do sabirnih centara za ambalažu koji su određeni od strane lokalnih vlasti.

2 Vaša potpuno automatska mašina za kafu



1. Poklopac posude za kafu u zrn
2. Poklopac posude za mlevenu kafu
3. Posuda za kafu u zrn
4. Posuda za mlevenu kafu
5. Taster za uključivanje/isključivanje
6. Digitalna kontrolna tabla
7. Podesiva točilica za kafu
8. Prednji poklopac
9. Jedinica za kuvanje
10. Posuda za kapanje
11. Posuda za šoljice
12. Posuda za talog (preostale) kafe
13. Mlaznica s parom
14. Poklopac mlaznice
15. Metalna cev
16. Kabl za napajanje
17. Grejač šoljice
18. Posuda za vodu
19. Četkica za čišćenje
20. Igla za čišćenje
21. Krpa za čišćenje
22. Kašika za mlevenu kafu

2 Vaša potpuno automatska mašina za kafu

Tehnički podaci

Napajanje: 220-240 V~, 50-60 Hz

Snaga: 1350 W

Pravo na tehničke i dizajnerske promene je zadržano.

Sve iskazane vrednosti na proizvodu i na odštampanim prospektima dobijene su nakon laboratorijskih merenja koja su izvršena u skladu sa srodnim standardima. Ove vrednosti mogu da se razlikuju u zavisnosti od korišćenja i ambijentalnih uslova.

Dimenzije proizvoda:

27,5 cm (Širina) x 35,9 cm (Visina) x 41,2 cm (Dubina)

Težina: 9,68±0,5kg

Dužina kabela: 95±5 cm

Težina mlevene kafe (režim za zрно)

Standardno: 8±2g

Intenzivno pranje: 10±2g

Zapremina posude za kapanje: Do 0,6 L

Zapremina posude za (preostalu) mlevenu kafu:

do 10 šoljica

Kapacitet posude za vodu: 2.0±5%L

Zapremina posude za kafu u zrnju: 250±5%g

Mašina – vreme zagrevanja: <50s

Količina kafe:

Espresso: 30 ± 10 ml

Dupla: 60 ± 10 ml

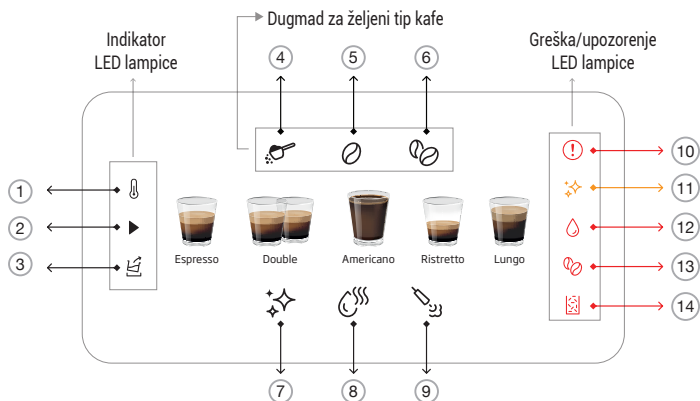
Americano: 150 ± 20 ml

Ristretto: 20 ± 5 ml

Lungo: 60 ± 10 ml

3 Ekran

3.1 Kontrolna tabla

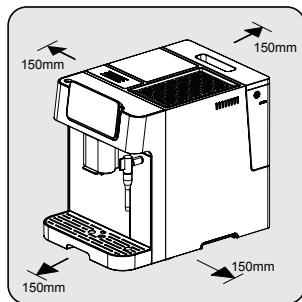


1		Svetli tokom prethodnog zagrevanja
2		Svetli tokom postupka koji je u toku
3		Indikator pražnjenja vode
4		Koristi se za izbor opcije „ Mlevena kafa “.
5		Koristi se za izbor opcije „ Standardna kafa u zrnju “.
6		Koristi se za izbor opcije „ Intenzivna kafa u zrnju “.
7		Koristi se za pokretanje funkcija čišćenja i uklanjanja kamena.
8		Koristi se za prijem tople vode iz parne mlaznice.
9		Koristi se za pokretanje funkcije parne mlaznice.
10		Opšta greška
11		Upozorenje za uklanjanje kamena
12		Greška koja ukazuje da nema vode
13		Greška koja ukazuje da nema kafe u zrnju
14		Greška koja ukazuje da je posuda za preostali sadržaj puna

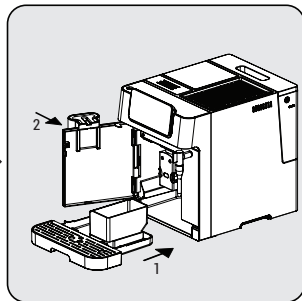
4 Priprema

4.1 Instalacija

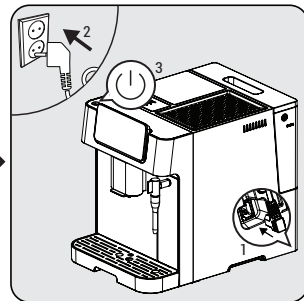
i Uklonite sve zaštitne folije, nalepnice i bilo koji drugi materijal za pakovanje sa aparata.



Izaberite bezbednu i stabilnu površinu sa lako dostupnim izvorom napajanja i obezbedite minimalnu udaljenost od bočnih strana aparata.



Umetnite tas za kapanje. Proverite da li je ispravno umetnut i zatvorite prednji poklopac.



Odmotajte i ispravite kabl za napajanje i umetnite utikač u utičnicu koja se nalazi ispod aparata. Utaknite drugi kraj kabla za napajanje u zidnu utičnicu sa odgovarajućim naponom električne energije.

4.2 Punjenje posude za vodu

O programu zaštite: Ako posuda za vodu nije u potpunosti postavljena u aparat, zaštitni režim će se aktivirati za 15 sekundi tokom procesa kuvanja. Dugme za vruću vodu će svetleti na kontrolnoj tabli.

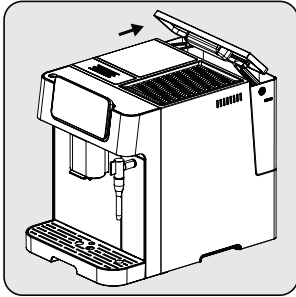


1. Vodite računa da je posuda za vodu potpuno umetnuta u aparat.
2. Pritisnite dugme za vruću vodu. Nakon ispuštanja vruće vode, aparat će biti u stanju pripravnosti.

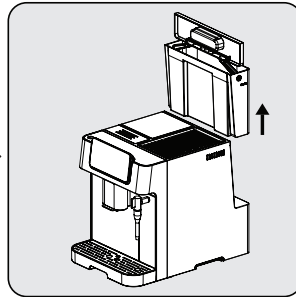


Kada "☹" svetli, voda u rezervoaru je na niskom nivou i potrebno je dopuniti rezervoar.

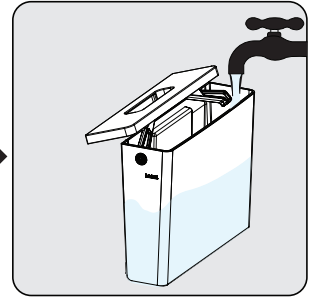
4 Priprema



Podignite posudu za vodu koristeći poklopac kao ručku.



Izvadite posudu za vodu.



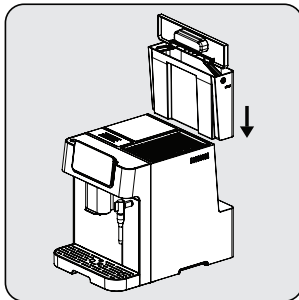
Isperite posudu za vodu čistom vodom, a zatim napunite posudu do maksimalnog nivoa i vratite je u mašinu. Vodite računa da je potpuno umetnuta.



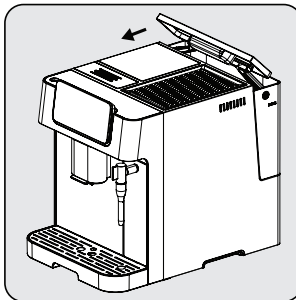
Da biste sprečili prelivanje vode iz posude za vodu, nemojte dodavati vodu direktno u aparat koristeći drugu posudu.



Nikada nemojte puniti posudu za vodu toplom ili vrućom vodom, gaziranom vodom ili bilo kojom drugom tečnošću koja može oštetiti posudu za vodu i aparat.



Vratite posudu za vodu koristeći poklopac kao ručku.

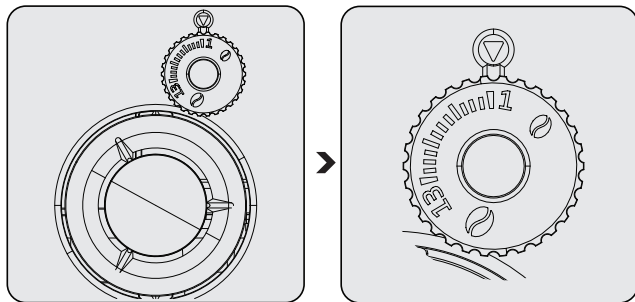


Zatvorite posudu za vodu pomoću poklopcu.

5 Rad

5.1 Podešavanje mlevenja

Možete podesiti krupnoću mlevenja okretanjem dugmeta za podešavanje na posudi za kafu u zrnju:



Nikada nemojte vršiti podešavanje mlevenja kada mlin ne radi. To može oštetiti mlin.

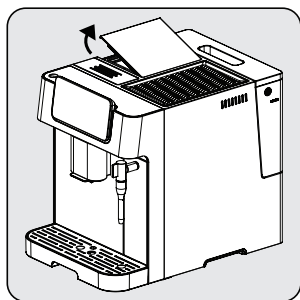


Linije na dugmetu za podešavanje ukazuju na nivo usitljenosti kafe nakon mlevenja. Veći broj znači krupnije mlevenje.

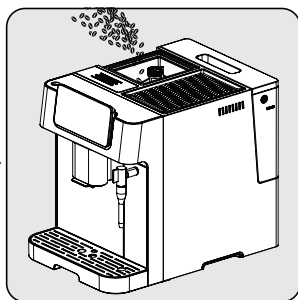
5.2 Punjenje posuda za kafu u zrnju



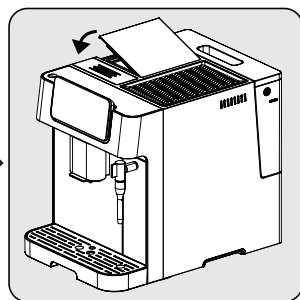
- Kada ☉ treperi, aparat treba napuniti kafom u zrnju.
- Čuvanje zrna kafe u originalnom vakuum pakovanju je bolje da bi se obezbedila dugotrajnija svežina. Nemojte koristiti posudu za kafu u zrnju za skladištenje radi boljih rezultata.



Uklonite poklopac posude za kafu u zrnju.



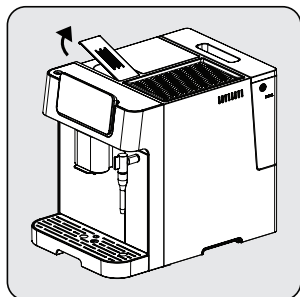
Polako sipajte kafu u zrnju.



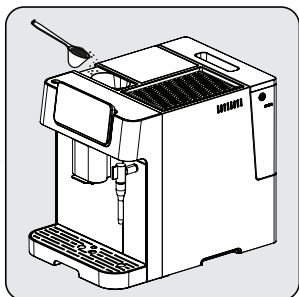
Vratite poklopac posude.

5 Rad

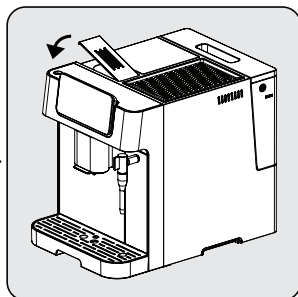
5.3 Korišćenje posude za mlevenu kafu



Uklonite poklopac posude za mlevenu kafu.



Polako stavite mlevenu kafu u posudu za mlevenu kafu.



Vratite poklopac posude.

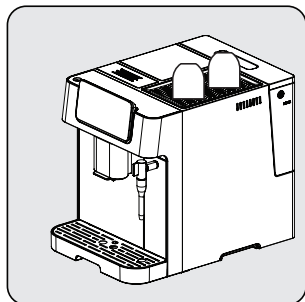


Posuda za mlevenu kafu nije jedinica za skladištenje, ona nudi jednokratnu upotrebu (max 12g). Dodatak merne kašike može se koristiti za predloženu količinu mlevene kafe.



Dugme za mlevenu kafu treba pritisnuti i izabrati sa ekrana da biste aktivirali ovo podešavanje.

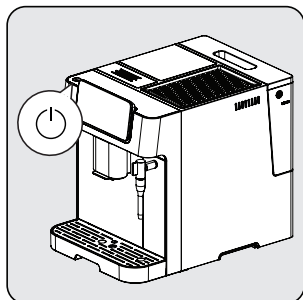
5.4 Korišćenje grejača za šoljice



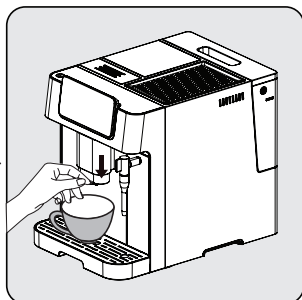
Čaše treba postaviti naopako kako bi se osiguralo da unutrašnja površina bude topla i čista (ova funkcija koristi unutrašnju toplotu mašine).

5 Rad

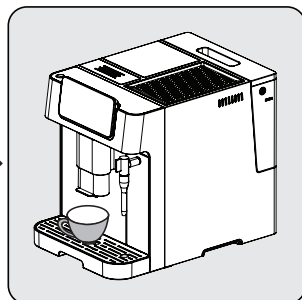
5.5 Pravljenje kafe



Uključite aparat pritiskom na dugme za uključivanje/isključivanje. Aparat se uključuje, počinje prethodno zagrevanje i automatsko čišćenje. Spreman je za upotrebu u režimu mirovanja u kojem su sve ikone upaljene.



Postavite šolju ispod točilice za kafu i podesite visinu točilice tako da odgovara šolji.

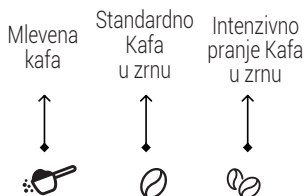


Odaberite svoju kafu pritiskanjem dugmeta i lampica za šoljicu će se upaliti, pokazujući da aparat priprema šoljicu kafe. Kada se aparat vrati u stanje pripravnosti, kafa je spremna za posluživanje.



Pritisnite dugme za espresso, americano, ristretto ili lungo u zavisnosti od vaših želja.

5.6 Podešavanje jačine vaše kafe

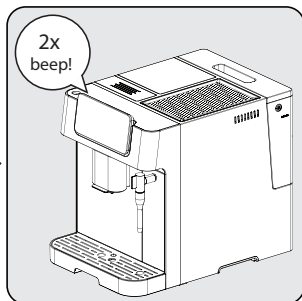


Ako se koristi kafa u zrnju, pritisnite dugme „standardno zrnno“ ili „intenzivno zrnno“ da biste podesili jačinu napitka. Ako se koristi mlevena kafa, pritisnite opciju „mlevena kafa“.

5 Rad

5.7 Podešavanje količine vaše kafe/tople vode

Možete sačuvati zapreminu željene kafe za sve vrste napitaka, kao i tople vode od 25 ml do 250 ml. (x2 za dvostruko)



Dok pravite kafu (espresso, doppio, americano, ristretto ili lungo), pritisnite i držite dugme za kafu koju ste izabrali. Aparat će nastaviti da priprema šoljicu kafe dok god držite dugme.

Kada količina kafe dostigne željenu zapreminu, otpustite dugme. Ako čujete dva zvučna signala, to znači da je aparat sačuvao podešavanje za ovu količinu kafe.



Podešavanje vode se može izvršiti tokom pripremanja kafe (nakon mlevenja).



Za resetovanje svih napitaka na podrazumevana/fabrička podešavanja;

Da biste vratili na podrazumevana podešavanja sve izbore količine napitaka i tople vode sačuvane u memoriji,

- pritisnite dugme za uključivanje/isključivanje i dugme za kafu u zrnju istovremeno 3 sekunde.

Za resetovanje pojedinačnog napitka na podrazumevana/fabrička podešavanja;

Da biste vratili na podrazumevana podešavanja

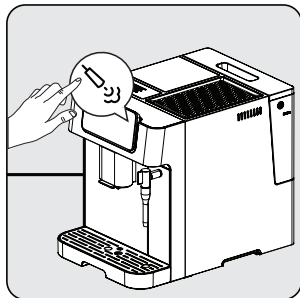
bilo koje količine kafe ili tople vode pojedinačno,

- pritisnite dugme za uključivanje/isključivanje i dugme za napitak (koje želite da se resetuje) sve zajedno na 3 sekunde.

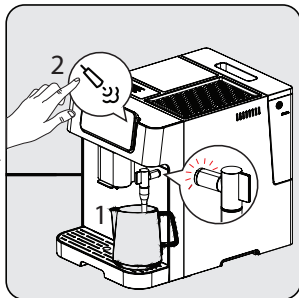
5 Rad

5.8 Priprema penastog mleka za kafu

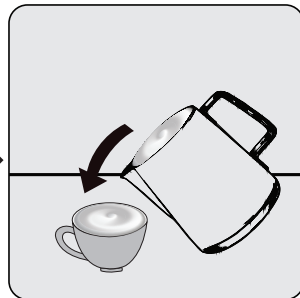
i Pošto je temperatura pare viša od temperature espresa, espresso treba pripremiti pre pravljenja penastog mleka. U suprotnom, espresso može izgorjeti.



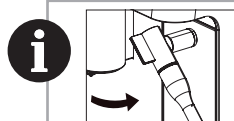
Pritisnite ikonu mlaznice za paru i sačekajte da mlaznica za paru bude spremna. Dok se mlaznica za paru prethodno zagreva, indikatorska svetla će treptati.



Kada su indikatorske lampice neupaljene, mlaznica za paru je spremna za upotrebu. Stavite šoljicu ili ibrik napunjen mlekom ispod parne mlaznice. Ponovo pritisnite dugme mlaznice za paru da biste započeli penjenje mleka i zaustavite je ponovnim pritiskom.



Sipajte vruće penasto mleko u espresso. Sada možete uživati u kafi!



i Parna mlaznica se može rotirati udesno radi lakšeg rukovanja.

- Nakon upotrebe mlaznice za paru, očistite mlaznicu od ostataka mleka brisanjem mlaznice mokrom krpom.



- Preporučuje se da uklonite sve ostatke mleka koji se mogu nakupiti na vrhu mlaznice aktiviranjem funkcije vruće vode iz mlaznice.
- Nakon što je parna mlaznica spremna, ako se parna mlaznica ne koristi određeno vreme; ekran će se vratiti u stanje mirovanja.



- Izlaz mlaznice za paru treba da bude iznad posude za kapanje da bi se sprečilo prosipanje vode/mleka.
- Budući da se mleko peni unutar šolje/vrča, nemojte ga puniti do kraja.
- Imajte na umu da se šolja/vrč može zagrejati tokom stvaranja pene mleka.

5 Rad

5.9 Vruća voda

Aparat može da ispušta vruću vodu jednostavnim pritiskom na dugme za vruću vodu "☺". Pritisnite ponovo da zaustavite rad.

i Ova funkcija se može koristiti za zagrevanje šoljice pre pripreme kafe. Najpre napunite šolju toplom vodom, a zatim sipajte vodu i koristite ovu šolju za pripremu kafe.

5.10 Odabir režima rada

Aparat ima tri različita podešavanja: podrazumevano podešavanje, ECO režim i režim brzine. U ECO režimu, aparat štedi više energije. U režimu brzine, korisnik može da kuva svoju kafu brže nego sa podrazumevanim podešavanjima.

	ECO režim	Režim brzine	Podrazumevana podešavanja
UpaLampica za šoljicu i indikatorska svetla mlaznice za paru	Ne	Da	Da
Postupak pre kuvanja*	Da	Ne	Da
Vreme automatskog isključivanja	10min	30min	20min

i Funkcija koja prethodi kuvanju vlaži kafu u kuvalu sa malom količinom vode pre potpune ekstrakcije. Tako se ekandira talog kafe kako bi se stvorio veći pritisak u kuvalu, što pomaže da se izvuku sva ulja i dobije pun ukus zrna kafe.

1. Kada je aparat u stanju pripravnosti, pritisnite i držite ☺ 5 sekundi.

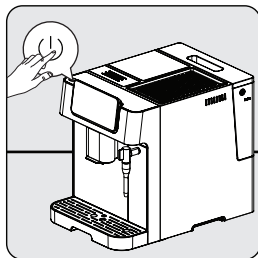
1. Zatim će treptati ☺ i sledeća dugmad će se upaliti kao indikacije za različita podešavanja:

U ECO režimu → ☺
U režimu brzine → ☺
Pri podrazumevanim podešavanjima: → ☺

2. Pritisnite „Dugme za mlevenu kafu” za ECO režim, „Dugme za standardnu kafu u zrnu” za brzi režim i

„Dugme za intenzivnu kafu u zrnu” za podrazumevana podešavanja. Čućete dva zvučna signala kada izaberete režim.

3. Ako želite da postavka ostane nepromenjena, pritisnite ☺ ponovo ili sačekajte 5 sekundi da se aparat vrati u režim rada pripravnosti.



5.11 Otkazivanje

Dugme za uključivanje-isključivanje treba jednom pritisnuti da biste otkazali bilo koji proces koji je u toku. Osim toga, ponovnim pritiskom na izabrani napitak nakon početka pripreme takođe će se otkazati aktivna operacija.

6 Čišćenje



Pritiskom na dugme za uključivanje/isključivanje uređaj se 2 puta prisilno isključuje.

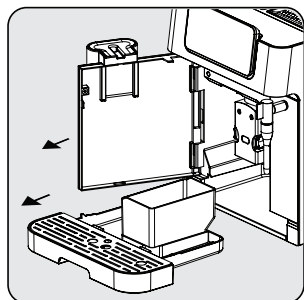
6.1 Čišćenje aparata

1. Isključite kabl za napajanje iz utičnice.
2. Izlijte sve ostatke vode/kafe unutar posude za kapanje i posude za ostatke kafe.
3. Vlažnom krpom ili sredstvom za čišćenje koje ne pravi ogrebotine očistite mrlje od vode sa aparata.

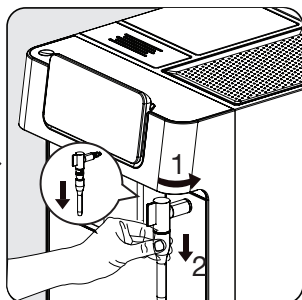


Nikada ne koristite abrazivna sredstva, sirće ili sredstva za uklanjanje kamenca koja nisu priložena za čišćenje aparata.

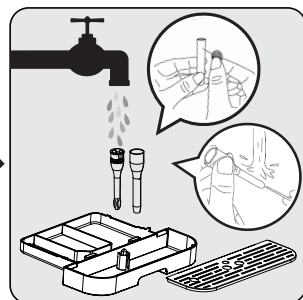
Pravovremeno čišćenje i održavanje aparat je veoma važno za produženje njegovog veka trajanja.



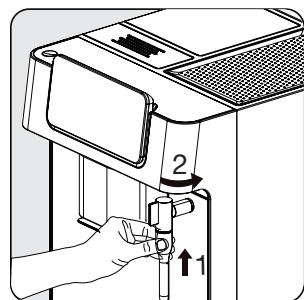
Otvorite prednji poklopac. Uklonite posudu za kapanje i posudu za ostatke kafe.



Uklonite metalnu cev tako što ćete je povući nadole. Zatim uklonite poklopac mlaznice okretanjem nalevo da biste rastavili poklopac mlaznice i metalnu cev.



Ispraznite posudu za preostali deo kafe i tas za kapanje. Operite metalnu cev pod mlazom tople vode i koristite iglu ili čekinje četkice da očistite otvor. Operite poklopac mlaznice pod mlazom tople vode i iglom ili čekinjama četkice očistite otvor. Osušite ih nakon toga.

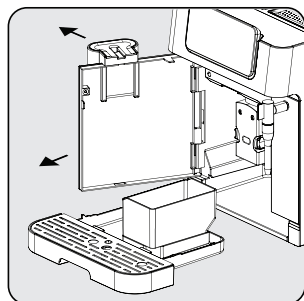


Pričvrstite metalnu cev nazad na poklopac mlaznice. Zatim je gurnite nagore da vratite poklopac mlaznice na svoje mesto i okrenite ga udesno da biste ga zaključali.

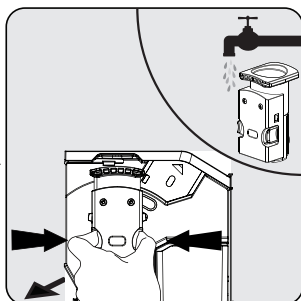
6 Čišćenje



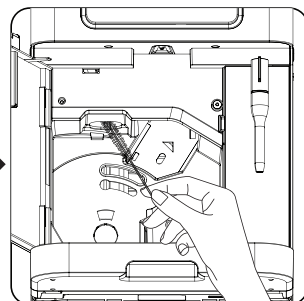
Kada ☒ zasvetli, posuda za talog kafe treba da se isprazni. Ova ikona će svetleti nakon svakih 10 kuvanja kafe. Očistite posudu da biste uklonili grešku. Ako je posuda čista, izvadite posudu i vratite na mesto.



Držite podesivu točilicu za kafu i polako povucite unazad da biste otvorili prednji poklopac.



Uklonite jedinicu za kuvanje. Operite vodom i osušite nakon toga.



Očistite izlaznu liniju za kafu četkom.



- Posudu za kapanje treba isprazniti kada se vidi plutajući indikator.
- Otvor za kafu u prahu treba očistiti nakon svake upotrebe četkicom za čišćenje.



Kada ⚠ zasvetli, to znači da nema kuvala / nije pravilno postavljeno.
Kada ⚠ treperi, to znači da prednji poklopac nije zatvoren.

6.2 Funkcija uklanjanja kamenca



- Uklanjanje kamenca je potrebno nakon unapred definisanog ciklusa kuvanja.
- Nemojte koristiti sirće ili druga sredstva za čišćenje za samočišćenje ovog aparata. Ostala sredstva za čišćenje mogu oštetiti aparat.
- Kožu/telo nemojte izlagati vrućoj vodi.

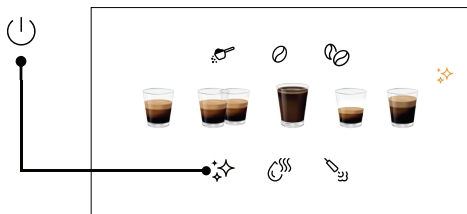
Kada ✨ treperi, označava da je potrebno da se odradi čišćenje kamenca iz aparata. Aparat će ostati u najboljem stanju ako se ova funkcija obavlja najmanje jednom mesečno ili češće u zavisnosti od tvrdoće vode koja se koristi.

Za početak uklanjanja kamenca:

1. Napunite rezervoar za vodu do „nivoa za uklanjanje kamenca ✨“.

6 Čišćenje

2. Dodajte jedno pakovanje sredstva za čišćenje koje se nalazi u kutiji u posudu za vodu.
3. Stavite dovoljno veliku posudu ispod točilice za kafu i mlaznice.
4. Kada je u stanju pripravnosti, pritisnite i zadržite ✨ 3 sekunde. Čućete zvučni signal i ✨ će treperiti dok se rezervoar za vodu ne isprazni.
5. Napunite rezervoar za vodu još jednom vodom do „nivoa za uklanjanje kamenca“ i pritisnite dugme ✨ još jednom da biste započeli drugi ciklus uklanjanja kamenca. Ako se rezervoar za vodu ukloni i vrati nazad, uređaj će detektovati ovu radnju i automatski pokrenuti drugi ciklus (bez ponovnog ✨ pritisavanja).
6. Kada se rezervoar za vodu isprazni, ekran će se vratiti u stanje mirovanja. Uklanjanje kamenca je završeno. Napunite rezervoar za vodu svežom vodom da biste počeli da pripremate kafu.



Za resetovanje statusa upozorenja za uklanjanje kamenca;

Da biste resetovali status upozorenja za uklanjanje kamenca;

- Pritisnite dugme za uključivanje/isključivanje i dugme za uklanjanje kamenca istovremeno 3 sekunde.



Resetovanje statusa upozorenja o uklanjanju kamenca se ne preporučuje za održavanje najboljeg stanja uređaja.

6.3 Funkcija pražnjenja sistema

Koristite funkciju pražnjenja sistema pre dužeg perioda neupotrebe i za zaštitu od smrzavanja.

1. U stanju pripravnosti, pritisnite i držite ☰ i dugme ☪ za vruću vodu zajedno 3 sekunde.
2. ☪ Tada će se upaliti.
3. Uklonite rezervoar za vodu iz aparata, proces će se pokrenuti automatski.
4. Kada se funkcija pražnjenja sistema završi, aparat će se automatski isključiti.

6 Čišćenje



Kada se uređaj ponovo koristi po prvi put nakon što se koristi funkcija pražnjenja sistema, pritisnite dugme za toplu vodu dok voda ne izađe iz točilice.

6.4 Funkcija ručnog čišćenja / ispiranja

Možete izvršiti ručno čišćenje/ ispiranje da biste očistili mlaznicu za kafu prije ili nakon upotrebe. Kada je u stanju mirovanja, pritisnite  jednom.

- Nakon čišćenja/ ispiranja, aparat će se vratiti u stanje pripravnosti.



- Voda koja izlazi iz mlaznice za kafu je vruća i skuplja se u tasu za kapanje ispod. Izbegavajte kontakt dok voda iz nje prska oko.
- Ako aparat nije korišćen duže vreme, preporučuje se korišćenje ove funkcije.



Korišćenje ove funkcije pre pripreme kafe takođe će obezbediti topliju kafu.

Otkazivanje režima automatskog čišćenja

Vaš aparat se automatski čisti pre i posle svakog kuvanja. Možete da pratite dolenađene korake da biste otkazali režim automatskog čišćenja.

- Uključite aparat pritiskom na dugme za uključivanje/isključivanje i sačekajte dok ne uđe u stanje pripravnosti.
- Otvorite prednji poklopac.
- Pritisnite dugme za uključivanje/isključivanje na 5 sekundi i oglosiće se zvučni signal.
- Zatvorite prednji poklopac.
- Aktivnost automatskog čišćenja je otkazana.



Preporučujemo vam da aktivno koristite režim automatskog čišćenja da bi aparat adekvatno koristio.

Da jednom otkazete automatsko čišćenje;

Pritisnite dugme za uključivanje/isključivanje dok se mašina uključuje ili isključuje da biste zaobišli ovu funkciju.

7 Rešavanje problema

Problem	Uzrok	Rešenje
Aparat ne radi.	Aparat nije priključen na električnu mrežu.	Uključite i pritisnite prekidač. Proverite kabl i utikač.
Nema odgovora ili je odložen nakon nekoliko pokušaja pritiskanja funkcijskog tastera na ploči	Aparat je pod elektromagnetnim smetnjama. Ploča je prljava.	Isključite aparat iz struje. Ponovo pokrenite nakon nekoliko minuta Očistite ploču priloženom krpom.
Kafa nije dovoljno topla.	Šoljice nisu prethodno zagrejane. Jedinica za kuvanje je previše hladna.	Postavite šolju na grejač za šolje nadole ili je isperite toplom vodom. Vodite računa da voda u posudi za vodu nije previše hladna.
Kafa ne izlazi iz točilice za kafu.	Funkcija pražnjenja sistema je možda prethodno upotrebljena. Točilica za kafu možda nije očišćena i blokirana je ostacima kafe.	Pritisnite dugme za vruću vodu sve dok voda izađe iz točilice. Očistite točilicu za kafu.
Prva šoljica kafe je lošeg kvaliteta.	Prvo pokretanje mlina ne sipa dovoljnu količinu kafe u jedinicu za kuvanje.	Prospite kafu. Sledeće šoljice kafe će biti bolje.
Posuda za vodu je uklonjena / nivo vode je veoma nizak u posudi za vodu, ali nema upozorenja "0".	Područje blizu priključka posude za vodu je možda mokro.	Obrišite vodu oko priključka posude za vodu.
Unutrašnji tas za kapanje je napunjen sa puno vode.	Mlevena kafa je suviše sitna, što sprečava izlazak vode.	Podesite nivo sitnoće kafe na krupnije za proces mlivenja.
Kafa se isporučuje presporo ili kap po kap.	Talog kafe je previše sitan, što sprečava da voda izađe.	Podesite nivo sitnoće kafe na krupnije za proces mlivenja.
Indikator treperi da bi poslao obaveštenje da nema dovoljno kafe u zrnu, ali ima je dosta u posudi.	Unutrašnji izlaz za talog kafe je blokirani.	Pratite korake opisane za čišćenje izlaza za talog kafe.
Kuvalo ili posudu za mlvenu kafu nije moguće ukloniti.	Aparat nije završio proces samočišćenja i bio je isključen.	Ponovo uključite mašinu i pustite je da završi proces automatskog čišćenja.
Aparat više ne obavlja ciklus ispiranja kada je uključen ili isključen.	Uzrok može biti nepravilno rukovanje prilikom servisiranja aparata.	1. Kada je aparat u stanju mirovanja, otvorite prednji poklopac. 2. Pritisnite i držite dugme za uključivanje/isključivanje dok ne čujete 2 zvučna signala. 3. Zatvorite prednji poklopac.
Tasteri osetljivi na dodir ne reaguju.	Nepritiskanje dugmeta osetljivog na dodir sa prednje strane aparata.	Pritisnite donji deo simbola dugmeta osetljivog na dodir sa prednje strane aparata.

Leggere questo manuale d'uso prima dell'utilizzo!

Gentile Cliente,

Grazie per aver scelto un prodotto Beko. Ci auguriamo che ottenga i migliori risultati dal prodotto, che è stato fabbricato con standard di alta qualità e tecnologia all'avanguardia. La invitiamo a leggere attentamente questo manuale d'uso e tutti gli altri documenti forniti in dotazione prima di utilizzare il prodotto, e di conservarli come riferimento per uso futuro. Se si dovesse consegnare il prodotto a qualcun altro, fornisca anche il manuale d'uso. Osservare tutte le avvertenze e le informazioni contenute nel manuale d'uso.

Spiegazione dei simboli

I seguenti simboli sono utilizzati in diverse sezioni di questo manuale:



Informazioni importanti. Suggerimenti utili relativamente all'uso.



PERICOLO: Avvertenza per situazioni di pericolo in relazione alla vita e ai neni.



AVVERTENZA: Questo avvertimento indica situazioni potenzialmente pericolose.



ATTENZIONE: Questo avvertimento indica potenziali danni al materiale.



I materiali sono idonei al contatto alimentare.



**CARTA RICICLATA E
RICICLABILE**

1 Istruzioni importanti per la sicurezza e l'ambiente

Questa sezione include le istruzioni di sicurezza che aiuteranno a fornire protezione contro lesioni personali e rischi di perdite materiali. Il mancato rispetto di queste istruzioni renderà nulla qualsiasi garanzia.

1.1 Pericolo per corrente elettrica

Pericolo per la vita causato dall'energia elettrica!

Il contatto con cavi o componenti sotto tensione potrebbe causare lesioni gravi o addirittura la morte!

Osservare le seguenti precauzioni di sicurezza per evitare scosse elettriche:

- Non utilizzare il prodotto se il cavo di alimentazione o l'apparecchio stesso sono danneggiati. Contattare l'assistenza autorizzata.
- Non aprire la carcassa della macchina da caffè. Vi è pericolo di scossa elettrica se vengono toccati collegamenti sotto

tensione e/o viene modificata la configurazione elettrica e meccanica.

- Prima di pulire il contenitore dei chicchi, scollegare l'elettrodomestico dalla presa. Pericolo dovuto alla rotazione del macinacaffè!

1.2 Pericolo di scottature o ustioni

Alcune componenti della macchina da caffè si surriscaldano molto in fase di utilizzo! Le bevande erogate e il vapore che fuoriesce sono molto caldi!

Attenersi alle seguenti precauzioni di sicurezza per evitare scottature / ustioni a se stessi e / o ad altri:

- Non toccare nessuno dei manici metallici su entrambi i beccucci del caffè.
- Evitare il contatto diretto della pelle con la fuoriuscita di vapore o acqua calda di risciacquo, di pulizia e decalcificazione.

1 Istruzioni importanti per la sicurezza e l'ambiente

1.3 Precauzioni di base per la sicurezza

Osservare le seguenti precauzioni di sicurezza per garantire un utilizzo sicuro della macchina da caffè:

- Non giocare mai con il materiale di imballaggio. Rischio di soffocamento. Tenere tutti i materiali di imballaggio lontano dalla portata dei bambini.
- Ispezionare la macchina da caffè per cercare segni visibili di danni prima dell'uso. Non utilizzare una macchina da caffè danneggiata. Contattare l'assistenza autorizzata.
- Se il cavo di collegamento è danneggiato, per evitare pericoli esso deve essere sostituito solo da un tecnico dell'assistenza consigliato dal produttore ! Contattare il produttore o il suo servizio clienti.
- Le riparazioni della macchina del caffè devono essere eseguite solo da un tecnico autorizzato o da un rappresentante del servizio clienti. Riparazioni non autorizzate possono comportare un notevole pericolo per l'utente. Inoltre annulleranno la garanzia.
- Le riparazioni della macchina da caffè durante il periodo di garanzia, possono essere eseguite solo da centri di assistenza autorizzati dal produttore, altrimenti in caso di danni successivi la garanzia decade.
- Le parti difettose possono essere sostituite solo con ricambi originali. Solo i ricambi originali garantiscono il rispetto dei requisiti di sicurezza.
- Questo elettrodomestico può essere usato dai bambini a partire dagli 8 anni oltre che da persone con capacità fisiche, sensoriali o mentali ridotte, o che non sono in possesso dell'esperienza e/o delle conoscenze necessarie, se questi soggetti non sono

1 Istruzioni importanti per la sicurezza e l'ambiente

sorvegliati o non sono stati formati su come utilizzare l'apparecchiatura in modo sicuro e non hanno compreso i pericoli che potrebbero derivare dall'uso della stessa. I bambini non devono giocare con l'apparecchiatura. Gli interventi di pulizia e manutenzione non vanno eseguiti da bambini a meno che non abbiano almeno 8 anni e siano supervisionati.

- Questo elettrodomestico è destinato all'uso domestico e applicazioni simili, tra cui:

- aree cucina del personale dei negozi, uffici e altri ambienti di lavoro,
- fattorie,
- clienti negli alberghi, motel e altri ambienti di tipo residenziale,
- ambienti tipo bed and breakfast.

- Proteggere la macchina da caffè dagli agenti atmosferici come pioggia, gelo e luce

solare diretta. Non utilizzare la macchina da caffè all'aperto.

- Non immergere mai la macchina da caffè, il cavo di alimentazione o la spina in acqua o altri liquidi.
- Non lavare la macchina da caffè o gli accessori in lavastoviglie.
- Non versare altri liquidi oltre all'acqua e non inserire alimenti nel serbatoio dell'acqua della macchina.
- Non riempire il serbatoio dell'acqua oltre la linea massima.
- Azionare la macchina solo quando il contenitore dei fondi di caffè, la vaschetta raccoglie gocce e la griglia per le tazze sono montati.
- Non tirare il cavo per rimuovere la spina dalla presa di rete né toccarlo con le mani bagnate.
- Non tenere la macchina da caffè per il cavo di alimentazione.
- Tenere l'elettrodomestico e il rispettivo cavo fuori dalla portata dei bambini di età

1 Istruzioni importanti per la sicurezza e l'ambiente

inferiore agli 8 anni.

- L'apparecchio può essere usato solo per preparare il caffè.
- Sorvegliare i bambini per evitare che giochino con l'apparecchiatura.
- Scollegare l'elettrodomestico prima di ogni pulizia e quando non è in uso.
- Posizionare l'elettrodomestico in modo che la spina sia sempre accessibile.
- Utilizzare sempre l'elettrodomestico su una superficie stabile, piana, pulita, asciutta e non scivolosa.
- L'elettrodomestico non è una caffettiera da incasso e non è progettato per l'uso in un armadio. La caffettiera non deve essere messa in un armadio quando in uso.
- Per evitare qualsiasi danno, non schiacciare o piegare il cavo di alimentazione e non sfregarlo su bordi taglienti. Tenere il cavo di alimentazione lontano da superfici calde e da fiamme libere.
- Assicurarsi che l'alimentazione di rete sia conforme alle indicazioni riportate sulla targhetta dell'elettrodomestico.
- Utilizzare l'elettrodomestico con una presa dotata di messa a terra.
- Non usare l'elettrodomestico con una prolunga.
- Non toccare l'elettrodomestico se le mani sono bagnate o umide, quando l'apparecchio è collegato.
- - CAUTELA: Per evitare pericoli dovuti al ripristino involontario dell'interruttore termico, questo elettrodomestico non deve essere alimentato tramite un dispositivo di commutazione esterno, come un timer, o collegato ad un circuito che viene regolarmente acceso e spento dall'utenza.
- Attenzione: evitare fuoriuscite sul connettore.
- Non utilizzare in modo improprio l'elettrodomestico per evitare

1 Istruzioni importanti per la sicurezza e l'ambiente

potenziali lesioni.

- Se il cavo di alimentazione è danneggiato, deve essere sostituito dal produttore o da un suo agente o da una persona qualificata allo stesso modo per evitare pericoli.

1.4 Uso previsto

La macchina da caffè completamente automatica di Beko è destinata all'uso domestico e applicazioni simili, ad esempio nelle cucine del personale, negozi, uffici e aree simili o da parte dei clienti di bed&breakfast, hotel, motel e altri alloggi. Questa macchina da caffè non è destinata ad un uso commerciale. La macchina è destinata esclusivamente alla preparazione del caffè e al riscaldamento di latte e acqua. Ogni altro uso diverso da quello precedentemente dichiarato è considerato improprio.

L'uso improprio può essere pericoloso!

Se la macchina del caffè non viene utilizzata per lo scopo previsto, può trasformarsi in una fonte di pericolo.



Pertanto, la macchina da caffè può essere utilizzata solo per lo scopo previsto.



Attenersi alle procedure descritte in questo manuale d'uso.

Non saranno accettati reclami di alcun tipo per danni o lesioni derivanti dall'utilizzo della macchina da caffè per scopi diversi da quelli previsti.

Il rischio è a carico esclusivo del proprietario della macchina.

1.5 Limitazione di responsabilità

Tutte le informazioni tecniche, i dati e le istruzioni sull'installazione, il funzionamento e la manutenzione della macchina da caffè contenute in queste istruzioni per l'uso, rappresentano lo stato attuale al momento della stampa e si basano sulle migliori conoscenze possibili acquisite dall'esperienza e dal know-how.

Nessun reclamo/richesta può essere derivato dalle informazioni, illustrazioni e descrizioni presenti in questo manuale d'uso.

Il Produttore non si assume alcuna responsabilità per danni o lesioni derivanti dal mancato rispetto del manuale d'uso, da uso diverso da quello previsto, da riparazioni non professionali, da modifiche non autorizzate o dall'uso di pezzi di ricambio non approvati.

1.6 Conformità alla direttiva WEEE e smaltimento dei rifiuti:

Questo prodotto è conforme alla direttiva WEEE dell'UE (2012/19/EU). Questo prodotto reca un simbolo che lo classifica tra i rifiuti di apparecchiature elettriche ed elettroniche (WEEE).



Questo simbolo indica che, al termine della sua vita utile, questo prodotto non dovrà essere smaltito insieme ad altri rifiuti domestici. Il dispositivo usato deve essere riportato ad un punto di raccolta

ufficiale per il riciclo dei dispositivi elettrici ed elettronici. Per trovare questi punti di raccolta, contattare le autorità locali o il rivenditore presso il quale il prodotto è stato acquistato. Ogni famiglia svolge un ruolo importante nel recupero e nel riciclo dei vecchi elettrodomestici. Uno smaltimento corretto degli apparecchi usati aiuta a prevenire potenziali conseguenze negative per l'ambiente e la salute umana.

1 Istruzioni importanti per la sicurezza e l'ambiente

1.7 Conformità con la direttiva RoHS

Il prodotto acquistato è conforme alla Direttiva UE RoHS (2011/65/UE). Non contiene i materiali dannosi e proibiti indicati nella Direttiva.

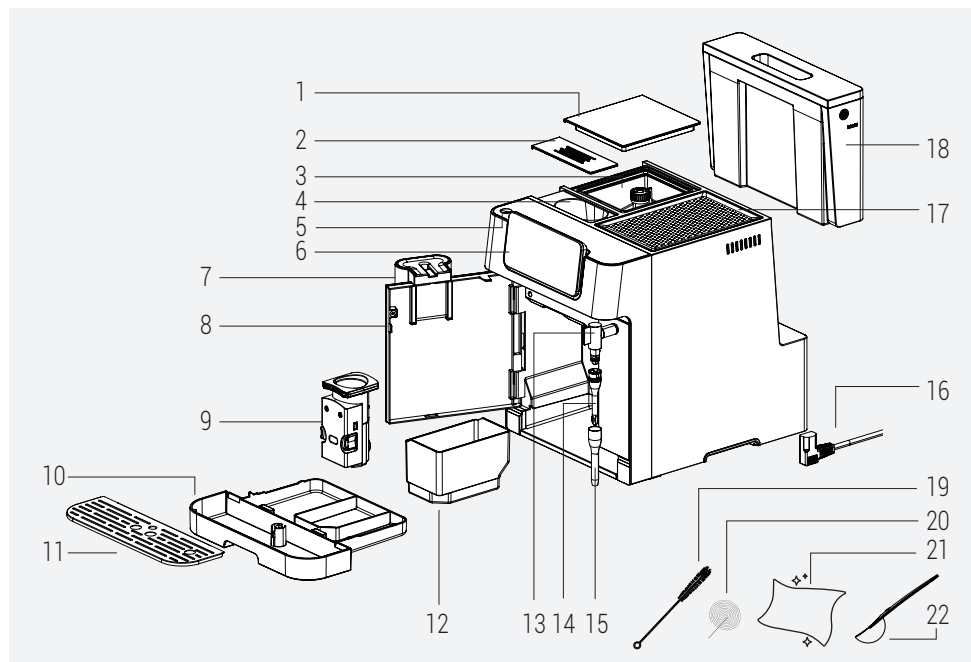
1.8 Informazioni sull'imballaggio



I materiali che compongono l'imballaggio del prodotto sono realizzati a partire da materiali riciclabili in conformità con le nostre Normative Ambientali Nazionali.

Non smaltire i materiali di imballaggio insieme ai rifiuti domestici o ad altri rifiuti. Portarli nei punti di raccolta per i materiali da imballaggio designati dalle autorità locali.

2 La tua macchina da caffè completamente automatica



- | | |
|---|--|
| 1. Coperchio contenitore chicchi di caffè | 12. Contenitore per fondi di caffè (residui) |
| 2. Coperchio contenitore caffè pre-macinato | 13. Ugello vapore |
| 3. Contenitore per chicchi di caffè | 14. Copri ugello |
| 4. Coperchio contenitore caffè pre-macinato | 15. Tubo metallico |
| 5. Pulsante ON/OFF | 16. Cavo di alimentazione |
| 6. Pannello di controllo digitale | 17. Riscaldamento tazza |
| 7. Beccuccio caffè regolabile | 18. Serbatoio dell'acqua |
| 8. Coperchio anteriore | 19. Spazzolino per la pulizia |
| 9. Unità di erogazione | 20. Ago per la pulizia |
| 10. Vaschetta raccogli gocce | 21. Panno per la pulizia |
| 11. Vassoio tazza | 22. Cucchiaino caffè pre-macinato |

2 La tua macchina da caffè completamente automatica

Dati tecnici

Alimentazione: 220-240 V~, 50-60 Hz

Potenza: 1350 W

I diritti di apportare modifiche tecniche e di progettazione è riservato.

Tutti i valori dichiarati sul prodotto e sui foglietti stampati, vengono rilevati dopo le misurazioni di laboratorio eseguite in base ai relativi standard. Questi valori possono differire a seconda dell'uso e delle condizioni ambientali.

Dimensioni del prodotto:

27,5 cm (Larghezza) x 35,9 cm (Altezza) x 41,2 cm (Profondità)

Peso: 9.68±0.5kg

Lunghezza del cavo: 95±5 cm

Peso del caffè in grani (Modalità chicchi)

Standard: 8±2g

Intenso: 10±2g

Capacità vaschetta raccogli gocce Fino a 0.6 L

Capacità contenitore per fondi di caffè (residui):

Fino a 10 tazzine

Capacità del serbatoio dell'acqua: 2.0±5%L

Capacità contenitore chicchi di caffè: 250±5%g

Macchina Tempo di pre-riscaldamento: <50s

Volume del caffè:

Espresso: 30±10ml

Doppio: 60±10ml

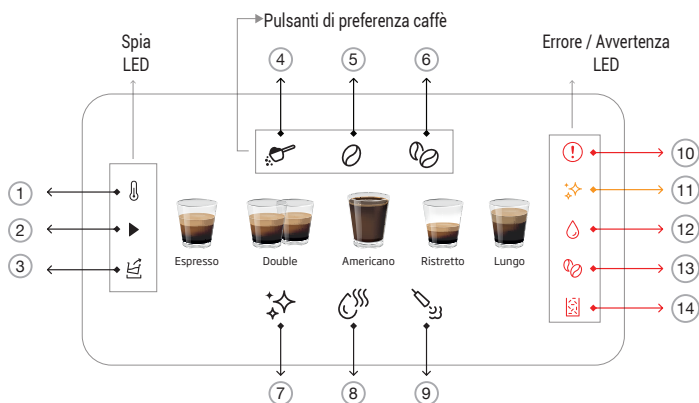
Americano: 150±20ml

Ristretto: 20±5ml

Lungo: 60±10ml

3 Display

3.1 Pannello di controllo



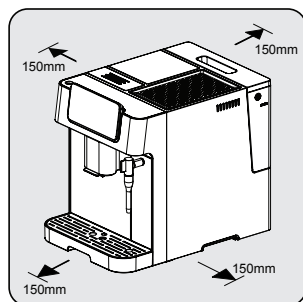
1		Acceso durante il preriscaldamento
2		Acceso durante il processo in corso
3		Indicatore di svuotamento acqua
4		Utilizzato per selezionare l'opzione "Caffè in polvere".
5		Utilizzato per selezionare l'opzione "Caffè in chicchi standard".
6		Utilizzato per selezionare l'opzione "Caffè in chicchi intenso".
7		Utilizzo per avviare le funzioni di pulizia e decalcificazione
8		Utilizzato per ricevere acqua calda dall'ugello vapore
9		Utilizzato per attivare la funzione ugello vapore
10		Errore generale
11		Avviso decalcificazione
12		Errore assenza acqua
13		Errore assenza chicchi
14		Errore contenitore residuo pieno

4 Preparazione

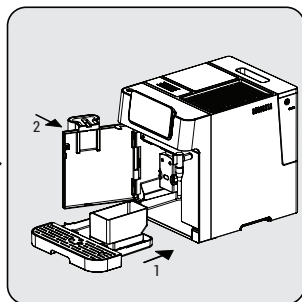
4.1 Installazione



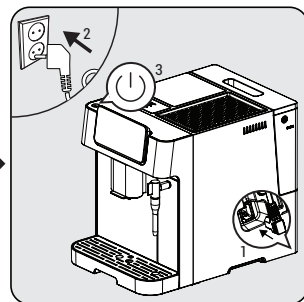
Rimuovere eventuali pellicole protettive, adesivi e qualsiasi altro materiale di imballaggio dall'elettrodomestico.



Scegliere una superficie sicura e stabile con un'alimentazione facilmente raggiungibile e lasciare uno spazio libero minimo ai lati della macchina.



Inserire la vaschetta raccogli gocce. Assicurarsi che sia inserita correttamente e chiudere il coperchio anteriore.



Svolgere e raddrizzare il cavo di alimentazione e inserire la spina nella presa situata al di sotto della macchina. Inserire l'altra estremità del cavo di alimentazione in una presa a muro con una tensione di alimentazione adeguata.

4.2 Riempimento del serbatoio dell'acqua

Riguardo il programma di protezione: Se il serbatoio dell'acqua non è completamente inserito nella macchina, una modalità di protezione verrà attivata 15 secondi durante il processo di infusione. Il pulsante dell'acqua calda si accende sul pannello di controllo.

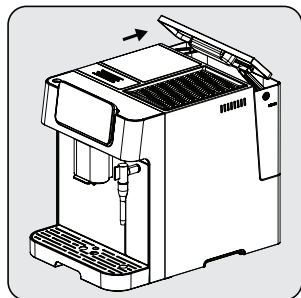


1. Assicurarsi che il serbatoio dell'acqua sia completamente inserito nella macchina.
2. Premere il pulsante dell'acqua calda. Dopo l'erogazione dell'acqua calda, la macchina sarà inattiva.

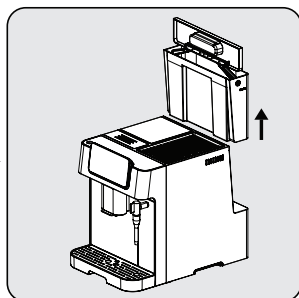


Quando "☹" è acceso, il livello dell'acqua nel serbatoio è basso e deve essere riempito.

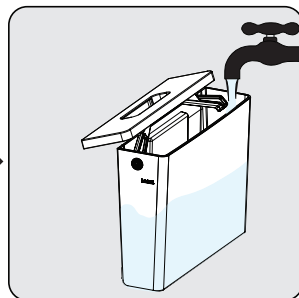
4 Preparazione



Sollevare il serbatoio dell'acqua usando il coperchio come maniglia.



Estrarre il serbatoio dell'acqua.



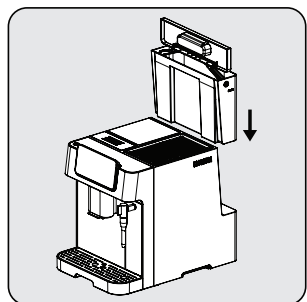
Sciacquare il serbatoio dell'acqua con acqua fresca, quindi riempirlo fino al livello Max e reinstallarlo nella macchina. Assicurarsi che sia completamente inserito.



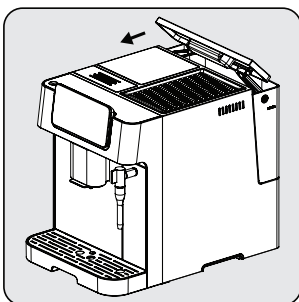
Per evitare che l'acqua fuoriesca dal serbatoio, non aggiungere acqua direttamente nell'elettrodomestico con un altro contenitore.



Non riempire mai il serbatoio dell'acqua con acqua tiepida o calda, acqua gassata o qualsiasi altro liquido che potrebbe danneggiare il serbatoio dell'acqua e la macchina.



Riposizionare il serbatoio dell'acqua utilizzando il coperchio come maniglia.

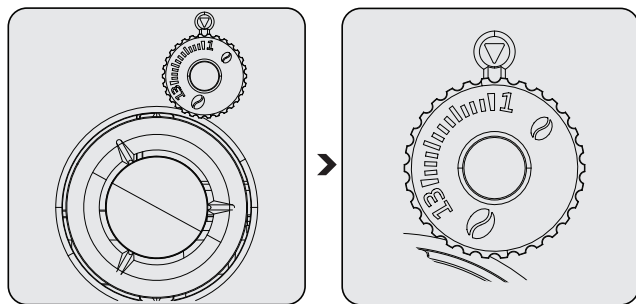


Chiudere il serbatoio dell'acqua utilizzando il coperchio.

5 Funzionamento

5.1 Regolazione della macinatura

È possibile regolare il grado di macinatura ruotando la manopola di regolazione sul contenitore dei chicchi:




Non effettuare mai la regolazione della macinatura quando il macinino non è in funzione. Questa operazione potrebbe danneggiare il macinino.

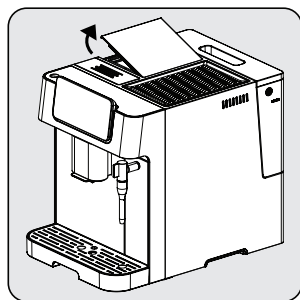


Le linee sulla manopola di regolazione indicano la finezza della macinatura. Un numero più grande indica un livello di macinatura più grossolano.

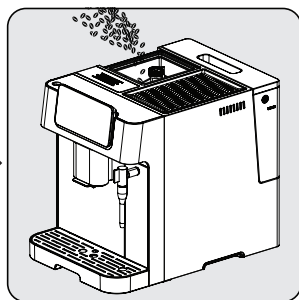
5.2 Riempimento del contenitore dei chicchi di caffè



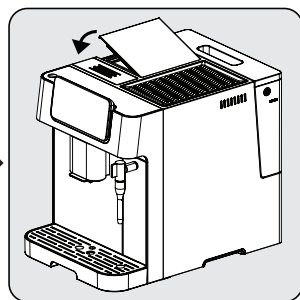
- Quando  lampeggia, l'elettrodomestico deve essere riempito con i chicchi di caffè.
- Conservare i chicchi nella loro confezione sottovuoto originale è meglio per garantire una maggiore durata della freschezza. Non utilizzare il contenitore del caffè in grani per la conservazione per ottenere risultati migliori.



Rimuovere il coperchio del contenitore del caffè in grani.



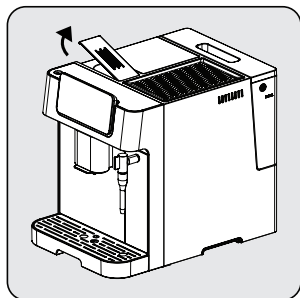
Versare lentamente i chicchi di caffè.



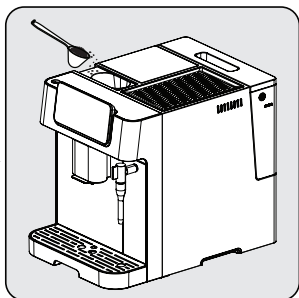
Riposizionare il coperchio del contenitore.

5 Funzionamento

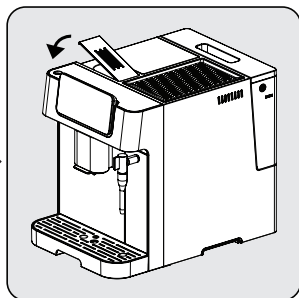
5.3 Utilizzo del contenitore del caffè pre-macinato



Rimuovere il coperchio del contenitore caffè pre-macinato.



Versare lentamente il caffè premacinato nel contenitore del caffè premacinato.



Riposizionare il coperchio del contenitore.

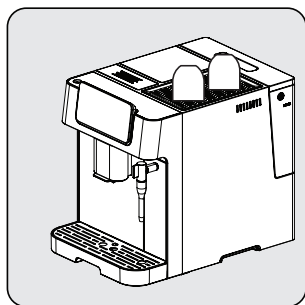


Il contenitore del caffè pre-macinato non è un'unità di stoccaggio, offre un utilizzo una tantum (max 12g). Il misurino può essere utilizzato per la quantità suggerita di caffè macinato.



Il pulsante del caffè macinato deve essere premuto e selezionato dallo schermo per attivare questa impostazione.

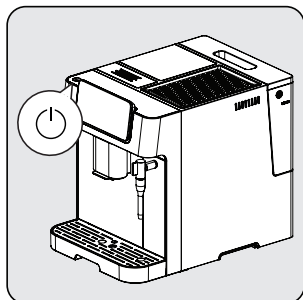
5.4 Utilizzo dello scald tazze



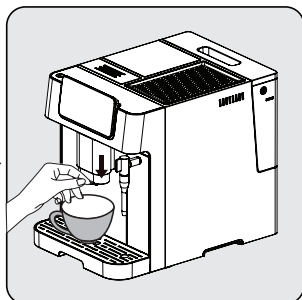
Le tazze devono essere posizionate capovolte per garantire che la superficie interna sia mantenuta calda e pulita (questa funzione utilizza il calore interno della macchina).

5 Funzionamento

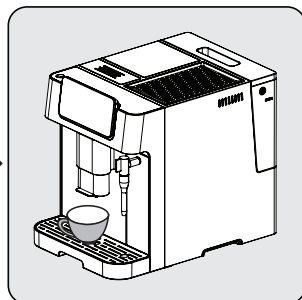
5.5 Preparare il caffè



Accendere l'apparecchiatura premendo il pulsante di accensione/spengimento. L'elettrodomestico si accende, inizia il preriscaldamento e la pulizia automatica. È pronto per l'uso in modalità inattiva in cui tutte le icone sono accese.



Posizionare una tazza sotto il beccuccio del caffè e regolare l'altezza del beccuccio in base alla tazza.

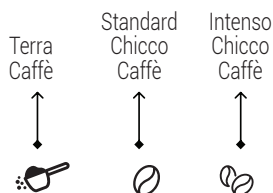


Selezionare il caffè premendo il pulsante e l'accendi tazza si attiverà indicando che l'elettrodomestico sta preparando una tazza di caffè. Quando l'elettrodomestico torna al minimo, il caffè è pronto per essere servito.



Premere il pulsante espresso, americano, ristretto o lungo a seconda delle proprie scelte.

5.6 Regolazione dell'intensità del caffè

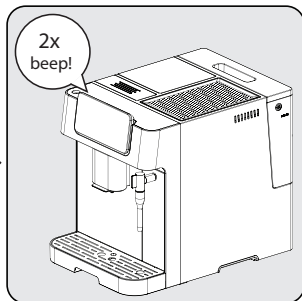


Se si utilizza caffè in chicchi, premere il pulsante "chicchi standard" o "chicchi intensi" per regolare l'intensità della bevanda.. Se si utilizza caffè macinato, premere l'opzione "caffè macinato".

5 Funzionamento

5.7 Regolazione del volume del caffè / acqua calda

È possibile salvare il volume del caffè desiderato per tutte le tipologie di bevande e per l'acqua calda da 25 ml a 250 ml. (x2 per doppio)

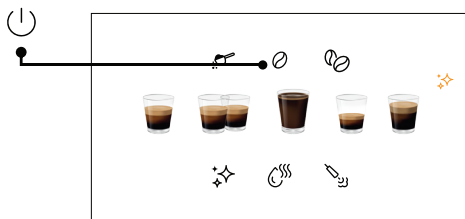


Mentre si prepara il caffè (espresso, doppio, americano, ristretto o lungo), tenere premuto il pulsante del caffè selezionato. L'apparecchio continuerà ad erogare caffè finché si tiene premuto il pulsante.

Quando il volume del caffè raggiunge il volume desiderato, rilasciare il pulsante. Se si sentono due segnali acustici, significa che la macchina ha memorizzato il volume di caffè preferito.



La regolazione dell'acqua può essere effettuata durante la preparazione del caffè (al termine della macinatura).



Per ripristinare tutte le bevande alle impostazioni predefinite/di fabbrica;

Per ripristinare le impostazioni predefinite di tutte le selezioni di quantità di bevande e acqua calda salvate in memoria;

- Premere il pulsante di accensione/spengimento e il pulsante del chicco tutti insieme per 3 secondi.

Per ripristinare le singole bevande alle impostazioni predefinite/di fabbrica;

Per ripristinare le impostazioni predefinite di

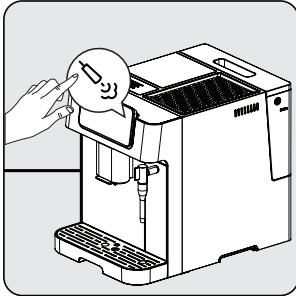
qualsiasi volume di caffè o acqua calda individualmente;

- Premere il pulsante di accensione/spengimento e il pulsante della bevanda (che si desidera ripristinare) tutti insieme per 3 secondi.

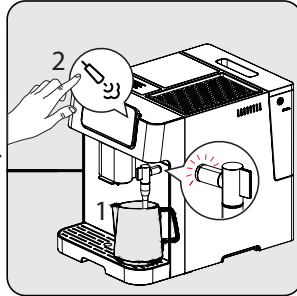
5 Funzionamento

5.8 Preparazione del latte schiumoso per il caffè

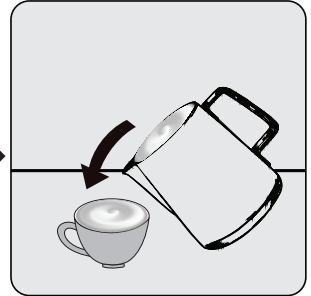
i Poiché la temperatura del vapore è superiore alla temperatura dell'espresso, l'espresso deve essere preparato prima di fare il latte schiumoso. In caso contrario, l'espresso potrebbe bruciare.



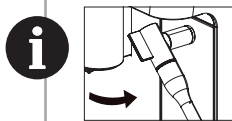
Premere l'icona dell'ugello del vapore e attendere che l'ugello del vapore sia pronto. Durante il preriscaldamento dell'ugello vapore, le spie lampeggiano.



Quando le spie sono fisse, l'ugello vapore è pronto per l'uso. Posizionare una tazza o una brocca piena di latte sotto l'ugello del vapore. Premere nuovamente il pulsante dell'ugello vapore per avviare la montatura del latte e interrompere premendo nuovamente.



Versare il latte caldo montato sull'espresso. Ora puoi goderti il tuo caffè!



L'ugello vapore può essere ruotato verso destra per una migliore movimentazione-

- Dopo aver utilizzato l'ugello del vapore, pulirlo dai residui di latte pulendolo con uno straccio umido.

- Si consiglia di rimuovere eventuali residui di latte che possono accumularsi sulla punta dell'ugello attivando la funzione acqua calda dall'ugello.
- Dopo che l'ugello del vapore è pronto, se l'ugello del vapore non viene utilizzato per un certo periodo di tempo; lo schermo tornerà alla fase inattiva.



- La sporgenza dell'uscita dell'ugello del vapore deve trovarsi sopra la vaschetta raccogliogocce per evitare fuoriuscite di acqua/latte.
- Considerando la formazione di schiuma di latte all'interno della tazza/ brocca, non riempirla completamente.
- Tenere presente che la tazza/ brocca può diventare calda durante la schiumatura del latte.

5 Funzionamento

5.9 Acqua calda

L'apparecchiatura può erogare acqua calda semplicemente premendo il pulsante "☺". Premere di nuovo per arrestare.



Questa funzione può essere utilizzata per riscaldare la tazza prima della preparazione del caffè. Per prima cosa riempire la tazza con acqua calda, poi versare l'acqua e usare questa tazza per preparare il caffè.

5.10 Selezione Modalità

La macchina ha tre diverse impostazioni: l'impostazione predefinita, la modalità ECO e la modalità veloce. In modalità ECO, l'apparecchiatura risparmia più energia. In modalità veloce, l'utente può preparare il caffè più velocemente rispetto all'impostazione predefinita.

	Modalità ECO	Modalità veloce	Impostazioni predefinite
Indicatori luminosi tazza e dell'ugello del vapore	No	Sì	Sì
Pre-infusione*	Sì	No	Sì
Tempo di arresto automatico	10 minuti	30 minuti	20 minuti

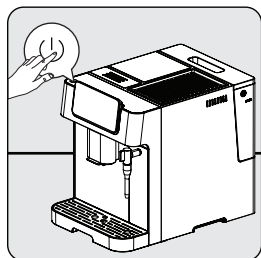


La funzione di pre-infusione inumidisce i chicchi macinati nell'unità di infusione con una piccola quantità d'acqua prima dell'erogazione completa. Questo espande i fondi di caffè per creare una maggiore pressione nell'unità di infusione, aiutando ad estrarre tutti gli olii e ad esaltare il pieno sapore dei chicchi.

1. Quando la macchina è ferma, tenere premuto il pulsante ☺ per 5 secondi.
1. Il ☺ quindi lampeggerà e i seguenti pulsanti si illumineranno per indicare le diverse impostazioni:

Modalità ECO → ☺
In modo veloce → ☺
Impostazioni predefinite → ☺

2. Premere il "Pulsante caffè in polvere" per la modalità ECO, il "Pulsante chicchi di caffè standard" per la Modalità veloce e il "Pulsante chicchi di caffè intenso" per le impostazioni predefinite. Si sentiranno due segnali acustici quando la modalità è stata selezionata.
3. Se si desidera che l'impostazione rimanga invariata, premere ☺ o attendere 5 secondi affinché la macchina torni in modalità inattivo.



5.11 Annullamento in corso

Il pulsante On-off deve essere premuto una volta per annullare qualsiasi processo in corso. Inoltre, premendo nuovamente su una bevanda selezionata dopo l'avvio della preparazione, si annullerà anche l'operazione.

6 Pulizia



Premendo 2 volte il pulsante di accensione/spegnimento, si causerà lo spegnimento forzato dell'apparecchiatura.

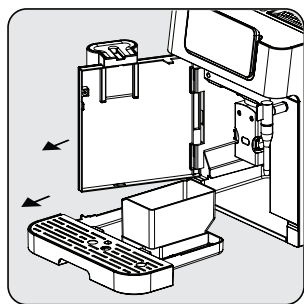
6.1 Pulizia dell'elettrodomestico

1. Scollegare il cavo di alimentazione dalla presa di alimentazione.
2. Versare tutti i residui di acqua/caffè all'interno della vasca raccogliogocce e del contenitore residui caffè.
3. Utilizzare un panno umido o un detergente antigraffio per pulire le macchie di liquido sull'elettrodomestico.

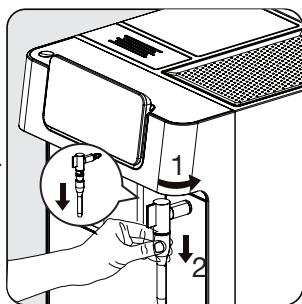


Non utilizzare mai agenti abrasivi, aceto o agenti disincrostanti non inclusi nella confezione per pulire l'apparecchiatura.

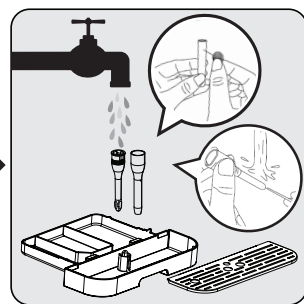
La pulizia e la manutenzione tempestive dell'elettrodomestico sono molto importanti per prolungarne la vita.



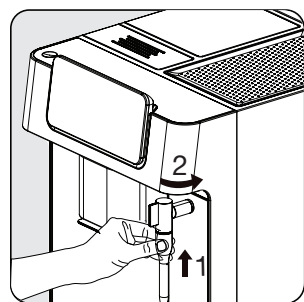
Aprire il coperchio anteriore. Rimuovere la vaschetta raccogliogocce e il contenitore dei residui di caffè.



Rimuovere il tubo di metallo tirandolo verso il basso. Quindi rimuovere il coperchio dell'ugello ruotandolo verso sinistra per smontare il coperchio dell'ugello e il tubo di metallo.




Svuotare il contenitore dei fondi di caffè e la vaschetta raccogli gocce esterna. Lavare il tubo di metallo con acqua corrente calda e utilizzare un ago o una spazzola per pulire il foro. Lavare il coperchio dell'ugello con acqua corrente calda e utilizzare l'ago o la spazzola per pulire il foro. Successivamente asciugarli.

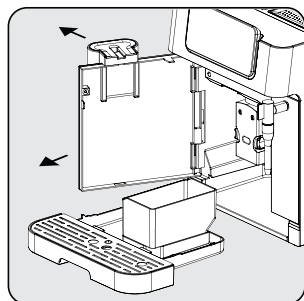


Rimontare il tubo di metallo sul coperchio dell'ugello. Quindi spingerlo verso l'alto per rimettere a posto il coperchio dell'ugello e ruotarlo verso destra per bloccarlo.

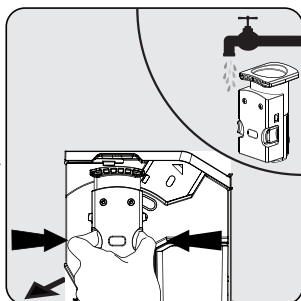
6 Pulizia



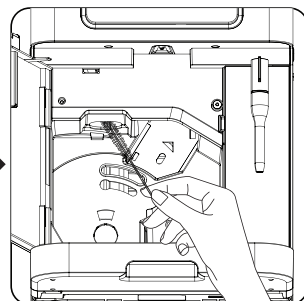
Quando  si accende, il contenitore dei fondi di caffè deve essere svuotato. Questa icona si illuminerà dopo ogni 10 erogazioni di caffè. Pulire il contenitore per correggere l'errore. Se il contenitore è pulito, rimuovere il contenitore e rimetterlo al suo posto.



Afferrare l'erogatore del caffè regolabile e tirarlo indietro lentamente per aprire il coperchio anteriore.



Rimuovere l'unità di erogazione. Lavare con acqua e poi asciugare.



Pulire la linea di uscita del caffè con una spazzola.



- La vaschetta raccogli gocce deve essere svuotata quando l'indicatore di galleggiamento è visibile.
- Lo scivolo del caffè in polvere deve essere pulito dopo ogni utilizzo con la spazzola di pulizia.




Quando  si accende, indica che il gruppo erogatore manca/ è installato in modo non corretto. Quando  lampeggia, indica che il coperchio anteriore non è chiuso.

6.2 Funzione di decalcificazione







- La decalcificazione è necessaria dopo il ciclo di erogazione predefinito.
- Non utilizzare aceto o altri detersivi per l'auto pulizia di questa apparecchiatura. Altri detersivi possono danneggiare l'elettrodomestico.
- Tenere la pelle/il corpo lontano dall'acqua calda.

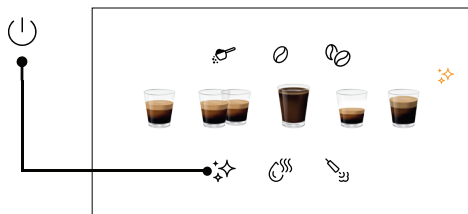
Quando  lampeggia, indica che l'elettrodomestico deve essere sottoposto a decalcificazione. L'apparecchiatura rimarrà nelle migliori condizioni se questa funzione viene eseguita almeno una volta al mese o più frequentemente, a seconda della durezza dell'acqua utilizzata.

Per avviare la decalcificazione:

1. Riempire il serbatoio dell'acqua fino a "Livello di decalcificazione .
2. Aggiungere una confezione di detersivo incluso nella fornitura al serbatoio dell'acqua.

6 Pulizia

3. Posizionare un contenitore sufficientemente grande sotto l'erogatore del caffè e l'ugello.
4. Quando la macchina è ferma, tenere premuto il pulsante  per 3 secondi. Si udirà un segnale acustico ed il  lampeggerà fino a che il serbatoio dell'acqua sarà vuoto.
5. Riempire il serbatoio dell'acqua ancora una volta fino al "livello di decalcificazione" con acqua, e premere il pulsante  di nuovo per avviare il secondo ciclo di decalcificazione. Se il serbatoio dell'acqua viene rimosso e riposizionato, l'elettrodomestico rileverà questa azione e avvierà automaticamente il secondo ciclo (senza premere  di nuovo).
6. Una volta svuotato il serbatoio dell'acqua, lo schermo tornerà alla condizione di riposo. La decalcificazione è completata. Riempire il serbatoio dell'acqua con acqua fresca per iniziare a preparare il caffè.



Per ripristinare lo stato di avviso decalcificazione;

Per ripristinare lo stato di avviso decalcificazione;




- Premere il pulsante di accensione/spengimento e il pulsante di rimozione del calcare tutti insieme per 3 secondi.



Il ripristino dello stato di avviso di decalcificazione non è consigliato per mantenere le migliori condizioni dell'elettrodomestico.

6.3 Funzione di svuotamento

Utilizzare la funzione svuota impianto prima di un lungo periodo di inutilizzo e per la protezione antigelo.


1. Quando inattivo, tenere premuti il  e il pulsante dell'acqua calda  insieme per 3 secondi.
2.  poi si illuminerà.
3. Rimuovere il serbatoio dell'acqua dall'elettrodomestico, il processo si avvierà automaticamente.
4. Una volta completata la funzione di svuotamento del sistema, l'apparecchiatura si spegnerà automaticamente.



Quando l'elettrodomestico viene riutilizzato per la prima volta dopo aver utilizzato la funzione di sistema vuoto; premere il pulsante dell'acqua calda finché l'acqua non fuoriesce dal beccuccio.

6 Pulizia

6.4 Pulizia manuale / Funzione di risciacquo

È possibile pulire/risciacquare manualmente l'ugello del caffè prima o dopo l'uso. Quando è inattivo, premere una volta. Quando inattivo, premere  una volta.

- Dopo la pulizia/risciacquo, l'elettrodomestico tornerà inattivo.



- L'acqua che fuoriesce dall'ugello del caffè è calda e si raccoglie nella vaschetta raccogliacqua sottostante. Evitare il contatto mentre schizza intorno.
- Se l'elettrodomestico non è stata utilizzata per un lungo periodo di tempo, un risciacquo manuale può essere una buona idea.



L'utilizzo di questa funzione prima della preparazione del caffè garantisce inoltre un caffè più caldo.

Disattivazione della modalità di pulizia automatica

L'elettrodomestico si pulisce automaticamente prima e dopo ogni operazione di erogazione. È possibile seguire i passaggi seguenti per disattivare la modalità di pulizia automatica.

- Accendere l'elettrodomestico premendo il pulsante di accensione/spengimento e attendere che entri in modalità inattiva.
- Aprire il coperchio anteriore
- Premere il pulsante di accensione/spengimento per 5 secondi e verrà emesso un segnale acustico.
- Chiudere il coperchio anteriore.
- L'operazione di pulizia automatica è stata annullata.



Si consiglia di utilizzare attivamente la modalità di pulizia automatica per un uso sano.

Per annullare la pulizia automatica per una volta;

Premere il pulsante on/off mentre la macchina si sta accendendo o spegnendo per bypassare questa funzione.

7 Risoluzione dei problemi

Problema	Causa	Soluzione
L'apparecchiatura non funziona.	L'apparecchiatura è collegata in modo errato alla presa di corrente.	Collegarla e premere l'interruttore. Controllare il cavo e la spina.
Risposta assente o ritardata con diversi tentativi o premendo un tasto funzione sul pannello	L'elettrodomestico è soggetto all'interferenza elettromagnetica. Il pannello è sporco.	Scollegare l'elettrodomestico. Riavviare dopo pochi minuti Pulire il pannello con il panno in dotazione.
Il caffè non è caldo sufficientemente.	Le tazze non sono state preriscaldate. L'unità di infusione è troppo fredda.	Posiziona la tazza sullo scaldatasse rivolta verso il basso o risciacqua la tazza con acqua calda. Assicurarsi che l'acqua nel serbatoio non sia troppo fredda.
Il caffè non esce dal beccuccio del caffè.	La funzione di svuotamento dell'impianto potrebbe essere stata utilizzata in precedenza. L'erogatore del caffè potrebbe non essere stato pulito ed essere bloccato da residui di caffè.	Premere il pulsante dell'acqua calda fino a quando l'acqua esce dall'erogatore. Pulite l'erogatore del caffè.
La prima tazza di caffè è di scarsa qualità.	Il primo funzionamento del macina caffè non versa una quantità sufficiente di caffè nell'unità di erogazione.	Buttare via il caffè. Le prossime tazze saranno migliori.
Il serbatoio dell'acqua è stato rimosso / il livello dell'acqua è molto basso nel serbatoio ma non c'è alcun avviso "△".	L'area vicino al connettore del serbatoio dell'acqua è bagnata.	Asciugare l'acqua attorno al connettore del serbatoio dell'acqua.
La vaschetta raccogli gocce interna viene riempita con molta acqua.	Il caffè macinato è troppo fine, il che impedisce la fuoriuscita dell'acqua.	Regolare la finezza del caffè su chicchi più grandi per il processo di macinatura.
Il caffè viene erogato troppo lentamente o una goccia alla volta.	I fondi di caffè sono troppo fini, il che impedisce la fuoriuscita dell'acqua.	Regolare la finezza del caffè su chicchi più grandi per il processo di macinatura.
L'indicatore lampeggia per avvertire che non ci sono abbastanza caffè in grani, ma all'interno del contenitore vi è caffè a sufficienza.	L'uscita interna dei fondi di caffè è ostruita.	Seguire i passaggi descritti per la pulizia dell'uscita dei fondi di caffè.
Impossibile rimuovere l'unità di infusione o il contenitore dei fondi di caffè.	L'apparecchiatura non ha terminato il processo di auto pulizia ed è stata spenta.	Riacendere la macchina e attendere che termini il processo di pulizia automatica.
L'apparecchiatura non esegue più il ciclo di risciacquo all'accensione o allo spegnimento.	La causa potrebbe essere una manipolazione impropria durante la manutenzione dell'apparecchiatura.	1. Quando l'elettrodomestico è nello stato inattivo, aprire il coperchio anteriore. 2. Tenere premuto il pulsante di accensione / spegnimento finché non si sentono 2 segnali acustici. 3. Chiudere il coperchio anteriore.
I pulsanti a sfioramento non sono sensibili.	Non premere il pulsante a sfioramento sulla parte anteriore dell'elettrodomestico.	Premere la parte inferiore inferiore del simbolo del pulsante a sfioramento dalla parte anteriore dell'elettrodomestico.



CERTIFICATO DI GARANZIA

La presente garanzia commerciale si intende aggiuntiva e non sostitutiva di ogni altro diritto di cui gode il consumatore, intendendo per consumatore esclusivamente colui che utilizza il bene per scopi estranei all'attività imprenditoriale o professionale eventualmente svolta e pertanto per uso domestico/privato, e in particolare non pregiudica in alcun modo i diritti del consumatore stabiliti dal Dlgs 206/05. BEKO Italy S.r.l. in conformità alla facoltà prevista dalla legge, offre al consumatore una garanzia commerciale aggiuntiva, nei termini e nei modi di seguito indicati.

Questo certificato non deve essere spedito per la convalida. E' valido e operante solo se conservato assieme alla ricevuta fiscale o altro documento reso fiscalmente obbligatorio.

Condizioni di Garanzia

1. BEKO Italy S.r.l. garantisce l'apparecchio per un periodo di 2 anni dalla data di acquisto (12 mesi se acquistato con fattura di vendita e non con scontrino fiscale).
2. La garanzia è valida esclusivamente sul territorio italiano compresa la Repubblica di San Marino e la città del Vaticano e deve essere comprovata da scontrino fiscale o fattura, che riporti il nominativo del Rivenditore, la data di acquisto dell'apparecchio nonché gli estremi i identificativi dello stesso (tipo, modello).
3. Per garanzia s'intende la sostituzione o riparazione gratuita delle parti componenti l'apparecchio che sono risultate difettose all'origine, per vizi di fabbricazione.
4. L'utente decade dai dritti di garanzia se non denuncia il difetto di conformità entro 2 mesi dalla scoperta dello stesso.
5. Diritto di Chiamata: gratuita per i primi 12 mesi di garanzia, a pagamento per gli altri 12 mesi nel caso l'utente non sia in grado di provare che il difetto sia dovuto a vizio di conformità del prodotto.
6. Manodopera e ricambi gratuiti per i 24 mesi del periodo di garanzia.
7. L'intervento di riparazione viene effettuato presso il centro di assistenza reperibile presso il call centre e sul sito www.beko.it, fatto salvo i casi di impossibilità oggettiva o di forza maggiore.
8. La riparazione o sostituzione dei componenti o dell'apparecchio stesso, non estendono la durata della garanzia.
9. Tutte le parti asportabili e tutte le parti estetiche, non sono coperte da garanzia.
10. Tutti i materiali soggetti ad usura non sono coperti da garanzia a meno che venga dimostrata la difettosità risalente a vizio di fabbricazione delle stesse.
11. La BEKO Italy S.r.l. declina ogni responsabilità per eventuali danni che possano derivare, direttamente od indirettamente, a persone e cose come conseguenza del mancato rispetto delle istruzioni tutte, incluse nell'apposito Manuale per l'uso dell'apparecchio allegato a ciascuno apparecchio, da parte dell'utente ed in particolar modo per quanto concerne le avvertenze relative alla installazione, all'uso ed alla manutenzione dell'apparecchio stesso.
12. La garanzia non diventa operante e l'assistenza sarà effettuata totalmente a pagamento nei seguenti casi:

- a. Danni dovuti al trasporto o alla movimentazione delle merci.
- b. Interventi di installazione e montaggio, così come l'errata connessione o errata erogazione dalle reti di alimentazione, mancanza di allacciamento alla presa di terra.
- c. Installazione errata, imperfetta o incompleta, per incapacità d'uso da parte dell'Utente, se mancano gli spazi necessari ad operare attorno ai prodotti, per eccessiva o scarsa temperatura dell'ambiente,.
- d. Interventi nei quali non è stato riscontrato il difetto lamentato, o per generici problemi di funzionamento causati da errata impressione del cliente
- e. Danni causati da agenti atmosferici (fulmini, terremoti, incendi, alluvioni, ecc.)
- f. Se il numero di matricola risulta asportato, cancellato o manomesso.
- g. Riparazioni, modifiche o manomissioni effettuate da persone non autorizzate dal produttore o comunque per cause non dipendenti dal prodotto. Per guasti dovuti a mancanza di regolare manutenzione (pulizia e manutenzione del prodotto.).
- h. Mancanza dei documenti fiscali o se gli stessi risultano contraffatti o non inerenti al prodotto.
- i. L'uso improprio dell'apparecchio, non di tipo domestico o diverso da quanto stabilito dal produttore, fa decadere il dritto alla Garanzia.
- j. Per tutte le circostanze esterne che non siano riconducibili a difetti di fabbricazione dell'elettrodomestico.
- k. Si intendono a pagamento anche tutti gli eventuali trasporti necessari per lo svolgimento degli interventi legati ai casi citati.

Il Servizio Assistenza di BEKO Italy S.r.l. è l'unico autorizzato a riparare i prodotti a marchio BEKO. Per ogni controversia è competente il foro di Milano.

Durante e dopo il periodo di garanzia, vi consigliamo di rivolgervi sempre ai nostri centri di assistenza autorizzati. Per contattare il Centro di Assistenza Tecnica Autorizzato operante nella sua zona chiami il numero unico per l'Italia:

02.03.03

Prima di contattare l'assistenza tecnica, al fine di agevolare la gestione della chiamata, è necessario avere a portata di mano il modello del prodotto e il documento fiscale di acquisto.

Lees eerst deze handleiding!

Beste klant,

Bedankt dat u een Beko product hebt gekozen. Wij hopen dat u de beste resultaten krijgt van uw product dat werd vervaardigd met hoogwaardige en moderne technologie. Lees deze volledige handleiding en alle andere begeleidende documenten zorgvuldig voor u het product in gebruik neemt en bewaar ze voor een eventuele raadpleging in de toekomst. Als u het product doorgeeft aan iemand anders mag u niet vergeten ook de handleiding mee te geven. U moet alle waarschuwingen en informatie omvat in deze handleiding naleven.

Verklaring van de symbolen

De volgende symbolen worden gebruikt in verschillende hoofdstukken van deze handleiding:



Belangrijke informatie en nuttige tips bij het gebruik.



GEVAAR: Waarschuwing voor gevaarlijke situaties met betrekking tot leven en eigendom.



WAARSCHUWING: Deze waarschuwing wijst op potentieel gevaarlijke situaties.



OPGELET: Deze waarschuwing wijst op het potentieel voor materiële schade.



Deze materialen zijn geschikt voor contact met voedingswaren.



**GERECYCLED & RECY-
CLEBAAR PAPIER**

1 Belangrijke instructies met betrekking tot veiligheid en het milieu

Dit hoofdstuk omvat de veiligheidsinstructies die bijdragen tot de bescherming tegen het risico van persoonlijk letsel en materieel verlies. Het niet naleven van deze instructies resulteert in het nietig verklaren van de garantie.

1.1 Gevaar van elektrische stroom

Levensgevaar met elektrische stroom!

Contact met onder spanning staande kabels of onderdelen kan resulteren in ernstig letsel of zelfs fataal aflopen!

Respecteer de volgende veiligheidsvoorschriften om elektrische schokken te voorkomen.

- Gebruik het product niet als het netsnoer of het apparaat zelf beschadigd is. Neem contact op met de geautoriseerde service.
- U mag de behuizing van het koffiezetapparaat niet

openen. Er bestaat een risico van elektrische schokken wanneer onder stroom staande verbindingen worden aangeraakt en/of de elektrische en mechanische configuratie wordt gewijzigd.

- Voor u het bonenreservoir reinigt, moet u de stekker uit het stopcontact trekken. Gevaar als de koffiemolen draait!

1.2 Gevaar van brandwonden

Sommige onderdelen van het koffiezetapparaat kunnen heel heet worden tijdens de werking! De verdeelde drankjes en ontsnappende stoom zijn zeer heet!

Respecteer de volgende veiligheidsmaatregelen om brandwonden bij uzelf en anderen te vermijden:

- Raak de metalen sleuven op beide koffie-uitlopen niet aan.
- Vermijd direct contact van de huid met de ontsnappende

1 Belangrijke instructies met betrekking tot veiligheid en het milieu

stoom uit de machine of heet spoel-, reinigings- of ontkalkingswater.

1.3 Basisveiligheidsmaatregelen

Respecteer de volgende veiligheidsmaatregelen om de veilige hantering van het koffiezetapparaat te garanderen:

- Speel nooit met de verpakking. Er bestaat een verstikkingsgevaar. Houd alle verpakkingsmateriaal uit de buurt van kinderen.
- **I n s p e c t e e r** het koffiezetapparaat op zichtbare tekenen van schade voor het gebruik. Gebruik het apparaat niet als het is beschadigd. Neem contact op met de geautoriseerde service.
- Als de verbindingkabel is beschadigd, mag het enkel worden vervangen door een service-agent aanbevolen door de fabrikant om elk risico te vermijden! Neem contact

op met de fabrikant of de klantendienst.

- Reparaties aan het koffiezetapparaat mogen uitsluitend worden uitgevoerd door een geautoriseerde specialist of door een vertegenwoordiger van de klantendienst. Reparaties door niet-gekwalificeerde personen kunnen resulteren in aanzienlijk gevaar voor de gebruiker. Deze handelingen zullen ook de garantie nietig verklaren.
- Reparaties aan het koffiezetapparaat tijdens de garantieperiode mogen enkel worden uitgevoerd door servicecentra die zijn geautoriseerd door de fabrikant. Zo niet wordt de garantie nietig verklaard in het geval van resulterende schade.
- Defecte onderdelen mogen enkel worden vervangen met originele reserveonderdelen. Enkel originele reserveonderdelen

1 Belangrijke instructies met betrekking tot veiligheid en het milieu

- bieden de garantie dat de veiligheidsvereisten worden nageleefd.
- Dit apparaat mag worden gebruikt door kinderen van meer dan 8 jaar oud of door personen met een verminderd fysiek, gevoelsmatig of mentaal vermogen voorwaarde dat mensen met een gebrek aan ervaring en kennis, als ze onder toezicht staan of instructies hebben ontvangen met betrekking tot het veilige gebruik van het apparaat en als ze de relevante gevaren begrijpen. Kinderen mogen niet spelen met het apparaat. De reiniging en het onderhoud door de gebruiker mogen niet worden uitgevoerd door kinderen tenzij ze ouder zijn dan 8 jaar en onder toezicht staan.
 - Dit apparaat is bedoeld voor huishoudelijk gebruik en gelijkaardige toepassingen zoals:
 - Personeelskeuken in winkels, kantoren en andere professionele omgevingen;
 - boerderijen;
 - door klanten in hotels, motels en andere residentiële omgevingen,
 - bed and breakfast omgevingen.
 - **B e s c h e r m** het koffiezetapparaat tegen de weersomstandigheden zoals regen, vorst en direct zonlicht. Gebruik het koffiezetapparaat niet buitenshuis.
 - U mag het koffiezetapparaat zelf, het netsnoer of de stekker nooit onderdompelen in water of een andere vloeistof.
 - Reinig het koffiezetapparaat of de accessoires niet in een vaatwasmachine.
 - Giet geen andere vloeistoffen dan water of plaats geen voedingswaren in het waterreservoir.
 - Vul het waterreservoir niet

1 Belangrijke instructies met betrekking tot veiligheid en het milieu

- boven de maximale markering.
- Gebruik het apparaat enkel wanneer de afvalcontainer, lekbakje en de kopjesschaal zijn aangebracht.
- Trek nooit aan het netsnoer om de stekker uit het stopcontact te verwijderen en raak ze niet aan met natte handen.
- Houd het koffiezetapparaat niet vast bij het netsnoer.
- Houd het apparaat en het netsnoer buiten het bereik van kinderen van 8 jaar of jonger.
- Het apparaat mag enkel worden gebruikt om koffie te zetten.
- Kinderen moeten onder toezicht staan om zeker te zijn dat ze niet spelen met dit apparaat.
- Verwijder de stekker uit het stopcontact na elke reiniging en wanneer u het apparaat niet gebruikt
- Het apparaat moet zodanig worden gepositioneerd dat de stekker toegankelijk blijft.
- Gebruik het apparaat altijd op een stabiel, plat, schoon, droog en antislip oppervlak.
- Het apparaat is geen ingebouwd koffiezetapparaat en is niet ontworpen voor gebruik in een kast. Het koffiezetapparaat mag niet in een kast worden geplaatst wanneer het in gebruik is.
- Het netsnoer mag niet worden samengedrukt of gebogen en het mag niet over scherpe randen worden gewreven om schade te voorkomen aan het netsnoer. Houd het netsnoer uit de buurt van hete oppervlakken en open vlammen.
- Zorg ervoor dat uw netspanning overeenstemt met de gegevens op het typeplaatje van het apparaat.
- Gebruik het apparaat enkel met een geaard stopcontact.
- Gebruik het apparaat niet met een verlengsnoer.
- Raak het apparaat of de stekker niet aan met vochtige of natte

1 Belangrijke instructies met betrekking tot veiligheid en het milieu

handen als de stekker in het stopcontact zit.

- -OPGELET: Om het risico van het ongewenste opnieuw instellen van de thermische uitschakeling mag dit apparaat niet van stroom worden voorzien via een extern schakelsysteem, zoals een timer, of aangesloten op een circuit dat doorgaans in of uit wordt geschakeld via een nutsvoorziening.

-Waarschuwing: zorg ervoor dat u niet morst op de aansluiting.

-U mag het apparaat niet misbruiken om potentiële letsels te vermijden.

- - Als het netsnoer is beschadigd, moet het worden vervangen door de fabrikant, zijn onderhoudsdienst of een gelijkaardig gekwalificeerde persoon om ieder risico uit te sluiten.

1.4 Beoogd gebruik

Het volledig automatische koffiezetapparaat van Beko is bedoeld voor gebruik bij u thuis en in gelijkaardige toepassingen, bijvoorbeeld

in personeelskeukens, winkels, kantoren en gelijkaardige omgevingen of bij klanten in een bed & breakfast, hotels, motels en andere verblijfplaatsen. Dit koffiezetapparaat is niet bedoeld voor commercieel gebruik. Het apparaat is enkel bedoeld om koffie te zetten en melk en water op te warmen. Elk ander gebruik dan eerder vermeld wordt als verkeerd gebruik beschouwd.

Incorrect gebruik kan resulteren in risico's!

Als het koffiezetapparaat niet wordt gebruikt voor het beoogde doeleinde kan het een bron van gevaar zijn.



Om die reden mag het koffiezetapparaat enkel worden gebruikt voor het beoogde doeleinde.



Respecteer de procedures beschreven in deze handleiding.

Er wordt geen enkele claim aanvaard voor schade of letsel die het resultaat zijn van het gebruik van het koffiezetapparaat voor andere dan de beoogde doeleinden.

Het risico valt uitsluitend onder de verantwoordelijkheid van de eigenaar van het apparaat.

1.5 Bepering van de aansprakelijkheid

Alle technische informatie, gegevens en instructies voor de installatie, bediening en het onderhoud van het koffiezetapparaat omvat in deze gebruiksaanwijzingen gelden in de huidige status op het moment van publicatie en ze zijn gebaseerd op de best mogelijke kennis door ervaring en kennis van zaken.

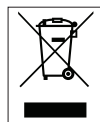
1 Belangrijke instructies met betrekking tot veiligheid en het milieu

Er mogen geen claims/eisen worden afgeleid van de informatie, illustraties en beschrijvingen in deze gebruikershandleiding.

De fabrikant aanvaardt geen enkele aansprakelijkheid voor schade of letsels die het resultaat zijn van het niet naleven van de gebruikershandleiding, het gebruik van het product voor andere dan de beoogde doeleinden, niet professionele reparaties, niet geautoriseerde wijzigingen of gebruik van niet goedgekeurde reserveonderdelen.

1.6 Conformiteit met de WEEE-richtlijn en Verwijdering van afvalproducten:

Dit product is conform met de EU WEEE-richtlijn (2012/19/EU). Dit product draagt een classificatiesymbool voor afval elektrische en elektronische apparatuur (WEEE).



Dit symbool wijst erop dat dit product niet mag worden weggegooid met ander huishoudelijk afval aan het einde van de levensduur. Het gebruikte apparaat moet naar een officieel inzamelpunt worden gebracht voor toets recycling van elektrische en elektronische apparaten. Neem contact op met uw lokale autoriteiten of detailhandelaar waar u het product hebt gekocht om deze inzamelpunten te vinden. Elk gezin speelt een belangrijke rol in de recuperatie en recycling van oude apparaten. De correcte verwijdering van gebruikte apparatuur helpt potentiële negatieve gevolgen voor het milieu en de volksgezondheid te voorkomen.

1.7 Conformiteit met de RoHS-richtlijn

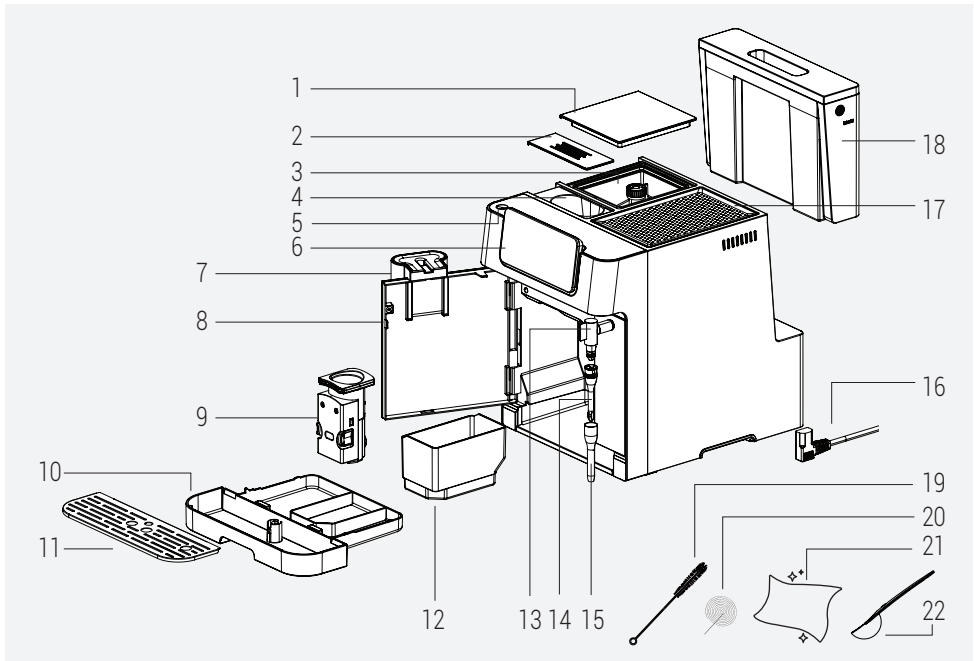
Het product dat u hebt gekocht is conform met de Europese RoHS-richtlijn (2011/65/EU). Het bevat geen schadelijk en verboden materiaal zoals gespecificeerd in de Richtlijn.

1.8 Informatie op de verpakking



Het verpakkingsmateriaal van het product is gefabriceerd van recyclebaar materiaal in overeenstemming met onze Nationale milieuwetgeving. U mag het verpakkingsmateriaal niet samen met het huishoudelijke of ander afval weggooien. Breng het naar de inzamelpunten voor verpakkingsmateriaal aangewezen door de lokale autoriteiten.

2 Uw volledig automatische koffiezetapparaat



- | | |
|---|--------------------------------------|
| 1. Deksel van het koffiebonenreservoir | 12. Gemalen koffie(resten) reservoir |
| 2. Deksel van het voorgemalen koffiereservoir | 13. Stoompijpje |
| 3. Koffiebonenreservoir | 14. Dop van het pijpje |
| 4. Voorgemalen koffiereservoir | 15. Metalen buis |
| 5. Aan/Uit knop | 16. Netsnoer |
| 6. Digitale bedieningspaneel | 17. Kopjesverwarmer |
| 7. Verstelbare koffie-uitloop | 18. Waterreservoir |
| 8. Deksel vooraan | 19. Reinigingsborstel |
| 9. Brouweenheid | 20. Reinigingsnaald |
| 10. Druppelvanger | 21. Reinigingsdoek |
| 11. Kopjesplank | 22. Lepel voor gemalen koffie |

2 Uw volledig automatische koffiezetapparaat

Technische gegevens

Voeding: 220-240 V~, 50-60 Hz

Vermogen: 1350 W

Het recht om technische en ontwerp wijzigingen uit te voeren is voorbehouden.

Alle vermelde waarden op het product en op de gedrukte brochures werden verkregen na metingen in laboratoria in overeenstemming met de relevante normen. Deze waarden kunnen verschillen naargelang het gebruik en de omgevingsomstandigheden.

Productafmetingen:

27,5 cm (breedte) x 35,9 cm (hoogte) x 41,2 cm (diepte)

Gewicht: 9,68±0,5 kg

Snoerlengte: 95±5 cm

Gemalen koffie gewicht (boonmodus)

Standaard: 8±2g

Intens: 10±2g

Capaciteit van de druppelvanger: Maximaal 0,6 L

Capaciteit van het gemalen koffie(resten) reservoir:

Maximaal 10 koppen

Capaciteit van het waterreservoir: 2,0±5% L

Capaciteit van het koffiebonenreservoir: 250±5%g

Machine Voorverwarmingstijd: <50s

Koffievolume:

Espresso: 30±10 ml

Dubbel: 60±10 ml

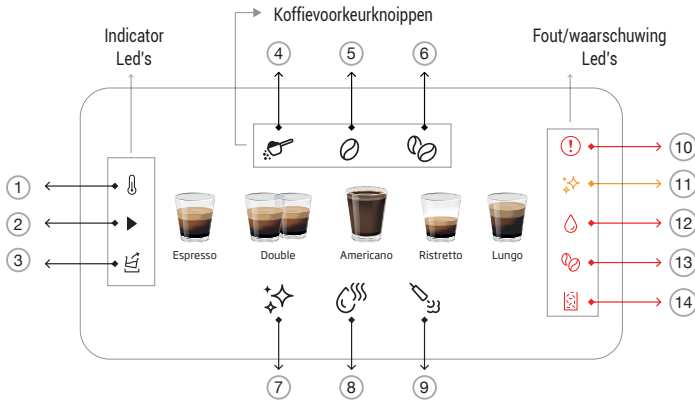
Americano: 150±20 ml

Ristretto: 20±5 ml

Lungo: 60±10 ml

3 Scherm

3.1 Bedieningspaneel

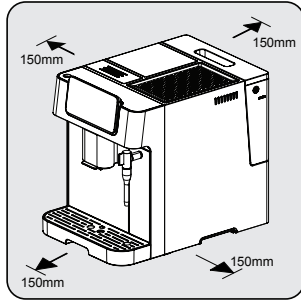


1		Ingeschakeld tijdens de voorverwarming
2		Ingeschakeld tijdens een actief proces
3		Water leegmaken controlelampje
4		Gebruikt om de optie " Gemalen kofke " te selecteren.
5		Gebruikt om de optie " Standaard boon kofke " te selecteren.
6		Gebruikt om de optie " Intense boon kofke " te selecteren.
7		Gebruik om de reinigings- en ontkalkingsfuncties te starten.
8		Gebruikt om warm water te ontvangen van het stoompijpje.
9		Gebruik om de stoompijpjefunctie in te schakelen.
10		Algemene fout
11		Ontkalkingswaarschuwing
12		Geen water fout
13		Geen bonen fout
14		Resten container vol fout

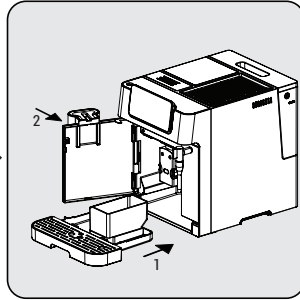
4 Bereiding

4.1 Installatie

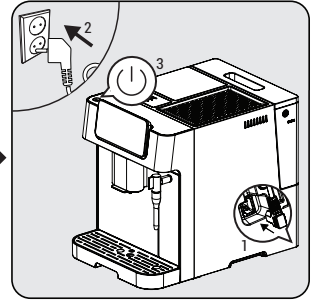
i Verwijder alle eventuele beschermende lagen, stickers en alle andere verpakkingsmateriaal op het apparaat.



Kies een veilig en stabiel oppervlak met een gemakkelijk bereikbaar stopcontact en laat een minimumafstand aan de zij-kanten van het apparaat.



Breng de druppelvanger aan. Zorg ervoor dat het correct is aangebracht en sluit het deksel vooraan.



Ontwikkel en trek het netsnoer recht en steek de stekker in het stopcontact onderaan op het apparaat. Steek het andere uiteinde van het netsnoer in het stopcontact in de muur met een geschikte spanning.

4.2 Het waterreservoir vullen



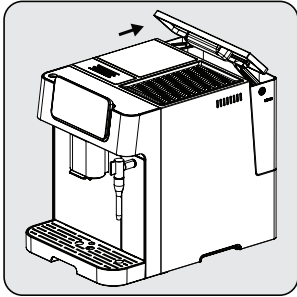
Over het beschermingsprogramma: Als het waterreservoir niet volledig is aangebracht in het apparaat wordt een beschermingsmodus ingeschakeld na 15 seconden in het brouwproces. De warm water knop licht op in het bedieningspaneel.

1. Zorg ervoor dat het waterreservoir volledig in het apparaat is gevoerd.
2. Druk op de warm water knop. Nadat het warm water is verdeeld, keert het apparaat terug naar stand-by.

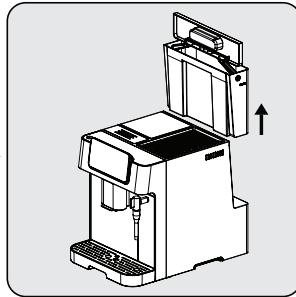


Wanneer "⚠" oplicht, staat het waterreservoir op een laag waterniveau en moet het worden bijgevuld.

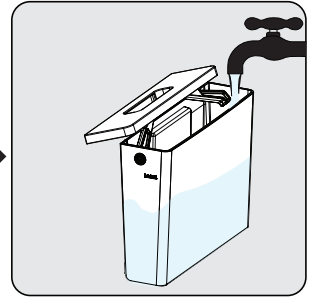
4 Bereiding



Vul het waterreservoir op met het deksel als het handvat.



Verwijder het waterreservoir.



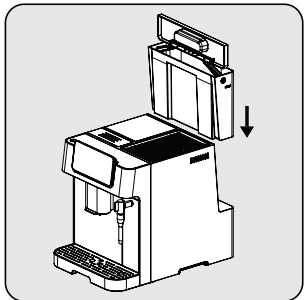
Spoel het waterreservoir met fris water en vul het reservoir tot het Max. niveau en plaats het terug in het apparaat. Zorg ervoor dat het volledig is aangebracht.



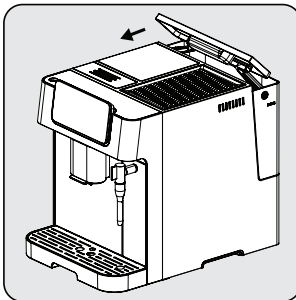
Om het overstromen van het waterreservoir te voorkomen, mag u nooit water direct in het apparaat toevoegen met een andere container.



Vul het waterreservoir nooit op met warm of heet water, bruisend water of een andere vloeistof die het waterreservoir en het apparaat kan beschadigen.



Breng het waterreservoir opnieuw aan met het deksel als het handvat.

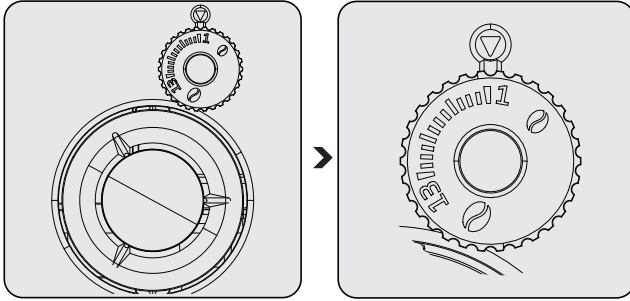


Sluit het waterreservoir met het deksel.

5 Bediening

5.1 Malen bijstellen

U kunt de grofheid bijstellen door te draaien aan de bijstelknop op het bonenreservoir:



Pas de maalsterkte nooit aan als de molen niet werkt. Dit kan de molen beschadigen.

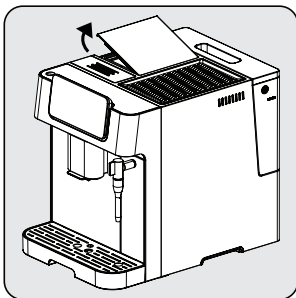


De lijnen op de bijstelknop geven de fijnheid van de gemalen koffie aan. Een hoger cijfers betekent een grovere maalniveau.

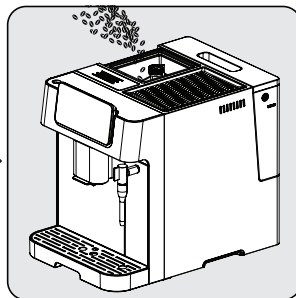
5.2 Het bonenreservoir opvullen



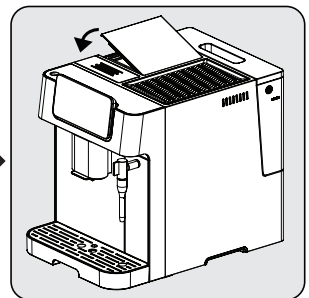
- Als “☉” knippert, moet het apparaat worden bijgevuld met koffiebonen.
- Bonen bewaren in hun originele vacuumverpakking is beter om deze langer fris te houden. Gebruik het koffiebonenreservoir niet om de bonen te bewaren voor betere resultaten.



Verwijder het deksel van het bonenreservoir.



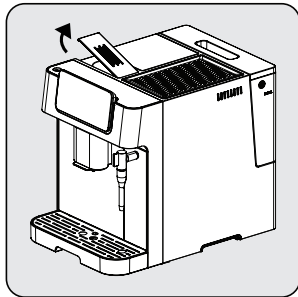
Giet de koffiebonen langzaam in het reservoir.



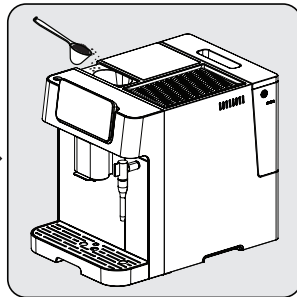
Breng het deksel van het reservoir opnieuw aan.

5 Bediening

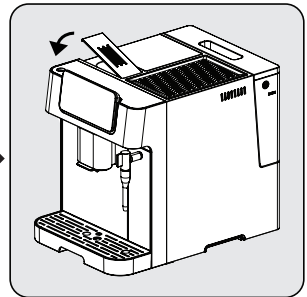
5.3 Het gebruik van het voorgemalen koffiereservoir



Verwijder het deksel van het voorgemalen koffiereservoir.



Plaats de voorgemalen koffie langzaam in het voorgemalen koffiereservoir.



Breng het deksel van het reservoir opnieuw aan.

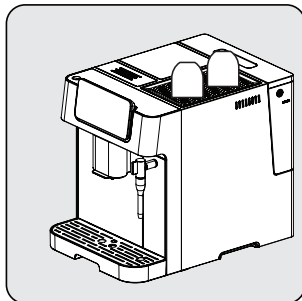


Het reservoir van voorgemalen koffie is geen opslagcontainer. Het biedt een eenmalig gebruik (max 12g). Het maatschepje kan worden gebruikt voor de aanbevolen hoeveelheid gemalen koffie.



De gemalen koffie-knop moet worden ingedrukt en geselecteerd op het scherm om deze instelling in te schakelen.

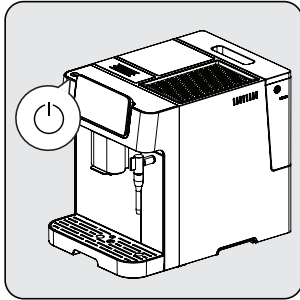
5.4 Het gebruik van de kopverwarmer



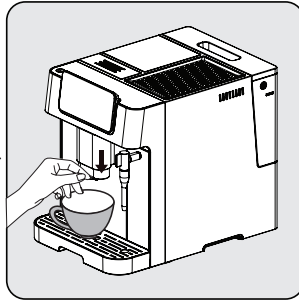
Kopjes moeten ondersteboven worden geplaatst om zeker te zijn dat het interne oppervlak warm en schoon wordt gehouden (deze functie gebruikt de interne warmte van de machine).

5 Bediening

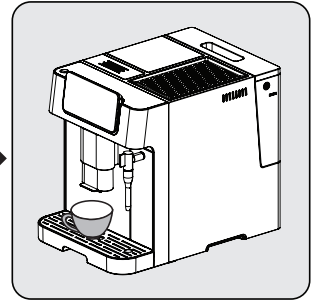
5.5 Uw koffie bereiden



Schakel het apparaat in door te drukken op de Aan/Uit knop. Het apparaat schakelt in, start de voorverwarming en de automatische reiniging. Het is klaar voor gebruik in de stand-bymodus waarin alle pictogrammen zijn opgelicht.



Plaats een kopje onder de koffie-uitloop en stel de hoogte van de uitloop bij naargelang het kopje.

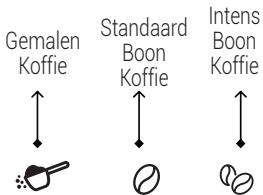


Selecteer uw koffie door op de knop te drukken en het lichtje van het kopje schakelt in. Deze lampjes wijzen erop dat het apparaat een kopje koffie bereidt. Als het apparaat opnieuw in stand-by staat, kan de koffie worden geserveerd.



Druk op de espresso, americano, ristretto of lungo knop, naargelang uw voorkeur.

5.6 De sterkte regelen van uw koffie

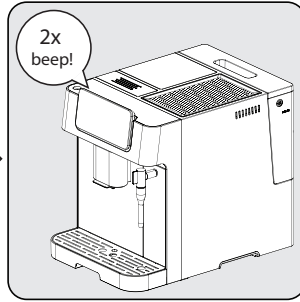


Als u koffiebonen gebruikt, drukt u op de knop "standaardboon" of "intense boon" om de sterkte van uw koffie aan te passen. Als u gemalen koffie gebruikt, drukt u op de optie "gemalen koffie".

5 Bediening

5.7 Het volume regelen van uw koffie/warm water

U kunt het volume van uw gewenste koffie opslaan voor alle soorten drankjes, net als warm water van 25 ml tot 250 ml. (x2 voor dubbel)

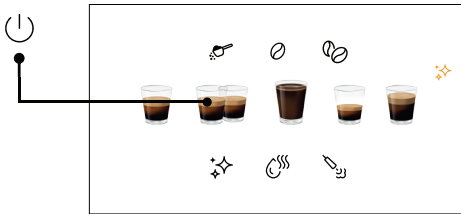
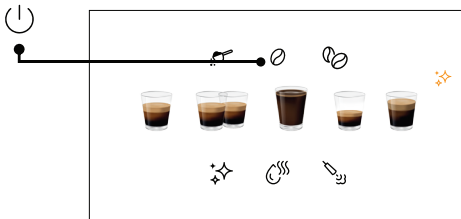


Houd de knop van de koffie die u hebt geselecteerd ingedrukt terwijl u koffie maakt (espresso, doppio, americano, ristretto of lungo). Het apparaat blijft het kopje koffie maken zo lang u deze knop ingedrukt houdt.

Wanneer het volume voldoet aan uw gewenste volume moet u de knop loslaten. Wanneer u twee geluidssignalen hoort, wijst dat erop dat het apparaat het gewenste koffievolume heeft opgeslagen.



Het water kan worden aangepast tijdens de bereiding van de koffie (nadat het malen is voltooid).



Alle dranken opnieuw instellen naar de standaard/fabrieksinstellingen;

Om de standaardinstellingen van alle dranken en de warm water volumeselectie opnieuw in te stellen die zijn opgeslagen in het geheugen;

- Druk gelijktijdig op de Aan/Uit schakelaar en de boonknop gedurende 3 seconden.

Eén drank opnieuw instellen naar de standaard/fabrieksinstellingen;

Om de standaardinstellingen van koffie of en de warm water volume opnieuw individueel in te

stellen;

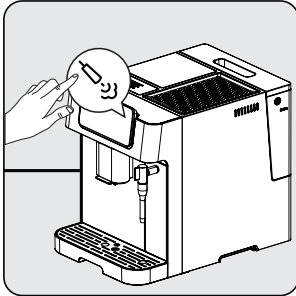
- Druk gelijktijdig op de Aan/Uit schakelaar en de drankknop (die u opnieuw wilt instellen) gedurende 3 seconden.

5 Bediening

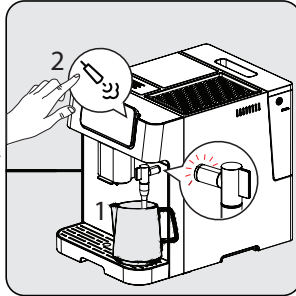
5.8 Schuimende melk bereiden voor de koffie



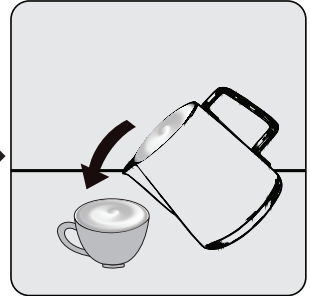
Aangezien de temperatuur van de stoom hoger is dan de temperatuur van de espresso moet deze worden bereid voor u de schuimende melk maakt. Zoniet kan de espresso verbranden.



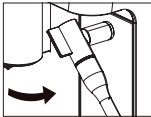
Druk op het stoompijpe pictogram en wacht tot het stoompijpe klaar is. Terwijl het stoompijpe wordt voorverwarmd, knippen de controlelampjes.



Wanneer het controlelampje ononderbroken brandt, is het stoompijpe klaar voor gebruik. Plaats een met melk gevuld kopje of kan onder het stoompijpe. Druk opnieuw op het stoompijpe om het schuimen van melk te starten en stop dit door de knop opnieuw in te drukken.



Giet de warme schuimende melk in de espresso. U kunt nu genieten van uw kopje koffie!



Het stoompijpe kan naar rechts worden gericht voor een gemakkelijker bediening.



- Na gebruik van het stoompijpe moet u de melkresten reinigen door het pijpe schoon te wrijven met een natte doek.
- Het is raadzaam alle melkresten te verwijderen die kan accumuleren op de punt van het pijpe met de warmwaterfunctie van het pijpe.
- Wanneer het stoompijpe klaar is, maar het pijpe wordt niet gebruikt voor een bepaalde periode, keert het scherm terug naar de stationaire fase.



- De stoompijpe uitlaatprojectie moet boven de druppelvanger zitten om morsen van het water/de melk te voorkomen.
- Houdt rekening met het opschuimen van melk in de beker/mengbeker en vul deze niet volledig.
- Houd er rekening mee dat de beker/mengbeker warm kan worden tijdens het opschuimen van melk.

5 Bediening

5.9 Warm water

Het apparaat kan warm water verdelen door op de warm water knop te drukken "☺". Druk opnieuw om af te sluiten.



Deze functie kan worden gebruikt om het kopje op te warmen voor de bereiding van koffie. Vul eerst het kopje met heet water, giet het water vervolgens weg en gebruik dit kopje om koffie te bereiden.

5.10 Modusselectie

Het apparaat heeft drie verschillende instellingen: de standaardinstelling, ECO-modus en de snelheidsmodus. In de ECO-modus bespaart het apparaat meer energie. In de snelheidsmodus kan de gebruiker hun koffie sneller maken dan in de standaardinstelling.

	ECO modus	Snelheidsmodus	Standaardinstellingen
Kop lampje & Stoompijpje lampje controlelampjes	Nee	Ja	Ja
Voor-brouwen*	Ja	Nee	Ja
Automatische afsluitingstijd	10 min	30 min	20 min



De voorbrouwen functie bevochtigt de koffie in de brouwer met een kleine hoeveelheid water voor de volledige extractie. Hierdoor zet de gemalen koffie uit om een hogere druk op te bouwen in de brouwer die bijdraagt tot de extractie van alle oliën om de volle smaak van de bonen tot zijn recht te laten komen.

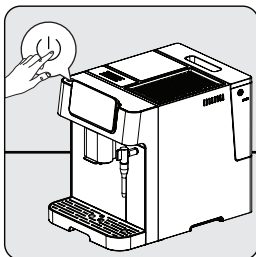
1. Als de machine in stand-by staat, houdt u de ☺ knop 5 seconden ingedrukt.

1. Daarna knippert ☺ en de volgende knoppen lichten op voor verschillende instellingen:

- in de ECO-modus → ☺
- In de snelheidsmodus → ☺
- In de standaardinstellingen → ☺

2. Druk op de "Poederkoffie-knop" voor de ECO-modus, de "Standaard boon koffie-knop" voor de snelheidsmodus en de "Intense boon koffie-knop" voor de standaardinstellingen. U zult twee geluidsignalen horen wanneer de modus is geselecteerd.

3. Als u niet wilt dat de instelling wordt gewijzigd, drukt u opnieuw op ☺ of wacht u 5 seconden tot het apparaat terugkeert naar stand-by.



5.11 Annuleren

De aan-uitknop moet één keer worden ingedrukt om een lopend proces te annuleren. Bovendien wordt de bewerking ook geannuleerd als u opnieuw op een geselecteerde drank drukt nadat de bereiding is gestart.

6 Reiniging



Als u twee keer op de aan/uitknop drukt, wordt het apparaat geforceerd uitgeschakeld.

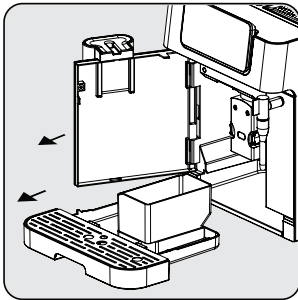
6.1 Het apparaat reinigen

1. Verwijder het netsnoer uit het stopcontact.
2. Giet al het water/ alle koffieresten uit de druppelvanger en de koffieresten container.
3. Gebruik een vochtige doek of niet krassend reinigingsmiddel om de watervlekken te reinigen op het apparaat.

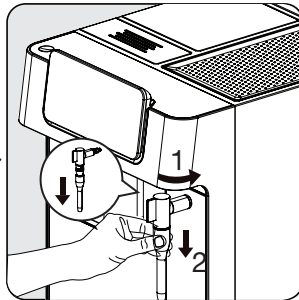


Gebruik nooit schurende, azijn of ontkalkingsmiddelen die niet worden meegeleverd in de doos om het apparaat te reinigen.

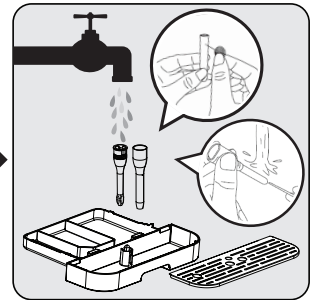
Regelmatig reinigen en onderhoud van het apparaat is zeer belangrijk om de levensduur te verlengen.



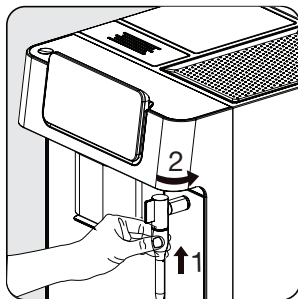
Open het deksel vooraan. Verwijder de druppelvanger en de koffieresten container.



Verwijder de metalen buis door deze naar beneden te trekken. Ontgrendel daarna de dop van het pijpje door het naar links te draaien om de dop van het pijpje en de metalen buis te demonteer.



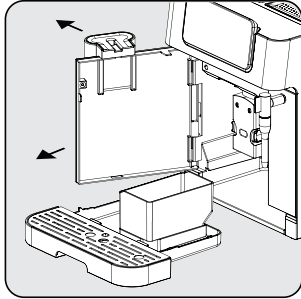
Maak het gemalen koffiereservoir en het externe lekbakje leeg. Was de metalen buis met warm stromend water en gebruik de naald of haren van de borstel om de opening te reinigen. Was de dop van het pijpje met warm stromend water en gebruik de naald of haren van de borstel om de opening te reinigen. Droog ze daarna af.



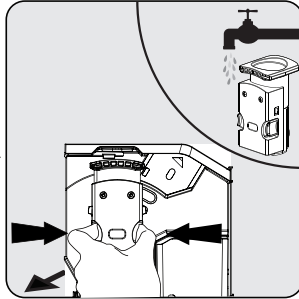
Breng de metalen buis opnieuw aan op de dop van het pijpje. Druk het daarna omhoog om de dop van het pijpje opnieuw aan te brengen en draai het naar rechts om het te vergrendelen.

6 Reiniging

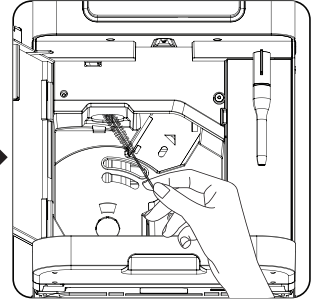
i Wanneer  oplicht, moet het gemalen koffiereservoir worden leeggemaakt. Dit pictogram ligt op na elke 10 keer koffie zetten. Reinig het reservoir om de fout te herstellen. Als het reservoir schoon is, moet u het reservoir verwijderen en het opnieuw aanbrengen.



Houd de verstelbare koffie-uitloop vast en trek deze langzaam naar achter om het deksel vooraan te openen.




Verwijder de brouweenheden. Wassen met water en vervolgens drogen.



Reinig de koffie-uitloleiding met een borstel.

i


- De druppelvanger moet worden leeggemaakt wanneer de drijvende indicator zichtbaar is.
- De trechter voor poederkoffie moet na elk gebruik met het schoonmaakborsteltje worden schoongemaakt.

i Wanneer  oplicht, wijst dit er op dat de brouwer ontbreekt / incorrect is geïnstalleerd. Als  knippert, wijst dit er op dat het deksel vooraan niet is gesloten.

6.2 Ontkalkingsfunctie






- Het apparaat moet worden ontkalkt na een vooraf bepaalde brouwcyclus.
- Gebruik geen azijn of andere reinigingsmiddelen voor de zelfreiniging van dit apparaat. Andere reinigingsmiddelen kunnen het apparaat beschadigen.
- Houd de huid/het lichaam uit de buurt van heet water.

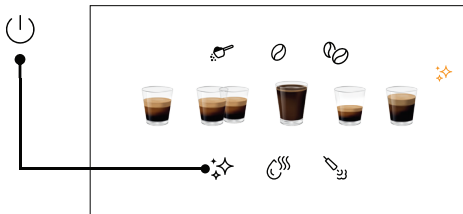
Als  knippert wijst dit er op dat het apparaat moet worden ontkalkt. Om uw apparaat in optimale omstandigheden te gebruiken, is het raadzaam deze functie ten minste één maal per maand of vaker uit te voeren, afhankelijk van de hardheid van het water dat u gebruikt.

De ontkalking starten:

1. Vul het waterreservoir tot het "Ontkalkingsniveau ".
2. Voeg een pakket reinigingsmiddel, dat is meegeleverd in de doos, toe aan het waterreservoir.

6 Reiniging

- Plaats een voldoende grote container onder de koffie-uitloop en het pijpje.
- Wanneer het apparaat in stand-by staat, houd u  ingedrukt gedurende 3 seconden. U zult een piepsignaal horen en  begint te knipperen tot het waterreservoir leeg is.
- Vul het waterreservoir opnieuw met water tot aan het "ontkalkingsniveau" en druk opnieuw op de knop  om de tweede ontkalking te starten. Als het waterreservoir wordt verwijderd en opnieuw aangebracht, zal het apparaat dit detecteren en de tweede cyclus automatisch starten (zonder dat u  opnieuw moet indrukken).
- Zodra het waterreservoir is leeggemaakt, keert het scherm terug naar stand-by. De ontkalking is voltooid. Vul het waterreservoir met fris water om de bereiding van de koffie te starten.



De ontkalking waarschuwingsstatus opnieuw instellen;

De ontkalking waarschuwingsstatus opnieuw instellen;




- Druk gelijktijdig op de Aan/Uit schakelaar en de ontkalkingsknop gedurende 3 seconden.



Het is niet raadzaam de ontkalking waarschuwingsstatus te herstellen om het apparaat in optimale conditie te handhaven.

6.3 System leegmaken functie

Gebruik de systeem leegmaken functie als het apparaat gedurende een lange periode niet zal worden gebruikt en om het te beschermen tegen vorst.


- Wanneer in stand-by, houd de knop  en de warm water knop  gelijktijdig ingedrukt gedurende 3 seconden.
-  licht dan op.
- Verwijder de waterreservoir uit het apparaat. Het proces wordt automatisch gestart.
- Aan het einde van de systeem leegmaken functie schakelt het apparaat automatisch uit.



Wanneer het apparaat opnieuw wordt gebruikt de eerste keer nadat de leeg systeemfunctie is gebruikt; druk op de warm water knop tot het water uit het pijpje stroomt.

6 Reiniging

6.4 Handmatige reiniging / Spoelfunctie

U kunt de koffiepijpe handmatig reinigen/ spoelen voor of na gebruik. Druk een keer op  als het apparaat in stand-by staat.

- Na het reinigen/ spoelen keert het apparaat terug naar stand-by.



- Het water dat uit de koffie-uitloop stroomt is heet en wordt opgevangen in het lekbakje. Vermijd contact met de spatten.
- Als het apparaat niet is gebruikt gedurende een lange periode, is het een goed idee deze functie te gebruiken.



Als u deze functie gebruikt voor u koffie zet, zal de koffie warmer zijn.

De automatische reinigingsmodus uitschakelen.

Uw apparaat reinigt zichzelf automatisch voor en na elke brouwbewerking. U kunt de onderstaande stappen volgen om de automatische reinigingsmodus uit te schakelen.

- Schakel het apparaat in door de Aan/Uit-knop in te drukken en wacht tot het overschakelt naar stand-by.
- Open het deksel vooraan.
- Druk de Aan/Uit-knop 5 seconden in en er weerklinkt een geluidssignaal.
- Sluit het deksel vooraan.
- De automatische reiniging is geannuleerd.



We raden aan de automatische reinigingsmodus actief te gebruiken voor een gezonde status van het apparaat.

De automatisch reiniging een keer annuleren;

Druk de Aan/Uit-knop in wanneer de machine in- of uitschakelt om deze functie te omzeilen.

7 Probleemoplossen

Probleem	Oorzaak	Oplossing
Het apparaat werkt niet	Het apparaat is verbonden met het elektrisch net.	Steek de stekker in het stopcontact en druk op de schakelaar. Inspecteer het netsnoer en de stekker.
Geen of een vertraagde reactie in meerdere tests van het indrukken van een functietoets op het paneel.	Het apparaat ondervindt elektromagnetische storingen. Het paneel is vuil.	Verwijder de stekker uit het stopcontact. Start het apparaat opnieuw na een aantal minuten. Reinig het paneel met de geleerde doek.
De koffie is onvoldoende warm.	De kopjes werden niet voorverwarmd. De brouweenheden zijn te koud.	Plaats uw kopje ondersteboven op de verwarmingsfunctie van de kopje of spoel het kopje met warm water. Zorg ervoor dat het water in het waterreservoir niet te koud is.
Er komt geen koffie uit de koffie-uitloop.	De systeem leegmaken functie is mogelijk eerder gebruikt. De koffie-uitloop is mogelijk niet gereinigd en geblokkeerd met gemalen koffie.	Druk op de warm water knop tot het water uit de uitloop stroomt. Reinig de koffie-uitloop.
De eerste kop koffie is van slechte kwaliteit.	De eerste werking van de molen plaatst een onvoldoende hoeveelheid koffie in de brouweenheden.	Gooi de koffie weg. De volgende kopjes zullen beter zijn.
Het waterreservoir is verwijderd / het waterniveau is zeer laag in het waterreservoir maar er verschijnt geen "0" waarschuwing.	De zone rond de aansluiting van het waterreservoir is mogelijk nat.	Verwijder het water rond de aansluiting van het waterreservoir.
Er is veel water aanwezig in het interne lekbakje.	De gemalen koffie is te fijn en blokkeert de doorstroming van het water.	Pas de fijnheid van de koffie aan op grotere korrels voor het malen.
De koffie wordt te langzaam geleverd of een druppel per keer.	De gemalen koffie is te fijn en dit blokkeert de doorstroming van het water.	Pas de fijnheid van de koffie aan op grotere korrels voor het malen.
Het controlelampje knippert wat er op wijst dat er onvoldoende koffiebonen zijn, maar meer dan voldoende in het reservoir.	De interne uitlaat van de gemalen koffie is geblokkeerd.	Volg de beschreven stappen voor de reiniging van de gemalen koffie uitlaat.
De brouwer of de gemalen koffielade kan niet worden verwijderd.	Het apparaat heeft de zelfreiniging niet voltooid en werd uitgeschakeld.	Schakel het apparaat opnieuw aan en laat het de zelfreiniging voltooien.
Het apparaat voert de spoelcyclus niet meer uit als het wordt in- of uitgeschakeld.	Een incorrecte hantering tijdens het onderhoud van het apparaat kan de oorzaak zijn.	1. Wanneer het apparaat in stand-by staat, opent u het deksel vooraan. 2. Houd de Aan/uit-knop ingedrukt tot u twee piepsignalen hoort. 3. Sluit het deksel vooraan.
De aanraaktoetsen zijn niet gevoelig.	Druk niet op de aanraaktoets vooraan op het apparaat.	Druk op het onderste deel van het pictogram van de aanraaktoets vooraan op het apparaat.

Arçelik A.Ş.

Karaağaç Caddesi No:2-6, 34445,


Sütlüce / İSTANBUL / TÜRKİYE

www.beko.com

7 استكشاف الأخطاء وإصلاحها

المشكلة	السبب	الحل
الجهاز لا يعمل.	الجهاز غير متصل بالتيار الكهربائي.	قم بتوصيله واضغط على المفتاح. تحقق من الكابل والقبض.
لا توجد استجابة أو تأخر في عدة محاولات للضغط على مفتاح وظيفي باللوحة	الجهاز تحت تداخل كهرومغناطيسي. اللوحة متسخة.	افصل الجهاز من الكهرباء. أعد التشغيل بعد بضع دقائق، نظف اللوحة بقطعة القماش المرفقة.
القهوة ليست ساخنة بدرجة كافية.	لم يتم تسخين الكؤوس. وحدة التخمير باردة جدًا.	ضع الكوب على مدفئ الأكوام متجهًا لأسفل أو اشطف الكوب بالماء الساخن. تأكد من أن الماء في خزان المياه ليس باردًا جدًا.
القهوة لا تخرج من صنبور القهوة.	ربما قد تم استخدام وظيفة النظام الفارغ مسبقًا. ربما لم يتم تنظيف صنبور القهوة وتم انسداده بسبب بقايا القهوة.	اضغط على زر الماء الساخن حتى يخرج الماء من الصنبور. قم بتنظيف صنبور القهوة.
فجان القهوة الأول رديء الجودة.	لا تسكب المطحنة الأولى كمية كافية من القهوة في وحدة التخمير.	تخلص من القهوة. الأكوام التالية ستكون أفضل.
تمت إزالة خزان المياه/مستوى المياه منخفض جدًا في خزان المياه ولكن لا يوجد تنبيه "H".	المنطقة القريبة من موصل خزان المياه قد تكون رطبة.	امسح الماء حول موصل خزان المياه.
يمتلئ إناء التنقيط الداخلي بالكثير من الماء.	البن المطحون ناعم جدًا، مما يمنع الماء من الخروج.	اضبط درجة نعومة القهوة على الحبوب الأكبر لعمليّة الطحن.
تخرج القهوة ببطء شديد.	البن المطحون ناعم جدًا، مما يمنع الماء من الخروج.	اضبط درجة نعومة القهوة على الحبوب الأكبر لعمليّة الطحن.
يومض المؤشر للإبلاغ بأنه لا يوجد ما يكفي من حبوب البن، ولكن هناك الكثير داخل الوعاء.	منفذ القهوة الداخلي مسدود.	اتبع الخطوات الموضحة لتنظيف مخرج البن المطحون.
من المستحيل إزالة المخمر أو إناء القهوة المطحونة.	لم يُنهي الجهاز عملية التنظيف الذاتي وتم إيقاف تشغيله.	يرجى تشغيل الجهاز مرة أخرى والسماح له بإنهاء عملية التنظيف التلقائي.
لم يعد الجهاز يقوم بدورة الشطف عند تشغيله أو إيقاف تشغيله.	قد يكون التعامل غير السليم أثناء صيانة الجهاز هو السبب.	1. عندما يكون الجهاز في حالة سكون، افتح الغطاء الأمامي. 2. اضغط باستمرار على زر التشغيل / الإيقاف حتى تسمع صوتين. 3. أغلق الغطاء الأمامي.
أضرار اللمس ليست حساسة.	عدم الضغط على زر اللمس من الجانب الأمامي للجهاز.	اضغط على الجزء السفلي من أيقونة زر اللمس من الجانب الأمامي للجهاز.

6.4 التنظيف اليدوي/وظيفة الشطف

- يمكنك شطف/ شطف فوهة القهوة يدويًا قبل أو بعد الاستخدام. عندما يكون الجهاز في وضع السكون، اضغط على  مرة واحدة.
- بعد التنظيف/الشطف، سيعود الجهاز إلى وضع السكون.

- الماء الذي يخرج من فوهة القهوة ساخن ويتم تجميعه في إناء التقطير تحتها. تجنب ملامسته لأنه يتناثر.
- إذا لم يتم استخدام الجهاز لفترة طويلة، يقترح استخدام هذه الوظيفة.



سيضمن استخدام هذه الوظيفة قبل تحضير القهوة أيضًا تسخين القهوة.



إلغاء تنشيط وضع التنظيف التلقائي



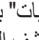
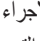
- ينظف جهازك نفسه تلقائيًا قبل وبعد كل عملية تخمير. يمكنك اتباع الخطوات أدناه لإلغاء تنشيط وضع التنظيف التلقائي.
- قم بتشغيل الجهاز بالضغط على مفتاح التشغيل/الإيقاف وانتظر حتى ينتقل إلى وضع السكون.
- افتح الغطاء الأمامي.
- اضغط على زر التشغيل/الإيقاف لمدة 5 ثوان وسيصدر صوت صغير.
- أغلق الغطاء الأمامي.
- لقد تم إلغاء عملية التنظيف التلقائي.

نوصيك باستخدام وضع التنظيف التلقائي بفاعلية للحصول على استخدام صحي.



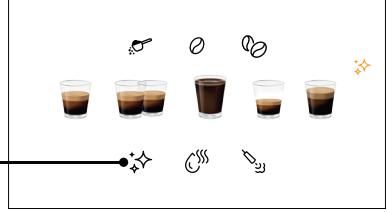
إلغاء التنظيف التلقائي لمرة واحدة؛

اضغط على زر التشغيل/الإيقاف أثناء تشغيل الجهاز أو إيقاف تشغيله لتجاوز هذه الوظيفة.

4. عندما يكون في وضع السكون، اضغط باستمرار على  لمدة 3 ثوانٍ. ستسمع صوت صفير وسيومض  حتى يفرغ خزان المياه.
5. املا خزان المياه مرة أخرى حتى "مستوى إزالة الترسبات" بالماء، واضغط على الزر  مرة أخرى لبدء الدورة الثانية لإزالة الترسبات. إذا تمت إزالة خزان المياه وتم وضعه في مكانه، فسيكتشف الجهاز هذا الإجراء ويبدأ تلقائيًا الدورة الثانية (دون ضغط  مرة أخرى).
6. بمجرد إفراغ خزان المياه، ستعود الشاشة إلى حالة السكون. اكتملت إزالة الترسبات. املا خزان المياه بالمياه العذبة لبدء تحضير القهوة.

(L) لإعادة تعيين حالة تحذير إزالة الترسبات؛




- لإعادة تعيين حالة تحذير إزالة الترسبات؛
- اضغط على زر التشغيل/الإيقاف وزر إزالة الترسبات معًا لمدة 3 ثوانٍ.



لا يُفترح إعادة تعيين حالة تحذير إزالة الترسبات للحفاظ على أفضل حالة للجهاز.




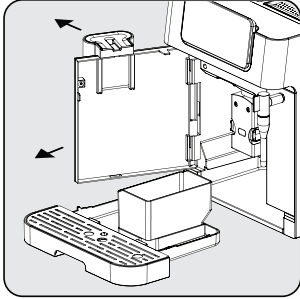
6.3 وظيفة النظام الفارغ

- استخدم وظيفة النظام الفارغ قبل فترة طويلة من عدم الاستخدام وللحماية من الصقيع.
1. عندما يكون في وضع السكون، اضغط مع الاستمرار على  وزر الماء الساخن  معًا لمدة 3 ثوانٍ.
 2.  سيضيء حينئذٍ.
 3. قم بإزالة خزان المياه من الجهاز، وستبدأ العملية تلقائيًا.
 4. عند اكتمال وظيفة النظام الفارغ، سيتم إيقاف تشغيل الجهاز تلقائيًا.

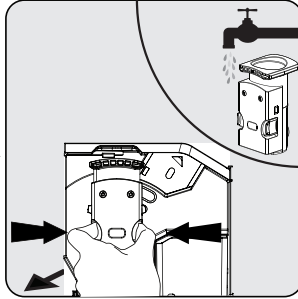
عند إعادة استخدام الجهاز مرة أخرى لأول مرة بعد استخدام وظيفة النظام الفارغ؛ اضغط على زر الماء الساخن حتى يخرج الماء من الفوهة.



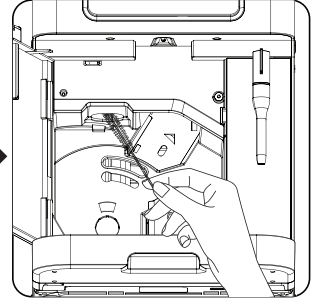
عندما يضيء ، يتعين تفريغ وعاء بقايا القهوة. سيضيء هذا الرمز بعد كل 10 أنواع من القهوة. نظّف الوعاء لإصلاح الخطأ. إذا كان الوعاء نظيفاً، فأزل الوعاء وأعد وضعه في مكانه.



أمسك صنوبر القهوة القابل للتعديل واسحب ببطء لفتح الغطاء الأمامي.





قم بإزالة وحدة التخمير. اغسلها بالماء وجففها بعد ذلك.



نظف خط مخرج القهوة بالفرشاة.


- يجب إفراغ إناء التنقيط عندما يكون المؤشر العائم مرتباً.
- يجب تنظيف أنبوب مسحوق القهوة بعد كل استخدام بفرشاة التنظيف.

عندما يضيء ، فهذا يشير إلى أن وحدة التخمير غير موجود/مثبتة بشكل غير صحيح.
عندما يومض ، فهذا يشير إلى أن الغطاء الأمامي غير مغلق.

6.2 وظيفة إزالة الترسبات

- يلزم إزالة الترسبات بعد دورة التخمير المحددة مسبقاً.
- لا تستخدم الخل أو عوامل التنظيف الأخرى للتنظيف الذاتي لهذا الجهاز.
- قد تؤدي عوامل التنظيف الأخرى إلى تلف الجهاز.
- أبعد الجلد/الجسم بعيداً عن الماء الساخن.



عندما يومض ، فهذا يشير إلى أن الجهاز يحتاج إلى الخضوع لإزالة الترسبات. سيظل الجهاز في أفضل حالة إذا تم تنفيذ هذه الوظيفة مرة واحدة على الأقل شهرياً أو أكثر بانتظام حسب درجة عسر الماء المستخدم.
لبدء إزالة الترسبات:

1. املاً خزان المياه حتى "مستوى إزالة الترسبات".
2. أضف عبوة واحدة من المنظف الموجود في العلبة إلى خزان المياه.
3. ضع وعاءً كبيراً بدرجة كافية تحت فوهة وصنوبر القهوة.

سيؤدي الضغط على زر التشغيل / الإيقاف مرتين إلى إيقاف تشغيل الجهاز.



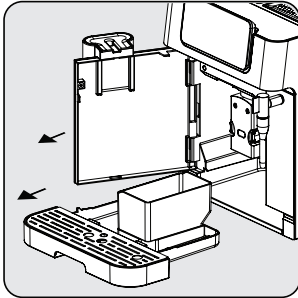
6.1 تنظيف الجهاز

1. افصل سلك الطاقة من مأخذ التيار الكهربائي.
2. صب كل بقايا الماء/القهوة داخل إناء التنقيط ووعاء بقايا القهوة.
3. استخدم قطعة قماش مبللة أو عامل تنظيف لا يسبب الخدش لتنظيف بقع السوائل على الجهاز.

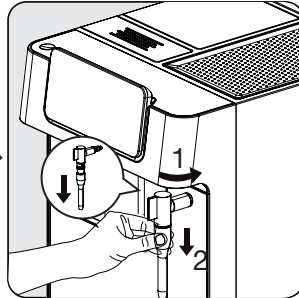
لا تستخدم أبداً أي مواد كاشطة أو خل أو عوامل إزالة الترسبات غير المدرجة في الصندوق لتنظيف الجهاز.



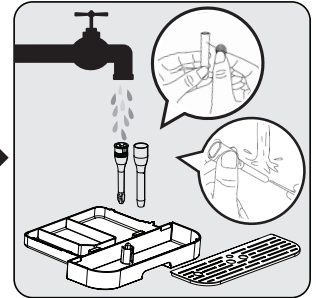
يعد تنظيف الجهاز وصيانته في الوقت المناسب أمراً مهماً للغاية لإطالة عمره.



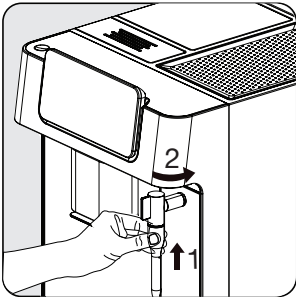
افتح الغطاء الأمامي. قم بإزالة إناء التنقيط ووعاء بقايا القهوة.



أزل الأنبوب المعدني بسحبه للأسفل. ثم أزل غطاء الفوهة بتدويره إلى اليسار لتفكيك غطاء الفوهة والأنبوب المعدني.



أفرغ وعاء بقايا القهوة وإناء التنقيط. اغسل الأنبوب المعدني بالماء الجاري الدافئ واستخدم الإبرة أو هُلب الفرشاة لتنظيف الفتحة. اغسل غطاء الفوهة بالماء الجاري الدافئ واستخدم الإبرة أو هُلب الفرشاة لتنظيف الفتحة. جففهم بعد ذلك.



ركب الأنبوب المعدني مرة أخرى في غطاء الفوهة. ثم ادفعه لأعلى لإعادة غطاء الفوهة إلى مكانه مرة أخرى ولفه إلى اليمين لقفله.

5.9 الماء الساخن

يمكن للجهاز توزيع الماء الساخن ببساطة عن طريق الضغط على زر الماء الساخن "☺". اضغط مرة أخرى للإيقاف.

يمكن استخدام هذه الوظيفة لتسخين الكوب قبل تحضير القهوة. املاً الكوب أولاً بالماء الساخن، ثم اسكب الماء واستخدم هذا الكوب لتحضير القهوة.



5.10 تحديد الوضع

يحتوي الجهاز على ثلاثة إعدادات مختلفة: الإعداد الافتراضي ووضع ECO ووضع السرعة. في وضع ECO، يوفر الجهاز المزيد من الطاقة. في وضع السرعة، يمكن للمستخدم تحضير قهوته بشكل أسرع منه عند استخدام الإعداد الافتراضي.

الإعدادات الافتراضية	وضع السرعة	وضع ECO	
نعم	نعم	لا	قداحة الأكوام وأضواء مؤشر فوهة البخار
نعم	لا	نعم	تخمير مسبق*
20 دقيقة	30 دقيقة	10 دقائق	وقت الإغلاق التلقائي

تعمل وظيفة التخمير المسبق على ترطيب البن في وحدة التخمير بكمية صغيرة من الماء قبل الاستخراج الكامل. يعمل هذا على توسيع حبيبات القهوة لبناء ضغط أكبر في المخمر، مما يساعد على استخراج جميع الزيوت وإخراج النكهة الكاملة للحبوب.



1. عندما يكون الجهاز في وضع السكون، اضغط مع الاستمرار على (⏻) لمدة 5 ثوانٍ.
1. سيومض (⏻) بعد ذلك وستضيئ الأزرار التالية للإشارة للإعدادات المختلفة:

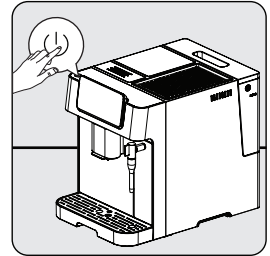
- ☺ في وضع ECO
- ⏻ في وضع السرعة
- ⏻ في الإعدادات الافتراضية

2. اضغط على "زر مسحوق القهوة" للوضع ECO، و"زر حبوب البن القياسية" لوضع السرعة و"زر حبوب القهوة المركزة" للإعدادات الافتراضية. ستسمع صوتين عند تحديد الوضع.

3. إذا كنت ترغب في أن يظل الإعداد دون تغيير، فاضغط مرة أخرى على (⏻) أو انتظر لمدة 5 ثوانٍ حتى يعود الجهاز إلى وضع السكون.

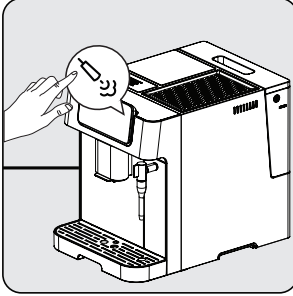
5.11 الإلغاء

يجب الضغط على زر التشغيل-الإيقاف مرة واحدة لإلغاء أي عملية قيد التشغيل. بالإضافة إلى ذلك، الضغط على مشروب محدد مرة أخرى بعد بدء التحضير سيؤدي أيضاً إلى إلغاء العملية.

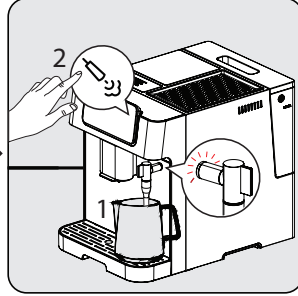


5.8 تحضير الحليب الرغوي للقهوة

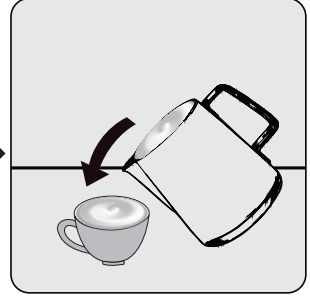
نظرًا لأن درجة حرارة البخار أعلى من درجة حرارة الإسبريسو، يجب تحضير الإسبريسو قبل تحضير الحليب الرغوي. وخلاف ذلك، فقد يحترق الإسبريسو.



اضغط على أيقونة فوهة البخار وانتظر حتى تكون فوهة البخار جاهزة. أثناء تسخين فوهة البخار مسبقًا، ستومض أضواء المؤشر.



عندما تكون أضواء المؤشر ثابتة، تكون فوهة البخار جاهزة للاستخدام. ضع كوبًا مملوءًا بالحليب أو إيريغًا تحت فوهة البخار. اضغط على زر فوهة البخار مرة أخرى لبدء عملية صنع رغوة الحليب، وتوقف بالضغط مرة أخرى.



صب الحليب الساخن الرغوي على الإسبريسو. يمكنك الآن الاستمتاع بقهوتك!

يمكن تدوير فوهة البخار جهة اليمين لتسهيل التعامل معها.



- بعد استخدام فوهة البخار، يرجى تنظيف الفوهة من بقايا الحليب عن طريق مسح الفوهة بقطعة قماش مبللة.
- يوصى بإزالة أي بقايا حليب قد تتراكم عند طرف الفوهة عن طريق تنشيط وظيفة الماء الساخن من الفوهة.
- بعد أن تكون فوهة البخار جاهزة، إذا لم يتم استخدام فوهة البخار لفترة معينة من الوقت؛ فستعود الشاشة إلى مرحلة السكون.

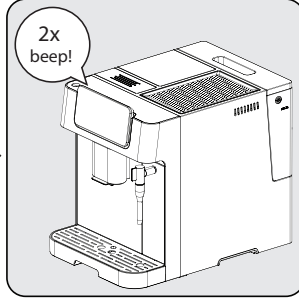


- يجب أن يكون بروز مخرج فوهة البخار فوق إناء التنقيط لمنع انسكاب الماء/ الحليب.
- لا تملء الكوب/الفنجان بالكامل، نظرًا لأن الحليب يشكل رغوة بداخله.
- كن حذرًا لكون الكوب/الفنجان يمكن أن يسخن أثناء صنع رغوة الحليب.



5.7 ضبط حجم قهوتك/الماء الساخن

يمكنك حفظ حجم القهوة التي تريدها لجميع أنواع المشروبات وكذلك الماء الساخن من 25 مل إلى 250 مل. (x2 للمضاعفة)



أثناء تحضير قهوتك (إيسرسو، أمريكانو، ريسرتينو أو لونغو)، اضغط مع الاستمرار على زر القهوة التي اخترتها. سيصدر الجهاز في تحضير فنجان القهوة طوال الفترة التي تضغط فيها على الزر.

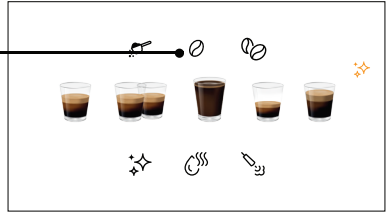
عندما يصل حجم القهوة إلى الحجم المطلوب، انقر الزر. إذا سمعت صافرتين، فهذا يشير إلى أن الجهاز قد وفر هذه الكمية من القهوة.

يمكن ضبط الماء أثناء التحضير المستمر للقهوة (بعد اكتمال الطحن).



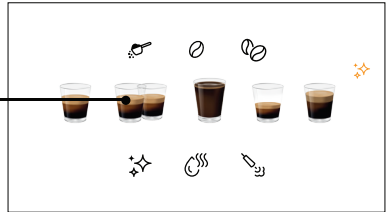
1) إعادة تعيين جميع المشروبات على الإعدادات الافتراضية/إعدادات المصنع؛

لإعادة تعيين الإعدادات الافتراضية لجميع المشروبات واختيار كمية الماء الساخن المحفوظة في الذاكرة؛
• اضغط على زر التشغيل/الإيقاف وزر حبوب البن معاً لمدة 3 ثوانٍ.

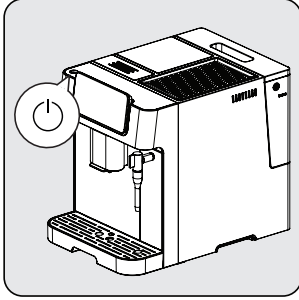


2) إعادة تعيين مشروب واحد على الإعدادات الافتراضية/إعدادات المصنع؛

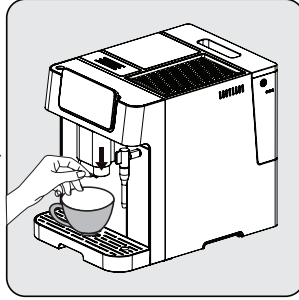
لإعادة تعيين الإعدادات الافتراضية لأي قهوة واختيار كمية الماء الساخن بصورة فردية؛
• اضغط على زر التشغيل/الإيقاف وزر المشروبات (وهو المطلوب إعادة تعيينه) معاً لمدة 3 ثوانٍ.



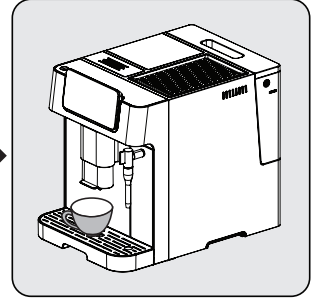
5.5 تحضير قهوتك



قم بتشغيل الجهاز بالضغط على زر التشغيل / الإيقاف. يتم تشغيل الجهاز، ويبدأ في التسخين المسبق والتنظيف التلقائي. إنه جاهز للاستخدام في وضع السكون حيث تضيء جميع الرموز.



ضع كوبًا تحت صنوبر القهوة واضبط ارتفاع الصنبور بما يتوافق مع الكوب.



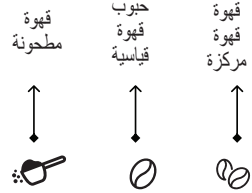
اختر قهوتك بالضغط على الزر وستضيء فداحة الأكواب، حيث تشير إلى أن الجهاز يقوم بتحضير فنجان قهوة. عندما يعود الجهاز إلى وضع السكون، تكون القهوة جاهزة للتقديم.

اضغط على زر إسبريسو، أو أمريكانو، أو ريسترينو أو لونغو حسب تفضيلاتك.

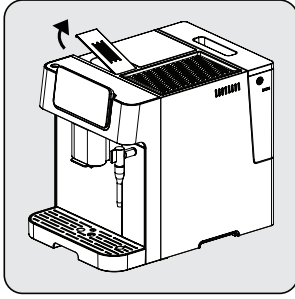


5.6 ضبط تركيز قهوتك

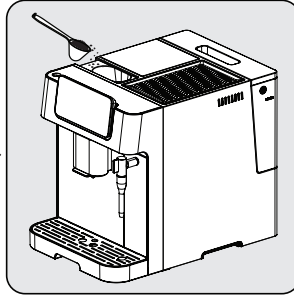
إذا تم استخدام حبوب البن، فاضغط على زر "حبوب قياسية" أو "حبوب مركزة" لضبط تركيز مشروبك. في حالة استخدام البن المطحون، اضغط على خيار "بن مطحون".



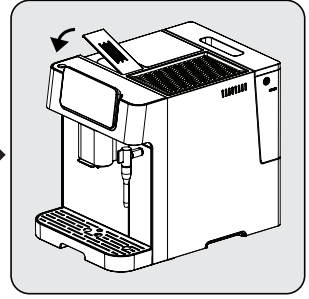
5.3 استخدام وعاء البن المطحون مسبقاً



أزل غطاء وعاء البن المطحون مسبقاً.



ضع البن المطحون ببطء في وعاء البن المطحون مسبقاً.



ضع غطاء الوعاء مرة أخرى.

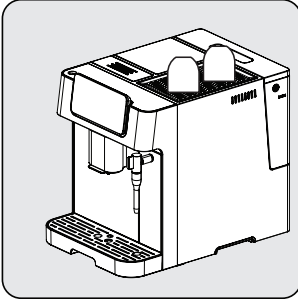
لا يعتبر وعاء البن المطحون مسبقاً وحدة تخزين، فهو يوفر استخداماً لمرة واحدة (max 12g). يمكن استخدام ملعقة القياس للكمية المقترحة من البن المطحون.



يجب الضغط على زر البن المطحون واختياره من الشاشة لتنشيط هذا الإعداد.



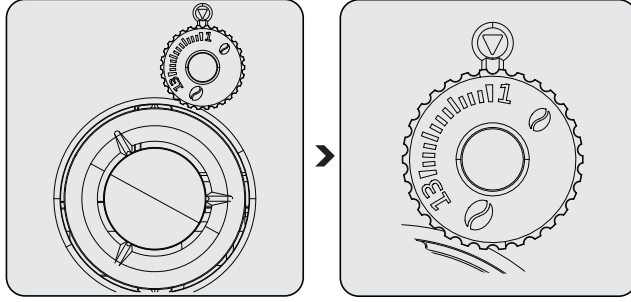
5.4 استخدام مدفئ الأكواب



يجب وضع الأكواب رأساً على عقب لضمان الحفاظ على السطح الداخلي دافئاً ونظيفاً (تستخدم هذه الوظيفة الحرارة الداخلية للماكينة).

5.1 ضبط الطحن

يمكنك ضبط خشونة الطحن عن طريق تدوير مقبض الضبط الموجود في وعاء الحبوب:



لا تقم أبداً بضبط الطحن عندما لا تعمل المطحنة. فقد يؤدي ذلك إلى إتلاف المطحنة.

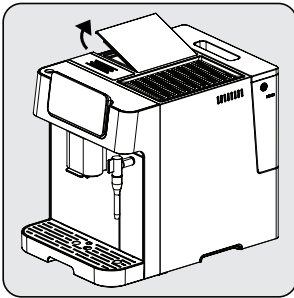


تشير الخطوط الموجودة على مقبض الضبط إلى درجة نعومة الطحن. يعني العدد الأكبر مستوى طحن أكثر خشونة.

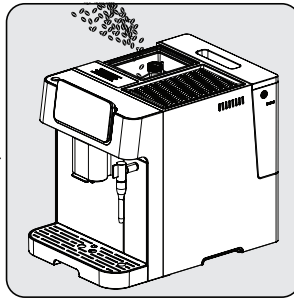


5.2 ملء أوعية حبوب البن

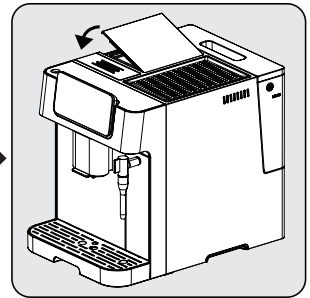
- عندما يومض "☉"، يتعين ملء الجهاز بحبوب القهوة.
- من الأفضل تخزين الحبوب في التغليف الهوائي الأصلي لضمان نضارة تدوم طويلاً. لا تستخدم وعاء حبوب القهوة لأغراض التخزين للحصول على نتائج أفضل.



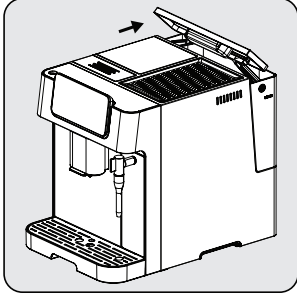
قم بإزالة غطاء وعاء الحبوب.



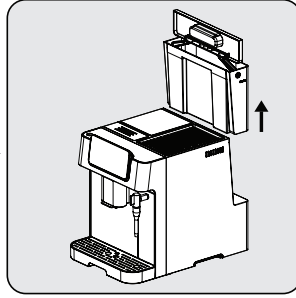
اسكب حبوب القهوة ببطء.



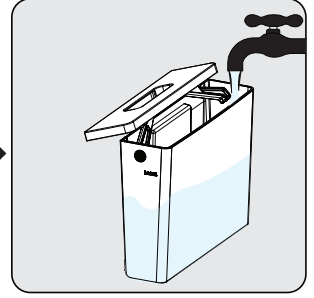
ضع غطاء الوعاء مرة أخرى.



ارفع خزان المياه باستخدام الغطاء كمقبض.



أخرج خزان الماء.

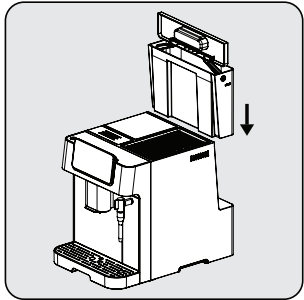


اشطف خزان المياه بالمياه العذبة ثم املا الخزان إلى أقصى مستوى وضعه مرة أخرى في الجهاز. تأكد من إدخاله بالكامل.

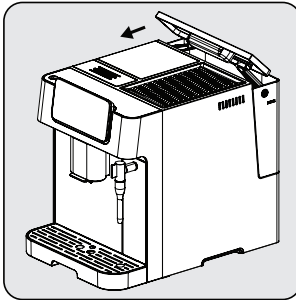
لمنع فيض المياه من الخزان، لا تقم بإضافة الماء مباشرة إلى الجهاز من وعاء آخر.



لا تقم أبدًا بملء خزان المياه بالماء الدافئ أو الساخن أو الماء الفوار أو أي سائل آخر قد يؤدي إلى تلف خزان المياه والماكينة.

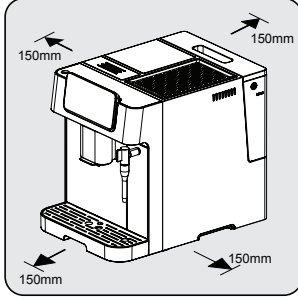


ضع خزان المياه مرة أخرى باستخدام الغطاء كمقبض.

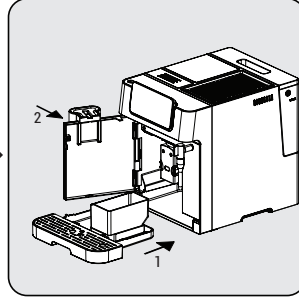


أغلق خزان المياه باستخدام الغطاء.

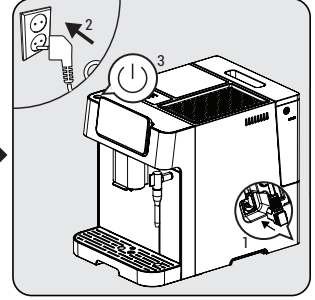
قم بإزالة أي أغشية واقية وملصقات وأي مواد تغليف أخرى من على الجهاز.



اختر سطحًا آمنًا ومستقرًا مزودًا بمصدر إمداد طاقة يمكن الوصول إليه بسهولة واترك مسافة أقل من جوانب الماكينة.



أدخل إبقاء التنقيط. تأكد من إدخاله بشكل صحيح وأغلق الغطاء الأمامي.



فك وشد سلك الطاقة وإدخال القابس في المقبس الموجود تحت الماكينة. أدخل الطرف الآخر من سلك الطاقة في مقبس الحائط بجهد طاقة مناسب.

4.2 تعبئة خزان المياه

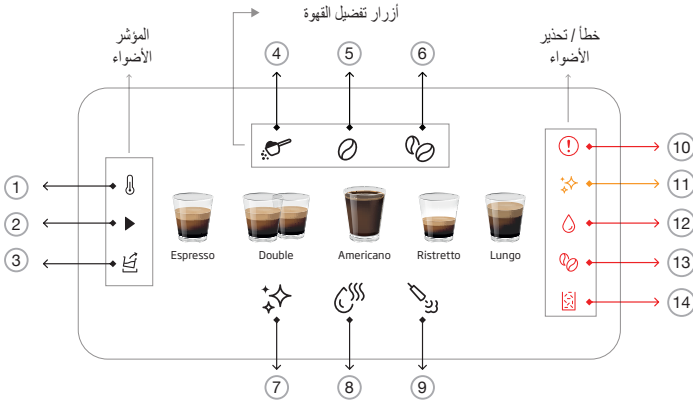
حول برنامج الحماية: إذا لم يتم وضع خزان المياه بالكامل في الماكينة، فسيتم تنشيط وضع الحماية خلال 15 ثانية في عملية التخмир. سيضيئ زر الماء الساخن على لوحة التحكم.



1. تأكد من إدخال خزان المياه بالكامل في الماكينة.
2. اضغط على زر الماء الساخن. بعد توزيع الماء الساخن، ستكون الماكينة في وضع السكون.

عندما يضيء "H" تعني خزان المياه عند مستوى منخفض من الماء ويتطلب إعادته ملوئة





مضيء أثناء التسخين المُسبق		1
مضيء أثناء المعالجة المستمرة		2
مؤشر تفرغ المياه		3
يُستخدم لتحديد خيار "البن المطحون".		4
يُستخدم لتحديد خيار "حبوب البن القياسية".		5
يُستخدم لتحديد خيار "حبوب البن المركزة".		6
يستخدم لبدء وظائف التنظيف وإزالة الترسبات.		7
يستخدم لتلقي الماء الساخن من فوهة البخار.		8
يستخدم لتشغيل وظيفة فوهة البخار.		9
خطأ عام		10
تحذير إزالة الترسبات		11
خطأ عدم وجود ماء		12
خطأ عدم وجود حبوب		13
خطأ وعاء البقايا ممتلئ		14

2 ماكينة تحضير القهوة الأوتوماتيكية بالكامل

البيانات التقنية

إمداد الطاقة: 220-240 فولت ~ ، 50-60 هرتز

الطاقة: 1350 واط

إن حق إجراء التغييرات الفنية والتصميمية محفوظة.

تاروشنملا ياعو جتتملا ياع ملعمللا هيقلا عيمج ياع لوصحلا مة
تاذ ريباعملا أقو اهوارجلا مة يتلا تيريتخملا تاسايقلا نم أعويطملا
تطرحملا فورظلاو مادختسلاا بسد هيقلا مده فلتخت دقو. ملصلا

جتتملا داعياً

(قمعلا) همد 41.2 × (عافترا لا) همد 35.9 × (ضرعلا) همد 27.5

مجد 9.68±0.5: نزولا

مجد 95±5: لباكلا لوط

(بويحلا عضو) نو حطملا نيل نزو

مجد 8±2: تيساية

مجد 10±2: تزكرم

رتلا 0.6 يحد: طيقنتلا عاتلا تهمد

(البايقلا) قوهيقلا لفت عاعو تهمد

بباوكا 10 يحد

رتلا 5%±2.0: هايمللا نازخ تهمد

مجد 5%±250: نيل بويح عاعو تهمد

ث <50: قيسملا نيبختلا تقو تنيكاملا

قوهيقلا مجد

لم 10 ± 30: وسيريسا

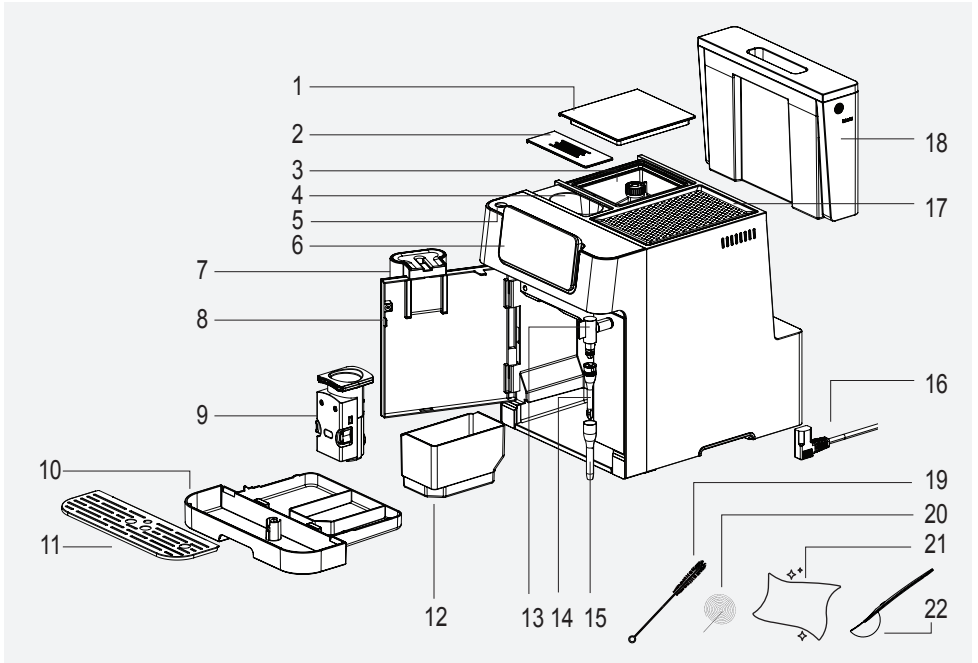
لم 10 ± 60: ليد

لم 20 ± 150: نوناكيرما

لم 5 ± 20: وتيرتسير

لم 10 ± 60: وغنولا

2 ماكينة تحضير القهوة الأوتوماتيكية بالكامل



- | | |
|-------------------------------|----------------------------------|
| 12. وعاء ثقل القهوة (البقايا) | 1. غطاء وعاء حبوب البن |
| 13. فوهة بخار | 2. غطاء وعاء البن المطحون مسبقاً |
| 14. غطاء الفوهة | 3. وعاء حبوب البن |
| 15. أنبوب معدني | 4. وعاء البن المطحون مسبقاً |
| 16. سلك الطاقة | 5. زر التشغيل/الإيقاف |
| 17. مدفعي الأكواب | 6. لوحة التحكم الرقمية |
| 18. خزان المياه | 7. صنوبر قهوة قابل للتعديل |
| 19. فرشاة التنظيف | 8. الغطاء الأمامي |
| 20. إبرة التنظيف | 9. وحدة التخمير |
| 21. قطعة قماش للتنظيف | 10. إناء التقط |
| 22. ملعقة قهوة مطحونة | 11. إناء الاكواب |

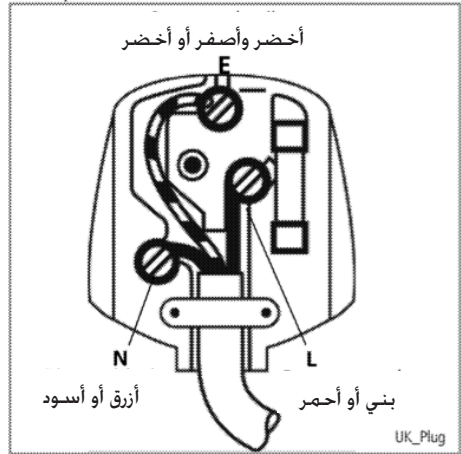
1 تعليمات هامة للسلامة والبيئة

1.9 توصيل القابس

يشتمل القابس المدمج في هذا الجهاز على صمام كهربائي 13 أمبير. في حالة الحاجة إلى استبدال الصمام الكهربائي يجب استبداله بصمام كهربائي BS1362 بنفس الجهد. لا تنش إعادة ضبط غطاء الصمام الكهربائي. وفي حالة فقد غطاء الصمام الكهربائي، لا يجب استخدام القابس إلى أن يتم تركيب غطاء صمام كهربائي بديل. ينبغي أن يكون لون غطاء الصمام الكهربائي البديل هو نفس اللون الظاهر على وجه السنون لغطاء الصمام الكهربائي للقابس. وتتوافر الأغطية في جميع المتاجر الكهربائية.

تركيب قابس مختلف

- حيث قد لا تتوافق ألوان الأسلاك في سلك التيار الرئيسي لهذا الجهاز مع ملصقات الألوان المحددة للأطراف في المقبس الخاص بك. نفذ ما يلي:
 - كابل بني = L (موجب)
 - كابل أزرق = N (محايد)
 - يجب أن يكون الكابل الأخضر / الأصفر متصلاً بالخط الأرضي (E)
- عند تركيب قوابس بديلة ينبغي أيضاً تركيب صمام كهربائي 13 أمبير أو محول كهربائي في صندوق الصمام الكهربائي الرئيسي. إذا كان لديك شك فتواصل مع فني كهربائي مؤهل.



1 تعليمات هامة للسلامة والبيئة

1.6 الامتثال للتوجيهات الخاصة بنفايات الأجهزة والتخلص منها:

هذا المنتج متوافق مع توجيهات (2012/19/EU) WEEE. يحمل هذا المنتج رمز تصنيف التخلص من الأجهزة الكهربائية والإلكترونية (WEEE).

يشير هذا الرمز إلى أنه لا يجب التخلص من هذا المنتج مع النفايات المنزلية الأخرى في نهاية عمره التشغيلي. يجب إعادة الجهاز المستخدم إلى نقطة التجميع الرسمية لإعادة تدوير الأجهزة الكهربائية والإلكترونية. للعثور على نقاط التجميع هذه، يرجى الاتصال بالسلطة المحلية أو بائع التجزئة الذي تم شراء المنتج منه. تؤدي كل أسرة دوراً مهماً في استعادة وإعادة تدوير الأجهزة القديمة، حيث يساعد التخلص المناسب من الأجهزة المستخدمة على منع النتائج السلبية المحتملة على البيئة وصحة الإنسان.



1.7 الامتثال لتوجيهات حظر المواد الخطرة:

هذا المنتج متوافق مع توجيهات (2011/65/EU) RoHS. وهو لا يحتوي على مواد ضارة أو محظورة محددة في التوجيهات.

1.8 معلومات التغليف

تم تصنيع مواد تغليف المنتج من مواد قابلة لإعادة التدوير طبقاً للوائح البيئية الوطنية. لا تتخلص من مواد التغليف مع النفايات المنزلية وغيرها. وقم بنقلها إلى نقاط تجميع مواد التغليف المحددة من قبل السلطات المحلية.



الموظفين، والمتاجر، والمكاتب والمناطق المماثلة أو بواسطة العملاء في المبيت والإفطار، والفنادق، والموتيلات وأماكن الإقامة الأخرى. ماكينة القهوة هذه غير مخصصة للاستخدام التجاري. الماكينة مخصصة فقط لتحضير القهوة وتسخين الحليب والماء. يعتبر أي استخدام آخر بخلاف المذكور سابقاً استخداماً غير لائق.

خطر ناتج عن سوء الاستخدام!

إذا لم يتم استخدام ماكينة تحضير القهوة للغرض المقصود منها، فقد تصبح مصدر خطر.

وبالتالي، لا يجوز استخدام ماكينة تحضير القهوة إلا للغرض المقصود منها.



اتبع الإجراءات الموضحة في دليل المستخدم هذا.



لن يتم قبول أي مطالبات من أي نوع عن الأضرار أو الإصابات الناتجة عن استخدام ماكينة تحضير القهوة لغرض الأغراض المقصود من استخدامها.

يجب أن يكون مالك الماكينة قد تحمل وحده الخطر.

1.5 حدود المسؤولية القانونية

تمثل جميع المعلومات والبيانات والتعليمات الفنية الخاصة بتركيب وتشغيل وصيانة ماكينة القهوة الواردة في تعليمات التشغيل، هذه الحالة الحالية وقت الطباعة وتستند إلى أفضل معرفة ممكنة متناسبة من خلال الخبرة والمعرفة.

لا يمكن اشتقاق أي مطالبات/طلبات من المعلومات، والرسوم التوضيحية والشروحات الواردة في دليل المستخدم هذا.

لا تتحمل الجهة المصنعة أي مسؤولية عن التلف أو الإصابة الناتجة عن عدم مراعاة دليل المستخدم، أو استخدام المنتج لأغراض غير الاستخدام المقصود أو الإصلاحات غير المهنية أو التعديلات غير المصرح بها أو استخدام قطع غيار غير معتمدة.

1 تعليمات هامة للسلامة والبيئة

- استخدامها.
- لا تضغط على سلك الطاقة ولا تقم بثنيه أو حكه بحواف حادة لمنع حدوث أي تلف لسلك الطاقة. حافظ على أن يكون سلك الطاقة بعيداً عن الأسطح الساخنة ومصادر اللهب المكشوفة.
- تأكد من أن مصدر إمداد التيار الكهربائي لديك يتوافق مع المعلومات المذكورة بلوحة التصنيف الخاصة بالجهاز.
- استخدم الجهاز فقط مع مقبس مؤرض.
- لا تستخدم الجهاز بسلك تطويل.
- لا تلمس الجهاز أو قابسه ويديك مبتلين أو رطبين عند توصيله.
- - تنبيه: لتجنب الخطر الناجم عن إعادة الضبط غير المتعمدة للقطع الحراري، يجب عدم تزويد هذا الجهاز من خلال جهاز تشغيل خارجي، مثل مؤقت، أو توصيله بدائرة يتم تشغيلها وإيقاف تشغيلها بانتظام بواسطة الأداة المساعدة.
- تحذير: تجنب الانسكاب على الموصل.
- تحظر إساءة استخدام الجهاز لتجنب الإصابة المحتملة.
- - إذا كان سلك إمداد الطاقة تالفاً، يجب استبداله من الجهة المُصنِّعة، أو الوكيل، أو أي شخص مؤهل بنفس الدرجة لتجنب المخاطر.
- 1.4 الاستخدام المخصص**
- تم تصميم ماكينة تحضير القهوة الأوتوماتيكية بالكامل من بيكو للاستخدام في المنازل والبيئات المماثلة، على سبيل المثال في مطابخ
- الكهربائي، أو قابس التيار الكهربائي في الماء أو السوائل الأخرى.
- لا تنظف ماكينة القهوة أو ملحقاتها في غسالة أطباق.
- لا تصب أي سوائل بخلاف الماء ولا تضع أي مواد غذائية في خزان المياه.
- لا تملأ خزان المياه بعد علامة الحد الأقصى.
- شغل الماكينة فقط بعد تركيب وعاء النفائات، وإناء التنقيط وإناء الأكواب.
- لا تسحب الكابل لإزالة القابس من مقبس التيار الكهربائي ولا تلمسه بيد مبتلة.
- لا تحمل ماكينة القهوة من خلال كابل التيار الكهربائي.
- احتفظ بالجهاز وسلكه بعيداً عن متناول الأطفال في سن 8 أعوام أو أقل من ذلك.
- لا يمكن استخدام الجهاز سوى لإعداد القهوة.
- يجب مراقبة الأطفال كي لا يعبتوا بالجهاز.
- أفصل الجهاز قبل كل عملية تنظيف وعندما لا يكون قيد الاستخدام.
- ضع الجهاز بوضعية يتسنى من خلالها الوصول إلى القابس بسهولة دوماً.
- استخدم الجهاز دوماً على سطح ثابت ومسطح ونظيف وجاف ومانع للانزلاق.
- الجهاز ليس ماكينة إعداد قهوة مُدمجة وغير مصمم للاستخدام داخل خزانة. وينبغي عدم وضع ماكينة صنع القهوة في الخزانة أثناء

1 تعليمات هامة للسلامة والبيئة

1.3 احتياطات السلامة الأساسية

- لا يجوز استبدال الأجزاء المعيبة إلا بقطع غيار أصلية. تضمن قطع الغيار الأصلية فقط استيفاء متطلبات السلامة.
- يمكن استخدام هذا الجهاز من قبل الأطفال فوق سن 8 سنوات وكذلك الأشخاص الذين يعانون من ضعف القدرات الجسدية، أو الحسية أو العقلية أو أولئك الذين يفتقرون إلى الخبرة و/أو المعرفة شريطة أن يتم الإشراف على هؤلاء الأشخاص أو يتم إرشادهم فيما يتعلق بكيفية استخدام الجهاز بطريقة آمنة، وإدراكهم المخاطر التي يمكن أن تنشأ عن استخدامه. يحظر عبث الأطفال بالجهاز. يجب عدم قيام الأطفال بالتنظيف وإجراء صيانة المستخدم إلا إذا كانوا فوق سن 8 سنوات ويخضعون للإشراف.
- هذا الجهاز مصمم للاستخدام المنزلي والتطبيقات المماثلة مثل:
 - مناطق المطابخ المخصصة للعاملين في المتاجر والمكاتب وبيئات العمل الأخرى؛
 - المزارع؛
 - العملاء في الفنادق، والفنادق على الطرق، والبيئات السكنية المماثلة؛
 - أماكن المبيت والإفطار؛
- احمي ماكينة القهوة من تأثيرات الطقس مثل المطر والصقيع وأشعة الشمس المباشرة. لا تستخدم ماكينة القهوة في الهواء الطلق.
- لا تغمر ماكينة القهوة، أو كابل التيار

- اتباع احتياطات السلامة التالية لضمان التعامل الآمن مع ماكينة القهوة:
 - لا تلعب أبداً بمواد التغليف. فتمة خطر الإصابة بالاختناق. أبعاد جميع مواد التغليف عن الأطفال.
 - افحص ماكينة القهوة بحثاً عن علامات تلف واضحة قبل الاستخدام. لا تستخدم آلة القهوة في حالة وجود تلف. اتصل بوكيل خدمة معتمد.
 - في حالة تلف كابل التوصيل، يجب استبداله فقط بواسطة وكيل خدمة موصى به من قبل الشركة المصنعة من أجل منع أي خطر! يرجى الاتصال بالشركة المصنعة أو خدمة العملاء التابعة لها.
 - يجب أن يتم إصلاح ماكينة القهوة فقط من قبل متخصص معتمد أو ممثل خدمة العملاء. يمكن أن تؤدي الإصلاحات من خلال أشخاص غير مصرح لهم إلى خطر كبير على المستخدم. وستؤدي هذه الإجراءات إلى إبطال الضمان أيضاً.
 - لا يجوز إجراء إصلاحات ماكينة القهوة خلال فترة الضمان إلا من قبل مراكز الخدمة المعتمدة من قبل الشركة المصنعة، وإلا سيصبح الضمان باطلاً في حالة حدوث تلف لاحق.

1 تعليمات هامة للسلامة والبيئة

- يتضمن هذا القسم تعليمات السلامة التي ستساعد في توفير الحماية ضد مخاطر الإصابة الشخصية وفقدان المواد. يؤدي عدم اتباع هذه التعليمات إلى إبطال أي ضمان.
- لا تلمس أيًا من الأكمام المعدنية الموجودة على فوهة القهوة.
- تجنب ملامسة الجلد للبخار المتسرب من الماكينة أو ماء الشطف الساخن، أو ماء التنظيف وإزالة الترسبات.

1.1 خطر التيار الكهربائي

خطر على الحياة بسبب التيار الكهربائي! قد يؤدي التلامس مع الأسلاك أو المكونات الحية إلى إصابة خطيرة أو حتى الموت! اتبع احتياطات السلامة التالية لتجنب الصدمات الكهربائية:

• يُحظر استخدام المنتج إذا كان سلك الطاقة أو الجهاز نفسه تالفًا. اتصل بوكيل خدمة معتمد.

• لا تفتح غطاء ماكينة القهوة. ثمة خطر التعرّض لصدمة كهربائية إذا تم لمس التوصيلات الحية و/أو تم تغيير التكوين الكهربائي والميكانيكي.

• قبل تنظيف وعاء الحبوب، افصل الجهاز من مقبس التيار الكهربائي. خطر من دوران مطحنة القهوة!

1.2 خطر الحروق

يمكن أن تصبح أجزاء ماكينة القهوة ساخنة جدًا أثناء التشغيل! المشروبات المحضرة والبخار المتسرب ساخن للغاية! التزم باحتياطات السلامة التالية لتجنب حرق نفسك و / أو الآخرين:

يُرجى قراءة دليل المستخدم هذا أولاً!

شرح الرموز

تُستخدم الرموز التالية في الأقسام المختلفة من هذا الدليل:

عميلنا العزيز،

شكراً لأنك اخترت منتج بيكو هذا. نأمل أن تحصل على أفضل النتائج من منتجك الذي قد تم تصنيعه بجودة عالية وأحدث التقنيات. يُرجى قراءة دليل المستخدم بالكامل وجميع المستندات الأخرى المصاحبة له بعناية قبل استخدام المنتج والاحتفاظ بها كمرجع للاستخدام في المستقبل. وإذا قمت بإعطاء المنتج إلى شخص آخر، يُرجى إعطاؤه دليل المستخدم أيضاً. يُرجى مراعاة جميع التحذيرات والمعلومات الواردة في دليل المستخدم.

معلومات هامة أو تلميحات مفيدة عن الاستخدام.



خطر: هذا التحذير خاص بالموافق الخطرة التي تتعلق بالحياة والممتلكات.



تحذير: يشير هذا التحذير إلى مواقف يُحتمل أن تكون خطيرة.



تنبيه: يشير هذا التحذير إلى احتمال حدوث ضرر مادي.



وتعد المواد مناسبة لتلامس الطعام



beko

ماكينة تحضير القهوة الأوتوماتيكية بالكامل دليل المستخدم



CEG 7302 B

AR



01M-8914043200-1123-05
01M-8914863200-1123-05

