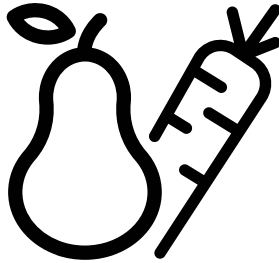


beko

Refrigerator

User manual

الفرير
دليل المستخدم



BCN130

CE

EN / AR

58 6588 0000/AB

Please read this user manual first!

Dear Customer,

We hope that your product, which has been produced in modern plants and checked under the most meticulous quality control procedures, will provide you an effective service.

Therefore, read this entire user manual carefully before using the product and keep it as a reference. If you handover the product to someone else, give the user manual as well.

The user manual will help you use the product in a fast and safe way.

- Read the manual before installing and operating the product.
- Make sure you read the safety instructions.
- Keep the manual in an easily accessible place as you may need it later.
- Read the other documents given with the product.

Remember that this user manual is also applicable for several other models. Differences between models will be identified in the manual.

Explanation of symbols

Throughout this user manual the following symbols are used:

 Important information or useful tips.

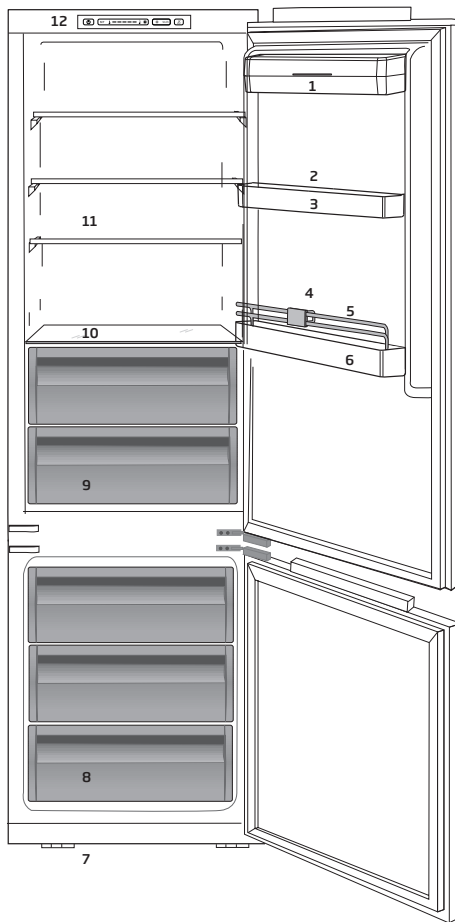
 Warning against dangerous conditions for life and property.

 Warning against electric voltage.

CONTENTS

1 Your refrigerator	3	4 Preparation	12
2 Important Safety Warnings	4	Reversing the doors	13
Intended use	4	5 Using your cooler/ freezer	14
General safety	4	6 Maintenance and cleaning	15
For products with a	7	Protection of plastic surfaces	15
water dispenser;	7	7 Troubleshooting	16
Child safety.....	7		
Compliance with WEEE Directive and Disposing of the Waste Product:	8		
Package information.....	8		
HC warning	8		
Things to be done for energy saving ..	9		
3 Installation	10		
Points to be paid attention to when the relocation of the refrigerator	10		
Electrical connection.....	10		
Disposing of the packaging	11		
Disposing of your old refrigerator	11		
Placing and Installation	11		
Changing the illumination lamp	11		
Door Open Warning.....	11		

1 Your refrigerator



- | | |
|-----------------------------|-----------------------------|
| 1. Butter & Cheese sections | 7. Adjustable front feet |
| 2. Egg tray | 8. Freezer compartment |
| 3. Adjustable door shelves | 9. Chiller |
| 4. Shelter wire | 10. Chiller cover and glass |
| 5. Bottle holder | 11. Adjustable shelves |
| 6. Bottle shelves | 12. Indicator panel |






i Figures that take place in this instruction manual are schematic and may not correspond exactly with your product. If the subject parts are not included in the product you have purchased, then it is valid for other models.

2 Important Safety Warnings

Please review the following information. Failure to observe this information may cause injuries or material damage. Otherwise, all warranty and reliability commitments will become invalid.

Original spare parts will be provided for 10 years, following the product purchasing date.

Intended use

	WARNING: Keep ventilation openings, in the appliance enclosure or in the built-in structure, clear of obstruction.
	WARNING: Do not use mechanical devices or other means to accelerate the defrosting process, other than those recommended by the manufacturer.
	WARNING: Do not damage the refrigerant circuit.
	WARNING: Do not use electrical appliances inside the food storage compartments of the appliance, unless they are of the type recommended by the manufacturer.
	WARNING: Do not store explosive substances such as aerosol cans with a flammable propellant in this appliance.

This appliance is intended to be used in household and similar applications such as

- staff kitchen areas in shops, offices and other working environments;
- farm houses and by clients in hotels, motels and other residential type environments;
- bed and breakfast type environments;
- catering and similar non-retail applications.

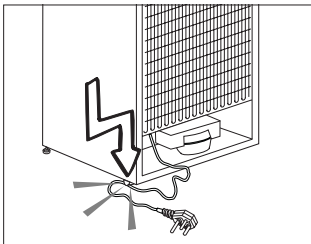
General safety

- When you want to dispose/ scrap the product, we recommend you to consult the authorized service in order to learn the required information and authorized bodies.
- Consult your authorized service for all your questions and problems related to the refrigerator. Do not intervene or let someone intervene to the refrigerator without notifying the authorised services.
- For products with a freezer compartment; Do not eat cone ice cream and ice cubes immediately after you take them out of the freezer compartment! (This may cause frostbite in your mouth.)
- For products with a freezer compartment; Do not put bottled and canned liquid beverages in the freezer compartment. Otherwise, these may burst.

- Do not touch frozen food by hand; they may stick to your hand.
- Unplug your refrigerator before cleaning or defrosting.
- Vapor and vaporized cleaning materials should never be used in cleaning and defrosting processes of your refrigerator. In such cases, the vapor may get in contact with the electrical parts and cause short circuit or electric shock.
- Never use the parts on your refrigerator such as the door as a means of support or step.
- Do not use electrical devices inside the refrigerator.
- Do not damage the parts, where the refrigerant is circulating, with drilling or cutting tools. The refrigerant that might blow out when the gas channels of the evaporator, pipe extensions or surface coatings are punctured causes skin irritations and eye injuries.
- Do not cover or block the ventilation holes on your refrigerator with any material.
- Electrical devices must be repaired by only authorised persons. Repairs performed by incompetent persons create a risk for the user.
- In case of any failure or during a maintenance or repair work, disconnect your refrigerator's mains supply by either turning off the relevant fuse or unplugging your appliance.
- Do not pull by the cable when pulling off the plug.
- Ensure highly alcoholic beverages are stored securely with the lid fastened and placed upright.
- Never store spray cans containing flammable and explosive substances in the refrigerator.
- Do not use mechanical devices or other means to accelerate the defrosting process, other than those recommended by the manufacturer.
- This product is not intended to be used by persons with physical, sensory or mental disorders or unlearned or inexperienced people (including children) unless they are attended by a person who will be responsible for their safety or who will instruct them accordingly for use of the product
- Do not operate a damaged refrigerator. Consult with the service agent if you have any concerns.
- Electrical safety of your refrigerator shall be guaranteed only if the earth system in your house complies with standards.
- Exposing the product to rain, snow, sun and wind is dangerous with respect to electrical safety.
- Contact authorized service when there is a power cable damage to avoid danger.
- Never plug the refrigerator into the wall outlet during

installation. Otherwise, risk of death or serious injury may arise.

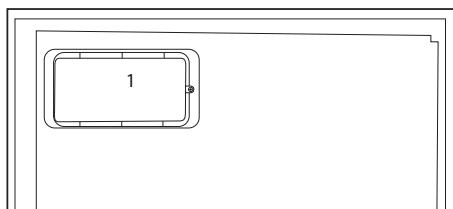
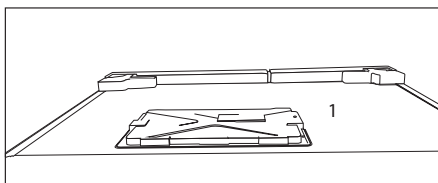
- This refrigerator is intended for only storing food items. It must not be used for any other purpose.
- Label of technical specifications is located on the left wall inside the refrigerator.
- Never connect your refrigerator to electricity-saving systems; they may damage the refrigerator.
- If there is a blue light on the refrigerator, do not look at the blue light with optical tools.
- For manually controlled refrigerators, wait for at least 5 minutes to start the refrigerator after power failure.
- This operation manual should be handed in to the new owner of the product when it is given to others.
- Avoid causing damage on power cable when transporting the refrigerator. Bending cable may cause fire. Never place heavy objects on power cable. Do not touch the plug with wet hands when plugging the product



- Do not plug the refrigerator if the wall outlet is loose.
- Water should not be sprayed on inner or outer parts of the product for safety purposes.
- Do not spray substances containing inflammable gases such as propane gas near the refrigerator to avoid fire and explosion risk.
- Never place containers filled with water on top of the refrigerator; in the event of spillages, this may cause electric shock or fire.
- Do not overload the refrigerator with food. If overloaded, the food items may fall down and hurt you and damage refrigerator when you open the door.
- Never place objects on top of the refrigerator; otherwise, these objects may fall down when you open or close the refrigerator's door.
- As they require a precise temperature, vaccines, heat-sensitive medicine and scientific materials and etc. should not be kept in the refrigerator.
- If not to be used for a long time, refrigerator should be unplugged. A possible problem in power cable may cause fire.
- Refrigerator may move if adjustable legs are not properly secured on the floor. Properly

securing adjustable legs on the floor can prevent the refrigerator to move.

- When carrying the refrigerator, do not hold it from door handle. Otherwise, it may be snapped.
- When you have to place your product next to another refrigerator or freezer, the distance between devices should be at least 8cm. Otherwise, adjacent side walls may be humidified.
- The product shall never be used while the compartment which is located at the top or back of your product and in which electronic boards are available (electronic board box cover) (1) is open.



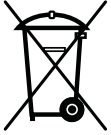
For products with a water dispenser;

- Pressure for cold water inlet shall be maximum 90 psi (6.2 bar). If your water pressure exceeds 80 psi (5.5 bar), use a pressure limiting valve in your mains system. If you do not know how to check your water pressure, ask for the help of a professional plumber.
- If there is risk of water hammer effect in your installation, always use a water hammer prevention equipment in your installation. Consult Professional plumbers if you are not sure that there is no water hammer effect in your installation.
- Do not install on the hot water inlet. Take precautions against the risk of freezing of the hoses. Water temperature operating interval shall be 33°F (0.6°C) minimum and 100°F (38°C) maximum.
- Use only potable water.

Child safety

- If the door has a lock, the key should be kept away from reach of children.
- Children must be supervised to prevent them from tampering with the product.

Compliance with WEEE Directive and Disposing of the Waste Product:



This product complies with EU WEEE Directive (2012/19/EU). This product bears a classification symbol for waste electrical and electronic equipment (WEEE).

This product has been manufactured with high quality parts and materials which can be reused and are suitable for recycling. Therefore, do not dispose the product with normal domestic waste at the end of its service life. Take it to a collection point for the recycling of electrical and electronic equipment. Please consult your local authorities to learn the nearest collection point. Help protect the environment and natural resources by recycling used products. For children's safety, cut the power cable and break the locking mechanism of the door, if any, so that it will be non-functional before disposing of the product.

Package information

Packaging materials of the product are manufactured from recyclable materials in accordance with our National Environment Regulations. Do not dispose of the packaging materials together with the domestic or other wastes. Take them to the packaging material collection points designated by the local authorities.

Do not forget...

Any recycled substance is an indispensable matter for nature and our national asset wealth.

If you want to contribute to the re-evaluation of the packaging materials, you can consult to your environmentalist organizations or the municipalities where you are located.

HC warning

If your product's cooling system contains R600a:

This gas is flammable. Therefore, pay attention to not damaging the cooling system and piping during usage and transportation. In the event of damage, keep your product away from potential fire sources that can cause the product catch a fire and ventilate the room in which the unit is placed.

Ignore this warning if your product's cooling system contains R134a.

Type of gas used in the product is stated in the type label which is on the left wall inside the refrigerator.

Never throw the product in fire for disposal.

Things to be done for energy saving

- Do not leave the doors of your refrigerator open for a long time.
- Do not put hot food or drinks in your refrigerator.
- Do not overload your refrigerator so that the air circulation inside of it is not prevented.
- Do not install your refrigerator under direct sunlight or near heat emitting appliances such as ovens, dishwashers or radiators. Keep your refrigerator at least 30cm away from heat emitting sources and at least 5cm from electrical ovens.
- Pay attention to keep your food in closed containers.
- For products with a freezer compartment; You can store maximum amount of food items in the freezer when you remove the shelf or drawer of the freezer. Energy consumption value stated for your refrigerator has been determined by removing freezer shelf or drawer and

under maximum load. There is no harm to use a shelf or drawer according to the shapes and size of food to be frozen.

- Thawing frozen food in fridge compartment will both provide energy saving and preserve the food quality.

3 Installation

⚠ In case the information which are given in the user manual are not taken into account, manufacturer will not assume any liability for this.

Points to be paid attention to when the relocation of the refrigerator

1. Your refrigerator should be unplugged. Before transportation of your refrigerator, it should be emptied and cleaned.

2. Before it is re-packaged, shelves, accessories, crisper, etc. inside your refrigerator should be fixed with adhesive tape and secured against impacts. Package should be bound with a thick tape or sound ropes and the transportation rules on the package should be strictly observed.

3. Original packaging and foam materials should be kept for future transportations or moving.

Before you start the refrigerator,

Check the following before you start to use your refrigerator:

1. Attach 2 plastic wedges as illustrated below. Plastic wedges are intended to keep the distance which will ensure the air circulation between your refrigerator and the wall. (The picture is drawn up as a representation and it is not identical with your product.)

2. Clean the interior of the refrigerator as recommended in the "Maintenance and cleaning" section.

3. Connect the plug of the refrigerator to the wall socket. When the fridge door is opened, fridge internal lamp will turn on.

4. When the compressor starts to operate, a sound will be heard. The liquid and gases sealed within the refrigeration system may also give rise to noise, even if the compressor is not running and this is quite normal.

5. Front edges of the refrigerator may feel warm. This is normal. These areas are designed to be warm to avoid condensation.

Electrical connection

Connect your product to a grounded socket which is being protected by a fuse with the appropriate capacity.

Important:

The connection must be in compliance with national regulations.

- The power plug must be easily accessible after installation.
- Electrical safety of your refrigerator shall be guaranteed only if the earth system in your house complies with standards.
- The voltage stated on the label located at left inner side of your product should be equal to your network voltage.
- Extension cables and multi plugs must not be used for connection.

⚠ A damaged power cable must be replaced by a qualified electrician.

⚠ Product must not be operated before it is repaired! There is the risk of electric shock!

Disposing of the packaging

The packing materials may be dangerous for children. Keep the packing materials out of the reach of children or dispose of them by classifying them in accordance with the waste instructions stated by your local authorities. Do not throw away with regular house waste, throw away on packaging pick up spots designated by the local authorities.

The packing of your refrigerator is produced from recyclable materials.


Disposing of your old refrigerator

Dispose of your old refrigerator without giving any harm to the environment.

- You may consult your authorized dealer or waste collection center of your municipality about the disposal of your refrigerator.

Before disposing of your refrigerator, cut out the electric plug and, if there are any locks on the door, make them inoperable in order to protect children against any danger.

Placing and Installation

 If the entrance door of the room where the refrigerator will be installed is not wide enough for the refrigerator to pass through, then call the authorized service to have them remove the doors of your refrigerator and pass it sideways through the door.

1. Install your refrigerator to a place that allows ease of use.

2. Keep your refrigerator away from heat sources, humid places and direct sunlight.

3. There must be appropriate air ventilation around your refrigerator in order to achieve an efficient operation. If the refrigerator is to be placed in a recess in the wall, there must be at least 5 cm distance with the ceiling and at least 5 cm with the wall. Do not place your product on the materials such as rug or carpet.

4. Place your refrigerator on an even floor surface to prevent jolts.

Changing the illumination lamp

To change the Bulb/LED used for illumination of your refrigerator, call your AuthorisedService.

The lamp(s) used in this appliance is not suitable for household room illumination. The intended purpose of this lamp is to assist the user to place foodstuffs in the refrigerator/freezer in a safe and comfortable way. The lamps used in this appliance have to withstand extreme physical conditions such as temperatures below -20 °C.

(only chest and upright freezer)

Door Open Warning

***May not be available in all models**

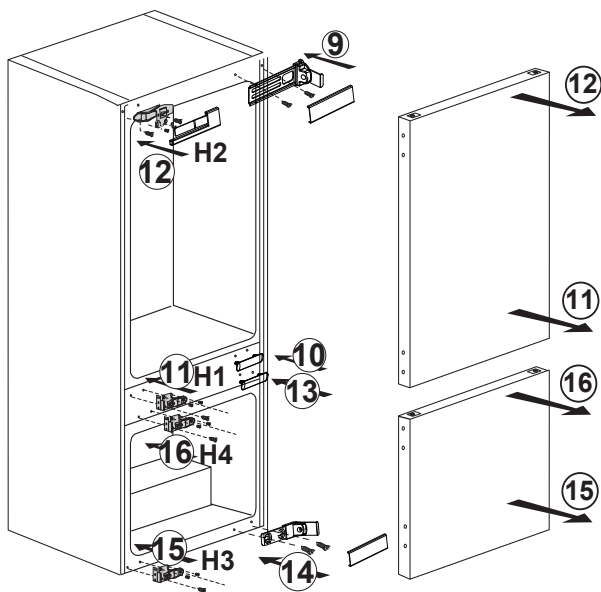
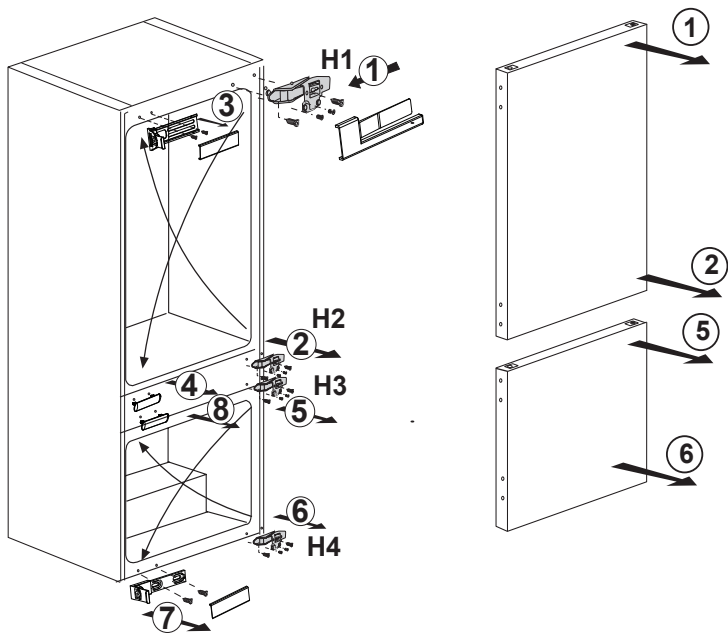
An audio warning signal will be given when the door of your product is left open for at least 1 minute. This warning will be muted when the door is closed or any of the display buttons (if any) are pressed.

4 Preparation

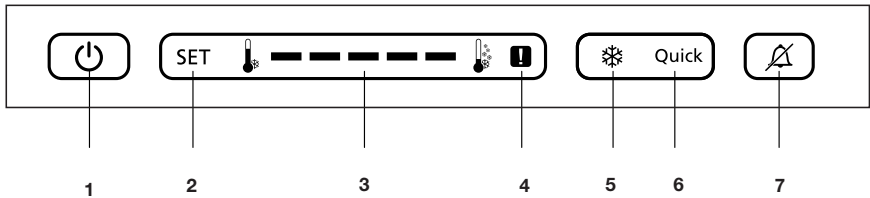
- Your cooler/freezer should be installed at least 30 cm away from heat sources such as hobs, ovens, central heater and stoves and at least 5 cm away from electrical ovens and should not be located under direct sunlight.
 - The ambient temperature of the room where you install your cooler/freezer should at least be 10°C. Operating your cooler/freezer under cooler conditions is not recommended with regard to its efficiency.
 - Please make sure that the interior of your cooler/freezer is cleaned thoroughly.
 - If two cooler/freezers are to be installed side by side, there should be at least 2 cm distance between them.
 - When you operate your cooler/freezer for the first time, please observe the following instructions during the initial six hours.
 - The door should not be opened frequently.
 - It must be operated empty without any food in it.
 - Do not unplug your cooler/freezer. If a power failure occurs out of your control, please see the warnings in the "Recommended solutions for the problems" section.
 - Original packaging and foam materials should be kept for future transportations or moving.
 - You can load maximum amount of food to the freezer compartment of the cooler/freezer by removing the freezer compartment drawers.
- Declared energy consumption value of the cooler/freezer was determined with the freezer compartment drawers removed, except if available bottom drawer and with maximum amount of food loaded. There is no risk in using a shelf or drawer suitable for the shapes and sizes of the foods to be frozen.
- Do not block the freezer fan grill by placing foods in front. There must always be left minimum 3 cm open distance in front of the freezer fan grill to allow necessary air flow to freeze the compartment efficiently.
 - In some models, the instrument panel automatically turns off 5 minutes after the door has closed. It will be reactivated when the door has opened or pressed on any key.
 - Due to temperature change as a result of opening/closing the product door during operation, condensation on the door/body shelves and the glass containers is normal

Reversing the doors

Proceed in numerical order



5 Using your cooler/freezer



1- On/Off function

Press the On/Off button for 3 seconds to turn off or turn on the fridge.

2- Fridge Set Function

This function allows you to make the fridge compartment temperature setting.

Press this button to set the temperature of the fridge compartment to - (warmest), --, ---, ----, ----- (coldest) respectively.

3- Fridge Compartment

Temperature Setting Indicator

Indicates the temperature set for the Fridge Compartment. Settings are - (warmest), --, ---, ----, ----- (coldest)

4-High temperature/error warning

This indicator (❗) lights up in case of high temperature and error warnings.

Once the temperature of the freezer compartment reaches a critical level for frozen food, this indicator will flash to warn the user. After checking the food in the freezer compartment, press the Alarm Off button (🔕) number 7 to clear the warning. Moreover, in case of a sensor error, this indicator (❗) will flash to warn the user.

If you cannot clear the warning by pressing the Alarm Off (🔕) button number 7, call the authorised service provider.

5- Quick Fridge Indicator

This icon lits when the Quick Fridge function is active.

6-Quick Fridge Function

When you press Quick Fridge button, the temperature of the compartment will be colder than the adjusted values.

This function can be used for food placed in the fridge compartment and required to be cooled down rapidly.

If you want to cool large amounts of fresh food, it is recommended to active this feature before putting the food into the fridge. Quick Fridge indicator will remain lit when the Quick Fridge function is enabled. To cancel this function press Quick Fridge button again. Quick Fridge indicator will turn off and return to its normal settings.

If you do not cancel it, Quick Fridge will cancel itself automatically after 2 hours or when the fridge compartment reaches to the required temperature. This function is not recalled when power restores after a power failure.

7-Alarm off button

Once you get the high temperature warning, check the food in the freezer compartment and then press the Alarm Off (🔕) button to clear the warning.

6 Maintenance and cleaning

- ⚠ Never use gasoline, benzene or similar substances for cleaning purposes.
- ⚠ We recommend that you unplug the appliance before cleaning.
- ⚠ Never use any sharp abrasive instrument, soap, household cleaner, detergent and wax polish for cleaning.
- ⚠ For non-No Frost products, water drops and frosting up to a fingerbreadth occur on the rear wall of the Fridge compartment. Do not clean it; never apply oil or similar agents on it.
- ⚠ Only use slightly damp microfiber cloths to clean the outer surface of the product. Sponges and other types of cleaning cloths may scratch the surface.
- ℹ Use lukewarm water to clean the cabinet of your refrigerator and wipe it dry.
- ℹ Use a damp cloth wrung out in a solution of one teaspoon of bicarbonate of soda to one pint of water to clean the interior and wipe it dry.
- ⚠ Make sure that no water enters the lamp housing and other electrical items.
- ⚠ If your refrigerator is not going to be used for a long period of time, unplug the power cable, remove all food, clean it and leave the door ajar.
- ℹ Check door seals regularly to ensure they are clean and free from food particles.
- ⚠ To remove door racks, remove all the contents and then simply push the door rack upwards from the base.
- ⚠ Never use cleaning agents or water that contain chlorine to clean the outer surfaces and chromium coated parts of the product. Chlorine causes corrosion on such metal surfaces.
- ⚠ Do not use sharp, abrasive tools, soap, household cleaning agents, detergents, kerosene, fuel oil, varnish etc. to prevent removal and deformation of the prints on the plastic part. Use lukewarm water and a soft cloth for cleaning and then wipe it dry.

Protection of plastic surfaces

- ℹ Do not put the liquid oils or oil-cooked meals in your refrigerator in unsealed containers as they damage the plastic surfaces of your refrigerator. In case of spilling or smearing oil on the plastic surfaces, clean and rinse the relevant part of the surface at once with warm water.

Check this list before contacting the service. Doing so will save you time and money. This list includes frequent complaints that are not related to faulty workmanship or materials. Certain features mentioned herein may not apply to your product.

The refrigerator is not working.

- The power plug is not fully settled. >>> Plug it in to settle completely into the socket.
- The fuse connected to the socket powering the product or the main fuse is blown. >>> Check the fuses.

Condensation on the side wall of the cooler compartment (MULTI ZONE, COOL, CONTROL and FLEXI ZONE).

- The door is opened too frequently >>> Take care not to open the product's door too frequently.
- The environment is too humid. >>> Do not install the product in humid environments.
- Foods containing liquids are kept in unsealed holders. >>> Keep the foods containing liquids in sealed holders.
- The product's door is left open. >>> Do not keep the product's door open for long periods.
- The thermostat is set to too low temperature. >>> Set the thermostat to appropriate temperature.

Compressor is not working.

- In case of sudden power failure or pulling the power plug off and putting back on, the gas pressure in the product's cooling system is not balanced, which triggers the compressor thermic safeguard. The product will restart after approximately 6 minutes. If the product does not restart after this period, contact the service.
- Defrosting is active. >>> This is normal for a fully-automatic defrosting product. The defrosting is carried out periodically.
- The product is not plugged in. >>> Make sure the power cord is plugged in.

- The temperature setting is incorrect. >>> Select the appropriate temperature setting.
- The power is out. >>> The product will continue to operate normally once the power is restored.

The refrigerator's operating noise is increasing while in use.

- The product's operating performance may vary depending on the ambient temperature variations. This is normal and not a malfunction.

The refrigerator runs too often or for too long.

- The new product may be larger than the previous one. Larger products will run for longer periods.
- The room temperature may be high. >>> The product will normally run for long periods in higher room temperature.
- The product may have been recently plugged in or a new food item is placed inside. >>> The product will take longer to reach the set temperature when recently plugged in or a new food item is placed inside. This is normal.
- Large quantities of hot food may have been recently placed into the product. >>> Do not place hot food into the product.
- The doors were opened frequently or kept open for long periods. >>> The warm air moving inside will cause the product to run longer. Do not open the doors too frequently.
- The freezer or cooler door may be ajar. >>> Check that the doors are fully closed.
- The product may be set to temperature too low. >>> Set the temperature to a higher degree and wait for the product to reach the adjusted temperature.
- The cooler or freezer door washer may be dirty, worn out, broken or not properly settled. >>> Clean or replace the washer. Damaged / torn door washer will cause the product to run for longer periods to preserve the current temperature.

The freezer temperature is very low, but the cooler temperature is adequate.

- The freezer compartment temperature is set to a very low degree. >>> Set the freezer compartment temperature to a higher degree and check again.

The cooler temperature is very low, but the freezer temperature is adequate.

- The cooler compartment temperature is set to a very low degree. >>> Set the freezer compartment temperature to a higher degree and check again.

The food items kept in cooler compartment drawers are frozen.

- The cooler compartment temperature is set to a very low degree. >>> Set the freezer compartment temperature to a higher degree and check again.

The temperature in the cooler or the freezer is too high.

- The cooler compartment temperature is set to a very high degree. >>> Temperature setting of the cooler compartment has an effect on the temperature in the freezer compartment. Wait until the temperature of relevant parts reach the sufficient level by changing the temperature of cooler or freezer compartments.
- The doors were opened frequently or kept open for long periods. >>> Do not open the doors too frequently.
- The door may be ajar. >>> Fully close the door.
- The product may have been recently plugged in or a new food item is placed inside. >>> This is normal. The product will take longer to reach the set temperature when recently plugged in or a new food item is placed inside.
- Large quantities of hot food may have been recently placed into the product. >>> Do not place hot food into the product.

Shaking or noise.

- The ground is not level or durable. >>> If the product is shaking when moved slowly, adjust the stands to balance the product. Also make sure the ground is sufficiently durable to bear the product.
- Any items placed on the product may cause noise. >>> Remove any items placed on the product.

The product is making noise of liquid flowing, spraying etc.

- The product's operating principles involve liquid and gas flows. >>> This is normal and not a malfunction.

There is sound of wind blowing coming from the product.

- The product uses a fan for the cooling process. This is normal and not a malfunction.

There is condensation on the product's internal walls.

- Hot or humid weather will increase icing and condensation. This is normal and not a malfunction.
- The doors were opened frequently or kept open for long periods. >>> Do not open the doors too frequently; if open, close the door.
- The door may be ajar. >>> Fully close the door.

There is condensation on the product's exterior or between the doors.

- The ambient weather may be humid, this is quite normal in humid weather. >>> The condensation will dissipate when the humidity is reduced.

The interior smells bad.

- The product is not cleaned regularly. >>> Clean the interior regularly using sponge, warm water and carbonated water.
- Certain holders and packaging materials may cause odour. >>> Use holders and packaging materials without free of odour.
- The foods were placed in unsealed holders. >>> Keep the foods in sealed holders. Micro-organisms may spread out of unsealed food items and cause malodour. Remove any expired or spoiled foods from the product.

The door is not closing.

- Food packages may be blocking the door. >>> Relocate any items blocking the doors.
- The product is not standing in full upright position on the ground. >>> Adjust the stands to balance the product.
- The ground is not level or durable. >>> Make sure the ground is level and sufficiently durable to bear the product.

The vegetable bin is jammed.

- The food items may be in contact with the upper section of the drawer. >>> Reorganize the food items in the drawer.

If The Surface Of The Product Is Hot.

- High temperatures may be observed between the two doors, on the side panels and at the rear grill while the product is operating. This is normal and does not require service maintenance! Be careful when touching these areas.

**WARNING:**

If the problem persists after following the instructions in this section, contact your vendor or an Authorised Service. Do not try to repair the product.

يرجى قراءة هذا الدليل أولاً!

عميلنا العزيز،

عميلنا العزيز نأمل أن هذا المنتج والذي تم إنتاجه في مصانع حديثة وفحصه بإجراءات صارمة لرقابة الجودة سيقدم لكم خدمة فعالة.

ولذلك فنحن نوصي بقراءة هذا الدليل بالكامل بعناية قبل استخدامه وحفظه للرجوع إليه في المستقبل.

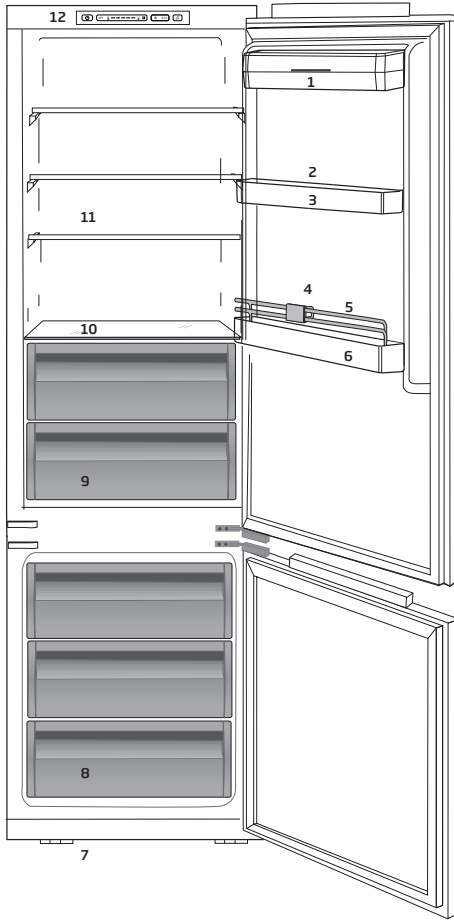
هذا الدليل

- سيساعدك على استخدام الجهاز بسرعة وبطريقة مأمونة.
- يرجى قراءة هذا الدليل قبل تركيب المنتج وتشغيله.
- يرجى اتباع الإرشادات، خاصة تلك المتعلقة بالسلامة.
- احتفظ بهذا الدليل في مكان يسهل الوصول إليه عند الحاجة إليه في المستقبل.
- وبالإضافة إلى ذلك، يرجى قراءة المستندات الأخرى المرفقة مع المنتج.
- يرجى ملاحظة أن هذا الدليل قد يكون صالحاً لأنواع أخرى أيضاً.

الرموز ومعانيها.

يحتوي دليل التعليمات هذا على الرموز التالية.

- | | |
|---|--|
| ❗ | معلومات مهمة أو تلميحات استخدام مفيدة |
| ⚠ | تحذير ضد الأحوال الخطرة على حياة البشر والممتلكات. |
| ⚡ | تحذير ضد الفولتية الكهربائية. |



- | | |
|---------------------------|--------------------------------|
| 1. قسم الزيت والجبن | 8. صندوق الفريزر |
| 2. أرفف البيض | 9. أدراج |
| 3. أرفف باب صندوق الثلاجة | 10. أنبوب صرف مياه إزالة الثلج |
| 4. سلك الرف | 11. أرفف زجاجية قابلة للضبط |
| 5. حامل الزجاجات | 12. لوحة التحكم |
| 6. رف الزجاجات | |
| 7. أقدم قابلة للضبط | |

❗ الأشكال الواردة في دليل التعليمات هذا هي رسومات بيانية وقد لا تتطابق تمامًا مع المنتج. إذا لم تكن هذه القطع واردة في هذا الجهاز الذي اشتريته، فإنها مناسبة لأنواع أخرى.

2 تحذيرات السلامة المهمة

- المزارع و النزلاء في الفنادق وفنادق الطرق والبيئات السكنية المماثلة؛ أماكن المبيت والإفطار؛
 - أماكن المبيت والإفطار؛
 - عمليات التموين والتطبيقات المماثلة في غير محلات التجزئة.
- السلامة العامة**

- يرجى فحص المعلومات التالية. ربما يؤدي الإخفاق في اتباع هذه المعلومات إلى إصابات أو تلف للممتلكات. ومن ثم، قد تصبح كل التزامات الفعالية والضمان غير سارية.
- سيتم توفير قطع غيار أصلية لمدة 10 • أعوامًا، بعد تاريخ الشراء المنتج.

الغرض المخصص

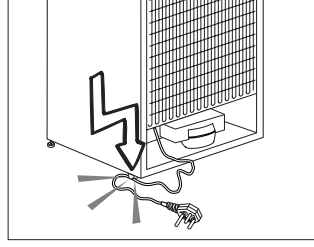
تحذير: حافظ على فتحات التهوية في تجويف الجهاز أو في البنية المدمجة خالية من الانسداد.	⚠
تحذير: لا تستخدم الأجهزة الميكانيكية أو الوسائل الأخرى لتسريع عملية إزالة الصقيع، غير تلك التي يوصي بها المصنع.	⚠
تحذير: لا تتلف الدائرة الكهربائية لمادة التبريد.	⚠
تحذير: لا تستخدم الأجهزة الكهربائية في حجرة المؤن في الجهاز إلا إذا كانت من النوع الذي يوصي بها المصنع.	⚠
تحذير: لا تقم بتخزين المواد المتفجرة مثل علب الهباء الجوي مع بالوقود قابل للاشتعال في هذا الجهاز	⚠

- إذا أردت التخلص من الجهاز، فيوصى باستشارة مركز الصيانة المعتمد لمعرفة المعلومات المطلوبة والهيئات المعتمدة.
- استشر مركز الصيانة المعتمد حول كل الاستفسارات والمشكلات المتعلقة بالثلاجة. لا تتدخل ولا تدع أحدًا يتدخل في صيانة الجهاز دون إخبار مراكز الصيانة المعتمدة.
- بالنسبة للمنتجات المزودة بمقصورة فريزر، لا تأكل بسكويت الأيس كريم ومكعبات الثلج مباشرة بعد إخراجها من صندوق الفريزر. (فقد يسبب هذا لسعة صقيع داخل فمك.)
- بالنسبة للمنتجات المزودة بمقصورة فريزر، لا تضع المشروبات السائلة المعلبة أو الموضوعات في زجاجات في صندوق الفريزر. وإلا، فقد تنفجر.
- لا تلمس الطعام المجمد باليد، فقد يلتصق بيدك.
- افصل قلبس التيار الكهربائي قبل تنظيف الثلاجة أو إزالة الثلج.
- لا يجب استخدام البخار أو مواد التنظيف بالبخار أبدًا في تنظيف أو عمليات إزالة الثلج من الثلاجة. ففي مثل هذه الحالة، قد يتفاعل البخار مع القطع الكهربائية ويؤدي إلى قطع التيار الكهربائي أو وقوع صدمة كهربائية.
- لا تستخدم مطلقاً قطع الثلجة، مثل الباب كوسيلة دعم أو للوقوف عليه.
- لا تستخدم أي أجهزة كهربائية داخل الثلاجة.

- هذا الجهاز مصمم للاستخدام المنزلي والتطبيقات المماثلة مثل - مناطق كادر الطبخ في المتاجر والمكاتب وبيئات العمل الأخرى؛

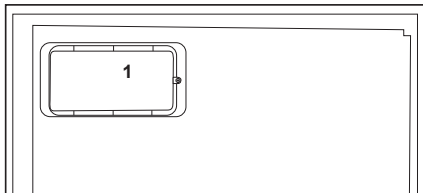
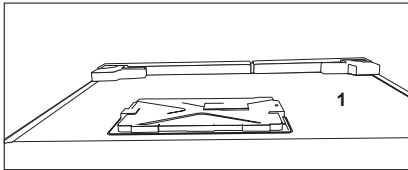
- لا تتلف الأجزاء حيث يتم تدوير الهواء البارد بأدوات حفر أو قطع. فقد ينفجر المبرد عند ثقب قنوات الغاز أو المبخر أو وصلات الأنابيب أو طلاءات السطح، وقد يتسبب ذلك في حدوث اعتلال للجلد وإصابات للعين.
- لا تغط فتحات تهوية الثلاجة أو تسدها بأي مواد.
- يجب إجراء الإصلاحات بواسطة شخص مؤهل فقط. فعمليات الإصلاح التي يقوم بها أشخاص غير مؤهلين قد تمثل خطورة على المستخدم.
- في حالة وقوع أي عطل أو أثناء أي عملية صيانة أو أعمال إصلاح، افصل الثلاجة عن مصدر التيار الكهربائي الرئيسي إما بإغلاق المنصهر المعني أو بنزع قابس التيار الكهربائي الخاص بالجهاز.
- لا تجذب الكابل - بل اجذب من المقبس.
- تحقق من أن المشروبات الكحولية مخزنة بشكل آمن، محكمة الإغلاق و في وضع رأسي.
- يجب عدم الاحتفاظ في الثلاجة بالمواد القابلة للاشتعال أو المنتجات التي تحتوي على غازات قابلة للاشتعال (مثل الإسبراي) وكذلك المواد القابلة للانفجار.
- يجب عدم استخدام أدوات ميكانيكية أو أية وسائل أخرى للتسريع من عملية إزالة التجميد، بخلاف الأدوات التي توصي بها الجهة المصنعة.
- هذا الجهاز غير مُعد للاستخدام بواسطة الأفراد (بما في ذلك الأطفال) ذوي القدرات الجسدية والحسية والذهنية المحدودة، أو الأفراد الذين يفتقون للخبرة والمعرفة ما لم يتم الإشراف عليهم أو إعطائهم تعليمات استخدام الجهاز بواسطة شخص مسئول عن سلامتهم أو الشخص الذي سيقوم بإعطائهم التعليمات الخاصة باستخدام المنتج.
- لا تقم بتشغيل الثلاجة وهي نالفة. استشر مركز الصيانة إذا لديك أي شك.
- يمكن ضمان السلامة الكهربائية للثلاجة فقط إذا كان نظام التوصيل الأرضي في منزلك يتوافق مع المعايير.
- إن تعريض الجهاز للأمطار و الثلج و الشمس والرياح يمثل خطورة فيما يتعلق بالسلامة الكهربائية.
- اتصل بفني خدمة مؤهل في حالة وجود تلف بكابل الطاقة لتجنب المخاطر.
- لا تقم بتوصيل الثلاجة بمنفذ الحائط أبدًا أثناء عملية التركيب. وإلا، فهناك خطر أن تلقى مصراعك أو تلتحق بك إصابة خطيرة.
- تم تصميم هذه الثلاجة فقط لحفظ الطعام.
- يجب ألا تستخدم لأية أغراض أخرى.
- يوجد ملصق التصنيف الذي يحتوي على المواصفات الفنية للمنتج في الجزء الأيسر الداخلي للثلاجة.
- لا تصل الثلاجة بأي نظم إلكترونية لتوفير الطاقة فقد يتلف المنتج.
- إذا كانت الثلاجة بها لون أزرق، فلا تنتظر إلى اللون الأزرق من خلال أجهزة بصرية.
- إذا كان هناك ضوء أزرق على الثلاجة، لا تنتظر إليه بالعين المجردة أو بالأدوات البصرية لفترة طويلة.
- ينبغي تسليم دليل التشغيل هذا إلى المالك الجديد للثلاجة عند بيعها للآخرين.
- تجنب تلف كابل الطاقة أثناء نقل الثلاجة. قد يتسبب الكابل المثني في نشوب حريق. لا تضع أي أشياء ثقيلة على كابل الطاقة.
- لا تقم بلمس القابس بأيدي مبتلة عند توصيل قابس الثلاجة.

- أو صنع الأيس كريم وإعداد مكعبات الثلج.
- الأدرج ذات النجمة الواحدة، والنجمتين، والثلاث نجوم ليست مناسبة لتجميد الطعام الطازج.
- إذا تُركت الثلاجة خالية لفترات طويلة، قم بإطفائها، وإذابة الثلج، وتنظيفها، وتجفيفها، واترك الباب مفتوحًا لمنع ظهور العفن داخل الثلاجة.



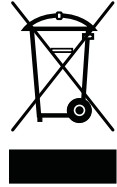
- عند وضع الجهاز، تأكد من أن سلك الطاقة ليس محصوراً أو تالفاً.
- لا تُعين موضع منافذ تيار محمولة متعددة أو مصادر طاقة محمولة عدة في الجزء الخلفي من الجهاز.
- يسمح للأطفال الذين تتراوح أعمارهم بين 3 إلى 8 سنوات بتعبئة وتفريغ الثلجات.
- لتجنب تلوث الطعام، يرجى اتباع التعليمات التالية:
- فتح الباب لفترات طويلة يمكن أن يسبب زيادة كبيرة في درجة الحرارة داخل أدرج الجهاز.
- تنظيف الأسطح التي يمكن أن تتلامس مع الطعام وأنظمة التصريف المتاحة بانتظام.
- تنظيف خزانات المياه إذا لم يتم استخدامها لمدة 48 ساعة؛ وشطف نظام المياه المتصل بمصدر إمداد المياه إذا لم يتم سحب المياه لمدة 5 أيام.
- خزن اللحوم النيئة والأسماك في أوعية مناسبة في الثلاجة، بحيث لا تتلامس مع أو تقطر على غيرها من الطعام.
- أدرج الطعام المجمد ذات النجمتين مناسبة لتخزين الأطعمة المجمدة مسبقاً، أو تخزينها،
- تصل الثلاجة إذا كان منفذ التيار الكهربائي غير محكم.
- ينبغي عدم نثر الماء على الأجزاء الداخلية أو الخارجية للثلاجة لدواعي السلامة.
- لا ترش مواد قابلة للاشتعال مثل غاز البروبين بالقرب من الثلاجة بسبب مخاطر نشوب النيران والانفجار.
- لا تضع أشياء مملوئة بالماء أعلى الثلاجة، ففي حالة انسكابها، فقد تؤدي إلى صدمة كهربائية أو نشوب حريق.
- لا تزيد من حمولة الثلاجة بالأطعمة. إذا كانت الثلاجة بها حمل زائد، فقد يسقط الطعام ويصيبك ويتلف الثلاجة عند فتح الباب.
- لا تضع أشياء ثقيلة أعلى الثلاجة حيث قد تقع عند فتح باب الثلاجة أو غلقه.
- ينبغي عدم حفظ المنتجات التي تحتاج إلى تحكم دقيق في درجات الحرارة (الأمصال أو الأدوية ذات الحساسية للحرارة أو المواد العلمية أو ما شابه) في الثلاجة.
- إذا لن يتم استخدام الثلاجة لفترة طويلة، فيجب فصلها عن التيار الكهربائي. قد تتسبب أي مشكلة في عزل الكابل في نشوب حريق.
- من الممكن أن تتحرك الثلاجة إذا لم يتم تثبيتها بإحكام على الأرض. يمكن للأقدام القابلة للضبط المثبتة بإحكام على الأرض أن تثبت الثلاجة في مكانها ولا تتحرك.

- عند حمل التلاجة، لا تمسكها من مقبض الباب. وإلا فيكسر.
- يجب أن يكون ضغط مدخل الماء البارد 90psi كحد أقصى (620 kPa). إذا تجاوز ضغط الماء 80 psi (550 kPa) (بار)، استخدم صمام حد الضغط في نظامك الرئيسي. إذا كنت لا تعلم كيف تفحص ضغط الماء الخاص بك، اطلب المساعدة من سمكري متخصص.
- إذا ظهر خطر تأثير الطرق المائي أثناء التركيب، استخدم معدات منع الطرق المائي في التركيب دائماً. استشر سمكري متخصص إن لم تكن متأكداً من عدم وجود تأثير للطرق المائي في التركيب.
- لا تركبه على مدخل الماء الساخن. يجب أخذ الحبطة من خطر تجمد الخرطوم.
- يجب أن تكون درجة حرارة الماء 33 ف (0.6 م) كحد أدنى و100 ف (38 م) كحد أقصى.
- لا تستخدم الجهاز إذا كان القسم الموجود على سطح الجهاز أو على ظهره الذي يحوي ألواح إلكترونية مطبوعة في الداخل مفتوحاً (غطاء وح الدائرة الإلكترونية المطبوعة) (1).



تأمين سلامة الأطفال

- إذا كان الباب مزوداً بقل، فينبغي الاحتفاظ بالمفتاح بعيداً عن متناول الأطفال.
 - يجب رقابة الأطفال حتى لا يعيثوا بالمنتج.
- ### متوافق مع تشريعات WEEE في التخلص من المنتجات التالفة.
- هذا الجهاز لا يحتوي على مواد مؤذية أو محرمة من تلك المشار إليها في "تشريعات الرقابة على نفايات الأجهزة الكهربائية والإلكترونية" المصدرة من وزارة البيئة وتخطيط المدن التركيبية. متوافق مع تشريعات WEEE.



- تم تصنيع هذا الجهاز بأجزاء ومواد عالية الجودة يمكن إعادة استخدامها وهي مناسبة لإعادة التدوير. وعلى ذلك، لا تتخلص من الجهاز مع النفايات المنزلية العادية في نهاية فترة حياته. عليك أخذه إلى نقطة التجميع لإعادة تدوير المعدات الكهربائية والإلكترونية. يرجى التشاور مع السلطات المحلية لمعرفة أقرب نقطة تجميع. ساعد في حماية البيئة والموارد الطبيعية عبر إعادة تدوير المنتجات المستخدمة. لسلامة الأطفال، اقطع كابل الطاقة واكسر آلية القفل للباب، إن وجدت، حتى لا يمكن استخدامها قبل التخلص من الجهاز.
- **التوافق مع توجيهات RoHS:** يتوافق المنتج الذي قمت بشرائه مع توجيهات RoHS للاتحاد الأوروبي (EU/2011/65). لا يحتوي على مواد ضارة أو محظورة مشار إليها في التوجيهات.

بيانات التغليف

- تم تصنيع مواد التغليف الخاصة بهذا المنتج من مواد قابلة لإعادة التصنيع وفقاً للوائح البيئية المحلية الخاصة بنا. لا تتخلص من مواد التغليف مع النفايات المنزلية أو النفايات الأخرى. بل تخلص منها في نقاط تجميع مواد التغليف المعينة من قبل السلطات المحلية.
- لا تنسى...

يجب عدم التخلص من أية مواد قابلة لإعادة التدوير حفاظاً على الطبيعة وثروة الموارد القومية.

إذا كانت تريد أن تشارك في إعادة تقييم مواد التعبئة، يمكنك استشارة منظمات البيئة أو المجالس البلدية التي بجوارك.

تحذير الحرارة والتبريد والتهوية (HC)

إذا كان المنتج مزوداً بنظام تبريد يحتوي على

:R600a

هذا الغاز قابل للاشتعال. ولذا، يجب توخي الحذر حتى لا يتم إتلاف نظام التبريد والأنابيب أثناء الاستخدام والنقل. في حالة التلف، لا تتخلص من المنتج بإلقائه في النيران، واحتفظ به بعيداً عن مصادر النيران المحتملة والتي يمكن أن تتسبب في نشوب النيران بالمنتج واحرص على تهوية الحجرة التي تحتفظ بالمنتج فيها.

إذا كان المنتج مزوداً بنظام تبريد يحتوي على

:R134a

نوع الغاز المستخدم في هذا المنتج مذكور على ملصق النوع الموجودة على الجانب الأيسر الداخلي للثلاجة.

لا تتخلص من المنتج مطلقاً بإلقائه في النيران.

أشياء يجب عملها لتوفير الطاقة

- لا تترك أبواب الثلاجة مفتوحة لفترة طويلة.
- لا تضع الأطعمة أو الخضروات الساخنة في الثلاجة.
- لا تزيد حمل الثلاجة بحيث لا تمنع دورة الهواء داخلها.
- لا تترك الثلاجة تحت أشعة الشمس المباشرة أو بالقرب من أجهزة تنبعث من حرارة مثل الفرن أو غسالة الأطباق أو المشع. يجب وضع الثلاجة على بعد 30 سم على الأقل من مصادر الحرارة المنبعثة وعلى الأقل 5 سم من المواعيد الكهربائية.
- يجب وضع الطعام في علب مغلقة.
- بالنسبة للمنتجات المزودة بمقصورة فريزر، يمكنك تخزين الحد الأقصى من كمية الطعام في الفريزر عندما تقوم بإخراج الرفوف أو الأدراج منه. استهلاك الطاقة المذكورة والخاص بالثلاجة تم تحديده أثناء إخراج الرف والدرج من الفريزر وتحميله بالحد الأقصى للحمولة. ولا توجد خطورة من استخدام الرف أو الدرج وفقاً للأشكال وأحجام الأطعمة المطلوب تجميدها.
- إذابة الطعام المجمد في مقصورة الثلاجة ستوفر الطاقة وتحفظ جودة الطعام.

شيء طبيعي. حيث تم تصميم هذه المناطق حتى تكون دافئة تجنباً للتكاثف.

التوصيل الكهربائي

صل المنتج بمنفذ توصيل أرضي محمي بمنصهر ذي سعة مناسبة.

هام:

- يجب أن يتوافق التوصيل مع اللوائح الوطنية.
 - يجب أن يكون قابس التيار في مكان يسهل الوصول إليه بعد التركيب.
 - يمكن ضمان السلامة الكهربائية للثلاجة فقط إذا كان نظام التوصيل الأرضي في منزلك يتوافق مع المعيير.
 - جهد التيار الكهربائي المذكور على الملصق الموجود على الجانب الداخلي الأيسر من المنتج يجب أن يكون مساوياً لجهد الشبكة لديك.
 - يجب عدم استخدام الوصلات الكهربائية والمقابس متعددة المسالك للتوصيل.
- ⚠ يجب أن يتم استبدال كابل التيار التالف بواسطة فني الكهرباء المعتمد.

⚠ يجب ألا يتم تشغيل المنتج قبل إصلاحه! حيث يوجد خطر يكمن في التعرض لصدمة كهربائية!

التخلص من عبوة المنتج

قد تكون مواد التغليف خطرة على الأطفال. احتفظ بمواد التغليف بعيداً عن متناول الأطفال أو التخلص منها بتصنيفها وفقاً لتعليمات التخلص من المخلفات المحددة من السلطات المحلية. لا تتخلص من المخلفات مع مخلفات المنزل العادية، قم بالتخلص منها من خلال نقاط التقاط مواد التعبئة والتغليف المحددة من السلطات المحلية.

يتم تصنيع حزمة تعبئة الثلاجة من مواد قابلة لإعادة التدوير.

ليلدب دتر اولاً تامولعملاب ذخلأ مدع ملاد في ⚠
عصملا لمحتي لا ، رابتدعلا في مدختسلا
اذهل تجبتت تملوؤسم ي ا

نقاط يجب الإهتمام بها عند الثلاجة.

1. يجب نزع القابس. قبل نقل الثلاجة بالموصلات يجب تفرغها وتنظيفها .
2. قبل إعادة تعبئتها، يجب تثبيت الأرفف والملحقات والدرج...الخ، داخل الثلاجة بشرط لاصق وتأمينها ضد الصدمات. يجب لف عبوة الثلاجة بشرطيسميك أو بحبال سليمة ويجب الالتزام بقواعد نقل عبوة الثلاجة بصرامة.
3. يجب الحفاظ على العبوة الأصلية ومواد التغليف المصاحبة لأغراض النقل المستقبلية أو الانتقال.

قبل بدأ تشغيل الثلاجة،

تحقق من التالي قبل بدأ تشغيل الثلاجة:

1. أرفق الأسافين البلاستيكية كما هو موضح أدناه. يتم استخدام الأسافين البلاستيكية للحفاظ على وجود مسافة والتي ستؤكد على تدوير الهواء بين الثلاجة والحائط. (وضعت هذه الصورة كوصف تصويري ولا تتطابق بالكامل مع المنتج الخاص بك.)
2. نظف الجزء الداخلي للثلاجة كما هو موصى به في قسم "الصيانة والتنظيف".
3. قم بتوصيل قابس الثلاجة مع مقبس الحائط. عند فتح باب الثلاجة، سيضيء المصباح الداخلي.
4. عندما يبدأ المكثف بالعمل، ستسمع صوتاً. قد تؤدي السوائل والغازات المتسربة من جهاز الثلاجة إلى إحداث ضوضاء، حتى إن كان جهاز ضغط الهواء لا يعمل وهذا أمر طبيعي.
5. قد يكون ملمس الحواف الأمامية للثلاجة دافئاً. هذا

التخلص من الثلجة القديمة

تخلص من الجهاز القديم دون إحداث أي ضرر بالبيئة.

- يمكنك استشارة الوكيل المعتمد لديك أو مركز تجميع النفايات بمدينتك حول التخلص من الثلجة القديمة. قبل التخلص من الثلجة، اقطع القابض الكهربائي، وفي حالة وجود أي أقفال على باب الثلجة، اجعلها غير قابلة للتشغيل لحماية الأطفال من أي خطر.

الوضع والتركييب

⚠ إذا كان باب الحجره التي ستوضع بها الثلجة ضيق بدرجة لا تسمح بمرور الثلجة من خلاله، فاتصل بمركز الصيانة المعتمد لإزالة أبواب الثلجة وتمريرها وهي مائلة من الباب.

1. ركب الثلجة في مكان يسمح بسهولة الاستخدام.
2. ضع الثلجة بعيداً عن مصادر الحرارة والمناطق الرطبة وأشعة الشمس المباشرة.
3. يجب أن تتوفر التهوية المناسبة حول الثلجة للحصول على تشغيل يتسم بالكفاءة. إذا كانت الثلجة ستوضع في تجويف داخل الحائط، فيجب أن يكون يترك 5 سم على الأقل بينها وبين السقف و 5 سم على الأقل بينها وبين الحائط. لا تضع ثلاجتك على مواد مثل السجاد أو الموكيت.
4. ضع الثلجة على سطح مستو لمنع الحركة المفاجئة.

تغيير مصباح الإضاءة

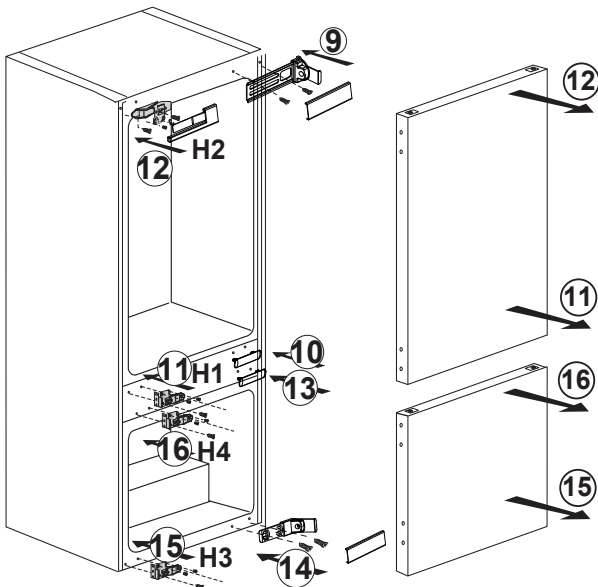
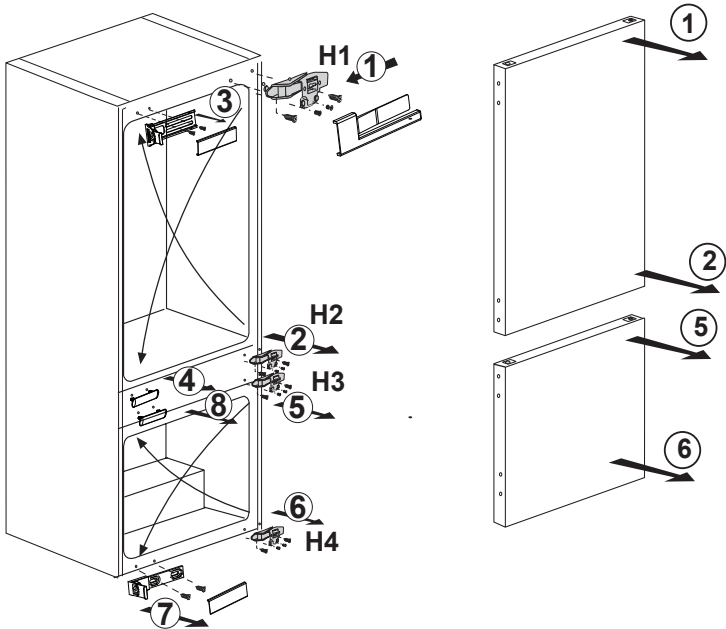
لتغيير المصباح/مصباح الإضاءة الخلفية (LED) المستخدم في إضاءة الثلاجة، يرجى الاتصال بمركز الصيانة المعتمد.

المصباح (المصابيح) المستخدمة في هذا الجهاز غير مناسبة للإضاءة في الغرف المنزلية. الغرض الأساسي لهذا المصباح هو مساعدة المستخدم لوضع أدوات الطعام في الثلاجة/المجمد بطريقة سهلة وآمنة المصابيح المستخدمة في هذا الجهاز لها قدرة تحمل تتمثل في درجات الحرارة أقل من 20- درجة مئوية.

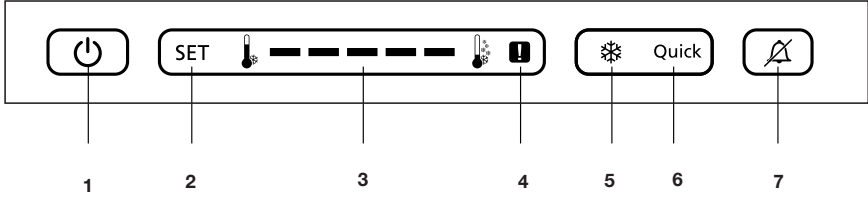
تحذير فتح الباب

يُسمع صوت تحذير عندما يكون باب صندوق الفريزر أو الثلاجة مفتوحا لفترة زمنية معينة.. سيصمت هذا الصوت عند الضغط على أي زر على المؤشر أو عندما يتم إغلاق الباب.

عكس الأبواب
اتبع الترتيب الرقمي



- ❶ يجب تركيب الثلاجة على بعد 30 سم على الأقل من مصادر الحرارة مثل المواقد والأفران والسخان المركزي والمواقد وعلى بعد 5 سم على الأقل من الأفران الكهربائية ويجب عدم وضعها في ضوء الشمس المباشر.
- ❷ يجب أن تكون درجة الحرارة المحيطة للغرفة التي توضع فيها الثلاجة 10 درجة مئوية على الأقل. ولا يُوصى بتشغيل الثلاجة في ظروف درجة حرارة أقل من ذلك تحقيقاً لكفاءتها.
- ❸ يُرجى التأكد من تنظيف الثلاجة من الداخل بعناية.
- ❹ إذا كنت بصدد تركيب ثلاجتين جنباً إلى جنب، فيجب المباشرة بينهما بمسافة 2 سم على الأقل.
- ❺ عند تشغيل الثلاجة للمرة الأولى، يُرجى مراعاة التعليمات التالية أثناء الساعات الستة الأولى.
- يجب عدم فتح الباب بصورة متكررة.
 - يجب تشغيلها وهي خاوية بدون أي أطعمة داخلها.
 - لا تنزع قابس التيار الكهربائي للثلاجة. إذا توقف التيار الكهربائي رغماً عنك، فيرجى قراءة التحذيرات الواردة في قسم "حلول مقترحة للمشكلات".
- ❻ يجب استخدام السلالم/الجوارير التي تزود مع حجرة التبريد دائماً لتقليل استهلاك الطاقة ومن أجل ظروف تخزين أفضل.
- ❼ إن احتكاك الطعام مع مجس درجة الحرارة في حجرة المجمد قد يزيد من استهلاك الطاقة في الجهاز. لذا يجب تجنب الاحتكاك مع المجس.
- ❽ يجب الحفاظ على العبوة الأصلية ومواد التغليف المصاحبة لأغراض النقل المستقبلي أو الانتقال.
- ❾ في بعض الموديلات، تتوقف لوحة الأدوات 5 دقائق بعد إغلاق الباب. سيتم إعادة تفعيلها عند فتح الباب أو الضغط على أي مفتاح.
- ❿ نظراً لتغير درجات الحرارة نتيجة لفتح /إغلاق باب الجهاز أثناء العملية، فالتكثيف على الباب /والرفوف والعبوات الزجاجية أمر طبيعي



١- وظيفة التشغيل / إيقاف التشغيل

اضغط على زر التشغيل / إيقاف التشغيل لمدة ٣ ثوان لإيقاف تشغيل الثلاجة أو تشغيلها.

٢- وظيفة ضبط المجمد

تتيح لك هذه الوظيفة ضبط درجة حرارة حجرة الثلاجة.

اضغط على هذا الزر لضبط درجة حرارة حجرة الثلاجة على - (الأكثر دفئًا)، -، -، -، -، -، - (الأكثر برودة) على التوالي.

٣- مؤشر ضبط إعداد درجة حرارة حجرة الثلاجة
يُشير إلى درجة الحرارة المحددة لحجرة الثلاجة. الإعدادات المتوافقة هي - (الأكثر دفئًا)، -، -، -، - (الأكثر برودة)

٤- تحذير ارتفاع درجة الحرارة / وجود خطأ

يضيء هذا المؤشر (I) في حالة ظهور تحذيري ارتفاع درجة الحرارة ووجود خطأ.

بمجرد وصول درجة حرارة حجرة المجمد إلى مستوى خطير بالنسبة للأطعمة المجمدة، سيومض هذا المؤشر لتحذير المستخدم. بعد فحص الطعام الموجودة في حجرة المجمد، اضغط على زر إيقاف تشغيل الإنذار (X) رقم ٧ لمسح التحذير. علاوة عن ذلك، سيومض هذا المؤشر (I)، في حالة وجود خطأ في المستشعر، لتحذير المستخدم.

إذا لم تتمكن من مسح التحذير بالضغط على زر إيقاف تشغيل الإنذار (X) رقم ٧، فاتصل بمزود الخدمة المعتمد.

٥- مؤشر التبريد السريع

يضيء هذا الرمز عندما تكون وظيفة التبريد السريع نشطة.

٦- وظيفة التبريد السريع

عند الضغط على زر التبريد السريع، ستكون درجة حرارة الحجرة أكثر برودة من القيم المضبوطة.

يمكن استخدام هذه الوظيفة للأغذية الموضوعة في حجرة التبريد ويتطلب تبريدها بسرعة.

إذا كنت ترغب في تبريد كميات كبيرة من الطعام الطازج، فمن المستحسن تنشيط هذه الميزة قبل وضع الطعام في الثلاجة. سيظل مؤشر التبريد السريع مضيئًا عند تمكين وظيفة التبريد السريع. لإلغاء هذه الوظيفة، اضغط على زر التبريد السريع مرة أخرى. سيتم إيقاف تشغيل مؤشر التبريد السريع والعودة إلى الإعدادات العادية.

ستقوم وظيفة التبريد السريع، في حال لم تلغها

بنفسك، بإلغاء نفسها تلقائيًا بعد ساعتين أو عندما

تصل حجرة الثلاجة إلى درجة الحرارة المطلوبة. لا يتم إعادة تنشيط هذه الوظيفة عند استعادة الطاقة بعد انقطاع التيار الكهربائي.

٧- زر إيقاف الإنذار

بمجرد ظهور تحذير ارتفاع درجة الحرارة، تحقق من الطعام الموجود في حجرة المجمد ثم اضغط على زر إيقاف تشغيل الإنذار (X) لمسح التحذير.

- ⚠ لا تستخدم الجازولين أو البنزين أو أي مواد مشابهة لأغراض التنظيف.
- ⚠ نوصي بفصل الجهاز عن التيار الكهربائي قبل تنظيفه.
- ⚠ لا تستخدم أبداً أي مواد كاشطة أو صابون أو منظفات منزلية أو منظفات غسيل أو شمع التلميع عند التنظيف.
- ⚠ في غير المنتجات التي تمنع تكون الثلج (No Frost)، يتساقط الماء ويمكن أن يتراكم الثلج بمقدار يصل إلى عرض الإصبع على الجدار الخلفي الداخلي لصندوق الثلاجة. لا تنظفه، ولا تستعمل مطلقاً النفط أو عوامل مماثلة عليه.
- ⚠ استخدم فقط قطعة قماش من الأنسجة دقيقة رطبة قليلاً لتنظيف السطح الخارجي للمنتج. قد يخدش الإسفنج والأنواع الأخرى من أقمشة التنظيف سطح المنتج.
- ⓘ قم بفحص عوازل التسريب في الباب بانتظام للتأكد من سلامتها وخلوها من جزيئات الطعام.
- ⓘ لإزالة أرفف الباب، أخرج جميع المحتويات ثم ادفع رف الباب لأعلى بعيداً عن القاعدة.
- ⓘ لا تستخدم أبداً مواد التنظيف أو المياه التي تحتوي على الكلورين لتنظيف الأسطح الخارجية والأجزاء المطلوبة بالكروم من المنتج. فالكورين يتسبب في تآكل هذه الأسطح المعدنية.
- ⓘ لا تستخدم الأدوات الحادة والكاشطة أو الصابون، أو مواد التنظيف المنزلية، المنظفات، البنزين، الشمع، الخ، وإلا ستزول الأختام على الأجزاء البلاستيكية ويحدث تشوه. استخدم ماء فاترًا وقماسة ناعمة للتنظيف والتجفيف.

حماية الأسطح البلاستيكية

- ⓘ استخدم المياه الفاترة لتنظيف صندوق الثلاجة ثم امسحه ليحفظ.
- ⓘ لا تضع زيوتاً سائلة أو وجبات مطبوخة بالزيت في الثلاجة في علب غير معزولة، إذ قد تتسبب في تلف الأسطح البلاستيكية للثلاجة. في حالة انسكاب زيت أو تسربه على الأسطح البلاستيكية، نظف هذا الجزء واشطفه فوراً بماء دافئ.
- ⓘ استخدم قطعة من القماش الملتوية والرطبة مع ملء ملعقة شاي من بيكربونات الصودا مضافة لجالون من الماء لتنظيف الداخل ثم يجفف.
- ⓘ تأكد من عدم دخول المياه إلى مبيت المصباح وغيره من العناصر الكهربائية.
- ⓘ إذا كانت الثلاجة لن تستعمل لفترة زمنية طويلة، فافصل كابل التيار الكهربائي ثم أفرغ جميع الأطعمة ثم نظفها وارك الباب مفتوح جزئياً.

تعمل الثلاجة بصورة متكررة أو لوقت طويل.
<ul style="list-style-type: none"> • قد تكون الثلاجة الجديدة أكبر من القديمة. هذا شيء طبيعي تمامًا. الثلاجات الكبيرة تعمل لفترات أطول. • قد تكون درجة الحرارة المحيطة عالية. وهذا أمر طبيعي جدًا. • الثلاجة متصلة بالكهرباء منذ قليل أو مليئة بالطعام. قد يستمر تبريد الثلاجة كلبية لساعات أطول. • قد تكون هناك كميات كبيرة من الطعام الساخن تم وضعها في الثلاجة مؤخرًا. يتسبب الطعام الساخن في تشغيل الثلاجة حتى يصل إلى درجة حرارة التخزين الآمنة. • قد تكون الأبواب مفتوحة بصورة متكررة أو مفتوحة جزئيًا لفترة طويلة. يتسبب الهواء الساخن الذي دخل الثلاجة في تشغيل الثلاجة لفترة أطول. افتح الأبواب عددًا أقل من المرات. • قد يكون باب صندوق الفريزر أو الثلاجة مفتوح جزئيًا. تأكد أن الأبواب مغلقة تمامًا. • تم ضبط الثلاجة على درجة باردة جدًا. اضبط درجة حرارة الفريزر على درجة أعلى وانتظر حتى تصل إلى درجة الحرارة المطلوبة. • قد يكون عازل باب الثلاجة أو الفريزر متسخًا أو باليًا أو متهتكًا أو مثبت بطريقة غير صحيحة. نظف العازل أو استبدله. لأن العازل التالف أو المتهتك يتسبب في أن تعمل الثلاجة لفترات أطول للحفاظ على درجة الحرارة الحالية.
درجة حرارة الفريزر منخفضة جدًا بينما درجة حرارة الثلاجة غير كافية.
<ul style="list-style-type: none"> • تم ضبط الفريزر على درجة باردة جدًا. اضبط درجة حرارة الفريزر على درجة أعلى ثم تأكد ثانية.
درجة حرارة الثلاجة منخفضة جدًا بينما درجة حرارة الفريزر غير كافية.
<ul style="list-style-type: none"> • تم ضبط الثلاجة على درجة باردة جدًا. اضبط درجة حرارة الثلاجة على درجة أعلى ثم تحقق ثانية.
تجمد الطعام المحفوظ في أدراج صندوق الثلاجة.
<ul style="list-style-type: none"> • تم ضبط الثلاجة على درجة باردة جدًا. اضبط درجة حرارة الثلاجة على درجة أعلى ثم تحقق ثانية.

يرجى مراجعة هذه القائمة قبل الاتصال بمركز الخدمة. فقد يوفر عليك وقتًا ومالًا. تشمل هذه القائمة الشكاوى التي لم تنتج عن عيوب صناعة أو المواد المستخدمة. قد لا تتوافر بعض الميزات الواردة في هذا الدليل في المنتج الخاص بك.

الثلاجة لا تعمل
<ul style="list-style-type: none"> • هل الثلاجة متصلة بالتيار الكهربائي؟ توصيل القابس بمنفذ الكهرباء بالحائط. • هل احترق منصهر القابس المتصلة به الثلاجة أو المنصهر الرئيسي؟ افحص المنصهر.
تكثف في جانب صندوق الثلاجة. (المنطقة المتعددة، التحكم في التبريد، والمنطقة المرنة)
<ul style="list-style-type: none"> • الظروف المحيطة باردة جدًا. فتح الأبواب وغلقتها بشكل متكرر. الظروف المحيطة عالية الرطوبة. تخزين طعام يحتوي على سائل في أوعية مفتوحة. ترك الباب مفتوح جزئيًا. • تغيير وضع الترموستات إلى الدرجة أكثر برودة. • تقليل الوقت الذي ترك الباب فيه مفتوحًا أو استخدامه بصورة أقل. • تغطية الطعام المخزن في حاويات مفتوحة بمادة مناسبة. • مسح التكثف بقطعة قماش جافة والتحقق من بقائه.
جهاز ضغط الهواء لا يعمل
<ul style="list-style-type: none"> • سينصهر العازل الحراري لجهاز ضغط الهواء أثناء الانقطاع المفاجئ للتيار الكهربائي أو توصيل قابس الثلاجة بالتيار الكهربائي أو فصله، لأن ضغط الثلاجة في نظام تبريد الثلاجة لم يتوازن بعد. • سنبدا الثلاجة في العمل بعد 6 دقائق تقريبًا. يرجى الاتصال بمركز الصيانة إذا لم تبدأ الثلاجة في العمل بعد انتهاء هذه المدة. • الثلاجة في دورة إزالة الثلج. هذا أمر عادي لكل الثلاجات الأوتوماتيكية التي تزيل الثلج. تحدث عملية إزالة الثلج دوريًا. • الثلاجة غير متصلة بالقابس. تأكد أن القابس موضوع بإحكام في مقبس الحائط. • هل تم ضبط درجة الحرارة بشكل صحيح؟ انقطع التيار الكهربائي. اتصل بشركة الكهرباء.

درجة حرارة التلاجة أو الفريزر عالية جدًا.
<ul style="list-style-type: none"> • تم ضبط التلاجة على درجة حرارة عالية جدًا. يؤثر ضبط التلاجة على درجة حرارة الفريزر. غير درجة حرارة التلاجة أو الفريزر حتى تصل إلى مستوى مناسب. • قد يكون الباب مفتوح جزئيًا. أغلق الباب تمامًا. • قد تكون هناك كميات كبيرة من الطعام الساخن تم وضعها في التلاجة مؤخرًا. انتظر حتى تصل التلاجة أو الفريزر إلى درجة الحرارة المطلوبة. • تم توصيل التلاجة بالكهرباء مؤخرًا. فتبريد التلاجة تمامًا يستغرق وقتًا بسبب الحجم.
تشبه الضوضاء الناتجة عن التلاجة صوت الثواني الذي تصدره ساعة.
<ul style="list-style-type: none"> • تصدر هذه الضوضاء من صمام اللولبي للتلاجة. يعمل هذا الصمام بغرض ضمان تبريد المسار عبر الصندوق والذي يمكن ضبطه على درجات حرارة التبريد أو التجميد، كما أنه يقوم بوظائف التبريد. وهذا أمر طبيعي وليس عيبًا.
ترتفع ضوضاء التشغيل عند تشغيل التلاجة.
<ul style="list-style-type: none"> • قد تتغير سمات أداء التلاجة تبعًا للتغيرات في درجة الحرارة المحيطة بالتلاجة. وهذا طبيعي ولا يعد ذلك عيبًا.
اهتزازات أو ضوضاء.
<ul style="list-style-type: none"> • الأرض ليست مستوية أو ليست صلبة. تهتز التلاجة عند تحريكها ببطء. تأكد من أن الأرض مستوية وقوية وتحتمل التلاجة. • قد يصدر صوت من الأشياء الموضوعة على التلاجة يجب إزالة هذه الأشياء من على سطح التلاجة.
تصدر ضوضاء مثل صوت انسكاب سائل أو رشه.
<ul style="list-style-type: none"> • تنساب السوائل والغازات وفقًا لقواعد تشغيل التلاجة. وهذا طبيعي ولا يعد ذلك عيبًا.
تحدث ضوضاء شبيهة بصفير الرياح.
<ul style="list-style-type: none"> • تستخدم منشطات الهواء (المراوح) للسماح للتلاجة بالتبريد بشكل فعال. وهذا طبيعي ولا يعد ذلك عيبًا.

تكاثف في الحوائط الداخلية للتلاجة.
<ul style="list-style-type: none"> • يزيد الطقس الحار والرطب من التثليج والتكاثف. وهذا طبيعي ولا يعد ذلك عيبًا. • الأبواب مفتوحة جزئيًا. تأكد أن الأبواب مغلقة تمامًا. • قد تكون الأبواب مفتوحة بصورة متكررة جدًا أو قد تكون متروكة مفتوحة لفترة طويلة. افتح الأبواب بتكرار أقل.
تحدث الرطوبة في الإطار الخارجي للتلاجة أو بين الأبواب.
<ul style="list-style-type: none"> • قد يكون الطقس رطبًا. هذا شيء طبيعي جدًا في الأجواء الرطبة. وعندما تكون الرطوبة أقل؛ يختفئ التكثف.
توجد رائحة كريهة داخل التلاجة.
<ul style="list-style-type: none"> • يجب تنظيف الجزء الداخلي من التلاجة. نظف داخل التلاجة بقطعة أسفنجية وماء دافئ أو ماء مكرين. • قد تتسبب بعض الأوعية أو مواد التعبئة في هذه الرائحة. استخدم وعاء مختلف أو مواد تعبئة مختلفة.
الباب (الأبواب) لا يغلق.
<ul style="list-style-type: none"> • عبوات الطعام قد تمنع إغلاق الباب. غير وضع عبوات الطعام التي تعيق الباب. • التلاجة ليست عموديًا تمامًا على الأرض وقد تهتز عند تحريكها قليلاً اضبط مسامير الارتفاع. • الأرض ليست مستوية أو قوية. تأكد من أن الأرض مستوية وتحتمل التلاجة.
الأدراج عالقة.
<ul style="list-style-type: none"> • قد يكون الطعام ملامسًا لسقف الدرج. أعد ترتيب الطعام في الدرج.
إذا كان سطح المنتج ساخنًا
<ul style="list-style-type: none"> • قد يلاحظ ارتفاع درجات الحرارة بين البابين، وعلى الألواح الجانبية والشواية الخلفية أثناء تشغيل المنتج. وهذا طبيعي ولا يعد ذلك عيبًا يتطلب الصيانة. كن حذرًا عند لمس هذه الأماكن.