

beko

Refrigerator

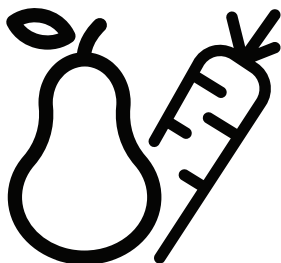
User manual

Kühlschrank/Gefrierschrank

Bedienungsanleitung

Frigorífico

Manual do Utilizador



RCNE560K40WN

CE

EN / DE / PT /

58 4647 0000/AB

1/2

Please read this manual before using the product!

Dear Valued Customer,





We wish you to get the best results from your product that has been manufactured meticulously at modern plants and tested with detailed quality control checks.






For this reason, we recommend that you read this user manual thoroughly before starting the product. If you hand over the product to someone else, please remember to give the user manual as well.

This manual will help you use your appliance in a fast and safe way.

- Please read this user manual carefully before installing and using the product.
- Always follow the applicable safety instructions.
- Keep the user manual in an easily accessible place for further use.
- Please read all the other documents provided with the product.

Please keep in mind that this manual may apply to several product models. This manual expressly indicates the differences between various models.

	Important information and useful hints.
	Risk of injury and property damage.
	Risk of electric shock.
	Packaging materials of this product has been manufactured from recyclable materials in accordance with the National Environment Regulations.

	INFORMATION
	
SUPPLIER'S NAME	MODEL IDENTIFIER → (*)
	

The model information as stored in the product data base can be reached by entering following website and searching for your model identifier (*) found on energy label.

<https://eprel.ec.europa.eu/>

1 Important Instructions Regarding Safety and Environment **4**

1.1. General Safety	4
1.1.1 Hydrocarbon (HC) Warning	6
1.1.2 For Products with a Water Dispenser/Ice Machine	6
1.2. Intended Use	7
1.3. Children's Safety	7
1.4. Compliance with the WEEE Directive and Disposing the Waste Product:	7
1.5. Compliance with the RoHS Directive:	7
1.6. Packaging Information	7

2 Your Refrigerator **8**

3 Installation **9**

3.1. Right place for installation	9
3.2. Attaching the plastic wedges	9
3.3. Adjusting the stands	9
3.4. Power connection	9
3.5. Reversing the doors	10
3.6. Reversing the doors	11

4 Preparation **12**

4.1. What to do for energy saving	12
4.2. First Use	12

5 Using the product **13**

5.1. Temperature adjustment button	13
5.2. Rapid freezing	13
5.3. Vacation function	14
5.4. Thermostat setting button	15
5.5. Thermostat setting button	15
5.6. Defrost	15
5.7. Indicator panel	16
5.8. Indicator panel	17
5.9. Indicator panel	19
5.10. Indicator panel	22
5.11. Ice bucket	24
5.12. Eggholder	24
5.13. Fan	24

5.14. Vegetable bin	24
5.15. Zero degree compartment	24
5.16. Using the second crisper of the product;	25
5.17. Moving door rack	26
5.18. Sliding storage box	26
5.19. Moisture controlled vegetable bin	26
5.20. Deodoriser Module	27
5.21. Automatic ice machine	27
5.22. Icematic and ice storage container	28
5.23. Using the water dispenser	28
5.24. Filling the water dispenser's tank	29
5.25. Cleaning the water tank	29
5.26. Drip tray	30
5.27. HerbBox/HerbFresh	30
5.28. Freezing fresh food	31
5.29. Recommendations for storing frozen foods	31
5.30. Deep freezer details	32
5.31. Placing the food	32
5.32. Door open alert	32
5.33. Changing the opening direction of the door	32
5.34. Interior light	32

6 Care and Cleaning **33**





6.1. Avoiding Bad Odours	33
6.2. Protection of plastic surfaces	33
6.3. Cleaning the Inner Surface	33
6.4. Stainless Steel Outer Surfaces	33
6.5. Cleaning Products with Glass Doors	34

7 Troubleshooting **35**

1 Important Instructions Regarding Safety and Environment

This chapter contains safety information that will help you avoid the risk personal injury or property damage. Failure to follow these instructions shall render any product warranty void.

Intended use

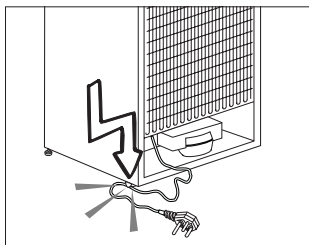
	WARNING: Keep ventilation openings, in the appliance enclosure or in the built-in structure, clear of obstruction.
	WARNING: Do not use mechanical devices or other means to accelerate the defrosting process, other than those recommended by the manufacturer.
	WARNING: Do not damage the refrigerant circuit.
	WARNING: Do not use electrical appliances inside the food storage compartments of the appliance, unless they are of the type recommended by the manufacturer.

This appliance is intended to be used in household and similar applications such as

- staff kitchen areas in shops, offices and other working environments;
- farm houses and by clients in hotels, motels and other residential type environments;
- bed and breakfast type environments;
- catering and similar non-retail applications.

1.1. General Safety

- Persons with physical, sensory or mental disabilities; persons who lack experience and information and children should not approach, enter or play with the product.
- Failure to follow the instructions and uncontrolled use of the product lead to dangerous results!
- Unplug the product if you encounter a failure during use.
- If the product malfunctions, it must not be operated until repaired by the authorised service provider. Risk of electric shock!
- Plug the product into a grounded socket protected by a fuse that corresponds to the value on its nameplate. Have a qualified electrician ground the product. Our company cannot be held responsible for damages resulting from the failure to use the product with a grounded socket pursuant to local regulations.
- Unplug the product when not in use.
- Never wash the product by spreading or pouring water onto it! Risk of electric shock!
- Never touch the plug with wet hands!
- Never unplug the product by pulling the cable. Always pull the plug by holding the socket.



Safety and environment instructions

- Do not plug the refrigerator if the wall socket is loose.
- Never connect your refrigerator to energy saving devices. Such systems are harmful to your product.
- Unplug the product during installation, care, cleaning and repairing procedures.
- Always have the **Authorised Service Provider** install the product and establish its electrical connections. The manufacturer cannot be held responsible for damages caused by procedures performed by unauthorised persons.
- Do not eat cone ice cream or ice cubes immediately after you take them out of the freezer compartment! This may cause frostbite in your mouth!
- Do not touch frozen food with wet hands! They may stick to your hand!
- Do not put bottled or canned liquid beverages in the freezer compartment. They may burst!
- Never use steam or steam cleaners to clean or defrost the refrigerator. Steam gets into contact with the live parts in your refrigerator, causing short circuit or electric shock!
- Do not use mechanical devices or other means to accelerate the defrosting process other than those recommended by the manufacturer.
- Never use the parts in your refrigerator such as the door and drawer as a means of support or step. This may cause the product to tip over or damage the parts of it.
- Do not damage the parts where the refrigerant is circulating with drilling or cutting tools. The refrigerant that might blow out when the gas channels of the evaporator, pipe extensions or surface coatings are punctured causes skin irritations and eye injuries.
- Do not cover or block the ventilation holes in your refrigerator with any object.
- Place the beverage with higher proofs tightly closed and vertically.
- Do not use gaseous sprays near the product since there is the risk of fire or explosion!
- Flammable items or products that contain flammable gases (e.g. spray) as well as explosive materials should never be kept in the appliance.
- Do not place vessels filled with liquid onto the product. Splashing water on an electrical part may cause electric chock or the risk of fire.
- Do not store items that need precise temperature adjustment (such as vaccines, heat-sensitive medication, science materials etc.) in the refrigerator.
- If you are not going to use the product for a long time, unplug it and remove the food in it.
- If there is a blue light on the refrigerator, do not look at this light with optical tools.
- Exposing the product to rain, snow, sun or wind is dangerous in terms of electrical safety.
- In products with mechanical control (thermostat), wait for 5 minutes to plug in the product again after unplugging.
- Do not overload the refrigerator. Objects in the refrigerator may fall down when the door is opened, causing injury or damage. Similar

Safety and environment instructions




problems may arise if any object is placed onto the product.

- If the product has a door handle, do not pull the handle when re-locating the product. The handle might be loose.
- Be careful not to jam your hand or any other body part in the moving parts of the refrigerator.
- Do not put your hand or any other foreign materials into the ice machine while it is operating.

1.1.1 Hydrocarbon (HC) Warning

- If your product's cooling system contains R600a:

This gas is flammable. Therefore, pay attention not to damage the cooling system or the piping during use and transportation. If damaged, keep the product away from potential fire sources that may cause it to catch fire and ventilate the room where the product is placed.

	If the product is damaged and if you see gas leak, please keep away from the gas. It may cause frostbite when it gets into contact with the skin. (including R134)
	Ignore this warning if the cooling system of your product contains R134a.
	Type of gas used in the product is stated on the type plate which is on the left wall inside the refrigerator.



WARNING:

Never throw the product into fire for disposal.

1.1.2 For Products with a Water Dispenser/Ice Machine

- Pressure for cold water inlet shall be maximum 90 psi (620 kPa). If your water pressure exceeds 80 psi (550 kPa), use a pressure limiting valve in your mains system. If you do not know how to check your water pressure, ask for the help of a professional plumber.
- If there is a risk of water impact in your installation, always use a water impact protection equipment in that installation. Please consult professional plumbers if you are not sure if there is water impact in your installation.
- Do not make installation on the hot water inlet.
- Use drinking water only.
- Take the necessary measures against the freezing risk of the hoses. The water temperature operating range must be 0.6°C (33°F) minimum and 38°C (100°F) maximum.



WARNING:

Never connect the product to a cold water mains with a pressure of 550 kPa (80 psi) or above.

Safety and environment instructions

1.2. Intended Use

- This product has been designed for domestic use. It is not suitable for commercial use and it must not be used out of its intended use.
- It must be used only for storing food.
- The manufacturer will not take any responsibility for damages resulting from improper use or transport.
- Original spare parts will be available for 10 years after the purchase date of the product.

1.3. Children's Safety

- If there is a lock on the door of the product, the key should be kept out of the reach of children.
- Do not let children play with the product.

DANGER:

Before disposing your old refrigerator or freezer:

- Children may get locked inside.
- Remove the doors.
- Leave the shelves to prevent children from getting inside the product easily.



1.4. Compliance with the WEEE Directive and Disposing the Waste Product:



This product conforms to the EU WEE Directive (2012/19 EU). This product bears a classification symbol for waste electrical and electronic equipment (WEEE). This product has been manufactured from high quality parts and materials which can be reused and are suitable for recycling. Therefore, do not dispose the product with normal domestic waste or other waste at the end of its service life. Take it to a collection centre for recycling electrical and electronic equipment. Please consult local authorities to learn about the locations of such collection centres.

1.5. Compliance with the RoHS Directive:

The unit you have purchased conforms to the EU RoHS Directive (2011/65/EU). It does not contain harmful or prohibited materials specified in the Directive.

1.6. Packaging Information

- Packaging materials of the product have been manufactured from recyclable materials in accordance with our National Environment Regulations. Do not dispose the packaging materials with normal domestic waste or other types of waste. Take these materials to a recycling point designated by local authorities.

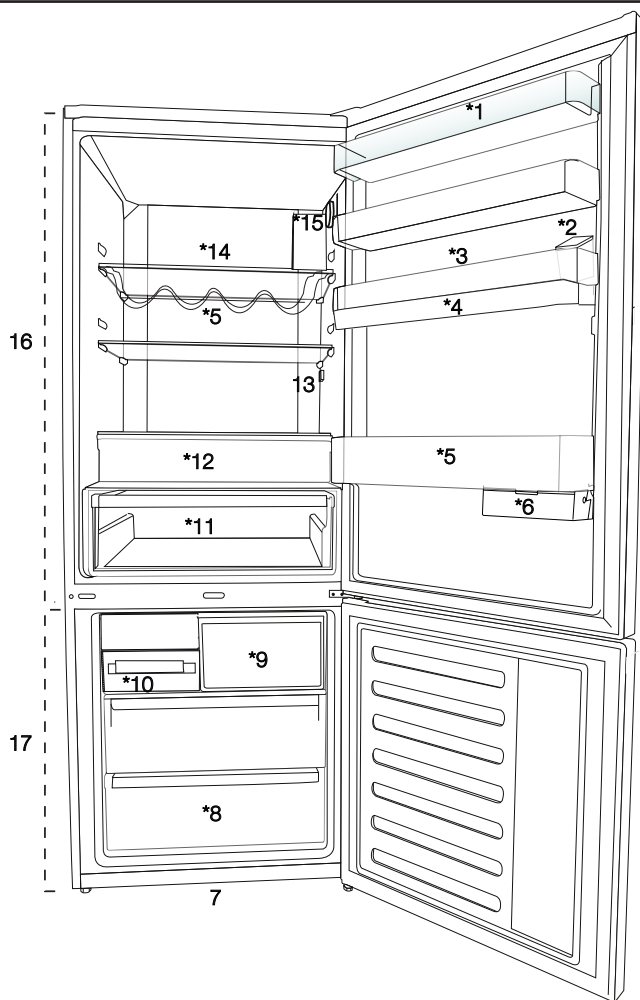
DANGER:

Risk of Fire or Explosion:

- This product uses flammable refrigerant.
- Do not use mechanical devices to defrost the refrigerator.
- Do not use chemicals for cleaning.
- Do not pierce the refrigerant pipe.
- If the refrigerant pipe is pierced, it must be repaired only by licensed service personnel.
- Please consult the repair/user manual before cleaning the product. All safety instructions must be followed.
- Dispose the product according to federal or local regulations.



2 Your Refrigerator



1. Cooler compartment door shelf
2. Water dispenser filling tank
3. Egg section
4. Water dispenser reservoir
5. Bottle shelf
6. Sliding storage box
7. Adjustable legs
8. Deep freezer compartment
9. Quick freeze compartment
10. Ice cube tray & Ice bank
11. Vegetable bin
12. Zero degree compartment
13. Interior light
14. Cooler compartment glass shelf
15. Temperature adjustment button
16. Cooler compartment
17. Freezer compartment




May not be available in all models



***optional:** Pictures given in this manual are given as example figures and they may not be exactly the same as your product. If your product does not comprise the relevant parts, the information pertains to other models.

3.1. Right place for installation

Contact the Authorized Service for the product's installation. To ready the product for installation, see the information in the user guide and make sure the electric and water utilities are as required. If not, call an electrician and plumber to arrange the utilities as necessary.

	WARNING: The manufacturer assumes no responsibility for any damage caused by the work carried out by unauthorized persons.
	WARNING: The product's power cable must be unplugged during installation. Failure to do so may result in death or serious injuries!
	WARNING: If the door span is too narrow for the product to pass, remove the door and turn the product sideways; if this does not work, contact the authorized service.

- Place the product on a flat surface to avoid vibration.
- Place the product at least 30 cm away from the heater, stove and similar sources of heat and at least 5 cm away from electric ovens.
- Do not expose the product to direct sunlight or keep in damp environments.
- The product requires adequate air circulation to function efficiently.
- If the product will be placed in an alcove, remember to leave at least 5 cm distance between the product and the ceiling and the walls.
- Do not install the product in environments with temperatures below -5°C.

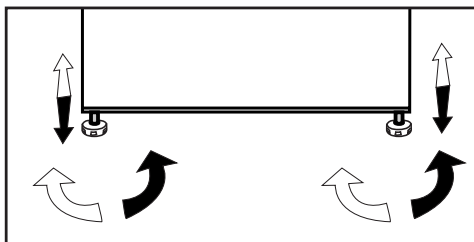
3.2. Attaching the plastic wedges

Use the plastic wedges in the provided with the product to provide sufficient space for air circulation between the product and the wall.




1. To attach the wedges, remove the screws on the product and use the screws provided with the wedges.
2. Attach 2 plastic wedges on the ventilation cover as shown in the figure.

3.3. Adjusting the stands


If the product is not in balanced position, adjust the front adjustable stands by rotating right or left.



3.4. Power connection

	WARNING: Do not use extension or multi sockets in power connection.
	WARNING: Damaged power cable must be replaced by Authorized Service.
	When placing two coolers in adjacent position, leave at least 4 cm distance between the two units.

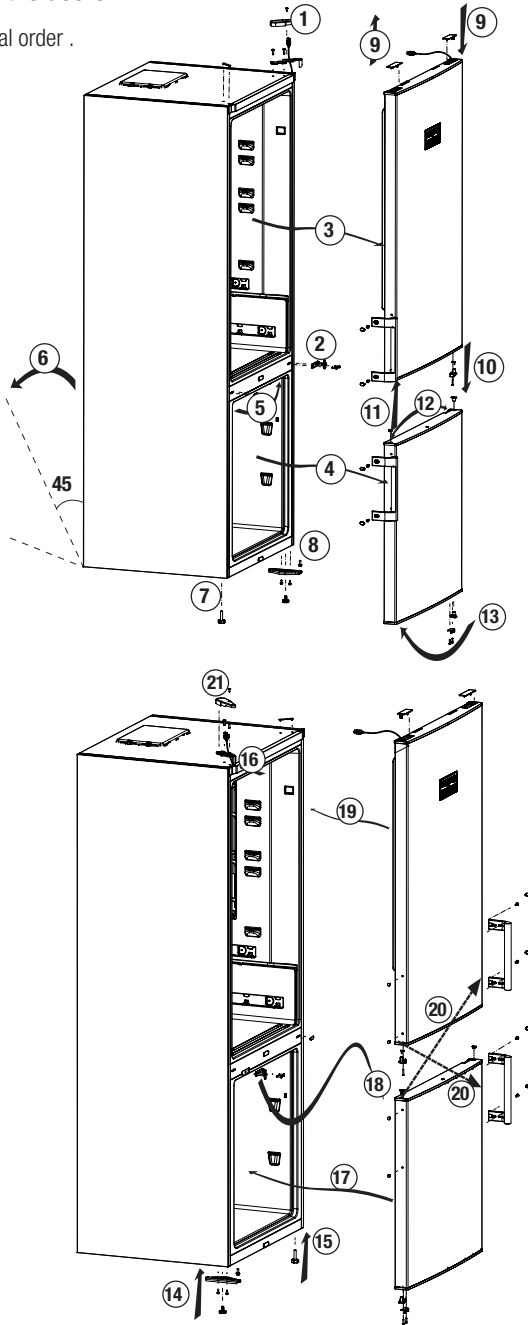
- Our firm will not assume responsibility for any damages due to usage without earthing and power connection in compliance with national regulations.
- The power cable plug must be easily accessible after installation.
- Do not use multi-group plug with or without extension cable between the wall socket and the refrigerator.

	Hot Surface Warning! Side walls of your product is equipped with refrigerant pipes to improve the cooling system. Refrigerant with high temperatures may flow through these areas, resulting in hot surfaces on the side walls. This is normal and does not need any servicing. Please pay attention while touching these areas.
---	--

Installation

3.5. Reversing the doors

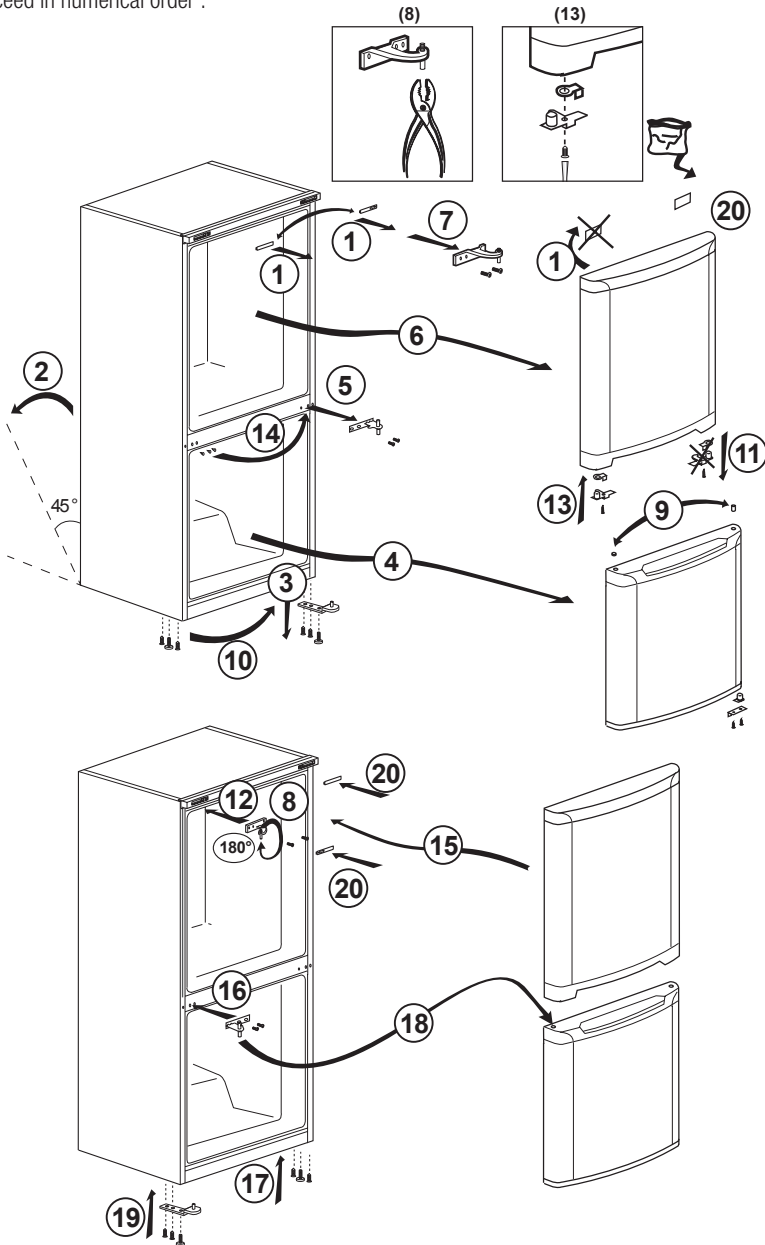
Proceed in numerical order .



Installation

3.6. Reversing the doors

Proceed in numerical order .

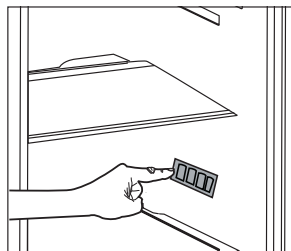


4.1. What to do for energy saving



Connecting the product to electronic energy-saving systems is harmful, as it may damage the product.

- For a freestanding appliance; 'this refrigerating appliance is not intended to be used as a built-in appliance' ;
- Do not keep the refrigerator doors open for long periods.
- Do not place hot food or beverages into the refrigerator.
- Do not overfill the refrigerator; blocking the internal air flow will reduce cooling capacity.
- In order to store the maximum amount of food into the cooler compartment of your refrigerator, you should take out the upper drawers and place it onto the glass rack. The declared energy consumption of your refrigerator was determined by taking out the cooler, ice tray and upper drawers in a way that will enable maximum storage. Using the below drawer when storing is strongly recommended. Energy saving function should be activated for best energy consumption.
- You should not block the airflow by putting food in front of the cooler fan. A space of minimum 3cm must be left in front of the protective fan wire when placing food.
- Depending on the product's features; defrosting frozen foods in the cooler compartment will ensure energy saving and preserve food quality.
- Food should be stored using the drawers in the cooler compartment in order to ensure energy saving and protect food in better conditions.
- Food packages should not be in direct contact with the heat sensor located in the cooler compartment. If they are in contact with the sensor, energy consumption of the appliance might increase.
- Make sure the foods are not in contact with the cooler compartment temperature sensor described below.
- Since hot and humid air will not directly penetrate into your product when the doors are not opened, your product will optimize itself in conditions sufficient to protect your food. Functions and components such as compressor, fan, heater, defrost, lighting, display and so on will operate according to the needs to consume minimum energy under these circumstances.



4.2. First Use

Before using your refrigerator, make sure the necessary preparations are made in line with the instructions in "Safety and environment instructions" and "Installation" sections.

- Keep the product running with no food inside for 6 and do not open the door, unless absolutely necessary.



A sound will be heard when the compressor is engaged. It is normal to hear sound even when the compressor is inactive, due to the compressed liquids and gasses in the cooling system.



Front edges of the product might heat up. This is normal. These areas are designed to warm up in order to prevent condensation.



In some models indicator panel turns off automatically 5 minutes after the door closes. It will be reactivated when the door is open or any button is pressed.

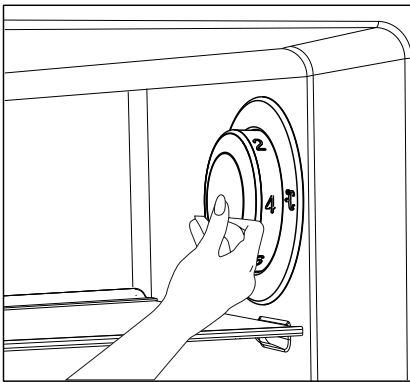
5.1. Temperature adjustment button

Internal temperature of your refrigerator varies depending on the following reasons:

- Seasonal temperatures,
- Opening the door frequently and leaving it open for long periods,
- Meals put into the refrigerator without being cooled to room temperature,
- Location of the refrigerator in the room (e.g. exposed to sunshine).
- Internal temperature varying due to these factors can be adjusted via the adjustment button.

Numbers around the adjustment button indicate temperature degrees as “°C”.

If the ambient temperature is 20°C, it is recommended to use the refrigerator temperature adjustment at 4°C. In other ambient temperatures this value can be customised.



5.2. Rapid freezing

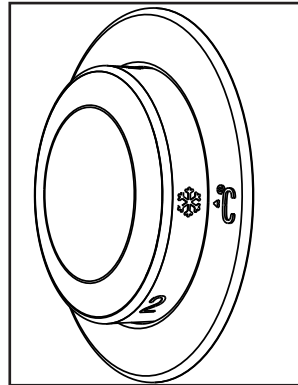
If you want to freeze large amounts of fresh food, switch the temperature adjustment button to



position before putting the food into the quick freezing compartment.

It is recommended to keep the button at this position for 24 hours to freeze maximum amount of food indicated as the freezing capacity. Pay special attention not to mix food stored as frozen and fresh food.

Remember to switch the temperature adjustment button back to its previous position.




May not be available in all models



***Optional:** The figures in this user guide are intended as drafts and may not perfectly match your product. If your product does not comprise the relevant parts, the information pertains to other models.

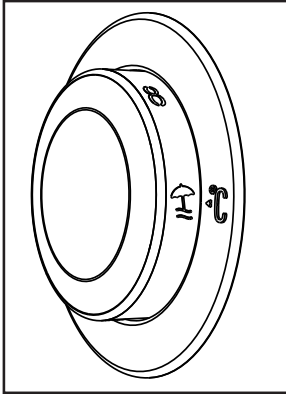
Using the product

5.3. Vacation function

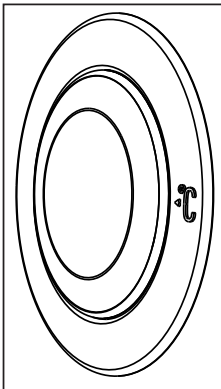
If doors of the product is not () opened for at least 12 hours after adjusting the temperature setting button to the highest, vacation function is automatically activated.

Button setting must be changed to cancel the function.

It is not recommended to store food in the cooler compartment when vacation function is activated.



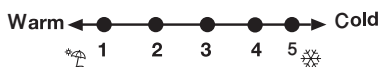
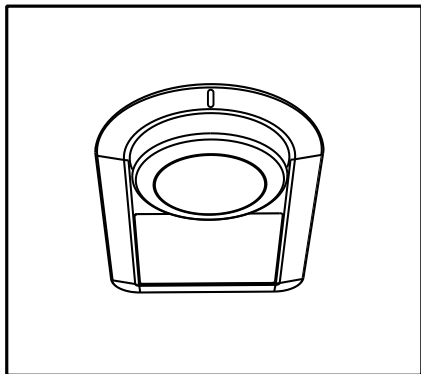
- After setting is completed, you can conceal the temperature setting button by pressing it inside.



Using the product

5.4. Thermostat setting button

The operating temperature is regulated by the temperature control.



1=Lowest cooling setting (Warmest setting).

4=Highest cooling setting (Coldest setting).

The average temperature inside the fridge should be around +5°C.

Please choose the setting according to the desired temperature.

Please note that there will be different temperatures in the cooling area.

The coldest region is immediately above the vegetable compartment.

The interior temperature also depends on ambient temperature, the frequency with which the door is opened and the amount of foods kept inside.

Frequently opening the door causes the interior temperature to rise.

For this reason, it is recommended to close the door again as soon as possible after use.

May not be available in all models

5.5. Thermostat setting button

The interior temperature of your refrigerator changes for the following reasons;

- Seasonal temperatures,
- Frequent opening of the door and leaving the door open for long periods,
- Food put into the refrigerator without cooling down to the room temperature,
- The location of the refrigerator in the room (e.g. exposing to sunlight).
- You may adjust the varying interior temperature due to such reasons by using the thermostat. Numbers around the thermostat button indicates the cooling degrees.
- If the ambient temperature is higher than 32°C, turn the thermostat button to maximum position.
- If the ambient temperature is lower than 25°C, turn the thermostat button to minimum position.

5.6. Defrost

Fridge compartment

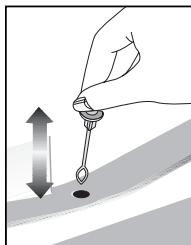
Fridge compartment performs full-automatic defrosting. Water drops and a frosting up to 7-8 mm can occur on the inner rear wall of the fridge compartment while your refrigerator cools down. Such formation is normal as a result of the cooling system. The frost formation is defrosted by performing automatic defrosting with certain intervals thanks to the automatic defrosting system of the rear wall. User is not required to scrape the frost or remove the water drops.

Water resulting from the defrosting passes from the water collection groove and flows into the evaporator through the drain pipe and evaporates here by itself.

Deep freezer compartment does not perform automatic defrosting in order to prevent decaying of the frozen food.

The freezer compartment defrosts automatically.

Check regularly to see if the drain pipe is clogged or not and clear it with the stick in the hole when necessary.

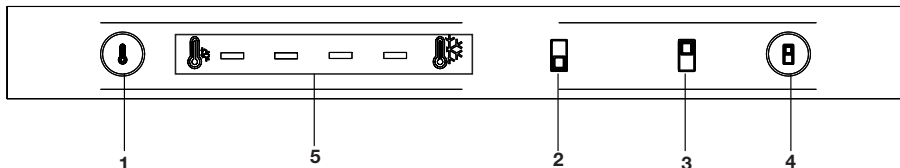


Using the product

5.7. Indicator panel

Indicator panels may vary according to the product model.

Audio – visual functions on the indicator panel helps you in using your product.



- 1.** Key For Changing the Cooling Value: It is used to adjust the cooling value of the fridge and freezer compartments. If you press this key while the freezer compartment indicator (2) is on, cooling of the freezer compartment will change. If you press this key while the fridge compartment indicator (3) is on, cooling of the fridge compartment will change.
- 2.** Freezer Compartment Indicator: When this indicator is on, current cooling value of the Freezer compartment will be displayed on the cooling indicator (5). You can press the Key for Changing the Cooling Value (1) to change the cooling value of the freezer compartment.
- 3.** Fridge Compartment Indicator: When this indicator is on, current cooling value of the Fridge compartment will be displayed on the cooling indicator (5). You can press the Key for Changing the Cooling Value (1) to change the cooling value of the fridge compartment.
- 4.** Compartment Selection Key: It is used to select fridge and freezer compartments.
- 5.** Cooling Indicator: It shows the cooling value of the selected compartment. Cooling value increased from left to right.



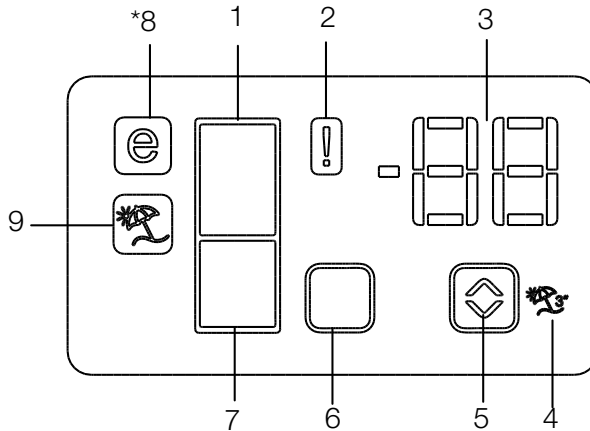
***Optional:** The figures in this user guide are intended as drafts and may not perfectly match your product. If your product does not comprise the relevant parts, the information pertains to other models.

Using the product

5.8. Indicator panel

Indicator panels may vary according to the product model.

Audio – visual functions on the indicator panel helps you in using your product.



1. Fridge Compartment Indicator
2. Error status indicator
3. Temperature indicator
4. Vacation function button
5. Temperature setting button
6. Compartment selection button
7. Freezer compartment indicator
8. Economy mode indicator
9. Vacation function indicator

***optional**

May not be available in all models



***Optional:** The figures in this user guide are intended as drafts and may not perfectly match your product. If your product does not comprise the relevant parts, the information pertains to other models.

Using the product

1. Fridge compartment indicator

Fridge compartment light is illuminated while the fridge compartment temperature is set.

2. Error status indicator

If your refrigerator does not perform enough cooling or in case of a sensor fault, this indicator is activated. When this indicator is activated, "E" is displayed on the freezer compartment temperature indicator, and numbers such as "1,2,3..." are displayed on the fridge compartment temperature indicator. These numbers on the indicator inform service personnel about the error.

3. Temperature indicator

Indicates freezer, fridge compartment temperature.

4. Vacation function button

Press on Vacation Button for 3 seconds to activate this function. When the vacation function is activated, "- -" is displayed on the fridge compartment temperature indicator and no active cooling is performed on the fridge compartment. It is not suitable to keep the food in the fridge compartment when this function is activated. Other compartments shall be continued to be cooled as per their set temperature.

To cancel this function press **Vacation** button again.

5. Temperature setting button

Changes the temperature of the relevant compartment between -24°C... -18°C and 8°C...1°C.

6. Compartment selection button

Selection button: Press compartment selection button to switch between fridge and freezer compartments.

7. Freezer compartment indicator

Fridge compartment light is illuminated while the freezer compartment temperature is set.

8. Economy mode indicator

Indicates that the refrigerator operates in energy saving mode. This display shall be activated if the freezer compartment temperature is set to -18°C.

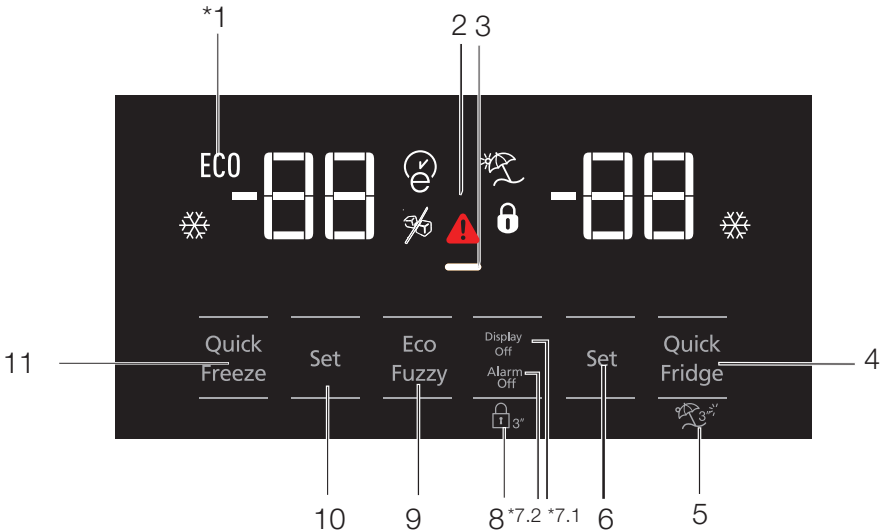
9. Vacation function indicator

Indicates that vacation is activated.

Using the product

5.9. Indicator panel

This touch-control indicator panel allows you to set the temperature without opening the door of your refrigerator. Just touch the relevant button with your finger to set the temperature.



- 1- Economic use
- 2- High temperature / fault alert
- 3- Energy saving function (display off)
- 4- Rapid cooling
- 5- Vacation function
- 6- Cooler compartment temperature setting
- 7- Energy saving (display off) / Alarm off warning
- 8- Keypad lock
- 9- Eco-fuzzy
- 10- Freezer compartment temperature setting
- 11- Rapid freezing

May not be available in all models




***Optional:** The figures in this user guide are intended as drafts and may not perfectly match your product. If your product does not comprise the relevant parts, the information pertains to other models.

Using the product

1. Economic use

This sign will light up when the freezer compartment is set to -18°C , the most economical setting. (ECO) Economic use indicator will turn off when rapid cooling or rapid freezing function is selected.

2. High temperature / fault alert


This indicator () will light up in case of temperature faults or fault alerts. This indicator illuminates during power failure, high temperature failures and error warnings. During sustained power failures, the highest temperature that the freezer compartment reaches will flash on the digital display. After checking the food located in the freezer compartment press the alarm off button to clear the warning.

3. Energy saving function (display off)

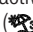

If the product doors are kept closed for a long time energy saving function is automatically activated and energy saving symbol is illuminated. When energy saving function is activated, all symbols on the display other than energy saving symbol will turn off. When the Energy Saving function is activated, if any button is pressed or the door is opened, energy saving function will be cancelled and the symbols on display will return to normal.

Energy saving function is activated during delivery from factory and cannot be cancelled.

4. Rapid cooling


When the rapid cooling function is turned on, the rapid cool indicator will light up () and the cooler compartment temperature indicator will display the value 1. Push the Rapid cool button again to cancel this function. The Rapid cool indicator will turn off and return to normal setting. The rapid cooling function will be automatically cancelled after 1 hour, unless cancelled by the user. Too cool a large amount of fresh food, press the rapid cool button before placing the food in the cooler compartment.

5. Vacation function

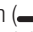
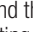
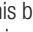
To activate the Vacation function, press the button for () 3 seconds; this will activate the vacation mode indicator (). When the Vacation function is active, the cooler compartment temperature indicator displays the inscription "- -" and no cooling process will be active in the cooling compartment. This function is not suitable to keep food in the cooler compartment. Other compartments will remain cooled with the respective temperature set for each compartment.

Push the **vacation function** button again to cancel this function

6. Cooler compartment temperature setting

After pressing the button, the cooler compartment temperature can be set to 8,7,6,5,4,3,2 and 1 respectively. ()

7.1. Energy saving (display off)


Pressing this button () will light up the energy saving sign () and the Energy-saving function will activate. Activating the energy-saving function will turn off all other signs on the display. When the energy-saving function is active, pressing any button or opening the door will deactivate the energy-saving function and the display signals will return to normal. Pressing this button () again will turn off the energy-saving sign and deactivate the energy-saving function.

7.2. Alarm off warning:

In case of power failure/high temperature alarm, after checking the food located in the freezer compartment press the alarm off button to clear the warning.

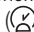
8. Keypad lock

Press the keypad lock button () simultaneously for 3 seconds. The keypad lock sign

() will light up and the keypad lock will be activated. The buttons will be inactive when the Keypad lock is activated. Press the Keypad lock button again simultaneously for 3 seconds. The keypad lock sign will turn off and the keypad lock mode will be disengaged.


Press the **keypad lock** button () to prevent changing the refrigerator's temperature settings.

9. Eco-fuzzy

To activate the eco-fuzzy function, press and hold the eco-fuzzy button for 1 second. When this function is active, the freezer will switch to the economic mode after at least 6 hours and the economic use indicator will light up. To deactivate the () eco-fuzzy function, press and hold the eco-fuzzy function button for 3 seconds.

The indicator will light up after 6 hours when the eco-fuzzy function is active.

10. Freezer compartment temperature setting

The temperature in the freezer compartment is adjustable. Pressing the button will enable the freezer compartment temperature to be set at -18, -19, -20, -21, -22, -23 and -24. ()

Using the product

11. Rapid freezing

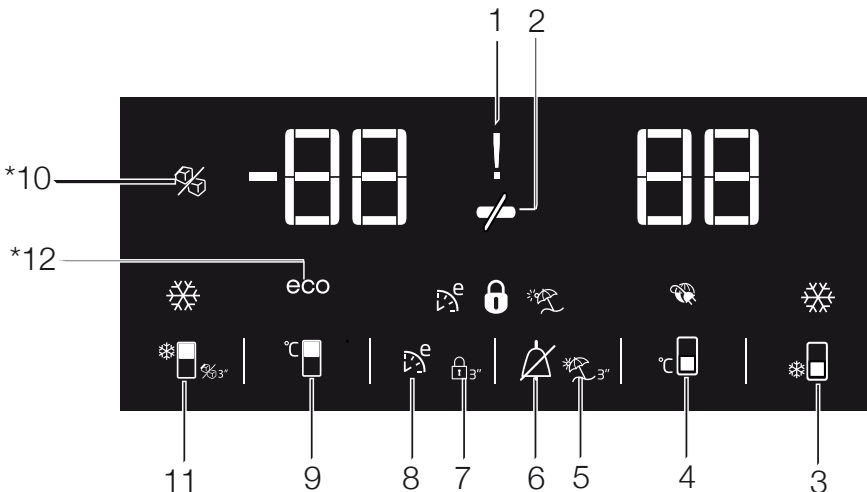
For rapid freezing, press the button; this will activate the rapid freezing indicator (❄️).

When the rapid freezing function is turned on, the rapid freeze indicator will light up and the freezer compartment temperature indicator will display the value -27. Press the Rapid freeze button (❄️) again to cancel this function. The Rapid freeze indicator will turn off and return to normal setting. The rapid freezing function will be automatically cancelled after 24 hours, unless cancelled by the user. To freeze a large amount of fresh food, press the rapid freeze button before placing the food in the freezer compartment.

Using the product

5.10. Indicator panel

Indicator panel allows you to set the temperature and control the other functions related to the product without opening the door of the product. Just press the inscriptions on relevant buttons for function settings.



1. Power failure/High temperature / error warning indicator

This indicator (⚡) illuminates during power failure, high temperature failures and error warnings. During sustained power failures, the highest temperature that the freezer compartment reaches will flash on the digital display. After checking the food located in the freezer compartment (⚡) press the alarm off button to clear the warning.

2. Energy saving function (display off):



If the product doors are kept closed for a long time energy saving function is automatically activated and energy saving symbol is illuminated. (⚡)

When energy saving function is activated, all symbols on the display other than energy saving symbol will turn off. When the Energy Saving function is activated, if any button is pressed or the door is opened, energy saving function will be canceled and the symbols on display will return to normal.

Energy saving function is activated during delivery from factory and cannot be canceled.

3.Quick fridge function

The button has two functions. To activate or deactivate the quick cool function press it briefly. Quick Cool indicator will turn off and the product will return to its normal settings. (⚡)

- | | |
|---|---|
|  | Use quick cooling function when you want to quickly cool the food placed in the fridge compartment. If you want to cool large amounts of fresh food, activate this function before putting the food into the product. |
|  | If you do not cancel it, quick cooling will cancel itself automatically after 8 hours or when the fridge compartment reaches to the required temperature. |

May not be available in all models



***Optional:** The figures in this user guide are intended as drafts and may not perfectly match your product. If your product does not comprise the relevant parts, the information pertains to other models.

Using the product



If you press the quick cooling button repeatedly with short intervals, the electronic circuit protection will be activated and the compressor will not start up immediately.



This function is not recalled when power restores after a power failure.

4. Fridge compartment temperature setting button

Press this button to set the temperature of the fridge compartment to 8, 7,6, 5,4,3, 2, 8... respectively. Press this button to set the fridge compartment temperature to the desired value.

5. Vacation Function

In order to activate vacation function, press the this button for 3 seconds, and the vacation mode indicator will be activated. When the vacation function is activated, “- -” is displayed on the fridge compartment temperature indicator and no active cooling is performed on the fridge compartment. It is not suitable to keep the food in the fridge compartment when this function is activated. Other compartments shall be continued to be cooled as per their set temperature.

To cancel this function press **Vacation function** button again.

6. Alarm off warning:

In case of power failure/high temperature alarm, after checking the food located in the freezer compartment press the alarm off button to clear the warning.

7. Key lock

Press key lock button simultaneously for 3 seconds. Key lock symbol will light up and key lock mode will be activated. Buttons will not function if the Key lock mode is active. Press key lock button simultaneously for 3 seconds again. Key lock symbol will turn off and the key lock mode will be exited.

Press the **key lock** button if you want to prevent changing of the temperature setting of the refrigerator .

8. Eco fuzzy

Press and hold eco fuzzy button for 1 seconds to activate eco fuzzy function. Refrigerator will start operating in the most economic mode at least 6 hours later and the economic usage indicator will turn on when the function is active . Press and hold eco fuzzy function button for 3 seconds to deactivate eco fuzzy function.

This indicator is illuminated after 6 hours when eco fuzzy is activated.

9. Freezer compartment temperature setting button

Press this button to set the temperature of the freezer compartment to -18,-19,-20,-21, -22, -23,-24, -18... respectively. Press this button to set the freezer compartment temperature to the desired value.

10. Icematic off indicator

Indicates whether the icematic is on or off. If On, then the icematic is not operating. To operate the icematic again press and hold the On-Off button for 3 seconds.



Water flow from water tank will stop when this function is selected. However, ice made previously can be taken from the icematic.

11. Quick freeze function button/ icematic on-off button

Press this button to activate or deactivate the quick freezing function. When you activate the function, the freezer compartment will be cooled to a temperature lower than the set value.

To turn on and off the icematic press and hold it for 3 seconds.



Use the quick freeze function when you want to quickly freeze the food placed in fridge compartment. If you want to freeze large amounts of fresh food, activate this function before putting the food into the product.



If you do not cancel it, Quick Freeze will cancel itself automatically after 4 hours or when the fridge compartment reaches to the required temperature.

Using the product



This function is not recalled when power restores after a power failure.

12. Economic usage indicator

Indicates that the product is running in energy-efficient mode. (**eco**) This indicator will be active if the Freezer Compartment temperature is set to -18 or the energy efficient cooling is being performed due to Eco-Extra function.

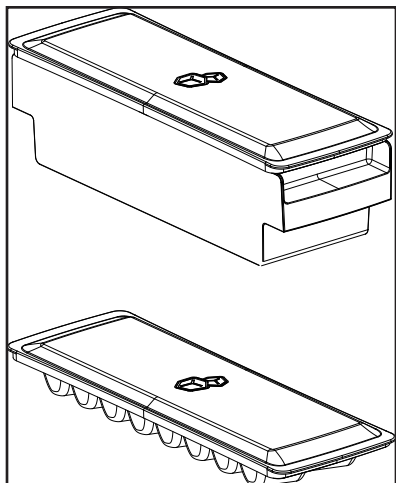


Economic usage indicator is turned off when quick cooling or quick freeze functions are selected.

5.11. Ice bucket

*optional

- Take the ice bucket from the freezer compartment.
- Fill the ice bucket with water.
- Place the ice bucket into the freezer compartment.
- The ice will be ready after approximately two hours. Take the ice bucket from the freezer compartment and bend in slightly over the holder that you are going to serve. Ice will easily pour into the serving holder.



5.12. Eggholder

You can put the eggholder on the door or body rack of your choice. If you decide to put it on the body rack, it is recommended to prefer the shelves below as they are colder.

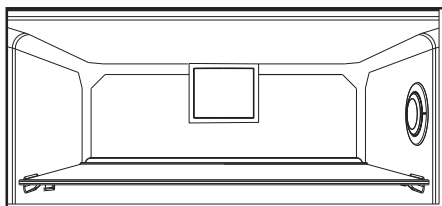


Do not put the eggholder into the freezer compartment.

5.13. Fan

Fan was designed to distribute circulate the cold air inside your refrigerator homogeneously. Operating time of the fan might vary depending the features of your product.

While in some products fan only operates with compressor, in others control system determines the operating time based on the need for cooling.



5.14. Vegetable bin

*optional

Product's vegetable bin is designed to keep vegetables fresh by preserving humidity. For this purpose, the overall cold air circulation is intensified in the vegetable bin.

5.15. Zero degree compartment

*optional

Use this compartment to keep delicatessen at lower temperatures or meat products for immediate consumption.

Zero degree compartment is the coolest place where foods such as dairy products, meat, fish and chicken can be stored in ideal storage conditions. Vegetables and/or fruits should not be stored in this compartment.

Using the product

5.16. Using the second crisper of the product;

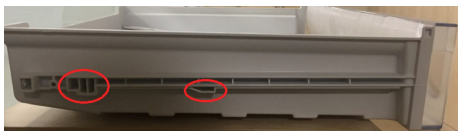


Figure 1.

As shown in the figure, there are 2 stoppers in the second crisper of K70560 model product.



Figure 2.

The second crisper looks like Figure 2 when closed.



Figure 3.

With the door is open 90°, pull the second crisper up to the first stopper as shown in Figure 3.

In the case that the drawer is more open, first of all, open the door by at least 135° degrees. After that, as shown in Figure 4, lift the second crisper for about 5 mm so that it is freed from the first stopper.



Figure 4.

After lifting, pull the second drawer up to the second stopper as shown in Figure 5.



Figure 5.

Using the product

5.17. Moving door rack

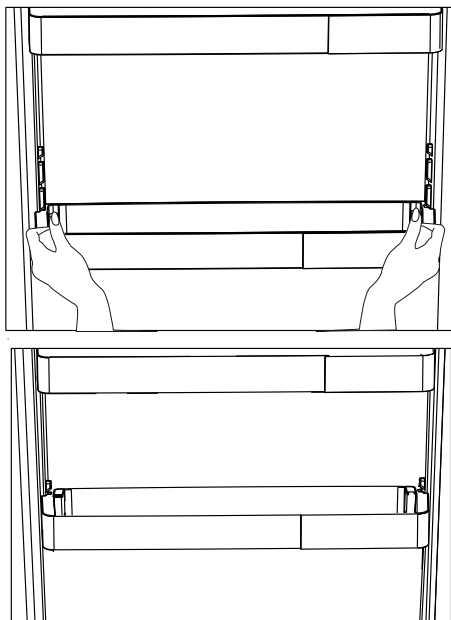
*optional

Moving door rack can be fixed in 3 different positions.

In order to move the rack, push the buttons on the side evenly. Rack will be movable.

Move the rack up or down.

When the rack is in the position that you want, release the buttons. Rack will be fixed again in the position where you have released the buttons.

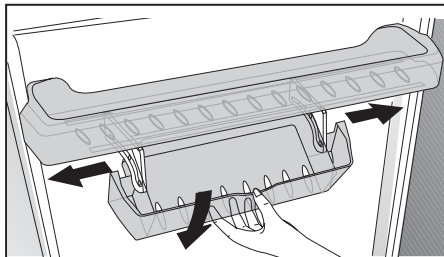


5.18. Sliding storage box

*optional

This accessory has been designed to increase the usage volume of the door racks.

Thanks to its ability to move sideways, it enables you to easily place long bottle, jar or boxes that you put in the bottle rack below.



5.19. Moisture controlled vegetable bin

*optional

With moisture control feature, moisture rates of vegetables and fruits are kept under control and ensures a longer freshness period for foods.

It is recommended to store leafed vegetables such as lettuce and spinach and similar vegetables prone to moisture loss not on their roots but in horizontal position into the vegetable bin as much as possible. When placing the vegetables, place heavy and hard vegetables at the bottom and light and soft ones on the top, taking into account the specific weights of vegetables.

Do not leave vegetables in the vegetable bin in plastic bags. Leaving them in plastic bags causes vegetables to rot in a short time. In situations where contact with other vegetables is not preferred, use packaging materials such as paper that has a certain porosity in terms of hygiene.

Do not put fruits that have a high ethylene gas production such as pear, apricot, peach and particularly apple in the same vegetable bin with other vegetables and fruits. The ethylene gas coming out of these fruits might cause other vegetables and fruits to mature faster and rot in a shorter period of time.

Using the product

5.20. Deodoriser Module

(FreshGuard) *optional

The deodoriser module quickly eliminates the bad smells in your refrigerator before they permeate the surfaces. Thanks to this module, which is placed on the ceiling of the fresh food compartment, the bad odours dissolve while the air is actively being passed on the odour filter, then the air that has been cleaned by the filter is re-emitted to the fresh food compartment. This way, the unwanted odours that may emerge during the storage of foods in the refrigerator are eliminated before they permeate the surfaces.

This is achieved thanks to the fan, LED and the odour filter integrated into the module. In daily use, the deodoriser module will turn on automatically on a periodic basis. To maintain efficient performance, it is recommended to have the filter in the deodoriser module by the authorised service provider every 5 years. Due to the fan integrated into the module, the noise you will hear during operation is normal. If you open the door of the fresh food compartment while the module is active, the fan will pause temporarily and resume where it has left off after some time the door is closed again. In case of power failure, the deodoriser module will resume where it has left off in the total operation duration once the power is back.

Info: It is recommended to store aromatic foods (such as cheese, olives and delicatessen foods) in their packaging and sealed to avoid bad odours that may result when smells of various foods get mixed. Besides, it is recommended to take spoiled foods out of the refrigerator quickly to prevent the other foods from getting spoiled and avoid bad odours.

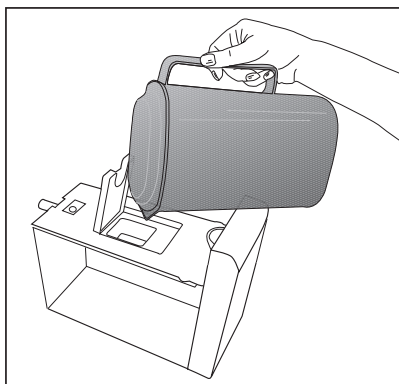
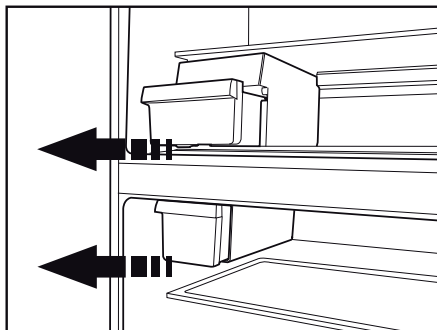
5.21. Automatic ice machine

*optional

Automatic ice machine enables you to easily make ice in your refrigerator. In order to obtain ice from the ice machine, take out the water tank in the cooler compartment, fill it with water and fix it back. First ice will be ready in about 2 hours in the ice machine drawer in the cooler compartment. After placing the full water tank, you can obtain about 60-70 cubes of ice until it is fully empty. If the water in the tank has waited for 2-3 weeks, it should be changed.



In products with automatic ice machine, you might hear a sound when pouring the ice. This sound is normal and is not a sign of failure.



Using the product

5.22. Icematic and ice storage container

***optional**

Using the Icematic

Fill the Icematic with water and place it into its seat. Your ice will be ready approximately in two hours. Do not remove the Icematic from its seating to take ice. Turn the knobs on the ice reservoirs clockwise by 90 degrees.

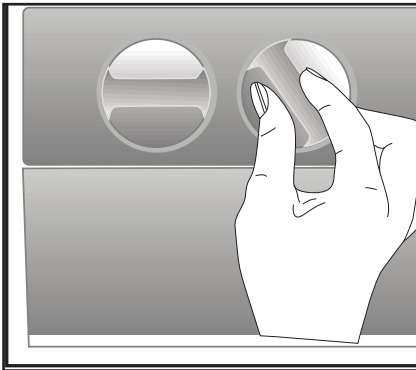
Ice cubes in the reservoirs will fall down into the ice storage container below.

You may take out the ice storage container and serve the ice cubes.

If you wish, you may keep the ice cubes in the ice storage container.

Ice storage container

Ice storage container is only intended for accumulating the ice cubes. Do not put water in it. Otherwise, it will break.



5.23. Using the water dispenser

***optional**

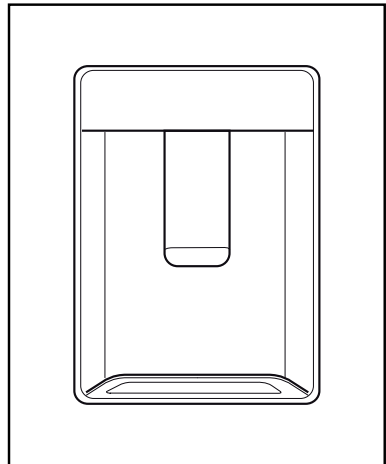


It is normal for the first few glasses of water taken from the dispenser to be warm.



If the water dispenser is not used for a long period of time, dispose of first few glasses of water to obtain fresh water.

1. Push in the lever of the water dispenser with your glass. If you are using a soft plastic cup, pushing the lever with your hand will be easier.
2. After filling the cup up to the level you want, release the lever.



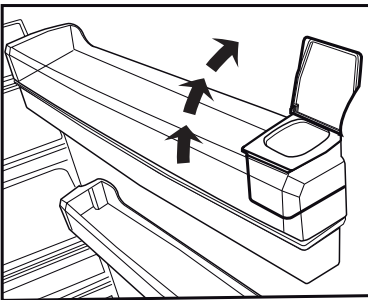
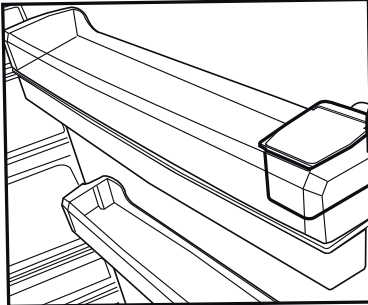
Please note, how much water flows from the dispenser depends on how far you depress the lever. As the level of water in your cup / glass rises, gently reduce the amount of pressure on the lever to avoid overflow. If you slightly press the arm, the water will drip; this is quite normal and not a failure.

Using the product

5.24. Filling the water dispenser's tank

Water tank filling reservoir is located inside the door rack.

1. Open the cover of the tank.
2. Fill the tank with fresh drinking water.
3. Close the cover.



Do not fill the water tank with any other liquid except for water such as fruit juices, carbonated beverages or alcoholic drinks which are not suitable to use in the water dispenser. Water dispenser will be irreparably damaged if these kinds of liquids are used. Warranty does not cover such usages. Some chemical substances and additives contained in these kinds of drinks/liquids may damage the water tank.



Use clean drinking water only.



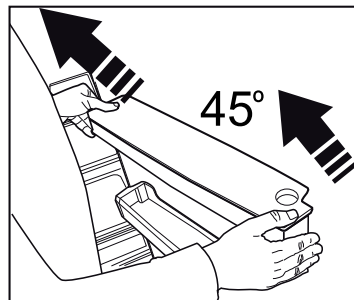
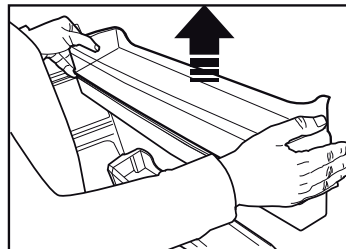
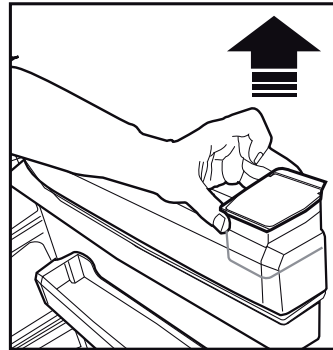
Capacity of the water tank is 3 litres; do not overfill.

5.25. Cleaning the water tank

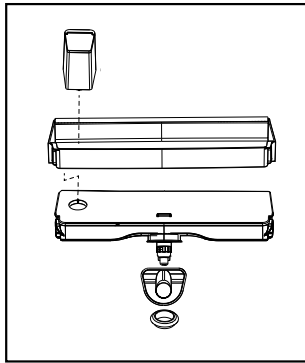
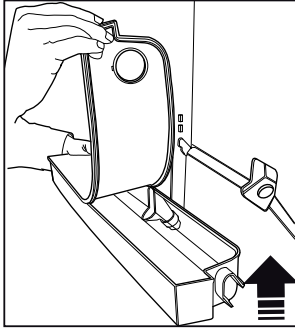
1. Remove the water filling reservoir inside the door rack.
2. Remove the door rack by holding from both sides.
3. Grab the water tank from both sides and remove it with an angle of 45°C.
4. Remove the cover of the water tank and clean the tank.



Components of the water tank and water dispenser should not be washed in dishwasher.



Using the product

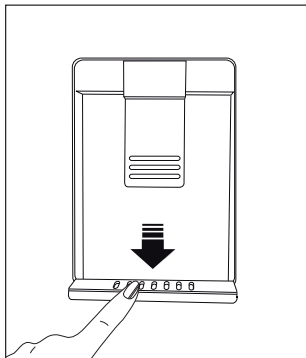


5.26. Drip tray

Water that dripped while using the water dispenser accumulates in the spillage tray.

Remove the plastic filter as shown in the figure.

With a clean and dry cloth, remove the water that has accumulated.



5.27. HerbBox/HerbFresh

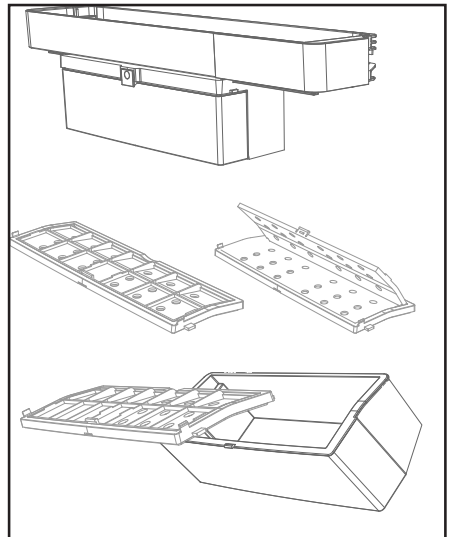
Remove the film container from HerbBox/HerbFresh+

Take the film out of the bag and put it into the film container as shown in the image.

Seal the container again and replace it into HerbBox/HerbFresh+ unit.

HerbBox-HerbFresh+ sections are especially ideal for storage of various herbs that are supposed to be kept in delicate conditions. You can store your unbagged herbs (parsley, dill, etc.) in this section horizontally and keep them fresh for a much longer period.

The film shall be replaced in every six months.



Using the product

5.28. Freezing fresh food

- To preserve food quality, the food items placed in the freezer compartment must be frozen as quickly as possible, use the rapid freezing for this.
- Freezing the food items when fresh will extend the storage time in the freezer compartment.
- Pack the food items in air-tight packs and seal tightly.
- Make sure the food items are packed before putting in the freezer. Use freezer holders, tinfoil and damp-proof paper, plastic bag or similar packaging materials instead of traditional packaging paper.



Ice in the freezing compartment thaws automatically.

- Mark each food pack by writing the date on the package before freezing. This will allow you to determine the freshness of each pack every time the freezer is opened. Keep the earlier food items in the front to ensure they are used first.

- Frozen food items must be used immediately after defrosting and should not be frozen again.
- Do not freeze large quantities of food at once.

5.29. Recommendations for storing frozen foods

The compartment must be set to at least -18°C .

1. Place the food items in the freezer as quickly as possible to avoid defrosting.
2. Before freezing, check the "Expiry Date" on the package to make sure it is not expired.
3. Make sure the food's packaging is not damaged.

Freezer Compartment Temperature Setting	Cooler Compartment Temperature Setting	Details
-18°C	4°C	This is the default, recommended setting.
$-20, -22$ or -24°C	4°C	These settings are recommended for ambient temperatures exceeding 30°C .
Quick Freeze	4°C	Use when you want to freeze your food in a short time. When the process ends, the product will regain its position.
-18°C or colder	2°C	Use these settings if you believe the cooler compartment is not cold enough due to ambient temperature or frequently opening the door.

Using the product

5.30. Deep freezer details

As per the IEC 62552 standards, the freezer must have the capacity to freeze 4,5 kg of food items at -18°C or lower temperatures in 24 hours for each 100 litres of freezer compartment volume.

Food items can only be preserved for extended periods at or below temperature of -18°C .

You can keep the foods fresh for months (in deep freezer at or below temperatures of 18°C).

The food items to be frozen must not contact the already-frozen food inside to avoid partial defrosting.

Boil the vegetables and filter the water to extend the frozen storage time. Place the food in air-tight packages after filtering and place in the freezer.

Bananas, tomatoes, lettuce, celery, boiled eggs, potatoes and similar food items should not be frozen. In case this food rots, only nutritional values and eating qualities will be negatively affected. A rotting threatening human health is not in question.

5.31. Placing the food

Freezer compartment shelves	Various frozen goods including meat, fish, ice cream, vegetables etc.
Cooler compartment shelves	Food items inside pots, capped plate and capped cases, eggs (in capped case)
Cooler compartment door shelves	Small and packed food or beverages
Vegetable bin	Fruits and vegetables
Fresh food compartment	Delicatessen (breakfast food, meat products to be consumed in short notice)

5.32. Door open alert

(Optional)

An audible alert will be heard if the product's door remains open for at least 1 minute. The audible alert will stop when the door is closed or any button on the display (if available) is pressed.

Door open alert is indicated to the user both audibly and visually. Interior lighting will turn off if the warning continues for 10 min.

5.33. Changing the opening direction of the door

You can change the direction of opening of your refrigerator depending on the location where you use it. When you need this, consult the closest Authorized Service.

The explanation above is a general statement. You should check the warning tag located inside the product package about the changeability of direction of the door.

5.34. Interior light

Interior light uses a LED type lamp. Contact the authorized service for any problems with this lamp. Lamp(s) used in this appliance cannot be used for house lighting. Intended use of this lamp is to help the user place food into the refrigerator / freezer safely and comfortably.

Service life of the product will extend and frequently encountered problems will decrease if the product is cleaned periodically.



WARNING: Switch off the product before cleaning.



WARNING: It is recommended to clean the condenser every six months using gloves. You must not use vacuum cleaners.

- Never use gasoline, benzene or similar substances for cleaning purposes.
- Never use any sharp abrasive instruments, soap, household cleaners, detergent or wax polish for cleaning.
- Dissolve one teaspoon of carbonate in half liter of water. Soak a cloth in the solution and wring it thoroughly. Wipe the interior of the refrigerator with this cloth and the dry thoroughly.
- Make sure that no water enters the lamp housing or other electrical parts.
- If you will not use the refrigerator for a long time, unplug it, remove all food inside, clean it and leave the door ajar.
- Check regularly that the door gaskets are clean. If not, clean them.
- Take out all items in the product to remove the door and body shelves.
- Remove the door shelves by pulling them up. Slide the shelves downwards to re-install them after cleaning.
- Never use chloric cleaning agents or water to clean outer surfaces or chrome-coated parts of the product. Chlorine causes abrasion on such metal surfaces.
- For non-No Frost products, water drops and frosting up to a fingerbreadth occur on the rear wall of the Fridge compartment. Do not clean it; never apply oil or similar agents on it.
- Only use slightly damp microfiber cloths to clean the outer surface of the product. Sponges and other types of cleaning cloths may scratch the surface.

6.1. Avoiding Bad Odours

Materials that may cause odour are not used in the production of our refrigerators. However, odour may be emitted if foods are stored improperly or if the inner surface of the product is not cleaned as required. Please consider the following to avoid this problem:

- It is important that the refrigerator is kept clean. Food residuals, stains, etc. can cause odour. For this reason, clean your refrigerator with carbonate solved in water every 15 days. Never use detergents or soap.
- Keep your foods in closed vessels. Microorganisms emitted from vessels without a cover may cause unpleasant odours.
- Never keep expired or spoiled foods in your refrigerator.

6.2. Protection of plastic surfaces

Do not put liquid oils or oil-cooked meals in your refrigerator in unsealed containers as they damage the plastic surfaces of your refrigerator. If oil is spilled or smeared onto the plastic surfaces, clean and rinse the relevant part of the surface with warm water immediately.

6.3. Cleaning the Inner Surface

To clean the inner surfaces and all removable parts, wash them with a mild solution comprising soap, water and carbonate. Rinse and dry thoroughly. Prevent the water from contacting the lighting means and control panel.



ATTENTION:

Do not use vinegar, rubbing alcohol or other alcohol-based cleaning agents on any of the inner surfaces.

6.4. Stainless Steel Outer Surfaces

Use a stainless steel cleaning agent that is non-abrasive and apply it with a lint-free, soft cloth. For polishing, wipe the surface softly with a damp microfiber cloth and use dry wash-leather. Always follow the strands of the stainless steel.

6.5. Cleaning Products with Glass Doors

Remove the protection foil on the glass.

There is a coating on the surface of the glass. This coating minimises stain formation and ensures that stains and dirt are cleaned easily. Glasses that are not protected by a coating might be exposed to permanent bonding of organic or inorganic, air or waterborne pollutants such as limescale, mineral salts, unburned hydrocarbons, metal oxides and silicones, which lead to stains and physical damage in a short time. Despite regular washing, the glass becomes very hard to keep clean, though not impossible. As a result, the clarity and good appearance of the glass reduces. Hard and abrasive cleaning compounds and methods increase these defects even further and accelerate the deterioration process.

*Non-alkali, non-abrasive and water-based cleaning products must be used for routine cleaning procedures. For the coating to have long service life, alkali or abrasive substances must not be used during cleaning processes.

These glasses were subject to a tempering process to increase their impact and breakage resistance.

As an additional safety measure, there is a safety film on the back surfaces of the glasses to ensure that they will not harm the environment in case of breakage.

Please review this list before calling the service. This will save you time and money. This list contains frequently encountered problems that are not results of faulty workmanship or material use. Your product may not have some of the features described here.

The refrigerator is not operating.

- It may not be plugged in properly. >>>Plug in the product properly.
- The fuse of the socket to which your refrigerator is connected or the main fuse may have blown. >>>Check the fuse.

Condensation on the side wall of the fridge compartment (MULTI ZONE, COOL CONTROL and FLEXI ZONE).

- The door may have been opened/closed frequently. >>>Do not open/close the refrigerator door frequently.
- The environment may be too humid. >>>Do not install the refrigerator at locations with a very high level of humidity.
- Foods containing liquid may have been placed into the refrigerator in vessels without covers. >>>Do not place foods containing liquid into the refrigerator in unsealed vessels.
- Door of the refrigerator may have been left ajar. >>>Do not keep the doors of your refrigerator open for a long time.
- The thermostat may have been set to a very cold level. >>>Set the thermostat to an appropriate level.

The compressor is not operating.

- Protective thermal of the compressor will blow out during sudden power failures or plug-out plug-ins as the refrigerant pressure in the cooling system of the refrigerator has not been balanced yet. The refrigerator will start running approximately after 6 minutes. Please call the Authorised Service Provider if the refrigerator does not start at the end of this period.
- The freezer is in defrosting cycle. >>>This is normal for a refrigerator that performs full-automatic defrosting. Defrosting cycle is performed periodically.
- The refrigerator may not be plugged in. >>>Make sure that the plug fits the socket.
- Temperature settings may be incorrect. >>>Select the correct temperature value.
- Possible power failure. >>>The refrigerator will start to operate normally when power restores.

The operation noise increases when the refrigerator is running.

- Operating performance of the refrigerator may vary based on the ambient temperature changes. This is normal and not a fault.

The fridge is running frequently or for a long time.

- Your new product may be bigger than the previous one. Larger refrigerators operate for a longer period of time.
- The room temperature may be high. >>> It is normal that the product operates for longer periods in hot environments.
- The refrigerator may have just been plugged in or loaded with food. >>>It takes the product longer to reach the set temperature when it has just been plugged in or loaded with food. This is normal.
- Large amounts of hot food may have been placed into the refrigerator recently. >>>Do not place hot foods into the refrigerator.
- The doors may have been opened frequently or left ajar for a long time. >>>The warm air that enters the refrigerator causes it to operate for a longer period of time. Do not open the doors frequently.
- Freezer or fridge compartment door may have been left ajar. >>> Check if the doors are closed completely.
- The appliance may be set to a very low temperature. >>> Set the refrigerator temperature to a warmer degree and wait until the product reaches this temperature.
- Door seal of the fridge or freezer compartment may be soiled, worn out, broken or not properly seated. >>> Clean or replace the seal. Damaged/broken seal causes the refrigerator to run for a longer period of time to maintain the current temperature.

Fridge temperature is adequate but the freezer temperature is very low.

- The freezer compartment temperature may be set to a very low value. >>> Set the freezer compartment temperature to a higher value and check.

Freezer temperature is adequate but the fridge temperature is very low.

- The fridge temperature is adjusted to a very low value. >>> Adjust the fridge temperature to a higher value and check.

Troubleshooting

Food kept in the fridge compartment drawers is frozen.

- The fridge compartment temperature may be set to a very high value. >>> Set the fridge compartment temperature to a lower value and check.

Temperature in the fridge or freezer is very high.

- The fridge compartment temperature may be set to a very high value. >>> Fridge compartment temperature setting has an effect on the temperature of the freezer. Change the temperature of the fridge or freezer compartment until the fridge or freezer compartment temperature reaches an adequate level.
- The doors may have been opened frequently or left ajar for a long time. >>>Do not open the doors frequently.
- The door may have been left ajar. >>>Close the door completely.
- The refrigerator may have been just plugged in or loaded with food. >>>This is normal. It takes the product longer to reach the set temperature when it has just been plugged in or loaded with food.
- Large amounts of hot food may have been placed into the refrigerator recently. >>>Do not place hot foods into the refrigerator.

Vibration or noise.

- The floor may not be stable or level. >>>If the refrigerator shakes when moved slightly, adjust the feet to balance it. Make sure that the floor is level and capable of carrying the refrigerator.
- Objects placed onto the refrigerator may cause noise. >>>Remove the objects on the refrigerator.

There are noises coming from the refrigerator like liquid spilling or spraying.

- Liquid and gas flows occur in accordance with the operating principles of the refrigerator. >>>This is normal and not a fault.

Whistle is heard from the refrigerator.

- There are fans that are used to cool the refrigerator. This is normal and not a fault.

Damp accumulates on the inner walls of refrigerator.

- Hot and humid weather increases icing and condensation. This is normal and not a fault.
- The doors may have been opened frequently or left ajar for a long time. >>>Do not open the doors frequently. Close the doors, if open.
- The door may have been left ajar. >>>Close the door completely.

Humidity occurs on the outer surface of the refrigerator or between the doors.

- Air might be humid. This is quite normal in humid weathers. >>>Condensation will disappear when the humidity level decreases.
- There might be external condensation at the section between two doors of the refrigerator if you use your product rarely. This is normal. Condensation will disappear upon frequent use.

There is a bad odour inside the refrigerator.

- No regular cleaning may have been performed. Clean the inside of the refrigerator with a sponge, lukewarm water or carbonated water.
- Some vessels or packaging materials may cause the odour. >>>Use another vessel, or packaging materials from another brand.
- Foods may have been placed into the refrigerator in vessels without covers. >>>Store the foods in closed vessels. Microorganisms emitted from vessels without a cover may cause unpleasant odours.
- Take out expired or spoiled foods from the refrigerator.

The door cannot be closed.

- Food packages may be preventing the door from closing. >>> Re-locate the packages that are obstructing the door.
- The refrigerator may be unstable on the floor. >>>Adjust the refrigerator feet as required to keep the refrigerator in balance.
- The floor may not be level or solid. >>>Make sure that the floor is level and capable of carrying the refrigerator.

Crispers are stuck.

- Foods may be touching the upper wall of the crisper. >>>Re-organise the foods in the crisper.

If The Surface Of The Product Is Hot.

High temperatures may be observed between the two doors, on the side panels and at the rear grill while the product is operating. This is normal and does not require service maintenance!

Fan keeps running when the door is open.

The fan may keep running when the door of the freezer is open.



WARNING: If you cannot eliminate the problem although you follow the instructions in this section, consult your dealer or the Authorised Service Provider. Never attempt to repair a malfunctioned product.

DISCLAIMER / WARNING

Some (simple) failures can be adequately handled by the end-user without any safety issue or unsafe use arising, provided that they are carried out within the limits and in accordance with the following instructions (see the “Self-Repair” section).

Therefore, unless otherwise authorized in the “Self-Repair” section below, repairs shall be addressed to registered professional repairers in order to avoid safety issues. A registered professional repairer is a professional repairer that has been granted access to the instructions and spare parts list of this product by the manufacturer according to the methods described in legislative acts pursuant to Directive 2009/125/EC.

However, only the service agent (i.e. authorized professional repairers) that you can reach through the phone number given in the user manual/ warranty card or through your authorized dealer may provide service under the guarantee terms. Therefore, please be advised that repairs by professional repairers (who are not authorized by Beko) shall void the guarantee.

Self-Repair

Self-repair can be done by the end-user with regard to the following spare parts: door handles, door hinges, trays, baskets and door gaskets (an updated list is also available in support.beko.com as of 1st March 2021).

Moreover, to ensure product safety and to prevent risk of serious injury, the mentioned self-repair shall be done following the instructions in the user manual for self-repair or which are available in support.

beko.com. For your safety, unplug the product before attempting any self-repair.

Repair and repair attempts by end-users for parts not included in such list and/ or not following the instructions in the user manuals for self-repair or which are available in support.beko.com, might give raise to safety issues not attributable to Beko, and will void the warranty of the product.

Therefore, it is highly recommended that end-users refrain from the attempt to carry out repairs falling outside the mentioned list of spare parts, contacting in such cases authorized professional repairers or registered professional repairers. On the contrary, such attempts by end-users may cause safety issues and damage the product and subsequently cause fire, flood, electrocution and serious personal injury to occur.

By way of example, but not limited to, the following repairs must be addressed to authorized professional repairers or registered professional repairers: compressor, cooling circuit, main board, inverter board, display board, etc.

The manufacturer/seller cannot be held liable in any case where end-users do not comply with the above.

The spare part availability of the refrigerator that you purchased is 10 years.

During this period, original spare parts will be available to operate the refrigerator properly

The minimum duration of guarantee of the refrigerator that you purchased is 24 months.

This product is equipped with a lighting source of the “G” energy class.

The lighting source in this product shall only be replaced by professional repairers.

Bitte lesen Sie vor Inbetriebnahme des Gerätes diese Anleitung!

Sehr geschätzte Kundin, sehr geschätzter Kunde,





wir hoffen, dass Sie mit Ihrem Produkt, das sorgfältig in modernen Anlagen hergestellt und mit detaillierten Qualitätsprüfungen getestet wurde, optimale Ergebnisse erzielen.

Daher empfehlen wir Ihnen, diese Bedienungsanleitung vor Inbetriebnahme des Produktes aufmerksam zu lesen. Falls Sie das Gerät an jemand anderen weitergeben, vergessen Sie nicht, diese Bedienungsanleitung ebenfalls beizulegen.

Die Anleitung hilft Ihnen, Ihr Gerät schnell und sicher zu bedienen.

- Bitte lesen Sie die Bedienungsanleitung aufmerksam, bevor Sie das Produkt aufstellen und bedienen.
- Halten Sie stets die zutreffenden Sicherheitshinweise ein.
- Bewahren Sie die Bedienungsanleitung zum künftigen Nachschlagen an einem leicht zugänglichen Ort auf.
- Bitte lesen Sie alle anderen mit dem Produkt bereitgestellten Dokumente.

Beachten Sie, dass diese Bedienungsanleitung auf verschiedene Produktmodelle zutreffen kann. Diese Anleitung weist ausdrücklich auf Unterschiede zwischen verschiedenen Modellen hin.

	Wichtige Informationen und nützliche Hinweise.
	Gefahr von Verletzungen und Sachschäden.
	Stromschlaggefahr.
	Die Verpackungsmaterialien des Gerätes wurden gemäß nationalen Umweltschutzbestimmungen aus recyclingfähigen Materialien hergestellt.

ANGABEN



SUPPLIER'S NAME

MODEL IDENTIFIER

(*)

A

A

Die Modellinformationen, wie sie in der Produktdatenbank gespeichert sind, können durch Eingabe der folgenden Website und Suche nach Ihrer Modellkennung (*) auf dem Energieetikett erreicht werden.

<https://eprel.ec.europa.eu/>

1 Wichtige Hinweise zu Sicherheit und Umwelt 3

1.1. Allgemeine Hinweise zu Ihrer Sicherheit	3
1.1.1 Kohlenwasserstoff-Warnung	6
1.1.2 Bei Produkten mit Wasserspender/Eisbereiter. . .	6
1.2. Bestimmungsgemäßer Einsatz	6
1.3. Sicherheit von Kindern	7
1.4. Erfüllung der WEEE-Vorgaben zur Entsorgung von Altgeräten:	7
1.5. Einhaltung von RoHS-Vorgaben:	7
1.6. Verpackungsinformationen	7

2 Ihr Kühlschrank 8

3 Installation 9

3.1. Der richtige Aufstellungsort.	9
3.2. Kunststoffkeile anbringen	9
3.3. Füße einstellen.	9
3.4. Stromanschluss	9
3.5. Türanschlag umkehren	10
3.6. Türanschlag umkehren	11

4 Vorbereitungen 12

4.1. Maßnahmen zum Energiesparen	12
4.2. Erste Inbetriebnahme	12

5 Produkt verwenden 13

5.1. Temperatureinstelltaste.	13
5.2. Schnellgefrieren	13
5.3. Urlaubsfunktion	13
5.4. Thermostateinstelltaste.	15
5.5. Abtauen.	15
5.6. Anzeigefeld	16
5.7. Anzeigefeld	17
5.8. Anzeigefeld	19
5.9. Anzeigefeld	22

5.10.Eisbehälter	25
5.11.Eierhalter	25
5.12.Lüfter	25
5.13. Gemüsefach	25
5.14.0-Grad-Fach	25
5.15.Das zweite gemüsefach des produktes verwenden	26
5.16.Bewegliche Türablage.	27
5.17.Verschiebbarer Vorratsbehälter	27
5.18.HerbBox/HerbFresh	27
5.19.Feuchtigkeitskontrolliertes Gemüsefach.	28
5.20.Geruchvernichtungsmodul	28
5.21.Automatischer Eisbereiter	29
5.22.Eisbereiter und Eisbehälter	29
5.23.Wasserspender	30
5.24.So benutzen Sie den Wasserspender.	30
5.25.Wassertank reinigen	30
5.26.Tropfschale	32
5.27.Frische Lebensmittel tiefkühlen.	33
5.28.Empfehlungen zur Lagerung gefrorener Lebensmittel.	33
5.29.Hinweise zum Tiefkühlbereich	33
5.30.Lebensmittel einlagern	34
5.31.Tür-offen-Alarm	34
5.32.Wechseln des Türanschlags	34
5.33.Innenbeleuchtung.	34

6 Wartung und Reinigung 35

6.1. Unangenehme Gerüche verhindern	35
6.2. Kunststoffflächen schützen	35
6.3. Innenfläche reinigen	35
6.4. Edelstahl-Außenflächen	36
6.5. Produkte mit Glastüren reinigen	36

7 Problemlösung 37

1 Wichtige Hinweise zu Sicherheit und Umwelt

Dieses Kapitel enthält Sicherheitshinweise, die Ihnen dabei helfen, die Gefahr von Verletzungen oder Sachschäden zu verhindern. Bei Nichtbeachtung dieser Anweisungen erlöschen sämtliche Gewährleistungen.

Bestimmungsgemäßer Einsatz

ACHTUNG:

Stellen Sie sicher, dass die Entlüftungsöffnungen am Aufstellort des Gerätes nicht blockiert sind.

ACHTUNG:

Um den Auftauvorgang zu beschleunigen, keine anderen mechanischen Geräte oder Geräte verwenden, die nicht vom Hersteller empfohlen sind.

ACHTUNG:

Dem Kühlmittelkreislauf keine Schäden zufügen.

ACHTUNG:

In den Lebensmittelaufbewahrungsfächern keine Geräte verwenden, die nicht vom Hersteller empfohlen sind.



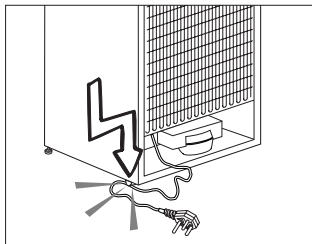
Dieses Gerät ist für die private Nutzung oder für den Gebrauch bei folgenden ähnlichen Anwendungen konzipiert worden

- In Personalküchen in Geschäften, Büros und anderen Arbeitsumgebungen;
- In Bauernhöfen, Hotels, Motels und anderen Unterkünften, für den Gebrauch der Kunden;
- Umgebungen mit Übernachtung und Frühstück;

1.1. Allgemeine Hinweise zu Ihrer Sicherheit

- Personen mit körperlichen, sensorischen oder geistigen Behinderungen, oder die sich mit dem Gerät nicht auskennen, sollten es nicht nutzen. Kinder sollten nicht daran spielen oder hineinklettern.

- Die Nichteinhaltung der Anweisungen zum Gerät oder eine unkontrollierte Nutzung des Gerätes könnten zu gefährlichen Situationen führen!
- Ziehen Sie den Netzstecker, falls während der Benutzung eine Störung auftritt.
- Falls das Produkt nicht richtig funktioniert, darf es erst nach Reparatur durch einen autorisierten Serviceanbieter in Betrieb genommen werden. Stromschlaggefahr!
- Schließen Sie das Gerät an eine geerdete Steckdose an, die mit einer Sicherung, die dem Wert auf dem Typenschild entspricht, ausgestattet ist. Lassen Sie das Produkt von einem qualifizierten Elektriker erden. Unser Unternehmen übernimmt keine Verantwortung für Schäden aufgrund einer nicht gemäß den örtlichen Bestimmungen geerdeten Steckdose.
- Ziehen Sie den Netzstecker, wenn Sie das Gerät nicht nutzen.
- Lassen Sie niemals Wasser direkt auf das Gerät gelangen; auch nicht zum Reinigen! Stromschlaggefahr!
- Berühren Sie den Netzstecker niemals mit feuchten oder gar nassen Händen!
- Trennen Sie das Gerät niemals durch Ziehen am Kabel vom Stromnetz. Greifen Sie beim Ziehen immer am Stecker.



- Achten Sie beim Aufstellen des Gerätes darauf, dass das Netzkabel nicht eingeklemmt oder anderweitig beschädigt wird.

Hinweise zu Sicherheit und Umwelt

- Platzieren Sie nicht mehrere Mehrfachsteckdosen oder Netzteile hinter dem Gerät.
- Schließen Sie den Kühlschrank nicht an lose Steckdosen an.
- Verbinden Sie Ihren Kühlschrank nie mit Energiesparvorrichtungen. Solche Systeme können dem Gerät schaden.
- Sorgen Sie dafür, dass das Gerät bei Installation, Pflege, Reinigung und Reparaturen komplett vom Stromnetz getrennt wird.
- Überlassen Sie die Produktaufstellung und den elektrischen Anschluss immer einem **autorisierten Serviceanbieter**. Der Hersteller übernimmt keine Verantwortung für Schäden, die durch von nicht autorisierten Personen ausgeführten Arbeitsschritten verursacht werden.
- Verzehren Sie Speiseeis und Eiswürfel nicht unmittelbar nach der Entnahme aus dem Tiefkühlbereich! Andernfalls kann es zu Erfrierungen an den Lippen kommen.
- Berühren Sie gefrorene Lebensmittel nicht mit feuchten Händen! Die Lebensmittel können an den Händen festfrieren!
- Bewahren Sie Getränke in Flaschen und Dosen niemals im Tiefkühlbereich auf. Sie können platzen!
- Verwenden Sie zum Reinigen oder Abtauen des Kühlschranks niemals Dampf oder Dampfreiniger. Wenn Dampf mit spannungsführenden Teilen in Ihrem Kühlschrank in Berührung kommt, drohen Kurzschlüsse und Stromschläge!
- Nutzen Sie keine mechanischen oder anderen Hilfsmittel, um das Gerät abzutauen – es sei denn, solche Hilfsmittel werden ausdrücklich vom Hersteller empfohlen.
- Missbrauchen Sie niemals Teile Ihres Kühlschranks (z. B. Tür oder Schubladen) als Befestigungen oder Kletterhilfen. Mit anderen Worten: Stellen Sie sich niemals auf Teile Ihres Kühlschranks, hängen Sie sich nicht daran. Dies gilt natürlich auch für Kinder. Andernfalls kann das Gerät umkippen und beschädigt werden.
- Achten Sie darauf, den Kühlkreislauf keinesfalls mit Bohr- oder Schneidwerkzeugen zu beschädigen. Das Kühlmittel kann herausspritzen, wenn die Gaskanäle des Verdunsters, Rohr- und Schlauchleitungen oder Oberflächenversiegelungen beschädigt werden. Dies kann zu Hautreizungen und Augenverletzungen führen.
- Decken Sie keinerlei Belüftungsöffnungen des Kühlschranks ab.
- Lagern Sie hochprozentige alkoholische Getränke gut verschlossen und aufrecht.
- Benutzen Sie keine Sprays in der Nähe des Gerätes; es besteht eine gewisse Brand- und Explosionsgefahr!
- Bewahren Sie in dem Gerät niemals entflammbare oder explosive Produkte auf oder solche, die entflammbare oder explosive Gase (z. B. Spray) enthalten.
- Stellen Sie keine mit Flüssigkeiten gefüllten Gegenstände auf dem Produkt ab. Falls Wasser oder

Hinweise zu Sicherheit und Umwelt

- andere Flüssigkeiten an elektrische Teile gelangen, kann es zu Stromschlägen oder Bränden kommen.
- Bewahren Sie Gegenstände, die eine präzise Temperatureinstellung benötigen (wie Impfstoffe, hitzeempfindliche Medikamente, wissenschaftliche Materialien usw.) nicht im Kühlschrank auf.
 - Ziehen Sie den Netzstecker und entnehmen Sie die Lebensmittel, falls das Produkt voraussichtlich längere Zeit nicht benutzen.
 - Falls der Kühlschrank über ein blaues Licht verfügt, blicken Sie nicht mit optischen Werkzeugen in dieses Licht.
 - In Bezug auf die elektrische Sicherheit besteht Gefahr, wenn das Produkt Regen, Schnee, direkter Sonneneinstrahlung und Wind ausgesetzt wird.
 - Bei Geräten mit mechanischer Temperaturregelung (Thermostat) warten Sie nach Unterbrechungen der Stromversorgung grundsätzlich mindestens 5 Minuten lang ab, bevor Sie den Netzstecker wieder einstecken.
 - Überladen Sie den Kühlschrank nicht. Gegenstände im Kühlschrank könnten herunterfallen und Verletzungen oder Schäden verursachen, wenn die Tür geöffnet wird. Ähnliche Probleme können auftreten, wenn ein Gegenstand auf dem Produkt platziert wird.
 - Falls das Gerät einen Türgriff hat, bewegen Sie es nicht durch Ziehen am Griff. Der Griff könnte sich lockern.
 - Achten Sie darauf, dass Ihre Hände sowie andere Körperteile nicht zwischen die beweglichen Teile des Kühlschranks geraten.
 - Stecken Sie weder Ihre Hand noch irgendwelche Gegenstände in den Eisbereiter, während er in Betrieb ist.
 - Kinder im Alter von 3 bis 8 Jahren dürfen Kühlgeräte ein- und ausräumen.
 - Vermeiden Sie durch Einhaltung der folgenden Anweisungen Lebensmittelkontamination:
 - Durch langes Öffnen der Tür kann die Temperatur in den Fächern des Gerätes drastisch ansteigen.
 - Reinigen Sie die Oberflächen, die mit Lebensmitteln in Berührung kommen, sowie zugängliche Ableitungssysteme regelmäßig.
 - Reinigen Sie Wassertanks, wenn diese 48 Stunden lang nicht benutzt wurden; spülen Sie das an die Wasserversorgung angeschlossene Wassersystem durch, falls 5 Tage lang kein Wasser entnommen wurde.
 - Bewahren Sie rohes Fleisch und Fisch in geeigneten Behältern im Kühlschrank auf, damit diese nicht mit anderen
 - Lebensmitteln in Berührung kommen.
 - Zwei-Sterne-Gefrierfächer eignen sich zur Aufbewahrung von Tiefkühlkost, zur Lagerung oder Herstellung von Speiseeis und zur Herstellung von Eiswürfeln.
 - Ein-, Zwei- und Drei-Sterne-Fächer eignen sich nicht zum Einfrieren frischer Lebensmittel.

Hinweise zu Sicherheit und Umwelt

- Falls das Kühlgerät lange Zeit leer bleibt, sollten Sie es abschalten, abtauen, reinigen, trocknen und die
- Tür geöffnet lassen, damit sich kein Schimmel im Gerät bildet.
- Achten Sie beim Aufstellen des Gerätes darauf, dass das Netzkabel nicht eingeklemmt oder anderweitig beschädigt wird.
- Platzieren Sie nicht mehrere Mehrfachsteckdosen oder Netzteile hinter dem Gerät.

1.1.1 Kohlenwasserstoff-Warnung

- Falls das Kühlsystem Ihres Produktes R600a enthält:
Dieses Gas ist leicht entflammbar. Achten Sie also darauf, Kühlkreislauf und Leitungen während Betrieb und Transport nicht zu beschädigen. Halten Sie das Produkt bei Schäden von möglichen Feuerquellen fern und belüften Sie den Raum, in dem das Produkt aufgestellt ist.

	Halten Sie sich vom Gas fern, falls das Produkt beschädigt ist und offensichtlich Gas austritt. Es kann bei Hautkontakt Erfrierungen verursachen. (Einschließlich R134)
	Ignorieren Sie diese Warnung, falls das Kühlsystem Ihres Produktes R134a enthält.
	Die Art des im Produkt eingesetzten Gases wird auf dem Typenschild an der linken Innenwand des Kühlschranks angegeben.
	WARNUNG: Entsorgen Sie das Produkt keinesfalls durch Verbrennen.

1.1.2 Bei Produkten mit Wasserspender/Eisbereiter

- Der Druck für die Kaltwasserzufuhr sollte maximal 90 psi (620 kPa) betragen. Wenn der Wasserdruck in Ihrem Haushalt 80 psi (550 kPa) übersteigt, verwenden Sie bitte ein Druckbegrenzungsventil in Ihrem Leitungssystem. Sollten Sie nicht wissen, wie der Wasserdruck gemessen wird, ziehen Sie bitte einen Fachinstallateur hinzu.
- Falls die Gefahr von Wasserschlägen in Ihrer Installation besteht, nutzen Sie immer eine Wasserschlag-Präventionsausrüstung in dieser Installation. Wenden Sie sich an einen professionellen Klempner, wenn Sie nicht sicher sind, ob bei Ihrer Installation die Gefahr eines Wasserschlags besteht.
- Nehmen Sie keine Installation am Warmwasserzulauf vor.
- Nutzen Sie ausschließlich Trinkwasser.
- Schützen Sie die Schläuche mit geeigneten Maßnahmen vor Frost. Der Wassertemperaturbereich muss zwischen 0,6 und 38 °C liegen.

	WARNUNG: Schließen Sie das Produkt niemals an einen Kaltwasseranschluss mit einem Druck von 550 kPa oder mehr an.
---	---

1.2. Bestimmungsgemäßer Einsatz

- Dieses Gerät ist zur Nutzung im Haushalt vorgesehen. Es eignet sich nicht zum kommerziellen Einsatz und darf nur für seinen bestimmungsgemäßen Einsatzzweck verwendet werden.

Hinweise zu Sicherheit und Umwelt

- Es darf nur zur Aufbewahrung von Lebensmitteln genutzt werden.
- Der Hersteller übernimmt keine Verantwortung für Schäden aufgrund von unsachgemäßem Gebrauch oder Transport.
- Originalersatzteile sind ab Kaufdatum des Produktes 10 Jahre erhältlich.

1.3. Sicherheit von Kindern

- Wenn Sie ein Schloss an der Gerätetür haben, sollte der Schlüssel außerhalb der Reichweite von Kindern aufbewahrt werden.
- Kinder dürfen nicht mit dem Gerät spielen.

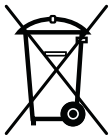
GEFAHR:

Bevor Sie Ihr Altgerät entsorgen:



- Kinder könnten sich im Inneren des Gerätes einsperren.
- Entfernen Sie die Türen.
- Lassen Sie die Ablagen im Gerät, damit Kinder nicht so einfach in das Produkt gelangen.

1.4. Erfüllung der WEEE-Vorgaben zur Entsorgung von Altgeräten:



Dieses Produkt erfüllt die Vorgaben der europäischen WEEE-Richtlinie (2012/19/EU). Das Gerät wurde mit einem Klassifizierungssymbol für elektrische und elektronische Altgeräte (WEEE) gekennzeichnet.

Dieses Gerät wurde aus hochwertigen

Materialien hergestellt, die wiederverwendet und recycelt werden können. Entsorgen Sie das Gerät am Ende seiner Einsatzzeit daher nicht mit dem regulären Hausmüll oder anderen Abfällen. Bringen

Sie das Gerät zu einer Sammelstelle zum Recycling von elektrischen und elektronischen Geräten. Ihre Stadtverwaltung informiert Sie gerne über geeignete Sammelstellen in Ihrer Nähe.

1.5. Einhaltung von RoHS-Vorgaben:

Das von Ihnen erworbene Gerät erfüllt die Anforderungen der europäischen RoHS-Richtlinie (2011/65/EU). Es enthält keine in der Richtlinie angegebenen gefährlichen oder unzulässigen Materialien.

1.6. Verpackungsinformationen

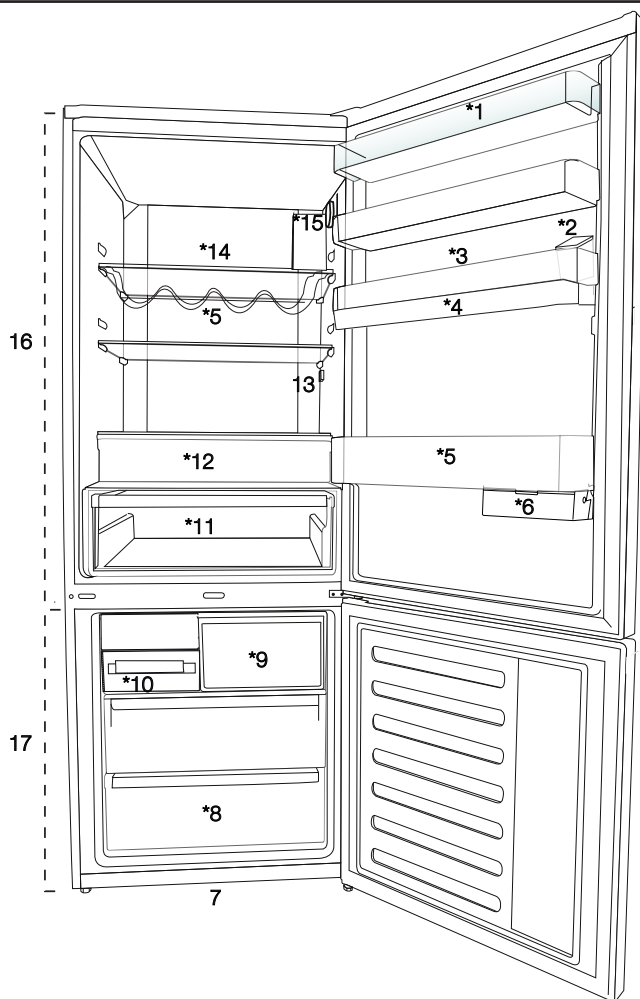
- Die Verpackungsmaterialien des Gerätes wurden gemäß nationalen Umweltschutzbestimmungen aus recyclingfähigen Materialien hergestellt. Entsorgen Sie Verpackungsmaterialien nicht mit dem normalen Hausmüll oder anderen Abfällen. Bringen Sie diese Materialien zu einer von Ihrer Stadtverwaltung vorgesehenen Recyclingstelle.

GEFAHR:

Brand- oder Explosionsgefahr:



- Dieses Produkt nutzt ein entflammables Kühlmittel.
- Tauen Sie den Kühlschrank nicht mit mechanischen Geräten ab.
- Verwenden Sie zur Reinigung keine Chemikalien.
- Durchstechen Sie die Kühlmittelleitung nicht.
- Falls die Kühlmittelleitung durchstochen wird, darf sie nur von autorisiertem Servicepersonal repariert werden.
- Bitte wenden Sie sich vor der Reinigung des Produktes an die Reparatur- / Bedienungsanleitung. Alle Sicherheitshinweise müssen befolgt werden.
- Entsorgen Sie das Produkt entsprechend den staatlichen oder örtlichen Vorschriften.



1. Kühlbereich-Türablage
2. Wasserspender-Befüllung
3. Eierhalter
4. Wasserspender-Tank
5. Flaschenablage
6. Verschiebbarer Vorratsbehälter
7. Einstellbare FüÙe
8. Tiefkühlbereich
9. Schnellgefrierfach
10. Eisbereiter und Eisbehälter

11. Gemüsefach
12. 0-Grad-Fach
13. Innenbeleuchtung
14. Kühlbereichglasablage
15. Temperatureinstelltaste
16. Kühlbereich
17. Tiefkühlbereich




Trifft möglicherweise nicht auf alle Modelle zu



*** Optional:** Die Abbildungen in dieser Anleitung dienen lediglich der Veranschaulichung und müssen nicht absolut exakt mit Ihrem Produkt übereinstimmen. Falls Ihr Produkt nicht über die entsprechenden Teile verfügt, betreffen die Informationen andere Modelle.

3.1. Der richtige Aufstellungsort

Wenden Sie sich zur Aufstellung des Gerätes an den autorisierten Kundendienst. Bereiten Sie das Gerät auf die Aufstellung vor, indem Sie die Informationen in der Bedienungsanleitung beachten und sicherstellen, dass Strom- und Wasseranschlüsse wie erforderlich vorhanden sind. Falls nicht, wenden Sie sich zum Nachrüsten an einen Elektriker oder Klempner.

	WARNUNG: Der Hersteller haftet nicht für jegliche Schäden, die durch Arbeiten entstanden sind, die nicht von autorisierten Personen durchgeführt wurden.
	WARNUNG: Bei der Aufstellung muss das Gerät vollständig vom Stromnetz getrennt sein. Andernfalls drohen ernsthafte oder sogar tödliche Verletzungen!
	WARNUNG: Falls das Gerät nicht durch die Tür passt, entfernen Sie die Gerätetür und drehen Sie das Gerät auf die Seite; falls es dennoch nicht passt, wenden Sie sich an den autorisierten Kundendienst.

- Stellen Sie das Gerät auf einem flachen Untergrund auf, damit es weder wackelt noch kipzelt.
- Stellen Sie das Gerät mindestens 30 cm von Heizungen, Öfen und ähnlichen Wärmequellen auf; halten Sie einen Mindestabstand von 5 cm zu elektrischen Öfen ein.
- Setzen Sie das Gerät keinem direkten Sonnenlicht und keinen feuchten Umgebungen aus.
- Damit das Gerät effizient arbeitet, ist eine angemessene Luftzirkulation erforderlich.
- Falls Sie das Gerät in einer Nische aufstellen, achten Sie darauf, dass mindestens 5 cm zur Decke und zu den Wänden frei bleiben.
- Stellen Sie das Gerät nicht in Umgebungen mit Temperaturen unter -5 °C auf.

3.2. Kunststoffkeile anbringen

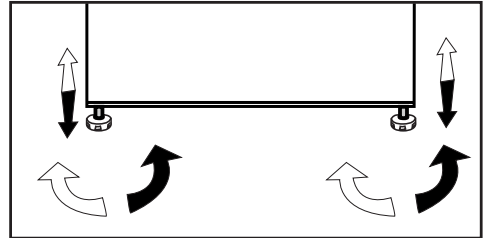
Sorgen Sie zur Gewährleistung einer angemessenen Luftzirkulation mit Hilfe der mitgelieferten Kunststoffkeile für genügend Platz zwischen dem Gerät und der Wand.

1. Zur Befestigung der Keile entfernen Sie die Schrauben am Produkt und verwenden die mit den Keilen gelieferten Schrauben.

2. Befestigen Sie die beiden Kunststoffkeile wie in der Abbildung gezeigt an der Abdeckung der Belüftungsöffnungen.

3.3. FüÙe einstellen


Falls das Produkt nicht exakt in Waage steht, passen Sie die vorderen einstellbaren FüÙe durch Drehen nach rechts oder links an.



3.4. Stromanschluss

	WARNUNG: Verwenden Sie keine Mehrfachsteckdosen oder Verlängerungskabel.
	WARNUNG: Beschädigte Netzkabel müssen vom autorisierten Kundendienst ausgetauscht werden.
	Wenn Sie zwei Kühlgeräte nebeneinander aufstellen, halten Sie einen Mindestabstand von 4 cm zwischen den Geräten ein.

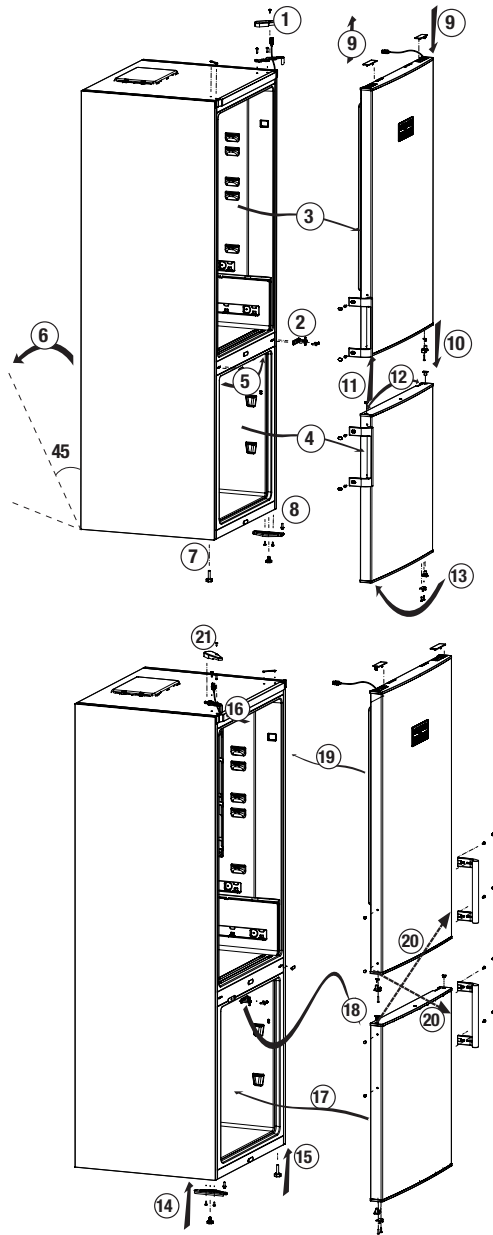
- Unser Unternehmen haftet nicht für jegliche Schäden, die durch eine Inbetriebnahme ohne Erdung oder einen nicht mit nationalen Richtlinien übereinstimmenden Stromanschluss verursacht werden.
- Der Netzstecker muss nach der Installation frei zugänglich bleiben.
- Verwenden Sie zwischen Steckdose und Kühlschrank keine Mehrfachsteckdose mit oder ohne Verlängerungskabel.

	<p>Achtung: Warnung vor heißen Oberflächen</p> <p>Die Seitenwände Ihres Geräts sind mit Kühlmittelleitungen für ein verbessertes Kühlsystem ausgestattet. Kühlmittel mit hohen Temperaturen können in diesen Bereichen 2der Seitenwände fließen.</p> <p>Das ist normal und erfordert keinerlei Reparatur oder Wartung. Bitte seien Sie vorsichtig, wenn Sie diese Bereiche berühren.</p>
---	---

Installation

3.5. Türanschlag umkehren

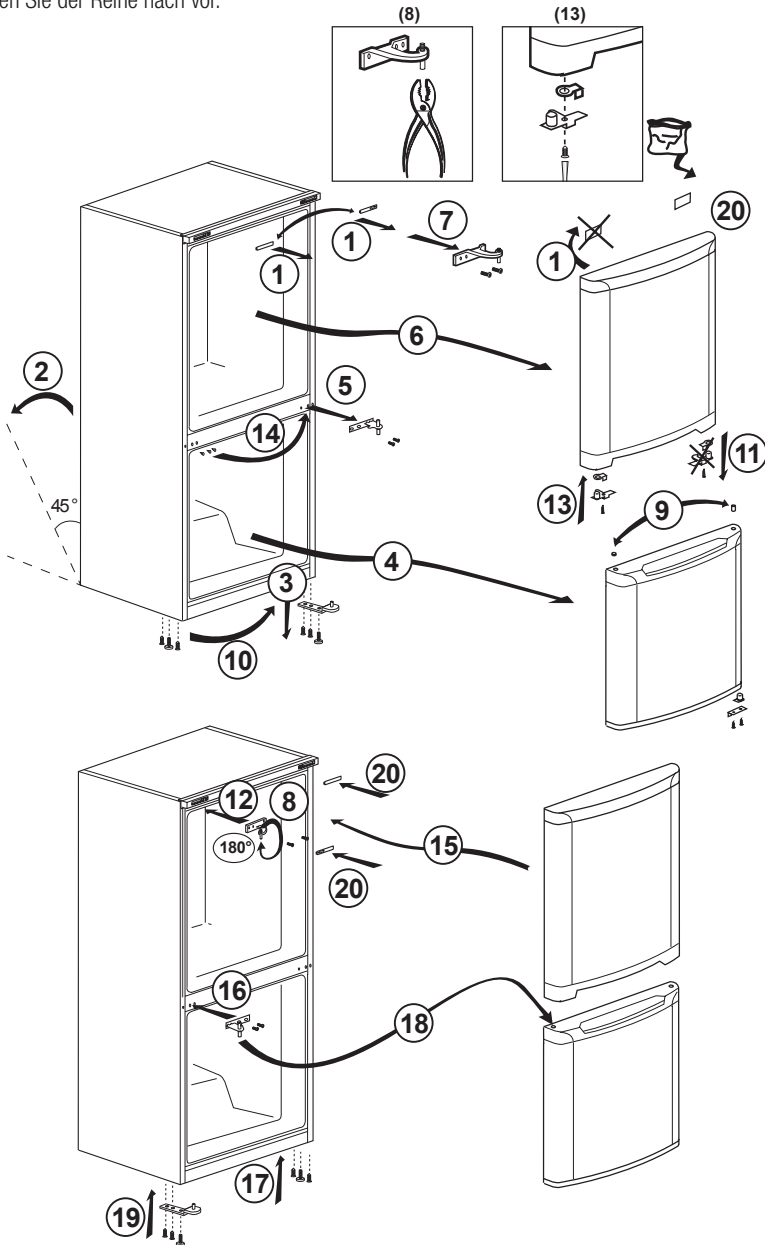
Gehen Sie der Reihe nach vor.



Installation

3.6. Türanschlag umkehren

Gehen Sie der Reihe nach vor.



4.1. Maßnahmen zum Energiesparen

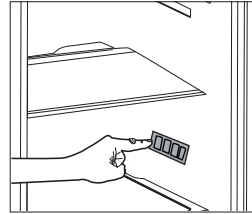


Der Anschluss des Gerätes an Energiesparsysteme birgt Risiken, da Schäden am Gerät auftreten können.

- Für ein freistehendes Gerät; „Dieses Kühlgerät darf nicht als Einbaugerät verwendet werden.
- Geräetüren nicht längere Zeit offen stehen lassen.
- Keine warmen oder gar heißen Lebensmittel oder Getränke in den Kühlschrank geben.
- Kühlschrank nicht überladen; wird der interne Luftstrom blockiert, verringert sich die Kühlkapazität.
- Damit Sie die maximale Menge Lebensmittel im Kühlbereich Ihres Kühlschranks einlagern können, sollten Sie die oberen Schubladen herausnehmen und auf die Glasablage stellen. Der angegebene Energieverbrauch Ihres Kühlschranks wurde ohne Kühlbereich, Eisablage und obere Schubladen zur Erzielung maximalen Stauraums ermittelt. Beim Einlagern wird die Verwendung der unteren Schublade dringend empfohlen. Für optimalen Energieverbrauch sollte die Energiesparfunktion aktiviert werden.
- Platzieren Sie Lebensmittel nicht vor dem Lüfter, damit die Luftzirkulation nicht blockiert wird. Halten Sie beim Verstauen von Lebensmitteln einen Mindestabstand von 3 cm vor dem Schutzgitter des Lüfters ein.
- Je nach Produktmerkmalen können Sie durch Auftauen gefrorener Lebensmittel im Kühlbereich Energie sparen und die Qualität der Lebensmittel bewahren.
- Lebensmittel sollten zur Gewährleistung eines geringen Energieverbrauchs und zum Schutz der Lebensmittel unter besseren Bedingungen in den Schubladen im Kühlbereich verstaut werden.
- Verpackte Lebensmittel sollten den Wärmesensor im Kühlfach nicht berühren. Andernfalls kann sich der Energieverbrauch des Gerätes erhöhen.
- Achten Sie darauf, dass Lebensmittel nicht den nachstehend beschriebenen Temperatursensor im Kühlbereich berühren.
- Da bei geöffneten Türen heiße und feuchte Luft nicht direkt in Ihr Produkt eindringt, optimiert sich Ihr Produkt unter ausreichenden Bedingungen zum Schutz Ihrer Lebensmittel. Funktionen und Komponenten wie Kompressor, Gebläse, Heizgerät, Abtaufunktion, Beleuchtung, Anzeige usw. arbeiten entsprechend den Anforderungen, um unter diesen Bedingungen minimale Energie zu verbrauchen.

4.2. Erste Inbetriebnahme

Stellen Sie vor Inbetriebnahme Ihres Kühlschranks sicher, dass die erforderlichen Vorbereitungen entsprechend den Anweisungen in den Abschnitten „Hinweise zu Sicherheit und Umwelt“ und „Installation“ getroffen wurden.



- Lassen Sie den Kühlschrank etwa 6 Stunden lang leer arbeiten; verzichten Sie in dieser Zeit möglichst vollständig auf das Öffnen der Türen.



Beim Anspringen des Kompressors sind Geräusche zu hören. Es ist normal, dass das Gerät auch bei inaktivem Kompressor Geräusche macht; diese werden durch komprimierte Flüssigkeiten und Gase im Kühlsystem verursacht.



Die Vorderkanten des Kühlschranks können sich etwas erwärmen. Dies ist völlig normal. Diese Bereiche wärmen sich etwas auf, damit sich kein Kondenswasser bildet.



Bei einigen Modellen verdunkelt sich das Anzeigefeld automatisch 5 Minuten nach Schließen der Tür. Beim Öffnen der Tür oder bei Betätigung einer Taste wird es wieder aktiviert.

- Da bei geöffneten Türen heiße und feuchte Luft nicht direkt in Ihr Produkt eindringt, optimiert sich Ihr Produkt unter ausreichend
- en Bedingungen zum Schutz Ihrer Lebensmittel. Funktionen und Komponenten wie Kompressor, Gebläse, Heizgerät, Abtaufunktion, Beleuchtung, Anzeige usw. arbeiten entsprechend den Anforderungen, um unter diesen Bedingungen minimale Energie zu verbrauchen.

5 Produkt verwenden

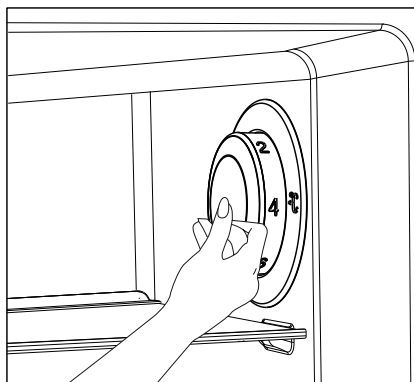
5.1. Temperatureinstelltaste

Die Innentemperatur Ihres Kühlschranks hängt teilweise von folgenden Einflüssen ab:


- Umgebungstemperatur
- Häufiges Öffnen der Tür, Offenstehen der Tür über längere Zeit
- Einlagern von Lebensmitteln, ohne diese zuvor auf Raumtemperatur abkühlen zu lassen.
- Platzierung des Kühlschranks innerhalb des Raumes (z. B. im direkten Sonnenlicht).
- Da die Innentemperatur aufgrund solcher Faktoren variieren kann, können Sie sie über den Temperatureinstellknopf anpassen.

Die Ziffern rund um den Einstellknopf zeigen die Temperatur in „°C“.

Falls die Umgebungstemperatur 20 °C beträgt, sollten Sie die Kühlschranktemperatur auf 4 °C anpassen. Bei anderen Umgebungstemperaturen kann dieser Wert angepasst werden.




5.2. Schnellgefrieren

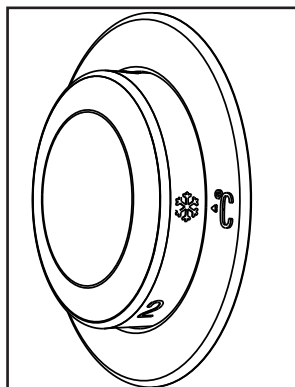
Wenn Sie große Mengen frischer Lebensmittel einfrieren möchten, stellen Sie den Temperatureinstellknopf auf die Position  ein, bevor Sie die Lebensmittel in den Tiefkühlbereich geben.

Wir empfehlen, den Knopf mindestens 24 Stunden lang in dieser Position zu belassen – so können Sie die maximale Menge an Gefriergut verarbeiten. Achten Sie vor allem darauf, gefrorene und frische Lebensmittel nicht zu vermischen.

Denken Sie daran, den Temperatureinstellknopf anschließend auf seine vorherige Position einzustellen.

5.3. Urlaubsfunktion

Falls die Gerätetüren () mindestens 12 Stunden lang nach Anpassung des Temperatureinstellknopfs auf die höchste Position nicht geöffnet werden, wird automatisch die Urlaubsfunktion aktiviert.



Trifft möglicherweise nicht auf alle Modelle zu

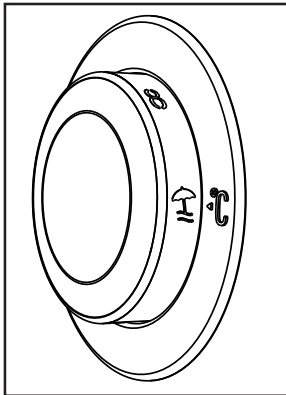


* **Optional:** Die Abbildungen in dieser Anleitung dienen lediglich der Veranschaulichung und müssen nicht absolut exakt mit Ihrem Produkt übereinstimmen. Falls Ihr Produkt nicht über die entsprechenden Teile verfügt, betreffen die Informationen andere Modelle.

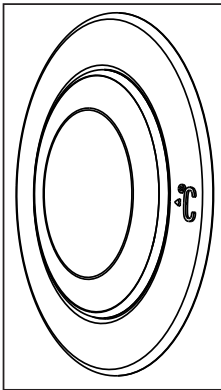
Produkt verwenden

Zum Abbrechen der Funktion muss der Knopf auf eine andere Position eingestellt werden.

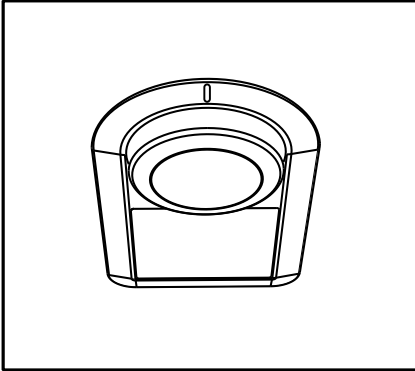
Wir raten davon ab, Lebensmittel bei aktiver Urlaubsfunktion im Kühlbereich aufzubewahren.



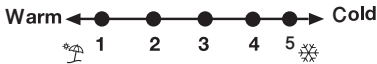
- Nach Abschluss der Einstellung können Sie den Temperatureinstellknopf durch Hineindrücken verbergen.



Produkt verwenden



Die Betriebstemperatur wird über die Temperatursteuerung reguliert.



1=Schwächste Kühlung (wärmste Einstellung)

4=Stärkste Kühlung (kälteste Einstellung)

Die Durchschnittstemperatur im Inneren des Kühlschranks sollte bei etwa +5 °C liegen.

Bitte wählen Sie die der gewünschten Temperatur entsprechende Einstellung.

Bitte beachten Sie, dass im Kühlbereich unterschiedliche Temperaturen herrschen.

Der kälteste Bereich befindet sich unmittelbar über dem Gemüsefach.

Die Innentemperatur hängt auch von der Umgebungstemperatur ab, außerdem davon, wie oft die Tür geöffnet wird und wie viel Lebensmittel im Inneren gelagert werden.

Beim häufigen Öffnen der Tür steigt die Innentemperatur an.

Aus diesem Grund empfehlen wir, die Tür möglichst schnell wieder zu schließen.

5.4. Thermostateinstelltaste

Die Innentemperatur Ihres Kühlschranks hängt teilweise von folgenden Einflüssen ab:

- Umgebungstemperatur
- Häufigkeit der Türöffnungen, Offenstehen der Tür über längere Zeit

- Einlagern von Lebensmitteln, ohne diese zuvor auf Raumtemperatur abkühlen zu lassen
- Platzierung des Kühlschranks innerhalb des Raumes (z. B. im direkten Sonnenlicht).
- Zum Anpassen der Innentemperatur an solche Einflüsse benutzen Sie das Thermostat. Die Zahlen rund um die Thermostateinstelltaste zeigen die Kühlungsleistung an.
- Falls die Umgebungstemperatur mehr als 32 °C beträgt, wählen Sie die höchstmögliche Thermostateinstellung.
- Sofern die Umgebungstemperatur weniger als 25 °C beträgt, wählen Sie die geringste Thermostateinstellung.

5.5. Abtauen

Kühlbereich

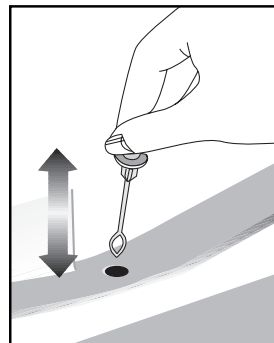
Der Kühlbereich taut vollautomatisch ab. Im Betrieb können sich Wassertropfen und eine 7 – 8 mm starke Eisschicht an der Innenwand des Kühlbereiches absetzen. Dies ist vollkommen normal und ein Nebeneffekt des Kühlsystems. Dank des automatischen Abtausystems an der Rückwand wird das Eis in bestimmten Abständen automatisch abgetaut. Weder Eis noch Wassertropfen müssen manuell entfernt werden.

Beim Abtauen läuft das Tauwasser in die Ablaufrinne und fließt anschließend zum Verdampfer – hier verdunstet das Wasser automatisch.

Der Tiefkühlbereich wird nicht automatisch abgetaut, da es ansonsten schnell zum Verderben gefrorener Lebensmittel kommen könnte.

Der Tiefkühlbereich taut automatisch ab.

Überzeugen Sie sich regelmäßig davon, dass der Ablauf nicht verstopft ist; beseitigen Sie eventuelle Verstopfungen mit dem Stäbchen.



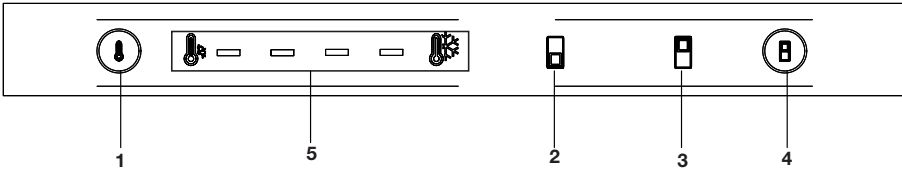
Trifft möglicherweise nicht auf alle Modelle zu

Produkt verwenden

5.6. Anzeigefeld

Die Anzeigefelder können je nach Modell etwas anders ausfallen.

Audiovisuelle Funktionen am Anzeigefeld helfen Ihnen bei der Bedienung Ihres Gerätes.



1. Taste zur Änderung des Kühlwertes: Dient der Anpassung des Kühlwertes von Kühl- und Tiefkühlbereich. Wenn Sie diese Taste drücken, während die Tiefkühlbereichsanzeige (2) leuchtet, ändert sich die Kühlung des Tiefkühlbereichs. Wenn Sie diese Taste drücken, während die Kühlbereichsanzeige (3) leuchtet, ändert sich die Kühlung des Kühlbereichs.
2. Tiefkühlbereichsanzeige: Wenn diese Anzeige aktiv ist, wird der aktuelle Kühlwert des Tiefkühlbereichs an der Kühlanzeige (5) angezeigt. Sie können die Taste zum Ändern des Kühlwertes (1) drücken, um den Kühlwert des Tiefkühlbereichs zu ändern.
3. Kühlbereichsanzeige: Wenn diese Anzeige aktiv ist, wird der aktuelle Kühlwert des Kühlbereichs an der Kühlanzeige (5) angezeigt. Sie können die Taste zum Ändern des Kühlwertes (1) drücken, um den Kühlwert des Kühlbereichs zu ändern.
4. Kühlbereichsauswahl Taste: Dient der Auswahl von Kühl- und Tiefkühlbereich.
5. Kühlanzeige: Zeigt den Kühlwert des ausgewählten Bereichs. Kühlwert erhöht von links nach rechts.

Trifft möglicherweise nicht auf alle Modelle zu



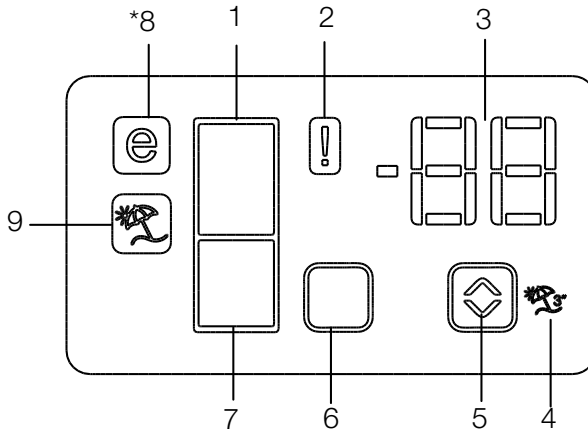
* **Optional:** Die Abbildungen in dieser Anleitung sind skizzenhaft und stimmen möglicherweise nicht exakt mit Ihrem Produkt überein. Falls Ihr Produkt nicht über die entsprechenden Teile verfügt, betreffen die Informationen andere Modelle.

Produkt verwenden

5.7. Anzeigefeld

Die Anzeigefelder können je nach Modell etwas anders ausfallen.

Audiovisuelle Funktionen am Anzeigefeld helfen Ihnen bei der Bedienung Ihres Gerätes.



1. Anzeige Kühlbereich
2. Anzeige Fehlerzustand
3. Temperatureinstellanzeige
4. Die Ferienfunktion-Taste (Drücken Sie die Taste 5 für 3 Sekunden)
5. Temperatureinstellungsknopf
6. Bereichsauswahl-Taste
7. Anzeige Tiefkühlbereich-Schubladen
8. Anzeige Eco-Modus
9. Ferienfunktion-Taste

***optional**

Trifft möglicherweise nicht auf alle Modelle zu



*** Optional:** Die Abbildungen in dieser Anleitung sind skizzenhaft und stimmen möglicherweise nicht exakt mit Ihrem Produkt überein. Falls Ihr Produkt nicht über die entsprechenden Teile verfügt, betreffen die Informationen andere Modelle.

Produkt verwenden

1. Anzeige Kühlbereich

Wenn Sie die Temperatur des Kühlbereichs einstellen möchten, wählen Sie mit der Taste 6 die Anzeige Kühlbereich aus.

2. Anzeige Fehlerzustand

Diese Anzeige () leuchtet bei Hochtemperatur- und Fehlerwarnungen.

Wenn sich die Gefrierraumtemperatur auf einen kritischen Wert für Tiefkühlkost erwärmt, zeigen diese Anzeige und die Temperaturanzeige abwechselnd die höchste vom Gefrierraum erreichte Temperatur und Temperatureinheit an.

Überprüfen Sie die Lebensmittel im Gefrierfach. Diese Anzeige wird automatisch ausgeschaltet, wenn die

Gefrierraumtemperatur auf ein ausreichendes Niveau abgekühlt ist.


Diese Anzeige () leuchtet auch auf, wenn eine Fehlfunktion des Sensors auftritt. Wenn diese Anzeige leuchtet, zeigt die Temperaturanzeige abwechselnd «E» und Zahlen wie „1,2,3 ...“ an.

Diese Zahlen im Display informieren das Servicepersonal über den Fehler.

3. Temperatureinstellanzeige

Zeigt die eingestellte Temperatur des Kühl- und Gefrierraums an.

4 . Ferienfunktion-Taste

Drücken Sie die Temperatureinstellungstaste 5 für 3 Sekunden, um die Ferienfunktion zu aktivieren. Wenn die Ferienfunktion aktiviert () ist, zeigt die Temperaturanzeige des Kühlfachs «- -» an und es finden im Kühlfach keine aktiven Kühlvorgänge statt. Bei dieser Funktion ist es nicht geeignet, dass Sie Lebensmittel im Kühlfach lagern. Das Gefrierfach kühlt sich entsprechend der eingestellten Temperatur weiter ab.

Um diese Funktion zu deaktivieren, drücken Sie erneut die Temperatureinstellungstaste 5 für 3 Sekunden.

5. Temperatureinstellungsknopf

Dient zum Einstellen der Temperatur des ausgewählten Fachs. Das Gefrierfach kann zwischen 18- °C ... 24- °C und das Kühlfach zwischen 8 °C ... 1 °C gewechselt werden.

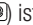
6. Bereichsauswahl-Taste

Drücken Sie die Fachauswahlstaste () , um zwischen den Kühlfächern und Gefrierfächern zu wechseln.

7. Anzeige Gefrierfach


Wenn Sie die Temperatur des Gefrierfachs einstellen möchten, wählen Sie mit der Taste 6 die Anzeige Gefrierfach aus.

8. Anzeige Eco-Modus

Zeigt an, dass sich der Kühlschrank im Energiesparmodus befindet. Diese Anzeige () ist aktiv, wenn die

Temperatur im Gefrierfach auf 18- °C eingestellt ist.

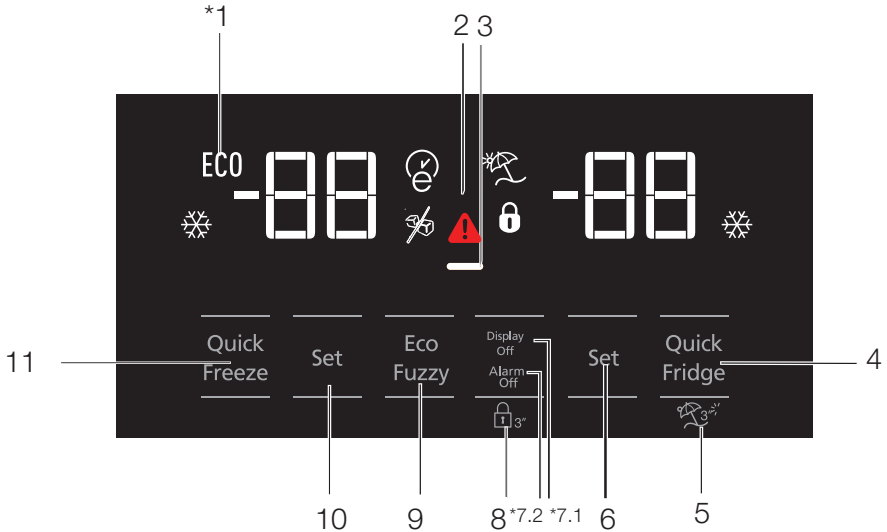
9. Anzeige Ferienfunktion

Zeigt an, dass die Ferienfunktion () aktiv ist.

Produkt verwenden

5.8. Anzeigefeld

Das Anzeigefeld ermöglicht Ihnen die Einstellung der Temperatur und die Steuerung anderer Funktionen, ohne dass Sie die Tür des Produktes öffnen müssen. Drücken Sie einfach die Beschriftungen der entsprechenden Tasten zur Funktionseinstellung.



- 1- Ökonomischer Einsatz
- 2- Hohe Temperatur / Fehleralarm
- 3- Energiesparfunktion (Display aus)
- 4- Schnellkühlen
- 5- Urlaubsfunktion
- 6- Kühlbereichtemperatureinstellung
- 7- Energiesparen (Display aus)/ Alarm-Aus-Warnung
- 8- Bedienfeldsperre
- 9- Öko-Fuzzy
- 10- Tiefkühlbereichtemperatureinstellung
- 11- Schnellgefrieren

Trifft möglicherweise nicht auf alle Modelle zu



*** Optional:** Die Abbildungen in dieser Anleitung dienen lediglich der Veranschaulichung und müssen nicht absolut exakt mit Ihrem Produkt übereinstimmen. Falls Ihr Produkt nicht über die entsprechenden Teile verfügt, betreffen die Informationen andere Modelle.

Produkt verwenden

1. Ökonomischer Einsatz

Dieses Zeichen leuchtet auf, wenn die Temperatur des Tiefkühlbereichs auf -18 °C eingestellt ist; dies ist die ökonomischste Einstellung. (ECO) Die Öko-Anzeige erlischt, wenn Schnellkühlen oder Schnellgefrieren ausgewählt werden.

2. Hohe Temperatur / Fehleralarm

Diese Anzeige (⚠) leuchtet bei Temperaturfehlern oder Fehleralarmen auf.

Diese Anzeige leuchtet bei einem Stromausfall, zu hohen Innentemperaturen und sonstigen Fehler. Bei längeren Stromausfällen blinkt die höchste Temperatur, die der Tiefkühlbereich erreichen kann, in der digitalen Anzeige. Drücken Sie nach Kontrolle der Lebensmittel im Tiefkühlfach zum Aufheben des Alarms die Alarm-aus-Taste.

3. Energiesparfunktion (Display aus)

Falls die Gerätetüren lange Zeit geschlossen bleiben, wird die Energiesparfunktion automatisch aktiviert und das Energiesparsymbol leuchtet. Bei aktiver Energiesparfunktion erlöschen sämtliche Display-Symbole mit Ausnahme des Energiesparsymbols. Die Energiesparfunktion wird aufgehoben, sobald Tasten betätigt werden oder die Tür geöffnet wird. Das Display zeigt wieder die normalen Symbole. Die Energiesparfunktion wird während der Lieferung ab Werk aktiviert und kann nicht aufgehoben werden.

4. Schnellkühlen

Wenn die Schnellkühlfunktion eingeschaltet ist, leuchtet die Schnellkühlanzeige (❄) auf und die Temperaturanzeige des Kühlbereichs zeigt den Wert 1. Drücken Sie zum Abbrechen dieser Funktion erneut die Schnellkühl Taste. Die Schnellkühlanzeige erlischt, die normalen Einstellungen werden wiederhergestellt. Die Schnellkühlfunktion wird nach 1 Stunde automatisch abgebrochen, sofern sie nicht zuvor bereits manuell abgebrochen wurde. Zum Kühlen großer Mengen frischer Lebensmittel drücken Sie die Schnellkühl Taste, bevor Sie Lebensmittel in den Kühlbereich geben.

5. Urlaubsfunktion

Drücken Sie zum Aktivieren der Urlaubsfunktion 3 Sekunden die Taste (⏸); dadurch wird die Urlaubsmodusanzeige (🏖) aktiviert. Wenn die Urlaubsfunktion aktiv ist, zeigt die Temperaturanzeige des Kühlbereichs „-“ und der Kühlbereich wird nicht gekühlt. Diese Funktion ist nicht geeignet, um Lebensmittel im Kühlbereich aufzubewahren. Andere Bereiche werden entsprechend der für den jeweiligen Bereich eingestellten Temperatur weiterhin gekühlt. Zum Abbrechen dieser Funktion drücken Sie die **Urlaubstaste** noch einmal.

6. Kühlbereichtemperatureinstellung

Nach Betätigung der Taste kann die Kühlbereichtemperatur entsprechend auf 8, 7, 6, 5, 4, 3, 2 oder 1 eingestellt werden. (🌡)

7. 1 Energiesparen (Display aus)

Bei Betätigung dieser Taste (⏻) leuchtet das Energiesparsymbol (⏻) auf und die Energiesparfunktion wird aktiviert. Mit Aktivierung der Energiesparfunktion werden alle anderen Symbole am Display abgeschaltet. Wird bei aktiver Energiesparfunktion eine Taste gedrückt oder die Tür geöffnet, schaltet sich die Energiesparfunktion aus und alle Displaysignale kehren in den Normalzustand zurück. Durch erneute Betätigung dieser Taste (⏻) werden das Energiesparsymbol und die Energiesparfunktion deaktiviert.

7.2 Alarm-Aus-Warnung

Bei einem Stromausfall/Temperaturalarm drücken Sie nach Befüllen des Tiefkühlbereichs mit Lebensmitteln die Alarm-aus-Taste zum Aufheben der Warnung.


8. Bedienfeldsperre

Halten Sie die Bedienfeldsperre-Taste (🔒) 3 Sekunden lang gedrückt. Das Bedienfeldsperre-Symbol (🔒) leuchtet auf und die Bedienfeldsperre wird aktiviert. Die Tasten sind bei eingeschalteter Bedienfeldsperre inaktiv. Halten Sie die Bedienfeldsperre-Taste erneut 3 Sekunden lang gedrückt. Das Bedienfeldsperre-Symbol erlischt, die Bedienfeldsperre wird abgeschaltet.

Drücken Sie die **Bedienfeldsperre-Taste** (🔒), wenn Sie Änderungen an den Temperatureinstellungen der Kühlschranks verhindern möchten.

Produkt verwenden

9. Öko-Fuzzy

Zum Aktivieren der Öko-Fuzzy-Funktion halten Sie die Öko-Fuzzy-Taste 1 Sekunde lang gedrückt. Wenn diese Funktion aktiv ist, wechselt der Tiefkühlbereich nach mindestens 6 Stunden in den Ökomodus, die Öko-Anzeige leuchtet auf. Zum Deaktivieren der Öko-Fuzzy-Funktion () halten Sie die Öko-Fuzzy-Taste erneut 3 Sekunden lang gedrückt.


Wenn die Öko-Fuzzy-Funktion aktiv ist, leuchtet die Anzeige nach 6 Stunden auf.

10. Tiefkühlbereichtemperatureinstellung

Die Temperatur im Tiefkühlbereich ist einstellbar. Mit der Taste kann die Temperatur des Tiefkühlbereichs auf -18, -19, -20, -21, -22, -23 oder -24 eingestellt werden. ()

11. Schnellgefrieren

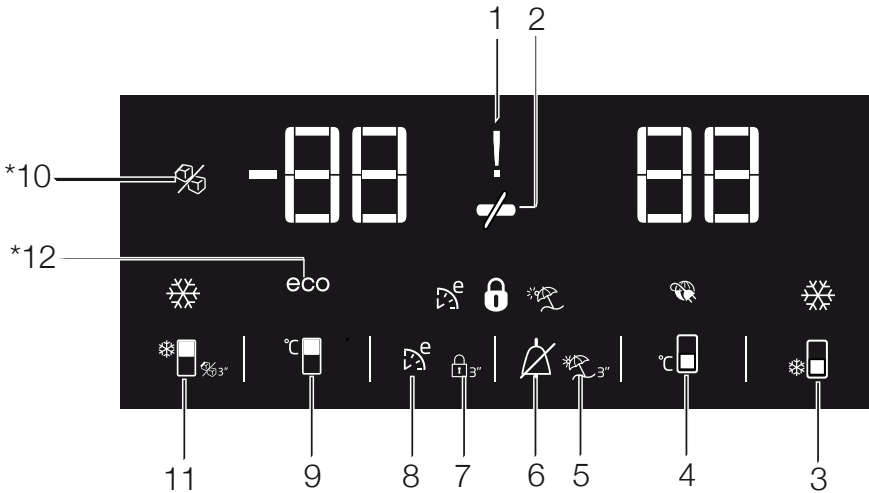
Drücken Sie zum Schnellgefrieren die Taste; dadurch wird die Schnellgefrieranzeige () aktiviert.

Wenn die Schnellgefrierfunktion eingeschaltet ist, leuchtet die Schnellgefrieranzeige auf und die Temperaturanzeige des Tiefkühlbereichs zeigt den Wert -27. Zum Aufheben dieser Funktion drücken Sie die Schnellgefrieranzeige () noch einmal. Die Schnellgefrieranzeige erlischt, die normalen Einstellungen werden wiederhergestellt. Die Schnellgefrierfunktion wird nach 24 Stunden automatisch abgebrochen, sofern sie nicht zuvor bereits manuell abgebrochen wurde. Zum Einfrieren großer Mengen frischer Lebensmittel drücken Sie die Schnellgefrieranzeige, bevor Sie Lebensmittel in den Tiefkühlbereich geben.

Produkt verwenden

5.9. Anzeigefeld

Das Anzeigefeld ermöglicht Ihnen die Einstellung der Temperatur und die Steuerung anderer Funktionen, ohne dass Sie die Tür des Produktes öffnen müssen. Drücken Sie einfach die Beschriftungen der entsprechenden Tasten zur Funktionseinstellung.



1. Stromausfall-/Hochtemperatur-/Fehler-Warnanzeige

Diese Anzeige (1) signalisiert einen Stromausfall, zu hohe Innentemperaturen und sonstige Fehler. Bei längeren Stromausfällen blinkt die höchste Temperatur, die der Tiefkühlbereich erreicht, im digitalen Display. Drücken Sie nach Prüfung der im Tiefkühlbereich (2) gelagerten Lebensmittel zum Löschen der Warnung die Alarm-aus-Taste.

2. Energiesparfunktion (Display aus):

Wenn die Gerätetüren lange Zeit geschlossen bleiben, wird die Energiesparfunktion automatisch aktiviert und das Energiesparsymbol leuchtet auf. (3)

Bei aktiver Energiesparfunktion erlöschen sämtliche Display-Symbole mit Ausnahme des Energiesparsymbols. Die Energiesparfunktion wird aufgehoben, sobald Tasten betätigt werden oder die

Tür geöffnet wird. Das Display zeigt wieder die normalen Symbole.

Die Energiesparfunktion wird während der Lieferung ab Werk aktiviert und kann nicht aufgehoben werden.

3. Schnellkühlen

Diese Taste erfüllt zwei Funktionen. Zum Ein- und Ausschalten der Schnellkühlfunktion drücken Sie die Taste einmal kurz. Die Schnellkühlenanzeige erlischt, der Kühlschrank arbeitet wieder mit normalen Einstellungen.



Trifft möglicherweise nicht auf alle Modelle zu



* **Optional:** Die Abbildungen in dieser Anleitung sind skizzenhaft und stimmen möglicherweise nicht exakt mit Ihrem Produkt überein. Falls Ihr Produkt nicht über die entsprechenden Teile verfügt, betreffen die Informationen andere Modelle.

Produkt verwenden



Die Schnellkühlfunktion nutzen Sie, wenn Sie Lebensmittel im Kühlbereich besonders schnell abkühlen möchten. Wenn Sie große Mengen frischer Lebensmittel kühlen möchten, sollten Sie diese Funktion vor dem Einlagern der Lebensmittel einschalten.



Sofern Sie diese Funktion nicht vorzeitig abschalten, wird das Schnellkühlen beendet, sobald die nötige Temperatur erreicht ist, spätestens jedoch nach 8 Stunden.



Sollten Sie die Schnellkühl Taste mehrmals innerhalb kurzer Zeit drücken, greift eine elektronische Schutzschaltung ein und sorgt dafür, dass der Kompressor nicht sofort anläuft.



Diese Funktion wird nach einem Stromausfall nicht automatisch wieder eingeschaltet.

4. Kühlbereichtemperatur-Einstelltaste

Durch mehrmaliges Drücken dieser Taste stellen Sie die Kühlbereichtemperatur auf 8 °, 7 °, 6 °, 5 °, 4 °, 3 °, 2 °, 8 °C ... ein. Mit dieser Taste stellen Sie die gewünschte Kühlbereichtemperatur ein.

5. Urlaubsfunktion

Drücken Sie zum Aktivieren der Urlaubsfunktion 3 Sekunden diese Taste ; dadurch wird die Urlaubsmodusanzeige aktiviert. Wenn die Urlaubsfunktion aktiv ist, erscheint „-“ in der Kühlbereichtemperaturanzeige; der Kühlbereich wird nun nicht mehr aktiv gekühlt. Wenn diese Funktion aktiv ist, sollten keine Lebensmittel im Kühlbereich aufbewahrt werden. Andere Bereiche werden entsprechend der eingestellten Temperatur weiterhin gekühlt.

Zum Aufheben dieser Funktion drücken Sie die **Urlaubsfunktionstaste** noch einmal.

6. Alarm-aus-Warnung:

Drücken Sie bei einem Alarm wegen Stromausfalls/ hoher Temperatur nach Prüfung der im Tiefkühlbereich gelagerten Lebensmittel zum Löschen der Warnung die Alarm-aus-Taste .

7. Tastensperre

Halten Sie die Tastensperre-Taste 3 Sekunden lang gedrückt. Das Tastensperre-Symbol leuchtet auf, die Tastensperre ist aktiv. Bei aktiver Tastensperre reagiert das Gerät nicht auf Tastenbetätigungen. Halten Sie die Tastensperre-Taste noch einmal 3 Sekunden lang gedrückt. Das Tastensperre-Symbol erlischt, die Tastensperre wird abgeschaltet.

Verwenden Sie die **Tastensperre**-Taste, wenn Sie Änderungen der Temperatureinstellung des Kühlschranks verhindern möchten ().

8. Öko-Fuzzy

Drücken und halten Sie die Öko-Fuzzy-Taste zum Aktivieren der Öko-Fuzzy-Funktion 1 Sekunde. Spätestens sechs Stunden später arbeitet Ihr Kühlgerät besonders ökonomisch; die Energiesparanzeige leuchtet . Drücken und halten Sie die Öko-Fuzzy-Taste zum Deaktivieren der Öko-Fuzzy-Funktion 3 Sekunden.

Diese Anzeige leuchtet nach 6 Stunden auf, wenn Öko-Fuzzy aktiv ist.

9. Tiefkühlbereichtemperatur-Einstelltaste

Durch mehrmaliges Drücken dieser Taste stellen Sie die Tiefkühlbereichtemperatur auf -18 °, -19 °, -20 °, -21 °, -22 °, -23 °, -24 °, -18 °C, ... ein. Mit dieser Taste stellen Sie die gewünschte Temperatur des Tiefkühlbereiches ein.

10. Eisbereiter-aus-Anzeige

Zeigt an, ob der Eisbereiter ein- oder ausgeschaltet ist. Bei der Einstellung Ein ist der Eisbereiter abgeschaltet. Zum Einschalten des Eisbereiters halten Sie die Ein-/Austaste 3 Sekunden lang gedrückt.



Bei der Auswahl dieser Funktion wird kein Wasser mehr aus dem Tank zugeführt. Bereits vorbereitetes Eis kann aber nach wie vor aus dem Eisbereiter entnommen werden.

11. Schnellgefrierfaste/Eisbereiter-ein/aus-Taste

Mit dieser Taste schalten Sie die Schnellgefrierfunktion ein und aus. Wenn diese Funktionen aktiv ist, wird der Tiefkühlbereich besonders stark (über die eingestellte Temperatur hinaus) gekühlt.

Produkt verwenden

Zum Ein- und Ausschalten des Eisbereiters halten Sie die Taste 3 Sekunden lang gedrückt.



Die Schnellgefrierfunktion nutzen Sie, wenn Sie die Lebensmittel im Tiefkühlbereich besonders schnell abkühlen möchten. Wenn Sie große Mengen frischer Lebensmittel kühlen möchten, sollten Sie diese Funktion vor dem Einlagern der Lebensmittel einschalten.




Sofern Sie diese Funktion nicht vorzeitig abschalten, wird das Schnellgefrieren beendet, sobald die nötige Temperatur erreicht ist, spätestens jedoch nach 4 Stunden.



Diese Funktion wird nach einem Stromausfall nicht automatisch wieder eingeschaltet.

12. Energiesparanzeige

Zeigt an, dass das Gerät besonders energiesparend arbeitet.  Diese Anzeige leuchtet auf, wenn die Temperatur des Tiefkühlbereiches auf -18 °C eingestellt ist oder das Gerät mit der Öko-Extra-Funktion besonders ökonomisch arbeitet.



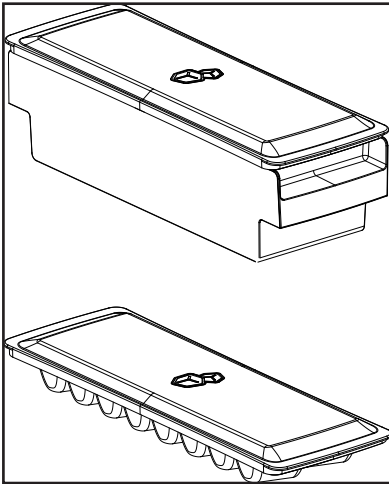
Die Energiesparanzeige erlischt, wenn Sie Schnellkühlen oder Schnellgefrieren zuschalten.

Produkt verwenden

5.10. Eisbehälter

(optional)

- Nehmen Sie den Eisbehälter aus dem Tiefkühlbereich.
- Füllen Sie den Eisbehälter mit Trinkwasser.
- Geben Sie den Eisbehälter in den Tiefkühlbereich.
- Das Eis ist nach etwa zwei Stunden fertig. Nehmen Sie den Eisbehälter aus dem Tiefkühlbereich und biegen Sie ihn leicht über dem Gefäß, das Sie servieren möchten. Das Eis gelangt in den Behälter.



5.11. Eierhalter

Sie können den Eierhalter in der Tür oder auf der Ablage Ihrer Wahl platzieren. Falls Sie sich für die Ablagen entscheiden, sollten Sie tiefer gelegene Ablagen wählen, da es dort kühler ist.

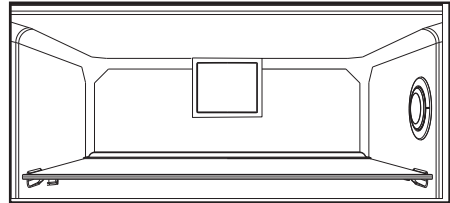


Geben Sie den Eierhalter nicht in den Tiefkühlbereich.

5.12. Lüfter

Der Lüfter wurde dazu entwickelt, die kalte Luft im Inneren Ihres Kühlschranks gleichmäßig zu verteilen. Je nach Modell und Bedarf arbeitet der Lüfter auf unterschiedliche Weise.

Während der Lüfter in einigen Produkten nur mit einem Kompressor arbeitet, ermittelt in anderen Modellen ein Kontrollsystem die Betriebszeit basierend auf den Kühlanforderungen.



5.13. Gemüsefach

(optional)

Das Gemüsefach des Produktes ist darauf ausgelegt, Gemüse durch Bewahren der Feuchtigkeit frisch zu halten. Aus diesem Grund wird die Gesamtzirkulation kalter Luft im Gemüsefach intensiviert.

5.14. 0-Grad-Fach

(optional)

Bewahren Sie in diesem Bereich Feinkost bei geringeren Temperaturen oder schnell verderbliche Fleischprodukte auf.

Das 0-Grad-Fach ist der kälteste Bereich, in dem Sie Lebensmittel, wie Milchprodukte, Fleisch, Fisch und Geflügel, bei idealen Lagerungsbedingungen aufbewahren können. Gemüse und/oder Obst gehören nicht in dieses Fach.

Produkt verwenden

5.15. Das zweite Gemüsefach des Produktes verwenden

Abbildung 1.



Wie abgebildet gibt es im zweiten Gemüsefach des Produktmodells K70560 2 Stopper.



Abbildung 2.

Das zweite Gemüsefach sieht im geschlossenen Zustand wie in Abbildung 2 aus.



Abbildung 3.

Ziehen Sie das zweite Gemüsefach wie in Abbildung 3 gezeigt bis zum ersten Stopper, wenn die Tür um 90 Grad geöffnet ist.

Falls die Schublade weiter geöffnet ist, öffnen Sie zunächst die Tür um mindestens 135 Grad. Anschließend heben Sie das zweite Gemüsefach wie in Abbildung 4 gezeigt um etwa 5 mm an, sodass es vom ersten Stopper befreit wird.



Abbildung 4.

Ziehen Sie die zweite Schublade nach dem Anheben wie in Abbildung 5 gezeigt bis zum zweiten Stopper nach oben.



Abbildung 5.

Produkt verwenden

5.16. Bewegliche Türablage

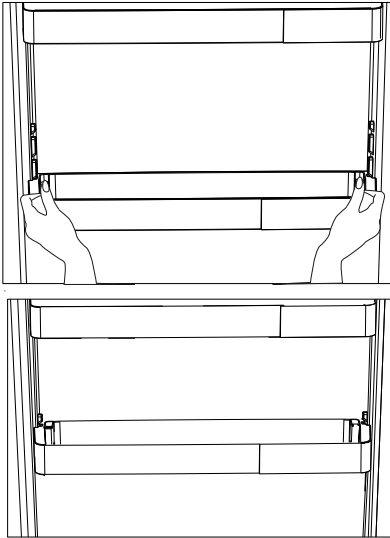
(optional)

Die bewegliche Türablage kann in 3 verschiedenen Positionen fixiert werden.

Zum Bewegen der Ablage drücken Sie die Tasten an der Seite gleichmäßig. Die Ablage wird beweglich.

Bewegen Sie die Ablage nach oben oder unten.

Wenn sich die Ablage in der gewünschten Position befindet, lassen Sie die Tasten los. Die Ablage wird wieder in der Position fixiert, in der Sie die Tasten losgelassen haben.

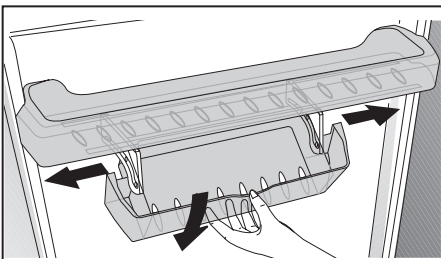


5.17. Verschiebbarer Vorratsbehälter

(optional)

Dieses Zubehör ist so konstruiert, dass das Volumen der Türablagen vergrößert wird.

Dank seiner Fähigkeit zur Seitwärtsbewegung können Sie mühelos lange Flaschen, Gläser oder Kartons im Flaschenhalter darunter verstauen.



5.18. HerbBox/HerbFresh

Das Foliengehäuse vom HerbBox/HerbFresh+ entfernen.

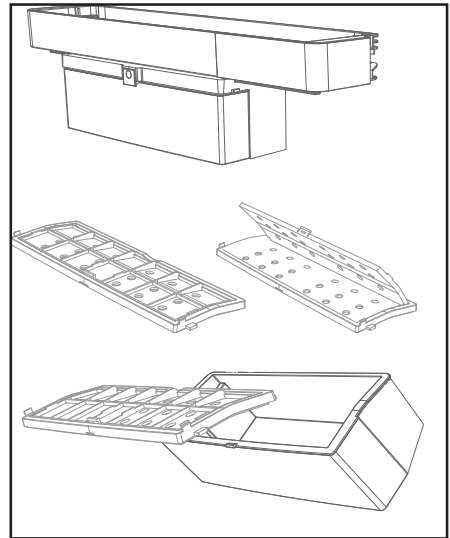
Nehmen Sie die Folie aus dem Beutel und legen Sie es wie auf der Abbildung angezeigt in das Foliengehäuse.

Schließen Sie das Gehäuse und legen Sie es wieder in die HerbBox/HerbFresh+.

Die HerbBox-HerbFresh+ Fächer sind besonders ideal für Kräuter, die in empfindlichen Bedingungen aufbewahrt werden müssen.

Ihr Grünzeug (Petersilie, Dill, usw.), das aus seinem Beutel ausgepackt wurde, können Sie in diesem Fach in horizontaler Position länger frisch aufbewahren.

Die Schicht wird alle sechs Monate ausgetauscht.



Produkt verwenden

5.19. Feuchtigkeitskontrolliertes Gemüsefach

(optional)

Dank der Feuchtigkeitsregelung bleibt der Feuchtigkeitsgehalt von Gemüse und Obst unter Kontrolle, die Lebensmittel bleiben länger frisch.

Es wird empfohlen, Blattgemüse, wie Salat, Spinat und dergleichen, das zu Feuchtigkeitsverlust neigt, nicht auf den Wurzeln, sondern nach Möglichkeit in horizontaler Position im Gemüsefach aufzubewahren.

Beim Einlagern von Gemüse platzieren Sie schweres, hartes Gemüse im unteren Bereich und leichtes, weiches Gemüse darüber; achten Sie auf das jeweilige Gewicht der Lebensmittel.

Lassen Sie Gemüse nicht in Plastikbeuteln im Gemüsefach. Bleibt das Gemüse in Plastikbeuteln, kann es in kurzer Zeit verderben. Falls Kontakt mit anderem Gemüse vermieden werden soll, sollten Sie Verpackungsmaterialien wie Papier verwenden, die eine bestimmte Durchlässigkeit in Sachen Hygiene aufweisen.

Geben Sie Obst mit einer hohen Ethylenfreisetzung, wie Birnen, Aprikosen, Pfirsiche und bestimmte Apfelsorten, nicht mit anderem Obst und Gemüse in das Gemüsefach. Das von solchen Früchten freigesetzte Ethylen kann dazu führen, dass anderes Obst und Gemüse in kurzer Zeit reift und verdorbt.

5.20. Geruchvernichtungsmodul

(FreshGuard) (optional)

Das Geruchvernichtungsmodul beseitigt schlechte Gerüche in Ihrem Kühlschrank noch bevor sie in die Lebensmittel eindringen können. Dank dieses an der Decke des Fachs für frische Lebensmittel angebrachten Moduls werden unangenehme Gerüche abgeführt, indem die Luft aktiv zum Geruchsfilter geleitet wird. Anschließend wird die vom Filter gereinigte Luft wieder in das Fach für frische Lebensmittel zurückgeleitet. Auf diese Weise werden während der Lagerung von Lebensmitteln entstehende unerwünschte Gerüche beseitigt, bevor sie in die Lebensmittel eindringen.

Dies wird durch das Gebläse, die LED und den im Modul integrierten Geruchsfilter erzielt. Im täglichen Einsatz wird das Geruchvernichtungsmodul automatisch regelmäßig eingeschaltet. Zur Beibehaltung einer effizienten Leistung sollten

Sie den Filter im Geruchvernichtungsmodul alle 5 Jahre vom autorisierten Kundendienst auswechseln lassen. Durch das im Modul integrierte Gebläse ist es normal, dass Sie im Betrieb Geräusche hören. Wenn Sie die Tür des Fachs für frische Lebensmittel öffnen, während das Modul aktiv ist, stoppt das Gebläse vorübergehend; einige Zeit nach dem Schließen der Tür setzt es den Betrieb fort. Bei einem Stromausfall setzt das Geruchvernichtungsmodul den Betrieb bei Wiederherstellung der Stromversorgung an der Stelle fort, an der er unterbrochen wurde.

Info: Sie sollten aromatische Lebensmittel (wie Käse, Oliven und Feinkost) gut abgedichtet in ihrer Verpackung aufbewahren, damit keine unangenehmen Gerüche durch die Vermischung der Ausdünstungen verschiedener Lebensmittel entstehen. Darüber hinaus sollten Sie verdorbene Lebensmittel schnell aus dem Kühlschrank entfernen; andernfalls könnten andere Lebensmittel ebenfalls verderben und unangenehme Gerüche entstehen.

Produkt verwenden

5.21. Automatischer Eisbereiter

(optional)

Der automatische Eisbereiter ermöglicht Ihnen die einfache Bereitung von Eis in Ihrem Kühlschrank. Damit Sie Eis vom Eisbereiter erhalten, nehmen Sie den Wassertank aus dem Kühlbereich, füllen ihn mit Wasser und setzen ihn wieder ein.

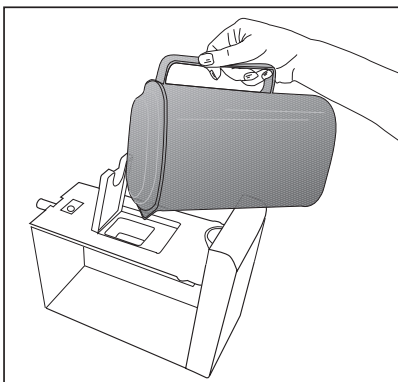
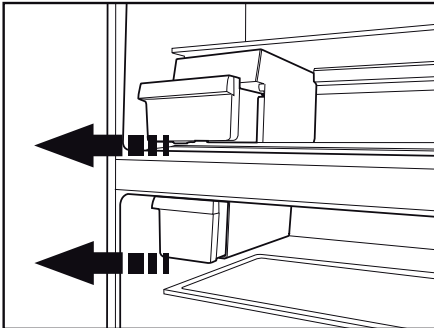
Nach etwa zwei Stunden liegen die ersten Eiswürfel in der Eisbereiter-Schublade im Kühlbereich für Sie bereit.

Nach Einsetzen des vollen Wassertanks erhalten Sie 60 bis 70 Eiswürfel, bis er vollständig leer ist.

Wenn das Wasser 2 bis 3 Wochen im Tank war, sollte es ausgewechselt werden.



In Produkten mit automatischem Eisbereiter hören Sie möglicherweise einen Ton beim Ausgießen von Eis. Dieser Ton ist völlig normal und keine Zeichen für einen Fehler.



5.22. Eisbereiter und Eisbehälter

(optional)

Eisbereiter verwenden

Füllen Sie den Eisbereiter mit Wasser, setzen Sie ihn in seine Halterung. Ihr Eis ist nach etwa zwei Stunden fertig. Zum Entnehmen des Eises nehmen Sie den Eisbereiter nicht heraus.

Drehen Sie die Knöpfe daran um 90 ° im Uhrzeigersinn.

Die Eiswürfel fallen in den darunter liegenden Eiswürfelbehälter.

Sie können den Eisbehälter zum Servieren der Eiswürfel herausnehmen.

Wenn Sie möchten, können Sie das Eis auch im Eisbehälter aufbewahren.

Eisbehälter

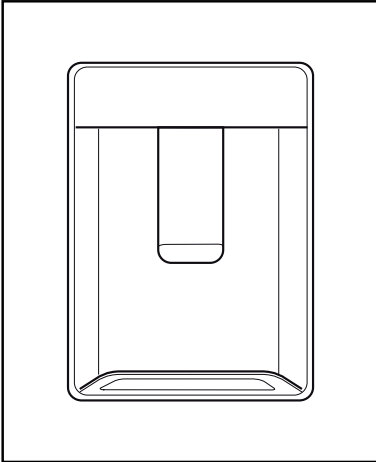
Der Eisbehälter dient ausschließlich zum Sammeln der Eiswürfel. Füllen Sie kein Wasser ein. Der Behälter wird sonst platzen.

Produkt verwenden

5.23. Wasserspender

(bei bestimmten Modellen)

Der Wasserspender ist eine praktische Einrichtung, mit der Sie kühles Wasser zapfen können, ohne dabei die Tür Ihres Kühlschranks öffnen zu müssen. Da Sie die Tür des Gerätes nicht häufig öffnen müssen, sparen Sie eine Menge Energie.



5.24. So benutzen Sie den Wasserspender

Drücken Sie mit dem Glas gegen den Hebel des Wasserspenders. Die Wasserausgabe stoppt, sobald der Hebel losgelassen wird.

Den schnellsten Durchfluss erreichen Sie, wenn Sie den Hebel komplett eindrücken. Denken Sie daran, dass die Stärke des Wasserdurchflusses davon abhängt, wie weit der Hebel eingedrückt wird.

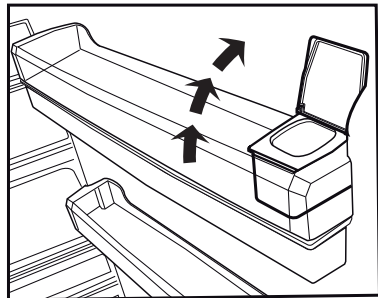
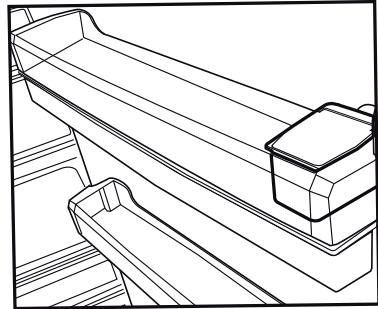
Geben Sie den Hebel langsam wieder frei, sobald das Glas fast vollständig gefüllt ist, damit nichts überläuft. Das Wasser tritt nur tropfenweise aus, wenn Sie den Hebel nur leicht betätigen; dies ist völlig normal.

Wasserbehälter füllen

Der Wassertank befindet sich an der Innenseite der Türablage. Öffnen Sie die Abdeckung des Behälters, füllen Sie Trinkwasser ein. Schließen Sie anschließend den Deckel.

Warnung!

- Füllen Sie den Wassertank nur mit sauberem Trinkwasser, nicht mit anderen Flüssigkeiten gleich welcher Art. Falls andere Flüssigkeiten eingefüllt werden, kann der Wasserspender irreparabel beschädigt werden. Solche



Beschädigungen werden nicht durch die Garantie abgedeckt. Viele Flüssigkeiten und Getränke enthalten Zusätze, die das Material des Wassertanks angreifen können.

- Nutzen Sie ausschließlich klares Trinkwasser.
- Die Kapazität des Wassertanks beträgt 3 Liter; füllen Sie nicht mehr hinein.
- Drücken Sie mit einem haltbaren Glas gegen den Hebel des Wasserspenders. Falls Sie Einwegbecher verwenden, betätigen Sie den Hebel mit dem Finger.

5.25. Wassertank reinigen

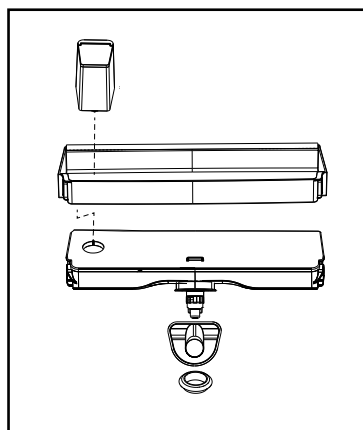
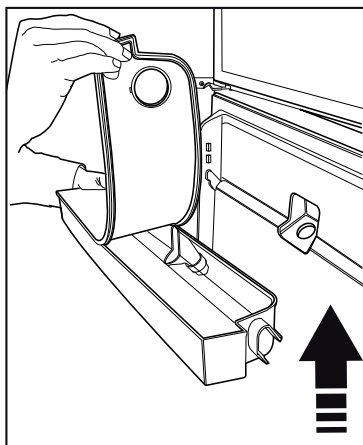
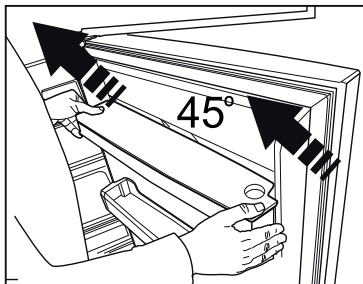
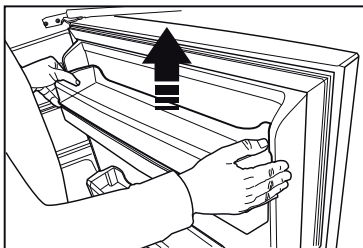
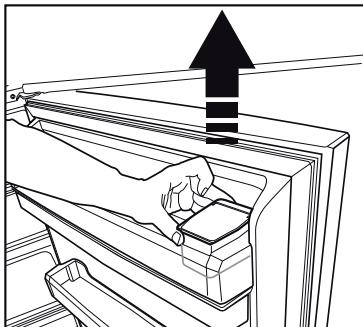
- Entfernen Sie den Füllbehälter auf der Innenseite der Türablage.
- Entfernen Sie die Türablage, indem Sie diese an beiden Seiten greifen.

Produkt verwenden

- Greifen Sie den Wassertank an beiden Seiten und entfernen ihn in einem Winkel von 45 °C.
- Öffnen Sie die Abdeckung und reinigen den Wassertank.

Wichtig:

Die Komponenten des Wasserspenders und des Wassertanks sollten nicht in der Spülmaschine gereinigt werden.



Produkt verwenden

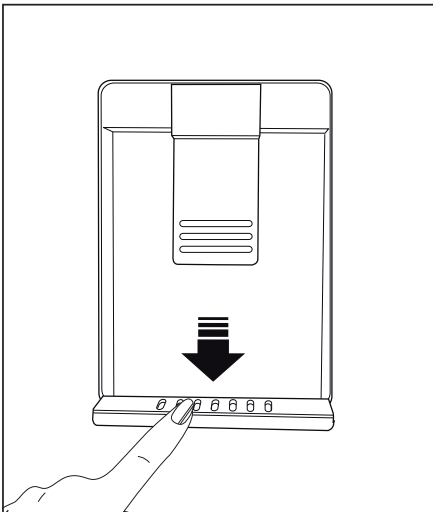
5.26. Tropfschale

Wasser, das bei der Nutzung des Wasserspenders heruntertropft, sammelt sich in der Tropfschale.

Nehmen Sie das Kunststoffsieb wie in der Abbildung gezeigt heraus.

Entfernen Sie angesammeltes Wasser mit einem sauberen, trockenen Tuch.

Achtung: Nur an Trinkwasserleitungen anschließen.



Produkt verwenden

5.27. Frische Lebensmittel tiefkühlen

- Zur Gewährleistung der Lebensmittelqualität müssen im Tiefkühlbereich gelagerte Lebensmittel so schnell wie möglich eingefroren werden; nutzen Sie dazu die Schnellgefrierfunktion.
- Das Einfrieren frischer Lebensmittel verlängert die Aufbewahrungsdauer im Tiefkühlbereich.
- Verpacken Sie Lebensmittel in sicher verschlossenen luftdichten Behältern.
- Stellen Sie sicher, dass die Lebensmittel verpackt sind, bevor Sie sie in den Tiefkühlbereich geben. Verwenden Sie statt herkömmlichen Packpapiers tiefkühlgeeignete Behälter, Alufolie und feuchtigkeitsbeständiges Papier, Plastikbeutel oder ähnliche Verpackungsmaterialien.



Eis im Tiefkühlbereich taut automatisch.

- Beschriften Sie die Behälter vor dem Einfrieren mit dem Datum. Dadurch können Sie beim Öffnen des Tiefkühlbereichs stets die Frische der verpackten Lebensmittel prüfen. Bewahren Sie ältere Lebensmittel weiter vorne auf, damit sie zuerst verbraucht werden.

- Gefrorene Lebensmittel müssen unmittelbar nach dem Auftauen verbraucht und dürfen nicht wieder eingefroren werden.
- Frieren Sie nicht zu große Mengen auf einmal ein.

1. Geben Sie Lebensmittel so schnell wie möglich in den Tiefkühlbereich, damit sie nicht auftauen.
2. Prüfen Sie vor dem Einfrieren, ob das Verfallsdatum auf der Verpackung bereits abgelaufen ist.
3. Stellen Sie sicher, dass die Lebensmittelverpackung nicht beschädigt ist.

5.29. Hinweise zum Tiefkühlbereich

Gemäß den Standards IEC 62552 muss der Tiefkühlbereich über die Kapazität verfügen, 4,5 kg Lebensmittel bei -18 °C oder geringeren Temperaturen je 100 Liter Volumen des Tiefkühlbereichs in 24 Stunden einzufrieren.

Tiefkühlbereich temperatureinstellung	Kühlbereich temperatureinstellung	Details
-18 °C	4 °C	Dies ist die allgemein empfohlene Einstellung.
-20 °C, -22 °C oder -24 °C	4 °C	Diese Einstellungen empfehlen wir bei Umgebungstemperaturen über 30 °C.
Schnellgefrieren	4 °C	Diese Funktion nutzen Sie zum Einfrieren von Lebensmitteln in kurzer Zeit. Wenn der Vorgang endet, nimmt das Produkt wieder seine Position ein.
-18 °C und kälter	2 °C	Nutzen Sie diese Einstellungen, falls Sie meinen, dass der Kühlbereich aufgrund der Umgebungstemperatur oder zu häufigen Öffnens und Schließens der Tür nicht kalt genug wird.

5.28. Empfehlungen zur Lagerung gefrorener Lebensmittel

Der Bereich muss auf mindestens -18 °C eingestellt sein.

Produkt verwenden

Lebensmittel können nur bei Temperaturen von -18 °C und darunter längere Zeit aufbewahrt werden.

Sie können Lebensmittel monatelang frisch halten (im Tiefkühlbereich bei oder unter 18 °C).

Lebensmittel, die eingefroren werden sollen, dürfen keine bereits eingefrorenen Lebensmittel berühren, da diese andernfalls antauen könnten.

Gekochtes Gemüse und gefiltertes Wasser können länger im Tiefkühlbereich aufbewahrt werden. Geben Sie die Lebensmittel nach dem Filtern in luftdichten Verpackungen in den Tiefkühlbereich. Bananen, Tomaten, Salat, Sellerie, gekochte Eier, Kartoffeln und ähnliche Lebensmittel sollten nicht eingefroren werden. Falls diese Lebensmittel verderben, werden nur Nährwert und Geschmack negativ beeinträchtigt. Es besteht keine Gefahr für die menschliche Gesundheit.

5.30. Lebensmittel einlagern

Tiefkühlbereich- Ablagen	Unterschiedliche gefrorene Lebensmittel wie Fleisch, Fisch, Speiseeis, Gemüse etc.
Kühlbereich- Ablagen	Lebensmittel in Töpfen, auf abgedeckten Tellern und in bedeckten Behältern, Eier (in abgedecktem Behälter)
Kühlbereich- Türablagen	Kleine und verpackte Lebensmittel oder Getränke
Gemüsefach	Obst und Gemüse
Frischlebensmittelbereich	Feinkost (Frühstücksprodukte, schnell verderbliche Fleischprodukte)

5.31. Tür-offen-Alarm

(optional)

Wenn die Gerätetür mindestens 1 Minute offen bleibt, wird ein akustischer Alarm ausgegeben.

Dieser akustische Alarm verstummt, sobald Sie die Tür schließen oder eine beliebige Taste am Display (sofern vorhanden) drücken.

Der Tür-offen-Alarm wird sowohl akustisch als auch visuell ausgegeben. Die Innenbeleuchtung schaltet sich aus, wenn die Warnung 10 Minuten lang anhält.

5.32. Wechseln des Türanschlags

Sie können den Türanschlag Ihres Kühlschranks je nach Aufstellungsort wechseln. Wenden Sie sich in diesem Fall an den autorisierten Kundendienst in Ihrer Nähe.

Die obige Erklärung ist allgemeiner Natur. Sie sollten das Warnschild in der Produktverpackung auf Möglichkeit zum Wechseln des Türanschlags prüfen.

5.33. Innenbeleuchtung

Die Innenbeleuchtung nutzt eine LED-Lampe.

Wenden Sie sich bei jeglichen Problemen mit dieser Lampe an den autorisierten Kundendienst.

Die in diesem Gerät verwendete(n) Lampe(n) können nicht zur Raumbelichtung verwendet werden. Der vorgesehene Zweck dieser Lampe dient dem sicheren und komfortablen Einlagern von Lebensmitteln im Kühl- / Tiefkühlbereich.

6 Wartung und Reinigung

Die Einsatzdauer des Produktes verlängert sich und häufige Probleme lassen nach, wenn das Produkt regelmäßig gereinigt wird.



WARNUNG: Schalten Sie das Gerät ab, bevor Sie es reinigen.



WARNUNG: Es wird empfohlen, den Kondensator alle sechs Monate mit Handschuhen zu reinigen. Sie dürfen keine Staubsauger verwenden.

- Verwenden Sie zu Reinigungszwecken niemals Benzin oder ähnliche Substanzen.
- Verwenden Sie zur Reinigung niemals scharfe Gegenstände, Seife, Haushaltsreiniger, Waschmittel oder Wachspolituren.
- Lösen Sie einen Teelöffel Natron in einem halben Liter Wasser auf. Tränken Sie ein Tuch mit der Lösung, wringen Sie das Tuch gut aus. Waschen Sie die Innenflächen des Kühlschranks gründlich mit diesem Tuch ab; anschließend gut trocknen.
- Achten Sie darauf, dass kein Wasser in das Lampengehäuse oder in andere elektrische Komponenten eindringt.
- Falls Sie den Kühlschrank längere Zeit nicht benutzen, ziehen Sie den Netzstecker, nehmen sämtliche Lebensmittel heraus, reinigen das Gerät und lassen die Tür offen stehen.
- Prüfen Sie die Türdichtungen regelmäßig auf Sauberkeit. Bei Bedarf reinigen.
- Nehmen Sie zum Entfernen der Tür- und Gehäuseablagen alle Gegenstände aus dem Produkt heraus.
- Ziehen Sie die Türablagen nach oben heraus. Setzen Sie die Ablagen nach der Reinigung wieder ein, indem Sie sie nach unten schieben.
- Reinigen Sie Außenflächen und verchromte Teile des Produktes niemals mit chlorhaltigen Reinigern oder Wasser. Chlor greift Metalloberflächen an.
- Bei Geräten ohne No-Frost-Einrichtung können Wassertropfen entstehen und sich mit der Zeit bis zu fingerbreite Eisschichten an Rückwand und Seiten des Tiefkühlfachs bilden. Niemals reinigen; niemals Öl oder andere Substanzen aufbringen.

- Verwenden Sie nur ein leicht angefeuchtetes Mikrofasertuch zum Reinigen der Geräteaußenflächen. Scheuerschwämme oder grobe Reinigungstücher könnten die Oberflächen verkratzen.

6.1. Unangenehme Gerüche verhindern

Bei der Herstellung Ihres Kühlschranks wurde darauf geachtet, dass keine Materialien verwendet werden, die unangenehme Gerüche verursachen können. Allerdings können Gerüche abgesondert werden, wenn Lebensmittel falsch aufbewahrt werden oder die Innenseite des Gerätes nicht wie erforderlich gereinigt wird. Dieses Problem können Sie mit folgenden Hinweisen vermeiden:

- Es ist wichtig, dass Kühlschrank sauber zu halten. Lebensmittelreste, Verschmutzungen usw. können Gerüche verursachen. Reinigen Sie den Kühlschrank daher alle 15 Tage mit etwas in Wasser aufgelöstem Natron. Verzichtern Sie grundsätzlich auf Reinigungsmittel und Seifen.
- Bewahren Sie Ihre Lebensmittel in geschlossenen Behältern auf. Mikroorganismen aus Behältern ohne Deckel können unangenehme Gerüche verursachen.
- Bewahren Sie keine abgelaufenen oder verdorbenen Lebensmittel in Ihrem Kühlschrank auf.

6.2. Kunststoffflächen schützen

Geben Sie keine Öle oder stark fetthaltige Speisen offen in Ihren Kühlschrank – dadurch können die Kunststoffflächen angegriffen werden. Sollten Kunststoffteile einmal mit Öl in Berührung kommen, reinigen Sie die entsprechenden Stellen möglichst sofort mit warmem Wasser.

6.3. Innenfläche reinigen

Reinigen Sie die Innenflächen und alle herausnehmbaren Teile mit einer milden Lösung aus Seife, Wasser und Karbonat. Gründlich abspülen und abtrocknen. Achten Sie darauf, dass Wasser nicht mit Leuchtmitteln und Bedienfeld in Berührung kommt.



ACHTUNG:

Reinigen Sie die Innenflächen nicht mit Essig, Reinigungsalkohol oder anderen alkoholbasierten Reinigern.

6.4. Edelstahl-Außenflächen

Verwenden Sie einen nicht scheuernden Edelstahl-Reiniger und tragen Sie ihn auf ein fusselfreies, weiches Tuch auf. Zum Polieren wischen Sie die Oberfläche vorsichtig mit einem feuchten Mikrofaser Tuch und einem trockenen Fensterleder ab. Folgen Sie immer den Strängen des Edelstahls.

6.5. Produkte mit Glastüren reinigen

Entfernen Sie die Schutzfolie von den Scheiben. Die Oberfläche der Scheiben ist beschichtet. Diese Beschichtung minimiert Fleckenbildung und sorgt dafür, dass sich Flecken und Schmutz leicht entfernen lassen. Auf Scheiben, die nicht durch eine Beschichtung geschützt sind, können sich dauerhaft organische oder anorganische in Luft oder Wasser befindliche Verunreinigungen, wie Kalk, Mineralsalze, unverbrannte Kohlenwasserstoffe, Metalloxide und Silikone, ablagern, die innerhalb kurzer Zeit zu Flecken und Materialschäden führen. Trotz regelmäßiger Reinigung lässt sich das Glas nur mit großer Mühe sauber halten. Dadurch lassen Klarheit und Aussehen der Scheiben nach. Aggressive und scheuernde Reinigungsmittel und Methoden verstärken diese Mängel weiter und beschleunigen den Verschleiß.

*Verwenden Sie zur regelmäßigen Reinigung Mittel auf Wasserbasis, die weder alkalisch noch scheuernd sind. Damit die Beschichtung lange hält, dürfen während der Reinigung keine alkalischen oder scheuernden Substanzen zum Einsatz kommen.

Die Scheiben wurden zur Erhöhung ihrer Stoß- und Bruchfestigkeit gehärtet.

Als zusätzliche Sicherheitsmaßnahme befindet sich auf der Rückseite der Scheiben eine Sicherheitsfolie, damit das Glas keine Schäden im Umfeld anrichtet, falls es bricht.

Bitte arbeiten Sie diese Liste durch, bevor Sie sich an den Kundendienst wenden. Das kann Ihnen Zeit und Geld sparen. Diese Liste enthält häufig aufgetretene Probleme, die nicht auf Material- oder Verarbeitungsfehler zurückzuführen sind. Nicht alle hier beschriebenen Funktionen sind bei jedem Modell verfügbar.

Der Kühlschrank schaltet sich nicht ein.

- Möglicherweise ist er nicht richtig angeschlossen. >>> Schließen Sie das Gerät richtig an.
- Die entsprechende Haussicherung ist herausgesprungen oder durchgebrannt. >>> Prüfen Sie die Sicherung.

Kondensation an den Seitenwänden des Kühlbereiches (Multizone, Kühlkontrolle und FlexiZone).

- Die Tür wurde häufig geöffnet/geschlossen. >>> Verzichten Sie auf häufiges Öffnen/Schließen der Kühlschranktür.
- Die Umgebung könnte zu feucht sein. >>> Installieren Sie das Kühlschrank nicht an sehr feuchten Orten.
- Lebensmittel mit hohem Feuchtigkeitsgehalt wurden in Behältern ohne Deckel in den Kühlschrank gegeben. >>> Geben Sie Lebensmittel mit hohem Feuchtigkeitsgehalt nicht in offenen Behältern in den Kühlschrank.
- Die Kühlschranktür steht offen. >>> Halten Sie die Kühlschranktüren nur möglichst kurz geöffnet.
- Das Thermostat wurde auf eine sehr niedrige Temperatur eingestellt. >>> Stellen Sie das Thermostat auf einen geeigneten Wert ein.

Der Kompressor arbeitet nicht.

- Eine Schutzschaltung stoppt den Kompressor bei kurzzeitigen Unterbrechungen der Stromversorgung und wenn das Gerät zu oft und schnell ein- und ausgeschaltet wird, um eine Überdruck des Kühlmittels im System zu vermeiden. Der Kühlschrank beginnt nach etwa sechs Minuten wieder zu arbeiten. Bitte wenden Sie sich an den autorisierten Kundendienst, falls Ihr Kühlschrank nach Ablauf dieser Zeit nicht wieder zu arbeiten beginnt.
- Das Kühlgerät wird abgetaut. >>> Dies ist bei einem Kühlschrank mit vollautomatischem Abtauen völlig normal. Das Gerät wird regelmäßig abgetaut.
- Der Kühlschrank ist nicht angeschlossen. >>> Achten Sie darauf, dass der Stecker in die Steckdose passt.
- Die Temperatureinstellungen stimmen nicht. >>> Wählen Sie den richtigen Temperaturwert.
- Es liegt ein Stromausfall vor. >>> Der Kühlschrank setzt seinen Betrieb fort, wenn die Stromversorgung wiederhergestellt ist.

Das Betriebsgeräusch nimmt zu, wenn der Kühlschrank arbeitet.

- Das Leistungsverhalten des Kühlgerätes kann sich je nach Umgebungstemperatur ändern. Dies ist völlig normal und keine Fehlfunktion.

Der Kühlschrank arbeitet sehr intensiv oder über eine sehr lange Zeit.

- Ihr neues Gerät ist vielleicht etwas größer als sein Vorgänger. Große Kühlgeräte arbeiten oft längere Zeit.
- Die Umgebungstemperatur ist eventuell sehr hoch. >>> Bei hohen Umgebungstemperaturen arbeitet das Gerät etwas länger.
- Der Kühlschrank wurde erst vor Kurzem in Betrieb genommen oder mit Lebensmitteln gefüllt. >>> Wenn das Gerät erst vor Kurzem in Betrieb genommen oder mit Lebensmitteln gefüllt wurde, dauert es etwas länger, bis die eingestellte Temperatur erreicht ist. Dies ist völlig normal.
- Kurz zuvor wurden größere Mengen warmer Speisen in den Kühlschrank gestellt. >>> Geben Sie keine warmen oder gar heißen Speisen in den Kühlschrank.
- Die Türen wurden häufig geöffnet oder längere Zeit nicht richtig geschlossen. >>> Der Kühlschrank muss länger arbeiten, weil warme Luft in den Innenraum eingedrungen ist. Vermeiden Sie häufiges Öffnen der Türen.
- Die Tür des Kühl- oder Tiefkühlbereichs war nur angelehnt. >>> Vergewissern Sie sich, dass die Türen richtig geschlossen wurden.
- Die Kühlschranktemperatur ist sehr niedrig eingestellt. >>> Stellen Sie die Kühlschranktemperatur höher ein. Warten Sie dann ab, bis diese Temperatur erreicht ist.
- Die Türdichtungen von Kühl- oder Gefrierbereich sind verschmutzt, verschlissen, beschädigt oder sitzen nicht richtig. >>> Reinigen oder ersetzen Sie die Dichtung. Beschädigte oder defekte Dichtungen führen dazu, dass der Kühlschrank länger arbeiten muss, um die Temperatur halten zu können.

Die Temperatur im Kühlbereich ist angemessen, während Temperatur im Tiefkühlbereich sehr niedrig ist.

Problemlösung

- Die Tiefkühlbereichstemperatur ist sehr niedrig eingestellt. >>> Tiefkühlbereichstemperatur höher einstellen, Temperatur nach einer Weile prüfen.

Die Temperatur im Tiefkühlbereich ist angemessen, während die Temperatur im Kühlbereich sehr niedrig ist.

- Die Kühltemperatur ist sehr niedrig eingestellt. >>> Stellen Sie die Kühltemperatur wärmer ein, prüfen Sie die Temperatur nach einer Weile.

Im Kühlbereich gelagerte Lebensmittel frieren ein.

- Die Kühlbereichstemperatur ist sehr hoch eingestellt. >>> Kühlbereichstemperatur niedriger einstellen, Temperatur nach einer Weile prüfen.

Die Temperatur im Kühl- oder Tiefkühlbereich ist sehr hoch.

- Die Kühlbereichstemperatur ist sehr hoch eingestellt. >>> Die Kühlbereichstemperatur wirkt sich auf die Temperatur des Tiefkühlbereichs aus. Stellen Sie den Kühl- oder Tiefkühlbereich auf eine geeignete Temperatur ein.
- Türen wurden häufig geöffnet oder längere Zeit nicht richtig geschlossen. >>> Verzichten Sie auf häufiges Öffnen der Türen.
- Die Tür wurde eventuell nicht richtig geschlossen. >>> Tür richtig schließen.
- Der Kühlschrank wurde erst vor Kurzem in Betrieb genommen oder mit Lebensmitteln gefüllt. >>> Dies ist normal. Wenn das Gerät erst vor Kurzem in Betrieb genommen oder mit Lebensmitteln gefüllt wurde, dauert es etwas länger, bis die eingestellte Temperatur erreicht ist.
- Kurz zuvor wurden größere Mengen warmer Speisen in den Kühlschrank gestellt. >>> Geben Sie keine warmen oder gar heißen Speisen in den Kühlschrank.

Vibrationen oder Betriebsgeräusche.

- Der Boden ist nicht stabil oder gerade. >>> Falls der Kühlschrank bei Bewegung leicht wackelt, richten Sie ihn mit den Füßen aus. Achten Sie darauf, dass der Boden eben ist und das Gewicht des Kühlschranks problemlos tragen kann.
- Gegenstände, die auf dem Kühlschrank abgestellt wurden, können Geräusche verursachen. >>> Nehmen Sie die Gegenstände herunter.

Fließ- oder Spritzgeräusche sind zu hören.

- Aus technischen Gründen bewegen sich Flüssigkeiten und Gase innerhalb des Gerätes. >>> Dies ist völlig normal und keine Fehlfunktion.

Der Kühlschrank pfeift.

- Im Inneren befinden sich Gebläse zum Kühlen des Gerätes. Dies ist völlig normal und keine Fehlfunktion.

Feuchtigkeit an den Kühlschrankinnenflächen.

- Bei heißen und feuchten Wetterlagen treten verstärkt Eisbildung und Kondensation auf. Dies ist völlig normal und keine Fehlfunktion.
- Türen wurden häufig geöffnet oder längere Zeit nicht richtig geschlossen. >>> Verzichten Sie auf häufiges Öffnen der Türen. Schließen Sie die Türen, falls sie offen sind.
- Eine Tür wurde eventuell nicht richtig geschlossen. >>> Tür richtig schließen.

Feuchtigkeit sammelt sich an der Außenseite des Kühlschranks oder an den Türen an.

- Hohe Luftfeuchtigkeit. Dies ist bei feuchtem Wetter völlig normal. >>> Die Kondensation verschwindet, wenn der Feuchtigkeitsgehalt abnimmt.
- Externer Feuchtigkeitsniederschlag im Bereich zwischen den beiden Türen des Kühlschranks, wenn das Gerät selten benutzt wird. Dies ist völlig normal. Der Feuchtigkeitsniederschlag verschwindet bei häufiger Verwendung.

Unangenehmer Geruch im Kühlschrank.

- Das Gerät wurde nicht regelmäßig gereinigt. Reinigen Sie das Innere des Kühlschranks mit einem Schwamm, den Sie mit lauwarmem oder kohlen säurehaltigem Wasser angefeuchtet haben.
- Einige Behälter oder Verpackungsmaterialien können Gerüche verursachen. >>> Andere Behälter und Verpackungsmaterialien bzw. Produkte anderer Hersteller verwenden.
- Lebensmittel wurden in Behältern ohne Deckel in den Kühlschrank gegeben. >>> Lebensmittel in geschlossenen Behältern aufbewahren. Mikroorganismen aus Behältern ohne Deckel können unangenehme Gerüche verursachen.
- Nehmen Sie abgelaufene oder verdorbene Lebensmittel aus dem Kühlschrank.

Die Tür kann nicht geschlossen werden.

- Lebensmittelpackungen verhindern ein vollständiges Schließen der Tür. >>> Entfernen Sie die Verpackungen, welche die Tür blockieren.
- Der Kühlschrank hat keinen stabilen Stand. >>> Passen Sie die Kühlschrankfüße so an, dass der Kühlschrank in Waage ist.
- Der Boden ist nicht eben oder nicht stabil genug. >>> Achten Sie darauf, dass der Boden eben ist und das Gewicht des Kühlschranks problemlos tragen kann.

Problemlösung

Das Gemüsefach klemmt.

- Lebensmittel könnten die obere Wand des Gemüsefachs berühren. >>> Verteilen Sie die Lebensmittel im Gemüsefach anders.

Wenn die Geräteoberfläche heiß ist.

Die Bereiche zwischen den beiden Türen, an den Seitenflächen und hinten am Grill können im Betrieb sehr heiß werden. Dies ist völlig normal und weist nicht auf eine Fehlfunktion hin.

Gebälse läuft weiter, wenn die Tür geöffnet wird.

Es ist normal, dass das Gebläse weiterläuft, wenn die Tür des Tiefkühlbereichs geöffnet wird.



WARNUNG: Falls sich ein Problem nicht mit den Hinweisen in diesem Abschnitt lösen lassen sollte, wenden Sie sich bitte an Ihren Händler oder an den autorisierten Kundendienst. Versuchen Sie niemals, ein fehlerhaftes Produkt selbst zu reparieren.

HAFTUNGSAUSSCHLUSS / WARNUNG

Einige (einfache) Fehler können vom Endbenutzer angemessen behandelt werden, ohne dass Sicherheitsprobleme oder unsichere Verwendung auftreten, sofern sie innerhalb der Grenzen und gemäß den folgenden Anweisungen ausgeführt werden (siehe Abschnitt „Selbstreparatur“).

Sofern im Abschnitt „Selbstreparatur“ unten nichts anderes autorisiert ist, sind Reparaturen an registrierte professionelle Reparaturtechniker zu richten, um Sicherheitsprobleme zu vermeiden. Ein registrierter professioneller Reparaturbetrieb ist ein professioneller Reparaturtechniker, dem vom Hersteller Zugang zu den Anweisungen und der Ersatzteilliste dieses Produkts gemäß den in den Rechtsakten entsprechend der Richtlinie 2009/125/EG beschriebenen Methoden gewährt wurde.

Allerdings kann nur der Dienstleister (d.h. autorisierte professionelle Reparaturtechniker), den Sie über die in der Bedienungsanleitung/Garantiekarte angegebene Telefonnummer oder über Ihren autorisierten Händler erreichen können, einen Service gemäß den Garantiebedingungen anbieten. Bitte beachten Sie daher, dass Reparaturen durch professionelle Reparaturtechniker (die nicht von Bekoautorisiert sind) zum Erlischen der Garantie führen.

Selbstreparatur

Die Selbstreparatur kann vom Endbenutzer in Bezug auf folgende Ersatzteile durchgeführt werden: Dichtungen, Filter, Türscharniere, Körbe, Propeller, Kunststoffzubehör usw. (eine aktualisierte Liste ist ab dem 1. März 2021 ebenfalls in support.beko.com verfügbar).

Um die Produktsicherheit zu gewährleisten und das Risiko schwerer Verletzungen zu vermeiden, muss die erwähnte Selbstreparatur gemäß den Anweisungen im Benutzerhandbuch zur

Selbstreparatur durchgeführt werden, die unter support.beko.com verfügbar sind. Ziehen Sie zu Ihrer Sicherheit den Stecker aus der Steckdose, bevor Sie eine Selbstreparatur durchführen.

Reparatur- und Reparaturversuche von Endbenutzern für Teile, die nicht in dieser Liste enthalten sind und/oder die Anweisungen in den Benutzerhandbüchern zur Selbstreparatur nicht befolgen oder die auf support.beko.com verfügbar sind, können zu Sicherheitsproblemen führen, die nicht auf Bekozurückzuführen sind, und führt zum Erlöschen der Garantie des Produkts.

Deshalb wird dringend empfohlen, dass Endbenutzer nicht versuchen, Reparaturen durchzuführen, die außerhalb der genannten Ersatzteilliste liegen, und sich in solchen Fällen an autorisierte professionelle Reparaturtechniker oder registrierte professionelle Reparaturtechniker wenden. Ansonsten können solche Versuche von Endbenutzern Sicherheitsprobleme verursachen und das Produkt beschädigen und anschließend Brand, Überschwemmungen, Stromschläge und schwere Personenschäden verursachen.

Beispielsweise müssen, ohne darauf beschränkt zu sein, die folgenden Reparaturen an autorisierte professionelle Reparaturtechniker oder registrierte professionelle Reparaturtechniker gerichtet werden: Kompressor, Kühlkreislauf, Hauptplatine, Wechselrichterplatine, Anzeigetafel usw.

Der Hersteller/Verkäufer kann in keinem Fall haftbar gemacht werden, in dem Endbenutzer die oben genannten Bestimmungen nicht einhalten.

Die Ersatzteilverfügbarkeit des von Ihnen gekauften Kühlschranks beträgt 10 Jahre. Während dieser Zeit stehen Originalersatzteile zur Verfügung, um den Kühlschrank ordnungsgemäß zu betreiben.

Die Mindestgarantiedauer für den von Ihnen gekauften Kühlschrank beträgt 24 Monate.

, Dieses Produkt ist mit einer Lichtquelle der
Energieklasse „G“ ausgestattet.
Die Lichtquelle in diesem Produkt darf nur von
professionellen Reparaturtechnikern ersetzt
werden.

Caro Cliente,

Gostaríamos que aproveitasse a óptima eficiência do nosso produto, fabricado em modernas instalações segundo controlos de qualidade meticulosos.

Para este propósito, ler integralmente o guia do utilizador antes de utilizar o produto e manter o guia como fonte de referência. Se ceder este produto a outra pessoa, fornecer este guia em conjunto com o produto.

O guia do utilizador assegura a utilização rápida e segura do produto.



- Ler o guia do utilizador antes de instalar e operar com o produto.
- Observar sempre as instruções de segurança aplicáveis.
- Manter o guia do utilizador em local de fácil acesso para uso futuro.
- Ler quaisquer outros documentos fornecidos com o produto.

Ter em mente que este guia do utilizador é aplicável a vários modelos do produto. O guia indica claramente quaisquer variações de modelos diferentes.

Símbolos e Observações

No guia do utilizador são usados os símbolos seguintes:

	Informações importantes e dicas úteis.
	Risco de vida e do equipamento.
	Risco de choque eléctrico.
	A embalagem do produto é feita com materiais recicláveis, de acordo com a Legislação Ambiental Nacional.

 INFORMAÇÃO	
	A informação do modelo conforme memorizada na base de dados do produto pode ser acedida entrando no seguinte sítio web e através da busca do identificador do seu modelo (*) que se encontra na etiqueta de classificação energética.
https://eprel.ec.europa.eu/	

1 Instruções de segurança e ambientais **3**

- 1.1. Segurança geral 3
- 1.1.1 Advertência HC 4
- 1.1.2 Para modelos com dispensador de água5
- 1.2. Utilização prevista. 5
- 1.3. Segurança das crianças 5
- 1.4. Em conformidade com a Directiva REEE e Eliminação de Resíduos 5
- 1.5. Em conformidade com a Directiva RSP. 5
- 1.6. Informação da embalagem 6

2 O seu aparelho **7**

3 Instalação **8**

- 3.1. Local de instalação apropriado 8
- 3.2. Instalar os calços de plástico 8
- 3.3. Ajustar os pés 8
- 3.4. Ligação elétrica 9
- 3.5. Inverter as portas 10
- 3.6. Inverter as portas 11

4 Preparação **12**

- 4.1. Coisas a serem feitas para poupar energia 12
- 4.2. Uso inicial 12

5 Operar com o produto **13**

- 5.1. Botão de definição de temperatura . . 13
- 5.2. Congelar rápido 13
- 5.3. Função férias 14
- 5.4. Botão de ajuste do termóstato. 14
- 5.5. Botão de ajuste do termóstato. 15
- 5.6. Descongelação. 15
- 5.7. Painel indicador 16
- 5.8. Painel indicador 17
- 5.9. Painel indicador 19
- 5.10. Painel indicador 22
- 5.11. Icematic e caixa de armazenamento de gelo (Opcional). 24

- 5.12. Recipiente para o gelo 25
- 5.13. Suporte para ovos. 25
- 5.14. Ventilador. 25
- 5.15. Gaveta para vegetais 25
- 5.16. Compartimento refrigerador 25
- 5.17. Usar a segunda gaveta para frutos e legumes do produto; 26
- 5.18. Mover a prateleira da porta 27
- 5.19. HerbBox/HerbFresh. 27
- 5.20. Recipiente de armazenamento deslizante 28
- 5.21. Luz azul 28
- 5.22. Módulo desodorizador. 28
- 5.23. Gaveta de vegetais com humidade controlada 29
- 5.24. Icematic automático 29
- 5.25. Utilizar a fonte de água fresca 30
- 5.26. Utilizar a fonte de água fresca 30
- 5.27. Encher o depósito do dispensador de água 31
- 5.28. Limpar o depósito de água 31
- 5.29. Tabuleiro para gotas de água. 32
- 5.30. Congelar alimentos frescos 33
- 5.31. Recomendações para preservar alimentos congelados. 34
- 5.32. Informação do congelador 34
- 5.33. Colocar alimentos. 34
- 5.34. Botão para abrir a porta 34
- 5.35. Mudar a direção da abertura da porta 34
- 5.36. Lâmpada de iluminação 34

6 Manutenção e limpeza **35**

- 6.1. Evitar maus odores 35
- 6.2. Proteger superfícies de plástico 35
- 6.3. Vidros da Porta 35

7. Resolução de problemas **36**

1 Instruções de segurança e ambientais

Esta secção fornece as instruções de segurança necessárias para prevenir risco de lesões e danos materiais. O não cumprimento destas instruções invalidará todos os tipos de garantia do produto.

1.1. Segurança geral

AVISO:

Manter as aberturas de ventilação, na caixa de proteção do aparelho ou na estrutura embutida, sem obstruções.

ADVERTÊNCIA:

Não usar dispositivos mecânicos nem outros meios para acelerar o processo de descongelação, exceto os recomendados pelo fabricante.



AVISO:

Não danificar o circuito de refrigeração.

ADVERTÊNCIA:

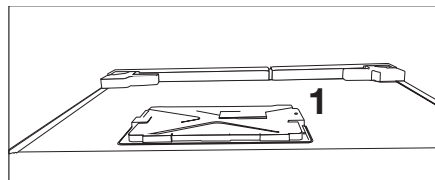
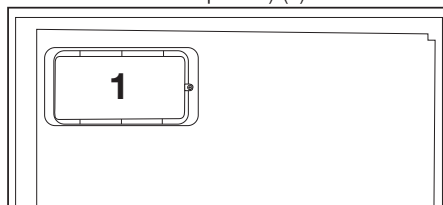
Não usar aparelhos eléctricos no interior dos compartimentos de armazenamento de alimentos do aparelho, a menos que sejam do tipo recomendado pelo fabricante.

Este aparelho é destinado a ser usado em uso doméstico e aplicações similares como

- zonas de cozinha em estabelecimentos comerciais, escritórios ou outros ambientes laborais;
- casas rurais e pelos clientes em hotéis, motéis e outros ambientes de tipo residencial;
- ambientes de tipo alojamento e pequeno almoço;
- utilizações de refeições e outros não-retalhistas similares.

- Este produto não deve ser usado por pessoas com deficiências físicas, sensoriais e mentais, sem conhecimento e experiência suficiente ou por crianças. O dispositivo apenas pode ser usado por estas pessoas sob supervisão e instrução de uma pessoa responsável pela sua segurança. As crianças não devem ser autorizadas a brincar com este aparelho.

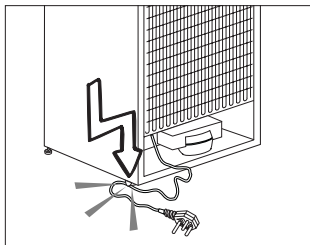
- Em caso de mau funcionamento, desligue o aparelho.
- Depois de desligar, aguarde pelo menos 5 minutos antes de ligar novamente. Desligar o produto quando não está em uso. Não tocar na ficha com as mãos molhadas! Não puxar pelo cabo para desligar, segurar sempre pela ficha.
- Não ligar o frigorífico se a tomada estiver solta.
- Desligar o produto durante a instalação, manutenção, limpeza e reparação.
- Se o produto não for usado por uns tempos, desligar o produto e retirar quaisquer alimentos do interior.
- Não utilizar materiais de limpeza a vapor ou vapor para limpar o frigorífico e derreter o gelo no interior. O vapor pode entrar em contacto com as áreas electrificadas e causar curto-circuito ou choque eléctrico!
- Não lavar o produto pulverizando-o ou deitando água sobre o mesmo! Perigo de choque eléctrico!
- Nunca usar o produto se a secção localizada na parte superior ou traseira do seu produto com placas de circuitos impressos electrónicos no interior estiver aberta (tampa da placa de circuito electrónico impresso) (1).



- Em caso de mau funcionamento, não usar o produto, porque pode provocar um choque eléctrico. Contactar a assistência autorizada antes de fazer alguma coisa.
- Ligar o produto a uma tomada com ligação à terra. A ligação à terra deve ser feita por um electricista qualificado.

Instruções de segurança e ambientais

- Se o produto tem luz tipo LED, contactar a assistência autorizada para substituir ou em caso de quaisquer problemas.
- Não tocar em alimentos congelados com as mãos molhadas! Podem aderir às suas mãos!
- Não colocar líquidos em garrafas e latas no compartimento de congelação. Podem explodir!
- Colocar os líquidos em posição vertical depois de fechar a tampa firmemente.
- Não pulverizar substâncias inflamáveis perto do produto, podem incendiar ou explodir.
- Não manter no frigorífico materiais inflamáveis e produtos com gás inflamável (sprays, etc.).
- Não colocar recipientes com líquidos em cima do produto. Pulverizar água sobre as partes eléctricas pode causar choque eléctrico e risco de incêndio.
- Expor o produto à chuva, neve, sol e vento pode causar perigo eléctrico. Quando recolocar o produto, não puxar pelo puxador da porta. O puxador pode soltar-se.
- Ter cuidado para evitar prender qualquer parte das suas mãos ou corpo em alguma das partes móveis dentro do produto.
- Não pisar ou apoiar-se nas portas, gavetas e peças similares do frigorífico. Isto pode causar avaria do produto e danificar as partes.
- Ter cuidado para não prender o cabo de alimentação.
- Ao instalar o eletrodoméstico, certifique-se de que o cabo de alimentação não fica entalado nem danificado.
- Não coloque tomadas múltiplas nem fontes de alimentação portáteis junto à parte traseira do eletrodoméstico.



- O seu frigorífico Side-by-Side requer uma ligação de água. Se ainda não existir uma torneira de água disponível e se for necessário chamar um canalizador, ter em atenção que: No caso da sua casa estar equipada com um sistema de aquecimento do pavimento, deve ter em atenção que fazer furos no teto em betão pode danificar este sistema de aquecimento.
- As crianças com idade entre 3 e 8 anos podem colocar e retirar cargas de aparelhos de refrigeração.
- Para evitar a contaminação dos alimentos, respeite as instruções a seguir apresentadas:
 - – abrir a porta durante longos períodos de tempo pode causar um aumento de temperatura significativo nos compartimentos do aparelho;
 - – limpe regularmente as superfícies que podem entrar em contacto com alimentos, assim como os sistemas de drenagem acessíveis;
 - – limpe os reservatórios de água se não forem utilizados durante 48 horas; lave o sistema de ligação ao fornecimento de água, se não tiver sido extraída água durante 5 dias;
 - – armazene carne e peixe crus em recipientes adequados, no frigorífico, para que não entrem em contacto ou pinguem para os outros alimentos;
 - – os compartimentos para congelação de alimentos de duas estrelas são adequados para armazenar alimentos pré-congelados, armazenar ou fazer gelados e fazer cubos de gelo;

Instruções de segurança e ambientais

- – os compartimentos de uma, duas e três estrelas não são adequados para congelar alimentos frescos;
- – se o aparelho de refrigeração ficar vazio durante longos períodos de tempo, desligue, descongele, limpe, seque e deixe a porta aberta para evitar a formação de bolor no interior do aparelho.

1.1.1 Advertência HC

Se o produto inclui um sistema de refrigeração com gás R600a, ter cuidado para não danificar o sistema de arrefecimento e a sua tubagem durante a utilização e movimentação do produto. O gás é inflamável. Se o sistema de refrigeração estiver danificado, manter o produto longe de fontes de ignição e ventilar imediatamente o espaço onde o frigorífico se encontra.



A etiqueta no lado esquerdo interior indica o tipo de gás usado no produto.

1.1.2 Para modelos com dispensador de água

- A pressão para a entrada de água fria deve ser no máximo de 90 psi (620 kPa). Se a sua pressão de água exceder 80 psi (550 kPa, utilize uma válvula limitadora de pressão no seu sistema de alimentação. Se não sabe como verificar a sua pressão de água, deve solicitar a ajuda de um canalizador profissional.
- Se existir o risco de o golpe de ariete afetar a sua instalação, deve utilizar sempre um equipamento de prevenção do golpe de ariete na sua instalação. Deve consultar os canalizadores profissionais se não tiver a certeza se existe o efeito de golpe de ariete na sua instalação.
- Não instalar na entrada de água quente. Deve tomar precauções relativamente ao risco de congelamento nas tubagens. O intervalo de funcionamento de temperatura da água deve ser 33°F (0,6°C) de mínimo e

100°F (38°C) de máximo.

- Usar apenas água potável.

1.2. Utilização prevista

- Este produto é concebido para utilização doméstica. Não está previsto para utilização comercial.
- O produto deve ser utilizado apenas para armazenar alimentos e bebidas.
- Não manter no frigorífico produtos sensíveis que requerem temperaturas controladas (vacinas, medicamentos sensíveis ao calor, equipamentos médicos, etc.).
- O fabricante não assume responsabilidades por qualquer dano devido a uso indevido ou inadequado.
- O tempo de vida do produto é de 10 anos. As peças sobresselentes necessárias ao funcionamento do produto estarão disponíveis durante o referido período de tempo.

1.3. Segurança das crianças

- Manter os materiais de embalagem fora do alcance das crianças.
- Não permitir que as crianças brinquem com o produto.
- Se a porta do produto incluir uma fechadura, manter a chave fora do alcance das crianças.

Instruções de segurança e ambientais

1.4. Em conformidade com a Directiva REEE e Eliminação de Resíduos

Este produto está em conformidade com a Directiva UE REEE (2012/19/UE). Este produto tem um símbolo de classificação de resíduos de equipamentos eléctricos e electrónicos (REEE).



Este produto foi fabricado com peças de alta qualidade e materiais que podem ser reutilizados e são adequados para reciclagem. Não eliminar os

resíduos como resíduos domésticos normais ou outros no fim da vida útil. Colocar no centro de recolha para a reciclagem de equipamentos eléctricos e electrónicos. Consultar as autoridades locais para indicação destes centros de recolha.

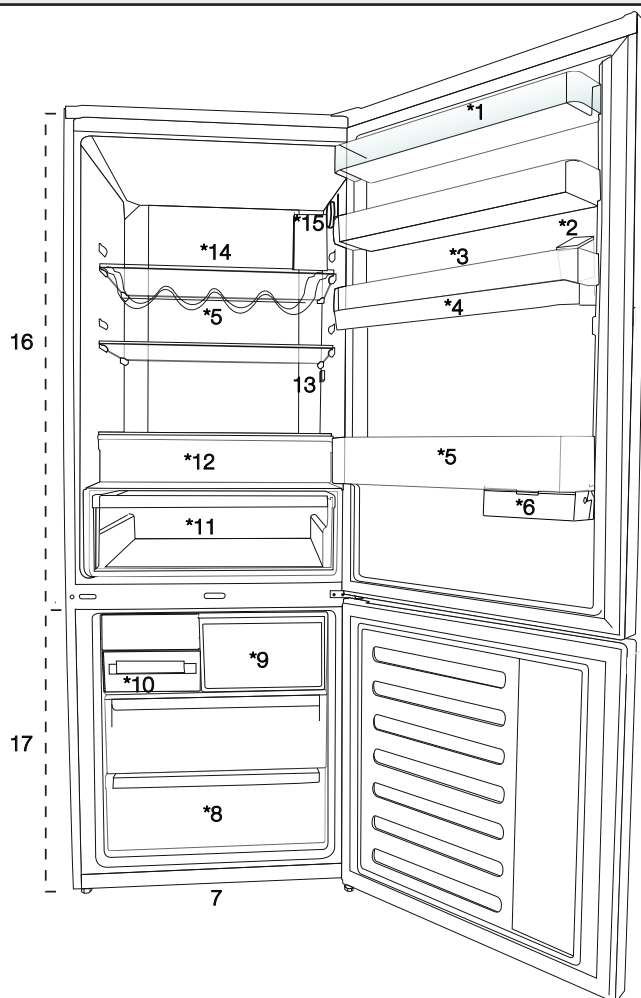
1.5. Em conformidade com a Directiva RSP

- Este produto está em conformidade com a Directiva UE REEE (2011/65/UE). Não contém materiais nocivos e proibidos especificados na Directiva.

1.6. Informação da embalagem

- Os materiais de embalagem do produto são fabricados com materiais recicláveis de acordo com os nossos Regulamentos Ambientais Nacionais. Não eliminar os materiais de embalagem junto com lixos domésticos ou outros. Colocar nos pontos de recolha de material de embalagem designados pelas autoridades locais.

2 0 seu aparelho



1. Prateleira da porta do compartimento do frigorífico
2. Reservatório de enchimento do dispensador de água
3. Secção dos ovos
4. Reservatório do dispensador de água
5. Prateleira para garrafas
6. Recipiente deslizante para armazenamento
7. Pés ajustáveis
8. Compartimento do congelador
9. Compartimento de congelação rápida
10. Tabuleiro para cubos de gelo e banco de gelo
11. Recipiente para vegetais
12. Compartimento zero graus
13. Luz interior
14. Prateleira de vidro do compartimento do frigorífico
15. Botão de ajuste da temperatura
16. Compartimento do frigorífico
17. Compartimento do congelador



***opcional:**As figuras neste manual do utilizador são dadas como um exemplo e podem não coincidir exatamente com o produto. Se as partes relevantes não estão disponíveis no produto que comprou, a figura aplica-se a outros modelos.

3.1. Local de instalação apropriado

Contactar uma Assistência Autorizada para a instalação do produto. De modo a preparar o produto para utilização, consultar a informação no manual do utilizador e assegurar que a instalação elétrica e a instalação de água são apropriadas. Se não, chamar um electricista e técnico qualificados para realizarem quaisquer arranjos necessários.

	ADVERTÊNCIA: O fabricante não será responsabilizado por danos que possam surgir a partir de procedimentos realizados por pessoas não autorizadas.
	ADVERTÊNCIA: O produto não deve ser ligado à tomada durante a instalação. Caso contrário, há o risco de morte ou lesão grave!
	ADVERTÊNCIA: Se o afastamento da porta da divisão onde o produto deve ser colocado for tão apertado impeça a passagem do produto, remover a porta da divisão e passar o produto pela porta girando-o para o seu lado; se isto não funcionar, contactar a assistência autorizada.

- Colocar o produto numa superfície de chão plana para evitar sacudidelas.
- Instalar o produto afastado pelo menos 30 cm de fontes de calor tais como fogões, núcleos de aquecedores e fornos e pelo menos a 5 cm de fornos elétricos.
- O produto não deve ser exposto à luz solar direta e mantido em locais húmidos.
- Deve ser proporcionada ventilação de ar apropriada à volta do seu produto de modo a alcançar um funcionamento eficiente. Se o produto for colocado num encaixe na parede, ter em atenção para deixar pelo menos 5 cm de distância ao teto e paredes laterais.
- Não instalar o produto em locais onde a temperatura desça abaixo de -5°C.

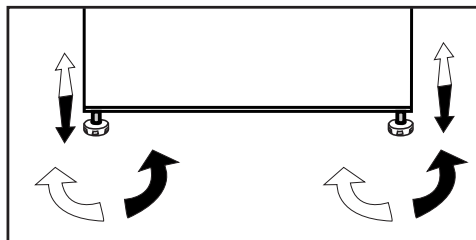
3.2. Instalar os calços de plástico

Os calços de plástico fornecidos com o produto são usados para criar a distância para a circulação de ar entre o produto e a parede de trás.

1. Para instalar os calços, retirar os parafusos no produto e usar os parafusos fornecidos em conjunto com os calços.
2. Inserir os 2 calços de plástico na tampa de ventilação de trás como mostrado na figura.

3.3. Ajustar os pés

Se o produto ficar desequilibrado depois da instalação, ajustar os pés da frente rodando-os para a esquerda ou direita.



Instalação

3.4. Ligação elétrica

	ADVERTÊNCIA: Não fazer ligações através de cabos de extensão ou fichas múltiplas.
	ADVERTÊNCIA: O cabo de alimentação danificado deve ser substituído pelo Agente de Assistência Autorizado.
	Se dois refrigeradores são para ser instalados lado a lado, deve haver pelo menos 4 cm de distância entre eles.

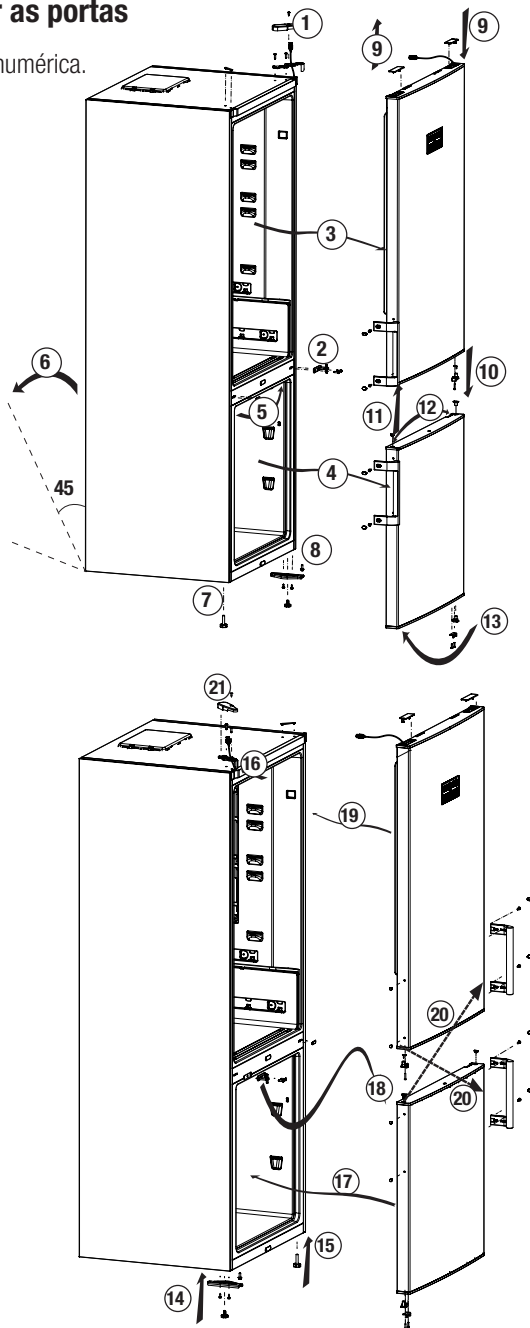
- A nossa empresa não será responsável por quaisquer danos que possam ocorrer quando o produto for usado sem ligação à terra e elétrica em conformidade com os regulamentos nacionais.
- A ficha do cabo de alimentação deve ser de fácil acesso após a instalação.
- Sem cabos de extensão ou tomadas múltiplas sem cabo entre o seu produto e a tomada da parede.

	ADVERTÊNCIA: Advertência de Superfície Quente As paredes laterais do seu produto são equipadas com tubos refrigerantes para melhorar o sistema de refrigeração. O refrigerante com altas temperaturas pode fluir através destas áreas, resultando em superfícies quentes nas paredes laterais. Isto é normal e não exige qualquer reparação. Deve ter cuidado quando tocar nestas áreas.
---	--

Instalação

3.5. Inverter as portas

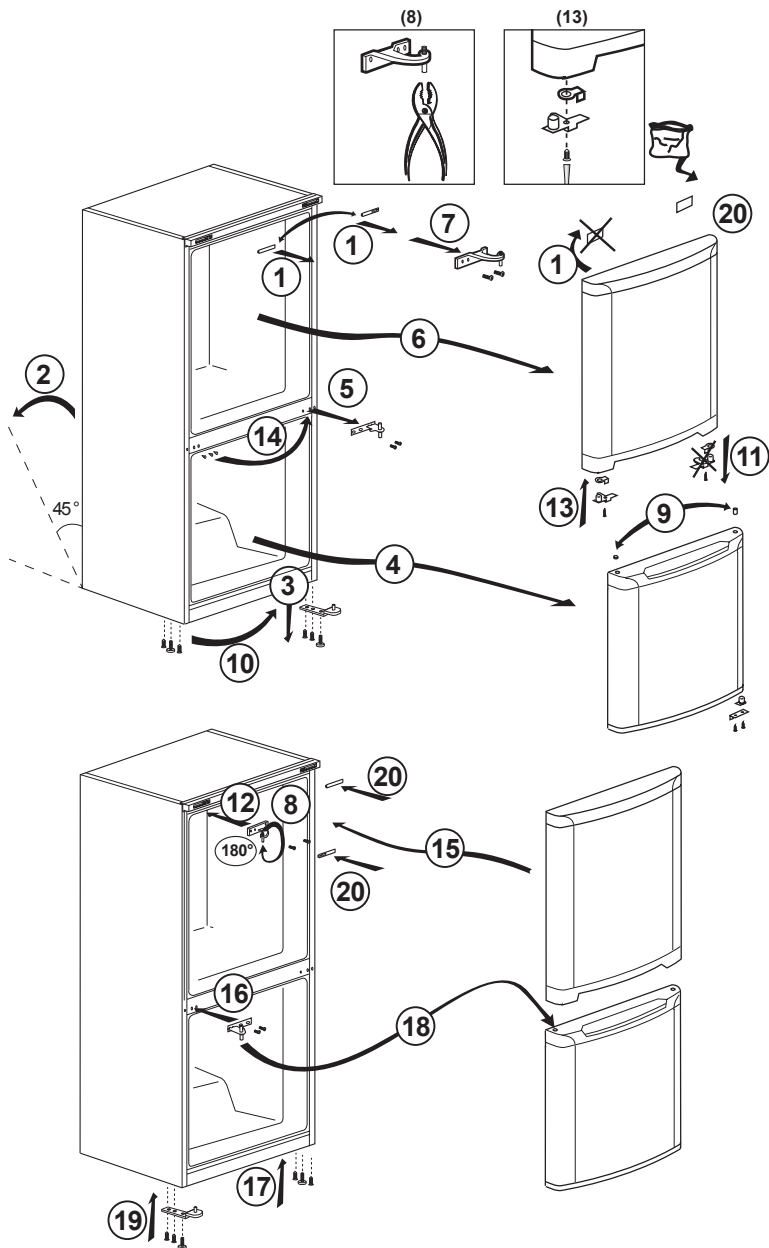
Seguir a ordem numérica.



Instalação

3.6. Inverter as portas

Seguir a ordem numérica.



4.1. Coisas a serem feitas para poupar energia

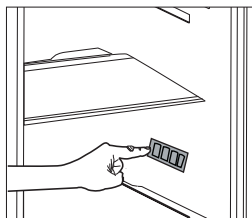


Ligar o produto a sistemas eletrónicos de poupança de energia é arriscado pois podem danificar o produto.

- Para um aparelho de instalação independente: "este frigorífico não se destina a ser usado como um aparelho de encastrar";
- Não deixar as portas do seu frigorífico abertas por muito tempo.
- Não colocar alimentos ou bebidas quentes no seu frigorífico.
- Não sobrecarregar o frigorífico, a capacidade de arrefecimento falhará quando a circulação de ar interior for impedida.
- De modo a armazenar a quantidade máxima de alimentos no compartimento frigorífico, o Icematic, disponível no compartimento congelador e facilmente removível à mão, deverá ser retirado. Os valores declarados de volume líquido e consumo de energia declarados na placa de dados de energia do seu frigorífico são medidos e testados retirando o Icematic. Não retirar as prateleiras do interior do compartimento congelador e na porta do compartimento congelador não devem ser removidas e devem ser sempre usadas pois proporcionam facilidade de utilização e eficiência no consumo de energia.
- O fluxo de ar não deve ser bloqueado colocando alimentos nas laterais do ventilador do compartimento do congelador. Deve ser disponibilizada uma distância mínima de 3 cm nas laterais da tampa protetora do ventilador.
- Os cestos/gavetas que são fornecidos com o compartimento para os frescos têm de ser sempre utilizados para um menor consumo de energia e para melhores condições de armazenamento.
- O contacto dos alimentos com o sensor de temperatura no compartimento do congelador pode aumentar o consumo de energia do aparelho. Assim deve ser evitado qualquer contacto com o(s) sensor(es).
- Dependendo das características de seu produto, o descongelamento de alimentos congelados no compartimento frigorífico irá proporcionar a

poupança de energia e preservar a qualidade dos alimentos.

- Não permitir o contacto de alimentos com o sensor de temperatura do compartimento frigorífico exibido na figura abaixo.
- Já que o ar quente e húmido não irá penetrar diretamente o seu produto enquanto as portas não estiverem abertas, o seu produto irá otimizar-se por si próprio para possuir condições suficientes para proteger os seus alimentos. As funções e os componentes como o compressor, a ventoinha, o aquecedor, o descongelador, a iluminação, o visor, entre outros, funcionarão de acordo com as necessidades para o consumo mínimo de energia nestas circunstâncias.



4.2. Uso inicial

Antes de começar a usar o seu frigorífico, assegurar que todos os preparativos são feitos de acordo com as instruções nas secções "Instruções de segurança e ambientais" e "Instalação".

- Pôr o produto a trabalhar sem quaisquer alimentos durante 6 horas e não abrir a porta, a menos que absolutamente necessário.



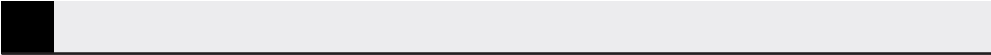
Ouvirá um ruído quando o compressor arrancar. Os líquidos e gases vedados no sistema de refrigeração podem também dar origem a ruídos, mesmo se o compressor não estiver a funcionar o que é perfeitamente normal.



As extremidades dianteiras do produto podem ficar quentes. Isto é normal. Estas áreas são concebidas para aquecer para evitar a condensação.



Em alguns modelos, o painel de instrumentos desliga automaticamente 5 minutos depois de a porta ser fechada. Será reativado quando a porta for aberta ou premida qualquer tecla.

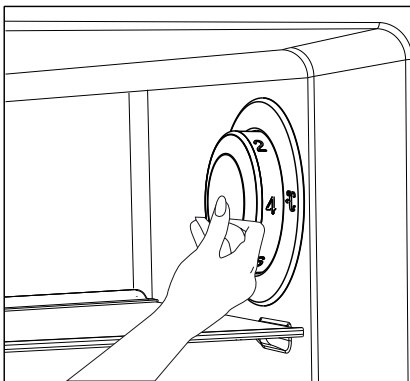


Dado que o ar quente e húmido não irá penetrar diretamente no seu produto enquanto as portas não estiverem abertas, o seu produto irá otimizar-se por si próprio em condições suficientes para proteger os seus alimentos. Nesta função de poupança de energia, as funções e os componentes como o compressor, a ventoinha, o aquecedor, o descongelador, a iluminação, o visor, entre outros, irão funcionar de acordo com as necessidades para o consumo mínimo de energia enquanto mantêm a frescura dos seus produtos alimentares.

5.1. Botão de definição de temperatura

A temperatura interior do seu frigorífico altera-se pelas seguintes razões:

- Temperaturas sazonais,
- Abertura frequente da porta e deixar a porta aberta por períodos longos,
- Alimentos postos no frigorífico sem arrefecer à temperatura da divisão,
- Localização do frigorífico na divisão (p.ex. exposto à luz solar).
- Deve ajustar a variação da temperatura interior devido a tais razões usando o botão de definição.
- Os números à volta do botão de controlo indicam os valores da temperatura em "°C".
- Se a temperatura ambiente for 25°C, recomendamos que use o botão de controlo de temperatura do seu frigorífico a 4°C. Este valor deve ser aumentado ou diminuído se necessário noutras temperaturas de ambiente.

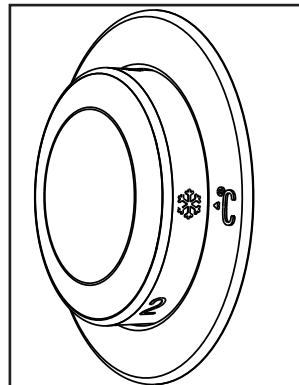


5.2. Congelar rápido

Se foram congeladas grandes quantidades de alimentos frescos, ajustar o botão de controlo de temperatura para (❄️) máx. 24 horas antes de pôr os alimentos frescos no compartimento de congelamento rápido.

É fortemente recomendado manter o botão nesta posição pelos menos 24 horas para congelar a quantidade máxima de alimentos frescos declarados como capacidade de congelamento. Ter especial cuidado para não misturar alimentos congelados e alimentos frescos.

Lembrar de rodar o botão controlo de temperatura de volta à sua posição anterior, uma vez os alimentos congelados.



***Opcional:** As figuras neste manual do utilizador são esquemáticas e podem não coincidir exatamente com o produto. Se as partes sujeitas não estão incluídas no produto que comprou, então essas partes são válidas para outros modelos.

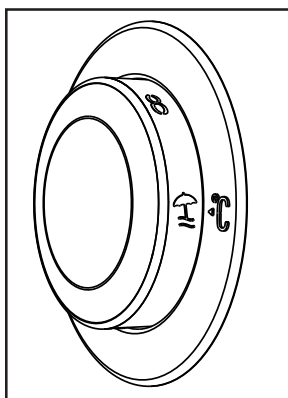
Operar com o produto

5.3. Função férias

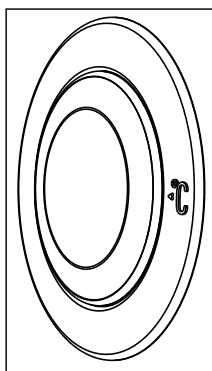
Se as portas do produto não forem abertos durante 12 horas após o botão de controlo de temperatura ser mudado para o posição mais quente, então a função de férias será ativada automaticamente.

Para cancelar a função, mudar a definição do botão.

Não é recomendado armazenar alimentos no compartimento frigorífico quando a função de férias está ativa.

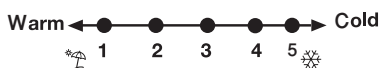
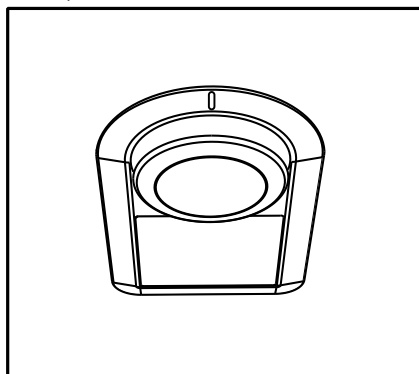


- Quando a operação de definição estiver concluída, deve premir o botão de controlo de temperatura e escondê-lo.



5.4. Botão de ajuste do termostato

A temperatura de funcionamento é regulada pelo respetivo controlo.



1 = Definição de arrefecimento mais baixa (Definição mais quente).

4 = Definição de arrefecimento mais elevada (Definição mais fria)

A temperatura média dentro do frigorífico deve ser cerca de +5°C.

Escolha a definição de acordo com a temperatura pretendida.

Note que existem temperaturas diferentes na área de arrefecimento.

A área mais fria está imediatamente acima do compartimento para vegetais.

A temperatura interior também depende da temperatura ambiente, da frequência com que a porta é aberta e da quantidade de alimentos mantidos no interior do equipamento.

A abertura frequente da porta faz subir a temperatura interior.

Poderá não estar disponível em todos os modelos

Operar com o produto

Assim, recomendamos o fecho da porta o mais rapidamente possível após a utilização.

5.5. Botão de ajuste do termóstato

A temperatura interior do seu frigorífico altera-se pelas seguintes razões:

- Temperaturas sazonais,
- Abertura frequente da porta e porta aberta durante longos períodos,
- Alimentos guardados no frigorífico sem que estejam arrefecidos até a temperatura ambiente,
- A localização do frigorífico na divisão da casa (p. ex.: exposição à luz solar).
- Deve ajustar a variação da temperatura interior devido a esses motivos, usando o termóstato. Os números em volta do botão do termóstato indicam os graus de arrefecimento.
- Se a temperatura ambiente estiver mais alta do que 32 °C, rode o botão do termóstato até a posição máxima.
- Se a temperatura ambiente for inferior a 25 °C, rode o botão do termóstato para a posição mínima.

5.6. Descongelação

Compartimento do frigorífico

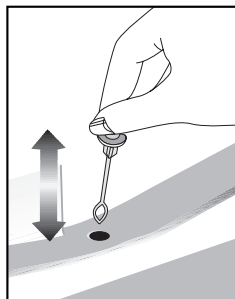
O compartimento do frigorífico executa descongelação totalmente automática. Podem ocorrer, no interior da parede posterior do compartimento do frigorífico, gotas de água e uma congelação até 7-8 mm enquanto o seu frigorífico arrefece. Tal formação é normal como resultado do sistema de arrefecimento. A formação de gelo é descongelada ao executar a descongelação automática a intervalos determinados, graças ao sistema de descongelação automática da parede posterior. Não é necessário ao utilizador raspar o gelo ou retirar as gotas de água.

A água resultante da descongelação passa do sulco de recolha da água e corre para dentro do evaporador através do tubo de drenagem e evapora-se aqui por si mesma.

O compartimento de Congelação profunda (Deep freezer) não realiza a descongelação automática para evitar a deterioração dos alimentos congelados.

O compartimento do congelador descongela-se automaticamente.

Verifique regularmente para ver se o tubo de descarga está entupido ou não e limpe-o com a vareta no orifício, quando necessário.

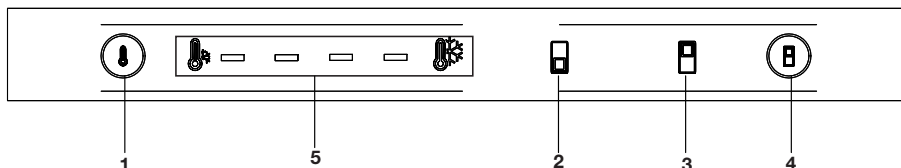


Poderá não estar disponível em todos os modelos

Operar com o produto

5.7. Painel indicador

Os painéis indicadores podem variar de acordo com o modelo do produto. As funções áudio e vídeo do painel indicador irão ajudar na utilização do produto.



- 1. Botão para alteração do valor de arrefecimento:** É utilizado para ajustar o valor de arrefecimento do frigorífico e dos compartimentos do congelador. Se pressionar este botão enquanto o indicador do compartimento do congelador (2) está ligado, o arrefecimento do compartimento do congelador muda. Se pressionar este botão enquanto o indicador do compartimento do frigorífico (3) está ligado, o arrefecimento do compartimento do frigorífico muda.
- 2. Indicador do compartimento do congelador:** Quando este indicador está ligado, o valor atual de arrefecimento do compartimento do congelador é apresentado no indicador de arrefecimento (5). Pode pressionar o botão para alteração do valor de arrefecimento (1) para alterar o valor de arrefecimento do compartimento do congelador.
- 3. Indicador do compartimento do frigorífico:** Quando este indicador está ligado, o valor atual de arrefecimento do compartimento do frigorífico é apresentado no indicador de arrefecimento (5). Pode pressionar o botão para alteração do valor de arrefecimento (1) para alterar o valor de arrefecimento do compartimento do frigorífico.
- 4. Botão de seleção de compartimento:** É utilizado para selecionar os compartimentos do frigorífico e congelador.
- 5. Indicador de arrefecimento:** Apresenta o valor de arrefecimento do compartimento selecionado. Valor de arrefecimento aumentado da esquerda para a direita.



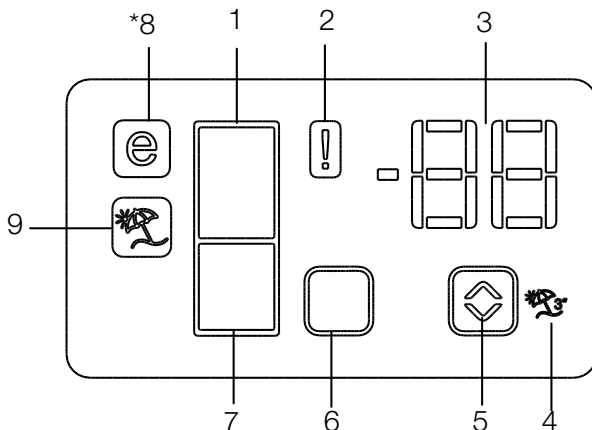
***Opcional:** As figuras neste manual do utilizador são esquemáticas e podem não coincidir exatamente com o produto. Se as partes sujeitas não estão incluídas no produto que comprou, então essas partes são válidas para outros modelos.

Operar com o produto

5.8. Painel indicador

Os painéis indicadores podem variar de acordo com o modelo do produto.

As funções áudio e vídeo do painel indicador irão ajudar na utilização do produto.



1. Indicador do compartimento congelador
2. Indicador do estado do erro
3. Indicador da temperatura
4. Botão da função férias
5. Botão de definição de temperatura
6. Botão de seleção de compartimento
7. Indicador do compartimento frigorífico
8. Indicador do modo económico
9. Indicador da função férias

***opcional**

Poderá não estar disponível em todos os modelos



***Opcional:** As figuras neste manual do utilizador são esquemáticas e podem não coincidir exatamente com o produto. Se as partes sujeitas não estão incluídas no produto que comprou, então essas partes são válidas para outros modelos.

Operar com o produto

1. Indicador do compartimento congelador

A luz do compartimento do frigorífico ilumina-se quando a temperatura do compartimento congelador é definida.

2. Indicador do estado do erro

Se o frigorífico não produz frio suficiente ou no caso de falha do sensor, este indicador é ativado. Quando o indicador é ativado, é exibido “E” no indicador de temperatura do compartimento congelador, e números como “1,2,3...” são exibidos no indicador de temperatura do compartimento frigorífico. Estes números no indicador servem para informar o pessoal da assistência sobre o erro.

3. Indicador da temperatura

Indica congelador, temperatura do compartimento frigorífico.

4. Botão da função férias

Premir o botão férias durante 3 segundos para ativar esta função. Quando a função férias é ativada, “- -” é exibido no indicador de temperatura do compartimento frigorífico e não é realizado arrefecimento ativo no compartimento frigorífico. Não é adequado manter os alimentos no compartimento do frigorífico quando esta função é ativada. Outros compartimentos continuarão a ser arrefecidos conforme a temperatura definida.

Para cancelar esta função premir de novo o botão **Férias**.

5. Botão de definição de temperatura

Altera a temperatura do compartimento relevante entre -24°C... -18°C e 8°C...1°C.

6. Botão de seleção de compartimento

Botão de seleção: Premir o botão de seleção do compartimento para alterar entre compartimentos frigorífico e congelador.

7. Indicador do compartimento frigorífico

A luz do compartimento do frigorífico ilumina-se quando a temperatura do compartimento frigorífico é definida.

8. Indicador do modo económico

Indica que o frigorífico funciona em modo de poupança de energia. Este visor será ativado se a temperatura do compartimento congelador for definida para -18°C.

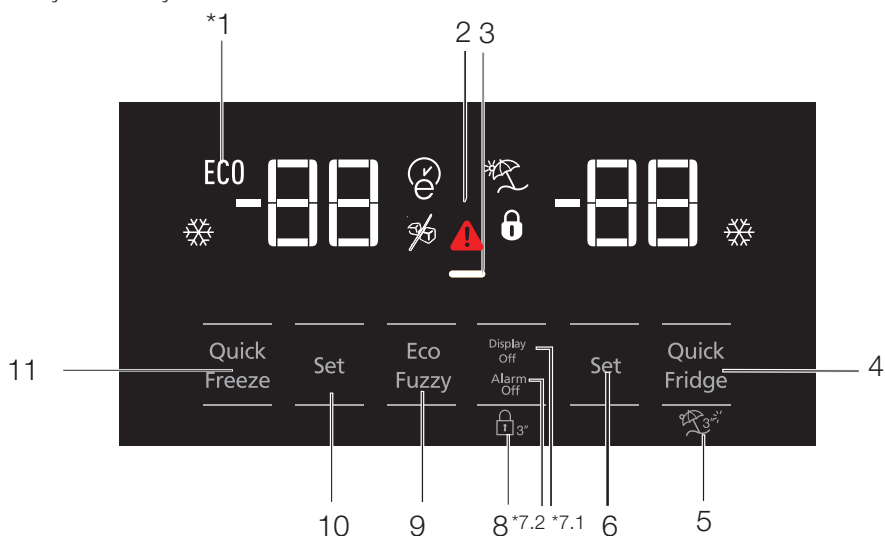
9. Indicador da função férias

Indica que férias está ativada.

Operar com o produto

5.9. Painel indicador

O painel indicador permite-lhe definir a temperatura e controlar as outras funções relativas ao produto sem abrir a porta do produto. Premir apenas as inscrições nos botões relevantes para definições de função.



1. Economia

Este sinal acende quando o compartimento de congelamento está definido para -18°C o valor de definição mais económico (ECO). O Indicador de utilização económica desliga quando são selecionadas as funções de frio ou congelamento rápido.

2. Temperatura elevada / indicador de advertência de erro

Este indicador (🚨) ilumina-se durante a temperatura elevada e advertências de erro.

3. Frio rápido

O indicador de frio rápido (❄️) ilumina-se quando a função de frio rápido é ativada e o valor do indicador de temperatura do

compartimento frigorífico é exibido como 1. Para cancelar esta função premir de novo o botão Frio rápido. O indicador de Frio rápido desligará e o frigorífico voltará às definições normais. A função de frio rápido é cancelada automaticamente após 1 hora se não a cancelar antes. Para refrigerar uma grande quantidade de alimentos frescos, premir o botão frio rápido antes de colocar os alimentos no compartimento frigorífico.

4. Função férias

De modo a ativar a função férias, premir o botão n.º. (4) (🌧️) durante 3 segundos, e o indicador de modo de férias ativa. Quando

Poderá não estar disponível em todos os modelos




***Opcional:** As figuras neste manual do utilizador são esquemáticas e podem não coincidir exatamente com o produto. Se as partes sujeitas não estão incluídas no produto que comprou, então essas partes são válidas para outros modelos.

Operar com o produto


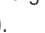
a função férias é ativada, “- -” é exibido no indicador de temperatura do compartimento frigorífico e não é realizado arrefecimento ativo no compartimento frigorífico. Não é adequado manter os alimentos no compartimento do frigorífico quando esta função é ativada. Outros compartimentos continuarão a ser arrefecidos conforme a temperatura definida.


Para cancelar esta função premir de novo o botão de **função Férias**.

5. Definição de temperatura do compartimento frigorífico

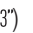
Quando o botão nº. (5) é premido, pode definir a temperatura do compartimento frigorífico para 8,7,6,5,4,3,2 e 1 respetivamente ().


6. Poupança de energia (visor desligado):

O símbolo de poupança de energia () ilumina-se e a função de poupança de energia é ativada quando premir este botão ().

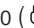
Quando a função de poupança de energia é ativada, todos os símbolos no visor que não o símbolo de poupança de energia apagar-se-ão. Quando a função de poupança de energia é ativada, se qualquer botão for premido ou a porta for aberta, a função de poupança de energia será cancelada e os símbolos no visor voltarão ao normal. O símbolo de poupança de energia desliga-se e a função de poupança de energia é desativada quando premir este botão () de novo.

7. Bloqueio de teclas

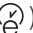
Premir o botão de bloqueio de teclas () simultaneamente durante 3 segundos. Símbolo de bloqueio de teclas

() acenderá e o modo de bloqueio de teclas será ativado. Os botões não funcionarão se o modo de bloqueio de teclas está ativado. Premir o botão de bloqueio de teclas

simultaneamente durante 3 segundos. O símbolo de bloqueio de teclas desliga e o modo de bloqueio de teclas será desligado.

Premir o botão **bloqueio de teclas** se quer evitar alteração da definição de temperatura do frigorífico ().

8. Eco-inteligente


Premir e manter premido o botão eco-inteligente durante 1 segundo para ativar a função eco-inteligente. O frigorífico começará a funcionar no modo mais económico, pelo menos mais 6 horas e o indicador de uso económico será ligado quando a função está ativa (). Premir e manter premido o botão da função eco-inteligente durante 3 segundo para desativar a função eco-inteligente.

Este indicador ilumina-se após 6 horas quando eco-inteligente é ativada.

9. Definição de temperatura do compartimento congelador


A definição de temperatura do compartimento congelador é realizada aqui. Quando o botão nº. 9 é premido, pode definir a temperatura do compartimento congelador para -18,-19,-20,2 e -22 respetivamente.

10. Congelar rápido

Premir o botão nº. (10) para a operação de congelar rápido, o indicador de congelar rápido () será ativado.

O indicador de congelar rápido ilumina-se quando a função de congelar rápido é ativada e o valor do indicador de temperatura do compartimento frigorífico é exibido como -27.

Operar com o produto

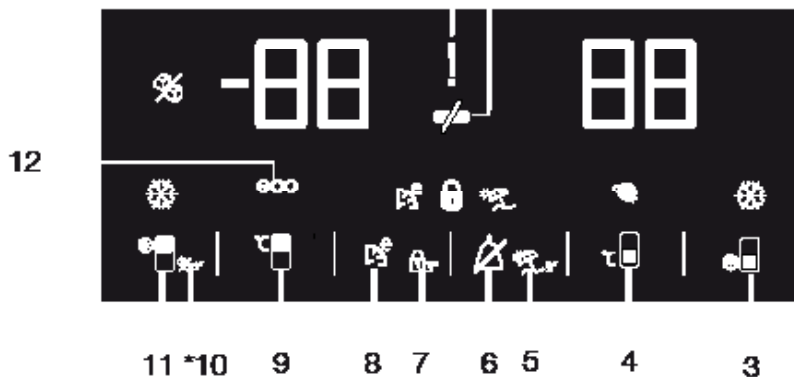
Para cancelar esta função premir de novo o botão congelar rápido (). O indicador de congelar rápido desligará e o frigorífico voltará às definições normais. A função de congelar rápido é cancelada automaticamente após 24 hora se não a cancelar antes. Para congelar uma grande quantidade de alimentos frescos, premir o botão congelar rápido antes de colocar os alimentos no compartimento congelador.

Operar com o produto

5.10. Painel indicador

O painel indicador permite-lhe definir a temperatura e controlar as outras funções relativas ao produto sem abrir a porta do produto. Premir apenas as inscrições nos botões relevantes para definições de função.

1 2



1. Indicador de falha de energia / temperatura elevada / aviso de erro

Este indicador (⚡) acende-se durante falhas de energia, falhas devidas a alta temperatura e avisos de erro. Durante falhas de energia continuadas, a temperatura mais alta que o compartimento do congelador alcançará piscará no mostrador digital. Depois de verificar os alimentos localizados no compartimento do congelador (🔪) pressione o botão de desligar o alarme para eliminar o aviso.

2. Função de poupança de energia (visor desligado)

Se as portas do produto forem mantidas fechadas durante muito tempo, a função de poupança de energia é automaticamente ativada e o símbolo respetivo de poupança de energia ficará aceso. (🔌)

Quando é ativada a função de poupança de energia, todos os símbolos no visor, para além do símbolo de poupança de energia, se desligarão. Quando a função de poupança de

energia é ativada, se nenhum botão for pressionado ou se a porta estiver aberta, a função de economia de energia será cancelada e os símbolos no visor irão voltar ao normal.

A função de poupança de energia é ativada durante a entrega da fábrica e não pode ser cancelada.





3. Função de refrigeração rápida

O botão tem duas funções. Prima este botão rapidamente para ativar ou desativar a função Quick Cool (Refrigeração Rápida). O indicador "Quick Cool" desligar-se-á e o produto voltará às suas definições normais.



***Opcional:** As figuras neste manual do utilizador são esquemáticas e podem não coincidir exatamente com o produto. Se as partes sujeitas não estão incluídas no produto que comprou, então essas partes são válidas para outros modelos.

Operar com o produto

	Use a função de arrefecimento rápido quando quiser arrefecer rapidamente os alimentos colocados no compartimento do frigorífico. Se quiser refrigerar grandes quantidades de alimentos frescos, ative esta função antes de colocar os alimentos no frigorífico.
	Se não a cancelar, a refrigeração rápida cancelar-se-á automaticamente após 8 horas ou quando o compartimento do frigorífico atingir a temperatura pretendida.
	Se premir o botão de arrefecimento rápido repetidamente em curtos intervalos, a proteção do circuito eletrónico será ativada e o compressor não arrancará imediatamente.
	Esta função não é reativada quando a energia é restabelecida após alguma falha elétrica.

4. Botão de definição da temperatura do compartimento do refrigerador

Prima este botão para ajustar a temperatura do compartimento do frigorífico para 8, 7, 6, 5, 4, 3, 2, 8... respetivamente. Prima este botão para definir a temperatura pretendida para o compartimento do frigorífico (📱).

5. Função “Vacation” (Férias)

Para ativar a função de férias, mantenha premido este botão (🌴) durante 3 segundos e o indicador de modo de férias (🌴) será ativado. Se a função de férias estiver ativa, aparecerá “- -” no indicador de temperatura do compartimento do frigorífico e não será realizado qualquer arrefecimento ativo no compartimento do frigorífico. Não é adequado manter os alimentos no compartimento do refrigerador quando esta função está ativada. Os outros compartimentos continuarão a ser arrefecidos, de acordo com a temperatura que têm definida.

Para cancelar esta função prima novamente o botão da função Vacation (Férias)

6. Aviso de alarme desligado:

Em caso de alarme de falha de energia/ temperatura elevada, depois de verificar os alimentos localizados na no compartimento do congelador pressione o botão de desligar (🔌) para eliminar o aviso.

7. Bloqueio de teclas

Prima o botão de bloqueio de teclas (🔒) continuamente durante 3 segundos. O símbolo de bloqueio de teclas

(🔒) irá acender-se e o modo de bloqueio de teclas será ativado. Os botões não funcionarão se o modo de Bloqueio de teclas estiver ativo. Prima o botão de bloqueio de teclas continuamente durante 3 segundos. O ícone de bloqueio de teclas apagar-se-á e o modo de bloqueio de tecla ficará inativo.

Pressione o botão de bloqueio de teclas se quiser evitar que se altere a definição de temperatura do frigorífico (🔒).

8. Eco Fuzzy

Pressione e mantenha em baixo o botão Eco Fuzzy durante 1 segundo para ativar a função Eco Fuzzy. Logo a seguir, o frigorífico começará a funcionar no modo mais económico, pelo menos 6 horas depois e o indicador de utilização económica acenderá enquanto a função estiver ativa (🌿). Pressione e mantenha em baixo o botão Eco Fuzzy durante 3 segundos para desativar a função Eco Fuzzy. Este indicador é iluminado após 6 horas quando a função Eco Fuzzy é ativada.

9. Botão de definição da temperatura do compartimento do congelador

Prima este botão para ajustar a temperatura do compartimento do congelador para -18,-19, -20,-21,-22,-23, -24,-18... respetivamente. Prima este botão para definir a temperatura pretendida para o compartimento do congelador. (📱)

10. Indicador Icematic off (desligado)

Indica se a função Icematic está ligada ou desligada. (🌊) Se estiver ligada, a função


Operar com o produto

Icematic não está em operação. Para fazer funcionar o Icematic de novo, pressione e segure o botão On-Off (Ligar/Desligar) durante 3 segundos.



O fluxo de água do reservatório de água será interrompido quando está função for selecionada. No entanto, o gelo já existente pode ser tirado do Icematic.

11. Botão da função “Quick Freeze” / Botão Icematic ligado ou desligado

Prima este botão para ativar ou desativar a função de congelamento rápida. Quanto ativar a função, o compartimento do congelador será arrefecido até uma temperatura mais baixa do que o valor definido. 

Para ligar e desligar o Icematic pressione-o e segure-o durante 3 segundos.



Use a função de congelamento rápido quando quiser congelar rapidamente os alimentos colocados no compartimento do frigorífico. Se quiser congelar grandes quantidades de alimentos frescos, ative esta função antes de colocar os alimentos no frigorífico.



Se não a cancelar, a Congelamento Rápido cancelar-se-á automaticamente após 4 horas ou quando o compartimento do frigorífico atingir a temperatura pretendida.



Esta função não é reativada quando a energia é restabelecida após alguma falha elétrica.

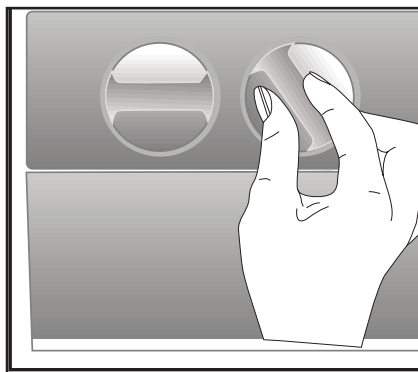
5.11. Icematic e caixa de armazenamento de gelo (Opcional)

Encher o icematic com água e colocar no lugar. O gelo estará pronto aproximadamente duas horas depois. Não retirar o icematic para tirar o gelo.

Rodar os botões nas câmaras de gelo do lado direito em 90°, o gelo cairá para a caixa de armazenamento de gelo por baixo. Pode depois retirar a caixa de armazenamento de gelo e servir o gelo.



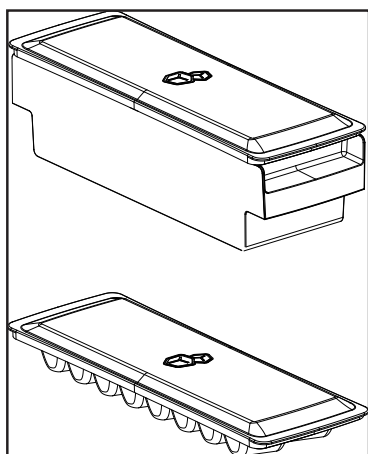
A caixa de armazenamento de gelo é concebida apenas para armazenar gelo. Não encher com água. Isto pode fazer com que se parta.



Operar com o produto

5.12. Recipiente para o gelo

- Remover o depósito do gelo do compartimento de congelamento.
- Encher o depósito com água.
- Colocar o depósito do gelo do compartimento de congelamento. Duas horas mais tarde, o gelo está pronto para usar.
- Remover o depósito do gelo do compartimento de congelamento e dobrá-lo sobre uma placa de serviço. Os cubos de gelo cairão com facilidade para a placa de serviço.



5.13. Suporte para ovos

Pode instalar o suporte para ovos na porta pretendida ou na estrutura da prateleira. Se for colocado na estrutura de prateleiras então as prateleiras de refrigeração inferiores são as recomendadas.

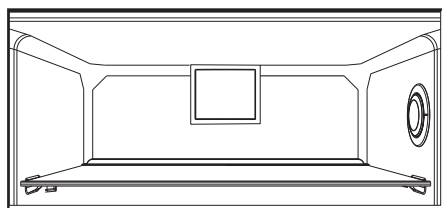


Colocar o depósito do gelo do compartimento de congelamento.

5.14. Ventilador

O ventilador tem a finalidade de assegurar uma distribuição homogénea e circulação do ar frio no interior do seu frigorífico. O tempo de funcionamento do ventilador pode variar dependendo das propriedades do seu produto.

Enquanto o ventilador está a funcionar apenas com o compressor nalguns produtos, o sistema de controlo determina o seu tempo de funcionamento em alguns produtos de acordo com os requisitos de refrigeração.



5.15. Gaveta para vegetais

A gaveta para vegetais do produto destina-se especialmente a manter os vegetais frescos sem que percam a respetiva humidade. Para este efeito, a circulação de ar frio é intensificada de um modo geral em volta da gaveta para vegetais.

5.16. Compartimento refrigerador

(Esta característica é opcional)

Usar este compartimento para armazenar produtos delicados que devem ser armazenados a temperaturas baixas ou produtos de carne que devem ser consumidos num curto espaço de tempo. O compartimento refrigerador é o local mais fresco do seu frigorífico onde pode manter os produtos lácteos, carne, peixe e aves nas condições ideais de armazenamento. As frutas e os vegetais não devem ser armazenados neste compartimento.

Operar com o produto

5.17. Usar a segunda gaveta para frutos e legumes do produto;



Figura 1.

Conforme mostra a figura, existem 2 retentores na segunda gaveta para frutos e legumes do modelo K70560 do produto.



Figura 2.

A segunda gaveta para frutos e legumes fica como na Figura 2 quando fechada.



Figura 3.

Com a porta aberta a 90°, puxe a segunda gaveta para frutos e legumes até ao primeiro retentor conforme mostra a Figura 3.



Se a gaveta estiver mais aberta, antes de tudo, abra a porta pelo menos a 135°. Depois, conforme mostra a Figura 4, levante a segunda gaveta para frutos e legumes cerca de 5 mm para a libertar do primeiro retentor.



Figura 4.

Após levantar, puxe a segunda gaveta até ao segundo retentor, conforme mostra a Figura 5.

Figura 5.

Operar com o produto

5.18.Mover a prateleira da porta

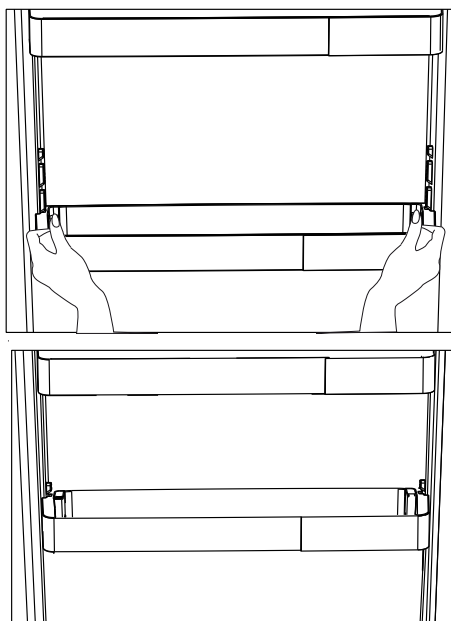
(Esta característica é opcional)

Ao mover a prateleira da porta pode fixá-la em 3 posições diferentes.

Premir os botões mostrados nas partes laterais simultaneamente de modo a mover a prateleira. A prateleira deve ser amovível.

Mover a prateleira para cima ou para baixo.

Soltar os botões quando tiver a prateleira na posição desejada. A prateleira deve ser fixada na posição depois de libertar os botões.



HerbBox/HerbFresh

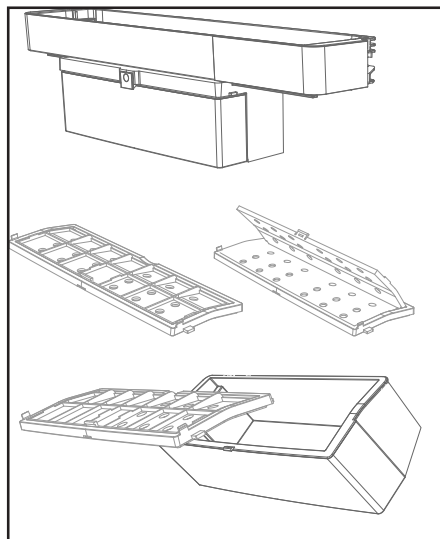
Remover o recipiente da película da HerbBox/HerbFresh+

Remover a película do saco e colocá-la no recipiente da película conforme mostrado na figura.

Fechar novamente o recipiente e voltar a colocá-lo no compartimento HerbBox/HerbFresh+.

Os compartimentos HerbBox/HerbFresh+ são ideais para o armazenamento das várias ervas aromáticas que são supostas serem guardadas em condições delicadas. Pode armazenar as suas ervas aromáticas não embaladas (salsa, endro, etc.) neste compartimento na posição horizontal e poderá assim mantê-las frescas durante muito mais tempo.

A película deve ser substituída em cada seis meses.

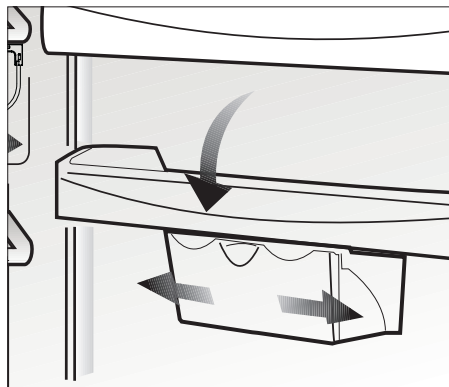


Operar com o produto

5.19. Recipiente de armazenamento deslizante

(Esta característica é opcional)

Este acessório é concebido para aumentar o volume de utilização das prateleiras da porta. Permite-lhe com facilidade colocar garrafas mais altas e latas na prateleira de garrafas mais baixas graças à possibilidade de a mover para a direita ou para a esquerda.



5.20. Luz azul

(Esta característica é opcional)

Este acessório é concebido para aumentar o volume de utilização das prateleiras da porta. Permite-lhe com facilidade colocar garrafas mais altas e latas na prateleira de garrafas mais baixas graças à possibilidade de a mover para a direita ou para a esquerda.

5.21. Módulo desodorizador

(FreshGuard) *opcional

O módulo desodorizador elimina rapidamente os maus cheiros do seu frigorífico antes que eles penetrem nas superfícies. Graças a este módulo, que é colocado no teto do compartimento de alimentos frescos, os maus odores dissolvem-se enquanto o ar está a ser passado ativamente no filtro de odores, depois o ar que foi limpo pelo filtro é reemitido para o compartimento de alimentos frescos. Desta forma, os odores indesejados que podem surgir durante o armazenamento dos alimentos no frigorífico são eliminados antes de penetrarem nas superfícies.

Isto é conseguido graças à ventoinha, ao LED e ao filtro de odores integrados no módulo. No uso diário, o módulo desodorizador será ligado automaticamente numa base periódica. Para manter um desempenho eficiente, recomenda-se solicitar ao prestador de assistência técnica autorizado que faça a manutenção do filtro no módulo do desodorizador a cada 5 anos. Devido à ventoinha integrada no módulo, o ruído que ouvirá durante o funcionamento é normal. Se abrir a porta do compartimento de alimentos frescos enquanto o módulo estiver ativo, a ventoinha fará uma pausa temporária e continuará de onde parou algum tempo depois da porta se novamente fechada. Em caso de falha de energia, o módulo do desodorizador retomará de onde parou na duração total de funcionamento quando a energia voltar.

Info: Recomenda-se armazenar alimentos aromáticos (como queijo, azeitonas e alimentos de charcutaria) nas suas embalagens e seladas para evitar odores desagradáveis que podem resultar quando se misturam odores de vários alimentos. Além disso, recomenda-se retirar rapidamente os alimentos estragados do frigorífico para evitar que os outros alimentos fiquem estragados e para se evitar os maus odores.

Operar com o produto

5.22. Gaveta de vegetais com humidade controlada

(FreSHelf)

(Esta característica é opcional)

As taxas de humidade dos vegetais e da fruta são mantidas sob controlo com a função de gaveta de vegetais com humidade controlada e os alimentos mantêm-se frescos durante mais tempo.

Recomendamos que coloque os vegetais de folhas como a alface, espinafres e os vegetais que são sensíveis à perda de humidade, na posição horizontal tanto quanto possível dentro da gaveta para vegetais, e não sobre as raízes na posição vertical.

Enquanto os vegetais estão a ser colocados, a gravidade específica dos mesmos deve ser tida em conta. Os vegetais pesados e rijos devem ser colocados na parte de baixo da gaveta para vegetais e os mais leves e macios devem ser colocados por cima.

Nunca deixar os vegetais dentro da gaveta dentro dos sacos. Se os vegetais forem deixados dentro dos sacos respetivos, isso dará origem à decomposição dos mesmos num curto período de tempo. No caso de não se pretender o contacto com outros vegetais por razões de higiene, deve usar papel perfurado ou outro tipo de materiais de embalagem semelhantes em vez do saco. Não colocar juntos peras, alperces, pêssegos, etc. e maçãs em especial as quais têm um elevado nível de geração de gás etileno na mesma gaveta de vegetais com outros vegetais e fruta. O gás etileno que é produzido por estes frutos pode dar origem a que outros frutos amadureçam mais rapidamente e entrem em decomposição num curto espaço de tempo.

5.23. Icematic automático

(Esta característica é opcional)

O Icematic automático permite-lhe fazer gelo com facilidade no frigorífico. Remover o depósito de água no compartimento do frigorífico, encher com água e instalá-lo novamente para obter gelo a partir do Icematic.

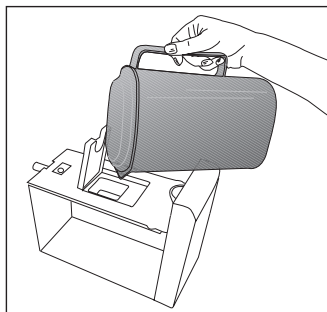
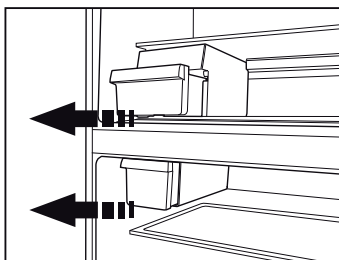
Os primeiros cubos de gelo estarão prontos em aproximadamente 2 horas, na gaveta do Icematic localizada no compartimento do congelador.

Se encher totalmente com água, tem possibilidade de obter aproximadamente 60-70 cubos de gelo.

Substituir a água no depósito da mesma se esta tiver sido colocada no mesmo há cerca de 2-3 semanas.





Para os produtos com Icematic automático, pode ser ouvido um som durante a queda do gelo. Este som é normal e não indício de qualquer erro.




Operar com o produto

5.24.Utilizar a fonte de água fresca

*opcional



	É normal que a água dos primeiros copos retirados do dispensador esteja quente.
	Se o dispensador de água não for usado durante muito tempo, eliminar os primeiros copos de água para obter água limpa.

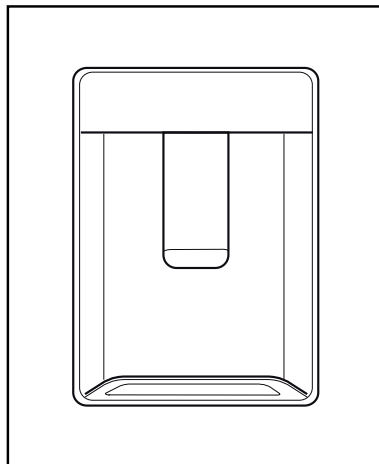
1. Empurrar a alavanca do dispensador de água com o seu copo. Se estiver a usar um copo de plástico macio, empurrar a alavanca com a mão para ser mais fácil.
2. Depois de encher o copo até ao nível pretendido, soltar a alavanca.

	Deve notar que a quantidade do fluxo de água do dispensador depende da velocidade com que solta a alavanca. À medida que o nível de água na sua taça/copo aumenta, reduzir suavemente a quantidade de pressão na alavanca para evitar derramamento. Se pressionar ligeiramente a alavanca, a água pingará, isto é muito normal e não é uma avaria.
---	--


5.25.Utilizar a fonte de água fresca

*opcional

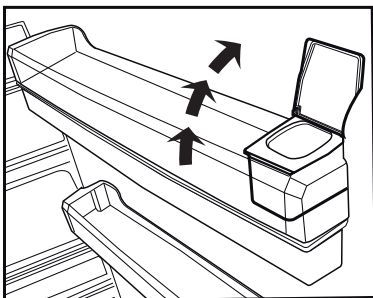
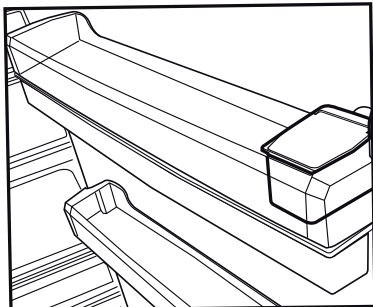
	É normal que a água dos primeiros copos retirados do dispensador esteja quente.
	Se o dispensador de água não for usado durante muito tempo, eliminar os primeiros copos de água para obter água limpa.



1. Empurrar a alavanca do dispensador de água com o seu copo. Se estiver a usar um copo de plástico macio, empurrar a alavanca com a mão para ser mais fácil.
2. Depois de encher o copo até ao nível pretendido, soltar a alavanca.

	Deve notar que a quantidade do fluxo de água do dispensador depende da velocidade com que solta a alavanca. À medida que o nível de água na sua taça/copo aumenta, reduzir suavemente a quantidade de pressão na alavanca para evitar derramamento. Se pressionar ligeiramente a alavanca, a água pingará, isto é muito normal e não é uma avaria.
---	--

Operar com o produto



5.26. Encher o depósito do dispensador de água

O reservatório para enchimento do depósito de água está localizado no interior da estrutura da porta.

1. Abrir a tampa do depósito.
2. Encher o depósito com água potável fresca.
3. Fechar a tampa.



Não encher o depósito de água com qualquer outro líquido exceto água, como sumos de fruta, bebidas gasosas ou bebidas alcoólicas que não são adequadas para usar no dispensador de água. O dispensador de água ficará irremediavelmente danificado se forem usados estes tipos de líquidos. A garantia não cobre estas utilizações. Algumas substâncias químicas e aditivos contido neste tipo de bebidas/líquidos podem danificar o depósito da água.



Usar apenas água potável.



A capacidade do depósito de água é de 3 litros, não encher demasiado.

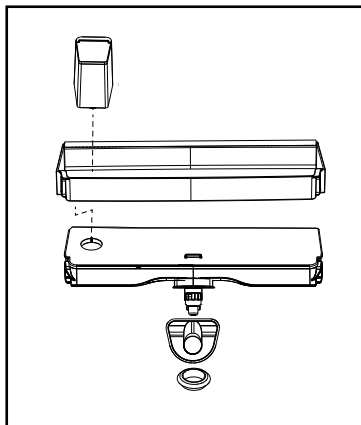
5.27. Limpar o depósito de água

1. Remover o reservatório de enchimento de água no interior da estrutura da porta.
2. Remover a estrutura da porta segurando em ambos os lados.
3. Segurar o depósito de água de ambos os lados e removê-lo com um ângulo de 45°C.
4. Remover a tampa do depósito de água e limpar o mesmo.



Os componentes do depósito de água e do dispensador de água não podem ser lavados nas máquinas de lavar loiça.

Operar com o produto

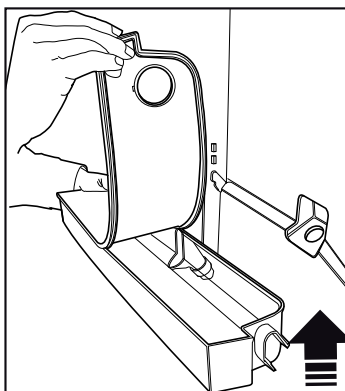
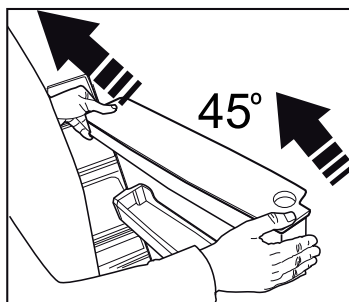
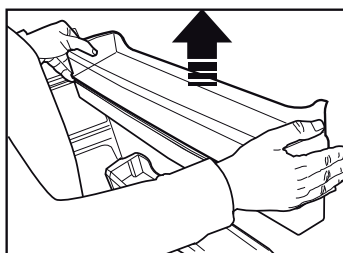
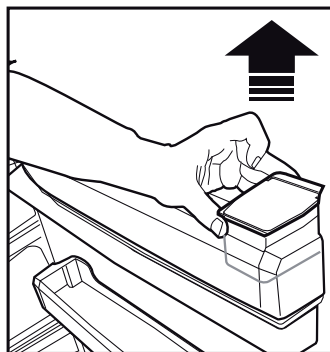
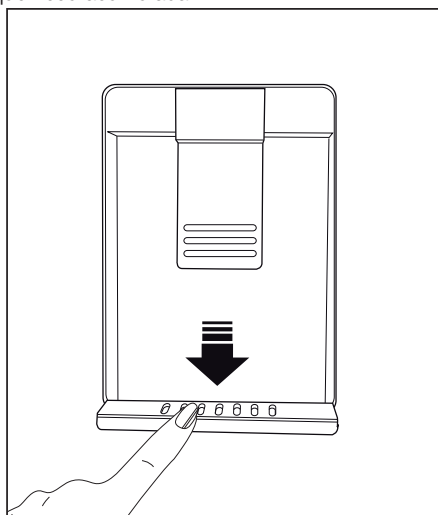


5.28. Tabuleiro para gotas de água

A água que pinga enquanto está a usar o dispensador de água acumula-se no tabuleiros para os pingos de água.

Remover o filtro de plástico conforme mostrado na figura.

Com um pano limpo e seco, remover a água que ficou acumulada.



Operar com o produto

5.29. Congelar alimentos frescos

- De modo a preservar a qualidade dos alimentos, estes devem ser congelados tão rapidamente quanto possível quando é colocado no compartimento do congelador, usar a função de congelamento rápido para este efeito.
- Pode armazenar os alimentos durante mais tempo no compartimento do congelador quando os congela quando ainda estão frescos.
- Embalar os alimentos a serem congelados e fechar a embalagem de modo a que não haja entrada de ar.
- Assegurar que embala os seus alimentos antes de os colocar no congelador. Usar recipientes para congelamento, papel de alumínio e papel à prova de humidade, sacos de plástico ou materiais de embalagem semelhantes, em vez do papel de embalagem tradicional.
- Etiquetar cada uma das embalagens adicionando a data antes de congelar. Pode distinguir a frescura de cada embalagem de alimentos de cada vez que abre o congelador. Armazenar os alimentos congelados na parte frontal do compartimento para assegurar que são os primeiros a serem utilizados.
- Os alimentos congelados têm de ser usados imediatamente depois de terem sido descongelados e não devem ser congelados novamente.
- Não congelar grandes quantidades de alimentos de uma só vez.



O compartimento do congelador descongela automaticamente.

Definições do Compartimento Congelador	Definições do compartimento frigorífico	Observações
-18°C	4°C	Esta é a definição normal recomendada.
-20,-22 ou -24°C	4°C	Estas definições são recomendadas para temperaturas ambientes excedendo 30°C.
Congelamento Rápido	4°C	Usar quando pretender congelar os seus alimentos num curto espaço de tempo. O seu produto voltará ao modo anterior quando o processo termina.
-18°C ou mais frio	2°C	Usar estas definições se achar que o compartimento do seu frigorífico não estiver suficientemente frio devido às condições ambientais quentes ou à abertura e fecho frequente da porta.

Operar com o produto

5.30. Recomendações para preservar alimentos congelados

O compartimento deve estar colocado a -18°C no mínimo.

1. Colocar as embalagens no congelador o mais rapidamente possível depois da compra sem permitir que descongelem.
2. Verificar se as datas de “Usar por” e “Validade” na embalagem já estão expiradas ou não antes de o congelar.
3. Assegurar que a embalagem dos alimentos não está danificada.

5.31. Informação do congelador

De acordo com as normas IEC 62552, o produto deve congelar pelo menos 4,5 kg de alimentos a 25°C de temperatura ambiente para -18°C ou mais baixa em 24 horas por cada 100 litros de volume do congelador.

É possível preservar os alimentos durante um longo período de tempo apenas a -18°C ou temperaturas mais baixas.

Pode manter a frescura dos alimentos durante muitos meses (a -18°C ou temperaturas mais baixas na congelação profunda).

Os alimentos a serem congelados não devem entrar em contacto com itens anteriormente congelados para evitar que fiquem parcialmente descongelados. Ferver os vegetais e esvaziar a respetiva água de modo a guardar os vegetais congelados durante um longo período de tempo. Depois de esvaziar a respetiva água, colocá-los em embalagens de vácuo e colocar as mesmas dentro do congelador. Alimentos como as bananas, tomates, alface, aipo, ovos cozidos, batatas não são adequados para congelar. Quando estes alimentos são congelados, somente é afetado negativamente o seu valor nutricional e o seu sabor. Não devem deteriorados de modo que não criem situações de risco para a saúde humana.

5.32. Colocar alimentos

Prateleiras do compartimento congelador	Vários produtos congelados, incluindo carne, peixe, gelado, vegetais, etc.
Prateleiras do compartimento refrigerador	Alimentos em frigideiras, pratos com tampa e recipientes fechados, ovos (em recipiente fechado)
Prateleiras da porta do compartimento do frigorífico	Alimentos pequenos e embalados ou bebidas
Gaveta para vegetais	Vegetais e fruta
Compartimento de alimentos frescos	Charcutaria (pequeno almoço, produtos de carne a serem consumidos a curto prazo)

5.33. Botão para abrir a porta

(Esta característica é opcional)

O aviso de abertura da porta é dado ao utilizador tanto visual como acusticamente. Se o aviso continuar durante 10 minutos, as luzes no interior desligar-se-ão.

5.34. Mudar a direção da abertura da porta

A direção da abertura da porta do seu refrigerador pode ser alterada conforme o local em que o está a utilizar. Se isto for necessário, deve contactar o Serviço Autorizado mais próximo.

A descrição acima é uma informação geral. Para informação sobre como alterar a direção da abertura da porta, deve consultar o rótulo de advertência localizado no lado de dentro da porta.

5.35. Lâmpada de iluminação

As lâmpadas LED são usadas como lâmpadas de iluminação. Contactar o serviço autorizado no caso de surgir algum problema com este tipo de luz. A(s) lâmpada(s) usada(s) neste aparelho não são adequadas para iluminação de salas domésticas. O fim adequado desta lâmpada é ajudar o utilizador a colocar produtos alimentares no frigorífico/ congelador de forma segura e confortável.

6 Manutenção e limpeza

A vida útil do produto aumenta se este for limpo regularmente.



ADVERTÊNCIA: Desligar em primeiro lugar o produto antes de limpar o frigorífico.

- Nunca usar para a limpeza utensílios afiados e abrasivos, detergente, soluções de limpeza doméstica, cera para polir.
- Dissolver uma colher de chá de carbonato em meio litro de água. Embeber um pano com a solução e torcê-lo totalmente. Limpar o interior do aparelho com este pano e secar totalmente.
- Assegurar que não entra água no compartimento da lâmpada e de outros itens elétricos.
- Limpar a porta usando um pano húmido. Para remover a porta e a estrutura das prateleiras, remover todo o seu conteúdo. Remover as prateleiras da porta movendo-as para cima. Depois de limpar, deslizar as mesmas do topo para a base para as instalar.
- Nunca usar soluções de limpeza ou água que contenha lexívia para limpar as superfícies exteriores e as partes cromadas do produto. A lexívia dá origem a corrosão nas referidas superfícies metálicas.

6.1. Evitar maus odores

Os materiais que podem causar odores não são usados na produção dos nossos equipamentos. No entanto, devido a condições deficientes de conservação de alimentos e à não limpeza da superfície interior do aparelho conforme é necessário, isso pode dar origem ao problema do odor.

Portanto, limpar o frigorífico com carbonato dissolvido em água em cada duas semanas.

- Manter os alimentos em recipientes fechados. Os microorganismos espalham-se a partir dos recipientes não tapados e podem dar origem a odores desagradáveis.
- Nunca guardar alimentos no frigorífico com a data de validade ultrapassada ou se estiverem estragados.

6.2. Proteger superfícies de plástico

Limpar imediatamente com água morna dado o óleo poder causar danos na superfície quando é derramado sobre superfícies plásticas.

6.3. Vidros da Porta

Retirar toda a película de proteção dos vidros.

Há um revestimento nas superfícies de vidro. Este revestimento minimiza a formação de manchas e ajuda a remover as possíveis manchas e sujidade com facilidade. Os vidros que não estão protegidos com o referido revestimento podem estar sujeitos à pressão persistente de sujidade orgânica ou inorgânica baseada em água ou ar como o calcário, sais minerais, hidrocarbonetos não queimados, óxidos de metal e silícones que podem fácil e rapidamente causar manchas ou danos no material. Manter o vidro limpo torna-se muito difícil apesar da limpeza regular. Consequentemente, o aspeto e a transparência do vidro deteriora-se. Métodos e compostos de limpeza abrasivos e corrosivos intensificarão estes defeitos e acelerarão o processo de deterioração.

Têm de ser usados produtos de limpeza baseados em água que não são alcalinos e corrosivos para a limpeza regular.

Têm de ser usados materiais não alcalinos e não corrosivos para a limpeza de modo que a vida útil deste revestimento dure durante um longo período de tempo. Estes vidros são temperados para aumentar a sua durabilidade contra impactos e quebra. É igualmente aplicada uma película de segurança nas respetivas superfícies traseiras como medida suplementar de modo a impedir que causem danos à sua volta no caso de uma quebra.

"Álcali é uma base que forma os iões de hidróxido (OH) quando é dissolvido na água.

Li (Lítio), Na (Sódio), K (Potássio) Rb (Rubídio), Cs (Césio) e metais artificiais e radioativos Fr (Fân-sium) são designados por METAIS ALCALINOS.

7 Resolução de problemas

Verificar a lista antes de contactar a assistência. Fazer isto poupa-lhe tempo e dinheiro. Esta lista inclui queixas frequentes que não estão relacionadas com o fabrico ou materiais defeituosos. Certas características mencionadas neste documento podem não ser aplicáveis ao seu produto.

O frigorífico não está a funcionar.

- A ficha de alimentação não está totalmente ajustada. >>> Ligá-la para a ajustar completamente à tomada.
- O fusível ligado à tomada de ligação do produto ou o fusível principal está queimado. >>> Verificar os fusíveis.

Condensação na parede lateral do compartimento refrigerador (ZONA MÚLTIPLA, ZONA DE FRESCOS, CONTROLO e FLEXIVEL).

- A porta é aberta com muita frequência >>> Ter cuidado para não abrir a porta do produto tão frequentemente.
- O ambiente está demasiado húmido. >>> Não instalar o produto em ambientes húmidos.
- Alimentos contendo líquidos estão colocados em recipientes não fechados. >>> Manter os alimentos contendo líquidos em recipientes fechados.
- A porta do produto foi deixada aberta. >>> Não manter a porta do produto aberta por períodos longos.
- O termostato está definido para temperatura demasiado baixa. >>> Definir o termostato para temperatura adequada.

O compressor não está a funcionar.

- Em caso de falta de energia repentina ou retirar a ficha de alimentação e colocar de novo, a pressão do gás no sistema de refrigeração do produto não é equilibrada, o que desencadeia a salvaguarda térmica do compressor. O produto voltará a ligar-se depois de aproximadamente 6 minutos. Se o produto não se voltar a ligar depois deste período, contactar a assistência.
- Descongelação está activa. >>> Isto é normal para um produto de descongelação totalmente automática. A descongelação é executada periodicamente.
- O produto não está ligado. >>> Assegurar que o cabo de alimentação está ligado.
- A definição de temperatura é incorrecta. >>> Seleccionar a definição de temperatura adequada.
- Não há energia. >>> O produto continuará a funcionar normalmente assim que a energia seja restabelecida.

O ruído de funcionamento do frigorífico aumenta durante a utilização.

- O desempenho de funcionamento do produto pode variar dependendo das variações de temperatura do ambiente. Isto é normal e não é um mau funcionamento.

O frigorífico funciona muito frequentemente ou por muito tempo.

Resolução de problemas

- O novo produto pode ser maior do que o anterior. Produtos maiores funcionam por períodos mais longos.
- A temperatura da sala pode ser elevada. >>> O produto funcionará normalmente por períodos mais longos com temperaturas de sala mais elevadas.
- O produto foi ligado recentemente ou foi colocado no interior um novo alimento. >>> O produto levará mais tempo a atingir a temperatura definida quando recentemente ligado ou quando é colocado um novo alimento no interior. Isto é normal.
- Grandes quantidades de alimentos quentes podem ter sido colocadas recentemente no produto. >>> Não colocar alimentos quentes no produto.
- As portas foram abertas frequentemente ou deixadas abertas por períodos longos. >>> O ar quente que se move no interior fará o produto funcionar mais tempo. Não abrir as portas com demasiada frequência.
- A porta do congelador ou refrigerador pode estar entreaberta. >>> Verificar se as portas estão completamente fechadas.
- O produto pode estar definido para temperatura demasiado baixa. >>> Definir a temperatura para um grau mais elevado e aguardar que o produto atinja a temperatura ajustada.
- A junta da porta do congelador ou refrigerador pode estar suja, desgastada, partida ou não ajustada adequadamente. >>> Limpar ou substituir a junta. A junta da porta danificada / cortada fará o produto funcionar por períodos mais longos para preservar a temperatura actual.

A temperatura do congelador está muito baixa, mas a temperatura do refrigerador é adequada.

- A temperatura do compartimento de congelação está definida para um grau muito baixo. >>> Definir a temperatura do compartimento de congelação para um grau mais elevado e verificar de novo.

A temperatura do refrigerador está muito baixa, mas a temperatura do congelador é adequada.

- A temperatura do compartimento de refrigeração está definida para um grau muito baixo. >>> Definir a temperatura do compartimento de refrigeração para um grau mais elevado e verificar de novo.

Os alimentos guardados em gavetas do compartimento de refrigeração estão congelados.

- A temperatura do compartimento de refrigeração está definida para um grau muito baixo. >>> Definir a temperatura do compartimento de congelação para um grau mais elevado e verificar de novo.

A temperatura no refrigerador ou congelador é demasiado elevada.

- A temperatura do compartimento de refrigeração está definida para um grau muito elevado. >>> A definição de temperatura do compartimento de refrigeração influencia a temperatura do compartimento de congelação. Altere a temperatura do compartimento de refrigeração ou congelação e aguarde até que os referidos compartimentos atinjam o nível de temperatura ajustado.
- As portas foram abertas frequentemente ou deixadas abertas por períodos longos. >>> Não abrir as portas com demasiada frequência.
- A porta pode estar entreaberta. >>> Fechar completamente a porta.
- O produto foi ligado recentemente ou foi colocado no interior um novo alimento. >>> Isto é normal. O produto levará mais tempo a atingir a temperatura definida quando recentemente ligado ou um novo alimento é colocado no interior.
- Grandes quantidades de alimentos quentes podem ter sido colocadas recentemente no produto. >>> Não colocar alimentos quentes no produto.

Vibração ou ruído.

Resolução de problemas

- O chão não está nivelado ou não é resistente. >>> Se o produto vibra quando movido lentamente, ajustar os pés para equilibrar o produto. Assegurar também que o chão é suficientemente resistente para suportar o produto.
- Alguns itens colocados no produto podem causar ruídos. >>> Retirar alguns itens colocados no produto.

O produto está a fazer ruído de líquido a fluir, pulverização, etc.

- Os princípios de funcionamento do produto incluem fluidos líquidos e gasosos. >>> Isto é normal e não um mau funcionamento.

Há som de vento a soprar proveniente do produto.

- O produto usa uma ventoinha no processo de refrigeração. Isto é normal e não é um mau funcionamento.

Há condensação nas paredes internas do produto.

- Meio ambiente quente ou húmido aumentará a formação de gelo e condensação. Isto é normal e não é um mau funcionamento.
- As portas foram abertas frequentemente ou deixadas abertas por períodos longos. Não abrir as portas com demasiada frequência; se aberta, fechar a porta.
- A porta pode estar entreaberta. >>> Fechar completamente a porta.

Há condensação no exterior do produto ou entre as portas.

- O meio ambiente pode estar húmido, isto é perfeitamente normal com tempo húmido. >>> A condensação dissipa quando a humidade diminuir.

O interior cheira mal.

- O produto não é limpo regularmente. >>> Limpar o interior regularmente usando uma esponja, água quente e água com carbonato.
- Alguns recipientes e materiais de embalagem podem provocar odores. >>> Usar recipientes e materiais de embalagem isentos de odor.
- Os alimentos foram colocados em recipientes não vedados. >>> Manter os alimentos em recipientes fechados. Os microrganismos podem disseminar-se dos alimentos não fechados e causar mau cheiro.
- Retirar quaisquer alimentos fora de prazo e estragados do frigorífico.

A porta não está a fechar.

- Embalagens de alimentos podem bloquear a porta. >>> Recolocar quaisquer itens que bloqueiem as portas.
- O produto não está colocado em posição vertical no chão. >>> Ajustar os pés para equilibrar o produto.
- O chão não está nivelado ou não é resistente. >>> Assegurar que o chão é nivelado e suficientemente resistente para suportar o produto.

A gaveta para vegetais está presa.

- Os alimentos podem estar em contacto com a secção superior da gaveta. >>> Reorganizar os alimentos na gaveta.

Se a superfície do produto estiver quente.

- Podem notar-se temperaturas elevadas entre as duas portas, nos painéis laterais e na grelha traseira quando o produto está a funcionar. Esta situação é normal e não exige serviço de manutenção!



RECOMENDAÇÕES: Se os problemas persistirem depois de seguir as instruções nesta secção, contactar o seu vendedor ou uma Assistência Autorizada. Não tentar reparar o produto.

ISENÇÃO DE RESPONSABILIDADE / ADVERTÊNCIA

Algumas falhas (simples) podem ser tratadas de forma adequada pelo utilizador final sem que surja qualquer problema de segurança ou de utilização não segura, desde que as mesmas sejam solucionadas dentro dos limites e de acordo com as seguintes instruções (consultar a secção “Reparação Autónoma”.

Portanto, exceto se contrariamente autorizado na secção “Reparação Autónoma” abaixo, as reparações devem ser realizadas por profissionais reparadores registados de modo a evitar problemas de segurança. Um reparador profissional registado é um reparador profissional a quem o fabricante concedeu acesso às instruções e à lista de peças de substituição deste produto de acordo com os métodos descritos na lei nos termos da Diretiva 2009/125/CE.

No entanto, apenas o agente de reparação (ou seja, os reparadores profissionais autorizados) com quem pode entrar em contacto através do número de telefone fornecido no manual do utilizador/cartão da garantia ou através do seu revendedor autorizado que pode fornecer serviços de acordo com os termos de garantia. Portanto, deve estar ciente de que as reparações feitas por reparadores profissionais (não autorizados por Beko) anulam a garantia.

Reparação Autónoma

A reparação autónoma pode ser feita pelo utilizador final em relação à seguintes peças de substituição: porta, manípulos, dobradiças das portas, tabuleiros, cestos e vedantes da porta (é disponibilizada

uma lista atualizada em support.beko.com).

a partir de 1 de março de 2021).

Além disso, para garantir a segurança do produto e evitar o risco de ferimentos graves, a reparação autónoma referida deve ser feita seguindo as instruções do manual do utilizador para reparação autónoma ou as que estão disponíveis em support.beko.com Para sua segurança, deve desligar o produto antes de tentar fazer qualquer reparação autónoma.

As tentativas de reparação feitas pelos utilizadores finais de peças não incluídas na referida lista e/ou não seguindo as instruções nos manuais do utilizador relativamente à mesma ou que se encontram disponíveis em support.beko.com, podem levantar questões de segurança não atribuíveis a Beko, e anularão a garantia do produto.

Portanto, é altamente recomendável que os utilizadores finais evitem tentar realizar reparações que não se enquadrem na lista mencionada de peças de substituição, e nesse caso deverão contactar com reparadores profissionais autorizados ou reparadores profissionais registados. Por outro lado, as referidas tentativas por parte dos utilizadores finais podem provocar problemas de segurança e danificar o produto e, subseqüentemente, provocar incêndio, inundação, eletrocussão e ferimentos graves.

Por exemplo, mas não limitado a, as seguintes reparações devem ser realizadas por

Reparadores profissionais autorizados ou registados: compressor, circuito de refrigeração, placa de circuitos, placa do inversor, placa do visor, etc.

O fabricante/vendedor não pode ser responsabilizado em circunstâncias em que os utilizadores finais não cumpram com o acima referido.

A disponibilidade de peças de substituição da frigorífico que comprou é de 10 anos.

Durante este período, as peças de substituição originais estarão disponíveis para operar corretamente a frigorífico.

A duração mínima da garantia do frigorífico que adquiriu é de 24 meses.

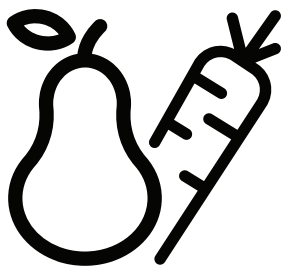
Este produto está equipado com uma fonte de iluminação da classe energética "G"

A fonte de iluminação neste produto deve somente ser substituída por reparadores profissionais.



Refrigerador

Manual del usuario



RCNE560K40WN



ES /

58 4647 0000/AB

2/2

Lea este manual de usuario antes de utilizar el aparato.

Estimado cliente:

Esperamos que este aparato, que ha sido fabricado en plantas dotadas de la más avanzada tecnología y sometido a los más estrictos procedimientos de control de calidad, le preste un servicio eficaz.

Por lo tanto, lea detenidamente este manual de instrucciones antes de utilizar el aparato y guardar el manual como referencia. Si entrega el aparato a otro propietario, no olvide incluir el manual de usuario.

El manual del usuario le ayudará a usar el aparato de manera rápida y segura.







- Lea el manual antes de instalar y poner en funcionamiento el aparato.
- Asegúrese de haber leído las instrucciones de seguridad.
- Conserve el manual en un sitio de fácil acceso, ya que podría necesitarlo en el futuro.
- Lea los otros documentos incluidos con el producto.

Recuerde que este manual de usuario también es aplicable a otros modelos. Las diferencias entre los modelos se identificarán en el manual.

Explicación de los símbolos

En este manual se utilizan los siguientes símbolos:

	Información importante o consejos de utilidad.
	Existe un riesgo de lesiones y de daños a la propiedad.
	Existe riesgo de descargas eléctricas.
	El embalaje del aparato se fabrica con materiales reciclables, de acuerdo con nuestro Reglamento Nacional sobre Medio Ambiente.

 INFORMACIÓN	
	
SUPPLIER'S NAME 	MODEL IDENTIFIER  (*)
	
La información del modelo, tal como está almacenada en la base de datos de productos, puede ser consultada en la página web siguiente introduciendo el identificador del modelo (*) que se encuentra en la etiqueta de clasificación energética.	
https://eprel.ec.europa.eu/	

Contenidos

1. Instrucciones de seguridad y medio ambiente 3

- 1.1.Seguridad general 3
- 1.1.2 Para los modelos con dispensador de agua..... 5
- 1.2.Uso previsto..... 5
- 1.3.Seguridad para niños 6
- 1.4.En cumplimiento de la Directiva RAEE, y la eliminación del aparato.. 6
- 1.5.En cumplimiento de la Directiva RoHS 6
- 1.6.Información sobre el paquete 6

2 Familiarizarse con el electrodoméstico 7

3 Instalación 8

- 3.1.Lugar adecuado para la instalación8
- 3.2.Instalación de las cuñas de plástico8
- 3.3.Ajuste de los pies 9
- 3.4.Conexión eléctrica..... 9
- 3.5.Inversión de las puertas 10
- 3.6.Inversión de las puertas 11

4 Preparación 12

- 4.1.Consejos para el ahorro de energía12
- 4.2.Uso inicial 13

5 Manejo del aparato 14

- 5.1.Botón de ajuste de la temperatura14
- 5.2.Congelación rápida 14
- 5.3.Función de vacaciones 15
- 5.4.Botón de ajuste del termostato 16
- 5.5.Botón de ajuste del termostato . 16
- 5.6.Deshielo 17
- 5.7.Panel indicador 18
- 5.8. Panel indicador 19
- 5.9. Panel indicador 21
- 5.10.Panel indicador 24
- 5.11.Mover el estante de la puerta .. 27

- 5.12.Contenedor de almacenamiento deslizable 27
- 5.13.Módulo desodorante 28
- 5.14.Cubitera..... 29
- 5.15.Luz azul..... 29
- 5.16.HerbBox/HerbFresh (Cajón para hierbas/Hierbas frescas) ... 29
- 5.17.Huevera..... 29
- 5.18.Uso del segundo cajón de frutas y verduras; 30
- 5.19.Ventilador 31
- 5.20.Cajón de frutas y verduras 31
- 5.21.Compartimento de enfriamiento31
- 5.22.Icematic automático 32
- 5.23.Compartimento para verduras con control de humedad 32
- 5.24.Icematic y caja de almacenamiento de hielo..... 33
- 5.25.Uso del dispensador de agua .. 33
- 5.26.Uso del dispensador de agua . 34
- 5.27.Llenar el depósito del dispensador de agua..... 35
- 5.28. Limpieza del depósito de agua 35
- 5.29.Bandeja de goteo 36
- 5.30.Congelación de alimentos frescos 37
- 5.31.Recomendaciones para la conservación de alimentos congelados..... 38
- 5.32.Información sobre la congelación38
- 5.33.Colocar los alimentos..... 38
- 5.34.Aviso de puerta abierta 39
- 5.35.Cambio de la dirección de apertura de la puerta 39
- 5.36.Lámpara de iluminación..... 39

6 Mantenimiento y limpieza 40

- 6.1.Cómo evitar malos olores..... 40
- 6.2.Protección de las superficies de plástico 40
- 6.3.Vidrios de las puertas 41

1 Instrucciones de seguridad y medio ambiente

Esta sección proporciona las instrucciones de seguridad necesarias para evitar el riesgo de lesión y daños materiales. El incumplimiento de estas instrucciones puede invalidar cualquier tipo de garantía del aparato.

Finalidad prevista



ADVERTENCIA:

Asegúrese de que cuando el dispositivo está en su custodia o durante su montaje en el alojamiento, los orificios de ventilación no están cerrados.



ADVERTENCIA:

Con el fin de acelerar la operación de derretimiento del hielo, no utilice cualquier dispositivo o aparato mecánico que no es recomendado por el fabricante



ADVERTENCIA:

No dañe el circuito de fluido refrigerante.



ADVERTENCIA:

No utilice dispositivos eléctricos que no estén recomendados por el fabricante en los compartimentos del dispositivo para la conservación de alimentos.

Este dispositivo está diseñado para ser utilizado en el hogar o en las siguientes aplicaciones similares:

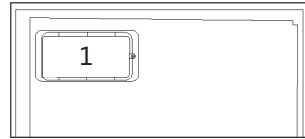
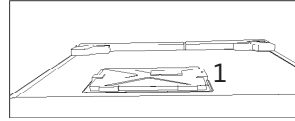
- Con el fin de ser utilizado en las cocinas para el personal de las tiendas, oficinas y otros lugares de trabajo;
- Con el fin de ser utilizado por los clientes en casas de campo y hoteles, moteles y otros lugares de alojamiento:
 - en entornos tales pensiones;
 - en lugares similares que no ofrecen servicios de restauración y no es al por menor.

1.1. Seguridad general

- Este aparato no debe ser utilizado por personas con discapacidades físicas, sensoriales y mentales, sin el conocimiento y la experiencia suficiente o por los niños. El aparato solo puede ser utilizado por estas personas bajo la supervisión y la instrucción de una persona responsable de su seguridad. A los niños no se les debe permitir jugar con este dispositivo.

Instrucciones para la seguridad y el medio ambiente

- En caso de mal funcionamiento, desconecte el dispositivo.
- Después de desconectar, espere por lo menos 5 minutos antes de conectar de nuevo. Desenchufe el aparato cuando no esté en uso. ¡No toque el enchufe con las manos mojadas! No tire del cable para enchufar para sacarlo de la toma de la pared, hágalo tomándolo de la cabeza del enchufe.
- No enchufe el refrigerador si la toma de corriente está floja.
- Desenchufe el aparato durante la instalación, el mantenimiento, limpieza y reparación.
- Si el aparato no se utiliza durante un tiempo, desenchufe el aparato y elimine cualquier alimento en el interior.
- No utilice vapor ni materiales de limpieza al vapor para la limpieza del refrigerador y el derretimiento del hielo en el interior. ¡El vapor podría contactar las zonas electrificadas y causar un cortocircuito o una descarga eléctrica!
- ¡No lave el aparato rociando ni vertiendo agua sobre él! ¡Riesgo de descarga eléctrica!
- Nunca utilice el producto si la sección situada en la parte superior o posterior del producto que tiene las placas de circuitos impresos electrónicos en el interior está abierta (cubierta de la placa del circuito electrónico impreso) (1).

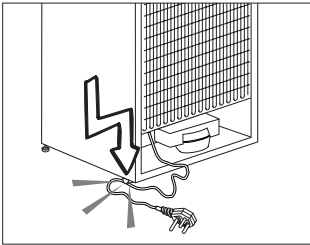


- En caso de mal funcionamiento, no utilice el aparato, ya que puede causar una descarga eléctrica. Póngase en contacto con el servicio técnico autorizado antes de hacer cualquier cosa.
- Conecte el aparato a una toma de tierra. La puesta a tierra debe ser realizada por un electricista calificado.
- Si el aparato tiene un LED de iluminación y requiere sustituirlo, póngase en contacto con el servicio técnico autorizado para sustituirlo o en caso de cualquier problema.
- ¡No toque la comida congelada con las manos mojadas! ¡Se podría adherir a sus manos!
- No coloque líquidos en botellas ni latas en el compartimento del congelador. ¡Podrían estallar!
- Coloque los líquidos en posición vertical después de cerrar bien la tapa.
- No rocíe sustancias inflamables cerca del aparato, ya que podría quemarse o explotar.
- No guarde materiales ni aparatos con gases inflamables (sprays, etc.) en el refrigerador.
- No ponga recipientes que contengan líquido encima del aparato. Salpicar agua en una parte electrificada podría provocar

Instrucciones para la seguridad y el medio ambiente

descargas eléctricas y riesgos de incendio.

- La exposición del aparato a la lluvia, la nieve, la luz directa del sol y el viento causarán un peligro eléctrico. Cuando traslade el aparato, no tire sujetando la manija de la puerta. El mango se podría salir.
- Tenga cuidado de no atrapar ninguna parte de sus manos o de su cuerpo en cualquiera de las partes móviles en el interior del aparato.
- No se pare ni se apoye en las puertas, cajones y partes similares de la nevera. Esto causará que el aparato se caiga hacia y dañe sus partes.
- Tenga cuidado de no tropezar con el cable de alimentación.



1.1.1 Aviso HC

Si el aparato dispone de un sistema de refrigeración que utilizan gas R600a, tenga cuidado de no dañar el sistema de refrigeración y su tubería mientras se utiliza o mueva el aparato. Este gas es inflamable. Si el sistema de refrigeración está dañado, mantenga el

aparato alejado de fuentes de incendio y ventile la habitación inmediatamente.



La etiqueta en la parte interior izquierda indica el tipo de gas utilizado en el aparato.

1.1.2 Para los modelos con dispensador de agua

- La presión en la entrada de agua fría será a un máximo de 90 psi (620 kPa). Si la presión del agua es superior a 80 psi (550 kPa), utilice una válvula limitadora de presión en el sistema de red. Si usted no sabe cómo controlar la presión del agua, pida la ayuda de un plomero profesional. Si hay riesgo de golpe de ariete en la instalación, siempre utilice un equipo de prevención contra golpes de ariete en la instalación. Consulte a un fontanero profesional si no está seguro de que no hay un efecto del golpe de ariete en la instalación.
- No instale en la entrada de agua caliente. Tome precauciones contra el riesgo de congelación en las mangueras. El intervalo de funcionamiento de la temperatura del agua debe ser un mínimo de 33°F (0.6°C) y un máximo de 100°F (38°C).
- Solo use agua potable apta para beber.

1.2. Uso previsto

- Este aparato está diseñado para uso en el hogar. No es adecuado para un uso comercial.
- El aparato debe utilizarse para solamente para almacenar alimentos y bebidas.
- No guarde aparatos sensibles que requieran temperatura controlada (vacunas, medicamentos sensibles

Instrucciones para la seguridad y el medio ambiente

al calor, equipos médicos, etc.) en el refrigerador.

- El fabricante no asume ninguna responsabilidad por los daños debidos al mal uso o mal manejo.
- Se proporcionarán piezas de recambio originales durante 10 años, después de la fecha de compra del producto.

1.3. Seguridad para niños

- Guarde los materiales de embalaje fuera del alcance de los niños.
- A los niños no se les debe permitir jugar con el aparato.
- Si la puerta del aparato usa una cerradura, guarde la llave fuera del alcance de los niños.

1.4. En cumplimiento de la Directiva RAEE, y la eliminación del aparato

Este aparato cumple con la Directiva WEEE (RAEE) de la UE (2012/19/EU). Este aparato lleva el símbolo de clasificación de los equipos eléctricos y electrónicos (WEEE/RAEE).



Este aparato ha sido fabricado con piezas y materiales de alta calidad que pueden ser reutilizados y son aptos para el reciclaje. No deseche el aparato de

junto con los desechos domésticos normales al final de su vida útil. Llévelo al centro de recolección para reciclaje de aparatos eléctricos y electrónicos. Consulte a las autoridades locales para obtener información acerca de estos centros de acopio.

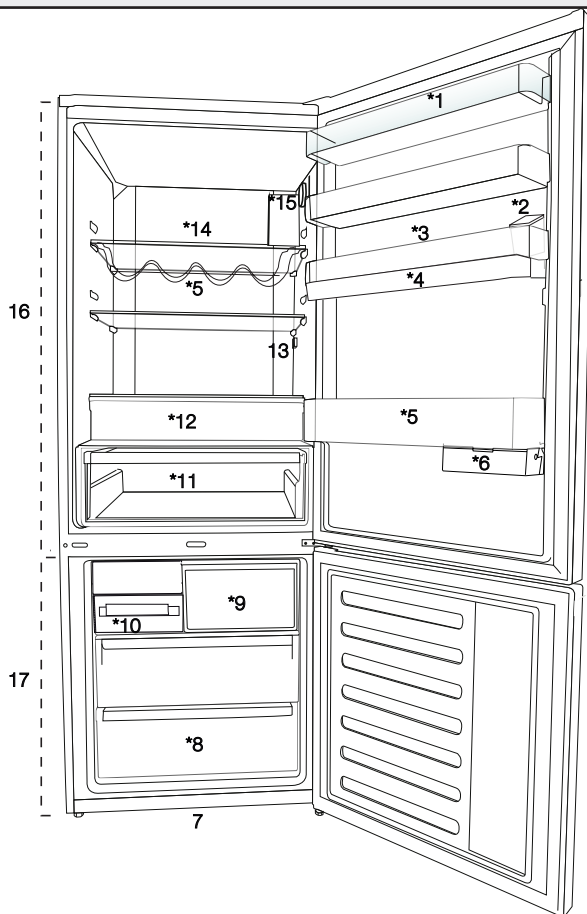
1.5. En cumplimiento de la Directiva RoHS

- El producto que ha adquirido es conforme con la directiva de la UE sobre la restricción de sustancias peligrosas (RoHS) (2011/65/UE). No contiene ninguno de los materiales nocivos o prohibidos especificados en la directiva.

1.6. Información sobre el paquete

- Los materiales de embalaje del aparato son fabricados a partir de materiales reciclables, de acuerdo con nuestra Reglamentación Nacional para el Medio Ambiente. No se deshaga de los materiales de embalaje junto con los desechos domésticos o de otro tipo. Llévelos a los puntos de recolección de material de embalaje designados por las autoridades locales.

2 Familiarizarse con el electrodoméstico



1. Estante de la puerta del compartimento refrigerador
2. Contenedor de llenado del dispensador de agua
3. Huevera
4. Depósito del dispensador de agua
5. Estante para botellas
6. Contenedor de almacenamiento deslizante
7. Pies ajustables
8. Compartimento congelador
9. Compartimento de congelación rápida
10. Cubitera y compartimento para hielo
11. Cajón de verdura
12. Compartimento de cero grados
13. Luz interior
14. Estante de vidrio del compartimento refrigerador
15. Botón de ajuste de la temperatura
16. Compartimento refrigerador
17. Compartimento congelador



Las ilustraciones de este manual se proporcionan a modo de ejemplo y podrían no corresponderse exactamente con su aparato. Si determinadas partes no están presentes en el aparato que usted ha adquirido, indica que la figura corresponde a otro modelo.

3 Instalación

3.1. Lugar adecuado para la instalación

Contacte con un Servicio Técnico autorizado para la instalación del aparato. Para tener el aparato a punto para la instalación, vea la información en la guía de usuario y asegúrese de que las herramientas eléctricas y de agua sean las adecuadas. Si no lo son, llame a un electricista y a un fontanero para que hagan las modificaciones necesarias.



ADVERTENCIA: El fabricante no se responsabiliza de ningún daño causado por el trabajo llevado a cabo por personas no autorizadas.



ADVERTENCIA: El aparato debe estar desenchufado durante la instalación. ¡No hacerlo podría causar la muerte o lesiones graves!



ADVERTENCIA: Si la extensión de la puerta es demasiado estrecha para permitir el paso del aparato, retire la puerta y gire el aparato de lado; si esto no funciona, contacte con el servicio técnico autorizado.

- Coloque el aparato sobre una superficie lisa para evitar sacudidas.
- Instale el aparato a una distancia no inferior de 30 cm de radiadores, estufas y fuentes de calor similares y una distancia no inferior a 5 cm de cualquier horno eléctrico.

- No exponga el aparato directamente a la luz solar en ambientes húmedos.
- El producto requiere una circulación de aire adecuada para funcionar de manera eficiente.
- Si va a colocar el aparato en un hueco de la pared, no olvide dejar una distancia mínima de 5 cm con respecto al techo y las paredes.
- No instale el aparato en ambientes con una temperatura por debajo de -5°C .

3.2. Instalación de las cuñas de plástico

Use las cuñas de plástico incluidas con el aparato para que haya suficiente espacio para la circulación de aire entre el producto y el techo.

1. Para ello, retire los tornillos del aparato y utilice los tornillos que encontrará en la bolsa de las cuñas.

Instalación

3.3. Ajuste de los pies

Si el aparato no queda equilibrado tras su instalación, ajuste las pies frontales girándolos de la derecha a la izquierda.



3.4. Conexión eléctrica



ADVERTENCIA: No utilice cables de extensión ni ladrones para realizar la conexión eléctrica.



ADVERTENCIA: Deje en manos de un servicio técnico autorizado la sustitución de un cable de alimentación dañado.



En caso de que vaya a instalar dos frigoríficos uno al lado del otro, debe dejar una separación no inferior a 4 cm entre ellos.

- Nuestra empresa no se hará responsable de daños provocados por el uso del aparato sin una toma de tierra conforme a las normativas nacionales.
- Tras la instalación, el enchufe del cable de alimentación debe quedar al alcance de la mano.
- No use cables de extensión ni múltiples tomacorrientes sin cable entre el aparato y la toma de pared.



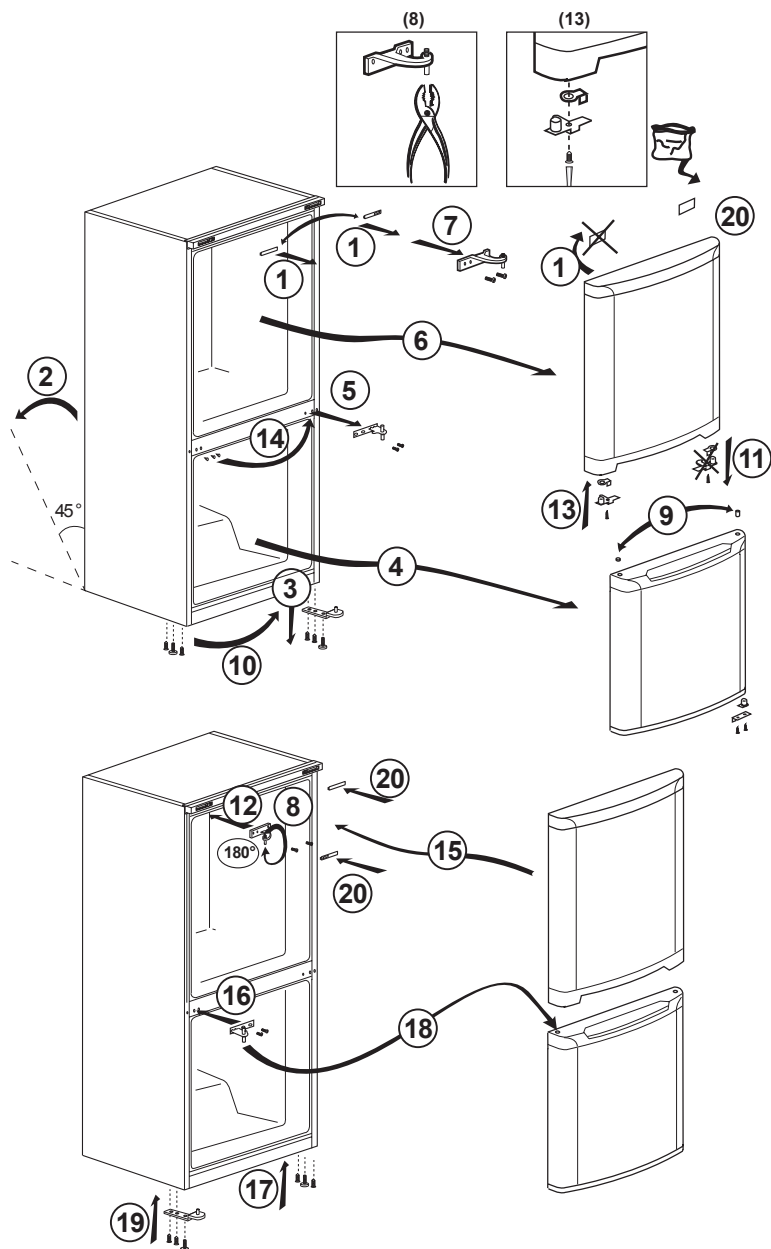
Advertencia de superficie caliente

Las paredes laterales de su producto están equipadas con tubos de refrigerante para mejorar el sistema de refrigeración. El refrigerante con altas temperaturas puede fluir a través de estas áreas, lo que resulta en superficies calientes en las paredes laterales. Esto es normal y no necesita ningún mantenimiento. Por favor, tenga cuidado al tocar estas áreas.

Instalación

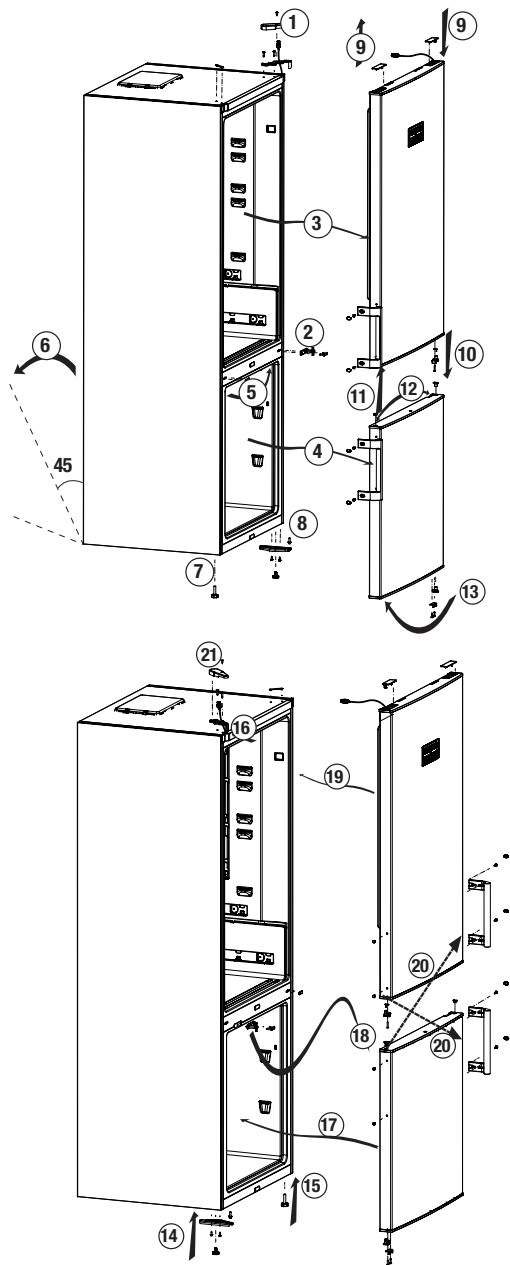
3.5. Inversión de las puertas

Proceder en orden numérico.



3.6. Inversión de las puertas

Proceder en orden numérico.



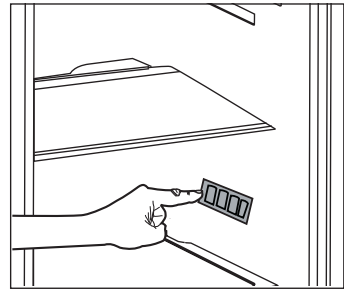
4.1. Consejos para el ahorro de energía



El aparato podría sufrir daños si se conecta a sistemas de ahorro de energía, por lo que es arriesgado.

- Para uso no empotrado: "este aparato de refrigeración no está destinado a ser utilizado como electrodoméstico empotrado";
- No deje las puertas del frigorífico abiertas durante periodos largos de tiempo.
- No introduzca alimentos o bebidas calientes en el frigorífico.
- No sobrecargue el frigorífico, pues se reducirá la capacidad de enfriamiento si se obstaculiza la circulación del aire en el interior.
- Para poder almacenar la máxima cantidad de alimentos en el compartimento del congelador, debe retirar el icematic, ubicado allí y que puede ser retirado con la mano. El volumen neto y el consumo energético especificados en la placa de datos del frigorífico se miden y se prueban retirando el frigorífico. No retire los estantes de dentro del compartimento del congelador de la puerta del compartimento del congelador. Úselos siempre, pues facilitan el uso del aparato y ayudan al consumo energético eficiente.
- No bloquee el flujo de aire colocando alimentos a los lados del ventilador del compartimento del congelador. Deje una distancia mínima de 3 cm a los lados de las paredes de la cobertura de protección del ventilador.
- Use siempre los canastos/cajones que se suministran con el compartimento del congelador para obtener un menor consumo de energía y mejores condiciones de almacenamiento.

- El contacto de los alimentos con el sensor de temperatura en el compartimento congelador puede



- eleva el consumo de energía del electrodoméstico. Por lo tanto, se debe evitar todo contacto con el/los sensor/es.
- Según las características del electrodoméstico, descongele alimentos congelados en el compartimento del frigorífico para obtener un ahorro energético y conservar la calidad de los alimentos.
- No deje que los alimentos entren en contacto con el sensor de temperatura del compartimento del frigorífico que aparece en la imagen de más arriba.
- Puesto que el aire caliente y húmedo no penetra directamente en su producto cuando las puertas no están abiertas, su producto se optimiza en condiciones suficientes para proteger sus alimentos. Las funciones y componentes como el compresor, ventilador, calentador, descongelador, iluminación, pantalla, etc. funcionarán de acuerdo con las necesidades de consumo mínimo de energía en estas circunstancias.

4.2. Uso inicial

Antes de empezar a utilizar el frigorífico, compruebe que se hayan realizado todas las preparaciones indicadas en las secciones "Instrucciones importantes sobre seguridad" e "Instalación".

- Mantenga el aparato en funcionamiento durante 6 horas sin alimentos en su interior y no abra la puerta si no es estrictamente necesario.



Se oye un ruido cada vez que el compresor se pone en funcionamiento. Los líquidos y los gases contenidos en el sistema de refrigeración pueden también generar ruidos, incluso aunque el compresor no esté funcionando, lo cual es normal.



Es posible que las aristas delanteras del aparato se noten calientes al tacto. Esto es normal. Estas zonas deben permanecer calientes para evitar la condensación.



En algunos modelos, el panel de instrumentos se apaga automáticamente 5 minutos después de que la puerta se haya cerrado. Se reactivará cuando la puerta se abra o cuando se pulse cualquier tecla.

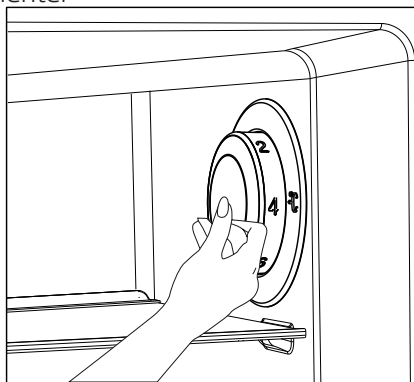
5.1. Botón de ajuste de la temperatura

La temperatura interior del frigorífico cambia debido a los siguientes motivos;

- Temperatura de la estación.
- Abrir la puerta con frecuencia y dejarla abierta durante mucho tiempo.
- Introducir en el frigorífico alimentos sin esperar que su temperatura alcance la temperatura ambiente
- La ubicación del frigorífico en la estancia (por ejemplo, que esté expuesto a la luz solar)
- Puede ajustar las variaciones de la temperatura interior debidas, por ejemplo, a la utilización del botón de ajuste.

Los números alrededor del mando de control indican los valores de temperatura en "°C".

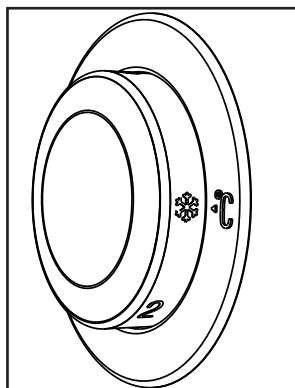
Si la temperatura ambiente es de 25°C, le recomendamos que use el mando de control del frigorífico a 4°C. Puede aumentar o disminuir este valor como sea necesario en otras temperaturas ambiente.



5.2. Congelación rápida

Si va a congelar grandes cantidades de alimentos frescos, ponga el mando de control en la posición de (❄️) máx. 24 horas antes de depositar los alimentos en el compartimento de congelación rápida.

Se recomienda encarecidamente mantener el mando de control en la posición MAX durante por lo menos 24 horas para congelar la cantidad máxima de alimentos correspondiente a la capacidad de congelación. Ponga especial cuidado en no mezclar alimentos frescos y alimentos ya congelados.



Funcionamiento del aparato

Recuerde volver a situar el mando del termostato en su posición previa una vez los alimentos se hayan congelado.

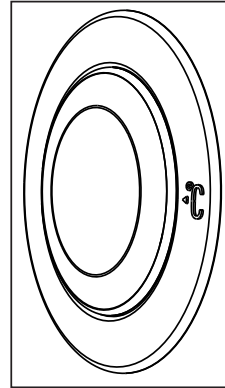
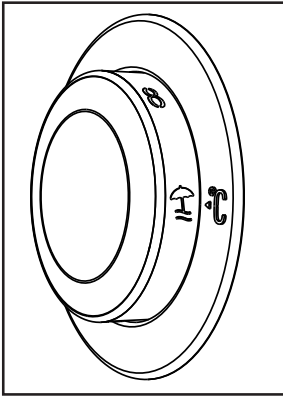
5.3. Función de vacaciones

Si las puertas del aparato no se abren durante 12 horas tras poner el termostato en la posición de máximo calor, la función de vacaciones se activará automáticamente.

Para cancelar la función, cambie los ajustes del mando.

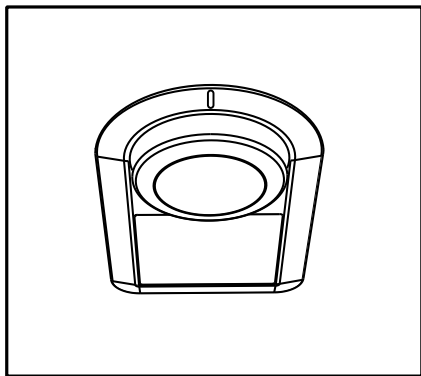
No se recomienda almacenar alimentos en el compartimento de más frío cuando la función de vacaciones esté activa.

- Cuando el ajuste haya finalizado, podrá pulsar el termostato y esconderlo.

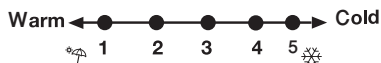


Funcionamiento del aparato

5.4. Botón de ajuste del termostato



La temperatura de funcionamiento se regula mediante el mando de control de temperatura.



1=El ajuste de enfriamiento más bajo (el ajuste más caliente).

4=El ajuste de enfriamiento más alto (el ajuste más frío).

La temperatura media en el interior del frigorífico debería ser de unos +5 °C.

Seleccione el ajuste en función de la temperatura deseada.

Tenga en cuenta que habrá diferentes temperaturas en el área de refrigeración.

La zona más fría se encuentra situada justo encima del compartimento de las verduras.

La temperatura interior depende asimismo de la temperatura ambiente, la frecuencia de apertura de la puerta y la cantidad de alimentos almacenados.

Una apertura frecuente de la puerta provoca un aumento de la temperatura del interior.

Por este motivo, se recomienda cerrar la puerta lo antes posible después de cada uso.

5.5. Botón de ajuste del termostato

La temperatura interior del frigorífico cambia debido a los siguientes motivos;

- Temperaturas estacionales,
- Apertura frecuente de la puerta y dejar la puerta abierta durante largos períodos de tiempo,
- Alimentos introducidos en el frigorífico sin refrigeración a temperatura ambiente,
- La ubicación del frigorífico en la estancia (p.ej. exposición a la luz solar).
- Por estas razones, puede ajustar la temperatura interior variable utilizando el termostato. Los números alrededor del botón del termostato indican los grados de refrigeración.

May not be available in all models

Funcionamiento del aparato

- Si la temperatura ambiente es superior a 32°C, gire el botón del termostato a la posición máxima.
- Si la temperatura ambiente es inferior a 25°C, gire el botón del termostato a la posición mínima.

5.6. Deshielo

Compartimento frigorífico

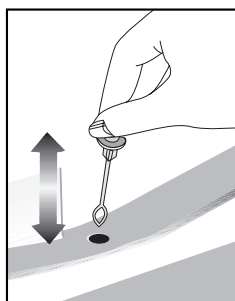
El compartimento frigorífico realiza un deshielo totalmente automático. Se pueden producir gotas de agua y una capa de hielo de hasta 7-8 mm en la pared trasera del compartimento del refrigerador durante su enfriamiento. Esto es normal, como resultado del sistema de enfriamiento. La escarcha se elimina con un desescarche automático en ciertos intervalos de tiempo, gracias al sistema de desescarche automático de la pared trasero. El usuario no tendrá que raspar la capa de hielo o eliminar las gotas de agua.

El agua resultante del deshielo pasa por la ranura de recogida de agua y fluye al evaporador a través del tubo de drenaje, donde se evapora.

Para evitar la descomposición de los alimentos congelados, el compartimento fondo de descongelación no descongela automáticamente.

El compartimento del congelador se deshiela de manera automática.

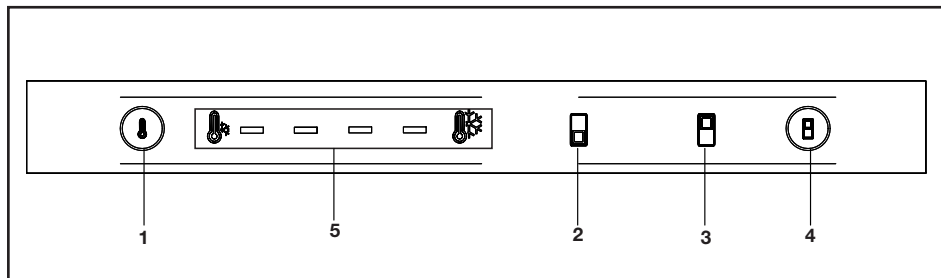
Compruebe regularmente si el tubo de desagüe está obstruido o no y límpielo introduciendo un palillo en el orificio, si es necesario.



Funcionamiento del aparato

5.7. Panel indicador

Los paneles indicadores pueden variar dependiendo del modelo de aparato. Las funciones audiovisuales del panel indicador le ayudan a utilizar el aparato.



1. Tecla para cambiar el valor de congelación: Se utiliza para ajustar el valor de congelación de los compartimentos de frigorífico y congelador. Si pulsa esta tecla mientras el indicador del congelador (2) está encendido, cambiará la congelación del congelador. Si pulsa esta tecla mientras el indicador del compartimento del frigorífico (3) está encendido, cambiará la congelación del compartimento del frigorífico.
2. Indicador del compartimento del congelador: Cuando este indicador está encendido, el valor de congelación actual del compartimento del congelador se mostrará en el indicador de congelación (5). Puede pulsar la tecla para cambiar el valor de congelación (1) para cambiar el valor de congelación del compartimento del frigorífico.
3. Indicador del compartimento del frigorífico: Cuando este indicador está encendido, el valor de congelación actual del compartimento del frigorífico se mostrará en el indicador de congelación (5). Puede pulsar la tecla para cambiar el valor de congelación (1) para cambiar el valor de congelación del compartimento del frigorífico.
4. Tecla de selección de compartimentos: Se utiliza para seleccionar los compartimentos del frigorífico y congelador.
5. Indicador de congelación: Muestra el valor de congelación del compartimento seleccionado. El valor de congelación aumenta de izquierda a derecha.

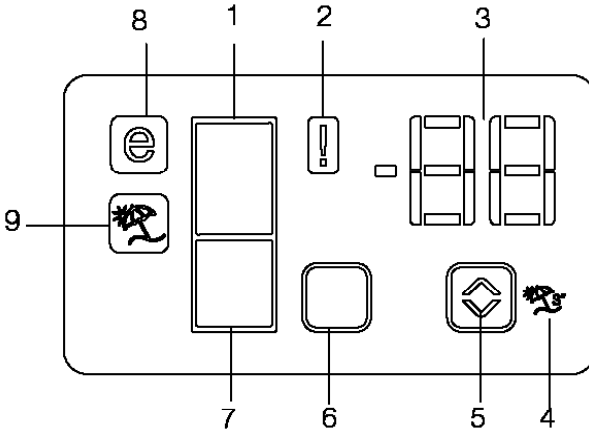


***opcional:** Las ilustraciones de este manual se proporcionan a modo de ejemplo y podrían no corresponderse exactamente con su aparato. Si determinadas partes no están presentes en el aparato que usted ha adquirido, indica que la figura corresponde a otro modelo.

Funcionamiento del aparato

5.8. Panel indicador

Los paneles indicadores pueden variar dependiendo del modelo de aparato. Las funciones audiovisuales del panel indicador le ayudan a utilizar el aparato.



1. Indicador del compartimento congelador
2. Indicador de error
3. Indicador de temperatura
4. Botón del modo vacaciones
5. Botón de ajuste de la temperatura
6. Botón de selección de compartimento
7. Indicador del compartimento frigorífico
8. Indicador del modo ahorro
9. Indicador de la función de vacaciones

***opcional**



***opcional:** Las ilustraciones de este manual se proporcionan a modo de ejemplo y podrían no corresponderse exactamente con su aparato. Si determinadas partes no están presentes en el aparato que usted ha adquirido, indica que la figura corresponde a otro modelo.

Funcionamiento del aparato

1. Indicador del compartimento congelador

La luz del compartimento frigorífico se enciende al ajustar la temperatura del compartimento congelador.

2. Indicador de error

Este indicador se activa si su frigorífico no enfría o suficiente o en caso de fallo de un sensor. Cuando este indicador se active, el indicador de la temperatura del compartimento congelador mostrará "E" y el indicador de temperatura del compartimento frigorífico mostrará números, por ejemplo "1,2,3...". Estos números proporcionan al personal de mantenimiento información acerca del error.

3. Indicador de temperatura

Indicador de temperatura del compartimento frigorífico y congelador.

4. Botón del modo vacaciones

Pulse el botón de vacaciones durante 3 segundos para activar esta función. Cuando la función de vacaciones está activa, aparece "- -" en el indicador de temperatura del compartimento frigorífico y este compartimento no enfría. Cuando esta función está activa no es adecuado conservar alimentos en el compartimento frigorífico. El resto de compartimentos seguirán refrigerados a la temperatura ajustada para ellos. Para cancelar esta función, pulse de nuevo el botón **Vacaciones**.

5. Botón de ajuste de la temperatura

Cambia la temperatura del compartimento correspondiente en un rango de entre -24 °C... -18 °C y 8 °C...1 °C.

6. Botón de selección de compartimento

Botón de selección: Pulse el botón de selección de compartimento para alternar entre el compartimento frigorífico y el compartimento congelador.

7. Indicador del compartimento frigorífico

La luz del compartimento frigorífico se enciende al ajustar la temperatura del compartimento frigorífico.

8. Indicador del modo ahorro

Indica que el frigorífico opera en el modo de ahorro de energía. Este indicador estará activo si la temperatura del compartimento congelador se fija en -18 °C.

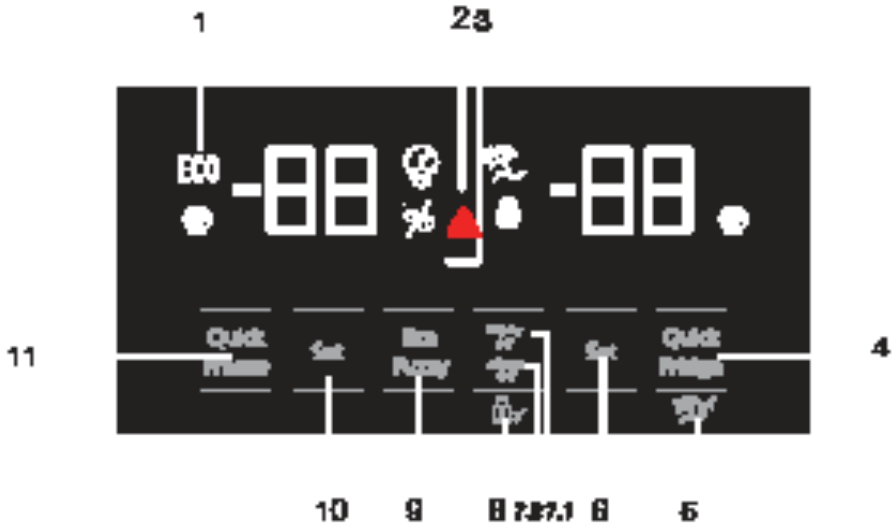
9. Indicador de la función de vacaciones

Indica que la función de vacaciones está activa.

Funcionamiento del aparato

5.9. Panel indicador

El panel indicador le permite ajustar la temperatura y controlar as otras funciones relacionadas con el aparato sin abrir sus puertas. Basta con pulsar las inscripciones en los botones correspondientes para los ajustes de la función.



1. Uso en Economía

Esta señal se iluminará cuando el congelador esté ajustado a -18°C , la configuración más económica. (ECO) El indicador de uso económico se apagará cuando se seleccione la función de enfriamiento rápido o congelación rápida.

2. Alta temperatura / alerta de falla

Este indicador (🚨) se encenderá en caso de fallos de temperatura o alertas de falla. Este indicador se ilumina durante un apagón, fallos de alta temperatura y avisos de errores.

Durante apagones prolongados, parpadeará en el visor la temperatura más alta registrada que alcance el compartimento del congelado. Después de comprobar los alimentos ubicados en el compartimento del congelador, pulse el botón de apagado de la alarma para aclarar la advertencia.

3. Función de ahorro de energía (visor apagado)

Si las puertas de la nevera se mantienen cerradas durante un tiempo largo, la función de ahorro de

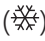


***opcional:** Las ilustraciones de este manual se proporcionan a modo de ejemplo y podrían no corresponderse exactamente con su aparato. Si determinadas partes no están presentes en el aparato que usted ha adquirido, indica que la figura corresponde a otro modelo.

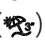

Funcionamiento del aparato

energía se activa automáticamente y el símbolo de ahorro de energía se ilumina. Si la función de ahorro de energía está activa, todos los símbolos del visor se apagarán excepto el símbolo de energía. Cuando el modo de ahorro de energía está activo, si se pulsa cualquier botón o se abre la puerta, la función de ahorro de energía se cancelará y los símbolos en el visor volverán a su estado normal. La función de ahorro de energía se activará durante la entrega desde la batería y no se puede cancelar.

4. Enfriamiento rápido

Cuando la función de enfriamiento rápido está activada, el indicador de enfriamiento rápido se iluminará () y el indicador de temperatura del compartimento de enfriamiento mostrará el valor 1. Pulse el botón de enfriamiento rápido de nuevo para cancelar esta función. El indicador de enfriamiento rápido se apagará y volverá a modo normal. La función de enfriamiento rápido se cancelará automáticamente después de 1 hora, a menos que sea cancelada por el usuario. Para enfriar una gran cantidad de alimentos frescos, pulse el botón de enfriamiento rápido antes de colocar los alimentos en el compartimento de refrigeración.

5. Función de vacaciones

Para activar la función de vacaciones, pulse el botón por () 3 segundos, esto activará el indicador de modo de vacaciones (). Cuando la función de vacaciones está activa, el indicador de temperatura del compartimento enfriador muestra la inscripción "- -"

y ningún proceso de enfriamiento estará activo en el compartimento de enfriamiento. Esta función no es adecuada para mantener los alimentos en el compartimento de enfriamiento. Otros compartimentos permanecerán enfriados con la temperatura correspondiente fijada para cada compartimento.

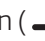

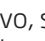
Pulse el botón vacation/vacaciones de nuevo para cancelar esta función.

6. Ajuste de la temperatura del compartimento del enfriador

Después de pulsar el botón, la temperatura del compartimento enfriador se puede configurar para 8,7,6,5,4,3,2 y 1 respectivamente.



7. 1 Ahorro de energía (pantalla apagada)




Al pulsar este botón () se encenderá la señal de ahorro de energía () y la función de ahorro de energía se activará. Al activar la función de ahorro de energía se apagarán todas las demás indicaciones de la pantalla. Cuando la función de ahorro de energía está activada, al pulsar cualquier tecla o abrir la puerta se desactivará la función de ahorro de energía y las señales de visualización volverán a la normalidad. Al pulsar este botón () de nuevo, se apagará la señal de ahorro de energía y se desactivará la función de ahorro de energía.

Funcionamiento del aparato


7.2 Aviso de desconexión de la alarma

En caso de apagón/alarma de alta temperatura, pulse el botón de desconexión de alarma para eliminar el aviso después de comprobar los alimentos en el compartimento del congelador.

8. Bloqueo del teclado


Pulse el botón de bloqueo del teclado () simultáneamente durante 3 segundos. La señal de bloqueo del teclado () se iluminará y el bloqueo del teclado será activado. Los botones estarán inactivos cuando se activa el bloqueo del teclado. Pulse el botón de bloqueo del teclado de nuevo simultáneamente durante 3 segundos. La señal de bloqueo del teclado se apagará y el modo de bloqueo del teclado se desactivará. Pulse el botón keypad lock/bloqueo del teclado () para evitar el cambio de los ajustes de temperatura del frigorífico.

9. Eco-fuzzy


Para activar la función eco-fuzzy, presione y mantenga presionado el botón eco-fuzzy durante 1 segundo. Cuando esta función está activa, el congelador cambia al modo económico después de al menos 6 horas y el indicador de uso de económica se iluminará. Para desactivar la función () eco-fuzzy, mantenga pulsado el botón de función eco-fuzzy durante 3 segundos.

El indicador se encenderá después de 6 horas cuando la función eco-fuzzy está activa.

10. Ajuste de la temperatura del compartimento del congelador

La temperatura en el compartimento del congelador es ajustable. Al pulsar el botón de número (9) permitirá que la temperatura del compartimento del congelador se establezca a -18, -19, -20, -21, -22, -23 y -24. ()

11. Congelación rápida

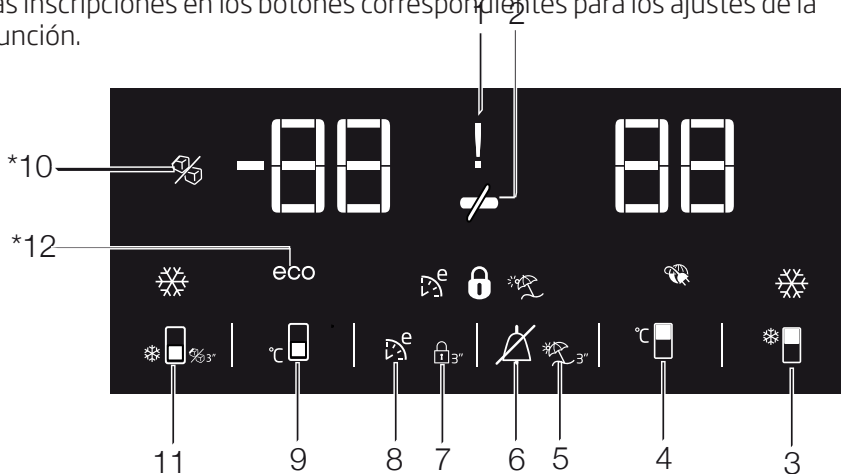
Para la congelación rápida, presione el botón, lo que activará el indicador de congelación rápida ()

Cuando la función de congelamiento rápido está activada, el indicador de congelamiento rápido se iluminará () y el indicador de temperatura del compartimento de congelamiento mostrará el valor -27. Pulse el botón Rapid freeze/Enfriamiento rápido de nuevo para cancelar esta función. El indicador de congelación rápida se apagará y volverá a modo normal. La función de congelación rápida se cancela automáticamente después de 24 horas, si no es cancelada por el usuario. Para congelar una gran cantidad de alimentos frescos, pulse el botón de congelación rápida antes de colocar los alimentos en el congelador.

Funcionamiento del aparato

5.10. Panel indicador

El panel indicador le permite ajustar la temperatura y controlar as otras funciones relacionadas con el aparato sin abrir sus puertas. Basta con pulsar las inscripciones en los botones correspondientes para los ajustes de la función.



1. Apagón/Temperatura alta / luz de advertencia de error

Esta luz (🔔) se ilumina durante un apagón, fallos de alta temperatura y avisos de errores. Durante apagones prolongados, parpadeará en el visor la temperatura más alta registrada que alcance el compartimento del congelado Después de comprobar los alimentos ubicados en el congelador (🧊), pulse el botón de apagado para aclarar la advertencia.

2. Función de ahorro de energía (pantalla apagada):

Si las puertas de la nevera se mantienen cerradas durante un tiempo largo, la función de ahorro se activa automáticamente y el símbolo de ahorro de energía se ilumina. (🔌)

Si la función de ahorro de energía está activa, todos los símbolos de la pantalla se apagarán excepto el símbolo de ahorro de energía. Cuando el modo de ahorro de energía está activo, si se pulsa cualquier botón o se abre la puerta, la función de ahorro de energía se cancelará y los símbolos en la pantalla volverán a su estado normal.




***opcional:** Las ilustraciones de este manual se proporcionan a modo de ejemplo y podrían no corresponderse exactamente con su aparato. Si determinadas partes no están presentes en el aparato que usted ha adquirido, indica que la figura corresponde a otro modelo.

Funcionamiento del aparato

La función de ahorro de energía se activará durante la entrega desde la fábrica y no se puede cancelar.

3. Función de refrigeración rápida

El botón tiene dos funciones. Pulse brevemente este botón para activar o desactivar la función de enfriamiento rápido. La luz de refrigeración rápida y el aparato volverán a su configuración habitual. ()



Use la función de enfriamiento rápido cuando desee enfriar con rapidez los alimentos depositados en el compartimento frigorífico. Si desea enfriar grandes cantidades de alimentos frescos, active esta función antes de depositar los alimentos en el aparato.



Si no cancela manualmente la función, esta se cancelará automáticamente transcurridas ocho horas o bien una vez el compartimento frigorífico alcance la temperatura deseada.




Si pulsa el botón de enfriamiento rápido repetidamente a intervalos breves, se activará la protección del circuito electrónico y el compresor no se pondrá en marcha inmediatamente.

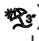



En caso de corte del fluido eléctrico, esta función no se activará automáticamente al restablecerse el suministro eléctrico.

4. Botón de ajuste de la temperatura del compartimento frigorífico

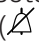
Pulse este botón para ajustar la temperatura del compartimento frigorífico a 8, 7, 6, 5, 4, 3, 2 y 8... respectivamente. Pulse este botón para ajustar la temperatura que desee para el compartimento frigorífico. ()

5. Función de Vacaciones:


Para activar la función de vacaciones, pulse este botón () durante 3 segundos, y la luz del modo de vacaciones () se activará. Cuando la función de vacaciones está activa, aparece "- -" en el indicador de temperatura del compartimento frigorífico y este compartimento no enfría. Cuando esta función está activa no es adecuado conservar alimentos en el compartimento frigorífico. El resto de compartimentos seguirán refrigerados a la temperatura ajustada para ellos.

Para cancelar esta función, pulse de nuevo el botón de la **función de Vacaciones**.


6. Aviso de desconexión de la alarma:

En caso de apagón/alarma de alta temperatura, pulse el botón de desconexión de alarma () para eliminar el aviso después de comprobar los alimentos en el compartimento del congelador.

7. Bloqueo de teclas


Pulse el botón de bloqueo de teclas () simultáneamente durante 3 segundos. Símbolo de bloqueo de teclas

Funcionamiento del aparato

() se iluminará y el modo de bloqueo de teclas se activará. Los botones no funcionarán si el modo de bloqueo de teclas está activo. Pulse el botón de bloqueo de teclas simultáneamente durante 3 segundos. El indicador de bloqueo de teclas se apagará y el modo de bloqueo de teclas se cancelará.


Pulse el botón de **bloqueo de teclas** para evitar modificar los ajustes de temperatura del frigorífico ()

8. Eco fuzzy


Pulse el botón Eco-Fuzzy y manténgalo pulsado durante 1 segundo para activar la función eco fuzzy. El frigorífico comenzará a funcionar en el modo más económico durante un mínimo de 6 horas y el indicador de uso económico se iluminará cuando esta función esté activa. () . Pulse y mantenga pulsado el botón Eco-Fuzzy y manténgalo pulsado durante 3 segundos para activar la función eco fuzzy.

Esta luz se iluminará después de 6 horas cuando la función eco fuzzy esté activada.

9. Botón de ajuste de la temperatura del compartimento congelador

Pulse este botón para ajustar la temperatura del compartimento congelador a -18,-19, -20,-21,-22,-23, -24, -18... respectivamente. Pulse este botón para ajustar la temperatura del compartimento del frigorífico al valor deseado. ()


10. Indicador de apagado del Icematic

Indica si el Icematic está encendido o apagado. () Si está encendido, entonces significa que el icematic no está en funcionamiento. Para activar de nuevo el Icematic, mantenga pulsado el botón de activación/desactivación durante 3 segundos.



El flujo de agua desde el depósito se detendrá al seleccionar esta función. No obstante, podrá seguir extrayendo del Icematic el hielo ya fabricado.

11. Función de congelado rápido/ botón de encendido-apagado del icematic.

Pulse brevemente este botón para activar o desactivar la función de enfriamiento rápido. Cuando active la función, el compartimento congelador se enfriará hasta alcanzar una temperatura inferior al valor fijado. ()

Para activar o desactivar el Icematic, mantenga el botón pulsado durante 3 segundos.



Use la función de congelación rápida cuando desee congelar con rapidez los alimentos depositados en el compartimento frigorífico. Si desea enfriar grandes cantidades de alimentos frescos, active esta función antes de depositar los alimentos en el aparato.

Funcionamiento del aparato



Si no cancela manualmente la función de congelación rápida, ésta se cancelará automáticamente transcurridas cuatro horas o bien una vez el compartimento frigorífico alcance la temperatura deseada.



En caso de corte del fluido eléctrico, esta función no se activará automáticamente al restablecerse el suministro eléctrico.

12. Indicador del modo ahorro

Indica que el aparato está funcionando en el modo de eficiencia energética. **(eco)** Esta luz estará activada si la temperatura del compartimento del frigorífico está ajustada a -18 o si el enfriamiento eficiente se está llevando a cabo con la función Eco-Extra.



El indicador de uso económico se desactiva al seleccionar las funciones de enfriamiento rápido o congelación rápida.

5.11. Mover el estante de la puerta

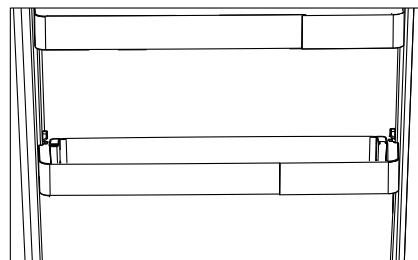
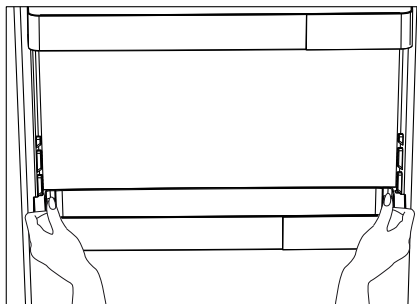
(Característica opcional)

La estantería móvil de la puerta puede fijarse en 3 posiciones diferentes.

Pulse los botones que se muestran a los lados de la misma manera para mover la estantería. La estantería debe ser móvil.

Mueva el estante hacia arriba o hacia abajo.

Suelte los botones cuando la estantería esté en la posición deseada. Debe fijar la estantería en la posición donde suelte los botones.

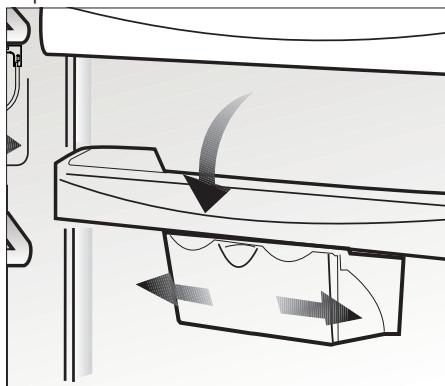


5.12. Contenedor de almacenamiento deslizable

(Característica opcional)

Este accesorio está diseñado para incrementar el volumen útil de los estantes de las puertas.

Le permite colocar con facilidad las botellas, jarras y conservas de mayor altura en el botellero inferior gracias a su capacidad para desplazarse a izquierda o derecha.



Funcionamiento del aparato

5.13. Módulo desodorante

(FreshGuard) *opcional

El módulo de desodorización elimina rápidamente los malos olores de su frigorífico antes de que penetren en las superficies. Gracias a este módulo, que se coloca en el techo del compartimento de alimentos frescos, los malos olores se disuelven mientras el aire pasa activamente por el filtro de olores y, a continuación, el aire que ha sido limpiado por el filtro vuelve a salir al compartimento de alimentos frescos. De esta manera, los olores no deseados que pueden surgir durante el almacenamiento de los alimentos en el frigorífico se eliminan antes de que penetren en las superficies.

Esto se consigue gracias al ventilador, al LED y al filtro de olores integrado en el módulo. En el uso diario, el módulo de desodorización se encenderá automáticamente de forma periódica. Para mantener un rendimiento eficiente, se recomienda que el proveedor de servicios autorizado coloque el filtro en el módulo de desodorización cada 5 años. Debido al ventilador integrado en el módulo, se oye normalmente el ruido durante el funcionamiento. Si abre la puerta del compartimento de alimentos frescos mientras el módulo está activo, el ventilador se detendrá temporalmente y se reanudará en el punto en el que se detuvo al cabo de algún tiempo una vez cerrada la puerta nuevamente.

En caso de fallo de alimentación, el módulo de desodorización se reiniciará en el punto en el que se haya interrumpido en la duración total de funcionamiento una vez que se restablezca la alimentación.

Info: Se recomienda almacenar los alimentos aromáticos (como quesos, aceitunas y alimentos selectos) en sus envases y sellados para evitar los malos olores que pueden resultar al mezclarse los olores de diversos alimentos. Además, se recomienda sacar los alimentos en mal estado del frigorífico rápidamente para evitar que los demás alimentos se estropeen, así como los malos olores.

Funcionamiento del aparato

5.14. Cubitera

***opcional**

- Retire la cubitera del compartimento congelador.
- Llene la cubitera con agua.
- Coloque la cubitera en el compartimento congelador.
- El hielo estará listo en unas dos horas aproximadamente. Retire la cubitera del compartimento congelador y dóblelo ligeramente encima de la bandeja donde lo vaya a servir. El hielo se verterá fácilmente en la bandeja para servir..

5.15. Luz azul

(Característica opcional)

Este accesorio está diseñado para incrementar el volumen útil de los estantes de las puertas.

Le permite colocar con facilidad las botellas, jarras y conservas de mayor altura en el botellero inferior gracias a su capacidad para desplazarse a izquierda o derecha.

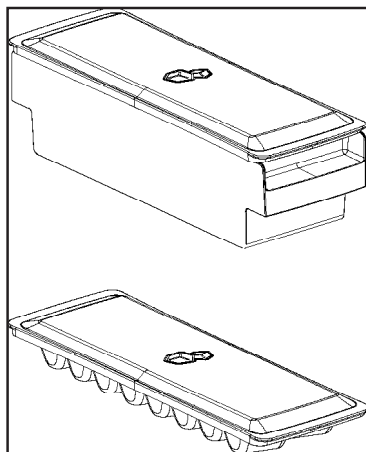
5.16. HerbBox/ HerbFresh (Cajón para hierbas/ Hierbas frescas)

Retire el contenedor de película plástica del HerbBox/HerbFresh+ Saque la película plástica de la bolsa y póngala en el recipiente para la película plástica como se muestra en la imagen.

Vuelva a sellar el recipiente y vuelva a colocarlo en la unidad HerbBox/HerbFresh+.

Las secciones del HerbBox-HerbFresh+ son especialmente ideales para el almacenamiento de diversas hierbas que deben mantenerse en condiciones delicadas. Usted puede almacenar sus hierbas sin empaque (perejil, eneldo, etc) en esta sección horizontalmente y mantenerlas frescas durante un período mucho más largo.

La película deberá ser sustituida cada seis meses.



5.17. Huevera

Puede instalar la huevera en la puerta o el estante que desee. Si va a colocarlo en los estantes del cuerpo, se recomienda usar los estantes inferiores más fríos.



No ponga la huevera en el compartimento congelador

Funcionamiento del aparato

5.18. Uso del segundo cajón de frutas y verduras;



Figura 1.

Como se muestra en la figura, hay 2 toques en el segundo cajón de frutas y verduras del modelo K70560.



Figura 2.

El segundo cajón de frutas y verduras se asemeja al de la figura 2 al cerrarse.

Figura 3.

Con la puerta abierta 90°, tire del segundo cajón de frutas y verdura hasta el primer tope, tal y como se muestra en la figura 3.

En el caso de que el cajón esté más abierto, en primer lugar, abra la puerta por lo menos 135°. A continuación, como se muestra en la figura 4, levante el segundo cajón de frutas y verdura durante unos 5 mm de modo que quede desbloqueado del primer tope.



Figura 4.

Después de la elevación, tire del segundo cajón de frutas y verduras hasta el segundo tope, tal y como se muestra en la Figura 5.



Figura 5.

Funcionamiento del aparato

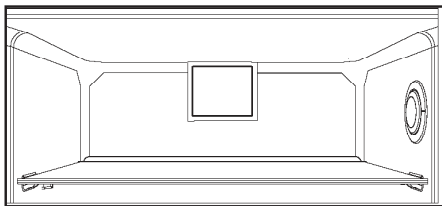
5.19. Ventilador

El ventilador turbo está diseñado para garantizar una distribución y circulación homogéneas del aire frío en el interior del su frigorífico. El tiempo de funcionamiento puede variar según las propiedades del electrodoméstico.

En algunos modelos, el ventilador funciona únicamente cuando lo hace el compresor, mientras que en otros el sistema de control determina su tiempo de funcionamiento de acuerdo con las necesidades de enfriamiento.

5.20. Cajón de frutas y verduras

El cajón de frutas y verduras de su aparato está especialmente diseñado para mantener la frescura de sus vegetales sin que pierdan su humedad. Con este fin, alrededor del cajón de frutas y verduras se intensifica la circulación de aire frío.



5.21. Compartimento de enfriamiento

(Característica opcional)

Use este compartimento para almacenar delicatessen que deban almacenarse a temperaturas más bajas o productos cárnicos que vaya a consumir dentro de poco tiempo.

El compartimento refrigerador es el lugar más frío del frigorífico, donde podrá almacenar productos lácteos, carnes, pescado y carne de ave de corral en las mejores condiciones. No almacene frutas ni verduras en este compartimento.

Funcionamiento del aparato

5.22. Icematic automático

(Característica opcional)

El Icematic automático le permite fabricar hielo en el frigorífico fácilmente. Retire el depósito del agua del compartimento frigorífico, llénelo de agua y vuélvalo a colocar para obtener hielo del sistema Icematic.

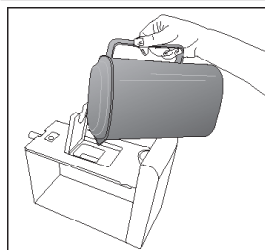
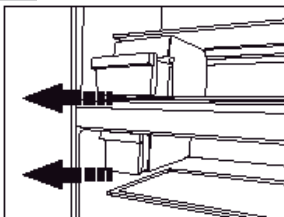
Los primeros cubitos estarán disponibles al cabo de unas dos horas en la cubitera del sistema Icematic ubicada en el compartimento congelador.

Si llena por completo el depósito de agua, podrá obtener aproximadamente entre 60 y 70 cubitos de hielo.

Cambie el agua del depósito de agua si ha estado allí durante 2-3 semanas.



Para los productos que tienen el Icematic automático, se puede oír cuando se esté formando el hielo. Este sonido es normal y en ningún caso indica un fallo.



5.23. Compartimento para verduras con control de humedad

(FreShelf)

(Característica opcional)

Los niveles de humedad de las frutas y de las verduras se mantienen bajo control con la función del cajón de frutas y verduras con control de humedad y se garantiza que los alimentos se mantengan frescos por más tiempo.

Le recomendamos colocar las verduras de hoja, tales como lechuga, espinaca y aquellas hortalizas sensibles a la pérdida de humedad, en posición horizontal en la medida de lo posible, dentro del cajón, no sobre sus raíces en posición vertical.

Mientras se guardan las frutas y verduras, tenga en cuenta su peso específico. Las frutas y verduras más duras y pesadas deben colocarse en el fondo del cajón y aquellas más blandas y livianas deben ubicarse arriba.

Nunca deje las hortalizas dentro del cajón de frutas y verduras en sus bolsas. Si las hortalizas se dejan dentro de sus bolsas, se descompondrán en un breve período de tiempo. En caso de que no desee que las frutas y verduras estén en contacto entre sí por cuestiones de higiene, utilice un papel perforado, espuma u otros materiales de embalaje similares en lugar de una bolsa.

No coloque juntos peras, albaricoques, melocotones, etc. y manzanas, en particular, en el mismo cajón que otras frutas y verduras, ya que tienen un alto nivel de generación de gas etileno. El gas etileno emitido por estas frutas puede ocasionar que las otras frutas maduren más rápido y se echen a perder en poco tiempo.

Funcionamiento del aparato

5.24. Icematic y caja de almacenamiento de hielo

(Opcional)

Llene el icematic con agua y póngalo en marcha. El hielo estará listo después de aproximadamente dos horas. No retire la icematic para tomar el hielo.

Gire los botones de las cámaras de hielo a mano derecha al 90°, el hielo caerá en la caja de almacenamiento de hielo de abajo. A continuación, puede quitar la caja de almacenamiento de hielo y servir el hielo.



La caja de almacenamiento del hielo está destinada para el almacenamiento de hielo solamente. No llene con agua. Si lo hace, hará que se rompa.



5.25. Uso del dispensador de agua

*opcional



Es normal que los primeros vasos de agua servidos por el dispensador estén calientes.



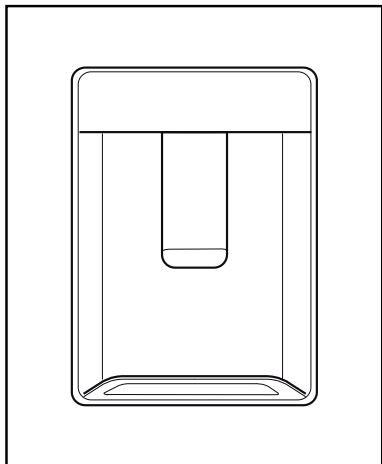
Si no se usa el dispensador de agua durante un periodo de tiempo prolongado, no consuma los primeros vasos de agua.

1. Presione la palanca del dispensador de agua con el vaso. Si está usando un vaso blando de plástico, le será más fácil empujar la palanca con la mano.
2. Una vez haya llenado el vaso hasta el nivel que desee, suelte la palanca.



Tenga en cuenta que el caudal de agua que suministra el dispensador depende del recorrido de la palanca. A medida que el nivel del agua en su copa o vaso llegue al borde, reduzca suavemente la presión ejercida sobre la palanca con el fin de evitar el rebosamiento. Si presiona la palanca levemente el agua goteará, es bastante normal, no se trata de un fallo.

Funcionamiento del aparato



5.26. Uso del dispensador de agua

*opcional

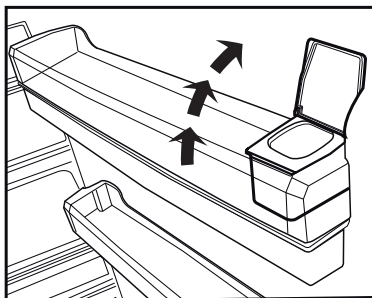
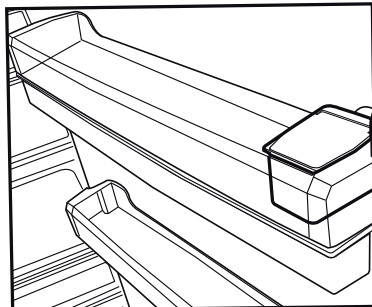


Es normal que los primeros vasos de agua servidos por el dispensador estén calientes.



Si no se usa el dispensador de agua durante un periodo de tiempo prolongado, no consuma los primeros vasos de agua.

1. Presione la palanca del dispensador de agua con el vaso. Si está usando un vaso blando de plástico, le será más fácil empujar la palanca con la mano.
2. Una vez haya llenado el vaso hasta el nivel que desee, suelte la palanca.



Tenga en cuenta que el caudal de agua que suministra el dispensador depende del recorrido de la palanca. A medida que el nivel del agua en su copa o vaso llegue al borde, reduzca suavemente la presión ejercida sobre la palanca con el fin de evitar el rebosamiento. Si presiona la palanca levemente el agua goteará, es bastante normal, no se trata de un fallo.

Funcionamiento del aparato

5.27. Llenar el depósito del dispensador de agua

El depósito de agua se encuentra dentro de la bandeja de la puerta.

1. Abra la tapa del depósito.
2. Llene el depósito con agua potable.
3. Cierre la cubierta.



No vierta en el depósito de agua ningún otro líquido que no sea agua; la bebidas tales como los zumos de frutas, bebidas carbonatadas o bebidas alcohólicas no son adecuadas para el dispensador de agua. El dispensador de agua quedará dañado de forma irreparable si se utilizan dichos líquidos. La garantía no cubre estos usos. Algunas sustancias químicas y aditivos que contienen esos tipos de bebidas/líquidos pueden dañar el depósito de agua.



Utilice únicamente agua potable limpia.



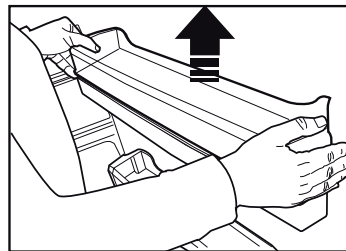
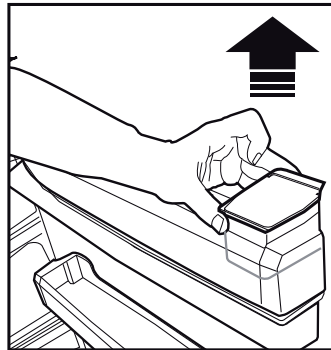
La capacidad del depósito de agua es de 3 litros, no lo llene excesivamente.

5.28. Limpieza del depósito de agua

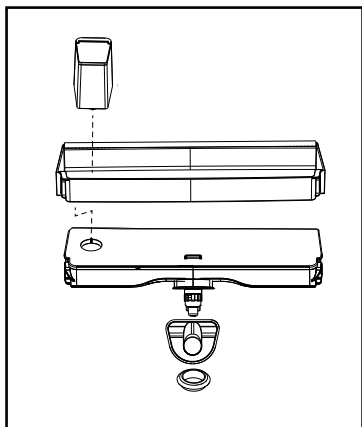
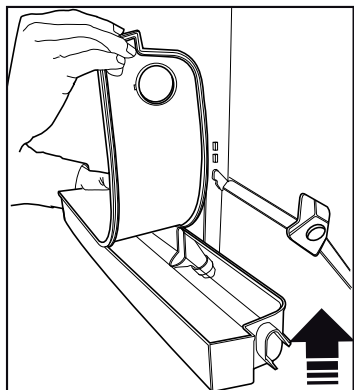
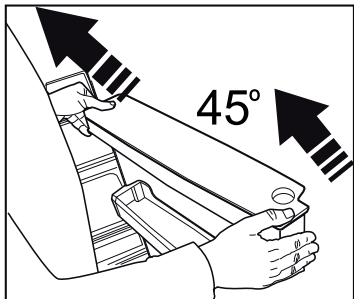
1. Retire el depósito de llenado de agua del interior de la rejilla de la puerta.
2. Retire la rejilla de la puerta sujetando por ambos lados.
3. Sujete el depósito de agua por ambos lados y retírelo en un ángulo de 45°C.
4. Retire la tapa del depósito y limpie el depósito.



Los componentes del depósito de agua y del dispensador de agua no deben lavarse en el lavavajillas.



Funcionamiento del aparato

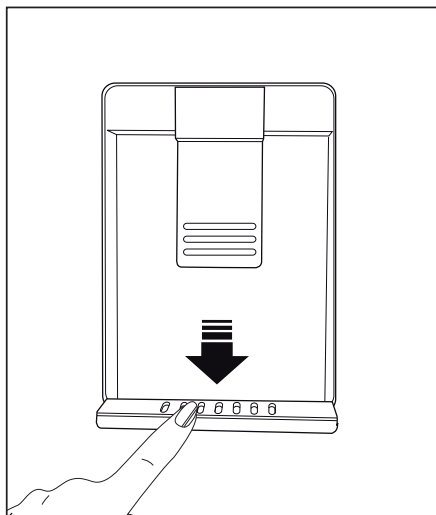


5.29. Bandeja de goteo

El agua que gotea durante el uso del dispensador de agua se acumula en la bandeja de derramamiento.

Retire el filtro de plástico tal y como se muestra en la figura.

Enjuague el agua acumulada con un trapo limpio y seco.



Funcionamiento del aparato

5.30. Congelación de alimentos frescos

- Para preservar la calidad de los alimentos, debe congelarlos tan pronto como sea posible cuando los coloque en el compartimento congelador. Utilice la función de congelación rápida para esta finalidad.
- Puede guardar los alimentos durante más tiempo en el compartimento congelador cuando los congele cuando estén frescos.
- Envuelva los alimentos que vaya a congelar y cierre el envase para que quede hermético.
- Asegúrese de envolver bien los alimentos antes de colocarlos en el congelador. Use contenedores para congelador, láminas y papeles antihumedad, bolsas de plástico y otros materiales de embalaje en vez de papeles de embalaje tradicionales.

- Etiquete cada paquete de alimentos con la fecha antes de congelarlos. De esta manera, podrá distinguir el frescor de cada paquete de alimentos cada vez que abra el congelador. Guarde los alimentos congelados en la parte frontal del compartimento para asegurar que se consuman primero.



El compartimento del congelador se deshuela de manera automática.

- Consuma inmediatamente los alimentos recién descongelados, y no los vuelva a congelar.
- No congele cantidades demasiado grandes de una sola vez.

Ajuste del compartimento congelador	Ajuste del compartimento frigorífico	Comentarios
-18°C/4°F	4°C/40°F	Estos son los valores de uso recomendados.
-20/-4°F,-22/-6°F o -24°C/-11°F	4°C/40°F	Se recomiendan estos valores cuando la temperatura ambiente rebasa los 30 °C.
Congelación rápida	4°C/40°F	Se utiliza para congelar los alimentos rápidamente. El aparato volverá a su modo de funcionamiento previo una vez finalizado el proceso.
-18°C/4°F o más frío	2°C/37°F	Utilice estos ajustes si cree que el compartimento frigorífico no está suficientemente frío debido a las altas temperaturas ambientales o por la frecuente apertura y cierre de la puerta.

Funcionamiento del aparato

5.31. Recomendaciones para la conservación de alimentos congelados

El compartimento no debe estar a más de $-18\text{ }^{\circ}\text{C}$.

1. Coloque los paquetes de alimentos congelados en el congelador lo antes posible tras su compra sin dejar que se descongelen.
2. Compruebe si las fechas de consumo preferente y caducidad de los envases han vencido o no antes de congelarlos.
3. Asegúrese de que el envase de comida no esté dañado.

5.32. Información sobre la congelación

Los alimentos sólo pueden conservarse durante periodos prolongados de tiempo a temperaturas de $-18\text{ }^{\circ}\text{C}$ o menos.

Los alimentos frescos pueden conservarse durante muchos meses en el congelador a temperaturas de $-18\text{ }^{\circ}\text{C}$ o menos.

5.33. Colocar los alimentos

Estantes del compartimento congelador	Alimentos congelados diversos tales como carnes, pescados, helados, verduras, etc.
Estantes del compartimento frigorífico	Alimentos en cazuelas, platos cubiertos y recipientes cerrados, huevos (en recipientes cerrados)
Estantes de la puerta del compartimento frigorífico	Alimentos o bebidas en envases pequeños
Cajón de frutas y verduras	Verduras y frutas

No deje que los alimentos entren en contacto con alimentos previamente congelados, con el fin de evitar que éstos puedan descongelarse parcialmente.

Hierva las verduras y drene el agua para almacenarla durante más tiempo ya que estarán congeladas. Después de descargar el agua, colóquelos en paquetes herméticos y colóquelos dentro del congelador. Alimentos tales como plátanos, tomates, lechuga, huevos duros y patatas hervidas saladas no son aptas para la congelación. Cuando estos alimentos estén congelados, su valor nutricional y sabor pueden verse afectados negativamente. Esto podría crear un riesgo para la salud humana.

Funcionamiento del aparato

Compartimento de alimentos frescos	Las delicatessen (comida de desayuno, productos cárnicos que vayan a consumirse en poco tiempo)
------------------------------------	---

5.34. Aviso de puerta abierta

(Característica opcional)

El frigorífico emitirá una señal acústica de aviso cuando la puerta del aparato permanezca abierta más de un 1 minuto. Esta advertencia quedará silenciada cuando se cierre la puerta o se pulse cualquiera de los botones de la pantalla (si los hay).

La advertencia de puerta abierta se da tanto en forma visual como acústica. Si la advertencia prosigue durante 10 minutos, las luces interiores se apagarán.

5.35. Cambio de la dirección de apertura de la puerta

Puede cambiar la dirección de apertura de la puerta de su frigorífico en función del lugar en donde lo use. Si es necesario, or favor, llame al servicio técnico más cercado.

La descripción anterior es una información acerca del cambio de la dirección de la puerta, deberá consultar la etiqueta de advertencia del lado interior de la puerta.

5.36. Lámpara de iluminación

Las luces LED se usan como lámparas de iluminación. Contacte con un servicio técnico autorizado en caso de que haya algún problema con este tipo de luz.

La(s) luz(ces) usadas en este aparato no son aptas para la iluminación de las habitaciones del hogar. El fin previsto de la luz es ayudar al usuario a colocar alimentos en el frigorífico/congelador de una manera segura y cómoda.

La vida útil del aparato aumentará si lo limpia regularmente.



ADVERTENCIA: Desenchufe primero el aparato antes de limpiarlo.

- No utilice nunca para la limpieza herramientas afiladas o abrasivas, jabones, limpiadores domésticos, detergentes ni ceras abrillantadoras.
- Disuelva una cucharadita de bicarbonato en medio cuarto de agua. Empape un trapo en la solución y escúrralo totalmente. Limpie el interior del aparato con este paño y luego séquelo totalmente.
- Asegúrese de que no penetre agua en el alojamiento de la lámpara ni otros elementos eléctricos.
- Utilice un paño húmedo para limpiar la puerta. Para retirar la puerta y los estantes, retire todos sus contenidos. Retire los estantes de la puerta tirando de ellos hacia arriba. Tras limpiarlos, deslícelos de arriba hacia abajo para su colocación.
- Nunca use agentes de limpieza o agua que contengan cloro para limpiar las superficies exteriores y los cromados del producto, ya que el cloro corroe dichas superficies metálicas.
- No use herramientas afiladas o abrasivas, jabón, agentes de limpieza domésticos detergentes, queroseno, gasolina, barniz, etc. para eliminar las huellas dactilares de las piezas de plástico. Use agua tibia un un paño suave para limpiarlo, y luego séquelo.

6.1. Cómo evitar malos olores

Nuestros electrodomésticos no se fabrican con materiales que puedan producir olores. Sin embargo, una conservación inadecuada de los alimentos y la falta de limpieza de la superficie interior del electrodoméstico pueden dar lugar a un problema de olores.

Por lo tanto, limpie el frigorífico con bicarbonato disuelto en agua cada 15 días.

- Conserve los alimentos en recipientes cerrados. Los microorganismos que proliferan en los envases no cubiertos pueden causar malos olores.
- Retire del frigorífico los alimentos cuya fecha de caducidad haya vencido y estén en mal estado.

6.2. Protección de las superficies de plástico

Límpielos con agua caliente inmediatamente, puesto que el aceite podría dañar las superficies de plástico.

6.3. Vidrios de las puertas

Retire la lámina protectora de los vidrios.

Hay una capa que reduce al mínimo la formación de manchas y ayuda a eliminarlas con facilidad, así como la suciedad que pueda depositarse.

Los vidrios que no disponen de este recubrimiento de protección pueden verse sometidos a la acción persistente de sustancias orgánicas o inorgánicas presentes en el aire o el agua como por ejemplo cal, sales minerales, hidrocarburos sin quemar, óxidos de metal y siliconas que pueden causar con facilidad y rapidez manchas o daños materiales. Resulta muy difícil mantener el vidrio siempre limpio, a pesar de la limpieza regular. En consecuencia, el aspecto y la transparencia del vidrio se deteriora. Los métodos y productos de limpieza fuertes y corrosivos intensificarán estos efectos y acelerarán el proceso de deterioro.

Limpie siempre los vidrios con productos de limpieza con base acuosa que no sean alcalinos ni corrosivos.

Utilice siempre productos no alcalinos ni corrosivos para la limpieza, a fin de prolongar al máximo la vida útil de este recubrimiento.

Son vidrios templados para incrementar su resistencia frente a impactos y roturas.

La superficie posterior de los vidrios cuenta con una película de seguridad que evita que cause daños a los objetos circundantes en caso de rotura.

7 Resolución de problemas

Consulte la siguiente lista antes de llamar al servicio técnico. Si lo hace podrá ahorrar tiempo y dinero. La lista incluye las quejas más comunes que no tienen relación con un problema de fabricación ni con el material usado. Puede que ciertas características mencionadas aquí no sean de aplicación a este aparato.

El frigorífico no funciona.

- El enchufe de alimentación no está colocada correctamente. >>> Enchúfelo para colocarlo correctamente en la toma de alimentación.
- El fusible conectado a la toma de corriente del aparato o el fusible principal están fundidos. >>> Compruebe los fusibles.

Condensación en la pared lateral del compartimento frigorífico (MULTIZONA, CONTROL DE FRÍO y FLEXI ZONA).

- El ambiente es demasiado frío. >>> No instale el aparato en ambientes con una temperatura por debajo de -5°C.
- La puerta se abre con demasiada frecuencia >>> Intente no abrir la puerta tan a menudo.
- El ambiente es demasiado húmedo. >>> No instale el aparato en ambientes demasiado húmedos.
- Los alimentos que contengan líquidos están guardados en recipientes no sellados. >>> Guarde los alimentos que contengan líquidos en recipientes sellados.
- La puerta del aparato se ha dejado abierta. >>> No deje la puerta del aparato abierta durante mucho tiempo.
- El termostato está ajustado a un nivel muy bajo. >>> Ajuste el termostato a una temperatura adecuada.

El compresor no funciona.

- En caso de que haya un apagón repentino o de desenchufar el cable y enchufarlo de nuevo, la presión de gas del sistema de refrigeración del aparato no estará equilibrada, lo que accionará la protección térmica del compresor. El aparato se reiniciará aproximadamente al cabo de 6 minutos. Si el aparato no se reinicia después de este período, contacte con el servicio técnico.
- La descongelación está todavía activo. >>> Esto es normal en un congelador con descongelación automática. La descongelación se realiza periódicamente.
- El aparato no está enchufado. >>> Asegúrese de que el cable de alimentación está enchufado.
- El ajuste de temperatura es incorrecto. >>> Seleccione el ajuste de temperatura adecuado.
- Se ha cortado el suministro eléctrico. >>> El aparato seguirá funcionando con normalidad una vez que el suministro se haya restablecido.

El ruido de funcionamiento del frigorífico aumenta durante su uso.

- Tales valores variarán en función de las fluctuaciones de la temperatura ambiente. Esto es perfectamente normal, y no constituye una avería.

El frigorífico está mucho tiempo funcionando o se enciende con demasiada frecuencia.

Resolución de problemas

- Puede que su nuevo aparato sea más grande que el que tenía anteriormente. Los aparatos más grandes funcionarán durante más tiempo.
- Puede que la temperatura ambiente sea alta. >>> El aparato funcionará normalmente durante largos períodos de tiempo con una temperatura ambiente más alta.
- Puede que el aparato se haya enchufado recientemente o que se haya colocado un nuevo alimento en su interior. >>> El aparato tardará más en alcanzar la temperatura cuando haya sido enchufado recientemente o cuando se coloque un nuevo alimento en su interior. Esto es normal.
- Puede que se haya colocado grandes cantidades de alimentos calientes en el aparato. >>> No coloque alimentos calientes en el aparato.
- Las puertas se han abierto demasiado a menudo o se dejan abiertas durante largos períodos de tiempo. >>> El aire circulante en el interior hará que el aparato funcione durante más tiempo. No abra las puertas con demasiada frecuencia.
- Puede que el congelador o la puerta del congelador esté entreabierta. >>> Compruebe que las puertas estén totalmente cerrados.
- Puede que el aparato esté configurado con una temperatura demasiado baja. >>> Fije la temperatura a un grado más alto y espere a que el aparato alcance la temperatura establecida.
- Es posible que la junta de la puerta del compartimento frigorífico o congelador esté sucia, desgastada, rota o no asentada correctamente. >>> Limpie o sustituya la junta. Una junta de puerta rota / dañada hará que el aparato funcione durante más tiempo para preservar la temperatura actual.

La temperatura del frigorífico es muy baja, pero la del congelador es adecuada.

- La temperatura del compartimento congelador está fijada a un grado muy bajo. >>> Fíjela a un grado más alto y compruébelo de nuevo.

La temperatura del frigorífico es muy baja, mientras que la del congelador es adecuada.

- La temperatura del compartimento congelador está fijada a un grado muy bajo. >>> Fíjela a un grado más alto y compruébelo de nuevo.

Los alimentos depositados en los cajones del compartimento frigorífico están congelados.

- La temperatura del compartimento congelador está fijada a un grado muy bajo. >>> Fíjela a un grado más alto y compruébelo de nuevo.

La temperatura del congelador o del frigorífico es demasiado alta.

Resolución de problemas

- La temperatura del compartimento congelador está fijada a un grado muy bajo. >>> La temperatura del compartimento refrigerador incide en la temperatura del compartimento congelador. Cambie las temperaturas del frigorífico o el congelador y espere hasta que la temperatura de los compartimentos correspondientes estén a un nivel adecuado.
- Las puertas se han abierto demasiado a menudo o se dejan abiertas durante largos períodos de tiempo. >>> No abra las puertas con demasiada frecuencia.
- Puede que la puerta esté entreabierta. >>> Cierre la puerta totalmente.
- Puede que el aparato se haya enchufado recientemente o que se haya colocado un nuevo alimento en su interior. >>> Esto es normal. El aparato tardará más en alcanzar la temperatura cuando haya sido enchufado recientemente o cuando se coloque un nuevo alimento en su interior.
- Puede que se haya colocado grandes cantidades de alimentos calientes en el aparato. >>> No coloque alimentos calientes en el aparato.

Sacudidas o ruidos.

- El suelo no está nivelado o estable. >>> Si el aparato vibra, ajuste los pies para equilibrarlo. Compruebe además que el suelo sea lo suficientemente firme para soportar el aparato.
- Cualquier elemento colocado en el aparato puede provocar ruidos >>> Retire cualquier elemento colocado en el producto.

El aparato emite ruido del líquido en circulación, pulverización, etc.

- Los líquidos y gases fluyen en función de los principios de funcionamiento del frigorífico. >>> Esto es normal y no es una avería.

El aparato emite un ruido de sople de viento.

- El aparato usa un ventilador para el proceso de refrigeración. Esto es perfectamente normal, y no constituye una avería.

Hay condensación en las paredes internas del aparato.

- El tiempo cálido y húmedo favorece la formación de hielo y la condensación. Esto es perfectamente normal, y no constituye una avería.
- Las puertas se han abierto demasiado a menudo o se dejan abiertas durante largos períodos de tiempo. >>> No abra las puertas con demasiada frecuencia. Si las abre, ciérrelas.
- Puede que la puerta esté entreabierta. >>> Cierre la puerta totalmente.

Hay condensación en el exterior del aparato o entre sus puertas.

- Puede que haya humedad en el aire; es algo bastante normal en climas húmedos. >>> Cuando el grado de humedad descienda, la condensación desaparecerá.

Resolución de problemas

El interior huele mal.

- El producto no se limpia regularmente. >>> Limpie el interior regularmente con una esponja, agua caliente y bicarbonato.
- Ciertos recipientes y materiales de embalaje pueden causar mal olor. >>> Utilice recipientes y materiales de embalaje libres de malos olores.
- Los alimentos están guardados en recipientes no sellados. >>> Guarde los alimentos en recipientes sellados. Los microorganismos pueden propagarse fuera de los recipientes de alimentos y causar olores desagradables.
- Retire cualquier alimentos caducado o descompuesto del aparato.

La puerta no cierra.

- Puede que los paquetes de comida estén bloqueando la puerta. >>> Recoloque los elementos que estén bloqueando la puerta.
- El aparato no está colocado en el suelo en una posición totalmente vertical. >>> Ajuste los soportes para equilibrar el aparato.
- El suelo no está equilibrado o no es sólido. >>> Compruebe además que el suelo esté nivelado y que sea capaz de soportar el peso del frigorífico.

El cajón de las verduras está atascado.

- Puede que los alimentos estén en contacto con la sección superior del cajón. >>> Reorganice los alimentos del cajón.



ADVERTENCIA: Si el problema persiste después de seguir las instrucciones en este apartado, contacte con un distribuidor o con el servicio técnico autorizado. No intente reparar el aparato.

EXENCIÓN DE RESPONSABILIDADES / ADVERTENCIA

Es posible que algunas fallas (simples) sean tratadas de manera adecuada por el usuario final sin que se plantee ningún problema de seguridad o uso no seguro, siempre y cuando se lleven a cabo dentro de los límites y de conformidad con las siguientes instrucciones (véase la sección "Autorreparación").

En consecuencia, siempre y cuando no se autorice lo contrario en la sección "Autorreparación" que se encuentra a continuación, las reparaciones deben ser dirigidas a los reparadores profesionales registrados para evitar problemas de seguridad. Se considera un reparador profesional registrado el que ha tenido acceso a las instrucciones y a la lista de piezas de repuesto de este producto por parte del fabricante de acuerdo con los métodos descritos en los actos legislativos en virtud de la Directiva 2009/125/CE.

No obstante, según las condiciones de la garantía, sólo el agente de servicio (por ejemplo, los reparadores profesionales autorizados) al que puede llamar utilizando el número de teléfono que figura en el manual de usuario/tarjeta de garantía o bien a través de su distribuidor autorizado puede prestar servicio. Por consiguiente, por favor, tenga en cuenta que las reparaciones realizadas por reparadores profesionales (no autorizados por Beko) anularán la garantía.

Autorreparación

El usuario final puede realizar la reparación por su cuenta con respecto a las siguientes piezas de repuesto: manijas de puertas,

bisagras de puertas, bandejas, cestas y juntas de puertas (una lista actualizada también estará disponible en support.beko.com a partir del 1 de Marzo de 2021).

Por otra parte, con el fin de garantizar la seguridad del producto y prevenir el riesgo de lesiones graves, la autorreparación citada se llevará a cabo siguiendo las instrucciones del manual de usuario para la autorreparación o las que están disponibles en support.beko.com. Para su seguridad, desenchufe el producto antes de intentar cualquier autorreparación.

La reparación y los intentos de reparación por parte de los usuarios finales de piezas no incluidas en dicha lista y/o no seguir las instrucciones contenidas en los manuales de usuario para la autorreparación o que están disponibles en support.beko.com, podrían causar problemas de seguridad no atribuibles a Beko, y anularían la garantía del producto.

Por ello, es muy recomendable que los usuarios finales se abstengan de intentar realizar las reparaciones que estén fuera de la lista de piezas de repuesto mencionada, comunicándose en tales casos con los reparadores profesionales autorizados o con los reparadores profesionales registrados. Al contrario, dichos intentos por parte de los usuarios finales pueden provocar problemas de seguridad y dañar el producto y, en consecuencia, provocar incendios, inundaciones, electrocución y lesiones personales graves.

Con carácter ejemplar, pero no limitado a ello, las siguientes reparaciones deben dirigirse a los autorizados reparadores profesionales o reparadores

profesionales registrados: compresor, circuito de refrigeración, placa principal, tablero del inversor, tablero de la pantalla, etc.

En caso de que los usuarios finales no cumplan con lo anterior, el fabricante/ vendedor no podrá ser considerado responsable.

La disponibilidad de piezas de repuesto del refrigerador que ha adquirido es de 10 años.

Durante este período, las piezas de repuesto originales estarán disponibles para el funcionamiento apropiado del refrigerador.

La duración mínima de la garantía del refrigerador que ha comprado es de 24 meses.

Este producto está equipado con una fuente de iluminación de la clase energética "G".

La fuente de iluminación de este producto sólo debe ser sustituida por reparadores profesionales.