

EN

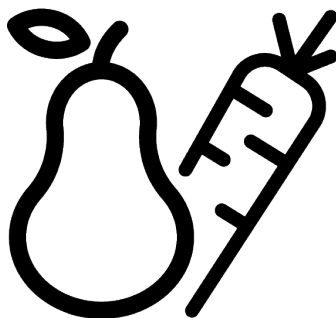
FR

EL

DE

# beko

**Refrigerator** / User Manual  
**Réfrigérateur** / Manuel d'utilisation  
**Ψυγείο** / Εγχειρίδιο Χρήστη  
**Kühlschrank** / Bedienungsanleitung



B5RCNE365LXBR

58 8224 0000/ EN/ FR/ EL/ DE/ AC/ 06.09.2022 17:15  
7282947603



# Please read this manual first!

**Dear Customer**

**Please read this manual before using the product.**

Thank you for choosing this Beko product. We would like you to achieve the optimal efficiency from this high quality product which has been manufactured with state of the art technology. To do this, carefully read this manual and any other documentation provided before using the product and keep it as a reference.

Heed all information and warnings in the user manual. This way, you will protect yourself and your product against the dangers that may occur.

Keep the user manual. Include this manual with the unit if you hand it over to someone else.

**The following symbols are used in the user manual:**



Hazard that may result in death or injury.



Important information or useful tips on operation.







Read the user manual.



Combustible material, warning against fire hazard.

NOTICE A hazard that may cause material damage to the product or its surroundings

  <b>SUPPLIER'S NAME</b>  <b>MODEL IDENTIFIER</b> → (*) 	<p>The model information as stored in the product data base can be reached by entering following website and searching for your model identifier (*) found on energy label.</p> <p><a href="https://eprel.ec.europa.eu/">https://eprel.ec.europa.eu/</a></p>
--	--

<b>1</b>	<b>Safety Instructions.....</b>	<b>4</b>
1.1	Intention of Use .....	4
1.2	Safety of Children, Vulnerable Persons and Pets .....	4
1.3	Electrical Safety.....	5
1.4	Handling Safety .....	6
1.5	Installation Safety.....	6
1.6	Operational Safety.....	8
1.7	Food Storage Safety.....	10
1.8	Maintenance and Cleaning Safety	10
<b>2</b>	<b>Environmental Instructions.....</b>	<b>11</b>
2.1	Compliance with the WEEE Dir- ective and Disposing of the Waste Product .....	11
<b>3</b>	<b>Your Refrigerator .....</b>	<b>12</b>
<b>4</b>	<b>Installation .....</b>	<b>12</b>
4.1	Right Place For Installation.....	12
4.2	Electrical Connection .....	13
4.3	Attaching the Plastic Wedges .....	13
4.4	Adjusting the Legs.....	13
4.5	Hot Surface Warning.....	14
<b>5</b>	<b>Preparation.....</b>	<b>14</b>
5.1	What to Do for Energy Saving.....	14
5.2	First Use .....	14
5.3	Climate Class and Definitions .....	15
<b>6</b>	<b>Operating the Product.....</b>	<b>15</b>
<b>7</b>	<b>Use of Your Appliance.....</b>	<b>16</b>
7.1	Control Panel of the Product .....	16
7.2	Storing Food in the Cooler Com- partment.....	18
7.3	Crisper Technologies .....	20
7.4	Photocatalytic Module (Fresh- Guard) .....	21
7.5	Dairy Products Cold Storage Area	21
7.6	Reversing the Door Opening Side.	21
7.7	Door Open Alert .....	21
7.8	Foldable Wine Rack.....	21
7.9	Replacing the Illumination Lamp..	22
7.10	AeroFlow .....	22
<b>8</b>	<b>Maintenance and Cleaning .....</b>	<b>22</b>
<b>9</b>	<b>Troubleshooting.....</b>	<b>23</b>

# 1 Safety Instructions

- This section includes the safety instructions necessary to prevent the risk of personal injury or material damage.
- Our company shall not be held responsible for damages that may occur if these instructions are not observed.



Always have installation and repair operations performed by manufacturer, authorized service or a person who will be described by importer company.



Use original spare parts and accessories only.



Do not repair or replace any component of the product unless it is clearly specified in the user manual.



Do not perform any modifications on the product.

## 1.1 Intention of Use

- This product is not suitable for commercial use and should not be used for a purpose other than its intended use.
- This product is intended for operating interiors, such as households or similar.

For example;

In the staff kitchens of the stores, offices and other working environments,

In farm houses,

In the units of hotels, motels or other resting facilities that are used by the customers,

In hostels, or similar environments,

In catering services and similar non-retail applications.

- This product shall not be used in open or enclosed external environments such as vessels, camper vans, balconies or terraces. Exposing the product to rain, snow, sunlight and wind may cause risk of fire.

## 1.2 Safety of Children, Vulnerable Persons and Pets



- This product may be used by children aged 8 years and older and persons with underdeveloped physical, sensory or mental capabilities or lack of experience and knowledge if they are being supervised or have been given instruction concerning use of the appliance in a safe way and the hazards involved.

- Children between 3 and 8 years are allowed to put and take out food into/from the cooler product.
- Electrical products are dangerous for children and pets. Children and pets must not play with, climb on, or enter the product.
- Cleaning and user maintenance should not be performed by children unless there is someone overseeing them.
- Keep the packaging materials away from children. Risk of injury and suffocation.

Before disposing of old products that shall not be used any more:

1. Unplug the power cord from the mains socket.
  2. Cut the power cable and remove it from the appliance together with the plug.
  3. Do not remove the racks and drawers from the product to prevent children from getting inside the appliance.
  4. Remove the doors.
  5. Store the product so that it shall not be tipped over.
  6. Do not allow children to play with the scrapped product.
- Do not dispose of the product by throwing it into fire. Risk of explosion.

- If there is a lock available on the product's door, keep the key out of children's reach.

### 1.3 Electrical Safety

- The product shall not be plugged into the outlet during installation, maintenance, cleaning, repair, and transportation operations.
- If the power cable is damaged, it shall only be replaced by authorized service to avoid any risks that may occur.
- Do not tuck the power cable under the product or to the rear of the product. Do not put heavy items on the power cable. The power cable should not be bent, crushed, and come into contact with any heat source.
- Do not use an extension cord, multi-plug or adaptor to operate your product.
- Portable multi-plugs or portable power supplies may overheat and cause fire. Thus, do not have a multi-plug, portable power sources behind or in the vicinity of the product.
- Do not plug the product's power cord in a loose or damaged power outlet. These types of connections may overheat and cause fire.

- The plug shall be easily accessible. If this is not possible, a mechanism that meets the electrical legislation and that disconnects all terminals from the mains (fuse, switch, main switch, etc.) shall be available on the electrical installation.
- Do not touch the plug with wet hands.
- When unplugging the appliance, don't hold the power cord, but the plug.

#### **1.4 Handling Safety**

- This product is heavy, do not handle it by yourself.
- Do not hold the product from its door while handling the product.
- Be careful not to damage the cooling system and the pipes while handling the product. Do not operate the product if the pipes are damaged, and contact an authorized service.

#### **1.5 Installation Safety**

- Contact the Authorized Service for the product's installation. To prepare the product for use, see the information in the user manual and make sure the electric and water utilities are as required. If not, call a qualified electrician and plumber to

arrange the utilities as necessary. Failure to do so may result in electric shock, fire, problems with the product, or injury.

- Check for any damage on the product before installing it. Do not have the product installed if it is damaged.
- Place the product on a clean, level and hard surface and balance it with the adjustable legs. Otherwise, the refrigerator may tip over and cause injuries.
- The product shall be installed in a dry and ventilated environment. Do not keep carpets, rugs or similar covers under the product. This may cause risk of fire as a result of inadequate ventilation!
- Do not block or cover ventilation holes. Otherwise, power consumption increases and your product may be damaged.
- The product must not be connected to supply systems such as solar power supply. Otherwise, your product may be damaged due to sudden voltage changes!
- The more refrigerant a refrigerator contains, the bigger its installation room should be. In very small rooms, a flammable

gas-air mixture may occur in case of a gas leak in the cooling system. At least 1 m<sup>3</sup> of volume is required for each 8 grams of refrigerant. The amount of the refrigerant available in your product is specified in the Type Label.

- The installation place of the product shall not be exposed to direct sunlight and it shall not be in the vicinity of a heat source such as stoves, radiators, etc. If you cannot prevent installation of the product in the vicinity of a heat source, use a suitable insulation plate and make sure the minimum distance to the heat source is as specified below:
  - At least 30 cm away from heat sources such as stoves, ovens, heating units and heaters, etc.,
  - And at least 5 cm away from electrical ovens.
- Your product has the protection class of I.
- Plug the product in a grounded socket that conforms with the Voltage, Current and Frequency values specified in the type label. The socket must have a 10A – 16A fuse. Our firm will not assume responsibility for any damages due to usage without earthing and without power connection in compliance with local and national regulations.
- The product's power cable must be unplugged during installation. Otherwise, risk of electric shock and injury may occur!
- Do not plug the product's power cord in loose, dislocated, broken, dirty, oily power outlets which have a risk of water contact. These types of connections may cause overheating and fire.
- Place the power cable and hoses (if any) of the product so that they shall not cause a risk of tripping over.
- Penetration of humidity and liquid to live parts or to the power cord may cause short circuit. Thus, do not use the product in humid environments or in areas where water may splash (e.g. garage, laundry room, etc.) If the refrigerator is wet by water, unplug it and contact an authorized service.
- Do not ever connect your refrigerator to power saving devices. These systems are harmful for the product

## 1.6 Operational Safety

- Do not ever use chemical solvents on the product. These materials contain an explosion risk.
- In case of a failure of the product, unplug it and do not operate until it is repaired by the authorized service. There is a risk of electric shock!
- Do not place a source of flame (e.g. candles, cigarettes, etc.) on the product or in the vicinity of it.
- Do not get on the product. Risk of falling and injury!
- Do not cause damage to the pipes of the cooling system using sharp and piercing tools. The refrigerant that sprays out in case of puncturing the gas pipes, pipe extensions or upper surface coatings may cause irritation of skin and injury to the eyes.
- Do not place and operate electrical appliances inside the refrigerator/freezer unless it is advised by the manufacturer.
- Do not jam any parts of your hands or your body to the moving parts inside the product. Be careful to prevent jamming of your fingers between the refrigerator and its door. Be careful while opening or closing the door if there are children around.
- Do not put ice cream, ice cubes or frozen food to your mouth as soon as you take them out of the freezer. Risk of frostbite!
- Do not touch the inner walls, metal parts of the freezer or food kept inside the freezer with wet hands. Risk of frostbite!
- Do not place soda cans or cans and bottles that contain fluids that may be frozen to the freezer compartment. Cans or bottles may explode. Risk of injury and material damage!
- Do not use or place materials sensitive against temperature such as flammable sprays, flammable objects, dry ice or other chemical agents in the vicinity of the refrigerator. Risk of fire and explosion!
- Do not store explosive materials such as aerosol cans with flammable materials inside the product.
- Do not place cans containing fluids over the product an open state. Splashing of water on an electrical part may cause the risk of an electric shock or a fire.



- This product is not intended for storage and cooling of medicines, blood plasma, laboratory preparations or similar materials and products that are subject to the Medical Products Directive.
- If the product is used against its intended purpose, it may cause damage to or deterioration of the products kept inside.
- If your refrigerator is equipped with blue light, do not look at this light with optical devices. Do not stare directly at UV LED light for a long time. Ultraviolet rays may cause eye strain.
- Do not fill the product with more food than its capacity. Injuries or damages may occur if the contents of the refrigerator fall when the door is opened. Similar problems may also occur when an object is placed over the product.
- Ensure that you have removed any ice or water that may have fallen to the floor to prevent injuries.
- Change the locations of the racks/bottle racks on the door of your refrigerator only when the racks are empty. Danger of injury!
- Do not place objects that may fall/tip over on the product. These objects may fall while opening or closing the door and cause injuries and/or material damages.
- Do not hit or exert excessive pressure on glass surfaces. Broken glass may cause injuries and/or material damages.
- The cooling system in your product contains R600a refrigerant. The refrigerant type used in the product is specified in the type label. This gas is flammable. Therefore, be careful not to damage the cooling system and the pipes while operating the product. In case of damage to the pipes;
  1. Do not touch the product or the power cable.
  2. Keep the product away from potential sources of fire that may cause the product to catch fire.
  3. Ventilate the area where the product is placed. Do not use a fan.
  4. Contact Authorized Service.
  5. If the product is damaged and you observe gas leak, please stay away from the gas. Gas may cause frostbite if it contacts your skin.

## 1.7 Food Storage Safety

Please pay attention to the following warnings to avoid food spoilage:

- Leaving the doors open for a long time may cause the temperature inside the product to rise.
- Regularly clean the accessible drainage systems in contact with food.
- Clean the water tanks that have not been used for 48 hours and mains-fed water systems that have not been used for more than 5 days.
- Store raw meat and fish products in appropriate compartments within the product. Thus, it does not drip on or come into contact with other foods.
- Two-star freezer compartments are used for storing pre-filled foods, making and storing ice and ice cream.
- One, two and three-star compartments are not appropriate for freezing fresh food.
- If the cooling product has been left empty for a long time, turn off the product, defrost, clean, and dry the product in order to protect the housing of the product.

## 1.8 Maintenance and Cleaning Safety

- Unplug the refrigerator before cleaning it or starting to perform maintenance.
- Do not pull by the door handle if you shall move the product for cleaning purposes. Handle may cause injuries if it is pulled too hard.
- Do not put your hands etc. under the refrigerator. Jamming may occur or any sharp edge may cause personal injuries.
- Do not clean the product by spraying or pouring water on the product and inside the product. Risk of electric shock and fire.
- When cleaning the product, do not use sharp and abrasive tools or household cleaning agents, detergent, gas, gasoline, thinner, alcohol, varnish, and similar substances. Use only cleaning and maintenance agents that are not harmful for food inside the product.
- Do not ever use steam or steamed cleaning materials for cleaning the product and thawing the ice inside it. Steam con-

tacts the live areas in your refrigerator and causes short circuit or electric shock.

- Take care to keep water away from the ventilation holes, electronic circuits or lighting of the product.

- Use a clean, dry cloth to wipe the dust or foreign material on the tips of the plugs. Do not use a wet or damp piece of cloth to clean the plug. Otherwise, risk of fire or electric shock may occur.

## 2 Environmental Instructions

### 2.1 Compliance with the WEEE Directive and Disposing of the Waste Product



This product complies with EU WEEE Directive (2012/19/EU). This product bears a classification symbol for waste electrical and electronic equipment (WEEE).

This symbol indicates that this product shall not be disposed with other household wastes at the end of its service life. Used device must be returned to official collection point for recycling of electrical and electronic devices. To find these collection systems please contact to your local authorities or retailer where the product was purchased. Each household performs important role in recovering and recycling of old appliance. Appropriate disposal of used

appliance helps prevent potential negative consequences for the environment and human health.

### Compliance with RoHS Directive

The product you have purchased complies with EU RoHS Directive (2011/65/EU). It does not contain harmful and prohibited materials specified in the Directive.

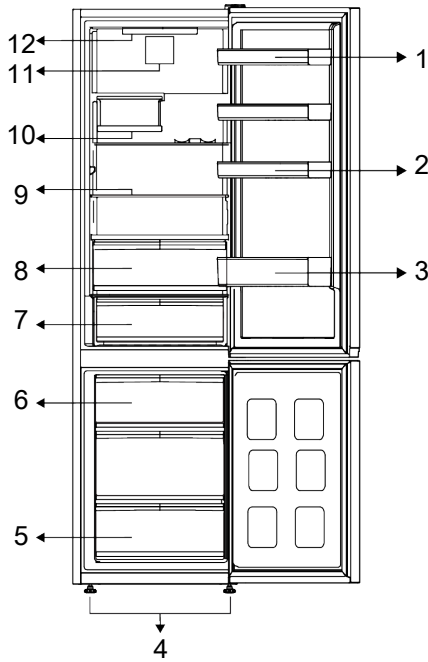


#### Package information

Packaging materials of the product are manufactured from recyclable materials in accordance with our National Environment Regulations. Do not dispose of the packaging materials together with the domestic or other wastes. Take them to the packaging material collection points designated by the local authorities.

### 3 Your Refrigerator

---



- |                             |                           |
|-----------------------------|---------------------------|
| 1 * Adjustable Door Shelves | 2 * Egg Holders           |
| 3 * Bottle Shelf            | 4 * Adjustable Front Legs |
| 5 * Freezer Compartment     | 6 * Ice Container         |
| 7 * Cold Storage Drawer     | 8 * Crisper               |
| 9 * Adjustable Shelves      | 10 * Foldable Wine Bin    |
| 11 * Fan                    | 12 * Illumination Lamp    |

**\*Optional:** Figures in this user manual are schematic and may not exactly match your product. If your product does not comprise the relevant parts, the information pertains to other models.

### 4 Installation

---



Read the "Safety Instructions" section first!

#### 4.1 Right Place For Installation

Contact the Authorized Service for the product's installation. To prepare the product for installation, see the information

in the user manual and make sure the electric and water utilities are as required. If not, call an electrician and plumber to arrange the utilities as necessary.

**WARNING:**

The manufacturer assumes no responsibility for any damages caused by the work carried out by unauthorized persons.

**WARNING:**

The product's power cable must be unplugged during installation. Failure to do so may result in death or serious injuries!

**WARNING:**

If the door span is too narrow for the product to pass, remove the door and turn the product sideways; if this does not work, contact the authorized service.

- Place the product on a flat surface to avoid vibration.
- Place the product at least 30 cm away from the heater, stove and similar sources of heat and at least 5 cm away from electric ovens.
- Do not expose the product to direct sunlight or keep it in damp environments.
- Your product requires adequate air circulation to function efficiently. If the product will be placed in an alcove, remember to leave at least 5 cm clearance between the product and the ceiling, rear wall and the side walls.
- Check if the rear wall clearance protection component is present at its location (if provided with the product).
- If the component is not available, or if it is lost or fallen, position the product so that at least 5 cm clearance shall be left between the rear surface of the product and the wall of the room. The clearance at the rear is important for efficient operation of the product.

## 4.2 Electrical Connection



Do not use extension or multi sockets in power connection.



Damaged power cable must be replaced by Authorized Service.



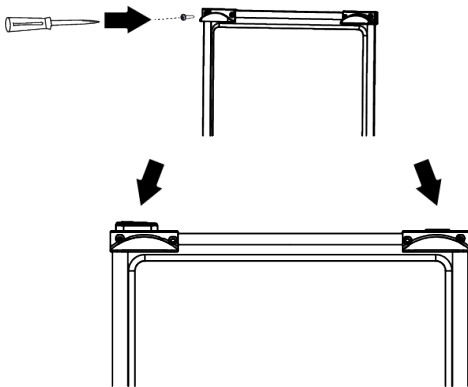
When placing two coolers in adjacent position, leave at least 4 cm distance between the two units.

- Our firm will not assume responsibility for any damages due to usage without earthing and power connection in compliance with national regulations.
- The power cable plug must be easily accessible after installation.
- Do not use multi-group plug with or without extension cable between the wall socket and the refrigerator.

## 4.3 Attaching the Plastic Wedges

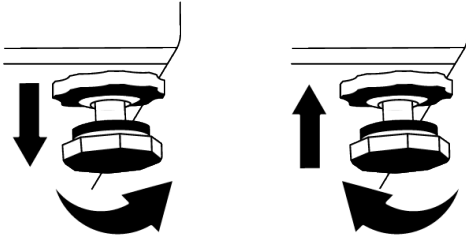
Use the plastic wedges provided with the product to maintain sufficient space for air circulation between the product and the wall.

1. To attach the wedges, remove the screws on the product and use the screws provided with the wedges.
2. Attach 2 plastic wedges on the ventilation cover as shown in the figure.



## 4.4 Adjusting the Legs

If the product is not in balanced position, adjust the front adjustable legs by rotating them to right or left.



## 4.5 Hot Surface Warning

The side walls of your product are equipped with cooler pipes to enhance the cooling system. High pressure fluid may flow through these surfaces, and cause hot surfaces on the side walls. This is normal and it does not require servicing. Be careful when you contact these areas.

## 5 Preparation



Read the "Safety Instructions" section first!

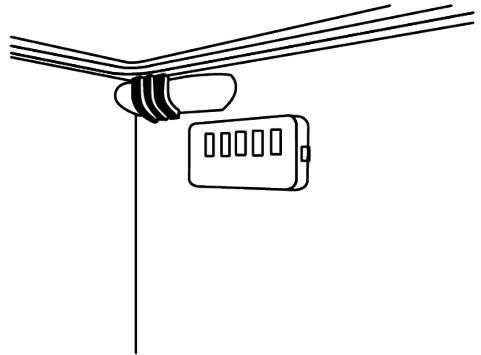
### 5.1 What to Do for Energy Saving



Connecting the product to electronic energy-saving systems is harmful, as it may damage the product.

- This refrigerating appliance is not intended to be used as a built in appliance.
- Do not keep the refrigerator doors open for long periods.
- Do not place hot food or beverages into the refrigerator.
- Do not overfill the refrigerator; blocking the internal air flow will reduce cooling capacity.
- In order to load the maximum quantity of food into the freezer compartment of your refrigerator, the upper drawers should be taken out and the food should be placed onto the wire/glass shelves. Net volume and energy consumption information declared in the energy label of your refrigerator was tested by taking out the upper drawers in the cooler department and the ice bucket, which is easily removable by hand.
- Using the below drawer when storing is strongly recommended.
- Depending on the product's features; defrosting frozen foods in the cooler compartment will ensure energy saving and preserve food quality.

- Make sure the foods are not in contact with the cooler compartment temperature sensor described below.



- If they are in contact with the sensor, energy consumption of the appliance might increase
- Food shall be stored using the drawers in the cooler compartment in order to ensure energy saving and protect food in better conditions.
- Food packages shall not be in direct contact with the temperature sensor located in the freezer compartment.

### 5.2 First Use

Before using your refrigerator, make sure the necessary preparations are made in line with the instructions in "Safety and Environmental Instructions" and "Installation" sections.

- Keep the product running without placing any food inside for 6 hours and do not open the door, unless absolutely necessary.
- The temperature change caused by opening and closing of the door while using the product may normally lead to condensation on door/body shelves and glassware placed in the product.



A sound will be heard when the compressor is engaged. It is normal for the product to make noise even if the compressor is not running, as fluid and gas may be compressed in the cooling system.



It is normal for the front edges of the refrigerator to be warm. These areas are designed to warm up in order to prevent condensation.



For some models, indicator panel turns off automatically 1 minute after the door closes. It will be re-activated when the door is opened or any button is pressed.

### 5.3 Climate Class and Definitions

Please refer to the Climate Class on the rating plate of your device. One of the following information is applicable to your device according to the Climate Class.

- **SN:** Long Term Temperate Climate: This cooling device is designed for use at ambient temperatures between 10 °C and 32 °C.
- **N:** Temperate Climate: This cooling device is designed for use at ambient temperatures between 16°C and 32 °C.
- **ST:** Subtropical Climate: This cooling device is designed for use at ambient temperatures between 16°C and 38°C.
- **T:** Tropical Climate: This cooling device is designed for use at ambient temperatures between 16°C and 43°C.

## 6 Operating the Product



Read the "Safety Instructions" section first!

- Do not use any mechanical tools or any other tools than the recommendations of the manufacturer to speed up the thawing operation.
- Do not use parts of your refrigerator such as the door or drawers as a support or a step. This may cause the product to trip over or its components to be damaged.
- The product shall be used for storing food only.

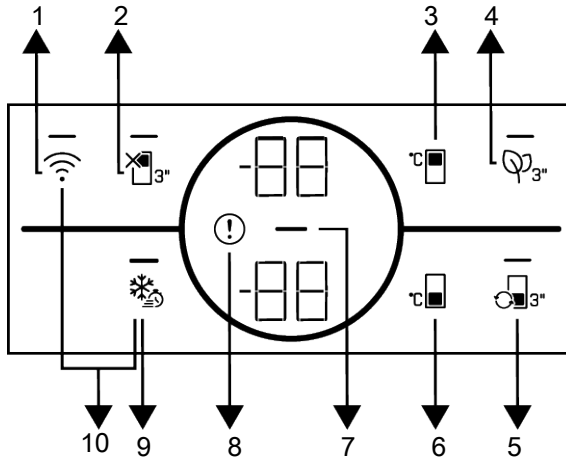
- Turn off the water valve if you will be away from home (e.g. at vacation) and you will not be using the Icematic or the water dispenser for a long period of time. Otherwise, water leaks may occur.

### Unplugging the Product


- If you are not going to use the product for a long time, unplug the product from the socket.
- Remove the food to prevent odours,
- Wait for the ice to melt, clean the interior and let it dry, leave the doors open to avoid damaging the inner body plastics.

## 7 Use of Your Appliance

### 7.1 Control Panel of the Product



- |  |   |
|--|---|
| 1 * Wireless Key                               | 2 * Cooler Compartment OFF (Vacation) Function      |
| 3 * Cooler Compartment Temperature Setting Key | 4 * Deodoriser Module Key                           |
| 5 * Compartment Conversion Key                 | 6 * Freezer Compartment Temperature Setting Key     |
| 7 * Energy Saving (Display Off) Indicator      | 8 * Error Status Indicator                          |
| 9 * Quick Freezing Key                         | 10 * Key for Resetting Wireless Connection Settings |

 Read the "Safety Instructions" section first.

Auditory and visual functions on the indicator panel will assist you in using the refrigerator.

**\*Optional:** Shown functions are optional, there may be differences of shape and location in functions found on your appliance's indicator panel.

#### 1. Wireless Key

This key is used to make a wireless connection with your product via HomeWhiz mobile

app. When you press the key for 3 seconds, the wireless connection symbol on the display/screen flashes slowly (with intervals of 0.5 seconds). The home network is initialized on the product this way. After achieving wireless connection with the product, wireless connection symbol illuminates continuously, you may activate/deactivate the connection with a short press on this key. The wireless connection icon flashes (with the interval of 0.2 seconds) until the connection is established. When the connection is active, LED will remain lit. If the connection cannot be established for a long period, check your connection settings and refer to the "Troubleshooting"



section provided in the user manual. HomeWhiz application will be used for wireless connection. The steps for setup are explained through the application during setup. You can access the application by scanning the QR code on the HomeWhiz label on the appliance. The application can be obtained from App Store or from Play Store for Android devices. For details visit <https://www.homewhiz.com/> address.

## 2. Cooler Compartment Off (Vacation)

### Function Key

Press the key for 3 seconds to activate the vacation function. Vacation mode is activated and the LED on the key is illuminated. "--" shall be displayed on the Cooler Compartment temperature indicator and the cooler compartment does not actively perform cooling. You should not keep your food in the cooler compartment if you activate this function. The other compartments continue to cool according to temperatures set before. Press and hold the key for 3 seconds again to cancel this function.

## 3. Cooler Compartment Temperature

### Setting Key

Allows setting of temperature for cooler compartment. Pressing the key will enable the cooler compartment temperature to be set at 8 °C, 7 °C, 6 °C, 5 °C, 4 °C, 3 °C, 2 °C, and 1 °C.

## 4.\*Deodoriser Module Key

Press this key for 3 seconds to activate/deactivate the deodoriser feature. When the deodoriser feature is active, the LED on the respective key is illuminated. When the feature is active, the deodoriser module will be operated periodically.

## 5. Compartment Conversion Key

Pressing compartment conversion key for 3 seconds, the freezer section switches between cooler, off and freezer modes. If it is operated as the cooler compartment, the temperature of the compartment will be set as 4 °C. In the off mode, compartment temperature indicator shall display "--".

## 6. Freezer Compartment Temperature

### Setting Key

Temperature setting is made for freezer compartment. Pressing the key will enable the freezer compartment temperature to be set at -18 °C, -19 °C, -20 °C, -21 °C, -22 °C, -23 °C, and -24 °C.

## 7. Energy Saving (Display Off) Indicator

Energy saving function is enabled automatically and the energy saving symbol lights up when the door of the product is not opened or closed for some period of time. When the energy saving function is active, all symbols on the screen other than the energy saving symbol shall be turned off. When the energy saving function is active, pressing any key or opening the door will deactivate the energy saving function and the display signals will return to normal. The energy saving function is a function activated ex-factory and cannot be cancelled.

## 8. Error Status Indicator

This indicator shall be active when your refrigerator cannot perform adequate cooling or in case of any sensor error. On the freezer compartment temperature indicator the letter "E" and on the cooler compartment temperature indicator the numbers 1, 2, 3 will be displayed. These numbers on the indicator specify the service regarding the failure. If you place hot food in the freezer compartment or leave its door open for a prolonged time, an exclamation mark can be lit. This is not a fault, this warning shall be removed when the food is cooled down or when any key is pressed.

## 9. Quick Freezing Key

When the quick freezing key is pressed, the LED on the key is illuminated and the quick freezing function shall be activated. The freezer compartment temperature is set to -27 °C. Press the key again to cancel the function. The quick freezing function will be automatically cancelled after 24 hours. To

freeze a large amount of fresh food, press the quick freezing key before placing the food in the freezer compartment.

## 10. Key for Resetting Wireless Connection Settings +

To reset wireless connection settings, Quick freezing and Wireless connection keys should be pressed on

## 7.2 Storing Food in the Cooler Compartment

### Storing Food in the Cooler Compartment

- Compartment temperatures rise prominently if compartment door is opened and closed frequently and kept open for a long time, this can reduce the life span of the food and cause the food to spoil.
- In order not to cause odour and taste changes, the food should be stored in the closed containers.
- Do not store too much food in your refrigerator. To achieve a better and homogeneous cooling, place the food separately in a way that cold air can wander through them.
- Provide air flow by leaving a space between the food and internal wall. If you lean the food against the rear wall, the food may freeze.
- Bring cooked hot meals to the room temperature before placing them in the refrigerator. Then, you can place the tepid meal in the lower shelves of your refrigerator. Do not place the tepid meals close to the foods which may easily spoil.
- Defrost your frozen food in the fresh food compartment. Thereby, you can cool fresh food compartment by using frozen food and save energy.
- Storing unripe tropical fruits (mango, melon varieties, papaya, banana, pineapple) in the refrigerator may speed up the ripening process. This is not recommended because it will cause shorter storage time.
- You should store onions, garlics, gingers and other root vegetables in dark and cold room conditions, not in the refrigerator.
- If you notice that a food has spoiled in the refrigerator, throw away that food and clean the accessories which have come into contact with it.
- In order to cool the meals like soups and stews, which are cooked in the large pots, quickly, you can put them in the refrigerator by separating them into their own shallow containers.
- Do not place unpackaged food close to eggs.
- Keep the fruits and vegetables separately and store each variety together (for example; apples with apples, carrots with carrots)
- Take green vegetables out of the plastic bag and place them in the refrigerator after wrapping them in a paper towel or drying cloth. If you wash this type of food before placing them in the refrigerator, remember to dry them.
- You can both create a damp environment and provide an air flow by keeping fruits and vegetables, which are prone to drying, in the perforated or unsealed plastic bags.
- Except the cases where extreme circumstances are available in the environment, if your product (on the recommended set values table) is set to the specified set values, the food keep their freshness for a longer time both in the fresh product compartment and freezer compartment.

simultaneously for 3 seconds. All user information recorded previously are removed on the product where wireless connection settings are reset/restored to factory defaults.

Store Foods In The Different Places According To Their Properties:

Food	Location
Egg	Door Shelf
Dairy products (butter, cheese)	If available, zero degree (for breakfast food) compartment
Fruits, vegetables and greenery	Fruit-vegetable compartment, crisper or EverFresh+ compartment (if available)
Fresh meat, poultry, fish, sausage etc. Cooked foods	If available, zero degree (for breakfast food) compartment
Ready to serve foods, packaged products, canned foods and pickles	Top shelves or door shelf
Beverages, bottles, spices and snacks	Door Shelf

### Storing Food In The Freezer Compartment

- You can activate Quick Freezing function 4-6 hours before freezing function and perform a faster cooling.
- Bring hot meals to the room temperature before placing them in the freezer compartment.
- Foods to be frozen must be divided into portions according to a size to be consumed, and frozen in separate packages.
- It is recommended to pack the foods before placing them in the freezer.
- In order to prevent expiration of storage time, write the freezing date, time and name of the product on the package according to the storage times of different foods.
- Consume the foods you have defrosted quickly. Defrosted foods cannot be frozen again unless they are cooked. It is not safe to consume the refrozen fresh foods without cooking after they are defrosted.
- As you freeze fresh foods, do not bring them in contact with already frozen foods. Otherwise, frozen foods will be defrosted.

### Storing The Foods, Which Are Sold Frozen

- Always follow the instructions of the producer in relation to the time during which you are required to store your foods. Do not exceed the time specified in these instructions!
- In order to protect the quality of the food, keep the time interval between purchasing transaction and storing as short as possible.
- Buy frozen food which are stored at  $-18^{\circ}\text{C}$  or lower temperatures.
- Avoid buying foods whose packages are covered with ice etc. This means that the product could be partially defrosted and refrozen. Temperature impacts the quality of the food.
- Do not exceed the storing time recommended by the food producer. Remove only the food as much as you need from the freezer.
- Except the cases where extreme circumstances are available in the environment, if your product (on the recommended set values table) is set to the specified set values, the food keep their freshness for a longer time both in the fresh product compartment and freezer compartment.
- If fresh food compartment is set to a lower temperature, fresh fruits and vegetables may be partially frozen.

## Recommended Set Values Table

Freezer Compartment Setting	Fridge Compartment Setting	Remarks
-22 °C	4 °C	This is the default, recommended setting. This setting is recommended if ambient temperature is below 30 °C.
-20 °C	6 °C	This settings is recommended for ambient temperatures exceeding 25 °C.
Quick Freeze	4 °C	Use when you want to freeze your food in a short time. When the process is done, it will go back to its previous position.

### Quick Freezing

1. Activate the quick freezing function 24 hours before placing your fresh foods.
2. After 24 hours after pressing the button, place your food that you want to freeze on the second shelf with higher freezing capacity.
3. The quick freezing function will be automatically deactivated after 48 hours.

### Freezer Details

As per the IEC 62552 standards, the freezer must have the capacity to freeze 4.5 kg of food items at -18 °C or lower temperatures at 25 °C room temperature in 24 hours for each 100 litres of freezer compartment volume.

Food products can only be preserved for extended periods at or below temperature of -18 °C.

You can keep the foods fresh for months (in freezer at or below temperatures of -18 °C).

The food products to be frozen must not contact the already-frozen food inside to avoid partial defrosting.

Boil the vegetables and filter the water to extend the frozen storage time. Place the food in air-tight packages after filtering and place in the freezer. Bananas, tomatoes, lettuce, celery, boiled eggs, potatoes and similar food items should not be frozen. In case these foods are frozen, only nutritional values and eating qualities will be negatively affected. A rotting that would threaten human health is not in question.

### Placing The Food

**Freezer compartment shelves:** Different frozen foods like meat, fish, ice cream, vegetables etc.

**Cooler compartment shelves:** Food items inside pots, capped plate and capped cases, eggs (in closed case)

**Cooler compartment door shelves:** Small and packaged food or beverages

**Crisper:** Vegetables and fruits

**Fresh food compartment:** Delicatessen (breakfast food, meat products to be consumed in short time)

## 7.3 Crisper Technologies

### Blue Light

Fruits and vegetables stored in the crispers that are illuminated with a blue light continue their photosynthesis by means of the wavelength effect of blue light and thus preserve their vitamin content.

### HarvestFresh

Fruits and vegetables stored in crispers illuminated with the HarvestFresh technology preserve their vitamins for a longer time thanks to the blue, green, red lights and dark cycles, which simulate a day cycle. When the door of your refrigerator is opened during the dark period of the HarvestFresh technology, your refrigerator shall sense this automatically and illuminate the crisper with one of the blue, green or red lights respectively for your convenience. After you have closed the door of the refrigerator, the dark period will continue, representing the night time in a day cycle.

## 7.4 Photocatalytic Module (Fresh-Guard)

Thanks to this module, which is positioned behind the evaporator cover in the fresh food compartment, the air is actively passed over the titanium dioxide-coated photocatalytic filter and the cleaned air is circulated inside. In this way, bad odours are removed from the interior of the refrigerator before becoming permeated with the food surfaces, and at the same time, a hygienic air circulation is achieved via disinfected air. This feature is driven by the fresh food compartment fan located behind the evaporator cover, the UV-A LED and the titanium dioxide-coated odour filter. To activate/deactivate this module, which provides hygiene and odour-free air circulation in the refrigerator; press and hold the button (P3) for 3 seconds and make sure

that the function indicator (P) appears on the screen when it is active, and disappears from the screen when it is deactivated.

Once the feature is activated as described, it works periodically without the need to press any key again. If the door of the fresh food compartment is opened while the module is active, the fan and UV-A LED will not operate temporarily, but will resume operation once the door is closed. In case of a power outage while the module is running, the module will resume operation from the point it stopped once the power is restored.

**Note:** To prevent bad odours that may occur with the mixture of odours from different types of food, we recommend you to store aromatic food such as cheese, olives and delicatessen in their packaging and with their lids closed. For the safety of other food stored, hygienic storage conditions and to prevent bad odours, we recommend you to remove the food that you have observed to be spoilt from the refrigerator as soon as possible.

## 7.5 Dairy Products Cold Storage Area

### Cold Storage Drawer

The Cold Storage Drawer can reach lower temperatures in the cooler compartment. Use this drawer for delicatessen products (salami, sausage, etc.) and dairy products that require colder storage conditions, or for meat, chicken or fish to be consumed quickly. It is not suitable to store fruits and vegetables in this drawer.

## 7.6 Reversing the Door Opening Side


The door opening side of your refrigerator can be reversed according to the place you put it. When you need this, you should definitely call the nearest Authorized Service.

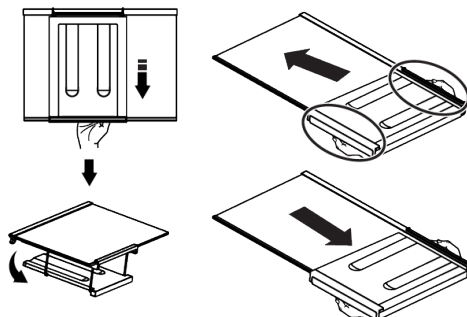
## 7.7 Door Open Alert

An audible alert will be heard if the product's door remains open for 1 minute. The audible alert will stop when you close the cabinet door or press any button on the display (if available).

## 7.8 Foldable Wine Rack

It allows the user to store wine bottles if necessary. To use the rack section, grasp the plastic part and gently pull it down. You can now use the foldable wine rack.

 It is recommended to store a maximum of 2 wine bottles on the foldable wine rack.



To group the wine rack, first remove the glass shelf from the refrigerator. Place it on the glass shelf by pushing the plastic part through the front and back grooves as shown in the picture. The product will be ready to use with the foldable wine rack. To remove the foldable wine rack, first remove the glass shelf from the refrigerator. Then grab the plastic part and pull it in any direction. You can now use the product without a foldable wine rack when needed.

## 7.9 Replacing the Illumination Lamp

Call the Authorized Service when the Bulb/LED used for lighting in your refrigerator will be replaced.

Lamp(s) used in this appliance cannot be used for house lighting. Intended use of this lamp is to help the user place food into the refrigerator / freezer safely and comfortably.

## 8 Maintenance and Cleaning



### **WARNING:**

Read the "Safety Instructions" section first.



### **WARNING:**

Unplug the refrigerator before cleaning it.

- Do not use sharp or abrasive tools to clean the product. Do not use materials such as household cleaning agents, soap, detergents, gas, gasoline, thinner, alcohol, wax, etc.
  - The dust shall be removed from the ventilation grill on the rear of the product at least once a year (without opening the cover). Clean the product with a dry cloth.
  - Take care to keep water away from the lamp's cover and other electrical parts.
  - Clean the door with a damp cloth. Remove all contents to remove the door and body racks. Remove the door racks by lifting them upwards. Clean and dry the shelves, then attach back in place by sliding from above.
- Do not use chlorinated water or cleaning products on the exterior surface and chrome-coated parts of the product. Chlorine will cause rust on such metallic surfaces.
  - Do not use sharp and abrasive tools, soap, house cleaning materials, detergents, gas, gasoline, varnish and similar substances to prevent deformation of the plastic part and removal of prints on the part. Use warm water and a soft cloth for cleaning, and then dry it.
  - On the products without a No-Frost feature, water droplets and icing up to a thickness of a finger may occur on the rear wall of the freezer compartment. Do not clean, and never apply oils or similar materials.
  - Use a mildly dampened micro-fibre cloth to clean the external surface of the product. Sponges and other types of cleaning clothes may cause scratches.

## 7.10 AeroFlow

It is an air distribution system that provides homogeneous temperature distribution. With the air circulation, the homogeneous temperature distribution is ensured in the fresh food storage compartment, and the temperature fluctuations are kept at low levels. No direct air blowing over the food is realized and this helps to reduce moisture loss. It preserves the freshness of the food stored in the fresh food compartment of the refrigerator. In this way, your food is stored at more stable temperatures and the contact with air is reduced. The drying and shrinking of foods by losing moisture is prevented and freshness is provided for a longer time.

- To clean all removable components during the cleaning of the interior surface of the product, wash these components with a mild solution consisting of soap, water and carbonate. Wash and dry thoroughly. Prevent contact of water with illumination components and the control panel.



**CAUTION:**

Do not use vinegar, rubbing alcohol or other alcohol based cleaning agents on any interior surface.

**Stainless Steel External Surfaces**

Use a non-abrasive stainless steel cleaning agent and apply it with a soft lint-free cloth. To polish, gently wipe the surface with a mi-

cro-fibre cloth dampened with water and use dry polishing chamois. Always follow the veins of the stainless steel.

**Preventing Odours**

The product is manufactured free of any odorous materials. However, keeping the food in inappropriate sections and improper cleaning of internal surfaces may lead to odours.

- To avoid this, clean the inside with carbonated water every 15 days.
- Keep the foods in sealed holders, as micro-organisms arising from foods kept in unsealed containers will cause bad odour.
- Do not keep expired and spoilt foods in the refrigerator.

**Protecting Plastic Surfaces**

Oil spilled on plastic surfaces may damage the surface and must be cleaned immediately with warm water.

## 9 Troubleshooting

Check this list before contacting the service. Doing so will save you time and money. This list includes frequent complaints that are not related to faulty workmanship or materials. Certain features mentioned herein may not apply to your product.

**The refrigerator is not working.**

- The power plug is not fully settled. >>> Plug it in to settle completely into the socket.
- The fuse connected to the socket powering the product or the main fuse is blown. >>> Check the fuse.

**Condensation on the side wall of the cooler compartment (MULTI ZONE, COOL CONTROL and FLEXI ZONE).**

- The door is opened too frequently. >>> Take care not to open the product's door too frequently.
- The environment is too humid. >>> Do not install the product in humid environments.

- Foods containing liquids are kept in unsealed holders. >>> Keep the foods containing liquids in sealed holders.
- The product's door is left open. >>> Do not keep the product's door open for long periods.
- The thermostat is set to a very cool temperature. >>> Set the thermostat to an appropriate temperature.

**Compressor is not working.**

- In case of sudden power failure or pulling the power plug off and putting back on, the gas pressure in the product's cooling system is not balanced, which triggers the compressor thermic safeguard. The product will restart after approximately 6 minutes. If the product does not restart after this period, contact the service.
- Defrosting is active. >>> This is normal for a fully-automatic defrosting product. The defrosting is carried out periodically.
- The product is not plugged in. >>> Make sure the power cord is plugged in.

- The temperature setting is incorrect. >>> Select the appropriate temperature setting.
- The power is out. >>> The product will continue to operate normally once the power is restored.

**The refrigerator's operating noise is increasing while in use.**

- The product's operating performance may vary depending on the ambient temperature variations. This is normal and not a malfunction.

**The refrigerator runs too often or for too long.**

- The new product may be larger than the previous one. Larger products will run for longer periods.
- The room temperature may be high. >>> The product will normally run for long periods in higher room temperature.
- The product may have been recently plugged in or a new food item is placed inside. >>> The product will take longer to reach the set temperature when recently plugged in or a new food item is placed inside. This is normal.
- Large quantities of hot food may have been recently placed into the product. >>> Do not place hot food into the product.
- The doors were opened frequently or kept open for long periods. >>> The warm air moving inside will cause the product to run longer. Do not open the doors too frequently.
- The freezer or cooler door may be ajar. >>> Check that the doors are fully closed.
- The product may be set to a temperature that is too low. >>> Set the temperature to a higher degree and wait for the product to reach the adjusted temperature.
- The cooler or freezer door washer may be dirty, worn out, broken or not properly settled. >>> Clean or replace the gasket.

Damaged / torn door washer will cause the product to run for longer periods to preserve the current temperature.

**The freezer temperature is very low, but the cooler temperature is adequate.**

- The freezer compartment temperature is set to a very low degree. >>> Set the freezer compartment temperature to a higher degree and check again.

**The cooler temperature is very low, but the freezer temperature is adequate.**

- The cooler compartment temperature is set to a very low degree. >>> Set the cooler compartment temperature to a higher degree and check again.

**The food items kept in cooler compartment drawers are frozen.**

- The cooler compartment temperature is set to a very low degree. >>> Set the cooler compartment temperature to a higher degree and check again.

**The temperature in the cooler or the freezer is too high.**

- The cooler compartment temperature is set to a very high degree. >>> Temperature setting of the cooler compartment has an effect on the temperature in the freezer compartment. Wait until the temperature of relevant parts reach the sufficient level by changing the temperature of cooler or freezer compartments.
- The doors were opened frequently or kept open for long periods. >>> Do not open the doors too frequently.
- The door may be ajar. >>> Fully close the door.
- The product may have been recently plugged in or a new food item is placed inside. >>> This is normal. The product will take longer to reach the set temperature when recently plugged in or a new food item is placed inside.
- Large quantities of hot food may have been recently placed into the product. >>> Do not place hot food into the product.



**Shaking or noise.**

- The surface is not flat or durable >>> If the product is shaking when moved slowly, adjust the stands to balance the product. Also make sure the ground is sufficiently durable to bear the product.
- Any items placed on the product may cause noise. >>> Remove any items placed on the product.
- The product is making noise of liquid flowing, spraying etc.
- The product's operating principles involve liquid and gas flows. >>> This is normal and not a malfunction.

**There is sound of wind blowing coming from the product.**

- The product uses a fan for the cooling process. This is normal and not a malfunction.

**There is condensation on the product's internal walls.**

- Hot or humid weather will increase icing and condensation. This is normal and not a malfunction.
- The doors were opened frequently or kept open for long periods. >>> Do not open the doors too frequently; if open, close the door.
- The door may be ajar. >>> Fully close the door.

**There is condensation on the product's exterior or between the doors.**

- The ambient weather may be humid, this is quite normal in humid weather. >>> The condensation will dissipate when the humidity is reduced.

**The interior smells bad.**

- The product is not cleaned regularly. >>> Clean the interior regularly using sponge, warm water and carbonated water.

- Certain holders and packaging materials may cause odour. >>> Use holders and packaging materials without free of odour.
- The foods were placed in unsealed holders. >>> Keep the foods in sealed holders. Microorganisms may spread out of unsealed food items and cause bad odour.
- Remove any expired or spoiled foods from the product.

**The door is not closing.**

- Food packages may be blocking the door. >>> Relocate any items blocking the doors.
- The product is not standing in full upright position on the ground. >>> Adjust the stands to balance the product.
- The surface is not flat or durable >>> Make sure the surface is flat and sufficiently durable to bear the product.

**The crisper is jammed.**

- The food items may be in contact with the upper section of the drawer. >>> Reorganize the food items in the drawer.

**Temperature on the product surface.**

- High temperature may be observed between two doors, on the side panels and on the rear grill area while your product is operated. This is normal and it does not require servicing.

**Fan continues to operate when the door is opened.**

- Fan may continue to operate when the freezer door is open.



**WARNING:** If the problem persists after following the instructions in this section, contact your vendor or an Authorized Service. Do not try to repair the product. This is normal.

**DISCLAIMER / WARNING**

Some (simple) failures can be adequately handled by the end-user without any safety issue or unsafe use arising, provided that

they are carried out within the limits and in accordance with the following instructions (see the "Self-Repair" section).

Therefore, unless otherwise authorized in the "Self-Repair" section below, repairs shall be addressed to registered professional repairers in order to avoid safety issues. A registered Professional repairer is a professional repairer that has been granted access to the instructions and spare parts list of this product by the manufacturer according to the methods described in legislative acts pursuant to Directive 2009/125/EC.

**However, only the service agent (i.e. authorized professional repairers) that you can reach through the phone number given in the user manual/warranty card or through your authorized dealer may provide service under the guarantee terms. Therefore, please be advised that repairs by professional repairers (who are not authorized by) Beko shall void the guarantee.**

#### **Self-Repair**

Self-repair can be done by the end-user with regard to the following spare parts: door handles, door hinges, trays, baskets and door gaskets (an updated list is also available support.beko.com as of 1st March 2021).

Moreover, to ensure product safety and to prevent risk of serious injury, the mentioned self-repair shall be done following the instructions in the user manual for selfrepair or which are available in support.beko.com . For your safety, unplug the product before attempting any self-repair.

Repair and repair attempts by end-users for parts not included in such list and/or not following the instructions in the user manu-

als for self-repair or which are available in support.beko.com, might give raise to safety issues not attributable to Beko, and will void the warranty of the product.

Therefore, it is highly recommended that end-users refrain from the attempt to carry out repairs falling outside the mentioned list of spare parts, contacting in such cases authorized professional repairers or registered professional repairers. On the contrary, such attempts by end-users may cause safety issues and damage the product and subsequently cause fire, flood, electrocution and serious personal injury to occur.

By way of example, but not limited to, the following repairs must be addressed to authorized professional repairers or registered professional repairers: compressor, cooling circuit, main board, inverter board, display board, etc.

The manufacturer/seller cannot be held liable in any case where end-users do not comply with the above.

The spare part availability of the refrigerator that you purchased is 10 years. During this period, original spare parts will be available to operate the refrigerator properly. The minimum duration of guarantee of the refrigerator that you purchased is 24 months.

This product is equipped with a lighting source of the "G" energy class.

The lighting source in this product shall only be replaced by Professional repairer.

See also

2 DISCLAIMER / WARNING [ ] 26]



## Premièrement veuillez lire ce manuel !

**Cher client, chère cliente,**

**Veuillez lire ce manuel avant d'utiliser l'appareil.**

Nous vous remercions d'avoir choisi ce Bekoproduit. Nous aimerions que vous obteniez une efficacité optimale de ce produit de haute qualité qui a été fabriqué avec une technologie de pointe. À cette fin, lisez attentivement ce manuel et toute autre documentation fournie avant d'utiliser le produit et conservez-les comme référence.

Tenez compte de toutes les informations et de tous les avertissements figurant dans le manuel d'utilisation. De cette façon, vous vous protégez, vous et votre produit, contre les dangers qui peuvent survenir.

Conservez le manuel d'utilisation. Joignez ce guide à l'unité si vous le remettez à quelqu'un d'autre.

**Les symboles suivants sont utilisés dans le manuel d'utilisation :**



Il s'agit d'un danger qui peut entraîner la mort ou des blessures.



Informations importantes ou conseils utiles sur le fonctionnement.








Lisez le manuel d'utilisation.



Matériau combustible, mise en garde contre le risque d'incendie.

**AVERTISSEMENT** Un danger qui peut causer des dommages matériels au produit ou à son environnement

	<b>ENERG</b> 	
<b>SUPPLIER'S NAME</b>	<b>MODEL IDENTIFIER</b> → (*)	
		

Les informations sur le modèle, telles qu'elles sont enregistrées dans la base de données des produits, peuvent être obtenues en accédant au site web suivant et en recherchant l'identifiant du modèle (\*) figurant sur l'étiquette énergétique.

<https://eprel.ec.europa.eu/>

<b>1</b>	<b>Consignes de sécurité.....</b>	<b>30</b>
1.1	Intention d'utilisation.....	30
1.2	Sécurité des enfants, des personnes vulnérables et des animaux domestiques.....	30
1.3	Sécurité électrique.....	31
1.4	Sécurité de manipulation .....	32
1.5	Sûreté des installations .....	32
1.6	Sécurité de fonctionnement .....	34
1.7	Sécurité du stockage des aliments .....	37
1.8	Sécurité relative à l'entretien et au nettoyage .....	37
<b>2</b>	<b>Instructions environnementales..</b>	<b>38</b>
2.1	Conformité avec la directive DEEE et élimination des déchets..	38
<b>3</b>	<b>Votre réfrigérateur .....</b>	<b>39</b>
<b>4</b>	<b>Installation .....</b>	<b>39</b>
4.1	Lieu idéal d'installation .....	39
4.2	Branchement électrique.....	40
4.3	Fixation des cales en plastique ....	40
4.4	Réglages des pieds avant.....	41
4.5	Attention aux surfaces chaudes...	41
<b>5</b>	<b>Préparation.....</b>	<b>41</b>
5.1	Moyens d'économiser l'énergie....	41
5.2	Première utilisation .....	41
5.3	Classe climatique et définitions ...	42
<b>6</b>	<b>Fonctionnement de l'appareil.....</b>	<b>42</b>
<b>7</b>	<b>Utilisation de votre appareil.....</b>	<b>43</b>
7.1	Panneau de contrôle du produit ...	43
7.2	Stockage des aliments dans le compartiment réfrigérant.....	45
7.3	Technologies Crisper .....	48
7.4	Module photocatalytique (FreshGuard) .....	48
7.5	Zone d'entreposage frais des produits laitiers .....	49
7.6	Inversion du côté d'ouverture de la porte .....	49
7.7	Alerte de porte ouverte.....	49
7.8	Porte-bouteille pliable .....	49
7.9	Remplacement de la lampe d'éclairage.....	49

7.10	AeroFlow .....	49
<b>8</b>	<b>Entretien et nettoyage .....</b>	<b>50</b>
<b>9</b>	<b>Dépannage .....</b>	<b>51</b>

## 1 Consignes de sécurité

Cette section contient les instructions de sécurité nécessaires à la prévention des risques de dommage corporel ou de dommage matériel.

Notre entreprise ne peut être tenue pour responsable des dommages qui peuvent se produire si ces instructions ne sont pas respectées.

Les opérations d'installation et de réparation doivent être effectuées par un service agréé.

Utilisez uniquement des pièces de rechange et des accessoires d'origine.

Les pièces de rechange originales sont fournies pendant les 10 années suivant la date d'achat de l'appareil.

Évitez de réparer ou de remplacer tout composant de l'appareil sauf si cela est clairement spécifié dans le manuel d'utilisation.

Il ne faut pas effectuer de modifications sur l'appareil.

### 1.1 Intention d'utilisation

Ce produit ne convient pas à un usage commercial et ne doit pas être utilisé autrement que pour l'usage auquel il est destiné. Ce

produit est conçu pour être utilisé à l'intérieur, dans les foyers et dans des endroits similaires.

Par exemple ;

- cuisines du personnel des magasins, bureaux et autres environnements professionnels,
- les maisons de campagne,
- unités des hôtels, motels ou autres installations de repos utilisées par les clients,
- hôtels ou environnements similaires,
- services de restauration et les espaces semblables de vente en gros.

Ces appareils ne doivent pas être utilisés dans des environnements extérieurs ouverts ou clôturés tels que les bateaux, balcons ou terrasses. L'exposition de l'appareil à la pluie, à la neige, au soleil et au vent présente un risque d'incendie.

### 1.2 Sécurité des enfants, des personnes vulnérables et des animaux domestiques

- Cet appareil peut être utilisé par des enfants âgés d'au moins 8 ans, ainsi que par des personnes avec des capacités physiques, sensorielles ou

mentales réduites ou sans expérience et connaissances, si elles sont supervisées ou ont été formées à l'utilisation sécurisée de l'appareil et comprennent les risques relatifs.

- Les enfants de 3 à 8 ans sont autorisés à mettre les aliments dans la glacière et à les enlever.
- Les produits électriques sont dangereux pour les enfants et les animaux domestiques. Les enfants et les animaux domestiques ne doivent pas jouer avec le produit, ni grimper dessus, ni y entrer.
- Le nettoyage et l'entretien des utilisateurs ne doivent pas être effectués par des enfants, sauf s'il y a une personne qui les surveille.
- Tenez les emballages hors de la portée des enfants. Risque de blessure et d'asphyxie.

Avant de vous débarrasser des appareils usagés qui ne doivent plus être utilisés :

1. Débranchez le cordon d'alimentation de la prise de courant.
2. Coupez le cordon d'alimentation et retirez-le de l'appareil avec la prise.

3. Ne retirez pas les étagères et les tiroirs de l'appareil pour empêcher les enfants d'y pénétrer.
4. Démontage des portes.
5. Stockez l'appareil de façon à éviter qu'il se renverse.
6. Ne laissez pas les enfants jouer avec un appareil usagé.
  - Ne jetez pas l'appareil en le mettant au feu. Risque d'explosion.
  - Si une serrure est disponible dans la porte de l'appareil, gardez la clé hors de la portée des enfants.



### 1.3 Sécurité électrique

- Il ne faut pas brancher le produit dans la prise de courant pendant les opérations d'installation, d'entretien, de nettoyage, de réparation et de transport.
- Si le câble d'alimentation est endommagé, il doit être remplacé par un service agréé uniquement pour éviter tout risque qui pourrait survenir.
- Ne placez pas le câble d'alimentation sous l'appareil ou à l'arrière de celui-ci. Ne placez aucun objet lourd sur le câble d'alimentation. Le câble d'alimentation ne doit pas être plié, écrasé et entrer en contact avec une source de chaleur.

- N'utilisez pas de rallonge, de prise multiple ou d'adaptateur pour faire fonctionner votre appareil.
- Les prises multiples mobiles ou les blocs d'alimentation portatifs peuvent surchauffer et causer un incendie. Par conséquent, aucune prise multiple ne doit se trouver derrière ou à proximité de l'appareil.
- La prise doit être facilement accessible. Si cela n'est pas possible, l'installation électrique doit être dotée d'un mécanisme conforme à la réglementation en matière d'électricité et qui déconnecte toutes les bornes du réseau (fusible, interrupteur, commutateur principal, etc.).
- Évitez de toucher le cordon d'alimentation avec des mains humides.
- Lorsque vous débranchez l'appareil, ne tenez pas le cordon d'alimentation, mais la prise.

#### **1.4 Sécurité de manipulation**

- Cet appareil est lourd, ne le manipulez pas seul.
- Lors de la manipulation de l'appareil, évitez de le tenir par sa porte.

- Veillez à ne pas endommager le système de refroidissement et les tuyaux lorsque vous manipulez l'appareil. Évitez de faire fonctionner l'appareil si les tuyaux sont endommagés et contactez un service agréé.

#### **1.5 Sûreté des installations**

- Contactez le service agréé pour l'installation de votre réfrigérateur. Pour préparer l'installation du réfrigérateur, lisez attentivement les instructions du manuel d'utilisation et assurez-vous que les équipements électriques et d'approvisionnement d'eau sont installés convenablement. Si ce n'est pas le cas, appelez un électricien et un plombier pour faire le nécessaire pour les services publics. Le non-respect de cette consigne peut entraîner un choc électrique, un incendie, des problèmes avec le produit ou des blessures.
- Vérifiez que l'appareil n'est pas endommagé avant de l'installer. N'installez pas l'appareil lorsqu'il est endommagé.
- Placez l'appareil sur une surface plane et dure et équilibrez-le avec les pieds ré-



glables. Sinon, le réfrigérateur risque de se renverser et provoquer des blessures.

- Installez l'appareil dans un endroit sec et ventilé. Ne laissez pas de tapis, de moquettes ou d'autres revêtements de sol similaires sous l'appareil. Ils peuvent entraîner un risque d'incendie en raison d'une ventilation inadéquate !
- N'obstruez pas ou ne couvrez pas les orifices de ventilation. Sinon, la consommation d'énergie pourrait augmenter et votre appareil pourrait être endommagé.
- Le produit ne doit pas être connecté à des systèmes d'alimentation tels que l'alimentation solaire. Sinon, votre produit peut être endommagé en raison de changements soudains de tension !
- Plus un réfrigérateur contient de réfrigérant, plus grande doit être la pièce d'installation. Dans les très petites pièces, un mélange gaz-air inflammable peut se produire en cas de fuite de gaz dans le système de refroidissement. Au moins 1 m<sup>3</sup> de volume est requis pour chaque 8 grammes de réfrigérant. La quantité de réfrigérant disponible dans votre appareil est indiquée sur la plaque signalétique.
- Le lieu d'installation du produit ne doit pas être exposé à la lumière directe du soleil et ne doit pas se trouver à proximité d'une source de chaleur telle qu'un poêle, un radiateur, etc. Si vous ne pouvez pas empêcher l'installation du produit à proximité d'une source de chaleur, vous devez utiliser une plaque isolante appropriée et la distance minimale par rapport à la source de chaleur doit être conforme aux spécifications ci-dessous.
  - À au moins 30 cm des sources de chaleur telles que les cuisinières, les appareils de chauffage, etc.
  - Et à au moins 5 cm des fours électriques.
- Votre produit a la classe de protection I.
- Branchez le produit dans une prise avec mise à la terre conforme aux valeurs de tension, de courant et de fréquence indiquées sur la plaque signalétique. La prise de courant doit être équipée d'un fusible de 10 à 16A. Notre entreprise ne sera pas tenue responsable de tout dommage résultant de l'utilisation de l'ap-

pareil sans prise de mise à la terre ou branchement électrique conforme aux normes locales et nationales en vigueur.

- Débranchez le câble d'alimentation du réfrigérateur pendant l'installation. Dans le cas contraire, vous risquez de vous électrocuter et de vous blesser !
- Ne branchez pas l'appareil sur des prises desserrées, cassées, sales, graisseuses ou qui sont sorties de leur logement ou sur des prises présentant un risque de contact avec l'eau.
- Placez le câble d'alimentation et les flexibles (si disponibles) de l'appareil de sorte qu'ils ne puissent pas provoquer de risque de trébuchement.
- La pénétration de l'humidité dans les pièces sous tension ou dans le cordon d'alimentation peut provoquer un court-circuit. Par conséquent, n'utilisez pas l'appareil dans des environnements humides ou dans des endroits où l'eau peut éclabousser (p. ex. les garages, les buanderies, etc.). Lorsque le réfrigérateur est

mouillé par l'eau, débranchez-le et contactez un service autorisé.

- Ne branchez jamais votre réfrigérateur sur des dispositifs d'économie d'énergie. Ces dispositifs peuvent être dangereux pour l'appareil



## **1.6 Sécurité de fonctionnement**

- N'utilisez jamais de solvants chimiques sur le réfrigérateur. Ces matériaux présentent un risque d'explosion.
- En cas de panne de l'appareil, débranchez-le et ne l'utilisez pas avant sa réparation par le service autorisé. Il existe un risque d'électrocution !
- Ne placez pas une source de flamme (p. ex. des bougies, cigarettes, etc.) sur l'appareil ou à proximité de celui-ci.
- Ne montez pas sur l'appareil. Risque de chute et de blessure !
- N'endommagez pas les tuyaux du système de refroidissement avec des outils tranchants et perçants. Le réfrigérant qui s'échappe en cas de perforation des tuyaux à gaz, des tuyaux d'extension ou des revêtements de la surface supé-

rieure peut provoquer une irritation de la peau et des liaisons oculaires.

- Ne placez pas et n'utilisez pas d'appareils électriques à l'intérieur du réfrigérateur/congélateur, sauf avis contraire du fabricant.
- Ne coincez pas les parties de vos mains ou de votre corps sur les parties mobiles à l'intérieur de l'appareil. Faites attention à ne pas coincer vos doigts entre le réfrigérateur et sa porte. Soyez prudent lorsque vous ouvrez ou fermez la porte en présence des enfants.
- Ne mettez pas de crème glacée, de glaçons ou d'aliments congelés dans votre bouche immédiatement après les avoir sortis du congélateur. Risque de gelure !
- Ne touchez pas les parois intérieures, les parties métalliques du congélateur ou les aliments conservés dans le congélateur avec les mains mouillées. Risque de gelure !
- Ne placez pas de canettes de soda ou de bouteilles contenant des liquides pouvant être congelés dans le compartiment congélateur. Les canettes ou les bouteilles peuvent exploser. Risque de blessures et de dommages matériels !
- N'utilisez pas ou ne placez pas de matériaux sensibles à la température tels que des aérosols inflammables, des objets inflammables, de la glace sèche ou d'autres agents chimiques à proximité du réfrigérateur. Risque d'incendie ou d'explosion !
- Ne stockez pas de matières explosives telles que des aérosols contenant des matériaux inflammables à l'intérieur de l'appareil.
- Ne placez pas de canettes contenant des liquides sur l'appareil. L'éclaboussure d'eau sur une pièce électrique peut entraîner un risque d'électrocution ou d'incendie.
- Cet appareil n'est pas destiné au stockage et au refroidissement de médicaments, de plasma sanguin, de préparations de laboratoire ou de matériaux et produits similaires qui sont soumis à la directive sur les produits médicaux.
- Si l'appareil est utilisé à d'autres fins que celles pour lesquelles il a été conçu, il peut endommager ou détériorer les produits qu'il contient.

- Si votre réfrigérateur est équipé d'un voyant lumineux bleu, ne contemplez pas le voyant lumineux avec des instruments optiques. Ne fixez pas directement la lumière LED à UV pendant une longue période, car les rayons ultraviolets peuvent entraîner la fatigue oculaire.
- Ne remplissez pas l'appareil de nourriture dépassant sa capacité. Des blessures ou des dégâts peuvent survenir au cas où le contenu du réfrigérateur tombe lorsque la porte est ouverte. Des problèmes similaires peuvent survenir lorsqu'un objet est placé sur l'appareil.
- Pour éviter tout risque de blessures, rassurez-vous que vous avez retiré toute la glace ou toute l'eau qui auraient pu se verser au sol.
- Changez l'emplacement des casiers/porte-bouteilles sur la porte de votre réfrigérateur uniquement lorsqu'ils sont vides. Risque de blessures !
- Ne placez aucun objet qui pourrait tomber ou basculer sur l'appareil. Ces objets peuvent tomber lors de l'ouverture ou de la fermeture de la porte, et causer des blessures et/ou des dégâts matériels.
- Ne frappez ni n'exercez aucune pression excessive sur les surfaces en verre. Le verre brisé peut causer des blessures et/ou des dégâts matériels.
- Le système de refroidissement de votre produit contient du réfrigérant R600a Le type de réfrigérant utilisé dans le produit est spécifié sur la plaque signalétique. Ce gaz est inflammable. Par conséquent, veillez à ne pas endommager le système de refroidissement et les tuyaux pendant l'utilisation de l'appareil. Si les tuyaux sont endommagés :
  1. Ne touchez pas l'appareil ni le câble d'alimentation,
  2. Maintenez l'appareil éloigné des sources potentielles d'incendie qui pourraient causer l'incendie de l'appareil,
  3. Aérez la zone où l'appareil est placé, - N'utilisez pas de ventilateur,
  4. Contactez un centre de service agréé.
  5. Si l'appareil est endommagé et que vous observez une fuite de gaz, éloignez-vous du gaz. Le gaz peut causer des gelures lorsqu'il entre en contact avec votre peau.



## 1.7 Sécurité du stockage des aliments

Veillez prêter attention aux avertissements suivants afin d'éviter la détérioration des aliments :

- Laisser les portes ouvertes pendant une longue période peut entraîner une augmentation de la température à l'intérieur du produit.
- Nettoyez régulièrement les systèmes de drainage accessibles en contact avec les aliments.
- Nettoyez les réservoirs d'eau qui n'ont pas été utilisés pendant 48 heures et les systèmes d'alimentation en eau qui n'ont pas été utilisés pendant plus de 5 jours.
- Conservez les produits de viande et de poisson crus dans des compartiments appropriés à l'intérieur de l'appareil. Ainsi, ils ne coulent pas sur les autres aliments et n'entre pas en contact avec eux.
- Les compartiments de congélation à deux étoiles permettent de conserver les aliments pré-cuisinés, de préparer et de conserver la glace et la crème glacée.

- Les compartiments à une, deux et trois étoiles ne conviennent pas à la congélation des aliments frais.
- Si le produit réfrigérant est resté vide pendant une longue période, éteignez le produit, dégivrez, nettoyez et séchez le produit afin de protéger le boîtier de l'appareil.



## 1.8 Sécurité relative à l'entretien et au nettoyage

- Ne tirez pas sur la poignée de la porte si vous devez déplacer l'appareil pour le nettoyer. La poignée peut causer des blessures si vous la tirez trop fort.
- Ne nettoyez pas l'appareil en pulvérisant ou en versant de l'eau dessus et à l'intérieur. Risque de choc électrique et d'incendie.
- Lors du nettoyage de l'appareil, n'utilisez pas d'outils tranchants et abrasifs ni de produits de nettoyage ménagers, de détergents, d'essence, de diluant, d'alcool, de vernis et de substances similaires. Utilisez des produits de nettoyage et d'entretien qui ne sont pas nocifs pour les aliments uniquement à l'intérieur de l'appareil.

- N'utilisez jamais de vapeur ou de matériel de nettoyage à vapeur pour nettoyer l'appareil et faire fondre la glace qui s'y trouve. Lorsque la vapeur entre en contact avec les zones sensibles de votre réfrigérateur, elle peut provoquer un court-circuit ou un choc électrique.
- Veillez à éloigner l'eau des circuits électroniques ou de l'éclairage de l'appareil.
- Utilisez un torchon propre et sec pour essuyer la poussière ou les corps étrangers sur les extrémités des fiches. N'utilisez pas de torchon humide ou mouillé pour nettoyer la fiche. Ceci, pour éviter tout risque d'incendie ou de choc électrique.

## 2 Instructions environnementales

### 2.1 Conformité avec la directive DEEE et élimination des déchets



Cet appareil est conforme à la directive DEEE de l'Union européenne (2012/19/UE). Le produit possède un symbole de classification attribué aux déchets d'équipements élec-

triques et électroniques (DEEE).

Ce symbole indique que cet appareil ne doit pas être mis au rebut avec les ordures ménagères à la fin de sa durée de vie. Les appareils usagés doivent être retournés au point de collecte officiel pour le recyclage des dispositifs électriques et électroniques. Pour trouver ces systèmes de collecte, veuillez contacter les autorités locales ou le détaillant à l'endroit où l'appareil a été acheté. Chaque ménage joue un rôle important dans la récupération et le recyclage des vieux appareils ménagers. La mise au

rebut appropriée des appareils usagés permet de prévenir les conséquences négatives potentielles pour l'environnement et la santé humaine.

### Conformité à la directive RoHS

Votre appareil est conforme à la directive RoHS de l'Union européenne (2011/65/UE). Il ne comporte pas de matériaux dangereux et interdits mentionnés dans la directive.

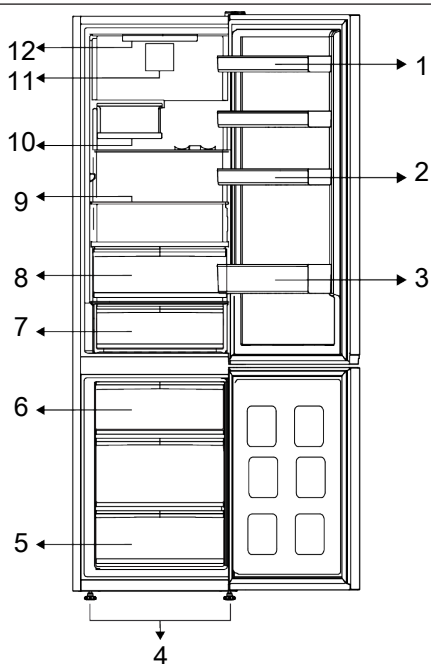


### Informations sur l'emballage

Les matériaux d'emballage de cet appareil sont fabriqués à partir de matériaux recyclables, conformément à nos réglementations nationales en matière d'environnement. Ne mettez pas les matériaux d'emballage au rebut avec les ordures ménagères et d'autres déchets. Apportez-les aux points de collecte des matériaux d'emballage désignés par les autorités locales.

### 3 Votre réfrigérateur

FR




- 1 \* Étagères de porte réglables
- 3 \* Étagère pour les bouteilles
- 5 \* Compartiment de congélation
- 7 \* Tiroir de stockage du froid
- 9 \* Étagères réglables
- 11 \* Ventilateur

- 2 \* Porte-œuf
- 4 \* Pieds avant réglables
- 6 \* Récipient à glace
- 8 \* Bac à légumes
- 10 \* Poubelle à vin pliable
- 12 \* Lampe d'éclairage

**\*En option :** Les illustrations présentées dans ce manuel d'utilisation sont schématiques et peuvent ne pas correspondre

exactement à votre produit. Si votre appareil ne présente pas les parties citées, alors l'information s'applique à d'autres modèles.


### 4 Installation

 Lisez d'abord la section « Instructions de sécurité » !

#### 4.1 Lieu idéal d'installation

Contactez le service agréé pour l'installation de votre réfrigérateur. Pour préparer l'installation du réfrigérateur, lisez attentivement les instructions du manuel d'utilisation et assurez-vous que les équipements électriques et d'approvisionnement d'eau

sont installés convenablement. Si ce n'est pas le cas, appelez un électricien et un plombier pour faire le nécessaire pour les services publics.

 **AVERTISSEMENT :**  
Le fabricant ne sera pas tenu responsable en cas de problèmes causés par des travaux effectués par des personnes non autorisées.

**AVERTISSEMENT :**

Débranchez le câble d'alimentation du réfrigérateur pendant l'installation. Le non-respect de cette consigne peut entraîner la mort ou des blessures graves !

**AVERTISSEMENT :**

Si le cadre de la porte est trop étroit pour laisser passer l'appareil, retirez la porte et faites passer l'appareil sur les côtés ; si cela ne fonctionne pas, contactez le service agréé.

- Placez l'appareil sur une surface plane pour éviter les vibrations.
- Placez le produit à 30 cm du chauffage, de la cuisinière et des autres sources de chaleur similaires et à au moins 5 cm des fours électriques.
- N'exposez pas le produit directement à lumière du soleil et ne le laissez pas dans des environnements humides.
- Votre produit nécessite une circulation d'air adéquate pour pouvoir fonctionner efficacement. S'il est placé dans une alcôve, n'oubliez pas de laisser un espace d'au moins 5 cm entre l'appareil, le plafond, la paroi arrière et les parois latérales.
- Vérifiez que l'élément de protection d'espace de la façade arrière est présent à son emplacement (au cas où il est fourni avec l'appareil).
- Si l'élément n'est pas disponible, perdu ou tombé, positionnez l'appareil de manière à laisser un espace d'au moins 5 cm entre la surface arrière de l'appareil et les murs de la pièce. L'espace prévu à l'arrière est important pour le fonctionnement efficace de l'appareil.

## 4.2 Branchement électrique



Ne branchez pas le réfrigérateur sur une rallonge ou une multiprise.



Les câbles d'alimentation endommagés doivent être remplacés par le service agréé.



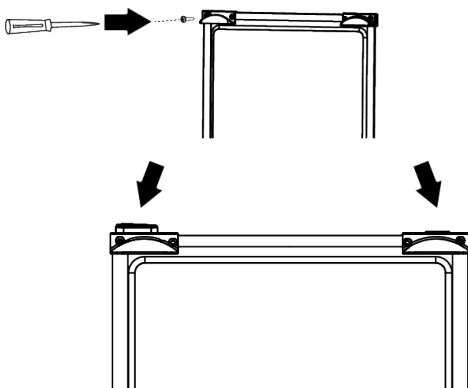
Lorsque deux réfrigérateurs sont installés côte à côte, laissez au moins 4 cm de distance entre les deux appareils

- Notre entreprise ne sera pas tenue responsable de tout dommage résultant de l'utilisation de l'appareil sans prise de mise à la terre ou branchement électrique conforme à la norme nationale en vigueur.
- Gardez la fiche du câble d'alimentation à portée de main après l'installation.
- N'utilisez pas de fiche multigroupe avec ou sans rallonge entre la prise murale et le réfrigérateur.

## 4.3 Fixation des cales en plastique

Utilisez les cales en plastiques fournies avec le réfrigérateur pour maintenir une circulation d'air suffisante entre le réfrigérateur et le mur.

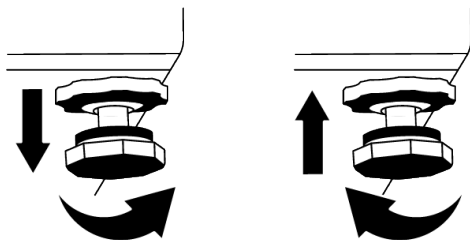
1. Pour fixer les cales, retirez les vis du réfrigérateur et utilisez celles fournies avec les cales.
2. Fixez 2 cales en plastique sur le couvercle de ventilation tel qu'illustré par l'image.





## 4.4 Réglages des pieds avant

Si l'appareil n'est pas équilibré, réglez les pieds avant en les tournant vers la gauche ou la droite.



## 4.5 Attention aux surfaces chaudes


Les parois latérales de votre produit sont équipées de tuyaux de refroidissement pour améliorer le système de refroidissement. Un fluide à haute pression peut s'écouler à travers ces surfaces, et provoquer des surfaces chaudes sur les parois latérales. C'est normal et cela ne nécessite pas d'entretien. Faites attention lorsque vous contactez ces zones.

FR

## 5 Préparation

 Lisez d'abord la section « Instructions de sécurité » !

### 5.1 Moyens d'économiser l'énergie

 Il est dangereux de connecter l'appareil aux systèmes électroniques d'économie d'énergie, ils pourraient l'endommager.

- Cet appareil de réfrigération n'est pas conçu pour être utilisé comme un appareil encastré.
- Ne laissez pas la porte du réfrigérateur ouverte longtemps.
- Ne conservez pas des aliments ou des boissons chaud(e)s dans le réfrigérateur.
- Ne surchargez pas le réfrigérateur, l'obstruction du flux d'air interne réduira la capacité de réfrigération.
- Afin de charger la quantité maximale d'aliments dans le compartiment congélateur, vous devez retirer les tiroirs supérieurs et placer les aliments sur les clayettes métalliques/en verre. Les informations sur le volume net et la consommation d'énergie déclarées sur l'étiquette énergétique de votre réfrigérateur ont été testées en sortant les tiroirs supérieurs du compartiment réfrigérateur et le bac à glaçons, que l'on peut facilement retirer à la main.
- Il est fortement recommandé d'utiliser le tiroir du bas pour le rangement.

- Selon les caractéristiques de l'appareil, le dégivrage des aliments congelés dans le compartiment réfrigérateur assurera l'économie d'énergie et la préservation de la qualité des aliments.
- Veuillez-vous assurer que les aliments ne sont pas en contact direct avec le capteur de température du compartiment réfrigérateur décrit ci-après.
- Les aliments sont stockés à l'aide des tiroirs du compartiment réfrigéré afin de garantir une économie d'énergie et de protéger les aliments dans de meilleures conditions.
- Les emballages de denrées alimentaires ne doivent pas être en contact direct avec le capteur de température situé dans le compartiment de congélation.
- En cas de contact avec le capteur, la consommation d'énergie de l'appareil peut augmenter

### 5.2 Première utilisation

Avant d'utiliser votre réfrigérateur, assurez-vous que les installations nécessaires sont conformes aux instructions des sections « Instructions en matière de sécurité et d'environnement » et « Installation ».

- Laissez l'appareil fonctionner à vide pendant 6 heures, et ne l'ouvrez pas sauf en cas de nécessité absolue.
- Le changement de température causé par l'ouverture et la fermeture de la porte pendant l'utilisation du produit peut nor-

malement entraîner la formation de condensation sur les tablettes de la porte/du corps et sur les verres placés dans l'appareil.



Un son retentit à l'activation du compresseur. Il est normal que l'appareil fasse du bruit même si le compresseur ne fonctionne pas, car du fluide et du gaz peuvent être comprimés dans le système de refroidissement.



Il est normal que les bords avant du réfrigérateur soient chauds. Ces parties doivent en principe être chaudes afin d'éviter la condensation.



Pour certains modèles, le panneau indicateur s'éteint automatiquement 1 minute après la fermeture des portes. Il s'active à nouveau à l'ouverture de la porte ou lorsque vous appuyez sur n'importe quelle touche.

## 6 Fonctionnement de l'appareil



Lisez d'abord la section « Instructions de sécurité » !

- Il ne faut pas utiliser d'outils mécaniques ou autres que les recommandations du fabricant pour accélérer l'opération de décongélation.
- Évitez d'utiliser des parties de votre réfrigérateur, telles que la porte ou les tiroirs, comme support ou comme marchepied. Cela peut faire trébucher le produit ou endommager ses composants.
- Le produit ne doit être utilisé que pour la conservation des aliments.
- Fermez le robinet d'eau si vous vous absentez de chez vous (par exemple, en vacances) et que vous n'utilisez pas le dis-

## 5.3 Classe climatique et définitions

Veuillez vous référer à la classe climatique figurant sur la plaque signalétique de votre appareil. L'une des informations suivantes s'applique à votre appareil selon la classe climatique.

- **SN** : Climat tempéré à long terme : Ce dispositif de refroidissement est conçu pour être utilisé à une température ambiante comprise entre 10 °C et 32 °C.
- **N** : Climat tempéré : Ce dispositif de refroidissement est conçu pour être utilisé à une température ambiante comprise entre 16°C et 32 °C.
- **ST** : Climat subtropical : Ce dispositif de refroidissement est conçu pour être utilisé à une température ambiante comprise entre 16°C et 38°C.
- **T** : Climat tropical : Ce dispositif de refroidissement est conçu pour être utilisé à une température ambiante comprise entre 16°C et 43°C.

tributeur d'eau ou le distributeur de glace pendant une longue période. Dans le cas contraire, des fuites d'eau peuvent se produire.

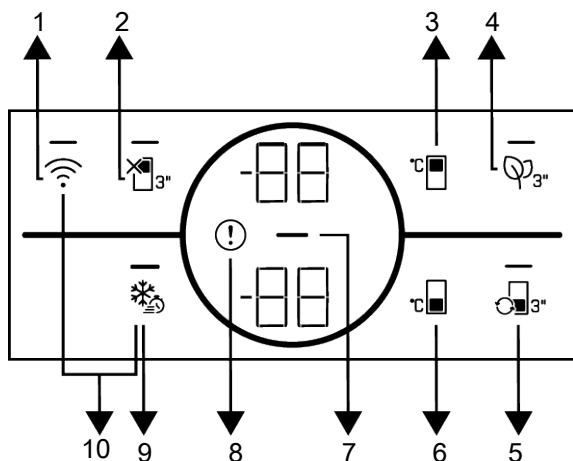
### Interruption du programme

- Si vous n'avez pas l'intention d'utiliser le produit pendant une longue période, débranchez-le de la prise de courant.
- Enlevez la nourriture pour éviter les odeurs.
- Attendez que la glace fonde, nettoyez l'intérieur et laissez-le sécher, laissez les portes ouvertes pour éviter d'endommager les plastiques intérieurs de la carrosserie.


## 7 Utilisation de votre appareil

### 7.1 Panneau de contrôle du produit

FR



- 1 \* Clé sans fil
- 2 \* Touche de fonction ARRÊT du compartiment réfrigéré (vacances)
- 3 \* Clé de réglage de la température du compartiment de refroidissement
- 4 \* Clé du module désodorisant
- 5 \* Clé de conversion des compartiments
- 6 \* Clé de réglage de la température du compartiment congélateur
- 7 \* Indicateur d'économie d'énergie (affichage éteint)
- 8 \* Indicateur de condition d'erreur
- 9 \* Clé de congélation rapide
- 10 \* Clé pour la réinitialisation des paramètres de connexion sans fil

 Lisez d'abord la section « Instructions de sécurité ».

Les fonctions sonores et visuelles dudit panneau vous aident à utiliser votre réfrigérateur.

**\*En option:** Les fonctions indiquées sont facultatives, il peut y avoir des différences de forme et d'emplacement au niveau des fonctions indiquées sur l'indicateur de votre appareil.

#### 1. Touche sans fil

Cette clé est utilisée pour établir une connexion sans fil avec votre appareil via l'application

mobile. Lorsque vous maintenez la touche enfoncée pendant 3 secondes, le symbole de connexion sans fil sur l'affichage/l'écran clignote lentement (à des intervalles de 0,5 seconde). Le réseau domestique est initialisé sur le produit de cette façon. Une fois la connexion sans fil établie avec l'appareil, le symbole de la connexion sans fil s'allume en permanence, vous pouvez activer/désactiver la connexion en appuyant brièvement sur cette touche. L'icône de connexion sans fil clignote (à un intervalle de 0,2 seconde) jusqu'à ce que la connexion soit établie. Lorsque la connexion est activée, la LED reste allumée. En cas d'impossibilité d'établir la connexion pendant une longue période, vé-

rifiez vos paramètres de connexion et reportez-vous à la section « Dépannage » fournie dans le manuel de l'utilisateur. L'application HomeWhiz doit être utilisée pour la connexion sans fil. Les étapes de la configuration sont décrites pendant la configuration de l'application. Vous pouvez accéder à l'application en scannant le code QR figurant sur l'étiquette HomeWhiz de l'appareil. Vous pouvez télécharger l'application sur App Store ou sur Play Store pour les appareils Android. Pour plus de détails, visitez le site <https://www.homewhiz.com/> adresse.

## 2. Touche de fonction Arrêt du compartiment de réfrigération (vacances)

Appuyez sur la touche pendant 3 secondes pour activer la fonction vacances. Le mode vacances est activé et la LED sur la touche est allumée. « - - » doit être affiché sur l'indicateur de température du compartiment de refroidissement et le compartiment de refroidissement n'effectue pas de refroidissement actif. Vous ne devez pas conserver vos aliments dans le compartiment réfrigérateur lorsque cette fonction est activée. Les autres compartiments continuent à se refroidir en fonction des températures précédemment réglées. Il suffit d'appuyer et de maintenir à nouveau sur la touche pendant 3 secondes pour annuler cette fonction.

## 3. \* Clé de réglage de la température du compartiment de refroidissement

Permet de régler la température du compartiment de réfrigération. En appuyant sur la touche, la température du compartiment de réfrigération peut être réglée à 8 °C, 7 °C, 6 °C, 5 °C, 4 °C, 3 °C, 2 °C, et 1 °C.

## 4. Touche du module désodorisant

Appuyez sur cette touche pendant 3 secondes pour activer/désactiver la fonction désodorisante. Lorsque la fonction anti-odeur est activée, le voyant LED de la

touche correspondante s'allume. Lorsque la fonction est activée, le module désodorisant fonctionne périodiquement.

## 5. Touche de conversion des compartiments

En appuyant sur la touche de conversion du compartiment pendant 3 secondes, la section congélateur passe en mode réfrigération arrêt et congélation. S'il est utilisé comme compartiment réfrigérant, la température du compartiment sera réglée à 4 °C. En cas de mode arrêt, l'indicateur de température du compartiment affichera "- -".

## 6. Clé de réglage de la température du compartiment Congélateur

Le réglage de la température est effectué pour le compartiment de congélation. En appuyant sur cette touche, vous pourrez régler la température du compartiment congélateur à -18 °C, -19 °C, -20 °C, -21 °C, -22 °C, -23 °C et -24 °C.

## 7. Indicateur d'économie d'énergie (affichage éteint)

La fonction d'économie d'énergie est activée automatiquement et le symbole d'économie d'énergie s'affiche lorsque la porte du produit n'est pas ouverte ou fermée pendant un certain temps. Lorsque la fonction d'économie d'énergie est active, tous les symboles sur l'écran autres que le symbole d'économie d'énergie doivent être désactivés. Lorsque cette fonction est utilisée, la pression sur une touche quelconque ou l'ouverture de la porte entraîne sa désactivation et les voyants allumés retournent à la normale. La fonction d'économie d'énergie est une fonction activée départ en usine et ne peut être annulée.

## 8. Indicateur de condition d'erreur

Cet indicateur doit être activé lorsque votre réfrigérateur ne peut pas assurer un refroidissement adéquat ou en cas d'erreur de capteur. La lettre « E » s'affiche sur l'indicateur de température du compartiment congélateur et les chiffres 1, 2, 3 s'affichent

sur l'indicateur de température du compartiment réfrigérateur. Ces chiffres qui s'affichent sur l'indicateur indiquent le service à contacter en cas de panne. Si vous placez des aliments chauds dans le compartiment congélateur ou si vous laissez sa porte ouverte pendant une période prolongée, un point d'exclamation peut s'allumer. Il ne s'agit pas d'un défaut, cet avertissement disparaît lorsque l'aliment est refroidi ou lorsqu'on appuie sur une touche quelconque.

### 9. Touche de gel rapide

Dès que vous appuyez sur la touche d'arrêt rapide, le voyant LED de la touche s'allume et la fonction d'arrêt rapide est activée. La température du compartiment congélateur est réglée sur -27 °C. Appuyez à nouveau sur la touche pour annuler la fonction. La

fonction de congélation rapide sera automatiquement annulée après 24 heures. Pour congeler une grande partie d'aliments frais, appuyez sur la touche de congélation rapide avant de mettre les aliments dans le compartiment congélateur.

### 10. Touche de réinitialisation des paramètres de connexion sans fil +

Pour réinitialiser les paramètres de connexion sans fil Congélation rapide et connexion sans fil, il est nécessaire d'appuyer sur les touches simultanément pendant 3 secondes. Toutes les informations utilisateur enregistrées précédemment sont supprimées sur un produit dont les paramètres de connexion sans fil sont réinitialisés/rétablis aux valeurs par défaut de l'usine.

## 7.2 Stockage des aliments dans le compartiment réfrigérant

### Stockage des aliments dans le compartiment réfrigérant

- La température des compartiments augmente considérablement si la porte du compartiment est ouverte et fermée fréquemment et si elle reste ouverte pendant longtemps, ce qui peut réduire la durée de vie des aliments et les faire se gâter.
- Afin de ne pas provoquer de changements d'odeur et de goût, les aliments doivent être conservés dans des récipients fermés.
- Ne conservez pas de quantités excessives d'aliments dans votre réfrigérateur. Pour obtenir un refroidissement plus efficace et homogène, placez les aliments séparément de manière à ce que l'air froid puisse circuler.
- Assurez la circulation de l'air en laissant un espace entre l'aliment et la paroi interne. Si vous appuyez les aliments contre la paroi arrière, ils risquent de geler.
- Amenez les plats chauds cuisinés à la température ambiante avant de les placer dans le réfrigérateur. Ensuite, vous

pouvez placer le repas tiède dans les étagères inférieures de votre réfrigérateur.

Ne placez pas les repas tièdes à proximité des aliments qui peuvent facilement se gâter.

- Décongelez vos aliments congelés dans le compartiment des aliments frais. Ainsi, vous pouvez refroidir le compartiment des aliments frais en utilisant des aliments congelés et économiser de l'énergie.
- La conservation au réfrigérateur de fruits tropicaux non mûrs (mangue, variétés de melon, papaye, banane, ananas) peut accélérer le processus de maturation. Ce n'est pas recommandé car cela raccourcira la durée de conservation.
- Vous devez conserver les oignons, les aulx, les gingembres et les autres légumes-racines dans une pièce sombre et froide, et non au réfrigérateur.
- Si vous remarquez qu'un aliment a tourné dans le réfrigérateur, jetez-le et nettoyez les accessoires qui ont été en contact avec cet aliment.

- Pour refroidir rapidement les plats tels que les soupes et les ragoûts, qui sont cuits dans de grandes marmites, vous pouvez les mettre au réfrigérateur en les séparant dans leurs propres récipients peu profonds.
- Ne placez pas les aliments non emballés à proximité des œufs.
- Conservez les fruits et légumes séparément et stockez chaque variété ensemble (par exemple : les pommes avec les pommes, les carottes avec les carottes).
- Sortez les légumes verts du sac en plastique et placez-les au réfrigérateur après les avoir enveloppés dans une serviette en papier ou un linge sec. Si vous lavez ce type d'aliments avant de les placer dans le réfrigérateur, n'oubliez pas de les sécher.
- Vous pouvez à la fois créer un environnement humide et assurer une circulation d'air en conservant les fruits et légumes, qui ont tendance à sécher, dans des sacs en plastique perforés ou non fermés.
- Sauf en cas de circonstances extrêmes dans l'environnement, si votre produit (sur le tableau des valeurs de consigne recommandées) est réglé sur les valeurs de consigne spécifiées, les aliments conservent leur fraîcheur plus longtemps, aussi bien dans le compartiment des produits frais que dans celui du congélateur.

Rangez les aliments dans les différents endroits en fonction de leurs propriétés :	
Aliment	Lieux
OEuf	Balconnet
Produits laitiers (beurre, fromage)	Si disponible, compartiment zéro degré (pour les aliments du petit-déjeuner)
Fruits, légumes et verdure	Compartiment fruits-légumes, bac à légumes ou Compartiment EverFresh+ (si disponible)
Viande fraîche, volaille, poisson, saucisses, etc. Aliments cuits	Si disponible, compartiment zéro degré (pour les aliments du petit-déjeuner)
Aliments prêts à consommer, produits emballés, conserves, produits marinés	Étagères supérieures ou balconnet
Boissons, bouteilles, épices et snacks	Balconnet

### Stockage des aliments dans le compartiment congélateur

- Vous pouvez activer la fonction de congélation rapide 4 à 6 heures avant la fonction de congélation et effectuer un refroidissement plus rapide.
- Amenez les repas chauds à la température ambiante avant de les placer dans le compartiment congélateur.
- Les aliments à congeler doivent être divisés en portions en fonction de la taille à consommer, et congelés dans des emballages séparés.
- Il est recommandé d'emballer les aliments avant de les placer dans le congélateur.
- Afin de prévenir l'expiration du temps de conservation, inscrivez la date et l'heure de congélation ainsi que le nom du produit sur l'emballage, en fonction des temps de conservation des différents aliments.
- Consommez rapidement les aliments que vous avez décongelés. Les aliments décongelés ne peuvent être recongelés que s'ils sont cuits. Il n'est pas sûr de consommer les aliments frais recongelés sans cuisson après leur décongélation.
- Lorsque vous congelez des aliments frais, ne les mettez pas en contact avec des aliments déjà congelés. Sinon, les aliments congelés seront décongelés.

### Stockage des aliments, qui sont vendus sous forme congelée

- Suivez toujours les instructions du producteur en ce qui concerne le temps pendant lequel vous devez conserver vos aliments. Ne dépassez pas le temps indiqué dans ces instructions !
- Afin de préserver la qualité des aliments, veillez à ce que l'intervalle de temps entre la transaction d'achat et le stockage soit aussi court que possible.
- Achetez les aliments congelés qui sont conservés à -18 °C ou à des températures inférieures.
- Évitez d'acheter des aliments dont l'emballage est recouvert de glace, etc. Cela signifie que le produit pourrait être partiellement décongelé et recongelé. La température a un impact sur la qualité des aliments.
- Ne dépassez pas la durée de conservation recommandée par le producteur de l'aliment. Ne sortez du congélateur que les aliments dont vous avez besoin.
- Sauf en cas de circonstances extrêmes dans l'environnement, si votre produit (sur le tableau des valeurs de consigne recommandées) est réglé sur les valeurs de consigne spécifiées, les aliments conservent leur fraîcheur plus longtemps, aussi bien dans le compartiment des produits frais que dans celui du congélateur.
- Si le compartiment des aliments frais est réglé sur une température inférieure, les fruits et légumes frais peuvent être partiellement congelés.

### Tableau des valeurs de réglage recommandées

Réglage du compartiment congélateur	Réglage du compartiment réfrigérateur	Descriptions
-22°C	4°C	Ce réglage est celui qui est recommandé par défaut. Ce réglage est recommandé si la température ambiante est inférieure à 30°C.
-20°C	6°C	Ces réglages sont recommandés pour des températures ambiantes excédant 25°C.
Congélation rapide	4°C	Est utilisée lorsque vous voulez congeler vos denrées pendant une courte période. Lorsque le processus est terminé, il retourne à sa position précédente.

#### Congélation rapide

1. Activez la fonction de congélation rapide 24 heures avant de placer vos aliments frais dans le congélateur.
2. 24 heures après avoir activé la fonction, placez d'abord les aliments que vous souhaitez congeler sur la 2e étagère à forte capacité de congélation.
3. La fonction de congélation rapide se désactive automatiquement au bout de 48 heures.

#### Détails du congélateur

Selon les normes IEC 62552, à une température ambiante de 25°C, le congélateur doit pouvoir congeler 4,5 kg de denrées alimentaires à -18°C ou à des températures inférieures en 24 heures pour chaque 100 litres de volume du compartiment congélateur.

Les aliments peuvent être préservés pour des périodes prolongées uniquement à des températures inférieures ou égales à -18 °C.

Vous pouvez garder les aliments frais pendant des mois (dans le congélateur à des températures inférieures ou égales à 18 °C).

Les aliments à congeler ne doivent pas être en contact avec ceux déjà congelés pour éviter un dégivrage partiel.

Faites bouillir les légumes et filtrez l'eau pour prolonger la durée de conservation à l'état congelé. Placez les aliments dans des emballages sous vide après les avoir filtrés et placez-les dans le congélateur. Les bananes, les tomates, les feuilles de laitue, le céleri, les œufs durs, les pommes de terre et les aliments similaires ne doivent pas être congelés. Au cas où cette nourriture

pourrit, seules les valeurs nutritionnelles et les qualités alimentaires seront affectées négativement. Une pourriture menaçant la santé humaine n'est pas en cause.

#### **Placer les aliments**

**Balconnets du compartiment congélateur** : Différents aliments congelés comme la viande, le poisson, la crème glacée, les légumes, etc.

**Étagères du compartiment réfrigérateur** : Les aliments contenus dans des casseroles, des plats couverts, des gamelles et les œufs (dans des gamelles)

**Balconnets de la porte du compartiment réfrigérateur** : Aliments ou boissons de petite taille et emballés.

**Bac à légumes** : Légumes et fruits

**Compartiment des aliments frais** : Delicatessen (aliments pour le petit déjeuner, produits carnés à consommer dans un délai court).

### **7.3 Technologies Crisper**

#### **Voyant lumineux bleu**

Les fruits et légumes stockés dans les bacs à légumes éclairés par une lumière bleue continuent leur photosynthèse grâce à l'effet de longueur d'onde de la lumière bleue et préservent ainsi leur teneur en vitamine.

#### **HarvestFresh**

Les fruits et légumes conservés dans les bacs à légumes éclairés par la technologie HarvestFresh conservent leurs vitamines plus longtemps grâce aux lumières bleues, vertes, rouges et aux cycles d'obscurité, qui simulent un cycle de jour.

Lorsque la porte de votre réfrigérateur est ouverte pendant la période d'obscurité de la technologie HarvestFresh, votre réfrigérateur le détecte automatiquement et allume le bac à légumes avec l'une des lumières bleues, vertes ou rouges respectivement pour votre confort. Une fois que vous avez fermé la porte du réfrigérateur, la période d'obscurité se poursuit, représentant ainsi la nuit dans un cycle de jour.

### **7.4 Module photocatalytique (Fresh-Guard)**

Grâce à ce module, qui est positionné derrière le couvercle d'évaporateur dans le compartiment d'aliments frais, l'air traverse activement le filtre photocatalytique recouvert de dioxyde de titane et l'air nettoyé circule à l'intérieur. De cette façon, les mauvaises odeurs sont éliminées à l'intérieur du réfrigérateur avant de s'imprégner sur les surfaces des aliments, et au même moment, l'air hygiénique circule grâce à l'air désinfecté. Cette fonctionnalité est activée par le ventilateur du compartiment d'aliments frais situé derrière le couvercle d'évaporateur, par la lampe LED UV-A et le filtre à odeur recouvert de dioxyde de titane. Pour activer/désactiver ce module, qui assure une circulation d'air hygiénique et sans odeur dans le réfrigérateur, appuyez sur le bouton (🌀<sup>3</sup>) et maintenez-le enfoncé pendant 3 secondes et assurez-

vous que l'indicateur de la fonction (🌀) s'affiche à l'écran lorsqu'il est activé, et disparaît de l'écran lorsqu'il est désactivé. Une fois la fonctionnalité activée comme indiqué, elle fonctionne périodiquement sans qu'il soit nécessaire d'appuyer à nouveau sur une touche. Si la porte du compartiment d'aliments frais est ouverte alors que le module est activé, le ventilateur et la lampe LED UV-A ne fonctionneront pas pendant un moment, mais reprendront leur fonctionnement une fois la porte fermée. En cas de panne de courant alors que le module est en marche, le module reprendra son fonctionnement à partir du point où il s'est arrêté une fois le courant rétabli.

**Remarque** : Il est recommandé de conserver les aliments aromatiques tels que le fromage, les olives et les charcuteries dans leur emballage et avec leur couvercle fermé, afin d'éviter les mauvaises odeurs qui peuvent se dégager du mélange d'odeurs provenant de différents types d'aliments. Pour la sécurité des autres aliments



conservés, les conditions de stockage hygiéniques et pour éviter les mauvaises odeurs, nous vous recommandons de retirer le plus rapidement possible du réfrigérateur les aliments dont vous avez constaté l'altération.

## 7.5 Zone d'entreposage frais des produits laitiers

### Tiroir de stockage du froid

Le tiroir de stockage du froid peut atteindre des températures plus basses dans le compartiment réfrigérant. Utilisez ce tiroir pour les produits de charcuterie (salami, saucisse, etc.) et les produits laitiers qui nécessitent des conditions de stockage plus froides, ou pour la viande, le poulet ou le poisson à consommer rapidement. Il n'est pas possible de stocker des fruits et des légumes dans ce tiroir.

## 7.6 Inversion du côté d'ouverture de la porte

Le côté d'ouverture de la porte de votre réfrigérateur peut être inversé en fonction de l'endroit où vous le placez. En cas de besoin, vous devez absolument appeler le service agréé le plus proche.

## 7.7 Alerte de porte ouverte

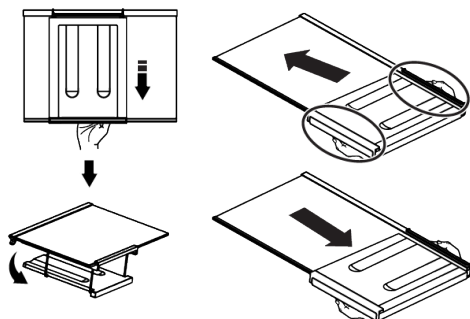
Un signal sonore est émis si la porte de l'appareil reste ouverte pendant 1 minute. L'alerte sonore s'arrête lorsque vous fermez la porte de l'armoire ou appuyez sur n'importe quel bouton de l'écran (si disponible).

## 7.8 Porte-bouteille pliable

Il permet à l'utilisateur de stocker des bouteilles de vin si nécessaire. Pour utiliser la section de la crémaillère, saisissez la partie en plastique et tirez-la doucement vers le bas. Vous pouvez maintenant utiliser le porte-bouteilles pliable.



Il est recommandé de stocker un maximum de 2 bouteilles de vin sur le porte-bouteilles pliable.



FR

Pour regrouper le porte-bouteille, retirez d'abord la tablette en verre du réfrigérateur. Placez-la sur l'étagère en verre en poussant la partie en plastique dans les rainures avant et arrière, comme indiqué sur la photo. Le produit sera prêt à être utilisé avec le porte-bouteille pliable.

Pour retirer le porte-bouteilles pliable, retirez d'abord la tablette en verre du réfrigérateur. Saisissez ensuite la partie en plastique et tirez-la dans n'importe quelle direction. Vous pouvez maintenant utiliser l'appareil sans porte-bouteilles pliable si nécessaire.

## 7.9 Remplacement de la lampe d'éclairage

Appelez le service autorisé lorsque l'ampoule/LED utilisée pour l'éclairage de votre réfrigérateur doit être remplacée.

La ou les lampes utilisées dans cet appareil ne peuvent pas être utilisées pour l'éclairage de la maison. L'objectif de cette lampe est d'aider l'utilisateur à placer les aliments dans le réfrigérateur/congélateur de manière sûre et confortable.

## 7.10 AeroFlow

C'est un système de distribution d'air qui assure une répartition homogène de la température. Grâce à la circulation de l'air, la distribution homogène de la température est assurée dans le compartiment de stockage des aliments frais, et les fluctuations de température sont maintenues à de faibles niveaux. Il n'y a pas de soufflage direct d'air sur les aliments, ce qui permet de réduire la perte d'humidité. Cela préserve la

fraîcheur des aliments stockés dans le compartiment des aliments frais du réfrigérateur. De cette façon, vos aliments sont conservés à des températures plus stables et le contact avec l'air est réduit. Le sé-

chage et le rétrécissement des aliments par perte d'humidité sont évités et la fraîcheur est assurée plus longtemps.

## 8 Entretien et nettoyage



### AVERTISSEMENT :

Lisez d'abord la section « Instructions de sécurité ».



### AVERTISSEMENT :

Débranchez le réfrigérateur avant le nettoyage.

- N'utilisez pas des objets pointus ou des produits de nettoyage abrasifs pour nettoyer l'appareil. Il ne faut pas utiliser de matériaux tels que des produits d'entretien ménager, du savon, des détergents, du gaz, de l'essence, un diluant, de l'alcool, de la cire, etc.
- La poussière doit être enlevée de la grille de ventilation située à l'arrière du produit au moins une fois par an (sans ouvrir le couvercle). Nettoyez l'appareil avec un chiffon humide.
- Veillez à ne pas mouiller le logement de la lampe ainsi que d'autres composants électriques.
- Nettoyez la porte avec un chiffon humide. Retirez tout le contenu pour enlever la porte et les supports de carrosserie. Retirez les supports de porte en les soulevant vers le haut. Nettoyez et séchez les étagères, puis refixez-les en les faisant glisser à partir du haut.
- N'utilisez pas d'eau contenant du chlore, ou des produits de nettoyage pour les surfaces externes et les pièces chromées de l'appareil. Le chlore entraîne la corrosion de ce type de surfaces métalliques.
- Il ne faut pas utiliser d'outils tranchants et abrasifs, de savon, de produits d'entretien ménager, de détergents, de gaz, d'essence, de vernis et de substances similaires pour empêcher la déformation de la pièce en plastique et l'élimination des

empreintes sur la pièce. Utilisez de l'eau chaude et un chiffon doux pour le nettoyage, puis séchez-le.

- Sur les produits sans fonction « No-Frost », des gouttelettes d'eau et un givre pouvant atteindre l'épaisseur d'un doigt peuvent se former sur la paroi arrière du compartiment congélateur. Ne nettoyez pas et n'appliquez jamais d'huiles ou de produits similaires.
- Utilisez un chiffon en microfibres légèrement humidifié pour nettoyer la surface extérieure du produit. Les éponges et autres types de vêtements de nettoyage peuvent provoquer des éraflures.
- Afin de nettoyer tous les composants amovibles pendant le nettoyage de la surface intérieure du produit, il faut laver ces composants avec une solution douce composée de savon, d'eau et de carbonate. Lavez et séchez soigneusement. Évitez le contact de l'eau avec les composants d'éclairage et le panneau de contrôle.



### ATTENTION :

N'utilisez pas de vinaigre, d'alcool à friction ni de produits nettoyants à base d'alcool sur les surfaces intérieures.

### Surfaces extérieures en acier inoxydable

Utilisez un produit de nettoyage non abrasif pour l'acier inoxydable et appliquez-le avec un chiffon doux non pelucheux. Pour polir, essuyez doucement la surface avec un chiffon en microfibres humidifié à l'eau et utilisez une peau de chamois sèche. Suivez toujours les veines de l'acier inoxydable.

## Prévention des odeurs

À sa sortie d'usine, cet appareil ne contient aucun matériau odorant. Cependant, la conservation des aliments dans des sections inappropriées et le mauvais nettoyage de l'intérieur peuvent donner lieu aux mauvaises odeurs.

- Pour éviter cela, nettoyez l'intérieur à l'aide de carbonate dissout dans l'eau tous les 15 jours.

- Conservez les aliments dans des récipients scellés, car les micro-organismes provenant des aliments conservés dans des récipients non scellés provoquent une mauvaise odeur.
- Ne conservez pas d'aliments périmés ou avariés dans le réfrigérateur.

## Protection des surfaces en plastique

Si de l'huile se répand sur les surfaces en plastique, il faut immédiatement les nettoyer avec de l'eau tiède, sinon elles seront endommagées.

## 9 Dépannage

Vérifiez la liste suivante avant de contacter le service après-vente. Cela devrait vous éviter de perdre du temps et de l'argent. Cette liste répertorie les plaintes fréquentes ne provenant pas de vices de fabrication ou des défauts de pièces. Certaines fonctionnalités mentionnées dans ce manuel peuvent ne pas exister sur votre modèle.

### Le réfrigérateur ne fonctionne pas.

- La fiche électrique n'est pas correctement insérée. >>> Branchez-la en l'enfonçant complètement dans la prise.
- Le fusible branché à la prise qui alimente l'appareil ou le fusible principal est grillé. >>> Vérifiez les fusibles.

### Condensation sur la paroi latérale du congélateur (MULTI ZONE, COOL, CONTROL et FLEXI ZONE).

- La porte a été ouverte trop fréquemment >>> Évitez d'ouvrir trop fréquemment la porte de l'appareil.
- L'environnement est trop humide. >>> N'installez pas l'appareil dans des endroits humides.
- Les aliments contenant des liquides sont conservés dans des récipients non fermés. >>> Conservez ces aliments dans des emballages scellés.
- La porte de l'appareil est restée ouverte. >>> Ne laissez pas la porte de l'appareil ouverte longtemps.

- Le thermostat est réglé sur une température très froide. >>> Réglez le thermostat à la température appropriée.

### Le compresseur ne fonctionne pas.

- En cas de coupure soudaine de courant ou de débranchement intempestif, la pression du gaz dans le système de réfrigération de l'appareil n'est pas équilibrée, ce qui déclenche la fonction de conservation thermique du compresseur. L'appareil se remet en marche au bout de 6 minutes environ. Dans le cas contraire, veuillez contacter le service de maintenance.
- Le dégivrage est actif. >>> Ce processus est normal pour un appareil à dégivrage complètement automatique. Le dégivrage se déclenche périodiquement.
- L'appareil n'est pas branché. >>> Vérifiez que le cordon d'alimentation est branché.
- Le réglage de la température est incorrect. >>> Sélectionnez le réglage de température approprié.
- Absence d'énergie électrique. >>> Le produit continuera à fonctionner normalement une fois le courant rétabli.

### Le bruit du réfrigérateur en fonctionnement s'accroît pendant son utilisation.

- Le rendement de l'appareil en fonctionnement peut varier en fonction des fluctuations de la température ambiante. Ceci est normal et ne constitue pas un dysfonctionnement.

### **Le réfrigérateur fonctionne fréquemment ou pendant de longues périodes.**

- Il se peut que le nouvel appareil soit plus grand que l'ancien. Les appareils plus grands fonctionnent plus longtemps.
- La température de la pièce est peut-être trop élevée. >>> Il est normal que l'appareil fonctionne plus longtemps quand la température de la pièce est élevée.
- L'appareil vient peut-être d'être branché ou chargé de nouvelles denrées alimentaires. >>> L'appareil met plus longtemps à atteindre la température réglée s'il vient d'être branché ou récemment rempli de denrées. C'est normal.
- Il est possible que des quantités importantes d'aliments chauds aient été récemment placées dans l'appareil. >>> Ne mettez pas d'aliments chauds à l'intérieur de l'appareil.
- Les portes étaient ouvertes fréquemment ou sont restées longtemps ouvertes. >>> L'air chaud qui se déplace à l'intérieur permet à l'appareil de fonctionner plus longtemps. N'ouvrez pas les portes trop fréquemment.
- Il est possible que la porte du congélateur soit entrouverte. >>> Vérifiez que les portes sont complètement fermées.
- L'appareil peut être réglé à une température trop basse. >>> Réglez la température à un degré supérieur et attendez que l'appareil atteigne la nouvelle température.
- Le joint de la porte du congélateur peut être sale, usé, cassé, ou mal positionné. >>> Nettoyez ou remplacez le joint d'étanchéité. Si le joint du congélateur est endommagé ou arraché, l'appareil prendra plus longtemps à conserver la température actuelle.

### **La température du congélateur est très basse, alors que celle du réfrigérateur est appropriée.**

- La température du compartiment congélateur est très basse. >>> Réglez la température du compartiment congélateur à un degré supérieur et vérifiez à nouveau.

### **La température du réfrigérateur est très basse, alors que celle du congélateur est appropriée.**

- La température du compartiment réfrigérateur est très basse. >>> Réglez la température du compartiment de refroidissement à un degré supérieur et vérifiez à nouveau.

### **Les aliments conservés dans le compartiment réfrigérateur sont congelés.**

- La température du compartiment réfrigérateur est très basse. >>> Réglez la température du compartiment de refroidissement à un degré supérieur et vérifiez à nouveau.

### **La température du compartiment réfrigérateur ou congélateur est très élevée.**

- La température du compartiment réfrigérateur est réglée à un degré très élevé. >>> Le réglage de la température du compartiment réfrigérateur a une incidence sur la température du compartiment congélateur. Attendez jusqu'à ce que la température des pièces correspondantes atteigne le niveau d'efficacité requis en changeant la température des compartiments réfrigérateur ou congélateur.
- Les portes étaient ouvertes fréquemment ou sont restées longtemps ouvertes. >>> N'ouvrez pas les portes trop fréquemment.
- La porte peut être entrouverte. >>> Fermez complètement la porte.
- L'appareil vient peut-être d'être branché ou chargé de nouvelles denrées alimentaires. >>> Cela est normal. L'appareil met plus longtemps à atteindre la température réglée s'il vient d'être branché ou récemment rempli de denrées.
- Il est possible que des quantités importantes d'aliments chauds aient été récemment placées dans l'appareil. >>> Ne mettez pas d'aliments chauds à l'intérieur de l'appareil.

### En cas de vibrations ou de bruits.

- La surface n'est pas plate ou durable >>> Si l'appareil balance lorsqu'il est déplacé doucement, ajustez les supports afin de le remettre en équilibre. Assurez-vous également que le sol est assez solide pour supporter l'appareil.
- Les éléments placés sur l'appareil peuvent être à l'origine du bruit. >>> Retirez tous les éléments placés sur l'appareil.
- L'appareil émet un bruit d'écoulement de liquide ou de pulvérisation, etc.
- Les principes de fonctionnement de l'appareil impliquent des écoulements de liquides et des émissions de gaz. >>> Ceci est normal et ne constitue pas un dysfonctionnement.

### L'appareil émet un sifflement.

- L'appareil effectue le refroidissement à l'aide d'un ventilateur. Ceci est normal et ne constitue pas un dysfonctionnement.

### Il y a de la condensation sur les parois internes de l'appareil.

- Un climat chaud ou humide accélère le processus de givrage et de condensation. Ceci est normal et ne constitue pas un dysfonctionnement.
- Les portes étaient ouvertes fréquemment ou sont restées longtemps ouvertes. >>> N'ouvrez pas les portes trop fréquemment ; fermez-les lorsqu'elles sont ouvertes.
- La porte peut être entrouverte. >>> Fermez complètement la porte.

### Il y a de la condensation sur les parois externes ou entre les portes de l'appareil.

- Il se peut que le climat ambiant soit humide, auquel cas cela est normal. >>> La condensation se dissipera lorsque l'humidité sera réduite.

### Présence d'une odeur désagréable dans l'appareil.

- L'appareil n'est pas nettoyé régulièrement. >>> Nettoyez régulièrement l'intérieur à l'aide d'une éponge, de l'eau tiède et du carbonate dissout dans l'eau.
- Certains récipients et matériaux d'emballage sont peut-être à l'origine des mauvaises odeurs. >>> Utilisez des récipients et des emballages exempts de toute odeur.
- Les aliments étaient placés dans des récipients ouverts. >>> Conservez les aliments dans des récipients fermés. Des micro-organismes peuvent se proliférer dans des récipients non fermés et émettre de mauvaises odeurs.
- Retirez tous les aliments périmés ou avariés de l'appareil.

### La porte ne se ferme pas.

- Les paquets d'aliments peuvent bloquer la porte. >>> Déplacez tout ce qui bloque les portes.
- L'appareil ne se tient pas parfaitement droit sur le sol. >>> Ajustez les supports afin de remettre l'appareil en équilibre.
- La surface n'est pas plane ou durable >>> Assurez-vous que la surface est plane et suffisamment durable pour supporter le produit.

### Le bac à légumes est bloqué.

- Il est possible que les aliments soient en contact avec la section supérieure du bac. >>> Reclassez les aliments dans le bac.

### Température à la surface de l'appareil.

- Une température élevée peut être observée entre deux portes, sur les panneaux latéraux et sur la zone du gril arrière lorsque votre produit est utilisé. C'est normal et cela ne nécessite pas d'entretien.

### Le ventilateur continue de fonctionner lorsque la porte est ouverte.

- Le ventilateur peut continuer à fonctionner lorsque la porte du congélateur est ouverte.



**AVERTISSEMENT** : Si le problème persiste même après observation des instructions contenues dans cette partie, contactez votre fournisseur ou un service de maintenance agréé. N'essayez pas de réparer vous-même l'appareil. C'est normal.

## CLAUSE DE NON-RESPONSABILITÉ / AVERTISSEMENT

Certaines défaillances (simples) peuvent être traitées de manière adéquate par l'utilisateur final sans qu'aucun problème de sécurité ou d'utilisation dangereuse ne survienne, à condition qu'elles soient effectuées dans les limites et conformément aux instructions suivantes (voir la section « Auto-réparation »).

Par conséquent, sauf autorisation contraire dans la section « Auto-réparation » ci-dessous, adressez-vous à des réparateurs professionnels agréés pour toutes réparations afin d'éviter des problèmes de sécurité. Un réparateur professionnel agréé est une personne à qui le fabricant a donné accès aux instructions et à la liste des pièces détachées de ce produit selon les méthodes décrites dans les actes législatifs en application de la directive 2009/125/CE

**Toutefois, seul l'agent de service (c'est-à-dire les réparateurs professionnels agréés) que vous pouvez joindre au numéro de téléphone indiqué dans le manuel d'utilisation/la carte de garantie ou par l'intermédiaire de votre fournisseur agréé peut fournir un service conformément aux conditions de garantie. Par conséquent, veuillez noter que les réparations effectuées par des réparateurs professionnels (qui ne sont pas autorisés par) Beko Marka annulent la garantie.**

### Auto-réparation

L'auto-réparation peut être effectuée par l'utilisateur final en ce qui concerne les pièces de rechange suivantes : poignées de porte, charnières de porte, plateaux, paniers

et joints de porte (une liste mise à jour est également disponible sur [support.beko.com](http://support.beko.com) à partir du 1er mars 2021).

En outre, pour garantir la sécurité du produit et éviter tout risque de blessure grave, ladite auto-réparation doit être effectuée en suivant les instructions du manuel d'utilisation pour l'auto-réparation ou celles disponibles sur [support.beko.com](http://support.beko.com). Pour votre sécurité, débranchez le produit avant de procéder à toute auto-réparation.

Les réparations et tentatives de réparation par les utilisateurs finaux pour des pièces ne figurant pas dans cette liste et/ou ne suivant pas les instructions des manuels d'utilisation pour l'auto-réparation ou celles disponibles sur [support.beko.com](http://support.beko.com), pourraient donner lieu à des problèmes de sécurité non imputables à Beko, et annuleront la garantie du produit.

Il est donc fortement recommandé aux utilisateurs finaux de s'abstenir de tenter d'effectuer des réparations ne figurant pas sur la liste des pièces de rechange mentionnée, mais de contacter dans de tels cas des réparateurs professionnels autorisés ou des réparateurs professionnels agréés. Au contraire, de telles tentatives de la part des utilisateurs finaux peuvent causer des problèmes de sécurité et endommager le produit et, par la suite, provoquer un incendie, une inondation, une électrocution et des blessures corporelles graves.

À titre d'exemple, mais sans s'y limiter, vous devez vous adresser à des réparateurs professionnels autorisés ou à des réparateurs professionnels agréés pour les

réparations suivantes : compresseur, circuit de refroidissement, carte mère, carte d'inverseur, panneau d'affichage, etc.

Le fabricant/vendeur ne peut être tenu responsable dans tous les cas où les utilisateurs finaux ne se conforment pas à ce qui précède.

La disponibilité des pièces de rechange du réfrigérateur que vous avez acheté est de 10 ans. Pendant cette période, les pièces de rechange d'origine seront disponibles pour faire fonctionner le réfrigérateur correctement.

La durée minimale de garantie du réfrigérateur que vous avez acheté est de 24 mois. Cet appareil est équipé d'une source d'éclairage de classe énergétique « G ».

La source d'éclairage de cet appareil ne doit être remplacée que par des réparateurs professionnels.



Voir aussi

- 2 CLAUSE DE NON-RESPONSABILITÉ / AVERTISSEMENT [ ] 55]

## Παρακαλούμε διαβάστε πρώτα αυτό το εγχειρίδιο!

### Αγαπητέ Πελάτη





#### Παρακαλούμε διαβάστε αυτό το εγχειρίδιο πριν τη χρήση του προϊόντος.

Σας ευχαριστούμε που επιλέξατε αυτό το προϊόν Beko. Θα θέλαμε να επιτύχετε τη βέλτιστη απόδοση από αυτό το υψηλής ποιότητας προϊόν που έχει κατασκευαστεί με την τελευταία τεχνολογία. Για να το επιτύχετε αυτό, διαβάστε προσεκτικά αυτό το εγχειρίδιο και οποιαδήποτε άλλη τεκμηρίωση παρέχεται μαζί με το προϊόν πριν χρησιμοποιήσετε το προϊόν και φυλάξτε τα για μελλοντική αναφορά.





Τηρείτε όλες τις πληροφορίες και προειδοποιήσεις στο εγχειρίδιο χρήσης. Με αυτό τον τρόπο, θα προστατέψετε τον εαυτό σας και το προϊόν από κινδύνους που μπορεί να προκύψουν.

Φυλάξτε το εγχειρίδιο χρήσης. Συμπεριλάβετε αυτό το εγχειρίδιο με τη μονάδα, αν την παραδώσετε σε επόμενο κάτοχο.

#### Στο εγχειρίδιο χρήσης χρησιμοποιούνται τα παρακάτω σύμβολα:

	Κίνδυνος που μπορεί να επιφέρει θάνατο ή τραυματισμό.
	Σημαντικές πληροφορίες ή χρήσιμες συμβουλές σχετικά με την λειτουργία.
	Διαβάστε το εγχειρίδιο χρήσης.
	Καύσιμα υλικά, προειδοποίηση για κίνδυνο φωτιάς.

**ΕΙΔΟΠΟΙΗΣΗ** Ένας κίνδυνος που μπορεί να προκαλέσει υλικές ζημιές στο προϊόν ή στον περιγύρό του

		Η πρόσβαση στις πληροφορίες για το μοντέλο όπως είναι αποθηκευμένες στη βάση δεδομένων προϊόντων είναι εφικτή με την είσοδο στον ακόλουθο ιστότοπο και την αναζήτηση του αναγνωριστικού του μοντέλου (*) της συσκευής σας, που αναφέρεται στην ετικέτα ενεργειακής σήμανσης. <a href="https://eprel.ec.europa.eu/">https://eprel.ec.europa.eu/</a>
SUPPLIER'S NAME	MODEL IDENTIFIER → (*)	
		



	7.7	Ειδοποίηση ανοιχτής πόρτας.....	78
	7.8	Αναδιπλούμενη βάση κρασιών ....	78
	7.9	Αντικατάσταση του λαμπτήρα φωτισμού .....	78
	7.10	AeroFlow.....	78
	<b>8</b>	<b>Συντήρηση και καθαρισμός.....</b>	<b>79</b>
	<b>9</b>	<b>Αντιμετώπιση προβλημάτων.....</b>	<b>80</b>
<b>1</b>		<b>Οδηγίες Ασφαλείας .....</b>	<b>58</b>
1.1		Προβλεπόμενη χρήση .....	58
1.2		Ασφάλεια παιδιών, ευάλωτων ατόμων και κατοικίδιων .....	58
1.3		Ασφάλεια χρήσης ηλεκτρικού ρεύματος .....	59
1.4		Ασφάλεια χειρισμών .....	60
1.5		Ασφάλεια κατά την εγκατάσταση .....	60
1.6		Ασφάλεια κατά τη λειτουργία .....	62
1.7		Ασφάλεια φύλαξης τροφίμων .....	65
1.8		Ασφάλεια κατά τη συντήρηση και τον καθαρισμό .....	65
<b>2</b>		<b>Οδηγίες σχετικά με το περιβάλλον.....</b>	<b>66</b>
2.1		Συμμόρφωση με την Οδηγία WEEE και τελική διάθεση του προϊόντος στο τέλος της ωφέλιμης ζωής του .....	66
<b>3</b>		<b>Το ψυγείο σας .....</b>	<b>67</b>
<b>4</b>		<b>Εγκατάσταση .....</b>	<b>68</b>
4.1		Σωστή θέση εγκατάστασης .....	68
4.2		Σύνδεση στο ηλεκτρικό ρεύμα .....	68
4.3		Τοποθέτηση των πλαστικών σφηνών .....	69
4.4		Ρύθμιση των ποδιών .....	69
4.5		Προειδοποίηση για θερμές επιφάνειες .....	69
<b>5</b>		<b>Προετοιμασία .....</b>	<b>69</b>
5.1		Τι να κάνετε για να εξοικονομήτε ενέργεια .....	69
5.2		Πρώτη χρήση .....	70
5.3		Κατηγορία κλίματος και ορισμοί ..	70
<b>6</b>		<b>Χειρισμός του προϊόντος.....</b>	<b>71</b>
<b>7</b>		<b>Χρήση της συσκευής σας .....</b>	<b>72</b>
7.1		Πίνακας ελέγχου του προϊόντος ..	72
7.2		Φύλαξη τροφίμων στον θάλαμο συντήρησης .....	74
7.3		Τεχνολογίες συρταριού λαχανικών .....	77
7.4		Φωτοκαταλυτική μονάδα (FreshGuard).....	77
7.5		Περιοχή Ψυχρής φύλαξης Γαλακτοκομικών Προϊόντων .....	78
7.6		Αντιστροφή της πλευράς ανοίγματος των θυρών .....	78

## 1 Οδηγίες Ασφαλείας

- Η ενότητα αυτή περιλαμβάνει τις οδηγίες ασφαλείας που είναι απαραίτητες για την αποτροπή του κινδύνου τραυματισμού ατόμων ή υλικών ζημιών.
- Η εταιρεία μας δεν θα φέρει καμία ευθύνη για ζημιές που ενδέχεται να προκύψουν αν δεν τηρηθούν οι παρούσες οδηγίες.



Πάντα αναθέτετε τις εργασίες εγκατάστασης και επισκευής στον κατασκευαστή, σε εξουσιοδοτημένο σέρβις ή σε ένα άτομο που θα ορίσει η εταιρεία εισαγωγής.



Χρησιμοποιείτε μόνο γνήσια ανταλλακτικά και αξεσουάρ.



Μην επισκευάσετε ή αντικαταστήσετε μόνοι σας οποιοδήποτε εξάρτημα του προϊόντος, εκτός αν αυτό προβλέπεται ρητά στο εγχειρίδιο χρήσης.



Μην πραγματοποιήσετε καμία τροποποίηση στο προϊόν.

### 1.1 Προβλεπόμενη χρήση

- Αυτό το προϊόν δεν είναι κατάλληλο για επαγγελματική χρήση και δεν πρέπει να χρησιμοποιηθεί για σκοπό άλλον από την προβλεπόμενη χρήση του.

- Το προϊόν αυτό προορίζεται για χρήση σε εσωτερικούς χώρους, όπως κατοικίες, ή παρόμοιους.

Για παράδειγμα:

Σε κουζίνες προσωπικού καταστημάτων, γραφείων και άλλων χώρων εργασίας.

Σε αγροικίες.

Σε χώρους ξενοδοχείων, μοτέλ ή άλλων εγκαταστάσεων διαμονής που χρησιμοποιούνται από τους πελάτες.

Σε ξενώνες ή παρόμοια περιβάλλοντα.

Σε υπηρεσίες κέτερινγκ και παρόμοιες εφαρμογές μη λιανικής πώλησης.

- Το προϊόν αυτό δεν πρέπει να χρησιμοποιείται σε ανοικτά ή περικλειστά εξωτερικά περιβάλλοντα, όπως σε σκάφη, τροχόσπιτα, μπαλκόνια ή βεράντες. Η έκθεση του προϊόντος σε βροχή, χιόνι, ήλιο ή άνεμο μπορεί να προκαλέσει κίνδυνο πυρκαγιάς.

### 1.2 Ασφάλεια παιδιών, ευάλωτων ατόμων και κατοικιδίων

- Το προϊόν αυτό επιτρέπεται να χρησιμοποιείται από παιδιά ηλικίας 8 ετών και άνω και από άτομα με ανεπαρκώς ανεπτυγμένες σωματικές, αισθητηρια-

κές ή διανοητικές ικανότητες ή με έλλειψη εμπειρίας και γνώσης, αν τα άτομα αυτά βρίσκονται υπό επιτήρηση ή στα άτομα αυτά έχει δοθεί εκπαίδευση σχετικά με την ασφαλή χρήση της συσκευής και τους κινδύνους που ενέχονται.

- Παιδιά μεταξύ 3 και 8 ετών επιτρέπεται να τοποθετούν και να αφαιρούν τρόφιμα μέσα στο/ από το ψυκτικό προϊόν.
- Τα ηλεκτρικά προϊόντα είναι επικίνδυνα για παιδιά και κατοικίδια. Τα παιδιά και τα κατοικίδια δεν πρέπει να παίζουν με το προϊόν, ούτε να ανεβαίνουν πάνω του ή να μπαίνουν μέσα.
- Οι εργασίες καθαρισμού και συντήρησης από τον χρήστη δεν πρέπει να γίνονται από παιδιά, εκτός αν αυτά βρίσκονται υπό επίβλεψη ενήλικα.
- Κρατάτε τα υλικά συσκευασίας μακριά από παιδιά. Κίνδυνος τραυματισμού και ασφυξίας.

Πριν απορρίψετε παλιά προϊόντα που δεν θα χρησιμοποιηθούν πια:

1. Αποσυνδέστε το καλώδιο ρεύματος από την πρίζα ρεύματος δικτύου.
2. Κόψτε το καλώδιο ρεύματος και αφαιρέστε το από τη συσκευή μαζί με το φιλ.

3. Μην αφαιρέσετε τα ράφια και τα συρτάρια του προϊόντος, για να αποτρέψετε την είσοδο παιδιών στη συσκευή.
  4. Αφαιρέστε τις πόρτες.
  5. Αποθηκεύστε το προϊόν ώστε να μην μπορεί να ανατραπεί.
  6. Μην επιτρέπετε σε παιδιά να παίζουν με το αχρηστευμένο προϊόν.
- Μην απορρίψετε το προϊόν σε φωτιά. Κίνδυνος έκρηξης.
  - Αν η πόρτα του προϊόντος διαθέτει κλειδαριά, κρατήστε το κλειδί μακριά από παιδιά.



### 1.3 Ασφάλεια χρήσης ηλεκτρικού ρεύματος

- Το προϊόν δεν πρέπει να είναι συνδεδεμένο στην πρίζα κατά τις εργασίες εγκατάστασης, συντήρησης, καθαρισμού, επισκευής και μεταφοράς.
- Αν υποστεί ζημιά το καλώδιο ρεύματος, αυτό πρέπει να επισκευαστεί μόνο από εξουσιοδοτημένο σέρβις, για την αποφυγή τυχόν κινδύνων.
- Μην συμπιέσετε το καλώδιο κάτω από το προϊόν ή στο πίσω μέρος του προϊόντος. Μην τοποθετείτε βαριά αντικείμενα πάνω στο καλώδιο ρεύματος. Το καλώδιο ρεύματος δεν πρέπει να είναι λυγισμένο, συμπιεσμένο ούτε να έρχεται σε επαφή με οποιαδήποτε πηγή θερμότητας.

- Μη χρησιμοποιείτε καλώδιο επέκτασης, πολύπριζο ή τροφοδοτικό για τη λειτουργία του προϊόντος.
- Τα φορητά πολύπριζα ή τα φορητά τροφοδοτικά μπορεί να υπερθερμανθούν και να προκαλέσουν φωτιά. Επομένως, μην έχετε πολύπριζο ή φορητά τροφοδοτικά πίσω από το προϊόν ή κοντά σε αυτό.
- Μη συνδέσετε το καλώδιο ρεύματος του προϊόντος σε πρίζα που δεν είναι καλά στερεωμένη ή που έχει υποστεί ζημιά. Αυτοί οι τύποι συνδέσεων μπορεί να υπερθερμανθούν και να προκαλέσουν φωτιά.
- Το φως θα πρέπει να είναι εύκολα προσβάσιμο. Αν δεν είναι εφικτό αυτό, πρέπει να υπάρχει διαθέσιμος στην ηλεκτρική εγκατάσταση ένα μηχανισμός που συμμορφώνεται με τη νομοθεσία περί ηλεκτρικών εγκαταστάσεων και αποσυνδέει όλους τους ακροδέκτες από την παροχή ρεύματος δικτύου (ασφάλεια, διακόπτης, γενικός διακόπτης κλπ.).
- Μην αγγίζετε το φως ρευματοληψίας με υγρά χέρια.
- Κατά την αποσύνδεση της συσκευής από την πρίζα, μην τραβάτε το καλώδιο ρεύματος, αλλά το φως.



#### 1.4 Ασφάλεια χειρισμών

- Το προϊόν είναι βαρύ, μην το χειρίζεστε μόνοι σας.
- Μην κρατάτε το προϊόν από την πόρτα του κατά τους χειρισμούς του.
- Προσέχετε να μην προξενήσετε ζημιά στο σύστημα ψύξης και στους σωλήνες, κατά τον χειρισμό του προϊόντος. Μη χρησιμοποιείτε το προϊόν αν οι σωλήνες έχουν υποστεί ζημιά, αλλά επικοινωνήστε με ένα εξουσιοδοτημένο σέρβις.



#### 1.5 Ασφάλεια κατά την εγκατάσταση

- Για την εγκατάσταση του προϊόντος επικοινωνήστε με το Εξουσιοδοτημένο Σέρβις. Για να προετοιμάσετε το προϊόν για χρήση, δείτε τις πληροφορίες στο εγχειρίδιο χρήσης και βεβαιωθείτε ότι οι παροχές ρεύματος και νερού συμμορφώνονται με τις απαιτήσεις. Αν όχι, καλέστε έναν εξειδικευμένο ηλεκτρολόγο και υδραυλικό για να διαμορφώσουν τις παροχές όπως χρειάζεται. Σε αντίθετη περίπτωση μπορεί να προκληθούν ηλεκτροπληξία, φωτιά, προβλήματα με το προϊόν ή τραυματισμός.

- Ελέγξτε το προϊόν για τυχόν ζημιά, πριν την εγκατάστασή του. Μην επιτρέψετε την εγκατάσταση του προϊόντος αν έχει υποστεί ζημιά.
- Τοποθετήστε το προϊόν πάνω σε μια καθαρή, επίπεδη και σκληρή επιφάνεια και ισοροπήστε το χρησιμοποιώντας τα ρυθμιζόμενα πόδια του. Διαφορετικά, το ψυγείο μπορεί να ανατραπεί και να προκαλέσει τραυματισμούς.
- Το προϊόν πρέπει να εγκατασταθεί σε ένα ξηρό και καλά αεριζόμενο περιβάλλον. Μην έχετε χαλιά, πατάκια ή παρόμοια καλύμματα δαπέδου κάτω από το προϊόν. Αυτό μπορεί να προκαλέσει κίνδυνο φωτιάς λόγω ανεπαρκούς αερισμού!
- Μην φράζετε ή καλύπτετε τα ανοίγματα αερισμού. Διαφορετικά, η κατανάλωση ρεύματος αυξάνεται, και μπορεί να προκληθεί ζημιά στο προϊόν.
- Το προϊόν δεν πρέπει να συνδέεται σε συστήματα παροχής ρεύματος όπως ηλιακά συστήματα. Διαφορετικά, το προϊόν μπορεί να υποστεί ζημιά λόγω απότομων αλλαγών της ηλεκτρικής τάσης!
- Όσο περισσότερο ψυκτικό μέσο περιέχει ένα ψυγείο, τόσο μεγαλύτερο θα πρέπει να είναι το δωμάτιο εγκατάστασης. Σε πολύ μικρά δωμάτια μπορεί να προκύψει εύφλεκτο μείγμα αερίου-αέρα σε περίπτωση διαρροής αερίου από το ψυκτικό σύστημα. Απαιτείται τουλάχιστον 1 m<sup>3</sup> όγκου για κάθε 8 γραμμάρια ψυκτικού μέσου. Η ποσότητα ψυκτικού μέσου που περιέχεται στο προϊόν αναφέρεται στην Πινακίδα Τύπου του.
- Η θέση εγκατάστασης του προϊόντος δεν πρέπει να είναι εκτεθειμένη σε άμεση ηλιακή ακτινοβολία και δεν πρέπει να είναι κοντά σε πηγή θερμότητας όπως κουζίνες μαγειρέματος, σώματα καλοριφέρ κλπ. Αν δεν μπορείτε να αποφύγετε την εγκατάσταση του προϊόντος κοντά σε πηγή θερμότητας, πρέπει να χρησιμοποιήσετε μια κατάλληλη μονωτική πλάκα και να βεβαιωθείτε ότι η ελάχιστη απόσταση από την πηγή θερμότητας πρέπει να συμμορφώνεται με τα παρακάτω:
  - Τουλάχιστον 30 cm από πηγές θερμότητας όπως κουζίνες μαγειρέματος, φούρνους, θερμαντικά σώματα και συσκευές θέρμανσης κλπ.
  - Και τουλάχιστον 5 cm από ηλεκτρικούς φούρνους.
- Το προϊόν σας διαθέτει κλάση προστασίας I.

- Συνδέετε το προϊόν σε γειωμένη πρίζα που συμμορφώνεται με τις τιμές τάσης, ρεύματος και συχνότητας που αναφέρονται στην πινακίδα τύπου του. Η πρίζα πρέπει να προστατεύεται από ασφάλεια 10 A – 16 A. Η εταιρία μας δεν φέρει ευθύνη για τυχόν ζημιές λόγω χρήσης χωρίς γείωση και χωρίς σύνδεση ρεύματος που συμμορφώνεται με τους τοπικούς και εθνικούς κανονισμούς.
- Το καλώδιο παροχής ρεύματος του προϊόντος πρέπει να είναι αποσυνδεδεμένο κατά την εγκατάσταση. Διαφορετικά, μπορεί να προκύψει κίνδυνος ηλεκτροπληξίας και τραυματισμού!
- Μη συνδέετε το καλώδιο ρεύματος του προϊόντος σε πρίζες που δεν είναι καλά στερεωμένες, έχουν φύγει από τη θέση τους, είναι σπασμένες ή έχουν λερωθεί με ακαθαρσίες ή λάδια. Αυτοί οι τύποι συνδέσεων μπορεί να προκαλέσουν υπερθέρμανση και φωτιά.
- Τοποθετήστε το καλώδιο ρεύματος και τους εύκαμπτους σωλήνες (αν υπάρχουν) του προϊόντος με τρόπο ώστε να μην κινδυνεύουν να προκαλέσουν παραπάτημα.
- Η διείδυση υγρασίας και υγρών σε εξαρτήματα υπό τάση ή στο καλώδιο ρεύματος μπορεί να προκαλέσει βραχυκύκλωμα. Για το λόγο αυτό, μη χρησιμοποιείτε το προϊόν σε περιβάλλον με υγρασία ή σε περιοχές όπου μπορεί να πισιλιστεί νερό (π.χ. γκαράζ, δωμάτιο πλυντηρίου κλπ.). Αν το ψυγείο βραχεί με νερό, αποσυνδέστε το από την πρίζα και επικοινωνήστε με ένα εξουσιοδοτημένο σέρβις.
- Μη συνδέσετε ποτέ το ψυγείο σας σε διατάξεις εξοικονόμησης ενέργειας. Αυτά τα συστήματα είναι επιβλαβή για το προϊόν



## **1.6 Ασφάλεια κατά τη λειτουργία**

- Ποτέ μη χρησιμοποιήσετε χημικούς διαλύτες στο προϊόν. Αυτά τα υλικά δημιουργούν κίνδυνο έκρηξης.
- Σε περίπτωση βλάβης του προϊόντος, αποσυνδέστε το από την πρίζα και μην το θέσετε πάλι σε λειτουργία έως ότου επισκευαστεί από το εξουσιοδοτημένο σέρβις. Υπάρχει κίνδυνος ηλεκτροπληξίας!
- Μην τοποθετείτε πάνω ή κοντά στο προϊόν πηγές φλόγας (π.χ. κεριά, τσιγάρα κλπ.).

- Μην ανεβαίνετε πάνω στο προϊόν. Κίνδυνος πτώσης και τραυματισμού!
- Μην προξενήσετε ζημιά στους σωλήνες του συστήματος ψύξης χρησιμοποιώντας αιχμηρά και μυτερά αντικείμενα. Το ψυκτικό μέσο που εκτοξεύεται σε περίπτωση διάτρησης των σωλήνων αερίου, των επεκτάσεων σωλήνων ή των επιστρώσεων της πάνω επιφάνειας, μπορεί να προκαλέσει ερεθισμό του δέρματος και τραυματισμό των ματιών.
- Μην τοποθετείτε και χρησιμοποιείτε ηλεκτρικές συσκευές μέσα σε ψυγεία/καταψύκτες εκτός αν αυτό υποδεικνύεται από τον κατασκευαστή.
- Αποφεύγετε την παγίδευση οποιοδήποτε τμήματος των χεριών ή του σώματός σας σε οποιαδήποτε κινούμενα μέρη στο εσωτερικό του προϊόντος. Προσέχετε να μην πιαστούν τα δάκτυλά σας ανάμεσα στο ψυγείο και την πόρτα του. Προσέχετε όταν ανοίγετε και κλείνετε την πόρτα ενώ υπάρχουν γύρω παιδιά.
- Μην τοποθετείτε παγωτό, παγάκια ή κατεψυγμένα τρόφιμα στο στόμα σας αμέσως μόλις αφαιρέσετε αυτά τα είδη από τον καταψύκτη. Κίνδυνος κρουσπαγήματος!
- Μην αγγίζετε με υγρά χέρια τα εσωτερικά τοιχώματα, τα μεταλλικά μέρη του καταψύκτη ή τρόφιμα που φυλάσσετε μέσα στον καταψύκτη. Κίνδυνος κρουσπαγήματος!
- Μην τοποθετείτε στον θάλαμο καταψύκτη κουτιά αναψυκτικών ή μεταλλικά κουτιά και μπουκάλια που περιέχουν υγρά που μπορεί να παγώσουν. Τα μεταλλικά κουτιά ή τα μπουκάλια μπορούν να εκραγούν. Κίνδυνος τραυματισμού και υλικών ζημιών!
- Μη χρησιμοποιείτε ή τοποθετείτε κοντά στο ψυγείο υλικά που είναι ευαίσθητα στη θερμοκρασία όπως εύφλεκτα σπρέι, εύφλεκτα αντικείμενα, ξηρό πάγο ή άλλα χημικά. Κίνδυνος φωτιάς και έκρηξης!
- Μη φυλάσσετε μέσα στο προϊόν εκρηκτικά υλικά όπως δοχεία αεροζόλ που περιέχουν εύφλεκτα υλικά.
- Μην τοποθετείτε πάνω στο προϊόν ανοικτά δοχεία που περιέχουν υγρά. Τυχόν πιπίλισμα νερού πάνω σε ένα ηλεκτρικό εξάρτημα μπορεί να προκαλέσει κίνδυνο ηλεκτροπληξίας ή φωτιάς.
- Το προϊόν αυτό δεν προορίζεται για φύλαξη και ψύξη φαρμάκων, πλάσματος αίματος, εργαστηριακών παρασκευασμάτων ή παρόμοιων υλικών

και προϊόντων που υπόκεινται στην Οδηγία περί Ιατροτεχνολογικών προϊόντων.

- Αν το προϊόν χρησιμοποιηθεί αντίθετα με την προβλεπόμενη χρήση του, μπορεί να προκαλέσει ζημιά ή αλλοίωση των προϊόντων που φυλάσσονται στο εσωτερικό του.
- Αν το ψυγείο σας διαθέτει μπλε φως, μην κοιτάζετε αυτό το φως με χρήση οπτικών διατάξεων. Μην κοιτάζετε παρατεταμένα απευθείας σε φως LED UV (υπεριώδους ακτινοβολίας). Οι υπεριώδεις ακτίνες μπορεί να προκαλέσουν καταπόνηση των ματιών.
- Μην τοποθετείτε μέσα στο προϊόν περισσότερα τρόφιμα από τη χωρητικότητά του. Μπορεί να προκύψουν τραυματισμοί ή ζημιές αν πέσουν τα περιεχόμενα του ψυγείου καθώς ανοίγει η πόρτα. Παρόμοια προβλήματα μπορεί επίσης να προκύψουν αν τοποθετηθεί αντικείμενο πάνω στο προϊόν.
- Για την αποφυγή τραυματισμών, να βεβαιώνετε ότι έχετε καθαρίσει όλον τον πάγο και το νερό που μπορεί να έχει πέσει ή χυθεί στο δάπεδο.
- Αλλάζετε θέσεις στα ράφια/στις θήκες μπουκαλιών στην πόρτα του ψυγείου μόνο όταν αυτά είναι κενά. Κίνδυνος τραυματισμού!
- Μην τοποθετείτε πάνω στο προϊόν αντικείμενα που μπορεί να πέσουν ή να ανατραπούν. Αυτά τα αντικείμενα μπορεί να πέσουν κατά το άνοιγμα ή κλείσιμο της πόρτας και να προκαλέσουν τραυματισμούς και/ή υλικές ζημιές.
- Μην χτυπάτε τις γυάλινες επιφάνειες και μην τους ασκείτε υπερβολική πίεση. Αν σπάσει το γυαλί μπορεί να προκαλέσει τραυματισμούς και/ή υλικές ζημιές.
- Το σύστημα ψύξης του προϊόντος περιέχει το ψυκτικό μέσο R600a. Ο τύπος ψυκτικού μέσου που χρησιμοποιείται στο προϊόν αναφέρεται στην πινακίδα τύπου. Αυτό το αέριο είναι εύφλεκτο. Επομένως, προσέχετε να μην προξενήσετε ζημιά στο σύστημα ψύξης και στους σωλήνες κατά τους χειρισμούς του προϊόντος. Σε περίπτωση ζημιών στους σωλήνες:
  1. Μην αγγίζετε το προϊόν ή το καλώδιο ρεύματος.



2. Κρατάτε το προϊόν μακριά από δυνητικές πηγές φωτιάς που μπορούν να προκαλέσουν ανάφλεξη του προϊόντος.
3. Αερίστε την περιοχή όπου είναι τοποθετημένο το προϊόν. Μη χρησιμοποιήσετε ανεμιστήρα.
4. Επικοινωνήστε με Εξουσιοδοτημένο Σέρβις.
5. Αν το προϊόν έχει υποστεί ζημιά και παρατηρήσετε διαρροή αερίου, μείνετε μακριά από το αέριο. Το αέριο μπορεί να προκαλέσει κρουσπάγμα αν έρθει σε επαφή με το δέρμα σας.

### 1.7 Ασφάλεια φύλαξης τροφίμων

Παρακαλούμε να λάβετε σοβαρά υπόψη σας τις ακόλουθες προειδοποιήσεις, για να αποφύγετε αλλοίωση των τροφίμων:

- Αν αφήνετε τις πόρτες ανοιχτές για πολύ χρόνο, μπορεί να προκληθεί αύξηση της θερμοκρασίας στο εσωτερικό του προϊόντος.
- Καθαρίζετε τακτικά τα προσπελάσιμα συστήματα αποστράγγισης που έρχονται σε επαφή με τρόφιμα.
- Καθαρίζετε τα δοχεία νερού που δεν έχουν χρησιμοποιηθεί για 48 ώρες και τα συστήματα που τροφοδοτούνται με νερό

δικτύου αν δεν έχουν χρησιμοποιηθεί για περισσότερες από 5 ημέρες.

- Φυλάσσετε τα νωπά προϊόντα κρέατος και ψαριών στα κατάλληλα διαμερίσματα στο εσωτερικό του προϊόντος. Με αυτόν τον τρόπο δεν θα στάζουν πάνω σε άλλα τρόφιμα ούτε θα έρχονται σε επαφή με αυτά.
- Χρησιμοποιούνται διαμερίσματα καταψύκτη δύο αστέρων για αποθήκευση προ-κατεψυγμένων τροφίμων και για την παρασκευή και φύλαξη πάγου και παγωτού.
- Τα διαμερίσματα ενός, δύο και τριών αστέρων δεν είναι κατάλληλα για την κατάψυξη νωπών τροφίμων.
- Αν το ψυκτικό προϊόν έχει παραμείνει κενό για μεγάλο χρονικό διάστημα, απενεργοποιήστε το, πραγματοποιήστε απόψυξη, καθαρίστε και στεγνώστε το, για προστασία του περιβλήματος του προϊόντος.

### 1.8 Ασφάλεια κατά τη συντήρηση και τον καθαρισμό

- Αποσυνδέστε το προϊόν από την πρίζα πριν το καθαρίσετε και πριν αρχίσετε εργασίες συντήρησης.
- Μην τραβάτε τη λαβή της πόρτας του προϊόντος για να το μετακινήσετε όπως π.χ. για να

το καθαρίσετε. Η λαβή μπορεί να προκαλέσει τραυματισμούς αν τραβηχτεί πολύ δυνατά.

- Μη βάζετε τα χέρια σας κλπ. κάτω από το ψυγείο. Μπορεί να σφηνώσουν ή να προκληθεί τραυματισμός σε αιχμηρές ακμές.
- Μην ψεκάζετε ή χύνετε νερό πάνω ή μέσα στο προϊόν όταν θέλετε να το καθαρίσετε. Κίνδυνος ηλεκτροπληξίας και φωτιάς.
- Όταν καθαρίζετε το προϊόν, μη χρησιμοποιείτε αιχμηρά εργαλεία ή εργαλεία και οικιακά καθαριστικά που χαράζουν, ούτε απορρυπαντικά, αέρια, βενζίνη, αραιωτικά χρωμάτων, οινόπνευμα, βερνίκι και παρόμοιες ουσίες. Στο εσωτερικό του προϊόντος χρησιμοποιείτε μόνο προϊόντα καθαρισμού και συντήρησης που δεν είναι επιβλαβή για τρόφιμα.

- Μη χρησιμοποιείτε ποτέ ατμό ή μέσα καθαρισμού που παράγουν ατμό για τον καθαρισμό του προϊόντος και την τήξη πάγου στο εσωτερικό του. Ο ατμός έρχεται σε επαφή με τις ηλεκτροφόρες περιοχές του ψυγείου σας και προκαλεί βραχυκύκλωμα ή ηλεκτροπληξία.
- Προσέχετε να κρατάτε το νερό μακριά από οπές αερισμού, ηλεκτρονικά κυκλώματα ή κυκλώματα φωτισμού του προϊόντος.
- Χρησιμοποιήστε ένα καθαρό, στεγνό πανί για να σκουπίσετε τη σκόνη ή τα ξένα υλικά από τους πόλους των φιν. Μη χρησιμοποιήσετε βρεγμένο ή υγρό πανί για να καθαρίσετε το φιν. Διαφορετικά μπορεί να προκύψει κίνδυνος πυρκαγιάς ή ηλεκτροπληξίας.

## 2 Οδηγίες σχετικά με το περιβάλλον

### 2.1 Συμμόρφωση με την Οδηγία WEEE και τελική διάθεση του προϊόντος στο τέλος της ωφέλιμης ζωής του



■  
(ΑΗΗΕ).

Το προϊόν αυτό συμμορφώνεται με την οδηγία ΑΗΗΕ της ΕΕ (2012/19/ΕΕ). Το προϊόν αυτό φέρει ένα σύμβολο ταξινόμησης για απόβλητα ηλεκτρικού και ηλεκτρονικού εξοπλισμού

Αυτό το σύμβολο υποδεικνύει ότι το προϊόν αυτό δεν πρέπει να απορριφθεί με τα οικιακά απορρίμματα στο τέλος της ωφέλιμης ζωής του. Η χρησιμοποιημένη συσκευή πρέπει να επιστραφεί σε επίσημο σημείο συλλογής για την ανακύκλωση ηλεκτρικών και ηλεκτρονικών συσκευών. Για να βρείτε αυτά τα συστήματα συλλογής, επικοινωνήστε με τις τοπικές σας αρχές, ή με το σημείο που αγοράσατε το προϊόν. Κάθε νοικοκυριό παίζει σημαντικό ρόλο στην ανάκτηση και ανακύκλωση των παλιών συσκευών. Η σωστή τελική διάθεση της χρησιμοποιη-

μένης συσκευής συμβάλλει στην πρόληψη πιθανών αρνητικών συνεπειών για το περιβάλλον και την ανθρώπινη υγεία.

### Συμμόρφωση με την Οδηγία RoHS

Το προϊόν που έχετε προμηθευτεί συμμορφώνεται με την Οδηγία RoHS της ΕΕ (2011/65/ΕΕ). Δεν περιέχει επιβλαβείς και απαγορευμένες ουσίες που καθορίζονται στην Οδηγία αυτή.

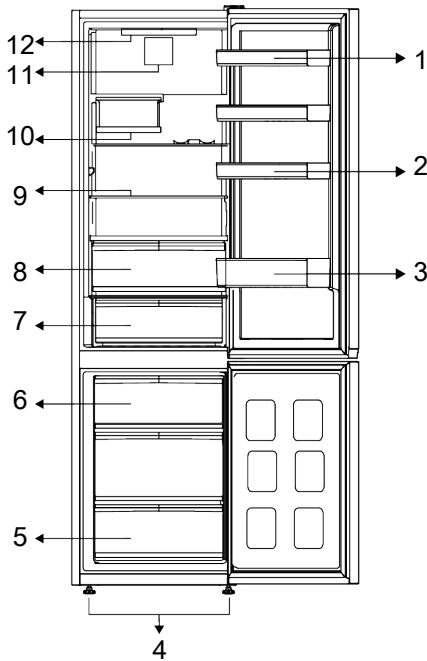


### Πληροφορίες για τη συσκευασία

Τα υλικά συσκευασίας του προϊόντος κατασκευάζονται από ανακυκλώσιμα υλικά σύμφωνα με τους Εθνικούς μας Περιβαλλοντικούς Κανονισμούς. Μην απορρίπτετε τα υλικά συσκευασίας μαζί με οικιακά ή άλλου είδους απορρίμματα. Μεταφέρετέ τα στα σημεία συλλογής υλικών συσκευασίας τα οποία έχουν καθοριστεί από τις τοπικές αρχές.

EL

## 3 Το ψυγείο σας



- 1 \* Ρυθμιζόμενα ράφια πόρτας
- 3 \* Ράφι μπουκαλιών
- 5 \* Θάλαμος καταψύκτη
- 7 \* Συρτάρι έντονης ψύξης
- 9 \* Ρυθμιζόμενα ράφια
- 11 \* Ανεμιστήρας

- 2 \* Αυγοθήκες
- 4 \* Ρυθμιζόμενα μπροστινά πόδια
- 6 \* Δοχείο πάγου
- 8 \* Συρτάρι λαχανικών
- 10 \* Αναδιπλούμενη υποδοχή κρασιών
- 12 \* Λαμπτήρας φωτισμού

**\*Προαιρετικός εξοπλισμός:** Οι εικόνες στο παρόν εγχειρίδιο χρήσης είναι σχηματικές και ενδέχεται να μη συμφωνούν ακρι-

βώς με το προϊόν που έχετε. Αν το προϊόν δεν περιλαμβάνει τα σχετικά εξαρτήματα, οι πληροφορίες αφορούν άλλα μοντέλα.

## 4 Εγκατάσταση



Διαβάστε πρώτα την ενότητα "Οδηγίες Ασφαλείας"!

### 4.1 Σωστή θέση εγκατάστασης

Για την εγκατάσταση του προϊόντος επικοινωνήστε με το Εξουσιοδοτημένο Σέρβις. Για να προετοιμάσετε το προϊόν για εγκατάσταση, δείτε τις πληροφορίες στο εγχειρίδιο χρήσης και βεβαιωθείτε ότι οι παροχές ρεύματος και νερού συμμορφώνονται με τις απαιτήσεις. Αν όχι, καλέστε έναν ηλεκτρολόγο και υδραυλικό για να διαμορφώσετε τις παροχές όπως χρειάζεται.



#### ΠΡΟΕΙΔΟΠΟΙΗΣΗ:

Ο κατασκευαστής δεν φέρει ευθύνη για τυχόν ζημιές που μπορεί να προκληθούν από εργασίες που διενεργούνται από μη εξουσιοδοτημένα άτομα.



#### ΠΡΟΕΙΔΟΠΟΙΗΣΗ:

Το καλώδιο παροχής ρεύματος του προϊόντος πρέπει να είναι αποσυνδεδεμένο κατά την εγκατάσταση. Το αντίθετο μπορεί να οδηγήσει σε θάνατο ή σοβαρούς τραυματισμούς!



#### ΠΡΟΕΙΔΟΠΟΙΗΣΗ:

Αν το προϊόν δεν χωράει να περάσει από την πόρτα του δωματίου εγκατάστασης, αφαιρέστε την πόρτα και γυρίστε το προϊόν στο πλάι: αν αυτό δεν αρκεί, επικοινωνήστε με την εξουσιοδοτημένη υπηρεσία σέρβις.

- Τοποθετήστε το προϊόν πάνω σε μία επίπεδη επιφάνεια, για να αποφεύγετε τη δημιουργία κραδασμών.
- Τοποθετήστε το προϊόν τουλάχιστον 30 cm μακριά από σόμπα, συσκευή κουζίνας και παρόμοιες πηγές θερμότητας και τουλάχιστον 5 cm από ηλεκτρικούς φούρνους.

- Μην εκθέτετε το προϊόν σε άμεση ηλιακή ακτινοβολία και μην το φυλάσσετε σε περριβάλλον με υγρασία.
- Το προϊόν χρειάζεται επαρκή κυκλοφορία αέρα για να λειτουργεί αποδοτικά. Αν το προϊόν πρόκειται να τοποθετηθεί μέσα σε εσοχή τοίχου, μην παραλείψετε να αφήσετε ελεύθερη απόσταση τουλάχιστον 5 cm ανάμεσα στο προϊόν και την οροφή, τον πίσω τοίχο και τους πλευρικούς τοίχους.
- Ελέγξτε αν υπάρχει στη θέση του το εξάρτημα διασφάλισης της απόστασης από τον πίσω τοίχο (αν παρέχεται με το προϊόν).
- Αν το εξάρτημα δεν είναι διαθέσιμο, ή αν έχει χαθεί ή πέσει, ρυθμίστε τη θέση του προϊόντος έτσι ώστε να παραμένει διάκενο τουλάχιστον 5 cm ανάμεσα στην πίσω επιφάνεια του προϊόντος και τον τοίχο του δωματίου. Ο ελεύθερος χώρος στην πίσω πλευρά είναι σημαντικός για την αποδοτική λειτουργία του προϊόντος.

### 4.2 Σύνδεση στο ηλεκτρικό ρεύμα



Μη χρησιμοποιείτε επεκτάσεις ή πολύπριζα για την σύνδεση στην παροχή ρεύματος.



Αν το καλώδιο ρεύματος έχει υποστεί ζημιά, πρέπει να αντικατασταθεί από Εξουσιοδοτημένο Σέρβις.



Όταν τοποθετείτε δύο ψυγεία το ένα δίπλα στο άλλο, αφήστε απόσταση τουλάχιστον 4 cm ανάμεσα στις δύο μονάδες.

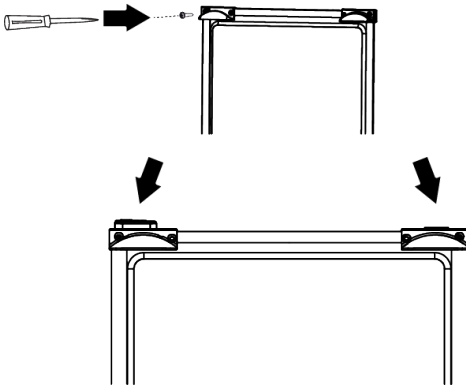
- Η εταιρία μας δεν φέρει ευθύνη για τυχόν βλάβες λόγω χρήσης χωρίς γείωση ή χωρίς παροχή ρεύματος που συμμορφώνεται με τους εθνικούς κανονισμούς.
- Το φινιρίσμα του καλωδίου ρεύματος πρέπει να είναι εύκολα προσβάσιμο μετά την εγκατάσταση.

- Μη χρησιμοποιείτε πολύπριζο με ή χωρίς καλώδιο επέκτασης ανάμεσα στην πρίζα και το ψυγείο.

### 4.3 Τοποθέτηση των πλαστικών σφηνών

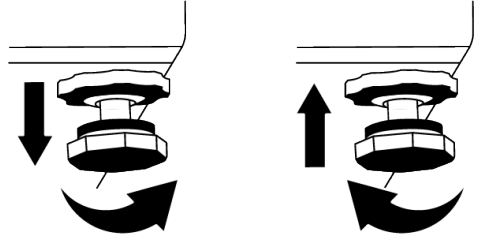
Χρησιμοποιήστε τους πλαστικούς αποστάτες που παρέχονται με το προϊόν για να διατηρείται επαρκής ελεύθερος χώρος ανάμεσα στο προϊόν και τον τοίχο.

1. Για να τοποθετήσετε τις σφήνες, αφαιρέστε τις βίδες από τη συσκευή και χρησιμοποιήστε τις βίδες που παρέχονται μαζί με τις σφήνες.
2. Τοποθετήστε 2 πλαστικές σφήνες στο κάλυμμα εξαερισμού όπως φαίνεται στην εικόνα.



### 4.4 Ρύθμιση των ποδιών

Αν το προϊόν δεν είναι οριζόντιο και σε ευσταθή θέση, ρυθμίστε τα μπροστινά ρυθμιζόμενα πόδια του, περιστρέφοντάς τα δεξιόστροφα ή αριστερόστροφα.



### 4.5 Προειδοποίηση για θερμές επιφάνειες

Τα πλευρικά τοιχώματα του προϊόντος διαθέτουν σωλήνες ψύξης για την ενίσχυση του συστήματος ψύξης. Αυτές οι επιφάνειες ενδέχεται να διατρέχονται από υγρό υψηλής πίεσης, το οποίο θερμαίνει τις επιφάνειες των πλευρικών τοιχωμάτων. Αυτό αποτελεί μέρος της φυσιολογικής λειτουργίας και δεν απαιτείται σέρβις. Προσέχετε κατά την επαφή με αυτές τις επιφάνειες.

## 5 Προετοιμασία



Διαβάστε πρώτα την ενότητα "Οδηγίες Ασφαλείας"!

### 5.1 Τι να κάνετε για να εξοικονομήσετε ενέργεια

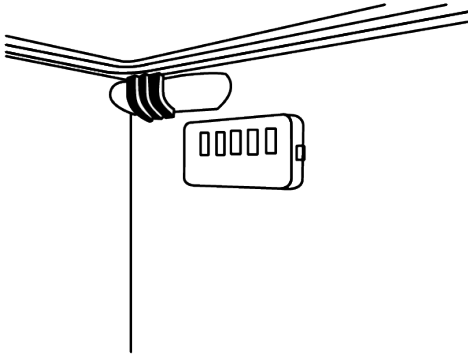


Η σύνδεση του προϊόντος σε ηλεκτρονικά συστήματα εξοικονόμησης ενέργειας είναι επιβλαβής, και ενδέχεται να προκαλέσει ζημιά στο προϊόν.

- Αυτή η ψυκτική συσκευή δεν προορίζεται για χρήση ως εντοιχισόμενη συσκευή.
- Μην αφήνετε τις πόρτες του ψυγείου ανοιχτές για μεγάλα χρονικά διαστήματα.

- Μην τοποθετείτε θερμά τρόφιμα ή ποτά μέσα στο ψυγείο.
- Μη γεμίζετε υπερβολικά το ψυγείο: η παρεμπόδιση της εσωτερικής ροής αέρα θα μειώσει την ικανότητα ψύξης.
- Για να τοποθετήσετε τη μέγιστη ποσότητα τροφίμων στον θάλαμο καταψύκτη του ψυγείου σας, πρέπει να αφαιρέσετε τα πάνω συρτάρια και να τοποθετήσετε τα τρόφιμα πάνω στα συρμάτινα/γυάλινα ράφια. Οι πληροφορίες καθαρού όγκου και κατανάλωσης ενέργειας που δηλώνονται στην ενεργειακή ετικέτα του ψυγείου σας δοκιμάστηκαν αφού αφαιρέθηκαν τα πάνω συρτάρια στον θάλαμο συντήρησης και ο κάδος πάγου, που αφαιρούνται εύκολα με τα χέρια.

- Συνιστάται ιδιαίτερα η χρήση του κάτω συρταριού κατά τη φύλαξη τροφίμων.
- Ανάλογα με τα χαρακτηριστικά του προϊόντος: η απόψυξη κατεψυγμένων τροφίμων στο θάλαμο συντήρησης θα εξασφαλίσει την εξοικονόμηση ενέργειας και θα διαφυλάξει την ποιότητα των τροφίμων.
- Βεβαιωθείτε πως τα τρόφιμα δεν βρίσκονται σε επαφή με τον αισθητήρα θερμοκρασίας του θαλάμου συντήρησης ο οποίος περιγράφεται παρακάτω.



- Αν είναι σε επαφή με τον αισθητήρα, η κατανάλωση ενέργειας της συσκευής μπορεί να αυξηθεί
- Τα τρόφιμα θα πρέπει να αποθηκεύονται στα συρτάρια του θαλάμου συντήρησης για να εξασφαλιστεί η εξοικονόμηση ενέργειας και η διατήρηση των τροφίμων σε καλύτερες συνθήκες.
- Οι συσκευασίες τροφίμων δεν πρέπει να είναι σε άμεση επαφή με τον αισθητήρα θερμοκρασίας που βρίσκεται μέσα στον θάλαμο καταψύκτη.

## 5.2 Πρώτη χρήση

Πριν χρησιμοποιήσετε το ψυγείο σας, βεβαιωθείτε πως έχουν γίνει οι απαραίτητες προετοιμασίες σύμφωνα με τις οδηγίες στις ενότητες "Ασφάλεια και οδηγίες σχετικά με το περιβάλλον" και "Εγκατάσταση".

- Αφήστε το προϊόν σε λειτουργία για 6 ώρες χωρίς να τοποθετήσετε τρόφιμα μέσα και μην ανοίξετε την πόρτα του, εκτός αν αυτό είναι απολύτως απαραίτητο.

- Η αλλαγή θερμοκρασίας που προκαλείται από το άνοιγμα και κλείσιμο της πόρτας κατά τη χρήση του προϊόντος μπορεί κανονικά να έχει σαν συνέπεια συμπύκνωση πάνω σε ράφια της πόρτας/του κυρίως σώματος και σε γυάλινες συσκευασίες που είναι τοποθετημένες μέσα στο προϊόν.



Θα ακουστεί ένας ήχος όταν ο συμπιεστής τεθεί σε λειτουργία. Είναι φυσιολογικό να παράγονται θόρυβοι στο προϊόν ακόμα και αν ο συμπιεστής δεν λειτουργεί, καθώς μπορεί να υπάρχει συμπιεσμένο υγρό και αέριο μέσα στο ψυκτικό σύστημα.



Είναι φυσιολογικό να είναι θερμές οι μπροστινές άκρες του ψυγείου. Η θέρμανση αυτών των περιοχών είναι μέρος του σχεδιασμού με σκοπό την αποτροπή συμπύκνωσης.



Σε κάποια μοντέλα, ο πίνακας ενδείξεων απενεργοποιείται αυτόματα 1 λεπτό μετά το κλείσιμο της πόρτας. Ενεργοποιείται ξανά όταν ανοιχτεί η πόρτα ή όταν πατηθεί οποιοδήποτε κουμπί.

## 5.3 Κατηγορία κλίματος και ορισμοί

Παρακαλούμε ανατρέξτε στην πληροφορία Κατηγορία κλίματος (Climate Class) πάνω στην πινακίδα στοιχείων της συσκευής σας. Μία από τις ακόλουθες πληροφορίες έχει εφαρμογή στη συσκευή σας σύμφωνα με την κατηγορία κλίματος.

- **SN:** Μακροπρόθεσμα εύκρατο κλίμα: Αυτή η ψυκτική συσκευή έχει σχεδιαστεί για χρήση σε θερμοκρασίες περιβάλλοντος μεταξύ 10 °C και 32 °C.
- **N:** Εύκρατο κλίμα: Αυτή η ψυκτική συσκευή έχει σχεδιαστεί για χρήση σε θερμοκρασίες περιβάλλοντος μεταξύ 16 °C και 32 °C.

- **ST:** Υποτροπικό κλίμα: Αυτή η ψυκτική συσκευή έχει σχεδιαστεί για χρήση σε θερμοκρασίες περιβάλλοντος μεταξύ 16 °C και 38 °C.

- **T:** Τροπικό κλίμα: Αυτή η ψυκτική συσκευή έχει σχεδιαστεί για χρήση σε θερμοκρασίες περιβάλλοντος μεταξύ 16 °C και 43 °C.

## 6 Χειρισμός του προϊόντος

EL



Διαβάστε πρώτα την ενότητα "Οδηγίες Ασφαλείας"!

- Μη χρησιμοποιείτε κανενός είδους μηχανικά εργαλεία ή οποιαδήποτε άλλα εργαλεία που δεν συνιστώνται από τον κατασκευαστή για να επιταχύνετε την διαδικασία απόψυξης.
- Μη χρησιμοποιείτε μέρη του ψυγείου σας όπως η πόρτα ή τα συρτάρια για στήριξη ή για να πατάτε πάνω τους. Αυτό μπορεί να προκαλέσει ανατροπή του προϊόντος ή βλάβη στα εξαρτήματά του.
- Το προϊόν θα πρέπει να χρησιμοποιείται μόνο για αποθήκευση τροφίμων.
- Κλείστε την βαλβίδα νερού αν βρίσκεστε μακριά από το σπίτι (π.χ. σε διακοπές) και δεν πρόκειται να χρησιμοποιήσετε το

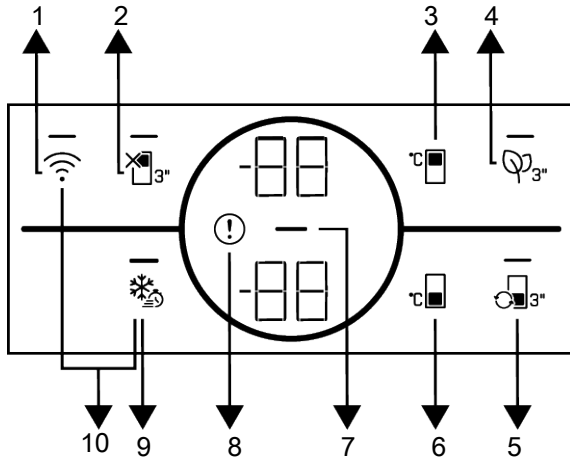
Icematic ή τον διανομέα νερού για μεγάλο χρονικό διάστημα. Διαφορετικά, ενδέχεται να υπάρξουν διαρροές νερού.

### Αποσύνδεση του προϊόντος από την πρίζα

- Αν δεν πρόκειται να χρησιμοποιήσετε το προϊόν για μεγάλο διάστημα, αποσυνδέστε το από την πρίζα.
- Αφαιρέστε τα τρόφιμα για να αποφύγετε δυσοσμία.
- Περιμένετε να λιώσει ο πάγος, καθαρίστε το εσωτερικό και αφήστε το να στεγνώσει, αφήστε τις πόρτες ανοικτές για να αποφύγετε ζημιά στα εσωτερικά πλαστικά μέρη του κορμού του προϊόντος.

## 7 Χρήση της συσκευής σας

### 7.1 Πίνακας ελέγχου του προϊόντος



- |  |   |
|--|---|
| 1 * Πλήκτρο ασύρματης σύνδεσης                       | 2 * Λειτουργία Απενεργοποίησης θαλάμου Συντήρησης (λειτουργία Διακοπών) |
| 3 * Πλήκτρο ρύθμισης θερμοκρασίας θαλάμου Συντήρησης | 4 * Πλήκτρο μονάδας καταπολέμησης οσμών                                 |
| 5 * Πλήκτρο μετατροπής θαλάμου                       | 6 * Πλήκτρο ρύθμισης θερμοκρασίας θαλάμου Καταψύκτη                     |
| 7 * Ένδειξη εξοικονόμησης ενέργειας (οθόνη ανενεργή) | 8 * Ένδειξη κατάστασης σφάλματος  |
| 9 * Πλήκτρο Ταχείας Κατάψυξης                        | 10 * Πλήκτρο επαναφοράς ρυθμίσεων ασύρματης σύνδεσης                    |



Διαβάστε πρώτα την ενότητα "Οδηγίες Ασφαλείας".

Οι ηχητικές και οπτικές λειτουργίες του πίνακα ενδείξεων θα σας βοηθήσουν στη χρήση του ψυγείου.

**\*Προαιρετικός εξοπλισμός:** Οι εμφανιζόμενες λειτουργίες είναι προαιρετικές, ενδέχεται να υπάρχουν διαφορές σε σχήμα και θέση στις λειτουργίες που υπάρχουν στον πίνακα ενδείξεων της συσκευής σας.

#### 1. Πλήκτρο ασύρματης σύνδεσης

Το πλήκτρο χρησιμοποιείται για τη δημιουργία ασύρματης σύνδεσης με το προϊόν

σας μέσω της εφαρμογής HomeWhiz για κινητά. Αν πατήσετε το πλήκτρο για 3 δευτερόλεπτα, το σύμβολο ασύρματης σύνδεσης στην οθόνη/πίνακα θα αναβοσβήνει αργά (σε διαστήματα 0,5 δευτερολέπτων). Με αυτό τον τρόπο γίνεται η αρχική σύνδεση του προϊόντος με το οικιακό δίκτυο. Μετά την επίτευξη της ασύρματης σύνδεσης με το προϊόν, το σύμβολο ασύρματης σύνδεσης παραμένει σταθερά αναμμένο. Μπορείτε να ενεργοποιήσετε/ απενεργοποιήσετε τη σύνδεση με ένα σύντομο πάτημα στο πλήκτρο αυτό. Το εικονίδιο ασύρματης σύνδεσης θα αναβοσβήνει (σε διαστήματα 0,2 δευτερολέπτων) έως ότου δημιουργηθεί η σύνδεση. Όταν η σύνδεση είναι ενεργή, η



LED θα είναι μόνιμα αναμμένη. Αν δεν μπορεί να επιτευχθεί σύνδεση για μεγάλο χρονικό διάστημα, ελέγξτε τις ρυθμίσεις σύνδεσής σας και ανατρέξτε στην ενότητα "Αντιμετώπιση προβλημάτων" η οποία περιέχεται στο Εγχειρίδιο Χρήστη. Η εφαρμογή HomeWhiz θα χρησιμοποιείται για την ασύρματη σύνδεση. Τα βήματα για την αρχική διαμόρφωση εξηγούνται στην ίδια την εφαρμογή κατά την πορεία της διαμόρφωσης. Μπορείτε να αποκτήσετε πρόσβαση στην εφαρμογή σκανάροντας τον κωδικό QR ο οποίος βρίσκεται στην ετικέτα HomeWhiz πάνω στη συσκευή. Μπορείτε να αποκτήσετε την εφαρμογή από το App Store, ή από το Play Store για συσκευές Android. Για λεπτομέρειες επισκεφθείτε τη διεύθυνση <https://www.homewhiz.com/>.

## 2. Πλήκτρο λειτουργίας Απενεργοποίησης θαλάμου συντήρησης (λειτουργίας

### Διακοπών)

Πατήστε το πλήκτρο για 3 δευτερόλεπτα για να ενεργοποιήσετε τη λειτουργία διακοπών. Η λειτουργία διακοπών ενεργοποιείται και η ενδεικτική λυχνία LED στο πλήκτρο ανάβει. Θα εμφανιστεί το σύμβολο "- -" στην ένδειξη θερμοκρασίας του θαλάμου συντήρησης και ο θάλαμος συντήρησης δεν πραγματοποιεί ενεργά ψύξη. Δεν θα πρέπει να φυλάσσετε τα τρόφιμά σας μέσα στον θάλαμο συντήρησης αν ενεργοποιήσετε αυτή τη λειτουργία. Οι άλλοι θάλαμοι θα συνεχίσουν να ψύχονται σύμφωνα με τις θερμοκρασίες που είχαν ρυθμιστεί. Για να ακυρώσετε αυτή τη λειτουργία, πατήστε πάλι και κρατήστε πατημένο το πλήκτρο για 3 δευτερόλεπτα.

## 3. Πλήκτρο ρύθμισης θερμοκρασίας θαλάμου συντήρησης

Επιτρέπει την ρύθμιση της θερμοκρασίας για τον θάλαμο συντήρησης. Με το πάτημα του πλήκτρου μπορείτε να ρυθμίσετε τη θερμοκρασία θαλάμου συντήρησης σε θερμοκρασία 8 °C, 7 °C, 6 °C, 5 °C, 4 °C, 3 °C, 2 °C, ή 1 °C.

## 4.\*Πλήκτρο μονάδας καταπολέμησης

### οσμών

Πατήστε αυτό το πλήκτρο για 3 δευτερόλεπτα για να ενεργοποιήσετε/ απενεργοποιήσετε τη λειτουργία καταπολέμησης οσμών. Όταν είναι ενεργή η λειτουργία καταπολέμησης οσμών, είναι αναμμένη η LED στο αντίστοιχο πλήκτρο. Όταν είναι ενεργή η λειτουργία, η μονάδα καταπολέμησης οσμών θα ενεργοποιείται περιοδικά.

## 5. Πλήκτρο μετατροπής θαλάμου

Αν πατήσετε για 3 δευτερόλεπτα το πλήκτρο μετατροπής θαλάμου, το τμήμα καταψύκτη μεταβαίνει κυκλικά από λειτουργία συντήρησης, σε απενεργοποιημένη κατάσταση και σε λειτουργία καταψύκτη. Αν χρησιμοποιείται σαν θάλαμος συντήρησης, η θερμοκρασία του θαλάμου θα ρυθμιστεί σε 4 °C. Στην απενεργοποιημένη κατάσταση, η ένδειξη θερμοκρασίας του θαλάμου θα είναι "- -".

## 6. Πλήκτρο ρύθμισης θερμοκρασίας θαλάμου Καταψύκτη

Η ρύθμιση θερμοκρασίας γίνεται για το θάλαμο καταψύκτη. Πατώντας αυτό το πλήκτρο μπορείτε να ρυθμίσετε τη θερμοκρασία του θαλάμου καταψύκτη στους -18 °C, -19 °C, -20 °C, -21 °C, -22 °C, -23 °C και -24 °C.

## 7. Ένδειξη εξοικονόμησης ενέργειας (οθόνη ανενεργή)

Η λειτουργία εξοικονόμησης ενέργειας ενεργοποιείται αυτόματα και το σύμβολο εξοικονόμησης ενέργειας ανάβει όταν η πόρτα του προϊόντος δεν ανοίξει ή κλείσει για ορισμένο χρονικό διάστημα. Όταν είναι ενεργή η λειτουργία εξοικονόμησης ενέργειας, θα σβήσουν όλα τα σύμβολα στην οθόνη, εκτός από το σύμβολο εξοικονόμησης ενέργειας. Όταν είναι ενεργή η λειτουργία εξοικονόμησης ενέργειας, αν πατήσετε κάποιο πλήκτρο ή ανοίξετε την πόρτα, η λειτουργία εξοικονόμησης ενέργειας θα απενεργοποιηθεί, και τα σύμβολα στην οθόνη θα επιστρέψουν στην φυσιολογική τους κατάσταση. Η λειτουργία εξοικονόμησης ενέργειας έχει οριστεί ως ενεργή από το εργοστάσιο και δεν μπορεί να ακυρωθεί.

## 8. Ένδειξη κατάστασης σφάλματος

Αυτή η ένδειξη θα είναι ενεργή αν το ψυγείο σας δεν μπορεί να παρέχει επαρκή ψύξη ή σε περίπτωση τυχόν σφάλματος αισθητήρα. Στην οθόνη ενδείξεων θερμοκρασίας θαλάμου καταψύκτη θα εμφανίζεται το γράμμα "E" και στην οθόνη ενδείξεων θερμοκρασίας θαλάμου συντήρησης θα εμφανίζονται οι αριθμοί 1, 2, 3. Αυτοί οι αριθμοί στην οθόνη ενδείξεων πληροφορούν το σέρβις σχετικά με τη βλάβη. Αν τοποθετήσετε ζεστά τρόφιμα στο θάλαμο καταψύκτη ή αν αφήσετε την πόρτα του ανοικτή για πολλή ώρα, μπορεί να εμφανιστεί ένα σήμα θαυμαστικού. Δεν πρόκειται για σφάλμα, η προειδοποίηση θα πάψει να εμφανίζεται όταν τα τρόφιμα ψυχθούν ή αν πατήσετε οποιοδήποτε πλήκτρο.

## 9. Πλήκτρο Ταχείας Κατάψυξης

Όταν πατηθεί το πλήκτρο ταχείας κατάψυξης, ανάβει η λυχνία LED στο πλήκτρο και ενεργοποιείται η λειτουργία ταχείας κα-

τάψυξης. Η θερμοκρασία θαλάμου καταψύκτη ρυθμίζεται στους -27 °C. Για να ακυρώσετε τη λειτουργία, πατήστε πάλι το πλήκτρο. Η λειτουργία ταχείας κατάψυξης θα απενεργοποιηθεί αυτόματα μετά από 24 ώρες. Για να καταψύξετε μια μεγάλη ποσότητα νωπών τροφίμων, πατήστε το πλήκτρο ταχείας κατάψυξης πριν τοποθετήσετε τα τρόφιμα στον θάλαμο καταψύκτη.

## 10. Πλήκτρο επαναφοράς ρυθμίσεων

### ασύρματης σύνδεσης +

Για επαναφορά των ρυθμίσεων ασύρματης σύνδεσης, πρέπει να πατηθούν τα πλήκτρα Ταχείας Κατάψυξης

Ταχείας Κατάψυξης και Ασύρματης Σύνδεσης ταυτόχρονα για 3 δευτερόλεπτα. Όλες οι πληροφορίες χρήστη οι οποίες έχουν καταγραφεί καταργούνται από το προϊόν όταν γίνει επαναφορά/αποκατάσταση των εργαστασιακών ρυθμίσεων.

## 7.2 Φύλαξη τροφίμων στον θάλαμο συντήρησης

### Φύλαξη τροφίμων στον θάλαμο συντήρησης

- Οι θερμοκρασίες των θαλάμων αυξάνονται έντονα αν η πόρτα του θαλάμου ανοίγει και κλείνει συχνά και διατηρείται ανοικτή για μεγάλο χρονικό διάστημα. Αυτό μπορεί να μειώσει τη διάρκεια ζωής των τροφίμων και να προκαλέσει αλλοίωσή τους.
- Για να μην προκαλούνται δυσοσμία και αλλαγές γεύσης μέσα στη συσκευή, τα τρόφιμα θα πρέπει να φυλάσσονται σε κλειστούς περιέκτες.
- Μην αποθηκεύετε υπερβολικές ποσότητες τροφίμων στο ψυγείο. Για να επιτύχετε καλύτερη και ομοιόμορφη ψύξη, τοποθετείτε τα τρόφιμα σε αποστάσεις μεταξύ τους ώστε να μπορεί να κυκλοφορεί ανάμεσά τους ο αέρας.
- Διευκολύνετε τη ροή του αέρα αφήνοντας διάκενα ανάμεσα στα τρόφιμα και το εσωτερικό τοίχωμα. Αν στηρίζετε τρόφιμα στο πίσω τοίχωμα, τα τρόφιμα αυτά μπορεί να παγώσουν.

- Αφήνετε τα μαγειρεμένα ζεστά φαγητά να κρυώσουν σε θερμοκρασία δωματίου πριν τα τοποθετήσετε μέσα στο ψυγείο. Κατόπιν μπορείτε να τοποθετήσετε το προς ψύξη φαγητό στα κάτω ράφια του ψυγείου σας. Μην τοποθετείτε τα προς ψύξη φαγητά κοντά σε τρόφιμα που μπορούν να αλλοιωθούν εύκολα.
- Αποψύχετε τα κατεψυγμένα σας τρόφιμα μέσα στον θάλαμο συντήρησης. Με αυτόν τον τρόπο μπορείτε να ψύξετε τον θάλαμο συντήρησης με χρήση των κατεψυγμένων τροφίμων και να εξοικονομήτε ενέργεια.
- Η φύλαξη στο ψυγείο μη ώριμων τροπικών φρούτων (όπως μάνγκο, ποικιλίες πεπονιών, παπάγια, μπανάνες, ανανάς) μπορεί να επιταχύνει τη διαδικασία ωρίμανσης. Αυτό δεν συνιστάται γιατί θα προκαλέσει μικρότερο χρόνο φύλαξης.
- Θα πρέπει να φυλάσσετε κρεμμύδια, σκόρδα, τζιντζερ και άλλα ριζώδη λαχανικά σε σκοτεινές και δροσερές συνθήκες, όχι μέσα στο ψυγείο.

- Αν διαπιστώσετε ότι ένα τρόφιμο μέσα στο ψυγείο έχει αλλοιωθεί, πετάξτε το και καθαρίστε τα αξεσουάρ που έχουν έρθει σε επαφή μεταξύ τους.
- Για να ψύξετε γρήγορα φαγητά όπως σουπές και ραγού, που μαγειρεύονται μέσα σε μεγάλες κασαρόλες, μπορείτε να τα τοποθετείτε μέσα στο ψυγείο χωρίζοντάς τα σε άλλα δικά σας ρηχά δοχεία.
- Μην τοποθετείτε μη συσκευασμένα τρόφιμα κοντά σε αυγά.
- Φυλάσσετε τα φρούτα και τα λαχανικά ξεχωριστά και αποθηκεύετε κάθε είδος μαζί, για παράδειγμα μήλα με μήλα, καρότα με καρότα.
- Αφαιρείτε τα πράσινα λαχανικά από τις πλαστικές σακούλες και τοποθετείτε τα μέσα στο ψυγείο αφού τα τυλίξετε σε χαρτί κουζίνας ή χαρτί στεγνώματος. Αν πλένετε τα τρόφιμα αυτά πριν τα τοποθετήσετε στο ψυγείο, μην ξεχνάτε να τα στεγνώνετε πριν τη φύλαξη.
- Μπορείτε και να δημιουργήσετε ένα υγρό περιβάλλον και να παρέχετε ροή αέρα διατηρώντας φρούτα και λαχανικά που είναι ευπαθή σε ξήρανση, σε διάτρητες ή μη στεγανές πλαστικές σακούλες.
- Εκτός από περιπτώσεις όπου υπάρχουν ακραίες συνθήκες στο περιβάλλον, αν το προϊόν σας (στον πίνακα συνιστώμενων τιμών ρύθμισης) έχει ρυθμιστεί στις προβλεπόμενες τιμές ρύθμισης, τα τρόφιμα διατηρούν τη φρεσκάδα τους για περισσότερο χρόνο, τόσο στον θάλαμο συντήρησης όσο και στον θάλαμο καταψύκτη.

Φυλάσσετε τα τρόφιμα σε ξεχωριστές θέσεις σύμφωνα με τις ιδιότητές τους:	
Τροφή	Θέση
Αυγό	Ράφι πόρτας
Γαλακτοκομικά προϊόντα (βούτυρο, τυρί)	Αν διατίθεται, σε διαμέρισμα μηδέν βαθμών Κελσίου (για τρόφιμα πρωινού)
Φρούτα, λαχανικά και φυλλώδη είδη	Διαμέρισμα φρούτων-λαχανικών, διαμέρισμα λαχανικών ή διαμέρισμα EverFresh+ (αν διατίθεται)
Νωπό κρέας, πουλερικά, ψάρια, λουκάνικα κλπ. Μαγειρεμένα τρόφιμα	Αν διατίθεται, σε διαμέρισμα μηδέν βαθμών Κελσίου (για τρόφιμα πρωινού)
Τρόφιμα έτοιμα για σερβίρισμα, συσκευασμένα προϊόντα, τρόφιμα σε κονσέρβα και πίκλες	Πάνω ράφια ή ράφι πόρτας
Αναψυκτικά, μπουκάλια, μπαχαρικά και σνακ	Ράφι πόρτας

### Φύλαξη τροφίμων στον θάλαμο καταψύκτη

- Μπορείτε να ενεργοποιήσετε τη λειτουργία Ταχεία Κατάψυξη 4-6 ώρες πριν τη λειτουργία κατάψυξης, και να επιτύχετε ταχύτερη ψύξη των τροφίμων.
- Αφήνετε τα ζεστά φαγητά να κρυσώσουν σε θερμοκρασία δωματίου πριν τα τοποθετήσετε μέσα στο θάλαμο καταψύκτη.
- Τα τρόφιμα προς κατάψυξη πρέπει να τα χωρίζετε σε μερίδες ανάλογα με την ποσότητα που θα καταναλωθεί, και να τα καταψύχετε σε ξεχωριστές συσκευασίες.
- Συνιστάται να συσκευάζετε τα τρόφιμα πριν τα τοποθετήσετε μέσα στον καταψύκτη.
- Για να αποφύγετε τη λήξη των περιόδων αποθήκευσης, σημειώνετε στη συσκευασία την ημερομηνία ψύξης, το χρονικό όριο και το όνομα του τροφίμου, σύμφωνα με τις περιόδους αποθήκευσης των διαφόρων τροφίμων.
- Καταναλώνετε γρήγορα τα τρόφιμα που έχετε αποψύξει. Τα τρόφιμα που έχουν αποψυχθεί δεν επιτρέπεται να καταψυχθούν πάλι εκτός αν μαγειρευτούν πρώτα. Δεν είναι ασφαλές να καταναλώνετε νωπά τρόφιμα που επανακαταψύχθηκαν χωρίς να τα μαγειρέψετε αφού αποψύχθηκαν.
- Όταν καταψύχετε νωπά τρόφιμα, αποφύγετε να τα φέρνετε σε επαφή με ήδη κατεψυγμένα τρόφιμα. Διαφορετικά, τα ήδη κατεψυγμένα τρόφιμα θα αποψυχθούν.

## Φύλαξη κατεψυγμένων προϊόντων

- Πάντα τηρείτε τις οδηγίες του παραγωγού των τροφίμων σε σχέση με το χρόνο που μπορείτε να φυλάξετε τα τρόφιμα. Μην υπερβαίνεται τον χρόνο που καθορίζεται στις οδηγίες αυτές!
- Για να προστατεύετε την ποιότητα των τροφίμων, διατηρείτε όσο το δυνατόν μικρότερο το διάστημα μεταξύ της αγοράς και τη φύλαξης των τροφίμων.
- Αγοράζετε κατεψυγμένα τρόφιμα που έχουν αποθηκευτεί σε  $-18\text{ }^{\circ}\text{C}$  ή χαμηλότερες θερμοκρασίες.
- Αποφεύγετε να αγοράζετε τρόφιμα των οποίων οι συσκευασίες καλύπτονται από πάγο κλπ. Αυτό σημαίνει ότι το προϊόν ενδεχομένως είχε αποψυχθεί εν μέρει και

καταψυχθεί πάλι. Η θερμοκρασία έχει μεγάλες επιπτώσεις στην ποιότητα των τροφίμων.

- Μην υπερβαίνετε τον χρόνο φύλαξης που συνιστά ο παραγωγός των τροφίμων. Αφαιρείτε από τον καταψύκτη μόνο όσα τρόφιμα χρειάζεστε.
- Εκτός από περιπτώσεις όπου υπάρχουν ακραίες συνθήκες στο περιβάλλον, αν το προϊόν σας (στον πίνακα συνιστώμενων τιμών ρύθμισης) έχει ρυθμιστεί στις προβλεπόμενες τιμές ρύθμισης, τα τρόφιμα διατηρούν τη φρεσκάδα τους για περισσότερο χρόνο, τόσο στον θάλαμο συντήρησης όσο και στον θάλαμο καταψύκτη.
- Αν ο θάλαμος συντήρησης ρυθμιστεί σε χαμηλότερη θερμοκρασία, τα νωπά φρούτα και λαχανικά μπορεί να είναι εν μέρει παγωμένα.

## Πίνακας συνιστώμενων τιμών ρύθμισης

Ρύθμιση θαλάμου καταψύκτη	Ρύθμιση θαλάμου συντήρησης	Παρατηρήσεις
$-22\text{ }^{\circ}\text{C}$	$4\text{ }^{\circ}\text{C}$	Αυτή είναι η προεπιλεγμένη, συνιστώμενη ρύθμιση. Αυτή η ρύθμιση συνιστάται αν η θερμοκρασία περιβάλλοντος είναι κάτω από $30\text{ }^{\circ}\text{C}$ .
$-20\text{ }^{\circ}\text{C}$	$6\text{ }^{\circ}\text{C}$	Αυτές οι ρυθμίσεις συνιστώνται για θερμοκρασίες περιβάλλοντος που υπερβαίνουν τους $25\text{ }^{\circ}\text{C}$ .
Ταχεία Κατάψυξη	$4\text{ }^{\circ}\text{C}$	Χρησιμοποιείτε αυτή τη λειτουργία όταν θέλετε να καταψύξετε τρόφιμα σε σύντομο χρόνο. Όταν ολοκληρωθεί η διαδικασία, η συσκευή θα επίστρεψι στην προηγούμενη ρύθμιση.

## Ταχεία Κατάψυξη

1. Ενεργοποιήστε τη λειτουργία ταχείας κατάψυξης 24 ώρες πριν τοποθετήσετε τα νωπά τρόφιμα.
2. Μετά από 24 ώρες από το πάτημα του κουμπιού, τοποθετήστε τα τρόφιμα που θέλετε να καταψύξετε στο δεύτερο ράφι με τη μεγαλύτερη ικανότητα κατάψυξης.
3. Η λειτουργία ταχείας κατάψυξης θα απενεργοποιηθεί αυτόματα μετά από 48 ώρες.

## Λεπτομέρειες Καταψύκτη

Σύμφωνα με τα πρότυπα IEC 62552, ο καταψύκτης θα πρέπει να έχει την ικανότητα να διατηρεί παγωμένα 4,5 kg τροφίμων σε θερμοκρασία  $-18\text{ }^{\circ}\text{C}$  ή χαμηλότερη, για θερμοκρασία δωματίου  $25\text{ }^{\circ}\text{C}$ , σε 24 ώρες για κάθε 100 λίτρα χωρητικότητας του θαλάμου καταψύκτη.

Τα τρόφιμα μπορούν να διατηρούνται για μεγάλα χρονικά διαστήματα μόνο σε θερμοκρασίες μικρότερες των  $-18\text{ }^{\circ}\text{C}$ .

Μπορείτε να διατηρήσετε τα τρόφιμα φρέσκα για μήνες (σε βαθιά κατάψυξη ή σε θερμοκρασίες μικρότερες των  $-18\text{ }^{\circ}\text{C}$ ).

Τα τρόφιμα προς κατάψυξη δεν πρέπει να έρχονται σε επαφή με τα ήδη κατεψυγμένα τρόφιμα, ώστε να αποφευχθεί η μερική απόψυξη των δεύτερων.

Βράστε τα λαχανικά και φιλτράρετε το νερό για να επεκτείνετε τη διάρκεια φύλαξης. Τοποθετήστε τα τρόφιμα σε αεροστεγείς συσκευασίες μετά το φιλτράρισμα και τοποθετήστε τα στην κατάψυξη. Μπανάνες, ντομάτες, μαρούλι, σέλινο, βραστά αυγά, πατάτες και παρόμοια τρόφιμα δεν θα πρέπει να καταψύχονται. Σε περίπτωση που αυτά τα τρόφιμα καταψυχθούν, μόνο η διατροφική αξία και οι οργανοληπτικές τους δυνατότητες θα επηρεαστούν αρνητικά. Δεν

υπάρχει πιθανότητα αλλοίωσης που θα μπορούσε να απειλήσει την ανθρώπινη υγεία.

### Τοποθέτηση των τροφίμων

**Ράφια θαλάμου καταψύκτη:** Διάφορα κατεψυγμένα τρόφιμα, στα οποία περιλαμβάνονται κρέας, ψάρια, παγωτό, λαχανικά κλπ.

**Ράφια θαλάμου συντήρησης:** Τρόφιμα σε δοχεία φύλαξης, πιάτα ή θήκες με κάλυμμα, αυγά (σε θήκη με κάλυμμα)

**Ράφια πόρτας θαλάμου συντήρησης:** Μικρά και συσκευασμένα τρόφιμα ή ποτά

**Συρτάρι λαχανικών:** Λαχανικά και φρούτα

**Θάλαμος συντήρησης:** Ντελικατέσεν (τρόφιμα για πρωινό, προϊόντα κρέατος που θα καταναλωθούν σύντομα)

## 7.3 Τεχνολογίες συρταριού λαχανικών

### Μπλε φως

Τα φρούτα και λαχανικά που έχουν αποθηκευτεί στα συρτάρια λαχανικών που φωτίζονται με μπλε φως συνεχίζουν τη φωτοσύνθεσή τους λόγω της επίδρασης του μήκους κύματος του μπλε φωτός και έτσι διατηρούν το περιεχόμενό τους σε βιταμίνες.

### HarvestFresh

Τα φρούτα και λαχανικά που έχουν αποθηκευτεί σε συρτάρια λαχανικών που φωτίζονται με τεχνολογία HarvestFresh διατηρούν τις βιταμίνες τους για μεγαλύτερο χρονικό διάστημα χάρη στους κύκλους με μπλε, πράσινο, κόκκινο φως και σκοτάδι, που μιμούνται έναν ημερήσιο κύκλο φωτός.

Όταν η πόρτα του ψυγείου σας ανοίξει κατά την σκοτεινή περίοδο της τεχνολογίας HarvestFresh, το ψυγείο σας θα το αντιληφθεί αυτόματα και θα φωτίσει το συρτάρι λαχανικών με μπλε, πράσινο ή κόκκινο φως αντίστοιχα, για την άνεσή σας. Αφού κλείσετε την πόρτα του ψυγείου, η σκοτεινή περίοδος θα συνεχιστεί, αντιπροσωπεύοντας τη νύχτα σε έναν ημερήσιο κύκλο.

## 7.4 Φωτοκαταλυτική μονάδα (FreshGuard)

Χάρη στη μονάδα αυτή, τοποθετημένη πίσω από το κάλυμμα εξατμιστή στον θάλαμο συντήρησης, ο αέρας περνά ενεργά πάνω

από το φωτοκαταλυτικό φίλτρο με επικάλυψη διοξειδίου του τιτανίου ώστε στο εσωτερικό του ψυγείου να ανακυκλοφορεί καθαρισμένος αέρας. Με αυτόν τον τρόπο απομακρύνονται οι δυσάρεστες οσμές από το εσωτερικό του ψυγείου πριν αυτές διεισδύσουν στις επιφάνειες των τροφίμων. Ταυτόχρονα επιτυγχάνεται η κυκλοφορία υγιεινού, απολυμασμένου αέρα. Η λειτουργία αυτή επιτυγχάνεται χάρη στον ανεμιστήρα θαλάμου συντήρησης που βρίσκεται πίσω από το κάλυμμα εξατμιστή, τη LED UV-A και το φίλτρο οσμών με επικάλυψη διοξειδίου του τιτανίου. Για ενεργοποίηση/ απενεργοποίηση αυτής τη μονάδας, η οποία προσφέρει κυκλοφορία στο ψυγείο αέρα υγιεινού και απαλλαγμένου από οσμές, πατήστε

παρατεταμένα το κουμπί (☞) για 3 δευτερόλεπτα. Βεβαιωθείτε ότι όταν είναι ενεργή η λειτουργία, εμφανίζεται στην οθόνη η ένδειξη (☞), και η ένδειξη παύει να εμφανίζεται όταν απενεργοποιηθεί η λειτουργία. Αφού ενεργοποιηθεί η λειτουργία όπως περιγράφηκε, αυτή λειτουργεί κατά διαστήματα χωρίς να χρειαστεί να πατήσετε πάλι οποιοδήποτε πλήκτρο. Αν ανοίξετε την πόρτα του θαλάμου συντήρησης ενώ είναι ενεργή η μονάδα αυτή, σταματά προσωρινά η λειτουργία του ανεμιστήρα και της LED UV-A, ενώ η λειτουργία τους συνεχίζεται αφού κλείσει η πόρτα. Σε περίπτωση διακοπής ρεύματος ενώ είναι ενεργή η λειτουργία, αφού αποκατασταθεί η παροχή ρεύματος η μονάδα θα συνεχίσει τη λειτουργία της από το σημείο που σταμάτησε.

**Σημείωση:** Για την αποτροπή δυσάρεστων οσμών από την ανάμιξη των οσμών διαφόρων τύπων τροφίμων, συνιστούμε να φυλάσσετε τρόφιμα που εκλύουν οσμές όπως τσίρι, ελιές και αλλαντικά, μέσα στη συσκευασία τους και με κλειστά τα καλύμματα των δοχείων φαγητού όπου περιέχονται. Για την ασφάλεια άλλων τροφίμων που φυλάσσονται στον ίδιο θάλαμο, την εξασφάλιση υγιεινών συνθηκών φύλαξης και την αποτροπή δυσάρεστων οσμών, συνιστούμε να απομακρύνετε το συντομότερο δυνατόν από το ψυγείο τρόφιμα που διαπιστώνετε ότι έχουν αλλοιωθεί.

## 7.5 Περιοχή Ψυχρής φύλαξης Γαλακτοκομικών Προϊόντων

### Συρτάρι έντονης ψύξης

Το συρτάρι έντονης ψύξης μπορεί να επιτύχει χαμηλότερες θερμοκρασίες στο διαμέρισμα συντήρησης. Χρησιμοποιείτε αυτό το συρτάρι για να φυλάσσετε αλλαντικά και άλλα ευπαθή τρόφιμα (σαλάμι, λουκάνικα κλπ.) και γαλακτοκομικά προϊόντα που χρειάζονται χαμηλότερη θερμοκρασία φύλαξης ή για να φυλάσσετε κρέας, κοτόπουλο ή ψάρια που προορίζονται για καταψύξη σε σύντομο χρονικό διάστημα. Αυτό το συρτάρι δεν είναι κατάλληλο για φύλαξη φρούτων και λαχανικών.

## 7.6 Αντιστροφή της πλευράς ανοίγματος των θυρών

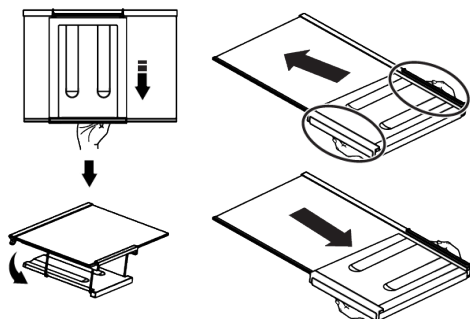
Η πλευρά ανοίγματος των θυρών του ψυγείου σας μπορεί να αντιστραφεί, ενδεχομένως για να ταιριάζει στη θέση όπου θέλετε να το τοποθετήσετε. Όταν χρειάζεται να γίνει αυτό, θα πρέπει οπωσδήποτε να καλέσετε το πλησιέστερο Εξουσιοδοτημένο Σέρβις.

## 7.7 Ειδοποίηση ανοιχτής πόρτας

Ένας ηχητικός συναγερμός θα ηχήσει αν η πόρτα του προϊόντος παραμείνει ανοιχτή για 1 λεπτό. Ο ηχητικός συναγερμός θα σταματήσει όταν κλείσετε την πόρτα του θαλάμου ή αν πατήσετε οποιοδήποτε κουμπί στην οθόνη (αν διατίθεται).

## 7.8 Αναδιπλούμενη βάση κρασιών

Επιτρέπει τη φύλαξη μπουκαλιών κρασιών αν χρειάζεται. Για να χρησιμοποιήσετε το τμήμα της βάσης, πιάστε το πλαστικό τμήμα και τραβήξτε το προσεκτικά προς τα κάτω. Τώρα μπορείτε να χρησιμοποιήσετε την αναδιπλούμενη βάση κρασιών.



Για να τοποθετήσετε την αναδιπλούμενη βάση κρασιών, πρώτα αφαιρέστε το γυάλινο ράφι από το ψυγείο. Τοποθετήστε την πάνω στο γυάλινο ράφι σπρώχνοντας το πλαστικό τμήμα μέσα από τις μπροστινές και πίσω αυλακώσεις όπως δείχνει η εικόνα. Το προϊόν θα είναι έτοιμο για χρήση με την αναδιπλούμενη βάση κρασιών.

Για να αφαιρέσετε την αναδιπλούμενη βάση κρασιών, πρώτα αφαιρέστε το γυάλινο ράφι από το ψυγείο. Κατόπιν, πιάστε το πλαστικό τμήμα και τραβήξτε το προς οποιαδήποτε κατεύθυνση. Τώρα μπορείτε να χρησιμοποιήσετε το προϊόν χωρίς αναδιπλούμενη βάση κρασιών όταν χρειάζεται.

## 7.9 Αντικατάσταση του λαμπτήρα φωτισμού

Καλέστε το Εξουσιοδοτημένο Σέρβις όταν πρέπει να αντικατασταθεί ο λαμπτήρας/η μονάδα LED που χρησιμοποιείται για φωτισμό του ψυγείου σας.

Ο λαμπτήρας (οι λαμπτήρες) που χρησιμοποιούνται σε αυτή την συσκευή δεν μπορούν να χρησιμοποιηθούν για οικιακό φωτισμό. Ο σκοπός αυτού του λαμπτήρα είναι να βοηθά τον χρήστη να τοποθετεί τρόφιμα μέσα στο ψυγείο / καταψύκτη με ασφάλεια και άνεση.

## 7.10 AeroFlow

Είναι ένα σύστημα διανομής του αέρα που προσφέρει ομοιόμορφη κατανομή της θερμοκρασίας. Με την κυκλοφορία του αέρα εξασφαλίζεται η ομοιόμορφη κατανομή της θερμοκρασίας στο διαμέρισμα φύλαξης νωπών τροφίμων, και οι διακυμάνσεις της θερμοκρασίας διατηρούνται σε χαμηλά επί-



Συνιστάται να φυλάσσετε το πολύ 2 μπουκάλια κρασιού στην αναδιπλούμενη βάση κρασιών.

πεδα. Δεν υπάρχει απευθείας φύσημα αέρα πάνω από τα τρόφιμα και αυτό βοηθά να μειώνεται η απώλεια υγρασίας. Με αυτόν τον τρόπο διατηρείται η φρεσκάδα των τροφίμων που φυλάσσονται στον θάλαμο συντήρησης του ψυγείου. Με αυτόν τον τρόπο τα τρόφιμά σας φυλάσσονται σε πιο σταθε-

ρές θερμοκρασίες και μειώνεται η επαφή με αέρα. Αποτρέπεται το στέγνωμα και η συρρίκνωση των τροφίμων από απώλεια υγρασίας και εξασφαλίζεται φρεσκάδα που διαρκεί περισσότερο.

## 8 Συντήρηση και καθαρισμός



### ΠΡΟΕΙΔΟΠΟΙΗΣΗ:

Διαβάστε πρώτα την ενότητα "Οδηγίες Ασφαλείας".



### ΠΡΟΕΙΔΟΠΟΙΗΣΗ:

Αποσυνδέστε το ψυγείο από το ρεύμα πριν το καθαρίσετε.

- Μη χρησιμοποιείτε για τον καθαρισμό του προϊόντος αιχμηρά εργαλεία ή εργαλεία που χαράζουν. Μη χρησιμοποιείτε ουσίες όπως οικιακά προϊόντα καθαρισμού, σαπούνι, απορρυπαντικά, πετρέλαιο, βενζίνη, αραιωτικό χρωμάτων, οινόπνευμα, κερί κλπ.
- Θα πρέπει να αφαιρείτε την σκόνη από την σχάρα αερισμού στο πίσω μέρος του προϊόντος τουλάχιστον μία φορά το χρόνο (χωρίς να ανοίξετε το κάλυμμα). Καθαρίζετε το προϊόν με ένα ελαφρά υγρό πανί.
- Φροντίστε να κρατήσετε το νερό μακριά από το κάλυμμα του λαμπτήρα και από άλλα ηλεκτρικά εξαρτήματα.
- Καθαρίστε την πόρτα της συσκευής με ένα ελαφρώς υγρό πανί. Αφαιρέστε όλα τα περιεχόμενα για να αφαιρέσετε τα ράφια της πόρτας και του κορμού. Αφαιρέστε τα ράφια της πόρτας τραβώντας τα προς τα πάνω. Καθαρίστε και στεγνώστε τα ράφια, και στην συνέχεια τοποθετήστε τα στην θέση τους από το πάνω μέρος.
- Μη χρησιμοποιείτε χλωρίνη ή παρόμοια καθαριστικά προϊόντα στην εξωτερική επιφάνεια και στα επιχρωμιωμένα εξαρτήματα του προϊόντος. Η χλωρίνη θα οδηγήσει σε δημιουργία σκουριάς σε αυτές τις μεταλλικές επιφάνειες.
- Μη χρησιμοποιείτε αιχμηρά εργαλεία και εργαλεία που χαράζουν, σαπούνι, προϊόντα καθαρισμού οικιακής χρήσης, απορρυπαντικά, πετρέλαιο, βενζίνη, βερνίκι

και παρόμοιες ουσίες, για να προστατεύσετε τα πλαστικά εξαρτήματα από παραμόρφωση και από αφαίρεση τυπωμένων ενδείξεων. Χρησιμοποιείτε χλιαρό νερό και ένα απαλό ύφασμα για τον καθαρισμό, και στην συνέχεια στεγνώνετε τη συσκευή.

- Σε μοντέλα χωρίς λειτουργία No-Frost, μπορεί να προκύψει σχηματισμός σταγονιδίων νερού και δημιουργία πάγου με πάχος έως ενός δαχτύλου στο πίσω τοίχωμα του θαλάμου καταψύκτη. Μη το καθαρίσετε, και ποτέ μη χρησιμοποιήσετε λάδια ή παρόμοια υλικά.
- Χρησιμοποιείτε ένα ελαφρώς υγρό ύφασμα από μικροΐνες για να καθαρίσετε την εξωτερική επιφάνεια του προϊόντος. Σφουγγάρια και άλλα είδη καθαριστικών υφασμάτων μπορεί να προκαλέσουν γρατσουνιές.
- Για να καθαρίσετε όλα τα αφαιρούμενα εξαρτήματα κατά τον καθαρισμό της εσωτερικής επιφάνειας του προϊόντος, πλύνετε αυτά τα μέρη με ένα ήπιο διάλυμα το οποίο αποτελείται από σαπούνι, νερό και μαγειρική σόδα. Καθαρίστε και σκουπίστε προσεκτικά. Αποτρέπετε την επαφή νερό με τα εξαρτήματα φωτισμού και τον πίνακα ελέγχου.



### ΠΡΟΣΟΧΗ:

Μη χρησιμοποιείτε ξύδι, μετουσιωμένο οινόπνευμα ή άλλα αλκοολούχα υλικά σε οποιαδήποτε εσωτερική επιφάνεια.

### Εξωτερικές επιφάνειες από ανοξείδωτο χάλυβα

Χρησιμοποιήστε ένα καθαριστικό που δεν χαράζει και εφαρμόστε το με ένα απαλό ύφασμα που δεν αφήνει χνούδι. Για να γυα-

λίσετε την επιφάνεια, σκουπίστε την απαλά με ένα ύφασμα μικροϊνών που έχετε υγράνει ελαφρά με νερό και χρησιμοποιήστε σαμούα για στεγνό γυάλισμα. Πάντα να ακολουθείτε τα νερά στον ανοξειδωτο χάλυβα.

### **Καταπολέμηση δυσάρεστων οσμών**

Το προϊόν έχει κατασκευαστεί χωρίς την χρήση προϊόντων που προκαλούν δυσοσμία. Ωστόσο, η διατήρηση τροφίμων σε ακατάλληλα τμήματα του προϊόντος και ο λανθασμένος καθαρισμός των εσωτερικών επιφανειών μπορεί να οδηγήσουν σε δυσοσμία.

- Για να το αποφύγετε, καθαρίζετε το εσωτερικό του με ανθρακούχο νερό κάθε 15 μέρες.
- Διατηρείτε τα τρόφιμα σε σφραγισμένα δοχεία, επειδή μικροοργανισμού από δοχεία που φυλάσσονται σε μη σφραγισμένα δοχεία θα προκαλέσουν την ανάπτυξη δυσάρεστων οσμών.
- Μη διατηρείτε μέσα στο ψυγείο τρόφιμα που έχουν αλλοιωθεί ή λήξει.

### **Προστασία των πλαστικών επιφανειών**

Αν χυθεί λάδι σε πλαστικές επιφάνειες, αυτό μπορεί να προκαλέσει ζημιά στην επιφάνεια και θα πρέπει να καθαριστεί άμεσα με χλιαρό νερό.

## **9 Αντιμετώπιση προβλημάτων**

Ελέγξτε αυτή τη λίστα πριν απευθυνθείτε στο σέρβις. Αν το κάνετε αυτό, θα εξοικονομήσετε χρόνο και χρήματα. Αυτή η λίστα περιλαμβάνει συχνά παράπονα που δεν έχουν σχέση με ελαττωματική εργασία ή υλικά. Ορισμένες λειτουργίες που αναφέρονται εδώ ίσως να μην έχουν εφαρμογή στο προϊόν που έχετε.

### **Το ψυγείο δεν λειτουργεί.**

- Το φινις ρευματοληψίας δεν έχει εισαχθεί πλήρως. >>> Συνδέστε το ώστε να εισέλθει πλήρως στην πρίζα.
- Έχει καεί η ασφάλεια που συνδέεται στην πρίζα που τροφοδοτεί το προϊόν ή η γενική ασφάλεια. >>> Ελέγξτε την ασφάλεια.

### **Η συμπύκνωση του πλευρικού τοιχώματος του θαλάμου συντήρησης (MULTI ZONE, COOL CONTROL και FLEXI ZONE).**

- Η πόρτα ανοίγεται πολύ συχνά. >>> Προσέχετε να μην ανοίγετε πολύ συχνά την πόρτα του προϊόντος.
- Το περιβάλλον είναι πολύ υγρό. >>> Μην εγκαθιστάτε το προϊόν σε υγρό περιβάλλον.
- Τρόφιμα που περιέχουν υγρά φυλάσσονται σε μη σφραγισμένα δοχεία. >>> Διατηρείτε σε σφραγισμένα δοχεία τα τρόφιμα που περιέχουν υγρά.

- Η πόρτα του προϊόντος έχει μείνει ανοικτή. >>> Μην αφήνετε την πόρτα του προϊόντος ανοικτή για μεγάλα χρονικά διαστήματα.
- Ο θερμοστάτης έχει ρυθμιστεί σε πολύ κρύα θερμοκρασία. >>> Ρυθμίστε τον θερμοστάτη σε κατάλληλη θερμοκρασία.

### **Ο συμπιεστής δεν λειτουργεί.**

- Σε περίπτωση αιφνίδιας διακοπής ρεύματος ή αποσύνδεσης του φινις ρευματοληψίας από την πρίζα και επανασύνδεσής του, η πίεση αερίου στο ψυκτικό σύστημα του προϊόντος δεν είναι ισορροπημένη, με αποτέλεσμα να ενεργοποιείται η θερμική προστασία του συμπιεστή. Το προϊόν θα αρχίσει πάλι να λειτουργεί μετά από περίπου 6 λεπτά. Αν η λειτουργία του προϊόντος δεν ξεκινήσει πάλι μετά από αυτό το χρονικό διάστημα, απευθυνθείτε στο σέρβις.
- Η απόψυξη είναι ενεργή. >>> Αυτό είναι φυσιολογικό για προϊόν με πλήρως αυτόματη απόψυξη. Η απόψυξη λαμβάνει χώρα περιοδικά.
- Το προϊόν δεν έχει συνδεθεί στην πρίζα. >>> Βεβαιωθείτε ότι έχει συνδεθεί το καλώδιο ρεύματος.
- Η ρύθμιση θερμοκρασίας είναι λανθασμένη. >>> Επιλέξτε την κατάλληλη ρύθμιση θερμοκρασίας.



- Έγινε διακοπή ρεύματος. >>> Το προϊόν θα συνεχίσει να λειτουργεί κανονικά όταν αποκατασταθεί η παροχή ρεύματος.

### **Ο θόρυβος λειτουργίας του ψυγείου αυξάνεται κατά τη χρήση.**

- Η απόδοση λειτουργίας του προϊόντος μπορεί να διαφέρει, ανάλογα με τις μεταβολές της θερμοκρασίας περιβάλλοντος. Αυτό είναι φυσιολογικό και δεν οφείλεται σε βλάβη.

### **Το ψυγείο τίθεται σε λειτουργία πολύ συχνά ή όχι για πολύ χρόνο.**

- Το καινούργιο προϊόν μπορεί να είναι μεγαλύτερο από το προηγούμενο. Οι μεγαλύτερες συσκευές τίθενται σε λειτουργία για μεγαλύτερα χρονικά διαστήματα.
- Η θερμοκρασία του χώρου μπορεί να είναι υψηλή. >>> Το προϊόν κανονικά θα λειτουργεί για μεγαλύτερα χρονικά διαστήματα αν είναι μεγαλύτερη η θερμοκρασία του χώρου.
- Το προϊόν μπορεί να έχει συνδεθεί πρόσφατα στην πρίζα ή μπορεί να τοποθετήθηκαν νέα τρόφιμα στο εσωτερικό του. >>> Θα χρειαστεί περισσότερος χρόνος για να φθάσει το προϊόν τη ρυθμισμένη θερμοκρασία αν συνδέθηκε πρόσφατα στην πρίζα ή τοποθετήθηκαν νέα τρόφιμα στο εσωτερικό του. Αυτό είναι φυσιολογικό.
- Μπορεί να τοποθετήθηκαν πρόσφατα μεγάλες ποσότητες ζεστών τροφίμων μέσα στο προϊόν. >>> Μην τοποθετείτε ζεστά τρόφιμα μέσα στο προϊόν.
- Οι πόρτες του προϊόντος ανοίγονταν συχνά ή έμειναν ανοικτές πολλή ώρα. >>> Ο ζεστός αέρας που εισέρχεται, θα κάνει το προϊόν να λειτουργεί περισσότερη ώρα. Μην ανοίγετε την πόρτα υπερβολικά συχνά.
- Η πόρτα του καταψύκτη ή του ψυγείου μπορεί να μην έχει κλείσει καλά. >>> Ελέγξτε ότι οι πόρτες έχουν κλείσει καλά.
- Το προϊόν μπορεί να έχει ρυθμιστεί σε πολύ χαμηλή θερμοκρασία. >>> Ρυθμίστε μεγαλύτερη θερμοκρασία και περιμένετε να επιτύχει το προϊόν τη ρυθμισμένη θερμοκρασία.
- Η στεγανοποίηση της πόρτας του θαλάμου συντήρησης ή καταψύκτη μπορεί να είναι λερωμένη, φθαρμένη, σπασμένη

ή να μην εδράζει σωστά. >>> Καθαρίστε ή αντικαταστήστε τη στεγανοποίηση. Αν η στεγανοποίηση της πόρτας του προϊόντος έχει υποστεί ζημιά / φθορά, το προϊόν θα λειτουργεί για μεγαλύτερα διαστήματα, για να διατηρήσει την τρέχουσα θερμοκρασία.

### **Η θερμοκρασία του θαλάμου καταψύκτη είναι πολύ χαμηλή, αλλά η θερμοκρασία του θαλάμου συντήρησης είναι επαρκής.**

- Η θερμοκρασία του θαλάμου καταψύκτη έχει ρυθμιστεί σε πολύ χαμηλή τιμή. >>> Ρυθμίστε τη θερμοκρασία του θαλάμου καταψύκτη σε υψηλότερη τιμή και ελέγξτε πάλι.

### **Η θερμοκρασία του θαλάμου συντήρησης είναι πολύ χαμηλή, αλλά η θερμοκρασία του θαλάμου καταψύκτη είναι επαρκής.**

- Η θερμοκρασία του θαλάμου συντήρησης έχει ρυθμιστεί σε πολύ χαμηλή τιμή. >>> Ρυθμίστε τη θερμοκρασία του θαλάμου συντήρησης σε υψηλότερη τιμή και ελέγξτε πάλι.

### **Τα τρόφιμα που φυλάσσονται στα συρτάρια του θαλάμου συντήρησης είναι παγωμένα.**

- Η θερμοκρασία του θαλάμου συντήρησης έχει ρυθμιστεί σε πολύ χαμηλή τιμή. >>> Ρυθμίστε τη θερμοκρασία του θαλάμου συντήρησης σε υψηλότερη τιμή και ελέγξτε πάλι.

### **Η θερμοκρασία στον θάλαμο συντήρησης ή καταψύκτη είναι πολύ υψηλή.**

- Η θερμοκρασία του θαλάμου συντήρησης έχει ρυθμιστεί σε πολύ υψηλή τιμή. >>> Η ρύθμιση θερμοκρασίας του θαλάμου συντήρησης έχει επίδραση στη θερμοκρασία του θαλάμου καταψύκτη. Αλλάξτε τη θερμοκρασία του θαλάμου συντήρησης ή καταψύκτη και περιμένετε έως ότου η θερμοκρασία του αντίστοιχου τμήματος φθάσει σε ικανοποιητικό επίπεδο.
- Οι πόρτες του προϊόντος ανοίγονταν συχνά ή έμειναν ανοικτές πολλή ώρα. >>> Μην ανοίγετε τις πόρτες της συσκευής υπερβολικά συχνά.
- Η πόρτα μπορεί να είναι μισάνοιχτη. >>> Κλείστε τελείως την πόρτα.

- Το προϊόν μπορεί να έχει συνδεθεί πρόσφατα στην πρίζα ή μπορεί να τοποθετήθηκαν νέα τρόφιμα στο εσωτερικό του. >>> Αυτό είναι φυσιολογικό. Θα χρειαστεί περισσότερος χρόνος για να φθάσει το προϊόν τη ρυθμισμένη θερμοκρασία, αν συνδέθηκε πρόσφατα στην πρίζα ή τοποθετήθηκαν νέα τρόφιμα στο εσωτερικό του.
- Μπορεί να τοποθετήθηκαν πρόσφατα μεγάλες ποσότητες ζεστών τροφίμων μέσα στο προϊόν. >>> Μην τοποθετείτε ζεστά τρόφιμα μέσα στο προϊόν.

### **Κραδασμοί ή θόρυβοι.**

- Η επιφάνεια δεν είναι επίπεδη ή δεν είναι ανθεκτική >>> Αν το προϊόν ταλαντεύεται όταν το μετακινείτε ελαφρά, ρυθμίστε τις βάσεις του για να το ισορροπήσετε. Επίσης βεβαιωθείτε ότι το δάπεδο έχει αρκετή φέρουσα ικανότητα ώστε να αντέχει το βάρος του προϊόντος.
- Είδη που έχουν τοποθετηθεί πάνω στο προϊόν μπορεί να προκαλούν θόρυβο. >>> Αφαιρέστε οποιαδήποτε είδη έχουν τοποθετηθεί πάνω στο προϊόν.
- Το προϊόν παράγει θόρυβο ροής υγρού, ψεκασμού κλπ.
- Οι αρχές λειτουργίας του προϊόντος περιλαμβάνουν ροή υγρού και αερίου. >>> Αυτό είναι φυσιολογικό και δεν οφείλεται σε βλάβη.

### **Ακουγεται φύσημα αέρα από το προϊόν.**

- Το προϊόν χρησιμοποιεί ανεμιστήρα ως μέρος της διαδικασίας ψύξης. Αυτό είναι φυσιολογικό και δεν οφείλεται σε βλάβη.

### **Υπάρχει συμπύκνωση στα εσωτερικά τοιχώματα του προϊόντος.**

- Ο θερμός ή υγρός καιρός μπορεί να αυξήσει τη συσσώρευση πάγου και τη συμπύκνωση. Αυτό είναι φυσιολογικό και δεν οφείλεται σε βλάβη.
- Οι πόρτες του προϊόντος ανοίγονταν συχνά ή έμεναν ανοικτές πολλή ώρα. >>> Μην ανοίγετε τις πόρτες του προϊόντος πολύ συχνά, αν υπάρχει ανοικτή πόρτα κλείστε την.
- Η πόρτα μπορεί να είναι μισάνοιχτη. >>> Κλείστε τελείως την πόρτα.

### **Υπάρχει συμπύκνωση στις εξωτερικές επιφάνειες του προϊόντος ή ανάμεσα στις πόρτες του.**

- Ο καιρός μπορεί να είναι υγρός, αυτό είναι φυσιολογικό φαινόμενο σε υγρό καιρό. >>> Η συμπύκνωση θα πάψει όταν μειωθεί η υγρασία.

### **Δυσσομία στο εσωτερικό του προϊόντος.**

- Το προϊόν δεν καθαρίζεται τακτικά. >>> Καθαρίζετε το εσωτερικό τακτικά με σφουγγάρι, χλιαρό νερό και διάλυμα μαγειρικής σόδας σε νερό.
- Ορισμένα δοχεία και υλικά συσκευασίας μπορεί να προκαλέσουν τη δημιουργία οσμών. >>> Χρησιμοποιείτε δοχεία και υλικά συσκευασίας που δεν παράγουν οσμές.
- Τα τρόφιμα τοποθετήθηκαν σε μη σφραγισμένα δοχεία. >>> Διατηρείτε τα τρόφιμα σε σφραγισμένα δοχεία. Από τα μη σφραγισμένα τρόφιμα μπορεί να εξαπλωθούν μικροοργανισμοί που προκαλούν δυσσομία.
- Απομακρύνετε από το προϊόν τυχόν τρόφιμα που έχουν λήξει ή αλλοιωθεί.

### **Η πόρτα του προϊόντος δεν κλείνει.**

- Ενδεχομένως η πόρτα εμποδίζεται από συσκευασίες τροφίμων. >>> Αλλάξτε θέση σε τυχόν είδη που εμποδίζουν τις πόρτες του προϊόντος.
- Το προϊόν δεν στέκεται σε τελείως όρθια θέση πάνω στο δάπεδο. >>> Ρυθμίστε τα πόδια του προϊόντος για να το ισορροπήσετε σωστά.
- Η επιφάνεια δεν είναι επίπεδη ή δεν είναι ανθεκτική >>> Βεβαιωθείτε ότι η επιφάνεια είναι επίπεδη και αρκετά ανθεκτική για το βάρος του προϊόντος.

### **Το συρτάρι λαχανικών έχει σφηνώσει.**

- Τα τρόφιμα μπορεί να έρχονται σε επαφή με το πάνω τμήμα του συρταριού. >>> Αναδιατάξτε τα τρόφιμα μέσα στο συρτάρι.

## Θερμοκρασία στην επιφάνεια του προϊόντος

- Μπορεί να παρατηρείται υψηλή θερμοκρασία ανάμεσα στις δύο πόρτες του προϊόντος, στα πλευρικά πλαίσια και στην πίσω σχάρα, όταν είναι σε ενεργή λειτουργία το προϊόν. Αυτό αποτελεί μέρος της φυσιολογικής λειτουργίας και δεν απαιτείται σέρβις.

## Ο ανεμιστήρας συνεχίζει να λειτουργεί όταν είναι ανοικτή η πόρτα του προϊόντος.

- Ο ανεμιστήρας μπορεί να παραμένει σε λειτουργία όταν είναι ανοικτή η πόρτα του θαλάμου καταψύκτη.

EL



**ΠΡΟΕΙΔΟΠΟΙΗΣΗ:** Αν το πρόβλημα επιμένει αφού ακολουθήσετε τις οδηγίες στην ενότητα αυτή, επικοινωνήστε με τον τοπικό σας έμπορο ή με ένα Εξουσιοδοτημένο Σέρβις. Μην επιχειρήσετε να επισκευάσετε μόνοι σας το προϊόν. Αυτό είναι φυσιολογικό.

## ΑΠΟΠΟΙΗΣΗ ΕΥΘΥΝΩΝ / ΠΡΟΕΙΔΟΠΟΙΗΣΗ

Ορισμένα (απλά) προβλήματα μπορούν να αντιμετωπιστούν ικανοποιητικά από τον τελικό χρήστη χωρίς να προκύπτει κάποιο πρόβλημα ασφάλειας ή μη ασφαλής χρήσης, εφόσον οι διορθωτικές ενέργειες πραγματοποιούνται μέσα στα όρια και σύμφωνα με τις οδηγίες που ακολουθούν (δείτε την ενότητα "Εξ ιδίων επισκευή").

Επομένως, εκτός αν επιτρέπεται διαφορετικά στην παρακάτω ενότητα "Εξ ιδίων επισκευή", οι επισκευές θα πρέπει να ανατίθενται σε αναγνωρισμένους επαγγελματίες τεχνικούς επισκευών, για την αποφυγή προβλημάτων όσον αφορά την ασφάλεια. Ένας αναγνωρισμένος επαγγελματίας τεχνικός επισκευών είναι ένας επαγγελματίας τεχνικός επισκευών στον οποίο έχει δοθεί από τον κατασκευαστή πρόσβαση στις οδηγίες και στον κατάλογο ανταλλακτικών του προϊόντος σύμφωνα με τις μεθόδους που περιγράφονται σε νομοθετικές πράξεις με βάση την Οδηγία 2009/125/EK.

**Ωστόσο, μόνο ο εκπρόσωπος σέρβις (δηλ. εξουσιοδοτημένοι επαγγελματίες τεχνικοί επισκευών) με τον οποίο μπορείτε να επικοινωνήσετε μέσω του αριθμού τηλεφώνου που αναφέρεται στο εγχειρίδιο χρήσης/στην κάρτα εγγύησης ή μέσω του τοπικού σας εξουσιοδοτημένου καταστήματος μπορεί να παρέχει σέρβις σύμφωνα με τους όρους της εγγύησης. Επομένως, έχετε υπόψη σας ότι οι επισκευές από επαγγελματίες τε-**

**χνικούς επισκευών (οι οποίοι δεν είναι εξουσιοδοτημένοι από τη Beko) θα καταστήσουν άκυρη την εγγύηση.**

### Εξ ιδίων επισκευή

Εξ ιδίων επισκευή μπορεί να γίνει από τον τελικό χρήστη όσον αφορά τα εξής ανταλλακτικά: λαβές θυρών, μεντεσέδες θυρών, δίσκοι, καλάθια και στεγανοποιήσεις πόρτας (ενημερωμένος κατάλογος είναι διαθέσιμος και στη διεύθυνση [support.beko.com](http://support.beko.com) από την 1η Μαρτίου 2021).

Επιπλέον, για τη διασφάλιση της ασφάλειας του προϊόντος και για την αποτροπή κινδύνου σοβαρού τραυματισμού, η αναφερθείσα εξ ιδίων επισκευή θα πρέπει γίνεται με τήρηση των οδηγιών στο εγχειρίδιο χρήστη σχετικά με την εξ ιδίων επισκευή ή των οδηγιών που είναι διαθέσιμες στη διεύθυνση [support.beko.com](http://support.beko.com). Για την ασφάλειά σας, αποσυνδέστε από την πρίζα το προϊόν πριν επιχειρήσετε οποιαδήποτε εξ ιδίων επισκευή.

Επισκευή και προσπάθειες επισκευής από τελικούς χρήστες για εξαρτήματα που δεν περιλαμβάνονται σε έναν τέτοιο κατάλογο και/ή χωρίς τήρηση των οδηγιών στα εγχειρίδια χρήστη για εξ ιδίων επισκευή ή οι οποίες είναι διαθέσιμες στη διεύθυνση [support.beko.com](http://support.beko.com), μπορεί να δημιουργήσουν προβλήματα ασφάλειας που δεν μπορούν να αποδοθούν στη Beko, και θα ακυρώσουν την εγγύηση του προϊόντος.

Επομένως, συνιστάται ιδιαίτερα, οι τελικοί χρήστες να απέχουν από προσπάθειες διενέργειας επισκευών που δεν εμπίπτουν στον αναφερθέντα κατάλογο ανταλλακτικών, απευθυνόμενοι σε αυτές τις περιπτώσεις σε εξουσιοδοτημένους επαγγελματίες τεχνικούς επισκευών ή σε αναγνωρισμένους επαγγελματίες τεχνικούς επισκευών. Αντιθέτως, τέτοιου είδους προσπάθειες από τελικούς χρήστες μπορεί να προκαλέσουν προβλήματα ασφάλειας και να προξενήσουν ζημιά στο προϊόν και κατά συνέπεια να προκαλέσουν πυρκαγιά, πλημμύρα, ηλεκτροπληξία και σοβαρό τραυματισμό.

Για παράδειγμα, αλλά χωρίς περιορισμό σε αυτές, οι ακόλουθες επισκευές πρέπει να ανατίθενται σε εξουσιοδοτημένους επαγγελματίες τεχνικούς επισκευών ή σε αναγνωρισμένους επαγγελματίες τεχνικούς επισκευών: επισκευές σε συμπιεστή, ψυκτικό κύκλωμα, κύρια πλακέτα, πλακέτα αντιστροφέα, πλακέτα οθόνης κλπ.

Ο κατασκευαστής/πωλητής δεν μπορεί να θεωρηθεί υπεύθυνος σε καμία περίπτωση μη συμμόρφωσης των τελικών χρηστών με τα οριζόμενα παραπάνω.

Ο χρόνος διαθεσιμότητας ανταλλακτικών για το ψυγείο που προμηθευτήκατε ανέρχεται σε 10 έτη. Στη διάρκεια αυτής της περιόδου θα υπάρχουν διαθέσιμα γνήσια ανταλλακτικά για τη σωστή λειτουργία του ψυγείου

Η ελάχιστη διάρκεια της εγγύησης του ψυγείου που προμηθευτήκατε είναι 24 μήνες. Το προϊόν αυτό είναι εξοπλισμένο με πηγή φωτισμού ενεργειακής κλάσης "G".

Η πηγή φωτισμού στο προϊόν αυτό θα πρέπει να αντικαθίσταται μόνο από επαγγελματία τεχνικό επισκευών

Δείτε επίσης

- 2 CLAUSE DE NON-RESPONSABILITÉ / AVERTISSEMENT [ ] 55]



# Bitte lesen Sie zunächst dieses Handbuch

Lieber Kunde,

**Bitte lesen Sie dieses Handbuch, bevor Sie das Produkt verwenden.**

Vielen Dank, dass Sie sich für dieses Beko Produkt entschieden haben. Wir möchten, dass Sie mit diesem hochwertigen Produkt, das mit modernster Technologie hergestellt wurde, die optimale Effizienz erzielen. Lesen Sie dazu dieses Handbuch und alle anderen mitgelieferten Dokumentationen sorgfältig durch, bevor Sie das Produkt verwenden, und bewahren Sie sie als Referenz auf.

Beachten Sie alle Informationen und Warnungen im Bedienungsanleitung. Auf diese Weise schützen Sie sich und Ihr Produkt vor den Gefahren, die auftreten können.

Bewahren Sie das Bedienungsanleitung auf. Fügen Sie diese Anleitung dem Gerät bei, wenn Sie sie an eine andere Person übergeben.

**In dieser Bedienungsanleitung werden folgende Symbole verwendet:**



Gefahr, die zum Tod oder zu Verletzungen führen kann.



Wichtige Informationen oder nützliche Tipps zur Bedienung.







Lesen Sie die Bedienungsanleitung.



Brennbares Material, Warnung vor Brandgefahr.

HINWEIS Eine Gefahr, die zu Materialschäden am Produkt oder seiner Umgebung führen kann

	
<b>SUPPLIER'S NAME</b>	<b>MODEL IDENTIFIER</b> → (*)
	

Die in der Produktdatenbank gespeicherten Modellinformationen können über die folgende Website und die Suche nach Ihrer Modellkennung (\*) auf dem Energieetikett abgerufen werden.  
<https://eprel.ec.europa.eu/>

<b>1</b>	<b>Sicherheitshinweise .....</b>	<b>88</b>
1.1	Verwendungszweck .....	88
1.2	Sicherheit von Kindern, gefährdeten Personen und Haustieren .....	89
1.3	Elektrische Sicherheit .....	90
1.4	Handhabungssicherheit .....	90
1.5	Montagesicherheit .....	91
1.6	Betriebssicherheit .....	93
1.7	Sicherheit bei der Lagerung von Lebensmitteln .....	95
1.8	Wartungs- und Reinigungssicherheit .....	96
<b>2</b>	<b>Umwelthinweise .....</b>	<b>97</b>
2.1	Informationen zur Entsorgung:.....	97
<b>3</b>	<b>Ihr Kühlschrank .....</b>	<b>98</b>
<b>4</b>	<b>Installation .....</b>	<b>98</b>
4.1	Richtiger Ort für die Installation....	99
4.2	Elektrischer Anschluss.....	99
4.3	Anbringen der Kunststoffkeile.....	100
4.4	Einstellen der Füße .....	100
4.5	Warnung vor heißer Oberfläche!...	100
<b>5</b>	<b>Vorbereitung .....</b>	<b>100</b>
5.1	Was man zum Energiesparen tun kann .....	100
5.2	Erste Verwendung .....	101
5.3	Klimaklasse und Definitionen .....	101
<b>6</b>	<b>Produktbedienung .....</b>	<b>102</b>
<b>7</b>	<b>Verwendung des Geräts .....</b>	<b>103</b>
7.1	Bedienfeld des Geräts .....	103
7.2	Aufbewahrung von Lebensmitteln im Kühlfach .....	105
7.3	Gemüsefach-Technologien.....	108
7.4	Photokatalytisches Modul (FreshGuard) .....	108
7.5	Kühlraum für Molkereiprodukte....	109
7.6	Umkehren der Türöffnungsseite ..	109
7.7	Alarm bei offener Tür .....	109
7.8	Faltbares Weinregal .....	109
7.9	Auswechseln der Beleuchtungslampe .....	109
7.10	AeroFlow .....	109
<b>8</b>	<b>Wartung und Reinigung .....</b>	<b>110</b>
<b>9</b>	<b>Fehlerbehebung .....</b>	<b>111</b>

## 1 Sicherheitshinweise

- Dieser Abschnitt enthält die notwendigen Sicherheitshinweise, um die Gefahr von Personen- und Sachschäden zu vermeiden.
- Unser Unternehmen haftet nicht für Schäden, die bei Nichtbeachtung dieser Anweisungen entstehen können.



Lassen Sie Montage- und Reparaturarbeiten immer vom Hersteller, einem autorisierten Kundendienst oder einer Person, die von der einführenden Firma beschrieben wird, durchführen.



Verwenden Sie nur Originalersatzteile und Zubehör.



Reparieren oder ersetzen Sie keine Komponenten des Produkts, wenn dies nicht eindeutig in der Bedienungsanleitung angegeben ist.



Nehmen Sie keine Änderungen am Produkt vor.

### 1.1 Verwendungszweck

- Dieses Produkt ist nicht für den kommerziellen Gebrauch geeignet und sollte nicht für einen anderen als den vorgesehenen Zweck verwendet werden.

- Dieses Produkt ist für den Betrieb in Innenräumen, wie z.B. in Haushalten oder ähnlichem, vorgesehen.

Zum Beispiel;

In den Personalküchen von Geschäften, Büros und anderen Arbeitsumgebungen,

In Bauernhöfen,

In den Räumen von Hotels, Motels oder anderen Erholungseinrichtungen, die von Kunden genutzt werden,

In Herbergen oder ähnlichen Umgebungen,

In Catering-Diensten und ähnlichen Anwendungen außerhalb des Einzelhandels.

- Dieses Produkt darf nicht in offenen oder geschlossenen Außenbereichen wie Schiffen, Wohnmobile, Balkonen oder Terrassen verwendet werden. Wenn das Produkt Regen, Schnee, Sonnenlicht und Wind ausgesetzt wird, besteht Brandgefahr.





## 1.2 Sicherheit von Kindern, gefährdeten Personen und Haustieren

- Dieses Produkt kann von Kindern ab 8 Jahren und Personen mit unterentwickelten körperlichen, sensorischen oder geistigen Fähigkeiten oder mangelnder Erfahrung und Kenntnis verwendet werden, wenn sie beaufsichtigt werden oder eine Einweisung in den sicheren Gebrauch des Geräts und die damit verbundenen Gefahren erhalten haben.
  - Kinder zwischen 3 und 8 Jahren dürfen Lebensmittel in das Kühlerprodukt einlegen und aus ihr entnehmen.
  - Elektrische Produkte sind für Kinder und Haustiere gefährlich. Kinder und Haustiere dürfen nicht mit dem Produkt spielen, darauf klettern oder es betreten.
  - Reinigung und Benutzerwartung sollten nicht von Kindern durchgeführt werden, es sei denn, sie werden von jemandem beaufsichtigt.
  - Halten Sie Verpackungsmaterialien von Kindern fern! Es besteht Verletzungs- und Erstickengefahr.
- Bevor Sie alte Produkte entsorgen, die nicht mehr verwendet werden sollen:
1. Ziehen Sie den Stecker des Netzkabels aus der Steckdose.
  2. Schneiden Sie das Netzkabel ab und ziehen Sie es zusammen mit dem Stecker aus dem Gerät.
  3. Nehmen Sie die Ablagen und Schubladen nicht aus dem Gerät, um zu verhindern, dass Kinder in das Innere des Geräts gelangen können.
  4. Entfernen Sie die Türen.
  5. Bewahren Sie das Gerät so auf, dass es nicht umgestoßen werden kann.
  6. Erlauben Sie Kindern nicht, mit dem ausrangierten Produkt zu spielen.
- Entsorgen Sie das Gerät nicht, indem Sie es ins Feuer werfen. Es besteht Explosionsgefahr.
  - Wenn ein Schloss an der Tür des Geräts vorhanden ist, bewahren Sie den Schlüssel außerhalb der Reichweite von Kindern auf.



### 1.3 Elektrische Sicherheit

- Das Gerät darf während der Installation, Wartung, Reinigung, Reparatur und des Transports nicht an die Steckdose angeschlossen werden.
- Wenn das Netzkabel beschädigt ist, darf es nur von einem autorisierten Kundendienst ausgetauscht werden, um jegliche Risiken zu vermeiden, die auftreten können.
- Verlegen Sie das Netzkabel nicht unter dem Gerät oder an der Rückseite des Geräts. Stellen Sie keine schweren Gegenstände auf das Netzkabel. Das Netzkabel darf nicht geknickt oder gequetscht werden und nicht mit einer Wärmequelle in Berührung kommen.
- Verwenden Sie keine Verlängerungskabel, Mehrfachsteckdosen oder Adapter, um Ihr Gerät zu betreiben.
- Tragbare Mehrfachsteckdosen oder tragbare Netzteile können sich überhitzen und einen Brand verursachen. Stellen Sie daher keine tragbaren Stromquellen mit Mehrfachsteckdosen hinter oder in der Nähe des Geräts auf.

- Schließen Sie das Netzkabel des Geräts nicht an eine lose oder beschädigte Steckdose an. Derartige Verbindungen können überhitzen und einen Brand verursachen.
- Der Stecker muss leicht zugänglich sein. Wenn dies nicht möglich ist, muss die Elektroinstallation über einen Mechanismus verfügen, der den gesetzlichen Vorschriften entspricht und alle Anschlüsse vom Netz trennt (Sicherung, Schalter, Hauptschalter usw.).
- Berühren Sie den Stecker nicht mit nassen Händen!
- Fassen Sie beim Ausstecken des Geräts nicht das Netzkabel, sondern den Stecker an.



### 1.4 Handhabungssicherheit

- Dieses Produkt ist schwer, handhaben Sie es nicht selbst.
- Halten Sie das Gerät nicht an der Tür fest, während Sie es handhaben.
- Achten Sie beim Umgang mit dem Gerät darauf, dass das Kühlsystem und die Leitungen nicht beschädigt werden. Nehmen Sie das Gerät nicht in Betrieb, wenn die Leitungen be-

schädigt sind, und wenden Sie sich an einen autorisierten Kundendienst.

## 1.5 Montagesicherheit

- Wenden Sie sich für die Montage des Geräts an den autorisierten Kundendienst. Um das Gerät für die Verwendung vorzubereiten, lesen Sie die Informationen in der Bedienungsanleitung und stellen Sie sicher, dass die Strom- und Wasserleitungen den Anforderungen entsprechen. Wenn dies nicht der Fall ist, wenden Sie sich an einen qualifizierten Elektriker und einen Monteur, um die Versorgungsleitungen entsprechend zu installieren. Andernfalls kann es zu einem elektrischen Schlag, Brand, Problemen mit dem Gerät oder Verletzungen kommen.
- Überprüfen Sie das Gerät vor der Installation auf eventuelle Schäden. Lassen Sie das Gerät nicht installieren, wenn es beschädigt ist.
- Stellen Sie das Gerät auf eine saubere, ebene und stabile Fläche und balancieren Sie es mit den verstellbaren Füßen aus. Andernfalls kann der Kühlschrank umkippen und Verletzungen verursachen.
- Das Gerät muss in einer trockenen und belüfteten Umgebung aufgestellt werden. Legen Sie keine Teppiche, Vorleger oder ähnliche Beläge unter das Gerät. Dies kann zu Brandgefahr durch unzureichende Belüftung führen!
- Die Lüftungsöffnungen dürfen nicht blockiert oder abgedeckt werden. Andernfalls erhöht sich der Stromverbrauch und Ihr Produkt kann beschädigt werden.
- Das Produkt darf nicht an Stromversorgungssysteme wie z.B. Solarstrom angeschlossen werden. Andernfalls kann Ihr Gerät durch plötzliche Spannungsschwankungen beschädigt werden!
- Je mehr Kältemittel ein Kühlschrank enthält, desto größer sollte sein Aufstellraum sein. In sehr kleinen Räumen kann bei einem Gasaustritt im Kühlsystem ein brennbares Gas-Luft-Gemisch entstehen. Pro 8 Gramm Kältemittel wird mindestens 1 m<sup>3</sup> Rauminhalt benötigt. Die Menge des in Ihrem Produkt verfügbaren Kältemittels ist auf dem Typenschild angegeben.
- Der Aufstellungsort des Produkts darf nicht der direkten Sonneneinstrahlung ausge-

setzt sein und sich nicht in der Nähe von Wärmequellen wie Öfen, Heizkörpern usw. befinden. Wenn Sie die Aufstellung des Produkts in der Nähe einer Wärmequelle nicht vermeiden können, verwenden Sie eine geeignete Isolierplatte und stellen Sie sicher, dass der Mindestabstand zur Wärmequelle wie unten angegeben ist:

- Mindestens 30 cm Abstand zu Wärmequellen wie Herden, Öfen, Heizgeräten und Heizkörpern usw.,
- Und mindestens 5 cm Abstand zu Elektroöfen.
- Ihr Produkt hat die Schutzklasse I.
- Schließen Sie das Gerät an eine geerdete Steckdose an, die mit den auf dem Typenschild angegebenen Werten für Spannung, Stromstärke und Frequenz übereinstimmt. Die Steckdose muss mit einer 10A - 16A Sicherung ausgestattet sein. Unser Unternehmen übernimmt keine Haftung für alle Schäden aufgrund einer Nutzung ohne Erdung oder ohne eines Stromanschlusses, der nicht den örtlichen und nationalen Vorschriften genügt.
- Während der Aufstellung muss der Gerätenetzstecker gezogen sein. Andernfalls besteht die Gefahr eines Stromschlags und von Verletzungen!
- Schließen Sie das Netzkabel des Geräts nicht an lose, verbogene, kaputte, schmutzige oder ölige Steckdosen an, die mit Wasser in Berührung kommen können. Derartige Anschlüsse können zu Überhitzung und Feuer führen.
- Verlegen Sie das Netzkabel und die Schläuche (falls vorhanden) des Geräts so, dass sie keine Stolpergefahr darstellen.
- Das Eindringen von Feuchtigkeit und Flüssigkeit in stromführende Teile oder in das Netzkabel kann einen Kurzschluss verursachen. Verwenden Sie das Gerät daher nicht in feuchten Umgebungen oder in Bereichen, in denen Wasser spritzen kann (z.B. Garage, Waschküche usw.). Wenn der Kühlschrank nass geworden ist, ziehen Sie den Stecker und wenden Sie sich an einen autorisierten Kundendienst.
- Schließen Sie Ihren Kühlschrank niemals an Energiespargeräte an. Solche Systeme sind schädlich für das Gerät.



## 1.6 Betriebssicherheit

- Verwenden Sie niemals chemische Lösungsmittel für das Gerät. Diese Stoffe bergen ein Explosionsrisiko.
- Im Falle eines Defekts ziehen Sie den Stecker aus der Steckdose und nehmen Sie das Gerät nicht in Betrieb, bis es von einem autorisierten Kundendienst repariert wurde. Es besteht die Gefahr eines Stromschlags.
- Stellen Sie keine Flammequelle (z.B. Kerzen, Zigaretten usw.) auf das Gerät oder in dessen Nähe.
- Steigen Sie nicht auf das Gerät. Sturz- und Verletzungsgefahr!
- Beschädigen Sie die Leitungen des Kühlsystems nicht mit scharfen und stechenden Werkzeugen. Das Kältemittel, das beim Durchstechen der Gasrohre, der Rohrverlängerungen oder der oberen Oberflächenbeschichtungen austritt, kann zu Hautreizungen und Verletzungen der Augen führen.
- Stellen Sie keine elektrischen Geräte im Inneren des Kühl-/Gefrierschranks auf und betreiben Sie sie nicht, es sei denn, dies wird vom Hersteller empfohlen.
- Klemmen Sie keine Teile Ihrer Hände oder Ihres Körpers in die beweglichen Teile im Inneren des Geräts ein. Achten Sie darauf, dass Ihre Finger nicht zwischen Kühlschrank und Tür eingeklemmt werden. Seien Sie vorsichtig beim Öffnen und Schließen der Tür, wenn Kinder in der Nähe sind.
- Nehmen Sie Eis, Eiswürfel oder gefrorene Lebensmittel nicht sofort in den Mund, wenn Sie sie aus dem Gefrierschrank nehmen. Frostbeulenrisiko!
- Berühren Sie die Innenwände, die Metallteile des Gefrierschranks oder die im Gefrierschrank aufbewahrten Lebensmittel nicht mit nassen Händen. Frostbeulenrisiko!
- Stellen Sie keine Getränkedosen oder Dosen und Flaschen, die Flüssigkeiten enthalten, die gefrieren können, in das Gefrierfach. Dosen oder Flaschen können explodieren. Verletzungsgefahr und Gefahr von Sachschäden!
- Verwenden oder lagern Sie keine temperaturempfindlichen Materialien wie brennbare Sprays, brennbare Gegenstände, Trockeneis oder andere

chemische Stoffe in der Nähe des Kühlschranks. Brand- und Explosionsgefahr!

- Bewahren Sie keine explosiven Materialien wie Spraydosen mit brennbaren Stoffen im Inneren des Geräts auf.
- Stellen Sie Dosen, die Flüssigkeiten enthalten, nicht im offenen Zustand auf das Produkt. Wenn Wasser auf ein elektrisches Teil spritzt, besteht die Gefahr eines elektrischen Schlags oder eines Brands.
- Dieses Produkt ist nicht für die Lagerung und Kühlung von Arzneimitteln, Blutplasma, Laborpräparaten oder ähnlichen Materialien und Produkten vorgesehen, die unter die Medizinprodukte-Richtlinie fallen.
- Wenn das Produkt nicht bestimmungsgemäß verwendet wird, kann es zu einer Beschädigung oder Beeinträchtigung der darin aufbewahrten Produkte kommen.
- Wenn Ihr Kühlschrank mit blauem Licht ausgestattet ist, dürfen Sie nicht mit optischen Geräten in dieses Licht blicken. Schauen Sie nicht über einen längeren Zeitraum direkt in das UV-LED-Licht. Ultraviolette Strahlen können die Augen überanstrengen.
- Befüllen Sie das Produkt nicht mit mehr Lebensmitteln als es aufnehmen kann. Es kann zu Verletzungen oder Schäden kommen, wenn der Inhalt des Kühlschranks beim Öffnen der Tür herunterfällt. Ähnliche Probleme können auch auftreten, wenn ein Gegenstand auf das Gerät gestellt wird.
- Vergewissern Sie sich, dass Sie jegliches Eis oder Wasser, das auf den Boden gefallen sein könnte, entfernt haben, um Verletzungen zu vermeiden.
- Ändern Sie die Position der Ablagen/Flaschenablagen an der Tür Ihres Kühlschranks nur, wenn die Ablagen leer sind. Es besteht Verletzungsgefahr!
- Stellen Sie keine Gegenstände auf das Produkt, die herunterfallen/umkippen können. Diese Gegenstände können beim Öffnen oder Schließen der Tür herunterfallen und Verletzungen und/oder Sachschäden verursachen.
- Schlagen Sie nicht auf Glasflächen und üben Sie keinen übermäßigen Druck darauf aus. Zerbrochenes Glas kann zu Verletzungen und/oder Sachschäden führen.

- Das Kühlsystem in Ihrem Produkt enthält das Kältemittel R600a. Der im Produkt verwendete Kältemitteltyp ist auf dem Typenschild angegeben. Das Gas ist entflammbar. Achten Sie deshalb beim Betrieb des Produkts darauf, dass das Kühlsystem und die Leitungen nicht beschädigt werden. Im Falle einer Beschädigung der Rohre;

1. Berühren Sie nicht das Produkt oder das Netzkabel.
2. Halten Sie das Gerät von potenziellen Feuerquellen fern, die das Gerät in Brand setzen könnten.
3. Belüften Sie den Bereich, in dem das Gerät aufgestellt ist. Verwenden Sie keinen Ventilator.
4. Wenden Sie sich an den autorisierten Kundendienst.
5. Wenn das Gerät beschädigt ist und Sie ein Gasleck feststellen, halten Sie sich bitte vom Gas fern. Gas kann Erfrigerungen verursachen, wenn es mit Ihrer Haut in Kontakt kommt.



## 1.7 Sicherheit bei der Lagerung von Lebensmitteln

Bitte beachten Sie die folgenden Warnhinweise, um den Verderb von Lebensmitteln zu vermeiden:

- Wenn Sie die Türen längere Zeit offen stehen lassen, kann die Temperatur im Inneren des Geräts ansteigen.
- Reinigen Sie regelmäßig die zugänglichen Abflusssysteme, die mit den Lebensmitteln in Berührung kommen.
- Reinigen Sie Wassertanks, die 48 Stunden lang nicht benutzt wurden, und Wasserversorgungssysteme, die mehr als 5 Tage lang nicht benutzt wurden.
- Lagern Sie rohe Fleisch- und Fischprodukte in geeigneten Fächern innerhalb des Produkts. So tropft es nicht auf andere Lebensmittel und kommt nicht mit ihnen in Berührung.
- Zwei-Sterne-Gefrierfächer werden für die Lagerung von vorgefüllten Lebensmitteln, die Herstellung und Lagerung von Eis und Speiseeis verwendet.
- Ein-, Zwei- und Drei-Sterne-Fächer sind nicht zum Einfrieren frischer Lebensmittel geeignet.

- Wenn das Gefrierschrank längere Zeit nicht benutzt wurde, schalten Sie es aus, tauen Sie es ab, reinigen und trocknen Sie es, um das Gehäuse des Geräts zu schützen.

## 1.8 **Wartungs- und Reinigungssicherheit**

- Ziehen Sie den Netzstecker des Kühlschranks, bevor Sie ihn reinigen oder Wartungsarbeiten durchführen.
- Ziehen Sie nicht am Türgriff, wenn Sie das Gerät zu Reinigungszwecken bewegen müssen. Ein zu starkes Ziehen am Griff kann zu Verletzungen führen.
- Halten Sie Ihre Hände usw. nicht unter den Kühlschrank. Es kann zu einem Einklemmen kommen oder scharfe Kanten können Verletzungen verursachen.
- Reinigen Sie das Gerät nicht, indem Sie Wasser auf das Gerät und in das Innere des Geräts sprühen oder gießen. Es besteht Stromschlag- und Brandgefahr.
- Verwenden Sie zum Reinigen des Produkts keine scharfen und scheuernden Werkzeuge oder Haushaltsreiniger, Waschmittel, Gas, Benzin, Verdünner, Alkohol, Lacke und ähnliche Substanzen. Verwenden Sie nur Reinigungs- und Pflegemittel, die für die Lebensmittel im Inneren des Geräts unschädlich sind.
- Verwenden Sie zur Reinigung des Geräts und zum Auftauen des Eises im Inneren niemals Dampf oder dampfhaltige Reinigungsmittel. Dampf kommt mit den stromführenden Teilen Ihres Kühlschranks in Berührung und kann einen Kurzschluss oder Stromschlag verursachen.
- Achten Sie darauf, dass Wasser nicht in die Nähe der Lüftungsöffnungen, der elektronischen Schaltkreise oder der Beleuchtung des Geräts gelangt.
- Verwenden Sie ein sauberes, trockenes Tuch, um Staub oder Fremdkörper an den Stecker- spitzen abzuwischen. Verwenden Sie kein nasses oder feuchtes Tuch, um den Stecker zu reinigen. Andernfalls besteht die Gefahr eines Brands oder Stromschlags.



## 2 Umwelthinweise

### 2.1 Informationen zur Entsorgung:



#### Ihre Pflichten als Endnutzer

Dieses Elektro- bzw. Elektronikgerät ist mit einer durchgestrichenen Abfalltonne auf Rädern gekennzeichnet. Das Gerät darf deshalb nur getrennt vom un-

sortierten Siedlungsabfall gesammelt und zurückgenommen werden. Es darf somit nicht in den Hausmüll gegeben werden. Das Gerät kann z.B. bei einer kommunalen Sammelstelle oder ggf. bei einem Vertreiber (siehe unten zu deren Rücknahmepflichten in Deutschland) abgegeben werden.

Das gilt auch für alle Bauteile, Unterbaugruppen und Verbrauchsmaterialien des zu entsorgenden Altgeräts.

Bevor das Altgerät entsorgt werden darf, müssen alle Altbatterien und Altakkumulatoren vom Altgerät getrennt werden, die nicht vom Altgerät umschlossen sind. Das gleiche gilt für Lampen, die zerstörungsfrei aus dem Altgerät entnommen werden können. Der Endnutzer ist zudem selbst dafür verantwortlich, personenbezogene Daten auf dem Altgerät zu löschen.



#### Hinweise zum Recycling

Helfen Sie mit, alle Materialien zu recyceln, die mit diesem Symbol gekennzeichnet sind. Entsorgen Sie solche Materialien, insbesondere Verpackungen, nicht im Hausmüll, sondern über die bereitgestellten Recyclingbehälter oder die entsprechenden örtlichen Sammelsysteme. Recyceln Sie zum Umwelt- und Gesundheitsschutz elektrische und elektronische Geräte.

#### Rücknahmepflichten der Verreiber

Wer auf mindestens 400 m<sup>2</sup> Verkaufsfläche Elektro- und Elektronikgeräte vertreibt oder diese gewerblich an Endnutzer abgibt, ist verpflichtet, bei Abgabe eines neuen Gerä-

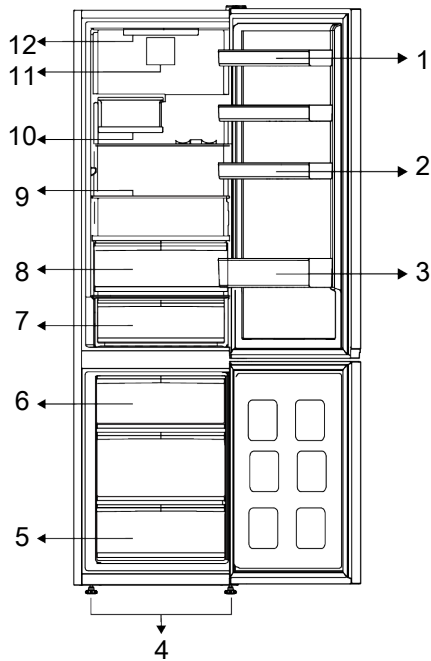
tes, ein Altgerät des Endnutzers der gleichen Geräteart, das im Wesentlichen die gleichen Funktionen wie das neue Gerät erfüllt, am Ort der Abgabe oder in unmittelbarer Nähe, unentgeltlich zurückzunehmen. Das gilt auch für Verreiber von Lebensmitteln mit einer Gesamtverkaufsfläche von mindestens 800 m<sup>2</sup>, die mehrmals im Kalenderjahr oder dauerhaft Elektro- und Elektronikgeräte anbieten und auf dem Markt bereitstellen. Solche Verreiber müssen zudem auf Verlangen des Endnutzers Altgeräte, die in keiner äußeren Abmessung größer als 25 cm sind, (kleine Elektrogeräte) im Einzelhandelsgeschäft oder in unmittelbarer Nähe hierzu unentgeltlich zurückzunehmen; die Rücknahme darf in diesem Fall nicht an den Kauf eines Elektro- oder Elektronikgerätes verknüpft, kann aber auf drei Altgeräte pro Geräteart beschränkt werden. Ort der Abgabe ist auch der private Haushalt, wenn das neue Elektro- oder Elektronikgerät dorthin geliefert wird; in diesem Fall ist die Abholung des Altgerätes für den Endnutzer kostenlos.

Die vorstehenden Pflichten gelten auch für den Vertrieb unter Verwendung von Fernkommunikationsmitteln, wenn die Verreiber Lager- und Versandflächen für Elektro- und Elektronikgeräte bzw. Gesamtlager und Versandflächen für Lebensmittel beinhalten, die den oben genannten Verkaufsflächen entsprechen. Die unentgeltliche Abholung von Elektro- und Elektronikgeräten ist dann aber auf Wärmeüberträger (z.B. Kühlschrank), Bildschirme, Monitore und Geräte, die Bildschirme mit einer Oberfläche von mehr als 100 cm<sup>2</sup> enthalten und Geräte beschränkt, bei denen mindestens eine der äußeren Abmessungen mehr als 50 cm beträgt. Für alle übrigen Elektro- und Elektronikgeräte muss der Verreiber geeignete Rückgabemöglichkeiten in zumutbarer Entfernung zum jeweiligen Endnutzer gewährleisten; das gilt auch für kleine Elektrogeräte (s.o.), die der Endnutzer zurückgeben möchte, ohne ein neues Gerät zu erwerben.

## Einhaltung der RoHS-Richtlinie:

Das von Ihnen gekaufte Gerät entspricht der RoHS-Richtlinie der EU (2011/65/EU). Es enthält keinerlei Materialien, die gemäß der Richtlinie als schädlich oder verboten gelten.

## 3 Ihr Kühlschrank



- 1 \* Verstellbare Türregale
- 3 \* Flaschenablage
- 5 \* Gefrierfach
- 7 \* Kühllagerschublade
- 9 \* Verstellbare Regale
- 11 \* Lüfter

- 2 \* Eierhalter
- 4 \* Verstellbare Vorderfüße
- 6 \* Eisbehälter
- 8 \* Gemüsefach
- 10 \* Faltbarer Weinbehälter
- 12 \* Beleuchtungslampe

**\*Optional:** Die Abbildungen in dieser Bedienungsanleitung sind schematisch und stimmen möglicherweise nicht genau mit Ihrem

Produkt überein. Wenn Ihr Produkt nicht die relevanten Teile enthält, beziehen sich die Informationen auf andere Modelle.

## 4 Installation



Lesen Sie zuerst den Abschnitt „Sicherheitshinweise“!

## 4.1 Richtiger Ort für die Installation

Wenden Sie sich für die Montage des Geräts an den autorisierten Kundendienst. Um das Gerät für die Installation vorzubereiten, lesen Sie die Informationen in der Bedienungsanleitung und stellen Sie sicher, dass die Strom- und Wasserleitungen den Anforderungen entsprechen. Wenn dies nicht der Fall ist, wenden Sie sich an einen Elektriker und einen Monteur, um die Versorgungsleitungen entsprechend zu installieren.



### WARNUNG:

Der Hersteller haftet nicht für alle Schäden, die entstehen, wenn diese Arbeiten von nicht dazu befugten Personen aufgeführt werden.



### WARNUNG:

Während der Aufstellung muss der Gerätenetzstecker gezogen sein. Andernfalls besteht ein ernsthaftes Risiko für schwere Verletzungen mit Todesfolge.



### WARNUNG:

Sollte die Eingangsöffnung am Aufstellungsort zu schmal für das Gerät sein, bauen Sie die Gerätetür ab und drehen Sie das Gerät auf die Seite. Wenden Sie sich an den zuständigen Kundendienst, wenn sich das Problem so nicht lösen lässt.

- Stellen Sie das Gerät auf eine ebene Fläche, um Vibrationen zu vermeiden.
- Stellen Sie das Produkt mindestens 30 cm von Heizung, Herd und ähnlichen Wärmequellen und mindestens 5 cm von Elektroöfen entfernt auf.
- Setzen Sie das Produkt keinem direkten Sonnenlicht aus und bewahren Sie es nicht in feuchten Umgebungen auf.
- Ihr Produkt benötigt eine ausreichende Luftzirkulation, um effizient zu funktionieren. Wenn das Produkt in eine Nische ge-

stellt wird, denken Sie daran, mindestens 5 cm Abstand zwischen dem Produkt und der Decke, der Rückwand und den Seitenwänden zu lassen.

- Prüfen Sie, ob die Rückwand-Abstandsschutzkomponente an ihrem Standort vorhanden ist (falls mit dem Produkt geliefert).
- Wenn die Komponente nicht verfügbar ist oder verloren geht oder heruntergefallen ist, positionieren Sie das Produkt so, dass zwischen der Rückseite des Produkts und der Wand des Raums mindestens 5 cm Abstand verbleiben. Der Freiraum an der Rückseite ist wichtig für den effizienten Betrieb des Produkts.

## 4.2 Elektrischer Anschluss



Verwenden Sie für den Anschluss an des Stromnetz keine Verlängerungskabel oder Mehrfachsteckdosen.



Ein beschädigtes Kabel darf nur vom autorisierten Kundendienst ausgetauscht werden.



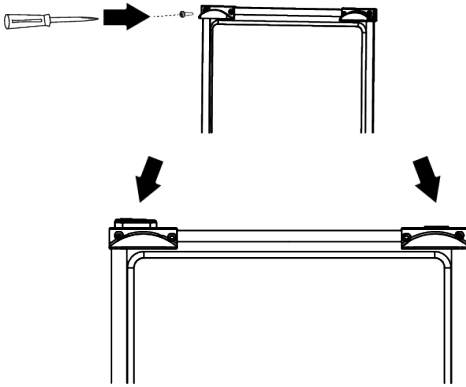
Wenn Sie zwei Kühlschränke nebeneinander aufstellen, müssen Sie einen Mindestabstand von wenigstens 4 cm zwischen beiden Geräten einhalten.

- Unser Unternehmen übernimmt keine Haftung für alle Schäden aufgrund einer Nutzung ohne Erdung oder eines Stromanschlusses, der nicht den örtlichen Vorschriften genügt.
- Das Netzkabel muss nach der Aufstellung gut zugänglich sein.
- Verwenden Sie keinen Mehrfachstecker mit oder ohne Verlängerungskabel zwischen der Steckdose und dem Kühlschrank.

### 4.3 Anbringen der Kunststoffkeile

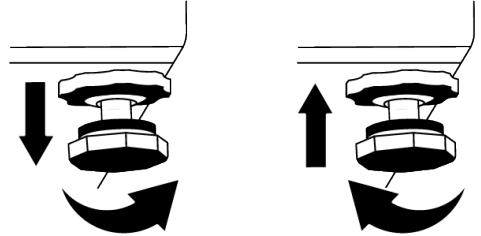
Verwenden Sie die mit dem Gerät gelieferten Kunststoffkeile, um ausreichend Platz für die Luftzirkulation zwischen dem Gerät und der Wand zu schaffen.

1. Um die Keile zu befestigen, entfernen Sie die Schrauben an den jeweiligen Gerätestellen und verwenden die mit den Kunststoffkeilen gelieferten Schrauben.
2. Befestigen Sie 2 Kunststoffkeile an der Lüftungsabdeckung, so wie in der Abbildung dargestellt.



### 4.4 Einstellen der FüÙe

Wenn sich das Gerät nicht im Gleichgewicht befindet, stellen Sie die vorderen verstellbaren FüÙe ein, indem Sie sie nach rechts oder links drehen.



### 4.5 Warnung vor heißer Oberfläche!

Die Seitenwände Ihres Produkts sind mit Kühlerrohren ausgestattet, um das Kühlsystem zu verbessern. Hochdruckflüssigkeit kann durch diese Oberflächen fließen und heiÙe Oberflächen an den Seitenwänden verursachen. Dies ist normal und erfordert keine Wartung. Seien Sie vorsichtig, wenn Sie diese Bereiche kontaktieren.

## 5 Vorbereitung



Lesen Sie zuerst den Abschnitt „Sicherheitshinweise“!

### 5.1 Was man zum Energiesparen tun kann

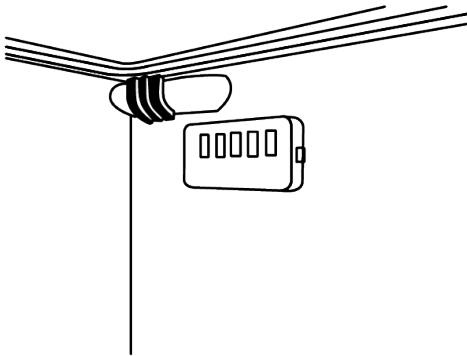


Der Anschluss des Produkts an elektronische Energiesparsysteme ist schädlich, da er das Produkt beschädigen kann.

- Dieses Kühlgerät ist nicht für die Verwendung als Einbaugerät vorgesehen
- Lassen Sie die Kühlschrantür nicht über längere Zeit hinweg offen.
- Stellen Sie keine heißen Speisen oder Getränke in den Kühlschrank.

- Überfüllen Sie den Kühlschrank nicht. Ein Blockieren der inneren Luftzirkulation verringert die Kühlleistung.
- Um die maximale Menge an Lebensmitteln in das Gefrierfach Ihres Kühlschranks zu laden, sollten die oberen Schubladen herausgenommen und die Lebensmittel auf die Draht-/Glasböden gelegt werden. Die Angaben zum Nettovolumen und zum Energieverbrauch, die auf dem Energieetikett Ihres Kühlschranks angegeben sind, wurden getestet, indem die oberen Schubladen in der Kühlabteilung und der Eiskübel, der leicht von Hand herausgenommen werden kann, herausgenommen wurden.

- Es wird dringend empfohlen, bei der Lagerung die untere Schublade zu verwenden.
- Abhängig von den Eigenschaften des jeweiligen Modells kann das Auftauen von Tiefkühlware im Frischfach Energie sparen und die Qualität der auftauenden Lebensmittel bewahren.
- Achten Sie darauf, dass die Lebensmittel nicht mit dem unten beschriebenen Temperatursensor des Frischfachs in Berührung kommen.



- Wenn sie mit dem Sensor in Berührung kommen, kann der Energieverbrauch des Geräts steigen.
- Lebensmittel sind in den Schubladen im Kühlfach aufzubewahren, um Energie zu sparen und Lebensmittel unter besseren Bedingungen zu schützen.
- Lebensmittelverpackungen dürfen nicht in direktem Kontakt mit dem Temperatursensor im Gefrierfach stehen.

## 5.2 Erste Verwendung

Bevor Sie den Kühlschrank das erste Mal verwenden, achten Sie darauf, alle Vorbereitungen gemäß dieser Bedienungsanleitung, insbesondere wie in den Abschnitten „Wichtige Hinweise zur Sicherheit und zum Umweltschutz“ und „Aufstellung“ beschrieben, durchzuführen.

- Lassen Sie das leere Gerät mindesten 6 lang laufen und öffnen Sie dabei nicht Tür, sofern es nicht absolut notwendig sein sollte.

- Die Temperaturänderung, die durch das Öffnen und Schließen der Tür während der Verwendung des Produkts verursacht wird, kann normalerweise zu Kondenswasserbildung führen, die auf Tür-/Korpusregalen und Glaswaren in das Produkt gestellt werden.



Wenn der Kompressor sich einschaltet, ist ein Geräusch zu hören. Es ist normal, dass das Produkt Geräusche macht, auch wenn der Kompressor nicht läuft, da im Kühlsystem Flüssigkeit und Gas komprimiert werden können.



Es ist normal, dass die vorderen Ränder des Kühlschranks warm sind. Diese sind so gestaltet, dass sie erwärmen, um Kondensation zu vermeiden.



Bei einigen Modellen schaltet sich die Anzeigetafel 1 Minuten nach dem Schließen der Tür automatisch aus. Sie wird wieder aktiviert, wenn die Tür offen ist oder eine beliebige Taste gedrückt wird.

## 5.3 Klimaklasse und Definitionen

Bitte beachten Sie die Klimaklasse auf dem Typenschild Ihres Geräts. Je nach Klimaklasse ist eine der folgenden Informationen auf Ihr Gerät anwendbar.

- **SN:** Langfristig gemäßigtes Klima: Dieses Kühlgerät ist für den Einsatz bei Umgebungstemperaturen zwischen 10 °C und 32 °C ausgelegt.
- **N:** Gemäßigtes Klima: Dieses Kühlgerät ist für den Einsatz bei Umgebungstemperaturen zwischen 16°C und 32 °C ausgelegt.
- **ST:** Subtropisches Klima: Dieses Kühlgerät ist für den Einsatz bei Umgebungstemperaturen zwischen 16°C und 38°C ausgelegt.

- **T:** Tropisches Klima: Dieses Kühlgerät ist für den Einsatz bei Umgebungstemperaturen zwischen 16°C und 43°C ausgelegt.

## 6 Produktbedienung

---



Lesen Sie zuerst den Abschnitt „Sicherheitshinweise“!

- Verwenden Sie keine mechanischen Werkzeuge oder andere Werkzeuge als die Empfehlungen des Herstellers, um den Auftauvorgang zu beschleunigen.
- Nutzen Sie Teile des Kühlschranks, wie z.B. die Tür oder die Schubladen nicht als Unterstützung oder als Trittbrett. Dies kann dazu führen, dass das Produkt umkippt oder seine Komponenten beschädigt werden.
- Das Gerät darf nur zur Aufbewahrung von Lebensmitteln verwendet werden.

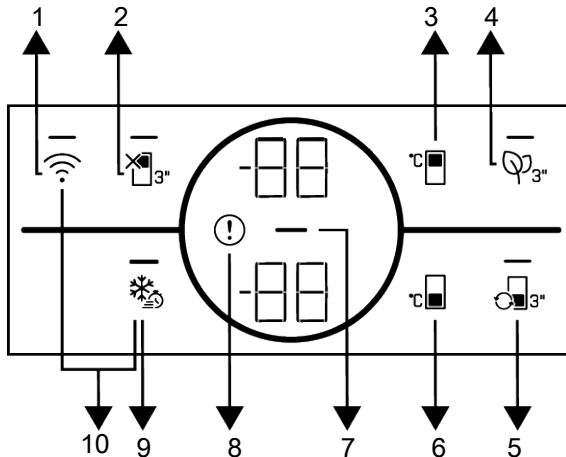
- Schalten Sie das Wasserventil aus, wenn Sie nicht zu Hause sind (z.B. im Urlaub) und die Eismaschine oder den Wasserspender längere Zeit nicht benutzen. Andernfalls können Wasserlecks auftreten.

### **Pausieren des Programms**


- Wenn Sie das Gerät für längere Zeit nicht benutzen, ziehen Sie den Stecker aus der Steckdose.
- Entfernen Sie die Lebensmittel, um Gerüche zu vermeiden.
- Warten Sie, bis das Eis geschmolzen ist, reinigen Sie den Innenraum und lassen Sie ihn trocknen; lassen Sie die Türen offen, um eine Beschädigung der inneren Kunststoffteile zu vermeiden.

## 7 Verwendung des Geräts

### 7.1 Bedienfeld des Geräts



- |  |  |
|--|--|
| 1 * Kabellose Taste                              | 2 * Funktionstaste Kühlfach AUS (Urlaub)                                 |
| 3 * Temperatureinstellungstaste für das Kühlfach | 4 * Desodorierungsmodul Schlüssel  |
| 5 * Fachumwandlungstaste                         | 6 * Temperatureinstellungstaste für das Gefrierfach                      |
| 7 * Energiesparanzeige (Anzeige aus)             | 8 * Fehlerzustandsanzeige  |
| 9 * Schnellgefriertaste                          | 10 Taste zum Zurücksetzen der Einstellungen für die kabellose Verbindung |

 Lesen Sie zuerst den Abschnitt „Sicherheitshinweise“.

Die auditiven und visuellen Funktionen der Anzeigetafel erleichtert Ihnen die Nutzung des Kühlschranks.

**\*Optional:** Die angezeigten Funktionen sind optional, es können Form- und Lageunterschiede bei den Funktionen auf der Anzeige Ihres Geräts auftreten.

#### 1. Kabellose Taste

Diese Taste wird verwendet um über die mobile HomeWhiz-App eine drahtlose Verbindung mit Ihrem

Produkt herzustellen. Wenn Sie die Taste 3 Sekunden lang drücken, blinkt das Symbol für die kabellose Verbindung auf dem Dis-

play/Bildschirm langsam (in Abständen von 0,5 Sekunden). Das Heimnetzwerk wird auf diese Weise auf dem Produkt initialisiert. Nachdem eine drahtlose Verbindung mit dem Produkt hergestellt wurde, leuchtet das Symbol für die drahtlose Verbindung kontinuierlich auf. Sie können die Verbindung durch einen kurzen Druck auf diese Taste aktivieren/deaktivieren. Das Symbol für die drahtlose Verbindung blinkt (im Intervall von 0,2 Sekunden), bis die Verbindung hergestellt ist. Wenn die Verbindung aktiv ist, leuchtet die LED. Wenn die Verbindung über einen längeren Zeitraum nicht hergestellt werden kann, überprüfen Sie Ihre Verbindungseinstellungen und lesen Sie den Abschnitt „Fehlerbehebung“ im Bedienungsanleitung. Die HomeWhiz-Anwen-

dung wird für die drahtlose Verbindung verwendet werden. Die Schritte zur Einrichtung werden während der Einrichtung durch die Anwendung erklärt. Sie können auf die Anwendung zugreifen, indem Sie den QR-Code auf dem HomeWhiz-Etikett am Gerät scannen. Die Anwendung ist im App Store oder im Play Store für Android-Geräte erhältlich. Weitere Informationen finden Sie unter <https://www.homewhiz.com/>.

## 2. Funktionstaste Kühlfach Aus (Urlaub)



Drücken Sie die Taste 3 Sekunden lang, um die Urlaubsfunktion zu aktivieren. Der Urlaubsmodus wird aktiviert und die LED an der Taste leuchtet. Auf der Temperaturanzeige des Kühlfachs muss „-“ angezeigt werden, und der Kühlfach führt keine aktive Kühlung durch. Wenn Sie diese Funktion aktivieren, sollten Sie Ihre Lebensmittel nicht im Kühlfach aufbewahren. Die anderen Fächer kühlen entsprechend der zuvor eingestellten Temperaturen weiter. Drücken und halten Sie die Taste erneut 3 Sekunden lang, um diese Funktion abzubrechen.

## 3. Temperatureinstellungstaste für das

### Kühlfach

Ermöglicht die Einstellung der Temperatur für das Kühlfach. Durch das Drücken dieser Taste wird die Einstellung der Kühlfachtemperatur auf 8 °C, 7 °C, 6 °C, 5 °C, 4 °C, 3 °C, 2 °C, und 1 °C.

## 4. Desodorierungsmodul-Schlüssel

Drücken Sie diese Taste 3 Sekunden lang, um die Desodorierungsfunktion zu aktivieren/deaktivieren. Wenn die Desodorierungsfunktion aktiv ist, leuchtet die LED der jeweiligen Taste. Wenn die Funktion aktiv ist, wird das Desodorierungsmodul periodisch betrieben.

## 5. Fachumwandlungstaste

Durch Drücken der Fachumwandlungstaste ( ) für 3 Sekunden wechselt das Gefrierteil zwischen Kühl-, Aus- und Gefriermodus. Wenn das Fach als Kühlfach betrieben wird,

wird die Temperatur des Fachs auf 4 °C eingestellt. In der Betriebsart OFF zeigt die Fachtemperaturanzeige "- -" an.

## 6. Temperatureinstellungstaste für das

### Gefrierfach

Die Temperatureinstellung erfolgt für das Gefrierfach. Durch Drücken der Taste kann die Temperatur des Gefrierfachs auf -18 °C, -19 °C, -20 °C, -21 °C, -22 °C, -23 °C und -24 °C eingestellt werden.

## 7. Anzeige für Energiesparen (Display aus)

Die Energiesparfunktion wird automatisch aktiviert und das Energiesparsymbol leuchtet auf, wenn die Tür des Produkts längere Zeit nicht geöffnet oder geschlossen wird. Wenn die Energiesparfunktion aktiv ist, müssen alle Symbole auf dem Bildschirm außer dem Energiesparsymbol deaktiviert sein. Wenn Sie bei aktivierter Energiesparfunktion eine andere Taste drücken oder die Tür öffnen, stellt sich diese Funktion aus und die Symbole auf der Anzeige leuchten wieder auf. Die Energiesparfunktion ist eine ab Werk aktivierte Funktion und kann nicht abgebrochen werden.

## 8. Fehlerzustandsanzeige

Diese Anzeige -muss aktiv sein, wenn Ihr Kühlschrank keine ausreichende Kühlung durchführen kann oder wenn ein Sensorfehler vorliegt. Auf der Gefrierfach-Temperaturanzeige wird der Buchstabe „E“ und auf der Kühlfach-Temperaturanzeige die Ziffern 1, 2, 3 angezeigt. Diese Nummern auf der Anzeige geben den Dienst bezüglich des Fehlers an. Wenn Sie warme Speisen in das Gefrierfach legen oder dessen Tür längere Zeit offen lassen, kann ein Ausrufezeichen aufleuchten. Dies ist kein Fehler. Diese Warnung wird erloschen, wenn die Lebensmittel abgekühlt sind oder wenn eine Taste gedrückt wird.



## 9. Schnellgefriertaste

Wenn die Schnellgefriertaste gedrückt wird, leuchtet die LED auf der Taste und die Schnellgefrierfunktion muss aktiviert werden. Die Gefrierfachtemperatur ist auf -27 °C eingestellt. Drücken Sie die Taste erneut, um die Funktion abzubrechen. Die Schnellgefrierfunktion wird nach 24 Stunden automatisch abgebrochen. Um eine große Menge an frischen Lebensmitteln einzufrieren, drücken Sie die Schnellgefriertaste, bevor Sie die Lebensmittel in das Gefrierfach legen.

## 7.2 Aufbewahrung von Lebensmitteln im Kühlfach

### Aufbewahrung von Lebensmitteln im Kühlfach

- Die Temperatur des Fachs steigt stark an, wenn die Fachtür häufig geöffnet und geschlossen wird und lange Zeit offen bleibt; dies kann die Lebensdauer der Lebensmittel verkürzen und dazu führen, dass sie schlecht werden.
- Um Geruchs- und Geschmacksveränderungen zu vermeiden, sollten die Lebensmittel in geschlossenen Behältern aufbewahrt werden.
- Lagern Sie nicht zu viele Lebensmittel in Ihrem Kühlschrank. Um eine bessere und gleichmäßige Kühlung zu erreichen, legen Sie die Lebensmittel getrennt voneinander so ein, dass die kalte Luft durch sie hindurchströmen kann.
- Sorgen Sie für Luftzirkulation, indem Sie einen Zwischenraum zwischen den Lebensmitteln und der Innenwand lassen. Wenn Sie die Lebensmittel an die Rückwand lehnen, können sie einfrieren.
- Bringen Sie gekochte warme Speisen auf Zimmertemperatur, bevor Sie sie in den Kühlschrank stellen. Dann können Sie die lauwarmen Speisen in die unteren Fächer des Kühlschranks stellen. Stellen Sie die lauwarmen Speisen nicht in die Nähe von Lebensmitteln, die leicht verderben können.

## 10. Taste zum Zurücksetzen der Einstellungen für die kabellose Verbindung



Um die Einstellungen der drahtlosen Verbindung zurückzusetzen, müssen die Tasten Schnell-Einfrieren (Quick freezing) und kabellose Verbindung

gleichzeitig 3 Sekunden lang gedrückt werden. Alle zuvor aufgezeichneten Benutzereinstellungen werden auf dem Produkt entfernt, bei dem die Einstellungen für die drahtlose Verbindung auf die Werkseinstellungen zurückgesetzt/wiederhergestellt werden.

- Tauen Sie Ihre gefrorenen Lebensmittel im Frischhaltefach auf. Auf diese Weise können Sie das Frischhaltefach durch die Verwendung von Tiefkühlkost kühlen und Energie sparen.
- Lagern Sie unreife Südfrüchte (Mango, Melonen, Papaya, Banane, Ananas) im Kühlschrank, um den Reifeprozess zu beschleunigen. Dies ist nicht empfehlenswert, da sich dadurch die Lagerzeit verkürzt.
- Zwiebeln, Knoblauch, Ingwer und anderes Wurzelgemüse sollten Sie nicht im Kühlschrank, sondern in einem dunklen und kalten Raum aufbewahren.
- Wenn Sie feststellen, dass ein Lebensmittel im Kühlschrank verdorben ist, werfen Sie es weg und reinigen Sie das Zubehör, das mit dem Lebensmittel in Berührung gekommen ist.
- Um Speisen wie Suppen und Eintöpfe, die in großen Töpfen gekocht werden, schnell abzukühlen, können Sie sie in eigenen flachen Behältern in den Kühlschrank stellen.
- Stellen Sie unverpackte Lebensmittel nicht in die Nähe von Eiern.
- Bewahren Sie Obst und Gemüse getrennt auf und lagern Sie jede Sorte zusammen (z.B. Äpfel mit Äpfeln, Karotten mit Karotten).

- Nehmen Sie grünes Gemüse aus dem Plastikbeutel und legen Sie es in den Kühlschrank, nachdem Sie es in ein Papiertuch oder ein Trockentuch eingewickelt haben. Wenn Sie diese Art von Lebensmitteln waschen, bevor Sie sie in den Kühlschrank stellen, denken Sie daran, sie zu trocknen.
- Sie können sowohl eine feuchte Umgebung schaffen als auch für einen Luftstrom sorgen, indem Sie Obst und Gemüse

se, die zum Austrocknen neigen, in perforierten oder unverschlossenen Plastiktüten aufbewahren.

- Abgesehen von den Fällen, in denen in der Umgebung extreme Bedingungen herrschen, bleiben die Lebensmittel sowohl im Frischfach als auch im Gefrierfach länger frisch, wenn Sie Ihr Produkt (auf der Tabelle der empfohlenen Werte) auf die angegebenen Werte einstellen.

Lagern Sie Lebensmittel je nach ihren Eigenschaften an verschiedenen Orten:	
Essen	Platz
Eier	Türregal
Molkereiprodukte (Butter, Käse)	Falls verfügbar, Null-Grad-Fach (für Frühstücksnahrung)
Obst, Gemüse und Grünzeug	Obst-/Gemüsefach, Crisper oder EverFresh+-Fach (sofern vorhanden)
Frisches Fleisch, Geflügel, Fisch, Wurst usw. Gekochte Lebensmittel	Falls verfügbar, Null-Grad-Fach (für Frühstücksnahrung)
Servierfertige Lebensmittel, verpackte Produkte, Konserven und eingelegte Lebensmittel	Obere Regale oder Türregal
Getränke, Flaschen, Gewürze und Snacks	Türregal

### Lagerung von Lebensmitteln im Gefrierfach

- Sie können die Schnellgefrierfunktion 4-6 Stunden vor dem Einfrieren aktivieren und eine schnellere Abkühlung vornehmen.
- Bringen Sie warme Speisen auf Raumtemperatur, bevor Sie sie in das Gefrierfach legen.
- Lebensmittel, die eingefroren werden sollen, müssen entsprechend der zu verzehrenden Größe in Portionen aufgeteilt und in separaten Verpackungen eingefroren werden.
- Es wird empfohlen, die Lebensmittel zu verpacken, bevor sie in den Gefrierfach gelegt werden.
- Um zu verhindern, dass die Lagerzeit abläuft, schreiben Sie das Einfrierdatum, die Uhrzeit und den Namen des Produkts auf die Verpackung, entsprechend der Lagerzeit der verschiedenen Lebensmittel.

- Verbrauchen Sie die aufgetauten Lebensmittel schnell. Aufgetaute Lebensmittel können nicht wieder eingefroren werden, es sei denn, sie werden gekocht. Es ist nicht sicher, die wieder eingefrorenen frischen Lebensmittel nach dem Auftauen ohne Kochen zu verzehren.
- Bringen Sie beim Einfrieren frischer Lebensmittel diese nicht mit bereits gefrorenen Lebensmitteln in Kontakt. Andernfalls werden die gefrorenen Lebensmittel aufgetaut.

### Aufbewahrung der Lebensmittel, die tiefgekühlt verkauft werden

- Befolgen Sie stets die Anweisungen des Herstellers in Bezug auf die Zeit, in der Sie Ihre Lebensmittel aufbewahren müssen. Überschreiten Sie nicht die in diesen Anweisungen angegebene Zeit!
- Um die Qualität der Lebensmittel zu schützen, sollten Sie die Zeitspanne zwischen Kauf und Lagerung so kurz wie möglich halten.

- Kaufen Sie Tiefkühlkost, die bei -18 °C oder niedrigeren Temperaturen gelagert wird.
- Vermeiden Sie den Kauf von Lebensmitteln, deren Verpackungen mit Eis usw. bedeckt sind. Dies bedeutet, dass das Produkt teilweise aufgetaut und wieder eingefroren werden könnte. Die Temperatur wirkt sich auf die Qualität der Lebensmittel aus.
- Überschreiten Sie nicht die vom Lebensmittelhersteller empfohlene Lagerzeit. Nehmen Sie nur so viele Lebensmittel aus dem Gefrierschrank, wie Sie benötigen.
- Abgesehen von den Fällen, in denen in der Umgebung extreme Bedingungen herrschen, bleiben die Lebensmittel sowohl im Frischfach als auch im Gefrierfach länger frisch, wenn Sie Ihr Produkt (auf der Tabelle der empfohlenen Werte) auf die angegebenen Werte einstellen.
- Wenn das Frischhaltefach auf eine niedrigere Temperatur eingestellt ist, kann frisches Obst und Gemüse teilweise gefroren sein.

### Tabelle der empfohlenen Einstellwerte

Gefrierfacheinstellung	Gefrierfacheinstellung	Bemerkungen
-22°C	4°C	Das ist die standardmäßige, empfehlende Einstellung. Diese Einstellung wird empfohlen, wenn die Umgebungstemperatur unter 30°C liegt.
-20°C	6°C	Diese Einstellungen werden für Umgebungstemperaturen empfohlen, die 25°C überschreiten.
Schnelleinfrieren	4°C	Verwenden Sie sie, wenn Sie Ihre Lebensmittel in kurzer Zeit einfrieren möchten. Wenn der Vorgang abgeschlossen ist, kehrt es in seine vorherige Position zurück.

### Schnelleinfrieren

1. Aktivieren Sie die Schnellgefrierfunktion 24 Stunden vor dem Einlegen Ihrer frischen Lebensmittel.
2. Nach 24 Stunden nach dem Drücken der Taste legen Sie die Lebensmittel, die Sie einfrieren möchten, in das zweite Regal mit höherer Gefrierkapazität.
3. Die Schnellgefrierfunktion wird nach 48 Stunden automatisch deaktiviert.

### Gefrierschrank Details

Gemäß den IEC 62552-Standards muss das Gefrierschrank über eine Kapazität zum Einfrieren von 4,5 kg an Lebensmitteln bei Temperaturen von -18°C oder niedriger von 25°C in 24 Stunden pro jeweils 100 Liter an Gefrierfachvolumen verfügen.

Lebensmittel können über eine längere Zeit hinweg nur bei Temperaturen von weniger als -18°C gelagert werden.

Sie können die Lebensmittel über Monate frisch halten (im Tiefkühler bei Temperaturen von oder niedriger als -18°C Grad).

Die einzufrierenden Lebensmittel dürfen nicht mit bereits tiefgekühlten Produkten in Berührung kommen, um ein teilweises Auftauen zu verhindern.

Blanchieren Sie das Gemüse und gießen Sie das Wasser ab, um die Lagerzeit bei Tiefkühlung zu verlängern. Legen Sie das Gefriergut nach dem Abgießen in luftdichte Verpackungen und dann in das Gefrierschrank. Bananen, Tomaten, Salat, Sellerie, gekochte Eier, Kartoffeln und vergleichbare Lebensmittel dürfen nicht eingepackt werden. Wenn diese Lebensmittel eingefroren werden, werden nur der Nährwert und die Verzehreigenschaften beeinträchtigt. Eine Verrottung, die die menschliche Gesundheit bedroht, kommt nicht in Frage.

### Platzierung der Lebensmittel

**Regale im Gefrierfach:** Verschiedene Tiefkühlkost wie Fleisch, Fisch, Eiscreme, Gemüse usw.

**Regale im Kühlfach:**Lebensmittel in Töpfen, Behältern mit Deckeln und Verschlusskappen, sowie Eier (geschlossenen Gefäßen)

**Kühlfachtürregale:**Kleine und verpackte Lebensmittel oder Getränke

**Gemüsefach:**Gemüse und Obst

**Fach für frische Lebensmittel:**Feinkostprodukte (Brotaufstriche, Fleischprodukte für den raschen Verbrauch)

### 7.3 Gemüsefach-Technologien

#### Blaua Beleuchtung

Obst und Gemüse, die im Gemüsefach gelagert werden, das mit blaues Licht beleuchtet wird, setzen ihre Photosynthese durch den Wellenlängeneffekt des blauen Lichts fort und bewahren so ihren Vitamin-gehalt.

#### HarvestFresh

Obst und Gemüse, im Gemüsefach gelagert werden, das mit derHarvestFresh -Technologie beleuchtet wird, bewahren ihren Vitamingehalt länger dank der blauen, grünen, roten Lichter und dunklen Zyklen, die einen Tageszyklus simulieren.

Wenn die Tür Ihres Kühlschranks während der Dunkelperiode derHarvestFresh -Technologie geöffnet wird, erkennt Ihr Kühlschrank dies automatisch und beleuchtet das Gemüsefach jeweils für Ihre Zweckmäßigkeit mit einem der blauen, grünen oder roten Lichter. Nachdem Sie die Kühlschranktür geschlossen haben, wird die Dunkelumlauftzeit fortgesetzt, was die Nachtzeit in einem Tageszyklus darstellt.

### 7.4 Photokatalytisches Modul (FreshGuard)

Dank dieses Moduls, das im Frischhaltefach hinter der Verdampferabdeckung positioniert ist, wird die Luft aktiv über den titandioxidbeschichteten photokatalytischen Filter geleitet und die gereinigte Luft im Inneren umgewälzt. Auf diese Weise werden schlechte Gerüche aus dem Innenraum des Kühlschranks entfernt, bevor sie von den

Lebensmitteloberflächen durchdrungen werden, und gleichzeitig wird eine hygienische Luftzirkulation durch desinfizierte Luft erreicht. Angetrieben wird diese Funktion durch den Frischhaltefachlüfter hinter der Verdampferabdeckung, die UV-A-LED und den titandioxidbeschichteten Geruchsfilter. Um dieses Modul zu aktivieren/deaktivieren, das für Hygiene und geruchsfreie Luftzirkulation im Kühlschrank sorgt, halten Sie

die Taste 3 Sekunden lang gedrückt und vergewissern Sie sich, dass die Funkti-

onsanzeige bei Aktivierung auf dem Bildschirm erscheint und verschwindet vom Bildschirm, wenn es deaktiviert ist. Sobald die Funktion wie beschrieben aktiviert wurde, funktioniert sie in regelmäßigen Abständen, ohne dass erneut eine Taste gedrückt werden muss. Wird die Tür des Frischhaltefachs geöffnet, während das Modul aktiv ist, arbeiten der Lüfter und die UV-A-LED vorübergehend nicht, sondern nehmen den Betrieb wieder auf, sobald die Tür geschlossen wird. Im Falle eines Stromausfalls während des Betriebs des Moduls nimmt das Modul den Betrieb an dem Punkt wieder auf, an dem es gestoppt wurde, sobald die Stromversorgung wiederhergestellt ist.

**Anmerkung:** Um schlechte Gerüche zu vermeiden, die bei der Mischung von Gerüchen verschiedener Lebensmittel entstehen können, empfehlen wir Ihnen, aromatische Lebensmittel wie Käse, Oliven und Feinkost in der Verpackung und mit geschlossenen Deckeln aufzubewahren. Aus Gründen der Sicherheit anderer gelagerter Lebensmittel, hygienischer Lagerbedingungen und zur Vermeidung von Geruchsbelästigung empfehlen wir Ihnen, die Lebensmittel, bei denen Sie festgestellt haben, dass sie verderbt sind, so schnell wie möglich aus dem Kühlschrank zu nehmen.

## 7.5 Kühlraum für Molkereiprodukte

### Kühlagerschublade

Die Kühlschublade kann im Kühlfach niedrigere Temperaturen erreichen. Verwenden Sie diese Schublade für Feinkostprodukte (Salami, Wurst usw.) und Milchprodukte, die kältere Lagerbedingungen erfordern, oder für Fleisch, Hähnchen oder Fisch, die schnell verzehrt werden sollen. Es ist nicht geeignet, Obst und Gemüse in dieser Schublade aufzubewahren.

## 7.6 Umkehren der Türöffnungsseite

Die Türöffnungsseite Ihres Kühlschranks kann je nach Aufstellort umgedreht werden. Wenn Sie dies benötigen, sollten Sie unbedingt den nächsten autorisierten Service anrufen.

## 7.7 Alarm bei offener Tür

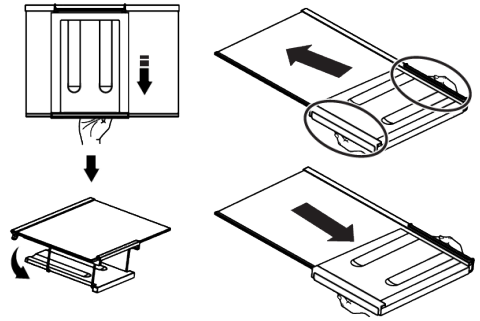
Ein Signalton ertönt, wenn die Gerätetür für länger als 1 Minute geöffnet ist. Der akustische Alarm stoppt, wenn Sie die Schranktür schließen oder eine beliebige Taste auf dem Display drücken (falls vorhanden).

## 7.8 Faltbares Weinregal

Er ermöglicht es dem Benutzer, bei Bedarf Weinflaschen zu lagern. Um das Regalteil zu benutzen, fassen Sie den Kunststoffteil und ziehen Sie ihn vorsichtig nach unten. Jetzt können Sie das faltbare Weinregal benutzen.



Es wird empfohlen, maximal 2 Weinflaschen auf dem faltbaren Weinregal zu lagern.



Um das Weinregal zu gruppieren, nehmen Sie zunächst die Glasablage aus dem Kühlschrank. Legen Sie es auf das Glasregal, indem Sie das Kunststoffteil durch die vorderen und hinteren Rillen schieben, wie auf dem Bild gezeigt. Das Produkt ist dann mit dem klappbaren Weinregal einsatzbereit.

Um das faltbare Weinregal zu entnehmen, entnehmen Sie zuerst das Glasregal aus dem Kühlschrank. Greifen Sie dann das Kunststoffteil und ziehen Sie es in eine beliebige Richtung. Sie können das Produkt nun bei Bedarf auch ohne klappbares Weinregal verwenden.

## 7.9 Auswechseln der Beleuchtungslampe

Rufen Sie den autorisierten Kundendienst an, wenn die Glühbirne/LED für die Beleuchtung Ihres Kühlschranks ausgetauscht werden soll.

Die in diesem Gerät verwendeten Lampen können nicht für die Hausbeleuchtung verwendet werden. Die beabsichtigte Verwendung dieser Lampe soll dem Benutzer helfen, Lebensmittel sicher und bequem in den Kühl- / Gefrierschrank zu stellen.

## 7.10 AeroFlow

Es handelt sich um ein Luftverteilungssystem, das für eine gleichmäßige Temperaturverteilung sorgt. Durch die Luftzirkulation wird eine gleichmäßige Temperaturverteilung im Frischhaltefach gewährleistet, und die Temperaturschwankungen werden gering gehalten. Es wird keine direkte Luft über die Lebensmittel geblasen, was dazu beiträgt, den Feuchtigkeitsverlust zu verringern.

gern. Die Frische der im Frischfach des Kühlschranks gelagerten Lebensmittel bleibt erhalten. Auf diese Weise werden Ihre Lebensmittel bei stabileren Temperaturen gelagert und der Kontakt mit der Luft

wird reduziert. Das Austrocknen und Schrumpfen von Lebensmitteln durch Feuchtigkeitsverlust wird verhindert und die Frische bleibt länger erhalten.

## 8 Wartung und Reinigung



### WARNUNG:

Lesen Sie zuerst den Abschnitt „Sicherheitshinweise“!



### WARNUNG:

Ziehen Sie den Netzstecker bevor Sie das Kühlschranks reinigen.

- Verwenden Sie zum Reinigen des Produkts keine scharfen oder scheuernden Werkzeuge. Verwenden Sie keine Materialien wie Haushaltsreiniger, Seifen, Reinigungsmittel, Gas, Benzin, Verdüner, Alkohol, Wachs usw.
- Der Staub muss mindestens einmal im Jahr vom Lüftungsgitter auf der Rückseite des Produkts entfernt werden (ohne die Abdeckung zu öffnen). Reinigen Sie das Produkt nur mit einem trockenen Tuch.
- Achten Sie darauf, dass die Abdeckung der Lampen und sonstige Elektroteile nicht mit Wasser in Kontakt kommen.
- Reinigen Sie die Tür nur mit einem feuchten Tuch. Entfernen Sie den gesamten Inhalt, um die Tür- und Gehäuseregale zu entfernen. Entfernen Sie die Türregale, indem Sie sie nach oben heben. Reinigen Sie die Türeinsätze gründlich und setzen Sie sie sodann wieder ein, indem Sie diese nach unten gleiten lassen.
- Verwenden Sie kein chlorhaltiges Wasser bzw. chlorhaltige Reinigungsmittel zur Reinigung der Außenflächen und chrombeschichteten Teile des Geräts. Chlor lässt metallische Oberflächen rosten.
- Verwenden Sie keine scharfen und abrasiven Werkzeuge, Seife, Reinigungsmittel, Reinigungsmittel, Gas, Benzin, Lacke und ähnliche Substanzen, um eine Verformung des Kunststoffteils und das Entfer-

nen von Drucken auf dem Teil zu verhindern. Verwenden Sie zum Reinigen warmes Wasser und ein weiches Tuch und trocknen Sie es anschließend ab.

- Bei Produkten ohne Frostschutzfunktion können Wassertropfen und Eisbildung bis zu einer Fingerdicke an der Rückwand des Gefrierfachs auftreten. Nicht reinigen und niemals Öle oder ähnliche Materialien auftragen.
- Verwenden Sie ein leicht angefeuchtetes Mikrofasertuch, um die Außenfläche des Produkts zu reinigen. Schwämme und andere Arten von Reinigungskleidung können Kratzer verursachen.
- Um alle entfernbaren Komponenten während der Reinigung der Innenfläche des Produkts zu reinigen, waschen Sie diese Komponenten mit einer milden Lösung aus Seife, Wasser und Karbonat. Gründlich waschen und trocknen. Kontakt von Wasser mit Beleuchtungskomponenten und dem Bedienfeld verhindern.



### VORSICHT:

Verwenden Sie auf keiner Innenfläche Essig, Reinigungsalkohol oder andere Reinigungsmittel auf Alkohobasis.

### Außenflächen aus Edelstahl

Verwenden Sie ein nicht scheuerndes Reinigungsmittel aus rostfreiem Stahl und tragen Sie es mit einem weichen, fusselfreien Tuch auf. Wischen Sie zum Polieren die Oberfläche vorsichtig mit einem mit Wasser angefeuchteten Mikrofasertuch ab und verwenden Sie eine trockene Poliergämsse. Folgen Sie immer den Adern des Edelstahls.

## Gerüche verhindern

Das Gerät wurde ohne die Verwendung von Geruch erzeugenden Materialien hergestellt. Jedoch kann die unsachgemäße Lagerung von Lebensmitteln wie auch eine unzureichende Reinigung der Innenräume zur Entstehung von Gerüchen führen.

- Um dies zu vermeiden, sollten Sie den Innenraum mit kohlenensäurehaltigem Wasser alle vierzehn Tage reinigen.

- Bewahren Sie die Lebensmittel in versiegelten Behältern auf, da Mikroorganismen, die von Lebensmitteln in nicht versiegelten Behältern stammen, einen schlechten Geruch verursachen.
- Bewahren Sie keine verdorbenen Lebensmittel bzw. solche mit abgelaufenem Haltbarkeitsdatum im Kühlschrank auf.

## Schutz der Kunststoffoberflächen

Auf Kunststoffoberflächen ausgelaufenes Öl kann diese beschädigen. Reinigen Sie daher solche Verschmutzungen unverzüglich.

## 9 Fehlerbehebung

Prüfen Sie diese Liste, bevor Sie sich an den Kundendienst wenden. So sparen Sie Zeit und Geld. Diese Liste enthält häufige Beanstandungen, die nicht auf Verarbeitungs- oder Materialfehler zurückzuführen sind. Bestimmte hier aufgeführte Merkmale treffen möglicherweise nicht auf Ihr Produkt zu.

### Der Kühlschrank funktioniert nicht.

- Der Netzstecker ist nicht vollständig eingesteckt. >>> Stecken Sie den Stecker vollständig in die Steckdose.
- Die Sicherung in der Steckdose, die das Produkt mit Strom versorgt, oder die Hauptsicherung ist durchgebrannt. >>> Prüfen Sie die Sicherung.

### Kondenswasser an der Seitenwand des Kühlfachs (MULTI ZONE, COOL CONTROL und FLEXI ZONE).

- Die Tür wird zu häufig geöffnet. >>> Achten Sie darauf, die Tür des Geräts nicht zu häufig zu öffnen.
- Die Umgebung ist zu feucht. >>> Stellen Sie das Gerät nicht in feuchten Umgebungen auf.
- Flüssigkeitshaltige Lebensmittel werden in unverschlossenen Behältern aufbewahrt. >>> Bewahren Sie die Lebensmittel, die Flüssigkeiten enthalten, in versiegelten Behältern auf.

- Die Tür des Geräts steht offen. >>> Lassen Sie die Tür des Geräts nicht für längere Zeit offen.
- Der Thermostat ist auf eine sehr kühle Temperatur eingestellt. >>> Stellen Sie den Thermostat auf eine angemessene Temperatur ein.

### Der Kompressor funktioniert nicht.

- Bei einem plötzlichen Stromausfall oder wenn der Netzstecker gezogen und wieder eingesteckt wird, ist der Gasdruck im Kühlsystem des Geräts nicht ausgeglichen, wodurch die thermische Sicherung des Kompressors ausgelöst wird. Das Gerät schaltet sich nach etwa 6 Minuten wieder ein. Wenn das Gerät nach diesem Zeitraum nicht wieder anläuft, wenden Sie sich an den Kundendienst.
- Die Abtauung ist aktiv. >>> Dies ist normal für ein vollautomatisches Abtauungsprodukt. Die Abtauung wird regelmäßig durchgeführt.
- Das Gerät ist nicht eingesteckt. >>> Vergewissern Sie sich, dass das Netzkabel eingesteckt ist.
- Die Temperatur ist falsch eingestellt. >>> Wählen Sie die richtige Temperatureinstellung.
- Der Strom ist ausgefallen. >>> Das Gerät arbeitet normal weiter, sobald die Stromversorgung wiederhergestellt ist.

## **Das Betriebsgeräusch des Kühlschranks nimmt während des Betriebs zu.**

- Die Betriebsleistung des Geräts kann je nach den Schwankungen der Umgebungstemperatur variieren. Dies ist normal und stellt keine Fehlfunktion dar.

## **Der Kühlschrank läuft zu oft oder zu lange.**

- Das neue Gerät ist möglicherweise größer als das vorherige. Größere Produkte sind länger in Betrieb.
- Die Raumtemperatur ist möglicherweise zu hoch. >>> Das Gerät läuft normalerweise über längere Zeit bei höherer Raumtemperatur.
- Das Gerät wurde möglicherweise vor kurzem eingesteckt oder es wurde ein neues Lebensmittel hineingelegt. >>> Das Gerät braucht länger, um die eingestellte Temperatur zu erreichen, wenn es kürzlich eingesteckt wurde oder ein neues Lebensmittel hineingelegt wurde. Das ist normal.
- Möglicherweise wurden kürzlich große Mengen heißer Lebensmittel in das Gerät gelegt. >>> Legen Sie keine heißen Lebensmittel in das Gerät.
- Die Türen wurden häufig geöffnet oder für längere Zeit offen gehalten. >>> Die warme Luft, die sich im Inneren bewegt, lässt das Gerät länger laufen. Öffnen Sie die Türen nicht zu häufig.
- Die Tür des Gefrier- oder Kühlgeräts ist möglicherweise angelehnt. >>> Vergewissern Sie sich, dass die Türen vollständig geschlossen sind.
- Das Gerät ist möglicherweise auf eine zu niedrige Temperatur eingestellt. >>> Stellen Sie die Temperatur auf eine höhere Stufe und warten Sie, bis das Produkt die eingestellte Temperatur erreicht hat.
- Die Türdichtung des Kühl- oder Gefrierschranks ist möglicherweise verschmutzt, abgenutzt, kaputt oder nicht richtig eingesetzt. >>> Reinigen oder ersetzen Sie die Dichtung. Eine beschädig-

te/gerissene Türdichtung führt dazu, dass das Gerät länger laufen muss, um die aktuelle Temperatur zu halten.

## **Die Temperatur des Gefrierfachs ist sehr niedrig, aber die Temperatur des Kühlfachs ist ausreichend.**

- Die Temperatur des Gefrierfachs ist auf eine sehr niedrige Temperatur eingestellt. >>> Stellen Sie die Temperatur des Gefrierfachs auf eine höhere Stufe und prüfen Sie erneut.

## **Die Temperatur im Kühlfach ist sehr niedrig, aber die Temperatur im Gefrierfach ist ausreichend.**

- Die Temperatur des Kühlfachs ist sehr niedrig eingestellt. >>> Stellen Sie die Temperatur des Kühlfachs auf eine höhere Temperatur ein und überprüfen Sie sie erneut.

## **Die Lebensmittel in den Schubladen des Kühlfachs sind gefroren.**

- Die Temperatur des Kühlfachs ist sehr niedrig eingestellt. >>> Stellen Sie die Temperatur des Kühlfachs auf eine höhere Temperatur ein und überprüfen Sie sie erneut.

## **Die Temperatur im Kühl- oder Gefrierfach ist zu hoch.**

- Die Kühlfachtemperatur ist sehr hoch eingestellt. >>> Die Temperatureinstellung des Kühlfachs wirkt sich auf die Temperatur im Gefrierfach aus. Warten Sie, bis die Temperatur der betreffenden Teile ein ausreichendes Niveau erreicht hat, indem Sie die Temperatur der Kühl- oder Gefrierfächer ändern.
- Die Türen wurden häufig geöffnet oder für längere Zeit offen gehalten. >>> Öffnen Sie die Türen nicht zu häufig.
- Die Tür kann angelehnt sein. >>> Schließen Sie die Tür vollständig.
- Das Gerät wurde möglicherweise vor kurzem eingesteckt oder es wurde ein neues Lebensmittel hineingelegt. >>> Das ist normal. Das Gerät braucht länger, um die eingestellte Temperatur zu erreichen,



wenn es kürzlich eingesteckt wurde oder ein neues Lebensmittel hineingelegt wurde.

- Möglicherweise wurden kürzlich große Mengen heißer Lebensmittel in das Gerät gelegt. >>> Legen Sie keine heißen Lebensmittel in das Gerät.

#### **Schütteln oder Geräusche.**

- Der Untergrund ist nicht eben oder nicht stabil >>> Wenn das Produkt bei langsamer Bewegung wackelt, stellen Sie die Ständer ein, um das Produkt auszubalancieren. Vergewissern Sie sich auch, dass der Boden ausreichend stabil ist, um das Gerät zu tragen.
- Auf dem Gerät abgestellte Gegenstände können Geräusche verursachen. >>> Entfernen Sie alle auf dem Gerät abgestellten Gegenstände.
- Das Gerät macht Geräusche von fließenden Flüssigkeiten, Sprühern usw.
- Die Funktionsweise des Produkts beinhaltet Flüssigkeits- und Gasströme. >>> Dies ist normal und stellt keine Fehlfunktion dar.

#### **Aus dem Gerät kommt ein Windgeräusch.**

- Das Produkt verwendet einen Ventilator für den Kühlprozess. Dies ist normal und stellt keine Fehlfunktion dar.

#### **An den Innenwänden des Produkts bildet sich Kondenswasser.**

- Heißes oder feuchtes Wetter führt zu verstärkter Vereisung und Kondensation. Dies ist normal und stellt keine Fehlfunktion dar.
- Die Türen wurden häufig geöffnet oder für längere Zeit offen gehalten. >>> Öffnen Sie die Türen nicht zu häufig; wenn sie offen sind, schließen Sie die Tür.
- Die Tür kann angelehnt sein. >>> Schließen Sie die Tür vollständig.

#### **An der Außenseite des Geräts oder zwischen den Türen bildet sich Kondenswasser.**

- Die Umgebungsluft kann feucht sein, dies ist bei feuchtem Wetter ganz normal. >>> Das Kondenswasser wird sich auflösen, wenn die Luftfeuchtigkeit reduziert wird.

#### **Der Innenraum riecht schlecht.**

- Das Produkt wird nicht regelmäßig gereinigt. >>> Reinigen Sie den Innenraum regelmäßig mit einem Schwamm, warmem Wasser und kohlenstoffhaltigem Wasser.
- Bestimmte Halterungen und Verpackungsmaterialien können Geruch verursachen. >>> Verwenden Sie geruchsneutrale Halterungen und Verpackungsmaterialien.
- Die Lebensmittel wurden in nicht verschlossenen Behältern gelagert. >>> Lagern Sie die Lebensmittel in geschlossenen Behältern. Mikroorganismen können auf unverschlossene Lebensmittel überspringen und unangenehme Gerüche verursachen.
- Entfernen Sie alle abgelaufenen oder verdorbenen Lebensmittel aus dem Gerät.

#### **Die Tür schließt nicht.**

- Lebensmittelverpackungen können die Tür blockieren. >>> Entfernen Sie alle Gegenstände, die die Türen blockieren.
- Das Gerät steht nicht ganz aufrecht auf dem Boden. >>> Stellen Sie die Ständer so ein, dass das Gerät im Gleichgewicht ist.
- Die Oberfläche ist nicht eben oder nicht stabil >>> Vergewissern Sie sich, dass die Oberfläche eben und ausreichend stabil ist, um das Produkt zu tragen.

#### **Das Gemüsefach ist eingeklemmt.**

- Die Lebensmittel können mit dem oberen Teil der Schublade in Kontakt sein. >>> Ordnen Sie die Lebensmittel in der Schublade neu an.

## Temperatur auf der Oberfläche des Produkts.

- Während des Betriebs Ihres Geräts kann zwischen zwei Türen, an den Seitenwänden und im hinteren Grillbereich eine hohe Temperatur festgestellt werden. Dies ist normal und erfordert keine Wartung.

## Das Gebläse läuft weiter, wenn die Tür geöffnet wird.

- Das Gebläse kann weiterlaufen, wenn die Gefrierschranktür geöffnet ist.



**WARNUNG:** Wenn das Problem nach Befolgen der Anweisungen in diesem Abschnitt weiterhin besteht, wenden Sie sich an Ihren Händler oder einen autorisierten Kundendienst. Versuchen Sie nicht, das Gerät zu reparieren. Das ist normal.

## HAFTUNGSAUSSCHLUSS / WARNUNG

Einige (einfache) Störungen können vom Endbenutzer in angemessener Weise behoben werden, ohne dass ein Sicherheitsproblem oder eine unsichere Verwendung entsteht, vorausgesetzt, sie werden innerhalb der Grenzen und in Übereinstimmung mit den folgenden Anweisungen durchgeführt (siehe Abschnitt „Selbstreparatur“).

Sofern im Abschnitt „Selbstreparatur“ nicht anders angegeben, müssen Reparaturen von registrierten Fachwerkstätten durchgeführt werden, um Sicherheitsprobleme zu vermeiden. Eine registrierte Fachwerkstatt ist eine Fachwerkstatt, die vom Hersteller gemäß den in den Rechtsakten gemäß der Richtlinie 2009/125/EG beschriebenen Methoden Zugang zu den Anweisungen und der Ersatzteilliste dieses Produkts erhalten hat.

**Allerdings kann nur der Kundendienst (d.h. autorisierte Fachwerkstätten), den Sie über die in der Bedienungsanleitung/ Garantiekarte angegebene Telefonnummer oder über Ihren Vertragshändler erreichen können, Leistungen im Rahmen der Garantiebedingungen erbringen. Bitte beachten Sie daher, dass bei Reparaturen durch (die nicht autorisiert sind durch) Beko Fachwerkstätten die Garantie erlischt.**

### Selbstreparatur

Folgende Ersatzteile können vom Endverbraucher selbst repariert werden: Türgriffe, Türscharniere, Ablagen, Körbe und Türdich-

tungen (eine aktualisierte Liste ist ab dem 1. März 2021 auch unter [support.beko.com](http://support.beko.com) verfügbar).

Um die Produktsicherheit zu gewährleisten und die Gefahr von schweren Verletzungen zu vermeiden, müssen die genannten Selbstreparaturen gemäß den Anweisungen in der Bedienungsanleitung für Selbstreparaturen oder auf [support.beko.com](http://support.beko.com) durchgeführt werden. Ziehen Sie zu Ihrer Sicherheit den Netzstecker des Produkts, bevor Sie eine Selbstreparatur durchführen.

Reparatur- und Instandsetzungsversuche durch Endverbraucher für Teile, die nicht in dieser Liste enthalten sind, und/oder die nicht gemäß den Anweisungen in den Benutzerhandbüchern für die Selbstreparatur oder unter [support.beko.com](http://support.beko.com) durchgeführt werden, können zu Sicherheitsproblemen führen, die nicht von Beko zu verantworten sind, und führen zum Erlöschen der Garantie für das Produkt.

Daher wird den Endnutzern dringend empfohlen, von Reparaturversuchen abzusehen, die nicht in der genannten Ersatzteilliste aufgeführt sind, und sich in solchen Fällen an autorisierte Fachwerkstätten oder registrierte Fachwerkstätten zu wenden. Im Gegenteil, solche Versuche können Sicherheitsprobleme verursachen und das Produkt beschädigen und in der Folge Feuer, Überschwemmungen, Stromschläge und schwere Personenschäden hervorrufen.

Zum Beispiel, aber nicht ausschließlich, müssen die folgenden Reparaturen an autorisierte Fachwerkstätten oder registrierte Fachwerkstätten gerichtet werden: Kompressor, Kühlkreislauf, Hauptplatine, Inverterplatine, Displayplatine, usw.

Der Hersteller/Verkäufer kann in keinem Fall haftbar gemacht werden, wenn der Endverbraucher die oben genannten Bestimmungen nicht einhält.

Die Ersatzteilverfügbarkeit des von Ihnen gekauften Kühlschranks beträgt 10 Jahre, während dieser Zeit sind Original-Ersatzteile für den ordnungsgemäßen Betrieb des Kühlschranks verfügbar.

Die Mindestgarantiedauer für den von Ihnen gekauften Kühlschrank beträgt 24 Monate.

Dieses Produkt ist mit einer Lichtquelle der Energieklasse „G“ ausgestattet.

Die Lichtquelle in diesem Produkt darf nur von autorisierte Fachwerkstätten ausgetauscht werden.

Siehe auch

- 2 CLAUSE DE NON-RESPONSABILITÉ / AVERTISSEMENT [} 55]

