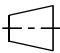

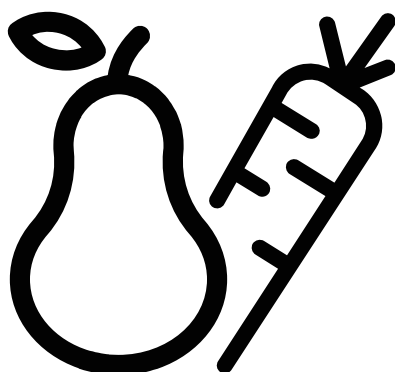


A				重要度	[B]			
B	<p>技术要求</p> <ol style="list-style-type: none"> 1. 颜色要求: 彩色印刷 批量时要求统一, 不能有明显色差, 2. 版面内容: 图案与文字应印刷清晰、规范, 不能有印刷缺陷; 3. 页面印刷: 双面印刷; 4. 成型方式: 胶装 5. 成品尺寸: A5 (140X210), 尺寸公差按GB/T 1804-c; 6. 批量生产前须送样确认。 							
C	<p>注意: 内页里面的封面要在右手边 (即在奇数页)</p>							
D								
借(通)用件登记						封面: 105g铜版纸 内页: 70g双胶纸	广东奥马冰箱有限公司	
出图审查	标志	处数	更改文件号	签名	日期	重量	比例	说明书
日期	设计	制图	许美英	会签	刘金利	共 1 张	第 1 张	
日期	审核	何思琴	批准	李梅方	日期	视角符号	 	CKBK0-J04-A
	工艺		日期	2023-06-28				
	1	2	3	4				



Refrigerator

User manual



GNO5322XPN
GNO5323XPN
GNO5324XPN
GNO5322WN
GNO5322WDXPN

EN/RO/DE/PL/FR/NL/IT/HR/SL/CZ/MK/SR/SQ/BS/HU/SK/ET/LV/LT/ES/PT/ET



INFORMATION



The model information as stored in the product data base can be reached by entering following website and searching for your model identifier (*) found on energy label.

<https://eprel.ec.europa.eu/>

Safety information


In the interest of your safety and to ensure the correct use, before installing and first using the appliance, read this user manual carefully, including its hints and warnings. To avoid unnecessary mistakes and accidents, it is important to ensure that all people using the appliance are thoroughly familiar with its operation and safety features. Save these instructions and make sure that they remain with the appliance if it is moved or sold, so that everyone using it through its life will be properly informed on appliance use and safety.


For the safety of life and property keep the precautions of these user's instructions as the manufacturer is not responsible for damages caused by omission.

Children and vulnerable people safety

- This appliance can be used by children aged from 8 years and above and persons with reduced physical, sensory or mental capabilities or lack of experience and knowledge if they have been given supervision or instruction concerning use of the appliance in a safe way and understand the hazards involved.
- Children should be supervised to ensure that they do not play with the appliance.
- Cleaning and user maintenance shall not be made by children unless they are aged from 8 years and above and supervised.
- Keep all packaging well away from children. There is risk of suffocation.
- If you are discarding the appliance pull the plug out of the socket, cut the connection cable (as close to the appliance as you can) and remove the door to prevent playing children from suffering a electric shock or closing themselves in it.
- If this appliance featuring magnetic door seals is to replace an older appliance having a spring lock (latch) on the door or lid, be sure to make that spring lock unusable before you discard the old appliance. This will prevent it from becoming dangerous for a child.







General safety

 **WARNING!** Keep ventilation openings, in the appliance enclosure or in the built-in structure, clear of obstruction.

 **WARNING!** Do not use mechanical devices or other means to accelerate the defrosting process, other than those recommended by the manufacturer.

 **WARNING!** Do not damage the refrigerant circuit.

Safety information

-  **WARNING!** Do not use other electrical appliances (such as ice cream makers) inside of refrigerating appliances, unless they are approved for this purpose by the manufacture.
-  **WARNING!** Do not touch the light bulb if it has been on for a long period of time because it could be very hot.¹⁾
-  **WARNING!** When positioning the appliance, ensure the supply cord is not trapped or damaged.
-  **WARNING!** Do not locate multiple portable socket-outlets or portable power supplies at the rear of the appliance.
- Do not store explosive substances such as aerosol cans with a flammable propellant in this appliance.
- The refrigerant isobutane (R-600a) is contained within the refrigerant circuit of the appliance, a natural gas with a high level of environmental compatibility, which is nevertheless flammable.
- During transportation and installation of the appliance, be certain that none of the components of the refrigerant circuit become damaged.
 - avoid open flames and sources of ignition
 - thoroughly ventilate the room in which the appliance is situated
- It is dangerous to alter the specifications or modify this product in any way. Any damage to the cord may cause a short circuit, fire and/or electric shock.
- This appliance is intended to be used in household and similar applications such as
 - staff kitchen areas in shops, offices and other working environments;
 - farm houses and by clients in hotels, motels and other residential type environments;
 - bed and breakfast type environments;
 - catering and similar non-retail applications.
-  **WARNING!** Any electrical components (plug, power cord, compressor and etc.) must be replaced by a certified service agent or qualified service personnel.
-  **WARNING!** The light bulb supplied with this appliance is a “special use lamp bulb” usable only with the appliance supplied. This “special use lamp” is not usable for domestic lighting.¹⁾

1) If there is a light in the compartment.

Safety information

- Power cord must not be lengthened.
- Make sure that the power plug is not squashed or damaged by the back of the appliance. A squashed or damaged power plug may overheat and cause a fire.
- Make sure that the mains plug of the appliance is accessible.
- Do not pull the mains cable.
- If the power plug socket is loose, do not insert the power plug. There is a risk of electric shock or fire.
- You must not operate the appliance without the lamp.
- This appliance is heavy. Care should be taken when moving it.
- Do not remove nor touch items from the freezer compartment if you hands are damp/wet, as this could cause skin abrasions or frost/freezer burns.
- Avoid prolonged exposure of the appliance to direct sunlight.

Daily use

- Do not put hot objects on the plastic parts in the appliance.
- Do not place food products directly against the rear wall.
- Frozen food must not be re-frozen once it has been thawed out.¹⁾
- Store pre-packed frozen food in accordance with the frozen food manufacturer's instructions¹⁾
- Manufacturer's storage recommendations should be strictly adhered to. Refer to relevant instructions.
- Do not place carbonated or fizzy drinks in the freezer compartment as it creates pressure on the container, which may cause it to explode, resulting in damage to the appliance.¹⁾
- Ice lollies can cause frost burns if consumed straight from the appliance.¹⁾

To avoid contamination of food, please respect the following instructions

- Opening the door for long periods can cause a significant increase of the temperature in the compartments of the appliance.
- Clean regularly surfaces that can come in contact with food and accessible drainage systems.
- Clean water tanks if they have not been used for 48h; flush the water system connected to a water supply if water has not been drawn for 5 days.
- Store raw meat and fish in suitable containers in the refrigerator, so that it is not in contact with other food.
- Two-star frozen-food compartments(if they are presented in the appliance) are suitable for storing pre-frozen food, storing or making ice-cream and making ice cubes.

1) If there is a freezer compartment.

2) If there is a fresh-food storage compartment.

Safety information

- One-, two- and three -star compartments (if they are presented in the appliance) are not suitable for the freezing of fresh food.
- If the appliance is left empty for long periods, switch off, defrost, clean, dry and leave the door open to prevent mould developing within the appliance.

Care and cleaning

- Before maintenance, switch off the appliance and disconnect the mains plug from the mains socket.
- Do not clean the appliance with metal objects.
- Do not use sharp objects to remove frost from the appliance. Use a plastic scraper.¹⁾
- Regularly examine the drain in the refrigerator for defrosted water. If necessary, clean the drain. If the drain is blocked, water will collect in the bottom of the appliance.²⁾

Installation

Important! For electrical connection carefully follow the instructions given in specific paragraphs.

- Unpack the appliance and check if there are damages on it. Do not connect the appliance if it is damaged. Report possible damages immediately to the place you bought it. In that case retain packing.
- It is advisable to wait at least four hours before connecting the appliance to allow the oil to flow back in the compressor.
- Adequate air circulation should be around the appliance, lacking this leads to overheating. To achieve sufficient ventilation follow the instructions relevant to installation.
- Wherever possible the spacers of the product should be against a wall to avoid touching or catching warm parts (compressor, condenser) to prevent possible burn.
- The appliance must not be located close to radiators or cookers.
- Make sure that the mains plug is accessible after the installation of the appliance.

Service

- Any electrical work required to do the servicing of the appliance should be carried out by a qualified electrician or competent person.
- This product must be serviced by an authorized Service Center, and only genuine spare parts must be used.

Energy saving

- Don't put hot food in the appliance;
- Don't pack food close together as this prevents air circulating;
- Make sure food don't touch the back of the compartment(s);



1) If there is a freezer compartment.


2) If there is a fresh-food storage compartment.

Safety information

- If electricity goes off, don't open the door(s);
- Don't open the door(s) frequently;
- Don't keep the door(s) open for too long time;
- Don't set the thermostat on exceeding cold temperatures;
- All accessories, such as drawers, shelves balconies, should be kept there for lower energy consumption

Environment Protection

 This appliance does not contain gasses which could damage the ozone layer, in either its refrigerant circuit or insulation materials. The appliance shall not be discarded together with the urban refuse and rubbish. The insulation foam contains flammable gases: the appliance shall be disposed according to the appliance regulations to obtain from your local authorities. Avoid damaging the cooling unit, especially the heat exchanger. The materials used on this appliance marked by the symbol  are recyclable.

 The symbol on the product or on its packaging indicates that this product may not be treated as household waste. Instead it should be taken to the appropriate collection point for the recycling of electrical and electronic equipment. By ensuring this product is disposed of correctly, you will help prevent potential negative consequences for the environment and human health, which could otherwise be caused by inappropriate waste handling of this product. For more detailed information about recycling of this product, please contact your local council, your household waste disposal service or the shop where you purchased the product.


Packaging materials

The materials with the symbol are recyclable. Dispose the packaging in a suitable collection containers to recycle it.

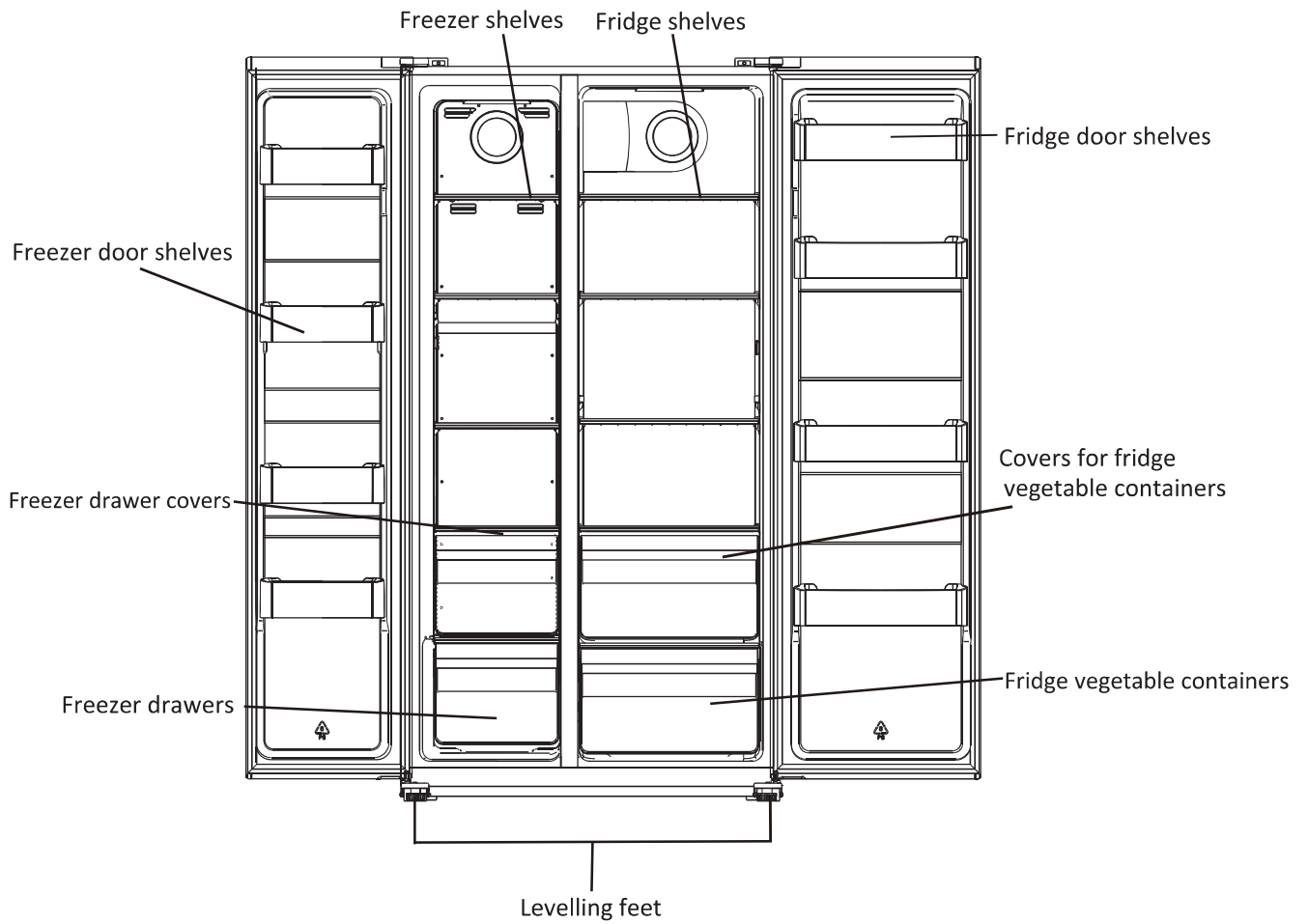
Disposal of the appliance

1. Disconnect the mains plug from the mains socket.
2. Cut off the mains cable and discard it.



 **WARNING!** During using, service and disposal the appliance, please pay attention to symbol as left side, which is located on rear of appliance (rear panel or compressor). It's risk of fire warning symbol. There are flammable materials in refrigerant pipes and compressor. Please be far away fire source during using, service and disposal.

Overview



Note: Above picture is for reference only. Real appliance probably is different.

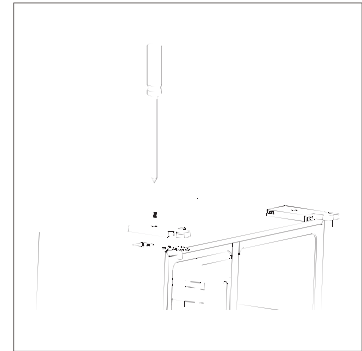
Installation

Remove the doors

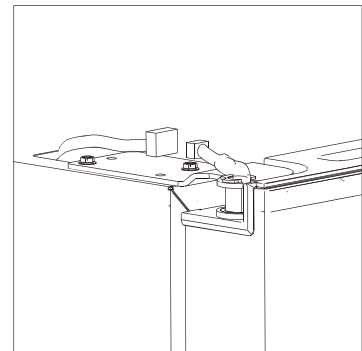
Tool required: Philips screwdriver, Flat bladed screwdriver.

- Ensure the unit is unplugged and empty.
- To take the door off, it is necessary to tilt the unit backwards. You should rest the unit on something solid so that it will not slip during the door removing process.
- All parts removed must be saved to do the reinstallation of the door.
- Do not lay the unit flat as this may damage the coolant system.
- It's better that 2 people handle the unit during assembly.

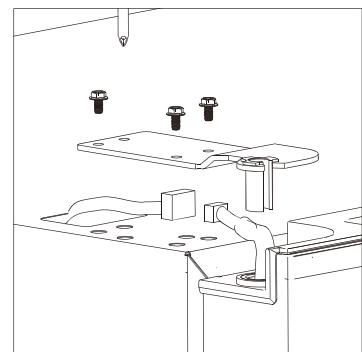
1. Unscrew hinge cover by Philips screwdriver.



2. Disconnect the harness.

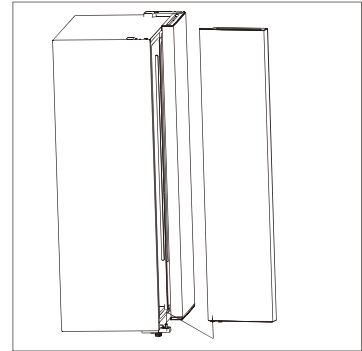


3. Unscrew top hinge.

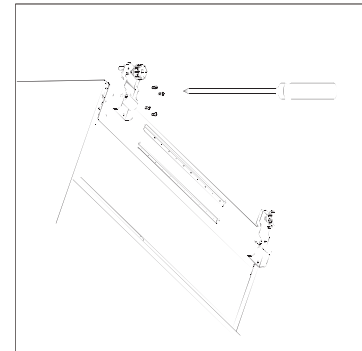


Installation

4. Lift the door and place it on a soft pad. Then remove another door as same process.



5. Unscrew bottom hinges.

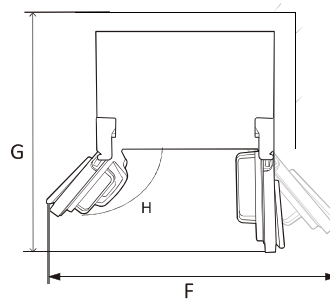
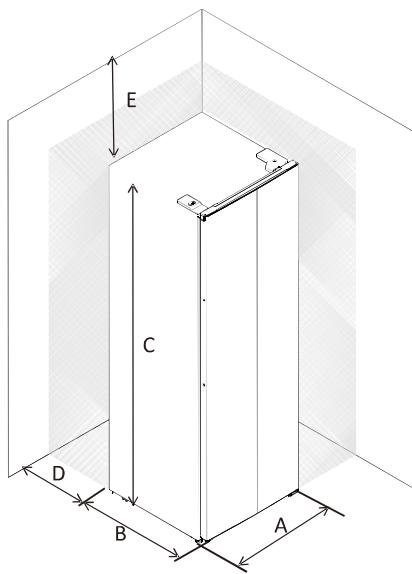


6. After the appliance is positioned, install the doors as reversed process.

Installation

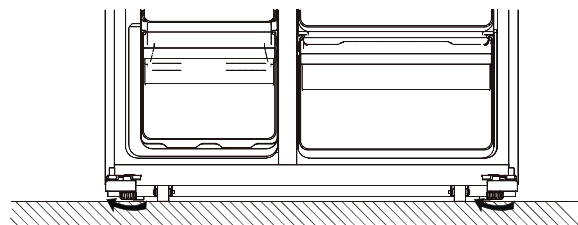
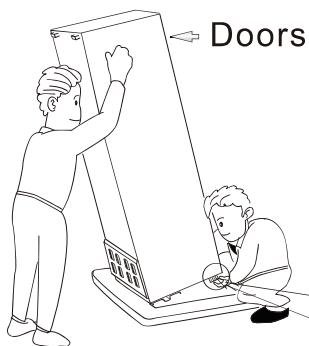
Space Requirement

- Select a location without direct exposure to sunlight;
- Select a location with enough space for the refrigerator doors to open easily;
- Select a location with level (or nearly level) flooring;
- Allow sufficient space to install the refrigerator on a flat surface;
- Allow clearance to the right, left, back and top when installing. This will help reduce power consumption and keep your energy bills lower.



A	910
B	670
C	1770
D	min=50
E	min=50
F	1800
G	1560
H	135°

Levelling the refrigerator



- Leveling and anchor the refrigerator by adjust the feet.
- Clockwise rotate feet to heighten them by hand.
- Anticlockwise rotate feet to lower them by hand.

Installation

Positioning

Install this appliance at a location where the ambient temperature corresponds to the climate class indicated on the rating plate of the appliance:

for refrigerating appliances with climate class:

- extended temperate: this refrigerating appliance is intended to be used at ambient temperatures ranging from 10 °C to 32 °C; (SN)
- temperate: this refrigerating appliance is intended to be used at ambient temperatures ranging from 16 °C to 32 °C;(N)
- subtropical: this refrigerating appliance is intended to be used at ambient temperatures ranging from 16 °C to 38 °C;(ST)
- tropical: this refrigerating appliance is intended to be used at ambient temperatures ranging from 16 °C to 43 °C;(T)

Location

The appliance should be installed well away from sources of heat such as radiators, boilers, direct sunlight etc. Ensure that air can circulate freely around the back of the cabinet. To ensure best performance, if the appliance is positioned below an overhanging wall unit, the minimum distance between the top of the cabinet and the wall unit must be at least 100 mm. Ideally, however, the appliance should not be positioned below overhanging wall units. Accurate leveling is ensured by one or more adjustable feet at the base of the cabinet.

This refrigerating appliance is not intended to be used as a built-in appliance;



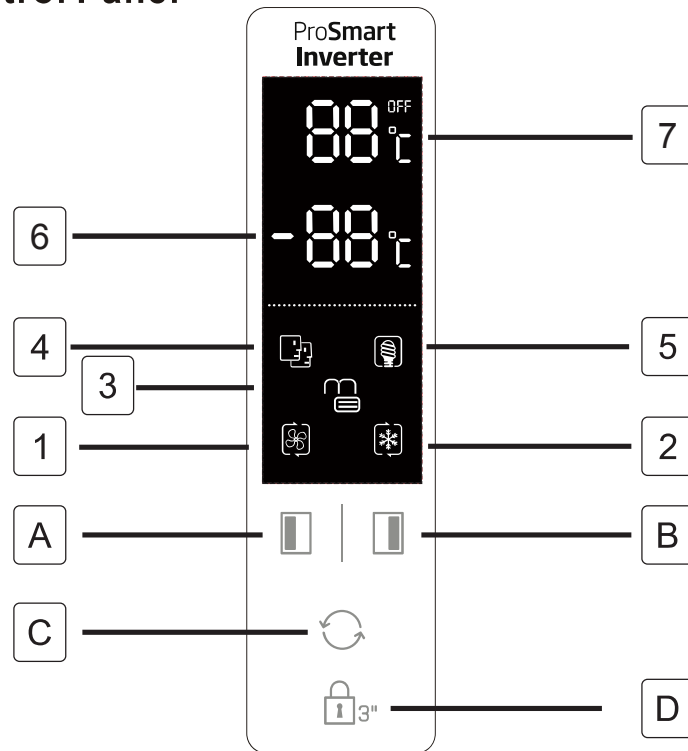
Warning! It must be possible to disconnect the appliance from the mains power supply; the plug must therefore be easily accessible after installation.

Electrical connection

Before plugging in, ensure that the voltage and frequency shown on the rating plate correspond to your domestic power supply. The appliance must be earthed. The power supply cable plug is provided with a contact for this purpose. If the domestic power supply socket is not earthed, connect the appliance to a separate earth in compliance with current regulations, consulting a qualified electrician. The manufacturer declines all responsibility if the above safety precautions are not observed. This appliance complies with the E.E.C. Directives.

Daily Use

Using the Control Panel



Buttons

- A Press to adjust temperature of freezer compartment (left side) from -14°C to -22°C.
- B Press to adjust temperature of fridge compartment (right side) from 2°C to 8°C and off cooling.
- C Press to select running mode from **SMART**, **ECO**, **SUPER COOLING**, **SUPER FREEZING** and **USER'S SETTING** (no symbol in display).
- D Press **3 SEC.** button and hold for 3 seconds to lock other three buttons.
Press it and hold for 1 second to unlock other three buttons.

Display

- 1 **SUPER COOLING** cools the fridge compartment to the lowest temperature as designed. After approx. 2.5 hours, the temperature setting would be restored to the previous user setting mode.
- 2 **SUPER FREEZING** cools the fridge compartment to the lowest temperature as designed. After approx. 50 hours, the temperature setting would be restored to the previous user setting mode.
Tips: it's better to switch on **SUPER FREEZING** mode 24 hours ahead before large amount of food is placed in freezer compartment.
- 3 **LOCK**, the symbol will light on if buttons are locked.
- 4 **SMART** mode, the refrigerator sets the temperature of two compartments automatically according to internal temperature and ambient temperature.
- 5 **ECO** mode, the refrigerator runs in lowest energy consumption setting.
- 6 Display the setting temperature of freezer compartment.
- 7 Display the setting temperature of fridge compartment.
- 8 Child lock would be failed since power failure. Child lock would be valid automatically after 25 seconds since last operation. Display panel would get turn off automatically after 2 minutes since last operation.
- 9 Some features may not be applicable with this model.

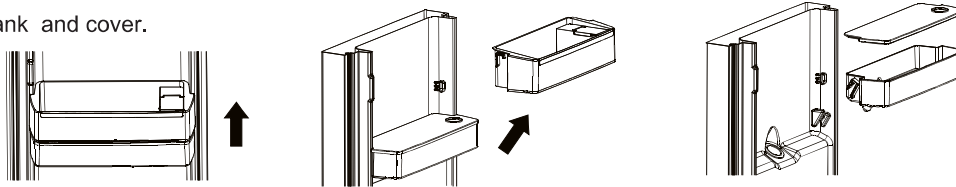
Door Open Alarm

If one door keeps open for 90 seconds, a periodical alarm will sound until the door is closed.

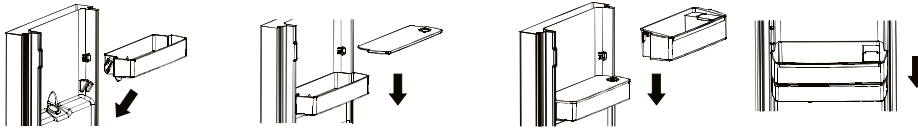
Daily Use

Before using the water dispenser for the first time, remove and clean the water tank located inside the fridge compartment.

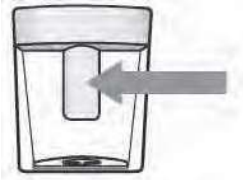
1. Lift and take off tank balcony first, then take off water tank with cover. Detach the cover to wash and clean the tank and cover.



2. After cleaning, reposition water tank, cover and tank balcony as below process.

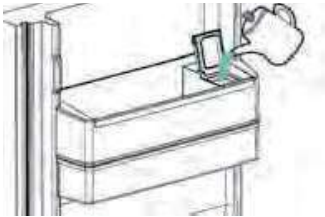


3. Clean the dispenser pad outside the fridge door.



Filing the water tank with water

1. Open the small lid



2. Fill the water tank with drinkable water up to 3 L line.
3. Close the small lid on the cover



Dispensing

To dispense water, push the dispenser pad gently, using a glass or container.
To stop the flow of water, pull your glass away from the dispenser pad.

Daily Use

First use

Cleaning the interior

Before using the appliance for the first time, wash the interior and all internal accessories with lukewarm water and some neutral soap so as to remove the typical smell of a brand new product, then dry thoroughly.

Important! Do not use detergents or abrasive powders, as these will damage the finish.

Daily use

Food	Location
Eggs	Door rack
Dairy products (butter, cheese)	If available, biofresh or chiller compartment Lowest shelves
Fruits, vegetables and salad	Fruit and vegetable box, crisper or EverFresh+ compartment (if available)
Fresh meat, poultry, fresh fish, sausages, cooked foods	If available, biofresh or chiller compartment Lowest shelf
Ready to eat foods, packaged products, canned foods, pickled products	Upper shelves or door rack
Drinks, bottles, condiments, snacks	Door rack
Leftovers	Middle shelves

EN Guidance for storing fresh food:

Storing into the fresh food compartment:

- Keep your fridge at recommended temperature level as 4°C.
- Food to be stored should be properly sealed to avoid odour or taste alterations.
- Do not store excessive quantities of food inside your refrigerator. Leave spaces between foods to allow cold air flowing around them to achieve a better and more homogeneous cooling.
- To allow shorter door openings, foods eaten daily should be stored at the front of the shelf.
- Leave a gap between foods and the inner walls, allowing air to flow. If you store foods against the rear wall foods could freeze against rear wall.
- Hot, cooked food must be cooled down at room temperature before storing in the appliance. Then, warm food can be stored in the lower shelves of your fridge. Please do not put warm food nearby highly perishable foods.
- Thaw your frozen food in the fresh food compartment. This way, you can use the frozen food to cool down the fresh food compartment and save energy.
- If unripe tropical fruits (mango, melons, papaya, banana, pineapple) are stored in refrigerator, ageing process can be accelerated and it is not advisable since it causes shorter storage times. However, the ripening of strongly green fruits (apple, pear) can be promoted for a certain period in fridge compartment.
- Onions, garlic, ginger and other root vegetables should be stored at dark and cool room conditions, not in the fridge.
- When a spoiled food inside refrigerator is realized, it should be disposed. When rotten food is noticed, please clean inner liner or accessories which were in contact to prevent contamination.
- Large pots of food, such as soups or stews can be divided into shallow containers to quickly cool in the refrigerator. Large pieces of cooked meat and whole poultry should be divided into smaller pieces for the same purpose.
- Do not store unpacked foods nearby eggs.
- Keep fruits and vegetables separate and store like with like: apples with apples, carrots with carrots. Fruits and vegetables give off different gases that can cause others to deteriorate.
- Take leafy greens out of plastic bags, wrap them in a paper towel or tea towel before stored in refrigerator. Do not forget to dry them if they are rinsed or wet before storing.
- Store fruits and vegetables susceptible to drying out in perforated or unsealed plastic bags to maintain a moist environment yet still allow air to circulate.
- Different foods should be placed in different areas according to their properties:

“Please check appropriate Climate Class of your appliance rated on the rating plate. One of below information is valid for your appliance according to rated Climate Class.”

- SN: Extended Temperate: This refrigerating appliance is intended to be used at ambient temperatures ranging from 10°C to 32°C
- N: Temperate: This refrigerating appliance is intended to be used at ambient temperatures ranging from 16°C to 32°C
- ST: Subtropical: This refrigerating appliance is intended to be used at ambient temperatures ranging from 16°C to 38°C
- T: Tropical: This refrigerating appliance is intended to be used at ambient temperatures ranging from 16°C to 43°C

EN Storing into the freezer compartment:

- It is recommended to keep freezer setting at -20°C except extreme ambient conditions.
 - 4-6 hours before freezing switch on the Fast Freeze function to provide faster freezing.
 - Hot food must be cooled to room temperature before storing in the freezer compartment.
 - Food cut into small portions will freeze faster and be easier to defrost and cook.
 - It is better to pack food before putting it into the freezer.
 - In order to avoid expiry of storage periods, please note the freezing date, time limit and name of the food on the packaging according to the storage periods of different foods.
 - Do not exceed the food storage times recommended by the food manufacturers. Only take the required amount of food out of the freezer.
 - Consume defrosted food quickly. Defrosted food cannot be re-frozen unless it is cooked. It is not safe to consume uncooked re-frozen fresh food.
 - When freezing fresh food, avoid bringing it in contact with already frozen food. It may cause thawing of already frozen pieces.
- With the exception of extreme conditions in ambient, if temperature is set to recommended values as +4°C/-20°C, overall freshness will be prolonged within fresh food and freezer compartments. If temperature of fresh food compartment is set to cooler, fresh fruits and vegetables may be partially frozen or exposed to cold injury, while warmer temperature level may cause faster spoilage of highly perishable foods (dairy products, meat products).

When storing commercially frozen foods, please follow these guidelines:

Always follow manufacturers' guidelines for the length of time you should store the food for. Do not exceed these guidelines!

- Try to keep the length of time between purchase and storage as short as possible to preserve food quality.
- Buy frozen foods, which have been stored at a temperature of -18 °C or below.
- Avoid buying food which has ice or frost on the packaging – This indicates that the products might have been partially defrosted and refrozen at some point – temperature rises affect the quality of food.
- We recommend a temperature setting of 4°C for fresh food compartment and -20°C for freezer compartment to achieve better food preservation.

Daily Use

Freezing fresh food

- The freezer compartment is suitable for freezing fresh food and storing frozen and deep-frozen food for a long time.
- Place the fresh food to be frozen in the bottom compartment.
- The maximum amount of food that can be frozen in 24 hours is specified on the rating plate.
- The freezing process lasts 24 hours: during this period do not add other food to be frozen.

Storing frozen food

When first starting-up or after a period out of use, before putting the product in the compartment let the appliance run at least 2 hours on the higher settings.

Important! In the event of accidental defrosting, for example the power has been off for longer than the value shown in the technical characteristics chart under “rising time”, the defrosted food must be consumed quickly or cooked immediately and then re-frozen (after cooked).

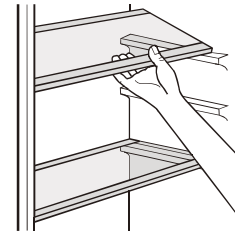
Thawing

Deep-frozen or frozen food, prior to be used, can be thawed in the fridge compartment or at room temperature, depending on the time available for this operation. Small pieces may even be cooked still frozen, directly from the freezer. In this case, cooking will take longer.

Accessories

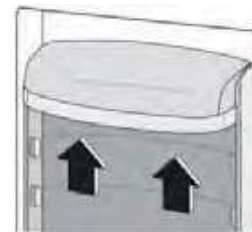
Movable shelves

The walls of the refrigerator are equipped with a series of runners so that the shelves can be positioned as desired.



Positioning the door balconies

To permit storage of food packages of various sizes, the door balconies can be placed at different heights. To make these adjustments proceed as follows: gradually pull the balcony in the direction of the arrows until it comes free, then reposition as required.



Daily Use

Helpful hints and tips

Hints for freezing

To help you make the most of the freezing process, here are some important hints:

- the maximum quantity of food which can be frozen in 24 hrs. is shown on the rating plate;
- the freezing process takes 24 hours. No further food to be frozen should be added during this period;
- only freeze top quality, fresh and thoroughly cleaned, foodstuffs;
- prepare food in small portions to enable it to be rapidly and completely frozen and to make it possible subsequently to thaw only the quantity required;
- wrap up the food in aluminium foil or polythene and make sure that the packages are airtight;
- do not allow fresh, unfrozen food to touch food which is already frozen, thus avoiding a rise in temperature of the latter;
- lean foods store better and longer than fatty ones; salt reduces the storage life of food;
- water ices, if consumed immediately after removal from the freezer compartment, can possibly cause the skin to be freeze burnt;
- it is advisable to show the freezing in date on each individual pack to enable you removal from the freezer compartment, can possibly cause the skin to be freeze burnt;
- it is advisable to show the freezing in date on each individual pack to enable you to keep tab of the storage time.

Hints for storage of frozen food

To obtain the best performance from this appliance, you should:

make sure that the commercially frozen foodstuffs were adequately stored by the retailer;

be sure that frozen foodstuffs are transferred from the food store to the freezer in the shortest possible time;

not open the door frequently or leave it open longer than absolutely necessary.

Once defrosted, food deteriorates rapidly and cannot be refrozen.

Do not exceed the storage period indicated by the food manufacture.

Hints for fresh food refrigeration

To obtain the best performance:

- Do not store warm food or evaporating liquids in the refrigerator
- Do cover or wrap the food, particularly if it has a strong flavour

Hints for refrigeration

Useful hints:

- Make (all types): wrap in polythene bags and place on the glass shelves above the vegetable drawer.
- For safety, store in this way only one or two days at the most.
- Cooked foods, cold dishes, etc...: these should be covered and may be placed on any shelf.
- Fruit and vegetables: these should be thoroughly cleaned and placed in the special drawer(s) provided.
- butter and cheese: these should be placed in special airtight containers or wrapped in aluminum foil or polythene bags to exclude as much air as possible.
- Milk bottle: these should have a cap and should be stored in the balconies on the door.
- Bananas, potatoes, onions and garlic, if not packed, must not be kept in the fridge.

Cleaning

For hygienic reasons the appliance interior, including interior accessories, should be cleaned regularly.




Caution! The appliance may not be connected to the mains during cleaning. Danger of electrical shock! Before cleaning switch the appliance off and remove the plug from the mains, or switch off or turn out the circuit breaker or fuse. Never clean the appliance with a steam cleaner. Moisture could accumulate in electrical components, danger of electrical shock! Hot vapors can lead to the damage of plastic parts. The appliance must be dry before it is placed back into service.

Important! Ethereal oils and organic solvents can damage plastic parts, e.g. lemon juice or the juice from orange peel, butyric acid, cleanser that contain acetic acid.

Daily Use

- Do not allow such substances to come into contact the appliance parts.
- Do not use any abrasive cleaners
- Remove the food from the freezer. Store them in a cool place, well covered.
- Switch the appliance off and remove the plug from the mains, or switch off or turn out the circuit breaker of fuse.
- Clean the appliance and the interior accessories with a cloth and lukewarm water. After cleaning wipe with fresh water and rub dry.
- After everything is dry place appliance back into service.

Troubleshooting

 **Caution!** Before troubleshooting, disconnect the power supply. Only a qualified electrician or competent person must do the troubleshooting that is not in this manual.

Important! There are some sounds during normal use (compressor, refrigerant circulation).

Problem	Possible cause	Solution
Appliance does not work	Mains plug is not plugged in or is loose	Insert mains plug.
	Fuse has blown or is defective	Check fuse, replace if necessary.
	Socket is defective	Mains malfunctions are to be corrected by an electrician.
The food is too warm.	Temperature is not properly adjusted.	Please look in the initial Temperature Setting section.
	Door was open for an extended period.	Open the door only as long as necessary.
	A large quantity of warm food was placed in the appliance within the last 24 hours.	Turn the temperature regulation to a colder setting temporarily.
	The appliance is near a heat source.	Please look in the installation location section.
Appliance cools too much	Temperature is set too cold.	Turn the temperature regulation knob to a warmer setting temporarily.
Unusual noises	Appliance is not level.	Re-adjust the feet.
	The appliance is touching the wall or other objects.	Move the appliance slightly.
	A component, e.g. a pipe, on the rear of the appliance is touching another part of the appliance or the wall.	If necessary, carefully bend the component out of the way.
Water on the floor	Water drain hole is blocked.	See the Cleaning and Care section.
Side panels are hot	It's normal. Heat exchange is in the side panels	Take gloves to touch side panels if need.

If the malfunction shows again, contact the Service Center.

DISPOSAL



This symbol indicates that this product shall not be disposed with other household wastes at the end of its service life. Used device must be returned to official collection point for recycling of electrical and electronic devices. To find these collection systems please contact to your local authorities or retailer where the product was purchased. Each household performs important role in recovering and recycling of old appliance. Appropriate disposal of used appliance helps prevent potential negative consequences for the environment and human health.

EN DISCLAIMER / WARNING

Some (simple) failures can be adequately handled by the end-user without any safety issue or unsafe use arising, provided that they are carried out within the limits and in accordance with the following instructions (see the "Self-Repair" section).

Therefore, unless otherwise authorized in the "Self-Repair" section below, repairs shall be addressed to registered professional repairers in order to avoid safety issues. A registered professional repairer is a professional repairer that has been granted access to the instructions and spare parts list of this product by the manufacturer according to the methods described in legislative acts pursuant to Directive 2009/125/EC.

However, only the service agent (i.e. authorized professional repairers) that you can reach through the phone number given in the user manual/warranty card or through your authorized dealer may provide service under the guarantee terms. Therefore, please be advised that repairs by professional repairers (who are not authorized by Beko) shall void the guarantee.

Self-Repair

Self-repair can be done by the end-user with regard to the following spare parts: door handles, door hinges, trays, baskets and door gaskets (an updated list is also available in support.beko.com as of 1st March 2021).

Moreover, to ensure product safety and to prevent risk of serious injury, the mentioned self-repair shall be done following the instructions in the user manual for self-repair or which are available in support.beko.com. For your safety, unplug the product before attempting any self-repair.

Repair and repair attempts by end-users for parts not included in such list and/or not following the instructions in the user manuals for self-repair or which are available in support.beko.com, might give rise to safety issues not attributable to Beko, and will void the warranty of the product.

Therefore, it is highly recommended that end-users refrain from the attempt to carry out repairs falling outside the mentioned list of spare parts, contacting in such cases authorized professional repairers or registered professional repairers. On the contrary, such attempts by end-users may cause safety issues and damage the product and subsequently cause fire, flood, electrocution and serious personal injury to occur.

By way of example, but not limited to, the following repairs must be addressed to authorized professional repairers or registered professional repairers: compressor, cooling circuit, main board, inverter board, display board, etc.

The manufacturer/seller cannot be held liable in any case where end-users do not comply with the above.

The spare part availability of the refrigerator that you purchased is 10 years.

During this period, original spare parts will be available to operate the refrigerator properly. The minimum duration of guarantee of the refrigerator that you purchased is 24 months.

This product is equipped with a lighting source of the "G" energy class.

The lighting source in this product shall only be replaced by professional repairers.

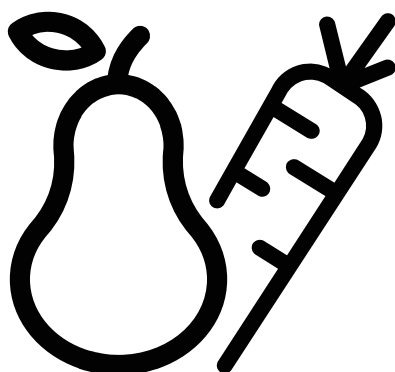
Packaging sorting information

Please scan the QR code which places on the outer packaging of the product to find all the information relating to the packaging and how to manage the packaging waste.



Frigider

Manual de instrucțiuni



GNO5322XPN
GNO5323XPN
GNO5324XPN
GNO5322WN
GNO5322WDXPN

RO





INFORMAȚII



ENERG



SUPPLIER'S NAME

MODEL IDENTIFIER

(*)

A

A

Informațiile despre model, care sunt stocate în baza de date a produselor, pot fi obținute prin accesarea următorului site web și căutarea identificatorului dvs. de model (*) aflat pe eticheta energetică.

<https://eprel.ec.europa.eu/>




Informații privind siguranța

În interesul siguranței dvs. și pentru a asigura utilizarea corectă, înainte de instalarea și de prima utilizare a aparatului, citiți cu atenție acest manual de utilizare, inclusiv recomandările și avertismentele acestuia. Pentru a evita greșelile și accidentele inutile, este important să vă asigurați că toți cei care utilizează aparatul sunt pe deplin familiarizați cu operarea acestuia și instrucțiunile de siguranță. Păstrați aceste instrucțiuni și asigurați-vă că acestea rămân împreună cu aparatul dacă este mutat sau vândut, astfel încât toți cei care îl utilizează pe parcursul perioadei sale de valabilitate sunt informați corect cu privire la utilizarea și siguranța aparatului. Pentru siguranța vieții și a proprietății, păstrați instrucțiunile de utilizare deoarece producătorul nu este responsabil pentru daunele cauzate de omisiune.







Siguranța copiilor și persoanelor vulnerabile

- Acest aparat poate fi utilizat de copiii cu vârsta de cel puțin 8 ani și de persoanele cu capacități fizice, senzoriale sau mentale reduse sau cu lipsa de experiență și cunoștințe dacă sunt supravegheate sau instruite cu privire la utilizarea aparatului într-un mod sigur și dacă înțeleg pericolele implicate.
- Copiii trebuie supravegheați pentru a nu se juca cu aparatul.
- Curățarea și întreținerea nu trebuie făcute de copii decât dacă au vârsta de peste 8 ani și dacă sunt supravegheați.
- Păstrați tot ambalajul departe de copii. Există riscul de sufocare.
- Dacă aruncați aparatul, scoateți fișa din priză, tăiați cablul de conectare (cât mai aproape posibil de aparat) și scoateți ușa pentru a împiedica copiii să se electrocuteze sau să rămână închiși în el.
- Dacă acest aparat cu garnituri magnetice pentru uși înlocuiește un aparat mai vechi cu dispozitiv de închidere (zăvor) pe ușă sau pe capac, asigurați-vă că acesta nu poate fi folosit de a renunța la acesta. Astfel nu va deveni o capcană pentru copii.

Informații generale privind siguranța

-  **AVERTISMENT!** Țineți deschise gurile de aerisire din locul în care este instalat aparatul sau în structura încastrată, fără obstacole.
-  **AVERTISMENT!** Nu folosiți dispozitive mecanice sau alte mijloace de accelerare a procesului de dezghețare, altele decât cele recomandate de către producător.
-  **AVERTISMENT!** Nu deteriorați circuitul de răcire.

Informații privind siguranța

-  **AVERTISMENT!** Nu utilizați alte aparate electrice (cum ar fi aparatele de făcut înghețată) în interiorul aparatelor frigorifice, decât dacă sunt omologate în acest sens de producător.
-  **AVERTISMENT!** Nu atingeți becul dacă a fost aprins o perioadă lungă de timp, deoarece ar putea fi foarte fierbinte.¹⁾
-  **AVERTISMENT!** La poziționarea aparatului, verificați dacă cablul de alimentare este prins sau deteriorat.
-  **AVERTISMENT!** Nu amplasați prize portabile multiple sau surse de alimentare portabile în partea din spate a aparatului.
 - Nu depozitați pe acest aparat substanțe explozive, cum ar fi spray-urile cu agent de propulsare inflamabil.
 - Izobutanul frigorific (R600a) este conținut în circuitul frigorific al aparatului, un gaz natural cu un nivel ridicat de compatibilitate cu mediul, care este totuși inflamabil.
 - În timpul transportului și instalării aparatului, asigurați-vă că nici unul dintre componentele circuitului frigorific nu este deteriorat.
 - evitați flăcările deschise și sursele de aprindere
 - ventilați bine camera în care se află aparatul
 - Este periculos să modificați specificațiile sau să modificați acest produs în orice mod. Orice deteriorare a cablului poate cauza scurtcircuit, incendiu și/sau electrocutare..
 - Acest aparat este destinat uzului casnic și aplicațiilor similare, cum ar fi
 - bucătăriile destinate personalului din magazine, birouri și alte medii profesionale;
 - ferme și utilizarea de către clienți ai hotelurilor, motelurilor și alte medii de tip rezidențial;
 - de tipul pensiunilor;
 - catering și alte aplicații similare din afara zonei comerțului cu amănuntul.
-  **AVERTISMENT!** Toate componentele electrice (fișa, cablul de alimentare, compresorul, etc.) trebuie înlocuite de un agent de service autorizat sau personal calificat.
-  **AVERTISMENT!** Becul electric furnizat împreună cu acest aparat este un „bec special de utilizare” care poate fi utilizat doar cu aparatul livrat. Această „lampă specială de utilizare” nu se poate utiliza la iluminatul casnic.¹⁾

1) Dacă există un corp de iluminat în compartiment.



Informații privind siguranța

- Cablul de alimentare nu trebuie extins.
- Asigurați-vă că fișa de alimentare nu este zdrobită sau deteriorată de partea din spate a aparatului. O fișă de alimentare stricată sau deteriorată se poate supraîncălzi și poate cauza un incendiu.
- Asigurați-vă că puteți ajunge la priza de alimentare a aparatului.
- Nu trageți cablul de alimentare.
- Dacă priza de alimentare este slăbită, nu introduceți ștecherul. Există riscul de electrocutare sau de incendiu.
- Nu trebuie să folosiți aparatul fără lampă.
- Acest aparat este greu. Trebuie să aveți grijă când îl deplasați.
- Nu scoateți și nu atingeți obiecte din compartimentul congelatorului dacă aveți mâinile umede/ude, deoarece puteți suferi abraziuni ale pielii sau degerături.
- Evitați expunerea prelungită a aparatului la lumina directă a soarelui.

Utilizare zilnică

- Nu puneți nimic fierbinte pe piesele din plastic ale aparatului.
- Nu puneți produse alimentare direct pe peretele posterior.
- Alimentele congelate nu trebuie să fie re-congelate după ce au fost dezghețate.¹⁾
- Depozitați alimentele congelate preambalate în conformitate cu instrucțiunile producătorului de alimente congelate.¹⁾
- Trebuie respectate cu strictețe recomandările producătorului privind depozitarea. Consultați instrucțiunile relevante.
- Nu puneți băuturi carbogazoase în compartimentul congelator, deoarece creează presiune asupra recipientului, ceea ce ar putea duce la explozia acestuia, ducând la deteriorarea aparatului.¹⁾
- Batoanele de înghețată pot cauza degerături, dacă sunt consumate direct din aparat.¹⁾

Întreținere și curățare

- Înainte de întreținere, opriți aparatul și scoateți ștecherul de la priză.
- Nu curățați aparatul cu obiecte metalice.
- Nu folosiți obiecte ascuțite pentru a scoate gheața din aparat. Utilizați o racletă din plastic.¹⁾
- Verificați în mod regulat dacă există apă dezghețată în scurgerea din frigider. Dacă este necesar, curățați scurgerea. Dacă scurgerea este blocată, apa va fi colectată în partea inferioară a aparatului.²⁾

Pentru a evita contaminarea alimentelor, vă rugăm să respectați următoarele instrucțiuni

- Deschiderea ușii pentru perioade lungi de timp poate determina o creștere semnificativă a temperaturii în compartimentele aparatului.
- Curățați în mod regulat suprafețele care pot veni în contact cu sistemele de alimentare și de scurgere accesibile.
- Curățați rezervoarele de apă curată în cazul în care nu au fost utilizate timp de 48 de ore; spălați sistemul de apă conectat la o sursă de apă în cazul în care apa nu a fost trasă timp de 5 zile.
- Stocați carnea crudă și peștele în recipiente adecvate în frigider, astfel încât acestea să nu intre în contact cu alte produse alimentare sau să se scurgă pe acestea.

¹ Dacă există un compartiment congelator.

² Dacă există un compartiment de păstrare de alimente proaspete.

Informații privind siguranța

- Compartimentele de două stele (dacă sunt prevăzute pentru aparat) pentru alimentele congelate sunt adecvate pentru depozitarea alimentelor pre-congelate, depozitarea sau producerea înghețatei și cuburilor de gheață.
- Compartimentele cu una, două sau trei stele (dacă sunt prevăzute pentru aparat) nu sunt adecvate pentru înghețarea alimentelor proaspete.
- Dacă aparatul este lăsat gol pentru perioade lungi de timp, opriți-l, decongelați-l, curățați-l, uscați-l și lăsați ușa deschisă pentru a preveni dezvoltarea de mucegai în interiorul aparatului.

Instalarea

Important! Pentru racordul electric, respectați cu atenție instrucțiunile date în paragrafele specifice.

- Despachetați aparatul și verificați dacă există daune. Nu conectați aparatul dacă este deteriorat. Raportați posibile daune imediat în magazinul de unde l-ați cumpărat. În acest caz păstrați ambalajul.
- Se recomandă să așteptați cel puțin patru ore înainte de conectarea aparatului pentru a permite uleiului să curgă înapoi în compresor.
- În jurul aparatului trebuie să existe o circulație adecvată a aerului, în caz contrar acesta se poate supraîncălzi. Pentru a obține o ventilație suficientă, respectați instrucțiunile relevante pentru privind instalarea.
- Ori de câte ori este posibil, distanțierile produsului trebuie să fie pe perete pentru a evita atingerea sau prinderea părților calde (compresor, condensator) pentru a preveni posibile arsuri.
- Aparatul nu trebuie să fie amplasat în apropierea radiatoarelor sau a mașinilor de gătit.
- Asigurați-vă că fișa de alimentare este accesibilă după instalarea aparatului.

Service



- Lucrările electrice necesare pentru efectuarea lucrărilor de întreținere a aparatului trebuie să fie efectuate de un electrician calificat sau o persoană competentă.
- Service pentru acest produs trebuie să se facă de un Centru de Service autorizat și trebuie folosite doar piese de schimb originale.


Economisirea energiei

- Nu introduceți în frigider alimente fierbinți;
- Nu îngheșați alimentele, deoarece acest lucru împiedică circulația aerului;
- Asigurați-vă că alimentele nu ating partea din spate a compartimentului (compartimentelor);
- În cazul unei pene de curent, nu deschideți ușa (ușile);
- Nu deschideți ușa (ușile) frecvent;
- Nu țineți ușa (ușile) deschisă(e) prea mult timp;
- Nu setați termostatul la temperaturi prea scăzute;
- Toate accesoriile, cum ar fi sertarele, polițele, trebuie păstrate acolo pentru un consum mai mic de energie.

Informații privind siguranța

Protecția Mediului

 Acest aparat nu conține gaze care ar putea deteriora stratul de ozon, nici în circuitul de răcire, nici în materialele de izolație. Aparatul nu trebuie aruncat împreună cu deșeurile urbane și gunoiul menajer. Spuma de izolație conține gaze inflamabile: aparatul trebuie să fie aruncat în conformitate cu reglementările aparatului care trebuie obținute de la autoritățile locale. Evitați deteriorarea unității de răcire, în special a schimbătorului de căldură. Materialele folosite pe acest aparat marcate cu simbolul  sunt reciclabile.

 Simbolul de pe produs sau pe ambalaj indică faptul că acest produs nu poate fi tratat ca deșeu menajer. În schimb, ar trebui să fie ridicat de la punctul de colectare adecvat pentru reciclarea echipamentelor electrice și electronice. Asigurându-vă că acest produs este aruncat corect, veți preveni eventualele consecințe negative asupra mediului și sănătății umane, care ar putea fi cauzate de manevrarea inadecvată a deșeurilor acestui produs. Pentru informații mai detaliate despre reciclarea acestui produs, vă rugăm să contactați consiliul local, serviciul de eliminare a deșeurilor menajere sau magazinul de unde ați achiziționat produsul.


Materiale de ambalare

Materialele cu simbolul sunt reciclabile. Aruncați ambalajul într-un recipient adecvat de colectare pentru a-l recicla.

Aruncarea aparatului

1. Deconectați ștecherul de la priză.
2. Tăiați cablul de alimentare și aruncați-l.

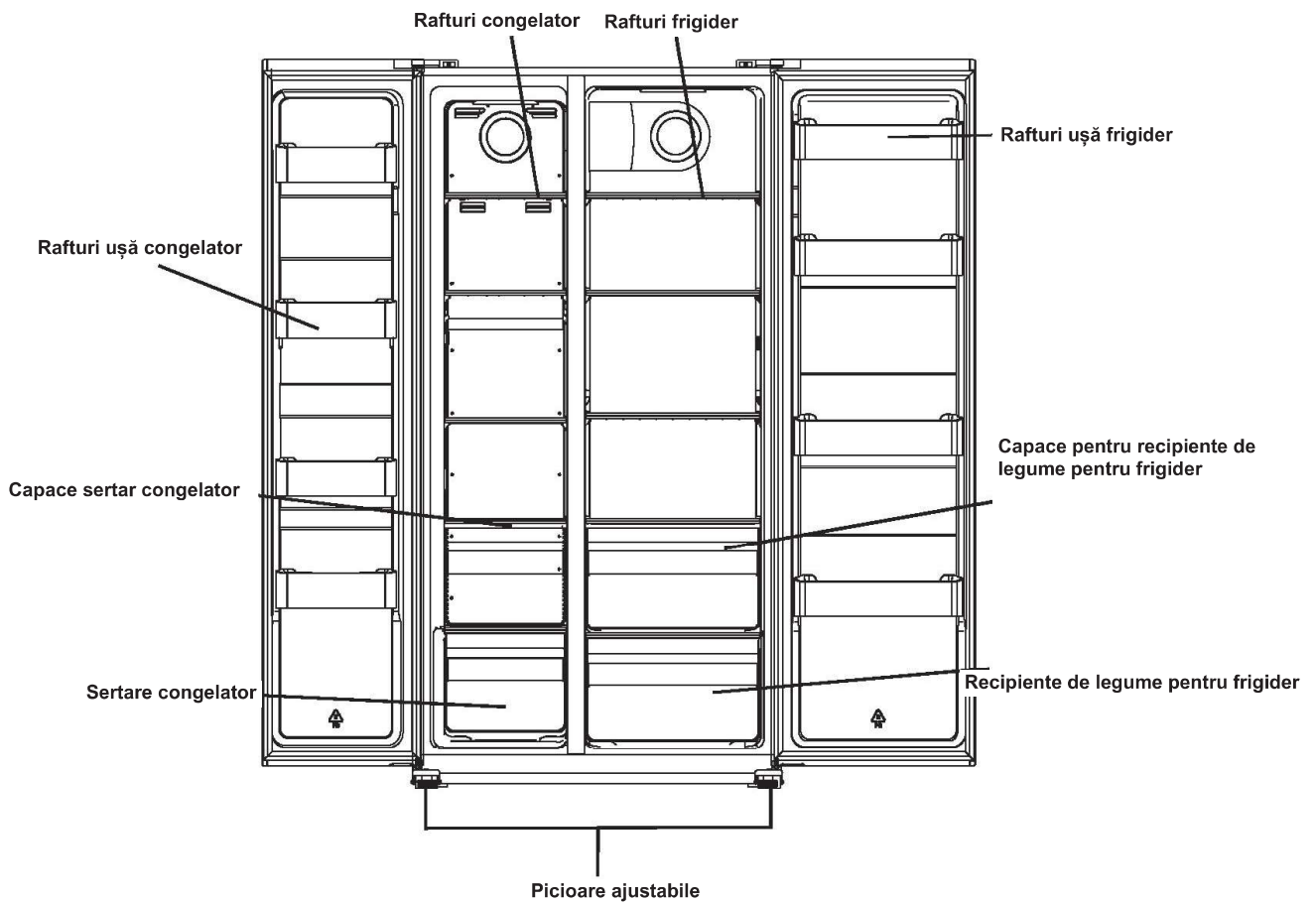


 **AVERTIZARE!** În timpul utilizării, întreținerii și eliminării aparatului, vă rugăm să acordați atenție simbolului similar cu cel de pe partea stângă, care este situat pe partea din spate a aparatului (panoul din spate sau compresor) și este de culoare galben sau portocaliu.

Este un simbol de avertizare pentru risc de incendiu. Există materiale inflamabile în conductele de agent frigorific și compresor.

Vă rugăm să stați departe de sursa de foc în timpul utilizării, întreținerii și eliminării aparatului.

Prezentare generală



Această imagine este doar pentru referință, pentru detalii verificați aparatul dvs.

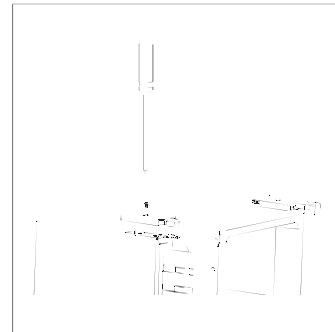
Instalarea

Scoateți uşile

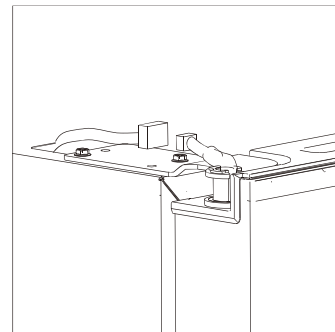
Unealtă necesară: şurubelniţă Phillips, şurubelniţă cu vârf plat

- Asigurați-vă că aparatul este deconectat și golit.
- Pentru a scoate uşa, este necesar să înclinați unitatea în spate. Trebuie să așezați unitatea pe ceva solid astfel încât să nu alunece în timpul procesului de scoatere a ușii.
- Toate piesele scoase trebuie să fie păstrate pentru reînălțarea ușii.
- Nu așezați unitatea în poziție întinsă, deoarece se poate deteriora sistemul de răcire.
- Este mai bine ca două persoane să manevreze unitatea în timpul montării .

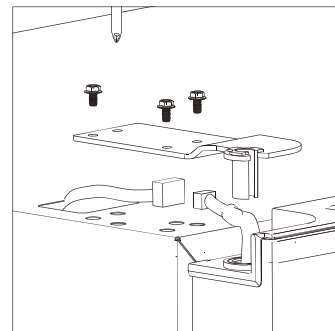
1. Deșurubați capacul balamalei cu ajutorul șurubelniței Phillips.



2. Deconectați cablurile.

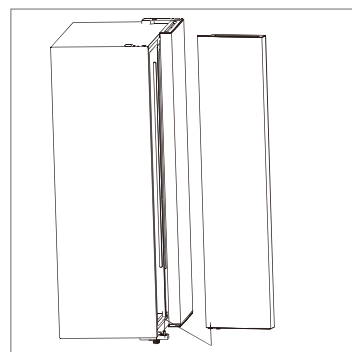


3. Deșurubați balamaua de sus.

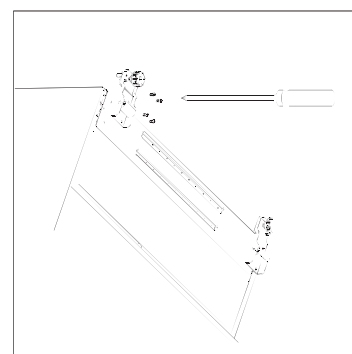


Instalarea

4. Ridicați ușa și puneți-o pe un suport moale. Apoi scoateți altă ușă cu același proces.



5. Deșurubați balamalele de jos.

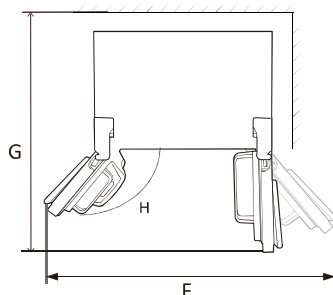
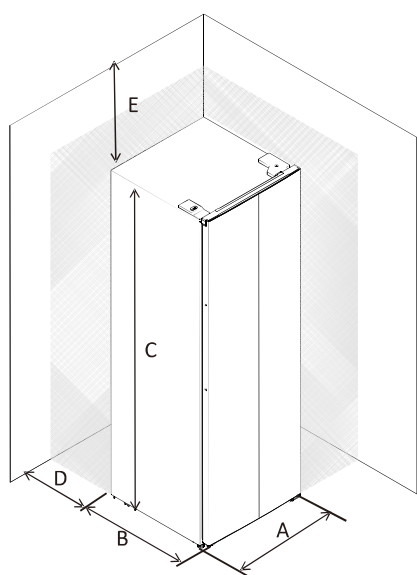


6. Dacă aparatul este așezat, instalați ușile urmând procesul în ordine inversă.

Instalarea

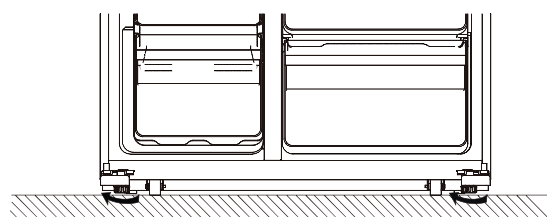
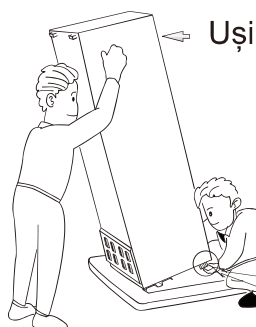
Cerințe de Spațiu

- Selectați un loc fără expunere directă la lumina soarelui;
- Selectați un loc cu spațiu suficient pentru ca ușile frigiderului să se deschidă cu ușurință;
- Selectați un loc cu podele nivelate (sau aproape nivelate);
- Lăsați spațiu suficient pentru a instala frigiderul pe o suprafață plană;
- Lăsați loc la dreapta, la stânga, în spate și sus la instalare. Acest lucru va ajuta la reducerea consumului de energie și va menține facturile de energie mai mici.



A	910
B	670
C	1770
D	min=50
E	min=50
F	1800
G	1560
H	135°

Nivelarea și ancorarea frigiderului



- Nivelarea și ancorarea frigiderului prin reglarea picioarelor.
- Rotiți picioarele, manual, în sensul acelor de ceasornic pentru a le ridica.
- Rotiți picioarele, manual, în sensul invers acelor de ceasornic pentru a le coborî.

Instalarea

Poziționare

Instalați acest aparat într-un loc în care temperatura ambiantă corespunde clasei de climat indicate pe plăcuța cu caracteristici tehnice ale aparatului: pentru aparatele frigorifice cu clasa de climat:

-temperat extins: acest aparat frigorific are ca scop să fie folosit în temperaturi ambientale între 10 ° C și 32 ° C; (SN)

-temperat: acest aparat frigorific are ca scop să fie folosit în temperaturi ambientale între 16 ° C și 32 ° C; (N)

-subtropical: acest aparat frigorific are ca scop să fie folosit în temperaturi ambientale între 16 ° C și 38 ° C; (ST)

-tropical: acest aparat frigorific are ca scop să fie folosit în temperaturi ambientale între 16 ° C și 43 ° C; (T)

Amplasare

Aparatul trebuie instalat la distanță de sursele de căldură, cum ar fi radiatoarele, cazanele, lumina directă a soarelui etc. Asigurați-vă că aerul poate circula liber în spatele dulapului. Pentru a asigura cea mai bună performanță, dacă aparatul este încadrat în perete, distanța minimă dintre partea superioară și perete trebuie să fie de cel puțin 100 mm. În mod ideal, totuși, aparatul nu trebuie încadrat în perete. Nivelarea corectă este asigurată de unul sau mai multe picioare ajustabile la baza aparatului.

Acest aparat frigorific nu este destinat utilizării ca aparat încorporat;



Avertisment! Trebuie să fie posibilă deconectarea aparatului de la rețeaua electrică; prin urmare, fișa trebuie să fie ușor accesibilă după instalare.

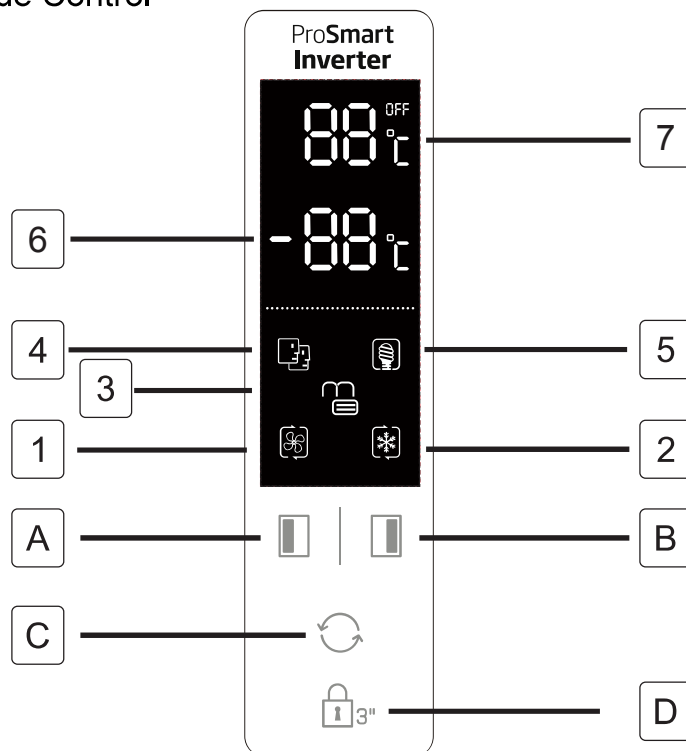
Conexiune electrică

Înainte de conectare, asigurați-vă că tensiunea și frecvența indicate pe plăcuța cu caracteristici corespund sursei dumneavoastră de alimentare. Acest aparat trebuie împământat. Cablul sursei de alimentare este prevăzut cu un cuplu pentru acest scop. Dacă priza electrică de uz casnic nu are împământare, conectați aparatul la o altă priză cu împământare, în conformitate cu reglementările în vigoare, consultând un electrician calificat.

Producătorul declină orice responsabilitate dacă nu se respectă măsurile de siguranță de mai sus. Acest aparat respectă directivele CEE.

Utilizare zilnică

Utilizați Panoul de Control



Butoane

- A Apăsați pentru a regla temperatura compartimentului congelator (partea stângă) de la -14°C la -22°C .
- B Apăsați pentru a regla temperatura compartimentului frigider (partea dreaptă) de la 2°C la 8°C și "OPRITĂ". Dacă selectați „OPRIRE”, compartimentul congelator va fi oprit.
- C Apăsați pentru a selecta modul de funcționare **SMART**, **ECO**, **SUPER COOLING**, **SUPER FREEZING** și SETAREA UTILIZATORULUI (nu este afișat niciun simbol).
- D Apăsați **Lock 3**. și țineți apăsat timp de 3 secunde pentru a bloca alte trei butoane.
Apăsați și mențineți apăsat timp de 1 secundă pentru a debloca alte trei butoane.

Afișaj

- 1 **SUPER COOLING** Până când compartimentul frigiderului se răcește la cea mai joasă temperatură, așa cum a fost proiectat. Readuce setarea de temperatură la setarea anterioară a utilizatorului după aproximativ 2,5 ore.
- 2 **SUPER FREEZING** Până când compartimentul frigiderului se răcește la cea mai joasă temperatură, așa cum a fost proiectat. Readuce setarea de temperatură la setarea anterioară a utilizatorului după aproximativ 50 ore.
Sfaturi: Înainte de a plasa o cantitate mare de alimente în compartimentul congelator, este mai bine să activați modul **SUPER CARTOFI PRĂJIȚI** cu 24 de ore înainte.
- 3 **LOCK**, simbolul se aprinde dacă butoanele sunt blocate.
- 4 Modul **SMART**, frigiderul reglează automat temperatura a două compartimente în funcție de temperatura internă și temperatura ambiantă.
- 5 Modul **ECO**, frigiderul funcționează la cea mai mică valoare a consumului de energie.
- 6 Se afișează temperatura de reglare a compartimentului congelator.
- 7 Se afișează temperatura de reglare a compartimentului frigider.
- 8 După o pană de curent, blocarea pentru copii se dezactivează. Blocarea pentru copii este validată automat după 25 de secunde de la ultima operațiune. Afișajul se oprește automat după 2 minute de la ultima operațiune.
- 9 Este posibil ca unele funcții să nu se aplice acestui model.

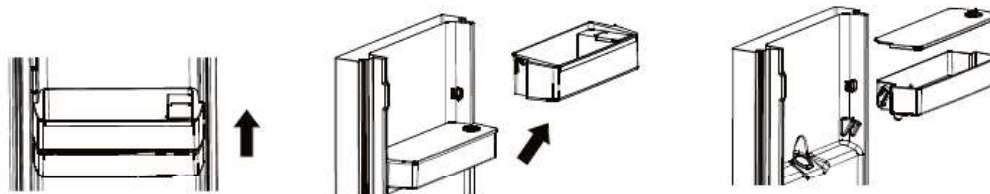
Alarmă de ușă deschisă

Dacă o ușă rămâne deschisă timp de 90 de secunde, se va auzi periodic alarma până când ușa este închisă.

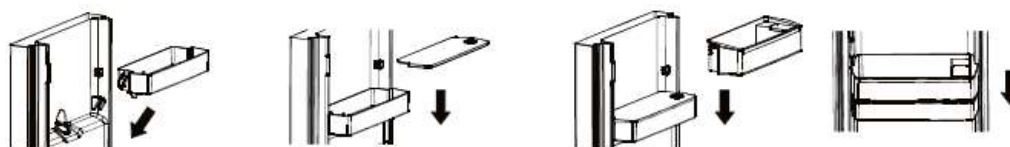
Utilizarea zilnică

Înainte de a folosi dozatorul de apă pentru prima dată, scoateți și curățați rezervorul de apă situat înăuntru compartimentului frigiderului.

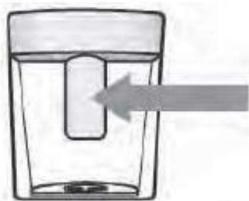
1. Ridicați și scoateți mai întâi balconul rezervorului, apoi scoateți rezervorul de apă cu capac. Desprindeți capacul pentru a spăla și curăța rezervorul și capacul.



2. După curățare, re poziționați rezervorul de apă, capacul și balconul rezervorului ca în procedura de mai jos.

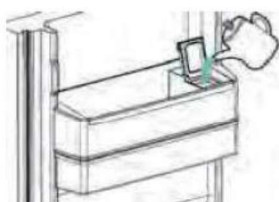


3. Curățați tamponul dozatorului în afara ușii frigiderului.



Umplerea rezervorului de apă cu apă

1. Deschideți capacul mic



2. Umpleți rezervorul de apă cu apă potabilă până la 3 L lungime.
3. Închideți capacul mic de pe capac



Dozarea

Pentru a distribui apă, împingeți ușor tamponul dozatorului, folosind un pahar sau un recipient.

Pentru a opri curgerea apei, îndepărtați paharul de tamponul dozatorului.

Utilizare zilnică

Prima utilizare

Curățarea interiorului

Înainte de a folosi aparatul pentru prima dată, spălați interiorul și toate accesoriile interne cu apă caldă și un săpun neutru, pentru a elimina mirosul tipic al unui produs nou, apoi uscați bine.

Important! Nu utilizați detergenți sau pulberi abrazive, deoarece acestea vor deteriora finisajul.

Utilizare zilnică

Aliment	Loc
Ouă	Suport ușă
Produse lactate (unt, brânză)	Dacă sunt disponibile, compartimentul biofresh sau răcitorul Rafturile inferioare
Fructe, legume și salată	Cutia pentru fructe și legume, răcitorul sau compartimentul EverFresh+ (dacă e disponibil)
Carnea proaspătă, păsările, peștele proaspăt, cârnații, Mâncarea gătită	Dacă sunt disponibile, compartimentul biofresh sau răcitorul Raftul inferior
Mâncarea gata de consumat, produsele împachetate, produsele la conservă, produsele murate	Rafturile superioare sau raftul de pe ușă
Băuturi, sticle, sosuri, gustări	Suport ușă
Resturi	Rafturi de mijloc

RO Ghid pentru stocarea alimentelor:

Stocarea în compartimentul pentru alimente proaspete:

- Mențineți frigiderul la un nivel recomandat al temperaturii, cum ar fi 4°C.
- Alimentele de stocat trebuie sigilate în mod adecvat pentru a evita mirosurile sau alterarea gustului.
- Nu stocați cantități excesive de alimente în frigider. Lăsați spații între alimente pentru a permite aerului rece să pătrundă printre ele pentru a realiza o răcire la bună și mai omogenă.
- Pentru a permite deschideri mai scurte ale ușii, alimentele consumate zilnic ar trebui stocate în partea din față a raftului.
- Lăsați un spațiu între alimente și pereții interiori, permițând trecerea aerului. Dacă stocați alimente lipite de peretele din spate, acestea ar putea îngheța.
- Mâncarea fierbinte, gătită trebuie răcită la temperatura camerei înainte de stocarea în aparat. Apoi, mâncarea caldă poate fi stocată în rafturile de jos ale frigiderului. Nu puneți mâncare caldă lângă alimente extrem de perisabile.
- Dezghețați mâncarea înghețată în compartimentul pentru alimente proaspete. Astfel, puteți folosi mâncarea înghețată pentru a răci compartimentul cu mâncare proaspătă și a economisi energie.

Utilizare zilnică

- Dacă fructele tropicale necoapte (mango, pepeni, papaya, banane, ananas) sunt stocate în frigider, procesul de maturizare poate fi accelerat și nu este recomandat, deoarece provoacă timpi de stocare mai scurți. Cu toate acestea, coacerea fructelor verzi (măr, pară) poate fi accelerată o perioadă în compartimentul frigiderului.
 - Ceapa, usturoiul, ghimbirul și alte rădăcinoase ar trebui stocate în încăperi întunecate și reci, nu în frigider.
 - Când aveți o mâncare stricată în frigider, aceasta trebuie aruncată. Când observați alimente stricate, curățați burduful și accesoriile care au intrat în contact cu ea, pentru a evita contaminarea.
 - Vasele mari de mâncare, precum supele sau tocanele pot fi împărțite în recipiente mai mici pentru ca frigiderul să se răcească mai repede. Bucățile mari de carne gătită și păsările întregi ar trebui împărțite în bucăți mai mici din aceeași cauză.
 - Nu stocați alimente neîmpachetate lângă ouă.
 - Păstrați fructele și legumele separate și stocați-le pe soiuri: merele cu merele, morcovii cu morcovii. Fructele și legumele emană gaze diferite ceea ce poate duce la stricarea celorlalte.
 - Scoateți legumele cu frunze din pungile de plastic, împachetați-le în prosoape de hârtie înainte de stocarea în frigider. Nu uitați să le uscați, dacă sunt umede sau ude înainte de stocare.
 - Stocați fructele și legumele susceptibile să se usuce în pungi perforate sau nesigilate pentru a menține un mediu umed, lăsând aerul să circule.
 - Alimentele diferite ar trebui plasate în zone diferite potrivit proprietăților lor:
- “Verificați Clasa Climatică adecvată a aparatului dvs. de pe plăcuța nominală. Una dintre informațiile de mai jos sunt valabile pentru aparatul dvs. potrivit Clasei climatice nominale.”
- SN: Temperat Extins: Acest aparat frigorific are ca scop să fie folosit în temperaturi ambientale între 10°C și 32°C
 - N: Temperat: Acest aparat frigorific are ca scop să fie folosit în temperaturi ambientale între 16°C și 32°C
 - ST: Subtropical: Acest aparat frigorific are ca scop să fie folosit în temperaturi ambientale dintre 16°C și 38°C
 - T: Tropical: Acest aparat frigorific are ca scop să fie folosit în temperaturi ambientale dintre 16°C și 43°C

Utilizare zilnică

RO Stocarea în compartimentul congelatorului:

- Este recomandat să țineți congelatorul la -20°C cu excepția cazurilor cu condiții ambientale extreme.
- Cu 4-6 ore înainte de congelare, activați funcția Fast Freeze pentru o congelare mai rapidă.
- Mâncarea fierbinte trebuie răcită la temperatura camerei înainte de stocarea în compartimentul congelatorului.
- Alimentele tăiate în porții mici vor îngheța mai rapid și vor fi mai ușor de dezghețat și gătit.
- Este mai bine să împachetăm mâncarea înainte să o punem în congelator.
- Pentru a evita expirarea perioadelor de stocare, rețineți data de înghețare, limita de timp și numele mâncării de pe ambalaj în conformitate cu perioadele de stocare ale diferitelor alimente.
- Nu depășiți perioadele de stocare recomandate de producători. Luați doar cantitatea dorită din congelator.
- Consumați alimentele decongelate rapid. Alimentele decongelate nu pot fi decongelate decât dacă sunt gătite. Nu este sigur să consumați alimente proaspete negătite și recongelate.
- Când congelați alimente proaspete, evitați să le puneți în contact cu alimentele deja congelate. Ar putea fi dezghețate bucăți deja congelate.
- Încercați să mențineți o perioadă cât mai scurtă între achiziție și stocare pentru a păstra calitatea mâncării.
- Cumpărați alimente congelate, care au fost stocate la o temperatură de cel mult -18 °C.
- Evitați să cumpărați alimente care prezintă gheață pe ambalaj – Acest lucru indică faptul că produsul a fost parțial decongelat și recongelat – creșterile de temperatură afectează calitatea alimentelor.
- Recomandăm o temperatură de 4°C a compartimentului pentru alimente proaspete și de -20°C pentru congelator pentru a păstra cât mai bine mâncarea.
- Cu excepția condițiilor ambientale extreme, dacă temperatura este setată la valorile recomandate ca +4°C/-20°C, proapețimea generală va fi prelungită în compartimentele de alimente proaspete și congelator. Dacă temperatura compartimentului de alimente proaspete este setată la rece, fructele și legumele proaspete ar putea fi parțial înghețate sau expuse la stricăre, în timp ce temperatura mai mare ar putea strica mai repede alimentele perisabile (produse lactate, de carne).

Când stocați alimente congelate comercial, urmați aceste instrucțiuni:

- Urmați întotdeauna instrucțiunile producătorului pentru lungimea de timp pentru care ar trebui să stocați alimentele. Nu încălcați aceste instrucțiuni!

Utilizare zilnică

Congelarea alimentelor proaspete

- Comprimentele congelatoare sunt potrivite pentru congelarea alimentelor proaspete și pentru depozitarea alimentelor congelate și folosite pentru congelarea alimentelor congelate.
- Așezăți alimentele proaspete trebuie înghețate în compartimentul inferior.
- Curățați în mod regulat alimentele congelate în 24 de ore de la indicatul pe plăcuța tehnică.
- Procesul de congelare durează 24 de ore în cel puțin o perioadă în care trebuie să înghețate alimentele congelate.

Depozitarea alimentelor congelate

La primirea produselor după o perioadă de neutilizare, înaintea punerii produselor în compartiment, asigurați-vă că funcționează timp de cel puțin 2 ore în condiții normale.

Important! În cazul decongelării accidentale, de exemplu, în cazul în care curentul este întrerupt timp de câteva ore, indicați în tabelul caracteristicilor tehnice drept „timp în creștere”, alimentele decongelate trebuie consumate rapid și nu trebuie re-congelate (după preîngheț).

Dezghețare

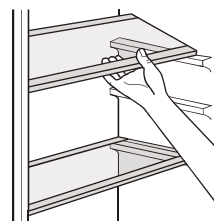
Alimentele foarte congelate sau congelate, înainte de a fi folosite, pot fi dezghețate în compartimentul frigorific sau la temperatura camerei, în funcție de timpul disponibil pentru această operație.

Bucățiile mici pot fi preparate încă congelate, direct din congelator. În acest caz, gătitul va dura mai mult.

Accesorii

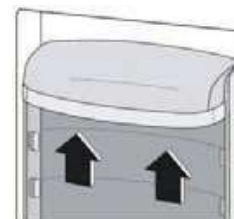
Rafturi mobile

Pereții frigiderului sunt echipați cu o serie de glisoare, astfel încât rafturile să poată fi poziționate după cum doriți.



Poziționarea rafturilor pentru ușă

Pentru a permite depozitarea pachetelor de alimente de diferite mărimi, rafturile pentru ușă pot fi așezate la înălțimi diferite. Pentru a face aceste ajustări, procedați după cum urmează: trageți treptat raftul pentru ușă în direcția săgeților până când acesta se eliberează, apoi re-poziționați după cum este necesar.



Utilizare zilnică

Sugestii și sfaturi utile

Sugestii pentru congelare

Pentru a vă ajuta să profitați la maximum de procesul de congelare, avem câteva sugestii importante:

- cantitatea maximă de alimente care poate fi congelată în 24 de ore este indicată pe plăcuța cu caracteristici tehnice;
- procesul de congelare durează 24 de ore. În această perioadă nu trebuie adăugate alimente suplimentare care să fie congelate;
- înghețați doar alimente de calitate superioară, proaspete și bine curățate;
- pregătiți alimentele în porții mici pentru a le permite să se congelați rapid și complet și pentru a face posibilă dezghețarea ulterioară doar a cantității necesare;
- înfășurați alimentele în folie de aluminiu sau în polietilenă și asigurați-vă că ambalajele sunt etanșe;
- nu permiteți alimentelor proaspete, necongelate, să atingă alimentele deja înghețate, pentru a evita astfel creșterea temperaturii acestora;
- alimentele fără grăsimi se păstrează mai bine și mai mult decât cele cu grăsimi; sarea reduce durata de depozitare a alimentelor;
- apa înghețată, dacă este consumată imediat după scoaterea din compartimentul congelator, poate provoca rănirea pielii;
- se recomandă să se arate data de congelare pe fiecare ambalaj în parte pentru a vă permite să le scoateți din compartimentul congelator, poate provoca rănirea pielii;
- se recomandă să se arate data de congelare pe fiecare ambalaj în parte pentru a vă permite să țineți cont de timpul de depozitare.

Sugestii pentru depozitarea alimentelor congelate

Pentru a obține cea mai bună performanță de la acest aparat, trebuie să vă asigurați că produsele alimentare congelate comercial au fost depozitate în mod adecvat de comerciantul cu amănuntul; asigurați-vă că produsele alimentare congelate sunt transferate din magazinul alimentar în congelator în cel mai scurt timp posibil;

nu deschideți frecvent ușa sau lăsați-o deschisă mai mult timp decât este absolut necesar.

Odată dezghețate, produsele alimentare se deteriorează rapid și nu pot fi recongelate.

Nu depășiți perioada de depozitare indicată de producătorul produselor alimentare.

Sugestii pentru refrigerarea alimentelor proaspete

Pentru a obține cea mai bună performanță:

- Nu păstrați alimente calde sau lichide care se evaporă în frigider
- Acoperiți sau înfășurați alimentele, în special dacă au o aromă puternică

Sugestii pentru refrigerare

Sugestii utile:

- Semipreparate (toate tipurile): împachetați în pungi de polietilenă și puneți-le pe rafturile de sticlă peste sertarul de legume.
- Pentru siguranță, depozitați în acest fel maximum o zi sau două.
- Alimente gătite, mâncăruri reci, etc ...: acestea trebuie acoperite și pot fi așezate pe orice raft.
- Fructe și legume: acestea trebuie curățate temeinic și puse în sertarul (sertarele) speciale furnizat(e).
- untul și brânza: acestea trebuie puse în recipiente speciale etanșe sau ambalate în folie de aluminiu sau în pungi de polietilenă pentru a exclude cât mai mult aer posibil.
- Sticle de lapte: acestea trebuie să aibă capac și să fie depozitate în rafturile de pe ușă.
- Dacă bananele, cartofii, ceapa și usturoii nu sunt ambalate, nu trebuie păstrate în frigider.

Curățarea

Din motive de igienă, interiorul aparatului, inclusiv accesoriile interioare, trebuie curățate în mod regulat.



Atenție! Aparatul nu poate conecta la priză în timpul curățării. Pericol de electrocutare! Înainte de curățare, opriți aparatul și scoateți ștecherul de la rețea, sau opriți sau dezactivați întrerupătorul sau siguranța. Nu curățați niciodată aparatul cu un aparat de curățat cu aburi. Umiditatea se poate acumula în componente electrice, pericol de electrocutare! Vaporii fierbinți pot duce la deteriorarea pieselor din material plastic. Aparatul trebuie să fie uscat înainte de a fi pus în funcțiune.

Important! Uleiurile eterice și solvenții organici pot ataca părți din plastic, de ex. suc de lămâie sau sucul din coaja de portocale, acid butiric, soluțiile de curățare care conțin acid acetic.

- Nu permiteți ca astfel de substanțe să intre în contact cu piesele aparatului.
- Nu folosiți niciun fel de detergenți abrazivi
- Scoateți alimentele din congelator. Depozitați-le într-un loc răcoros, bine acoperit.
- Opriți aparatul și scoateți ștecărul din rețea, sau opriți sau dezactivați întrerupătorul de circuit al siguranței.
- Curățați aparatul și accesoriile interioare cu o cârpă și apă caldă. După curățare, ștergeți cu apă proaspătă și frecați cu cârpa.
- După ce totul este uscat, repuneți aparatul în funcțiune.

Depanare



Atenție! Înainte de depanare, deconectați sursa de alimentare. Doar un electrician calificat sau o persoană competentă trebuie să facă depanarea care nu se află în acest manual.

Important! Există câteva sunete în timpul utilizării normale (compresor, circulație frigorifică).

Problemă	Cauză posibilă	Soluție
Aparatul nu funcționează	Racordul de alimentare nu este conectat sau este slăbit.	Introduceți ștecherul de rețea.
	Siguranța a sărit sau este defectă	Verificați siguranța, înlocuiți-o dacă este necesar.
	Priza este defectă	De funcționarea defectuoasă a rețelei trebuie să se ocupe un electrician.
Mâncarea este prea caldă.	Temperatura nu este ajustată corespunzător.	Consultați secțiunea inițială Setarea temperaturii.
	Ușa a fost deschisă o perioadă lungă de timp.	Deschideți ușa doar atât timp cât este necesar.
	O cantitate mare de alimente calde a fost introdusă în aparat în ultimele 24 de ore.	Reglați temporar temperatura la o temperatură mai scăzută.
	Aparatul este aproape de o sursă de căldură.	Verificați secțiunea locului de instalare.
Aparatul se răcește prea mult	Temperatura este setată la o valoare prea mică.	Rotiți temporar butonul de reglare a temperaturii la o temperatură mai mare.
Zgomote neobișnuite	Aparatul nu este nivelat.	Reglați din nou picioarele.
	Aparatul atinge peretele sau alte obiecte.	Mutați ușor aparatul.
	O componentă, de ex. o conductă din spatele aparatului atinge o altă parte a aparatului sau a peretelui.	Dacă este necesar, îndoiți cu atenție componenta, pentru a o da la o parte.
Apă pe podea	Orificiul de evacuare a apei este blocat.	Consultați secțiunea Curățare și Întreținere
Panourile laterale sunt fierbinți	Este normal. Schimbul de căldură este în panourile laterale	Puneți-vă mănuși pentru a atinge panourile laterale, dacă este necesar.

Dacă apare din nou defecțiunea, contactați Centrul de Service.



ARUNCARE

Acest simbol indică faptul că acest produs nu va fi aruncat împreună cu alte deșeuri menajere la sfârșitul perioadei de funcționare. Dispozitivul utilizat trebuie returnat la punctul de colectare oficial de reciclare a dispozitivelor electrice și electronice. Pentru a găsi aceste sisteme de colectare, vă rugăm să contactați autoritățile locale sau comercianții cu amănuntul de unde a fost cumpărat produsul. Fiecare casa are un rol important în recuperarea și reciclarea aparatelor vechi. Aruncarea adecvată a aparatului folosit ajută la prevenirea posibilelor consecințe negative asupra mediului și sănătății umane.

RO

MESAJ / AVERTISMENT

Unele defecte (simple) pot fi tratate în mod adecvat de către utilizatorul final fără nicio problemă de siguranță sau utilizare nesigură, cu condiția să fie efectuate în limitele și în conformitate cu următoarele instrucțiuni (vezi secțiunea "Autoreparare").

Astfel, cu excepția cazului în care secțiunea "Autoreparare" de mai jos autorizează altă acțiune, reparațiile trebuie efectuate de reparatori profesioniști pentru a evita probele de siguranță. Un reparator profesionist are acces la instrucțiuni și la lista cu piese de rezervă pentru acest produs de la producător, potrivit metodele descrise în actele legislative care urmează Directiva 2009/125/EC.

Cu toate acestea, doar agentul de service (adică reparatorii profesioniști autorizați) pe care îl puteți contacta cu ajutorul numărului de telefon oferit în manualul de utilizare/certificatul de garanție sau dealerul dvs. autorizat poate oferi service în termenii garanției. Prin urmare, nu uitați că reparațiile efectuate de reparatori profesioniști care nu sunt autorizați de Beko vor antrena pierderea garanției.

Autorepararea

Reparațiile pot fi făcute de utilizatorul final doar în ceea ce privește următoarele piese: mânerul ușilor, balamalele ușilor, tăvile, coșurile și garniturile ușilor (este disponibilă o listă actualizată pe support.beko.com începând cu data de 1 martie 2021).

Mai mult, pentru siguranța produsului și pentru evitarea accidentărilor, autorepararea menționată va fi efectuată urmând instrucțiunile din manualul de utilizare sau care sunt disponibile în support.beko.com. Pentru siguranța dvs., scoateți produsul din priză înainte să încercați autorepararea.

Reparațiile și încercările de reparație făcute de utilizatorii finali pentru piese care nu sunt incluse într-o astfel de listă și/sau nu urmează instrucțiunile din manualele de utilizare pentru autoreparare sau care sunt disponibile în support.beko.com, pot duce la probleme de siguranță care nu sunt atribuibile Beko, și vor anula garanția produsului.

Prin urmare, este recomandat ca utilizatorii finali să se abțină de la a încerca să efectueze reparații care ies din lista menționată cu piese de schimb, contactând în aceste cazuri reparatori profesioniști sau reparatori autorizați. Din contră, astfel de încercări efectuate de utilizatorii finali pot duce la probleme de siguranță și avarierea produsului sau iscarea unui incendiu, a unei inundatii, a electrocutării și a accidentărilor grave.

Spre exemplu, dar fără a se limita la, următoarele reparații trebuie adresate către service-uri profesionale autorizate sau înregistrate: compresoare, circuite de răcire, panoul principal, placa inverter, panoul de afișaj etc.

Producătorul/vânzătorul nu răspund în niciun caz dacă utilizatorii finali nu se conformează celor de mai sus.

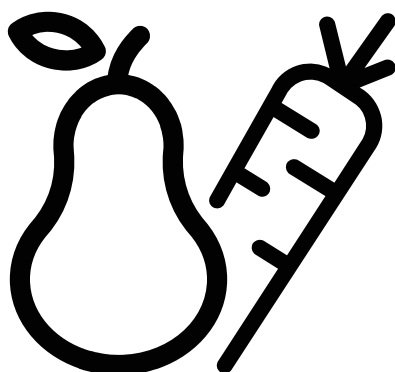
Disponibilitatea de piese de schimb pentru frigiderul pe care ați cumpărat-o este de 10 ani. În această perioadă, piesele de schimb originale vor fi disponibile pentru operarea adecvată a frigiderului. Durata minimă a garanției pentru frigiderul pe care l-ați achiziționat este de 24 de luni.

Acest produs este echipat cu o sursă de iluminare din clasa energetică „G”. Sursa de iluminare a acestui produs trebuie înlocuită numai de către reparatori profesioniști.



Kühlschrank

Bedienungsanleitung



GNO5322XPN
GNO5323XPN
GNO5324XPN
GNO5322WN
GNO5322WDXPN



ANGABEN



ENERG



SUPPLIER'S NAME

MODEL IDENTIFIER

(*)

A

A

Die Modellinformationen, wie sie in der Produktdatenbank gespeichert sind, können durch Eingabe der folgenden Website und Suche nach Ihrer Modellkennung (*) auf dem Energieetikett erreicht werden.

<https://eprel.ec.europa.eu/>



Sicherheitshinweise

Im Interesse Ihrer Sicherheit und um die ordnungsgemäße Verwendung des Geräts sicherzustellen, lesen Sie vor der Installation und der ersten Anwendung des Geräts diese Bedienungsanleitung, einschließlich der Hinweise und Warnungen, sorgfältig durch. Zur Vermeidung unnötiger Fehler und Unfälle sollten Sie sicherstellen, dass alle Personen, die dieses Gerät verwenden, mit dem Betrieb und den Sicherheitsmerkmalen bestens vertraut sind. Bewahren Sie diese Bedienungsanleitung auf und sorgen Sie dafür, dass sie beim Gerät bleibt, wenn dieses umgestellt oder verkauft wird, damit jeder, der es verwendet, angemessene Informationen bezüglich Verwendung und Sicherheit des Geräts erhält.


Für die Sicherheit von Leben und Eigentum sind die Vorsichtsmaßnahmen dieser Bedienungsanleitung zu beachten, da der Hersteller nicht für Schäden durch Unterlassung verantwortlich ist.

Sicherheit von Kindern und schutzbedürftigen Personen

- Dieses Gerät darf von Kindern ab 8 Jahren und Personen mit eingeschränkten physischen, sensorischen oder geistigen Fähigkeiten oder einem Mangel an Erfahrung und Wissen genutzt werden, sofern sie beaufsichtigt werden oder in der sicheren Benutzung des Gerätes unterwiesen wurden und die damit verbundenen Gefahren verstehen.
- Kinder sollten grundsätzlich beaufsichtigt werden, damit sie nicht mit dem Gerät spielen.
- Reinigung und Wartung dürfen nicht von Kindern ausgeführt werden, es sei denn, diese sind mindestens 8 Jahre alt und werden beaufsichtigt.
- Halten Sie sämtliches Verpackungsmaterial von Kindern fern. Es besteht Erstickungsgefahr.
- Wenn Sie das Gerät entsorgen, ziehen Sie den Stecker aus der Steckdose, durchtrennen Sie die Anschlussleitung (so nahe am Gerät wie möglich) und entfernen Sie die Tür, damit spielende Kinder keinen Stromschlag erleiden oder sich einsperren können.
- Wenn dieses Gerät mit magnetischen Türdichtungen ein älteres Gerät mit Federverriegelung an der Tür oder am Deckel ersetzen soll, stellen Sie sicher, dass die Federverriegelung vor der Entsorgung des Altgeräts unbrauchbar ist. So kann sie für ein Kind nicht zu einer Todesfalle werden.

Allgemeine Hinweise zu Ihrer Sicherheit

 **WARNUNG!** Luftöffnungen am Gerätegehäuse oder an Geräteeinbauten dürfen nicht abgedeckt werden.

 **WARNUNG!** Nutzen Sie keine mechanischen oder anderen Hilfsmittel, um das Gerät abzutauen – es sei denn, solche Hilfsmittel werden ausdrücklich vom Hersteller empfohlen.

 **WARNUNG!** Beschädigen Sie den Kühlkreislauf nicht.



Sicherheitshinweise

- ⚠ **WARNUNG!** Verwenden sie innerhalb von Kühlgeräten keine anderen elektrischen Geräte (wie Eismaschinen), es sei denn, sie sind vom Hersteller zu diesem Zweck zugelassen.
- ⚠ **WARNUNG!** Berühren Sie nicht die Glühlampe, wenn sie für eine längere Zeit an war, da sie sehr heiß sein könnte.¹⁾
- ⚠ **WARNUNG!** Stellen Sie beim Aufstellen des Geräts sicher, dass das Netzkabel nicht eingeklemmt oder beschädigt ist.
- ⚠ **WARNUNG!** Stellen Sie nicht mehrere portable Steckdosen oder portable Stromversorgung auf der Rückseite des Geräts auf.
 - Lagern Sie keinerlei explosive Substanzen (dazu zählen auch Sprühdosen mit brennbarem Treibmittel) im Gerät.
 - Im Kühlkreislauf des Geräts ist das Kältemittel Isobutan (R600a) enthalten, ein Erdgas mit einem hohen Grad an Umweltverträglichkeit, das jedoch brennbar ist.
 - Stellen Sie während des Transports und der Installation des Geräts sicher, dass keine Komponenten des Kühlkreislaufs beschädigt werden.
 - Vermeiden Sie offene Flammen und Zündquellen.
 - Lüften Sie den Raum, in dem das Gerät aufgestellt ist, gut durch.
 - Es ist gefährlich, die Spezifikationen zu ändern oder das Produkt in irgendeiner Weise zu verändern. Jeglicher Schaden am Kabel könnte einen Kurzschluss, einen Brand und/oder einen Stromschlag verursachen.
 - Dieses Gerät ist ausschließlich zum Einsatz im Haushalt und bei ähnlichen Anwendungen vorgesehen:
 - Personalküchen in Geschäften, Büros und an anderen Arbeitsplätzen;
 - Bauernhöfe, Zimmer zur Nutzung durch Gäste von Hotels, Motels und anderen Herbergen;
 - Private Zimmervermietung;
- ⚠ **WARNUNG!** Sämtliche elektrischen Komponenten (Stecker, Netzkabel, Kompressor usw.) müssen von einem autorisierten Kundenservice oder qualifiziertem Personal ausgetauscht werden.
- ⚠ **WARNUNG!** Die mit diesem Gerät mitgelieferte Glühlampe ist eine „Lampe für spezielle Anwendungen“, die ausschließlich mit dem gelieferten Gerät verwendet werden darf. Dieser Lampentyp eignet sich nicht zur Raumbeleuchtung.¹⁾

1) Sofern sich im Kühlfach eine Lampe befindet.



Sicherheitshinweise

- Das Netzkabel darf nicht verlängert werden.
- Vergewissern Sie sich, dass der Netzstecker nicht von der Geräterückseite eingedrückt oder beschädigt wird. Ein eingedrückter oder beschädigter Netzstecker kann überhitzen und einen Brand verursachen.
- Vergewissern Sie sich, dass der Netzstecker des Geräts für Sie zugänglich ist.
- Ziehen Sie nicht am Netzstecker.
- Wenn die Steckdose des Netzsteckers locker ist, stecken Sie den Netzstecker nicht ein. Es besteht Stromschlag- oder Brandgefahr.
- Das Gerät darf ohne Lampe nicht betrieben werden.
- Dieses Gerät ist schwer. Seien Sie vorsichtig, wenn Sie es bewegen.
- Nehmen Sie keine Gegenstände aus dem Gefrierfach bzw. berühren Sie diese nicht, falls Ihre Hände feucht/nass sind, da dies zu Hautabschürfungen oder Gefrierbrand führen könnte.
- Vermeiden Sie, dass das Gerät längere Zeit direktem Sonnenlicht ausgesetzt ist.

Täglicher Gebrauch

- Stellen Sie keine heißen Gegenstände auf die Kunststoffteile des Geräts.
- Stellen Sie keine Lebensmittelprodukte direkt an die Rückwand.
- Tiefkühlkost darf nicht erneut eingefroren werden, wenn sie einmal abgetaut ist.¹⁾
- Lagern Sie abgepackte Tiefkühlkost gemäß den Anweisungen des Tiefkühlkostherstellers.¹⁾
- Die Lagerungsempfehlungen der Gerätehersteller sollten strikt eingehalten werden. Nehmen Sie diesbezüglich entsprechende Anweisungen zu Hilfe.
- Legen Sie keine kohlenensäurehaltigen oder sprudelnden Getränke in das Gefrierfach, da dies Druck auf den Behälter ausübt und dieser so explodieren und das Gerät beschädigen könnte.¹⁾
- Speiseeis am Stiel kann zu Gefrierbrand führen, wenn es direkt aus dem Gerät konsumiert wird.¹⁾

Wartung und Reinigung

- Schalten Sie vor jeder Wartungsmaßnahme immer das Gerät aus und ziehen Sie den Netzstecker aus der Steckdose.
- Reinigen Sie das Gerät nicht mit Metallgegenständen.
- Verwenden Sie keine scharfen Gegenstände, um Frost aus dem Gerät zu entfernen. Verwenden Sie einen Kunststoffschaber.¹⁾
- Prüfen Sie regelmäßig den Ablauf im Kühlschranks auf Tauwasser. Reinigen Sie den Ablauf bei Bedarf. Wenn der Ablauf verstopft ist, sammelt sich am Boden des Geräts Wasser.²⁾

Beachten Sie die folgenden Anweisungen, um eine Kontamination von Lebensmitteln zu vermeiden
- Das Öffnen der Türen über längere Zeiträume zu einer erheblichen Temperaturerhöhung in den Abteilen des Geräts führen.
- Reinigen Sie regelmäßig Oberflächen, die mit Lebensmitteln in Berührung kommen können, und zugängliche Entwässerungssysteme.
- Reinigen Sie die Wassertanks, wenn sie 48 Stunden lang nicht benutzt wurden. Spülen Sie das an eine Wasserversorgung angeschlossene Wassersystem, wenn 5 Tage lang kein Wasser entnommen wurde.
- Lagern Sie rohes Fleisch und Fisch in geeigneten Behältern im Kühlschrank, damit sie nicht mit anderen Lebensmitteln in Berührung kommen oder auf diese tropfen.

¹⁾ Sofern ein Gefrierfach vorhanden ist.

²⁾ Sofern ein Lagerfach für frische Lebensmittel vorhanden ist.



Sicherheitshinweise

- Zwei-Sterne-Gefrierfächer (sofern im Gerät vorhanden) eignen sich zur Aufbewahrung von Tiefkühlkost, zur Aufbewahrung oder Zubereitung von Eiscreme und zur Zubereitung von Eiswürfeln.
- Ein-, Zwei- und Drei-Sterne-Fächer (sofern im Gerät vorhanden) eignen sich nicht zum Einfrieren von frischen Lebensmitteln.
- Wenn das Gerät längere Zeit leer bleibt, schalten Sie es aus, tauen Sie es auf, reinigen Sie es, trocknen Sie es und lassen Sie die Tür offen, damit sich kein Schimmel im Gerät bildet.

Installation

Wichtig! Befolgen Sie beim elektrischen Anschluss sorgfältig die Anweisungen in den entsprechenden Absätzen.

- Entfernen Sie das Verpackungsmaterial und prüfen Sie das Gerät auf Beschädigungen. Schließen Sie kein beschädigtes Gerät an. Melden Sie etwaige Schäden unverzüglich dem Händler, von dem Sie das Gerät erworben haben. Bewahren Sie in diesem Fall die Verpackung auf.
- Warten Sie mindestens vier Stunden, bevor Sie das Gerät an das Stromnetz anschließen. Dies ist erforderlich, damit das Öl in den Kompressor zurückfließen kann.
- Stellen Sie sicher, dass die Luft um das Gerät zirkulieren kann, da es sonst überhitzen könnte. Um eine ausreichende Belüftung zu erreichen, befolgen Sie die entsprechenden Installationsanweisungen.
- Sofern möglich sollten Abstandhalter des Geräts an der Wand montiert sein, um Berührungen von heißen Teilen (Kompressor, Kondensator) und mögliche Verbrennungen zu vermeiden.
- Stellen Sie das Gerät nicht in der Nähe von Heizkörpern oder Herden auf.
- Vergewissern Sie sich, dass das Netzkabel nach der Installation für Sie zugänglich ist.

Service



- Nur ein qualifizierter Elektriker oder eine fachkundige Person darf elektrische Arbeiten im Rahmen der Gerätewartung durchführen.
- Dieses Produkt muss von einem autorisierten Kundenservice gewartet werden. Nur Originalersatzteile dürfen verwendet werden.


Energiespartipps

- Stellen Sie keine heißen Lebensmittel in das Gerät.
- Platzieren Sie die Lebensmittel nicht eng aneinander, da dies die Luftzirkulation einschränkt;
- Vergewissern Sie sich, dass die Lebensmittel nicht die Rückseite der Fächer berühren;
- Öffnen Sie bei einem Stromausfall nicht die Tür(en);
- Öffnen Sie die Tür(en) nicht zu oft;
- Lassen Sie die Tür(en) nicht für zu lange Zeit offen;
- Stellen Sie den Thermostat nicht auf übermäßige Kälte ein;
- Alle Zubehörteile wie Schubladen und Schubladenbalkone sollten dort aufbewahrt werden, um den Energieverbrauch zu senken.

Sicherheitshinweise

Umweltschutz

 Dieses Gerät enthält keine Gase, die die Ozonschicht beschädigen könnten, weder innerhalb des Kühlkreislaufs noch im Isoliermaterial. Das Gerät darf nicht zusammen mit den Siedlungsabfällen entsorgt werden. Der Isolierschaum enthält brennbare Gase. Entsorgen Sie das Gerät daher gemäß den geltenden Richtlinien, über die Sie sich bei Ihren lokalen Behörden informieren können. Vermeiden Sie es, die Kühleinheit, insbesondere den Wärmeaustauscher zu beschädigen. Die mit dem Symbol  markierten Geräteteile sind recycelbar.


 Dieses Symbol am Produkt oder seiner Verpackung weist darauf hin, dass dieses Produkt nicht mit dem Hausmüll entsorgt werden darf. Stattdessen muss es bei einer geeigneten Sammelstelle für das Recycling elektrischer und elektronischer Altgeräte abgegeben werden. Durch ordnungsgemäße Entsorgung dieses Produktes tragen Sie dazu bei, negative Auswirkungen auf Umwelt und Gesundheit abzuwenden, die durch unsachgemäße Entsorgung dieses Produktes entstehen können. Detaillierte Informationen zum Recycling dieses Produktes erhalten Sie von Ihrer örtlichen Gemeindevertretung, Ihren Entsorgungsdiensten oder beim Händler, bei dem Sie das Produkt erworben haben.

Verpackungsmaterialien

Die Materialien mit dem Symbol sind recycelbar. Entsorgen Sie das Verpackungsmaterial in einem für das Recycling geeigneten Sammelbehälter.

Entsorgung des Geräts

1. Trennen Sie das Netzkabel von der Steckdose.
2. Schneiden Sie das Netzkabel ab und entsorgen Sie es.

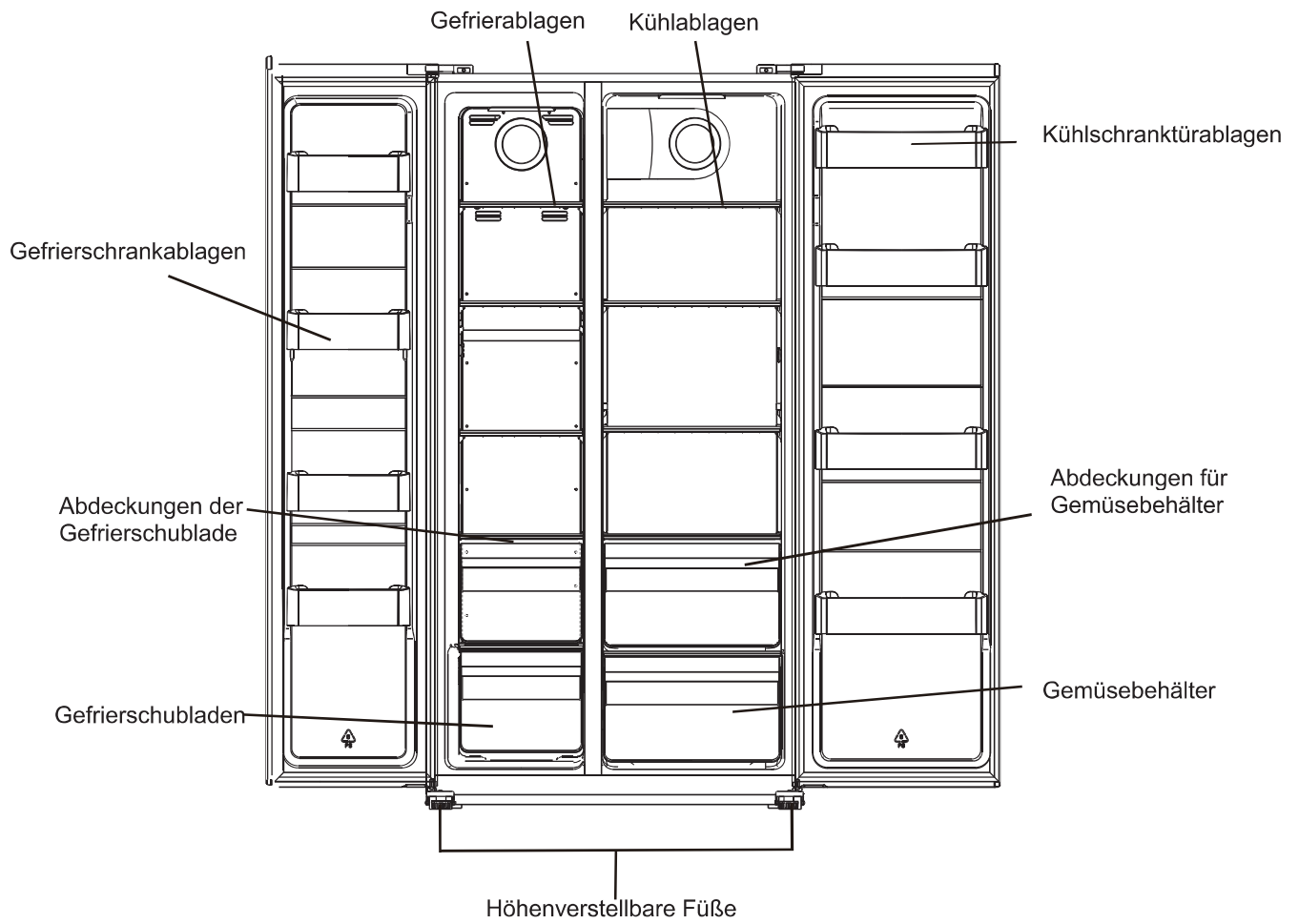
 **WARNUNG!** Beachten Sie bei der Verwendung, Wartung und Entsorgung des Geräts das gelb- oder orangefarbene Symbol auf der Rückseite des Geräts (Rückwand oder Kompressor).



Es ist ein Warnhinweis für Brandgefahr. In Kältemittelleitungen und im Kompressor befinden sich brennbare Materialien..

Bitte seien Sie bei der Benutzung, Wartung und Entsorgung weit entfernt von Feuerquellen.

Überblick



Hinweis: Das obige Bild dient lediglich zur Veranschaulichung. Das tatsächliche Gerät weicht wahrscheinlich davon ab.

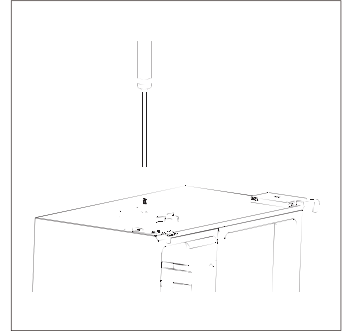
Installation

Entfernen Sie die Türen.

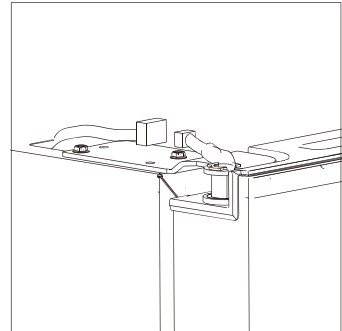
Erforderliches Werkzeug: Kreuzschlitzschraubendreher, Flachsraubendreher.

- Vergewissern Sie sich, dass das Gerät ausgesteckt und leer ist.
- Um die Tür zu entfernen, müssen Sie das Gerät nach hinten neigen. Stellen Sie das Gerät auf einem festen Gegenstand ab, damit es beim Entfernen der Tür nicht abrutscht.
- Alle entfernten Teile müssen sicher aufbewahrt werden, um die Tür wieder anbringen zu können.
- Legen Sie das Gerät nicht flach auf den Boden, da dies das Kühlsystem beschädigen könnte.
- Am besten sollten sich 2 Personen an der Montage beteiligen.

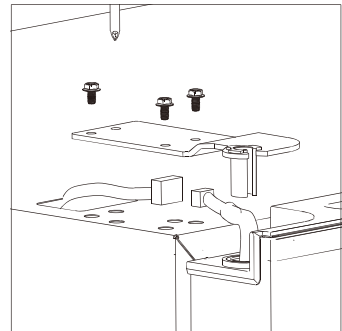
1. Schrauben Sie die Scharnierabdeckung mit dem Kreuzschlitzschraubendreher ab.



2. Lösen Sie den Gurt.

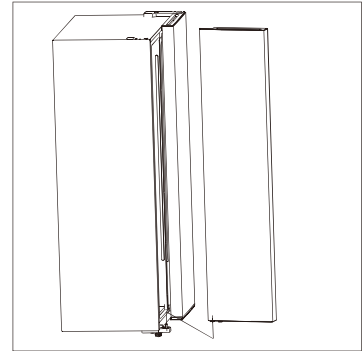


3. Schrauben Sie das obere Scharnier ab.

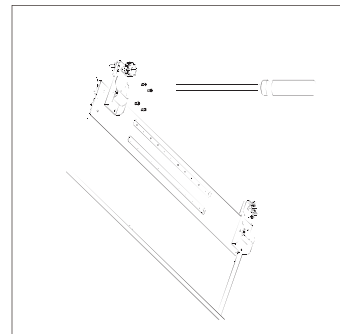


Installation

4. Heben Sie die Tür hoch und stellen Sie sie auf einer weichen Unterlage ab. Entfernen Sie dann die andere Tür auf dieselbe Weise.



5. Schrauben Sie die unteren Scharniere ab.

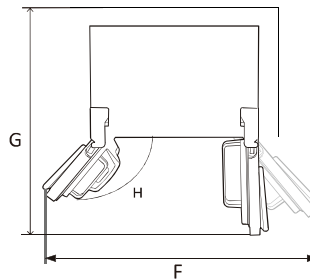
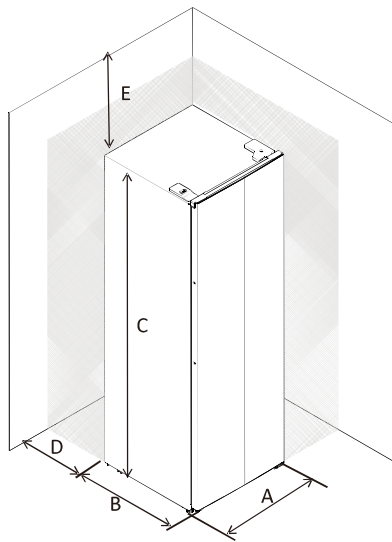


6. Wenn Sie das Gerät aufgestellt haben, können Sie die Türen in umgekehrter Reihenfolge wieder anbringen.

Installation

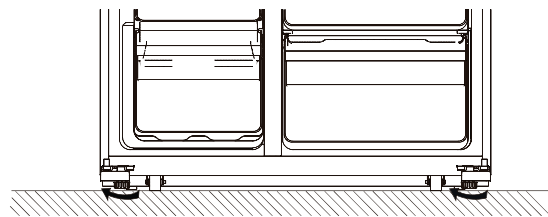
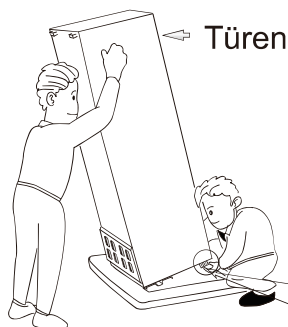
Platzbedarf

- Wählen Sie einen Standort ohne Einwirkung von direktem Sonnenlicht aus;
- Wählen Sie einen Standort mit ausreichend Platz aus, um die Kühlschranksüren problemlos zu öffnen;
- Wählen Sie einen ebenen (oder nahezu ebenen) Standort aus;
- Lassen Sie ausreichend Platz, um den Kühlschrank auf einer ebenen Oberfläche aufzustellen;
- Lassen Sie bei der Installation einen Freiraum nach rechts, links, hinten und oben. Dies reduziert den Stromverbrauch und somit Ihre Stromrechnung.



A	910
B	670
C	1770
D	min=50
E	min=50
F	1800
G	1560
H	135°

Den Kühlschrank ausrichten und verankern



- Richten Sie den Kühlschrank durch Einstellen der FüÙe aus und verankern Sie ihn.
- Drehen Sie die FüÙe mit der Hand im Uhrzeigersinn, um das Gerät zu erhöhen.
- Drehen Sie die FüÙe mit der Hand gegen den Uhrzeigersinn, um das Gerät abzusenken.

Installation

Positionierung

Stellen Sie dieses Gerät an einem Ort auf, an dem die Umgebungstemperatur der auf dem Typenschild des Geräts angegebenen Klimaklasse entspricht: Für Kühlgeräte mit Klimaklasse:

- erweitert gemäßigt: dieses Gerät ist bestimmt für den Gebrauch in einer Umgebungstemperatur zwischen 10 °C und 32 °C (SN);
- gemäßigt: Dieses Gerät ist bestimmt für den Gebrauch in einer Umgebungstemperatur zwischen 16 °C und 32 °C (N)
- subtropisch: dieses Gerät ist bestimmt für den Gebrauch in einer Umgebungstemperatur zwischen 16 °C und 38 °C (ST);
- tropisch: dieses Gerät ist bestimmt für den Gebrauch in einer Umgebungstemperatur zwischen 16 °C und 43 °C (T)

Aufstellungsort

Das Gerät sollte mit ausreichendem Abstand zu Wärmequellen wie Heizungen, Boilern, direktem Sonnenlicht usw. aufgestellt werden. Vergewissern Sie sich, dass die Luft ungehindert auf der Rückseite des Schrankes zirkulieren kann. Wenn sich das Gerät unter einem überhängenden Wandelement befindet, muss der Mindestabstand zwischen der Oberseite des Geräts und dem Wandelement mindestens 100 mm betragen, um eine optimale Leistung sicherzustellen. Idealerweise sollte das Gerät jedoch nicht unter einem überhängenden Wandelement platziert werden. Die richtige Ausrichtung wird durch einen oder mehrere einstellbare Füße auf der Unterseite des Schrankes gewährleistet.

Dieses Kühlgerät ist nicht für die Nutzung als Einbaugerät vorgesehen.



Warnung! Es muss möglich sein, das Gerät von der Netzversorgung zu trennen; der Stecker muss nach der Installation daher leicht zugänglich sein.

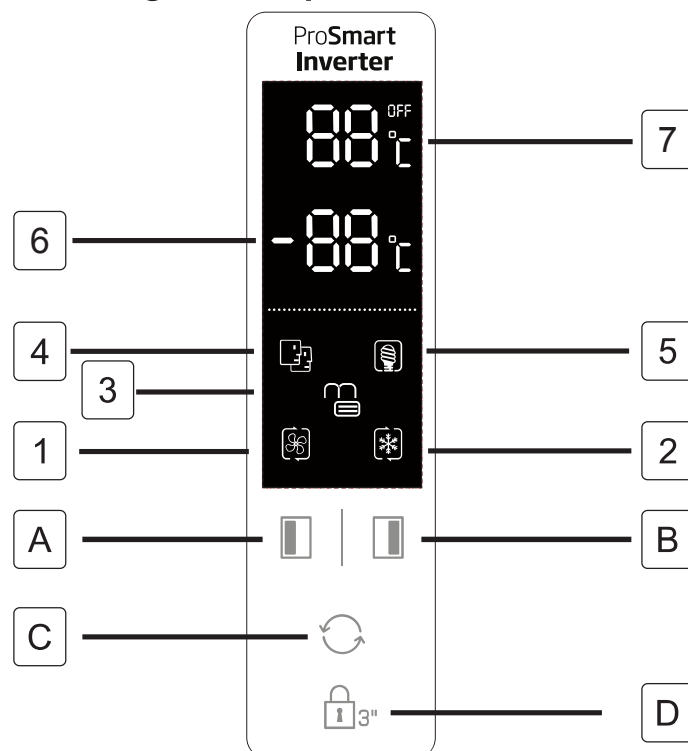
Elektrischer Anschluss

Bevor Sie das Gerät einstecken, stellen Sie sicher, dass die auf dem Typenschild angegebene Spannung und Frequenz Ihrer vorhandenen Stromversorgung entspricht. Das Gerät muss geerdet werden. Der Stecker des Stromversorgungskabels ist zu diesem Zweck mit einem Kontakt versehen. Wenn die vorhandene Stromversorgungsbuchse nicht geerdet ist, schließen Sie das Gerät gemäß geltenden Vorschriften unter Hinzuziehung eines Elektrofachmanns an einen separaten Erdungsleiter an.

Der Hersteller lehnt jegliche Verantwortung ab, wenn die oben genannten Sicherheitsmaßnahmen nicht beachtet werden. Dieses Gerät entspricht den Richtlinien der EWG.

Täglicher Gebrauch

Verwendung des Konfigurationspanel



Tasten

- A** Drücken Sie diese Taste, um die Temperatur des Gefrierfachs (links) von -14 °C auf bis zu -22 °C zu stellen.
- B** Drücken Sie diese Taste, um die Temperatur des Kühlfachs (rechts) von 2 °C auf bis zu 8 °C und auf „OFF“ zu stellen. Bei „OFF“ wird das Kühlfach ausgeschaltet.
- C** Drücken Sie diese Taste um zwischen den Modi **SMART, ECO, SUPER COOLING, SUPER FREEZING** und **BENUTZEREINSTELLUNGEN** (kein Anzeigesymbol) zu wechseln.
- D** Drücken Sie die Taste **3 SEKUNDEN** lang, um die anderen drei Tasten zu sperren.
Drücken Sie die Taste 1 Sekunde lang, um die anderen drei Tasten zu entsperren.

Anzeige

- 1** **SUPER COOLING** Das Kühlfach wird wie vorgesehen auf die niedrigste Temperatur heruntergekühlt. Die Temperatureinstellung wird nach ca. 2,5 Stunden auf den vorherigen Benutzereinstellungsmodus zurückgesetzt.
- 2** **SUPER FREEZING** Das Kühlfach wird wie vorgesehen auf die niedrigste Temperatur heruntergekühlt. Die Temperatureinstellung wird nach ca. 50 Stunden auf den vorherigen Benutzereinstellungsmodus zurückgesetzt.
Tipps: Es ist besser, den SUPER GEFRIEREN-Modus 24 Stunden im Voraus einzuschalten, bevor Sie eine größere Menge an Lebensmitteln in das Gefrierfach legen.
- 3** **LOCK:** Das Symbol leuchtet auf, wenn die Tastensperre aktiviert ist.
- 4** **SMART-Modus:** Der Kühlschrank stellt die Temperatur der beiden Abteilungen automatisch entsprechend der Innen- und Umgebungstemperatur ein.
- 5** **ECO-Modus:** Der Kühlschrank läuft mit der niedrigsten Energieverbrauchseinstellung.
- 6** Zeigt die Temperatureinstellung des Gefrierfachs.
- 7** Zeigt die Temperatureinstellung der Kühlabteilung.
- 8** Die Kindersicherung würde nach einem Stromausfall versagen. Die Kindersicherung wird automatisch 25 Sekunden nach der letzten Betätigung gültig. Nach 2 Minuten seit der letzten Betätigung schaltet sich das Anzeigefeld automatisch aus.
- 9** Einige Funktionen sind bei diesem Modell nicht anwendbar.

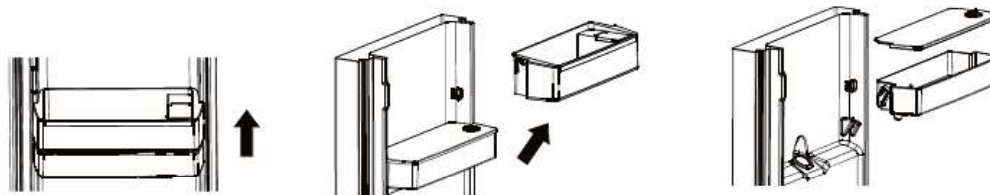
Tür-offen-Alarm

Wenn eine Tür 90 Sekunden lang geöffnet bleibt, erklingt ein regelmäßiger Alarm, bis die Tür geschlossen wird.

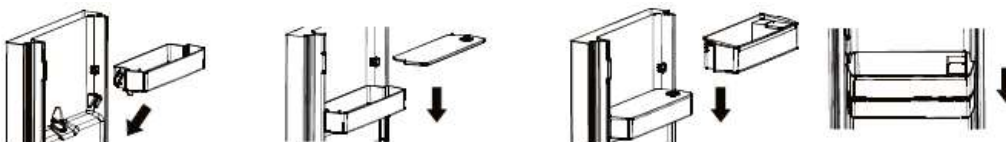
Täglicher Gebrauch

Bevor Sie den Wasserspender zum ersten Mal benutzen, sollten Sie den Wasserbehälter im Inneren des Kühlschranks ausbauen und reinigen.

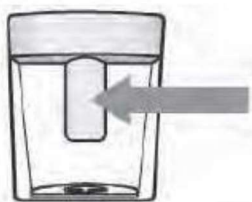
1. Zuerst die Behälterhalterung anheben und abnehmen, dann den Wasserbehälter mit Deckel abnehmen. Nehmen Sie den Deckel ab, um den Behälter und den Deckel zu waschen und zu reinigen.



2. Bringen Sie nach der Reinigung den Wasserbehälter, den Deckel und die Behälterhalterung wie unten beschrieben wieder an.



3. Reinigen Sie das Spenderhebel an der Außenseite der Kühlschranktür.



Befüllen des Wasserbehälters mit Wasser

1. Öffnen Sie den kleinen Deckel



2. Füllen Sie den Wasserbehälter mit Trinkwasser bis zur 3-Liter-Linie.
3. Schließen Sie die kleine Abdeckung des Deckels



Gebrauch

Um Wasser auszugeben, drücken Sie vorsichtig auf das Spenderhebel und verwenden Sie ein Glas oder einen Behälter.

Um den Wasserfluss zu stoppen, ziehen Sie Ihr Glas vom Spenderhebel weg.

Täglicher Gebrauch

Erste Inbetriebnahme

Reinigen des Innenraums

Bevor Sie das Gerät in Betrieb nehmen, beseitigen Sie den typischen Neugeruch am besten durch Reinigen des Innenraums und der Innenteile mit lauwarmem Wasser und einer neutralen Seife. Sorgfältig nachtrocknen.

Wichtig! Verwenden Sie keine chemischen Reinigungsmittel oder Scheuerpulver, da diese die Oberfläche beschädigen.

Täglicher Gebrauch

Lebensmittel	Standort
Eier	Türablage
Milchprodukte (Butter, Käse)	Sofern verfügbar, Biofresh- oder Gefrierfach Unterste Regale
Obst, Gemüse und Salat	Obst- und Gemüse-Box, knusprig oder EverFresh + Fach (falls verfügbar)
Frisches Fleisch, Geflügel, frischer Fisch, Würstchen, gekochte Lebensmittel	Sofern verfügbar, Biofresh- oder Gefrierfach Unterstes Regal
Verzehrfertige Lebensmittel, verpackte Produkte, Konserven, eingelegte Produkte	Obere Regale oder Türablagen
Getränke, Flaschen, Gewürze, Snacks	Türablage
Reste	Mittlere Regale

Täglicher Gebrauch

DE Anleitung zum Lagern von frischen Lebensmitteln:

Aufbewahrung im Frischfach:

- Bewahren Sie Ihren Kühlschrank bei einer empfohlenen Temperatur von 4 °C auf.
- Lebensmittel zum Lagern müssen sachgemäß versiegelt sein, um Geruch oder Geschmacksveränderungen zu vermeiden.
- Bewahren Sie keine zu großen Mengen an Lebensmitteln in Ihrem Kühlschrank auf. Lassen Sie Platz zwischen den Lebensmitteln, damit kalte Luft um sie herum fließen kann, was für ein besseres und gleichmäßigeres Kühlen sorgt.
- Um kürzere Türöffnungen zu ermöglichen, sollten Lebensmittel, die jeden Tag gegessen werden, vorne in der Ablage gelagert werden.
- Lassen Sie Platz zwischen den Lebensmitteln und den Innenwänden, damit die Luft fließen kann. Wenn Sie an der Rückwand Lebensmittel lagern, könnten diese an der Rückwand festfrieren.
- Heiße, gekochte Speisen müssen auf Raumtemperatur abgekühlt werden, bevor Sie im Gerät gelagert werden. Anschließend können warme Lebensmittel in den unteren Regalen Ihres Kühlschranks aufbewahrt werden. Stellen Sie keine warmen Lebensmittel in die Nähe von leicht verderblichen Lebensmitteln.
- Tauen Sie Ihre Tiefkühlkost im Frischfach auf. Auf diesem Weg können Sie die gefrorenen Lebensmittel verwenden, um die Temperatur im Kühlschrank zu reduzieren und Energie sparen.
- Wenn unreife tropische Früchte (Mango, Melonen, Papaya, Bananen, Ananas) im Kühlschrank gelagert werden, kann der Alterungsprozess beschleunigt werden und es ist nicht ratsam, da dies zu kürzeren Lagerzeiten führt. Jedoch kann der Reifungsprozess von sehr grünem Obst (Apfel, Birne) für einen bestimmten Zeitraum im Kühlfach gesteigert werden.
- Zwiebeln, Knoblauch, Ingwer und anderes Wurzelgemüse sollten bei dunklen und kühlen Raumbedingungen gelagert werden, nicht im Kühlschrank.
- Wenn ein verdorbenes Lebensmittel im Kühlschrank gefunden wird, muss es entsorgt werden. Reinigen Sie die Innenverkleidung oder das Zubehör, wenn Sie feststellen, dass die Lebensmittel verrottet sind, um eine Kontamination zu vermeiden.
- Große Töpfe mit Lebensmitteln wie Suppen oder Eintöpfe können in flache Behälter geteilt werden, um sie im Kühlschrank schnell abzukühlen. Große Stücke gekochtes Fleisch und ganzes Geflügel sollten zum gleichen Zweck in kleinere Stücke geteilt werden.
- Lagern Sie unverpackte Lebensmittel nicht in der Nähe von Eiern.
- Halten Sie Obst und Gemüse getrennt und lagern Sie es wie folgt: Äpfel mit Äpfeln, Karotten mit Karotten. Obst und Gemüse geben verschiedene Gase ab, die andere schädigen können.
- Nehmen Sie Blattgemüse aus Plastiktüten, wickeln Sie sie in ein Papiertuch oder Geschirrtuch, bevor Sie sie im Kühlschrank aufbewahren. Vergessen Sie nicht, sie zu trocknen, wenn sie vor der Lagerung gespült oder nass sind.

Täglicher Gebrauch

- Lagern Sie Obst und Gemüse, das zum Austrocknen neigt, in perforierten oder unverschlossenen Plastikbeuteln, um eine feuchte Umgebung zu erhalten und dennoch die Luft zirkulieren zu lassen.
- Unterschiedliche Lebensmittel müssen gemäß ihren Eigenschaften in verschiedenen Bereichen gelagert werden:

“Bitte überprüfen Sie die entsprechende Klimaklasse Ihres Geräts, die auf dem Typenschild angegeben ist. Eine der folgenden Informationen gilt für Ihr Gerät gemäß der eingestuften Klimaklasse.”

- SN: Erweitertes gemäßigtes Klima: Dieses Gerät ist bestimmt für den Gebrauch in einer Umgebungstemperatur zwischen 10°C und 32°C
- N: Gemäßigtes Klima: Dieses Gerät ist bestimmt für den Gebrauch in einer Umgebungstemperatur zwischen 16°C und 32°C
- ST: Subtropisch: Dieses Gerät ist bestimmt für den Gebrauch in einer Umgebungstemperatur zwischen 16°C und 38°C
- T: Tropisch: Dieses Gerät ist bestimmt für den Gebrauch in einer Umgebungstemperatur zwischen 16°C und 43°C

DE Lagern im Gefrierfach:

- Es wird empfohlen, die Gefriereinstellung bei -20 °C zu halten, außer unter extremen Umgebungsbedingungen.
- 4 bis 6 Stunden vor dem Einfrieren die Schnellgefrierfunktion einschalten, um ein schnelleres Einfrieren zu gewährleisten.
- Heiße Speisen müssen auf Raumtemperatur herunter gekühlt werden, bevor im Gefrierfach gelagert werden.
- Nahrungsmittel, die in klein geschnitten sind, gefrieren schneller und sind einfacher aufzutauen und zu kochen.
- Es ist besser, die Lebensmittel einzupacken, bevor man sie in den Gefrierschrank gibt.
- Schreiben Sie bitte das Gefrierdatum, das Ablaufdatum und den Namen des Lebensmittels gemäß des Lagerzeitraums der verschiedenen Lebensmittel auf die Verpackung, um den Lagerzeitraum nicht zu überschreiten.
- Überschreiten Sie nicht die vom Hersteller empfohlenen Lagerzeiten für Lebensmittel. Nehmen Sie stets nur die benötigte Menge aus dem Gefriergerät.
- Verzehren Sie aufgetaute Lebensmittel schnell. Aufgetaute Lebensmittel können erst nach dem Garen wieder eingefroren werden. Es ist nicht sicher, ungekochte wieder eingefroren frische Lebensmittel zu konsumieren.
- Wenn Sie frische Lebensmittel einfrieren, vermeiden Sie es, sie mit bereits gefrorenen Lebensmitteln in Kontakt zu bringen. Es kann zum Auftauen bereits gefrorener Teile kommen.

Wenn Sie kommerziell eingefrorene Lebensmittel lagern, befolgen Sie bitte nachstehende Anweisungen:

- Folgen Sie immer den Anweisungen der Hersteller in Bezug auf den Zeitraum, für den Sie Lebensmittel aufbewahren sollten. Überschreiten Sie diese Anweisungen nicht!
- Versuchen Sie den Zeitraum zwischen dem Einkauf und der Lagerung so kurz wie möglich zu halten, um die
- Lebensmittelqualität zu bewahren.
- Kaufen Sie gefrorene Lebensmittel, die bei einer Temperatur von -18 °C oder darunter gelagert wurden.
- Vermeiden Sie Lebensmittel zu kaufen, die Eis oder Frost an der Verpackung haben - dies deutet darauf hin, dass die Produkte teilweise aufgetaut wurden und an einem Punkt wieder eingefroren wurden. Temperaturanstieg wirkt sich auf die Qualität der Lebensmittel aus.
- Wir empfehlen eine Temperatureinstellung von 4 °C für das Frischfach und -20 °C für das Gefrierfach, um eine bessere Konservierung der Lebensmittel zu erreichen.
- Mit Ausnahme extremer Umgebungsbedingungen wird die Gesamtfrische in Frischlebensmitteln und Gefrierfächern verlängert, wenn die Temperatur auf empfohlene Werte von + 4 °C / -20 °C eingestellt wird. Wenn die Temperatur des Frischfachs kühler eingestellt ist, können frisches Obst und Gemüse teilweise gefroren sein oder Kälteschäden ausgesetzt sein, während bei wärmeren Temperaturen leicht verderbliche Lebensmittel (Milchprodukte, Fleischprodukte) schneller verderben können.

Täglicher Gebrauch

Frische Lebensmittel tiefkühlen

- Das Gefrierfach ist zum Tiefkühlen von frischen Lebensmitteln und zum Lagern von gefrorenen und tiefgefrorenen Lebensmitteln über einen längeren Zeitraum geeignet.
- Legen Sie die einzufrierenden frischen Lebensmittel in das unterste Fach.
- Die maximale Menge an Lebensmitteln, die innerhalb von 24 Stunden eingefroren werden kann, ist auf dem Typenschild angegeben.
- Der Gefriervorgang dauert 24 Stunden. Legen Sie während dieses Zeitraums keine weiteren einzufrierenden Lebensmittel in das Gerät.

Lagerung von Tiefkühlkost

Lassen Sie das Gerät vor der ersten Inbetriebnahme oder nach einer Zeit, in der es nicht verwendet wurde, mindestens 2 Stunden lang mit höherer Einstellung laufen, bevor Sie Lebensmittel in das Gefrierfach legen.

Wichtig! Wenn es zum Beispiel durch einen Stromausfall, der länger gedauert hat als in der Tabelle mit den technischen Daten unter „Anstiegswert“ angegeben, zu einem ungewollten Abtauen gekommen ist, dann müssen die aufgetauten Lebensmittel sehr rasch verbraucht oder sofort gekocht und nach dem Abkühlen erneut eingefroren werden.

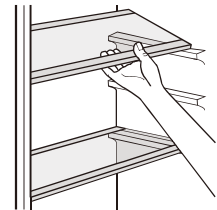
Auftauen

Tiefgefrorene oder gefrorene Lebensmittel können vor der Verwendung je nach der zur Verfügung stehenden Zeit im Kühlschrank oder bei Raumtemperatur aufgetaut werden. Kleinere Gefriergutteile können sogar direkt aus dem Gefrierfach entnommen und anschließend sofort gekocht werden. In diesem Fall dauert der Garvorgang allerdings etwas länger.

Zubehör

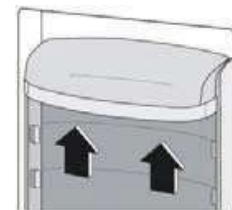
Bewegliche Ablagen

Die Wände des Kühlschranks sind mit einer Reihe von Führungsschienen ausgestattet, damit die Ablagen wunschgemäß eingesetzt werden können.



Positionierung der Türablagen

Die Türablagen können in verschiedener Höhe positioniert werden; damit ermöglichen Sie das Lagern verschieden großer Lebensmittelpackungen. Gehen Sie dabei wie folgt vor: Ziehen Sie die Ablage langsam in Pfeilrichtung, bis sie sich löst, und setzen Sie sie in der gewünschten Höhe wieder ein.



Täglicher Gebrauch

Nützliche Tipps und Hinweise

Hinweise zum Einfrieren

Im Folgenden finden Sie einige wertvolle Tipps für einen optimalen Gefriervorgang:

- Die maximale Menge an Lebensmitteln, die in 24 Stunden eingefroren werden kann, ist auf dem Typenschild angegeben.
- Der Gefriervorgang dauert 24 Stunden. Legen Sie während dieses Zeitraums keine weiteren einzufrierenden Lebensmittel in das Gerät.
- Frieren Sie ausschließlich frische und gründlich gewaschene Lebensmittel von guter Qualität ein.
- Teilen Sie die Lebensmittel in kleinere Portionen ein, damit sie schnell und vollständig gefrieren und Sie später nur die Menge auftauen müssen, die Sie benötigen.
- Verpacken Sie die Lebensmittel stets luftdicht in Alufolie oder in Plastikbeuteln und achten Sie darauf, dass die Verpackung so wenig Luft wie möglich enthält.
- Achten Sie beim Einlegen von frischen, noch ungefrorenen Lebensmitteln darauf, dass sie nicht mit dem Gefriergut in Kontakt kommen, da dieses sonst antauen könnte.
- Magere Lebensmittel lassen sich besser und länger lagern als fetthaltige; durch Salz wird die maximale Lagerungsdauer verkürzt.
- Wenn Wassereis direkt nach der Entnahme aus dem Gefrierfach verzehrt wird, kann dies zu Gefrierbrand auf der Haut führen.
- Es empfiehlt sich, das Einfrierdatum auf jeder einzelnen Packung zu notieren, um einen genauen Überblick über die Lagerzeit zu haben.

Hinweise zur Lagerung gefrorener Lebensmittel

So erzielen Sie die besten Ergebnisse mit Ihrem Gerät: Vergewissern Sie sich, dass die gefrorenen Lebensmittel vom Händler angemessen gelagert wurden. Achten Sie unbedingt darauf, die eingekauften gefrorenen Lebensmittel schnellstmöglich in das Gefrierfach zu legen.

Öffnen Sie die Tür nicht zu häufig und lassen Sie die Tür nicht länger offen als notwendig.

Aufgetaute Lebensmittel verderben sehr schnell und eignen sich nicht für ein erneutes Einfrieren.

Das vom Hersteller angegebene Haltbarkeitsdatum darf nicht überschritten werden.

Hinweise für die Kühlung frischer Lebensmittel

So erzielen Sie die besten Ergebnisse:

- Legen Sie keine warmen Lebensmittel oder dampfenden Flüssigkeiten in den Kühlschrank.
- Decken Sie die Lebensmittel ab oder verpacken Sie sie entsprechend, besonders wenn sie stark riechen.

Hinweise für die Kühlung

Nützliche Hinweise:

- Fleisch (alle Sorten): Wickeln Sie Fleisch in ein geeignetes Material und legen Sie es auf die Glasablage über dem Gemüsefach.
- Lagern Sie Fleisch höchstens 1 bis 2 Tage.
- Gekochte Lebensmittel, kalte Gerichte usw.: Decken Sie die Speisen ab und ordnen Sie sie auf einer beliebigen Ablage ein.
- Obst und Gemüse: Gründlich waschen und in der speziellen Schublade aufbewahren.
- Butter und Käse: Diese sollten stets in speziellen luftdichten Behältern verpackt sein oder in Aluminiumfolie bzw. in Plastikbeutel eingepackt werden, um so wenig Luft wie möglich in der Verpackung zu haben.
- Milchflasche: Sollte mit Deckel in der Türablage aufbewahrt werden.
- Bananen, Kartoffeln, Zwiebeln und Knoblauch dürfen, sofern sie nicht verpackt sind, nicht im Kühlschrank aufbewahrt werden.

Reinigung

Aus hygienischen Gründen sollten das Innere des Geräts sowie die Innenteile regelmäßig gereinigt werden.



Achtung! Das Gerät darf während der Reinigung nicht an das Stromnetz angeschlossen sein. Es besteht Stromschlaggefahr! Schalten Sie das Gerät vor Reinigungsarbeiten aus und ziehen Sie den Stecker aus der Steckdose. Sie können auch den Schutzschalter umschalten oder die Sicherung herausnehmen. Reinigen Sie das Gerät niemals mit einem Dampfreiniger. Feuchtigkeit könnte sich in den elektrischen Komponenten ansammeln. Stromschlaggefahr! Heiße Dämpfe können Beschädigungen der Kunststoffteile herbeiführen. Das Gerät muss trocken sein, bevor es wieder in Betrieb genommen wird.

Wichtig! Ätherische Öle und organische Lösungsmittel, z. B. Zitronensaft oder der Saft der Orangenschale, Buttersäure und Reinigungsmittel, die Essigsäure enthalten, können Kunststoffteile angreifen.

Täglicher Gebrauch

- Lassen Sie derartige Substanzen nicht mit Geräteteilen in Kontakt kommen.
- Verwenden Sie keine Scheuermittel.
- Nehmen Sie die Lebensmittel aus dem Kühlschrank. Legen Sie sie gut abgedeckt an einen kühlen Ort.
- Schalten Sie das Gerät aus und ziehen Sie den Stecker aus der Steckdose. Sie können auch den Schutzschalter umschalten oder die Sicherung herausnehmen.
- Reinigen Sie das Gerät und die Innenteile mit einem Tuch und lauwarmem Wasser. Wischen Sie die Teile nach dem Reinigen mit frischem Wasser ab und trocknen Sie sie.
- Wenn alles trocken ist, kann das Gerät wieder in Betrieb genommen werden.

Problemlösung



Achtung! Trennen Sie das Gerät vor der Problemlösung vom Stromnetz. Nur ein Elektrofachmann oder eine andere fachkundige Person dürfen eine Problemlösung vornehmen, die nicht in dieser Bedienungsanleitung enthalten ist.

Wichtig! Während des Normalbetriebs sind Geräusche wahrzunehmen (Kompressor, Kühlkreislauf).

Problem	Mögliche Ursache	Abhilfe
Das Gerät arbeitet nicht.	Der Netzstecker ist nicht eingesteckt oder locker.	Stecken Sie den Netzstecker in die Steckdose.
	Die Sicherung ist durchgebrannt oder fehlerhaft.	Prüfen Sie die Sicherung und tauschen Sie sie gegebenenfalls aus.
	Die Steckdose ist beschädigt.	Netzstörungen müssen von einem Elektriker behoben werden.
Die Lebensmittel sind zu warm.	Die Temperatur ist nicht richtig eingestellt.	Siehe Abschnitt „Temperatureinstellungen“.
	Die Tür war über einen längeren Zeitraum offen.	Öffnen Sie die Tür nur so lange wie nötig.
	In den letzten 24 Stunden wurde eine große Menge an warmen Lebensmitteln in das Gerät eingelegt.	Senken Sie die Temperatur vorübergehend.
	Das Gerät befindet sich in der Nähe einer Wärmequelle.	Siehe Abschnitt „Installationsort“.
Das Gerät kühlt zu stark.	Die Temperatur ist zu niedrig eingestellt.	Erhöhen Sie die Temperatur vorübergehend.
Ungewöhnliche Geräusche.	Das Gerät ist nicht völlig gerade aufgestellt.	Stellen Sie die Füße richtig ein.
	Das Gerät berührt die Wand oder andere Gegenstände.	Verschieben Sie das Gerät geringfügig.
Wasser befindet sich auf dem Boden.	Das Wasserablaufloch ist verstopft.	Siehe Abschnitt „Reinigung und Pflege“.
Die Seitenwände sind heiß.	Dies ist normal. In den Wänden findet ein Wärmeaustausch statt.	Ziehen Sie bei Bedarf Handschuhe an, um die Seitenwände zu berühren.

Wenn die Fehlfunktion erneut auftritt, kontaktieren Sie den Kundenservice.



ENTSORGUNG

Dieses Symbol bedeutet, dass dieses Produkt am Ende seiner Lebensdauer nicht mit anderem Hausmüll entsorgt werden darf. Das gebrauchte Gerät muss bei einer offiziellen Sammelstelle für das Recycling von elektrischen und elektronischen Geräten abgegeben werden. Den Standort dieser Sammelstellen erfahren Sie bei Ihrer Gemeinde oder bei dem Händler, von dem Sie das Produkt erworben haben. Jeder Haushalt spielt bei der Rückgewinnung und beim Recycling von Altgeräten eine wichtige Rolle. Die sachgemäße Entsorgung gebrauchter Geräte trägt dazu bei, mögliche negative Folgen für Umwelt und Gesundheit zu vermeiden.

DE

HAFTUNGSAUSSCHLUSS / WARNUNG

Einige (einfache) Fehler können vom Endbenutzer angemessen behandelt werden, ohne dass Sicherheitsprobleme oder unsichere Verwendung auftreten, sofern sie innerhalb der Grenzen und gemäß den folgenden Anweisungen ausgeführt werden (siehe Abschnitt „Selbstreparatur“).

Sofern im Abschnitt „Selbstreparatur“ unten nichts anderes autorisiert ist, sind Reparaturen an registrierte professionelle Reparaturtechniker zu richten, um Sicherheitsprobleme zu vermeiden. Ein registrierter professioneller Reparaturbetrieb ist ein professioneller Reparaturtechniker, dem vom Hersteller Zugang zu den Anweisungen und der Ersatzteilliste dieses Produkts gemäß den in den Rechtsakten entsprechend der Richtlinie 2009/125/EG beschriebenen Methoden gewährt wurde.

Allerdings kann nur der Dienstleister (d.h. autorisierte professionelle Reparaturtechniker), den Sie über die in der Bedienungsanleitung/ Garantiekarte angegebene Telefonnummer oder über Ihren autorisierten Händler erreichen können, einen Service gemäß den Garantiebedingungen anbieten. Bitte beachten Sie daher, dass Reparaturen durch professionelle Reparaturtechniker (die nicht von Bekoautorisiert sind) zum Erlischen der Garantie führen.

Selbstreparatur

Die Selbstreparatur kann vom Endbenutzer in Bezug auf folgende Ersatzteile durchgeführt werden: Dichtungen, Filter, Türscharniere, Körbe, Propeller, Kunststoffzubehör usw. (eine aktualisierte Liste ist ab dem 1. März 2021 ebenfalls in support.beko.com verfügbar).

Um die Produktsicherheit zu gewährleisten und das Risiko schwerer Verletzungen zu vermeiden, muss die erwähnte Selbstreparatur gemäß den Anweisungen im Benutzerhandbuch zur Selbstreparatur durchgeführt werden, die unter support.beko.com verfügbar sind. Ziehen Sie zu Ihrer Sicherheit den Stecker aus der Steckdose, bevor Sie eine Selbstreparatur durchführen.

Reparatur- und Reparaturversuche von Endbenutzern für Teile, die nicht in dieser Liste enthalten sind und/oder die Anweisungen in den Benutzerhandbüchern zur Selbstreparatur nicht befolgen oder die auf support.beko.com verfügbar sind, können zu Sicherheitsproblemen führen, die nicht auf Bekozurückzuführen sind, und führt zum Erlöschen der Garantie des Produkts.

Deshalb wird dringend empfohlen, dass Endbenutzer nicht versuchen, Reparaturen durchzuführen, die außerhalb der genannten Ersatzteilliste liegen, und sich in solchen Fällen an autorisierte professionelle Reparaturtechniker oder registrierte professionelle Reparaturtechniker wenden. Ansonsten können solche Versuche von Endbenutzern Sicherheitsprobleme verursachen und das Produkt beschädigen und anschließend Brand, Überschwemmungen, Stromschläge und schwere Personenschäden verursachen.

Beispielsweise müssen, ohne darauf beschränkt zu sein, die folgenden Reparaturen an autorisierte professionelle Reparaturtechniker oder registrierte professionelle Reparaturtechniker gerichtet werden: Kompressor, Kühlkreislauf, Hauptplatine, Wechselrichterplatine, Anzeigetafel usw.

Der Hersteller/Verkäufer kann in keinem Fall haftbar gemacht werden, in dem Endbenutzer die oben genannten Bestimmungen nicht einhalten.

Die Ersatzteilverfügbarkeit des von Ihnen gekauften Kühlschranks beträgt 10 Jahre.

Während dieser Zeit stehen Originalersatzteile zur Verfügung, um den Kühlschrank ordnungsgemäß zu betreiben.

Die Mindestgarantiedauer für den von Ihnen gekauften Kühlschrank beträgt 24 Monate.

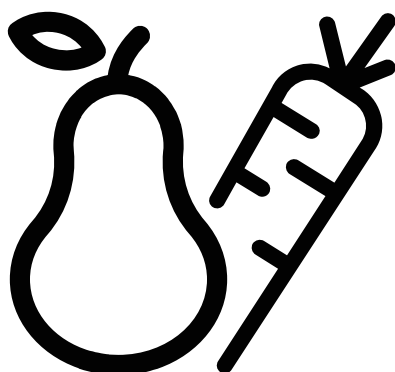
Dieses Produkt ist mit einer Lichtquelle der Energieklasse „G“ ausgestattet.

Die Lichtquelle in diesem Produkt darf nur von professionellen Reparaturtechnikern ersetzt werden.



Lodówka

Instrukcja obsługi



GNO5322XPN
GNO5323XPN
GNO5324XPN
GNO5322WN
GNO5322WDXPN



INFORMACJE



SUPPLIER'S NAME

MODEL IDENTIFIER

(*)



Informacje o modelu zapisane w bazie danych produktów można uzyskać, wchodząc na następującą stronę internetową i wyszukując identyfikator modelu (*) znajdujący się na etykiecie efektywności energetycznej.

<https://eprel.ec.europa.eu/>

Informacje dotyczące bezpieczeństwa


Ze względu na bezpieczeństwo i prawidłowość użytkowania przed zainstalowaniem i pierwszym użyciem urządzenia należy uważnie przeczytać niniejszą instrukcję obsługi, zawierającą porady i ostrzeżenia. Aby uniknąć niepotrzebnych błędów i wypadków, wszystkie osoby korzystające z urządzenia powinny dokładnie zaznajomić się z jego obsługą i funkcjami bezpieczeństwa. Niniejszą instrukcję należy zachować i dołączyć do urządzenia, jeśli zostanie ono przeniesione lub sprzedane, aby każdy, kto z niego korzysta, w całym okresie jego eksploatacji, miał odpowiednie informacje na temat użytkowania i bezpieczeństwa.


Ze względu na bezpieczeństwo życia i mienia należy zachować środki ostrożności zawarte w niniejszej instrukcji obsługi, ponieważ producent nie ponosi odpowiedzialności za szkody spowodowane zaniedbaniem.

Bezpieczeństwo dzieci i osób narażonych na niebezpieczeństwo

- Tego urządzenia mogą używać dzieci w wieku powyżej 8 lat oraz osoby o ograniczonych zdolnościach fizycznych, sensorycznych lub umysłowych, lub osoby nie mające doświadczenia i wiedzy, o ile są pod nadzorem superwizję lub otrzymały instrukcje bezpiecznego użytkowania urządzenia i rozumieją związane z tym zagrożenia.
- Dzieci nie należy pozostawiać bez opieki, aby mieć pewność, że nie będą się one bawić urządzeniem.
- Przeprowadzane przez użytkownika czyszczenie i konserwacja nie mogą być wykonywane przez dzieci, chyba że są one w wieku powyżej 8 lat i są pod nadzorem.
- Wszystkie opakowania należy przechowywać poza zasięgiem dzieci. Zachodzi ryzyko uduszenia się.
- Przed wyrzuceniem urządzenia należy wyciągnąć wtyczkę z gniazdka, odciąć przewód zasilający (jak najbliżej urządzenia) i zdemontować drzwi, aby zapobiec porażeniu prądem dziecku lub zamknięciu w nim dziecku.
- Jeśli to urządzenie, mające magnetyczne uszczelki drzwi, ma zastąpić starsze urządzenie z zamkiem sprężynowym (zatrzaskiem) w drzwiach lub pokrywie, przed wyrzuceniem starego urządzenia należy się upewnić, że ten zamek lub zatrzask nie nadaje się do użytku. Dzięki temu urządzenie nie stanie się śmiertelną pułapką dla żadnego dziecka.


Ogólne bezpieczeństwo


 **OSTRZEŻENIE!** Nie blokuj otworów wentylacyjnych urządzenia ani w zabudowie.


 **OSTRZEŻENIE!** Nie używaj urządzeń mechanicznych, ani innych środków do przyspieszenia procesu rozmrażania, poza tymi, które zaleca producent.


 **OSTRZEŻENIE!** Nie uszkodz obieg chłodzącego.

Informacje dotyczące bezpieczeństwa


 **OSTRZEŻENIE!** Nie wolno używać innych urządzeń elektrycznych (takich jak maszyny do lodów) wewnątrz urządzeń chłodniczych, chyba że zostały one zatwierdzone do tego celu przez producenta.


 **OSTRZEŻENIE!** Nie wolno dotykać żarówki, jeśli była ona włączona przez długi czas, ponieważ może być bardzo gorąca.¹⁾

 **OSTRZEŻENIE!** Podczas ustawiania urządzenia upewnij się, że przewód zasilania nie jest przygnieciony lub uszkodzony.

 **OSTRZEŻENIE!** Nie umieszczaj wielu listew zasilających ani zasilaczy przenośnych z tyłu urządzenia.

- Nie przechowuj w tym urządzeniu materiałów wybuchowych, takich jak puszki z aerozolem, który zawiera łatwopalny propelent.
- W obwodzie czynnika chłodniczego urządzenia znajduje się izobutan (R-600a), naturalny gaz, który zapewnia wysoki stopień ochrony środowiska, ale jest łatwopalny.
- Podczas transportu i instalacji urządzenia należy upewnić się, że żaden z elementów obwodu czynnika chłodniczego nie uległ uszkodzeniu.
 - unikać otwartych płomieni i źródeł zapłonu
 - dokładnie wietrzyć pomieszczenie, w którym znajduje się urządzenie
- Zmiana specyfikacji lub modyfikacja tego produktu jest na wiele sposobów niebezpieczna. Każde uszkodzenie przewodu może spowodować zwarcie, pożar i/lub porażenie prądem elektrycznym.
- Urządzenie to jest przeznaczone do użytku domowego lub w podobnych miejscach, np.
 - kuchni personelu sklepu, biura i inne środowiska pracy;
 - gospodarstwa rolne, przez klientów hoteli, moteli i innych miejsc typu mieszkalnego;
 - pensjonaty;
 - catering i podobne aplikacje niehandlowe.

 **OSTRZEŻENIE!** Wszelkie elementy elektryczne (wtyczkę, przewód zasilający, sprężarkę itd.) musi wymieniać przedstawiciel autoryzowanego serwisu lub wykwalifikowany personel serwisowy.

 **OSTRZEŻENIE!** Żarówka dostarczana wraz z tym urządzeniem jest „żarówką lampy specjalnego zastosowania”, której wolno używać tylko z dostarczonym urządzeniem. Ta „lampa specjalnego zastosowania” nie nadaje się do oświetlania domu.¹⁾

1) Jeżeli w komorze jest światło.



Informacje dotyczące bezpieczeństwa

- Nie wolno przedłużać przewodu zasilającego.
- Należy się upewnić, że wtyczka przewodu zasilającego nie jest zgnieciona ani uszkodzona przez tył urządzenia. Zgnieciona lub uszkodzona wtyczka przewodu zasilającego może się przegrzać i spowodować pożar.
- Należy się upewnić, że można łatwo uzyskać dostęp do wtyczki przewodu zasilającego urządzenia w gnieździe sieciowym.
- Nie wolno ciągnąć za sieciowy przewód zasilający.
- Jeśli gniazdko elektryczne jest poluzowane, nie należy do niego wkładać wtyczki przewodu zasilającego. Grozi to porażeniem prądem elektrycznym lub pożarem.
- Nie wolno używać urządzenia bez lampy.
- To urządzenie jest ciężkie. Należy zachować ostrożność podczas przenoszenia go.
- Nie wyjmuj ani nie dotykaj przedmiotów z komory zamrażarki, jeśli masz wilgotne/mokre ręce, ponieważ może to spowodować otarcia skóry lub oparzenia szronem/zamrażarką.
- Unikaj długotrwałego wystawiania urządzenia na bezpośrednie działanie promieni słonecznych.

Codzienne użytkowanie

- Nie kładź gorących przedmiotów na plastikowe części urządzenia.
- Nie opieraj produktów spożywczych bezpośrednio o tylną ściankę.
- Zamrożonej żywności nie wolno ponownie zamrażać po rozmrożeniu.¹⁾
- Przechowuj wstępnie zapakowane mrożonki zgodnie z instrukcjami producenta mrożonek.¹⁾
- Należy ściśle przestrzegać zaleceń producentów urządzeń dotyczących przechowywania. Sprawdź odpowiednie instrukcje.
- Nie umieszczaj gazowanych napojów w komorze zamrażarki, ponieważ pojemniki są pod ciśnieniem, co może spowodować ich rozerwanie, a w rezultacie spowodować uszkodzenie urządzenia.¹⁾
- Lizaki lodowe mogą powodować oparzenia szronem, jeśli są spożywane bezpośrednio z urządzenia.¹⁾

Aby uniknąć zanieczyszczenia żywności, należy przestrzegać poniższych wskazówek

- Otwieranie drzwi na dłuższy czas może spowodować znaczny wzrost temperatury w komorach urządzenia.
- Regularnie czyść powierzchnie, które mogą wejść w kontakt z żywnością i dostępne systemy wylewania wody.
- Czyść zbiorniki wody, jeśli nie były używane przez 48 godzin; przepłucz system wodny podłączony do źródła wody, jeśli woda nie była pobierana przez 5 dni.
- Przechowuj surowe mięso i ryby w odpowiednich pojemnikach w lodówce, tak aby nie dotykały innych produktów spożywczych ani nie kapały na nie.
- Dwugwiazdkowe komory na mrożonki są odpowiednie do przechowywania zamrożonej żywności, przechowywania lub robienia lodów i robienia kostek lodu.

1) Jeśli jest zamrażarka.

2) Jeśli jest komora do przechowywania świeżej żywności.



Informacje dotyczące bezpieczeństwa

- Komory jedno-, dwu- i trzygwiazdkowe (jeśli urządzenie je posiada) nie nadają się do zamrażania świeżej żywności.
- Jeśli urządzenie pozostanie puste przez dłuższy czas, wyłącz, rozmroź, wyczyść, osusz i pozostaw otwarte drzwi, aby zapobiec rozwojowi pleśni w urządzeniu.

Konserwacja i czyszczenie

- Przed przystąpieniem do konserwacji, wyłącz urządzenie i wyjmij wtyczkę z gniazdka sieciowego.
- Nie czyść urządzenia metalowymi przedmiotami.
- Nie używaj ostrych przedmiotów do usuwania szronu z urządzenia. Użyj skrobaka z tworzywa sztucznego.¹⁾
- Regularnie sprawdzaj odpływ w lodówce pod kątem rozmrożonej wody. W razie potrzeby wyczyść odpływ. Jeśli odpływ jest zablokowany, woda zbierze się na dnie urządzenia.²⁾

Instalacja

Ważne! W celu podłączenia elektrycznego należy postępować zgodnie z instrukcjami podanymi w poszczególnych akapitach.

- Rozpakuj urządzenie i sprawdź, czy nie ma na nim uszkodzeń. Nie podłączaj urządzenia, jeśli jest uszkodzone. Natychmiast zgłoś ewentualne szkody w miejscu, w którym je kupiłeś. W takim przypadku zachowaj opakowanie.
- Wskazane jest odczekanie co najmniej czterech godzin przed podłączeniem urządzenia, aby olej mógł spłynąć z powrotem do sprężarki.
- Wokół urządzenia powinna znajdować się odpowiednia cyrkulacja powietrza, w przeciwnym razie prowadzi to do przegrzania. Aby uzyskać wystarczającą wentylację, postępuj zgodnie z instrukcjami dotyczącymi instalacji.
- Tam, gdzie to możliwe, elementy dystansowe produktu powinny przylegać do ściany, aby uniknąć dotknięcia lub zaczepienia ciepłych części (sprężarki, skraplacza), aby zapobiec możliwemu poparzeniu.
- Urządzenia nie wolno umieszczać blisko grzejników lub kuchenek.
- Upewnij się, że wtyczka sieciowa jest dostępna po instalacji urządzenia.

Serwis

- Wszelkie prace elektryczne wymagane do przeprowadzenia konserwacji urządzenia powinny być wykonywane przez wykwalifikowanego elektryka lub kompetentną osobę.
- Urządzenie powinno być serwisowane przez autoryzowane centrum serwisowe, używające wyłącznie oryginalnych części.

Energooszczędna

- Nie wkładaj gorących potraw do urządzenia;
- Nie pakuj żywności blisko siebie, ponieważ uniemożliwia to przepływ powietrza;
- Upewnij się, że jedzenie nie dotyka tylnej części komory (komór);


1) Jeśli jest zamrażarka.

2) Jeśli jest komora do przechowywania świeżej żywności.

Informacje dotyczące bezpieczeństwa

- Jeśli nastąpi przerwa w dostawie prądu, nie otwieraj drzwi;
- Nie należy za często otwierać drzwi;
- Nie trzymaj otwartych drzwi przez zbyt długi czas;
- Nie ustawiaj termostatu zbyt niskie temperatury;
- Wszystkie akcesoria, takie jak szuflady, półki, powinny być tam schowane w celu zmniejszenia zużycia energii.

Ochrona środowiska

 To urządzenie nie zawiera gazów, które mogłyby uszkodzić warstwę ozonową, zarówno w obwodzie chłodniczym, jak i materiałach izolacyjnych. Urządzenia nie należy wyrzucać razem z odpadami komunalnymi i śmieciami. Pianka izolacyjna zawiera łatwopalne gazy: urządzenie należy utylizować zgodnie z przepisami dotyczącymi urządzeń, które można uzyskać od lokalnych władz. Unikaj uszkodzenia urządzenia chłodzącego, zwłaszcza wymiennika ciepła.

Materiały zastosowane w tym urządzeniu oznaczone symbolem  nadają się do recyklingu.



Symbol umieszczony na urządzeniu lub jego opakowaniu informuje, że nie może ono być traktowane tak, jak zwykle odpady z gospodarstwa domowego. Zamiast tego powinno ono zostać przekazane do odpowiedniego punktu skupu specjalizującego się w recyklingu sprzętu elektrycznego i elektronicznego. Upewniając się, że produkt ten zostanie właściwie zutylizowany, pomożesz zapobiec potencjalnym negatywnym konsekwencjom dla środowiska i ludzkiego zdrowia, które w innym przypadku zostałyby spowodowane niewłaściwym obchodzeniem się z tym produktem. Aby otrzymać więcej szczegółowych informacji o recyklingu tego produktu proszę skontaktować się z lokalnym urzędem, pobliskim punktem skupu lub sklepem gdzie zakupili Państwo ten produkt.


Materiały opakowania

Materiały z tym symbolem nadają się do recyklingu. Wyrzuć opakowanie do stosownych pojemników do recyklingu.

Utylizacja urządzenia

1. Wyjmij wtyczkę z gniazdka.
2. Odetnij przewód zasilania i wyrzuć go.

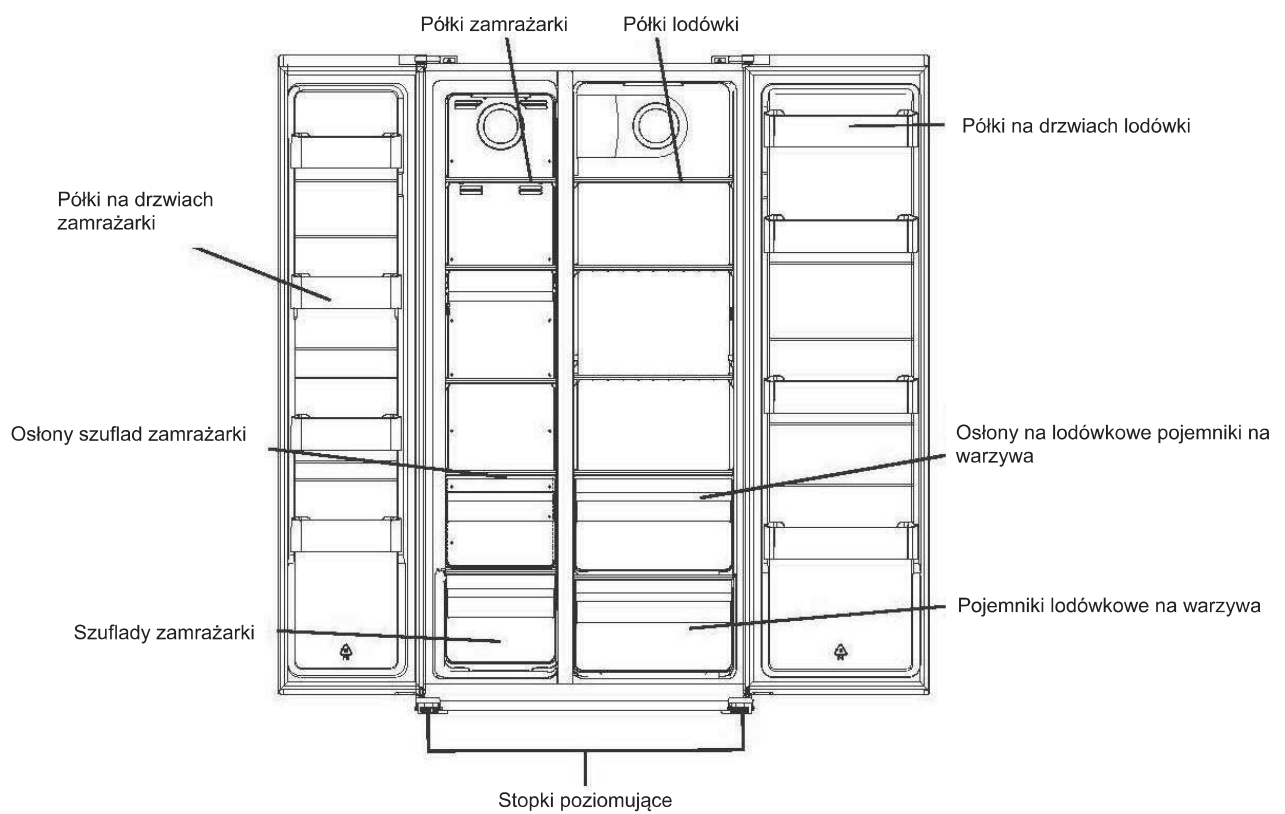


 **OSTRZEŻENIE!** Podczas użytkowania, serwisowania i utylizacji urządzenia należy zwrócić uwagę na symbol po lewej stronie, który znajduje się z tyłu urządzenia (panel tylny lub sprężarka).

Jest to symbol ostrzegający o ryzyku pożaru. W przewodach czynnika chłodniczego i sprężarce znajdują się materiały łatwopalne.

Podczas użytkowania, serwisowania i utylizacji należy być daleko od źródła ognia.

Omówienie



Uwaga: Powyższe zdjęcie służy wyłącznie jako odniesienie. Rzeczywiste urządzenie może być inne.

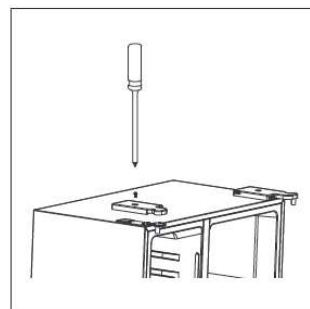
Instalacja

Zdejmij drzwi

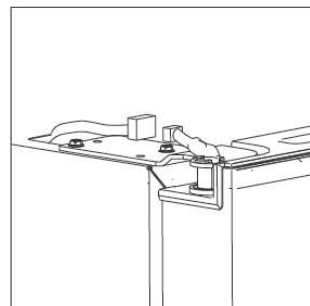
Potrzebne narzędzie: Śrubokręt krzyżowy, płaski śrubokręt.

- Upewnij się, że urządzenie jest puste i odłączone od zasilania.
- Aby zdjąć drzwi konieczne jest przechylenie urządzenia do tyłu., Powinieneś oprzeć urządzenie na czymś solidnym, aby nie ześlizgnęło się podczas czynności zdejmowania drzwi.
- Wszystkie usunięte części muszą zostać zachowane, aby wykonać ponowną instalację drzwi.
- Nie kładź urządzenia na płasko, jako że może to uszkodzić system chłodzenia.
- Lepiej, aby 2 osoby pracowały razem podczas montażu.

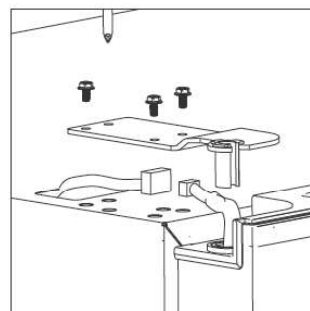
1. Odkręć osłonę zawiasu śrubokrętem krzyżowym.



2. Odłącz wiązkę przewodów.

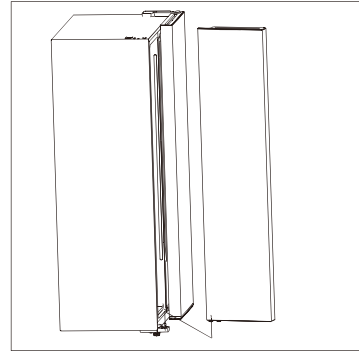


3. Odkręć górny zawias.

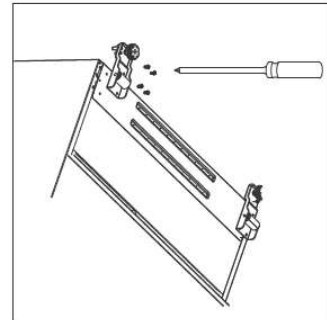


Instalacja

4. Unieś drzwi i umieść je na miękkiej podkładce. Następnie usuń drugie drzwi w ten sam sposób.



5. Odkręć dolny zawias.

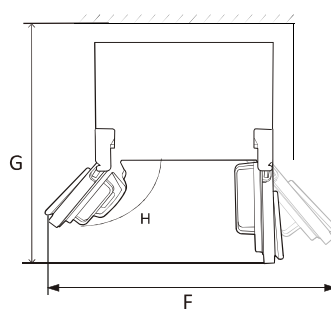
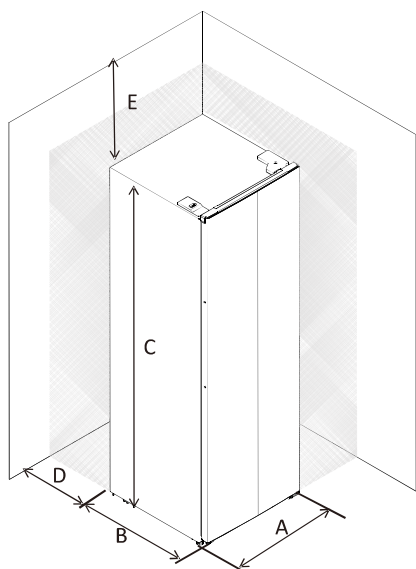


6. Po ustawieniu urządzenia zamontuj drzwi w odwrotnej kolejności.

Instalacja

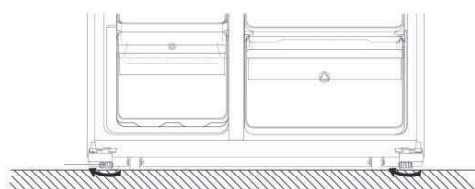
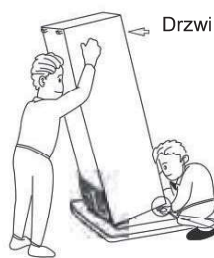
Wymagane miejsce

- Wybierz lokalizację bez bezpośredniego nasłonecznienia;
- Wybierz miejsce z wystarczającą ilością miejsca, aby drzwi lodówki mogły się łatwo otworzyć;
- Wybierz lokalizację z równą podłogą (lub prawie równą);
- Pozostaw wystarczająco dużo miejsca, aby zainstalować lodówkę na płaskiej powierzchni;
- Podczas instalacji pozostaw prześwit po prawej, lewej, tylnej i górnej stronie. Pomoże to zmniejszyć zużycie energii i obniżyć rachunki za energię.



A	910
B	670
C	1770
D	min=50
E	min=50
F	1800
G	1560
H	135°

Poziomowanie lodówki



- Obróć stopki ręcznie w kierunku zgodnym z ruchem wskazówek zegara, aby podwyższyć.
- Obróć stopki ręcznie w kierunku przeciwnym do ruchu wskazówek zegara, aby obniżyć.

Instalacja

Umieszczenie

Zainstaluj to urządzenie w miejscu, w którym temperatura otoczenia odpowiada klasie klimatycznej wskazanej na tabliczce znamionowej urządzenia: w przypadku urządzeń chłodniczych o klasie klimatycznej:

- rozszerzona umiarkowana: urządzenie chłodnicze przeznaczone jest do stosowania przy temperaturze otoczenia od 10°C do 32°C(SN);
- umiarkowana: chłodnicze przeznaczone jest do stosowania przy temperaturze otoczenia od 16 °C do 32 °C;(N)
- subtropikalna: urządzenie chłodnicze przeznaczone jest do stosowania przy temperaturze otoczenia od 16 °C do 38 °C(ST);
- Tropikalna: urządzenie chłodnicze przeznaczone jest do stosowania przy temperaturze otoczenia od 16 °C do 43 °C(T);

Lokalizacja

Urządzenie powinno być zainstalowane z dala od źródeł ciepła, takich jak kaloryfery, kotły, bezpośrednie światło słoneczne, itp. Upewnij się, że powietrze może swobodnie krążyć wokół tylnej części obudowy. Aby zapewnić najlepszą wydajność, jeśli urządzenie zostanie umieszczone poniżej wiszącej szafki ściiennej, minimalna odległość między górną częścią obudowy a szafką musi wynosić co najmniej 100mm. Najlepiej jednak nie ustawiać urządzenia pod wiszącymi meblami ściennymi. Dokładne wypoziomowanie możliwe jest dzięki jednej lub kilku regulowanym stopkom znajdującym się u podstawy obudowy.

urządzenie chłodnicze nie jest przeznaczone do użytku jako urządzenie do zabudowy;



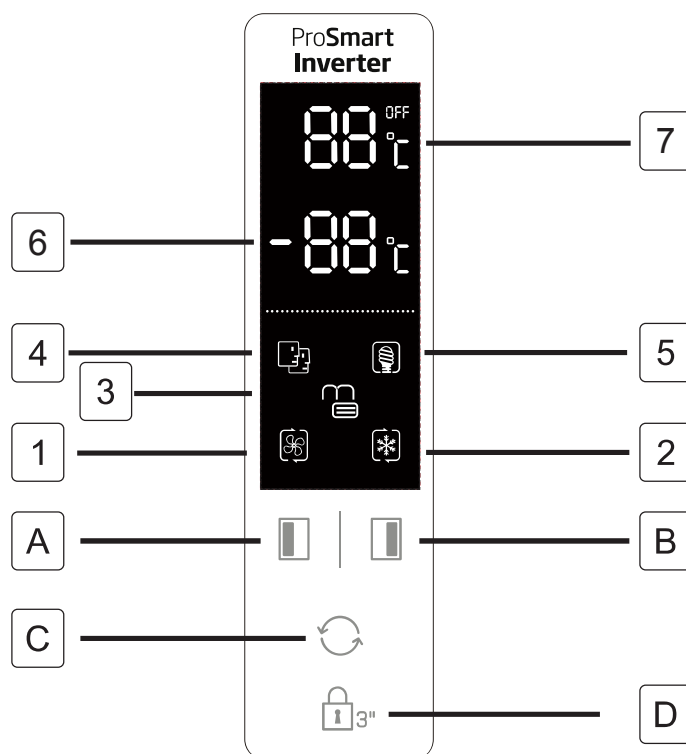
Ostrzeżenie! Musi istnieć możliwość odłączenia urządzenia od źródła zasilania, dlatego wtyczka musi być łatwo dostępna po instalacji.

Połączenie elektryczne

Przed podłączeniem do sieci upewnij się, że napięcie i częstotliwość podane na tabliczce znamionowej odpowiadają Twojemu domowemu źródłu zasilania. Urządzenie musi być uziemione. W tym celu wtyczka kabla zasilającego jest wyposażona w odpowiedni styk.

Codzienne użytkowanie

Korzystanie z Panelu Konfiguracyjnego



Przyciski

- A** Naciśnij, aby ustawić temperaturę w komorze zamrażarki (lewa strona) od -14°C do -22°C .
- B** Naciśnij, aby ustawić temperaturę w komorze lodówki (prawa strona) od 2°C do 8°C i „OFF”. Po wybraniu „OFF” komora lodówki zostanie wyłączona.
- C** Naciśnij, aby wybrać tryb pracy: **INTELIŻENTNY**, **EKO**, **SUPER CHŁODZENIE**, **SUPER ZAMRAŻANIE** oraz **USTAWIENIA UŻYTKOWNIKA** (brak wyświetlanego symbolu).
- D** Naciśnij przycisk **Lock 3** i przytrzymaj przez 3 sekundy, aby zablokować pozostałe trzy przyciski.
Naciśnij i przytrzymaj przez 1 sekundę, aby odblokować pozostałe trzy przyciski.

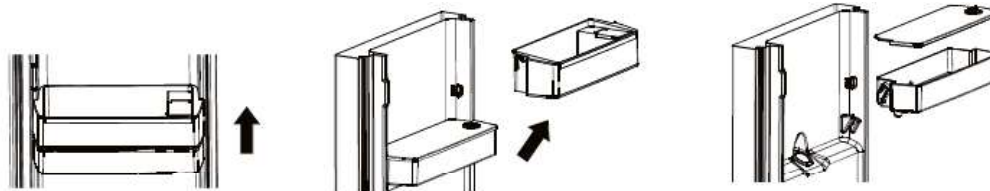
Wyświetlacz

- 1** **SUPER CHŁODZENIE** Komora chłodzenia jest schładzana do najniższej temperatury zgodnie z projektem. Ustawienie temperatury jest przywracane do poprzedniego trybu ustawień użytkownika po około 2,5 godzinach.
- 2** **SUPER ZAMRAŻANIE** Komora chłodzenia jest schładzana do najniższej temperatury zgodnie z projektem. Ustawienie temperatury jest przywracane do poprzedniego trybu ustawień użytkownika po około 50 godzinach.
Wskazówki: przed umieszczeniem dużej ilości żywności w komorze zamrażarki lepiej jest włączyć tryb **SUPER ZAMRAŻARKA** z 24-godzinnym wyprzedzeniem.
- 3** **LOCK**, symbol zaświeci się, jeśli przyciski są zablokowane.
- 4** Tryb **INTELIŻENTNY**, lodówka automatycznie ustawia temperaturę dwóch komór zgodnie z temperaturą wewnętrzną i temperaturą otoczenia.
- 5** Tryb **EKO**, lodówka działa przy najniższym ustawieniu zużycia energii.

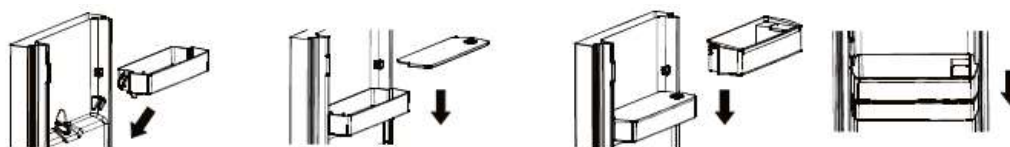
Codzienne użytkowanie

Przed pierwszym użyciem dystrybutora wody należy wyjąć i wyczyścić zbiornik wody znajdujący się wewnątrz komory chłodziarki.

1. Najpierw podnieś i zdejmij balkon zbiornika, a następnie zdejmij zbiornik wody z pokrywą. Zdejmij pokrywę, aby umyć i wyczyścić zbiornik oraz pokrywę.



2. Po wyczyszczeniu należy ponownie ustawić zbiornik wody, pokrywę i balkon zbiornika w sposób opisany poniżej.



3. Wyczyścić podkładkę dozownika na zewnątrz drzwi lodówki.



Napełnianie zbiornika wodą

1. Otwórz pokrywkę



2. Napełnij zbiornik wody wodą pitną do linii 3 l.
3. Zamknij pokrywkę na pokrywie



Dozowanie

Aby dozować wodę, delikatnie naciśnij podkładkę dozownika, używając szklanki lub pojemnika.

Aby zatrzymać przepływ wody, należy odciągnąć szklankę od podkładki dystrybutora.

Codzienne użytkowanie

Korzystanie z Panelu Konfiguracyjnego

- 6 Wyświetl ustawioną temperaturę w komorze zamrażarki.
- 7 Wyświetl ustawioną temperaturę w komorze lodówki.
- 8 Blokada dla dzieci nie zadziała po awarii zasilania. Blokada przed dziećmi będzie automatycznie ważna po 25 sekundach od ostatniej operacji. Po 2 minutach od ostatniej operacji panel wyświetlacza wyłączy się automatycznie.
- 9 Niektóre funkcje są niemożliwe do zastosowania w tym modelu.

Alarm otwartych drzwi

Jeśli jedne drzwi pozostaną otwarte przez 90 sekund, włączy się okresowy alarm do momentu zamknięcia drzwi.

Codzienne użytkowanie

Pierwsze użycie

Czyszczenie wnętrza

Przed pierwszym użyciem urządzenia umyj wnętrze i wszystkie akcesoria wewnętrzne letnią wodą i neutralnym mydłem, aby usunąć typowy zapach fabrycznie nowego produktu, a następnie dokładnie wysusz.

Ważne! Nie używaj detergentów ani proszków ściernych, ponieważ mogą one uszkodzić wykończenie.

Codzienne użytkowanie

Żywność	Lokalizacja
Jajka	Półki na drzwiach
Produkty mleczne (masło, ser)	Jeśli to możliwe, komora bio-świeżości lub chłodziarka Najniższe półki
Owoce, warzywa i sałatki	Pojemnik na owoce i warzywa, chłodziarka lub komora EverFresh+ (jeśli dostępna)
Świeże mięso, drób, świeże ryby, kielbasy, gotowane jedzenie	Jeśli to możliwe, komora bio-świeżości lub chłodziarka Najniższa półka
Produkty gotowe do spożycia, produkty w paczkach, produkty w puszkach, produkty marynowane	Górne półki lub półki na drzwiach
Napoje, butelki, przyprawy, przekąski	Półki na drzwiach
Resztki jedzenia	Środkowe półki

PL Wskazówki dotyczące przechowywania

świeżej żywności:

Przechowywanie w komorze świeżej żywności:

- Utrzymuj lodówkę na zalecanym poziomie temperatury 4°C.
- Jedzenie powinno być przechowywane w szczelnych pojemnikach, aby uniknąć zmian w zapachu lub smaku.
- Nie przechowuj nadmiernych ilości jedzenia w lodówce. Zostaw przerwy między artykułami, aby zimne powietrze mogło przepływać wokół nich w lepszego i bardziej jednorodnego chłodzenia.
- Produkty spożywcze spożywane codziennie powinny być przechowywane z przodu półki, aby skrócić czas otwierania drzwi.
- Pozostaw przerwy pomiędzy żywnością a ściankami wewnętrznymi, umożliwiając przepływ powietrza. Nie pozwól żywności dotykać tylnej ścianki: może ona do niej przymarznąć.
- Gorące jedzenie musi zostać schłodzone do temperatury pokojowej, zanim zostanie włożone do lodówki. Następnie, ciepłe jedzenie można przechowywać na dolnych półkach lodówki. Nie umieszczaj ciepłych potraw w pobliżu łatwo psującej się żywności.
- Rozmrażaj zamrożone produkty w komorze świeżej żywności. W ten sposób można użyć zamrożonej żywności do obniżenia temperatury w komorze, oszczędzając energię.
- Jeśli niedojrzałe owoce tropikalne (mango, melony, papaja, banan, ananas) są przechowywane w lodówce, proces starzenia można przyspieszyć, co nie jest wskazane, ponieważ skraca to okres przechowywania. Jednakże, dojrzewanie mocno zielonych owoców (jabłka, gruszki) może być wspomagane przez pewien okres w komorze lodówki.
- Cebulę, czosnek, imbir i inne warzywa korzeniowe należy przechowywać w ciemnym i chłodnym pomieszczeniu, a nie w lodówce.
- Kiedy w lodówce znajdzie się zepsuta żywność, należy ją wyrzucić. Kiedy zauważysz zgniłe jedzenie, wyczyść wnętrze lub akcesoria, które miały z nim kontakt, aby zapobiec zanieczyszczeniu.
- Duże garnki z jedzeniem, takie jak zupy lub gulasze, można rozłożyć w płytszych pojemnikach, aby szybko je schłodzić w lodówce. Duże kawałki gotowanego mięsa i cały drób powinny być podzielone na mniejsze kawałki w tym samym celu.

Codzienne użytkowanie

- Nie przechowuj nieopakowanej żywności w pobliżu jaj.
 - Owoce i warzywa przechowuj oddzielnie w grupach: jabłka z jabłkami, marchew z marchewką. Owoce i warzywa wydzielają różne gazy, które mogą powodować pogorszenie stanu innych owoców i warzyw.
 - Wyjmij liściaste warzywa z plastikowych torebek, zawiń je w ręcznik papierowy lub ściereczkę przed włożeniem do lodówki. Nie zapomnij ich wysuszyć przed włożeniem, jeśli zostały przepłukane lub zmoczone.
 - Przechowuj owoce i warzywa podatne na wysychanie w perforowanych lub niezamkniętych plastikowych torebkach, aby utrzymać wilgotne środowisko, a jednocześnie umożliwić cyrkulację powietrza.
 - Różne pokarmy powinny być umieszczone w różnych obszarach, zgodnie z ich właściwościami:
- “Proszę sprawdzić odpowiednią klasę klimatyczną urządzenia podaną na tabliczce znamionowej. Jedną z poniższych informacji dotyczy Twojego urządzenia, zgodnie z klasą klimatyczną.”
- SN: Rozszerzony umiarkowany: Urządzenie chłodnicze przeznaczone jest do stosowania przy temperaturze otoczenia od 10°C do 32°C
 - N: Umiarkowany: Urządzenie chłodnicze przeznaczone jest do stosowania przy temperaturze otoczenia od 16°C do 32°C
 - ST: Subtropikalny: Urządzenie chłodnicze przeznaczone jest do stosowania przy temperaturze otoczenia od 16°C do 38°C
 - Tel.: Tropikalny: Urządzenie chłodnicze przeznaczone jest do stosowania przy temperaturze otoczenia od 16°C do 43°C

Codzienne użytkowanie

PL Przechowywanie w komorze zamrażarki:

- Zaleca się utrzymanie ustawienia zamrażarki w temperaturze -20°C , z wyjątkiem ekstremalnych warunków otoczenia.
- 4-6 godzin przed zamrażaniem włącz funkcję szybkiego zamrażania, aby zapewnić szybsze zamrażanie.
- Gorące jedzenie musi zostać schłodzone do temperatury pokojowej, zanim będzie włożone do zamrażarki.
- Jedzenie w małych porcjach zamraża szybciej i łatwiej je potem rozmrozić i przygotować.
- Zaleca się zapakowanie jedzenia przed włożeniem go do zamrażarki.
- W celu uniknięcia przekroczenia okresu przechowywania, należy zapisać datę zamrożenia, termin przydatności do spożycia i nazwę produktu na opakowaniu, zgodnie z okresem przechowywania różnych produktów spożywczych.
- Nie przekraczaj okresu przechowywania zalecanego przez producenta żywności. Wyciągaj tylko wymaganą ilość żywności z zamrażarki.
- Zużyj rozmrożone jedzenie szybko. Rozmrożonej żywności nie można ponownie zamrozić chyba, że zostanie ugotowana. Nie jest bezpiecznie spożywać niegotowane, ponownie zamrożone świeże jedzenie.
- Podczas zamrażania świeżych produktów, nie powinno dojść do kontaktu z już zamrożonymi produktami. Może to spowodować rozmrożenie już zamrożonych kawałków.

Podczas przechowywania kupnych mrożonek, proszę przestrzegać następujących zaleceń:

- Zawsze przestrzegaj zaleceń producenta co do terminu przechowywania żywności. Nie należy przekraczać tych wskazówek!
- Staraj się, aby czas między zakupem a włożeniem do lodówki był jak najkrótszy, aby zachować jakość żywności.
- Kupuj mrożonki, które były przechowywane w temperaturze -18°C lub niższej.
- Unikaj kupowania żywności, która ma lód albo szron na opakowaniu - oznacza to, że produkt ten mógł być częściowo rozmrożony i ponownie zamrożony w pewnym momencie - a wzrost temperatury wpływa na jakość żywności.
- Zalecamy ustawienie temperatury 4°C dla komory świeżej żywności i -20°C dla komory zamrażarki, aby uzyskać lepsze efekty przechowywania żywności.
- Z wyjątkiem ekstremalnych warunków w otoczeniu, jeśli temperatura zostanie ustawiona na zalecane wartości $+4^{\circ}\text{C}/-20^{\circ}\text{C}$, ogólna świeżość zostanie przedłużona w komorze ze świeżą żywnością i w zamrażarce. Jeśli temperatura komory świeżej żywności jest ustawiona na niższą, świeże owoce i warzywa mogą zostać częściowo zamrożone lub narażone na uszkodzenie zimnem, a wyższy poziom temperatury może powodować szybsze psucie się szybko psującej się żywności (produkty mleczne, produkty mięsne).

Codzienne użytkowanie

Zamrażanie świeżych produktów

- Komora zamrażarki nadaje się do zamrażania świeżej żywności i przechowywania zamrożonej i głęboko mrożonej żywności przez długi czas.
- Umieść świeżą żywność do zamrożenia w dolnej komorze.
- Maksymalna ilość żywności, którą można zamrozić w ciągu 24 godzin, jest podana na tabliczce znamionowej.
- Proces zamrażania trwa 24 godziny: w tym czasie nie dodawaj innych produktów do zamrożenia.

Przechowywanie zamrożonej żywności

Przy pierwszym uruchomieniu lub po okresie nieużywania. Przed umieszczeniem produktu w komorze pozwól urządzeniu pracować przez co najmniej 2 godziny przy wyższych ustawieniach.

Ważne! W przypadku przypadkowego rozmrożenia, na przykład zasilanie zostało wyłączone na dłużej niż wartość pokazana na karcie charakterystyki technicznej w „czasie narastania”, rozmrożone jedzenie musi zostać szybko zużyte lub natychmiast ugotowane, a następnie ponownie zamrożone (po ugotowaniu).

Rozmrażanie

Żywność głęboko zamrożoną lub zamrożoną, przed użyciem można rozmrozić w komorze zamrażarki lub w temperaturze pokojowej, w zależności od czasu dostępnego na tę czynność. Małe kawałki można nawet gotować w stanie zamrożonym bezpośrednio z zamrażarki. W takim przypadku gotowanie potrwa dłużej.

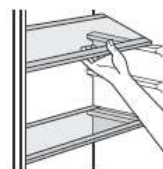
Foremki na kostki lodu

To urządzenie może być wyposażone w jedną lub więcej foremek do produkcji lodu.

Akcesoria

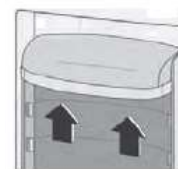
Ruchome półki

Ściany lodówki są wyposażone w szereg prowadnic, dzięki czemu półki można dowolnie ustawiać.



Umiejscowienie półek drzwiowych

Aby umożliwić przechowywanie opakowań żywności o różnych rozmiarach, półki drzwiowe można ustawić na różnych wysokościach. Aby dokonać tych regulacji, wykonaj następujące czynności: stopniowo wyciągnij półkę, ciągnąc w kierunku strzałek, a następnie zmień położenie w razie potrzeby.



Codzienne użytkowanie

Pomocne wskazówki i porady

Wskazówki dotyczące zamrażania

Aby pomóc Ci w pełni wykorzystać proces zamrażania, oto kilka ważnych wskazówek:

- maksymalna ilość żywności, którą można zamrozić w ciągu 24 godzin, jest podana na tabliczce znamionowej;
- proces zamrażania trwa 24 godziny. W tym okresie nie należy dodawać więcej żywności do zamrożenia;
- zamrażaj tylko najwyższej jakości, świeże i dokładnie umyte artykuły spożywcze;
- przygotowuj żywność w małych porcjach, aby umożliwić jej szybkie i całkowite zamrożenie, a następnie umożliwić rozmrożenie tylko wymaganej ilości;
- owiń żywność folią aluminiową lub polietylenem i upewnij się, że opakowania są szczelne;
- nie dopuść, aby świeża, niezamrożona żywność dotykała żywności już zamrożonej, unikając w ten sposób wzrostu jej temperatury;
- chude pokarmy przechowują się lepiej i dłużej niż tłuste; sól skraca czas przechowywania żywności;
- lody wodne, jeśli zostaną spożyte natychmiast po wyjęciu z zamrażalnika, mogą spowodować oparzenie szronem;
- wskazane jest umieszczenie daty zamrożenia na każdym opakowaniu, aby umożliwić wyjęcie z komory zamrażarki, może spowodować oparzenie szronem;
- wskazane jest umieszczenie daty zamrożenia na każdym indywidualnym opakowaniu, aby kontrolować czas przechowywania.

Wskazówki dotyczące przechowywania zamrożonej żywności

Aby uzyskać najlepszą wydajność tego urządzenia, należy:

- Upewnij się, że handlowo mrożone artykuły spożywcze były odpowiednio przechowywane przez detalistę;
- Upewnij się, że zamrożone produkty spożywcze są przenoszone ze sklepu spożywczego do zamrażarki w możliwie najkrótszym czasie;
- Nie otwieraj często drzwi ani nie pozostawiaj ich otwartych dłużej niż to absolutnie konieczne;
- Po rozmrożeniu żywność szybko się psuje i nie można jej ponownie zamrozić;
- Nie przekraczać okresu przechowywania wskazanego przez producenta żywności.

Wskazówki dotyczące chłodzenia świeżej żywności

Aby uzyskać najlepszą wydajność:

- Nie umieszczaj w lodówce ciepłego jedzenia, ani parujących cieczy
- Przykryj lub owiń jedzenie, szczególnie jeśli ma silny zapach

Wskazówki dotyczące chłodzenia

Przydatne wskazówki:

- Marka (wszystkie typy): zawiń w worki polietylenowe i umieść na szklanych półkach nad szufladą na warzywa.
- Dla bezpieczeństwa przechowuj w ten sposób maksymalnie jeden lub dwa dni.
- Gotowane potrawy, zimne potrawy, itp.: należy je przykryć i umieścić na dowolnej półce.
- Owoce i warzywa: należy je dokładnie wyczyścić i umieścić w specjalnej dostarczonej szufladzie (szufladach).
- masło i ser: należy je umieścić w specjalnych hermetycznych pojemnikach lub owinać folią aluminiową lub woreczkami polietylenowymi, aby wykluczyć jak najlepiej odciąż dopływ powietrza.
- Butelki z mlekiem: powinny mieć nakrętkę i powinny być przechowywane na półkach drzwiowych.
- Banany, ziemniaki, cebulę i czosnek, jeśli nie są zapakowane, nie wolno przechowywać w lodówce.

Czyszczenie

Ze względów higienicznych wewnątrz urządzenia, w tym akcesoria wewnętrzne, należy regularnie czyścić.



Uwaga! Podczas czyszczenia urządzenie może nie być podłączone do sieci. Zagrożenie porażeniem elektrycznym! Przed czyszczeniem wyłącz urządzenie i wyjmij wtyczkę z gniazdka albo wyłącz urządzenie lub wyłącz bezpiecznik. Nigdy nie czyść urządzenia wytwornicą pary. Wilgoć może się zgromadzić w podzespołach elektrycznych, niebezpieczeństwo porażenia prądem! Gorące opary mogą prowadzić do uszkodzenia plastikowych części. Urządzenie musi być suche przed ponownym uruchomieniem.

Ważne! Olejki eteryczne i rozpuszczalniki organiczne mogą korodować części plastikowe, np. sok cytrynowy lub sok ze skórki pomarańczowej, kwas masłowy, środek czyszczący zawierający kwas octowy.

- Nie pozwól, by takie substancje weszły w kontakt z urządzeniem.
- Nie wolno używać żadnych ściernych środków czyszczących.
- Wyciągnij jedzenie z zamrażarki. Przechowuj je w chłodnym miejscu, dobrze przykryte.
- Wyłącz urządzenie i wyjmij wtyczkę z gniazdka albo wyłącz urządzenie lub wyłącz bezpiecznik.
- Wyczyść urządzenie i akcesoria wewnętrzne szmatką i letnią wodą. Po oczyszczeniu przemyj świeżą wodą i wytrzyj do sucha.
- Po wyschnięciu wszystkiego ponownie uruchom urządzenie.

Codzienne użytkowanie

Rozwiązywanie problemów



Uwaga! Przed przystąpieniem do rozwiązywania problemów odłącz zasilanie. Tylko wykwalifikowany elektryk lub kompetentna osoba może wykonać czynności związane z rozwiązywaniem problemów, których nie ma w tej instrukcji.

Ważne! Podczas normalnego użytkowania słychać pewne dźwięki (sprężarka, obieg czynnika chłodniczego).

Problem	Możliwa przyczyna	Rozwiązanie
Urządzenie nie działa.	Wtyczka główna nie jest włożona do kontaktu lub jest luźna	Włóż wtyczkę do kontaktu.
	Bezpiecznik przepalił się lub jest uszkodzony	Sprawdź bezpiecznik, w razie potrzeby wymień.
	Gniazdko elektryczne jest uszkodzone	Awarie sieci powinny być naprawiane przez elektryka.
Urządzenie zbyt mocno zamraża lub chłodzi	Ustawiona temperatura jest za niska lub urządzenie działa w trybach SUPER .	Tymczasowo przekręć regulator temperatury na wyższą temperaturę.
Żywność nie jest wystarczająco zamrożona.	Temperatura nie jest odpowiednio wyregulowana.	Patrz: początkowy fragment części Ustawienia temperatury.
	Drzwi były otwarte przez dłuższy czas.	Otwieraj drzwi tylko na tak długo, jak to konieczne.
	Duża ilość ciepłego jedzenia została umieszczona w urządzeniu w ciągu ostatnich 24 godzin.	Tymczasowo przekręć regulator temperatury na niższą temperaturę.
	Urządzenie znajduje się w pobliżu źródła ciepła.	Patrz: część poświęcona miejscu instalacji.
Silne gromadzenie się szronu na uszczelce drzwi.	Uszczelka drzwi nie jest szczelna.	Ostrożnie rozgrzej przeciekające części uszczelki drzwi suszarką do włosów (na chłodnym ustawieniu). Jednocześnie ręcznie uformuj rozgrzaną uszczelkę drzwi, aby prawidłowo się osadziła.
Niezwyczajne dźwięki	Urządzenie nie jest wypoziomowane.	Wyreguluj stopki.
	Urządzenie dotyka ściany lub innych przedmiotów.	Lekko przesunij urządzenie.
	Podzespół, np. rura z tyłu urządzenia, dotyka innej części urządzenia lub ściany.	W razie potrzeby ostrożnie wygnij element na bok.
Panele boczne są gorące	Jest to normalne. Wymiana ciepła odbywa się w panelach bocznych	W razie potrzeby załóż rękawiczki, by dotknąć paneli bocznych.

Jeśli usterka pojawi się ponownie, skontaktuj się z centrum serwisowym. Dane te są niezbędne, aby pomóc Ci szybko i właściwie. Wpisz tutaj niezbędne dane, patrz: tabliczka znamionowa.



UTYLIZACJA URZĄDZENIA

Oznaczenie to wskazuje, że produkt ten nie powinien być utylizowany z innymi odpadkami domowymi po zakończeniu eksploatacji. Zużyte urządzenie należy zwrócić do oficjalnego punktu skupu i recyklingu urządzeń elektrycznych i elektronicznych. Aby znaleźć te punkty skupu, skontaktuj się z lokalnymi władzami lub sprzedawcą, u którego zakupiono urządzenie. Każde gospodarstwo domowe odgrywa ważną rolę w odzyskiwaniu i recyklingu starego urządzenia. Właściwa utylizacja zużytego urządzenia pomaga zapobiegać potencjalnym negatywnym konsekwencjom dla środowiska i zdrowia ludzi.

PL

ZASTRZEŻENIE/OSTRZEŻENIE

Niektóre (proste) awarie mogą być naprawione przez użytkownika końcowego bez obawy przed niebezpieczeństwem lub wynikającym z tego niebezpiecznego użytkownika, pod warunkiem, że naprawy zostaną wykonane w określonych granicach i zgodnie z następującymi instrukcjami (patrz rozdział „Samodzielna naprawa”).

Dlatego, o ile nie określono inaczej w rozdziale "Samodzielna naprawa", naprawy powinny być zlecane do profesjonalnych warsztatów w celu uniknięcia problemów związanych z bezpieczeństwem. Zarejestrowany profesjonalny podmiot zajmujący się naprawami to profesjonalny warsztat, któremu producent przyznał dostęp do instrukcji i wykazu części zamiennych produktu zgodnie z metodami opisanymi w aktach ustawodawczych zgodnie z dyrektywą 2009/125/WE.

Jednak tylko przedstawiciel serwisu (tj. autoryzowane profesjonalne warsztaty), z którym można skontaktować się pod numerem telefonu podanym w instrukcji obsługi/karcie gwarancyjnej lub za pośrednictwem autoryzowanego sprzedawcy, może świadczyć usługi na warunkach gwarancji. W związku z tym należy pamiętać, że naprawy wykonywane przez profesjonalne warsztaty (nieautoryzowane przez Beko) powodują utratę gwarancji.

Samodzielna naprawa

Użytkownik końcowy może samodzielnie naprawić następujące części zamienne: klamki, zawiasy drzwi, tace, kosze i uszczelki drzwi (zaktualizowana lista jest również dostępna na support.beko.com od 1 marca 2021).

Ponadto, aby zapewnić bezpieczeństwo produktu i zapobiec ryzyku poważnych obrażeń, samodzielną naprawę należy wykonać

zgodnie ze wskazówkami zawartymi w instrukcji obsługi w rozdziale "Samodzielna naprawa" lub dostępnymi w support.beko.com. Dla własnego bezpieczeństwa, przed samodzielną naprawą, odłącz urządzenie od zasilania.

Naprawy i próby naprawy dokonywane przez użytkowników końcowych w przypadku części niewymienionych na liście i/lub nieprzestrzeganie wskazówek zawartych w rozdziale „Samodzielna naprawa” lub dostępnych w support.beko.com, mogą stanowić zagrożenie, którego nie można przypisać do Beko, oraz spowodują utratę gwarancji.

W związku z tym zdecydowanie zaleca się, aby użytkownicy końcowi powstrzymali się od podejmowania prób wykonywania napraw spoza wymienionego wykazu części zamiennych, kontaktując się w takich przypadkach z autoryzowanymi warsztatami lub profesjonalnymi warsztatami. Samodzielne próby naprawy mogą stwarzać zagrożenie i uszkodzić urządzenie, a następnie spowodować pożar, powódź, porażenie prądem i poważne obrażenia ciała.

Na przykład, ale nie tylko, następujące naprawy muszą zostać zlecane w autoryzowanych warsztatach lub zarejestrowanych profesjonalnych warsztatach: sprężarka, obwód chłodzenia, płyta główna, płyta falownika, tablica wyświetlacza itp.

Producent/sprzedawca nie ponosi odpowiedzialności w przypadku gdy użytkownik nie stosuje się do zaleceń.

Dostępność części zamiennych do zakupionej lodówki wynosi 10 lat.

Przez ten czas dostępne będą oryginalne części zamienne do prawidłowej eksploatacji lodówki.

Minimalny okres gwarancji na zakupioną lodówkę wynosi 24 miesiące.

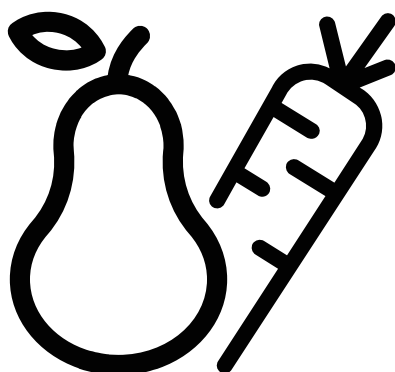
Ten produkt jest wyposażony w źródło światła o klasie energetycznej "G".

Źródło światła w tym produkcie może być wymieniane wyłącznie przez profesjonalnych serwisantów.



Réfrigérateur

Manuel d'utilisation



GNO5322XPN
GNO5323XPN
GNO5324XPN
GNO5322WN
GNO5322WDXPN

FR





INFORMATIONS



ENERG



SUPPLIER'S NAME

MODEL IDENTIFIER

(*)



Vous pouvez accéder aux informations relatives au modèle telles que sauvegardées dans la base de données des produits en entrant le site internet suivant et en recherchant l'identifiant de votre modèle (*) qui se trouve sur la vignette énergie

<https://eprel.ec.europa.eu/>

Consignes de sécurité

Pour votre sécurité et afin de garantir une bonne utilisation, lisez attentivement ce manuel d'utilisation, y compris les conseils et les avertissements y contenus avant l'installation et la première utilisation. Pour éviter des erreurs et des accidents inutiles, il est important de s'assurer que tout utilisateur de l'appareil se familiarise parfaitement avec son fonctionnement et ses dispositifs de sécurité. Conservez ce manuel et assurez-vous qu'il demeure avec l'appareil en cas de déplacement ou de vente, de sorte que tout utilisateur soit bien informé sur l'utilisation et les consignes de sécurité afférentes à l'appareil.

Pour garantir la sécurité des personnes et des biens, conservez et respectez les consignes de sécurité contenues dans ce manuel. Le fabricant décline toute responsabilité en cas de dommages dus au non-respect de ces consignes.

Sécurité des enfants et des personnes vulnérables

- Cet appareil peut être utilisé par des enfants âgés d'au minimum 8 ans, ainsi que par des personnes présentant des capacités physiques, sensorielles ou mentales réduites ou sans expérience et connaissances, si elles sont supervisées ou ont été formées à l'utilisation sûre de l'appareil et comprennent les risques encourus.
- Les enfants doivent être surveillés afin de s'assurer qu'ils ne jouent pas avec l'appareil.
- Le nettoyage et l'entretien domestiques ne doivent pas être effectués par des enfants, à moins qu'ils soient âgés d'au minimum 12 ans et sont sous surveillance.
- Tenez tout emballage hors de la portée des enfants. Ils pourraient s'étouffer avec ces derniers.
- Avant de mettre l'appareil au rebut, débranchez l'appareil, coupez le cordon d'alimentation (le plus près possible de l'appareil) et retirez la porte pour éviter que les enfants qui jouent avec l'appareil ne subissent un choc électrique ou se retrouvent coincés à l'intérieur.
- Cet appareil est doté de joints de porte magnétiques. S'il remplace un appareil équipé d'un verrou à ressort, situé sur la porte ou le couvercle, assurez-vous de rendre ce verrou inutilisable avant de mettre l'appareil au rebut. Cela permet d'éviter que les enfants s'enferment dans l'appareil.

Consignes de sécurité générales



AVERTISSEMENT ! Tenez les ouvertures d'aération du boîtier de l'appareil ou du modèle encastrable libres de toute obstruction.





AVERTISSEMENT ! N'utilisez pas d'appareils mécaniques ou des moyens autres que ceux recommandés par le fabricant pour accélérer le processus de dégivrage.





AVERTISSEMENT ! Évitez d'endommager le circuit réfrigérant.

Consignes de sécurité


 **AVERTISSEMENT !** N'utilisez pas d'autres appareils électriques (par exemple, sorbetières) à l'intérieur d'appareils réfrigérants, sauf s'ils sont homologués pour cet usage par leur fabricant.


 **AVERTISSEMENT !** Ne touchez pas l'ampoule si elle est restée allumée pendant une longue période, car elle peut être très chaude.¹⁾

 **AVERTISSEMENT !** Lors du positionnement de l'appareil, assurez-vous que le cordon d'alimentation n'est pas coincé ou endommagé.

 **AVERTISSEMENT !** N'installez pas plusieurs prises d'alimentation portatives ou blocs d'alimentation portatifs à l'arrière de l'appareil.

- Ne stockez pas des substances explosives comme les aérosols contenant un agent propulseur inflammable dans cet appareil.
- Le circuit de refroidissement de l'appareil contient de l'isobutane (R-600a), un gaz naturel offrant un haut niveau de compatibilité avec l'environnement, mais qui est inflammable.
- Pendant le transport et l'installation de l'appareil, assurez-vous qu'aucune pièce du circuit de refroidissement ne soit endommagée.
 - Le cas échéant, évitez les flammes nues et toute source d'allumage ;
 - aérez correctement la pièce où se trouve l'appareil.
- Il est dangereux de modifier/d'altérer les spécifications/l'appareil d'une quelconque façon. Un cordon d'alimentation endommagé peut causer un court-circuit, un incendie et/ou un choc électrique.
- Cet appareil est conçu pour une utilisation domestique et les endroits similaires, notamment :
 - les espaces de cuisine dans les boutiques, bureaux et autres environnements de travail ;
 - les maisons de campagne, les chambres d'hôtel, de motel et d'autres types de résidence ;
 - les chambres d'hôtes ;
 - les restaurants et les espaces semblables de vente au détail.

 **AVERTISSEMENT !** Tout composant électrique (fiche, cordon d'alimentation, compresseur, etc.) doit être remplacé par un agent de service agréé ou un personnel d'entretien qualifié.

 **AVERTISSEMENT !** L'ampoule fournie avec l'appareil est une « ampoule spécialement conçue à cet effet », utilisable uniquement avec l'appareil fourni. Cette « ampoule spéciale » n'est pas destinée à l'éclairage domestique.¹⁾

1) En cas de la présence d'une ampoule dans le compartiment.

Consignes de sécurité

- Évitez d'étirer le cordon d'alimentation.
- Assurez-vous que la fiche secteur ne soit pas écrasée ou endommagée par l'arrière de l'appareil. Une fiche secteur écrasée ou endommagée peut causer la surchauffe de l'appareil et un incendie.
- Vérifiez que la fiche secteur est facilement accessible.
- Évitez de tirer sur le cordon d'alimentation.
- Si la prise de la fiche secteur est desserrée, n'insérez pas cette dernière. Il existe un risque de choc électrique ou d'incendie.
- N'utilisez pas l'appareil si le diffuseur de l'ampoule d'éclairage est absent.
- Cet appareil est lourd. Soyez prudent lorsque vous le déplacez.
- Ne déplacez/touchez pas avec les mains humides/mouillées les produits congelés, car cela peut causer des abrasions cutanées ou des brûlures de congélation.
- Évitez une exposition prolongée de l'appareil à la lumière directe du soleil.

Utilisation quotidienne

- Ne posez pas d'éléments chauds sur les parties en plastique de l'appareil.
- Ne placez pas d'aliments directement contre la paroi arrière.
- Une fois décongelés, les aliments ne doivent jamais être recongelés.¹⁾
- Conservez les aliments emballés conformément aux instructions de leur fabricant.¹⁾
- Respectez scrupuleusement les conseils de conservation donnés par le fabricant de l'appareil. Reportez-vous aux instructions y relatives.
- Ne mettez pas des boissons gazeuses dans le compartiment congélateur, car la pression se formant à l'intérieur du contenant pourrait le faire éclater et endommager ainsi l'appareil.¹⁾
- Ne consommez pas certains produits tels que les bâtonnets glacés dès leur sortie de l'appareil, car ils peuvent provoquer des brûlures de congélation.¹⁾

Pour éviter la contamination des aliments, veuillez respecter les instructions suivantes :

- L'ouverture de la porte pendant de longues périodes peut provoquer une augmentation significative de la température à l'intérieur des compartiments de l'appareil.
- Nettoyer régulièrement les surfaces susceptibles d'entrer en contact avec les aliments ainsi que les systèmes de drainage accessibles.
- Nettoyer les réservoirs d'eau s'ils n'ont pas été utilisés depuis 48 h ; rincer le système d'eau raccordé à une alimentation en eau si l'eau n'a pas été prélevée depuis 5 jours.
- Conservez la viande et le poisson crus dans des contenants appropriés au réfrigérateur, de façon à ce qu'ils ne soient pas en contact avec d'autres aliments ou ne s'égouttent pas sur eux.
- Les compartiments à aliments surgelés deux étoiles (s'ils sont disponibles dans l'appareil) conviennent à la conservation des aliments pré-congelés, à la conservation ou à la fabrication de crème glacée et de glaçons.

1) En cas de l'existence d'un compartiment congélateur.

2) En cas de l'existence d'un compartiment de stockage de denrées alimentaires fraîches.

Consignes de sécurité

- Les compartiments une, deux et trois étoiles (s'ils sont disponibles dans l'appareil) ne conviennent pas à la congélation des aliments frais.
- Si l'appareil est laissé vide pendant de longues périodes, éteignez-le, dégivrez-le, nettoyez-le, séchez-le et laissez la porte ouverte pour éviter l'apparition de moisissures à l'intérieur.

Entretien et nettoyage

- Avant toute opération d'entretien, arrêtez l'appareil et débranchez-le de la prise de courant.
- N'utilisez pas des objets métalliques pour nettoyer l'appareil.
- N'utilisez pas des objets tranchants pour gratter la couche de givre. Utilisez un grattoir en plastique.¹⁾
- Contrôlez régulièrement l'orifice d'évacuation de l'eau de dégivrage dans le compartiment réfrigérateur. Nettoyez-le, en cas de besoin. Si l'orifice est bloqué, l'eau s'accumule au fond de l'appareil.²⁾

Installation

Important ! Avant de procéder aux branchements électriques, respectez scrupuleusement les instructions fournies dans les paragraphes y relatifs.

- Déballez l'appareil et vérifiez qu'il ne présente aucun dommage. Ne branchez pas l'appareil lorsqu'il est endommagé. Signalez immédiatement au magasin où vous avez acheté l'appareil les dommages éventuels. Dans ce cas, gardez l'emballage.
- Il est conseillé de patienter pendant au moins quatre heures avant de brancher l'appareil pour permettre à l'huile de retourner dans le compresseur.
- Assurez-vous que l'air circule correctement autour de l'appareil pour éviter qu'il ne surchauffe. Pour assurer une ventilation optimale, respectez les instructions de la section Installation.
- Dans la mesure du possible, placez l'appareil contre le mur pour éviter tout contact avec les pièces chaudes (compresseur, condenseur) ainsi que d'éventuelles brûlures.
- Ne placez pas l'appareil à proximité des radiateurs ou des cuisinières.
- Assurez-vous que la fiche secteur est facilement accessible, une fois l'installation terminée.

Entretien

- Tout travail d'électricité nécessitant un entretien de l'appareil doit être effectué par un électricien qualifié ou toute autre personne compétente.
- Les travaux d'entretien doivent être effectués par un centre de service agréé et seules les pièces originales doivent être utilisées.



Économie d'énergie

- Ne mettez pas des aliments chauds à l'intérieur de l'appareil ;
- Ne conservez pas les aliments collés les uns aux autres, étant donné que cela empêche la bonne circulation de l'air ;
- Assurez-vous que les aliments ne touchent pas l'arrière du (des) compartiment (s) ;
- En cas de panne électrique, n'ouvrez pas les portes du réfrigérateur ;
- N'ouvrez pas les portes trop fréquemment ;
- Ne laissez pas les portes de l'appareil ouvertes trop longtemps ;
- Ne réglez pas le thermostat à des températures très basses ;

Consignes de sécurité

- Il faut y conserver tous les accessoires, tels que les tiroirs, les étagères, les balcons, afin de réduire la consommation d'énergie.

Protection de l'environnement

 Cet appareil ne contient pas de gaz susceptibles de détruire la couche d'ozone ; que ce soit dans son circuit réfrigérant ou ses matériaux d'isolation. L'appareil ne doit pas être mis au rebut avec les ordures ménagères. La mousse isolante contient des gaz inflammables : l'appareil doit être mis au rebut conformément aux directives relatives à la mise au rebut des équipements que vous obtiendrez auprès de vos autorités locales. Évitez d'endommager le dispositif de refroidissement, notamment l'échangeur thermique. Les matériaux utilisés dans cet appareil identifiés par le symbole  sont recyclables.



Le symbole apposé sur l'appareil ou sur son emballage indique que ce produit ne doit pas être éliminé avec les ordures ménagères. Rendez-vous plutôt dans un point de collecte approprié pour le recyclage des équipements électriques et électroniques. En assurant la mise au rebut adéquate de ce produit, vous pourrez empêcher toute conséquence négative pour l'environnement et la santé humaine causée par l'élimination incorrecte de ce produit. Pour de plus amples informations sur le recyclage de cet appareil, veuillez contacter votre municipalité, votre service de traitement des déchets ménagers ou votre fournisseur.

Matériaux d'emballage

Les matériaux marqués du symbole sont recyclables. Veuillez mettre les emballages au rebut dans les conteneurs de collecte appropriés pour leur recyclage.

Mise au rebut de l'appareil

1. Débranchez la fiche secteur de la prise de courant.
2. Coupez les câbles électriques et mettez-les au rebut.

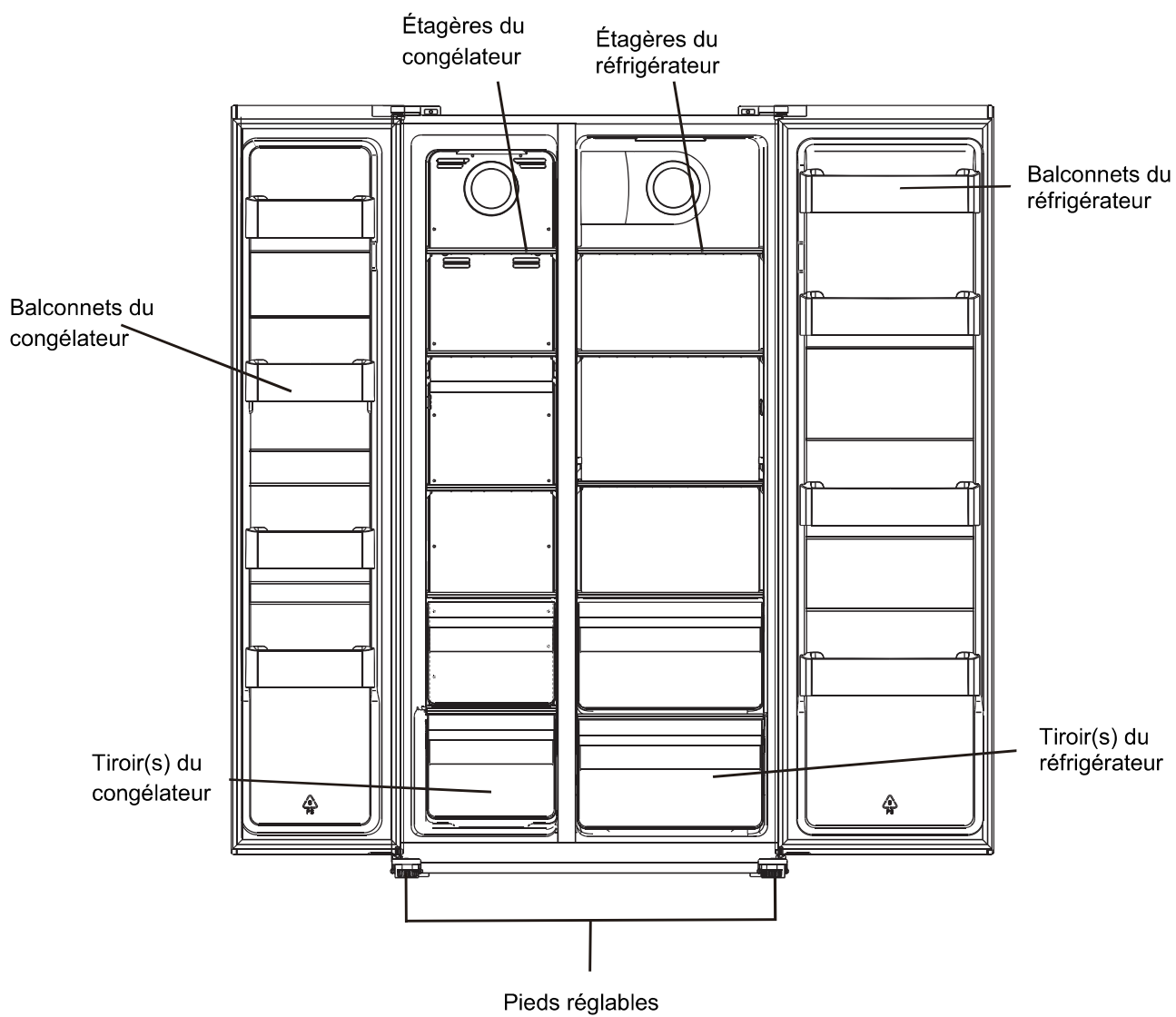


AVERTISSEMENT ! Lors de l'utilisation, l'entretien et la mise au rebut de l'appareil, veuillez faire attention au symbole défini comme étant le côté gauche, qui se trouve à l'arrière de l'appareil (panneau arrière ou compresseur).

Il indique un avertissement de risque d'incendie. Il existe des matières inflammables dans les conduites de frigorigène et le compresseur.

Veuillez vous éloigner de toute source d'incendie lors de l'utilisation, l'entretien et la mise au rebut.

Utilisation quotidienne



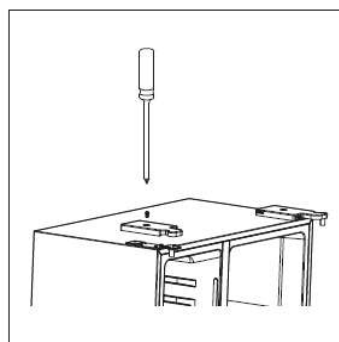
Remarque : L' image ci-dessus n'est utilisée qu'à titre indicatif. Le véritable appareil est probablement différent.

Utilisation quotidienne

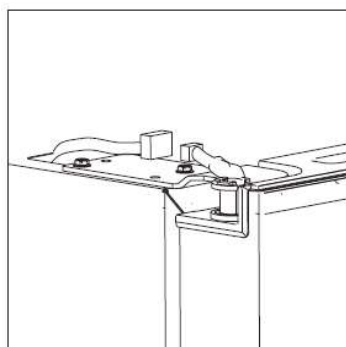
Outils nécessaires : Tournevis Philips, tournevis à lame plate.

- Vérifiez que l'appareil est débranché et vide.
- Pour retirer la porte, faites basculer l'appareil vers l'arrière. Vous devez poser l'appareil sur un support solide pour qu'il ne glisse pas durant le processus de démontage de la porte.
- Toutes les pièces retirées doivent être conservées pour être utilisées lors de la réinstallation de la porte.
- Évitez de poser l'appareil horizontalement, car cela pourrait endommager le système de refroidissement.
- L'assemblage de l'appareil nécessite l'intervention de 2 personnes.

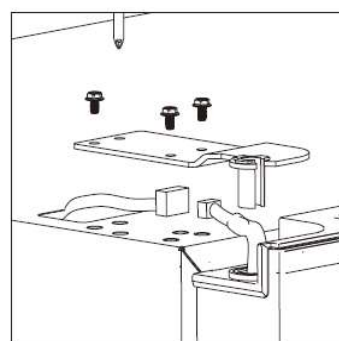
1. Dévissez le couvercle de la charnière avec un tournevis Philips.



2. Débranchez le harnais.

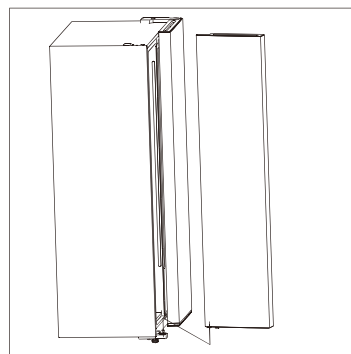


3. Dévissez la charnière supérieure.

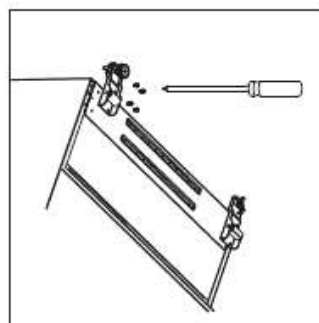


Utilisation uotidienne

4. Soulevez la porte et posez-la sur un chiffon doux. Enlevez ensuite l'autre porte en suivant le même processus.



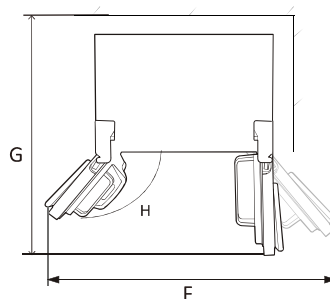
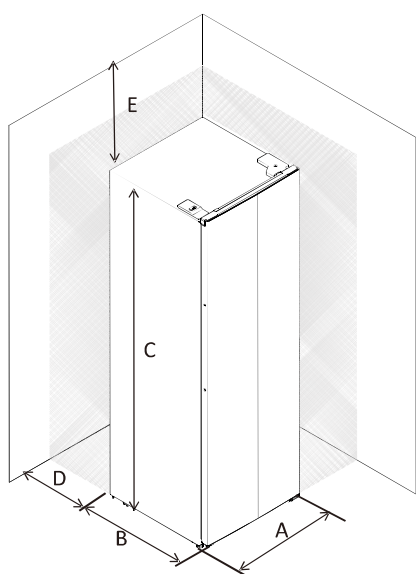
5. Dévissez les charnières inférieures.



6. Une fois l'appareil positionné, installez les portes en suivant les étapes dans l'ordre inverse.

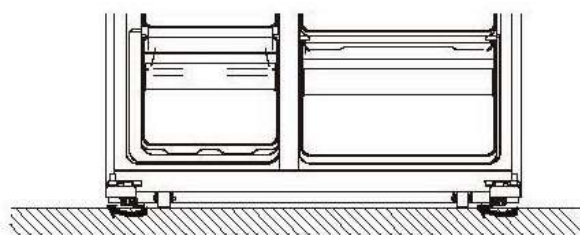
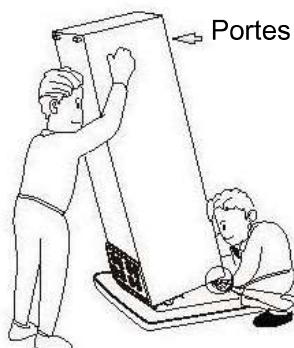
Caractéristiques de la pièce

- Choisissez un endroit sans exposition directe au soleil ;
- Choisissez un endroit suffisamment grand pour faciliter l'ouverture des portes du réfrigérateur ;
- Choisissez un endroit où le plancher est de niveau (ou presque) ;
- Laissez suffisamment d'espace pour installer le réfrigérateur sur une surface plane ;
- Laissez un espace libre à droite, à gauche, à l'arrière et en haut lors de l'installation. Cela vous permettra de réduire votre consommation d'énergie et maintenir vos factures d'électricité à un niveau plus bas.



A	910
B	670
C	1770
D	min=50
E	min=50
F	1800
G	1560
H	135°

Poser bien droit le réfrigérateur



- Posez bien droit le réfrigérateur en ajustant les pieds réglables.
- Tournez les pieds dans le sens horaire pour les relever à la main.
- Tournez les pieds dans le sens anti-horaire pour les abaisser à

Utilisation quotidienne

Positionnement

Installez cet appareil dans un endroit où la température ambiante correspond à la classe climatique indiquée sur sa plaque signalétique : Convient aux appareils frigorifiques de classe climatique :

- tempérée prolongée : il s'agit d'un appareil frigorifique destiné à être utilisé à des températures ambiantes comprises entre 10 °C et 32 °C ; (SN)
- tempéré : ce réfrigérateur est destiné à être utilisé à des températures ambiantes comprises entre 16 °C et 32 °C ;(N)
- subtropical : cet appareil frigorifique est destiné à être utilisé à des températures ambiantes comprises entre 16 °C et 38 °C ;(ST)
- tropicale : cet appareil frigorifique est destiné à être utilisé à des températures ambiantes comprises entre 16 °C et 43 °C ;(T)

Emplacement

Installez l'appareil à bonne distance de toute source de chaleur telle que les radiateurs, les chauffe-eaux, la lumière directe du soleil, etc. Assurez-vous que l'air circule librement à l'arrière de l'armoire. Pour garantir un rendement optimal si l'appareil est installé sous un élément de mur suspendu, la distance minimale entre le haut de l'armoire et l'élément de mur doit être d'au moins 100 mm. Si possible, évitez de placer l'appareil sous des éléments de mur. Une mise à niveau précise se fait à l'aide d'un ou de plusieurs pieds réglables à la base de l'armoire.

Cet appareil de réfrigération n'est pas destiné à être utilisé comme un appareil encastré ;



Avertissement ! Assurez-vous qu'il est possible de débrancher l'appareil de l'alimentation secteur ; toutefois la fiche doit être facilement accessible après l'installation.

Branchement électrique

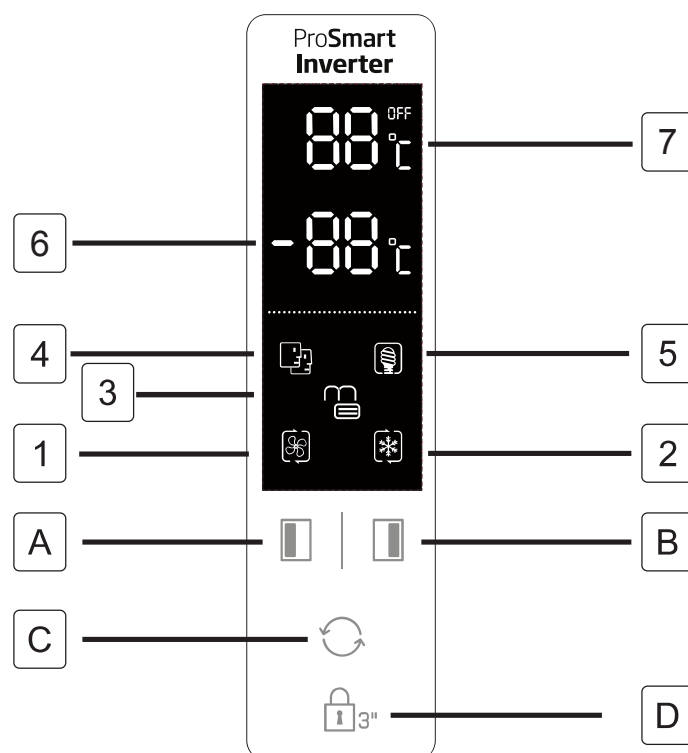
Avant de brancher l'appareil, contrôlez si la tension et la fréquence indiquées sur la plaque signalétique correspondent à celles de votre alimentation électrique domestique. Cet appareil doit être mis à la terre. À cet effet, la fiche du cordon d'alimentation comporte un logement pour mise à la terre. Si l'alimentation électrique domestique n'est pas mise à la terre, branchez l'appareil sur une mise à la terre séparée conformément aux normes en vigueur, en demandant conseil à un électricien qualifié.

Le fabricant décline toute responsabilité en cas d'incident suite au non-respect des consignes de sécurité susmentionnées.

Cet appareil est conforme aux directives de la CEE.

Utilisation quotidienne

Utilisation du Panneau de Configuration



Boutons

- A** Appuyez sur ce bouton pour régler la température du compartiment congélateur (côté gauche) entre -14 °C et -22 °C.
- B** Appuyez sur ce bouton pour régler la température du compartiment réfrigérateur (côté droit) entre 2 °C et 8 °C ou sur « OFF ». Si vous réglez sur « OFF », le compartiment réfrigérateur s'éteint.
- C** Appuyez sur ce bouton pour sélectionner l'un des modes suivants : **SMART**, **ECO**, **SUPER REFROIDISSEMENT**, **SUPER CONGÉLATION** et USER'S SETTING (pour ce mode, aucun symbole ne s'affiche).
Appuyez sur le bouton **Lock 3** et maintenez-le enfoncé pendant 3 secondes pour verrouiller les autres trois boutons.
- D** Appuyez sur ce bouton et maintenez-le enfoncé pendant 1 seconde pour déverrouiller les autres trois boutons.

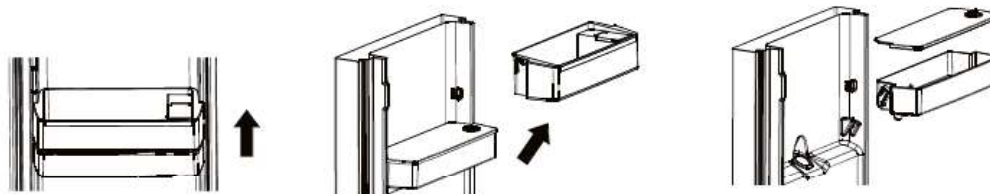
Affichage

- 1** Le mode **SUPER RÉFRIGÉRATION** compartiment de refroidissement est refroidi à la température la plus basse, comme prévu. Le réglage de la température est rétabli au mode de réglage précédent de l'utilisateur après environ 2,5 heures.
- 2** Le mode **SUPER CONGÉLATION** compartiment de refroidissement est refroidi à la température la plus basse, comme prévu. Le réglage de la température est rétabli au mode de réglage précédent de l'utilisateur après environ 50 heures.
Conseils: il est préférable d'activer le mode SUPER CONGÉLATEUR 24 heures à l'avance avant de placer une grande quantité d'aliments dans le compartiment congélateur.
- 3** Le symbole **LOCK** (verrouillage) s'allume lorsque les boutons sont verrouillés.
- 4** Lorsque le réfrigérateur est en mode **SMART**, il règle automatiquement la température de deux compartiments en fonction de la température interne et de la température ambiante.

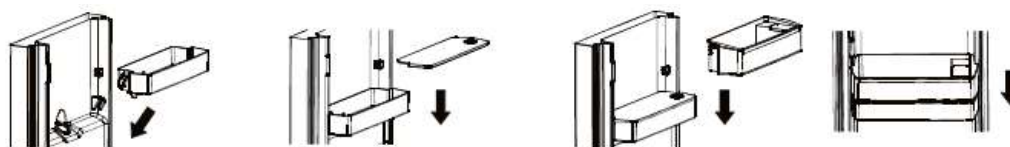
Usage quotidien

Avant d'utiliser le distributeur d'eau pour la première fois, retirez et nettoyez le réservoir d'eau situé à l'intérieur du compartiment réfrigérateur.

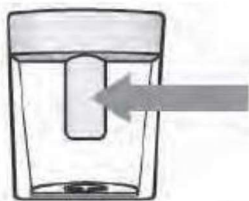
1. Soulevez et retirez d'abord le bloc du réservoir, puis retirez le réservoir d'eau avec couvercle. Séparez le couvercle pour nettoyer le réservoir et le couvercle.



2. Après nettoyage, repositionnez le réservoir d'eau, le couvercle et le bloc du réservoir comme illustré ci-dessous.



3. Nettoyez l'embout distributeur à l'extérieur de la porte du réfrigérateur.



Remplir le réservoir d'eau

1. Ouvrez le petit cache.



2. Remplissez le réservoir d'eau potable jusqu'à la ligne indiquant 3 L.
3. Fermez le petit cache sur le couvercle.



Distribuer de l'eau

Pour distribuer de l'eau, appuyez doucement sur l'embout du distributeur à l'aide d'un verre ou d'un récipient.

Pour arrêter la distribution d'eau, éloignez votre verre de l'embout distributeur.

Utilisation uotidienne

Utilisation du Panneau de Configuration

- 5 Lorsqu'il est en mode **ECO**, il fonctionne avec la consommation d'énergie la plus faible.
- 6 Affiche la température de consigne du compartiment congélateur.
- 7 Affiche la température de consigne du compartiment réfrigérateur.
- 8 Le verrouillage des enfants ne fonctionne pas depuis une panne de courant. La sécurité enfant sera automatiquement validée après 25 secondes depuis la dernière opération. Après 2 minutes depuis la dernière opération, le panneau d'affichage s'éteint automatiquement.
- 9 Certaines fonctions sont impossibles à appliquer sur ce modèle.

Alarme d'ouverture de porte

Si une porte reste ouverte pendant 90 secondes, une alarme périodique se déclenche jusqu'à ce que la porte soit fermée.

Utilisation quotidienne

Première utilisation

Nettoyage de l'intérieur

Avant d'utiliser l'appareil pour la première fois, nettoyez l'intérieur et tous les accessoires avec de l'eau tiède et du savon neutre pour supprimer toute odeur de neuf, puis séchez-les soigneusement.

Important ! N'utilisez pas de détergents ou de poudre à récurer pour ne pas abîmer la finition.

Utilisation quotidienne

Aliment	Emplacement
Les œufs	Casier de porte
Produits laitiers (beurre, fromage)	Si disponible, compartiment bio-fraîcheur ou compartiment de réfrigération Étagères les plus basses
Fruits, légumes et salade	Boîte de fruits et légumes, bac à légumes, bac à légumes ou EverFresh+ (si disponible)
Viande fraîche, volaille, poisson frais, saucisses, aliments cuits	Si disponible, compartiment bio-fraîcheur ou compartiment de réfrigération Étagère la plus basse
Aliments prêts à consommer, produits emballés, conserves, produits marinés	Étagères supérieures ou support de porte
Boissons, bouteilles, condiments, snacks	Casier de porte
Les restes	Étagères du milieu

Utilisation quotidienne

FR Conseils pour le stockage des aliments

frais:

Stockage dans le compartiment des aliments frais :

- Conservez votre réfrigérateur à la température recommandée de 4°C.
 - Les aliments à conserver doivent être bien couverts pour éviter les odeurs ou une altération du goût.
 - Ne conservez pas de quantités excessives d'aliments dans votre réfrigérateur. Laissez des espaces entre les aliments pour permettre à l'air froid de circuler autour d'eux afin d'obtenir un refroidissement meilleur et plus homogène.
 - Pour permettre des ouvertures de porte plus courtes, les aliments consommés quotidiennement devraient être rangés à l'avant de l'étagère.
 - Si les fruits tropicaux non mûrs (mangue, melon, papaye, banane, ananas) sont conservés au réfrigérateur, le processus de vieillissement peut être accéléré et n'est pas conseillé car il entraîne des temps de conservation plus courts. Cependant, la maturation des fruits fortement verts (pomme, poire) peut être favorisée pendant un certain temps dans le compartiment réfrigérateur.
 - Les oignons, l'ail, le gingembre et les autres légumes-racines doivent être conservés dans un endroit sombre et frais, et non au réfrigérateur.
 - Lorsqu'un aliment avarié à l'intérieur du réfrigérateur est réalisé, il doit être jeté. Si vous remarquez des aliments pourris, veuillez nettoyer la doublure intérieure ou les accessoires qui ont été en contact afin d'éviter toute contamination.
 - Les grands pots d'aliments, comme les soupes ou les ragoûts, peuvent être divisés en contenants peu profonds pour les refroidir rapidement dans le réfrigérateur. Les gros morceaux de viande cuite et la volaille entière devraient être divisés en plus petits morceaux dans le même but.
 - Ne conservez pas les aliments non emballés à proximité des œufs.
 - Conservez les fruits et les légumes séparément et conservez-les avec des pommes avec des pommes et des carottes avec des carottes. Les fruits et les légumes dégagent différents gaz qui peuvent en détériorer d'autres.
 - Laissez un espace entre les aliments et les parois intérieures, ce qui permet à l'air de circuler. Si vous rangez les aliments contre la paroi arrière, ils pourraient geler contre la paroi arrière.
 - Les aliments chauds et cuits doivent être refroidis à température ambiante avant d'être entreposés dans l'appareil. Ensuite, les aliments chauds peuvent être conservés dans les étagères inférieures de votre réfrigérateur. Veuillez ne pas mettre d'aliments chauds à proximité d'aliments hautement périssables.
 - Décongelez vos aliments congelés dans le compartiment des aliments frais. De cette façon, vous pouvez utiliser les aliments congelés pour refroidir le compartiment des aliments frais et économiser de l'énergie.
 - Sortez les légumes verts feuillus des sacs de plastique, enveloppez-les dans un essuie-tout ou un torchon avant de les conserver au réfrigérateur. N'oubliez pas de les sécher s'ils sont rincés ou mouillés avant de les ranger.
 - Conservez les fruits et les légumes susceptibles de se dessécher dans des sacs de plastique perforés ou non scellés pour maintenir un environnement humide tout en permettant à l'air de circuler.
 - Les aliments différents doivent se conserver dans des rayons différents en fonction de leurs caractéristiques :
- “Veuillez vérifier la Classe Climatique de votre appareil indiquée sur la plaque signalétique. L'une des informations ci-dessous est valable pour votre appareil selon la Classe Climatique nominale.”
- SN: Tempéré Prolongé : Cet appareil frigorifique est destiné à être utilisé à des températures ambiantes allant de 10°C à 32°C.
 - N: Tempéré: Cet appareil frigorifique est destiné à être utilisé à des températures ambiantes allant de 16°C à 32°C.
 - ST: Subtropical : Cet appareil frigorifique est destiné à être utilisé à des températures ambiantes allant de 16°C à 38°C.
 - T: Tropical: Cet appareil frigorifique est destiné à être utilisé à des températures ambiantes allant de 16°C à 43°C.

Utilisation quotidienne

FR Stockage dans le compartiment du congélateur :

- Il est recommandé de maintenir le réglage du congélateur à -20 °C, sauf dans des conditions ambiantes extrêmes.
- 4-6 heures avant la congélation activez la fonction de congélation rapide pour une congélation plus rapide.
- Les aliments chauds doivent être refroidis à la température ambiante avant de les conserver dans le congélateur.
- Les aliments découpés en petits morceaux se congèlent plus rapidement et se dégivrent aussi facilement pour la cuisson.
- Il vaut mieux conditionner les aliments avant de les conserver dans le congélateur.
- Pour éviter de dépasser le temps de conservation, veuillez inscrire la date de congélation, l'heure et le nom de l'aliment sur l'emballage en fonction des temps de conservation des différents aliments.
- Ne pas dépasser les durées d'entreposage recommandées par les fabricants de produits alimentaires. Ne sortez que la quantité d'aliments nécessaire du congélateur.
- Consommez rapidement les aliments décongelés. Les aliments décongelés ne peuvent être recongelés que s'ils sont cuits. Il n'est pas sécuritaire de consommer des aliments frais recongelés non cuits.
- Lorsque vous congelez des aliments frais, évitez de les mettre contre des aliments déjà congelés. Cela peut causer la décongélation de morceaux déjà congelés.

Lorsque vous conservez les aliments surgelés, veuillez suivre les instructions suivantes :

- Suivez toujours les instructions des fabricants concernant le temps de conservation de ces aliments. Ne dépassez pas ces délais !
- Faites en sorte que le temps entre l'achat et la conservation soit le plus court possible pour préserver la qualité de l'aliment.
- Achetez les aliments surgelés qui peuvent se conserver à une température de - 18 °C ou moins.
- Évitez d'acheter des aliments qui ont du givre ou de la glace sur l'emballage - Cela indique que ces aliments ont été partiellement décongelés puis recongelés à un moment donné - la montée de température affecte la qualité des aliments.
- Nous recommandons un réglage de température de 4°C pour le compartiment des aliments frais et de -20°C pour le compartiment congélateur afin d'obtenir une meilleure conservation des aliments.
- À l'exception des conditions extrêmes en milieu ambiant, si la température est réglée à des valeurs recommandées de +4°C/-20°C, la fraîcheur globale sera prolongée dans les compartiments des aliments frais et des congélateurs. Si la température du compartiment des aliments frais est réglée à une température plus froide, les fruits et légumes frais peuvent être partiellement congelés ou exposés à des dommages causés par le froid, tandis qu'une température plus chaude peut causer une détérioration plus rapide des aliments hautement périssables (produits laitiers, produits de viande).

Utilisation quotidienne

Congélation des aliments frais

- Le compartiment congélateur est idéal pour congeler des denrées fraîches et conserver à long terme des aliments surgelés ou congelés.
- Placez les aliments frais à congeler dans le compartiment inférieur.
- La quantité maximale d'aliments pouvant être congelée en 24 heures est indiquée sur la plaque signalétique.
- Le processus de congélation dure 24 heures : vous ne devez ajouter aucun autre aliment à congeler au cours de cette période.

Conservation d'aliments congelés

À la mise en service ou après un arrêt prolongé, faites fonctionner l'appareil pendant au moins 2 heures à la température maximale, avant d'introduire les produits dans le compartiment congélateur.

Important ! En cas de dégivrage accidentel, dû par exemple à une panne de courant, si la panne doit se prolonger plus longtemps qu'il n'est indiqué à la rubrique « temps d'augmentation » dans la section intitulée « Caractéristiques techniques », consommez les aliments décongelés le plus rapidement possible ou recongelez-les après les avoir cuits (une fois refroidis).

Décongélation

Vous pouvez décongeler les aliments surgelés ou congelés dans le compartiment réfrigérateur ou à température ambiante, avant de les utiliser, en fonction du temps disponible pour cette opération.

Les petits morceaux peuvent même être cuits sans décongélation préalable, venant directement du réfrigérateur. Dans ce cas, la cuisson est plus longue.

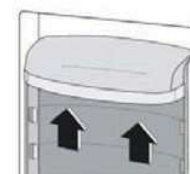
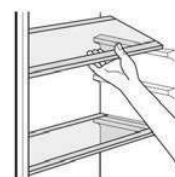
Accessoires

Clayettes amovibles

Plusieurs glissières ont été installées sur les parois du réfrigérateur pour vous permettre de placer les clayettes comme vous le souhaitez.

Emplacement des balconnets de porte

Selon la taille des emballages des aliments conservés, vous pouvez positionner les balconnets de porte à différentes hauteurs. Pour effectuer ces réglages, procédez comme suit : tirez progressivement le balconnet dans le sens de la flèche jusqu'à ce qu'il sorte, puis repositionnez-le.



Utilisation quotidienne

Conseils

Conseils pour la congélation

Voici quelques conseils importants pour obtenir un processus de congélation optimal :

- la quantité maximale d'aliments pouvant être congelés en 24 heures est indiquée sur la plaque signalétique ;
- le processus de congélation dure 24 heures ; n'ajoutez pas d'autres aliments à congeler pendant cette période ;
- congelez uniquement des aliments de bonne qualité, frais et bien nettoyés ;
- emballez les aliments dans des petits paquets pour une congélation rapide et complète, de sorte à pouvoir décongeler uniquement la quantité nécessaire à la consommation ;
- enveloppez les aliments dans des feuilles d'aluminium ou des sachets en plastique et assurez-vous que les emballages sont étanches ;
- ne laissez pas des aliments frais ou non congelés au contact de ceux déjà congelés, afin d'éviter une hausse de la température de ces derniers ;
- les aliments maigres se conservent mieux et plus longtemps que les aliments gras ; le sel réduit la durée de conservation des aliments ;
- ne consommez pas les bâtonnets glacés tout de suite après les avoir sortis du congélateur. Leur température très basse peut causer des brûlures de congélation ;
- il est recommandé d'indiquer sur chaque paquet la date de congélation, afin de pouvoir le retirer du compartiment congélateur et éviter tout risque de brûlures de congélation ;
- il est recommandé d'indiquer sur chaque paquet la date de congélation, afin de pouvoir contrôler le temps d'entreposage.

Conseils relatifs au stockage des aliments congelés

Pour obtenir les meilleures performances de cet appareil, vous devez : vous assurer que les aliments congelés à de fins commerciales ont été entreposés de façon adéquate par le détaillant ; vous assurer que les aliments congelés sont transférés du magasin au congélateur dans les plus brefs délais ; éviter d'ouvrir la porte fréquemment ou la laisser ouverte plus longtemps que cela n'est absolument nécessaire.

Une fois décongelés, les aliments se détériorent rapidement et ne peuvent pas être recongelés. Évitez de dépasser la période de stockage indiquée par le fabricant de produits alimentaires.

Conseils relatifs à la réfrigération d'aliments frais

Pour obtenir les meilleures performances :

- Ne conservez pas les aliments chauds ou les liquides qui s'évaporent dans le réfrigérateur
- Couvrez ou enveloppez les aliments s'ils possèdent une saveur intense

Conseils pour la réfrigération

Conseils utiles :

- Viande (tous les types) : enveloppez-la dans les sacs de polyéthylène et placez-la sur les clayettes en verre situées au-dessus du bac à légumes.
- Pour des raisons de sécurité, conservez-les ainsi seulement pendant un à deux jours au maximum.
- Aliments cuits, plats froids, etc. : couvrez-les et rangez-les sur une clayette.
- Fruits et légumes : nettoyez-les soigneusement et rangez-les dans le(s) bac(s) à légumes fourni(s).
- beurre et fromage : rangez-les dans des récipients étanches spéciaux ou enveloppez-les dans du papier d'aluminium ou des sacs de polyéthylène pour emmagasiner le moins d'air possible.
- Lait en bouteille : bouchez-le et rangez-le dans le balconnet de porte réservé aux bouteilles.
- Ne conservez pas la banane, les pommes de terre, l'oignon et l'ail au réfrigérateur s'ils ne sont pas emballés.

Nettoyage

Pour des raisons d'hygiène, nettoyez régulièrement l'intérieur de l'appareil et les accessoires internes.



Attention ! Ne branchez pas l'appareil sur le secteur pendant le nettoyage. Risque de choc électrique ! Avant de procéder au nettoyage, arrêtez l'appareil et débranchez-le de l'alimentation électrique, ou arrêtez le disjoncteur ou éteignez le fusible. Ne nettoyez jamais l'appareil à l'aide d'un nettoyeur vapeur. L'humidité accumulée dans les composants électriques peut causer un risque de choc électrique ! Les vapeurs chaudes peuvent endommager les pièces en plastique. Faites sécher l'appareil avant de le remettre en service.

Important ! Les huiles essentielles et les solvants organiques peuvent attaquer les pièces en plastique, par exemple le jus de citron ou le jus extrait de la pelure d'orange, l'acide butyrique, les nettoyants qui contiennent l'acide acétique.

Utilisation quotidienne

- Ne laissez pas de telles substances entrer en contact avec les pièces de l'appareil.
- N'utilisez pas des nettoyants abrasifs
- Retirez les aliments du congélateur. Rangez-les dans un endroit frais et bien couvert.
- Arrêtez l'appareil et débranchez-le de l'alimentation électrique, ou arrêtez le disjoncteur ou éteignez le fusible.
- Nettoyez l'appareil et ses accessoires internes à l'aide d'un chiffon et de l'eau tiède. Après le nettoyage, essuyez avec de l'eau fraîche et faites sécher.
- Une fois l'appareil et ses accessoires secs, remettez-le en service.

Dépannage



Attention ! Débranchez l'alimentation électrique avant tout dépannage. Tout problème non mentionné dans le présent manuel doit être exclusivement confié à un électricien qualifié ou à une personne compétente.

Important ! L'appareil émet certains bruits pendant son fonctionnement (compresseur, circuit réfrigérant).

Problème	Causes possibles	Solution
L'appareil ne fonctionne pas.	La fiche secteur n'est pas branchée ou n'est pas correctement branchée sur la prise.	Branchez-la correctement.
	Le fusible a sauté ou est défectueux	Vérifiez-le et remplacez-le, si nécessaire.
	La prise est défectueuse	Contactez un électricien en cas de problème sur le secteur.
Les aliments sont très chauds.	La température n'est pas bien réglée.	Consultez la section Réglage de température initiale.
	La porte est restée ouverte pendant une période prolongée.	Ouvrez-la uniquement aussi longtemps que nécessaire.
	Une grande quantité d'aliments chauds a été placée dans l'appareil dans les dernières 24 heures.	Tournez temporairement le bouton de régulation de température vers un réglage plus froid.
	L'appareil est à proximité d'une source de chaleur.	Consultez la section Site d'installation.
L'appareil est très froid	La température réglée est trop élevée.	Tournez temporairement le bouton de régulation de température vers un réglage plus chaud.
Bruits inhabituels	L'appareil n'est pas équilibré.	Réajustez les pieds.
	L'appareil est en contact avec le mur ou d'autres objets.	Déplacez-le légèrement.
	Un composant, par exemple un tuyau, situé à l'arrière de l'appareil est en contact avec une autre pièce de l'appareil ou le mur.	Si nécessaire, pliez le composant avec précaution.
Présence de l'eau sur le sol	L'orifice d'évacuation d'eau est obstrué.	Reportez-vous à la section Nettoyage et entretien.
Les panneaux latéraux chauffent	Ce phénomène est normal. L'échangeur thermique se trouve dans les panneaux latéraux	Au besoin, portez des gants avant de toucher les panneaux latéraux.

Si le problème persiste, contactez le centre de service.

MISE AU REBUT



Ce symbole indique que cet appareil ne doit pas être mis au rebut avec les ordures ménagères à la fin de sa durée de vie. Les appareils usagés doivent être retournés au point de collecte officiel pour le recyclage des dispositifs électriques et électroniques. Pour trouver ces systèmes de collecte, veuillez contacter les autorités locales ou le détaillant à l'endroit où l'appareil a été acheté. Chaque ménage joue un rôle important dans la récupération et le recyclage des vieux appareils ménagers. La mise au rebut appropriée des appareils usagés permet de prévenir les conséquences négatives potentielles pour l'environnement et la santé humaine.

FR

CLAUDE DE NON-RESPONSABILITÉ / AVERTISSEMENT

Il est possible de remédier à certaines défaillances (simples) de manière adéquate par l'utilisateur final sans qu'il y ait de problème de sécurité ou d'utilisation dangereuse, à condition qu'elles soient effectuées dans les limites et conformément aux instructions suivantes (voir la section « Auto-réparation »).

Dès lors, sauf autorisation contraire dans la section « Auto-réparation » ci-dessous, les réparations doivent être adressées à des réparateurs professionnels agréés afin d'éviter les problèmes de sécurité. Un réparateur professionnel agréé est un réparateur professionnel à qui le fabricant a donné accès aux instructions et à la liste des pièces détachées de ce produit selon les méthodes décrites dans les actes législatifs en application de la directive 2009/125/CE.

Par contre, tel que mentionné dans le manuel d'utilisation/carte de garantie, seul l'agent de service (c'est-à-dire les réparateurs professionnels agréés) que vous pouvez joindre au numéro de téléphone indiqué dans le manuel d'utilisation/carte de garantie ou par l'intermédiaire de votre revendeur agréé peut fournir un service dans le cadre des conditions de garantie. Par conséquent, veuillez noter que les réparations effectuées Beko par des réparateurs professionnels (qui ne sont pas autorisés par) annuleront la garantie.

Auto-réparation

L'utilisateur final peut lui-même réparer les pièces de rechange ci-après : poignées de porte, charnières de porte, plateaux, paniers et joints de porte (une liste mise à jour est également disponible à l'adresse support.beko.com au 1er mars 2021).

En outre, pour garantir la sécurité du produit et éviter tout risque de blessure grave, l'autoréparation mentionnée doit être effectuée en suivant les instructions du manuel

d'utilisation pour l'autoréparation ou qui sont disponibles dans support.beko.com. Pour votre sécurité, débranchez le produit avant de tenter toute autoréparation.

Les réparations et tentatives de réparation par les utilisateurs finaux pour les pièces ne figurant pas dans cette liste et/ou ne suivant pas les instructions des manuels d'utilisation pour l'autoréparation ou qui sont disponibles dans support.beko.com, pourrait donner lieu à des problèmes de sécurité non imputables à Beko, et annulera la garantie du produit. Il est donc fortement recommandé aux utilisateurs finaux de s'abstenir de tenter d'effectuer des réparations ne figurant pas sur la liste des pièces de rechange mentionnée, en s'adressant dans ce cas à des réparateurs professionnels autorisés ou à des réparateurs professionnels agréés. Au contraire, de telles tentatives de la part des utilisateurs finaux peuvent causer des problèmes de sécurité et endommager le produit et, par la suite, provoquer un incendie, une inondation, une électrocution et des blessures corporelles graves.

Sans être exhaustives, les réparations suivantes par exemple doivent être effectuées par des personnes qualifiées : les réparateurs professionnels ou les réparateurs professionnels agréés : compresseur, circuit de refroidissement, carte mère, carte de convertisseur, carte d'affichage, etc.

Le fabricant/vendeur ne peut être tenu responsable dans tous les cas où les utilisateurs finaux ne se conforment pas à ce qui précède.

La disponibilité des pièces de rechange du réfrigérateur que vous avez acheté est de 10 ans.

Pendant cette période, des pièces de rechange originales seront disponibles pour faire fonctionner correctement le réfrigérateur.

La durée minimale de garantie du réfrigérateur que vous avez acheté est de 24 mois.

Cet appareil est doté d'une source d'éclairage de classe énergétique "G".

Seuls des réparateurs qualifiés sont autorisés à procéder au remplacement de la source d'éclairage de cet appareil.

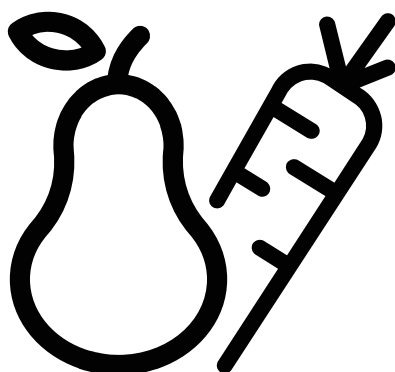


Points de collecte sur www.quefairedemesdechets.fr
Privilégiez la réparation ou le don de votre appareil !



Koelkast

Handleiding



GNO5322XPN
GNO5323XPN
GNO5324XPN
GNO5322WN
GNO5322WDXPN

NL





INFORMATIE



ENERG



SUPPLIER'S NAME

MODEL IDENTIFIER → (*)

A

A

De informatie van het model zoals opgeslagen in de product-databank is toegankelijk op de onderstaande website. Zoek uw model identificatie (*) vermeld op het energielabel.

<https://eprel.ec.europa.eu/>

Veiligheidsinformatie




Uit veiligheidsoverwegingen en om zeker te zijn dat het apparaat correct wordt gebruikt, moet u voor de installatie en de eerste ingebruikname deze handleiding en de hints en waarschuwingen zorgvuldig lezen. Om onnodige vergissingen en ongelukken te voorkomen, is het van essentieel belang ervoor te zorgen dat alle personen die het apparaat gebruiken volledig vertrouwd zijn met de werking en de veiligheidsfuncties. Bewaar deze instructies en zorg ervoor dat ze bij het apparaat blijven wanneer het wordt verhuisd of verkocht zodat iedereen die het gebruikt tijdens de levensduur correct op de hoogte is over het gebruik en de veiligheid van het apparaat.

Voor de veiligheid van personen en eigendom moet u de voorzorgsmaatregelen vermeld in deze handleiding volgen aangezien de fabrikant niet verantwoordelijk kan worden gesteld voor schade veroorzaakt door nalatigheid.

De veiligheid van kinderen en kwetsbare personen

- Dit apparaat mag worden gebruikt door kinderen van 8 jaar en ouder en personen met een verminderde fysiek, gevoelsmatig en mentaal vermogen of een gebrek aan ervaring en kennis als ze onder toezicht staan of instructies krijgen met betrekking tot het veilige gebruik van het apparaat en de betrokken risico's.
- Kinderen moeten onder toezicht staan om zeker te zijn dat ze niet spelen met dit apparaat.
- De reiniging en het onderhoud mag niet worden uitgevoerd door kinderen tenzij ze 8 jaar of ouder zijn en onder toezicht staan.
- Bewaar alle verpakking uit de buurt van kinderen. Er bestaat een verstikkingsgevaar.
- Als u het apparaat weggooit, moet u de stekker uit het stopcontact verwijderen, het netsnoer doorsnijden (zo dicht mogelijk bij het apparaat) en de deur verwijderen om te voorkomen dat kinderen een elektrische schok kunnen krijgen of zich insluiten in het apparaat.
- Als dit apparaat met magnetische deurafdichtingen een ouder apparaat moet vervangen die een verend slot hebben op de deur moet u ervoor zorgen dat dit slot onbruikbaar wordt gemaakt voor u het oude apparaat verwijdert. Zo voorkomt u dat kinderen er in gekneld kunnen raken.

Algemene veiligheid

-  **WAARSCHUWING!** Houd de ventilatieopeningen in de behuizing of de ingebouwde structuur vrij van obstructies.
-  **WAARSCHUWING!** Gebruik geen mechanische apparaten of andere middelen om het ontdooiproces te versnellen behalve de middelen aanbevolen door de fabrikant.
-  **WAARSCHUWING!** Beschadig het koelmiddelcircuit niet.

Veiligheidsinformatie

-  **WAARSCHUWING!** Gebruik geen andere apparaten (zoals roomijsmachines) in koelapparaten, tenzij ze zijn goedgekeurd voor dit doeleinde door de fabrikant.
 -  **WAARSCHUWING!** Raak de lamp niet aan als ze gedurende een lange periode is ingeschakeld omdat ze heel warm kan zijn.¹⁾
 -  **WAARSCHUWING!** Wanneer u het apparaat plaatst, moet u ervoor zorgen dat het netsnoer niet geklemd of beschadigd wordt.
 -  **WAARSCHUWING!** Gebruik geen meerdere draagbare stopcontacten of draagbare voedingen aan de achterzijde van het apparaat.
- U mag geen explosieve stoffen opslaan zoals een aerosol met een ontvlambaar drijfgas in dit apparaat.
 - Het koelmiddel isobutaan (R-600a) is omvat in het koelcircuit van het apparaat, een natuurlijk gas met een hoog niveau van milieubariteit die echter wel ontvlambaar is.
 - Tijdens het transport en de installatie van het apparaat moet u ervoor zorgen dat geen enkel van de onderdelen van het koelcircuit wordt beschadigd.
 - Vermijd open vlammen en ontstekingsbronnen
 - Ventileer de kamer waar het apparaat is geplaatst grondig.
 - Het is gevaarlijk de specificaties te veranderen of dit product te wijzigen op welke wijze dan ook. Elke schade aan het netsnoer kan een kortsluiting, brand en/of elektrische schokken veroorzaken.
 - Dit apparaat is bedoeld voor huishoudelijk gebruik en gelijkaardige toepassingen zoals
 - personeelskeuken in winkels, kantoren en andere professionele omgevingen,
 - boerderijen en door klanten in hotels, motels en andere residentiële omgevingen
 - bed and breakfast omgevingen;
 - catering en gelijkaardige niet-detailhandel toepassingen.
-  **WAARSCHUWING!** Alle elektrische onderdelen (stekker, netsnoer, compressor, etc.) moeten worden vervangen door een gecertificeerde service agent of gekwalificeerd onderhoudspersoneel.
 -  **WAARSCHUWING!** De lamp die wordt geleverd met dit apparaat is een “lamp voor speciaal gebruik” die enkel mag worden gebruikt met het geleverde apparaat. Deze “lamp voor speciaal gebruik” mag niet worden gebruikt voor de verlichting bij u thuis.¹⁾

1) Als er verlichting is in het vak

Veiligheidsinformatie

- Het netsnoer mag niet worden verlengd.
- Zorg ervoor dat de stekker niet wordt plat gedrukt of beschadigd door de achterzijde van het apparaat. Een verpletterde of beschadigde stekker kan oververhitten en brand veroorzaken.
- Zorg ervoor dat u de stekker van het apparaat kunt bereiken.
- Trek niet aan het netsnoer.
- Als de stekker los zit, mag u de stekker niet in het stopcontact steken. Er is een risico van elektrische schokken of brand.
- U mag het apparaat niet bedienen zonder de lamp.
- Dit apparaat is zwaar. U moet voorzichtig zijn wanneer u het verplaatst.
- Verwijder geen items uit de diepvriezer of raak ze niet aan als uw handen vochtig/nat zijn want dit kan schaafwonden of vriesbrandwonden.
- Vermijd een langdurige blootstelling van het apparaat aan direct zonlicht.

Dagelijks gebruik

- Plaats geen plastic onderdelen in het apparaat.
- Plaats geen etenswaren rechtstreeks tegen de achterwand.
- Bevroren etenswaren mag niet opnieuw worden ingevroren als het is ontdooid.¹⁾
- Bewaar voorverpakte ingevroren etenswaren in overeenstemming met de instructies van de fabrikant van het ingevroren etenswaren.¹⁾
- De instructies van de fabrikant met betrekking tot de opslag moeten strikt worden nageleefd. Raadpleeg de relevante instructies.
- Plaats geen koolzuurhoudende drankjes in het vriesvak want dit creëert druk in de container en kan resulteren in een ontploffing en het apparaat beschadigen.¹⁾
- Ijslolly's kunnen vriesbrandwonden veroorzaken als ze rechtstreeks uit het apparaat worden gegeten.¹⁾

Om besmetting van de etenswaren te vermijden, moet u de volgende instructies naleven.

- Als de deur langdurig wordt geopend, kan dit de temperatuur in de compartimenten van het apparaat aanzienlijk verhogen.
- Reinig de oppervlakken die in contact komen met etenswaren en de toegankelijke afvoersystemen regelmatig.
- Reinig waterreservoirs als ze niet zijn geopend gedurende 48 uur; spoel het watersysteem verbonden met een watertoevoer als het water niet is gebruikt gedurende 5 dagen.
- Sla rauw vlees en vis op in geschikte containers in de koelkast zodat ze niet in contact komen of druppen op andere etenswaren.
- Twee-ster ingevroren voedselcompartimenten (indien aanwezig in het apparaat) zijn geschikt om vooraf bevroren etenswaren te bewaren, roomijs op te slaan of te maken en ijsblokjes te maken.

1) Als er een vriesvak is.

2) Als er een opslagvak is voor verse etenswaren

Veiligheidsinformatie

- Een-, twee- en drie-ster vakken (indien aanwezig in het apparaat) zijn niet geschikt voor het invriezen van verse etenswaren.
- Als het apparaat gedurende lange periodes wordt leeg gelaten, moet u het uitschakelen, ontdooien, reinigen, drogen en de deur open laten om schimmelvorming in het apparaat te voorkomen.

Zorg en reiniging

- Voor ieder onderhoud moet u het apparaat uitschakelen en de stekker verwijderen uit het stopcontact.
- Reinig het apparaat niet met metalen voorwerpen.
- Gebruik geen scherpe voorwerpen om vorst te verwijderen uit het apparaat. Gebruik een plastic schraper.¹⁾
- Inspecteer de afvoer van de koelkast regelmatig voor dooiwater. Indien noodzakelijk moet u de afvoer reinigen. Als de afvoer geblokkeerd is, zal het water verzamelen onderin het apparaat.²⁾

Installatie

Belangrijk! Voor de elektrische verbinding moet u de instructies volgens die vermeld staat in de specifieke paragrafen.

- Pak het apparaat uit en inspecteer op schade U mag het apparaat niet verbinden als het beschadigd is. Rapporteer mogelijke schade onmiddellijk aan de plaats waar u het hebt gekocht. In dit geval moet u de verpakking bewaren.
- Het is aangeraden ten minste vier uur te wachten voor u het apparaat aansluit om de olie de mogelijkheid te bieden terug te vloeien in de compressor.
- Er moet voldoende luchtcirculatie mogelijk zijn rond het apparaat, zo niet kan het oververhit raken. Om voldoende ventilatie te garanderen, moet u de instructies met betrekking tot de installatie volgen.
- Indien mogelijk moeten de tussenstukken van het product tegen een muur worden geplaatst om te voorkomen dat men hete onderdelen zou aanraken of opvangen (compressor, condensator) om mogelijke brandwonden te voorkomen.
- Het apparaat mag niet dicht bij radiatoren of fornuizen worden geplaatst.
- Zorg ervoor dat de stekker toegankelijk is na de installatie van het apparaat.

Service

- Alle elektrische werken die noodzakelijk zijn voor het onderhoud van het apparaat moeten worden uitgevoerd door een gekwalificeerde elektricien of bevoegde persoon.
- Dit product moet worden onderhouden door een geautoriseerd Servicecentrum en enkel authentieke reserveonderdelen mogen worden gebruikt.

Energiebesparing

- Plaats geen warme etenswaren in het apparaat;
- Verpak de etenswaren niet te dicht bij elkaar want dit belet de luchtcirculatie;
- Zorg ervoor dat de etenswaren de achterzijde van de vakken niet aanraakt;

1) Als er een vriesvak is.

2) Als er een vak is voor verse etenswaren.


Veiligheidsinformatie

- Als de elektriciteit uitschakelt, mag u de deur(en) niet openen.
- Open de deur(en) niet te regelmatig;
- Laat de deur(en) niet te lang open;
- Stel de thermostaat niet in op extreem koude temperaturen;
- Alle accessoires, zoals laden, planken, balkons, moeten daar worden bewaard om het energieverbruik te beperken.

Milieubescherming



Dit apparaat bevat geen gas dat schade veroorzaakt aan de ozonlaag, noch in het koelcircuit of in het isolatiemateriaal. Het apparaat mag niet worden weggegooid samen met het huishoudelijk afval. Het isolerend schuim bevat brandbare gassen: het apparaat moet worden weggegooid in overeenstemming met de geldende regels voor apparaten beschikbaar bij uw lokale autoriteiten. Vermijd schade aan de koeleenheid, in het bijzonder aan de warmtewisselaar. Het materiaal dat wordt

gebruikt op dit apparaat en die gemarkeerd zijn met het symbool  kunnen worden gerecycled.



Het symbool op het product of op de verpakking wijst erop dat dit product niet mag worden behandeld als huishoudelijk afval. Het moet daarentegen naar een gepast inzamelpunt worden gebracht voor

de recycling van elektrische of elektronische apparatuur. Door ervoor te zorgen dat dit product correct wordt weggegooid, helpt u potentiële negatieve gevolgen voor het milieu en de volksgezondheid die het gevolg kunnen zijn van de ongeschikte afvalverwerking van dit product. Voor meer gedetailleerde informatie over de recycling van dit product kunt u contact opnemen met uw lokale autoriteiten, uw huishoudelijke afvaldienst of de winkel waar u het product hebt gekocht.

Verpakkingsmateriaal

Het materiaal met het symbool kan worden gerecycled. Gooi de verpakking in de geschikte containers om het te recyclen.

Verwijdering van het apparaat

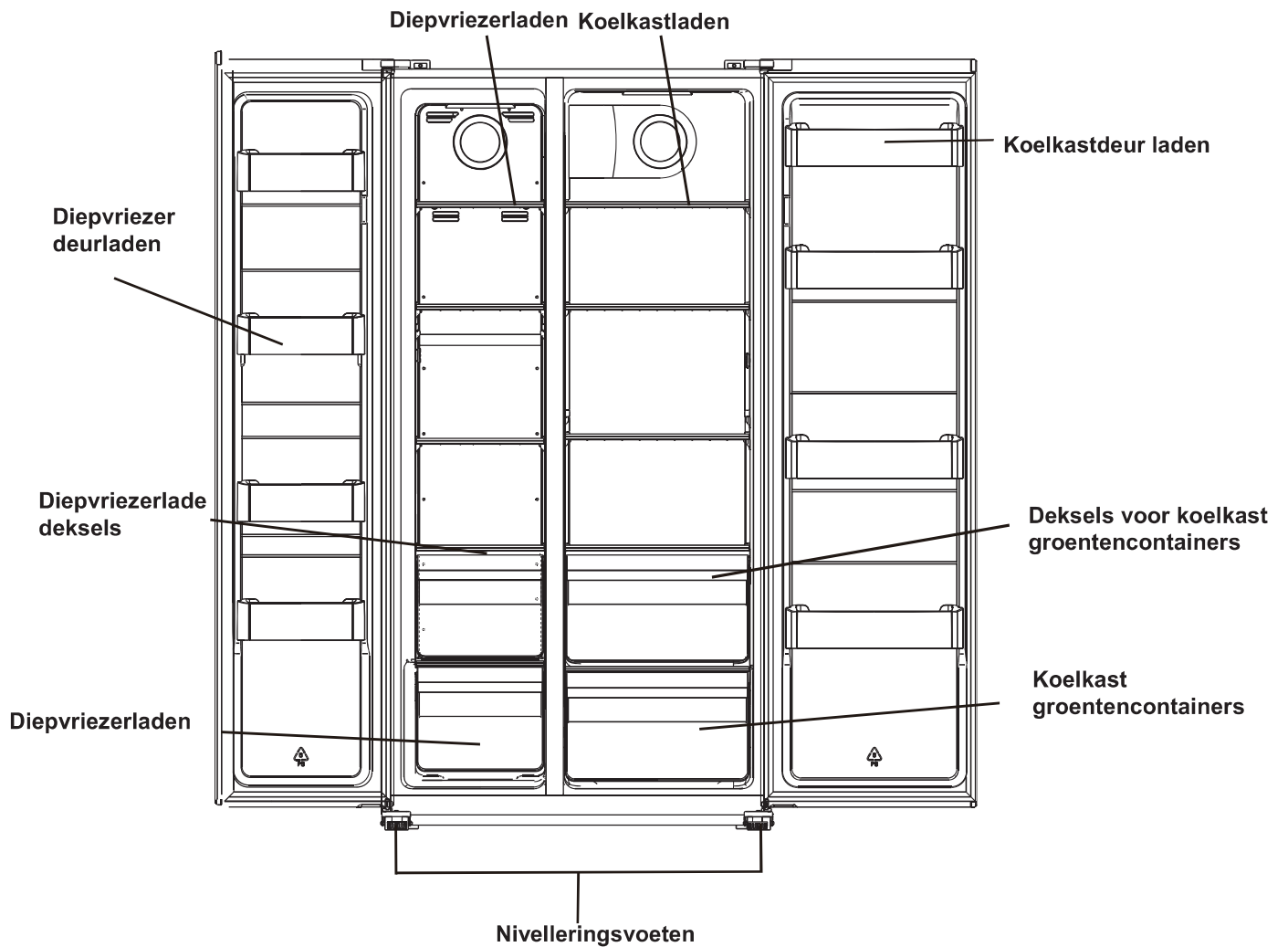
1. Verwijder de stekker uit het stopcontact.
2. Ontkoppel het netsnoer en gooi het weg.



WAARSCHUWING! Tijdens het gebruik, het onderhoud en de verwijdering van het apparaat moet u letten op het symbool links dat zich bevindt op de achterzijde van het apparaat (achterpaneel of compressor). Dit is het brandrisico waarschuwingssymbool. Er zijn brandbare producten in de koelbuizen en de compressor.

Blijf uit de buurt van brandbronnen tijdens het gebruik, onderhoud en de verwijdering.

Overzicht



Opmerking: De bovenstaande afbeelding dient enkel ter illustratie. Het reële apparaat kan verschillen.

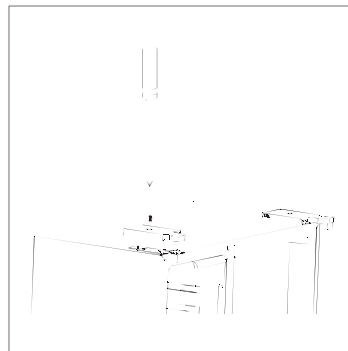
Installatie

De deuren verwijderen

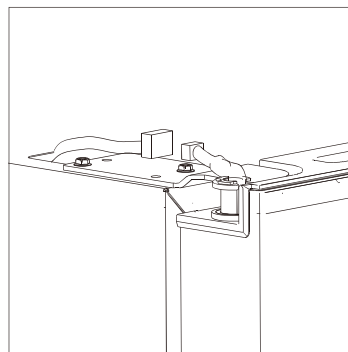
Vereist gereedschap: Kruiskopschroevendraaier, platte schroevendraaier.

- Zorg ervoor dat de stekker uit het stopcontact is verwijderd en leeg is.
- U moet het apparaat achterwaarts kantelen om de deuren te verwijderen. U moet het apparaat op een harde ondergrond laten rusten zodat het niet kan wegglijden tijdens het verwijderen van de deur.
- Alle verwijderde onderdelen moeten worden bewaard om ze opnieuw te installeren op de deur.
- Leg het apparaat niet horizontaal want dit kan het koelsysteem beschadigen.
- Het apparaat wordt best door 2 personen gehanteerd tijdens de installatie.

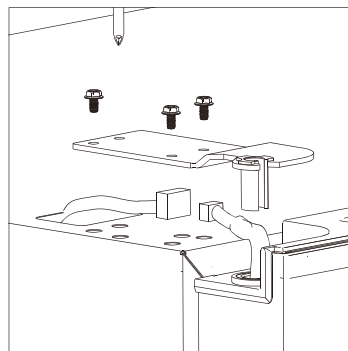
1. Schroef het scharnier deksel los met een kruiskopschroevendraaier.



2. Ontkoppel het harnas.

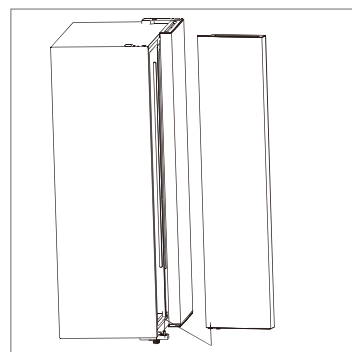


3. Schroef de bovenste scharnier los.

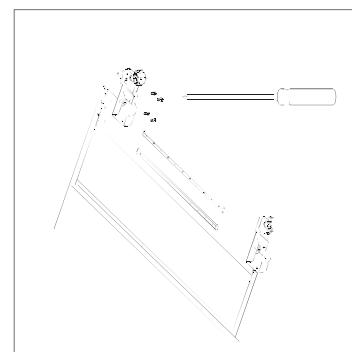


Installatie

4. Hef de deur omhoog en plaats het op een zacht stootkussen. Verwijder daarna een andere deur en volg dezelfde procedure.



5. Schroef de onderste scharnieren los.

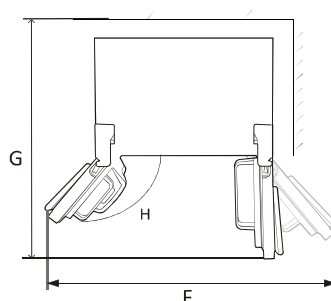
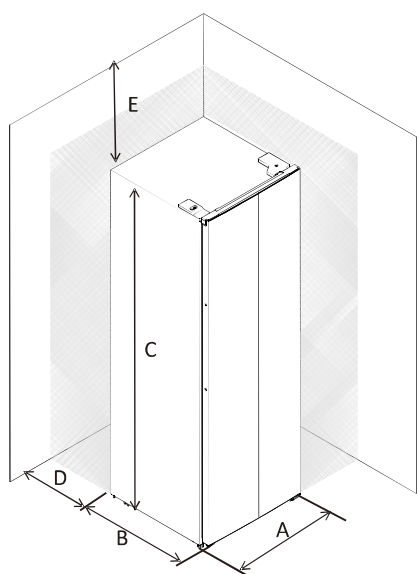


6. Nadat het apparaat is geplaatst, installeert u de deuren in de omgekeerde volgorde.

Installatie

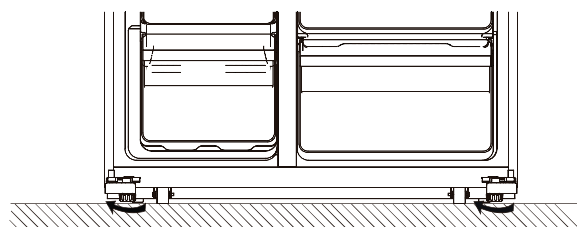
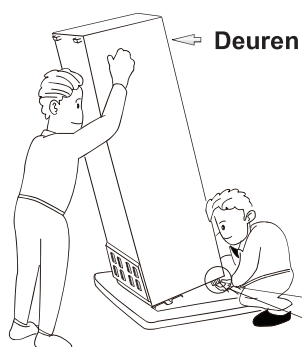
Plaatsvereiste

- Selecteer een locatie zonder directe blootstelling aan zonlicht;
- Selecteer een locatie met voldoende ruimte om de deuren te openen;
- Selecteer een locatie met een waterpas (of nagenoeg waterpas vloer);
- Laat voldoende ruimte om de koelkast te installeren op een vlakke ondergrond;
- Laat een tussenruimte rechts, links, achteraan en bovenaan tijdens de installatie. Dit helpt het stroomverbruik te verminderen en uw energiekosten te verlagen.



A	910
B	670
C	1770
D	min=50
E	min=50
F	1800
G	1560
H	135°

De koelkast nivelleren



- Roteer de voeten rechtsom om handmatig te verhogen. - Draai de voeten linksom om handmatig te

Installatie

Positioneren

Installeer dit apparaat op een locatie waar de omgevingstemperatuur overeenstemt met de


- uitgebreide temperatuur: dit koelapparaat is bedoeld voor gebruik bij een omgevingstemperatuur tussen 10 °C en 32 °C (SN);
- gematigd: Dit koelapparaat is bedoeld voor gebruik bij een omgevingstemperatuur tussen 16 °C en 32 °C. N
- subtropisch: dit koelapparaat is bedoeld voor gebruik bij een omgevingstemperatuur tussen 16 °C en 38 °C (ST);
- tropisch: Dit koelapparaat is bedoeld voor gebruik bij een omgevingstemperatuur tussen 16 °C en 43 °C.

Locatie

Het apparaat moet uit de buurt van warmtebronnen zoals radiatoren, ketels, direct zonlicht, etc. worden geïnstalleerd. Zorg ervoor dat lucht vrij kan circuleren rond de achterzijde van de kast. Voor een optimale prestatie, als het apparaat wordt geïnstalleerd onder een overhangende muur, moet de minimale afstand tussen de bovenzijde van de kast en het wandapparaat ten minste 100 mm bedragen. Het is echter beter het apparaat niet te installeren onder een overhangende muur. De nauwkeurige nivellering is mogelijk dankzij de instelbare voetjes onderaan op het apparaat.

Dit koelapparaat is niet bedoeld voor gebruik als een ingebouwd apparaat;

Waarschuwing! Het moet mogelijk zijn het apparaat los te koppelen van het elektrisch net. De

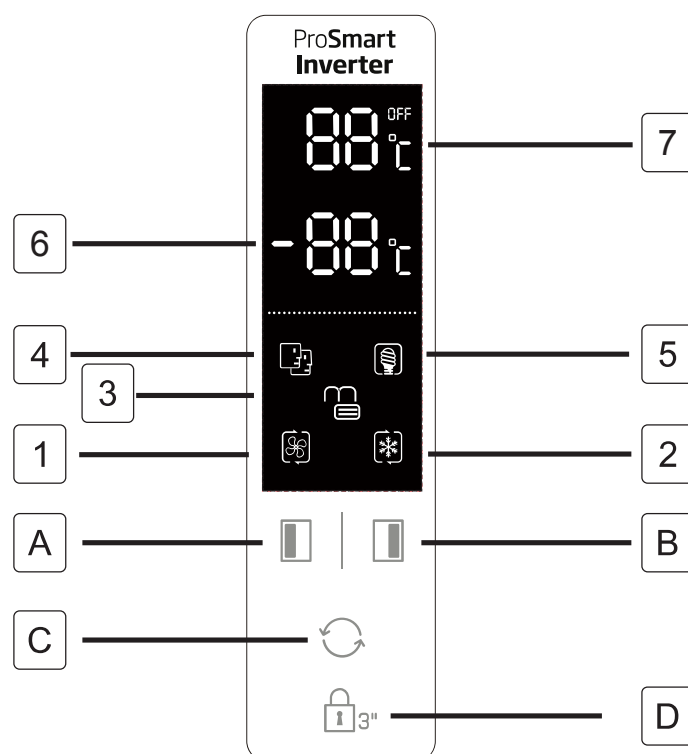
stekker moet dus  gemakkelijk toegankelijk blijven na de installatie.

Elektrische aansluiting

Voor u de stekker in het stopcontact voert, moet u controleren of de spanning en frequentie aangeduid op het naamplaatje overeenstemmen met de voeding bij u thuis. Het apparaat moet geaard worden. De stekker is voorzien van een contact voor dit doeleinde.

Dagelijks gebruik

Het Gebruik der Configuratiepaneel



Knoppen

- A Druk in om de temperatuur van het vriesvak in te stellen (linkerzijde) van -14°C tot -22°C.
- B Druk in om de temperatuur van het koelvak in te stellen (rechterzijde) van 2°C tot 8°C en "OFF". Als u OFF selecteert, wordt het koelvak uitgeschakeld.
- C Druk in om de actieve modus te selecteren van **SMART**, **ECO**, **SUPER COOLING**, **SUPER FREEZING** en **INSTELLING VAN DE GEBRUIKER** (geen symbool op het scherm).
- D Druk op de **Lock 3**. knop en houd hem 3 seconden ingedrukt om de andere drie knoppen te vergrendelen. Houd hem 1 seconde ingedrukt om de andere drie knoppen te ontgrendelen.

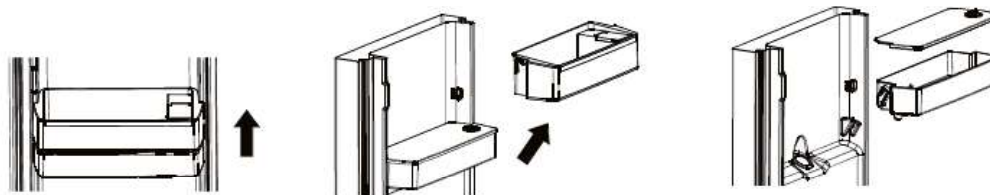
Scherm

- 1 **SUPERCOOLING** Het koelvak wordt afgekoeld tot de laagste temperatuur zoals het ontworpen is. De temperatuurinstelling wordt hersteld naar de vorige gebruikersinstellingsmodus na ongeveer 2,5 uur.
- 2 **SUPER FREEZING** Het koelvak wordt afgekoeld tot de laagste temperatuur zoals het ontworpen is. De temperatuurinstelling wordt hersteld naar de vorige gebruikersinstellingsmodus na ongeveer 50 uur.
Tips: het is beter 24 uur van tevoren om de **SUPER DIEPVRIES** modus in te schakelen voordat een grote hoeveelheid voedsel in het diepvriesvak wordt geplaatst.
- 3 **LOCK**, het symbool licht op als de knoppen zijn vergrendeld.
- 4 **SMART** modus, de koelkast stelt de temperatuur van twee vakken automatisch in, in overeenstemming met de interne temperatuur en de omgevingstemperatuur.
- 5 **ECO** modus, de koelkast werkt in de laagste energieverbruik instelling.
- 6 Geeft de ingestelde temperatuur van het vriesvak weer.
- 7 Geeft de ingestelde temperatuur van het koelvak weer.

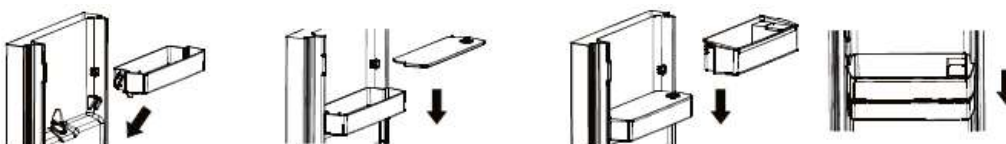
Dagelijks gebruik

Voordat u de waterdispenser voor de eerste keer gebruikt, dient u het waterreservoir in het koelgedeelte te verwijderen en schoon te maken.

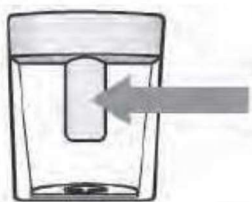
1. Eerst het reservoirbalkon optillen en verwijderen, en vervolgens het waterreservoir met afdekking verwijderen. Maak de afdekking los om zowel het reservoir als de afdekking schoon te maken.



2. Plaats na het reinigen het waterreservoir, de afdekking en het reservoirbalkon weer terug zoals hieronder staat afgebeeld.



3. Maak het dispenserblok buiten de koelkastdeur schoon.



Het waterreservoir vullen met water

1. Open het dekseltje.



2. Vul het waterreservoir met drinkwater tot aan de 3L-markering.
3. Sluit het dekseltje op de afdekking.



Water tappen

Om water te tappen, drukt u lichtjes tegen het dispenserblok met een glas of andere container.

Om de waterstroom te stoppen, trekt u uw glas weg van het dispenserblok.

Dagelijks gebruik

Het Gebruik der Configuratiepaneel

- 8 Kinderslot zou uitvallen sinds stroomuitval. Kinderslot zou automatisch geldig zijn na 25 seconden sinds de laatste bewerking. Na 2 minuten sinds de laatste bediening zou het weergavespaneel automatisch uitgeschakeld worden.
- 9. Op dit model zijn sommige functies onmogelijk van toepassing zijn.

Deur open alarm

Als een deur gedurende 90 seconden open blijft, weerklinkt een periodiek alarm tot de deur wordt gesloten.

Dagelijks gebruik

Eerste gebruik

De binnenzijde reinigen

Voor u het apparaat de eerste maal in gebruik neemt, moet u de binnenzijde en alle interne accessoires reinigen met lauw water en neutrale zeep om de typische geur van een gloednieuw product te verwijderen en daarna moet het grondig drogen.

Belangrijk! Gebruik geen oplosmiddelen of schurende poeders want deze zullen de afwerking beschadigen.

Dagelijks gebruik

Verse etenswaren invriezen

Etenswaren	Locatie
Eieren	Deurrek
Zuivelproducten (boter, kaas)	Indien beschikbaar in het biofresh of chiller vak Onderste laden
Fruit, groenten en salade	Fruit en groentenvak, crisper of EverFresh+ vak (indien beschikbaar)
Vers vlees, gevogelte, verse vis, worst, bereide etenswaren	Indien beschikbaar in het biofresh of chiller vak Onderste lade
Kant en klare etenswaren, verpakte producten, conserven, gepekeld producten	Bovenste laden of deurrek
Drank, flessen, kruiden, snacks	Deurrek
Restjes	Middelste laden

NL Tips om verse etenswaren te bewaren:

Etenswaren bewaren in het compartiment voor verse etenswaren:

- Houd uw koelkast aan de aanbevolen temperatuurniveau van 4°C.
- De etenswaren die u wilt bewaren moeten correct worden afgedicht om geurtjes en wijzigingen in de smaak te vermijden.
- Bewaar geen al te grote hoeveelheden etenswaren in uw koelkast. U moet ruimte tussen de etenswaren laten zodat de koude lucht kan circuleren voor een beteren en meer homogene koeling.
- De etenswaren die u dagelijks eet, moeten vooraan op de lade worden bewaard zodat de deur niet te lang moet worden geopend.
- Laat een opening tussen etenswaren en de interne wanden om lucht te laten circuleren. Als u etenswaren bewaart tegen de achterwand kunnen ze bevroren tegen de achterwand.
- Warme, bereide etenswaren moeten worden afgekoeld tot kamertemperatuur voor u ze bewaart in het apparaat. Daarna kunnen warme etenswaren worden bewaard in de onderste laden van uw koelkast. Plaats geen etenswaren in de buurt van zeer bederfelijke goederen.
- Ontdooi uw ingevroren etenswaren in het compartiment voor verse etenswaren. Zo kunt u de ingevroren etenswaren gebruiken om de temperatuur te verlagen in het vak en energie besparen.

Dagelijks gebruik

- Als er onrijp tropisch fruit (mango, meloenen, papaja, bananen, ananas) wordt opgeslagen in de koelkast kan het verouderingsproces worden versneld en het wordt afgeraden aangezien dit een resulteert in een kortere bewaartijd. Hoewel, het rijpen van groen fruit (appelen, peren) kan gedurende een bepaalde periode worden bevorderd.
 - Uien, look, gember en andere wortelgroenten moeten worden bewaard in donkere en koele kamercondities, niet in de koelkast.
 - Als men bedorven etenswaren vindt in de koelkast moeten deze worden verwijderd. Als u bedorven etenswaren opmerkt moet u de interne voering of de accessoires waarmee ze in contact waren worden verwijderd om besmetting te vermijden.
 - Grote potten met etenswaren, zoals soepen of stoofpotjes kunnen worden verdeeld in ondiepe containers om snel af te koelen in de koelkast. Grote stukken onbereid vlees en volledig gevogelte moeten worden verdeeld in kleinere stukken voor ditzelfde doeleinde.
 - Bewaar geen onverpakte etenswaren dichtbij eieren.
 - Houd fruit en groenten van elkaar gescheiden en bewaar ze met gelijkaardige zaken: appelen met appelen, wortels met wortels. Fruit en groenten geven verschillende gassen af die andere kunnen bederven.
 - Verwijder bladgroenten uit plastic zakken, wikkel ze in papier of een theedoek voor u ze in de koelkast plaatst. Vergeet ze niet te drogen als ze gespoeld of nat zijn voor het bewaren.
 - Bewaar fruit en groenten die kunnen uitdrogen in geperforeerde of niet afgesloten plastic zakken om een vochtige omgeving te handhaven maar de lucht nog steeds te laten circuleren.
 - Andere etenswaren moeten in andere plaatsen worden bewaard, naargelang hun eigenschappen:
- “Controleer de gepaste klimaatklasse van uw apparaat vermeld op het typeplaatje. De onderstaande informatie is belangrijk voor uw apparaat in overeenstemming met de nominale klimaatklasse.”
- SN: Uitgebreide temperatuur: Dit koelapparaat is bedoeld voor gebruik bij een omgevingstemperatuur tussen 10°C en 32°C.
 - N: Gematigd: Dit koelapparaat is bedoeld voor gebruik bij een omgevingstemperatuur tussen 16°C en 32°C.
 - ST: Subtropisch: Dit koelapparaat is bedoeld voor gebruik bij een omgevingstemperatuur tussen 16°C en 38°C.
 - Tel.: Tropisch Dit koelapparaat is bedoeld voor gebruik bij een omgevingstemperatuur tussen 16°C en 43°C.

Dagelijks gebruik

NL Bewaring in het vriesvak:

- Het is aanbevolen de diepvriezerinstelling te handhaven aan -20°C behalve in extreme omgevingscondities.
- 4-6 uur voor het invriezen moet u de Fast Freeze functie inschakelen om sneller in te vriezen.
- Warme etenswaren moeten worden afgekoeld tot kamertemperatuur voor u het opbergt in het vriesvak.
- Etenswaren die in kleine porties verdeeld zijn, zullen sneller invriezen en eenvoudiger zijn om te ontdooien en te bereiden.
- Het is beter etenswaren te verpakken voor u ze in het vriesvak plaatst.
- Om te voorkomen dat de bewaarperioden verstrijken, moet u de invriesdatum, tijdslijmiet en de naam van de etenswaren noteren op de verpakking in overeenstemming met de bewaarperioden van verschillende etenswaren.
- U mag de opslagduur van de etenswaren die wordt aanbevolen door de voedselabrikanten niet overschrijden. Verwijder uitsluitend de vereiste hoeveelheid etenswaren uit de diepvriezer.
- Verbruik de ontdooide etenswaren in een korte periode. Ontdooide etenswaren mogen niet opnieuw worden ingevroren tenzij ze zijn bereid. Het is niet veilig onbereide opnieuw ingevroren verse etenswaren te eten.
- Wanneer u verse etenswaren invriest, moet u contact vermijden met al ingevroren etenswaren. Dit kan reeds ingevroren stukken doen ontdooien.

Wanneer u commercieel ingevroren etenswaren wilt bewaren, moet u de volgende richtlijnen volgen:

- Volg altijd de richtlijnen van de producent met betrekking tot de bewaartijden van de etenswaren. Respecteer deze richtlijnen!
- Probeer de tijdsduur tussen de aankoop en het opbergen zo kort mogelijk te houden om de kwaliteit te handhaven.
- Koop ingevroren etenswaren die werden bewaard aan een temperatuur van -18°C of lager.
- Vermijd etenswaren te kopen met ijs of vorst op de verpakking - Dit wijst erop dat de producten op zeker moment gedeeltelijk ontdooid en opnieuw ingevroren werden - temperatuurstijgingen beïnvloeden de kwaliteit van de etenswaren.
- We raden een temperatuur aan van 4°C voor verse etenswaren en -20°C voor het vriesvak om de etenswaren beter te bewaren.
- Met uitzondering van extreme condities in de omgeving, als de temperatuur is ingesteld op de aanbevolen waarden van +4°C/-20°C. De algemene versheid wordt verlengd in het vak van de verse etenswaren en de vriesvakken. Als de temperatuur van het verse etenswaren vak koeler ingesteld, kunnen vers fruit en groenten gedeeltelijk ingevroren of blootgesteld aan koudletsel, terwijl een warmere temperatuur kan resulteren in een sneller bederven van zeer bederfelijke etenswaren (zuivelproducten, vlees).

Dagelijks gebruik

Verse etenswaren invriezen

- Het vriesvak is geschikt om verse etenswaren in te vriezen en bevroren etenswaren en diepgevroren etenswaren te bewaren.
- Plaats de verse etenswaren die u wilt invriezen in het onderste vak.
- De maximale hoeveelheid etenswaren die in 24 uur kan worden ingevroren staat vermeld op het naamplaatje.
- Het vriesproces duurt 24 uur: tijdens deze periode mag u geen andere etenswaren toevoegen

Bevroren etenswaren bewaren.

Wanneer het apparaat de eerste maal wordt gestart of na een lange periode van inactiviteit. Voor u het product in het vak plaatst, moet u het apparaat ten minste 2 uur laten draaien op een hoge instelling.

Belangrijk! In het geval van een ongewenst ontdooien van etenswaren, bijvoorbeeld als de stroompanne langer heeft geduurd dan de waarde weergegeven in de technische eigenschappen onder "toenemende tijd" moeten de ontdooide etenswaren snel worden opgegeten of onmiddellijk bereid en daarna opnieuw ingevroren (na de bereiding).

Ontdooien

Diepgevroren of ingevroren etenswaren kunnen voor ze worden gebruikt worden ontdooid in het vriesvak of bij kamertemperatuur, afhankelijk van de beschikbare tijd.

Kleine etenswaren kunnen zelfs worden bereid als ze nog bevroren zijn, rechtstreeks uit de koelkast. In dit geval zal de bereiding langer duren.

Ijsblokjes

Dit apparaat kan zijn uitgerust met een of meerdere ijsblokken om ijs te maken.

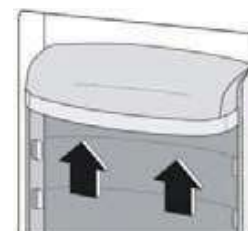
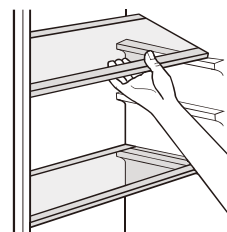
Accessoires

Verplaatsbare laden

De wanden van de koelkast zijn uitgerust met een reeks lopers zodat de laden naar wens kunnen worden aangebracht.

De deurladen positioneren

Om etenswaren van uiteenlopende afmetingen te kunnen bewaren, moeten de rekken in de deur op verschillende hoogten worden aangebracht. Ga als volgt te werk om deze aanpassingen uit te voeren: trek het rek geleidelijk aan in de richting van de pijlen tot het vrij komt en verplaats het daarna naar wens.



Nuttige hints en tips

Hints voor het invriezen

Dagelijks gebruik

Voor een optimaal vriesproces vindt u hierna een aantal belangrijke hints:

- de maximale hoeveelheid etenswaren die kunnen worden ingevroren in 24 uur wordt weergegeven op het typeplaatje;
- het vriesproces duurt 24 uur. Er mogen geen bijkomende etenswaren worden toegevoegd tijdens deze periode.
- u mag enkel hoogwaardige, verse en grondig gereinigde etenswaren invriezen;
- bereid etenswaren in kleine porties om ze snel en volledig te kunnen invriezen en om het achteraf mogelijk te maken enkel de gewenste hoeveelheid te ontdooien;
- wikkel de etenswaren in aluminiumfolie of polyethyleen en zorg ervoor dat de verpakkingen luchtdicht zijn;
- laat geen verse, niet-ingevroren etenswaren in aanraking komen met etenswaren die al ingevroren zijn om een stijging in temperatuur van deze laatste te voorkomen;
- magere etenswaren kunnen beter en langer worden bewaard dan vetrijke etenswaren; zout vermindert de bewaartijd van etenswaren;
- waterijs kan vriesbrand van de huid veroorzaken als het rechtstreeks uit het vriesvak wordt gegeten;
- het is aanbevolen de invriesdatum te noteren op elke individuele verpakking zodat u ze kunt verwijderen uit het vriesvak, dit kan vriesbrand veroorzaken;
- het is aanbevolen de invriesdatum te noteren op elke individuele verpakking om de bewaartijd op elk moment te kunnen volgen.

Hints voor de bewaring van ingevroren etenswaren

Voor een optimale prestatie van dit apparaat moet u:

- Zorg ervoor dat de commercieel ingevroren etenswaren correct werden opgeslagen door de detailhandelaar;
- Zorg ervoor dat de ingevroren etenswaren zo snel mogelijk worden overgedragen van de winkel naar de diepvriezer;
- Open de deur niet te vaak of laat ze niet langer open dan absoluut noodzakelijk;
- Als de etenswaren zijn ontdooid, worden de etenswaren snel aangetast en ze kunnen niet opnieuw worden ingevroren;
- U mag de bewaartijd niet overschrijden die wordt aangegeven door de fabrikant.

Hints voor de koeling van verse etenswaren

Voor een optimale prestatie:

- Bewaar geen warme etenswaren of dampende vloeistoffen in de koelkast
- Dek etenswaren af of omwikkel ze, in het bijzonder als ze een sterke smaak hebben

Hints voor de koeling

Nuttige hints:

- Merk (alle types): wikkel in polyethyleen zakjes en plaats ze op de glazen laden boven de groentelade.
- Uit veiligheidsoverwegingen is het aanbevolen etenswaren slechts een of maximaal twee dagen te bewaren.
- Bereide etenswaren, koude schotels, etc.: deze moeten worden afgedekt en kunnen op elke lade worden geplaatst.
- Fruit en groenten: deze moeten grondig worden gereinigd en in de speciaal voorziene laden worden geplaatst.
- Boter en kaas: deze moeten in speciale luchtdichte containers worden geplaatst of gewikkeld in aluminiumfolie of polyethyleen zakjes om zoveel mogelijk lucht te verwijderen.
- Melkflessen: deze moeten voorzien zijn van een dop en moeten in de flessenrekken van de deur worden bewaard.
- Bananen, aardappelen, uien en look, indien niet verpakt, mogen niet worden bewaard in de koelkast.

Reiniging

Om hygiënische redenen moet de binnenzijde van het apparaat, inclusief de interne accessoires, regelmatig worden gereinigd.



Let op! Het apparaat mag niet verbonden zijn met het elektrisch net tijdens de reiniging. Gevaar van elektrische schokken! Voor de reiniging moet u het apparaat uitschakelen en de stekker uit het stopcontact verwijderen of de stroomonderbreker of zekering verwijderen. Reinig het apparaat nooit met een stoomreiniger. Vocht kan accumuleren in de elektrische onderdelen en dit resulteert in een risico van elektrische schokken! Warme dampen kunnen resulteren in schade aan plastic onderdelen. Het apparaat moet droog zijn voor het opnieuw in gebruik wordt genomen.

Belangrijk! Etherisch oliën en organische oplosmiddelen kunnen plastic onderdelen aanvallen, bijv. citroensap of het sap van sinaasappel schil, boterzuur, reinigingsmiddelen met azijnzuur.

- Zorg ervoor dat dergelijke stoffen niet in contact komen met de onderdelen van het apparaat.
- Gebruik geen schurende reinigingsmiddelen.
- Verwijder de etenswaren uit de diepvriezer. Bewaar ze in een koele locatie, niet afgedekt.
- Schakel het apparaat uit en de stekker uit het stopcontact verwijderen of de stroomonderbreker of zekering verwijderen.
- Reinig het apparaat en de interne accessoires met een doek en lauw water. Na de reiniging moet u het apparaat afnemen met fris water en droog wrijven.
- Wanneer alles droog is, kunt u het apparaat opnieuw inschakelen.

Dagelijks gebruik

Probleemoplossing

Let op! Ontkoppel de netvoeding voor u problemen oplost. De probleemoplossing die niet wordt vermeld in deze handleiding mag enkel worden uitgevoerd door gekwalificeerde elektriciens



of bekwame personen.

Belangrijk! Het apparaat maakt een aantal geluiden tijdens het normale gebruik (compressor, koelmiddel).

Probleem	Mogelijke oorzaak	Oplossing
De dosering van het apparaat werkt niet.	Stekker zit niet in het stopcontact of zit los	Voer de stekker in het stopcontact.
	Zekering is gesprongen of defect	Controleer de zekering. Vervang indien nodig.
	Stopcontact is defect.	Netspanning defecten moeten worden gerepareerd door een
Het apparaat bevriest of koelt te veel.	De temperatuur is te koud ingesteld of het apparaat werkt in de SUPER modi.	Stel de thermostaat tijdelijk in op een warmere instelling.
De etenswaren zijn niet voldoende ingevroren.	De temperatuur is niet correct ingesteld.	Raadpleeg het hoofdstuk initiële Temperatuurinstelling.
	De deur is langdurig open gebleven.	Open de deur slechts zo lang als nodig.
	Er is een grote hoeveelheid etenswaren in het apparaat geplaatst in de afgelopen 24 uur.	Schakel de temperatuurregelaar tijdelijk op een koudere instelling.
	Het apparaat bevindt zich in de buurt van een warmtebron.	Raadpleeg het hoofdstuk Installatie locatie.
Grote accumulatie van vorst op de deurafdichting.	Deurafdichting is niet luchtdicht.	Verwarm de lekkende secties voorzichtig op van de deurafdichting met een haardroger (op een koude instelling). Geef de verwarmde deurafdichting gelijktijdig vorm met de
Abnormale geluiden	Apparaat staat niet waterpas.	Regel de voetjes bij.
	Het apparaat raakt de muren of andere voorwerpen aan.	Verplaats het apparaat een beetje.
	Een onderdeel, bijv. een buis, op de achterzijde van het apparaat raakt een ander onderdeel van het apparaat of de muur aan.	Indien noodzakelijk moet u het onderdeel weg buigen.
De zijpanelen zijn warm	Dit is normaal. De warmtewisselaar zit in de zijpanelen	Gebruik handschoenen om de zijpanelen aan te raken indien nodig.

Als het defect zich opnieuw vertoont, moet u het Servicecentrum raadplegen. Deze gegevens zijn noodzakelijk om u snel en correct te kunnen helpen. Noteer de noodzakelijke gegevens hier met verwijzing naar het typeplaatje.

VERWIJDERING



Dit symbool wijst erop dat dit product niet mag worden weggegooid met ander huishoudelijk afval aan het einde van de levensduur. Het gebruikte apparaat moet worden geretourneerd naar een officieel inzamelpunt voor de recycling van elektrische en elektronische apparaten. Neem contact op met uw lokale autoriteiten of detailhandelaar waar u het product hebt gekocht om deze inzamelpunten te vinden. Elk gezin speelt een belangrijke rol in de recuperatie en recycling van oude apparaten. De correcte verwijdering van gebruikte apparaten helpt negatieve gevolgen te vermijden voor het milieu en de gezondheid van de mens.

NL

DISCLAIMER / WAARSCHUWING

Sommige (eenvoudige) defecten kunnen correct worden behandeld door de eindgebruiker zonder dat dit aanleiding geeft tot veiligheidsproblemen of een onveilig gebruik, op voorwaarde dat ze worden uitgevoerd binnen de limieten en in overeenstemming met de volgende instructies (zie het hoofdstuk "Zelf-reparatie").

Om die reden, tenzij anderszits toegelaten in het onderstaande hoofdstuk "Zelf-reparatie", moeten reparaties worden uitgevoerd door geregistreerde professionele monteurs om veiligheidsproblemen te voorkomen. Een geregistreerde professionele monteur is een professionele monteur die toegang heeft gekregen tot de instructies en de lijst met reserveonderdelen van dit product door de fabrikant, in overeenstemming met de methoden beschreven in wetsbesluiten in overeenstemming met Richtlijn 2009/125/EC.

Hoewel, de onderhouds- en reparatiewerken in het kader van de garantievoorwaarden mogen uitsluitend worden uitgevoerd door de gespecialiseerd vertegenwoordiger (m.a.w. geautoriseerde professionele monteurs) die u kunt bereiken via het telefoonnummer vermeld in de gebruikshandleiding/garantiekartaal of via uw geautoriseerde verdeler. Om die reden zullen reparaties die worden uitgevoerd door professionele monteurs (die niet zijn geautoriseerd door Beko) de garantie nietig verklaren.

Zelf-reparatie

De eindgebruiker kan de volgende reserveonderdelen zelf repareren: deur handgrepen, deur scharnieren, laden, manden en deurpakkingen (een bijgewerkte lijst is ook beschikbaar op support.beko.com op 1 maart 2021).

Bovendien, om de veiligheid van het product te garanderen en het risico van ernstig letsel te voorkomen, moet de vermelde zelf-reparatie worden uitgevoerd in overeenstemming met de instructies in de handleiding voor zelf-reparatie of die beschikbaar is in support.beko.com. Uit

veiligheidsoverwegingen moet u de stekker van het product loskoppelen voor u een zelf-reparatie probeert uit te voeren.

Reparaties en pogingen tot reparatie door eindgebruikers van onderdelen die niet zijn omvat in deze lijst en/of waarbij de instructies in de handleiding voor zelf-reparatie of die beschikbaar zijn in support.beko.com niet worden nageleefd, kunnen resulteren in veiligheidsproblemen die niet kunnen worden toegewezen aan Beko Beko en deze zullen de garantie van het product nietig verklaren.

Om die reden raden wij ten stelligste af dat eindgebruikers op eigen houtje reparaties proberen uit te voeren die buiten de vermelde lijst van reserveonderdelen vallen en in dergelijke situaties beroep doen op een geautoriseerde professionele monteur of geregistreerde professionele monteurs. Dergelijke pogingen van eindgebruikers kunnen daarentegen veiligheidsproblemen en schade aan het product veroorzaken en resulteren in brand, overstromingen, elektrische schokken en ernstig persoonlijk letsel.

Als voorbeeld, maar niet beperkt tot, de volgende reparaties moeten worden uitgevoerd door geautoriseerde professionele servicemonteurs of geregistreerde professionele monteurs: compressor, koelcircuit, moederbord, omzetter bord, weergavebord, etc.

De fabrikant/verkoper kan niet aansprakelijk worden gesteld wanneer eindgebruikers de bovenstaande instructies niet naleven.

De beschikbaarheid van de reserveonderdelen van de koelkast die u hebt gekocht is 10 jaar. Tijdens deze periode zijn de originele reserveonderdelen beschikbaar voor de correcte werking van uw koelkast.

De minimale duur van de garantie van de koelkast die u hebt gekocht, is 24 maanden.

Dit product is uitgerust met een lichtbron van de "G"-energieklasse. De lichtbron in dit product mag enkel worden vervangen door professionele reparateurs.

Slijtage door normaal gebruik

U heeft een Beko of Grundig Groot huishoudelijk product gekocht waarvan u bij goed gebruik vele jaren plezier kunt hebben. Goed gebruik betekent dat u de instructies in de gebruiksaanwijzing toepast, vooral die over de wijze van gebruik en onderhoud. Dit is erg belangrijk voor een goede werking van het product, ook op de lange termijn. Daarnaast moet u er rekening mee houden dat elk product slijtagegevoelige onderdelen bevat. Sommige onderdelen slijten pas nadat de normale levensduur van het product voorbij is. Andere onderdelen slijten eerder, al voordat de normale levensduur van het product voorbij is. Het is met die onderdelen net als met een auto: ruitenwissers en banden moeten vaak al na enkele jaren worden vervangen, terwijl de auto zelf nog heel veel jaren mee kan.

Bij elektrisch-huishoudelijke apparaten kan bijvoorbeeld worden gedacht aan de volgende slijtagegevoelige onderdelen:

- bewegende delen (zoals motor, scharnier, wieltjes)
- elektronica-modules (zoals printplaat, sensoren, verlichting)
- kunststof- en rubberen delen (zoals deurrubber, reservoirs, geleiders)
- afdichtingen (slangen)
- verwarmingselementen
- lagers

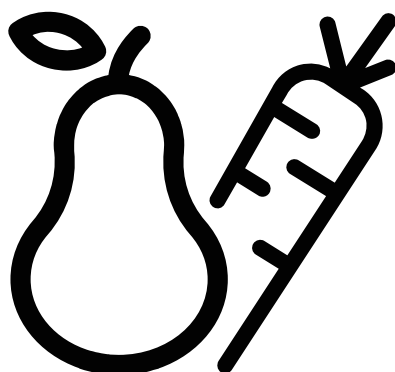
Dit soort onderdelen slijt vaak eerder dan u van het totale product verwacht. Die eerdere slijtage is normaal, net als bij auto-onderdelen. De kwaliteit van het product is daardoor niet minder. De kosten van vervanging of reparatie van die onderdelen zijn daarom voor rekening van u als gebruiker van het product. Afhankelijk van de omstandigheden kan er voor de verkoper altijd reden zijn om de kosten niet of slechts gedeeltelijk aan u in rekening te brengen. Als sprake is van abnormale slijtage bij normaal gebruik zijn de kosten sowieso voor rekening van de verkoper.

Houdt er rekening mee dat de levensduur van een product afhangt van hoe vaak u het gebruikt, hoe u het gebruikt en waar u het product gebruikt.

beko

Frigorifero

Manuale utente



GNO5322XPN
GNO5323XPN
GNO5324XPN
GNO5322WN
GNO5322WDXPN

IT

CE



INFORMAZIONI



ENERG



SUPPLIER'S NAME

MODEL IDENTIFIER

(*)

A

A

Le informazioni sul modello memorizzate nella banca dati dei prodotti possono essere consultate sul seguente sito web, cercando l'identificativo del modello (*) presente sull'etichetta energetica.

<https://eprel.ec.europa.eu/>

Informazioni per la sicurezza




Nell'interesse della vostra sicurezza e per assicurare un uso corretto, prima dell'installazione e del primo uso dell'apparecchio leggere attentamente questo manuale utente, compresi i suggerenti e le avvertenze. Per evitare errori e incidenti evitabili, è importante garantire che chiunque usi l'apparecchio conosca accuratamente il relativo funzionamento e le dotazioni di sicurezza. Salvare queste istruzioni e assicurarsi che rimangano con l'apparecchio se quest'ultimo viene spostato o venduto, in modo che chiunque lo usi durante il suo periodo di vita utile sia adeguatamente informato sull'uso e la sicurezza relativi.

Per la sicurezza della vita e degli oggetti, osservare le precauzioni di queste istruzioni utente. Il produttore non è responsabile per danni causati da omissioni.


Sicurezza per bambini e persone vulnerabili


- Questo apparecchio può essere usato da bambini di età di 8 anni o superiore e persone con ridotte capacità fisiche, sensoriali o mentali o con mancanza di esperienza e conoscenze, purché vengano fornite loro sorveglianza o istruzioni riguardanti l'uso dell'apparecchio in modo sicuro e comprendano i pericoli implicati.
- I bambini devono essere sorvegliati per assicurare che non giochino con l'apparecchio.
- La pulizia e la manutenzione possono essere effettuate da bambini di età uguale o superiore a 8 anni, sotto sorveglianza.
- Tenere tutti gli imballaggi lontani dai bambini. Sussiste il rischio di soffocamento.
- Se l'apparecchio viene smaltito, estrarre la spina dalla presa, tagliare il cavo di alimentazione (il più vicino possibile all'apparecchio) e rimuovere lo sportello, per impedire a bambini che giocano di subire folgorazione o chiudersi nell'apparecchio.
- Se questo apparecchio, dotato di guarnizioni del portello magnetiche, va a sostituire un vecchio apparecchio con serratura (chiusura) a molla del portello o coperchio, assicurarsi che la serratura a molla sia inutilizzabile prima di smaltire il vecchio apparecchio. Questo accorgimento impedirà all'apparecchio di divenire pericoloso per un bambino.

Sicurezza generale


-  **AVVERTENZA!** Mantenere le aperture di ventilazione, nella posizione dell'elettrodomestico o nella struttura incorporata, libere da ostruzioni.
-  **AVVERTENZA!** Non utilizzare apparecchiature meccaniche o altri mezzi diversi da quelli consigliati dal produttore per accelerare il processo di sbrinamento.
-  **AVVERTENZA!** Non danneggiare il circuito del refrigerante.

Informazioni per la sicurezza


 **AVVERTENZA!** Non usare altri apparecchi elettrici (come gelatiere) all'interno di apparecchi refrigeranti, se non approvati per questo scopo dal produttore.


 **AVVERTENZA!** Non toccare la lampadina se questa è rimasta accesa per un lungo periodo di tempo, in quanto potrebbe essere molto calda.¹⁾

 **AVVERTENZA!** Quando si posiziona l'elettrodomestico, assicurarsi che il cavo di alimentazione non sia incastrato o danneggiato.

 **AVVERTENZA!** Non posizionare prese multipli portatili o alimentatori portatili sul resto dell'apparecchio.

- Non conservare in questo apparecchio sostanze esplosive, come bombolette spray con un propellente infiammabile.
- L'isobutano refrigerante (R-600a), contenuto all'interno del circuito refrigerante dell'apparecchio, è un gas naturale altamente ecocompatibile; tuttavia, è infiammabile.
- Durante il trasporto e l'installazione dell'apparecchio, assicurarsi che non venga danneggiato nessuno dei componenti del circuito refrigerante.
 - evitare fiamme libere e fonti d'incendio
 - aerare accuratamente la stanza nella quale è collocato l'apparecchio
- Alterare o modificare le caratteristiche di questo prodotto in qualsiasi modo è pericoloso. Qualsiasi danno al cavo di alimentazione può provocare corto circuito, incendio e/o folgorazione.
- Questo apparecchio è destinato a un uso domestico e ad applicazioni simili come
 - aree destinate a cucina in negozi, uffici e altri ambienti di lavoro;
 - fattorie e da clienti in alberghi, motel e altri ambienti di tipo residenziale;
 - ambienti tipo bed and breakfast;
 - catering e simili applicazioni non commerciali.

 **AVVERTENZA!** Qualsiasi componente elettrico (spina, cavo di alimentazione, compressore, ecc) dev'essere sostituito da un'assistenza tecnica autorizzata o personale tecnico qualificato.

 **AVVERTENZA!** La lampadina fornita con questo apparecchio è una "lampadina per uso speciale", utilizzabile solo con l'apparecchio fornito. Questa "lampada per uso speciale" non è utilizzabile per l'illuminazione domestica.¹⁾

1) Se vi è illuminazione nello scomparto.

Informazioni per la sicurezza

- Il cavo di alimentazione non dev'essere allungato.
- Assicurarci che la spina di alimentazione non sia schiacciata o danneggiata dal retro dell'apparecchio. Una spina di alimentazione schiacciata o danneggiata può surriscaldarsi e provocare un incendio.
- Assicurarci che la spina di rete dell'apparecchio sia accessibile.
- Non tirare il cavo di rete.
- Se la presa della spina di alimentazione è allentata, non inserirvi la spina di alimentazione. Sussiste il rischio di folgorazione o incendio.
- Non utilizzare l'apparecchio senza la lampadina.
- Questo apparecchio è pesante. Durante lo spostamento, va prestata attenzione.
- Non rimuovere né toccare elementi dello scomparto congelatore con le mani umide/bagnate, in quanto ciò può causare abrasioni cutanee o ustioni da freddo.
- Evitare l'esposizione prolungata dell'apparecchio alla luce solare diretta.

Uso quotidiano

- Non riporre oggetti molto caldi sulle parti in plastica nell'apparecchio.
- Non riporre prodotti alimentari direttamente contro la parete posteriore.
- Gli alimenti congelati non devono essere ricongelati una volta scongelati.¹⁾
- Conservare gli alimenti congelati pre-confezionati secondo le istruzioni del relativo produttore.¹⁾
- Attenersi rigidamente alle raccomandazioni del produttore riguardo la conservazione. Fare riferimento alle istruzioni in merito.
- Non riporre bevande gassate o frizzanti nello scomparto congelatore, poiché verrebbe a crearsi pressione nel contenitore, con rischio di esplosione, provocando danni all'apparecchio.¹⁾
- I ghiaccioli possono causare ustioni da freddo se consumati appena estratti dall'apparecchio.¹⁾

Per evitare la contaminazione degli alimenti, seguire le seguenti istruzioni:

- Tenere lo sportello aperto per periodi prolungati può determinare un significativo aumento della temperatura negli scomparti dell'apparecchio.
- Pulire regolarmente le superfici che possono entrare in contatto con gli alimenti e i sistemi di drenaggio accessibili.
- Pulire i serbatoi dell'acqua se non sono stati utilizzati per 48h; svuotare il sistema idrico collegato a un'alimentazione idrica se non vi è stata attinta acqua per 5 giorni.
- Conservare carne e pesce crudi in contenitori adatti nel frigorifero, in maniera tale che non entrino a contatto con altri alimenti.
- Scomparti per alimenti congelati a due stelle (se presenti nell'apparecchio) sono adatti alla conservazione di alimenti pre-congelati, alla conservazione o preparazione di gelati e alla preparazione di cubetti di ghiaccio.

¹⁾ Se vi è uno scomparto congelatore.

²⁾ Se vi è uno scomparto per la conservazione di alimenti freschi.

Informazioni per la sicurezza

- Scomparti a una, due e tre stelle (se presenti nell'apparecchio) non sono adatti alla congelazione di alimenti freschi.
- Se l'apparecchio rimane vuoto per lunghi periodi, spegnerlo, sbrinarlo, pulirlo, asciugarlo e lasciarne aperto lo sportello per impedire lo sviluppo di muffa al suo interno.

Cura e pulizia

- Prima della manutenzione, spegnere l'apparecchio e scollegare la spina di rete dalla presa di rete.
- Non pulire l'apparecchio con oggetti metallici.
- Non usare oggetti affilati per rimuovere la brina dall'apparecchio. Usare un raschietto di plastica.¹⁾
- Esaminare regolarmente lo scarico nel frigorifero per l'acqua sbrinata. Se necessario, pulire lo scarico. Se lo scarico è bloccato, l'acqua si accumulerà sul fondo dell'apparecchio.²⁾

Installazione

Importante! Per il collegamento elettrico, seguire attentamente le istruzioni fornite nei paragrafi specifici.

- Disimballare l'apparecchio e controllare se vi sono danni. Non collegare l'apparecchio se è danneggiato. Comunicare immediatamente al luogo dell'acquisto gli eventuali danni. In tal caso, conservare l'imballaggio.
- È consigliabile attendere almeno quattro ore prima di collegare l'apparecchio per consentire all'olio di scorrere nuovamente nel compressore.
- Attorno all'apparecchio dev'esservi un adeguato ricircolo d'aria; in caso contrario, l'apparecchio si surriscalderà. Per conseguire un flusso sufficiente di aerazione, seguire le istruzioni in merito all'installazione.
- Quando possibile, i distanziali del prodotto devono essere posti contro una parete per evitare di toccare o impigliarsi in parti calde (compressore, condensatore) per impedire eventuali bruciature.
- L'apparecchio non dev'essere posizionato vicino a radiatori o fornelli.
- Assicurarsi che la spina di rete sia accessibile dopo l'installazione dell'apparecchio.

Manutenzione

- Qualsiasi intervento elettrico richiesto per svolgere la manutenzione dell'apparecchio dev'essere effettuato da un elettricista qualificato o da un tecnico.
- La manutenzione di questo prodotto dev'essere svolta da un Centro di assistenza autorizzato, e devono essere usate solo pezzi di ricambio originali.

Risparmio energetico

- Non riporre alimenti caldi nell'apparecchio.
- Non accumulare gli alimenti troppo vicini tra loro; ciò impedisce il ricircolo d'aria.
- Assicurarsi che gli alimenti non tocchino il retro dello/degli scomparto/i.



1) Se vi è uno scomparto congelatore.

2) Se vi è uno scomparto per la conservazione degli alimenti.

Informazioni per la sicurezza

- Se salta la corrente, non aprire lo/gli sportello/i.
- Non aprire lo/gli sportello/i frequentemente;
- Non lasciare lo/gli sportello/i aperto/i troppo a lungo;
- Non impostare il termostato a temperature eccessivamente fredde;
- Tutti gli accessori, come i cassettei e mensole, devono essere tenuti lì per ridurre il consumo di energia.

Protezione dell'ambiente

 Questo apparecchio non contiene gas che possono danneggiare lo strato di ozono, né nel circuito refrigerante, né nei materiali isolanti. L'apparecchio non dev'essere smaltito assieme ai rifiuti e agli scarti urbani. La schiuma isolante contiene gas infiammabili: l'apparecchio dev'essere smaltito secondo le normative per gli apparecchi consultabili presso le autorità locali. Evitare il danneggiamento dell'unità raffreddante, specialmente lo scambiatore di calore. I materiali usati in questo apparecchio marchiati dal simbolo  sono riciclabili.



Il simbolo sul prodotto o sulla confezione indica che questo prodotto non può essere trattato come normale rifiuto domestico. Deve essere invece portato al punto di raccolta adeguato per il riciclaggio delle apparecchiature elettriche ed elettroniche. Assicurando il corretto smaltimento di questo prodotto, si contribuirà a evitare potenziali conseguenze negative per l'ambiente e la salute, che potrebbero altrimenti derivare da un trattamento inappropriato del prodotto. Per informazioni più dettagliate in merito al riciclaggio di questo prodotto, contattare il comune locale, il servizio di smaltimento dei rifiuti domestici o il negozio dove è stato acquistato il prodotto.


Materiali di imballaggio

I materiali con il simbolo sono riciclabili. Smaltire l'imballaggio in un contenitore di raccolta adeguato per riciclarlo.

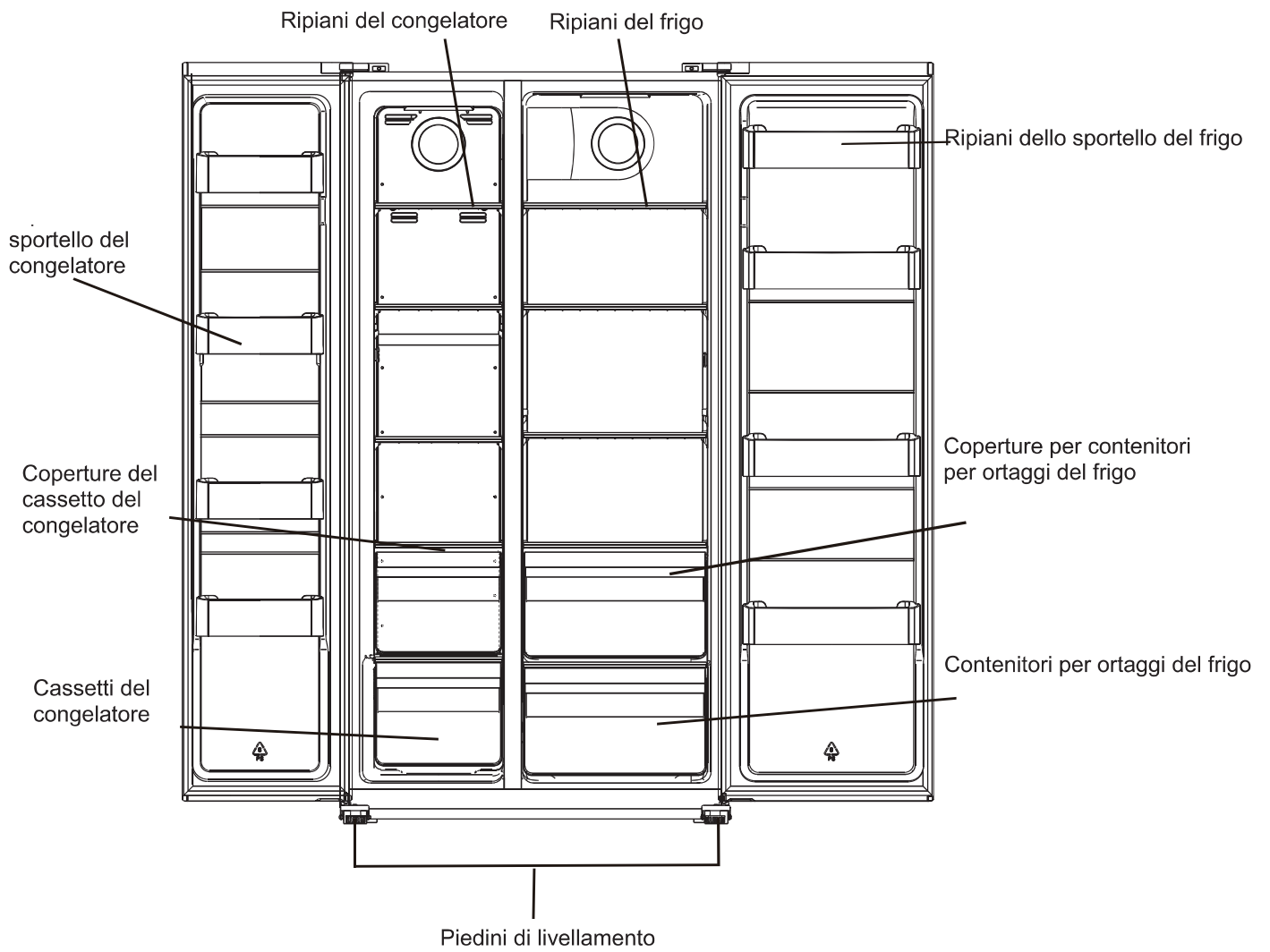
Smaltimento dell'apparecchio

1. Scollegare la spina di rete dalla presa di rete.
2. Tagliare il cavo di rete e smaltirlo.



 **AVVERTENZA!** Durante l'uso, la manutenzione e lo smaltimento dell'apparecchio, prestare attenzione al simbolo sul lato sinistro, posizionato sul retro dell'apparecchio (pannello posteriore o compressore). È il simbolo di avvertimento di rischio incendio. Nei tubi refrigeranti e nel compressore vi sono materiali infiammabili. Mantenersi lontano da fonti d'incendio durante l'uso, la manutenzione e lo smaltimento.

Panoramica



Nota: La figura precedente è solo di riferimento. L'apparecchio reale può essere diverso.

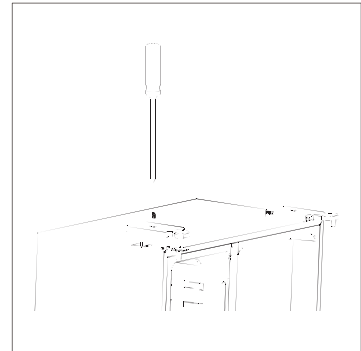
Installazione

Rimuovere gli sportelli

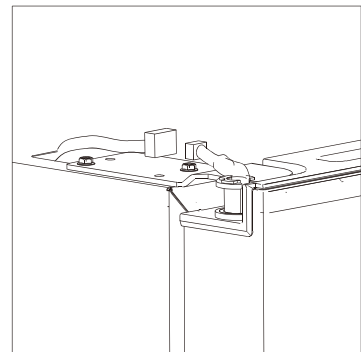
Utensili richiesti: Cacciavite a croce, cacciavite a taglio.

- Assicurarsi che l'unità sia scollegata e vuota.
- Per rimuovere lo sportello, è necessario inclinare l'unità all'indietro. Appoggiare l'unità su un elemento solido in modo che non scivoli durante il processo di rimozione dello sportello.
- Tutte le parti rimosse devono essere conservate per eseguire la reinstallazione dello sportello.
- Non coricare a terra l'unità, poiché potrebbe danneggiarsi il sistema raffreddante.
- Durante l'assemblaggio, è preferibile essere in 2 a maneggiare l'unità.

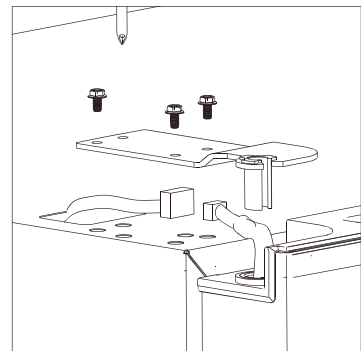
1. Svitare il copri cardine con il cacciavite a croce.



2. Scollegare la cablatura.

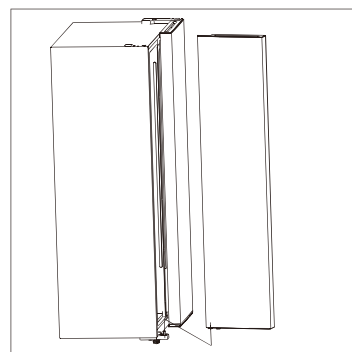


3. Svitare la cerniera superiore.

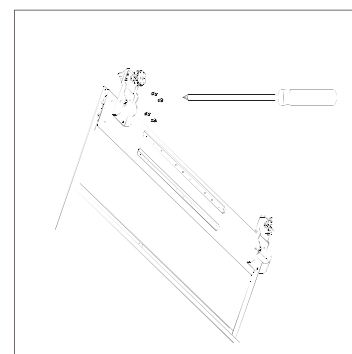


Installazione

4. Sollevare lo sportello e posizionarlo su un'imbottitura morbida. In seguito, rimuovere l'altro sportello, secondo lo stesso processo.



5. Svitare i cardini inferiori.



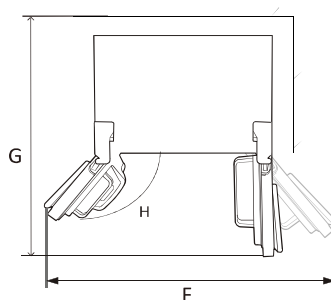
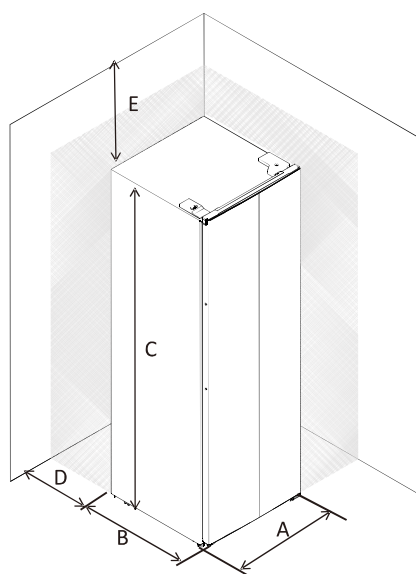
6. Dopo il posizionamento dell'apparecchio, installare gli sportelli invertendo il processo.

Installazione

Requisiti di spazio

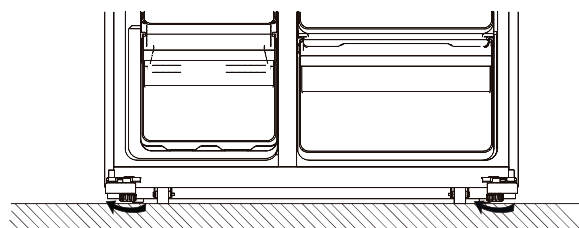
- Scegliere una collocazione senza esposizione diretta alla luce solare;
- Scegliere una collocazione con spazio sufficiente per permettere agli sportelli di aprirsi facilmente;
- Scegliere una collocazione con il pavimento a livello (o quasi).
- Garantire spazio sufficiente per l'installazione del frigorifero su una superficie piana;
- Durante l'installazione, garantire un margine libero a destra, a sinistra, sul retro e in altezza. Questo accorgimento aiuterà a ridurre il consumo di energia e a ridurre le bollette dell'elettricità.

Stabilizzare il frigorifero



A	910
B	670
C	1770
D	min=50
E	min=50
F	1800
G	1560
H	135°

Levelling the refrigerator



- Ruotare i piedini in senso orario per alzarli manualmente.
- Ruotare i piedini in senso antiorario per abbassarli manualmente.

Installazione

Posizionamento

Installare questo apparecchio in un luogo in cui la temperatura ambientale corrisponda alla classe climatica indicata sulla targhetta dell'apparecchio: per apparecchi refrigeranti con classe climatica:

- temperata estesa: questo apparecchio refrigerante è destinato ad essere utilizzato a temperature ambientali comprese tra 10 °C e 32 °C; (SN)
- temperata: questo apparecchio refrigerante è destinato ad essere utilizzato a temperature ambientali comprese tra 16 °C e 32 °C; (N)
- subtropicale: questo apparecchio refrigerante è destinato ad essere utilizzato a temperature ambientali comprese tra 16 °C e 38 °C; (ST)
- tropicale: questo apparecchio refrigerante è destinato ad essere utilizzato a temperature ambientali comprese tra 16 °C e 43 °C; (T)

Collocazione

L'apparecchio dev'essere installato a debita distanza da fonti di calore come radiatori, scaldabagni, luce solare diretta, ecc. Assicurare che l'aria possa circolare liberamente attorno al retro della struttura. Per assicurare le migliori prestazioni, se l'apparecchio è posizionato al di sotto di un elemento parietale sporgente, la distanza minima tra la sommità della struttura e l'elemento parietale dev'essere di almeno 100 mm. Preferibilmente, tuttavia, l'apparecchio non dovrebbe essere posizionato al di sotto di elementi parietali sporgenti. Uno o più piedini regolabili, alla base della struttura, assicurano una stabilizzazione precisa.

Questo apparecchio refrigerante non è destinato ad essere utilizzato come apparecchio da incasso;



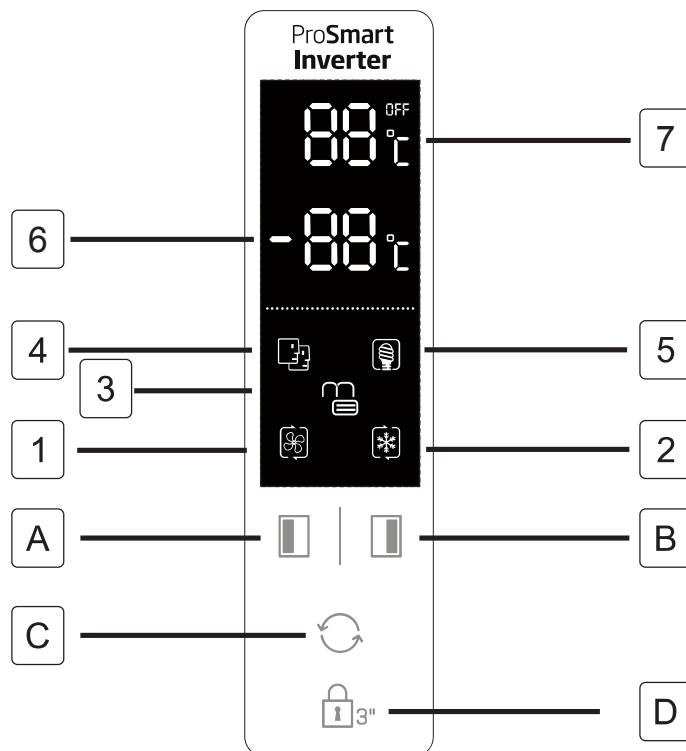
Avvertenza! Dev'essere possibile scollegare l'apparecchio dall'alimentazione di rete; pertanto, la spina dev'essere facilmente accessibile dopo l'installazione.

Collegamento elettrico

Prima del collegamento della spina, assicurarsi che la tensione e la frequenza mostrate sulla targhetta di classificazione corrispondano all'alimentazione elettrica domestica. L'apparecchio deve essere dotato di messa a terra. La spina del cavo di alimentazione è dotato di un contatto a questo scopo.

Uso quotidiano

Uso del Pannello di controllo



Pulsanti

- A** Premere per regolare la temperatura dello scomparto congelatore (lato sinistro) da -14° C a -22° C.
- B** Premere per regolare la temperatura dello scomparto frigo (lato destro) da 2° C a 8° C e "OFF". Selezionando "OFF", lo scomparto frigo verrà spento.
- C** Premere per selezionare la modalità di funzionamento tra **SMART**, **ECO**, **SUPER COOLING**, **SUPER FREEZING** e **USER'S SETTING** (nessun simbolo sul display).
- D** Premere il pulsante **Lock 3**. e tenere premuto per 3 secondi per bloccare gli altri tre pulsanti. Tenerlo premuto per 1 secondo per sbloccare gli altri tre pulsanti.

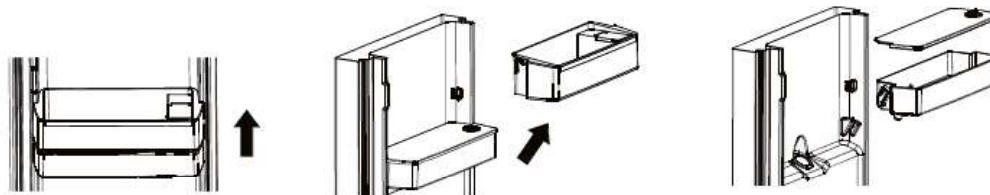
Display

- 1** **SUPERCOOLING** Il vano di raffreddamento viene raffreddato alla temperatura più bassa, come previsto. L'impostazione della temperatura viene riportata alla modalità di impostazione precedente dell'utente dopo circa 2,5 ore.
- 2** **SUPER FREEZING** Il vano di raffreddamento viene raffreddato alla temperatura più bassa, come previsto. L'impostazione della temperatura viene riportata alla modalità di impostazione precedente dell'utente dopo circa 50 ore.
Suggerimento: è preferibile attivare la modalità SUPER CONGELATORE con 24 ore di anticipo prima di collocare una grande quantità di alimenti nello scomparto del congelatore.
- 3** **LOCK**, il simbolo si illuminerà se i pulsanti sono bloccati.
- 4** In modalità **SMART**, il frigorifero imposta automaticamente la temperatura dei due scomparti, secondo la temperatura interna e la temperatura ambientale.
- 5** In modalità **ECO**, il frigo funziona all'impostazione di minimo consumo energetico.

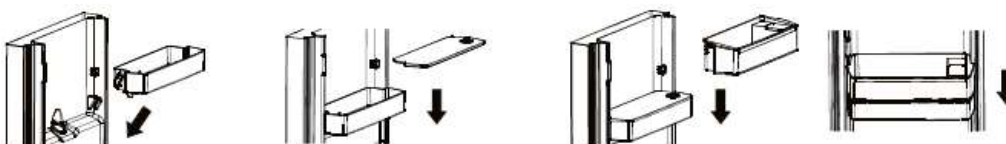
Uso quotidiano

Prima di utilizzare il distributore dell'acqua la prima volta, togliere e pulire il serbatoio dell'acqua posto all'interno del vano frigo.

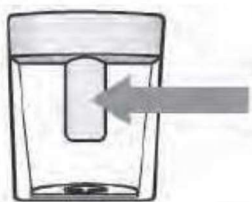
1. Sollevare ed estrarre prima il contenitore da sopra il serbatoio, poi estrarre il serbatoio dell'acqua con il coperchio. Staccare il coperchio per lavare e pulire il serbatoio e il coperchio.



2. Al termine, riposizionare il serbatoio dell'acqua, il coperchio e il contenitore sopra il serbatoio seguendo la procedura indicata.



3. Pulire il tasto del distributore all'esterno dello sportello del frigo.



Riempimento del serbatoio dell'acqua

1. Aprire il coperchietto



2. Riempire il serbatoio con acqua potabile fino alla riga dei 3 litri.
3. Chiudere il coperchietto sul coperchio



Erogazione

Per erogare acqua, collocare un bicchiere o un contenitore e premere delicatamente sul tasto del distributore.

Per arrestare il flusso dell'acqua, allontanare il bicchiere dal tasto del distributore.

Uso quotidiano

Uso del Pannello di controllo

- 6 Visualizza la temperatura impostata dello scomparto congelatore.
- 7 Visualizza la temperatura impostata dello scomparto frigo.
- 8 Il blocco bambini non funziona dopo un'interruzione di corrente. Il blocco bambini si sblocca automaticamente dopo 25 secondi dall'ultima operazione. Dopo 2 minuti dall'ultima operazione, il pannello del display si spegne automaticamente.
- 9 Alcune funzioni non possono essere applicate a questo modello.

Allarme di apertura sportello

Se uno sportello rimane aperto per 90 secondi, verrà emesso un allarme periodico finché lo sportello non verrà chiuso.

Primo utilizzo

Pulizia dell'interno

Prima di usare l'apparecchio per la prima volta, lavarne l'interno e tutti gli accessori interni con acqua tiepida e sapone neutro, in modo da rimuovere l'odore tipico di prodotto nuovo, poi asciugare accuratamente.

Importante! Non usare detersivi o polveri abrasive, poiché danneggiano la finitura.

Uso quotidiano

Alimenti	Ubicazione
Uova	Ripiano porta
Prodotti lattiero-caseari (burro, formaggio)	Se disponibile, scomparto biofresh o chiller Scaffali più bassi
Frutta, verdura e insalata	Scomparto frutta e verdura, scomparto crisper o EverFresh+ (se disponibile)
Carne fresca, pollame, pesce fresco, salsicce, cibi cotti	Se disponibile, scomparto biofresh o chiller Ripiano più basso
Alimenti pronti al consumo, prodotti confezionati, conservas, prodotti in scatola, prodotti in salamoia	Ripiani superiori o ripiano sulla porta
Bevande, bottiglie, condimenti, spuntini, snack	Ripiano porta
Avanzi	Ripiani centrali

Uso quotidiano

IT Guida alla conservazione di alimenti freschi:

Conservazione nello scomparto alimenti freschi:

- Tenere il frigorifero alla temperatura consigliata di 4 °C.
 - Gli alimenti vanno sigillati in modo adeguato per evitare cattivi odori o alterazioni del gusto.
 - Non conservare quantità eccessive di cibo all'interno del frigorifero. Lasciare degli spazi tra gli alimenti, per consentire il passaggio dell'aria fredda intorno ad essi e per ottenere un raffreddamento migliore e più omogeneo.
 - Per un tempo di apertura minore delle porte, gli alimenti consumati quotidianamente devono essere conservati nella parte anteriore dello scaffale.
 - Lasciare dello spazio tra gli alimenti e le pareti interne, permettendo il passaggio dell'aria. Se si conservano gli alimenti a ridosso della parete posteriore, essi potrebbero congelarsi sulla parete posteriore.
 - I cibi caldi e cotti devono essere raffreddati e a temperatura ambiente prima di essere conservati nel frigorifero. Successivamente, i cibi caldi possono essere conservati nei ripiani inferiori del frigorifero. Non mettere cibi caldi nelle vicinanze di cibi altamente deperibili.
 - Scongelare i cibi surgelati nello scomparto alimenti freschi. In questo modo è possibile utilizzare gli alimenti surgelati, per raffreddare lo scomparto alimenti freschi e risparmiare energia.
 - Se la frutta tropicale acerba (mango, meloni, papaya, banane, ananas) viene conservata in frigo, il processo di maturazione può essere accelerato, ciò non è consigliabile in quanto causa tempi di conservazione più brevi. Tuttavia, la maturazione di frutti acerbi (mela, pera) può essere consentita per un certo periodo in frigorifero.
 - Cipolla, aglio, zenzero e altre verdure con radice devono essere conservate al buio e al fresco, non in frigorifero.
 - Quando si nota un alimento andato a male all'interno del frigorifero, esso deve essere buttato. Quando si notano cibi marci, pulire l'interno del frigo o gli accessori che erano in contatto con esso, per evitare contaminazioni.
 - Il contenuto di grandi pentole di cibo, come quelle per zuppe o stufati, può essere suddiviso in contenitori poco profondi, per raffreddarsi rapidamente in frigorifero. Grandi porzioni di carne cotta e pollame intero dovrebbero essere divise in pezzi più piccoli, per lo stesso scopo.
 - Non conservare gli alimenti non imballati vicino alle uova.
 - Tenere frutta e verdura separate e conservare con alimenti simili: mele con mele, carote con carote. Frutta e verdura emettono gas diversi che possono causare il deterioramento di altri alimenti.
 - Togliere le verdure a foglia dai sacchetti di plastica, avvolgerle in un tovagliolo di carta o in un strofinaccio prima di riporle in frigorifero. Non dimenticate di asciugarle se vengono risciacquate o bagnate prima della conservazione.
 - Conservare frutta e verdura che potrebbe seccare in sacchetti di plastica forati o non sigillati per mantenere un ambiente umido e permettere comunque all'aria di circolare.
- Alimenti diversi vanno posizionati in aree diverse a seconda delle loro proprietà:
- “Controleer de gepaste klimaatklasse van uw apparaat vermeld op het typeplaatje. De onderstaande informatie is belangrijk voor uw apparaat in overeenstemming met de nominale klimaatklasse.”
- SN: Uitgebreide temperatuur: Dit koelapparaat is bedoeld voor gebruik bij een omgevingstemperatuur tussen 10°C en 32°C.
 - N: Gematigd: Dit koelapparaat is bedoeld voor gebruik bij een omgevingstemperatuur tussen 16°C en 32°C.
 - ST: Subtropisch: Dit koelapparaat is bedoeld voor gebruik bij een omgevingstemperatuur tussen 16°C en 38°C.
 - Tel.: Tropisch Dit koelapparaat is bedoeld voor gebruik bij een omgevingstemperatuur tussen 16°C en 43°C.

Uso quotidiano

Conservazione nello scomparto congelatore:

- Si raccomanda di mantenere il congelatore a -20°C , salvo in condizioni ambientali estreme.
- 4-6 ore prima del congelamento, attivare la funzione di congelamento rapido per ottenere un congelamento più rapido.
- Gli alimenti caldi vanno conservati a temperatura ambiente prima di essere collocati nello scomparto congelatore.
- Gli alimenti tagliati a piccole porzioni si congelano più rapidamente e sono più facili da scongelare e cucinare.
- Consigliamo di confezionare gli alimenti prima di riporli all'interno del congelatore.
- A fine di evitarne a scadenza, annotare a data di congelamento, il limite di tempo e il nome dell'alimento sulla confezione, in base ai periodi di conservazione dei diversi prodotti alimentari.
- Non superare i tempi di conservazione degli alimenti raccomandati dai produttori di alimenti. Estrarre solo il quantitativo di cibo che serve dal congelatore.
- Consumare rapidamente i cibi scongelati. Gli alimenti scongelati non possono essere ricongelati, se non sono cotti. Non è sicuro consumare alimenti freschi non cotti e ricongelati.
- Quando vengono congelati alimenti freschi, evitare che gli stessi entrino in contatto con alimenti già surgelati. Ciò potrebbe causare lo scongelamento di alimenti già congelati.

Quando vengono conservati alimenti surgelati a livello commerciale, attenersi a queste linee guida:

- Seguire sempre le linee guida del produttore relative alla durata di conservazione degli alimenti. Attenersi scrupolosamente a queste linee guida!
- Cerca di mantenere il più breve possibile il tempo che intercorre tra l'acquisto e la conservazione, in modo da preservare la qualità del cibo.
- Acquistare alimenti surgelati che sono stati conservati ad una temperatura di -18°C o inferiore.
- Evitare di acquistare alimenti che presentano ghiaccio o gelo sulla confezione. Ciò indica che i prodotti potrebbero essere stati parzialmente scongelati e ricongelati. Gli aumenti di temperatura influiscono su a qualità degli alimenti.
- Si consiglia una temperatura di 4°C per lo scomparto alimenti freschi e -20°C per lo scomparto congelatore, per ottenere una migliore conservazione degli alimenti.
- Ad eccezione di condizioni ambientali estreme, se la temperatura è impostata sui valori consigliati di $+4^{\circ}\text{C}/-20^{\circ}\text{C}$, la freschezza complessiva sarà prolungata all'interno dei comparti degli alimenti freschi e del congelatore. Se la temperatura dello scomparto alimenti freschi è impostata a una temperatura più fredda, la frutta e la verdura fresca potrebbero parzialmente congelarsi o ghiacciarsi, mentre una temperatura più calda può causare un deterioramento più rapido di alimenti altamente deperibili (prodotti lattiero-caseari, prodotti a base di carne).

Uso quotidiano

Congelamento di alimenti freschi

- Lo scomparto congelatore è adatto al congelamento di alimenti freschi e alla conservazione di alimenti congelati e congelati rapidamente per un lungo periodo di tempo.
- Riporre gli alimenti freschi, da congelare, nello scomparto di fondo.
- La quantità massima di alimenti che possono essere congelati in 24 ore è specificata sulla targhetta identificativa.
- Il processo di congelamento dura 24 ore; durante questo periodo, non aggiungere altri alimenti da congelare.

Conservazione di alimenti congelati

Al primo avvio o dopo un periodo di inutilizzo. Prima di riporre il prodotto nello scomparto, far funzionare l'apparecchio per almeno 2 ore alle impostazioni più elevate.

Importante! In caso di sbrinamento accidentale, per esempio se l'apparecchio è rimasto spento per un valore maggiore di quello mostrato nella tabella delle caratteristiche tecniche sotto "tempo di risalita", gli alimenti scongelati devono essere consumati rapidamente o cotti immediatamente e, successivamente, ricongelati (previa cottura).

Scongelamento

Gli alimenti congelati rapidamente o congelati, prima dell'uso, possono essere scongelati nello scomparto congelatore o a temperatura ambientale, a seconda del tempo disponibile per questa operazione.

I pezzi piccoli possono anche essere cotti ancora congelati, direttamente dal congelatore. In tal caso, la cottura richiederà più tempo.

Ghiacciaia

Questo apparecchio può essere attrezzato con una o più ghiacciaie per produrre ghiaccio.

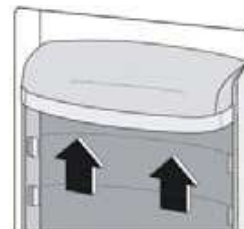
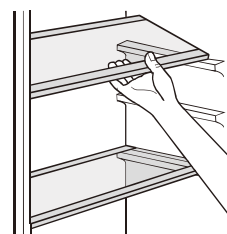
Accessori

Ripiani mobili

Le pareti del frigorifero sono attrezzate con una serie di guide, in modo da poter posizionare i ripiani come desiderato.

Posizionamento dei vassoi dello sportello

Per permettere la conservazione di confezioni di alimenti di varie dimensioni, i vassoi dello sportello possono essere posizionati a diverse altezze. Per realizzare queste regolazioni, procedere come segue: tirare gradualmente il vassoio nella direzione delle frecce finché non si libera, e successivamente posizionarlo come richiesto.



Suggerimenti e consigli utili

Suggerimenti per il congelamento

Uso quotidiano

Per trarre il massimo dal processo di congelamento, ecco alcuni suggerimenti importanti:

- la quantità massima di alimenti che può essere congelata in 24 ore è mostrata sulla targhetta di classificazione;
- il processo di congelamento richiede 24 ore. Durante questo periodo, non devono essere aggiunti ulteriori alimenti.
- congelare solo alimenti di ottima qualità, freschi e accuratamente puliti;
- preparare gli alimenti in piccole porzioni, per consentire un congelamento rapido e completo, permettendo di scongelare successivamente solo la quantità richiesta;
- avvolgere gli alimenti in un foglio di alluminio o di polietilene e assicurarsi che le confezioni siano ermetiche;
- non consentire ad alimenti freschi, non congelati di toccare alimenti già congelati, evitando così un aumento della temperatura di questi ultimi;
- gli alimenti magri si conservano meglio e più a lungo di quelli grassi; il sale riduce il periodo utile di conservazione degli alimenti;
- l'acqua ghiacciata, se consumata immediatamente dopo l'estrazione dallo scomparto congelatore, può eventualmente causare ustione cutanea da freddo;
- È consigliabile esporre la data di congelamento di ciascuna confezione per consentirne il prelievo dallo scomparto congelatore, può causare un'ustione da freddo sulla pelle;
- È consigliabile esporre la data di congelamento di ciascuna confezione per tenere sotto controllo il periodo di congelamento.

Suggerimenti per la conservazione di alimenti congelati

Per ottenere le migliori prestazioni da questo apparecchio, occorre:

- Assicurarsi che gli alimenti congelati industrialmente siano stati conservati adeguatamente dal rivenditore;
- Assicurarsi che gli alimenti congelati vengano trasferiti dal negozio di alimentari al congelatore nel più breve tempo possibile;
- Non aprire lo sportello frequentemente o lasciarlo aperto più dello stretto indispensabile;
- Una volta scongelati, gli alimenti si deteriorano rapidamente e non possono essere ricongelati.
- Non superare il periodo di conservazione indicato dal produttore degli alimenti.

Suggerimenti per il raffreddamento degli alimenti freschi

Per ottenere le migliori prestazioni:

- Non conservare alimenti caldi o liquidi in evaporazione nel frigorifero
- Coprire o avvolgere gli alimenti, in particolare se hanno un gusto intenso

Suggerimenti per il raffreddamento

Suggerimenti utili:

- Preparazioni (tutti i tipi): avvolgere in sacchetti di polietilene e riporre sui ripiani in vetro, sopra il cassetto degli ortaggi.
- Per la sicurezza, conservare in questo modo solo per uno o due giorni al massimo.
- Alimenti cotti, piatti freddi, ecc: devono essere coperti e possono essere riposti su qualsiasi ripiano.
- Frutta e verdura: devono essere puliti accuratamente e riposti nel/i cassetto/i speciale/i fornito/i.
- burro e formaggi: devono essere riposti in speciali contenitori ermetici o avvolti in fogli di alluminio o in sacchetti di polietilene, per escludere quanta più aria possibile.
- Bottiglie di latte: devono avere un tappo e devono essere conservate nei vassoi dello sportello.
- Banane, patate, cipolle e aglio, se non confezionati, non devono essere tenuti in frigo.

Pulizia

Per questioni di igiene, l'interno dell'apparecchio, compresi gli accessori interni, devono essere puliti regolarmente.



Attenzione! L'apparecchio non dev'essere collegato alla rete durante la pulizia. Pericolo di folgorazione elettrica! Prima della pulizia, spegnere l'apparecchio e rimuovere la spina dalla rete di alimentazione, o spegnere o disattivare l'interruttore o il fusibile del circuito. Non pulire mai l'apparecchio con un pulitore a vapore. L'umidità può accumularsi nei componenti elettrici, pericolo di folgorazione! I vapori bollenti possono arrecare danni alle parti in plastica. L'apparecchio dev'essere asciutto prima di essere messo nuovamente in servizio.

Importante! Oli essenziali e solventi organici possono aggredire le parti in plastica, ad esempio succo di limone o succo della buccia d'arancia, acido butirrico, detersivi che contengono acido acetico.

- Non consentire a tali sostanze di entrare in contatto con le parti dell'apparecchio.
- Non usare alcun detersivo abrasivo
- Rimuovere gli alimenti dal congelatore Conservarli al fresco, ben coperti.
- Spegnere l'apparecchio e rimuovere la spina dalla rete di alimentazione, o spegnere o disattivare l'interruttore o il fusibile del circuito.
- Pulire l'apparecchio e gli accessori interni con un panno e acqua tiepida. Al termine della pulizia, strofinare con acqua pulita e asciugare.
- Quando tutto è asciutto, rimettere l'apparecchio nuovamente in servizio.

Uso quotidiano

Risoluzione dei problemi



Attenzione! Prima di procedere alla risoluzione dei problemi, scollegare l'alimentazione. Solo un elettricista specializzato o un tecnico devono risolvere i problemi non elencati in questo manuale.

Importante Vi sono alcuni rumori durante l'uso normale (compressore, circolazione del refrigerante).

Problema	Possibile causa	Soluzione
L'apparecchio non funziona	La spina di rete non è inserita o è allentata.	Inserire la spina di rete.
	Il fusibile si è bruciato o è difettoso	Controllare il fusibile e sostituirlo se necessario.
	La presa è difettosa.	I malfunzionamenti della rete devono essere risolti da un elettricista
L'apparecchio congela o raffredda troppo	La temperatura impostata è troppo fredda o l'apparecchio sta funzionando nelle modalità SUPER .	Regolare temporaneamente la temperatura su un'impostazione più calda.
Gli alimenti non sono abbastanza congelati.	La temperatura non è adeguatamente regolata.	Consultare la sezione iniziale Impostazione della temperatura
	Lo sportello è rimasto aperto per un periodo prolungato.	Aprire lo sportello solo per lo stretto indispensabile.
	Una gran quantità di alimenti caldi è stata riposta nell'apparecchio nelle ultime 24 ore.	Regolare temporaneamente la temperatura su un'impostazione più fredda.
	L'elettrodomestico è vicino a una fonte di calore.	Consultare la sezione Collocazione di installazione.
Grossa formazione di brina sulla sigillatura dello sportello.	La sigillatura dello sportello non è ermetica.	Scaldare con attenzione le sezioni con fuoriuscite della sigillatura dello sportello con un phon (impostato a freddo). Allo stesso tempo, manipolare la sigillatura dello sportello scaldato in modo tale che poggia correttamente.
Rumori insoliti	L'apparecchio non è stabile.	Regolare nuovamente i piedini.
	L'apparecchio tocca la parete o altri oggetti.	Spostare leggermente l'apparecchio.
	Un componente, ad esempio un tubo, sul retro dell'apparecchio, sta toccando un'altra parte dell'apparecchio o il muro.	Se necessario, piegare con attenzione il componente per ridurre l'ingombro.
I pannelli laterali sono caldi	È normale. Lo scambiatore di calore è nei pannelli laterali.	Usare dei guanti per toccare i pannelli laterali, se necessario.

Se il malfunzionamento si ripresenta, contattare il Centro di assistenza.

Questi dati sono necessari per un'assistenza rapida e corretta. Scrivere qui i dati necessari, facendo riferimento alla targhetta identificativa.



DISPOSAL

Questo simbolo indica che questo prodotto non dev'essere smaltito con altri rifiuti domestici al termine della propria vita utile. I dispositivi usati devono essere conferiti nei punti di raccolta ufficiali per il riciclaggio dei dispositivi elettrici ed elettronici. Per trovare questi impianti di raccolta, contattare le autorità locali o il rivenditore presso il quale è stato acquistato il prodotto. Ogni abitazione svolge un ruolo importante nel recupero e nel riciclaggio di vecchi apparecchi. Uno smaltimento adeguato di apparecchi usati aiuta a impedire potenziali conseguenze negative per l'ambiente e la salute umana.

IT

DISCLAIMER / AVVERTENZE

Alcuni guasti (semplici) possono essere adeguatamente gestiti dall'utente finale senza che sorgano problemi di sicurezza o utilizzi non sicuri, a condizione che vengano eseguiti entro i limiti e in conformità con le seguenti istruzioni (vedere la sezione "Riparazione fai da te").

Pertanto, salvo diversa autorizzazione nella sezione di seguito "Riparazione fai da te", le riparazioni devono essere indirizzate a manutentori professionisti registrati al fine di evitare problemi di sicurezza. Un manutentore professionista registrato è un manutentore professionista a cui è stato concesso l'accesso alle istruzioni e all'elenco dei pezzi di ricambio di questo prodotto dal produttore secondo le modalità descritte negli atti legislativi ai sensi della Direttiva 2009/125/CE.

Tuttavia, solo l'agente dell'assistenza (ovvero i manutentori professionisti autorizzati) che è possibile contattare tramite il numero di telefono indicato nel manuale dell'utente / scheda di garanzia o tramite il rivenditore autorizzato che può fornire assistenza in base ai termini di garanzia. Pertanto, si prega di notare che le riparazioni da parte di manutentori professionisti (non autorizzati da Beko) invaliderà la garanzia.

Riparazione fai da te

La riparazione fai da te può essere eseguita dall'utente finale per quanto riguarda i seguenti pezzi di ricambio: maniglie delle porte, cerniere delle porte, vassoi, cestelli e guarnizioni delle porte (un elenco aggiornato è disponibile anche su support.beko.com dal 1° marzo 2021)

Inoltre, per garantire la sicurezza del prodotto e per prevenire il rischio di lesioni gravi, la suddetta riparazione fai da te deve essere eseguita seguendo le istruzioni nel manuale utente per la riparazione fai da te o disponibili

in support.beko.com Per la propria sicurezza, scollegare il prodotto prima di tentare qualsiasi riparazione fai da te.

Tentativi di riparazione e riparazione da parte degli utenti finali per parti non incluse in tale elenco e/o che non seguono le istruzioni nei manuali utente per la riparazione fai da te o che sono disponibili in support.beko.com, potrebbe dar luogo a problemi di sicurezza non imputabili a Beko e invaliderà la garanzia del prodotto.

Pertanto, si raccomanda vivamente agli utenti finali di astenersi dal tentativo di eseguire riparazioni che non rientrano nell'elenco dei pezzi di ricambio menzionato, contattando in tali casi manutentori professionisti autorizzati o manutentori professionisti registrati. Altrimenti, tali tentativi da parte degli utenti finali possono causare problemi di sicurezza e danneggiare il prodotto e conseguentemente causare incendi, inondazioni, elettrocuzione e gravi lesioni personali.

A titolo esemplificativo, ma non esaustivo, le seguenti riparazioni devono essere indirizzate ai manutentori professionisti autorizzati o manutentori professionisti registrati: compressore, circuito frigorifero, scheda principale, scheda inverter, scheda display ecc.

Il produttore/venditore non può essere ritenuto responsabile in ogni caso in cui gli utenti finali non rispettano quanto sopra.

La disponibilità dei pezzi di ricambio frigorifero che hai acquistato è di 10 anni.

Durante questo periodo saranno disponibili ricambi originali per il corretto funzionamento frigorifero.

La durata minima della garanzia del frigorifero acquistato è di 24 mesi.

Questo prodotto è dotato di una sorgente di illuminazione con classe energetica "G". La sorgente di illuminazione nel prodotto dovrà essere sostituita solo da professionisti nel campo della riparazione.

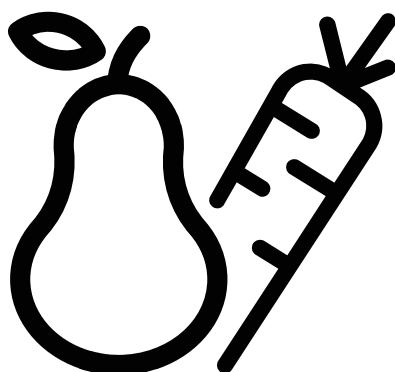
Informazioni sulla classificazione dell'imballaggio

Scansiona il Qrcode che si trova sull'imballo del prodotto per trovare tutte le informazioni relative all'imballo e come gestirne il suo corretto smaltimento.

beko

Hladnjak

Korisnički priručnik



GNO5322XPN
GNO5323XPN
GNO5324XPN
GNO5322WN
GNO5322WDXPN

HR

CE



PODACI



ENERG



SUPPLIER'S NAME

MODEL IDENTIFIER

A

A

Podaci o modelu pohranjeni u bazi podataka o proizvodu mogu se dobiti unosom sledeće mrežne stranice i pretragom po identifikacionom broju vašeg modela (*) koji se nalazi na oznaci potrošnje električne energije.

<https://eprel.ec.europa.eu/>

Sigurnosne informacije




Da biste osigurali ispravnu uporabu, prije instaliranja i prve uporabe uređaja, pažljivo pročitajte ovaj korisnički priručnik, uključujući njegove savjete i upozorenja. Da biste izbjegli nepotrebne pogreške i nezgode, važno je osigurati da su svi ljudi koji koriste uređaj detaljno upoznati s njegovim radnim i sigurnosnim značajkama. Spremite ove upute i osigurajte da ostanu s uređajem ako se on premjesti ili proda, tako da će svi koji ga koriste tijekom njegovog korisnog vijeka biti pravilno informirani o uporabi i sigurnosti uređaja.

Za sigurnost života i imovine pridržavajte se predostrožnosti u ovim korisničkim uputama jer proizvođač nije odgovoran za štetu nastalu zbog propusta.







Sigurnost djece i ranjivih lica

- Ovaj uređaj ne smiju koristiti djeca mlađa od 8 godina, kao ni osobe sa ograničenim fizičkim ili mentalnim sposobnostima, niti osobe koje nemaju dovoljno znanja ili iskustva u korištenju ovog uređaja, osim ako su pod nadzorom osobe koja je odgovorna za njihovu sigurnost i ako su od nje dobile upute o pravilnom korištenju ovog proizvoda.
- Djeca moraju biti pod nadzorom te treba voditi računa da se ne igraju s uređajem.
- Čišćenje i održavanje od strane korisnika ne smiju obavljati djeca ukoliko nisu u dobi od 8 godina i više i pod nadzorom.
- Materijal za pakiranje držite dalje od djece. Postoji rizik od gušenja.
- Ako uređaj želite rashodovati, izvucite utikač iz utičnice, presijecite priključni kabel (što bliže uređaju) i uklonite vrata kako biste spriječili da djeca koja se igraju pretrpe električni udar ili se zatvore u uređaju.
- Ako ovaj uređaj s magnetskim bravama treba zamijeniti stariji uređaj koji ima bravu s oprugom (zasun) na vratima ili poklopcu, obavezno učinite tu oprugu nefunkcionalnom prije nego što rashodujete stari uređaj. To će istu učiniti bezopasnom za dijete.

Općenita sigurnost

-  **POZOR!** Ventilacijske otvore na kućištu uređaja ili ugrađenoj strukturi održavajte tako da budu bez prepreka.
-  **POZOR!** Nemojte koristiti mehaničke uređaje ili druga sredstva za ubrzanje postupka odmrzavanja, osim onih koje je preporučio proizvođač.
-  **POZOR!** Nemojte oštetiti rashladno kolo.

Sigurnosne informacije

-  **POZOR!** Ne koristite druge električne uređaje (poput uređaja za pravljenje sladoleda) u unutrašnjosti rashladnih uređaja, osim u slučaju da su isti za to dobili odobrenje od proizvođača.
-  **POZOR!** Ne dirajte žarulju ako je uključena duže vrijeme jer bi mogla biti jako vruća.¹⁾
-  **POZOR!** Pri postavljanju uređaja vodite računa da kabel za napajanje ne bude nedokučiv ili oštećen.
-  **POZOR!** Ne postavljajte više prijenosnih utičnica ili prijenosnih uređaja za napajanje na stražnjoj strani uređaja.
 - Ne pohranjujte u ovaj uređaj eksplozivne materije poput aerosolnih limenki sa zapaljivim pogonskim gorivom.
 - Izobutan rashladnog sredstva (R-600a) nalazi se u kolu rashladnog sredstva uređaja, prirodni plin s visokom stopom kompatibilnosti s okolišem, koji je ipak zapaljiv.
 - Tijekom transporta i ugradnje uređaja, vodite računa da nijedna komponenta kola rashladnog sredstva nije oštećena.
 - izbjegavajte otvoreni plamen i izvore zapaljivosti
 - temeljito prozračite sobu u kojoj se nalazi uređaj
 - Opasno je mijenjati specifikacije ili modificirati ovaj proizvod na bilo koji način. Svako oštećenje kabla može prouzrokovati kratki spoj, požar i/ili strujni udar.
 - Ovaj uređaj je namijenjen za uporabu u domaćinstvu i u sličnim objektima, kao što su
 - kuhinja za osoblje, u trgovinama, uredima i drugim radnim okruženjima;
 - seoske kuće i za goste u hotelima, motelima i drugim objektima za smještaj;
 - objekti koji nude prenoćište i doručak,
 - priprema i dostava pripremljene hrane i slične primjene koje ne spadaju u maloprodaju.
-  **POZOR!** Sve električne komponente (utikač, kabel za napajanje, kompresor i sl.) mora zamijeniti certificirani servisni agent ili kvalificirano servisno osoblje.
-  **POZOR!** Sijalica koja se isporučuje uz ovaj uređaj je sijalica za posebne namjene koja se koristi samo uz isporučeni uređaj. Ova „lampica za posebnu uporabu“ nije upotrebljiva za kućno osvjetljenje.¹⁾

1) Ako u odjeljku postoji osvjetljenje.

Sigurnosne informacije

- Kabel za napajanje ne smije se produžavati.
- Vodite računa da utičnica ne bude pritisnuta ili oštećena stražnjom stranom uređaja. Pritisnuti ili oštećeni utikač može se pregrijati i izazvati požar.
- Vodite računa da mrežni utikač uređaja bude dostupan.
- Ne povlačite mrežni kabel.
- Ako je utičnica mrežnog utikača nepričvršćena, nemojte umetati utikač. Postoji opasnost od strujnog udara!
- Ne smijete uređaj držati uključenim bez lampice.
- Ovaj uređaj je težak. Prilikom pomjeranja treba biti oprezan.
- Ne uklanjajte niti dodirujte predmete iz odjeljka za zamrzavanje ako su vam ruke vlažne/mokre, jer to može uzrokovati oderotine na koži ili ozeblina izazvane mrazom/ledom.
- Izbjegavajte dugotrajno izlaganje uređaja izravnoj sunčevoj svjetlosti.

Svakodnevna uporaba

- Ne stavljajte vruće predmete na plastične dijelove u uređaju.
- Ne stavljajte prehrambene proizvode izravno uz stražnji zid.
- Smrznuta hrana ne smije se ponovo zamrzavati nakon što se odmrzne.¹⁾
- Spremite prethodno pakiranu hranu za zamrzavanje u skladu sa uputama proizvođača za smrznutu hranu.¹⁾
- Preporuka proizvođača za pohranjivanje morate se strogo pridržavati. Pogledajte odgovarajuće upute.
- Ne stavljajte gazirane napitke u zamrzivač jer isti stvara pritisak na spremnik što može prouzrokovati eksploziju i rezultirati oštećenjem uređaja.¹⁾
- Ledenice mogu uzrokovati ozeblina ako ih konzumirate direktno iz uređaja.¹⁾

Da biste izbjegli zagađenje hrane, pridržavajte se sljedećih uputa

- Držanje vrata duže vremena otvorenim može prouzrokovati značajno povećanje temperature u odjeljcima uređaja.
- Redovito čistite površine koje mogu doći u dodir sa hranom i dostupnim odvodnim sustavima.
- Očistite spremnike za pitku vodu ako se nisu koristili 48h; isperite sistem za dovod vode priključen na vodovod ako niste vodu koristili 5 dana.
- Sirovo meso i ribu čuvajte u odgovarajućim posudama u hladnjaku da ne bude u kontaktu s drugom hranom.
- Odjeljci za smrznutu hranu sa dvije zvjezdice (ako su prikazane u uređaju) pogodni su za pohranjivanje prethodno smrznute hrane, skladištenje ili pravljenje sladoleda i pravljenje kockica leda.

1) Ako u uređaju postoji odjeljak za zamrzavanje.
2) Ako u uređaju postoji odjeljak za skladištenje svježe hrane.



Sigurnosne informacije

- Odjeljci s jednom, dvije i tri zvjezdice (ako su prikazane u uređaju) nisu pogodni za zamrzavanje svježe hrane.
- Ako je uređaj duži period prazan, isključite ga, odmrznite, očistite, osušite i ostavite otvorena vrata kako bi spriječili stvaranje plijesni unutar uređaja.

ČIŠĆENJE I ODRŽAVANJE

- Prije održavanja, isključite uređaj i izvucite mrežni utikač iz utičnice.
- Ne čistite uređaj metalnim predmetima.
- Ne koristite oštre predmete za uklanjanje leda s uređaja. Koristite plastični strugač.¹⁾
- Redovno pregledajte odvod u hladnjaku da bi vidjeli koliko se vode nakupilo nakon odmrzavanja. Ako je potrebno, očistite odvod. Ako je odvod zapušten, voda će se sakupljati na dnu uređaja.²⁾

Ugradnja

Važno! Za priključak na napajanje električnom energijom pažljivo slijedite upute date u posebnim stavicama.

- Raspakirajte uređaj i provjerite ima li oštećenja na njemu. Nemojte priključivati uređaj ako je oštećen. Eventualna oštećenja prijavite odmah prodajnom mjestu u kojem ste ga kupili. U tom slučaju sačuvajte ambalažu.
- Preporučljivo je pričekati najmanje četiri sata prije priključivanja uređaja kako biste omogućili stabiliziranje ulja natrag u kompresor.
- Adekvatna cirkulacija zraka bi trebala bit osigurana oko uređaja, jer bi nedostatak iste rezultirao pregrijavanjem. Za postizanje dovoljne ventilacije pridržavajte se uputa važnih za ugradnju.
- Gdje god je to moguće, odstojnici proizvoda trebaju biti naslonjeni na zid kako bi se izbjeglo dodirivanje ili uzimanje zagrijanih dijelova (kompresor, spremnik) kako bi se spriječile eventualne opekotine.
- Uređaj se ne smije postavljati u blizini radijatora ili štednjaka.
- Provjerite je li utikač za napajanje na dohvat nakon ugradnje uređaja.

Servis

- Sve električne radove potrebne za servis uređaja treba izvesti kvalificirani električar ili stručno lice.
- Ovaj proizvod mora servisirati ovlaštenu servisni centar i moraju se koristiti samo originalni rezervni dijelovi.

Ušteda energije



- Ne stavljajte toplu hranu u uređaj;
- Ne pakirajte prehrambene proizvode blizu jedan drugoga, jer to sprječava cirkulaciju zraka;
- Pazite da hrana ne dodiruje stražnju stranu odjelj(a)ka;

1) Ako u uređaju postoji odjeljak za zamrzavanje.
2) Ako u uređaju postoji odjeljak za skladištenje svježe hrane.

Sigurnosne informacije

- Ako nestane struje, ne otvarajte vrata;
- Ne otvarajte vrata često.
- Ne držite vrata otvorenim predugo;
- Ne postavljajte termostat na prekomjerno niske temperature;
- Sve dodatke, poput ladica, pretinaca na vratima, t reba držati na svojim mjestima radi manje potrošnje energije.

Zaštita okoliša

 Uređaj ne sadrži gasove koji mogu oštetiti ozonski omotač, ni u kolu rashladnog sredstva, ni u izolacijskim materijalima. Uređaj se ne smije odlagati zajedno sa komunalnim otpadom i smećem. Izolacijska pjena sadrži zapaljive gasove: uređaj treba odložiti u skladu s propisima o uređaju koje ćete dobiti od lokalnih nadležnih organa. Izbjegavajte oštećivanje rashladne jedinice, posebno izmjenjivača topline. Materijali korišteni na ovom uređaju označeni simbolom  mogu se reciklirati.



Ovaj simbol na proizvodu ili na njegovoj ambalaži označava da proizvod ne bi trebalo tretirati kao otpad iz domaćinstva. Umjesto toga, treba ga otpremiti na odgovarajuće zbirno mjesto za recikliranje električnih i elektronskih uređaja. Osiguranjem ispravnog zbrinjavanja ovog proizvoda pomažete u sprječavanju negativnih posljedica na okoliš i ljudsko zdravlje koje bi nastale neispravnim zbrinjavanjem ovog proizvoda. Za više informacija koje se odnose na reciklažu ovog proizvoda, obratite se lokalnom vijeću, službi za odlaganje komunalnog otpada ili prodavnici u kojoj ste kupili proizvod.


Ambalažni materijali

Materijali sa simbolom mogu se reciklirati. Odložite ambalažu u odgovarajuće kontejnere za prikupljanje kako biste je reciklirali.

Odlaganje uređaja

1. Isključite mrežni utikač iz utičnice.
2. Odrežite glavni kabel i odbacite ga.

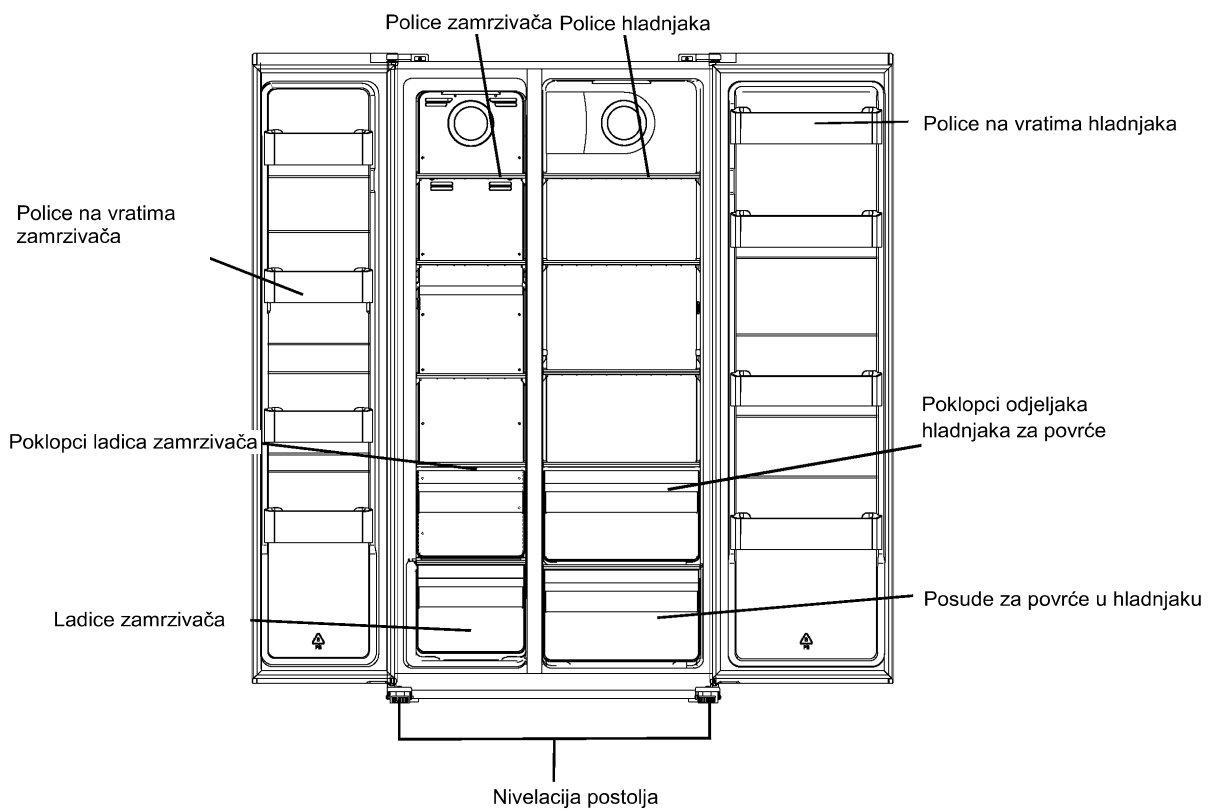


 **POZOR!** Tijekom korištenja, servisiranja i odlaganja uređaja, obratite pažnju na simbol s lijeve strane koji je postavljen na stražnjoj strani uređaja (stražnja ploča ili kompresor).

To je simbol upozorenja na rizik od požara. U cijevima rashladnog sredstva i kompresora nalaze se zapaljivi materijali.

Tijekom uporabe, servisiranja i odlaganja, budite udaljeni od izvora vatre.

Pregled



Napomena: Slika iznad je samo u informativnu svrhu. Stvarni uređaj je vjerojatno drugačiji.

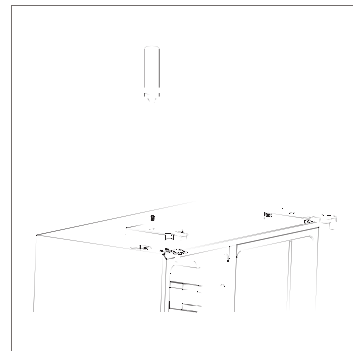
Ugradnja

Uklonite vrata

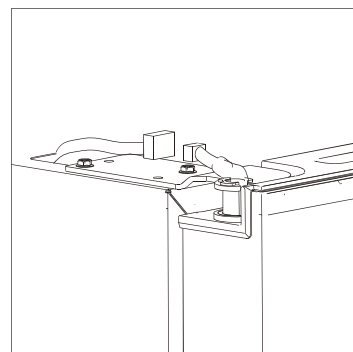
Potreban alat: Philips odvijač, ravni odvijač.

- Provjerite je li jedinica isključena iz napajanja i prazna.
- Da biste skinuli vrata, potrebno je nagnuti uređaj unazad. Jedinicu trebate nasloniti na nešto čvrsto kako ne bi skliznula tokom procesa uklanjanja vrata.
- Svi uklonjeni dijelovi moraju se sačuvati kako biste izvršili ponovnu ugradnju vrata.
- Ne postavljajte uređaj ravno, jer to može oštetiti sistem za hlađenje.
- Bolje je da dvije osobe rukuju uređajem tokom montaže.

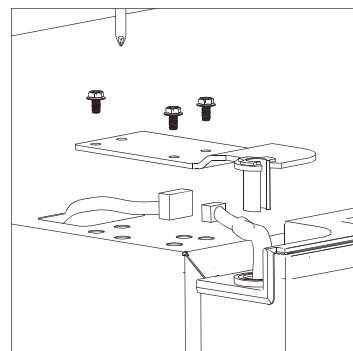
1. Philips odvijačem odvijte šarke.



2. Odvojite kablove.

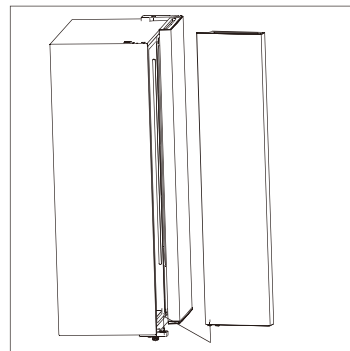


3. Odvijte donje šarke.

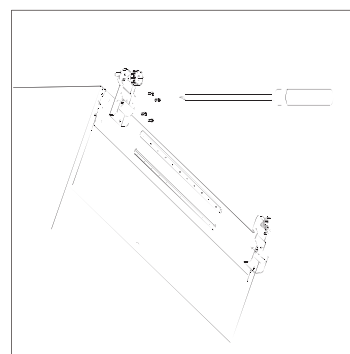


Ugradnja

4. Podignite vrata i stavite ih na mekani podmetač. Zatim uklonite druga vrata prateći isti postupak.



5. Odvijte donje šarke.

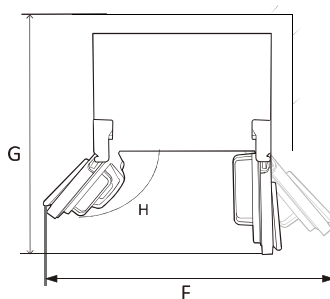
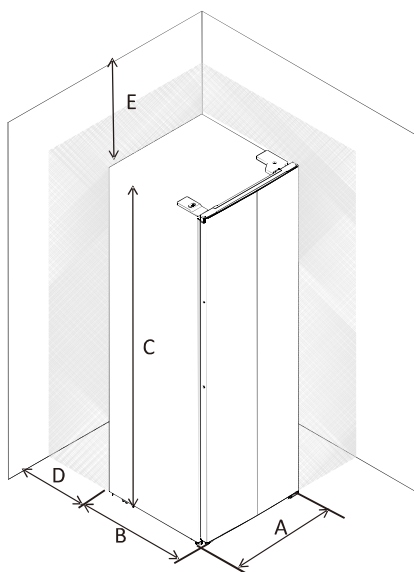


6. Nakon postavljanja uređaja, vratite vrata obrnutim postupkom.

Ugradnja

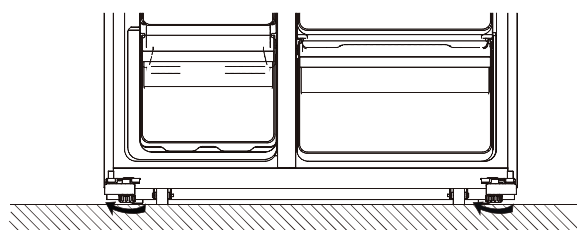
Prostorni zahtjev

- Odaberite lokaciju bez izravnog izlaganja sunčevoj svjetlosti;
- Odaberite lokaciju s dovoljno prostora da se vrata hladnjaka mogu lako otvoriti;
- Odaberite lokaciju s ravnim (ili gotovo ravnim) podom;
- Ostavite dovoljno prostora za postavljanje hladnjaka na ravnu površinu;
- Prilikom ugradnje, ostavite dovoljno razmaka s desne ili lijeve strane, straga i odozgo. To će vam pomoći da smanjite potrošnju električne energije i da smanjite račune za električnu energiju.



A	910
B	670
C	1770
D	min=50
E	min=50
F	1800
G	1560
H	135°

Niveliranje i učvršćivanje hladnjaka



- Iznivelirajte i učvrstite hladnjak podešavanjem postolja.
- Okrećite nogice postolja u smjeru kazaljki na satu da biste ih pritegnuli rukom.
- Okrećite nogice postolja u smjeru suprotno kazaljka na satu da biste ih spuštali rukom.

Ugradnja

Pozicioniranje

Ugradite ovaj uređaj na mjesto gdje temperatura okoline odgovara klimatskom razredu navedenom na tipskoj pločici uređaja: za rashladne uređaje s klimatskim razredom:

- više umjereno: ovaj hladnjak namijenjen je upotrebi pri rasponu temperature okruženja od 10 °C do 32 °C; (SN)
- umjereno: ovaj hladnjak namijenjen je upotrebi pri rasponu temperature okruženja od 16 °C do 32 °C; (N)
- suptropski: ovaj hladnjak namijenjen je upotrebi pri rasponu temperature okruženja od 16 °C do 38 °C; (ST)
- tropski: ovaj hladnjak namijenjen je upotrebi pri rasponu temperature okruženja od 16 °C do 43 °C; (T)

Lokacija

Uređaj treba ugraditi što dalje od izvora topline, kao što su radijatori, kotlovi, izravno sunčevo svjetlo itd. Vodite računa da zrak može slobodno cirkulirati oko stražnjeg dijela uređaja. Da bi se osiguralo najbolje performanse, ako je uređaj postavljen ispod viseće zidne jedinice, minimalna udaljenost između vrha uređaja i zidne jedinice mora biti najmanje 100 mm. U idealnom slučaju, uređaj ne treba biti postavljen ispod zidnih jedinica. Precizno niveliranje osigurano je jednom ili više podesivih nogica sa donje strane uređaja.

Ovaj rashladni uređaj nije predviđen da se koristi kao ugradni uređaj.



Pozor! Mora se omogućiti isključivanje uređaja iz mrežnog napajanja; utikač mora biti lako dostupan nakon ugradnje.

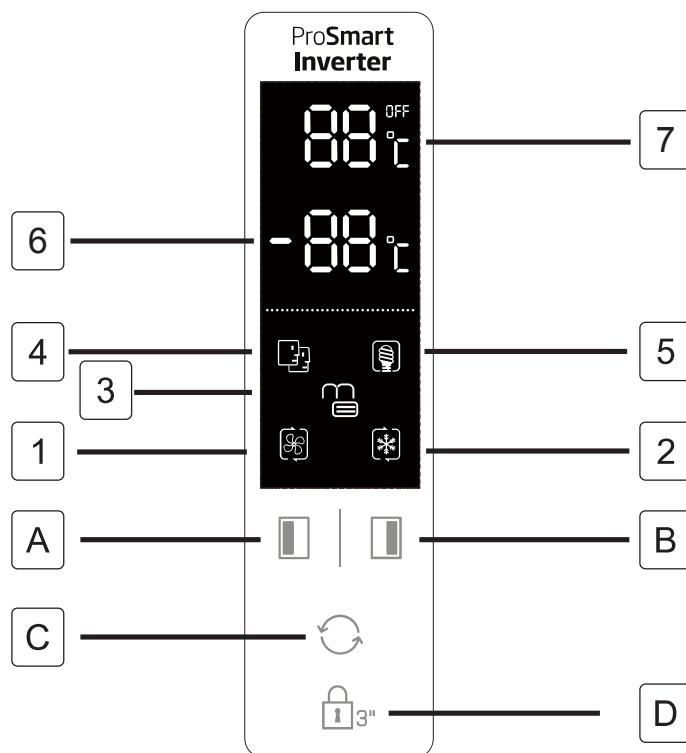
Priključivanje na električnu mrežu

Prije nego utisnete utikač, provjerite da li napon i frekvencija prikazani na tipskoj pločici odgovaraju napajanju vašeg domaćinstva. Uređaj mora biti uzemljen. Utikač kabela za napajanje opremljen je kontaktom u tu svrhu. Ako utičnica povezana na napajanje domaćinstva nije uzemljena, priključite uređaj na zasebno uzemljenje u skladu s važećim propisima, konzultirajući kvalificiranoga električara.

Proizvođač ne prihvata nikakvu odgovornost u slučaju nepridržavanja prednje navedenih sigurnosnih mjera opreza. Ovaj je uređaj u skladu s Uredbama Europske ekonomske zajednice.

Svakodnevna uporaba

Korištenje Upravljačke Ploče



Tasteri

- A Pritisnite da podesite temperaturu zamrzivača (lijeva strana) od -14°C do -22°C .
- B Pritisnite da podesite temperaturu odjeljka hladnjaka (desna strana) od 2°C to 8°C i „Isključeno“. Ako odaberete opciju „Isključeno“, odjeljak hladnjaka će biti isključen.
- C Pritisnite da biste odabrali način rada od ponuđenih režima **SMART**, **ECO**, **SUPER HLAĐENJE**, **SUPER ZAMRZAVANJE** i **KORISNIČKE POSTAVKE** (nema simbola na ekranu).
- D Pritisnite taster **Zaključavanje 3**. i držite 3 sekunde da biste zaključali ostala tri tastera. Pritisnite ga i zadržite 1 sekundu da biste otključali ostala tri tastera.

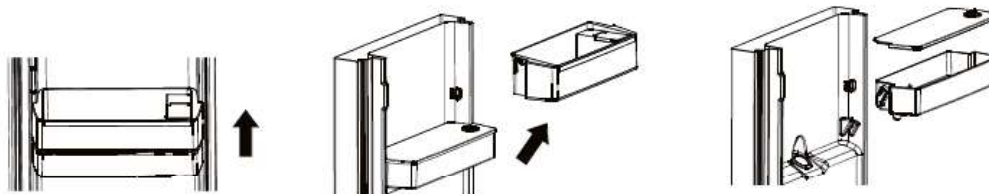
Zaslon

- 1 **SUPER HLAĐENJE** Odjeljak za hlađenje hladi se na najnižu temperaturu kako je dizajniran. Postavka temperature vratit će se u prethodni način postavljanja korisnika nakon otprilike 2,5 sata.
- 2 **SUPER ZAMRZAVANJE** Odjeljak za hlađenje hladi se na najnižu temperaturu kako je dizajniran. Postavka temperature vratit će se u prethodni način postavljanja korisnika nakon otprilike 50 sata.
Savjeti: Bolje je omogućiti **SUPER ZAMRZIVAČ** način rada 24 sata unaprijed prije nego što stavite veliku količinu hrane u odjeljak za zamrzavanje.
- 3 **ZAKLJUČAVANJE**, simbol će zasvijetliti ako su tasteri zaključani.
- 4 **SMART** režim rada, hladnjak automatski postavlja temperaturu dva odjeljka u skladu s unutarnjom i vanjskom temperaturom.
- 5 **ECO** režim rada, hladnjak radi s postavkom najniže potrošnje energije.

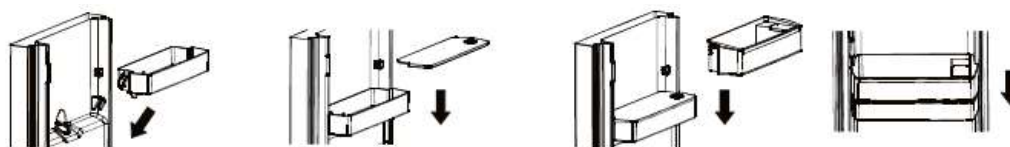
Svakodnevna uporaba

Prije prvog korištenja dispenzera za vodu izvadite i očistite spremnik za vodu smješten unutar odjeljka za hlađenje.

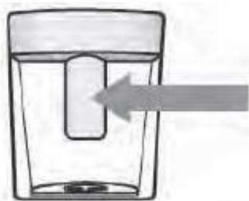
1. Prvo podignite i izvucite policu iznad spremnika, a zatim izvadite spremnik za vodu s poklopcem. Skinite poklopac kako biste oprali i očistili spremnik i poklopac.



2. Nakon čišćenja vratite spremnik za vodu, poklopac i policu iznad spremnika kako je prikazano u nastavku.

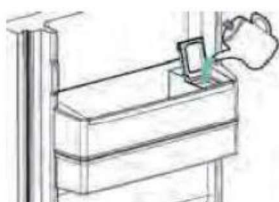


3. Očistite ručicu dispenzera na vanjskoj strani vrata hladnjaka.



Punjenje spremnika vodom

1. Otvorite poklopčić.



2. Napunite spremnik za vodu pitkom vodom do oznake za 3 l.
3. Zatvorite poklopčić na poklopcu.



Točenje

Za točenje vode gurnite nježno ručicu čašom ili posudom.

Za zaustavljanje vode uklonite čašu s ploče dispenzera.

Svakodnevna uporaba

Korištenje Upravljačke Ploče

- 6 Prikažite postavke temperature odjeljka za zamrzavanje.
- 7 Prikažite postavke temperature odjeljka hladnjaka.
- 8 Zaključavanje djeteta ne bi uspjelo zbog nestanka struje. Zaključavanje djeteta automatski bi vrijedilo nakon 25 sekundi od posljednje operacije. Nakon 2 minute od posljednje operacije, zaslonska ploča automatski bi se isključila.
- 9 Neke funkcije je nemoguće primijeniti na ovaj model.

Upozorenje za otvorena vrata

Ako se jedna vrata drže otvorenim 90 sekundi, čuti će se periodični alarm dok se vrata ne zatvore.

Prva uporaba

Čišćenje unutrašnjosti

Prije prve uporabe uređaja, unutrašnjost i sav unutarnji pribor operite mlakom vodom i nekim neutralnim deterdžentom kako biste uklonili tipičan miris potpuno novog proizvoda, a zatim temeljito osušite.

Važno! Ne koristite deterdžente ili abrazivne praške, jer će to oštetiti završni sloj.

Svakodnevna uporaba

Hrana	Lokacija
Jaja	Polica na vratima
Mliječni proizvodi (maslac, sir)	Ako je dostupno, u bio-svježem odjeljku ili odjeljku hladnjaka. Najdonje police
Voće, povrće i salate	Kutija za voće i povrće, posuda za voće ili povrće te odjeljak EverFresh+ (ako postoji)
Svježe meso, perad, svježa riba, kobasice, kuhana hrana	Ako je dostupno, u bio-svježem odjeljku ili odjeljku hladnjaka. Najdonja polica
Gotova hrana, pakirani proizvodi, hrana u konzervi, ukiseljeni proizvodi	Gornje police ili polica na vratima
Pića, boce, začini, grickalice	Polica na vratima
Ostaci hrane	Srednje police

Svakodnevna uporaba

HR Upute za čuvanje svježih hrane:

Čuvanje u odjeljku za svježiju hranu:

- Neka hladnjak radi na preporučenoj temperaturi od 4°C.
- Hrana koja će se čuvati treba se dobro zatvoriti kako ne bi došlo do promjene okusa ili mirisa.
- U hladnjaku ne čuvajte pretjerane količine hrane. Između hrane ostavite razmak i omogućite protok hladnog zraka oko nje radi boljeg i ravnomjernijeg hlađenja.
- Kako bi se vrata samo nakratko otvorila hranu koju jedete svakodnevno čuvajte na prednjem dijelu police.
- Ostavite razmak između hrane i unutarnje stijenke radi protoka zraka. Ako hranu čuvate pored stražnje stijenke tada se hrana može zamrznuti za stražnju stijenku.
- Vruće, kuhane namirnice moraju se ohladiti na sobnu temperaturu prije čuvanja u hladnjaku. Zatim, toplu hranu čuvajte na donjim policama hladnjaka. Toplu hranu ne stavljajte pored lako kvarljive hrane.
- Zamrznutu hranu odmrznite u odjeljku za svježiju hranu. Na ovaj način možete koristiti zamrznutu hranu ohlađenu u odjeljku za svježiju hranu i tako uštediti energiju.
- Ako se ne zrelo tropsko voće (mango, lubenice, papaja, banana, ananas) čuvaju u hladnjaku tada se proces zrenja može ubrzati te se to ne savjetuje jer skraćuje vrijeme čuvanja. Međutim, zrenje iznimno nezrelog voća (jabuke, kruške) može se produžiti određeno vrijeme u odjeljku hladnjaka.
- Crveni luk, češnjak, đumbir i drugo korjenasto povrće treba se čuvati u tamnim i hladnim prostorima, a ne u hladnjaku.
- Kada se hrana pokvari u hladnjaku treba je odmah ukloniti. Kada otkrijete trulu hranu očistite unutrašnjost ili pribor u kojem se nalazila kako bi se spriječilo širenje truleži.
- Velike zdjele s hranom, poput juha ili gulaša mogu se podijeliti u više plićih zdjela kako bi se brže ohladila u hladnjaku. Veliki komadi kuhanog mesa te cijela perad trebaju se podijeliti u manje komade iz istog razloga.
- Neotpakiranu hranu ne držite pored jaja.
- Voće i povrće čuvajte odvojeno i čuvajte slično sa sličnim: jabuke s jabukama, mrkve s mrkvama. Voće i povrće ispuštaju različite plinove koji izazivaju propadanje kod drugih.

- Lisnato povrće izvadite iz vrećice, omotajte ih papirnatim ručnikom ili kuhinjskom krpom prije stavljanja u hladnjak. Ne zaboravite ih osušiti ako ste ih isprali vodom ili smočili prije stavljanja u hladnjak.
- Voće i povrće koje se suši čuvajte u rupičastim ili ne zatvorenim plastičnim vrećicama kako bi se očuvalo vlažno okruženje, a i dalje omogućila cirkulacija zraka.
- Različitu hranu treba čuvati u različitim dijelovima u skladu s njihovim svojstvima:

“Molimo, provjerite klimatski razred uređaja naveden na nazivnoj pločici. Jedna od donjih informacija je točna za vaš uređaj u vezi s nazivnim klimatskim razredom.“

- SN: Proširena umjerena Ovaj hladnjak namijenjen je upotrebi pri rasponu temperature okruženja od 10°C do 32°C
- N: Umjerena: Ovaj hladnjak namijenjen je upotrebi pri rasponu temperature okruženja od 16°C do 32°C
- ST: Suptropska: Ovaj hladnjak namijenjen je upotrebi pri rasponu temperature okruženja od 16°C do 38°C
- T: Tropska: Ovaj hladnjak namijenjen je upotrebi pri rasponu temperature okruženja od 16°C do 43°C

Svakodnevna uporaba

Čuvanje u odjeljku zamrzivača:

- Preporučuje se držati postavke zamrzivača na temperaturi od -20°C osim u ekstremnim uvjetima u okruženju.
- 4-6 sati prije zamrzavanja uključite funkciju brzog zamrzavanja kako bi se omogućilo brzo zamrzavanje.
- Vruće namirnice moraju se ohladiti na sobnu temperaturu prije čuvanja u odjeljku hladnjaka.
- Namirnice isječene na male komade brže će se zamrznuti i biti će ih lakše odmrznuti i kuhati.
- Bolje je zapakirati hranu prije nego što je stavite u zamrzivač.
- Kako bi se izbjeglo istjecanje roka trajanja namirnica zabilježite datum zamrzavanja, rok trajanja i naziv namirnica na pakiranju prema razdobljima čuvanja različitih namirnica.
- Ne premašujte rok trajanja namirnica koje je preporučio proizvođač namirnica. Iz zamrzivača izvadite samo potrebnu količinu hrane.
- Odmrznutu hranu brzo konzumirajte. Odmrznuta hrana ne smije se ponovno zamrznuti osim ako nije kuhana. Nije sigurno konzumirati nekuhanu ponovno zamrznutu svježnu hranu.
- Prilikom zamrzavanja svježih hrane pazite da ne dođe u kontakt s već zamrznutom hranom. Jer može izazvati odmrzavanje već zamrznutih komada.

Zamrzavanje svježih namirnica

- Odjeljak za zamrzavanje pogodan je za zamrzavanje svježih hrane i dugotrajno skladištenje smrznute i duboko smrznute hrane.
- U donji odjeljak stavite svježnu hranu koju treba zamrznuti.
- Maksimalna količina hrane koja se može zamrznuti za 24 sata navedena je na pločici sa vrijednostima.
- Proces zamrzavanja traje 24 sata: tokom ovog perioda nemojte dodavati drugu hranu za zamrzavanje.

Čuvanje smrznute hrane

Prilikom prvog puštanja u rad ili nakon razdoblja izvan uporabe, prije stavljanja proizvoda u odjeljak pustite da uređaj radi najmanje 2 sata sa postavljenim većim vrijednostima.

Važno! Ako dođe do slučajnog odmrzavanja zbog, na primjer, nestanka električne energije duže od vrijednosti prikazane na grafikonu tehničkih karakteristika u dijelu „period porasta“, odmrznuta hrana mora se odmah konzumirati ili skuhati i ponovno zamrznuti (nakon kuhanja).

Odmrzavanje

Duboko smrznuta ili smrznuta hrana prije uporabe može se odmrzavati u odjeljku hladnjaka ili na sobnoj temperaturi, ovisno o vremenu koje je na raspolaganju za taj postupak.

Mali komadići se mogu kuhati i dok su još smrznuti, izravno iz zamrzivača. U ovom slučaju kuhanje će trajati duže.

Dodatna oprema

Pokretne police

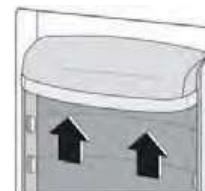
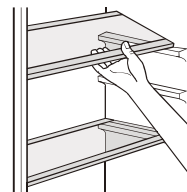
Zidovi hladnjaka opremljeni su nizom držača, tako da se police mogu postaviti po želji.

Postavljanje pretinaca na vratima

Da bi se omogućilo skladištenje pakovanja prehrambenih proizvoda različitih veličina, pretinci na vratima mogu se postaviti na različitim visinama. Da biste izvršili ta podešavanja, postupite na sljedeći način: postepeno povlačite pretinac u smjeru strelice dok se ne oslobodi, a zatim postavite prema potrebi.

Prilikom čuvanja komercijalno zamrznutih namirnica pridržavajte se ovih smjernica:

- Uvijek se pridržavajte smjernica proizvođača vezano uz dužinu čuvanja hrane. Ne premašujte ove smjernice“
- Neka vrijeme između kupnje i stavljanja u hladnjak bude što kraće zbog očuvanja kvalitete hrane.
- Kupujte smrznutu hranu, koja se čuvala na temperaturi od -18°C ili nižoj.
- Izbjegavajte kupovati hranu na čijem pakiranju ima leda ili inja. - To znači kako su proizvodi djelomično odmrznuti i ponovno zamrznuti u određenom trenutku - porast temperature utječe na kvalitetu hrane.
- Preporučujemo postavku temperature od 4°C za odjeljak svježih hrane i -20°C za odjeljak zamrzivača kako bi hrana bolje očuvala.
- S izuzetkom ekstremnih uvjeta u okruženju, ako je temperatura podešena na preporučene vrijednosti od $+4^{\circ}\text{C}/-20^{\circ}\text{C}$, svježina će se produžiti u odjeljcima svježih hrane i zamrzivača. Ako je temperatura odjeljka svježih hrane podešena na hladnije, svježije voće i povrće može se djelomično zamrznuti ili izložiti ozeblinama, dok toplije razine temperature mogu izazvati brže kvarenje lako kvarljive hrane (mliječni proizvodi, mesni proizvodi).



Svakodnevna uporaba

Korisne upute i savjeti

Savjeti za zamrzavanje

Evo nekoliko važnih savjeta kako bismo vam pomogli da iskoristite što bolji učinak zamrzavanja.

- maksimalna količina hrane koja se može zamrznuti za 24 sata prikazana je na pločici s vrijednostima;
- postupak zamrzavanja traje 24 sata. Tijekom ovog perioda ne smije se dodavati još hrane za zamrzavanje;
- zamrzavajte samo vrhunske, svježe i temeljito očišćene namirnice;
- hranu pripremite u malim obrocima kako biste omogućili da se brzo i potpuno zamrzne i da nakon toga bude moguće odmrzavati samo potrebnu količinu;
- zamotajte hranu u aluminijsku foliju ili polietilen i provjerite jesu li pakovanja nepropusna za zrak;
- vodite računa da svježa, nezamrznuta hrana ne dodiruje hranu koja je već smrznuta, čime ćete izbjeći porast temperature;
- bezmasna hrana se čuva bolje i duže od masne; sol smanjuje vijek skladištenja hrane;
- konzumiranje kockica leda napravljenih od vode odmah nakon uzimanja iz odjeljka za zamrzavanje može uzrokovati ozeblina na koži;
- preporučljivo je na svakom pojedinačnom pakiranju prikazati datum zamrzavanja kako biste omogućili uklanjanje iz odjeljka za zamrzavanje, što može uzrokovati ozeblina na koži;
- preporučljivo je na svakom pojedinačnom pakiranju prikazati datum zamrzavanja kako biste omogućili praćenje vremena skladištenja.

Savjeti za skladištenje smrznute hrane

Da biste postigli najbolje performanse ovog uređaja, trebali biste:

provjeriti da li su kupljeni smrznuti prehrambeni proizvodi na odgovarajući način pohranjeni u maloprodaji; biti sigurni da se smrznute namirnice prenesu iz prodajnog mjesta u zamrzivač u što kraćem roku;

Ne otvarajte vrata često i ne ostavljajte ih otvorenim duže nego što je apsolutno potrebno.

Jednom kada se odmrzne, hrana se brzo razgrađuje i ne može se ponovo zamrznuti.

Ne prekoračujte periode čuvanja hrane koje su preporučili proizvođači hrane.

Savjeti za hlađenje svježe hrane

Da biste postigli najbolje performanse:

- ne čuvajte toplu hranu ili tečnosti koje isparavaju u hladnjaku
- hranu prekrijte ili zamotajte, posebno ako ima jak okus

Savjeti za hlađenje

Korisni savjeti:

- Izvršite (za sve vrste): zamotavanje u polietilenske vrećice i stavite na staklene police iznad ladice za povrće.
- Iz sigurnosnih razloga, na taj način čuvajte hranu najviše jedan ili dva dana.
- Kuhana hrana, hladna jela, itd.: treba ih prekriti i staviti na bilo koju policu.
- Voće i povrće: njih treba temeljito očistiti i staviti u posebno predviđenu ladicu(e).
- maslac i sir: treba ih staviti u posebne hermetički zatvorene posude ili zamotati u aluminijske folije ili polietilenske vrećice kako bi se izbacilo što više zraka.
- Boca sa mlijekom: trebale bi imati zatvarače i treba ih čuvati u pretincima na vratima.
- Ako nisu upakirani, banane, krumpir, crni i bijeli luk ne smiju se čuvati u hladnjaku.

Čišćenje

Iz higijenskih razloga unutrašnjost uređaja, uključujući unutrašnju opremu, treba redovito čistiti.



Oprez! Uređaj ne smije biti priključen na mrežu tokom čišćenja. Opasnost od strujnog udara! Prije čišćenja isključite uređaj i izvadite utikač iz mreže ili isključite/otпустite prekidač odnosno osigurač. Nikada ne čistite uređaj pomoću paro-čistača. Vлага se može akumulirati u električnim komponentama i izazvati opasnost od električnog udara! Vruće pare mogu dovesti do oštećenja plastičnih dijelova. Uređaj mora biti suh prije uključivanja.

Važno! Eterična ulja i organska otapala mogu nagrizzati plastične dijelove, npr. limunov sok ili sok od narančine kore, maslačna kiselina, sredstvo za čišćenje koje sadrži octenu kiselinu.

Svakodnevna uporaba

- Nemojte dozvoliti da takve stvari dođu u dodir s dijelovima uređaja.
- Nemojte koristiti nikakva abrazivna sredstva za čišćenje.
- Izvadite hranu iz zamrzivača. Pohranite je na hladno mjesto, dobro pokrivenu.
- Isključite uređaj i uklonite utikač iz mreže ili isključite/otпустите prekidač odnosno osigurač.
- Očistite uređaj i unutrašnju opremu krpom i mlakom vodom. Nakon čišćenja obrišite ga čistom vodom i posušite.
- Nakon što je sve suho, uređaj vratite u uporabu.

Rješavanje problema



Opres! Prije otklanjanja problema, isključite napajanje. Rješavanje problema koji nisu opisani u ovom priručniku smije obavljati samo kvalificirani električar ili stručno lice.

Važno! Tijekom redovne uporabe čuju se neki zvukovi (kompresor, cirkulacija rashladnog sredstva).

Problem	Mogući uzrok	Rješenje
Uređaj ne radi	Mrežni utikač nije priključen ili je nepričvršćen.	Umetnite mrežni utikač.
	Osigurač je pregorio ili je neispravan	Provjerite osigurač, po potrebi ga zamijenite.
	Utičnica je neispravna	Neispravnosti napajanja sa mreže treba otkloniti električar.
Hrana je previše topla.	Temperatura nije ispravno podešena.	Pogledajte početni dio Postavki temperature.
	Vrata su bila otvorena duže vrijeme.	Otvorite vrata samo onoliko dugo koliko je potrebno.
	Velika količina tople hrane stavljena je u uređaj u posljednja 24 sata.	Regulator temperature privremeno postavite na nižu temperaturu.
	Uređaj je u blizini izvora toplote.	Pogledajte odjeljak o mjestu za ugradnju.
Uređaj previše hladi	Temperatura je postavljena na previše hladno.	Ručicu za regulaciju temperature privremeno postavite na veću temperaturu.
Neobični zvukovi	Uređaj nije niveliran.	Podešavanje nogica postolja.
	Uređaj dodiruje zid ili druge predmete.	Lagano pomjerite uređaj.
	Komponenta, npr. cijev, na stražnjoj strani uređaja dodiruje drugi dio uređaja ili zid.	Ako je potrebno, pažljivo savijte komponentu tako da ne smeta.
Voda na podu	Crijevo za ispuštanje vode je zapušeno.	Pogledajte dio Čišćenje i zaštita.
Bočne ploče su vruće	To je normalno. Toplina se prenosi bočnim pločama	Uzmite rukavice da dodirnete bočne ploče ako je potrebno.

Ako se kvar ponovo pojavi, obratite se servisnom centru.

ZBRINJAVANJE



Ovaj simbol označava da ovaj proizvod ne treba odlagati sa ostalim otpadom iz domaćinstva na kraju vijeka uporabe. Rabljeni uređaj mora se vratiti u službeno zbirno mjesto za recikliranje električnih i elektronskih uređaja. Da biste pronašli ove sisteme za prikupljanje, obratite se lokalnim nadležnim organima ili prodavcu kod kojeg je proizvod kupljen. Svako domaćinstvo igra važnu ulogu u obnavljanju i recikliranju starog uređaja. Odgovarajuće odlaganje rabljenog uređaja pomaže u sprječavanju potencijalnih negativnih posljedica po životnu sredinu i zdravlje ljudi.

HR ODRICANJE OD ODGOVORNOSTI / UPOZORENJE

Neke (jednostavne) kvarove može riješiti sam krajnji korisnik bez ikakvih sigurnosnih problema ili opasnosti koje mogu iskrsnuti uz uvjet da je to obavljeno u granicama i u skladu sa sljedećim uputama (pogledajte dio „Samopomoć“).

Stoga, osim ako nije drukčije određeno u donjem dijelu „Samopomoći“ popravke trebaju obaviti registrirani stručni servisi kako bi se izbjegli problemi sa sigurnosti. Registrirani stručni servis je stručni servis kojem je proizvođač odobrio pristup uputama i popisu rezervnih dijelova za ovaj proizvod u skladu s metodama opisanim u zakonskim aktima u skladu s Direktivom 2009/125/EC.

Međutim, samo servisni zastupnik (tj. ovlašteni stručni servisi) kojeg možete kontaktirati na telefonski broj naveden u korisničkom priručniku/jamstvenom listu ili ovlašteni zastupnik mogu obaviti servis u skladu s uvjetima jamstva. Stoga, upozoravamo vas kako će popravci koje su obavili stručni servisi (koje nije ovlastila tvrtka Beko) poništiti jamstvo.

Samopomoć

Samopopravak može obaviti krajnji korisnik za sljedeće zamjenjive dijelove: ručke na vratima, šarke vrata, ladice, košare i brtva na vratima (ažurirani popis dostupan je na support.beko.com od 01. ožujka 2021.)

Pored toga, kako bi se osigurala sigurnost proizvoda i spriječila opasnost od teških ozljeda, spomenuta samopomoć treba se obaviti pridržavajući se uputa u korisničkom priručniku za samopomoć ili onih dostupnih na support.beko.com. Zbog vaše sigurnosti, isključite proizvod iz strujne mreže prije početka obavljanja bilo kakve samopomoći.

Popravak i pokušaj popravka koje obavljaju krajnji korisnici za dijelove koji nisu uključeni na popis i/ili ako se ne pridržavaju uputa u korisničkom priručniku ili onih dostupnih na support.beko.com, mogu izazvati sigurnosne probleme koji se ne mogu pripisati Beko te koji će poništiti jamstvo proizvoda.

Stoga, izričito se preporučuje da se krajnji korisnici suzdrže od pokušaja popravka koji ne uključuje spomenuti popis rezervnih dijelova te da u tom slučaju kontaktiraju ovlaštene stručne servise ili registrirane stručne servise. U suprotnom, takvi pokušaji koje poduzmu krajnji korisnici mogu izazvati sigurnosne probleme i oštetiti proizvod te posljedično izazvati požar, poplavu, smrt zbog strujnog udara i teške tjelesne ozljede.

Na primjer, ali se ne ograničavajući na to, sljedeće popravke moraju obaviti ovlašteni profesionalni servisi ili registrirani profesionalni servisi: kompresor, rashladni sklop, matična ploča, inverter ploča, ploča zaslona, itd.

Proizvođač/prodavač neće se smatrati odgovornim u slučaju da krajnji korisnici ne poštuju gore navedeno.

Dostupnost rezervnih dijelova za hladnjaka koju ste kupili je 10 godina.

Tijekom ovog razdoblja originalni rezervni dijelovi bit će dostupni za ispravan rad hladnjaka.

Minimalno trajanje jamstva hladnjaka kojeg ste kupili je 24 mjeseca.

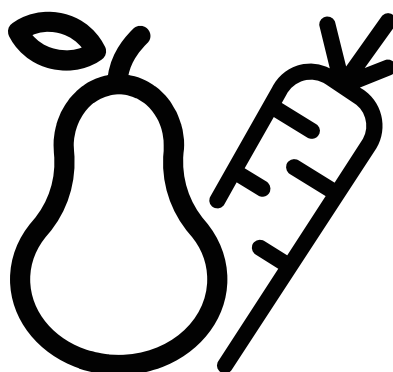
Ovaj proizvod opremljen je izvorom osvjetljenja energetske klase „G“.

Izvor osvjetljenja u ovom proizvodu smiju zamijeniti samo stručni serviseri.

beko

Hladilnik

Uporabniški priročnik



GNO5322XPN
GNO5323XPN
GNO5324XPN
GNO5322WN
GNO5322WDXPN

SL

CE



INFORMACIJE



ENERG



SUPPLIER'S NAME

MODEL IDENTIFIER (*)

A

A

Do informacij o modelu, ki so shranjene v zbirki podatkov o izdelkih, lahko pridete tako, da obiščete naslednje spletno mesto in poiščete identifikator modela (*), ki je naveden na energijski nalepki.

<https://eprel.ec.europa.eu/>

Varnostni napotki


Za vašo varnost in za pravilno uporabo izdelka pred namestitvijo in prvo uporabo skrbno preberite ta uporabniški priročnik in v njem vsebovane nasvete in opozorila. Da se izognete nesporazumom in nezgodam, poskrbite, da bodo vsi, ki bodo uporabljali to napravo, v celoti seznanjeni z njenim delovanjem in varnostnimi funkcijami. Shranite ta navodila in jih v primeru selitve ali prodaje novemu lastniku hranite z napravo, da bo vsak uporabnik ustrezno seznanjen z uporabo naprave in njenimi varnostnimi funkcijami.


Za varnost ljudi in naprave shranite varnostne napotke teh navodil, saj proizvajalec ni odgovoren za nastanek škode, do katere pride zaradi neupoštevanja.

Varnost otrok in ranljivih oseb

- Izdelek lahko uporabljajo osebe, starejše od 8 let, in osebe z zmanjšanimi fizičnimi, senzoričnimi ali psihičnimi sposobnostmi ali s pomanjkanjem izkušenj ter znanja, če so pod nadzorom oziroma so dobili navodila o varni uporabi izdelka ter razumejo možne nevarnosti.
- Otroci naj bodo pod nadzorom, da se s hladilnikom ne bi igrali.
- Otroci aparata ne smejo čistiti in vzdrževati, razen če so starejši od 8 let in so pod nadzorom odrasle osebe.
- Embalažni material hranite izven dosega otrok. Obstaja nevarnost zadužitve.
- Preden zavržete napravo, izvlecite vtič iz vtičnice, prerežite električni kabel (čim bliže aparata) in odstranite vrata, tako da ne more priti do električnega udara in da se otroci ne morejo zapreti v napravo.
- Če ta naprava z magnetnimi tesnili vrat nadomesti starejši aparat z vzmetnim zaklepom (kljuko) na vratih ali pokrovu, poskrbite, da bo zaklep neuporaben, preden zavržete staro napravo. S tem preprečite nevarnosti za otroke.


Splošna varnost


 **OPOZORILO!** Odprtine za zračenje, ohišje naprave ali vgrajeni hladilni elementi naj bodo vedno nezastrti.


 **OPOZORILO!** Ne uporabljajte mehanskih naprav ali drugih pripomočkov za pospeševanje odtajanja razen tistih, ki jih priporoča proizvajalec.


 **OPOZORILO!** Ne poškodujte krogotoka hladilnega sredstva.

Varnostni napotki


 **OPOZORILO!** V notranjosti hladilnih naprav ne uporabljajte drugih električnih aparatov (npr. aparatov za izdelavo sladoleda), razen če proizvajalec to dovoljuje.


 **OPOZORILO!** Če je bila žarnica dalj časa vključena, se je ne dotikajte, ker je lahko vroča.¹⁾

 **OPOZORILO!** Pri postavljanju naprave poskrbite, da ne stisnete ali poškodujete napajalnega kabla.

 **OPOZORILO!** Na hrbtno stran naprave ne nameščajte razdelilnih vtičnic ali prenosnih napajalnikov.

- V hladilniku ne shranjujte eksplozivnih snovi, na primer vnetljivih razpršil.
- Hladilni tokokrog naprave vsebuje hladilo izobutan (R-600a), naravni plin z visoko združljivostjo z okoljem, ki pa je vnetljiv.
- Med transportom in namestitvijo aparata pazite, da se nobena komponenta hladilnega sistema ne poškoduje.
 - Izogibajte se odprtemu plamenu in virom vžiga.
 - Prostor, kjer bo nameščena naprava, naj bo dobro prezračen.
- Spreminjanje specifikacij ali izvajanje kakršnih koli sprememb na napravi je lahko nevarno. Poškodba kabla lahko povzroči kratek stik, požar in/ali električni udar.
- Ta naprava je namenjena za uporabo v gospodinjstvu in podobnih okoljih, kot so:
 - kuhinje za osebje v trgovinah, pisarnah in drugih delovnih okoljih,
 - hoteli, moteli in druga stanovanjska okolja, kjer jo lahko uporabljajo gostje,
 - namestitve, kjer ponujajo nočitve z zajtrkom,
 - pri cateringu in v podobnih okoljih, kjer ne gre za neposredno prodajo.

 **OPOZORILO!** Vse električne komponente (vtič, električni kabel, kompresor itd.) mora zamenjati pooblaščen serviser ali kvalificiran servisni tehnik.

 **OPOZORILO!** Žarnica, dobavljena v tej napravi, je »žarnica za poseben namen« in se lahko uporablja samo s to napravo. Ta »žarnica za poseben namen« se ne more uporabljati za razsvetljavo v gospodinjstvu.¹⁾

1) Če je v razdelku nameščena luč.



Varnostni napotki

- Kabla ni dovoljeno podaljševati.
- Preverite, ali vtič ni deformiran ali poškodovan zaradi poškodbe zadnje strani hladilnika. Deformirani ali poškodovani vtič se lahko pregreje in povzroči požar.
- Električni vtič naprave mora biti dostopen.
- Ne vlecite za električni kabel.
- Če vtičnica na zidu ni dovolj trdno pritrjena, vtiča ne vtikajte. Obstaja nevarnost električnega udara ali požara.
- Ta naprava ne sme delovati brez luči.
- Aparat je težak. Pri premikanju naprave bodite previdni.
- Z vlažnimi ali mokrimi rokami ne prijemajte in se ne dotikajte predmetov v zamrzovalnem razdelku, saj lahko to povzroči poškodbe kože ali omrzline.
- Naprava naj ne bo prekomerno izpostavljena neposredni sončni svetlobi.

Vsakodnevna uporaba

- Na plastične dele naprave ne odlagajte vročih predmetov.
- Hrane ne polagajte neposredno ob hrbtno steno.
- Zamrznjene hrane ne zamrzujte ponovno, potem ko je bila odtaljena.¹⁾
- Pakirano zamrznjeno hrano shranjujte v skladu z navodili proizvajalca zamrznjene hrane.¹⁾
- Strogo upoštevajte proizvajalčeva navodila za shranjevanje. Glejte ustrezne napotke.
- Gaziranih ali penečih se pijač ne vstavljajte v zamrzovalni razdelek, saj lahko eksplodirajo in poškodujejo napravo.¹⁾
- Lučke in sladoledi lahko povzročijo omrzline, če jih jeste takoj po tem, ko jih vzamete iz aparata.¹⁾

Da preprečite kontaminacijo hrane, upoštevajte naslednja navodila

- Če vrata dalj časa ostanejo odprta, lahko temperatura v razdelki naprave znatno poraste.
- Redno čistite površine, ki prihajajo v stik s hrano, in sistem odvajanja vode.
- Če posod za vodo niste uporabljali več kot 48 ur, jih očistite. Sperite sistem za vodo, ki je povezan z vodovodom, če ni bilo porabe vode več kot 5 dni.
- Surovo meso in ribe hranite v primernih posodah, da ne pridejo v stik z ostalo hrano.
- Razdelki za zamrznjeno hrano z dvema zvezdicama (če so v napravi vgrajeni) so namenjeni hranjenju predhodno zmrznjene hrane, hranjenju in izdelavi sladoleda in zamrzovanju ledenih kock.

1) Če je vgrajen zamrzovalni razdelek.
2) Če je vgrajen razdelek za svežo hrano.



Varnostni napotki

- Razdelki z eno, dvema in tremi zvezdicami (če so vgrajeni v napravo) niso primerni za zamrzovanje sveže hrane.
- Če naprava dalj časa stoji prazna, jo izključite, odmrznite, očistite, posušite in pustite vrata odprta, da se v napravi ne razvije plesen.

Nega in čiščenje

- Pred vzdrževanjem izklopite aparat in izvlecite napajalni vtič iz vtičnice.
- Naprave ne čistite s kovinskimi predmeti.
- Ne uporabljajte ostrih predmetov za odstranjevanje ledu z naprave. Uporabite plastično strgalo. ¹⁾
- Redno pregledujte odtok v hladilniku glede prisotnosti odtaljene vode. Po potrebi odtok očistite. Če je odtok zamašen, se bo na dnu aparata nabirala voda. ²⁾

Namestitev

Pomembno! Skrbno sledite navodilom za električni priključek v naslednjih odstavkih.

- Razpakirajte napravo in preverite, ali ni morda poškodovana. Če je aparat poškodovan, ga ne priključujte. Morebitne poškodbe takoj javite trgovini, kjer ste napravo kupili. V tem primeru embalažo shranite.
- Priporočamo, da pred priključitvijo naprave počakate najmanj štiri ure, da lahko olje steče nazaj v kompresor.
- Okrog naprave naj bo zagotovljeno primerno kroženje zraka, v nasprotnem lahko pride do pregrevanja. Da zagotovite primerno prezračevanje, upoštevajte navodila za namestitev.
- Kjer je to mogoče, namestite distančnike med hrbtno stranjo naprave in zidom in se ne dotikajte vročih delov naprave (kompresor, kondenzator), da ne dobite opeklin.
- Naprave ne postavljajte ob vire toplote ali kuhalnike.
- Preverite, ali je vtič po namestitvi naprave dostopen.

Vzdrževanje

- Vsa dela na električni opremi naprave naj izvaja kvalificirani električar ali druga kompetentna oseba.
- Ta izdelek mora servisirati pooblaščen servisni center in uporabljati se morajo originalni nadomestni deli.

Varčevanje z energijo



- V napravo ne polagajte vroče hrane.
- Hrane ne polagajte tesno skupaj, da ne preprečite kroženja zraka.
- Hrana se ne sme dotikati hrbtne stene razdelkov.

¹⁾ Če je vgrajen zamrzovalni razdelek.
²⁾ Če je vgrajen razdelek za svežo hrano.

Varnostni napotki

- Če pride do izpada elektrike, ne odpirajte vrat.
- Ne odpirajte vrat prepogosto.
- Vrat ne puščajte odprtih predolgo.
- Termostata ne nastavljajte na prenizko temperaturo.
- Vsi dodatki, kot so predali in police, morajo biti nameščeni, da se zagotovi manjša poraba energije.

Varovanje okolja

 Ta aparat ne vsebuje ozračju škodljivih plinov, ki bi lahko poškodovali ozonsko plast, niti v hladilnem sredstvu niti v izolacijskih materialih. Naprave ni dovoljeno odstranjevati skupaj z gospodinjskimi ali splošnimi odpadki. Izolacijska pena vsebuje vnetljive pline. Napravo odstranjujte v skladu z veljavnimi predpisi, ki jih lahko pridobite pri organih lokalne oblasti. Pazite, da ne poškodujete hladilnega sistema, zlasti izmenjevalnika toplote. Materiali te naprave, označeni s simbolom , se lahko reciklirajo.




Ta simbol na izdelku ali embalaži pomeni, da izdelka ni dovoljeno odstranjevati skupaj z gospodinjskimi odpadki. Odnosite ga v zbirni center za recikliranje električne in elektronske opreme. S tem, ko zagotovite, da bo ta izdelek pravilno odstranjen, pomagate preprečevati negativne vplive na okolje in človeško zdravje, ki bi lahko bilo zaradi nepravilnega odstranjevanja ogroženo. Za podrobnejše informacije glede recikliranja tega izdelka se posvetujte z lokalnimi oblastmi, podjetjem za ravnanje z odpadki ali trgovino, kjer ste aparat kupili.

Embalažni materiali

Materiale s tem simbolom je mogoče reciklirati. Embalažo odložite v ustrezne zabojnike za recikliranje.

Odstranjevanje aparata

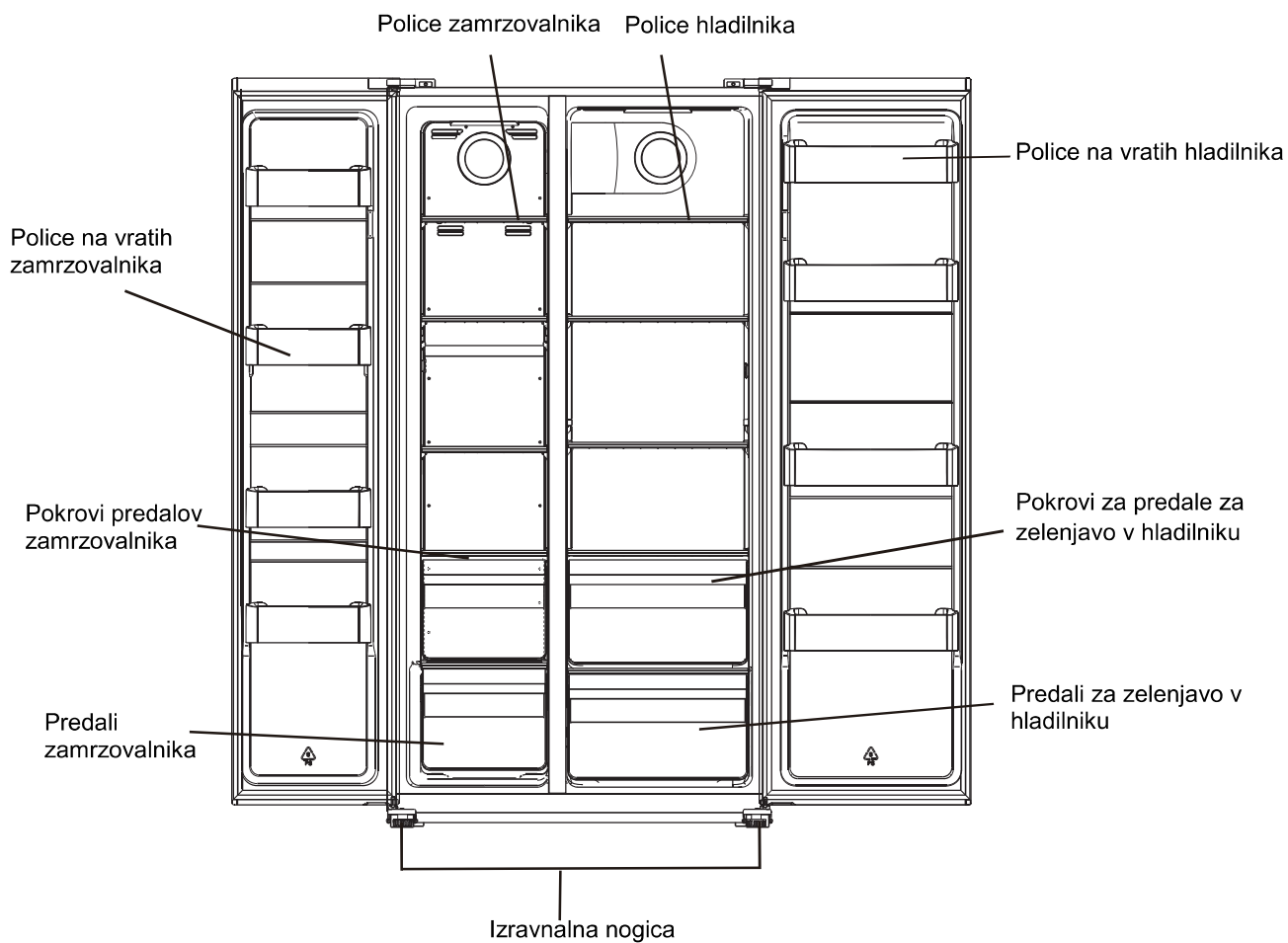
1. Izvlecite vtič iz vtičnice.
2. Odrežite napajalni kabel in ga odstranite.

 **OPOZORILO!** Med uporabo, vzdrževanjem in odstranjevanjem naprave bodite pozorni na simbol, ki se nahaja na hrbtni strani aparata (na zadnji plošči ali kompresorju).



To je simbol za nevarnost požara. V ceveh za hladilno sredstvo in kompresor se nahajajo vnetljive snovi. Med uporabo, vzdrževanjem in odstranjevanjem ne uporabljajte odprtega ognja.

Pregled



Opomba: Zgornja slika je zgolj informativna. Dejanski izdelek se lahko razlikuje od slike.

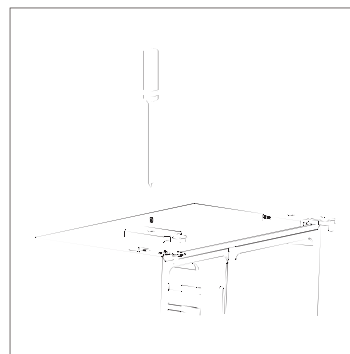
Namestitev

Odstranite vrata

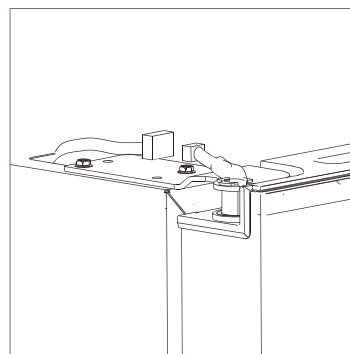
Potrebno orodje: križni izvijač, ploščati izvijač

- Preverite, ali je naprava prazna in odklopljena od elektrike.
- Da snamete vrata, nagnite napravo nazaj. Naprava naj stoji na trdni površini, da med demontažo vrat ne zdrsne.
- Shranite vse dele za kasnejšo ponovno namestitev.
- Naprave ne polagajte na hrbtno stran, saj se lahko hladilni sistem poškoduje.
- Priporočamo, da montažo naprave izvajata 2 osebi.

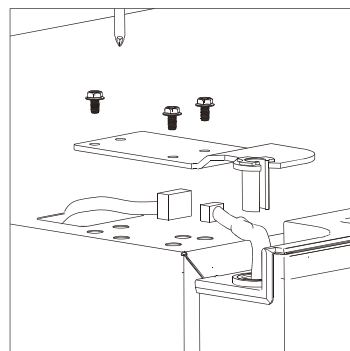
1. S križnim izvijačem odvijte pokrov tečajja.



2. Odklopite kabelski splet.

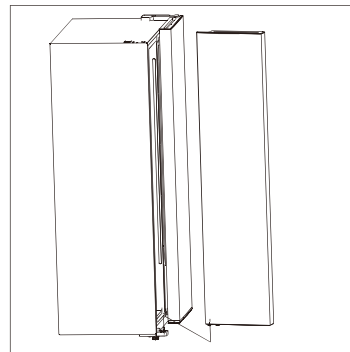


3. Odvijte zgornji tečaj.

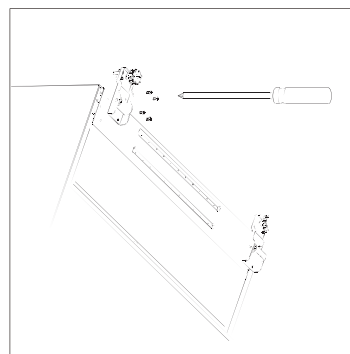


Namestitev

4. Dvignite vrata in jih odložite na mehko površino. Nato na enak način odstranite še druga vrata.



5. Odvijte spodnji tečaj.

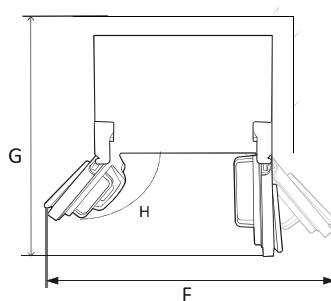
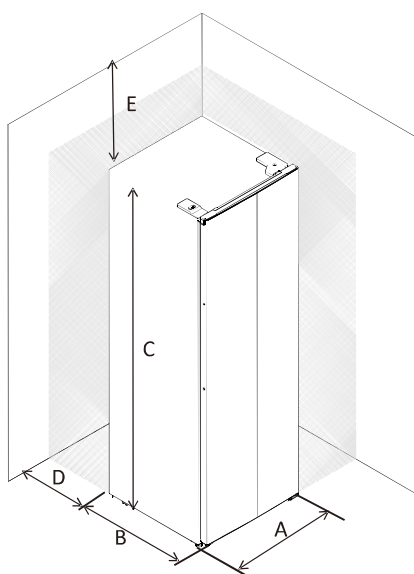


6. Ko je naprava postavljena na svoje mesto, namestite vrata v nasprotnem vrstnem redu.

Namestitev

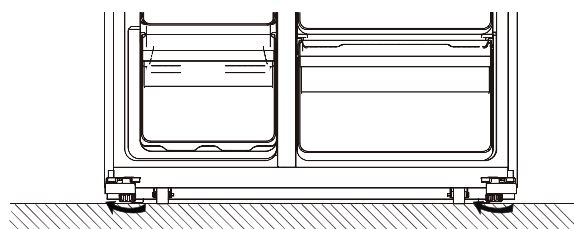
Potreben prostor

- Izberite mesto postavitve brez izpostavljenosti neposredni sončni svetlobi.
- Izberite mesto z dovolj prostora, da se vrata hladilnika zlahka odpirajo.
- Izberite mesto postavitve z vodoravnimi (ali skoraj vodoravnimi) tlemi.
- Naprava naj ima na površini postavitve dovolj prostora.
- Pri namestitvi poskrbite za režo na levi in desni ter zgoraj in spodaj. Tako boste zmanjšali porabo energije in s tem vaš račun za elektriko.



A	910
B	670
C	1770
D	min=50
E	min=50
F	1800
G	1560
H	135°

Izravnavanje in pritrditev hladilnika



- Hladilnik izravnajte z nastavljivimi nogami.
- Z vrtenjem v smeri urnega kazalca napravo dvigujete.
- Z vrtenjem v nasprotni smeri urnega kazalca napravo spuščate.

Namestitev

Postavitev

Napravo postavite na mesto, kjer okoliška temperatura ustreza podnebnemu razredu, označenem na ploščici s tehničnimi podatki naprave. za hladilne aparate s podnebnim razredom:

- razširjeni zmerni: ta hladilni aparat je zasnovan za uporabo pri temperaturi okolja od 10 °C do 32 °C; (SN)
- zmerni: ta hladilni aparat je zasnovan za uporabo pri temperaturi okolja od 16 °C do 32 °C; (N)
- subtropski: ta hladilni aparat je zasnovan za uporabo pri temperaturi okolja od 16 °C do 38 °C; (ST)
- tropski: ta hladilni aparat je zasnovan za uporabo pri temperaturi okolja od 16 °C do 43 °C; (T)

Mesto postavitve

Aparat mora biti postavljen stran od virov toplote, kot so radiatorji, grelniki vode, neposredna sončna svetloba itd. Poskrbite, da bo okrog zadnje strani aparata lahko krožil zrak. Če je aparat postavljen pod stenski element, mora biti med zgornjo površino naprave in elementom razdalja najmanj 100 mm. Bolje je, da nad aparatom ni nameščenih stenskih elementov. Natančno izravnava aparata omogoča ena ali več nastavljivih nožic.

Ta hladilni aparat ni namenjen za uporabo kot vgradni aparat.



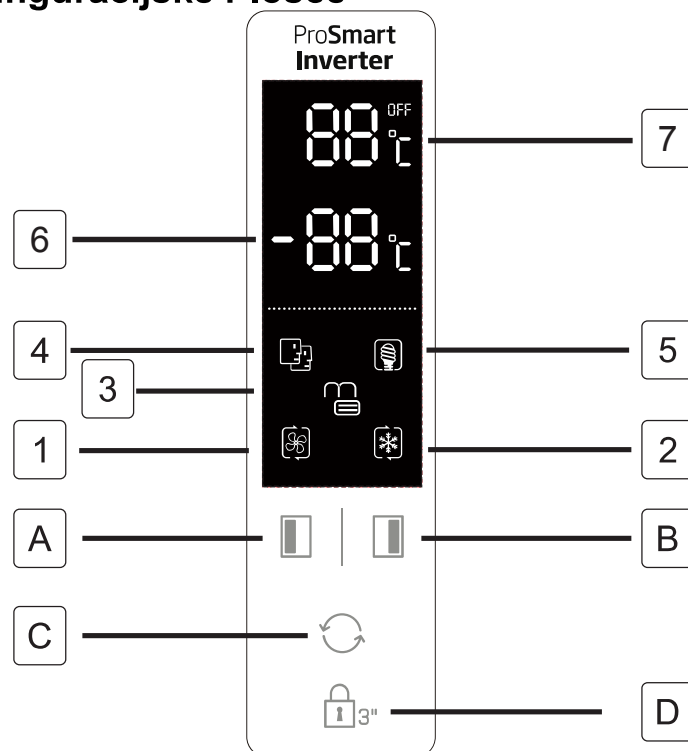
Opozorilo! V vsakem trenutku mora biti mogoče odklopiti napravo od električnega omrežja. Zato mora biti vtič po namestitvi lahko dostopen.

Električni priključek

Preden vtaknete vtič, preverite, ali se napetost in frekvenca, označeni na ploščici s tehničnimi podatki, ujemata s podatki vaše električne napeljave. Aparat mora biti ozemljen. V ta namen ima električni kabel predviden ozemljitveni kontakt. Če hišna vtičnica ni ozemljena, priključite ločen ozemljitveni vodnik v skladu z veljavnimi predpisi. Posvetujte se s kvalificiranim električarjem. Če teh napotkov ne upoštevate, proizvajalec ne prevzema nikakršne odgovornosti. Ta aparat je skladen z direktivami ES.

Vsakodnevna uporaba

Uporaba Konfiguracijske Plošče



Tipke

- A** Pritisnite za nastavev temperature zamrzovalnega razdelka (leva stran) od -14 °C do -22 °C.
- B** Pritisnite za nastavev temperature hladilnega razdelka (desna stran) od 2 °C do 8 °C. Če izberete »OFF«, se razdelek hladilnika izključi.
- C** Pritisnite za izbiro načina delovanja: **SMART**, **ECO**, **SUPER COOLING**, **SUPER FREEZING** in **USER'S SETTING** (uporabniška nastavev) (na zaslonu ni simbola).
- D** Pritisnite tipko **Lock 3**. in jo zadržite za 3 sekunde, da zaklenete ostale tri tipke. Pritisnite tipko in jo zadržite za 1 sekundo, da odklenete ostale tri tipke.

Zaslon

- 1** Način **SUPER COOLING** Hladilni prostor se ohladi na najnižjo temperaturo, kot je predvideno. Nastavev temperature se po približno 2,5 urah vrne v prejšnji način uporabniške nastavitve.
- 2** Način **SUPER FREEZING** Hladilni prostor se ohladi na najnižjo temperaturo, kot je predvideno. Nastavev temperature se po približno 50 urah vrne v prejšnji način uporabniške nastavitve.
Nasveti: Preden v zamrzovalni predel položite večjo količino živil, je bolje, da način **SUPER ZAMRZOVAČ** vklopite 24 ur prej.
- 3** Ko so tipke zaklenjene, sveti simbol **lock**.
- 4** Način **SMART**: hladilnik samodejno nastavi temperaturi obeh razdelkov glede na temperaturo v notranjosti in okoliško temperaturo.
- 5** Način **ECO**: hladilnik deluje z najnižjo porabo energije.
- 6** Prikaz nastavljenе temperature zamrzovalnega razdelka
- 7** Prikaz nastavljenе temperature hladilnega razdelka
- 8** Otroška ključavnica ne bi delovala, če bi prišlo do izpada napajanja. Otroška ključavnica samodejno začne veljati po 25 sekundah od zadnjega delovanja. Po dveh minutah od zadnjega delovanja se zaslonska plošča samodejno izklopi.
- 9** Nekaterih funkcij pri tem modelu ni mogoče uporabiti.

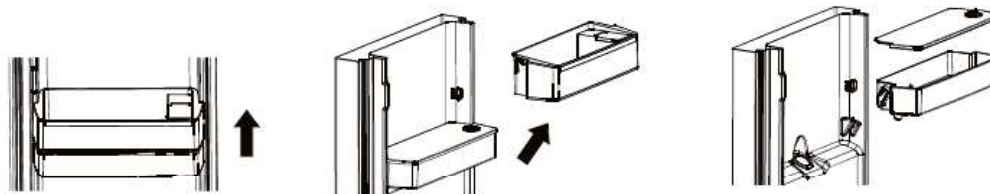
Alarm za odprta vrata

Če pustite katera od vrat odprta dlje kot 90 sekund, se oglasi ponavljajoč se alarm, ki se izključi, ko zaprete vrata.

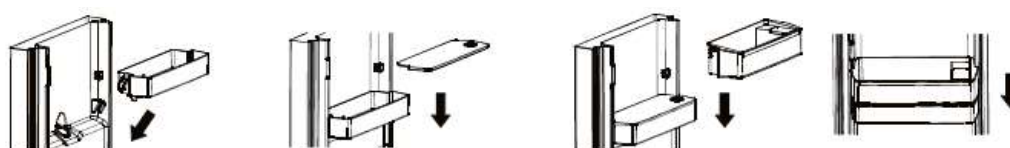
Vsakodnevna uporaba

Pred prvo uporabo razpršilnika vode odstranite in očistite posodo za vodo, ki se nahaja v predelu hladilnika.

1. Najprej dvignite in odstranite polico za posodo in nato odstranite posodo za vodo s pokrovom. Snemite pokrov, da boste lahko oprali in očistili posodo in pokrov.



2. Po čiščenju ponovno namestite posodo za vodo, pokrov in polico za posodo, kot prikazuje spodnji postopek.



3. Očistite blazino razpršilnika na zunanji strani vrat hladilnika.



Polnjenje posode za vodo z vodo

1. Odprite majhen pokrovček.



2. Posodo za vodo napolnite s pitno vodo do oznake za 3 litre.
3. Zaprite majhen pokrovček na pokrovu.



Pršenje

Za pršenje vode nežno pritisnite blazino razpršilnika s kozarcem ali posodo.

Da zaustavite tok vode, kozarec umaknite stran od blazine razpršilnika.

Vsakodnevna uporaba

Pri prvi uporabi

Čiščenje notranjosti

Pred prvo uporabo aparata umijte notranjost in vse dele notranjega pribora z mlačno vodo in nekaj nevtralnega čistila, da odstranite značilen vonj novega izdelka, nato ga temeljito posušite.

Pomembno! Ne uporabljajte močnih in abrazivnih detergentov, saj lahko poškodujejo površine.

Vsakodnevna uporaba

Hrana	Mesto
Jajca	Vratna polica
Mlečni izdelki (maslo, sir)	Če je na voljo, predal BioFresh ali ohlajevalni predal Najnižje police
Sadje, zelenjava in solata	Predal za sadje in zelenjavo, predal Crisper ali predal EverFresh+ (če je na voljo)
Sveže meso, perutnina, sveže ribe, klobase, kuhana/pečena hrana	Če je na voljo, predal BioFresh ali ohlajevalni predal Najnižja polica
Hrana, pripravljena za zaužitje, pakirani izdelki, konzervirana hrana, vloženi izdelki	Zgornje police ali vratna polica
Pijače, steklenice, začimbe, prigrizki	Vratna polica
Ostanki	Srednje police

Vsakodnevna uporaba

SL Navodila za shranjevanje sveže hrane:

Shranjevanje v predalu za svežo hrano:

- Hladilnik naj bo nastavljen na priporočeno temperaturo 4 °C.
- Hrana, ki jo nameravate shraniti, mora biti ustrezno zaprta, da preprečite spremembe vonja ali okusa.
- V hladilniku ne shranjujte prevelikih količin hrane. Med hrano naj bo nekaj prostora, da omogočite kroženje hladnega zraka, kar zagotavlja boljše in enakomernejše hlajenje.
- Hrana, ki jo uživate vsak dan, mora biti shranjena na sprednjem delu police, da skrajšate odprtost vrat.
- Med hrano in notranjimi stenami naj bo nekaj prostora, da omogočite pretok zraka. Če shranjujete hrano tako, da se dotika zadnje stene, se lahko primrzne nanjo.
- Preden shranite vročo (kuhano/pečeno) hrano v aparat, jo morate ohladiti na sobno temperaturo. Nato lahko toplo hrano postavite na spodnje police hladilnika. Ne postavljajte tople hrane v bližino hitro pokvarljive hrane.
- Zamrznjeno hrano odtajajte v predalu za svežo hrano. Tako lahko z zamrznjeno hrano ohladite predal za svežo hrano in prihranite energijo.
- Če je v hladilniku shranjeno nezrelo tropsko sadje (mango, melona, papaja, banana, ananas), se lahko pospeši proces staranja, zato to ni priporočljivo, ker se skrajšajo časi shranjevanja. Za določeno obdobje pa lahko v hladilnem delu pospešite zorenje zelo zelenega sadja (jabolka, hruška).
- Česen, čebulo, ingver in drugo korenasto zelenjava je treba hraniti v temnem in hladnem prostoru in ne v hladilniku.
- Če v hladilniku odkrijete pokvarjeno hrano, jo je treba zavreči. Če odkrijete gnilo hrano, očistite notranjo površino delov, ki so bili v stiku s hrano, da preprečite kontaminacijo.
- Velike posode hrane, kot je juha ali enolončnica, lahko razdelite v plitve posode za hitro hlajenje v hladilniku. Prav tako je treba na manjše kose razdeliti tudi velike kose pečenega mesa ali perutnine.
- Ne shranjujte nepakirane hrane v bližini jajc.
- Sadje in zelenjavo shranjujte ločeno in po skupinah: jabolka z jabolki, korenček s korenčki. Sadje in zelenjava oddajata različne pline, ki lahko povzročijo kvarjenje druge hrane.
- Listnato zelenjavo vzemite iz plastičnih vrečk in jo pred shranjevanjem v hladilniku ovijte v papirnato brisačo ali kuhinjsko krpo. Če jo splaknete ali zmočite, je pred shranjevanjem ne pozabite posušiti.
- Sadje in zelenjavo, ki se hitro izsušita, shranjujte v perforiranih ali odprtih plastičnih vrečkah, ki ohranjajo vlažno okolje in hkrati omogočajo kroženje zraka.
- Različno hrano je treba shranjevati na različnih območjih glede na njene lastnosti:
"Preverite ustrezni klimatski razred aparata na ploščici s podatki. Za vaš aparat velja eden od spodnjih podatkov v skladu z nazivnim klimatskim razredom."
 - SN: Razširjeni zmerni: ta hladilni aparat je zasnovan za uporabo pri temperaturi okolja od 10 °C do 32 °C.
 - N: Zmerni: ta hladilni aparat je zasnovan za uporabo pri temperaturi okolja od 16 °C do 32 °C.
 - ST: Subtropski: ta hladilni aparat je zasnovan za uporabo pri temperaturi okolja od 16 °C do 38 °C.
 - T: Tropski: ta hladilni aparat je zasnovan za uporabo pri temperaturi okolja od 16 °C do 43 °C.

Vsakodnevna uporaba

Shranjevanje v zamrzovalnem delu:

- Priporočamo, da nastavite zamrzovalnik na $-20\text{ }^{\circ}\text{C}$, razen pri skrajnih okoljskih pogojih.
- 4–6 ur pred zamrzovanjem vklopite funkcijo hitrega zamrzovanja, da omogočite hitrejšo zamrzovanje.
- Preden shranite vročo hrano v zamrzovalni del, jo morate ohladiti na sobno temperaturo.
- Hrana, narezana na majhne dele, hitreje zamrzne in jo je mogoče lažje odmrzniti ter pripraviti.
- Priporočamo, da hrano zapakirate, preden jo daste v zamrzovalnik.
- Da preprečite prekoračitev roka shranjevanja, na embalažo skladno z roki shranjevanja posamezne hrane zabeležite datum zamrznitve, časovno omejitev in vrsto hrane.
- Ne prekoračite rokov shranjevanja hrane, ki jih priporočajo proizvajalci hrane. Iz zamrzovalnika vzemite le toliko hrane, kot je potrebujete.
- Odmrznjeno hrano hitro porabite. Odmrznjene hrane ni dovoljeno znova zamrzovati, razen če jo skuhate. Uživanje znova zamrznjene sveže hrane, ki ni kuhana, ni varno.
- Pri zamrzovanju se izogibajte stiku sveže hrane z že zamrznjeno hrano. Lahko pride do odtajanja že zamrznjenih kosov.

Zamrzovanje sveže hrane

- Zamrzovalni razdelek je primeren za zamrzovanje sveže hrane in shranjevanje zamrznjene ali globoko zamrznjene hrane za dalj časa.
- Svežo hrano, ki jo želite zamrzniti, shranite v spodnji razdelek.
- Na ploščici s podatki je navedena največja količina hrane, ki jo je mogoče zamrzniti v 24 urah.
- Postopek zamrzovanja traja 24 ur: medtem ne vstavljajte dodatne hrane.

Shranjevanje zamrznjene hrane

Pri prvem vklopu ali po daljšem času neuporabe aparata naj naprava vsaj 2 uri deluje pri višjih nastavitvah, preden pričete vstavljati živila.

Pomembno! Če pride do odtaljevanja, na primer zaradi izpada elektrike, ki je daljše od »časa odtaljevanja«, navedenega na ploščici s podatki, je treba odtaljena živila hitro porabiti ali jih skuhati in nato po kuhanju ponovno zamrzniti.

Odtaljevanje

Zamrznjeno ali globoko zamrznjeno hrano lahko pred uporabo odtalite v hladilniku ali pri sobni temperaturi, odvisno od tega, koliko časa imate na voljo.

Manjše kose lahko kuhate še zamrznjene, vzete neposredno iz zamrzovalnika. V tem primeru bo čas kuhanja daljši.

Pribor Premične

police

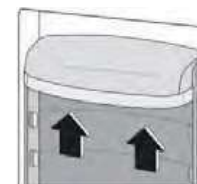
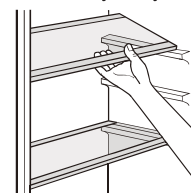
Stene hladilnika so opremljene z vrstami vodil, v katera lahko po želji namestite police.

Nameščanje vratnih etaž

Da bi lahko shranjevali živila različnih velikosti, lahko vratne etaže postavite na različne višine. Te nastavitve izvedete, kot sledi: počasi izvlecite etažo v smeri puščice, dokler se ne sprostijo, nato jo namestite v zeleni položaj.

Pri shranjevanju tovarniško zamrznjene hrane upoštevajte naslednje smernice:

- Vedno upoštevajte navodila proizvajalca glede trajanja shranjevanja hrane. Ne prekoračite teh rokov!
- Poskusite zagotoviti čim krajši čas med nakupom in shranjevanjem, da se ohrani kakovost hrane.
- Kupujte zamrznjeno hrano, ki je bila shranjena pri temperaturi $-18\text{ }^{\circ}\text{C}$ ali manj.
- Ne kupujte hrane, ki ima na embalaži led ali zmrzal. To pomeni, da so na eni točki izdelki morda bili delno odmrznjeni in nato znova zamrznjeni. Takšni dvigi temperature vplivajo na kakovost hrane.
- Priporočamo nastavitve temperature $4\text{ }^{\circ}\text{C}$ za predal za svežo hrano in $-20\text{ }^{\circ}\text{C}$ za zamrzovalni del, da se zagotovi boljše shranjevanje hrane.
- Če je temperatura nastavljena na priporočeni vrednosti $+4\text{ }^{\circ}\text{C}/-20\text{ }^{\circ}\text{C}$ (razen pri skrajnih okoljskih pogojih), se zagotovi daljša splošna svežina v predalu za svežo hrano in zamrzovalnem delu. Če je temperatura v predalu za svežo hrano nastavljena na nižjo vrednost, lahko sveže sadje in zelenjava delno zmrzneta oz. se poškodujeta zaradi nizkih temperatur, pri višji temperaturi pa se lahko hitro pokvarljiva hrana (mlečni izdelki, mesni izdelki) hitreje pokvari.



Vsakodnevna uporaba

Koristni nasveti in namigi

Nasveti za zamrzovanje

Da bi lahko čim bolje izkoristili zamrzovanje, vam podajamo nekaj pomembnih nasvetov:

- največja količina hrane, ki jo je mogoče zamrzniti v 24 urah je navedena na ploščici s podatki,
- zamrzovanje traja 24 ur, med časom zamrzovanja ne dodajajte dodatnih živil,
- zamrzujte le najboljša, sveža in dobro očiščena živila,
- živila shranite v manjših porcijah, da jih boste lahko hitro v celoti zamrznili in nato odmrzovali po potrebi,
- živila zavijte v aluminijasto folijo ali jih dajte v polietilenske vrečke in poskrbite, da bodo zrakotesno zaprta,
- sveža, nezamrznjena hrana naj se ne dotika že zamrznjene hrane, da se slednja ne segreje,
- pusta živila je mogoče hraniti bolje in dlje kot mastna; sol zmanjšuje čas hranjenja živil,
- če sladoled jeste takoj po tem, ko ste ga vzeli iz zamrzovalnika, lahko povzroči omrzline na koži,
- priporočamo, da označite datum zamrzovanja posamezne embalažne enote živila,
- priporočamo, da označite datum zamrzovanja posamezne embalažne enote živila, da boste vedeli, kako dolgo je bilo živilo zamrznjeno.

Nasveti za shranjevanje zamrznjenih živil

Za optimalno delovanje tega aparata:

preverite, ali je bila zamrznjena hrana pravilno shranjena v trgovini, zamrznjeno hrano čim hitreje prinesite iz trgovine in jo shranite v zamrzovalnik,

ne odpirajte vrat prepogosto in jih ne pustite odprtih dlje, kot je to nujno potrebno.

Ko je hrana odmrznjena, prične hitro propadati in je ni mogoče znova zamrzniti.

Ne prekoračite rokov shranjevanja hrane, ki jih priporočajo proizvajalci hrane.

Nasveti za shranjevanje svežih živil

Za optimalno delovanje tega aparata:

- Ne shranjujte toplih živil ali hlapljivih tekočin v odprtih posodah.
- Prekrijte ali zavijte živila, zlasti če imajo močan vonj.

Nasveti za hlajenje

Uporabni napotki:

- Velja za vse vrste živil: hranite v polietilenskih vrečkah na steklenih policah na predalom za zelenjavo.
- Zaradi varnosti ne hranite svežih živil dlje kot dva dni.
- Kuhana hrana, hladne jedi itd. postavite na polico in jih pokrijte.
- Sadje in zelenjava: temeljito jih očistite in položite v za to namenjen predal.
- Maslo in sir: hranite v posebnih zrakotesnih posodah ali zavite v aluminijasto folijo ali v polietilenskih vrečkah, da čim bolj preprečite stik z zrakom.
- Steklenice z mlekom: naj imajo pokrov in jih hranite v etažah na vratih.
- Banane, krompir, čebula ali česen: če niso pakirani, jih hranite v hladilniku.

Čiščenje

Iz higienskih razlogov redno čistite notranjost hladilnika vključno z vsem priborom.



Pozor! Med čiščenjem aparat ne sme biti priključen na elektriko. Nevarnost električnega udara! Pred čiščenjem odklopite aparat od električnega napajanja in izvlecite vtič iz vtičnice ali odklopite omrežni odklopnik ali varovalko. Aparata ne čistite s parnim čistilnikom. V električne komponente lahko vdre voda – nevarnost električnega udara! Vroča para lahko poškoduje plastične dele. Preden aparat znova vključite, mora biti v celoti suh.

Pomembno! Eterična olja in organska topila lahko nažirajo plastične dele, npr. sok limone ali sok oranžne lupine, maslena kislina, čistila, ki vsebujejo očetno kislino.

Vsakodnevna uporaba

- Te snovi ne smejo priti v stik z deli aparata.
- Ne uporabljajte abrazivnih čistil.
- Odstranite živila iz hladilnika. Shranite jih na hladno in jih pokrijte.
- Odklopite aparat od električnega napajanja in izvlecite vtič iz vtičnice ali odklopite omrežni odklopnik ali varovalko.
- Očistite zunanost in notranost naprave s krpo in mlačno vodo. Po čiščenju obrišite s čisto vodo in nato obrišite s suho krpo.
- Ko se naprava v celoti posuši, jo lahko znova vključite.

Odpravljanje težav



Pozor! Preden pričnete z odpravljanjem težav, odklopite električno napajanje. Odpravljanje težav, ki ni opisano v tem priročniku, lahko izvaja samo kvalificirani električar ali kompetentna oseba.

Pomembno! Med delovanjem se slišijo običajni zvoki (kompresor, pretakanje hladilnega sredstva).

Težava	Možen vzrok	Rešitev
Aparat ne deluje	Vtič ni pravilno vtaknjen v električno vtičnico	Vtaknite vtič.
	Pregorela ali okvarjena varovalka	Preverite varovalko in jo po potrebi zamenjajte.
	Vtičnica v okvari	Okvare električne napake naj odpravi električar.
Živila so pretopla.	Temperatura ni pravilno nastavljena.	Preverite razdelek Nastavitve temperature na začetku priročnika.
	Vrata so bila odprta dalj časa.	Vrata pustite odprta le, kolikor je nujno potrebno.
	V napravo ste v zadnjih 24 urah dali večjo količino toplih živil.	Za nekaj časa nastavite nižjo temperaturo.
	Naprava je postavljena preblizu vira toplote.	Preverite razdelek Mesto postavitve.
Naprava premočno hladi	Temperatura je nastavljena prenizko.	Za nekaj časa nastavite višjo temperaturo.
Neobičajni zvoki	Naprava ni postavljena vodoravno.	Znova nastavite nožice.
	Aparat se dotika zidu ali drugih predmetov.	Malce premaknite aparat.
	Ena od komponent na hrbtni strani naprave se dotika drugega dela naprave ali zidu.	Po potrebi previdno upognite del naprave.
Voda na tleh	Odprtina za odtok vode je zamašena.	Glejte razdelek Čiščenje in nega.
Stranske stene so vroče	To je običajno. Toplotni izmenjevalnik je vgrajen v stranske stene.	Če se morate dotikati stranskih sten, uporabite rokavice.

Če se napaka znova pojavi, se posvetujte s servisnim centrom.



ODSTRANJEVANJE

Ta oznaka pomeni, da tega izdelka ne smete odstranjevati skupaj z drugimi gospodinjskimi odpadki. Izrabljeno napravo dostavite na zbiralno mesto za recikliranje električnih in elektronskih naprav. Glede teh zbirnih točk se posvetujte z lokalnimi uradi ali prodajalcem, pri katerem ste izdelek kupili. Vsako gospodinjstvo igra pomembno vlogo pri ravnanju z in recikliranju starih gospodinjskih aparatov. Pravilno odstranjevanje izrabljenih izdelkov pomaga preprečevati negativne posledice za okolje in človeško zdravje.

SL

ZAVRNITEV ODGOVORNOSTI / OPOZORILO

Nekatere (enostavne) napake lahko končni uporabnik ustrezno popravi, ne da bi prišlo do kakršnih koli varnostnih težav ali nevarne uporabe, pod pogojem, da so izvedene v mejah in v skladu z naslednjimi navodili (glejte poglavje "Samopopravila").

Če ni drugače dovoljeno v spodnjem poglavju "Samopopravila", bodo vsa popravila naslovljena na registriranega pooblaščenega serviserja, da se izognemo varnostnim težavam. Registrirani pooblaščen serviser je poklicni serviser, ki mu je proizvajalec odobril dostop do navodil in seznama nadomestnih delov tega izdelka v skladu z metodami, opisanimi v zakonodajnih aktih v skladu z Direktivo 2009/125/ES.

Vendar lahko samo servisni agent (tj. pooblaščen poklicni serviserji), do katerega lahko pridete prek telefonske številke, navedene v uporabniškem priročniku/garancijskem listu ali prek pooblaščenega prodajalca, opravlja storitve v skladu z garancijskimi pogoji. Zato vas prosimo, da upoštevate, da za popravila, ki jih izvajajo poklicni serviserji (ki niso pooblaščen s strani Beko) ne bo veljala garancija.

Samopopravila

Končni uporabnik lahko sam izvede popravilo v zvezi z naslednjimi rezervnimi deli: vratni ročajji, vratni tečajji, pladnji, košare in vratna tesnila (posodobljen seznam je na voljo tudi na spletnem mestu support.beko.com od 1. marca 2021).

Poleg tega je treba za zagotovitev varnosti izdelka in za preprečitev nevarnosti resnih poškodb omenjeno samopopravilo opraviti po navodilih v uporabniškem priročniku za samopopravilo ali v navodilih, ki so na voljo na support.beko.com Zaradi lastne varnosti izdelek izključite iz električnega omrežja, preden se lotite kakršnega koli samopopravljanja.

Popravila in poskusi popraviljanja končnih uporabnikov za dele, ki niso vključeni na tak seznam in/ali ne upoštevajo navodil v uporabniških priročnikih za samopopravilo ali so na voljo na support.beko.com, lahko sprožijo vprašanja varnosti, ki jih ni mogoče pripisati Beko, in garancija za ta izdelek ne velja.

Zato je zelo priporočljivo, da se končni uporabniki vzdržijo poskusov popravil, ki ne spadajo v omenjeni seznam rezervnih delov, in se v takšnih primerih obrnejo na pooblaščen poklicni serviserje ali registrirani poklicni serviser. Nasprotno, takšni poskusi končnih uporabnikov lahko povzročijo varnostne težave in poškodujejo izdelek ter posledično povzročijo požar, poplavo, električni udar in resne telesne poškodbe.

Primeri popravil, za katere se je treba obrniti na pooblaščen ali registrirane poklicne serviserje, so med drugim naslednji: kompresor, hladilni krogotok, matična plošča, inverterska plošča, plošča zaslona itd.

Proizvajalec/prodajalec ni odgovoren v primeru, ko končni uporabniki ne upoštevajo zgoraj navedenega.

Razpoložljivost rezervnih delov hladilnik, ki ste ga kupili, je 10 let.

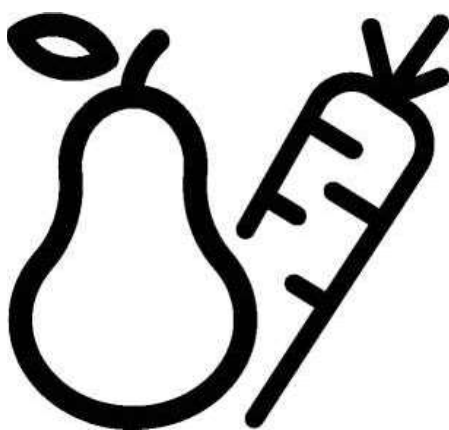
V tem obdobju bodo na voljo originalni nadomestni deli za pravilno delovanje hladilnik. Hladilnik, ki ste ga kupili, ima najmanj 24-mesečno garancijo.

Ta izdelek je opremljen z svetlobnim virom energijskega razreda "G". Svetlobni vir v tem izdelku lahko zamenjajo samo poklicni serviserji.

beko

Chladnička

Uživatelská příručka



GNO5322XPN
GNO5323XPN
GNO5324XPN
GNO5322WN
GNO5322WDXPN

CZ

CE



INFORMACE



ENERG



SUPPLIER'S NAME

MODEL IDENTIFIER



Informace o modelu uložené v databázi výrobků se dají získat zadáním následující webové stránky a vyhledáním identifikátoru vašeho modelu (*), který je uveden na energetickém štítku.

<https://eprel.ec.europa.eu/>

Bezpečnostní informace


V zájmu vaší bezpečnosti a kvůli zajištění správného použití si před instalací a prvním použitím spotřebiče projděte tuto příručku pečlivě projděte, a to včetně jejích tipů a varování. Chcete-li se vyhnout zbytečným chybám a nehodám, je důležité zajistit, aby byly všechny osoby používající spotřebič důkladně seznámeny s jeho provozem a bezpečnostními prvky. Tyto pokyny si uschovejte a zajistěte, aby zůstaly se spotřebičem v případě, že bude přestěhován nebo prodán, aby každý, kdo ho v průběhu jeho životnosti bude používat, byl o použití a bezpečnosti spotřebiče řádně informován.

V zájmu bezpečnosti života a majetku dodržujte bezpečnostní opatření uvedená v tomto návodu k použití, protože výrobce není odpovědný za škody způsobené nedbalostí.

Bezpečnost dětí a zranitelných osob

- Tento přístroj smí používat děti od 8 let a starší, osoby s omezenými fyzickými, smyslovými nebo duševními schopnostmi nebo nedostatkem zkušeností a vědomostí, pokud jsou pod dohledem nebo pokud byly poučeny o bezpečném používání přístroje a porozuměly nebezpečím spojeným s jeho používáním.
- Děti musí být pod dozorem, aby si se spotřebičem nehrály.
- Čištění a údržba nesmí být prováděna dětmi, pokud nejsou ve věku od 8 let výše a pod dohledem.
- Uchovávejte veškeré obaly bezpečně mimo dosah dětí. Hrozí riziko udušení.
- Pokud likvidujete spotřebič, vytáhněte zástrčku ze zásuvky, uřízněte spojovací kabel (tak blízko spotřebiči, jak to bude možné) a odstraňte dveře, čímž zabráníte hrajícím si dětem, aby utrpěly úraz elektrickým proudem nebo aby se zavřely do spotřebiče.
- Pokud má tento spotřebič vybavený magnetickým těsněním dveří nahradit starší spotřebič s pružinovým zámkem (západkou) na dveřích nebo víku, určitě znehodnoťte tento pružinový zámek předtím, než starý spotřebič zlikvidujete. To zabrání tomu, aby byl nebezpečný pro děti.

Obecné bezpečnostní pokyny

 **VAROVÁNÍ!** Ventilační otvory v plášti nebo konstrukci spotřebiče nesmí být zakryté.

 **VAROVÁNÍ!** Pro urychlení odmrazování nepoužívejte mechanické nástroje. Pro tyto účely používejte pouze prostředky doporučené výrobcem.

 **VAROVÁNÍ!** Nepoškozujte chladicí okruh.

⚠VAROVÁNÍ! Nepoužívejte další elektrické spotřebiče (jako například zmrzlinovače) uvnitř chladicích spotřebičů, dokud nebudou pro tento účel schváleny výrobcem.

⚠VAROVÁNÍ! Nedotýkejte se žárovky, pokud byla dlouho rozsvícená, protože by mohla být velmi horká.¹⁾

⚠VAROVÁNÍ! Při umisťování přístroje dbejte na to, aby nedošlo ke skřípnutí nebo poškození napájecího kabelu.

⚠VAROVÁNÍ! Za přístroj nedávejte přenosné vícenásobné zásuvky ani přenosné zdroje napájení.

- Ve spotřebiči neuchovávejte výbušné předměty, například tlakové nádoby se sprejem obsahující hořlavý plyn.
- V chladicím okruhu spotřebiče je obsaženo chladivo izobutan (R-600a), zemní plyn s vysokou ekologickou kompatibilitou, který je nicméně hořlavý.
- Během přepravy a instalace spotřebiče se ujistěte, zda nedošlo k poškození žádné z komponent okruhu chladiva.
 - vyhněte se otevřeným plamenům a zdrojům vznícení
 - důkladně větrejte pokoj, ve kterém je umístěn spotřebič
- Je nebezpečné jakkoli měnit vlastnosti tohoto výrobku nebo ho upravovat. Jakékoli poškození přívodního kabelu může mít za následek zkrat, požár nebo úraz elektrickým proudem.
- Tento spotřebič je určen k použití v domácnosti a k podobnému použití, například:
 - kuchyňky pro zaměstnance v obchodech, kancelářích a dalších pracovních prostředích;
 - na chatách, případně hosty hotelů, motelů a podobných obytných prostor;
 - ubytovací zařízení typu motelů;
 - v rámci cateringu a podobných aktivit odehrávajících se mimo vlastní prodejnu nebo restauraci.

⚠VAROVÁNÍ! Všechny elektrické součásti (zástrčka, napájecí kabel, kompresor a tak dále) musí být vyměněny certifikovaným servisním technikem nebo kvalifikovaným servisním personálem.

⚠VAROVÁNÍ! Žárovka dodávaná se spotřebičem je „žárovkou pro speciální použití“ použitelnou pouze s dodaným spotřebičem. Tato „žárovka pro speciální použití“ se nehodí pro použití pro domácí osvětlení.¹⁾

1) Pokud je v oddíle světlo.

- Napájecí kabel nesmí být prodlužován.
- Ujistěte se, zda není zástrčka přimáčknutá nebo poškozená zadní částí spotřebiče. Přimáčknutá nebo poškozená zástrčka se může přehřívat a způsobit požár.
- Ujistěte se, zda je přístupná síťová zástrčka spotřebiče.
- Netahejte za síťový kabel.
- Pokud je zásuvka napájecí zástrčky uvolněná, nezapojujte přívodní kabel do síťové zásuvky. Hrozí nebezpečí úrazu elektrickým proudem nebo požáru.
- Nesmíte obsluhovat spotřebič bez světla.
- Tento spotřebič má vysokou hmotnost. Při jeho stěhování je třeba dávat pozor.
- Neodstraňujte a nedotýkejte se položek z oddílu mrazničky, pokud jsou vaše ruce vlhké/mokrý, jelikož to by mohlo způsobit odření kůže nebo popáleniny mrazem/mrazničkou.
- Vyhněte se delšímu vystavení spotřebiče přímému slunečnímu světlu.

Každodenní použití

- Nepokládejte horké předměty na plastové části ve spotřebiči.
- Nepokládejte potravinové výrobky přímo proti zadní stěně.
- Zmrazené potraviny nesmí být po rozmrazení znovu zmrazeny.¹⁾
- Ukládejte předbalené zmrazené potraviny v souladu s pokyny výrobce zmrazených potravin¹⁾
- Měli byste přísně dodržovat doporučení pro skladování od výrobce. Řiďte se příslušnými pokyny.
- Neumísťujte do oddílu mrazničky nápoje sycené oxidem uhličitým nebo šumivé nápoje, jelikož to vytváří tlak na nádobu, což může způsobit její výbuch, a to může poškodit spotřebič.¹⁾
- Nanuky mohou způsobit omrzliny, pokud jsou konzumovány přímo po vyjmutí ze spotřebiče.¹⁾

Abyste předešli kontaminaci potravin, dodržujte následující pokyny

- Otevření dvířek na dlouhou dobu může způsobit výraznému zvýšení teploty v jednotlivých částech spotřebiče.
- Pravidelně čistěte povrchy, které mohou přijít do styku s potravinami a přístupnými odvodňovacími systémy.
- Pokud nebyly nádržky na vodu používány po dobu 48 hodin, vyčistěte je; pokud nebyla voda čerpána po dobu 5 dnů, propláchněte vodní systém připojený k přívodu vody.
- Syrové maso a ryby skladujte v chladničce ve vhodných nádobách, aby nebyly v kontaktu s jinými potravinami.
- Oddíly pro zmrazené potraviny se dvěma hvězdičkami (pokud jsou ve spotřebiči přítomny) jsou vhodné pro ukládání předem zmrazených potravin, skladování nebo výrobu zmrzliny a výrobu kostek ledu.

1) Pokud je přítomen oddíl mrazničky.

2) Pokud je přítomen oddíl pro skladování čerstvých potravin.

- Jedno, dvou a tříhvězdičkové oddíly (pokud jsou ve spotřebiči přítomny) nejsou vhodné pro mražení čerstvých potravin.
- Pokud necháte spotřebič delší dobu prázdný, vypněte jej, odmrazte, vyčistěte, vysušte a nechte dvířka otevřená; předejdete tak tvorbě plísní uvnitř spotřebiče.

Péče a čištění

- Před údržbou spotřebič vypněte a odpojte síťovou zástrčku ze síťové zásuvky.
- Nečistěte spotřebič kovovými předměty.
- Nepoužívejte k odstranění námrazy ze spotřebiče ostré předměty. Použijte plastovou škrabku.¹⁾
- Pravidelně prohlížejte výpusť v chladničce, zda neobsahuje rozmrazenou vodu. Vyčistěte výpusť, je-li to nutné. Bude-li výpusť blokována, voda se bude hromadit ve spodní části spotřebiče.²⁾

Instalace

Důležité! U elektrického připojení se řiďte pokyny uvedenými ve specifických odstavcích.

- Vybalte spotřebič a zkontrolujte, zda není někde poškozen. Spotřebič nezapojte, pokud je poškozen. Hlaste možná poškození okamžitě na místě, kde jste spotřebič zakoupili. V tom případě si nechte obaly.
- Před připojením spotřebiče doporučujeme počkat alespoň čtyři hodiny, aby olej mohl stéci zpět do kompresoru.
- Kolem spotřebiče by měla být přiměřená cirkulace vzduchu, protože její nedostatek vede k přehřívání. K zajištění dostatečného větrání se řiďte pokyny relevantními pro instalaci.
- Pokud je to možné, měly by být u stěny umístěny distanční vložky výrobku, aby zabránily dotyku nebo chycení teplých částí (kompresoru, kondenzátoru) a tím se předešlo možnému popálení.
- Spotřebič nesmí být umístěn blízko radiátorů nebo sporáků.
- Ujistěte se, zda je síťová zástrčka po instalaci spotřebiče přístupná.

Servis

- Jakékoli elektrické práce potřebné k provedení servisu spotřebiče by měl provádět kvalifikovaný elektrikář nebo způsobilá osoba.
- Servis tohoto výrobku musí být prováděn schváleným Servisním centrem a musí být při něm použity pouze originální náhradní díly.

Úspora energie



- Nevkládejte do spotřebiče horké potraviny;
- Neskládejte potraviny blízko sebe, protože to brání oběhu vzduchu;
- Ujistěte se, že se potraviny nedotýkají zadní části oddílu (oddílů);

1) Pokud je přítomen oddíl mrazničky.

2) Pokud je přítomen oddíl pro skladování čerstvých potravin.

- Vypadne-li elektřina, neotevírejte dveře;
- Neotevírejte dveře často;
- Nenechávejte dveře otevřené příliš dlouho;
- Nenastavujte termostat na překročení nízkých teplot;
- Všechno příslušenství, jako šuplíky, balkonové police, by měly být ponechány na místě, čímž se spotřebuje méně energie

Ochrana životního prostředí

 Tento spotřebič neobsahuje plyny, které by mohly poškodit ozonovou vrstvu, a to ani v okruhu chladiva, ani v izolačních materiálech. Tento spotřebič nesmí být likvidován společně s městským odpadem a smetím. Izolační pěna obsahuje hořlavé plyny: spotřebič musí být zlikvidován podle předpisů pro spotřebiče, které získáte od místních úřadů. Vyhněte se poškozování chladicí jednotky, především výměníku tepla. Materiály použité u tohoto spotřebiče označené symbolem  jsou recyklovatelné.



Symbol na výrobku nebo jeho obalu značí, že s tímto výrobkem není možno nakládat jako s domovním odpadem. Namísto toho musí být předán na příslušné sběrné místo k recyklaci elektrických a elektronických zařízení. Zajištěním správné likvidace tohoto výrobku pomůžete zabránit potenciálním negativním důsledkům pro životní prostředí a lidské zdraví, které by jinak mohly být způsobeny nesprávnou likvidací tohoto výrobku. K získání podrobnějších informací o recyklaci tohoto výrobku kontaktujte svou místní samosprávu, instituce zabývající se domovním odpadem nebo prodejce, u kterého jste výrobek zakoupili.

Obalové materiály

Materiály se symbolem jsou recyklovatelné. Obaly zlikvidujte ve vhodných sběrných kontejnerech a recyklujte je.

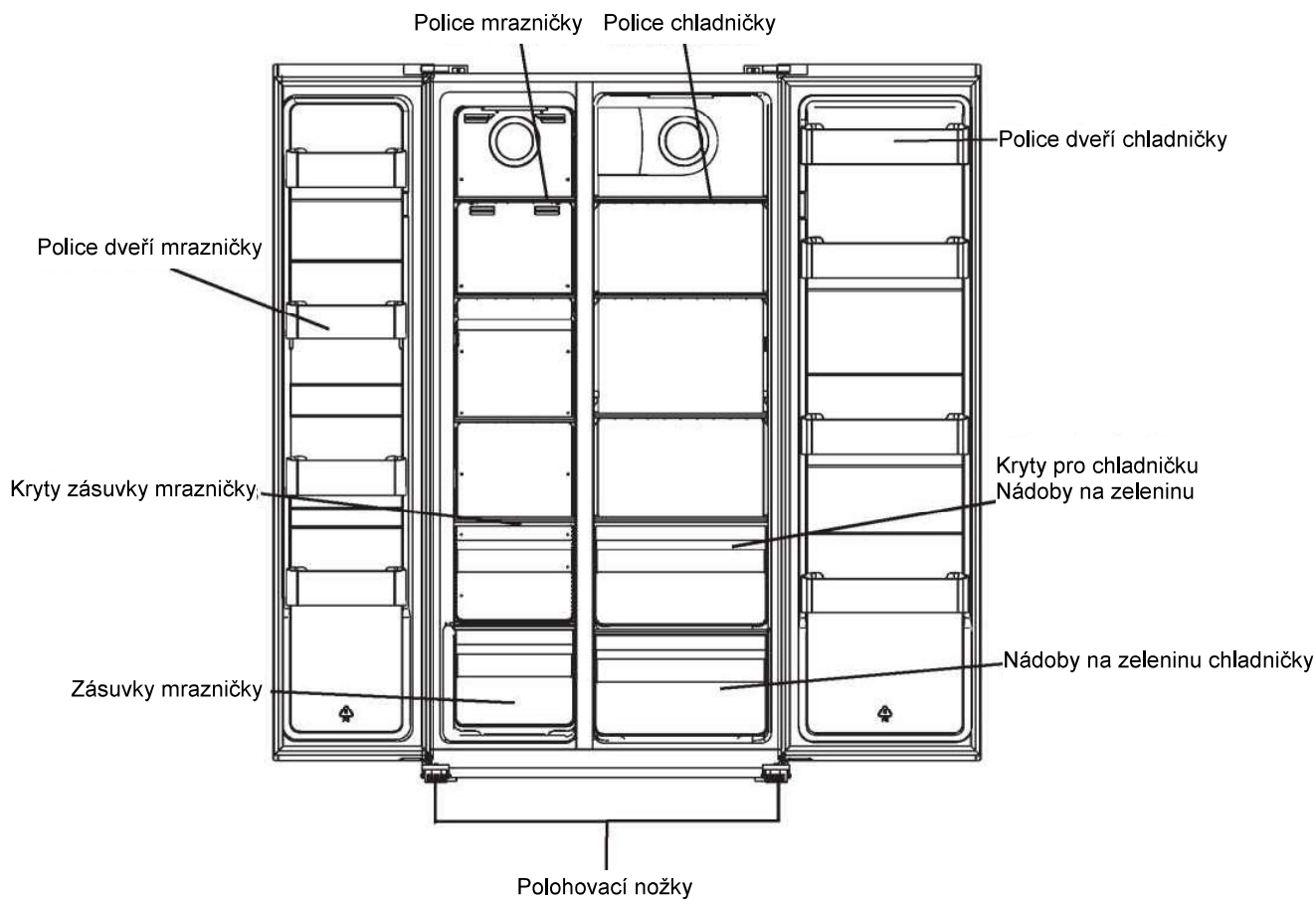
Likvidace spotřebiče

1. Odpojte síťovou zástrčku ze síťové zásuvky.
2. Odřízněte síťový kabel a zlikvidujte ho.



VAROVÁNÍ! Během používání, servisu a likvidace spotřebiče věnujte pozornost symbolu na levé straně, který je umístěn v zadní části spotřebiče (zadní deska nebo kompresor). Je to varovný symbol nebezpečí požáru. V trubkách pro chladivo a kompresoru se nachází hořlavé materiály. Během použití, servisu a likvidace se držte daleko od zdroje ohně.

Přehled



Poznámka: Výše uvedená obrázek je pouze orientační. Skutečný spotřebič vypadá pravděpodobně jinak.

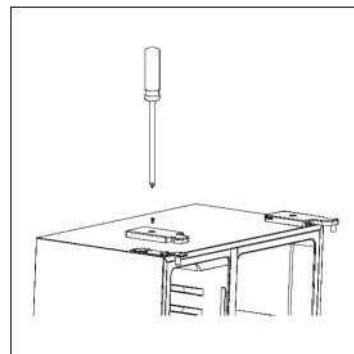
Instalace

Demontáž dveří

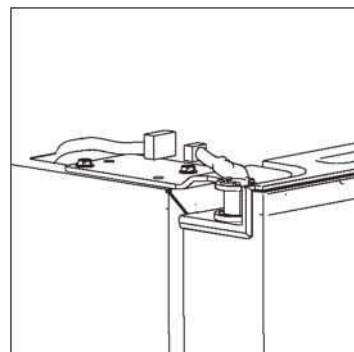
Požadovaný nástroj: Křížový šroubovák, plochý šroubovák

- Zajistěte, aby byla jednotka odpojená od sítě a prázdná.
- Chcete-li vyjmout dveře, je nutné zaklonit jednotku dozadu. Měli byste jednotku opřít o něco pevného, aby při procesu demontáže dveří neklouzala.
- Všechny demontované části musí být uschovány, aby mohly být dveře znovu nainstalovány.
- Nepokládejte jednotku rovně, jelikož to může poškodit systém distribuce chladiva.
- Při montáži je lepší, když s jednotkou manipulují 2 osoby.

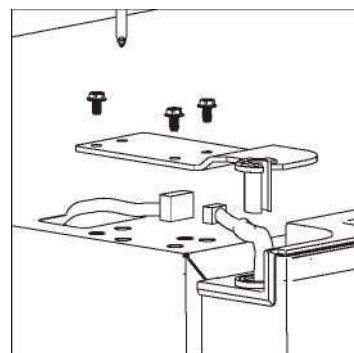
1. Pomocí křížového šroubováku odšroubujte kryt pantu.



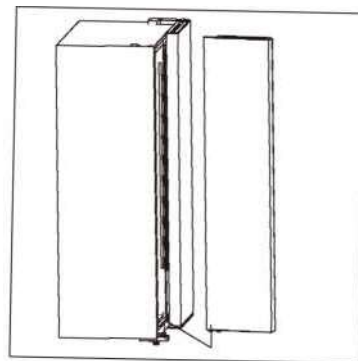
2. Odpojte kabelový svazek.



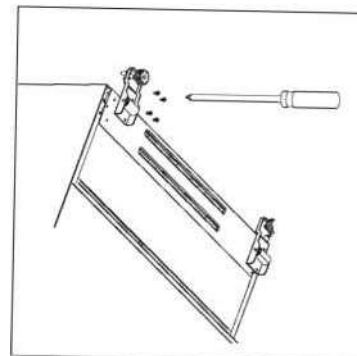
3. Odšroubujte vrchní závěs.



4. Zvedněte dveře a položte je na měkkou podložku. Poté stejně demontujte další dveře.



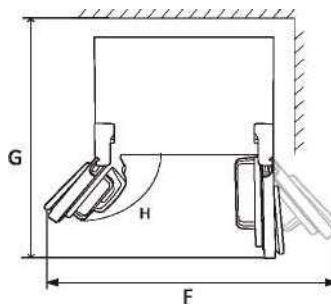
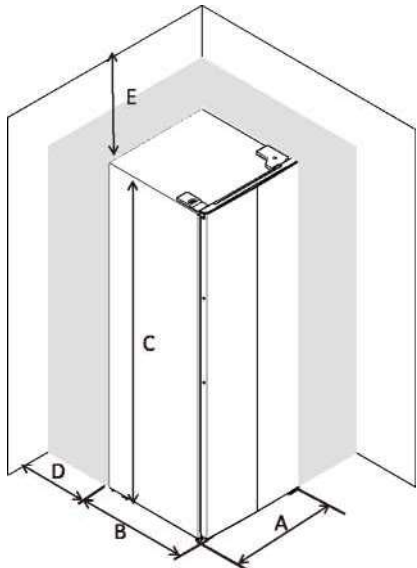
5. Odšroubujte spodní závěsy.



6. Poté, co je spotřebič usazen na místo, nainstalujte dveře obráceným postupem

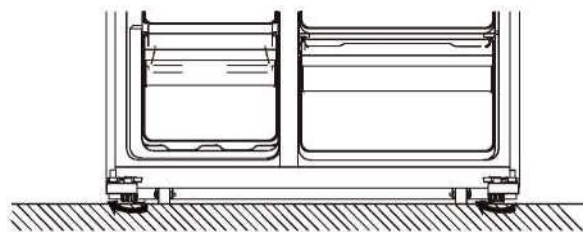
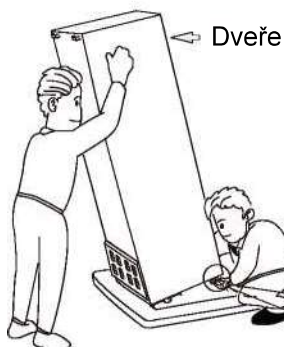
Požadavky na prostor

- Vyberte místo bez přímého vystavení slunečnímu světlu;
- Vyberte místo s dostatkem prostoru, aby se dveře chladničky snadno otevíraly;
- Vyberte místo s vodorovnou (nebo téměř vodorovnou) podlahou;
- Ponechte dostatek prostoru pro instalaci chladničky na plochý povrch;
- Při instalaci ponechte volný prostor vpravo, vlevo, vzadu a nahoře. Tím pomůžete snížit spotřebu energie a také částky na vašich složenkách.



A	910
B	670
C	1770
D	min = 50
E	min = 50
F	1800
G	1560
H	135°

Vyrovnání chladničky



- Nastavením nožek vyrovnejte polohu chladničky a ukotvěte ji.
- Chcete-li nožky zvednout, otáčejte jimi ručně po směru hodinových ručiček.
- Chcete-li nožky snížit, otáčejte jimi ručně proti směru hodinových ručiček.

Umístění

Nainstalujte tento spotřebič na místo, kde teplota prostředí odpovídá klimatické třídě vyznačené na typovém štítku spotřebiče:

pro chladicí spotřebiče s klimatickou třídou:

- rozšířený mírný pás: tento chladicí spotřebič je určen k použití při teplotách prostředí v rozmezí od 10 °C do 32 °C; (SN)
- mírný pás: tento chladicí spotřebič je určen k použití při teplotách prostředí v rozmezí od 16 °C do 32 °C; (N)
- subtropické pásmo: tento chladicí spotřebič je určen k použití při teplotách prostředí v rozmezí od 16 °C do 38 °C; (ST)
- tropické pásmo: tento chladicí spotřebič je určen k použití při teplotách prostředí v rozmezí od 16 °C do 43 °C; (T)

Místo

Spotřebič by měl být nainstalován v dobré vzdálenosti od zdrojů tepla jako jsou radiátory, bojler, přímé sluneční světlo atd. Zajistěte, aby vzduch mohl proudit volně kolem zadní části skříně. K zajištění nejlepšího výkonu, pokud je spotřebič umístěn pod předsazenou stěnou, musí být minimální vzdálenost mezi horní částí skříně a nástěnnou jednotkou nejméně 100 mm. V ideálním případě by však spotřebič neměl být postaven pod předsazenými stěnami. Přesné vyrovnání zajišťuje jedna nebo více nastavitelných nožek v základně skříně.

Tento chladicí spotřebič není určen k použití jako vestavěný spotřebič;



Varování! Musí být možné odpojit spotřebič ze síťového napájení, zástrčka proto musí být po instalaci snadno dosažitelná.

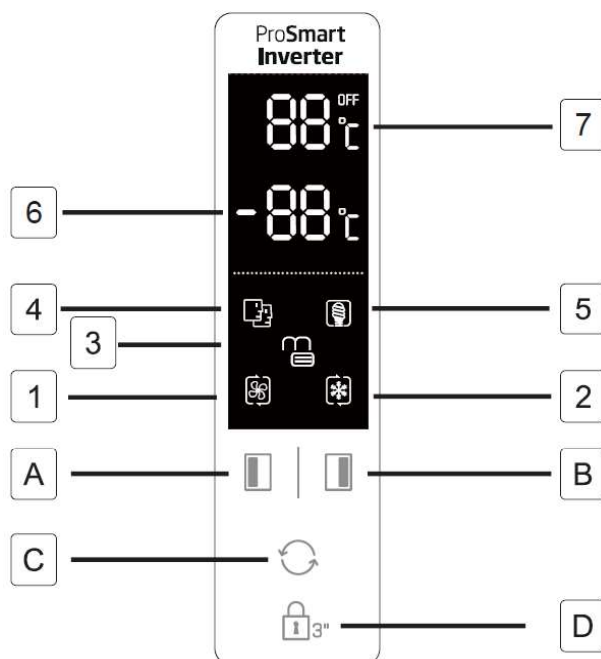
Elektrické zapojení

Před zapojením se ujistěte, zda napětí a frekvence uvedené na typovém štítku odpovídají napětí ve vaší domácí síti. Spotřebič musí být uzemněný. Zástrčka napájecího kabelu je pro tento účel opatřena kontaktem. Není-li zásuvka vaší domácí sítě uzemněná, zapojte spotřebič k samostatnému uzemnění v souladu s aktuálními předpisy a poraďte se s kvalifikovaným elektrikářem.

Výrobce odmítá veškerou odpovědnost, pokud nebudou dodržena výše uvedená bezpečnostní opatření. Tento spotřebič vyhovuje směrnici E.E.C.

Každodenní použití

Použití ovládacího panelu



Tlačítka

- A. Stisknutím nastavte teplotu oddílu mrazničky (levá strana) od -14 °C do -22 °C .
- B. Stisknutím nastavte teplotu oddílu chladničky (pravá strana) od 2 °C do 8 °C a vypněte chlazení.
- C. Stisknutím nastavte režim provozu od **SMART (INTELIGENTNÍ)**, **ECO (EKO)**, **SUPER COOLING (SUPER CHLAZENÍ)**, **SUPER FREEZING (SUPER MRAŽENÍ)** a **USER'S SETTING (UŽIVATELSKÉ NASTAVENÍ)** (žádný symbol na displeji).
- D. Stisknutím tlačítka **3 SEC (3 SEK)** a jeho podržením na 3 sekundy ostatní další tři tlačítka. Stisknutím a podržením na 1 sekundu ostatní tři tlačítka odemknete.

Displej

1. **SUPER COOLING (SUPER CHLAZENÍ)** chladí oddíl chladničky na nejnižší teplotu, na kterou je navržena. Přibližně po 2,5 hodinách by nastavení teploty mělo být obnoveno na předchozí režim uživatelského nastavení.
2. **SUPER FREEZING (SUPER MRAŽENÍ)** chladí oddíl mrazničky na nejnižší teplotu, na kterou je navržena. Přibližně po 50 hodinách by nastavení teploty mělo být obnoveno na předchozí režim uživatelského nastavení.
Tipy: je lepší zapnout režim **SUPER FREEZING (SUPER MRAŽENÍ)** 24 hodin předem, než do oddílu mrazničky vložíte velké množství jídla.
3. **LOCK (ZÁMEK)** symbol se rozsvítí, když jsou tlačítka zamčená.
4. **SMART (INTELIGENTNÍ)** režim znamená, že chladnička nastaví teplotu dvou oddílů automaticky podle vnitřní teploty a teploty prostředí.
5. Režim **ECO (EKO)** znamená, že chladnička běží na nastavení nejnižší spotřeby energie.
6. Zobrazení nastavené teploty oddílu mrazničky.
7. Zobrazení nastavené teploty oddílu ledničky.
8. Dětská pojistka selže kvůli selhání napájení. Dětská pojistka bude automaticky platná po 25 vteřinách od posledního provozu. Panel displeje se automaticky vypne po 2 minutách od posledního provozu.
9. Některé funkce nemusí pro tento model platit.

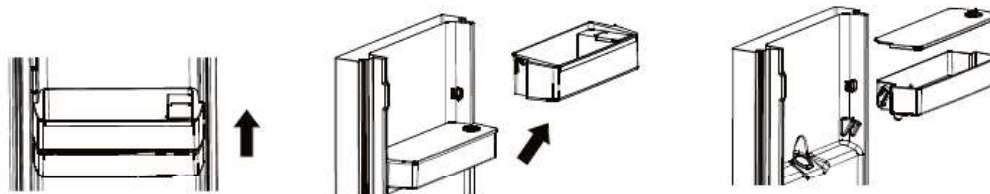
Alarm otevření dveří

Pokud jedny dveře zůstanou otevřené 90 sekund, zazní periodický alarm, dokud nejsou dveře zavřeny.

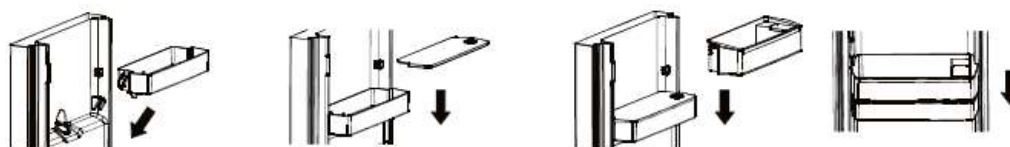
Každodenní použití

Před prvním použitím dávkovače vody vyjměte a vyčistěte nádržku na vodu v prostoru chladničky.

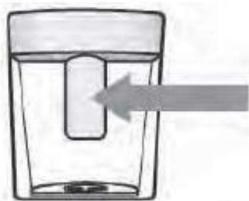
1. Nejprve nadzvedněte a vyjměte balkon nádržky a poté sejměte kryt z nádržky na vodu. Chcete-li nádržku a kryt umýt a vyčistit, sejměte kryt.



2. Po vyčištění znovu umístěte nádržku na vodu, kryt a balkon nádržky podle níže uvedených pokynů.

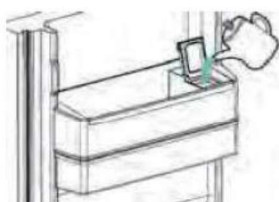


3. Odmastěte podložku dávkovače na dveřích chladničky.



Naplnění nádržky na vodu

1. Otevřete malé víko.



2. Naplňte nádržku na vodu pitnou vodou až po rysku 3 l.
3. Zavřete malé víko na krytu.



Dávkování

Pomocí sklenice nebo jiné nádoby jemně zatlačte na podložku dávkovače, aby se voda uvolnila.

Odtáhněte sklenici od podložky dávkovače vody, abyste zastavili průtok vody.

První použití

Čištění vnitřku

Před prvním použitím spotřebiče umyjte vnitřek a veškeré vnitřní příslušenství vlažnou vodou a trochou obyčejného mýdla a odstraňte tak typický zápach nového výrobku, poté pečlivě usušte.

Důležité! Nepoužívejte čisticí prostředky nebo abrazivní prášky, protože by poškodily povrch.

Každodenní použití

Potraviny	Umístění
Vajíčka	Polička na dveřích
Mléčné výrobky (máslo, sýr)	Pokud je to možné, přihrádka BioFresh nebo chladičí přihrádka Nejnižší police
Ovoce, zelenina a saláty	Přihrádka na ovoce a zeleninu, přihrádka crisper nebo EverFresh + (pokud jsou k dispozici)
Čerstvé maso, drůbež, čerstvé ryby, párky, vařené potraviny	Pokud je to možné, přihrádka BioFresh nebo chladičí přihrádka Nejnižší police
Hotová jídla, balené výrobky, konzervované potraviny, nakládané výrobky	Horní police nebo dveřní polička
Nápoje, láhve, koření, občerstvení	Polička na dveřích
Zbytky potravin	Střední police

CZ Pokyny uchování čerstvých potravin:

Skladování v přihrádce pro čerstvé potraviny:

- Udržujte chladničku a doporučené teplotě 4 °C.
- Potraviny určené pro uložení do ledničky by měly být řádně utěsněny, aby se zabránilo změnám vůně nebo chuti.
- Ve své chladničce neuchovávejte nadměrné množství potravin. Pro lepší a homogenní chlazení nechávejte mezi potravinami mezery, aby kolem nich mohl proudit chladný vzduch.
- Pro podporu kratší doby otevírání dveří, denně konzumované potraviny by se měly ukládat do přední části polic.
- Nechte mezeru mezi potravinami a vnitřními stěnami chladničky, aby mohl vzduch volně proudit. Při uložení potravin při zadní stěně by potraviny mohly k ní přimrznout.
- Horké, vařené jídlo se musí před uložením do chladničky zchladit na pokojovou teplotu. Následně je možné teplé potraviny uložit do spodních polic chladničky. Teplé potraviny nedávejte do blízkosti rychle se kazících potravin.
- Mražené potraviny rozmrazujte v přihrádce pro čerstvé potraviny. Tímto způsobem můžete použít mražené potraviny na zchlazení teploty v prostoru pro čerstvé potraviny a uspořit energii.
- Při skladování nezralého tropického ovoce (mango, melouny, papája, banán, ananas) v chladničce, může se urychlit proces zrání, z toho důvodu se to nedoporučuje, protože to způsobuje kratší doby skladování. Zrání velmi nezralého ovoce (jablka, hrušky) se ale může v chladicí přihrádce o určitou dobu urychlit.
- Cibuli, česnek, zázvor a jinou kořenovou zeleninu skladujte v tmavém a chladném prostředí, ne v chladničce.
- Pokud zjistíte v chladničce zkažené potraviny, zlikvidujte je. Pokud najdete shnilé jídlo, vyčistěte vnitřní vložku nebo příslušenství, které bylo s ním v kontaktu, abyste předešli kontaminaci.
- Velké hrnce s jídlem, například polévky nebo dušené maso, je možné rozdělit do mělkých nádob, aby se v chladničce rychle ochladili. Velké kusy tepelně upraveného masa a celou drůbež z téhož důvodu rozdělte na menší kousky.

- Nebalené potraviny neskladujte v blízkosti vajec.
- Ovoce a zeleninu udržujte odděleně a skladujte je jako: jablka s jablky, mrkev s mrkví. Ovoce a zelenina emitují různé plyny, které mohou způsobit zhoršení stavu ostatních.
- Listovou zeleninu vyjměte z plastových sáčků, zabalte je do papírové utěrky nebo čajové utěrky a poté je uložte do chladničky. Nezapomeňte je před skladováním opláchnout nebo zvlhčit.
- Ovoce a zeleninu, které jsou náchylné na vysušení, skladujte v perforovaných nebo neuzavřených plastových sáčcích, abyste udrželi vlhké prostředí a přesto umožnili cirkulaci vzduchu.
- Různé potraviny je třeba umístit na různá místa podle toho, jaké mají vlastnosti:

"Zkontrolujte prosím příslušnou klimatickou třídu vašeho spotřebiče na výrobním štítku. Jedna z níže uvedených informací platí pro váš spotřebič podle klasifikace klimatické třídy."

- SN: Prodloužená mírná: Spotřebič je určen pro použití při teplotě okolního prostředí v rozsahu od 10 °C do 32 °C
- N: Mírná: Spotřebič je určen pro použití při teplotě okolního prostředí v rozsahu od 16°C do 32 °C
- ST: Subtropická: Spotřebič je určen pro použití při teplotě okolního prostředí v rozsahu od 16°C do 38°C
- T: Tropická: Spotřebič je určen pro použití při teplotě okolního prostředí v rozsahu od 16°C do 43°C

Skladování v mrazicí části:

- Doporučuje se udržovat nastavení mrazáku při -20 °C kromě extrémních okolních podmínek.
- 4 až 6 hodin před zmrazením zapněte funkci rychlého zmrazení, pro zajištění rychlejšího zmrazení.
- Horké potraviny je nutné před uložením do mrazničky zchladit na pokojovou teplotu.
- Potraviny nakrájené na malé porce zmrznou rychleji a bude snadnější je rozmrazit a uvařit.
- Je lepší potraviny před vložením do mrazničky zabalit.
- Abyste nepřekročili dobu uchovávání potravin, запиšte prosím datum zmrazení, časový limit a název potraviny na obal.
- Řiďte se doporučenou dobou uchovávání u různých potravin.
- Nepřekračujte dobu skladování potravin které jsou doporučovány výrobcí potravin. Z mrazničky vyndávejte pouze požadované množství potravin.
- Rozmražené potraviny rychle zkonzumujte. Rozmražené potraviny znovu nezmrazujte, pokud nebyly uvařené. Není bezpečné konzumovat tepelně neupravené opětovně zmražené čerstvé potraviny.
- Chcete-li zmrazit čerstvé potraviny, zabraňte jejich kontaktu s již zmrazenými potravinami. Může to způsobit rozmrazení už zmrazených kusů.

Při zmrazování komerčně mražených potravin postupujte prosím podle těchto pokynů:

- Vždy věnujte pozornost pokynům výrobce o délce uchování potravin. Neporušujte tyto pokyny!
- Kvůli zachování kvality potravin se snažte, aby doba mezi nákupem a uložením potravin byla co nejkratší. preserve food quality.
- Kupujte potraviny, které byly uchovávány při teplotě - 18 ° C nebo nižší.
- Vyhněte se nákupu potravin, které mají na obalu sníh nebo námrazu - může to značit, že výrobek byl částečně rozmražen a znovu zmrazen - nárůst teploty ovlivňuje kvalitu potravin.
- K dosažení lepší konzervace potravin doporučujeme nastavení teploty 4 °C pro část pro čerstvé potraviny a -20 °C pro část pro mražené potraviny.
- Pokud je teplota nastavena na doporučené hodnoty než + 4 °C / -20 °C, s výjimkou extrémních podmínek okolí, celková čerstvost se v odděleních pro čerstvé potraviny a mrazničky prodlouží. Pokud je teplota v prostoru pro čerstvé potraviny nastavena na chladnější, čerstvé ovoce a zelenina se mohou částečně zmrazit nebo mohou být vystaveny účinkům chladu, zatímco vyšší teplota může způsobit rychlejší znehodnocení rychle se kazících potravin (mléčné výrobky, masné výrobky).

Mražení čerstvých potravin

- Oddíl mrazničky je vhodný pro mražení čerstvých potravin a ukládání zmrazených a hluboce zmrazených potravin na dlouhou dobu.
- Umístěte čerstvé potraviny ke zmrazení do spodního oddílu.
- Maximální množství potravin, které lze zmrazit za 24 hodin, je uvedeno na typovém štítku.
- Proces mražení trvá 24 hodin: během této doby nepřidávejte ke zmrazení žádné další potraviny.

Skladování zmrazených potravin

Při prvním spuštění nebo po období nepoužívání předtím, než vložíte výrobek do oddílu, nechejte spotřebič spuštěný nejméně 2 hodiny na vyšší nastavení.

Důležité! V případě náhodného rozmrazení, například když bylo napájení vypnuto déle, než je hodnota uvedená v grafu technických parametrů v části „rising time“ (doba vzestupu), musí být rozmrazené potraviny rychle spotřebovány nebo ihned uvařeny a poté znovu zmrazeny (poté, co byly uvařeny).

Rozmrazování

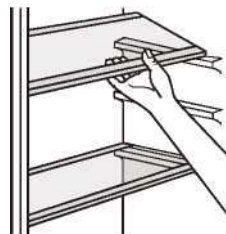
Hluboko zmrazené nebo zmrazené potraviny mohou být předtím, než budou použity, rozmrazovány v oddílu chladničky nebo při pokojové teplotě v závislosti na čase dostupném pro tuto operaci.

Malé kousky mohou být dokonce vařeny, když jsou ještě zmrzlé, přímo po vyjmutí z mrazničky. V takovém případě bude trvat vaření déle.

Příslušenství

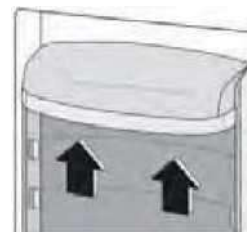
Posunutelné police

Stěny chladničky jsou vybaveny řadou pojezdů, takže lze police umístit podle potřeby.



Umístění dveřních balkonových polic

Aby umožnily skladování balení potravin různých velikostí, je možné dveřní balkonové police umístit v různých výškách. K provedení těchto úprav postupujte následovně: postupně tahejte za balkonovou polici ve směru šipek, dokud se neuvolní a poté změňte její polohu podle potřeby.



Užitečná doporučení a tipy

Doporučení pro mražení

Abychom vám pomohli vytěžit z procesu mražení co nejvíce, zde uvádíme některá z užitečných doporučení:

- maximální množství potravin, které lze zmrazit za 24 hodin, je uvedeno na typovém štítku;
- Proces mražení zabere 24 hodin. Během tohoto období nelze přidávat ke zmrazení žádné další potraviny;
- zmrazujte pouze vysoce kvalitní, čerstvé a pečlivě umyté potraviny;
- potraviny připravujte v malých porcích, čímž umožníte, aby byly rychle a zcela zmrazeny a aby bylo možné je následně rozmrazit pouze v potřebném množství.
- zabalte potraviny do hliníkové fólie nebo polyetylenu a ujistěte se, že jsou balení vzduchotěsná;
- nedovolte, aby se čerstvé, nezmrazené potraviny dotýkaly potravin, které jsou již zmrazené, čímž se vyhnete zvýšení jejich teploty nebo naopak;
- libové potraviny se skladují lépe než tučné; sůl snižuje skladovací životnost potravin;
- ledová zmrzlina, je-li konzumovaná okamžitě po vyjmutí z oddílu mrazničky, může způsobit popálení pokožky mrazem;
- na každém jednotlivém balení je vhodné uvést datum zmrazení, abyste ho mohli vyjmout z oddílu mrazničky, což může způsobit popálení kůže mrazem;
- doporučujeme uvést datum zmrazení na každém jednotlivém balení, což vám umožní mít přehled o době skladování.

Doporučení pro skladování zmrazeného jídla

Chcete-li získat ten nejlepší výkon z tohoto spotřebiče, dbejte na následující:

ujistěte se, že komerčně zmrazené potraviny byly maloobchodním prodejcem vhodně skladovány; ujistěte se, aby zmrazené potraviny byly převezeny z obchodu s potravinami do mrazničky v nejkratším možném čase;

neotevírejte dveře pravidelně nebo je nenechávejte otevřené déle než je absolutně nutné.

Jakmile jsou potraviny rozmrazené, potraviny se rychle kazí a nelze je znovu zmrazit.

Nepřekračujte dobu skladování uvedenou výrobcem potravin.

Doporučení pro chlazení čerstvých potravin

Chcete-li získat nejlepší výkon:

- Neskladujte v chladničce horké potraviny nebo vypařující se tekutiny
- Potraviny zakryvejte nebo zabalte, zejména pokud mají výraznou chuť.

Doporučení pro chlazení

Užitečná doporučení:

- Vytvořte (všechny druhy): zabalte do polyetylenových sáčků a umístěte na skleněné policičky nad zásuvku se zeleninou.
- Kvůli bezpečnosti skladujte tímto způsobem pouze nejvýše jeden nebo dva dny.
- Vařené potraviny, studená jídla atd....: tyto potraviny by měly být zakryty a mohou být umístěny na jakoukoli policičku.
- Ovoce a zelenina: ta by měla být pečlivě umyta a umístěna ve speciální zásuvce (zásuvkách), která je k dispozici.
- máslo a sýr: tyto potraviny by měly být umístěny ve speciálních vzduchotěsných nádobách nebo zabaleny do hliníkové fólie nebo polyetylenových sáčků, aby se vyloučilo co nejvíce vzduchu.
- Lahve s mlékem: ty by měly mít víčko a měly by být skladovány na balkonových policičkách na dveřích.
- Banány, brambory, cibule a česnek nesmí být skladovány v chladničce, pokud nejsou zabaleny.

Čištění

Z hygienických důvodů by měl být vnitřek spotřebiče včetně příslušenství interiéru, pravidelně čištěn.



Upozornění! Spotřebič nesmí být během čištění připojen k síti. Nebezpečí úrazu elektrickým proudem! Před čištěním vypněte spotřebič a odstraňte zástrčku ze sítě nebo vypněte jistič či pojistku. Nikdy nečistěte spotřebič parním čističem. U elektrických součástí se může kumulovat vlhkost, nebezpečí úrazu elektrickým proudem! Horké výpary mohou vést k poškození plastových dílů. Spotřebič musí být před novým uvedením do provozu suchý.

Důležité! Éterické oleje a organická rozpouštědla mohou poškodit plastové díly, např. citronová šťáva nebo šťáva z pomerančových slupek, kyselina máselná, čistič obsahující kyselinu octovou atd.

- Nedovolte, aby takové látky přišly do kontaktu s díly spotřebiče.
- Nepoužívejte žádné abrazivní čisticí prostředky
- Vyjměte potraviny z mrazničky. Uskladněte je dobře zakryté na chladném místě.
- Vypněte spotřebič a odpojte zástrčku ze sítě nebo vypněte jistič či pojistku.
- Vyčistěte spotřebič a příslušenství vnitřkem hadříkem a vlažnou vodou. Po čištění otřete čerstvou vodou a vytřete do sucha.
- Poté, co vše uschne, uveďte spotřebič zpět do provozu.

Řešení potíží



Upozornění! Před řešením potíží odpojte napájení. Řešení potíží, které není v tomto návodu, musí provádět pouze kvalifikovaný elektrikář nebo způsobilá osoba.

Důležité! Během běžného provozu se mohou vyskytnout jisté zvuky (kompresor, cirkulace chladiva).

Problém	Možná příčina	Řešení
Přístroj nefunguje	Síťová zástrčka není zapojena nebo je volná	Zasuňte síťovou zástrčku.
	Pojistka se přepálila nebo je vadná	Zkontrolujte pojistku, v případě nutnosti vyměňte.
	Zástrčka je vadná	Poruchy funkce sítě musí opravit elektrikář.
Jídlo je příliš horké.	Teplota není správně upravena.	Nahlédněte prosím do oddílu Počáteční nastavení teploty.
	Dveře byly delší dobu otevřené.	Otevírejte dveře pouze na tak dlouho, jak je nutné.
	Během posledních 24 hodin bylo do spotřebiče umístěno velké množství horkého jídla.	Přepněte regulaci teploty dočasně na chladnější nastavení.
	Spotřebič se nachází blízko zdroje tepla.	Nahlédněte do oddílu umístění při instalaci.
Spotřebič chladí příliš mnoho	Je nastavená příliš studená teplota.	Otočte knoflíkem regulace teploty dočasně na teplejší nastavení.
Neobvyklé zvuky	Spotřebič není vodorovný.	Znovu nastavte nožky.
	Spotřebič se dotýká stěny nebo jiných objektů.	Lehce posuňte spotřebič.
	Komponenta, například trubka v zadní části spotřebiče se dotýká dalšího dílu spotřebiče nebo stěny.	Je-li to nutné, pečlivě ohněte součást a odkloňte ji z cesty.
Voda na podlaze	Výpust vody je blokována.	Viz oddíl Čištění a péče.
Boční panely jsou horké	To je normální. Výměna tepla se děje v postranních panelech	Podle potřeby si při dotýkání se postranních panelů vezměte rukavice.

Pokud se opět objeví tato porucha, kontaktujte Servisní centrum.

VYLOUČENÍ ODPOVĚDNOSTI / UPOZORNĚNÍ

Některé (jednoduché) poruchy může vhodně vyřešit sám koncový uživatel, aniž by byla ohrožena bezpečnost nebo bezpečné používání, ovšem za podmínky, že je oprava provedena v mezích a v souladu s následujícími pokyny (viz část „Vlastní oprava“).

Proto pokud není dovoleno jinak v části „Vlastní oprava“ níže, opravy je nutné svěřit registrovaným odborným opravám, aby nedošlo k ohrožení bezpečnosti. Registrovaná odborná opravna je odborný servis, který získal oprávnění přístupu k pokynům a soupisu náhradních dílů k tomuto výrobku od výrobce, v souladu s postupy uvedenými v legislativních ustanoveních podle Směrnice 2009/125/EC.

Ovšem záruční opravy může provádět pouze ten servis (tedy oprávněná odborná opravna), jehož telefonní číslo naleznete v návodu/v záručním listě nebo získáte u svého autorizovaného prodejce. Upozorňujeme tedy, že opravy provedené odbornými servisy (které nejsou společností Beko oprávněni) vedou k porušení záruky.

Vlastní oprava

Konečný uživatel může provést samoopravu, pokud jde o tyto náhradní díly: klika dveří, závěsy dveří, podnosy, koše a těsnění dveří (aktualizovaný seznam je k dispozici také na webové stránce support.beko.com.k 1. březnu 2021).

Dále musí být uvedené vlastní opravy, s cílem zajistit bezpečnost výrobku a zabránit riziku vážného zranění, provedeny podle pokynů v návodu pro vlastní opravy nebo podle pokynů, které jsou k dispozici na support.beko.com. Z bezpečnostních důvodů před provedením jakékoli opravy odpojte produkt z elektrické sítě.

Opravy nebo pokusy o opravu provedené koncovými uživateli u dílů, které nejsou součástí tohoto soupisu, nebo které nejsou v souladu s pokyny v návodu pro vlastní opravy nebo s pokyny, které jsou k dispozici na support.beko.com, mohou vést ke vzniku bezpečnostních rizik, která nespádají do odpovědnosti společnosti Beko a vedou k propadnutí záruky na výrobek.

Proto velmi doporučujeme, aby se koncoví uživatelé nepokoušeli provádět opravy, které nespádají do uvedeného soupisu náhradních dílů, a aby se v takovém případě obrátili na autorizované odborné opravny nebo registrované odborné opraváře. Tyto pokusy ze strany koncových uživatelů mohou naopak vést k ohrožení bezpečnosti a poškození výrobku a následně ke vzniku požáru, zatopení, úrazu elektřinou a vážnému zranění osob.

Například, mimo jiné, následující opravy musí být adresovány autorizovanému profesionálnímu opraváři nebo registrovanému profesionálnímu opraváři: kompresor, chladicí okruh, hlavní panel, panel invertoru, panel displeje atd.

Výrobce/prodávající nemůže být v žádném případě odpovědný za případ, kdy koncoví uživatelé nedodrží výše uvedená ustanovení.

Dostupnost náhradních dílů pro chladničku je 10 let.

Během této doby budou k dispozici originální náhradní díly pro správné chladničku.

Minimální záruční doba na vámi zakoupenou ledničku je 24 měsíců.

Tento výrobek je vybaven světelným zdrojem o energetické třídě "G".

Světelný zdroj na tomto výrobku může být vyměněn pouze profesionálními opraváři.



ФРИЖИДЕР
УПАТСТВО ЗА УПОТРЕБА



GNO5322XPN
GNO5323XPN
GNO5324XPN
GNO5322WN
GNO5322WDXPN

MK





ИНФОРМАЦИИ



ENERG



SUPPLIER'S NAME

MODEL IDENTIFIER

(*)

A

A

Информациите за моделот се чуваат во базата на податоци и до нив можете да стигнете ако одите на следнава веб-локација и да го побарате идентификаторот на вашиот модел (*) кој се наоѓа на налепницата за енергија

<https://eprel.ec.europa.eu/>

Безбедносни информации

За ваша безбедност и за да се обезбеди правилна употреба, пред да го наместите и да го користите уредот првпат, прочитајте го упатството за употреба внимателно, вклучувајќи ги и советите и преупредувања. За да се избегнат непотребни грешки и незгоди, важно е сите што го користат уредот да се темелно запознаени со начинот на работата и безбедносните функции. Чувајте го упатството и погрижете се да биде со уредот ако се премести или продаде, за да може секој што го користи во работниот век да биде правилно информиран за употреба на уредот и за безбедноста.


За безбедност на животот и имотот чувајте ги опомените за претпазливост од ова упатство бидејќи производителот не е одговорен за штетите предизвикани од нивното непочитување.


Безбедност на децата и лица со намалени способности

- Уредот може да го користат деца постари од 8 години, како и лица со намалени физички, сетилни или ментални способности, недоволно искусни или обучени лица, доколку бидат надгледувани или им се дадени упатства за користење на апаратот на безбеден начин и доколку ја разбираат опасноста која им се заканува.
- Децата треба да се под надзор за да се осигура дека не си играат со уредот.
- Децата без надзор не смеат да го извршуваат чистењето и одржувањето, освен ако са постари од 8 години и под надзор.
- Чувајте ги сите материјали за пакување подалеку од дофат на децата.
- Ако го расходуваат уредот, извлечете го кабелот од штекерот, исечете го (што е можно поблиску до уредот), и извадете ја вратата за да спречите децата што си играат да не ги удри струја или да не се затворат во него.
- Ако стариот уред има брава, погрижете се да ја онеспособите бравата со пружина пред да го расходуваат стариот уред. Така ќе се спречи да тој стане смртоносна стапица за децата.


Безбедносни информации


Важни безбедносни упатства


 **ПРЕДУПРЕДУВАЊЕ!** Не дозволувајте да се затвори отворот за вентилација во оградениот дел на уредот или во монтажната конструкција.


 **ПРЕДУПРЕДУВАЊЕ!** Не употребувајте механички направи или други средства за забрзување на процесот на одмрзнување, освен оние коишто се препорачани од производителот.

 **ПРЕДУПРЕДУВАЊЕ!** Не оштетувајте го разладното коло.

 **ПРЕДУПРЕДУВАЊЕ!** Не ставајте и не користете електрични апарати во внатрешноста на уредот (на пр. мешалки за сладолед), освен ако тоа не го препорачува производителот.

 **ПРЕДУПРЕДУВАЊЕ!** Не допирајте ја светилката ако е дуго вклучена. Може да биде јако жешка.¹⁾

 **ПРЕДУПРЕДУВАЊЕ!** Кога го позиционирате уредот, гледајте кабелот за струја да не биде заглавен или оштетен.

 **ПРЕДУПРЕДУВАЊЕ!** Не користете продолжителен кабел или повеќевлезен штекер на задната страна на уредот.

- Немојте да чувате експлозивни материи, како на пример кутии со аеросол со запалив пропелент, во овој уред.

- Средството за ладење изобутан (R600a) што кружи низ инсталацијата за ладење на апаратот е природен гас со високо ниво на еколошка подобност но сепак е запалив.

- За време на превозот и местењето на апаратот внимавајте да не се оштети ниеден дел од инсталацијата за ладење.

- Избегнувајте отворен оган и извори на искри.

- Проветрете ја темелно собата во која е сместен апаратот.

- Опасно е да се менуваат спецификациите или да се вршат какви било промени на производот. Секое оштетување на кабелот може да предизвика краток спој, пожар и/или струен удар.

- Овој уред е наменет за употреба во домаќинствата и за слични намени како на пример:


- кујнски простории во продавници, канцеларии и други работни средини;


- куќи на фарми и од страна на клиенти во хотели, мотели и други станбени објекти;

1) Ако е предвидена светилка

Безбедносни информации

- средини од типот ноќевање со појадок;
- во угостителството и во други објекти во коишто не се врши малопродажба.

 **ПРЕДУПРЕДУВАЊЕ!** Сите електрични делови (кабелот за струја, приклучокот, компресорот итн) мора да ги замени квалификуван сервисер за да се избегне ризик.

 **ПРЕДУПРЕДУВАЊЕ!** Светилка - во овој апарат се користат светилки за специјална намена само во апарати за домаќинството. Тие не се погодни за собно осветление.¹⁾

- Кабелот за струја не сме да се продолжува.
- Проверете приклучокот за во штекер да не е смачкан или оштетен од задниот дел на уредот. Смачкан или оштетен приклучок за во штекер може да се прегрее и да предизвика пожар.
- Внимавајте кабелот за струја на апаратот да е пристапен.
- Не влечете го кабелот за струја.
- Ако штекерот е разлабавен, не вметнувајте го приклучокот во него. Постои опасност од струен удар или пожар.
- Не смеете да ракувате со ур едот без светилка.
- Овој уред е тежок. Бидете внимателни кога го преместувате.
- Не вадете ги и не допирајте ги предметите во преградите на замрзнувачот ако рацете ви се водени или влажни, зашто така може да дојде до гребење на кожата и смрзнатици.
- Избегнувајте подолга изложеност на уредот на директна сончева светлост.

Секојдневна употреба

- Не ставајте жешки садови на пластичните делови на уредот.
- Не ставајте прехранбени производи директно врз задниот ѕид.
- Смрзната храна не смее повторно да се смрзнува откако ќе се одмрзне.¹⁾
- Чувајте ја претходно спакувана смрзната храна во согласност со упатствата на нејзиниот производител.¹⁾
- Мора строго да се почитуваат препораките за чување на производителот на уредот. Видете во соодветно упатство.

¹⁾ Ако е предвидена светилка

Безбедносни информации

- Не ставајте газирани пијалаци во преградите на замрзнувачот, бидејќи тие создаваат притисок во садот, што може да предизвика негово експлодирање и да заврши со оштетување на уредот. ¹⁾
- Смрзнатите лижавчиња може да предизвикат смрзнатици ако се конзумираат веднаш. ¹⁾
- За да одбегнете контаминација на храната, Ве молиме следете ги следните упатства:
- Оставањето на вратата отворена подолги периоди може да ја зголеми температурата во фиоките на апаратот.
- Редовно чистете ги површините кои може да дојдат во контакт со храната и достапниот одводен систем.
- Исчистете ги садовите за вода ако не се користени 48 часа; исклучете го системот за вода поврзан со доводот ако водата не е повлечена 5 дена.
- Свежото месо и рибите чувајте ги во соодветни садови во фрижидерот, за да не дојдат во контакт со другата храна или да не капат врз неа.
- Деловите за замрзната храна означена со две ѕвездички се соодветни за чување претходно замрзната храна или за правење сладолед или коцки мраз.
- Деловите со една, две и три ѕвездички (ако се присутни во апаратот) не се соодветни за замрзнување свежа храна.
- Доколку планирате да го оставите фрижидерот празен подолго време, исклучете го, одмрзнете го, исчистете го, исушете го и оставете ја вратата отворена, за да не се создава мувла во апаратот.

Чистење и одржување

- Пред чистење, исклучете го уредот и извадете го приклучокот за струја од штекерот.
- Не чистете го уредот со метални предмети.
- Не користете остри предмети за вадење на мразот од уредот. Користете пластичен гребач. ¹⁾
- Редовно проверувајте го одводот на фрижидерот за одмрзната вода. Ако е неопходно, исчистете го одводот.

¹⁾ Ако има оддел за замрзнување.

Безбедносни информации

Ако одвод е блокиран, ќе се собира вода на дното на фрижидерот.²⁾

Поставување

Важно! За електрично поврзуваер внимателно постапете според упатствата дадени во одделните пасуси.

- Распакувајте го уредот и проверете да не е оштетен. Не приклучувајте го уредот ако е оштетен. Пријавете ги евентуалните оштетувања веднаш таму каде што се го купиле уредот. Во тој случај, зачувајте го пакување.
- Препорачливо е да се почека најмалку 4 часа пред да се приклучи уредот за да може маслото да се врати во компресорот.
- Околу уредот треба да има соодветно кружење на воздухот - без него може да дојде до прегревање. За да се постигне доволно проветрување, следете ги упатствата за местење.
- Секогаш кога е можно, задниот дел на уредот треба да е блиску до ѕид, за да не биде можно допирање или фаќање на топлиите делови (компресорот, кондензаторот) и изгорување од нив.
- Уредот не смее да се наоѓа блиску до радијатори или плински шпорети.
- Внимавајте штекерот да е пристапен по местењето на уредот.

Сервисирање

- Електричните приспособувања потребни за сервисирање на уредот треба да ги изврши квалификуван електричар или компетентно лице.
- Уредот мора да го сервисира овластен Сервисен центар и мора да се користаат само оригинални резервни делови.

Совети за штедење енергија

- Не ставајте топла храна во уредот;
- Не чувајте ја пакуваната храна биску една до друга, бидејќи тоа спречува циркулација на воздухот;
- Проверете дали храната не ги допира ѕидови на уредот;

1) Ако има оддел за замрзнување.


2) Ако има оддел за чување свежа храна.

Безбедносни информации

- Ако нема струја, не отворајте ја вратата;
- Не отворајте ја вратата често;
- Не држете ги вратите отворени премногу долго;
- Не го поставувајте термостатот при премногу ниски температури;
- Некои делови, како што се фиоки, може да се отсртанат заради добивање поголем простор за складирање и помала потрошувачка на енергија.

Заштита на животната средина



Овој уред не содржи гасови што може да го оштетат озонскиот слој ниту водовите за ладење, ниту во изолациските материјали. Уредот не смее да се расходува заедно со обичен комунален смет и ѓубре. Изолациската пена содржи запаливи гасови: уредот мора да се расходува согласно со прописи што може да ги добиете од локалните власти. Избегнувајте оштетување на уредот за ладење, особен одзади, близу до разменувачот на топлина. Материјалите употребени за овој уред означени со симболот  можат се рециклираат.



Симболот на овој продукт или на неговото пакување укажува дека тој не може да се третира како домашен отпад. Наместо тоа, треба да се предаде на соодветно собирно место за рециклирање на електрична или електронска опрема. Внимавајќи производот да се расходува правилно, ќе помогнете да се спречат потенцијалните негативни последици за животната средина и човековото здравје што би можело да ги предизвика несоодветното ракување со отпадот од овој производ. За подетални информации во врска со рециклирањето на овој производ контактирајте со својата општина, јавното претпријатие за фрлање комунален смет или продавницата каде што сте го купиле производот.

Безбедносни информации

Материјали за пакување

Материјали со симболот  се рециклираат. Фрлете го материјал за пакување во соодветни садови за рециклирање.

Отстранување на уредот

1. Исклучете го главниот приклучокот од штекер.
2. Исечете го кабелот за напојување и фрлете го.

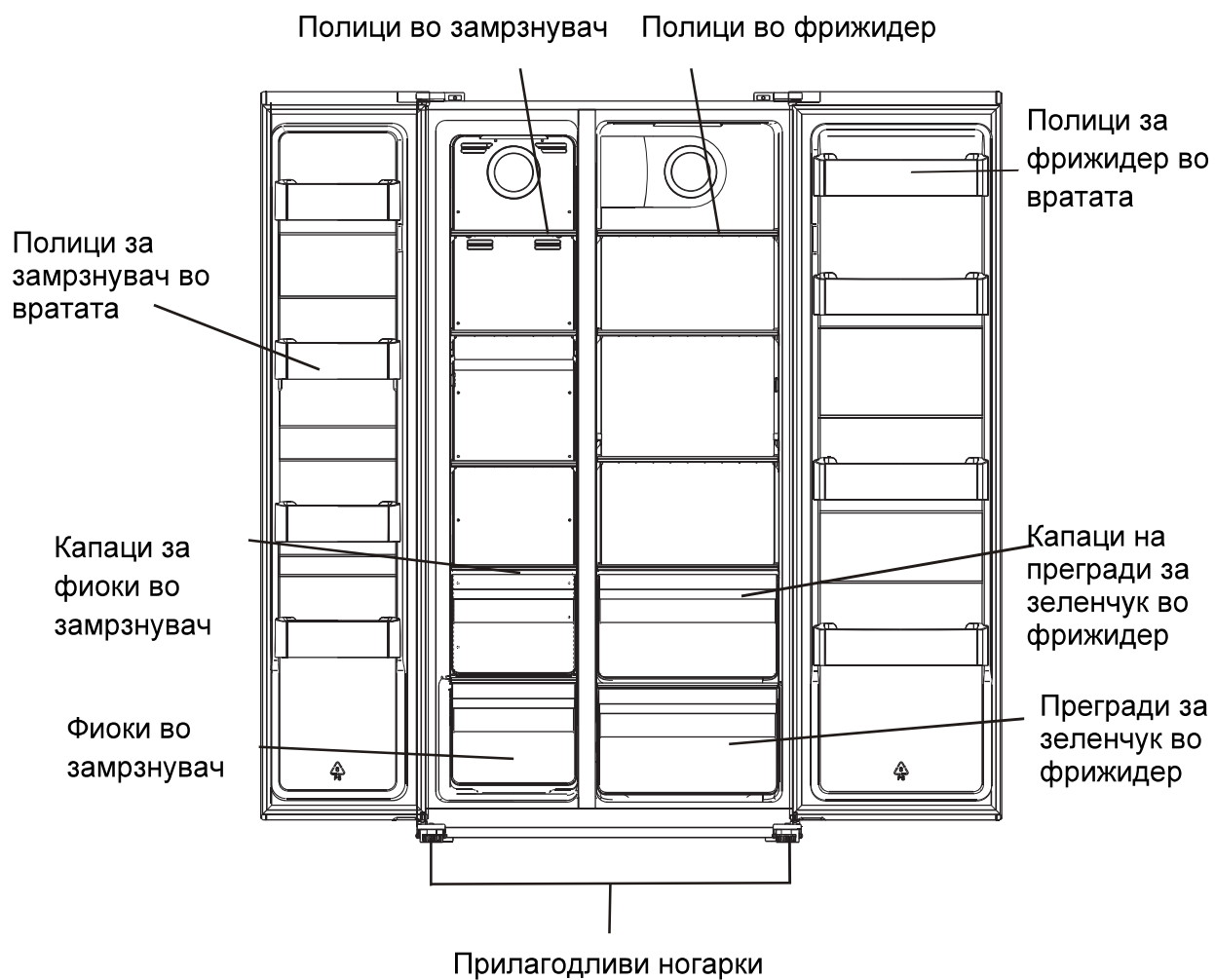
ПРЕДУПРЕДУВАЊЕ !



За време на употреба, сервисирање и фрлање на уредот, обрнете внимание на симболот сличен на оној од левата страна, сместен на задната страна на уредот (задна плоча или компресор) во жолта или портокалова боја.

Тоа е симбол кој укажува на ризик од пожар. Во цевките за ладење и во компресорот има запаливи материјали. Ве молиме чувајте го уредот подалеку од извори на пожар за време на употреба, сервисирање и отстранување.

Изглед на уредот



Забелешка: Сликата погоре е само за информации за деловите на уредот. Реалниот уред може да се разликува.

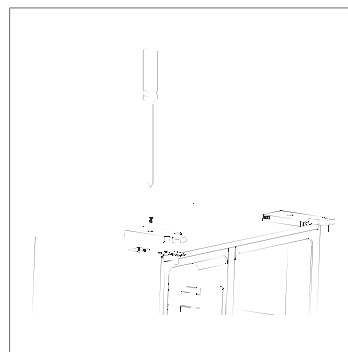
Монтажа

Отстранување на вратата

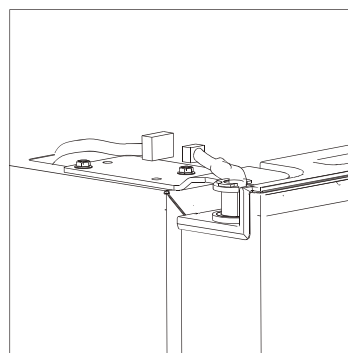
Потребен алат: Philips-одвртувач, рамен одвртувач

- Погрижете се уредот да биде исклучен и празен.
- Со цел да се отстрани вратата, потребно е уредот да го повлечете наназад. Уредот треба да биде поставен на тврда подлога, како не би се лизнал при отстранување на вратата.
- Сите отстранети делови мораат да бидат сочувани поради повторно инсталирање на вратата.
- Уредот не го поставувајте во хоризонтална положба, бидејќи така може да се оштети системот за ладење.
- Се препорачува две лица да го придржуваат уредот за време на оваа постапка.

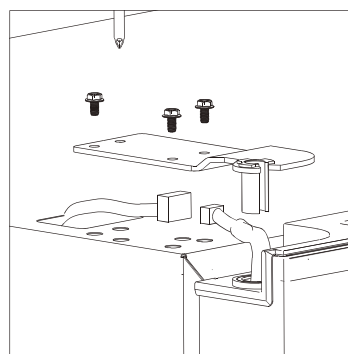
1. Одстранете го капакот од горната шарка со Philips одвртувач..



2. Откачете го штитникот.

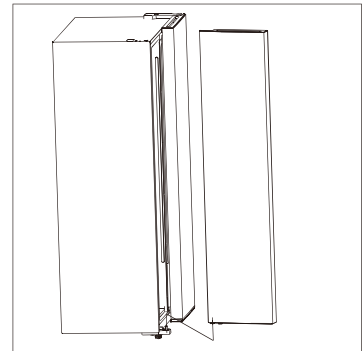


3. Одвртете ја горната шарка.

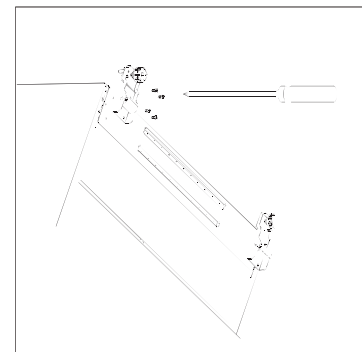


Монтажа

4. Подигнете ја вратата и ставете ја на мека површина. Потоа отстранете ја другата врата на ист начин.



5. Одвртете ги долните шарки.

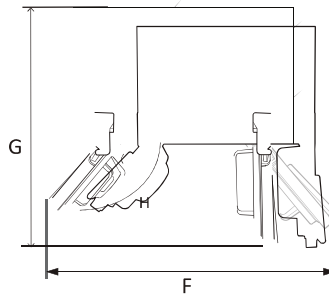
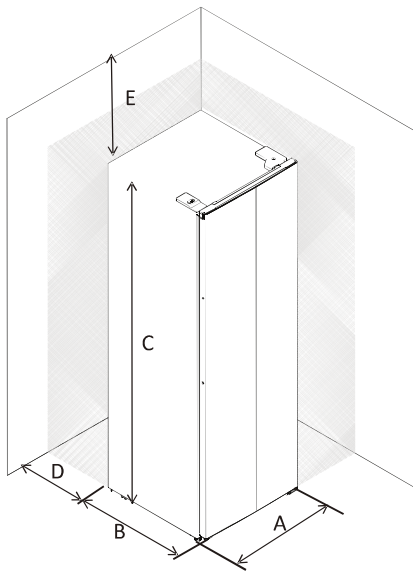


6. Откако ќе се монтира апаратот, поставете ја вратата во обратен редослед.

Монтажа

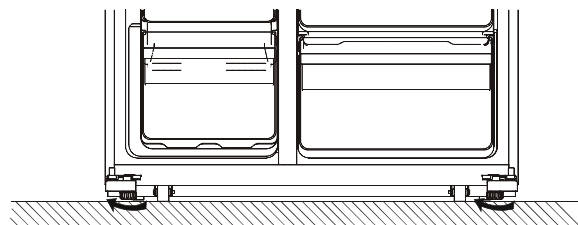
Просторни барања

- Изберете место каде што нема директна изложеност на сончева светлост;
- Изберете простор со доволно простор за да може лесно да се отвори вратата на ладилникот;
- Изберете место са израмнат под;
- Оставете доволно простор за да го поставите фрижидерот на рамна површина;
- Оставете слободен простор на десната, левата, задната и горната страна при монтажата. Ово ќе овозможи пониско потрошување на енергија и намалување на трошковите.



A	910
B	670
C	1770
D	min=50
E	min=50
F	1800
G	1560
H	135°

Израмнување на фрижидерот



Израмнете го и прицврстете го фрижидерот со прилагодување на ногалките.

- Свртете ги нозете во насока на стрелките на часовникот за да ги подигнете со рака.
- Свртете ги стапалата спротивно од стрелките на часовникот за да ги спуштите со рака.

Монтажа

Поставување

Поставете го уредот на локација каде што температурата на околината одговара на климатското категоризирање прикажано на таблицата со карактеристики: За уреди со климатска класа:

- Проширена умерена клима: Овој ладилник е наменет да се користи на амбиентални температури од 10 °C до 32 °C (SN);
- Умерена клима: Овој ладилник е наменет да се користи на амбиентални температури од 16 °C до 32 °C (N);
- Суптропска клима: Овој ладилник е наменет да се користи на амбиентални температури од 16 °C до 38 °C (ST);
- Тропска клима: Овој ладилник е наменет да се користи на собни температури од 16 °C до 43 °C (T);

Местоположба

Апаратот треба да се инсталира на добра оддалеченост од извори на топлина, како што се радијатори, бојлери, директна сончева светлина итн. Погрижете се воздухот да може слободно да струи околу задниот дел од апаратот. За да обезбедите најдобри перформанси, ако апаратот е поставен под висечки плакарчиња, најмалото растојание меѓу горниот дел на фрижидерот и висечкиот плакар мора да биде најмалку 100 мм. Идеално би било апаратот да не е ставен под висечки плакарчиња. Прецизното нивелирање се врши со една или повеќе приспособливи ногарки од долната страна на фрижидерот.

Овој фрижидер не е наменет за употреба како вграден апарат.



ПРЕДУПРЕДУВАЊЕ! Мора да се овозможи откачување на апаратот од штекерот за напојување со струја; затоа приклучникот за струја мора да е лесно достапен по местето.

Поврзување на електриката

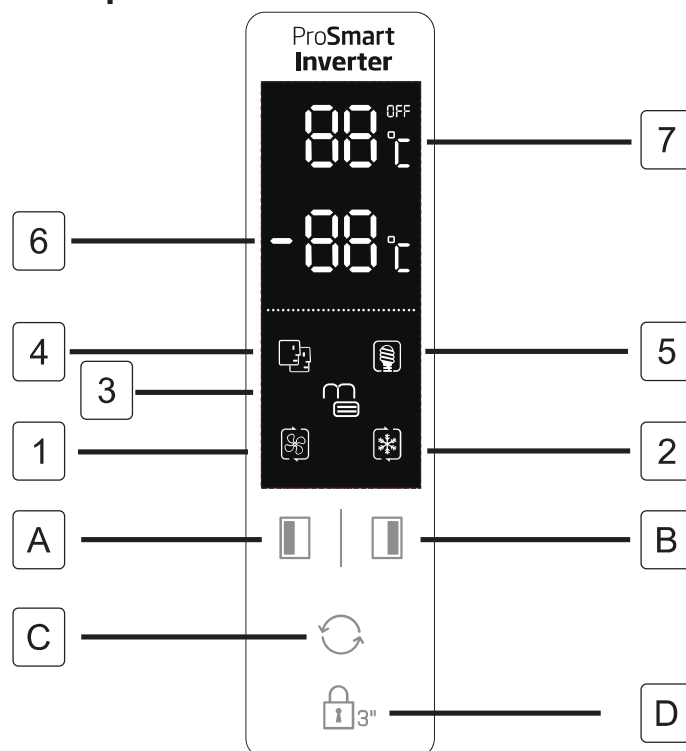
Пред да го приклучите, проверете дали напонот и фреквенцијата прикажани на плочката со спецификации одговараат на вашата домашна електрична мрежа. Апаратот мора да биде вземјен. Приклучокот на кабелот за напојување со струја е со вземјување. Ако штекерот од домашната електрична мрежа не е вземјен, поврзете го апаратот со посебно вземјување во согласност со прописите за електрична енергија и откако ќе се посветувате со квалификуван електричар.

Производителот одбива каква било одговорност ако горенаведените безбедносни мерки не се испочитувани.

Апаратот е во согласност со Директиви на ЕЕЗ.

Секојдневна употреба

Користење на контролната табла



Копчиња

- A Притиснете за да ја поставите температурата на замрзнувачот од -14°C до -22°C .
- B Притиснете за да ги поставите температурите на фрижидерот (десната страна) од 2°C до 8°C и "OFF".
- C Притиснете за да го изберете режимот на работа **SMART**, **ECO**, **SUPER COOLING**, **SUPER FREEZING** и **Кориснички поставки** (без симболи на екранот).
- D Притиснете го копчето 3сек и држете го 3 секунди за да ги заклучите другите копчиња. Со притискање еднаш и држете 1 секунда ќе се отклучат функциите.

Екран

- 1 **SUPER COOLING** го лади одделот за фрижидер до најниската температура како што е дизајнирано. По прибл. 2,5 часа, поставката за температура ќе се врати на претходниот режим на корисничко поставување.
- 2 **SUPER FREEZING** го лади одделот за фрижидер до најниската температура како што е дизајнирано. По 50 часа, поставката за температура ќе се врати на претходниот режим на дотерување на корисникот. Совети: Подобрно е да го вклучите режимот SUPER FREEZING 24 часа однапред пред да ставите голема количина храна во преградата за замрзнување.
- 3 **LOCK** (заклучување), симболот светнува ако копчињата се заклучени.
- 4 **SMART** режим, фрижидерот автоматски ја прилагодува температурата на двете прегради според амбиенталната и внатрешната температура.
- 5 **ECO** режим, фрижидерот е поставен на најмала потрошувачка на електрична енергија..
- 6 Приказ на температурата во преградата за замрзнување.
- 7 Приказ на температура во одделот за фрижидер.
- 8 Родителското заклучување ќе се откаже по прекин на струја. Родителското заклучување автоматски ќе важи 25 секунди по последната операција. Екранот автоматски ќе се исклучи 2 минути по последната операција.
- 9 Некои функции може да не се применуваат на овој модел.

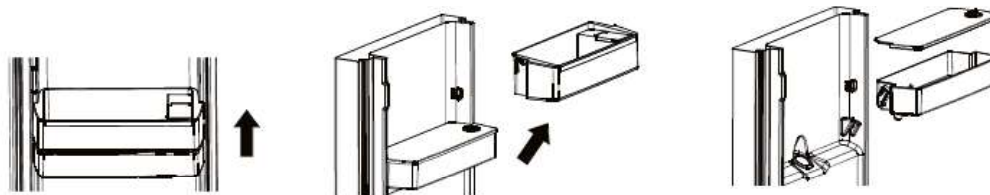
Аларм за отворена врата

Ќе се огласи алармот ако вратата е оставена отворена 90 секунди и нема да запре сè додека вратата не се затвори..

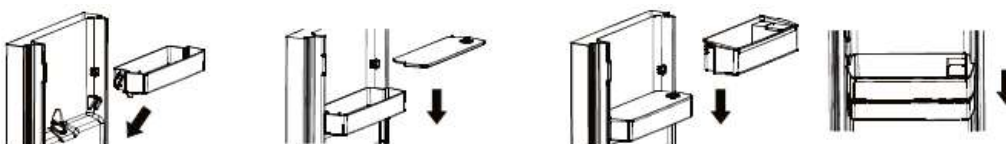
Секојдневна употреба

Пред за прв пат да го користите дозерот за вода, извадете го и исчистете го резервоарот за вода што се наоѓа во фрижидерот.

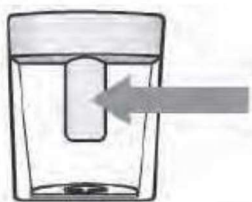
1. Прво подигнете го и извадете ја полицата со резервоарот, а потоа извадете го резервоарот за вода со неговиот капак. Откачете го капакот за да ги измиете и исчистите и резервоарот и капакот.



2. По чистењето, повторно поставете го резервоарот за вода, капакот и полицата со резервоарот, според долунаведениот процес.



3. Ичистете ја рачката на дозерот, надвор од вратата на фрижидерот.



Полнење на резервоарот за вода со вода

1. Отворете го малиот поклопец



2. Наполнете го резервоарот за вода со вода за пиење до линијата за 3 литри
3. Затворете го малиот поклопец на капакот



Пуштање вода

За да пуштите вода, нежно турнете ја рачката на дозерот, користејќи чаша или некој сад.

За да го запрете течењето на водата, само тргнете ја чашата настрана од рачката на дозерот.

Секојдневна употреба

Прва употреба

Чистење на внатрешноста

Пред да го употребите апаратот за првпат, измијте ја внатрешноста и сите внатрешни додатоци со млака вода и малку неутрален сапун за да се отстрани типичниот мирис на нов производ, а потоа темелно исушете. **Важно!** Не користете детергенти или груби прашоци, бидејќи тие ќе ја оштетат глазурата.

Секојдневна употреба

Вид на храна	Место во фрижидер
Јајца	Преграда во вратата
Млечни производи (путер, сирење)	Ако има преграда biofresh или дел за свежа храна. Долни полица
Овошје, зеленчук и салата	Кутија или фиока за овошје и зеленчук или преграда за EverFresh+ (ако е достапна)
Свежо месо, живина, свежа риба, колбаси, варени јадења	Ако има преграда biofresh или дел за свежа храна. Долни полица
Подготвена храна, пакувани производи, конзервирана храна, кисели производи	Горни полица или преграда во вратата
Пијалоци, шишиња, зачини, грицки	Преграда во вратата
Остатоци од храна	Средни полица

Инструкции за чување свежа

храна:

Складирање во преградата за свежа храна:

- Чувајте го фрижидерот на препорачана температура до 4°C.
- Складираната храна треба да биде добро затворена за да се избегнат промени во мирисот или вкусот.
- Не чувајте прекумерни количини храна во фрижидер. Оставете простор помеѓу храната за да дозволите студениот воздух да тече околу нив за да постигнете подобро и похомогено ладење.
- За да се овозможи пократко време за отворање на вратата, храната што се јаде секојдневно треба да се чува на предната страна на полицата.
- Оставете простор помеѓу храната и внатрешните сидови, овозможувајќи проток на воздух. Ако ја чувате храната на задниот сид, храната може да замрзне на задниот сид.
- Топлата, зготвена храна мора да се излади на собна температура пред да ја ставите во апаратот. Потоа, можете да чувате топла храна на долните полици од вашиот фрижидер. Не ставајте топла храна во близина на расиплива храна.
- Одмрзнете ја замрзнатата храна во преградата за свежа храна. На овој начин можете да користите замрзната храна за ладење на преградата за свежа храна и да заштедите енергија.
- Доколку незрело тропско овошје (манго, диња, папаја, банана, ананас) се чуваат во фрижидер, процесот на стареење може да се забрза и не се препорачува бидејќи предизвикува пократко време на складирање. Сепак, зреењето на многу зелените плодови (јаболка, круши) може да се унапреди за одреден период во одделот за фрижидер.
- Кромид, лук, ѓумбир и други корен зеленчук треба да се чуваат во темни и ладни простории, а не во фрижидер.
- Кога ќе се најде расипана храна во фрижидер, таа треба да се отстрани. Кога ќе видите расипана храна, исчистете ја внатрешната обвивка или додатоките што биле во контакт за да спречите контаминација.
- Големите садови со храна, како супи или чорби, може да се поделат на плитки садови за брзо да се изладат во фрижидер.

За истата цел треба да се поделат големи парчиња варено месо и цела живина на помали парчиња.

- Не чувајте непакувана храна во близина на јајца.
- Овошјето и зеленчукот чувајте ги одделно и чувајте ги на ист начин: јаболка со јаболка, морков со морков. Овошјето и зеленчукот испуштаат различни гасови што може да предизвикаат влошување на друга храната.
- Извадете ги лиснатите зеленчуци од пластичните кеси, завиткајте во хартија или кујнска крпа пред да ги чувате во фрижидер. Не заборавајте да ги исушите ако се измијат или ако се влажни пред да ги складираат.
- Чувајте го овошјето и зеленчукот што може да се исушува во перфорирани или незапечатени пластични кеси за да се одржува влажна средина додека сеуште дозволува воздухот да циркулира.
- Различна храна треба да се става во различни области според нивните својства:
„Ве молиме проверете ја соодветната климатска класа на вашиот уред означена на плочката со спецификации. Една од информациите подолу се однесува на вашиот уред според оценетата класа на климата.”
- SN: Проширена умерена клима: Овој ладилник е наменет да се користи на амбиентални температури од 10 °C до 32 °C;
- N: Умерена клима: Овој ладилник е наменет да се користи на амбиентални температури од 16 °C до 32 °C;
- ST: Суптропска клима: Овој ладилник е наменет да се користи на амбиентални температури од 16 °C до 38 °C;
- T: Тропска клима: Овој ладилник е наменет да се користи на собни температури од 16 °C до 43 °C.

Чување храна во замрзнувач:

- Се препорачува замрзнувачот да се постави на -20°C освен во екстремни услови на околина.
- 4-6 часа пред замрзнување, вклучете ја функцијата за брзо замрзнување за да овозможите побрзо замрзнување.
- Топлата храна мора да се излади на собна температура пред да ја ставите во преградата за замрзнување.
- Храната исечена на мали порции побрзо ќе замрзне и полесно ќе се одмрзнува и готви.
- Подобрo е да ја спакувате храната пред да ја ставите во замрзнувач.
- За да избегнете истекување на периодот на складирање, внимавајте на датумот на замрзнување, временската граница и името на храната на пакувањето според периодите на складирање на различните намирници.
- Не го надминувајте времето за чување храна препорачано од производителите. Извадете ја само потребната количина на храна од замрзнувачот.
- Брзо консумирајте одмрзната храна. Одмрзнатата храна не може повторно да се замрзне доколку не е зготвена. Не е безбедно да се консумира неварена, повторно замрзната свежа храна.
- Кога замрзнувате свежа храна, избегнувајте да дојде во допир со веќе замрзната храна. Ова може да предизвика одмрзнување на веќе замрзнатата храна.

Кога складираате комерцијално замрзната храна, следете ги овие упатства:

Секогаш следете ги упатствата на производителот за тоа колку долго да ја чувате храната. Не ги надминувајте овие упатства:

- Обидете се да го одржувате времето помеѓу купувањето и складирањето што е можно пократко за да го зачувате квалитетот на храната.
- Купете замрзната храна која е чувана на температура -18°C или пониска.
- Избегнувајте да купувате храна која има мраз на амбалажата - Ова покажува дека производителите можеби биле делумно одмрзнати и повторно замрзнати во одреден момент - порастот на температурата влијае на квалитетот на храната.
- Препорачуваме подесување на температурата од 4°C за преградата за свежа храна и -20°C за одделот за замрзнување за да се постигне подобро зачувување на храната.
- Освен на екстремни амбиентални услови, ако температурата е поставена на препорачаните вредности како што се $+4^{\circ}\text{C}/-20^{\circ}\text{C}$, целокупната свежина ќе се прошири во преградите за свежа храна и во замрзнувачот. Ако температурата на делот за свежа храна е поставена на пониско ниво, свежото овошје и зеленчук може да бидат делумно замрзнати или изложени на студ, додека повисокото ниво на температура може да предизвика расиплива храна (млечни производи, месни производи) побрзо да се расипуваат.

Секојдневна употреба

Замрзнување на свежа храна

- Замрзнувач е погодан за замрзнување свежа храна, за чување замрзната храна и длабоко замрзната храна подолг период.
- Ставете ја свежата храна да се замрзне во делот за замрзнување.
- Максималната количината на храна која може да се замрзне за 24 часа е наведена на плочката со спецификации.
- Процесот на замрзнување трае 24 часа: за време на овој период не додавајте друга храна за замрзнување.

Чување на замрзната храна

Кога за прв пат го вклучувате уредот или по изнесен период надвор од употреба, пред да го ставите производот во преградата, вклучете го апаратот да работи најмалку 2 часа на повисоки нагонувања.

Важно! Во случај на случајно одмрзнување, на пример доколку снемало струја подолго од вредноста што е прикажана во табелата со технички карактеристики под “зголемување на времето”, одмрзната храна мора да се консумира брзо или веднаш да се зготви, а потоа повторно да се замрзне (после готвењето).

Одмрзнување

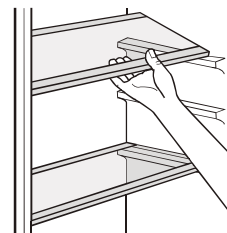
Длабоко замрзната или замрзната храна, пред да се користи, може да се одмрзне во преградата за ладење или на собна температура, во зависност од времето достапно за оваа намена.

Мали парчиња можат да биде зготвени дури и сè уште замрзнати, директно од замрзнувачот. Во овој случај, готвењето ќе трае подолго.

Додатоци

Подвижни полици

Сидовите на ладилникот се опремени со голем број на држачи, така што полиците можете да ги поставите како сакате.



Позиционирање на внатрешните прегради на вратата

За да се овозможи складирање на храна од различна големина, внатрешните прегради на вратата можат да се извадат. Да ги направете овие прилагодувања постапете на следниот начин: малку по малку повлечете ја внатрешната преграда во насока на стрелките сè додека целосно не се извади.



Секојдневна употреба

Корисни совети и сугестии

Совети за замрзнување

Да ви помогнеме да го направите процесот на замрзнување најдобро, еве неколку важни совети:

- максималното количество храна што може да се замрзне во рок од 24 часа е прикажано на плочката;
- процесот на замрзнување трае 24 часа. Не треба да се додава повеќе храна за замрзнување во текот на овој период;
- замрзнувајте само прехранбени производи со врвен квалитет, свежи и темелно исчистени;
- подгответе ја храната во мали порции за да може брзо и целосно да се замрзне, а потоа да може да се одмрзне само потребната количина;
- завиткајте ја храната во алуминиумска фолија или полиетиленска и внимавајте пакувањето да биде херметички затворено;
- не дозволувајте свежа, одмрзната храна да дојде во допир со храна која веќе е замрзната, со што се избегнува последователен пораст на температурата;
- тенката и посна храна подобро и подолго се складира отколку мрсната; солта го намалува рокот на траење на храната;
- коцките мраз, ако се консумираат веднаш по вадењето од преградата за замрзнување, можат да предизвикаат смрзнатини на кожата;
- препорачливо е да се означува датумот на замрзнување на секој пакет за да ви овозможи увид на времето на чување на секој производ.

Совети за чување на замрзната храна

За да се добијат најдобри перформанси од апаратот, треба да:

- бидете сигурни дека индустриски замрзната храна била соодветно чувана од страна на продавачите;
- бидете сигурни дека замрзнатите прехранбени производи се пренесени од продавницата за храна до замрзнувачот во најкраток можен рок;
- не ја отворајте често вратата или да не ја оставате отворена подолго отколку што е апсолутно неопходно.
- знаете дека откако ќе се одмрзне храната брзо се расипува и не може повторно да се замрзнува
- не го надминуваат периодот на чување што е наведен од страна на производителот на храната.

Совети за ладење на свежа храна во фрижидерот

За да се добијат најдобри перформанси:

- не ставајте топла храна или течности кои испаруваат во фрижидерот
- покријте или завиткајте ја храната, особено ако има силен вкус

Совети за ладење на свежа храна

Корисни совети:

- месо (сите видови): завиткајте ја во пластична кеса и ставете ја на стаклените полица над фиоката за зеленчук.
- За безбедност, чувајте ја на овој начин само еден или два дена најмногу.
- Зготвена храна, ладни јадења, итн. ...: треба да бидат покриени и можат да се стават на која било полица.
- Овощје и зеленчук: тие треба да бидат темелно исчистени и да се стават во посебната фиока предвидена за таа намена.
- путер и сирење: тие треба да се стават во специјални херметички затворени садови или да се завиткаат во алуминиумска фолија или пластична кеса за да се исклучи колку што е можно повеќе влегување на воздух.
- шишињата сп млеко треба да имаат капаче и треба да се чуваат на внатрешните прегради на вратата.
- банани, компири, кромид и лук, ако не се пакувани, не смеат да се чуваат во фрижидер.

Чистење

Поради хигиенски причини внатрешноста на апаратот, вклучувајќи ги и внатрешните додатоци, треба редовно да се чисти.



ПРЕДУПРЕДУВАЊЕ! Апаратот не смее да биде приклучен на електричната мрежа за време на чистењето. Опасност од струе удар! Пред чистење исклучете го апаратот и извадете го кабелот од струја, или исклучете го прекинувач на струјното коло или осигурувачот. Никогаш не чистете го уредот со средство за чистење на пареа. Влагата може да се акумулира во електричните компоненти, опасност од струен удар! Жешка пареа може да доведе до оштетување на пластичните делови. Апаратот мора да биде сув пред да биде вратен назад во употреба

Важно! Етерични масла и органски растворувачи можат да ги оштетат пластичните делови, на пример, сок од лимон или сок од кората од портокалот, маслена киселина, средства за чистење кои содржат оцетна киселина.

Секојдневна употреба

- Не дозволувајте таквите супстанции да дојдат во контакт со деловите на уредот.
- Не користете абразивни средства за чистење.
- Извадете ја храната од замрзнувачот. Ставете ја на ладно место, добро покриено.
- Исклучете го апаратот и извадете го кабелот од струја или исклучете го прекинувачот на струјното коло на осигурувачот.
- Исчистете го апаратот и внатрешните додатоци со крпа и млека вода. По чистење избришете со свежа вода и исушете со сува крпа.
- Откако се ќе биде суво, вратете го апаратот назад во употреба.

Решавање проблеми



Внимание! Пред да започнете со решавање на проблемите, исклучете го кабелот за напојување. Само квалификуван електричар може да го изврши отклонувањето на проблемот кој е наведен во ова упатство. **Важно!** При нормална употреба се појавуваат некои звуци (компресорот, циркулација на средството за ладење.

Проблем	Можна причина	Решение
Уредот не работи	Приклучокот за струја не е приклучен или е слаб.	Поврзете го приклучокот за струја.
	Осигурувачот е прегорен или расипан	Проверете го осигурувачот, заменете го доколку е потребно.
	Штекерот е расипан	Неисправните приклучоци мора да ги замени електричар.
Храната е премногу топла	Температурата не е соодветно прилагодена	Ве молиме погледнете во делот подесување на почетната температура
	Вратата била отворена подолг период.	Држете ја вратата отворена само краток период
	Ставена е голема количина на топла храна во уредот во текон на последните 24 часа.	Привремено свртете го копчето за регулирање на температурата кон поладно.
	Уредот е во близина на извор на топлина	Ве молиме погледнете во делот Локација за монтирање на уредот
Уредот премногу лади	Температурата е прилагодена на премногу ладно.	Привремено свртете го копчето за регулирање на температурата кон потопло.
Невообичаени звуци	Уредот не е нивелиран.	Прилагодете ги ногарките.
	Уредот допира во сид или во други предмети.	Малко померете го уредот.
	Некоја компонента, на пример цевка на задниот дел од уредот допира сидот или другиот дел.	Доколку е потребно, внимателно поместете го делот
Вода на подот	Испустот за вода е блокиран.	Погледнете го делот Чистење и одржување
Страните на апаратот се топли	Тоа е нормално. Размена на топлина е во страничните панели.	Ако е потребно, земете ракавици за да ги допрете деловите на страна.

Ако повторно се појави дефектот, повикајте овластен сервис.

ОДЛАГАЊЕ НА ОТПАДОТ



Овој симбол покажува дека производот не смее да се отстранува со другиот отпад од домаќинството на крајот од неговиот рок на употреба. Искористениот уред мора да се врати во официјалното место за собирање и рециклирање на електрични и електронски уреди. За да ги најдете овие системи за собирање, ве молиме контактирајте со вашите локални власти или продажното место каде што е купен производот. Секое домаќинство има важна улога во обновувањето и рециклирањето на стари апарати. Соодветното отстранување на искористениот апарат помага да се спречат потенцијалните негативни последици по животната средина и здравјето на луѓето.

ОДРЕКНУВАЊЕ / ПРЕДУПРЕДУВАЊЕ

Некои (едноставни) дефекти крајниот корисник може соодветно да ги поправи без да се појави безбедносен проблем или небезбедна употреба, под услов тие да се изведат во рамките на границите и во согласност со следните упатства (видете го делот „Само-поправка“).

Затоа, освен ако не е поинаку наведено во делот „Само-поправка“ подолу, поправките ќе се однесуваат на регистрирани професионални сервисери за да се избегнат безбедносни проблеми. Регистриран професионален сервисер е професионален сервисер кој добил пристап до упатствата и списокот на резервни делови на овој производ од производителот, според методите опишани во законодавните акти согласно Директивата 2009/125/ЕС.

Сепак, само сервисниот агент (т.е. овластени професионални сервисери) до кој можете да дојдете преку телефонскиот број наведен во упатството за употреба гарантичниот лист или преку вашиот овластен дистрибутер може да обезбеди сервис според условите на гаранцијата. Затоа, внимавајте на тоа дека поправките од професионални сервисери (кои не се овластени од Веко) ја поништуваат гаранцијата.

Само-поправка

Крајниот корисник може да направи самопоправка во однос на следните резервни делови: рачки на вратите, шарки на вратите, фиоки, корпи и дихтунзи на вратите (ажурираната листа е достапна и на support.beko.com од 1 март 2021 год). Освен тоа, за да се обезбеди безбедност на производот и да се спречи ризикот од сериозни повреди, споменатата самопоправка треба да се изврши според упатствата во упатството за употреба за само-поправка или кои се достапни на support.beko.com.

За ваша безбедност, исклучете го производот од струја пред да се обидете самостојно да се поправате. Поправките и обидите за поправка на крајните корисници за делови кои не се вклучени во таква листа и/или не ги следат упатствата во упатството за употреба за само-поправка или кои се достапни на support.beko.com, може да пројават безбедносни прашања кои не се припишуваат на Веко, и ќе ја поништи гаранцијата на производот. Затоа, се препорачува крајните корисници да се воздржат од обиди за поправки што не спаѓаат во споменатата листа на резервни делови, и во такви случаи да контактираат овластени професионални сервисери или регистрирани професионални сервисери. Напротив, таквите обиди на крајните корисници може да предизвикаат безбедносни проблеми и да го оштетат производот, а со тоа да предизвикаат пожар, поплава, струен удар и сериозни лични повреди.

На пример, но не ограничувајќи се на, следните поправки мора да се извршат од овластени професионални сервисери или регистрирани професионални сервисери: компресор, коло за ладење, главна плоча, плоча за инвертер, дисплеј итн. Производителот/продавачот не може да биде одговорен во ниту еден случај каде крајните корисници не го почитуваат горенаведеното. Достапноста на резервните делови на ладилникот што сте го купиле е 10 години. Резервните делови за правилна работа на ладилникот ќе бидат достапни во текот на овој период. Минималното времетраење на гаранцијата на ладилникот што сте го купиле е 24 месеци.

Информации за сортирање на пакувањето

Скенирајте го QR-кодот на надворешното пакување на производот за да ги најдете сите информации поврзани со пакувањето и како да управувате со отпадот од пакување.



FRIŽIDER
UPUTSTVO ZA UPOTREBU



GNO5322XPN
GNO5323XPN
GNO5324XPN
GNO5322WN
GNO5322WDXPN

SR





INFORMACIJA



ENERG



SUPPLIER'S NAME

MODEL IDENTIFIER

(*)

A

A

Informacije o modelu koje su uskladištene u bazi podataka o proizvodu mogu se doći tako što ćete uneti sledeću web stranicu i potražiti identifikator vašeg modela (*) koji se nalazi na energetske etiketi.

<https://eprel.ec.europa.eu/>

Sigurnosna upozorenja

U Vašem je interesu da se obezbedi sigurna i pravilna upotreba, stoga pre instaliranja i prve upotrebe uređaja, pažljivo pročitajte ovaj korisnički priručnik, uključujući njegove savete i upozorenja. Da biste izbegli nepotrebne greške i nezgode, neophodno je da svi korisnici uređaja budu detaljno upoznati sa njegovim radom i bezbednim funkcijama. Sačuvajte ovo uputstvo i osigurajte da ostane uz uređaj ako ga premeštate ili prodajete, tako da svi koji ga koriste tokom njegovog veka trajanja budu pravilno informisani o upotrebi i bezbednosti uređaja.


Radi sigurnosti života i imovine pridržavajte se predostrožnosti u ovom korisničko priručniku, jer proizvođač nije odgovoran za štetu izazvanu nepoštovanjem mera opreza.


Bezbednost dece i osoba sa smanjenim sposobnostima

- Ovaj aparat mogu koristiti deca uzrasta 8 i više godina i osobe sa smanjenim fizičkim senzornim ili mentalnim sposobnosti ili nedostatkom iskustva i znanja ako su pod nadzorom ili su dobili instrukcije u vezi sa upotrebom aparata na siguran način i razumeju opasnosti do kojih može doći.
- Deca treba da budu pod nadzorom da se ne bi igrala s uređajem.
- Čišćenje i održavanje uređaja ne smeju vršiti deca osim ako imaju 8 ili više godina i ako su pod nadzorom.
- Čuvajte sav ambalažni materijal udaljen od dece. Postoji rizik od gušenja.
- Ukoliko odlažete uređaj, izvucite utikač iz utičnice, odsecite kabl za napajanje (što je moguće bliže uređaju) i uklonite vrata kako biste sprečili da se deca igraju s uređajem, strujni udar ili da se deca zatvore unutar uređaja.
- Ukoliko vaš stari uređaj ima magnetnu zaptivku, razbijte ili uklonite je pre odlaganja starog uređaja. To će sprečiti da postane smrtonosna zamka za dete.


Sigurnosna upozorenja


Opšta bezbednost


 **UPOZORENJE!** Držite bez opstrukcija otvore ventilacije koji se nalaze u okruženju uređaja ili su ugrađeni u strukturu uređaja.


 **UPOZORENJE!** Ne koristite mehaničke uređaje ili druge načine za ubrzavanje odleđivanja, osim onih preporučenih od strane proizvođača.

 **UPOZORENJE!** Nemojte oštetiti rashladno kolo.

 **UPOZORENJE!** Ne koristite druge električne uređaje (kao na pr. aparate za pravljenje sladoleda) unutar odeljka ovog uređaja, osim ako su one odobrene za ovu namenu od strane proizvođača.

 **UPOZORENJE!** Ne dodirivati sijalicu ukoliko je dugo uključena jer može biti jako vruća.¹⁾

 **UPOZORENJE!** Kada postavljate uređaj, uverite se da kabl za napajanje nije umotan ili oštećen.

 **UPOZORENJE!** Nemojte postavljati više prenosnih utičnica na zadnjoj strani uređaja.

- Nemojte držati eksplozivne supstance, kao što su aerosol limenke sa zapaljivim gasovima, u ovom uređaju.

- Izobutan (R600a), kojeg sadrži rashladno kolo ovog uređaja, je prirodni gas bez štetnog uticaja na životnu sredinu, ali je zapaljiv.

- Prilikom transporta i instalacije uređaja, uverite se da nijedan deo rashladnog kola ne bude oštećen.

- Izbegavajte otvorene plamenove i izvore paljenja

- Pažljivo provetrite prostoriju u kojoj je smešten uređaj.

- Opasno je menjati specifikacije ili ovaj uređaj na bilo koji način.

Svako oštećenje kabla za napajanje može prouzrokovati kratak spoj, vatru i/ili električni šok.

- Ovaj uređaj namenjen je upotrebi u domaćinstvu i sličnim upotrebama, kao što su


- kuhinje u radnjama, kancelarijama i drugim radnim okruženjima;


- farme i sobe dostupne gostima u hotelima, motelima i drugim okruženjima boravišnog tipa

¹⁾ Ukoliko ima osvetljenja u odeljku uređaja.

Sigurnosna upozorenja

- okruženjima tipa noćenje s doručkom;
- ugostiteljstvu i sličnim namenama koja ne spadaju u maloprodaju.

 **UPOZORENJE!** Svaki električni deo (utikač, kabl za napajanje, kompresor i td.) mora biti zamenjen od strane kvalifikovanog tehničara ili ovlašćenog servisnog agenta.

 **UPOZORENJE!** Sijalica koja se koristi u uređaju je “sijalica sa posebnom namenom” koja se može koristiti samo kao pomoćni deo uređaja.

Ova “sijalica sa posebnom upotrebom” ne može se koristiti za sobno osvetljenje u domaćinstvu.¹⁾

- Nemojte koristiti produžne kablove.
- Uverite se da utikač nije prignječen ili oštećen na zadnjoj strani uređaja. Prignječeni ili oštećeni utikač može dovesti do pregrevanja i izazvati požar.
- Uverite se da možete doći do strujnog utikača uređaja.
- Nemojte vući kabl za napajanje.
- Ukoliko je utikač slabo povezan, ne ubacujte u utičnicu. Postoji rizik od elektrošoka ili požara.
- Ne smete rukovati uređajem bez lampe.
- Ovaj uređaj je težak. Voditi računa prilikom pomeranja.
- Ne uklanjajte i ne dodirujte stvari iz zamrzivača ukoliko su vam ruke vlažne/mokre, jer može doći do ogrebotina na koži ili promrzlina.
- Izbegavajte dugo izlaganje uređaja dnevnoj svetlosti.

Svakodnevna upotreba

- Ne stavljajte ništa vruće na plastične delove u uređaju.
- Ne stavljajte prehrambene proizvode direktno uz zadnji zid.
- Jednom odmrznuta hrana ne sme se ponovo zamrzavati. ¹⁾
- Otpremite hranu za pakovanje prema uputstvima proizvođača za otpremanje hrane za zamrzavanje. ¹⁾
- Preporuke proizvođača za skladištenje hrane u uređaju moraju se strogo poštovati. Pogledajte relevantna uputstva.

¹⁾ Ukoliko ima osvetljenja u odeljku uređaja.

Sigurnosna upozorenja

- Nemojte stavljati gazirana pića u odeljak za zamrzavanje, jer dolazi do stvaranja pritiska unutar ambalaže, što može dovesti do eksplozije i oštećenja na uređaju. ¹⁾
- Kocke leda mogu da dovedu do promrzlina ukoliko se koriste odmah po vađenju iz uređaja. ¹⁾
- Da biste izbegli kontaminaciju hrane, obratite pažnju na sledeće instrukcije
- Otvaranje vrata na duži period može da uzrokuje značajan porast temperature u pregradama uređaja.
- Redovno čistite površine koje mogu da stupe u kontakt sa hranom i dostupnim drenažnim sistemima.
- Očistite rezervoar za vodu ako ne se koristi 48 časa; isperite sistem za vodu povezan sa vodosnabdevanjem ako voda nije tekla 5 dana.
- U frižideru čuvajte sirovo meso i ribu u odgovarajućim posudama, tako da ne dođe u kontakt sa drugom hranom ili da ne kaplje na drugu hranu.
- Odeljci sa dve zvezde (ukoliko ih ima u uređaju) pogodni su za čuvanje prethodno zamrznute hrane, čuvanje ili pravljenje sladoleda ili ledenih kocki.
- Odeljci sa jednom, dve ili tri zvezde (ukoliko ih ima u uređaju) nisu pogodni za zamrzavanje sveže hrane.
- Ukoliko je aparat za hlađenje ostavljen prazan na duži period, isključite ga, odmrznite, očistite, osušite i ostavite vrata otvorena da sprečite razvoj plesni u uređaju.

Održavanje i čišćenje

- Pre održavanja, isključite uređaj i izvadite utikač iz zidne utičnice.
- Nemojte čistiti uređaj metalnim predmetima.
- Nemojte koristiti oštre predmete za uklanjanje mraza u uređaju. Koristite plastičnu grebalicu. ¹⁾
- Redovno proveravajte odvod zamrznute vode u frižideru. Po potrebi, očistite odvod.

¹⁾ Ukoliko postoji odeljak zamrzivača.

Sigurnosna upozorenja

Ukoliko je odvod blokiran, voda će se sakupljati na dnu uređaja.²⁾

Postavljanje

Važno! Kod električnog povezivanja pažljivo pratite date instrukcije u određenim odeljcima.

- Raspakujte uređaj i proverite da na njemu nema oštećenja. Nemojte povezivati uređaj ukoliko je oštećen. Prijavite moguća oštećenja odmah prodavnici u kojoj ste kupili uređaj. U tom slučaju sačuvajte ambalažni materijal.
- Preporučuje se da sačekate najmanje 4 sata pre povezivanja uređaja kako bi se ulje u kompresoru rasporedilo pravilno.
- Obezbediti adekvatan protok vazduha oko uređaja, kako ne bi došlo do pregrevanja. Da biste obezbedili dovoljno vazduha, pratite relevantna uputstva za postavljanje.
- Izbegavati da štitnici uređaja dodiruju zid ili tople delove (kompresor, kondenzator) kako biste sprečili moguće gorenje uređaja.
- Uređaj ne sme biti postavljen u blizini radijatora ni šporeta.
- Uverite se da je utičnica dostupna nakon postavljanja uređaja.

Servisiranje

- Svaka električna intervencija koja zahteva servisiranje uređaja mora biti obavljena od strane kvalifikovanog električara ili kompetentne osobe.
- Ovaj proizvod mora biti servisiran od strane ovlašćenog servisnog centra, i mogu se koristiti samo originalni rezervni delovi.

Saveti za uštedu energije

- Nemojte stavljati toplu hranu u uređaj;
- Nemojte držati spakovanu hranu blizu jednu drugoj jer to sprečava cirkulisanje vazduha;
- Uverite se da hrana ne dodiruje zidove odeljaka;

1) Ukoliko postoji odeljak zamrzivača.


2) Ukoliko postoji odeljak za čuvanje sveže hrane.

Sigurnosna upozorenja

- Ukoliko dođe do nestanka struje, nemojte otvarati vrata;
- Nemojte često otvarati vrata;
- Nemojte držati vrata dugo otvorena;
- Nemojte podešavati termostat na suviše niske temperature;
- Sve dodatke, kao što su fioke, pregrade na vratima, treba držati zbog manje potrošnje električne energije.

Zaštita životne sredine




Ovaj uređaj ne sadrži gasove koji mogu oštetiti ozonski omotač, kao ni rashladno kolo ni izolacioni materijal. Uređaj ne treba odstraniti zajedno sa gradskim smećem. Izolaciona pena sadrži zapaljive gasove: ovaj uređaj treba odložiti u skladu sa zakonskom regulativom za otklanjanje uređaja dobijenom od lokalnih vlasti. Izbegavajte oštećenja rashladnog dela, naročito toplotnog grejača. Materijali korišćeni na ovom uređaju koji su označeni simbolom  mogu se reciklirati.



Simbol na proizvodu ili njegovoj ambalaži označava da se s tim proizvodom ne sme postupati kao s kućnim otpadom. Umesto toga, proizvod treba da bude uklonjen od strane odgovarajućeg centra za reciklažu elektronske i električne opreme. Ispravnim uklanjanjem ovog proizvoda, pomažete u sprečavanju potencijalnih negativnih posledica na životnu sredinu i zdravlje ljudi, koji bi inače mogli biti ugroženi neodgovarajućim rukovanjem otpadom ovog proizvoda. Za detaljnije informacije o recikliranju ovog uređaja, molimo kontaktirajte odgovarajuću lokalnu ustanovu, službu za odlaganje kućnog otpada ili prodavnicu u kojoj ste kupili uređaj.

Sigurnosna upozorenja

Materijali za ambalažu

Materijali sa simbolom  mogu se reciklirati. Odložite materijal za pakovanje u adekvatne kontejnere za reciklažu.

Odlaganje uređaja

1. Isključite glavni utikač iz utičnice.
2. Isecite kabl za napajanje i odložite ga.

UPOZORENJE!

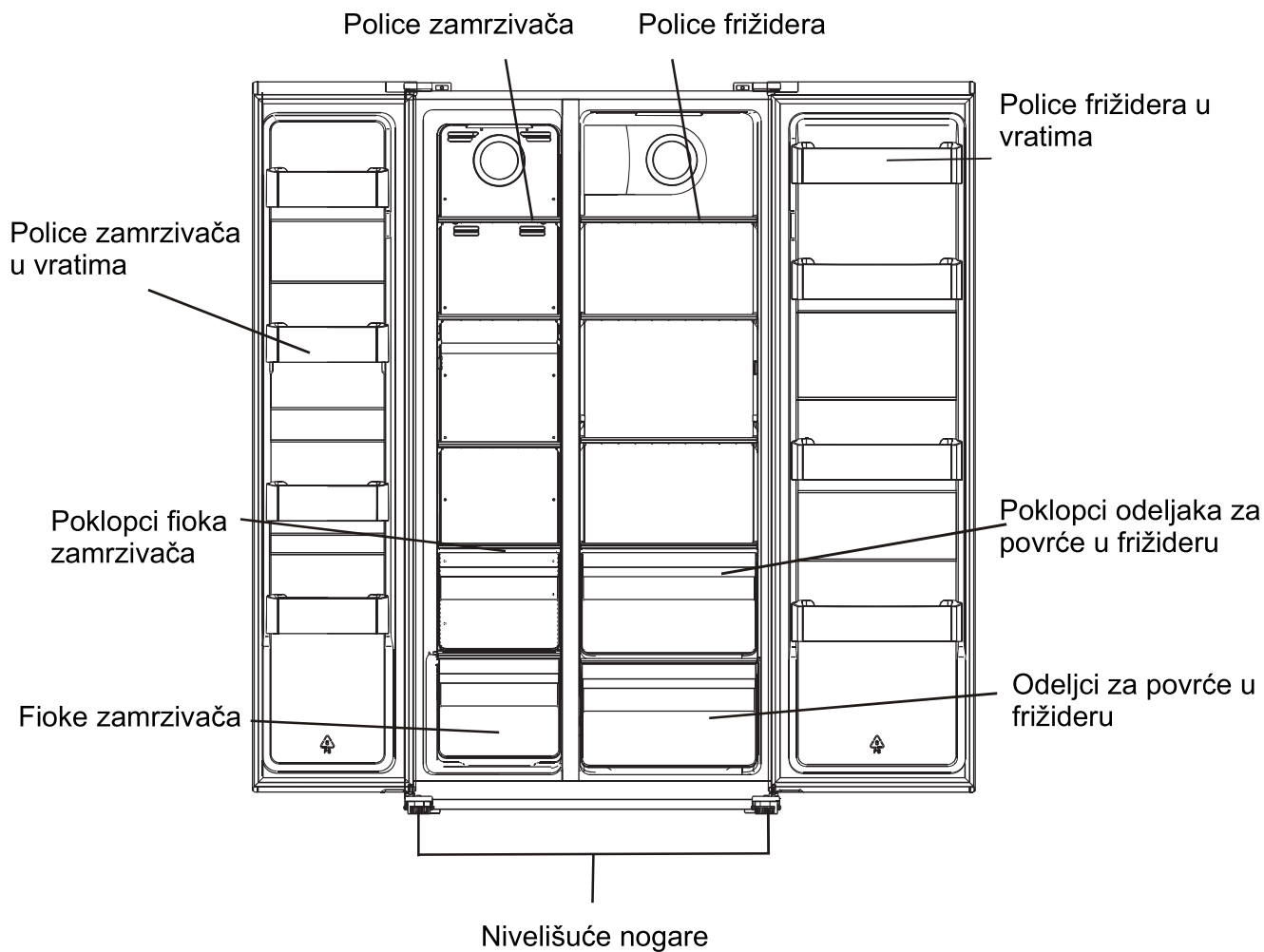


Tokom upotrebe, servisiranja i odlaganja uređaja, obratite pažnju na simbol sličan onome na levoj strani, koji se nalazi na zadnjoj strani uređaja (zadnja ploča ili kompresor) žute ili narandžaste boje.

To je simbol koji označava rizik od požara. U rashladnim cevima i kompresoru nalaze se zapaljivi materijali.

Molimo da uređaj udaljite od izvora vatre tokom upotrebe, servisiranja i odlaganja.

Izgled uređaja



Beleška: Slika iznad je samo za informaciju o delovima uređaja. Stvarni uređaj se verovatno razlikuje.

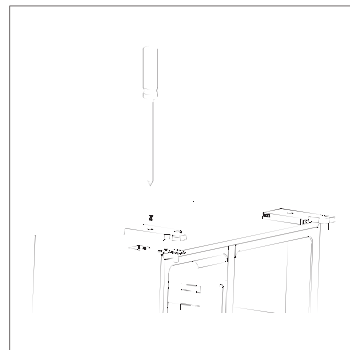
Instalacija

Uklanjanje vrata

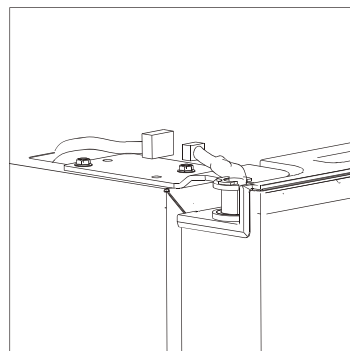
Potreban alat: krstasti (Philips) odvijač, ravni odvijač.

- Uverite se da je uređaj isključen i prazan.
- Da biste uklonili vrata, neophodno je da stavite uređaj u kosi položaj. Trebalo bi da naslonite uređaj na čvrstu površinu kako ne bi skliznuo tokom procesa zamene strane vrata.
- Sačuvajte sve uklonjene delove kako bi ponovo mogli da postavite vrata.
- Nemojte da postavljate uređaj u ležeći položaj jer to može oštetiti sistem za hlađenje.
- Preporučljivo je da dvoje ljudi učestvuje u procesu spajanja delova.

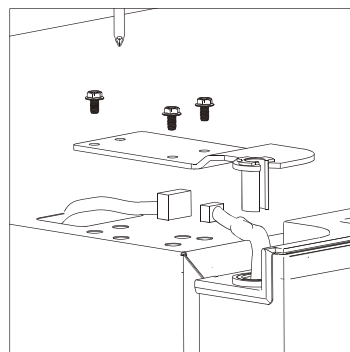
1. Odvrnite poklopac šarke pomoću Philips odvijača.



2. Odspojite štitnik.

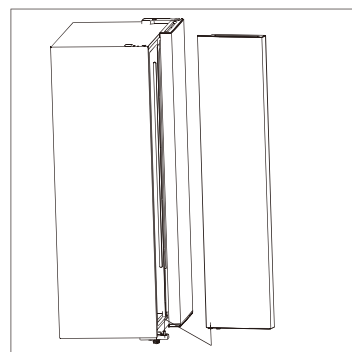


3. Odvrnite gornju šarku.

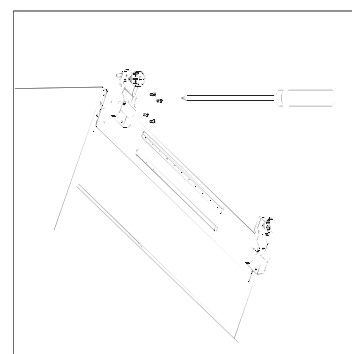


Instalacija

4. Podignite vrata i stavite ih na mekanu podlogu. Zatim uklonite druga vrata na isti način.



5. Odvrnite donje šarke.

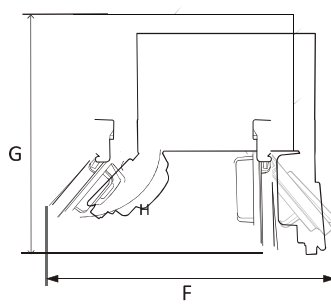
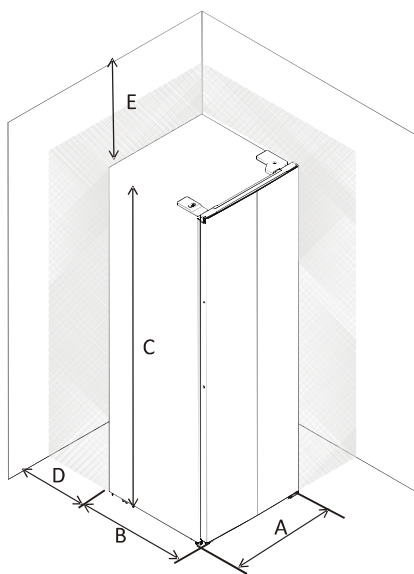


6. Nakon što je uređaj postavljen, postavite vrata obrnutim postupkom.

Instalacija

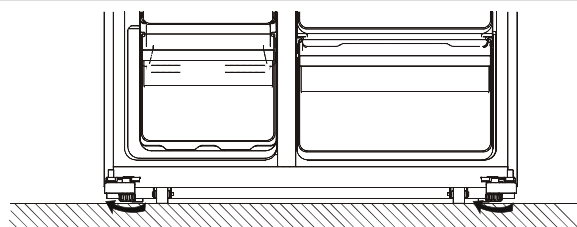
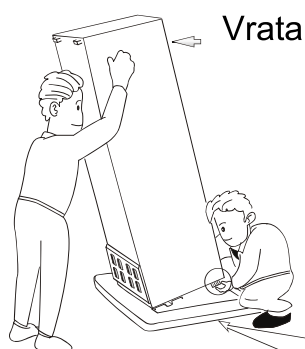
Potreban prostor

- Izaberite lokaciju bez direktnog izlaganja sunčevoj svetlosti;
- Izaberite lokaciju sa dovoljno prostora da se vrata frižidera lako otvaraju;
- Izaberite lokaciju sa ravnim (ili skoro ravnim) podom;
- Ostavite dovoljno prostora za postavljanje frižidera na ravnu površinu;
- Ostavite slobodan prostor sa desne, leve, zadnje i gornje strane prilikom ugradnje. Ovo će pomoći u smanjenju potrošnje energije i smanjiti vaše račune za struju.



A	910
B	670
C	1770
D	min=50
E	min=50
F	1800
G	1560
H	135°

Nivelisanje frižidera



- Poravnajte i učvrstite frižider podešavanjem nožica.
- Okrenite nožice u smeru kazaljke na satu kako biste ih podigli rukom.
 - Okrenite nožice u smeru suprotnom od kazaljke na satu kako biste ih spustili rukom.

Instalacija

Pozicioniranje

Postavite ovaj uređaj na mesto gde sobna temperatura odgovara klimatskoj klasi naznačenoj na natpisnoj pločici uređaja: Za rashladne uređaje sa klimatskom klasom:

- Ispod normalne temperature: „ovaj rashladni uređaj predviđen je za upotrebu na sobnoj temperaturi u rasponu od 10 °C do 32 °C (SN);
- Normalna temperatura: „ovaj rashladni uređaj predviđen je za upotrebu na sobnoj temperaturi u rasponu od 16 °C do 32 °C (N);
- Ispod tropske temperature: „ovaj rashladni uređaj predviđen je za upotrebu na sobnoj temperaturi u rasponu od 16 °C do 38 °C (ST);
- Tropska temperatura: „ovaj rashladni uređaj predviđen je za upotrebu na sobnoj temperaturi od 16 °C do 43 °C (T);

Mesto postavljanja uređaja

Uređaj treba da bude postavljen na udaljenosti od izvora toplote kao što su radijatori, bojleri, direktna sunčeva svetlost i dr. Uverite se da vazduh može slobodno da cirkuliše oko zadnjeg dela zamrzivača. Ukoliko je uređaj postavljen ispod visećih delova na zidu, a kako biste obezbedili najbolju funkcionalnost uređaja, minimalna udaljenost između poklopca uređaja i elementa montiranog na zid mora biti najmanje 100mm. Ipak, najidealnije je da se uređaj ne postavlja ispod montiranih delova na zidu. Nivelisanje uređaja moguće je pomoću jedne ili više nogara na postolju uređaja.

Uređaj nije namenjen za upotrebu kao ugradni uređaj.



UPOZORENJE! Neophodno je omogućiti isključivanje uređaja iz glavnog utikača; stoga utičnica mora biti dostupna nakon postavljanja uređaja.

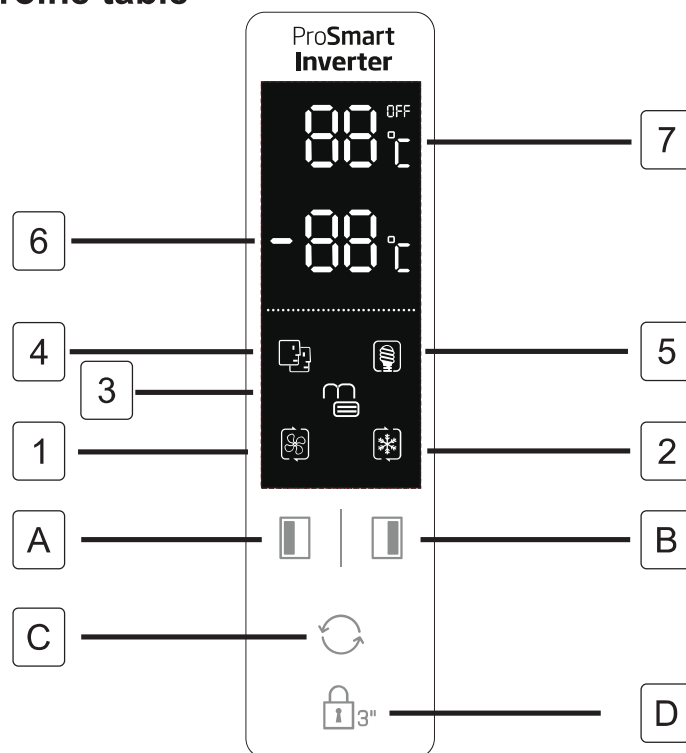
Električno povezivanje

Uverite se pre povezivanja da napon prikazan u tabeli odgovara naponu mreže vašeg domaćinstva. Utičnica u koju uključujete uređaj mora imati uzemljenje. Kabl za napajanje električnom energijom opremljen je kontaktima u tu svrhu. Ukoliko utičnica nije uzemljena, povežite uređaj na drugu utičnicu koja je u skladu sa osnovnim propisima, uz konsultaciju kvalifikovanog električara.

Proizvođač nije odgovoran ukoliko se ne preduzmu gore navedene mere opreza. Ovaj uređaj je izrađen u skladu sa direktivama EEC.

Svakodnevna upotreba

Upotreba Kontrolne table



Tasteri

- A Pritisnite za postavljanje temperature zamrzivača od -14°C do -22°C .
- B Pritisnite za postavljane temperature frižidera (desna strana) od 2°C do 8°C i "OFF".
- C Pritisnite da izaberete režim rada **SMART**, **ECO**, **SUPER COOLING**, **SUPER FREEZING** i **Korisnička podešavanja** (nema simbola na ekranu).
- D Pritisnite dugme 3sec i držite ga 3 sekunde kako biste zaključali ostala dugmad. Ako pritisnete jednom i držite 1 sekund otključaćete funkcije.

Ekran

- 1 **SUPER COOLING** hladi odeljak frižidera na najnižu temperaturu kako je projektovano. Nakon cca. 2,5 sata, podešavanje temperature bi se vratilo na prethodni režim podešavanja korisnika.
- 2 **SUPER FREEZING** hladi odeljak frižidera na najnižu temperaturu kako je projektovano. Nakon cca. 50 sati, podešavanje temperature bi se vratilo na prethodni režim podešavanja korisnika. Saveti: Bolje je da uključite režim SUPER FREEZING 24 sata unapred pre nego što se velika količina hrane stavi u odeljak zamrzivača.
- 3 **LOCK** (zaključavanje), simbol svetli ukoliko su dugmići zaključani.
- 4 **SMART** način, frižider priladođava temperaturu oba odeljka automatski u skladu sa ambijentalnom i unutrašnjom temperaturom.
- 5 **ECO** način, frižider je na podešavanju s najmanjom potrošnjom električne energije.
- 6 Prikaz temperature u odeljku zamrzivača.
- 7 Prikaz temperature u odeljku frižidera.
- 8 Roditeljsko zaključavanje će biti otkazano nakon nestanka struje. Roditeljsko zaključavanje će biti automatski važeće 25 sekundi nakon poslednje operacije. Displej će se automatski isključiti 2 minuta nakon poslednje operacije.
- 9 Neke funkcije možda neće biti primenljive na ovom modelu.

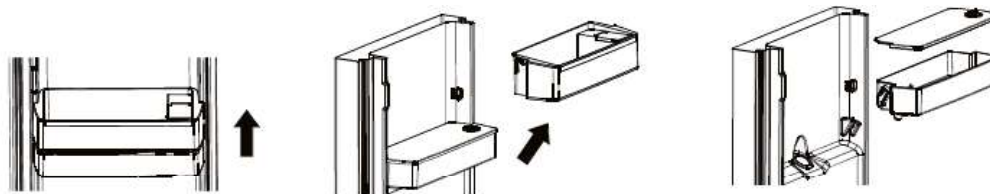
Alarm za otvorena vrata

Ukoliko su vrata otvorena 90 sekundi, oglašava se periodični alarm sve dok se vrata ne zatvore.

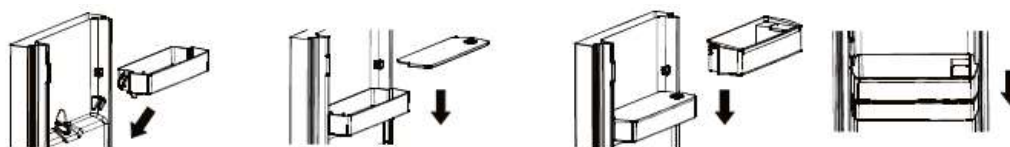
Svakodnevna upotreba

Pre prve upotrebe dispenzera za vodu, skinite i očistite rezervoar za vodu koji se nalazi unutar frižidera.

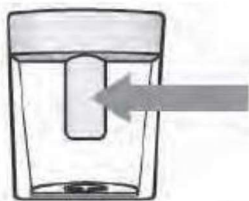
1. Prvo podignite i izvucite policu rezervoara, potom izvucite rezervoar za vodu s poklopcem. Skinite poklopac da biste oprali i očistili rezervoar i poklopac.



2. Nakon čišćenja, vratite rezervoar za vodu, poklopac i policu rezervoara na mesto, kao u postupku opisanom u nastavku.

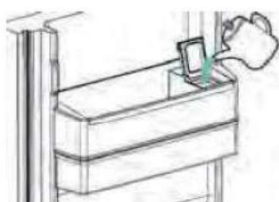


3. Očistite polugu dispenzera van vrata frižidera.



Punjenje rezervoara za vodu

1. Otvorite mali poklopac



2. Napunite rezervoar za vodu vodom za piće do linije koja pokazuje 3 L.
3. Zatvorite mali poklopac na poklopcu



Točenje

Da biste natočili vodu, lagano gurnite polugu dispenzera pomoću čaše ili posude.

Da biste zaustavili točenje vode, povucite čašu od poluge dispenzera.

Svakodnevna upotreba

Prva upotreba

Čišćenje unutrašnjosti

Pre prve upotrebe uređaja, operite unutrašnjost i sve unutrašnje dodatke mlakom vodom i neutralnim sapunom kako biste uklonili tipičan miris potpuno novog proizvoda, a zatim ga dobro osušite.

Važno! Nemojte koristiti deterdžente ili abrazivna sredstva, jer će oni oštetiti završni sloj.

Svakodnevna upotreba

Vrsta hrane	Mesto u frižideru
Jaja	Pregrada u vratima
Mlečni proizvodi (maslac, sir)	Ako je dostupna biofresh pregrada ili deo za sveže namirnice. Donje police
Voće, povrće i salata	Kutija za voće i povrće, fioka za voće i povrće ili odeljak EverFresh+ (ako je dostupan)
Sveže meso, živina, sveža riba, kobasice, kuvana jela	Ako je dostupna biofresh pregrada ili odeljak za sveže namirnice. Donje police
Spremna hrana, pakovani proizvodi, konzervirana hrana, kiseli proizvodi	Gornje police ili pregrada u vratima
Piće, flaše, začini, grickalice	Pregrada u vratima
Ostaci od jela	Srednje police

Uputstvo za skladištenje sveže hrane:

Čuvanje u odeljku za svežu hranu:

- Držite frižider na preporučenoj temperaturi do 4°C.
- Hrana koja se skladišti treba da bude dobro zatvorena kako bi se izbegle promene mirisa ili ukusa.
- Ne držite prevelike količine hrane u frižideru. Ostavite razmake između namirnica kako biste omogućili da hladan vazduh struji oko njih kako bi se postiglo bolje i homogenije hlađenje.
- Da bi se omogućilo kraće otvaranje vrata, hranu koja se svakodnevno jede treba čuvati na prednjem delu police.
- Ostavite razmak između namirnica i unutrašnjih zidova, omogućavajući protok vazduha. Ako držite hranu uz zadnji zid, hrana bi se mogla smrznuti uz zadnji zid.
- Vruća, kuvana hrana se mora ohladiti na sobnoj temperaturi pre odlaganja u aparat. Zatim, toplu hranu možete čuvati na donjim policama vašeg frižidera. Ne stavljajte toplu hranu u blizini lako kvarljivih namirnica.
- Odmrzните zamrznutu hranu u odeljku za svežu hranu. Na ovaj način možete koristiti zamrznutu hranu da ohladite odeljak za svežu hranu i uštedite energiju.
- Ako se nezrelo tropsko voće (mango, dinja, papaja, banana, ananas) čuva u frižideru, proces starenja se može ubrzati i nije preporučljivo jer uzrokuje kraće vreme skladištenja. Međutim sazrevanje jako zelenih plodova (jabuka, kruška) može se unaprediti na određeni period u odeljku frižidera.
- Luk, beli luk, đumbir i drugo korenasto povrće treba čuvati u tamnim i hladnim prostorijama, a ne u frižideru.
- Kada se nađe pokvarena hrana u frižideru, treba je odložiti. Kada primetite pokvarenu hranu, očistite unutrašnju oblogu ili dodatke koji su bili u kontaktu da biste sprečili kontaminaciju.
- Velike posude sa hranom, kao što su supe ili čorbe, mogu se podeliti u plitke posude da se brzo ohlade u frižideru. Velike komade kivanog mesa i celu živinu treba podeliti na manje komade za istu svrhu.

- Ne skladištite neupakovanu hranu u blizini jaja.
- Voće i povrće držite odvojeno i čuvajte na isti način: jabuke sa jabukama, šargarepe sa šargarepom. Voće i povrće ispuštaju različite gasove koji mogu uzrokovati pogoršanje drugih.
- Izvadite lisnato povrće iz plastičnih kesa, umotajte ga u papir ili kuhinjski ubrus pre nego što ga odložite u frižider. Ne zaboravite da ih osušite ako su isprani ili vlažni pre skladištenja.
- Čuvajte voće i povrće podložno sušenju u perforiranim ili nezapečaćenim plastičnim kesama kako biste održali vlažnu sredinu, a da pritom i dalje dozvoljavaju da vazduh cirkuliše.
- Različite namirnice treba postaviti u različite oblasti u skladu sa njihovim svojstvima:

„Molimo vas da proverite odgovarajuću klimatsku klasu vašeg uređaja ocenjenu na nazivnoj pločici. Jedna od dole navedenih informacija važi za vaš uređaj prema ocenjenoj klimatskoj klasi.”

- SN: Umereno proširena: Ovaj rashladni uređaj je namenjen za upotrebu na temperaturama okoline u rasponu od 10°C do 32°C
- N: Umereno: Ovaj rashladni uređaj je namenjen za upotrebu na temperaturama okoline od 16°C do 32°C
- ST: Subtropska: Ovaj rashladni uređaj je namenjen za upotrebu na temperaturama okoline od 16°C do 38°C
- T: Tropska: Ovaj rashladni uređaj je namenjen za upotrebu na temperaturama okoline od 16°C do 43°C

Skladištenje hrane u zamrzivaču:

- Preporučuje se da zamrzivač bude podešen na -20°C osim u ekstremnim uslovima okoline.
- 4-6 sati pre zamrzavanja uključite funkciju brzog zamrzavanja da biste omogućili brže zamrzavanje.
- Vruća hrana mora da se ohladi na sobnu temperaturu pre odlaganja u odeljak zamrzivača.
- Hrana izrezana na male porcije će se brže smrznuti i lakše će se odmrznuti i kuvati.
- Bolje je spakovati hranu pre nego što je stavite u zamrzivač.
- Kako biste izbegli istek perioda skladištenja, obratite pažnju na datum zamrzavanja, vremensko ograničenje i naziv hrane na ambalaži u skladu sa periodima skladištenja različitih namirnica.
- Nemojte prekoračiti vreme skladištenja hrane koje preporučuju proizvođači. Iz zamrzivača izvadite samo potrebnu količinu hrane.
- Brzo konzumirajte odmrznutu hranu. Odmrznuta hrana se ne može ponovo zamrznuti osim ako nije kuvana. Nije bezbedno konzumirati nekuvanu ponovo zamrznutu svežu hranu.
- Kada zamrzavate svežu hranu, izbegavajte da dođe u kontakt sa već smrznutom hranom. To može uzrokovati odmrzavanje već smrznutih namirnica.

Prilikom skladištenja komercijalno smrznute hrane, pratite ove smernice:

Uvek se pridržavajte uputstava proizvođača za vreme koliko treba da čuvate hranu. Nemojte da prekoračite ove smernice:

- Pokušajte da vreme između kupovine i skladištenja bude što kraće kako biste sačuvali kvalitet hrane.
- Kupujte smrznutu hranu koja je čuvana na temperaturi od -18°C ili nižoj.
- Izbegavajte kupovinu hrane koja ima led ili mraz na ambalaži - Ovo ukazuje na to da su proizvodi možda bili delimično odmrznuti i ponovo zamrznuti u nekom trenutku - porast temperature utiče na kvalitet hrane.
- Preporučujemo postavku temperature od 4°C za odeljak za svežu hranu i -20°C za odeljak za zamrzavanje kako bi se postiglo bolje očuvanje hrane.
- Sa izuzetkom ekstremnih uslova u ambijentu, ako je temperatura podešena na preporučene vrednosti kao $+4^{\circ}\text{C}/-20^{\circ}\text{C}$, ukupna svežina će se produžiti u odeljcima za svežu hranu i u zamrzivaču. Ako je temperatura odeljka za svežu hranu postavljena na nižu, sveže voće i povrće može biti delimično zamrznuto ili izloženo hladnoći, dok viši nivo temperature može uzrokovati brže kvarenje lako kvarljivih namirnica (mlečni proizvodi, mesne prerađevine).

Svakodnevna upotreba

Zamrzavanje sveže hrane

- Zamrzivač je pogodan za zamrzavanje sveže hrane i skladištenje zamrznute i duboko zamrznute hrane na duži vremenski period.
- Stavite svežu hranu u odeljak na dnu uređaja.
- Maksimalna količina hrane koja može biti zamrznuta u roku od 24 sati izložena je u tabeli.
- Proces zamrzavanja traje 24 sati: tokom ovog perioda nemojte dodavati drugu hranu da se zamrzne.

Skladištenje zamrznute hrane

Kada prvi put uključujete uređaj ili nakon perioda nekorišćenja uređaja, pre stavljanja hrane u zamrzivač pustite da uređaj radi najmanje 2 sata na maksimalnoj temperaturi.

Važna napomena! U slučaju neplaniranog odmrzavanja, na primer ukoliko duže nije bilo struje od vrednosti prikazanih u tehničkim karakteristikama pod stavkom "vreme odmrzavanja", odmrznuta hrana mora biti konzumirana u kratkom vremenskom roku ili odmah skuvana i tek nakon kuvanja ponovo zamrznuta.

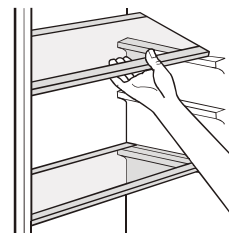
Otapanje

Duboko zamrznuta ili zamrznuta hrana pre upotrebe treba da se otopi u frižideru ili na sobnoj temperaturi, u zavisnosti od raspoloživog vremena za ovaj proces. Mali delovi mogu se kuvati iako su jos zamrznuti, direktno iz zamrzivača. U tom slučaju, kuvanje ce trajati duže.

Dodatna oprema

Police koje se mogu premeštati

Zidovi uređaja imaju veliki broj klizača tako da se police mogu postavljati po želji korisnika.



Postavljanje pregrada u vratima uređaja

Kako bi omogućili smeštanje pakovanja hrane raznih veličina, pregrade na vratima se mogu postavljati na različitim visinama. Da bi ih podesili postepeno povlačite pregradu u smeru označenom strelicama sve dok se ne oslobodi, a zatim je premestite na željenu visinu.



Svakodnevna upotreba

Korisni saveti

Saveti za zamrzavanje

Da bismo vam pomogli u većini slučajeva zamrzavanja namirnica, evo nekoliko važnih saveta:

- maksimalna količina hrane koja može biti zamrznuta u roku od 24 sati izložena je u tabeli;
- proces zamrzavanja traje 24 sati: tokom ovog perioda nemojte dodavati drugu hranu da se zamrzne
- zamrzavajte samo vrhunski kvalitetnu, svežu i temeljno očišćenu hranu;
- otpremajte hranu u malim porcijama kako bi omogućili brzo i potpuno zamrzavanje, i tako omogućite naknadno odmrzavanje samo potrebne količine;
- uvijte hranu u aluminijumsku ili polietilensku foliju i uverite se da su pakovanja hermetički zatvorena;
- ne dozvolite da sveža nezamrznuta hrana dolazi u dodir sa već zamrznutom hranom, kako bi izbegli porast temperature ranije zamrznute hrane;
- nemasna hrana bolje i duže se čuva od masne hrane; so smanjuje dužinu čuvanja hrane;
- komadi leda ukoliko se konzumiraju odmah nakon vađenja iz zamrzivača, mogu izazvati oštećenja na koži;
- preporučljivo je da se na svakom pojedinačnom pakovanju označi datum zamrzavanja i omogući vam da pratite vreme skladištenja.

Saveti za otpremanje zamrznute hrane

Da biste postigli najbolje performanse ovog uređaja, trebalo bi da:

- se uverite da je komercijalna zamrznuta hrana adekvatno spakovana od strane prodavca;
- uverite se da je zamrznuta hrana premeštena iz prodavnice do zamrzivača u što kraćem vremenskom roku;
- ne otvarate često vrata ili ih ostavljate otvorena duže nego što je neophodno.
- jednom odmrznuta, hrana se kvari i ne može se ponovo zamrzavati.
- ne dozvolite da istekne vreme dozvoljeno za držanje hrane u zamrzivaču od strane proizvođača hrane.

Saveti za otpremanje sveže hrane u frižider

Da biste postigli najbolje performanse:

- Nemojte odlagati toplu hranu ili tečnosti koje isparavaju u frižider
- Poklopite ili umotajte hranu, naročito ukoliko ima jaki miris

Saveti za čuvanje namirnica u frižideru

Korisni saveti:

- Meso (sve vrste): uvijte u polietilenske kesice i postavite na staklenu policu iznad fioke za voće i povrće.
- Radi sigurnosti, na ovaj način odložite hranu najduže dan-dva.
- Kuvana hrana, hladna jela, i td...treba da se poklope i mogu se držati na bilo kojoj polici.
- Voće i povrće: pažljivo očistiti i odložiti u za to namenjenu fioku.
- Maslac i sir: čuvati u za to namenjenu kutiju ili umotati u aluminijumsku foliju ili kesu za zamrzavanje kako bi se što više sačuvali.
- Flaše sa mlekom: moraju imati čep i treba ih držati u pregradama na vratima frižidera.
- Banane, krompir, crni i beli luk, ukoliko nisu upakovani, ne smeju se držati u frižideru.

Čišćenje

Iz higijenskih razloga unutrašnjost uređaja, uključujući unutrašnje sastavne delove moraju se redovno čistiti.



Oprez! Uređaj ne sme biti uključen prilikom čišćenja. Postoji opasnost od elektrošoka! Pre isključite uređaj i uklonite utikač iz utičnice. Nikada nemojte čistiti uređaj paročistačem. Vлага se može zadržati na električnim delovima, opasnost od elektrošoka! Vrela para može dovesti do oštećenja plastičnih delova. Uređaj mora biti suv pre nego što se ponovo pusti u rad.

Važno! Eterična ulja i organski rastvarači mogu reagovati sa plastičnim delovima, na primer limunov sok ili sok od pomorandže, butema kiselina, sredstva za čišćenje koja sadrže sircetnu kiselinu.

Svakodnevna upotreba

- Nemojte dozvoliti da takve supstance dođu u kontakt sa delovima uređaja.
- Nemojte koristiti nikakva abrazivna sredstva.
- Odstranite hranu iz zamrzivača. Čuvajte je na hladnom mestu, dobro pokrivenu.
- Isključite aparat i izvucite utikač sa električne mreže ili isključite uređaj ili prekidačnu osiguraču.
- Očistite uređaj i unutrašnje delove krpom i mlakom vodom. Nakon čišćenja obrišite čistom vodom i dobro osušite.
- Nakon što je sve osušeno ponovo pustite uređaj u rad.

Rešavanje problema



Oprez! Pre rešavanja problema, isključite kabl za napajanje. Samo kvalifikovani električar može otkloniti kvar koji nije naveden u ovom uputstvu.

Važno! Prilikom normalne upotrebe prisutni su određeni zvuci (kompresor, cirkulacija rashladnog sredstva).

Problem	Mogući uzrok	Rešenje
Uređaj ne radi	Glavni utikač nije uključen ili je oslabio.	Priključite glavni utikač.
	Osigurač je pregoreo ili je u kvaru	Proverite osigurač, zamenite ukoliko je potrebno.
	Utičnica je neispravna	Neispravne utičnice mora zameniti električar.
Hrana je previše topla	Temperatura nije dobro podešena	Molimo da pogledate u odeljku Podešavanje početne temperature
	Vrata su otvorena duži period	Držite vrata otvorenim samo koliko je neophodno
	Velika količina tople hrane je otpremljena u uređaj tokom prethodna 24 sata	Podesite regulator temperature privremeno na nižu temperaturu
	Uređaj je blizu izvora toplote	Molimo da pogledate u odeljku Instalacija uređaja i njegovo postavljanje
Uređaj previše hladi	Temperatura je podešena na hladno	Podesite regulator temperature privremeno na nižu temperaturu
Netipična buka	Uređaj nije nivelisan.	Podesite nožice za nivelisanje.
	Uređaj dodiruje zid ili druge predmete	Blago pomerite uređaj.
	Sastavni deo, na primer cev sa zadnje strane aparata dodiruje zid ili drugi deo uređaja.	Ukoliko je potrebno, pažljivo pomerite taj deo
Voda je na podu	Odvod za vodu je blokiran.	Pogledajte odeljak Čišćenje i nega
Delovi sa strane su vreli	To je normalno. Toplotna razmena je u bočnim panelima.	Uzmite rukavice da dodirnete delove sa strane ukoliko je potrebno.

Ukoliko se kvar ponovo javi, kontaktirajte Servisni centar.

ODLAGANJE



Ovaj simbol označava da se ovaj proizvod ne sme odlagati sa drugim kućnim otpadom na kraju njegovog radnog veka. Korišćeni uređaj se mora vratiti na zvanično sabirno mesto za reciklažu električnih i elektronskih uređaja. Da biste pronašli ove sisteme za prikupljanje, obratite se lokalnim vlastima ili prodavcu kod kojeg je proizvod kupljen. Svako domaćinstvo ima važnu ulogu u obnavljanju i reciklaži starih uređaja. Odgovarajuće odlaganje iskorišćenog uređaja pomaže u sprečavanju potencijalnih negativnih posledica po životnu sredinu i ljudsko zdravlje.

SB

ODRICANJE OD ODGOVORNOSTI / UPOZORENJE

Neki (jednostavni) kvarovi mogu biti adekvatno rešeni od strane krajnjeg korisnika bez ikakvih bezbednosnih problema ili nesigurne upotrebe, pod uslovom da se izvode u granicama i u skladu sa sledećim uputstvima (pogledajte odeljak „Samopopravka“).

Stoga, osim ako nije drugačije odobreno u odeljku „Samopopravka“ u nastavku, popravke će biti adresirane na registrovane profesionalne servisere kako bi se izbegli bezbednosni problemi. Registrovani profesionalni serviser je profesionalni serviser kojem je proizvođač odobrio pristup uputstvima i listi rezervnih delova ovog proizvoda prema metodama opisanim u zakonodavnim aktima u skladu sa Direktivom 2009/125/EC.

Međutim, samo servisni agent (tj. ovlašćeni profesionalni serviser) kojeg možete kontaktirati putem telefonskog broja navedenog u korisničkom priručniku/garantnom listu ili preko vašeg ovlašćenog distributera može pružati uslugu pod uslovima garancije. Stoga, imajte na umu da popravke od strane profesionalnih serviserica (koje Beko nije ovlastio) poništavaju garanciju.

Samopopravka

Krajnji korisnik može izvršiti samopopravku za sledeće rezervne delove: ručke za vrata, šarke za vrata, fioke, korpe i zaptivke za vrata (ažurirana lista je dostupna i na support.beko.com od 1. marta 2021).

Osim toga, kako bi se osigurala bezbednost proizvoda i sprečio rizik od ozbiljnih povreda, spomenuta samopopravka mora da se obavi prema uputstvima u korisničkom priručniku za samopopravke ili koja su dostupna na support.beko.com. Radi vaše bezbed-

nosti, isključite proizvod pre pokušaja samopopravke.

Pokušaji popravke i popravke od strane krajnjih korisnika za delove koji nisu uključeni u takvu listu i/ili ne prate uputstva u korisničkim priručnicima za samopopravku ili koji su dostupni na support.beko.com, mogu dovesti do bezbednosnih problema koji se ne mogu pripisati kompaniji Beko, i poništavaju garanciju na proizvod.

Stoga se krajnjim korisnicima preporučuje da se suzdrže od pokušaja popravki koje ne spadaju u pomenutu listu rezervnih delova, kontaktirajući u takvim slučajevima ovlašćene profesionalne servisere ili registrovane profesionalne servisere. Naprotiv, takvi pokušaji krajnjih korisnika mogu uzrokovati bezbednosne probleme i oštetiti proizvod i nakon toga uzrokovati požar, poplavu, strujni udar i ozbiljne telesne povrede.

Na primer, ali ne ograničavajući se na, sledeće popravke moraju biti upućene ovlašćenim profesionalnim serviserima ili registrovanim profesionalnim serviserima: kompresor, rashladni krug, glavna ploča, ploča invertera, ploča za prikaz itd.

Proizvođač/prodavac se ne može smatrati odgovornim u bilo kojem slučaju kada se krajnji korisnici ne pridržavaju gore navedenog.

Raspoloživost rezervnih delova za frižider koji ste kupili je 10 godina. Tokom ovog perioda biće dostupni originalni rezervni delovi za ispravan rad frižidera. Minimalni period garancije za frižider koji ste kupili je 24 meseca.

Informacije o sortiranju ambalaže

Skenirajte QR kod koji se nalazi na spoljnom pakovanju proizvoda kako biste pronašli sve informacije koje se odnose na ambalažu i kako upravljati ambalažnim otpadom.



FRIGORIFER
UDHËZIME FUNKSIONIMI



GNO5322XPN
GNO5323XPN
GNO5324XPN
GNO5322WN
GNO5322WDXPN

SQ





INFORMACIONE



ENERG



SUPPLIER'S NAME

MODEL IDENTIFIER → (*)

A

A

Informacionet e modelit të ruajtura në bazën e të dhënave të produktit mund të arrihen duke hyrë në faqen e mëposhtme të internetit dhe duke kërkuar për identifikuesin e modelit tuaj (*) që gjendet në etiketën e energjisë.

<https://eprel.ec.europa.eu/>

Informacion sigurie

Në interes të sigurisë suaj dhe për të siguruar përdorimin e duhur, përpara se ta instaloni dhe ta përdorni pajisjen për herë të parë, lexojeni me kujdes këtë manual përdorimi, përfshirë sugjerimet dhe paralajmërimet. Për të shmangur gabimet dhe aksidentet e panevojshme, është e rëndësishme të siguroheni që të gjithë personat që përdorin pajisjen të jenë plotësisht të njohur me funksionimin e saj dhe veçoritë e sigurisë.

Ruani këtë udhëzim dhe sigurohuni që të mbetet me pajisjen nëse ajo zhvendoset ose shitet, në mënyrë që të gjithë që e përdorin atë gjatë gjithë jetëgjatësisë së saj të jenë të informuar siç duhet për përdorimin dhe sigurinë e pajisjes.


Për sigurinë e jetës dhe pronës ruajini masat paraprake të këtyre udhëzimeve të përdoruesit pasi prodhuesi nuk mban përgjegjësi për dëmet e shkaktuara nga pakujdesia.


Siguria e fëmijëve dhe personave me aftësi të kufizuara fizike


- Kjo pajisje mund të përdoret nga fëmijët e moshës 8 vjeç e lart dhe personat me aftësi të kufizuara fizike, shqisore ose mendore ose mungesë përvoje dhe njohurishë nëse u është dhënë mbikëqyrje ose udhëzime në lidhje me përdorimin e pajisjes në mënyrë të sigurt dhe kuptojnë rreziqet e përfshira.
- Fëmijët duhet të mbikëqyren për t'u siguruar që ata të mos luajnë me pajisjen.
- Pastrimi dhe mirëmbajtja e pajisjes nuk duhet të bëhen nga fëmijët përveç nëse janë të moshës 8 vjeç e lart dhe me mbikëqyrje.
- Mbajeni të gjithë paketimin larg fëmijëve. Ekziston rreziku nga mbytja.
- Nëse shkëputni pajisjen, hiqeni kabllon nga priza, shkëputni kallbon lidhëse (sa më afër pajisjes që mundeni) dhe largoni derën që të parandaloni fëmijet të pësojnë goditje elektrike ose të mbyllen në të.
- Nëse kjo pajisje që përmban brava magnetike të derës do të vendoset në vend të një pajisjeje të vjetër me bravë në trajtë suste (shul) mbi derë apo mbi kapak, sigurohuni që ta hiqni atë bravë përpara se të hidhni pajisjen e vjetër. Kjo do të parandalojë që pajisja të kthehet në rrezik vdekjeje për fëmijët.


Informacion sigurie


Siguri e përgjithshme


 **PARALAJMËRIM!** Mbani hapjet e ventilimit, në kabinën e pajisjes ose në strukturën e intergruar, pa pengesa.


 **PARALAJMËRIM!** Mos përdorni pajisje mekanike ose mjete të tjera për të përshpejtuar procesin e shkrirjes, përveç atyre që janë të rekomanduara nga prodhuesi.

 **PARALAJMËRIM!** Mos e dëmtoni qarkun e ftohësit.

 **PARALAJMËRIM!** Mos përdorni pajisje të tjera elektronike (siç janë prodhuesit e akullores) brenda pajisjeve të frigoriferit, përveç nëse janë aprovuar për këtë qëllim nga prodhuesi.

 **PARALAJMËRIM!** Mos e prekni llambën e ndriçimit nëse ka qenë e ndezur për një kohë të gjatë, pasi që mund të jetë shumë e nxehtë.¹⁾

 **PARALAJMËRIM!** Kur poziciononi pajisjen, sigurohuni që priza të mos jetë shtypur ose dëmtuar.


 **PARALAJMËRIM!** Mos vendosni priza të shumëfishta ose kablllo furnizimi të lëvizshme në pjesën e pasme të pajisjes.


- Mos futni substanca eksplozive siç janë kanaçet aerosol me shtytëse të ndezshme në këtë pajisje.
- Gazi ftohës (izobutani) (R600a) që ndodhet në qarkun ftohës të pajisjes, është një gaz natyror me një nivel të lartë pajtueshmërie me ambientin, por që është gjithsesi i ndezshëm.
- Gjatë transportimit dhe instalimit të pajisjes, sigurohuni që asnjë nga pjesët e qarkut ftohës të mos dëmtohet.
 - Shmangni zjarret e hapura dhe burimet ndezëse.
 - Ajroseni tërësisht dhomën në të cilën është vendosur pajisja.
- Është e rrezikshme të ndryshoni specifikimet apo të përpiqeni ta modifikoni këtë produkt në çdo mënyrë të mundshme. Çdo dëmtim i shkaktuar në kablllo mund të shkaktojë qark të shkurtër, zjarr dhe/ose goditje elektrike.
- Kjo pajisje është e destinuar të përdoret në shtëpi dhe përdorime të ngjashme, si:
 - Zonat me gjësende të kuzhinave në dyqane, zyra dhe mjedise punimi të tjera;
 - Shtëpi farmash.
 - Nga klientët në hotele, motele dhe mjedise banimi të tjera;

1) Nëse ka dritë në ndarje

Informacion sigurie

- Ambiente të tipit fjetje me mëngjes;
- në katering dhe përdorime të ngjashme jo për shitje.

 **PARALAJMËRIM!** Çdo komponentë elektrike (prizë, kablllo e energjisë, kompresor dhe të tjera.) duhet të zëvendësohen nga një agjent i çertifikuar shërbimi ose personeli i kualifikuar i shërbimit.

 **PARALAJMËRIM!** Llamba ndriçuese e furnizuar me këtë pajisje është “llambë ndriçuese për përdorim special”. Kjo “llambë për përdorim special” nuk përdoret për ndriçime shtëpiake.¹⁾

- Kablllo e energjisë nuk duhet të zgjatet.
- Sigurohuni që spina nuk është shtypur apo dëmtuar nga pjesa e pasme e pajisjes. Një prizë e shtypur apo e dëmtuar mund të mbinxehet dhe mund të shkaktojë zjarr.
- Sigurohuni që priza e pajisjes të jetë lehtësisht e arritshme.
- Mos e tërhiqni kabllon e rrjetit.
- Nëse priza elektrike është e lirshme, mos e futni në rrymë. Ekziston rrezik nga goditja elektrike ose zjarri.
- Nuk duhet ta vini në punë pajisjen pa llambë.
- Pajisja është e rëndë. Duhet pasur kujdes gjatë lëvizjes së pajisjes.
- Mos hiqni dhe mos prekni gjësende nga ndarja e ngrirjes nëse i keni duart të njoma, pasi kjo mund të shkaktojë dëmtim të lëkurës ose djegie të shkaktuara nga bryma/ngrirësi.
- Shmangni ekspozimin e gjatë të pajisjes ndaj dritës së drejtpërdrejtë të diellit.

Përdorim i përditshëm

- Mos futni gjësende të nxehta në pjesën plastike të pajisjes.
- Mos vendosni produkte ushqimore direkt kundër murit të pasmë.
- Ushqimet e ngrira nuk duhet të ringrihen nëse janë shkrire njëherë ¹⁾
- Ushqimet e ngrira të paketuara paraprakisht, ruajini në pajisje sipas udhëzimeve të prodhuesit të ushqimit . ¹⁾
- Këshillat e prodhuesit të pajisjes për ruajtjen e ushqimeve, duhet t'i ndiqni me përpikmëri. Këshillohuni me udhëzimet përkatëse.

1) Nëse ka dritë në ndarje

Informacion sigurie

- Mos vendosni pije të gazuara ose shkumëzuese në pjesën e ngrirjes, pasi këto krijojnë presion brenda shishes dhe mund të shpërthejnë, gjë që do të dëmtojë pajisjen. ¹⁾
- Kubet e akullit mund të shkaktojnë djegie nëse konsumohen direkt nga pajisja. ¹⁾
- Për të shmangur kontaminimin e ushqimit, luteni që të rrespektoni udhëzimet në vijim.
- Hapja e derës për një kohë të gjatë mund të shkaktojë rritje të konsiderueshme të temperaturës në pjesë të pajisjes.
- Pastrojini rregullisht sipërfaqet që kanë kontakt me ushqimin dhe sistemin e aksesueshëm të kullimit.
- Pastrojini rezervarët e ujit nëse nuk janë përdorur për 48h; shpëlajeni sistemin e ujit të lidhur me ujësjellësin nëse uji nuk është nxjerrë për 5 ditë.
- Mishin dhe peshkun e papërpunuar ruajini në enë të përshtatshme në frigorifer, që të mos vijnë në kontakt me ose të kullojnë në ushqime të tjera.
- Ndarjet e ushqimeve të ngrira me dy-yje (nëse janë prezente në pajisje) janë të përshtatshme për të ruajtur ushqime të ngrira paraprakisht, ruajtjen dhe përgaditjen e akullores si dhe përgatitjen e kubeve të akullit.
- Ndarjet me një-, dy-dhe tre-yje (nëse janë prezent në pajisje) nuk janë të përshtatshme për ngrirjen e ushqimeve të freskëta.
- Nëse pajisja është bosh për një kohë të gjatë, shkrijeni, pastrojini, thajeni dhe mbajeni derën të hapur për të parandaluar krijimin e mykut brenda pajisjes.

Mirëmbajtja dhe pastrimi

- Para veprimeve të mirëmbajtjes, fikeni pajisjen dhe hiqeni nga priza.
- Mos e pastroni pajisjen me objekte metalike.
- Mos përdorni objekte të mprehta për të hequr akull nga pajisja. Përdorni gërryes plastike. ¹⁾
- Rregullisht kontrolloni kulluesen në frigorifer për ujë të shkrirë. Nëse është e nevojshme, pastrojini kulluesen.

¹⁾ Nëse ka ndarës për ngrirje.

Informacion sigurie

Nëse kulluesja është bllokuar, uji do të mblidhet në fund të pajisjes.²⁾

Instalimi

E rëndësishme! Për lidhjet elektrike ndiqni me kujdes udhëzimet e dhëna në paragrafët e veçantë.

- Shpaketojeni pajisjen dhe kontrolloni nëse ka dëmtime. Mos e lidhni pajisjen nëse është e dëmtuar. Raportoni menjëherë dëmtimet e mundshme në vendin ku e keni blerë pajisjen. Në këtë rast, ruajeni paketimin.
- Është e këshillueshme të prisni të paktën katër orë përpara se të lidhni pajisjen, për t'i lejuar vajit të rrjedhë në kompresor.
- Duhet të ketë qarkullim të mjaftueshëm ajri, pasi mungesa e ajrit do të shkaktojë mbinxehje. Për të arritur ventilim të mjaftueshëm, ndiqni udhëzimet përkatëse për instalimin.
- Aty ku është e mundur, pjesa e pasme e produktit duhet të vendoset pas murit për të shmangur prekjen ose kapjen e pjesëve të nxehta (kompresorit, kondensatorit) dhe për të shmangur djegiet e mundshme.
- Pajisja nuk duhet të vendoset pranë radiatorëve apo sobave.
- Sigurohuni që spina të jetë e arritshme pas instalimit të pajisjes.

Servisimi

- Çdo ndërhyrje elektrike e nevojshme për instalimin e kësaj pajisjeje, duhet kryer nga një elektrikist i kualifikuar ose nga një person i aftë.
- Servisimi i këtij produkti duhet të kryhet nga një Qendër e autorizuar servisi, dhe duhen të përdoren vetëm pjesë origjinale për zëvendësim.

Kursimi i energjisë

- Mos futni ushqim të nxehtë në pajisje;
- Mos e paketoni ushqimin afër me njëri tjetrin, pasi që kjo pengon qarkullimin e ajrit;
- Sigurohuni që ushqimi nuk prek pjesën e pasme të ndarësit;



1) Nëse ka ndarës për ngrirje.

2) Nëse ka një sirtar për ruajtjen e ushqimeve të freskëta

Informacion sigurie

- Nëse fiket rryma, mos e hapni derën (dyert);
- Mos e hapni derën (dyert) shpeshherë;
- Mos e mbani të hapur derën (dyert) për një kohë shumë të gjatë;
- Mos e vendosni termostatin në temperatura shumë të ftohta;
- Të gjithë aksesorët, si sirtarët, raftet e ballkoneve, duhet të mbahen aty për konsumim më të ulët të energjisë.

Mbrojtja e mjedisit


 Kjo pajisje nuk përmban gazra që mund të dëmtojnë shtresën e ozonit në qarkun e ftohësit apo në materialet izoluese. Pajisja nuk duhet të hidhet së bashku me plehrat e tjera të qytetit. Shkuma izoluese përmban gazra të ndezshëm: pajisja duhet të hidhet në përputhje me rregullat e zbatueshme të vendosura nga autoritetet lokale. Shmangni dëmtimet në njësinë ftohëse, veçanërisht në pjesën e pasme pranë shkëmbyesit të nxehtësisë. Materialet e përdorura për këtë pajisje që kanë simbolin  janë të riciklueshme.



Simboli në produkt apo në paketimin e tij tregon që ky produkt nuk mund të trajtohet si mbeturinë shtëpiake. Në vend të kësaj duhet të dërgohet në pika të përshtatshme grumbullimi për riciklimin e pajisjeve elektrike dhe elektronike. Duke u siguruar që ky produkt është asgjësuar në mënyrë korrekte, ju do të ndihmoni në parandalimin e pasojave të mundshme negative për mjedisin dhe shëndetin e njeriut, të cilat përndryshe mund të shkaktohen nga trajtimi i papërshtatshëm i mbetjeve të këtij produkti. Për më shumë informacione të detajuara për riciklimin e këtij produkti, luteni të kontaktoni autoritetet tuaja lokale, shërbimin tuaj të hedhjes së mbeturinave shtëpiake ose dyqanin ku e keni blerë produktin.

Informacion sigurie

Materialet e paketimit

Materialet me simbolin  janë të riciklueshme. Hidheni paketimin në një enë të përshtatshme grumbullimi për ta ricikluar.

Asgjësimi i pajisjes

1. Shkëputeni spinën nga priza.
2. Prisni kabllon e rrjetit dhe hidheni atë.

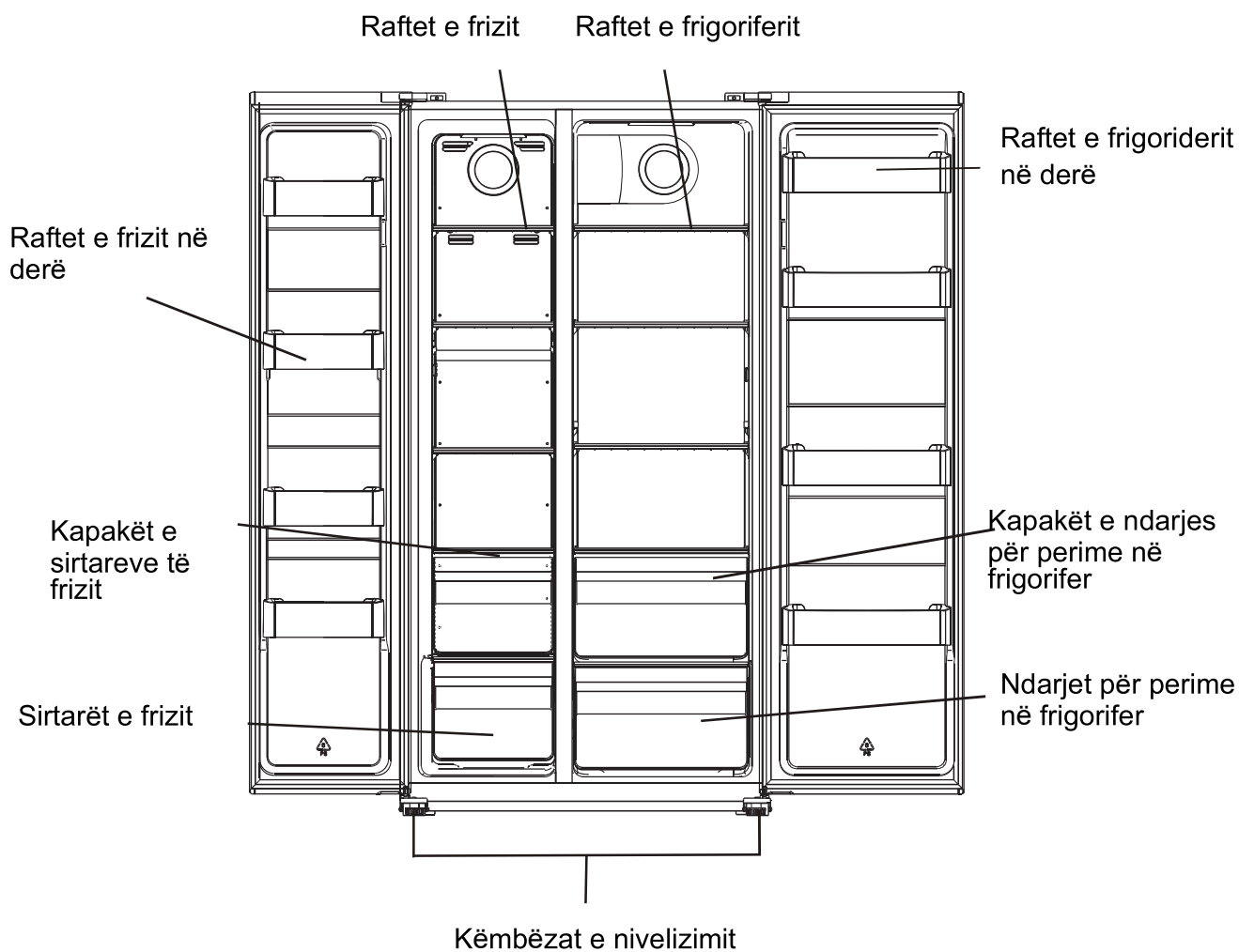


PARALAJMËRIM!

Gjatë përdorimit, shërbimit dhe asgjësimit së pajisjes luteni t'i kushtoni vëmendje simbolit të ngjashëm me anën e majtë, i cili gjendet në pjesën e pasme të pajisjes (panelit të pasmë ose kompresorit) dhe me ngjyrë të verdhë ose portokalli.

Është simboli i paralajmërimit të rrezikut nga zjarri. Ka materiale të ndezshme brenda tubave të frigoriferit dhe kompresorit. Luteni që t'i rrini larg burimeve të zjarrit gjatë përdorimit, shërbimit dhe asgjësimit.

Pasqyrë



Shënim: Fotografia e mësipërme është vetëm për informacion në lidhje me pjesët e pajisjes. Pajisja aktuale mund të ndryshojë.

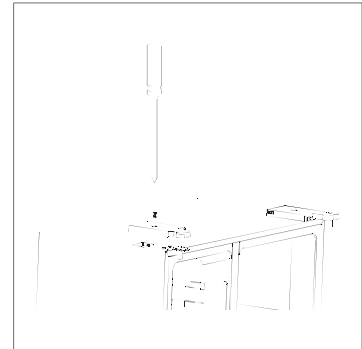
Instalimi

Heqja e derës

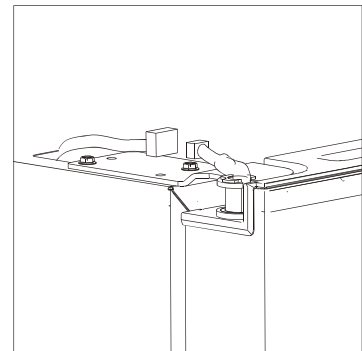
Veglat e nevojshme: Kaçavidë Philips, Kaçavidë me tehe të sheshtë.

- Sigurohuni që njësia është shkëputur nga priza dhe është bosh.
- Për të hequr derën, është e nevojshme të anoni njësinë prapa. Duhet ta lini njësinë të pushojë në diçka të ngurt për të mos rrëshqitur gjatë procesit të kthimit.
- Të gjitha pjesët e hequra duhet të ruhen për të bërë riinstalimin e derës.
- Mos e vendosni njësinë e sheshtë pasi kjo mund të dëmtojë sistemin e ftohësit.
- Është e preferueshme që 2 persona të trajtojnë njësinë gjatë montimit.

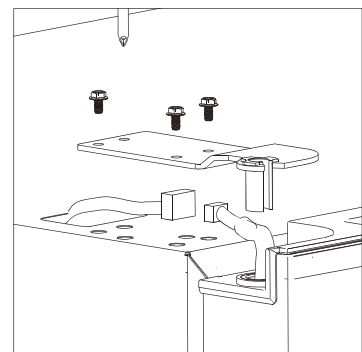
1. Zhvidhosni kapakun e menteshës duke përdorur një kaçavidë Philips.



2. Shkëputni mbrojtësin.

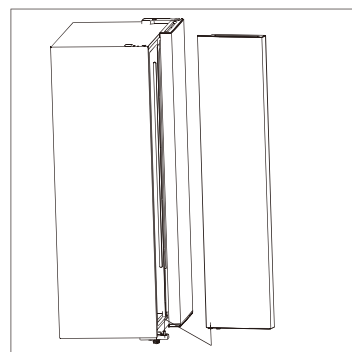


3. Zhvidhosni menteshën e sipërme.

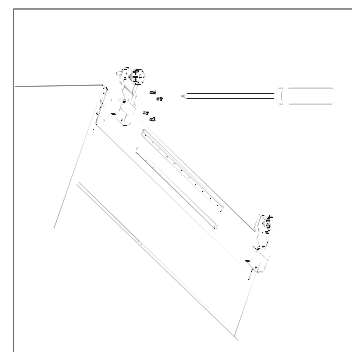


Instalimi

4. Ngrini derën dhe vendoseni në një sipërfaqe të butë. Pastaj hiqni derën tjetër në të njëjtën mënyrë.



5. Zhvidhosni menteshat e poshtme.

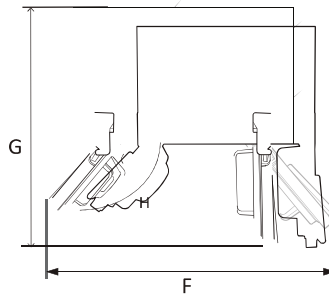
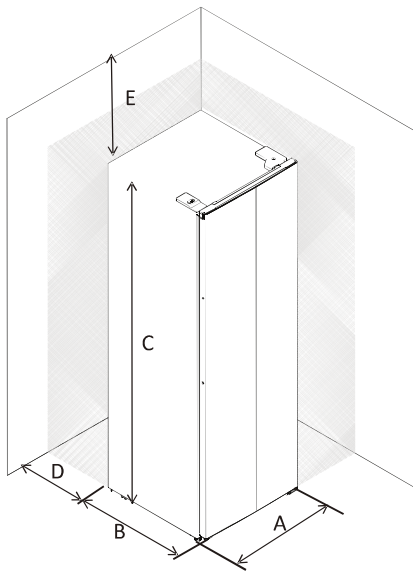


6. Pasi të jetë instaluar pajisja, instaloni derën në mënyrë të kundërt.

Instalimi

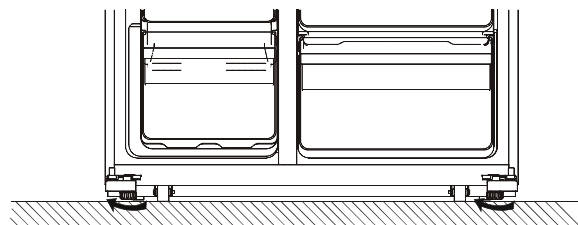
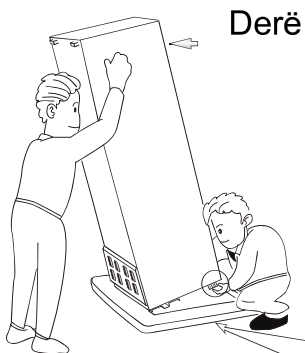
Ambienti i duhur

- Zgjidhni një vend pa ekspozim të drejtpërdrejtë ndaj dritës së diellit;
- Zgjidhni një vend me hapësirë të mjaftueshme që dera e frigoriferit të hapet lehtësisht;
- Zgjidhni një vend me dysheme të sheshtë (ose pothuajse të sheshtë);
- Lini hapësirë të mjaftueshme për ta vendosur frigoriferin në një sipërfaqe të sheshtë;
- Lini hapësirë të lirë në anën e djathtë, të majtë, të pasme dhe të sipërme gjatë instalimit. Kjo do të ndihmojë në uljen e konsumit të energjisë dhe uljen e faturave të energjisë elektrike.



A	910
B	670
C	1770
D	min=50
E	min=50
F	1800
G	1560
H	135°

Nivelimi i njësisë



- Niveloni dhe sigurojeni frigoriferin duke rregulluar këmbët.
- Kthejini këmbët në drejtim të akrepave të orës për t'i ngritur me dorë.
 - Kthejini këmbët në drejtim të kundërt të akrepave të orës për ti ulur me dorë.

Instalimi

Pozicionimi

Instalojeni këtë pajisje në një vend ku temperatura e ambientit përputhet me klasën e klimës që tregohet në tabelën e karakteristikave në pajisje :

për pajisjet frigoriferike me klasën e klimës:

- Temperaturë e zgjatur: kjo pajisje frigoriferike është destinuar të përdoret në ambient me temperaturë nga 10 °C deri 32 °C; (SN)

- E butë: kjo pajisje frigoriferike është destinuar të përdoret në ambient me temperaturë nga 16 °C deri 32 °C;(N)

- Subtropikale: kjo pajisje frigoriferike është destinuar të përdoret në ambient me temperature nga 16 °C deri 38 °C;(ST)

- Tropikale: kjo pajisje frigoriferike është destinuar të përdoret në ambient me temperaturë nga 16 °C deri 43 °C;(T)

Lokacioni

Pajisja duhet të montohet larg nga burimet e nxehtësisë siç janë: radiatorët, bojlerët, drita direkte e diellit etj. Sigurohuni që ajri mund të qarkullojë lirshëm rreth pjesës së pasme të kabinetit. Për të siguruar performancë më të mirë, nëse pajisja është e vendosur poshtë murit të varur, distanca minimale mes kabinetit të epërm dhe murit duhet të jetë të paktën 50mm. Megjithatë do të ishte ideale që pajisja të mos vendoset poshtë murit të varur. Nivelizimi i saktë duhet të sigurohet me një ose më shumë këmbëza që mund të rregullohen në bazamentin e kabinetit.

Kjo pajisje ftohëse nuk është destinuar për përdorim si pajisje montuese.



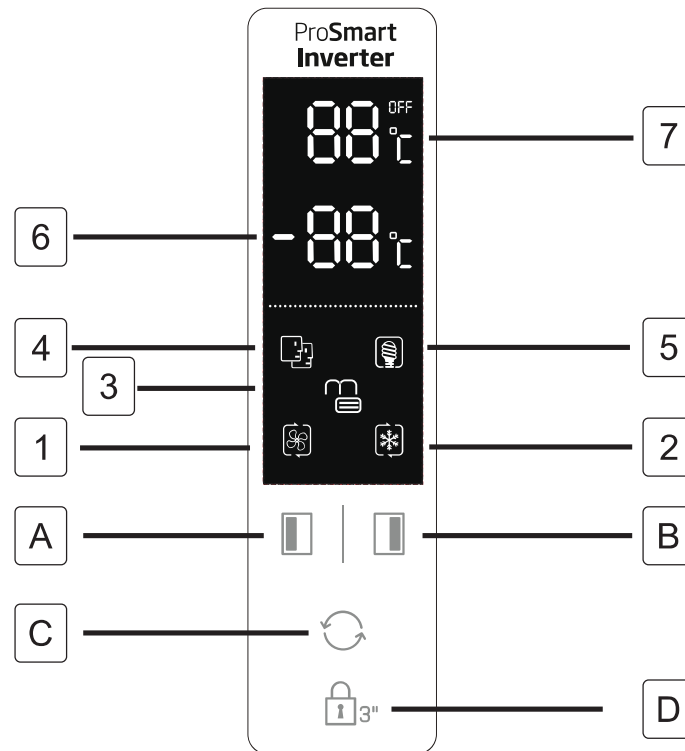
PARALAJMËRIM! Duhet të jetë e mundur shkëputja e pajisjes nga furnizimi me energji elektrike; prandaj priza duhet të jetë lehtësisht e arrishme pas montimit.

Lidhja elektrike

Përpara se ta futni pajisjen në prizë, sigurohuni që voltazhi dhe frekuenca që tregohet në tabelën e vlerave të përputhet me të dhënat e rrymës së shtëpisë tuaj. Pajisja duhet të tokëzohet. Spina e kabllos së ushqimit është e pajisur me një kontakt, pikërisht për këtë qëllim. Nëse spina e furnizimit të shtëpisë nuk është e tokëzuar, lidhjeni pajisjen në një prizë të veçantë tokëzuar në përputhje me rregullat në fuqi, duke u këshilluar me një elektrikist. Prodhuesi refuzon të marrë përsipër gjithë përgjegjësinë nëse nuk ndiqen masat paraprake të mësipërme. Kjo pajisje është në përputhje me Direktivën E.E.C.

Përdorimi i përditshëm

Përdorimi i tabelës së kontrollit



Tastierët

- A Shtypni për të vendosur temperaturën e ngrirësit nga -14°C në -22°C .
- B Shtypni për të vendosur temperaturat e frigoriferit (në anën e djathtë) nga 2°C në 8°C dhe "OFF".
- C Shtypni për të zgjedhur modalitetin e funksionimit **SMART**, **ECO**, **SUPER COOLING**, **SUPER FREEZING** dhe cilësimet e përdoruesit (nuk ka simbole në ekran).
- D Shtypni butonin 3sec dhe mbajeni për 3 sekonda për të kyçur butonat e tjerë. Duke shtypur një herë dhe duke mbajtur për 1 sekondë, funksionet do të shkyçen.

Ekran

- 1 **SUPER COOLING** ftoh ndarjen e frigoriferit në temperaturën më të ulët siç është projektuar. Pas përafërsisht. 2.5 orë, cilësimi i temperaturës do të kthehet në modalitetin e mëparshëm të cilësimit të përdoruesit.
- 2 **SUPER FREEZING** ftoh ndarjen e frigoriferit në temperaturën më të ulët siç është projektuar. Pas përafërsisht. 50 orë, cilësimi i temperaturës do të kthehet në modalitetin e mëparshëm të cilësimit të përdoruesit.
Këshilla: Është më mirë të aktivizoni modalitetin SUPER FREEZING 24 orë më herët, përpara se të vendosni një sasi të madhe ushqimi në ndarjen e ngrirjes.
- 3 Simboli **LOCK** (Kyçja) ndizet nëse butonat janë të kyçur.
- 4 Në modalitetin **SMART**, frigoriferi rregullon automatikisht temperaturën e të dy ndarjeve sipas temperaturës së ambientit dhe temperaturës së brendshme.
- 5 Në modalitetin **ECO**, frigoriferi është në cilësimin me konsumin më të ulët të energjisë elektrike.
- 6 Shfaqja e temperaturës në ndarjen e ngrirësit.
- 7 Shfaqja e temperaturës në ndarjen e frigoriferit.
- 8 Kyçja prindërore do të anulohet pas ndërprerjes së energjisë. Kyçja prindërore do të jetë automatikisht e vlefshme 25 sekonda pas operacionit të fundit. Ekran do të fiket automatikisht 2 minuta pas operacionit të fundit.
- 9 Disa veçori mund të mos jenë të zbatueshme në këtë model.

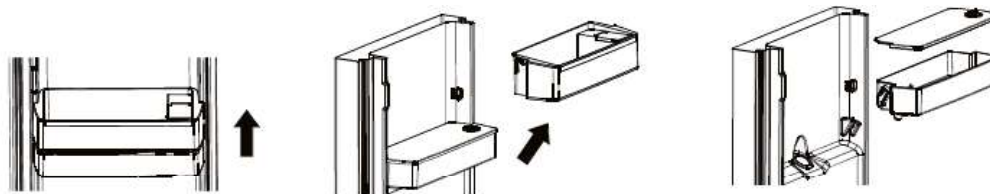
Alarmi i derës së hapur

Nëse dera është e hapur për 90 sekonda, bie një alarm periodik derisa dera të mbyllet.

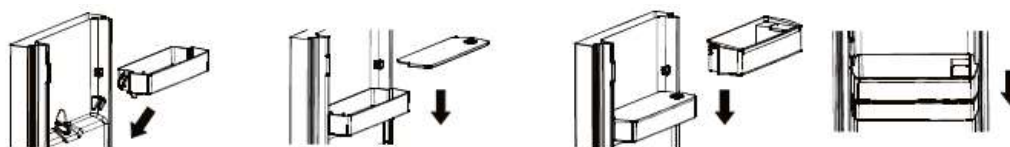
Përdorimi ditor

Para se të përdorni dispenserin e ujit për herë të parë, hiqeni depozitën me ujë të pastër që ndodhet brenda frigoriferit.

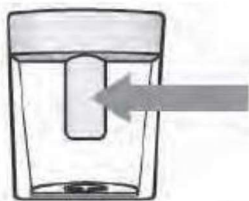
1. Ngrijeni dhe hiqeni ballkonin e depozitës në fillim, më pas hiqeni depozitën e ujit me kapak. Hiqeni kapakun për ta larë dhe pastruar depozitën dhe kapakun.



2. Pasi ta keni pastruar, vendoseni përsëri depozitën e ujit, kapakun dhe ballkonin e depozitës siç tregohet më poshtë.



3. Pastrojeni levën e dispenserit jashtë derës së frigoriferit.



Mbushja e depozitës së ujit me ujë

1. Hapni kapakun e vogël



2. Mbusheni depozitën e ujit me ujë të pijshëm deri te vija 3 L.
3. Mbylleni kapakun e vogël mbi kapak



Nxjerrja e ujit

Për të nxjerrë ujë, shtyjeni me kujdes levën e dispenserit, duke përdorur një gotë ose enë. Për ta ndaluar nxjerrjen e ujit, largojeni gotën nga leva e dispenserit.

Përdorimi i përditshëm

Përdorimi i parë

Pastrimi i pjesës së brendshme

Përpara se të përdorni pajisjen për herë të parë, pastroni pjesën e saj të brendshme dhe gjithë aksesorët e brendshme me ujë të vakët dhe pak sapun natyral për të hequr erën tipike të një produkti të ri, dhe më pas thajeni tërësisht.

E rëndësishme! Mos përdorni detergjent apo pluhura gërryese, pasi këto mund të dëmtojnë pjesët e lëmuara.

Përdorimi i përditshëm

Lloji i ushqimit	Vendi në frigorifer
Vezët	Ndarëset në derë
Produktet e qumështit (gjalpë, djathë)	Nëse disponohet me një ndarje ose seksion biofresh për ushqim të freskët. Raftet e poshtme
Frutat, perimet dhe sallata	Kuti frutash dhe perimesh, sirtar frutash dhe perimesh ose ndarje EverFresh+ (nëse është e disponueshme)
Mish i freskët, shpezë, peshk i freskët, salcçe, ushqime të gatuar	Nëse disponohet me një ndarje ose seksion biofresh për ushqim të freskët. Raftet e poshtme
Ushqime të përgatitura, produkte të paketuara, ushqime të konservuara, produkte turshi	Raftet e sipërme ose ndarja në derë
Pije, shishe, erëza, ushqime	Ndarje në derë
Mbetjet	Rafti i mesëm

Udhëzim për ruajtjen e ushqimit të freskët:

Ruajtja në ndarjen e ushqimit të freskët:

- Mbajeni frigoriferin në temperaturën e rekomanduar deri në 4°C.
- Ushqimi i ruajtur duhet të mbyllet mirë për të shmangur ndryshimet në erë ose shije.
- Mos mbani sasi të tepërta ushqimesh në frigorifer. Lini hapësira midis ushqimeve për të lejuar që ajri i ftohtë të rrjedhë rreth ushqimeve për të arritur ftohje më të mirë dhe më homogjene.
- Për të lejuar kohë më të shkurtër të hapjes së derës, ushqimi që hahet çdo ditë duhet të ruhet në pjesën e përparme të raftit.
- Lini një hapësirë midis ushqimit dhe mureve të brendshme, duke lejuar rrjedhjen e ajrit. Nëse e mbani ushqimin në murin e pasmë, ushqimi mund të ngrijet në murin e pasmë.
- Ushqimi i nxehtë dhe i gatuar duhet të ftohet në temperaturën e dhomës përpara se të vendoset në pajisje. Më pas, mund të ruani ushqim të nxehtë në raftet e poshtme të frigoriferit tuaj. Mos vendosni ushqim të nxehtë pranë ushqimeve që prishen.
- Shkrini ushqimet e ngrira në ndarjen e ushqimeve të freskëta. Në këtë mënyrë ju mund të përdorni ushqime të ngrira për të ftohur ndarjen e ushqimit të freskët dhe për të kursyer energji.
- Nëse frutat tropikale të papjekura (mango, pjepër, papaja, banane, ananasi) ruhen në frigorifer, procesi i plakjes mund të përshpejtohet dhe nuk rekomandohet sepse shkakton një kohë më të shkurtër ruajtjeje. Megjithatë, pjekja e frutave shumë jeshile (mollë, dardhë) mund të avancohet për një periudhë të caktuar në ndarjen e frigoriferit.
- Qepët, hudhrat, xhenxhefili dhe perimet e tjera me rrënjë duhet të ruhen në ambiente të errëta dhe të freskëta, jo në frigorifer.
- Kur ushqimi i prishur gjendet në frigorifer, ai duhet të hidhet. Kur vëreni ushqim të prishur, pastroni pjesën e brendshme të frigoriferit ose aksesorët që kanë qenë në kontakt për të parandaluar kontaminimin.

- Enët e mëdha me ushqime, si supat ose zierjet, mund të ndahen në enë më të cekëta për t'u ftohur shpejt në frigorifer.

Për të njëjtin qëllim, copat e mëdha të mishit të zier dhe shpendëve të plota duhet të ndahen në copa më të vogla.

- Mos ruani ushqime të pa ambalazuara pranë vezëve.
- Mbajini frutat dhe perimet të ndara dhe ruajini në të njëjtën mënyrë: mollë me mollë, karrota me karrota. Fruta dhe perime ato lëshojnë gazra të ndryshëm që mund të bëjnë që të tjerët të përkeqësohen.
- Hiqni zarzavatet me gjethe nga qeset plastike, mbështillini me letër ose peshqir kuzhine përpara se t'i ruani në frigorifer. Mos harroni t'i thani ato nëse janë larë ose lagur përpara se t'i ruani.
- Ruani frutat dhe perimet që mund të thahen në qese plastike të shpuara ose të pambyllura për të mbajtur një mjedis të lagësht duke lejuar ende ajrin të qarkullojë.
- Ushqime të ndryshme duhet të vendosen në zona të ndryshme sipas vetive të tyre:
 - "Ju lutemi kontrolloni klasën e duhur të klimës së pajisjes tuaj të vlerësuar në pllakën e të dhënave." Një nga informacionet më poshtë zbatohen për pajisjen tuaj sipas klasës së vlerësuar të klimës."
 - SN: Zgjeruar mesatarisht: Ky ftohës është menduar për përdorim në temperaturat e ambientit që variojnë nga 10°C deri në 32°C
 - N: E moderuar: Ky ftohës është menduar për përdorim në temperaturat e ambientit nga 16°C deri në 32°C
 - ST: Subtropikale: Ky ftohës është menduar për përdorim në temperaturat e ambientit nga 16°C deri në 38°C
 - T: Tropikale: Ky ftohës është menduar për përdorim në temperaturat e ambientit nga 16°C deri në 43°C

Ruajtja e ushqimit në friz:

- Rekomandohet që ngrirësi të vendoset në -20°C me përjashtim të kushteve ekstreme mjedisore.
- 4-6 orë para ngrirjes, aktivizoni funksionin e ngrirjes së shpejtë për të mundësuar ngrirje më të shpejtë.
- Ushqimi i nxehtë duhet të ftohet në temperaturën e dhomës përpara se të vendoset në ndarësin e ngrirjes.
- Ushqimi i prerë në pjesë të vogla do të ngrijë më shpejt dhe do të jetë më i lehtë për t'u shkrirë dhe gatuar.
- Është më mirë të paketoni ushqimin përpara se ta vendosni në ngrirje.
- Për të shmangur skadimin e periudhës së ruajtjes, kushtojini vëmendje datës së ngrirjes, afatit kohor dhe emrit të ushqimit në paketim në përputhje me periudhat e ruajtjes së ushqimeve të ndryshme.
- Mos e tejkaloni kohën e ruajtjes së ushqimit të rekomanduar nga prodhuesit. Hiqni nga ngrirja vetëm atë sasi të ushqimit që ju nevojitet.
- Konsumoni shpejt ushqimin e shkrirë. Ushqimi i shkrirë nuk mund të ngrihet përsëri nëse nuk është gatuar. Nuk është i sigurt për të konsumuar ushqime të freskëta të papjekura të ngrira.
- Kur ngrini ushqime të freskëta, shmangni kontaktin e tyre me ushqime tashmë të ngrira. Mund të shkaktojë shkrirjen e ushqimeve tashmë të ngrira.

Kur ruani ushqime të ngrira komerciale, ndiqni këto udhëzime:

- Ndiqni gjithmonë udhëzimet e prodhuesit për sa kohë duhet të ruani ushqimin. Mos i anashkaloni këto udhëzime:
- Përpiquni ta mbani sa më të shkurtër kohën ndërmjet blerjes dhe ruajtjes, për të ruajtur cilësinë e ushqimit.
 - Blini ushqime të ngrira që janë ruajtur në -18 °C ose më të ulët.
 - Shmangni blerjen e ushqimeve që kanë akull ose ngrica në paketim - Kjo tregon se produktet mund të jenë shkrirë pjesërisht dhe të ngrihen përsëri në një moment - rritja e temperaturës ndikon në cilësinë e ushqimit.
 - Ju rekomandojmë një cilësim të temperaturës prej 4°C për ndarjen e ushqimeve të freskëta dhe -20°C për ndarjen e ngrirësit për të arritur ruajtje më të mirë të ushqimit.
 - Me përjashtim të kushteve ekstreme të ambientit, nëse temperatura është vendosur në vlerat e rekomanduara si +4°C/-20°C, freskia totale do të zgjerohet në ndarjet e ushqimeve të freskëta dhe në frigorifer. Nëse temperatura e ndarjes për ushqimet e freskëta të vendosura në një nivel më të ulët, frutat dhe perimet e freskëta mund të jenë pjesërisht të ngrira ose të ekspozuara ndaj të ftohtit, ndërsa një nivel më i lartë i temperaturës mund të bëjë që ushqimet që prishen (produktet e qumështit, produktet e mishit) të prishen më shpejt.

Përdorimi i përditshëm

Ngrirja e ushqimit të freskët

- Pjesa e ngrirjes është e përshtatshme për ngrirjen e ushqimeve të freskëta dhe për të ruajtur ushqime të ngrira dhe të ngrira thellë për një kohë të gjatë.
- Vendoseni ushqimin e freskët për ta ngrirë në pjesën ngrirëse.
- Shuma maksimale e ushqimeve të cilat mund të ngrihen në 24 orë, është e specifikuar në tabelën e vlerave.
- Procesi i ngrirjes zgjatë 24 orë: gjatë kësaj kohe mos shtoni ushqime tjera për t'i ngrirë.

Ruajtja e ushqimeve të ngrira

Kur e ndezni fillimisht ose pas një periudhe mospërdorimi, lejoni pajisjen të funksionojë për 2 orë në cilësimet më të larta para se të vendosni produktin në pjesën ngrirëse

E rëndësishme! Në rastin e shkrirjes aksidentale, përshebull rryma është ndaluar më gjatë se sa vlera e treguar në tabelën e karakteristikave teknike në 'koha në rritje', ushqimi shkrirë duhet të konsumohet shpejt ose të gatuhet menjëherë e më pas të ri-ngrihet (pas gatimit)

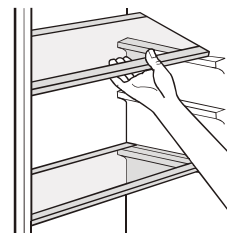
Shkrirja

Ushqimet e ngrira, përpara se të përdoren, mund të shkrihen në ndarësin e ftohjes ose në temperaturën e dhomës, në varësi të kohës në dispozicion për këtë proces. Copëzat e vogla të ushqimit mund të gatuhet edhe ndërsa janë ende të ngrira, direkt nga ngrirësi: në këtë rast, gatimi do të zgjasë më shumë.

Aksesorët

Raftet e lëvizshme

Muret e frigoriferit janë të pajisura me disa shina, në mënyrë që raftet të mund të vendosen sipas dëshirës.



Vendosja e rafteve të derës

Për të lejuar ruajtjen e pakove të ushqimit me madhësi të ndryshme, raftet e derës mund të vendosen në lartësi të ndryshme. Për të bërë këto rregullime, veproni si vijon: tërhiqni gradualisht raftin në drejtim të shigjetave derisa të lirohet, dhe më pas rivendoseni siç kërkohet.



Përdorimi i përditshëm

Këshilla të dobishme:

Udhëzime dhe këshilla të nevojshme

Për të ju ndihmuar të përfitoni sa më shumë nga procesi i ngrirjes, këtu janë disa sugjerime të rëndësishme:

- sasia maksimale e ushqimit e cila mund të ngrihet në 24 orë: është e shfaqur në tabelën e vlerave;
- procesi i ngrirjes zgjatë 24 orë. Ushqimet tjera nuk duhet të shtohen për tu ngrirë gjatë kësaj kohe;
- vetëm ngrirje me cilësi të lartë, freskët dhe e pastruar terësisht, mallra ushqimore;
- përgatitni ushqimin në porcione të vogla për të mundësuar ngrirje të shpejtë dhe të plotë dhe për ta bërë të mundur për të shkrirë vetëm sasinë e kërkuar;
- mbështilleni ushqimin me letër alumini apo polieteni dhe sigurouni që paketimi të mundësojë dritë ajrore;
- mos lejoni që ushqimi i freskët, i pangrirë të prekë ushqimin e ngrirë, kështu duke shmangur një rritje të temperaturës për ushqimin e ngrirë;
- ushqimet pa yndyrë ruhen më mirë dhe më gjatë se ato me yndyrë; kripa zvogëlon jetëgjatësinë e ruajtjes së ushqimit;
- akujt e ujit, nëse konsumohen menjëherë prej frigoriferit, mund të shkaktojnë djegie në lëkurë;
- është e këshillueshme që të tregoni datën e ngrirjes në çdo paketë individuale për t'ju mundësuar të mbani shënim kohën e ruajtjes.

Këshilla për ruajtjen e ushqimeve të ngrira

Për të përfituar performancë më të mire nga kjo pajisje, ju duhet të:

- siguroheni që produktet ushqimore të ngrira komerciale të ruhen në mënyrë adekuate nga shitësi ;
- sigurohuni që produktet ushqimore të ngrira të transferohen nga dyqani ushqimor në frigorifer në kohën më të shkurtër të mundshme;
- mos e hapni derën shpeshherë dhe mos e lini të hapur më shumë se sa është e nevojshme
- pasi që ushqimi të shkrihet mund të priset shumë shpejt dhe nuk mund të ringrihet.
- të mos e kalojë periudhën e ruajtjes së treguar nga prodhuesi i ushqimit.

Këshilla për ftohjen e ushqimeve të freskëta

Për të përfituar performancën më të mirë:

- Mos vendosni ushqime të ngrohta apo pije me avull në frigorifer.
- Mos e mbuloni apo mbështillni ushqimin, veçanërisht nëse ka një shije të fortë.

Këshilla për ftohjen e ushqimeve të freskëta

Këshilla të dobishme:

- Mishi (të gjitha llojet): mbështilleni në një qese polietilene dhe vendoseni në raftin prej xhami mbi sirtarin e perimeve.
- Për siguri, ruajeni në këtë mënyrë vetëm një ose dy ditë më së shumti.
- Ushqimet e gatuar, enët e ftohta, etj...: këto duhet të mbulohen dhe mund të vendosen në cilin do sirtar.
- Pemët dhe perimet: këto duhet të pastrohen terësisht dhe të vendosen në sirtaret speciale të pajisura.
- Gjalpi dhe djathi: këto duhet të vendosen në enë speciale të papërshkueshme nga ajri apo të mbështillen me letër alumini ose qese polietilene për të lënë jashtë sa më shumë ajër që është e mundur.
- Shishet me qumësht duhet të kenë kapak dhe duhet të ruhen në raftet në derë.
- Bananet, patatet, qepa dhe hudhra, nëse nuk janë të paketuara, nuk duhet të ruhen në frigorifer.

Pastrimi

Për arsye higjienike, pajisja elektroshtëpiake (duke përfshirë aksesoret e jashtëm dhe të brendshëm) duhet të pastrohet rregullisht.



Kujdes! Gjatë pastrimit, pajisja nuk duhet të lidhet me rrjetin elektrik pasi ka rrezik nga goditja elektrike! Përpara pastrimit, fikeni pajisjen dhe hiqeni spinën nga priza, ose fikeni dhe hiqeni qarkun apo siguresën. Asnjëherë mos e pastroni pajisjen me pastrues avulli. Lagështia mund të grumbullohet në komponentët elektrikë dhe të shkaktojë goditje elektrike! Avujt e nxehtë mund të çojnë në dëmtimin e pjesëve plastike. Pajisja duhet të jetë e tharë para se të kthehet në shërbim.

E rëndësishme! Vajrat eterikë dhe tretësit organikë mund të sulmojnë pjesët plastike, dmth. lëngu i limonit ose lëngu nga lëvozhga e portokallit, acidi butirik, pastruesit që përmbajnë acid acetik.

Përdorimi i përditshëm

- Mos lejoni substance të tilla të vijjnë në kontakt me pjesët e pajisjes.
- Mos përdorni pastrues të ashpër
- Hiqeni ushqimin nga pjesa e ngrirjes. Ruajini ato në një vend të ftohtë, të mbuluar mirë.
- Fikeni pajisjen dhe shkëputeni nga priza, ose fikeni ose largojeni nga qarku elektrik.
- Pastrojeni pajisjen dhe aksesoret e jashtëm me një leckë dhe ujë të vakët. Pas pastrimit, fshijeni me ujë të freskët dhe fërkojeni duke e tharë.
- Pasi çdo gjë është tharë, kthejeni pajisjen në shërbim.

Zgjidhja e problemeve



Paralajmërim! Përpara se të kryeni veprime për mirëmbajtjen e pajisjes, hiqeni atë nga priza. Vetëm elektrikistët e kualifikuar ose personat kompetentë duhet të merren me rregullimet apo defektet që nuk janë në këtë manual

E rëndësishme! Gjatë përdorimit normal dëgjoen disa tinguj(nga kompresori, qarkullimi i lëndës ftohëse).

Problemi	Shkaku i mundshëm	Zgjidhja
Pajisja nuk funksionon	Spina nuk është futur në prizë ose është e lirshme	Futni spinën e rrjetit në prizë.
	Siguresa është fryrë ose ka defekte	Kontrollojeni siguresën, zëvendësoje nëse ka nevojë.
	Priza ka defekte	Mosfunksionimet e rrjetit duhet të korrigjohen nga një elektrikist.
Ushqimi është shumë i ngrohtë.	Temperatura nuk është rregulluar siç duhet.	Lutni të shikoni seksionin fillestar të cilësimit të temperaturës.
	Dera ka qenë e hapur për një kohë të gjatë.	Hape derën vetëm nëse është e nevojshme.
	Një sasi e madhe e ushqimit të ngrohtë është vendosur në pajisje brenda 24 orëve.	Kthejeni përkohësisht rregullimin e temperaturës në një cilësim më të ftohtë.
	Pajisja është afër ndonjë burimit të nxehtë.	Lutni të shikoni seksionin e lokacionit së montimit të pajisjes.
Pajisja ftohë shumë	Temperatura e vendosur është shumë e ftohtë.	Kthejeni përkohësisht spinën e rregullimit të temperaturës në një cilësim më të ngrohtë.
Tinguj të pazakonshëm	Pajisja nuk është nivelizuar.	Rirregulloji këmbët e pajisjes.
	Pajisja e prek murin apo objektet e tjera.	Lëvizeni pajisjen në mënyrë të lehtë.
	Një pjesë, psh. një tub, në pjesën e pasme të pajisjes është duke prekur një pjesë tjetër të pajisjes ose murit.	Nëse është e nevojshme, përkulni me kujdes komponentin nga rruga.
Ujë në dysheme	Vrima e kullimit të ujit është bllokuar.	Shikoni seksionin e pastrimit.
Paneli anësor është i nxehtë	Kjo është normale. Shkëmbimi i nxehtësisë krijohet në panelet anësore.	Vishni doreza për të prekur pjesët anash nëse është e nevojshme.

Nëse prishjet paraqiten përsëri, kontaktoni Qendrën e Shërbimit.

Hedhja e produktit të vjetër



Ky simbol tregon që ky produkt nuk duhet të hidhet me mbetjet e tjera shtëpiake në fund të jetëgjatësisë së tij. Pajisja e përdorur duhet të kthehet në pikën zyrtare të grumbullimit përriciklimin e pajisjeve elektrike dhe elektronike. Për të gjetur vendndodhjen e këtyre sistemeve të grumbullimit, ju lutemi të kontaktoni me autoritetet tuaja lokale ose me shitësin ku është blerë produkti. Çdo familje kryen një rol të rëndësishëm në rikuperimin dhe riciklimin e pajisjes së vjetër. Mënjanimi i duhur i pajisjes së përdorur ndihmon në parandalimin e pasojave të mundshme negative për mjedisin dhe shëndetin e njeriut.

MOHIMI I PËRGJEGJËSISË / PARALAJMËRIM

Disa prishje (të thjeshta) mund të zgjidhen në mënyrë adekuate nga përdoruesi përfundimtar pa ndonjë problem sigurie ose përdorim të pasigurt, me kusht që ato të kryhen brenda kufijve dhe në përputhje me udhëzimet e mëposhtme (shihni seksionin "Vetë-riparimi").

Prandaj, nëse nuk autorizohet ndryshe në seksionin e Vetë-riparimit më poshtë, riparimet do t'u adresohen riparuesve profesionistë të regjistruar për të shmangur problemet e sigurisë. Një riparues profesionist i regjistruar është i autorizuar nga prodhuesi për të pasur akses në udhëzimet dhe listën e pjesëve të këmbimit të këtij produkti sipas metodave të përshkruara në aktet legjislative në përputhje me Direktivën 2009/125/EC.

Megjithatë, vetëm një agjent shërbimi (dmth. një riparues profesionist i autorizuar) i cili mund të kontaktohet nëpërmjet numrit të telefonit të specifikuar në manualin e përdorimit/kartën e garancisë ose nëpërmjet tregtarit tuaj të autorizuar mund të ofrojë shërbimin sipas kushteve të garancisë. Prandaj, kini parasysh se riparimet nga personeli profesional i shërbimit (të paautorizuar nga Beko) do të anulojnë garancinë.

Vetë riparimi

Përdoruesi përfundimtar mund të kryejë vetë-riparim për pjesët e mëposhtme të këmbimit: dorezat e dyerve, menteshat e dyerve, sirtarët, shportat dhe vulat e dyerve (lista e përditësuar është e disponueshme gjithashtu në support.beko.com që nga 1 mars 2021).

Përveç kësaj, për të garantuar sigurinë e produktit dhe për të parandaluar rrezikun e dëmtimit të rëndë, vetë-riparimi i përmendur duhet të kryhet sipas udhëzimeve në manualin e përdorimit të vetëriparimit ose në dispozicion në support.beko.com. Për sigurinë tuaj, fiken produktin përpara se të provoni vetë-riparimin.

Përpjekjet për riparime dhe riparime nga përdoruesit përfundimtar për pjesët që nuk përfshihen në një listë të tillë dhe/ose mosndjekja e udhëzimeve në manualin e përdorimit të vetë-riparimit ose të disponueshme në support.beko.com mund të çojnë në probleme sigurie që nuk mund t'i atribuohen Beko-s dhe bëjnë të pavlefshme garancinë e produktit.

Prandaj, përdoruesit përfundimtarë këshillohen të përmbahen nga përpjekjet për riparime që nuk përfshihen në listën e përmendur të pjesëve rezervë, duke kontaktuar në raste të tilla riparues profesionistë të autorizuar ose riparues profesionistë të regjistruar. Përkundrazi, përpjekje të tilla nga përdoruesit përfundimtarë mund të shkaktojnë probleme sigurie dhe të dëmtojnë produktin dhe më pas të shkaktojnë zjarr, përmbajtje, goditje elektrike dhe lëndime të rënda personale.

Për shembull, por pa u kufizuar në, riparimet e mëposhtme duhet t'u referohen profesionistëve të autorizuar të shërbimit ose profesionistëve të regjistruar të shërbimit: kompresori, qarku i ftohjes, bordi kryesor, bordi i inverterit, paneli i ekranit, etj.

Prodhuesi/shitësi nuk mund të mbajë përgjegjësi në asnjë rast kur përdoruesit përfundimtarë nuk respektojnë sa më sipër.

Disponueshmëria e pjesëve rezervë për frigoriferin që keni blerë është 10 vjet. Gjatë kësaj periudhe do të jenë të disponueshme pjesët rezervë origjinale për funksionimin e duhur të frigoriferit. Periudha minimale e garancisë për frigoriferin që keni blerë është 24 muaj.

Informacioni mbi klasifikimin e paketimit.

Skanoni kodin QR që ndodhet në paketimin e jashtëm të produktit për të gjetur të gjithë informacionin në lidhje me paketimin dhe mënyrën e menaxhimit me ambalazhin e paketimit.



HLADNJAK
UPUTSTVO ZA UPOTREBU



GNO5322XPN
GNO5323XPN
GNO5324XPN
GNO5322WN
GNO5322WDXPN

BS





INFORMACIJA



Podacima o modelu pohranjenim u bazi podataka proizvođača možete pristupiti ulaskom na sljedeću web stranicu i traženjem identifikacijske oznake vašeg modela (*) na energetske nalepnici.

<https://eprel.ec.europa.eu/>

Sigurnosna upozorenja

U Vašem je interesu da osigurate pravilnu i sigurnu upotrebu, te prije postavljanja i prve upotrebe uređaja, pažljivo pročitajte ovaj korisnički priručnik, uključujući njegove savjete i upozorenja. Da biste izbjegli nepotrebne greške i nezgode, neophodno je da svi korisnici uređaja budu detaljno upoznati sa njegovim radom i sigurnim funkcijama. Sačuvajte ovo uputstvo i osigurajte da ostane uz uređaj ako mu mijenjate mjesto ili ga prodajete, tako da svi koji ga koriste tokom njegovog vijeka trajanja budu pravilno obavješteni o upotrebi i sigurnosti uređaja.


Radi sigurnosti života i imovine pridržavajte se instrukcija u ovom korisničkom priručniku, jer proizvođač ne snosi odgovornost za štetu uzorkovanu nepoštovanjem mjera opreza.


Sigurnost djece i osoba sa smanjenim sposobnostima

- Ovaj aparat mogu koristiti djeca uzrasta od 8 i više godina i osobe sa smanjenim fizičkim, osjetilnim ili mentalnim sposobnostima ili nedostatkom iskustva i znanja, ako su pod nadzorom ili ako su dobile uputstva kako da koriste uređaj na siguran način i razumiju opasnosti kojima mogu biti izloženi.
- Djeca moraju biti pod nadzorom te treba voditi računa da se ne igraju s uređajem.
- Čišćenje i održavanje uređaja ne smiju vršiti djeca osim ako imaju 8 ili više godina i ako su pod nadzorom.
- Čuvajte sav ambalažni materijal dalje od djece. Postoji rizik od gušenja.
- Ukoliko odlažete uređaj, izvucite utikač iz utičnice, odrežite naponski kabel (što je moguće bliže uređaju) i uklonite vrata kako biste spriječili da se deca igraju s uređajem, strujni udar ili da se djeca zatvore unutar uređaja.
- Ukoliko vaš stari uređaj ima magnetnu brtvu, razbijte ili uklonite je prije odlaganja starog uređaja. To će spriječiti da postane smrtonosna zamka za dijete.


Sigurnosna upozorenja


Opća sigurnost


 **UPOZORENJE!** Držite ventilacijske otvore, na kućištu ili na ugradbenoj strukturi uređaja, bez prepreka.


 **UPOZORENJE!** Ne koristiti mehaničke uređaje ili druga sredstva za ubrzavanje postupka odmrzavanja, osim onih koje je preporučio proizvođač.

 **UPOZORENJE!** Nemojte oštetiti rashladni krug.

 **UPOZORENJE!** Ne koristiti druge električne uređaje (kao na pr. aparate za pravljenje sladoleda) unutar odjeljaka ovog uređaja, osim ako nisu onog tipa koje je preporučio proizvođač.

 **UPOZORENJE!** Ne dodirujte sijalicu ukoliko je dugo uključena jer može biti jako topla.¹⁾

 **UPOZORENJE!** Kada postavljate uređaj, uvjerite se da naponski kabel nije uvijen ili oštećen.


 **UPOZORENJE!** Nemojte postavljati više prenosnih utičnica na zadnjoj strani uređaja.


- Ne držite eksplozivne supstance, kao što su aerosolne limenke sa zapaljivim gasovima, u ovom uređaju.
- Izobutan (R600a), kojeg sadrži rashladni krug ovog uređaja, je prirodni gas bez štetnog uticaja na okolinu, ali je zapaljiv.
- Prilikom transporta i instaliranja uređaja, uvjerite se da ne dođe do oštećenja niti jednog dijela rashladnog kruga.
 - Izbjegavajte otvorene plamenove i izvore paljenja.
 - Pažljivo provjetrite prostoriju u kojoj je uređaj smješten.
- Opasno je mijenjati specifikacije ili ovaj uređaj na bilo koji način. Svako oštećenje naponskog kabela može uzrokovati kratak spoj, vatru i/ili električni šok.
- Ovaj uređaj namijenjen je za uporabu u domaćinstvu i za slične namjene kao što su:
 - kuhinje u trgovinama, kancelarijama i drugim radnim prostorima;
 - farme i sobe dostupne gostima u hotelima, motelima i drugim smještajnim prostorijama;

¹⁾ Ukoliko ima osvjetljenja u odjeljku uređaja.

Sigurnosna upozorenja

- smještajima tipa noćenje s doručkom;
- ugostiteljstvu i sličnim namjenama koje ne spadaju u maloprodaju.

 **UPOZORENJE!** Svaki električni dio (utikač, naponski kabel, kompresor i td.) mora zamijeniti kvalifikovani tehničar ili druga ovlašćena osoba.

 **UPOZORENJE!** Sijalica koja se koristi u uređaju je “sijalica s posebnom namjenom” koja se može koristiti samo kao pomoćni dio uređaja.

Ova “sijalica s posebnom namjenom” ne može se koristiti za sobno osvjetljenje u domaćinstvu.¹⁾

- Nemojte koristiti produžne kablove.
- Uvjerite se da utikač nije prignječen ili oštećen na zadnjoj strani uređaja. Prignječeni ili oštećeni utikač može dovesti do pregrijavanja i izazvati požar.
- Uvjerite se da možete doći do strujnog utikača uređaja.
- Nemojte vući naponski kabel.
- Ukoliko je utičnica slabo povezana, ne ubacujte utikač. Postoji rizik od strujnog udara ili požara.
- Ne smijete rukovati uređajem bez sijalice.
- Ovaj uređaj je težak. Vodite računa prilikom pomijeranja.
- Ne uklanjajte i ne dodirujte stvari iz zamrzivača ukoliko su vam ruke vlažne/mokre, jer može doći do ogrebotina na koži ili promrzlina.
- Izbjegavajte dugo izlaganje uređaja dnevnoj svjetlosti.

Svakodnevna upotreba

- Ne stavljajte ništa vruće na plastične dijelove u uređaju.
- Ne stavljajte prehrambene proizvode direktno uz zadnji zid.
- Jednom odmrznuta hrana ne smije se ponovo zamrzavati.¹⁾
- Otpremite hranu za pakovanje prema uputstvu proizvođača za otpremanje hrane za zamrzavanje.¹⁾
- Preporuke proizvođača za čuvanje hrane u uređaju moraju se strogo poštovati. Pogledajte relevantna uputstva.

¹⁾ Ukoliko ima osvjetljenja u odjeljku uređaja.

Sigurnosna upozorenja

- Nemojte stavljati gazirana pića u odjeljak za zamrzavanje, jer dolazi do stvaranja pritiska unutar ambalaže, što može dovesti do eksplozije i oštećenja na uređaju. ¹⁾
- Kocke leda mogu dovesti do promrzlina ukoliko se koriste odmah nakon vađenja iz uređaja. ¹⁾
- Da biste izbjegli kontaminaciju hrane, obratite pažnju na sljedeće instrukcije:
- Otvaranje vrata na duži period može uzrokovati značajan porast temperature u pregradama uređaja.
- Redovno čistite površine koje mogu stupiti u kontakt s hranom i dostupnim sistemima odvoda.
- Očistite posudu za vodu ako ne se koristi 48 sata; isperite sistem za vodu povezan sa vodosnabdijevanjem ako voda nije oticala 5 dana.
- U hladnjaku čuvajte sirovo meso i ribu u odgovarajućim posudama, da ne dođe u kontakt s drugom hranom ili da ne kaplje na drugu hranu.
- Odjeljci sa dvije zvjezde (ukoliko ih ima u uređaju) pogodni su za čuvanje prethodno smrznute hrane, čuvanje ili spremanje sladoleda ili ledenih kocki.
- Odjeljci s jednom, dvije ili tri zvjezdice (ako ih ima u uređaju) nisu prikladni za zamrzavanje svježih namirnica.
- Ako hladnjak ostavite prazan duže vrijeme, isključite ga, odmrznite, očistite, osušite i ostavite otvorena vrata kako biste spriječili pojavu plijesni u uređaju.

Održavanje i čišćenje

- Prije održavanja isključite uređaj i izvucite utikač iz zidne utičnice.
- Uređaj nemojte čistiti metalnim predmetima.
- Ne koristite oštre predmete za uklanjanje leda s uređaja. Koristite plastični strugač. ¹⁾
- Redovno provjetravajte odvod smrznute vode u hladnjaku. Ako je potrebno, očistite odvod.

¹⁾ Ukoliko postoji odjeljak zamrzivača.



Sigurnosna upozorenja

Ako je odvod začepljen, voda će se skupljati na dnu uređaja.²⁾

Postavljanje

Važno! Pri izradi električnih priključaka pažljivo slijedite relevantna uputstva u posebnim odjeljcima.

- Raspakujte uređaj i provjerite da na njemu nema oštećenja. Nemojte povezivati uređaj ukoliko je oštećen. Prijavite moguća oštećenja odmah trgovini u kojoj ste kupili uređaj. U tom slučaju sačuvajte ambalažni materijal.
- Preporučljivo je sačekati najmanje 4 sata prije spajanja uređaja kako bi se ulje u kompresoru pravilno rasporedilo.
- Omogućite odgovarajući protok vazduha oko uređaja kako biste spriječili pregrijavanje. Kako biste osigurali dovoljno vazduha, slijedite odgovarajuća uputstva za postavljanje.
- Izbjegavajte da štitnici uređaja dodiruju zidove ili vruće dijelove (kompresor, kondenzator) kako biste spriječili moguće gorenje uređaja.
- Uređaj se ne smije postavljati blizu radijatora ili peći.
- Provjerite je li utičnica dostupna nakon postavljanja uređaja.

Servisiranje

- Svaki električni zahvat koji zahtijeva servisiranje uređaja mora obavljati kvalifikovani električar ili stručna osoba.
- Ovaj proizvod mora servisirati ovlašćeni servis, a smiju se koristiti samo originalni rezervni dijelovi.

Savjeti za uštedu energije

- Ne stavljajte vruću hranu u uređaj;
- Nemojte skladištiti pakovanu hranu blizu jedna drugoj jer to sprječava cirkulaciju vazduha;
- Pazite da hrana ne dodiruje zidove odjeljaka;



1) Ukoliko postoji odjeljak zamrzivača.

2) Ukoliko postoji odjeljak za pohranu svježe hrane.

Sigurnosna upozorenja

- Ako dođe do nestanka struje, ne otvarajte vrata;
- Nemojte često otvarati vrata;
- Nemojte držati vrata dugo otvorena;
- Ne postavljajte termostat na prenisku temperaturu;
- Određene dijelove, poput ladica, treba čuvati radi manje potrošnje električne energije.

Zaštita životne sredine


 Ovaj uređaj ne sadrži gasove koji mogu oštetiti ozonski omotač, kao ni rashladni krug ni izolacijski materijal. Uređaj se ne smije odlagati zajedno s komunalnim otpadom. Izolacijska pjena sadrži zapaljive gasove: ovaj uređaj treba zbrinuti u skladu sa zakonskim propisima za odlaganje uređaja dobijenim od lokalnih vlasti. Izbjegavajte oštećenje rashladnog dijela, posebno grijaćeg elementa. Materijali korišćeni u ovom uređaju koji su označeni  simbolom mogu se reciklirati.



Simbol na proizvodu ili njegovoj ambalaži označava da se proizvod ne smije tretirati kao kućni otpad. Umjesto toga, proizvod treba odložiti u odgovarajućim centrima za recikliranje elektroničke i električne opreme. Pravilnim odlaganjem ovog proizvoda sprječavate potencijalne negativne posljedice za okolinu i ljudsko zdravlje, koje bi inače moglo biti ugroženo neadekvatnim odlaganjem ovog proizvoda. Za detaljnije informacije o recikliranju ovog uređaja obratite se odgovarajućem lokalnom uredu, uredu za zbrinjavanje kućnog otpada ili trgovini u kojoj ste kupili uređaj.

Sigurnosna upozorenja

Materijali za pakovanje

Materijali sa simbolom  mogu se reciklirati. Odložite materijal za pakovanje u odgovarajuće kontejnere za recikliranje.

Odlaganje uređaja

1. Izvucite mrežni utikač iz utičnice.
2. Odrežite kabl za napajanje i odložite ga.

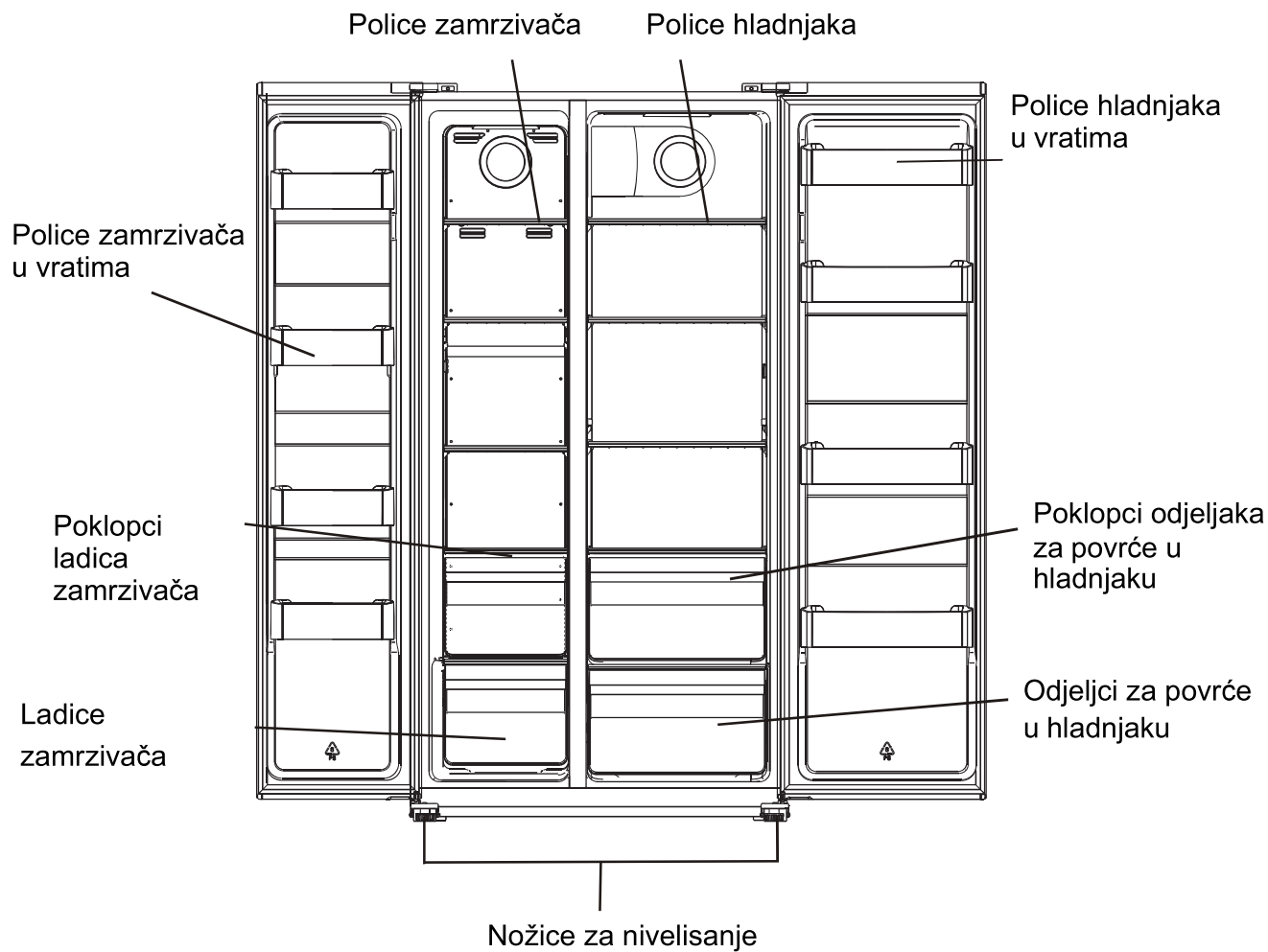
UPOZORENJE!



Tokom upotrebe, servisiranja i odlaganja uređaja obratite pažnju na simbol sličan ovom lijevo, koji se nalazi na zadnjoj strani uređaja (zadnja ploča ili kompresor) žute ili narandžaste boje.

To je simbol koji ukazuje na opasnost od požara. Postoje zapaljivi materijali u rashladnim cijevima i kompresoru. Držite uređaj dalje od izvora vatre tokom upotrebe, servisiranja i odlaganja.

Izgled uređaja



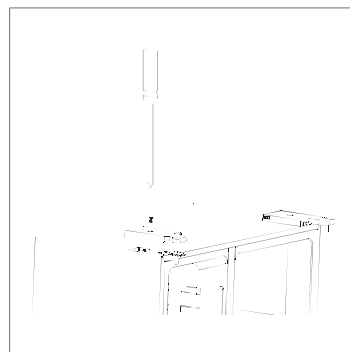
Napomena: gornja slika služi samo za informacije o dijelovima uređaja. Stvarni uređaj može se razlikovati.

Postavljanje

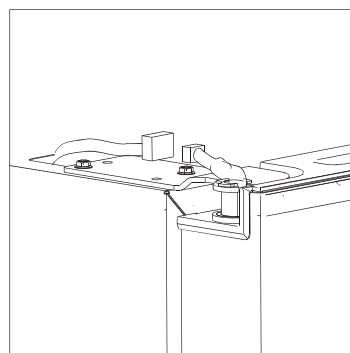
Potreban alat: krstasti (Philips) odvijač, ravni odvijač.

- Provjerite je li uređaj isključen i prazan.
- Za uklanjanje vrata potrebno je uređaj staviti u kosi položaj. Uređaj treba postaviti na čvrstu površinu kako ne bi skliznuo tokom postupka zamjene vrata.
- Sačuvajte sve uklonjene dijelove kako biste mogli ponovno sastaviti vrata.
- Nemojte postavljati uređaj u vodoravni položaj jer to može oštetiti rashladni sistem.
- Preporuča se da dvije osobe učestvuju u procesu spajanja dijelova.

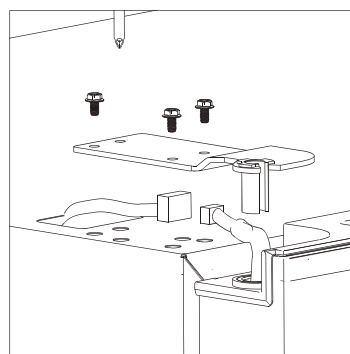
1. Odvrnite poklopac šarke pomoću Philips odvijača.



2. Odspojite štitnik.

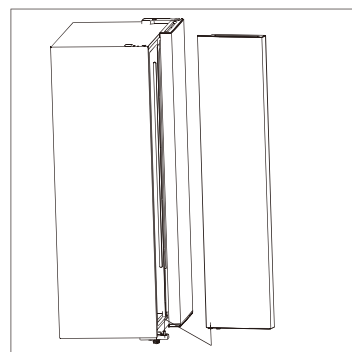


3. Odvijte gornju šarku.

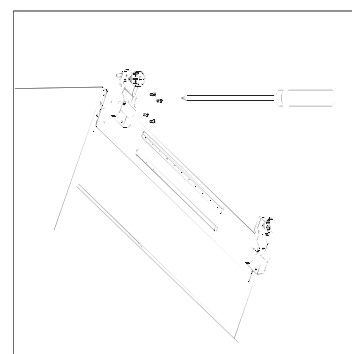


Postavljanje

4. Podignite vrata i postavite ih na meku površinu. Zatim uklonite druga vrata na isti način.



5. Odvijte donje šarke.

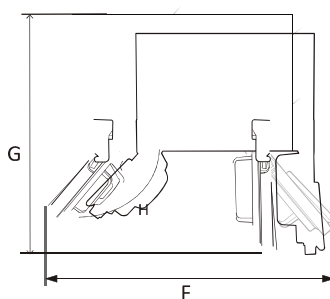
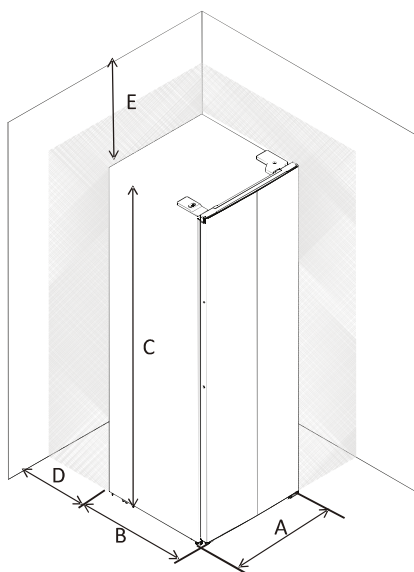


6. Nakon što je uređaj montiran, postavite vrata obrnutim redoslijedom.

Postavljanje

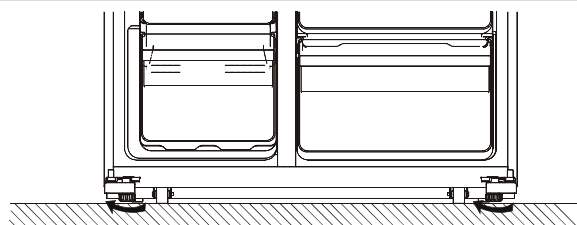
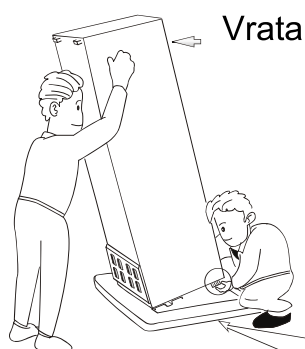
Potreban prostor

- Odaberite mjesto gdje nema direktne izloženosti sunčevoj svjetlosti;
- Odaberite mjesto s dovoljno prostora da se vrata hladnjaka mogu lako otvoriti;
- Odaberite mjesto s ravnim tlom;
- Osigurajte dovoljno prostora za postavljanje uređaja na ravnu površinu;
- Prilikom postavljanja ostavite slobodan prostor s desne, lijeve, zadnje i gornje strane. To će vam pomoći smanjiti potrošnju energije i smanjiti vaše račune za struju.



A	910
B	670
C	1770
D	min=50
E	min=50
F	1800
G	1560
H	135°

Nivelisanje hladnjaka



- Poravnajte i učvrstite hladnjak podešavanjem nožica.
- Okrenite nožice u smjeru kazaljke na satu kako biste ih podigli rukom.
 - Okrenite nožice u smjeru suprotnom od kazaljke na satu kako biste ih spustili rukom.

Postavljanje

Pozicioniranje

Postavite ovaj uređaj na mjesto gdje sobna temperatura odgovara klimatskoj klasi navedenoj na natpisnoj pločici uređaja: Za rashladne uređaje s klimatskom klasom:

- Ispod normalne temperature: „ovaj rashladni uređaj namijenjen je za upotrebu na sobnoj temperaturi u rasponu od 10 °C do 32 °C (SN);
- Normalna temperatura: „ovaj rashladni uređaj namijenjen je za upotrebu na sobnoj temperaturi u rasponu od 16 °C do 32 °C (N);
- Ispod tropske temperature: „ovaj rashladni uređaj namijenjen je za upotrebu na sobnoj temperaturi u rasponu od 16 °C do 38 °C (ST);
- Tropska temperatura: „ovaj rashladni uređaj namijenjen je za upotrebu na sobnoj temperaturi od 16 °C do 43 °C (T);

Mjesto postavljanja uređaja

Uređaj treba postaviti dalje od izvora toplote kao što su radijatori, bojleri, direktna sunčeva svjetlost itd. Provjerite može li vazduh slobodno cirkulisati oko zadnjeg dijela zamrzivača. Ukoliko se uređaj postavlja ispod visećih dijelova na zidu, a kako bi se osigurala najbolja funkcionalnost uređaja, minimalni razmak između poklopca uređaja i elementa montiranog na zid mora iznositi najmanje 100mm. No, najidealnije je da uređaj ne stoji ispod montiranih dijelova na zidu. Nivelisanje uređaja moguće je pomoću jedne ili više nožica na postolju uređaja.

Ovaj hladnjak nije namijenjen za upotrebu kao ugradni uređaj.



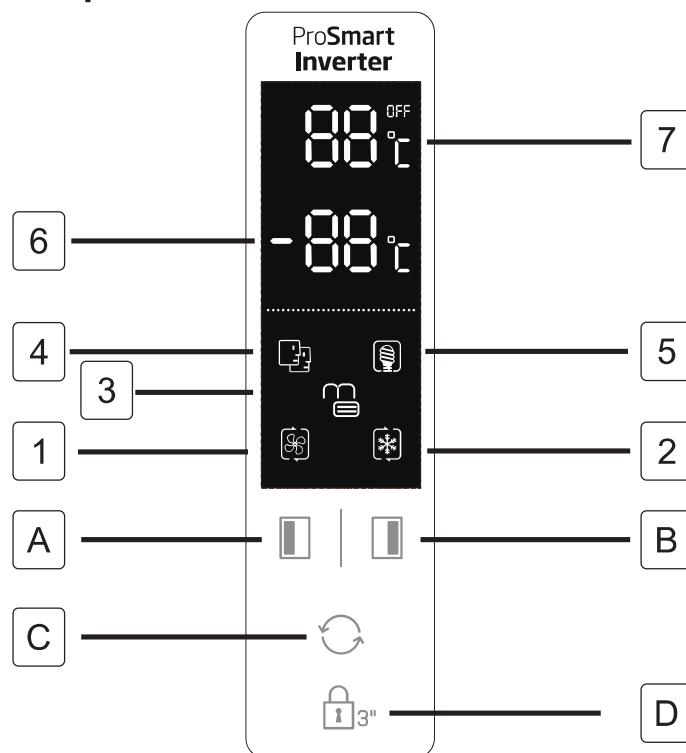
UPOZORENJE! Potrebno je omogućiti isključivanje uređaja iz glavnog utikača; stoga utičnica mora biti dostupna nakon postavljanja uređaja.

Električni priključak

Prije spajanja provjerite odgovara li napon prikazan u tablici naponu vaše kućne mreže. Utičnica u koju uključujete uređaj mora biti uzemljena. Kabel za napajanje opremljen je kontaktima za tu svrhu. Ako utičnica nije uzemljena, spojite uređaj na drugu utičnicu koja je u skladu s osnovnim propisima, uz savjetovanje kvalifikovanog električara. Proizvođač nije odgovoran ako se gore navedene mjere opreza ne preduzmu. Ovaj uređaj je proizveden u skladu s EEC direktivama.

Svakodnevna upotreba

Uporaba kontrolne ploče



Dugmad

- A Pritisnite za postavljanje temperature zamrzivača od -14°C do -22°C .
- B Pritisnite za postavljane temperature hladnjaka (desna strana) od 2°C do 8°C i "OFF".
- C Pritisnite za izbor načina rada **SMART**, **ECO**, **SUPER COOLING**, **SUPER FREEZING** i **Korisničke postavke** (nema simbola na ekranu).
- D Pritisnite dugme 3sec i držite ga 3 sekunde za zaključavanje ostalih gumba. Ako pritisnete jednom i držite 1 sekundu otključaćete funkcije.

Ekran

- 1 **SUPER COOLING** hladi odjeljak hladnjaka na najnižu predviđenu temperaturu. Nakon cca. 2,5 sata, podešavanje temperature bi se vratilo na prethodni način postavke korisnika.
- 2 **SUPER FREEZING** hladi odjeljak hladnjaka na najnižu predviđenu temperaturu. Nakon cca. 50 sati, postavka temperature bi se vratila na prethodni način postavke korisnika.
Savjeti: Bolje je uključiti način SUPER FREEZING 24 sata unaprijed prije nego što stavite veliku količinu hrane u odjeljak zamrzivača.
- 3 **LOCK** (zaključavanje), simbol svijetli ako su dugmad zaključana.
- 4 **SMART** način rada, hladnjak automatski prilagođava temperaturu oba odjeljka prema temperaturi okoline i unutrašnjoj temperaturi.
- 5 **ECO** način rada, hladnjak je na postavci s najmanjom potrošnjom električne energije.
- 6 Prikaz temperature u odjeljku zamrzivača.
- 7 Prikaz temperature u odjeljku hladnjaka.
- 8 Roditeljsko zaključavanje će se poništiti nakon nestanka struje. Roditeljsko zaključavanje će automatski biti važeće 25 sekundi nakon zadnje operacije. Ekran će se automatski isključiti 2 minute nakon zadnje operacije.
- 9 Neke funkcije možda neće biti primjenjive na ovom modelu.

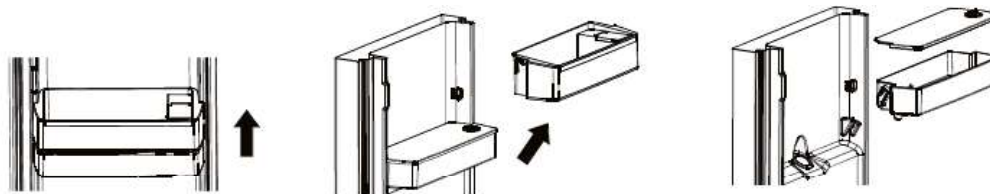
Alarm za otvorena vrata

Ako su vrata otvorena 90 sekundi, povremeno se oglašava alarm dok se vrata ne zatvore.

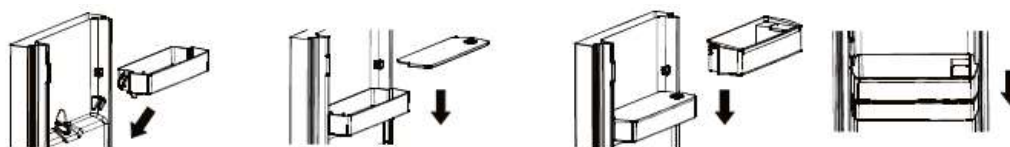
Dnevna upotreba

Prije prve upotrebe dozera za vodu, uklonite i očistite spremnik za vodu koji se nalazi unutar odjeljka frižidera.

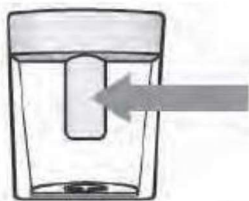
1. Prvo podignite i skinite viseću policu spremnika, a zatim ga skinite sa poklopcem. Odvojite poklopac da operete i očistite spremnik i poklopac.



2. Nakon čišćenja ponovo postavite spremnik, poklopac i viseću policu kao što je opisano u nastavku.



3. Očistite polugu za doziranje izvan vrata frižidera.



Punjenje spremnika vodom

1. Otvorite mali čep



2. Napunite spremnik za vodu pitkom vodom do oznake za 3 l.
3. Zatvorite mali čep na poklopcu



Doziranje

Za doziranje vode lagano gurnite polugu za doziranje, koristeći čašu ili posudu.

Da zaustavite tok vode, udaljite čašu od poluge za doziranje.

Svakodnevna upotreba

Prva upotreba

Čišćenje unutrašnjosti

Prije prve upotrebe uređaja operite unutrašnjost i sve unutrašnje dodatke mlakom vodom i neutralnim sapunom kako biste uklonili pomalo neugodan miris karakterističan za novi uređaj, a zatim temeljno osušite.

Važna napomena! Nemojte koristiti abrazive ili deterdžente, jer će to oštetiti finu završnu obradu uređaja.

Vrsta hrane	Mjesto u hladnjaku
Jaja	Pregrada u vratima
Mlječni proizvodi (maslac, sir)	Ako je dostupna biofresh pregrada ili dio za svježe namirnice. Donje police
Voće, povrće i salata	Kutija za voće i povrće, ladica za voće i povrće ili odjeljak EverFresh+ (ako je dostupan)
Svježe meso, perad, svježa riba, kobasice, kuvana jela	Ako je dostupna biofresh pregrada ili odjeljak za svježe namirnice. Donje police
Spremna hrana, pakovani proizvodi, konzervirana hrana, kiseli proizvodi	Gornje police ili pregrada u vratima
Piće, boce, začini, grickalice	Pregrada u vratima
Ostaci hrane	Srednje police

Uputstva za čuvanje svježe hrane: Čuvanje u odjeljku za svježiju hranu:

- Držite hladnjak na preporučenoj temperaturi do 4°C.
- Hranu za čuvanje treba dobro zatvoriti kako bi se izbjegle promjene mirisa ili ukusa.
- Ne držite prevelike količine hrane u hladnjaku. Ostavite razmake između namirnica kako biste omogućili strujanje hladnog vazduha oko njih kako biste postigli bolje i homogenije hlađenje.
- Kako bi se omogućilo kraće vrijeme otvaranja vrata, hrana koja se jede svakodnevno treba biti stavljena na prednjoj strani police.
- Ostavite razmak između hrane i unutrašnjih zidova kako biste omogućili protok vazduha. Ako držite hranu uz zadnji zid, hrana bi se mogla smrznuti uz zadnji zid.
- Vruća, kuvana hrana mora se ohladiti na sobnu temperaturu prije stavljanja u uređaj. Zatim, toplu hranu možete staviti na donje police hladnjaka. Ne stavljajte vruću hranu u blizinu kvarljive hrane.
- Odmrznite smrznutu hranu u odjeljku za svježiju hranu. Na ovaj način možete koristiti zamrznutu hranu za hlađenje odjeljka za svježiju hranu i uštedjeti energiju.
- Ako se nezrelo tropsko voće (mango, dinja, papaja, banana, ananas) čuva u hladnjaku, proces starenja se može ubrzati te se ne preporučuje jer uzrokuje kraće vrijeme skladištenja. Međutim, sazrijevanje vrlo zelenog voća (jabuke, kruške) može se ubrzati za određeno vrijeme u odjeljku hladnjaka.
- Luk, bijeli luk, đumbir i ostalo korjenasto povrće treba čuvati u tamnim i hladnim prostorijama, nikako u hladnjaku.
- Ako se u hladnjaku nađe pokvarena hrana, treba je skloniti. Kada primijetite pokvarenu hranu, očistite unutrašnju oblogu ili dodatke koji su bili u kontaktu kako biste spriječili kontaminaciju.
- Velike posude s hranom, poput supa ili čorbi, mogu se podijeliti u plitke posude kako bi se brzo ohladile u hladnjaku.

Velike komade kuvanog mesa i cijele peradi treba za istu svrhu podijeliti na manje komade.

- Nemojte skladištiti nezapakovanu hranu u blizini jaja.
- Držite voće i povrće odvojeno i čuvajte ih na isti način: jabuke s jabukama, mrkve s mrkvama. Voće i povrće ispuštaju različite gasove koji mogu uzrokovati kvarenje drugih.
- Izvadite lisnato povrće iz plastičnih vrećica, zamotajte ga u papir ili kuhinjsku krpu prije stavljanja u hladnjak. Ne zaboravite ih osušiti ako su oprani ili mokri prije spremanja.
- Čuvajte voće i povrće koje se može sušiti u perforiranim ili nezatvorenim plastičnim kesicama kako biste održali vlažnu okolinu, a istovremeno omogućili cirkulisanje vazduha.
- Različite namirnice treba smjestiti u različite prostore prema njihovim svojstvima:

"Provjerite odgovarajuću klimatsku klasu vašeg uređaja na pločici s tehničkim podacima." Jedna od informacija u nastavku odnosi se na vaš uređaj prema nazivnoj klimatskoj klasi."

- SN: Umjereno proširena: Ovaj rashladni uređaj je namijenjen za upotrebu na temperaturama okoline u rasponu od 10°C do 32°C
- N: Umjereno: Ovaj rashladni uređaj je namijenjen za upotrebu na temperaturama okoline od 16°C do 32°C
- ST: Suptropska: Ovaj rashladni uređaj je namijenjen za upotrebu na temperaturama okoline od 16°C do 38°C
- T: Tropska: Ovaj rashladni uređaj je namijenjen za upotrebu na temperaturama okoline od 16°C do 43°C

Čuvanje hrane u zamrzivaču:

- Preporučuje se da zamrzivač postavite na -20°C osim u ekstremnim uslovima okoline.
- 4-6 sati prije zamrzavanja uključite funkciju brzog zamrzavanja kako biste omogućili brže zamrzavanje.
- Vruća hrana mora se ohladiti na sobnu temperaturu prije stavljanja u odjeljak zamrzivača.
- Hrana izrezana na male porcije će se brže zamrznuti i lakše će se odmrzavati i kuvati.
- Hranu je bolje spakovati prije stavljanja u zamrzivač.
- Kako biste izbjegli istek roka čuvanja, obratite pažnju na datum zamrzavanja, rok i naziv hrane na ambalaži prema rokovima čuvanja različitih namirnica.
- Nemojte prekoračiti vrijeme skladištenja hrane koje preporučuju proizvođači. Iz zamrzivača izvadite samo potrebnu količinu namirnica.
- Odmrznutu hranu konzumirajte brzo. Odmrznuta hrana ne može se ponovo zamrzavati ako nije kuvana. Nije sigurno konzumirati nekuvanu ponovo zamrznutu svježnu hranu.
- Kada zamrzavate svježnu hranu, izbjegavajte da dođe u dodir s već zamrznutom hranom. To može uzrokovati odmrzavanje već zamrznute hrane.

Kada skladištite komercijalno zamrznutu hranu, slijedite ove smjernice:

Uvijek slijedite uputstva proizvođača o tome koliko dugo čuvati hranu. Nemojte prekoračiti ove smjernice:

- Nastojte da vrijeme između kupovine i skladištenja bude što kraće kako biste sačuvali kvalitet hrane.
- Kupujte smrznutu hranu koja je bila čuvana na temperaturi od -18°C ili nižoj.
- Izbjegavajte kupovinu hrane koja ima led ili inje na ambalaži - To ukazuje na to da su proizvodi možda bili djelomično odmrznuti i ponovo zamrznuti u nekom trenutku - porast temperature utiče na kvalitet hrane.
- Preporučujemo postavku temperature od 4°C za odjeljak za svježnu hranu i -20°C za odjeljak za zamrzavanje kako biste postigli bolje očuvanje hrane.
- Uz izuzetak ekstremnih uslova okoline, ako je temperatura postavljena na preporučene vrijednosti kao što su $+4^{\circ}\text{C}/-20^{\circ}\text{C}$, ukupna svježina će se produžiti u odjeljcima za svježnu hranu i u zamrzivaču. Ako je temperatura odjeljka za svježne namirnice postavljena na niži nivo, svježne voće i povrće može biti djelomično zamrznuto ili izloženo hladnoći, dok viši nivo temperature može uzrokovati brže kvarenje lako kvarljivih namirnica (mliječnih proizvoda, mesnih proizvoda).

Svakodnevna upotreba

Zamrzavanje svježe hrane

- Zamrzivač je prikladan za zamrzavanje svježe hrane i čuvanje smrznute i duboko smrznute hrane na duži vremenski period.
- Svježu hranu stavite u odjeljak na dnu uređaja.
- Maksimalna količina hrane koja se može zamrznuti unutar 24 sati prikazana je u tablici.
- Proces zamrzavanja traje 24 sati: u tom periodu nemojte dodavati drugu hranu za zamrzavanje.

Skladištenje smrznute hrane

Kada uključite uređaj prvi put ili nakon perioda nekorištenja, pustite ga da radi najmanje 2 sata na maksimalnoj temperaturi prije nego što hranu stavite u zamrzivač.

Važna napomena! U slučaju neplaniranog odmrzavanja, npr. ako nije bilo struje duže od vrijednosti navedenih u tehničkim karakteristikama pod tačkom "vrijeme odmrzavanja", odmrznutu hranu potrebno je potrošiti u kratkom roku ili odmah skuvati a tek nakon kuvanja ponovo zamrznuti.

Otapanje

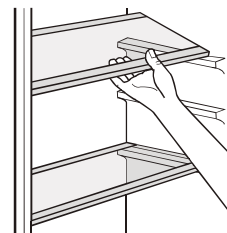
Duboko zamrznutu ili smrznutu hranu prije upotrebe potrebno je odmrznuti u hladnjaku ili na sobnoj temperaturi, zavisno od vremena koje je na raspolaganju za taj postupak.

Male porcije mogu se kuvati iako su još smrznute, direktno iz zamrzivača. U tom će slučaju kuvanje trajati duže.

Pribor

Police koje se mogu premiještati

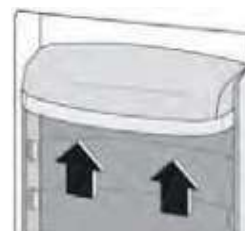
Zidovi uređaja imaju veliki broj klizača tako da se police mogu postaviti prema želji korisnika.



Postavljanje pregrada u vratima uređaja

Kako bi se smjestila pakovanja hrane različitih veličina, pregrade na vratima mogu se postaviti na različitim visinama.

Kako biste ih prilagodili, postupno povucite pregradu u smjeru strelica dok se ne oslobodi, a zatim je pomaknite na željenu visinu.



Svakodnevna upotreba

Korisni savjeti

Savjeti za zamrzavanje

Kako bismo vam pomogli u većini slučajeva zamrzavanja namirnica, evo nekoliko važnih savjeta:

- maksimalna količina hrane koja se može zamrznuti unutar 24 sata prikazana je u tablici;
- postupak zamrzavanja traje 24 sata: u tom periodu nemojte dodavati drugu hranu za zamrzavanje;
- zamrzavajte samo vrhunsku, svježu i temeljno očišćenu hranu;
- čuvajte hranu u malim porcijama kako bi se omogućilo brzo i potpuno zamrzavanje, a time i naknadno odmrzavanje samo potrebne količine;
- zamotajte hranu u aluminijumsku ili polietilensku foliju i provjerite jesu li pakovanja hermetički zatvorena;
- ne dopustite da svježa nezamrznuta hrana dođe u dodir s već zamrznutom hranom, kako biste izbjegli povećanje temperature prethodno zamrznute hrane;
- nemasna hrana se čuva bolje i duže od masne hrane; so smanjuje dužinu čuvanja hrane;
- komadići leda, ako se konzumiraju odmah nakon vađenja iz zamrzivača, mogu oštetiti kožu;
- preporučljivo je označiti datum zamrzavanja na svakom pojedinačnom pakovanju i omogućiti praćenje vremena skladištenja.

Savjeti za pakovanje zamrznute hrane

Da biste dobili najbolje performanse ovog uređaja, trebali biste:

- se uvjeriti da je komercijalna zamrznuta hrana adekvatno zapakovana od strane prodavača;
- pobrinite se da zamrznuta hrana bude premještena iz trgovine u zamrzivač u najkraćem mogućem roku;
- ne otvarajte vrata često i ne ostavljajte ih otvorena duže nego što je potrebno.
- jednom odmrznuta hrana se kvari i ne može se ponovo zamrznuti.
- nemojte dopustiti da istekne vrijeme dopušteno za držanje hrane u zamrzivaču od strane proizvođača hrane.

Savjeti za čuvanje svježe hrane u hladnjaku

Za postizanje najboljih performansi

- Ne spremajte vruću hranu ili tečnosti koje isparavaju u hladnjaku
- Pokrijte ili zamotajte hranu, posebno ako ima jak miris

Savjeti za čuvanje namirnica u hladnjaku

Korisni savjeti:

- Meso (sve vrste): zamotajte u polietilenske kesice i stavite na staklenu policu iznad ladice za voće i povrće.
- Radi sigurnosti, čuvajte hranu na ovaj način najviše dan ili dva.
- Kuvana hrana, hladna jela, i td...treba da se poklope i mogu se držati na bilo kojoj polici.
- Voće i povrće: pažljivo očistite i spremite u za to predviđenu ladicu.
- Maslac i sir: spremite u za to predviđenu kutiju ili zamotajte u aluminijumsku foliju ili kesicu za zamrzavanje kako biste ih što više sačuvali.
- Boce za mlijeko: moraju imati čep i trebate ih držati ih u odjeljcima na vratima hladnjaka.
- Banane, krompir, luk i bijeli luk, ako nisu pakovani, ne smiju se držati u hladnjaku.

Čišćenje

Iz higijenskih razloga, unutrašnjost uređaja, uključujući unutrašnje komponente, moraju se redovno čistiti.



Oprez! Uređaj ne smije biti uključen tokom čišćenja. Postoji opasnost od strujnog udara! Prije čišćenja isključite uređaj i izvucite utikač iz utičnice. Nikada nemojte čistiti uređaj parnim čistačem. Vlaga se može nakupiti na električnim dijelovima, opasnost od strujnog udara! Vruća para može oštetiti plastične dijelove. Uređaj mora biti suv prije ponovnog puštanja u rad.

Važno! Eterična ulja i organska otapala mogu reagovati s plastičnim dijelovima, na primjer sokom od limuna ili narandže, maslačnom kiselinom, sredstvima za čišćenje koja sadrže octnu kiselinu.

Svakodnevna upotreba

- Ne dopustite da takve supstance dođu u dodir s dijelovima uređaja.
- Nemojte koristiti abrazivna sredstva.
- Izvadite hranu iz zamrzivača. Čuvajte na hladnom mjestu, dobro poklopljenu.
- Isključite uređaj i izvucite utikač iz struje ili isključite uređaj ili prekidač na osiguraču.
- Uređaj i unutrašnje dijelove čistite krpom i mlakom vodom. Nakon čišćenja obrišite čistom vodom i dobro osušite.
- Nakon što se sve osuši, ponovo pustite uređaj u rad.

Rješavanje problema



Opres! Prije rješavanja problema, isključite kabl za napajanje. Samo kvalifikovani električar može popraviti kvar koji nije naveden u ovom priručniku.

Važno! Tokom normalne upotrebe prisutni su određeni zvukovi (kompresor, cirkulacija rashladnog sredstva).

Problem	Mogući uzrok	Rješenje
Uređaj ne radi	Glavni utikač nije prključen ili je oslabio.	Spojite mrežni utikač.
	Osigurač je pregorio ili je u kvaru	Provjerite osigurač, zamijenite ga ako je potrebno.
	Utičnica je neispravna	Neispravne utičnice mora zamijeniti električar.
Hrana je previše topla	Temperatura nije dobro podešena	Pogledajte odjeljak Postavljanje početne temperature
	Vrata su otvorena duži period	Držite vrata otvorena samo koliko je potrebno
	Velika količina tople hrane je otpremljena u uređaj tokom prethodna 24 sata	Podesite regulator temperature privremeno na nižu temperaturu
	Uređaj je blizu izvora toplote	Molimo pogledajte odjeljak Montaža uređaja i njegovo postavljanje
Uređaj previše hladi	Temperatura je postavljena na hladno	Podesite regulator temperature privremeno na nižu temperaturu
Netipična buka	Uređaj nije nivelisan.	Podesite nožice za nivelisanje.
	Uređaj dodiruje zid ili druge predmete	Lagano pomaknite uređaj.
	Sastavni dio, na primjer cijev sa zadnje strane aparata dodiruje zid ili drugi dio uređaja.	Ako je potrebno, pažljivo pomaknite taj dio
Voda je na podu	Odvod za vodu je blokiran.	Pogledajte odjeljak Čišćenje i njega
Bočni dijelovi su vrući	To je normalno. Izmjenjivač toplote je u bočnim pločama.	Uzmite rukavice da dodirnete dijelove sa strane ako je potrebno.

Ako se kvar ponovo pojavi, obratite se servisnom centru.

ODLAGANJE



Ovaj simbol označava da se ovaj proizvod ne smije odlagati zajedno s drugim kućnim otpadom na kraju njegovog radnog vijeka. Iskorišteni uređaj mora se vratiti na službeno sabirno mjesto za recikliranje električnih i elektroničkih uređaja. Da biste pronašli ove sisteme prikupljanja, obratite se lokalnim vlastima ili prodavaču kod kojeg je proizvod kupljen. Svako domaćinstvo ima važnu ulogu u obnovi i recikliranju starih kućnih aparata. Ispravno odlaganje iskorištenog uređaja pomaže u sprječavanju mogućih negativnih posljedica za okolinu i zdravlje ljudi.

ODRICANJE OD ODGOVORNOSTI / UPOZORENJE

Neke (jednostavne) kvarove može riješiti sam krajnji korisnik bez ikakvih sigurnosnih problema ili opasnosti koje mogu iskrnuti uz uslov da je to obavljeno u granicama i u skladu sa sljedećim uputstvima (pogledajte dio „Samopomoć“).

Stoga, osim ako nije drukčije određeno u donjem dijelu „Samopomoći“ popravke trebaju obaviti registrirani stručni servisi kako bi se izbjegli problemi sa sigurnosti. Registrovani stručni servis je stručni servis kojem je proizvođač odobrio pristup uputstvima i popisu rezervnih dijelova za ovaj proizvod u skladu s metodama opisanim u zakonskim aktima u skladu s Direktivom 2009/125/EC.

Međutim, samo servisni zastupnik (tj. ovlašteni stručni servisi) kojeg možete kontaktirati na telefonski broj naveden u korisničkom priručniku/garantnom listu ili ovlašteni zastupnik mogu obaviti servis u skladu s uslovima garancije. Stoga, upozoravamo vas kako će popravke koje su obavili stručni servisi koje nije ovlastila firma Beko poništiti garanciju.

Samostalna popravka

Popravku može obaviti i sam krajnji korisnik koristeći sljedeće rezervne dijelove: ručke vrata, šarke vrata, posude, korpe i brtvu na vratima (ažurirani popis dostupan je i na internetskim stranicama support.beko.com od 1. marta 2021).

Uz to, kako bi se osigurala sigurnost proizvoda i spriječila opasnost od teških povreda, spomenutu popravku koju može obaviti sam korisnik treba obaviti pridržavajući se sljedećih uputstava u korisničkom priručniku za samostalnu popravku ili uputstava koja su dostupne na internetskim stranicama support.beko.com.

Zbog vaše sigurnosti, iskopčajte proizvod iz strujne utičnice prije pokušaja obavljanja samostalne popravke.

Popravku i pokušaj popravke koje obavljaju krajnji korisnici za dijelove koji nisu uključeni na listi i/ili ako se ne pridržavaju uputstava u korisničkom priručniku ili onih dostupnih na internetskim stranicama support.beko.com, mogu izazvati sigurnosne probleme koji se ne mogu pripisati firmi Beko te koji će poništiti garanciju proizvoda.

Stoga, izričito se preporučuje da se krajnji korisnici suzdrže od pokušaja popravke koja ne uključuje spomenutu listu rezervnih dijelova te da u tom slučaju kontaktiraju ovlaštene stručne servise ili registrovane stručne servise. U suprotnom, takvi pokušaji koje preduzmu krajnji korisnici mogu izazvati sigurnosne probleme i oštetiti proizvod te posljedično izazvati požar, poplavu, smrt zbog strujnog udara i teške tjelesne povrede.

Na primjer, ali ne ograničavajući se na, sljedeće popravke moraju obaviti ovlašteni profesionalni serviseri ili registrovani profesionalni serviseri: kompresor, rashladni krug, glavna ploča, ploča invertera, ploča ekrana itd.

Proizvođač/prodavac neće se smatrati odgovornim u slučaju da krajnji korisnici ne poštuju gore navedeno.

Dostupnost rezervnih dijelova hladnjaka kojeg ste kupili je 10 godina. Tokom ovom razdoblja, rezervni će dijelovi biti dostupni za ispravan rad hladnjaka. Minimalno trajanje garancije hladnjaka kojeg ste kupili je 24 mjeseca.

Informacije o sortiranju ambalaže

Skenirajte QR kod koji se nalazi na spoljnoj ambalaži proizvoda kako biste pronašli sve informacije vezane uz ambalažu i način upravljanja ambalažnim otpadom.



Hűtőszekrény

Használati útmutató



GNO5322XPN
GNO5323XPN
GNO5324XPN
GNO5322WN
GNO5322WDXPN

HU

CE

INFORMÁCIÓK



SZÁLLÍTÓ NEVE



MODELLAZONOSÍTÓ (*)



A termékadatbázisban tárolt modellinformációkat a következő weboldalra belépve és az energiacímkén található modellazonosító (*) keresésével érheti el.

<https://eprel.ec.europa.eu/>

Biztonsági tudnivalók




Az Ön biztonsága és a helyes használat biztosítása érdekében a készülék telepítése és első használata előtt olvassa el figyelmesen ezt a használati útmutatót, beleértve a benne foglalt tanácsokat és figyelmeztetéseket. A felesleges hibák és balesetek elkerülése érdekében fontos, hogy a készüléket használó személyek alaposan megismerjék a készülék működését és biztonsági jellemzőit. Őrizze meg ezeket az útmutatókat, és gondoskodjon arról, hogy a készülékkel együtt maradjanak, ha azt áthelyezik vagy eladják, hogy mindenki, aki a készüléket használja, megfelelő tájékoztatást kaphasson a készülék használatáról és biztonságáról.

Az élet- és vagyonbiztonság érdekében tartsa be a jelen használati útmutatóban foglalt óvintézkedéseket, mivel a gyártó nem vállal felelősséget a mulasztásból eredő károkért.







Gyermekek és kiszolgáltatott személyek biztonsága

- A készüléket nyolc évesnél idősebb gyerekek, korlátozott fizikai, érzékszervi vagy mentális képességű személyek, valamint megfelelő tudással vagy ismeretekkel nem rendelkező személyek kizárólag felügyelet mellett, illetve abban az esetben használhatják, ha a készülék biztonságos kezeléséről tájékoztatást kaptak, és tisztában vannak az ahhoz kapcsolódó kockázatokkal.
- A gyermekek felügyeletet igényelnek, biztosítandó, hogy a készülékkel ne játszanak.
- A tisztítást és a felhasználó általi karbantartást nem végezhetik gyermekek, kivéve, ha legalább 8 évesek és felügyelet alatt végzik a karbantartást.
- Minden csomagolást tartson távol a gyermekektől. Fulladás veszélye áll fenn.
- Ha kidobja a készüléket, húzza ki a csatlakozódugót a konnektorból, vágja el a csatlakozókábelt (olyan közel a készülékhez, amennyire csak tudja), és távolítsa el az ajtót, hogy elkerülje, hogy a játszó gyerekek áramütést szenvedjenek, vagy bezárják magukat.
- Ha ez a mágneses ajtótomítésekkel ellátott készülék egy régebbi készülék helyébe kerül, amelynek rugós zárja (retesze) van az ajtaján vagy a fedelén, feltétlenül tegye használhatatlanná a rugós zárat, mielőtt kidobja a régi készüléket. Ez megakadályozza, hogy a termék gyermekek számára veszélyessé váljon.

Általános biztonság

-  **FIGYELMEZTETÉS!** A készülék burkolatán vagy a beépítési szerkezeten lévő szellőzőnyílásokat tartsa szabadon.
-  **FIGYELMEZTETÉS!** Ne használjon a leolvasztás gyorsítására a gyártó által ajánlottól eltérő mechanikus eszközöket vagy egyéb módszereket.
-  **FIGYELMEZTETÉS!** Ne sértse meg a hűtőközeg csővezetékét.

Biztonsági tudnivalók

-  **FIGYELMEZTETÉS!** Ne használjon más elektromos készülékeket (például fagylaltgépeket) a hűtőgépek belsejében, kivéve, ha azokat a gyártó erre a célra engedélyezte.
-  **FIGYELMEZTETÉS!** Ne érintse meg a villanykörtét, ha az már hosszabb ideje be van kapcsolva, mert nagyon forró lehet.¹⁾
-  **FIGYELMEZTETÉS!** A készülék elhelyezésekor biztosítsa, hogy a tápkábel ne akadjon be és ne sérüljön meg.
-  **FIGYELMEZTETÉS!** Ne helyezzen a készülék hátsó oldala közelébe hordozható aljzatokat vagy hordozható áramforrásokat.
 - Ne tároljon robbanásveszélyes anyagokat, például gyúlékony hajtóanyagokkal töltött aeroszol flakonokat a készülékben.
 - A készülék hűtőkörében található izobután hűtőközeg (R-600a) természetes, jelentős mértékben környezetbarát, de ugyanakkor gyúlékony gáz.
 - A készülék szállítása és telepítése során biztosítani kell, hogy a hűtőkör egyik alkatrésze se sérüljön meg.
 - kerülje a nyílt lángot és egyéb gyújtóforrásokat
 - alaposan szellőztesse ki a helyiséget, amelyben a készülék található.
 - Veszélyes megváltoztatni a specifikációkat vagy bármilyen módon módosítani ezt a terméket. A vezeték bármilyen sérülése rövidzárlatot, tüzet és/vagy áramütést okozhat.
 - Ezt a készüléket háztartási és hasonló alkalmazásokban való használatra szánják, mint pl.
 - üzletek, irodák és egyéb munkahelyek személyzeti konyhái;
 - tanyaházak, valamint szállodák, motelek és egyéb lakóhely jellegű környezetek ügyfelei;
 - bed and breakfast típusú környezetek;
 - vendéglátás és hasonló, nem kiskereskedelmi alkalmazások.
-  **FIGYELMEZTETÉS!** Az elektromos alkatrészeket (dugó, tápkábel, kompresszor stb.) tanúsított szerviznek vagy szakképzett szervizszemélyzetnek kell kicserélnie.
-  **FIGYELMEZTETÉS!** A készülékhez mellékelte izzó egy „speciális használatú izzó”, amely csak a mellékelte készülékkel használható. Ez a „speciális használatú lámpa” nem használható háztartási világításra.¹⁾

1) Ha van világítás a rekeszben.

Biztonsági tudnivalók

- A tápkábelt nem szabad meghosszabbítani.
- Ügyeljen arra, hogy a hálózati csatlakozót ne nyomja össze vagy sértse meg a készülék hátulja. Az összenyomott vagy sérült hálózati csatlakozó túlmelegedhet és tüzet okozhat.
- Győződjön meg arról, hogy a készülék hálózati csatlakozója hozzáférhető.
- Ne húzza a hálózati kábelt.
- Ha a hálózati csatlakozó aljzata laza, ne dugja be a hálózati csatlakozót. Áramütés vagy tűzveszély áll fenn.
- A készüléket nem szabad lámpa nélkül üzemeltetni.
- Ez a készülék nehéz. Mozgatásakor óvatosan kell eljárni.
- Ne vegye ki és ne érintse meg a fagyasztórekeszben lévő tárgyakat, ha nedves/vizes a keze, mert ez bőrhorzsolást vagy fagyási sérüléseket okozhat.
- Ügyeljen rá, hogy a készüléket hosszabb ideig közvetlen napfény érje.

Napi használat

- Ne tegyen forró tárgyakat a készülék műanyag részeire.
- Ne helyezzen élelmiszereket közvetlenül a hátsó falhoz.
- A fagyasztott élelmiszereket kiolvasztás után nem szabad újra lefagyasztani.¹⁾
- Az előre csomagolt fagyasztott élelmiszereket a fagyasztott élelmiszerek gyártójának utasításai szerint tárolja.¹⁾
- A gyártó tárolási ajánlásait szigorúan be kell tartani. Lásd a vonatkozó utasításokat.
- Ne helyezzen szénsavas vagy buborékos italokat a fagyasztórekeszbe, mivel a fagyasztás során nő a palackot érő nyomás, ami robbanáshoz és ezáltal a készülék károsodásához vezethet.¹⁾
- A jégkrémek fagyási sérüléseket okozhatnak, ha közvetlenül a készülékből kivéve fogyasztják őket.¹⁾

Az élelmiszer szennyeződésének elkerülése érdekében tartsa be az alábbi utasításokat

- Ha a készülék ajtaját hosszú időre nyitva hagyja, az jelentősen növelheti a hűtőszekrény belső hőmérsékletét.
- Rendszeresen tisztítsa meg az élelmiszerekkel érintkező felületeket és a hozzáférhető folyadékelvezető rendszereket.
- Tisztítsa ki a víztartályokat, ha azokat már 48 órája nem használta: öblítse át a vízhálózatra kötött vízrendszert, ha már 5 napja nem használta a vízadagolót.
- A nyers húst és halat arra alkalmas tárolóban tartsa a hűtőben, hogy azok ne érintkezzenek más élelmiszerekkel.
- A kétcsillagos fagyasztottélelmiszer-tároló rekeszek (ha vannak ilyenek a készülékben) alkalmasak előfagyasztott élelmiszerek tárolására, jégkrémek tárolásához vagy készítéséhez, valamint jégkockakészítéshez.

1) Ha van fagyasztórekesz.

2) Ha van frissélelmiszer-tároló rekesz

Biztonsági tudnivalók

- Az egy-, két- és háromcsillagos rekeszek (ha vannak ilyenek a készülékben) nem alkalmasak friss élelmiszerek fagyasztására.
- Ha a készülék hosszú időre üres marad, úgy kapcsolja ki, olvassza le, tisztítsa ki, szárítsa meg, és hagyja nyitva az ajtaját, hogy megelőzze a készülék belsejének penészesedését.

Karbantartás és tisztítás

- Karbantartás előtt kapcsolja ki a készüléket, és húzza ki a hálózati dugót a hálózati aljzatból.
- Ne tisztítsa a készüléket fémtárgyakkal.
- Ne használjon éles tárgyakat a jég eltávolításához a készülékről. Használjon műanyag kaparót.¹⁾
- Rendszeresen vizsgálja meg a hűtőszekrény lefolyóját, hogy nincs-e benne kiolvadt víz. Ha szükséges, tisztítsa meg a lefolyót. Ha a lefolyó eldugul, a víz összegyűlik a készülék alján.²⁾

Telepítés

Fontos! Az elektromos csatlakoztatáshoz gondosan kövesse az egyes bekezdésekben megadott utasításokat.

- Csomagolja ki a készüléket, és ellenőrizze, hogy vannak-e rajta sérülések. Ne csatlakoztassa a készüléket, ha az sérült. Az esetleges károkat azonnal jelentse a vásárlás helyén. Ebben az esetben tartsa meg a csomagolást.
- Célszerű legalább négy órát várni a készülék csatlakoztatása előtt, hogy az olaj visszafolyhasson a kompresszorba.
- Megfelelő légáramlásnak kell lennie a készülék körül, ennek hiánya túlmelegedéshez vezet. A megfelelő szellőzés érdekében kövesse a telepítésre vonatkozó utasításokat.
- Ahol lehetséges, a termék távtartóinak a falhoz kell érniük, hogy az esetleges égési sérülések elkerülése érdekében ne lehessen megérinteni vagy megfogni a forró részeket (kompresszor, kondenzátor).
- A készüléket nem szabad radiátorok vagy tűzhelyek közelében elhelyezni.
- Ügyeljen arra, hogy a készülék telepítése után a hálózati csatlakozódugó hozzáférhető legyen.

Szerviz

- A készülék szervizeléséhez szükséges bármilyen elektromos munkát szakképzett villanyszerelőnek vagy hozzáértő személynek kell elvégeznie.
- Ezt a terméket csak jogosult szervizközpontban szabad szervizeltetni, és csak eredeti pótalkatrészeket szabad használni.

Energiatakarékosság

- Ne tegyen forró ételt a készülékbe;
- Ne rakja az élelmiszereket szorosan egymás mellé, mert ez megakadályozza a levegő keringését;
- Ügyeljen arra, hogy az ételek ne érjenek a rekeszek hátuljához;



1) Ha van fagyasztórekesz.

2) Ha van frissélelmiszer-tároló rekesz

Biztonsági tudnivalók

- Ha elment az áram, ne nyissa ki az ajtó(ka)t;
- Ne nyitogassa gyakran az ajtó(ka)t;
- Ne tartsa az ajtó(ka)t túl sokáig nyitva;
- Ne állítsa a termosztátot túl hideg hőmérsékletre;
- Minden tartozékot, például fiókokat, polcokat, ajtórekeszeket a helyükön kell hagyni az alacsonyabb energiafogyasztás érdekében

Környezetvédelem

 Ez a készülék sem a hűtőkörben, sem a szigetelőanyagokban nem tartalmaz olyan gázokat, amelyek károsíthatják az ózonréteget. A készüléket nem szabad a kommunális hulladékkal és szeméttel együtt kidobni. A szigetelőhab gyúlékony gázokat tartalmaz: a készüléket a helyi hatóságoktól beszerezhető előírásoknak megfelelően kell ártalmatlanítani. Ügyeljen rá, hogy a hűtőegység és különösen a hőcserélő ne sérüljön meg. A  szimbólummal jelölt készülékben felhasznált anyagok újrahasznosíthatóak.



A terméken vagy a csomagoláson lévő szimbólum azt jelzi, hogy ez a termék nem kezelhető háztartási hulladékként. Ehelyett a terméket el kell juttatni az elektromos és elektronikus berendezések újrahasznosítására szolgáló megfelelő gyűjtőhelyre. A termék megfelelő ártalmatlanításának biztosításával Ön segít megelőzni a környezetre és az emberi egészségre gyakorolt lehetséges negatív következményeket, amelyeket egyébként a termék nem megfelelő hulladékkezelése okozhatna. A termék újrahasznosításával kapcsolatos részletesebb információkért forduljon a helyi önkormányzathoz, a háztartási hulladékkezelőhöz vagy ahhoz az üzlethez, ahol a terméket vásárolta.


Csomagolóanyagok

A szimbólummal ellátott anyagok újrahasznosíthatóak. A csomagolást dobja megfelelő gyűjtőkonténerbe el az újrahasznosításhoz.

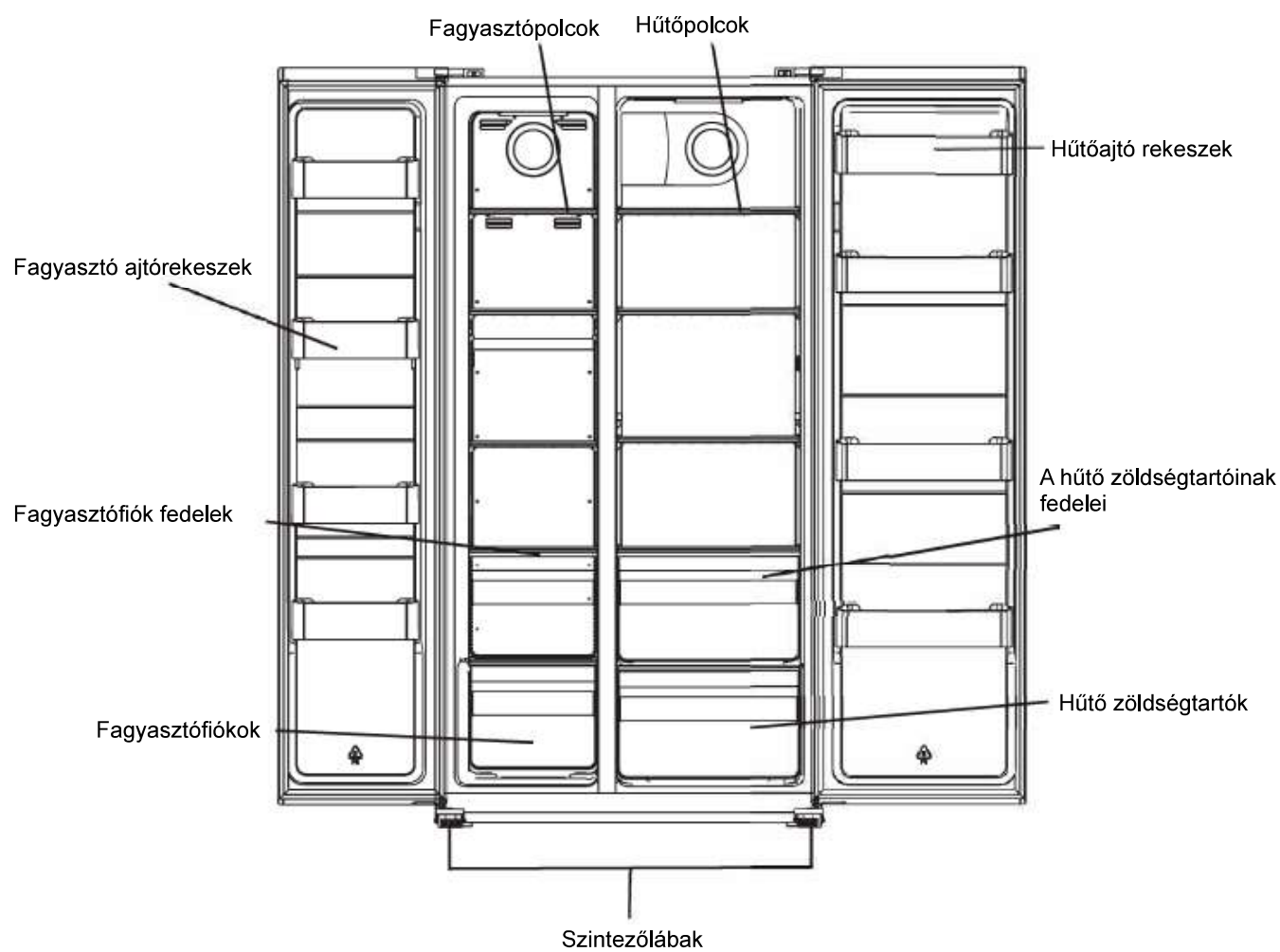
A készülék ártalmatlanítása

1. Húzza ki a hálózati dugót a hálózati aljzatból.
2. Vágja le a hálózati kábelt, és dobja ki.



 **FIGYELMEZTETÉS!** A készülék használata, szervizelése és ártalmatlanítása során figyeljen a bal oldali szimbólumra, amely a készülék hátulján található (hátsó panel vagy kompresszor). Ez a tűzveszélyre figyelmeztető szimbólum. A hűtőközegcsövekben és a kompresszorban gyúlékony anyagok vannak. Használat, szervizelés és ártalmatlanítás során tartsa távol a tűzforrásoktól.

Áttekintés



Megjegyzés: A fenti kép csak szemléltetésül szolgál. A valódi készülék valószínűleg eltér ettől.

Telepítés

Ajtók eltávolítása

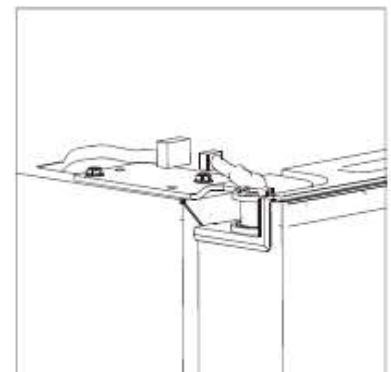
Szükséges szerszámok: Philips csavarhúzó, lapos csavarhúzó.

- Győződjön meg róla, hogy a készülék ki van húzva és üres.
- Az ajtó levételéhez a készüléket hátrafelé kell dönteni. A készüléket valami szilárd tárgyra kell támasztani, hogy ne csússzon el az ajtó eltávolítása közben.
- Minden eltávolított alkatrészt meg kell őrizni az ajtó újbóli beszereléséhez.
- Ne fektesse le teljesen a készüléket, mert ez károsíthatja a hűtőrendszert.
- Jobb, ha az összeszerelés során 2 ember kezeli a készüléket.

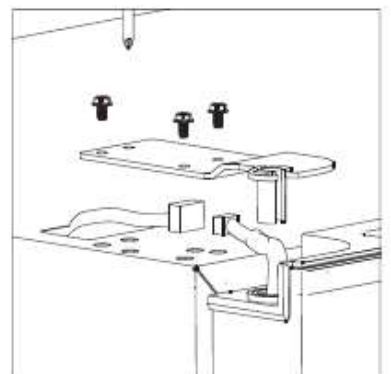
1. Csavarja le a zsanérfedelelet Philips csavarhúzóval.



2. Húzza ki a kábelköteget.

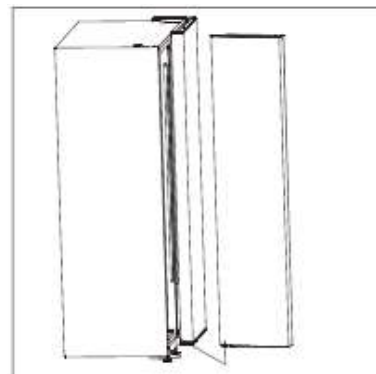


3. Csavarja ki a felső zsanért.

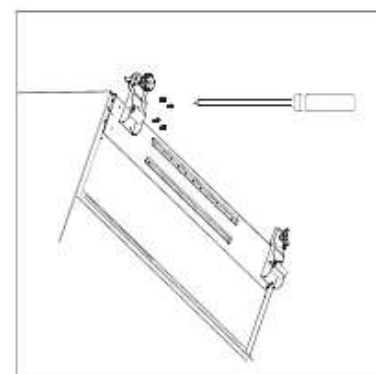


Telepítés

4. Emelje fel az ajtót, és helyezze egy puha felületre. Ezután ugyanígy távolítsa el a másik ajtót.



5. Csavarja ki az alsó zsanért.

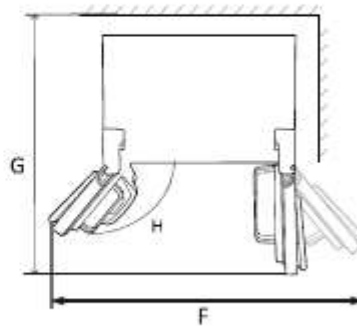
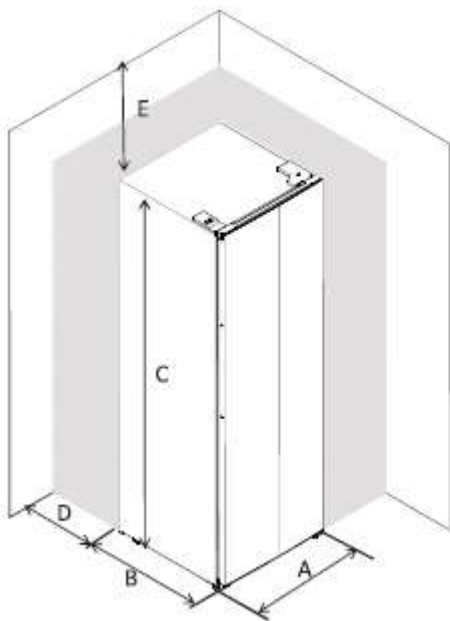


6. Miután a készüléket elhelyezte, szerelje be az ajtókat fordított sorrendben.

Telepítés

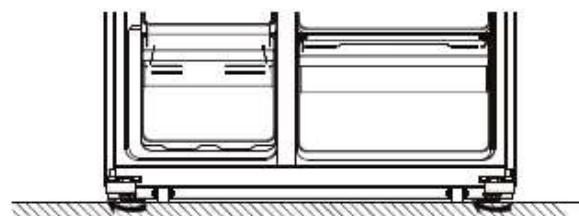
Helyigény

- Válasszon olyan helyet, ahol a termék nincs közvetlen napfénynek kitéve;
- Olyan helyet válasszon, ahol elegendő hely van ahhoz, hogy a hűtőszekrény ajtajai könnyen nyithatóak legyenek;
- Válasszon sík (vagy közel sík) padlóval rendelkező helyet;
- Hagyjon elegendő helyet a hűtőszekrény sík felületre történő felállításához;
- Telepítéskor hagyjon helyet jobbra, balra, hátul és felül. Ez segít csökkenteni az energiafogyasztást és alacsonyabb szinten tartani az energiaszámlákat.



A	910
B	670
C	1770
D	min=50
E	min=50
F	1800
G	1560
H	135°

A hűtőszekrény szintezése



- A hűtőszekrény szintezése és rögzítése a lábak beállításával.
- Az óramutató járásával megegyező irányba forgassa a lábakat, hogy kézzel megemelje azokat.
- Az óramutató járásával ellenkező irányba forgassa a lábakat, hogy kézzel süllyessze azokat.

Telepítés

Elhelyezés

Ezt a készüléket olyan helyre telepítse, ahol a környezeti hőmérséklet megfelel a készülék típustábláján feltüntetett klímaosztálynak:

hűtőkészülékek a következő klímaosztályokhoz:

- kiterjesztett mérsékelt éghajlat: ezt a hűtőkészüléket a rendeltetése szerint 10 °C és 32 °C környezeti hőmérséklet között kell használni; (SN)
- mérsékelt éghajlat: ezt a hűtőkészüléket a rendeltetése szerint 16 °C és 32 °C környezeti hőmérséklet között kell használni; (N)
- szubtrópusi éghajlat: ezt a hűtőkészüléket a rendeltetése szerint 16 °C és 38 °C környezeti hőmérséklet között kell használni; (ST)
- trópusi éghajlat: ezt a hűtőkészüléket a rendeltetése szerint 16 °C és 43 °C környezeti hőmérséklet között kell használni; (T)

Hely

A készüléket hőforrásoktól, például radiátoroktól, kazánoktól, közvetlen napfénytől stb. távol kell elhelyezni. Biztosítsa, hogy a levegő szabadon keringhessen a szekrény hátulja körül. Ha a készüléket kiálló falrész alá helyezi, akkor a legjobb teljesítmény biztosítása érdekében a szekrény teteje és a falrész között legalább 100 mm minimális távolságnak kell lenni. Ideális esetben azonban a készüléket nem szabad kiálló falrész alá helyezni. A pontos szintezést egy vagy több állítható láb biztosítja a szekrény alján.

Ez a hűtőberendezés nem használható beépített berendezésként;



Figyelmeztetés! A készüléket le kell tudni választani a hálózati áramellátásról; ezért a csatlakozónak a telepítés után könnyen hozzáférhetőnek kell lennie.

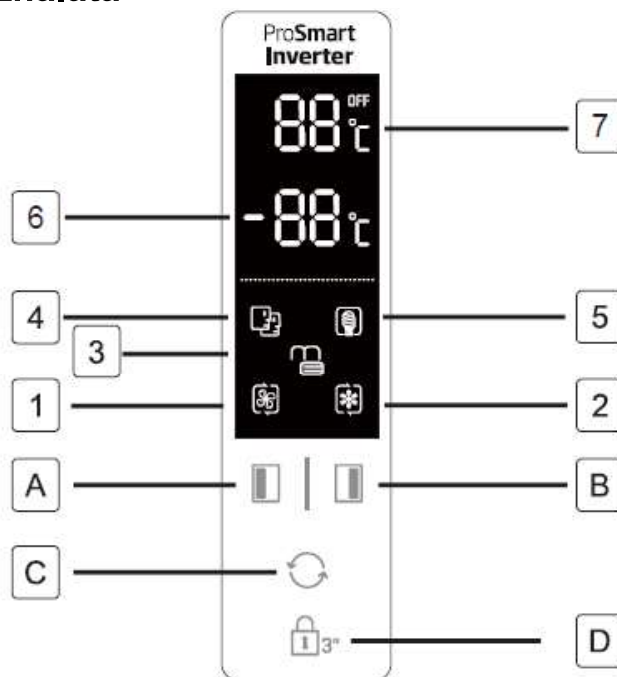
Elektromos csatlakozás

A csatlakoztatás előtt győződjön meg arról, hogy a típustáblán feltüntetett feszültség és frekvencia megfelel az Ön hazai áramellátásának. A készüléket földelni kell. A tápkábel dugója erre a célra érintkezővel van ellátva. Ha a háztartási hálózati aljzat nincs földelve, csatlakoztassa a készüléket a hatályos előírásoknak megfelelően külön földelésre, és kérjen tanácsot szakképzett villanyszerelőtől. A gyártó minden felelősséget kizár, ha a fenti biztonsági óvintézkedéseket nem tartják be.

Ez a készülék megfelel az E.E.C. irányelveknek.

Napi használat

A kezelőpanel használata



Gombok

- A** Nyomja meg a gombot a fagyasztórekesz hőmérsékletének beállításához (bal oldal) -14°C és -22°C között.
 - B** Nyomja meg a gombot a hűtörekesz hőmérsékletének beállításához (bal oldal) 2°C és 8°C között.
 - C** Nyomja meg a **SMART (INTELLIGENS)**, **ECO (Gazdaságos)**, **SUPER COOLING (SZUPERHŰTÉS)**, **SUPER FREEZING (SZUPERFAGYASZTÁS)** és **USER S SETTING (FELHASZNÁLÓI BEÁLLÍTÁS)** (nincs szimbólum a kijelzőn) üzemmód kiválasztásához.
 - D** Nyomja meg a **3** gombot, és tartsa lenyomva 3 másodpercig a másik három gomb zárolásához.
- Nyomja meg és tartsa lenyomva 1 másodpercig a másik három gomb feloldásához.

Kijelző

- A **SUPER COOLING (SZUPERHŰTÉS)** a hűtörekeszt a tervezett legalacsonyabb hőmérsékletre hűti. Kb. 2,5 óra elteltével a hőmérséklet-beállítás visszaáll az előző felhasználói beállítási üzemmódra.
- 1** A **SUPER FREEZING (SZUPERFAGYASZTÁS)** a fagyasztórekeszt a tervezett legalacsonyabb hőmérsékletre hűti. Kb. 50 óra elteltével a hőmérséklet-beállítás visszaáll az előző felhasználói beállítási üzemmódra.
- Tippek: jobb, ha 24 órával korábban bekapcsolja a SUPER FREEZING (szuperfagyasztás) üzemmódot, mielőtt nagy mennyiségű élelmiszert helyezne a fagyasztórekeszbe.
- 2** **LOCK (ZÁROLÁS)**, a szimbólum világít, ha a gombok zárolva vannak.
- 3** **SMART (INTELLIGENS)** üzemmódban a hűtőszekrény a belső hőmérséklet és a környezeti hőmérséklet alapján automatikusan beállítja a két rekesz hőmérsékletét.
- 4** **ECO (Gazdaságos)** üzemmódban a hűtőszekrény a legalacsonyabb energiafogyasztási beállítással működik.
- 5** A fagyasztórekesz beállított hőmérsékletének megjelenítése.
- 6** A hűtörekesz beállított hőmérsékletének megjelenítése.
- 7** A gyermekzár áramkimaradás után nem működik. A gyermekzár az utolsó művelet után 25 másodperc elteltével automatikusan működésbe lép. A kijelzőpanel az utolsó művelet után 2 perc elteltével automatikusan kikapcsol.
- 8** Előfordulhat, hogy egyes funkciók nem alkalmazhatók ennél a modellnél.
- 9**

Nyitott ajtó riasztás

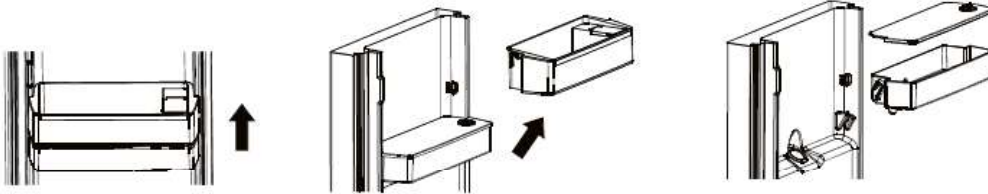
Ha egy ajtó 90 másodpercig nyitva marad, az ajtó bezárásáig periodikus riasztás hallatszik.

Napi használat

Napi használat

A vízadagoló első használata előtt vegye ki és tisztítsa meg a hűtőterben található víztartályt.

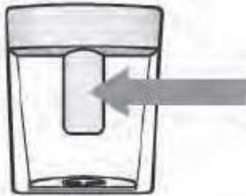
1. Először emelje fel és vegye ki a tartályrekeszt, majd fedéllel együtt vegye ki a víztartályt. Vegye le a fedelet a tartály és a fedél lemosásához, megtisztításához.



2. A tisztítás után helyezze vissza a víztartályt, a fedelet és a tartályrekeszt a következő ábra alapján.

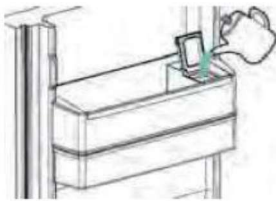


3. Tisztítsa meg a hűtőszekrényajtó külsején lévő adagolókart.



A víztartály feltöltése vízzel

1. Nyissa ki a kis fedelet



2. Töltse fel a víztartályt ivóvízzel a 3 L vonalig.
3. Csukja le a fedélen található kis fedelet



az

Adagolás

Vízvételhez egy pohár vagy egy edény segítségével finoman nyomja meg adagolókart.

A vízszugár megállításához húzza el a poharat az adagolótálcától.

Napi használat

Első használat

A belső tér tisztítása

A készülék első használata előtt langyos vízzel és egy kis semleges szappannal mossa ki a készülék belsejét és minden belső tartozékát, hogy eltávolítsa a vadonatúj termékre jellemző szagot, majd alaposan szárítsa meg.

Fontos! Ne használjon tisztítószereket vagy dörzsölő anyagokat, mivel ezek károsítják a felületet.

Napi használat

Élelmiszer	Hely
Tojás	Ajtórekesz
Tejtermékek (vaj, sajt)	Ha van, bio-friss vagy hűtörekesz Legalacsonyabb polcok
Gyümölcsök, zöldségek és saláta	Gyümölcs- és zöldségtároló doboz, friss vagy EverFresh+ rekesz (ha van)
Friss hús, baromfi, friss hal, kolbászok, főtt ételek	Ha van, bio-friss vagy hűtörekesz Legalacsonyabb polc
Fogyasztásra kész élelmiszerek, csomagolt termékek, konzervek, savanyított termékek	Felső polcok vagy ajtörekesz
Italok, üvegek, ételízesítők, rágcsálnivalók	Ajtörekesz
Maradékok	Középső polcok

HU Útmutató a friss élelmiszerek tárolásához:

Tárolás a frissélelmiszer-rekeszben:

- Tartsa a hűtőszekrényt az ajánlott 4°C-os hőmérsékleten.
 - A tárolni kívánt élelmiszereket megfelelően le kell zárni a szag- és ízváltozások elkerülése érdekében.
 - Ne tároljon túl nagy mennyiségű élelmiszert a hűtőszekrényben; hagyjon helyet az élelmiszerek között, hogy a hideg levegő áramolhasson körülöttük a jobb és homogénebb hűtés érdekében.
 - A rövidebb ajtónyílások lehetővé tétele érdekében a naponta fogyasztott élelmiszereket a polc elején kell tárolni.
 - Hagyjon rést az élelmiszerek és a belső falak között, hogy a levegő áramolhasson. Ha az élelmiszereket a hátsó falnak tolva tárolja, az élelmiszerek hozzáfagyhatnak a hátsó falhoz.
 - A forró, főtt ételt a készülékben való tárolás előtt szobahőmérsékletre kell hűteni. Ezután a meleg ételeket a hűtőszekrény alsó polcain tárolhatja. Ne tegyen meleg ételt a könnyen romlandó élelmiszerek közelébe.
 - Olvassa fel a fagyasztott élelmiszereket a frissélelmiszer-rekeszben. Így a fagyasztott élelmiszereket a frissélelmiszer-rekesz lehűtésére használhatja, és energiát takaríthat meg.
 - Ha éretlen trópusi gyümölcsöket (mangó, dinnye, papaya, banán, ananász) hűtőben tárol, akkor az érési folyamat felgyorsulhat – ez azonban nem javasolt, mivel rövidebb tárolási időt eredményez. Az erősen zöld gyümölcsök (alma, körte) érése azonban bizonyos ideig gyorsítható a hűtőszekrényben.
 - A hagymát, fokhagymát, gyömbért és más gyökérzöldségeket sötét és hűvös szobai körülmények között kell tárolni, nem pedig a hűtőben.
 - Ha romlott élelmiszert talál a hűtőszekrényben, akkor azt dobja ki. Ha rothadt élelmiszert talál, a szennyeződés megelőzése érdekében tisztítsa meg a hűtő belső burkolatát vagy azokat az tartozékokat, amelyekkel az élelmiszer érintkezett.
 - Nagy fazéknyi ételeket, például leveseket vagy pörkölteket szét lehet osztani lapos edényekbe, hogy gyorsan lehűljenek a hűtőben. A nagyobb főtt húsokat és egész baromfit ugyanebből a célból kisebb részekre kell darabolni.
- Ne tároljon csomagolatlan élelmiszereket a tojások közelében.
 - Tartsa külön a gyümölcsöket és a zöldségeket, és az azonosokat tárolja együtt: az almát az almával, a sárgarépat a sárgaréppal. A gyümölcsök és zöldségek különböző gázokat bocsátanak ki, amelyek más gyümölcsök és zöldségek romlását okozhatják.
 - Vegye ki a levélzöldségeket a műanyag zacskókból, csomagolja őket papírtörülköbe vagy konyharuhába, mielőtt a hűtőszekrényben tárolja azokat. Ne felejtse el megszáritani őket, ha tárolás előtt leöblítette azokat, vagy nedvesek.
 - Tárolja a kiszáradásra hajlamos gyümölcsöket és zöldségeket perforált vagy nem zárt műanyag zacskókban, hogy a környezetük nedves maradjon, de a levegő mégis tudjon keringeni.
 - A különböző élelmiszereket tulajdonságaiknak megfelelően különböző területeken kell elhelyezni:

„Ellenőrizze a készülék megfelelő klímaosztályát a típustáblán. Az alábbi információk egyike érvényes az Ön készülékére a névleges klímaosztály szerint.”

- SN: Kiterjesztett mérsékelt: Ezt a hűtőkészüléket a rendeltetése szerint 10 °C és 32 °C környezeti hőmérséklet között kell használni
- N: Mérsékelt: Ezt a hűtőkészüléket a rendeltetése szerint 16°C és 32 °C környezeti hőmérséklet között kell használni
- ST: Szubtrópusi: Ezt a hűtőkészüléket a rendeltetése szerint 16 °C és 38 °C környezeti hőmérséklet között kell használni
- T: Trópusi: Ezt a hűtőkészüléket a rendeltetése szerint 16 °C és 43°C környezeti hőmérséklet között kell használni

HU Tárolás a fagyasztórekeszben:

- Javasoljuk, hogy a fagyasztót -20°C-on tartsa, kivéve a szélsőséges környezeti körülményeket,
- 4-6 órával a fagyasztás előtt kapcsolja be a gyorsfagyasztás funkciót a gyorsabb fagyasztás érdekében.
- A forró ételeket a fagyasztórekeszben való tárolás előtt szobahőmérsékletre kell hűteni.
- A kis adagokra vágott ételek gyorsabban fagynak meg, és könnyebben kiolvaszthatók és főzhetők.
- Jobb, ha az ételt a fagyasztóba helyezés előtt csomagolja be;
- A tárolási idő lejáratának elkerülése érdekében a különböző élelmiszerek tárolási idejének megfelelően tüntesse fel a csomagoláson a fagyasztási dátumot, az időkorlátot és az élelmiszer nevét.
- Ne lépje túl az élelmiszerek gyártója által ajánlott tárolási időt, Csak a szükséges mennyiségű élelmiszert vegye ki a fagyasztóból.
- A kiolvasztott ételeket gyorsan fogyassza el. A kiolvasztott élelmiszereket csak főzés után lehet újra lefagyasztani. Nem biztonságos a nyers, újrafagyasztott friss élelmiszer fogyasztása.
- Friss élelmiszer fagyasztásakor kerülje el, hogy az érintkezésbe kerüljön a már fagyasztott élelmiszerekkel. Ez a már megfagyott darabok felolvadását okozhatja.

A kereskedelmi forgalomban kapható fagyasztott élelmiszerek tárolásakor kérjük, kövesse az alábbi irányelveket:

Mindig kövesse a gyártók irányelveit az élelmiszerek tárolási idejére vonatkozóan, Ne lépje túl ezeket az irányelveket!

- Az élelmiszerek minőségének megőrzése érdekében igyekezzen minél rövidebb időt hagyni a vásárlás és a tárolás között.
- Vásároljon olyan fagyasztott élelmiszereket, amelyeket 18 °C-on vagy annál alacsonyabb hőmérsékleten tároltak,
- Kerülje az olyan élelmiszerek vásárlását, amelyek csomagolásán jég vagy dér van – ez azt jelzi, hogy a termékek részben kiolvadtak és azokat valamikor újra lefagyasztották – a hőmérséklet-emelkedés befolyásolja az élelmiszerek minőségét.
- Az élelmiszerek jobb megőrzése érdekében a frissélelmiszer-rekesz esetében 4 °C-os, a fagyasztótér esetében pedig -20 °C-os hőmérséklet-beállítást ajánlunk.

- A szélsőséges környezeti körülmények kivételével, ha a hőmérsékletet +4 °C/-20 °C ajánlott értékre állítják be, az általános frissesség meghosszabbodik a frissélelmiszer- és a fagyasztórekeszben. Ha a frissélelmiszer-rekesz hőmérséklete hűvösebbre van beállítva, a friss gyümölcsök és zöldségek részben megfagyhatnak vagy a hideg károsíthatja azokat, míg a melegebb hőmérsékleti szint a könnyen romló élelmiszerek (tejtermékek, húskészítmények) gyorsabb romlását okozhatja.

Napi használat

Friss élelmiszerek fagyasztása

- A fagyasztórekesz alkalmas friss élelmiszerek fagyasztására, valamint fagyasztott és mélyhűtött élelmiszerek hosszú ideig történő tárolására.
- Helyezze a fagyasztandó friss élelmiszert az alsó rekeszbe.
- A 24 óra alatt lefagyasztható élelmiszerek maximális mennyisége a típustáblán van megadva.
- A fagyasztási folyamat 24 órán át tart: ez idő alatt ne adjon hozzá más fagyasztandó élelmiszert.

Fagyasztott élelmiszerek tárolása

Első indításkor vagy használaton kívüli időszak után, mielőtt a terméket a rekeszbe helyezné, hagyja a készüléket legalább 2 órán át a magasabb fokozaton járni.

Fontos! Véletlen leolvasztás esetén, például ha a készülék hosszabb ideig volt kikapcsolva, mint a műszaki jellemzők táblázatában az „hőmérsékletemelkedési idő” alatt feltüntetett érték, a leolvasztott ételt gyorsan el kell fogyasztani, vagy azonnal meg kell főzni, majd újra le kell fagyasztani (főzés után).

Felolvasztás

A mélyhűtött vagy fagyasztott élelmiszereket felhasználás előtt a hűtőszekrényben vagy szobahőmérsékleten lehet felolvasztani, attól függően, hogy mennyi idő áll rendelkezésre erre a műveletre.

A kisebb darabokat akár még fagyasztva, közvetlenül a fagyasztóból is meg lehet főzni. Ebben az esetben a főzés tovább tart.

Tartozékok

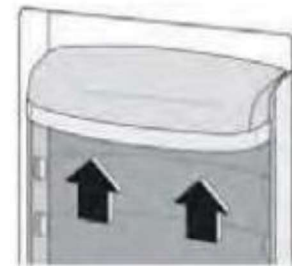
Mozgatható polcok

A hűtőszekrény falai vezetópályákkal vannak ellátva, így a polcok tetszés szerint elhelyezhetők.



Az ajtórekeszek elhelyezése

A különböző méretű élelmiszercsomagok tárolása érdekében az ajtórekeszek különböző magasságban helyezhetők el. A beállítások elvégzéséhez a következőképpen járjon el: fokozatosan húzza a rekeszt a nyílak irányába, amíg szabaddá nem válik, majd szükség szerint helyezze át.



Napi használat

Hasznos tanácsok és tippek

Tanácsok a fagyasztáshoz

Azért, hogy a lehető legtöbbet hozza ki a fagyasztásból, íme néhány fontos tanács:

- A 24 óra alatt lefagyasztható élelmiszerek maximális mennyisége a típustáblán olvasható;
- a fagyasztási folyamat 24 órát vesz igénybe. Ebben az időszakban nem szabad további fagyasztandó élelmiszert hozzáadni;
- csak kiváló minőségű, friss és alaposan megtisztított élelmiszereket fagyasszon le;
- kis adagokban készítse elő az élelmiszereket, hogy azok gyorsan és teljesen lefagyaszthatók legyenek, és később csak a szükséges mennyiséget kelljen kiolvasztani;
- csomagolja be az élelmiszereket alufóliába vagy polietilénbe, és ügyeljen arra, hogy a csomagok légmentesen záródjanak;
- ne engedje, hogy a friss, nem fagyasztott élelmiszerek hozzájérjenek a már fagyasztott élelmiszerekhez, így elkerülhető az utóbbiak hőmérsékletének emelkedése;
- a sovány élelmiszerek jobban és hosszabb ideig tárolódnak, mint a zsírosak; a só csökkenti az élelmiszerek eltarthatóságát;
- a vizes jégkrémek, ha közvetlenül a fagyasztórekeszből való kivétel után fogyasztják, a bőr fagyásos sérülését okozhatják;
- célszerű minden egyes csomagon feltüntetni a fagyasztás dátumát, hogy könnyedén ki tudja venni a fagyasztó rekeszből;
- célszerű minden egyes csomagon feltüntetni a fagyasztás dátumát, hogy nyomon tudja követni a tárolási időt.

Tanácsok fagyasztott élelmiszerek tárolásához

Ahhoz, hogy a készülék a lehető legjobb teljesítményt nyújtsa, a következőket kell tennie:

győződjön meg arról, hogy a kiskereskedő megfelelően tárolta-e a kereskedelmi forgalomban kapható fagyasztott élelmiszereket;

gondoskodjon róla, hogy a fagyasztott élelmiszerek a lehető legrövidebb idő alatt jussanak az élelmiszerboltból a fagyasztóba;

ne nyissa ki gyakran az ajtót, és ne hagyja nyitva a feltétlenül szükségesnél hosszabb ideig.

A felolvasztott élelmiszerek gyorsan romlanak, és nem fagyaszthatók újra.

Ne lépje túl az élelmiszer gyártója által megadott tárolási időt.

Tanácsok friss élelmiszerek hűtéséhez

A legjobb teljesítmény elérése érdekében:

- Ne tároljon meleg ételeket vagy párolgó folyadékokat a hűtőszekrényben.
- Fedje le vagy csomagolja be az ételt, különösen, ha intenzív aromája van.

Tanácsok hűtéshez

Hasznos tanácsok:

- Javasolt (minden típus esetében): csomagolja polietilénzacskóba, és helyezze a zöldséges fiók feletti üvegpolcokra.
- A biztonság kedvéért csak egy vagy legfeljebb két napig tárolja így.
- Főtt ételek, hideg ételek, stb...: ezeket le kell fedni, és bármelyik polcon elhelyezhetők.
- Gyümölcsök és zöldségek: ezeket alaposan meg kell tisztítani, és a külön erre a célra szolgáló fiók(ok)ba kell helyezni.
- vaj és sajt: ezeket speciális légmentesen záródó edényekbe kell helyezni, vagy alumíniumfóliába vagy polietilén zacskóba kell csomagolni a levegő lehető legalaposabb kizárása érdekében.
- Tejespalack: ezeknek kupakkal kell rendelkezniük, és az ajtórekeszekben kell tárolni.
- A banánt, burgonyát, hagymát és fokhagymát, ha nincsenek csomagolva, nem szabad a hűtőben tárolni.

Tisztítás

Higiéniai okokból a készülék belsejét, beleértve a belső tartozékokat is, rendszeresen tisztítani kell.



Figyelem! A készüléket tisztítás közben nem szabad a hálózatra csatlakoztatni. Áramütés veszélye! Tisztítás előtt kapcsolja ki a készüléket, és húzza ki a dugót a hálózatról, vagy kapcsolja le a megszakítót vagy a biztosítékot. Soha ne tisztítsa a készüléket gőztisztítóval. Az elektromos alkatrészekben nedvesség gyűlhet össze, áramütés veszélye! A forró gőzök a műanyag alkatrészek károsodásához vezethetnek. A készüléknek száraznak kell lennie, mielőtt újra üzembe helyezné.

Fontos! Az illóolajok és szerves oldószerek károsíthatják a műanyag alkatrészeket, pl. a citromlé vagy narancshéj leve, vajsav, vagy az ecetsavat tartalmazó tisztítószerek.

Napi használat

- Ne engedje, hogy ilyen anyagok érintkezzenek a készülék alkatrészeivel.
- Ne használjon súroló hatású tisztítószerket
- Vegye ki az élelmiszert a fagyasztóból. Tárolja őket hűvös helyen, jól letakarva.
- Kapcsolja ki a készüléket, és húzza ki a dugót a hálózathoz, vagy kapcsolja le a megszakítót vagy a biztosítékot.
- Tisztítsa meg a készüléket és a belső tartozékokat egy ruhával és langyos vízzel. Tisztítás után öblítse át tiszta vízzel és törölje szárazra.
- Miután minden megszáradt, helyezze újból üzembe a készüléket.

Hibaelhárítás



Figyelem! A hibaelhárítás előtt válassza le az áramellátást. A jelen kézikönyvben nem szereplő hibaelhárítást csak szakképzett villanyszerelő vagy hozzáértő személy végezheti el.

Fontos! Normál használat során hallatszanak bizonyos hangok (kompresszor, hűtőközeg-keringés).

Probléma	Lehetséges ok	Megoldás
A készülék nem működik	A hálózati dugó nincs bedugva vagy kilazult	Dugja be a hálózati dugót.
	A biztosíték kiégett vagy hibás	Ellenőrizze a biztosítékot, szükség esetén cserélje ki.
	Az aljzat hibás	A hálózati meghibásodásokat villanyszerelőnek kell kijavítania.
Az élelmiszer túl meleg.	A hőmérséklet nincs megfelelően beállítva.	Nézze meg a hőmérséklet kezdeti beállítása című részt.
	Az ajtó hosszabb ideig nyitva volt.	Csak addig nyissa az ajtót, amíg szükséges.
	Az elmúlt 24 órában nagy mennyiségű meleg ételt tettek a készülékbe.	Állítsa átmenetileg hidegebbre a hőmérséklet-szabályozást.
	A készülék hőforrás közelében van.	Kérjük, nézze meg a telepítés helyére vonatkozó részt.
A készülék túlságosan hűt	A hőmérséklet túl hidegre van állítva.	Állítsa átmenetileg melegebbre a hőmérséklet-szabályozó gombot.
Szokatlan zajok	A készülék nincs vízszintben.	Állítsa be újra a lábakat.
	A készülék a falhoz vagy más tárgyakhoz ér.	Mozgassa el kissé a készüléket.
	Egy alkatrész, pl. egy cső, a készülék hátulján a készülék egy másik részéhez vagy a falhoz ér.	Ha szükséges, óvatosan hajlítsa el az alkatrészt az útból.
Víz a padlón	A vízleeresztő nyílás eldugult.	Lásd a Tisztítás és ápolás című részt.
Az oldalsó panelek forrók	Ez normális. A hőcsere az oldalsó panelekben történik	Vegyen kesztyűt az oldalsó panelek érintéséhez, ha szükséges.

Ha a hiba ismét jelentkezik, forduljon a szervizközpontozhoz.

NYILATKOZAT / FIGYELMEZTETÉS

Néhány (egyszerű) hibát a végfelhasználó is elháríthat anélkül, hogy bármilyen biztonsági kérdés vagy nem biztonságos használat merülne fel, feltéve, hogy azokat az itt meghatározott utasításoknak megfelelően hajtja végre (lásd: „Önállóan elvégezhető javítások” c. részt).

Hacsak az „Önállóan elvégezhető javítások” c. részben másképpen meghatározásra nem került, a javításokat regisztrált szakszervezeteknek kell elvégezni a biztonsági problémák elkerülése érdekében. Regisztrált szakszervezetnek számít az a szerviz, akinek a gyártó a 2009/125/EK irányelv mentén megalkotott törvényi rendelkezések alapján hozzáférést biztosít a különböző utasításokhoz és pótalkatrészlistákhoz.

A garanciális feltételeknek megfelelően azonban csak az a szervizszolgáltató (pl.: hivatalos szakszerviz) nyújthat szolgáltatást, aki a felhasználói kézikönyvben/jótállási jegyen feltüntetett telefonszámon, vagy a hivatalos márkakereskedőn keresztül elérhető. Ezért kérjük, vegye figyelembe, hogy egyéb szervizek (akiket a Beko nem hagyott jóvá) által elvégzett javítások miatt a garancia érvényét veszti.

Önállóan elvégezhető javítások

A felhasználó a következő alkatrészek javítását végezheti el saját maga: ajtónyitó fogantyúk, ajtózsanérok, tálcák, kosarak és ajtó tömítések (a frissített lista a support.beko.com oldalon érhető el 2021. március 1-től).

Ezen felül, a termék biztonságának biztosítása és a súlyos sérülések elkerülése érdekében az említett önállóan elvégezhető javításokat a felhasználói útmutató vonatkozó részében feltüntetettek szerint kell elvégezni, amely elérhető a(z): support.beko.com-ben/-ban. A saját biztonsága érdekében az önállóan elvégezhető javítások előtt válassza le a terméket az elektromos hálózatról.

A végfelhasználók által az ilyen listán nem szereplő alkatrészek javítása és javítási kísérlete és/vagy a(z) support.beko.com-ben/-ban elérhető használati útmutatókban szereplő utasítások be nem tartása miatt, biztonsági kérdések merülnek fel, amelyek nem róhatók fel a Beko-nak/-nek, és a termék garanciája megszűnik.

Ezért javasolt, hogy a végfelhasználók ne kíséreljék meg az említett alkatrészlistán kívül eső alkatrészek javítását, ilyen esetekben vegyék fel a kapcsolatot a szakszervizekkel vagy a regisztrált szakemberekkel. A végfelhasználók által végrehajtott ilyen kísérletek biztonsági problémákat okozhatnak, a termék károsodhat, amely tűzhez, csőtöréshez, áramütéshez és egyéb súlyos személyi sérüléshez vezethet.

A nem kizárólagos listán példaként felsorolt alkatrészek javítását hivatalos márkaszervizzel vagy regisztrált szakemberrel kell elvégeztetni: kompresszor, hűtőkör, fő panel, inverterpanel, kijelzőpanel, stb.

A gyártó/eladó nem vonható felelősségre, ha a végfelhasználó nem tartja be a fent leírtakat.

A megvásárolt hűtőberenen alkatrészeinek rendelkezésre állása 10 év.
Ezen idő alatt, a hűtőberenen megfelelő üzemelése érdekében, biztosítjuk az eredeti cserealkatrészeket.

A megvásárolt hűtőberendezésre vonatkozó minimum garancia 24 hónap.

A termék „G” energiaosztályú fényforrással van felszerelve.
A termékben lévő fényforrást csak szakszerviz cserélheti ki.



Chladnička

Používateľská príručka



GNO5322XPN
GNO5323XPN
GNO5324XPN
GNO5322WN
GNO5322WDXPN



SK

INFORMÁCIE



NÁZOV DODÁVATEĽA

IDENTIFIKÁTOR MODELU (*)



Informácie o modeli, ktoré sú uložené v databáze produktov, sú dostupné na nasledujúcej webovej lokalite a po vyhľadani podľa identifikátora modelu (*) vyznačeného na energetickom štítku.

<https://eprel.ec.europa.eu/>

Informácie o bezpečnosti




V záujme vlastnej bezpečnosti a kvôli tomu, aby ste spotrebič používali správne, ešte pred inštaláciou a prvým použitím spotrebiča si pozorne prečítajte túto používateľskú príručku, a to aj všetky uvedené rady a výstrahy. Je dôležité, aby všetky osoby, ktoré spotrebič používajú, podrobne poznali spôsob jeho ovládania a jeho bezpečnostné funkcie, aby sa predišlo zbytočným omylom a nehodám. Tieto pokyny si odložte a vždy ich držte v blízkosti spotrebiča, aj pri jeho premiestnení alebo predaji tak, aby počas životnosti spotrebiča mal každý jeho používateľ podrobné informácie o jeho používaní a bezpečnosti.

V záujme bezpečnosti zdravia a majetku dodržujte preventívne opatrenia z tejto používateľskej príručky, lebo v prípade ich zanedbania výrobca nenesie žiadnu zodpovednosť.







Bezpečnosť detí a zraniteľných osôb

- Tento spotrebič môžu používať deti od veku 8 rokov a staršie a osoby so zníženými fyzickými, zmyslovými alebo mentálnymi schopnosťami alebo s nedostatkom skúseností a znalostí len vtedy, ak majú v blízkosti dohľad alebo dostali presné pokyny, ako používať spotrebič bezpečne, a chápu riziká, ktoré s tým súvisia.
- Na deti je potrebné dávať pozor, aby sa so spotrebičom nehrali.
- Čistenie a údržbu nesmú vykonávať deti, ak nie sú staršie ako 8 rokov a nemajú v blízkosti dozor.
- Dbajte, aby sa deti nepriblížili k baliacemu materiálu. Hrozí riziko udusenía.
- Pri likvidácii spotrebiča vytiahnite zástrčku zo zásuvky odrežte napájací kábel (čo najbližšie pri telese spotrebiča) a odmontujte dvierka, aby sa deti pri hre náhodne neporanili elektrickým prúdom alebo nezatvorili vnútri spotrebiča.
- Tento spotrebič má na dvierkach magnetické tesnenia. Ak týmto spotrebičom nahrádzate starší, ktorý má na dvierkach alebo rukoväti pružinový zámok (západku), pred likvidáciou staršieho spotrebiča dbajte na to, aby bol pružinový zámok nefunkčný. Týmto zabránite, aby starý spotrebič predstavoval riziko pre deti.

Všeobecná bezpečnosť

-  **Výstraha!** Dbajte na to, aby neboli prekážky vo vetracích otvoroch na obstavani spotrebiča ani v jeho konštrukcii.
-  **Výstraha!** Nepoužívajte mechanické pomôcky ani iné prostriedky na urýchlenie procesu odmrazovania, okrem tých, ktoré odporúča výrobca.
-  **Výstraha!** Zabráňte poškodeniu chladiaceho okruhu.

Informácie o bezpečnosti

-  **Výstraha!** Vnútri chladničiek nepoužívajte iné elektrické spotrebiče (napríklad na výrobu zmrzliny), okrem prípadov, že ich použitie schválil výrobca tohto spotrebiča.
-  **Výstraha!** Nedotýkajte sa žiarovky, ak dlhší čas svietila, lebo môže byť veľmi horúca.¹⁾
-  **Výstraha!** Pri umiestňovaní spotrebiča dávajte pozor, aby sa kábel napájania nezachytil ani nepoškodil.
-  **Výstraha!** Neumiestňujte za spotrebičom viaceré prenosné elektrické zásuvky ani prenosné zdroje napájania.
- V tomto spotrebiči neuchovávajte výbušné látky napríklad aerosolové nádoby, v ktorých sa zápalný plyn používa ako tlakový.
- Chladiaci izobután (R-600a), ktorý sa nachádza v chladiacom okruhu zariadenia, je prírodný plyn s vysokou mierou environmentálnej kompatibility, no napriek tomu je horľavý.
- Počas prepravy a inštalácie spotrebiča dbajte na to, aby nedošlo k poškodeniu žiadnej súčasti chladiaceho okruhu:
 - zabráňte prístupu otvoreného ohňa a zdrojov vznietenia,
 - dôkladne vyvetrajte miestnosť, v ktorej sa spotrebič nachádza.
- Je nebezpečné akokoľvek meniť špecifikácie alebo upravovať produkt. Akékoľvek poškodenie napájacieho kábla môže spôsobiť skrat, požiar alebo úraz elektrickým prúdom.
- Tento spotrebič je určený na použitie v domácnostiach a na podobné účely, napríklad:
 - v kuchynských kútoch pre personál v obchodoch, kanceláriách a na iných pracoviskách;
 - na farmách a v hotelových izbách, motelloch a iných priestoroch rezidenčného typu;
 - v ubytovacích zariadeniach s poskytovaním raňajok;
 - v stravovacích a podobných prevádzkach, ktoré nie sú v obchodných predajniach.
-  **Výstraha!** Akékoľvek elektrické komponenty (zástrčka, kábel napájania, kompresor atď.) smie vymieňať výhradne certifikovaný zástupca servisu alebo kvalifikovaný opravár.
-  **Výstraha!** Žiarovka, ktorá je príslušenstvom tohto spotrebiča, je „žiarovka na špeciálny účel“ a je vhodná len do tohto spotrebiča. Táto „žiarovka na špeciálny účel“ sa nedá použiť do svietidiel v domácnosti.¹⁾

¹⁾ Ak je v priehradke osvetlenie.

Informácie o bezpečnosti

- Kábel napájania sa nesmie predlžovať.
- Dávajte pozor, aby zadná časť spotrebiča nestlačila ani nepoškodila zástrčku napájania. Stlačená alebo poškodená zástrčka napájania sa môže prehrievať a spôsobiť požiar.
- Dbajte na to, aby ostal zachovaný prístup k elektrickej zástrčke spotrebiča.
- Neťahajte za kábel napájania.
- Ak je elektrická zásuvka uvoľnená, nezasúvajte do nej zástrčku spotrebiča. Hrozí riziko úrazu elektrickým prúdom alebo požiaru.
- Nepoužívajte spotrebič, ak v ňom nesvieti svietidlo.
- Tento spotrebič je ťažký. Pri jeho premiestňovaní je nutná opatrnosť.
- Nevyberajte žiadne predmety z priehradky mrazničky, ani sa ich nedotýkajte, ak máte mokré alebo vlhké ruky, pretože tým by ste si mohli spôsobiť poranenie pokožky alebo omrzliny.
- Nenechajte na spotrebič dlhší čas pôsobiť slnečné žiarenie.

Každodenné používanie

- Na plastové diely v spotrebiči neukladajte horúce predmety.
- Pri ukladaní potravín dbajte na to, aby sa nedotýkali priamo zadnej steny.
- Zmrazené potraviny sa po rozmrazení nesmú znovu zmrazovať.¹⁾
- Balené zmrazené potraviny skladujte podľa pokynov výrobcu danej zmrazenej potraviny¹⁾.
- Tieto pokyny výrobcu na skladovanie je nutné presne dodržať. Postupujte podľa príslušných pokynov.
- Do priehradky mrazničky nekladajte nápoje, ktoré obsahujú kysličník uhličitý alebo bublinky. Na nádobu by tým pôsobil zvýšený tlak a ten by mohol spôsobiť ich explóziu, čím by sa mohol spotrebič poškodiť.¹⁾
- Vodové nanuky nekonzumujte ihneď po vybratí zo spotrebiča, mohli by ste si tým spôsobiť omrzliny.¹⁾

Nasledujúce pokyny sú určené na prevenciu pred kontamináciou potravín, dodržujte ich:

- Ak sú dvierka dlhší čas otvorené, môže sa teplota v priehradkách spotrebiča výrazne zvýšiť.
- Pravidelne čistite povrchy, ktoré prichádzajú do kontaktu s potravinami, aj dosiahnuteľné systémy odvádzania vody.
- Vyčistite nádržky na vodu, ak sa po dobu 48 h nepoužívali. Prepláchnite vodný systém pripojený k zdroju vody, ak sa z tohto zdroja neodoberala voda po dobu 5 dní.
- Surové mäso a ryby uchovávajte v chladničke vo vhodných nádobách, aby sa nedostali do kontaktu s inými potravinami.
- Priehradky na mrazené potraviny s dvomi hviezdčkami (ak sa v spotrebiči nachádzajú) sú vhodné na skladovanie vopred zmrazených potravín, skladovanie alebo výrobu zmrzliny a vyrábanie ľadových kociek.

¹⁾ Ak spotrebič obsahuje priehradku mrazničky.

²⁾ Ak spotrebič obsahuje priehradku na čerstvé potraviny.

Informácie o bezpečnosti

- Priehradky s jednou, dvomi a tromi hviezdčkami (ak sa nachádzajú v spotrebiči) nie sú vhodné na zmrazovanie čerstvých potravín.
- Ak bude spotrebič po dlhšie obdobie prázdny, vypnite ho, odmrazte, vyčistite, vysušte a nechajte otvorené dverka. Tým predídete tomu, aby sa v spotrebiči vytvárali usadeniny.

Starostlivosť a čistenie

- Pred vykonávaním údržby, vypnite spotrebič a odpojte elektrickú zástrčku zo zásuvky v stene.
- Nečistite spotrebič kovovými pomôckami.
- Na odstraňovanie námrazy zo spotrebiča nepoužívajte ostré predmety. Používajte plastovú škrabku.¹⁾
- Pravidelne kontrolujte v chladničke odtok vody, ktorým odteká rozmrazená voda. Ak je to potrebné, vyčistite odtok vody. Ak je odtok vody upchatý, voda sa bude zhromažďovať na dne spotrebiča.²⁾

Inštalácia

Dôležité! Čo sa týka elektrického pripojenia, dôsledne dodržujte pokyny uvedené v príslušných častiach príručky.

- Rozbaľte spotrebič a skontrolujte, či nie je poškodený. Ak je spotrebič poškodený, nezapájajte ho. Prípadné poškodenia neodkladne oznámte predajcovi, ktorý vám predal spotrebič. V tomto prípade si ponechajte obaly.
- Pred pripojením spotrebiča je vhodné počkať aspoň štyri hodiny, aby mal olej čas stiecť späť do kompresora.
- Okolo spotrebiča je nutné vytvoriť primerané prúdenie vzduchu, inak hrozí jeho prehriatie. Pokyny k dostatočnému prúdeniu vzduchu nájdete v časti o inštalácii.
- Kde je to možné, medzi stenou a produktom použite rozpery, aby nenastal kontakt s horúcimi časťami (kompresor, kondenzor) a následné spálenie.
- Spotrebič sa nesmie umiestniť v blízkosti radiátorov alebo sporákov.
- Po inštalácii spotrebiča skontrolujte, či je elektrická zástrčka prístupná.

Servis

- Akékoľvek elektrické práce potrebné na vykonanie servisu spotrebiča, musí vykonať kvalifikovaný elektrikár alebo oprávnená osoba.
- Servis na tento produkt sa musí vykonať v autorizovanom servisnom centre a môžu sa použiť len originálne náhradné diely.

Úspora energie

- Nevkladajte do spotrebiča horúce potraviny;
- Neukladajte potraviny príliš natesno, lebo tým by ste zabránili prúdeniu vzduchu;
- Dbajte na to, aby sa potraviny nedotýkali zadnej strany priehradok;



1) Ak spotrebič obsahuje priehradku mrazničky.

2) Ak spotrebič obsahuje priehradku na čerstvé potraviny.

Informácie o bezpečnosti

- Pri výpadku elektriny neotvárajte dvierka;
- Dvierka neotvárajte často;
- Nenechávajte prídlho otvorené dvierka;
- Nenastavujte termostat na mimoriadne nízke teploty;
- Všetko príslušenstvo, napríklad zásuvky, visuté poličky, nechajte na svojich miestach, zníži to spotrebu energie

Ochrana životného prostredia

 Tento spotrebič neobsahuje plyny, ktoré by mohli poškodiť ozónovú vrstvu, a to ani v chladiacom okruhu, ani v izolačných materiáloch. Spotrebič sa nesmie likvidovať spolu s komunálnym odpadom a smetami. Izolačná pena obsahuje zápalné plyny, preto sa spotrebič musí likvidovať v súlade s predpismi platnými pre spotrebič, vydanými miestnymi orgánmi. Zabráňte poškodeniu chladiacej jednotky, najmä výmenníka tepla. Materiály použité na tomto spotrebiči označené symbolom  sú recyklovateľné.



Symbol na výrobku alebo na jeho obale označuje, že s týmto výrobkom sa nesmie zaobchádzať ako s domovým odpadom.

Namiesto toho ho treba priniesť na zberné miesto na recykláciu elektrických a elektronických zariadení. Keď zabezpečíte, aby sa tento produkt zlikvidoval správne, pomôžete odvrátiť potenciálne negatívne dopady na životné prostredie a ľudské zdravie, ktoré by mohli byť dôsledkom nevhodného zaobchádzania s týmto produktom. Podrobnejšie informácie o recyklovaní tohto produktu si môžete vyžiadať od svojho miestneho zastupiteľstva, od vašej služby likvidácie domáceho odpadu alebo v predajni, kde ste zakúpili tento produkt.

Baliace materiály

Materiály s týmto symbolom sú recyklovateľné. Zlikvidujte balenie vo vhodných zberných kontajneroch na recykláciu.

Likvidácia spotrebiča

1. Odpojte elektrickú zástrčku zo zásuvky v stene.
2. Odrežte elektrický kábel a zlikvidujte ho.

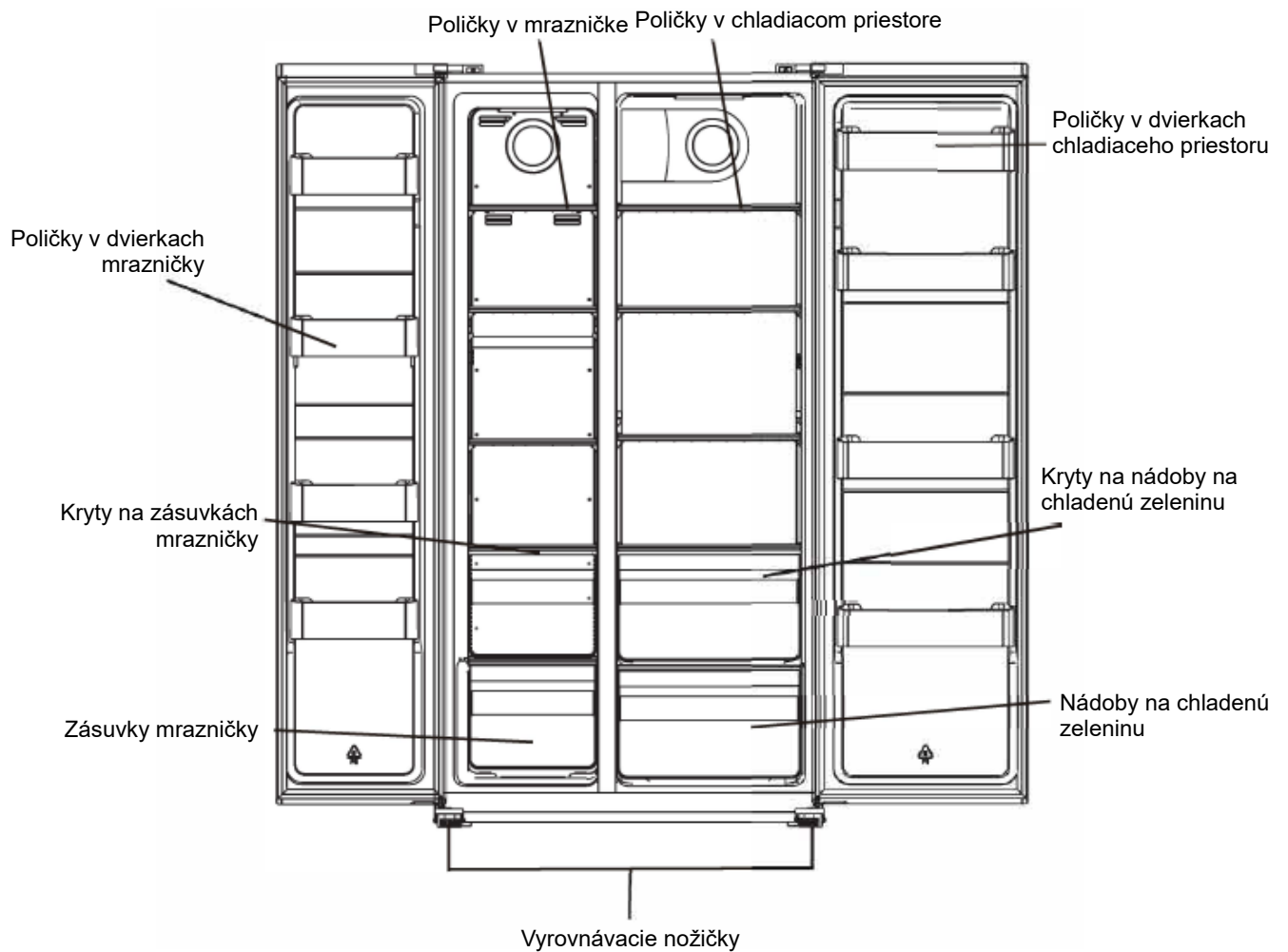


! **Výstraha!** Počas používania, servisu a likvidácie spotrebiča si všímajte symbol zobrazený vľavo, ktorý sa nachádza na zadnej strane spotrebiča (zadnom paneli alebo kompresore).

Toto je výstražný symbol rizika požiaru. V potrubí s chladivom a kompresore sa nachádzajú zápalné materiály.

Počas používania, servisu a likvidácie sa nepribližujte k zdrojom otvoreného ohňa.

Prehľad



Poznámka: Vyššie uvedený obrázok je len orientačný. Skutočný spotrebič môže mať odlišnosti.

Inštalácia

Odstráňte dvierka

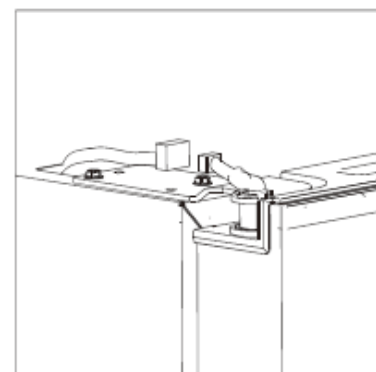
Potrebné nástroje: Krížový skrutkovač (Philips), plochý skrutkovač.

- Skontrolujte, či je prístroj odpojený od napájania a prázdny.
- Ak chcete odmontovať dvierka, je nutné nakloniť prístroj smerom dozadu. Oprite prístroj o nejakú pevnú oporu, aby sa počas odstraňovania dvierok neskĺzol.
- Všetky demontované diely si starostlivo odložte, aby ste mohli dvierka namontovať späť.
- Nedávajte prístroj naležato, lebo tým by sa mohol poškodiť systém chladenia.
- Počas montáže je lepšie, ak s prístrojom manipulujú 2 osoby.

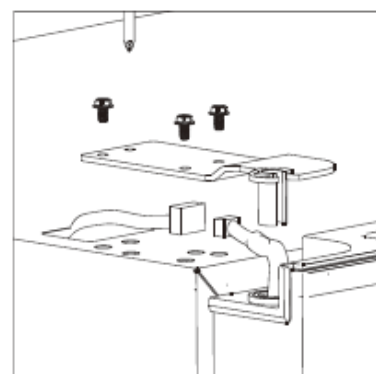
1. Skrutkovačom Philips odskrutkujte kryt závesu.



2. Odpojte kovanie závesu.

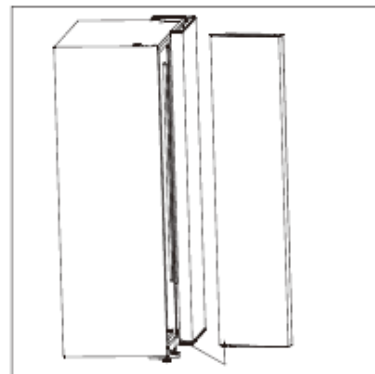


3. Odskrutkujte horný záves.

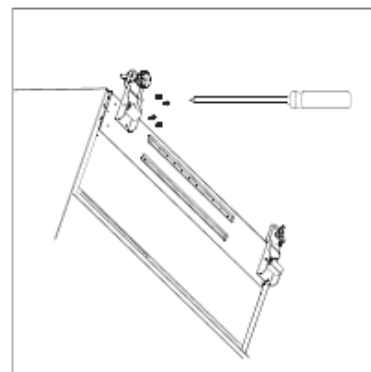


Inštalácia

4. Zdvihnite dvierka a položte ich na mäkkú podložku. Potom rovnakým postupom odmontujte druhé dvierka.



5. Odskrutkujte dolné závesy.

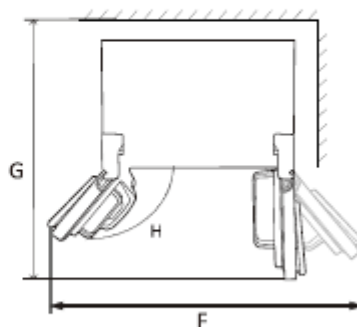
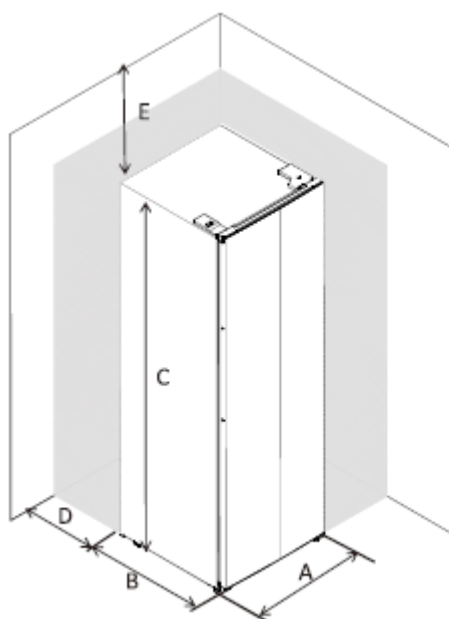


6. Po umiestnení spotrebiča namontujte dvierka späť opačným postupom.

Inštalácia

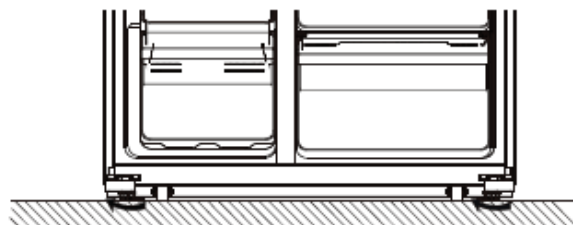
Požiadavky na miesto

- Vyberte miesto, na ktoré nesvieti priame slnečné svetlo;
- Vyberte miesto, kde je dostatočný priestor na to, aby sa dvierka chladničky ľahko otvárali;
- Vyberte miesto s rovnou (alebo približne rovnou) podlahou;
- Vyhradte dostatočný priestor na to, aby bola chladnička umiestnená na rovnej ploche;
- Pri inštalácii ponechajte dostatočný priestor sprava, zľava, zozadu a zhora. Toto pomôže znížiť spotrebu energie a vaše účty za elektrinu na nízkej úrovni.



A	910
B	670
C	1770
D	min. = 50
E	min. = 50
F	1800
G	1560
H	135°

Vodorovné vyrovnanie chladničky



- Vyrovnejte a ukotvite chladničku pomocou nastaviteľných nožičiek.
- Otáčaním nožičiek rukou v smere hodinových ručičiek ich zvyšujete.
- Otáčaním nožičiek rukou proti smeru hodinových ručičiek ich znižujete.

Inštalácia

Umiestnenie

Inštalujte tento spotrebič na mieste, kde teplota prostredia zodpovedá klimatickej triede označenej na typovom štítku spotrebiča:

týka sa chladiacich spotrebičov v klimatickej triede:

- rozšírené mierne pásmo: tento chladiaci spotrebič je určený na použitie pri teplotách prostredia v rozpätí od 10 °C do 32 °C; (SN)
- mierne pásmo: tento chladiaci spotrebič je určený na použitie pri teplotách prostredia v rozpätí od 16 °C do 32 °C; (N)
- subtropické: tento chladiaci spotrebič je určený na použitie pri teplotách prostredia v rozpätí od 16 °C do 38 °C; (ST)
- tropické: tento chladiaci spotrebič je určený na použitie pri teplotách prostredia v rozpätí od 16 °C do 43 °C; (T)

Miesto

Tento spotrebič sa nesmie inštalovať v blízkosti zdrojov tepla, napríklad radiátorov, bojlerov, priameho slnečného svetla a pod. Dbajte na to, aby vzduch mohol voľne prúdiť za zadnou stenou jeho skrine. Na zaručenie najlepšej funkčnosti, ak je spotrebič umiestnený pod zníženým stropom, minimálna vzdialenosť medzi hornou plochou jeho skrine a stropom musí byť najmenej 100 mm. V optimálnom prípade však spotrebič nie je umiestnený pod zníženým stropom. Presné vodorovné vyrovnanie zabezpečuje jedna alebo viaceré nastaviteľné nožičky, ktoré sa nachádzajú v základni skrine.

Tento chladiaci spotrebič nie je určený na použitie ako vstavaný spotrebič;



Výstraha! Spotrebič sa musí dať odpojiť od zdroja elektrického napájania; po inštalácii preto musí byť zástrčka ľahko prístupná.

Elektrické pripojenie

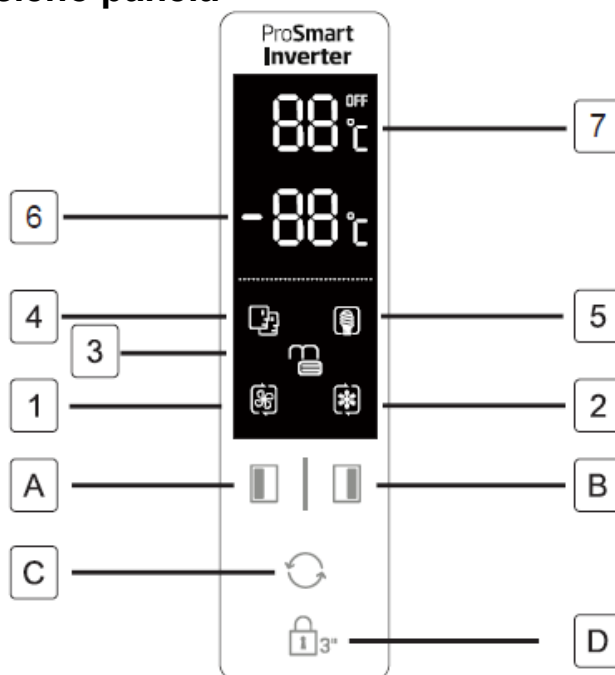
Pred pripojením do zásuvky skontrolujte, či napätie a frekvencia zobrazená na typovom štítku zodpovedá zdroju napájania vašej domácnosti. Tento spotrebič musí byť uzemnený. Zástrčka na kábli napájania je na tento účel vybavená príslušným kontaktom. Ak zásuvka zdroja napájania vo vašej domácnosti nie je uzemnená, poraďte sa s kvalifikovaným elektrikárom a pripojte spotrebič k samostatnému uzemneniu v súlade s platnými predpismi.

Výrobca odmieta akúkoľvek zodpovednosť, ak neboli dodržané všetky vyššie uvedené preventívne opatrenia.

Tento spotrebič je v súlade s normami EEC.

Každodenné používanie

Používanie ovládacieho panela



Tlačidlá

- A** Stlačením sa nastavuje teplota v priehradke mrazničky (na ľavej strane) od -14 °C do -22 °C.
- B** Stlačením sa nastavuje teplota v priehradke chladiaceho priestoru (na pravej strane) od 2 °C do 8°C a vypína sa chladenie.
- C** Stlačením sa vyberá režim prevádzky spomedzi možností **SMART (Inteligentný)**, **ECO (Šetrný)**, **SUPER COOLING (Super chladenie)**, **SUPER FREEZING (Super mrazenie)** a **USER S SETTING (Nastavenie používateľa – bez symbolu na displeji)**.
- D** Stlačením tlačidla **3 SEC (sekundy)**, a jeho podržaním na 3 sekundy sa uzamknú ostatné tri tlačidlá. Stlačením a podržaním tohto tlačidla na 1 sekundu sa ostatné tri tlačidlá odomknú.

Displej

- 1** **SUPER COOLING (Super chladenie)** chladí priehradky chladiaceho priestoru na konštrukčne najnižšiu teplotu. Po uplynutí pribl. 2,5 hodiny sa nastavenie teploty obnoví na predchádzajúci režim nastavený používateľom.
- 2** **SUPER FREEZING (Super mrazenie)** chladí priehradky mrazničky na konštrukčne najnižšiu teplotu. Po uplynutí pribl. 50 hodiny sa nastavenie teploty obnoví na predchádzajúci režim nastavený používateľom.
Rady: režim SUPER FREEZING (Super mrazenie) je lepšie zapnúť 24 hodín vopred, keď plánujete vložiť väčšie množstvo potravín do priehradky mrazničky.
- 3** **LOCK (Zámok)**, ak sú tlačidlá uzamknuté, tento symbol bude svietiť.
- 4** Režim **SMART (Inteligentný)**, chladnička nastaví teplotu týchto dvoch priehradiek automaticky podľa vnútornej teploty a teploty prostredia.
- 5** Režim **ECO (Šetrný)**, chladnička beží energeticky najúspornejším spôsobom.
- 6** Zobrazuje sa nastavenie teploty v priehradke mrazničky.
- 7** Zobrazuje sa nastavenie teploty v priehradke chladiaceho priestoru.
Po výpadku napájania sa prestane uplatňovať detský zámok. Detský zámok sa uplatní automaticky po 25 sekundách po poslednej operácii. Panel displeja sa automaticky vypne po 2 minútach po poslednej operácii.
- 9** Niektoré funkcie nemusia byť pri tomto modeli dostupné.

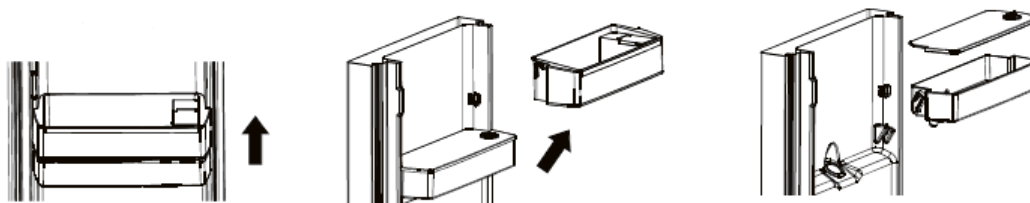
Alarm otvorených dverok

Ak niektoré dverka ostanú 90 sekúnd otvorené, bude znieť opakovaný alarm, kým sa dverka nezatvoria.

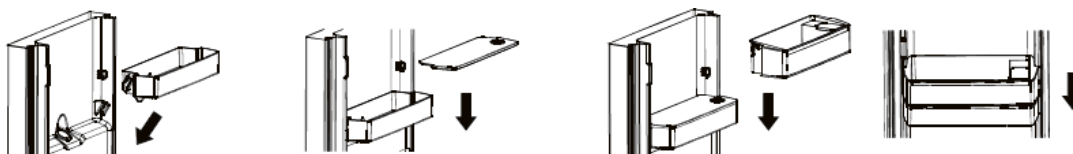
Každodenné používanie

Pred prvým použitím dávkovača vody vyberte a vyčistite nádobu na vodu, ktorá sa nachádza vnútri chladiaceho priestoru.

1. Najskôr nadvihnite a vyberte visutú policičku, potom vyberte nádobu na vodu spolu s krytom. Zložte kryt, potom vypláchnite a vyčistite nádobu aj kryt.



2. Po vyčistení vráťte na svoje miesto nádobu na vodu, kryt aj visutú policičku postupom znázorneným nižšie.

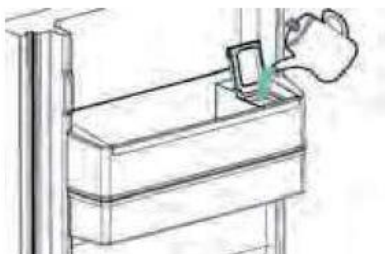


3. Vyčistite podložku dávkovača, ktorá je zvonku v dverkách chladničky.



Plnenie nádoby na vodu vodou

1. Otvorte malé veko



2. Naplňte nádobu na vodu pitnou vodou po čiaru 3 litrov.
3. Zatvorte malé veko na kryte



Dávkovanie

Vodu dávkujte tak, že jemne zatlačíte podložku dávkovača pohárom alebo inou nádobou. Dávkovanie vody zastavíte tak, že svoj pohár nadvihnete z podložky dávkovača.

Prvé použitie

Vyčistenie vnútrajška

Pred prvým použitím spotrebiča umyte vnútrajšok a všetko vnútorné príslušenstvo vlažnou vodou s trochou neutrálneho mydla, aby sa odstránil typický zápach úplne nového produktu, potom ho dôkladne vysušte.

Dôležité! Nepoužívajte saponáty ani abrazívne prášky, lebo tieto poškodia povrchovú úpravu.

Každodenné používanie

Každodenné používanie

Potraviny	Miesto
Vajcia	Stojan v dvierkach
Mliečne výrobky (maslo, syr)	Ak sú k dispozícii, priehradky BioFresh alebo Chiller Najnižšie policičky
Ovocie, zelenina a šaláty	Nádoba na ovocie a zeleninu, priehradka Crisper alebo EverFresh+ (ak je k dispozícii)
Čerstvé mäso, hydina, čerstvé ryby, údeniny, varené potraviny	Ak sú k dispozícii, priehradky BioFresh alebo Chiller Najnižšia policička
Hotové potraviny, balené produkty, konzervované potraviny, nakladané produkty	Horné policičky alebo stojan v dvierkach
Nápoje, fľaše, dochucovadlá, zákusky	Stojan v dvierkach
Zvyšky jedál	Stredné policičky

SK Pokyny na uchovávanie čerstvých potravín:

Ukladanie do priehradky na čerstvé potraviny:

- Udržujte teplotu chladiaceho priestoru na odporúčanej úrovni 4 °C.
- Potraviny, ktoré tu chcete uložiť musia byť vzduchotesne uzavreté, aby nedošlo k zmenám vône alebo chuti.
- V chladničke neskladujte nadmerné množstvá potravín. Medzi jednotlivými potravinami nechávajte priestor, aby okolo nich mohol prúdiť studený vzduch. Dosiahnete tak lepšie a rovnomernejšie chladenie.
- Aby sa dvierka otvárali na čo najkratšiu dobu, potraviny, ktoré sa konzumujú denne, ukladajte v polici vpredu.
- Nechajte medzeru medzi potravinami a vnútornými stenami, uľahčí to prúdenie vzduchu. Keby ste potraviny opierali o zadnú stenu, potraviny by mohli k zadnej stene primrznúť.
- Horúce, varené potraviny, sa musia pred vložením do spotrebiča ochladiť na izbovú teplotu. Teplé potraviny je možné ukladať do najnižšej poličky chladiaceho priestoru. Neukladajte teplé potraviny do blízkosti potravín, ktoré sa rýchlo kazia.
- Mrazené potraviny rozmrazujte v priehradke na čerstvé potraviny. Týmto spôsobom môžete využiť mrazené potraviny na chladenie priehradky na čerstvé potraviny a ušetriť energiu.
- Ak v chladničke uchováвате nezrelé tropické ovocie (mango, melóny, papáju, banány, ananás), môže sa tým urýchliť proces dozrievania a nakoniec sa skrátí čas uloženia, preto to neodporúčame. V priehradke chladiaceho priestoru je však možné po určitý čas podporiť dozrievanie veľmi zeleného ovocia (jablká, hrušky).
- Cibuľu, cesnak, zázvor a inú koreňovú zeleninu uchovávejte v tmavej a chladnej miestnosti pri prirodzenej teplote, nie v chladiacom priestore.
- Keď vnútri chladničky nájdete pokazené potraviny, je nutné ich vyhodiť. Ak si všimnete zhnité potraviny, vyčistite vnútorné povrchy alebo príslušenstvo, ktoré boli s nimi v kontakte, aby ste zabránili kontaminácii.
- Veľké nádoby s jedlom, napríklad polievkou alebo gulášom, je vhodné rozdeliť do viacerých plytkých nádob, aby sa v chladničke rýchlo ochladili. Veľké kusy tepelne upraveného mäsa a celú hydinu je z tých istých dôvodov potrebné rozdeliť na menšie kúsky.

- V blízkosti vajec neskladujte nebalené potraviny.
- Držte ovocie a zeleninu oddelene a uchovávejte podobné s podobným: jablká pri jablkách, mrkvu s mrkvou. Z ovocia a zeleniny unikajú rozličné plyny a tie môžu znehodnotiť iné potraviny.
- Listovú zeleninu vyberte z plastových obalov a pred vložením do chladničky ju zabaľte do papierového obrúska alebo utierky na riad. Nezabudnite ju pred uložením vysušiť, ak je mokrá alebo vlhká.
- Ovocie a zeleninu, ktoré by mohli uschnúť, uložte do perforovaných alebo neuzavretých plastových vreciek, ktoré udržia vlhkosť, ale zároveň umožnia prúdenie vzduchu.
- Rôzne potraviny by sa mali ukladať do rôznych priestorov podľa ich charakteristík:

„Pozrite si príslušnú klimatickú triedu vášho spotrebiča, vyznačenú na typovom štítku. Podľa vyznačenej klimatickej triedy sa na váš spotrebič vzťahuje jedna z nasledujúcich informácií.“

- SN: Rozšírené mierne pásmo: Tento chladiaci spotrebič je určený na použitie pri teplotách prostredia v rozpätí od 10 °C do 32 °C
- N: Mierne pásmo: Tento chladiaci spotrebič je určený na použitie pri teplotách prostredia v rozpätí od 16 °C do 32 °C
- ST: Subtropické pásmo: Tento chladiaci spotrebič je určený na použitie pri teplotách prostredia v rozpätí od 16 °C do 38 °C
- T: Tropické pásmo: Tento chladiaci spotrebič je určený na použitie pri teplotách prostredia v rozpätí od 16 °C do 43 °C

SK Uchovávanie v priehradke mrazničky:

- Odporúčame udržiavať teplotu mrazničky nastavenú na -20 °C, s výnimkou extrémnych podmienok prostredia,
- 4 – 6 hodín pred zmrazením zapnite funkciu Fast Freeze (Rýchle mrazenie), aby ste dosiahli rýchlejšie zmrazenie.
- Horúce potraviny sa musia pred vložením do priehradky mrazničky ochladiť na izbovú teplotu.
- Potraviny pokrúpané na malé kúsky sa zmrazia rýchlejšie a ľahšie sa budú rozmrazovať a variť.
- Je vhodné pred vložením do mrazničky potraviny zabaliť;
- Na obaloch potravín si poznačte dátum zmrazenia, trvanlivosť podľa obdobia skladovateľnosti danej potraviny a názov potraviny, aby ste sa vyhli riziku prekročenia obdobia trvanlivosti.
- Neprekračujte časy skladovateľnosti potravín, ktoré odporúča výrobca danej potraviny. Z mrazničky vyberajte len potrebné množstvo potravín.
- Rozmrazené potraviny rýchlo skonzumujte. Rozmrazené potraviny sa nesmú znovu zmraziť, len ak sú už uvarené. Nie je bezpečné konzumovať znovu zmrazené potraviny, ak sú čerstvé a neuvarené.
- Keď zmrazujete čerstvé potraviny, dajte pozor, aby sa nedotýkali potravín, ktoré už sú zmrazené. Tie už zmrazené by sa tým mohli rozmraziť.

Pri uchovávaní mrazených potravín z obchodu dodržujte nasledujúce pravidlá:

Čo sa týka času, po ktorý je možné potraviny uchovávať, vždy dodržte pokyny výrobcu danej potraviny. Neprekračujte tieto limity!

- Čas medzi zakúpením potravín a ich uložením skúste čo najviac skrátiť, aby sa zachovala ich kvalita.
- Kupujte mrazené potraviny, ktoré boli skladované pri teplote -18 °C alebo nižšej.
- Nekupujte potraviny, ktoré majú na balení ľad alebo námrazu – toto znamená, že tieto produkty mohli byť už čiastočne rozmrazené a znovu zmrazené. Takéto výkyvy teploty ovplyvnia kvalitu potravín.
- Odporúčame vám nastaviť teplotu na 4 °C v priehradke na čerstvé potraviny a -20 °C v priehradke mrazničky, tým sa dosiahne optimálna ochrana potravín.

- S výnimkou extrémnych podmienok v okolitom prostredí sa celková čerstvosť v priestoroch na čerstvé potraviny a v mraziacich priestoroch predĺži, ak je teplota nastavená na odporúčané hodnoty +4 °C/-20 °C. Ak sa teplota priehradka na čerstvé potraviny nastaví na chladnejšiu, čerstvé ovocie a zelenina sa môžu čiastočne zmraziť alebo ich nízka teplota môže poškodiť. Na druhej strane vyššia úroveň teploty môže spôsobiť rýchlejšie znehodnotenie potravín, ktoré sa rýchlo kazia (mliečne výrobky, produkty z mäsa).

Každodenné používanie

Zmrazovanie čerstvých potravín

- Priehradka mrazničky je vhodná na zmrazovanie čerstvých potravín a dlhodobé uchovávanie mrazených a hlboko zmrazených potravín.
- Vložte čerstvé potraviny, ktoré chcete zmraziť, do spodnej priehradky.
- Maximálne množstvo potravín, ktoré je možné zmraziť za 24 hodín, je uvedené na typovom štítku.
- Proces zmrazovania trvá 24 hodín: počas tohto obdobia nepridávajte ďalšie potraviny určené na zmrazenie.

Uchovávanie mrazených potravín

Pred prvým použitím alebo po dočasnom vyradení z prevádzky, skôr než vložíte produkt do priehradky, nechajte spotrebič najmenej 2 hodiny bežať pri vyššom nastavení.

Dôležité! V prípade náhodného rozmrazenia, napríklad pri výpadku napájania, ktorý trvá dlhšie ako hodnota uvedená v technických charakteristikách ako „rising time“ (čas nárastu), rozmrazené potraviny sa musia rýchlo skonzumovať alebo ihneď uvariť a potom sa môžu znovu zmraziť (po tepelnej úprave).

Rozmrazovanie

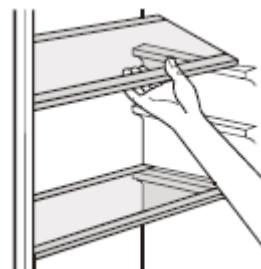
Hlboko zmrazené alebo mrazené potraviny je možné pred použitím rozmraziť v priehradke chladiaceho priestoru alebo pri izbovej teplote, podľa toho, koľko na to máte času.

Malé kúsky je možné tepelne upravovať aj priamo z mrazničky, kým sú ešte zmrazené. V takom prípade však tepelná úprava bude trvať dlhšie.

Príslušenstvo

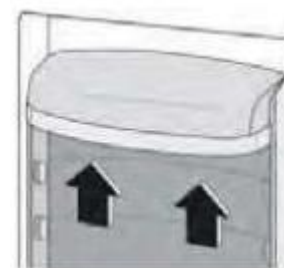
Pohyblivé police

Steny chladničky sú vybavené radom vodiacich líšt, takže police možno umiestniť podľa potreby.



Umiestnenie priehradiek vo dverách

Visuté poličky v dverkách je možné umiestňovať do rôznej výšky, aby bolo možné uchovávať rôzne rozmery balení potravín. Tieto výškové úpravy urobíte nasledujúcim spôsobom: postupne vytlačte visutú poličku v smere šípok, kým ju celkom nevytiahnete, potom zmeňte jej umiestnenie podľa potreby.



Každodenné používanie

Užitočné rady a odporúčania

Rady, ako zmrazovať

Tu uvádzame niekoľko dôležitých rád, ktoré vám pomôžu naplno využiť proces mrazenia:

- maximálne množstvo potravín, ktoré je možné zmraziť za 24 hodín, je uvedené na typovom štítku;
- proces zmrazovania trvá 24 hodín. V tomto čase nekladajte žiadne ďalšie potraviny určené na zmrazenie;
- zmrazujte len potraviny najvyššej kvality, čerstvé a dôkladne vyčistené;
- rozdeľte potraviny na malé porcie, aby sa mohli zmraziť rýchlo a úplne, a aby následne bolo možné rozmraziť len momentálne potrebné množstvo;
- zabaľte potraviny do alobalu alebo polyetylénovej fólie a skontrolujte, či je balenie vzduchotesné;
- nedovoľte, aby sa čerstvé nezmrazené potraviny dotýkali potravín, ktoré sú už zmrazené, lebo by mohla stúpnuť teplota zmrazených;
- nemastné jedlá sa uchovávajú ľahšie a dlhšie ako tučné; soľ znižuje trvanlivosť uložených potravín;
- vodný ľad, ak sa konzumuje ihneď po vybratí z priehradky mrazničky, môže spôsobiť omrzliny pokožky alebo sliznice;
- je vhodné poznačiť si dátum zmrazenia na každom jednotlivom balení, aby ste ich mohli ľahko vybrať z mrazničky;
- je vhodné poznačiť si dátum zmrazenia na každom jednotlivom balení, aby ste mali prehľad o dobách skladovania.

Rady, ako uchovávať mrazené potraviny

Tento spotrebič vám poskytne najlepšie služby, ak budete dodržiavať:

presvedčte sa, že mrazené potraviny zakúpené v obchode predajca skladoval správne;

dbajte na to, aby ste mrazené potraviny preniesli z obchodu s potravinami do mrazničky za čo najkratší čas;

neotvárajte dvierka často ani ich nenechávajte otvorené dlhšie, než je absolútne nevyhnutné.

Po rozmrazení sa potraviny rýchlo kazia a nie je možné ich znovu zmraziť.

Neprekračujte dobu skladovania uvedenú výrobcom potravín.

Rady, ako chladit' čerstvé potraviny

Najlepšie výsledky dosiahnete, ak budete dodržiavať:

- Neskladujte v chladničke teplé potraviny ani odparujúce sa kvapaliny
- Potraviny zakryte alebo obalte, najmä ak majú výraznú vôňu

Rady, ako chladit'

Užitočné rady:

- Príprava (všetky druhy): zabaľte do polyetylénových vreciek a položte na sklené poličky nad zásuvkou na zeleninu.
- Skladujte ich takto najviac jeden alebo dva dni, kvôli bezpečnosti.
- Tepelne upravené potraviny, studené misy, a pod....: je potrebné ich zakryť a môžu sa položiť na ľubovoľnú poličku.
- Ovocie a zelenina: dôkladne ich vyčistite a vložte do špeciálnej na to určenej zásuvky(iek).
- maslo a syry: vložte do špeciálnych vzduchotesných nádobiek alebo zabaľte do alobalu alebo polyetylénových vreciek a vytlačte z nich vzduch, pokiaľ to ide.
- Fľaša s mliekom: musí byť uzatvorená a uložená do visutej poličky v dvierkach.
- Banány, zemiaky, cibuľa a cesnak, ak nie sú balené, nesmú sa nechávať v chladiacom priestore.

Čistenie

Z hygienických dôvodov je nutné vnútrajšok spotrebiča aj vnútorné príslušenstvo pravidelne čistiť.



Pozor! Počas čistenia nesmie byť spotrebič pripojený k zdroju elektrického napájania.

Nebezpečenstvo úrazu elektrickým prúdom! Pred čistením vypnite spotrebič a vyťahnite zástrčku zo siete alebo vypnite istič alebo odskrutkujte hlavnú poistku. Nikdy nečistite spotrebič pomocou parného čističa. V elektrických komponentoch by mohla kondenzovať vlhkosť, je nebezpečenstvo úrazu elektrickým prúdom! Horúca para by mohla spôsobiť poškodenie plastových dielov. Pred uvedením znovu do prevádzky musí byť spotrebič suchý.

Dôležité! Éterické oleje a organické rozpúšťadlá môžu poškodiť plastové diely, Takými sú napríklad citrónová šťava alebo pomarančový džús, kyselina maslová, čističe, ktoré obsahujú ocot.

Každodenné používanie

- Nedovoľte, aby takéto látky prišli do kontaktu s dielmi spotrebiča.
- Nepoužívajte žiadne abrazívne čistiace prostriedky
- Vyberte všetky potraviny z mrazničky. Dobré ich zakryte a uložte na chladné miesto.
- Vypnite spotrebič a vytahnite zástrčku zo siete alebo vypnite istič alebo odskrutkujte hlavnú poistku.
- Vyčistite spotrebič a vnútorné príslušenstvo s použitím handričky a vlažnej vody. Po vyčistení ho pretrite čistou vodou a utrite dosucha.
- Spotrebič uveďte späť do prevádzky až keď je úplne suchý.

Riešenie problémov



Pozor! Skôr, než sa pokúsite riešiť problémy, odpojte zdroj napájania. Riešenie problémov, ktoré nie sú popísané v tejto príručke, zverte jedine kvalifikovanému elektrikárovi alebo oprávnenej osobe.

Dôležité! Určité zvuky sa bežne ozývajú počas normálnej prevádzky (kompresor, cirkulácia chladiva).

Problém	Možná príčina	Riešenie
Zariadenie nefunguje	Elektrická zástrčka nie je zapojená alebo je uvoľnená	Zasuňte elektrickú zástrčku.
	Poistka sa vypálila alebo je vadná	Skontrolujte poistku, podľa potreby ju vymeňte.
	Zásuvka je nefunkčná	Poruchy elektrickej siete musí opraviť elektrikár.
Potraviny sú príliš teplé.	Teplota nie je správne nastavená.	Pozrite si v úvode časť Nastavenie teploty.
	Dvierka boli dlhší čas otvorené.	Otvárajte dvierka len na nevyhnutný čas.
	Počas posledných 24 hodín bolo do spotrebiča vložené veľké množstvo teplých potravín.	Dočasne prepnite regulátor teploty na chladnejšie nastavenie.
	Spotrebič sa nachádza blízko zdroja tepla.	Pozrite si časť o umiestnení pri inštalácii.
Spotrebič priveľmi chladí	Teplota je nastavená na príliš nízku.	Dočasne prepnite regulátor teploty na teplejšie nastavenie.
Nezvyčajné zvuky	Spotrebič nie je vodorovne vyrovnaný.	Znovu nastavte nožičky.
	Spotrebič sa dotýka steny alebo iných predmetov.	Spotrebič o kúsok premiestnite.
	Niektorý komponent, napr. potrubie na zadnej strane spotrebiča, sa dotýka inej časti spotrebiča alebo steny.	Ak je to potrebné, opatrne odťahnite daný komponent mimo dotyku.
Na podlahe je voda	Otvor na odvádzanie vody je upchatý.	Pozrite si časť Čistenie a starostlivosť.
Bočné panely sú horúce	Toto je normálne. V bočných paneloch dochádza k výmene tepla	Ak sa potrebujete dotýkať bočných panelov, podľa potreby si nasadte rukavice.

Ak sa porucha prejaví znovu, obráťte sa na servisné centrum.

VYLÚČENIE ZODPOVEDNOSTI / UPOZORNENIE

Niektoré (jednoduché) poruchy môže koncový užívateľ adekvátne vyriešiť bez akýchkoľvek bezpečnostných rizík alebo nebezpečného použitia, ak sa tieto chyby opravujú v medziach stanovených limitmi a v súlade s nasledujúcimi pokynmi (pozri časť „Samoprava“).

Preto, pokiaľ nie je v nižšie uvedenej časti „Samoprava“ povolené niečo iné, opravy budú adresované registrovaným profesionálnym opravovňami, z dôvodu predchádzania problémom s bezpečnosťou. Registrovaný profesionálny opravár je profesionálny opravár, ktorému výrobca udelil prístup k pokynom a zoznamu náhradných dielov tohto produktu v súlade s metódami opísanými v legislatívnych aktoch podľa smernice 2009/125/ES.

Avšak iba servisný zástupca (tj autorizovaný profesionálny servis), na ktorého sa môžete obrátiť prostredníctvom telefónneho čísla uvedeného v používateľskej príručke/záručnom liste alebo prostredníctvom autorizovaného predajcu, môže poskytovať služby podľa záručných podmienok. Preto vás upozorňujeme, že opravy vykonané profesionálnymi opravármi (ktorí nemajú oprávnenie od spoločnosti Beko) majú za následok stratu záruky.

Samooprava

Konečný užívateľ môže vykonať samoopravu, pokiaľ ide o tieto náhradné diely: kľučka dverí, závesy dverí, podnosy, koše a tesnenia dverí (aktualizovaný zoznam je k dispozícii aj na webovej stránke support.beko.com k 1. marcu 2021).

Okrem toho, pre zaistenie bezpečnosti produktu a zabráneniu riziku vážneho zranenia, uvedená oprava sa musí vykonať podľa pokynov v používateľskej príručke pre opravu alebo ktoré sú k dispozícii v support.beko.com

Z bezpečnostných dôvodov pred vykonaním akejkoľvek opravy odpojte produkt z elektrickej siete.

Opravy a pokusy o opravu koncovými používateľmi týkajúce sa častí, ktoré nie sú uvedené v zozname, a/alebo nedodržanie pokynov uvedených v používateľských príručkách pre samoopravu alebo ktoré sú k dispozícii v support.beko.com, by mohli vyvolať problémy v oblasti bezpečnosti, ktoré nemožno pripísať Beko a zrušia záruku poskytnutú na výrobok.

Preto sa dôrazne odporúča, aby sa koncoví používatelia zdržali pokusov o vykonanie opráv, ktoré nespádajú do uvedeného zoznamu náhradných dielov, a v takom prípade kontaktujte autorizované profesionálne opravovne alebo registrované profesionálne opravovne. Naopak, takéto pokusy koncových používateľov môžu spôsobiť problémy s bezpečnosťou a poškodiť produkt a následne spôsobiť požiar, vytopenie, elektrický zásah a vážne zranenie osôb.

Napríklad, okrem iného, nasledujúce opravy musia byť adresované autorizovanému profesionálnemu opravárovi alebo registrovanému profesionálnemu opravárovi: kompresor, chladiaci okruh, hlavný panel, panel invertora, panel displeja atď.

Výrobca / predajca v žiadnom prípade nemôže byť zodpovedný, ak koncoví používatelia nedodržiavajú vyššie uvedené záležitosti.

Dostupnosť náhradných dielov chladničky, ktorú ste kúpili, je 10 rokov. Počas tohto obdobia budú k dispozícii originálne náhradné diely pre správnu funkciu chladničky.

Minimálna záručná doba na Vami zakúpenú chladničku je 24 mesiacov.

Tento výrobok je vybavený zdrojom svetla energetickej triedy „G“.

Svetelný zdroj na tomto výrobku môžu vymeniť len profesionálni technici.



Külmik

Kasutusjuhend



GNO5322XPN
GNO5323XPN
GNO5324XPN
GNO5322WN
GNO5322WDXPN

CE

ET



TEAVE



ENERG



TOOTJA

A

MUDELI ID

(*)

A

Toodete andmebaasi salvestatud mudeliandmetele juurdepääsuks avage järgmine veebisaiy ja otsige energiamärgisel olevat mudeli ID-d (*).

<https://eprel.ec.europa.eu/>

Ohutusteave




Oma ohutuse huvides ja seadme õigeks kasutamiseks lugege see kasutusjuhend ning selles toodud nõuanded ja hoiatused enne seadme paigaldamist ja esmakordset kasutamist hoolikalt läbi. Tarbetute vigade ja õnnetuste vältimiseks on oluline tagada, et kõik seadme kasutajad tunneksid põhjalikult selle toimimist ja ohutusfunktsioone. Hoidke see juhend alles ja veenduge, et paneksite selle seadmega kaasa, kui seda teisaldate või selle müüte, et kõik, kes seadet ka hiljem kasutavad, oleksid selle kasutamisest ja ohutusest nõuetekohaselt informeeritud.

Inimeste ja vara ohutuse tagamiseks järgige selles kasutusjuhendis toodud ettevaatusabinõusid, sest tootja ei vastuta juhiste eiramisest põhjustatud kahjude eest.







Laste ja nõrgemate ohutus

- Vähemalt 8-aastased lapsed ning vähenenud füüsiliste, sensorsete või vaimsete võimetega või kogemuste ja puudulike teadmistega inimesed võivad seda seadet kasutada järelevalve all või juhul, kui neid on juhendatud seadme ohutu kasutamise asjus ja nad mõistavad sellega kaasnevat ohte.
- Lapsed vanuses 3 kuni 8 aastat võivad seadet täita ja tühjendada.
- Jälgige, et lapsed seadmega ei mängiks.
- Lapsed ei tohi sadet puhastada ega hooldada, välja arvatud juhul vähemalt 8-aastased lapsed järelevalve all.
- Hoidke kõik pakendid lastele kättesaamatus kohas. Lämpumisoht!
- Kui kavatsete seadme kasutuselt kõrvaldada, eemaldage toitepistik seinakontaktist, lõigake ühenduskaabel katki (seadmele nii lähedalt kui võimalik) ja eemaldage uks, et vältida mängivate laste puhul elektrilöögiohtu või seadmesse löksu jäämist.
- Kui paigaldate selle magnettihenditega kaanega seadme vana seadme asemele, mille uksel või kaanel on vedrulukk (riiv), muutke vana seadme vedrulukk kasutuselt kõrvaldamist kindlasti kasutuskõlbmatuks. Siis ei saa vana seade lapsele ohtlikuks muutuda.

Ohutuse üldeskirjad

-  **HOIATUS!** Hoidke seadme korpuses või sisseehitatud konstruktsioonis olevad õhutusavad vabad.
-  **HOIATUS!** Ärge kasutage sulatuse kiirendamiseks mehaanilisi seadmeid ega muid vahendeid, mida tootja pole selleks soovitanud.
-  **HOIATUS!** Ärge seadme külmaaine kontuuri kahjustage.

Ohutusteave

-  **HOIATUS!** Ärge kasutage külmutusseadmete sees muid elektriseadmeid (nt jäätisemasinaid), välja arvatud juhul, kui tootja on need selleks otstarbeks heaks kiitnud.
-  **HOIATUS!** Ärge puudutage lampi, kui see on pikka aega põlenud, kuna see võib olla väga kuum.¹⁾
-  **HOIATUS!** Seadme paigutamisel veenduge, et toitekaabel ei jääks kuhugi vahele ega saaks kahjustada.
-  **HOIATUS!** Ärge paigutage seadme taha mitme pistikupesaga pikenduskaablit ega toiteplokki.
- Ärge hoidke seadmes plahvatusohtlikke aineid, nagu kergsüttiva suruainega aerosoolpurke.
- Seadme jahutuskontuuris kasutatakse külmaainet isobutaan (R-600a), mis on keskkonda mittekahjustav, kuid siiski tuleohtlik looduslik gaas.
- Seadme transportimise ja paigaldamise ajal veenduge, et ükski külmaaine kontuuri komponentidest ei saaks kahjustada.
 - vältige lahtist tuld ja muid tuleallikaid
 - ventileerige hoolikalt ruumi, kus seade asub
- Toote spetsifikatsiooni muutmine või seadme mis tahes viisil modifitseerimine on ohtlik. Igasugune kaablikahjustus võib põhjustada lühise, tulekahju ja/või elektrilöögi.
- See seade on ette nähtud kasutamiseks kodus majapidamises jms otstarbel, nagu näiteks
 - töötajate puhkeruumid kauplustes, kontorites ja muudes töökeskkondades;
 - talumajapidamised ja kliendiruumid hotellides, motellides ning muud elamutüüpi keskkonnad;
 - B&B-tüüpi majutus;
 - toitlustus jms keskkonnad, kus ei toimu jaemüüki.
-  **HOIATUS!** Kõiki elektrilisi osi (pistik, toitekaabel, kompressor jne) võib vahetada ainult asjakohase tegevusloaga hooldustehnik või kvalifitseeritud töötaja.
-  **HOIATUS!** Seadmega kaasasolev elektrilamp on eriotstarbeline ja seda saab kasutada ainult selles seadmes. Seda eriotstarbelist lampi ei saa kasutada kodustes valgustites.¹⁾

1) Kui seadme sees on valgusti.

- Toitekaablit ei tohi pikendada.
- Veenduge, et seadme tagakülg ei muljuks ega kahjustaks toitepistikut. Kokku muljutud või kahjustatud pistik võib üle kuumeneda ja põhjustada tulekahju.
- Veenduge, et seadme toitepistik oleks ligipääsetav.
- Ärge tõmmake toitekaablist.
- Kui seina pistikupesa on lahti, ärge toitepistikut sellesse sisestage. Tõsine elektrilöögi- või tulekahjuoht!
- Seadet ei tohi kasutada ilma lambita.
- See seade on raske. Selle teisaldamisel tuleb olla ettevaatlik.
- Ärge võtke esemeid külmutist välja ega puudutage neid niiskete/märgade kätega, kuna see võib põhjustada marrastusi või külmast tingitud põletusi.
- Vältige seadme pikaajalist hoidmist otseses päikesevalguses.

Igapäevane kasutamine

- Ärge pange seadme plastosadele kuumi esemeid.
- Ärge laduge toiduaineid otse tagaseina vastu.
- Külmutatud toitu ei tohi pärast ülessulatamist uuesti külmutada.¹⁾
- Säilitage eelpakendatud külmutatud toiduaineid vastavalt nende tootja juhistele¹⁾
- Tootja säilitussoovitusi tuleks rangelt järgida. Juhinduge vastavatest tootja juhistest.
- Ärge pange sügavkülmikusse gaseeritud jooke, kuna rõhu tõus pakendis võib põhjustada selle lõhkemise ja seadme kahjustuse.¹⁾
- Jääkommid võivad seadmest otse suhu pannes tekitada külmapõletusi.¹⁾

Toidu saastumise vältimiseks järgige järgmisi juhiseid

- Kaane pikaajaline lahtihoidmine võib põhjustada temperatuuri märkimisväärset tõusu seadmes.
- Puhastage regulaarselt pindu, mis toiduga kokku puutuvad, ja veeäravoolu.
- Puhastage veeanumaid, kui neid pole 48 tundi kasutatud; kui vett pole 5 päeva jooksul kasutatud, loputage veevõrguga ühendatud veesüsteemi.
- Hoidke toorest liha ja kala sobivas külmutusanumas, et see ei puutuks kokku muude toiduainetega.
- Sügavkülmiku kahe tärniga kambrid (kui need on seadmes olemas) sobivad külmutatud toiduainete hoidmiseks, jäätise hoidmiseks ja valmistamiseks ning jääkuubikute valmistamiseks.

1) Kui on olemas külmutuskamber.

2) Kui on olemas värske toidu hoiukamber.

Ohutusteave

- Ühe, kahe ja kolme tärniga kambrid (kui need on seadmes olemas) ei sobi värsket toidu külmutamiseks.
- Kui seade jäetakse pikemaks ajaks tühjaks, lülitage see välja, sulatage, puhastage, kuivatage ja jätke kaas lahti, et vältida hallituse teket seadmes.

Hooldamine ja puhastamine

- Enne hooldust lülitage seade välja ja eemaldage toitekaabel pistikupesast.
- Ärge puhastage seadet metallesemetega.
- Ärge kasutage seadmest härmatise eemaldamiseks teravaid esemeid. Kasutage selleks plastkaabitsat.¹⁾
- Kontrollige regulaarselt külmiku äravoolutoru. Vajadusel puhastage äravool. Kui äravool on umbes, koguneb seadme põhja vett.²⁾

Paigaldamine

Tähtis! Elektrivõrguga ühendamisel järgige hoolikalt vastavas lõikudes toodud juhiseid.

- Eemaldage seadme pakend ja kontrollige, et seadmel poleks kahjustusi. Ärge vooluvõrguga ühendage, kui seade on kahjustatud. Teatage võimalikest puudustest kohe ostukohta. Sel juhul hoidke pakend alles.
- Enne seadme vooluvõrguga ühendamist on peaksite vähemalt neli tundi ootama, et õli jõuaks kompressorisse tagasi voolata.
- Jätke seadme ümber piisavalt ruumi õhu ringlemiseks, vastasel korral võib seade üle kuumeneda. Piisava ventilatsiooni tagamiseks järgige paigaldusjuhiseid.
- Võimalusel tuleks toote vahetoed olema seina poole, et vältida kuumade osade (kompressor, kondensaator) puudutamist ja võimalikku põletust.
- Seadet ei tohi panna radiaatori või pliidi lähedale.
- Veenduge, et pistik oleks pärast seadme paigaldamist juurdepääsetav.

Teenus

- Kõik seadme hooldamiseks vajalikud elektritööd peab tegema kvalifitseeritud elektrik või pädev isik.
- Seadet peab laskma hooldada selleks volitatud teeninduskeskuses ja kasutada tohib ainult originaalvaruosi.

Energia säästmine

- Ärge pange seadmesse kuumat toitu.
- Ärge asetage toitu lähestikku, kuna see takistab õhuringlust.
- Veenduge, et toit ei puudutaks kambri(te) tagakülgi.



1) Kui on olemas külmutuskamber.

2) Kui on olemas värsket toidu hoiukamber.

Ohutusteave

- Elektrikatkestuse korral, ärge ust avage.
- Ärge avage ust sageli.
- Ärge hoidke ust liiga kaua lahti.
- Ärge seadke termostaati kõrgemale temperatuurile;
- Kõiki tarvikuid, nagu sahtlid, riulid, eendid, tuleks hoida seadmes, et energiakulu oleks väiksem

Keskkonnakaitse

 Selle seadme külmaaine torustikus ja soojustuses ei ole osoonikihti kahjustavaud gaase. Seadet ei tohi kõrvaldada koos olmejäätmete ja -prügiga. Vahtisolatsioon sisaldab tuleohtlikke gaase; seade tuleb kõrvaldada vastavalt asjakohastele määrustele, mille saate hankida kohalikust omavalitsusest. Vältige jahutusseadme, eriti soojusvaheti kahjustamist. Sümboliga  tähistatud materjalid on ringlussevõetavad.



See tootel või selle pakendil olev sümbol näitab, et toodet ei tohi käidelda olmejäätmetena. Seade tuleb viia vastavasse elektri- ja elektroonikaseadmete kogumispunkti. Kui tagate selle toote õige kasutusest kõrvaldamise, aitate ära hoida võimalikku keskkonnakahju ja kaitsete inimeste tervist, kuna toote sobimatu jäätmekäitlus võib põhjustada ohte. Täpsema teabe saamiseks toote ringlussevõtu kohta pöörduge kohaliku omavalitsusse, olmejäätmete käitlusfirmasse või kauplusse, kust toote ostsite.


Pakkematerjalid

Sümboliga tähistatud materjalid on ringlussevõetavad. Viige pakend ringlussevõetmiseks vastavasse kogumiskohta.

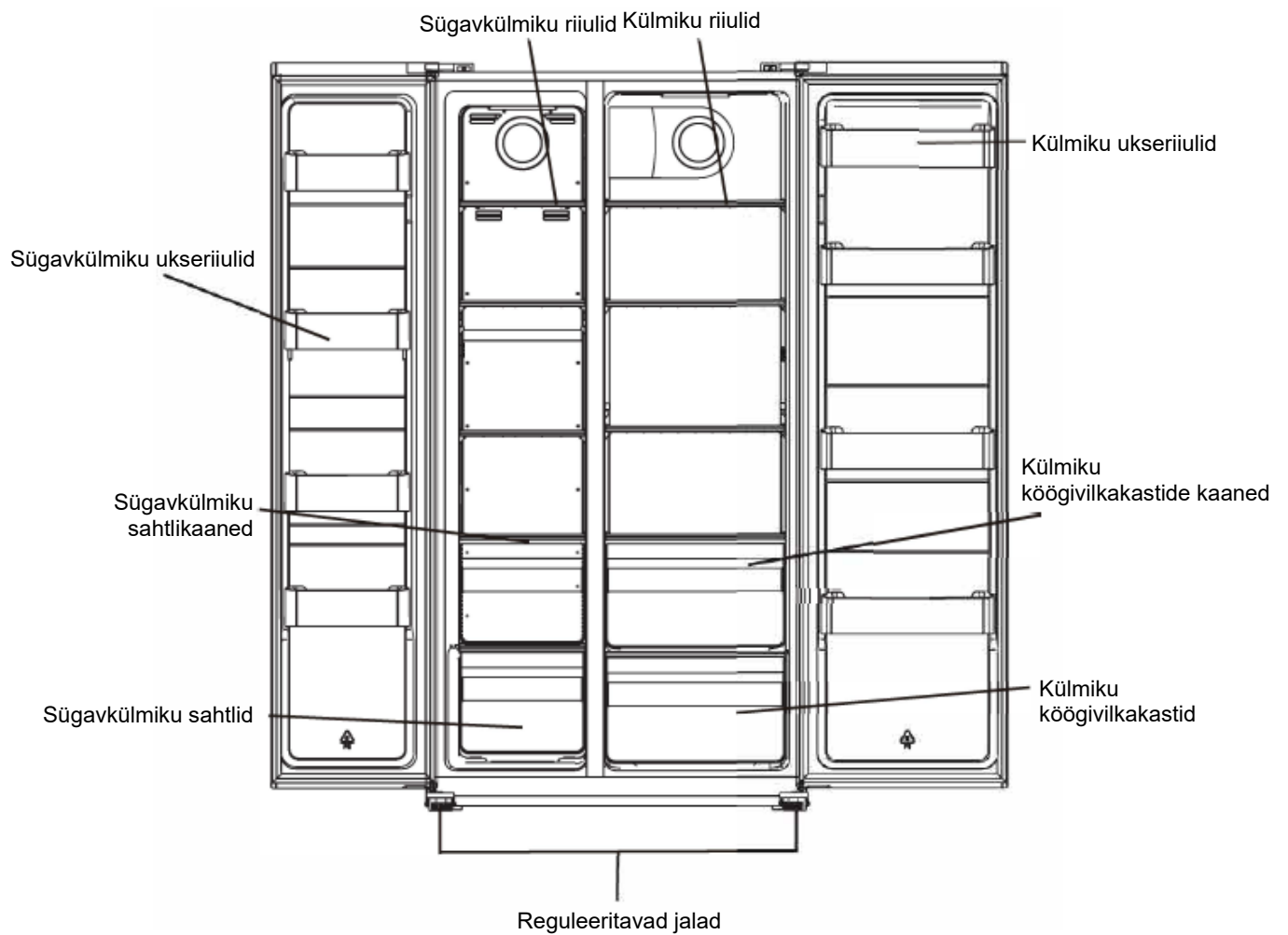
Seadme kasutusest kõrvaldamine

1. Eemaldage toitekaabel vooluvõrgust.
2. Lõigake toitekaabel katki ja visake ära.



 **HOIATUS!** Seadme kasutamisel, hooldamisel ja kasutusest kõrvaldamisel pöörake tähelepanu vasakul näidatud sümbolile, mis asub seadme tagaküljel (tagapaneelil või kompressoril). See on tulekahjuohu eest hoiatav sümbol. Külmaaine torustikus ja kompressoris on tuleohtlikke materjale. Kasutamise, hooldamise ja kõrvaldamise ajal hoidke tuleallikatest eemal.

Üldvaade



Märkus. Üaltoodud pilt on ainult näitlik. Tegelik seade võib olla sellest erinev.

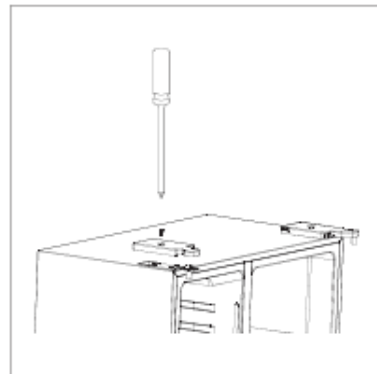
Paigaldamine

Eemaldage ukсед

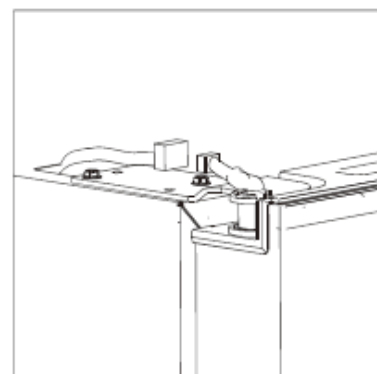
Vajalikud tööriistad: Ristpeaga kruvikeeraja, lameda peaga kruvikeeraja.

- Veenduge, et seade poleks vooluvõrgus ja oleks tühi.
- Ukse eemaldamiseks peab seadet tahapoole kallutada. Toetage seade kindlale alusele, nii et see ukse eemaldamise ajal ei libiseks.
- Kõik eemaldatud osad tuleb ukse paigaldamiseks alles jätta.
- Ärge pange seadet pikali, kuna see võib jahutusaine süsteemi kahjustada.
- Monteerimise ajal tuleks seadet käsitseda kahekesi.

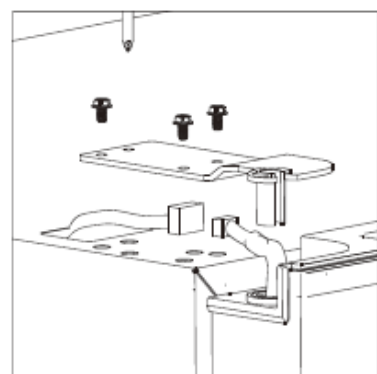
1. Kruvige hinge kate ristpeaga kruvikeerajaga lahti.



2. Võtke kinnitus lahti.

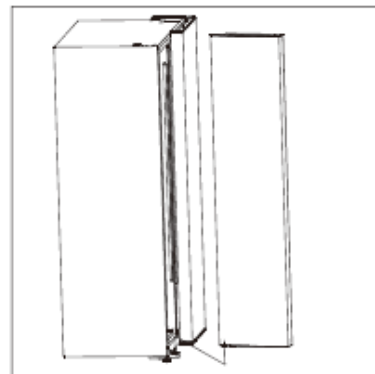


3. Kruvige ülemine hing ära.

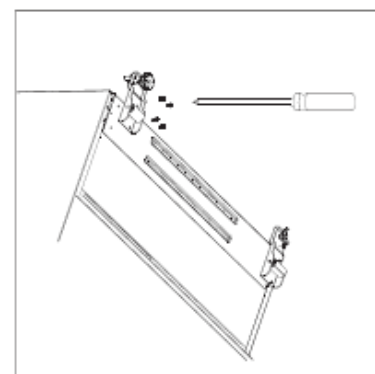


Paigaldamine

4. Tõstke uks maha ja asetage pehmele alusele. Seejärel eemaldage samamoodi ka teine uks.



5. Kruvige alumised hinged ära.

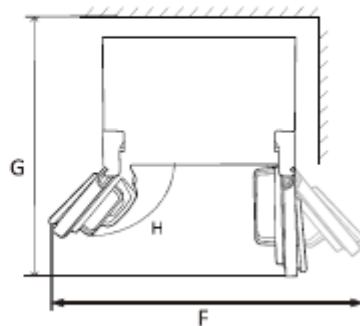
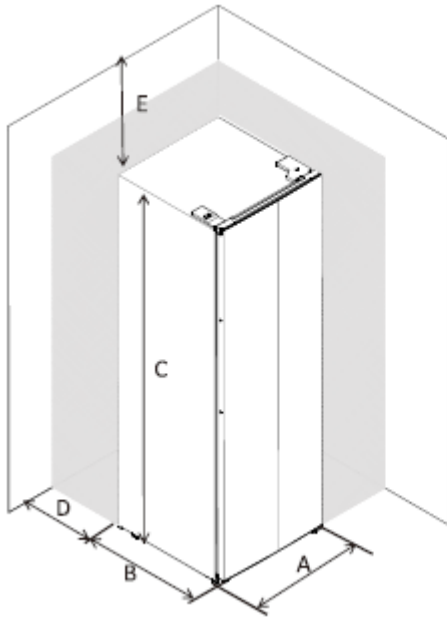


6. Paigutage seade kohale ja paigaldage uksed vastupidises järjekorras nende eemaldamisele.

Paigaldamine

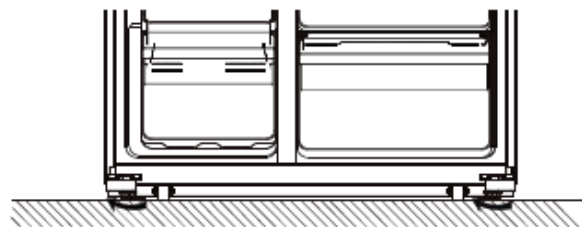
Ruumivajadus

- Paigalduskoht peab olema kaitstud otsese päikesevalguse eest.
- Külmiku ustel avamiseks peab jääma piisavalt ruumi.
- Paigutage seade horisontaalsele (või peaaegu horisontaalsele) põrandale.
- Jätke piisavalt ruumi külmiku paigaldamiseks tasasele pinnale.
- Paigaldamisel jätke seadmest paremale, vasakule, taha ja üles vaba ruumi. See aitab vähendada energiatarbimist ja säästa elektrit.



A	910
B	670
C	1770
D	min=50
E	min=50
F	1800
G	1560
H	135°

Külmiku loodimine



- Seadke külmik selle jalgu reguleerides horisontaalseks ja stabiilseks.
- Tõstmiseks kruvige jalgu päripäeva.
- Langetamiseks kruvige jalgu vastupäeva.

Paigaldamine

Paigutamine

Paigaldage seade kohta, kus õhutemperatuur vastab seadme andmesildil märgitud kliimaklassile: Kliimaklassiga külmikud:

- laiendatud parasvööde: see külmikud on ette nähtud kasutamiseks keskkonnas, kus õhutemperatuur on 10...32 °C (SN);
- parasvööde: see külmikud on ette nähtud kasutamiseks keskkonnas, kus õhutemperatuur on 16...32 °C (N);
- subtroopika: see külmikud on ette nähtud kasutamiseks keskkonnas, kus õhutemperatuur on 16...38 °C (ST);
- troopika: see külmikud on ette nähtud kasutamiseks keskkonnas, kus õhutemperatuur on 16...43 °C (T).

Asukoht

Seade tuleb paigaldada eemale soojusallikatest, nagu radiaatorid, katlad, otsene päikesevalgus jne. Veenduge, et õhk saaks korpuse tagaküljel vabalt ringelda. Parima jõudluse tagamiseks, kui seade paigutatakse ülemise seinakapi alla, peab seadme lae ja seinakapi vaheline minimaalne kaugus olema vähemalt 100 mm. Võimalusel tuleks seadme paigutamist ülemise seinakapi alla siiski vältida. Ühe või mitme reguleeritava jala abil saab seadme täpselt loodida.

See külmik ei ole ette nähtud mööblisse sisse ehitamiseks.



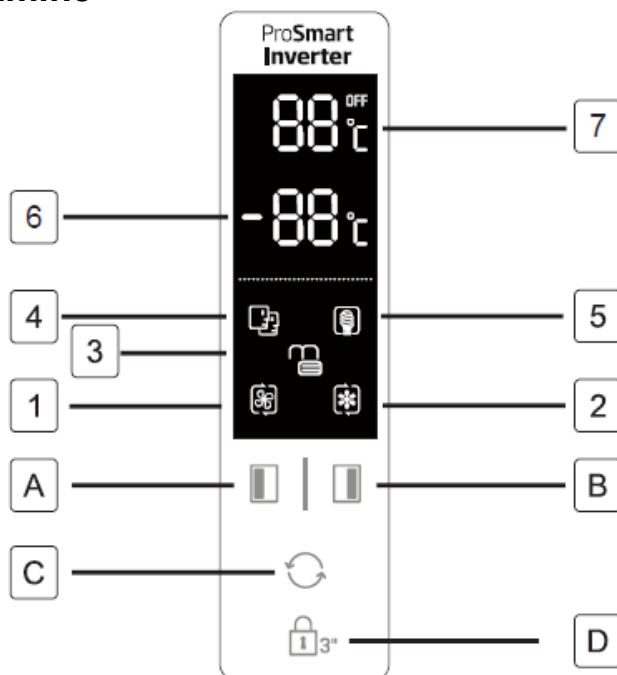
Hoiatus! Seadet peab olema võimalik vooluvõrgust isoleerida ning selleks peab pistik pärast paigaldamist olema kergesti ligipääsetav.

Elektriline ühendamine

Enne vooluvõrguga ühendamist veenduge, et andmesildil näidatud pinge ja sagedus vastaksid teie kodusele elektrivõrgule. Seade peab olema maandatud. Toitekaabli pistik on selleks otstarbeks varustatud kontaktiga. Kui kodune seinapistikupesa pole maandatud, peab seadme ühendama kehtivaid määrusi järgides kohaselt eraldi maandusega, konsulteerides kvalifitseeritud elektrikuga. Tootja keeldub igasugusest vastutusest, kui ülaltoodud ettevaatusabinõusid ei järgita. See seade vastab EEC Direktiividele.

Igapäevane kasutamine

Juhtpaneeli kasutamine



Nupud

- A** Vajutage sügavkülmiku (vasakul) temperatuuri reguleerimiseks vahemikus $-14\dots-22$ °C.
- B** Vajutage külmiku (paremal) temperatuuri reguleerimiseks vahemikus $2\dots8$ °C.
- C** Vajutage töörežiimide **SMART (Nutikas)**, **ECO (Ökonoone)**, **SUPER COOLING (Kiirjahutus)**, **SUPER FREEZING (Kiirkülmutus)** ja **USER S SETTING (Kasutaja säte – ekraanil pole sümbolit)** valimiseks.
- D** Vajutage nuppu **3 SEC** (3 sekundit) ja hoidke kolm sekundit all, et ülejäänud kolm nuppu lukustada. Ülejäänud kolme nupu avamiseks hoidke seda nuppu üks sekund all.

Ekraan

- 1** **SUPER COOLING** (Kiirjahutus) jahutab külmikuosa valitud madalaima temperatuurini. Umbes 2,5 tunni pärast taastub eelnevalt kasutaja valitud temperatuurisäte.
- 2** **SUPER FREEZING** (Kiirkülmutus) jahutab sügavkülmikuosa valitud madalaima temperatuurini. Umbes 50 tunni pärast taastub eelnevalt kasutaja valitud temperatuurisäte.
Nipp: lülitage režiim **SUPER FREEZING** (Kiirkülmutus) sisse 24 tundi enne suure koguse toiduainete panekut sügavkülmikusse.
- 3** **LOCK** (Lukustus) – sümbol süttib, kui nupud lukustatakse.
- 4** Režiimis **SMART** (Nutikas) reguleerib seade kahe kambri temperatuuri automaatselt vastavalt seadme sisemuse ja ümbruse temperatuurile.
- 5** Režiimis **ECO** (Ökonoome) töötab külmik madalaima võimaliku energiatarbimisega.
- 6** Näitab sügavkülmiku seatud temperatuuri.
- 7** Näitab külmiku seatud temperatuuri.
- 8** Elektrikatkestuse tõttu lapselukk ei tööta. Lapselukk aktiveeritakse automaatselt 25 sekundit pärast viimast toimingut. Ekraan lülitub automaatselt välja 2 minutit pärast viimast toimingut.
- 9** Sellel mudelil ei pruugi olla kõiki kirjeldatud funktsioone.

Avatud ukse alarm

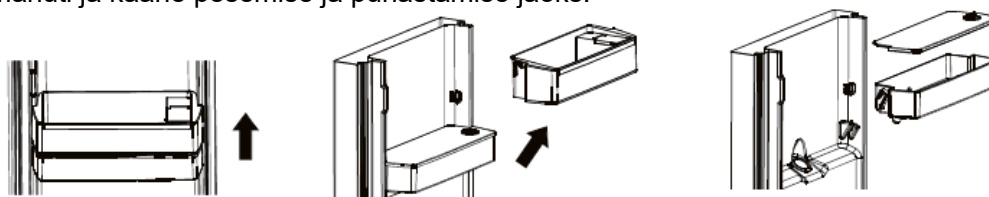
Kui üks ustest jääb 90 sekundiks lahti, kostub perioodiline alarm, kuni uks taas suletakse.

Igapäevane kasutamine

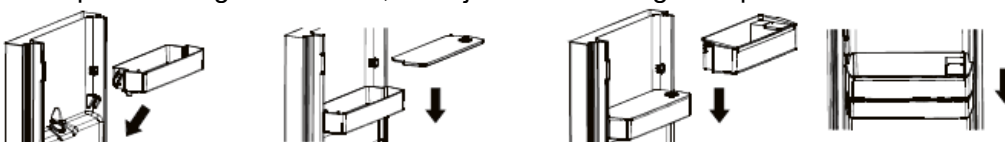
Igapäevakasutus

Enne veejaoturi esmakordset kasutamist eemaldage ja puhastage külmkapis asuv veemahuti.

1. Esmalt tõstke mahutiriiulit ja eemaldage see, siis eemaldage kaanega veemahuti. Eemaldage kaas mahuti ja kaane pesemise ja puhastamise jaoks.



2. Pärast pesu asetage veemahuti, kaas ja mahutiriiul tagasi allpool näidatud moel.



3. Puhastage väljaspool külmiku ust asuv jaoturi padi.



Veemahuti täitmine veega

1. Avage väike kaas



2. Täitke veemahuti joogiveega kuni 3 liitri jooneni.
3. Sulgege kaanel olev väike kaas



Vee saamine

Vee saamiseks suruge jaoturi patja õrnalt klaasi või anumaga. Veevoolu peatamiseks eemaldage oma klaas jaoturi padjast.

Igapäevane kasutamine

Esmakordne kasutamine

Sisemuse puhastamine

Enne seadme esmakordset kasutamist peske sade seest ja kõik sisemise tarvikuid leige vee ning neutraalse pesuainega üle, et eemaldada uuele tootele iseloomulik lõhn. Seejärel kuivatage hoolikalt.

Tähtis! Ärge kasutage detergente ega abrasiivseid pulbreid, kuna need kahjustavad viimistlust.

Igapäevane kasutamine

Toit	Asukoht
Munad	Ukseriul
Piimatooted (või, juust)	Värske köögivilja või jahutuskamber (olemasolu korral), alumised riulid
Puu- ja köögiviljad, salat	Puu- ja köögivilja kast, värske või EverFresh+ lahter (olemasolu korral)
Värske liha, linnuliha, värske kala, vorst, kuumtöödeldud toidud	Värske köögivilja või jahutuskamber (olemasolu korral), alumine riul
Valmistoidud, pakendatud, konserveeritud ja marineeritud tooted	Ülemised riulid, ukseriul
Joogid, pudelid, maitseained, suupisted	Ukseriul
Ülejäägid	Keskised riulid

Suunis värske toidu säilitamise kohta.

Toidu säilitamine värske toidu kambris.

- Hoidke külmikus soovitatavat temperatuuri 4 °C.
- Hoidke toitu korralikult suletuna, et vältida lõhna või maitse muutumist.
- Ärge hoidke külmkapis liiga palju toiduaineid. Paremaks ja ühtlasemaks jahutamiseks jätke toitude vahele ruumi, et külm õhk saaks nende vahel liikuda.
- Et ust peaks võimalikult vähe lahti hoida, pange iga päev söödavad toidud hoida riuli esiossa.
- Jätke toidu ja külmiku seinte vahele ruumi, et õhk saaks liikuda. Kui panete toidu tagaseina vastu, võib toit selle külge kinni külmuda.
- Kuum toit tuleb enne seadmesse panekut toatemperatuurini maha jahutada. Seejärel pange soe toit mõnele alumisele riulile. Ärge pange sooja toitu kiiresti riknevate toiduainete lähedale.
- Külmutatud toidu sulatamiseks kasutage värske toidu ala. Nii kasutate külmutatud toitu värske toidu ala jahutamiseks ja säästate energiat.
- Kui hoiate külmikus küpseid troopilisi puuvilju (mango, melon, papaia, banaan, ananass), võivad need kiiremini vananeda, mis pole soovitatav, sest ka nende säilivusaeg lüheneb. Samas saab roheliste puuviljade (õun, pirn) valmimist teatud perioodid külmikus hoidmisega kiirendada.
- Sibulat, küüslauku, ingverit ja muid juurvilju tuleks hoida pimedas ja jahedas kohas, aga mitte külmkapis.
- Kui leiata külmikust riknenud toitu, peab selle ära viskama. Kui toit on mädanenud, puhastage saastumise vältimiseks külmiku sisepind ja tarvikud, mis on selle toiduga kokku puutunud.
- Kiiremaks jahutamiseks võib mahukad toidud, näiteks supid või hautised, külmikusse panna madalas anumal. Samamoodi võib suured praetükid ja tervena küpsetatud linnu väiksemateks tükkideks jagada.

- Ärge hoidke pakendamata toiduaineid munade lähedal.
- Hoidke puuvilju ja juurvilju eraldi ning säilitage üheskoos ainult sarnaseid toite: õunad koos õuntega ja porgandid koos porganditega. Puu- ja juurviljadest eraldub erinevaid gaase, mis võivad põhjustada muude toiduainete riknemist.
- Võtke lehtsalat kilepanendist välja ja mähkige enne külmikusse panemist paber- või tekstiilrätikusse. Kui olete salatit eelnevalt pesnud või see on märg, ärge unustage seda kuivatada.
- Hoidke puu- ja köögivilju, mis võivad kuivada, perforatsiooniga või avatud kilekotis, et säilitada niiske keskkonda ning võimaldada siiski õhul ringelda.
- Jagage erinevad toidud eri kohtade vahel vastavalt toitude omadustele:

Kontrollige seadme andmesildil toodud kliimaklassi. Üks järgmistest näitajatest kehtib teie seadme kliimaklassile.

- Seerianumber: Laiendatud parasvööde: see külmik on ette nähtud kasutamiseks keskkonnas, kus õhutemperatuur on 10...32 °C
- N: Parasvööde: see külmik on ette nähtud kasutamiseks keskkonnas, kus õhutemperatuur on 16...32 °C
- ST/N Subtroopika: see külmutusseade on ette nähtud kasutamiseks keskkonnas, kus õhutemperatuur on 16...38 °C
- T: Troopika: see külmutusseade on ette nähtud kasutamiseks keskkonnas, kus õhutemperatuur on 16...43 °C

ET Toiduainete säilitamine sügavkülmikus.

- Sügavkülmik on soovitatav seada temperatuurile -20 °C (välja arvatud äärmuslikes keskkonnatingimustes).
- Kiiremaks külmutamiseks lülitage 4–6 tundi varem sisse funktsioon „Kiirkülmutus“.
- Kuum toit tuleb enne sügavkülmikusse panekut toatemperatuurini maha jahutada.
- Väikesteks portsjoniteks lõigatud toit külmub kiiremini ning seda on lihtsam sulatada ja kühvetada.
- Parem on toit enne sügavkülma panemist pakkida.
- Säilitusähtaja ületamise vältimiseks märkige pakendile selle külmutuskuupäev, tähtaeg ja toidu nimetus vastavalt erinevate toiduainete säilitusaegadele.
- Ärge ületage toiduainete tootjate soovitatud säilitusaegu. Võtke sügavkülmikust välja ainult vajalik kogus toiduaineid.
- Tarbige sulatatud toitu kiiresti ära. Sulatatud toitu ei tohi uuesti külmutada, kui seda pole vahepeal kuumtöödeldud. Kuumtöötlemata uuesti külmutatud värske toidu tarbimine võib olla ohtlik.
- Värske toidu külmutamisel vältige selle kokkupuudet juba külmutatud toiduga. See võib põhjustada külmunud toidu osalist ülessulatumist.

Müügilolevate külmutatud toiduainete säilitamisel järgige järgmisi juhiseid.

Järgige alati tootja juhiseid selle kohta, kui kaua võib toitu säilitada. Ärge neid kuupäevi ületage.

- Toidu kvaliteedi säilitamiseks proovige hoida ostmise ja sügavkülmikusse paneku vaheline aeg võimalikult lühike.
- Ostke ainult külmutatud toiduaineid, mida on hoitud temperatuuril -18 °C või alla selle.
- Vältige selliste toiduainete ostmist, mille pakendil on jääd või härmatist – see näitab, et tooted võivad olla mingil hetkel osaliselt sulanud ja uuesti külmutatud. Vahepealne temperatuuri tõus mõjutab toidu kvaliteeti.
- Toidu parema säilivuse saavutamiseks soovime temperatuuri värske toidu kambris seada 4 °C ja sügavkülmiku osas -20 °C peale.

- Kui temperatuur on seatud soovitatavale väärtusele ($+4\text{ °C}$ / -20 °C ; välja arvatud äärmuslikes keskkonnatingimustes), pikeneb värske toidu ja sügavkülmiku osa üldine värskus. Kui värske toidu kambri temperatuur on seatud jahedamaks, võivad värsked puu- ja köögiviljad osaliselt külmuda või külmakahjustusi saada, samas võib kõrgem temperatuur põhjustada teatud toiduainete (piimatooted, lihatooted) kiiremat riknemist.

Igapäevane kasutamine

Värske toidu külmutamine

- Sügavkülmkamber sobib värske toidu külmutamiseks ning külmutatud ja sügavkülmutatud toiduainete pikaajaliseks säilitamiseks.
- Pange külmutamiseks mõeldud värske toit alumisse kambrisse.
- Maksimaalne toiduainete kogus, mida võib 24 tunni jooksul külmutada, on märgitud andmesildil.
- Külmutamine kestab 24 tundi; selle aja jooksul ärge lisage muid külmutatavaid toiduaineid.

Külmutatud toidu säilitamine

Esmakordsel käivitamisel või pärast kasutusest seismist. Enne toote külmikusse panemist laske seadmel vähemalt 2 tundi töötada, seades temperatuuri madalaks.

Tähtis! Juhusliku ülessulutamise korral, näiteks kui vool on välja lülitatud kauem, kui on näidatud tehniliste andmete tabeli lahtris „tõusuaeg“, tuleb ülessulanud toit kiiresti ära tarbida või kohe küpsetada ja seejärel (pärast küpsetamist) uuesti külmutada.

Sulatamine

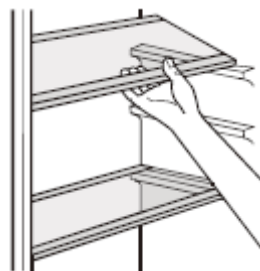
Sügavkülmutatud või külmutatud toiduaineid võib enne kasutamist üles sulatada külmikus või toatemperatuuril, olenevalt sellest, palju selleks aega on.

Väikesi tükke võib küpsetada ka külmutatult, otse pärast sügavkülmast väljavõtmist. Sel juhul võtab küpsetamine kauem aega.

Tarvikud

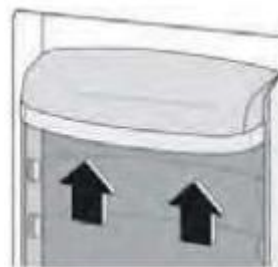
Väljatõmmatavad riulid

Külmiku külgsel on sooned riulite paigutamiseks erinevatele kõrgustele.



Ukseriulite paigutamine

Eri suurusega pakendite hoidmiseks saab ukseriuleid paigutada erinevatele kõrgustele. Selleks toimige järgmiselt: tõmmake riulit pikkamisi noolte suunas, kuni see vabaneb, ning seejärel asetage vastavalt vajadusele.



Igapäevane kasutamine

Kasulikud näpunäited ja soovitused

Näpunäiteid külmutamiseks

Mõned olulised näpunäited, mis aitavad teil külmutamisprotsessist maksimumi võtta.

- Andmesildil on näidatud maksimaalne toiduainete kogus, mida saab seadmes 24 tunni jooksul külmutada.
- Külmutusprotsess kestab 24 tundi. Selle aja jooksul ei tohi külmutatavaid toiduaineid lisada.
- Külmutage ainult kvaliteetseid, värskaid, korralikult puhastatud toiduaineid.
- Tehke toit väikesteks portsjoniteks, et see kiiresti ja täielikult läbi külmuks ning seda oleks võimalik hiljem sulatada ainult vajalikus koguses.
- Mähkige toit alumiiniumfooliumisse või polüetüleenkilesse ja veenduge, et pakendid oleksid õhukindlad.
- Ärge laske värskel külmutamata toidul puutuda kokku juba külmutatud toiduga, et vältida selle temperatuuri tõusu.
- Lahjad toidud säilivad paremini ja kauem kui rasvased; sool vähendab toidu säilivusaega külmutamisel.
- Vesi jäähtub ja kui toitu tarbitakse kohe pärast külmutuskambri väljavõtmist, võib see põhjustada naha külmumis põletuse.
- Soovitav on igale üksikule pakendile märkida külmumise kuupäev, et saaksite toidu külmutuskambri õigel ajal eemaldada.
- Soovitav on igale üksikule pakendile märkida külmutamiskuupäev, et saaksite toidu säilitamisega jälgida.

Näpunäiteid külmutatud toiduainete säilitamiseks

Seadme parima toimivuse saavutamiseks peaksite tegema järgmist:

veenduge, et kaupluses olevad külmutatud toiduaineid oleksid nõuetekohaselt säilitatud;

veenduge, et külmutatud toiduained jõuaksid kauplusest teie sügavkülmikusse võimalikult lühikese aja jooksul;

ärge avage seadme kaant sageli ega jätke seda lahti kauemaks, kui on hädavajalik.

Pärast sulatamist rikneb toit kiiresti ja seda ei tohi uuesti külmutada.

Ärge ületage toidu tootja määratud säilitusaega.

Värskete toitude jahutamine

Parima tõhususe saavutamiseks toimige järgmiselt:

- Ärge pange külmikusse sooja toitu ega auravaid vedelikke
- Soovitav on toit kinni katta või pakendada, eriti kui sellel on tugev aroom

Toidu jahutamine

Nipid

- Tehke nii (igat tüüpi toit): pange kilekotti pakitud toit köögiviljasahtli kohal olevale klaasriiulile.
- Ärge hoidke sel viisil rohkem kui üks või kaks päeva.
- Kuumtöödeldud toidud, külmtoidud jms ...: katke kinni ja hoidke mis tahes riulil.
- Puu- ja köögiviljad: puhastage korralikult ja pange vastavasse sahtlisse.
- Või ja juust: pange spetsiaalsesse õhukindlasse anumasse või pakendage võimalikult õhukindlalt fooliumisse/kilekotti.
- Piim: sulgege korgiga ja hoidke ukseriulil.
- Pakendamata banaanid, kartulid, sibulad ja küüslauk – ärge hoidke külmikus.

Puhastamine

Hügieenilise tagamiseks tuleb seadme sisemust, sealhulgas tarvikuid, regulaarselt puhastada.



Ettevaatust! Seadet ei tohi olla puhastamise ajal vooluvõrguga ühendatud. Elektrilöögioht! Enne puhastamist lülitage seade välja ja eemaldage pistik vooluvõrgust või lülitage kaitselüliti välja või eemaldage sulavkaitse. Ärge kunagi puhastage seadet aurupesuriga. Elektriosadesse võib koguneda niiskus ja tekib elektrilöögioht. Kuumad aurud võivad plastosi kahjustada. Seade peab olema kuiv, enne kui seda taas kasutatakse.

Tähtis! Eeterlikud õlid ja orgaanilised lahustid, mis võivad kahjustada plastosi: nt sidrunimahla või apelsinikoore mahla, või hape, äädikhapet sisaldavad puhastusained.

Igapäevane kasutamine

- Ärge laske sellistel ainetel seadme osadega kokku puutuda.
- Ärge kasutage abrasiivseid puhastusaineid.
- Eemaldage toit sügavkülmikust. Hoidke toitu jahedas kohas, hästi kinni kaetuna.
- Lülitage seade välja ja eemaldage pistik vooluvõrgust või lülitage kaitselüliti välja või eemaldage sulavkaitse.
- Puhastage seadet ja selle sisemisi tarvikuid lapi ja leige veega. Pärast puhastamist loputage puhta veega ja hõõruge kuivaks.
- Kui kõik osad on kuivanud, võtke seade uuesti kasutusele.

Rikkeotsing



Ettevaatust! Enne tõrkeotsingut ühendage toitekaabel lahti. Viisil mida selles juhendis ei kirjeldata, võib seadet rikete suhtes kontrollida ainult kvalifitseeritud elektrik või pädev isik.

Tähtis! Tavakasutusel kostab seadmest teatud helisid (kompressor, külmaaine ringlus).

Probleem	Võimalik põhjus	Lahendus
Seade ei tööta	Toitekaabel pole ühendatud või on lahti	Sisestage toitepistik.
	Kaitse on läbi põlenud või rikkis	Kontrollige kaitset, vajadusel vahetage see välja.
	Pistikupesa on rikkis	Elektrivõrgu rikked peab parandama elektrik.
Toit on liiga soe.	Temperatuur ei ole õigesti reguleeritud.	Vt jaotist „Temperatuuri seadmine“.
	Kaas on olnud pikemat aega lahti.	Avage kaant ainult nii kauaks kui vaja.
	Viimase 24 tunni jooksul on seadmesse pandud suur kogus sooja toitu.	Seadke temperatuuri regulaator ajutiselt külmemale temperatuurile.
	Seade asub soojusallika läheduses.	Juhinduge jaotisest „Paigaldamiskoht“.
Seade on liiga külm	Temperatuur on seatud liiga madalaks.	Seadke temperatuuri reguleerimise nupp ajutiselt kõrgemale temperatuurile.
Ebatavalised helid	Seade pole loodis.	Reguleerige seadme jalgu.
	Seade toetub vastu seina või muid esemeid.	Liigutage seadet veidi.
	Seadme tagaküljel olev osa (nt toru), puudutab mõnda muud seadme osa või seina.	Vajadusel painutage seda osa ettevaatlikult eemale.
Põrandal on vesi	Vee äravooluava on umbes.	Vaadake jaotist „Puhastamine ja hooldus“.
Küljepaneelid on kuumad	See on normaalne. Soojusvahetus toimub küljepaneelide kaudu	Vajadusel puudutage küljepaneele kinnastes kätega.

Kui rike kordub, võtke ühendust teeninduskeskusega.



Ledusskapis

Lietotāja rokasgrāmata



GNO5322XPN
GNO5323XPN
GNO5324XPN
GNO5322WN
GNO5322WDXPN



LV

INFORMĀCIJA



PIEGĀDĀTĀJA NOSAUKUMS

MODEĻA IDENTIFIKATORS

(*)



Izstrādājuma datu bāzē glabātajai informācijai par modeli var piekļūt, apmeklējot norādīto tīmekļa vietni un meklējot modeļa identifikatoru (*), kas redzams uz enerģijas etiķetes.

<https://eprel.ec.europa.eu/>

Drošības informācija




Jūsu drošības un pareizas lietošanas nolūkā pirms ierīces uzstādīšanas un pirmās lietošanas rūpīgi izlasiet šo lietotāja rokasgrāmatu, tostarp ieteikumus un brīdinājumus. Lai izvairītos no nevajadzīgām kļūdām un negadījumiem, ir svarīgi nodrošināt, ka visi cilvēki, kuri izmanto ierīci, ir rūpīgi iepazinušies ar tās darbību un drošības funkcijām. Saglabājiet šo instrukciju un pārliedzinieties, ka tā ir kopā ar ierīci pārvietošanas vai pārdošanas gadījumā, lai ikviens lietotājs ierīces darbības laikā būtu atbilstoši informēts par tās lietošanu un drošību.

Lai neapdraudētu dzīvību un īpašumu, ievērojiet šajā lietošanas instrukcijā minētos piesardzības pasākumus, jo ražotājs nav atbildīgs par neuzmanības dēļ radītiem bojājumiem.







Bērnu un cilvēku ar ierobežotām spējām drošība

- Šo ierīci drīkst izmantot bērni vecumā no 8 gadiem, kā arī personas ar ierobežotām fiziskām, sensorām vai garīgām spējām vai bez pieredzes un zināšanām, ja tie tiek uzraudzīti vai ir saņēmuši norādījumus par ierīces drošu lietošanu un saprot ietvertos riskus.
- Bērni ir jāuzrauga, lai nodrošinātu, ka tie nerotaļājas ar ierīci.
- Bērni nedrīkst veikt tīrīšanu un apkopi, ja vien viņi nav sasnieguši 8 gadu vecumu un netiek uzraudzīti.
- Glabājiet visus iepakojuma materiālus bērniem nepieejamā vietā. Pastāv nosmakšanas risks.
- Atbrīvojoties no ierīces, izraujiet kontaktdakšu no kontaktligzdas, nogrieziet savienošanas kabeli (iespējami tuvu ierīcei) un noņemiet durvis, lai novērstu varbūtību, ka bērni rotaļājoties cieš no elektrošoka vai iesprūst.
- Ja šī ierīce ar magnētiskām durvju blīvēm aizstāj vecāku ierīci ar atsperes fiksatoru uz durvīm vai vāka, pārliedzinieties, ka atsperes fiksators nav lietojams, pirms atbrīvojaties no vecās ierīces. Tādējādi novērsīsiet bērnu apdraudējumu.

Vispārējā drošība

-  **BRĪDINĀJUMS!** Neaizsedziet ierīces ventilācijas atveres, novietojot to brīvi stāvošu vai iebūvējot to mēbelēs.
-  **BRĪDINĀJUMS!** Nelietojiet ražotāja neieteiktas mehāniskas ierīces vai citus līdzekļus atkausēšanas procesa paātrināšanai.
-  **BRĪDINĀJUMS!** Nesabojājiet dzesētāja shēmu.

Drošības informācija

-  **BRĪDINĀJUMS!** Nelietojiet citas elektroierīces (piemēram, saldējuma pagatavošana ierīces) dzesēšanas ierīces iekšpusē, ja vien ražotājs nav apstiprinājis ierīces lietošanu šādam nolūkam.
-  **BRĪDINĀJUMS!** Nepieskarieties spuldzei, ja tā ir ilgstoši degusi, jo tā var būt ļoti karsta.¹⁾
-  **BRĪDINĀJUMS!** Novietojot ierīci, pārliedzinieties, ka strāvas vads nav saspiests vai bojāts.
-  **BRĪDINĀJUMS!** Ierīces aizmugurē nenovietojiet pārnēsājamus pagarinātājus vai pārnēsājamus barošanas avotus.
 - Neglabājiet ierīcē sprāgstošas vielas, piemēram, aerosola flakonus ar viegli uzliesmojošu vielu.
 - Ierīces dzesēšanas ķēde satur dzesētāju izobutānu (R-600a), kas ir dabīga gāze ar augsta līmeņa vides saderību, tomēr ir uzliesmojoša.
 - Ierīces transportēšanas un uzstādīšanas laikā nodrošiniet, lai neviens no dzesēšanas ķēdes komponentiem netiktu bojāts.
 - Izvairieties no atklātas liesmas un aizdegšanās avotiem.
 - Rūpīgi vēdiniet telpu, kurā ierīce ir novietota.
 - Šīs ierīces jebkāda veida pārveidošana vai specifikāciju mainīšana rada bīstamību. Jebkāds vada bojājums var radīt īssavienojumu, ugunsgrēku un/vai elektrošoku.
 - Šī ierīce ir paredzēta lietošanai mājas un līdzīgos apstākļos, piemēram
 - personāla virtuves zonās veikalos, birojos un citās darba vidēs;
 - lauku mājās un klientu vajadzībām viesnīcās, moteļos un citās dzīvojamās vidēs;
 - naktsmītnēs ar brokastīm;
 - ēdināšanas un līdzīgās iestādēs, kas nenodarbojas ar mazumtirdzniecību.
-  **BRĪDINĀJUMS!** Jebkādu elektrisko komponentu (kontaktdakšas, strāvas vada, kompresora utt.) nomaiņa ir jāveic sertificētam servisa speciālistam vai kvalificētam servisa personālam.
-  **BRĪDINĀJUMS!** Šīs ierīces komplektā iekļautā spuldze ir "speciālā lietojuma spuldze", kas ir lietojama tikai kopā ar ierīci. Šī "speciālā lietojuma spuldze" nav lietojama mājokļa apgaismojumam.¹⁾

1) Ja nodalījumā ir gaiss.

Drošības informācija

- Strāvas vadu nedrīkst pagarināt.
- Pārliecinieties, ka kontaktdakša nav saspiesta un netiek bojāta ierīces aizmugurē. Saspiesta vai bojāta kontaktdakša var pārkarst un radīt ugunsgrēku.
- Pārliecinieties, ka ierīces kontaktdakšai var piekļūt.
- Neraujiet barošanas kabeli.
- Nesavienojiet kontaktdakšu ar kontaktligzdu, kas ir vaļīga. Pastāv elektrošoka vai ugunsgrēka risks.
- Ierīci bez lampas nedrīkst lietot.
- Šī ierīce ir smaga. Esiet uzmanīgs, to pārvietojot.
- Neizņemiet produktus un nepieskarieties saldētavā esošiem produktiem, ja jūsu rokas ir mitras/slapjas, jo tā varat gūt ādas nobrāzumus vai apsaldējumus.
- Izvairieties ierīci ilgstoši pakļaut tiešiem saules stariem.

Ikdienas lietošana

- Nelieciēt karstus priekšmetus uz ierīces plastmasas daļām.
- Nelieciēt pārtikas produktus tieši pie aizmugurējās sienas.
- Atkārtoti nesaldējiēt produktus pēc atkausēšanas.¹⁾
- Glabājiēt iepriekš iepakotus saldētus produktus atbilstoši saldēto produktu ražotāja norādījumiem¹⁾
- Stingri ievērojiēt ražotāja ieteikumus attiecībā uz glabāšanu. Skatiet atbilstošos norādījumus.
- Nelieciēt gāzētus dzērienus saldētavā, jo tas rada spiedienu traukā, kā rezultātā iespējams sprādziens un tādējādi bojājumi ierīcei.¹⁾
- Augļu sulas saldējumi var radīt apsaldējumus, patērējiēt tos tikko izņemtus no ierīces.¹⁾

Lai izvairītos no pārtikas piesārņojuma, ievērojiēt šādus norādījumus

- Durvju atvēršana uz ilgu laiku var radīt ievērojamu temperatūras paaugstināšanos ierīces nodalījumos.
- Regulāri tīriēt virsmas, kas var saskarties ar pārtikas produktiem, un pieejamās drenāžas sistēmas.
- Tīriēt ūdens tvertnes, ja tās nav lietotas 48 h; skalojiēt ūdens sistēmu, kas savienota ar ūdensapgādes sistēmu, ja ūdens nav izvadīts 5 dienas.
- Svaigu gaļu un zivis glabājiēt atbilstošos ledusskapja konteineros, lai tās nesaskartos ar citiem produktiem.
- Divu zvaigznīšu sasaldētu produktu nodalījumi (ja ierīcē tādi ir) ir piemēroti, lai uzglabātu iepriekš sasaldētus produktus, uzglabātu vai pagatavotu saldējumu un pagatavotu ledus gabaliņus.

1) Ja ir saldētavas nodalījums.

2) Ja ir svaigu pārtikas produktu glabāšanas nodalījums.

Drošības informācija

- Vienas, divu un trīs zvaigznīšu nodalījumi (ja ierīcē tādi ir) nav piemēroti svaigu produktu saldēšanai.
- Atstājot ierīci tukšu uz ilgu laiku, izslēdziet to, atkausējiet, iztīriet, nosusiniet un atstājiet durvis atvērtas, lai novērstu pelējuma rašanos.

Apkope un tīrīšana

- Pirms apkopes izslēdziet ierīci un atvienojiet kontaktdakšu no kontaktligzdas.
- Netīriet ierīci ar metāla priekšmetiem.
- Nelietojiet asus priekšmetus, lai noņemtu sarmu no ierīces. Izmantojiet plastmasas skrāpi.¹⁾
- Regulāri pārbaudiet, vai ledusskapja notekcaurulē nav atkausēšanas ūdens. Nepieciešamības gadījumā iztīriet notekcauruli. Ja notekcaurule ir nosprostota, ūdens uzkrājas ierīces apakšā.²⁾

Uzstādīšana

Svarīgi! Pieslēdzot ierīci elektrotīklam, rūpīgi ievērojiet norādījumus, kas sniegti attiecīgajās sadaļās.

- Izpakojiet ierīci un pārbaudiet, vai nav bojājumu. Nepieslēdziet ierīci, ja tā ir bojāta. Par iespējamiem bojājumiem nekavējoties ziņojiet pārdevējam. Šādā gadījumā saglabājiet iepakojumu.
- Pirms pieslēdzat ierīci, iesakām uzgaidīt vismaz četras stundas, lai eļļa ieplūstu atpakaļ kompresorā.
- Ap ierīci nodrošiniet pietiekamu gaisa cirkulāciju, pretējā gadījumā iespējama pārkaršana. Lai panāktu pietiekamu ventilāciju, ievērojiet uzstādīšanas norādījumus.
- Kad vien iespējams, izstrādājuma starplikām jābūt pret sienu, lai izvairītos no saskaršanās ar siltām daļām (kompresors, kondensators) un novērstu iespējamu apdegumu.
- Ierīci nedrīkst novietot radiatoru vai plīts tuvumā.
- Pārliedzinieties, ka pēc ierīces uzstādīšanas ir iespējams piekļūt kontaktdakšai.

Serviss

- Jebkādus elektrodarbus, kas nepieciešami šīs ierīces servisam, drīkst veikt tikai kvalificēts elektriķis vai kompetenta persona.
- Šī izstrādājuma apkope ir jāveic pilnvarotā Servisa centrā, izmantojot tikai oriģinālās rezerves daļas.

Enerģijas taupīšana

- Nelieciet ierīcē karstus pārtikas produktus;
- Nelieciet produktus cieši blakus, jo tas kavē gaisa cirkulāciju;
- Pārliedzinieties, ka produkti nepieskaras nodalījuma aizmugurei;



1) Ja ir saldētavas nodalījums.

2) Ja ir svaigu pārtikas produktu glabāšanas nodalījums.

Drošības informācija

- Ja elektrības padeve ir pārtraukta, neatveriet durvis;
- Neveriet durvis bieži;
- Neatstājiet durvis atvērtas uz pārāk ilgu laiku;
- Neiestatiet termostatu uz pārāk zemu temperatūru;
- Visi piederumi, piemēram, atvilktnes, plaukti, ir jāatstāj savās vietās zemāka enerģijas patēriņa dēļ.

Vides aizsardzība

 Šī ierīce nesatur gāzes, kas varētu kaitēt ozona slānim, ne dzesētāja ķēdē, ne izolācijas materiālos. Šo ierīci nedrīkst izmest kopā ar sadzīves atkritumiem. Izolācijas putas satur uzliesmojošas gāzes: no ierīces ir jāatbrīvojas atbilstoši jūsu pašvaldības noteikumiem. Izvairieties sabojāt dzesēšanas iekārtu, īpaši siltummaini. Šajā ierīcē izmantotie materiāli, kas apzīmēti ar simbolu , ir pārstrādājami.



Šis simbols uz izstrādājuma vai iepakojuma norāda, ka izstrādājumu nedrīkst izmest sadzīves atkritumos. Tā vietā tas ir jānogādā uz atbilstošu elektrisko un elektronisko iekārtu savākšanas punktu, lai pārstrādātu. Pareizi atbrīvojoties no šī izstrādājuma, jūs palīdzat novērst iespējami negatīvu ietekmi uz vidi un cilvēku veselību, ko var radīt neatbilstoša atkritumu apsaimniekošana. Lai uzzinātu vairāk par izstrādājuma pārstrādi, lūdzu, vērsieties savas pašvaldības iestādē, sadzīves atkritumu apsaimniekošanas dienestā vai veikalā, kurā iegādājāties šo izstrādājumu.


Iepakojuma materiāli

Materiāli ar šo simboli ir pārstrādājami. Ievietojiet iepakojumu atbilstošajos konteineros, lai to pārstrādātu.

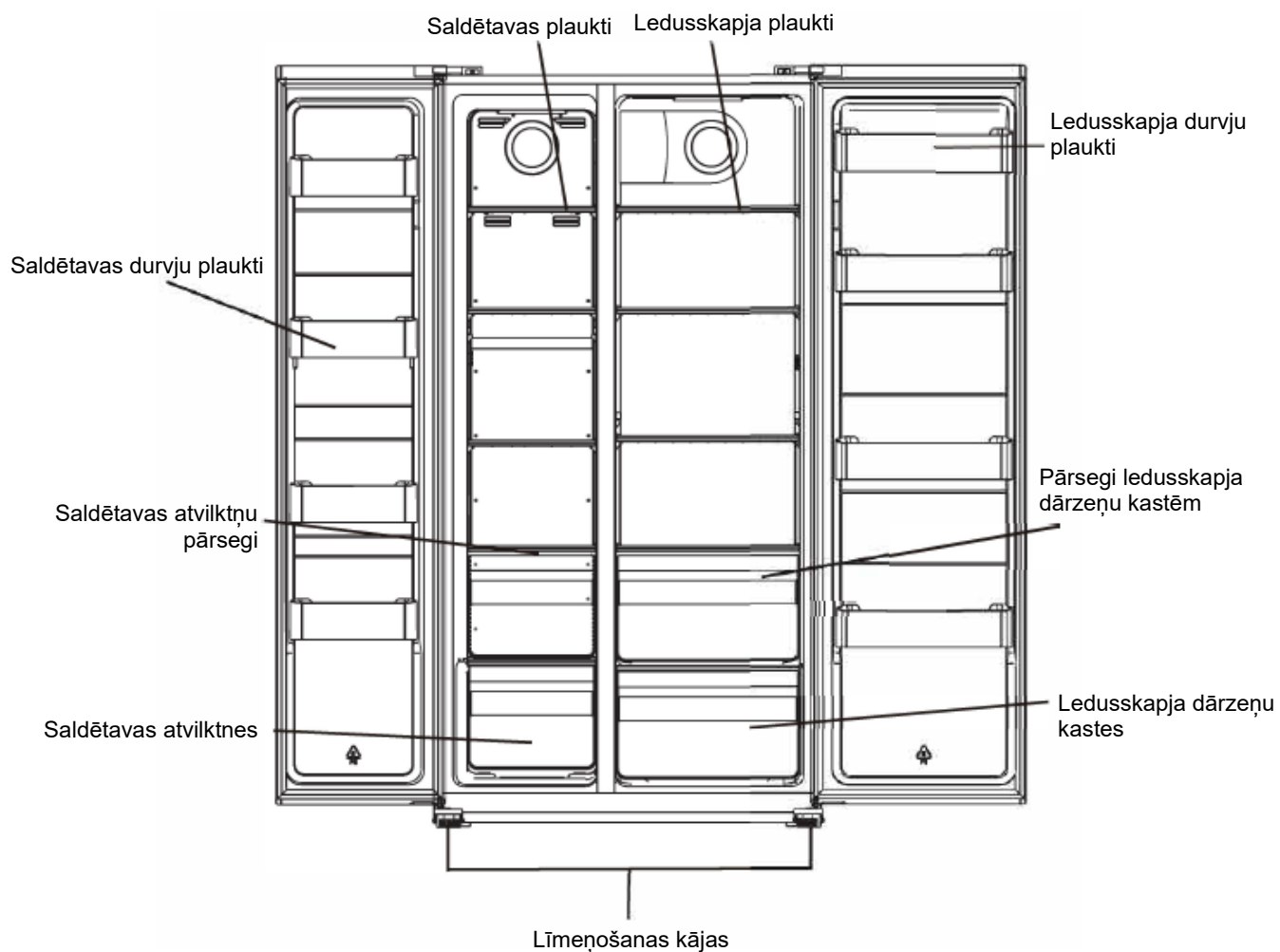
Ierīces utilizācija

1. Atvienojiet kontaktdakšu no kontaktligzdas.
2. Nogrieziet iekārtas strāvas vadu un izmetiet to.



 **BRĪDINĀJUMS!** Izstrādājuma lietošanas un apkopes laikā, kā arī atbrīvojoties no izstrādājuma, pievērsiet uzmanību simbolam, kas atrodas ierīces aizmugurē (uz aizmugurējā paneļa vai kompresora.) Tas ir ugunsgrēka riska brīdinājuma simbols. Dzesētāja caurulēs un kompresorā atrodas uzliesmojoši materiāli. Izstrādājuma lietošanas un apkopes laikā, kā arī atbrīvojoties no izstrādājuma, netuvojieties ugunsavotiem.

Pārskats



Piezīme: Augstāk redzamais attēls ir tikai uzzīņai. Faktiskā ierīce var atšķirties.

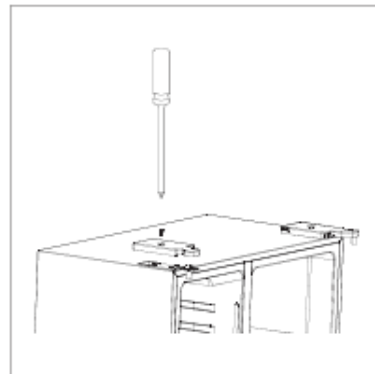
Uzstādīšana

Noņemiet durvis

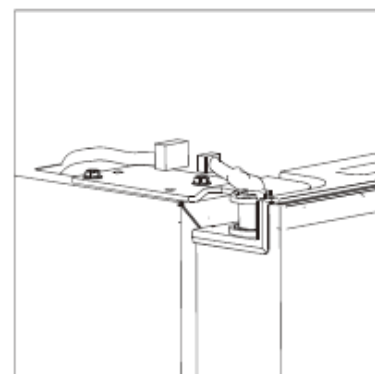
Nepieciešams instruments: Philips skrūvgriezis, plakana asmens skrūvgriezis.

- Pārliecinieties, ka ierīce ir atvienota no barošanas avota un tukša.
- Lai noņemtu durvis, ierīci nepieciešams noliekt uz aizmuguri. Atbalstiet ierīci uz kāda stabila priekšmeta, lai durvju noņemšanas procesā tā neslīdētu.
- Visas noņemtās daļas ir jāsauglabā, lai no jauna uzstādītu durvis.
- Nenovietojiet ierīci horizontāli, lai ne bojātu dzesētāja sistēmu.
- Ierīces montāžu ieteicams veikt 2 cilvēkiem.

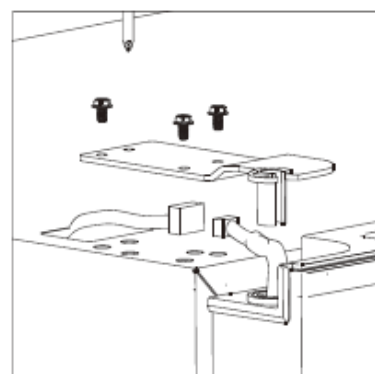
1. Atskrūvējiet eņģu pārsegu, izmantojot Philips skrūvgriezi.



2. Atvienojiet kabeļu savienojumu.

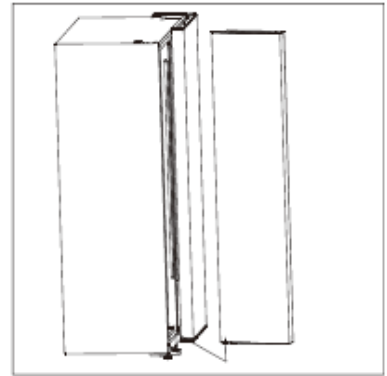


3. Noskrūvējiet augšējo eņģi.

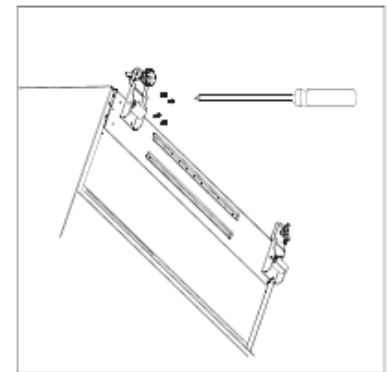


Uzstādīšana

4. Paceliet durvis un novietojiet uz mīksta paliktņa. Pēc tam noņemiet otras durvis, veicot tādas pašas darbības.



5. Noskrūvējiet apakšējās eņģes.

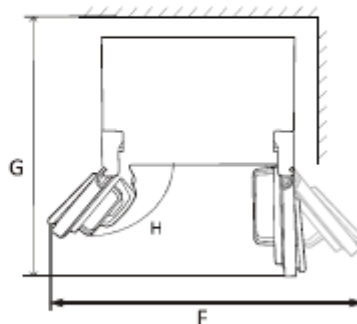
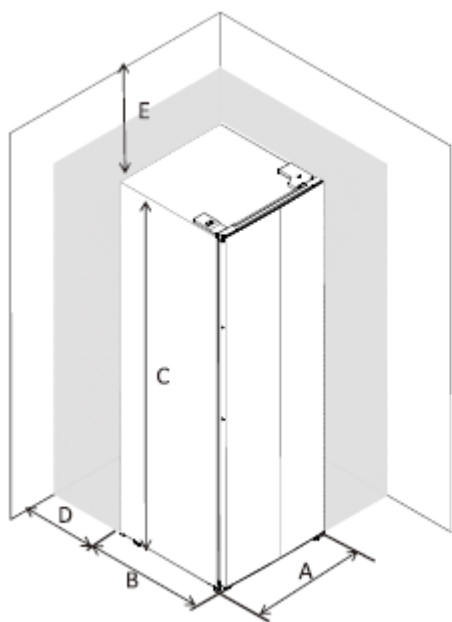


6. Kad ierīce ir novietota pozīcijā, uzstādiet durvis, veicot darbības pretējā secībā.

Uzstādīšana

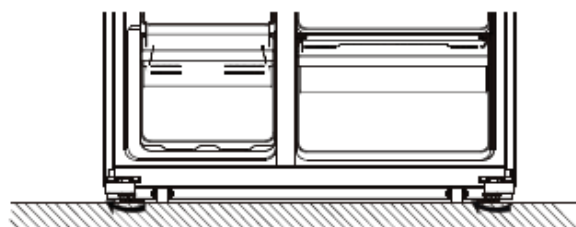
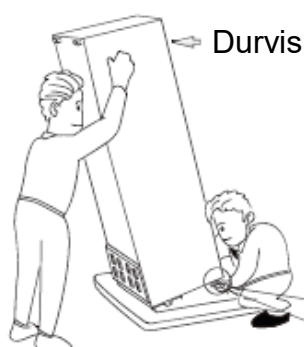
Telpas prasības

- Izvēlieties vietu bez tiešiem saules stariem;
- Izvēlieties vietu, kas ir pietiekami plaša, lai ērti atvērtu ledusskapja durvis;
- Izvēlieties vietu ar līdzenu (vai gandrīz līdzenu) grīdas segumu;
- Nodrošiniet pietiekamu vietu, lai uzstādītu ledusskapi uz gludas virsmas;
- Uzstādīšanas laikā atstājiet brīvu vietu labajā pusē, kreisajā pusē, aizmugurē un augšā. Tas palīdzēs samazināt enerģijas patēriņu un rēķinu par elektrību.



A	910
B	670
C	1770
D	min.=50
E	min.=50
F	1800
G	1560
H	135°

Ledusskapja līmeņošana



- Līmeņojiet ledusskapi, regulējot kājas.
- Ar roku grieziet kājas pulksteņrādītāja virzienā, lai paceltu augstāk.
- Ar roku grieziet kājas pretēji pulksteņrādītāja virzienam, lai nolaistu zemāk.

Uzstādīšana

Novietošana

Uzstādiet šo ierīci vietā, kurā apkārtnes temperatūra atbilst uz ierīces datu plāksnes norādītajai klimata klasei:

dzesēšanas iekārtām ar klimata klasi:

- paplašinātā mērenā: aukstumiekārta ir paredzēta izmantošanai apkārtnes temperatūrā no +10 °C līdz +32 °C; (SN);
- mērenā: šī aukstumiekārta ir paredzēta izmantošanai apkārtnes temperatūrā no +16 °C līdz +32 °C; (N)
- subtropu: šī aukstumiekārta ir paredzēta izmantošanai apkārtnes temperatūrā no +16 °C līdz +38 °C; (ST)
- tropu: šī aukstumiekārta ir paredzēta izmantošanai apkārtnes temperatūrā no +16 °C līdz +43 °C; (T)

Atrašanās vieta

Uzstādiet ierīci tālu no siltuma avotiem, piemēram, radiatoriem, boileriem, tiešiem saules stariem utt. Pārliecinieties, ka gaiss var brīvi cirkulēt ierīces aizmugurē. Lai nodrošinātu vislabāko veiktspēju, ja ierīce ir novietota zem pakarinātas sienas iekārtas, minimālajam attālumam starp ierīces augšu un sienas iekārtu jābūt 100 mm. Ideālā gadījumā ierīci nenovietojiet zem pakarinātām sienas iekārtām. Ierīci līmeņojiet, regulējot vienu vai vairākas kājas pie tās pamatnes.

Šo aukstumiekārtu nav paredzēts lietot kā iebūvētu ierīci.



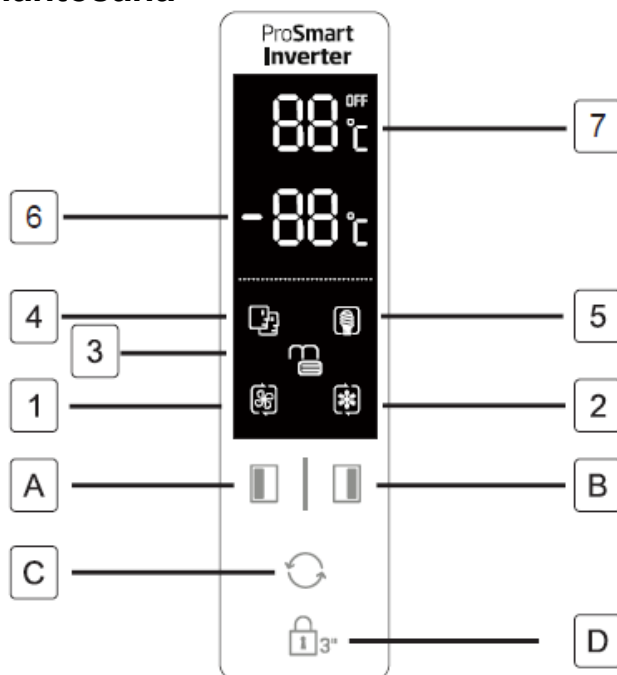
Brīdinājums! Jābūt iespējai atvienot ierīci no barošanas avota; ir jānodrošina ērta piekļuve kontaktdakšai pēc uzstādīšanas.

Elektrības tīkla pieslēgums

Pirms savienošanas pārliecinieties, ka uz datu plāksnes norādītais spriegums un frekvence atbilst jūsu parametriem jūsu mājoklī. Ierīcei jāizveido zemējums. Barošanas kabeļa kontaktdakša ir aprīkota ar kontaktu šim nolūkam. Ja mājoklī barošanas avota kontaktligzda nav zemēta, savienojiet ierīci ar atsevišķu zemējumu atbilstoši spēkā esošajiem noteikumiem, konsultējoties ar kvalificētu elektriķi. Ražotājs neuzņemas atbildību, ja augstāk minētie drošības pasākumi netiek ievēroti. Šī ierīce atbilst EEK Direktīvām.

Ikdienas lietošana

Vadības paneļa izmantošana



Pogas

- A** Nospiediet, lai regulētu saldētavas nodalījuma temperatūru (kreisā puse) no -14°C līdz -22°C.
- B** Nospiediet, lai regulētu ledusskapja nodalījuma temperatūru (labā puse) no +2°C līdz +8°C un izslēgtu dzesēšanu.
- C** Nospiediet, lai atlasītu darba režīmu **SMART (VIEDAIS)**, **ECO (EKO)**, **SUPER COOLING (SPĒCĪGA DZESĒŠANA)**, **SUPER FREEZING (SPĒCĪGA SALDĒŠANA)** vai LIETOTĀJA IESTATĪJUMS (bez simbola displejā).
- D** Nospiediet un 3 sekundes turiet pogu **3 SEC.**, lai bloķētu pārējās trīs pogas.
Nospiediet un turiet 1 sekundi, lai atbloķētu pārējās trīs pogas.

Displejs

- 1** **SUPER COOLING (SPĒCĪGA DZESĒŠANA)** režīmā ledusskapja nodalījumā notiek dzesēšana līdz zemākajai paredzētajai temperatūrai. Pēc aptuveni 2,5 stundām temperatūras iestatījums tiks atjaunots uz iepriekšējo lietotāja iestatījuma režīmu.
- 2** **SUPER FREEZING (SPĒCĪGA SALDĒŠANA)** režīmā saldētavas nodalījumā notiek dzesēšana līdz zemākajai paredzētajai temperatūrai. Pēc aptuveni 50 stundām temperatūras iestatījums tiks atjaunots uz iepriekšējo lietotāja iestatījuma režīmu.
Padomi: ieteicams ieslēgt SUPER FREEZING (SPĒCĪGA SALDĒŠANA) režīmu 24 stundas, pirms saldētavas nodalījumā tiek ievietots liels daudzums produktu.
- 3** **LOCK (BLOĶĒTS)**, simbols iedegsies, ja pogas ir bloķētas.
- 4** **SMART (VIEDAIS)** režīms, ledusskapis automātiski iestata abu nodalījumu temperatūru atbilstoši iekšējai temperatūrai un apkārtnes temperatūrai.
- 5** **ECO (EKO)** režīms, ledusskapis darbojas ar zemāko enerģijas patēriņa iestatījumu.
- 6** Rāda saldētavas nodalījuma iestatīto temperatūru.
- 7** Rāda ledusskapja nodalījuma iestatīto temperatūru.
- 8** Bērnu bloķēšana nedarbojas barošanas kļūmes gadījumā. Bērnu bloķēšana automātiski sāk darboties 25 sekundes pēc pēdējās darbības. Displeja panelis automātiski izslēdzas 2 minūtes pēc pēdējās darbības.
- 9** Atsevišķas funkcijas var nebūt pieejamas šajā modelī.

Atvērtu durvju trauksme

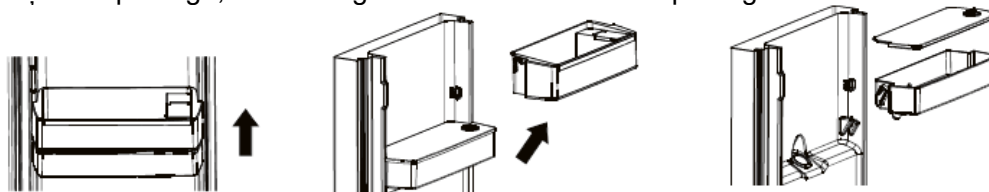
Ja kādas no durvīm ir atvērtas 90 sekundes, atskan periodiska trauksme, līdz durvis tiek aizvērtas.

Ikdienas lietošana

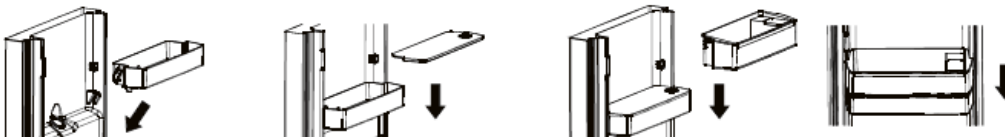
Ikdienas lietošana

Pirms ūdens dozatora pirmās lietošanas noņemiet un notīriet ūdens tvertni, kas atrodas ledusskapja nodalījuma iekšpusē.

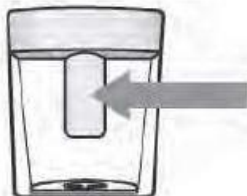
1. Vispirms paceliet un noņemiet tvertnes plauktu, pēc tam noņemiet ūdens tvertni un pārsegu. Noņemiet pārsegu, lai nomazgātu un notīrītu tvertni un pārsegu.



2. Pēc tīrīšanas ievietojiet ūdens tvertni, pārsegu un plauktu atpakaļ.



3. Tīriet dozatora paliktni ledusskapja durvju ārpusē.



Ūdens tvertnes uzpildīšana

1. Atveriet mazo vāku



2. Iepildiet ūdens tvertnē dzeramo ūdeni līdz 3 L līnijai.

3. Aizveriet mazo vāku uz pārsega

Ūdens saņemšana

Lai saņemtu ūdeni, viegli spiediet dozatora paliktni, izmantojot glāzi vai
Lai apturētu ūdens plūsmu, pavelciet glāzi prom no dozatora paliktņa.



citā trauku.

Ikdienas lietošana

Pirmā lietošana

Iekšpusē tīrīšana

Pirms ierīces pirmās lietošanas izmazgājiet iekšpusi un visus iekšējos piederumus ar remdenu ūdeni un neitrālām ziepēm, lai novērstu jaunam produktam raksturīgo smaku, pēc tam rūpīgi nožāvējiet.

Svarīgi! Nelietojiet mazgāšanas līdzekļus vai abrazīvus pulverus, jo tie bojā apdari.

Ikdienas lietošana

Pārtikas produkti	Atrašanās vieta
Olas	Durvju plaukts
Piena produkti (sviests, siers)	Ja pieejams, BioFresh vai vēsuma nodalījums Zemākie plaukti
Augļi, dārzeņi un salāti	Augļu un dārzeņu kaste, svaiguma vai EverFresh+ nodalījums (ja pieejams)
Svaiga gaļa, mājputnu gaļa, svaigas zivis, desas, gatavi ēdieni	Ja pieejams, BioFresh vai vēsuma nodalījums Zemākais plaukts
Ēšanai gatavi produkti, iepakoti produkti, konservēti produkti, marinēti produkti	Augšējie plaukti vai durvju plaukts
Dzērieni, pudeles, garšvielas, uzkodas	Durvju plaukts
Pārpalikumi	Vidējie plaukti

LV Norādījumi svaigu produktu uzglabāšanai:

Glabāšana svaigu produktu nodalījumā:

- Uzturiet ledusskapī +4°C ieteicamo temperatūras līmeni.
 - Uzglabājamus produktus iepakojiet, lai novērstu aromātu vai garšas izmaiņas.
 - Ledusskapī neglabājiet pārmērīgi daudz produktu; Starp produktiem atstājiet telpu, lai nodrošinātu aukstā gaisa plūsmu un sasniegtu labāku un vienmērīgāku dzesēšanu.
 - Lai samazinātu laiku, kad durvis ir atvērtas, ikdienā lietojamus produktus glabājiet plauktu priekšpusē.
 - Atstājiet telpu starp produktiem un iekšējām sienām, nodrošinot gaisa plūsmu. Uzglabājot produktus pret aizmugurējo sienu, tie var pie tās piesalt.
 - Karsti gatavi ēdieni ir jāatdzesē līdz istabas temperatūrai pirms ievietošanas ierīcē. Siltus ēdienus var glabāt ledusskapja zemākajos plauktos. Lūdzu, nenovietojiet siltus ēdienus blakus produktiem, kas ātri bojājas.
 - Atkausējiet saldētus produktus svaigu produktu nodalījumā. Tādējādi varat izmantot saldētus produktus svaigu produktu nodalījuma dzesēšanai un taupīt enerģiju.
 - Mizotus tropiskos augļus (mango, melones, papaju, banānus, ananāsus) nav ieteicams glabāt ledusskapī, jo bojāšanās process var tikt paātrināts, saīsinot uzglabāšanas laiku. Tomēr mizotus zaļus augļus (ābolus, bumbierus) kādu laiku var uzglabāt ledusskapja nodalījumā.
 - Sīpolus, ķiplokus, ingveru un citas saknes glabājiet tumšā, vēsā telpā, nevis ledusskapī.
 - Atklājot bojātus produktus ledusskapī, atbrīvojieties no tiem. Pamanot sapuvušus produktus, notīriet daļas un piederumus, kas bijušas ar tiem saskarē, lai novērstu piesārņojumu.
 - Ēdienu no lieliem katliem, piemēram, zupas un sautējumus, var sadalīt lēzenos traukos, lai ātri atdzesētu ledusskapī. Lielus pagatavotas gaļas gabalus un veselus mājputnus var sadalīt mazākos gabalos tādā pašā nolūkam.
- Neglabājiet neiekotus produktus blakus olām.
 - Glabājiet augļus un dārzeņus atsevišķi un līdzīgus ar līdzīgiem: ābolus ar āboliem, burkānus ar burkāniem. Augļi un dārzeņi izdala dažādas gāzes, kas var izraisīt citu augļu vai dārzeņu bojāšanos.
 - Lapu zaļumus izņemiet no plastmasas iepakojuma, ietiniet papīra dvielī vai virtuves dvielī, pirms uzglabājat ledusskapī. Pirms uzglabāšanas neaizmirstiet tos nožāvēt, ja tie ir noskaloti vai mitri.
 - Glabājiet augļus un dārzeņus ar tendenci izzūt plastmasas iepakojumos ar caurumiem vai neaizvērtus, lai uzturētu vienlaicīgi mitrumu un gaisa cirkulāciju.
 - Dažādi produkti ir jāglabā dažādās zonās atbilstoši to īpašībām:

"Lūdzu, skatiet savas ierīces klimata klasi uz datu plāksnes. Uz jūsu ierīci attiecas viens no zemāk minētajiem variantiem atbilstoši norādītajai klimata klasei."

- SN: Paplašināta mērenā: šī aukstumiekārta ir paredzēta izmantošanai apkārtnes temperatūrā no +10°C līdz +32°C
- N: Mērenā: šī aukstumiekārta ir paredzēta izmantošanai apkārtnes temperatūrā no 16°C līdz +32°C
- ST: Subtropu: šī aukstumiekārta ir paredzēta izmantošanai apkārtnes temperatūrā no +16°C līdz +38°C .
- T: Tropu: šī aukstumiekārta ir paredzēta izmantošanai apkārtnes temperatūrā no +16°C līdz 43°C .

LV Uzglabāšana saldētavas nodalījumā:

- Ieteicams uzturēt saldētavas iestatījumu -20°C , izņemot ārkārtas apstākļos.
- 4-6 stundas pirms saldēšanas ieslēdziet ātrās saldēšanas funkciju, lai nodrošinātu ātrāku saldēšanu.
- Karsts ēdiens ir jāatdzesē līdz istabas temperatūrai pirms ievietošanas saldētavas nodalījumā.
- Mazās porcijās sadalīti produkti sasals ātrāk un būs vieglāk atkausējami un pagatavojami.
- Pirms ievietošanas saldētavā produktus ieteicams iepakot.
- Lai izvairītos no glabāšanas perioda pārsniegšanas, lūdzu, ņemiet vērā uz iepakojuma norādīto produktu saldēšanas datumu, laika ierobežojumu un nosaukumu.
- Nepārsniedziet produktu ražotāju ieteicamos produktu uzglabāšanas laikus. No saldētavas izņemiet tikai nepieciešamo produktu daudzumu.
- Ātri patērējiet atkausētos produktus. Atkausētus produktus nedrīkst saldēt atkārtoti, ja vien tie nav pagatavoti. Nav droši patērēt atkārtoti saldētus svaigus produktus, ja tie nav pagatavoti.
- Saldējot svaigus produktus, izvairieties no to saskares ar jau sasaldētiem produktiem. Tas var veicināt jau sasalušu gabalu atkausēšanu.

Uzglabājot komerciāli saldētus produktus, ievērojiet zemāk minētās vadlīnijas:

Vienmēr ievērojiet ražotāju vadlīnijas attiecībā uz produktu uzglabāšanas laiku. Nepārsniedziet norādīto uzglabāšanas laiku!

- Lai saglabātu produktu kvalitāti, centieties iespējami samazināt laiku starp pirkuma veikšanu un novietošanu glabāšanā.
- Pērciet saldētus produktus, kas ir uzglabāti -18°C vai zemākā temperatūrā.
- Izvairieties pirkt produktus, uz kuru iepakojuma ir ledus vai sarma - tas norāda, ka produkti, iespējams, ir bijuši daļēji atkususi un kādā brīdī atkārtoti sasaldēti - temperatūras paaugstināšanās ietekmē produktu kvalitāti.
- Mēs iesakām $+4^{\circ}\text{C}$ temperatūras iestatījumu svaigo produktu nodalījumam un -20°C saldētavas nodalījumam, lai produkti uzglabātos labāk.

- Ja vien nav ārkārtas apstākļi, iestatot temperatūru uz ieteicamajām vērtībām $+4^{\circ}\text{C}/-20^{\circ}\text{C}$, svaigo produktu un saldētavas nodalījumos produkti vispārīgi saglabāsies svaigi ilgāk. Svaigo produktu nodalījumā iestatot zemāku temperatūru, svaigi augļi un dārzeņi var tikt daļēji sasaldēti vai apsaldēti, bet augstākas temperatūras rezultātā produkti (piena produkti, gaļas produkti) var ātrāk sabojāties.

Ikdienas lietošana

Svaigu produktu saldēšana

- Saldētavas nodalījums ir piemērots svaigu pārtikas produktu saldēšanai un sasaldētu produktu ilglaicīgai uzglabāšanai.
- Saldēšanai paredzētus svaigos produktus novietojiet apakšējā nodalījumā.
- Maksimālais produktu daudzums, ko var sasaldēt 24 stundās, ir norādīts uz datu plāksnes.
- Saldēšanas process ilgst 24 stundas: šajā periodā nepievienojiet citus produktus saldēšanai.

Saldētu produktu uzglabāšana

Pirmo reizi palaižot ierīci, kā arī pēc neizmantošanas perioda atstājiet ierīci uz vismaz 2 stundām ar augstākiem iestatījumiem, pirms ievietojat produktus nodalījumā.

Svarīgi! Nejaušas atkausēšanas gadījumā, piemēram, ja ierīce bijusi izslēgta ilgāk nekā norādīts tehniskā raksturojuma tabulas sadaļā "Sasniegšanas laiks", atkausētie pārtikas produkti ir ātri jāpatērē vai nekavējoties jāpagatavo un jāsasaldē no jauna (pēc pagatavošanas).

Atkausēšana

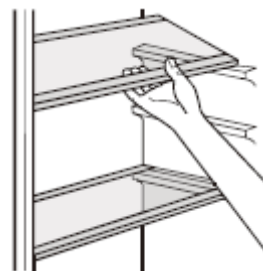
Spēcīgi sasaldētus vai saldētus produktus pirms lietošanas var atkausēt ledusskapja nodalījumā vai istabas temperatūrā atkarībā no šim procesam atvēlētā laika.

Mazus gabaliņus pat var gatavot sasalušus, tikko izņemtus no saldētavas. Šādā gadījumā gatavošana aizņems ilgāku laiku.

Piederumi

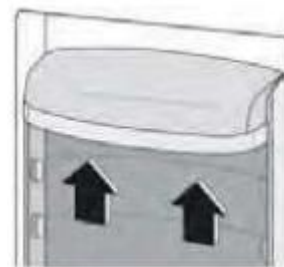
Pārvietojamie plaukti

Ledusskapja sienas ir aprīkotas ar daudzām sliedēm, lai plauktus varētu novietot pēc izvēles.



Durvju plauktu novietošana

Lai varētu glabāt dažādu izmēru produktu iepakojumus, durvju plauktus var novietot dažādos augstumos. Lai veiktu šos pielāgojumus, rīkojieties šādi: pakāpeniski velciet plauktu bultiņu virzienā, līdz tas atbrīvojas, pēc tam novietojiet pēc nepieciešamības.



Ikdienas lietošana

Noderīgi ieteikumi un padomi

Padomi saldēšanai

Lai veicinātu saldēšanas procesu, ievērojiet zemāk minētos ieteikumus:

- maksimālais produktu daudzums, ko var sasaldēt 24 stundās, ir norādīts uz datu plāksnes;
- saldēšanas process aizņem 24 stundas. Šajā periodā nepievienojiet papildu produktus saldēšanai;
- saldējiet tikai kvalitatīvus, svaigus un rūpīgi nomazgātus produktus;
- sagatavojiet produktus nelielās porcijās, lai tos ātri un pilnīgi sasaldētu un vēlāk varētu atkausēt;
- ietiniet produktus alumīnija folijā vai polietilēnā un pārlicinieties, ka iepakojumi ir gaisa necaurlaidīgi;
- neļaujiet svaigiem, nesaldētiem produktiem saskarties ar jau sasaldētiem produktiem, lai izvairītos no to temperatūras paaugstināšanās;
- liesi produkti uzglabājas labāk un ilgāk nekā trekni; sāls samazina produktu uzglabāšanas laiku;
- lietojot ledu uzreiz pēc izņemšanas no saldētavas, iespējams apsaldēt ādu;
- uz katra iepakojuma ieteicams norādīt saldēšanas datumu, lai jūs zinātu, kad izņemt produktus no saldētavas nodalījuma;
- ieteicams norādīt saldēšanas datumu uz katra iepakojuma, lai jūs varētu sekot līdzi glabāšanas laikam.

Padomi saldētu produktu glabāšanai

Lai panāktu ierīces labāko veiktspēju, veiciet zemāk minēto:

pārlicinieties, ka mazumtirgotājs ir pareizi uzglabājis rūpnieciski saldētos produktus; nodrošiniet saldētu produktu piegādi no pārtikas veikala līdz saldētavai maksimāli īsā laikā; neviriniet durvis bieži un neatstājiet tās atvērtas uz ilgāku laiku nekā ir nepieciešams. Pēc atkausēšanas produkti ātri bojājas, un tos nedrīkst sasaldēt atkārtoti.

Ievērojiet pārtikas ražotāja norādīto derīguma termiņu.

Padomi svaigu produktu glabāšanai ledusskapī

Lai nodrošinātu labāko veiktspēju:

- Neglabājiet ledusskapī siltus vai iztvaikojošus šķidrumus
- Apsedziet vai ietiniet produktus, īpaši ja tiem ir spēcīgs aromāts

Padomi dzesēšanai

Noderīgi padomi:

- Ieteikums (visu veidu produktiem): iesaiņojiet polietilēna maisiņos un novietojiet uz stikla plauktiem virs dārzeņu atvilktnes..
- Drošības nolūkos glabājiet šādi tikai vienu vai divas dienas, ne ilgāk.
- Gatavi ēdieni, auksti ēdieni utt.: nosedziet un novietojiet uz jebkura plaukta.
- Augļi un dārzeni: rūpīgi notīriet un novietojiet speciālā(s) atvilktnē(s).
- Sviests un siers: ievietojiet īpašos, hermētiskos traukos vai ietiniet alumīnija folijā vai polietilēna maisiņos, maksimāli novēršot gaisa piekļuvi.
- Piena pudele: uzlieciet vāciņu un glabājiet durvju plauktā.
- Banānus, kartupeļus, sīpolus un ķiplokus neglabājiet ledusskapī, ja tie nav iepakoti.

Tīrīšana

Higiēnas nodrošināšanai regulāri tīriet ierīces iekšpusi, tostarp iekšējos piederumus.



Uzmanību! Tīrīšanas laikā ierīcei ir jābūt atvienotai no barošanas avota. Elektrošoka bīstamība! Pirms tīrīšanas izslēdziet ierīci un atvienojiet kontaktdakšu no kontaktligzdas, vai arī izslēdziet vai atvienojiet jaudas slēdzi vai drošinātāju. Nekad netīriet ierīci ar tvaika tīrīšanas iekārtu. Elektriskajos komponentos var uzkrāties mitrums, pastāv elektrošoka bīstamība! Karsti tvaiki var radīt plastmasas daļu bojājumus. Ierīcei ir jābūt sausai pirms tās turpmākas lietošanas.

Svarīgi! Ēteriskās eļļas un organiski šķīdinātāji, piem., citronu sula vai sula no apelsīnu mizām, sviestskābe, etiķskābi saturošs tīrītājs, var sabojāt plastmasas daļas.

Ikdienas lietošana

- Nepieļaujiet šādu vielu saskari ar ierīces daļām.
- Nelietojiet abrazīvus tīrīšanas līdzekļus.
- Izņemiet produktus no saldētavas. Glabājiet tos nosegtus vēsā vietā.
- Izslēdziet ierīci un atvienojiet kontaktdakšu no kontaktligzdas, vai arī izslēdziet vai atvienojiet jaudas slēdzi vai drošinātāju.
- Tīriet ierīci un iekšpuses piederumus ar drānu un remdenu ūdeni. Pēc tīrīšanas slaukiet, izmantojot svaigu ūdeni, un nosusiniet.
- Kad viss ir sauss, ierīci drīkst atkal izmantot.

Problēmu novēršana



Uzmanību! Pirms problēmu novēršanas atvienojiet barošanas avotu. Problēmu novēršanu, kas nav aprakstīta šajā rokasgrāmatā, drīkst veikt tikai kvalificēts elektriķis vai kompetenta persona.

Svarīgi! Normālas lietošanas laikā ir dzirdamas dažas skaņas (kompresors, dzesētāja cirkulācija).

Problēma	Iespējamais iemesls	Risinājums
Ierīce nedarbojas	Kontaktdakša nav pareizi ievietota vai ir vaļīga	Ievietojiet kontaktdakšu.
	Drošinātājs ir izdedzis vai bojāts	Pārbaudiet drošinātāju, nepieciešamības gadījumā nomainiet.
	Kontaktligzda ir bojāta	Elektrobojājumu labošana ir jāveic elektriķim.
Pārtikas produkti ir pārāk silti.	Temperatūra nav pareizi noregulēta.	Lūdzu, skatiet Temperatūras iestatīšanas sadaļu.
	Durvis bijušas ilgstoši atvērtas.	Atveriet durvis tikai uz tik ilgu laiku, cik nepieciešams.
	Pēdējo 24 stundu laikā ierīcē ievietots liels daudzums siltu pārtikas produktu.	Uz laiku noregulējiet temperatūru uz zemāku iestatījumu.
	Ierīce atrodas siltumavota tuvumā.	Lūdzu, skatiet sadaļu par uzstādīšanas vietu.
Ierīce pārāk spēcīgi dzesē	Ir iestatīta pārāk zema temperatūra.	Uz laiku pagrieziet temperatūras regulēšanas pogu uz augstāku iestatījumu.
Neparasti trokšņi	Ierīce nav līmeņota.	Noregulējiet kājas.
	Ierīce saskaras ar sienu vai citiem priekšmetiem.	Nedaudz pārvietojiet ierīci.
	Kāds komponents, piem., caurule, ierīces aizmugurē saskaras ar citu ierīces daļu vai sienu.	Ja nepieciešams, uzmanīgi pabīdiet komponentu, lai tas netraucētu.
Uz grīdas ir ūdens	Ūdens notekas atvere ir bloķēta.	Skatiet Tīrīšanas un kopšanas sadaļu.
Sānu paneļi ir karsti	Tā ir normāla parādība. Siltumapmaiņa notiek sānu paneļos	Ja nepieciešams, izmantojiet cimdus, lai pieskartos sānu paneļiem.

Ja problēma atkārtojas, sazinieties ar Servisa centru.



Šaldytuvas

Naudotojo vadovas



GNO5322XPN
GNO5323XPN
GNO5324XPN
GNO5322WN
GNO5322WDXPN

CE

LT



INFORMACIJA



ENERG



TIEKĖJO PAVADINIMAS

MODELIO IDENTIFIKATORIUS

(*)

A

A

Gaminio duomenų bazėje saugomą modelio informaciją galite rasti įėję į šią svetainę ir ieškodami savo modelio identifikatoriaus (*), kuris nurodytas energijos etiketėje.

<https://eprel.ec.europa.eu/>




Saugos informacija

Siekdami užtikrinti savo saugumą ir teisingą naudojimą, prieš montuodami ir pirmą kartą naudodami aparatą, atidžiai perskaitykite šį naudotojo vadovą, įskaitant jame pateiktus patarimus ir įspėjimus. Siekiant išvengti nereikalingų klaidų ir nelaimingų atsitikimų, svarbu užtikrinti, kad visi aparatu besinaudojantys asmenys būtų gerai susipažinę su jo veikimu ir saugos funkcijomis. Išsaugokite šias instrukcijas ir pasirūpinkite, kad jos liktų kartu su aparatu, jei jis bus pervežamas arba parduodamas, kad visi, besinaudojantys aparatu, būtų tinkamai informuoti apie aparato naudojimą ir saugą. Siekdami užtikrinti gyvybės ir turto saugumą, laikykitės šios naudotojo instrukcijos atsargumo priemonių, nes gamintojas neatsako už žalą, padarytą dėl aplaidumo.







Vaikų ir pažeidžiamų asmenų sauga

- Vyresni nei 8 metų vaikai ir asmenys, kurių fiziniai, jutimo arba protiniai gebėjimai riboti, arba kuriems trūksta patirties ir žinių, šį prietaisą gali naudoti tik tuomet, jei jie prižiūrimi arba jiems buvo suteikti nurodymai, kaip saugiai naudoti aparatą, ir jei jie supranta su aparato naudojimu susijusius pavojus.
- Vaikai turi būti prižiūrimi, kad jie nežaistų su aparatu.
- Vaikai gali valyti ir prižiūrėti įrenginį tik nuo 8 metų ir vyresni bei prižiūrimi suaugusiųjų.
- Visas pakuotes laikykite vaikams nepasiekiamoje vietoje. Yra pavojus uždusti.
- Jei išmetate aparatą, ištraukite kištuką iš lizdo, nukirpkite jungiamąjį kabelį (kuo arčiau aparato) ir nuimkite duris, kad žaidžiantys vaikai nepatirtų elektros smūgio arba neužsidarytų aparate.
- Jei šis aparatas su magnetiniais durelių sandarikliais bus naudojamas vietoje senesnio aparato su spyruokliniu užraktu ant durelių arba dangčio, prieš išmesdami senąjį aparatą įsitikinkite, kad spyruoklinis užraktas yra netinkamas naudoti. Taip išvengsite pavojaus vaikui.

Bendroji sauga

-  **ĮSPĖJIMAS!** Pasirūpinkite, kad nebūtų kliūčių vėdinimo angoms aparato korpuse arba įmontuotoje konstrukcijoje.
-  **ĮSPĖJIMAS!** Nenaudokite mechaninių prietaisų ar kitų priemonių atitirpinimo procesui pagreitinti, išskyrus tas, kurias rekomenduoja gamintojas.
-  **ĮSPĖJIMAS!** Nepažeiskite šaltnešio kontūro.

Saugos informacija

-  **ĮSPĖJIMAS!** Nenaudokite kitų elektros aparatų (pvz., ledų gaminimo aparatų) šaldymo aparatų viduje, nebent gamintojas juos patvirtino šiam tikslui.
-  **ĮSPĖJIMAS!** Nelieskite lemputės, jei ji buvo įjungta ilgą laiką, nes ji gali būti labai įkaitusi.¹⁾
-  **ĮSPĖJIMAS!** Statydami aparatą įsitikinkite, kad maitinimo laidas nėra užspaustas ar pažeistas.
-  **ĮSPĖJIMAS!** Prie aparato galinės dalies nedėkite kelių nešiojamųjų kištukinių lizdų arba nešiojamųjų maitinimo šaltinių.
 - Šiame aparate nelaikykite sprogstamųjų medžiagų, tokių kaip aerozolių balionėliai su degiomis suslėgtosiomis dujomis.
 - Aparato šaltnešio kontūre yra šaltnešis izobutanas (R-600a) – gamtinės dujos, kurios labai gerai dera su aplinka, tačiau yra degios.
 - Transportuodami ir montuodami aparatą įsitikinkite, kad nė vienas šaltnešio kontūro komponentas nėra pažeistas.
 - venkite atviros liepsnos ir užsidegimo šaltinių
 - gerai išvėdinkite patalpą, kurioje yra aparatas
 - Pavojinga bet koku būdu keisti specifikacijas ar modifikuoti šį gaminį. Bet koks laido pažeidimas gali sukelti trumpąjį jungimą, gaisrą ir (arba) elektros smūgį.
 - Šis aparatas skirtas naudoti buityje ir panašiose srityse, pvz.,
 - parduotuvių, biurų ir kitų darbo vietų darbuotojų virtuvėse;
 - ūkiuose, viešbučiuose, moteliuose ir kitose gyvenamosiose patalpose;
 - nakvynės ir pusryčių tipo apgyvendinimo įstaigose;
 - maitinimo įstaigose ir panašiose ne mažmeninės prekybos vietose.
-  **ĮSPĖJIMAS!** Visus elektrinius komponentus (kištuką, maitinimo laidą, kompresorių ir kt.) turi pakeisti sertifikuotas techninės priežiūros atstovas arba kvalifikuotas techninės priežiūros personalas.
-  **ĮSPĖJIMAS!** Kartu su šiuo aparatu tiekiamą lemputę yra „specialaus naudojimo lemputė“, kurią galima naudoti tik su tiekiamu aparatu. Ši „specialios paskirties lempa“ negali būti naudojama buitiniam apšvietimui.¹⁾

1) Jei skyriuje yra lemputė.

Saugos informacija

- Maitinimo laido ilginti negalima.
- Įsitikinkite, kad maitinimo kištukas nėra prispaustas ar pažeistas aparato galine dalimi. Suspaustas arba pažeistas maitinimo kištukas gali perkaisti ir sukelti gaisrą.
- Įsitikinkite, kad aparato elektros tinklo kištukas yra pasiekiamas.
- Netraukite už tinklo kabelio.
- Jei maitinimo kištuko lizdas yra laisvas, kištuko nejunkite. Kyla elektros smūgio arba gaisro pavojus.
- Negalima naudoti aparato be lemputės.
- Šis aparatas yra sunkus. Jį perkeliant reikia imtis atsargumo priemonių.
- Neišimkite ir nelieskite daiktų iš šaldiklio skyriaus, jei jūsų rankos yra drėgnos / šlapios, nes taip galite įsibrėžti odą arba patirti šalčio / šaldiklio nudegimų.
- Neleiskite, kad aparatą ilgesnį laiką apšviestų tiesioginiai saulės spinduliai.

Kasdienis naudojimas

- Nedėkite karštų daiktų ant plastikinių aparato dalių.
- Nedėkite maisto produktų tiesiai prie galinės sienelės.
- Atšildyto užšaldyto maisto pakartotinai užšaldyti negalima.¹⁾
- Iš anksto supakuotus šaldytus maisto produktus laikykite laikydamiesi šaldytų maisto produktų gamintojo nurodymų¹⁾
- Reikėtų atidžiai laikytis gamintojo rekomendacijų dėl laikymo. Atsižvelkite į atitinkamas instrukcijas.
- Nedėkite gazuotų gėrimų į šaldiklio skyrių, nes susidaro slėgis talpykloje, todėl ji gali sprogti ir sugadinti aparatą.¹⁾
- Naminiai vaisiniai ledai gali sukelti nudegimus nuo šalčio, jei vartojami iš karto išėmus iš aparato.¹⁾

Kad išvengtumėte maisto užteršimo, laikykitės toliau pateiktų nurodymų

- Atidarius duris ilgą laiką, gali žymiai padidėti temperatūra prietaiso skyriuose.
- Reguliariai valykite paviršius, kurie gali liestis su maistu ir pasiekiamomis drenažo sistemomis.
- Išvalykite vandens talpyklas, jei jos nebuvo naudojamos 48 valandas; praplaukite prie vandentiekio prijungtą vandens sistemą, jei vanduo nebuvo išleidžiamas 5 dienas.
- Žalią mėsą ir žuvį laikykite tinkamuose induose šaldytuve, kad ji nesiliestų su kitais maisto produktais.
- Dviejų žvaigždučių užšaldytų maisto produktų skyriai (jei jie įrenginyje yra) tinka iš anksto užšaldytiems maisto produktams laikyti, ledams laikyti ar gaminti ir ledo kubeliams gaminti.

1) Jei yra šaldiklio skyrius.

2) Jei yra šviežių maisto produktų laikymo skyrius.

Saugos informacija

- Vienos, dviejų ir trijų žvaigždučių skyriai (jei jie įrenginyje yra) netinka šviežiam maistui šaldyti.
- Jei aparatas ilgą laiką paliekamas tuščias, jį išjunkite, atitirpinkite, išvalykite, išdžiovinkite ir palikite atidarytas dureles, kad aparate nesusidarytų sankaupos.

Priežiūra ir valymas

- Prieš atlikdami techninę priežiūrą išjunkite aparatą ir ištraukite kištuką iš elektros tinklo lizdo.
- Nevalykite aparato metaliniais daiktais.
- Nenaudokite aštrių daiktų iš aparato šalindami šerkšną. Naudokite plastikinį grandiklį.¹⁾
- Reguliariai tikrinkite, ar šaldytuve esančiame nutekamajame vamzdyje nėra atitirpusio vandens. Jei reikia, išvalykite nutekamąjį lataką. Jei nutekamasis latakas užsikimšęs, aparato dugne kaupiasi vanduo.²⁾

Įrengimas

Svarbu! Atlikdami elektrinį prijungimą, atidžiai laikykitės konkrečiuose punktuose pateiktų nurodymų.

- Išpakuokite aparatą ir patikrinkite, ar ant jo nėra pažeidimų. Neprijunkite aparato, jei jis yra pažeistas. Apie galimus pažeidimus nedelsdami praneškite jį įsigijusiai įmonei. Tokiu atveju išsaugokite pakuotę.
- Prieš prijungiant aparatą patartina palaukti bent keturias valandas, kad jį kompresorių vėl patektų alyvos.
- Siekiant išvengti aparato perkaitimo, aplink jį turi būti pakankama oro cirkuliacija. Norėdami užtikrinti pakankamą ventiliaciją, vadovaukitės įrengimo instrukcijomis.
- Jei įmanoma, gaminio atramos turi būti prie sienos, kad būtų išvengta šylančių dalių (kompresoriaus, kondensatoriaus) prisilietimo ar prisiglaudimo, kad būtų išvengta galimo nudegimo.
- Aparato negalima statyti arti radiatorių ar viryklių.
- Įrengę aparatą įsitikinkite, kad elektros tinklo kištukas yra pasiekiamas.

Priežiūra

- Visus elektros darbus, reikalingus aparato techninei priežiūrai atlikti, turi atlikti kvalifikuotas elektrikas arba kompetentingas specialistas.
- Šio gaminio techninę priežiūrą turi atlikti įgaliotasis techninės priežiūros centras ir turi būti naudojamos tik originalios atsarginės dalys.

Energijos taupymas

- Nedėkite į aparatą karšto maisto;
- Nesugrūskite maisto produktų arti vienas kito, nes tai trukdo oro cirkuliacijai;
- Įsitikinkite, kad maistas neliečia skyriaus (-ių) galinės dalies;



1) Jei yra šaldiklio skyrius.

2) Jei yra šviežių maisto produktų laikymo skyrius.

Saugos informacija

- Jei dingsta elektra, neatidarykite durų;
- Neatidarinkite dažnai durų;
- Nelaikykite durų atidarytų per ilgai;
- Nenustatykite termostato pernelyg žemai temperatūrai;
- Visi priedai, pavyzdžiui, stalčiai, lentynos, balkonai, turėtų būti laikomi ten, kad būtų suvartojama mažiau energijos.

Aplinkosauga

 Šio aparato šaltnešio kontūre ir izoliacijos medžiagose nėra dujų, galinčių pakenkti ozono sluoksniui. Aparato negalima išmesti kartu su komunalinėmis atliekomis ir šiukšlėmis. Izoliacinėse putose yra degių dujų: aparatą reikia utilizuoti pagal aparato naudojimo taisykles, kurias reikia gauti iš vietos valdžios institucijų. Venkite pažeisti aušinimo įrenginį, ypač šilumokaitį. Simboliu  pažymėtos šiame aparate naudojamos medžiagos yra perdirbamos.



Ant gaminio arba jo pakuotės esantis simbolis nurodo, kad šis gaminys negali būti laikomas buitinėmis atliekomis. Vietoj to jį reikėtų pristatyti į atitinkamą elektros ir elektroninės įrangos surinkimo punktą, skirtą elektros ir elektroninei įrangai perdirbti. Užtikrindami, kad šis gaminys būtų tinkamai šalinamas, padėsite išvengti galimų neigiamų pasekmių aplinkai ir žmonių sveikatai, kurios gali atsirasti dėl netinkamo šio gaminio atliekų tvarkymo. Dėl išsamesnės informacijos apie šio gaminio perdirbimą kreipkitės į vietos savivaldybę, buitinių atliekų tvarkymo tarnybą arba parduotuvę, kurioje įsigijote gaminį.


Pakavimo medžiagos

Simboliu pažymėtos medžiagos yra perdirbamos. Išmeskite pakuotę į tinkamus surinkimo konteinerius, kad ji būtų perdirbta.

Aparato šalinimas

1. Ištraukite maitinimo kištuką iš elektros tinklo lizdo.
2. Nupjaukite maitinimo laidą ir jį išmeskite.

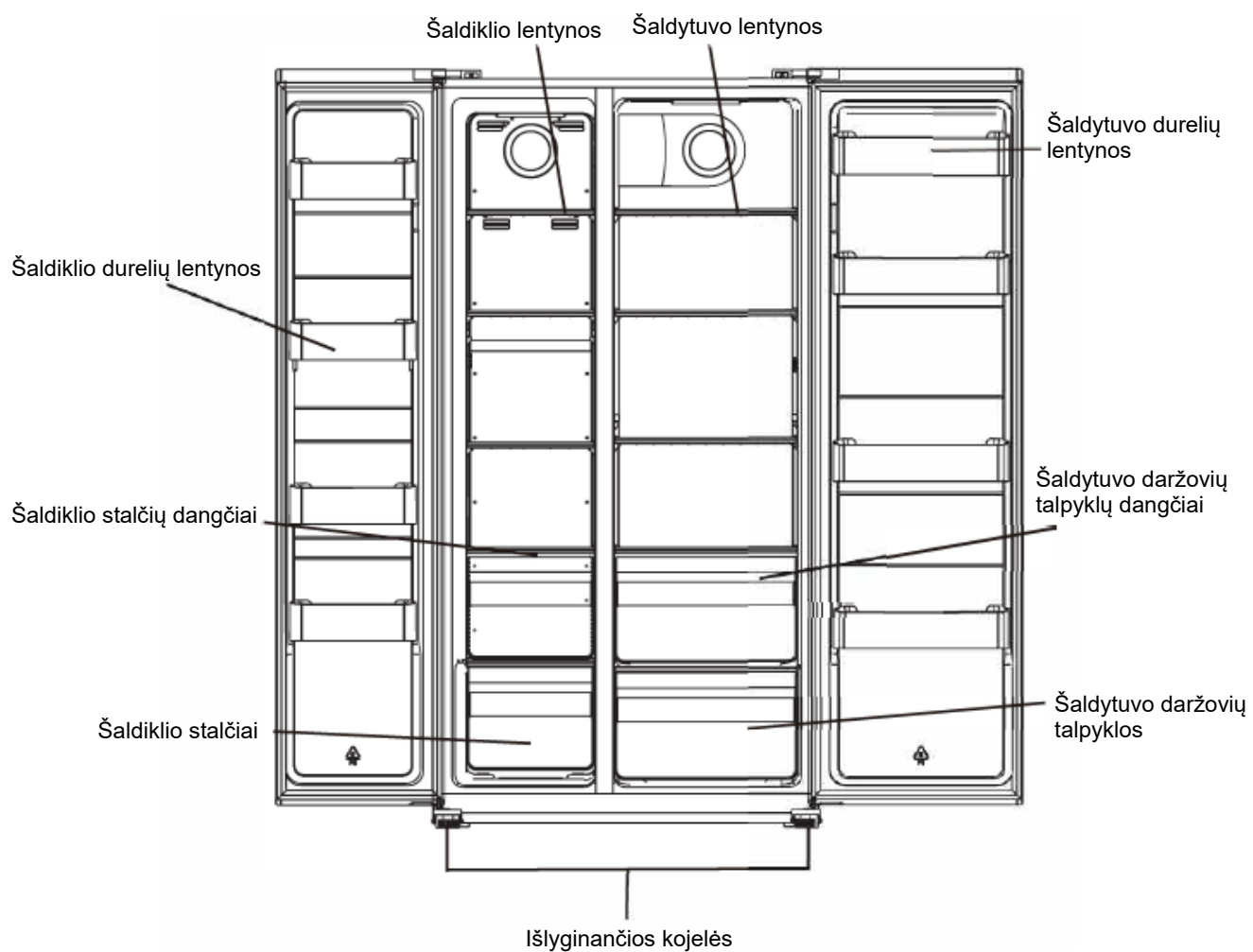


 **ĮSPĖJIMAS!** Naudodami aparatą, atlikdami techninę priežiūrą ir jį šalindami atkreipkite dėmesį į kairėje pusėje esantį simbolį, kuris yra aparato galinėje dalyje (ant galinio skydelio arba kompresoriaus).

Tai įspėjamasis gaisro pavojaus simbolis. Šaltnešio vamzdžiuose ir kompresoriuje yra degių medžiagų.

Naudodami aparatą, jį aptarnaudami ir šalindami laikykitės atokiau nuo ugnies šaltinio.

Apžvalga



Pastaba. Aukščiau pateiktas paveikslėlis skirtas tik informacijai. Tikrasis aparatas tikriausiai yra kitoks.

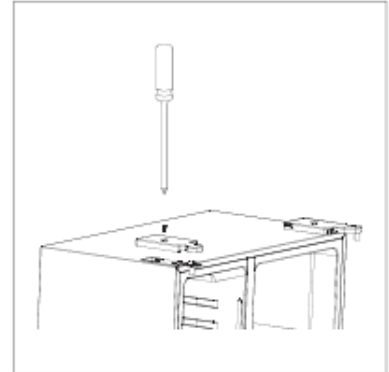
Įrengimas

Durėlių nuėmimas

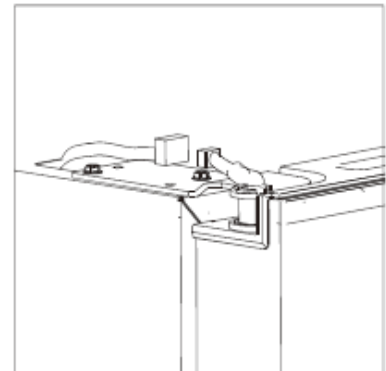
Reikalingi įrankiai: Kryžminis atsuktuvus, plokščias atsuktuvus.

- Įsitikinkite, kad įrenginys yra atjungtas nuo elektros tinklo ir tuščias.
- Kad galėtumėte nuimti dureles, reikia pakreipti įrenginį atgal. Įrenginį reikėtų padėti ant kokio nors tvirto daikto, kad nuimant dureles jis nenuslystų.
- Visos nuimtos dalys turi būti išsaugotos, kad būtų galima iš naujo sumontuoti dureles.
- Nelieskite įrenginio lygiai, nes tai gali pažeisti aušinimo skysčio sistemą.
- Geriau, kad montuojant įrenginį dirbtų 2 žmonės.

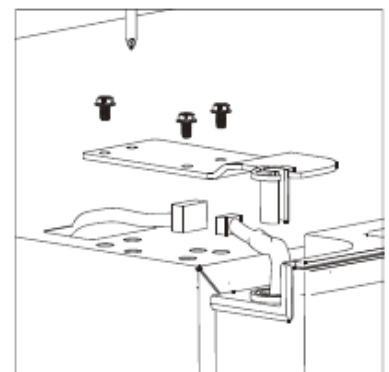
1. Kryžminiu atsuktuvu atsukite vyrių dangtelį.



2. Atjunkite diržą.

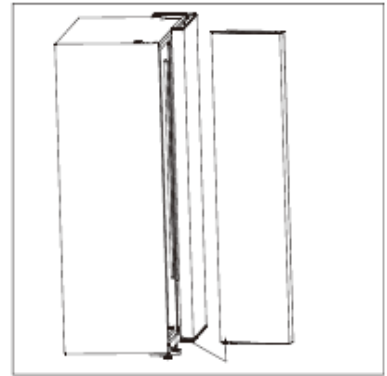


3. Atsukite viršutinį vyrį.

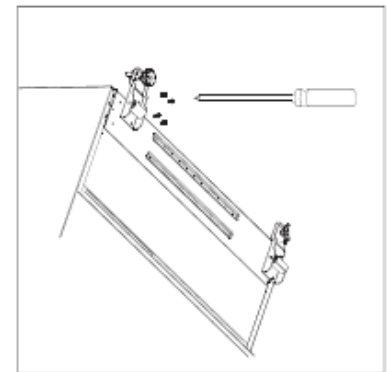


Įrengimas

4. Pakelkite dureles ir padėkite jas ant minkšto kilimėlio. Tada nuimkite kitas dureles ir atlikite tą patį veiksmą.



5. Atsukite apatinius vinius.

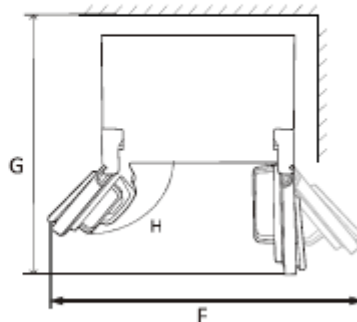
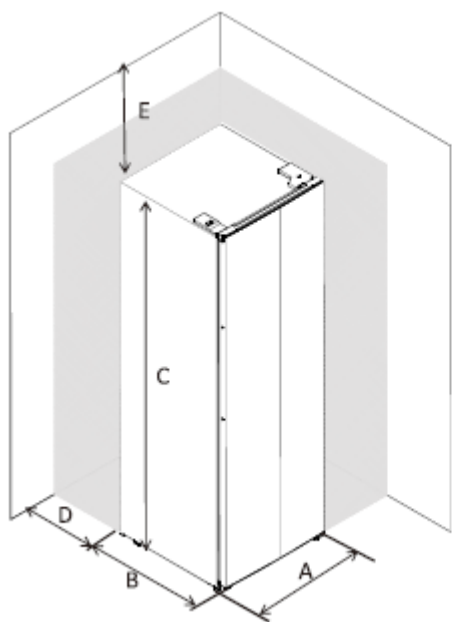


6. Pastatę aparatą, sumontuokite dureles atvirkštine tvarka.

Įrengimas

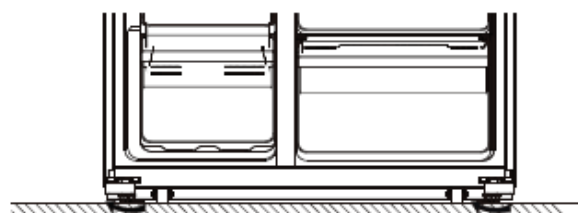
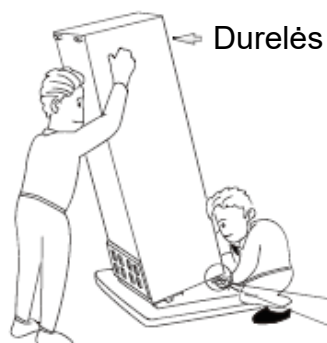
Vietos poreikis

- Pasirinkite vietą, į kurią nepatenka tiesioginiai saulės spinduliai;
- Pasirinkite vietą, kurioje būtų pakankamai vietos šaldytuvo durelėms lengvai atidaryti;
- Pasirinkite vietą su lygiomis (arba beveik lygiomis) grindimis;
- Palikite pakankamai vietos šaldytuvui pastatyti ant lygaus paviršiaus;
- Montuodami palikite laisvą vietą dešinėje, kairėje, gale ir viršuje. Tai padės sumažinti energijos suvartojimą ir sumažinti sąskaitas už energiją.



A	910
B	670
C	1770
D	min = 50
E	min = 50
F	1800
G	1560
H	135°

Šaldytuvo niveliavimas



- Šaldytuvą niveliuokite ir įtvirtinkite reguliuodami kojeles.
- Sukite kojeles pagal laikrodžio rodyklę, kad jas pakeltumėte rankiniu būdu.
- Sukite kojeles prieš laikrodžio rodyklę, kad jas nuleistumėte rankiniu būdu.

Įrengimas

Pastatymas

Šį aparatą įrengkite tokioje vietoje, kur aplinkos temperatūra atitinka klimato klasę, nurodytą aparato vardinėje plokštelėje:

Šaldymo aparatams su klimato klase:

- išplėsta temperatūra: šis šaldymo aparatas skirtas naudoti, kai aplinkos temperatūra yra 10–32 °C (SN);
- vidutinio klimato: šis šaldymo aparatas skirtas naudoti, kai aplinkos temperatūra yra 16–32 °C (N);
- subtropinis klimatas: šis šaldymo aparatas skirtas naudoti, kai aplinkos temperatūra yra 16–38 °C (ST);
- tropinis klimatas: šis šaldymo aparatas skirtas naudoti, kai aplinkos temperatūra yra 16–43 °C (T);

Vieta

Aparatą reikia įrengti atokiau nuo šilumos šaltinių, pavyzdžiui, radiatorių, katilų, tiesioginių saulės spindulių ir pan. Užtikrinkite, kad oras galėtų laisvai cirkuliuoti aplink spintelės galinę dalį. Kad aparatas veiktų kuo geriau, jei jis pastatytas po pakabintu sieniniu bloku, minimalus atstumas tarp korpuso viršaus ir sieninio bloko turi būti ne mažesnis kaip 100 mm. Tačiau idealiu atveju aparato nereikėtų statyti po pakabintomis sienelėmis. Tikslų išlyginimą užtikrina viena ar kelios reguliuojamos kojelės spintelės apačioje.

Šis šaldymo aparatas nėra skirtas naudoti kaip įmontuojamas aparatas.



Įspėjimas! Turi būti įmanoma atjungti aparatą nuo elektros tinklo; todėl po įrengimo kištukas turi būti lengvai pasiekiamas.

Elektros prijungimas

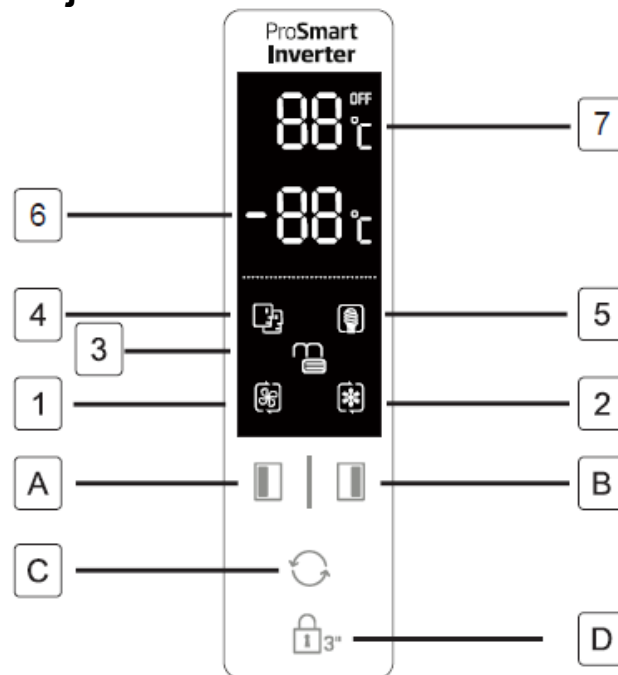
Prieš įjungdami įsitikinkite, kad vardinėje plokštelėje nurodyta įtampa ir dažnis atitinka jūsų buitinio maitinimo šaltinio įtampą ir dažnį. Aparatas turi būti įžemintas. Šiam tikslui maitinimo laido kištukas turi kontaktą. Jei buitinis maitinimo lizdas neįžemintas, aparatą prijunkite prie atskiro įžeminimo, laikydamiesi galiojančių taisyklių, pasikonsultavę su kvalifikuotu elektriku.

Gamintojas atsisako bet kokios atsakomybės, jei nesilaikoma pirmiau nurodytų saugos priemonių.

Šis prietaisas atitinka E.E.C. Direktyvas.

Kasdienis naudojimas

Valdymo skydo naudojimas



Mygtukai

- A** Paspauskite , norėdami reguliuoti šaldiklio skyriaus (kairėje pusėje) temperatūrą nuo -14 °C iki -22 °C.
- B** Paspauskite , kad sureguliuotumėte šaldytuvo skyriaus (dešinėje pusėje) temperatūrą nuo 2 °C iki 8 °C ir išjungtumėte šaldymą.
- C** Paspauskite , kad pasirinktumėte veikimo režimą iš **SMART (išmanaus)**, **ECO (taupymo)**, **SUPER COOLING (supervėsinimo)**, **SUPER FREEZING (superšaldymo)** ir **USERS SETTING (naudotojo nustatymų)** (ekrane nėra simbolio).
- D** Paspauskite **3 SEC.** mygtuką ir palaikykite 3 sekundes, kad užrakintumėte kitus tris mygtukus. Paspauskite jį ir palaikykite 1 sekundę, kad atrakintumėte kitus tris mygtukus.

Ekranas

- 1** **SUPER COOLING (supervėsinimo)** režimu atvėsinamas šaldytuvo skyrius iki žemiausios numatytos temperatūros. Maždaug po 2,5 valandos temperatūros nustatymas bus grąžintas į ankstesnį naudotojo nustatymo režimą.
- 2** **SUPER FREEZING (superšaldymo)** režimu atšaldomas šaldymo skyrius iki žemiausios numatytos temperatūros. Maždaug po 50 valandos temperatūros nustatymas bus grąžintas į ankstesnį naudotojo nustatymo režimą.
Patarimai: geriau įjungti **SUPER FREEZING (superšaldymo)** režimą prieš 24 valandas prieš dedant į šaldiklio skyrių didelį kiekį maisto produktų.
- 3** **LOCK (spynos)** simbolis užsidegs, jei mygtukai yra užrakinti.
- 4** **SMART (išmaniuoju)** režimu šaldytuvas automatiškai nustato dviejų skyrių temperatūrą pagal vidaus temperatūrą ir aplinkos temperatūrą.
- 5** **ECO (taupymo)** režimu šaldytuvas veikia mažiausiomis energijos sąnaudomis.
- 6** Rodoma nustatyta šaldiklio skyriaus temperatūra.
- 7** Rodoma nustatyta šaldytuvo skyriaus temperatūra.
- 8** Užraktas nuo vaikų neveikia, nes nutrūksta elektros energijos tiekimas. Užraktas nuo vaikų automatiškai galioja praėjus 25 sekundėms nuo paskutinio veiksmo. Ekranas automatiškai išsijungia praėjus 2 minutėms nuo paskutinio veiksmo.
- 9** Kai kurios funkcijos gali būti netaikomos šiam modeliui.

Atvirų durų aliarmas

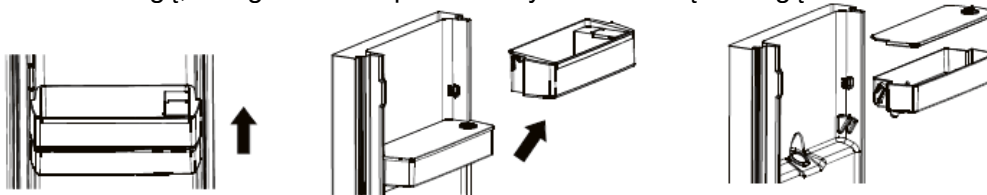
Jei vienos durys lieka atidarytos 90 sekundžių, periodiškai skamba pavojaus signalas, kol durys uždaromos.

Kasdienis naudojimas

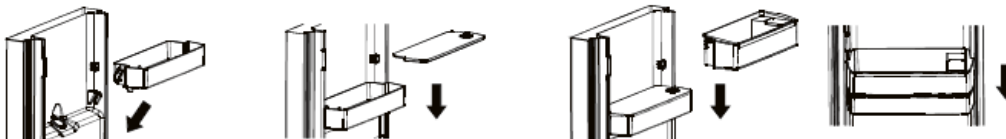
Kasdienis naudojimas

Prieš pirmą kartą naudodami vandens dalytuvą, išimkite ir išvalykite šaldytuvo skyriuje esantį vandens rezervuarą.

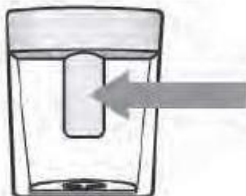
1. Pirmiausia pakelkite ir nuimkite rezervuaro balkonėlį, tada nuimkite vandens rezervuarą su dangčiu. Nuimkite dangtį, kad galėtumėte plauti ir valyti rezervuarą ir dangtį.



2. Išvalę vandens rezervuarą, dangtį ir rezervuaro balkonėlį įstatykite iš naujo, kaip nurodyta toliau.



3. Išvalykite už šaldytuvo durų esantį dalytuvo padėkliuką.



Vandens rezervuaro pripildymas vandeniu

1. Atidarykite mažąjį dangtelį



2. Pripildykite vandens rezervuarą geriamojo vandens iki 3 l talpos
3. Uždarykite mažąjį dangtelį ant dangtelio



naudodami

Išpilstymas

Norėdami išpilstyti vandenį, švelniai paspauskite dalytuvo pagalvėlę, stiklinę arba indą.

Norėdami sustabdyti vandens tekėjimą, atitraukite stiklinę nuo dalytuvo pagalvėlės.

Kasdienis naudojimas

Naudojimas pirmą kartą

Vidaus valymas

Prieš naudodami aparatą pirmą kartą, išplaukite jo vidų ir visus vidinius priedus drungnu vandeniu su šiek tiek neutralaus muilo, kad pašalintumėte naujam gaminiui būdingą kvapą, tada kruopščiai nusausinkite.

Svarbu! Nenaudokite ploviklių ar abrazyvinių miltelių, nes jie pažeidžia apdailą.

Kasdienis naudojimas

Maisto produktai	Vieta
Kiaušiniai	Durelių lentyna
Pieno produktai (sviestas, sūris)	Jei yra, „biofrizavimo“ arba šaldymo skyrius Žemiausios lentynos
Vaisiai, daržovės ir salotos	Vaisių ir daržovių dėžutė, šviežių vaisių ar daržovių arba „EverFresh+“ skyrius (jei yra)
Šviežia mėsa, paukštiena, šviežia žuvis, dešros, virti maisto produktai	Jei yra, biologinio šviežumo išlaikymo arba šaldymo skyrius Žemiausia lentyna
Paruošti vartoti maisto produktai, supakuoti produktai, konservuoti maisto produktai, marinuoti produktai	Viršutinės lentynos arba lentynos durelėse
Gėrimai, buteliai, prieskoniai, užkandžiai	Durelių lentyna
Likučiai	Vidurinės lentynos

LT Šviežių maisto produktų laikymo gairės:

laikymas šviežio maisto skyriuje:

- Šaldytuve palaikykite rekomenduojamą 4 °C temperatūrą.
- Sandėliuojamas maistas turi būti tinkamai uždarytas, kad nepakistų jo kvapas ar skonis.
- Šaldytuve nelaikykite per daug maisto produktų; palikite tarpus tarp maisto produktų, kad aplink juos tekėtų šaltas oras ir jie geriau ir tolygiau atvėstų.
- Kad būtų galima trumpiau atidaryti dureles, kasdien valgomus maisto produktus reikėtų laikyti lentynos priekyje.
- Tarp maisto produktų ir vidinių sienelių palikite tarpą, kad galėtų praeiti oras. Jei maisto produktus laikysite prie galinės sienelės, jie gali prišalti prie galinės sienelės.
- Prieš dedant karštą, ant kaitros gamintą maistą į aparatą, jis turi būti atvėsintas iki kambario temperatūros. Tada šiltą maistą galima laikyti apatinėse šaldytuvo lentynose. Nedėkite šilto maisto šalia greitai gendančių maisto produktų.
- Šaldytą maistą atšildykite šviežio maisto skyriuje. Tokiu būdu užšaldytą maistą galite naudoti šviežio maisto skyriui atvėsinti ir taupyti energiją.
- Jei neprinokę atogrąžų vaisiai (mangai, melionai, papajos, bananai, ananasai) laikomi šaldytuve, jų senėjimo procesas gali paspartėti, o to daryti nepatartina, nes dėl to sutrumpėja laikymo laikas. Tačiau labai žalių vaisių (obuolių, kriaušių) nokimą tam tikrą laiką galima skatinti šaldytuve.
- Svogūnus, česnakus, imbierą ir kitas šakniavaisines daržoves reikia laikyti ne šaldytuve, o tamsioje ir vėsioje patalpoje.
- Pastebėjus, kad šaldytuve esantis maistas sugedęs, jį reikia išmesti. Pastebėję sugedusį maistą, išvalykite vidinį įdėklą arba priedus, kurie su juo liečiasi, kad išvengtumėte užteršimo.
- Didelius puodus su maistu, pvz., sriubomis ar troškiniams, galima padalyti į negilius indus ir greitai atvėsinti šaldytuve. Didelius virtos mėsos gabalus ir visą paukštieną reikėtų padalyti į mažesnius gabalėlius tam pačiam tikslui.

- Šalia kiaušinių nelaikykite nesupakuotų maisto produktų.
- Vaisius ir daržoves laikykite atskirai ir laikykite panašias daržoves su panašiomis: obuolius su obuoliais, morkas su morkomis. Vaisiai ir daržovės išskiria įvairias dujas, dėl kurių kiti gali sugesti.
- Išimkite lapinius žalumynus iš plastikinių maišelių, suvyniokite juos į popierinį rankšluostį arba arbatinį rankšluostėlį prieš laikydami šaldytuve. Nepamirškite jų išdžiovinti, jei prieš sandėliuojant jie buvo nuplauti arba drėgni.
- Džiūti linkusius vaisius ir daržoves laikykite perforuotuose arba nesandariuose plastikiniuose maišeliuose, kad išlaikytumėte drėgną aplinką, tačiau oras galėtų cirkuliuoti.
- Skirtingus maisto produktus, atsižvelgiant į jų savybes, reikėtų sudėti skirtingose vietose:

Patikrinkite, ar jūsų aparato vardinėje plokštelėje nurodyta atitinkama klimato klasė. Vienas iš toliau pateiktų duomenų galioja jūsų prietaisui pagal vardinę klimato klasę.

- SN: Išplėsta temperatūra: šis šaldymo aparatas skirtas naudoti, kai aplinkos temperatūra yra 10–32 °C
- N: Vidutinis: šis šaldymo aparatas skirtas naudoti, kai aplinkos temperatūra yra 16–32 °C
- ST: Subtropinis: šis šaldymo aparatas skirtas naudoti, kai aplinkos temperatūra yra 16–38 °C
- T: Tropinis: šis šaldymo aparatas skirtas naudoti, kai aplinkos temperatūra yra 16–43 °C

LT Laikymas šaldiklio skyriuje:

- Rekomenduojama šaldiklyje palaikyti -20 °C temperatūrą, išskyrus ekstremalias aplinkos sąlygas.
- Likus 4–6 valandoms iki užšaldymo įjunkite greitojo užšaldymo funkciją, kad užšaldytumėte greičiau.
- Prieš dedant karštą maistą į šaldiklio skyrių, jis turi būti atvėsintas iki kambario temperatūros.
- Mažomis porcijomis supjaustytas maistas greičiau užšąla, jį lengviau atitirpinti ir paruošti.
- Prieš dedant maistą į šaldiklį, geriau jį supakuoti.
- Kad būtų išvengta laikymo terminų pabaigos, ant pakuotės pažymėkite užšaldymo datą, terminą ir maisto produkto pavadinimą, atsižvelgiant į skirtingų maisto produktų laikymo terminus.
- Neviršykite maisto produktų gamintojų rekomenduojamo laikymo laiko, iš šaldiklio išimkite tik reikiamą maisto kiekį.
- Greitai suvartokite atitirpintą maistą. Atšildyto maisto negalima pakartotinai užšaldyti, nebent jis būtų termiškai apdorotas. Termiškai neapdorotus, pakartotinai užšaldytus šviežius maisto produktus vartoti nesaugu.
- Šaldydami šviežią maistą venkite jo sąlyčio su jau užšaldytu maistu. Dėl to gali atšilti jau užšaldytos dalys.

Jeigu aparate laikote įsigytus užšaldytus maisto produktus, laikykitės šių rekomendacijų:

Visada laikykitės gamintojų nurodymų, kiek laiko turėtumėte laikyti maisto produktus. Neviršykite šiuose nurodymuose pateikto laiko!

- Stenkitės, kad laikas nuo įsigijimo iki laikymo būtų kuo trumpesnis, kad būtų išsaugota maisto kokybė.
- Pirkite šaldytus maisto produktus, kurie buvo laikomi -18 °C arba žemesnėje temperatūroje.
- Venkite pirkti maisto produktus, ant kurių pakuočių yra ledo ar šerkšno – tai rodo, kad produktai galėjo būti iš dalies atitirpinti ir kažkada vėl užšaldyti – pakilusi temperatūra turi įtakos maisto kokybei.
- Rekomenduojame nustatyti 4 °C temperatūrą šviežio maisto skyriuje ir -20 °C temperatūrą šaldiklio skyriuje, kad maistas geriau išsilaikytų.

- Išskyrus ekstremalias aplinkos sąlygas, nustačius rekomenduojamą +4 °C / -20 °C temperatūrą, maisto produktai bus išlaikomi švieži šviežių produktų ir šaldiklio skyriuose. Jei šviežių maisto produktų skyriuje nustatyta žemesnė temperatūra, švieži vaisiai ir daržovės gali iš dalies sušalti arba juos gali pažeisti šaltis, o dėl aukštesnės temperatūros gali greičiau sugesti greitai gendantys maisto produktai (pieno produktai, mėsos gaminiai).

Kasdienis naudojimas

Šviežių maisto produktų šaldymas

- Šaldiklio skyrius tinka šviežiam maistui užšaldyti ir ilgai laikyti užšaldytus ir giliai užšaldytus maisto produktus.
- Į apatinį skyrių sudėkite šviežius užšaldomus maisto produktus.
- Didžiausias maisto kiekis, kurį galima užšaldyti per 24 valandų, nurodytas vardinėje plokštelėje.
- Šaldymo procesas trunka 24 valandų: šiuo laikotarpiu nedėkite kitų užšaldomų maisto produktų.

Šaldytų maisto produktų laikymas

Prieš įdėdami gaminį į skyrių pirmą kartą arba po nenaudojimo, prieš įdėdami gaminį į skyrių, leiskite aparatui veikti bent 2 valandas aukštesniais nustatymais.

Svarbu! Atsitiktinio atitirpimo atveju, pavyzdžiui, jei maitinimas buvo išjungtas ilgiau, nei nurodyta techninių charakteristikų lentelės skiltyje „temperatūros kilimo trukmė“, atitirpęs maistas turi būti greitai suvartotas arba iš karto paruoštas ir vėl užšaldytas (termiškai apdorotas).

Atitirpinimas

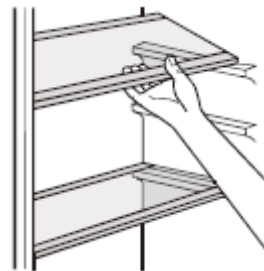
Giliai užšaldytus arba užšaldytus maisto produktus prieš naudojimą galima atitirpinti kambario temperatūroje, priklausomai nuo tam skirto laiko.

Nedidelius gabalėlius galima termiškai apdoroti dar užšaldytus, tiesiai iš šaldiklio. Tokiu atveju gaminimas užtruks ilgiau.

Priedai

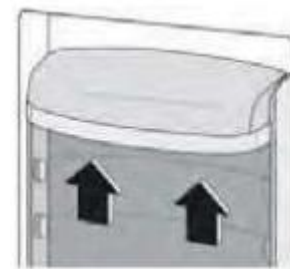
Perkeliamos lentynos

Šaldytuvo sienelėse įrengti bėgeliai, kad lentynas būtų galima išdėstyti taip, kaip norima.



Lentynų durelėse išdėstymas

Kad būtų galima laikyti įvairaus dydžio maisto produktų pakuotes, lentynos durelėse gali būti skirtingo aukščio. Šį reguliavimą atlikite taip: palapsniui traukite lentyną rodyklių kryptimi, kol jis atsilaisvins, tada pakeiskite padėtį pagal poreikį.



Kasdienis naudojimas

Naudingi patarimai

Patarimai dėl užšaldymo

Kad kuo geriau išnaudotumėte užšaldymo procesą, pateikiame keletą svarbių patarimų:

- didžiausias maisto kiekis, kurį galima užšaldyti per 24 valandų, nurodytas vardinėje plokštelėje;
- užšaldymo procesas trunka 24 valandų. Per šį laikotarpį į šaldytuvą negalima dėti jokių kitų užšaldomų maisto produktų;
- užšaldykite tik aukščiausios kokybės, šviežius ir kruopščiai išvalytus maisto produktus;
- paruoškite maisto produktus mažomis porcijomis, kad juos būtų galima greitai ir visiškai užšaldyti, o vėliau atšildyti tik reikiamą kiekį;
- suvyniokite maisto produktus į aliuminio foliją arba polietileną ir įsitikinkite, kad pakuotės yra sandarios;
- neleiskite šviežiam, neužšaldytam maistui liesti jau užšaldyto maisto, taip išvengsite pastarojo temperatūros pakilimo;
- liesas maistas laikosi geriau ir ilgiau nei riebus; druska sutrumpina maisto laikymo trukmę;
- ledo kubeliai, jei vartojami iš karto išėmus iš šaldiklio skyriaus, gali sukelti odos nudegimą nuo šalčio;
- patartina ant kiekvienos atskiros pakuotės nurodyti užšaldymo datą, kad būtų galima išimti iš šaldiklio skyriaus;
- patartina ant kiekvienos atskiros pakuotės nurodyti užšaldymo datą, kad galėtumėte stebėti laikymo trukmę.

Šaldytų maisto produktų laikymo patarimai

Kad šis aparatas veiktų kuo geriau, turėtumėte:

įsitikinti, kad pardavėjas tinkamai laikė įsigytus užšaldytus maisto produktus;

įsitikinkite, kad užšaldyti maisto produktai iš maisto parduotuvės į šaldiklį perkeliami per kuo trumpesnį laiką;

dažnai neatidarinėkite durų ir nepalikite jų atidarytų ilgiau nei būtina.

Atšildytas maistas greitai genda ir jo negalima pakartotinai užšaldyti.

Neviršykite maisto produkto gamintojo nurodyto laikymo laikotarpio.

Šviežių maisto produktų šaldymo patarimai

Norint pasiekti geriausius rezultatus:

- šaldytuve nelaikykite šilto maisto ir garuojančių skysčių;
- Uždenkite arba suvyniokite maisto produktus, ypač jei jie yra stipraus skonio.

Patarimai dėl šaldymo

Naudingi patarimai.

- Javasolt (minden típus esetében): csomagolja polietilénzacskóba, és helyezze a zöldséges fiók feletti üvegpóckra.
- Saugumo sumetimais taip laikykite ne ilgiau kaip vieną ar dvi dienas.
- Pagamintas maistas, šalti patiekalai ir t. t.: jie turi būti uždengti ir gali būti dedami į bet kurią lentyną.
- Vaisiai ir daržovės: jie turi būti kruopščiai nuvalyti ir sudėti į specialų (-ius) stalčių (-ius).
- sviestas ir sūris: jie turėtų būti sudėti į specialius sandarius indus arba suvynioti į aliuminio foliją ar polietileningus maišelius, kad į juos nepatektų kuo mažiau oro.
- Pieno buteliukai: jie turi būti su dangteliu ir laikomi durelėse esančiose lentynose.
- Bananų, bulvių, svogūnų ir česnakų, jei jie nesupakuoti, negalima laikyti šaldytuve.

Valymas

Higienos sumetimais aparato vidų, įskaitant vidinius priedus, reikia reguliariai valyti.



Atsargiai! Valymo metu aparato negalima prijungti prie elektros tinklo. Elektros smūgio pavojus!

Prieš valydami išjunkite aparatą ir ištraukite kištuką iš elektros tinklo, išjunkite arba išjunkite automatinį jungiklį ar saugiklį. Niekada nevalykite prietaiso garų valytuvu. Elektros komponentuose gali kauptis drėgmė, kyla elektros smūgio pavojus! Dėl karštų garų gali būti pažeistos plastikinės dalys. Prieš vėl pradėdant naudoti aparatą, jis turi būti sausas.

Svarbu! Eteriniai aliejai ir organiniai tirpikliai gali pažeisti plastikines dalis, pvz., citrinos sultys arba apelsino žievelės sultys, sviesto rūgštis, valikliai, kurių sudėtyje yra acto rūgšties.

Kasdienis naudojimas

- Neleiskite tokioms medžiagoms liestis su aparato dalimis.
- Nenaudokite jokių abrazyvinių valiklių
- Išimkite maisto produktus iš šaldiklio. Laikykite juos gerai uždengtus vėsioje vietoje.
- Išjunkite aparatą ir ištraukite kištuką iš elektros tinklo arba atjunkite arba išsukite saugiklį.
- Šluoste ir drungnu vandeniu išvalykite aparatą ir jo vidinius priedus. Po valymo nušluostykite švari vandeniu ir sausai ištrinkite.
- Viską išdžiovinus, vėl pradėkite naudoti aparatą.

Trikčių šalinimas



Atsargiai! Prieš šalinami gedimus, atjunkite maitinimo šaltinį. Tik kvalifikuotas elektrikas arba kompetentingas asmuo turi atlikti šiame vadove nenurodytus trikčių šalinimo darbus.

Svarbu! Įprasto naudojimo metu girdimi tam tikri garsai (kompresorius, šaltnešio cirkuliacija).

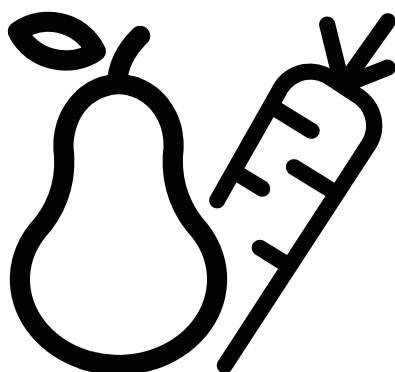
Problema	Galima priežastis	Sprendimas
Prietaisas neveikia	Maitinimo kištukas neįjungtas arba atsilaisvinęs	Prijunkite prie maitinimo tinklo.
	Saugiklis perdegė arba yra sugedęs	Patikrinkite saugiklį, jei reikia, pakeiskite.
	Kištuko lizdas sugedęs	Tinklo gedimus turi pašalinti elektrikas.
Maistas yra per šiltas.	Temperatūra nėra tinkamai sureguliuota.	Žr. skyrių „Pradinės temperatūros nustatymas“.
	Durys buvo atidarytos ilgesnį laiką.	Laikykite duris atviras tik tiek, kiek reikia.
	Per pastarąsias 24 valandas į aparatą buvo įdėta daug šilto maisto.	Laikinais perjunkite temperatūros reguliavimą į šaltesnę padėtį.
	Aparatas yra netoli šilumos šaltinio.	Atkreipkite dėmesį į skyriaus įrengimo vietą.
Prietaisas per daug atvėsta	Nustatyta per žema temperatūra.	Laikinais pasukite temperatūros reguliavimo rankenėlę į šiltesnę padėtį.
Neįprastas triukšmas	Aparatas nesubalansuotas.	Iš naujo sureguliuokite kojeles.
	Aparatas liečiasi prie sienos ar kitų objektų.	Nežymiai patraukite aparatą.
	Aparato galinėje dalyje esantis komponentas, pvz., vamzdis, liečiasi su kita aparato sienos dalimi.	Jei reikia, atsargiai atlenkite komponentą.
Vanduo ant grindų	Užblokuota vandens išleidimo anga.	Žr. skyrių „Priežiūra ir valymas“.
Šoninės plokštės yra įkaitusios	Tai normalu. Šilumos mainai vyksta šoninėse plokštėse	Jei reikia, mūvėkite pirštines, kad paliestumėte šonines plokštes.

Jei gedimas pasikartoja, kreipkitės į techninės priežiūros centrą.



Frigorífico

Manual del usuario



GNO5322XPN
GNO5323XPN
GNO5324XPN
GNO5322WN
GNO5322WDXPN



INFORMACIÓN



SUPPLIER'S NAME

MODEL IDENTIFIER

(*)

A

A

La información del modelo, tal como está almacenada en la base de datos de productos, puede ser consultada en la página web siguiente introduciendo el identificador del modelo (*) que se encuentra en la etiqueta de clasificación energética.

<https://eprel.ec.europa.eu/>

Información sobre seguridad

En interés de su seguridad y para garantizar el uso correcto, antes de instalar y utilizar el aparato por primera vez, lea atentamente este manual del usuario, incluyendo sus consejos y advertencias. Para evitar errores y accidentes innecesarios, es importante asegurarse de que todas las personas que utilizan el aparato estén familiarizadas con sus características de funcionamiento y seguridad. Guarde estas instrucciones y asegúrese de que permanezcan con el aparato en caso de que se traslade o se comercialice, de modo que todas las personas que lo utilicen a lo largo de su vida útil estén debidamente informadas sobre el uso y la seguridad del aparato.


Para la seguridad de la vida y de la propiedad, tenga en cuenta las precauciones de estas instrucciones de uso, ya que el fabricante no se hace responsable de los daños causados por omisión.


Seguridad de los niños y las personas vulnerables

- Este aparato puede ser utilizado por niños a partir de los 8 años y por personas con capacidades físicas, sensoriales o mentales reducidas o con falta de experiencia y conocimientos, siempre y cuando se les haya impartido una formación o instrucciones sobre el uso del aparato de una manera segura y comprendan los peligros que conlleva.
- Se debe vigilar a los niños para asegurarse de que no jueguen con este electrodoméstico.
- Los niños no deben realizar la limpieza y el mantenimiento del usuario a menos que tengan 8 años o más y estén bajo supervisión.
- Mantenga todos los envases fuera del alcance de los niños. Existe riesgo de asfixia.
- Si va a desechar el aparato, desenchufe el enchufe de la toma de corriente, corte el cable de conexión (tan cerca del aparato como pueda) y retire la puerta para evitar que los niños que juegan sufran descargas eléctricas o se encierren en él.
- Si este aparato con sellos magnéticos para puertas va a reemplazar un aparato viejo que tiene un bloqueo de resorte (pestillo) en la puerta o tapa, asegúrese de que ese resorte no se pueda usar antes de desechar el aparato viejo.

Esto evitará que se convierta en una trampa mortal para un niño.


Seguridad general


 **ADVERTENCIA!** Mantener limpias y sin obstrucciones las aberturas de ventilación del armario del frigorífico o de la estructura incorporada.


 **ADVERTENCIA!** No utilice dispositivos mecánicos u otros medios para acelerar el proceso de descongelación distintos de los recomendados por el fabricante.


 **ADVERTENCIA!** Evite provocar daños al circuito de refrigeración.

Información sobre seguridad


 **ADVERTENCIA!** No utilice otros aparatos eléctricos (como las heladeras) dentro de los aparatos frigoríficos, a menos que estén aprobados para este fin por el fabricante.


 **ADVERTENCIA!** No toque la bombilla si ha estado encendida durante un largo período de tiempo porque podría estar muy caliente.¹⁾

 **ADVERTENCIA!** Cuando coloque el aparato, asegúrese de que el cable de alimentación no esté atrapado ni dañado.

 **ADVERTENCIA!** No coloque varios enchufes o fuentes de alimentación portátiles en la parte posterior del aparato.

- No almacene sustancias explosivas como latas de aerosol con un propelente inflamable en este electrodoméstico.
- El refrigerante isobutano (R600a) está contenido en el circuito de refrigerante del aparato, un gas natural con un alto grado de compatibilidad medioambiental, pero inflamable.
- Durante el transporte y la instalación del aparato, asegúrese de que no se dañe ninguno de los componentes del circuito de refrigerante.
 - evitar las llamas abiertas y las fuentes de ignición
 - ventilar a fondo la habitación en la que se encuentra el electrodoméstico
- Es peligroso alterar las especificaciones o modificar este producto de cualquier manera. Cualquier daño al cable puede causar un cortocircuito, fuego y/o descarga eléctrica.
- Este aparato está destinado al uso en aplicaciones domésticas y similares, como por ejemplo
 - cocinas para uso del personal de tiendas, oficinas y otros entornos laborales;
 - casas rurales y clientes de hoteles, moteles y otros tipos de entornos residenciales;
 - entornos de tipo "habitación y desayuno";
 - catering y aplicaciones no minoristas similares.

 **ADVERTENCIA!** Cualquier componente eléctrico (enchufe, cable de alimentación, compresor, etc.) debe ser reemplazado por un agente de servicio certificado o personal de servicio cualificado.

 **ADVERTENCIA!** La bombilla suministrada con este electrodoméstico es una "bombilla de uso especial" que sólo se puede utilizar con el electrodoméstico suministrado. Esta "lámpara de uso especial" no es utilizable para iluminación doméstica.¹⁾

1) Si hay una luz en el compartimento.

Información sobre seguridad

- El cable de alimentación no debe estirarse.
- Asegúrese de que el enchufe no esté aplastado o dañado por la parte posterior del electrodoméstico. Un enchufe aplastado o dañado puede sobrecalentarse y provocar un incendio.
- Asegúrese de que puede conectarse a la toma de corriente del electrodoméstico.
- No tire del cable de alimentación.
- Si el enchufe de alimentación está suelto, no introduzca el conector de alimentación.
¡Existe riesgo de descargas eléctricas o fuego!
- No debe utilizar el electrodoméstico sin la lámpara.
- Este electrodoméstico es pesado. Debe tener cuidado al moverlo.
- No retire ni toque los artículos del congelador si sus manos están húmedas o mojadas, ya que esto podría causar abrasiones en la piel o quemaduras por congelación.
- Evite la exposición prolongada del aparato a la luz solar directa.

Uso diario

- No caliente las piezas de plástico del electrodoméstico.
- No coloque los productos alimenticios directamente contra la pared trasera.
- Los alimentos congelados no deben volver a congelarse una vez descongelados.¹⁾
- Almacene los alimentos congelados preenvasados de acuerdo con las instrucciones del fabricante del alimento congelado.¹⁾
- Se deben cumplir estrictamente las recomendaciones de almacenamiento de los fabricantes de electrodomésticos. Consulte las instrucciones pertinentes.
- No coloque bebidas gaseosas carbonatadas en el compartimento del congelador, ya que esto crea presión sobre el recipiente, lo que puede hacer que explote y dañar el aparato.¹⁾
- Los polos de hielo pueden causar quemaduras por congelación si se consumen directamente desde el frigorífico.¹⁾

Para evitar la contaminación de los alimentos, por favor, respete las siguientes indicaciones

- La apertura de la puerta durante largos períodos de tiempo puede provocar un aumento significativo de la temperatura en los compartimentos del aparato.
- Limpie regularmente las superficies que puedan entrar en contacto con los alimentos y los sistemas de drenaje accesibles.
- Limpie los depósitos de agua si no se han utilizado durante 48 horas; enjuague el sistema de agua conectado a un suministro de agua si el agua no se ha extraído durante 5 días.
- Almacene la carne y el pescado crudos en recipientes adecuados en el refrigerador, de modo que no estén en contacto con otros alimentos ni goteen sobre ellos.
- Los compartimentos de dos estrellas para alimentos congelados (si los hay en el aparato) son adecuados para almacenar alimentos pre-congelados, almacenar o hacer helados y hacer cubitos de hielo.
- Los compartimentos de una, dos y tres estrellas (si los hay en el aparato) no son adecuados para la congelación de alimentos frescos.

Información sobre seguridad

- Si el aparato se deja vacío durante períodos prolongados, apáguelo, descongélelo, límpielo, séquelo y deje la puerta abierta para evitar problemas dentro del mismo.

Cuidados y limpieza

- Antes del mantenimiento, apague el aparato y desconecte el enchufe de la toma de corriente.
- No limpie el electrodoméstico con objetos metálicos.
- No utilice objetos punzantes para eliminar la escarcha del frigorífico. Use un raspador de plástico.¹⁾
- Examine regularmente el desagüe del frigorífico para ver si hay agua descongelada. Si es necesario, limpie el desagüe. Si el desagüe está bloqueado, se acumulará agua en el fondo del electrodoméstico.²⁾

Instalación

¡Importante! Para la conexión eléctrica, siga cuidadosamente las instrucciones que se dan en los párrafos específicos.

- Desembale el electrodoméstico y compruebe si está dañado. No conecte el electrodoméstico si está dañado. Notifique inmediatamente los posibles daños al lugar donde lo compró. En ese caso, conserve el embalaje.
- Es aconsejable esperar al menos cuatro horas antes de conectar el electrodoméstico para permitir que el aceite vuelva a fluir en el compresor.
- Debe existir una circulación de aire adecuada alrededor del aparato, de lo contrario se producirá un sobrecalentamiento. Para conseguir una ventilación suficiente, siga las instrucciones de instalación.
- Siempre que sea posible, los espaciadores del producto deben estar contra una pared para evitar que entren en contacto con las partes calientes (compresor, condensador) y evitar posibles quemaduras.
- El electrodoméstico no debe estar situado cerca de radiadores o cocinas.
- Asegúrese de que el enchufe de la red eléctrica quede accesible después de la instalación del aparato.

Servicio técnico

- Todos los trabajos eléctricos necesarios para el mantenimiento del aparato deben ser realizados por un electricista cualificado o una persona competente.
- Este producto debe ser reparado por un centro de servicio técnico autorizado, y sólo deben utilizarse piezas de repuesto originales.

Ahorro de energía

- No introduzca alimentos calientes en el electrodoméstico;
- No embale los alimentos muy juntos ya que esto impide que el aire circule;
- Asegúrese de que la comida no toque la parte posterior del compartimento o compartimentos;



1) Si el desagüe está bloqueado, se acumulará agua en el fondo del electrodoméstico.

2) Si hay un compartimento de almacenamiento de alimentos frescos.

Información sobre seguridad

- Si se corta la electricidad, no abra la(s) puerta(s);
- No abra la(s) puerta(s) con frecuencia;
- No mantenga la(s) puerta(s) abierta(s) durante mucho tiempo;
- No ajuste el termostato a temperaturas excesivamente frías;
- Todos los accesorios, como cajones, estanterías para balcones, deben mantenerse allí para un menor consumo de energía.

Protección del medio ambiente

 Este electrodoméstico no contiene gases que puedan dañar la capa de ozono, ni en su circuito de refrigeración ni en sus materiales aislantes. El electrodoméstico no debe desecharse junto con los residuos urbanos y la basura. La espuma aislante contiene gases inflamables: el electrodoméstico se debe desechar de acuerdo con las normas del electrodoméstico que puede obtener de las autoridades locales. Evite dañar la unidad de refrigeración, especialmente el intercambiador de calor. Los materiales utilizados en este aparato marcados con el símbolo  son reciclables.



El símbolo sobre el producto o en su embalaje indican que el mismo no debe ser tratado como basura doméstica. En su lugar, debe llevarse al punto de recogida adecuado para el reciclado de dispositivos eléctricos y electrónicos. Al asegurar que este producto se elimine correctamente, usted ayudará a evitar posibles consecuencias negativas tanto para el medio ambiente como para la salud que podrían, por otro lado, ser causados por la manipulación inadecuada de los desechos de este producto. Para obtener mayor información sobre el reciclado de este producto, por favor contacte con su consejo municipal, su servicio de eliminación de desechos o con el establecimiento donde adquirió el producto.


Materiales de embalaje

Los materiales con el símbolo son reciclables. Deseche el embalaje en un recipiente de recogida adecuado para reciclarlo.

Eliminación del aparato

1. Desconecte el enchufe de la toma de corriente.
2. Desconecte el cable de alimentación y deséchelo

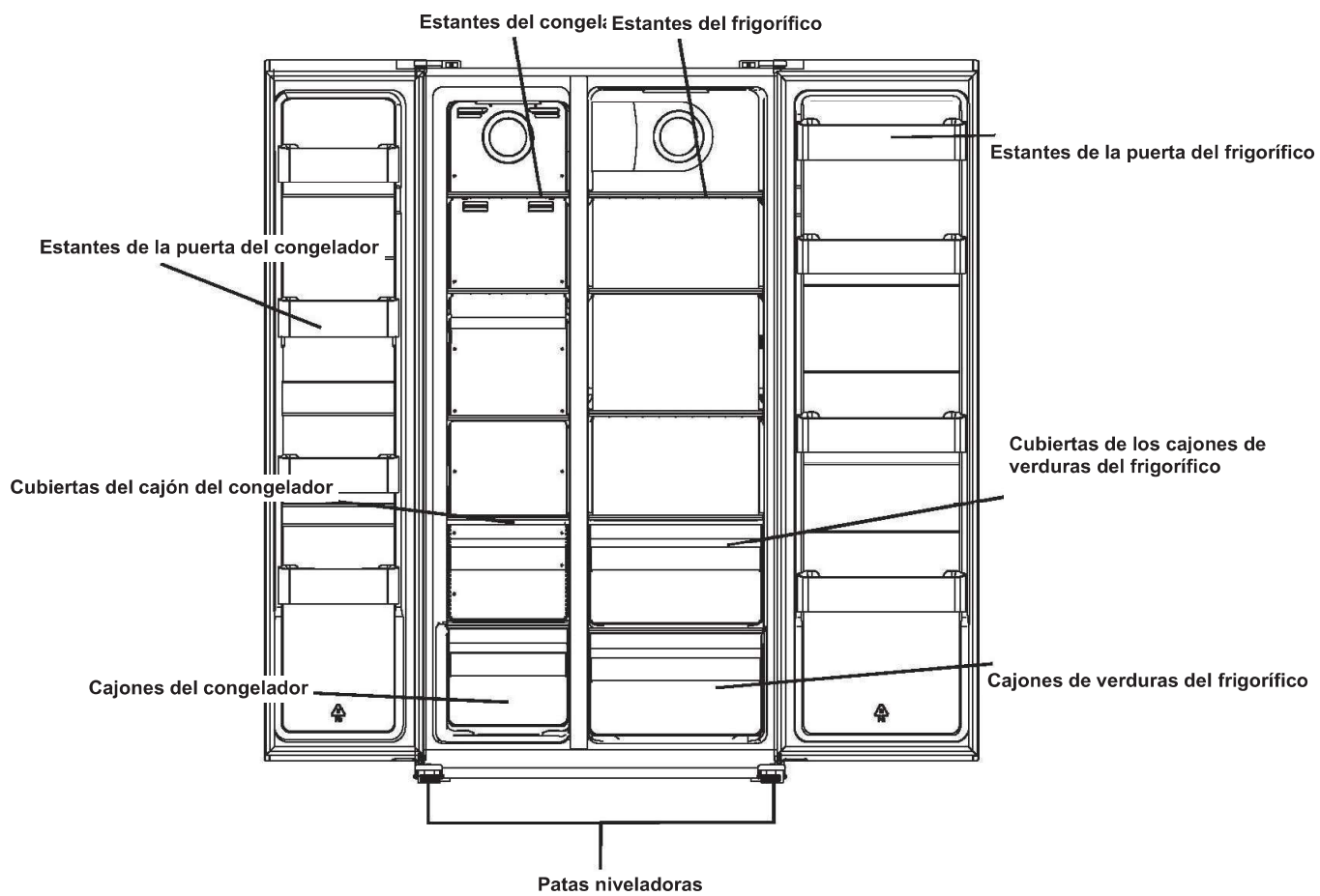


 **ADVERTENCIA!** Durante el uso, mantenimiento y eliminación del aparato, preste atención al símbolo que se encuentra en la parte posterior del aparato (panel trasero o compresor) que es de color amarillo o naranja y es similar al que hay al lado izquierdo del aparato.

Es un símbolo de riesgo de incendio. Hay materiales inflamables en las tuberías de refrigerante y en el compresor.

Por favor, manténgase alejado de la fuente de calor durante su uso, servicio y eliminación.

Resumen



Esta imagen sirve sólo como ilustración, para conocer más información, por favor, inspeccione su aparato.

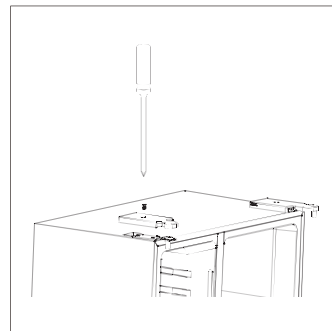
Instalación

Quite las puertas

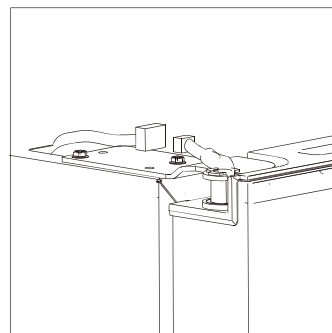
Herramienta necesaria: Destornillador de estrella, destornillador de punta plana.

- Asegúrese de que la unidad esté desenchufada y vacía.
- Para quitar la puerta, es necesario inclinar la unidad hacia atrás. Debe apoyar la unidad sobre algo sólido para que no se deslice durante el proceso de retirada de la puerta.
- Es necesario guardar todas las piezas desmontadas para volver a instalar la puerta.
- No coloque la unidad en posición horizontal, ya que esto podría dañar el sistema de refrigeración.
- Es mejor que 2 personas manipulen la unidad durante el montaje.

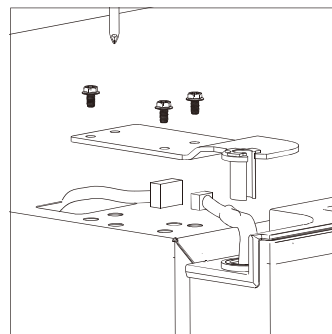
1. Desenrosque la tapa de la bisagra con un destornillador Philips.



2. Separe el arnés.

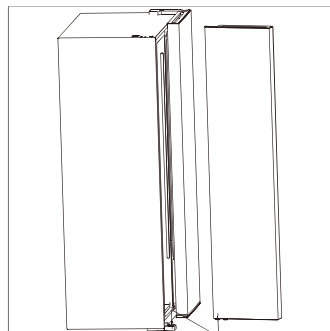


3. Desatornille la bisagra superior.

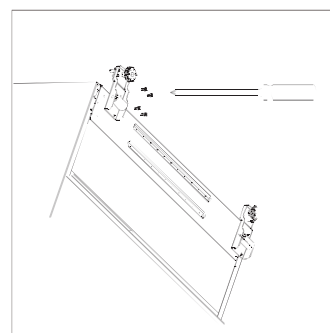


Instalación

4. Levante la puerta y colóquela sobre una almohadilla blanda. A continuación, retire otra puerta siguiendo el mismo procedimiento.



5. Desatornille las bisagras inferiores.

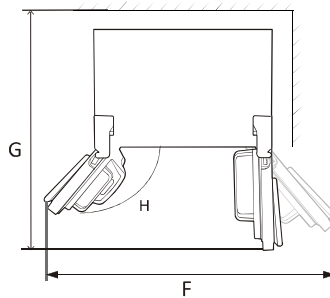
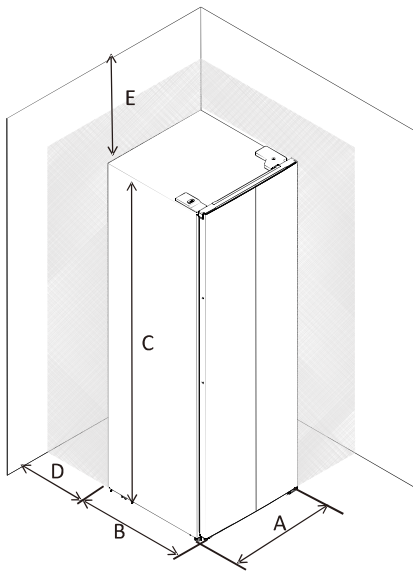


6. Una vez colocado el electrodoméstico, instale las puertas de forma inversa.

Instalación

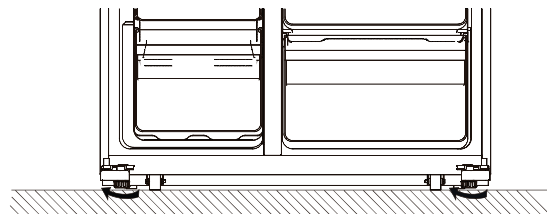
Requisito de espacio

- Seleccione una ubicación sin exposición directa a la luz solar;
- Seleccione una ubicación con suficiente espacio para que las puertas del frigorífico se abran fácilmente;
- Seleccione una ubicación con piso nivelado (o casi nivelado);
- Deje suficiente espacio para instalar el frigorífico en una superficie plana;
- Deje un espacio libre a la derecha, izquierda, atrás y arriba cuando realice la instalación. Esto ayudará a reducir el consumo de energía y a mantener sus facturas de energía más bajas.



A	910
B	670
C	1770
D	min=50
E	min=50
F	1800
G	1560
H	135°

Nivelación y anclaje del frigorífico



- Nivelar y anclar la nevera ajustando las patas.
- Gire las patas hacia la derecha para elevarlas manualmente.
- Gire las patas hacia la izquierda para descenderlas manualmente.

Instalación

Posicionamiento

Coloque este aparato en un lugar donde la temperatura ambiente sea compatible con la clase climática especificada en la placa de características del aparato: Para los aparatos de refrigeración con clase climática:

-Templado ampliado: este aparato de refrigeración está destinado a ser utilizado a temperaturas ambiente que oscilan entre 10 °C y 32 °C; (SN)

-Templado: este aparato de refrigeración está destinado a ser utilizado a temperaturas ambiente que oscilan entre 16 °C y 32 °C; (N)

- Subtropical: este aparato de refrigeración está destinado a ser utilizado a temperaturas ambiente que oscilan entre 16 °C y 38 °C; (ST)

-Tropical: este aparato de refrigeración está destinado a ser utilizado a temperaturas ambiente que oscilan entre 16 °C y 43 °C; (T)

Ubicación

El aparato debe instalarse lejos de fuentes de calor como radiadores, calderas, luz solar directa, etc. Asegúrese de que el aire pueda circular libremente por la parte posterior del armario. Para garantizar el mejor rendimiento, si el aparato se coloca por debajo de una pared que sobresalga, la distancia mínima entre la parte superior del armario y la pared debe ser de al menos 100 mm. Lo ideal, sin embargo, es que el electrodoméstico no se coloque por debajo de los elementos que sobresalgan de la pared. La nivelación precisa está asegurada por una o más patas ajustables en la base del bastidor.

Este aparato de refrigeración no está destinado a ser utilizado como aparato empotrado;



Advertencia: El electrodoméstico debe poder desconectarse de la red eléctrica, por lo que el enchufe debe ser fácilmente accesible después de la instalación.

Conexión eléctrica

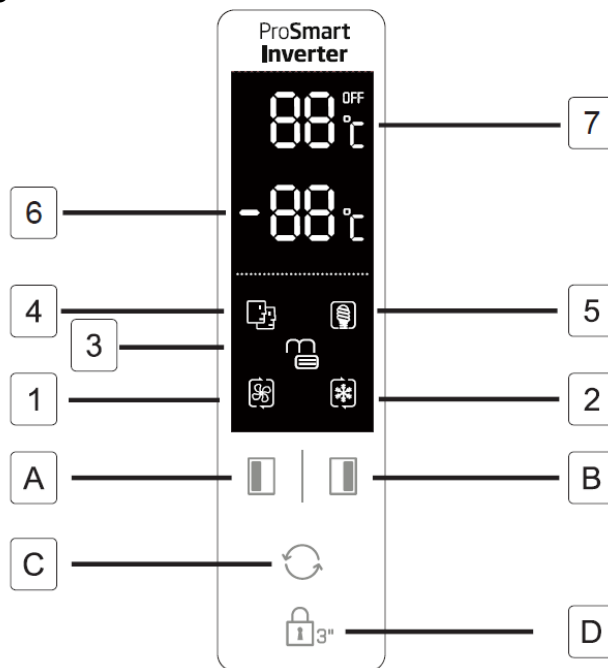
Antes de enchufar el electrodoméstico, asegúrese de que la tensión y la frecuencia indicadas en la placa de características corresponden a su fuente de alimentación doméstica. El aparato debe disponer de toma de tierra. El enchufe del cable de alimentación está provisto de un contacto para este fin. Si la toma de corriente doméstica no está conectada a tierra, conecte el aparato a una toma de tierra independiente de acuerdo con la normativa vigente y consulte a un electricista cualificado.

El fabricante declina toda responsabilidad si no se observan las precauciones de seguridad anteriores.

Este aparato cumple con las Directivas E.E.C. .

Uso Diário

Usar o painel de controlo



Botões

- A** Premir e ajustar a temperatura do compartimento do congelador (lado esquerdo) de -14°C a -22°C .
- B** Premir e ajustar a temperatura do compartimento do frigorífico (lado direito) de 2°C a 8°C e refrigeração desligada.
- C** Prima para selecionar o modo de funcionamento de **SMART**, **ECO**, **SUPER COOLING (SUPER REFRIGERAÇÃO)**, **SUPER FREEZING (SUPER CONGELAÇÃO)** e **USER'S SETTING (DEFINIÇÕES DO UTILIZADOR)** (nenhum símbolo no visor).
- D** Prima o botão **3 SEC (3 SEG)** e mantenha premido durante 3 segundos para bloquear os outros três botões.
Prima o mesmo e mantenha premido durante 1 segundo para desbloquear os outros três botões.

Visor

- 1** **SUPER COOLING (SUPER REFRIGERAÇÃO)** arrefece o compartimento do frigorífico para a temperatura mais baixa conforme designado. Após aproximadamente 2 horas e meia, a definição da temperatura será reposta para o modo de definição anterior do utilizador.
- 2** **SUPER FREEZING (SUPER CONGELAÇÃO)** arrefece o compartimento do congelador para a temperatura mais baixa conforme designado. Após aproximadamente 50 horas, a definição da temperatura será reposta para o modo de definição anterior do utilizador.
Dicas: É melhor ativar o modo **SUPER FREEZING (SUPER CONGELAÇÃO)** 24 horas antes de ser colocada uma grande quantidade de alimentos no compartimento do congelador.
- 3** **LOCK (BLOQUEAR)** o símbolo irá acender se os botões estiverem bloqueados.
- 4** Modo **SMART**, o frigorífico regula a temperatura dois compartimentos automaticamente de acordo com a temperatura interior e a temperatura ambiente.
- 5** Modo **ECO**, o frigorífico funciona numa definição de consumo mais baixo de energia.
- 6** Exibe a temperatura de definição do compartimento do congelador.
- 7** Exibe a temperatura de definição do compartimento do frigorífico.
- 8** O bloqueio crianças irá ser interrompido com uma interrupção de energia. O bloqueio crianças será automaticamente ativado após 25 segundos depois da última operação. O painel do visor irá desligar-se automaticamente após 2 minutos desde a última operação.
- 9** Algumas funções podem não ser aplicáveis a este modelo.

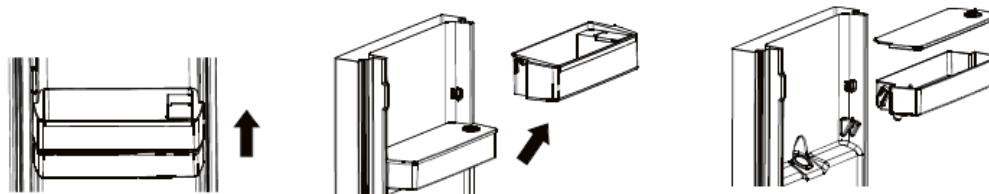
Alarme de porta aberta

Se uma porta se mantiver aberta durante 90 segundos, será emitido um alarme periódico até a porta ser fechada.

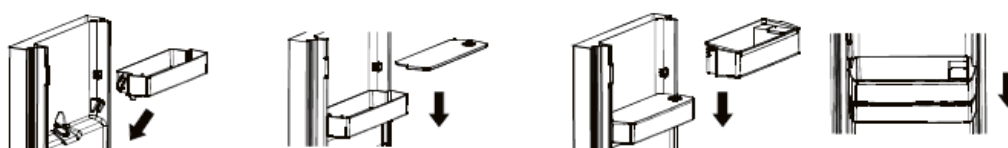
Uso diario

Antes de utilizar el dispensador de agua por primera vez, extraiga y limpie el depósito de agua situado en el interior del compartimiento del frigorífico.

1. Primero levante y extraiga el soporte del depósito y, a continuación, extraiga el depósito con su cubierta. Separe la tapa para lavar y limpiar el depósito y la cubierta.



2. Una vez limpios, vuelva a instalar el depósito, la cubierta y el soporte, invirtiendo el orden del procedimiento inicial.



3. Limpie el panel del dispensador delante de la puerta del frigorífico.



Carga del depósito de agua

1. Abra la tapa pequeña



2. Cargue el depósito con agua potable (3 litros de capacidad)
3. Cierre la tapa pequeña de la cubierta.



Dispensación

Para obtener agua, pulse suavemente el panel del dispensador, colocando un vaso u otro recipiente.

Para interrumpir la salida de agua, retire el vaso del panel del dispensador.

Uso diario

Primer uso

Limpieza del interior

Antes de usar el electrodoméstico por primera vez, lave el interior y todos los accesorios internos con agua tibia y jabón neutro para eliminar el típico olor de un producto nuevo y luego séquelo bien.

¡Importante! No utilice detergentes ni polvos abrasivos, ya que pueden dañar el acabado.

Uso diario

Alimento	Ubicación
Huevos	Estante de la puerta
Productos lácteos (mantequilla, queso)	Si está disponible, compartimento biofresco o compartimento refrigerador Estantes más bajos
Frutas, vegetales y ensaladas	Caja de frutas y verduras, compartimento EverFresh+ (si está disponible)
Carne fresca, aves, pescado fresco, salchichas, alimentos cocinados	Si está disponible, compartimento biofresco o compartimento refrigerador Estante más bajo
Alimentos listos para comer, productos empacados, alimentos enlatados, productos adobados	Estantes superiores o estante de puerta
Bebidas, botellas, condimentos, bocadillos	Estante de la puerta
Sobras	Estantes del medio

Uso diario

ES Guía para almacenamiento de alimentos frescos:

Almacenamiento en el compartimento de alimentos frescos:

- Mantenga su refrigerador en la temperatura recomendada de 4°C.
- Coloque los alimentos en envases herméticamente cerrados para evitar la formación de olores o la alteración de los sabores.
- No almacene grandes cantidades de alimentos dentro de su refrigerador. Deje espacio entre los alimentos para permitir el movimiento de aire frío entre ellos y así lograr un enfriamiento más adecuado y homogéneo.
- A fin de permitir que tiempo de apertura de puertas sea más corto, los alimentos que se comen a diario deben ser almacenados en la parte delantera del estante.
- Deje un espacio entre los alimentos y las paredes internas, para permitir el movimiento del aire. Si almacena los alimentos contra la pared trasera, los alimentos podrían congelarse en la pared trasera.
- Antes de almacenar los alimentos calientes recién cocinados deje que se enfríen a temperatura ambiente. Los alimentos calientes se pueden almacenar en los estantes inferiores de refrigerador. Por favor, no almacene los alimentos calientes cerca de alimentos altamente perecederos.
- Para descongelar los alimentos utilice el compartimento de alimentos frescos. De esta forma, puede utilizar los alimentos congelados para enfriar la temperatura del compartimento y ahorrar energía.
- Cuando en el refrigerador se almacenan las frutas tropicales no maduras (mango, melones, papaya, plátano, piña), el proceso de envejecimiento puede acelerarse y no es aconsejable ya que causa tiempos más cortos de almacenamiento. Obviamente, la maduración de los frutos verdes (manzana, pera) se puede promover durante un cierto tiempo en el compartimento frigorífico.
- Las cebollas, el ajo, el jengibre y otras hortalizas de raíz deben almacenarse en un lugar oscuro y fresco, no en el refrigerador.
- Al encontrar un alimento estropeado dentro del refrigerador, este alimento debe ser desechado. Al encontrar alimentos podridos, a fin de evitar la contaminación por favor limpie el revestimiento interior o los accesorios que hayan estado en contacto con estos alimentos.
- A fin de proporcionar un enfriamiento rápido, las comidas como sopas o guisos se pueden dividir en recipientes poco profundos. Grandes porciones de carne cocida y las aves de corral enteros deben dividirse en trozos más pequeños para el mismo propósito.
- No almacene alimentos sin envasar cerca de los huevos.
- Almacene las frutas y verduras separadas y guárdelas como si: manzanas con manzanas, zanahorias con zanahorias. Las frutas y verduras emiten diferentes gases que pueden deteriorar otras.
- Quite verduras de hoja de las bolsas de plástico y antes de guardarlas en el refrigerador envuélvalas en una toalla de papel o un paño de cocina. Antes de almacenarlas no olvide secar si están enjuagados o mojados.
- Almacene las frutas y verduras sensibles que pueden secarse en bolsas perforadas de plástico a fin de mantener un ambiente húmedo y permitir la circulación de aire.
- Debe colocar los diferentes alimentos en diferentes áreas de acuerdo a sus propiedades:

"Por favor, compruebe la Clase Climática apropiada de su aparato que se encuentra en la placa de características. Conforme a Clase Climática clasificada, una de las siguientes informaciones es válida para su aparato."

- SN: Templado Extendido: Este aparato refrigerador ha sido diseñado para el uso en una temperatura ambiente entre 10°C y 32°C.
- N: Templado: Este aparato refrigerador ha sido diseñado para el uso en una temperatura ambiente entre 16°C y 32°C.
- ST: Subtropical: Este aparato refrigerador ha sido diseñado para el uso en una temperatura ambiente entre 16°C y 38°C.
- T: Tropical: Este aparato refrigerador ha sido diseñado para el uso en una temperatura ambiente entre 16°C y 43 °C.

Uso diario

ES Almacenamiento en el compartimentodel congelador:

- Excepto en condiciones ambientales extremas se recomienda mantener la configuración del congelador a -20°C.
 - Para proporcionar una congelación más rápida habilite la función de Fast Freeze 4-6 horas antes de la congelación.
 - Deje enfriar los alimentos calientes a temperatura ambiente antes de guardarlos en el compartimiento del congelador.
 - Los alimentos cortados en pequeñas porciones se congelarán más rápido y se facilitará su descongelamiento y cocción.
 - Es mejor embalar los alimentos antes de guardarlos en el congelador.
 - Para evitar el vencimiento de los periodos de almacenamiento, anote la fecha de descongelamiento, el límite de tiempo y el nombre del alimento en el paquete de acuerdo a los periodos de congelamiento para cada tipo de alimento.
 - No exceda los plazos de conservación de alimentos recomendados por los fabricantes de alimentos. Solo retire del congelador la cantidad de alimentos que necesita.
 - Consuma los alimentos descongelados con rapidez. Los alimentos descongelados no se pueden congelar otra vez a no ser que estén cocidos. No es seguro consumir alimentos frescos no cocinados y re-congelados.
 - Al congelar alimentos frescos, evite que entren en contacto con alimentos ya congelados. Esto podría causar la descongelación de piezas congeladas.
- A fin de lograr una mejor conservación de los alimentos sugerimos una configuración de temperatura de 4°C para el compartimento de alimentos frescos y -20°C para el compartimento de congelación.
 - Excepto las condiciones extremas en el ambiente, si la temperatura se configura a los valores recomendados de +4°C/-20°C, la frescura se prolongará en compartimentos de alimentos frescos y en compartimentos congeladores. Cuando la temperatura del compartimento de alimentos frescos se configura como más frío, las frutas y verduras frescas podrían congelarse parcialmente o podrían exponerse a daños por frío, al mismo tiempo que un nivel de temperatura más cálido podría causar deterioro más rápido de los alimentos altamente perecederos (productos lácteos, productos cárnicos).

Siga los siguientes lineamientos para guardar alimentos congelados de forma comercial:

- Siempre siga las indicaciones de los fabricantes para saber por cuánto tiempo se pueden almacenar los alimentos. ¡No exceda estos tiempos!
- Trate de guardar los alimentos lo antes posible luego de comprarlos para preservar su calidad.

Compre alimentos congelados, que han sido almacenados a una temperatura de -18 °C o menor.

- Evite comprar alimentos que tengan hielo o escarcha en el embalaje. Esto indica que el producto puede haber sido descongelado de forma parcial y vuelto a congelar en algún momento –los aumentos de temperatura afectan la calidad de los alimentos.

Uso diario

Congelación de alimentos frescos

- El congelador es adecuado para congelar alimentos frescos y para almacenar alimentos congelados y ultracongelados durante mucho tiempo.
- Coloque los alimentos frescos que se van a congelar en el compartimento inferior.
- La cantidad máxima de alimentos que pueden congelarse en 24 horas se especifica en la placa de características.
- El proceso de congelación dura 24 horas: durante este período no se deben añadir otros alimentos a congelar.

Almacenamiento de alimentos congelados

En la primera puesta en marcha o después de un período de inactividad, antes de colocar el producto en el compartimento, deje que el electrodoméstico funcione durante al menos 2 horas con los ajustes más altos.

¡Importante! En caso de descongelación accidental, por ejemplo, si la alimentación ha estado desconectada durante más tiempo que el valor indicado en la tabla de características técnicas bajo el epígrafe "tiempo de subida", los alimentos descongelados deben consumirse rápidamente o cocinarse inmediatamente y, a continuación, volverse a congelar (después de la cocción).

Descongelado

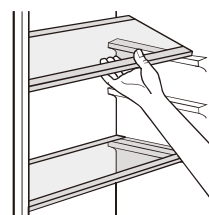
Los alimentos ultracongelados o congelados, antes de ser utilizados, pueden ser descongelados en el compartimento de la nevera o a temperatura ambiente, dependiendo del tiempo disponible para esta operación.

Los trozos pequeños pueden incluso cocinarse congelados, directamente desde el congelador. En este caso, la cocción tardará más tiempo.

Accesorios

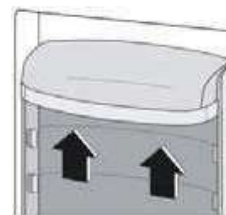
Estantes móviles

Las paredes del frigorífico están equipadas con una serie de guías para que los estantes se puedan colocar como se desee.



Colocación de las estanterías con puertas

Para permitir el almacenamiento de envases de alimentos de diferentes tamaños, las estanterías con puertas se pueden colocar a diferentes alturas. Para realizar estos ajustes, proceda de la siguiente manera: tire gradualmente de la estantería en la dirección de las flechas hasta que quede libre, y luego vuelva a colocarla según sea necesario.



Uso diario

Consejos útiles y sugerencias

Consejos para la congelación

Para ayudarle a aprovechar al máximo el proceso de congelación, aquí tiene algunos consejos importantes:

- la cantidad máxima de alimentos que pueden congelarse en 24 horas se indica en la placa de características;
- el proceso de congelación dura 24 horas. No deberán añadirse más alimentos congelados durante este período;
- sólo congelar alimentos de la mejor calidad, frescos y completamente limpios;
- preparar los alimentos en pequeñas porciones para que puedan congelarse rápida y completamente y descongelarse posteriormente sólo en la cantidad necesaria;
- Envolver los alimentos en papel de aluminio o polietileno y asegurarse de que los envases son herméticos;
- no permitir que los alimentos frescos y descongelados toquen alimentos que ya están congelados, evitando así un aumento de la temperatura de estos últimos;
- los alimentos magros se almacenan mejor y más tiempo que los grasos; la sal reduce la vida útil de los alimentos;
- los hielos de agua, si se consumen inmediatamente después de sacarlos del congelador, pueden causar quemaduras por congelación de la piel;
- es aconsejable indicar la fecha de congelación en cada uno de los envases para que se pueda retirar del congelador, ya que puede provocar quemaduras por congelación de la piel;
- es aconsejable indicar la fecha de congelación en cada uno de los envases para que pueda controlar el tiempo de almacenamiento.

Consejos para el almacenamiento de alimentos congelados

Para obtener el mejor rendimiento de este electrodoméstico, debe asegurarse de que los alimentos congelados comercialmente fueron almacenados adecuadamente por el minorista;

asegúrese de que los alimentos congelados se transfieran del almacén de alimentos al congelador en el menor tiempo posible; no abrir la puerta con frecuencia o dejarla abierta más tiempo del absolutamente necesario.

Una vez descongelados, los alimentos se deterioran rápidamente y no pueden volver a congelarse.

No exceder el período de almacenamiento indicado por el fabricante del alimento.

Consejos para la refrigeración de alimentos frescos

Para obtener el mejor rendimiento:

- No guarde alimentos calientes ni líquidos evaporables en el frigorífico
- Cubra o envuelva el alimento, especialmente si tiene un sabor fuerte.

Consejos para la refrigeración

Consejos útiles:

- Marca (todos los tipos): envuelva en bolsas de polietileno y colóquelas en los estantes de vidrio encima del cajón para verduras.
- Por seguridad, almacenar de esta manera sólo uno o dos días como máximo.
- Alimentos precocinados, platos fríos, etc....: deben estar tapados y pueden colocarse en cualquier estante.
- Frutas y hortalizas: deben limpiarse a fondo y colocarse en los cajones especiales suministrados.
- Mantequilla y queso: estos deben ser colocados en contenedores herméticos especiales o envueltos en papel de aluminio o bolsas de polietileno para excluir la mayor cantidad de aire posible.
- Botella de leche: deben tener una tapa y deben guardarse en los estantes de la puerta.
- Los plátanos, las patatas, las cebollas y los ajos, si no están envasados, no deben conservarse en la nevera.

Limpieza

Por razones higiénicas, el interior del aparato, incluidos sus accesorios, debe limpiarse regularmente.



Precaución Durante la limpieza, el electrodoméstico no debe estar conectado a la red eléctrica. ¡Riesgo de descarga eléctrica! Antes de limpiar, apague el aparato y desenchufe el cable de alimentación, o apague o desconecte el disyuntor o el fusible. Nunca limpie el electrodoméstico con un limpiador a vapor. Se puede acumular humedad en los componentes eléctricos, ¡peligro de descarga eléctrica! Los vapores calientes pueden provocar daños en las piezas de plástico. El electrodoméstico debe estar seco antes de volver a ponerse en marcha.

¡Importante! Los aceites etéreos y los disolventes orgánicos pueden dañar las partes plásticas, por ejemplo, el zumo de limón o el zumo de naranja, el ácido butírico, limpiador que contiene ácido acético.

Uso diario

- No permita que dichas sustancias entren en contacto con los componentes del aparato.
- No utilice ningún limpiador abrasivo
- Retire los alimentos del congelador. Almacenarlos en un lugar fresco, bien cubiertos.
- Apague el aparato y desenchufe el cable de alimentación, o apague o desconecte el disyuntor o el fusible.
- Limpie el electrodoméstico y los accesorios interiores con un paño y agua tibia. Después de limpiarlo, frótelos con agua limpia y séquelos.
- Una vez que todo esté seco, vuelva a poner el electrodoméstico en servicio.

Resolución de problemas



Precaución Antes de solucionar el problema, desconecte la fuente de alimentación. Sólo un electricista cualificado o una persona capacitada debe encargarse de la resolución de problemas que no se encuentran en este manual.

¡Importante! Se escuchan algunos sonidos durante el uso normal (compresor, circulación de refrigerante).

Problema	Posible causa	Solución
El electrodoméstico no funciona.	El enchufe de la red no está enchufado o está suelto	Introducir el enchufe de red.
	El fusible se ha fundido o está defectuoso	Compruebe el fusible, cámbielo si es necesario.
	El enchufe está defectuoso	Las averías de la red eléctrica deben ser corregidas por un electricista.
La comida está demasiado caliente.	La temperatura no está bien ajustada.	Por favor, mire en la sección de ajuste de temperatura inicial.
	La puerta estuvo abierta durante mucho tiempo.	Abra la puerta sólo el tiempo necesario.
	En las últimas 24 horas se ha colocado una gran cantidad de alimentos calientes en el electrodoméstico.	Gire temporalmente la regulación de temperatura a una posición más fría.
	El aparato está cerca de una fuente de calor.	Por favor, consulte la sección de ubicación de la instalación.
El electrodoméstico refrigera demasiado	La temperatura está ajustada demasiado fría.	Gire temporalmente el mando de regulación de temperatura a una posición más cálida.
Ruidos inusuales	El electrodoméstico no está nivelado.	Vuelva a ajustar los pies.
	El electrodoméstico está en contacto con la pared u otros objetos.	Mueva el electrodoméstico ligeramente.
	Un componente, p. ej. un tubo, en la parte posterior del aparato toca otra parte del aparato o la pared.	Si es necesario, doble con cuidado el componente fuera de su sitio.
Agua en el suelo	El orificio de drenaje del agua está bloqueado.	Ver la sección Conservación y limpieza.
Los paneles laterales están calientes	Se trata de algo normal Intercambio de calor en los paneles laterales	Lleve guantes para tocar los paneles laterales si es necesario.

Si la avería vuelve a aparecer, póngase en contacto con el servicio técnico.

ELIMINACIÓN



Este símbolo indica que este producto no debe desecharse junto con otros residuos domésticos al final de su vida útil. El aparato usado debe ser devuelto al punto de recogida oficial para el reciclaje de aparatos eléctricos y electrónicos. Para encontrar estos sistemas de recogida, póngase en contacto con las autoridades locales o con el distribuidor donde se adquirió el producto. Cada hogar desempeña un papel importante en la recuperación y el reciclaje de los electrodomésticos viejos. La eliminación adecuada de los electrodomésticos usados ayuda a prevenir las posibles consecuencias negativas para el medio ambiente y la salud humana.

ES

EXENCIÓN DE RESPONSABILIDADES / ADVERTENCIA

Es posible que algunas fallas (simples) sean tratadas de manera adecuada por el usuario final sin que se plantee ningún problema de seguridad o uso no seguro, siempre y cuando se lleven a cabo dentro de los límites y de conformidad con las siguientes instrucciones (véase la sección "Autorreparación").

En consecuencia, siempre y cuando no se autorice lo contrario en la sección "Autorreparación" que se encuentra a continuación, las reparaciones deben ser dirigidas a los reparadores profesionales registrados para evitar problemas de seguridad. Se considera un reparador profesional registrado el que ha tenido acceso a las instrucciones y a la lista de piezas de repuesto de este producto por parte del fabricante de acuerdo con los métodos descritos en los actos legislativos en virtud de la Directiva 2009/125/CE.

No obstante, según las condiciones de la garantía, sólo el agente de servicio (por ejemplo, los reparadores profesionales autorizados) al que puede llamar utilizando el número de teléfono que figura en el manual de usuario/tarjeta de garantía o bien a través de su distribuidor autorizado puede prestar servicio. Por consiguiente, por favor, tenga en cuenta que las reparaciones realizadas por reparadores profesionales (no autorizados por Beko) anularán la garantía.

Autorreparación

El usuario final puede realizar la reparación por su cuenta con respecto a las siguientes piezas de repuesto: manijas de puertas, bisagras de puertas, bandejas, cestas y juntas de puertas (una lista actualizada también estará disponible en support.beko.com a partir del 1 de Marzo de 2021).

Por otra parte, con el fin de garantizar la seguridad del producto y prevenir el riesgo de lesiones graves, la autorreparación citada se llevará a cabo siguiendo las instrucciones del

manual de usuario para la autorreparación o las que están disponibles en support.beko.com. Para su seguridad, desenchufe el producto antes de intentar cualquier autorreparación. La reparación y los intentos de reparación por parte de los usuarios finales de piezas no incluidas en dicha lista y/o no seguir las instrucciones contenidas en los manuales de usuario para la autorreparación o que están disponibles en support.beko.com, podrían causar problemas de seguridad no atribuibles a Beko, y anularían la garantía del producto. Por ello, es muy recomendable que los usuarios finales se abstengan de intentar realizar las reparaciones que estén fuera de la lista de piezas de repuesto mencionada, comunicándose en tales casos con los reparadores profesionales autorizados o con los reparadores profesionales registrados. Al contrario, dichos intentos por parte de los usuarios finales pueden provocar problemas de seguridad y dañar el producto y, en consecuencia, provocar incendios, inundaciones, electrocución y lesiones personales graves.

Con carácter ejemplar, pero no limitado a ello, las siguientes reparaciones deben dirigirse a los autorizados

reparadores profesionales o reparadores profesionales registrados: compresor, circuito de refrigeración, placa principal, tablero del inversor, tablero de la pantalla, etc.

En caso de que los usuarios finales no cumplan con lo anterior, el fabricante/vendedor no podrá ser considerado responsable.

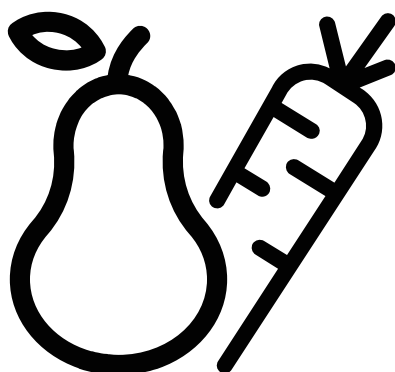
La disponibilidad de piezas de repuesto del refrigerador que ha adquirido es de 10 años. Durante este período, las piezas de repuesto originales estarán disponibles para el funcionamiento apropiado del refrigerador. La duración mínima de la garantía del refrigerador que ha comprado es de 24 meses.

Este producto está equipado con una fuente de iluminación de la clase energética "G". La fuente de iluminación de este producto sólo debe ser sustituida por reparadores profesionales.



Frigorífico

Manual do utilizador



GNO5322XPN
GNO5323XPN
GNO5324XPN
GNO5322WN
GNO5322WDXPN



PT

INFORMAÇÃO



SUPPLIER'S NAME

MODEL IDENTIFIER

A

A

A informação do modelo conforme memorizada na base de dados do produto pode ser acedida entrando no seguinte sítio web e através da busca do identificador do seu modelo (*) que se encontra na etiqueta de classificação energética.

<https://eprel.ec.europa.eu/>

Informações de segurança

Para sua segurança e para garantir uma utilização correta, deve ler atentamente este manual do utilizador, bem como as suas sugestões e avisos, antes de instalar e utilizar o aparelho pela primeira vez. Para evitar erros e acidentes desnecessários, é importante certificar-se de que todas as pessoas que utilizam o aparelho estão devidamente familiarizadas com o seu funcionamento e com as correspondentes características de segurança. Guarde estas instruções e certifique-se de que as mesmas acompanham o aparelho se este mudar de instalações ou for vendido, para que todas as pessoas que o utilizarem durante a sua vida útil estejam devidamente informadas sobre a utilização e segurança do aparelho.


Para a segurança de pessoas e bens, cumpra as precauções referidas nestas instruções de utilização, uma vez que o fabricante não é responsável pelos danos causados por omissão.


Segurança de crianças e pessoas vulneráveis

- Este aparelho só pode ser utilizado por crianças com idade igual ou superior a 8 anos e por pessoas com capacidades físicas, sensoriais ou mentais reduzidas ou falta de experiência ou conhecimentos, caso as mesmas se encontrem sob supervisão ou recebam instruções relacionadas com a utilização do equipamento de um modo seguro e compreendam os perigos envolvidos.
- As crianças devem ser supervisionadas para garantir que não brinquem com o equipamento.
- A limpeza e a manutenção por parte do utilizador só podem ser realizadas por crianças com idade igual ou superior a 8 anos quando supervisionadas.
- Manter todas as embalagens fora do alcance das crianças. Existe o risco de asfixia.
- Se pretender eliminar o aparelho, desligue a ficha da tomada elétrica, corte o cabo de alimentação (tão junto ao aparelho quanto seja possível) e retire a porta para impedir que as crianças, ao brincar, sejam eletrocutadas ou fiquem fechadas dentro do mesmo.
- Se este aparelho, com fechos da porta magnéticos, se destinar a substituir um aparelho mais antigo com fecho de mola (trinco) na porta ou tampa, certifique-se de que inutilizou esse trinco antes de se desfazer do aparelho antigo.

Fazê-lo impedirá que o aparelho se torne uma armadilha mortal para as crianças.


Segurança geral


 **ADVERTÊNCIA!** Mantenha as ranhuras de ventilação, no frigorífico ou na estrutura onde está embutido, limpas e desobstruídas.


 **ADVERTÊNCIA!** Não utilize dispositivos mecânicos ou outros para acelerar o processo de descongelação; utilize apenas os recomendados pelo fabricante.


 **ADVERTÊNCIA!** Não danifique o circuito de refrigeração.1

Informações de segurança


 **ADVERTÊNCIA!** Não utilize outros aparelhos elétricos (tais como máquinas de fazer gelados) no interior dos aparelhos de refrigeração, salvo se os mesmos tiverem sido aprovados para esse fim pelo fabricante.


 **ADVERTÊNCIA!** Não toque na lâmpada se a mesma tiver estado ligada durante muito tempo, pois a mesma pode estar muito quente.¹⁾

 **ADVERTÊNCIA!** Quando posicionar o aparelho, assegurar que o cabo de alimentação não está preso ou danificado.

 **ADVERTÊNCIA!** Não colocar várias tomadas ou fontes de alimentação portáteis múltiplas na parte de trás do aparelho.

- Não guarde substâncias explosivas, tais como aerossóis com propulsor inflamável, no interior do aparelho.
- O circuito de refrigeração do aparelho contém o refrigerante isobutano (R600a), um gás natural com um nível elevado de compatibilidade ambiental que, contudo, é inflamável.
- Durante o transporte e a instalação do aparelho, certifique-se de que nenhum dos componentes do circuito de refrigeração é danificado.
 - evite as chamas vivas e as fontes de ignição
 - ventile bem a sala na qual se encontra o aparelho
- É perigoso alterar as especificações ou modificar este produto de qualquer forma. Qualquer dano no cabo elétrico pode provocar um curto-circuito, incêndio e/ou choque elétrico.
- Este aparelho destina-se a ser usado em aplicações domésticas e semelhantes, tais como
 - áreas da cozinha do pessoal em lojas, escritórios e outros locais de trabalho;
 - casas de quintas e por clientes em hotéis, residenciais e outros tipos de locais de hospedagem;
 - locais do tipo cama e pequeno almoço;
 - aplicações de catering e grossistas semelhantes.

 **ADVERTÊNCIA!** Os componentes elétricos (ficha, cabo elétrico, compressor, etc.) devem ser substituídos por um agente de assistência técnica certificado ou por pessoal de assistência técnica qualificado.

 **ADVERTÊNCIA!** A lâmpada fornecida com este equipamento é uma “lâmpada especial” que apenas pode ser utilizada com o aparelho fornecido. Esta “lâmpada especial” não se pode utilizar para iluminação doméstica.¹⁾

- O cabo elétrico não deve ser prolongado com extensões.
- Certifique-se de que a ficha elétrica não é esmagada ou danificada pela parte de trás do aparelho. Uma ficha elétrica esmagada ou danificada pode sobreaquecer e provocar um incêndio.

1) Se existir iluminação no compartimento.

Informações de segurança

- Certifique-se de que consegue aceder à tomada de alimentação principal do aparelho.
- Não puxe o cabo de alimentação.
- Se a tomada elétrica estiver solta, não insira a ficha na mesma. Há risco de choque elétrico ou incêndio.
- Não deve pôr o aparelho em funcionamento sem a lâmpada.
- Este equipamento é pesado. Deve ter-se cuidado durante a sua deslocação.
- Não retire nem toque em objetos que se encontrem no congelador se tiver as mãos húmidas/molhadas, pois tal pode provocar abrasões ou queimaduras na pele provocadas pelo frio.
- Evite a exposição prolongada do aparelho à luz direta do sol.

Para evitar a contaminação dos alimentos deve respeitar as instruções seguintes:

- Abrir a porta durante longos períodos pode provocar um aumento significativo da temperatura nos compartimentos do aparelho.
- Limpar frequentemente as superfícies que entram em contacto com os alimentos e os sistemas de escoamento acessíveis.
- Limpar os depósitos de água se não tiverem sido utilizados durante 48 h; enxaguar o sistema de água ligado a uma fonte de alimentação se a água não tiver sido retirada durante 5 dias.
- Guardar a carne e o peixe crus nos recipientes adequados no frigorífico, de modo que não entre em contacto com ou não pingue sobre outros alimentos.
- Os compartimentos de alimentos congelados com duas estrelas (se existirem no aparelho) são adequados para guardar alimentos pré-congelados, guardar ou fazer gelado e fazer cubos de gelo.
- Os compartimentos de uma, duas ou três estrelas (se existirem no aparelho) não são adequados para congelar alimentos frescos.
- Se o aparelho for deixado vazio durante longos períodos de tempo, deve desligar, descongelar, limpar e secar o mesmo e deixar a porta aberta para evitar o aparecimento de bolor dentro do mesmo.

Utilização diária

- Não aplicar calor sobre as partes plásticas do aparelho.
- Não colocar produtos alimentares encostados diretamente à parede do fundo.
- Os alimentos que tenham sido descongelados não devem voltar a ser congelados.¹⁾
- Armazenar os alimentos embalados pré-congelados de acordo com as instruções do fabricante do alimento congelado.¹⁾
- As recomendações de armazenamento do fabricante do aparelho devem ser seguidas à risca. Consultar as instruções relevantes.
- Não colocar bebidas gasosas ou carbonatadas no congelador, uma vez que tal cria pressão no recipiente que pode fazer com que o mesmo expluda, provocando danos no aparelho.¹⁾
- Os sorvetes podem provocar queimaduras por frio se forem consumidos diretamente depois de retirados do aparelho.¹⁾

1) Se existir um compartimento congelador.

2) Se existir um compartimento para armazenamento de alimentos frescos.

Informações de segurança

Cuidados e limpeza

- Antes de realizar a manutenção, desligue o aparelho e retire a ficha de alimentação da tomada.
- Não limpe o aparelho com objetos metálicos.
- Não utilize objetos afiados para remover o gelo do aparelho. Utilize um raspador de plástico.¹⁾
- Examine regularmente o escoadouro de água descongelada do frigorífico. Se for necessário, limpe o escoadouro. Se o escoadouro estiver entupido, a água acumula-se no fundo do aparelho.²⁾

Instalação

Importante! Para a ligação elétrica, seguir cuidadosamente as instruções dadas nos parágrafos específicos.

- Desembalar o aparelho e verificar se existe algum dano no mesmo. Não ligar o aparelho se estiver danificado. Comunicar de imediato os possíveis danos a quem lhe vender o aparelho. Caso haja danos, guardar a embalagem.
- É aconselhável aguardar, pelo menos, quatro horas antes de ligar o aparelho, para permitir que o óleo regresse ao compressor.
- Deve existir uma circulação de ar adequada em redor do aparelho, caso contrário, pode ocorrer o sobreaquecimento do mesmo. Para conseguir a ventilação suficiente, seguir as instruções de instalação relevantes.
- Sempre que seja possível, os espaçadores do aparelho devem ficar encostados à parede para evitar tocar ou chegar às partes quentes (compressor, condensador), de modo a impedir possíveis queimaduras.
- O aparelho não deve ser colocado na proximidade de radiadores ou fogões.
- Certifique-se de que a ficha de alimentação está acessível depois de instalar o aparelho.

Assistência



- Os eventuais trabalhos elétricos necessários para a assistência técnica ao aparelho devem ser realizados por um electricista qualificado ou uma pessoa competente.
- A assistência técnica deste produto deve ser realizada por um Centro de Assistência Técnica autorizado, e só devem ser utilizadas peças sobresselentes de origem.

Poupança energética

- Não coloque alimentos quentes no frigorífico;
- Não coloque alimentos juntos, pois isso impede a circulação de ar;
- Certifique-se de que os alimentos não toquem na parte de trás do(s) compartimento(s);
- Se a eletricidade falhar, não abra a(s) porta(s);
- Não abra a(s) porta(s) com frequência;
- Não mantenha a(s) porta(s) aberta(s) durante longos períodos de tempo;
- Não coloque o termóstato numa temperatura excessivamente fria;
- Todos os acessórios, tais como gavetas, prateleiras, devem ser mantidos colocados para obter um consumo mais reduzido de energia.

Informações de segurança

Proteção ambiental

 Este aparelho não contém gases que possam danificar a camada de ozono, tanto no circuito de refrigeração como nos materiais de isolamento. O aparelho não deve ser eliminado em conjunto com o lixo ou resíduos urbanos. A espuma de isolamento contém gases inflamáveis: o aparelho deve ser eliminado de acordo com a regulamentação relativa a aparelhos, a obter junto das autoridades da sua localidade. Evite danificar a unidade de refrigeração, em especial o permutador de calor. Os materiais utilizados neste aparelho que contenham o símbolo  são recicláveis.



O símbolo no produto ou na embalagem indica que este produto não pode ser tratado como lixo doméstico normal. Em vez disso, deve ser encaminhado para o ponto de recolha adequado para a reciclagem de equipamentos elétricos e eletrônicos. Ao assegurar que este equipamento seja eliminado corretamente, ajudará a prevenir potenciais efeitos negativos para o meio ambiente e para a saúde humana, causados pela eliminação inadequada deste produto. Para informações mais detalhadas sobre a reciclagem deste produto, contacte a Câmara Municipal da sua localidade, o serviço de recolha de lixo doméstico ou a loja onde adquiriu o produto.


Materiais de embalagem

Os materiais com o símbolo são recicláveis. Deite a embalagem nos contentores de recolha adequados para a reciclagem da mesma.

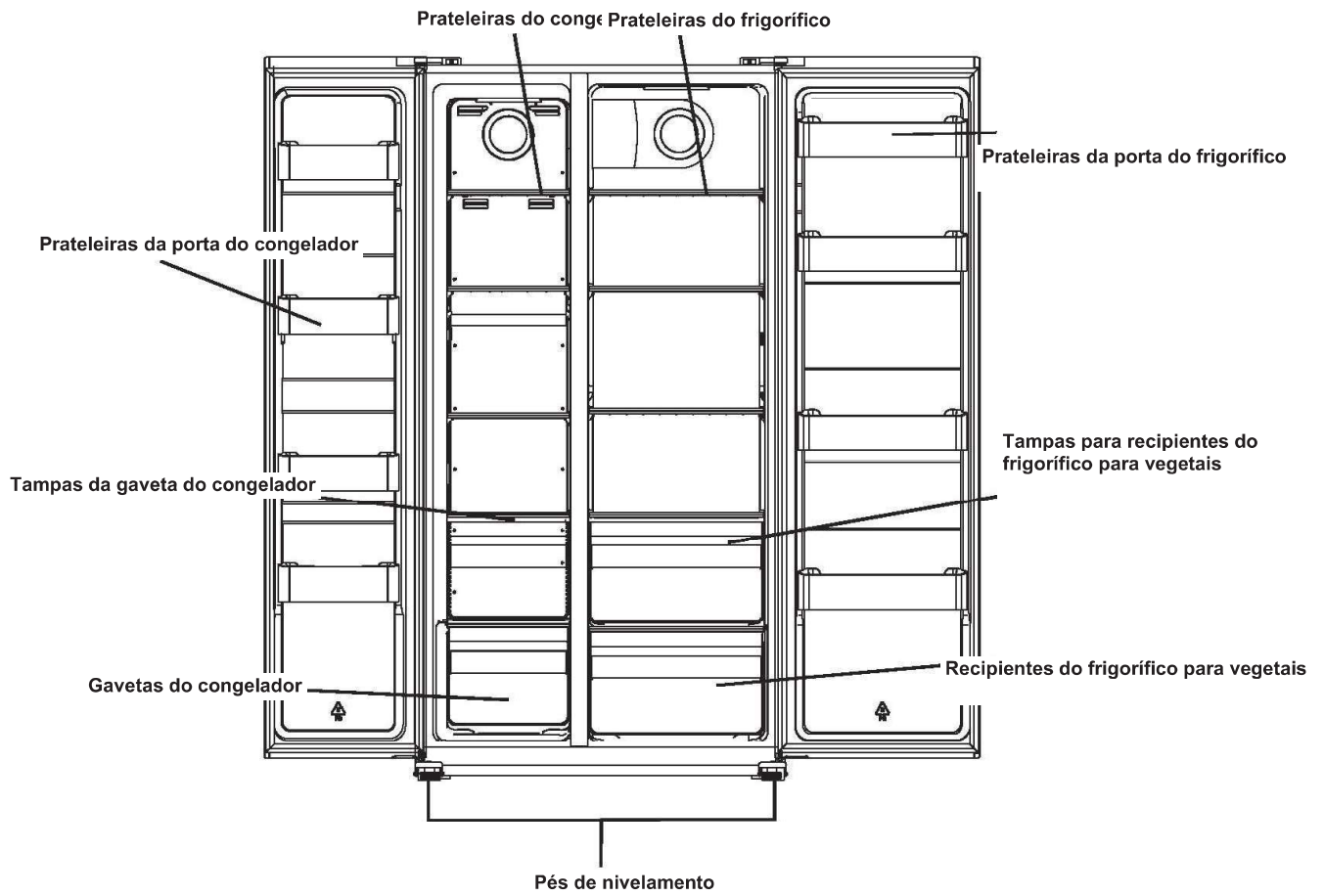
Eliminação do aparelho

1. Desligue a ficha de alimentação da tomada elétrica.
2. Corte o cabo de alimentação e deite-o fora.



 **ADVERTÊNCIA!** Durante a utilização, reparação ou eliminação do aparelho, deve prestar atenção ao símbolo semelhantes no lado esquerdo, localizado na parte de trás do aparelho (painel ou compressor traseiro) e com cor amarela ou cor-de-laranja. É o símbolo de advertência de risco de incêndio. Existem materiais inflamáveis nos tubos do refrigerante e no compressor. Deve manter-se afastado de fontes de incêndio durante a utilização, a reparação e a eliminação.

Visão geral



Esta ilustração serve apenas para sugestão, para detalhes verifique o seu aparelho.

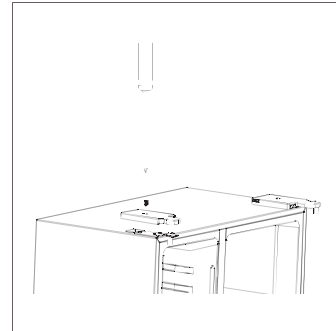
Instalação

Remover as portas

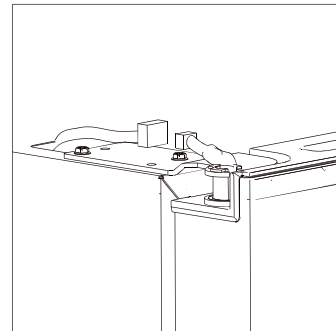
Ferramenta necessária: Chave de fendas Philips e chave de fendas plana.

- Certifique-se de que a unidade está desligada e vazia.
- Para retirar a porta, é necessário inclinar a unidade para trás. Deve pousar a unidade sobre algo sólido para que não escorregue durante o processo de remoção da porta.
- Todas as peças removidas devem ser guardadas para a reinstalação da porta.
- Não coloque a unidade horizontalmente sobre o pavimento, visto que tal pode danificar o sistema de refrigeração.
- Durante a montagem, é preferível haver duas pessoas a manusear a unidade.

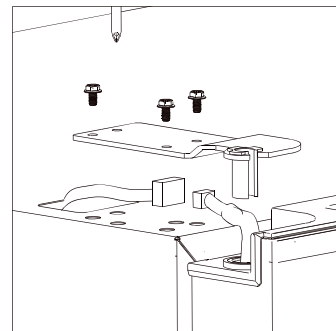
1. Desaparafuse a cobertura da dobradiça com uma chave de fendas Philips.



2. Desligue a cablagem.

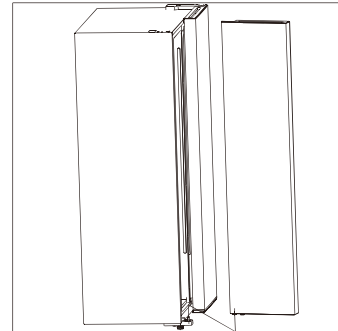


3. Desaparafuse a dobradiça superior.

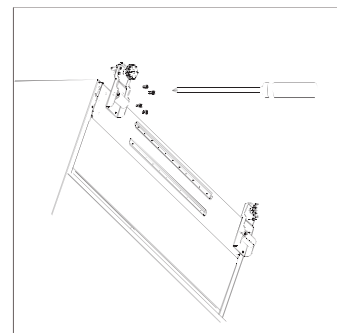


Instalação

4. Levante a porta e coloque-a sobre uma proteção macia. Em seguida, retire a outra porta da mesma forma.



5. Desaparafuse as dobradiças inferiores.

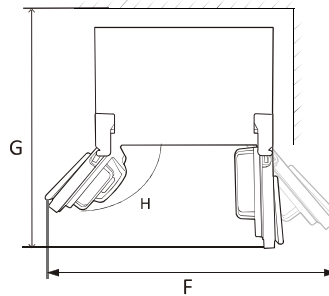
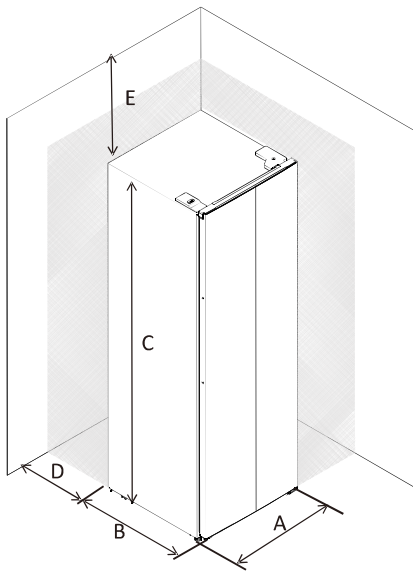


6. Depois de posicionado o aparelho, instale as portas pelo processo inverso.

Instalação

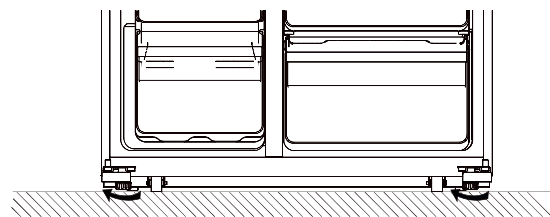
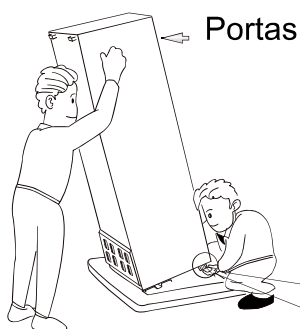
Requisitos de espaço

- Selecione um local sem exposição direta à luz solar;
- Selecione um local com espaço suficiente para permitir a abertura fácil das portas do frigorífico;
- Selecione um local com piso nivelado (ou praticamente nivelado);
- Deixe espaço suficiente para instalar o frigorífico numa superfície plana;
- Durante a instalação, deixe espaço livre suficiente à direita, à esquerda, atrás e em cima. Isso vai permitir reduzir o consumo de energia e poupar custos com a eletricidade.



A	910
B	670
C	1770
D	min=50
E	min=50
F	1800
G	1560
H	135°

Nivelamento e fixação do frigorífico



- Nivele e fixe o frigorífico regulando os pés.
- Rode manualmente os pés no sentido dos ponteiros do relógio para os subir.
- Rode manualmente os pés para a esquerda para os baixar.

Instalação

Posicionamento

Instalar este aparelho num local onde a temperatura ambiente corresponde à classe climatérica indicada na placa de classificação do aparelho: para aparelhos de refrigeração com classe climatérica:

-temperatura alargada: este aparelho de refrigeração é concebido para ser usado a uma temperatura ambiente entre 10 °C e 32 °C; (SN)

- temperatura: este aparelho de refrigeração é concebido para ser usado a uma temperatura ambiente entre 16 °C e 32 °C.


-subtropical: este aparelho de refrigeração é concebido para ser usado em temperaturas entre 16° °C e 38 °C (ST)

-tropical: este aparelho de refrigeração é concebido para ser usado a uma temperatura ambiente entre 16 °C e 43 °C.

Localização

O aparelho deve ser instalado bem afastado de fontes de calor, tais como radiadores, caldeiras, luz solar direta, etc. Certifique-se de que o ar consegue circular livremente à volta da parte de trás do aparelho. Para garantir o melhor desempenho, se o aparelho for posicionado por baixo de um armário de parede suspenso, a distância mínima entre a parte de cima do aparelho e o armário de parede deve ser, pelo menos, de 100 mm. No entanto, o ideal é que o aparelho não seja posicionado por baixo de armários de parede suspensos. O nivelamento preciso é obtido através de um ou mais dos pés reguláveis na base do aparelho.

Este aparelho de refrigeração não é destinado a ser usado como aparelho de encastrar.

 **Aviso!** Deve ser possível desligar o aparelho da tomada de alimentação principal, por isso, a ficha deve ser facilmente acessível depois da instalação.

Ligação elétrica

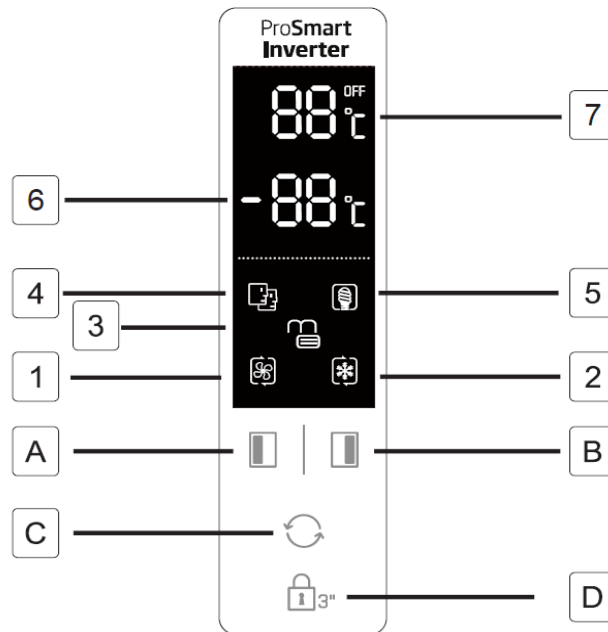
Antes de ligar, assegure-se de que a tensão e frequência indicadas na placa de características correspondem à alimentação elétrica da sua casa. O equipamento deve ser ligado a uma tomada com terra. A ficha do cabo elétrico dispõe de um contacto para esse fim. Se a tomada de alimentação doméstica não tiver ligação à terra, ligue o aparelho a uma ligação de terra separada, em conformidade com a regulamentação em vigor, recorrendo a um electricista qualificado.

O fabricante rejeita qualquer responsabilidade em caso de incumprimento das precauções de segurança acima referidas.

Este aparelho cumpre as Diretivas da CEE.

Uso diario

Uso del panel de control



Botones

- A** Pulsar para establecer la temperatura del compartimiento del congelador (lado izquierdo) de -14°C a -22°C.
- B** Pulsar para establecer la temperatura del compartimiento del frigorífico (lado derecho) de 2 °C a 8 °C y apagar el enfriamiento.
- C** Pulsar para seleccionar el modo de funcionamiento entre **SMART (INTELIGENTE)**, **ECO (ECONÓMICO)**, **SUPER COOLING (SÚPER ENFRIAMIENTO)**, **SUPER FREEZING (SÚPER CONGELAMIENTO)** y **USER'S SETTING (CONFIGURACIÓN DEL USUARIO)** (no hay símbolo en pantalla).
- D** Mantenga pulsado el botón **3 SEC.** (3 SEG.) durante 3 segundos para bloquear otros tres botones. Manténgalo pulsado durante 1 segundo para desbloquear otros tres botones.

Pantalla

- 1** **SUPER COOLING (SÚPER ENFRIAMIENTO)** enfría el compartimiento del frigorífico a la temperatura más baja establecida. La configuración de la temperatura volverá al modo anterior del usuario alrededor de 2,5 horas después.
- 2** **SUPER FREEZING (SÚPER CONGELAMIENTO)** enfría el compartimiento del congelador a la temperatura más baja según lo diseñado. La configuración de la temperatura volverá al modo anterior del usuario alrededor de 50 horas después.
Consejos: es mejor activar el modo **SUPER FREEZING (SÚPER CONGELAMIENTO)** 24 horas antes de introducir un gran número de alimentos en el compartimiento del congelador.
- 3** **LOCK (BLOQUEO)**, el símbolo se iluminará si los botones están bloqueados.
- 4** En modo **SMART (INTELIGENTE)**, el frigorífico ajustará la temperatura de los dos compartimentos automáticamente dependiendo de la temperatura interna y la temperatura ambiente.
- 5** En modo **ECO (ECONÓMICO)**, el frigorífico funcionará en la configuración de menor consumo de energía.
- 6** Indica la temperatura del compartimiento del congelador establecida.
- 7** Indica la temperatura del compartimiento del frigorífico establecida.
- 8** El bloqueo para niños podría fallar a causa de un corte de alimentación. El bloqueo para niños se validará de forma automática 25 segundos después del último uso. El panel de visualización se apagará de forma automática 2 minutos después del último uso.
- 9** Es posible que algunas de estas funciones no sean aplicables a este modelo.

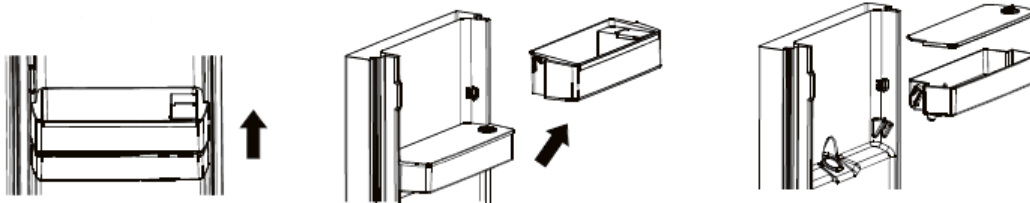
Door Open Alarm (Alarma de puerta abierta)

Si una puerta está abierta durante 90 segundos, sonará una alarma periódica hasta que se cierre la puerta.

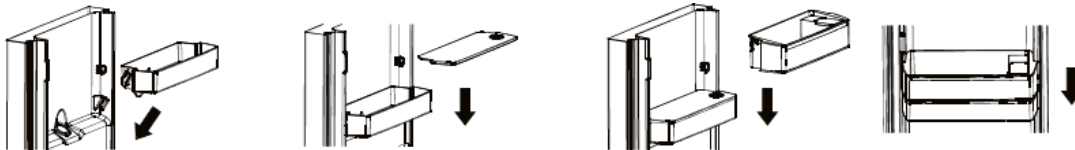
Uso Diário

Antes de usar o dispensador de água pela primeira vez, remova e limpe o reservatório da água que se encontra no interior do compartimento do frigorífico.

1. Levante e retire primeiro a prateleira do reservatório, depois retire o reservatório da água com a tampa. Separe a tampa para lavar e limpar o reservatório e a tampa.



2. Depois de limpar, volte a colocar o reservatório da água, a tampa e a prateleira do mesmo como indicado abaixo.

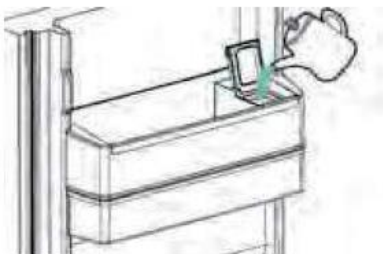


3. Limpe a entrada do dispensador de água no exterior da porta do frigorífico.



Encher o reservatório da água com água

1. Abra a tampa pequena



2. Encha o reservatório da água com água potável até à linha 3L.
3. Feche a aba pequena na tampa



Fornecer água

Para fornecer água, empurre ligeiramente a entrada do dispensador, usando um copo ou um recipiente. Para parar o fluxo de água, afaste o copo da entrada do dispensador.

Utilização diária

Primeira utilização

Limpeza do interior

Antes de utilizar o aparelho pela primeira vez, lave o interior do mesmo e todos os acessórios internos com água morna e um pouco de detergente neutro para remover o odor típico de um produto novo e, a seguir, seque-o bem.

Importante! Não utilize detergentes ou pós abrasivos, uma vez que poderão danificar o acabamento.

Utilização diária

Alimento	Localização
Ovos	Prateleira da porta
Produtos láteos (manteiga, queijo)	Se existir compartimento de bio frescos ou de refrigeração Prateleiras inferiores
Fruta, vegetais e salada	Caixa para fruta e vegetais, compartimento de mais fresco ou EverFresh+ (se disponível)
Carne fresca, aves, peixe fresco, salsichas alimentos cozinhados	Se existir compartimento de bio frescos ou de refrigeração Prateleira inferior
Alimentos prontos a comer, produtos embalados, alimentos enlatados, ou pickles.	Prateleiras superiores ou prateleira da porta
Bebidas, garrafas, condimentos, petiscos	Prateleira da porta
Sobras	Prateleiras intermédias

Utilização diária

PT Instruções para guardar alimentos frescos:

Armazenar no compartimento de alimentos frescos:

- Deve manter o seu frigorífico à temperatura recomendada, isto é 4 °C.
- Alimentos para serem guardados devem ser vedados adequadamente para evitar alterações de odor ou sabor.
- Não guardar quantidades excessivas de alimentos no seu frigorífico. Deixar espaços entre os alimentos para permitir que o ar frio circule à sua volta, para atingir um arrefecimento melhor e mais homogéneo.
- Para permitir a abertura menos demorada das portas, os alimentos consumidos diariamente devem ser guardados à frente na prateleira.
- Deixar um espaço entre os alimentos e as paredes interiores, permitindo que o ar circule. Se guardar os alimentos contra a parede de trás, os alimentos podem congelar contra esta parede.
- Alimentos quentes e cozinhados devem ser arrefecidos para a temperatura ambiente antes de os guardar no aparelho. Seguidamente, os alimentos mornos podem ser guardados nas prateleiras inferiores do seu frigorífico. Não colocar os alimentos mornos junto de alimentos altamente perecíveis.
- Descongelar os alimentos congelados no compartimento de alimentos frescos. Desta forma, pode usar os alimentos congelados para diminuir a temperatura no compartimento de alimentos frescos e poupar energia.
- Se for guardada no frigorífico, fruta tropical verde (manga, melão, papaia, banana, ananás), o processo de amadurecimento pode ser acelerado e não é aconselhável uma vez que provoca prazos de armazenamento mais curtos. No entanto, o amadurecimento dos frutos fortemente verdes (maçã, pera) pode ser promovido por um determinado período no compartimento do frigorífico.
- Cebolas, alhos, gengibre e outros tubérculos devem ser armazenados em condições ambientais escuras e frias, não no frigorífico.
- Quando há alimentos deteriorados no interior do frigorífico, os mesmos devem ser deitados fora. Quando é observada a existência de alimentos podres, deve limpar o revestimento interior ou os acessórios que estiveram em contacto para evitar a contaminação.
- Grandes recipientes de alimentos, como por exemplo sopas ou guisados podem ser divididos por recipientes pouco fundos para arrefecerem mais rapidamente no frigorífico. As peças grandes de carne cozinhada e todas as aves devem ser divididas em pedaços mais pequenos com a mesma finalidade.
- Não guardar alimentos não embalados junto a ovos.
- Manter as frutas e os vegetais separados e guardar por exemplo maçãs com maçãs, cenouras com cenouras. As frutas e os vegetais libertam gases diferentes que podem provocar a deterioração dos outros alimentos.
- Deve retirar os vegetais de folha verde dos sacos, envolver o mesmos em papel de cozinha ou num pano de cozinha e guardar no frigorífico. Não esquecer de deve secar os mesmos se tiverem sido enxaguados ou se estiverem molhados antes de os guardar.
- Guardar a fruta e os vegetais que sejam suscetíveis de ficarem secos em sacos de plástico não selados ou perfurados para manter um ambiente húmido mas continuar a permitir a circulação do ar.
- Alimentos diferentes devem ser colocados em zonas diferentes de acordo com as suas propriedades:

“Deve verificar a Categoria Climática adequada do seu aparelho mencionada na placa de classificação. Uma das informações abaixo é válida para o seu aparelho de acordo com a Categoria Climática classificada.”

- SN: Moderada alargada: Este aparelho de refrigeração é concebido para ser usado a uma temperatura ambiente entre 10°C e 32°C.
- N: Moderada: Este aparelho de refrigeração é concebido para ser usado a uma temperatura ambiente entre 16°C e 32°C.
- ST: Subtropical: Este aparelho de refrigeração é concebido para ser usado a uma temperatura ambiente entre 16°C e 38°C.
- T: Tropical Este aparelho de refrigeração é concebido para ser usado a uma temperatura ambiente entre 16°C e 43°C.

Utilização diária

PT Armazenar no compartimento congelador:

- É recomendado manter a temperatura no frigorífico a $-20\text{ }^{\circ}\text{C}$ exceto se em condições ambientais extremas.
- 4-6 horas antes de congelar ativar a função Congelação Rápida para permitir uma congelação mais rápida.
- Alimentos quentes devem ser arrefecidos para a temperatura ambiente antes de guardar no compartimento congelador.
- Os alimentos cortados em pequenas porções congelarão mais rapidamente e será mais fácil descongelar e cozinhar.
- É melhor embalar os alimentos antes de os pôr no congelador.
- A fim de evitar a expiração do tempo de armazenamento, deve anotar a data de congelamento, limite de tempo e nome do alimento na embalagem de acordo com os períodos de armazenamento dos diferentes alimentos.
- Não exceder os prazos de armazenagem de alimentos recomendados pelos fabricantes. Retirar apenas a quantidade de alimento necessária do congelador.
- Consumir rapidamente alimentos descongelados. Os alimentos descongelados não podem ser voltados a congelar exceto se estiverem cozinhados. Não é seguro consumir alimentos frescos voltados a congelar e não cozinhados.
- Quando congelar alimentos frescos, evitar que fiquem em contato com alimentos já congelados. Pode provocar o descongelamento dos produtos já congelados.

Quando guardar alimentos congelados comercialmente, deve seguir estas orientações:

- Seguir sempre as orientações do fabricante sobre qual o período de tempo em que devem ser guardados. Não exceder estas orientações!
- Tentar manter o período de tempo entre a compra e o armazenamento tão curto quanto possível para preservar a qualidade dos alimentos.
- Comprar alimentos congelados, que tenham sido guardados a uma temperatura de $-18\text{ }^{\circ}\text{C}$ ou inferior.
- Evitar comprar alimentos que tenham gelo ou geada na embalagem – Isto indica que o produto deve ter sido parcialmente descongelado e congelado de novo em determinada altura - subidas de temperatura afetam a qualidade dos alimentos.
- Recomendamos uma definição de temperatura de $4\text{ }^{\circ}\text{C}$ para o compartimento dos alimentos frescos e uma temperatura de $-20\text{ }^{\circ}\text{C}$ para o compartimento do congelador para obter uma melhor preservação dos alimentos.
- Com exceção de condições ambientais extremas, se a temperatura for definida nos valores recomendados como $+4\text{ }^{\circ}\text{C}/-20\text{ }^{\circ}\text{C}$, a frescura global será prolongada nos compartimentos dos alimentos frescos e do congelador. Se a temperatura do compartimento dos produtos frescos for definido para mais fria, a fruta fresca e os vegetais podem congelar parcialmente ou serem expostos a danos provocados pelo frio, enquanto uma temperatura mais moderada pode causar uma deterioração mais rápida dos alimentos altamente perecíveis (produtos láteos, carnes).

Utilização diária

Congelar alimentos frescos

- O congelador é adequado para congelar alimentos frescos e armazenar alimentos congelados e ultracongelados durante um longo período de tempo.
- Coloque os alimentos a congelar no compartimento de baixo.
- A quantidade máxima de alimentos que podem ser congelados em 24 horas encontra-se especificada na placa de características.
- O processo de congelamento dura 24 horas. Durante esse período, não adicione outros alimentos a congelar.

Armazenar alimentos congelados

No início do funcionamento ou após um período sem utilização, antes de colocar o produto no compartimento, deixe o aparelho funcionar, pelo menos, durante 2 horas com os valores máximos.

Importante! Caso ocorra o descongelamento acidental, por exemplo, devido a um corte de corrente por um período de tempo superior ao indicado na tabela de características técnicas, em «rising time» (tempo para atingir a temperatura de congelação), os alimentos descongelados devem ser consumidos rapidamente ou cozinhados de imediato e, depois, recongelados (depois de cozinhados).

Descongelação

Antes de serem utilizados, os alimentos ultracongelados ou congelados podem ser descongelados no compartimento do frigorífico ou à temperatura ambiente, dependendo do tempo disponível para essa operação.

Os pedaços pequenos podem até ser cozinhados ainda congelados, saídos diretamente do congelador. Nesse caso, a cozedura será mais demorada.

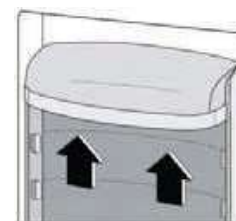
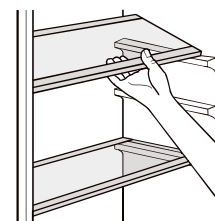
Acessórios

Prateleiras amovíveis

As paredes do frigorífico dispõem de várias calhas para que seja possível colocar as prateleiras da forma desejada.

Posicionamento dos compartimentos da porta

Para guardar embalagens de alimentos de vários tamanhos, os compartimentos da porta podem ser colocados a alturas diferentes. Para fazer estes ajustes, proceda da seguinte forma: puxe gradualmente o compartimento na direção das setas até ficar solto e depois volte a colocá-lo da forma desejada.



Utilização diária

Sugestões e dicas úteis

Sugestões para congelação

Para poder tirar o máximo partido do processo de congelação, eis algumas sugestões importantes:

- a quantidade máxima de alimentos que podem ser congelados em 24 horas encontra-se indicada na placa de características;
- o processo de congelamento dura 24 horas. Durante esse período, não devem ser adicionados outros alimentos a congelar;
- congelar apenas alimentos frescos, de qualidade e bem limpos;
- prepare os alimentos em porções pequenas para permitir a sua congelação rápida e completa e para que possa, depois, descongelar apenas a quantidade necessária;
- envolva os alimentos em película de alumínio ou película aderente e certifique-se de que as embalagens são herméticas;
- não permita que alimentos frescos e não congelados toquem em alimentos já congelados, evitando assim a subida de temperatura destes últimos;
- os alimentos magros conservam-se melhor e durante mais tempo do que os alimentos gordos; o sal reduz o tempo de armazenamento dos alimentos;
- os cubos de gelo, se consumidos de imediato depois de serem retirados do congelador, podem provocar queimaduras por frio na pele;
- é aconselhável indicar a dada de congelamento em cada embalagem individual para lhe permitir a remoção da mesma do compartimento do congelador, pode provocar queimaduras por frio na pele;
- é aconselhável indicar a dada de congelamento em cada embalagem individual para lhe permitir controlar o tempo de armazenamento.

Sugestões para armazenamento de alimentos congelados

Para obter o melhor desempenho deste aparelho, deve certificar-se de que os alimentos congelados vendidos no mercado foram devidamente armazenados pelo lojista;

certifique-se de que os alimentos congelados são transferidos da loja para o congelador no menor espaço de tempo possível; não abra a porta frequentemente nem a deixe aberta durante mais tempo do que o necessário.

Depois de descongelados, os alimentos deterioram-se rapidamente e não podem ser recongelados.

Não ultrapasse o período de armazenamento indicado pelo fabricante do alimento.

Sugestões para a refrigeração de alimentos frescos

Para obter o melhor desempenho:

- Não armazene alimentos quentes ou líquidos em evaporação no frigorífico
- Não tape ou envolva o alimento, em especial se tiver um sabor forte

Sugestões para refrigeração

Sugestões úteis:

- A fazer (todos os tipos): envolver em sacos de plástico e colocar nas prateleiras de vidro acima da gaveta dos vegetais.
- Por questões de segurança, armazene desta forma durante apenas um ou dois dias, no máximo.
- Alimentos cozinhados, pratos frios, etc.: devem ser tapados e podem ser colocados em qualquer prateleira.
- Frutos e vegetais: devem ser bem limpos e colocados na(s) gaveta(s) especial(ais) fornecida(s).
- Manteiga e queijo: devem ser colocados em recipientes herméticos especiais ou envoltos em película de alumínio ou sacos de plástico para excluir o máximo de ar possível.
- Garrafa de leite: deve ter tampa e ser armazenada nos compartimentos da porta.
- Bananas, batatas, cebolas e alhos, se não estiverem embalados, não devem ser guardados no frigorífico.

Limpeza

Por questões de higiene, o interior do aparelho, incluindo os acessórios interiores, deve ser limpo regularmente.




Cuidado! Durante a limpeza, o aparelho não deve estar ligado à eletricidade. Risco de choque elétrico! Antes da limpeza, desligue o aparelho e retire a ficha da tomada elétrica, ou desligue o disjuntor ou o fusível correspondente. Nunca limpe o aparelho com um dispositivo de limpeza a vapor. A humidade pode acumular-se nos componentes elétricos e provocar o risco de choque elétrico! Os vapores quentes podem danificar as peças em plástico. O aparelho deve estar seco antes de voltar a ser posto em funcionamento.

Importante! Os óleos etéreos e solventes orgânicos, por exemplo, sumo de limão ou sumo de casca de laranja, ácido butírico, e produtos de limpeza com ácido acético, podem atacar o plástico.

Utilização diária

- Não permita que essas substâncias entrem em contacto com as peças do aparelho.
- Não utilize produtos de limpeza abrasivos.
- Retire os alimentos do congelador. Armazene-os num local fresco, bem tapados.
- Desligue o aparelho e retire a ficha da tomada elétrica, ou desligue o disjuntor correspondente.
- Limpe o aparelho e os acessórios interiores com um pano e água morna. Depois da limpeza, passe com água limpa e seque com um pano.
- Depois de todos os elementos estarem secos, volte a pôr o aparelho em funcionamento.

Resolução de problemas

 **Cuidado!** Antes de resolver problemas, desligue a alimentação elétrica. A resolução de problemas não contidos neste manual deve ser realizada apenas por um electricista qualificado ou uma pessoa competente.

Importante! A utilização normal do aparelho emite alguns sons (compressor, circulação do refrigerante).

Problema	Possível causa	Solução
O equipamento não funciona	A ficha elétrica não está ligada ou está solta	Introduzir a ficha na tomada.
	O fusível fundiu-se ou tem defeito	Verifique o fusível e substitua-o se for necessário.
	A tomada tem defeito	As avarias da alimentação elétrica devem ser corrigidas por um electricista
Os alimentos estão demasiado quentes.	A temperatura não está corretamente ajustada.	Consulte a secção inicial de Definição de Temperatura.
	A porta esteve aberta durante um longo período.	Abra a porta apenas pelo tempo que for necessário.
	Foi colocada no aparelho uma grande quantidade de alimentos quentes nas últimas 24 horas.	Rode temporariamente o botão de regulação de temperatura para uma definição de temperatura mais fria.
	O aparelho está próximo de uma fonte de calor.	Consulte a secção sobre o local de instalação.
O aparelho arrefece demasiado	A definição da temperatura está definida para muito fria.	Rode temporariamente o botão de regulação de temperatura para uma definição de temperatura mais quente.
Ruídos incomuns	O equipamento não está nivelado.	Reajuste os pés.
	O aparelho está a tocar na parede ou noutros objetos.	Desloque ligeiramente o aparelho.
	Um componente, por exemplo, um tubo na parte de trás do aparelho, está a tocar noutra parte do aparelho ou na parede.	Se for necessário, afaste cuidadosamente o componente.
Há água no chão	O orifício de escoamento da água está obstruído.	Consulte a secção de Limpeza e Cuidados.
Os painéis laterais estão quentes	É normal. A troca térmica ocorre nos painéis laterais	Se for necessário, use luvas para tocar nos painéis laterais.

Se a avaria persistir, contacte o Centro de Assistência Técnica.



ELIMINAÇÃO

Este símbolo indica que o produto não deve ser eliminado com outros resíduos domésticos no final da sua vida útil. Os aparelhos usados devem ser levados para o ponto de recolha oficial para reciclagem de aparelhos elétricos e eletrónicos. Para encontrar esses sistemas de recolha, contacte as autoridades da sua localidade ou a loja onde comprou o produto. Cada família tem um papel importante na recuperação e reciclagem de aparelhos velhos. A eliminação adequada de aparelhos usados ajuda a evitar potenciais consequências negativas para o ambiente e a saúde das pessoas.

PT ISENÇÃO DE RESPONSABILIDADE / ADVERTÊNCIA

Algumas falhas (simples) podem ser tratadas de forma adequada pelo utilizador final sem que surja qualquer problema de segurança ou de utilização não segura, desde que as mesmas sejam solucionadas dentro dos limites e de acordo com as seguintes instruções (consultar a secção “Reparação Autónoma”.

Portanto, exceto se contrariamente autorizado na secção “Reparação Autónoma” abaixo, as reparações devem ser realizadas por profissionais reparadores registados de modo a evitar problemas de segurança. Um reparador profissional registado é um reparador profissional a quem o fabricante concedeu acesso às instruções e à lista de peças de substituição deste produto de acordo com os métodos descritos na lei nos termos da Diretiva 2009/125/CE.

No entanto, apenas o agente de reparação (ou seja, os reparadores profissionais autorizados) com quem pode entrar em contacto através do número de telefone fornecido no manual do utilizador/cartão da garantia ou através do seu revendedor autorizado que pode fornecer serviços de acordo com os termos de garantia. Portanto, deve estar ciente de que as reparações feitas por reparadores profissionais (não autorizados por Beko) anulam a garantia.

Reparação Autónoma

A reparação autónoma pode ser feita pelo utilizador final em relação à seguintes peças de substituição: porta, manípulos, dobradiças das portas, tabuleiros, cestos e vedantes da porta (é disponibilizada uma lista atualizada em support.beko.com) a partir de 1 de março de 2021).

Além disso, para garantir a segurança do produto e evitar o risco de ferimentos graves, a reparação autónoma referida deve ser feita seguindo as instruções do manual do utilizador

para reparação autónoma ou as que estão disponíveis em support.beko.com Para sua segurança, deve desligar o produto antes de tentar fazer qualquer reparação autónoma.

As tentativas de reparação feitas pelos utilizadores finais de peças não incluídas na referida lista e/ou não seguindo as instruções nos manuais do utilizador relativamente à mesma ou que se encontram disponíveis em support.beko.com, podem levantar questões de segurança não atribuíveis a Beko, e anularão a garantia do produto.

Portanto, é altamente recomendável que os utilizadores finais evitem tentar realizar reparações que não se enquadrem na lista mencionada de peças de substituição, e nesse caso deverão contactar com reparadores profissionais autorizados ou reparadores profissionais registados. Por outro lado, as referidas tentativas por parte dos utilizadores finais podem provocar problemas de segurança e danificar o produto e, subsequentemente, provocar incêndio, inundação, eletrocussão e ferimentos graves.

Por exemplo, mas não limitado a, as seguintes reparações devem ser realizadas por Reparadores profissionais autorizados ou registados: compressor, circuito de refrigeração, placa de circuitos, placa do inversor, placa do visor, etc.

O fabricante/vendedor não pode ser responsabilizado em circunstâncias em que os utilizadores finais não cumpram com o acima referido.

A disponibilidade de peças de substituição da frigorífico que comprou é de 10 anos. Durante este período, as peças de substituição originais estarão disponíveis para operar corretamente a frigorífico. A duração mínima da garantia do frigorífico que adquiriu é de 24 meses.

Este produto está equipado com uma fonte de iluminação da classe energética "G". A fonte de iluminação neste produto deve somente ser substituída por reparadores profissionais.

beko

Külmik

Kasutusjuhend



GNO5322XPN
GNO5323XPN
GNO5324XPN
GNO5322WN
GNO5322WDXPN

ET

CE

i TEAVE



TOOTJA



MUDELI ID → (*)



Toodete andmebaasi salvestatud mudeliandmetele juurdepääsuks avage järgmine veebisaiy ja otsige energiamärgisel olevat mudeli ID-d (*).

<https://eprel.ec.europa.eu/>

Ohutusteave

Oma ohutuse huvides ja seadme õigeks kasutamiseks lugege see kasutusjuhend ning selles toodud nõuanded ja hoiatused enne seadme paigaldamist ja esmakordset kasutamist hoolikalt läbi. Tarbetute vigade ja õnnetuste vältimiseks on oluline tagada, et kõik seadme kasutajad tunneksid põhjalikult selle toimimist ja ohutusfunktsioone. Hoidke see juhend alles ja veenduge, et paneksite selle seadmega kaasa, kui seda teisaldate või selle müüte, et kõik, kes seadet ka hiljem kasutavad, oleksid selle kasutamisest ja ohutusest nõuetekohaselt informeeritud.

Inimeste ja vara ohutuse tagamiseks järgige selles kasutusjuhendis toodud ettevaatusabinõusid, sest tootja ei vastuta juhiste eiramisest põhjustatud kahjude eest.

Laste ja nõrgemate ohutus

- Vähemalt 8-aastased lapsed ning vähenenud füüsiliste, sensorsete või vaimsete võimetega või kogemuste ja puudulike teadmistega inimesed võivad seda seadet kasutada järelevalve all või juhul, kui neid on juhendatud seadme ohutu kasutamise asjus ja nad mõistavad sellega kaasnevaid ohte.
- Jälgige, et lapsed seadmega ei mängiks.
- Lapsed ei tohi sadet puhastada ega hooldada, välja arvatud juhul vähemalt 8-aastased lapsed järelevalve all.
- Hoidke kõik pakendid lastele kättesaamatus kohas. Lämpumisoht!
- Kui kavatsete seadme kasutuselt kõrvaldada, eemaldage toitepistik seinakontaktist, lõigake ühenduskaabel katki (seadmele nii lähedalt kui võimalik) ja eemaldage üks, et vältida mängivate laste puhul elektrilöögiohtu või seadmesse lõksu jäämist.
- Kui paigaldate selle magnetihenditega kaanega seadme vana seadme asemele, mille üksel või kaanel on vedrulukk (riiv), muutke vana seadme vedrulukk kasutuselt kõrvaldamist kindlasti kasutuskõlbmatuks. Siis ei saa vana seade lapsele ohtlikuks muutuda.

Ohutuse üldeskirjad



HOIATUS! Hoidke seadme korpuses või sisseehitatud konstruktsioonis olevad õhutusavad vabad.









HOIATUS! Ärge kasutage sulatuse kiirendamiseks mehaanilisi seadmeid ega muid vahendeid, mida tootja pole selleks soovitanud.



HOIATUS! Ärge seadme külmaaine kontuuri kahjustage.

Ohutusteave

-  **HOIATUS!** Ärge kasutage külmutusseadmete sees muid elektriseadmeid (nt jäätisemasinaid), välja arvatud juhul, kui tootja on need selleks otstarbeks heaks kiitnud.
-  **HOIATUS!** Ärge puudutage lampi, kui see on pikka aega põlenud, kuna see võib olla väga kuum.¹⁾
-  **HOIATUS!** Seadme paigutamisel veenduge, et toitekaabel ei jääks kuhugi vahele ega saaks kahjustada.
-  **HOIATUS!** Ärge paigutage seadme taha mitme pistikupesaga pikenduskaablit ega toiteplokki.
- Ärge hoidke seadmes plahvatusohtlikke aineid, nagu kergsüttiva suruainega aerosoolpurke.
- Seadme jahutuskontuuris kasutatakse külmaainet isobutaan (R-600a), mis on keskkonda mittekahjustav, kuid siiski tuleohtlik looduslik gaas.
- Seadme transportimise ja paigaldamise ajal veenduge, et ükski külmaaine kontuuri komponentidest ei saaks kahjustada.
 - vältige lahtist tuld ja muid tuleallikaid
 - ventileerige hoolikalt ruumi, kus seade asub
- Toote spetsifikatsiooni muutmine või seadme mis tahes viisil modifitseerimine on ohtlik. Igasugune kaablikahjustus võib põhjustada lühise, tulekahju ja/või elektrilöögi.
- See seade on ette nähtud kasutamiseks koduses majapidamises jms otstarbel, nagu näiteks
 - töötajate puhkeruumid kauplustes, kontorites ja muudes töökeskkondades;
 - talumajapidamised ja kliendiruumid hotellides, motellides ning muud elamutüüpi keskkonnad;
 - B&B-tüüpi majutus;
 - toitlustus jms keskkonnad, kus ei toimu jaemüüki.
-  **HOIATUS!** Kõiki elektrilisi osi (pistik, toitekaabel, kompressor jne) võib vahetada ainult asjakohase tegevusloaga hooldustehnik või kvalifitseeritud töötaja.
-  **HOIATUS!** Seadmega kaasas olev elektrilamp on eriotstarbeline, mida saab kasutada ainult selles seadmes. Seda eriotstarbelist lampi ei saa kasutada kodustes valgustites.¹⁾

1) Kui seadme sees on valgusti.

Ohutusteave

- Toitekaablit ei tohi pikendada.
- Veenduge, et seadme tagakülg ei muljuks ega kahjustaks toitepistikut. Kokku muljutud või kahjustatud pistik võib üle kuumeneda ja põhjustada tulekahju.
- Veenduge, et seadme toitepistik oleks ligipääsetav.
- Ärge tõmmake toitekaablist.
- Kui seina pistikupesaga on lahti, ärge toitepistikut sellesse sisestage. Tõsine elektrilöögi- või tulekahjuoht!
- Seadet ei tohi kasutada ilma lambita.
- See seade on raske. Selle teisaldamisel tuleb olla ettevaatlik.
- Ärge võtke esemeid külmutist välja ega puudutage neid niiskete/märgade kätega, kuna see võib põhjustada marrastusi või külmast tingitud põletusi.
- Vältige seadme pikaajalist hoidmist otseses päikesevalguses.

Igapäevane kasutamine

- Ärge pange seadme plastosadele kuumi esemeid.
- Ärge laduge toiduaineid otse tagaseina vastu.
- Külmutatud toitu ei tohi pärast ülessulatamist uuesti külmutada.¹⁾
- Säilitage eelpakendatud külmutatud toiduaineid vastavalt nende tootja juhistele ¹⁾
- Tootja säilitussoovitusi tuleks rangelt järgida. Juhinduge vastavatest tootja juhistest.
- Ärge pange sügavkülmikusse gaseeritud jooke, kuna rõhu tõus pakendis võib põhjustada selle lõhkemise ja seadme kahjustuse.¹⁾
- Jääkommid võivad seadmest otse suhu pannes tekitada külmapõletusi.¹⁾

Toidu saastumise vältimiseks järgige järgmisi juhiseid

- Kaane pikaajaline lahtihoidmine võib põhjustada temperatuuri märkimisväärset tõusu seadmes.
- Puhastage regulaarselt pindu, mis toiduga kokku puutuvad, ja veeäravoolu.
- Puhastage veeanumaid, kui neid pole 48 tundi kasutatud; kui vett pole 5 päeva jooksul kasutatud, loputage veevõrguga ühendatud veesüsteemi.
- Hoidke toorest liha ja kala sobivas külmutusanumas, et see ei puutuks kokku muude toiduainetega.
- Sügavkülmiku kahe tärniga kambrid (kui need on seadmes olemas) sobivad külmutatud toiduainete hoidmiseks, jäätise hoidmiseks ja valmistamiseks ning jääkuubikute valmistamiseks.

1) Kui on olemas külmutuskamber.

2) Kui on olemas värske toidu hoiukamber.

Ohutusteave

- Ühe, kahe ja kolme tärniga kambrid (kui need on seadmes olemas) ei sobi värsket toidu külmutamiseks.
- Kui seade jäetakse pikemaks ajaks tühjaks, lülitage see välja, sulatage, puhastage, kuivatage ja jätke kaas lahti, et vältida hallituse teket seadmes.

Hooldamine ja puhastamine

- Enne hooldust lülitage seade välja ja eemaldage toitekaabel pistikupesast.
- Ärge puhastage seadet metallesemetega.
- Ärge kasutage seadmest härmatise eemaldamiseks teravaid esemeid. Kasutage selleks plastkaabitsat.¹⁾
- Kontrollige regulaarselt külmiku äravoolutoru. Vajadusel puhastage äravool. Kui äravool umbes, koguneb seadme põhja vett.²⁾

Paigaldamine

Tähtis! Elektrivõrguga ühendamisel järgige hoolikalt vastavas lõikudes toodud juhiseid.

- Eemaldage seadme pakend ja kontrollige, et seadmel poleks kahjustusi. Ärge vooluvõrguga ühendage, kui seade on kahjustatud. Teatage võimalikest puudustest kohe ostukohta. Sel juhul hoidke pakend alles.
- Enne seadme vooluvõrguga ühendamist on peaksite vähemalt neli tundi ootama, et õli jõuaks kompressorisse tagasi voolata.
- Jätke seadme ümber piisavalt ruumi õhu ringlemiseks, vastasel korral võib seade üle kuumeneda. Piisava ventilatsiooni tagamiseks järgige paigaldusjuhiseid.
- Võimalusel tuleks toote vahetoed olema seina poole, et vältida kuumade osade (kompressor, kondensaator) puudutamist ja võimalikku põletust.
- Seadet ei tohi panna radiaatori või pliidi lähedale.
- Veenduge, et pistik oleks pärast seadme paigaldamist juurdepääsetav.

Teenus

- Kõik seadme hooldamiseks vajalikud elektritööd peab tegema kvalifitseeritud elektrik või pädev isik.
- Seadet peab laskma hooldada selleks volitatud teeninduskeskuses ja kasutada tohib ainult originaalvaruosi.

Energia säästmine

- Ärge pange seadmesse kuuma toitu;
- Ärge laduge toitu lähestikku, kuna see takistab õhuringlust;
- Veenduge, et toit ei puudutaks kambri(te) tagakülgi;



1) Kui on olemas külmutuskamber.


2) Kui on olemas värsket toidu hoiukamber.

Ohutusteave

- Elektrikatkestuse korral, ärge ust avage;
- Ärge avage ust sageli;
- Ärge hoidke ust liiga kaua lahti.
- Ärge seadke termostaati kõrgemale temperatuurile;
- Kõiki tarvikuid, nagu sahtlid, riulid, eendid, tuleks hoida seadmes, et energiakulu oleks väiksem

Keskkonnakaitse

 Selle seadme külmaaine torustikus ja soojustuses ei ole osoonikihti kahjustavaid gaase. Seadet ei tohi kõrvaldada koos olmejäätmete ja -prügiga. Vahtisolatsioon sisaldab tuleohtlikke gaase; seade tuleb kõrvaldada vastavalt asjakohastele määrustele, mille saate hankida kohalikust omavalitsusest. Vältige jahutusseadme, eriti soojusvaheti kahjustamist. Sümboliga  tähistatud materjalid on ringlussevõetavad.

 See tootel või selle pakendil olev sümbol näitab, et toodet ei tohi käidelda olmejäätmetena. Seade tuleb viia vastavasse elektri- ja elektroonikaseadmete kogumispunkti. Kui tagate selle toote õige kasutusest kõrvaldamise, aitate ära hoida võimalikku keskkonnakahju ja kaitsete inimeste tervist, kuna toote sobimatu jäätmekäitlus võib põhjustada ohte. Täpsema teabe saamiseks toote ringlussevõtu kohta pöörduge kohaliku omavalitsusse, olmejäätmete käitlusfirmasse või kauplusse, kust toote ostsite.


Pakkematerjalid

Sümboliga tähistatud materjalid on ringlussevõetavad. Viige pakend ringlussevõetamiseks vastavasse kogumiskohta.

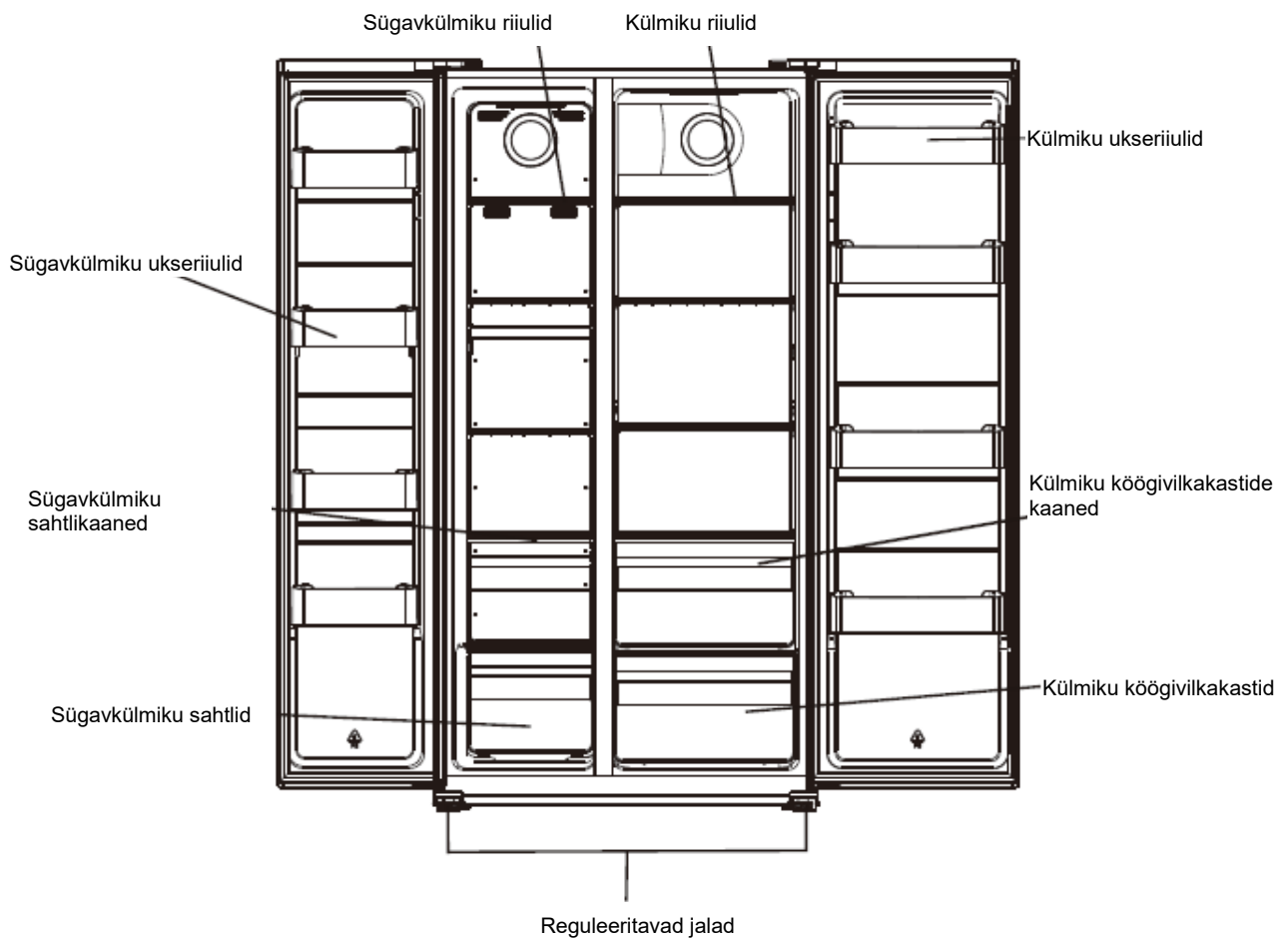
Seadme kasutusest kõrvaldamine

1. Eemaldage toitekaabel vooluvõrgust.
2. Lõigake toitekaabel katki ja visake ära.



 **HOIATUS!** Seadme kasutamisel, hooldamisel ja kasutusest kõrvaldamisel pöörake tähelepanu vasakul näidatud sümbolile, mis asub seadme tagaküljel (tagapaneelil või kompressoril). See on tulekahjuohu eest hoiatav sümbol. Külmaaine torustikus ja kompressoris on tuleohtlikke materjale. Kasutamise, hooldamise ja kõrvaldamise ajal hoidke tuleallikatest eemal.

Üldvaade



Märkus. Üaltoodud pilt on ainult näitlik. Tegelik seade võib olla sellest erinev.

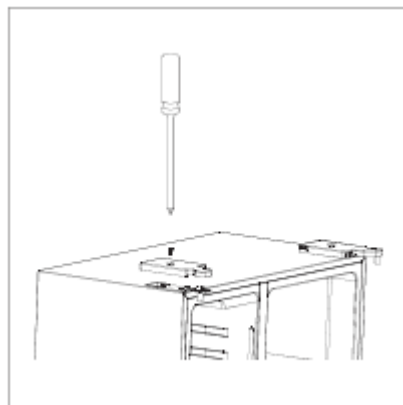
Paigaldamine

Eemaldage ukse

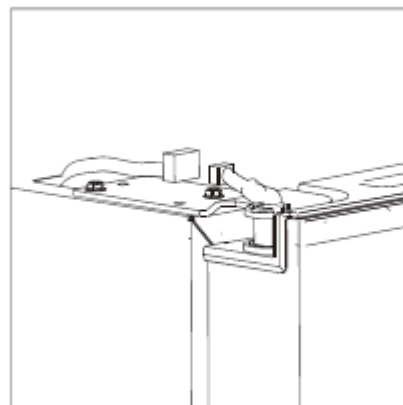
Vajalikud tööriistad: Ristpeaga kruvikeeraja, lameda peaga kruvikeeraja.

- Veenduge, et seade poleks voluvõrgus ja oleks tühi.
- Ukse eemaldamiseks peab seadet tahapoole kallutada. Toetage seade kindlale alusele, nii et see ukse eemaldamise ajal ei libiseks.
- Kõik eemaldatud osad tuleb ukse paigaldamiseks alles jätta.
- Ärge pange seadet pikali, kuna see võib jahutusaine süsteemi kahjustada.
- Monteerimise ajal tuleks seadet käsitseda kahekesi.

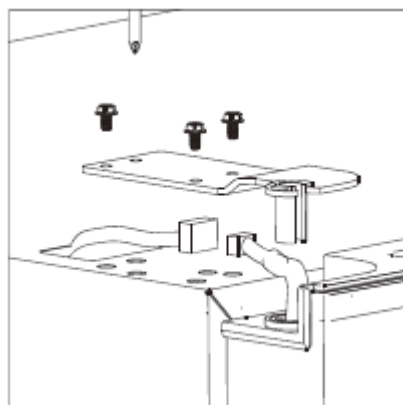
1. Kruvige hinge kate ristpeaga kruvikeerajaga lahti.



2. Võtke kinnitus lahti.

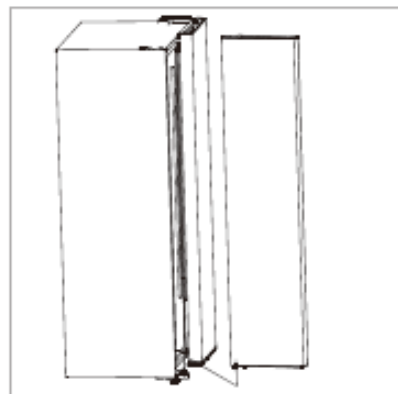


3. Kruvige ülemine hing ära.

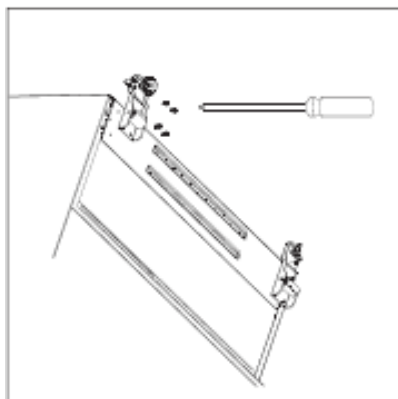


Paigaldamine

4. Tõstke uks maha ja asetage pehmele alusele. Seejärel eemaldage samamoodi ka teine uks.



5. Kruvige alumised hinged ära.

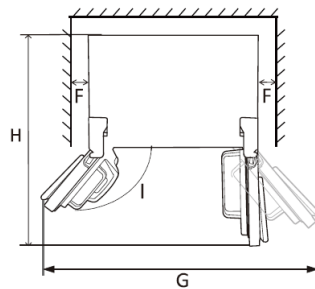
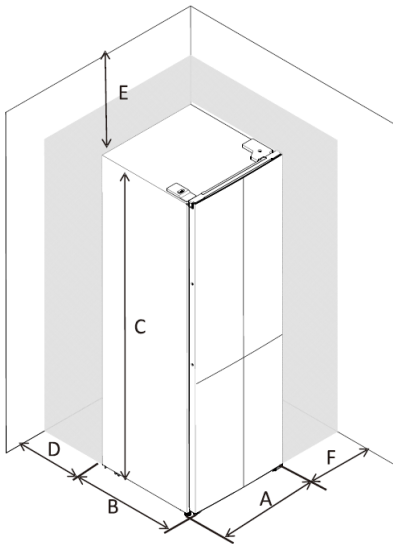


6. Paigutage seade kohale ja paigaldage ukseid vastupidises järjekorras nende eemaldamisele.

Paigaldamine

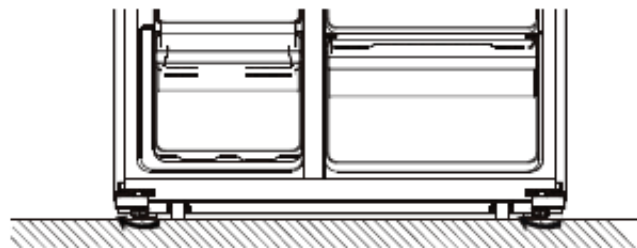
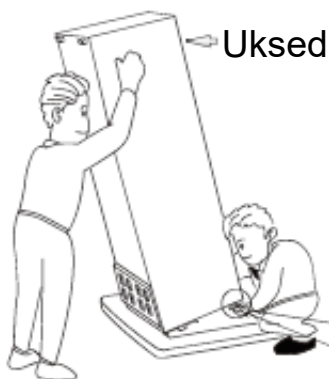
Ruumivajadus

- Paigalduskoht peab olema kaitstud otsese päikesevalguse eest.
- Külmiku ustel avamiseks peab jääma piisavalt ruumi.
- Paigutage seade horisontaalsele (või peaaegu horisontaalsele) pörandale.
- Jätke piisavalt ruumi külmiku paigaldamiseks tasasele pinnale.
- Paigaldamisel jätke seadmest paremale, vasakule, taha ja üles vaba ruumi. See aitab vähendada energiatarbimist ja säästa elektrit.



A	910
B	670
C	1770
D	min=50
E	min=50
F	1800
G	1560
H	135°

Külmiku loodimine



- Seadke külmik selle jalgu reguleerides horisontaalseks ja stabiilseks.
- Tõstmiseks krüvige jalgu päripäeva.
- Langetamiseks krüvige jalgu vastupäeva.

Paigaldamine

Paigutamine

Paigaldage seade kohta, kus õhutemperatuur vastab seadme andmesildil märgitud kliimaklassile:
Kliimaklassiga külmikud:

- laiendatud parasvööde: see külmikud on ette nähtud kasutamiseks keskkonnas, kus õhutemperatuur on 10...32 °C (SN);
- parasvööde: see külmikud on ette nähtud kasutamiseks keskkonnas, kus õhutemperatuur on 16...32 °C (N);
- subtroopika: see külmikud on ette nähtud kasutamiseks keskkonnas, kus õhutemperatuur on 16...38 °C (ST);
- troopika: see külmikud on ette nähtud kasutamiseks keskkonnas, kus õhutemperatuur on 16...43 °C (T).

Asukoht

Seade tuleb paigaldada eemale soojusallikatest, nagu radiaatorid, katlad, otsene päikesevalgus jne. Veenduge, et õhk saaks korpuse tagaküljel vabalt ringelda. Parima jõudluse tagamiseks, kui seade paigutatakse ülemise seinakapi alla, peab seadme lae ja seinakapi vaheline minimaalne kaugus olema vähemalt 100 mm. Võimalusel tuleks seadme paigutamist ülemise seinakapi alla siiski vältida. Ühe või mitme reguleeritava jala abil saab seadme täpselt loodida.

See külmik ei ole ette nähtud mööblisse sisse ehitamiseks.



Hoiatus! Seadet peab olema võimalik vooluvõrgust isoleerida ning selleks peab pistik pärast paigaldamist olema kergesti ligipääsetav.

Elektriline ühendamine

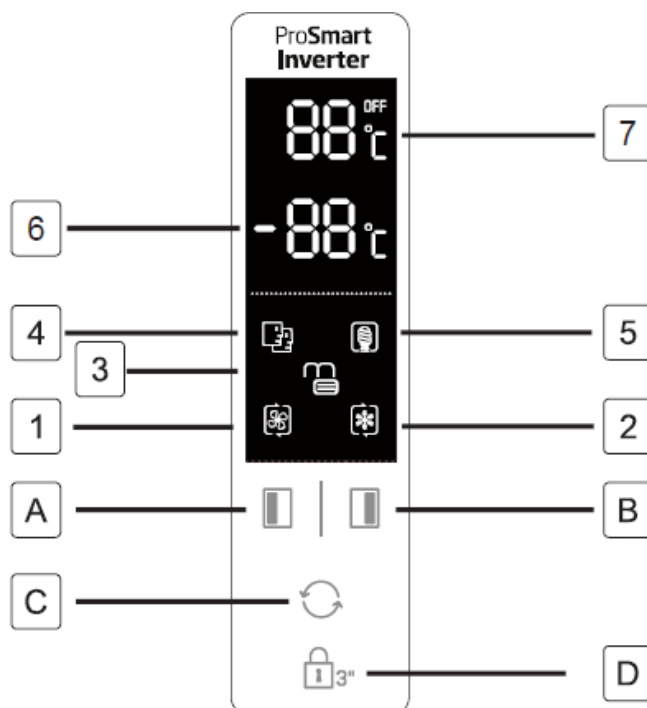
Enne vooluvõrguga ühendamist veenduge, et andmesildil näidatud pinge ja sagedus vastaksid teie kodusele elektrivõrgule. Seade peab olema maandatud. Toitekaabli pistik on selleks otstarbeks varustatud kontaktiga. Kui kodune seinapistikupesa pole maandatud, peab seadme ühendama kehtivaid määrusi järgides kohaselt eraldi maandusega, konsulteerides kvalifitseeritud elektrikuga.

Tootja keeldub igasugusest vastutusest, kui ülaltoodud ettevaatusabinõusid ei järgita.

See seade vastab EEC Direktiividele.

Igapäevane kasutamine

Juhtpaneeli kasutamine



Nupud

- A** Vajutage sügavkülmiku (vasakul) temperatuuri reguleerimiseks vahemikus $-14\dots-22$ °C.
- B** Vajutage külmiku (paremal) temperatuuri reguleerimiseks vahemikus $2\dots8$ °C.
- C** Vajutage töörežiimide **SMART (Nutikas)**, **ECO (Ökonoomne)**, **SUPER COOLING (Kiirjahutus)**, **SUPER FREEZING (Kiirkülmutus)** ja **USER'S SETTING (Kasutaja säte – ekraanil pole sümbolit)** valimiseks.
- D** Vajutage nuppu **3 SEC** (3 sekundit) ja hoidke kolm sekundit all, et ülejäänud kolm nuppu lukustada.
Ülejäänud kolme nupu avamiseks hoidke seda nuppu üks sekund all.

Ekraan

- 1** **SUPER COOLING (Kiirjahutus)** jahutab külmikuosa valitud madalaima temperatuurini. Umbes 2,5 tunni pärast taastub eelnevalt kasutaja valitud temperatuurisäte.
- 2** **SUPER FREEZING (Kiirkülmutus)** jahutab sügavkülmikuosa valitud madalaima temperatuurini. Umbes 50 tunni pärast taastub eelnevalt kasutaja valitud temperatuurisäte.
Nipp: lülitage režiim **SUPER FREEZING (Kiirkülmutus)** sisse 24 tundi enne suure koguse toiduainete panekut sügavkülmikusse.
- 3** **LOCK (Lukustus)** – sümbol süttib, kui nupud lukustatakse.
- 4** Režiimis **SMART (Nutikas)** reguleerib seade kahe kambri temperatuuri automaatselt vastavalt seadme sisemuse ja ümbruse temperatuurile.
- 5** Režiimis **ECO (Ökonoomne)** töötab külmik madalaima võimaliku energiatarbimisega.
- 6** Näitab sügavkülmiku seatud temperatuuri.
- 7** Näitab külmiku seatud temperatuuri.
- 8** Elektrikatkestuse tõttu lapselukk ei tööta. Lapselukk aktiveeritakse automaatselt 25 sekundit pärast viimast toimingut. Ekraan lülitub automaatselt välja 2 minutit pärast viimast toimingut.
- 9** Sellel mudelil ei pruugi olla kõiki kirjeldatud funktsioone.

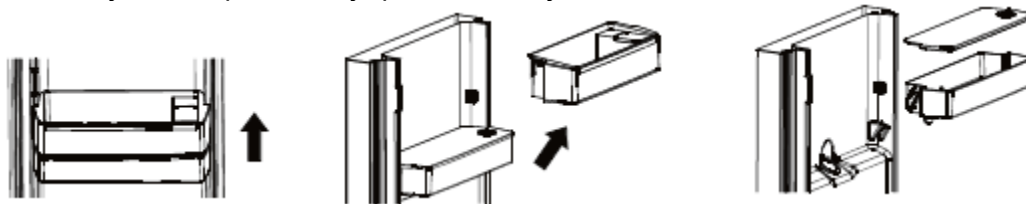
Avatud ukse alarm

Kui üks udest jääb 90 sekundiks lahti, kostub perioodiline alarm, kuni uks taas suletakse.

Igapäevane kasutamine

Enne veejaoturi esmakordset kasutamist eemaldage ja puhastage külmkapis asuv veemahuti.

1. Esmlt tõstke mahutiriiulit ja eemaldage see, siis eemaldage kaanega veemahuti. Eemaldage kaas mahuti ja kaane pesemise ja puhastamise jaoks.



2. Pärast pesu asetage veemahuti, kaas ja mahutiriiul tagasi allpool näidatud moel.



3. Puhastage väljaspool külmiku ust asuv jaoturi padi.



Veemahuti täitmine veega

1. Avage väike kaas



2. Täitke veemahuti joogiveega kuni 3 liitri jooneni.
3. Sulgege kaanel olev väike kaas

Vee saamine

Vee saamiseks suruge jaoturi patja õrnalt klaasi või anumaga. Veevoolu peatamiseks eemaldage oma klaas jaoturi padjast.

Igapäevane kasutamine

Esmakordne kasutamine

Sisemuse puhastamine

Enne seadme esmakordset kasutamist peske sade seest ja kõik sisemise tarvikuid leige vee ning neutraalse pesuainega üle, et eemaldada uuele tootele iseloomulik lõhn. Seejärel kuivatage hoolikalt.

Tähtis! Ärge kasutage detergente ega abrasiivseid pulbreid, kuna need kahjustavad viimistlust.

Igapäevane kasutamine

Toit	Asukoht
Munad	Ukseriul
Piimatooted (või, juust)	Värske köögivilja või jahutuskamber (olemasolu korral), alumised riiulid
Puu- ja köögiviljad, salat	Puu- ja köögivilja kast, värske või EverFresh+ lahter (olemasolu korral)
Värske liha, linnuliha, värske kala, vorst, kuumtöödeldud toidud	Värske köögivilja või jahutuskamber (olemasolu korral), alumine riiul
Valmistoidud, pakendatud, konserveeritud ja marineeritud tooted	Ülemised riiulid, ukseriul
Joogid, pudelid, maitseained, suupisted	Ukseriul
Ülejäägid	Keskised riiulid

Euroopa Liidu suunis värske toidu säilitamiseks kohta.

Toidu säilitamine värske toidu kambris.

- Hoidke külmikus soovitatavat temperatuuri 4 °C.
- Hoidke toitu korralikult suletuna, et vältida lõhna või maitse muutumist.
- Ärge hoidke külmkapis liiga suuri toiduainete koguseid. Parema ja ühtlasema jahutuse saavutamiseks jätke toiduainete vahele ruumi, et külm õhk saaks vabalt liikuda.
- Et ust peaks võimalikult vähe lahti hoida, pange iga päev söödavad toidud hoida riuli esiossa.
- Jätke toidu ja külmiku seinte vahele ruumi, et õhk saaks liikuda. Kui panete toidu tagaseina vastu, võib toit selle külge kinni külmuda.
- Kuum toit tuleb enne seadmesse panekut toatemperatuurini maha jahutada. Seejärel pange soe toit mõnele alumisele riulile. Ärge pange sooja toitu kiiresti riknevate toiduainete lähedale.
- Külmutatud toidu sulatamiseks kasutage värske toidu ala. Nii kasutate külmutatud toitu värske toidu ala jahutamiseks ja säästate energiat.
- Kui hoiate külmikus küpseid troopilisi puuvilju (mango, melon, papaia, banaan, ananass), võivad need kiiremini vananeda, mis pole soovitatav, sest ka nende säilivusaeg lüheneb. Samas saab roheliste puuviljade (õun, pirn) valmimist teatud perioodid külmikus hoidmisega kiirendada.
- Sibulat, küüslauku, ingverit ja muid juurvilju tuleks hoida pimedas ja jahedas kohas, aga mitte külmkapis.
- Kui leiata külmikust riknenud toitu, peab selle ära viskama. Kui toit on mädanenud, puhastage saastumise vältimiseks külmiku sisepind ja tarvikud, mis on selle toiduga kokku puutunud.
- Kiiremaks jahutamiseks võib mahukad toidud, näiteks supid või hautised, külmikusse panna madalas anumal. Samamoodi võib suured praetükid ja tervena küpsetatud linnu väiksemateks tükkideks jagada.

- Ärge hoidke pakendamata toiduaineid munade lähedal.
- Hoidke puuvilju ja juurvilju eraldi ning säilitage üheskoos ainult sarnaseid toite: õunad koos õuntega ja porgandid koos porganditega. Puu- ja juurviljadest eraldub erinevaid gaase, mis võivad põhjustada muude toiduainete riknemist.
- Võtke lehtsalat kilepanendist välja ja mähkige enne külmikusse panemist paber- või tekstiilrätikusse. Kui olete salatit eelnevalt pesnud või see on märg, ärge unustage seda kuivatada.
- Hoidke puu- ja köögivilju, mis võivad kuivada, perforeritud või avatud kilekotis, et säilitada niiske keskkonda ning võimaldada siiski õhul ringelda.
- Jagage erinevad toidud eri kohtade vahel vastavalt toitude omadustele:

Kontrollige seadme andmesildil toodud kliimaklassi. Üks järgmistest näitajatest kehtib teie seadme kliimaklassile.

- SN: Laiendatud parasvööde: see külmik on ette nähtud kasutamiseks keskkonnas, kus õhutemperatuur on 10...32 °C
- N: Parasvööde: see külmik on ette nähtud kasutamiseks keskkonnas, kus õhutemperatuur on 16...32 °C
- ST: Subtroopika: see külmutusseade on ette nähtud kasutamiseks keskkonnas, kus õhutemperatuur on 16...38 °C
- T: Troopika: see külmutusseade on ette nähtud kasutamiseks keskkonnas, kus õhutemperatuur on 16...43 °C

ET Toiduainete säilitamine sügavkülmikus.

- Sügavkülmik on soovitatav seada temperatuurile -20 °C (välja arvatud äärmuslikes keskkonnatingimustes).
- Kiiremaks külmutamiseks lülitage 4–6 tundi varem sisse funktsioon „Kiirkülmutus“.
- Kuum toit tuleb enne sügavkülmikusse panekut toatemperatuurini maha jahutada.
- Väikesteks portsjoniteks lõigatud toit külmub kiiremini ning seda on lihtsam sulatada ja kühvetada.
- Parem on toit enne sügavkülma panemist pakkida.
- Säilitusähtaja ületamise vältimiseks märkige pakendile selle külmutuskuupäev, tähtaeg ja toidu nimetus vastavalt erinevate toiduainete säilitusaegadele.
- Ärge ületage toiduainete tootjate soovitatud säilitusaegu. Võtke sügavkülmikust välja ainult vajalik kogus toiduaineid.
- Tarbige sulatatud toitu kiiresti ära. Sulatatud toitu ei tohi uuesti külmutada, kui seda pole vahepeal kuumtöödeldud. Kuumtöötlemata uuesti külmutatud värske toidu tarbimine võib olla ohtlik.
- Värske toidu külmutamisel vältige selle kokkupuudet juba külmutatud toiduga. See võib põhjustada külmunud toidu osalist ülessulatumist.

Müügilolevate külmutatud toiduainete säilitamisel järgige järgmisi juhiseid.

Järgige alati tootja juhiseid selle kohta, kui kaua võib toitu säilitada. Ärge neid kuupäevi ületage.

- Toidu kvaliteedi säilitamiseks proovige hoida ostmise ja sügavkülmikusse paneku vaheline aeg võimalikult lühike.
- Ostke ainult külmutatud toiduaineid, mida on hoitud temperatuuril -18 °C või alla selle.
- Vältige selliste toiduainete ostmist, mille pakendil on jääd või härmatist – see näitab, et tooted võivad olla mingil hetkel osaliselt sulanud ja uuesti külmutatud. Vahepealne temperatuuri tõus mõjutab toidu kvaliteeti.
- Toidu parema säilivuse saavutamiseks soovime temperatuuri värske toidu kambris seada 4 °C ja sügavkülmiku osas -20 °C peale.

- Kui temperatuur on seatud soovitatavale väärtusele ($+4\text{ °C}$ / -20 °C ; välja arvatud äärmuslikes keskkonnatingimustes), pikeneb värske toidu ja sügavkülmiku osa üldine värskus. Kui värske toidu kambri temperatuur on seatud jahedamaks, võivad värsked puu- ja köögiviljad osaliselt külmuda või külmakahjustusi saada, samas võib kõrgem temperatuur põhjustada teatud toiduainete (piimatooted, lihatooted) kiiremat riknemist.

Igapäevane kasutamine

Värske toidu külmutamine

- Sügavkülmkamber sobib värske toidu külmutamiseks ning külmutatud ja sügavkülmutatud toiduainete pikaajaliseks säilitamiseks.
- Pange külmutamiseks mõeldud värske toit alumisse kambrisse.
- Maksimaalne toiduainete kogus, mida võib 24 tunni jooksul külmutada, on märgitud andmesildil.
- Külmutamine kestab 24 tundi; selle aja jooksul ärge lisage muid külmutatavaid toiduaineid.

Külmutatud toidu säilitamine

Esmakordsel käivitamisel või pärast kasutuseeta seismist. Enne toote külmikusse panemist laske seadmel vähemalt 2 tundi töötada, seades temperatuuri madalaks.

Tähtis! Juhusliku ülessulutamise korral, näiteks kui vool on välja lülitatud kauem, kui on näidatud tehniliste andmete tabeli lahtris „tõusuaeg“, tuleb ülessulanud toit kiiresti ära tarbida või kohe küpsetada ja seejärel (pärast küpsetamist) uuesti külmutada.

Sulatamine

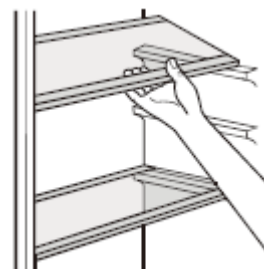
Sügavkülmutatud või külmutatud toiduaineid võib enne kasutamist üles sulatada külmikus või toatemperatuuril, olenevalt sellest, palju selleks aega on.

Väikesi tükke võib küpsetada ka külmutatult, otse pärast sügavkülmast väljavõtmist. Sel juhul võtab küpsetamine kauem aega.

Tarvikud

Väljatõmmatavad riiulid

Külmiku külgsel on sooned riiulite paigutamiseks erinevatele kõrgustele.



Äärega ukseriiulite paigutamine

Eri suurusega pakendite hoidmiseks saab ukseriiuleid paigutada erinevatele kõrgustele. Selleks toimige järgmiselt: tõmmake riiulit pikkamisi noolte suunas, kuni see vabaneb, ning seejärel asetage vastavalt vajadusele.



Igapäevane kasutamine

Kasulikud näpunäited ja soovitused

Näpunäiteid külmutamiseks

Mõned olulised näpunäited, mis aitavad teil külmutamisprotsessist maksimumi võtta.

- Andmesildil on näidatud maksimaalne toiduainete kogus, mida saab seadmes 24 tunni jooksul külmutada.
- Külmutusprotsess kestab 24 tundi. Selle aja jooksul ei tohi külmutatavaid toiduaineid lisada.
- Külmutage ainult kvaliteetseid, värskaid, korralikult puhastatud toiduaineid.
- Tehke toit väikesteks portsjoniteks, et see kiiresti ja täielikult läbi külmuks ning seda oleks võimalik hiljem sulatada ainult vajalikus koguses.
- Mähkige toit alumiiniumfooliumisse või polüetüleenkilesse ja veenduge, et pakendid oleksid õhukindlad.
- Ärge laske värskel külmutamata toidul puutuda kokku juba külmutatud toiduga, et vältida selle temperatuuri tõusu.
- Lahjad toidud säilivad paremini ja kauem kui rasvased; sool vähendab toidu säilivusaega külmutamisel.
- Vesi jääb ja kui toitu tarbitakse kohe pärast külmutuskambri väljavõtmist, võib see põhjustada naha külmumis põletuse.
- Soovitav on igale üksikule pakendile märkida külmumise kuupäev, et saaksite toidu külmutuskambri õigel ajal eemaldada.
- Soovitav on igale üksikule pakendile märkida külmutamiskuupäev, et saaksite toidu säilitamisaega jälgida.

Näpunäiteid külmutatud toiduainete säilitamiseks

Seadme parima toimivuse saavutamiseks peaksite tegema järgmist:

veenduge, et kaupluses olevad külmutatud toiduaineid oleksid nõuetekohaselt säilitatud;

veenduge, et külmutatud toiduained jõuaksid kauplusest teie sügavkülmikusse võimalikult lühikese aja jooksul;

ärge avage seadme kaant sageli ega jätke seda lahti kauemaks, kui on hädavajalik.

Pärast sulatamist rikneb toit kiiresti ja seda ei tohi uuesti külmutada.

Ärge ületage toidu tootja määratud säilitusaega.

Värskete toitude jahutamine

Parima tõhususe saavutamiseks toimige järgmiselt:

- Ärge pange külmikusse sooja toitu ega auravaid vedelikke
- Soovitav on toit kinni katta või pakendada, eriti kui sellel on tugev aroom

Toidu jahutamine

Nipid:

- Tehke nii (igat tüüpi toit): pange kilekotti pakitud toit köögiviljasahtli kohal olevale klaasriiulile.
- Ärge hoidke sel viisil rohkem kui üks või kaks päeva.
- Kuumtöödeldud toidud, külmtoidud jms ...: katke kinni ja hoidke mis tahes riulil.
- Puu- ja köögiviljad: puhastage korralikult ja pange vastavasse sahtlisse.
- Või ja juust: pange spetsiaalsesse õhukindlasse anumasse või pakendage võimalikult õhukindlalt fooliumisse/kilekotti.
- Piim: sulgege korgiga ja hoidke ukseriulil.
- Pakendamata banaanid, kartulid, sibulad ja küüslauk – ärge hoidke külmikus.

Puhastamine

Hügieenilise tagamiseks tuleb seadme sisemust, sealhulgas tarvikuid, regulaarselt puhastada.



Ettevaatust! Seadet ei tohi olla puhastamise ajal vooluvõrguga ühendatud. Elektrilöögioht! Enne puhastamist lülitage seade välja ja eemaldage pistik vooluvõrgust või lülitage kaitselüliti välja või eemaldage sulavkaitse. Ärge kunagi puhastage seadet aurupesuriga. Elektriosadesse võib koguneda niiskus ja tekib elektrilöögioht. Kuumad aurud võivad plastosi kahjustada. Seade peab olema kuiv, enne kui seda taas kasutatakse.

Tähtis! Eeterlikud õlid ja orgaanilised lahustid, mis võivad kahjustada plastosi: nt sidrunimahla või apelsinikoore mahla, või hape, äädikhape sisaldavad puhastusained.

Igapäevane kasutamine

- Ärge laske sellistel ainetel seadme osadega kokku puutuda.
- Ärge kasutage abrasiivseid puhastusaineid.
- Eemaldage toit sügavkülmikust. Hoidke toitu jahedas kohas, hästi kinni kaetuna.
- Lülitage seade välja ja eemaldage pistik vooluvõrgust või lülitage kaitselüliti välja või eemaldage sulavkaitse.
- Puhastage seadet ja selle sisemisi tarvikuid lapi ja leige veega. Pärast puhastamist loputage puhta veega ja hõõruge kuivaks.
- Kui kõik osad on kuivanud, võtke seade uuesti kasutusele.

Rikkeotsing



Ettevaatust! Enne tõrkeotsingut ühendage toitekaabel lahti. Viisil mida selles juhendis ei kirjeldata, võib seadet rikete suhtes kontrollida ainult kvalifitseeritud elektrik või pädev isik.

Tähtis! Tavakasutusel kostab seadmest teatud helisid (kompressor, külmaaine ringlus).

Probleem	Võimalik põhjus	Lahendus
Seade ei tööta	Toitekaabel pole ühendatud või on lahti	Sisestage toitepistik.
	Kaitse on läbi põlenud või rikkis	Kontrollige kaitset, vajadusel vahetage see välja.
	Pistikupesa on rikkis	Elektrivõrgu rikked peab parandama elektrik.
Toit on liiga soe.	Temperatuur ei ole õigesti reguleeritud.	Vt jaotist „Temperatuuri seadmine“.
	Kaas on olnud pikemat aega lahti.	Avage kaant ainult nii kauaks kui vaja.
	Viimase 24 tunni jooksul on seadmesse pandud suur kogus sooja toitu.	Seadke temperatuuri regulaator ajutiselt külmemale temperatuurile.
	Seade asub soojusallika läheduses.	Juhinduge jaotisest „Paigaldamiskoht“.
Seade on liiga külm	Temperatuur on seatud liiga madalaks.	Seadke temperatuuri reguleerimise nupp ajutiselt kõrgemale temperatuurile.
Ebatavalised helid	Seade pole loodis.	Reguleerige seadme jalgu.
	Seade toetub vastu seina või muid esemeid.	Liigutage seadet veidi.
	Seadme tagaküljel olev osa (nt toru), puudutab mõnda muud seadme osa või seina.	Vajadusel painutage seda osa ettevaatlikult eemale.
Põrandal on vesi	Vee äravooluava on umbes.	Vaadake jaotist „Puhastamine ja hooldus“.
Küljepaneelid on kuumad	See on normaalne. Soojusvahetus toimub küljepaneelide kaudu	Vajadusel puudutage küljepaneele kinnastes kätega.

Kui rike kordub, võtke ühendust teeninduskeskusega.



KÕRVALDAMINE

See sümbol näitab, et toote kasutusaja lõppedes ei tohi seda visata olmejäätmete hulka. Kasutatud seade tuleb viia ametlikku elektri- ja elektroonikaseadmete kogumispunkti. Sellise kogumispunkti leidmiseks võtke ühendust kohaliku omavalitsuse või edasimüüjaga, kellelt toode osteti. Igal kogumajapidamisel on täita oluline roll vanade seadmete taaskasutamisel ja ringlussevõtul. Kasutatud seadme nõuetekohane kõrvaldamine aitab ära hoida võimalikke negatiivseid tagajärgi keskkonnale ja inimeste tervisele.

ET

LAHTIÜTLUS/HOIATUS

Lõppkasutaja saab teatud (lihtsaid) tõrkeid ise kõrvaldada, vähendamata ohutust või põhjustamata riske, eeldusel, et ei ületata kindlaksmääratud piire ja järgitakse järgmisi juhiseid (vt jaotis „Ise parandamine“).

Kui järgmises jaotises „Ise parandamine“ pole määratletud teisiti, tuleb ohutusprobleemide vältimiseks pöörduda remontimiseks registreeritud professionaalsete spetsialisti poole. Registreeritud professionaalne spetsialist on professionaalne remonditöökoda, kellele tootja on võimaldanud juurdepääsu selle toote juhenditele ja varuosakataloogile vastavalt direktiivi 2009/125/EÜ kohastes õigusaktides määratletud meetoditele.

Garantiiteenust võivad osutada ainult hooldusesindajad (volitatud professionaalsed remonditöökodad), kellega saate ühendust võtta kasutusjuhendis/garantiikaardil toodud telefoninumbri või volitatud edasimüüja kaudu. Seetõttu pidage meeles, et professionaalsete remonditöökodade (peda Beko pole volitanud) tehtud remonditööd tühistavad garantii.

Ise parandamine

Lõppkasutaja saab seadet ise parandada, kasutades järgmisi varuosi: ükselingid, uksehinged, riiulid, korvid ja uksetihendid (uuendatud loend on saadaval alates 1. märtsist 2021 aadressil support.beko.com).

Toote ohutuse tagamiseks ja tõsise vigastusohu vältimiseks võib kasutaja seadet ise parandada ainult vastavalt juhendile, mis on toodud ise parandamise kasutusjuhendis või on saadaval aadressil support.beko.com. Ohutuse tagamiseks peab seadme enne ise parandamist vooluvõrgust eemaldama.

Kui lõppkasutaja soovib seadet parandada või remontida osadega, mida siin pole loetletud ja/või kui ise parandamise juhendites või saidil support.beko.com olevaid juhiseid ei järgita, võivad tekkida Bekost sõltumatud ohutusprobleemid ning mis tühistab toote garantii.

Seetõttu on lõppkasutajatel tungivalt soovitatav hoiduda katsetest teha remonditöid, mida mainitud varuosade nimekiri ei hõlma, nad peavad sellistel juhtudel ühendust võtma volitatud professionaalse remontija või registreeritud professionaalse remontijaga. Vastasel korral võivad lõppkasutajad põhjustada ohutusprobleeme ja kahjustada toodet ning põhjustada tulekahju, lekke, elektrilöögi ja tõsiseid kehavigastusi.

Volitatud professionaalse remontija või registreeritud professionaalse remontija poole tuleb pöörduda näiteks järgmiste komponentide seotud tööde jaoks: kompressor, jahutuskontuur, emaplaat, inverterplaat, näidikuplaat jne.

Kui lõppkasutajad eeltoodud nõuet ei järgi, puudub tootjal/müüjal igasugune vastutus.

Külmiku varuosad on saadaval 10 aasta jooksul pärast seadme ostmist.

Selle aja jooksul on külmiku nõuetekohaseks kasutamiseks saadaval originaalvaruosad. Ostetud külmiku minimaalne garantiiaeg on 24 kuud.

Selles tootes on energiaklassi G valgusallikas. Selle toote valgusallikat tohivad vahetada ainult professionaalsed remontijad.

Pakendite sortimise teave

Skannige toote välispakendil olev QR-kood, et saada teavet pakendi ja pakendijäätmete käitlemisest.

Garantiebedingungen

Anschrift:

Beko Deutschland GmbH
Thomas-Edison-Platz 3
D-63263 Neu-Isenburg

Kundendienst-Tel.: 06102-86 86 891

Fax: 01805-414 400 *

E-Mail: Kundendienst@beko.com

Ersatzteile-Tel.: 01805-242 515 *

Fax: 01805-345 001*

E-Mail: ersatzteile@beko.com

Sehr geehrte Kundin, sehr geehrter Kunde,

wir gratulieren Ihnen zum neuen Gerät der Marke Beko und wünschen Ihnen viel Freude daran. Sollten Sie dennoch einmal einen Grund zu einer Reklamation erkennen, dann wenden Sie sich bitte an unseren Kundendienst. Geben Sie im Falle einer Störung Ihre genaue Anschrift, Telefonnummer und den GERÄTETYP (vom Typenschild des Gerätes) an.

Hinweis für Kühl- und Gefriergeräte, Achtung!

Um voll funktionsfähig zu sein, benötigt Ihr Gerät nach dem Transport ca. 24 Stunden, in denen sich das Kühlmittel stabilisiert. Sofern es nicht vermeidbar ist und Sie das Gerät sofort nach Aufstellung mit Gefriergut bestücken wollen, müssen Sie damit rechnen, dass die rote Lampe bis zur Stabilisierung des Kühlkreislaufs aufleuchtet. Die Kühlleistung beginnt jedoch vom Augenblick des Anschlusses an sich auf zu bauen.

Die Garantiezeit beträgt 24 Monate ab Kaufdatum.

Bedingungen:

Dieses Gerät wurde nach den modernsten Methoden hergestellt und geprüft. Der Hersteller leistet unabhängig von der gesetzlichen Gewährleistungsverpflichtung des Verkäufers / Händlers für die Dauer von 24 Monaten, gerechnet vom Tag des Kaufes, Garantie für einwandfreies Material und fehlerfreie Fertigung.

Der Garantieanspruch erlischt bei Eingriffen durch den Käufer oder durch Dritte, die vom Hersteller nicht für den Service autorisiert sind oder wenn das Gerät zu gewerblichen Zwecken eingesetzt wird. Schäden die durch unsachgemäße Behandlung oder Bedienung, durch falsches Aufstellen oder Aufbewahren, durch unsachgemäßen Anschluss, oder fehlerhafte Installationen sowie durch höhere Gewalt oder sonstige äußere Einflüsse entstehen, fallen nicht unter die Gewährleistung.

Abhilfemöglichkeiten:

Wir behalten uns vor, bei Reklamationen die defekten Teile auszubessern oder zu ersetzen oder das Gerät auszutauschen. Ausgetauschte Teile oder ausgetauschte Geräte gehen in unser Eigentum über. Nur wenn durch Nachbesserung(en) oder Umtausch des Gerätes die herstellenseitig vorgesehene Nutzung endgültig nicht zu erreichen sein sollte, kann der Käufer aus Gewährleistung innerhalb von 24 Monaten, gerechnet vom Tag des Kaufes, Herabsetzung des Kaufpreises oder Aufhebung des Kaufvertrages verlangen. Nachbesserungen verlängern nicht die Gewährleistungszeit. Schadenersatzansprüche, auch hinsichtlich Folgeschäden, sind, soweit sie nicht auf Vorsatz oder grober Fahrlässigkeit beruhen, ausgeschlossen.

Bei unnötiger oder unberechtigter Beanspruchung des Kundendienstes berechnet dieser Zeit- und Wegeentgelt. Reklamationen sind unmittelbar nach Feststellung zu melden. Der Garantieanspruch ist vom Käufer, durch Vorlage der Kaufquittung, nachzuweisen. Bei Nicht-vorlage ist die Reparatur kostenpflichtig. Eine Rückerstattung – nach späterer Einsendung der Kaufquittung – kann nur innerhalb von einem Monat nach Rechnungsdatum gewährt werden.

Diese Garantiezusage ist gültig innerhalb der Bundesrepublik Deutschland

***) 0,14 EUR/Min. aus dem Festnetz der T-Com; Mobilfunk max. 0,42 EUR/Min. (nur für Deutschland)**

Garantiebedingungen - Beko - 06/2013



**Contacto para asistencia técnica:
902 877 665/ 932 992 581**

CONDICIONES DE GARANTIA - ESPAÑA

El presente certificado cubre la garantía de reparación de su electrodoméstico durante dos años, a partir de la fecha de venta, contra todo defecto de funcionamiento proveniente de fabricación o materiales; o de sustitución del aparato, salvo que una de estas opciones resulte imposible o desproporcionada respecto de la otra. Cuando usted detecte un defecto o anomalía en el aparato contacte de forma inmediata con nosotros, un plazo de dos meses es el límite para informarnos de la falta de conformidad. El cargo de desplazamiento está incluido en la reparación, excepto para pequeños electrodomésticos que pueden ser transportados al taller del servicio oficial de la marca. En caso de sustitución, el plazo de garantía se suspende y el nuevo aparato mantendrá el periodo de vigencia del aparato sustituido, y como mínimo 6 meses de garantía.

La presente garantía sólo será válida si se presenta factura, ticket de compra o el albarán de entrega del producto correspondiente si éste fuera posterior a la fecha de factura. La presente garantía es válida en el territorio español y portugués para los aparatos distribuidos por Beko Electronics España S.L.. La garantía sólo tendrá validez sobre el primer comprador o adquirente del producto. La garantía será válida para aparatos adecuados a las condiciones climáticas y medioambientales en que estén ubicados.

EXCLUSIONES DE LA GARANTIA

El coste de la reparación será a cargo del usuario en los siguientes casos:

- Los aparatos utilizados para uso profesional o no exclusivamente doméstico, en establecimientos públicos, industriales o comerciales.
- Los aparatos desmontados o manipulados por personas ajenas a los servicios técnicos expresamente autorizados.
- Las instalaciones, transporte, sustitución de aparatos, puestas en marcha, cambio de sentido de puertas.
- Intervenciones de mantenimiento o de información sobre el uso de los aparatos.
- Cambio de inyectores en aparatos de gas.
- Las averías provocadas por falta de mantenimiento o limpieza o aquellas provocadas por un uso indebido, sobrecarga, abandono o de manera no conforme a las instrucciones de uso o de instalación de los aparatos.
- Las averías producidas por causas fortuitas, siniestros de fuerza mayor o derivados de instalación incorrecta y en general, averías por causas ajenas al propio aparato.
- Las averías provocadas por conexiones que puedan presentar fluctuaciones, irregularidades o falta de uniformidad en el suministro, por ejemplo: suministro de agua impulsado por grupos de presión, energía solar, energía eólica, generadores eléctricos, u otro tipo de suministro no normalizado.
- La sustitución de materiales rotos o deteriorados por desgaste o uso normal del aparato tales como juntas, plásticos, gomas, correas, cristales, escobillas, bombillas, asas, tiradores, tapas de quemadores, filtros, rejillas, ánodos de sacrificio (magnesio o similares) de calentadores o calderas, etc.
- Los aparatos que presenten oxidación, o daños por corrosión en esmaltes o pinturas, que puedan ser provocados por efectos químicos o electroquímicos del agua o cualquier otra sustancia, o aceleradas por circunstancias ambientales o climáticas no propicias.
- Defectos estéticos en serigrafía o pintura.
- Los daños de transporte o manipulación, golpes, etc.
- Los aparatos deben instalarse de forma accesible para su reparación, debiendo asumir el usuario los costes necesarios para el acceso al aparato para su reparación y sustitución.

La presente garantía no afecta a los derechos de que dispone el consumidor conforme a lo previsto en el Real Decreto 1/2007, de 16 de noviembre, por el que se aprueba el texto refundido de la Ley General para la Defensa de los Consumidores y Usuarios y otras leyes complementarias, y la Ley 3/2014 que la modifica.

El Servicio Oficial de Asistencia Técnica resolverá cualquier incidencia que pudiera precisar su electrodoméstico siempre que el aparato esté instalado de forma accesible.

Para asegurarse que su electrodoméstico va a ser intervenido por un técnico oficial autorizado, rogamos solicite el carnet avalado por ANFEL (Asociación Nacional de Fabricantes de Electrodomésticos) a nuestros técnicos.

Las marcas BEKO, ALTUS, ARDEM, BLOMBERG, NORTLINE y GRUNDIG se distribuyen por Beko Electronics España S.L.

DATOS APARATO (a rellenar por el Distribuidor):

Titular:		Sello Establecimiento:
Modelo:	Núm. serie:	
Establecimiento:	Fecha de compra:	

El garante e importador de su electrodoméstico es: BEKO ELECTRONICS ESPAÑA S.L. Calle Provenza nº 388 3º Barcelona 08025, España. El producto ha sido fabricado por ARÇELIK A.S (Arçelik A.S.Sütluce Karaağaç Cad. No:2-6 34445 Beyoglu, Istanbul, Turkey).

Conózcenos mejor en nuestra página: www.beko.es. Conserve este documento, es importante para usted.



**Contacte a assistência técnica:
00351 225191300/
00351 225191309**

CONDIÇÕES DE GARANTIA - PORTUGAL

Este certificado cobre a garantia de reparação do seu eletrodoméstico por dois anos a contar da data de compra, contra defeitos de funcionamento provenientes do fabrico ou dos materiais; ou de substituição do dispositivo, a menos que uma dessas opções seja impossível ou desproporcionada em relação à outra. Quando detetar um defeito ou anomalia no aparelho entre imediatamente em contacto connosco, existe um prazo limite de dois meses para nos informar sobre a falta de conformidade. O valor da deslocação está incluído na reparação, com exceção de pequenos aparelhos que podem ser transportados para a oficina do serviço oficial da marca. Em caso de substituição, o período de garantia fica suspenso e o aparelho irá manter o prazo de validade do aparelho substituído e no mínimo 6 meses de garantia.

Esta garantia só será válida se a fatura, recibo de venda ou a entrega do produto em questão for posterior à data da fatura. Esta garantia é válida em território espanhol e português para aparelhos distribuído pela Beko Electronics Espanha S.L. A garantia só é válida para o primeiro comprador ou adquirente do produto. A garantia é válida para dispositivos adaptados às condições climáticas e ambientais em que se situam.

EXCLUSÕES DA GARANTIA

O custo da reparação será pago pelo utilizador nos seguintes casos:

- Aparelhos utilizados para uso profissional ou não exclusivamente doméstico, em estabelecimentos comerciais, industriais ou públicos.
- O equipamento desmontado ou adulterado por alguém que não seja expressamente autorizado pelos serviços técnicos.
- A instalação, transporte, substituição de equipamento, colocação em funcionamento, alteração do sentido das portas.
- Intervenções de manutenção ou informações sobre a utilização dos aparelhos.
- Alteração de injetores em aparelhos a gás.
- As avarias causadas pela falta de manutenção ou limpeza, ou aquelas causadas por um uso inadequado, sobrecarga, abandono ou de forma a não respeitar as instruções de uso ou instalação dos aparelhos.
- As avarias provocadas por causas acidentais, sinistros de força maior ou resultantes de instalação inadequada e em geral, avarias por razões não relacionadas com o produto.
- As avarias causadas por ligações que podem apresentar flutuações, irregularidades ou falta de uniformidade no fornecimento, por exemplo: abastecimento de água, impulsionado por pressão, energia solar, energia eólica, geradores de energia elétrica ou outro tipo de fornecimento não-padrão.
- Os materiais quebrados ou danificados por desgaste ou uso normal do aparelho tais como juntas, plásticos, borracha, correias, vidros, pincéis, lâmpadas, asas, puxadores, tampas de queimadores, filtros, grades, etc.
- Os aparelhos que apresentem oxidação, ou danos por corrosão em esmaltes ou tintas, que possam ter sido causados por efeitos químicos ou eletroquímicos da água ou de qualquer outra substância, ou aceleradas por circunstâncias ambientais ou climáticas não propícias.
- Defeitos estéticos em serigrafia ou pintura.
- Os danos causados por transporte ou manuseio, colisões, etc.
- Os aparelhos devem ser instalados de forma acessível em caso de reparação e o utilizador deve assumir os custos necessários para aceder ao aparelho para reparação e substituição.

As marcas BEKO, ALTUS, ARDEM, BLOMBERG, NORTLINE e GRUNDIG são distribuídas por Beko Electronics Espanha S.L.

DADOS DO APARELHO (a ser preenchido pelo Distribuidor):

Detentor:		Carimbo do estabelecimento:
Modelo:	N.º série:	
Estabelecimento:	Data de compra:	

O fiador e o importador do seu eletrodoméstico é: BEKO ELECTRONICS ESPAÑA S.L. Calle Provenza nº 388 3º Barcelona 08025, Espana. O produto foi fabricado por ARÇELIK A.S (Arçelik A.S.Sütluce Karaağaç Cad. No:2-6 34445 Beyoglu, Istanbul, Turquia).

Conheça-nos melhor na nossa página: www.beko.es. Conserve este documento, é importante para si.



CERTIFICAT DE GARANȚIE

Tensiune de alimentare/frecvență: 220-240V~, 50-60Hz

Importator: Beko Romania SA, Găești, str. 13 Decembrie nr. 210, jud. Dâmbovița, email: office.ro@beko.com

TIP: Aparat frigorific pentru uz casnic

Model / Serie:.....

VÂNZĂTOR

Nr. factură:.....Data:

Vânzător (firma, localitatea):

CUMPĂRĂTOR

NumeLocalitatea

Str.Nr.BlocSc.Et.Ap.

Județ TelefonE-mail

S-a efectuat proba de funcționare a aparatului, s-a prezentat modul de folosire, s-au predat instrucțiunile de utilizare și toate accesoriile. Am primit aparatul în perfectă stare de funcționare.

Stimați clienți,

La cumpărare vă recomandăm să solicitați efectuarea probei de funcționare și să verificați existența instrucțiunilor de utilizare și a accesoriilor.

Pentru a putea beneficia de toate avantajele produselor și serviciilor noastre vă rugăm:

- să citiți cu atenție și să respectați recomandările prezentate în "Instrucțiunile de utilizare".

- să păstrați cu grijă acest certificat pentru a-l putea prezenta (împreună cu documentul fiscal de achiziție), personalului Service, la orice sesizare efectuată în perioada de garanție.

Vă mulțumim că ați optat pentru cumpărarea unui produs Beko!

Garanția legală de conformitate

Durata medie de utilizare a produsului este de 10 ani!

Perioada de garanție legală de conformitate este de 2 ani de la livrarea produsului*,

*prin „produs” se înțelege „bun” conform OUG nr. 140/2021¹

Perioada de garanție legală de conformitate pentru conținutul digital sau serviciul digital în cazul bunurilor cu elemente digitale pentru care contractul de vânzare-cumpărare prevede furnizarea continuă de conținut digital sau a serviciului digital pe durată determinată este de:

a) 2 ani de la livrare, respectiv de la livrarea bunului – pentru produse cu durata medie de utilizare de 5 ani (art. 9 (3) din OUG nr. 140/2021);

b) 5 ani de la livrare, respectiv de la livrarea bunului – pentru produse cu durata medie de utilizare mai mare de 5 ani (art. 9 (3) din OUG nr. 140/2021);

c) Pe tot parcursul perioadei de furnizare a conținutului / serviciului digital – pentru furnizare continuă a conținutului / serviciului digital pe o perioadă mai mare de 5 ani (art. 9 (4) din OUG nr. 140/2021).

¹Ordonanță de urgență 140/2021 privind anumite aspecte referitoare la contractele de vânzare de bunuri





Remedii incluse în garanția legală de conformitate conform OUG nr. 140/2021

(vă rugăm să aveți în vedere prevederile de mai jos)

Beko Romania S.A. garantează toate drepturile legale prevăzute de OUG nr. 140/2021 în beneficiul consumatorilor cu privire la garanția legală de conformitate. Dispozițiile prezentului certificat de garanție legală de conformitate se completează, în mod corespunzător, cu dispozițiile OUG nr. 140/2021.

În caz de neconformitate, consumatorul are dreptul de a beneficia de aducerea în conformitate a bunurilor, de a beneficia de o reducere proporțională a prețului sau de a obține încetarea contractului, în condițiile legii - art. 11 (1).

Consumatorii beneficiază de înlocuirea bunurilor în cazul în care neconformitatea acestora este constatată la scurt timp după livrare, fără a depăși 30 de zile calendaristice. Art.11(7)

Pentru ca bunurile să fie aduse în conformitate, consumatorul poate opta între reparație și înlocuire, cu excepția cazului în care măsura corectivă aleasă ar fi imposibilă sau, în comparație cu cealaltă măsură corectivă disponibilă, ar impune vânzătorului costuri care ar fi disproportionale, luând în considerare toate circumstanțele (ex. valoarea bunurilor în cazul în care nu ar fi existat neconformitatea, gravitatea neconformității sau dacă măsura corectivă alternativă ar putea fi executată fără vreun inconvenient semnificativ pentru consumator) - art. 11 (2).

Instalarea incorectă a bunurilor (art. 7).

Orice neconformitate cauzată de instalarea incorectă a bunurilor este considerată ca reprezentând o neconformitate a bunurilor, în oricare din următoarele situații:

- a) instalarea face parte din contractul de vânzare și a fost realizată de vânzător sau sub răspunderea vânzătorului;
- b) instalarea, destinată să fie realizată de consumator, a fost realizată de acesta și instalarea incorectă s-a datorat unor deficiențe în instrucțiunile de instalare furnizate de vânzător sau, în cazul bunurilor cu elemente digitale, de către vânzătorul sau furnizorul conținutului digital sau al serviciului digital.

Proba neconformității.

Orice neconformitate care este constatată în termen de un an de la data la care bunurile (inclusiv cele cu elemente digitale) au fost livrate este prezumată a fi existat deja în momentul livrării bunurilor până la proba contrarie sau cu excepția cazului în care această prezumție este incompatibilă cu natura bunurilor sau cu natura neconformității - art. 10 (1).

În cazul bunurilor cu elemente digitale pentru care contractul de vânzare prevede furnizarea continuă de conținut digital sau de servicii digitale pentru o anumită perioadă, sarcina probei cu privire la conformitatea conținutului digital sau a serviciului digital pe parcursul perioadelor de garanție legală îi revine vânzătorului în cazul unei neconformități care este constatată pe parcursul acestei perioade - art. 10 (3).

Remediere prin reparație.

În cazul în care neconformitatea este remediată prin reparație, termenele de garanție legală se prelungesc cu timpul de nefuncționare a bunului, din momentul la care a fost adusă la cunoștința vânzătorului lipsa de conformitate până la predarea efectivă a bunului în stare de utilizare normală către consumator - art. 12 (6).

Remediere prin înlocuire.

În cazul în care neconformitatea este remediată prin înlocuire, pentru bunurile care înlocuiesc bunurile neconforme, termenele legale de garanție pentru produsul înlocuit încep să curgă de la data înlocuirii cu noul produs - art. 12 (7).

Reducerea prețului și încetarea contractului.

Consumatorul are dreptul fie să obțină o reducere proporțională a prețului în conformitate cu legea, fie să obțină încetarea contractului de vânzare în condițiile legii, în oricare dintre următoarele cazuri - art. 11(4):

- a) vânzătorul nu a finalizat reparația sau înlocuirea sau, după caz, nu a finalizat reparația sau înlocuirea potrivit prevederilor legii sau vânzătorul a refuzat să aducă în conformitate bunurile potrivit prevederilor legii;
- b) se constată o neconformitate, în pofida eforturilor vânzătorului de a o remedia;
- c) neconformitatea este de o asemenea gravitate încât justifică o reducere de preț sau dreptul la încetarea imediată a contractului de vânzare;
- d) vânzătorul a declarat că nu va aduce bunurile în conformitate într-un termen rezonabil sau fără inconveniente semnificative pentru consumator ori acest lucru reiese clar din circumstanțele cazului.

Consumatorul are dreptul de a suspenda plata unei părți restante din prețul bunurilor sau a unei părți a acesteia până în momentul în care vânzătorul își va fi îndeplinit obligațiile care îi revin în temeiul legii - art. 11(6). Reducerea de preț este proporțională cu diminuarea valorii bunurilor primite de consumator în comparație cu valoarea pe care bunurile ar avea-o dacă ar fi în conformitate - art.13.

Încetarea contractului:

- a) nu poate fi solicitată dacă vânzătorul dovedește că neconformitatea este minoră;
- b) poate fi solicitată pentru totalitatea bunurilor achiziționate și livrate, deși motivul de încetare vizează doar anumite bunuri, în cazul în care consumatorul nu i se poate pretinde în mod rezonabil să accepte să păstreze numai bunurile conforme;
- c) determină obligația consumatorului de a returna vânzătorului bunurile, pe cheltuiala vânzătorului;
- d) determină obligația vânzătorului de a rambursa consumatorului prețul plătit pentru bunuri la primirea bunurilor sau a unei dovezi prezentate de consumator că bunurile au fost returnate; vânzătorul va folosi aceleași modalități de plată ca și cele folosite de consumator pentru tranzacția inițială, cu excepția cazului în care consumatorul a fost de acord cu o altă modalitate de plată și cu condiția de a nu cădea în sarcina consumatorului plata de comisioane în urma rambursării.

Garanția legală pentru viciu ascuns este aplicabilă în condițiile legii, conform OG nr. 21/1992 (revizia 2) privind protecția consumatorului, OUG nr. 140/2021 și Codului Civil. Viciul ascuns reprezintă deficiența calitativă a unui produs livrat sau a unui serviciu prestat care nu a fost cunoscută și nici nu putea fi cunoscută de către consumator prin mijloacele obișnuite de verificare.



Service-ul acestui produs este asigurat de Beko Romania SA, cu sediul în Găești, Str. 13 Decembrie nr. 210, jud. Dâmbovița, • *9010 • www.beko.ro • e-mail: service.ro@beko.com • Program Call Center: L-V: 08:30-20:00; S: 08:30-17:00

UNITĂȚILE SERVICE ALE BEKO ROMÂNIA S.A. EXECUTĂ REPARAȚII ÎN TERMENUL DE GARANȚIE ȘI ÎN AFARA ACESTUIA

Nr. crt.	Data Reclamației	Data primirii în reparație	Reparat			Prelungirea termenului de garanție	Efectuarea verificării	
			Programat	Data ridicării aparatului	Cauza întârzierii		SERVICE	CLIENT

CONDITII SUPPLEMENTARE DE GARANTIE LEGALĂ DE CONFORMITATE:

Pentru orice defecțiune aparută în perioada de garanție legală, apelați la vânzător (respectiv, prin magazinul de unde a fost achiziționat produsul sau direct prin Call Center. Prelungirea termenului de garanție se va înscrice în certificatul de garanție de către unitatea SERVICE care a efectuat reparația. Garanția acoperă repararea și/sau înlocuirea pieselor constatate ca neconforme în sensul OUG nr. 140/2021 (necauzate de consumator) de către tehnicienii Service.

Termenul de realizare a operațiilor de reparație, înlocuire sau întreținere este de 15 zile calendaristice de la data la care cumpărătorul a sesizat lipsa de conformitate către vânzător (respectiv, prin magazinul de unde a achiziționat produsul sau direct prin Call Center).

Reparațiile / înlocuirile se efectuează cu respectarea următoarelor condiții - art. 12(1)-(5) din OUG nr. 140/2021:

- a) fără costuri și fără vreun inconvenient semnificativ pentru consumator, ținând seama de natura bunurilor și de scopul pentru care consumatorul a solicitat bunurile în cauză;
- b) consumatorul pune bunurile la dispoziția vânzătorului, iar vânzătorul preia bunurile înlocuite pe propria cheltuială;
- c) obligația de a repara sau înlocui bunurile include, după caz, demontarea bunurilor neconforme și instalarea bunurilor de înlocuire sau a bunurilor reparate sau suportarea costurilor aferente demontării și instalării;
- d) consumatorul nu este obligat să plătească pentru utilizarea normală a bunurilor înlocuite în perioada care a precedat înlocuirea acestora.

Reclamațiile referitoare la aspectele prevăzute mai jos, se rezolvă numai contra cost:

- piesele și accesoriile care prezintă lovituri, zgârieturi, spărături sau deformări din vina exclusivă a consumatorului.

PRODUSUL NU BENEFICIAZĂ DE GARANȚIE LEGALĂ DE CONFORMITATE ÎN URMĂTOARELE CAZURI:

1. Nu au fost respectate instrucțiunile de transport, manipulare, instalare și întreținere prescise.
2. Subansamblurile și accesoriile casabile care se deteriorează în timpul transportului vor fi înlocuite de vânzător (în cazul în care transportul e asigurat de vânzător sau sub responsabilitatea acestuia).
3. Garanția nu se acordă subsansamblelor și accesoriilor casabile ale produselor care suferă deteriorări din vina exclusivă a consumatorului.
4. Tensiunea de alimentare are valori care nu se încadrează în limitele prevăzute de standarde de referință.
5. Instalația electrică a utilizatorului prezintă improvizații sau neconformități.
6. Produsul a fost folosit în alte scopuri decât cel pentru care a fost proiectat.
7. Produsul a suportat intervenții (reparații, modificări) din partea unor persoane neautorizate de producător.

Deputările consumatorului sunt cele prevăzute în OUG nr. 140/2021 și OG 21/1992 (republicată).

În cadrul acestui proces, Beko România S.A. vă prelucrează date cu caracter personal, cu respectarea legilor aplicabile privind confidențialitatea și protecția datelor. Pentru informații complete despre modul în care vă prelucreăm datele, precum și despre drepturile dumneavoastră, vă rugăm să consultați secțiunea "Protecția datelor personale", accesând site-ul nostru la adresa <https://www.beko.ro/>.



BEKO S.A, ul. Puławska 366, 02-819 Warszawa
www.beko.pl e-mail: serwis@beko.com.pl, fax 22 321 0 691

INFOLINIA 222 50 14 14



Podpis i pieczęć instalatora (z numerem uprawnienia) w przypadku montażu urządzeń gazowych lub płyt i piekarników elektrycznych

Aby otrzyma więcej informacji dotyczących serwisu np. gdzie kupić czy ci zamiennie lub akcesoria należy odwiedzić strony internetowe www.beko.pl i wybrać zakładkę serwis.

Prosz zarejestrować swoje urządzenie na www.beko.pl, a otrzymasz dodatkowe korzyści (szczegóły na stronie internetowej)

WARUNKI GWARANCJI BEKO S.A.

BEKO spółka akcyjna z siedzibą w Warszawie (02-819), przy ulicy Puławskiej 366, wpisana do rejestru przedsiębiorców prowadzonego przez Sąd Rejonowy dla m.st. Warszawy w Warszawie, XIII Wydział Gospodarczy Krajowego Rejestru Sądowego, pod numerem: 0000078147 (dalej: „**BEKO**”) udziela gwarancji jakości (dalej: **Gwarancja**) na wprowadzone przez BEKO do obrotu na terenie Polski produkty marki BEKO (dalej: **Urządzenia**”) osobom, które nabyły te produkty („**Użytkownik**”) na następujących warunkach:

I. ZAKRES OCHRONY.

1. BEKO gwarantuje, że Urządzenie zakupione przez Użytkownika jest wolne od wad produkcyjnych lub materiałowych, powstałych z przyczyn tkwiących w tym Urządzeniu (dalej: „**Wada**”), które ujawnią się w ciągu terminu określonego w części II. niniejszych Warunków Gwarancji (dalej: „**Okres Gwarancyjny**”).
2. W razie ujawnienia się Wady Produktu w trakcie Okresu Gwarancyjnego, zostanie ona usunięta na koszt BEKO w sposób uzależniony od właściwości wady, na zasadach i w zakresie określonym w niniejszych Warunkach Gwarancji.
3. BEKO zobowiązuje się do usunięcia Wady poprzez dokonanie nieodpłatnej naprawy lub wymiany Urządzenia, bądź też reklamacja zgłoszona na podstawie niniejszych Warunków Gwarancji zostanie rozpoznana w inny sposób uzgodniony przez BEKO i Użytkownika.
4. Udzielona gwarancja jest ważna na terytorium **Rzeczypospolitej Polskiej**.

II. CZAS TRWANIA GWARANCJI.

1. Okres Gwarancyjny wynosi **24 miesiące** licząc od daty zakupu Urządzenia przez pierwszego Użytkownika, z zastrzeżeniem wynikającym z punktu 2 poniżej.
2. Udzielona gwarancja nie obejmuje Urządzeń zakupionych później niż 36 miesięcy licząc od daty produkcji Urządzenia zgodnie z numerem seryjnym znajdującym się na tabliczce znamionowej Urządzenia.

III. PROCEDURA ZGŁOSZENIA REKLAMACYJNEGO.

1. Wady Urządzenia ujawnione w Okresie Gwarancyjnym będą usuwane pod warunkiem przedstawienia przez Użytkownika dowodu zakupu tego Urządzenia zawierającego oznaczenia niezbędne do jego identyfikacji (model, datę zakupu).
2. W przypadku zgłoszenia wad Urządzeń, które wymagają fachowej instalacji do sieci elektrycznej lub gazowej (t.j.: kuchnie, płyty grzewcze i piekarniki elektryczne), realizacja uprawnień z Gwarancji uzależniona jest od przedstawienia przez Użytkownika dowodu, na którym widnieją dane instalatora oraz jego numer uprawnień elektrycznych lub gazowych.
3. Uprawnienia wynikające z niniejszych Warunków Gwarancji mogą być zrealizowane przez Użytkownika wyłącznie w Autoryzowanych Punktach Serwisowych BEKO (dalej: „Serwis”) po uprzednim dokonaniu zgłoszenia na Infolinii BEKO pod numerem telefonu: 222 50 14 14. Lista wszystkich lokalizacji Serwisu dostępna jest na stronie internetowej BEKO www.beko.pl
4. Urządzenie do zabudowy meblowej powinno być udostępnione do naprawy przez Użytkownika lub Sprzedawcę w sposób umożliwiający przystąpienie do jego naprawy przez pracowników Serwisu Beko.
5. Wady Urządzenia będą usunięte w terminie 21 dni od daty zgłoszenia Wady na Infolinii BEKO.
6. Jeżeli część zamienna wymieniana w ramach uprawnień wynikających z niniejszych Warunków Gwarancji Urządzenia jest sprowadzana z zagranicy, termin naprawy, o którym mowa w punkcie 5 powyżej, może ulec wydłużeniu jednak, nie więcej niż do 30 dni licząc odpowiednio od daty zgłoszenia Wady na Infolinii BEKO. BEKO zastrzega, że w wyjątkowych przypadkach, gdy Wada nie wpływa na funkcjonowanie Urządzenia, dopuszczalne jest przekroczenie terminu 30 dni opisanego w zdaniu poprzedzającym, jednak nie więcej niż o 30 kolejnych dni. O każdorazowym przekroczeniu terminu usunięcia Wady ponad terminy określone w punkcie 5 powyżej, Użytkownik zostanie poinformowany przez BEKO.
7. Po usunięciu Wady, Urządzenie zostanie dostarczone Użytkownikowi na koszt BEKO.

IV. WYŁ CZENIA.

1. Warunkiem skorzystania z niniejszych Warunków Gwarancji jest:
 - a. użytkowanie Urządzenia zgodnie z Instrukcją Obsługi dołączoną do tego Urządzenia i jego przeznaczeniem, jak również odpowiednia konserwacja Urządzenia;
 - b. użytkowanie w warunkach indywidualnego gospodarstwa domowego.
 - c. stosowanie osprzętu zalecanego przez producenta;
 - d. brak ingerencji w Urządzenie przez osoby do tego nieupoważnione;
 - e. brak ingerencji w tabliczkę znamionową z numerem seryjnym Urządzenia.
2. Udzielona przez Beko Gwarancja nie obejmuje:
 - a. wad powstałych z przyczyn innych niż tkwiące w Urządzeniu;
 - b. czynności przewidzianych w Instrukcji Obsługi, do wykonania których zobowiązany jest Użytkownik Urządzenia we własnym zakresie i na swój koszt, w tym: instruktażu dotyczącego obsługi Urządzenia, instalacji oraz regulacji urządzenia gazowego (w tym ustawienia płomienia oszczędnościowego palników, wymiana dysz itp.);
 - c. usterek powstałych w wyniku nieprawidłowego lub niewłaściwego użytkowania, niedbalstwa, przypadkowego uszkodzenia Urządzenia, nieodpowiedniego napięcia prądu lub dokonania jakichkolwiek zmian, które mają wpływ na niewłaściwe działanie Urządzenia, i które naprawiane były przez osoby nieupoważnione, używania instalacji niezgodnych z odpowiednimi Polskimi Normami i innych niż wymienione w Instrukcji Obsługi Urządzenia;
 - d. uszkodzeń mechanicznych, termicznych, chemicznych, korozji, innych uszkodzeń spowodowanych działaniem lub zaniedbaniem Użytkownika lub powstałych na skutek działania sił zewnętrznych (do których zalicza się w szczególności wyładowania atmosferyczne, skoki napięcia, wszystkiego rodzaju awarie domowej instalacji wodno-kanalizacyjnej, itp.), a także powstałych na skutek przedostania się zanieczyszczeń lub ciał obcych do Urządzenia.
 - e. elementów ze szkła oraz plastiku;
 - f. odbarwień Urządzenia lub poszczególnych jego części;
 - g. usterek powstałych w wyniku niewłaściwego montażu Urządzenia w zabudowie meblowej, niezgodnego z Instrukcją Obsługi Urządzenia lub innymi wytycznymi dotyczącymi montażu sprzętu w zabudowie meblowej określonymi przez Producenta;
 - h. usterek powstałych na skutek przechowywania i użytkowania Urządzenia w warunkach, które są niezgodne z normalnymi warunkami domowymi określonymi wymaganiami powszechnie obowiązujących przepisów prawa i odpowiednich Polskich Norm.

V. POZOSTAŁE POSTANOWIENIA.

Niniejsze warunki gwarancji mają zastosowanie do Urządzeń zakupionych od dnia 25.12.2014 r. **Gwarant o wiadcza, e niniejsza Gwarancja jest udzielana U ytkownikowi dodatkowo i nie wył cza, nie ogranicza ani nie zawiesza uprawnie• U ytkownika wynikaj• cych z przepisów o r• kojmi za wady rzeczy sprzedanej na podstawie Kodeksu cywilnego.**



CERTIFICATO DI GARANZIA

La presente garanzia commerciale si intende aggiuntiva e non sostitutiva di ogni altro diritto di cui gode il consumatore, intendendo per consumatore esclusivamente colui che utilizza il bene per scopi estranei all'attività imprenditoriale o professionale eventualmente svolta e pertanto per uso domestico/privato, e in particolare non pregiudica in alcun modo i diritti del consumatore stabiliti dal Dlgs 206/05. BEKO Italy S.r.l. in conformità alla facoltà prevista dalla legge, offre al consumatore una garanzia commerciale aggiuntiva, nei termini e nei modi di seguito indicati.

Questo certificato non deve essere spedito per la convalida. È valido e operante solo se conservato assieme alla ricevuta fiscale o altro documento reso fiscalmente obbligatorio.

Condizioni di Garanzia

1. BEKO Italy S.r.l. garantisce l'apparecchio per un periodo di 2 anni dalla data di acquisto (12 mesi se acquistato con fattura di vendita e non con scontrino fiscale).
2. La garanzia è valida esclusivamente sul territorio italiano compresa la Repubblica di San Marino e la città del Vaticano e deve essere comprovata da scontrino fiscale o fattura, che riporti il nominativo del Rivenditore, la data di acquisto dell'apparecchio nonché gli estremi identificativi dello stesso (tipo, modello).
3. Per garanzia s'intende la sostituzione o riparazione gratuita delle parti componenti l'apparecchio che sono risultate difettose all'origine, per vizi di fabbricazione.
4. L'utente decade dai dritti di garanzia se non denuncia il difetto di conformità entro 2 mesi dalla scoperta dello stesso.
5. Uscita del tecnico: gratuita per i primi 6 mesi di garanzia, a pagamento per gli altri 18 mesi nel caso l'utente non sia in grado di provare che il difetto sia dovuto a vizio di conformità del prodotto.
6. Manodopera e ricambi gratuiti per i 24 mesi del periodo di garanzia.
7. L'intervento di riparazione viene effettuato a domicilio dell'utente, fatto salvo i casi di impossibilità oggettiva o di forza maggiore.
8. La riparazione o sostituzione dei componenti dell'apparecchio stesso, non estendono la durata della garanzia.
9. Manopole, lampade, parti in vetro e in plastica, tubazioni e accessori così come tutte le parti asportate e tutte le parti estetiche, non sono coperte da garanzia.
10. Tutti i materiali soggetti ad usura (guarnizioni in gomma, cinghie, manicotti ecc.) non sono coperti da garanzia a meno che venga dimostrata la difettosità risalente a vizio di fabbricazione delle stesse.
11. La BEKO Italy S.r.l. declina ogni responsabilità per eventuali danni che possano derivare, direttamente od indirettamente, a persone e cose come conseguenza del mancato rispetto delle istruzioni tutte, incluse nell'apposito Manuale per l'uso dell'apparecchio allegato a ciascuno apparecchio, da parte dell'utente ed in particolare modo per quanto concerne le avvertenze relative alla installazione, all'uso ed alla manutenzione dell'apparecchio stesso.
12. La garanzia non diventa operante e l'assistenza sarà effettuata totalmente a pagamento nei seguenti casi:
 - a. Danni dovuti al trasporto o alla movimentazione delle merci.
 - b. Interventi di installazione e montaggio, così come l'errata connessione o errata erogazione dalle reti di alimentazione, mancanza di allacciamento alla presa di terra, e tutte le eventuali regolazioni come la registrazione delle porte nei frigoriferi e/o l'inversione dell'apertura, livellamento prodotti, eliminazione staffe fissaggio vasca, la sostituzione degli ugelli e la regolazione del minimo su cucine e piani cottura.
 - c. Installazione errata, imperfetta o incompleta, per incapacità d'uso da parte dell'Utente o dell'installatore, se mancano gli spazi necessari ad operare attorno ai prodotti, per eccessiva o scarsa temperatura dell'ambiente.
 - d. Interventi nei quali non è stato riscontrato il difetto lamentato, o per generici problemi di funzionamento causati da errata impressione del cliente (problemi di asciugatura, rumorosità, difetti di lavaggio, eccessiva formazione di schiuma, di centrifuga, di raffreddamento, di riscaldamento, ecc.).
 - e. Interventi su prodotti installati ad oltre mt. 2,50 da un piano di lavoro stabile, o in posizioni disagiate e pericolose (tetti ecc.) che non possano quindi garantire l'incolumità dell'operatore come stabilito dalla legge 626-94 relativa alla sicurezza sul lavoro.
 - f. Danni causati da agenti atmosferici (fulmini, terremoti, incendi, alluvioni, ecc.).
 - g. Se il numero di matricola risulta asportato, cancellato o manomesso.
 - h. Riparazioni, modifiche o manomissioni effettuate da persone non autorizzate dal produttore o comunque per cause non dipendenti dal prodotto. Per guasti dovuti a mancanza di regolare manutenzione (pulizia batterie condensanti, fori di drenaggio acqua di condensa, filtri scarico ed entrata acqua, eliminazione corpi estranei ecc.).
 - i. Mancanza dei documenti fiscali o se gli stessi risultano contraffatti o non inerenti al prodotto.
 - j. L'uso improprio dell'apparecchio, non di tipo domestico o diverso da quanto stabilito dal produttore, fa decadere il diritto alla Garanzia.
 - k. Per tutte le circostanze esterne che non siano riconducibili a difetti di fabbricazione dell'elettrodomestico.
 - l. Si intendono a pagamento anche tutti gli eventuali trasporti necessari per lo svolgimento degli interventi legati ai casi citati.

Il Servizio Assistenza di BEKO Italy S.r.l. è l'unico autorizzato a riparare i prodotti a marchio BEKO.

Durante e dopo il periodo di garanzia, vi consigliamo di rivolgervi sempre ai nostri centri di assistenza autorizzati. Per contattare il Centro di Assistenza Tecnica Autorizzato operante nella sua zona chiamare il numero unico per l'Italia:

02.03.03

Prima di contattare l'assistenza tecnica, al fine di agevolare la gestione della chiamata, è necessario avere a portata di mano il modello del prodotto e il documento fiscale di acquisto.

R5/31032016/2960480007

5744681900-AB

GARANTIEURKUNDE Österreich

Für unsere Geräte übernehmen wir die Garantie zu den nachfolgend angeführten Bedingungen:

1. **beko** gewährt eine Garantie von 24 Monaten, gerechnet vom Tag der Lieferung an den Endverbraucher. Der Kaufbeleg dient als Nachweis. Diese Garantiezusage gilt nur gegenüber Endabnehmern, die Erstkäufer des Produktes vom Händler sind.
2. Durch diese Garantie ist die gesetzliche Gewährleistungspflicht nicht eingeschränkt.
3. Innerhalb der Garantiezeit werden Mängel am Gerät, die nachweislich auf Material- oder Fertigungsfehler zurückzuführen sind, nach Überprüfung der Verhältnismängel behoben. Die Entscheidung welcher Art der Nachbesserung erfolgt, liegt ausschließlich bei **beko**. Die Garantie deckt die für die Beseitigung des Mangels anfallenden Kosten für Arbeitszeit und Material.
4. Im Fall von unsachgemäßer Handhabung und / oder Missachtung der Auf- und Einbauvorschriften, bei Transportschäden, Bruchschäden und Sprüngen speziell an Teilen aus Glas oder Kunststoff, sowie für Verbrauchs- und Verschleißteile, wie z.B. Filter, Lampen, Riemen, Kohlebürsten etc., sowie Schäden, die durch abnorme Bedingungen in der Strom- und Wasserzufuhr oder durch höhere Gewalt verursacht werden, kann keine Garantieleistung erfolgen. Schäden außerhalb des Gerätes, sowie Schäden durch Eingriffe bzw. Reparaturen von Personen, die nicht durch **beko** ermächtigt wurden, sind von der Garantieleistung ausgeschlossen.
5. Garantiepflichtige Mängel sind unverzüglich dem **beko** -Kundendienst unter Vorlage des Kaufbelegs zu melden.
6. Durch Garantieleistungen wird die Garantiefrist des Gerätes nicht verlängert. Bitte überprüfen Sie das Gerät sofort nach Übernahme und melden Sie eventuelle Mängel innerhalb von 14 Tagen.

Wir danken Ihnen, dass Sie ein Qualitätsprodukt von **beko** erworben haben und wünschen Ihnen viel Freude!

Servicehotline: +43 126 76 002

<http://at.beko.com/>

