



Chest Freezer

Instruction of use

Horizontale Gefrieranlage

Gebrauchsanweisung

Congélateur Horizontal

Notice d'utilisation

Diepvrieskist

Gebruiksaanwijzing



HSM23049

EN-D-FR-NL



WARNING!

In order to ensure a normal operation of your refrigerating appliance, which uses a completely environmentally friendly refrigerant the R600a (flammable only under certain conditions) you must observe the following rules:

- ◆ Do not hinder the free circulation of the air around the appliance.
- ◆ Do not use mechanical devices in order to accelerate the defrosting, others than the ones recommended by the manufacturer.
- ◆ Do not destroy the refrigerating circuit.
- ◆ Do not use electric appliances inside the food keeping compartment, other than those that might have been recommended by the manufacturer.

WARNUNG!

Ihr Gerät verwendet ein umweltverträgliches Kältemittel, R600a (nur unter bestimmten Umständen brennbar). Um einen einwandfreien Betrieb Ihres Gerätes sicherzustellen, beachten Sie bitte folgende Vorschriften:

- ◆ Die Luftzirkulation um das Gerät darf nicht behindert sein.
- ◆ Verwenden Sie außer der vom Hersteller empfohlenen, keine mechanischen Hilfsmittel, um den Abtauprozess zu beschleunigen.
- ◆ Der Kältemittelkreislauf darf nicht beschädigt werden.
- ◆ Verwenden Sie im Lebensmittelaufbewahrungsbereich Ihres Gerätes keine elektrischen Geräte, es sei denn, sie sind vom Hersteller empfohlen.

ATTENTION!

Pour assurer un fonctionnement normal de votre appareil qui utilise un agent frigorigère complètement écologique, R600a (inflammable seulement dans certaines conditions) vous devez respecter les règles suivantes:

- ◆ N'empêchez pas la libre circulation de l'air autour de l'appareil.
- ◆ N'utilisez pas des dispositifs mécaniques pour accélérer le dégivrage, autres que ceux recommandés par le fabricant.
- ◆ Ne détruisez pas le circuit frigorigère.
- ◆ N'utilisez pas des appareils électriques à l'intérieur du compartiment pour conserver les denrées, apart celles qui sont éventuellement recommandés par le fabricant.

WAARSCHUWING!

U moet de volgende regels in acht nemen om de normale werking van uw koelkast, die het volledig milieuvriendelijke koelmiddel R600a gebruikt, te verzekeren:

- ◆ Hinder de vrije luchtcirculatie rond het toestel niet.
- ◆ Gebruik geen andere mechanische toestellen om het ontdooien te versnellen dan de toestellen die door de fabrikant worden aangeraden.
- ◆ Vernietig het koelcircuit niet.
- ◆ Gebruik geen andere elektrische toestellen in de bewaarlade voor etenswaren dan de toestellen die eventueel door de fabrikant worden aangeraden.

EN**Content**

Advice for recycling of the old appliance /1
 Packing Recycling /2
 Transport instructions /2
 Warnings and special advice /2
 Setting up /3
 Electric connection /3
 Switching off /4
 Appliance description /4
 Freezer operation /4
 Advice for food conservation /5
 Defrosting of the appliance /5
 Cleaning of the appliance /6
 Replacing the interior light bulb /6
 Defects finding guide /6

D**Inhalt**

Empfehlungen zum Recycling
 Ihres alten Gerätes /8
 Recycling der Verpackung /9
 Transportvorschriften /9
 Allgemeine Vorsichtsmaßnahmen
 und Empfehlungen /9
 Die Umgebungstemperatur /10
 Anschließen an das Spannungsnetz /10
 Inbetriebnahme /11
 Beschreibung des Gerätes /11
 Einstellen der Temperatur /11
 Tiefgefrieren von Lebensmitteln /12
 Empfehlungen für das Enteisen des
 Gerätes /12
 Innere Reinigung /13
 Äußere Reinigung /13
 Erneuern der inneren Glühbirne /13
 Fehlersuchplan /14

FR**Table de matieres**

Recyclage de votre ancien appareil /15
 Recyclage de l'emballage /16
 Instructions de transport /16
 Avertissements et conseils /16
 Installation /17
 Raccordement au réseau électrique /17
 Mise en fonctionnement /18
 Description de l'appareil /18
 Fonctionnement du congélateur /18
 Conseils pour conserver les denrées /18
 Dégivrage de l'appareil /19
 Nettoyage de l'appareil /20
 Remplacement de la lampe /20
 Dysfonctionnements /20
 Caractéristiques techniques /21

NL**Inhoud**

Advies voor het recycleren van het
 oude toestel /22
 Recycleren van de verpakking /23
 Transportinstructies /23
 Waarschuwingen en speciaal advies /23
 Installatie /24
 Elektrische aansluiting /24
 Uitschakelen /24
 Beschrijving van toepassing /25
 Invriezen /25
 Advies voor voedselbewaring /25
 Ontdooien van het apparaat /26
 Reinigen van het apparaat /27
 Het binnenlichtje vervangen /27
 Probleemoplossing /27

EN

This product is equipped with a lighting source of the "G" energy class. The lighting source in this product shall only be replaced by professional repairers.

FR

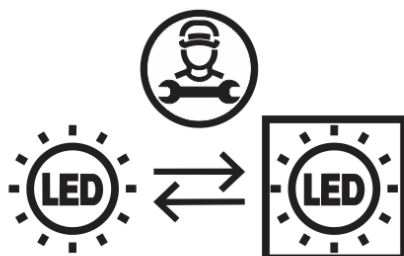
Cet appareil est doté d'une source d'éclairage de classe énergétique "G". Seuls des réparateurs qualifiés sont autorisés à procéder au remplacement de la source d'éclairage de cet appareil.

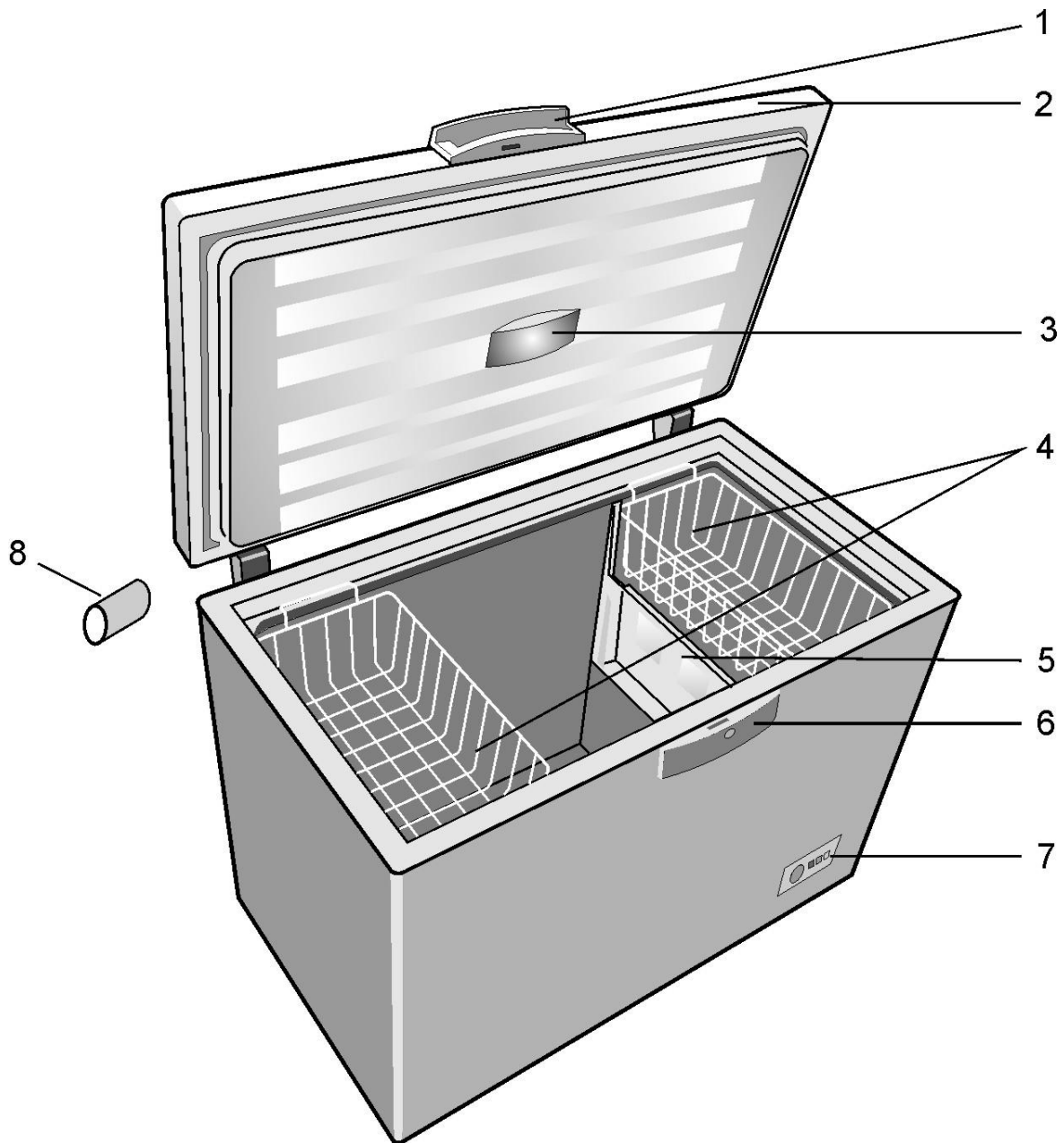
D

Dieses Produkt ist mit einer Lichtquelle der Energieklasse „G“ ausgestattet. Die Lichtquelle in diesem Produkt darf nur von professionellen Reparaturtechnikern ersetzt werden.

NL

Dit product is uitgerust met een lichtbron van de "G"-energieklasse. De lichtbron in dit product mag enkel worden vervangen door professionele reparateurs.





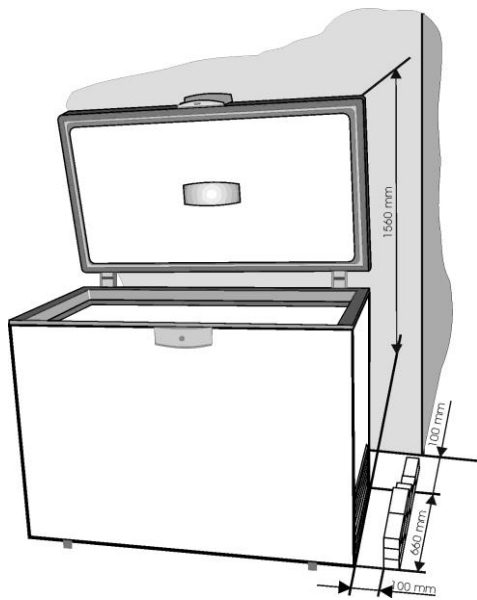
1

i Figures that take place in this instruction manual are schematic and may not correspond exactly with your product. If the subject parts are not included in the product you have purchased, then it is valid for other models.

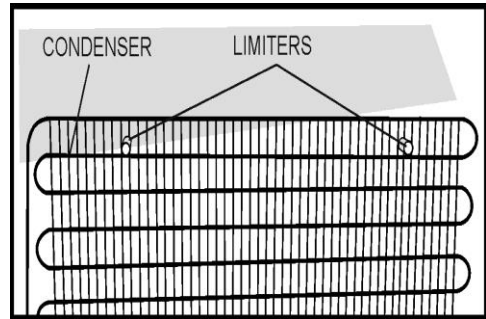
i Les illustrations présentées dans cette notice d'utilisation sont schématiques et peuvent ne pas correspondre exactement à votre produit. Si des pièces présentées ne sont pas comprises dans le produit que vous avez acheté, elles sont valables pour d'autres modèles.

i Abbildungen und Angaben in dieser Anleitung sind schematisch und können etwas von Ihrem Produkt abweichen. Falls Teile nicht zum Lieferumfang des erworbenen Gerätes zählen, gelten sie für andere Modelle.

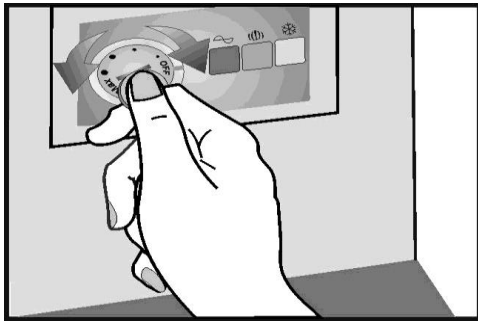
i De afbeeldingen in deze gebruiksaanwijzing zijn schematisch en hoeven niet exact met uw product overeen te komen. Wanneer onderdelen niet tot het product behoren dat u hebt gekocht, gelden deze voor andere modellen.



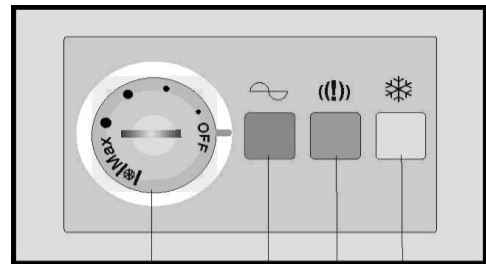
2



3



4



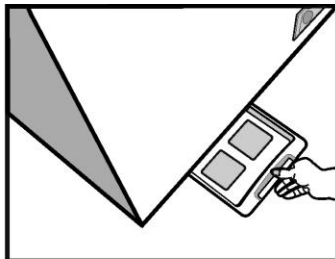
5



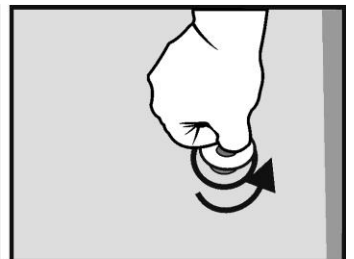
1



2



3



4

6

Congratulations for your choice!

The chest freezer you have purchased is one in the **BEKO** products range and represents a harmonious joining between the refrigeration technique with the aestetical outlook. It has a new and attractive design and is built according to the European and national standards which guarantee its operation and safety features. At the same time, the used refrigerant, R600a, is environment-friendly and it does not affect the ozone layer.

In order to use the best your freezer, we advise you to read carefully the information in these user instructions.

Advice for recycling your old appliance

If your newly purchased appliance replaces an older appliance, you must consider a few aspects.

The old appliances are not valueless scrap. Their disposal, while preserving the environment, allows the recovery of important raw materials.

Make your old appliance useless :

- disconnect the appliance from the supply;
 - remove the supply cord (cut it);
 - remove the eventual locks on the door to avoid the blocking of children inside, while playing, and the endangering of their lives.
- The refrigerating appliances contain insulating materials and refrigerants which require a proper recycling.

Original Spare parts will be provided for 10 years, following the product purchasing date.



INFORMATION



ENERG ⚡



SUPPLIER'S NAME

MODEL IDENTIFIER

(*)

A

A

The model information as stored in the product data base can be reached by entering following website and searching for your model identifier (*) found on energy label.

<https://eprel.ec.europa.eu/>

**This appliance is not intended for use by person with reduced physical, sensory or mental capabilities or lack of experience and knowledge unless they have been given supervision or instruction concerning use of the appliance by a person responsible for their safety.
Children should be supervised to ensure that they do not play with the appliance.**

Packing Recycling

WARNING!

Do not allow children to play with the packing or with parts of it. There is the risk of suffocation with parts of corrugated cardboard and with plastic film.

In order to get to you in good condition, the appliance was protected with a suitable packing. All the materials of the packing are compatible with the environment and recyclable. Please help us recycle the packing while protecting the environment !

IMPORTANT!

Before putting the appliance in operation, read carefully and entirely these instructions. They contain important information concerning the setting up, use and maintenance of the appliance.

The manufacturer is free of any responsibility if the information in this document are not observed. Keep the instructions in a safe place in order to reach them easily in case of need. They can also be useful subsequently by another user.

ATTENTION!

This appliance must be used only for its intended purpose, (household use), in suitable areas, far from rain, moisture or other weather conditions.

Transport instructions

The appliance must be transported, as much as possible, only in vertical position. The packing must be in perfect condition during transport.

If during transport the appliance was put in horizontal position (only according to the markings on the packing), it is advised that, before putting it into operation, the appliance is left to rest for 4 hours in order to allow the settling of the refrigerating circuit.

The failure to observe these instructions can cause the breakdown of the motorcompressor and the cancellation of its warranty.

Warnings and general advice

- Do not plug in the appliance if you noticed a failure.
- The repairs must be done only by qualified personnel.
- In the following situations please unplug the appliance from the mains:
 - when you defrost completely the appliance;
 - when you clean the appliance.

To unplug the appliance, pull by the plug, not by the cable!

- Ensure the minimum space between the appliance and the wall against which it is placed.
- Do not climb on the appliance.
- Do not allow the children to play or hide inside the appliance.
- Never use electric appliances inside the freezer, for defrosting.
- Do not use the appliance near heating appliances, cookers or other sources of heat and fire.
- Do not leave the freezer door open more than it is necessary to put in or take out the food.
- Do not leave the food in the appliance if it is not working.
- Do not keep inside products containing flammable or explosive gases.
- Do not keep inside fizzy drinks (juice, mineral water, champagne, etc.) in the freezer: the bottle can explode! Do not freeze drinks in plastic bottles.
- Do not eat ice cubes or icecream immediately after having taken them out of the freezer because they may cause „freezer burns”.
- Never touch cold metal parts or frozen food with wet hands because your hands can quickly freeze on the very cold surfaces.
- For the protection of the appliance during warehousing and transport, it is provided with spacers between the door and the cabinet (in the front and rear side). These spacers will be removed before putting the appliance into operation.

- Excess deposit of ice on the frame and the baskets should be removed regularly with the plastic scraper provided. Do not use any metal parts to remove the ice. The presence of this ice build-up makes impossible to close the door correctly.
- If you do not use your appliance for a few days, it is not advisable to switch it off. If you do not use it for a longer period, please proceed as follows :
 - unplug the appliance;
 - empty the freezer;
 - defrost it and clean it;
 - leave the door open to avoid the formation of unpleasant smells.
- If the supply cord is damaged, it must be replaced by the manufacturer, its service agent or similarly qualified persons in order to avoid a hazard.
- If your appliance has a lock, keep it locked and store the key in a safe place, out of the reach of children. If you are discarding an appliance with lock, make sure that, is made ineffective. This is very important so as to avoid children being trapped inside, which may cause their loss of life.

Setting up

Your product was designed to operate at an ambient temperature between -15°C and $+43^{\circ}\text{C}$.

If the ambient temperature is above $+43^{\circ}\text{C}$, inside the appliance the temperature can increase.

Set up the appliance far from any source of heat and fire. Placing it in a warm room, the direct exposure to sunbeams or near a heat source (heaters, cookers, ovens), will increase the energy consumption and shorten the product life.

- Please observe the following minimum distances:
 - 100 cm from the cookers working with coal or oil;
 - 150 cm from the electric and gas cookers.

- Ensure the free circulation of the air around the appliance, by observing the distances shown in Item 2. Assemble on the condenser (in the rear side) the supplied spacers. (Item 3).
- Place the appliance in a perfectly even, dry and well ventilated place. Assemble the supplied accessories.

Electric connection

Your appliance is intended to operate at a single-phase voltage of 220-240V/50 Hz. Before plugging in the appliance, please make sure that the parameters of the mains in your house (voltage, correct type, frequency) comply to the operation parameters of the appliance.

- The information concerning the supply voltage and the absorbed power is given on the marking label placed in the back side of the freezer.
- The electric installation must comply with the law requirements.
- **The earthing of the appliance is compulsory. The manufacturer has no responsibility for any damage to persons, animals or goods which may arise from the failure to observe the specified conditions.**
- The appliance is endowed with a supply cord and a plug (European type, marked 10/16A) with double earthing contact for safety. If the socket is not the same type with the plug, please ask a specialised electrician to change it.
- Do not use extension pieces or multiple adapters.

Switching off

The switching off must be possible by taking the plug out of the socket or by means of a mains two-poles switch placed before the socket.

Operation

Before putting into operation, clean the inside of the appliance (see chapter „Cleaning“). After finishing this operation please plug in the appliance, adjust the thermostat knob to an average position. The green and red LEDs in the signalling block must light. Leave the appliance work for about 2 hours without putting food inside it. The freezing of the fresh food is possible after min. 20 hours of operation.

Appliance description

(Item. 1)

1. Door handle
2. Door
3. Lamp housing
4. Baskets
5. Tray
6. Lock housing
7. Thermostat box
8. Spacer for transport

Freezer operation

Temperature adjustment

The temperature of the freezer is adjusted by means of the knob assembled on the thermostat (item. 4), position „MAX“ being the lowest temperature.

The achieved temperatures can vary according to the conditions of use of the appliance, such as: place of the appliance, ambient temperature, frequency of door opening, extent of filling with food of the freezer. The position of the thermostat knob will change according to these factors. Normally, for an ambient temperature of approx. 43°C, the thermostat will be adjusted on an average position.

The signalling system is placed on the front side of the freezer (Item 5).

It includes:

1. Thermostat adjustment knob – the inside temperature is adjusted.
2. green LED – shows that the appliance is supplied with electric energy.
3. red LED – damage – lights if the temperature in the freezer is too high. The LED will operate 15-45 minutes after the putting into operation of the freezer, then it must go off. If the LED goes on during the operation, this means that defects have occurred.
4. LED Orange – fast freeze function activated – by setting the knob to Superfreeze position the orange led goes on, showing that the appliance entered into the "fast freeze" mode. The exit of this mode is done automatically after 50 hours then the appliance runs in economic mode, and the orange led goes off.

The three LEDs give information about the mode of operation of the freezer.

Advice for food conservation

The freezer is intended to keep the frozen food for a long time, as well as to freeze fresh food.

One of the main elements for a successful food freezing is the packing.

The main conditions that the packing must fulfill are the following: to be airtight, to be inert towards the packed food, to resist to low temperatures, to be proof to liquids, grease, water vapours, smells, to be able to be washed.

These conditions are fulfilled by the following types of packings: plastic or aluminium film, plastic and aluminium vessels, waxed cardboard glasses or plastic glasses.

IMPORTANT!

- For freezing the fresh food please use the supplied baskets of the appliance.
- Do not place into the freezer a too large quantity of food at a time. The quality of the food is best kept if they are deeply frozen as quickly as possible. This is why it is advisable not to exceed the freezing capacity of the appliance specified in the "Product Fiche".
- The fresh food must not come into contact with the food already frozen.
- The frozen food you have bought can be placed into the freezer without having to adjust the thermostat.
- If the freezing date is not mentioned on the packing, please take into consideration a period of max. 3 months, as a general guide.
- The food, even partially defrosted, cannot be frozen again, it must be consumed immediately or cooked and then refrozen.
- The fizzy drinks will not be kept in the freezer.
- In case of a power failure, do not open the door of the appliance. The frozen food will not be affected if the failure lasts less than 56 hours.

Freezing with Superfrost

- Place the knob to super frost position. The Superfrost lamp comes on.
- Wait 24 hours.
- Place the fresh food in the freezer. In order to achieve fast freezing, food should be in contact with the interior walls when it is placed in the freezer.

- The Superfrost facility automatically switches the fast freezing procedure off after 50 hours.

IMPORTANT!

When you place the knob to Superfrost position, the compressor might not switch on for a few minutes. This is due to the integrated rise-delay switch which is designed to increase the life span of the refrigeration unit.

You should not switch on the Superfrost function:

- when placing frozen food in the freezer;
- when freezing up to approx. 2 kg fresh food daily.

Defrosting of the appliance

- We advise you to defrost the freezer at least twice a year or when the ice layer has an excessive thickness.
 - The ice build-up is a normal phenomenon.
 - The quantity and the rapidity of ice build-up depends on the ambient conditions and on the frequency of the door opening.
 - We advise you to defrost the appliance when the quantity of frozen food is the least.
 - Before defrosting, adjust the thermostat knob to a higher position so that the food stores more cold.
 - Unplug the appliance.
 - Take out the frozen food, wrap it in several sheets of paper and put them in refrigerator or a cool place.
- Take the separator panel and put it under the freezer in the direction of the dripping tube. Take out the obstructing plug. The water which results will be collected in the special tray (separator panel). After the melting of the ice and the run-off of the water please wipe with a cloth or with a sponge, then dry well. Put the obstruction plug back in its place. (Item. 6)
- For a fast thaw please leave the door open.
- Do not use sharp metal objects to remove the ice.**
- Do not use hairdriers or other electric heating appliances for defrosting.**

Inside cleaning

Before starting the cleaning, unplug the appliance from the mains.

- It is advisable to clean the appliance when you defrost it.
- Wash the inside with lukewarm water where you add some neutral detergent. Do not use soap, detergent, gasoline or acetone which can leave a strong odour.
- Wipe with a wet sponge and dry with a soft cloth.

During this operation, avoid the excess of water, in order to prevent its entrance into the thermal insulation of the appliance, which would cause unpleasant odours.

Do not forget to clean also the door gasket especially the bellow ribs, by means of a clean cloth.

Outside cleaning

- Clean the outside of the freezer by means of a sponge soaked in soapy warm water, wipe with a soft cloth and dry.
- The cleaning of the outside part of the refrigerating circuit (motorcompressor, condenser, connection tubes) will be done with a soft brush or with the vacuum-cleaner. During this operation, please take care not to distort the tubes or detach the cables.

Do not use scouring or abrasive materials !

- After having finished the cleaning, replace the accessories at their places and plug in the appliance.

Replacing the interior light bulb

If the lamp burns out, disconnect the appliance from the mains. Take out the lamp trim. Make sure the lamp is screwed correctly. Plug in the appliance again. If the lamp still does not go on, replace it with another one model E14-15W. Mount back the lamp trim in its place.

The lamp(s) used in this appliance is not suitable for household room illumination. The intended purpose of this lamp is to assist the user to place foodstuffs in the refrigerator/freezer in a safe and comfortable way.

The lamps used in this appliance have to withstand extreme physical conditions such as temperatures below -20°C.

Defects finding guide

The appliance does not work.

- There is a power failure.
 - The plug of the supply cord is not inserted well into the socket.
 - The fuse is blown.
 - The thermostat is in „OFF” position.
- The temperatures are not low enough**(red LED on).
- The food prevents the door closing.
 - The appliance was not placed correctly.
 - The appliance is placed too close to a heat source.
 - The thermostat knob is not in the correct position.

Excessive ice build-up

- The door was not closed properly.

The inside lighting does not work

- The lamp is blown. Unplug the appliance from the mains, take out the lamp and replace it with a new one.

The following are not defects

- Possible noddings and cracks coming from the product: circulation of the refrigerant in the system.

Noises during operation

In order to keep the temperature at the value you have adjusted, the compressor of the appliance starts periodically.

The noises which can be heard in such situation are normal.

They are reduced as soon as the appliance reaches the operation temperature.


The humming noise is made by the compressor. It can become a little stronger when the compressor starts.

The bubbling and gurgling noises coming from the refrigerant circulating in the pipes of the appliance, are normal operating noises.

Warning !

Never try to repair yourself the appliance or its electric components. Any repair made by an unauthorised person is dangerous for the user and can result in the warranty cancellation.



The symbol  on the product or on packaging indicates that this product may not be treated as household waste. Instead it shall be handed over to the applicable collection point for the recycling of electrical and electronic equipment. By ensuring this product is disposed of correctly, you will help prevent potential negative consequences for the environment and human health, which could otherwise be caused by inappropriate waste handling of this product. For more detailed information about recycling of this product, please contact your local city office, your household waste disposal service or the shop where you purchased the product.

Herzlichen Glückwunsch für Ihre Entscheidung !

Die von Ihnen erworbene waagerechte Tiefkühltruhe ist unser neuestes **BEKO** Produkt in der Baureihe . Sie hat ein neues ansprechendes Design, und wurde entwickelt, um den europäischen und nationalen Vorschriften zu entsprechen, was die beste Funktion und Sicherheit bietet.

Der Betrieb mit nur einem Kompressor, das Steuer- und Regelsystem mit einem einzigen Thermostat sichern einen guten Temperaturabgleich und einen geringen Energiebedarf. Hinzu sei erwähnt, daß das Kühlmittel R600a, welches in diesen Anlagen verwendet wird, umweltfreundlich ist und nicht die Ozonschicht der Atmosphäre beeinträchtigt.

Um dieses Gerät optimal zu nutzen, empfehlen wir ihnen, diese Betriebsanleitung aufmerksam durchzulesen.

Empfehlungen zum Recycling Ihres alten Gerätes

Sollte das neu erworbene Gerät ein altes ersetzen, bitten wir Sie, folgendes zu beachten:

- Die gebrauchten Geräte sind nicht wertlose Abfälle. Deren umweltfreundliche Entsorgung erlaubt die Rückgewinnung von wichtigen Rohstoffen.
 - Das alte Gerät kann unter Einhaltung folgender Schritte entsorgt werden:
 - Gerät vom elektrischen Netz abschließen
 - Spannungsversorgungskabel entfernen (abtrennen);
 - Eventuell vorhanden Schlösser entfernen, um das Einschließen von verhindern (z.B. Kinder) - Lebensgefahr.
 - Die Kühlgeräte enthalten Dämmmaterialien und Kühlmittel, welche besonderen Entsorgungsmethoden bedürfen.
- Originalersatzteile stehen für einen Zeitraum von 10 Jahren ab Kaufdatum zur Verfügung.



ANGABEN



ENERG ⚡



SUPPLIER'S NAME

MODEL IDENTIFIER

(*)

A

A

Die Modellinformationen, wie sie in der Produktdatenbank gespeichert sind, können durch Eingabe der folgenden Webseite und Suche nach Ihrer Modellkennung (*) auf dem Energieetikett erreicht werden.

<https://eprel.ec.europa.eu/>

Dieses Gerät ist nicht dafür bestimmt durch Personen (einschließlich Kinder) mit eingeschränkten physischen, sensorischen oder geistigen Fähigkeiten oder mangels Erfahrung und/oder mangels Wissen benutzt zu werden, es sei denn, sie werden durch eine für ihre Sicherheit zuständige Person beaufsichtigt oder erhalten von ihr Anweisungen, wie das Gerät zu benutzen ist.

Recycling der Verpackung

Vorsicht!

Gestatten Sie den Kindern nicht, mit der Verpackung oder mit Teilen der Verpackung zu spielen. Es besteht Erstickungsgefahr durch Wellpapier oder Kunststoffolie. Um eine Beschädigung des Gerätes beim Transport zu verhindern, wurden alle Materialien der Verpackung entsprechend den Vorschriften zur umweltfreundlichen Entsorgung entwickelt. Wir empfehlen die Verwertung der Verpackung, um die Umwelt zu schonen!

WICHTIG!

Lesen Sie diese Anweisungen vollständig vor der Inbetriebnahme des Gerätes. Sie beinhalten wichtige Informationen zu der Aufstellung, dem Betrieb und der Wartung Ihres Gerätes. Bewahren sie die Gebrauchsanweisungen sicher auf, um auch später leicht zugänglich zu sein, Sie sind auch weiteren Benutzern des Gerätes sehr behilflich.

WICHTIG!

Dieses Gerät ist nur für die vorgesehenen Zwecke zu betreiben (Haushalt), in entsprechenden Räumen, vor Regen, Feuchtigkeit oder anderen Umwelteinflüssen geschützt.

Transportvorschriften

Wir empfehlen, das Gerät auch beim Transport nur in waagerechter Position zu halten. Während dem Transport muß die Verpackung unbeschädigt sein. Vor der Inbetriebnahme lassen Sie das Gerät für 4 Stunden stehen. Beim Transport sollte jedwelche Einwirkung auf den Kühlkreislauf vermieden werden (Gefahr von Verformungen an den Leitungen). Die Nichteinhaltung dieser Vorschriften kann zu Schäden an dem Motorkompressor führen und zum Erlöschen der Gewährleistung für das Gerät.

Allgemeine Vorsichtsmaßnahmen und Empfehlungen

- Nehmen Sie das Gerät nicht in Betrieb, wenn ein Fehler daran bemerkt wurde.
- Vermeiden Sie die Verformung des Kühlmittelkreislaufes (Leitungen) beim Transport und bei der Aufstellung des Gerätes.
- Die Tiefkühltruhe sollte nur zur Aufbewahrung von tiefgefrorenen Lebensmitteln, das Tiefrieren von frischen Lebensmitteln und für die Herstellung von Eiswürfeln verwendet werden.
- Lassen sie die Türe des Gerätes nicht länger offen, als zum Herausnehmen oder Einlegen von Lebensmitteln notwendig ist.
- Im Inneren dürfen keine Produkte gehalten werden, welche brennbare oder explosive Gase enthalten.
- Verzehren Sie nicht Eiswürfel gleich nachdem sie aus der Tiefkühltruhe geholt wurden. Sie können Frostbiss verursachen.
- Berühren Sie niemals kalte metallische Teile oder tiefgefrorene Lebensmittel mit feuchten Händen. Ihre Hand kann sehr schnell an die sehr kalten Oberflächen anfrieren.
- Verbieten Sie den Kindern, sich hinter dem Gerät zu verstecken oder da zu spielen.
- Vor jedwelcher Reinigungsarbeit ist das Gerät von dem Spannungsnetz zu trennen.
- Um das Gerät vom Netz zu trennen, ziehen Sie an dem Stecker, nicht am Kabel!
- Steigen Sie nicht auf das Gerät.
- Betreiben Sie nicht das Gerät in der Nähe von Heizkörpern, Kochöfen oder anderen Hitzequellen oder neben Feuer.
- Zum Schutz des Gerätes bei Lagerung und Transport befinden sich Distanzstücke zwischen Tür und Gehäuse (vorne und hinten). Diese Distanzstücke werden entfernt, bevor das Gerät in Betrieb genommen wird.
- Überschüssiges Eis an Rahmen und Ablagen sollte regelmäßig mit dem mitgelieferten Plastikschaber entfernt werden. Nutzen Sie keine Metallgegenstände zur Eisentfernung. Durch Eisansammlung lässt sich die Tür nicht mehr richtig schließen.
- Lassen Sie keine Lebensmittel in dem Gerät wenn es nicht in Betrieb ist.

- Wird das Gerät nur für ein paar Tage nicht genutzt, ist es ratsam, es gar nicht abzustellen. Sollten Sie es für einen längeren Zeitraum nicht benutzen, gehen Sie wie folgt vor:
 - Ziehen Sie den Stecker des Netzkabels aus der Steckdose
 - Leeren Sie die Tiefkühltruhe;
 - Entfrosteten Sie diese und reinigen Sie sie.;
 - Lassen Sie den Deckel offen um unangenehme Geruchsentwicklung zu vermeiden.
- Wenn die Netzanschlussleitung dieses Gerätes beschädigt wird, muss sie durch den Hersteller oder seinen Kundendienst oder eine ähnlich qualifizierte Person ersetzt werden, um Gefährdungen zu vermeiden.

Die Umgebungstemperatur

Ihr Produkt wurde zum Einsatz bei Umgebungstemperaturen zwischen -15 und 43°C entwickelt.

Bei Umgebungstemperaturen unter der Minimalgrenze oder über der Maximalgrenze können Störungen im Betrieb des Gerätes auftreten.

Bei Umgebungstemperaturen über der Maximalgrenze von 43°C, umso mehr diese Temperatur überschritten wird, verkürzen sich die Pausen in dem Betrieb des Gerätes, dieses hat die Tendenz, ständig zu laufen, die inneren Temperaturen steigen an wie auch der Energieverbrauch.

Das Gerät ist weit von jedwelches Hitze- und Feuerquelle aufzustellen.

Das Aufstellen in einen warmen Raum oder in der Nähe von Hitzequellen (Heizkörper, Kochöfen, Backöfen usw.) führen zu einem erhöhten Stromverbrauch und mindern die Lebensdauer des Gerätes.

Bei der Aufstellung des Gerätes in Ihrer Wohnung, sind folgende minimale Abstände einzuhalten:

- 100 cm von den Kochöfen, welche mit Kohle oder Öl geheizt werden;
- 150 cm von den elektrischen Kochöfen und/auch Gasöfen.

Sichern Sie die freie Luftzirkulation in der Umgebung des Gerätes indem Sie die Abstände einhalten, welche im Abb. 2 eingetragen sind.

Bauen Sie an den Kondensator die mitgelieferten Distanzstücke ein (Abb. 3).

- Der Boden oder das Gerüst, auf welches das Gerät aufgebaut wird, hat perfekt flach zu sein.

Bauen Sie das mitgelieferte Zubehör ein.

Anschließen an das Spannungsnetz

- Ihr Gerät ist gebaut, um unter Wechselstrom, bei 220-240V/50 Hz. betrieben zu werden. Bevor Sie das Gerät an das Netz anschließen, überprüfen Sie die Kenndaten des Stromnetzes (Spannung, Art des Stromes, Frequenz) und deren Übereinstimmung mit den Kenndaten des Gerätes. Informationen zu der Versorgungsspannung und die Leistungsabnahme finden Sie auf dem Typenschild auf der Rückseite des Gerätes.

- Die elektrische Anlage muß den gesetzlichen Vorschriften entsprechen.

- Es ist gesetzlich vorgeschrieben, daß das Gerät nur an eine Steckdose mit Schutzkontakt (Erdung) erlaubt ist. Der Hersteller zieht sich aus jedwelcher Haftung zurück in Fällen, in denen Sachschäden oder Verletzungen an Tieren oder Personen wegen Nichteinhaltung der o.g. Vorschriften auftreten.

- Das Gerät ist mit einer elektrischen Anschlußschnur und einem Stecker nach europäischen Normen. Der Stecker trägt die Markierung 10/16A und hat doppelten Schutzkontakt für die Erdung.

- Sollte die Steckdose nicht zu diesem Stecker passen, ist ein autorisierter Elektriker mit dem Tausch der Steckdose zu beauftragen.

- Es wird empfohlen, das Gerät nicht über Verlängerungskabel oder Adapter anzuschließen.

Sollte das Gerät zwischen zwei Möbelstücken eingebaut sein, vergewissern Sie sich, daß diese nicht den Anschlußkabel zerquetschen.

Trennen vom Stromversorgungsnetz

Die Trennung von dem Netz sollte immer gegeben sein, entweder durch das Abziehen des Steckers aus der Steckdose oder durch einen zweiadrigen Netz-Trennschalter vor der Steckdose.

Inbetriebnahme

Vor der Inbetriebnahme ist der Innenteil des Gerätes zu säubern. (**näheres dazu unter** Kapitel "Wartung und Reinigung des Gerätes").

Nach Beendigung dieses Arbeitsschrittes schließen Sie das Gerät an das Stromversorgungsnetz und drehen Sie den Thermostatregler in eine mittlere Position. Die grüne und die rote LED im Warnungsbereich müssen aufleuchten. Lassen Sie das Gerät für etwa 2 Std. laufen, ohne Lebensmittel hineinzulegen.

Das Tiefgefrieren der frischen Lebensmittel ist erst nach mindestens 20 Std. Funktion gewährleistet.

Gerätebeschreibung

(Abb. 1)

1. Griff
2. Tür
3. Glühbirne Innenbeleuchtung
4. Körbe
5. Trennwand
6. Schloß
7. Anzeigeblock
8. Abstandhalter für Transport

Einstellen der Temperatur

Die Temperatur der Tiefkühltruhe wird über den Drehknopf Thermostat geregelt (Abb. 4). „MAX“ bedeutet niedrigste Temperatur. Die erzielten Temperaturen können unterschiedlich sein, je nach der Umgebungstemperatur, Aufstellungsort des Gerätes, Häufigkeit der Öffnung der Tür, Befüllungsgrad mit Lebensmitteln. Die Einstellung an dem Drehknopf Thermostat hat nach diesen Kriterien stattzufinden.. Gewöhnlicherweise ist bei einer Außentemperatur von ca. 43°C, der Drehknopf auf eine mittlere Stellung zu bringen.

Das Anzeigesystem ist an der vorderen Seite des Gerätes angebracht (Abb. 5). Es beinhaltet:

1. Drehknopf Regelung Thermostat - Innentemperatur wird eingestellt
2. LED grün - Bestätigt, daß das Gerät Spannungsversorgung hat.
3. LED rot - Störung - leuchtet auf, wenn die Temperatur im Inneren zu hoch ist. Die LED wird nach dem Einschalten des Gerätes für ca. 15-45 Minuten aufleuchten, danach muß sie aber erlöschen. Sollte die LED während des Betriebes leuchten, deutet dies auf einen Störung hin.
4. LED orange - Schnellgefrieren aktiviert. Nach Einstellung des Knopfs auf die Superfreeze-Position leuchtet die orange LED auf; sie zeigt an, dass das Gerät auf „Schnellgefrieren“ eingestellt ist. Dieser Modus wird nach 50 Stunden automatisch verlassen; anschließend läuft das Gerät im Energiesparmodus, die orange LED erlischt.

Die drei LED liefern die Informationen über den Betriebszustand des Gerätes.

Tiefgefrieren von Lebensmitteln

Die Tiefkühltruhe dient zur zeitmäßig langen Aufbewahrung von tiefgefrorenen Lebensmitteln.

- Wichtig für das erfolgreiche Tiefgefrieren der Lebensmittel ist die Verpackung. Anbei die wichtigsten Merkmale einer guten Verpackung für tiefgefrorene Lebensmittel: diese sollten dicht sein, nicht mit den beinhalteten Lebensmitteln reagieren, tiefen Temperaturen standhalten, undurchlässig für Flüssigkeiten, Fette, Wasserdämpfe, Gerüche sein und auch waschbar sein. Diese Bedingungen werden von folgenden Arten von Verpackungen erfüllt: Folie aus Aluminium oder Kunststoff, Gefäße aus Kunststoff, Gefäße aus Aluminium, Becher auch Wachskarton oder Kunststoff.

Wichtig

Laden Sie die Tiefkühltruhe nicht auf einmal mit einer zu großen Menge an Lebensmitteln. Die Lebensmittel sollten möglichst schnell und vollständig tiefgefroren werden, da nur auf diese Weise der Vitamingehalt, der Nahrungswert, das Aussehen und der Geschmack erhalten bleiben. Deshalb sollte die Tiefgefrierleistung nicht überschritten werden. Diese ist auf dem „Produktdatenblatt“.

- Beim Tiefgefrieren von frischen Lebensmitteln sind die Körbe in dem Gerät zu verwenden..
- Heiße Lebensmittel sind vor den Tiefgefrieren bis auf Raumtemperatur abkühlen zu lassen.
- Frische Lebensmittel sollten nicht mit tiefgefrorenen in Berührung kommen.
- Die tiefgefrorenen Lebensmittel, welche man aus dem Fachhandel bezogen hat, können direkt in die Tiefkühltruhe gelegt werden, ohne daß eine Einstellung am Thermostat durchzuführen wäre.
- Sollte auf der Verpackung nicht das Datum der Tiefgefrierens eingetragen sein, kann man eine maximale Frist von 3 Monaten in betracht nehmen (als Richtwert).
- Lebensmittel, welche nach dem Tiefgefrieren auch nur teilweise aufgetaut sind, dürfen nicht mehr tiefgefroren werden. Es ist sofort zu gebrauchen oder nach dem Kochen, als Fertigpräparat wieder tiefzufrieren.

- Sprudelgetränke sind nicht in der Tiefkühltruhe aufzubewahren.
- Bei einem Stromausfall ist die Tür des Gerätes nicht zu öffnen. Tiefgefrorene Lebensmittel sind nicht beeinträchtigt, wenn der Stromausfall nicht länger als 56 Stunden dauert.

Einfrieren mit Superfrost

- Stellen Sie den Knopf auf die Superfrost-Position ein. Die Superfrost-Lampe leuchtet auf.
- Warten Sie 24 Stunden.
- Geben Sie frische Lebensmittel in den Tiefkühlbereich. Damit die Lebensmittel schnell einfrieren, sollten sie beim Einlagern im Tiefkühlbereich mit Innenwänden in Kontakt stehen.
- Die Superfrost-Anlage schaltet das Verfahren zum Schnellgefrieren nach 50 Stunden automatisch ab.

Wichtig

Wenn Sie den Knopf auf die Superfrost-Position einstellen, schaltet sich der Kompressor möglicherweise einige Minuten nicht ein. Dies liegt am integrierten Einschaltverzögerungsschalter, der zur Erhöhung der Betriebslebenszeit des Kühlgerätes entwickelt wurde.

In folgenden Fällen sollten Sie die Superfrost-Funktion nicht einschalten:

- Wenn Sie gefrorene Lebensmittel in den Tiefkühlbereich geben;
- Wenn Sie etwa bis zu 2 kg frische Lebensmittel täglich einfrieren.

Empfehlungen für das Enteisen des Gerätes

- Die Bildung einer Eisschicht ist normal.
- Die Menge und die Geschwindigkeit der Ablagerung von Eis hängt von der Umgebungstemperatur ab und der Häufigkeit, mit der die Tür geöffnet wird.
- Wir empfehlen:
 - die Tiefkühltruhe wenigstens 2 mal im Jahr komplett auftauen zu lassen, oder auch jedes mal wenn die Eisschicht zu dick wird.
 - die Enteisung dann durchzuführen, wenn die Menge von Lebensmitteln am geringsten ist.

- Wenigstens 2 Stunden vor der Enteisung sollte die Taste „Schnelles Tiefgefrieren“ (4) gedrückt werden, damit die Lebensmittel eine möglichst große Menge an Kälte aufnehmen können.
- Trennen Sie das Gerät von dem Netz.
- Entnehmen Sie alle tiefgefrorenen Lebensmittel, Wickeln Sie diese in mehrere lagen Papier und legen Sie diese in einen Kühlschrank oder an einen kühlen Ort.
- Nehmen Sie die Trennwand und legen Sie diese unter die Tiefkühltruhe, unter die Abflußleitung. Ziehen Sie den Verschlussstopfen. Das abgefangene Wasser wird in die Tafel der Trennwand aufgenommen. Nach dem Schmelzen des Eises und Abtropfen des Wassers, wischen Sie das Gerät mit einem Lappen oder einem Schwamm und trocknen Sie es gut ab. Stecken Sie den Verschlussstopfen zurück in die Ablaufleitung.
- Um das Auftauen zu beschleunigen, lassen Sie die Tür offen.

Es dürfen niemals spitze metallische Gegenstände für die Entfernung der Eiskruste verwendet werden.

Es dürfen nicht Haartrockner (Föhne) oder andere gleichartigen Heizgeräte zum beschleunigten Auftauen verwendet werden.

Innere Reinigung

Vor dem Reinigen schalten Sie das Gerät vom Netz ab.

- Es ist empfehlenswert, das Gerät bei dem Auftauen auch zu reinigen.
- Die inneren Flächen werden mit lauwarmem Wasser und einem neutralen Spülmittel gewaschen. Verwenden Sie keine Seife, Waschmittel, Benzin oder Azeton, da sie einen prägnanten Geruch hinterlassen.
- Wischen Sie mit einem feuchten Schwamm und wischen Sie mit einem weichen Tuch.. Dabei ist ein Überschuss an Wasser zu vermeiden, um es zu verhindern, daß dieses in die Wärmeisolation des Gerätes dringt. Dieses könnte zu vermehrter Geruchsentwicklung beitragen.

Vermeiden Sie den Wassereintritt in die Kiste der Innenbeleuchtung!

Vergessen Sie nicht, auch die Dichtung der Tür mit einem reinen Lappen zu wischen.

Äußere Reinigung

- Die äußeren Bereiche des Gerätes wischen Sie mit einem feuchten Schwamm, in Spülmittellösung getränkt.
 - Die Reinigung der äußeren Teile der Kühlanlage (Motorkompressor, Kondensator, Leitungen) erfolgt mit einer weichen Bürste oder mit dem Staubsauger. Dabei ist zu beachten, daß. Dabei ist Vorsicht zu tragen, um nicht die Leitungen zu verbiegen oder den Leitungssatz zu beschädigen.
- Es darf kein Reinigungsand oder Scheuermittel verwendet werden!**
- Nach dem Reinigen ist das ganze Zubehör zurück einzubauen.

Erneuern der inneren Glühbirne

Sollte die Glühbirne durchbrennen, trennen sie zu erst das Gerät von dem Netz. Bauen Sie die Leuchteinheit aus. Vergewissern Sie sich zu erst, ob die Birne richtig eingeschraubt war. Schließen Sie das Gerät wieder an. Sollte die Birne trotzdem nicht leuchten, ist sie durch eine vom Typ E14-15W erneuern. Bauen Sie die Dacheinheit ein. Die Glühbirnen für dieses Haushaltsgerät sind für Beleuchtungszwecke nicht geeignet. Die beabsichtigte Aufgabe dieser Lampe ist es den Benutzer zu ermöglichen die Platzierung der Lebensmittel in den Kühlschrank / Eiskühltruhe sicher und bequem vorzunehmen. Die in diesem Gerät verwendeten Lampen müssen extremen physikalischen Bedingungen, wie z. B. Temperaturen von -20°C, standhalten.

Fehlersuchplan

Sollte ihr Gerät nicht funktionieren, dan ist folgendes zu überprüfen:

- Stromversorgung unterbrochen.
- Stecker des Anschlußkabels richtig in Steckdose gesteckt. Der Stecker des Anschlußkabels ist richtig in die Steckdose gesteckt.
- Sicherung durchgebrannt
- Thermostat auf **OFF**.

Temperatur nicht niedrig genug (rote LED leuchte).

- Lebensmittel verhidern das vollständige Schließen der Tür.
- Gerät nicht ordnungsgemäß aufgestellt.
- Gerät zu nahe an einer Wärmequelle.
- Thermostatregeldreher nicht in der richtigen Position.

Übermäßige Eisbildung

Tür nicht richtig geschlossen.

Innenbeleuchtung hat keine Funktion.

- Glühbirne durchgebrannt.
- Automatischer Schalter in der Tür defekt.

Geräusche im Betrieb

Um die eingestellte Temperatur zu halten, muß der Motorkompressor von Zeit zu Zeit starten.

Die dabei entstehenden Geräusche sind normal.

Sie mindern sobald das Gerät die Betriebtemperatur erreicht hat.

Summen wird verursacht von dem Motorkompressor. Das Geräusch ist etwas lauter, wenn der Kompressor startet.

Gurgeln und Zurren werden vin dem Kältemittel verursacht, wenn dieser durch die Leitungen der Kühlanlage rinnt. Diese Geräusche sind als normale Betriebsgeräusche zu betrachten..

Jedes mal wenn das Thermostat ein- oder ausschaltet, ist ein metallisches Klingeln zu hören.



Bedeutung des Symbols „Mülltonne“

Schonen Sie unsere Umwelt, Elektrogeräte gehören nicht in den Hausmüll.

Nutzen Sie die für die Entsorgung von Elektrogeräten vorgesehenen Sammelstellen und geben dort Ihre Elektrogeräte ab die Sie nicht mehr benutzen werden.

Sie helfen damit die potenziellen Auswirkungen, durch falsche Entsorgung, auf die Umwelt und die menschliche Gesundheit zu vermeiden.

Sie leisten damit Ihren Beitrag zur Wiederverwertung, zum Recycling und zu anderen Formen der Verwertung von Elektro- und Elektronik-Altgeräten.

Informationen, wo die Geräte zu entsorgen sind, erhalten Sie über Ihre Kommunen oder die Gemeindeverwaltungen.

In vielen Ländern der EU ist die Entsorgung von Elektro- und Elektronik-Altgeräten über den Haus- und/oder Restmüll ab 13.8.2005 verboten.

In Deutschland ab 23.3.2006.

Félicitations pour votre choix!

Le congélateur que vous avez acheté est un des produits de la marque **BEKO**. Construit conformément aux standards européens et internationaux, cet appareil a été conçu dans le respect de l'environnement et la recherche de performances pour vous apporter la plus grande satisfaction.

Pour une meilleure utilisation de votre congélateur, nous vous conseillons de lire attentivement cette notice.

Recyclage de votre ancien appareil

Si l'appareil que vous venez d'acheter remplace un ancien appareil, vous devez tenir compte de ce qui suit pour vous en débarrasser.

Les anciens appareils ne sont pas des déchets sans valeur. Leur recyclage permet la récupération des matières premières importantes tout en préservant l'environnement.

Rendez inutilisable votre ancien appareil:

- débranchez l'appareil du réseau électrique;
- enlevez le câble d'alimentation (coupez-le);
- enlevez les éventuels blocages de la porte pour éviter que des enfants puissent restés enfermés dans le congélateur et mettre en danger leurs vies.

Les appareils frigorifiques contiennent des matériaux d'isolation et des agents frigorifiques qui ont besoin d'un recyclage adapté. Les pièces détachées d'origine sont disponibles pendant 10 ans, à compter de la date d'achat du produit.



INFORMATIONS



ENERGY



SUPPLIER'S NAME

MODEL IDENTIFIER

(*)

A

A

Vous pouvez accéder aux informations relatives au modèle telles que sauvegardées dans la base de données des produits en entrant le site internet suivant et en recherchant l'identifiant de votre modèle (*) qui se trouve sur la vignette énergie

<https://eprel.ec.europa.eu/>

Cet appareil ne sera pas utilisé par des personnes ayant capacités physiques, sensorielles ou mentales réduites, ou sans expérience concernant l'utilisation de l'appareil, si une personne responsable de leur sécurité ne les a pas instruites pour ce but.

Les enfants doivent être surveillés pour avoir la certitude qu'ils ne jouent pas avec l'appareil.

Recyclage de l'emballage

ATTENTION!

Ne laissez pas les enfants jouer avec l'emballage. Des pièces de carton ondulé ou film en plastique peuvent provoquer la suffocation.

Pour vous parvenir dans de bonnes conditions, l'appareil a été protégé avec un emballage approprié. Tous les matériaux de l'emballage sont compatibles avec l'environnement et recyclables. Respectez la collecte de déchets recyclables, en vous renseignant auprès des autorités locales.

Instructions de transport

L'appareil doit être transporté, si possible, en position verticale. L'emballage doit être en condition parfaite pendant le transport. Si pendant le transport l'appareil a été placé en position horizontale (conformément aux marquages sur l'emballage), nous vous recommandons de laisser reposer l'appareil durant 4 heures avant la mise en fonctionnement, pour permettre la stabilisation du circuit frigorifique. Si ces instructions ne sont pas respectées, cela peut provoquer le dérèglement du compresseur et l'annulation de la garantie.

Avertissements et conseils

IMPORTANT!

Avant la mise en fonctionnement de l'appareil, lisez attentivement et entièrement ces instructions. Elles contiennent des informations importantes concernant l'installation, l'utilisation et l'entretien de l'appareil.

Le fabricant se dégage de toute responsabilité si les informations contenues dans ce document ne sont pas respectées. Gardez cette notice dans une place sûre pour le consulter en cas de besoin. Si l'appareil est cédé à une tierce personne, cette notice doit accompagner l'appareil.

ATTENTION!

Cet appareil doit être utilisé seulement dans le but pour lequel il a été conçu (utilisation domestique), dans des lieux adéquats, loin de la pluie et de l'humidité.

- Ne branchez pas l'appareil si vous avez constaté un défaut.
- Les réparations doivent être effectuées exclusivement par une personne qualifiée.
- Dans les situations suivantes nous vous prions de débrancher l'appareil:
 - quand vous dégivrez complètement l'appareil;
 - quand vous nettoyez l'appareil.

Pour débrancher l'appareil, tirez sur la fiche, non pas le câble!

- Assurez l'espace minimum entre l'appareil et le mur.
- Ne montez pas sur l'appareil.
- Ne permettez pas aux enfants de jouer ou se cacher dans l'appareil.
- N'utilisez en aucun cas d'appareils électriques dans le congélateur pour le dégivrage.
- N'installez pas le congélateur près des appareils de chauffage, cuisinières ou autres sources de chaleur.
- Ne laissez pas la porte du congélateur ouverte plus qu'il est nécessaire pour y introduire ou enlever des denrées.
- Ne laissez pas les denrées dans l'appareil s'il ne fonctionne pas.
- Ne mettez pas dans le congélateur de produits inflammables ou explosives.
- Ne mettez pas de boissons acidulées (jus, eau minérale, champagne, etc.) dans le congélateur; la bouteille peut exploser! Ne congelez pas de boissons dans des bouteilles en plastique.
- Ne mangez pas des cubes de glace ou de la glace immédiatement après les avoir sortis du congélateur.
- Ne touchez jamais les parties métalliques froides ou les denrées congelées avec les mains humides.
- Pour la protection de l'appareil pendant le stockage et le transport, il est prévu avec des pièces d'écartement entre la porte et le cabinet (dans la partie avant et arrière). Ces pièces d'écartement seront enlevées avant de mettre l'appareil en fonction.

- L'accumulation excessive de glace sur le cadre et sur les paniers doit être enlevée régulièrement à l'aide de la palette en plastique livrée avec l'appareil. Cette accumulation de glace a pour conséquence l'impossibilité de fermer correctement la porte.
- Si vous n'utilisez pas votre appareil sur une longue période, nous vous conseillons de procéder comme suit:
 - débranchez l'appareil;
 - videz l'appareil;
 - dégivrez-le et nettoyez-le;
 - laissez la porte ouverte pour éviter la formation d'odeurs désagréables.
- Si le cordon d'alimentation est endommagé, celui-ci doit être remplacé par le fabricant, ses agents agréés ou tout autre agent qualifié afin d'être à l'abri de tout danger.
- Gardez votre appareil fermé à clé et rangez la clé dans un lieu sûr, loin de la portée des enfants. Si vous recyclez un appareil avec une serrure, assurez-vous que le système de blocage soit inutilisable. Cela est très important pour éviter que des enfants puissent rester enfermés dedans.

Installation

Cet appareil a été conçu pour fonctionner à une température ambiante comprise entre -15°C et +43°C.

Si la température ambiante est supérieure à +43°C, la température peut augmenter à l'intérieur l'appareil.

Installez l'appareil loin de toute source de chaleur et de feu. L'installation dans une chambre chaude ou près d'une source de chaleur (réchauds, cuisinières, fours, etc.), ou encore l'exposition directe aux rayons du soleil vont augmenter la consommation d'énergie et raccourcir la durée de vie du congélateur.

- Nous vous prions de respecter les distances minimales suivantes (figure 2):
 - 100 cm des cuisinières à charbons ou à l'huile;
 - 150 cm des cuisinières électriques ou à gaz.
- Mettez sur le condenseur (dans la partie arrière) les limiteurs livrés avec l'appareil. (figure 3).
- Installez l'appareil sur un sol parfaitement plan et horizontal dans un lieu sec et bien aéré. Montez les accessoires livrés.

Raccordement au réseau électrique

Votre appareil est conçu pour fonctionner à une tension monophasique de 220-240V / 50 Hz. Avant de brancher l'appareil, vérifiez que les paramètres du réseau de votre maison (tension, type de courant, fréquence) correspondent aux paramètres de fonctionnement de l'appareil.

- Les informations concernant la tension d'alimentation et la puissance se trouvent sur la plaque signalétique située dans la partie arrière du congélateur.
- L'installation électrique doit être conforme à la réglementation.
- **La mise à la terre de l'appareil est obligatoire. Le fabricant ne peut être tenu responsable de tout incident sur les personnes, animaux ou biens, si ces conditions ne sont pas respectées.**
- L'appareil est muni d'un cordon d'alimentation et d'une fiche (type européen, marque 10/16A) avec un contact double de mise à la terre pour sécurité. Si la prise de courant n'est pas du même type que la fiche, nous vous recommandons de la faire remplacer par un électricien.
- N'utilisez pas de rallonge ou multiprise.
- La mise hors tension de l'appareil doit être possible en débranchant la fiche de la prise de courant ou par un interrupteur de réseau à deux pôles placé avant la prise.

Mise en fonctionnement

Avant la mise en fonctionnement, nettoyez l'intérieur de l'appareil (voir le chapitre "Nettoyage").

Branchez l'appareil, et réglez le bouton du thermostat à une position moyenne. Les voyants verts et rouges du bloc de signalisation doivent s'allumer. Laissez l'appareil fonctionner pendant environ 2 heures sans y mettre de denrées. La congélation des denrées fraîches est possible après un minimum de 20 heures de fonctionnement.

Description de l'appareil

(fig. 1)

- 1 - Poigné de porte
- 2 - Porte
- 3 - Lampe
- 4 - Paniers
- 5 - Panneau de séparation
- 6 - Serrure
- 7 - Signalisations
- 8 - Écarteur pour le transport

Fonctionnement du congélateur

Réglage de la température

Le réglage de la température du congélateur se fait au moyen du bouton du thermostat (fig. 4), "MAX" étant la position pour une température la plus basse possible.

La température peut varier en fonction des conditions d'utilisation de l'appareil, comme la place de l'appareil, la température ambiante, la fréquence d'ouverture de la porte ou le niveau de remplissage. Positionnez le bouton du thermostat en tenant compte de ces facteurs, afin que la température interne reste inférieure ou égale à -18°C .

Le dispositif de signalisation se trouve à l'avant du congélateur (fig. 5).

1. Bouton de réglage du thermostat
2. Voyant vert – indique que l'appareil est sous tension.
3. Voyant rouge – s'allume si la température dans le congélateur est trop élevée. A la mise en fonctionnement, le voyant s'allume 15 à 45 minutes après. Il s'éteint lorsque l'appareil atteint une température de fonctionnement normale.
4. Voyant orange -fonction congélation rapide- s'illumine lorsque vous réglez la molette sur la position SuperCongélation, ce qui indique que l'appareil se met en mode "congélation rapide". L'appareil sortira automatiquement de ce mode après 50 heures de fonctionnement. Il passera ensuite en mode économique, et le témoin orange s'éteindra.

Conseils pour la conservation des denrées

Le congélateur sert à conserver les denrées congelées pour une longue période de temps, ainsi que pour congeler les denrées fraîches.

Un des éléments principaux pour une bonne congélation des denrées est l'emballage. L'emballage doit être imperméable à l'air, aux liquides, graisses, vapeur d'eau et odeurs. Elle doit également être inerte pour les denrées emballées et résistante à des températures basses.

IMPORTANT!

- Pour placer les denrées fraîches, utilisez les paniers livrés avec l'appareil.
- Ne mettez pas dans le congélateur une quantité trop importante de denrées à la fois. La conservation des denrées est meilleure si elles sont congelées en profondeur et rapidement. Nous vous recommandons de ne pas dépasser la capacité de congélation de l'appareil, indiquée dans les "Fiche du produit".
- Les denrées fraîches ne doivent pas entrer en contact avec les denrées déjà congelées.
- Les denrées congelées achetées en magasin peuvent être mises dans le congélateur sans toucher au réglage du thermostat.
- Si la date de congélation n'est pas indiquée sur l'emballage, nous vous conseillons de considérer une période maximale de 3 mois pour la conservation.
- Les denrées, même partiellement décongelées, ne peuvent pas être congelées à nouveau. Elles doivent être consommées immédiatement ou préparées et ensuite congelées.
- En cas d'interruption du courant, n'ouvrez pas la porte de l'appareil. Les denrées congelées ne seront pas affectées si l'interruption dure moins de 56 heures.

Congélation avec Superfrost

Réglez la molette en position Superfrost.

L'indicateur Superfrost s'allumera.

Attendez 24 heures.

Rangez les aliments frais dans le congélateur. Pour atteindre le niveau de congélation, la nourriture doit être contact avec les parois internes de l'appareil, au moment où vous y installez les aliments. La fonctionnalité Superfrost sortira automatiquement du mode congélation rapide après 50 heures de fonctionnement.

Important

Lorsque vous réglez la molette sur la position Superfrost, il se peut que le compresseur ne passe pas immédiatement en mode congélation rapide. Ceci est dû au commutateur intégré de mise en route retardée, conçu pour augmenter la durée de vie du bloc réfrigérant.

Vous ne devez pas activer la fonction Superfrost :

- lorsque vous mettez des aliments congelés dans le congélateur ;
- lorsque vous congelez plus de 2 kg d'aliments frais par jour.

Dégivrage de l'appareil

- Nous vous conseillons de dégivrer le congélateur au moins deux fois par an, ou quand la couche de glace est trop épaisse.
- La formation de glace est un phénomène normal.
- La quantité et la rapidité de formation de la glace dépend des conditions ambiantes et de la fréquence d'ouverture de la porte.
- Nous vous conseillons de dégivrer l'appareil quand la quantité de denrées est la faible.
- Avant le dégivrage, réglez le bouton du thermostat dans une position supérieure, pour permettre aux denrées d'accumuler plus de froid.
Débranchez l'appareil.
Enlevez les denrées congelées, enveloppez-les dans plusieurs feuilles de papier et mettez-les dans un réfrigérateur ou autre place froide.
Prenez le panneau de separation et mettez-le sous le congélateur dans la direction du tube d'écoulement. Enlevez le bouchon d'obturation. L'eau qui résulte sera collectée dans le plateau special (panneau separateur). Après la fonte de la glace et l'écoulement de l'eau, nous vous prions de l'essuyer avec un chiffon ou une eponge, ensuite sechez bien. Mettez a sa place le bouchon d'obturation (Fig. 6)
Pour une fonte rapide, laissez la porte ouverte.

**N'employez pas des objets métalliques pointus pour enlever la glace.
N'utilisez pas de séchoirs électriques ou d'autres appareils de chauffage pour le dégivrage.**

Nettoyage de l'intérieur

Avant de commencer le nettoyage, débranchez l'appareil.

- Nous vous recommandons de nettoyer l'appareil quand vous le dégivrez.
- Nettoyez l'intérieur avec de l'eau tiède et du détergent neutre. N'utilisez pas du savon, du détergent, de l'essence, de l'acétone ou tout autre nettoyant qui pourrait laisser une odeur persistante.

- Nettoyez avec une éponge humide et essuyez avec un chiffon mou.

Durant cette opération, évitez l'excès d'eau. L'eau peut s'introduire dans l'isolation thermique de l'appareil et provoquer des odeurs désagréables.

N'oubliez pas de nettoyer aussi le joint de la porte, et en particulier les nervures du soufflet avec un chiffon propre.

Nettoyage de l'extérieur

- Nettoyez l'extérieur du congélateur à l'aide d'une éponge avec de l'eau chaude et du savon. Essayez ensuite avec un chiffon mou et sec.

- Le nettoyage de la partie extérieure du circuit frigorifique (compresseur, condenseur, tubes de connection) sera fait avec une brosse molle ou avec l'aspirateur. Pendant cette opération, nous vous prions de faire attention de ne pas déformer les tubes ou détacher les câbles.

N'utilisez pas de poudres abrasives!

- Après avoir fini le nettoyage, mettez les accessoires à leurs places et branchez l'appareil.

Remplacement de la lampe

Si la lampe est grillée, débranchez l'appareil. Détachez l'ornement de la lampe. Assurez-vous que la lampe soit vissée correctement. Branchez l'appareil. Si la lampe ne s'allume pas, remplacez-la avec une autre, modèle E14-15W. Mettez l'ornement de la lampe à sa place.

La lampe (s) utilisé dans cet appareil ne convient pas pour l'éclairage de la salle de ménage. Le but visé par cette lampe est d'aider à l'utilisateur de placer les aliments dans le réfrigérateur / congélateur d'une manière sûre et confortable. Les voyants utilisés dans cet appareil doivent résister aux conditions physiques extrêmes telles que des températures inférieures à -20°C.

Dysfonctionnements

L'appareil ne fonctionne pas

- L'alimentation électrique a été coupée.
- La fiche du câble d'alimentation n'est pas bien introduite dans la prise de courant.
- Le fusible a sauté.
- Le thermostat est en position "OFF".

Les températures ne sont pas assez basses (le voyant rouge s'allume)

- Les denrées empêchent la porte de se fermer.
- L'appareil n'est pas placé correctement.
- L'appareil est placé trop près d'une source de chaleur.
- Le bouton du thermostat n'est pas dans la position correcte.

Formation excessive de glace

- La porte n'a pas été bien fermée.

L'éclairage intérieure ne fonctionne pas

- La lampe est grillée. Procédez à son remplacement comme indiqué plus haut.

Bruits pendant le fonctionnement

Pour maintenir la température à la valeur que vous avez réglée, le compresseur de l'appareil se met en marche périodiquement. Les bruits que vous entendez dans cette situation sont **normaux**.

Ils diminuent en intensité à mesure que l'appareil atteint la température de fonctionnement.

Le bruit de bourdonnement est dû au compresseur. Il peut devenir un peu plus fort quand le compresseur démarre.

Les cliquetis de l'agent frigorigère qui circule dans les tubes de l'appareil, sont des bruits normaux.

Attention!

N'essayez jamais de réparer vous-même l'appareil ou tout composant électrique. Toute réparation effectuée par une personne qui n'est pas autorisée est dangereuse pour l'utilisateur et peut avoir comme conséquence l'annulation de la garantie.

Recyclage



Ce produit est marqué du symbole du tri sélectif, relatif aux déchets d'équipements électriques et électroniques. Cela signifie que ce produit doit être pris en charge par un système de collecte sélectif conformément à la directive européenne 2012/19/UE, afin de pouvoir être recyclé ou démantelé dans le but de réduire tout impact sur l'environnement. Attention les produits électroniques n'ayant pas fait l'objet d'un tri sélectif sont potentiellement dangereux pour l'environnement et la santé humaine en raison de la présence potentielle de substances dangereuses.

Proficiat met uw keuze!

De diepvrieskist die u aangekocht hebt is er één uit het productgamma van **BEKO** en vertegenwoordigt een harmonieuze combinatie van koeltechniek met esthetisch uitzicht. Het toestel heeft een nieuw en aantrekkelijk ontwerp en is vervaardigd volgens de Europese en nationale normen die zijn werking en veiligheidsfuncties garanderen. Het gebruikte koelmiddel, R600a, is milieuvriendelijk en beïnvloedt de ozonlaag niet.

Om uw diepvriezer zo goed mogelijk te gebruiken, adviseren we u om de informatie in deze gebruikershandleiding zorgvuldig te lezen.

Advies voor het recycleren van uw oud apparaat

Indien uw nieuw aangekocht apparaat een ouder apparaat vervangt, moet u enkele aspecten in overweging nemen.

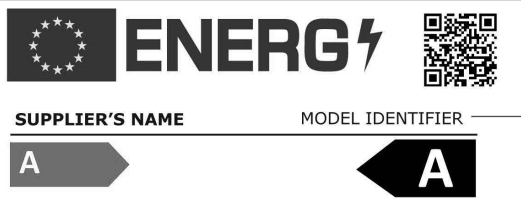
De oude apparaten zijn geen waardeloze afval. Hun verwijdering, maakt naast het behoud van het milieu ook het terugwinnen van belangrijke grondstoffen mogelijk.

Maak uw oude apparaten onbruikbaar:

- Koppel het toestel los van het stroomnetwerk.
- Verwijder het netsnoer (knip het af).
- Verwijder de eventuele grendels op de deur om het opsluiten van kinderen in het toestel tijdens het spel en het in gevaar brengen van hun leven te vermijden.

De koeltoestellen bevatten isolatiematerialen en koelmiddelen die een juiste recyclage vereisen.

INFORMATIE



De informatie van het model zoals opgeslagen in de product-databank is toegankelijk op de onderstaande website. Zoek uw model identificatie (*) vermeld op het energielabel.

<https://eprel.ec.europa.eu/>

Dit toestel is niet geschikt voor gebruik door personen met fysische of mentale problemen of met een gebrek aan ervaring of kennis tenzij er toezicht of uitleg over het product gegeven wordt door de persoon die de verantwoordelijkheid over hun veiligheid draagt.

Kinderen moeten onder toezicht staan zodat ze niet met het toestel kunnen spelen.

Recycleren van de verpakking

WAARSCHUWING!

Laat kinderen niet met de verpakking of delen ervan spelen. Er bestaat een risico op verstikking met delen van golfkarton en met plastic folie.

Om het toestel in een goede toestand tot bij u te krijgen, werd het beschermd door een geschikte verpakking. Alle materialen van de verpakking zijn compatibel met het milieu en recycleerbaar. Help ons de verpakking te recyclen om het milieu te beschermen.

BELANGRIJK!

Voor u het apparaat in werking stelt, moet u deze instructies zorgvuldig en volledig lezen. Ze bevatten belangrijke informatie betreffende de installatie, het gebruik en het onderhoud van het apparaat.

De fabrikant is niet verantwoordelijk indien de informatie in dit document niet in acht wordt genomen. Bewaar de instructies op een veilige plaats om ze indien nodig gemakkelijk te kunnen lezen. Ze kunnen vervolgens ook nuttig zijn voor een andere gebruiker.

OPGELET!

Dit apparaat moet enkel worden gebruikt voor het doel waarvoor het bestemd is (huishoudelijk gebruik), in geschikte gebieden, ver weg van regen, vochtigheid of andere weersomstandigheden.

Transportinstructies

Dit apparaat moet zoveel mogelijk uitsluitend in de verticale positie worden getransporteerd. De verpakking moet tijdens het transport in perfecte conditie zijn.

Indien het apparaat in de horizontale positie werd vervoerd (enkel volgens de markeringen op de verpakking), wordt geadviseerd dat voor het apparaat in werking wordt gesteld, men het best gedurende 4 uur laat staan om het koelcircuit te laten rusten.

Het niet inachtnemen van deze instructies kan een defect van de motorcompressor veroorzaken en de garantie annuleren.

Waarschuwingen en algemeen advies

- Steek de stekker van het apparaat niet in het stopcontact indien u een defect opmerkt.
- Reparaties mogen enkel worden uitgevoerd door bevoegd personeel.

- Verwijder de stekker uit het stopcontact in de volgende situaties:

- wanneer u het apparaat volledig ontvriest;
- wanneer u het apparaat reinigt.

Om de stekker uit het stopcontact te verwijderen, trek aan de stekker en niet aan de kabel.

- Zorg dat er een minimum ruimte is tussen het apparaat en de muur waartegen het apparaat wordt geplaatst.
- Klim niet op het apparaat.
- Laat kinderen niet met het apparaat spelen of erin klimmen.
- Gebruik nooit elektrische toestellen binnenin de diepvriezer om te ontdooien.
- Gebruik het apparaat niet nabij verwarmingstoestellen, fornuizen of andere bronnen van warmte en vuur.
- Laat de diepvriezer niet langer open staan dan nodig om voedsel erin te plaatsen of eruit te halen.
- Laat geen voedsel in het apparaat indien het niet werkt.
- Plaats geen producten in het apparaat die ontvlambare of explosieve gassen bevatten.
- Plaats geen bruisende dranken (sap, mineraal water, champagne, enz.) in de diepvriezer: de fles kan ontploffen! Vries geen dranken in plastic flessen in.
- Eet geen ijsblokjes of roomijs onmiddellijk nadat u deze uit de diepvriezer hebt genomen omdat ze "vriesbrandwonden" kunnen veroorzaken.
- Raak nooit koude metalen delen of bevroren voedsel aan met natte handen omdat uw handen snel kunnen bevriezen op zeer koude oppervlakken.
- Ter bescherming van het toestel in de opslagplaats en tijdens het transport worden tussenstukken geleverd tussen de deur en kast (aan de voorkant- en achterkant). Deze tussenstukken worden verwijderd voor het toestel in gebruik wordt genomen.

- Overdreven ijsaanslag op het frame en de manden moet regelmatig worden verwijderd met de plastic schraper, die bij het toestel werd geleverd. Gebruik geen metalen objecten om het ijs te verwijderen. De aanwezigheid van ijsaanslag maakt het onmogelijk om de deur correct te sluiten.
- Indien u het apparaat niet gebruikt gedurende enkele dagen, is het beter om het uit te schakelen. Indien u het niet gebruikt gedurende een langere periode, ga als volgt te werk:
 - Trek de stekker uit het stopcontact.
 - Maak de diepvriezer leeg.
 - Ontdooi en reinig de diepvriezer.
 - Laat de deur open staan om het vormen van onaangename geuren te vermijden.
- Indien het netsnoer beschadigd is, moet dit door de producent, de dealer of een ander gekwalificeerd persoon worden gerepareerd om gevaar te voorkomen.
- Indien uw apparaat een vergrendeling heeft, houd deze vergrendeld en bewaar de sleutel op een veilige plaats, buiten het bereik van kinderen. Indien u een apparaat met een slot vervangt, zorg ervoor dat het slot niet meer werkt. Dit is zeer belangrijk om te vermijden dat kinderen er niet in opgesloten kunnen geraken, wat hun leven in gevaar kan brengen.

Installatie

- Dit apparaat is ontworpen om te werken bij een omgevingstemperatuur tussen -15°C en $+43^{\circ}\text{C}$.
- Indien de omgevingstemperatuur hoger is dan $+43^{\circ}\text{C}$, kan de temperatuur binnenin het apparaat oplopen.
- Installeer het apparaat ver verwijderd van een bron van warmte en vuur. Als u het in een warme kamer plaatst, of direct blootstelt aan zonnestralen of nabij een warmtebron (verwarmingstoestellen, fornuizen, ovens), verhoogt het stroomverbruik en verkort de levensduur.
- Neem de volgende minimum afstanden in acht:
 - 100 cm van fornuizen die met olie of kolen werken
 - 150 cm van elektrische en gasfornuizen

- Zorg voor de vrije luchtcirculatie rond het toestel door de afstanden in punt 2 in acht te nemen. Plaats de meegeleverde tussenstukken op de condensator (aan de achterkant). (Afbeelding 3)
- Plaats het toestel in een perfect egale, droge en goed geventileerde ruimte. Installeer de meegeleverde accessoires.

Elektrische aansluiting

- Uw apparaat is bedoeld om te werken bij een enkelfasige spanning van 220-240V/50Hz. Voor u de stekker van het apparaat in het stopcontact steekt, zorg ervoor dat de parameters van de netvoeding in uw huis (spanning, stroomtype, frequentie) voldoen aan de werkingsparameters van het apparaat.
- De informatie betreffende de netspanning en de geabsorbeerde stroom staat op het typeplaatje aan de achterkant van de diepvriezer.
 - De elektrische installatie moet voldoen aan de wettelijke vereisten.
 - **De aarding van het apparaat is verplicht. De fabrikant is niet verantwoordelijk voor schade aan personen, dieren of goederen die voortkomt uit de niet inachtneming van de gespecificeerde voorwaarden.**
 - Het apparaat is uitgerust met een snoer en een stekker (Europees type, gemarkeerd 10/16A) met een dubbel aardingscontact voor veiligheid. Indien het stopcontact niet hetzelfde type is als de stekker, vraag een gespecialiseerde elektricien om het aan te passen.
 - Gebruik geen verlengstukken of meervoudige adapter.

Uitschakelen

Het uitschakelen moet mogelijk zijn door de stekker te verwijderen uit het stopcontact of via een twee polen schakelaar geplaatst voor het stopcontact.

Bediening

Voor de indienstneming moet de binnenkant van het apparaat worden gereinigd (zie hoofdstuk "Reinigen").

Plaats na het reinigen de stekker in het stopcontact, stel de thermostaatknop in op een gemiddelde positie. De groene en rode lampjes in het signaleringsblok moeten branden. Laat het apparaat gedurende 2 uur werken zonder er voedsel in te plaatsen.

Na een werking van ongeveer 20 uur is het invriezen van voedsel mogelijk.

Beschrijving van het apparaat

(Afb. 1)

1. Deurhandgreep
2. Deur
3. Lampbehuizing
4. Manden
5. Plaat
6. Slotbehuizing
7. Thermostaatdoos
8. Tussenstuk voor transport

Werking van de diepvriezer

Temperatuurinstelling

De temperatuur van de diepvriezer wordt ingesteld met behulp van een knop op de thermostaat (afb. 4), waarbij positie "Max" de laagste temperatuur geeft.

De temperatuur die binnenin verkregen wordt, kan variëren afhankelijk van de gebruiksomstandigheden van het toestel: de plaats van het toestel, de omgevingstemperatuur; de frequentie van het openen van de deur, de mate van vullen met voedsel van de diepvriezer. De positie van de thermostaatknop zal veranderen afhankelijk van deze factoren. Voor een omgevingstemperatuur van 32°C zal de temperatuur normaal worden ingesteld op de gemiddelde positie.

Het meldingssysteem bevindt zich aan de voorkant van de diepvriezer (afb. 5).

Het omvat:

1. Thermostaatinstellingsknop – de binnentemperatuur wordt aangepast.
2. Groen lampje – geeft aan dat het toestel elektrische stroom krijgt.
3. Rood lampje – schade – brandt wanneer de temperatuur in de diepvriezer te hoog is. Het lampje brandt gedurende 15-45 minuten na het inwerkingstellen van de diepvriezer, daarna moet het uitgaan. Indien het lampje begint te branden tijdens de werking, betekent dit dat er defecten zijn opgetreden.
4. De oranje knop - snelvriesfunctie geactiveerd - door de knop op de Superfreeze-stand te zetten gaat het oranje led aan, wat aangeeft dat het apparaat in de snelvriesmodus staat. Na 50 uur wordt deze modus automatisch beëindigd, schakelt het apparaat naar de zuinige modus en gaat het oranje led uit.

De drie lampjes geven informatie over de werkingsmodus van de diepvriezer.

Advies voor het bewaren van voedsel

De diepvriezer is bedoeld om bevroren voedsel voor een lange tijd te bewaren, evenals om vers voedsel in te vriezen.

Een van de belangrijkste elementen voor het succesvolle invriezen van voedsel is de verpakking ervan.

De hoofdvoorwaarden waaraan de verpakking moet voldoen zijn de volgende: luchtdicht zijn, inert zijn tegenover het verpakte voedsel, bestand zijn tegen lage temperaturen, bestand zijn tegen vloeistoffen, vet, waterdampen, geuren en wasbaar zijn. Deze voorwaarden zijn vervuld door de volgende soorten verpakkingen: plastic of aluminium folie, plastic en aluminium potten, glazen in waskarton of plastic.

BELANGRIJK!

- Gebruik de bijgeleverde manden van het apparaat om vers voedsel in te vriezen. Plaats niet teveel voedsel tegelijkertijd in de diepvriezer. De kwaliteit van het voedsel wordt het best bewaard wanneer het zo snel mogelijk wordt ingevroren. Daarom is het aan te raden de vriescapaciteit van het toestel die vermeld staat in het Apparaatgegevensblad - niet te overschrijden.
- Het vers voedsel mag niet in contact komen met voedsel dat al ingevroren is.
- Het ingevroren voedsel dat u gekocht hebt, kan in de diepvriezer worden geplaatst zonder de thermostaat aan te passen.
- Indien de vriesdatum niet vermeld staat op de verpakking, neem een periode van max. 3 maanden als algemene richtlijn.
- Het voedsel, zelfs gedeeltelijk ontvoren, kan niet opnieuw worden ingevroren, het moet onmiddellijk verbruikt worden of gekookt en vervolgens opnieuw ingevroren worden.
- Bruisende dranken mogen niet in de diepvriezer geplaatst worden.
- In het geval van een stroomonderbreking, open de deur van het apparaat niet. Ingevroren voedsel wordt niet aangetast indien de panne minder dan 56 uur duurt.

Invriezen met Superfrost

- Zet de knop op de superfrost-stand. Het lampje van superfrost gaat aan.
- Wacht 24 uur.
- Plaats het verse voedsel in de diepvriezer. Om snel invriezen te bereiken moet het voedsel in contact zijn met de binnenwand als het in de vriezer wordt geplaatst.
- De superfrost-functie schakelt de snelvriesprocedure na 50 uur automatisch uit.

Belangrijk

Als u de knop op de superfrost-stand zet, is het mogelijk dat de compressor gedurende een aantal minuten niet aanslaat. Dit komt door de geïntegreerde inschakeltijdschakelaar, die is ontworpen om de levensduur van de koeleenheid te verlengen.

- U moet de superfrost-functie niet activeren:
- als u bevroren voedsel in de diepvriezer plaatst;
 - als u dagelijks tot ongeveer 2 kg vers voedsel invriest.

Ontdooien van het apparaat

- We bevelen aan om het diepvriezergedeelte minstens tweemaal per jaar te ontdooien of wanneer de ijslaag te dik is.
- Ijsaanslag is een normaal fenomeen.
- De hoeveelheid en snelheid van de ijsaanslag hangt af van de omgevingsvoorwaarden en van hoe vaak de deur geopend wordt.
- We bevelen aan het toestel te ontdooien wanneer de hoeveelheid ingevroren voedsel het kleinst is.
- Voor het ontdooien, draai de thermostaatknop op de hoogste stand zodat de etenswaren kouder worden.
- Trek de stekker uit het stopcontact.
- Verwijder de diepgevroren etenswaren, verpak ze in verschillende lagen papier en plaats ze op een koude plaats.
- Verwijder het scheidingspaneel en plaats het onderaan in de diepvriezer in de richting van de druppelbuis. Verwijder de sluitdop. Het water wordt opgevangen in een speciale vorm (scheidingspaneel). Nadat het ijs gesmolten is en het water weggelopen is, wrijf erover met een doek of spons en droog goed af. Plaats de sluitstop terug op zijn plaats. (Afb. 6)
- Laat de deur open om snel te ontdooien.
- Gebruik geen scherpe metalen objecten om het ijs te verwijderen.**
- Gebruik geen haardrogers of andere elektrische verwarmingstoestellen voor het ontdooien.**

Reinigen van binnenkant

Verwijder de stekker uit het stopcontact voor het reinigen.

- Het is aan te raden om het apparaat te reinigen wanneer u het ontdooit.
- Was de binnenkant met lauw water waaraan een neutraal reinigingsmiddel werd toegevoegd. Gebruik geen zeep, wasmiddel, benzine of aceton die een sterke geur kunnen nalaten.

- Wrijf af met een natte spons en droog met een zachte doek.

Vermijd tijdens het reinigen het gebruik van teveel water zodat het niet kan binnendringen in de thermische isolatie van het toestel wat onaangename geuren zou produceren.

Vergeet ook niet om de dichting van de deur te reinigen, vooral de balgribben, met een zuivere doek.

Reinigen van buitenkant

- Reinig de buitenkant van de diepvriezer met een spons die nat gemaakt werd in zeepwater en wrijf af met een zachte doek en droog af.
- Gebruik voor het reinigen van de buitenkant van het koelcircuit (motorcompressor, condensator, aansluitingsbuizen) een zachte borstel of een stofzuiger. Zorg ervoor dat de buizen niet vervormd worden of de kabels loskomen.

Gebruik geen schuurmaterialen!

- Plaats na het reinigen alle accessoires terug op hun plaats en steek de stekker in het stopcontact.

Het binnenlichtje vervangen

Indien het lampje niet meer brandt, verwijder de stekker uit het stopcontact. Verwijder de lampstrip. Controleer of de lamp goed vastgedraaid is. Plaats de stekker terug in het stopcontact. Indien de lamp nog niet brandt, vervang met een ander model E14 – 15W. Plaats de lampstrip terug op zijn plaats.

De lamp of lampen voorzien in dit apparaat mogen niet worden gebruikt voor de verlichting van huishoudelijke ruimten. Het beoogde gebruik van deze lamp is de gebruiker te helpen etenswaren op veilige en comfortabele wijze in de koelkast/diepvriezer te plaatsen.

De lampen die in dit apparaat worden gebruikt moeten bestendig zijn tegen extreme fysieke omstandigheden, zoals temperaturen beneden de -20°C.

Probleemoplossing

Het toestel werkt niet

- Er is een stroomstoring.
- De stekker steekt niet goed in het stopcontact.
- De zekering is gesprongen.
- De thermostaat staat in de "uit" positie.

De temperatuur is niet laag genoeg (rood lampje brandt).

- Het voedsel verhindert dat de deur goed gesloten wordt.
- Het toestel werd niet goed gesloten.
- Het toestel staat te dicht bij een warmtebron.
- De thermostaatknop staat niet in de juiste positie.

Teveel ijsaanslag

- De deur was niet goed gesloten.

Het lampje binnenin brandt niet

- De lamp is gesprongen. Verwijder de stekker uit het stopcontact, verwijder de lamp en vervang door een andere.

De volgende zaken zijn geen defecten

- Mogelijke krakende geluiden die van het product komen: de circulatie van het koelmiddel in het systeem.

Geluiden tijdens de werking

Ten einde de temperatuur op de aangepaste waarde te houden, start de compressor van het toestel af en toe op.

De geluiden die u in deze situatie hoort, zijn normaal.

Ze worden minder luidruchtig als het toestel de werkingstemperatuur bereikt heeft.


Het zoemende geluid wordt voortgebracht door de compressor. Het kan iets luider worden wanneer de compressor start.

De bubbelende en gorgelende geluiden die worden voortgebracht door de koelvloeistof wanneer ze door de pijpen stroomt, zijn normale werkingsgeluiden.

Waarschuwing!

Probeer het toestel of zijn elektrische componenten nooit zelf te repareren. Elke reparatie die wordt uitgevoerd door een onbevoegd persoon, kan gevaarlijk zijn voor de gebruiker en kan de garantie annuleren.



Het symbool  op het product of op de verpakking geeft aan dat het product niet als huishoudelijke afval kan worden behandeld. In plaats daarvan moet het worden afgegeven in het toepasselijke recyclagecentrum voor het recycleren van elektrische en elektronische apparaten. Door ervoor te zorgen dat dit product op de juiste manier wordt verwijderd, helpt u potentiële negatieve gevolgen te vermijden voor het milieu en de menselijke gezondheid, die anders veroorzaakt zouden kunnen worden door de verkeerde afvalbehandeling van dit product. Voor meer gedetailleerde informatie over het recycleren van dit product, neem contact op met de plaatselijke instanties, uw huishoudafvalverwerkingsdienst of de winkel waar u het product hebt aangekocht.

 De garantie is geldig gedurende de verwachte levensduur.

