

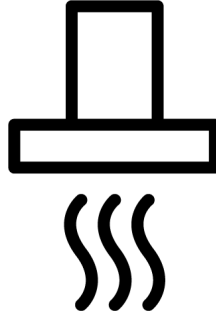
# beko

## Hood

User Manual

الشفاط

دليل المُستخدم



BHCA96641BFBHSE

185732333/ EN/ AR/ R.AA/ 08/04/44 04:39 م  
7705331208

## Welcome!

---

Dear Customer,

Thank you for choosing the Beko product. We want your product, manufactured with high quality and technology, to offer you the best efficiency. Therefore, carefully read this manual and any other documentation provided before using the product.

Keep in mind all the information and warnings stated in the user's manual. This way, you will protect yourself and your product against the dangers that may occur.

Keep the user's manual. If you give the product to someone else, give the manual with it. The warranty conditions, usage and troubleshooting methods for your product are provided in this manual.

### The symbols and their descriptions in the user's manual:



Hazard that may result in death or injury.



Important information or useful usage tips.



Read the user's manual.



Hot surface warning.

**NOTICE** Hazard that may result in material damage to the product or its environment.

**Arçelik A.Ş.**

Karaağaç caddesi No:2-6  
34445 Söğütözü/İstanbul/TURKEY

Made in TURKEY

## Table of Contents

<b>1</b>	<b>Safety Instructions.....</b>	<b>4</b>
1.1	General Safety.....	4
1.2	Electrical Safety.....	5
1.3	Product Safety.....	6
1.4	Intended Use.....	8
1.5	Child, Vulnerable Persons and Pet Safety.....	8
1.6	Transportation Safety.....	8
<b>2</b>	<b>Environmental Instructions.....</b>	<b>9</b>
2.1	Waste Directive.....	9
2.1.1	Compliance with the WEEE Dir- ective and Disposing of the Waste Product.....	9
2.2	Package Information.....	9
<b>3</b>	<b>Your product.....</b>	<b>10</b>
3.1	Product Introduction.....	10
3.2	Product Accessories.....	10
3.3	Technical Specifications.....	12
<b>4</b>	<b>Using the Hood.....</b>	<b>13</b>
<b>5</b>	<b>Maintenance and Cleaning.....</b>	<b>16</b>
5.1	General Cleaning Information.....	16
5.2	Aluminium Filter.....	17
5.3	Hood Lamp.....	17
5.4	Carbon Filter (Usage without a flue).....	17
<b>6</b>	<b>Troubleshooting.....</b>	<b>18</b>



## 1 Safety Instructions

---

- This section includes the safety instructions necessary to prevent the risk of personal injury or material damage.
- If the product is handed over to someone else for personal use or second-hand use purposes, the user's manual, product labels and other relevant documents and parts should also be given.
- Our company shall not be held responsible for damages that may occur if these instructions are not observed.
- Failure to follow these instructions shall void any warranty.
- Always have the installation and repair works made by the manufacturer, the authorised service or a person that the importer company shall designate.
- Use original spare parts and accessories only.
- Do not repair or replace any component of the product unless it is clearly specified in the user's manual.
- Do not make technical modifications on the product.



### 1.1 General Safety

- This product can be used by children 8 years of age and older, and people who are underdeveloped in physical, sensory or mental skills, or who have lack of experience and knowledge, as long as they are supervised or trained about the safe use and hazards of the product. Children should not play with the appliance. Cleaning and user maintenance must not be made by children without supervision.
- **Poisoning Danger!** While the appliance is operating, air is drawn from the whole house. If adequate ventilation is not provided, air flow occurs and the waste and toxic gases released as a result of combustion in the house are reabsorbed. Do not operate the product together with products that provide air circulation and may emit toxic gas (wood, gas, oil and coal stoves, boilers, water heaters, etc.).
- Have the adequacy of your building's ventilation and flue system checked by authorized persons.

- This product is not intended for use by persons (including children) with limited physical, sensory or mental capacity or without knowledge or experience, unless supervised or instructed by the individual responsible for their safety. Children should be supervised to ensure that they do not play with the product. Cleaning and user maintenance must not be made by children without supervision.
- Installation and repair procedures must always be performed by **Authorised Service Agents**. The manufacturer cannot be held responsible for any damages that may arise due to operations made by unauthorized persons.
- Do not operate the product if it is defective or has any visible damage.
- Ensure that the product function knobs are switched off after every use.
- If the product is handed over to someone else for personal use or second-hand use purposes, the user's manual, product labels and other relevant documents and parts should also be given.
- Call the authorized service for the installation of the product to be used. The warranty term starts after this process.
- Product must be installed by a qualified person in accordance with the regulations in force for the warranty to be applicable.



## 1.2 Electrical Safety

- To have your product ready for use, first provide the place of installation and have the electrical installation made. Then, call the nearest Authorised Service.
- If the product has a failure, it should not be operated unless it is repaired by an Authorised Service Agent. There is the risk of electric shock!
- Do not plug your hood in until it is mounted.
- If your product has plug, never touch the plug with wet hands! Never unplug by pulling on the cable, always pull out by holding the plug.
- The appliance power should be cut off during installation, maintenance, cleaning and repair processes.
- In order to prevent any hazard from occurring, in case of damage, the electrical cable must be replaced by the man-

ufacturer, the manufacturer's service centre or a similar qualified person.

- If the cable is damaged, contact our nearest service centre and have a new one installed.
- If your product has plug, do not make electrical connections by disconnecting the plug during installation. Connections made by cutting off render the product warranty void and pose a danger to user safety.
- Do not install the mains cord near the heaters. The cable might melt, causing a fire.
- If your product does not have a cable, only use the connecting cable described in the "Technical specifications" section.
- Any work on electrical equipment and systems should only be carried out by authorised and qualified persons.
- In case of any damage, switch off the product and disconnect it from the mains. To do this, turn off the fuse at home.
- Make sure that fuse rating is compatible with the product.
- Never wash the appliance by spraying or pouring water on it! There is the risk of electric shock!

### **1.3 Product Safety**

- Height between the bottom surface of your hood and the top surface of the oven should be no less than 650 mm for gas ovens and 500 mm for electrical ovens.
- (For Model C) In electrical ovens, the highest performance in the product is achieved by leaving a height of 550 mm.
- Do not touch the lamps of your hood after operating the hood for a long time. Hot lamps may burn your hand.
- Do not operate the appliance without an oil entrapment filter. Do not remove the filters while the appliance is operating.
- Do not create a high flame under the product. Otherwise, the oil in the oil trap filter may ignite, causing a fire.
- Run the product after placing the cooking pots, pans, etc. on the ovens. Otherwise, rising heat may deform some parts of your product.
- Turn off the oven before taking the cooking pots, pans, etc. from the ovens.
- Do not keep easily flammable materials under your hood.

- Do not expose the appliance to open flame. It may cause the oil accumulating in the filter to catch fire. Do not operate the appliance without a filter.
- Do not leave your cooker unattended while cooking fried foods, oils may catch fire while cooking, and hot oil may cause fire. Therefore pay attention to the clothes and curtains.
- If cleaning is not performed in a timely manner, the hood may present a risk of fire.
- (For Models A and B) Run your hood for another 15 minutes after the cooking or frying process to clean the kitchen air thoroughly of the odours and vapours generated during cooking.
- Adequate ventilation must be available in the room when gas or other fuel-burning appliances are used at the same time while the oven hood with a cooker is being used. (Not applicable for only the appliances that discharge air back into the room).
- Gas or fuel oil burning appliances, such as room heaters, which share the same environment with the hood, must be fully insulated from the exhaust of this product or they must be hermetical.
- If there is another appliance operating with fuel oil or gaseous fuels in the environment, adequate ventilation of the environment is required.
- If there is another appliance operating with energy other than electrical energy in the same environment with the hood, the negative pressure in the room should be at most 0.04 mbar so that the exhaust of the other appliance is not drawn back into the room by the hood.
- Do not connect to flues with heating stove connection, flues where waste gas is disposed from or flues with rising flames. Comply with local regulations on purging the out-flow.
- Use pipes with a diameter of 120 mm when connecting a flue to your product. The pipe connection should be as short as possible and with few bends.
- Easily flammable and combustible materials should not be hung on the hood handles.

- Our company shall not be responsible for problems that arise for not observing any of the warnings above.
- There is a risk of fire if cleaning is not carried out in accordance with the instructions.
- There should not be open fire under the hood. (for example: flambe)
- **Caution:** Accessible parts can heat up when used with a cooker.
- It is recommended to clean the filter once a month under normal usage.

#### **1.4 Intended Use**

- This product is designed for home use. Commercial use will void the guarantee.
- The manufacturer assumes no responsibility for any damage due to misuse or mishandling.
- The service life of the product you have purchased is 10 years. Manufacturer shall provide the required spare parts for the product to perform as defined during this period.

#### **1.5 Child, Vulnerable Persons and Pet Safety**

- Keep children away from the product when it is running.
- Children should not play with the product. Cleaning and user maintenance should not be performed by children unless there is someone overseeing them.
- This product should not be used by people with limited physical, sensory or mental capacity (including children), unless they are kept under supervision or receive the necessary instructions.
- The packaging materials are dangerous for children. Keep the packaging materials out of the reach of children or sort them into waste according to waste instructions.
- Electrical products are dangerous for children and pets. Keep children away from the product while it is operated and do not let them play with the product.

#### **1.6 Transportation Safety**

- Disconnect the product from the mains before transporting the product.



- Do not put other items on the product and carry the product upright.
- When you need to transport the product, wrap it with bubble wrap packaging material or thick cardboard and tape it tightly. Secure the product tightly with tape to prevent the removable or moving parts of the product and the product from getting damaged.
- Check the overall appearance of the product for any damage that may have occurred during transportation.

## 2 Environmental Instructions

### 2.1 Waste Directive

#### 2.1.1 Compliance with the WEEE Directive and Disposing of the Waste Product

This product complies with EU WEEE Directive (2012/19/EU). This product bears a classification symbol for waste electrical and electronic equipment (WEEE).



This product has been manufactured with high quality parts and materials which can be re-used and are suitable for recycling. Therefore, do not dispose of the waste product with normal domestic and other wastes at the end of its service life. Take it to a collection point for the recycling of electrical and electronic equipment. You can ask your

local administration about these collection points. Disposing of the appliance properly helps prevent negative consequences for the environment and human health.

#### Compliance with RoHS Directive:

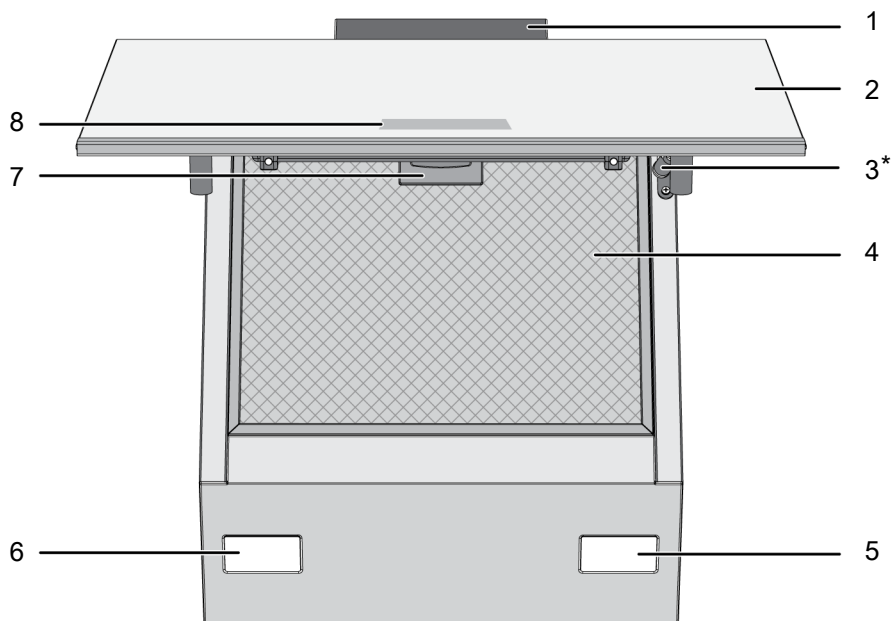
The product you have purchased complies with EU RoHS Directive (2011/65/EU). It does not contain harmful and prohibited materials specified in the Directive.

### 2.2 Package Information

Packaging materials of the product are manufactured from recyclable materials in accordance with our National Environment Regulations. Do not dispose of the packaging waste with the household or other wastes, take it to the packaging material collection points designated by the local authorities.

## 3 Your product

### 3.1 Product Introduction



1 Hood body

3 Damper

5 Lamp

7 Aluminium filter lock

2 Hood glass lid

4 Aluminium filter

6 Lamp

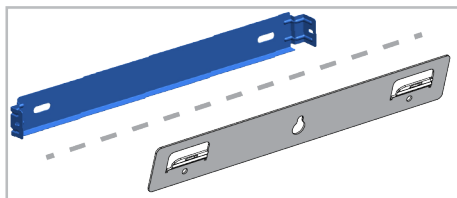
8 Control panel

\* Dependent on the model. It may not be available on your product.

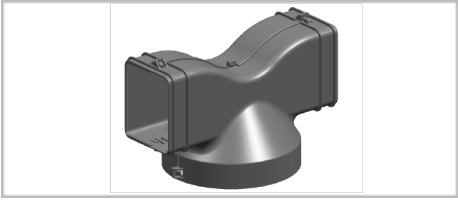
### 3.2 Product Accessories

Depending on the product model, the supplied accessory varies. All accessories described in the user's manual may not be available in your product.

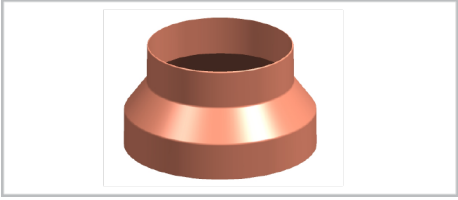
#### Wall mounting part



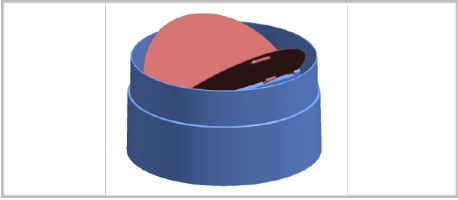
**Air router**



**Flue connection adapter**



**Covers to prevent reverse airflow**



### 3.3 Technical Specifications

Product external dimensions (height/width/depth) (mm)	min. 910 - max. 1138 /895 /419
Voltage/Frequency	220-240 V ~1N; 50 Hz
Total power consumption	max. 300 W
Suction power	700-720 m3/h
Diameter of air outlet pipe	120-150 mm

Control	
Model A	3 levels
Model B	3 levels + 1 booster
Model C	3 levels + 1 booster



Technical specifications may be changed without prior notice to improve the quality of the product.



Figures in this manual are schematic and may not exactly match your product.



Values stated on the product labels or in the documentation accompanying it are obtained in laboratory conditions in accordance with relevant standards. Depending on operational and environmental conditions of the product, these values may vary.

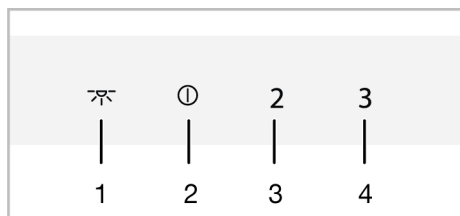
## 4 Using the Hood

The hood has an engine with various speeds. For a good performance, we recommend using low speeds under normal conditions and high speeds in case of strong odour and vapour condensation.



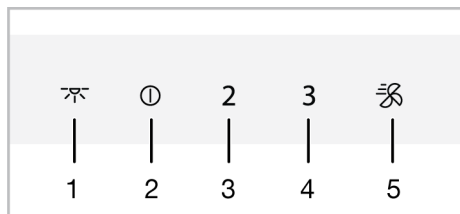
The program is cancelled if power is cut when any program in your hood is active.

### MODEL A



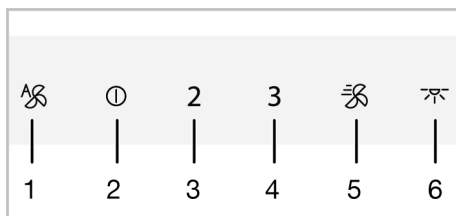
- 1 Lamp key
- 2 On-Off/Speed 1 key
- 3 Speed 2 key
- 4 Speed 3 key

### MODEL B



- 1 Lamp key
- 2 On-Off/Speed 1 key
- 3 Speed 2 key
- 4 Speed 3 key
- 5 Booster key

### MODEL C



- 1 Automatic mode key
- 2 On-Off/Speed 1 key
- 3 Speed 2 key
- 4 Speed 3 key
- 5 Booster key
- 6 Lamp key

### Operating the hood

1. Touch the speed level key you have selected to operate the hood.
  - ⇒ The set speed level key lights up.
2. You can touch the other speed level keys to change the speed level.



When in operation, the product will run for a maximum of 6 hours if no key is touched.

### Turning off the hood


1. To turn the hood off, touch again the key of the level on which the hood is operating or ① key.



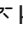

If you touch the ① key with any function active except the lamp, then the function is cancelled.


### Turning on the intensive ventilation mode (Booster) (for models B and C)

1. Press key once to start the hood in the intensive ventilation mode.
  - ⇒ The intensive ventilation mode starts up and runs for a maximum of 10 minutes. During this time, the key lights up. After 10 minutes, the product continues to operate in Speed 3 and the Speed 3 key lights up.


 In intensive ventilation mode, when any speed key is touched, it returns to that speed level and continues to operate.



### Operating the lamp

1. Touch the  key to operate the lamp.
  - ⇒ Hood lamp lights. (For Models B and C) If you touch the  key again within the first 1 minute, the lamp will continue to light at the low illumination level. If you touch it again 1 minute after turning the lamp on, it turns off.

 The illumination lamps operate for a maximum of 12 hours.




### Turning off the lamp


1. One minute after turning the hood lamp on, you can turn it off by touching the  key again.


 (For Models B and C) If you touch the  key again within the first 1 minute after the lamp is switched on, the lamp switches to the low illumination level.

### Setting the lamp illumination colour (for models B and C)

You can use the colour of your hood's illumination lamps in 3 different shades.


1. With the hood lamp turned on, touch  key for more than 2 seconds.
  - ⇒ The lamp changes to the other colour shade.
2. If you continue to touch the  key, it will change to the next colour shade after every 2 seconds. According to the desired colour shade, stop touching  key when the lamp is in that colour shade. The colour shade will automatically activate.


 You can only change the light colour shade while the lamp has high light intensity.


 In the event of a power outage, your hood will remember the colour shade set and the lamp will work in the colour that was last set.


### Automatic mode (for model C)

Your hood measures the temperature of the air in the kitchen and the air coming from your hob by using a sensor. In automatic mode, it determines the required levels for the temperature of the air from the hob to match the temperature of the air in the kitchen and operates at levels determined automatically.

1. To enable the automatic mode touch the  key.
  - ⇒ The automatic mode is activated and operates until the temperature of the air from the hob equals the ambient temperature. It will switch off automatically when the temperature equalizes. You must enable automatic mode again to re-switch it on.

 While automatic mode is active, automatic mode will be cancelled when you turn the product on and off at any speed.

2. To turn automatic mode off early touch the  key once more.

 If you open the cover of the product when auto mode is on, its performance will decrease. Do not open the cover when the automatic mode is active.

**i** If the ambient temperature difference occurs even when the hob is not operating while the automatic mode is active, the temperature sensor in the product will detect the difference and the product may start operating at Speed 2 or 3 depending on the difference. In this case, automatic mode will be turned off when the temperature difference is equalized.

**i** Do not use automatic mode when your hob is not working.

### Air cleaning mode (for models B and C)

You can use air cleaning mode to eliminate the odour in your house during a long time at low level.

1. Touch the Speed 1 key for more than 3 seconds.
  - ⇒ Air cleaning mode is activated. The light of the Speed 1 key flashes when the air cleaning mode is active.
2. The air cleaning mode will operate at Speed 1 for 10 minutes in 1 hour and will stop for 50 minutes. If you do not switch off the air cleaning mode, it will remain in operation for 10 minutes, then stop for 50 minutes in each hour for 24 hours.

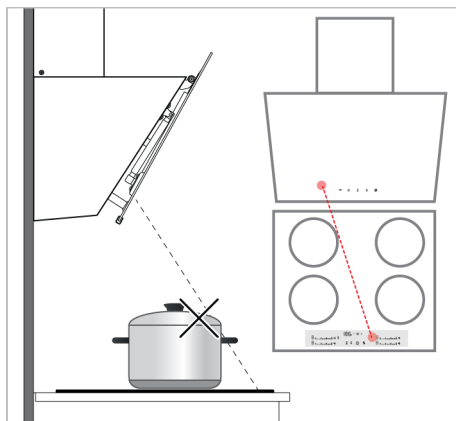
**i** When air cleaning mode is active, it is automatically cancelled at the touch of any key except lamp key. Your hood continues to operate at the function of the key you touch.

### Hood and hob combined working (Hob to Hood function – for model B)

If your hob has a hob-hood combined operation feature (Hob to Hood), Model B product can work with the hob. You can use this feature for the model B hood by following the descriptions in the hob manual.

### Things to consider when using the "Hob to Hood" function:

- If the pot is positioned in the right front eye of the hob in such a way that the view angle of the sensor is blocked, the hood's "Hob to Hood" function may not work.
- Do not use an object that will cover the hood control panel. Remove this object and operate your product.
- Do not block the signal between the hob and the hood (with a cover, oven cloth, long pot). In such a case, remove the obstacle and restart your hob.
- The sensor locations in a hob and hood are indicated schematically in the image below. Do not place any objects that will block the signal in between.



### Aluminium filter fill warning

The light of Speed 2 key flashes after every 100 hours of operation. In this case, you must clean your aluminium filter. After cleaning, the lamp warning of Speed 2 key does not turn off automatically. When you touch the Speed 2 key for more than 3 seconds, aluminium filter fill warning is re-set and the lamp is turned off.

**i** The warning is not cancelled if the power is cut when the hood gives aluminium filter fill warning. When the power is available, it continues to warn with the light of Speed 2 key flashing.



If you run your hood at any speed level with the aluminium filter fill warning, the warning will not appear for as long as the hood is running. When you turn off the hood, the fill warning starts flashing again.



If you turn off the warning without cleaning the aluminium filter, the operating time of 100 hours is reset and it starts over. At the end of the next 100 hours, your hood warns again.

### **Carbon filter fill warning (for products with carbon filter)**

The light of Speed 2 key flashes after every 100 hours of operation. In this case, you must replace your carbon filter. Consult an authorized service for this. After replacement, the lamp warning of Speed 2 key does not turn off automatically. When you

touch the Speed 2 key for more than 3 seconds, carbon filter fill warning is reset and the lamp is turned off.



The warning is not cancelled if the power is cut when the hood gives carbon filter fill warning. When the power is available, it continues to warn with the light of Speed 2 key flashing.



If you run your hood at any speed level with the carbon filter fill warning, the warning will not appear for as long as the hood is running. When you turn off the hood, the fill warning starts flashing again.



If you turn off the warning without replacing the carbon filter, the operating time of 100 hours is reset and it starts over. At the end of the next 100 hours, warning is given again.

## **5 Maintenance and Cleaning**

### **5.1 General Cleaning Information**

#### **General warnings**

- Service life of the product extends and frequently faced problems decrease if cleaned at regular intervals.
- Disconnect the product from the electrical connection before starting maintenance and cleaning operations. There is an electric shock hazard!
- Some detergents or cleaning agents may cause damage to the surface. Do not use abrasive detergents, cleaning powders, cleaning creams or sharp objects during cleaning.
- Do not use steam cleaning products for cleaning.

#### **Product cleaning**

- The product should be thoroughly cleaned after each use. Thus, food residues are easily cleaned and these residues are prevented from burning when the product is used again later.
- No special cleaning agent is required for cleaning the product. Clean the product using dishwashing detergent, warm water and a soft cloth or sponge and dry it with a dry cloth.
- Do not use acid or chlorine-containing cleaning agents to clean stainless or inox surfaces and handles. Clean with a soft soapy cloth and liquid (non-scratching) detergent, taking care to wipe in one direction.
- There are sensors in the backside of the product's glass cover. Do not damage these sensors during cleaning. (For model C)



## 5.2 Aluminium Filter

This filter serves to retain oil particles in the air. **It is recommended to clean the filter once a month under normal usage.** To achieve this:

1. Remove the aluminium filters.
2. Wash the filters in water using liquid detergent and reinstall after drying.

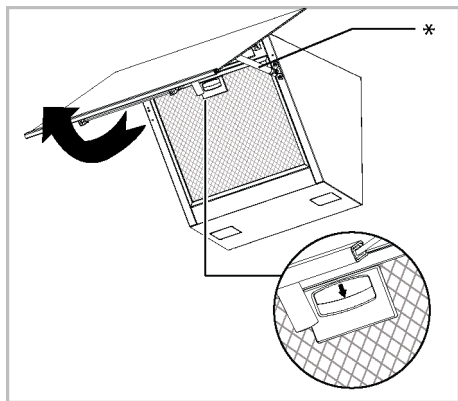
Aluminium filters may change colour as they are washed; this is normal and does not require replacing your filters.



You can also wash the aluminium filter in the washing machine. (max. 70 °C)

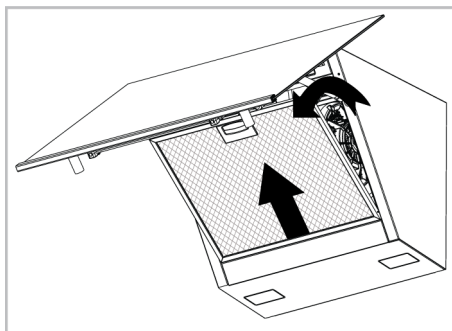
### Removing aluminium filters

1. Open hood cover upwards and pull aluminium filter lock downwards as shown in the figure.



\* Silencer is optional. It may not be available on your product.

2. Gently pull the filter towards you first and pull it upwards to remove it from its slot.



3. Reinstall the aluminium filter in its slot after flushing by following the above steps in reverse.

## 5.3 Hood Lamp

In the event of a lamp malfunction in the hood, contact your local dealer or the Customer Service, and ensure that the lamp is replaced.

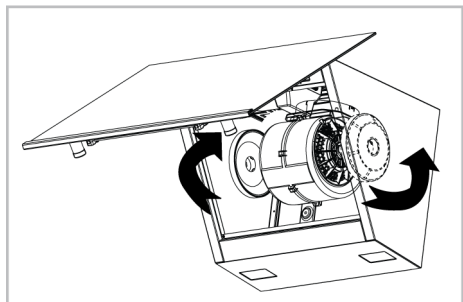
## 5.4 Carbon Filter (Usage without a flue)

### General warnings

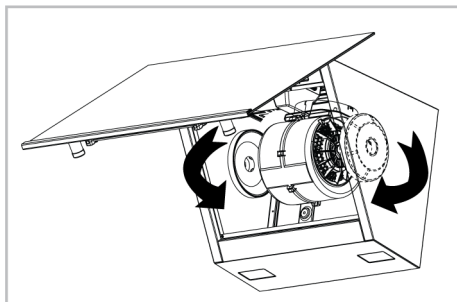
- If you have installed your product without a flue, you should replace your carbon filters every 4 months in normal use. You can obtain the carbon filter from Authorized Services.
- The carbon filter should never be washed.
- If you do not follow the rules for cleaning and replacing the filters of your hood, you may cause a fire.

### Removing carbon filters

1. Open the glass cover of the hood and remove the aluminium filter.
2. Unscrew the carbon filters on the right and left of the motor holder.



3. Place the lug slots of your new carbon filters into the lugs on the motor holder and turn them clockwise to snap them into place.



4. Close the hood glass cover after installing the aluminium filter.

## 6 Troubleshooting

If the problem persists after following the instructions in this section, contact your vendor or an Authorized Service. Never try to repair your product yourself.

### Product is not working.

- Fuse may be faulty or blown. >>> Check the fuses in the fuse box. Change them if necessary or reactivate them.
- The product may not be plugged in. >>> Check if the product is plugged in to the outlet or not.
- The speed button may not be set. >>> Press/touch the desired speed button.
- There may be no electricity. >>> Ensure the mains is operational and check the fuses in the fuse box. Change the fuses if necessary or reactivate them.

### Hood light is not on.

- Hood lamp may be faulty. >>> Contact your local dealer where you purchased your product or the Customer Service, and ensure that the lamp is replaced.
- There may be no electricity. >>> Ensure the mains is operational and check the fuses in the fuse box. Change the fuses if necessary or reactivate them.

### "Hob to Hood" function is not working. (For model B)

- Hood or hob control panel might be covered with an object. >>> Remove the object and reactivate the function over the hob.
- You might be using a pot which might block the signal between the hob and the hood. >>> Place your pot onto the hob in such a way not to block the signal.



## مرحبًا!

عميلنا العزيز؛

شكرا لاختيارك المنتج Beko نحن نريد أن يقدم لك منتجك، المصنوع بجودة وتكنولوجيا عالية، أفضل كفاءة ممكنة. لذلك، يرجى قراءة هذا الدليل بعناية وأية وثائق أخرى مقدمة قبل استخدام المنتج. ضع في اعتبارك جميع المعلومات والتحذيرات الواردة في دليل المستخدم. فهذه الطريقة، ستحمي نفسك ومنتجك من الأخطار التي قد تقع.

احتفظ بدليل المستخدم. إذا أعطيت المنتج لشخص آخر، فقدم معه الدليل. تم توضيح شروط الضمان والاستخدام وطرق استكشاف الأخطاء وإصلاحها لمنتجك في هذا الدليل.

### الرموز وأوصافها في دليل المستخدم:

خطر قد يؤدي إلى الوفاة أو الإصابة.



معلومات مهمة أو نصائح استخدام مفيدة.



اقرأ دليل المستخدم.



تحذير السطح الساخن.



إخطار الخطر الذي قد ينتج عنه تلف مادي بالمنتج أو بيئته.

**Arçelik A.Ş.**

Karaağaç caddesi No:2-6  
34445 Sütlüce/Istanbul/TURKEY

Made in TURKEY

22	1	تعليمات السلامة.....
22	1-1	السلامة العامة .....
23	2-1	السلامة الكهربائية .....
24	3-1	سلامة المنتج.....
25	4-1	غرض الاستخدام .....
25	5-1	سلامة الأطفال والمعرضين للخطر والحيوانات الأليفة .....
26	6-1	سلامة النقل.....
26	2	تعليمات بيئية .....
26	1-2	توجيه النفايات .....
26	1-1-2	الامتثال لتوجيه النفايات الكهربائية والأجهزة الإلكترونية والتخلص من المنتج غير القابل للاستعمال.....
27	2-2	معلومات الغلاف .....
27	3	منتجك .....
27	1-3	مقدمة المنتج .....
27	2-3	ملحقات المنتج .....
29	3-3	المواصفات الفنية .....
30	4	استخدام الشفاط .....
33	5	الصيانة والتنظيف.....
33	1-5	معلومات التنظيف العامة .....
33	2-5	الفلتر الألومنيوم.....
34	3-5	مصباح الشفاط.....
34	4-5	فلتر الكربون (الاستخدام بدون مدخنة) ...
35	6	استكشاف الأخطاء وإصلاحها .....

## ١ ! تعليمات السلامة

- يتضمن هذا القسم تعليمات السلامة اللازمة لمنع مخاطر الإصابة الشخصية أو الأضرار المادية.
  - إذا تم تسليم المنتج إلى شخص آخر للاستخدام الشخصي أو لأغراض الاستخدام غير المباشر، يجب أيضاً تقديم دليل المستخدم وملصقات معلومات المنتج، والوثائق والأجزاء الأخرى ذات الصلة.
  - لن تتحمل الشركة المسؤولية عن أي أضرار قد تنتج عن عدم الالتزام بهذه التعليمات.
  - يؤدي عدم اتباع هذه التعليمات إلى إبطال أي ضمان.
  - احرص دائماً على إجراء أعمال التركيب والإصلاح من قبل الشركة المصنعة أو الخدمة المعتمدة أو الجهة التي تحددها الشركة المستوردة.
  - استخدم دائماً قطع غيار وملحقات أصلية.
  - لا تقم بإصلاح أي جزء من المنتج أو استبداله ما لم ينص على ذلك صراحة في دليل الاستخدام.
  - لا تقم بإجراء أي تعديلات فنية على المنتج.
- ### ١-١ ! السلامة العامة
- يمكن استخدام هذا المنتج من قبل الأطفال ممن هم في سن 8 سنوات فما فوق، والأشخاص الذين يعانون من نقص في المهارات الجسدية أو

- الحسية أو العقلية، أو نقص الخبرة والمعرفة، طالما أنهم يخضعون للإشراف أو تم تدريبهم على الاستخدام الآمن ومخاطر المنتج. يجب ألا يلعب الأطفال بالجهاز. ولا ينبغي لهم كذلك تنظيفه وصيانته دون الخضوع للإشراف.
- **خطر التسمم!** أثناء تشغيل الجهاز، يتم سحب الهواء من المنزل بأكمله. وإذا لم يتم توفير تهوية مناسبة، فيحدث تدفق للهواء ويتم امتصاص النفايات والغازات السامة الناتجة عن الاحتراق في المنزل. لا تقم بتشغيل المنتج مع المنتجات التي توفر دوراناً للهواء وقد تبعث منها غازات سامة (مواد الأخشاب والغاز والنفط والفحم والغلايات وسخانات المياه وما إلى ذلك).
- قم بإجراء فحص لكفاءة نظام التهوية والمداخن في المبنى من قبل الأشخاص المصرح لهم.
- هذا المنتج غير مخصص للاستخدام من قبل أشخاص (بما في ذلك الأطفال) لديهم قدرة بدنية أو حسية أو عقلية محدودة أو بدون معرفة أو خبرة، ما لم يتم الإشراف أو التوجيه من قبل الشخص المسؤول عن سلامتهم. ينبغي أن يخضع الأطفال للإشراف لضمان عدم عبثهم بالمنتج. ولا ينبغي لهم كذلك تنظيفه وصيانته دون الخضوع للإشراف.

- يجب دائماً تنفيذ عمليات التركيب والإصلاح بواسطة الخدمة المعتمدة. لا تتحمل الشركة المصنعة المسؤولية عن أية أضرار قد تنشأ عن عمليات التشغيل من خلال أشخاص غير مصرح لهم.
  - لا تقم بتشغيل المنتج إذا كان به عيب أو أي تلف مرئي.
  - تأكد من إيقاف تشغيل مقابض ووظيفة المنتج بعد كل استخدام.
  - إذا تم تسليم المنتج إلى شخص آخر للاستخدام الشخصي أو لأغراض الاستخدام غير المباشر، يجب أيضاً تقديم دليل المستخدم وملصقات معلومات المنتج، والوثائق والأجزاء الأخرى ذات الصلة.
  - اتصل بالخدمة المعتمدة لتثبيت المنتج المراد استخدامه. تبدأ مدة الضمان بعد هذه العملية.
  - يجب تثبيت المنتج بواسطة شخص مؤهل وفقاً للوائح المعمول بها حتى يصبح الضمان سارياً.
- ٢-١  السلامة الكهربائية
- لجعل منتجك جاهزاً للاستخدام، قم أولاً بتوفير مكان التركيب وقم بالتركيب الكهربائي. ثم اتصل بأقرب خدمة معتمدة.
  - إذا كان المنتج به عطل، فلا ينبغي تشغيله ما لم يتم إصلاحه بواسطة وكيل خدمة معتمد. هناك خطر حدوث صدمة كهربائية!
- لا تقم بتوصيل الشفط بالكهرباء حتى يتم تركيبه.
  - إذا كان المنتج الخاص بك يحتوي على قابس، فلا تلمس القابس بأيدي مبللة! لا تقم أبداً بفصل القابس عن طريق سحب الكابل، بل اسحبه دائماً ممسكاً برأس القابس.
  - يجب فصل الجهاز عن الكهرباء أثناء عمليات التركيب والصيانة والتنظيف والإصلاح.
  - لمنع حدوث أي خطر في حالة حدوث تلف في الكابل، يجب استبدال الكبل الكهربائي من قبل الشركة المصنعة أو مركز خدمة الشركة المصنعة أو شخص بمؤهلات مماثلة..
  - في حالة تلف الكبل، اتصل بأقرب مركز خدمة تابع لنا وقم بتركيب واحد جديد.
  - إذا كان المنتج خاصتك يحتوي على قابس، فلا تقم بإجراء توصيلات كهربائية بفصل القابس أثناء التثبيت. التوصيلات التي يتم إجراؤها بالقطع تجعل ضمان المنتج باطلاً وتشكل خطراً على سلامة المستخدم.
  - لا تقم بتركيب سلك التيار الكهربائي بالقرب من السخانات. فقد يذوب الكبل، مما يتسبب في نشوب حريق.
  - إذا لم يكن منتجك يحتوي على كابل، فاستخدم فقط كابل التوصيل الموضح في قسم "المواصفات الفنية".

- قم بتشغيل المنتج بعد وضع أواني الطهي والمقالي وما إلى ذلك على المواعد. وإلا، قد تؤدي الحرارة المرتفعة إلى حدوث تشوه في بعض أجزاء منتجك.
- أغلق الموقد قبل أخذ أواني الطهي والمقالي وما إلى ذلك.
- لا تحتفظ بمواد قابلة للاشتعال بسهولة تحت الشفاط.
- لا تعرض الجهاز للهب المكشوف. قد يتسبب ذلك في اندلاع حريق بسبب تراكم الزيت في الفلتر. لا تقم بتشغيل الجهاز بدون فلتر.
- لا تترك الموقد دون رقابة أثناء طهي الأطعمة المغلية، فقد تشتعل الزيوت أثناء الطهي، وقد يتسبب الزيت الساخن في نشوب حريق. لذلك انتبه إلى الملابس والستائر.
- إذا لم يتم إجراء التنظيف في الوقت المناسب، فقد ينشأ عن الشفاط خطر نشوب حريق.
- (بالنسبة للطرابين أ و ب) قم بتشغيل الشفاط لمدة 15 دقيقة أخرى بعد عملية الطهي أو القلي لتنظيف هواء المطبخ تمامًا من الروائح والأبخرة المتولدة أثناء الطهي.
- يجب توفير تهوية مناسبة في الغرفة عند استخدام الغاز أو غيره من الأجهزة التي تعمل بحرق الوقود في نفس الوقت أثناء استخدام شفاط

- لا يجوز تنفيذ أي عمل على المعدات والأنظمة الكهربائية إلا من قبل أشخاص مؤهلين ومعتمدين.
- في حالة حدوث أي تلف، قم بإيقاف تشغيل الجهاز وفصله من التيار الكهربائي. للقيام بذلك، قم بإيقاف تشغيل المصهر في المنزل.
- تأكد من توافق تصنيف المصهر مع المنتج.
- لا تغسل المنتج أبدًا عن طريق رش الماء أو سكب عليه! هناك خطر حدوث صدمة كهربائية!

### ⚠️ ٣-١ سلامة المنتج

- يجب ألا يقل الارتفاع بين السطح السفلي للشفاط والسطح العلوي للفرن عن 650 مم لأفران الغاز و 500 مم للأفران الكهربائية.
- (بالنسبة لطرانج) في الأفران الكهربائية، يتم تحقيق أعلى أداء في المنتج بترك ارتفاع 550 مم.
- لا تلمس مصابيح الشفاط بعد تشغيله لفترة طويلة. وإلا فقد تحرق المصابيح الساخنة يدك.
- لا تقم بتشغيل الجهاز بدون فلتر الزيت. لا تقم بإزالة الفلاتر أثناء تشغيل الجهاز.
- لا تشكل لهبًا عاليًا تحت المنتج. بخلاف ذلك، قد يشتعل الزيت الموجود في فلتر الزيت، مما يؤدي إلى نشوب حريق.



- شركتنا غير مسؤولة عن المشاكل التي تنشأ عن عدم مراعاة أي من التحذيرات المذكورة أعلاه.
- هناك خطر نشوب حريق إذا لم يتم التنظيف وفقاً للتعليمات.
- يجب ألا يكون هناك نيران مكشوفة أسفل الشفاط. (على سبيل المثال: اللهب)
- تحذير: قد ترتفع درجة حرارة الأجزاء التي يمكن الوصول إليها عند استخدامها مع الموقد.
- يوصى بتنظيف الفلتر مرة في الشهر في ظل الاستخدام العادي.

#### ⚠️ ٤-١ غرض الاستخدام

- تم تصميم هذا المنتج للاستخدام المنزلي. ولذلك فإن الاستخدام التجاري سيلغي الضمان.
- لا تتحمل الشركة المصنعة أي مسؤولية عن أي ضرر ناتج عن سوء الاستخدام.
- مدة ضمان المنتج الذي اشترته هي 10 سنوات. يجب على الشركة المصنعة توفير قطع الغيار المطلوبة للمنتج لكي يعمل على النحو المحدد خلال هذه الفترة.

#### ٥-١ سلامة الأطفال

والمعرضين للخطر  
والحيوانات الأليفة

- أبعد الأطفال عن المنتج أثناء تشغيله.

- الفرن مع الموقد. (لا ينطبق على الأجهزة التي تقوم بتصريف الهواء مرة أخرى إلى الغرفة).
- يجب عزل أجهزة حرق الغاز أو زيت الوقود، مثل سخانات الغرفة، التي تشترك في نفس البيئة مع الشفاط، تماماً عن عادم هذا المنتج أو يجب أن تكون محكمة الإغلاق.
- في حالة وجود جهاز آخر يعمل بزيت الوقود أو الوقود الغازي في البيئة، فيلزم وجود تهوية مناسبة للبيئة.
- إذا كان هناك جهاز آخر يعمل بطاقة أخرى غير الطاقة الكهربائية في نفس البيئة مع الشفاط، فيجب أن يكون الضغط السلبي في الغرفة 0.04 ملي بار على الأكثر حتى لا يتم سحب عادم الجهاز الآخر إلى الغرفة بواسطة الشفاط.
- لا تقم بتوصيل المداخل بوصلة موقد التسخين، أو المداخل حيث يتم التخلص من الغازات العادمة أو المداخل مع اللهب المتصاعد. يجب الامتثال للوائح المحلية الخاصة بتطهير التدفق الخارج.
- استخدم أنابيب بقطر 120 مم عند توصيل مداخل بمنتجك. يجب أن يكون اتصال الأنابيب قصيراً قدر الإمكان ويقليل من الانحناءات.
- يجب عدم تعليق المواد القابلة للاشتعال بسهولة على مقابض الشفاط.

## ! ٦-١ سلامة النقل

- افصل المنتج من مصدر إمداد الطاقة الرئيسي قبل نقله.
- لا تضع أغراضاً أخرى فوق المنتج واحمل المنتج في وضع قائم.
- عندما تحتاج إلى نقل المنتج، قم بلفه بمادة تغليف ذات غلاف بفقاعات أو بورق مقوى سميك واربطه بشريط بإحكام. ثبت المنتج بإحكام باستخدام شريط لمنع تلف أجزاء المنتج المتحركة أو سهلة النزع، أو المنتج ذاته.
- تحقق من المظهر العام للمنتج بحثاً عن أي تلف قد يكون حدث أثناء النقل.

- يجب ألا يلعب الأطفال بالمنتج. ينبغي ألا أن يقوم الأطفال بالتنظيف وصيانة المستخدم ما لم يكن هناك شخص يشرف عليهم.
- ينبغي عدم استخدام هذا المنتج من قِبَل الأشخاص ذوي القدرات البدنية أو الحسية أو العقلية المحدودة (بما في ذلك الأطفال)، إلا في حالة بقائهم تحت الإشراف أو تلقيهم التعليمات اللازمة.
- تشكل مواد التعبئة والتغليف خطورة على الأطفال. احتفظ بمواد التغليف بعيداً عن متناول الأطفال أو قم بفرزها في نفايات وفقاً لتعليمات النفايات.
- تعتبر الأجهزة الكهربائية خطرة على حياة الأطفال والحيوانات الأليفة. أبعاد الأطفال عن المنتج أثناء تشغيله ولا تسمح لهم باللعب به.

## ٢ تعليمات بيئية

### ١-٢ توجيه النفايات

العادة والنفايات الأخرى في نهاية فترة خدمته. خذ إلى إحدى نقاط التجميع المخصصة لإعادة تدوير الأجهزة الكهربائية والإلكترونية. يمكنك أن تسأل إدارتك المحلية عن نقاط التجميع هذه. ويساعد التخلص من الجهاز بشكل صحيح على منع الآثار السلبية على البيئة وصحة الإنسان.

### ١-١-٢ الامتثال لتوجيه النفايات الكهربائية والأجهزة الإلكترونية والتخلص من المنتج غير القابل للاستعمال

هذا المنتج يطابق توجيه النفايات الكهربائية والأجهزة الإلكترونية للاتحاد الأوروبي (EU/2012/19) يحمل هذا المنتج رمز تصنيف خاص بتوجيه النفايات الكهربائية والأجهزة الإلكترونية (WEEE).

**الامتثال لتوجيه الحد من المواد الخطرة (RoHS):**  
يتوافق المنتج الذي اشترته مع توجيه الحد من المواد الخطرة الخاص بالاتحاد الأوروبي (EU/2011/65). فهو لا يحتوي على المواد الضارة والمحظورة المنصوص عليها في التوجيه.

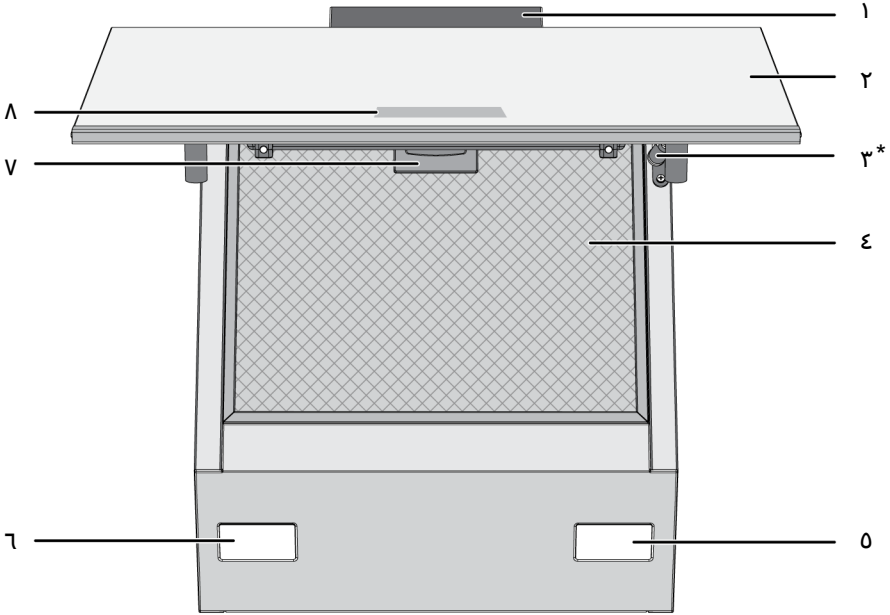
وقد تم تصنيع هذا المنتج باستخدام أجزاء ومواد عالية الجودة قابلة لإعادة الاستخدام ومناسبة لإعادة التدوير. لا تتخلص من المنتج غير القابل للاستعمال مع النفايات المنزلية



يتم تصنيع مواد تغليف المنتج من مواد قابلة لإعادة التدوير وفقاً للوائح البيئية الوطنية. لا تتخلص من نفايات التغليف مع المنزل أو النفايات الأخرى، خذها إلى نقاط تجميع مواد التغليف المحددة من قبل السلطات المحلية.

## ٣ منتجك

## ١-٣ مقدمة المنتج



- ٢ الغطاء الزجاجي للشفاف  
٤ الفلتر الألومنيوم  
٦ مصباح  
٨ لوحة التحكم

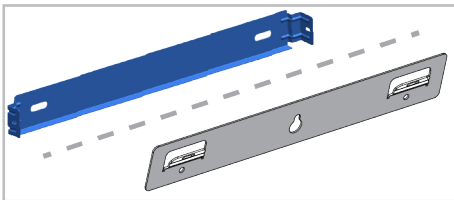
- ١ هيكل الشفاف  
٣ المشبث  
٥ مصباح  
٧ قفل الفلتر الألومنيوم

## أداة التركيب على الحائط

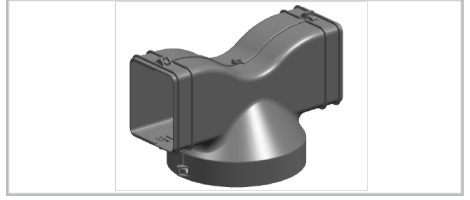
\* حسب الطراز وقد لا يكون متاحاً مع المنتج الخاص بك.

## ٢-٢ ملحقات المنتج

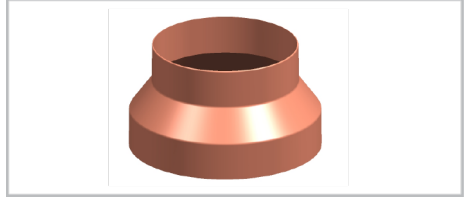
يختلف الملحق المرفق اعتماداً على طراز المنتج. قد لا يتوفر في منتجك جميع الملحقات الموصوفة في دليل المستخدم.



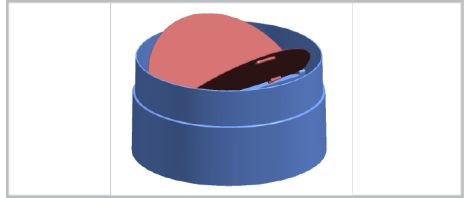
## جهاز توجيه الهواء



## محول توصيل المداخن



## أغطية لمنع تدفق الهواء العكسي



min. 910 - max. 1138 /895 /419	الأبعاد الخارجية للمنتج (الارتفاع / العرض / العمق) (مم)
V ~1N; 50 Hz 220-240	الجهد الكهربائي/التردد
max. 300 W	إجمالي استهلاك الطاقة
m3/h 700-720	قوة الشفط
mm 120-150	قطر أنبوب مخرج الهواء

	التحكم
3 مستويات	طرزاز أ
3 مستويات + 1 معزز	طرزاز ب
3 مستويات + 1 معزز	طرزاز ج

يمكن تغيير المواصفات الفنية دون إخطار مسبق لتحسين جودة المنتج.



تعد الأرقام الواردة في هذا الدليل تخطيطية وقد لا تتطابق تماماً مع منتجك.

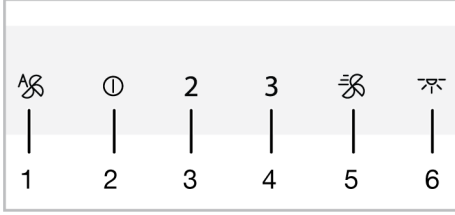


يتم الحصول على القيم المذكورة على ملصقات المنتج أو في الوثائق المرفقة معه في ظل ظروف مختبرية وفقاً للمعايير ذات الصلة. وقد تختلف هذه القيم حسب الظروف التشغيلية والبيئية للمنتج.



## ٤ استخدام الشفاط

### طراز ج



- 1 مفتاح الوضع التلقائي
- 2 مفتاح التشغيل/إيقاف التشغيل/السرعة 1
- 3 مفتاح السرعة 2
- 4 مفتاح السرعة 3
- 5 مفتاح المعزز
- 6 مفتاح المصباح

### تشغيل الشفاط

1. المس مفتاح مستوى السرعة الذي حددته لتشغيل الشفاط.
2. يمكنك لمس مفاتيح مستوى السرعة المحدد. لتغيير مستوى السرعة.

أثناء التشغيل، سيتم تشغيل المنتج لمدة 6 أفضاها 6 ساعات إذا لم يتم لمس أي مفتاح.

### إيقاف تشغيل الشفاط

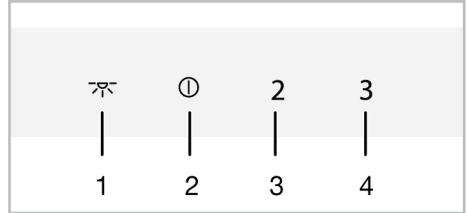
1. شلايقاف تشغيل الشفاط، المس مرة أخرى مفتاح المستوى الذي يعمل عليه الشفاط أو المفتاح ①.

إذا لمست المفتاح ① مع وجود أي وظيفة نشطة باستثناء المصباح، فسيتم إلغاء الوظيفة.

يملك الشفاط محرك بسرعات مختلفة. وللحصول على أداء جيد، نوصي باستخدام سرعات منخفضة في الظروف العادية وسرعات عالية في حالة الراحة القوية وتكافئ البخار.

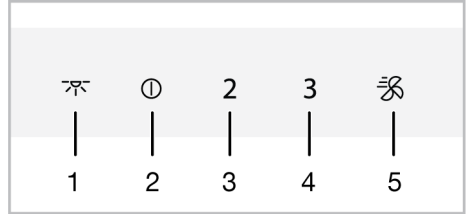
يتم إلغاء البرنامج في حالة انقطاع التيار الكهربائي عند تنشيط أي برامج في الشفاط.

### طراز أ



- 1 مفتاح المصباح
- 2 مفتاح التشغيل/إيقاف التشغيل/السرعة 1
- 3 مفتاح السرعة 2
- 4 مفتاح السرعة 3

### طراز ب



- 1 مفتاح المصباح
- 2 مفتاح التشغيل/إيقاف التشغيل/السرعة 1
- 3 مفتاح السرعة 2
- 4 مفتاح السرعة 3
- 5 مفتاح المعزز

## تشغيل وضع التهوية المكثفة (المعزز) للطرازين ب و ج

2. وإذا واصلت لمس المفتاح  $\text{⏏}$ ، فسيستغير إلى درجة اللون التالي بعد كل ثانيتين. وفقاً لدرجة اللون المطلوب، توقف عن لمس المفتاح  $\text{⏏}$  عندما يكون المصباح في درجة اللون تلك. سيتم تنشيط درجة اللون تلقائياً.

يمكنك فقط تغيير لون الضوء عندما يكون المصباح ذو كثافة إضاءة عالية.



في حالة انقطاع التيار الكهربائي، سيتذكر الشفاط مجموعة درجات اللون وسيعمل المصباح باللون الذي تم ضبطه مؤخراً.



### الوضع التلقائي (للطراز ج)

يقيس الشفاط درجة حرارة الهواء في المطبخ والهواء القادم من الموقد باستخدام جهاز استشعار. في الوضع التلقائي، تحدد المستويات المطلوبة لدرجة حرارة الهواء من الموقد لتتناسب مع درجة حرارة الهواء في المطبخ وتعمل عند مستويات يتم تحديدها تلقائياً.

1. لتمكين الوضع التلقائي، المس المفتاح  $\text{⏏}$ .

⇨ يتم تنشيط الوضع التلقائي ويعمل حتى تساوي درجة حرارة الهواء من الموقد درجة الحرارة المحيطة. وسيتم إيقاف درجة الحرارة تلقائياً عندما تتساوى درجات الحرارة. يجب تمكين الوضع التلقائي مرة أخرى لإعادة تشغيله.

عندما يكون الوضع التلقائي نشطاً، سيتم إلغاء الوضع التلقائي عند تشغيل المنتج وإيقاف تشغيله بأي سرعة.



2. لإيقاف تشغيل الوضع التلقائي مبكراً، المس المفتاح  $\text{⏏}$  مرة أخرى.

إذا فتحت غطاء المنتج أثناء تشغيل الوضع التلقائي، فسينخفض أداءه. لا تفتح الغطاء عندما يكون الوضع التلقائي نشطاً.



1. اضغط على المفتاح  $\text{⏏}$  مرة واحدة لتشغيل الشفاط في وضع التهوية المكثفة.

⇨ يبدأ وضع التهوية المكثفة ويعمل لمدة 10 دقائق كحد أقصى. خلال هذا الوقت، يضيء المفتاح  $\text{⏏}$ . بعد 10 دقائق، يستمر المنتج في العمل في السرعة 3 ويضيء مفتاح السرعة 3.

في وضع التهوية المكثفة، عند لمس أي مفتاح سرعة، يعود إلى مستوى السرعة ويستمر في العمل.



### تشغيل المصباح

1. المس المفتاح  $\text{⏏}$  لتشغيل المصباح.

⇨ أضواء مصباح الشفاط. (بالنسبة للطرازين ب و ج) إذا لمست المفتاح  $\text{⏏}$  مرة أخرى خلال الدقيقة الأولى، سيستمر المصباح في الإضاءة عند مستوى الإضاءة المنخفض. وإذا لمست مرة أخرى بعد دقيقة واحدة من تشغيل المصباح، فإنه ينطفئ.

تعمل مصابيح الإضاءة لمدة أقصاها 12 ساعة.



### إيقاف تشغيل المصباح

1. بعد دقيقة واحدة من تشغيل مصباح الشفاط، يمكنك إيقاف تشغيله عن طريق لمس المفتاح  $\text{⏏}$  مرة أخرى.

(بالنسبة للطرازين ب و ج) إذا لمست المفتاح  $\text{⏏}$  مرة أخرى خلال أول دقيقة بعد تشغيل المصباح، يتحول المصباح إلى مستوى الإضاءة المنخفض.



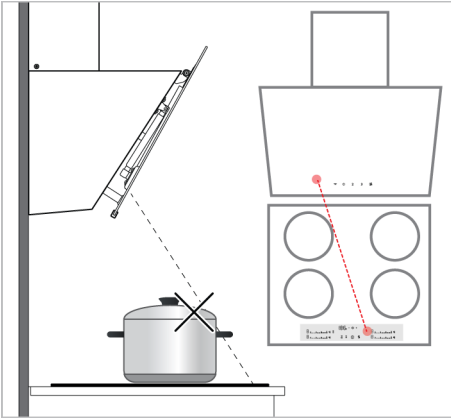
### ضبط لون إضاءة المصباح (بالنسبة للطرازين ب و ج)

يمكنك استخدام لون مصابيح إضاءة الشفاط بثلاثة ألوان مختلفة.

1. مع تشغيل مصباح الشفاط، المس المفتاح  $\text{⏏}$  لأكثر من ثانيتين.

⇨ يتغير المصباح إلى درجة اللون الآخر.

- إذا تم وضع الإناء في العين الأمامية اليمنى للموقد بطريقة تمنع زاوية رؤية المستشعر، فقد لا تعمل وظيفة "من الموقد إلى الشفاط" في الشفاط.
- لا تستخدم شيئاً يغطي لوحة تحكم الشفاط. قم بإزالة هذا الشيء وشغل المنتج الخاص بك.
- لا تحجب الإشارة بين الموقد والشفاط (بغطاء، قطعة قماش الفرن، وعاء طويل). في مثل هذه الحالة، أزل العائق وأعد تشغيل الموقد.
- تتم الإشارة إلى مواقع المستشعر في الموقد والشفاط بشكل تخطيطي في الصورة أدناه. لا تضع أي أشياء تمنع الإشارة بينهما.



#### تحذير امتلاء فلتر الألومنيوم

يومض ضوء مفتاح السرعة 2 بعد كل 100 ساعة من التشغيل. وفي هذه الحالة، يجب عليك تنظيف فلتر الألومنيوم. بعد التنظيف، لا ينطفئ تحذير المصباح الخاص بمفتاح السرعة 2 تلقائياً. عند لمس مفتاح السرعة 2 لأكثر من 3 ثوانٍ، تتم إعادة تعيين تحذير امتلاء فلتر الألومنيوم ويتم إطفاء المصباح.

لا يتم إلغاء التحذير في حالة انقطاع التيار الكهربائي عندما يعطى الشفاط تحذيراً امتلاء فلتر الألومنيوم. وعند توفر الطاقة، يستمر في التحذير بضوء وميض مفتاح السرعة 2.

إذا حدث اختلاف في درجة الحرارة المحيطة حتى عندما لا يعمل الموقد بينما يكون الوضع التلقائي نشطاً، فسيقوم مستشعر درجة الحرارة في المنتج باكتشاف الاختلاف وقد يبدأ المنتج في العمل بسرعة 2 أو 3 حسب الاختلاف. في هذه الحالة، سيتم إيقاف تشغيل الوضع التلقائي عند معادلة فرق درجة الحرارة.

لا تستخدم الوضع التلقائي عندما لا يعمل الموقد.

#### وضع تنظيف الهواء (للترازين ب وج)

يمكنك استخدام وضع تنظيف الهواء للتخلص من الرائحة الكريهة في منزلك لفترة طويلة عند مستوى منخفض.

1. المس مفتاح السرعة 1 لأكثر من 3 ثوانٍ.

وبذلك يتم تنشيط وضع تنظيف الهواء. يومض ضوء مفتاح السرعة 1 عندما يكون وضع تنظيف الهواء نشطاً.

2. سيعمل وضع تنظيف الهواء على السرعة 1 لمدة 10 دقائق في ساعة واحدة وسيتوقف لمدة 50 دقيقة. إذا لم تقم بإيقاف تشغيل وضع تنظيف الهواء، فسيظل قيد التشغيل لمدة 10 دقائق، ثم توقف لمدة 50 دقيقة في كل ساعة لمدة 24 ساعة.

عندما يكون وضع تنظيف الهواء نشطاً، يتم إلغاؤه تلقائياً بلمسة أي مفتاح باستثناء مفتاح المصباح. ويستمر الشفاط في العمل بوظيفة المفتاح الذي تلمسه.

#### الشفاط والموقد يعملان معاً (وظيفة من الموقد إلى الشفاط - للترازين B)

إذا كان الموقد الخاص بك يحتوي على ميزة التشغيل المشترك للشفاط الموقد (من الموقد إلى الشفاط)، فيمكن لمفتاح الترازين B العمل مع الموقد. يمكنك استخدام هذه الميزة لشفاط ترازين B باتباع الأوصاف الموجودة في دليل الموقد.

الأشياء التي يجب مراعاتها عند استخدام وظيفة "من الموقد إلى الشفاط":





إذا قمت بتشغيل شفاطتك بأي مستوى سرعة مع تحذير امتلاء فلتر الألومنيوم، فلن يظهر التحذير طالما يعمل الشفاط. عند إيقاف تشغيل الشفاط، يبدأ تحذير الامتلاء في الوميض مرة أخرى.



لا يتم إلغاء التحذير في حالة انقطاع التيار الكهربائي عندما يعطي الشفاط تحذيراً امتلاء فلتر الكربون. وعند توفر الطاقة، يستمر في التحذير بضوء وميض مفتاح السرعة 2.



إذا قمت بإيقاف تشغيل التحذير دون تنظيف فلتر الألومنيوم، فسيتم إعادة ضبط وقت التشغيل البالغ 100 ساعة ويبدأ من جديد. في نهاية الـ 100 ساعة القادمة، يصدر الشفاط تحذيراً مجدداً.



إذا قمت بتشغيل شفاطتك بأي مستوى سرعة مع تحذير امتلاء فلتر الكربون، فلن يظهر التحذير طالما يعمل الشفاط. عند إيقاف تشغيل الشفاط، يبدأ تحذير الامتلاء في الوميض مرة أخرى.



### تحذير امتلاء فلتر الكربون (للمنتجات المزودة بفلتر كربون)

يوميض ضوء مفتاح السرعة 2 بعد كل 100 ساعة من التشغيل. في هذه الحالة، يجب عليك استبدال فلتر الكربون. استشر مركز خدمة معتمدة لهذا الغرض. بعد الاستبدال، لا ينطفئ تحذير المصباح الخاص بمفتاح السرعة 2 تلقائياً. عند لمس مفتاح السرعة 2 لأكثر من 3 ثوانٍ، تتم إعادة تعيين تحذير امتلاء فلتر الكربون ويتم إطفاء المصباح.



إذا قمت بإيقاف تشغيل التحذير دون استبدال فلتر الكربون، فسيتم إعادة ضبط وقت التشغيل البالغ 100 ساعة ويبدأ من جديد. في نهاية الـ 100 ساعة القادمة، يتم إصدار تحذير مرة أخرى.

## 5 الصيانة والتنظيف

### 1-5 معلومات التنظيف العامة

#### تحذيرات عامة

- لا يلزم استخدام عامل تنظيف خاص لتنظيف المنتج. نظّف المنتج باستخدام منظف غسل الصحون، أو الماء الدافئ وقطعة قماش ناعمة أو إسفنجة وجفّفه بقطعة قماش جافة.
- لا تستخدم مواد تنظيف تحتوي على الأحماض أو الكلور لتنظيف الأسطح والمقابض المصنوعة من الفولاذ غير القابل للصدأ أو الإينوكس. نظّف بقطعة قماش ناعمة وصابون ومنظف سائل (لا يخدش)، مع الحرص على المسح في اتجاه واحد.
- توجد مستشعرات في الجانب الخلفي من الغطاء الزجاجي للمنتج. لا تلتف أجهزة الاستشعار هذه أثناء التنظيف. (للطراز ج)

- يمتد عمر الخدمة للمنتج وتقل المشاكل التي تواجهها بشكل متكرر إذا تم التنظيف على فترات زمنية منتظمة.
- أفضل المنتج عن التوصيل الكهربائي قبل بدء عمليات الصيانة والتنظيف. فثمة خطر التعرض لصدمة كهربائية!
- يمكن أن تؤدي بعض المنظفات أو مواد التنظيف إلى تلف السطح. لا تستخدم المنظفات الكاشطة أو مساحيق التنظيف أو كريات التنظيف أو الأشياء الحادة أثناء التنظيف.
- لا تستخدم منتجات التنظيف بالبخار للتنظيف.

### 2-5 الفلتر الألومنيوم

يعمل هذا الفلتر على الاحتفاظ بجزيئات الزيت في الهواء. يوصى بتنظيف الفلتر مرة في الشهر في ظل الاستخدام العادي. لعمل ذلك:

#### تنظيف المنتج

- يجب تنظيف المنتج جيداً بعد كل استخدام. وبالتالي، يتم تنظيف بقايا الطعام بسهولة ويتم منع هذه البقايا من الاحتراق عند استخدام المنتج مرة أخرى لاحقاً.

1. قم بإزالة فلتر الألومنيوم.
2. اغسل الفلتر في الماء باستخدام المنظفات السائلة وأعد تركيبها بعد التجفيف.

قد يتغير لون فلتر الألمنيوم عند غسلها، وهذا أمر طبيعي ولا يتطلب استبدال الفلاتر.

يمكنك أيضاً غسل فلتر الألمنيوم في الغسالة. (بحد أقصى 70 مئوية)



### ٣-٥ مصباح الشفاط

في حالة حدوث عطل في مصباح الشفاط، اتصل بالموزع المحلي أو خدمة العملاء وتأكد من استبدال المصباح.

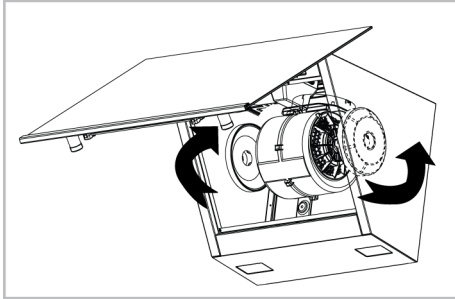
### ٤-٥ فلتر الكربون (الاستخدام بدون مدخنة)

#### تحذيرات عامة

- إذا قمت بتركيب منتجك بدون مدخنة، فيجب عليك استبدال فلتر الكربون كل 4 أشهر في الاستخدام العادي. يمكنك الحصول على فلتر الكربون من الخدمات المعتمدة.
- يجب عدم غسل فلتر الكربون أبداً.
- إذا لم تتبع قواعد تنظيف واستبدال فلتر الشفاط، فقد تتسبب في نشوب حريق.

#### إزالة فلتر الكربون

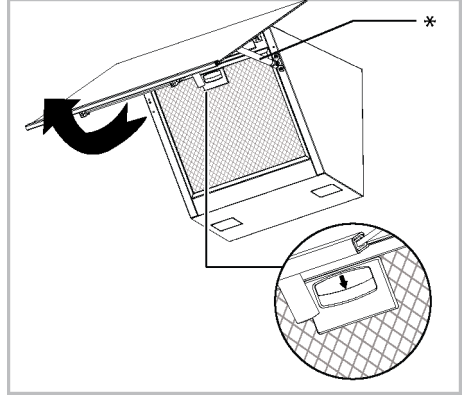
1. افتح الغطاء الزجاجي للشفاط وقم بإزالة فلتر الكربون كما هو موضح في الصورة 10.
2. قم بفك براغي فلتر الكربون على يمين ويسار حامل المحرك.



3. ضع فتحات العروة الخاصة بفلتر الكربون الجديدة في العروات الموجودة على حامل المحرك وقم بتدويرها في اتجاه عقارب الساعة لتثبيتها في مكانها.

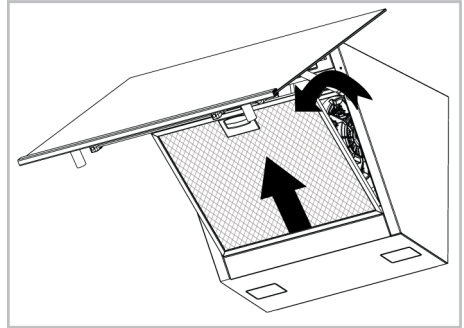
#### إزالة الفلاتر الألومنيوم

1. افتح غطاء الشفاط لأعلى واسحب قفل الفلتر الألومنيوم لأسفل كما هو موضح في الشكل.



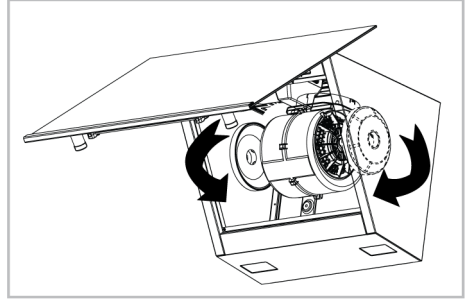
\* كاتم الصوت اختياري. وقد لا يكون متاحاً مع المنتج الخاص بك.

2. اسحب الفلتر نحوك برفق أولاً واسحبه لأعلى لإزالته من فتحة.



3. أعد تركيب فلتر الألومنيوم في فتحة بعد الشطف باتباع الخطوات المذكورة أعلاه في الاتجاه المعاكس.

4. أغلق الغطاء الزجاجي للشفاط بعد تثبيت مرشح الألومنيوم.



## ٦ استكشاف الأخطاء وإصلاحها

إن استمرت المشكلة بعد اتباع تعليمات هذا القسم، اتصل بالبائع أو بمركز خدمة معتمد. لا تحاول إصلاح منتج معطل بنفسك.

### الجهاز لا يعمل.

- قد يكون المصهر معيباً أو تالفًا. <<< افحص المصاهر في صندوق المصاهر. قم بتغييرها إذا لزم الأمر أو أعد تنشيطها.
- ربما لم يتم توصيل المنتج. <<< تحقق مما إذا كان المنتج متصلاً بالمأخذ أم لا.
- ربما لم يتم ضبط زر السرعة. <<< اضغط / المس زر السرعة المطلوب.
- قد لا يكون هناك كهرباء. <<< تأكد من تشغيل التيار الكهربائي وتحقق من المصاهر في صندوق المصاهر. قم بتغيير المصاهر إذا لزم الأمر أو أعد تنشيطها.

### ضوء الشفاط غير مضاء.

- قد يكون مصباح الشفاط معيباً. <<< اتصل بالموزع المحلي الذي اشترت منه منتجك أو بخدمة العملاء وتأكد من استبدال المصباح.
- قد لا يكون هناك كهرباء. <<< تأكد من تشغيل التيار الكهربائي وتحقق من المصاهر في صندوق المصاهر. قم بتغيير المصاهر إذا لزم الأمر أو أعد تنشيطها.

### وظيفة "من الموقد إلى الشفاط" لا تعمل. (للطراز

(B)

- قد تكون لوحة تحكم الشفاط أو الموقد مغطاة بجسم ما. <<< قم بإزالة الجسم وإعادة تنشيط الوظيفة فوق الموقد.
- ربما تكون تستخدم قدرًا قد يحجب الإشارة بين الموقد والشفاط. <<< ضع القدر على الموقد بطريقة لا تحجب الإشارة.

