



Refrigerator-Freezer Type I
Chladnička-Mrazák Typu I
Chladnička-Mraznička Typu I
Chłodziarko-Zamrażarka Typu I

CSA29022X

WARNING!

In order to ensure a normal operation of your refrigerating appliance, which uses a completely environmentally friendly refrigerant the R600a (flammable only under certain conditions) you must observe the following rules:

- ◆ Do not hinder the free circulation of the air around the appliance.
- ◆ Do not use mechanical devices in order to accelerate the defrosting, others than the ones recommended by the manufacturer.
- ◆ Do not destroy the refrigerating circuit.
- ◆ Do not use electric appliances inside the food keeping compartment, other than those that might have been recommended by the manufacturer.

UPOZORNĚNÍ!

Aby byl zajištěn normální provoz vaší chladničky, která používá pro životní prostředí zcela neškodné chladicí médium R600a (vznětlivé pouze za určitých podmínek), musíte dodržet následující pravidla:

- ◆ Nebráňte ve volné cirkulaci vzduchu kolem přístroje.
- ◆ Nepoužívejte mechanická zařízení pro zrychlení odmražení kromě těch, která jsou doporučena výrobcem.
- ◆ Nelikvidujte chladicí okruh.
- ◆ Nepoužívejte elektrické spotřebiče uvnitř prostoru pro potraviny kromě těch, která by mohl doporučit výrobce.

VAROVANIE!

Aby sa zabezpečila normálna prevádzka vašej chladničky, ktorá používa úplne ekologicky nezávadné chladivo R600a (horľavé len pri určitých podmienkach), musíte dodržiavať nasledujúce pravidlá:

- ◆ Nebráňte voľnej cirkulácii vzduchu okolo spotrebiča.
- ◆ Nepoužívajte mechanické prístroje na urýchľovanie rozmrazovacieho procesu, iné ako odporúča výrobca.
- ◆ Neporušujte chladiaci okruh.
- ◆ Nepoužívajte elektrické spotrebiče vo vnútri pípacieho priestoru potravín, iné ako tie, ktoré odporúča výrobca.

UWAGA!

Producent nie będzie ponosić odpowiedzialności za szkody wynikłe z niestosowania się do zaleceń zawartych w instrukcji obsługi. Instrukcję obsługi należy przechowywać w bezpiecznym miejscu tak, aby można było z niej korzystać w razie konieczności. Może być ona przydatna również dla innego użytkownika.

GB Index

Safety first /1
Electrical requirements /2
Transportation instructions /2
Installation instructions /2
Getting to know your appliance /3
Suggested arrangement of food in the appliance /3
Temperature control and adjustment /3
Before operating /4
Storing frozen food /4
Freezing fresh food /4
Making ice cubes /4
Defrosting /4
Replacing the interior light bulb /5
Cleaning and care /5
Repositioning the door /6
Do's and don'ts /6
Energy Consumption /7
Information concerning the noise and the vibrations /7
Troubleshooting /8

CZ Obsah

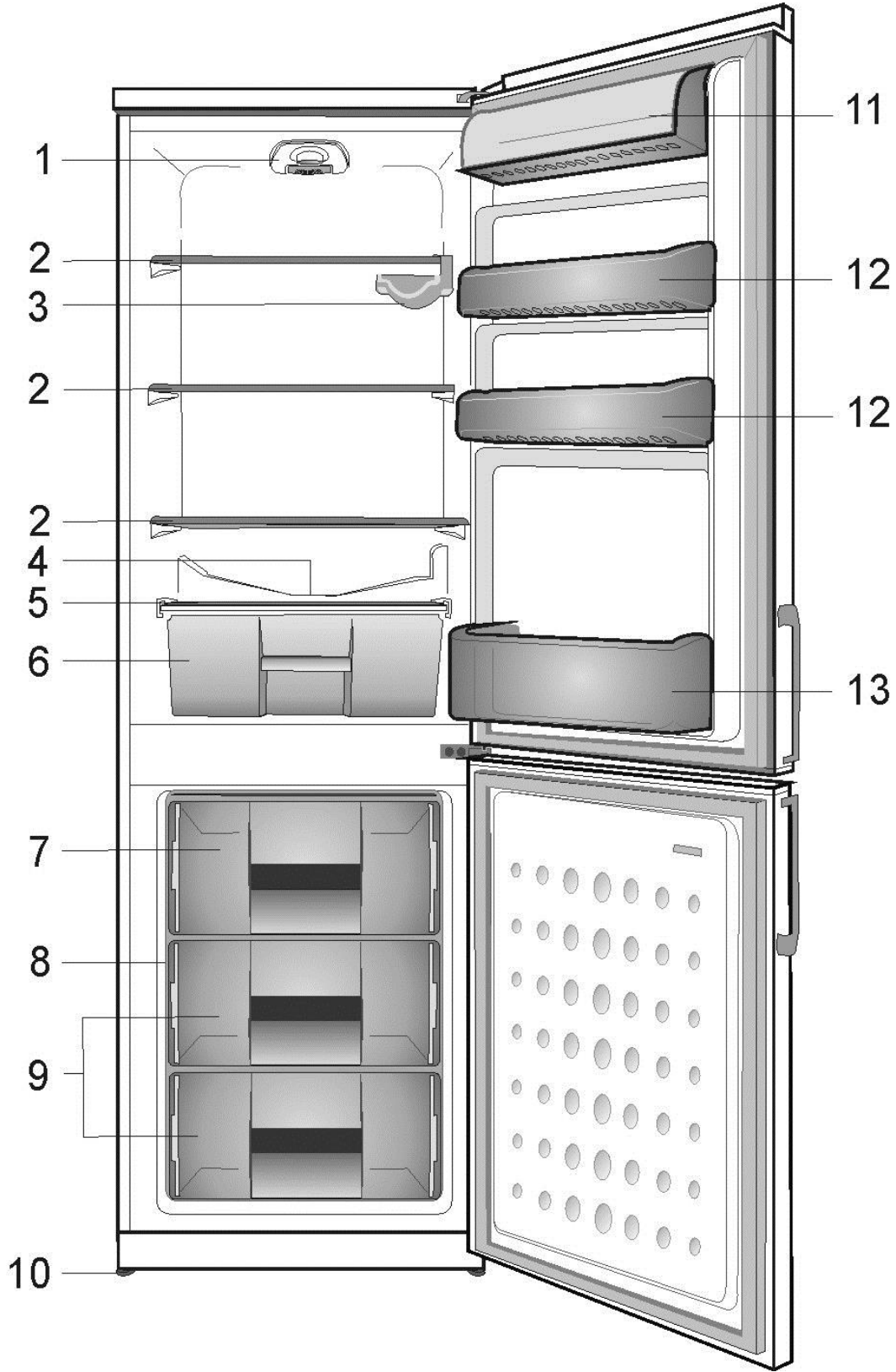
Bezpečnost především /9
Elektrické požadavky /10
Pokyny pro transport /10
Pokyny pro instalaci /10
Seznámení s vaším spotřebičem /11
Doporučené rozložení potravin ve spotřebiči /11
Kontrola a nastavení teploty /11
Před spuštěním /12
Ukládání zmražených potravin /12
Mražení čerstvých potravin /12
Tvorba kostek ledu /12
Odmrazování /12
Výměna vnitřní žárovky /13
Čištění a péče /13
Změna pozice dvířek /14
Co dělat a co nedělat /14
Spotřeba energie /15
Informace týkající se hlučnosti a vibrací /15
Odstraňování potíží /16

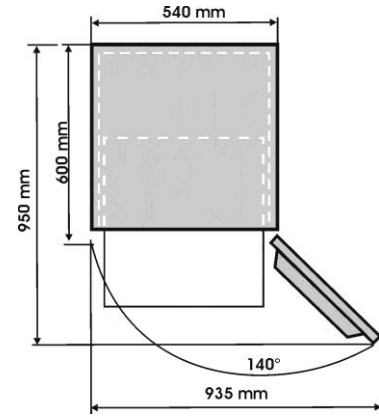
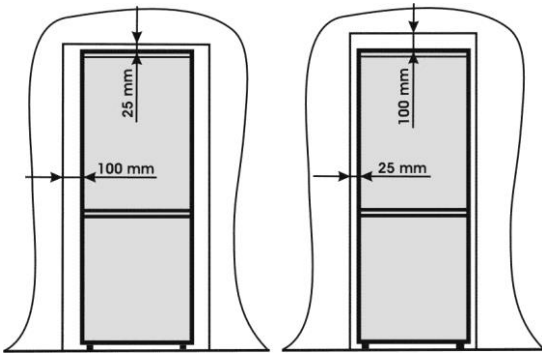
SK Index

Bezpečnosť nadovšetko /17
Elektrické požiadavky /18
Prepravné pokyny /18
Inštaláčn  pokyny /18
Pozn vanie spotrebiča /19
Navrhnut  rozmiestnenie potrav n v spotrebiči /19
Riadenie a nastavenie teploty /20
Pred uveden m do prev dzky /20
Skladovanie zmrazen ch potrav n /20
Mrazenie  erstv ch potrav n /20
Tvorba kociek ľadu /21
Rozmrazovanie /21
V mena  iarovky vn torneho svetla /21
 istenie a  dr ba /21
Premiestňovanie dver  /22
 o sa m  a  o sa nesmie robiť /22
Spotreba energie /23
Inform cie t kajúce sa zvukov a vibr ci  /24
Riešenie probl mov /24

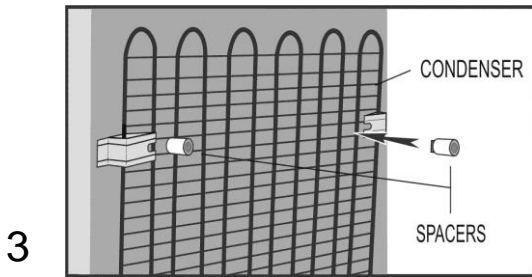
PL Spis treści

Bezpieczeństwo przede wszystkim /25
Podł czenie do zasilania /26
Instrukcja transportu i ustawienia /26
Monta  /26
Zapoznaj si  z Twoim urz dzeniem /27
Porady dotycz ce przechowywania  ywnoœci /27
Regulacja temperatury /28
Uruchamianie /28
Porady dotycz ce przechowywania zamro zonej  ywnoœci /28
Mrozenie œwie ej  ywnoœci /29
Jak robić kostki lodu /29
Odmra anie /29
Wymiana  arówki /29
Czyszczenie urz dzenia /30
Zmiana kierunku otwierania drzwi /30
œrodki ostro noœci w trakcie u ytkowania /30
Usuwanie usterek /31
Rozmieszczenie  ywnoœci /32
Przykłady zastosowa  /32
Zalecane ustawienia /32
Zu ycie energii /33
Informacja dotycz ca odgłosów i drga  /33
Odzysk opakowania /34
Odzysk starego urz dzenia chłodniczego /34

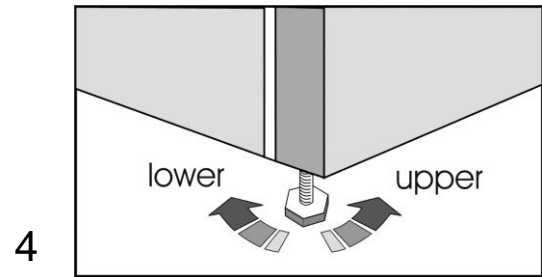




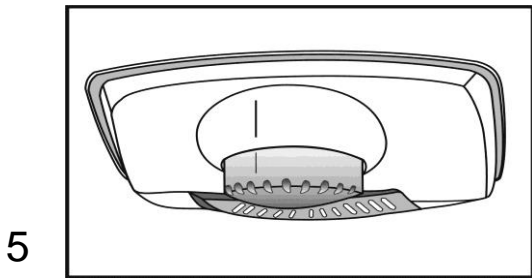
2



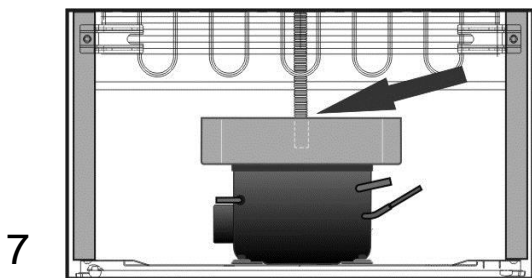
3



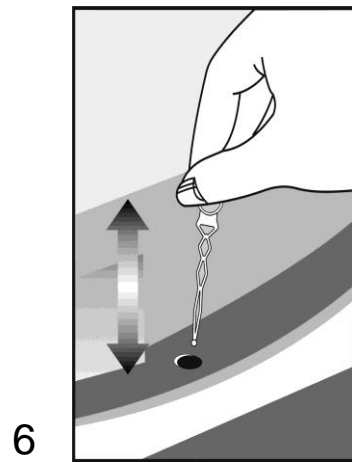
4



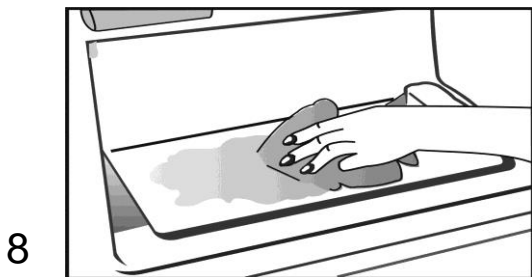
5



7



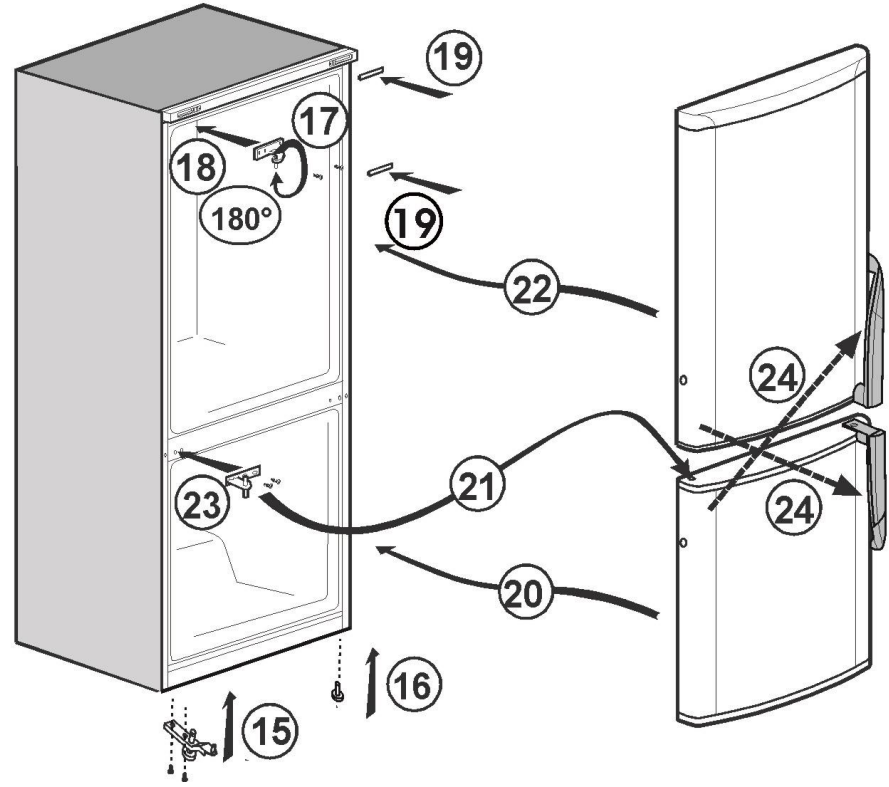
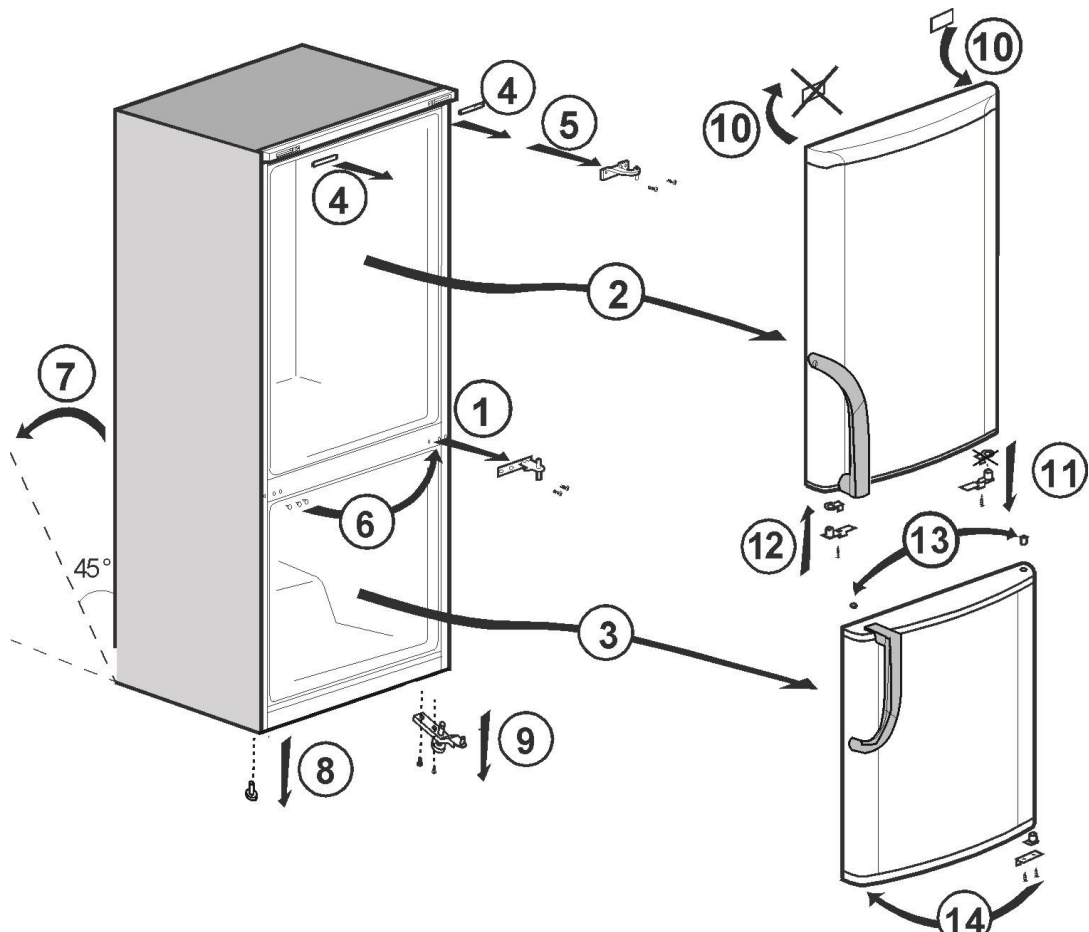
6



8



9



Congratulations on your choice of a BEKO Quality Appliance, designed to give you many years of service.

Safety first!

Do not connect your appliance to the electricity supply until all packing and transit protectors have been removed.

- Leave to stand for at least 4 hours before switching on, to allow compressor oil to settle, if transported horizontally.
- If you are discarding an old appliance with a lock or latch fitted to the door, ensure that it is left in a safe condition to prevent the entrapment of children.
- This appliance must only be used for its intended purpose.
- Do not dispose of the appliance on a fire. Your appliance contains non CFC substances in the insulation which are flammable. We suggest you contact your local authority for information on disposal and available facilities.
- We do not recommend use of this appliance in an unheated, cold room. (e.g. garage, conservatory, annex, shed, out-house etc.)

To obtain the best possible performance and trouble free operation from your appliance it is very important to read these instructions carefully. Failure to observe these instructions may invalidate your right to free service during the guarantee period.

Please keep these instructions in a safe place for easy reference.

Original Spare parts will be provided for 10 years, following the product purchasing date.

**This appliance is not intended for use by person with reduced physical, sensory or mental capabilities or lack of experience and knowledge unless they have been given supervision or instruction concerning use of the appliance by a person responsible for their safety.
Children should be supervised to ensure that they do not play with the appliance.**

Electrical requirements

Before inserting the plug into the wall socket make sure that the voltage and the frequency shown in the rating plate inside the appliance corresponds to your electricity supply. We recommend that this appliance is connected to the mains supply via a suitably switched and fused socket in a readily accessible position.

Warning! This appliance must be earthed. Repairs to electrical equipment should only be performed by a qualified technician. Incorrect repairs carried out by an unqualified person are carry risks that may have critical consequences for the user of the appliance.

ATTENTION!

This appliance operates with R600a which is an environmental friendly but flammable gas. During the transportation and fixing of the product, care must be taken not to damage the cooling system. If the cooling system is damaged and there is a gas leakage from the system, keep the product away from open flame sources and ventilate the room for a while.

WARNING - Do not use mechanical devices or other means to accelerate the defrosting process, others than those recommended by the manufacturer.

WARNING - Do not damage the refrigerant circuit.

WARNING - Do not use electrical appliances inside the food storage compartments of the appliance, unless they are of the type recommended by the manufacturer.

WARNING - If the supply cord is damaged, it must be replaced by the manufacturer, its service agent or similarly qualified persons in order to avoid a hazard.

Transportation instructions

1. The appliance should be transported only in an upright position. The packing as supplied must be intact during transportation.
2. If during the transport the appliance, has been positioned horizontally, it must not be operated for at least 4 hours, to allow the system to settle.

3. Failure to comply with the above instructions could result in damage to the appliance, for which the manufacturer will not be held liable.
4. The appliance must be protected against rain, moisture and other atmospheric influences.

Important!

- Care must be taken while cleaning/carrying the appliance not to touch the bottom of the condenser metal wires at the back of the appliance, as this could cause injury to fingers and hands.
- Do not attempt to sit or stand on top of your appliance as it is not designed for such use. You could injure yourself or damage the appliance.
- Make sure that the mains cable is not caught under the appliance during and after moving, as this could damage the cable.
- Do not allow children to play with the appliance or tamper with the controls.

Installation instructions

1. Do not keep your appliance in a room where the temperature is likely to fall below 16 degrees C (61 degrees F) at night and/or especially in winter, as it is designed to operate in ambient temperatures between +16 and +38 degrees C (61 and 100 degrees F). At lower temperatures the appliance may not operate, resulting in a reduction in the storage life of the food.
2. Do not place the appliance near cookers or radiators or in direct sunlight, as this will cause extra strain on the appliance's functions. If installed next to a source of heat or freezer, maintain the following minimum side clearances:
 - From Cookers 30 mm
 - From Radiators 300 mm
 - From Freezers 25 mm
3. Make sure that sufficient room is provided around the appliance to ensure free air circulation (**Item 2**).
 - Put the back airing lid to the back of your refrigerator to set the distance between the refrigerator and the wall (**Item 3**).



4. The appliance should be positioned on a smooth surface. The two front feet can be adjusted as required. To ensure that your appliance is standing upright adjust the two front feet by turning clockwise or anti-clockwise, until firm contact is secured with the floor. Correct adjustment of feet prevents excessive vibration and noise (**Item 4**).
5. Refer to "Cleaning and Care" section to prepare your appliance for use.

Getting to know your appliance (Item 1)

- 1 - Thermostat and lamp housing
- 2 - Adjustable Cabinet shelves
- 3 - Wine bottles support
- 4 - Water collector
- 5 - Crisper cover
- 6 - Crisper
- 7 - Compartment for quickly freezing
- 8 - Ice tray support & ice tray
- 9 - Compartments for frozen foods keeping
- 10 - Adjustable foot
- 11 - Dairy Compartment
- 12 - Shelf for jars
- 13 - Shelf for bottles

Suggested arrangement of food in the appliance

Guidelines for obtaining optimum storage and hygiene:

1. The fridge compartment is for the short-term storage of fresh food and drinks.
2. The freezer compartment is  rated and suitable for the freezing and storage of pre-frozen food. The recommendation for  storage as stated on the food packaging should be observed at all times.
3. Dairy products should be stored in the special compartment provided in the door liner.
4. Cooked dishes should be stored in airtight containers.
5. Fresh wrapped produce can be kept on the shelf. Fresh fruit and vegetables should be cleaned and stored in the crispers.
6. Bottles can be kept in the door section.

7. To store raw meat, wrap in polythene bags and place on the lowest shelf. Do not allow to come into contact with cooked food, to avoid contamination. For safety, only store raw meat for two to three days.

8. For maximum efficiency, the removable shelves should not be covered with paper or other materials to allow free circulation of cool air.

9. Do not keep vegetable oil on door shelves. Keep the food packed, wrapped or covered. Allow hot food and beverages to cool before refrigerating. Leftover canned food should not be stored in the can.

10. Fizzy drinks should not be frozen and products such as flavoured water ices should not be consumed too cold.

11. Some fruit and vegetables suffer damage if kept at temperatures near 0°C. Therefore wrap pineapples, melons, cucumbers, tomatoes and similar produce in polythene bags.

12. High-proof alcohol must be stored upright in tightly closed containers. Never store products that contain an inflammable propellant gas (e.g. cream dispensers, spray cans, etc.) or explosive substances. These are an explosion hazard.

Temperature control and adjustment

Operating temperatures are controlled by the thermostat knob (**Item 5**) and may be set at any position between 1 and 5 (the coldest position).

The average temperature inside the fridge should be around +5°C (+41°F).

Therefore adjust the thermostat to obtain the desired temperature. Some sections of the fridge may be cooler or warmer (such as salad crisper and top part of the cabinet) which is quite normal. We recommend that you check the temperature periodically with a thermometer to ensure that the cabinet is kept to this temperature. Frequent door openings cause internal temperatures to rise, so it is advisable to close the door as soon as possible after use.

Before operating

Final Check

Before you start using the appliance check that:

1. The feet have been adjusted for perfect levelling.
2. The interior is dry and air can circulate freely at the rear.
3. The interior is clean as recommended under "Cleaning and care."
4. The plug has been inserted into the wall socket and the electricity is switched on. When the door is open the interior light will come on.

And note that:

5. You will hear a noise as the compressor starts up. The liquid and gases sealed within the refrigeration system may also make some (noise), whether the compressor is running or not. This is quite normal.
6. Slight undulation of the top of the cabinet is quite normal due to the manufacturing process used; it is not a defect.
7. We recommend setting the thermostat knob midway and monitor the temperature to ensure the appliance maintains desired storage temperatures (See section Temperature Control and Adjustment).
8. Do not load the appliance immediately it is switched on. Wait until the correct storage temperature has been reached. We recommend checking the temperature with an accurate thermometer (see; Temperature Control and Adjustment).

Storing frozen food

Your freezer is suitable for the long-term storage of commercially frozen foods and also can be used to freeze and store fresh food. If there is a power failure, do not open the door. Frozen food should not be affected if the failure lasts for less than 18 hrs. If the failure is longer, then the food should be checked and either eaten immediately or cooked and then re-frozen.

Freezing fresh food

Please observe the following instructions to obtain the best results.

Do not freeze too large a quantity at any one time. The quality of the food is best preserved when it is frozen right through to the core as quickly as possible.

Do not exceed the freezing capacity of your appliance in 24 h.

Placing warm food into the freezer compartment causes the refrigeration machine to operate continuously until the food is frozen solid. This can temporarily lead to excessive cooling of the refrigeration compartment.

When freezing fresh food, keep the thermostat knob at medium position. Small quantities of food up to 1/2 kg. (1 lb) can be frozen without adjusting the temperature control knob.

Take special care not to mix already frozen food and fresh food.

Making ice cubes

Fill the ice - cube tray 3/4 full with water and place it in the freezer. Loosen frozen trays with a spoon handle or a similar implement; never use sharp-edged objects such as knives or forks.

Defrosting

A) Fridge compartment

The fridge compartment defrosts automatically. The defrost water runs to the drain tube via a collection container at the back of the appliance (**Item 6**).

During defrosting, water droplets may form at the back of the fridge compartment where a concealed evaporator is located. Some droplets may remain on the liner and refreeze when defrosting is completed. Do not use pointed or sharp-edged objects such as knives or forks to remove the droplets which have refrozen.

If, at any time, the defrost water does not drain from the collection channel, check that no food particles have blocked the drain tube. The drain tube can be cleared with a pipe-cleaner or similar implement.

Check that the tube is permanently placed with its end in the collecting tray on the compressor to prevent the water spilling on the electric installation or on the floor (**Item 7**).

B) Freezer compartment

Defrosting is very straightforward and without mess, thanks to a special defrost collection basin.

Defrost twice a year or when a frost layer of around 7 (1/4") mm has formed. To start the defrosting procedure, switch off the appliance at the socket outlet and pull out the mains plug.

All food should be wrapped in several layers of newspaper and stored in a cool place (e.g. fridge or larder).

Containers of warm water may be placed carefully in the freezer to speed up the defrosting.

Do not use pointed or sharp-edged objects, such as knives or forks to remove the frost.

Never use hairdryers, electrical heaters or other such electrical appliances for defrosting. Sponge out the defrost water collected in the bottom of the freezer compartment. After defrosting, dry the interior thoroughly (**Item 8 & 9**). Insert the plug into the wall socket and switch on the electricity supply.

Replacing the interior light bulb

To change the Bulb/LED used for illumination of your refrigerator, call your Authorised Service.

The lamp(s) used in this appliance is not suitable for household room illumination. The intended purpose of this lamp is to assist the user to place foodstuffs in the refrigerator/freezer in a safe and comfortable way.

The lamps used in this appliance have to withstand extreme physical conditions such as temperatures below -20°C.

Cleaning and care

1. We recommend that you switch off the appliance at the socket outlet and pull out the mains plug before cleaning.
2. Never use any sharp instruments or abrasive substances, soap, household cleaner, detergent or wax polish for cleaning.
3. Use luke warm water to clean the cabinet of the appliance and wipe it dry.
4. Use a damp cloth wrung out in a solution of one teaspoon of bicarbonate of soda to one pint of water to clean the interior and wipe it dry.
5. Make sure that no water enters the temperature control box.
6. If the appliance is not going to be used for a long period of time, switch it off, remove all food, clean it and leave the door ajar.
7. We recommend that you polish the metal parts of the product (i.e. door exterior, cabinet sides) with a silicone wax (car polish) to protect the high quality paint finish.
8. Any dust that gathers on the condenser, which is located at the back of the appliance, should be removed once a year with a vacuum cleaner.
9. Check door seals regularly to ensure they are clean and free from food particles.
10. Never:
 - Clean the appliance with unsuitable material; eg petroleum based products.
 - Subject it to high temperatures in any way,
 - Scour, rub etc., with abrasive material.
11. Removal of dairy cover and door tray :
 - To remove the dairy cover, first lift the cover up by about an inch and pull it off from the side where there is an opening on the cover.
 - To remove a door tray, remove all the contents and then simply push the door tray upwards from the base.

12. Make sure that the special plastic container at the back of the appliance which collects defrost water is clean at all times. If you want to remove the tray to clean it, follow the instructions below:

- Switch off at the socket outlet and pull out the mains plug
 - Gently uncrimp the stud on the compressor, using a pair of pliers, so that the tray can be removed
 - Lift it up.
 - Clean and wipe it dry
 - Reassemble, reversing the sequence and operations
13. To remove a drawer, pull it as far as possible, tilt it upwards and then pull it out completely.

Repositioning the door

Proceed in numerical order (**Item 10**).

Do's and don'ts

- Do-** Clean and defrost your appliance regularly (See "Defrosting")
- Do-** Keep raw meat and poultry below cooked food and dairy products.
- Do-** Take off any unusable leaves on vegetables and wipe off any soil.
- Do-** Leave lettuce, cabbage, parsley and cauliflower on the stem.
- Do-** Wrap cheese firstly in greaseproof paper and then in a polythene bag, excluding as much air as possible. For best results, take out of the fridge compartment an hour before eating.
- Do-** Wrap raw meat and poultry loosely in polythene or aluminium foil. This prevents drying.
- Do-** Wrap fish and offal in polythene bags.
- Do-** Wrap food with a strong odour or which may dry out, in polythene bags, or aluminium foil or place in airtight container.
- Do-** Wrap bread well to keep it fresh.
- Do-** Chill white wines, beer, lager and mineral water before serving.
- Do-** Check contents of the freezer every so often.

- Do-** Keep food for as short a time as possible and adhere to "Best Before" and "Use by" etc. dates.
- Do-** Store commercially frozen food in accordance with the instructions given on the packets.
- Do-** Always choose high quality fresh food and be sure it is thoroughly clean before you freeze it.
- Do-** Prepare fresh food for freezing in small portions to ensure rapid freezing.
- Do-** Wrap all food in aluminium foil or freezer quality polythene bags and make sure any air is excluded.
- Do-** Wrap frozen food immediately after purchasing and put it in to the freezer as soon as possible.
- Do-** Defrost food in the fridge compartment.

- Don't-** Store bananas in your fridge compartment.
- Don't-** Store melon in your fridge. It can be chilled for short periods as long as it is wrapped to prevent it flavouring other food.
- Don't-** Cover the shelves with any protective materials which may obstruct air circulation.
- Don't-** Store poisonous or any dangerous substances in your appliance. It has been designed for the storage of edible foodstuffs only.
- Don't-** Consume food which has been refrigerated for an excessive length of time.
- Don't-** Store cooked and fresh food together in the same container. They should be packaged and stored separately.
- Don't-** Let defrosting food or food juices drip onto food.
- Don't-** Leave the door open for long periods, as this will make the appliance more costly to run and cause excessive ice formation.
- Don't-** Use sharp edged objects such as knives or forks to remove the ice.
- Don't-** Put hot food into the appliance. Let it cool down first.

- Don't-** Put liquid-filled bottles or sealed cans containing carbonated liquids into the freezer, as they may burst.
- Don't-** Exceed the maximum freezing loads when freezing fresh food.
- Don't-** Give children ice-cream and water ices direct from the freezer. The low temperature may cause 'freezer burns' on lips.
- Don't-** Freeze fizzy drinks.
- Don't-** Try to keep frozen food which has thawed; it should be eaten within 24 hours or cooked and refrozen.
- Don't-** Remove items from the freezer with wet hands.

Energy Consumption

Maximum frozen food storage volume is achieved without using the drawers provided in the freezer compartment. Energy consumption of your appliance is declared while the freezer compartment is fully loaded without using the drawers.

Practical advice concerning the reduction of the electricity consumption

1. Make sure that the appliance is located in well-ventilated areas, far from any source of heat (cooker, radiator etc.). At the same time, the location of the appliance must be done in such a way that it prevents it to be under the direct incidence of the sunbeams.
2. Make sure that the food purchased in refrigerated/frozen condition is placed into the appliance as soon as possible, especially during summertime. It is recommended to use thermal insulated bags to transport the food home.
3. We recommend the thawing of the packets taken out from the freezer compartment be done in the refrigerator compartment. For this purpose, the packet which is going to be thawed will be placed in a vessel so that the water resulting from the thawing does not leak in the refrigerator compartment. We recommend you to start the thawing at least 24 hours before the use of the frozen food.
4. We recommend reducing the number of door openings to the minimum.
5. Do not keep the door of the appliance open more than necessary and make sure that after each opening the door is well closed.

Information concerning the noise and the vibrations which might appear during the operation of the appliance

1. The operation noise can increase during the operation.
 - In order to keep the temperatures at the adjusted temperatures, the compressor of the appliance starts periodically. The noise produced by the compressor becomes stronger when it starts and a click can be heard when it stops.
 - The performance and operation features of the appliance can change according to the modifications of the temperature of the ambient environment. They must be considered as normal.
2. Noises like liquids flowing or as being sprayed
 - These noises are caused by the flow of the refrigerant in the circuit of the appliance and comply with the operation principle of the appliance.
3. Other vibrations and noises.
 - The level of noise and vibrations can be caused by the type and the aspect of the floor on which the appliance is placed. Make sure that the floor does not have significant level distortions or if it can yield to the weight of the appliance (it is flexible).
 - Another source of noise and vibrations is represented by the objects placed on the appliance. These objects must be removed from the appliance
 - The bottles and the vessels placed in the refrigerator touching each other. In such cases move the bottles and the vessels so that there is a small distance between them.

Troubleshooting


If the appliance does not operate when switched on, check;

- That the plug is inserted properly in the socket and that the power supply is on. (To check the power supply to the socket, plug in another appliance)
- Whether the fuse has blown/circuit breaker has tripped/main distribution switch has been turned off.
- That the temperature control has been set correctly.
- That the new plug is wired correctly, if you have changed the fitted, moulded plug.

If the appliance is still not operating at all after above checks, contact the dealer from whom you purchased the unit.

Please ensure that above checks have been done, as a charge will be made if no fault is found.



The symbol  on the product or on packaging indicates that this product may not be treated as household waste. Instead it shall be handed over to the applicable collection point for the recycling of electrical and electronic equipment. By ensuring this product is disposed of correctly, you will help prevent potential negative consequences for the environment and human health, which could otherwise be caused by inappropriate waste handling of this product. For more detailed information about recycling of this product, please contact your local city office, your household waste disposal service or the shop where you purchased the product.

Blahopřejeme k výběru kvalitního spotřebiče BEKO, který je určen pro mnoho let služby.

Bezpečnost především!

Nezapojte spotřebič do napájecí sítě, dokud neodstraníte všechny obalové a přepravní materiály.

- Před zapnutím nechte nejméně 4 hodin stát, aby se usadil olej v kompresoru po přepravě v horizontální poloze.
- Pokud likvidujete starý spotřebič s zámkem nebo západkou na dveřích, ujistěte se, že je v bezpečném stavu a dětem nehrozí uvíznutí uvnitř.
- Tento spotřebič musí být používán pro stanovený účel.
- Neodkládejte spotřebič do ohně. Váš spotřebič obsahuje v izolační vrstvě látky bez CFC, které jsou hořlavé. Doporučujeme kontaktovat místní úřady pro informace o likvidaci a dostupných zařízeních.
- Nedoporučujeme používat tento spotřebič v nevytápěné chladné místnosti. (např. garáž, sklad, přístavba, kůlna, hospodářské stavení atd.)

Pro co nejlepší výkonnost a bezporuchovou službu vašeho spotřebiče je velmi důležité pozorně si přečíst tyto pokyny. Nedodržením těchto pokynů se vystavujete riziku zrušení možnosti bezplatného servisu po dobu záruční lhůty.

Uschovejte tyto pokyny na bezpečném místě pro snadné vyhledání.

Tento spotřebič by neměly používat osoby se sníženou fyzickou, senzorickou nebo mentální způsobilostí a nebo s nedostatečnými zkušenostmi a poznatky. Tyto osoby mohou spotřebič používat jen pod dohledem osoby zodpovědné za jejich bezpečnost, a nebo pokud je zodpovědná osoba poučila o správném používání spotřebiče.

Děti by měly být pod dozorem, aby si nehrály se spotřebičem.

Elektrické požadavky

Před zasunutím zásuvky do sítě se ujistěte, že napětí a kmitočet (na štítku uvnitř spotřebiče) odpovídají vašemu zdroji. Doporučujeme připojit tento spotřebič do sítě přes vhodně vypínanou a zajištěnou zásuvku na snadno dostupném místě.

Upozornění! Tento spotřebič musí být uzemněn.

Opravy elektrického vybavení by měl provádět jen kvalifikovaný technik. Nesprávné opravy provedené nekvalifikovanou osobou představují riziko, které by mohlo mít kritické dopady pro uživatele spotřebiče.

POZOR!

Tento spotřebič používá R600a, což je plyn, který je šetrný k životnímu prostředí, ale je hořlavý. Během přepravy a upevňování výrobku je třeba dbát zvýšené opatrnosti, aby nedošlo k poškození chladicí soustavy. Pokud je chladicí soustava poškozená a ze systému uniká plyn, udržte výrobek mimo otevřený oheň a nějakou dobu v místnosti větrejte.

UPOZORNĚNÍ – Nepoužívejte mechanické nástroje nebo jiné prostředky k urychlení procesu odmrazení s výjimkou těch, které doporučuje výrobce.

UPOZORNĚNÍ – Nepoškozujte chladicí obvod.

UPOZORNĚNÍ – Nepoužívejte elektrické spotřebiče uvnitř prostor na skladování potravin spotřebiče, pokud se nejedná o typy doporučené výrobcem.

UPOZORNĚNÍ – V případě poškození napájecího kabelu je nutno jej nechat vyměnit u výrobce, jeho servisního zástupce či podobně kvalifikované osoby, aby se předešlo nebezpečí.

Pokyny pro přepravu

1. Spotřebič se smí přenášet jen ve svislé pozici. Obaly musí zůstat během přepravy neporušené.
2. Pokud byl spotřebič během přepravy umístěn vodorovně, nesmí být používán po vybalení nejméně 4 hodin, aby se systém mohl ustálit.

3. Nedodržení výše uvedených pokynů by mohlo vést k poškození spotřebiče, za které výrobce nezodpovídá.
4. Spotřebič je třeba chránit proti dešti, vlhku a jiným atmosférickým vlivům.

Důležité upozornění!

- Při čištění/přenášení spotřebiče se nedotýkejte spodní části kovových kabelů kondenzátoru na zadní straně spotřebiče, mohlo by dojít k poranění prstů a rukou.
- Nepokoušejte se stoupat nebo sedat na horní okraj spotřebiče, jelikož na toto není určen. Mohli byste se zranit nebo poškodit spotřebič.
- Ujistěte se, že napájecí kabel není zachycen pod spotřebičem během a po přesouvání, mohlo by to poškodit kabel.
- Nedovolte dětem hrát si se spotřebičem nebo manipulovat s ovladači.

Pokyny pro instalaci

1. Nepřechovávejte spotřebič v místnosti, kde může teplota klesnout pod 16°C v noci a/nebo zejména v noci, jelikož je určen na provoz v teplotách mezi +16 a +38 stupni Celsia. Při nižších teplotách nemusí spotřebič fungovat, čímž poklesne doba skladovatelnosti potravin.
2. Neumisťujte spotřebič do blízkosti sporáků nebo radiátorů nebo na přímé sluneční světlo, dojde tím ke zvýšenému napětí funkcí spotřebiče. Při instalaci v blízkosti zdroje tepla nebo mrazničky udržujte minimální odstupy po stranách:
 - Od sporáků 30 mm
 - Od radiátorů 300 mm
 - Od mrazniček 25 mm
3. Ujistěte se, že kolem spotřebiče je dostatečný odstup tak, aby se zaručil volný oběh vzduchu (**Položka 2**).
 - Umístěte zadní odvětrávací víko na zadní stranu vaší chladničky, abyste viděli vzdálenost mezi chladničkou a stěnou (**Položka 3**).
4. Spotřebič by měl být umístěn na hladkém povrchu. Obě přední nožky lze nastavit dle potřeby. Abyste měli jistotu, že váš spotřebič stojí vzpřímeně, nastavte obě přední nožky tak, že jimi otočíte doprava nebo doleva,

dokud není zajištěn pevný kontakt s podlahou. Správným nastavením nožek předejdete přílišným vibracím a hluku (**Položka 4**).



5. Informace pro přípravu spotřebiče na použití naleznete v oddíle „Čištění a údržba“.

Seznámení s vaším spotřebičem (Položka 1)

- 1 - Umístění termostatu a světla
- 2 - Nastavitelné poličky
- 3 - Podpěra na láhve vína
- 4 - Kolektor vody
- 5 - Kryt přihrádek na čerstvé potraviny
- 6 - Přihrádky na čerstvé potraviny
- 7 - Prostor pro rychlé zmrazení
- 8 - Podpěra podnosu na led a podnos na led
- 9 - Přihrádky pro uchovávání zmražených potravin
- 10 - Nastavitelná nožka
- 11 - Prostor pro mléčné výrobky
- 12 - Polička na nádoby
- 13 - Polička na lahve

Doporučené rozložení potravin ve spotřebiči

Návody pro optimální uskladnění a hygienu:

1. Prostor chladničky je pro krátkodobé ukládání čerstvých potravin a nápojů.
2. Prostor mrazničky je  vhodný a určený pro mražení a skladování předmražených potravin. Doporučení pro  skladování dle informací na obalu potraviny by měly být vždy dodržovány.
3. Mléčné výrobky by měly být skladovány ve zvláštním prostoru ve dveřích.
4. Vařené potraviny by se měly skladovat ve vzduchotěsných nádobách.
5. Čerstvé balené výrobky lze skladovat na polici. Čerstvé ovoce a zeleninu je třeba očistit a skladovat v přihrádkách na čerstvou zeleninu.
6. Láhve lze uchovat ve dveřní části.
7. Chcete-li skladovat syrové maso, zabalte je do polyetylenových sáčků a umístěte na nejnižší polici. Nenechte je přijít do kontaktu s vařenými potravinami, aby nedošlo ke kontaminaci. Z bezpečnostních důvodů skladujte syrové maso jen dva až tři dny.

8. Pro maximální účinnost by se neměly výsuvné police překrývat papírem nebo jinými materiály, aby studený vzduch mohl volně proudit.

9. Neskladujte rostlinný olej na policích ve dveřích. Potraviny uchovávejte zabalené, chráněné nebo překryté. Teplé potraviny a nápoje nechte před zchlazením vychladnout. Zbývající potraviny z konzerv by se neměly skladovat v konzervách.

10. Šumivé nápoje by se neměly zmrazovat a výrobky jako ochucený led do vody by se neměly konzumovat příliš studené.

11. Některé ovoce a zelenina se může poškodit, pokud se skladuje v teplotách kolem 0°C. Ananasy, melouny, okurky, rajčata a podobné produkty balte do polyetylenových sáčků.

12. Silný alkohol se musí skladovat ve vzpřímené pozici a pevně uzavřených nádobách. Nikdy neskladujte výrobky s obsahem vznětlivého pohonného plynu (např. šlehačku ve spreji, plechovky spreje atd.) nebo výbušné látky. Představují riziko výbuchu.

Kontrola a nastavení teploty (Položka 5)

Provozní teploty kontroluje tlačítko termostatu (**Položka 5**) a lze jej nastavit na jakoukoli pozici mezi 1 a 5 (nejchladnější pozice). Průměrná teplota uvnitř chladničky by měla být kolem +5°C.

Nastavte tedy termostat tak, abyste dosáhli požadované teploty. Některé části chladničky mohou být chladnější či teplejší (např. přihrádka na uchovávání čerstvého salátu a horní část chladničky), což je naprosto normální. Doporučujeme vám kontrolovat teplotu pravidelně teploměrem, abyste měli jistotu, že chladnička stále zachovává tuto teplotu. Častým otevíráním dveří stoupnou vnitřní teploty, takže doporučujeme zavírat dvířka co nejdříve po použití.

Před zahájením provozu

Poslední kontrola

Než začnete používat spotřebič, zkontrolujte, zda:

1. Nožky byly seřizeny pro ideální rovnováhu.
2. Vnitřek je suchý a vzduch může vzadu volně cirkulovat.
3. Vnitřek je čistý dle doporučení v oddíle „Čištění a údržba“.
4. Zásuvka byla zasunuta do sítě a elektřina je zapnutá. Po otevření dvířek se rozsvítí vnitřní osvětlení.

A nezapomeňte, že:

5. Uslyšíte hluk při startování kompresoru. Kapalina a plyny uzavřené v chladicí soustavě mohou dělat další hluk, ať je kompresor v chodu, nebo není. Je to zcela normální.
6. Nepatrné zvlnění horní části chladničky je zcela normální a je způsobeno použitým výrobním procesem; nejedná se o závadu.
7. Doporučujeme nastavovat tlačítko termostatu na střed a sledovat teplotu, abyste zajistili, že spotřebič udržuje požadovanou teplotu skladování (viz oddíl Kontrola a nastavení teploty).
8. Nezaplňujte spotřebič ihned po jeho zapnutí. Počkejte na dosažení správné skladovací teploty. Doporučujeme kontrolovat teplotu přesným teploměrem (viz: Kontrola a nastavení teploty).

Skladování zmražených potravin

Vaše mraznička je vhodná na dlouhodobé uchování běžně dostupných zmražených potravin a lze ji též použít na zmrazení a uskladnění čerstvých potravin.

Dojde-li k výpadku elektrické energie, neotvírejte dveře. Zmrzlé potraviny by měly zůstat nepoškozeny, pokud závada trvá necelých 18 hodin. Pokud je výpadek delší, pak by měly být potraviny zkontrolovány a buď ihned upraveny, nebo uvařeny a pak znovu zmrazeny.

Mražení čerstvých potravin

Pro dosažení nejlepších výsledků prosím dodržujte následující pokyny.

Nezmrazujte příliš velké množství najednou. Množství potravin se nejlépe uchovává, pokud se zmrazí hloubkově a co nejrychleji. Nepřekračujte mrazicí kapacitu vašeho spotřebiče na 24 hodin.

Umístěním teplých potravin do mrazničky uvedete chladicí zařízení do nepřetržitého chodu, dokud nejsou potraviny zcela zmrzlé. Může tím dojít k dočasnému přílišnému zchlazení chladicího prostoru.

Při zmrazování čerstvých potravin nastavte tlačítko termostatu na střední pozici. Malé množství potravin až do ½ kg lze zmrazit bez nastavování ovládacího tlačítka termostatu. Dávejte zvýšený pozor, abyste nesmísili již zmrzlé a čerstvé potraviny.

Tvorba ledových kostek

Zaplňte podnos na kostky ledu ze ¾ vodou a umístěte jej do mrazničky. Zmrzlé podnosy uvolněte koncem lžičky nebo podobným nástrojem; nepoužívejte ostré předměty, jako jsou nože nebo vidličky.

Odmrazování

A) Prostor chladničky

Prostor chladničky se odmrazuje automaticky. Odmražená voda stéká do odčerpávací trubice přes sběrnou nádobu na zadní straně spotřebiče (**Položka 6**).

Během odmrzování se mohou na zadní stěně prostoru chladničky vytvořit kapky vody v místech, kde je umístěn odpařovač. Několik kapek může zůstat na obvodu, ty zmrznou po skončení odmrzování. Znovu zmrzlé kapky neodstraňujte špičatými nebo ostrými předměty, jako jsou nože nebo vidličky.

Pokud se kdykoli odmrážená voda neodčerpává ze sběrného kanálu, zkontrolujte, zda odčerpávací trubici neblokují části potravin. Odčerpávací trubici lze vyčistit čističem potrubí nebo podobným nástrojem. Zkontrolujte, zda je hadice neustále umístěná koncem v sběrném tácu na kompresoru, aby nedošlo k rozlívání vody na elektrickou instalaci nebo zem (**položka 7**).

B) Prostor mrazničky

Odmrazování je velmi jednoduché a bez nečistot díky zvláštní nádržce pro sběr odmražené vody.

Odmrazujte dvakrát ročně nebo tehdy, když se utvoří vrstva námrazy asi 7 mm. Pro spuštění procesu odmrazování vypněte přístroj ze sítě.

Všechny potraviny zabalte do několika vrstev novinového papíru a uskladněte na chladném místě (např. chladnička nebo spíž).

Nádoby s teplou vodou lze umístit opatrně do mrazničky, urychlí se tím odmrazování.

Námrazu neodstraňujte špičatými nebo ostrými předměty, jako jsou nože nebo vidličky.

Nepoužívejte sušiče na vlasy, elektrické radiátory nebo jiné elektrické spotřebiče na odmražení.

Odmraženou vodu setřete houbičkou ze dna prostoru mrazničky. Po odmražení pečlivě vnitřek vysušte (**Položky 8 a 9**). Zasuňte zásuvku do sítě a zapněte přívod elektrické energie.

Výměna vnitřní žárovky

Za účelem výměny žárovky osvětlení v chladničce prosím kontaktujte Autorizovaný servis.

Lampa (y) použité v tomto přístroji nejsou vhodné pro osvětlení místnosti domácnosti. Zamýšlený účel tohoto svítidla je pomoci uživateli umístit potraviny do chladničky / mrazničky bezpečně a pohodlně.

Žárovky použité v tomto spotřebiči musí vydržet extrémní fyzické podmínky, např. teploty pod -20°C.

Čištění a péče

1. Doporučujeme vypnout přístroj ze sítě a vyjmout hlavní zásuvku, než přistoupíte k čištění.

2. Nikdy nepoužívejte ostré předměty či brusné látky, mýdlo, domovní čistič, odmašťovač či voskové čisticí.

3. Používejte vlažnou vodu pro vyčištění skříně a otřete ji pak dosucha.

4. Používejte vlhký hadřík namočený do roztoku jedné čajové lžičky sody bikarbony na půl litru vody na vyčištění vnitřku, pak jej dosucha otřete.

5. Ujistěte se, že do skříně pro kontrolu teploty nepronikne žádná voda.

6. Pokud spotřebič delší dobu nebudete používat, vypněte jej, vyjměte všechny potraviny, vyčistěte jej a nechte dveře otevřené.

7. Doporučujeme vyčistit kovové součásti výrobku (např. vnější část dvířek, posuvné části) silikonovým voskem (autoleštidlem) pro ochranu vysoce kvalitního povrchového nátěru.

8. Prach, který se usadí na kondenzátoru, který je umístěný na zadní straně spotřebiče, by měl být jednou ročně odstraněn vysavačem.

9. Pravidelně kontrolujte těsnění dvířek, abyste zajistili jejich čistotu a nezanesení částicemi potravin.

10. Nikdy:

- Nečištěte spotřebič nevhodnými materiály; tzn. výrobky na bázi petroleje.
- Nevystavujte spotřebič vysokým teplotám.
- Nedrhňte, nebruste atd. brusnými materiály.

11. Odstranění krytu mléčných výrobků a dveřního podnosu:

- Pro odstranění krytu mléčných výrobků nejprve zvedněte kryt asi o 2,5 cm nahoru a vytáhněte jej ze strany, kde je v krytu otvor.
- Pro odstranění dveřního podnosu odstraňte všechen obsah a pak jen zvedněte dveřní podnos vzhůru ze základny.

12. Ujistěte se, že zvláštní plastová nádoba na zadní straně spotřebiče, která shromažďuje odmraženou vodu, je neustále čistá. Pokud chcete odstranit podnos a vyčistit jej, postupujte podle níže uvedených pokynů:

- Vypněte přístroj a odpojte napájecí kabel.
- Jemně odpojte čep na kompresoru pomocí kleští, aby bylo možné táč vyjmout.
- Zvedněte jej.
- Očistěte jej a otřete.
- Při montáži postupujte v opačném pořadí.

13. Pro vyjmutí zásuvky ji vytáhněte co nejdále, nadzvedněte ji a pak ji zcela vytáhněte ven.

Výměna dvířek

Postupujte v číselném pořadí (**Položka 10**).

Co dělat a co nedělat

- Ano-** Pravidelně čistěte a odmrazujte spotřebič (viz „Odmrazování“)
- Ano-** Syrové maso a drůbež skladujte pod vařenými potravinami a mléčnými výrobky.
- Ano-** Otrhávejte ze zeleniny nepoužitelné lístky a otírejte přebytečnou zeminu.
- Ano-** Nechte salát, zelí, petržel a květák na stonku.
- Ano-** Sýr balte do nepropustného papíru a pak do polyetylénového sáčku tak, aby uvnitř zůstalo co nejméně vzduchu. Nejlepší je jej vyjmout z chladničky asi hodinu před podáváním.
- Ano-** Obalte syrové maso těsně do polyetylénu nebo alobalu. Zabráníte tím vysušení.
- Ano-** Balte ryby a vnitřnosti do polyetylénových sáčků.
- Ano-** Balte potraviny se silným aroma nebo ty, které by mohly vyschnout, do polyetylénových sáčků, alobalu nebo je ukládejte do vzduchotěsných nádob.
- Ano-** Chléb dobře zabalte, aby zůstal čerstvý.
- Ano-** Bílé víno, pivo, ležák a minerální vodu před podáváním vychladte.
- Ano-** Průběžně kontrolujte obsah mrazničky.
- Ano-** Uchovávejte potraviny co nejkratší dobu a dodržujte jejich lhůtu spotřeby atd.
- Ano-** Již zmrazené potraviny skladujte v souladu s instrukcemi uvedenými na jejich obalech.

- Ano-** Vždy si vybírejte kvalitní čerstvé potraviny a před jejich zmrazením se ujistěte, zda jsou zcela čisté.
- Ano-** Připravte čerstvé potraviny na zmrazení v malých částech, abyste zajistili rychlé zmrazení.
- Ano-** Zabalte všechny potraviny do alobalu nebo polyetylénových sáčků vhodných pro mrazení potravin a ujistěte se, že uvnitř není žádný vzduch.
- Ano-** Zmrazené potraviny obalte ihned po zakoupení a co nejrychleji je vložte do mrazničky.
- Ano-** Potraviny rozmrazujte v chladničce.
- Ne-** skladujte banány v chladničce.
- Ne-** skladujte melouny v chladničce. Lze je zchladit na krátkou dobu, dokud jsou zabaleny, aby nemohly ovlivnit svým aroma jiné potraviny.
- Ne-** zakrývejte police ochrannými materiály, které by mohly bránit v cirkulaci vzduchu.
- Ne-** skladujte ve spotřebiči jedovaté nebo nebezpečné látky. Byl určen na skladování jen jedlých potravin.
- Ne-** konzumujte potraviny, které byly zmrazeny po příliš dlouhou dobu.
- Ne-** skladujte vařené a čerstvé potraviny společně ve stejné nádobě. Měly by být zabaleny a uskladněny zvlášť.
- Ne-** nechte rozmrazované potraviny nebo šťávy potravin kapat na potraviny.
- Ne-** nechte dveře otevřené delší dobu, provoz spotřebiče se tím prodraží a dojde k nadbytečné tvorbě ledu.
- Ne-** použivejte ostré předměty jako nože nebo vidličky na odstranění ledu.
- Ne-** vkládejte do spotřebiče teplé potraviny. Nechte je nejprve vychladnout.
- Ne-** vkládejte lahve s kapalinou nebo zavřené plechovky s perlivými kapalinami do mrazničky, mohly by explodovat.
- Ne-** překračujte maximální náplň mrazničky při zmrazování čerstvých potravin.
- Ne-** dávejte dětem zmrzlinu a led do vody přímo z mrazničky. Nízká teplota může způsobit na rtech „popáleniny od mrazu“.
- Ne-** zmrazujte šumivé nápoje.
- Ne-** snažte se uchovat zmrzlé potraviny, které rozmrzly; měli byste je sníst do 24 hodin, nebo uvařit a znovu zmrazit.
- Ne-** odstraňujte předměty z mrazničky mokřýma rukama.

Spotřeba energie

Maximální objem pro mražené potraviny dosáhnete bez použití střední přihrádky a krytu horní police v prostoru mrazničky. Spotřeba energie vašeho spotřebiče je uváděna za situace, kdy je prostor mrazničky plně naplněn bez použití střední přihrádky a krytu horní police.

Praktické rady ohledně snižování spotřeby elektřiny.

1. Zajistěte, aby byl spotřebič umístěn na řádně odvětraném místě, mimo zdroje tepla (sporák, radiátor, atd.). Současně musí být umístění spotřebiče provedeno tak, aby nebyl na přímém slunečním světle.
2. Zajistěte, aby potraviny, které zakoupíte v chlazeném/zmrazeném stavu, byly umístěny do spotřebiče co nejdříve, zejména v létě. Doporučujeme používat tepelně izolované tašky pro přepravu potravin domů.
3. Doporučujeme rozmrazovat balíčky vytažené z mrazničky v prostoru chladničky. Přitom umístěte balíček, který chcete rozmrazit, do nádoby tak, aby voda z rozmrazení neunikala do prostoru chladničky. Doporučujeme zahájit rozmrazování nejméně 24 hodin před použitím zmrazené potraviny.
4. Snižte otevírání dveří na minimum.
5. Nenechávejte dvířka spotřebiče otevřená déle než nezbytně dlouho a zajistěte, aby byla dvířka po každém otevření řádně uzavřena.

Informace týkající se hlučnosti a vibrací, které se mohou objevit při provozu spotřebiče

1. Provozní hluk se může při provozu zvýšit.
 - Aby teplota zůstala na nastavených hodnotách, kompresor spotřebiče se spouští pravidelně. Hluk od kompresoru je hlasitější, když se spustí, a po jeho zastavení je slyšet cvaknutí.
 - Výkon a provozní vlastnosti spotřebiče se mohou měnit podle úprav teploty okolního prostředí. Musejí být považovány za normální.
2. Hluky připomínající tekoucí kapalinu nebo postřik
 - Tyto zvuky způsobuje proudění chladicího média v obvodu spotřebiče a jsou v souladu s provozními zásadami spotřebiče.
3. Další vibrace a zvuky.
 - Intenzita zvuku a vibrací může být ovlivněna typem a stavem podlahy, na které je spotřebič umístěn. Zkontrolujte, zda na podlaze nejsou značné výkyvy v úrovni, nebo zda unese hmotnost spotřebiče (je pružná).
 - Dalším zdrojem hluku a vibrací jsou předměty umístěné na spotřebiči. Tyto předměty je nutno ze spotřebiče odstranit
 - Lahve a nádoby v chladničce se dotýkají. V tomto případě rozmístěte lahve a nádoby tak, aby mezi nimi byla malá vzdálenost.

Odstraňování potíží


Pokud spotřebič po zapnutí nefunguje, zkontrolujte;

- Zda je zásuvka správně zasunutá do sítě a je zapnutý přívod elektrické energie. (Pro kontrolu napětí v zásuvce do ní zapojte další spotřebič).
- Zda není vyhozená pojistka/se neaktivoval přerušovač obvodu/hlavní jistič není vypnutý.
- Zda byla správně nastavena funkce ovládání teploty.
- Zda je nová zásuvka správně propojená, pokud jste změnilí osazenou tvarovanou zásuvku.

Pokud spotřebič po provedení těchto kontrol stále nefunguje, kontaktujte prodejce, u něhož jste přístroj zakoupili.

Provedte prosím všechny výše uvedené kontroly, v případě nezjištění závady bude kontrola zpoplatněna.



Symbol  na výrobku nebo na obalu upozorňuje na skutečnost, že spotřebič nepatří do běžného domácího odpadu. Místo toho je třeba jej odevzdat do speciální sběrný odpadu na recyklování elektrických a elektronických zařízení. Vaší podporou správné likvidace pomáháte zabránit potenciálně negativním vlivům na životní prostředí a lidské zdraví, které by jinak nesprávná likvidace výrobku mohla způsobit. Další informace a recyklování tohoto spotřebiče získáte na místním úřadě, ve sběrně odpadu nebo u prodejce, kde jste spotřebič zakoupili.

Blahoželáme k Vášmu výberu BEKO kvalitného spotrebiča, navrhnutého tak, aby Vám slúžil veľa rokov.

Bezpečnosť nadovšetko!

Nezapájajte spotrebič do elektrickej siete, kým nie sú odstránené baliace a ochranné prostriedky.

- Nechajte spotrebič stáť minimálne 4 hodiny pred tým, ako ho zapnete, aby sa olej v kompresore usadil, ak bol prepravovaný horizontálne.

- Ak znehodnocujete starý spotrebič, jeho zámok alebo závoru uspôsobenú k dverám, uistite sa, že sú odstránené bezpečným spôsobom, aby ste predišli tomu, že sa dnu zamknú deti.

- Tento spotrebič musí byť výlučne použitý pre navrhnutý účel.

- Nevystavujte spotrebič ohňu. Spotrebič neobsahuje CFC substancie v izolácií, ktoré sú horľavé. Navrhujeme vám kontaktovať miestne úrady pre informácie na disponovanie a využitie zariadenia.

- Neodporúčame využívať toto zariadenie v nevykurovanej, studenej miestnosti. (napr.: garáž, sklad, prístavba, prístrešok, na vonku, atď...)

Aby ste dosiahli najlepší možný výkon a bezproblémový chod spotrebiča, je veľmi dôležité podrobne si prečítať tento návod. Nedodržanie týchto pokynov môže zrušiť vaše právo na bezplatný servis počas záručnej doby.

Uchovajte tieto pokyny na bezpečnom mieste pre ľahšie použitie.

Originálne náhradné súčiastky budú dodávané po dobu 10 rokov od kúpy výrobku.

Tento spotrebič by nemali používať osoby so zníženou fyzickou, senzorickou alebo mentálnou spôsobilosťou alebo s nedostatočnými skúsenosťami a poznatkami. Tieto osoby môžu spotrebič používať len pod dohľadom osoby zodpovednej za ich bezpečnosť, alebo ak ich zodpovedná osoba poučila o správnom používaní spotrebiča.

Deti by mali byť pod dozorom, aby sa nehrali so spotrebičom.

Elektrické požiadavky

Pred zasunutím zástrčky do zásuvky v stene sa uistite, že napätie a frekvencia uvedené na výkonovom štítku zodpovedajú zásobovaniu elektrickou energiou.

Odporúčame aby toto zariadenie bolo zapojené do elektrickej sústavy cez vhodnú zásuvku so spínačom v ľahko dostupnej pozícii.

Varovanie! Tento spotrebič musí byť uzemnený.

Opravy tohto zariadenia by mal vykonávať kvalifikovaný technik. Nesprávne opravy vykonané nekvalifikovanou osobou prinášajú riziko nepriaznivých následkov pre užívateľa zariadenia.

POZOR!

Tento spotrebič pracuje s plynom R600a, ktorý je ekologicky nezávadný, ale horľavý. Počas prepravy a zostavovania produktu dbajte na to, aby ste nepoškodili chladiaci systém. Ak je poškodený chladiaci systém a unikol zo systému plyn, držte zariadenie mimo otvoreného ohňa a na chvíľu vyvetrajte miestnosť.

VAROVANIE – Nepoužívajte mechanické prístroje alebo iné prostriedky na urýchľovanie rozmrazovacieho procesu, inak ako odporúča výrobca.

VAROVANIE – Nepoškodte chladiaci okruh.

VAROVANIE – Nepoužívajte elektrické zariadenia vo vnútri priestoru na potraviny, iba ak ide o typy odporúčané výrobcom.

VAROVANIE – Ak je sieťový kábel poškodený, je potrebné, aby ho vymenil výrobca, servisný agent alebo podobne kvalifikovaná osoba, vyhnite sa tak možnému nebezpečenstvu.

Prepravné pokyny

1. Spotrebič musí byť prepravovaný výlučne vo vertikálnej polohe. Obal musí počas prepravy ostať neporušený.
2. Ak bol spotrebič počas prepravy v horizontálnej polohe, nesmiete ho uvádzať do prevádzky najbližšie 4 hodiny, aby sa systém ustálil.

3. Nedodržanie vyššie uvedených pokynov by mohlo mať za následok poškodenie spotrebiča, za ktoré výrobca nebude niesť zodpovednosť.

4. Spotrebič musí byť chránený proti dažďu, vlhkosti a iným poveternostným vplyvom.

Dôležité!

- Kladte dôraz na opatrnosť počas čistenia/údržby spotrebiča, nedotýkajte sa spodku chladiacich kovových vedení na zadnej strane spotrebiča, mohlo by vám to spôsobiť úraz prstov a rúk.
- Nepokúšajte sa sadieť alebo stáť na vrch zariadenia, pretože nie je navrhnuté pre takéto použitie. Mohli by ste sa poraniť alebo poškodiť zariadenie.
- Uistite sa, že elektrický kábel nie je pricviknutý pod zariadením počas presúvania a po presunutí, mohlo by to poškodiť kábel.
- Nedovoľte deťom hrať sa so zariadením alebo s ovládačmi.

Inštalčné pokyny

1. Nedržte spotrebič v miestnosti, kde teplota v noci pravdepodobne klesne pod 16 stupňov C (61 stupňov F) a/alebo hlavne v zime, pretože je navrhnutý na prevádzku pri vonkajších teplotách medzi +16 až +38 stupňov C (61 až 100 stupňov F). Pri nižších teplotách spotrebič nemusí fungovať, čoho dôsledkom je zníženie doby skladovania potravín.

2. Neumiestnite spotrebič blízko pri sporákoch alebo radiátoroch alebo pri priamom slnečnom svetle, pretože to spôsobí mimoriadne poškodenie funkcií spotrebiča. Ak je nainštalovaný pri zdroji tepla alebo mrazničke, zachovajte nasledujúce minimálne bočné vôle:

Od sporákov 30 mm

Od radiátorov 300 mm

Od mrazničiek 25 mm

3. Uistite sa, že okolo spotrebiča je dostatočný priestor na zabezpečenie voľnej cirkulácie vzduchu (Položka 2).

- K zadnej časti chladničky položte zadný vetrací kryt na nastavenie vzdialenosti medzi chladničkou a stenou (**Položka 3**).

4. Spotrebič by sa mal umiestniť na hladký povrch. Dve predné nohy sa dajú nastaviť podľa požiadaviek. Aby ste zabezpečili, že váš spotrebič stojí rovno, nastavte dve predné nohy otočením v smere alebo proti smeru hodinových ručičiek, kým sa nezabezpečí pevný kontakt s podlahou. Správne nastavenie nôh bráni nadmernej vibrácii a hluku **(Položka 4)**.

5. Odkazujeme na časť „Čistenie a údržba“, kde nájdete popis, ako pripraviť spotrebič na používanie.



Poznávanie spotrebiča (Položka 1)

- 1 - Termostat a kryt svetidla
- 2 - Nastaviteľné poličky
- 3 - Držiak vínových fliaš
- 4 - Zberač vody
- 5 - Kryt priehradky
- 6 - Priehradky
- 7 - Priestor pre rýchle zmrazovanie
- 8 - Držiak tácky na ľad a tácka na ľad
- 9 - Priestory pre uchovávanie mrazených potravín
- 10 - Nastaviteľná noha
- 11 - Priehradka pre mliečne výrobky
- 12 - Polička pre nádoby
- 13 - Polička pre fľaše

Navrhnuté rozmiestnenie potravín v spotrebiči

Pokyny na dosiahnutie optimálneho skladovania a hygieny:

1. Priestor chladničky je pre krátkodobé skladovanie čerstvých potravín a nápojov.

2. Priestor mrazničky je  predpísaný a vhodný na mrazenie a skladovanie predmrazených potravín. Odporúčanie pre  skladovanie uvedené na obale potravín, by sa malo vždy dodržať.

3. Mliekarenské výrobky by sa mali skladovať v špeciálnej priehradke vo vložke dvier.

4. Varené jedlá by sa mali skladovať vo vzduchotesných nádobách.

5. Čerstvé zabalené výrobky sa môžu uchovávať na poličke. Čerstvé ovocie a zelenina by sa mali umyť a uskladniť v špeciálnych priehradkách.

6. Fľaše sa môžu držať v časti dvier.

7. Surové mäso zabaľte do polyetylénových vreciek a položte na najspodnejšiu poličku.

Zabráňte kontaktu s varenými potravinami, aby ste sa vyhli kontaminácii.

Z bezpečnostných dôvodov skladujte surové mäso len dva až tri dni.

8. Pre maximálnu účinnosť by odnímateľné poličky nemali byť pokryté papierom, či iným materiálom, aby sa umožnila voľná cirkulácia chladného vzduchu.

9. Na dverových poličkách neskladujte rastlinný olej. Potraviny skladujte zabalené alebo zakryté. Horúce potraviny a nápoje pred vložением do chladničky ochlaďte. Zvyšné konzervované potraviny by sa nemali skladovať v konzerve.

10. Šumivé nápoje by sa nemali zmrazovať a výrobky ako ochutené vodové zmrzliny by sa nemali konzumovať príliš studené.

11. Niektoré druhy ovocia a zeleniny sa poškodia, ak sa uchovávajú pri teplotách blížiacich sa 0°C. Preto baľte ananásy, melóny, uhorky, paradajky a podobné produkty do polyetylénových sáčkov.

12. Vysokostupňový alkohol sa musí uskladňovať vo vertikálnej polohe v tesno uzavretých nádobách. Nikdy neskladujte produkty, ktoré obsahujú horľavý stlačený plyn (napr. dávkovače šľahačky, postrekovacie konzervy, atď.) alebo výbušné látky. Predstavujú nebezpečenstvo výbuchu.

Riadenie a nastavenie teploty

Prevádzkové teploty sa riadia ovládačom termostatu (**položka 5**) a môžu sa nastaviť do akejkoľvek polohy medzi 1 a 5 (najchladnejšia poloha).

Priemerná teplota vo vnútri chladničky by mala byť okolo +5°C (+41°F).

Nastavte preto termostat tak, aby ste dosiahli požadovanú teplotu. Niektoré časti chladničky môžu byť chladnejšie alebo teplejšie (ako napríklad priehradka na šalát a vrchná časť vitríny), čo je celkom normálne. Odporúčame vám, aby ste pravidelne kontrolovali teplotu teplomerom. Tak zabezpečíte, že vitrína sa udržiava pri tejto teplote. Časté otváranie dvier spôsobuje zvýšenie vnútornej teploty, preto sa odporúča zatvoriť dvere čo možno najskôr po použití.

Pred prevádzkou

Záverečná kontrola

Pred začatím používania spotrebiča skontrolujte, či:

1. Sú nohy nastavené do úplného vyrovnaní.
2. Vnútro je suché a vzduch môže voľne cirkulovať vzadu.
3. Vnútro je čisté podľa odporúčania v časti „Čistenie a údržba“.
4. Zástrčka je vsunutá do zásuvky v stene a elektrina je zapnutá. Keď sa otvoria dvere, vnútorné svetlo sa zapne.

A všimnite si, že:

5. Budete počuť zvuk pri zapnutí kompresora. Aj kvapalina a plyny utesnené v chladiacom systéme môžu vydávať nejaký zvuk, či kompresor je alebo nie je v prevádzke. To je dosť normálne.
6. Mierne zvlnenie na vrchu vitríny je normálne a spôsobené použitým výrobným procesom, nie je to chyba.
7. Odporúčame nastavenie ovládača termostatu do stredu a monitorovať teplotu, aby sa zaistilo, že spotrebič udržiava požadovanú teplotu skladovania (Pozri časť Riadenie a nastavenie teploty).

8. Nenaplníte spotrebič hneď po zapnutí. Počkajte, kým sa nedosiahne správna teplota skladovania. Odporúčame skontrolovať teplotu presným teplomerom (Pozri časť Riadenie a nastavenie teploty)

Skladovanie mrazených potravín

Vaša mraznička je vhodná na dlhodobé skladovanie komerčne zmrazených potravín a môže sa použiť aj na mrazenie a skladovanie čerstvých potravín.

Ak došlo k výpadku prúdu, neotvárajte dvere. Mrazené potraviny by sa nemali poškodiť, ak výpadok trvá menej ako 18 hodín. Ak je výpadok dlhší, potraviny by sa mali skontrolovať a buď okamžite zjesť alebo uvariť, a potom znova zmraziť.

Mrazenie čerstvých potravín

Dodržiavajte nasledujúce pokyny, aby ste dosiahli najlepšie výsledky.

Nemrazte príliš veľké množstvo naraz. Kvalita potravín sa najlepšie zachová, keď sa mrazia správne až do vnútra čo možno najrýchlejšie. Neprekračujte zmrazovací výkon vášho spotrebiča v 24 h.

Vloženie teplých potravín do priestoru mrazničky spôsobuje, že chladiaci stroj funguje neustále, až kým potraviny nie sú pevne zmrazené. To môže dočasne viesť k nadmernému chladeniu priestoru chladničky.

Pri zmrazovaní čerstvých potravín udržiajte termostat v strednej polohe. Malé množstvá potravín do 7 kg sa môžu mraziť bez nastavenia riadenia teploty.

Buďte zvlášť opatrní a nemiešajte mrazené a čerstvé potraviny.

Tvorba kociek ľadu

Naplňte podnos na kocky ľadu vodou a vložte ho do mrazničky. Zamrznuté podnosy uvoľnite rúčkou lyžice alebo podobným nástrojom; nikdy nepoužívajte predmety s ostrými hranami, ako nože alebo vidličky.

Rozmrazovanie

A) Priestor mrazničky

Priestor mrazničky rozmrazuje automaticky. Odmrazená voda steká do výtokového potrubia cez zbernú nádrž na zadnej strane spotrebiča (**Položka 6**).

Počas rozmrazovania sa môžu vytvárať kvapky vody na zadnej strane priestoru chladničky, kde sa nachádza skrytý výparník. Niektoré kvapky môžu zostať na vložke a znovu zamrznúť, keď sa rozmrazovanie dokončí. Na odstraňovanie kvapiek, ktoré znovu zamrzli, nepoužívajte špicaté predmety ani predmety s ostrou hranou, ako nože alebo vidličky.

Ak sa, kedykoľvek, odmrázená voda nevypustí zo zberného kanála, skontrolujte, či čiastočky potravín neupchali výtokové potrubie. Výtokové potrubie môžete vyčistiť čističom trubiek alebo podobným nástrojom. Skontrolujte, či je trubka permanentne umiestnená koncom v zbernom podnose na komprese, aby sa zabránilo rozliatiu vody na elektroinštaláciu alebo na podlahu (**Položka 7**).

B) Priestor mrazničky

Rozmrazovanie je veľmi priamočiare a bez zmätkov vďaka špeciálnej rozmrazovacej zbernej miske.

Rozmrazovanie dvakrát do roka alebo keď sa vytvorila namrznutá vrstva asi 7 (1/4") mm. Pri začatí rozmrazovacieho postupu vypnite spotrebič zo zásuvky a vyťahnite zástrčku. Všetky potraviny by mali byť zabalené do niekoľkých vrstiev novín a skladované na chladnom mieste (napr. v chladničke alebo v komore).

Nádrže teplej vody sa môžu opatrne položiť do mrazničky na urýchlenie rozmrazovania.

Na odstránenie námrazy nepoužívajte špicaté predmety ani predmety s ostrou hranou, ako nože alebo vidličky.

Na rozmrazovanie nikdy nepoužívajte sušiče vlasov, elektrické ohrievače alebo iné elektrické spotrebiče.

Odsajte rozmrazenú vodu zhromaždenú na dne priestoru mrazničky. Po rozmrazení starostlivo osušte interiér (**Položka 8 a 9**). Vložte zástrčku do zásuvky v stene a zapnite dodávku elektriny.

Výmena žiarovky vnútorného svetla

Ak chcete vymeniť lampu použitú na osvetlenie vašej chladničky, zavolajte do autorizovaného servisu.

Lampa(y) použité v tomto prístroji nie sú vhodné pre osvetlenie miestnosti domácnosti. Zamýšľaný účel tohto svietidla je pomôcť užívateľovi umiestniť potraviny do chladničky/mrazničky bezpečne a pohodlne. Žiarovky použité v tomto spotrebiči musia vydržať extrémne fyzické podmienky, napr. teploty pod -20°C.

Čistenie a údržba

1. Pred čistením odporúčame vypnúť spotrebič zo zástrčky a odtiahnuť elektrickú šnúru.
2. Nikdy na čistenie nepoužívajte žiadne ostré predmety alebo brúsne látky, mydlo, domáce čistiadlá, detergenty alebo voskové politúry.
3. Použite teplú vodu na čistenie spotrebiča a vytrite ho do sucha.
4. Použite sacie plátno a rozmiešajte roztok jednej čajovej lyžičky sódy bikarbóny a pol litra vody. Umyte interiér a vytrite do sucha.
5. Uistite sa, či sa do krytu termostatu nedostala voda.
6. Ak sa spotrebič nechystáte používať dlhšie obdobie, vypnite ho, odstráňte všetky potraviny, vyčistite ho a nechajte dvere pootvorené.
7. Odporúčame vyleštiť kovové časti interiéru (napr.: dvere, mriežky...) so silikónovým voskom (leštadlo na karosériu) na ochranu farbených častí.

8. Všetok prach, ktorý sa nazbieral na chladiči, ktorý je umiestnený na zadnej strane spotrebiča, by sa mal odstrániť vysávačom raz ročne.

9. Skontrolujte tesnenie dverí či je čisté a zbavené čiastočiek potravín.

10. Nikdy :

- Nečistite spotrebič s nevhodnými materiálmi; ako sú ropné produkty.
- Nepodrobujte ho vysokým teplotám,
- Neleštite, neutierajte atď. s brúsnyimi materiálmi.

11. Odstránenie mliečneho krytu a zásobníka dvier:

- Ak chcete odstrániť mliečny kryt, najprv zdvihnite kryt do výšky asi jedného palca a stiahnite ho zo strany, kde je otvor na kryte.
- Ak chcete odstrániť zásobník dvier, vyberte celý obsah, a potom jednoducho posuňte zásobník dvier hore z podkladu.

12. Uistite sa, či je špeciálna plastická nádoba na zadnej strane spotrebiča, ktorá zbiera vodu po rozmrazovaní, stále čistá. Ak chcete vybrať nádobu a vyčistiť ju, postupujte podľa nasledujúcich pokynov:

- Vypnite spotrebič zo zásuvky a odtiahnite elektrický kábel.
- Jemne vyťahnite spojovací prvok na kompresore, použitím klieští tak, že sa nádoba bude dať vybrať
- Zdvihnite ju hore.
- Vyčistite a utrite do sucha
- Podobne postupujte pri spätnej operácii

13. Ak chcete odstrániť zásuvku, vytiahnite ju tak ďaleko, ako je to možné, nakloňte ju nahor, a potom úplne vytiahnite.

Premiestnenie dvier

Vysvetlené v poradí **(Položka 10)**.

Čo sa má a čo sa nesmie robiť

Urobte- Pravidelne čistite a odmrazujte váš spotrebič (Pozri „Rozmrazovanie“)

Urobte- Skladujte surové mäso a hydinu pod varenými potravinami a mliekarenskými výrobkami.

Urobte- Odstráňte nepoužiteľné listy na zelenine a odstráňte zem.

Urobte- Nechajte šalát, kapustu, petržlen a karfiol na stonke.

Urobte- Syr najprv zabaľte do papiera odolného voči tukom, a potom do polyetylénového sáčku, pričom odstráňte čo možno najviac vzduchu. Pre najlepšie výsledky vyberte z priestoru chladničky hodinu pred jedením.

Urobte- Zabaľte surové mäso a hydinu voľne do polyetylénovej alebo hliníkovej fólie. Zabraňuje to vysušeniu.

Urobte- Ryby a omrvinky zabaľte do polyetylénových sáčkov.

Urobte- Potraviny so silnou vôňou alebo tie, ktoré môžu vyschnúť, zabaľte do polyetylénových sáčkov alebo hliníkovej fólie alebo ich uložte do vzduchotesnej nádoby.

Urobte- Chlieb dobre zabaľte, aby sa udržal čerstvý.

Urobte- Biele vína, pivo, svetlé pivo a minerálku pred podávaním vychladte.

Urobte- Často kontrolujte obsah chladničky.

Urobte- Uchovávajte potraviny čo najkratší čas a dodržujte dátumy "Spotrebovať pred" a „Použiť do“, atď.

Urobte- Skladujte komerčne zmrazené potraviny v súlade s pokynmi uvedenými na obale.

Urobte- Vždy si vyberajte vysokokvalitné čerstvé potraviny a uistite sa, že sú pred mrazením starostlivo čisté.

Urobte- Pripravujte čerstvé potraviny na mrazenie v malých porciách, aby sa zabezpečilo rýchlo mrazenie.

Urobte- Baľte všetky potraviny do hliníkovej fólie alebo kvalitných mraziarenských polyetylénových sáčkov a uistite sa, že je vylúčený akýkoľvek vzduch.

Urobte- Zabaľte mrazené potraviny okamžite po nákupe a vložte ich čo najskôr do mrazničky.

Urobte- Potraviny rozmrazujte v priestore chladničky.

Nerobte- Neskladujte banány v priestore chladničky.

Nerobte- V chladničke neskladujte melón. Môže sa schladiť na krátky čas, pokiaľ je zabalený, aby sa zabránilo páchnutiu iných potravín.

Nerobte- Neprikrývajte poličky žiadnymi ochrannými materiálmi, ktoré môžu zabrániť cirkulácii vzduchu.

Nerobte- V spotrebiči neskladujte jedovaté alebo iné nebezpečné látky. Spotrebič bol navrhnutý len na skladovanie jedlých potravín.

Nerobte- Nekonzumujte potraviny, ktoré boli v chladničke nadmerne dlhý čas.

Nerobte- Neskladujte varené a čerstvé potraviny spolu v tej istej nádobe. Mali by byť oddelene zabalené a uskladnené.

Nerobte- Nenechajte rozmrazené potraviny alebo šťavy odkvapkávať na ostatné potraviny.

Nerobte- Nenechávajte dvere otvorené dlhý čas, pretože to spôsobí drahšiu prevádzku spotrebiča a nadmernú tvorbu ľadu.

Nerobte- Na odstránenie ľadu nepoužívajte predmety s ostrými hranami, ako nože alebo vidličky.

Nerobte- Nevkladajte do spotrebiča horúce potraviny. Najprv ich nechajte vychladnúť.

Nerobte- Do mrazničky nevkladajte fľaše s kvapalinami alebo uzavreté konzervy obsahujúce sódové kvapaliny, pretože môžu vybuchnúť.

Nerobte- Neprekračujte maximálne mraziace nosnosti pri mrazení čerstvých potravín.

Nerobte- Nedávajte deťom zmrzlinu a vodové zmrzliny priamo z mrazničky. Nízka teplota môže spôsobiť omrzliny na perách.

Nerobte- Nezmrazujte šumivé nápoje.

Nerobte- Nepokúšajte sa skladovať mrazené potraviny, ktoré sa rozpustili, mali by sa zjesť do 24 hodín alebo uvariť a znovu zmraziť.

Nerobte- Nevyberajte tovar z mrazničky mokrymi rukami.

Spotreba energie

Maximálny úložný objem mrazených potravín dosiahnete ak vyberiete zásuvky nachádzajúce sa v priečniku mrazničky. Spotreba energie vášho spotrebiča sa deklaruje pri úplnom naplnení priečnika mrazničky bez použitia zásuviek.

Praktické rady týkajúce sa zníženia spotreby elektrickej energie

1. Ubezpečte sa, že sa spotrebič nachádza v dobre vetranej oblasti, ďaleko od akýchkoľvek zdrojov tepla (sporák, radiátor a pod.) Poloha spotrebiča musí zároveň zabraňovať priamemu kontaktu so slnečným žiarením.
2. Ubezpečte sa, že potraviny zakúpené v chladenom/zamrazenom stave do spotrebiča umiestnite čo možno najskôr, najmä v lete. Na prenos potravín domov odporúčame použitie tepelne izolovaných tašiek.
3. Rozmrazovanie balíkov vybraných z priečnika mrazničky vám odporúčame vykonávať v priečniku chladničky. Pre tento účel umiestnite balíček určený na rozmrazenie do nádoby, z ktorej voda vzniknutá následkom rozmrazovania nevytečie do priečnika chladničky. Rozmrazovanie vám odporúčame začať najmenej 24 hodín pred použitím zmrazenej potraviny.
4. Počet otvorení dverí vám odporúčame znížiť na minimum.
5. Dvere spotrebiča nenechávajte otvorené dlhšie, ako je potrebné a po otvorení dverí sa ubezpečte, že sú dobre zatvorené.

Informácie týkajúce sa zvukov a vibrácií, ku ktorým môže dôjsť počas prevádzky spotrebiča

1. Prevádzkový hluk sa môže počas prevádzky zvýšiť.
 - Kompresor spotrebiča sa bude pravidelne spúšťať kvôli uchovaniu teplôt na nastavených hodnotách. Hluk vytváraný kompresorom zosilnie po jeho spustení a po jeho zastavení môžete počuť cvaknutie.
 - Výkonové a prevádzkové vlastnosti spotrebiča sa môžu zmeniť podľa zmien teploty okolitého prostredia. Musíte ich považovať za normálne.
2. Zvuky podobné prúdiacim alebo rozstrekovaným kvapalinám
 - Tieto zvuky sú spôsobené prúdením chladiacej zmesi v obvode spotrebiča a sú v súlade s prevádzkovým princípom spotrebiča.
3. Iné vibrácie a zvuky.
 - Úroveň zvuku a vibrácií môže byť spôsobená typom a stavom podlahy, na ktorej je spotrebič umiestnený. Ubezpečte sa, že podlaha neobsahuje veľké množstvá deformácií a tiež, že unesie hmotnosť spotrebiča (ak je flexibilná).
 - Ďalší zdroj zvuku a vibrácií predstavujú predmety umiestnené na spotrebiči. Tieto predmety musíte zo spotrebiča odstrániť.
 - Fľaše a nádoby umiestnené v chladničke sa dotýkajú. V takýchto prípadoch premiestnite fľaše a nádoby tak, aby bol medzi nimi malý priestor.

Riešenie problémov


Ak spotrebič nefunguje, keď je zapnutý, skontrolujte,

- či je zástrčka správne vložená do zásuvky a či je zapnutý napájací zdroj. (Ak chcete skontrolovať napájací zdroj k zásuvke, pripojte iný spotrebič)
- Či poistka vyhorela/sa prerušovač rozpojil/sa hlavný rozvodový spínač vypol.
- Či bolo riadenie teploty nastavené správne.
- Či je nová zástrčka správne zapojená, ak ste vymenili namontovanú, lisovanú zástrčku.

Ak spotrebič po tom všetkom stále nepracuje, kontaktujte servisného technika.

Zabezpečte vykonanie vyššie uvedených kontrol, pretože, ak sa nezistí žiadna chyba, môže sa to spoplatniť.



Symbol  výrobku alebo na balení označuje, že s týmto výrobkom sa nesmie manipulovať ako s odpadom z domácnosti. Namiesto toho by ste ho mali odovzdať na príslušnom zbernom mieste, kde sa zabezpečuje recyklácia elektrických a elektronických zariadení. Zabezpečením správnej likvidácie tohto výrobku pomôžete zabrániť potenciálne nebezpečným negatívnym následkom na životné prostredie a zdravie ľudí, ktoré by inak mohla spôsobiť nevhodná likvidácia tohto výrobku. Ak chcete získať podrobnejšie informácie o recyklácii tohto výrobku, obráťte sa na miestny mestský úrad, na spoločnosť, ktorá sa zaoberá likvidáciou odpadu z domácností, alebo na predajňu, v ktorej ste výrobok kúpili.

Gratulujemy dokonania mądrego wyboru!

BEKO to jedna z wiodących marek sprzętu AGD w Europie. Produkty naszej marki to dla konsumentów w ponad 100 krajach synonim funkcjonalności, niezawodności i przystępnej ceny. Obecnie już ponad 250 milionów użytkowników urządzeń BEKO potwierdza, że był to mądry wybór.

Bezpieczeństwo przede wszystkim

Opisana tu chłodziarko-zamrażarka jest najnowszym modelem urządzeń chłodniczych wchodzących w skład serii produktów BEKO.

Została ona zaprojektowana i wyprodukowana zgodnie z międzynarodowymi normami. Przed przystąpieniem do użytkowania prosimy zapoznać się uważnie z instrukcją obsługi. Zastosowanie się do poniższych zaleceń zagwarantuje uzyskanie optymalnego zużycia energii elektrycznej i zapewnieni bezpieczeństwo eksploatacji oraz uchroni przed powstaniem przypadkowych uszkodzeń.

Ostrzeżenie!

Urządzenie to może być użytkowane wyłącznie zgodnie z przeznaczeniem, dla którego zostało wyprodukowane. Urządzenie należy instalować w miejscu o odpowiednich wymiarach oraz nie narażonym na działanie deszczu, wilgoci, itd.

Ważne!

Producent nie będzie ponosić odpowiedzialności za szkody wynikłe z niestosowania się do zaleceń zawartych w instrukcji obsługi. Instrukcję obsługi należy przechowywać w bezpiecznym miejscu tak, aby można było z niej korzystać w razie konieczności. Może być ona przydatna również dla innego użytkownika.

Oryginalne części zamienne będą dostępne przez 10 lat od daty zakupu produktu

Używanie urządzenia przez osoby z fizycznymi sensorycznymi lub mentalnymi ograniczeniami powinno odbywać się tylko pod kontrolą osób odpowiedzialnych za ich bezpieczeństwo.

Należy dopilnować, aby dzieci nie używały urządzenia do zabawy.

Podłączenie do zasilania

Urządzenie jest przeznaczone do pracy przy zasilaniu ~220-240V, 50 Hz. Przed podłączeniem urządzenia do sieci należy upewnić się, czy napięcie, rodzaj prądu i częstotliwość w sieci są zgodne z wartościami podanymi na tabliczce znamionowej urządzenia.

Nie należy podłączać urządzenia za pośrednictwem przedłużaczy elektrycznych.

Zanim podłączysz kabel do gniazda elektrycznego sprawdź czy nie jest uszkodzony. Jeżeli kabel ulegnie uszkodzeniu, to powinien być on zastąpiony specjalnym kablem dostępnym w autoryzowanym serwisie.

Ostrzeżenie!

Bezpieczeństwo elektryczne urządzenia jest gwarantowane tylko wtedy, gdy jego gniazdo zasilające jest uziemione zgodnie z obowiązującymi przepisami.

Podłączenie uziemiające jest obowiązkowe!

Nie należy dotykać urządzenia gołymi rękoma będąc boso.

Ostrzeżenie!

Nie wolno nigdy próbować samemu naprawiać urządzeń elektrycznych. Wszelkie naprawy wykonywane (oprócz czynności opisanych w tabeli poniżej) przez osoby nieuprawnione są niebezpieczne dla użytkownika i powodują utratę uprawnień gwarancyjnych.

W razie uszkodzenia przewodu zasilającego, aby uniknąć niebezpieczeństwa, musi go wymienić producent, jego agent serwisowy lub podobnie wykwalifikowany personel.

Podłączenie do zasilania

Ostrzeżenie!

Urządzenie to musi być uziemione

- Należy sprawdzić, czy rodzaj i napięcie zasilania w miejscu ustawienia zamrażarki odpowiadają danym na tabliczce znamionowej w jej wnętrzu,
- Bezpieczeństwo zamrażarki pod względem elektrycznym zapewnione jest tylko wtedy, jeśli domowy system uziemienia zainstalowano zgodnie z przepisami.

- Ustawiając zamrażarkę należy zadbać, aby nie stała na przewodzie zasilającym, co może grozić jego uszkodzeniem.
 - Należy zapewnić łatwy dostęp do wtyczki w gniazdku zasilającym. Nie należy stosować ani przedłużaczy ani rozdzielników.
 - Parametry elektryczne zamrażarki podano na tabliczce znamionowej umieszczonej w jej wnętrzu.
 - Elektryczny przewód zasilający należy ułożyć tak, aby można go było łatwo włączyć i wyłączyć po zakończeniu instalacji.
 - Jeśli nie ma dostępu do przewodu zasilającego należy użyć przekładki izolacyjnej (dla modeli do zabudowy).
- (!) Urządzenie jest przeznaczone do pracy przy zasilaniu ~220-240V.

Instrukcje transportu i ustawiania

Urządzenie musi być transportowane wyłącznie w pozycji pionowej. W trakcie transportu nie wolno naruszać opakowania. Gdyby jednak zdarzyło się, iż urządzenie było transportowane w pozycji poziomej, to przed uruchomieniem należy pozostawić je w pozycji pionowej - nie uruchamiając, przez co najmniej 4 godzin.

Niezastosowanie się do powyższej instrukcji może spowodować uszkodzenie sprężarki i nie uznanie naprawy gwarancyjnej. Przesuwając, ustawiając lub podnosząc urządzenie nie należy tego robić chwytając za rączki lub skraplacz (umieszczony z tyłu lodówki).

Montaż

Urządzenie będzie pracować prawidłowo w zakresie temperatur otoczenia od +16°C do +38°C. Jeżeli temperatura w pomieszczeniu przekroczy +38°C, to wtedy temperatura wewnątrz urządzenia może wzrosnąć. Urządzenie należy umieścić w odpowiedniej odległości od ściany, z dala od grzejników, kuchenek lub innych źródeł ciepła. Będą one powodować niepotrzebne uruchamianie się całego urządzenia, co prowadzi do większego zużycia energii i skrócenia jego czasu eksploatacji.

Jeżeli jest to niemożliwe należy zachować następujące minimalne odległości:

- od kuchni 30 mm
- od grzejników 300 mm
- od zamrażarek 25 mm

Należy zapewnić wolną przestrzeń wokół całego urządzenia w celu uzyskania prawidłowej cyrkulacji powietrza (patrz **rys. 2**).

Po ustawieniu urządzenia na równej powierzchni, należy je wypoziomować przez pokręcanie jego nóżek w prawo lub w lewo dotąd, aż wszystkie będą się stykać z podłogą (patrz **rys. 4**). Prawidłowe wyregulowanie nóżek pozwoli uniknąć wibracji i nadmiernego hałasu.

Dwie poprzeczki dystansowe skraplacza umożliwiające właściwą cyrkulację powietrza należy zamontować w sposób pokazany na rysunku 3 (patrz **rys 3**).

Zapoznaj się z twoim urządzeniem

(Patrz **rys. 1**)

1. Obudowa termostatu i lampy
2. Półki wyjmowane
3. Półka na butelki
4. Rynienka odprowadzająca wodę z odszraniania
5. Pokrywa pojemnika na owoce i warzywa
6. Pojemnik na owoce i warzywa
7. Komora szybkiego zamrażania
8. Pojemnik na kostki lodu
9. Komora zamrożonej żywności
10. Regulowane nóżki
11. Balkonik na nabiał
12. Balkonik na słoiki
13. Balkonik na butelki

Porady dotyczące przechowywania żywności

Aby efekty i higiena przechowywania były najlepsze:

- Chłodziarka jest przeznaczona do krótkotrwałego przechowywania świeżej żywności i napoi.
- Zamrażarka jest przeznaczona do przechowywania żywności zamrożonej oraz do zamrażania żywności świeżej.
- Produkty gotowane należy przechowywać w szczelnych pojemnikach, przez okres nie dłuższy niż 2-3 dni.
- Produkty świeże w opakowaniach można kłaść na półkach. Świeże warzywa i owoce należy przechowywać w pojemniku na owoce i warzywa (**rys. 1/6**).
- Butelki należy przechowywać w balkoniku na butelki (**rys 1/13**) znajdującym się po wewnętrznej stronie drzwi.
- Aby zachować świeżość chłodzonego mięsa, należy zapakować je do woreczków przeznaczonych do przechowywania żywności. Nie może ono stykać się z żywnością gotową do spożycia. Świeżego mięsa nie należy przechowywać dłużej niż 2 lub 3 dni.
- Aby zapewnić optymalną wydajność chłodzenia, nie należy przykrywać półek papierem lub innym materiałem; umożliwi to swobodną cyrkulację zimnego powietrza.
- Całą żywność należy przechowywać zapakowaną lub przykrytą. Żywność w puszkach konserwowych należy po ich otwarciu przenieść do szczelnego pojemnika przeznaczonego do przechowywania produktów spożywczych.
- Gorącą żywność należy ostudzić przed włożeniem do chłodziarki.
- Aby uniknąć ryzyka eksplozji, napoje z dużą zawartością alkoholu należy przechowywać w pozycji pionowej, w dobrze uszczelnionych pojemnikach.

Regulacja temperatury

Chłodziarka

Temperaturę wnętrza należy regulować pokrętkiem termostatu (**rys 5**). Temperatura wewnątrz urządzenia może się wahać w zależności od takich warunków jego użytkowania, jak: miejsce ustawienia, temperatura w pomieszczeniu, częstotliwość otwierania drzwi oraz ilość przechowywanej żywności; zależnie od tych warunków należy odpowiednio ustawiać pokrętko termostatu. Przy temperaturze pomieszczenia równej 25°C zaleca się ustawienie pokrętła regulacji termostatu w pozycji środkowej. Termostat zapewnia również automatyczne odszranianie chłodziarki. Podczas odszraniania temperatura wewnątrz chłodziarki może się podnieść do +8°C, lecz w trakcie chłodzenia spada ona do 2-3°C dając średnią temperaturę całego cyklu roboczego około +5°C.

Należy unikać ustawiania pokrętła termostatu na zbyt niską temperaturę, która powoduje ciągłą pracę urządzenia. Efektem tego będzie spadek temperatury poniżej 0°C, co powoduje zamrożenie napoi i świeżej żywności oraz nadmierne gromadzenie się lodu na wewnętrznych ścianach; wszystko to prowadzi do zwiększenia zużycia energii i spadku wydajności urządzenia.

Podczas pracy chłodziarki na tylnej ścianie gromadzi się skroplona woda lub cząsteczki lodu. Nie jest konieczne usuwanie tego osadu, gdyż ścianka ta jest automatycznie odszraniana.

Woda z odszraniania jest odprowadzana przez specjalny odpływ i zbiera się w waniencie ściekowej umieszczonej na sprężarce, gdzie ulega odparowaniu. Co jakiś czas należy oczyścić odpływ, aby woda mogła swobodnie spłynąć do wanienki ściekowej.

Zamrażarka

Ustawienie termostatu może mieć również wpływ na temperaturę w zamrażarce. Ogólnie, temperatura ta waha się w granicach od -18°C do -28°C w trakcie całego cyklu roboczego.

Uruchamianie

Przed uruchomieniem urządzenia należy wyczyścić jego wnętrze (jak podano w rozdziale "Czyszczenie urządzenia"). Do czyszczenia nie należy używać produktów ściernych i silnych detergentów.

Po zakończeniu czyszczenia, urządzenie należy podłączyć do sieci zasilającej, następnie otworzyć drzwi (powinna zaświecić się lampka) i ustawić pokrętko termostatu w pozycji środkowej. Pozostawić urządzenie uruchomione, lecz puste, przez około 2 godziny. Świeżą żywność można włożyć i zacząć zamrażać po upływie minimum 12 godzin od włączenia.

Porady odnośnie przechowywania zamrożonej żywności

Zamrażarka jest przeznaczona do zamrażania świeżej żywności oraz do przechowywania mrozonek przez dłuższy okres czasu. Aby osiągnąć najlepsze rezultaty zamrażania, żywność należy szczelnie opakować. Materiał opakowania powinien: nie przepuszczać powietrza, być obojętny chemicznie w stosunku do opakowanej żywności, odporny na niskie temperatury, nie nasiąkać płynami, tłuszczem, parą wodną i zapachami oraz powinien być zmywalny. Na opakowania odpowiednie są takie materiały jak folie plastikowe i aluminiowe oraz pojemniki plastikowe, aluminiowe przeznaczone do bezpośredniego kontaktu z żywnością. Nie należy przechowywać zamrożonej żywności w szklanych opakowaniach. W przypadku przerwy w dopływie prądu nie należy otwierać drzwi urządzenia. Jeżeli przerwa w dopływie prądu trwa krócej niż kilka godzin, to nie będzie to mieć szkodliwego wpływu na zamrożoną żywność.

Mrożenie świeżej żywności

- Do zamrażania świeżej żywności należy używać komory oznaczonej 4 gwiazdkami (czyli komory szybkiego zamrażania).
- Nie należy zamrażać jednocześnie dużych ilości żywności. Najlepsze rezultaty w przechowywaniu żywności są osiągnięte wtedy, gdy jest ona głęboko zamrażana w możliwie jak najkrótszym czasie. Dlatego nie powinno się przekraczać wydajności zamrażania, podanej w charakterystyce technicznej. Ustawienie termostatu należy wtedy tak wyregulować, aby w zamrażarce osiągnąć jak najniższą temperaturę, lecz jednocześnie żeby temperatura w chłodziarce nie spadła poniżej 0°C.
- Produkty spożywcze już zamrożone (gotowe mrożonki) można wkładać od razu do zamrażarki, bez potrzeby regulowania termostatu.
- Jeżeli na opakowaniu nie podano daty zamrożenia, to jako maksymalny okres przechowywania należy ogólnie przyjąć 3 miesiące.
- Nie wolno ponownie zamrażać żadnej rozmrożonej żywności, nawet, gdy jest ona tylko częściowo rozmrożona. Żywność taką należy skonsumentować niezwłocznie lub ugotować i dopiero wtedy - ponownie zamrozić.

Jak robić kostki lodu

Napełnić wodą pojemnik na lód do 3/4 wysokości i włożyć go do zamrażarki. Kostki lodu można łatwo wyjąć wstawiając pojemnik z lodem na kilka sekund pod strumień zimnej bieżącej wody.

Odmrażanie

Chłodziarka

Odmrażanie chłodziarki następuje całkowicie samoczynnie za każdym razem, gdy termostat wyłączy sprężarkę. Nie jest przy tym konieczna żadna ingerencja użytkownika. Powstała w wyniku rozmrażania woda zbiera się w waniencie ściekowej umieszczonej na sprężarce (**rys 6**) i jest odparowywana przez ciepło wytwarzane przez sprężarkę.

WAŻNE!

Kolektor wodny i wąż odprowadzający należy utrzymywać w czystości, aby umożliwić swobodny odpływ wody powstałej podczas odszraniania. Należy sprawdzać, czy koniec węża odpływowego znajduje się zawsze wewnątrz waniency ściekowej na sprężarce, aby zapobiec wylewaniu się wody na okablowanie elektryczne lub na podłogę (**rys. 7**). Należy regularnie sprawdzać grubość osadzonego lodu wewnątrz zamrażarki. Odszranianie należy wykonywać 2 razy w roku lub gdy grubość warstwy lodu osiągnie 6-8 mm (co się zdarza raz lub dwa razy w roku); jest to konieczne, gdyż lód jest izolatorem ciepła i powoduje zmniejszenie wydajności zamrażania, a co za tym idzie zwiększenie zużycia energii elektrycznej.

Przed rozpoczęciem odszraniania należy ustawić pokrętko termostatu na maksimum, w celu głębokiego zamrożenia żywności.

Następnie należy wyjąć zamrożoną żywność, owinąć ją w papier i położyć w zimnym miejscu. Później wyjąć wtyczkę z gniazda sieci zasilającej. Drzwiczki zamrażarki należy pozostawić otwarte, a do jej wnętrza można wstawić pojemnik z gorącą wodą (o temperaturze maks. 80°C); przyspieszy to proces odszraniania.

Nie należy usuwać lodu przy użyciu ostrych przedmiotów metalowych aby nie uszkodzić ścianek zamrażarki.

Nie należy przyspieszać odszraniania przy użyciu suszarek do włosów lub innych urządzeń elektrycznych.

Wodę ze stopionego lodu należy usunąć z pojemnika na ściekającą wodę (**rys 8 i 9**), a następnie wytrzeć go suchą gąbką lub szmatką.

Wymiana żarówki

Aby wymienić lampkę używaną do oświetlenia chłodziarki, prosimy wezwać autoryzowany serwis.

Lampa (lampy) wykorzystywane w tym urządzeniu nie są przeznaczone do oświetlania pomieszczeń. Lampa ta ma pomagać użytkownikowi wygodnie i bezpiecznie umieszczać pożywienie w lodówce/zamrażarce.

Żarówki używane w urządzeniu muszą wytrzymywać ekstremalne warunki fizyczne, jak np. temperatury poniżej -20°C.

Czyszczenie urządzenia

Czyszczenie wnętrza

Przed rozpoczęciem czyszczenia należy odłączyć urządzenie od sieci elektrycznej. Czyszczenie urządzenia zaleca się wykonywać po każdym jego odmrożeniu. Wnętrze urządzenia należy czyścić letnią wodą z dodatkiem sody amoniakalnej (w stężeniu 1 łyżeczka sody na 4 litry wody); nie wolno nigdy używać mydła, detergentów, benzyny lub acetonu, gdyż mają one nieprzyjemny zapach. Do czyszczenia należy używać wilgotnej gąbki, a do suszenia - miękkiej szmatki.

W trakcie czyszczenia nie należy stosować nadmiaru wody, aby nie przedostała się ona do wnętrza izolacji termicznej, gdyż może to spowodować wydzielanie nieprzyjemnego zapachu.

Nie wolno dopuszczać do tego, aby do wnętrza termostatu przedostała się woda.

Po zakończeniu czyszczenia należy ponownie podłączyć urządzenie do sieci elektrycznej. W trakcie czyszczenia prosimy pamiętać o dokładnym wytarciu suchą szmatką uszczelek drzwi.

Czyszczenie zewnętrznych powierzchni

Części zewnętrzne należy czyścić gąbką nasączoną ciepłą wodą z mydłem, a następnie miękką suchą szmatką. Nie wolno nigdy używać proszków do czyszczenia, silnych detergentów lub narzędzi ściernych.

Czyszczenie zespołu sprężarka-skraplacz

Przed rozpoczęciem czyszczenia należy wyjąć wtyczkę z gniazda sieci zasilającej. Zespół sprężarki ze skraplaczem (zamontowany z tyłu urządzenia) należy czyścić z kurzu przy użyciu miękkiej szczotki lub odkurzacza.

W trakcie czyszczenia należy uważać, aby nie zgąć rurek lub nie uszkodzić przewodów elektrycznych. Po zakończeniu czyszczenia wstawić akcesoria na swoje miejsce i ponownie podłączyć urządzenie do sieci elektrycznej.

Zmiana kierunku otwierania drzwi

Należy wykonać kolejno czynności pokazane na **rysunku 10**.

Środki ostrożności w trakcie użytkowania

- Wszelkie naprawy mogą być wykonywane wyłącznie przez autoryzowany serwis.
 - Urządzenie należy odłączyć od źródła zasilania podczas odmrażania i czyszczenia.
- Urządzenie należy odłączać przez wyjęcie wtyczki z gniazdka. Nigdy nie wolno tego robić przez pociąganie za kabel.**
- Nie należy nigdy wspinać się na urządzenie lub stawać na jego poprzeczce, drzwiach, komorach czy półkach.
 - W urządzeniu nie wolno przechowywać produktów lub pojemników zawierających palne lub wybuchowe gazy.
 - Nie wolno zostawiać otwartych drzwi urządzenia na dłużej, niż to jest konieczne do wyjęcia lub włożenia żywności.
 - Gdy urządzenie nie jest używane, nie należy pozostawiać żywności w zamrażarce.

- Napoje gazowane (np. napoje bezalkoholowe, woda mineralna oraz szampan) nie powinny być przechowywane w zamrażarce; ich butelki mogą tam eksplodować. Nie należy zamrażać plastikowych butelek.
- Nie wolno nigdy dawać dzieciom lodów prosto z zamrażarki; niska temperatura może spowodować urazy.
- Nie należy dotykać zimnych części metalowych lub wewnętrznych ścianek urządzenia, gdyż mogą one spowodować odmrożenia.
- Jeżeli urządzenie ma pozostać nie używane przez kilka dni, to nie ma potrzeby, żeby odłączyć je od zasilania. Jednak gdy przerwa ta ma trwać dłużej niż kilka dni, należy postępować w sposób następujący:
 - odłączyć urządzenie od sieci zasilającej;
 - opróżnić chłodziarkę i zamrażarkę;
 - odszronić i wyczyścić wnętrze urządzenia;
 - pozostawić drzwi otwarte, aby zapobiec powstaniu nie przyjemnych zapachów.

W przypadku zauważenia...

- Wibracji kratesk lub półek: należy sprawdzić, czy są one wstawione całkowicie do oporu, na swoje miejsce.
- Hałasy powodowane przez stykające się butelki lub pojemniki; należy pozostawić między nimi niewielki odstęp.

Usuwanie usterek

Problem	Możliwe przyczyny	Środki zaradcze
1. Lampka nie świeci podczas pracy urządzenia.	Żarówka jest spalona.	Aby wymienić lampkę używaną do oświetlenia chłodziarki, prosimy wezwać autoryzowany serwis.
2. Woda gromadzi się w dolnej części chłodziarki.	Zatkany kanał odpływowy wody.	Wyczyścić kanał i rurę odprowadzania wody.
3. Urządzenie chłodnicze uruchamia się zbyt często i pracuje przez dłuższe niż normalnie okresy czasu.	- Drzwiczki urządzenia są zbyt często otwierane. - Wokół urządzenia nie ma swobodnego przepływu powietrza.	- Należy unikać niepotrzebnego otwierania drzwiczek. - Umożliwić swobodny przepływ powietrza wokół urządzenia.
4. Urządzenie nie chłodzi.	- Urządzenie zostało unieruchomione lub odłączone od zasilania elektrycznego. - Termostat ustawiony w pozycji "0" .	- Sprawdzić, czy jest prąd w sieci elektrycznej, czy nie są spalone bezpieczniki oraz czy kable wtyczki są podłączone prawidłowo. - Zmienić pozycję pokrętła termostatu z "0" na inną.

Rozmieszczenie żywności

Półki w komorze zamrażalnika	Różne mrożonki, np. mięso, ryby, lody, warzywa, itp.
Taca na jajka	Jajka
Półki komory chłodniczej	Potrawy w garnkach, na talerzach z pokrywkami i w zamkniętych pojemnikach
Balkoniki w drzwiczkach komory chłodniczej	Niewielkie zapakowane potrawy lub napoje (np. mleko, soki owocowe, piwo)
Pojemnik na świeże warzywa	Warzywa i owoce

Przykłady zastosowań

Białe wino, piwo i woda mineralna	schłodzić przed użyciem
Banany	nie przechowywać w chłodziarce
Ryby lub podroby	przechowywać wyłącznie w woreczkach polietylenowych
Ser	użyć pojemników hermetycznych lub woreczków polietylenowych; najlepiej wyjąć z chłodziarki na godzinę przed spożyciem.
Melony	przechowywać tylko przez krótki okres czasu, użyć hermetycznego pojemnika/ opakowania
Surowe mięso i drób	nie przechowywać razem z żywnością delikatną, taką jak potrawy gotowane lub mleko

Zalecane ustawienia

Pozycja pokręta termostatu	Objaśnienia
2 ½	Jest to ustawienie normalne i zalecane.
1	Najniższa intensywność chłodzenia/mrożenia
5	Najwyższa intensywność chłodzenia/mrożenia
1-5	Jeśli użytkownik uważa, że w komorze chłodzenia nie jest dostatecznie zimno z powodu wysokiej temperatury otoczenia lub częstego otwierania i zamykania drzwiczek.

Zużycie energii

Maksymalną ilość przechowywanych mrozonek można osiągnąć nie używając szuflad umieszczonych w komorze zamrażania. Zużycie energii przez chłodziarkę określono przy całkowicie wypełnionej komorze zamrażania i nie używając szuflad.

Rady praktyczne jak zmniejszyć zużycie energii elektrycznej

1. Upewnij się, że chłodziarka stoi w dobrze wentylowanym miejscu, z dala od źródeł ciepła (kuchenka, kaloryfer, itp.).
2. Dbaj o to, aby żywność kupowana w stanie schłodzonym/ zamrożonym wkładać do chłodziarki możliwie najprędzej, zwłaszcza latem. Zaleca się używanie izolowanych termicznie toreb do przenoszenia żywności do domu.
3. Zalecamy rozmrażanie w komorze chłodzenia paczek wyjętych z komory zamrażalnika. W tym celu paczkę, która ma zostać rozmrożona, umieszcza się w naczyniu, aby powstała przy tym woda nie wyciekła do komory chłodzenia. Zalecamy rozpocząć rozmrażanie zamrożonej żywności na co najmniej 24 godziny przez jej użyciem.
4. Zalecamy otwierać drzwiczki najrzadziej, jak to możliwe.
5. Nie należy trzymać drzwiczek otwartych dłużej niż to konieczne i dbać o to, aby po każdym otwarciu starannie je zamykać.

Informacja dotycząca odgłosów i drgań, które mogą wystąpić przy pracy chłodziarki

1. Odgłos ten może się nasilić w trakcie pracy.
 - Aby utrzymać nastawioną temperaturę, co jakiś czas uruchamia się sprężarka chłodziarki. Odgłos sprężarki nasila się, gdy się uruchamia, zaś kiedy się wyłącza może być słychać kliknięcie.
 - Wydajność i własności użytkowe chłodziarki mogą się zmieniać wraz ze zmianami temperatury otoczenia. Jest to zupełnie normalne.
2. Odgłosy przepływu lub rozpylania płynu.
 - Odgłosy te powoduje przepływ chłodziwa w obwodzie chłodziarki i są zgodne z zasadą jej działania.
3. Inne drgania i odgłosy
 - Pewne odgłosy i drgania może powodować rodzaj i powierzchnia podłogi, na której stoi chłodziarka. Upewnij się, że podłoga jest równa i płaska oraz że nie ugina się pod ciężarem chłodziarki (jest sztywna).

Odzysk opakowania

Ostrzeżenie!

Nie należy trzymać opakowań w zasięgu dzieci. Zabawa ze złożonymi kartonami lub arkuszami plastikowymi niesie ze sobą niebezpieczeństwo uduszenia się dziecka. Urządzenie to zostało zapakowane w sposób wystarczający na czas transportu. Wszystkie materiały pakunkowe zostały wyprodukowane zgodnie z przepisami ochrony środowiska i dlatego mogą być poddane odzyskowi. Prosimy o pomoc w ochronie środowiska naturalnego przez umożliwienie ponownego uzdatniania odpadów wszędzie tam, gdzie jest to możliwe.

Odzysk starego urządzenia chłodniczego

Jeżeli to urządzenie chłodnicze ma zastąpić urządzenie starsze, to prosimy przeczytać uważnie poniżej podane uwagi.

Stare urządzenia chłodnicze nie są bezużytecznymi odpadkami; usunięcie ich zgodnie z przepisami o ochronie środowiska naturalnego pozwoli na odzyskanie wielu cennych surowców wtórnych.

Z urządzeniem, którego chcemy się pozbyć należy postąpić w następujący sposób:

- odłączyć je od źródła zasilania;
- odciąć kabel zasilania;
- wymontować wszelkie zamki drzwiowe, aby ochronić dzieci przed zatrzaśnięciem się wewnątrz.

Chłodziarko-zamrażarki zawierają materiały izolacyjne i czynniki chłodnicze, które należy poddać odpowiedniej utylizacji (uzdatnieniu do ponownego użycia).

Urządzenie to zawiera czynnik chłodzący R600a, który spełnia wymogi norm ochrony środowiska. Prosimy dopilnować tego, aby nie uszkodzić obiegu chłodniczego i opróżnić z niego czynnik chłodniczy w sposób zgodny z obowiązującymi przepisami.

UWAGA!

To urządzenie jest oznaczone zgodnie z Dyrektywą Europejską 2002/96/WE oraz polską Ustawą o zużytym sprzęcie elektrycznym i elektronicznym symbolem przekreślonego kontenera na odpady.



Takie oznakowanie informuje, że sprzęt ten, po okresie jego użytkowania nie może być umieszczany łącznie z innymi odpadami pochodzącymi z gospodarstwa domowego. Użytkownik jest zobowiązany do oddania go prowadzącym zbieranie zużytego sprzętu elektrycznego i elektronicznego. Prowadzący zbieranie, w tym lokalne punkty zbiórki, sklepy oraz gminne jednostki, tworzą odpowiedni system umożliwiający oddanie tego sprzętu.

Właściwe postępowanie ze zużytym sprzętem elektrycznym i elektronicznym przyczynia się do uniknięcia szkodliwych dla zdrowia ludzi i środowiska naturalnego konsekwencji, wynikających z obecności składników niebezpiecznych oraz niewłaściwego składowania i przetwarzania takiego sprzętu.

Zgodność z dyrektywą RoHS:

Niniejszy wyrób jest zgodny z dyrektywą Parlamentu Europejskiego i Rady RoHS (Ograniczenie użycia substancji niebezpiecznych) (2011/65/WE). Nie zawiera szkodliwych i zakazanych materiałów, podanych w tej dyrektywie.

4577370200/AS
EN,CZ,SK,PL

www.beko.com