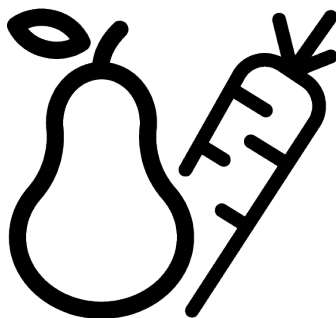


beko

Refrigerator / User Manual
Kühlschrank / Bedienungsanleitung
Refrigerador / Manual del usuario



GN163242XBN

58 5856 0000/ EN/ DE/ ES/ AJ_1/2/ 20/01/2023 15:56
7290348797



Please read this manual first!

Dear Customer

Please read this manual before using the product.

Thank you for choosing this Beko product. We would like you to achieve the optimal efficiency from this high quality product which has been manufactured with state of the art technology. To do this, carefully read this manual and any other documentation provided before using the product and keep it as a reference.

Heed all information and warnings in the user manual. This way, you will protect yourself and your product against the dangers that may occur.

Keep the user manual. Include this manual with the unit if you hand it over to someone else.

The following symbols are used in the user manual:



Hazard that may result in death or injury.



Important information or useful tips on operation.



Read the user manual.



Combustible material, warning against fire hazard.

NOTICE A hazard that may cause material damage to the product or its surroundings


| | |
|--|--|
|   SUPPLIER'S NAME MODEL IDENTIFIER → (*)   | <p>The model information as stored in the product data base can be reached by entering following website and searching for your model identifier (*) found on energy label.</p> <p>https://eprel.ec.europa.eu/</p> |
|--|--|

Table of Content

| | | |
|-----------|---|-----------|
| 1 | Safety Instructions..... | 4 |
| 1.1 | Intention of Use | 4 |
| 1.2 | Safety of Children, Vulnerable Persons and Pets | 4 |
| 1.3 | Electrical Safety..... | 5 |
| 1.4 | Handling Safety | 6 |
| 1.5 | Installation Safety..... | 6 |
| 1.6 | Operational Safety..... | 8 |
| 1.7 | Food Storage Safety..... | 10 |
| 1.8 | Maintenance and Cleaning Safety | 11 |
| 1.9 | Disposal of the Old Product..... | 12 |
| 2 | Environmental Instructions..... | 12 |
| 2.1 | Compliance with the WEEE Dir- ective and Disposing of the Waste Product | 12 |
| 3 | Your Refrigerator | 13 |
| 4 | Installation | 14 |
| 4.1 | Electrical Connection | 15 |
| 5 | Preparation..... | 16 |
| 5.1 | What To Do For Energy Saving | 16 |
| 5.2 | First Use..... | 16 |
| 5.3 | Climate Class and Definitions | 17 |
| 6 | Operating the Product..... | 17 |
| 7 | Control Panel of the Product..... | 18 |
| 8 | Using The Product..... | 20 |
| 8.1 | Replacing the Illumination Lamp.. | 22 |
| 8.2 | Door Open Alert | 22 |
| 9 | Product Features | 23 |
| 9.1 | The ice storage area..... | 23 |
| 9.2 | Using the Water Dispenser | 23 |
| 9.3 | Crisper | 26 |
| 9.4 | Crisper Technologies | 26 |
| 9.5 | Dairy Products Cold Storage Area | 26 |
| 9.6 | Humidity Controlled Crisper | 26 |
| 10 | Maintenance and Cleaning | 27 |
| 11 | Troubleshooting | 28 |

1 Safety Instructions

- This section includes the safety instructions necessary to prevent the risk of personal injury or material damage.
- Our company shall not be held responsible for damages that may occur if these instructions are not observed.



Always have installation and repair operations performed by manufacturer, authorized service or a person who will be described by importer company.



Use original spare parts and accessories only.



Do not repair or replace any component of the product unless it is clearly specified in the user manual.



Do not perform any modifications on the product.

1.1 Intention of Use

- This product is not suitable for commercial use and should not be used for a purpose other than its intended use.
- This product is intended for operating interiors, such as households or similar.

For example;

In the staff kitchens of the stores, offices and other working environments,

In farm houses,

In the units of hotels, motels or other resting facilities that are used by the customers,

In hostels, or similar environments,

In catering services and similar non-retail applications.

- This product shall not be used in open or enclosed external environments such as vessels, camper vans, balconies or terraces. Exposing the product to rain, snow, sunlight and wind may cause risk of fire.

1.2 Safety of Children, Vulnerable Persons and Pets



- This product may be used by children aged 8 years and older and persons with underdeveloped physical, sensory or mental capabilities or lack of experience and knowledge if they are being supervised or have been given instruction concerning use of the appliance in a safe way and the hazards involved.

- Children between 3 and 8 years are allowed to put and take out food into/from the cooler product.
- Electrical products are dangerous for children and pets. Children and pets must not play with, climb on, or enter the product.
- Cleaning and user maintenance should not be performed by children unless there is someone overseeing them.
- Keep the packaging materials away from children. Risk of injury and suffocation.

Before disposing of old products that shall not be used any more:

1. Unplug the power cord from the mains socket.
 2. Cut the power cable and remove it from the appliance together with the plug.
 3. Do not remove the racks and drawers from the product to prevent children from getting inside the appliance.
 4. Remove the doors.
 5. Store the product so that it shall not be tipped over.
 6. Do not allow children to play with the scrapped product.
- Do not dispose of the product by throwing it into fire. Risk of explosion.

- If there is a lock available on the product's door, keep the key out of children's reach.

1.3 Electrical Safety

- The product shall not be plugged into the outlet during installation, maintenance, cleaning, repair, and transportation operations.
- If the power cable is damaged, it shall only be replaced by authorized service to avoid any risks that may occur.
- Do not tuck the power cable under the product or to the rear of the product. Do not put heavy items on the power cable. The power cable should not be bent, crushed, and come into contact with any heat source.
- Do not use an extension cord, multi-plug or adaptor to operate your product.
- Portable multi-plugs or portable power supplies may overheat and cause fire. Thus, do not have a multi-plug, portable power sources behind or in the vicinity of the product.
- Do not plug the product's power cord in a loose or damaged power outlet. These types of connections may overheat and cause fire.

- The plug shall be easily accessible. If this is not possible, a mechanism that meets the electrical legislation and that disconnects all terminals from the mains (fuse, switch, main switch, etc.) shall be available on the electrical installation.
- Do not touch the plug with wet hands.
- When unplugging the appliance, don't hold the power cord, but the plug.

1.4 Handling Safety

- This product is heavy, do not handle it by yourself.
- Do not hold the product from its door while handling the product.
- Be careful not to damage the cooling system and the pipes while handling the product. Do not operate the product if the pipes are damaged, and contact an authorized service.

1.5 Installation Safety

- Contact the Authorized Service for the product's installation. To prepare the product for use, see the information in the user manual and make sure the electric and water utilities are as required. If not, call a qualified electrician and plumber to

arrange the utilities as necessary. Failure to do so may result in electric shock, fire, problems with the product, or injury.

- Check for any damage on the product before installing it. Do not have the product installed if it is damaged.
- Place the product on a clean, level and hard surface and balance it with the adjustable legs. Otherwise, the refrigerator may tip over and cause injuries.
- The product shall be installed in a dry and ventilated environment. Do not keep carpets, rugs or similar covers under the product. This may cause risk of fire as a result of inadequate ventilation!
- Do not block or cover ventilation holes. Otherwise, power consumption increases and your product may be damaged.
- The product must not be connected to supply systems such as solar power supply. Otherwise, your product may be damaged due to sudden voltage changes!
- When positioning the appliance, ensure the supply cord is not trapped or damaged.

- The more refrigerant a refrigerator contains, the bigger its installation room should be. In very small rooms, a flammable gas-air mixture may occur in case of a gas leak in the cooling system. At least 1 m³ of volume is required for each 8 grams of refrigerant. The amount of the refrigerant available in your product is specified in the Type Label.
- The installation place of the product shall not be exposed to direct sunlight and it shall not be in the vicinity of a heat source such as stoves, radiators, etc. If you cannot prevent installation of the product in the vicinity of a heat source, use a suitable insulation plate and make sure the minimum distance to the heat source is as specified below:
 - At least 30 cm away from heat sources such as stoves, ovens, heating units and heaters, etc.,
 - And at least 5 cm away from electrical ovens.
- Your product has the protection class of I.
- Plug the product in a grounded socket that conforms with the Voltage, Current and Frequency values specified in the type label. The socket must have a 10A – 16A fuse. Our firm will not assume responsibility for any damages due to usage without earthing and without power connection in compliance with local and national regulations.
- The product's power cable must be unplugged during installation. Otherwise, risk of electric shock and injury may occur!
- Do not plug the product's power cord in loose, dislocated, broken, dirty, oily power outlets which have a risk of water contact. These types of connections may cause overheating and fire.
- Place the power cable and hoses (if any) of the product so that they shall not cause a risk of tripping over.
- Penetration of humidity and liquid to live parts or to the power cord may cause short circuit. Thus, do not use the product in humid environments or in areas where water may splash (e.g. garage, laundry room, etc.) If the refrigerator is wet by water, unplug it and contact an authorized service.

- Do not ever connect your refrigerator to power saving devices. These systems are harmful for the product



1.6 Operational Safety

- Do not ever use chemical solvents on the product. These materials contain an explosion risk.
- In case of a failure of the product, unplug it and do not operate until it is repaired by the authorized service. There is a risk of electric shock!
- Do not place a source of flame (e.g. candles, cigarettes, etc.) on the product or in the vicinity of it.
- Do not get on the product. Risk of falling and injury!
- Do not cause damage to the pipes of the cooling system using sharp and piercing tools. The refrigerant that sprays out in case of puncturing the gas pipes, pipe extensions or upper surface coatings may cause irritation of skin and injury to the eyes.
- Do not place and operate electrical appliances inside the refrigerator/freezer unless it is advised by the manufacturer.
- Do not jam any parts of your hands or your body to the moving parts inside the product. Be careful to prevent jamming of your fingers between the refrigerator and its door. Be careful while opening or closing the door if there are children around.
- Do not put ice cream, ice cubes or frozen food to your mouth as soon as you take them out of the freezer. Risk of frostbite!
- Do not touch the inner walls, metal parts of the freezer or food kept inside the freezer with wet hands. Risk of frostbite!
- Do not place soda cans or cans and bottles that contain fluids that may be frozen to the freezer compartment. Cans or bottles may explode. Risk of injury and material damage!
- Do not use or place materials sensitive against temperature such as flammable sprays, flammable objects, dry ice or other chemical agents in the vicinity of the refrigerator. Risk of fire and explosion!
- Do not store explosive materials such as aerosol cans with flammable materials inside the product.

- Do not place cans containing fluids over the product an open state. Splashing of water on an electrical part may cause the risk of an electric shock or a fire.
- This product is not intended for storage and cooling of medicines, blood plasma, laboratory preparations or similar materials and products that are subject to the Medical Products Directive.
- If the product is used against its intended purpose, it may cause damage to or deterioration of the products kept inside.
- If your refrigerator is equipped with blue light, do not look at this light with optical devices. Do not stare directly at UV LED light for a long time. Ultraviolet rays may cause eye strain.
- Do not fill the product with more food than its capacity. Injuries or damages may occur if the contents of the refrigerator fall when the door is opened. Similar problems may also occur when an object is placed over the product.
- Ensure that you have removed any ice or water that may have fallen to the floor to prevent injuries.
- Change the locations of the racks/bottle racks on the door of your refrigerator only when the racks are empty. Danger of injury!
- Do not place objects that may fall/tip over on the product. These objects may fall while opening or closing the door and cause injuries and/or material damages.
- Do not hit or exert excessive pressure on glass surfaces. Broken glass may cause injuries and/or material damages.
- The cooling system in your product contains R600a refrigerant. The refrigerant type used in the product is specified in the type label. This gas is flammable. Therefore, be careful not to damage the cooling system and the pipes while operating the product. In case of damage to the pipes;
 1. Do not touch the product or the power cable.
 2. Keep the product away from potential sources of fire that may cause the product to catch fire.
 3. Ventilate the area where the product is placed. Do not use a fan.
 4. Contact Authorized Service.

5. If the product is damaged and you observe gas leak, please stay away from the gas. Gas may cause frostbite if it contacts your skin.

For Products with Water Dispenser / Icematic

- Use only drinking water. Do not fill the water tank with fruit juice, milk, fizzy beverages, alcoholic beverages or any other liquids incompatible for use in the water dispenser. This may cause risk to your health and safety.
- Do not allow the children to play with the water dispenser or icematic to prevent accidents and injuries.
- Do not insert your hands, fingers or other objects inside the hole of the water dispenser, ice channel or inside the container of the icematic. This may cause injuries or material damages.
- The hose sets supplied with the product shall be used. Do not use the old hose sets. Do not extend the hoses!
- Always connect your product to cold water inlet. Do not perform installation on the hot water inlet. The pressure for the cold water inlet shall be 80 PSi (550 kPa) maximum. If

your water pressure exceeds 80PSi or has a water impact effect, use a pressure limiting valve on your mains system. Ask help from professional plumbers if you do not know how to control your water pressure.

- High pressure may cause damage to the hose connections and pose a risk of flooding.
- Take required precautions against the risk of freezing of hoses. The operating water temperature interval shall be 0.6°C (33°F) minimum and 38°C (100°F) maximum. There is a risk of flooding if the hose is cracked/perforated.

1.7 Food Storage Safety

Please pay attention to the following warnings to avoid food spoilage:

- Leaving the doors open for a long time may cause the temperature inside the product to rise.
- Regularly clean the accessible drainage systems in contact with food.

- Clean the water tanks that have not been used for 48 hours and mains-fed water systems that have not been used for more than 5 days.
- Store raw meat and fish products in appropriate compartments within the product. Thus, it does not drip on or come into contact with other foods.
- Two-star freezer compartments are used for storing pre-filled foods, making and storing ice and ice cream.
- One, two and three-star compartments are not appropriate for freezing fresh food.
- If the cooling product has been left empty for a long time, turn off the product, defrost, clean, and dry the product in order to protect the housing of the product.
- Do not put your hands etc. under the refrigerator. Jamming may occur or any sharp edge may cause personal injuries.
- Do not clean the product by spraying or pouring water on the product and inside the product. Risk of electric shock and fire.
- When cleaning the product, do not use sharp and abrasive tools or household cleaning agents, detergent, gas, gasoline, thinner, alcohol, varnish, and similar substances. Use only cleaning and maintenance agents that are not harmful for food inside the product.
- Do not ever use steam or steamed cleaning materials for cleaning the product and thawing the ice inside it. Steam contacts the live areas in your refrigerator and causes short circuit or electric shock.

1.8 Maintenance and Cleaning Safety

- Unplug the refrigerator before cleaning it or starting to perform maintenance.
- Do not pull by the door handle if you shall move the product for cleaning purposes. Handle may cause injuries if it is pulled too hard.
- Do not use any mechanical tools or any other tools than the recommendations of the manufacturer to speed up the defrost operation.
- Take care to keep water away from the ventilation holes, electronic circuits or lighting of the product.
- Use a clean, dry cloth to wipe the dust or foreign material on the tips of the plugs. Do not

use a wet or damp piece of cloth to clean the plug. Otherwise, risk of fire or electric shock may occur.

1.9 Disposal of the Old Product

When disposing of your old product follow the instructions below:

- To prevent children from accidentally locking themselves into the product, if there is door lock, make it deactivated.

- Splash of coolant is harmful to the eyes. Do not damage any part of the cooling system while disposing of the product.
- It may be fatal if the compressor oil is swallowed or if it penetrates the respiratory tract.
- Cooling system of your product includes R600a gas as specified in the type label. This gas is flammable. Do not dispose of the product by throwing it into fire. Risk of explosion!

2 Environmental Instructions

2.1 Compliance with the WEEE Directive and Disposing of the Waste Product



This product complies with EU WEEE Directive (2012/19/EU). This product bears a classification symbol for waste electrical and electronic equipment (WEEE).

This symbol indicates that this product shall not be disposed with other household wastes at the end of its service life. Used device must be returned to official collection point for recycling of electrical and electronic devices. To find these collection systems please contact to your local authorities or retailer where the product was purchased. Each household performs important role in recovering and recycling of old appliance. Appropriate disposal of used

appliance helps prevent potential negative consequences for the environment and human health.

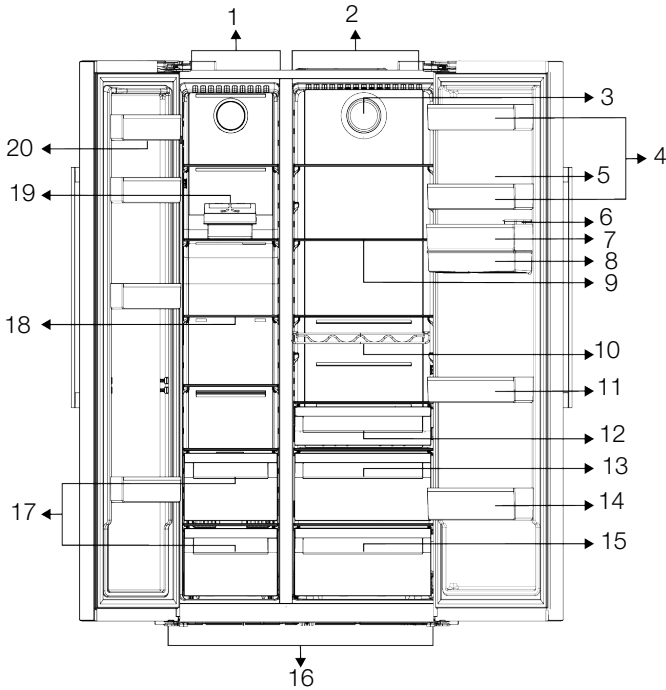
Compliance with RoHS Directive

The product you have purchased complies with EU RoHS Directive (2011/65/EU). It does not contain harmful and prohibited materials specified in the Directive.



Package information

Packaging materials of the product are manufactured from recyclable materials in accordance with our National Environment Regulations. Do not dispose of the packaging materials together with the domestic or other wastes. Take them to the packaging material collection points designated by the local authorities.



- | | |
|-------------------------------------|---------------------------------------|
| 1 Freezer Compartment | 2 Cooler compartment |
| 3 Fan | 4 *Cooler compartment door shelves |
| 5 Egg holder | 6 Water dispenser filling tank |
| 7 *Cooler compartment door shelves | 8 Water dispenser reservoir |
| 9 *Cooler compartment glass shelves | 10 *Bottle shelf |
| 11 *Cooler compartment door shelves | 12 *Dairy (cold storage) bin |
| 13 *Crispers | 14 *Bottle shelf |
| 15 *Crispers | 16 Adjustable legs |
| 17 Frozen food storing compartments | 18 *Freezer compartment glass shelves |
| 19 Icematic | 20 Freezer compartment door shelves |

***Optional:** Figures in this user manual are schematic and may not exactly match your product. If your product does not comprise the relevant parts, the information pertains to other models.

4 Installation

Right place for installation



Read the "Safety Instructions" section first!

Your product requires adequate air circulation to function efficiently. If the product will be placed in an alcove, remember to leave at least 5 cm clearance between the product and the ceiling, rear wall and the side walls. Check if the rear wall clearance protection component is present at its location (if provided with the product). If the component is not available, or if it is lost or fallen, position the product so that at least 5 cm clearance shall be left between the rear surface of the product and the wall of the room. The clearance at the rear is important for efficient operation of the product.

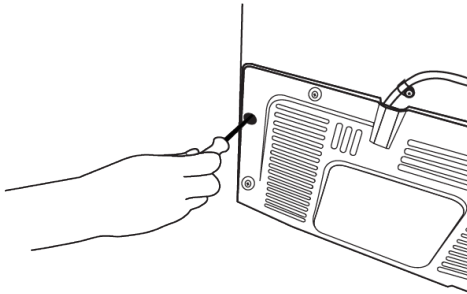


Do not use extension or multi sockets in the power connection.

Attaching the plastic wedges

Use the plastic wedges provided with the product to maintain sufficient space for air circulation between the product and the wall.

- Remove the screws on the product and mount the screws provided with the wedges.



- Attach 2 plastic wedges on the ventilation cover as shown in the figure.



The manufacturer assumes no responsibility for any damage caused by the work carried out by unauthorized persons.

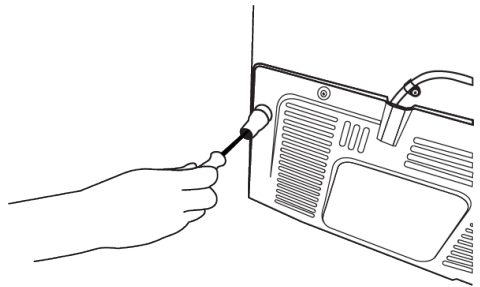


The product's power cable must be unplugged during installation. Failure to do so may result in death or serious injuries!



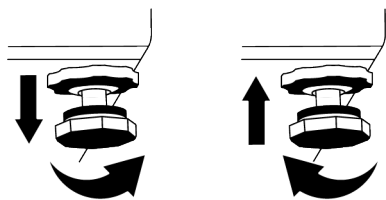
If the door span is too narrow for the product to pass, remove the door and turn the product sideways; if this does not work, contact the authorized service.

- Place the product on a flat surface to avoid vibration
- Place the product at least 30 cm away from the heater, stove and similar sources of heat and at least 5 cm away from electric ovens.
- Do not expose the product to direct sunlight or keep in damp environments.



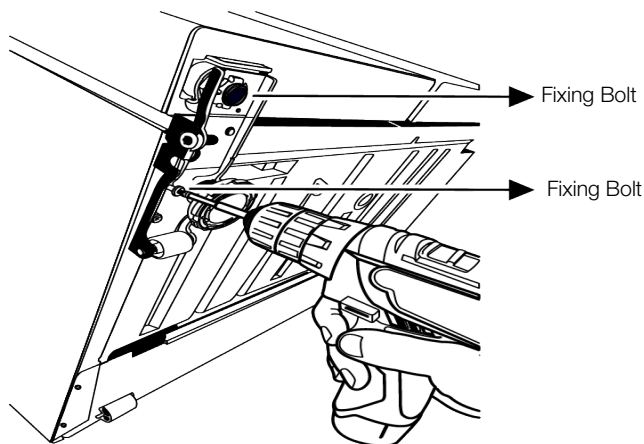
Adjusting the Legs

If the product is not in a balanced position, you can adjust the balance of the product by rotating the stands on the front right or left.



For adjusting the doors vertically,

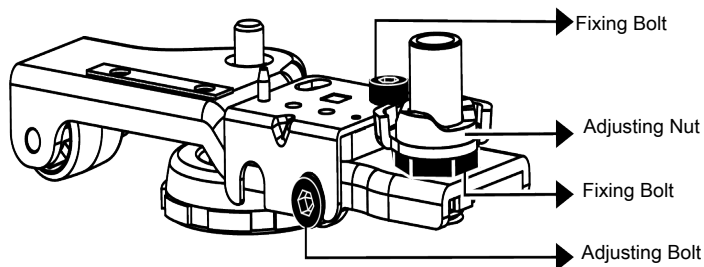
Loosen the fixing bolt at the bottom. Turn the adjusting bolt towards the position (clockwise/counter clockwise) of the door. Tighten the fixing bolt to immobilize the position.



For adjusting the doors horizontally,

Loosen the fixing bolt at the bottom. Loosen the fixing bolt at the top. Turn the adjusting bolt on the side towards the posi-

tion (clockwise/counter clockwise) of the door. In order to immobilize the position, tighten the fixing bolt at the top. Tighten the fixing bolt at the bottom.



4.1 Electrical Connection



WARNING: Do not use extension or multi sockets in power connection.



WARNING: Damaged power cable must be replaced by Authorized Service.

- Our firm will not assume responsibility for any damages due to usage without earthing and power connection in compliance with national regulations.

- The power cable plug must be easily accessible after installation.



Hot surface warning!

The side walls of your product are equipped with cooler pipes to enhance the cooling system. High pressure fluid may flow through these surfaces, and cause hot surfaces on the side walls. This is normal and it does not require servicing. Be careful when you contact these areas.

5 Preparation



Read the "Safety Instructions" section first!

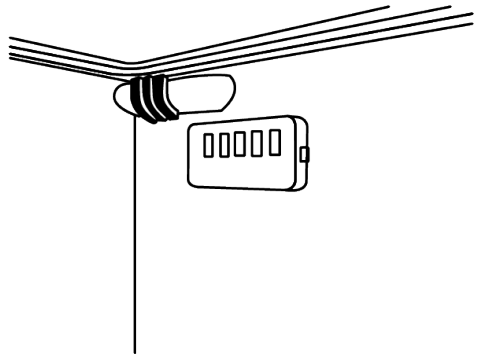
5.1 What To Do For Energy Saving



Connecting the product to electronic energy-saving systems is harmful, as it may damage the product.

- This refrigerating appliance is not intended to be used as a built in appliance.
- Do not keep the refrigerator doors open for long periods.
- Do not place hot food or beverages into the refrigerator.
- Do not overfill the refrigerator; blocking the internal air flow will reduce cooling capacity.
- Since hot and humid air will not directly penetrate into your product when the doors are not opened, your product will optimize itself in conditions sufficient to protect your food. Under these circumstances, functions and components such as compressor, fan, heater, defrost, lighting, display and so on will operate according to the needs by consuming minimum energy.
- In case that multiple options are present, glass shelves must be placed so that the air outlets at the rear wall are not blocked and preferably, in a way that air outlets remain below the glass shelf. This combination may help improving air distribution and energy efficiency.

- Using the below drawer when storing is strongly recommended.
- Make sure the foods are not in contact with the cooler compartment temperature sensor described below.



- If they are in contact with the sensor, energy consumption of the appliance might increase
- Food shall be stored using the drawers in the cooler compartment in order to ensure energy saving and protect food in better conditions.

5.2 First Use

Before using your refrigerator, make sure the necessary preparations are made in line with the instructions in "Safety and Environmental Instructions" and "Installation" sections.

- Keep the product running without placing any food inside for 6 hours and do not open the door, unless absolutely necessary.

- The temperature change caused by opening and closing of the door while using the product may normally lead to condensation on door/body shelves and glassware placed in the product.



A sound will be heard when the compressor is engaged. It is normal for the product to make noise even if the compressor is not running, as fluid and gas may be compressed in the cooling system.



It is normal for the front edges of the refrigerator to be warm. These areas are designed to warm up in order to prevent condensation.



For some models, indicator panel turns off automatically 1 minute after the door closes. It will be re-activated when the door is opened or any button is pressed.

6 Operating the Product



Read the "Safety Instructions" section first!

- Do not use any mechanical tools or any other tools than the recommendations of the manufacturer to speed up the defrost operation.
- Do not use parts of your refrigerator such as the door or drawers as a support or a step. This may cause the product to trip over or its components to be damaged.
- The product shall be used for storing food only.

5.3 Climate Class and Definitions

Please refer to the Climate Class on the rating plate of your device. One of the following information is applicable to your device according to the Climate Class.

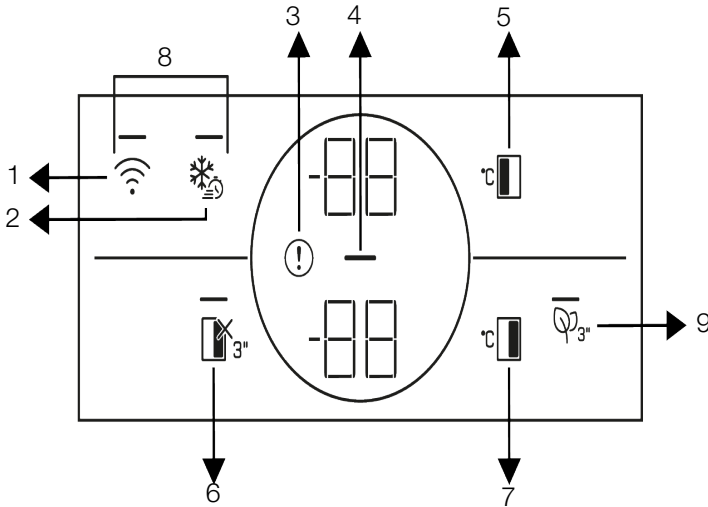
- **SN:** Long Term Temperate Climate: This cooling device is designed for use at ambient temperatures between 10 °C and 32 °C.
- **N:** Temperate Climate: This cooling device is designed for use at ambient temperatures between 16°C and 32 °C.
- **ST:** Subtropical Climate: This cooling device is designed for use at ambient temperatures between 16°C and 38°C.
- **T:** Tropical Climate: This cooling device is designed for use at ambient temperatures between 16°C and 43°C.

- Turn off the water valve if you will be away from home (e.g. at vacation) and you will not be using the Icematic or the water dispenser for a long period of time. Otherwise, water leaks may occur.


Unplugging the Product

- If you are not going to use the product for a long time, unplug the product from the socket.
- Remove the food to prevent odours,
- Wait for the ice to melt, clean the interior and let it dry, leave the doors open to avoid damaging the inner body plastics.

7 Control Panel of the Product



- | | |
|---|---|
| 1 *Wireless | 2 Quick Freezing |
| 3 High Temperature/Fault Alert | 4 Energy Saving (Display Off) |
| 5 The Freezer Compartment Temperature Setting | 6 Vacation Function |
| 7 Cooler Compartment Temperature Setting | 8 *Key for Resetting Wireless Connection Settings |
| 9 *Deodoriser Module Key | |

 Read the "Safety Instructions" section first.

*Optional: Shown functions are optional, there may be differences of shape and location in functions found on your appliance's indicator panel.

Auditory and visual functions on the indicator panel will assist you in using the refrigerator.

1. *Wireless Key

You can use this key to make a wireless connection with your product via HomeWhiz mobile app.

When the key is pressed for a long period (3 seconds), the wireless connection symbol on the display/screen flashes slowly (at 0.5 second intervals). The home network is introduced to the product firstly in this way. After achieving wireless connection with the product, wireless connection symbol illuminates continuously. After completing the initial installation, you can activate/deactivate it for pressing this key. Wireless connection symbol illuminates quickly (at 0.2 seconds intervals) until

the connection is made. When the connection is active, the wireless network symbol will illuminate continuously.

If the connection cannot be established for a long period, check your connection settings and refer to the "Troubleshooting" section provided in the user manual.

Use HomeWhiz application for wireless connection. You can find the installation steps in the application during installation. The installation steps are described on the application during installation.

You may access the application by reading the QR code available on the HomeWhiz label on the product. Application is offered through App Store for IOS devices, and through Play Store for Android devices.

Visit <https://www.homewhiz.com/> address for detailed information.

2. Quick Freezing Key

When you press the quick freezing key, the LED on the key is illuminated and the quick freezing function will be activated. Freezer compartment temperature is set to -27 Celsius. Press the key again to cancel the function. The quick freezing function will be automatically cancelled after 24 hours. To freeze a large amount of fresh food, press the quick freezing key before placing the food in the freezer compartment.

3. High temperature / fault alert

This indicator will be active when your refrigerator cannot perform adequate cooling or in case of any sensor error. "E" will be displayed on the freezer compartment temperature indicator and figures such as 1,2,3... will be displayed on the cooler compartment temperature indicator. These figures provide information to the authorized service on the error that has occurred.

Exclamation mark may be displayed for a while when you load warm food to the freezer compartment or keep the door open for a long period of time. This is not a fault, this warning will be removed when the food is cooled down or when any key is pressed.

4. Energy Saving (Display Off) Indicator

Energy saving function is enabled automatically and the energy saving symbol lights up when the door of the product is not opened or closed for some period of time. When you activate the energy saving function, all symbols on the screen other than the energy saving symbol will be turned off. When you activate the energy-saving function, if you press any key or open the door of the product, the energy saving function of the refrigerator will be deactivated and the symbols on the screen will return to normal. The energy saving function is a function activated ex-factory and cannot be cancelled.

5. The Freezer Compartment Temperature Setting Key

In order to set freezer compartment temperature, press on this key. When you press on this key, the freezer compartment temperature can be set to -18,-19,-20,-21,-22,-23,-24 Celsius values.

6. Cooler Compartment Off (Vacation)

Function Key

Press on the key for 3 seconds to activate the vacation function. Vacation mode is activated and the LED on the key is illuminated. "-.-" will be displayed on the Cooler Compartment temperature indicator and the cooler compartment does not actively perform cooling. When you activate this function, it is not suitable to store your food in the cooler compartment. Other compartments will continue to cool according to their adjusted temperatures. Press the key for 3 seconds again to cancel this function.

7. Cooler Compartment Temperature

Setting Key

In order to set cooler compartment temperature, press on this key. When you press on this key, the cooler compartment temperature can be set to 8,7,6,5,4,3,2 and 1 Celsius values.

8. *Key for Resetting Wireless Connection Settings*

To reset the wireless connection settings, press on Quick freezing and Wireless connection keys simultaneously for 3 seconds. All user information recorded previously are removed on a product where wireless connection settings are reset/restored to factory defaults.

8 Using The Product



Read the "Safety Instructions" section first!

Storing food in the freezer compartment

- You can activate Quick Freezing function 4-6 hours before freezing function and perform a faster cooling.
- Bring hot meals to the room temperature before placing them in the freezer compartment.
- Foods to be frozen must be divided into portions according to a size to be consumed, and frozen in separate packages.
- It is recommended to pack the foods before placing them in the freezer.
- In order to prevent expiration of storage time, write the freezing date, time and name of the product on the package according to the storage times of different foods.
- Consume the foods you have defrosted quickly. Defrosted foods cannot be frozen again unless they are cooked. It is not safe to consume the refrozen fresh foods without cooking after they are defrosted.
- As you freeze fresh foods, do not bring them in contact with already frozen foods. Otherwise, frozen foods will be defrosted.

9. *Deodoriser Module Key

Press this key for 3 seconds to activate/deactivate the deodoriser feature. When the deodoriser feature is active, the LED on the respective key is illuminated. When the feature is active, the deodoriser module will be operated periodically.

Storing the foods, which are sold frozen

- Always follow the instructions of the producer in relation to the time during which you are required to store your foods. Do not exceed the time specified in these instructions!
- In order to protect the quality of the food, keep the time interval between purchasing transaction and storing as short as possible.
- Buy frozen food which are stored at -18°C or lower temperatures.
- Avoid buying foods whose packages are covered with ice etc. This means that the product could be partially defrosted and refrozen. Temperature impacts the quality of the food.
- Do not exceed the storing time recommended by the food producer. Remove only the food as much as you need from the freezer.
- Except the cases where extreme circumstances are available in the environment, if your product (on the recommended set values table) is set to the specified set values, the food keep their freshness for a longer time both in the fresh product compartment and freezer compartment.
- If fresh food compartment is set to a lower temperature, fresh fruits and vegetables may be partially frozen.

Recommended set values table

| Freezer Compartment Setting | Fridge Compartment Setting | Remarks |
|-----------------------------|----------------------------|--|
| -18 °C | 4 °C | This is the default, recommended setting. This setting is recommended if ambient temperature is below 30 °C. |
| -20, -22 or -24 °C | 4 °C | These settings are recommended for ambient temperatures exceeding 30 °C. |
| Quick Freeze | 4 °C | Use when you want to freeze your food in a short time. When the process ends, the product's settings will return to previous position. |
| -18 °C or colder | 2 °C | Use these settings if you believe the cooler compartment is not cold enough due to ambient temperature or frequently opening the door. |

Quick freezing

1. Activate the quick freezing function 24 hours before placing your fresh foods.
2. After 24 hours after pressing the button, place your food that you want to freeze in the third or fourth drawers with higher freezing capacity.
3. The quick freezing function will be automatically deactivated after 24 hours.

Freezer details

As per the IEC 62552 standards, the freezer must have the capacity to freeze 4.5 kg of food items at -18 °C or lower temperatures at 25 °C room temperature in 24 hours for each 100 litres of freezer compartment volume.

Food products can only be preserved for extended periods at or below temperature of -18 °C.

You can keep the foods fresh for months (in freezer at or below temperatures of -18 °C).

The food products to be frozen must not contact the already-frozen food inside to avoid partial defrosting.

Boil the vegetables and filter the water to extend the frozen storage time. Place the food in air-tight packages after filtering and place in the freezer. Bananas, tomatoes, lettuce, celery, boiled eggs, potatoes and similar food items should not be frozen. In case these foods are frozen, only nutritional values and eating qualities will be negatively affected. A rotting that would threaten human health is not in question.

Placing the food

Freezer compartment shelves: Different frozen foods like meat, fish, ice cream, vegetables etc.

Cooler compartment shelves: Food items inside pots, capped plate and capped cases, eggs (in closed case)

Cooler compartment door shelves: Small and packaged food or beverages

Crisper: Vegetables and fruits

Fresh food compartment: Delicatessen (breakfast food, meat products to be consumed in short time)

Storing food in the cooler compartment

- Compartment temperatures rise prominently if compartment door is opened and closed frequently and kept open for a long time, this can reduce the life span of the food and cause the food to spoil.
- In order not to cause odour and taste changes, the food should be stored in the closed containers.
- Do not store too much food in your refrigerator. To achieve a better and homogeneous cooling, place the food separately in a way that cold air can wander through them.
- Provide air flow by leaving a space between the food and internal wall. If you lean the food against the rear wall, the food may freeze.
- Bring cooked hot meals to the room temperature before placing them in the refrigerator. Then, you can place the tepid meal in the lower shelves of your refrigerator. Do not place the tepid meals close to the foods which may easily spoil.

- Defrost your frozen food in the fresh food compartment. Thereby, you can cool fresh food compartment by using frozen food and save energy.
- Storing unripe tropical fruits (mango, melon varieties, papaya, banana, pineapple) in the refrigerator may speed up the ripening process. This is not recommended because it will cause shorter storage time.
- You should store onions, garlics, ginger and other root vegetables in dark and cold room conditions, not in the refrigerator.
- If you notice that a food has spoiled in the refrigerator, throw away that food and clean the accessories which have come into contact with it.
- In order to cool the meals like soups and stews, which are cooked in the large pots, quickly, you can put them in the refrigerator by separating them into their own shallow containers.
- Do not place unpackaged food close to eggs.
- Keep the fruits and vegetables separately and store each variety together (for example; apples with apples, carrots with carrots)
- Take green vegetables out of the plastic bag and place them in the refrigerator after wrapping them in a paper towel or drying cloth. If you wash this type of food before placing them in the refrigerator, remember to dry them.
- You can both create a damp environment and provide an air flow by keeping fruits and vegetables, which are prone to drying, in the perforated or unsealed plastic bags.
- Except the cases where extreme circumstances are available in the environment, if your product (on the recommended set values table) is set to the specified set values, the food keep their freshness for a longer time both in the fresh product compartment and freezer compartment.

Store different food in different places according to their properties.

| Food | Location |
|---|---|
| Egg | Door Shelf |
| Dairy products (butter, cheese) | If available, zero degree (for breakfast food) compartment |
| Fruits, vegetables and greenery | Fruit-vegetable compartment, crisper or EverFresh+ compartment (if available) |
| Fresh meat, poultry, fish, sausage etc. Cooked foods | If available, zero degree (for breakfast food) compartment |
| Ready to serve foods, packaged products, canned foods and pickles | Top shelves or door shelf |
| Beverages, bottles, spices and snacks | Door Shelf |

8.1 Replacing the Illumination Lamp

Call the Authorized Service when the Bulb/LED used for lighting in your refrigerator will be replaced.

Lamp(s) used in this appliance cannot be used for house lighting. Intended use of this lamp is to help the user place food into the refrigerator / freezer safely and comfortably.

8.2 Door Open Alert

An audible alert will be heard if the product's door remains open for 1 minute. The audible alert will stop when you close the cabinet door or press any button on the display (if available).

9.1 The ice storage area

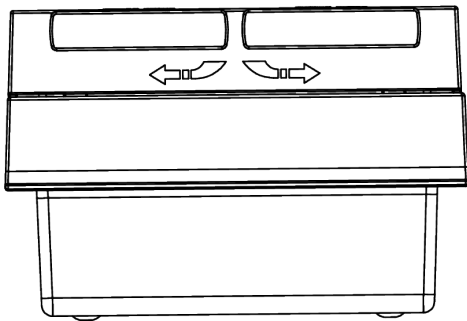
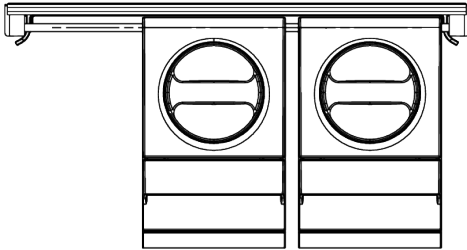
Icematic and Ice Storage Box

Fill the icematic with water and put in place. The ice will be ready after approximately two hours. Do not remove the the ice maker to take the ice.

i The ice storage box is intended for storing ice only. Do not freeze water in it. Doing so will cause it to break.

i **NOTICE**
A sound may be made during ice pouring. This sound is normal.

Turn the buttons on the ice chambers right-hand side by 90°; the ice will fall to the ice storage box below. You may then remove the ice storage box and serve the ice.

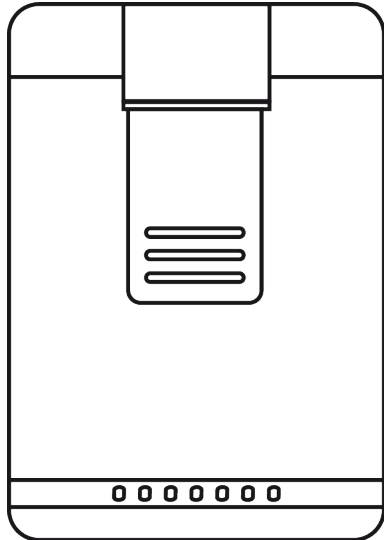


9.2 Using the Water Dispenser

i The first few glasses of water taken from the fountain will normally be warm.

i If you have not used the water dispenser for a long time, dispose of the first few glasses of water to get clean water.

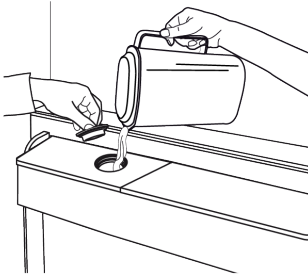
1. Press on the arm of the water dispenser with your glass. It would be easier to press on the arm with your hand if you are using a soft plastic glass.
2. Release the arm after filling your glass with water as you desire.



i The amount of water flow from the fountain depends on the pressure you apply on the arm. Release the pressure on the arm slightly as the water level in your glass/container is increased to prevent overflow. Water shall drip if you press the arm slightly; this is normal and it is not a malfunction.

Filling the water tank of the water dispenser

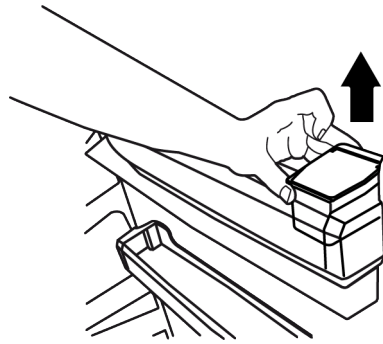
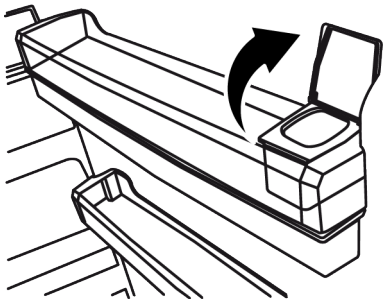
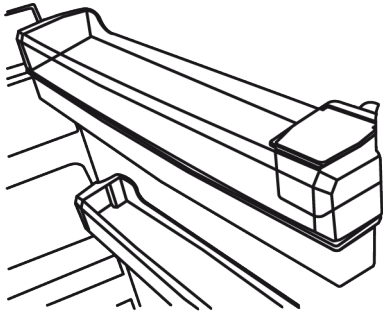
1. Open the lid of the water tank as shown in the figure. Fill in pure and clean drinking water. Close the lid.



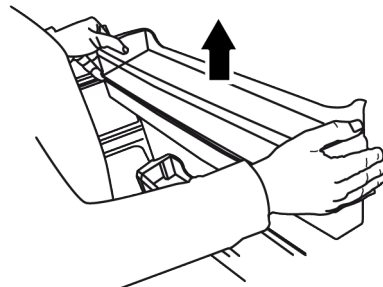
Water reservoir capacity is 3 litres, do not overfill.

Cleaning the water tank

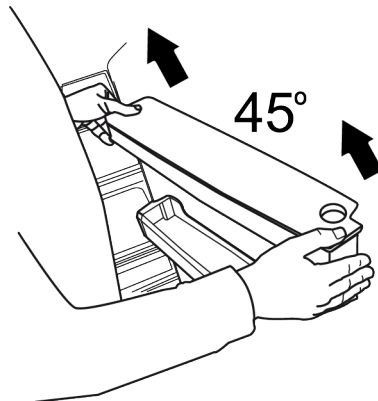
1. Remove the water filling reservoir inside the door shelf.



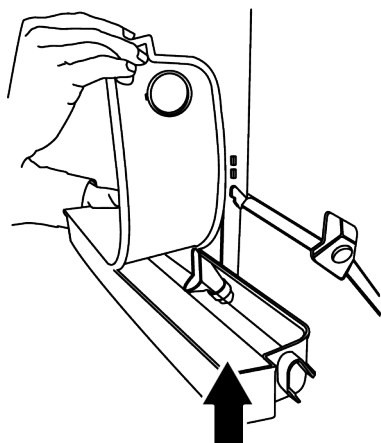
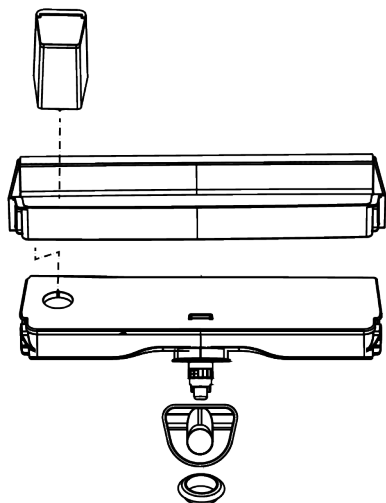
1. Detach by holding both sides of the door shelf.



2. Hold both sides of the water tank and remove at 45° angle.



3. Remove and clean the water tank lid.



Do not fill the water tank with fruit juice, fizzy beverages, alcoholic beverages or any other liquids incompatible for use in the water dispenser. Using such liquids will cause malfunction and irreparable damage in the water dispenser. Using the fountain in this way is not within the scope of warranty. Certain chemicals and additives in such beverages / liquids may cause material damage to the water tank.



Use clean drinking water only.



NOTICE

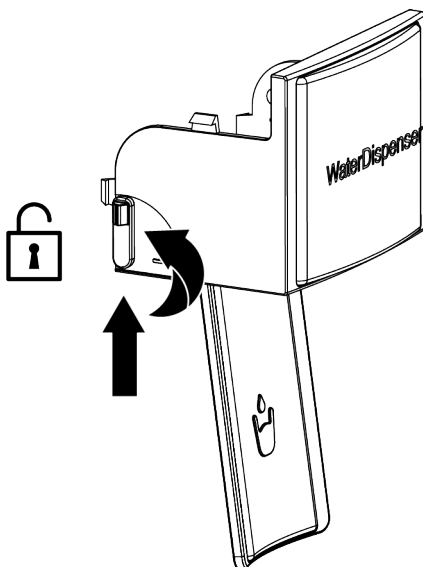
Do not wash the components of the water tank and water dispenser in the dishwasher.



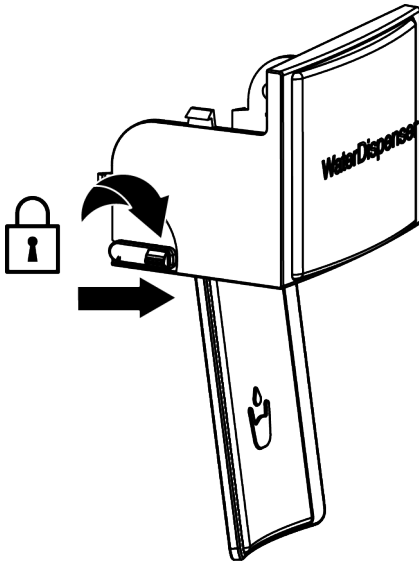
Before using the water dispenser in the product, check whether the Child Lock is active or not. Look at the information in the figures about the Child lock ON/OFF positions to check.

Make sure that the Child lock exactly closes as in the figure when it is turned OFF.

Child lock is on like this.



Child lock is off like this.



9.3 Crisper

The refrigerator's crisper is designed to keep vegetables fresh by preserving their humidity. For this purpose, the overall cold air circulation is intensified in the crisper. Keep fruits and vegetables in this compartment. Keep the green-leaved vegetables and fruits separately to prolong their life.

9.4 Crisper Technologies

Blue Light

Fruits and vegetables stored in the crispers that are illuminated with a blue light continue their photosynthesis by means of the wavelength effect of blue light and thus preserve their vitamin content.

HarvestFresh

Fruits and vegetables stored in crispers illuminated with the HarvestFresh technology preserve their vitamins for a longer time thanks to the blue, green, red lights and dark cycles, which simulate a day cycle. When the door of your refrigerator is opened during the dark period of the HarvestFresh technology, your refrigerator shall sense this automatically and illumin-

ate the crisper with one of the blue, green or red lights respectively for your convenience. After you have closed the door of the refrigerator, the dark period will continue, representing the night time in a day cycle.

9.5 Dairy Products Cold Storage Area

Cold Storage Drawer

The Cold Storage Drawer can reach lower temperatures in the cooler compartment. Use this drawer for delicatessen products (salami, sausage, etc.) and dairy products that require colder storage conditions, or for meat, chicken or fish to be consumed quickly. It is not suitable to store fruits and vegetables in this drawer.

9.6 Humidity Controlled Crisper

Everfresh

With the humidity controlled crisper feature, the humidity of vegetables and fruits is kept under control and the food is kept fresh for a longer period of time.

We recommend that you place leafy vegetables such as lettuce, spinach and similar vegetables that are sensitive to moisture loss in the crisper, not upright on their roots, but as horizontally as possible.

When placing the vegetables, place heavy and hard vegetables at the bottom and light and soft ones on the top, taking into account the specific weights of vegetables.

Never leave vegetables in plastic bags in the crisper. Leaving them in plastic bags causes vegetables to rot in a short time.

In situations where contact with other vegetables is not preferred, use packaging materials such as paper that has a certain level of porosity in terms of hygiene.

Do not put fruits that have a high ethylene gas production such as pear, apricot, peach and particularly apple in the same crisper with other vegetables and fruits. The ethyl-

ene gas coming out of these fruits might cause other vegetables and fruits to mature faster and rot in a shorter period of time.

10 Maintenance and Cleaning



WARNING:

Read the "Safety Instructions" section first.



WARNING:

Unplug the refrigerator before cleaning it.

- Do not use sharp or abrasive tools to clean the product. Do not use materials such as household cleaning agents, soap, detergents, gas, gasoline, thinner, alcohol, wax, etc.
- The dust shall be removed from the ventilation grill on the rear of the product at least once a year (without opening the cover). Clean the product with a dry cloth.

For products with Water Dispenser / Ice Maker

- If the water in the water tank has waited for 2-3 weeks, it shall be replaced.
- The water tank and the components of the water dispenser shall not be washed in dishwashers.
- Melt a teaspoonful of carbonate in the water. Moisten a piece of cloth in the water and wring out. Wipe the device with this cloth and dry off thoroughly.
- Take care to keep water away from the lamp's cover and other electrical parts.
- Clean the door with a damp cloth. Remove door and body racks, as well as all contents within the refrigerator. Remove the door racks by lifting them upwards. Clean and dry the racks, then attach back in place by sliding from above.
- Do not use chlorinated water or cleaning products on the exterior surface and chrome-coated parts of the product. Chlorine will cause rust on such metallic surfaces.
- Do not use sharp and abrasive tools, soap, house cleaning materials, detergents, gas, gasoline, varnish and similar substances to prevent deformation of the plastic part and removal of prints on the part. Use warm water and a soft cloth for cleaning, and then dry it.

substances to prevent deformation of the plastic part and removal of prints on the part. Use warm water and a soft cloth for cleaning, and then dry it.

On the products without a No-Frost feature;

- Water droplets and icing up to a thickness of a finger may occur on the rear wall of the freezer compartment. Do not clean, and never apply oils or similar materials.
- Use a mildly dampened micro-fibre cloth to clean the external surface of the product. Sponges and other types of cleaning clothes may cause scratches.
- To clean all removable components during the cleaning of the interior surface of the product, wash these components with a mild solution consisting of soap, water and carbonate. Wash and dry thoroughly. Prevent contact of water with illumination components and the control panel.
- Take care to keep water away from the lamp's cover and other electrical parts.
- Clean the door with a damp cloth. Remove all contents to remove the door and body racks. Remove the door racks by lifting them upwards. Clean and dry the shelves, then attach back in place by sliding from above.
- Do not use chlorinated water or cleaning products on the exterior surface and chrome-coated parts of the product. Chlorine will cause rust on such metallic surfaces.
- Do not use sharp and abrasive tools, soap, house cleaning materials, detergents, gas, gasoline, varnish and similar substances to prevent deformation of the plastic part and removal of prints on the part. Use warm water and a soft cloth for cleaning, and then dry it.

- On the products without a No-Frost feature, water droplets and icing up to a thickness of a finger may occur on the rear wall of the freezer compartment. Do not clean, and never apply oils or similar materials.
- Use a mildly dampened micro-fibre cloth to clean the external surface of the product. Sponges and other types of cleaning clothes may cause scratches.
- To clean all removable components during the cleaning of the interior surface of the product, wash these components with a mild solution consisting of soap, water and carbonate. Wash and dry thoroughly. Prevent contact of water with illumination components and the control panel.



CAUTION:

Do not use vinegar, rubbing alcohol or other alcohol based cleaning agents on any interior surface.

11 Troubleshooting

Check this list before contacting the service. Doing so will save you time and money. This list includes frequent complaints that are not related to faulty workmanship or materials. Certain features mentioned herein may not apply to your product.

The refrigerator is not working.

- The power plug is not fully settled. >>> Plug it in to settle completely into the socket.
- The fuse connected to the socket powering the product or the main fuse is blown. >>> Check the fuse.

Condensation on the side wall of the cooler compartment (MULTI ZONE, COOL CONTROL and FLEXI ZONE).

- The door is opened too frequently. >>> Take care not to open the product's door too frequently.

Stainless Steel External Surfaces

Use a non-abrasive stainless steel cleaning agent and apply it with a soft lint-free cloth. To polish, gently wipe the surface with a micro-fibre cloth dampened with water and use dry polishing chamois. Always follow the veins of the stainless steel.

Preventing Odours

The product is manufactured free of any odorous materials. However, keeping the food in inappropriate sections and improper cleaning of internal surfaces may lead to odours.

- To avoid this, clean the inside with carbonated water every 15 days.
- Keep the foods in sealed holders, as micro-organisms arising from foods kept in unsealed containers will cause bad odour.
- Do not keep expired and spoilt foods in the refrigerator.

Protecting Plastic Surfaces

Oil spilled on plastic surfaces may damage the surface and must be cleaned immediately with warm water.

- The environment is too humid. >>> Do not install the product in humid environments.
- Foods containing liquids are kept in unsealed holders. >>> Keep the foods containing liquids in sealed holders.
- The product's door is left open. >>> Do not keep the product's door open for long periods.
- The thermostat is set to a very cool temperature. >>> Set the thermostat to an appropriate temperature.

Compressor is not working.

- In case of sudden power failure or pulling the power plug off and putting back on, the gas pressure in the product's cooling system is not balanced, which triggers the compressor thermic safeguard. The

product will restart after approximately 6 minutes. If the product does not restart after this period, contact the service.

- Defrosting is active. >>> This is normal for a fully-automatic defrosting product. The defrosting is carried out periodically.
- The product is not plugged in. >>> Make sure the power cord is plugged in.
- The temperature setting is incorrect. >>> Select the appropriate temperature setting.
- The power is out. >>> The product will continue to operate normally once the power is restored.

The refrigerator's operating noise is increasing while in use.

- The product's operating performance may vary depending on the ambient temperature variations. This is normal and not a malfunction.

The refrigerator runs too often or for too long.

- The new product may be larger than the previous one. Larger products will run for longer periods.
- The room temperature may be high. >>> The product will normally run for long periods in higher room temperature.
- The product may have been recently plugged in or a new food item is placed inside. >>> The product will take longer to reach the set temperature when recently plugged in or a new food item is placed inside. This is normal.
- Large quantities of hot food may have been recently placed into the product. >>> Do not place hot food into the product.
- The doors were opened frequently or kept open for long periods. >>> The warm air moving inside will cause the product to run longer. Do not open the doors too frequently.
- The freezer or cooler door may be ajar. >>> Check that the doors are fully closed.

- The product may be set to a temperature that is too low. >>> Set the temperature to a higher degree and wait for the product to reach the adjusted temperature.
- The cooler or freezer door washer may be dirty, worn out, broken or not properly settled. >>> Clean or replace the gasket. Damaged / torn door washer will cause the product to run for longer periods to preserve the current temperature.

The freezer temperature is very low, but the cooler temperature is adequate.

- The freezer compartment temperature is set to a very low degree. >>> Set the freezer compartment temperature to a higher degree and check again.

The cooler temperature is very low, but the freezer temperature is adequate.

- The cooler compartment temperature is set to a very low degree. >>> Set the cooler compartment temperature to a higher degree and check again.

The food items kept in cooler compartment drawers are frozen.

- The cooler compartment temperature is set to a very low degree. >>> Set the cooler compartment temperature to a higher degree and check again.

The temperature in the cooler or the freezer is too high.

- The cooler compartment temperature is set to a very high degree. >>> Temperature setting of the cooler compartment has an effect on the temperature in the freezer compartment. Wait until the temperature of relevant parts reach the sufficient level by changing the temperature of cooler or freezer compartments.
- The doors were opened frequently or kept open for long periods. >>> Do not open the doors too frequently.
- The door may be ajar. >>> Fully close the door.
- The product may have been recently plugged in or a new food item is placed inside. >>> This is normal. The product

will take longer to reach the set temperature when recently plugged in or a new food item is placed inside.

- Large quantities of hot food may have been recently placed into the product. >>> Do not place hot food into the product.

Shaking or noise.

- The surface is not flat or durable >>> If the product is shaking when moved slowly, adjust the stands to balance the product. Also make sure the ground is sufficiently durable to bear the product.
- Any items placed on the product may cause noise. >>> Remove any items placed on the product.
- The product is making noise of liquid flowing, spraying etc.
- The product's operating principles involve liquid and gas flows. >>> This is normal and not a malfunction.

There is sound of wind blowing coming from the product.

- The product uses a fan for the cooling process. This is normal and not a malfunction.

There is condensation on the product's internal walls.

- Hot or humid weather will increase icing and condensation. This is normal and not a malfunction.
- The doors were opened frequently or kept open for long periods. >>> Do not open the doors too frequently; if open, close the door.
- The door may be ajar. >>> Fully close the door.

There is condensation on the product's exterior or between the doors.

- The ambient weather may be humid, this is quite normal in humid weather. >>> The condensation will dissipate when the humidity is reduced.

The interior smells bad.

- The product is not cleaned regularly. >>> Clean the interior regularly using sponge, warm water and carbonated water.
- Certain holders and packaging materials may cause odour. >>> Use holders and packaging materials without free of odour.
- The foods were placed in unsealed holders. >>> Keep the foods in sealed holders. Microorganisms may spread out of unsealed food items and cause bad odour.
- Remove any expired or spoiled foods from the product.

The door is not closing.

- Food packages may be blocking the door. >>> Relocate any items blocking the doors.
- The product is not standing in full upright position on the ground. >>> Adjust the stands to balance the product.
- The surface is not flat or durable >>> Make sure the surface is flat and sufficiently durable to bear the product.

The crisper is jammed.

- The food items may be in contact with the upper section of the drawer. >>> Reorganize the food items in the drawer.

Temperature on the product surface.

- High temperature may be observed between two doors, on the side panels and on the rear grill area while your product is operated. This is normal and it does not require servicing.

Fan continues to operate when the door is opened.

- Fan may continue to operate when the freezer door is open.



WARNING: If the problem persists after following the instructions in this section, contact your vendor or an Authorized Service. Do not try to repair the product. This is normal.

Some (simple) failures can be adequately handled by the end-user without any safety issue or unsafe use arising, provided that they are carried out within the limits and in accordance with the following instructions (see the "Self-Repair" section).

Therefore, unless otherwise authorized in the "Self-Repair" section below, repairs shall be addressed to registered professional repairers in order to avoid safety issues. A registered Professional repairer is a professional repairer that has been granted access to the instructions and spare parts list of this product by the manufacturer according to the methods described in legislative acts pursuant to Directive 2009/125/EC.

However, only the service agent (i.e. authorized professional repairers) that you can reach through the phone number given in the user manual/warranty card or through your authorized dealer may provide service under the guarantee terms. Therefore, please be advised that repairs by professional repairers (who are not authorized by) Beko shall void the guarantee.

Self-Repair

Self-repair can be done by the end-user with regard to the following spare parts: door handles, door hinges, trays, baskets and door gaskets (an updated list is also available support.beko.com as of 1st March 2021).

Moreover, to ensure product safety and to prevent risk of serious injury, the mentioned self-repair shall be done following the instructions in the user manual for self-repair or which are available in support.beko.com. For your safety, unplug the product before attempting any self-repair. Repair and repair attempts by end-users for parts not included in such list and/or not following the instructions in the user manuals for self-repair or which are available in

support.beko.com, might give rise to safety issues not attributable to Beko, and will void the warranty of the product.

Therefore, it is highly recommended that end-users refrain from the attempt to carry out repairs falling outside the mentioned list of spare parts, contacting in such cases authorized professional repairers or registered professional repairers. On the contrary, such attempts by end-users may cause safety issues and damage the product and subsequently cause fire, flood, electrocution and serious personal injury to occur.

By way of example, but not limited to, the following repairs must be addressed to authorized professional repairers or registered professional repairers: compressor, cooling circuit, main board, inverter board, display board, etc.

The manufacturer/seller cannot be held liable in any case where end-users do not comply with the above.

The spare part availability of the refrigerator that you purchased is 10 years. During this period, original spare parts will be available to operate the refrigerator properly. The minimum duration of guarantee of the refrigerator that you purchased is 24 months.

This product is equipped with a lighting source of the "G" energy class.

The lighting source in this product shall only be replaced by Professional repairer.

Bitte lesen Sie zunächst dieses Handbuch

Lieber Kunde,

Bitte lesen Sie dieses Handbuch, bevor Sie das Produkt verwenden.

Vielen Dank, dass Sie sich für dieses Beko Produkt entschieden haben. Wir möchten, dass Sie mit diesem hochwertigen Produkt, das mit modernster Technologie hergestellt wurde, die optimale Effizienz erzielen. Lesen Sie dazu dieses Handbuch und alle anderen mitgelieferten Dokumentationen sorgfältig durch, bevor Sie das Produkt verwenden, und bewahren Sie sie als Referenz auf.

Beachten Sie alle Informationen und Warnungen im Bedienungsanleitung. Auf diese Weise schützen Sie sich und Ihr Produkt vor den Gefahren, die auftreten können.

Bewahren Sie das Bedienungsanleitung auf. Fügen Sie diese Anleitung dem Gerät bei, wenn Sie sie an eine andere Person übergeben.

In dieser Bedienungsanleitung werden folgende Symbole verwendet:



Gefahr, die zum Tod oder zu Verletzungen führen kann.



Wichtige Informationen oder nützliche Tipps zur Bedienung.







Lesen Sie die Bedienungsanleitung.



Brennbares Material, Warnung vor Brandgefahr.

HINWEIS Eine Gefahr, die zu Materialschäden am Produkt oder seiner Umgebung führen kann

| | |
|--|---|
|  |  |
| SUPPLIER'S NAME | MODEL IDENTIFIER → (*) |
|  |  |

Die in der Produktdatenbank gespeicherten Modellinformationen können über die folgende Website und die Suche nach Ihrer Modellkennung (*) auf dem Energieetikett abgerufen werden.

<https://eprel.ec.europa.eu/>

| | | |
|-----------|---|-----------|
| 1 | Sicherheitshinweise | 34 |
| 1.1 | Verwendungszweck | 34 |
| 1.2 | Sicherheit von Kindern, gefährdeten Personen und Haustieren | 35 |
| 1.3 | Elektrische Sicherheit..... | 36 |
| 1.4 | Handhabungssicherheit..... | 36 |
| 1.5 | Montagesicherheit | 37 |
| 1.6 | Betriebssicherheit | 39 |
| 1.7 | Sicherheit bei der Lagerung von Lebensmitteln..... | 42 |
| 1.8 | Wartungs- und Reinigungssicherheit..... | 42 |
| 1.9 | Entsorgung des alten Produkts | 43 |
| 2 | Umwelthinweise..... | 44 |
| 2.1 | Informationen zur Entsorgung:..... | 44 |
| 3 | Ihr Kühlschrank..... | 46 |
| 4 | Aufstellung | 47 |
| 4.1 | Elektrischer Anschluss..... | 49 |
| 5 | Vorbereitung..... | 49 |
| 5.1 | Was man zum Energiesparen tun kann..... | 49 |
| 5.2 | Erste Verwendung | 50 |
| 5.3 | Klimaklasse und Definitionen | 50 |
| 6 | Produktbedienung | 51 |
| 7 | Bedienfeld des Geräts..... | 52 |
| 8 | Nutzung des Gerätes..... | 54 |
| 8.1 | Auswechseln der Beleuchtungslampe | 57 |
| 8.2 | Alarm bei offener Tür | 57 |
| 9 | Produktmerkmale | 57 |
| 9.1 | Der Eisspeicherraum | 57 |
| 9.2 | Verwendung des Wasserspenders..... | 58 |
| 9.3 | Gemüsefach | 61 |
| 9.4 | Gemüsefach-Technologien..... | 61 |
| 9.5 | Kühlraum für Molkereiprodukte.... | 61 |
| 9.6 | Feuchtigkeitsregulierter Gemüsefach | 61 |
| 10 | Wartung und Reinigung | 62 |
| 11 | Fehlerbehebung | 64 |

1 Sicherheitshinweise

- Dieser Abschnitt enthält die notwendigen Sicherheitshinweise, um die Gefahr von Personen- und Sachschäden zu vermeiden.
- Unser Unternehmen haftet nicht für Schäden, die bei Nichtbeachtung dieser Anweisungen entstehen können.



Lassen Sie Montage- und Reparaturarbeiten immer vom Hersteller, einem autorisierten Kundendienst oder einer Person, die von der einführenden Firma beschrieben wird, durchführen.



Verwenden Sie nur Originalersatzteile und Zubehör.



Reparieren oder ersetzen Sie keine Komponenten des Produkts, wenn dies nicht eindeutig in der Bedienungsanleitung angegeben ist.



Nehmen Sie keine Änderungen am Produkt vor.

1.1 Verwendungszweck

- Dieses Produkt ist nicht für den kommerziellen Gebrauch geeignet und sollte nicht für einen anderen als den vorgesehenen Zweck verwendet werden.

- Dieses Produkt ist für den Betrieb in Innenräumen, wie z.B. in Haushalten oder ähnlichem, vorgesehen.

Zum Beispiel;

In den Personalküchen von Geschäften, Büros und anderen Arbeitsumgebungen,

In Bauernhöfen,

In den Räumen von Hotels, Motels oder anderen Erholungseinrichtungen, die von Kunden genutzt werden,

In Herbergen oder ähnlichen Umgebungen,

In Catering-Diensten und ähnlichen Anwendungen außerhalb des Einzelhandels.

- Dieses Produkt darf nicht in offenen oder geschlossenen Außenbereichen wie Schiffen, Wohnmobile, Balkonen oder Terrassen verwendet werden. Wenn das Produkt Regen, Schnee, Sonnenlicht und Wind ausgesetzt wird, besteht Brandgefahr.

1.2 Sicherheit von Kindern, gefährdeten Personen und Haustieren



- Dieses Produkt kann von Kindern ab 8 Jahren und Personen mit unterentwickelten körperlichen, sensorischen oder geistigen Fähigkeiten oder mangelnder Erfahrung und Kenntnis verwendet werden, wenn sie beaufsichtigt werden oder eine Einweisung in den sicheren Gebrauch des Geräts und die damit verbundenen Gefahren erhalten haben.
 - Kinder zwischen 3 und 8 Jahren dürfen Lebensmittel in das Kühlerprodukt einlegen und aus ihr entnehmen.
 - Elektrische Produkte sind für Kinder und Haustiere gefährlich. Kinder und Haustiere dürfen nicht mit dem Produkt spielen, darauf klettern oder es betreten.
 - Reinigung und Benutzerwartung sollten nicht von Kindern durchgeführt werden, es sei denn, sie werden von jemandem beaufsichtigt.
 - Halten Sie Verpackungsmaterialien von Kindern fern! Es besteht Verletzungs- und Erstickengefahr.
- Bevor Sie alte Produkte entsorgen, die nicht mehr verwendet werden sollen:
1. Ziehen Sie den Stecker des Netzkabels aus der Steckdose.
 2. Schneiden Sie das Netzkabel ab und ziehen Sie es zusammen mit dem Stecker aus dem Gerät.
 3. Nehmen Sie die Ablagen und Schubladen nicht aus dem Gerät, um zu verhindern, dass Kinder in das Innere des Geräts gelangen können.
 4. Entfernen Sie die Türen.
 5. Bewahren Sie das Gerät so auf, dass es nicht umgestoßen werden kann.
 6. Erlauben Sie Kindern nicht, mit dem ausrangierten Produkt zu spielen.
- Entsorgen Sie das Gerät nicht, indem Sie es ins Feuer werfen. Es besteht Explosionsgefahr.
 - Wenn ein Schloss an der Tür des Geräts vorhanden ist, bewahren Sie den Schlüssel außerhalb der Reichweite von Kindern auf.



1.3 Elektrische Sicherheit

- Das Gerät darf während der Installation, Wartung, Reinigung, Reparatur und des Transports nicht an die Steckdose angeschlossen werden.
- Wenn das Netzkabel beschädigt ist, darf es nur von einem autorisierten Kundendienst ausgetauscht werden, um jegliche Risiken zu vermeiden, die auftreten können.
- Verlegen Sie das Netzkabel nicht unter dem Gerät oder an der Rückseite des Geräts. Stellen Sie keine schweren Gegenstände auf das Netzkabel. Das Netzkabel darf nicht geknickt oder gequetscht werden und nicht mit einer Wärmequelle in Berührung kommen.
- Verwenden Sie keine Verlängerungskabel, Mehrfachsteckdosen oder Adapter, um Ihr Gerät zu betreiben.
- Tragbare Mehrfachsteckdosen oder tragbare Netzteile können sich überhitzen und einen Brand verursachen. Stellen Sie daher keine tragbaren Stromquellen mit Mehrfachsteckdosen hinter oder in der Nähe des Geräts auf.

- Schließen Sie das Netzkabel des Geräts nicht an eine lose oder beschädigte Steckdose an. Derartige Verbindungen können überhitzen und einen Brand verursachen.
- Der Stecker muss leicht zugänglich sein. Wenn dies nicht möglich ist, muss die Elektroinstallation über einen Mechanismus verfügen, der den gesetzlichen Vorschriften entspricht und alle Anschlüsse vom Netz trennt (Sicherung, Schalter, Hauptschalter usw.).
- Berühren Sie den Stecker nicht mit nassen Händen!
- Fassen Sie beim Ausstecken des Geräts nicht das Netzkabel, sondern den Stecker an.



1.4 Handhabungssicherheit

- Dieses Produkt ist schwer, handhaben Sie es nicht selbst.
- Halten Sie das Gerät nicht an der Tür fest, während Sie es handhaben.
- Achten Sie beim Umgang mit dem Gerät darauf, dass das Kühlsystem und die Leitungen nicht beschädigt werden. Nehmen Sie das Gerät nicht in Betrieb, wenn die Leitungen be-

schädigt sind, und wenden Sie sich an einen autorisierten Kundendienst.

1.5 Montagesicherheit

- Wenden Sie sich für die Montage des Geräts an den autorisierten Kundendienst. Um das Gerät für die Verwendung vorzubereiten, lesen Sie die Informationen in der Bedienungsanleitung und stellen Sie sicher, dass die Strom- und Wasserleitungen den Anforderungen entsprechen. Wenn dies nicht der Fall ist, wenden Sie sich an einen qualifizierten Elektriker und einen Monteur, um die Versorgungsleitungen entsprechend zu installieren. Andernfalls kann es zu einem elektrischen Schlag, Brand, Problemen mit dem Gerät oder Verletzungen kommen.
- Überprüfen Sie das Gerät vor der Installation auf eventuelle Schäden. Lassen Sie das Gerät nicht installieren, wenn es beschädigt ist.
- Stellen Sie das Gerät auf eine saubere, ebene und stabile Fläche und balancieren Sie es mit den verstellbaren Füßen aus. Andernfalls kann der Kühlschrank umkippen und Verletzungen verursachen.
- Das Gerät muss in einer trockenen und belüfteten Umgebung aufgestellt werden. Legen Sie keine Teppiche, Vorleger oder ähnliche Beläge unter das Gerät. Dies kann zu Brandgefahr durch unzureichende Belüftung führen!
- Die Lüftungsöffnungen dürfen nicht blockiert oder abgedeckt werden. Andernfalls erhöht sich der Stromverbrauch und Ihr Produkt kann beschädigt werden.
- Das Produkt darf nicht an Stromversorgungssysteme wie z.B. Solarstrom angeschlossen werden. Andernfalls kann Ihr Gerät durch plötzliche Spannungsschwankungen beschädigt werden!
- Je mehr Kältemittel ein Kühlschrank enthält, desto größer sollte sein Aufstellraum sein. In sehr kleinen Räumen kann bei einem Gasaustritt im Kühlsystem ein brennbares Gas-Luft-Gemisch entstehen. Pro 8 Gramm Kältemittel wird mindestens 1 m³ Rauminhalt benötigt. Die Menge des in Ihrem Produkt verfügbaren Kältemittels ist auf dem Typenschild angegeben.
- Der Aufstellungsort des Produkts darf nicht der direkten Sonneneinstrahlung ausge-

setzt sein und sich nicht in der Nähe von Wärmequellen wie Öfen, Heizkörpern usw. befinden. Wenn Sie die Aufstellung des Produkts in der Nähe einer Wärmequelle nicht vermeiden können, verwenden Sie eine geeignete Isolierplatte und stellen Sie sicher, dass der Mindestabstand zur Wärmequelle wie unten angegeben ist:

- Mindestens 30 cm Abstand zu Wärmequellen wie Herden, Öfen, Heizgeräten und Heizkörpern usw.,
- Und mindestens 5 cm Abstand zu Elektroöfen.
- Ihr Produkt hat die Schutzklasse I.
- Schließen Sie das Gerät an eine geerdete Steckdose an, die mit den auf dem Typenschild angegebenen Werten für Spannung, Stromstärke und Frequenz übereinstimmt. Die Steckdose muss mit einer 10A - 16A Sicherung ausgestattet sein. Unser Unternehmen übernimmt keine Haftung für alle Schäden aufgrund einer Nutzung ohne Erdung oder ohne eines Stromanschlusses, der nicht den örtlichen und nationalen Vorschriften genügt.
- Während der Aufstellung muss der Gerätenetzstecker gezogen sein. Andernfalls besteht die Gefahr eines Stromschlags und von Verletzungen!
- Schließen Sie das Netzkabel des Geräts nicht an lose, verbogene, kaputte, schmutzige oder ölige Steckdosen an, die mit Wasser in Berührung kommen können. Derartige Anschlüsse können zu Überhitzung und Feuer führen.
- Verlegen Sie das Netzkabel und die Schläuche (falls vorhanden) des Geräts so, dass sie keine Stolpergefahr darstellen.
- Das Eindringen von Feuchtigkeit und Flüssigkeit in stromführende Teile oder in das Netzkabel kann einen Kurzschluss verursachen. Verwenden Sie das Gerät daher nicht in feuchten Umgebungen oder in Bereichen, in denen Wasser spritzen kann (z.B. Garage, Waschküche usw.). Wenn der Kühlschrank nass geworden ist, ziehen Sie den Stecker und wenden Sie sich an einen autorisierten Kundendienst.
- Schließen Sie Ihren Kühlschrank niemals an Energiespargeräte an. Solche Systeme sind schädlich für das Gerät.



1.6 Betriebssicherheit

- Verwenden Sie niemals chemische Lösungsmittel für das Gerät. Diese Stoffe bergen ein Explosionsrisiko.
- Im Falle eines Defekts ziehen Sie den Stecker aus der Steckdose und nehmen Sie das Gerät nicht in Betrieb, bis es von einem autorisierten Kundendienst repariert wurde. Es besteht die Gefahr eines Stromschlags.
- Stellen Sie keine Flammequelle (z.B. Kerzen, Zigaretten usw.) auf das Gerät oder in dessen Nähe.
- Steigen Sie nicht auf das Gerät. Sturz- und Verletzungsgefahr!
- Beschädigen Sie die Leitungen des Kühlsystems nicht mit scharfen und stechenden Werkzeugen. Das Kältemittel, das beim Durchstechen der Gasrohre, der Rohrverlängerungen oder der oberen Oberflächenbeschichtungen austritt, kann zu Hautreizungen und Verletzungen der Augen führen.
- Stellen Sie keine elektrischen Geräte im Inneren des Kühl-/Gefrierschranks auf und betreiben Sie sie nicht, es sei denn, dies wird vom Hersteller empfohlen.
- Klemmen Sie keine Teile Ihrer Hände oder Ihres Körpers in die beweglichen Teile im Inneren des Geräts ein. Achten Sie darauf, dass Ihre Finger nicht zwischen Kühlschrank und Tür eingeklemmt werden. Seien Sie vorsichtig beim Öffnen und Schließen der Tür, wenn Kinder in der Nähe sind.
- Nehmen Sie Eis, Eiswürfel oder gefrorene Lebensmittel nicht sofort in den Mund, wenn Sie sie aus dem Gefrierschrank nehmen. Frostbeulenrisiko!
- Berühren Sie die Innenwände, die Metallteile des Gefrierschranks oder die im Gefrierschrank aufbewahrten Lebensmittel nicht mit nassen Händen. Frostbeulenrisiko!
- Stellen Sie keine Getränkedosen oder Dosen und Flaschen, die Flüssigkeiten enthalten, die gefrieren können, in das Gefrierfach. Dosen oder Flaschen können explodieren. Verletzungsgefahr und Gefahr von Sachschäden!
- Verwenden oder lagern Sie keine temperaturempfindlichen Materialien wie brennbare Sprays, brennbare Gegenstände, Trockeneis oder andere

chemische Stoffe in der Nähe des Kühlschranks. Brand- und Explosionsgefahr!

- Bewahren Sie keine explosiven Materialien wie Spraydosen mit brennbaren Stoffen im Inneren des Geräts auf.
- Stellen Sie Dosen, die Flüssigkeiten enthalten, nicht im offenen Zustand auf das Produkt. Wenn Wasser auf ein elektrisches Teil spritzt, besteht die Gefahr eines elektrischen Schlags oder eines Brands.
- Dieses Produkt ist nicht für die Lagerung und Kühlung von Arzneimitteln, Blutplasma, Laborpräparaten oder ähnlichen Materialien und Produkten vorgesehen, die unter die Medizinprodukte-Richtlinie fallen.
- Wenn das Produkt nicht bestimmungsgemäß verwendet wird, kann es zu einer Beschädigung oder Beeinträchtigung der darin aufbewahrten Produkte kommen.
- Wenn Ihr Kühlschrank mit blauem Licht ausgestattet ist, dürfen Sie nicht mit optischen Geräten in dieses Licht blicken. Schauen Sie nicht über einen längeren Zeitraum direkt in das UV-LED-Licht. Ultraviolette Strahlen können die Augen überanstrengen.
- Befüllen Sie das Produkt nicht mit mehr Lebensmitteln als es aufnehmen kann. Es kann zu Verletzungen oder Schäden kommen, wenn der Inhalt des Kühlschranks beim Öffnen der Tür herunterfällt. Ähnliche Probleme können auch auftreten, wenn ein Gegenstand auf das Gerät gestellt wird.
- Vergewissern Sie sich, dass Sie jegliches Eis oder Wasser, das auf den Boden gefallen sein könnte, entfernt haben, um Verletzungen zu vermeiden.
- Ändern Sie die Position der Ablagen/Flaschenablagen an der Tür Ihres Kühlschranks nur, wenn die Ablagen leer sind. Es besteht Verletzungsgefahr!
- Stellen Sie keine Gegenstände auf das Produkt, die herunterfallen/umkippen können. Diese Gegenstände können beim Öffnen oder Schließen der Tür herunterfallen und Verletzungen und/oder Sachschäden verursachen.
- Schlagen Sie nicht auf Glasflächen und üben Sie keinen übermäßigen Druck darauf aus. Zerbrochenes Glas kann zu Verletzungen und/oder Sachschäden führen.

- Das Kühlsystem in Ihrem Produkt enthält das Kältemittel R600a. Der im Produkt verwendete Kältemitteltyp ist auf dem Typenschild angegeben. Das Gas ist entflammbar. Achten Sie deshalb beim Betrieb des Produkts darauf, dass das Kühlsystem und die Leitungen nicht beschädigt werden. Im Falle einer Beschädigung der Rohre;
 1. Berühren Sie nicht das Produkt oder das Netzkabel.
 2. Halten Sie das Gerät von potenziellen Feuerquellen fern, die das Gerät in Brand setzen könnten.
 3. Belüften Sie den Bereich, in dem das Gerät aufgestellt ist. Verwenden Sie keinen Ventilator.
 4. Wenden Sie sich an den autorisierten Kundendienst.
 5. Wenn das Gerät beschädigt ist und Sie ein Gasleck feststellen, halten Sie sich bitte vom Gas fern. Gas kann Erfrigerungen verursachen, wenn es mit Ihrer Haut in Kontakt kommt.

Für Produkte mit Wasserspender/Eiswürfelbereiter

- Verwenden Sie nur Trinkwasser. Füllen Sie in den Wassertank niemals mit Fruchtsaft, Milch, Sprudelgetränken, Spirituosen oder anderen, nicht für die Verwendung in einem Wasserspender geeigneten Flüssigkeiten. Dies kann Ihre Gesundheit und Sicherheit gefährden.
- Erlauben Sie Kindern nicht, mit dem Wasserspender oder dem Eiswürfelbereiter zu spielen, um Unfälle und Verletzungen zu vermeiden.
- Stecken Sie Ihre Hände, Finger oder andere Gegenstände nicht in die Öffnung des Wasserspenders, den Eiskanal oder in den Behälter der Eismaschine. Dies kann zu Verletzungen oder Sachschäden führen.
- Verwenden Sie die mit dem Produkt gelieferten Schlauchsets. Verwenden Sie keine alten Schlauchsets. Verlängern Sie die Schläuche nicht!
- Schließen Sie Ihr Produkt immer an den Kaltwasserzulauf an. Führen Sie die Installation nicht am Warmwasserzulauf durch. Der Druck für den Kaltwasserzulauf darf maximal 80 PSI (550 kPa) betragen. Wenn Ihr Wasserdruck 80 PSI übersteigt oder einen Wassereinfluss hat, verwenden Sie ein Druckbegrenzungsventil in Ihrem Leitungsnetz. Bitten Sie einen professionellen Installateur

teur um Hilfe, wenn Sie nicht wissen, wie Sie Ihren Wasserdruck regeln können.

- Hoher Druck kann zu Schäden an den Schlauchverbindungen führen und die Gefahr von Überschwemmungen mit sich bringen.
- Treffen Sie die erforderlichen Vorkehrungen gegen die Gefahr des Einfrierens von Schläuchen. Die Betriebstemperatur des Wassers muss mindestens 0,6°C (33°F) und höchstens 38°C (100°F) betragen. Bei rissigen/perforierten Schläuchen besteht die Gefahr einer Überschwemmung.



1.7 Sicherheit bei der Lagerung von Lebensmitteln

Bitte beachten Sie die folgenden Warnhinweise, um den Verderb von Lebensmitteln zu vermeiden:

- Wenn Sie die Türen längere Zeit offen stehen lassen, kann die Temperatur im Inneren des Geräts ansteigen.
- Reinigen Sie regelmäßig die zugänglichen Abflusssysteme, die mit den Lebensmitteln in Berührung kommen.

- Reinigen Sie Wassertanks, die 48 Stunden lang nicht benutzt wurden, und Wasserversorgungssysteme, die mehr als 5 Tage lang nicht benutzt wurden.
- Lagern Sie rohe Fleisch- und Fischprodukte in geeigneten Fächern innerhalb des Produkts. So tropft es nicht auf andere Lebensmittel und kommt nicht mit ihnen in Berührung.
- Zwei-Sterne-Gefrierfächer werden für die Lagerung von vorgefüllten Lebensmitteln, die Herstellung und Lagerung von Eis und Speiseeis verwendet.
- Ein-, Zwei- und Drei-Sterne-Fächer sind nicht zum Einfrieren frischer Lebensmittel geeignet.
- Wenn das Gefrierschrank längere Zeit nicht benutzt wurde, schalten Sie es aus, tauen Sie es ab, reinigen und trocknen Sie es, um das Gehäuse des Geräts zu schützen.



1.8 Wartungs- und Reinigungssicherheit

- Ziehen Sie den Netzstecker des Kühlschranks, bevor Sie ihn reinigen oder Wartungsarbeiten durchführen.

- Ziehen Sie nicht am Türgriff, wenn Sie das Gerät zu Reinigungszwecken bewegen müssen. Ein zu starkes Ziehen am Griff kann zu Verletzungen führen.
- Halten Sie Ihre Hände usw. nicht unter den Kühlschrank. Es kann zu einem Einklemmen kommen oder scharfe Kanten können Verletzungen verursachen.
- Reinigen Sie das Gerät nicht, indem Sie Wasser auf das Gerät und in das Innere des Geräts sprühen oder gießen. Es besteht Stromschlag- und Brandgefahr.
- Verwenden Sie zum Reinigen des Produkts keine scharfen und scheuernden Werkzeuge oder Haushaltsreiniger, Waschmittel, Gas, Benzin, Verdüner, Alkohol, Lacke und ähnliche Substanzen. Verwenden Sie nur Reinigungs- und Pflegemittel, die für die Lebensmittel im Inneren des Geräts unschädlich sind.
- Verwenden Sie zur Reinigung des Geräts und zum Auftauen des Eises im Inneren niemals Dampf oder dampfhaltige Reinigungsmittel. Dampf kommt mit den stromführenden Teilen Ihres Kühlschranks in Berührung und kann einen Kurzschluss oder Stromschlag verursachen.
- Achten Sie darauf, dass Wasser nicht in die Nähe der Lüftungsöffnungen, der elektronischen Schaltkreise oder der Beleuchtung des Geräts gelangt.
- Verwenden Sie ein sauberes, trockenes Tuch, um Staub oder Fremdkörper an den Stecker- spitzen abzuwischen. Verwenden Sie kein nasses oder feuchtes Tuch, um den Stecker zu reinigen. Andernfalls besteht die Gefahr eines Brands oder Stromschlags.



1.9 Entsorgung des alten Produkts

Befolgen Sie bei der Entsorgung Ihres alten Produkts die nachstehenden Anweisungen:

- Um zu verhindern, dass sich Kinder versehentlich in das Gerät einschließen, deaktivieren Sie die Türverriegelung, falls sie vorhanden ist.
- Spritzer von Kühlmittel sind schädlich für die Augen. Beschädigen Sie beim Entsorgen des Geräts keine Teile des Kühlsystems.

- Es kann tödlich sein, wenn das Kompressoröl verschluckt wird oder in die Atemwege eindringt.
- Das Kühlsystem Ihres Produkts enthält R600a-Gas, wie auf dem Typenschild angegeben.

ben. Das Gas ist entflammbar. Entsorgen Sie das Gerät nicht, indem Sie es ins Feuer werfen. Es besteht Explosionsgefahr!

2 Umwelthinweise

2.1 Informationen zur Entsorgung:



Ihre Pflichten als Endnutzer

Dieses Elektro- bzw. Elektronikgerät ist mit einer durchgestrichenen Abfalltonne auf Rädern gekennzeichnet. Das Gerät darf deshalb nur getrennt vom unsortierten Siedlungsabfall gesammelt und zurückgenommen werden. Es darf somit nicht in den Hausmüll gegeben werden.

Das Gerät kann z.B. bei einer kommunalen Sammelstelle oder ggf. bei einem Vertreiber (siehe unten zu deren Rücknahmepflichten in Deutschland) abgegeben werden.

Das gilt auch für alle Bauteile, Unterbaugruppen und Verbrauchsmaterialien des zu entsorgenden Altgeräts.

Bevor das Altgerät entsorgt werden darf, müssen alle Altbatterien und Altakkumulatoren vom Altgerät getrennt werden, die nicht vom Altgerät umschlossen sind. Das gleiche gilt für Lampen, die zerstörungsfrei aus dem Altgerät entnommen werden können. Der Endnutzer ist zudem selbst dafür verantwortlich, personenbezogene Daten auf dem Altgerät zu löschen.



Hinweise zum Recycling

Helfen Sie mit, alle Materialien zu recyceln, die mit diesem Symbol gekennzeichnet sind. Entsorgen Sie solche Materialien, insbesondere Verpackungen, nicht im Hausmüll, sondern über die bereitgestellten Recyclingbehälter oder die entsprechenden örtlichen Sammelsysteme. Recyceln Sie zum Umwelt- und Gesundheitsschutz elektrische und elektronische Geräte.

Rücknahmepflichten der Vertreiber

Wer auf mindestens 400 m² Verkaufsfläche Elektro- und Elektronikgeräte vertreibt oder diese gewerblich an Endnutzer abgibt, ist verpflichtet, bei Abgabe eines neuen Gerätes, ein Altgerät des Endnutzers der gleichen Geräteart, das im Wesentlichen die gleichen Funktionen wie das neue Gerät erfüllt, am Ort der Abgabe oder in unmittelbarer Nähe, unentgeltlich zurückzunehmen. Das gilt auch für Vertreiber von Lebensmitteln mit einer Gesamtverkaufsfläche von mindestens 800 m², die mehrmals im Kalenderjahr oder dauerhaft Elektro- und Elektronikgeräte anbieten und auf dem Markt bereitstellen. Solche Vertreiber müssen zudem auf Verlangen des Endnutzers Altgeräte, die in keiner äußeren Abmessung größer als 25 cm sind, (kleine Elektrogeräte) im Einzelhandelsgeschäft oder in unmittelbarer Nähe hierzu unentgeltlich zurückzunehmen; die Rücknahme darf in diesem Fall

nicht an den Kauf eines Elektro- oder Elektronikgerätes verknüpft, kann aber auf drei Altgeräte pro Geräteart beschränkt werden. Ort der Abgabe ist auch der private Haushalt, wenn das neue Elektro- oder Elektronikgerät dorthin geliefert wird; in diesem Fall ist die Abholung des Altgerätes für den Endnutzer kostenlos.

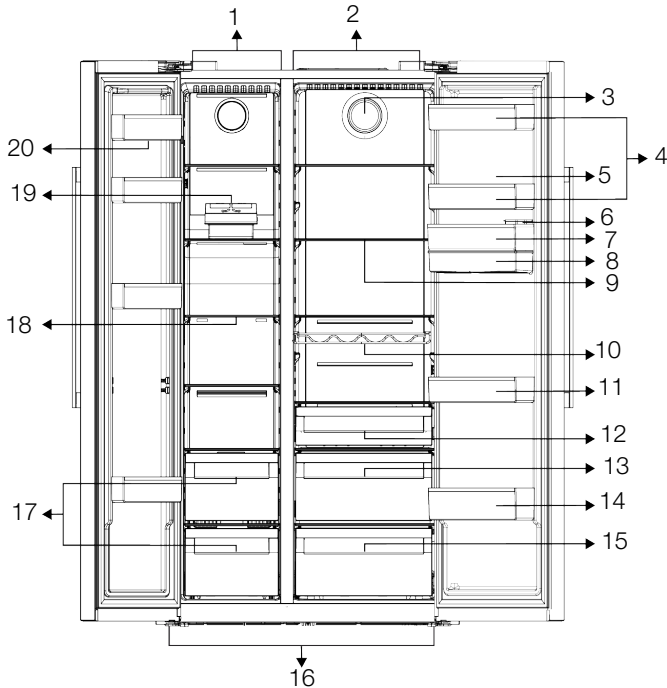
Die vorstehenden Pflichten gelten auch für den Vertrieb unter Verwendung von Fernkommunikationsmitteln, wenn die Vertreiber Lager- und Versandflächen für Elektro- und Elektronikgeräte bzw. Gesamtlager und Versandflächen für Lebensmittel beinhalten, die den oben genannten Verkaufsflächen entsprechen. Die unentgeltliche Abholung von Elektro- und Elektronikgeräten ist dann aber auf Wärmeüberträger (z.B. Kühl-

schränk), Bildschirme, Monitore und Geräte, die Bildschirme mit einer Oberfläche von mehr als 100 cm² enthalten und Geräte beschränkt, bei denen mindestens eine der äußeren Abmessungen mehr als 50 cm beträgt. Für alle übrigen Elektro- und Elektronikgeräte muss der Vertreiber geeignete Rückgabemöglichkeiten in zumutbarer Entfernung zum jeweiligen Endnutzer gewährleisten; das gilt auch für kleine Elektrogeräte (s.o.), die der Endnutzer zurückgeben möchte, ohne ein neues Gerät zu erwerben.

Einhaltung der RoHS-Richtlinie:

Das von Ihnen gekaufte Gerät entspricht der RoHS-Richtlinie der EU (2011/65/EU). Es enthält keinerlei Materialien, die gemäß der Richtlinie als schädlich oder verboten gelten.

3 Ihr Kühlschrank



1 Gefrierfach

3 Lüfter

5 Eierhalter

7 *Türschübe im Kühlfach

9 *Glaszwischenboden für Kühlfachs

11 *Türschübe im Kühlfach

13 *Gemüsefächer

15 *Gemüsefächer

17 Tiefkühlfächer

19 Eismaschine

2 Kühlfach

4 *Türschübe im Kühlfach

6 Wasserspender Füllbehälter

8 Wasserspenderbehälter

10 *Flaschenablage

12 *Milchbehälter (Kühlagerung)

14 *Flaschenablage

16 Verstellbare Füße

18 *Glaszwischenboden für Gefrier-schrankfach

20 Türschübe im Gefrierfach

***Optional:** Die Abbildungen in dieser Bedienungsanleitung sind schematisch und stimmen möglicherweise nicht genau mit Ihrem

Produkt überein. Wenn Ihr Produkt nicht die relevanten Teile enthält, beziehen sich die Informationen auf andere Modelle.

4 Aufstellung

Richtiger Ort für die Installation



Lesen Sie zuerst den Abschnitt „Sicherheitshinweise“!

Ihr Produkt benötigt eine ausreichende Luftzirkulation, um effizient zu funktionieren. Wenn das Produkt in eine Nische gestellt wird, denken Sie daran, mindestens 5 cm Abstand zwischen dem Produkt und der Decke, der Rückwand und den Seitenwänden zu lassen. Prüfen Sie, ob die Rückwand-Abstandsschutzkomponente an ihrem Standort vorhanden ist (falls mit dem Produkt geliefert). Wenn die Komponente nicht verfügbar ist oder verloren geht oder heruntergefallen ist, positionieren Sie das Produkt so, dass zwischen der Rückseite des Produkts und der Wand des Raums mindestens 5 cm Abstand verbleiben. Der Freiraum an der Rückseite ist wichtig für den effizienten Betrieb des Produkts.



Verwenden Sie für den Anschluss an des Stromnetz keine Verlängerungskabel oder Mehrfachsteckdosen.

Anbringen der Kunststoffkeile

Verwenden Sie die mit dem Gerät gelieferten Kunststoffkeile, um ausreichend Platz für die Luftzirkulation zwischen dem Gerät und der Wand zu schaffen.

- Entfernen Sie die Schrauben an den jeweiligen Gerätestellen und montieren die mit den Kunststoffkeilen gelieferten Schrauben.



Der Hersteller haftet nicht für alle Schäden, die entstehen, wenn diese Arbeiten von nicht dazu befugten Personen aufgeführt werden.

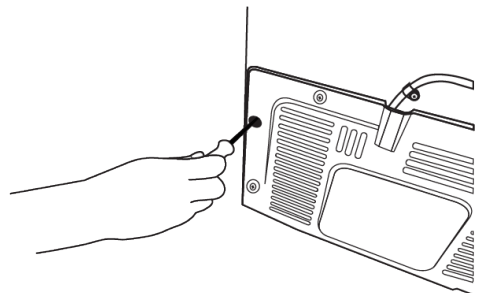


Während der Aufstellung muss der Gerätnetzstecker gezogen sein. Bei Nichtbeachtung können Tod oder schwere Verletzungen die Folge sein!

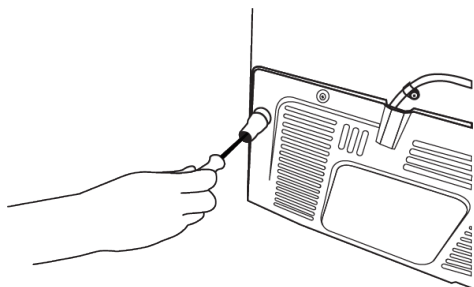


Sollte die Eingangsöffnung am Aufstellungsort zu schmal für das Gerät sein, bauen Sie die Gerätetür ab und drehen Sie das Gerät auf die Seite. Wenden Sie sich an den zuständigen Kundendienst, wenn sich das Problem so nicht lösen lässt.

- Stellen Sie das Gerät auf eine ebene Fläche, um Vibrationen zu vermeiden.
- Stellen Sie das Produkt mindestens 30 cm von Heizung, Herd und ähnlichen Wärmequellen und mindestens 5 cm von Elektroöfen entfernt auf.
- Setzen Sie das Produkt keinem direkten Sonnenlicht aus und bewahren Sie es nicht in feuchten Umgebungen auf.

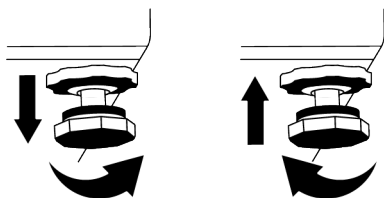


- Befestigen Sie 2 Kunststoffkeile an der Lüftungsabdeckung, so wie in der Abbildung dargestellt.



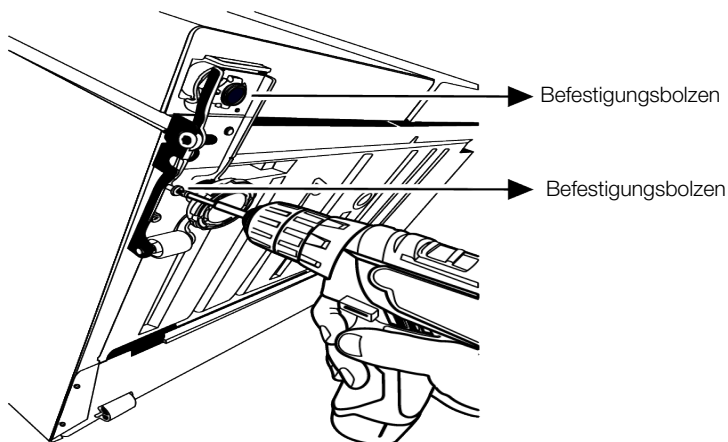
Einstellen der FüÙe

Wenn sich das Produkt nicht im Gleichgewicht befindet, können Sie das Gleichgewicht des Produkts einstellen, indem Sie die Ständer an der Vorderseite nach rechts oder links drehen.



So stellen Sie die Türen vertikal ein,

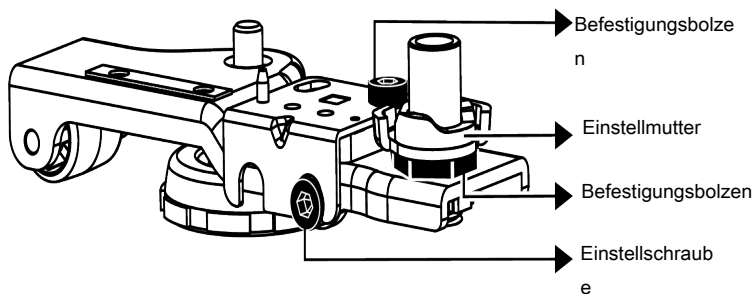
Lösen Sie die Befestigungsschraube an der Unterseite. Drehen Sie die Einstellschraube in Richtung der Position der Tür (im/gegen den Uhrzeigersinn). Ziehen Sie die Befestigungsschraube an, um die Position zu arretieren.



Zum horizontalen Einstellen der Türen,

Lösen Sie die Befestigungsschraube an der Unterseite. Lösen Sie die Befestigungsschraube an der Oberseite. Drehen Sie die Einstellschraube auf der Seite in Richtung

der Position (im Uhrzeigersinn/gegen den Uhrzeigersinn) der Tür. Um die Position zu fixieren, ziehen Sie die obere Befestigungsschraube an. Ziehen Sie die untere Befestigungsschraube fest.



4.1 Elektrischer Anschluss



WARNUNG: Verwenden Sie für den Anschluss an des Stromnetz keine Verlängerungskabel oder Mehrfachsteckdosen.



WARNUNG: Ein beschädigtes Kabel darf nur vom autorisierten Kundendienst ausgetauscht werden.

- Unser Unternehmen übernimmt keine Haftung für alle Schäden aufgrund einer Nutzung ohne Erdung oder eines Stromanschlusses, der nicht den örtlichen Vorschriften genügt.

- Das Netzkabel muss nach der Aufstellung gut zugänglich sein.



Warnung vor heißer Oberfläche! Die Seitenwände Ihres Produkts sind mit Kühlerrohren ausgestattet, um das Kühlsystem zu verbessern. Hochdruckflüssigkeit kann durch diese Oberflächen fließen und heiße Oberflächen an den Seitenwänden verursachen. Dies ist normal und erfordert keine Wartung. Seien Sie vorsichtig, wenn Sie diese Bereiche kontaktieren.

5 Vorbereitung



Lesen Sie zuerst den Abschnitt „Sicherheitshinweise“!

5.1 Was man zum Energiesparen tun kann



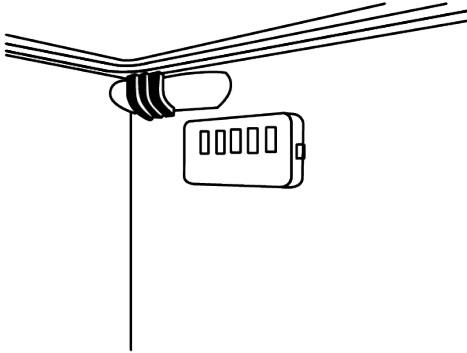
Der Anschluss des Produkts an elektronische Energiesparsysteme ist schädlich, da er das Produkt beschädigen kann.

- Dieses Kühlgerät ist nicht für die Verwendung als Einbaugerät vorgesehen
- Lassen Sie die Kühlschrantür nicht über längere Zeit hinweg offen.
- Stellen Sie keine heißen Speisen oder Getränke in den Kühlschrank.

- Überfüllen Sie den Kühlschrank nicht. Ein Blockieren der inneren Luftzirkulation verringert die Kühlleistung.
- Da heiße und feuchte Luft nicht direkt in Ihr Produkt eindringt, wenn die Türen nicht geöffnet werden, optimiert sich Ihr Produkt unter Bedingungen, die zum Schutz Ihrer Lebensmittel ausreichen. Unter diesen Umständen arbeiten Funktionen und Komponenten wie Kompressor, Lüfter, Heizung, Abtaung, Beleuchtung, Display usw. bedarfsgerecht und mit minimalem Energieverbrauch.
- Falls mehrere Optionen vorhanden sind, müssen Glasböden so platziert werden, dass die Luftauslässe an der Rückwand nicht blockiert werden und vorzugsweise so, dass die Luftauslässe unterhalb des

Glasbodens bleiben. Diese Kombination kann dazu beitragen, die Luftverteilung und die Energieeffizienz zu verbessern.

- Es wird dringend empfohlen, bei der Lagerung die untere Schublade zu verwenden.
- Achten Sie darauf, dass die Lebensmittel nicht mit dem unten beschriebenen Temperatursensor des Frischefachs in Berührung kommen.



- Wenn sie mit dem Sensor in Berührung kommen, kann der Energieverbrauch des Geräts steigen.
- Lebensmittel sind in den Schubladen im Kühlfach aufzubewahren, um Energie zu sparen und Lebensmittel unter besseren Bedingungen zu schützen.

5.2 Erste Verwendung

Bevor Sie den Kühlschrank das erste Mal verwenden, achten Sie darauf, alle Vorbereitungen gemäß dieser Bedienungsanleitung, insbesondere wie in den Abschnitten „Wichtige Hinweise zur Sicherheit und zum Umweltschutz“ und „Aufstellung“ beschrieben, durchzuführen.

- Lassen Sie das leere Gerät mindesten 6 lang laufen und öffnen Sie dabei nicht Tür, sofern es nicht absolut notwendig sein sollte.
- Die Temperaturänderung, die durch das Öffnen und Schließen der Tür während der Verwendung des Produkts verursacht wird, kann normalerweise zu Kondens-

wasserbildung führen, die auf Tür-/Korpusregalen und Glaswaren in das Produkt gestellt werden.

i Wenn der Kompressor sich einschaltet, ist ein Geräusch zu hören. Es ist normal, dass das Produkt Geräusche macht, auch wenn der Kompressor nicht läuft, da im Kühlsystem Flüssigkeit und Gas komprimiert werden können.

i Es ist normal, dass die vorderen Ränder des Kühlschranks warm sind. Diese sind so gestaltet, dass sie erwärmen, um Kondensation zu vermeiden.

i Bei einigen Modellen schaltet sich die Anzeigetafel 1 Minuten nach dem Schließen der Tür automatisch aus. Sie wird wieder aktiviert, wenn die Tür offen ist oder eine beliebige Taste gedrückt wird.

5.3 Klimaklasse und Definitionen

Bitte beachten Sie die Klimaklasse auf dem Typenschild Ihres Geräts. Je nach Klimaklasse ist eine der folgenden Informationen auf Ihr Gerät anwendbar.

- **SN:** Langfristig gemäßigtes Klima: Dieses Kühlgerät ist für den Einsatz bei Umgebungstemperaturen zwischen 10 °C und 32 °C ausgelegt.
- **N:** Gemäßigtes Klima: Dieses Kühlgerät ist für den Einsatz bei Umgebungstemperaturen zwischen 16°C und 32 °C ausgelegt.
- **ST:** Subtropisches Klima: Dieses Kühlgerät ist für den Einsatz bei Umgebungstemperaturen zwischen 16°C und 38°C ausgelegt.
- **T:** Tropisches Klima: Dieses Kühlgerät ist für den Einsatz bei Umgebungstemperaturen zwischen 16°C und 43°C ausgelegt.

6 Produktbedienung



Lesen Sie zuerst den Abschnitt „Sicherheitshinweise“!

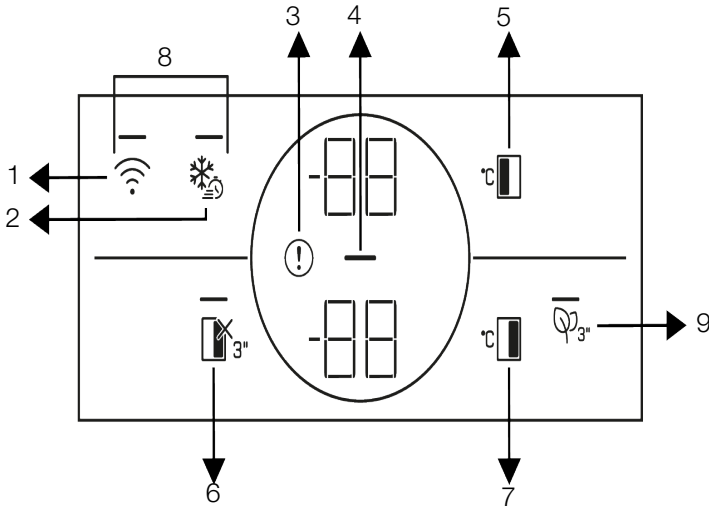
- Verwenden Sie keine mechanischen Werkzeuge oder andere Werkzeuge als die Empfehlungen des Herstellers, um den Auftauvorgang zu beschleunigen.
- Nutzen Sie Teile des Kühlschranks, wie z.B. die Tür oder die Schubladen nicht als Unterstützung oder als Trittbrett. Dies kann dazu führen, dass das Produkt umkippt oder seine Komponenten beschädigt werden.
- Das Gerät darf nur zur Aufbewahrung von Lebensmitteln verwendet werden.

- Schalten Sie das Wasserventil aus, wenn Sie nicht zu Hause sind (z.B. im Urlaub) und die Eismaschine oder den Wasserspender längere Zeit nicht benutzen. Andernfalls können Wasserlecks auftreten.

Pausieren des Programms

- Wenn Sie das Gerät für längere Zeit nicht benutzen, ziehen Sie den Stecker aus der Steckdose.
- Entfernen Sie die Lebensmittel, um Gerüche zu vermeiden.
- Warten Sie, bis das Eis geschmolzen ist, reinigen Sie den Innenraum und lassen Sie ihn trocknen; lassen Sie die Türen offen, um eine Beschädigung der inneren Kunststoffteile zu vermeiden.

7 Bedienfeld des Geräts



- | | |
|--|---|
| 1 *Kabellos | 2 Schnelleinfrieren |
| 3 Warnung bei hoher Temperatur/Störung | 4 Energiesparen (Display aus) |
| 5 Die Temperatureinstellung des Gefrierfachs | 6 Urlaubsfunktion |
| 7 Einstellung der Temperatur im Kühlfach | 8 Taste zum Zurücksetzen der Einstellungen für die kabellose Verbindung |
| 9 *Desodorierungsmodul-Schlüssel | |



Lesen Sie zuerst den Abschnitt „Sicherheitshinweise“.

*Optional: Die angezeigten Funktionen sind optional, es können Form- und Lageunterschiede bei den Funktionen auf der Anzeige Ihres Geräts auftreten.

Die auditiven und visuellen Funktionen der Anzeigetafel erleichtert Ihnen die Nutzung des Kühlschranks.

1. *Kabellose Taste

Mit dieser Taste können Sie eine drahtlose Verbindung mit Ihrem Produkt über die HomeWhiz Mobile App herstellen.

Wenn die Taste lange gedrückt wird (3 Sekunden), blinkt das Symbol für die drahtlose Verbindung auf dem Display/Bildschirm langsam (im Abstand von 0,5 Sekunden). Auf diese Weise wird dem Produkt zunächst das Heimnetzwerk vorgestellt.

Nach dem Herstellen einer drahtlosen Verbindung mit dem Produkt leuchtet das Symbol für die drahtlose Verbindung () kontinuierlich auf.

Nach Abschluss der Erstinbetriebnahme können Sie sie durch Drücken dieser Taste aktivieren/deaktivieren. Das Symbol für die drahtlose Verbindung leuchtet schnell auf (in Abständen von 0,2 Sekunden), bis die Verbindung hergestellt ist. Wenn die Verbindung aktiv ist, leuchtet das Symbol für das drahtlose Netzwerk kontinuierlich.

Wenn die Verbindung über einen längeren Zeitraum nicht hergestellt werden kann, überprüfen Sie Ihre Verbindungseinstellungen und lesen Sie den Abschnitt „Fehlerbehebung“ im Bedienungsanleitung.

Verwenden Sie die Anwendung HomeWhiz für die drahtlose Verbindung. Sie finden die Installationschritte in der Anwendung während der Installation. Die Installationschritte werden in der Anwendung während der Installation beschrieben.

Sie können auf die Anwendung zugreifen, indem Sie den QR-Code lesen, der auf dem HomeWhiz-Etikett des Produkts verfügbar ist. Die Anwendung wird über den App Store für iOS-Geräte und über den Play Store für Android-Geräte angeboten.

Besuchen Sie die Adresse <https://www.homewhiz.com/> für detaillierte Informationen.

2. Schnellgefriertaste

Wenn Sie die Schnellgefriertaste drücken, leuchtet die LED auf der Taste und die Schnellkühlfunktion soll aktiviert werden. Die Temperatur des Gefrierfachs ist auf -27 Grad Celsius eingestellt. Drücken Sie erneut auf die Taste, um die Funktion abzubrechen. Die Schnellgefrierfunktion wird nach 24 Stunden automatisch abgebrochen. Um eine große Menge an frischen Lebensmitteln einzufrieren, drücken Sie die Schnellgefriertaste, bevor Sie die Lebensmittel in das Gefrierfach legen.

3. Hohe Temperatur / Störungsalarm

Diese Anzeige () muss aktiv sein, wenn Ihr Kühlschrank keine ausreichende Kühlung durchführen kann oder wenn ein Sensorfehler vorliegt. Auf der Temperaturanzeige des Gefrierfachs wird "E" angezeigt und auf der Temperaturanzeige des Kühlfachs werden Zahlen wie 1,2,3... angezeigt. Diese Zahlen geben dem autorisierten Dienst Auskunft über den aufgetretenen Fehler.

Das Ausrufezeichen kann für eine Weile angezeigt werden, wenn Sie warme Lebensmittel in das Gefrierfach laden oder die Tür längere Zeit offen halten. Dies ist kein Fehler. Diese Warnung wird erlöschen, wenn die Lebensmittel abgekühlt sind oder wenn eine Taste gedrückt wird.

4. Energiesparanzeige (Anzeige aus)

Die Energiesparfunktion wird automatisch aktiviert und das Energiesparsymbol leuchtet auf, wenn die Tür des Produkts längere Zeit nicht geöffnet oder geschlossen wird. Wenn Sie die Energiesparfunktion aktivieren, werden alle Symbole auf dem Bildschirm, mit Ausnahme des Energiesparsymbols, ausgeschaltet. Wenn Sie die Energiesparfunktion aktivieren und eine beliebige Taste drücken oder die Tür des Geräts öffnen, wird die Energiesparfunktion des Kühlschranks deaktiviert und die Symbole auf dem Bildschirm kehren in den Normalzustand zurück. Die Energiesparfunktion ist eine ab Werk aktivierte Funktion und kann nicht abgebrochen werden.

5. Temperatureinstellungstaste für das Gefrierfach

Um die Temperatur des Gefrierfachs einzustellen, drücken Sie auf diese Taste. Wenn Sie diese Taste drücken, kann die Temperatur des Gefrierfachs auf die Werte -18,-19,-20,-21,-22,-23,-24 Celsius eingestellt werden.

6. Funktionstaste Kühlfach Aus (Urlaub)



Drücken Sie die Taste 3 Sekunden lang, um die Urlaubsfunktion zu aktivieren. Der Urlaubsmodus wird aktiviert und die LED an der Taste leuchtet. Auf der Temperaturanzeige des Kühlfachs wird „-“ angezeigt, und der Kühlfach führt keine aktive Kühlung durch. Wenn Sie diese Funktion aktivieren, sollten Sie Ihre Lebensmittel nicht im Kühlfach aufbewahren. Die anderen Fächer kühlen weiterhin entsprechend ihrer eingestellten Temperatur. Drücken Sie die Taste erneut 3 Sekunden lang, um diese Funktion abzubrechen.

7. Temperatureinstellungstaste für das Kühlfach



Um die Temperatur des Kühlfachs einzustellen, drücken Sie auf diese Taste. Wenn Sie diese Taste drücken, kann die Temperatur des Kühlfachs auf die Werte 8,7,6,5,4,3,2 und 1 Celsius eingestellt werden.

8 Nutzung des Gerätes



Lesen Sie zuerst den Abschnitt „Sicherheitshinweise“!

Lagerung von Lebensmitteln im Gefrierfach

- Sie können die Schnellgefrierfunktion 4-6 Stunden vor dem Einfrieren aktivieren und eine schnellere Abkühlung vornehmen.
- Bringen Sie warme Speisen auf Raumtemperatur, bevor Sie sie in das Gefrierfach legen.
- Lebensmittel, die eingefroren werden sollen, müssen entsprechend der zu verzehrenden Größe in Portionen aufgeteilt und in separaten Verpackungen eingefroren werden.
- Es wird empfohlen, die Lebensmittel zu verpacken, bevor sie in den Gefrierschrank gelegt werden.

8. Taste zum Zurücksetzen der Einstellungen für die kabellose Verbindung*³+



Um die Einstellungen für die drahtlose Verbindung zurückzusetzen, drücken Sie die Tasten Quick freezing und Wireless connection gleichzeitig für 3 Sekunden. Alle zuvor aufgezeichneten Benutzerinformationen werden auf einem Produkt entfernt, bei dem die Einstellungen für die drahtlose Verbindung auf die Werkseinstellungen zurückgesetzt/wiederhergestellt werden.

9. *Desodorierungsmodul-Schlüssel³

Drücken Sie diese Taste 3 Sekunden lang, um die Desodorierungsfunktion zu aktivieren/deaktivieren. Wenn die Desodorierungsfunktion aktiv ist, leuchtet die LED der jeweiligen Taste. Wenn die Funktion aktiv ist, wird das Desodorierungsmodul periodisch betrieben.

- Um zu verhindern, dass die Lagerzeit abläuft, schreiben Sie das Einfrierdatum, die Uhrzeit und den Namen des Produkts auf die Verpackung, entsprechend der Lagerzeit der verschiedenen Lebensmittel.
- Verbrauchen Sie die aufgetauten Lebensmittel schnell. Aufgetaute Lebensmittel können nicht wieder eingefroren werden, es sei denn, sie werden gekocht. Es ist nicht sicher, die wieder eingefrorenen frischen Lebensmittel nach dem Auftauen ohne Kochen zu verzehren.
- Bringen Sie beim Einfrieren frischer Lebensmittel diese nicht mit bereits gefrorenen Lebensmitteln in Kontakt. Andernfalls werden die gefrorenen Lebensmittel aufgetaut.

Aufbewahrung der Lebensmittel, die tiefgekühlt verkauft werden

- Befolgen Sie stets die Anweisungen des Herstellers in Bezug auf die Zeit, in der Sie Ihre Lebensmittel aufbewahren müssen. Überschreiten Sie nicht die in diesen Anweisungen angegebene Zeit!
- Um die Qualität der Lebensmittel zu schützen, sollten Sie die Zeitspanne zwischen Kauf und Lagerung so kurz wie möglich halten.
- Kaufen Sie Tiefkühlkost, die bei -18 °C oder niedrigeren Temperaturen gelagert wird.
- Vermeiden Sie den Kauf von Lebensmitteln, deren Verpackungen mit Eis usw. bedeckt sind. Dies bedeutet, dass das Produkt teilweise aufgetaut und wieder eingefroren werden könnte. Die Temperatur wirkt sich auf die Qualität der Lebensmittel aus.
- Überschreiten Sie nicht die vom Lebensmittelhersteller empfohlene Lagerzeit. Nehmen Sie nur so viele Lebensmittel aus dem Gefrierschrank, wie Sie benötigen.
- Abgesehen von den Fällen, in denen in der Umgebung extreme Bedingungen herrschen, bleiben die Lebensmittel sowohl im Frischfach als auch im Gefrierfach länger frisch, wenn Sie Ihr Produkt (auf der Tabelle der empfohlenen Werte) auf die angegebenen Werte einstellen.
- Wenn das Frischhaltefach auf eine niedrigere Temperatur eingestellt ist, kann frisches Obst und Gemüse teilweise gefroren sein.

Tabelle der empfohlenen Einstellwerte

| Gefrierfacheinstellung | Gefrierfacheinstellung | Bemerkungen |
|------------------------|------------------------|---|
| -18 °C | 4 °C | Das ist die standardmäßige, empfehlende Einstellung. Diese Einstellung wird empfohlen, wenn die Umgebungstemperatur unter 30 °C liegt. |
| -20, -22 oder -24 °C | 4 °C | Diese Einstellungen werden für Umgebungstemperaturen empfohlen, die 30 °C überschreiten. |
| Schnelleinfrieren | 4 °C | Verwenden Sie sie, wenn Sie Ihre Lebensmittel in kurzer Zeit einfrieren möchten. Nach Beendigung des Vorgangs werden die Einstellungen des Produkts auf die vorherige Position zurückgesetzt. |
| -18 °C oder kälter | 2 °C | Verwenden Sie diese Einstellungen, wenn Sie überzeugt sind, dass das Frischfach, aufgrund der Umgebungstemperatur oder dem Öffnen der Tür nicht kalt genug sind. |

Schnelleinfrieren

1. Aktivieren Sie die Schnellgefrierfunktion 24 Stunden vor dem Einlegen Ihrer frischen Lebensmittel.
2. Legen Sie die Lebensmittel, die Sie einfrieren möchten, 24 Stunden nach dem Drücken der Taste in die dritte oder vierte Schublade mit höherer Gefrierkapazität.
3. Die Schnellgefrierfunktion wird nach 24 Stunden automatisch deaktiviert.

Gefrierschrank Details

Gemäß den IEC 62552-Standards muss das Gefrierschrank über eine Kapazität zum Einfrieren von 4,5 kg an Lebensmitteln bei

Temperaturen von -18 °C oder niedriger von 25 °C in 24 Stunden pro jeweils 100 Liter an Gefrierfachvolumen verfügen.

Lebensmittel können über eine längere Zeit hinweg nur bei Temperaturen von weniger als -18 °C gelagert werden.

Sie können die Lebensmittel über Monate frisch halten (im Gefrierschrank bei Temperaturen von oder niedriger als -18 °C Grad). Die einzufrierenden Lebensmittel dürfen nicht mit bereits tiefgekühlten Produkten in Berührung kommen, um ein teilweises Auftauen zu verhindern.

Blanchieren Sie das Gemüse und gießen Sie das Wasser ab, um die Lagerzeit bei Tiefkühlung zu verlängern. Legen Sie das Gefriergut nach dem Abgießen in luftdichte

Verpackungen und dann in das Gefrierschrank. Bananen, Tomaten, Salat, Sellerie, gekochte Eier, Kartoffeln und vergleichbare Lebensmittel dürfen nicht eingepackt werden. Wenn diese Lebensmittel eingefroren werden, werden nur der Nährwert und die Verzehreigenschaften beeinträchtigt. Eine Verrottung, die die menschliche Gesundheit bedroht, kommt nicht in Frage.

Platzierung der Lebensmittel

Gefrierfacheinschübe: Diverse Gefriergut wie Fleisch, Fisch, Eiscreme, Gemüse usw.

Kühlfacheinschübe: Lebensmittel in Töpfen, Behältern mit Deckeln und Verschlusskappen, sowie Eier (geschlossenen Gefäßen)

Türeinschübe im Kühlfach: In kleinen Verpackungen befindliche Lebensmittel oder Getränke

Gemüsefach: Gemüse und Früchte

Fach für frische Lebensmittel: Feinkostprodukte (Brotaufstriche, Fleischprodukte für den raschen Verbrauch)

Aufbewahrung von Lebensmitteln im Kühlfach

- Die Temperatur des Fachs steigt stark an, wenn die Fachtür häufig geöffnet und geschlossen wird und lange Zeit offen bleibt; dies kann die Lebensdauer der Lebensmittel verkürzen und zum Verderben der Lebensmittel führen.
- Um Geruchs- und Geschmacksveränderungen zu vermeiden, sollten die Lebensmittel in geschlossenen Behältern aufbewahrt werden.
- Lagern Sie nicht zu viele Lebensmittel in Ihrem Kühlschrank. Um eine bessere und gleichmäßige Kühlung zu erreichen, legen Sie die Lebensmittel getrennt voneinander so ein, dass die kalte Luft durch sie hindurchströmen kann.
- Sorgen Sie für Luftzirkulation, indem Sie einen Zwischenraum zwischen den Lebensmitteln und der Innenwand lassen. Wenn Sie die Lebensmittel an die Rückwand lehnen, können sie einfrieren.

- Bringen Sie gekochte warme Speisen auf Zimmertemperatur, bevor Sie sie in den Kühlschrank stellen. Dann können Sie die lauwarmen Speisen in die unteren Fächer des Kühlschranks stellen. Stellen Sie die lauwarmen Speisen nicht in die Nähe von Lebensmitteln, die leicht verderben können.
- Tauen Sie Ihre gefrorenen Lebensmittel im Frischhaltefach auf. Auf diese Weise können Sie das Frischhaltefach durch die Verwendung von Tiefkühlkost kühlen und Energie sparen.
- Lagern Sie unreife Südfrüchte (Mango, Melonen, Papaya, Banane, Ananas) im Kühlschrank, um den Reifeprozess zu beschleunigen. Dies ist nicht empfehlenswert, da sich dadurch die Lagerzeit verkürzt.
- Zwiebeln, Knoblauch, Ingwer und anderes Wurzelgemüse sollten Sie nicht im Kühlschrank, sondern in einem dunklen und kalten Raum aufbewahren.
- Wenn Sie feststellen, dass ein Lebensmittel im Kühlschrank verdorben ist, werfen Sie es weg und reinigen Sie das Zubehör, das mit dem Lebensmittel in Berührung gekommen ist.
- Um Speisen wie Suppen und Eintöpfe, die in großen Töpfen gekocht werden, schnell abzukühlen, können Sie sie in eigenen flachen Behältern in den Kühlschrank stellen.
- Stellen Sie unverpackte Lebensmittel nicht in die Nähe von Eiern.
- Bewahren Sie Obst und Gemüse getrennt auf und lagern Sie jede Sorte zusammen (z.B. Äpfel mit Äpfeln, Karotten mit Karotten)
- Nehmen Sie grünes Gemüse aus dem Plastikbeutel und legen Sie es in den Kühlschrank, nachdem Sie es in ein Papiertuch oder ein Trockentuch eingewickelt haben. Wenn Sie diese Art von Lebensmitteln waschen, bevor Sie sie in den Kühlschrank stellen, denken Sie daran, sie zu trocknen.

- Sie können sowohl eine feuchte Umgebung schaffen als auch für einen Luftstrom sorgen, indem Sie Obst und Gemüse, die zum Austrocknen neigen, in perforierten oder unverschlossenen Plastiktüten aufbewahren.
- Abgesehen von den Fällen, in denen in der Umgebung extreme Bedingungen herrschen, bleiben die Lebensmittel sowohl im Frischfach als auch im Gefrierfach länger frisch, wenn Sie Ihr Produkt (auf der Tabelle der empfohlenen Werte) auf die angegebenen Werte einstellen.

Lagern Sie verschiedene Lebensmittel je nach ihren Eigenschaften an unterschiedlichen Orten.

| Essen | Standort |
|--|---|
| Eier | Türregal |
| Molkereiprodukte (Butter, Käse) | Falls verfügbar, Null-Grad-Fach (für Frühstücksnahrung) |
| Obst, Gemüse und Grünzeug | Obst-/Gemüsefach, Gemüse- oder EverFresh+-Fach (sofern vorhanden) |
| Frisches Fleisch, Geflügel, Fisch, Wurst usw. Gekochte Lebensmittel | Falls verfügbar, Null-Grad-Fach (für Frühstücksnahrung) |
| Servierfertige Lebensmittel, verpackte Produkte, Konserven und eingelegte Lebensmittel | Obere Regale oder Türregal |
| Getränke, Flaschen, Gewürze und Snacks | Türregal |

8.1 Auswechseln der Beleuchtungslampe

Rufen Sie den autorisierten Kundendienst an, wenn die Glühbirne/LED für die Beleuchtung Ihres Kühlschranks ausgetauscht werden soll.

Die in diesem Gerät verwendeten Lampen können nicht für die Hausbeleuchtung verwendet werden. Die beabsichtigte Verwen-

dung dieser Lampe soll dem Benutzer helfen, Lebensmittel sicher und bequem in den Kühl- / Gefrierschrank zu stellen.

8.2 Alarm bei offener Tür


Ein Signalton ertönt, wenn die Gerätetür für länger als 1 Minute geöffnet ist. Der akustische Alarm stoppt, wenn Sie die Schranktür schließen oder eine beliebige Taste auf dem Display drücken (falls vorhanden).


9 Produktmerkmale

9.1 Der Eisspeicherraum

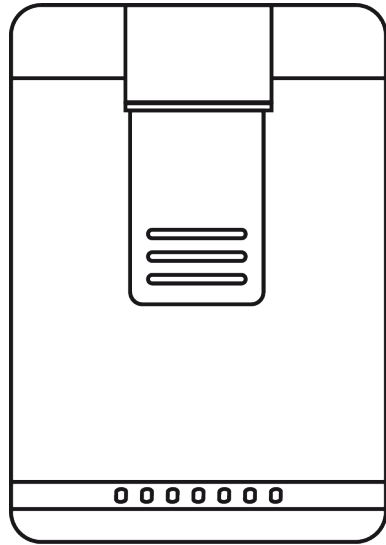
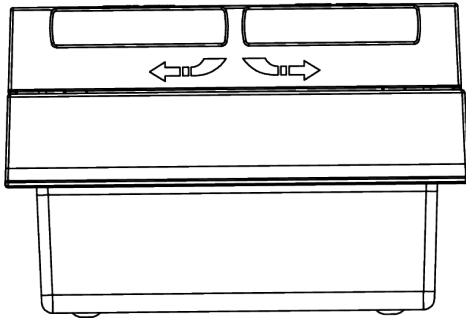
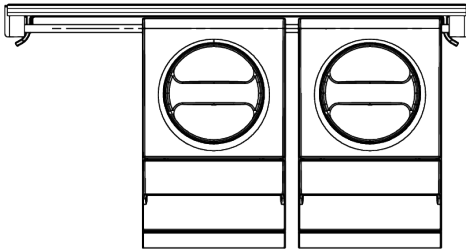
Eismaschine und Eiswürfelbehälter

Füllen Sie die Eismaschine mit Wasser und stellen Sie diese an ihren Platz. Das Eis sollte nach ca. zwei Stunden fertig sein. Nehmen Sie die Eismaschine nicht heraus, um das Eis zu entnehmen.

 Der Eiswürfelbehälter ist nur zur Aufbewahrung von Eis gedacht. Gefrieren Sie kein Wasser darin. Andernfalls könnte er zerbrechen.

 **HINWEIS**
Beim Gießen von Eis kann ein Geräusch entstehen. Dieses Geräusch ist normal.

Drehen Sie den Regler auf dem Eisfach rechts um 90°; das Eis fällt dann in den Eiswürfelbehälter unten. Sie können dann den Eiswürfelbehälter herausnehmen und das Eis servieren.



9.2 Verwendung des Wasserspenders

i Das Wasser in ersten Gläsern aus dem Wasserspender ist normalerweise warm.

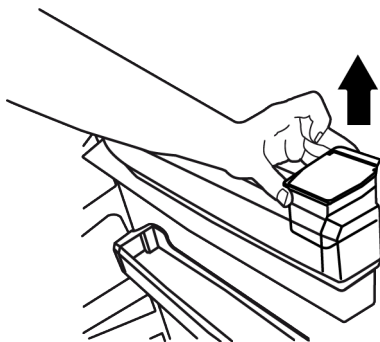
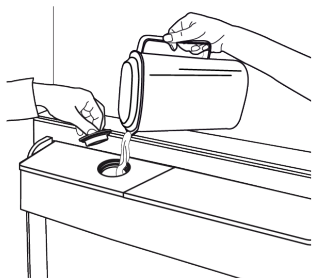
i Wenn Sie den Wasserspender längere Zeit nicht benutzt haben, entsorgen Sie die ersten Gläser Wasser, um sauberes Wasser zu erhalten.

1. Drücken Sie mit Ihrem Glas auf den Arm des Wasserspenders. Es ist einfacher, den Arm mit der Hand zu drücken, wenn Sie ein weiches Plastikglas verwenden.
2. Lassen Sie den Arm los, nachdem Sie Ihr Glas nach Belieben mit Wasser gefüllt haben.

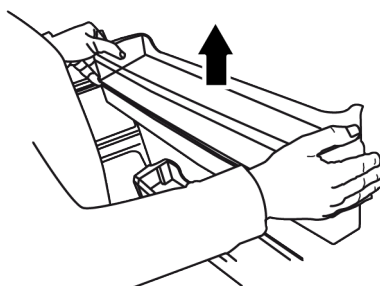
i Die Menge des Wasserflusses aus dem Spender hängt vom Druck ab, den Sie auf den Arm ausüben. Lassen Sie den Druck auf den Arm leicht ab, wenn der Wasserstand in Ihrem Glas/Behälter erhöht wird, um ein Überlaufen zu verhindern. Wenn Sie leicht auf den Arm drücken, wird Wasser tropfen. Dies ist normal und keine Fehlfunktion.

Füllen des Wassertanks des Wasserspenders

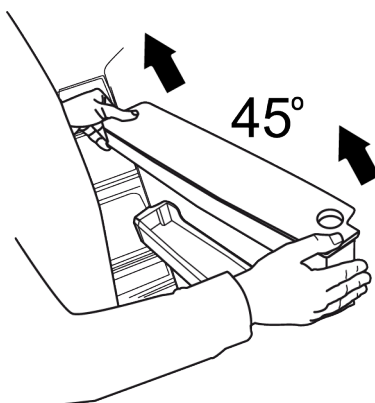
1. Öffnen Sie den Deckel des Wassertanks wie in der Abbildung gezeigt. Gießen Sie reines und sauberes Trinkwasser hinein. Schließen Sie den Deckel.



1. Lösen Sie das Regal, indem Sie beide Seiten der Tür festhalten.



2. Halten Sie beide Seiten des Wassertanks in einem Winkel von 45° und nehmen Sie an.



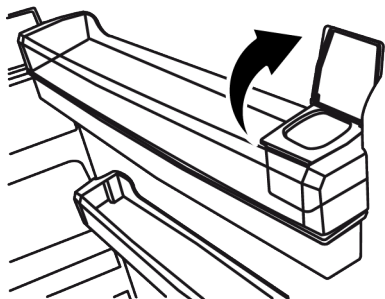
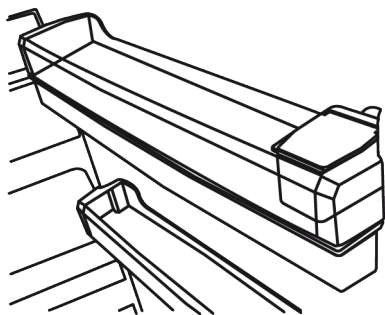
3. Nehmen Sie den Wassertankdeckel zum Reinigen ab.

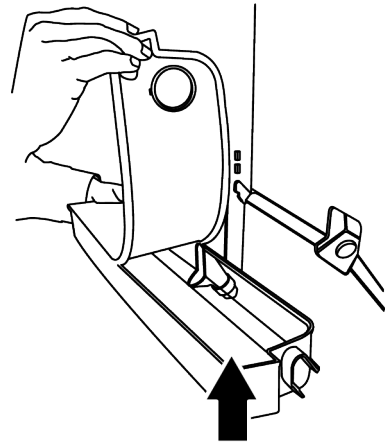
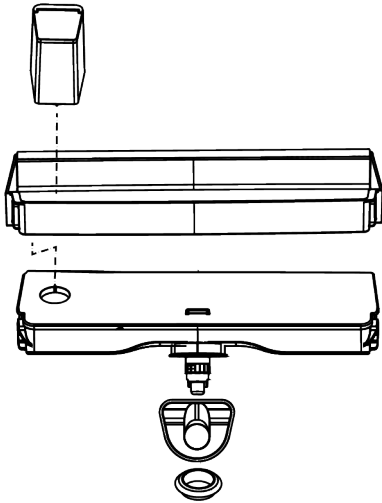


Der Wassertank hat ein Fassungsvermögen von 3 Litern, überfüllen Sie ihn nicht.

Reinigung des Wassertanks

1. Nehmen Sie das Wassertankgehäuse in Inneren der Türeinlassung heraus.





Füllen Sie in den Wassertank niemals mit Fruchtsaft, Sprudelgetränken, Spirituosen oder anderen, nicht für die Verwendung in einem Wasserspender geeigneten Flüssigkeiten. Die Verwendung dieser Flüssigkeiten führt zu Funktionsausfällen und nicht reparablen Schäden am Wasserspender. Eine derartige Nutzung des Wasserspenders fällt nicht unter die Garantie. Bestimmte Chemikalien und Zusatzstoffe in solchen Getränken/Flüssigkeiten können den Wassertank erheblich beschädigen.



Verwenden Sie nur sauberes Trinkwasser.



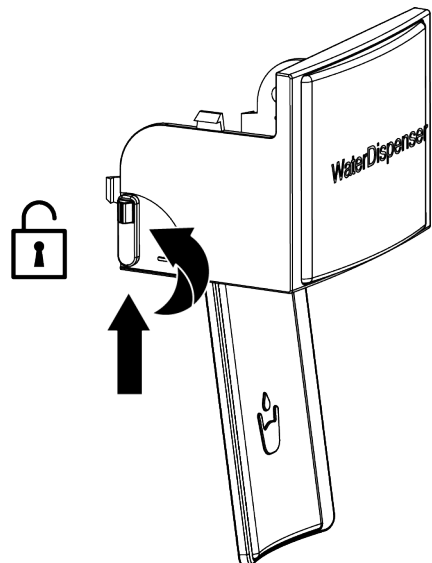
HINWEIS

Waschen Sie die Teile des Wassertanks und des Wasserspenders nicht in der Spülmaschine.

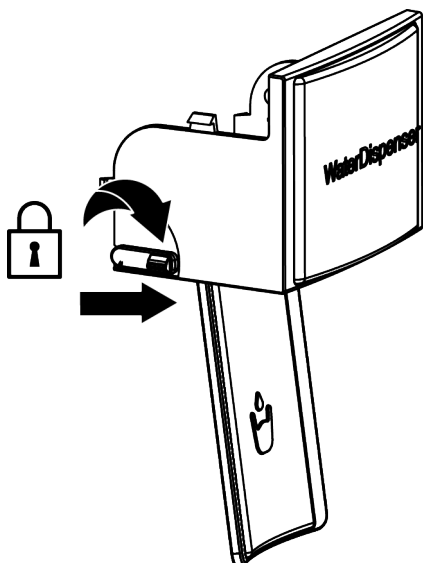


Bevor Sie den Wasserspender im Produkt benutzen, prüfen Sie ob die Kindersicherung aktiv ist. Beachten Sie die Informationen in den Abbildungen zu den EIN/AUS-Positionen der Kindersicherung an, um sie zu überprüfen. Stellen Sie sicher, dass die Kindersicherung genau wie in der Abbildung geschlossen wird, wenn sie deaktiviert ist.

Die Kindersicherung ist so aktiviert.



Die Kindersicherung ist so deaktiviert.



9.3 Gemüsefach

Das Gemüsefach im Kühlschrank hält das Gemüse frisch, indem ihre Feuchtigkeit erhalten bleibt. Für diesen Zweck ist die Zirkulation der Kaltluft im Gemüsefach intensiver. Lagern Sie Obst oder Gemüse in diesem Fach. Lagern grünblättriges Gemüse getrennt von Früchten, um deren Leben zu verlängern.

9.4 Gemüsefach-Technologien

Blaue Beleuchtung

Obst und Gemüse, die im Gemüsefach gelagert werden, das mit blaues Licht beleuchtet wird, setzen ihre Photosynthese durch den Wellenlängeneffekt des blauen Lichts fort und bewahren so ihren Vitamingehalt.

HarvestFresh

Obst und Gemüse, im Gemüsefach gelagert werden, das mit der HarvestFresh -Technologie beleuchtet wird, bewahren ihren Vitamingehalt länger dank der blauen, grünen, roten Lichter und dunklen Zyklen, die einen Tageszyklus simulieren.

Wenn die Tür Ihres Kühlschranks während der Dunkelperiode der HarvestFresh -Technologie geöffnet wird, erkennt Ihr Kühlschrank dies automatisch und beleuchtet das Gemüsefach jeweils für Ihre Zweckmäßigkeit mit einem der blauen, grünen oder roten Lichter. Nachdem Sie die Kühlschranktür geschlossen haben, wird die Dunkelumlaufzeit fortgesetzt, was die Nachtzeit in einem Tageszyklus darstellt.

9.5 Kühlraum für Molkereiprodukte

Kühlagerschublade

Die Kühlschrankschublade kann im Kühlfach niedrigere Temperaturen erreichen. Verwenden Sie diese Schublade für Feinkostprodukte (Salami, Wurst usw.) und Milchprodukte, die kältere Lagerbedingungen erfordern, oder für Fleisch, Hähnchen oder Fisch, die schnell verzehrt werden sollen. Es ist nicht geeignet, Obst und Gemüse in dieser Schublade aufzubewahren.

9.6 Feuchtigkeitsregulierter Gemüsefach

Everfresh

Mit dem feuchtigkeitsregulierten Gemüsefach wird die Feuchtigkeit von Gemüse und Obst unter Kontrolle gehalten und die Lebensmittel bleiben länger frisch.

Wir empfehlen Ihnen, Blattgemüse wie Salat, Spinat und ähnliches Gemüse, das empfindlich auf Feuchtigkeitsverlust reagiert, nicht aufrecht auf den Wurzeln, sondern möglichst waagrecht in das Gemüsefach zu legen.

Wenn Sie das Gemüse platzieren, legen Sie schweres und hartes Gemüse unten und leichtes und weiches oben, wobei Sie das spezifische Gewicht des Gemüses berücksichtigen.

Lassen Sie Gemüse nie in Plastiktüten im Gemüsefach liegen. Wenn Sie sie in Plastiktüten lassen, verrottet das Gemüse in kurzer Zeit.

Verwenden Sie in Situationen, in denen der Kontakt mit anderem Gemüse nicht bevorzugt wird, Verpackungsmaterialien wie Papier mit einer bestimmten Porosität in Bezug auf die Hygiene.

Legen Sie Früchte mit einer hohen Ethylen-gasproduktion wie Birne, Aprikose, Pfirsich und insbesondere Apfel nicht mit anderen

Gemüse- und Obstsorten in das gleiche Gemüsefach. Das aus diesen Früchten austretende Ethylengas kann dazu führen, dass anderes Gemüse und Obst schneller reift und in kürzerer Zeit verrottet.

10 Wartung und Reinigung



WARNUNG:

Lesen Sie zuerst den Abschnitt „Sicherheitshinweise“!



WARNUNG:

Ziehen Sie den Netzstecker bevor Sie das Kühlschranks reinigen.

- Verwenden Sie zum Reinigen des Produkts keine scharfen oder scheuernden Werkzeuge. Verwenden Sie keine Materialien wie Haushaltsreiniger, Seifen, Reinigungsmittel, Gas, Benzin, Verdünnern, Alkohole, Wachs usw.
- Der Staub muss mindestens einmal im Jahr vom Lüftungsgitter auf der Rückseite des Produkts entfernt werden (ohne die Abdeckung zu öffnen). Reinigen Sie das Produkt nur mit einem trockenen Tuch.

Für Produkte mit Wasserspender/Eiswürfelbereiter

- Wenn das Wasser im Wassertank 2-3 Wochen gestanden hat, muss es ausgetauscht werden.
- Der Wassertank und die Komponenten des Wasserspenders dürfen nicht in Geschirrspülern gewaschen werden.
- Lösen Sie einen Teelöffel Karbonat im Wasser auf. Feuchten Sie ein Tuch mit dem Wasser an und wringen Sie es aus. Wischen Sie das Gerät mit diesem Tuch ab und trocknen Sie es gründlich ab.
- Achten Sie darauf, dass die Abdeckung der Lampen und sonstige Elektroteile nicht mit Wasser in Kontakt kommen.

- Reinigen Sie die Tür nur mit einem feuchten Tuch. Nehmen Sie die Tür- und Gehäuseablagen sowie den gesamten Inhalt des Kühlschranks heraus. Entfernen Sie die Türregale, indem Sie sie nach oben heben. Reinigen und trocknen Sie die Ablagen und befestigen Sie sie wieder, indem Sie sie von oben einschieben.
- Verwenden Sie kein chlorhaltiges Wasser bzw. chlorhaltige Reinigungsmittel zur Reinigung der Außenflächen und chrombeschichteten Teile des Geräts. Chlor lässt metallische Oberflächen rosten.
- Verwenden Sie keine scharfen und abrasiven Werkzeuge, Seife, Reinigungsmittel, Reinigungsmittel, Gas, Benzin, Lacke und ähnliche Substanzen, um eine Verformung des Kunststoffteils und das Entfernen von Drucken auf dem Teil zu verhindern. Verwenden Sie zum Reinigen warmes Wasser und ein weiches Tuch und trocknen Sie es anschließend ab.

Bei Produkten ohne Frostschutzfunktion

- können Wassertropfen und Eisbildung bis zu einer Fingerdicke an der Rückwand des Gefrierfachs auftreten. Nicht reinigen und niemals Öle oder ähnliche Materialien auftragen.
- Verwenden Sie ein leicht angefeuchtetes Mikrofasertuch, um die Außenfläche des Produkts zu reinigen. Schwämme und andere Arten von Reinigungskleidung können Kratzer verursachen.
- Um alle entfernbaren Komponenten während der Reinigung der Innenfläche des Produkts zu reinigen, waschen Sie diese Komponenten mit einer milden Lösung

aus Seife, Wasser und Karbonat. Gründlich waschen und trocknen. Kontakt von Wasser mit Beleuchtungskomponenten und dem Bedienfeld verhindern.

- Achten Sie darauf, dass die Abdeckung der Lampen und sonstige Elektroteile nicht mit Wasser in Kontakt kommen.
- Reinigen Sie die Tür nur mit einem feuchten Tuch. Entfernen Sie den gesamten Inhalt, um die Tür- und Gehäuseregale zu entfernen. Entfernen Sie die Türregale, indem Sie sie nach oben heben. Reinigen Sie die Türeinsätze gründlich und setzen Sie sie sodann wieder ein, indem Sie diese nach unten gleiten lassen.
- Verwenden Sie kein chlorhaltiges Wasser bzw. chlorhaltige Reinigungsmittel zur Reinigung der Außenflächen und chrombeschichteten Teile des Geräts. Chlor lässt metallische Oberflächen rosten.
- Verwenden Sie keine scharfen und abrasiven Werkzeuge, Seife, Reinigungsmittel, Reinigungsmittel, Gas, Benzin, Lacke und ähnliche Substanzen, um eine Verformung des Kunststoffteils und das Entfernen von Drucken auf dem Teil zu verhindern. Verwenden Sie zum Reinigen warmes Wasser und ein weiches Tuch und trocknen Sie es anschließend ab.
- Bei Produkten ohne Frostschutzfunktion können Wassertropfen und Eisbildung bis zu einer Fingerdicke an der Rückwand des Gefrierfachs auftreten. Nicht reinigen und niemals Öle oder ähnliche Materialien auftragen.
- Verwenden Sie ein leicht angefeuchtetes Mikrofaser Tuch, um die Außenfläche des Produkts zu reinigen. Schwämme und andere Arten von Reinigungskleidung können Kratzer verursachen.
- Um alle entfernbar Komponenten während der Reinigung der Innenfläche des Produkts zu reinigen, waschen Sie diese Komponenten mit einer milden Lösung aus Seife, Wasser und Karbonat. Gründ-

lich waschen und trocknen. Kontakt von Wasser mit Beleuchtungskomponenten und dem Bedienfeld verhindern.



VORSICHT:

Verwenden Sie auf keiner Innenfläche Essig, Reinigungsalkohol oder andere Reinigungsmittel auf Alkohobasis.

Außenflächen aus Edelstahl

Verwenden Sie ein nicht scheuerndes Reinigungsmittel aus rostfreiem Stahl und tragen Sie es mit einem weichen, fusselfreien Tuch auf. Wischen Sie zum Polieren die Oberfläche vorsichtig mit einem mit Wasser angefeuchteten Mikrofaser Tuch ab und verwenden Sie eine trockene Poliergämsse. Folgen Sie immer den Adern des Edelstahls.

Gerüche verhindern

Das Gerät wurde ohne die Verwendung von Geruch erzeugenden Materialien hergestellt. Jedoch kann die unsachgemäße Lagerung von Lebensmitteln wie auch eine unzureichende Reinigung der Innenräume zur Entstehung von Gerüchen führen.

- Um dies zu vermeiden, sollten Sie den Innenraum mit kohlenstoffhaltigem Wasser alle vierzehn Tage reinigen.
- Bewahren Sie die Lebensmittel in versiegelten Behältern auf, da Mikroorganismen, die von Lebensmitteln in nicht versiegelten Behältern stammen, einen schlechten Geruch verursachen.
- Bewahren Sie keine verdorbenen Lebensmittel bzw. solche mit abgelaufenem Haltbarkeitsdatum im Kühlschrank auf.

Schutz der Kunststoffoberflächen

Auf Kunststoffoberflächen ausgelaufenes Öl kann diese beschädigen. Reinigen Sie daher solche Verschmutzungen unverzüglich.

11 Fehlerbehebung

Prüfen Sie diese Liste, bevor Sie sich an den Kundendienst wenden. So sparen Sie Zeit und Geld. Diese Liste enthält häufige Beanstandungen, die nicht auf Verarbeitungs- oder Materialfehler zurückzuführen sind. Bestimmte hier aufgeführte Merkmale treffen möglicherweise nicht auf Ihr Produkt zu.

Der Kühlschrank funktioniert nicht.

- Der Netzstecker ist nicht vollständig eingesteckt. >>> Stecken Sie den Stecker vollständig in die Steckdose.
- Die Sicherung in der Steckdose, die das Produkt mit Strom versorgt, oder die Hauptsicherung ist durchgebrannt. >>> Prüfen Sie die Sicherung.

Kondenswasser an der Seitenwand des Kühlfachs (MULTI ZONE, COOL CONTROL und FLEXI ZONE).

- Die Tür wird zu häufig geöffnet. >>> Achten Sie darauf, die Tür des Geräts nicht zu häufig zu öffnen.
- Die Umgebung ist zu feucht. >>> Stellen Sie das Gerät nicht in feuchten Umgebungen auf.
- Flüssigkeitshaltige Lebensmittel werden in unverschlossenen Behältern aufbewahrt. >>> Bewahren Sie die Lebensmittel, die Flüssigkeiten enthalten, in versiegelten Behältern auf.
- Die Tür des Geräts steht offen. >>> Lassen Sie die Tür des Geräts nicht für längere Zeit offen.
- Der Thermostat ist auf eine sehr kühle Temperatur eingestellt. >>> Stellen Sie den Thermostat auf eine angemessene Temperatur ein.

Der Kompressor funktioniert nicht.

- Bei einem plötzlichen Stromausfall oder wenn der Netzstecker gezogen und wieder eingesteckt wird, ist der Gasdruck im Kühlsystem des Geräts nicht ausgeglichen, wodurch die thermische Sicherung des Kompressors ausgelöst wird. Das Gerät schaltet sich nach etwa 6 Minuten

wieder ein. Wenn das Gerät nach diesem Zeitraum nicht wieder anläuft, wenden Sie sich an den Kundendienst.

- Die Abtaugung ist aktiv. >>> Dies ist normal für ein vollautomatisches Abtaugungsprodukt. Die Abtaugung wird regelmäßig durchgeführt.
- Das Gerät ist nicht eingesteckt. >>> Vergewissern Sie sich, dass das Netzkabel eingesteckt ist.
- Die Temperatur ist falsch eingestellt. >>> Wählen Sie die richtige Temperatureinstellung.
- Der Strom ist ausgefallen. >>> Das Gerät arbeitet normal weiter, sobald die Stromversorgung wiederhergestellt ist.

Das Betriebsgeräusch des Kühlschranks nimmt während des Betriebs zu.

- Die Betriebsleistung des Geräts kann je nach den Schwankungen der Umgebungstemperatur variieren. Dies ist normal und stellt keine Fehlfunktion dar.

Der Kühlschrank läuft zu oft oder zu lange.

- Das neue Gerät ist möglicherweise größer als das vorherige. Größere Produkte sind länger in Betrieb.
- Die Raumtemperatur ist möglicherweise zu hoch. >>> Das Gerät läuft normalerweise über längere Zeit bei höherer Raumtemperatur.
- Das Gerät wurde möglicherweise vor kurzem eingesteckt oder es wurde ein neues Lebensmittel hineingelegt. >>> Das Gerät braucht länger, um die eingestellte Temperatur zu erreichen, wenn es kürzlich eingesteckt wurde oder ein neues Lebensmittel hineingelegt wurde. Das ist normal.
- Möglicherweise wurden kürzlich große Mengen heißer Lebensmittel in das Gerät gelegt. >>> Legen Sie keine heißen Lebensmittel in das Gerät.

- Die Türen wurden häufig geöffnet oder für längere Zeit offen gehalten. >>> Die warme Luft, die sich im Inneren bewegt, lässt das Gerät länger laufen. Öffnen Sie die Türen nicht zu häufig.
- Die Tür des Gefrier- oder Kühlgeräts ist möglicherweise angelehnt. >>> Vergewissern Sie sich, dass die Türen vollständig geschlossen sind.
- Das Gerät ist möglicherweise auf eine zu niedrige Temperatur eingestellt. >>> Stellen Sie die Temperatur auf eine höhere Stufe und warten Sie, bis das Produkt die eingestellte Temperatur erreicht hat.
- Die Türdichtung des Kühl- oder Gefrierschranks ist möglicherweise verschmutzt, abgenutzt, kaputt oder nicht richtig eingesetzt. >>> Reinigen oder ersetzen Sie die Dichtung. Eine beschädigte/gerissene Türdichtung führt dazu, dass das Gerät länger laufen muss, um die aktuelle Temperatur zu halten.

Die Temperatur des Gefrierfachs ist sehr niedrig, aber die Temperatur des Kühlfachs ist ausreichend.

- Die Temperatur des Gefrierfachs ist auf eine sehr niedrige Temperatur eingestellt. >>> Stellen Sie die Temperatur des Gefrierfachs auf eine höhere Stufe und prüfen Sie erneut.

Die Temperatur im Kühlfach ist sehr niedrig, aber die Temperatur im Gefrierfach ist ausreichend.

- Die Temperatur des Kühlfachs ist sehr niedrig eingestellt. >>> Stellen Sie die Temperatur des Kühlfachs auf eine höhere Temperatur ein und überprüfen Sie sie erneut.

Die Lebensmittel in den Schubladen des Kühlfachs sind gefroren.

- Die Temperatur des Kühlfachs ist sehr niedrig eingestellt. >>> Stellen Sie die Temperatur des Kühlfachs auf eine höhere Temperatur ein und überprüfen Sie sie erneut.

Die Temperatur im Kühl- oder Gefrierfach ist zu hoch.

- Die Kühlfachtemperatur ist sehr hoch eingestellt. >>> Die Temperatureinstellung des Kühlfachs wirkt sich auf die Temperatur im Gefrierfach aus. Warten Sie, bis die Temperatur der betreffenden Teile ein ausreichendes Niveau erreicht hat, indem Sie die Temperatur der Kühl- oder Gefrierfächer ändern.
- Die Türen wurden häufig geöffnet oder für längere Zeit offen gehalten. >>> Öffnen Sie die Türen nicht zu häufig.
- Die Tür kann angelehnt sein. >>> Schließen Sie die Tür vollständig.
- Das Gerät wurde möglicherweise vor kurzem eingesteckt oder es wurde ein neues Lebensmittel hineingelegt. >>> Das ist normal. Das Gerät braucht länger, um die eingestellte Temperatur zu erreichen, wenn es kürzlich eingesteckt wurde oder ein neues Lebensmittel hineingelegt wurde.
- Möglicherweise wurden kürzlich große Mengen heißer Lebensmittel in das Gerät gelegt. >>> Legen Sie keine heißen Lebensmittel in das Gerät.

Schütteln oder Geräusche.

- Der Untergrund ist nicht eben oder nicht stabil >>> Wenn das Produkt bei langsamer Bewegung wackelt, stellen Sie die Ständer ein, um das Produkt auszubalancieren. Vergewissern Sie sich auch, dass der Boden ausreichend stabil ist, um das Gerät zu tragen.
- Auf dem Gerät abgestellte Gegenstände können Geräusche verursachen. >>> Entfernen Sie alle auf dem Gerät abgestellten Gegenstände.
- Das Gerät macht Geräusche von fließenden Flüssigkeiten, Sprühern usw.
- Die Funktionsweise des Produkts beinhaltet Flüssigkeits- und Gasströme. >>> Dies ist normal und stellt keine Fehlfunktion dar.

Aus dem Gerät kommt ein Windgeräusch.

- Das Produkt verwendet einen Ventilator für den Kühlprozess. Dies ist normal und stellt keine Fehlfunktion dar.

An den Innenwänden des Produkts bildet sich Kondenswasser.

- Heißes oder feuchtes Wetter führt zu verstärkter Vereisung und Kondensation. Dies ist normal und stellt keine Fehlfunktion dar.
- Die Türen wurden häufig geöffnet oder für längere Zeit offen gehalten. >>> Öffnen Sie die Türen nicht zu häufig; wenn sie offen sind, schließen Sie die Tür.
- Die Tür kann angelehnt sein. >>> Schließen Sie die Tür vollständig.

An der Außenseite des Geräts oder zwischen den Türen bildet sich Kondenswasser.

- Die Umgebungsluft kann feucht sein, dies ist bei feuchtem Wetter ganz normal. >>> Das Kondenswasser wird sich auflösen, wenn die Luftfeuchtigkeit reduziert wird.

Der Innenraum riecht schlecht.

- Das Produkt wird nicht regelmäßig gereinigt. >>> Reinigen Sie den Innenraum regelmäßig mit einem Schwamm, warmem Wasser und kohlenstoffhaltigem Wasser.
- Bestimmte Halterungen und Verpackungsmaterialien können Geruch verursachen. >>> Verwenden Sie geruchsneutrale Halterungen und Verpackungsmaterialien.
- Die Lebensmittel wurden in nicht verschlossenen Behältern gelagert. >>> Lagern Sie die Lebensmittel in geschlossenen Behältern. Mikroorganismen kön-

nen auf unverschlossene Lebensmittel überspringen und unangenehme Gerüche verursachen.

- Entfernen Sie alle abgelaufenen oder verdorbenen Lebensmittel aus dem Gerät.

Die Tür schließt nicht.

- Lebensmittelverpackungen können die Tür blockieren. >>> Entfernen Sie alle Gegenstände, die die Türen blockieren.
- Das Gerät steht nicht ganz aufrecht auf dem Boden. >>> Stellen Sie die Ständer so ein, dass das Gerät im Gleichgewicht ist.
- Die Oberfläche ist nicht eben oder nicht stabil >>> Vergewissern Sie sich, dass die Oberfläche eben und ausreichend stabil ist, um das Produkt zu tragen.

Das Gemüsefach ist eingeklemmt.

- Die Lebensmittel können mit dem oberen Teil der Schublade in Kontakt sein. >>> Ordnen Sie die Lebensmittel in der Schublade neu an.

Temperatur auf der Oberfläche des Produkts.

- Während des Betriebs Ihres Geräts kann zwischen zwei Türen, an den Seitenwänden und im hinteren Grillbereich eine hohe Temperatur festgestellt werden. Dies ist normal und erfordert keine Wartung.

Das Gebläse läuft weiter, wenn die Tür geöffnet wird.

- Das Gebläse kann weiterlaufen, wenn die Gefrierschranktür geöffnet ist.



WARNUNG: Wenn das Problem nach Befolgen der Anweisungen in diesem Abschnitt weiterhin besteht, wenden Sie sich an Ihren Händler oder einen autorisierten Kundendienst. Versuchen Sie nicht, das Gerät zu reparieren. Das ist normal.

HAFTUNGSAUSSCHLUSS / WARNUNG

Einige (einfache) Störungen können vom Endbenutzer in angemessener Weise behoben werden, ohne dass ein Sicherheitsproblem oder eine unsichere Verwendung ent-

steht, vorausgesetzt, sie werden innerhalb der Grenzen und in Übereinstimmung mit den folgenden Anweisungen durchgeführt (siehe Abschnitt „Selbstreparatur“).

Sofern im Abschnitt „Selbstreparatur“ nicht anders angegeben, müssen Reparaturen von registrierten Fachwerkstätten durchgeführt werden, um Sicherheitsprobleme zu vermeiden. Eine registrierte Fachwerkstatt ist eine Fachwerkstatt, die vom Hersteller gemäß den in den Rechtsakten gemäß der Richtlinie 2009/125/EG beschriebenen Methoden Zugang zu den Anweisungen und der Ersatzteilliste dieses Produkts erhalten hat.

Allerdings kann nur der Kundendienst (d.h. autorisierte Fachwerkstätten), den Sie über die in der Bedienungsanleitung/Garantiekarte angegebene Telefonnummer oder über Ihren Vertragshändler erreichen können, Leistungen im Rahmen der Garantiebedingungen erbringen. Bitte beachten Sie daher, dass bei Reparaturen durch (die nicht autorisiert sind durch) Beko Fachwerkstätten die Garantie erlischt.

Selbstreparatur

Folgende Ersatzteile können vom Endverbraucher selbst repariert werden: Türgriffe, Türscharniere, Ablagen, Körbe und Türdichtungen (eine aktualisierte Liste ist ab dem 1. März 2021 auch unter support.beko.com verfügbar).

Um die Produktsicherheit zu gewährleisten und die Gefahr von schweren Verletzungen zu vermeiden, müssen die genannten Selbstreparaturen gemäß den Anweisungen in der Bedienungsanleitung für Selbstreparaturen oder auf support.beko.com durchgeführt werden. Ziehen Sie zu Ihrer Sicherheit den Netzstecker des Produkts, bevor Sie eine Selbstreparatur durchführen.

Reparatur- und Instandsetzungsversuche durch Endverbraucher für Teile, die nicht in dieser Liste enthalten sind, und/oder die nicht gemäß den Anweisungen in den Benutzerhandbüchern für die Selbstreparatur oder unter support.beko.com durchgeführt werden, können zu Sicherheitsproblemen führen, die nicht von Beko zu verantworten sind, und führen zum Erlöschen der Garantie für das Produkt.

Daher wird den Endnutzern dringend empfohlen, von Reparaturversuchen abzusehen, die nicht in der genannten Ersatzteilliste aufgeführt sind, und sich in solchen Fällen an autorisierte Fachwerkstätten oder registrierte Fachwerkstätten zu wenden. Im Gegenteil, solche Versuche können Sicherheitsprobleme verursachen und das Produkt beschädigen und in der Folge Feuer, Überschwemmungen, Stromschläge und schwere Personenschäden hervorrufen.

Zum Beispiel, aber nicht ausschließlich, müssen die folgenden Reparaturen an autorisierte Fachwerkstätten oder registrierte Fachwerkstätten gerichtet werden: Kompressor, Kühlkreislauf, Hauptplatine, Inverterplatine, Displayplatine, usw.

Der Hersteller/Verkäufer kann in keinem Fall haftbar gemacht werden, wenn der Endverbraucher die oben genannten Bestimmungen nicht einhält.

Die Ersatzteilverfügbarkeit des von Ihnen gekauften Kühlschranks beträgt 10 Jahre, während dieser Zeit sind Original-Ersatzteile für den ordnungsgemäßen Betrieb des Kühlschranks verfügbar.

Die Mindestgarantiedauer für den von Ihnen gekauften Kühlschrank beträgt 24 Monate.

Dieses Produkt ist mit einer Lichtquelle der Energieklasse „G“ ausgestattet.

Die Lichtquelle in diesem Produkt darf nur von autorisierte Fachwerkstätten ausgetauscht werden.

¡Lea primero este manual!

Estimado cliente,

Por favor, lea este manual antes de usar el aparato.

Gracias por elegir este aparato de Beko. Nos gustaría que usted alcanzara la eficiencia óptima de este aparato de alta calidad que fue fabricado utilizando la tecnología más avanzada. A tal fin, antes de utilizar el aparato, lea detenidamente este manual y cualquier otra documentación que se le facilite y consérvela como referencia.

Preste atención a toda la información así como a las advertencias contenidas en el manual de usuario. Esto le permitirá protegerse a sí mismo y a su aparato contra los peligros que puedan surgir.

Guarde el manual de usuario. Incluya este manual con la unidad si se la entrega a otra persona.

Los siguientes símbolos se utilizan en el manual del usuario:



Peligro que puede provocar la muerte o lesiones.



Información importante o consejos útiles sobre el funcionamiento.







Lea el manual de instrucciones.



Material combustible, advertencia de riesgo de incendio.

AVISO Peligro que puede causar daños materiales al aparato o a su entorno

| | | |
|--|---|---|
|  |  | Se puede acceder a la información del modelo almacenada en la base de datos del aparato ingresando al siguiente sitio web y buscando el identificador de su modelo (*) que se encuentra en la etiqueta energética. https://eprel.ec.europa.eu/ |
| SUPPLIER'S NAME | MODEL IDENTIFIER → (*) | |
|  |  | |

| | | |
|-----------|--|-----------|
| 1 | Instrucciones de seguridad | 70 |
| 1.1 | Intención de uso | 70 |
| 1.2 | Seguridad de Niños, Personas Vulnerables y Mascotas..... | 70 |
| 1.3 | Seguridad eléctrica | 71 |
| 1.4 | Seguridad en el manejo | 72 |
| 1.5 | Seguridad de instalación | 72 |
| 1.6 | Seguridad Operacional..... | 74 |
| 1.7 | Seguridad en el almacenamiento de alimentos | 77 |
| 1.8 | Seguridad de mantenimiento y limpieza..... | 77 |
| 1.9 | Desecho del Producto Usado | 78 |
| 2 | Instrucciones medioambientales | 78 |
| 2.1 | Cumplimiento de la Directiva RA-EE y eliminación del producto de desecho:..... | 78 |
| 3 | El Refrigerador | 80 |
| 4 | Instalación | 81 |
| 4.1 | Conexión eléctrica..... | 82 |
| 5 | Preparación | 83 |
| 5.1 | Qué hacer para ahorrar energía.... | 83 |
| 5.2 | Uso de primera vez..... | 84 |
| 5.3 | Clase climática y definiciones..... | 84 |
| 6 | Funcionamiento del producto | 84 |
| 7 | Panel de Control del Producto | 85 |
| 8 | Uso del aparato..... | 87 |
| 8.1 | Sustitución de la lámpara de iluminación | 90 |
| 8.2 | Alerta de puerta abierta | 90 |
| 9 | Características del producto..... | 90 |
| 9.1 | Zona de depósito de hielo | 90 |
| 9.2 | Uso del dispensador de agua | 91 |
| 9.3 | Cajón de frutas y verduras..... | 93 |
| 9.4 | Tecnologías para el cajón de fruta y verdura | 94 |
| 9.5 | Área de almacenamiento en frío de productos lácteos | 94 |
| 9.6 | Cajón para frutas y verduras con control de humedad | 94 |
| 10 | Mantenimiento y limpieza | 94 |
| 11 | Solución de problemas | 96 |

1 Instrucciones de seguridad

Esta sección incluye las instrucciones de seguridad necesarias para evitar riesgos de lesiones personales o daños materiales. Nuestra empresa no se hace responsable de los daños que puedan ocurrir de no seguir estas instrucciones.

Las operaciones de instalación y reparación deberán ser realizadas siempre por un servicio autorizado.

Utilice únicamente repuestos y accesorios originales.

Las piezas de repuesto originales se proporcionarán durante 10 años, a partir de la fecha de compra del producto.

No repare ni reemplace ningún componente del aparato a menos que esté claramente especificado en el manual del usuario.

No realice ninguna modificación en el producto.

1.1 Intención de uso

Este aparato no es apto para uso comercial y no debe usarse para otro fin que no sea el previsto. Este aparato está diseñado para usarse en interiores, en el hogar y lugares similares.

Por ejemplo:

- En las cocinas del personal de las tiendas, oficinas y otros entornos de trabajo,
- En casas de campo,
- En las unidades de hoteles, moteles u otras instalaciones de descanso que sean utilizadas por los clientes,
- En albergues, o ambientes similares,
- En servicios de catering y aplicaciones similares no minoristas.

Este aparato no se debe usar en entornos externos abiertos o cerrados, como embarcaciones, balcones o terrazas. Exponer el aparato a la lluvia, la nieve, la luz solar y el viento puede conllevar un riesgo de incendio.

1.2 Seguridad de Niños, Personas Vulnerables y Mascotas

- Este aparato puede ser utilizado por niños mayores de 8 años y personas con capacidades físicas, sensoriales o mentales subdesarrolladas o falta de experiencia y conocimiento si están bajo supervisión o han recibido instrucciones sobre el uso del aparato de manera segura y la peligros involucrados.

- A los niños entre 3 y 8 años se les permite poner y sacar alimentos del frigorífico.
- Los aparatos eléctricos son peligrosos para niños y mascotas. Los niños y los animales domésticos no deben jugar, subirse o entrar en el aparato.
- La limpieza y el mantenimiento por parte del usuario no deben ser realizados por niños, a menos que haya alguien que los supervise.
- Mantenga los materiales de embalaje fuera del alcance de los niños. Riesgo de lesiones y asfixia.

Antes de desechar aparatos viejos que ya no se utilizarán:

1. desenchufe el cable de corriente de la toma de corriente;
 2. Corte el cable de corriente y retírelo del aparato junto con el enchufe.
 3. no retire los estantes y cajones del aparato para así evitar que los niños entren en el aparato;
 4. retire las puertas;
 5. enclaustre el aparato para que no se vuelque;
 6. No permita que los niños jueguen con el aparato viejo;
- no destruya el aparato arrojándolo al fuego. Riesgo de explosión.
 - Si hay una cerradura disponible en la puerta del producto, mantenga la llave fuera del alcance de los niños.



1.3 Seguridad eléctrica

- El aparato no debe estar enchufado durante las operaciones de instalación, mantenimiento, limpieza y reparación.
- Si el cable de corriente está dañado, debe ser reemplazado únicamente por un servicio autorizado para evitar cualquier riesgo que pueda ocurrir.
- No meta el cable de corriente debajo del aparato o en la parte trasera del producto. No coloque objetos pesados sobre el cable de corriente. El cable de corriente no debe doblarse, aplastarse ni entrar en contacto con ninguna fuente de calor.
- No utilice un cable extensor, un enchufe múltiple o un adaptador en el funcionamiento de su aparato.
- Los enchufes múltiples portátiles o las fuentes de corriente portátiles pueden sobrecalentarse y provocar incendios. Por lo tanto, no tenga un enchufe múltiple detrás o cerca del aparato.
- El enchufe debe ser fácilmente accesible. Si esto no es posible, la instalación eléctrica de-

berá incluir un mecanismo que cumpla con la reglamentación eléctrica y que desconecte todos los terminales de la red eléctrica (fusible, interruptor, interruptor principal, etc.).

- No toque el enchufe con las manos mojadas.
- Al desenchufar el aparato, no sujete el cable de corriente, sino el enchufe.



1.4 Seguridad en el manejo

- Este aparato es pesado, no debe ser manipulado por una sola persona.
- No sostenga el aparato de su puerta mientras lo manipula.
- Tenga cuidado de no dañar el sistema de enfriamiento y las tuberías mientras manipula el aparato. No utilice el aparato si los tubos están dañados y comuníquese con un Servicio autorizado.



1.5 Seguridad de instalación

- Contacte con el Servicio Autorizado para la instalación del producto. Para preparar el aparato para la instalación, consulte la información en el manual del usuario y asegúrese de que los servicios de electricidad y agua sean los necesari-

os. De lo contrario, llame a un electricista y plomero para organizar los servicios públicos según sea necesario. Si no lo hace, podría sufrir una descarga eléctrica, un incendio, problemas con el aparato o lesiones.

- Busque daños en el aparato antes de instalarlo. No instale el aparato si está dañado.
- Coloque el aparato sobre una superficie nivelada y firme y establezca con las patas ajustables. De lo contrario, el frigorífico podría volcarse y causar lesiones.
- El aparato deberá ser instalado en un ambiente seco y ventilado. No deje ninguna alfombra, tapete o cubierta de piso similares debajo del aparato. ¡Esto puede resultar en un riesgo de incendio debido a una ventilación inadecuada!
- No bloquee ni cubra los orificios de ventilación. De lo contrario, puede aumentarse el consumo de energía y dañar su aparato.
- El aparato no debe conectarse a sistemas de suministro como el suministro de energía solar. De lo contrario, su aparato puede dañarse debido a cambios repentinos de voltaje.

- Cuanto más refrigerante contenga un frigorífico, más grande debe ser su espacio de instalación. En habitaciones muy pequeñas, puede producirse una mezcla inflamable de gas-aire en caso de una fuga de gas en el sistema de enfriamiento. Se requiere al menos 1 m³ de volumen por cada 8 gramos de refrigerante. La cantidad de refrigerante disponible en su aparato se especifica en la Etiqueta de tipo.
- El lugar de instalación del aparato no debe estar expuesto a la luz solar directa y no debe estar cerca de una fuente de calor como estufas, radiadores, etc. Si no puede evitar la instalación del aparato cerca de una fuente de calor, deberá utilizar una placa de aislamiento adecuada y la distancia mínima a la fuente de calor será la que se especifica a continuación.
 - Al menos 30 cm de distancia de fuentes de calor como estufas, unidades de calefacción y calentadores, etc.,
 - Y a una distancia mínima de 5 cm de los hornos eléctricos.
- Su aparato tiene la clase de protección I.
- Enchufe el aparato en un enchufe con conexión a tierra que cumpla con los valores de voltaje, corriente y frecuencia especificados en la etiqueta de tipo. El enchufe debe tener un fusible de 10A – 16A. Nuestra empresa no asumirá la responsabilidad por ningún daño debido al uso sin toma de tierra y conexión eléctrica de conformidad con las reglamentaciones locales y nacionales.
- El cable de corriente del aparato debe ser desenchufado durante la instalación. De lo contrario, puede producirse una descarga eléctrica y lesiones.
- No conecte el aparato a tomas de corriente sueltas, rotas, sucias, grasientas o que se hayan salido de sus asientos o con riesgo de contacto con el agua.
- Coloque el cable de corriente y las mangueras (si las hay) del aparato de manera que no presenten riesgo de tropiezos.
- La penetración de humedad en las partes vivas o en el cable de corriente puede provocar un cortocircuito. Por lo tanto, no use el aparato en ambientes húmedos o en áreas donde el agua pueda salpicar (por ejemplo, garaje, lavandería, etc.) Si el frigorífico está mojado por

el agua, desenchúfelo y comuníquese con un Servicio autorizado para recibir instrucciones.

- Nunca conecte su frigorífico a dispositivos de ahorro energético. Estos sistemas son perjudiciales para el producto.



1.6 Seguridad Operacional

- Nunca utilice disolventes químicos en el producto. Estos materiales contienen un riesgo de explosión.
- En caso de falla del aparato, desenchúfelo y no lo opere hasta que sea reparado por el Servicio autorizado. ¡Existe el riesgo de descarga eléctrica!
- No coloque una fuente de llamas (por ejemplo, velas, cigarrillos, etc.) sobre el aparato o cerca de él.
- No se suba en el aparato. ¡Riesgo de caídas y lesiones!
- No provoque daños en las tuberías del sistema de enfriamiento con herramientas afiladas y perforantes. El gas refrigerante que sale de un tubo perforado, las extensiones de tubería o los revestimientos de la superficie superior puede causar irritación de la piel y lesiones en los ojos.
- No coloque ni utilice aparatos eléctricos dentro del frigorífico/congelador a menos que así lo indique el fabricante.
- No atasque ninguna parte de sus manos o su cuerpo con las partes móviles dentro del aparato. Tenga cuidado de evitar que sus dedos se atasquen entre el frigorífico y su puerta. Tenga cuidado al abrir o cerrar la puerta si hay niños cerca.
- No lleve a su boca helado, cubitos de hielo o alimentos congelados en seguida de que los saque del congelador. ¡Peligro de congelación!
- No toque las paredes internas, las partes metálicas del congelador o los alimentos guardados dentro del congelador con las manos mojadas. ¡Peligro de congelación!
- No coloque latas de refresco o latas y botellas que contengan líquidos que puedan congelarse en el compartimiento del congelador. Las latas o botellas pueden explotar. ¡Peligro de lesiones y daños materiales!
- No use ni coloque materiales sensibles a la temperatura como aerosoles inflamables, objetos inflamables, hielo seco u

otros agentes químicos cerca del frigorífico. ¡Peligro de incendio y explosión!

- No guarde materiales explosivos como latas de aerosol con materiales inflamables dentro del aparato.
- No coloque latas que contengan líquidos sobre el aparato. Las salpicaduras de agua sobre una parte eléctrica pueden causar el riesgo de una descarga eléctrica o un incendio.
- Este aparato no ha sido diseñado para el almacenamiento y enfriamiento de medicamentos, plasma sanguíneo, preparaciones de laboratorio o materiales y productos similares sujetos a la Directiva de productos médicos.
- No usar el aparato para su propósito previsto, puede causar daños o deterioro de los productos que se guardan en su interior.
- Si su frigorífico está equipado con luz azul, no mire esta luz con dispositivos ópticos. No mire directamente a la luz LED UV durante mucho tiempo. Los rayos ultravioleta pueden causar fatiga visual.
- No llene el aparato con más alimentos que su capacidad. Pueden ocurrir lesiones o daños si el contenido del frigorífico se cae cuando se abre la puerta. También pueden ocurrir problemas similares cuando se coloca un objeto sobre el producto.
- Asegúrese de haber eliminado el hielo o el agua que pueda haber caído al piso para evitar lesiones.
- Cambie la ubicación de los estantes/porta botellas en la puerta de su frigorífico mientras los estantes estén vacíos solamente. ¡Existe peligro de dañarse!
- No coloque objetos que puedan caerse o volcarse sobre el producto. Estos objetos pueden caerse al abrir o cerrar la puerta y causar lesiones y / o daños materiales.
- No golpee ni ejerza una presión excesiva sobre las superficies de vidrio. Los vidrios rotos pueden causar lesiones y / o daños materiales.
- El sistema de refrigeración de su aparato contiene refrigerante R600a. El tipo de refrigerante utilizado en el aparato se especifica en la etiqueta de tipo. Este gas es inflamable. Por lo tanto, tenga cuidado de no dañar el sistema de enfriamiento y las tuberías mientras opera el aparato. En caso de daños a las tuberías:

1. No toque el aparato ni el cable de corriente.
2. Mantenga el aparato alejado de posibles fuentes de fuego que puedan provocar que el aparato se incendie.
3. Ventilar el área donde se coloca el producto. No use un ventilador.
4. Póngase en contacto con el servicio autorizado.
5. Si el aparato está dañado y observa fugas de gas, manténgase alejado del gas. El gas puede causar congelación si entra en contacto con su piel.

Para productos con dispensador de agua/máquina de hielo

- Use solo agua potable. No llene el tanque de agua con jugo de frutas, leche, bebidas gaseosas, bebidas alcohólicas o cualquier otro líquido incompatible para usar en el dispensador de agua. Esto puede causar riesgos para su salud y la seguridad.
- No permita que los niños jueguen con el dispensador de agua o el icematic para evitar accidentes y lesiones.
- No introduzca sus dedos u otros objetos dentro del orificio del dispensador de agua, canal de hielo o dentro del reci-

piente del icematic. Esto puede causar lesiones o daños materiales.

- Se deben utilizar los juegos de mangueras suministrados con el producto. No use los juegos de mangueras viejos. ¡No extienda las mangueras!
- Conecte siempre su aparato a la entrada de agua fría. No realice la instalación en la entrada de agua caliente. La presión para la entrada de agua fría debe ser de 80 PSi (550 kPa) como máximo. Si su presión de agua supera los 80PSi o tiene un efecto de impacto de agua, use una válvula limitadora de presión en su sistema de red. Pida ayuda a fontaneros profesionales si no sabe cómo controlar la presión del agua.
- La alta presión puede dañar las conexiones de las mangueras y suponer un riesgo de inundación.
- Tome las precauciones necesarias contra el riesgo de congelación de las mangueras. El intervalo de temperatura del agua de funcionamiento será de 0,6 °C (33 °F) como mínimo y de 38 °C (100 °F) como máximo. Existe riesgo de inundación si la manguera está agrietada/perforada.



1.7 Seguridad en el almacenamiento de alimentos

Preste atención a las siguientes advertencias para evitar el deterioro de los alimentos:

- Dejar las puertas abiertas durante mucho tiempo puede hacer que aumente la temperatura en el interior del producto.
- Limpie regularmente los sistemas de drenaje accesibles en contacto con alimentos.
- Limpiar los depósitos de agua que no se hayan utilizado durante 48 horas y los sistemas de agua de red que no se hayan utilizado durante más de 5 días.
- Almacene los productos de carne y pescado crudos en compartimentos apropiados dentro del producto. Así, no gotea ni entra en contacto con otros alimentos.
- Los compartimentos congeladores de dos estrellas se utilizan para almacenar alimentos precargados, hacer y almacenar hielo y helados.
- Los compartimentos de una, dos y tres estrellas no son apropiados para congelar alimentos frescos.

- Si el frigorífico se ha dejado vacío durante mucho tiempo, apáguelo, descongélelo, límpielo y séquelo para proteger la carcasa del aparato.



1.8 Seguridad de mantenimiento y limpieza

- No tire de la manija de la puerta si va a mover el aparato para limpiarlo. La manija puede causar lesiones si se le tira con demasiada fuerza.
- No limpie el aparato rociando o vertiendo agua sobre el aparato y dentro del mismo. Riesgo de descarga eléctrica e incendio.
- Al limpiar el producto, no utilice herramientas afiladas y abrasivas ni productos de limpieza domésticos, detergentes, gas, gasolina, diluyentes, alcohol, barnices y sustancias similares. Utilice únicamente productos de limpieza y mantenimiento que no sean nocivos para los alimentos del interior del producto.
- Nunca utilice vapor o productos de limpieza al vapor para limpiar el aparato y descongelar el hielo que contiene. El vapor entra en contacto con las

áreas activas de su frigorífico y provoca un cortocircuito o una descarga eléctrica.

- Tenga cuidado de mantener el agua lejos de los circuitos electrónicos o la iluminación del aparato.
- Use un paño limpio y seco para limpiar el polvo o cualquier material extraño en las puntas de los enchufes. No utilice un paño húmedo o mojado para limpiar el enchufe. De lo contrario, puede producirse un incendio o una descarga eléctrica.



1.9 Desecho del Producto Usado

A la hora de desechar el producto usado, respete las siguientes instrucciones:

2 Instrucciones medioambientales

2.1 Cumplimiento de la Directiva RAEE y eliminación del producto de desecho:



Este aparato cumple con la Directiva WEEE (RAEE) de la UE (2012/19/EU). Este aparato lleva un símbolo de la clasificación de los equipos eléctricos y electrónicos WEEE (RAEE).

Este símbolo indica que este aparato no debe desecharse con otros desechos domésticos al final de su vida útil. El aparato usado debe ser entregado en el punto de recogida oficial para el reciclaje de aparatos

- Desconecte la cerradura de la puerta, si existe, para evitar que los niños se queden encerrados accidentalmente en el producto.
- Las salpicaduras de refrigerante son perjudiciales para los ojos. Al desechar el producto, no dañe ninguna pieza del sistema de refrigeración.
- La ingestión del aceite del compresor o su penetración en las vías respiratorias puede ser mortal.
- El sistema de enfriamiento de su producto incluye el gas R600a especificado en la placa de características. Este gas es inflamable. no destruya el aparato arrojándolo al fuego. ¡Riesgo de explosión!

tos eléctricos y electrónicos. Para encontrar estos puntos de limpieza, por favor, póngase en contacto con las autoridades locales o con la tienda en la que compró el aparato. Cada hogar desempeña un papel importante en la recuperación y el reciclaje de los aparatos viejos. La eliminación apropiada de los aparatos usados ayuda a prevenir posibles consecuencias negativas en el medio ambiente y la salud humana.

Cumplimiento de la directiva RoHS

El aparato que ha adquirido cumple con la Directiva de UE RoHS (2011/65/UE). No contiene materiales nocivos ni prohibidos especificados en la Directiva.

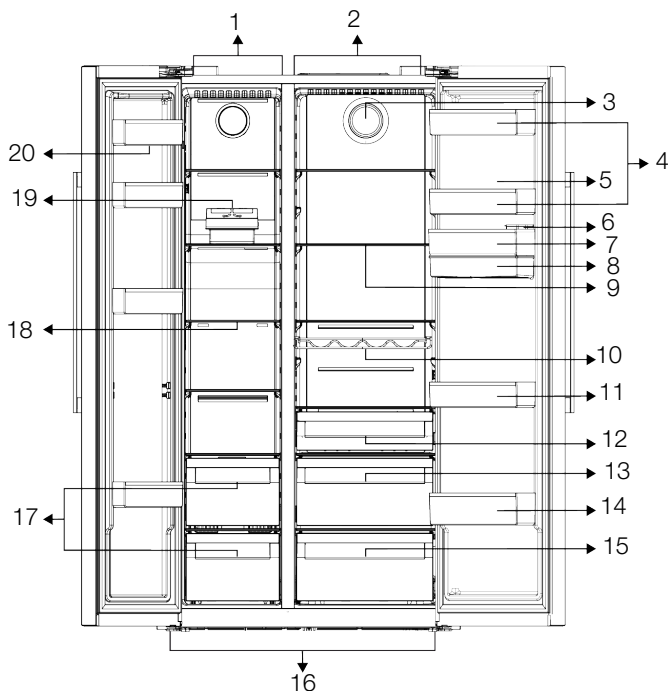


Información de embalaje

Los materiales de embalaje del aparato se fabrican con material reciclable, de acuerdo con nuestra Reglamentación Nacional para el Medio Ambiente. No desechar el embalaje junto con la basura doméstica ni similares. Llévelos a los puntos de recolección de material de embalaje designados por las autoridades locales.

ES

3 El Refrigerador



1 Compartimento de Congelador

3 Ventilador

5 Huevera

7 * Estantes de la puerta del frigorífico

9 * Estantes de vidrio del frigorífico

11 * Estantes de la puerta del frigorífico

13 * Cajón de frutas y verduras

15 * Cajón de frutas y verduras

17 Compartimentos de almacenamiento para alimentos congelados

19 Icematic

2 Frigorífico

4 * Estantes de la puerta del frigorífico

6 Tanque de llenado del dispensador de agua

8 Reservorio del dispensador de agua

10 * Botellero

12 * Cajón para lácteos (almacenamiento frío)

14 * Botellero

16 Patas ajustables

18 * Estantes de cristal del congelador

20 Puertas de los estantes del congelador

***Opcional:** Las imágenes de este manual de usuario son esquemáticas; es posible que no coincidan exactamente con su pro-

ducto. Si el aparato no contiene las partes pertinentes, entonces la información pertenece a otros modelos.

4 Instalación

Lugar correcto para la instalación



¡Primero lea la sección de "Instrucciones de Seguridad"!

Su aparato requiere una circulación de aire adecuada para funcionar eficientemente. Si el aparato va a ser colocado en un hueco, recuerde dejar al menos 5 cm de espacio entre el aparato y el techo, la pared trasera y las paredes laterales. Compruebe si el componente de protección de la parte trasera se encuentra colocado en su lugar (en caso de ser suministrado con el aparato). Si el componente no está disponible, o si se pierde o se cae, coloque el aparato de manera que quede un espacio libre, de al menos 5 cm, entre la superficie trasera del aparato y la pared de la habitación. El espacio libre en la parte trasera es importante para el funcionamiento eficiente del aparato.

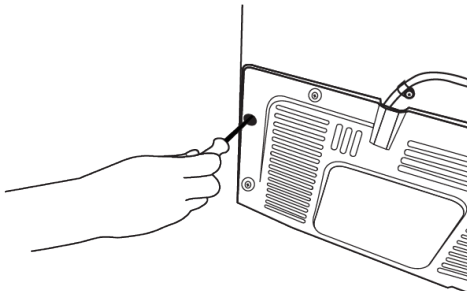


No utilice alargadores de cables ni enchufes múltiples, en la conexión de corriente.

Colocación de las cuñas de plástico

Utilice las cuñas de plástico provistas con el aparato para mantener suficiente espacio para la circulación de aire entre el aparato y la pared.

- Para colocar las cuñas, quite los tornillos en el aparato y utilice los tornillos provistos con las cuñas.



El fabricante no asume ninguna responsabilidad por cualquier daño causado por el trabajo llevado a cabo por personas no autorizadas.

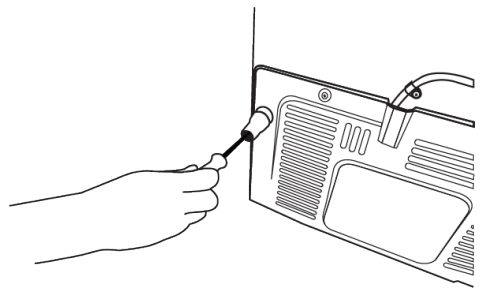


El cable de corriente del aparato debe ser desenchufado durante la instalación. ¡El no hacerlo puede resultar en la muerte o lesiones graves!



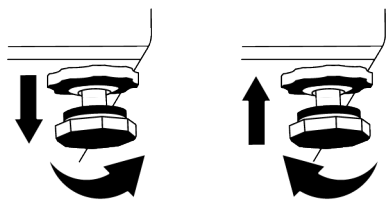
Si el espacio de la puerta es demasiado estrecho para que el aparato pase, quite la puerta y gire el aparato hacia los lados, y si esto no funciona, póngase en contacto con el servicio técnico autorizado.

- Coloque el producto en una superficie plana para evitar vibraciones
- Coloque el aparato al menos a 30 cm de distancia del calentador, estufa o fuentes de calor y por lo menos a 5 cm de distancia de hornos eléctricos.
- No exponga el aparato a la luz solar directa ni lo guarde en ambientes húmedos.
- Coloque 2 cuñas de plástico sobre la cubierta de la ventilación como se muestra en la figura.



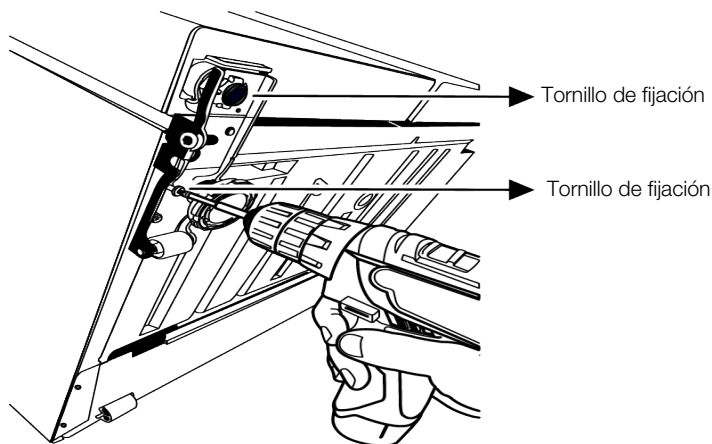
Ajuste de las patas

Si el aparato no está en una posición equilibrada, puede ajustar el equilibrio del producto girando los soportes de la parte delantera a la derecha o a la izquierda.



Para ajustar las puertas verticalmente

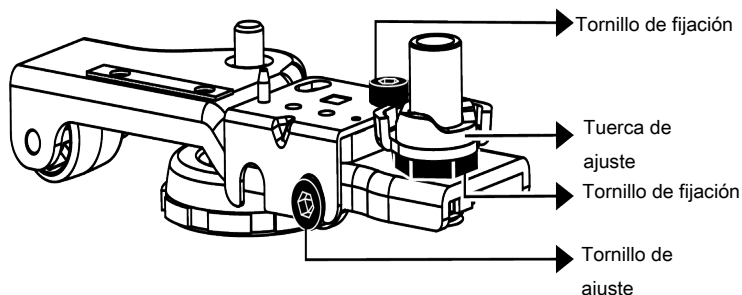
Afloje el tornillo de fijación situada en la parte inferior. Gire el tornillo de ajuste hacia la posición (en el sentido de las agujas del reloj) de la puerta. Apriete el tornillo de fijación para inmovilizar la posición.



Para ajustar las puertas horizontalmente,

Afloje el tornillo de fijación situada en la parte inferior. Afloje el tornillo de fijación en la parte superior. Gire el tornillo de ajuste

del lado hacia la posición (en el sentido de las agujas del reloj) de la puerta. Para inmovilizar la posición, apriete el tornillo de fijación en la parte superior. Apriete el tornillo de fijación situada en la parte inferior



4.1 Conexión eléctrica



ADVERTENCIA: No utilice alargadores de cables ni enchufes múltiples, en la conexión de corriente.



ADVERTENCIA: Un cable de corriente dañado deberá ser reemplazado por el Servicio Autorizado.

- Nuestra empresa no asumirá la responsabilidad de cualquier daño debido al uso sin conexión de tierra y a la electricidad en el cumplimiento de las normativas nacionales.
- El enchufe del cable de corriente debe ser de fácil acceso después de la instalación.



AVISO: ¡Superficie caliente!

En las paredes laterales de su aparato existen tubos de enfriamiento para mejorar el sistema de refrigeración. Es posible que el fluido a alta presión fluya a través de estas superficies y ocasione superficies calientes en las paredes laterales. Esto es normal y no requiere servicio. Tenga cuidado cuando toca estas áreas.

5 Preparación



¡Primero lea la sección de "Instrucciones de Seguridad"!

5.1 Qué hacer para ahorrar energía

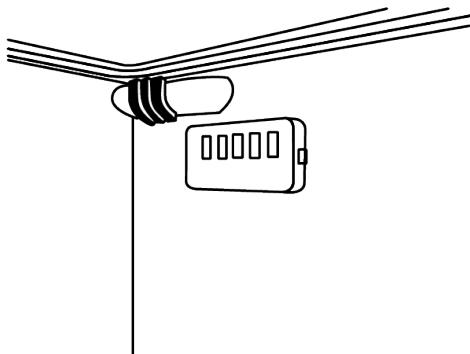


La conexión del aparato a sistemas de ahorro de energía electrónica es perjudicial, ya que puede dañar el aparato.

- Este aparato de refrigeración no está diseñado para ser utilizado como un aparato empotrado.
- No mantenga las puertas del refrigerador abiertas por largos periodos.
- No coloque alimentos ni bebidas calientes en el refrigerador.
- No llene demasiado el refrigerador, bloquear el flujo de aire interno reducirá la capacidad de enfriamiento.
- Como el aire caliente y húmedo no penetra directamente en su aparato cuando las puertas no están abiertas, su aparato se optimiza en condiciones suficientes para proteger su comida. En estas circunstancias, las funciones y los componentes como el compresor, el ventilador, la calefacción, el desescarche, la iluminación, la pantalla, etc., funcionarán según las necesidades consumiendo el mínimo de energía.
- En caso de que haya varias opciones, los estantes de cristal deben colocarse de forma que las salidas de aire en la pared trasera no queden bloqueadas y, preferiblemente, de forma que las salidas de ai-

re queden por debajo del estante de cristal. Esta combinación podría ayudar a mejorar la distribución del aire y la eficiencia energética.

- Se recomienda enfáticamente usar el cajón de abajo cuando se almacene.
- Asegúrese de que los alimentos no estén en contacto con el sensor de temperatura del compartimento refrigerador descrito a continuación.



- Si están en contacto con el sensor, el consumo de energía del aparato puede aumentar
- Para garantizar el ahorro de energía y proteger los alimentos en mejores condiciones los alimentos se almacenarán en los cajones del frigorífico.

5.2 Uso de primera vez

Antes de usar su refrigerador, asegúrese de que se hayan realizado los preparativos necesarios de acuerdo con las instrucciones de las secciones "Instrucciones de seguridad y medio ambiente" e "Instalación".

- Mantenga el aparato en funcionamiento sin colocar comida en su interior durante 6 horas y no abra la puerta, a menos que sea absolutamente necesario.
- El cambio de temperatura causado por abrir y cerrar la puerta mientras se usa el aparato normalmente puede provocar condensación en los estantes de la puerta/cuerpo y la cristalería colocada en el producto.



Un sonido se escuchará cuando el compresor esté activado. Es normal que el aparato haga ruido incluso si el compresor no está funcionando, ya que el líquido y el gas pueden estar comprimidos en el sistema de refrigeración.



Es normal que los bordes delanteros del refrigerador se sientan cálidos. Estas áreas están diseñadas para calentarse con el fin de evitar la condensación.

6 Funcionamiento del producto



¡Primero lea la sección de "Instrucciones de Seguridad"!

- Para agilizar la operación de descongelación, no utilice ninguna herramienta mecánica ni ninguna otra que no sea la recomendada por el fabricante.
- Las partes del frigorífico tales como la puerta y los cajones no se deben utilizar como soporte ni como escalón. Esto podría causar que el aparato se vuelque o que se dañen sus componentes.
- El aparato se utilizará solamente para almacenar alimentos.



Para algunos modelos, el panel indicador se apaga automáticamente 1 minuto después de que se cierra la puerta. Se reactivará cuando se abra la puerta o se presione cualquier botón.

5.3 Clase climática y definiciones

Consulte la clase climática en la placa de características de su dispositivo. Una de las siguientes informaciones es aplicable a su dispositivo según la clase climática.

- **Número de serie:** Clima templado a largo plazo: Este dispositivo de refrigeración está diseñado para su uso a temperaturas ambiente entre 10 °C y 32 °C.
- **NORTE:** Clima templado: Este dispositivo de refrigeración está diseñado para su uso a temperaturas ambiente entre 16 °C y 32 °C.
- **S T:** Clima subtropical: Este dispositivo de refrigeración está diseñado para su uso a temperaturas ambiente entre 16 °C y 38 °C.
- **T:** Clima tropical: Este dispositivo de refrigeración está diseñado para su uso a temperaturas ambiente entre 16 °C y 43 °C.

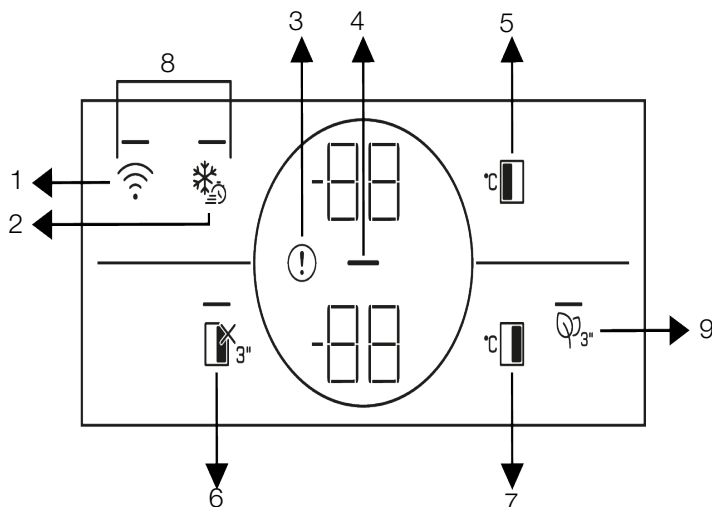
- Cierre la válvula de agua si estará fuera de casa (por ejemplo, de vacaciones) y no utilizará el Icematic o el dispensador de agua durante un largo periodo de tiempo. En caso contrario, pueden producirse fugas de agua.

Pausando el programa


- Si no va a utilizar el aparato durante mucho tiempo, desenchúfelo de la toma de corriente.
- Retire la comida para evitar olores.

- Espere a que se derrita el hielo, limpie el interior y déjelo secar, deje las puertas abiertas para no dañar los plásticos internos de la carrocería.


7 Panel de Control del Producto



- | | |
|---|---|
| 1 *Inalámbrico | 2 Congelación Rápida |
| 3 Alerta de alta temperatura/fallo | 4 Ahorro de energía (pantalla apagada) |
| 5 Ajuste de la temperatura del compartimento del congelador | 6 Función de vacaciones |
| 7 Ajuste de la temperatura del frigorífico | 8 * Tecla para restablecer la configuración de conexión inalámbrica |
| 9 * Tecla del módulo antiolores | |

 En primer lugar, lea la sección "Instrucciones de seguridad".

*Opcional: Las funciones mostradas son opcionales, puede haber diferencias de forma y ubicación en las funciones que se encuentran en el indicador de su aparato. Las funciones audiovisuales del panel de indicadores le ayudarán a usar el refrigerador.

1. *Botón de Conexión Inalámbrica 

Con esta tecla podrá establecer una conexión inalámbrica con el aparato a través de la aplicación móvil HomeWhiz. Cuando se pulsa la tecla durante un periodo prolongado (3 segundos), el símbolo de conexión inalámbrica en la pantalla parpadea lentamente (a intervalos de 0,5 segundos). La red doméstica se introduce primero en el aparato de esta manera.

Una vez conseguida la conexión inalámbrica con el producto, el símbolo de conexión inalámbrica se ilumina continuamente.

Tras completar la instalación inicial, puede activarla/desactivarla pulsando esta tecla. El símbolo de conexión inalámbrica se ilumina rápidamente (a intervalos de 0,2 segundos) hasta que se realiza la conexión. En cuanto se active la conexión, el indicador de red inalámbrica se encenderá de forma fija.

En caso de que la conexión no se pueda establecer durante un período prolongado, compruebe la configuración de la conexión y consulte la sección "Solución de problemas" del manual del usuario.

Utilice la aplicación HomeWhiz para la conexión inalámbrica. Puede encontrar los pasos de instalación en la aplicación durante la instalación. Los pasos de instalación se describen en la aplicación durante la instalación.

Es posible que acceda a la aplicación leyendo el código QR disponible en la etiqueta de HomeWhiz del aparato. La aplicación se ofrece a través de App Store para dispositivos IOS, y a través de Play Store para dispositivos Android.

Visite la dirección <https://www.homewhiz.com/> para obtener información detallada.

2. Tecla de Congelación Rápida

Al pulsar la tecla de congelación rápida, el LED de la tecla se ilumina y se activa la función de congelación rápida. La temperatura del congelador está ajustada a -27 Celsius. Con el fin de cancelar esta función pulse otra vez la tecla. La función de congelación rápida se cancelará automáticamente después de 24 horas. Para congelar una gran cantidad de alimentos frescos, pulse tecla de congelación rápida antes de colocar éstos en el congelador.

3. Alerta de alta temperatura/fallo

En caso de que el frigorífico no enfríe lo suficiente, o de que se produzca un error en el sensor, este indicador se activará. Se mostrará "E" en el indicador de temperatura del congelador, y cifras como 1,2,3... se mostrarán en el indicador de temperatura del frigorífico. Estas cifras le informan al servicio autorizado sobre el error producido.

Es posible que aparezca un signo de exclamación cuando se coloquen alimentos calientes en el congelador, o cuando se deje la puerta abierta durante mucho tiempo. Este no es un fallo, esta advertencia desaparecerá cuando los alimentos se enfríen o cuando la tecla se pulsa.

4. Indicador de ahorro energético (pantalla apagada)

El ahorro energético se activará automáticamente, mostrándose el símbolo correspondiente, cuando no se abra ni se cierre la puerta del aparato durante cierto tiempo. Cuando active la función de ahorro de energía, todos los símbolos de la pantalla que no sean el de ahorro de energía se apagará. Cuando active la función de ahorro de energía, si pulsa cualquier tecla o abre la puerta del producto, la función de ahorro de energía del frigorífico se desactivará y los símbolos de la pantalla volverán a ser normales. La función de ahorro de energía se activa en la fábrica y no se puede cancelar.

5. Tecla de ajuste de la temperatura del congelador

Para ajustar la temperatura del compartimento del congelador, pulse esta tecla. Al pulsar esta tecla, la temperatura del compartimento del congelador puede ajustarse a valores de -18,-19,-20,-21,-22,-23,-24 Celsius.

6. Tecla de apagado del compartimento frigorífico (vacaciones)

Pulse la tecla durante 3 segundos para activar la función de vacaciones. Modo de vacaciones se activa y el LED de la tecla se

ilumina. Se mostrará “-” en el indicador de temperatura del compartimento frigorífico y el compartimento frigorífico no realiza enfriamiento de forma activa. Cuando se activa esta función, no es conveniente guardar los alimentos en el compartimento de la nevera. Los demás compartimentos seguirán enfriándose según las temperaturas que se hayan fijado. Pulse otra vez la tecla durante 3 segundos para cancelar esta función.

7. Tecla de configuración de la temperatura del compartimento frigorífico

Para ajustar la temperatura del compartimento del refrigerador, pulse esta tecla. Al pulsar esta tecla, la temperatura del compartimento del refrigerador puede ajustarse a los valores 8,7,6,5,4,3,2 y 1 Celsius.

8 Uso del aparato



¡Primero lea la sección de "Instrucciones de Seguridad"!

Guardar comida en el congelador

- Puede activar la función de congelación rápida 4-6 horas antes de la función de congelación y realizar un enfriamiento más rápido.
- Lleve las comidas calientes a la temperatura ambiente antes de colocarlas en el compartimento del congelador.
- Los alimentos que se van a congelar deben dividirse en porciones según el tamaño que se va a consumir, y congelarse en paquetes separados.
- Se recomienda empaquetar los alimentos antes de colocarlos en el congelador.
- Para evitar la caducidad del tiempo de almacenamiento, escriba en el envase la fecha de congelación, la hora y el nombre del producto según los tiempos de almacenamiento de los diferentes alimentos.
- Consuma rápidamente los alimentos que haya descongelado. Los alimentos descongelados no pueden volver a congelarse si no se cocinan. No es seguro consumir los alimentos frescos recongelados sin cocinar una vez descongelados.

8. *Tecla para restablecer la configuración de la conexión inalámbrica

Para restablecer la configuración de la conexión inalámbrica, pulse simultáneamente las teclas de congelación rápida y de conexión inalámbrica durante 3 segundos. Al restablecer/restaurar la configuración de la conexión inalámbrica a los valores predeterminados toda la información del usuario registrada anteriormente se elimina.

9. * Tecla del módulo antiolores

Pulse esta tecla durante 3 segundos para activar/desactivar la función antiolores. Mientras la función antiolor está activa, el LED del botón respectivo está iluminado. Cuando la función está activa, el módulo antiolores se activará periódicamente.

- Al congelar alimentos frescos, no los ponga en contacto con alimentos ya congelados. De lo contrario, los alimentos congelados se descongelarán.

Guardar comida ya congelada

- Siga siempre las instrucciones del productor en relación con el tiempo de conservación de los alimentos. No sobrepase el tiempo especificado en estas instrucciones.
- Para proteger la calidad de los alimentos, mantenga el intervalo de tiempo entre la transacción de compra y el almacenamiento lo más corto posible.
- Compre los alimentos congelados que se almacenan a -18 °C o a temperaturas inferiores.
- Evite comprar alimentos cuyos envases estén cubiertos de hielo, etc. Esto significa que el producto podría estar parcialmente descongelado y vuelto a congelar. La temperatura influye en la calidad de los alimentos.
- No sobrepase el tiempo de almacenamiento recomendado por el productor del alimento. Saque del congelador sólo los alimentos que necesite.

- Excepto en los casos en los que se den circunstancias extremas en el entorno, si su producto (en la tabla de valores recomendados) está ajustado a los valores de ajuste especificados, los alimentos

mantienen su frescura durante más tiempo tanto en el compartimento de productos frescos como en el del congelador.

- Si el compartimento de productos frescos se ajusta a una temperatura más baja, las frutas y verduras frescas pueden congelarse parcialmente.

Tabla de valores de ajuste recomendados

| Configuración del congelador | Ajuste del frigorífico | Observaciones |
|------------------------------|------------------------|---|
| -18 °C | 4 °C | Este es el ajuste predeterminado y recomendado. Este ajuste se recomienda si la temperatura ambiente es inferior a 30 °C. |
| -20, -22 o -24 °C | 4 °C | Estos ajustes se recomiendan para temperaturas superiores a 30 °C. |
| Quick Freeze | 4 °C | Úselo cuando desee congelar su comida en poco tiempo. Cuando el proceso termine, los ajustes del producto volverán a la posición anterior. |
| -18 °C o más frío | 2 °C | Use estos ajustes si cree que el frigorífico no está lo suficientemente frío debido a la temperatura ambiental o frecuencia de apertura de la puerta. |

Congelación Rápida

1. Active la función de congelación rápida 24 horas antes de colocar los alimentos frescos.
2. 24 horas después de pulsar el botón, ponga sus alimentos que desee congelar en el tercer o cuarto cajón con mayor capacidad de congelación.
3. La función de congelación rápida se desactivará automáticamente después de 24 horas.

Detalles del congelador

Según la norma IEC 62552, el congelador debe tener capacidad para congelar 4,5 kg de alimentos a -18 °C o a temperaturas inferiores a 25 °C de temperatura ambiente en 24 horas por cada 100 litros de volumen del compartimento de congelación.

Los alimentos solo se pueden conservar durante períodos prolongados a una temperatura inferior o igual a -18 °C.

Puede mantener los alimentos frescos durante meses (en el congelador a temperaturas inferiores a -18 °C).

Los alimentos a congelar no deben ponerse en contacto con los alimentos ya congelados en el interior para evitar la descongelación parcial.

Hierva las vegetales y filtre el agua para prolongar el tiempo de almacenamiento congelado. Coloque los alimentos en envases herméticos después de la filtración y en el congelador. Los plátanos, tomates, lechuga, apio, huevos, patatas y alimentos similares no se deben congelar. En caso de que estos alimentos se congelen, sólo se verán afectados negativamente los valores nutricionales y las cualidades alimentarias. No se trata de una putrefacción que ponga en peligro la salud humana.

Colocación de los alimentos

Estantes del congelador: Diferentes alimentos congelados como carne, pescado, helados, verduras, etc.

Estantes del frigorífico: Alimentos dentro de ollas, placa cerrada, cajas neveras, huevos (en envase tapado)

Estantes de la puerta del frigorífico: Alimentos o bebidas pequeños y embalados

Cajón de las verduras: Verduras y frutas

Compartimento de alimentos frescos: Carnes frías (comida para el desayuno, aparatos cárnicos que se consumen en un corto plazo)

Almacenamiento de alimentos en el compartimento de la nevera

- La temperatura del compartimento aumenta considerablemente si la puerta del compartimento se abre y se cierra con frecuencia y se mantiene abierta durante mucho tiempo, lo que puede reducir la vida útil de los alimentos y hacer que se estropeen.
- Para que no se produzcan cambios de olor y sabor, los alimentos deben almacenarse en los recipientes cerrados.
- No almacene demasiados alimentos en el refrigerador. Para conseguir un enfriamiento mejor y homogéneo, coloque los alimentos por separado de forma que el aire frío pueda circular por ellos.
- Proporcione un flujo de aire dejando un espacio entre los alimentos y la pared interna. Si apoya los alimentos contra la pared posterior, éstos pueden congelarse.
- Lleve los alimentos calientes cocinados a la temperatura ambiente antes de colocarlos en el refrigerador. A continuación, puede colocar la comida tibia en los estantes inferiores de su refrigerador. No coloque las comidas tibias cerca de los alimentos que pueden estropearse fácilmente.
- Descongele los alimentos congelados en el compartimento de alimentos frescos. De este modo, podrá enfriar el compartimento de alimentos frescos con los congelados y ahorrar energía.
- Almacenar las frutas tropicales no maduras (mango, variedades de melón, papaya, plátano, piña) en el refrigerador puede acelerar el proceso de maduración.
- Las cebollas, los ajos, los jengibres y otras hortalizas de raíz deben almacenarse en condiciones de oscuridad y en cámaras frigoríficas, no en el refrigerador.
- Si observa que un alimento se ha estropeado en el refrigerador, tire ese alimento y limpie los accesorios que hayan estado en contacto con él.
- Para enfriar rápidamente las comidas como sopas y guisos, que se cocinan en las ollas grandes, puedes ponerlas en la refrigerador separándolas en sus propios recipientes poco profundos.
- No coloque alimentos sin envasar cerca de los huevos.
- Guarda las frutas y verduras por separado y almacena cada variedad junta (por ejemplo; las manzanas con las manzanas, las zanahorias con las zanahorias)
- Saca las verduras verdes de la bolsa de plástico y colócalas en el refrigerador después de envolverlas en una toalla de papel o un paño para secarlas. Si lavas este tipo de alimentos antes de meterlos en la refrigerador, recuerda secarlos.
- Puede crear un ambiente húmedo y proporcionar un flujo de aire guardando las frutas y verduras, que son propensas a secarse, en las bolsas de plástico perforadas o sin cerrar.
- Excepto en los casos en los que se den circunstancias extremas en el entorno, si su producto (en la tabla de valores recomendados) está ajustado a los valores de ajuste especificados, los alimentos mantienen su frescura durante más tiempo tanto en el compartimento de productos frescos como en el del congelador.

Guarde los diferentes alimentos en diferentes lugares según sus propiedades.

| Alimentos | Ubicación |
|--|--|
| Huevo | Estante de puerta |
| Productos lácteos (mantequilla, queso) | Si está disponible, compartimento de grado cero (para alimentos de desayuno) |
| Frutas, verduras y hortalizas | Compartimento para frutas y verduras, cajón de verduras o Compartimento EverFresh+ (si está disponible) |

| Alimentos | Ubicación |
|---|--|
| Carne fresca, aves, pescado, embutidos, etc. Alimentos cocinados | Si está disponible, compartimento de grado cero (para alimentos de desayuno) |
| Alimentos listos para servir, productos envasados, alimentos enlatados y encurtidos | Estantes superiores o estante de la puerta |
| Bebidas, botellas, especias y aperitivos | Estante de puerta |

8.1 Sustitución de la lámpara de iluminación

Llame al Servicio Autorizado cuando la Bombilla/LED utilizada para la iluminación de su frigorífico sea reemplazada.

La(s) lámpara(s) utilizada(s) en este aparato no se puede(n) utilizar para la iluminación del hogar. Esta lámpara está pensada para ayudar al usuario a colocar los alimentos en el frigorífico/congelador de forma segura y cómoda.

9 Características del producto

9.1 Zona de depósito de hielo

Icematic/ depósito de hielo

Llene el icematic con agua y póngalo en marcha. El hielo estará listo después de aproximadamente dos horas. No retire la icematic para tomar el hielo.



La caja de almacenamiento del hielo está destinada para el almacenamiento de hielo solamente. No ponga agua en él. Si lo hace, hará que se rompa.



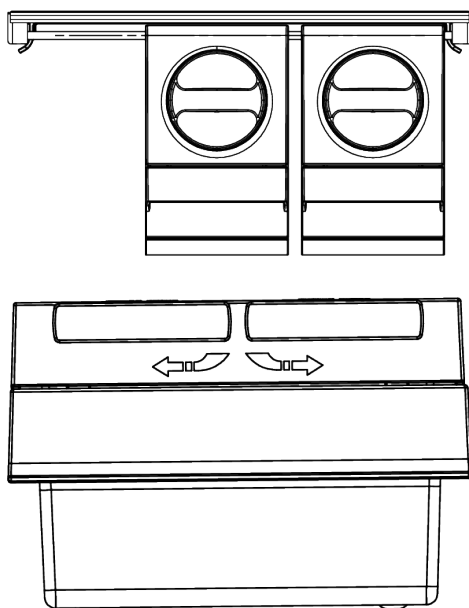
AVISO

Es posible que se produzca un sonido durante el vertido de hielo. Este sonido es normal.

Gire los botones de las cámaras de hielo a mano derecha al 90°, el hielo caerá en la caja de almacenamiento de hielo de abajo. A continuación, puede quitar la caja de almacenamiento de hielo y servir el hielo.

8.2 Alerta de puerta abierta

Se escuchará una alarma sonora si la puerta del aparato permanece abierta durante 1 minuto. La alerta audible se detendrá cuando cierre la puerta del gabinete o presione cualquier botón en la pantalla (si está disponible).



9.2 Uso del dispensador de agua

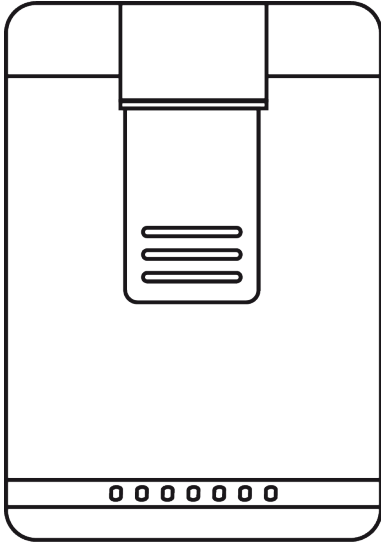


Los primeros vasos de agua tomados del dispensador estarán normalmente cálidos.



Si el dispensador de agua no se utiliza durante mucho tiempo, deseche los primeros vasos de agua para obtener agua limpia.

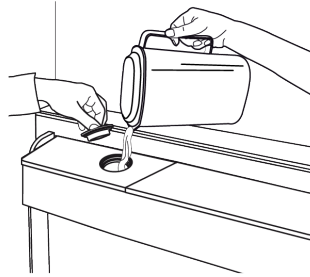
1. Empuje el brazo del dispensador de agua con su vaso. Resultará más fácil empujar el brazo con la mano si se utiliza un vaso de plástico blando.
2. Después de llenar el vaso con agua conforme a su deseo, suelte el brazo.



La cantidad de flujo de agua que sale de la fuente depende de la presión que se ejerza sobre el brazo. Para evitar el desbordamiento suelte la presión en el brazo levemente a medida que aumenta el nivel de agua en su vaso/contenedor. Si presiona ligeramente el brazo, el agua goteará; esto es normal y no se trata de un fallo.

Llenar el depósito de agua del dispensador de agua

1. Abra la tapa del depósito de agua tal como se muestra en la figura. Rellene con agua potable pura y limpia. Cierre la tapa.



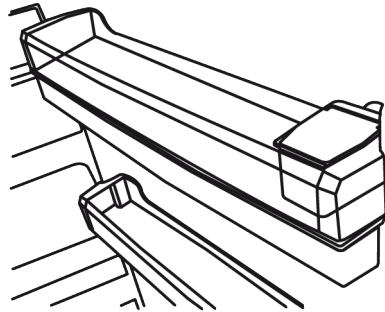
ES

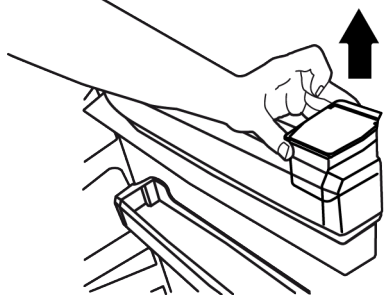
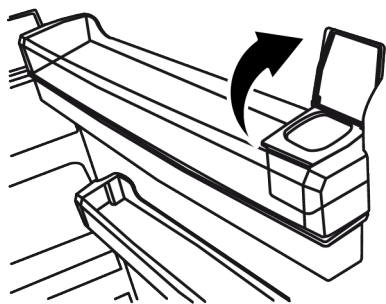


La capacidad del depósito de agua es de 3 litros, no lo llene en exceso.

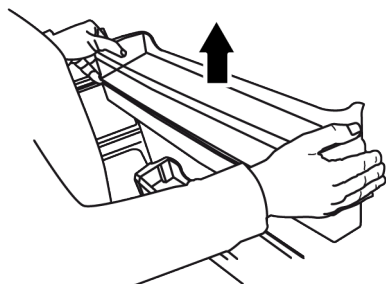
Limpieza del depósito de agua

1. Retire el depósito de carga de agua en el interior del estante de la puerta.

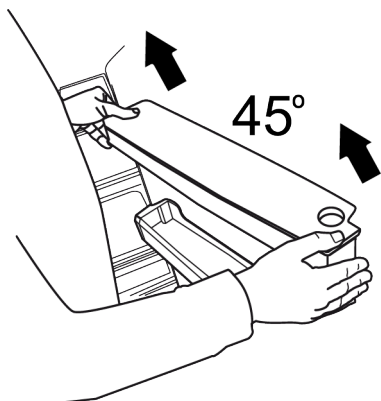




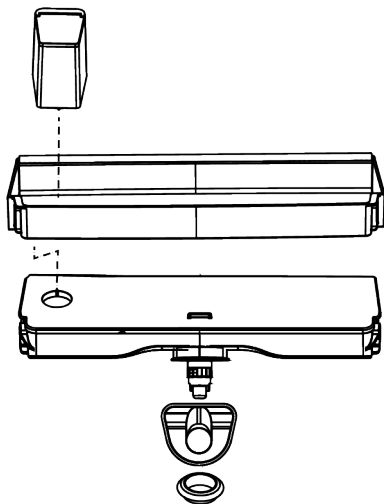
1. Desmonte sujetando ambos lados de la repisa de la puerta.



2. Sujete ambos lados del tanque de agua y retire a un ángulo de 45°.



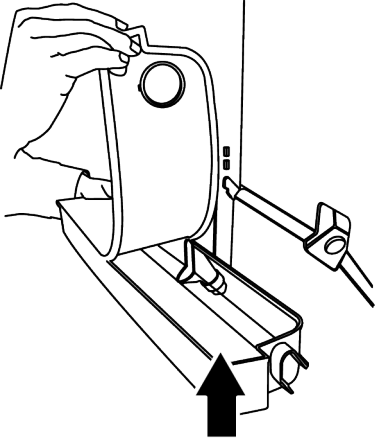
3. Retire y limpie la tapa del depósito de agua.



No llene el depósito de agua con jugo de frutas, bebidas gaseosas, bebidas alcohólicas ni ningún otro líquido incompatible para su uso en el dispensador de agua. El uso de tales líquidos causará averías y daños irreparables en el dispensador de agua. El uso del dispensador de esta manera no está dentro del alcance de la garantía. Algunos productos químicos y aditivos presentes en estas bebidas/líquidos pueden provocar daños materiales en el depósito de agua.

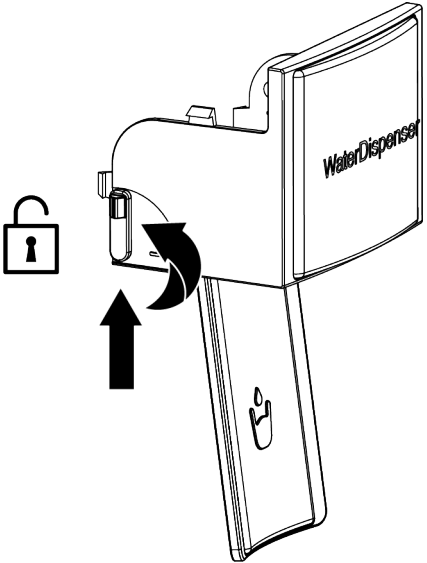
i Utilice únicamente agua potable limpia.

i **AVISO**
No lave los componentes del depósito y del dispensador de agua en el lavavajillas.

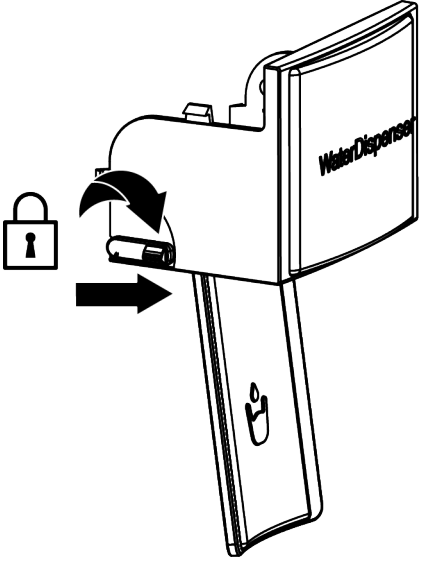


i Antes de utilizar el dispensador de agua en el producto, compruebe si el bloqueo para niños está activado o no. Observe la información de las figuras sobre las posiciones ON/OFF del seguro para niños para comprobarlo. Asegúrese de que el seguro para niños se cierra exactamente como en la figura cuando se apaga.

El seguro para niños está activado así.



El seguro para niños está desactivado de esta manera.



9.3 Cajón de frutas y verduras

El cajón para verduras del frigorífico está diseñado para mantener las verduras frescas preservando su humedad. Para ello, se intensifica la circulación de aire frío en el cajón. Mantenga las frutas y vegetales en

este compartimento. Mantenga las vegetales y frutas de hojas verdes por separado para prolongar su vida.

9.4 Tecnologías para el cajón de fruta y verdura

Luz azul

Las frutas y verduras almacenadas en los cajones que se iluminan con una luz azul continúan su fotosíntesis gracias al efecto de longitud de onda de la luz azul y así preservarán su contenido vitamínico.

HarvestFresh

Las frutas y verduras almacenadas en cajones iluminados con la tecnología HarvestFresh conservan sus vitaminas durante más tiempo gracias a los ciclos de luz azul, verde, rojo y oscuro, que simulan un ciclo diurno.

Al abrir la puerta de su frigorífico durante el periodo de oscuridad de la tecnología HarvestFresh, su frigorífico lo detectará automáticamente e iluminará el cajón con una de las luces azul, verde o roja, respectivamente, para su comodidad. Después de cerrar la puerta del refrigerador, el ciclo oscuro se reanudará, para así completar el ciclo diurno natural.

9.5 Área de almacenamiento en frío de productos lácteos

Cajón de almacenamiento en frío

El cajón de almacenamiento en frío puede alcanzar temperaturas más bajas en el compartimento frigorífico. Utilice este cajón para productos delicatessen (salami, salchichas, etc.) y productos lácteos que requieran condiciones de conservación

más frías, o para carne, pollo o pescado de consumo rápido. No es adecuado almacenar frutas y verduras en este cajón.

9.6 Cajón para frutas y verduras con control de humedad

Everfresh

Con la función de cajón para frutas y verduras con control de humedad, la humedad de las verduras y frutas se mantiene bajo control y los alimentos se mantienen frescos durante más tiempo.

Recomendamos que coloque verduras de hojas como lechuga, espinacas y verduras similares que son sensibles a la pérdida de humedad en el cajón para verduras, no en posición vertical sobre sus raíces, sino lo más horizontal posible.

A la hora de colocar las verduras, ponga las pesadas y duras en el fondo y las ligeras y blandas en la parte superior, considerando los pesos específicos de las verduras.

Nunca deje verduras en bolsas de plástico en el cajón para verduras. El hecho de dejarlas en bolsas de plástico hace que las verduras se pudran en poco tiempo.

Cuando no se prefiera el contacto con otras verduras, utilice materiales de envasado, como el papel, que tienen un cierto nivel de porosidad en términos de higiene.

No ponga las frutas que producen gran cantidad de gas etileno, tales como la pera, el albaricoque, el melocotón y sobre todo la manzana, en el mismo cajón con otras verduras y frutas. El gas etileno procedente de estas frutas puede hacer que otras verduras y frutas maduren más rápido y que se pudran en un periodo de tiempo más corto.

10 Mantenimiento y limpieza



ADVERTENCIA:

En primer lugar, lea la sección "Instrucciones de seguridad".



ADVERTENCIA:

Desenchufe el frigorífico antes de limpiarlo.

- No utilice herramientas afiladas o abrasivas para limpiar el aparato. No utilice materiales como productos de limpieza del hogar, jabón, detergentes, gas, gasolina, diluyente, alcohol, cera, etc.
- Se debe quitar el polvo de la rejilla de ventilación de la parte trasera del aparato al menos una vez al año (sin abrir la tapa). Limpie el aparato con un paño seco.

Para productos con dispensador de agua/máquina de hielo

- Si el agua del depósito de agua ha esperado entre 2 y 3 semanas, deberá ser sustituida.
- El depósito de agua y los componentes del dispensador de agua no deben lavarse en lavavajillas.
- Derrita una cucharada de carbonato en agua. Humedezca un trozo de tela en el agua y escurra. Limpie el dispositivo con el paño y seque a fondo.
- Tenga cuidado en mantener el agua lejos de la cubierta de la lámpara y otras partes eléctricas.
- Limpie la puerta con un paño húmedo. Retire las rejillas de la puerta y la carrocería, así como todo el contenido dentro del frigorífico. Retire las rejillas de la puerta elevándolas hacia arriba. Limpie y seque los estantes, luego vuelva a colocarlos en su lugar deslizándolos desde arriba.
- No utilice agua clorada ni productos de limpieza en la superficie exterior ni en las partes cromadas del producto. El cloro causará herrumbre en este tipo de superficies metálicas.
- A fin de evitar la deformación de la pieza de plástico y la eliminación de los grabados en la pieza no utilice herramientas afiladas y abrasivas, jabón, materiales de limpieza doméstica, detergentes, gas, gasolina, barniz y sustancias similares. Utilice agua tibia y paño suave para limpiar, y luego seque el aparato.

En los productos sin función No-Frost;

- Pueden formarse gotas de agua y formación de hielo del grosor de un dedo en la pared trasera del compartimento del congelador. No lo limpie, y nunca aplique aceites o materiales similares.
- Utilice un paño de microfibra ligeramente humedecido para limpiar la superficie externa del producto. Las esponjas y otros tipos de trapos de limpieza pueden provocar arañazos.
- Para limpiar todos los componentes removibles durante la limpieza de la superficie interior del producto, lave estos componentes con una solución suave que consista en jabón, agua y carbonato. Llave muy bien y seque. Evite que el agua entre en contacto con los componentes de la iluminación y el panel de control.
- Tenga cuidado en mantener el agua lejos de la cubierta de la lámpara y otras partes eléctricas.
- Limpie la puerta con un paño húmedo. Retire todo el contenido para quitar la puerta y las rejillas de la carcasa. Retire las rejillas de la puerta elevándolas hacia arriba. Limpie y seque las estanterías, a continuación, colóquelas de nuevo en su lugar deslizándolas desde arriba.
- No utilice agua clorada ni productos de limpieza en la superficie exterior ni en las partes cromadas del producto. El cloro causará herrumbre en este tipo de superficies metálicas.
- A fin de evitar la deformación de la pieza de plástico y la eliminación de los grabados en la pieza no utilice herramientas afiladas y abrasivas, jabón, materiales de limpieza doméstica, detergentes, gas, gasolina, barniz y sustancias similares. Utilice agua tibia y paño suave para limpiar, y luego seque el aparato.
- En los aparatos que no tienen la función No-Frost, es posible que se produzcan gotas de agua y hielo de un grosor de un dedo en la pared posterior del congelador. No lo limpie, y nunca aplique aceites o materiales similares.

- Utilice un paño de microfibra ligeramente humedecido para limpiar la superficie externa del producto. Las esponjas y otros tipos de trapos de limpieza pueden provocar arañazos.
- Para limpiar todos los componentes removibles durante la limpieza de la superficie interior del producto, lave estos componentes con una solución suave que consista en jabón, agua y carbonato. Llave muy bien y seque. Evite que el agua entre en contacto con los componentes de la iluminación y el panel de control.



¡PRECAUCIÓN!

No utilice vinagre, alcohol para frotar u otros agentes de limpieza a base de alcohol en ninguna de las superficies interiores.

Superficies externas de acero inoxidable

Utilice un producto de limpieza no abrasivo para acero inoxidable y aplíquelo con un paño suave sin pelusas. Para pulir, limpie

suavemente la superficie con un paño de microfibra humedecido con agua y use una gamuza de pulido en seco. Siga siempre los hilos del acero inoxidable.

Prevención de olores

El aparato se fabrica libre de cualquier material oloroso. Sin embargo, mantener la comida en secciones inadecuadas y una limpieza inadecuada de las superficies internas puede causar olor.

- Para evitar esto, limpie el interior con agua carbonatada cada 15 días.
- Mantenga los alimentos en recipientes sellados, ya que los microorganismos que surgen de los alimentos guardados en recipientes sin sellar causarán mal olor.
- No guarde alimentos caducados y en mal estado en el frigorífico.

Protección de superficies de plástico

El aceite derramado en las superficies de plástico puede dañar la superficie y debe ser limpiado inmediatamente con agua tibia.

11 Solución de problemas

Revise esta lista antes de contactar con el servicio técnico. Si lo hace, le ahorrará tiempo y dinero. Esta lista incluye quejas frecuentes que no están relacionados con la mano de obra ni materiales defectuosos. Algunas funciones mencionadas en este documento pueden no ser aplicables a su aparato.

El frigorífico no está funcionando.

- El enchufe no está totalmente en la toma. >>> Conéctelo para asentararlo por completo en la toma.
- El fusible conectado a la toma de corriente del aparato o el fusible principal está fundido. >>>Compruebe el fusible.

Condensación en la pared lateral del compartimento frigorífico (MULTI ZONE, COOL CONTROL y FLEXI ZONE).

- La puerta se abre con demasiada frecuencia. >>> Tenga cuidado de no abrir la puerta del aparato con demasiada frecuencia.
- El medio ambiente es demasiado húmedo. >>> No instale el aparato en ambientes húmedos.
- Los alimentos que contienen líquidos se mantienen en sus envases sin sellar. >>> Mantenga los alimentos que contengan líquidos en envases sellados.
- La puerta del aparato se deja abierta. >>> No mantenga la puerta del aparato abierta durante largos periodos.
- El termostato está ajustado a una temperatura muy fría. >>>Ajuste el termostato a un nivel apropiado.

El compresor no está funcionando.

- En caso de fallo de corriente repentino o tirando del enchufe de corriente y poniéndolo de nuevo, la presión del gas en el sistema de refrigeración del aparato no será equilibrada, lo que desencadena la salvaguardia térmica del compresor. El aparato se reiniciará después de aproximadamente 6 minutos. Si el aparato no se reinicia después de este período, póngase en contacto con el servicio.
- La descongelación está activa. >>> Esto es normal para un aparato de descongelación completamente automático. La descongelación se realiza periódicamente.
- El aparato no está enchufado. >>> Asegúrese de que el cable de corriente esté enchufado.
- El ajuste de la temperatura es incorrecto. >>> Seleccione el ajuste adecuado de la temperatura.
- No hay energía eléctrica. >>> El aparato continuará funcionando con normalidad una vez que se restablezca la corriente.

El ruido de funcionamiento del frigorífico aumenta mientras está en uso.

- El desempeño operativo del aparato puede variar en función de las variaciones de la temperatura ambiente. Esto es normal y no indica mal funcionamiento.

El frigorífico funciona demasiado a menudo o por demasiado tiempo.

- El nuevo aparato puede ser más grande que el anterior. Los aparatos de mayor tamaño se ejecutarán por períodos más largos.
- La temperatura ambiente puede ser alta. >>> El aparato normalmente funciona durante largos períodos a mayor temperatura de la habitación.
- El aparato puede haber sido conectado recientemente o un nuevo alimento fue colocado en su interior. >>> El aparato tardará más en alcanzar la temperatura fijada cuando es enchufado recientemente o si un nuevo alimento se coloca en el interior. Esto es normal.

- Grandes cantidades de alimentos calientes pueden haber sido colocados recientemente en el aparato. >>> No coloque alimentos calientes dentro del aparato.
- Las puertas se abren frecuentemente o se mantienen abiertas durante largos períodos. >>> El aire caliente que se mueve adentro hará que el aparato funcione más tiempo. No abra las puertas con demasiada frecuencia.
- La puerta del congelador o del frigorífico puede estar abierta. >>> Compruebe que las puertas estén completamente cerradas.
- Es posible que el aparato esté configurado a una temperatura demasiado baja. >>> Ajuste la temperatura a un grado más alto y espere a que el aparato alcance la temperatura ajustada.
- La arandela de la puerta del frigorífico o el congelador puede estar sucia, desgastada, rota o mal instalada. >>> Limpie o cambie el sello. Una arandela de la puerta dañada / agrietada hará que el aparato funcione durante períodos más largos para preservar la temperatura actual.

La temperatura del congelador es muy baja, pero la temperatura del frigorífico es adecuada.

- La temperatura del compartimento congelador se establece a un grado muy bajo. >>> Ajuste la temperatura del compartimento del congelador a un grado más alto y vuelva a intentarlo.

La temperatura del enfriador es muy baja, pero la temperatura del congelador es adecuada.

- La temperatura del compartimento congelador se establece a un grado muy bajo. >>> Ajuste la temperatura del compartimento frigorífico a un grado más alto y verifique nuevamente.

Los alimentos guardados en los cajones del compartimento de refrigeración se congelan.

- La temperatura del compartimento congelador se establece a un grado muy bajo. >>> Ajuste la temperatura del compartimento frigorífico a un grado más alto y verifique nuevamente.

La temperatura en el frigorífico o el congelador es demasiado alta.

- La temperatura del compartimento del congelador se establece a un grado muy bajo. >>> El valor de la temperatura del compartimento de refrigeración tiene un efecto sobre la temperatura en el compartimento congelador. Espere hasta que la temperatura de las partes pertinentes alcancen el nivel suficiente cambiando la temperatura del frigorífico o del congelador.
- Las puertas se abren frecuentemente o se mantienen abiertas durante largos períodos. >>> No abra las puertas con demasiada frecuencia.
- La puerta puede estar abierta. >>> Cierre la puerta por completo.
- El aparato puede haber sido conectado recientemente o un nuevo alimento fue colocado en su interior. >>> Esto es normal. El aparato tardará más en alcanzar la temperatura fijada fue enchufado recientemente o si un nuevo alimento se coloca en el interior.
- Grandes cantidades de alimentos calientes pueden haber sido colocados recientemente en el aparato. >>> No coloque alimentos calientes dentro del aparato.

Ruido o agitación.

- La superficie no es plana ni duradera >>> Si el aparato tiembla cuando se mueve lentamente, ajuste los soportes para equilibrar el producto. También asegúrese de que el suelo sea lo suficientemente resistente para soportar el aparato.

- Cualquier artículo colocado sobre el aparato pueden causar ruido. >>> Retire todos los objetos colocados sobre el aparato.
- El aparato está haciendo ruido de flujo de líquido, rociado, etc.
- Los principios de funcionamiento del aparato implican flujos de líquido y gas. >>> Esto es normal y no indica mal funcionamiento.

Hay sonido del viento que sopla procedente del aparato.

- El aparato utiliza un ventilador para el proceso de enfriamiento. Esto es normal y no indica mal funcionamiento.

Hay condensación en las paredes internas del aparato.

- El clima caliente o húmedo aumentarán la formación de hielo y de condensación. Esto es normal y no indica mal funcionamiento.
- Las puertas se abren frecuentemente o se mantienen abiertas durante largos períodos. >>> No abra las puertas con demasiada frecuencia, si están abiertas, ciérrelas.
- La puerta puede estar abierta. >>> Cierre la puerta por completo.

Hay condensación en el exterior del aparato o entre las puertas.

- Puede ser por que el clima ambiental sea húmedo, esto es bastante normal en ambientes húmedos. >>> La condensación se disipará cuando se reduzca la humedad.

El interior huele mal.

- El aparato es limpiado regularmente. >>> Limpie el interior con regularidad utilizando una esponja, agua caliente y agua carbonatada.
- Ciertos envases y materiales de embalaje pueden causar olor. >>> Utilice envases y materiales de embalaje que sean exentos de olores.

- Los alimentos se colocan en envases no sellado. >>> Mantenga los alimentos en envases sellados. Los microorganismos pueden propagarse fuera de los alimentos sin sellar y causar mal olor.
- Retire todos los alimentos caducados o en mal estado del aparato.

La puerta no se cierra.

- Los paquetes de alimentos pueden estar bloqueando la puerta. >>> Cambie de lugar los elementos que bloquean las puertas.
- El aparato no está en posición vertical sobre la base. >>> Ajuste los soportes para equilibrar el aparato.
- La superficie no es plana ni duradera >>> Asegúrese de que la superficie sea plana y lo suficientemente duradera para soportar el producto.

El cajón de verduras está atascado.

- Los alimentos pueden estar en contacto con la parte superior del cajón. >>> Reorganice los alimentos en el cajón.

Temperatura en la superficie del producto.

- Se pueden observar altas temperaturas entre las dos puertas, en los paneles laterales y en la parrilla trasera mientras el aparato está en funcionamiento. Esto es normal y no requiere servicio.

El ventilador sigue funcionando cuando la puerta está abierta.

- El ventilador puede seguir funcionando cuando la puerta del congelador está abierta.



ADVERTENCIA: Si el problema persiste después de seguir las instrucciones de esta sección, póngase en contacto con su vendedor o un Servicio Autorizado. No trate de reparar el aparato. Esto es normal.

DESCARGO DE RESPONSABILIDAD / ADVERTENCIA

Algunas averías (simples) pueden ser manejadas adecuadamente por el usuario final sin que surja ningún problema de seguridad o uso inseguro, siempre que se realicen dentro de los límites y de acuerdo con las siguientes instrucciones (véase la sección "Autorreparación").

Por lo tanto, a menos que se autorice lo contrario en la sección "Autorreparación", las reparaciones deberán dirigirse a reparadores profesionales registrados para evitar problemas de seguridad. Un reparador profesional registrado es aquel al que el fabricante ha concedido acceso a las instrucciones y la lista de piezas de repuesto de este aparato de acuerdo con los métodos descritos en los actos legislativos de conformidad con la Directiva 2009/125/CE.

Sin embargo, solo el agente de servicio (es decir, reparadores profesionales autorizados) al que pueda comunicarse a través del número de teléfono proporcionado en el manual del usuario/tarjeta

de garantía oa través de su distribuidor autorizado puede brindarle servicio bajo los términos de la garantía. Por lo tanto, tenga en cuenta que las reparaciones realizadas por reparadores profesionales (que no están autorizados por Beko) anularán la garantía.

Auto-reparación

El usuario final puede realizar la reparación por sí mismo con respecto a las siguientes piezas de repuesto: manijas de las puertas, bisagras de las puertas, bandejas, cestas y juntas de las puertas (también está disponible una lista actualizada support.beko.com a partir del 1 de marzo de 2021). Además, para garantizar la seguridad del aparato y evitar el riesgo de lesiones graves, la autorreparación mencionada debe realizarse siguiendo las instrucciones del manual de usuario para autorreparación o que están disponibles en support.be-

ko.com . Por su seguridad, desenchufe el aparato antes de intentar cualquier autoreparación.

Los intentos de reparación por parte de los usuarios finales de piezas no incluidas en dicha lista y/o que no sigan las instrucciones de los manuales de usuario para la auto-reparación o que están disponibles en support.beko.com, podrían dar lugar a problemas de seguridad no imputables a Beko, y anularán la garantía del aparato.

Por lo tanto, se recomienda encarecidamente a los usuarios finales que se abstengan de intentar llevar a cabo reparaciones que queden fuera de la mencionada lista de piezas de repuesto, poniéndose en contacto en tales casos con reparadores profesionales autorizados o con reparadores profesionales registrados. Por el contrario, tales intentos por parte de los usuarios finales pueden causar problemas de seguridad y dañar el aparato y, posteriormente, provocar un incendio, una inundación, una electrocución y lesiones personales graves.

A modo de ejemplo, pero no limitado a, las siguientes reparaciones deben dirigirse a reparadores profesionales autorizados o reparadores profesionales registrados: compresor, circuito de refrigeración, placa principal, placa inverter, placa de visualización, etc.

El fabricante/vendedor no se hace responsable en ningún caso en el que los usuarios finales no cumplan con lo anterior.

La disponibilidad de repuestos del frigorífico que compró es de 10 años. Durante este período, los repuestos originales estarán disponibles para operar el frigorífico correctamente.

La duración mínima de la garantía del refrigerador que ha comprado es de 24 meses. Este aparato está equipado con una fuente de iluminación de clase energética "G".

La fuente de iluminación de este aparato solo debe ser reemplazada por un reparador profesional.

